

PARTS LIST

TARGET[®]

Quickie[®]

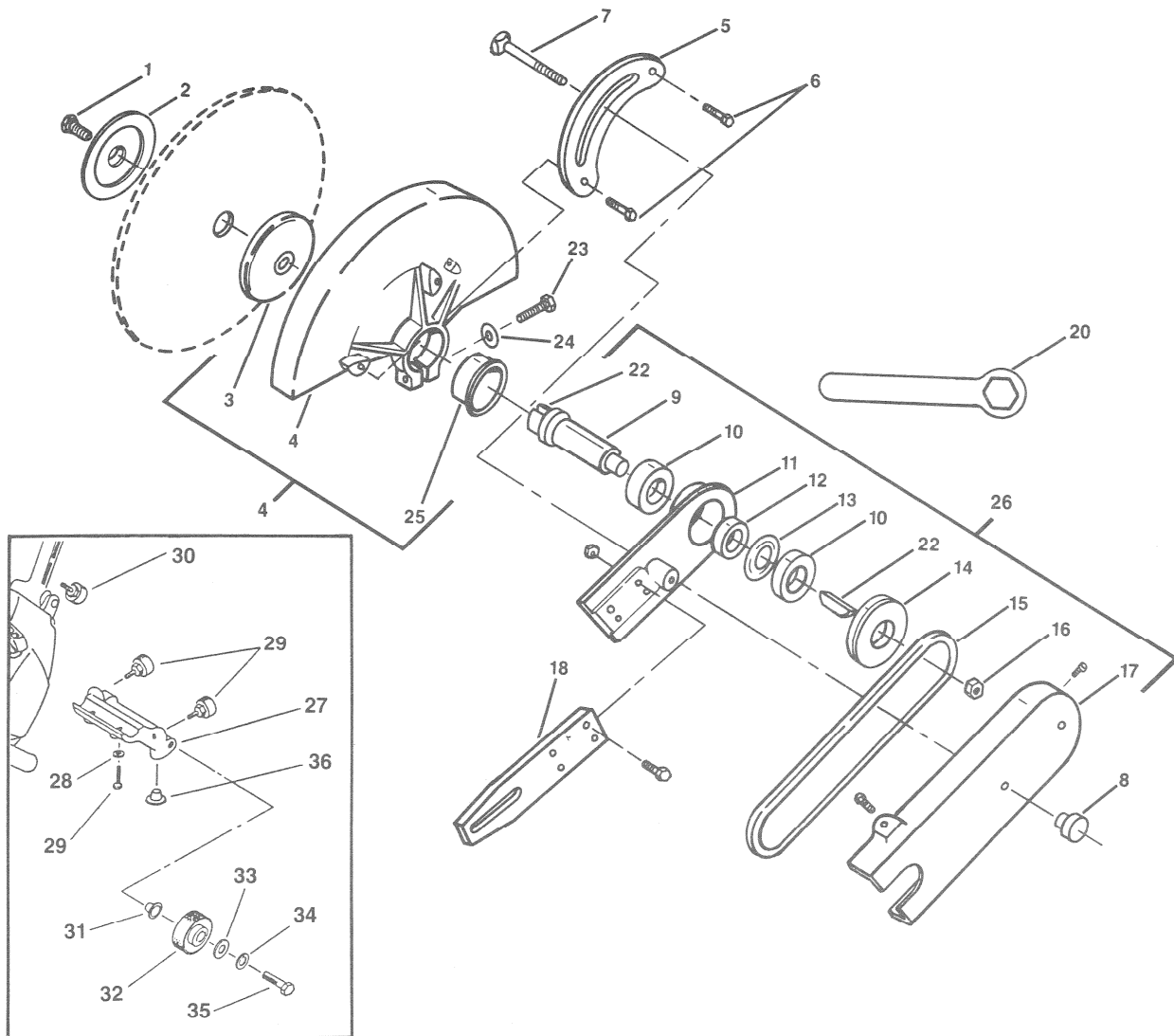
AND

Brilliant. P.O.D.

	52/12
Models	52/14
	62/12
	62/14

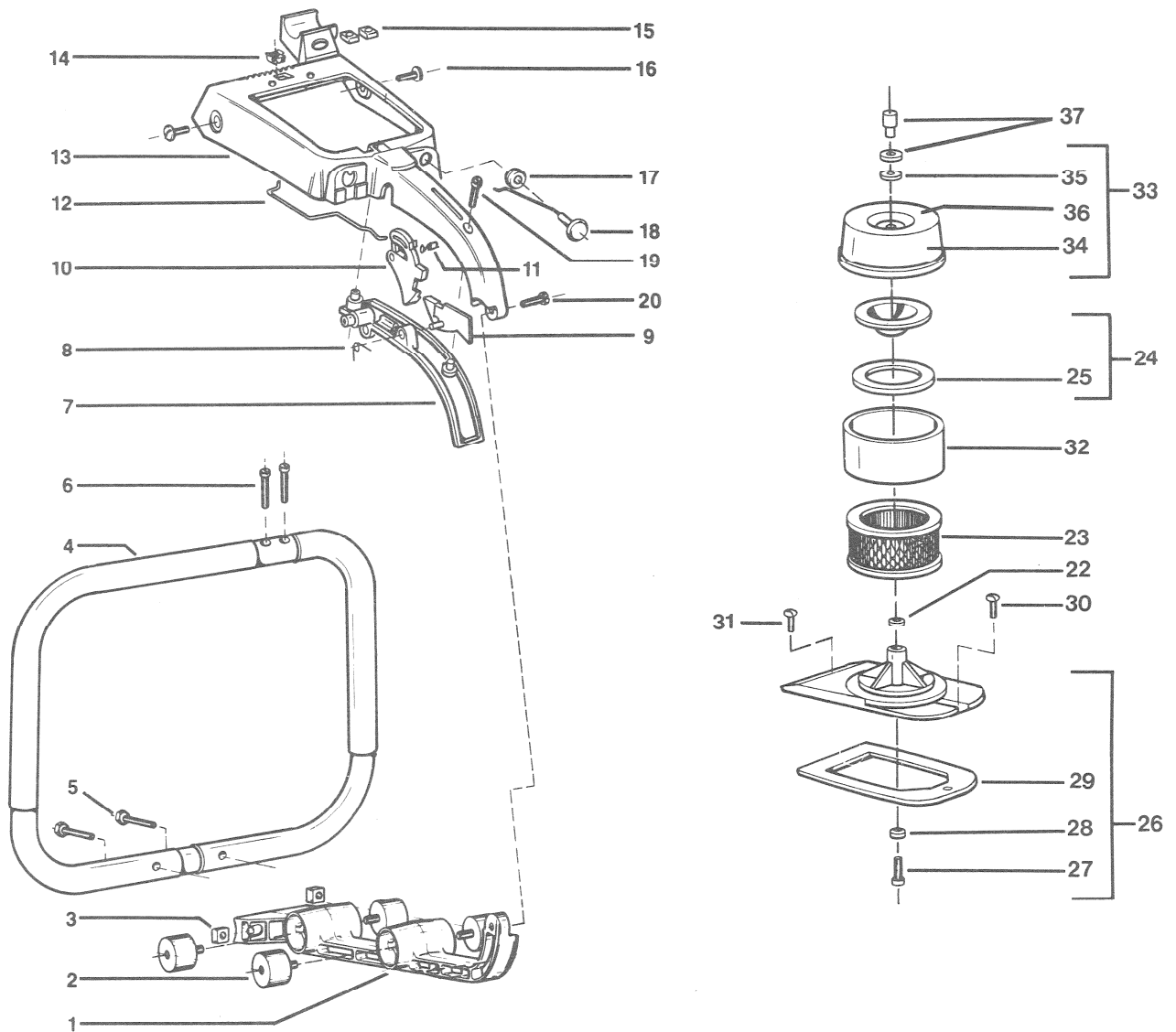
For operating instructions,
maintenance guide and
safety warnings, see your
Target distributor or call
toll free 1 800 821 2261

Supersedes OA-7506/988



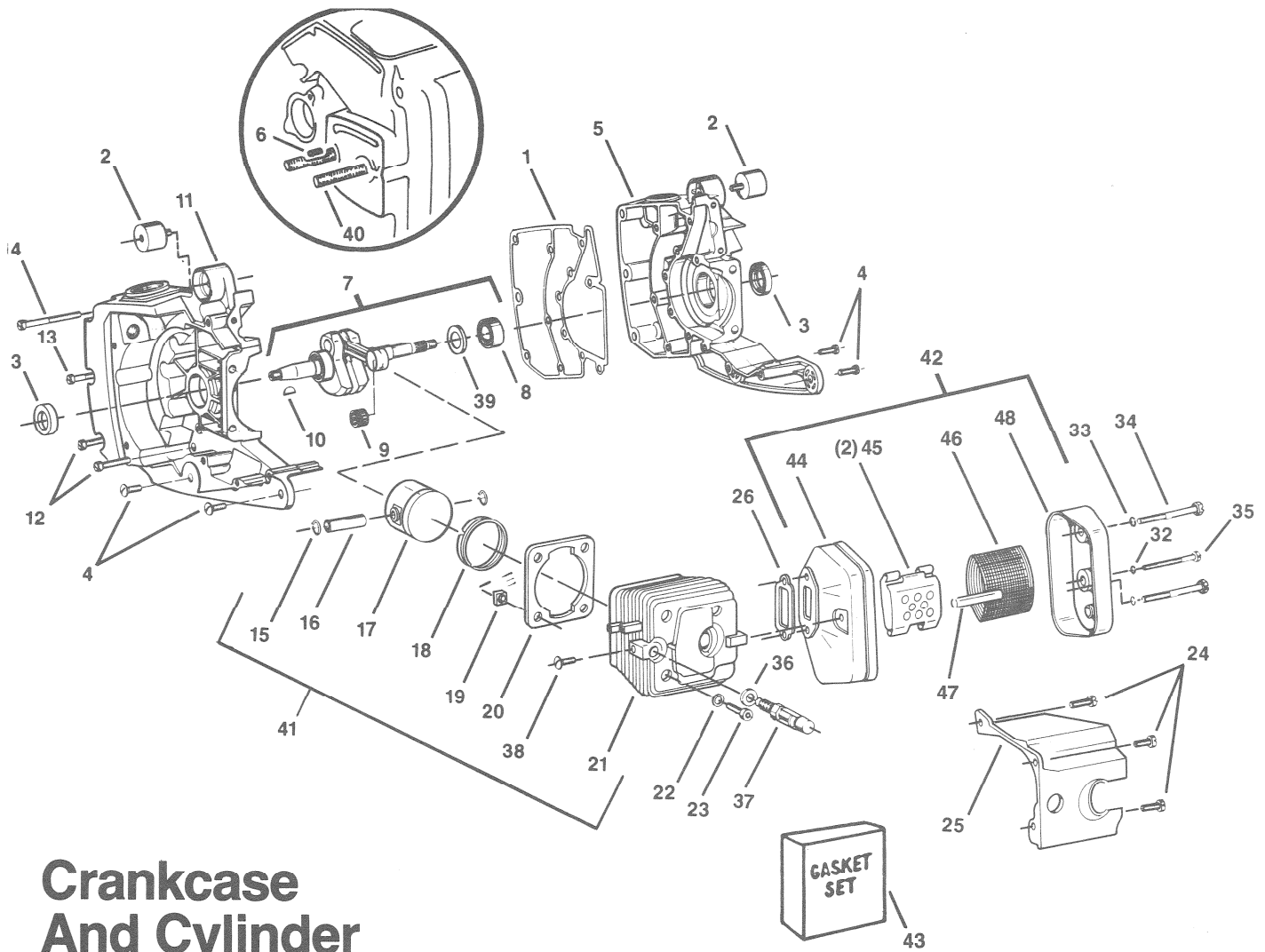
Blade Guard Assembly

DIAG. LOC.	PART NO.	QTY. REQ.	DESCRIPTION	DIAG. LOC.	PART NO.	QTY. REQ.	DESCRIPTION
1	020379	1	Cap Screw 1/2" - 20 UNF. x 7/8"	13	071110	1	Spring, Load
2	071021	1	Flange, Outer	14	079064	1	Pulley, Blade Shaft
3	071031	1	Flange, Inner	15	074025	1	"V" Belt, 3V355
4	074036	1	Guard, Blade, complete for 52/12 and 62/12 (includes 5, 6, 7, 8, 23, 24, 25 and Decals)	16	020216	1	Nut, Self Locking, 1/2" - 20 UNF.
	074038	1	Guard, Blade, complete for 52/14 and 62/14 (includes 5, 6, 7, 8, 23, 24, 25 and Decals)	17	074042	1	Guard, Belt, with Fasteners
	160093	1	Decal - Caution Guard, Top	18	074044	1	Bar, Arm with Fasteners
Not Shown	160133	1	Decal - Caution Guard, Side, for 52/12 and 62/12	20	110551	1	Wrench, Blade Shaft
	160094	1	Decal - Caution Guard, Side, for 52/14 and 62/14	22	020085	2	Key, Woodruff #404 (included in 9)
5	071050	1	Segment, Clamp, with screws (included in 4)	23	071047	1	Cap Screw, Self Locking, 5/16" - 18x1 1/4"
6	020489	1	Screw, 1/4" x 3/4" (included in 4)	24	020785	1	Washer, Lock 5/16" dia.
7	020126	1	Locking Bolt (included in 4)	25	074048	1	Bushing (included in 4)
8	071060	1	Knob (included in 4)	26	074003	1	Spindle Ass'y (includes 1, 2, 3, 9-18, 22)
9	071070	1	Shaft, Blade (includes two Keys, Item 22)	27	161538	1	Cast Foot
10	071081	2	Bearing	28	020784	2	Lock Washer, 1/4"
11	079067	1	Spindle Arm	29	021422	2	Cap Screw, Hex Hd. 1/4" - 28x2" Lg. Grd 8
12	071100	1	Spacer	30	161543	3	Rubber Bumper
				31	161547	2	Plastic Hole Plug
				32	077036	2	Wheel
				33	020764	2	Washer, SAE 3/8"
				34	020786	2	Lock Washer, 3/8"
				35	020380	2	Cap Screw, Hex Hd. 3/8" - 16x1 3/4" Lg.
				36	161547	2	Plastic Hole Plug



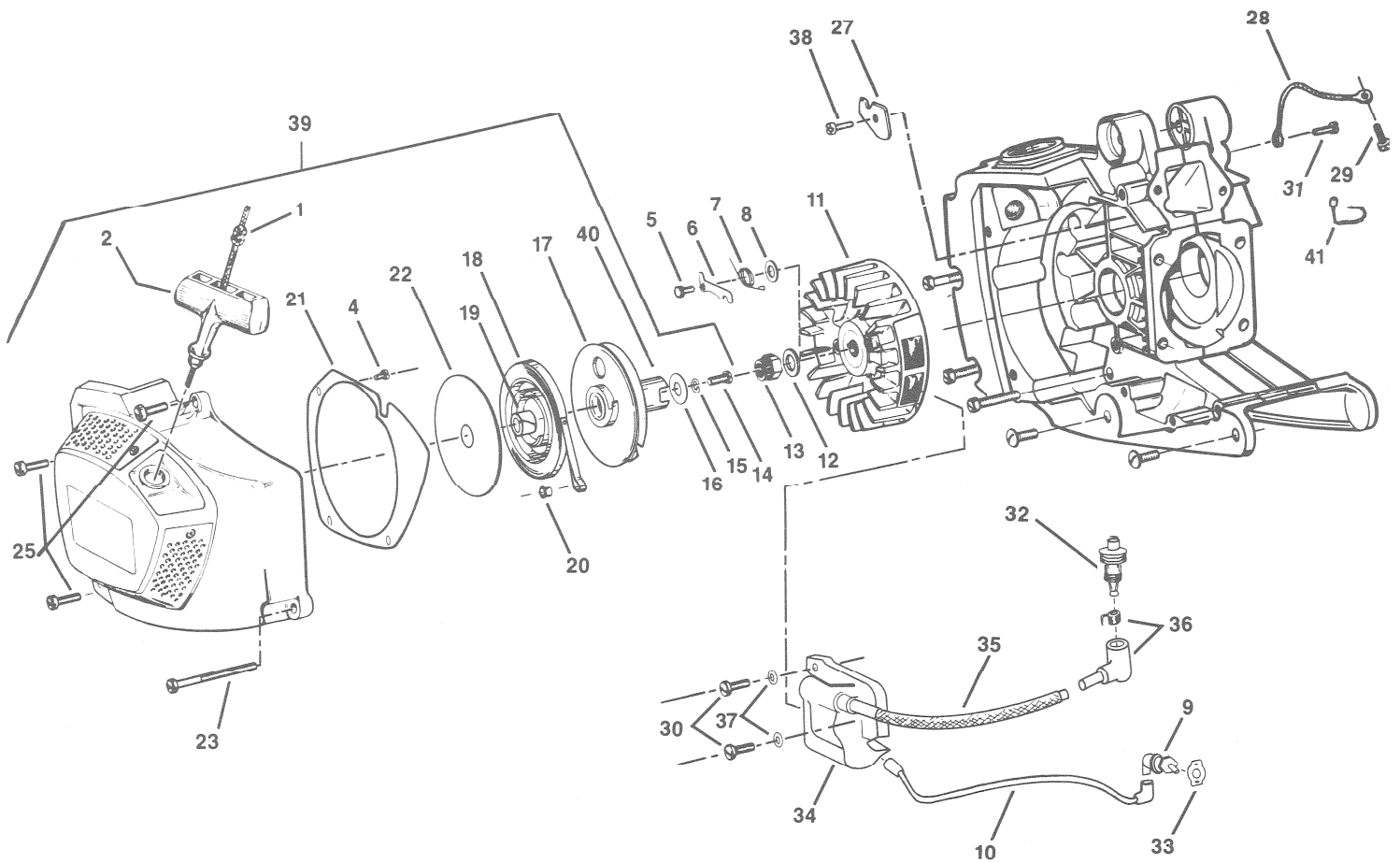
Handle, Frame And Air Filter

DIAG. LOC.	PART NO.	QTY. REQ.	DESCRIPTION	DIAG. LOC.	PART NO.	QTY. REQ.	DESCRIPTION
1	074074	1	Bottom Frame	23	072025	1	Filter Element
2	14430197	4	Shock Mount	24	074005	1	Clamp Ass'y, Filter (includes 25)
3	14431655	2	Nut, Handle	25	074030	1	Gasket
4	14476134	1	Handle, Front	26	074260	1	Filter Base Ass'y (includes 21, 27, 28, 29)
5	14431687	2	Screw, Handle, 1½" long	27	0744253	1	Cap Screw, 5/16"—18 x 1" full thread (included in 26)
6	14433184	2	Screw, Handle, 1-1/8" long	28	020793	1	Lock Washer, 5/16" diameter (included in 26)
7	14473935	1	Grip, Lower	29	074252	1	Gasket, Filter Base (included in 26)
8	14431092	2	Spring, Trigger	30	020486	1	Screw, Mach. #8—32 x 1¼, Truss Head
9	14430840	1	Trigger, Safety	31	020484	1	Screw, Mach. ¼—20 x 1", Truss Head
10	14430327	1	Trigger, Throttle	32	074254	1	Foam Pre-Filter
11	14430399	1	Pin, Trigger	33	074255	1	Filter Cover Assembly (includes 34, 35, 36)
12	14430830	1	Line, Throttle	34	160097	1	Dccal, Operating Instructions
13	144311746	1	Frame, Top	35	074257	1	Gasket
14	14430203	1	Nut—Frame & Filter Base	36	020745	1	Washer
15	14431655	2	Nut—Handle	37	074258	1	Nut, Clamping
16	14432634	2	Screw, Mount				
17	14429650	1	Grommet				
18	14430202	1	Lever, Choke				
19	14431705	1	Screw, Grip				
20	14430887	1	Screw, Frame				
22	074008	1	Gasket, Bolt				



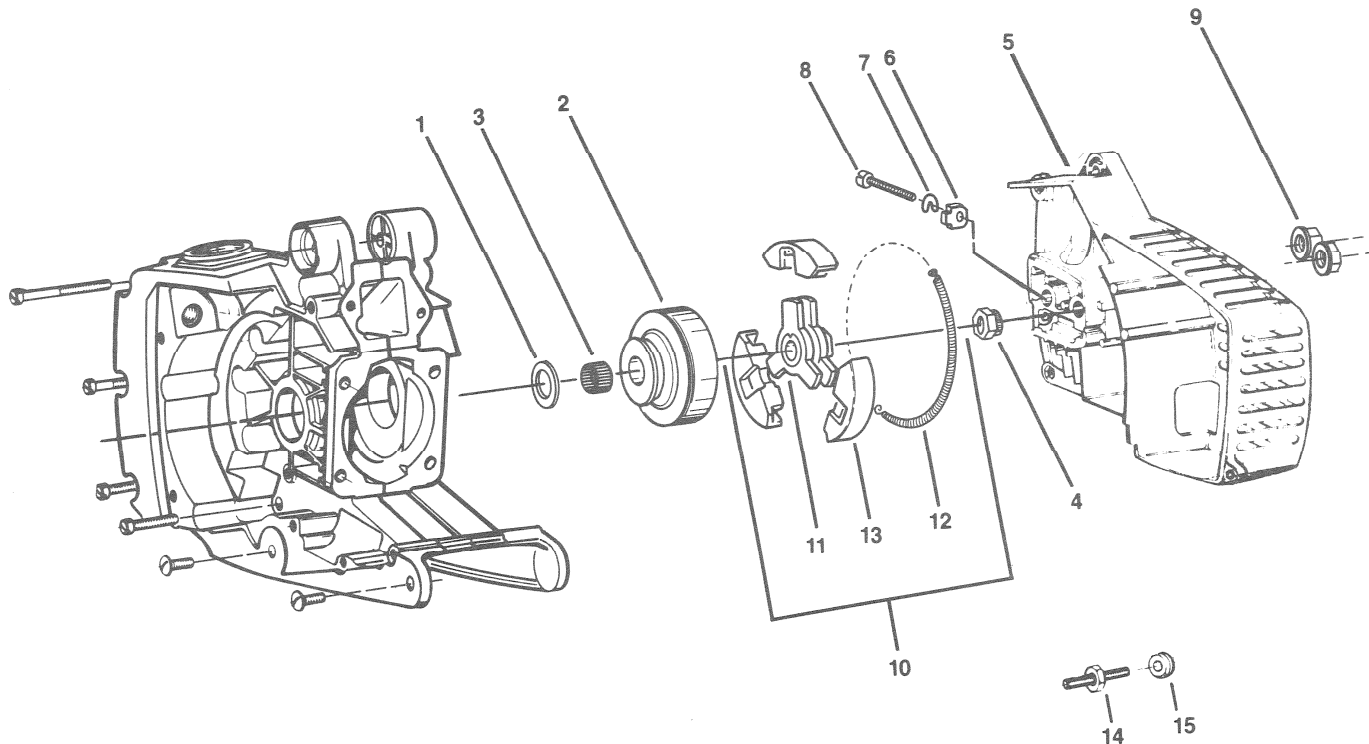
Crankcase And Cylinder

DIAG. LOC.	PART NO.	QTY. REQ.	DESCRIPTION	DIAG. LOC.	PART NO.	QTY. REQ.	DESCRIPTION
1	14430573*	1	Gasket	32	14431683	1	Lockwasher
2	14430197*	2	Shock Absorber	33	14431686	2	Lockwasher
3	14428746*	2	Seal	34	14430992	2	Bolt
4	14432634*	6	Screw	35	14430993	1	Bolt
5	144762126	1	C'Case Drive (included #6 and 40)	36	14432302*	1	Washer
6	14431696*	1	Pin-C'Case (incl. in item #5)	37	14475356*	1	Decompression Valve } (incl. in item #21)
7	14475422*	1	Crankshaft Assembly (includes 8, 9, 10, 39)	38	14429928*	1	Screw
8	14432536*	2	Bearing—Crankshaft	39	14430913*	2	Thrust Washer (incl. in item #7)
9	14430743*	1	Bearing—Wrist Pin	40	14433228	2	Stud (included in #5)
10	14432210*	1	Key, 5/16" long (incl. in item #7)	41	14476293	1	Cylinder Ass'y (incl. items 15, 16, 17, 18, 20, 21, 37, 38) Models 52/12, 52/14
11	144332276	1	C'Case Mag Side	41	14476294	1	Cylinder Ass'y (incl. items 9, 15, 16, 17, 18, 20, 21, Models 62/12, 62/14)
12	14431650*	12	Screw x 1 1/4" Long	42	14476015	1	Muffler Ass'y Complete
13	14431690*	2	Screw x 2 1/4" Long	43	074062	1	Gasket Set
14	14431658*	1	Screw x 2 1/2" Long	44	14433095	1	Muffler Body
15	14428781*	2	Retainer	45	14433096	2	Exhaust Channels
16	14433221.J	1	Wrist Pin	46	14433104	1	Screen, Spark Arrestor
17	14475398J*	1	Piston—52/12 & 52/14	47	14430835	1	Spacer
18	14476208J*	1	Piston—62/12 & 62/14	48	14476007	1	Muffler Cover
19	14474590*	1	Ring Set—52/12 & 52/14				
20	14475227*	1	Ring Set—62/12 & 62/14				
21	14431655*	4	Nut				
22	14433226*	1	Cyl. Base Gasket—				
23	14433047*	1	Cylinder—52/12 & 52/14				
24	14433223*	1	Cylinder—62/12 & 62/14	Not Shown	14496001	1	Short Block Ass'y 52/12, 52/14 (includes items marked *)
25	14431706*	4	Washer				
26	14431691*	4	Screw—Allen Hd. x 1" Long	Not Shown	14497001	1	Short Block Ass'y 62/12, 62/14 (includes items marked *)
27	14431649	3	Screw x 5/8" Long				
28	14432899	1	Shroud				
29	14430684	1	Gasket				



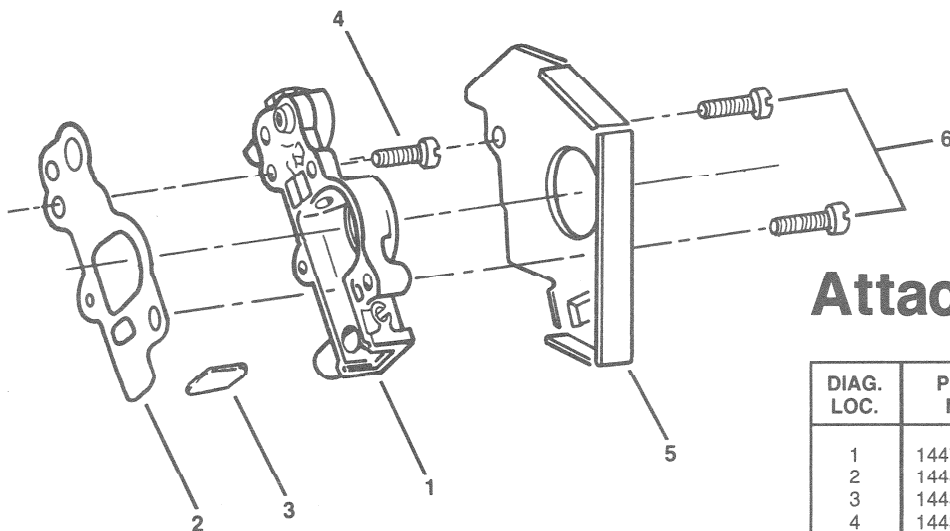
Starter And Flywheel Ignition

DIAG. LOC.	PART NO.	QTY. REQ.	DESCRIPTION	DIAG. LOC.	PART NO.	QTY. REQ.	DESCRIPTION
1	074112*	1	Starter Rope (incl. item #40)	22	14430812*	1	Fibre Washer
2	14475297*	1	Handle Ass'y	23	14433159*	1	Screw x 1 1/4" Long
4	14431695*	4	Screw x 1/4" Long	25	14433158*	3	Screw
5	14430877	2	Pawl Pivot	27	14431436	1	Plate
6	14430876	2	Pawl		14430990	1	Ground Wire
7	14431416	2	Pawl Spring	29	14429266	1	Screw
8	14430878	2	Washer-Pawl	30	14431705	2	Screw
9	14475623	1	Switch	31	14429928	1	Screw
10	14433248	1	Switch Wire	32	015080	1	Spark Plug
11	14433294	1	Flywheel	33	14432916	1	Switch Plate
12	14429851	1	Washer	34	14476342	1	Ignition Ass'y (includes 10, 35 & 36)
13	14430800	1	Nut	35	14430694	1	Sleeve
14	14431694*	1	Screw	36	14476096	1	Spark Ass'y
15	14431692*	1	Lockwasher	37	14431640	2	Washer
16	14428105*	1	Washer	38	14431689	1	Screw
17	14476135*	1	Starter Pulley	39	160052	1	Starter Ass'y (includes items marked*)
18	14431325*	1	Starter Spring	40	14432135*	1	Clamp (included in 17)
19	14428444*	1	Bushing (incl. in 17)	41	14432140	1	Clip
20	14431004*	1	Bushing	Not Shown	14474945	1	T-Wrench
21	14430576*	1	Baffle				



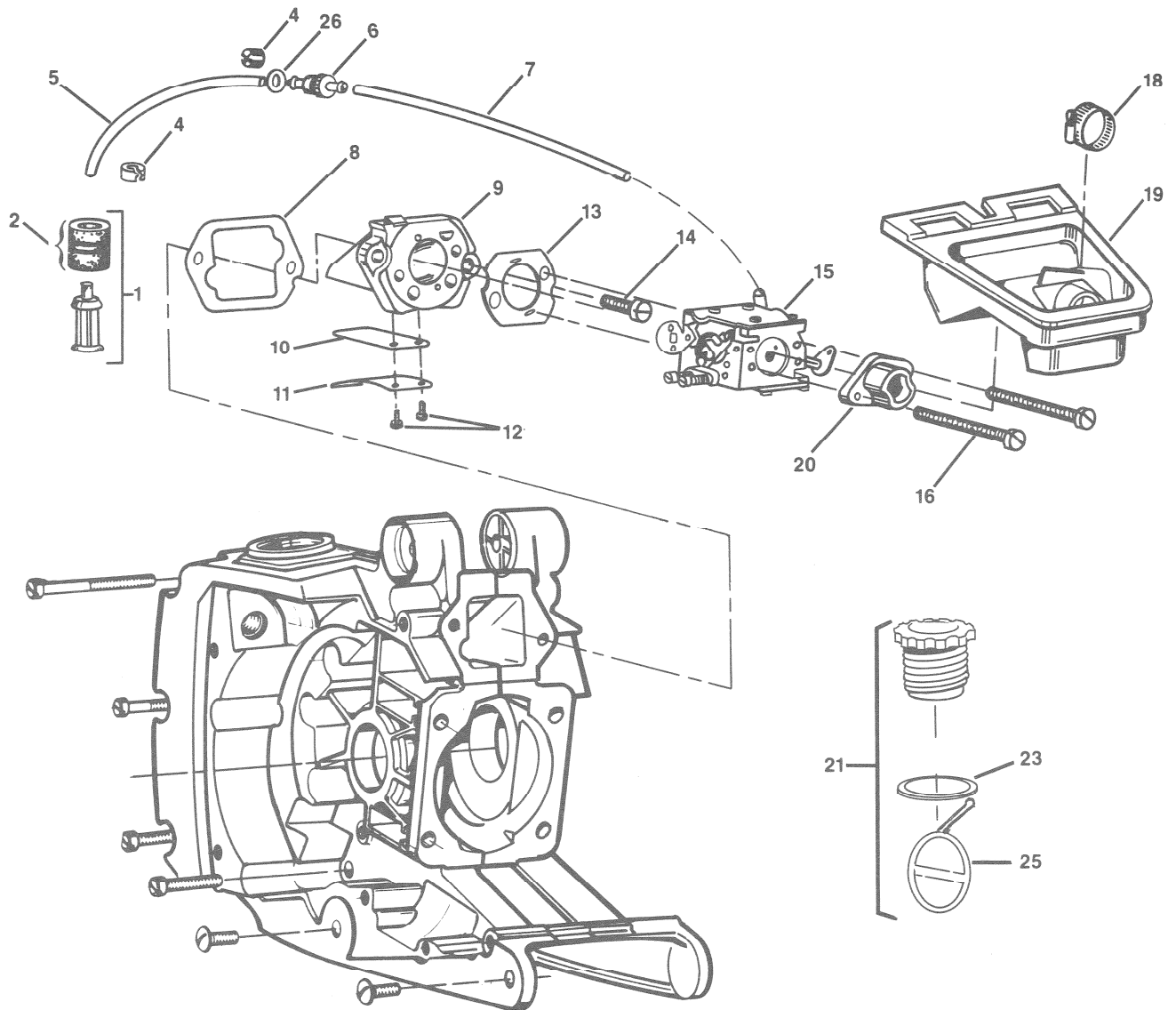
Clutch And Drive

DIAG. LOC.	PART NO.	QTY. REQ.	DESCRIPTION	DIAG. LOC.	PART NO.	QTY. REQ.	DESCRIPTION
1	14430848	1	Thrust Washer	9	14433036	2	Flanged Nut
2	14475360	1	Drum & Pulley (includes #3)	10	14475976	1	Clutch Ass'y (incl. items #11, 12, 13)
3	14432193	1	Bearing (incl. in item #2)	11	14433133	1	Driver
4	14430800	1	Nut	12	14431200	1	Spring
5	144764156	1	Clutch Cover	13	14433102	3	Clutch Shoe
6	14432339	1	Pin Adj.	14	14433041	1	Mounting Stud
7	14431636	1	"E" Clip	15	14433042	1	Rubber Bushing
8	14432613	1	Screw Adj.				



Attachment Cover

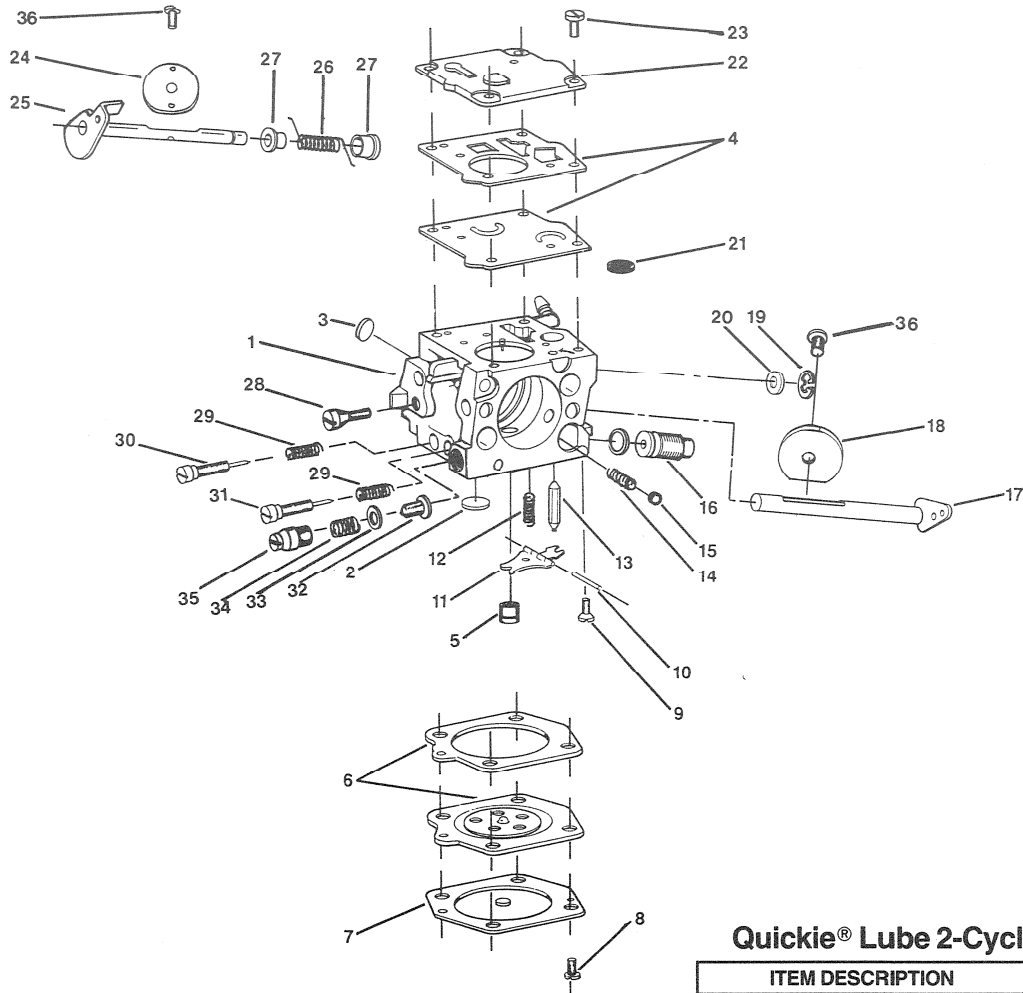
DIAG. LOC.	PART NO.	QTY. REQ.	DESCRIPTION
1	14475369	1	Inactive Pump
2	14430228	1	Gasket
3	14430229	1	Dust Shield
4	14431669	1	Screw-Pump x 3/4" Long
5	14431317	1	Dirt Shield
6	14431642	2	Screw-Pump x 1" Long



Carburetor And Fuel Pickup

DIAG. LOC.	PART NO.	QTY. REQ.	DESCRIPTION	DIAG. LOC.	PART NO.	QTY. REQ.	DESCRIPTION
1	14476465	1	Pickup Body & Filter Ass'y	13	14432843	1	Gasket-Carb.
2	14476570*	1	Fuel Filter	14	14431653	2	Screw-Reed x 3/4" Long
4	14430545	2	Speed Clip	15	14476559	1	Carburetor
5	14431535	1	Pickup Hose	16	14431657	2	Screw-Carb. x 2" Long
6	14431268	1	Fuel Connector	18	14432100	1	Clamp
7	14431536	1	Fuel Hose	19	14432734	1	Intake Boot
8	14430859	1	Gasket-Reed	20	14432911	1	Blowback Tube
9	14476213	1	Reed Ass'y (incl. 10, 11, 12)	21	14475167	1	Gas Cap Ass'y (incl. 23, 25)
10	14433023	1	Reed				
11	14432192	1	Backing Plate	23	14429946	1	"O" Ring
12	14433162	2	Screw-Reed	25	14433006	1	Retainer
				26	14431271	1	Washer

*Available in package of 10 only



Quickie® Lube 2-Cycle Engine Oil

ITEM DESCRIPTION	ITEM NO.
8 oz. bottle	161039
Case of 48 8 oz.	161040
3.2 oz. bottle	161041
Case of 48 3.2 oz.	161042

Carburetor Parts And Kits

DIAG. LOC.	PART NO.	QTY.	DESCRIPTION	DIAG. LOC.	PART NO.	QTY.	DESCRIPTION
1	14476559	1	Carburetor Complete (Walbro)	21	No Part No. Δ	1	Fuel Screen
2	No Part No. Δ	1	Welsh Plug	22	14433509	1	Pump Cover
3	No Part No.	1	Welsh Plug	23	14430751	4	Screw
4	No Part No.	1	Pump Diaphragm & Gasket	24	14433511	1	Throttle Shutter
5	No Part No. Δ	1	Discharge Jet	25	14433510	1	Throttle Shaft
6	No Part No. Δ*	1	Metering Diaphragm & Gasket	26	14433519	1	Spring
7	14316702	1	Metering Diaphragm Cover	27	14103101	2	Bushing
8	14108701	4	Screw	28	14433518	1	Idle Screw
9	14430764 Δ	1	Screw	29	14210050	2	Spring, Speed Adjustment
10	14430757 Δ	1	Inlet Lever Pin	30	14433521	1	Low Speed Adjustment Screw
11	14316734 Δ	1	Inlet Lever	31	14433522	1	High Speed Adjustment Screw
12	14117601 Δ	1	Spring, Inlet Lever	32	14433516 Δ *	1	Diaphragm, Excellerator Pump
13	14117001 Δ	1	Inlet Needle	33	14433524	1	Washer
14	14117701	1	Spring, Choke	34	14433520	1	Spring, Excellerator Pump
15	14117101	1	Ball, Choke	35	14433515	1	Plug, Screw
16	14433626	1	Governor	36	14433517	1	Screw
17	14433512	1	Choke Shaft	Δ	14433526	1	Gasket & Diaphragm Set (Items marked Δ)
18	14430749	1	Choke Shutter	*	14433525	1	Carburetor Repair Kit (Items marked *)
19	14140008	1	E-Clip				
20	14028301	1	Washer				