

**PARTS LIST**

**TARGET<sup>®</sup>**

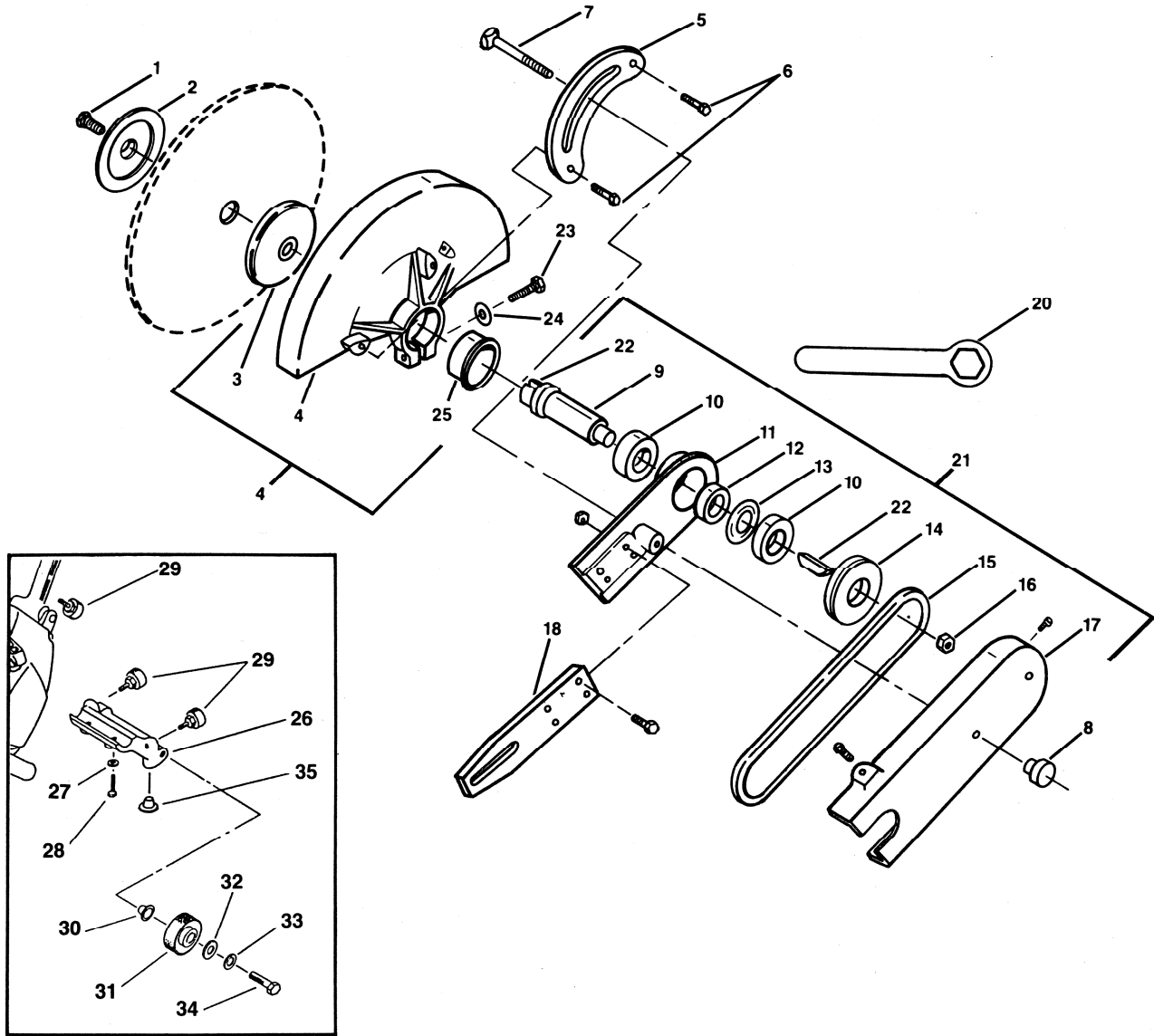
**Quickie<sup>®</sup>**

AND

**Brilliant. *P.O.D.*<sup>®</sup>**  
**Model 42/12**

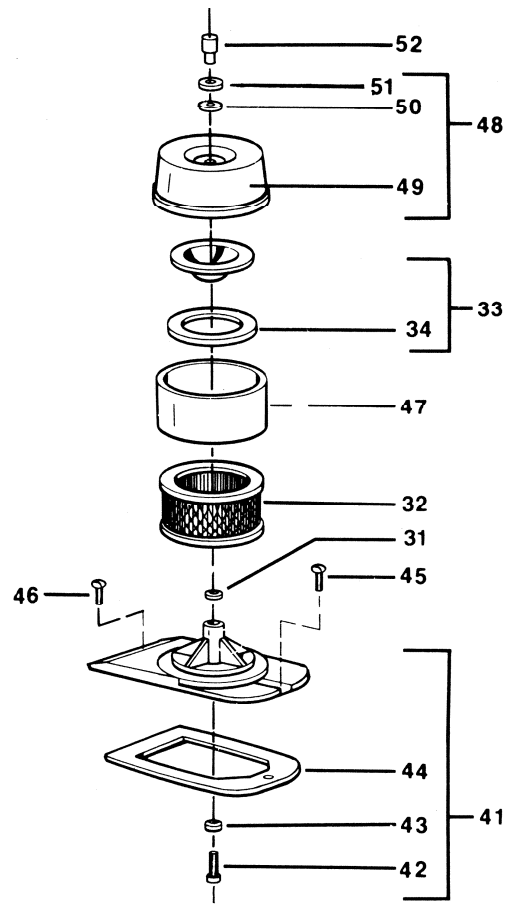
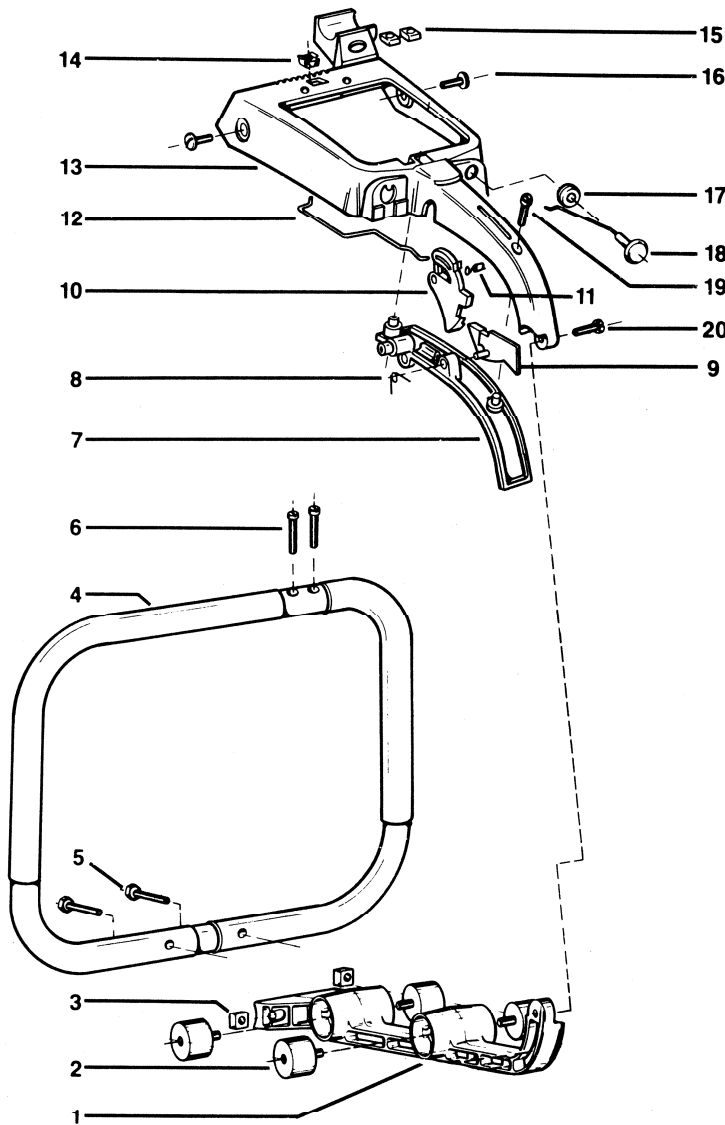
For operating instructions,  
maintenance guide and  
safety warnings, see your  
Target distributor or call  
toll free 1 800 821 2261

(Supercedes OA-7504/186/C)



## BLADE GUARD ASSEMBLY

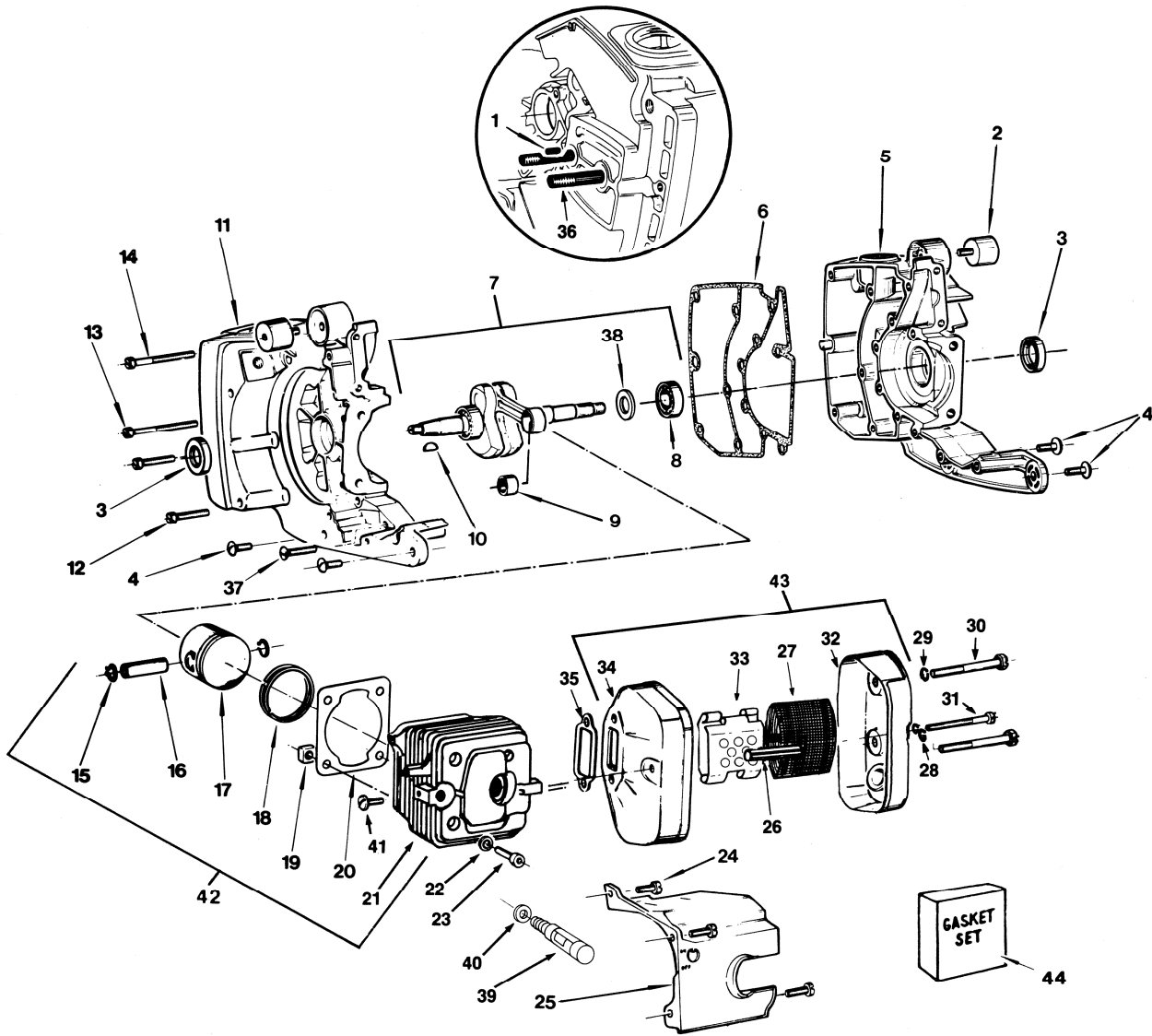
DIAG. LOC.	PART NO.	QTY. REQ.	DESCRIPTION	DIAG. LOC.	PART NO.	QTY. REQ.	DESCRIPTION
1	020379	1	Cap Screw 1/2" - 20 UNF. x 7/8"	21	074043	1	Spindle Assembly (includes 1, 2, 3, 9-18 & 22)
2	071021	1	Flange, Outer	22	020085	2	Key, Woodruff #404 (included in 9)
3	071031	1	Flange, Inner	23	071047	1	Cap Screw, Self Locking, 5/16" - 18 x 1 1/4"
4	074036	1	Guard, Blade, complete for 42/12 (includes 5, 6, 7, 8, 23, 24, 25, & Decals)	24	020785	1	Washer, Lock, 5/16" dia.
5	071050	1	Segment, Clamp, with screws (included in 4)	25	074048	1	Bushing (included in 4)
6	020489	1	Screw, 1/4" - 20 x 3/4" (included in 4)	26	161538	1	Cast Foot
7	020126	1	Locking Bolt (included in 4)	27	020784	2	Lock Washer, 1/4"
8	071060	1	Knob (included in 4)	28	021422	2	Cap Screw, Hex Hd. 1/4" - 28 x 2" Lg. Grd 8
9	071070	1	Shaft, Blade (includes two Keys, Item 22)	29	161543	3	Rubber Bumper
10	071081	2	Bearing	30	161547	2	Plastic Hole Plug
11	074052	1	Spindle Arm	31	077036	2	Wheel
12	071100	1	Spacer	32	020764	2	Washer, SAE 3/8"
13	071110	1	Spring, Load	33	020786	2	Lock Washer, 3/8"
14	079064	1	Pulley, Blade Shaft	34	020380	2	Cap Screw, Hex Hd. 3/8" - 16 x 1 3/4" Lg.
15	072015	1	"V" Belt, 3V335	35	161547	2	Plastic Hole Plug
16	020216	1	Nut, Self Locking, 1/2" - 20 UNF.	Not Shown	160093	1	Decal, Caution (incl. in 4) Top
17	074092	1	Guard, Belt, with Fasteners	Not Shown	160133	1	Decal, Caution (incl. in 4) Side
18	074093	1	Bar, Arm with Fasteners	Not Shown	160086	2	Decal, Quickie (incl. in 4)
20	110551	1	Wrench, Blade Shaft	Shown			



CURRENT FILTER

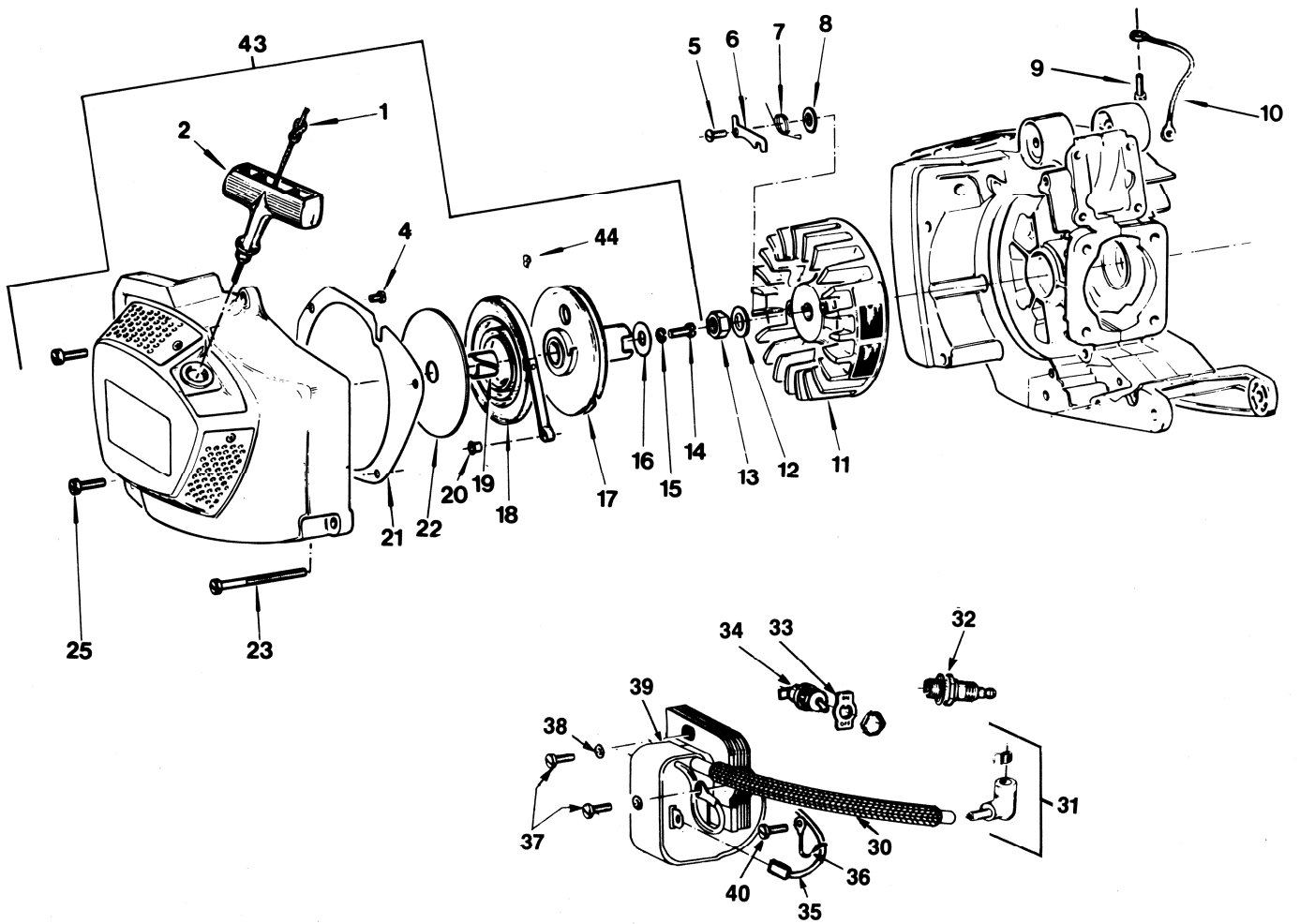
## HANDLE, FRAME AND AIR FILTER

DIAG. LOC.	PART NO.	QTY. REQ.	DESCRIPTION	DIAG. LOC.	PART NO.	QTY. REQ.	DESCRIPTION
1	074095	1	Bottom Frame	32	072025	1	Filter Element
2	14430197	4	Shock Mount	33	074005	1	Clamp Assy Filter (includes 34)
3	14431655	2	Nut, Handle	34	074030	1	Gasket, included in 33
4	14476193	1	Handle, Front	41	074260	1	Filter Base Assy (includes 42, 43, 44)
5	14431687	2	Screw, Handle, 1½" long	42	074253	1	Cap Screw, 5/16" - 18 x 1" full thread, included in 41
6	14433184	2	Screw, Handle, 1½" long	43	020793	1	Lock Washer, 5/16" diameter, included in 41
7	14473935	1	Grip, Lower	44	074252	1	Gasket, Filter Base, included in 41
8	14431092	2	Spring, Trigger	45	020486	1	Screw, Mach. #8 - 32 x 1¾", Truss Head
9	14430840	1	Trigger, Safety	46	020484	1	Screw, Mach. ¼ - 20 x 1", Truss Head
10	14430327	1	Trigger, Throttle	47	074254	1	Foam Pre-Filter
11	14430399	1	Pin, Trigger	48	074255	1	Filter Cover Assembly (includes 49, 50, 51)
12	14430830	1	Link, Throttle	49	160097	1	Decal (incl. in 48)
13	144311746	1	Frame, Top	50	074257	1	Gasket (incl. in 48)
14	14430203	1	Nut - Frame & Filter Base	51	020745	1	Washer
15	14431655	2	Nut - Handle	52	074258	1	Nut, Clamping
16	14432634	2	Screw - Mount				
17	14429650	1	Grommet				
18	14430202	1	Lever, Choke				
19	14431705	1	Screw, Grip				
20	14430887	1	Screw, Frame				
31	074008	1	Gasket, Bolt				



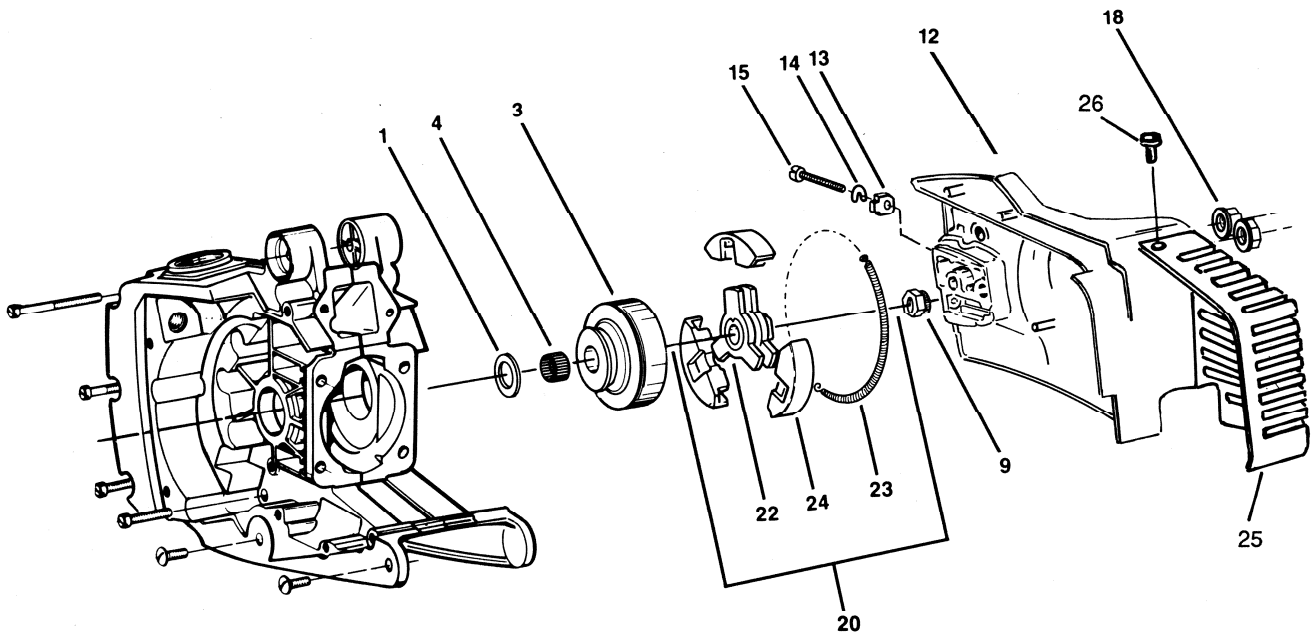
## CRANKCASE AND CYLINDER

DIAG. LOC.	PART NO.	QTY. REQ.	DESCRIPTION	DIAG. LOC.	PART NO.	QTY. REQ.	DESCRIPTION
1	14431696	1	Pin - Crankcase (included in item #5)	23	14431691*	4	Screw, Allen Head x 1" long
2	14430197*	2	Shock Absorber	24	14431649	3	Screw x 5/8" long
3	14428746*	2	Seal	25	14433262	1	Shroud
4	14432634	6	Screw	26	14430835	1	Spacer
5	144762236	1	Crankcase - Driveside (includes items 1 & 36)	27	14433104	1	Screen, Spark Arrestor
6	14430190	1	Gasket	28	14431683	1	Lockwasher
7	14476196	1	Crank Shaft (includes items 8-10, 38)	29	14431686	2	Lockwasher
8	14432536	2	Bearing (included in item #7)	30	14430992	2	Bolt, Exhaust
9	14431408*	1	Wrist Pin Bearing	31	14430993	1	Bolt, Exhaust
10	14432210*	1	Key, Flywheel	32	14476007	1	Muffler Cover
11	144309256	1	Crankcase - Mag Side	33	14433096	2	Exhaust Channel
12	14431650*	9	Screw x 1 1/4" long	34	14433095	1	Muffler Body
13	14431658*	1*	Screw x 2 1/2" long	35	14430684	1	Gasket
14	14431690*	3	Screw x 2 1/4" long	36	14433228*	2	Stud (included in item #5)
15	14429548*	2	Retainer	37	14431642	1	Bolt x 1" long
16	14429546*	1	Wrist Pin	38	14430913*	1	Thrust Washer (included in item #7)
17	14475355J	1	Piston	39	14475356	1	Decompression Valve
18	14473961*	1	Ring Set	40	14432302	1	Washer
19	14431655*	4	Nut (not included in item 42)	41	14429928	1	Screw
20	14430184*	1	Cyl. Base Gasket	42	14476292	1	Cylinder Ass'y Complete (including items 9, 15-18, 20, 21)
21	14476354	1	Cylinder	43	14476015	1	Muffler Complete
22	14431706*	4	Washer	44	074147	1	O.H. Gasket Set
				Not Shown	14495001		Short Block Ass'y (includes all items marked*)

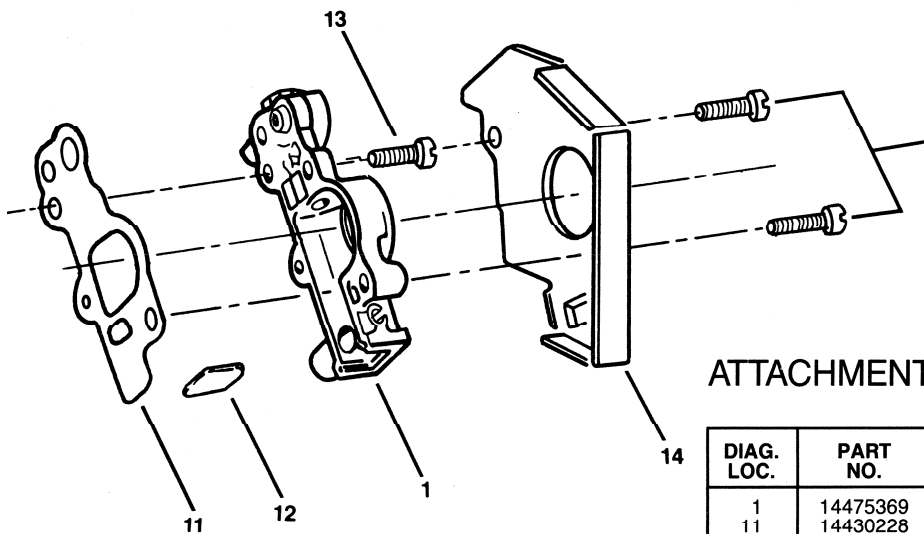


## STARTER AND FLYWHEEL IGNITION

DIAG. LOC.	PART NO.	QTY. REQ.	DESCRIPTION	DIAG. LOC.	PART NO.	QTY. REQ.	DESCRIPTION
1	074112	1	Starter Rope (includes 44) (incl. in 43)	21	14430915	1	Baffle, Air Deflector (incl. in #43)
2	14475297	1	Handle Ass'y (incl. in 43)	22	14430812	1	Fiber Washer (incl. in #43)
4	14431695	4	Screw x 1/4" (incl. in 43)	23	14433160	1	Screw (incl. in #43)
5	14430877	2	Pawl Pivot	25	14433157	3	Screw (incl. in #43)
6	14430876	2	Pawl	30	14430694	1	Sleeve
7	14431416	2	Pawl Spring	31	14476096	1	Spark Ass'y
8	14430878	2	Washer, Pawl	32	015080	1	Spark Plug
9	14429266	1	Screw	33	14432916	1	Switch Plate
10	14430990	1	Ground Wire	34	14475623	1	Switch
11	14433294	1	Flywheel	35	14433248	1	Switch Wire
12	14432135	1	Washer (incl. in #43)	36	14431022	1	Clip
13	14430800	1	Nut	37	14431705	2	Screw x 3/4" long
14	14431694	1	Screw x 1/2" (incl. in 43)	38	14431640	2	Washer
15	14431692	1	Lock Washer (incl. in 43)	39	14476342	1	C.D. Ignition Unit
16	14428105	1	Washer (incl. in 43)	40	14431689	1	Screw x 7/16"
17	14476135	1	Starter Pulley (incl. in #43)	43	160051	1	Starter Ass'y (incl. items 1-4, 14-25 & 44)
18	14431325	1	Starter Spring (incl. in #43)	44	14432135	1	Clamp (incl. in 1 and 43)
19	14428444	1	Bushing (incl. in #43)	45	14474945	1	T-Wrench (Not Shown)
20	14431004	1	Bushing (incl. in #43)				

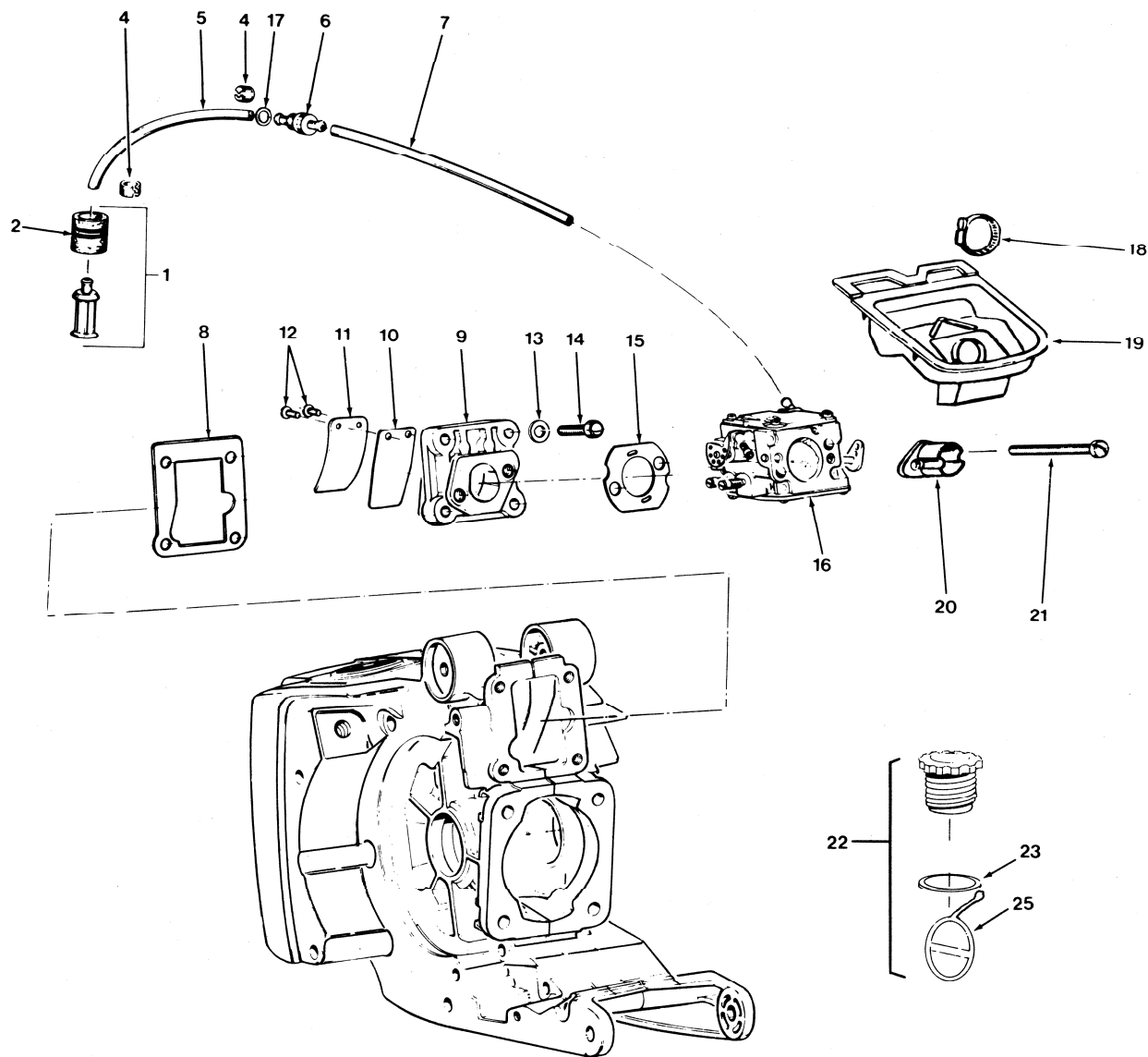


DIAG. LOC.	PART NO.	QTY. REQ.	DESCRIPTION	DIAG. LOC.	PART NO.	QTY. REQ.	DESCRIPTION
1	14430848	1	Thrust Washer	18	14433036	2	Flanged Nut
3	14475360	1	Drum & Pulley (includes #4)	20	14475976	1	Clutch Assembly (incl. 22, 23, 24)
4	14432193	1	Bearing (incl. in item #3)	22	14433133	1	Driver
9	14430800	1	Nut	23	14431200	1	Spring
12	149764146	1	Clutch Cover (incl. 13, 14, 15, 25, 26)	24	14433102	3	Clutch Shoe
13	14432339	1	Pin-Adj.	25	14432896	1	Cover Plastic
14	14431636	1	"E" Clip	26	14432930	3	Screw
15	14432613	1	Screw-Adj.				



### ATTACHMENT COVER

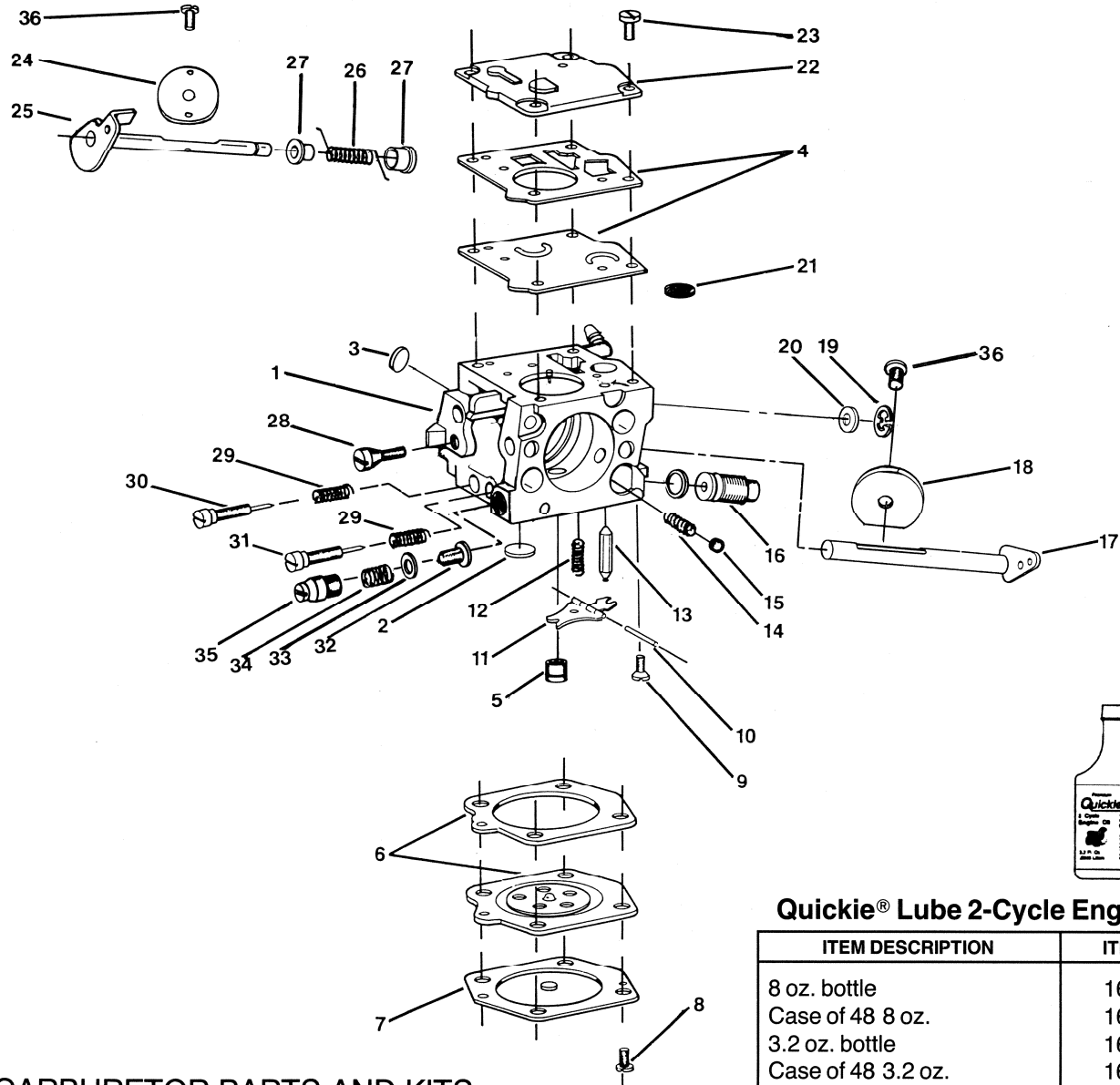
DIAG. LOC.	PART NO.	QTY. REQ.	DESCRIPTION
1	14475369	1	Inactive Pump
11	14430228	1	Gasket
12	14430229	1	Dust Shield
13	14431669	1	Screw - Pump 3/4" long
14	14431596	1	Dirt Shield
15	14431642	2	Screw - Pump 1" long



## CARBURETOR AND FUEL PICKUP

DIAG. LOC.	PART NO.	QTY. REQ.	DESCRIPTION	DIAG. LOC.	PART NO.	QTY. REQ.	DESCRIPTION
1	14475058	1	Pickup Body & Filter Ass'y (includes 2)	14	14431653	4	Screw, Reed
2	14476465	1	Filter (incl. in 1)	15	14432843	1	Gasket, Carb
4	14430545	2	Speed Clip	16	14475459	1	Carburetor
5	14476570*	1	Pickup Hose	17	14431271	1	Washer, Connector
6	14431268	1	Fuel Line Connector	18	14476559	1	Clamp
7	14431537	1	Fuel Hose	19	14432734	1	Intake Boot
8	14430191	1	Gasket, Reed Valve	20	14432911	1	Blow-Back Tube
9	14475366	1	Reed Valve Ass'y (incl. 10, 11, 12)	21	14431657	2	Screw, Carb.
10	14428336	1	Reed (incl. in 9)	22	14475167	1	Fuel Cap Ass'y (incl. 23, 24, 25, 26)
11	14432192	1	Backing Plate (incl. in #9)	23	14429946	1	O Ring (incl. in 22)
12	14432523	2	Screw, Reed (incl. in #9)	24	14427273	1	Locking Plate (incl. in 22)
13	14431688	4	Washer	25	14433006	1	Retainer (incl. in #22)

\*Available in package of 10 only



## CARBURETOR PARTS AND KITS

### Quickie® Lube 2-Cycle Engine Oil

ITEM DESCRIPTION	ITEM NO.
8 oz. bottle	161039
Case of 48 8 oz.	161040
3.2 oz. bottle	161041
Case of 48 3.2 oz.	161042

DIAG. LOC.	PART NO.	QTY.	DESCRIPTION	DIAG. LOC.	PART NO.	QTY.	DESCRIPTION
1	14476559	1	Carburetor Complete (Walbro)	20	14028301	1	Washer
2	No Part No.Δ	1	Welsh Plug	21	No Part No.	1	Fuel Screen
3	No Part No.	1	Welsh Plug	22	14433509	1	Pump Cover
4	No Part No.	1	Pump Diaphragm & Gasket	23	14430751	4	Screw
5	No Part No.Δ	1	Discharge Jet	24	14433511	1	Throttle Shutter
6	No Part No.Δ*	1	Metering Diaphragm & Gasket	25	1433510	1	Throttle Shaft
7	14316702	1	Metering Diaphragm Cover	26	14433519	1	Spring
8	14108701	4	Screw	27	14103101	2	Bushing
9	14430764Δ	1	Screw	28	14433518	1	Idle Screw
10	14430757Δ	1	Inlet Lever Pin	29	14210050	2	Spring, Speed Adjustment
11	14316734Δ	1	Inlet Lever	30	14433521	1	Low Speed Adjustment Screw
12	14117601Δ	1	Spring, Inlet Lever	31	14433522	1	High Speed Adjustment Screw
13	14117001Δ	1	Inlet Needle	32	14433516 *	1	Diaphragm, Excellerator Pump
14	14117701	1	Spring, Choke	33	14433524	1	Washer
15	14117101	1	Ball, Choke	34	14433520	1	Spring, Excellerator Pump
16	14433626	1	Governor	35	14433515	1	Plug, Screw
17	14433512	1	Choke Shaft	36	14433517	1	Screw
18	14430749	1	Choke Shutter	Δ	14433526	1	Gasket & Diaphragm Set (Items marked )
19	14140008	1	E-Clip	✱	14433525	1	Carburetor Repair Kit (Items marked *)