

2019/05/01 10:04:17

Model Code 364523 **Model Name** QC-HT(MUS) **Index Name** QC-HT(MUS)

PARTS LIST

QC-HT

CONTENTS

1. QC-HT 1 ~ 2

2016. 06.



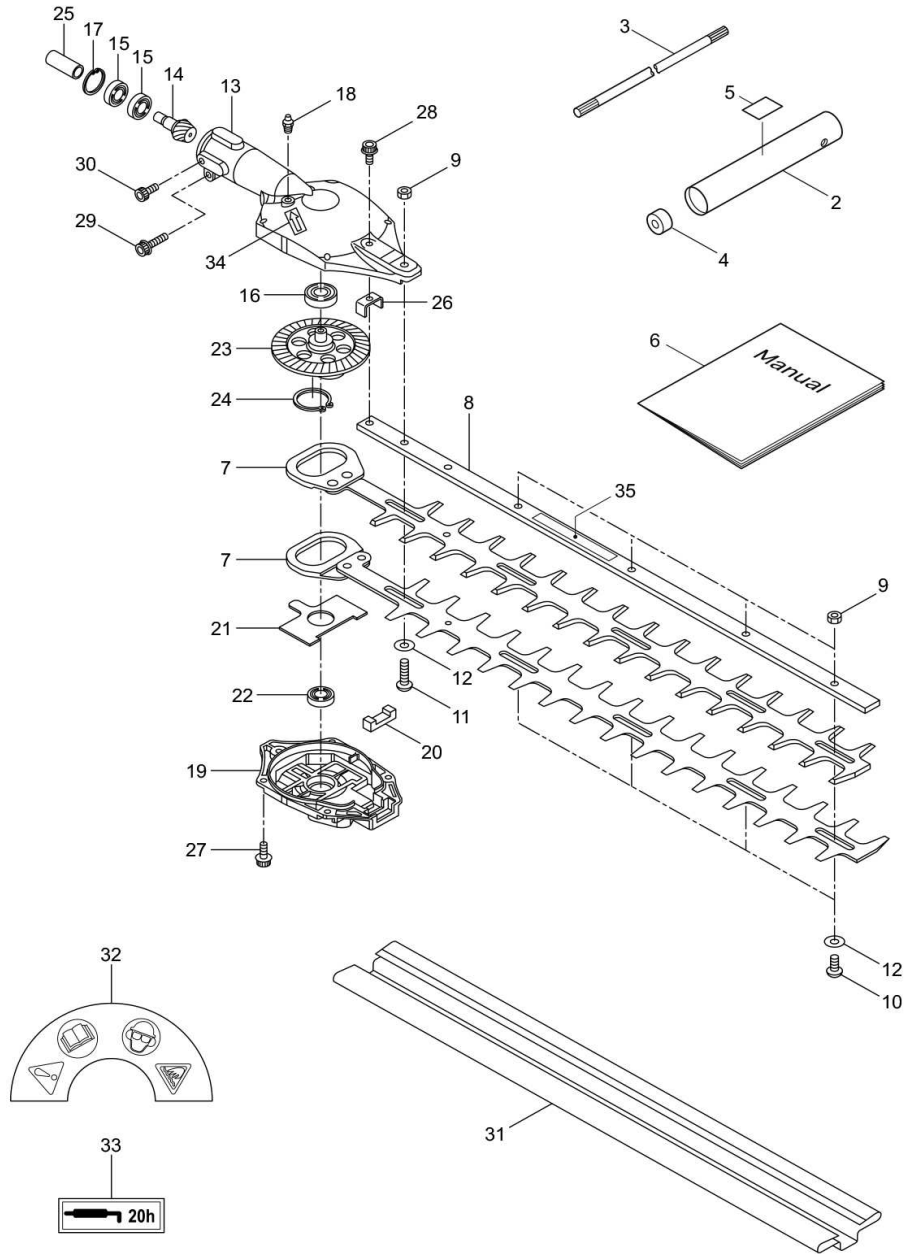
MARUYAMA

P/N 524365

2019/05/01 10:05:27

Model Code 364523 Model Name QC-HT(MUS) Index Name 1. QC-HT

1. QC-HT
BLADE



2019/05/01 10:08:50

Position	Parts Number	Parts Name	Unit Quantity	Set Unit Quantity	Remarks
1	364523	QC-HT(MUS)	1		
2	237793	DRIVESHAFT TUBE	1		24xt1.6x155L
3	237685	DRIVE SHAFT B	1		
4	216079	STOPPER	1		
5	217879	LABEL	1		Warning
6	237796		1		
7	423321	BLADE	2		
8	423322	GUIDE PLAE	1		
9	580764	U-NUT	5	5	M6
10	631765	SCREW	4		L17
11	407328	SCREW	1		L26
12	991913	WASHER	5	10	
13	423323	UPPER CASE	1		
14	423324	PINION	1		
15	423325	BEARING	2		#6900UU
16	407313	BEARING 6000ZZ	1		
17	631772	SNAP RING	1		RTW22
18	580766	GREASE NIPPLE	1		M6
19	423326	LOWER CASE	1		
20	407332	FELT	1		
21	407340	SLIDE PLATE	1		
22	638464	BEARING 608ZZ	1		#608Z
23	423327	CRANK COMP	1		
24	631759	SNAP RING	1	5	STW28
25	631779	JOINT	1		
26	407333	PLATE	1		
27	407331	BOLT	5	5	M5x14
28	423328	CAP SCREW	1		M5x16
29	631778	CAP SCREW	1		M5x25
30	423329	CAP SCREW	1		M5x12
31	423330	COVER OF BLADE	1		
32	423331	LABEL	1		
33	423332	LABEL	1		
34	423333	LABEL	1		
35	235595	LABEL	1		