

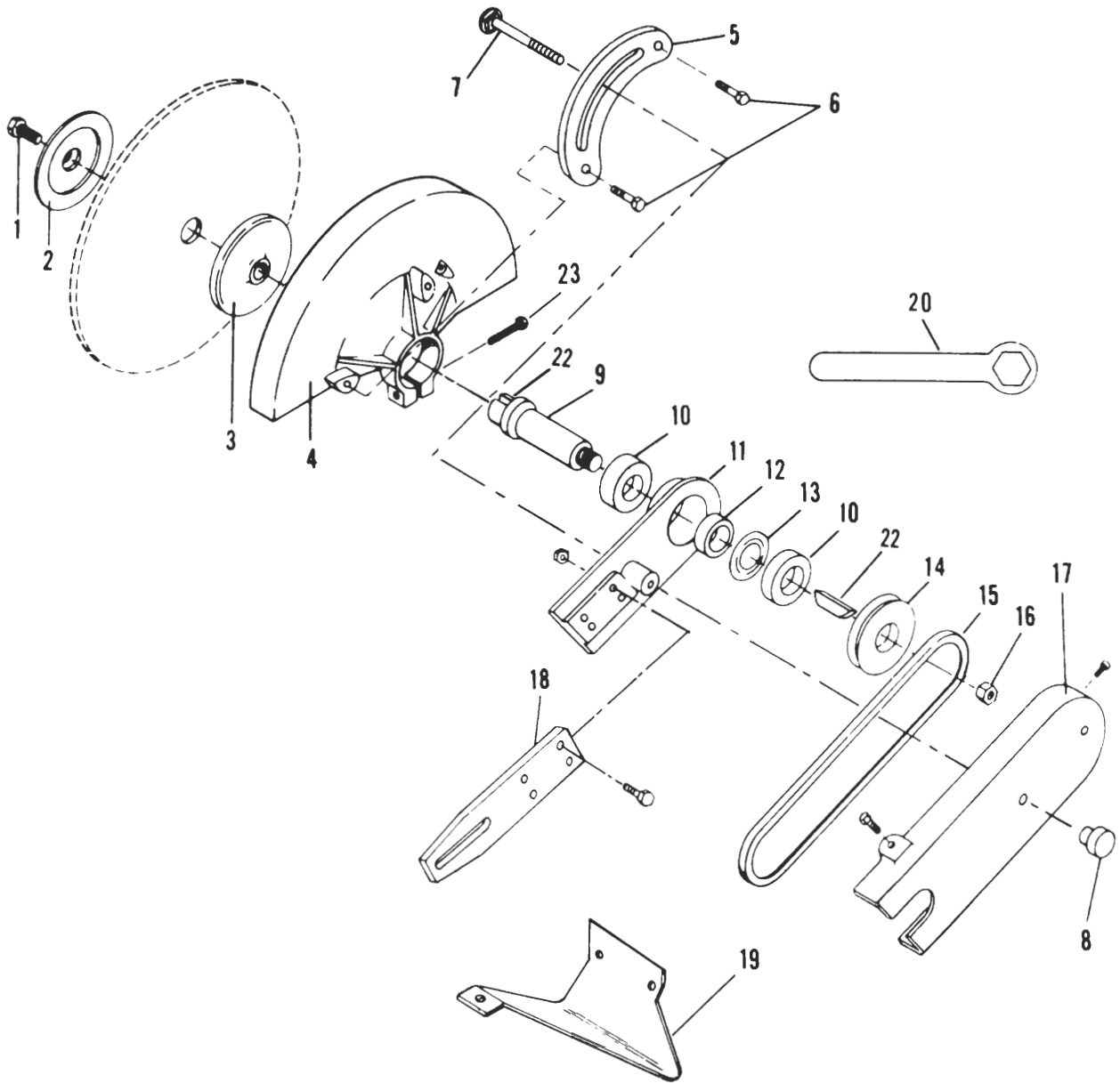
PIONEER

**PARTS
LISTS**

**Cut-off
Saws**

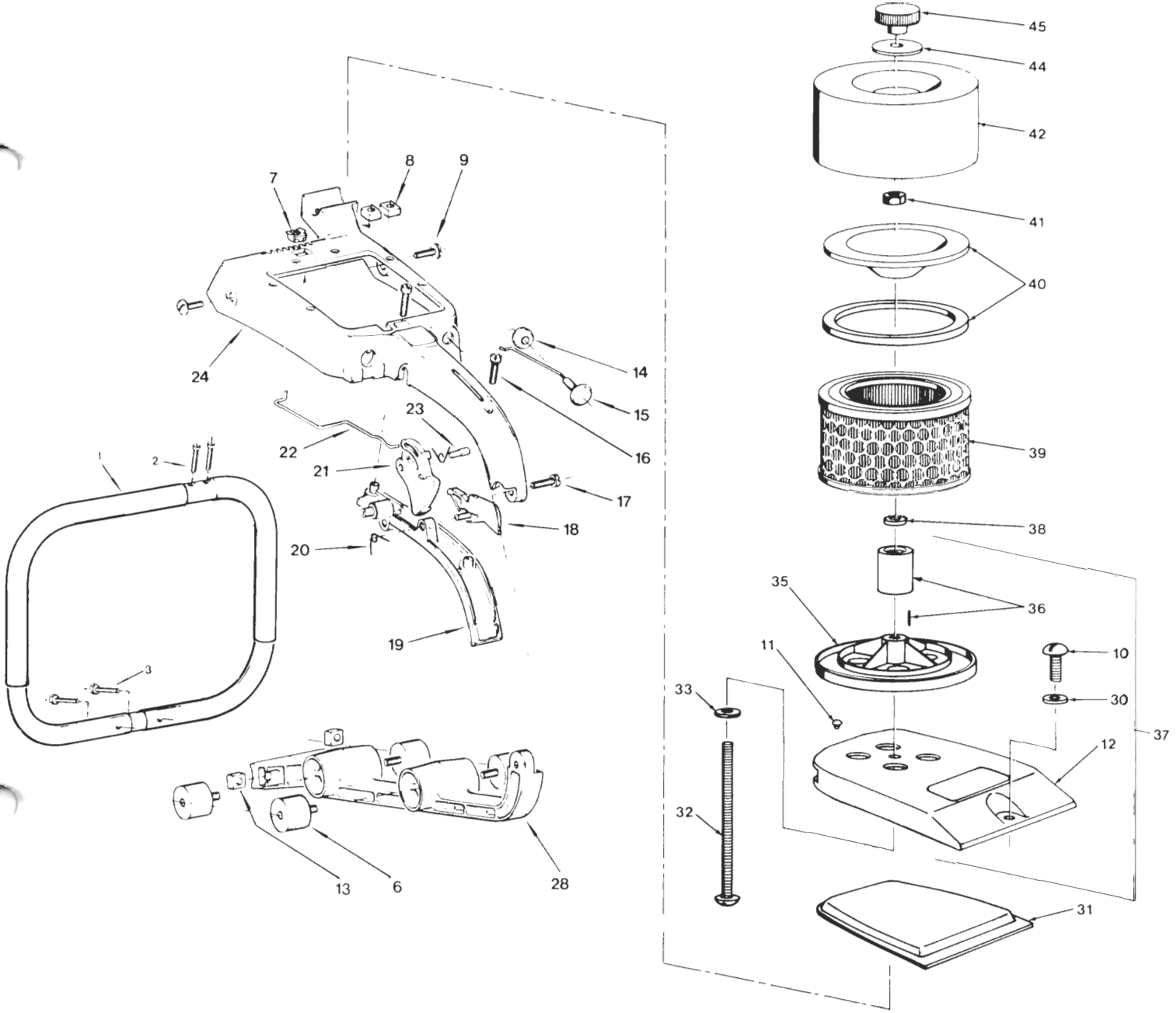
— MODELS —

P61-12, P61-14



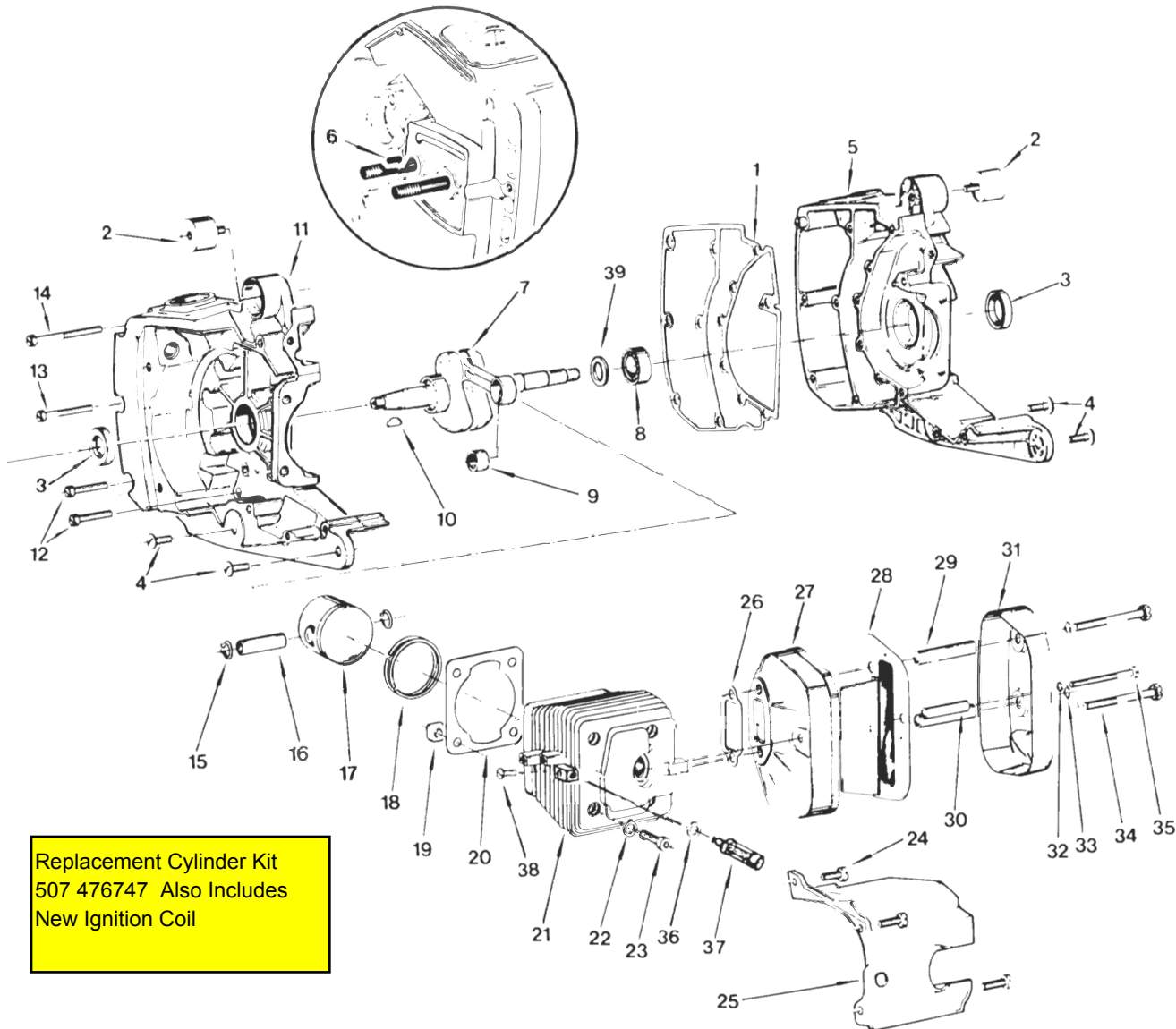
BLADE GUARD ASSEMBLY

INDEX NO.	PART NO.	QTY. REQ.	DESCRIPTION	INDEX NO.	PART NO.	QTY. REQ.	DESCRIPTION
1	020379	1	Blade Shaft Lock Screw	12	071100	1	Spacer
2	071020	1	Outer Collar w/Lock Screw	13	071110	1	Spring Washer
3	071030	1	Inner Collar w/Key	14	079069	1	Blade Shaft Pulley & Key
4	074036--A	1	Blade Guard Complete for P61-12 Model (Includes 5, 6, 7, 8, & 23)	15	074025	1	"V" Belt 3V 355
4	074038--A	1	Blade Guard Complete for P61-14 Model (Includes 5, 6, 7, 8, & 23)	16	020216	1	Nut 1/2"-20
5	071050	1	Clamp Segment w/Screws (Incl. in Item #4)	17	074042--A	1	Belt Guard w/Fasteners
6	020489	2	Screw-Clamp Segment (Incl. in Item #4)	18	074044	1	Arm Bar w/Fasteners
7	020126	1	Lock Bolt (Incl. in Item #4)	19	084046--A	1	Foot Complete w/Fasteners
8	071060	1	Knob	20	110551	1	Blade Shaft Wrench
9	071070	1	Blade Shaft & 2 Keys	22	020085	2	Woodruff Key
10	071080	1	Blade Shaft Bearings Set/2	23	071047	1	Blade Guard Bolt (Incl. in Item #4)
11	074040-A	1	Spindle Arm w/Fasteners		074049	1	P61-12 Model (Includes all items except 19)
					074050	1	Cutting Head Complete for P61-14 Model (Includes all items except 19)



HANDLE, FRAME AND AIR FILTER

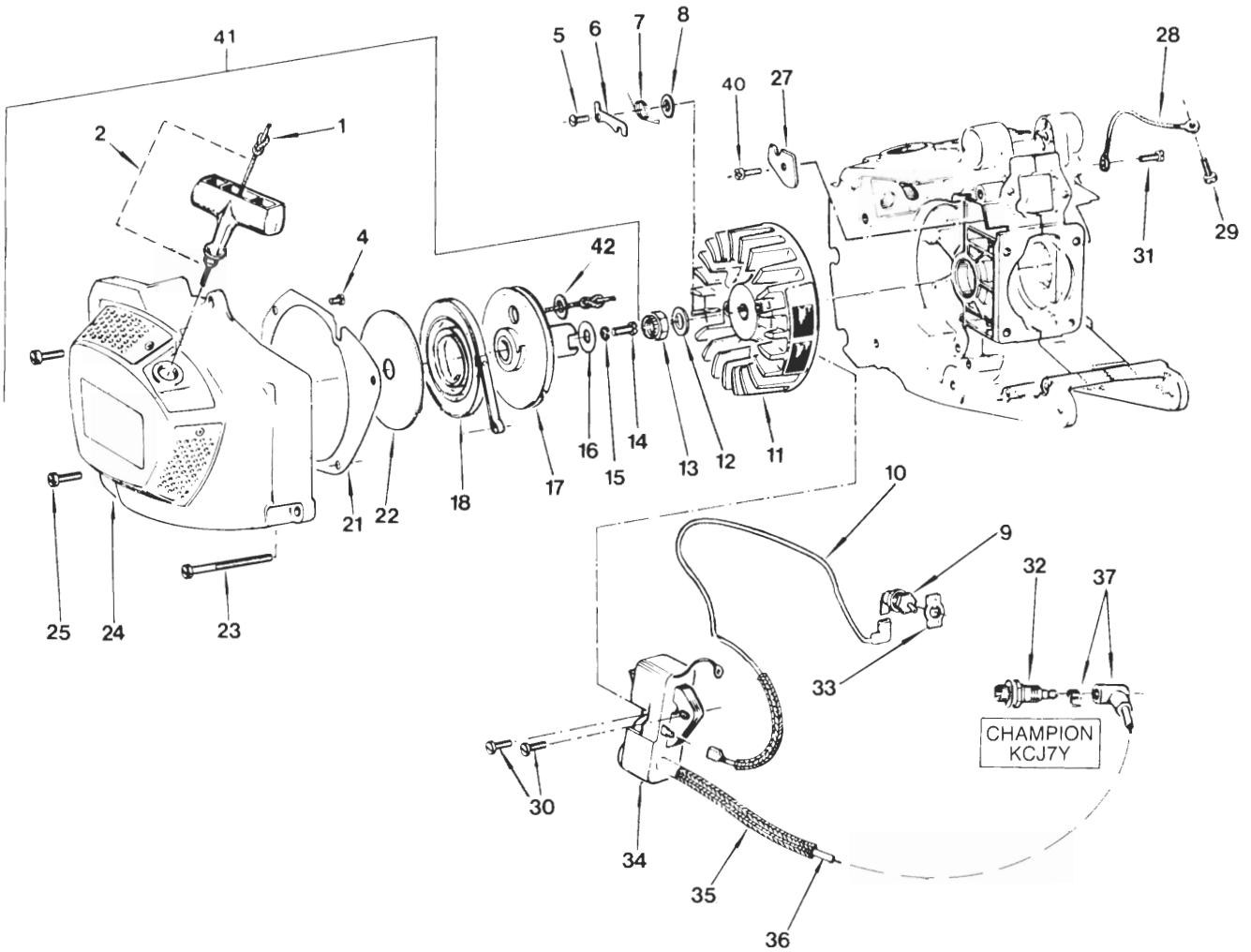
INDEX NO.	PART NO.	QTY. REQ.	DESCRIPTION	INDEX NO.	PART NO.	QTY. REQ.	DESCRIPTION
1	475367	1	Front Handle	22	430830	1	Throttle Link
2	431684	2	Screw-Handle x 1" Long	23	430399	1	Pin-Trigger
3	431687	2	Screw-Handle x 1½" Long	24	431174-8	1	Top Frame
6	430197	6	Shock Mount	28	430575-8	1	Bottom Frame
7	430203	1	Nut-Frame	30	431374	1	Retainer (Incl. in 12)
8	431655	2	Nut-Handle	31	475289	1	Secondary Filter
9	429776	2	Screw-Mount	32	074027	1	¼-20 Mach. Screw
10	431530	1	Screw-Cover (Incl. in	33	020741	1	¼ Dia. Washer
11	430282	1	Bumper (Incl. in	35	475069	1	Filter Adaptor Ass'y. (Incl. in
12	475384-8	1	Top Cover Ass'y (Includes 10, 11 & 30) (Incl. in Item #37)	36	074066	1	Spacer & Pin (Incl. in Item #37)
13	431655	2	Nut-Handle	37	074068	1	Cover & Adaptor Ass'y. (Incl. 12, 32, 33, 35, 36)
14	429650	1	Grommet	38	074008	1	Gasket for Bolt
15	430202	1	Choke Lever	39	072025	1	Filter Element
16	431705	2	Screw-Grip	40	074005	1	Filter Clamp Ass'y.
17	430887	1	Screw-Frame	41	020133	1	¼-20 Hex Nut
18	430840	1	Safety Trigger	42	074077	1	Cover
19	473935	1	Lower Grip	44	030393	1	Washer
20	431092	2	Spring-Trigger	45	070270	1	Knob
21	430327	1	Throttle Trigger				



Replacement Cylinder Kit
507 476747 Also Includes
New Ignition Coil

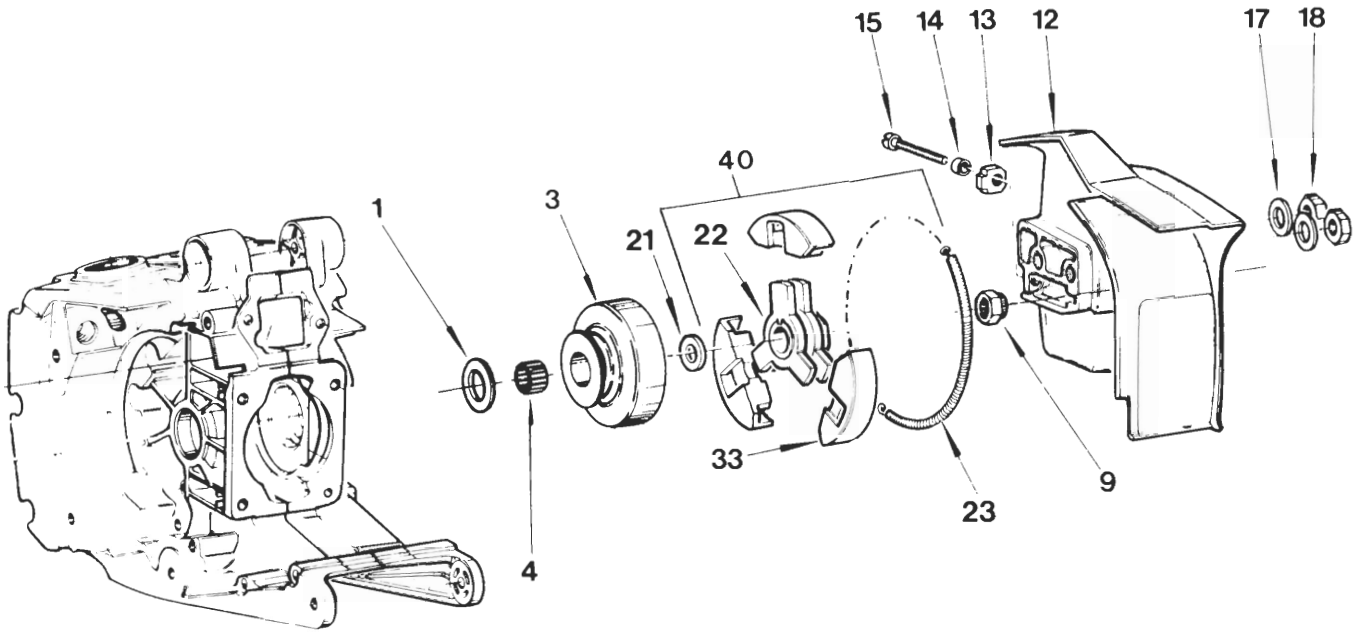
CRANKCASE AND CYLINDER

INDEX NO.	PART NO.	QTY. REQ.	DESCRIPTION	INDEX NO.	PART NO.	QTY. REQ.	DESCRIPTION
1	430573*	1	Gasket	21	475385*	1	Cylinder (Incl. 36, 38)
2	430197*	6	Shock Absorber	22	431706*	4	Washer
3	428746*	2	Seal	23	431691*	4	Screw-Allen Hd. x 1" Long
4	429776*	4	Screw	24	431649	3	Screw x 5/8" Long
5	475383	1	C'Case Drive (Includes #6)	25	432337	1	Shroud
6	431696*	1	Pin-C'Case (Incl. in Item #5)	26	430684	1	Gasket
7	475144*	1	C'Shaft (Incl. 8 & 39)	27	474587	1	Muffler Body
8	431266*	2	Bearing (Incl. in Item #7)	28	475756	1	Baffle & Screen
9	430743*	1	Bearing	31	474594	1	Muffler Cover
10	429481*	1	Key	32	431683	1	Lockwasher
11	431366*	1	C'Case Mag Side	33	431686	2	Lockwasher
12	431650*	12	Screw x 1 1/4" Long	34	430992	2	Bolt
13	431690*	2	Screw x 2 1/4" Long	35	430993	1	Bolt
14	431658*	1	Screw x 2 1/2" Long	36	432302*	1	Washer (Incl. in item 21)
15	428781*	2	Retainer	37	475356*	1	Decompression Valve
16	428367*	1	Wrist Pin	38	429928*	1	Screw (Incl. in item 21)
17	475397*	1	Piston	39	430913*	2	Thrust Washer (Incl. in Item #7)
18	475227*	1	Ring Set	Not Shown	475431	1	Short Block Assembly (Includes items marked*)
19	431655*	4	Nut				
20	431485*	1	Cyl. Base Gasket				



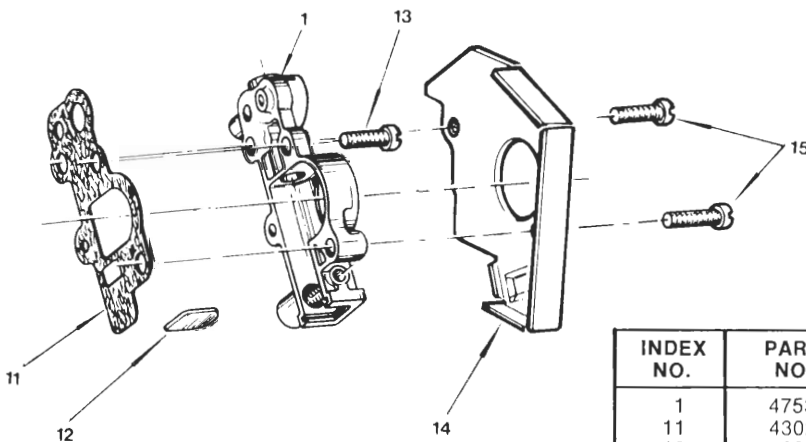
STARTER AND FLYWHEEL IGNITION

INDEX NO.	PART NO.	QTY. REQ.	DESCRIPTION	INDEX NO.	PART NO.	QTY. REQ.	DESCRIPTION
1	426752*	1	Starter Rope	22	430812*	1	Fibre Washer
2	475297*	1	Handle Ass'y	23	431650*	1	Screw x 1/4" Long
4	431695*	4	Screw x 1/4" Long	24	474539	1	Starter Cover
5	430877	2	Pawl Pivot	25	432116*	3	Screw
6	430876	2	Pawl	27	431436	1	Plate
7	431416	2	Pawl Spring	28	430990	1	Ground Wire
8	430878	2	Washer-Pawl	29	430847	1	Screw
9	432742	1	Switch	30	432575	2	Screw
10	431390	1	Switch Wire	31	429928	2	Screw
11	474645	1	Flywheel	32	431614	1	Spark Plug
12	429851	1	Washer	33	430991	1	Switch Plate
13	430800	1	Nut	34	475259	1	Ignition Ass'y. (Includes 35, 36, 37)
14	431694*	1	Screw	35	430694	1	Sleeve
15	431692*	1	Lockwasher	36	430688	1	H. T. Lead (Incl. in Item #34)
16	428105*	1	Washer	37	475326	1	Spark Ass'y.
17	475401*	1	Starter Pulley	40	429928	1	Screw
18	432503*	1	Starter Spring	41	475439	1	Starter Ass'y. (Includes Items Marked *)
21	430576*	1	Baffle	42	432135*	1	Washer (Starter Rope)

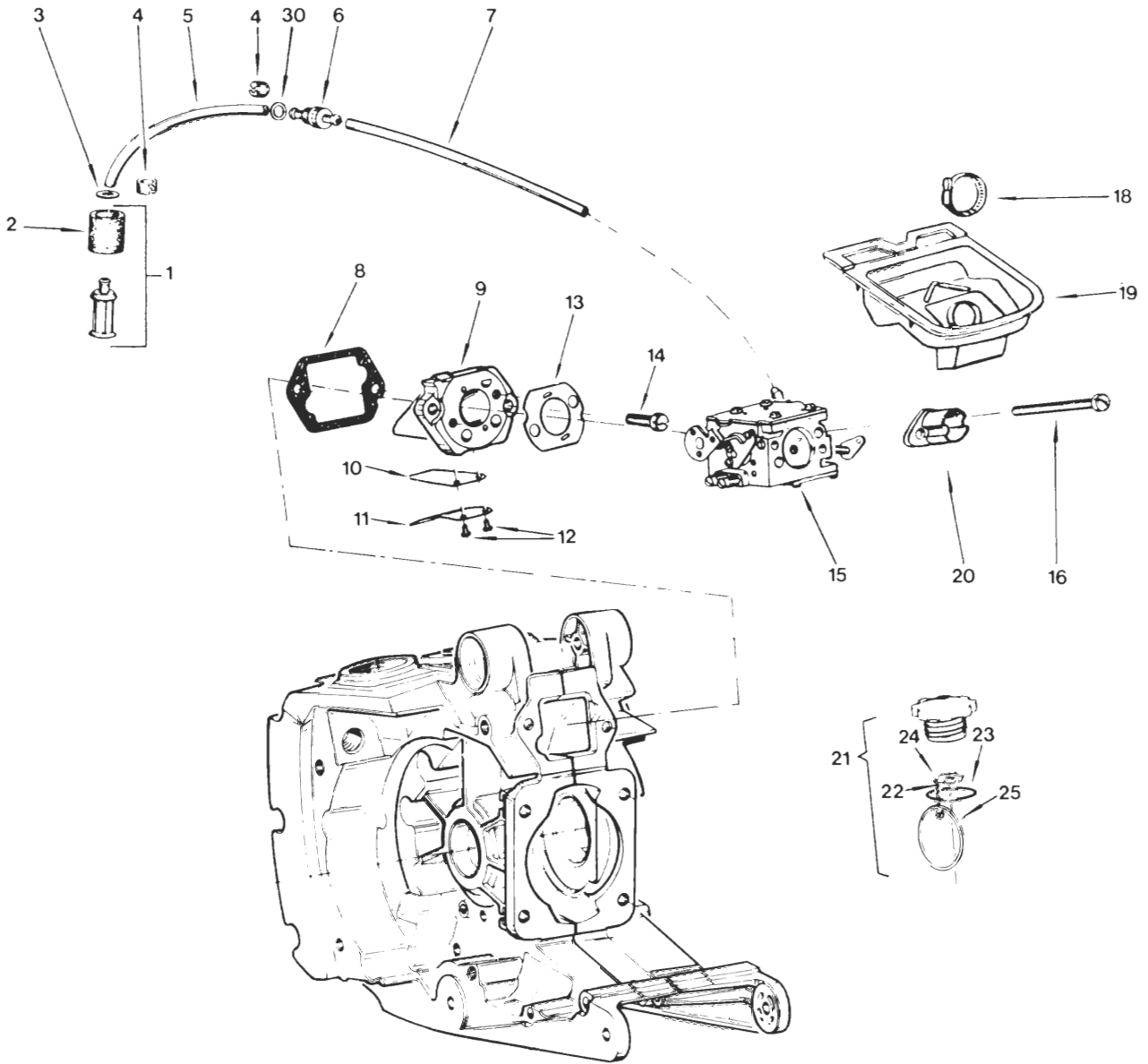


CLUTCH AND DRIVE

INDEX NO.	PART NO.	QTY. REQ.	DESCRIPTION	INDEX NO.	PART NO.	QTY. REQ.	DESCRIPTION
1	430848	1	Thrust Washer	33	475619	3	Clutch Shoe
3	475360	1	Drum & Pulley (Includes #4)	40	475620	1	Clutch Assy. Includes 22, 23, 33
4	432193	1	Bearing (Incl. in Item #3)	Not Shown	074085		Engine Lubricant (6 Pack of 6 oz. Cans)
9	430800	1	Nut				
12	475387	1	Clutch Cover (Incl. 13, 14, 15)				
13	432339	1	Pin-Adj.				
14	429637	1	Stop-Adj.				
15	429638	1	Screw-Adj.				
17	430680	2	Washer				
18	430807	2	Nut				
21	431447	1	Washer				
22	432740	1	Driver				
23	431200	1	Spring				

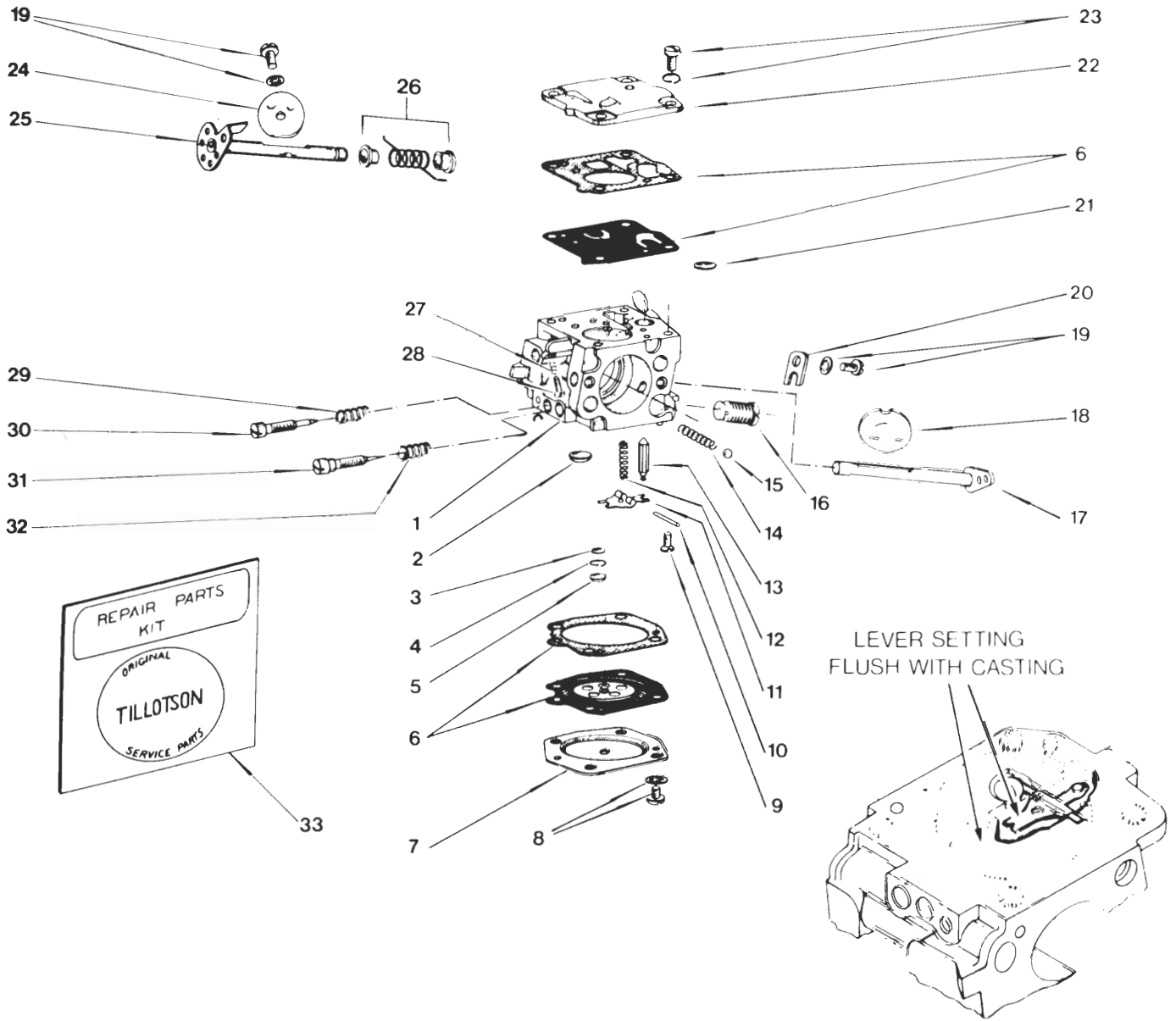


INDEX NO.	PART NO.	QTY. REQ.	DESCRIPTION
1	475369	1	Inactive Pump
11	430228	1	Gasket
12	430229	1	Dust Shield
13	431669	1	Screw-Pump x 3/4" Long
14	431317	1	Dirt Shield
15	431642	2	Screw-Pump x 1" Long



CARBURETOR AND FUEL PICKUP

INDEX NO.	PART NO.	QTY. REQ.	DESCRIPTION	INDEX NO.	PART NO.	QTY. REQ.	DESCRIPTION
1	475058	1	Pickup Body & Filter Ass'y	14	431669	2	Screw-Reed x 3/4" Long
2	430885	1	Filter, Felt (Incl. in 1)	15	475403	1	Carburetor
3	431639	1	Washer	16	431657	2	Screw-Carb. x 2" Long
4	430545	2	Speed Clip	18	432100	1	Clamp
5	431535	1	Pickup Hose	19	432734	1	Intake Boot
6	430883	1	Fuel Connector	20	432911	1	Blowback Tube
7	431536	1	Fuel Hose	21	475167	1	Gas Cap Ass'y.
8	430859	1	Gasket-Reed				(Incl. 22, 23, 24, 25)
9	474613	1	Reed Ass'y.	22	431370	1	Bead Chain
			(Incl. 10, 11, 12)	23	429946	1	"O" Ring
10	428336	1	Reed	24	427278	1	Locking Plate
11	432192	1	Backing Plate	25	431368	1	Retainer
12	428335	2	Screw-Reed	30	427855	1	Washer
13	427888	1	Gasket-Carb				(Incl. in Item #9)



CARBURETOR PARTS AND KITS

INDEX NO.	PART NO.	QTY. REQ.	DESCRIPTION	INDEX NO.	PART NO.	QTY. REQ.	DESCRIPTION
1	475403	1	Carb. Complete	19	427947*	2	Screw & Washer
2	427948*	1	Welsh Plug, Low Speed	20	427957	1	Lock Plate, Throttle
3	427942	1	Screen	21	427951	1	Fuel Screen
4	427943	1	Clip	22	427939	1	Pump Cover
5	427944*	1	Welsh Plug, High Speed	23	427955	4	Screw & Washer
6	474799*	1	Gasket & Diaphragm Set	24	430631	1	Throttle Shutter
7	427956	1	Metering Diaph. Cover	25	474564	1	Throttle Shaft
8	426145	4	Screw & Washer, Cover	26	474762*	1	Spring & Bushing, Throttle
9	427962*	1	Screw	27	430638	1	Spring, Idle
10	427954*	1	Inlet Lever Pin	28	430637	1	Screw, Idle
11	427953*	1	Inlet Lever	29	430636	1	Spring, Low Speed Adj.
12	430650*	1	Spring, Inlet Lever	30	430629	1	Low Speed Adj. Screw
13	427952	1	Inlet Needle	31	430628	1	High Speed Adj. Screw
14	425450	1	Spring, Choke	32	425449*	1	Spring, High Speed Adjust
15	428452	1	Ball, Choke				
16	475402	1	Governor (.070/16)				
17	474634	1	Choke Shaft				
18	430630	1	Choke Shutter	33	474603	1	Carb. Repair Kit — Contains All Parts Marked *