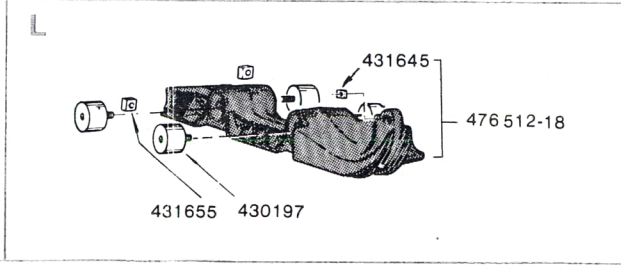
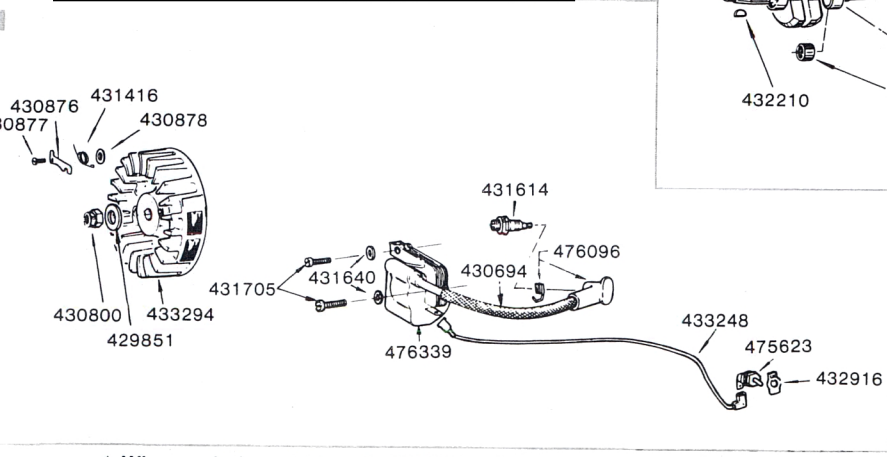
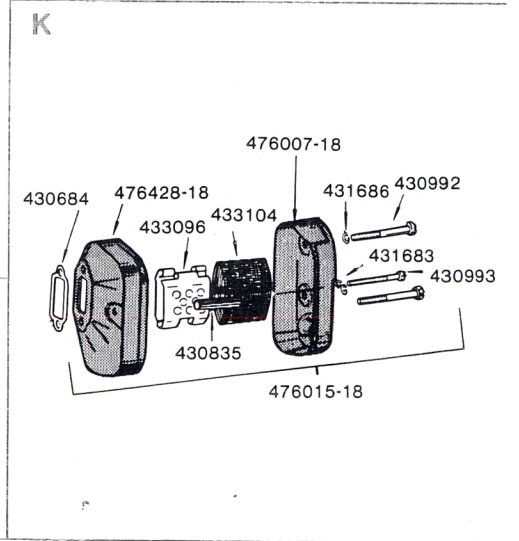
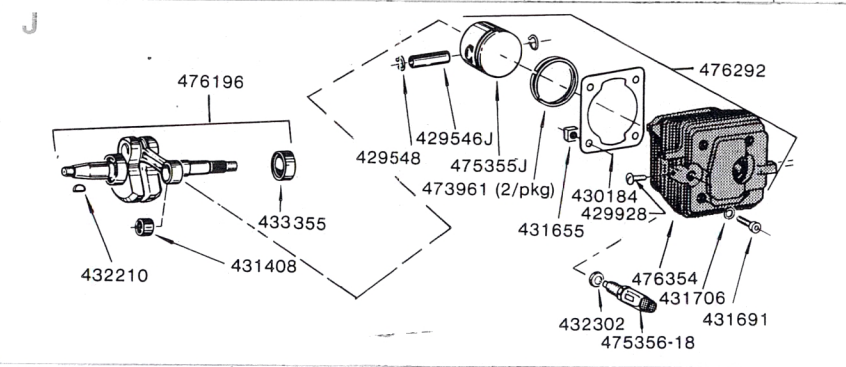
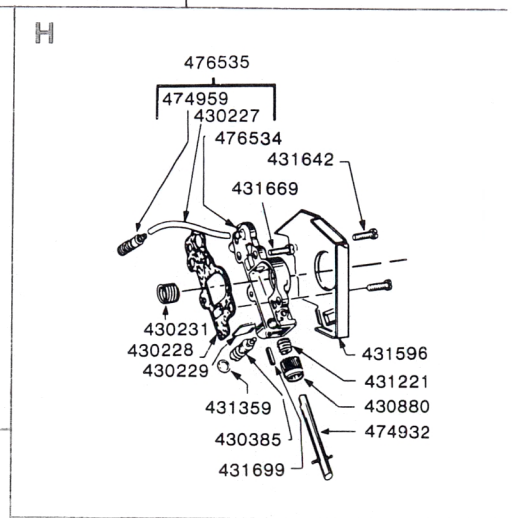
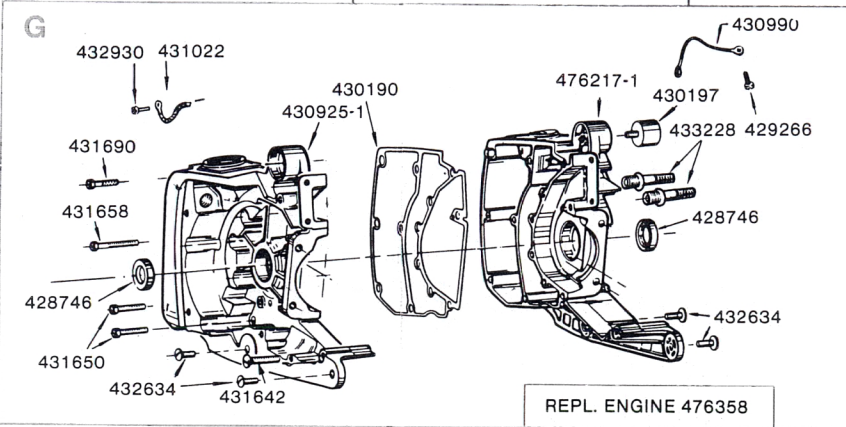
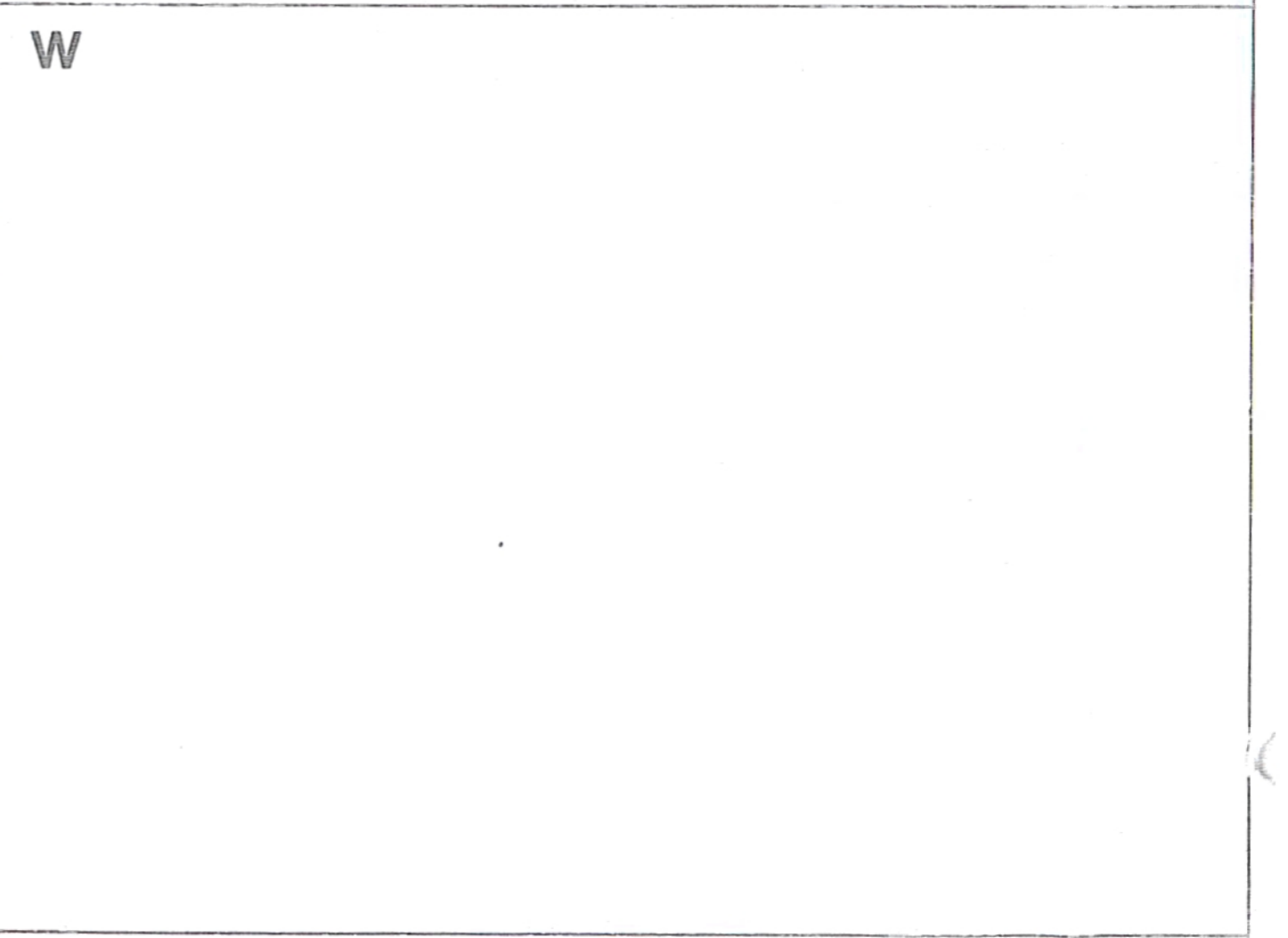
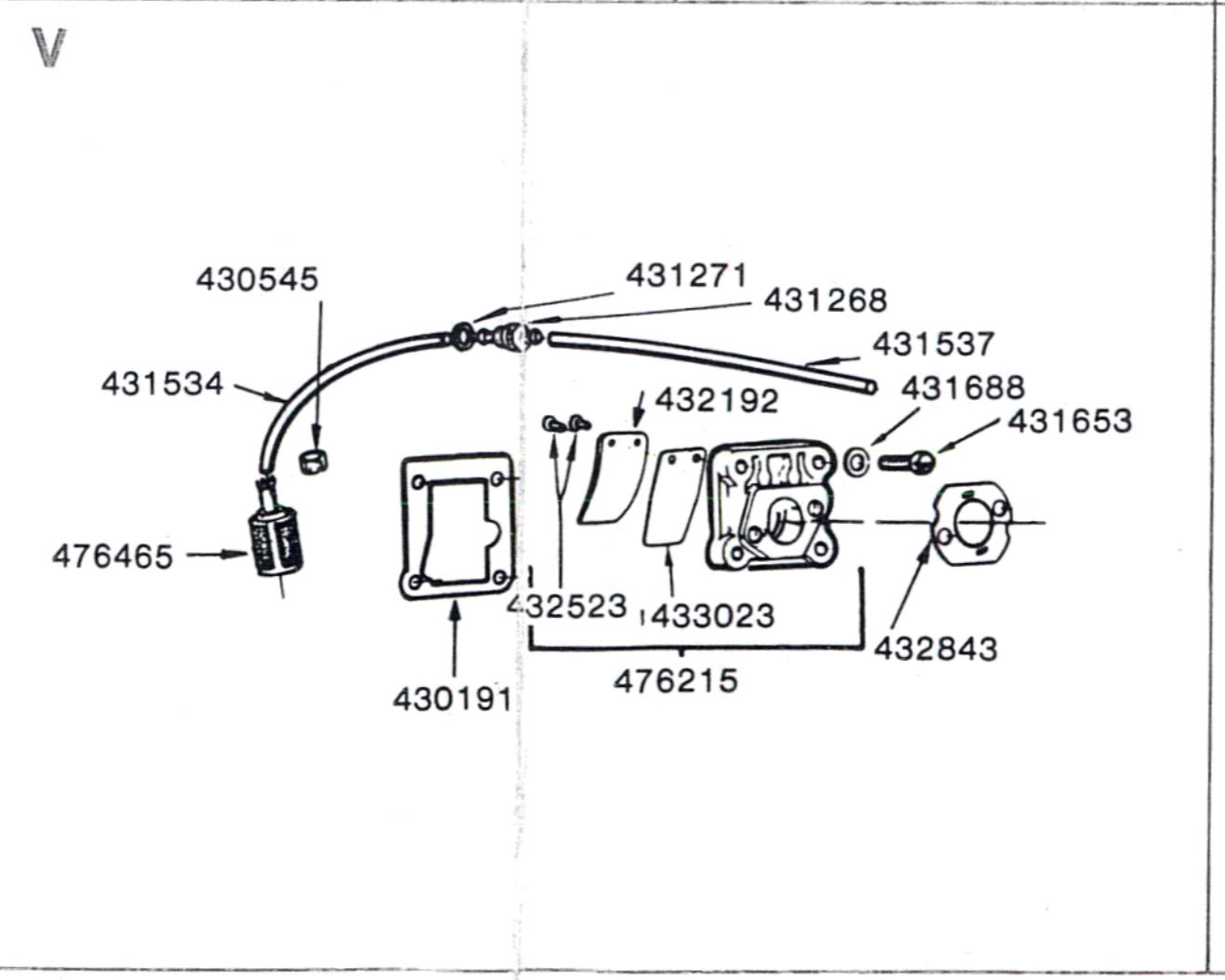
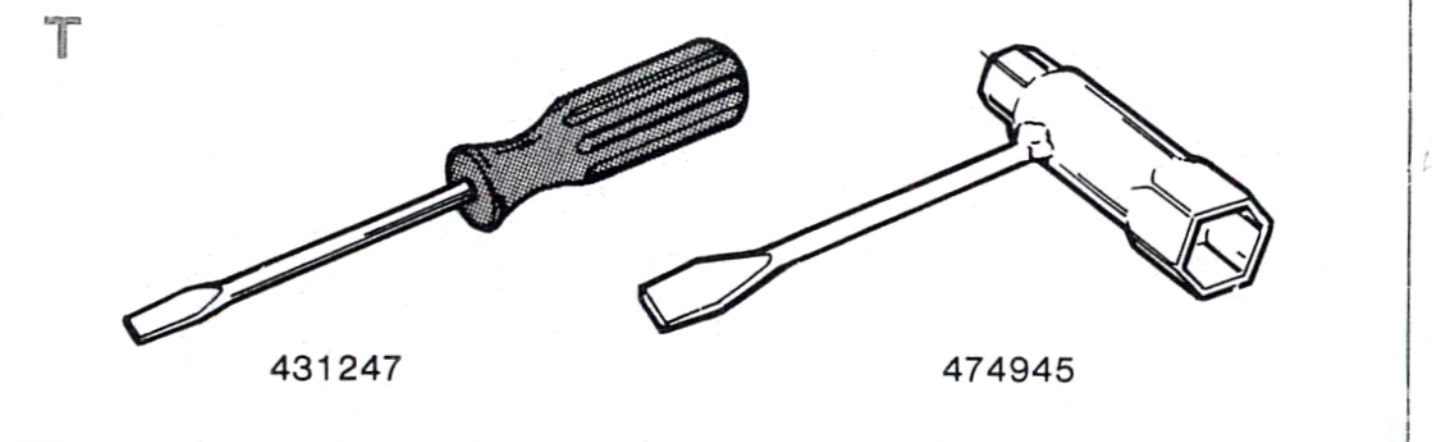
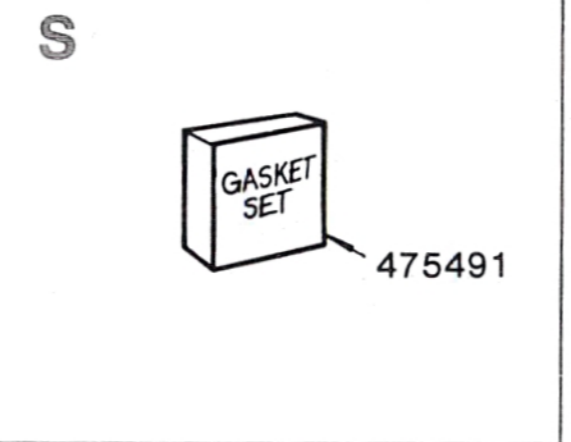
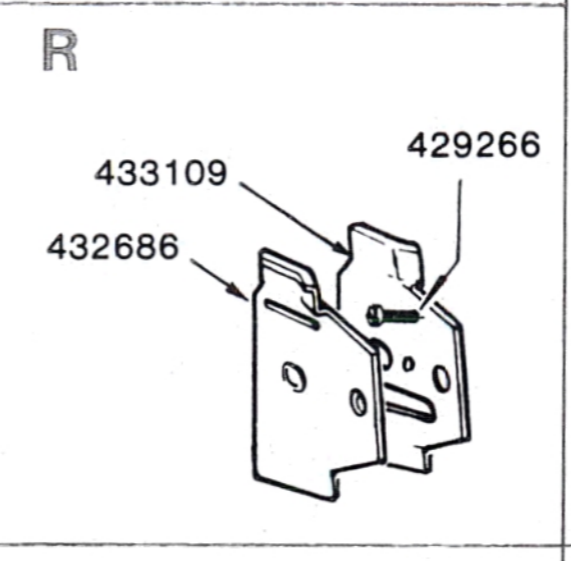
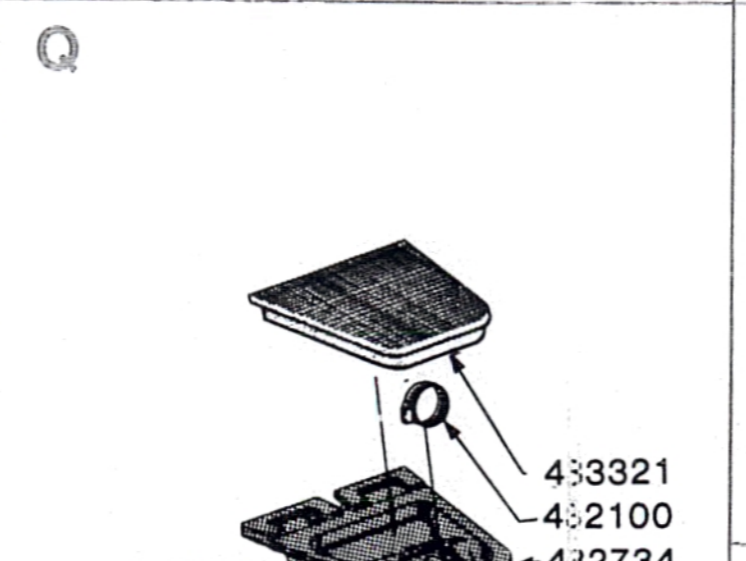
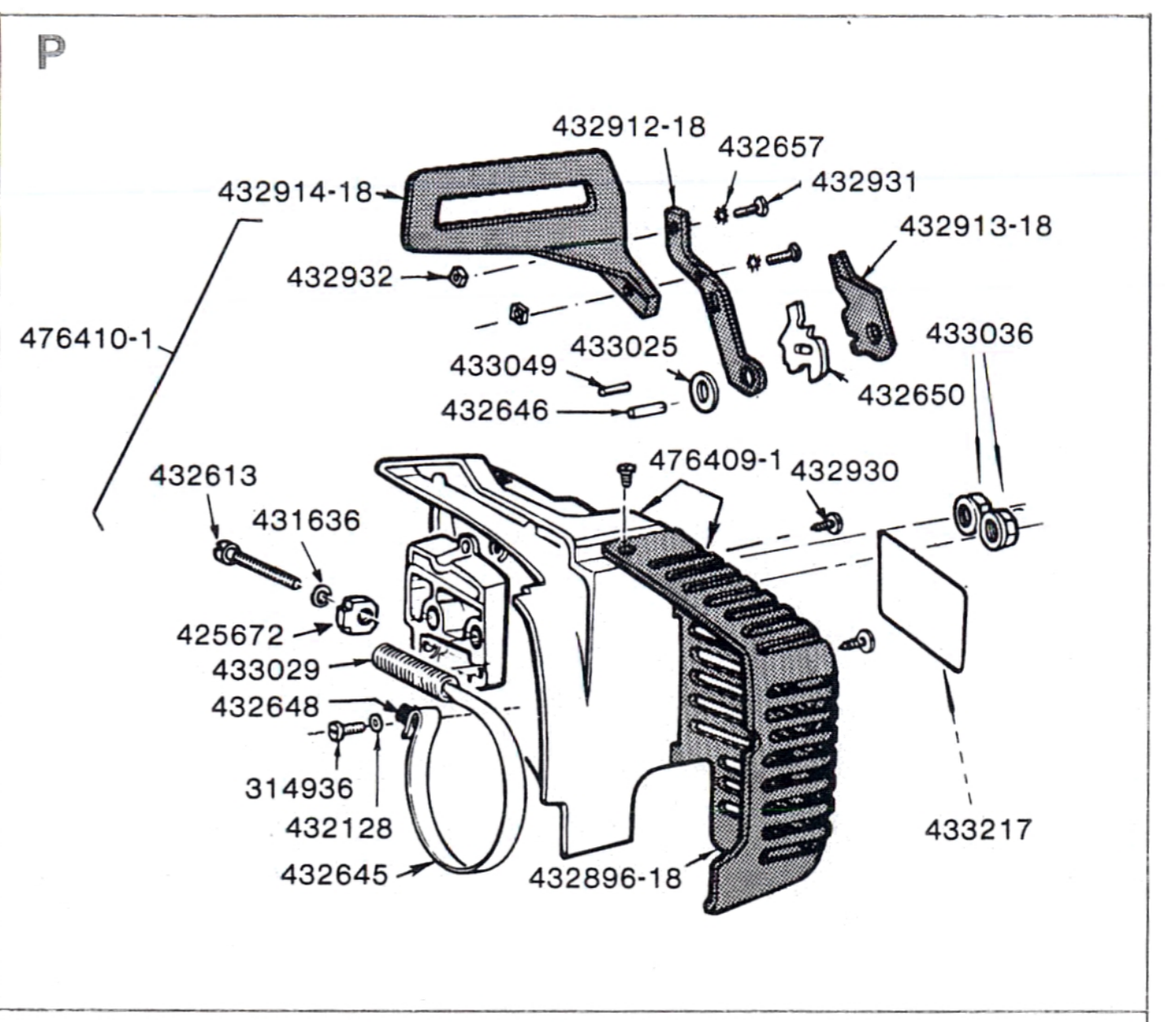
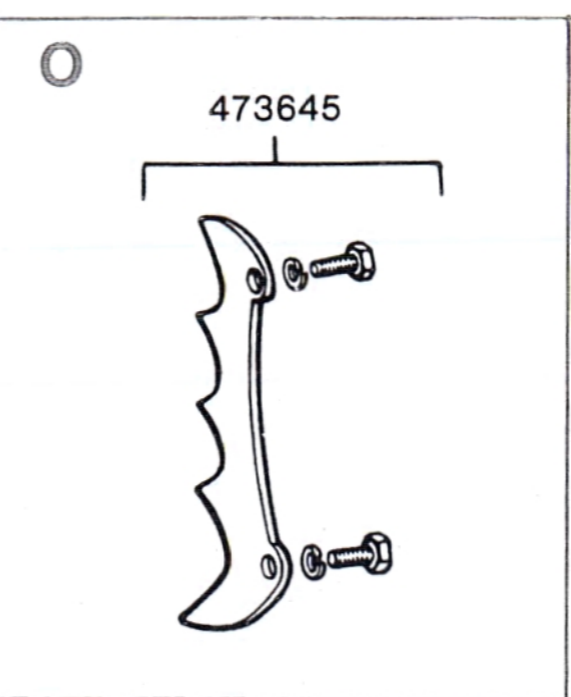
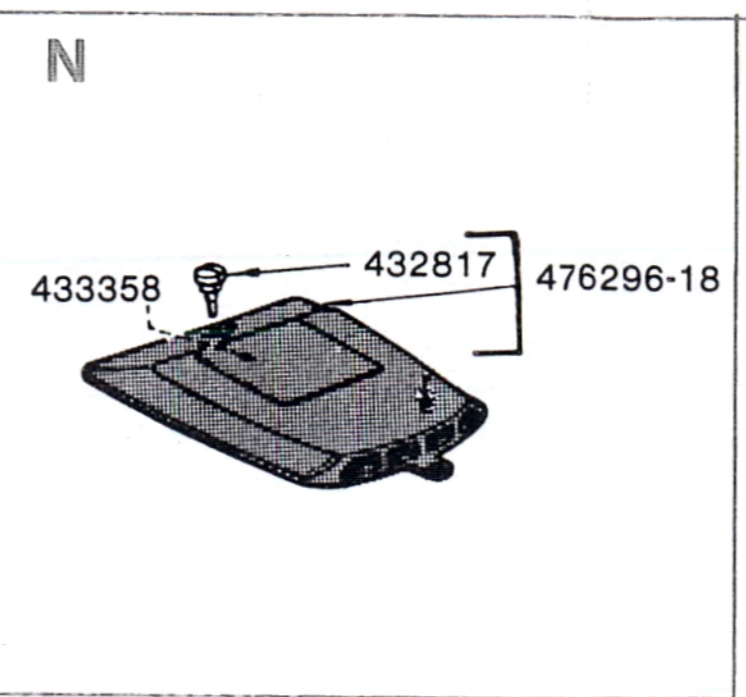
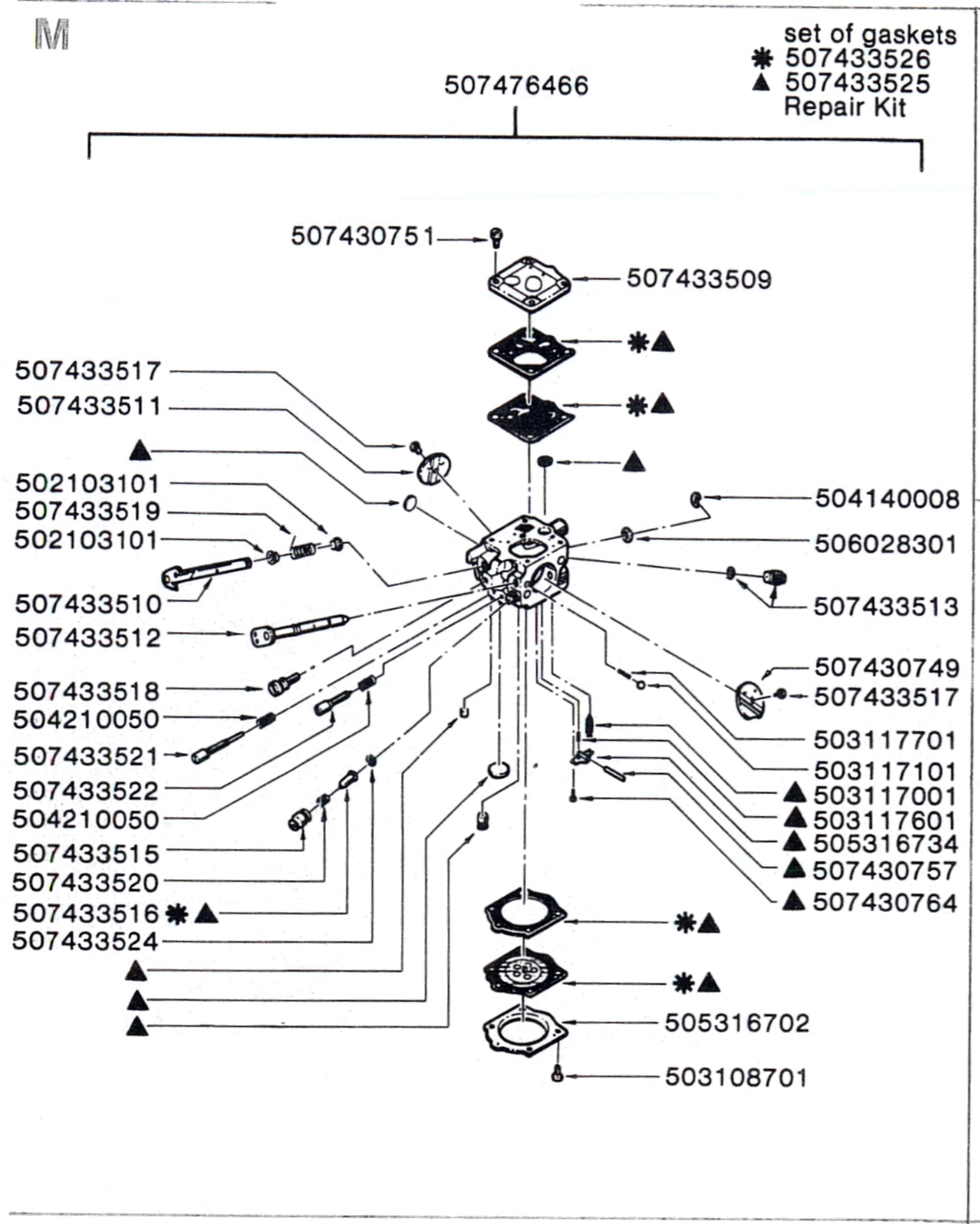


See 507 476608 for complete starter assembly



* When ordering: Add prefix "507" to all six digit numbers eg. 507 XXXXXX

Pioneer/Partner P39+



* When ordering: Add prefix "507" to all six digit numbers eg. 507 XXXXXX