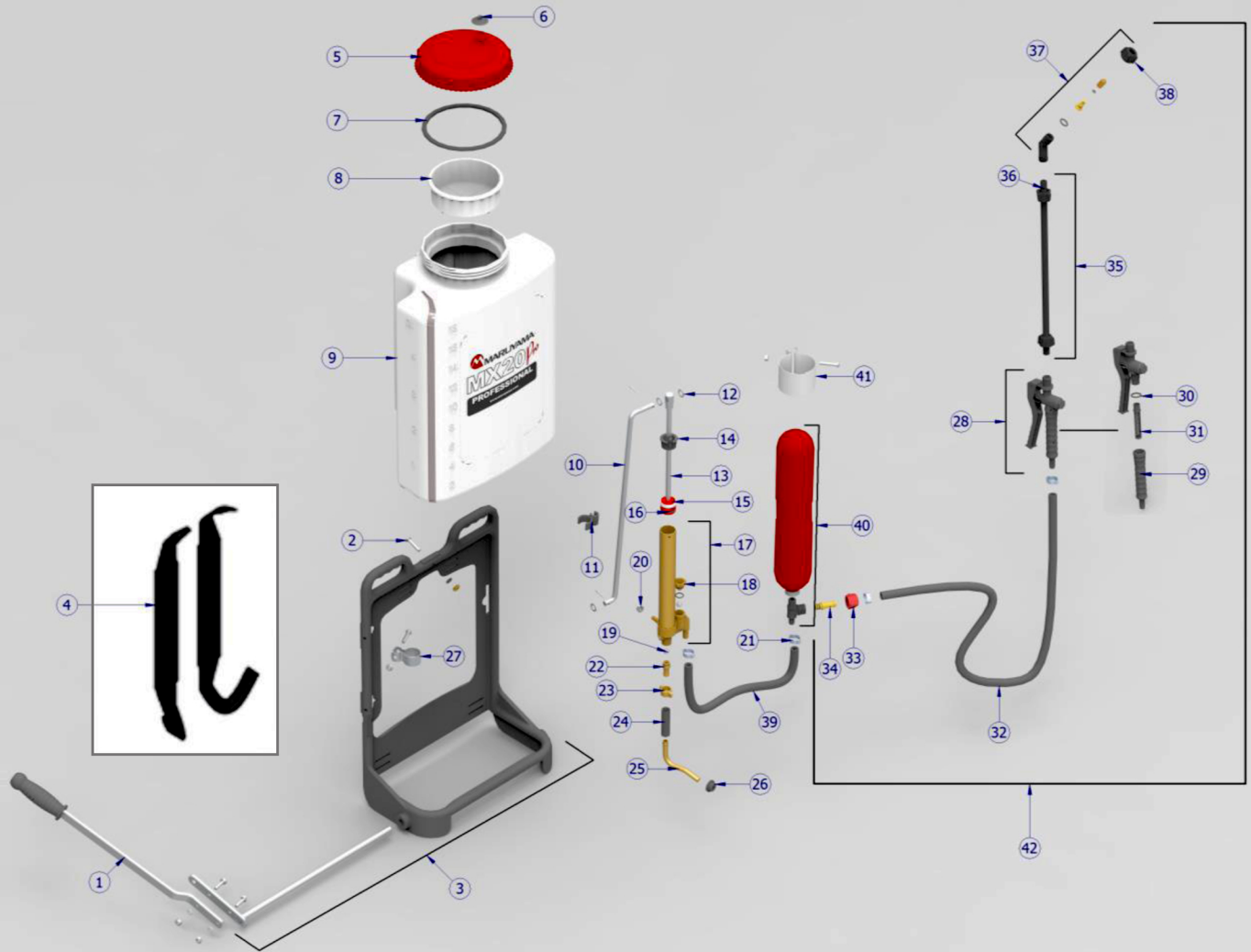




MARUYAMA

MX20-Pro IPL



NO.	PART NO.	PART DESCRIPTION	NO.	PART NO.	PART DESCRIPTION
1	842174	HAND LEVER	22	842195	METALLIC RACOR
2	842175	SCREW/GASKET/SQUARE NUT	23	842196	PUMP'S BUTTERFLY NUT
3	842176	PLASTIC FRAME	24	842197	CONTAINER TO PUMP HOSE
4	842177	CURVED PADDED STRAPS	25	842198	CONTAINER OUTPUT TUBE
5	842178	CONTAINER'S LID	26	842199	CONTAINER'S GASKET
6	842179	TANK VENT	27	842200	PUMP'S CLAMP
7	842180	CONTAINER LID'S GASKET	28	842201	TRIGGER VALVE STEEL PLAST
8	842181	FILLING FILTER	29	842202	TRIGGER VALVE TUBE
9	842182	20 LITER CONTAINER	30	842203	O-Ring 15.54x2.62
10	842183	CONNECTING ROD	31	842204	TRIGGER VALVE'S FILTER
11	842184	ROD'S CLAMP	32	842205	CHAMBER'S OUTPUT HOSE
12	842185	PIN KIT (Pin x2, Washer x 3)	33	842206	NUT
13	842186	PISTON ROD (Assembled)	34	842207	METAL RACOR PLASTIC FRAME
14	842187	PISTON LID	35	842208	FLEXIBLE PLASTIC WAND
15	842188	PISTON KIT	36	842209	SEALING RING FOR FLEXIBLE WAND
16	842189	PISTON'S O-RING	37	842210	NOZZLE KIT
17	842190	PUMP-KIT	38	842211	UNION NUT
18	842191	BALL'S RETAINER	39	842212	PUMP TO CHAMBER HOSE
19	842192	BRASS BALLS (X2) & RC-106 ORING (x2)	40	842213	PRESSURE CHAMBER KIT
20	842193	SUPPORT NUT	41	842214	PRESSURE CHAMBER JOINT CLAMP
21	842194	HOSE CLAMP (X2)	42	842215	OUTPUT SYSTEM