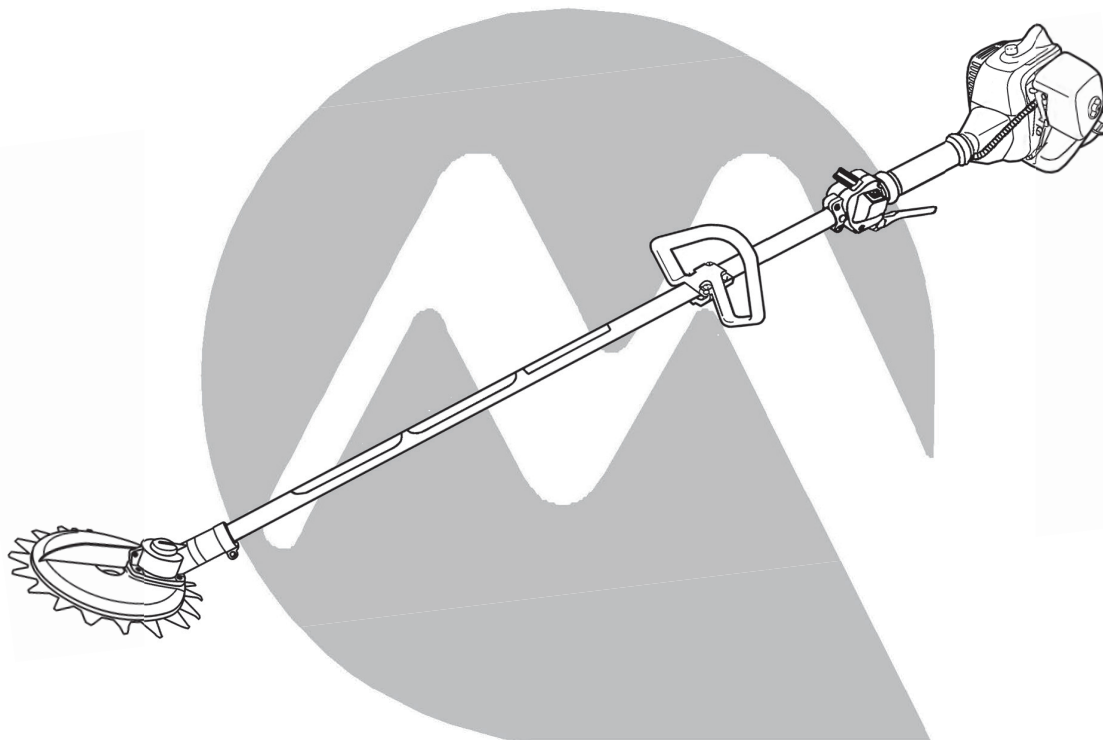




**OWNER'S/OPERATOR'S MANUAL  
MANUAL DEL PROPIETARIO U OPERADOR  
MANUEL DU PROPRIETAIRE/DE L'UTILISATEUR**

**Landscape Blade  
Cuchilla Rotativa de Jardinería  
Lame de Paysagement  
LB300**



**The POWER in Outdoor Power**

**Completely read and understand this manual PRIOR to using this product.  
Lea y entienda este manual a fondo, ANTES de usar este producto.  
Lisez complètement et comprenez ce manuel AVANT d'utiliser ce produit.**





## Limited Warranty Statement

All Maruyama commercial/ industrial products are warranted to the original purchaser to be free from defects in material and workmanship **from the date of purchase** for the time periods listed as follows:

**Lifetime** for solid steel driveshaft and ignition coils.

**5 years** for qualified IRON 5-YR™ commercial, institutional, or industrial use.

**2 years** for residential and commercial use with competitor's oil.

**90 days** for rental use.

**Engine - Refer to engine manufacturer's warranty statement. Only Maruyama engines are covered by this limited warranty statement.**

Any part of a Maruyama product found to be defective within the applicable warranty period shall, at Maruyama's option, be repaired or replaced without charge. Warranty consideration is obtained by delivering any Maruyama product believed to be defective to an Authorized Maruyama Servicing Dealer within the applicable warranty period.

The purchaser shall not be charged for diagnostic labor that leads to the determination that a warranted part is defective, if the diagnostic work is performed at a Maruyama Dealer.

Any warranted part which is not scheduled for replacement as required maintenance, or which is scheduled only for regular inspection to the effect of "repair or replace as necessary" shall be warranted for the warranty period. Any warranted part, which is scheduled for replacement as, required maintenance shall be warranted for the period of time up to the first scheduled replacement point for that part. Maruyama Mfg. Co., Inc. is liable for damages to other engine components caused by the failure of a warranted part still under warranty.

The purchaser is responsible for the performance of the required maintenance, as defined by Maruyama Mfg. Co., Inc. in the Owner's/Operator's Manual.

**EMISSION-RELATED PARTS WARRANTY:** In addition to the above warranty coverage, Maruyama Mfg. Co., Inc. will repair or replace, free of charge, for the original purchaser and each subsequent purchaser any emission-related part or parts found to be defective in material and workmanship for 5 years from original retail delivery date. **Emission-related parts are the carburetor assembly, the ignition coil assembly, the ignition rotor, the spark plug, the catalytic converter and the fuel tank.** Any replacement part that is equivalent in performance and durability may be used in non-warranty maintenance or repairs, and shall not reduce the warranty obligations of Maruyama Mfg. Co., Inc.

**This warranty does not cover the following:**

1. Maintenance items (excluding defects in materials and workmanship) including hoses, spark plugs, starter rope, air and fuel filters, clutch shoes, vibration isolators, throttle cables and all cutting attachments, etc.
2. Extra expenses including shipping and handling, travel, payment for lost time or pay and for any inconvenience and storage.
3. Alterations or modifications including aftermarket parts not authorized by Maruyama U.S., Inc.
4. Wear, accident, abuse, neglect, misuse, negligence, improper fuels, lubricants, fuel mixtures (when applicable), or failure to operate or maintain the product in accordance with instructions approved by Maruyama.

Repair or replacement as provided under this warranty is the exclusive remedy of the consumer. Maruyama shall not be liable for any incidental or consequential damages for breach of any express or implied warranty on these products except to the extent prohibited by applicable law. Any implied warranty of merchantability or fitness for a particular purpose on these products is limited in duration to the warranty period as defined in the limited warranty statement. Maruyama reserves the rights to change or improve the design of the product without notice and does not assume obligation to update previously manufactured products.

This warranty provides you with specific legal rights, which may vary from state to state.

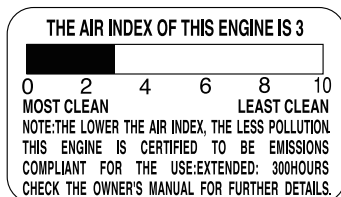
It is the Owner's and Dealer's responsibility to make sure the Warranty Registration Card is properly filled out and mailed to Maruyama U.S., Inc. Proof of purchase and registration will be required in order to obtain warranty service.

To locate an Authorized Maruyama Servicing Dealer nearest you, contact:

**Maruyama U.S., Inc.**  
**4770 Mercantile Drive, suite100,**  
**Fort Worth, TX 76137 U.S.A.**  
**(940)383-7400**  
**maruyama@maruyama-us.com**  
**www.maruyama-us.com**

## ⚠ WARNING: ⚠

Operating, servicing and maintaining this product can expose you to chemicals including engine exhaust, carbon monoxide, phthalates, and lead, which are known to the State of California to cause cancer and birth defects or other reproductive harm. To minimize exposure, avoid breathing exhaust, service equipment in a well-ventilated area and wear gloves or wash your hands frequently when servicing this equipment. For more information, visit on the web at [www.P65warnings.ca.gov](http://www.P65warnings.ca.gov).



**LB300**

## FEDERAL EMISSION CONTROL WARRANTY STATEMENT YOUR WARRANTY RIGHTS AND OBLIGATIONS

The U.S. Environmental Protection Agency (EPA), and Maruyama Manufacturing Company, Inc. are pleased to explain the **emission control system warranty** on your small off-road engine. New 1997 and later model year small off-road engines must be designed, built and equipped, at the time of sale, to meet the U.S. EPA regulations for small off-road engines. The equipment engine must be free from defects in materials and workmanship which cause it to fail to conform with U.S. EPA standards for the first 5 years of engine use from the date of sale to the ultimate purchaser. Maruyama Manufacturing Company, Inc. must warrant the emission control system on your small off-road engine for the period of time listed above provided there has been no abuse, neglect or improper maintenance of your small off-road engine.

### **Emission durability of 300 hours.**

Your emission control system may include parts such as the carburetor or fuel injection system, the ignition system, and catalytic converter. Also included may be hoses, belts, and connectors and other emission related assemblies.

Where a warrantable condition exists, Maruyama Manufacturing Company, Inc. will repair your small off-road engine at no cost to you, including diagnosis (if the diagnostic work is performed at an authorized dealer), parts, and labor.

### **MANUFACTURER'S WARRANTY COVERAGE:**

The 1997 and later model year small off-road engines are warranted for five years. If any emission-related part on your engine is defective, the part will be repaired or replaced by Maruyama Manufacturing Company, Inc. free of charge.

### **OWNER'S WARRANTY RESPONSIBILITIES:**

(a) As the small off-road engine owner, you are responsible for the performance of the required maintenance listed in your owner's/operator's manual.

Maruyama Manufacturing Company, Inc. recommends that you retain all receipts covering maintenance on your small off-road engine, but Maruyama Manufacturing Company, Inc. cannot deny warranty solely for the lack of receipts or for your failure to ensure the performance of all scheduled maintenance. Any replacement part or service that is equivalent in performance and durability may be used in non-warranty maintenance or repairs, and shall not reduce the warranty obligations of the engine manufacturer.

(b) As the small off-road engine owner, you should be aware, however, that Maruyama Manufacturing Company may deny you warranty coverage if your small off-road engine or a part has failed due to abuse, neglect, improper maintenance or unapproved modifications.

(c) You are responsible for presenting your small off-road engine to a Maruyama Manufacturing Company, Inc. service center as soon as a problem exists. The warranty repairs should be completed in a reasonable amount of time, not to exceed 30 days.

If you have any questions regarding your warranty rights and responsibilities, you should contact Maruyama U.S., Inc. at **1-866-783-7400**, or [warranty@maruyama-us.com](mailto:warranty@maruyama-us.com).

**COVERAGE**

Maruyama Manufacturing Company, Inc. warrants to the ultimate purchaser and each subsequent purchaser that your small off-road engine will be designed, built and equipped, at the time of sale, to meet all applicable regulations. Maruyama Manufacturing Company, Inc. also warrants to the initial purchaser and each subsequent purchaser that your small off-road engine is free from defects in materials and workmanship which cause the engine to fail to conform with applicable regulations for a period of 5 years.

The 1997 and later model years, EPA requires manufacturers to small off-road engines for 5 years. These warranty periods will begin on the date the small off-road engine is purchased by the initial purchaser. If any emission-related part on your engine is defective, the part will be replaced by Maruyama Manufacturing Company, Inc. at no cost to the owner.

Maruyama Manufacturing Company, Inc. shall remedy warranty defects at any authorized Maruyama Manufacturing Company, Inc. engine dealer or warranty station. Any authorized work done at an authorized dealer or warranty station shall be free of charge to the owner if such work determines that a warranted part is defective. Any manufacturer-approved or equivalent replacement part may be used for any warranty maintenance or repairs on emission-related parts, and must be provided free of charge to the owner if the part is still under warranty, Maruyama Manufacturing Company, Inc. is liable for damages to other engine components caused by the failure of a warranted part still under warranty.

EPA considers emission-related warranted parts to include all the parts listed below. These warranted parts are: **the carburetor assembly, the ignition coil assembly, the ignition rotor, the spark plug, the catalytic converter, and the fuel tank.**

**MAINTENANCE REQUIREMENTS**

The owner is responsible for the performance of the required maintenance as defined by the Maruyama Manufacturing Company, Inc. in the owner's/operator's manual.

**LIMITATIONS**

This Emission Control System Warranty shall not cover any of the following:

- (a) repair or replacement required because of misuse or neglect, lack of required maintenance, repairs improperly performed or replacements not conforming to Maruyama Manufacturing Company, Inc. specifications that adversely affect performance and/or durability, and alterations or modifications not recommended or approved in writing by Maruyama Manufacturing Company, Inc., and
- (b) replacement of parts and other services and adjustments necessary for required maintenance at and after the first scheduled replacement point.

**Part II: CALIFORNIA EMISSIONS CONTROL WARRANTY STATEMENT****CALIFORNIA EXHAUST AND EVAPORATIVE EMISSION CONTROL WARRANTY STATEMENT YOUR WARRANTY RIGHTS AND OBLIGATIONS**

The California Air Resources Board and Maruyama Manufacturing Company, Inc. are pleased to explain the exhaust and evaporative emissions ("emissions") control system warranty on your 2021 small off-road engine. In California, new equipment that use small off-road engines must be designed, built, and equipped to meet the State's stringent anti-smog standards. Maruyama Manufacturing Company, Inc. must warrant the emissions control system on your small off-road engine for the periods of time listed below provided there has been no abuse, neglect or improper maintenance of your small off-road engine or equipment leading to the failure of the emissions control system.

Your emissions control system may include parts such as the carburetor or fuel-injection system, the ignition system, catalytic converter, fuel tanks, fuel lines (for liquid fuel and fuel vapors), fuel caps, valves, canisters, filters, clamps and other associated components. Also included may be hoses, belts, connectors, and other emission-related assemblies.

The evaporative emission warranty parts list shall include all parts whose failure would increase evaporative emissions, and may contain, but is not limited to, the following parts: Fuel Tank, Fuel Cap, Fuel Lines (for liquid fuel and fuel vapors), Fuel Line Fittings, Pressure Relief Valves, Control Valves, Vacuum Control Diaphragms, Purge Valves, Carburetor Purge Port Connector.

Where a warrantable condition exists, Maruyama Manufacturing Company, Inc. will repair your small off-road engine at no cost to you including diagnosis, parts and labor.

#### **MANUFACTURER'S WARRANTY COVERAGE:**

The exhaust and evaporative emissions control system on your small off-road engine is warranted for 5 years. If any emissions-related part on your small off-road engine is defective, the part will be repaired or replaced by Maruyama Manufacturing Company, Inc.

#### **OWNER'S WARRANTY RESPONSIBILITIES:**

- As the small off-road engine owner, you are responsible for the performance of the required maintenance listed in your owner's manual. Maruyama Manufacturing Company, Inc. recommends that you retain all receipts covering maintenance on your small off-road engine, but Maruyama Manufacturing Company, Inc. cannot deny warranty coverage solely for the lack of receipts or for your failure to ensure the performance of all scheduled maintenance.
- As the small off-road engine owner, you should however be aware that Maruyama Manufacturing Company, Inc. may deny you warranty coverage if your small off-road engine or a part has failed due to abuse, neglect, or improper maintenance or unapproved modifications.
- You are responsible for presenting your small off-road engine to a Maruyama Manufacturing Company, Inc. distribution center or service center as soon as the problem exists. The warranty repairs shall be completed in a reasonable amount of time, not to exceed 30 days.

If you have any questions regarding your warranty rights and responsibilities, you should contact Maruyama Manufacturing Company, Inc. at **1-866-783-7400**, or [warranty@maruyama-us.com](mailto:warranty@maruyama-us.com).

The **evaporative** emission warranty parts list shall include all parts whose failure would increase evaporative emissions, and may contain, but is not limited to, the following parts:

- (1) Fuel Tank
- (2) Fuel Cap
- (3) Fuel Lines (for liquid fuel and fuel vapors)
- (4) Fuel Line Fittings
- (5) Pressure Relief Valves
- (6) Control Valves
- (7) Vacuum Control Diaphragms
- (8) Purge Valves
- (9) Carburetor Purge Port Connector

The **exhaust** emission warranty parts list shall include all parts whose failure would increase exhaust emissions, and may contain, but is not limited to, the following parts:

- (1) Fuel Metering System
  - (A) Carburetor and internal parts
- (2) Cold start enrichment system
- (3) Controlled hot air intake system
- (4) Air filter
- (5) Ignition System
- (6) Spark Plug
- (7) Magneto or electronic ignition system
- (8) Spark advance/retard system
- (9) Exhaust Gas Recirculation (EGR) System
- (10) EGR valve body, and carburetor spacer if applicable
- (11) Air pump or pulse valve



## Declaración de garantía limitada

Todos los productos Maruyama están garantizados al comprador original de estar libres de defectos en materiales o fabricación **desde la fecha de compra** durante los siguientes periodos:

**Para la vida** de uso de ejes de acero sólido y las bobinas de arranque.

Garantía comercial Iron 5™ de **5 años** de uso.

**2 años** para uso residencial y uso comercial con aceite de otra marca.

**90 días** para uso de alquiler.

**Motor – referirse al texto de garantía del fabricante del motor. Fabricado por Maruyama Los motores Maruyama están cubiertos por esta garantía limitada.**

Cualquier parte del producto Maruyama que se determine defectuoso durante el periodo aplicable de garantía será, a discreción de Maruyama, reparada o reemplazada, sin costo. Durante el proceso de garantía se tomará en consideración el producto de Maruyama que se considere defectuoso y que sea entregado a un servicio autorizado de Maruyama durante el periodo aplicable de la garantía.

No se cobrará al comprador por la tarea de diagnóstico que determine que una pieza en garantía es defectuosa, si se realiza en un centro de distribución de Maruyama. Cualquier pieza en garantía cuyo cambio no esté programado como mantenimiento necesario, o que esté programada sólo para revisión ordinaria con vistas a su “reparación o cambio según sea necesario” estará cubierta durante el periodo de garantía. Cualquier pieza en garantía, cuyo cambio esté programado dentro del mantenimiento necesario, estará cubierta hasta el primer cambio programado que le corresponda. Maruyama Mfg Co., Inc. es responsable de los daños ocasionados a otros componentes del motor por el fallo de una pieza que aún esté en garantía. El comprador es responsable de realizar las tareas de mantenimiento necesarias tal y cómo se definen en el MANUAL DEL PROPIETARIO U OPERADOR de Maruyama Mfg Co., Inc.

**GARANTÍAS DE PARTES RELACIONADAS A EMISIONES:** Además de dicha cobertura, Maruyama MFG. Co., Inc., reparará o reemplazará, sin costo, al comprador original, y cada comprador subsiguiente, cualquier parte(s) relacionada(s) a emisiones determinadas de ser defectuosas en materiales o fabricación durante 5 años a partir de la fecha de entrega. **Partes relacionadas a emisiones incluyen la bobina completa de arranque, el rotor de arranque, la bujía, el convertidor catalítico en el depósito de combustible.** Cualquier parte de reemplazo de comparable desempeño y durabilidad se pueden utilizar en manutención y reparación y esto no disminuirá la obligación de garantía de Maruyama MFG. Co., Inc.



## **ESTA GARANTÍA NO CUBRE:**

1. Partes de mantenimiento (incluso defectos en materiales y fabricación), incluso mangueras, bujías, cuerdas de arranque, filtros de aire y combustible, zapatos de embrague, amortiguadores de vibración, cables de acelerador, y todos los accesorios de corte.
2. Gastos suplementarios, incluso envío y manejo, viaje, pago de pérdida de tiempo, o pago por inconveniencia y almacenamiento.
3. Alteraciones o modificaciones incluso respuestas genéricos no autorizados por Maruyama.
4. Desgaste, accidentes, abuso, uso incorrecto, negligencia, combustibles, lubricantes, mezclas de combustible inadecuadas (cuando sea aplicable), o no realizar mantenimiento u operación del producto de acuerdo a las instrucciones aprobadas por Maruyama.

La reparación o cambio según lo estipulado en la presente garantía es la única solución del usuario. Maruyama no se hará responsable de ningún daño fortuito o consecuencial del incumplimiento de cualquier garantía expresa o implícita de estos productos salvo hasta el límite estipulado por la legislación aplicable. Cualquier garantía implícita de comerciabilidad o idoneidad para un fin particular de estos productos se restringe al período de garantía tal y cómo se define en la declaración de garantía limitada. Maruyama se reserva el derecho a modificar o mejorar el diseño del producto sin previo aviso y no asume ninguna obligación de actualizar los productos previamente fabricados.

Esta garantía le ofrece derechos legales específicos, que pueden variar de un Estado a otro.

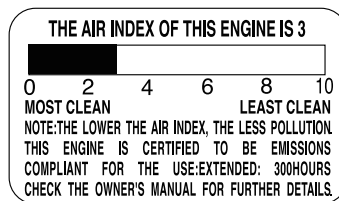
El propietario y el distribuidor se responsabilizarán de que la Tarjeta de registro de garantía sea correctamente cumplimentada y enviada a Maruyama U.S., Inc. Para obtener el servicio de garantía se solicitará una prueba de compra o registro.

Para encontrar al distribuidor autorizado de Maruyama más cercano, contacte con:

**Maruyama U.S., Inc.**  
**4770 Mercantile Drive, suite100,**  
**Fort Worth, TX 76137 U.S.A.**  
**(940)383-7400**  
**maruyama@maruyama-us.com**  
**www.maruyama-us.com**

## ⚠️ ADVERTENCIA: ⚠️

La utilización, las tareas de reparación y de mantenimiento de este producto pueden exponerle a sustancias químicas como gases de escape del motor, monóxido de carbono, ftalatos y plomo, las cuales han sido reconocidas por el Estado de California como posibles causas de cáncer, malformaciones congénitas u otros daños reproductivos. Para reducir la exposición a estas sustancias químicas, no inhale los gases de escape, repare el equipo en una zona bien ventilada y póngase guantes o lávese las manos con frecuencia cuando lo repare. Para más información, visite la página web: [www.P65warnings.ca.gov](http://www.P65warnings.ca.gov).



LB300

## DECLARACIÓN DE GARANTÍA DEL CONTROL FEDERAL DE EMISIONES. DERECHOS Y OBLIGACIONES DERIVADOS DE LA GARANTÍA

La Agencia para la protección ambiental de EE.UU. (EPA) y Maruyama Manufacturing Company, Inc. se complacen en explicar la **garantía del sistema de control de emisiones** de su pequeño motor no destinado a la automoción. Los nuevos modelos de motor pequeño de 1997 y posteriores, no destinados a la automoción, deben estar diseñados, fabricados y equipados, en el momento de venta, para cumplir las normas de la EPA de EE.UU. El motor debe estar libre de defectos en los materiales y de fabricación que provoquen el incumplimiento de las normas de la EPA durante los 5 primeros años de uso del motor a partir de la fecha de venta inicial hasta el último comprador. Maruyama Manufacturing Company, Inc. ha de garantizar el sistema de control de las emisiones en el pequeño motor durante el período anteriormente citado siempre y cuando no haya ningún uso indebido, negligencia o mantenimiento incorrecto del mismo.

### Período de durabilidad de emisiones: 300 horas.

Su sistema de control de emisiones puede incluir piezas como el carburador o el sistema de inyección de combustible, el sistema de encendido y el convertidor catalítico. También puede incluir tubos flexibles, correas y conectores y otros sistemas relacionados con las emisiones.

Cuando exista una condición cubierta por la garantía, Maruyama Manufacturing Company, Inc. reparará gratuitamente el pequeño motor no destinado a la automoción, incluido el diagnóstico (si se realiza en un centro de distribución autorizado), piezas y mano de obra.

### COBERTURA DE LA GARANTÍA DEL FABRICANTE:

Los modelos de motor pequeño de 1997 y posteriores, no destinados a la automoción, están garantizados durante 5 años. Si cualquier pieza de su motor relacionada con las emisiones es defectuosa, Maruyama Manufacturing Company, Inc. la reparará o cambiará gratuitamente.

### RESPONSABILIDADES DEL PROPIETARIO DERIVADAS DE LA GARANTÍA:

(a) Como propietario del motor arriba mencionado, usted es responsable de realizar las tareas de mantenimiento necesarias enumeradas en el manual del propietario u operador.

Maruyama Manufacturing Company, Inc. recomienda conservar todos los recibos del mantenimiento del motor, pero no puede negar la aplicación de la garantía sólo porque usted carezca de recibos o no asegure la ejecución de todas las tareas de mantenimiento programadas.

Se permite el uso de cualquier pieza de repuesto o mantenimiento equivalente en prestación y durabilidad en el mantenimiento o reparaciones no cubiertas por la garantía, no reduciendo este hecho las obligaciones del fabricante del motor derivadas de la garantía.

(b) Como propietario, debería saber, sin embargo, que Maruyama Manufacturing Company puede negarle la cobertura de la garantía si el motor o la pieza no funcionan por el uso indebido, negligencia, mantenimiento incorrecto o modificaciones no autorizadas.

(c) Usted es responsable de llevar el motor a un centro de asistencia de Maruyama Manufacturing Company, Inc. tan pronto como exista un problema. Las reparaciones cubiertas por la garantía deberían completarse en un período de tiempo razonable, no superior a 30 días.

Si tiene preguntas relacionadas con los derechos y responsabilidades derivadas de la garantía, contacte con Maruyama U.S., Inc. en el número: **1-866-783-7400**, o [warranty@maruyama-us.com](mailto:warranty@maruyama-us.com).

## **COBERTURA**

Maruyama Manufacturing Company, Inc. garantiza al comprador último y a cada comprador posterior que el pequeño motor no destinado a la automoción estará diseñado, fabricado y equipado, en el momento de venta, para cumplir con toda la normativa aplicable. Maruyama Manufacturing Company, Inc. también garantiza al comprador inicial y a cada comprador posterior que el motor está libre de defectos de fabricación y en los materiales, que le impidan cumplir las normas aplicables durante un período de 5 años.

La Agencia de protección ambiental (EPA) obliga a los fabricantes de este tipo de motores a cumplir la normativa durante 5 años. Estos períodos de garantía se iniciarán en la fecha en que el comprador inicial adquiera el pequeño motor no destinado a la automoción. Si cualquier pieza del motor relacionada con las emisiones es defectuosa, Maruyama Manufacturing Company, Inc. la cambiará gratuitamente.

Maruyama Manufacturing Company, Inc. resolverá los defectos cubiertos por la garantía en cualquier centro de garantía o de distribución de motores de Maruyama Manufacturing Company, Inc. autorizado. Cualquier tarea autorizada realizada en un centro de garantía o de distribución autorizado será gratuita si determina que una pieza en garantía es defectuosa. Para cualquier tarea de mantenimiento o reparación de piezas relacionadas con las emisiones, cubierta por la garantía puede utilizarse cualquier pieza de repuesto homologada por el fabricante o equivalente, y debe realizarse gratuitamente si la pieza aún está en garantía. Maruyama Manufacturing Company, Inc. es responsable de los daños ocasionados a otros componentes del motor por el fallo de una pieza en garantía.

EPA estima que las piezas garantizadas relacionadas con las emisiones incluyen todas las que figuran a continuación. Piezas garantizadas: el carburador, la bobina de encendido, el rotor de encendido, la bujía, el convertidor catalítico y el depósito de combustible.

## **MANTENIMIENTO NECESARIO**

El propietario es responsable de realizar las tareas de mantenimiento necesarias tal y cómo se definen en el manual del propietario u operador de Maruyama Manufacturing Company, Inc.

## **LIMITACIONES**

Esta Garantía propietario u operador de control de emisiones no cubrirá lo siguiente:

- (a) ninguna reparación o cambio necesarios por el uso indebido o negligencia, falta de mantenimiento requerido, reparaciones incorrectamente realizadas o cambios que no cumplan las especificaciones de Maruyama Manufacturing Company, Inc. que repercutan adversamente en el rendimiento o durabilidad, y alteraciones o modificaciones no recomendadas o aprobadas por escrito por Maruyama Manufacturing Company, Inc., y
- (b) ningún cambio de piezas y otros servicios y ajustes necesarios para el mantenimiento requerido en y después del primer cambio programado.

## **Parte II: DECLARACIÓN DE GARANTÍA DE CONTROL DE EMISIONES EN CALIFORNIA DECLARACIÓN DE GARANTÍA DE CONTROL DE EMISIONES DE ESCAPE Y EVAPORATIVAS EN CALIFORNIA DERECHOS Y OBLIGACIONES EN EL MARCO DE SU GARANTÍA**

La Junta de Recursos aéreos de California y la empresa Maruyama Manufacturing Company, Inc. se complacen en explicar la garantía del sistema de control de emisiones de escape y evaporativas (emisiones) de su pequeño motor 2021 no destinado a la automoción. En California, los nuevos equipos que utilicen pequeños motores no destinados a la automoción deben ser diseñados, construidos y equipados de forma que cumplan los estrictos estándares de este Estado en materia de contaminación. Maruyama Manufacturing Company, Inc. debe garantizar el sistema de control de emisiones de su pequeño motor no destinado a la automoción durante los períodos indicados más abajo siempre que no se haya producido un mal uso, una negligencia o un mantenimiento inadecuado de su pequeño motor o del equipo que provoque el fallo del sistema de control de emisiones.

El sistema de control de emisiones puede incluir piezas como el carburador o el sistema de inyección de combustible, el sistema de encendido, el convertidor catalítico, depósitos de combustible, conductos de combustible (para combustible líquido y vapores del combustible), tapones del combustible, válvulas, depósitos, filtros, abrazaderas y otros componentes asociados. También puede incluir manguitos, correas, conectores y otros elementos relacionados con las emisiones.

La lista de piezas que cubre la garantía contra emisiones evaporativas incluirá todas las piezas cuya avería provocaría un aumento de este tipo de emisiones, y puede comprender, aunque no taxativamente, las piezas siguientes: el depósito de combustible, el tapón del combustible, los conductos de combustible (para combustible líquido y vapores del combustible), las conexiones del conducto de combustible, las válvulas de retorno, las válvulas de control, los diafragmas de control de vacío, las válvulas de purga, el conector del puerto de purga del carburador.

Maruyama Manufacturing Company, Inc. reparará su pequeño motor gratuitamente, incluidos los gastos de diagnóstico, piezas y mano de obra, cuando se produzca una situación cubierta por la garantía.

#### **COBERTURA DE LA GARANTÍA DEL FABRICANTE:**

El sistema de control de emisiones evaporativas y de escape de su pequeño motor no destinado a la automoción está cubierto por una garantía de 5 años. Maruyama Manufacturing Company, Inc. reparará o reemplazará cualquier pieza del motor relacionada con las emisiones que resulte defectuosa.

#### **RESPONSABILIDADES DEL PROPIETARIO DERIVADAS DE LA GARANTÍA:**

- Como propietario del pequeño motor no destinado a la automoción, usted es responsable de realizar el mantenimiento necesario indicado en el manual del propietario. Maruyama Manufacturing Company, Inc. le recomienda conservar todos los recibos del mantenimiento del pequeño motor, pero Maruyama Manufacturing Company, Inc. no podrá rechazar la cobertura de la garantía por el mero hecho de que usted no disponga de los recibos o porque usted no se haya asegurado de realizar todas las tareas de mantenimiento programadas.
- Como propietario del pequeño motor no destinado a la automoción, usted debería saber, no obstante, que Maruyama Manufacturing Company, Inc. puede denegarle la cobertura de la garantía si su pequeño motor o una pieza se ha averiado por el mal uso, negligencia, o mantenimiento inadecuado o por modificaciones no autorizadas.
- Usted es responsable de llevar su pequeño motor no destinado a la automoción a un centro de servicios o de distribución de Maruyama Manufacturing Company, Inc. tan pronto como detecte un problema. Las reparaciones cubiertas por la garantía se completarán en un período razonable de tiempo, no superior a un mes.

Si tiene preguntas relativas a los derechos y responsabilidades que usted tiene en el marco de la garantía, debería contactar con Maruyama Manufacturing Company, Inc. llamando al número: **1-866-783-7400**, o enviando un mensaje a la siguiente dirección de correo electrónico: [warranty@maruyama-us.com](mailto:warranty@maruyama-us.com).

La lista de piezas relacionadas con las emisiones **evaporativas** y cubiertas por la garantía incluirá todas las piezas cuya avería provocaría un aumento de las emisiones evaporativas, y puede incluir, aunque no taxativamente, las piezas siguientes:

- (1) Depósito de combustible
- (2) Tapón de combustible
- (3) Conductos de combustible (para combustible líquido y vapores del combustible)
- (4) Conexiones del tubo de combustible
- (5) Válvulas de retorno
- (6) Válvulas de control
- (7) Diafragmas de control del vacío
- (8) Válvulas de purga
- (9) Conector del puerto de purga del carburador

La lista de piezas relacionadas con las emisiones de **escape** y cubiertas por la garantía incluirá todas las piezas cuya avería provocaría un aumento de las emisiones de escape, y puede incluir, aunque no taxativamente, las piezas siguientes:

- (1) Dispositivo de dosificación de combustible
  - (A) Carburador y piezas internas
- (2) Sistema de aumento de propulsión para arranque en frío
- (3) Sistema controlado de entrada de aire caliente
- (4) Filtro de aire
- (5) Sistema de encendido
- (6) Bujía de encendido
- (7) Sistema de encendido electrónico o electromagnético
- (8) Sistema de retardo/ avance del encendido
- (9) Sistema de recirculación de gases de escape (EGR, por sus siglas en inglés)
- (10) Cuerpo de válvula EGR y arandela del carburador, si es necesaria
- (11) Bomba de aire o válvula de pulsos



## Déclaration de garantie limitée

Les produits commerciaux et industriels Maruyama sont garantis à l'acheteur initial contre tout vice de matière ou vice de fabrication, **à partir de la date d'achat**, et ce, pour les durées suivantes :

Vie pour solides arbre d'entraînement en acier et bobines d'allumage.

**5 ans** pour l'usage commercial, industriel, et institutionnel.

**2 ans** pour l'usage résidentiel, et l'usage commercial avec huile d'une marque concurrente.

**90 jours** pour l'usage locatif.

**Moteurs - Reportez-vous à la déclaration de garantie du fabricant correspondant. Uniquement les moteurs Maruyama sont couverts par cette déclaration de garantie limitée.**

En cas de défectuosité d'une pièce au cours de la période de garantie, Maruyama, à sa discrétion, sera tenu de la changer ou de la remplacer gratuitement. L'évaluation de la garantie est obtenue en délivrant le produit Maruyama qui semble être défectueux au Service technique d'un distributeur Maruyama agréé dans la période de garantie.

L'acheteur sera exonéré des frais de diagnostic d'une pièce sous garantie si ledit diagnostic est effectué dans un centre de distribution Maruyama agréé. Le remplacement d'une pièce sous garantie non prévu dans le plan de maintenance requise, ou programmé uniquement dans le cadre de la révision ordinaire en vue de sa «réparation ou remplacement si nécessaire» sera couvert pendant la période de garantie. Toute pièce sous garantie remplacée dans le cadre de la maintenance requise est garantie pendant la période précédant le premier point de remplacement prévu pour cette pièce. Maruyama Mfg. Co., Inc. sera tenu responsable des dommages aux autres composants du moteur causés par la défaillance d'une pièce encore sous garantie. Il incombe au propriétaire d'effectuer la maintenance requise, comme décrit par Maruyama Mfg. Co., Inc. dans le MANUEL DU PROPRIÉTAIRE/ DE L'UTILISATEUR.

**GARANTIE DES PIÈCES LIÉES AUX ÉMISSIONS:** Outre la couverture de garantie stipulée ci-dessus, Maruyama Mfg. Co., Inc. se chargera de la réparation ou du remplacement, sans frais supplémentaire pour l'acheteur initial et les sous-acquéreurs, d'une pièce liée aux émissions s'avérant défectueuse pour vice de matières et vice de fabrication, pendant une durée de 5 ans à compter de la date de livraison par le détaillant d'origine, excepté le pot catalytique. Le pot catalytique est garanti pour une durée d'un à partir de la date de livraison par le détaillant d'origine. **Les pièces liées aux émissions couvertes par la garantie sont : le carburateur, le système d'allumage, le rotor de distributeur, la bougie, le pot catalytique et le réservoir de carburant.** Toute pièce de rechange qui est de prestations et de durabilité équivalentes peut être utilisée dans des interventions de maintenance ou de réparations hors garantie, et elle ne réduira pas les obligations de garantie de Maruyama Mfg. Co., Inc.

**Cette garantie ne couvre pas les conditions suivantes :**

1. Eléments de maintenance (à l'exception des vices de matière et vices de fabrication) y compris les tuyaux flexibles, bougies, câbles de démarreur, filtres à air et à carburant, masselottes d'embrayage, isolateurs de vibration, câbles d'accélérateur et dispositifs de coupe, etc.
2. Frais additionnels incluant l'envoi et la manutention, le déplacement, les indemnités pour temps d'inactivité ou de nuisance et d'entreposage.
3. Ajouts ou modifications de pièces de marchés secondaires non autorisées par Maruyama U.S., Inc.
4. Toute défaillance causée par l'usure, un accident, une négligence, une utilisation abusive, des carburants, lubrifiants et mélanges de carburants (le cas échéant) inappropriés, ou une utilisation ou un entretien défectueux du produit découlant du non-respect des instructions fournies par Maruyama.

La réparation ou le remplacement tel que stipulé dans la présente garantie est la solution unique de l'utilisateur. Maruyama ne saurait être tenu responsable des dommages accessoires ou indirects dus à un manquement exprès ou implicite à la garantie de ces produits, sous réserve des limites établies par la loi en vigueur. Toute garantie tacite de qualité marchande ou d'aptitude à un but particulier pour ce produit est limitée par la durée de cette garantie, telle que définie dans la déclaration de garantie limitée. Maruyama se réserve le droit de modifier ou d'améliorer le design du produit sans préavis et décline toute obligation de mettre à jour les produits préalablement fabriqués.

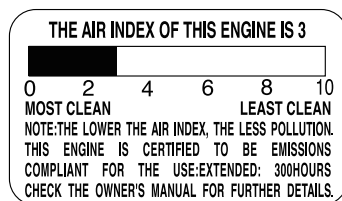
Cette garantie vous offre des droits juridiques spécifiques susceptibles de varier selon la législation particulière d'un État. Il incombe au propriétaire et au revendeur de remplir correctement la carte d'enregistrement de la garantie et de l'adresser à la société Maruyama U.S., Inc. Une preuve d'achat et de l'enregistrement sera requise en vue de bénéficier du service de garantie.

Pour localiser le distributeur Maruyama agréé le plus proche, contactez :

**Maruyama U.S., Inc.**  
**4770 Mercantile Drive, suite100,**  
**Fort Worth, TX 76137 U.S.A.**  
**(940)383-7400**  
**maruyama@maruyama-us.com**  
**www.maruyama-us.com**

## ⚠ AVERTISSEMENT: ⚠

L'utilisation, la réparation et la maintenance de ce produit peut vous exposer à des produits chimiques tels que les gaz d'échappement, le monoxyde de carbone, les phtalates, et le plomb, reconnus par l'État de la Californie comme pouvant causer le cancer, des malformations congénitales et d'autres lésions à l'appareil reproducteur. Pour réduire l'exposition à ces produits chimiques, éviter de respirer les gaz d'échappement, réparer l'appareil dans un espace bien ventilé et porter des gants ou se laver fréquemment les mains après toute réparation. Pour en savoir plus, visiter notre site web à l'adresse [www.P65warnings.ca.gov](http://www.P65warnings.ca.gov).



LB300

## DÉCLARATION DE GARANTIE DU CONTRÔLE DES ÉMISSIONS DE L'ÉTAT FÉDÉRAL. DROITS ET OBLIGATIONS DÉRIVÉS DE LA GARANTIE

L'Agence de Protection environnementale des États-Unis (EPA) et Maruyama Manufacturing Company, Inc. ont le plaisir d'expliquer la garantie du système de contrôle des émissions concernant votre petit moteur hors route. Les nouveaux petits moteurs hors route modèles 1997 et ultérieurs doivent être conçus, fabriqués et équipés, au moment de la vente, en vue de respecter les réglementations de l'EPA des États-Unis en matière de petits moteurs hors route. Le moteur de l'appareil ne doit présenter aucun vice de matière, ni vice de fabrication susceptibles d'entraver sa conformité aux normes de l'EPA des États-Unis au cours des 5 premières années d'utilisation du moteur, à partir de la date de vente jusqu'au dernier acquéreur. Maruyama Manufacturing Company, Inc. doit garantir le système de contrôle des émissions de votre petit moteur hors route pour la durée indiquée ci-dessus, sous réserve de l'absence d'abus, de négligence ou d'entretien incorrect de celui-ci.

### Période de durabilité des émissions : 300 heures.

Votre système de contrôle des émissions doit inclure des pièces telles que le carburateur ou le système d'injection, le système d'allumage, et le pot catalytique. Il doit également inclure les tuyaux flexibles, courroies, et connecteurs, ainsi que les autres systèmes liés aux émissions. Toute pièce sous garantie de votre petit moteur hors route sera gratuitement réparée par Maruyama Manufacturing Company, Inc., y compris le diagnostic (s'il est effectué dans un centre agréé), les pièces et la main d'oeuvre.

### COUVERTURE DE GARANTIE DU FABRICANT :

Les petits moteurs hors route modèles 1997 et ultérieurs sont garantis pendant cinq ans. Si une pièce de votre moteur liée aux émissions s'avère défectueuse, la pièce sera réparée ou remplacée gratuitement par Maruyama Manufacturing Company, Inc.

### RESPONSABILITÉS DU PROPRIÉTAIRE LIÉES À LA GARANTIE :

- En tant que propriétaire de petit moteur hors route, vous êtes tenu de réaliser la maintenance requise indiquée dans votre manuel du propriétaire/de l'utilisateur. Maruyama Manufacturing Company, Inc. vous recommande de conserver tous vos reçus concernant l'entretien de votre petit moteur hors route, toutefois Maruyama Manufacturing Company, Inc. ne saurait refuser la garantie uniquement en l'absence de reçus ou de la non-réalisation de tous les travaux d'entretien programmés. Toute pièce de rechange ou service qui sont de prestations et de durabilité équivalentes peuvent être utilisés dans des interventions d'entretien ou de réparations hors garantie, sans pour autant réduire les obligations de garantie du fabricant du moteur.
- En tant que propriétaire de petit moteur hors route, vous devez néanmoins savoir que Maruyama Manufacturing Company peut vous refuser la couverture de la garantie si la panne de votre petit moteur hors route ou d'une pièce quelconque sont dus à un abus, à une négligence, à un entretien incorrect ou à des modifications non approuvées.
- Vous êtes tenu de présenter votre petit moteur hors route dans un centre de distribution de Maruyama Manufacturing Company, Inc. dès qu'un problème survient. Les réparations sous garantie doivent être réalisées dans un délai raisonnable de 30 jours.

Si vous avez des questions concernant vos droits et obligations liés à la garantie, vous devez contacter Maruyama U.S., Inc. en appelant le n°1-866-783-7400, o [warranty@maruyama-us.com](mailto:warranty@maruyama-us.com).

## COUVERTURE

Maruyama Manufacturing Company, Inc. garantit à l'acheteur initial et aux sous-acquéreurs que le petit moteur hors route sera conçu, fabriqué et équipé, au moment de la vente, en vue de respecter toutes les réglementations en vigueur. Maruyama Manufacturing Company, Inc. garantit également à l'acheteur initial et aux sous-acquéreurs que le petit moteur hors route ne présente aucun vice de matière, ni vice de fabrication susceptibles d'entraver sa conformité aux réglementations en vigueur pendant une durée de 5 ans.

L'EPA oblige les fabricants de ce type de moteurs à respecter les réglementations pendant 5 ans. Ces périodes de garantie commenceront à la date d'achat du petit moteur hors route par l'acheteur initial. En cas de défectuosité de l'une des pièces de votre moteur liée aux émissions, celle-ci sera remplacée gratuitement par Maruyama Manufacturing Company, Inc.

Maruyama Manufacturing Company, Inc. doit réparer ou remplacer toute pièce défectueuse encore sous garantie dans l'un des centres agréés ou de garantie de Maruyama Manufacturing Company, Inc. Tout travail autorisé effectué dans l'un des centres de distribution agréé ou de garantie doit être gratuit s'il est avéré qu'une pièce sous garantie est défectueuse. Il faut utiliser une pièce de remplacement approuvée par le fabricant ou équivalente lors d'une intervention de maintenance ou de réparation de pièces liées aux émissions, couvertes par la garantie. Ces interventions seront gratuites si la garantie est toujours valide. Maruyama Manufacturing Company, Inc. sera tenu responsable des dommages aux autres composants du moteur causés par la défaillance d'une pièce encore sous garantie.

EPA considère que les pièces liées aux émissions sous garantie doivent inclure toutes les pièces énumérées ci-dessous. Ces pièces sous garantie sont : **le carburateur, le système d'allumage, le rotor de distributeur, la bougie, le pot catalytique et le réservoir de carburant.**

## MAINTENANCE NÉCESSAIRE

Le propriétaire est tenu de réaliser la maintenance requise telle que définie par Maruyama Manufacturing Company, Inc. dans le manuel du propriétaire/de l'utilisateur.

## LIMITATIONS

Cette garantie du système de contrôle des émissions ne couvrira aucune des conditions suivantes:

- (a) réparation ou remplacement d'une pièce consécutivement à une utilisation abusive ou à une négligence, au manquement à la maintenance requise, à des réparations inappropriées ou à des remplacements non conformes aux caractéristiques techniques de Maruyama Manufacturing Company, Inc. susceptibles d'affecter les performances et/ou la durabilité de l'appareil, et aux ajouts ou modifications non recommandés ni approuvés par écrit par Maruyama Manufacturing Company, Inc., et
- (b) remplacement de pièces et d'autres services, réglages nécessaires dans le cadre de la maintenance requise et après le premier point de remplacement programmé.

## Partie II: DÉCLARATION DE GARANTIE DE CONTRÔLE DES ÉMISSIONS EN CALIFORNIE DÉCLARATION DE GARANTIE DE CONTRÔLE DES ÉMISSIONS À L'ÉCHAPPEMENT ET PAR ÉVAPORATION EN CALIFORNIE DROITS ET OBLIGATIONS DANS LE CADRE DE LA GARANTIE

Le California Air Resources Board et Maruyama Manufacturing Company, Inc. ont le plaisir de vous informer sur la garantie du système de contrôle des émissions à l'échappement et par évaporation de votre petit moteur non routier année modèle 2021. En Californie, les petits moteurs non routiers neufs doivent être conçus, construits et équipés de sorte à répondre aux normes antibrouillard (de pollution) strictes de cet État. Maruyama Manufacturing Company, Inc. doit garantir le système de contrôle des émissions du petit moteur non routier pour les durées indiquées ci-après à condition qu'il n'y ait eu ni utilisation abusive, ni négligence, ni entretien incorrect de votre petit moteur non routier, ni équipement susceptible d'entraîner une défaillance du système de contrôle des émissions.

Le système de contrôle des émissions peut inclure les pièces suivantes : carburateur, circuit d'injection de carburant, système d'allumage, pot catalytique, réservoirs de carburant, canalisations de carburant (pour le carburant liquide et vapeurs de carburant), bouchons de réservoir de carburant, soupapes, réservoirs à charbon actif, filtres, colliers et autres pièces annexes. Les flexibles, courroies, connecteurs et autres ensembles associés aux émissions peuvent également être inclus.



La liste des pièces sous garantie à émission par évaporation doit inclure toutes les pièces dont la défaillance pourrait augmenter les émissions par évaporation, et pourrait contenir, sans toutefois s'y limiter, les pièces suivantes : réservoir de carburant, bouchon de réservoir de carburant, canalisations de carburant (pour carburant liquide et vapeurs de carburant), raccords des canalisations de carburant, soupapes de sécurité, soupapes de commande, diaphragmes de contrôle du vide, soupapes de purge, connecteur du port de purge du carburateur.

Si une condition couverte par la garantie se présente, Maruyama Manufacturing Company, Inc. s'engage à réparer gratuitement votre petit moteur non routier, et à assumer tous frais découlant du diagnostic, des pièces et de main-d'œuvre.

#### **COUVERTURE DE LA GARANTIE DU FABRICANT :**

Le système de contrôle des émissions à l'échappement et par évaporation de votre petit moteur non routier est couvert pour une période de 5 ans. Toute pièce du moteur associée aux émissions s'avérant défectueuse sera réparée ou remplacée par Maruyama Manufacturing Company, Inc.

#### **RESPONSABILITÉS DU PROPRIÉTAIRE EN VERTU DE LA GARANTIE :**

- Le propriétaire d'un petit moteur non routier est tenu de respecter le calendrier des entretiens requis stipulé dans le manuel d'utilisation. Maruyama Manufacturing Company, Inc. recommande au propriétaire de conserver tous les reçus se rapportant à l'entretien du petit moteur non routier. Toutefois Maruyama Manufacturing Company, Inc. ne peut pas refuser les réclamations sous garantie uniquement parce que les reçus sont manquants ou que le propriétaire n'a pas vérifié que toutes les opérations périodiques d'entretien ont été réalisées.
- Le propriétaire du petit moteur non routier doit toutefois savoir que Maruyama Manufacturing Company, Inc. peut refuser d'honorer la garantie si le moteur ou l'une de ses pièces a fait l'objet d'abus, de négligence, d'un entretien incorrect ou de modifications non approuvées.
- Le propriétaire est tenu de présenter le petit moteur non routier à un centre de distribution ou à un centre de services agréé Maruyama Manufacturing Company, Inc. dès l'apparition d'un problème. Les réparations couvertes par la garantie devraient être effectuées dans un délai raisonnable ne dépassant pas 30 jours.

Pour toute question sur vos droits et responsabilités dans le cadre de la garantie, adressez-vous à Maruyama Manufacturing Company, Inc. en appelant le **1-866-783-7400**, ou en envoyant un courriel à [warranty@maruyama-us.com](mailto:warranty@maruyama-us.com).

La liste des pièces sous garantie à émission **par évaporation** doit inclure toutes les pièces dont la défaillance pourrait augmenter les émissions par évaporation, et pourrait contenir, sans toutefois s'y limiter, les pièces suivantes :

- (1) Réservoir de carburant
- (2) Bouchon de réservoir de carburant
- (3) Canalisations de carburant (pour carburant liquide et vapeurs de carburant)
- (4) Raccords des canalisations de carburant
- (5) Soupapes de sécurité
- (6) Soupapes de commande
- (7) Diaphragmes de contrôle du vide
- (8) Soupapes de purge
- (9) Connecteur du port de purge du carburateur

La liste des pièces sous garantie à émission **par évaporation** doit inclure toutes les pièces dont la défaillance pourrait augmenter les émissions par évaporation, et pourrait contenir, sans toutefois s'y limiter, les pièces suivantes :

- (1) Système de dosage du carburant
  - (A) Carburateur et pièces internes
- (2) Système d'enrichissement pour démarrage à froid
- (3) Système d'entrée d'air chaud contrôlé
- (4) Filtre à air
- (5) Système d'allumage
- (6) Bougie
- (7) Système d'allumage électronique ou électromagnétique
- (8) Système d'avance/retard à l'allumage
- (9) Système de recyclage des gaz d'échappement (RGE)
- (10) Boîtier de soupapes RGE, et espaceur carburateur, le cas échéant
- (11) Pompe à air ou vanne pulsatrice

# Contents

|   |    |
|---|----|
| Limited Warranty Statement .....          | 1  |
| FEDERAL EMISSION CONTROL .....            | 3  |
| CALIFORNIA EMISSION CONTROL .....         | 4  |
| Contents.....                             | 16 |
| Safety and Instruction Decals.....        | 19 |
| Introduction .....                        | 20 |
| Safety .....                              | 21 |
| Operator Safety .....                     | 21 |
| Landscape Blade Safety .....              | 21 |
| Fuel Safety .....                         | 22 |
| Landscape Blade Operating Safety .....    | 23 |
| Product description .....                 | 24 |
| Assembly .....                            | 25 |
| Loop Handle Installation .....            | 25 |
| Installing Shaft and Gearcase.....        | 26 |
| Before Operation .....                    | 27 |
| Oil and Fuel .....                        | 27 |
| Mixing Gasoline and Oil .....             | 29 |
| Starting and Stopping .....               | 31 |
| Instruction of the throttle trigger ..... | 34 |
| Operation .....                           | 35 |
| Maintenance .....                         | 36 |
| Idle Speed Adjustment .....               | 36 |
| Air Filter .....                          | 37 |
| Fuel Filter .....                         | 38 |
| Spark Plug .....                          | 38 |
| Cylinder Cooling Fins .....               | 39 |
| Spark Arrester .....                      | 40 |
| Exhaust Muffler .....                     | 41 |
| Landscape Blade .....                     | 42 |
| General Cleaning and Tightening .....     | 42 |
| Storage .....                             | 43 |
| Troubleshooting .....                     | 44 |
| Maintenance Period.....                   | 45 |
| Specifications .....                      | 46 |

# Contenido

|  |    |
|--|----|
| Declaración de garantía limitada .....                         | 6  |
| CONTROL FEDERAL DE EMISIONES .....                             | 8  |
| CONTROL DE EMISIONES DE CALIFORNIA .....                       | 9  |
| Contenido .....  | 17 |
| Símbolos Adhesivos de Seguridad .....                          | 19 |
| Introducción .....   | 20 |
| Seguridad .....  | 21 |
| Seguridad del operador .....                                   | 21 |
| Seguridad de la Cuchilla Rotativa de Jardinería .....          | 21 |
| Seguridad del combustible .....                                | 22 |
| Seguridad al utilizar la cuchilla rotativa de jardinería ..... | 23 |
| Descripción del Producto .....                                 | 24 |
| Montaje .....  | 25 |
| Instalación del manillar en forma .....                        | 25 |
| Montaje del eje y el caja engranajes .....                     | 26 |
| Antes de Utilizar .....  | 27 |
| Aceite y Combustible .....                                     | 27 |
| Mezcla de Gasolina y Aceite .....                              | 29 |
| Arranque y Parada .....  | 31 |
| Instrucción del gatillo del acelerador .....                   | 34 |
| Uso .....  | 35 |
| Mantenimiento .....  | 36 |
| Ajuste de la Velocidad del Ralentí .....                       | 36 |
| Filtro del Aire .....  | 37 |
| Filtro del Combustible .....                                   | 38 |
| Bujía .....  | 38 |
| Aletas del cilindro de refrigeración .....                     | 39 |
| Matachispas .....  | 40 |
| Silenciador de escape .....                                    | 41 |
| Cuchilla Rotativa de Jardinería .....                          | 42 |
| El general limpiando y apretándose .....                       | 42 |
| Almacenaje .....   | 43 |
| Problemas .....  | 44 |
| Período de mantenimiento .....                                 | 45 |
| Especificaciones .....   | 46 |

# Sommaire

|   |    |
|---|----|
| Déclaration de garantie limitée .....                   | 11 |
| CONTRÔLE DES ÉMISSIONS DE L'ÉTAT FÉDÉRAL .....          | 13 |
| CONTRÔLE DES ÉMISSIONS DE LA CALIFORNIE .....           | 14 |
| Sommaire .....  | 18 |
| Étiquettes de sécurité et instructions .....            | 19 |
| Introduction .....                                      | 20 |
| Sécurité .....  | 21 |
| Sécurité de l'utilisateur .....                         | 21 |
| Sécurité du Lame de Paysagement .....                   | 21 |
| Sécurité du carburant .....                             | 22 |
| Sécurité de fonctionnement du Lame de Paysagement ..... | 23 |
| Figures .....   | 24 |
| Montage .....   | 25 |
| Montage de la poignée avant .....                       | 25 |
| Montage de l'arbre de transmission .....                | 26 |
| Avant utilisation .....                                 | 27 |
| Huile et carburant .....                                | 27 |
| Mélange d'essence et d'huile .....                      | 29 |
| Mise en marche et arrêt .....                           | 31 |
| Instruction de la gâchette d'accélérateur .....         | 34 |
| Utilisation .....                                       | 35 |
| Entretien .....   | 36 |
| Réglage du ralenti .....                                | 36 |
| Filtre à air .....                                      | 37 |
| Filtre à carburant .....                                | 38 |
| Bougie .....  | 38 |
| Ailettes de refroidissement du cylindre .....           | 39 |
| Pare-étincelles .....                                   | 40 |
| Silencieux d'échappement .....                          | 41 |
| Lame de Paysagement .....                               | 42 |
| Nettoyage et serrage normaux .....                      | 42 |
| Remisage .....  | 43 |
| Dépannage .....   | 44 |
| Période d'entretien .....                               | 45 |
| Spécifications .....                                    | 46 |

# Safety and Instruction Decals

## Símbolos Adhesivos de Seguridad

### Étiquettes de sécurité et instructions



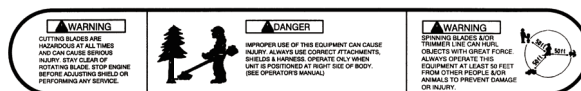
Safety decals and instructions are easily visible to the operator and are located near any area of potential danger. Replace any decal that is damaged or lost.

Los símbolos Adhesivos de Seguridad son de fácil visibilidad y están localizados cerca de los lugares de peligro. Vuelva a poner cualquier símbolo adhesivo en caso de que esté deteriorado o haya sido despegado/s.

Les étiquettes de sécurité et instructions sont facilement visibles par l'utilisateur et sont situées près de toute zone de danger potentiel. Remplacez toute étiquette endommagée ou perdue



**ON SHAFT**  
**Sobre el Eje**  
**SUR LE ARBRE**  
**(Part No.221501)**



**ON SHAFT**  
**Sobre el Eje**  
**SUR LE ARBRE**  
**(Part No.221502)**

## Introduction

Thank you for purchasing a MARUYAMA product.

MARUYAMA, its distributors, and dealers want you to be completely satisfied with your new product. Please feel free to contact your local Authorized Service Dealer for help with service, genuine MARUYAMA parts, or other information you may require.

Whenever you contact your Authorized Service Dealer or the factory, always know the serial number of your product. This number will help the Service Dealer or Service Representative provide exact information about your specific product. You will find the model and serial number located in a unique place on the product (Product Description on page 24 ).

For your convenience, write the product model name and serial number in the space to the below.

|   |
|---|
| <p><b>Model Name</b> _____</p> <p><b>Serial No.</b> _____</p> |
|---|

Read this manual carefully to learn how to operate and maintain your product correctly. Reading this manual will help you and others avoid personal injury and damage to the product.

Although MARUYAMA designs, produces and markets safe, state of the art products, you are responsible for using the product properly and safely. You are also responsible for training persons who you allow to use the product about safe operation.

The MARUYAMA warning system in this manual identifies potential hazards and has special safety messages that help you and others avoid personal injury, even death.

**DANGER**, **WARNING** and **CAUTION** are signal words used to identify the level of hazard. However, regardless of the hazard, be extremely careful.

**DANGER** signals an extreme hazard that will cause serious injury or death if the recommended precautions are not followed.

**WARNING** signals a hazard that may cause serious injury or death if the recommended precautions are not followed.

**CAUTION** signals a hazard that may cause minor or moderate injury if the recommended precautions are not followed. Two other words are also used to highlight information. "Important" calls attention to special mechanical information and "Note" emphasizes general information worthy of special attention.

## Introducción

Gracias por su compra de un producto MARUYAMA.

MARUYAMA, sus distribuidores y concesionarios desean que usted esté completamente satisfecho con su nuevo producto. No dude en contactar a su distribuidor de servicio autorizado para obtener asistencia en el servicio, partes genuinas de MARUYAMA u otra información que usted pueda requerir.

Cada vez que usted contacte a su distribuidor de servicio autorizado o la fábrica, siempre tenga disponible el número de serie de su producto. Este número ayudará al distribuidor de servicio o al representante de servicio para proveer la información exacta sobre su producto específico. Usted encontrará el modelo y el número de serie localizado en un lugar único en el producto (Descripción del producto en la página 24 ).

Para su conveniencia, escriba el nombre de modelo del producto y el número de serie en el espacio de abajo.

|   |
|---|
| <p><b>Nombre del modelo</b> _____</p> <p><b>Nº de serie</b> _____</p> |
|---|

Lea cuidadosamente este manual para aprender sobre la manera de operar y efectuar el mantenimiento del producto correctamente. Leer este manual le ayudará a usted y a otros a evitar lesiones personales y daños al producto.

Aunque MARUYAMA diseña, produce y comercializa productos seguros y de la más reciente tecnología, usted será el responsable por usarlos de la manera apropiada y segura. Usted también será responsable por la capacitación de las personas a las que usted permita usar el producto para la operación segura.

El sistema de advertencia de MARUYAMA en este manual identifica los peligros potenciales y tiene mensajes de seguridad especiales que le asistirán a usted y a otros en evitar lesiones personales, o incluso la muerte.

**PELIGRO**, **ADVERTENCIA** y **PRECAUCIÓN** son las palabras de señalización usadas para identificar el nivel del peligro. Sin embargo, independientemente del peligro, sea extremadamente cuidadoso.

Las señales **PELIGRO** indican un peligro extremo, que causará lesiones serias o la muerte si las precauciones recomendadas no se siguen.

Las señales **ADVERTENCIA** indican un peligro que puede causar lesiones serias o la muerte si las precauciones recomendadas no se siguen.

Las señales **CUIDADO** indican un peligro que puede causar lesiones menores o moderadas si las precauciones recomendadas no se

## Introduction

Nous vous remercions d'avoir acheté un produit MARUYAMA. MARUYAMA, ses distributeurs et ses concessionnaires tiennent à votre complète satisfaction de ce nouveau produit. Veuillez contacter votre concessionnaire d'entretien agréé pour toute assistance en matière d'entretien, de pièces MARUYAMA d'origine ou pour tout renseignement dont vous pourriez avoir besoin. Que vous contactiez votre concessionnaire agréé ou l'usine, prévoyez le numéro de modèle et de série du produit. Ce numéro aidera le concessionnaire ou le représentant à vous donner les informations exactes relatives à votre produit. Vous trouverez le numéro de modèle et de série dans un endroit spécial, sur le produit. (Figures page 24 ). Pour référence ultérieure, notez cette information dans l'espace ci-dessous.

|   |
|---|
| <p><b>Nom de modèle</b> _____</p> <p><b>Nº de série</b> _____</p> |
|---|

Veuillez lire attentivement ce manuel afin d'apprendre comment utiliser correctement votre produit. La lecture de ce manuel permettra d'éviter, à vous et aux autres, des accidents corporels et des dommages au produit. Bien que MARUYAMA conçoive, produise et commercialise des produits sûrs et de pointe, il est de votre responsabilité d'utiliser votre nouveau produit correctement et de façon sûre. (Vous être également responsable de la formation sur l'utilisation en toute sécurité par toute personne à qui vous en autoriserez l'utilisation.)

Le système d'avertissement de MARUYAMA dans ce manuel identifie les dangers potentiels et comprend des messages de sécurité spéciaux permettant d'éviter des blessures, voire la mort. **DANGER**, **AVERTISSEMENT** et **ATTENTION** sont les mots utilisés pour identifier le niveau de danger. Cependant, quel que soit le niveau de danger, soyez extrêmement prudent.

**DANGER** signale un danger extrême à l'origine de blessures graves, voire mortelles, si les précautions recommandées ne sont pas respectées.

**AVERTISSEMENT** signale un danger à l'origine de blessures graves, voire mortelles, si les précautions recommandées ne sont pas respectées.

**ATTENTION** signale un danger à l'origine de blessures mineures ou modérées si les précautions recommandées ne sont pas respectées. Deux autres termes sont également utilisés pour mettre des informations en évidence.

[#21-1]



[#21-2]



[#21-3]



## Safety

### Operator Safety

1. Read and understand this Owner's/Operator's Manual before using this product. Be thoroughly familiar with the proper use of this product.
2. Never allow children to operate the Landscape Blade. It is not a toy. Never allow adults to operate the unit without first reading the Owner's/Operator's Manual.
3. Always wear eye protection that complies with ANSI (American National Standards Institute) Z87-1. [#21-1]
4. Always wear hearing protection. [#21-2]
5. Always wear heavy, long pants, a long sleeved shirt, boots and gloves. Do not wear loose clothing, jewelry, short pants, sandals, or go barefoot. Secure hair so it is above shoulder length.
6. Never operate this Landscape Blade when you are tired, ill, or under the influence of alcohol, drugs or medication.
7. Never start or run the engine inside a closed room or building. Breathing exhaust fumes can cause death. [#21-3]
8. Keep handles clean of oil, fuel and dirt.

### Landscape Blade Safety

1. Make sure the Landscape Blade is assembled correctly and that the gearcase is correctly installed and securely fastened as instructed in the Assembly section.
2. Inspect the Landscape Blade before each use. Replace damaged parts. Check for fuel leaks. Make sure all fasteners are in place and tightened securely. Follow the maintenance instructions beginning on page 36.
3. Make sure the blades does not rotate at engine idle speed. Refer to Idle Speed Adjustment, page 36.
4. Inspect the blades and replace any parts that are cracked, chipped or damaged before using the Landscape Blade.
5. Never use a blades or replacement parts that are not approved by MARUYAMA.
6. Maintain the Landscape Blade according to the recommended maintenance intervals and procedures in the Maintenance section on page 36.

siguen. También se usan otras palabras para destacar la información. "Importante" llama la atención sobre información mecánica especial y "Nota" enfatiza la información general que merezca atención especial.

## Seguridad

### Seguridad del operador

1. Lea y comprenda este manual del operador antes de usar el producto. Familiaríces completamente con el uso apropiado de este producto.
2. Nunca permita que los niños operen la Cuchilla rotativa de jardinería. Esto no es un juguete. Nunca permita que los adultos operen la unidad sin leer primero el manual del propietario u operador.
3. Siempre use una protección ocular que cumpla con ANSI (Instituto de Estándares Nacionales Americanos) Z87-1. [#21-1]
4. Siempre use protección auditiva. [#21-2]
5. Siempre use pantalones largos, pesados, camisa de manga larga, botas y guantes. No use ropa suelta, joyas, pantalones cortos, sandalias ni ande descalzo. Tómese el cabello de manera que no pase la longitud de los hombros.
6. Nunca opere esta Cuchilla rotativa de jardinería cuando esté

cansado, enfermo o bajo la influencia del alcohol, las drogas o medicinas.

7. Nunca arranque ni opere el motor dentro de una sala o edificio cerrado. Respirar los humos del escape puede causar la muerte. [#21-3]
8. Mantenga las manijas limpias de aceite, combustible y suciedad.

### Seguridad del la Cuchilla Rotativa de Jardinería

1. Asegúrese que la cuchilla rotativa de jardinería sea ensamblada correctamente, y que el caja de engranajes sea instalado correctamente y asegurado de la manera que se instruye en la sección de montaje.
2. Inspeccione la cuchilla rotativa de jardinería antes de cada uso. Reemplace las partes dañadas. Verifique escape de combustible. Asegúrese que todos los seguros estén en posición y firmemente asegurados. Siga las instrucciones de mantenimiento que comienzan en la página 36.
3. Asegúrese que la cuchillas no rote a la velocidad de ralentí del motor. Refiérase al Ajuste de la Velocidad del Ralentí, página 36.
4. Inspeccione la cuchillas y reemplace las partes que no estén quebradas, picadas o dañadas antes de usar la cuchilla rotativa de jardinería.

"Important" attire l'attention sur des informations mécaniques spéciales et "Remarque" met l'accent sur des généralités méritant une attention spéciale.

## Sécurité

### Sécurité de l'utilisateur

1. Lisez et assimilez ce manuel du propriétaire/de l'utilisateur avant d'utiliser ce produit. Familiarisezvous bien avec l'utilisation correcte de ce matériel.
2. Ne laissez jamais des enfants utiliser lame de paysage. Ce n'est pas un jouet. Ne laissez jamais des adultes utiliser la machine sans qu'ils aient lu le manuel du propriétaire /de l'utilisateur.
3. Portez toujours des lunettes de protection conformes à Z87-1 de l'ANSI (American National Standards Institute). [#21-1]
4. Portez des protège-oreilles. [#21-2]
5. Portez toujours un pantalon épais, des manches longues, des bottes et des gants. Ne portez jamais de vêtements amples, de bijoux, de shorts, de sandales et ne soyez jamais pieds nus. Arrangez vos cheveux pour qu'ils ne descendent pas en dessous des épaules.
6. N'utilisez jamais ce lame de paysage si vous êtes fatigué, malade ou sous l'influence d'alcool, de drogue ou de médicaments.
7. Ne mettez jamais le moteur en marche ou ne le faites jamais tourner dans une salle ou un bâtiment fermé. Respirer des gaz

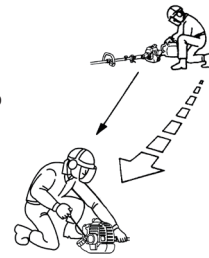
d'échappement peut être oriel. [#21-3]

8. Eviter de salir les poignées avec de l'huile, du carburant ou de la terre.

### Sécurité du Lame de Paysagement

1. Assurez-vous que le lame de paysage est correctement monté et que le renvoi d'angle est correctement monté et bien fixé, conformément au paragraphe sur le montage.
2. Avant chaque utilisation, inspectez le lame de paysage et remplacez les pièces endommagées. Assurez-vous qu'il n'y a pas de fuites de carburant. Assurez-vous que toute la visserie est en place et bien serrée. Suivez les instructions d'entretien commençant à la page 36.
3. Assurez-vous que les lames rotative ne fonctionne pas quand le moteur est au ralenti. Référez-vous à Réglage du ralenti page 36.
4. Avant d'utiliser le lame de paysage, vérifiez les lames rotative et remplacez toutes les pièces qui sont fendues, ébréchées ou endommagées.
5. N'utilisez jamais deux lames rotative ou des pièces de rechange qui ne soient pas approuvées par MARUYAMA.
6. Effectuez l'entretien du lame de paysage conformément aux intervalles d'entretien recommandés et aux procédures détaillés au chapitre Entretien commençant à la page 36.

10 ft (3m) Minimum  
10 pies (3m) minimo  
3m (10pi.) Minimum



7. Shut off the engine and be certain the blades has completely stopped rotating before inverting the Landscape Blade, performing maintenance on or working on the machine.
8. If running problems or excessive vibration occur, stop immediately and inspect the unit for the cause. If the cause cannot be determined or is beyond your ability to correct, return the Landscape Blade to your servicing dealer for repair.
9. The Exhaust gases are extremely hot. Keep flammable materials and objects at least 3ft. (1m) away from the direction that the exhaust gases are coming out of the muffler. Do not cover the exhaust gases with any items. There is a high risk of materials and objects catching fire and getting burned.
10. During the operation and idling of the unit, the engine is very hot. Also, for a while after the engine stops, the engine is still hot. Do not place the engine near flammable materials such as dried grass. There is a high risk of materials catching fire.

## Fuel Safety

1. Gasoline is highly flammable and must be handled and stored carefully. Use a container approved for fuel to store gasoline and/or fuel/oil mixture.
2. Mix and pour fuel outdoors, where there are no sparks or flames.
3. Do not smoke near fuel or Landscape Blade, or while using the Landscape Blade.
4. Do not overfill the fuel tank. Stop filling 1/4-1/2 in. (6 mm-13 mm) from the top of the tank.
5. Wipe up any spilled fuel before starting the engine.
6. Move the Landscape Blade at least 10ft. (3m) away from the fueling location before starting the engine.
7. Do not remove the fuel tank cap while the engine is running, or right after stopping the engine.
8. Allow the engine to cool before refueling.
9. Drain the tank and run the engine dry before storing the unit.
10. Store fuel and Landscape Blade away from open flame, sparks and excessive heat. Make sure fuel vapors cannot reach sparks or open flames from water heaters, furnaces, electric motors, etc.

5. Nunca use dos cuchillas o partes de reemplazo que no estén aprobadas por MARUYAMA.
6. Efectúe el mantenimiento de la cuchilla rotativa de jardinería de acuerdo con los intervalos y procedimientos de mantenimiento recomendados en la sección de mantenimiento de la página 36 .
7. Apague el motor y asegúrese que las cuchillas haya dejado de rotar completamente antes de invertir la cuchilla rotativa de jardinería, para efectuar el mantenimiento o trabajar en la máquina.
8. Si hay problemas de operación o se produce vibración excesiva, detenga inmediatamente e inspeccione la unidad para localizar la causa. Si la causa no puede ser determinada o está más allá de su capacidad para corregirla, retorne la cuchilla rotativa de jardinería a su distribuidor de servicio para repararla.
9. Los gases de escape son extremadamente calientes. Mantenga los materiales y objetos inflamables al menos de 3 pies (1m) de distancia de la dirección en que los gases de escape que salen de silenciador. No cubra el escape de gases con ningún artículo. Existe un alto riesgo de que los materiales y objetos se encendiendo y se quemen.
10. Durante la operación y el ralentí de la unidad, el motor está muy caliente. También, tiempo después que el motor se detenga, el motor estará bastante caliente. No coloque el motor cerca de

materiales inflamables como pasto seco. Existe un alto riesgo de que estos materiales se enciendan.

## Seguridad del combustible

1. La gasolina es altamente inflamable y debe ser manipulada y almacenada cuidadosamente. Use un recipiente aprobado para combustible para almacenar la gasolina y/o la mezcla de combustible/aceite.
2. Mezcle y vierta el combustible en exteriores, donde no hayan chispas ni llamas.
3. No fume cerca del combustible o de la Cuchilla rotativa de jardinería, o mientras no usa la Cuchilla rotativa de jardinería.
4. No llene en exceso el estanque de combustible. Detenga el llenado a 1/4-1/2 en. (6 mm-13 mm) desde la parte superior del tanque.
5. Limpie el combustible salpicado antes de arrancar el motor.
6. Mueva la Cuchilla rotativa de jardinería al menos 10 pies (3m) de la localización del combustible antes de arrancar el motor.
7. No extraiga la tapa de combustible mientras el motor está operando, ni inmediatamente después de detener el motor.

7. Avant d'inverser la fonction lame de paysagement, d'effectuer l'entretien ou de travailler sur la machine, éteignez le moteur et assurez-vous que les lames rotative est à l'arrêt complet.
8. En cas de problèmes de fonctionnement ou de vibrations excessives, arrêtez immédiatement la machine et inspectez-la pour en trouver la cause. Si la cause ne peut pas être déterminée ou si vous ne pouvez pas la corriger, renvoyez le lame de paysagement à votre concessionnaire pour réparation.
9. Les gaz d'échappement sont extremement chauds. Gardez les materiaux inflammables, les personnes et les animaux a 1 m (3 pi.) de la direction d'échappement du silencieux. Ne bloquez pas les gaz d'échappement d'objets. Il existe un risque de blocage du feu et de brulure.
10. Pendant le fonctionnement et le ralenti, le moteur est tres chaud. En outre, pendant un certain temps apres l'arret du moteur, le moteur est chaud. Ne placez pas le moteur a proximite de materiaux inflammables tels que de l'herbe sechee. Il y a un risque d'incendie.

2. Mélangez et versez le carburant à l'extérieur, à l'écart des étincelles et des flammes.
3. Ne fumez pas à côté d'un bidon de carburant ou du lame de paysagement ou lorsque vous utilisez le lame de paysagement.
4. Ne remplissez pas trop le réservoir de carburant. Arrêtez le remplissage entre 6mm et 13mm (1/4-1/2 po.) du haut du réservoir.
5. Essayez tout carburant renversé avant de mettre le moteur en marche.
6. Éloignez le lame de paysagement d'au mois 3m (10 pi.) de l'emplacement de remplissage en carburant avant de mettre le moteur en marche.
7. Ne retirez pas le bouchon du réservoir de carburant quand le moteur tourne ou immédiatement après l'arrêt du moteur.
8. Laissez le moteur se refroidir avant de refaire le plein.
9. Videz le réservoir de carburant et faites tourner le moteur jusqu'à épuisement du carburant avant de ranger l'appareil.
10. Remisez le carburant et le lame de paysagement. à l'écart des flammes nues, des étincelles et à l'abri de la chaleur excessive. Assurezvous que les vapeurs ne peuvent pas atteindre d'étincelles de chauffeau, de chaudières, de moteurs électriques, etc.

## Sécurité du carburant

1. L'essence est hautement inflammable et doit être manipulée et stockée avec précaution. Utilisez un bidon approuvé pour le stockage d'essence et/ou de mélange carburant/huile.



## Landscape Blade Operating Safety

1. THIS LANDSCAPE BLADE CAN CAUSE SERIOUS INJURIES. Read the instructions carefully. Be familiar with all controls and the proper use of the Landscape Blade.
2. Avoid using the Landscape Blade near rocks, gravel, stones and similar material which can become dangerous projectiles.
3. Inspect your work area before you begin. Remove objects such as broken glass, nails, wire and rocks which can become dangerous projectiles if thrown by the Landscape Blade. Remove string, rope or similar materials which can become entangled in the blades.
4. Keep children, bystanders and animals outside a 50 ft. (15 m) radius from the operator and Landscape Blade.
5. If you are approached while operating the Landscape Blade, stop the engine and blades rotation.
6. Never allow children to operate the Landscape Blade.
7. Use the Landscape Blade only in daylight or good artificial light.
8. Do not raise the blades above waist level.
9. Do not put hands or feet near or under any rotating parts. Keep clear at all times. Keep all parts of your body away from the rotating blades and hot surfaces such as the muffler.
10. Keep firm footing and balance. Do not overreach.
11. Use the right tool for the job. Do not use the Landscape Blade for any job that is not recommended by MARUYAMA.

8. Permita que el motor se enfríe antes de rellenarlo de combustible.
9. Drene el tanque y opere el motor seco antes de almacenar la unidad.
10. Almacene el combustible y la Cuchilla rotativa de jardinería alejados de fuego, chispas y el calor excesivo. Asegúrese que los vapores de combustible no alcance a las chispas ni el fuego de los calentadores, hornos, motores eléctricos, etc.

## Seguridad al utilizar la Cuchilla Rotativa de Jardinería

1. ESTA CUCHILLA ROTATIVA DE JARDINERÍA PUEDE CAUSAR LESIONES SERIAS. Lea cuidadosamente las instrucciones. Familiarícese con todos los controles y el uso apropiado de la cuchilla rotativa de jardinería.
2. Evite usar la cuchilla rotativa de jardinería cerca de rocas, desechos, piedras y materiales similares, que pueden convertirse en proyectiles peligrosos.
3. Inspeccione su área de trabajo antes de comenzar. Extraiga los objetos, tales como vidrios rotos, clavos, alambres y rocas, que pueden transformarse en proyectiles peligrosos si son lanzados por la cuchilla rotativa de jardinería. Remueva las cadenas, cuerdas o materiales similares que puedan enredarse en al cuchillas.
4. Mantenga a los niños, los observadores y los animales fuera de un radio de 50 pies (15 m) del operador y la cuchilla rotativa de jardinería.
5. Si alguien se aproxima a usted mientras opera la cuchilla rotativa de jardinería, detenga el motor y la rotación de las cuchillas.
6. Nunca permita que los niños operen la cuchilla rotativa de jardinería.
7. Use la cuchilla rotativa de jardinería solamente con luz solar o con buena luz artificial.
8. No levante la cuchillas sobre el nivel de la cintura.
9. No ponga las manos ni los pies cerca o bajo de las partes de rotación. Manténgalo despejado en todo momento. Mantenga todas las partes de su cuerpo alejadas del accesorio de corte rotatorio y las superficies calientes, tales como el silenciador.
10. Mantenga una posición de pie firme y balanceada. No sobrepase el alcance.
- 11 Use la herramienta correcta para el trabajo. No use la cuchilla rotativa de jardinería para ningún trabajo que no sea recomendado por MARUYAMA.

## Sécurité de fonctionnement du Lame de Paysagement

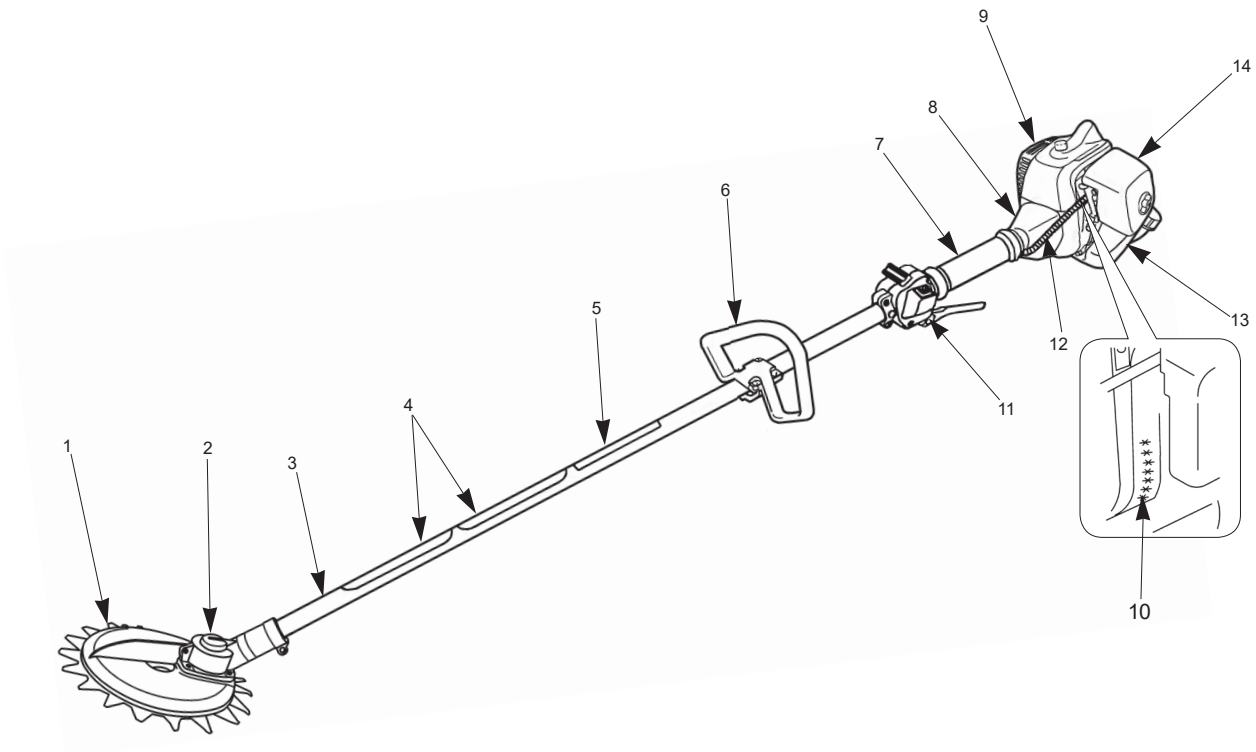
1. CE LAME DE PAYSAGEMENT PEUT CAUSER DES BLESSURES GRAVES. Lisez les instructions avec attention. Ayez connaissance de toutes les commandes et de l'utilisation correcte du lame de paysagement.
2. Évitez d'utiliser le lame de paysagement près de pierres, gravier, cailloux et matériaux similaires pouvant devenir des projectiles dangereux.
3. Avant de commencer, inspectez la zone de travail. Otez tous les objets tels que les bris de verre, clous, câbles et pierres qui peuvent devenir des projectiles dangereux s'ils sont projetés par le lame de paysagement. Otez toutes les ficelles, cordes ou toutes matières similaires qui peuvent s'emmêler dans les lames rotative.
4. Ne laissez pas les enfants, les personnes tierces et les animaux pénétrer dans un rayon de 15 m (50 pi.) autour de l'utilisateur et du lame de paysagement.
5. Si vous êtes approché alors que vous utilisez le lame de paysagement, arrêtez le moteur et les lames rotative.
6. Ne laissez jamais des enfants utiliser le lame de paysagement.
7. N'utilisez le lame de paysagement qu'à la lumière du jour ou sous un éclairage artificiel adéquat.
8. Ne levez pas les lames rotative au-dessus du niveau de votre taille.
9. N'approchez pas vos mains ou vos pieds près de ou sous toute pièce rotative. Ecartez-vous toujours. N'approchez jamais les mains ou les pieds des pièces mobiles. Ne vous approchez pas des surfaces chaudes telles que le silencieux.
10. Placez bien vos pieds en équilibre. N'essayez pas d'augmenter votre portée.
11. Utilisez l'outil convenant à la tâche. N'utilisez pas le lame de paysagement pour un travail pour lequel il n'est pas recommandé par MARUYAMA.

# Product description

## Descripción del Producto

### Figures

ENGLISH



1. Blades
2. Gearcase
3. Shaft Assembly
4. Safety Decal
5. Model Name
6. Loop Handle
7. Rear Grip
8. Clutch Drum Housing
9. Engine

1. Cuchillas
2. Caja de engranajes
3. Conjunto eje
4. Símbolos para la Seguridad
5. Nombre del Modelo
6. Manillar en forma
7. Empuñadura trasero
8. Cáster del tambor del embrague
9. Motor

1. Lames
2. Renvoi d'angle
3. Arbre de transmission
4. Etiquette de sécurité
5. Nom du modèle
6. Poignée avant
7. Poignée arrière
8. Carter du tambour d'embrayage
9. Moteur

10. Serial Number (on side of engine)
11. Throttle Trigger and Stop Switch
12. Throttle Cable and Stop Switch Wires
13. Fuel Tank
14. Air Filter

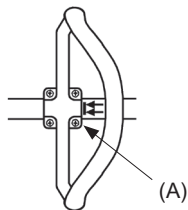
10. Número de serie (en el costado del motor)
11. Gatillo del Acelerador e Interruptor de Parada
12. Cable del Acelerador y Cable del Interruptor de Parada
13. Depósito de combustible
14. Filtro de aire

10. Numéro de série (sur le côté du moteur)
11. Gâchette d'accélérateur et bouton d'arrêt
12. Câble d'accélérateur et câbles du bouton d'arrêt
13. Réservoir de carburant
14. Filtre à air

ESPAÑOL

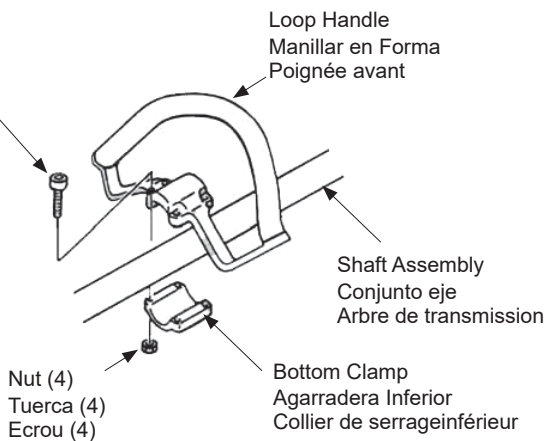
FRANÇAIS

[#25-1]



[#25-2]

Screw (4)  
Tornillo (4)  
Vis (4)



[#25-3]



## Assembly Loop Handle Installation

Loop handle must be assembled gearcase side from the arrow (A). [#25-1]

1. Place the loop handle and the bottom clamp on the shaft assembly. [#25-2]
2. Install the four screws and nuts. Leave the screws finger-tight.
3. Reposition the loop handle up or down the shaft assembly to the most comfortable position, but don't over to the arrow mark. [#25-3]
4. Tighten the screws and nuts.

## Montaje Instalación del manillar en forma

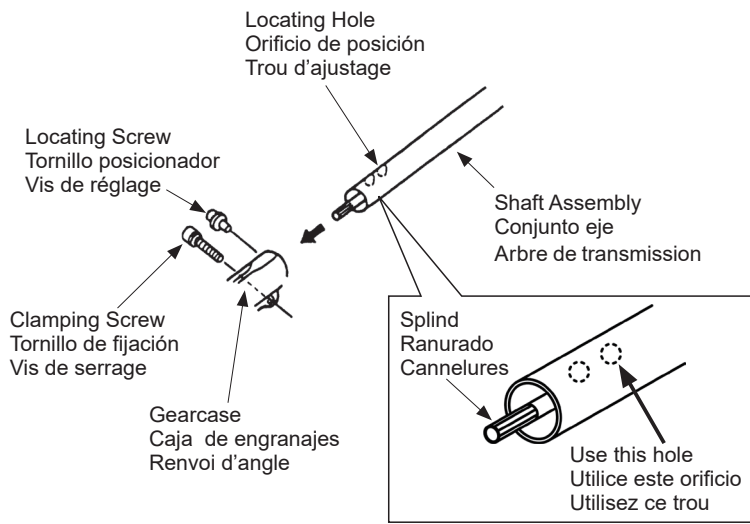
La empuñadura circular debe montarse en el lateral del cárter a partir de la flecha (A). [#25-1]

1. Coloque el manillar en forma y el agarradera Inferior en el eje. [#25-2]
2. Instale los cuatro tornillos y nueces. Deje los tornillos a prueba del dedo.
3. Coloque de nuevo el Manillar en Forma o abajo el conjunto eje a el la posición más cómoda, pero no te acerques a la marca de la flecha. [#25-3]
4. Apriete los tornillos y tuercas.

## Montage Montage de la poignée avant

La poignée doit être assemblée au côté du renvoi d'angle à partir de la flèche (A). [#25-1]

1. Placez l'poignée avant et le collier de serrage inférieur sur le arbre de transmission. [#25-2]
2. Installez les quatre vis et les ecrou. Quittez les vis étanchées au doigt.
3. Replacez l'poignée avant en haut ou en bas l'arbre de transmission à la position la plus confortable, mais ne passez pas à la flèche. [#25-3]
4. Serrez les vis et les ecrous.



## Installing Shaft and Gearcase

Attach the shaft assembly to the gearcase assembly.

**NOTE:** Align the locating hole and install the locating screw through the side of the gearcase. Then tighten the locating screw and the clamping screw.

## Montaje del eje y el caja engranajes

Fije el conjunto eje al caja de engranajes.

**NOTE:** Haga coincidir los orificios de posición y coloque el tornillo posicionador a través del caja de engranajes. Luego apriete los tornillo posicionador y tornillo de fijación.

## Montage de l'arbre de transmission

Fixez le arbre de transmission à le renvoi d'angle.

**REMARQUE:** Aligner les trous d'ajustage et mettre en place la vis de réglage dans le côté du renvoi d'angle. Puis, serrer les vis de réglage et vis de serrage.

# Before Operation

## Oil and Fuel

### DANGER

#### POTENTIAL HAZARD

- In certain conditions gasoline is extremely flammable and highly explosive.

#### WHAT CAN HAPPEN

- A fire or explosion from gasoline can burn you, others, and cause property damage.

#### HOW TO AVOID THE HAZARD

- Use a funnel and fill the fuel tank outdoors, in an open area, when the engine is cold. Wipe up any gasoline that spills.
- Do not fill the fuel tank completely full. Add gasoline to the fuel tank until the level is 1/4 to 1/2 in. (6mm to 13mm) below the bottom of the filler neck. This empty space in the tank allows gasoline to expand.
- Never smoke when handling gasoline, and stay away from an open flame or where gasoline fumes may be ignited by a spark.
- Store gasoline in an approved container and keep it out of the reach of children.
- Never buy more than a 30-day supply of gasoline.

1. Do not smoke near fuel.
2. Mix and pour fuel outdoors and where there are no sparks or flames.

### WARNING

#### POTENTIAL HAZARD

- Gasoline contains gasses that can build up pressure inside a gas tank.

#### WHAT CAN HAPPEN

- Fuel can be sprayed on you when removing gas cap.

#### HOW TO AVOID THE HAZARD

- Remove fuel cap slowly to avoid injury from fuel spray.

3. Always shut off the engine before refueling. Never remove the fuel tank cap while the engine is running or right after just stopping the engine.
4. Always open the fuel tank cap slowly to release any possible overpressure inside the tank.

# Antes de Utilizar

## Aceite y Combustible

### PELIGRO

#### PELIGRO POTENCIAL

- En ciertas condiciones la gasolina es un producto extremadamente inflamable y altamente explosiva.

#### QUÉ PUEDE OCURRIR

- Un fuego o una explosión puede quemarle a Usted o a terceras personas y puede dañar objetos de la propiedad.

#### CÓMO EVITAR EL PELIGRO

- Use un embudo y proceda a llenar el tanque de combustible en el exterior, en espacios abiertos, cuando la gasolina este fría. Seque cualquier vertido de gasolina.
- No llene completamente el depósito. Añada gasolina en el depósito de gasolina hasta que esta llegue a 1/4 to 1/2 en. (6mm to 13mm) por debajo del cuello superior de llenado.
- Este espacio vacío en el depósito de gasolina deja que la gasolina se expanda.
- No fume nunca cuando manipule gasolina, y alejese de cualquier fuego abierto cuando manipule gasolina o el contenedor y manténgalo fuera del alcance de niños.
- No mezcle gasolina para más de al mes de previsión de su uso.

1. No fume cerca del combustible.
2. Mezcle y vierta el combustible en espacios abiertos y donde no haya fuego o llamas.

### ADVERTENCIA

#### PELIGRO POTENCIAL

- El combustible puede salir disparado cuando Usted abre la tapa del tanque.

#### QUÉ PUEDE OCURRIR

- Quite la tapa del tanque de combustible despacio para evitar que sufra cualquier daño a causa del combustible.

#### CÓMO EVITAR EL PELIGRO

- La gasolina contiene gases volátiles que pueden producir presión en el interior del tanque de combustible.

3. Siempre apague el motor antes de proceder al llenado de combustible. Nunca quite la tapa del tanque de combustible mientras el motor este funcionando o inmediatamente después de haber parado el motor.
4. Habra siempre la tapa del combustible despacio para que la posible presión acumulada en el interior del depósito salga de una manera segura.

# Avant utilisation

## Huile et carburant

### DANGER

#### DANGER POTENTIEL

- Dans certaines conditions, l'essence est très inflammable et présente de grands risques d'explosion.

#### CE QUI PEUT SE PASSER

- Un feu ou une explosion dus au carburant peut vous brûler, brûler les autres et causer des dommages matériels.

#### COMMENT ÉVITER LE DANGER

- Utilisez un entonnoir et remplissez le réservoir de carburant à l'extérieur, dans une zone découverte, alors que le moteur est froid. Essayez tout le carburant qui se serait renversé.
- Ne fumez jamais lorsque vous manipulez un carburant et restez éloigné d'un feu nu ou de tout endroit où le carburant peut être enflammé par une étincelle.
- Ne remplissez pas totalement le réservoir de carburant. Ajoutez le carburant dans le réservoir de carburant jusqu'à atteindre un niveau de 6 mm à 13 mm (1/4 à 1/2 po.) du haut du réservoir. Cet espace vide dans le réservoir permet au carburant de se dilater.
- Stockez le carburant dans un contenant approuvé et ne le laissez pas à la portée des enfants.
- N'achetez jamais plus de 30 jours de réserve de carburant.

1. Ne fumez pas près de carburant.
2. Mélangez et versez le carburant à l'extérieur, dans un endroit éloigné d'étincelles ou de flammes.

### AVERTISSEMENT

#### DANGER POTENTIEL

- L'essence contient des gaz qui peuvent accumuler de la pression à l'intérieur du réservoir de carburant.

#### CE QUI PEUT SE PASSER

- Du carburant peut être pulvérisé lorsque vous ôtez le bouchon de carburant.

#### COMMENT ÉVITER LE DANGER

- Ôtez lentement le bouchon de carburant afin d'éviter des blessures dues à la vaporisation de carburant.

3. Éteignez toujours le moteur avant de remettre du carburant. N'ôtez jamais le bouchon du réservoir de carburant alors que le moteur est en marche ou aussitôt après avoir arrêté le moteur.
4. Ouvrez toujours lentement le bouchon du réservoir de carburant pour libérer petit à petit toute surpression possible à l'intérieur du réservoir.

10ft (3 m) Minimum  
10 pies (3 m) mínimo  
3m (10pi.) Minimum



5. Do not overfill the fuel tank. Stop filling 1/4-1/2 in. (6mm-13mm) from the top of the tank.
6. Tighten the tank fuel cap carefully but firmly after refilling.
7. Wipe up any spilled fuel before starting the engine.
8. Move the Landscape Blade at least 10 ft (3m) away from the fueling location and fuel storage container before starting the engine.

### Recommended Oil Type

Only use a two-stroke engine oil formulated for use in high-performance, air-cooled two-stroke engines. MARUYAMA brand two-stroke oil is formulated for use in high-performance, air-cooled two-stroke engines.

**IMPORTANT: Do not use National Marine Manufacturer's Association (NMMA) or BIA certified oils. This type of two-stroke engine oil does not have the proper additives for air cooled, two-stroke engines and can cause engine damage.**

**Do not use automotive motor oil. This type of oil does not have the proper additives for air-cooled, two-stroke engines and can cause engine damage.**

### Recommended Fuel Type

Use clean, fresh lead-free gasoline, including *oxygenated or reformulated* gasoline, with an octane rating of 89 or higher. To ensure freshness, purchase only the quantity of gasoline that can be used in 30 days. Use of lead-free gasoline results in fewer combustion chamber deposits and longer spark plug life. Use of premium grade fuel is not necessary or recommended.

5. No sobrellene el depósito de combustible. Pare de verter combustible al llegar a 1/4-1/2 en. (6mm -13mm) del borde superior del depósito.
6. Apriete la tapa del depósito de combustible con cuidado pero de manera segura después de haberlo rellenado.
7. Seque cualquier vertido de combustible que pudiera haberse vertido antes de proceder al llenado.
8. Aleje la Cuchilla rotativa de jardinería como mínimo 10 pies (3m) del lugar de llenado de combustible y almacenaje del contenedor de combustible antes de arrancar el motor.

### Tipo de Aceite Recomendado

Úsese solamente en aceite para motor de dos tiempos formulado para uso en motores de dos tiempos enfriados por aire de alto rendimiento. El aceite de 2 tiempos de marca MARUYAMA ha sido formulado para uso en motores de dos tiempos enfriados por aire, de alto rendimiento.

**IMPORTANTE: No use aceites certificados por la Asociación de Fabricantes Marinos Nacional (NMMA) o BIA. Este tipo de aceite de motor de 2 tiempos no tiene los aditivos apropiados para los motores de 2 tiempos enfriados por aire y puede causar daños al motor.**

**No use aceite para automóviles. Este tipo de aceites no contiene los aditivos adecuados necesarios para el uso en motores de dos tiempos refrigerados por aire y pueden causar daños en el motor.**

### Tipo de combustible recomendado

Use gasolina sin plomo fresca y limpia, incluyendo gasolina *oxigenada o reformada*, con octanaje de 89 o mayor. Para asegurar la frescura, compre sólo la cantidad de gasolina que pueda ser usada dentro de 30 días. El uso de gasolina libre de plomo resulta en menores depósitos en la cámara de combustión y una vida de la bujía más prolongada. El uso de combustible de grado Premium no es necesario ni recomendado.

5. Ne remplissez pas trop le réservoir de carburant. Arrêtez de le remplir à 6mm-13mm (1/4-1/2 po.) du haut du réservoir.
6. Serrez bien le bouchon du réservoir de carburant, après avoir fait le remplissage.
7. Essuyez tout carburant renversé avant de démarrer le moteur.
8. Déplacez le lame de paysagement à au moins 3m (10 pi.) du lieu de remplissage et du contenant de carburant, avant de démarrer le moteur.

### Type d'huile recommandé

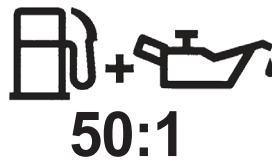
Pour le mélange de carburant, n'utilisez que de l'huile deux temps MARUYAMA 50 : 1 ou une huile de qualité élaborée pour les moteurs deux temps à hautes performances, à refroidissement par air.

**IMPORTANT: N'utilisez pas d'huiles certifiées Marine Manufacturer's Association (NMMA) ou BIA. Ces types d'huile moteur deux temps ne comportent pas les additifs convenant aux moteurs deux temps à refroidissement par air et risquent d'endommager le moteur.**

**N'utilisez pas d'huile moteur automobile. Ce type d'huile moteur ne comporte pas les additifs convenant aux moteurs deux temps à refroidissement par air et risque d'endommager le moteur.**

### Type de carburant recommandé

Utilisez de l'essence sans plomb fraîche et propre, y compris de l'essence *oxygénée ou reformulée*, avec un niveau d'octane supérieur ou égal à 89. Afin d'assurer la fraîcheur de l'essence, ne l'achetez qu'en une quantité nécessaire pour 30 jours. L'utilisation d'essence sans plomb réduit les dépôts dans la chambre de combustion et allonge la durée de vie de la bougie. L'utilisation d'une essence super n'est ni nécessaire ni recommandée.



50:1

### Use of Fuel Additives

**IMPORTANT:** NEVER USE ALCOHOL, GASOHOL CONTAINING MORE THAN 10% ALCOHOL BECAUSE ENGINE FUEL SYSTEM DAMAGE COULD RESULT.

DO NOT USE FUEL ADDITIVES OTHER THAN THOSE MANUFACTURED FOR FUEL STABILIZATION DURING STORAGE SUCH AS MARUYAMA'S STABILIZER/CONDITIONER OR A SIMILAR PRODUCT. MARUYAMA'S STABILIZER/CONDITIONER IS A PETROLEUM DISTILLATE BASED CONDITIONER/STABILIZER.

MARUYAMA DOES NOT RECOMMEND STABILIZERS WITH AN ALCOHOL BASE SUCH AS ETHANOL, METHANOL OR ISOPROPYL. ADDITIVES SHOULD NOT BE USED TO TRY TO ENHANCE THE POWER OR PERFORMANCE OF MACHINE.

### Mixing Gasoline and Oil

**IMPORTANT:** The engine used on this Landscape Blade is of a two-stroke design. The internal moving parts of the engine, i.e., crankshaft bearings, piston pin bearings and piston to cylinder wall contact surfaces, require oil mixed with the gasoline for

lubrication. Failure to add oil to the gasoline or failure to mix oil with the gasoline at the appropriate ratio will cause major engine damage which will void your warranty.

For your fuel premix, use MARUYAMA Premium two-stroke Oil Mix, or equivalent ISOL-EGD & JASO FD oil with a minimum 89 octane high Quality gasoline. MARUYAMA two-stroke oil is specially formulated to meet the requirements of high-performance, low-emission air-cooled two-stroke engines. Use of other oils may lead to service issues which may Not be covered by your warranty.

### Fuel Mixture

The fuel: oil ratio is 50 parts gasoline to 1 part oil or 50:1.

**Note:** Never use a mixing ratio less than 50:1 regardless of the oil package mixing instructions. Ratios less than 50:1, (for example, 60:1, 80:1, 100:1), reduce the amount of lubrication to the internal moving parts of the engine and can cause damage.

### Uso de aditivos de combustible

**IMPORTANTE:** NUNCA USE ALCOHOL, GASOHOL QUE CONTENGA MÁS DE 10% DE ALCOHOL A QUE ESTO PODRÍA RESULTAR EN DAÑO AL SISTEMA DE COMBUSTIBLE DEL MOTOR.

NO USE ADITIVOS DE COMBUSTIBLE DISTINTOS DE AQUELLOS MANUFACTURADOS PARA LA ESTABILIZACIÓN DEL COMBUSTIBLE DURANTE EL ALMACENAMIENTO, TALES COMO EL ESTABILIZADOR/ACONDICIONADOR DE MARUYAMA O UN PRODUCTO SIMILAR. EL ACONDICIONADOR/ESTABILIZADOR DE MARUYAMA ES UN DESTILADO DE PETRÓLEO.

MARUYAMA NO RECOMIENDA ESTABILIZADORES CON BASE DE ALCOHOL TALES COMO ETANOL, METANOL O ISOPROPILO. NO SE DEBERÍAN USAR ADITIVOS PARA INTENTAR MEJORAR LA POTENCIA O EL RENDIMIENTO DE LA MÁQUINA.

### Mezcla de Gasolina y Aceite

**IMPORTANTE:** El motor usado en la Cuchilla rotativa de jardinería está diseñado como motor de dos tiempos. Las partes móviles internas del motor, ejemplo: los cojinetes del cigüeñal, cojinetes del pistón y el pistón, y las superficies de las paredes del cilindro, requieren aceite mezclado con gasolina como lubricante.

La ausencia por error de mezclar aceite con gasolina o el no añadir una proporción adecuada de aceite con la gasolina causará un daño al motor que no está cubierta en la garantía.

Para su mezcla previa de combustible, use la mezcla de aceite de 2 tiempos Premium de MARUYAMA, o equivalente al aceite ISO-L-EGD y JASO FD con gasolina de alta calidad de mínimo de 89 octanos. El aceite de 2 tiempos de MARUYAMA está formulado especialmente para satisfacer los requerimientos de los motores de 2 tiempos enfriados por aire, de baja emisión y de alto rendimiento. El uso de otros aceites puede llevar a problemas de servicio que podrían no ser cubiertos por su garantía.

### Mezcla de combustible

Combustible: La relación es de 50 partes de gasolina por 1 parte de aceite o 50:1.

**Note:** Nunca use una relación de mezcla de menos de 50:1 independientemente de las instrucciones de mezcla del paquete de aceite. Las relaciones de menos de 50:1 (por ejemplo; 60:1, 80:1, 100:1) reducen la cantidad de lubricación a las partes móviles internas del motor y pueden causar daños.

### Utilisation d'additifs de carburants

**IMPORTANT:** JAMAIS UTILISER D'ALCOOL, GASOLE CONTENANT PLUS DE 10% DE L'ALCOOL PARCE CARBURANT SYSTÈME POURRAIT ÊTRE ENDOMMAGÉE.

N'UTILISEZ JAMAIS D'ADDITIFS AUTRES QUE CEUX FABRIQUÉS POUR LA STABILISATION DU CARBURANT LORS DU STOCKAGE, TEL LE STABILISATEUR/CONDITIONNEUR DE MARUYAMA OU UN PRODUIT SIMILAIRE. LE STABILISATEUR/CONDITIONNEUR DE MARUYAMA EST UN STABILISATEUR/CONDITIONNEUR À BASE DE DISTILLAT DE PÉTROLE.

MARUYAMA NE RECOMMANDE PAS DE STABILISATEURS À BASE D'ALCOOL TELS QUE L'ÉTHANOL, LE MÉTHANOL OU L'ISOPROPYLE. N'UTILISEZ PAS D'ADDITIFS POUR TENTER D'AMÉLIORER LA PUISSANCE OU LES PERFORMANCES DE LA MACHINES.

### Mélange d'essence et d'huile

**IMPORTANT:** Le moteur utilisé avec ce lame de paysagement est à deux temps. Les pièces mobiles internes du moteur, à savoir, le vilebrequin, les roulements, les paliers des axes de piston et les surfaces de contact entre le piston et la paroi, nécessitent un mélange d'huile avec l'essence pour la lubrification.

L'absence d'apport d'huile à l'essence ou le mélange d'huile avec l'essence dans des proportions inadéquates provoquera de graves dégâts au moteur et annule la garantie. Pour le pré-mélange de carburant, utilisez l'huile deux temps MARUYAMA Premium Mix, ou son équivalent, ISO-L-EGD & JASO FD avec une qualité supérieure minimum de 89 octanes. L'huile 2-temps MARUYAMA est spécialement formulée pour répondre aux exigences des moteurs 2-temps de haute performance et à faible taux d'émission d'air.

L'utilisation d'autres huiles peut engendrer des problèmes de maintenance qui ne seront peut-être pas couverts par la garantie.

### Mélange de carburant

Le rapport d'huile est de 50 parties d'essence pour une partie d'huile, soit 50 : 1.

**Remarque:** N'utilisez jamais un rapport de mélange inférieur à 50 : 1, quelles que soient les instructions de mélange figurant sur le bidon d'huile. Un rapport inférieur à 50 : 1 (60 : 1, 80 : 1, 100 : 1, par exemple) réduit la lubrification des pièces internes du moteur et risque d'endommager celui-ci.

| Gasoline  | 50:1<br>Two-stroke oil | Gasolina  | Aceite de 2 tiempos,<br>50:1 | Essense   | 50:1<br>huile du 2-temps |
|-----------|------------------------|-----------|------------------------------|-----------|--------------------------|
| 1 gallon  | 2.6 oz.                | 1 gallón  | 2.6 onzas.                   | 1 gallon  | 2.6 oz.                  |
| 2 gallons | 5.2 oz.                | 2 gallóns | 5.2 onzas.                   | 2 gallons | 5.2 oz.                  |
| 3 gallons | 12.8 oz.               | 3 gallóns | 12.8 onzas.                  | 3 gallons | 12.8 oz.                 |
| 1 litre   | 20 mL                  | 1 litro   | 20 mL                        | 1 litre   | 20 mL                    |
| 5 litres  | 100 mL                 | 5 litros  | 100 mL                       | 5 litres  | 100 mL                   |

### Fuel Mixture Chart

Refer to the chart above.

### Mixing Instructions

**IMPORTANT: Never mix gasoline and oil directly in the Landscape Blade fuel tank.**

1. Always mix fuel and oil in a clean container approved for gasoline.
2. Mark the container to identify it as fuel mix for the Landscape Blade.
3. Use regular unleaded gasoline and fill the container with half the required amount of gasoline.
4. Pour the correct amount of oil into the container then add the remaining amount of gasoline.
5. Close the container tightly and shake it momentarily to evenly mix the oil and the gasoline before filling the fuel tank on the Landscape Blade.

6. When refilling the Landscape Blade fuel tank, clean around the fuel tank cap to prevent dirt and debris from entering the tank during cap removal.
7. Always shake the premix fuel container momentarily before filling the fuel tank.
8. Always use a spout or funnel when fueling to reduce fuel spillage.
9. Fill the tank only to within 1/4-1/2 in. (6mm-13mm) from the top of the tank. Avoid filling to the top of the tank filler neck.

### Diagrama de mezclas de combustible

Consulte la tabla de arriba.

### Instrucciones sobre la Mezcla

**IMPORTANTE: No mezcle nunca el aceite con la gasolina en el depósito de combustible de la Cuchilla rotativa de jardinería directamente.**

1. Siempre mezcle el combustible y el aceite en un contenedor limpio adecuado para gasolina.
2. Señale el contenedor para identificarlo como contenedor para la mezcla de gasolina con aceite para la Cuchilla rotativa de jardinería.
3. Use gasolina regular sin plomo y llene el contenedor con la mitad de gasolina requerida.
4. Vierta la correcta cantidad de aceite en el contenedor y después el resto de la cantidad de gasolina.
5. Cierre el contenedor de manera segura y agítelo por un instante para conseguir que el aceite se mezcle con la gasolina de manera apropiada antes de llenar el depósito de la Cuchilla rotativa de jardinería.

6. Cuando rellene el depósito de combustible de la Cuchilla rotativa de jardinería, limpie alrededor de la tapa del depósito para evitar que cualquier suciedad o partícula entre en el depósito de combustible cuando quitemos la tapa.
7. Siempre agite la pre-mezcla del contenedor de la mezcla antes de proceder al llenado del depósito.
8. Siempre use un embudo para proceder al llenado del tanque así evitará que se desparrame.
9. Llène solo hasta 1/4 - 1/2 en. (6mm-13mm) de la parte superior del depósito. Evite llenar el depósito hasta el cuello de llenado.

### Tableau de mélange de carburant

Reportez-vous au tableau ci-dessus.

### Instructions de mélange

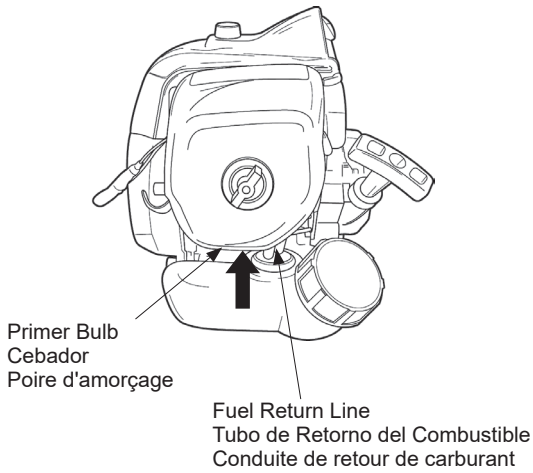
**IMPORTANT: Ne mélangez jamais l'essence et l'huile directement dans le réservoir de carburant du lame de paysage.**

1. Mélangez toujours le carburant et l'huile dans un récipient propre approuvé pour l'essence.
2. Marquez le bidon pour l'identifier comme mélange pour le lame de paysage.
3. Remplissez le récipient d'essence sans plomb ordinaire jusqu'à la moitié de la quantité d'essence nécessaire.
4. Ajoutez la quantité correcte d'huile et ensuite le reste d'essence.
5. Fermez le bidon et secouez-le pour mélanger l'huile et l'essence avant de remplir le lame de paysage.

6. Lors du remplissage du réservoir d'essence du lame de paysage, nettoyez autour du bouchon pour éviter que la poussière et les débris ne pénètrent dans le réservoir lors du retrait du bouchon.
7. Secouez toujours le bidon de mélange de carburant momentanément avant de remplir le réservoir de carburant.
8. Utilisez toujours un bec verseur ou un entonnoir lors du plein pour éviter un déversement.
9. Ne remplissez le réservoir qu'à 6 - 13 mm (1/4 - 1/2 po.) du haut du réservoir. Évitez de remplir le réservoir jusqu'en haut.

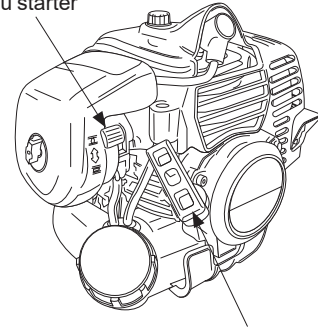


[#31-1]



[#31-2]

Choke Lever  
Ahogador  
Tirette du starter



## Starting and Stopping

### Before Starting The Engine

1. Fill the fuel tank as instructed in the Before Operation section of this manual (page 27).
2. Rest the Landscape Blade on the ground.
3. Make sure the cutting attachment is clear of any broken glass, nails, wire, rocks or other debris.
4. Keep all bystanders, children and animals away from the working area.

### Cold Starting Procedure

This engine is equipped with a fuel primer and a choke system. To start a "cold" engine properly, perform the following procedure:

1. Pump the primer bulb at the bottom of the carburetor until fuel can be seen flowing through the fuel return line to the fuel tank. (Flowing fuel should be almost clear, not foamy or full of bubbles.) [#31-1]
2. Move the choke lever to the closed (  $\text{I}$  ) position. And move the control lever to the high speed side approximately half in from the low speed side. [#31-2, #32-1]

## Arranque y Parada

### Antes de Arrancar el Motor

1. Llène el depósito de combustible de la manera indicada en la sección "Antes de Utilizar" este manual (página 27).
2. Deje la Cuchilla rotativa de jardinería apoyada sobre el suelo.
3. Asegúrese de que el dispositivo de corte esta libre de toda partícula como por ejemplo, cristales rotos, clavos, cables, rocas o otra clase de desechos.
4. Mantenga a personas, niños y animales alejados del area de trabajo.

### Procedimiento para el Arranque en Frio

El carburador de este motor cuenta con un sistema cebador. Para arrancar un motor "en frio" de manera adecuada, siga el siguiente procedimiento:

1. Bombear el cebador hasta que el combustible pueda verse a través del tubo de combustible y que este se dirige al tanque de combustible. (La corriente de combustible deberá verse casi claramente, que no esté lleno de burbujas de aire.) [#31-1]
2. Cierre la palanca del ahogador llevándola a la posición de cerrada (  $\text{I}$  ). Y mueva la palanca de control al lado de alta velocidad aproximadamente a media pulgada del lado de baja velocidad. [#31-2, #32-1]

## Mise en marche et arrêt

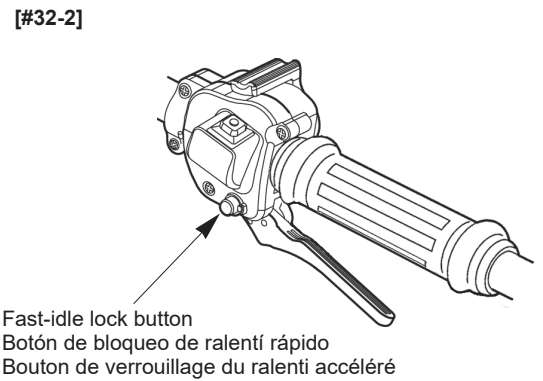
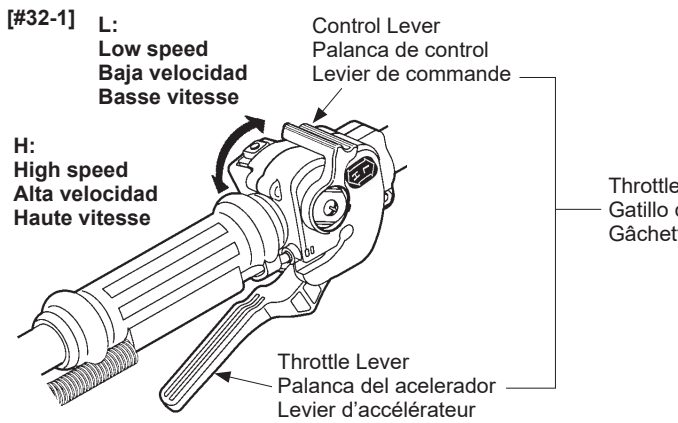
### Avant de mettre le moteur en marche

1. Remplissez le réservoir de carburant comme indiqué au chapitre Avant utilisation de ce manuel. (page 27).
2. Mettez le lame de paysagement par terre.
3. Assurez-vous que la zone ne comporte pas de verre cassé, de clous, de fils, de clous, de câbles, de cailloux ou d'autres débris.
4. Ne laissez pas les passants, enfants et animaux s'approcher de la zone de travail.

### Mise en marche du moteur à froid

Le carburateur de ce moteur est équipé d'une poire d'amorçage et d'un starter. Pour mettre en marche un moteur "à froid" correctement, veuillez suivre la procédure suivante:

1. Pompez la poire d'amorçage jusqu'à ce que l'essence soit visible et s'écoule dans la conduite de retour de carburant dans le réservoir. (L'essence d'écoulant doit être presque transparente, sans mousse ni pleine de bulles d'air.) [#31-1]
2. Mettez la tirette du starter du démarreur en position fermée (  $\text{I}$  ). Et déplacer le levier de commande du côté à vitesse élevée d'environ 1,2cm à partir du côté basse vitesse. [#31-2, #32-1]



3. Grasp the throttle lever then push the fast-idle lock button. Release your hand with holding the fast-idle lock button to lock the fast-idle. [#32-2]
4. Pull the starter grip.

**⚠ WARNING**

**POTENTIAL HAZARD**

• The components of your recoilstarter assembly are under high spring tension. If improperly disassembled these parts may strike you with considerable force, possibly causing personal injury.

**WHAT CAN HAPPEN**

• Contact with the parts can cause severer personal injury.

**HOW TO AVOID THE HAZARD**

• Never attempt to disassemble your recoil starter assembly yourself. Always consult your authorized MARUYAMA dealer for repair by qualified service technicians.

**⚠ CAUTION**

- Do not pull the Starter rope all the way out.

5. After the engine starts, squeeze and release the throttle trigger to return it to the idle position, then move the choke lever to the open (☰) position.

If the engine stops running before you move the choke lever to the open (☰) position:

Go ahead and open the choke, pull the starter grip with the throttle trigger positioned at Fast-idle position.

3. Sujete la palanca del acelerador y luego presione el botón de bloqueo de ralentí rápido. Libere su mano manteniendo presionado el botón de bloqueo de ralentí rápido para bloquear el ralentí rápido. [#32-2]
4. Tire de la empuñadura de arranque.

**⚠ ADVERTENCIA**

**PELIGRO POTENCIAL**

• Los componentes de su recoilstarter montaje están bajo alta tensión del muelle. Si incorrectamente desmontado estas piezas usted maystrike con una fuerza considerable, posiblemente causando injury personal.

**QUÉ PUEDE OCURRIR**

• El contacto con las partes puede causar severas lesiones personales.

**CÓMO EVITAR EL PELIGRO**

• Nunca intente desmontar el retroceso conjunto del arranque usted mismo. Siempre consulte a su autorizado MARUYAMA distribuidor para su reparación por personal cualificado.

**⚠ CUIDADO**

- No tire el cordel de arranque hasta el fin.

5. Después que el motor haya arrancado, accione y afloje el palanca del acelerador para dejar que vuelva a la posición de ralentí. Entonces lleve la palanca del ahogador a la posición de abierta (☰).

Si el motor se detiene antes de mover la palanca del ahogador a la posición abierta (☰):

Siga y abra el ahogador, tire del la palanca de arranque con el gatillo del acelerador puesto en posición en ralentí rápido.

3. Saisissez le levier d'accélérateur puis appuyez sur le bouton de verrouillage du ralenti accéléré. Relâchez la main en maintenant le bouton de verrouillage du ralenti accéléré pour verrouiller le ralenti accéléré. [#32-2]
4. Tirez sur la poignée de démarrage operation.

**⚠ AVERTISSEMENT**

**DANGER POTENTIEL**

• Les composants de votre recoilstarter Assemblée sont sous tension de ressort élevée. Se il est mal démonté ces pièces vous maystrike avec une force considérable, pouvant entraîner enjuillet personnel.

**CE QUI PEUT SE PASSER**

• Contact avec les pièces peut causer sévère blessures.

**COMMENT ÉVITER LE DANGER**

• Ne tentez jamais de démonter votrereculer ensemble démarreur-vous. Consultez toujours votre autorisée Maruyama revendeur pour réparation par un personnel qualifié Les techniciens de service.

**⚠ ATTENTION**

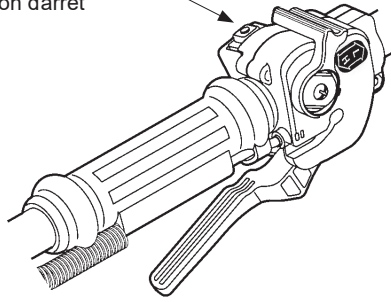
- Ne tirez pas sur le cordon du démarreur jusqu'au bout.

5. Quand le moteur tourne, serrez et relâchez le câble de le levier d'accélérateur pour lui permettre de retourner en position de ralenti. Puis tournez la tirette du starter en position Ouvert (☰).

Si le moteur s'arrête de tourner avant que vous mettiez le tirette du starter en position ouvert (☰):

Ouvrez le tirette du starter, tirez sur la poignée du démarreur, tout en maintenant le câble de la gâchette d'accélérateur en position ralenti accéléré.

Stop Switch  
Interruptor de parada  
Bouton d'arrêt



### Hot Restart

To start an engine that is already warmed up (hot restart), or if the ambient temperature exceeds 68°F (20°C):

1. Pump the primer bulb at the bottom of the carburetor until fuel can be seen flowing through the fuel return line to the fuel tank. (Flowing fuel should be almost clear, not foamy or full of bubbles.)
2. Move the choke lever to the open ( — ) position.
3. Leave the throttle trigger in the idle position and pull the starter grip.
4. If the engine fails to start after three to four pulls, follow the instruction in the Cold Starting Procedure section (page 31 ).

If the engine fails to start after you follow the above procedures, contact an authorized MARUYAMA dealer.

### To Stop The Engine:

1. Release the throttle lever.
2. Push the stop switch of the throttle trigger until the engine will stop.

### Arranque en Caliente

Para volver a arrancar el motor una vez de que éste caliente (arranque en caliente) o si la temperatura ambiente supera los 68°F (20°C).

1. Bombear el cebador hasta que el combustible puede verse a través del tubo de combustible y que este se dirige al depósito de combustible. (La corriente de combustible deberá verse casi claramente, que no esté lleno de burbujas de aire.)
2. Ponga la palanca del ahogador en la posición de abierta ( — ).
3. Deje el gatillo del acelerador en la posición de ralentí y tire de la empuñadura de arranque.
4. Si el motor no arranca después de tres o cuatro intentos, siga las instrucciones del procedimiento de arranque en Frio en la sección de arriba (página 31 ).

Si el motor tampoco arrancase siguiendo el procedimiento arriba descrito, póngase en contacto con el concesionario de MARUYAMA.

### Para Parar El Motor

1. Suelta la palanca del acelerador.
2. Presione el interruptor de parada del gatillo del acelerador hasta que el motor se detenga.

### Redémarrage à chaud

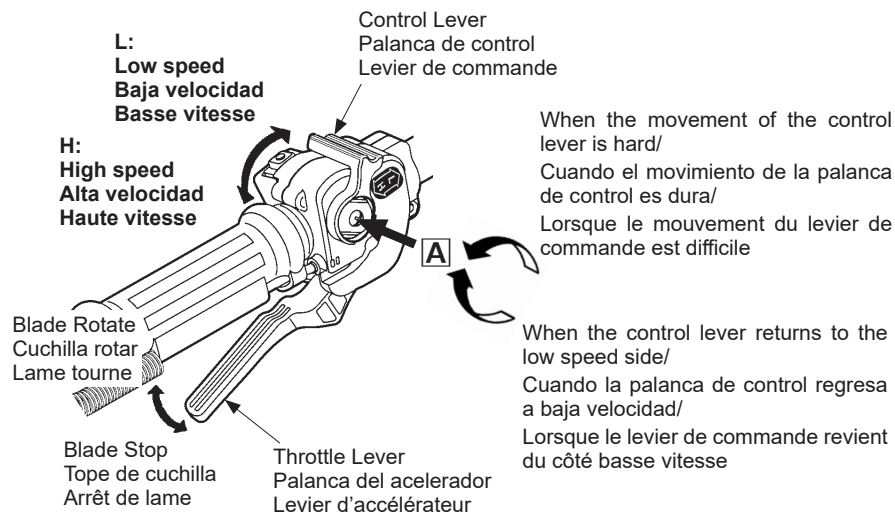
Pour démarrer un moteur qui est déjà réchauffé (redémarrage à chaud), ou si la température ambiante est supérieure à 20°C (68°F):

1. Pompez la poire d'amorçage jusqu'à ce que l'essence soit visible et s'écoule dans la conduite de retour de carburant dans le réservoir. (L'essence d'écoulant doit être presque transparente, sans mousse ni pleine de bulles d'air.)
2. Mettez la tirette du starter en position ouverte ( — ).
3. Laissez la gâchette d'accélérateur à mi-régime et tirez la poignée du démarreur.
4. Si le moteur ne démarre pas après trois à quatre tentatives, suivez les instructions dans le mise en marche du moteur à froid Section Procédure (page 31 ).

Si le moteur ne démarre pas après que vous avez suivi la procédure, contactez un concessionnaire agréé MARUYAMA.

### Arrêt du moteur:

1. Relâchez le levier d'accélérateur.
2. Appuyez sur le bouton d'arrêt de la gâchette d'accélérateur jusqu'à ce que le moteur s'arrête.



## Instruction of the throttle trigger

### Start the blade rotation

1. Grasp the throttle lever.
2. Move the control lever to high speed side slowly.
3. Then engine speed increase gradually, and the blade starts rotation.
4. Adjust the blade rotational speed by the control lever.

**NOTE: Engine speed does not increase by grasping the throttle lever if the control lever is positioned at low speed side fully.**

### Stop the blade rotation

1. The engine speed will down to idling by moving the control lever to low speed position fully, or releasing the throttle lever.
2. If you did not change the control lever position, engine speed become to the original adjusted speed when grasp the throttle lever again.

**NOTE: If the control lever returns to the low speed side during operation, turn the screw **A** clockwise. Over tighten causes movement failure of the control lever. So careful tightening is required.**

## Instrucción del gatillo del acelerador

### Comience la rotación de la cuchilla

1. Sujete la palanca del acelerador.
2. Mueva la palanca de control al lado de alta velocidad lentamente.
3. Luego, la velocidad del motor aumenta gradualmente y la cuchilla comienza a girar.
4. Ajuste la velocidad de rotación de la cuchilla con la palanca de control.

**NOTA: La velocidad del motor no aumenta al agarrar la palanca del acelerador si la palanca de control se coloca completamente en el lado de baja velocidad.**

### Pare la rotación de la cuchilla

1. La velocidad del motor bajará a ralentí moviendo la palanca de control a la posición de baja velocidad por completo o soltando la palanca del acelerador.
2. Si no cambió la posición de la palanca de control, la velocidad del motor se convertirá en la velocidad original ajustada cuando vuelva a agarrar la palanca del acelerador.

**NOTA: Si la palanca de control regresa al lado de velocidad baja durante la operación, ajuste el tornillo **A** en sentido de las manecillas del reloj. Ajustar de más causa fallas en el movimiento de la palanca de control.**

**Por lo cual un ajuste cuidadoso es requerido.**

## Instruction de la gâchette d'accélérateur

### Démarrer la rotation de la lame

1. Saisissez le levier d'accélérateur
2. Déplacez lentement le levier de commande sur le côté haute vitesse.
3. Ensuite, le régime moteur augmente progressivement et la lame commence à tourner.
4. Réglez la vitesse de rotation de la lame à l'aide du levier de commande.

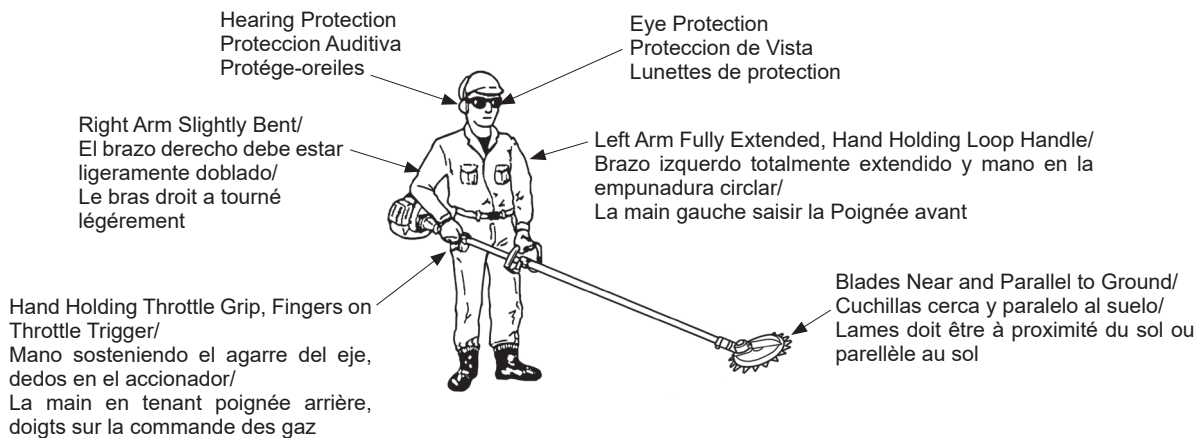
**REMARQUE: La vitesse du moteur n'augmente pas en saisissant le levier d'accélérateur. Si le levier de commande est complètement positionné du côté basse vitesse.**

### Arrêter la rotation de la lame

1. Le régime moteur sera réduit au ralenti en déplaçant complètement le levier de commande en position de vitesse lente ou en relâchant le levier d'accélérateur.
2. Si vous n'avez pas modifié la position du levier de commande, le régime du moteur revient à la vitesse initiale lorsque vous saisissez à nouveau le levier d'accélérateur.

**REMARQUE: Si le levier de commande revient du côté basse vitesse pendant le fonctionnement, tournez la vis **A** dans le sens des aiguilles d'une montre. Un serrage excessif entraîne une défaillance du mouvement du levier de commande.**

**Un serrage minutieux est donc nécessaire.**



## Operation

See also the separate manual. "LANDSCAPE BLADE ATTACHMENT Type 5"

### Operating Position

Before using the Landscape Blade, check the following

1. The unit should be on the operator's right side.
2. The operator's right hand should be holding the shaft grip, with his or her fingers on the throttle trigger. The right arm should be slightly bent.
3. The left hand should be holding the loop handle with the fingers and thumb fully enclosed around the grip. The left arm should be extended.  
Reposition the loop handle up or down the shaft assembly if necessary for a comfortable position.
4. The unit weight should be evenly distributed between the arms. The blades should be near and parallel to the ground.

5. Accelerate and hold the engine at cutting speed before entering the material to be cut.
6. Always release the throttle trigger and allow the engine to return to idle speed when not cutting.
7. Stop the unit engine when moving between work sites.

### CAUTION

- Always wear gloves and protective clothing when operating the Landscape Blade.
- Make certain all moving parts have stopped and disconnect the spark plug before inspecting the equipment for damage.
- Never use the Landscape Blade that has chipped, cracked or broken blades.

## Uso

Consulte también el manual separado. "LANDSCAPE BLADE ATTACHMENT Type 5"

### Posición de funcionamiento del recortadora

Antes de usar Cuchilla rotativa de jardinería, verifique lo siguiente:

1. La unidad debe estar en el lateral derecho del operario.
2. La mano derecha del operario debe sujetar el agarre del eje, con los dedos en el accionador del acelerador. El brazo derecho debe estar ligeramente doblado.
3. La mano izquierda debe sujetar el manillar en forma de bucle con los dedos y el pulgar completamente cerrados alrededor del agarre. El brazo izquierdo puede extenderse. Coloque de nuevo el Manillar en Forma o abajo el árbol motor a el la posición más cómoda.
4. El peso unitario debe distribuirse por igual entre los brazos. Las cuchillas debe estar cerca y paralelo al suelo.

5. Acelere y mantenga el motor a la velocidad de corte antes de introducir hierba para cortarla.
6. Suelte siempre el accionador del acelerador y deje que el motor vuelva a la velocidad de ralentí cuando no esté cortando.
7. Pare la unidad el motor cuando se desplace de un lugar de trabajo a otro.

### CUIDADO

- Siempre use guantes y ropa de protección cuando opere la Cuchilla rotativa de jardinería.
- Cerciórese que todas las partes móviles se hayan detenido y desconecte la bujía antes de inspeccionar los equipos por daños.
- Nunca use la Cuchilla rotativa de jardinería que tenga un cuchillas picado, quebrado o roto.

## Utilisation

Voir également le manuel séparé. "LANDSCAPE BLADE ATTACHMENT Type 5"

### Position d'utilisation

Avant d'utiliser le lame de paysagement, effectuez les vérifications suivantes:

1. L'unité être placé sur le côté droit de l'utilisateur.
2. La main droite de celui-ci doit être positionnée sur la partie droite de la poignée en forme de guidon et ses doigts placés sur le levier de l'accélérateur. Le bras droit doit être légèrement plié.
3. La main gauche doit fermement saisir la Poignée avant et le bras gauche doit être tendu. Remplacez l'poignée avant en haut ou en bas l'arbre de transmission à le la position la plus confortable.
4. Le poids unitaire devrait être distribute égale-ment entre les armes. Les lames devrait être proche et placer parallèlement à la terre.
5. Accélérer et maintenir le moteur à la vitesse de coupe avant de vous approcher de l'herbe à couper.

6. Lorsque vous ne coupez pas, libérez toujours la manette de gaz et permettez au moteur de revenir à la vitesse de ralenti.
7. Lorsque vous changez de site de travail, arrêtez toujours le moteur de l'unité.

### ATTENTION

- Lorsque vous utilisez le lame de paysagement, portez toujours des gants et des vêtements de protection.
- Assurez-vous que toutes les pièces en mouvement se sont arrêtées et débranchez la bougie d'allumage avant de vérifier si le matériel est endommagé.
- N'utilisez jamais la lame de paysagement dont lames est écaillée, fendue ou cassée.

## Maintenance

Maintenance, replacement or repair of emission control devices and systems may be performed by any repair establishment or individual; however, warranty repairs must be performed by a dealer or service center authorized by MARUYAMA Manufacturing Company, Inc.

The use of parts that are not equivalent in performance and durability to authorized parts may impair the effectiveness of the emission control system and may have a bearing on the outcome of a warranty claim.

Maintenance on today's low-emission engines is even more critical for longest life and best performance. Particularly critical are air and fuel filters, spark plug heat range, cooling air intake area and proper gaps of coil and plug.

### Idle Speed Adjustment

This Landscape Blade is equipped with non-adjustable fuel mixture carburetor. The engine idle speed is the only adjustment for the operator.

#### ⚠ WARNING

- Idle speed adjustment should be checked each time the unit is operate.

#### ⚠ WARNING

##### POTENTIAL HAZARD

- Engine must be running to make carburetor adjustments.
- When engine is running, Attached Tool is rotating/moving and other parts are moving.

##### WHAT CAN HAPPEN

- Contact with rotating/moving tool or other moving parts could cause serious personal injury or death.

##### HOW TO AVOID THE HAZARD

- Keep hands, feet and clothing away from attached tool and other moving parts.
- Keep all bystanders and pets away from unit while making carburetor adjustments.

The Attached Tool may be rotating/moving during idle speed adjustment. Wear the recommended personal protective equipment and observe all safety instructions.

Keep hands and body away from the Attached Tool.

## Mantenimiento

El mantenimiento, reemplazo o reparación de los dispositivos y sistemas de control de emisiones puede ser efectuado por un taller especializado o individuo; sin embargo, las reparaciones bajo la garantía deben ser efectuadas por un distribuidor o centro de servicio autorizado por MARUYAMA Manufacturing Company, Inc. El uso de las partes que no sean equivalentes en rendimiento y durabilidad a las partes autorizadas puede inhabilitar la efectividad del sistema de control de emisiones y pueden tener un efecto sobre el resultado del reclamo de la garantía.

El mantenimiento de los motores actuales de bajas emisiones es incluso más decisivo para lograr una vida útil más larga y un mejor rendimiento. Especialmente cruciales son los filtros de aire y de combustible, el valor térmico de la bujía, la zona de entrada de aire de refrigeración y los huelgos adecuados de la bobina y la bujía.

### Ajuste de la Velocidad del Ralentí

Esta Cuchilla rotativa de jardinería está equipada con un carburador para mezcla de combustible no-ajustable. La velocidad del ralentí es la única parte ajustable por el operario.

#### ⚠ ADVERTENCIA

- Ajuste de la velocidad del ralentí debe ser revisado cada vez que se utiliza la unidad.

#### ⚠ ADVERTENCIA

##### PELIGRO POTENCIAL

- El motor debe estar en funcionamiento para proceder a ajustes.
- Cuando el motor está en funcionamiento, las partes conectadas están en movimiento.

##### QUÉ PUEDE OCURRIR

- Un contacto directo con la herramienta suplemento o con otras partes en movimiento pueden causar una grave lesión en las personas o la muerte.

##### CÓMO EVITAR EL PELIGRO

- Mantenga manos, pies y la vestimenta alejada del la herramienta-suplemento y otras partes en movimiento.
- Mantenga a terceras personas y a animales fuera del alcance de la unidad mientras haga ajustes.

El accesorio de corte puede que esté en movimiento durante el ajuste de la velocidad del ralentí. Use el equipo de protección personal recomendado y tenga en cuenta todas las instrucciones sobre seguridad.

Mantenga manos y cuerpo fuera del alcance de la herramienta incorporada (cuchilla, etc).

## Entretien

L'entretien, le remplacement ou la réparation des dispositifs et des systèmes de contrôle des émissions peuvent être effectués par tout établissement de réparation ou particulier, cependant, les réparations sous garantie doivent être effectuées par un concessionnaire ou un centre d'entretien agréé par MARUYAMA Manufacturing Company, Inc. L'utilisation de pièces qui ne sont pas équivalentes en performance et durabilité aux pièces homologuées risque de compromettre l'efficacité du système de contrôle de la pollution d'avoir une incidence sur le résultat d'une réclamation sous garantie.

Entretien sur les moteurs à faible émission d'aujourd'hui est encore plus critique pour la plus longue vie et une meilleure performance. Particulièrement critique sont des filtres à air et de carburant, étincelle gamme prise de chaleur, refroidissement zone d'admission d'air et les lacunes propres de la bobine et la bougie.

### Réglage du ralenti

Ce lame de paysagement est équipé d'un carburateur de mélange de carburant non réglable. La vitesse de ralenti du moteur est le seul réglage effectué par l'utilisateur.

#### ⚠ AVERTISSEMENT

- Réglage du ralenti doit être vérifié à chaque fois que l'appareil est exploité.

#### ⚠ AVERTISSEMENT

##### DANGER POTENTIEL

- Pour effectuer les réglages du carburateur, le moteur doit être en marche.
- Lorsque le moteur est en marche, la tête rotative tourne et les autres pièces sont en mouvement.

##### CE QUI PEUT SE PASSER

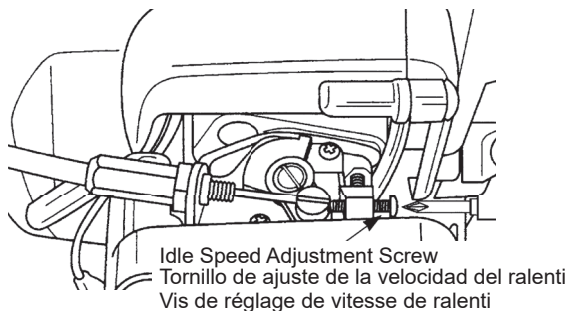
- Entrer en contact avec la tête rotative ou d'autres pièces en mouvement peut causer des blessures corporelles graves ou même la mort.

##### COMMENT ÉVITER LE DANGER

- Tenez toujours les mains, les pieds et les vêtements loin de la tête rotative et des autres pièces mobiles.
- Lorsque vous effectuez des réglages du carburateur, éloignez les spectateurs et les animaux de la machine.

La tête rotative peut tourner au cours du réglage du ralenti. Veuillez porter l'équipement de protection individuelle recommandé et suivre toutes les instructions de sécurité.

Gardez vos mains et votre corps loin de la tête rotative.



When the throttle trigger is released, the engine should return to an idle speed between 2700-3300 RPM, or just below the clutch engagement speed. The Attached Tool must not rotate/move and the engine should not stall (stop running) at engine idle speed.

To adjust the engine idle speed, rotate the idle speed adjustment screw on the carburetor. [#37-1]

- Turn the idle speed screw in (clockwise) to increase the engine idle speed.
- Turn the screw out (counter-clockwise) to decrease the engine idle speed.

**If idle speed adjustment is necessary, and after adjustment the Attached Tool rotates/moves or the engine stalls, stop using the Landscape Blade immediately!**

Contact your local authorized MARUYAMA Dealer for assistance and servicing.

Cuando el gatillo del acelerador no está siendo presionado, el motor deberá volver a la velocidad de ralenti. La velocidad correcta del ralenti es de 2700-3300 RPM (o justo por debajo de la velocidad del embrague). La herramienta conectada no tienen que estar en movimiento y el motor no debe calarse (pararse) a la velocidad de ralenti.

Para ajustar la velocidad del ralenti, gire el tornillo de ajuste del ralenti localizado sobre el carburador. [#37-1]

- Gire el tornillo de ajuste del ralenti (hacia la derecha) para incrementar la velocidad del ralenti del motor.
- Gire el tornillo de ajuste del ralenti (hacia la izquierda) para disminuir la velocidad del ralenti del motor.

**Si el ajuste de la velocidad del ralenti es necesario, y si después de su ajuste la herramienta cortadora incorporada a la unidad gira o el motor se cala, ¡pare la Cuchilla rotativa de jardinería inmediatamente!**

Póngase en contacto con el concesionario autorizado por MARUYAMA para que le asista.

Lorsque la manette des gaz est libérée, le moteur doit revenir à une vitesse de ralenti comprise entre 2700 et 3300 r/min ou juste en-dessous de la vitesse d'engagement de l'embrayage.

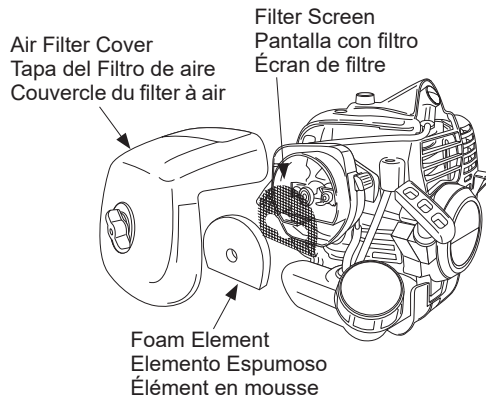
Quand le moteur est au ralenti, la tête rotative ne doit pas tourner et le moteur ne doit pas caler (doit s'arrêter de marcher).

Pour régler le ralenti du moteur, faire tourner la vis de réglage du ralenti sur le carburateur. [#37-1]

- Tournez la vis de ralenti vers l'intérieur (dans le sens des aiguilles d'une montre) pour augmenter la vitesse de ralenti du moteur.
- Tournez la vis vers l'extérieur (dans le sens contraire des aiguilles d'une montre) pour diminuer la vitesse de ralenti du moteur.

**Si un réglage du ralenti est nécessaire, et si après le réglage, la tête rotative tourne toujours ou si le moteur cale, arrêtez immédiatement d'utiliser la lame de paysagement !.**

Contactez votre concessionnaire agréé MARUYAMA local pour assistance et entretien.



## Air Filter

### Maintenance Interval

- The air filter should be cleaned **daily**, or more often when working in extremely dusty conditions.
- Replace after every 100 hours of operation.

### Air Filter Cleaning [#37-2]

1. Loosen the knob and remove the air filter cover.
2. Remove the foam element and filter screen from the air filter body.
3. Clean the foam element and filter screen with warm, soapy water. Let the screen and element dry completely.
4. Apply a light coat of motor oil (SAE 30 or equivalent viscosity) to the foam element and squeeze out all excess oil.
5. Reassemble the filter screen and foam element to the air filter body.
6. Reinstall the air filter cover and tighten the knob.

## Filtro del Aire

### Periodos en los que es Necesario Verificar

- El filtro del aire debe ser limpiado **diariamente**, o más a menudo cuando se trabaja en un entorno en donde haya mucho polvo.
- Repóngalo cada 100 horas de trabajo.

### Limpieza del Filtro del Aire [#37-2]

1. Suelte el pomo y quite la tapa del filtro de aire.
2. Quite el elemento de material espumoso y la pantalla con filtro.
3. Limpie el elemento de material espumoso y la pantalla con filtro con agua templada ligeramente enjabonada. Dejele secar completamente.
4. Aplique una ligera capa de aceite de motor (SAE 30 o equivalente viscosidad ) al elemento espumoso y quite el exceso de aceite haciendo presión sobre el mismo.
5. Vuelva a montar el elemento espumoso y la pantalla con filtro.
6. Vuelva a instalar la tapa del filtro de aire y apriete el pomo.

## Filtre à air

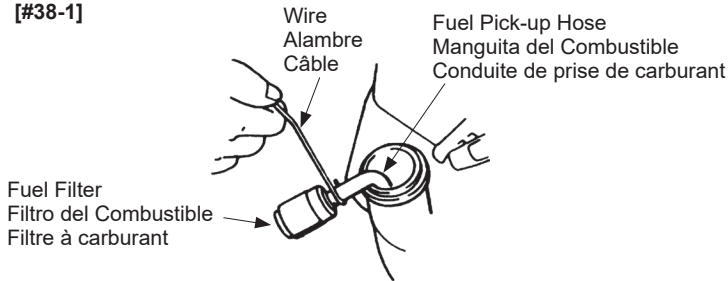
### Intervalle d'entretien

- Le filtre à air doit être nettoyé **tous les jours** plus souvent en cas de travail dans des conditions extrêmement poussiéreuses.
- Remplacez-le après 100 heures d'utilisation.

### Nettoyage du filtre à air [#37-2]

1. Desserrez le bouton et retirez le couvercle du filtre à air.
2. Otez l'élément en mousse et l'écran de filtre.
3. Nettoyez l'élément en mousse et l'écran de filtre avec de l'eau chaude savonneuse. Laissez-le sécher complètement.
4. Appliquez une couche légère d'huile de moteur SAE 30 sur l'élément en mousse et pressez celui-ci pour en ôter tout l'excès d'huile.
5. Réassemblez l'élément en mousse et l'écran de filtre.
6. Remettez le couvercle du filtre à air et serrez le bouton.

[#38-1]



## Fuel Filter

### Maintenance Interval

- The fuel filter should be replaced after every 100 hours of operation.
- Fuel filters needing more frequent replacement may indicate debris in fuel tank.

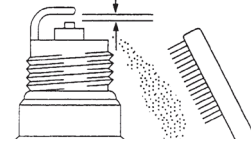
### Fuel Filter Replacement [#38-1]

The fuel filter is attached to the end of the fuel pick-up hose inside the fuel tank. To replace the fuel filter:

1. Make sure the fuel tank is empty.
2. Remove the fuel cap.
3. Using a wire hook, gently pull the fuel filter out through the fuel filler opening. Use caution not to "fishhook" the fuel hose. Replace immediately if punctured!
4. Grasp the fuel hose next to the fuel filter fitting and remove the filter, but do not release the hose.
5. While still holding on to the fuel hose, attach the new fuel filter.
6. Drop the new fuel filter back into the fuel tank.
7. Make sure that the fuel filter is not stuck in a corner of the tank, and that the fuel hose is not doubled over (kinked) before refueling.

[#38-2]

.024" - .028" (0.6 - 0.7mm)  
.024" - .028en (0.6 - 0.7mm)  
0.6 - 0.7 mm (0.024 - 0.028po.)



## Spark Plug

### Maintenance Interval

- The spark plug should be removed from the engine and checked after each 25 hours of operation.
- Replace the spark plug after every 100 hours of operation.

### Spark Plug Maintenance [#38-2]

1. Twist the high tension lead boot on the spark plug back and forth a couple of times to loosen the boot, then pull the boot off of the spark plug.
2. Remove the spark plug.
3. Clean the electrodes with a stiff brush.
4. Adjust the electrode air gap to .024-.028 in. (0.6-0.7 mm).
5. Replace the spark plug if it is oil-fouled, damaged, or if the electrodes are worn down.
6. Do not overtighten the spark plug when installing. The tightening torque is 95-148 in-lbs. (10.7-16.6 N•m).
7. Always use only the specific heat range of spark plug. This is particularly critical with today's low-emission engines. For best results, use the exact replacement.

ENGLISH

## Filtro del Combustible

### Periodos en los que es Necesario Verificar

- El filtro del combustible debe ser cambiado cada 100 horas de trabajo.
- Filtros de combustible que necesitan una sustitución más frecuente puede indicar los residuos en el depósito de combustible:

### Cambio del Filtro de Combustible [#38-1]

El filtro del combustible está fijado en el extremo de la manguita para el combustible, dentro del tanque. Para cambiar el filtro del combustible.

1. Asegúrese que el depósito de combustible está vacío.
2. Quitar la tapa del depósito de combustible.
3. Usando un gancho de alambre, saque cuidadosamente el filtro del combustible a través de la boca del depósito. Tenga cuidado de no dañar el tubo de combustible. Cámbielo inmediatamente si está pinchado.
4. Agarre la manguita del combustible que esta cerca del filtro de combustible y quite el filtro del combustible, pero no suelte la manguita.
5. Mientras tiene la manguita con la mano, reponga el nuevo filtro.
6. Ponga el nuevo filtro en la posición original dentro del depósito.
7. Asegúrese de que el filtro no está atascado en la esquina del depósito, y de que la manguita del combustible no esta doblada antes de rellenar el tanque de combustible.

## Bujía

### Periodos en los que es Necesario Verificar

- La bujía debe ser desmontada del motor y debe ser verificada cada 25 horas de trabajo.
- Cambie la bujía cada 100 horas de trabajo.

### Mantenimiento de la Bujía [#38-2]

1. Mueva la pipa de alta tensión de la bujía de atrás adelante una cuantas veces para que está se aligere y saquela fuera de la bujía.
2. Quite la bujía.
3. Limpie los electrodos con un cepillo duro.
4. Ajuste la distancia del electrodo de tal manera que quede de entre .024-.028 en. (0.6 - 0.7 mm) de distancia.
5. Cambie la bujía si está sobre engrasada, dañada o si los electrodos están desgastados.
6. No apriete demasiado la bujía cuando la monte sobre el motor. La fuerza de torque es de 95-148 en-lbs. (10.7 - 16.6 N•m).
7. Use siempre sólo el rango de calor específico de bujía. Esto es particularmente crítico con baja emisión de hoy motores. Para obtener los mejores resultados, utilice el exacto reemplazo.

ESPAÑOL

## Filtre à carburant

### Intervalle d'entretien

- Le filtre à carburant doit être remplacé après 100 heures d'utilisation.
- Les filtres à carburant nécessitant un remplacement plus fréquent peut indiquer les débris dans le réservoir de carburant.

### Remplacement du filtre à carburant [#38-1]

Le filtre à carburant est fixé à l'extrémité de la conduite de prise de carburant dans le réservoir de carburant. Pour remplacer le filtre à carburant:

1. Assurez-vous que le réservoir de carburant est vide.
2. Retirez le bouchon de carburant.
3. À l'aide d'un fil de fer croché, retirez avec précaution le filtre à carburant par son ouverture. Faites attention de ne pas "hameçon" le conduit de prise de carburant. Remplacer immédiatement en cas de perforation!
4. Saisissez la conduite de carburant à côté du raccord du filtre à carburant et retirez le filtre, sans relâcher la conduite.
5. Tout en tenant la conduite de carburant, fixez le filtre à carburant neuf.
6. Remettez en place le filtre à carburant dans le réservoir de carburant.
7. Assurez-vous que le filtre à carburant n'est pas coincé dans un coin du réservoir et que la conduite de carburant n'est pas vrillée avant de remplir le réservoir.

## Bougie

### Intervalle d'entretien

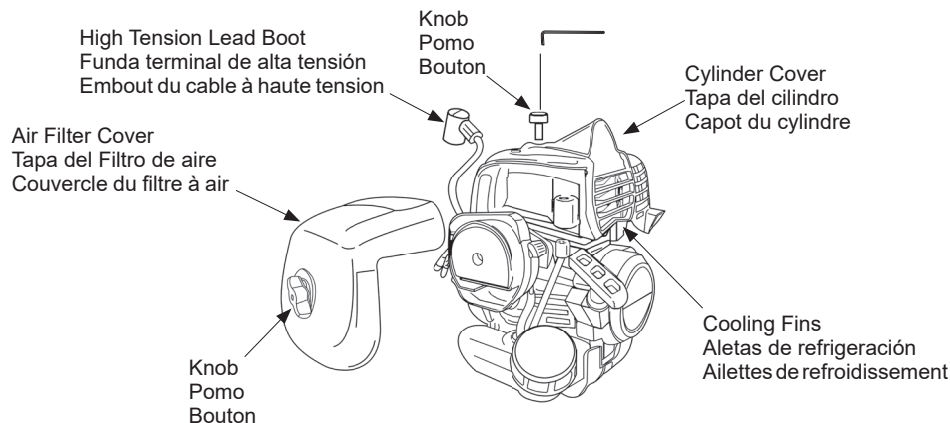
- La bougie doit être retirée du moteur et vérifiée toutes les 25 heures d'utilisation.
- Remplacez la bougie toutes les 100 heures d'utilisation.

### Entretien de la bougie [#38-2]

1. Le moteur étant à température ambiante, tournez le capuchon du conducteur haute tension de la bougie plusieurs fois d'avant en arrière pour le desserrer, retirez-le ensuite de la bougie.
2. Retirez la bougie.
3. Une fois la bougie retirée, les électrodes peuvent être nettoyées avec une brosse dure.
4. Réglez l'écartement des électrodes entre 0,6 et 0,7mm (0,024-0,028 po.).
5. Remplacez la bougie si elle est salie d'huile, endommagée ou si les électrodes sont usées.
6. Ne serrez pas trop la bougie en la posant. Le couple de serrage est de 10,7-16,6 N.m (95- 148 po.lbs.).
7. Toujours utiliser la gamme de chaleur spécifique de la bougie. Ceci est particulièrement critique à faible émission d'aujourd'hui moteurs. Pour de meilleurs résultats, utilisez la exacte remplacement.

FRANÇAIS





## Cylinder Cooling Fins

### Maintenance Interval

- The cylinder cooling fins should be cleaned after every 25 hours of operation, or once a week, whichever comes first.
- Air must flow freely around and through the cylinder cooling fins to prevent engine overheating. Leaves, grass, dirt and debris buildup on the fins will increase the operating temperature of the engine, which can reduce engine performance and shorten engine life.

### Cooling Fin Cleaning

1. With the engine at ambient (room) temperature, loosen the knob and remove the air filter cover.
2. Twist the high tension lead boot on the spark plug back and forth a couple of times to loosen the boot, then pull the boot off of the spark plug.
3. Loosen the knob and lift off the cylinder cover.
4. Clean all dirt and debris from the cooling fins and from around the cylinder base.
5. DO NOT overlook cleaning of the cooling air intake area below the crankcase and above the fuel tank! This area must be free of debris and obstruction for the engine to cool properly.
6. Reinstall the cylinder cover and the air filter cover.

## Aletas del cilindro de refrigeración

### Intervalo de mantenimiento

- Las aletas del cilindro de refrigeración deben limpiarse cada 25 horas de funcionamiento o una vez a la semana, lo que se produzca primero.
- El aire debe fluir libremente alrededor y a través de las aletas del cilindro de refrigeración para evitar que el motor se recaliente. La acumulación de hojas, césped, suciedad y desechos en las aletas aumentará la temperatura de funcionamiento del motor, lo que puede reducir el rendimiento del motor y acortar la vida del motor.

### Limpeza de las aletas de refrigeración

1. Con el motor a la temperatura ambiente (de la sala), suelte el pomo y remueva la tapa del filtro de aire.
2. Tuerza la funda terminal de alta tensión sobre la bujía hacia la frente y atrás un par de veces para aflojar la funda y entonces sacarla de la bujía.
3. Afloje el pomo y levante la tapa del cilindro.
4. Limpie toda la suciedad de las aletas refrigeradoras y de la base del cilindro.
5. NO descuide la limpieza de la zona de entrada del aire de refrigeración situada debajo del cárter del cigüeñal y sobre el depósito de combustible. Para que el motor funcione correctamente, esta zona debe estar libre de residuos y obstrucciones.
6. Reinstale el tapa del cilindro y las tapa del filtro de aire.

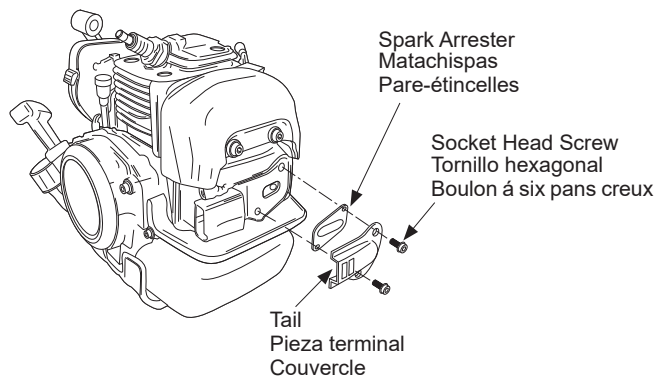
## Ailettes de refroidissement du cylindre

### Intervalle d'entretien

- Les ailettes de refroidissement doivent être nettoyées toutes les 25 heures de fonctionnement ou une fois par semaine, à la première des échéances.
- L'air doit s'écouler librement dans et autour des ailettes de refroidissement afin d'éviter une surchauffe du moteur. L'accumulation de feuilles, d'herbe, de poussière et de débris sur les ailettes augmente la température de fonctionnement du moteur, ce qui en réduit les performances et la durée de vie.

### Nettoyage des ailettes de refroidissement du cylindre

1. Lorsque le moteur est à température ambiante, desserrez le bouton et ôtez le couvercle de filtre à air.
2. Tournez l'embout du câble à haute tension attaché à la bougie de gauche à droite à plusieurs reprises, pour le décoincer et détachez l'embout de la bougie.
3. Desserrez le bouton et levez le capot du cylindre.
4. Nettoyez toute la poussière et tous les débris des ailettes de refroidissement et autour de la base du cylindre.
5. Ne négligez pas le nettoyage de l'air de refroidissement zone apport en dessous du carter et au-dessus du réservoir de carburant! Cette zone doit être libre de débris et de obstruction pour le moteur refroidir correctement.
6. Réinstallez les capot du cylindre et Couvercle du filtre à air.



## Spark Arrester

### ⚠ WARNING

#### POTENTIAL HAZARD

- Muffler surface becomes hot when Landscape Blade is in operation and remains hot for some time after the engine is shut off.

#### WHAT CAN HAPPEN

- Contact with hot muffler surfaces could cause a burn.

#### HOW TO AVOID THE HAZARD

- Make sure the muffler is cool before inspecting and cleaning the spark arrester.

### Maintenance Interval

- The spark arrester should be inspected and cleaned after every 25 hours of use.
- Replace the screen if it cannot be thoroughly cleaned, or if it is damaged.

### Spark Arrester Maintenance

1. With the engine at ambient (room) temperature, loosen the knob and remove the air filter cover.
2. Twist the high tension lead boot on the spark plug back and forth a couple of times to loosen the boot, then pull the boot off of the spark plug.
3. Loosen the knob and lift off the cylinder cover.
4. Remove and clean the tail, gasket and spark arrester with a safety solvent and a stiff brush. If any part cannot be thoroughly cleaned, it must be replaced.
5. Reinstall the spark arrester and tail onto the muffler, then reinstall and tighten the two socket head screws.
6. Reinstall the cylinder cover and the air filter cover.

## Matachispas

### ⚠ ADVERTENCIA

#### PELIGRO POTENCIAL

- La superficie del silenciador se calienta cuando la Cuchilla rotativa de jardinería está en operación y permanece caliente por algún tiempo después que el motor se ha apagado.

#### QUÉ PUEDE OCURRIR

- El contacto con la superficie del silenciador caliente podría causar una quemadura.

#### CÓMO EVITAR EL PELIGRO

- Asegúrese que el silenciador esté frío antes de inspeccionar y limpiar la protección contra chispas.

### Intervalo de mantenimiento

- Debería examinar y limpiar el matachispas después de cada 25 horas de uso.
- Cambie el filtro si no puede limpiarlo a fondo o si está dañado.

### Mantenimiento del matachispas

1. Con el motor a la temperatura ambiente (de la sala), suelte el pomo y remueva la tapa del filtro de aire.
2. Tuerza la funda terminal de alta tensión sobre la bujía hacia la frente y atrás un par de veces para aflojar la funda y entonces sacarla de la bujía.
3. Afloje el pomo y levante la tapa del cilindro.
4. Retire y limpie la pieza terminal, la junta y el matachispas con un disolvente de seguridad y un cepillo duro. En caso de no poder limpiar por completo alguna pieza, debe cambiarla.
5. Vuelva a instalar el matachispas y la pieza terminal en el silenciador, a continuación coloque y apriete los dos tornillos hexagonales.
6. Reinstale el tapa del cilindro y las tapa del filtro de aire.

## Pare-étincelles

### ⚠ AVERTISSEMENT

#### DANGER POTENTIEL

- La surface du silencieux devient chaude quand le lame de paysagement fonctionne et elle reste chaude pendant encore quelques temps après que le moteur est arrêté.

#### CE QUI PEUT SE PASSER

- Entrer en contact avec les surfaces chaudes d'un silencieux peut causer des brûlures.

#### COMMENT ÉVITER LE DANGER

- Assurez-vous que le silencieux est refroidi avant de vérifier et de nettoyer le pare-étincelles.

### Intervalle d'entretien

- Le pare-étincelles doit être vérifié et nettoyé après 25 heures d'utilisation.
- Remplacez le tamis s'il ne peut être totalement nettoyé ou s'il est endommagé.

### Entretien du pare-étincelles

1. Lorsque le moteur est à température ambiante, desserrez le bouton et ôtez le couvercle de filtre à air.
2. Tournez l'embout du câble à haute tension attaché à la bougie de gauche à droite à plusieurs reprises, pour le décoincer et détachez l'embout de la bougie.
3. Desserrez le bouton et levez le capot du cylindre.
4. Ôtez le couvercle, le joint et le pare-étincelles et nettoyez-les avec une brosse dure et un solvant de nettoyage. Remplacez les pièces qui ne peuvent plus être nettoyées.
5. Réinstallez le pare-étincelles et le couvercle sur le silencieux, et vissez et serrez les deux boulons à six pans creux.
6. Réinstallez les capot du cylindre et Couvercle du filtre à air.

## Exhaust Muffler

### Maintenance Interval

The muffler should be inspected and cleaned after each 100 hours of use.

### Muffler Maintenance

1. With the engine at ambient (room) temperature, loosen the knob and remove the air filter cover.
2. Twist the high tension lead boot on the spark plug back and forth a couple of times to loosen the boot, then pull the boot off of the spark plug.
3. Loosen the knob and lift off the cylinder cover.
4. Remove the spark arrester (see spark arrester maintenance), Clean the muffler with a stiff brush.

**IMPORTANT: Don't use solvent for cleaning inside of muffler, because of the catalytic converter in muffler.**

**Be careful not to allow any dirt or debris to fall into the exhaust port, as this can cause engine damage.**

5. Reinstall the spark arrester and tail onto muffler, then reinstall and tighten the two socket head screws.
6. Reinstall the cylinder cover and the air filter cover.

## Silenciador de escape

### Intervalo de mantenimiento

El silenciador debe ser inspeccionado y limpiado después de 100 horas de uso.

### Mantenimiento del silenciador

1. Con el motor a la temperatura ambiente (de la sala), suelte el pomo y remueva la tapa del filtro de aire.
2. Tuerza la funda terminal de alta tensión sobre la bujía hacia la frente y atrás un par de veces para aflojar la funda y entonces sacarla de la bujía.
3. Afloje el pomo y levante la tapa del cilindro.
4. Remueva la protección contra chispas (refiérase al mantenimiento de la protección contra chispas). Limpie el silenciador con un cepillo duro.

**IMPORTANTE: No usar solvente para la limpieza interna del silenciador, ya que el conversor catalítico está dentro del silenciador.**

**Tomar cuidado para no dejar que suciedad o residuos caigan dentro del conducto de escape, puesto que esto puede causar daños al motor.**

5. Reinstale la trampa de chispas y la cola en el silenciador y entonces reinstale y ajuste los dos tornillos de cabeza hueca.
6. Reinstale el cilindro tapa del y las tapa del filtro de aire.

## Silencieux d'échappement

### Intervalle d'entretien

Le silencieux doit être vérifié et nettoyé toutes les 100 heures d'utilisation.

### Entretien du silencieux

1. Lorsque le moteur est à température ambiante, desserrez le bouton et ôtez le couvercle de filtre à air.
2. Tournez l'embout du câble à haute tension attaché à la bougie de gauche à droite à plusieurs reprises, pour le décoincer et détachez l'embout de la bougie.
3. Desserrez le bouton et levez le capot du cylindre.
4. Ôtez le pare-étincelles (voir Entretien du pare étincelles), et nettoyez le silencieux avec une brosse dure.

**IMPORTANT: Ne jamais utiliser un solvant pour le nettoyage de l'intérieur du silencieux, afin de ne pas abimer le pot catalytique dans le silencieux. Faites attention à ne pas laisser rentrer de débris ou de la poussière dans la lumière d'échappement. Cela pourrait abimer le moteur.**

5. Réinstallez le pare-étincelles et le couvercle sur le silencieux, et vissez et serrez les deux boulons à six pans creux.
6. Réinstallez les capots du cylindre et Couvercle du filtre à air.

## Landscape Blade

See the separate manual, “LANDSCAPE BLADE ATTACHMENT Type 5”

## General Cleaning and Tightening

The MARUYAMA Landscape Blade will provide maximum performance for many, many hours if it is maintained properly.

### ⚠ WARNING

#### POTENTIAL HAZARD

- When engine is running, Attached Tool is rotating/moving and other parts are moving.

#### WHAT CAN HAPPEN

- Contact with rotating/moving Tool or other moving parts could cause serious personal injury or death.

#### HOW TO AVOID THE HAZARD

- Always turn off your Landscape Blade before you clean or perform any maintenance on it.

Good maintenance includes regular checking of all fasteners for correct tightness and cleaning the entire machine.

## Cuchilla Rotativa de Jardinería

Ver el manual separado, “LANDSCAPE BLADE ATTACHMENT Type 5”

## El general limpiando y apretándose

La Cuchilla rotativa de jardinería de MARUYAMA ofrece un máximo rendimiento durante muchas, muchas horas si se aplica un trabajo de mantenimiento adecuado.

### ⚠ ADVERTENCIA

#### PELIGRO POTENCIAL

- Cuando el motor está en funcionamiento, las herramienta cortadora y otras partes están en movimiento.

#### QUÉ PUEDE OCURRIR

- Un contacto con las pieza ajustada al rotor u otras partes de la unidad pueden causar serias lesiones en las personas o la muerte.

#### CÓMO EVITAR EL PELIGRO

- Pare siempre el motor de la Cuchilla rotativa de jardinería de proceder a su limpieza o cualquier tipo de mantenimiento en la unidad.

Un correcto trabajo de mantenimiento incluye una verificación regular de que todas las piezas están ajustadas correctamente, así como la limpieza de la maquina en su conjunto.

## Lame de Paysagement

Voir le manuel séparé, “FIXATION DE LAME DE PAYSAGEMENT Type 5”

## Nettoyage et serrage normaux

Le lame de paysagement MARUYAMA fournira une performance maximum pour de nombreuses heures s'il est correctement entretenu.

### ⚠ AVERTISSEMENT

#### DANGER POTENTIEL

- Quand le moteur tourne, le dispositif de coupe tourne et les autres pièces sont en mouvement.

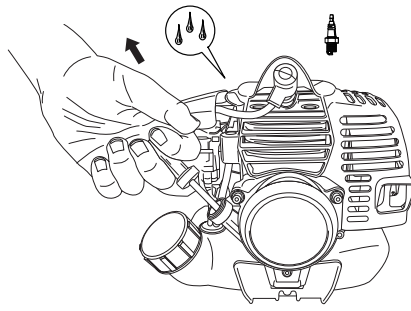
#### CE QUI PEUT SE PASSER

- Entrer en contact avec la tête rotative ou une autre pièce en mouvement peut causer une blessure personnelle grave ou même la mort.

#### COMMENT ÉVITER LE DANGER

- Éteignez toujours votre lame de paysagement avant de le nettoyer ou de faire des opérations d'entretien.

Un bon entretien comprend la vérification régulière du bon serrage de toutes les pièces de fixation et le nettoyage de la machine entière.



## Storage

### ⚠ CAUTION

#### POTENTIAL HAZARD

- Oil may squirt out of the spark plug opening when you pull the starter grip.

#### WHAT CAN HAPPEN

- Oil can cause eye injuries.

#### HOW TO AVOID THE HAZARD

- Protect your eyes and keep your face away from the spark plug opening.

For long term storage of the Landscape Blade:

1. Empty the fuel tank into a suitable fuel storage container.
2. Pump the primer bulb on the carburetor until all fuel is discharged through the clear fuel return hose.
3. Run the engine to remove any fuel that may remain in the carburetor.
4. Perform all regular maintenance procedures and any needed repairs.
5. Remove the spark plug and squirt a very small amount of oil into the cylinder.
6. Pull the starter grip once.
7. Slowly pull the starter grip to bring the piston to the top of the cylinder (TDC).
8. Reinstall the spark plug.
9. Store the Landscape Blade in a dry place away from excessive heat, sparks or open flame.

## Almacenaje

### ⚠ CUIDADO

#### PELIGRO POTENCIAL

- Puede que una cantidad de aceite le salpique desde la apertura de la bujía cuando intente tirar de la empuñadura del arranque.

#### QUÉ PUEDE OCURRIR

- El aceite puede producir lesiones oculares.

#### CÓMO EVITAR EL PELIGRO

- Proteja sus ojos y mantenga su cara alejada de la apertura de la bujía.

Para proceder a almacenar la Cuchilla rotativa de jardinería durante un largo periodo de tiempo:

1. Vacíe el depósito del combustible y vierta el contenido en un contenedor para su adecuado almacenaje.
2. Bombée la pera de cebado en el carburador hasta que todo combustible se descarga a través del tubo de retorno del combustible.
3. Ponga en funcionamiento el motor para vaciar totalmente el combustible que pueda haber en el carburador.
4. Proceda a efectuar todas las labores de mantenimiento regulares y a la reparación de cualquiera de sus partes que necesiten dicha reparación.
5. Desmunte la bujía y vierta una pequeñísima cantidad de aceite de motor en el cilindro.
6. Tire de la empuñadura de arranque una vez.
7. Tire de la empuñadura de arranque despacio para que el pistón se posicione en el borde superior del cilindro (TDC).
8. Vuelva a colocar la bujía.
9. Almacene la Cuchilla rotativa de jardinería en lugar seco y lejos de toda fuente de calor, llamas o fuego.

## Remisage

### ⚠ ATTENTION

#### DANGER POTENTIEL

- Lorsque vous tirez sur la poignée du démarreur, de l'huile peut gicler sur l'orifice de bougie.

#### CE QUI PEUT SE PASSER

- L'huile peut causer une blessure aux yeux.

#### COMMENT ÉVITER LE DANGER

- Protégez vos yeux et n'approchez pas votre visage de l'orifice de bougie.

Pour un remisage à long terme du lame de paysagement:

1. Videz le réservoir d'essence dans un bidon de stockage de carburant adapté.
2. Pompez la poire d'amorçage sur le carburateur jusqu'à ce que l'essence soit chassée dans la conduite transparente de retour de carburant.
3. Faites tourner le moteur pour retirer le carburant restant dans le carburateur.
4. Effectuez toutes les procédures d'entretien régulier et toutes les réparations nécessaires.
5. Retirez la bougie et appliquez une petite quantité d'huile dans le cylindre.
6. Tirez une fois sur la corde du démarreur.
7. Tirez lentement la poignée du démarreur pour amener le piston en haut du cylindre.
8. Remplacez la bougie.
9. Remisez le lame de paysagement dans un endroit sec, à l'abri de la chaleur excessive, des étincelles ou d'une flamme nue.

# Troubleshooting

## Problemas

## Dèpannag

| Problem<br>Problema<br>Problème  | Cause<br>Causa<br>Causa   | Action<br>Qué se debe hacer<br>Mesure correctrice   |
|--|---|---|
| Engine will not start<br><br>El motor no arranca<br><br>Ne moteur ne démarre pas   | <ul style="list-style-type: none"> <li>• Empty fuel tank</li> <li>• Primer bulb wasn't pushed enough</li> <li>• Engine flooded</li> <li>• Depósito de combustible vacío</li> <li>• Cebador no fue empujado bastante</li> <li>• El motor está inundado</li> <li>• Le réservoir d'essence est vide</li> <li>• La poire d'amorçage n'a pas été pressée suffisamment</li> <li>• Le moteur est noyé</li> </ul>   | <ul style="list-style-type: none"> <li>• Fill fuel tank</li> <li>• Press primer bulb until fuel flows through fuel return line</li> <li>• Use warm engine starting procedure</li> <li>• Llene el depósito</li> <li>• Presione cebador hasta flujos de combustible por tubo de retorno del combustible</li> <li>• Siga el procedimiento de arranque de motor en caliente</li> <li>• Remplissez le réservoir de carburant</li> <li>• Pressez la poire d'amorçage jusqu'à ce que le carburant s'écoule dans la conduite de retour de carburant</li> <li>• Reportez-vous à la procédure de démarrage à chaud</li> </ul> |
| Engine will not Idle<br>Problema de ralentí<br>Le moteur ne fonctionne pas au ralenti  | <ul style="list-style-type: none"> <li>• Idle speed set incorrectly</li> <li>• La velocidad del ralentí es incorrecta</li> <li>• La vitesse du ralenti n'a pas été correctement réglée</li> </ul>   | <ul style="list-style-type: none"> <li>• Set Idle speed</li> <li>• Vuelva a ajustar el ralentí</li> <li>• Réglez la vitesse du ralenti</li> </ul>   |
| Engine lacks power or stalls when cutting<br><br>Al motor le falta fuerza, se ahoga/cala cuando corta<br><br>Le moteur manque de puissance ou cale lors de coupe | <ul style="list-style-type: none"> <li>• Throttle wire has come loose</li> <li>• Dirty air filter</li> <li>• Clogged spark arrester or exhaust port</li> <li>• El cable del acelerador no está tensado</li> <li>• El filtro de aire está sucio</li> <li>• Protector contra chispas u orificio de escape tapados</li> <li>• Le câble de la gâchette d'accélérateur est desserré</li> <li>• Le filtre à air est sale</li> <li>• Le pare-étincelles est bouché ou l'orifice d'échappement</li> </ul> | <ul style="list-style-type: none"> <li>• Tighten throttle wire</li> <li>• Clean or replace air filter</li> <li>• Clean spark arrester or exhaust port</li> <li>• Tense el cable del acelerador</li> <li>• Limpie el filtro de aire o cámbielo</li> <li>• Limpie el protector contra chispas u orificio de escape</li> <li>• Serrez le câble de la gâchette d'accélérateur</li> <li>• Nettoyez ou remplacez le filtre à air</li> <li>• Nettoyez le pare-étincelles ou l'orifice d'échappement</li> </ul>   |

If further assistance is required, contact your local authorized MARUYAMA service dealer.  
 Si necesita mayor ayuda póngase en contacto con el concesionario autorizado por MARUYAMA.  
 Pour toute assistance, veuillez contacter votre concessionnaire agréé MARUYAMA local.

# Maintenance Period

## Período de mantenimiento

### Période d'entretien

|   | Maintenance<br>Mantenimiento<br>Entretien  | Daily<br>Diario<br>Quotidien  | Every 25 hours<br>Cada 25 horas<br>Toutes les 25 heures | Every 50 hours<br>Cada 50 horas<br>Toutes les 50 heures | Every 100 hours<br>Cada 100 horas<br>Toutes les 100 heures |
|---|--|---|---|---|--|
|   | Check and replenish fuel<br>Verificación y relleno de combustible<br>Vérifiez et ajoutez de l'essence  | ●   |   |   |  |
|   | Check for fuel leakage<br>Verificación por filtración de combustible<br>Vérifiez qu'il n'y a pas de fuite de carburant   | ●   |   |   |  |
|   | Check bolts, nuts and screws for tightness or missing/<br>Verificación de los pernos, tuercas y tornillos por apriete o falta/<br>Vérifiez que les boulons, écrous et vis sont tous serrés et qu'il n'en manque aucun            | ●   |   |   |  |
|   | Check engine idle speed adjustment<br>Comprobar el ajuste de ralentí del motor<br>Vérifiez le réglage de la vitesse de ralenti du moteur   | ●   |   |   |  |
| ■ | Clean air filter element<br>Limpie el elemento de filtro de aire<br>Nettoyez le filtre à air   | ●   |   |   |  |
|   | Clean spark plug and adjust electrode gap<br>Limpie la bujía y ajuste la luz del electrodo<br>Nettoyez le pare-étincelles et réglez l'écartement des électrodes  |   | ●   |   |  |
| ■ | Remove dust and dirt from cylinder fins<br>Remueva el polvo y la suciedad de las aletas del cilindro<br>Retirez la poussière et la saleté des ailettes d'échappement   |   | ●   |   |  |
| ● | Clean spark arrester<br>Limpie el protector contra chispas<br>Nettoyez le pare-étincelles  |   | ●   |   |  |
|   | Tighten bolts and nuts<br>Apriete de los pernos y tuercas<br>Serrez les boulons et les écrous  |   |   | ●   |  |
| ● | Remove carbon deposits in exhaust port<br>Remueva los depósitos de carbón en el orificio de escape<br>Retirez les résidus de carbone de l'orifice d'échappement  |   |   | ●   |  |
|   | Replace fuel filter<br>Reemplace el filtro de combustible<br>Remplace le filtre à carburant  |   |   |   | ●  |
| ● | Remove carbon deposits on piston head and combustion chamber/<br>Remueva los depósitos de carbón en la culata y la cámara de combustión/<br>Retirez les résidus de carbone de la tête du piston et de la chambre de combustion   |   |   |   | ●  |
| ● | Remove carbon deposits in transfer port<br>Remueva los depósitos de carbón en los orificios de transferencia<br>Retirez les résidus de carbone des orifices de transfert   |   |   |   | ●  |
|   | Replace fuel tube, fuel tank cap gasket/<br>Reemplace el tubo de combustible, la empaquetadura de la tapa del depósito de combustible/<br>Remplace le tube de carburant et le joint torique du bouchon du réservoir de carburant | It is recommended to replace every 3 years<br>Se recomienda reemplazar cada 3 años<br>C'est recommandé pour remplacer chaque 3 années |   |   |  |

●: Service to be performed by an authorized MARUYAMA engine dealer.

■: Service more frequently under dusty conditions.

#### NOTE:

The service intervals indicated are to be used as a guide.

Service to be performed more frequently as necessary depending on operating condition.

Use MARUYAMA standard 50:1 two-stroke engine oil.

●: El servicio debe ser efectuado por un distribuidor de motores de MARUYAMA autorizado.

■: Efectúe el servicio más frecuentemente bajo condiciones polvorientas.

#### NOTA:

Los intervalos de servicio indicados deben ser usados como guía.

El servicio debe ser efectuado de manera más frecuente en la medida de lo necesario, dependiendo de la condición de operación.

Use aceite de motor de dos tiempos, 50:1 MARUYAMA estándar.

●: L'entretien doit être réalisé par un concessionnaire agréé MARUYAMA.

■: Effectuez l'entretien plus souvent lors de conditions de fonctionnement poussiéreuses.

#### REMARQUE:

Les intervalles d'entretien indiqués doivent être utilisés comme indication.

L'entretien sera réalisé plus fréquemment, si nécessaire, selon les conditions d'utilisation.

Utilisez l'huile pour moteur deux-temps MARUYAMA 50:1.

# Specifications

## Especificaciones

### Spécifications

|   | LB300   |
|---|---|
| Weight (lbs)<br>Peso seco (lbs)<br>Poids (kg)   | 15.0 (6.8kg)<br>15.0 (6.8kg)<br>6.8 (15.0 lbs.)   |
| Engine Displacement (cm <sup>3</sup> )<br>Desplazamiento del motor (cm <sup>3</sup> )<br>Cylindrée du moteur (cm <sup>3</sup> ) | 30.1  |
| Anti Vibration<br>Contra vibración<br>Anti Vibration  | Dual Isolation-grip and engine mount<br>Aislamiento doble - mango y montura del motor<br>Isolement Double - Poignée et Mont de Moteur |
| Carburetor<br>Carburador<br>Carburateur   | Walbro Diaphragm Type<br>Walbro Tipo de Diafragma<br>Walbro Type de Diaphragme  |
| Ignition System<br>Encendido<br>Allumage  | Solid State<br>Sistema de estado sólido<br>État solide  |
| Fuel Tank Capacity (qts.)<br>Capacidad del depósito de combustible (qts.)<br>Contenance du réservoir de carburant (L)           | 0.63 (0.6L)<br>0.63 (0.6L)<br>0.6 (0.63 qts.)   |
| Gas to Oil Ratio<br>La gasolina para engrasar la proporción<br>L'essence pour huiler ratio                                      | 50:1  |
| Spark Plug<br>Bujia<br>Bougie   | NGK BPM8Y   |
| Spark plug Gap (in.)<br>Luz entre electrodos (en.)<br>Écartement de bougi (mm)  | .024-.028 (0.6-0.7mm)<br>.024-.028 (0.6-0.7mm)<br>0.6 - 0.7 (.024 - .028 po.)   |
| EPA and CARB Approved<br>EPA y CARB Aprobado<br>Homologation EPA et CARB  | Phase 3, Tier 3   |

#### Emission durability of 300 hours.

Dry weight without fuel.

#### Durabilidad de emisión de 300 horas.

Peso seco sin combustible.

#### Durabilité d'émission de 300 heures.

Poids sans carburant.











**Maruyama U.S., Inc.**  
4770 Mercantile Drive, suite 100,  
Fort Worth, TX 76137 U.S.A.  
Phone 940-383-7400  
Fax 940-383-7466

**[www.maruyama-us.com](http://www.maruyama-us.com)**  
243110-01 US/ES/FR 21.06 IN