



ROTARY MOWER J, K, L, M, N (40)(44)(46)
 SNOWCASTER
 J, K, L, M, N, P, R, S (80)(84)
 UTILITY BLADE
 J, K, L (50)(54)
 Parts Catalog J1250

HOME

TRACTORS

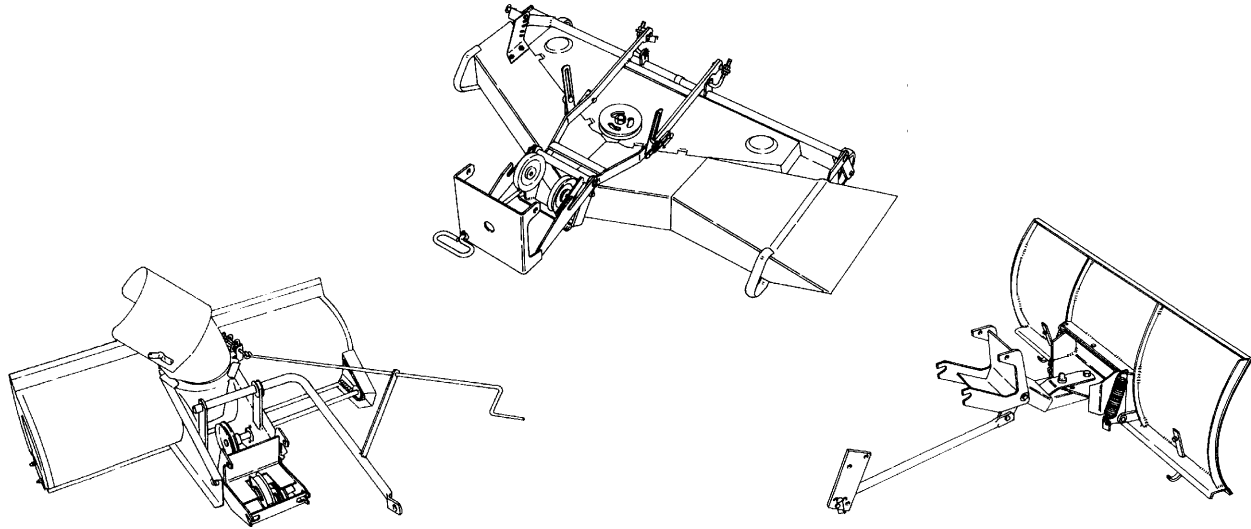
ATTACHMENTS

INDEX

PAINT

GENERAL INFO

This Parts Catalog replaces catalog H1250



APPLICATION CHART

MODEL DESIGNATIONS	TRACTOR APPLICATION										
	210	220	222	224	226	444	446	448	644	646	648
J, K, L, M, N (40) Rotary Mower	X	X	X	X	X	(1)	(1)	(1)	(1)	(1)	(1)
J, K, L, M, N (44) Rotary Mower	X	X	X	X	X	X	X	X	X	X	X
J, K, L, M, N, (46) Rotary Mower	(1)	(1)	X	X	X	X	X	X	X	X	X
J, K, L, M, N, P, R, S (80) Snow caster	X	X	X	X	X	(1)	(1)	(1)			
J, K, L, M, N, P, R, S (84) Snow caster	(1)	(1)	X	X	X	X	X	X			
J, K, L (50) Utility Blade	X	X	X	(1)	(1)	(1)	(1)	(1)			
J, K, L (54) Utility Blade	(1)	(1)	X	X	X	X	X	X			

(1) Will fit, but not recommended

INDEX

There is an index at the front of this catalog. The front index is an alphabetical index of the major groups or assemblies.

ILLUSTRATION

Each illustration in this catalog shows a group of parts or components. These parts and components are aligned approximately as the parts and components on your machine. Each part and component in an illustration has a reference number. These reference numbers are in a list on the page opposite of the illustration. Next to the reference number is the part number, description and required quantity of the part shown in the illustration.

UAR - "Use as required" indicates that the part quantity is variable.

NSS - "Not sold separately" indicates that the part is only available as component of an assembly or the part must be purchased locally. If the part is an assembly component, the description will be indented under the assembly description in the parts list.

O/L - "Obtain locally"

- "Footnotes" are added to a part number when more information is needed for identification. They only relate to the part numbers indicated. All orders must include the following information:

1. Correct part number.

PARTS ORDERS

2. Complete description of part or component.
3. Total quantity of each part or component.
4. Product model number.
5. All necessary product identification numbers.
6. Method for sending the parts.
7. Complete and correct address.

CATALOG REVISIONS

As the product changes, new pages will be available for your catalog. A notice will be issued.

IMPORTANT: Put all revisions into the catalog as soon as possible.

RIGHT HAND AND LEFT HAND IDENTIFICATION

The words right hand (RH) and left hand (LH) as used in this catalog indicate the direction while you are in the operator's seat in the normal operating position.

INDENTED DESCRIPTIONS

An assembly can have many components. The components of an assembly are indicated by an indented description. The quantity for an indented part is the total needed for that complete assembly. See the example.

REF.	PART NO.	DESCRIPTION	REQ'D
	C 55159	CYLINDER ASSY - rear steering	1
28	C 56208	SOCKET ASSY - rear cylinder	1
29	C 55956	PLUG - adjusting, socket assy	1
30	C 55957	SEAT- socket, ball.....	2
31	C 56210	SPRING-socket	1
32	C 56209	SEAT - socket spring	1
33	G 45175	CLAMP ASSY - socket assy	1
	16- 836	BOLT-1/2"x2-1/4" N.F. hex.....	1
34	132- 104	PIN-cotter, 3/16"x3"	1
35	C 55889	STUD - ball, socket & cylinder	2
36	13- 410	BOLT-1/4"x5/8"N.C.,hex	4
37	92- 4	LOCK WASHER - 1/4"SAE	4

ALPHABETICAL INDEX

MOWER SECTION

Axle, J Series15
Axle, K, L, M, N Series17
Bearings 11-13
Belts, J, K, L, M (40) (44) (46)5
Belts, N (40) (44) (46).....7
Blades, - J, K, L, M, N (40)(44)11
Blades, - J, K, L, M, N (46).....13
Decals29
Decks, - J, K, L, M (40) (44) (46)5
Decks, - N (40) (44) (46)7
Guards and Covers, - J, K, L, M (40) (44) (46) ..5
Guards and Covers, - N (40) (44) (46)7
Housing, Spindle 11-13

Idler, Deck..... 11-13
Idler, Drive – J Series 15
Idler, Drive – K,L,M,N Series 17
Kits, Roller..... 9
Lift Assembly – J Series 15
Lift Assembly - K,L,M,N Series..... 17
Pulleys, Deck, - J, K, L, M, N (40)(44)..... 11
Pulleys, Deck, - J, K, L, M, N (46) 13
Rollers, Rubber 5
Roller Kits..... 9
Spindles 11-13
Wheels, Gauge - J Series 15
Wheels, Gauge - K,L,M,N Series 17

SNOWCASTER SECTION

Auger23
Auger Housing - J,K,L,M,N,P,R (80) (84)19
Auger Housing - S(80) (84).....21
Bearings23
Belts.....25
Chain - Auger23
Chute Assembly - J,K,L,M,N,P,R (80) (84)19
Chute Assembly - S(80) (84)21
Decals - J,K,L,M,N,P(80) (84).....29
Decals – R, S(80) (84)31
Drive Assembly.....23
Idler Assembly25
Lift Assembly - J,K,L,M,N,P,R (80) (84)19
Lift Assembly - S(80) (84)21

UTILITY BLADE SECTION

Blade 27
Decals – J, K, (50) (54) 29
Decals – L (50) (54) 31
Lift Arm..... 27
Mounting Bracket 27

INDEX

PAINT AND OIL

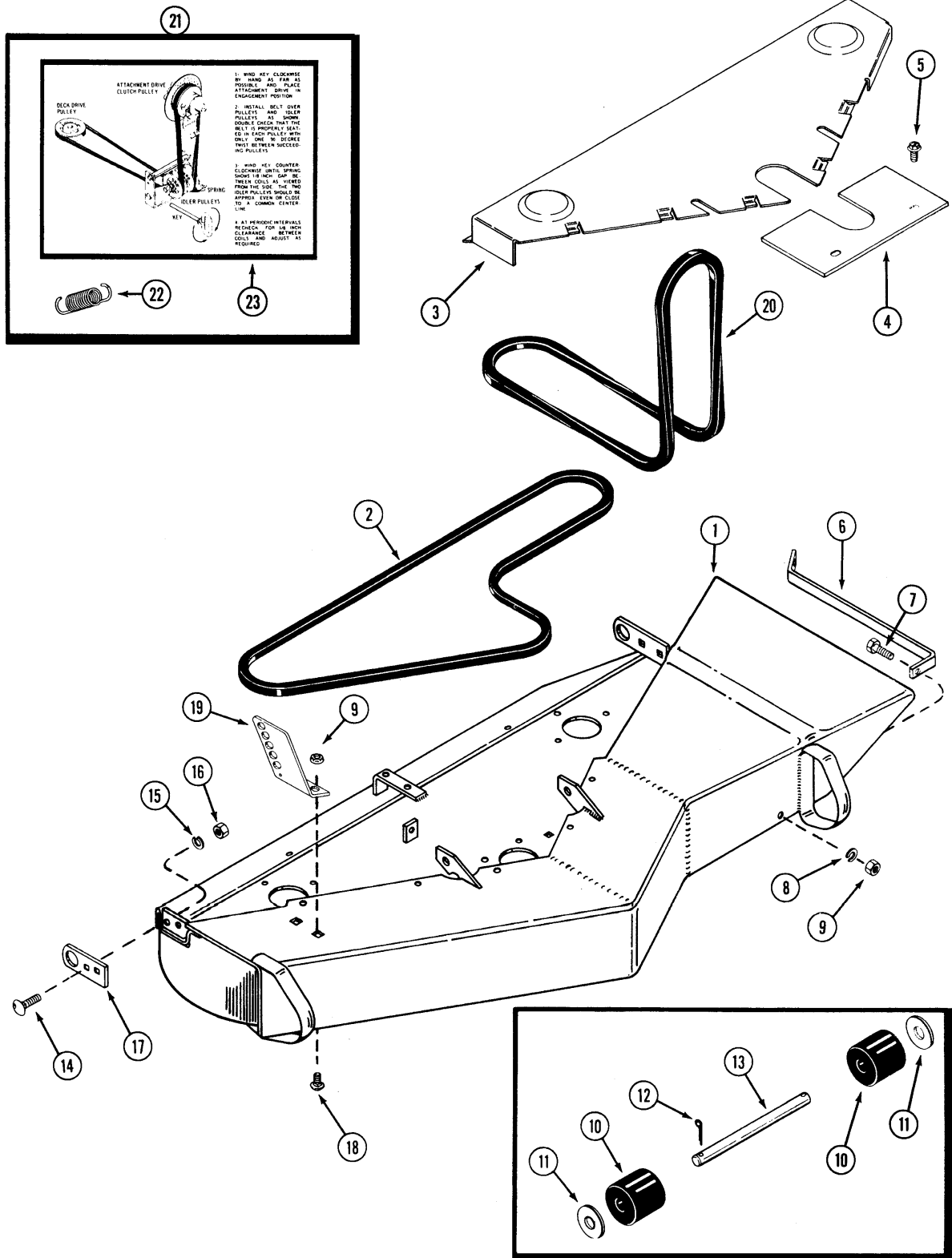
PAINT

REF.	PART NO.	DESCRIPTION	REQ'D
1	C 28849	BLACK - semi - gloss, 12 oz spray (2 per carton)	1
2	C 28850	BLACK - semi - gloss, quart (2 per carton)	1
3	C 28850	BLACK - semi - gloss, heat resistant, 12 oz spray (2 per carton)	1
4	C 28484	POWER RED - gloss, 12 oz spray (2 per carton)	1
5	C 28485	POWER RED - gloss, quart (2 per carton)	1
6	C 30870	SILVER - gloss, 12 oz. spray (2 per carton).....	1
7	C 31643	POWER RED - gloss, 1 oz touch up, (1 doz. per carton)	1

OIL

1	C 32776	OIL - SAE 30, SF, quart (12 per case)	1
2	C 32777	OIL - SAE 5W20, SF, quart (12 per case)	1
3	C 32778	OIL - SAE 20W40, SF, quart (12 per case)	1

DECK, BELTS AND DECK COVERS
 Use for J, K, L, M(40)(44)(46)



USED ON MODELS PRIOR TO 1975

MODEL J, K, L, M, N(40)(44)(46) ROTARY MOWER

DECK, BELTS AND DECK COVERS
Use for J, K, L, M(40)(44)(46)

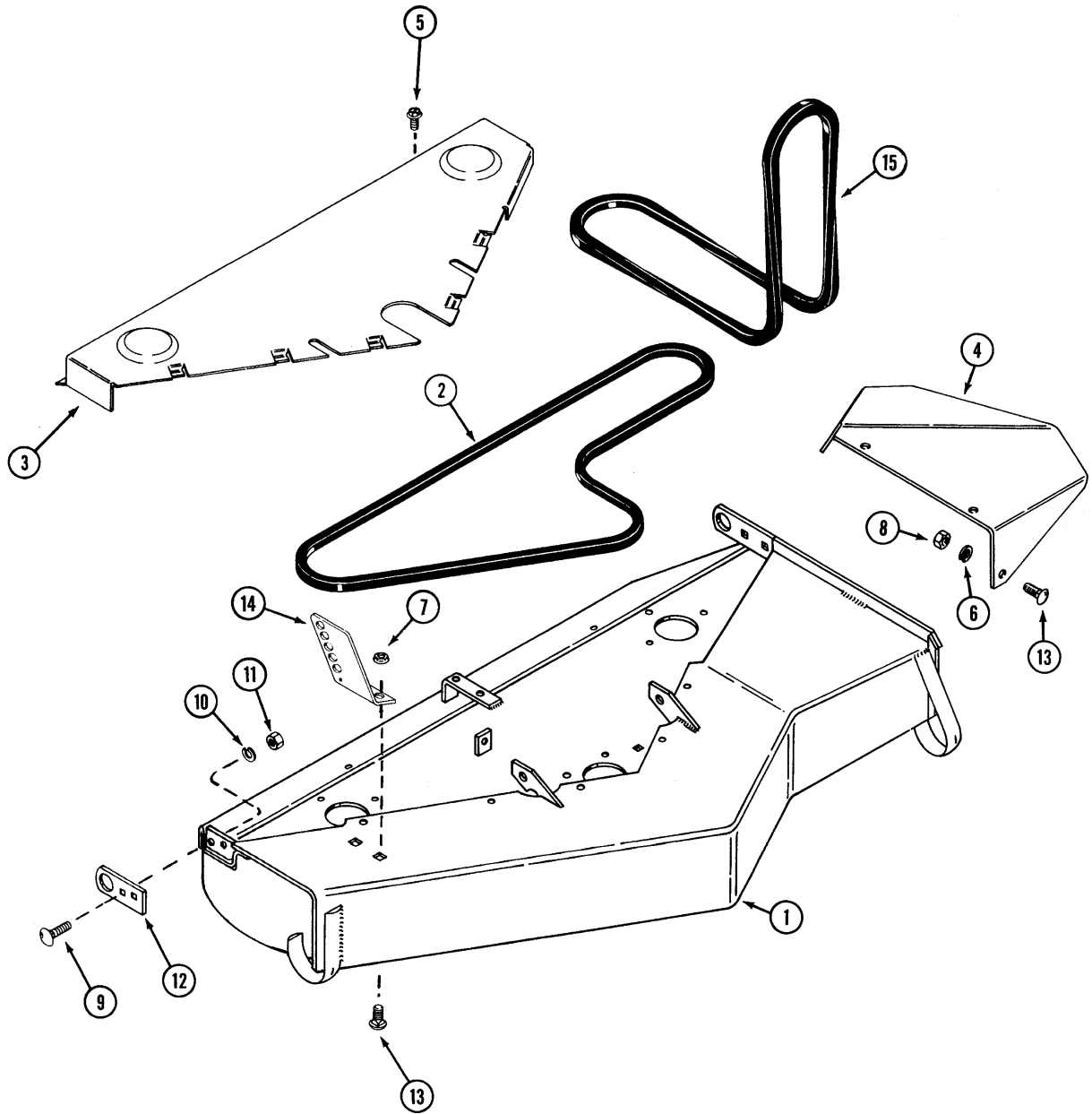
REF.	PART NO.	DESCRIPTION	REQ'D
1	NSS	DECK - mower J40, K40, L40, M40 (38") (use C28455 and C30841)	1
1	NSS	DECK - mower J44, K44, L44, M44 (44") (use C28463 and C30841)	1
1	NSS	DECK - mower J46, K46, L46, M46 (48") (use C28470 and C30841)	1
2	C23810	BELT - mower deck, J40, K40, L40, M40	1
2	C22707	BELT - mower deck, J44, K44, L44, M44	1
2	C22708	BELT - mower deck, J46, K46, L46, M46	1
3	C26809	GUARD - deck belt, J40, K40, L40, M40	1
3	C26810	GUARD - deck belt, J44, K44, L44, M44	1
3	C26811	GUARD - deck belt, J46, K46, L46, M46	1
4	C15675 *	COVER - deck, small (early production)	1
5	187-1036	SCREW - 1/4" x 1/2" NC hex self-tapping	UAR
6	C15640	BAR - toe guard, J40 (early production only)	1
6	C15639	BAR - toe guard, J44 (early production only)	1
6	C15634	BAR - toe guard, J46 (early production only)	1
7	113-102	BOLT - 5/16" x 3/4" NC hex ZP	2
8	193-29	LOCK WASHER - 5/16" ZP, internal tooth	2
9	131-911	NUT - 5/16" NC hex ZP flange lock	5
10	C28976	ROLLER - 2-1/2" x 2-3/8"	2
11	195-108	WASHER - 5/8" ZP	2
12	132-310	PIN - cotter 1/8" x 1"	2
13	C14892	SHAFT - rear roller	2
14	111-371	BOLT - 3/8" x 1" NC rd. hd. square neck	2
15	192-21	LOCK WASHER - 3/8" ZP	2
16	129-103	NUT - 3/8" NC hex ZP	2
17	C15562	BRACKET - axle pivot, J40, K40, L40	1
17	C15560	BRACKET - axle pivot, J44, K44, L44	1
17	C15561	BRACKET - axle pivot, J46, K46, L46	1
18	111-132	BOLT - 5/16" x 3/4" rd.hd. square neck	5
19	C15935	BRACKET - height adj	1
20	C23358	BELT - drive (Use with 210, 220, 222, 224 and 226 tractors)	1
20	C23359	BELT - drive (Use with 444, 446 and 448 tractors)	1
20	C23808	BELT - drive (Use with 646 and 648 tractors)	1
20	C23810	BELT - drive (Use with 644 S/N 9698343 and after)	1
20	C23807	BELT - drive (Used with 644 prior to S/N 9698343)	1
21	NSS	KIT - spring and decal (J46 used prior to S/N D46376)	1
22	C21942	SPRING - idler	1
23	C31494	DECAL - belt installation	1
	C26485	SKID - rear	1
	C15590	SKID - front R.H	1
	C18921	SKID - front L.H	1

* used before S/N:
 J40 and K40 - AA 13699
 J44 and K44 - BB 14443
 J46 and K46 - DD 15449

NOTE: Optional roller kits to replace skids
 (See page 9 for parts)
 C33139 KIT - front rollers (H, J, K, L, M, N40)
 C33140 KIT - front rollers (H, J, K, L, M, N44)
 C33141 KIT - front rollers (H, J, K, L, M, N46)
 C33142 KIT - rear roller (all above models)

INDEX

DECK, BELTS AND DECK COVERS
Use for N40, N44, N46



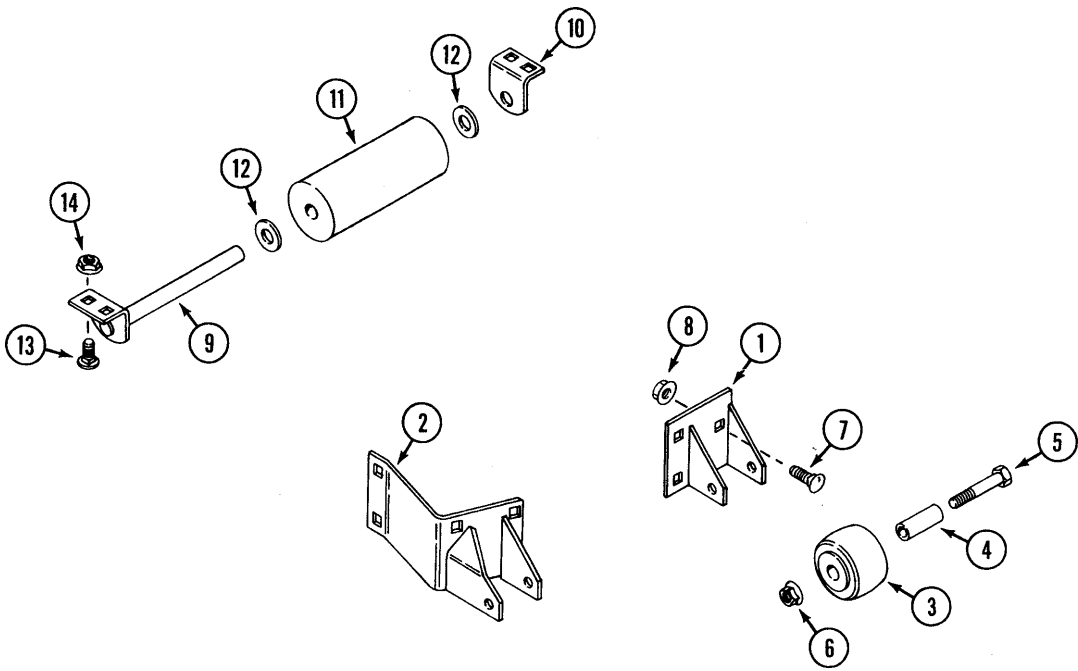
DECK, BELTS AND DECK COVERS
Use for N40, N44, N46

REF.	PART NO.	DESCRIPTION	REQ'D
1	C28455	DECK - mower N40 (38") (970 mm)	1
1	C28463	DECK - mower N44 (44") (1120 mm)	1
1	C28470	DECK - mower N46 (48") (1220 mm)	1
2	C23810	BELT - mower deck, N40	1
2	C22707	BELT - mower deck, N44	1
2	C22708	BELT - mower deck, N46	1
3	C26809	GUARD - deck belt, N40	1
3	C26810	GUARD - deck belt, N44	1
3	C26811	GUARD - deck belt, N46	1
4	C30841	DEFLECTOR - chute	1
5	187-1036	SCREW - 1/4" x 1/2" NC hex self-tapping	UAR
6	192-20	LOCK WASHER - 5/16"	3
7	131-911	NUT - 5/16" NC hex ZP flange	2
8	129-102	NUT - 5/16" NC hex ZP	5
9	111-371	BOLT - 3/8" x 1" NC rd.hd. square neck	2
10	192-21	LOCK WASHER - 3/8" ZP	2
11	129-103	NUT - 3/8" NC hex ZP	2
12	C15562	BRACKET - axle pivot, N40	1
12	C15560	BRACKET - axle pivot, N44	1
12	C15561	BRACKET - axle pivot, N46	1
13	111-132	BOLT - 5/16" x 3/4" rd.hd. square neck	5
14	C15935	BRACKET - height adj	1
15	C23358	BELT - drive (Use with 210, 220, 222, 224 and 226 tractors).....	1
15	C23359	BELT - drive (Use with 444, 446 and 448 tractors).....	1
15	C23808	BELT - drive (Use with 646 and 648 tractors).....	1
15	C23810	BELT - drive (Use with 644 S/N 9698343 and after)	1
15	C23807	BELT - drive (used with 644 prior to S/N 9698343)	1
	C26485	SKID - rear	1
	C15590	SKID - front R.H	1
	C18921	SKID - front L.H.....	1

NOTE: Optional roller kits to replace skids
 (See page 9 for parts)
 C33139 KIT - front rollers (H, J, K, L, M, N40)
 C33140 KIT - front rollers (H, J, K, L, M, N44)
 C33141 KIT - front rollers (H, J, K, L, M, N46)
 C33142 KIT - rear roller (all above models)

MODEL J, K, L, M, N(40)(44)(46) ROTARY MOWER

ROLLER KITS



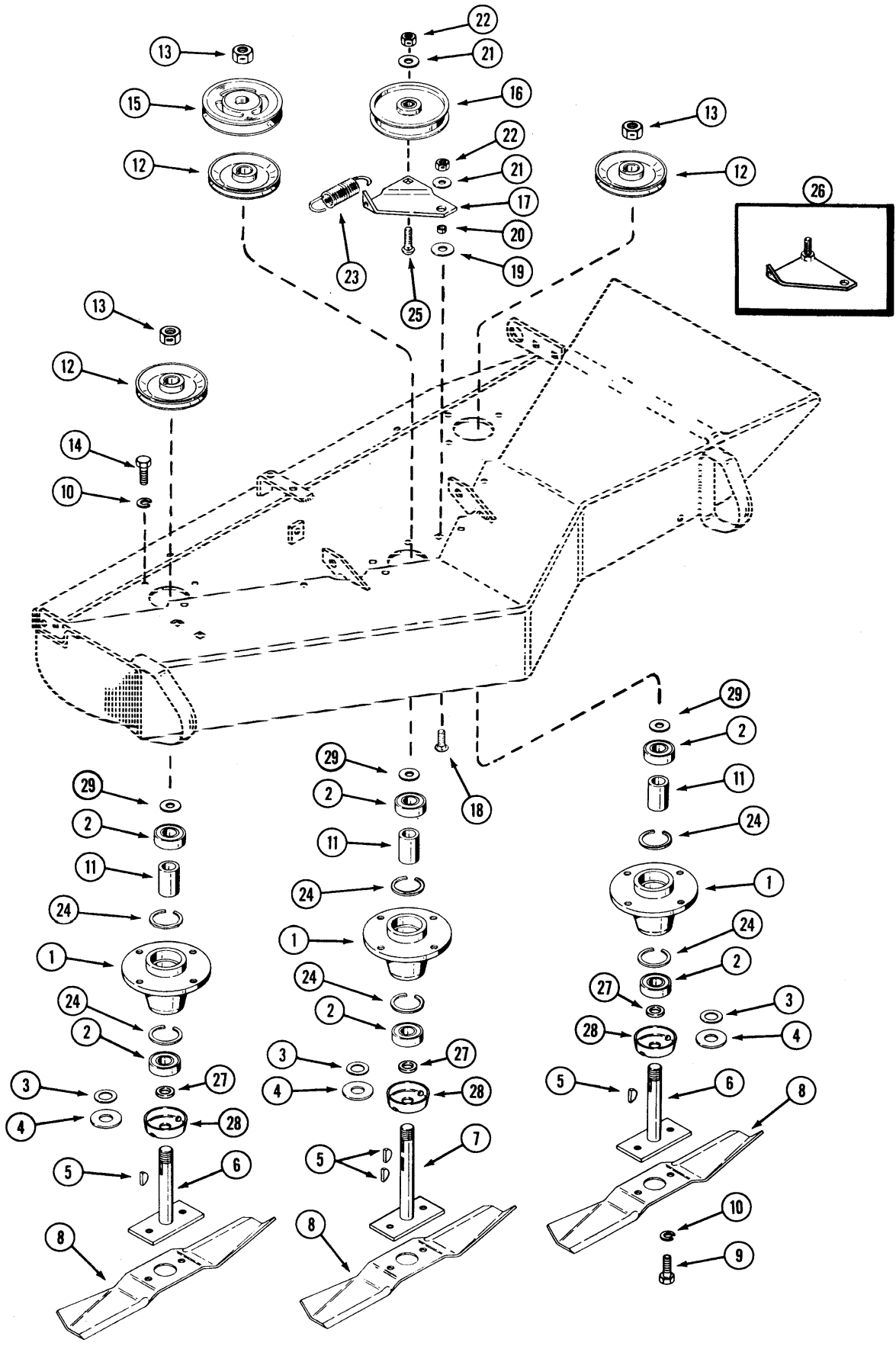
MODEL J, K, L, M, N(40)(44)(46) ROTARY MOWER

ROLLER KITS

REF.	PART NO.	DESCRIPTION	REQ'D
	C33139	KIT - front rollers (H40, J40, K40, L40, M40, N40)	1
	C33140	KIT - front rollers (H44, J44, K44, L44, M44, N44)	1
	C33141	KIT - front rollers (H46, J46, K46, L46, M46, N46)	1
1	C33143	BRACKET - mounting L.H.	1
2	C33144	BRACKET - mounting R.H. (H40, J40, K40, L40, M40, N40).....	1
2	C33145	BRACKET - mounting R.H. (H44, J44, K44, L44, M44, N44).....	1
2	C33146	BRACKET - mounting R.H. (H46, J46, K46, L46, M46, N46).....	1
3	C31500	ROLLER.....	2
4	C31501	SPACER - sleeve.....	2
5	113-241	BOLT - 3/8" - 16 x 3" (attach L.H. Roller).....	1
5	111-375	BOLT - 3/8" - 16 x 3" carriage (attach R.H. roller)	1
6	131-938	NUT - 3/8" - 16 flange lock.....	2
7	111-132	BOLT - 5/16" - 18 x 3/4" carriage.....	8
8	131-911	NUT - 5/16" - 18 flange lock.....	8
	C33142	KIT - rear roller	1
9	C33156	BRACKET - mounting	1
10	C33157	BRACKET - mounting	1
11	C28977	ROLLER - 7"	1
12	195-541	WASHER - 5/8"	2
13	111-132	BOLT - 5/16" - 18 x 3/4" carriage.....	4
14	131-911	NUT - 5/16" - 18 flange lock.....	4

PULLEYS, BLADES AND SPINDLES

Use for J, K, L, M, N(40)(44)



MODEL J, K, L, M, N(40)(44)(46) ROTARY MOWERS

PULLEYS, BLADES AND SPINDLES

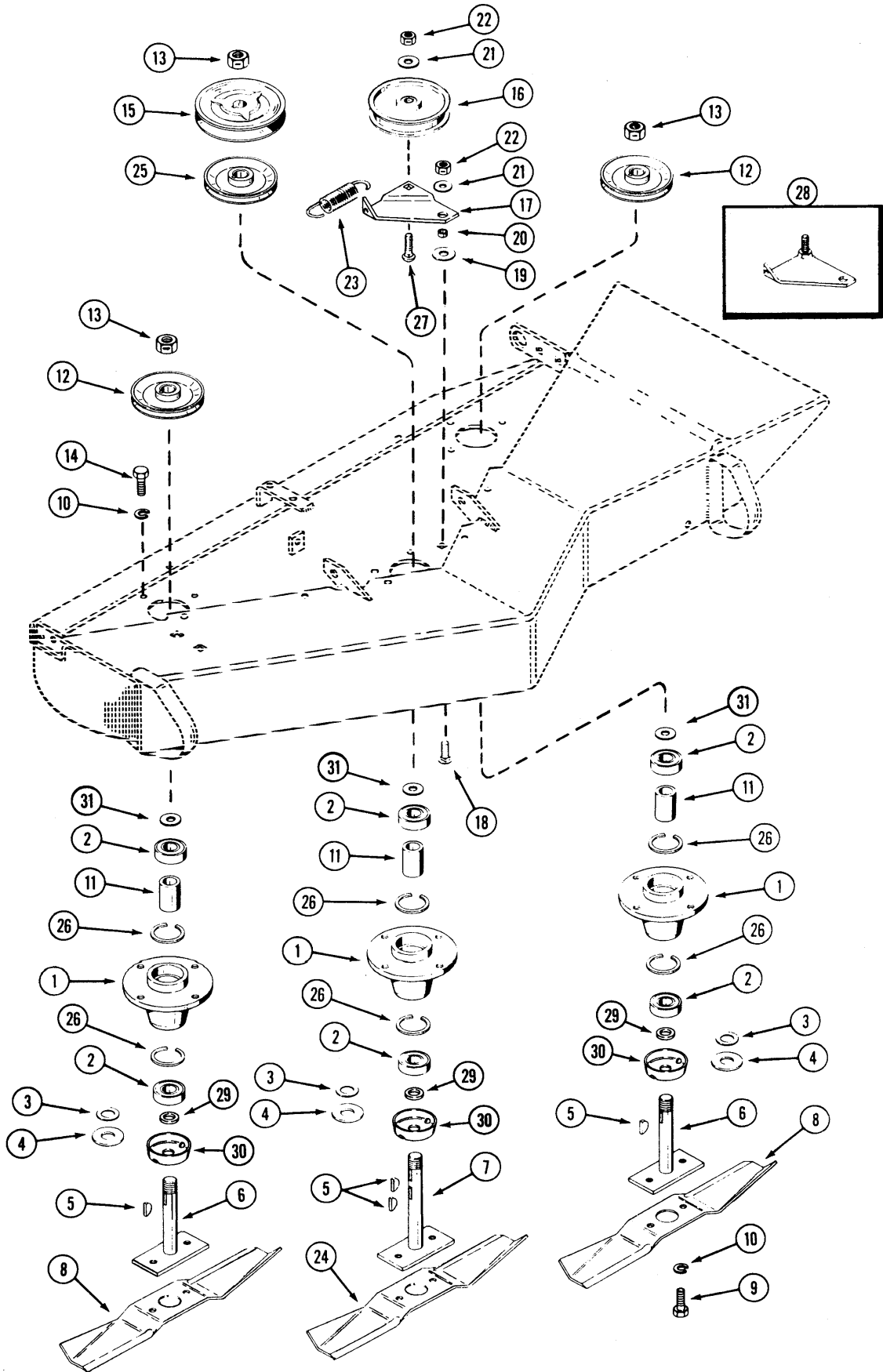
Use for J, K, L, M, N(40)(44)

REF.	PART NO.	DESCRIPTION	REQ'D
1	C17666 *	HOUSING - mower spindle.....	3
2	C28971	BEARING-spindle.....	6
3	C28972	WASHER - bearing seal (early production).....	3
4	C10942	WASHER - mower spindle (early production).....	3
5	126-19	KEY - spindle, #11 Woodruff.....	4
6	C15763	SPINDLE-outboard.....	2
7	C15604	SPINDLE-center.....	1
8	C24441	BLADE - 14" (J40, K40, L40, M40, N40).....	3
8	C24442	BLADE - 15-1/2" (J44, K44, L44, M44, N44).....	3
9	113-206	BOLT - 3/8" x 3/4" NC hex (grade 5).....	6
10	192-21	LOCKWASHER - 3/8".....	18
11	C10810	SPACER - bearing.....	3
12	C21581	PULLEY - outboard.....	3
13	131-1331	NUT - jam lock 3/4" NF hex.....	3
14	113-206	BOLT - 3/8" x 3/4" NC hex.....	12
15	C15963	PULLEY - drive (J40, K40, L40, M40, N40).....	1
15	C15615	PULLEY - drive (J44, K44, L44, M44, N44).....	1
16	C12251	PULLEY - deck idler.....	1
17	C25080	BRACKET - idler.....	1
18	111-371	BOLT - 3/8" x 1" rd.hd. square neck.....	1
19	195-105	WASHER - 1/2" ZP.....	1
20	C14768	SPACER - idler bracket.....	1
21	195-525	WASHER - 3/8" ZP.....	2
22	131-1181	NUT - lock 3/8" NC hex.....	2
23	C31606	SPRING - idler.....	1
24	C16516 **	RING - retainer.....	6
25	111-366	BOLT - 3/8" rd. hd.sq. neck.....	1
26	NSS	BRACKET - idler (use C25080 bracket and 111-366 bolt).....	1
27	C25541	SPACER - bearing shield.....	3
28	C25543	SHIELD - bearing.....	3
29	C28972	WASHER - bearing.....	3

* Also use (2) C16516 retaining rings
 S/N and after:
 K40, L40, M40, N40 - AA1 1798
 K44, L44, M44, N44 - BB12278

** For service of J40 and J44
 For service of K40 and K44
 Before S/N:
 K40 - AA11798
 K44 - BB12278

PULLEYS, BLADES AND SPINDLES Use for J, K, L, M, N(46)



MODEL J, K, L, M, N(40)(44)(46) ROTARY MOWERS

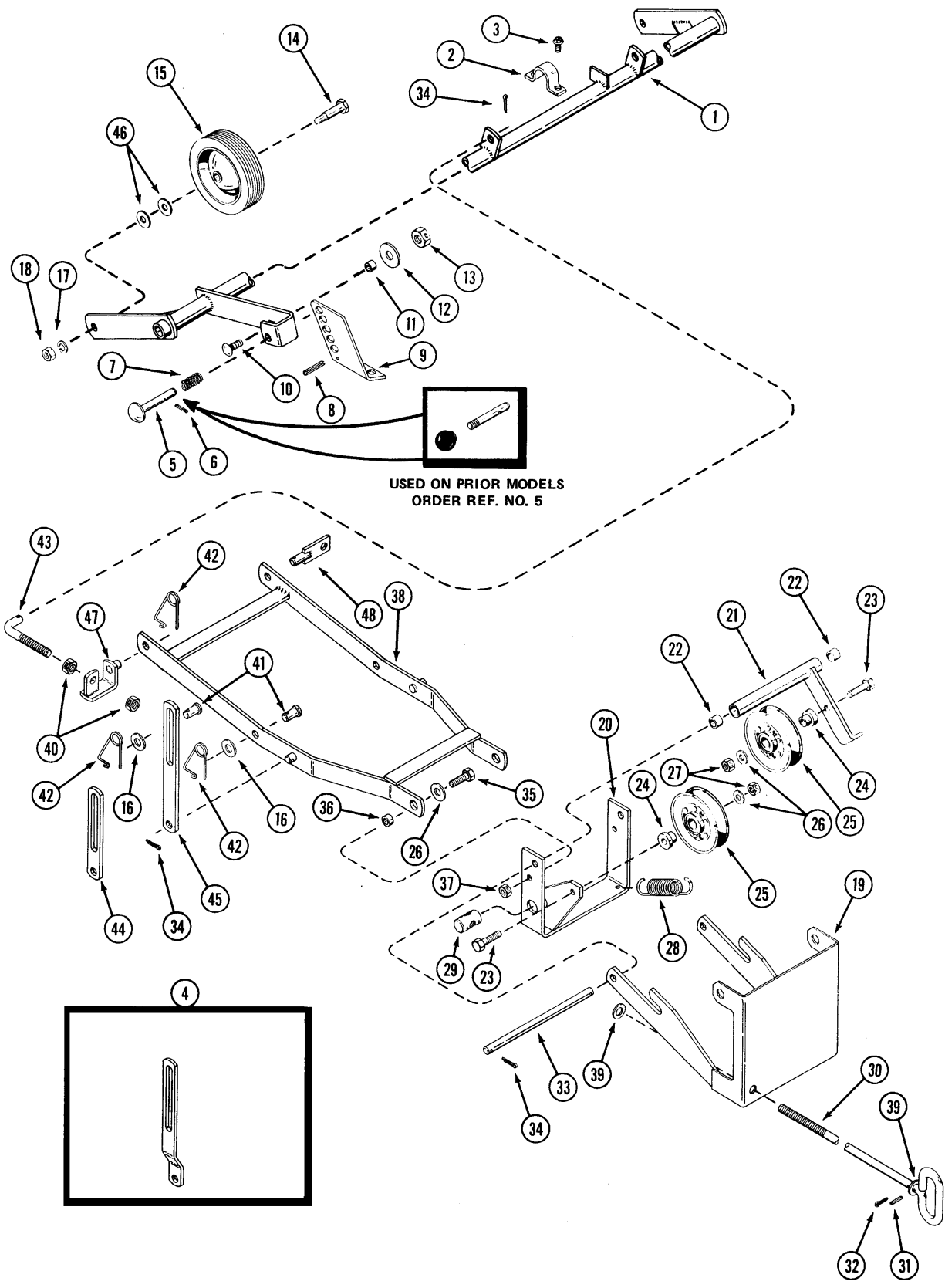
PULLEYS, BLADES AND SPINDLES

Use for J, K, L, M, N(46)

REF.	PART NO.	DESCRIPTION	REQ'D
1	C17666	HOUSING - mower spindle (also use (2) C16516 after S/N DD12835)	3
2	C28971	BEARING - spindle	6
3	C28972	WASHER - bearing (early production)	3
4	C10942	WASHER - spacer (early production)	3
5	126-19	KEY - spindle, #11 Woodruff.....	4
6	C15763	SPINDLE - outboard	2
7	C15604	SPINDLE - center.....	1
8	C14886	BLADE - 17" outboard.....	2
9	113-206	BOLT - 3/8" x 3/4" NC hex (grade 5).....	6
10	192-21	LOCK WASHER - 3/8"	18
11	C10810	SPACER - bearing	3
12	C21581	PULLEY - outboard	2
13	131-1331	NUT - jam lock 3/4" NF hex.....	3
14	113-206	BOLT - 3/8" x 3/4" NC hex	12
15	C15615	PULLEY - drive	1
16	C12251	PULLEY - deck idler.....	1
17	C25080	BRACKET - idler	1
18	111-371	BOLT - 3/8" x 1" rd.hd.squareneck	1
19	195-105	WASHER - 1/2" ZP	1
20	C14768	SPACER - idler bracket.....	1
21	195-525	WASHER - 3/8" ZP	2
22	131-1181	NUT - lock 3/8" NC hex	2
23	C31606	SPRING - idler	1
24	C24443	BLADE - 16" center	1
25	C21580	PULLEY - center	1
26	C16516	RING - retainer (use before S/N DD12835)	6
27	111-366	BOLT - 3/8"rd. hd. sq. neck.....	1
28	NSS	BRACKET - idler (use C25080 bracket and 111-366 bolt)	1
29	C25541	SPACER - bearing shield.....	3
30	C25543	SHIELD - bearing	3
31	C28972	WASHER - bearing	3

AXLE, IDLER AND MOUNTING ASSEMBLIES

Use for J40, J44 and J46



MODEL J, K, L, M, N(40)(44)(46) ROTARY MOWERS

AXLE, IDLER AND MOUNTING ASSEMBLIES

Use for J40, J44 and J46

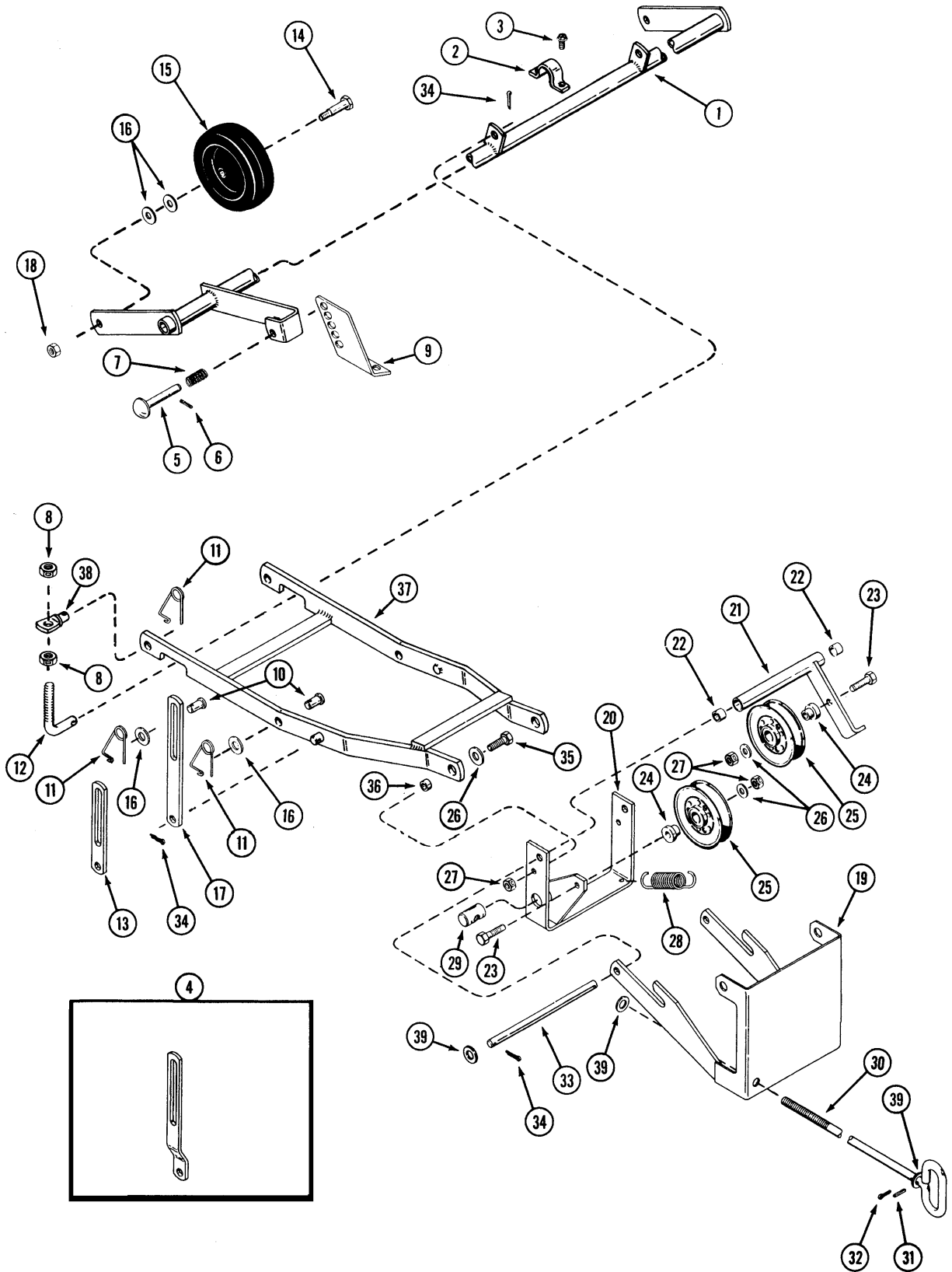
REF.	PART NO.	DESCRIPTION	REQ'D
1	C24707	AXLE - rear (J40)	1
1	C24708	AXLE - rear (J44)	1
1	C24709	AXLE - rear (J46)	1
2	C14932	BRACKET - axle mounting (J40 and J44).....	1
2	C14932	BRACKET - axle mounting (J46)	2
3	187-1036	SCREW - 1/4" x 1/2" NC hex self-tapping (4 required for J46)	2
4	NSS	LINK - R.H. 446 only (shipped with tractor) 9-1/2" (240 mm) (Use C25702, C25703).....	1
4	C25702	LINK - lift (R.H. 446, 4.48) comes with tractor, 8-3/4" (220 mm).....	1
5	C20005	PIN - locking	1
6	138-96	PIN - roll 3/16" x 1"	1
7	C10482	SPRING.....	1
8	138-92	PIN - roll 3/16" x 3/4" (early production).....	1
9	C15935	BRACKET - height adjust.....	1
10	111-203	BOLT - 5/16" x 1" NC rd. hd. square neck (early production)	1
11	C14768	SPACER - height adjust (early production).....	1
12	195-2175	WASHER - 11/32" x 1-1/4" (early production).....	1
13	131-176	NUT - lock 5/16" NC hex (early production).....	1
14	C16745	STUD - gauge wheel.....	2
14	NSS	STUD - gauge wheel (J46) (use before S/N D61713) (use C26848, 113-248).....	2
15	C26736	WHEEL - gauge (J40 and J44)	2
15	C26737	WHEEL - gauge (J46) (also use C16745 before S/N D61713)	2
16	195-533	WASHER - 1/2".....	4
17	192-21	LOCK WASHER - 3/8" (early production)	2
18	131-1181	NUT - 3/8" NC hex lock	2
	C25418	FRAME ASSEMBLY - mounting	1
19	C17648	BRACKET - front mounting (use C30168 for 648 loader)	1
20	C16569	BRACKET - idler	1
21	C16575	BRACKET ASSEMBLY - idler arm.....	1
22	C17597	BUSHING - idler arm.....	2
23	113-209	BOLT - 3/8" x 1-1/2" NC hex	2
24	C12264	BUSHING - idler pulley.....	2
25	C25370**	PULLEY - idler	2
25	C10463*	PULLEY - idler	2
26	195-525	WASHER - 3/8".....	4
27	131-1181	NUT - lock 3/8" NC hex	2
28	C21942	SPRING - idler, used (J40) S/N A45655, (J44) S/N C47621, (J46) S/N D46376 and after)	1
28	NSS	SPRING - idler (order C21961 Kit page 5) used early production	1
29	C14269	NUT - belt tension	1
30	C26890	SCREW - idler adjust	1
31	138-2073	PIN - roll 3/16" x 1	1
32	132-318	PIN - cotter	1
33	C31575	ROD - pivot	1
34	132-310	PIN - cotter 1/8" x 1"	8
35	113-208	BOLT - 3/8" x 1-1/4" NC hex	2
36	C16573	SPACER.....	2
37	131-1181	NUT - lock 3/8" NC hex jam	2
38	C16824	FRAME - rear mounting	1
39	195-533	WASHER - 1/2".....	2
40	131-1182	NUT - lock 1/2" NC hex	4
41	C10821	PIN - clevis 1/2" x 7/8"	4
42	C10898	PIN - safety.....	6
43	C17686	BOLT - "J".....	2
44	C18315	LINK - lift, short (use with Model 210, 220, 222, 224, 644, 646 and 648)	2
45	NSS	LINK - lift, long (use with Model 444), 9-1/2" (240mm) (use (2) C25703)	2
45	NSS	LINK - lift, long (use with Model 446, 448) 9-1/2" (240 mm) (use C25702, C25703)	
45	C25703	LINK - lift, long (use on 444, 446, 448), 8-3/4" (220 mm).....	2
46	195-533	WASHER - 1/2" (6 required on J46).....	UAR
47	C19412	LINK - adjust (use on early production).....	1
48	C17048	PIN	1

* use before S/N:	** use S/N and after:
J40 - A59542	J40 - A59542
J44 - C65190	J44-C65190
J46 - D63972	J46 - D63972

MODEL J, K, L, M, N,(40)(44)(46) ROTARY MOWERS

AXLE IDLER AND MOUNTING ASSEMBLIES

Use for K, L, M, N,(40)(44)(46)



MODEL J, K, L, M, N(40)(44)(46) ROTARY MOWERS

AXLE IDLER AND MOUNTING ASSEMBLIES

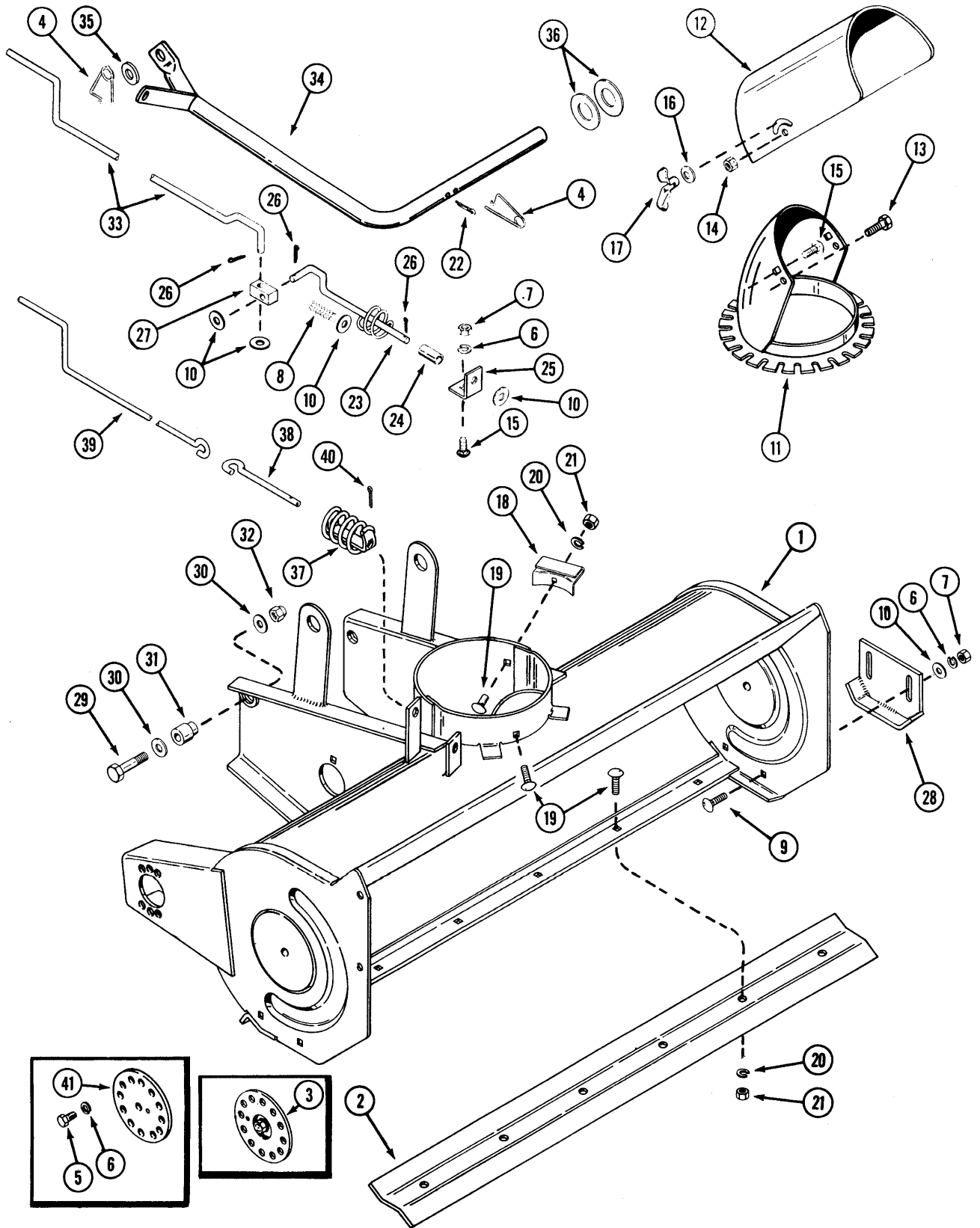
Use for K, L, M, N,(40)(44)(46)

REF.	PART NO.	DESCRIPTION	REQ'D
1	C26047	AXLE - rear (K40, L40, M40, N40).....	1
1	C26048	AXLE - rear (K44, L44, M44, N44).....	1
1	C26049	AXLE - rear (K46, L46, M46, N46).....	1
2	C14932	BRACKET - axle mounting (2 required on K46, L46, M46, N46).....	1
3	187-1036	SCREW - 1/4" x 1/2" NC hex self-tapping.....	UAR
4	C25702	LINK - lift (R.H. 444, 446,448) comes with tractor, 8-3/4" (220 mm).....	1
4	C27225	LINK - short offset (226) R.H.....	1
5	C20005	PIN - locking.....	1
6	138-96	PIN - roll3/16"x1".....	1
7	C10482	SPRING.....	1
8	131-930	NUT - lock 1/2" NC hex flange.....	4
9	C15935	BRACKET - height adjust.....	1
10	C10821	PIN - clevis1/2"x7/8".....	4
11	C10898	PIN - safety.....	6
12	C26044	BOLT - "J".....	2
13	C18315	LINK - lift, short (use with Model 210, 220, 222, 224, 644, 646 and 648).....	2
13	C18315	LINK - lift, short (226)L.H.....	1
14	C16745	STUD - gauge wheel.....	2
15	C26736	WHEEL - gauge (K40, K44, L40, L44, M40, M44, N40, N44) 5"(127 mm).....	2
15	C26737	WHEEL - gauge (K46, L46, M46, N46) 6"(152 mm).....	2
16	195-533	WASHER - 1/2".....	6
17	C25703	LINK - lift, long (use on 444, 446,448) 8-3/4" (220mm) L.H.....	2
18	131-938	NUT - 3/8" NC hex lock flange.....	2
	C26107	FRAMEASSEMBLY - mounting.....	1
19	C17648	BRACKET - front mounting (use C30168 for 648 loader).....	1
20	C16569	BRACKET - idler.....	1
21	C16575	BRACKET ASSEMBLY - idler arm.....	1
22	C17597	BUSHING - idler arm.....	2
23	113-209	BOLT - 3/8" x 1-1/2" NC hex.....	2
24	C12264	BUSHING - idler pulley.....	2
25	C25370	PULLEY - idler.....	2
26	195-525	WASHER - 3/8".....	4
27	131-1352	NUT - lock 3/8" NC hex.....	4
28	C21942	SPRING - idler.....	1
29	C14269	NUT - belt tension.....	1
30	C26890	SCREW - idler adjust.....	1
31	138-2073	PIN - roll 3/16" x 1-1/4".....	1
32	132-318	PIN - cotter.....	1
33	C31575	ROD - pivot.....	1
34	132-310	PIN - cotter 1/8" x 1".....	8
35	113-208	BOLT - 3/8" x 1-1/4" NC hex.....	2
36	C16573	SPACER.....	2
37	C26050	FRAME - rear-mounting.....	1
38	C26033	PIN - adjustment.....	2
39	195-533	WASHER - 1/2".....	4

INDEX

AUGER HOUSING, CHUTE CONTROL AND LIFT ASSEMBLY

Use for J, K, L, M, N, P, R (80) (84)



MODEL J, K, L, M, N, P, R, S (80) (84) SNOWCASTER

AUGER HOUSING, CHUTE CONTROL AND LIFT ASSEMBLY

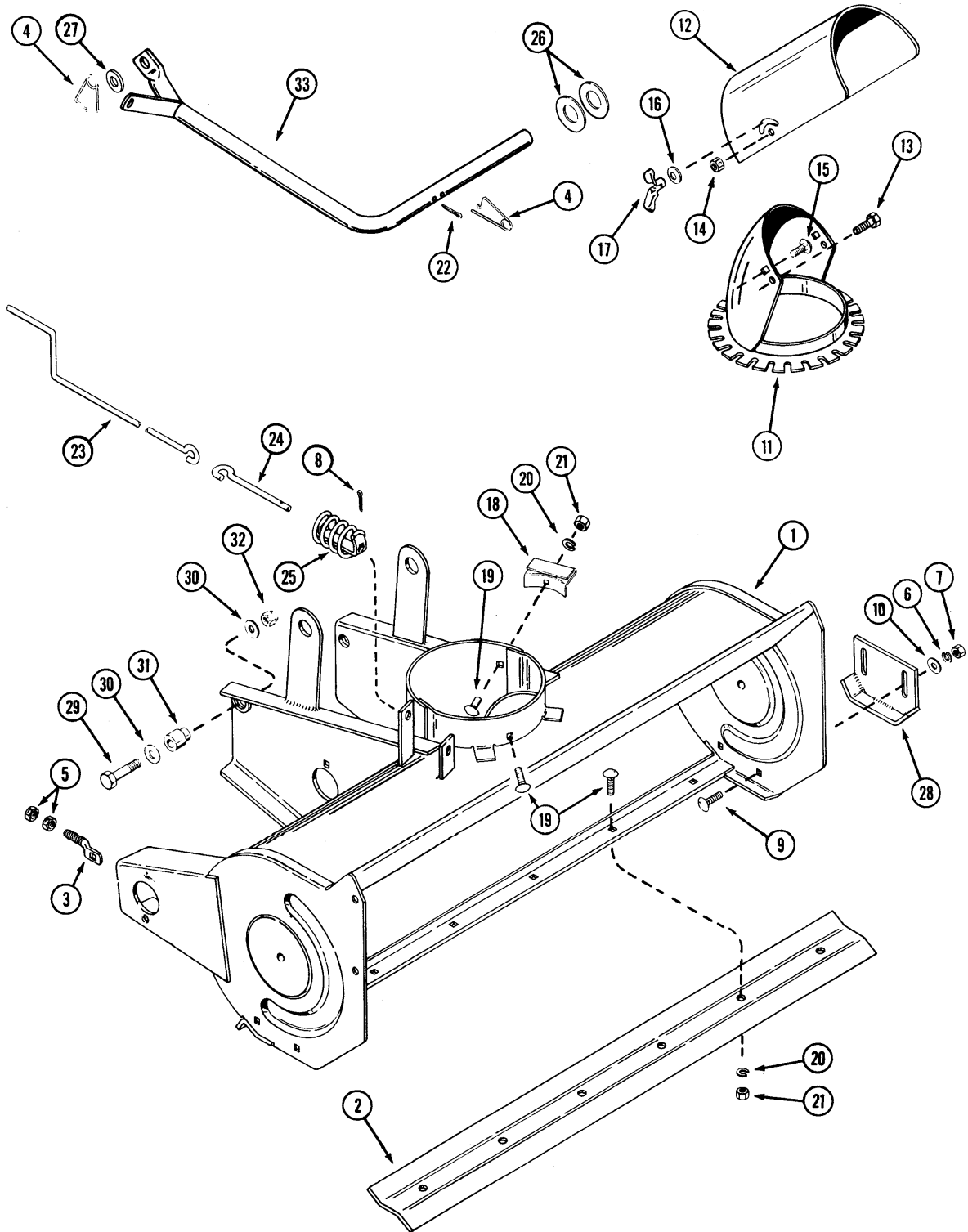
Use for J, K, L, M, N, P, R (80) (84)

REF.	PART NO.	DESCRIPTION	REQ'D
1	NSS	HOUSING - auger 38" (J80 and K80) (Use C24719, C24640, C24643, C24644, 132-300)	1
1	NSS	HOUSING - auger 48" (J84 and K84) (order C24720, C24640, C24643, C24644, 132-300)	1
1	NSS	HOUSING - auger 38" (L80, M80) (Use C24719)	1
1	NSS	HOUSING - auger 48" (L84, M84) (Use C24720)	1
1	NSS *	HOUSING - auger 38" (N80, P80, R80)	1
1	NSS **	HOUSING - auger 48" (N84, P84, R84)	1
2	C17776	BLADE - snow blower (J, K, L, M, N, P, R84)	1
2	C17878	BLADE - snow blower (J, K, L, M, N, P, R80)	1
3	C19734	HUB - auger mounting (J, K and L80 - J, K and L84)	2
4	C10898	PIN - safety	2
5	113-206	BOLT - 3/8" x 3/4" NC hex	6
6	192-21	LOCK WASHER - 3/8" ZP	11
7	129-103	NUT - 3/8" NC hex ZP	5
8	C27822	SPRING - rod, chute control (J80, J84, K80 and K84)	1
9	111-371	BOLT - 3/8" x 1" NC round head, long square neck	4
10	195-525	WASHER - 3/8" ZP	8
11	C15248	CHUTE	1
12	C16940	DEFLECTOR	1
13	113-1	BOLT - 1/4" x 1/2" NC hex ZP	2
14	131-1102	NUT - lock 1/4" NC hex ZP	2
15	111-340	BOLT - 3/8" x 3/4" NC round head, short square neck	3
16	C28263	WASHER - dished 25/64 x 1" O.D	2
17	C22774	WINGNUT - deflector locking	2
18	C15334	BRACKET - chute hold down	3
19	111-132	BOLT - 5/16" x 3/4" NC round head, square neck	UAR
20	192-20	LOCKWASHER - 5/16" ZP	UAR
21	129-102	NUT - 5/16" NC hex ZP	UAR
22	132-332	PIN - cotter	1
23	C15244	ROD - chute control (J80, J84, K80 and K84)	1
24	C15277	SPACER - (J80, J84, K80 and K84)	1
25	C15240	BRACKET - control rod (J80, J84, K80 and K84)	1
26	132-320	PIN - cotter 3/32" x 3/4" (J80, J84, K80 and K84)	3
27	C14583	JOINT - block (J80, J84, K80 and K84)	1
28	C17775	SKID - shoe	2
29	113-421	BOLT - 1/2" x 2" NC hex	2
30	195-533	WASHER - 1/2"	4
31	C18770	BUSHING - (J, K, L(80) - J, K, L84)	2
31	C25580	BUSHING - (M, N, P, R (80) - M, N, P, R (84))	2
32	131-165	NUT - lock 1/2" hex crown	2
33	C14584	CRANK - chute (J, K80 - J, K84)	1
34	C31995	ARM - lift	1
35	195-541	WASHER - 21/32 x 5/16" ZP	1
36	195-2134	WASHER - 1-3/16 x 2-1/4" ZP	2
37	C24640	COIL - chute control (L, M, N, P, R(80) - L, M, N, P, R(84))	1
38	C24643	ROD - chute, control (L, M, N, P, R(80) - L, M, N, P, R(84))	1
39	C24644	CRANK - chute (L, M, N, P, R(80) - L, M, N, P, R(84))	1
40	132-300	PIN - cotter 1/8" x 7/8" (L, M, N, P, R(80) - L, M, N, P, R(84))	1
41	C25842	HUB - auger mounting (M80, M84)	2

* Use C31899, C32391, C29877 and 2 of (111-202, 129-163, 131-911)

** Use C31900, C32391, C29877 and 2 of (111-202, 129-163, 131-911)

AUGER, HOUSING, CHUTE CONTROL AND LIFT ASSEMBLY For S80, S84



MODEL J, K, L, M, N, P, R, S (80)(84) SNOWCASTER

**AUGER, HOUSING, CHUTE CONTROL AND LIFT ASSEMBLY
For S80, S84**

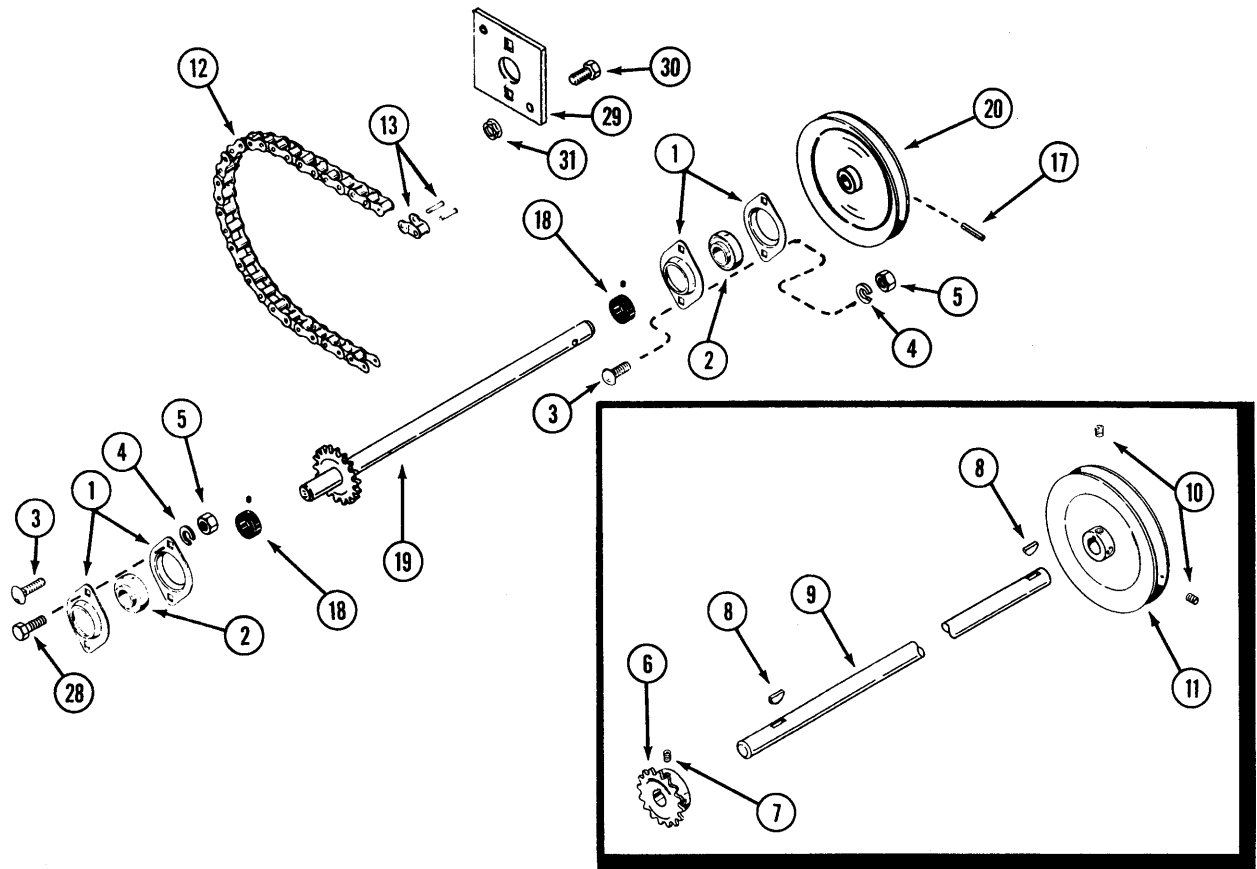
REF.	PART NO.	DESCRIPTION	REQ'D
1	NSS	HOUSING - auger 38" (S80) (use C31899, C32391)	1
1	NSS	HOUSING - auger 48" (S84) (use C31900, C32391)	1
2	C17776	BLADE - snow blower (S84)	1
2	C17878	BLADE - snow blower (S80)	1
3	C29877	SCREW - chain adjust	1
4	C10898	PIN - safety	2
5	129-163	NUT - 3/8" - 24 lock	2
6	192-21	LOCKWASHER - 3/8" ZP (early production)	4
7	131-938	NUT - 3/8" NC hex ZP	4
8	132-300	PIN - cotter 1/8" x 7/8"	1
9	111-371	BOLT - 3/8" x 1" NC round head, long square neck	4
9	111-340	BOLT-3/8"-16 x 3/4" carriage	4
10	195-525	WASHER - 3/8" ZP	4
11	C15248	CHUTE	1
12	C16940	DEFLECTOR	1
13	113-1	BOLT - 1/4" x 1/2" NC hex ZP	2
14	131-1102	NUT - lock 1/4" NC hex ZP	2
15	111-340	BOLT - 3/8" x 3/4" NC round head, short square neck	2
16	C28263	WASHER - dished 25/64 x 1" O.D	2
17	C22774	WINGNUT - deflector locking	2
18	C15334	BRACKET - chute hold down	3
19	111-132	BOLT - 5/16" x 3/4" NC roundhead, square neck	UAR
20	192-20	LOCK WASHER - 5/16" ZP (early production)	UAR
21	131-911	NUT - 5/16" NC hex ZP flange	UAR
22	132-332	PIN - cotter	1
23	C24644	CRANK - chute	1
24	C24643	ROD - chute, control	1
25	C24640	COIL - chute, control	1
26	195-2134	WASHER - 1-3/16" x 2-1/4" ZP	2
27	195-541	WASHER - 21/32" x 5/16" ZP	1
28	C17775	SKID - shoe	2
29	113-421	BOLT - 1/2" x 2" NC hex	2
30	195-533	WASHER - 1/2"	4
31	C25580	BUSHING - pivot	2
32	131-165	NUT - lock 1/2" hex crown	2
33	C31995	ARM - lift	1

C33228 conversion kit for 38"
C33229 conversion kit for 48"
to use on 3000, 4000 series tractors

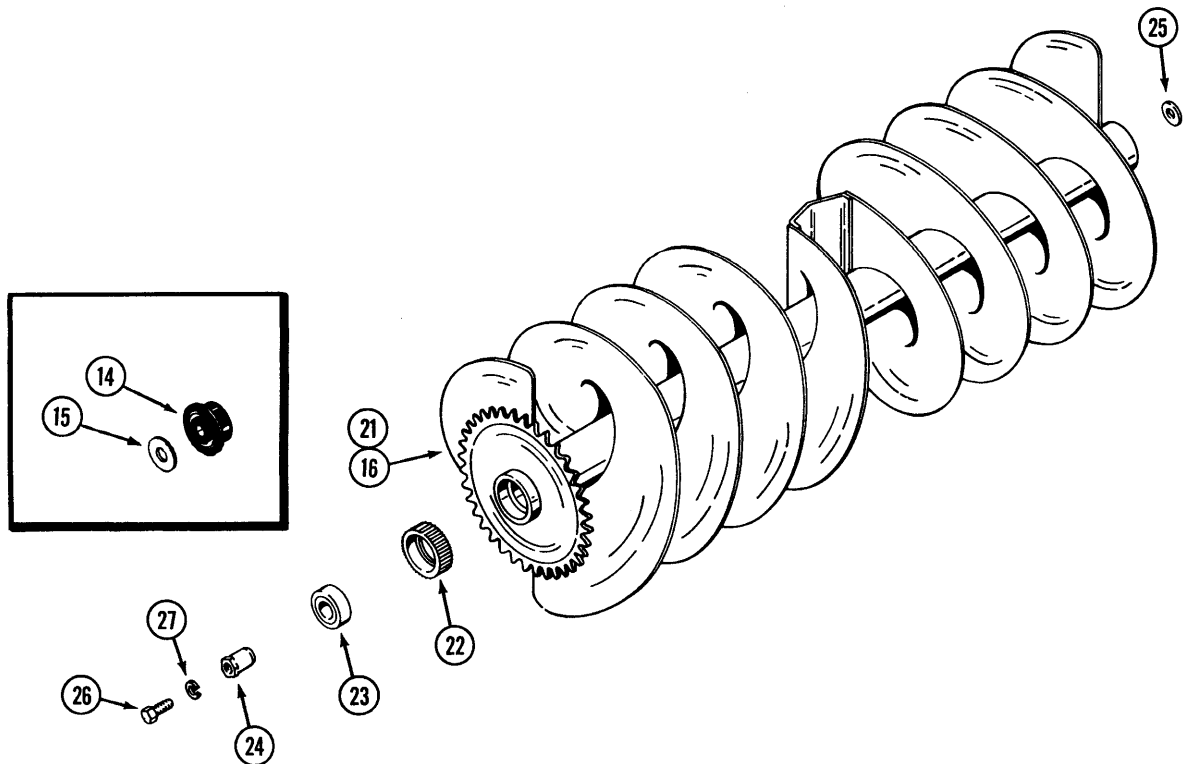
NOTE: If this snow caster has been converted to fit on 3000, 4000 series tractors, see model SB38G and SB48 snow caster for parts.

MODEL J, K, L, M, N, P, R, S (80) (84) SNOWCASTER

AUGER AND DRIVE ASSEMBLY



**USED ON J80 PRIOR TO S/N F30897
USED ON J84 PRIOR TO S/N G40059**



MODEL J, K, L, M, N, P, R, S (80) (84) SNOWCASTER

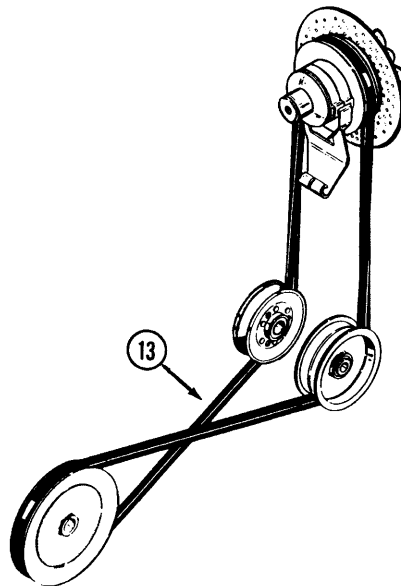
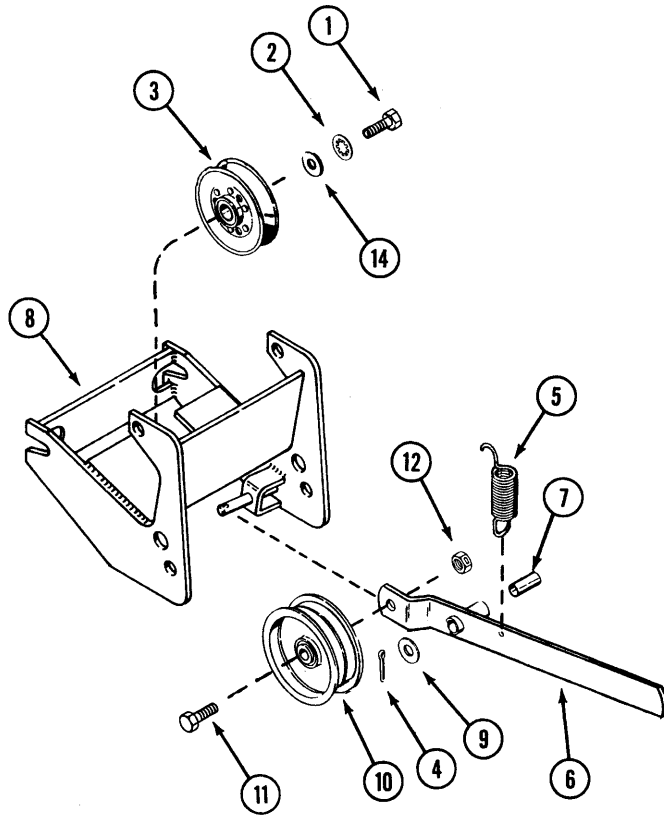
AUGER AND DRIVE ASSEMBLY

REF.	PART NO.	DESCRIPTION	REQ'D
1	C15514	FLANGETTE - (J, K, L80 before S/N R1 1815 - J, K, L84 before S/N S13196)	4
1	C28277	FLANGETTE - (L, M, N, P, R, S80 S/N R11815 - L, M, N, P, R, S84 S/N S13196 and after)	4
2	C28817	BEARING - (L, M, N, P, R, S80 S/N R11815 - L, M, N, P, R, S84 S/N S13196 and after)	2
2	C14419	BEARING - shaft (includes item 18) (J, K, L80 before S/N R11815 - J, K, L84 before S/N S13196)	2
3	111-132	BOLT - 5/16" x 3/4" NC round head, square neck, ZP	UAR
4	192-20	LOCK WASHER - 5/16" ZP (early production)	4
5	131-911	NUT - 5/16" NC hex ZP flange.....	4
6	C14579	SPROCKET - drive, 16tooth (J80, used prior to S/N F30897)	1
6	C14579	SPROCKET - drive, 16 tooth (J84, used prior to S/N G40059)	1
7	178-858	SETSCREW - 5/16" x 3/8" (J80, used prior to S/N F30897)	2
7	178-858	SETSCREW - 5/16" x 3/8" (J84, used prior to S/N G40059)	2
8	126-16	KEY - woodruff #9 (J80, used prior to S/N F30897).....	2
8	126-16	KEY - woodruff #9 (J84, used prior to S/N G40059)	2
9	C17724	SHAFT - drive (J84, used prior to S/N G40059)	1
9	C17723	SHAFT - drive (J80, used prior to S/N F30897)	1
10	178-858	SETSCREW - 5/16" x 3/8" (J80, used prior to S/N F30897)	2
10	178-858	SETSCREW - 5/16" x 3/8" (J84, used prior to S/N G40059)	2
11	C16119	PULLEY - drive shaft (J80, used prior to S/N F30897)	1
11	C16119	PULLEY - drive shaft (J84, used prior to S/N G40059)	1
12	C18183	CHAIN - auger drive 75 pitches #40 roller chain.....	1
	C28982	LINK - connecting #40	1
	C28984	LINK - roller #40.....	2
13	C28983	LINK - offset #40.....	2
14	NSS	BEARING ASSY - auger (J, K, L80-J, K, L84) (use C29265 - Hexagonal I.D.).....	2
	C29263	SLEAVE - Bearing	2
	C29264	BEARING	2
15	195-545	WASHER - spacer 13/16"(J, K, L80 - J, K, L84)	UAR
16	C16108	AUGER - 38" (J80, K80 and L80)	1
16	C24378	AUGER -48" (J84, K84 and L84)	1
17	138-2040	PIN - spiral 1/4" x 1-1/2".....	1
18	NSS	COLLAR - locking (included with item 2)	2
19	C31908	SHAFT ASSEMBLY - drive (J, K, L, M, N, P, R, S84, used S/N G40059 and after).....	1
19	C31907	SHAFT ASSEMBLY - drive (J, K, L, M, N, P, R, S80, used S/N F30897 and after)	1
20	C19731	PULLEY - drive shaft (J80, used S/N F30897 and after)	1
20	C19731	PULLEY - drive shaft (J84, used S/N G40059 and after).....	1
20	C31953	PULLEY - drive shaft (K, L, M, N, P, R, S80 - K, L, M, N, P, R, S84)	1
21	C25205	AUGER - 38" (M, N, P, A, S80) includes C25840	1
21	C25853	AUGER - 48" (M, N, P, A, S84) includes C25840.....	1
22	C25840	SLEEVE - bearing (M, N, P, R, S80- M, N, P, R, S84)	2
23	C28971	BEARING - auger (M, N, P, R, S80 - M, N, P, A, S84)	2
24	C25841	SHAFT - stub (M, N, P, A, S80 - M, N, P, R, S84)	2
25	195-522	WASHER - spacer 3/8" (M, N, P, R, S80 - M, N, P, R, S84).....	UAR
26	121-226	BOLT - 3/8" x 1" NC hex (use lock sealant on threads) flange lock	2
27	193-68	LOCK WASHER - 3/8"	2
28	113-102	BOLT - 5/16" x 3/4"	2
29	C32391	BRACKET - bearing (S80, S84)	1
30	113-206	BOLT - 3/8" - 16 x 3/4"	2
31	131-938	NUT - flange lock 3/8" - 16.....	2

NOTE: If this snow caster has been converted to fit on 3000, 4000 series tractors, see model SB38G and SB48 snow caster for parts.

MODEL J, K, L, M, N, P, R, S (80) (84) SNOWCASTER

BELTS AND IDLER ASSEMBLY



BELT ILLUSTRATION AS VIEWED FROM FRONT LEFT SIDE.

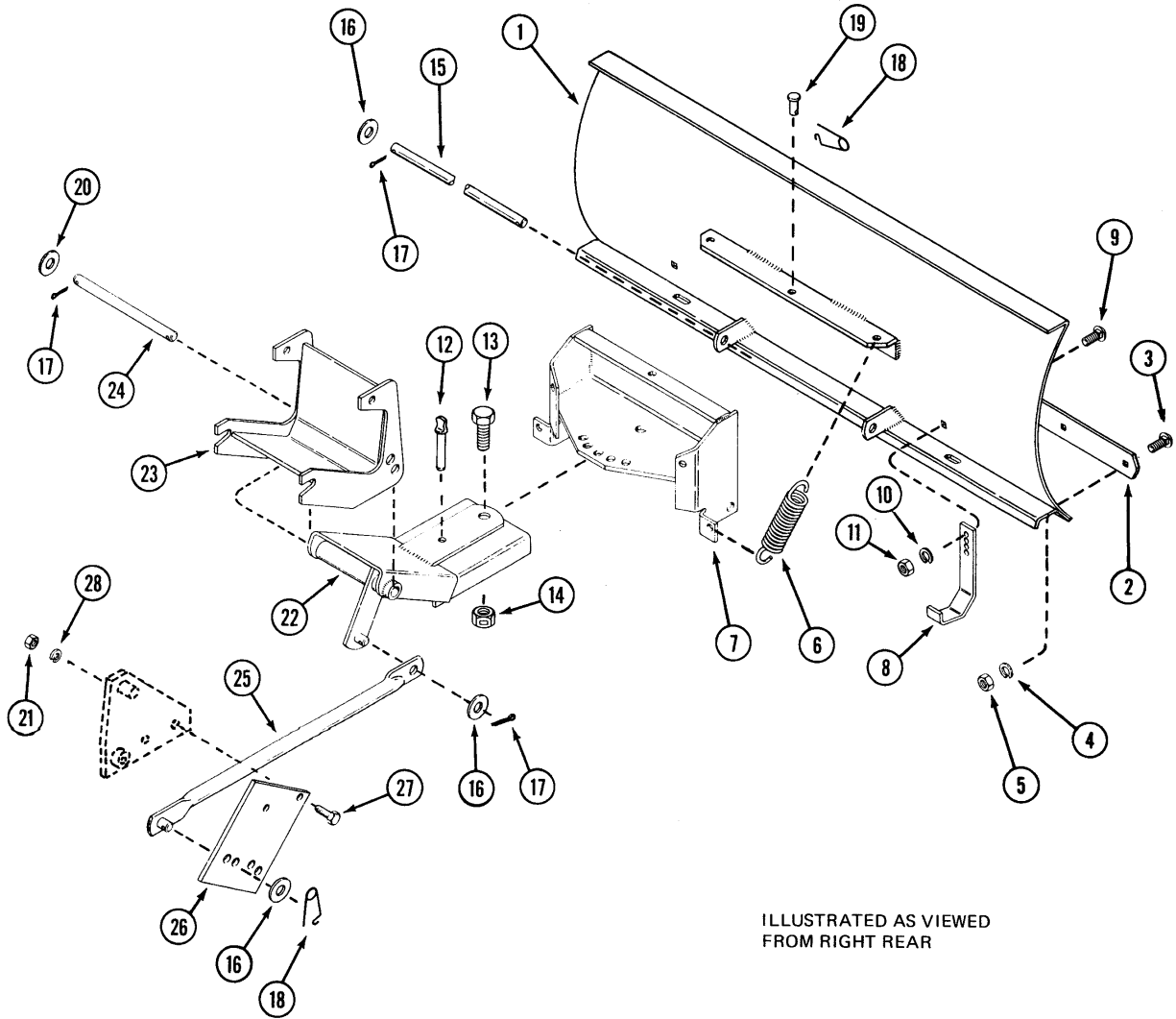
MODEL J, K, L, M, N, P, R, S (80) (84) SNOWCASTER

BELTS AND IDLER ASSEMBLY

REF.	PART NO.	DESCRIPTION	REQ'D
1	113-206	BOLT - 3/8 x 3/4" NC hex ZP	1
2	193-68	WASHER - 3/8" internal tooth	1
3	C25370	PULLEY - idler	1
4	132-318	PIN - cotter	1
5	C16870	SPRING - idler	1
6	C16853	ARM - idler	1
7	C16714	BUSHING - idler arm.....	1
8	C25565	FRAME - idler (also use two C25580 for J, K, L80 - J, K, L84)	1
9	195-533	WASHER - 1/2" ZP	1
10	C26090	PULLEY - backside idler	1
11	113-410	BOLT - 1/2 x 1-3/4" NC hex ZP	1
12	131-1182	NUT-lock 1/2" NC hex ZP	1
13	C23949	BELT - J80 and J84 (use with 200 series tractors)	1
13	C23950	BELT - J84 (use with 400 series tractors).....	1
13	C23538	BELT - K, L, M, N, P, R, S80 - K, L, M, N, P, R, S84 (use with 200 series tractors)	1
13	C23539	BELT - K, L, M, N, P, R, S84 (use with 400 series tractors)	1
14	195-103	WASHER - 3/8"	1

NOTE: If this snow caster has been converted to fit on 3000, 4000 series tractors, see model SB38G and SB48 snow caster for parts.

MODEL J, K, L(50)(54) UTILITY BLADE
BLADE, BRACKET AND LIFT ASSEMBLY



ILLUSTRATED AS VIEWED
FROM RIGHT REAR

MODEL J, K, L(50)(54) UTILITY BLADE

BLADE, BRACKET AND LIFT ASSEMBLY

REF.	PART NO.	DESCRIPTION	REQ'D
1	C16524	BLADE - 44" shown (J50, K50, L50).....	1
1	C16525	BLADE - 54" (J54, K54, L54)	1
2	C10871	EDGE - 44" (J50, K50, L50).....	1
2	C14440	EDGE - 54" (J54, K54, L54).....	1
3	111-203	BOLT - 5/16" x 1" NC rd. hd. square neck (J50, K50, L50)	8
3	111-203	BOLT - 5/16" x 1" NC rd. hd. square neck (J54, KM. L54)	9
4	192-20	LOCK WASHER - 5/16" (J50, K50, L50)	8
4	192-20	LOCK WASHER - 5/16" (J54, K54, L54)	9
5	129-102	NUT - 5/16" NC hex (J50, K50, L50)	8
5	129-102	NUT - 5/16" NC hex (J54, K54, L54).....	9
6	C16805	SPRING - blade	2
7	C22741	BRACKET - pivot	1
8	C25876	SKID	2
9	111-371	BOLT - 3/8" x 1" NC rd. hd. square neck	2
10	192-21	LOCK WASHER - 3/8"	2
11	129-103	NUT - 3/8" NC hex	2
12	C10888	PIN - lock.....	1
13	113-713	BOLT - 3/4" x 1-3/4" NC hex	1
14	131-1112	NUT - lock, 3/4" NC hex	1
15	C16529	ROD - front pivot	1
16	195-541	WASHER - 5/8"	4
17	132-310	PIN - cotter 1/8" x 1"	5
18	C10898	PIN - safety	2
19	141-56	PIN - clevis 1/2" x 1-3/8".....	1
20	C12975	WASHER - 3/4" ID x 1-1/8"	2
21	129-105	NUT-1/2" hex.....	2
22	C23702	BRACKET - center push	1
23	C25571	BRACKET - rear support.....	1
24	C23713	ROD - rear pivot	1
25	C23841	ROD - lift.....	1
26	C25382	PLATE - adapter, lift bracket.....	1
27	113-417	BOLT - 1/2" x 1-1/4" hex	2
28	192-23	LOCK WASHER - 1/2"	2

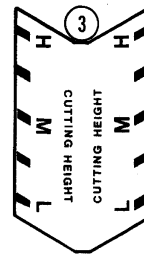


⚠ DANGER

1 **SPINNING BLADE**
KEEP CLEAR
CONTACT CAN INJURE

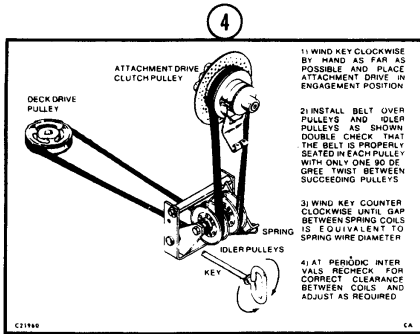
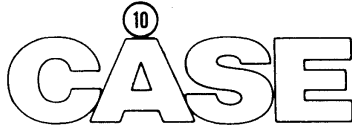
⚠ WARNING

FLYING DEBRIS
OPERATE MOWER ONLY
WITH DISCHARGE CHUTE
GUARD/COVER OR COMPLETE
GRASS CATCHER IN PLACE.
DEBRIS MAY CAUSE INJURY



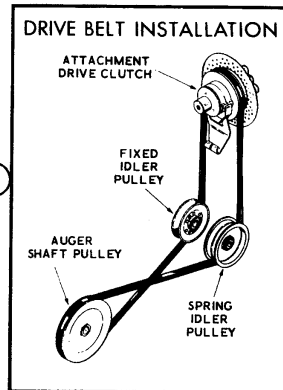
⚠ WARNING

ROTATING AUGER
TO AVOID SEVERE INJURY,
KEEP HANDS OUT OF AUGER AND DISCHARGE
CHUTE WHILE ENGINE IS RUNNING



2

NO STEP



⚠ CAUTION

KEEP HANDS AND FEET CLEAR OF THIS AREA.

PINCH POINT.

THIS PIN LOCKS BLADE IN FIXED DOZING POSITION. REMOVING PIN ALLOWS BLADE TO TILT WITH SPRING TRIP ACTION FOR SNOW REMOVAL USE. STORE PIN IN HOLE AND SECURE WITH SAFETY PIN. SEE MANUAL FOR COMPLETE INSTRUCTIONS.

INDEX

**MODEL J, K, L, M, N(40)(44)(46) ROTARY MOWERS
MODEL J, K, L, M, N P(80)(84) SNOWCASTERS
MODEL J, K(50)(54) BLADES**

DECALS

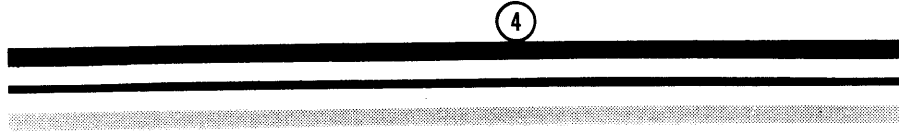
REF.	PART NO.	DESCRIPTION	REQ'D
1	C31087	DECAL - "DANGER" spinning blade (mower).....	1
2	C12519	DECAL - "NO STEP" (mower).....	2
3	321-6210	DECAL - height adjust (mower)	1
4	C31494	DECAL - belt installation (mower).....	1
5	321-6379	DECAL - "CASE" (snow caster, blade)	1
6	321-6380	DECAL - white tread (snow caster, blade).....	UAR
7	C17462	DECAL - belt installation (snow caster)	1
8	321-4199	DECAL - "WARNING" rotating auger (snow caster)	1
9	321-3932	DECAL - "CAUTION" pinch point (blade).....	1
10	NSS	DECAL - "CASE" (early production) (use 321-6379).....	1
11	C27199	DECAL - "HICAST38"(P80).....	1
11	C27200	DECAL - "HICAST48"(P84) shown	1
12	C27202	DECAL - blade 44"(K50) shown	1
12	C27203	DECAL - blade 54" (K54)	1
13	C31086	DECAL - "Flying Debris" (N40, N44, N46)	1

NOTE: Decals may be different than illustrated. Substitutes may be supplied when original decals are not available.

MODEL L50, L54 UTILITY BLADE
MODEL R80, R84, S80, S84 SNOWCASTER

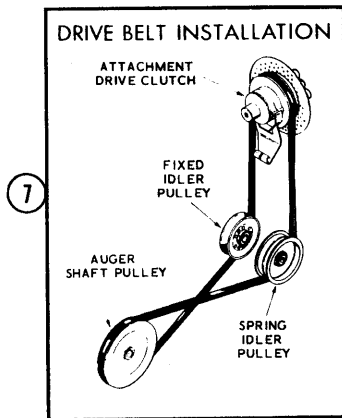
DECALS

5
INGERSOLL



8
hi cast™ 38

9
hi cast™ 48



6

! WARNING

ROTATING AUGER

TO AVOID SEVERE INJURY,
KEEP HANDS OUT OF AUGER AND DISCHARGE
CHUTE WHILE ENGINE IS RUNNING

221-4100

2
44

3
54

1

! CAUTION

KEEP HANDS AND FEET CLEAR OF THIS AREA.

PINCH POINT.

THIS PIN LOCKS BLADE IN FIXED DOZING POSITION. REMOVING PIN ALLOWS BLADE TO TILT WITH SPRING TRIP ACTION FOR SNOW REMOVAL USE. STORE PIN IN HOLE AND SECURE WITH SAFETY PIN. SEE MANUAL FOR COMPLETE INSTRUCTIONS.

**MODEL L50, L54 UTILITY BLADE
MODEL R80, R84, S80, S84 SNOWCASTER**

DECALS

REF.	PART NO.	DESCRIPTION	REQ'D
1	321-3932	DECAL - "Caution" pinch point (L50, L54)	1
2	C31047	DECAL - blade 44" (L50).....	1
3	C31048	DECAL - blade 54" (L54).....	1
4	C31328	DECAL - stripe (cut to length)	1
5	C31989	DECAL - "Ingersoll"	1
6	321-4199	DECAL - "Warning" (R80, R84, S80, S84).....	1
7	C17462	DECAL - belt installation (R80, R84, S80, S84).....	1
8	C27938	DECAL - "HI CAST 38" (R80, S80).....	1
9	C27939	DECAL - "HI CAST 48" (R84, S84).....	1

NOTE: Decals may be different than illustrated. Substitutes may be supplied when original decals are not available.