

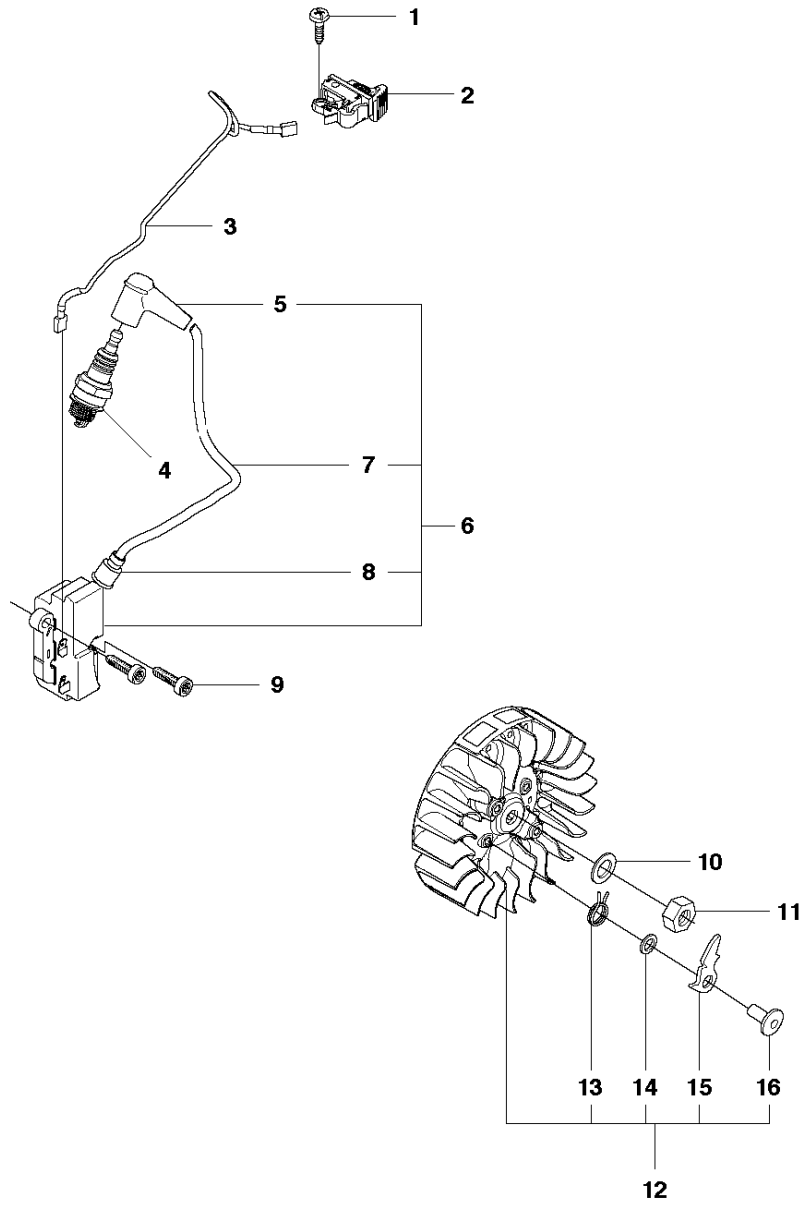


SPARE PARTS LIST

POWER CUTTERS

K1270, K1270 Rail, 2016-07

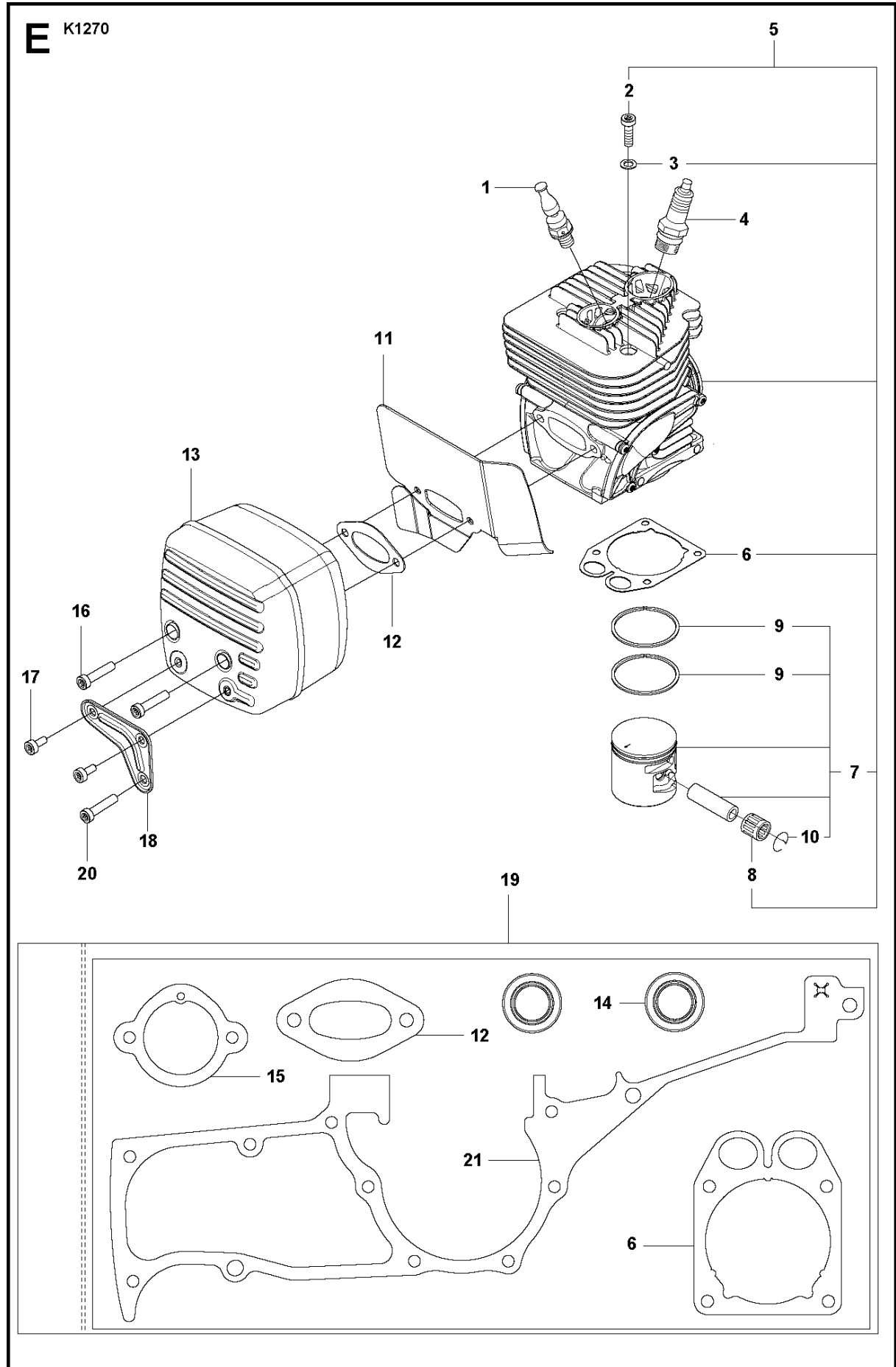
K K1270



IGNITION SYSTEM

K1270, K1270 Rail, 2016-07

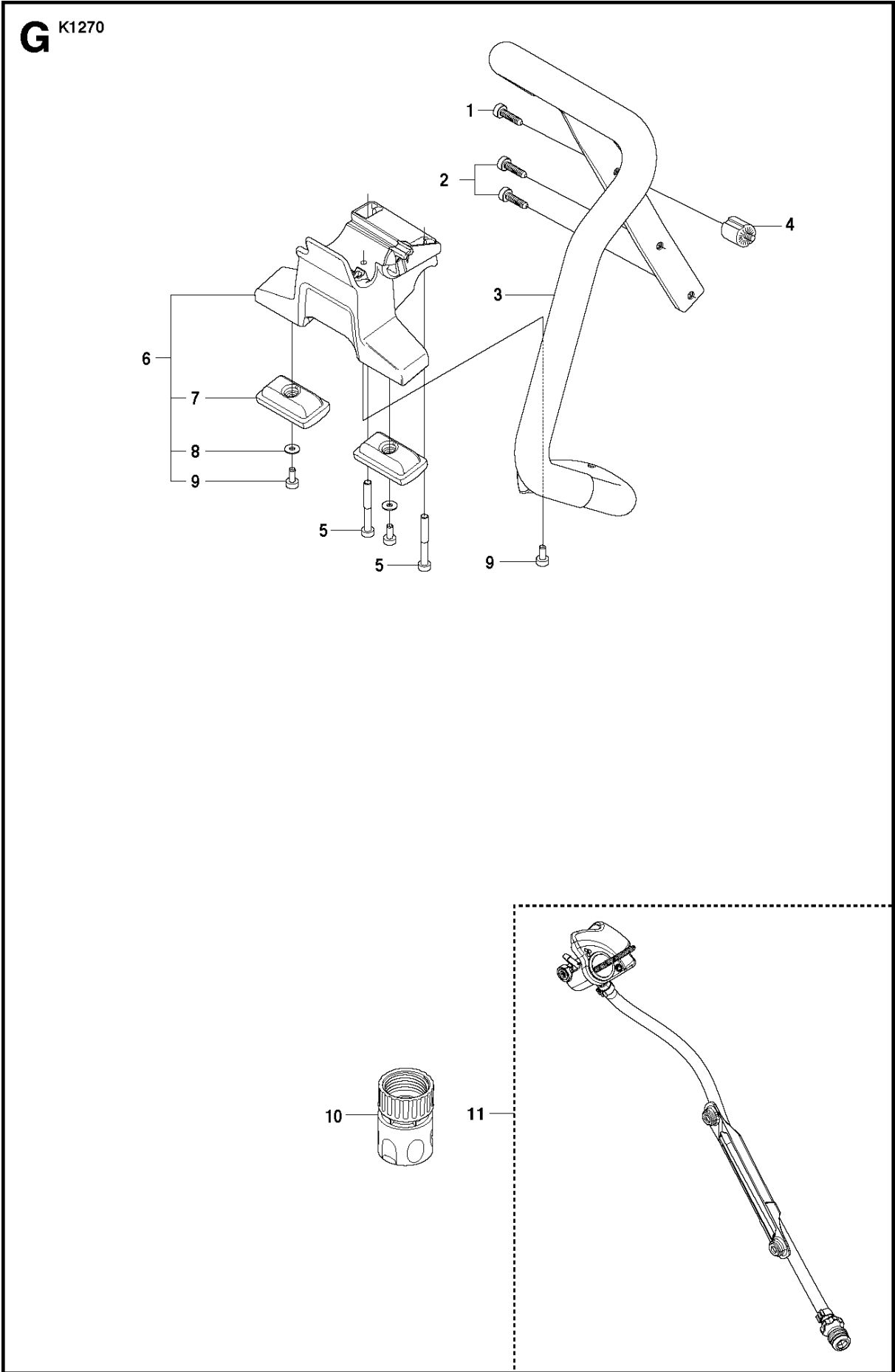
| Ref | Part No | Description | Remark | QTY | KIT |
|-----|--------------|-----------------|---------------|-----|-----|
| 1 | 525 88 74-03 | SCREW CITXPANT | | 1 | |
| 2 | 506 31 86-04 | STOP SWITCH | | 1 | |
| 3 | 501 83 98-03 | CABLE | | 1 | |
| 4 | 503 23 51-11 | SPARK PLUG | RCJ 6Y | 1 | |
| 5 | 501 48 54-02 | SPARK PLUG CAP | | 1 | |
| 6 | 580 38 05-03 | IGNITION MODULE | Incl. 7 - 8 | 1 | |
| 7 | 506 38 78-34 | IGNITION CABLE | | 1 | 6 |
| 8 | 505 27 75-16 | ISOLERHATT | | 1 | 6 |
| 9 | 503 21 53-20 | SCREW ITXSCM | | 2 | |
| 10 | 735 11 73-50 | SPRING WASHER | | 1 | |
| 11 | 503 22 10-11 | HEXAGON NUT | | 1 | |
| 12 | 587 24 88-01 | FLYWHEEL ASSY | Incl. 13 - 16 | 1 | |
| 13 | 501 63 48-01 | SPRING | | 2 | 12 |
| 14 | 503 23 00-42 | WASHER | | 2 | 12 |
| 15 | 501 67 32-03 | PAWL | | 2 | 12 |
| 16 | 501 81 99-01 | SCREW | | 2 | 12 |



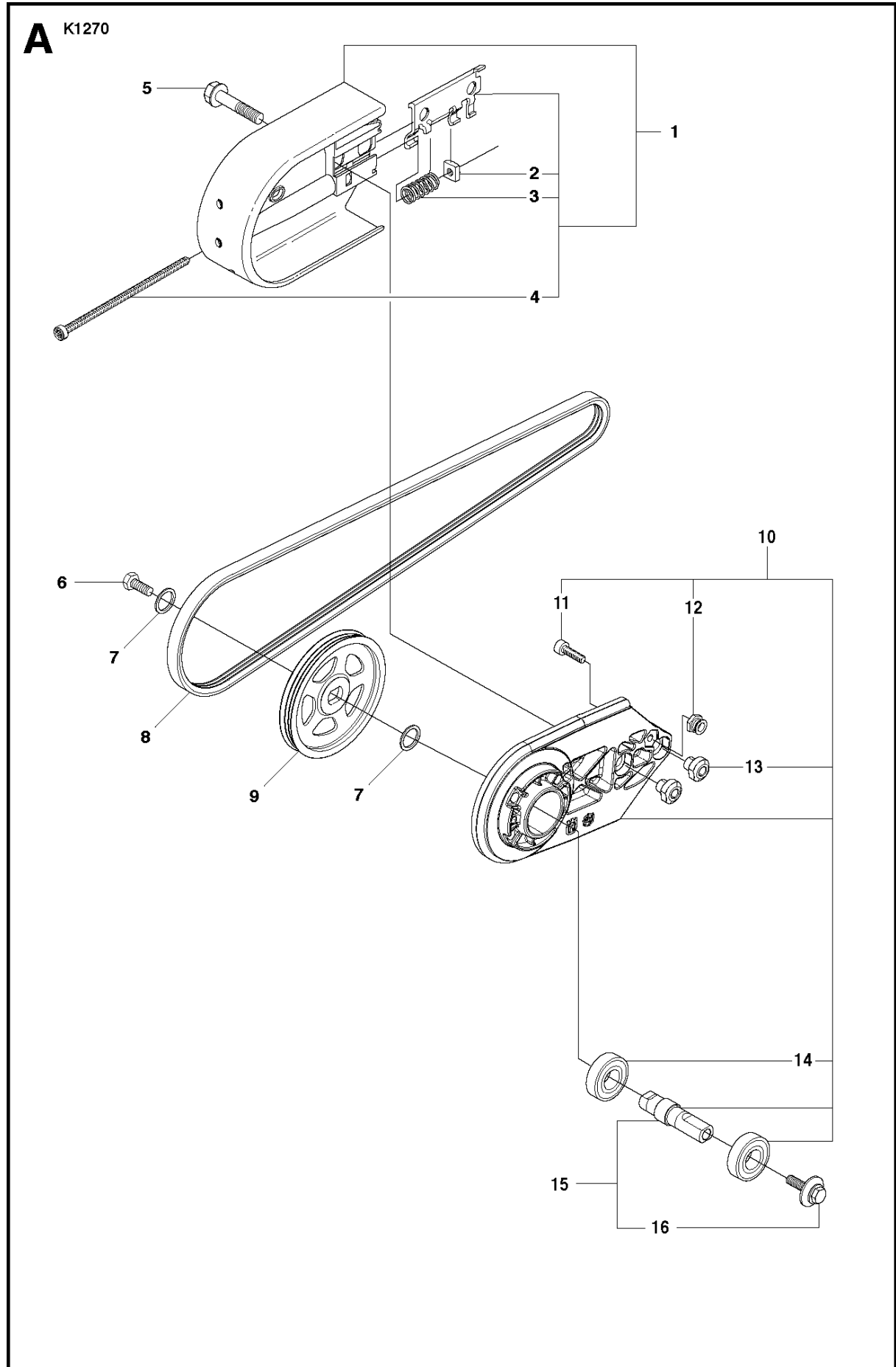
CYLINDER, PISTON & MUFFLER

K1270, K1270 Rail, 2016-07

| Ref | Part No | Description | Remark | QTY | KIT |
|-----|--------------|---------------------|---------------|-----|------|
| 1 | 584 91 22-04 | DECOMPRESSION VALVE | | 1 | |
| 2 | 516 00 24-01 | SCREW UNC | | 4 | 5 |
| 3 | 503 23 00-05 | WASHER | | 4 | 5 |
| 4 | 503 23 51-09 | SPARK PLUG | RCJ 6Y | 1 | |
| 5 | 582 58 23-01 | CYLINDER ASSY | Incl. 6 - 8 | 1 | |
| 6 | 587 53 62-01 | GASKET | | 1 | 5,19 |
| 7 | 587 82 98-02 | PISTON ASSY | Incl. 9 - 10 | 1 | 5 |
| 8 | 503 13 29-01 | NEEDLE HOLDER | | 1 | 5 |
| 9 | 587 83 00-01 | PISTON RING | | 2 | 5 |
| 10 | 737 44 13-00 | CIRCLIP | | 2 | 5 |
| 11 | 587 53 63-01 | HEAT DEFLECTOR | | 1 | |
| 12 | 585 28 09-01 | GASKET | | 1 | 19 |
| 13 | 505 41 79-05 | MUFFLER ASSY | Incl. 14 - 15 | 1 | |
| 14 | 503 26 02-05 | SEALING RING | | 2 | 19 |
| 15 | 579 85 11-01 | GASKET | | 1 | 19 |
| 16 | 544 21 84-07 | SCREW ITXSCM | | 2 | |
| 17 | 503 21 53-12 | SCREW ITXSCM | | 2 | |
| 18 | 502 85 08-01 | SUPPORT | | 1 | |
| 19 | 582 45 48-01 | GASKET KIT | | 1 | |
| 20 | 544 21 84-20 | SCREW ITXSCM | | 1 | |
| 21 | 582 35 00-01 | GASKET | | 1 | 19 |



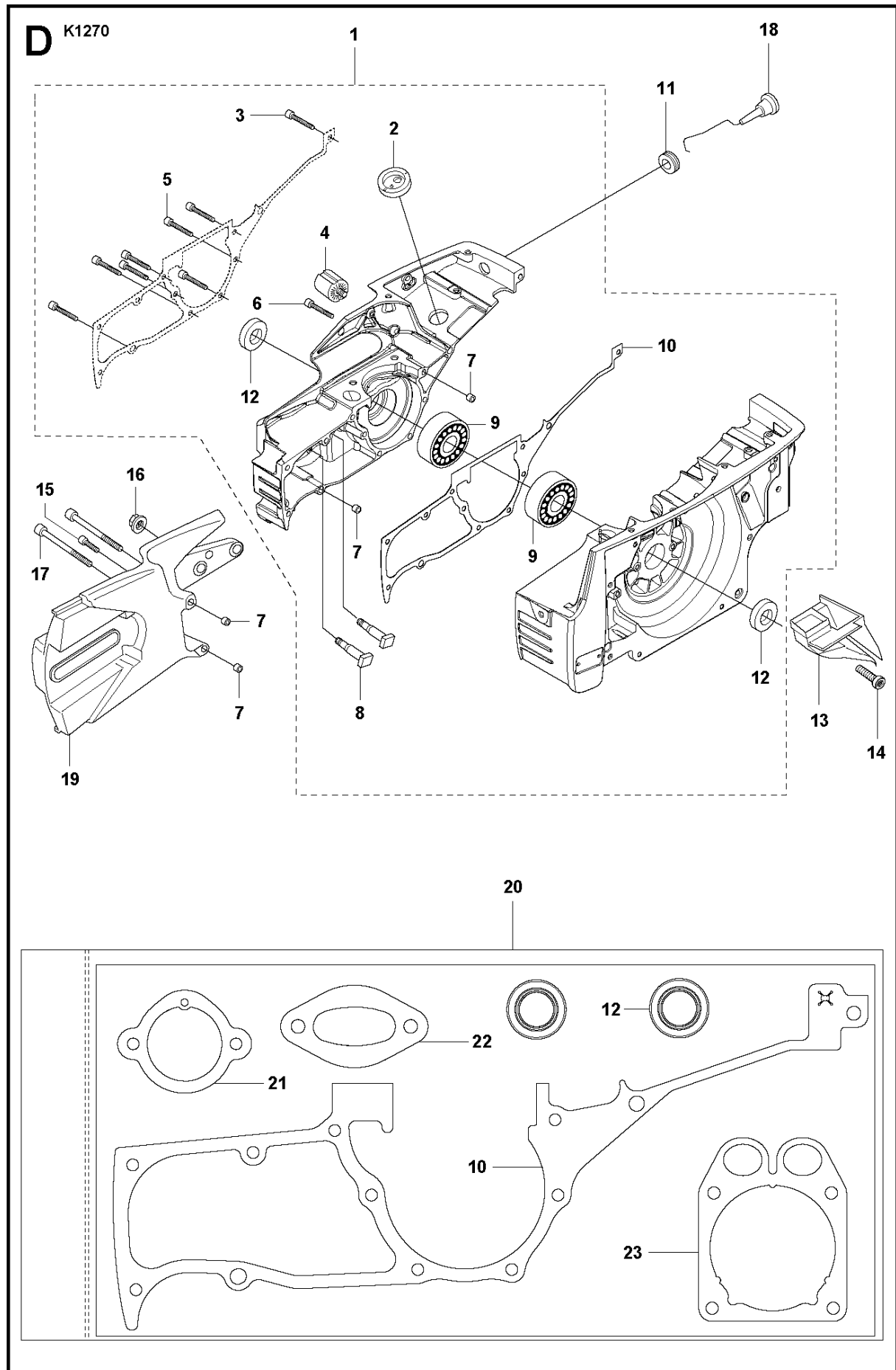
| Ref | Part No | Description | Remark | QTY | KIT |
|-----|--------------|-----------------------|-------------|-----|-----|
| 1 | 503 21 53-12 | SCREW ITXSCM | | 1 | |
| 2 | 503 21 54-20 | SCREW ITXSCT | | 2 | |
| 3 | 521 95 48-01 | HANDLE | | 1 | |
| 4 | 501 26 97-05 | ANTIVIBRATION ELEMENT | | 1 | |
| 5 | 544 21 84-47 | SCREW ITXSCM | | 2 | |
| 6 | 525 82 04-02 | GROUND SUPPORT | Incl. 7 - 9 | 1 | |
| 7 | 544 81 16-01 | BASE | | 2 | 6 |
| 8 | 734 11 47-41 | WASHER | | 2 | 6 |
| 9 | 504 90 94-14 | SCREW ITXSCT | | 3 | 6 |
| 10 | 503 26 60-03 | COUPLER | USA, Canada | 1 | |
| 10 | 503 26 60-04 | COUPLER | | 1 | |
| 11 | 581 47 62-09 | HOSE KIT | | 1 | |



BELT GUARD & PULLEY

K1270, K1270 Rail, 2016-07

| Ref | Part No | Description | Remark | QTY KIT | |
|-----|--------------|--------------------|---------------------------|---------|----|
| 1 | 506 27 92-06 | BELT GUARD | Incl. 2 - 4 | 1 | |
| 1 | 506 27 92-07 | BELT GUARD | "Rail 14""", Incl. 2 - 4" | 1 | |
| 1 | 506 27 92-08 | BELT GUARD | "Rail 16""", Incl. 2 - 4" | 1 | |
| 2 | 506 40 93-01 | NUT | | 1 | 1 |
| 3 | 506 26 68-01 | COMPRESSION SPRING | | 1 | 1 |
| 4 | 503 20 72-05 | SCREW CITXSCM | | 1 | 1 |
| 5 | 506 28 44-01 | SCREW EHHFM | | 2 | |
| 6 | 503 20 00-45 | SCREW EHHFM | | 1 | |
| 7 | 503 23 01-04 | WASHER | | 2 | |
| 8 | 544 97 63-01 | BELT | "14""", 16""", Rail 14""" | 1 | |
| 8 | 544 97 63-02 | BELT | "Rail 16""" | 1 | |
| 9 | 578 11 05-01 | PULLEY | | 1 | |
| 10 | 589 39 03-03 | BEARING HOUSING | Incl. 11 - 16 | 1 | |
| 11 | 505 57 41-16 | SCREW ITXSCM | | 1 | 10 |
| 12 | 586 41 69-01 | STOP | | 1 | 10 |
| 13 | 584 78 81-01 | NUT | | 2 | 10 |
| 14 | 583 95 33-01 | BALL BEARING | | 2 | 10 |
| 15 | 588 99 24-01 | SHAFT | Incl. 16 | 1 | |
| 16 | 588 65 57-01 | SCREW | Included in 10 | 1 | |

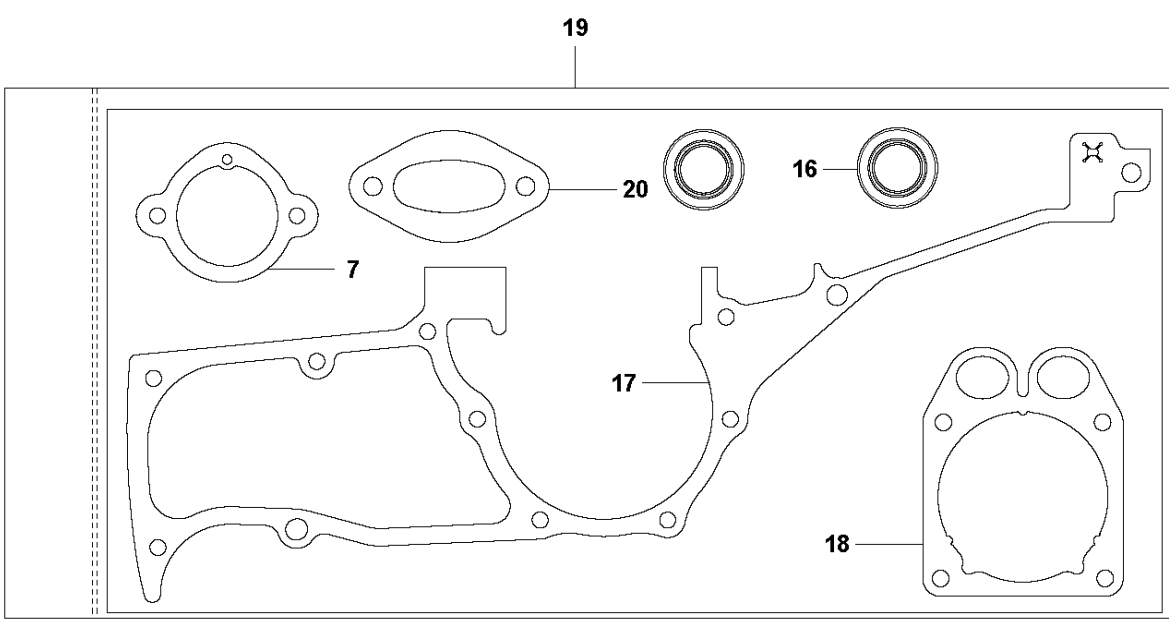
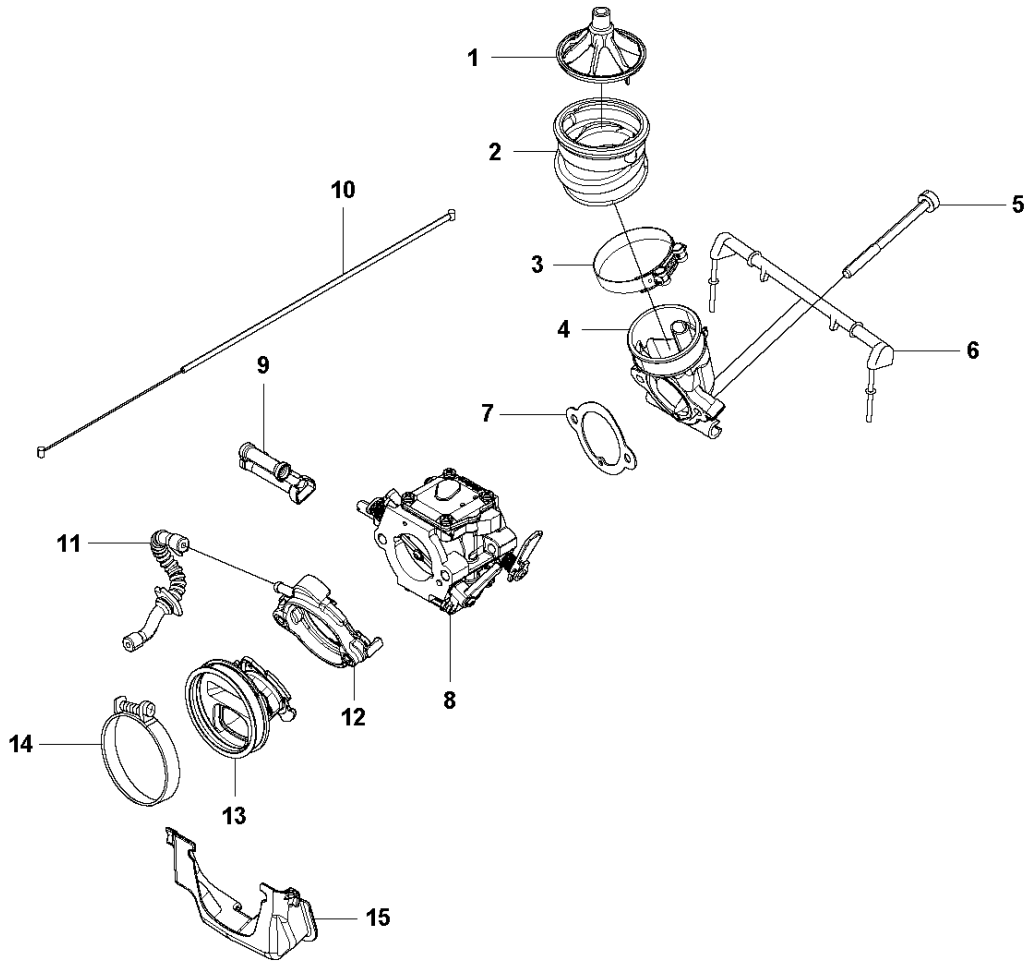


CRANKCASE

K1270, K1270 Rail, 2016-07

| Ref | Part No | Description | Remark | QTY KIT | |
|-----|--------------|-----------------------|----------------------|---------|------|
| 1 | 582 60 35-01 | CRANKCASE ASSY | Incl. 2-11 | 1 | |
| 2 | 503 13 20-01 | GROMMET | | 1 | 1 |
| 3 | 503 21 53-20 | SCREW ITXSCM | | 1 | 1 |
| 4 | 501 26 97-05 | ANTIVIBRATION ELEMENT | | 1 | 1 |
| 5 | 503 21 53-41 | SCREW ITXSCM | | 7 | 1 |
| 6 | 544 21 84-20 | SCREW ITXSCM | | 1 | 1 |
| 7 | 501 27 08-01 | GUIDE BUSHING | | 4 | 1 |
| 8 | 501 81 57-01 | BAR BOLT | | 2 | 1 |
| 9 | 503 25 00-02 | BALL BEARING | | 2 | 1 |
| 10 | 582 35 00-01 | GASKET | | 1 | 20,1 |
| 11 | 503 14 54-02 | GROMMET | | 1 | |
| 12 | 503 26 02-05 | SEALING RING | | 2 | 20,1 |
| 13 | 506 23 70-01 | AIR NOZZLE | | 1 | |
| 14 | 501 98 10-01 | SCREW ITXSCM | | 1 | |
| 15 | 503 21 53-21 | SCREW ITXSCM | | 1 | |
| 16 | 503 22 00-01 | HEXAGON NUT | | 1 | |
| 17 | 503 21 53-65 | SCREW ITXSCM | | 2 | |
| 18 | 506 25 43-02 | CHOKE CONTROL | | 1 | |
| 19 | 506 24 14-04 | CUTTER ARM | | 1 | |
| 20 | 582 45 48-01 | GASKET KIT | Incl. 10, 12 21 - 23 | 1 | |
| 21 | 579 85 11-01 | GASKET | | 1 | 20 |
| 22 | 585 28 09-01 | GASKET | | 1 | 20 |
| 23 | 587 53 62-01 | GASKET | | 1 | 20 |

M K1270

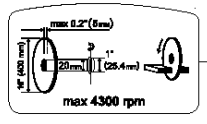
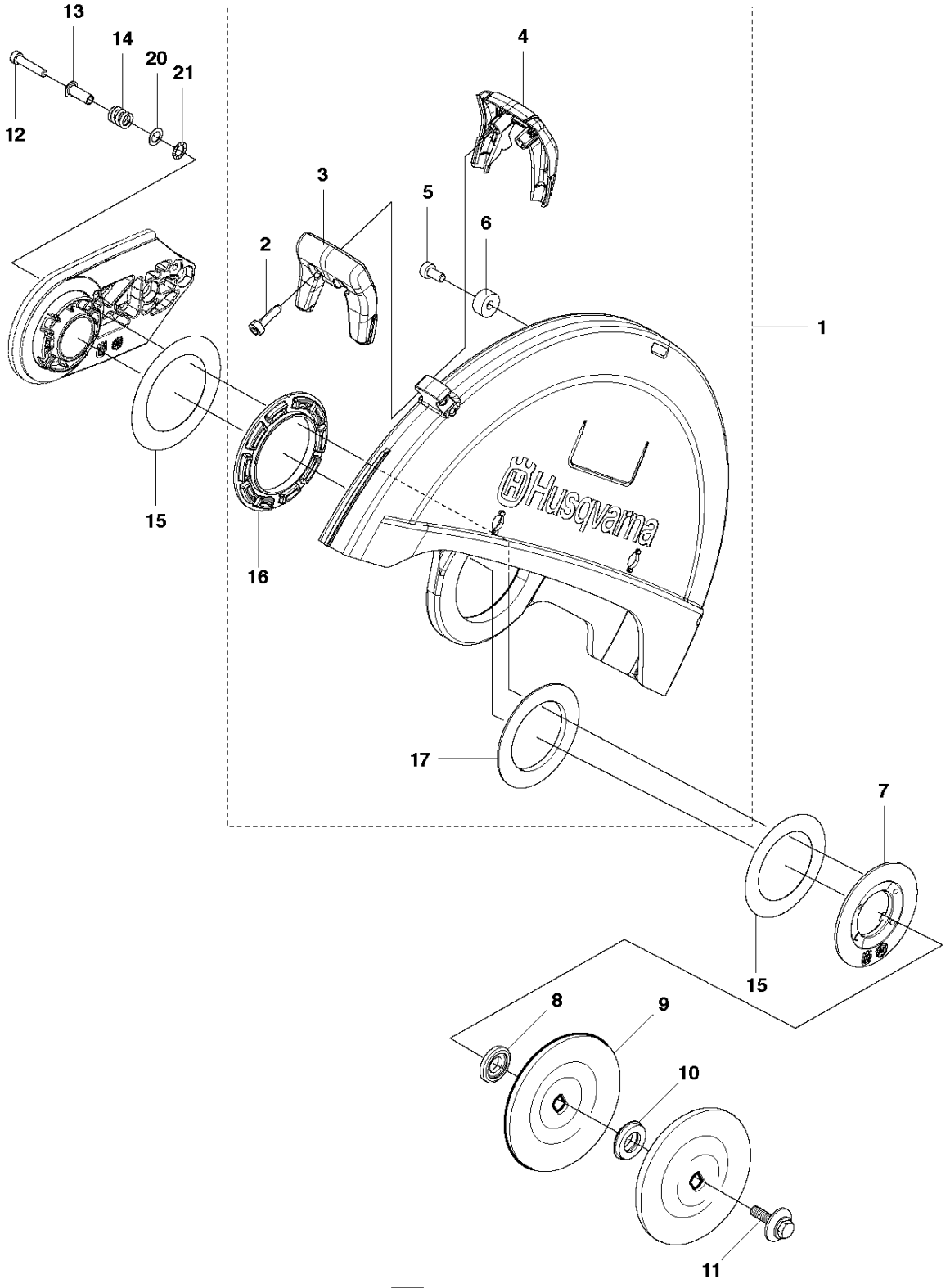


CARBURETOR

K1270, K1270 Rail, 2016-07

| Ref | Part No | Description | Remark | QTY | KIT |
|-----|--------------|---------------------|--------|-----|-----|
| 1 | 510 24 39-01 | FILTER | | 1 | |
| 2 | 510 24 38-02 | BELLOWS | | 1 | |
| 3 | 505 28 33-07 | HOSE CLAMP | | 1 | |
| 4 | 588 75 07-01 | INLET BEND | | 1 | |
| 5 | 503 21 53-65 | SCREW ITXSCM | | 2 | |
| 6 | 506 25 04-01 | SUPPORT | | 1 | |
| 7 | 579 85 11-01 | GASKET | | 1 | 20 |
| 8 | 589 02 36-01 | CARBURETTOR | | 1 | |
| 9 | 588 89 20-01 | GUIDE SLEEVE | | 1 | |
| 10 | 506 28 98-02 | THROTTLE CABLE ASSY | | 1 | |
| 11 | 588 70 55-01 | IMPULSE HOSE | | 1 | |
| 12 | 587 53 69-01 | FLANGE | | 1 | |
| 13 | 587 53 68-01 | INLET PIPE | | 1 | |
| 14 | 505 28 33-08 | HOSE CLAMP | | 1 | |
| 15 | 588 63 04-01 | INSULATION WALL | | 1 | |
| 16 | 503 26 02-05 | SEALING RING | | 2 | 19 |
| 17 | 582 35 00-01 | GASKET | | 1 | 19 |
| 18 | 587 53 62-01 | GASKET | | 1 | 19 |
| 19 | 582 45 48-01 | GASKET KIT | | 1 | |
| 20 | 585 28 09-01 | GASKET | | 1 | 19 |

B K1270



⚠ 必ず正しい上の注意書 ⚠

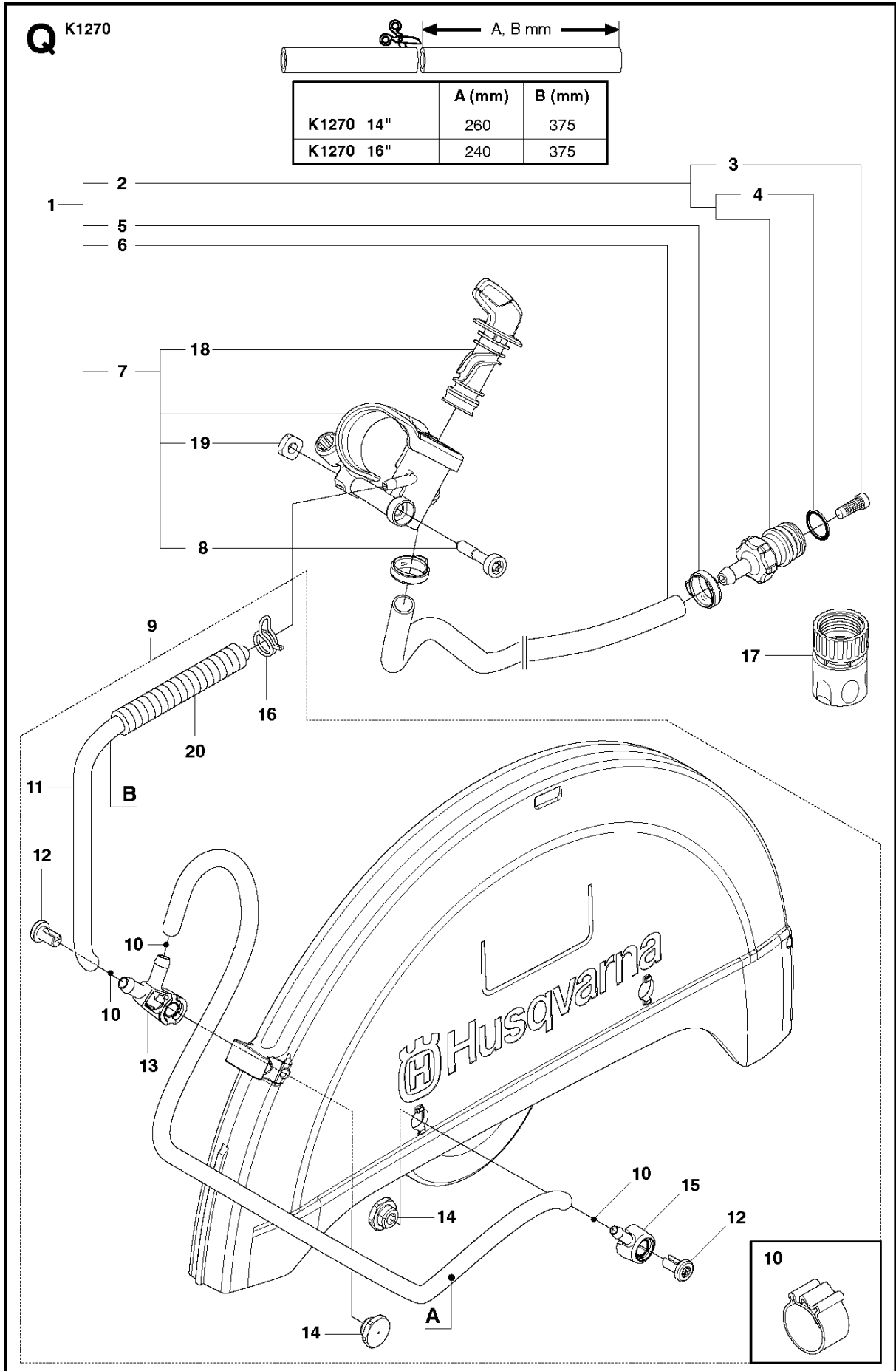
● 必ず、必ず正しい使用説明書をよく読んでください。必ず正しい使用法を守ってください。
 ● 必ず、必ず正しい使用説明書をよく読んでください。必ず正しい使用法を守ってください。
 ● 必ず、必ず正しい使用説明書をよく読んでください。必ず正しい使用法を守ってください。
 ● 必ず、必ず正しい使用説明書をよく読んでください。必ず正しい使用法を守ってください。

Husqvarna
 max. 4300 rpm

GUARDS

K1270, K1270 Rail, 2016-07

| Ref | Part No | Description | Remark | QTY | KIT |
|-----|--------------|----------------|---------------------------------|-----|-----|
| 1 | 581 35 19-04 | WHEEL GUARD | "14"" | 1 | |
| 1 | 581 35 19-06 | WHEEL GUARD | "16"" | 1 | |
| 2 | 504 90 94-14 | SCREW ITXSCT | | 2 | 1 |
| 3 | 578 19 09-01 | HANDLE HALF | | 1 | 1 |
| 4 | 578 76 09-01 | HANDLE HALF | | 1 | 1 |
| 5 | 504 90 94-10 | SCREW ITXSCT | | 1 | 1 |
| 6 | 581 62 03-01 | STOP | | 1 | 1 |
| 7 | 584 43 77-01 | DISC | | 1 | |
| 8 | 584 43 83-01 | SUPPORT FLANGE | | 1 | |
| 9 | 583 87 44-02 | FLANGE | Diam 105mm | 1 | |
| 9 | 506 07 09-02 | FLANGE WASHER | "Diam 119mm, Japan 14""/16"" | 1 | |
| 10 | 578 39 82-01 | BUSHING | Diam 20/25,4mm | 1 | |
| 10 | 581 60 54-03 | BUSHING | Diam 30,5mm | 1 | |
| 10 | 506 37 96-22 | KIT | Diam 22,2mm | 1 | |
| 11 | 588 65 57-01 | SCREW | M10 | 1 | |
| 12 | 544 21 84-30 | SCREW ITXSCM | | 4 | |
| 13 | 584 43 82-01 | SLEEVE | "14"", Shiny" | 4 | |
| 13 | 584 43 82-02 | SLEEVE | "16"", Black" | 4 | |
| 14 | 584 43 81-01 | SPRING | | 4 | |
| 15 | 584 43 78-01 | SHIM | | 2 | |
| 16 | 584 43 79-01 | LINING | | 1 | 1 |
| 17 | 584 43 80-01 | LINING | | 1 | 1 |
| 18 | 581 11 77-06 | DECAL | "14"" | 1 | |
| 18 | 581 11 77-07 | DECAL | "16"" | 1 | |
| 19 | 584 99 26-02 | DECAL | "14"", JP" | 1 | |
| 19 | 584 99 26-03 | DECAL | "16"", JP" | 1 | |
| 20 | 582 23 31-01 | WASHER | | 2 | |
| 21 | 582 23 32-01 | WASHER | | 2 | |

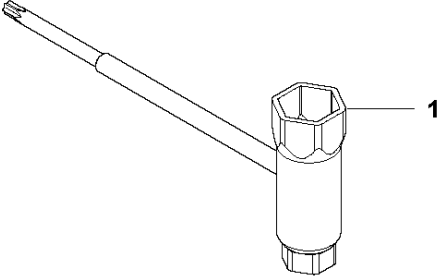


WATER HOSE KIT

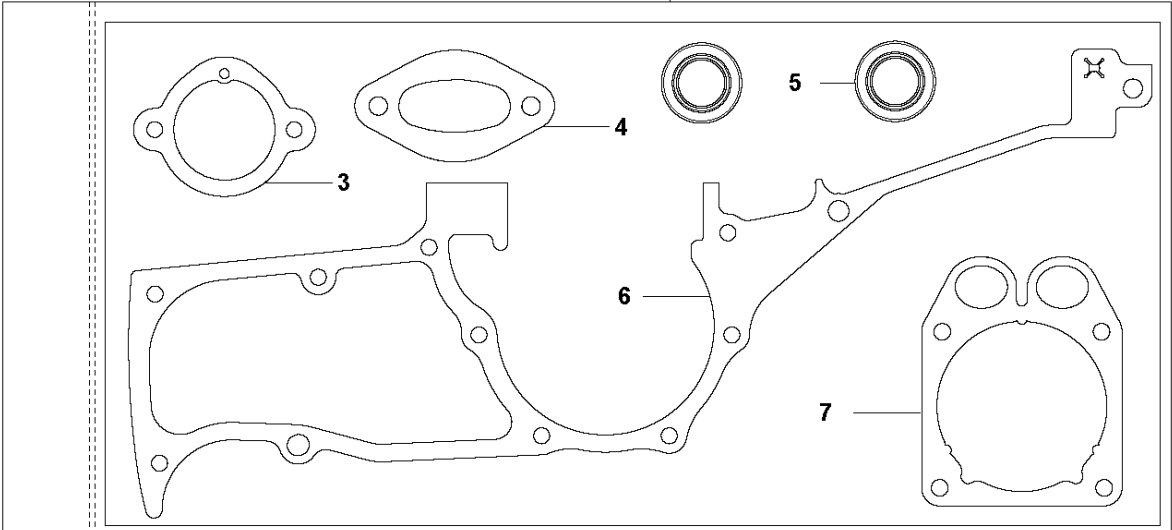
K1270, K1270 Rail, 2016-07

| Ref | Part No | Description | Remark | QTY KIT | |
|-----|--------------|-------------------|------------|---------|-----|
| 1 | 581 47 62-09 | HOSE KIT | | 1 | |
| 2 | 581 47 83-02 | NIPPLE | | 1 | 1 |
| 3 | 506 29 88-01 | FILTER | | 1 | 1,2 |
| 4 | 505 10 35-01 | O-RING | | 1 | 1,2 |
| 5 | 589 63 86-01 | HOSE CLAMP | | 2 | 1 |
| 6 | 578 19 81-04 | HOSE | | 1 | 1 |
| 7 | 578 24 33-04 | VALVE ASSY | | 1 | 1 |
| 8 | 503 21 53-41 | SCREW ITXSCM | | 1 | 1,7 |
| 9 | 581 72 15-03 | HOSE KIT | | 1 | |
| 10 | 589 63 86-01 | HOSE CLAMP | | 3 | 9 |
| 11 | 581 89 35-08 | HOSE | 800mm | 1 | 9 |
| 12 | 504 63 46-01 | SCREW ITXSCM | | 2 | 9 |
| 13 | 587 38 89-01 | HOUSING | | 1 | 9 |
| 14 | 576 79 84-02 | NIPPLE | | 2 | 9 |
| 15 | 587 38 90-01 | HOUSING | | 1 | 9 |
| 16 | 583 83 30-02 | HOSE CLAMP | | 1 | 9 |
| 17 | 503 26 60-03 | COUPLER | "1/2"" | 1 | |
| 17 | 503 26 60-04 | COUPLER | "GHT 3/4"" | 1 | |
| 18 | 581 35 70-01 | LEVER ASSY | | 1 | 1,7 |
| 19 | 503 22 65-04 | SQUARE NUT | | 1 | 1,7 |
| 20 | 506 35 27-01 | PROTECTIVE SPRING | | 1 | |

P K1270



2

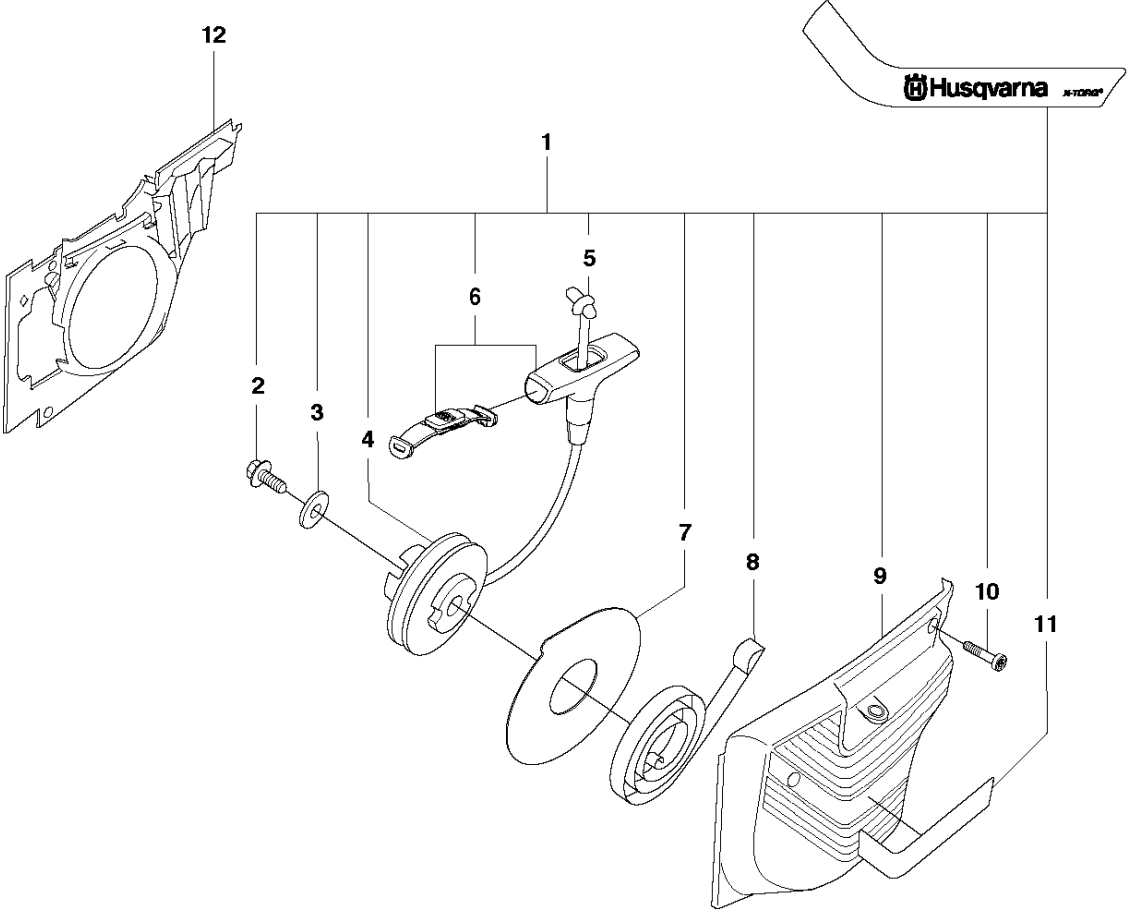


TOOLS

K1270, K1270 Rail, 2016-07

| Ref | Part No | Description | Remark | QTY KIT | |
|-----|--------------|--------------|-------------|---------|---|
| 1 | 506 38 26-01 | TOOL | Torx 27 | 1 | |
| 2 | 582 45 48-01 | GASKET KIT | Incl. 3 - 7 | 1 | |
| 3 | 579 85 11-01 | GASKET | | 1 | 2 |
| 4 | 585 28 09-01 | GASKET | | 1 | 2 |
| 5 | 503 26 02-05 | SEALING RING | | 2 | 2 |
| 6 | 582 35 00-01 | GASKET | | 1 | 2 |
| 7 | 587 53 62-01 | GASKET | | 1 | 2 |

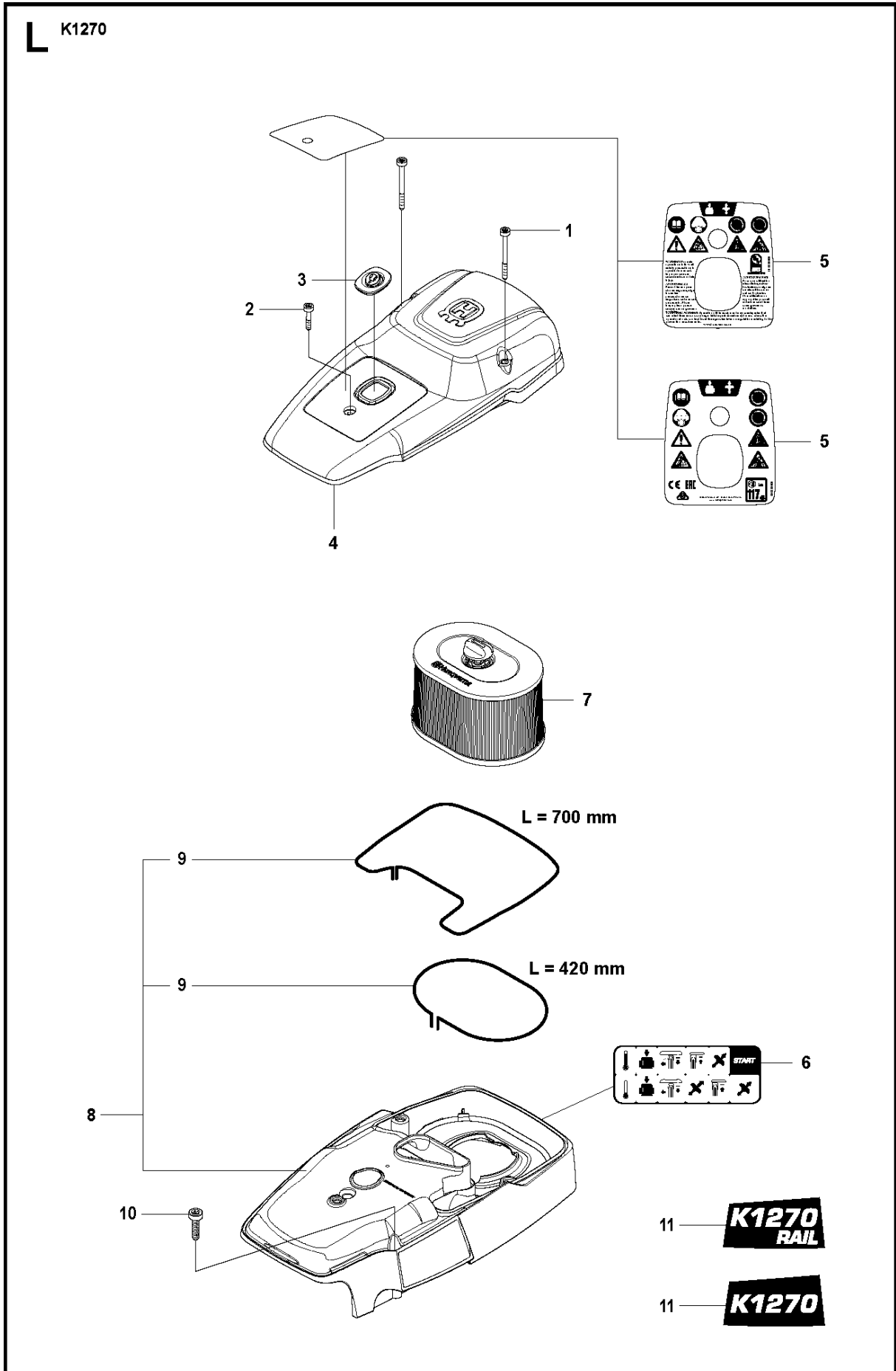
J K1270



STARTER

K1270, K1270 Rail, 2016-07

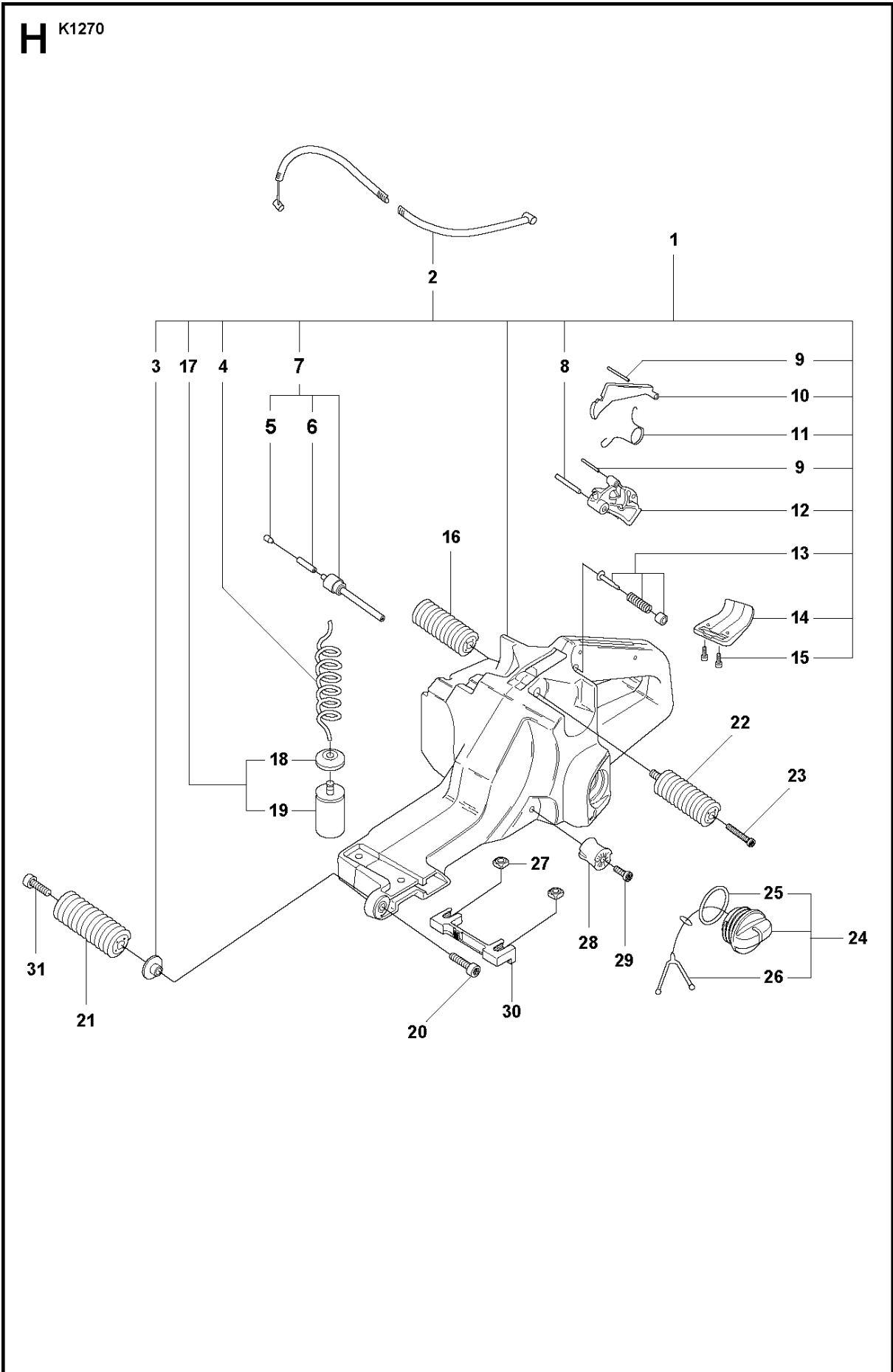
| Ref | Part No | Description | Remark | QTY | KIT |
|-----|--------------|---------------------|-----------------------|-----|-----|
| 1 | 506 27 55-07 | STARTER | Incl. 2 - 11 | 1 | |
| 2 | 503 21 06-16 | SCREW IH SCT | | 1 | 1 |
| 3 | 503 23 43-02 | WASHER | | 1 | 1 |
| 4 | 501 89 67-04 | STARTER PULLEY | | 1 | 1 |
| 5 | 506 33 56-25 | STARTER CORD | | 1 | 1 |
| 5 | 506 33 56-50 | STARTER CORD | 50 meter | 1 | 1 |
| 6 | 584 25 79-01 | STARTER HANDLE ASSY | | 1 | 1 |
| 7 | 503 74 36-01 | DAMPING DISC | | 1 | 1 |
| 8 | 503 13 50-01 | RECOIL SPRING | | 1 | 1 |
| 9 | 506 25 58-02 | STARTER COVER | | 1 | 1 |
| 10 | 503 21 53-26 | SCREW ITXSCM | | 4 | 1 |
| 11 | 582 14 19-01 | DECAL | | 1 | 1 |
| 12 | 501 89 59-02 | AIR CONDUCTOR | | 1 | |
| 12 | 501 89 59-03 | AIR CONDUCTOR | Rail Stop Switch only | 1 | |



AIR FILTER

K1270, K1270 Rail, 2016-07

| Ref | Part No | Description | Remark | QTY | KIT |
|-----|--------------|----------------|---------------------|-----|-----|
| 1 | 503 21 53-56 | SCREW ITXSCM | | 2 | |
| 2 | 503 21 53-12 | SCREW ITXSCM | | 1 | |
| 3 | 585 42 83-01 | PLUG | | 1 | |
| 4 | 589 02 34-01 | FILTER COVER | | 1 | |
| 5 | 589 02 38-01 | DECAL | USA, CANADA, MEXICO | 1 | |
| 5 | 589 02 38-03 | DECAL | CE | 1 | |
| 6 | 544 87 38-02 | LABEL | | 1 | |
| 7 | 510 24 41-03 | AIR FILTER | Standard | 1 | |
| 7 | 510 24 41-05 | AIR FILTER | Rail | 1 | |
| 8 | 576 55 32-02 | CYLINDER COVER | Incl. 9 - 10 | 1 | |
| 9 | 525 61 70-04 | SEALING | | 2 | 8 |
| 10 | 503 21 53-30 | SCREW ITXSCM | | 5 | 8 |
| 11 | 525 81 69-04 | LABEL | K1270 Rail | 1 | |
| 11 | 525 81 69-03 | LABEL | K1270 | 1 | |

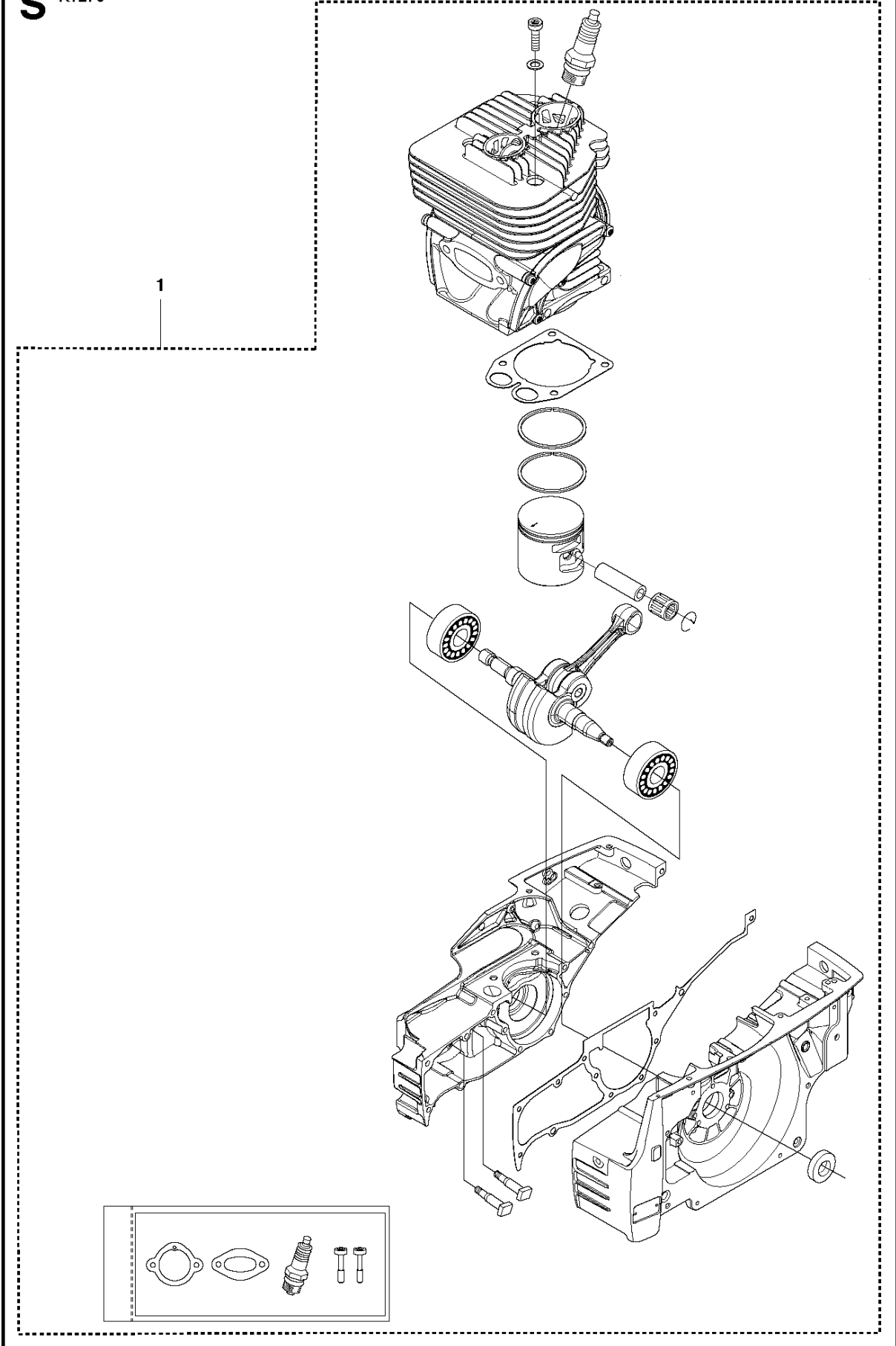


FUEL TANK

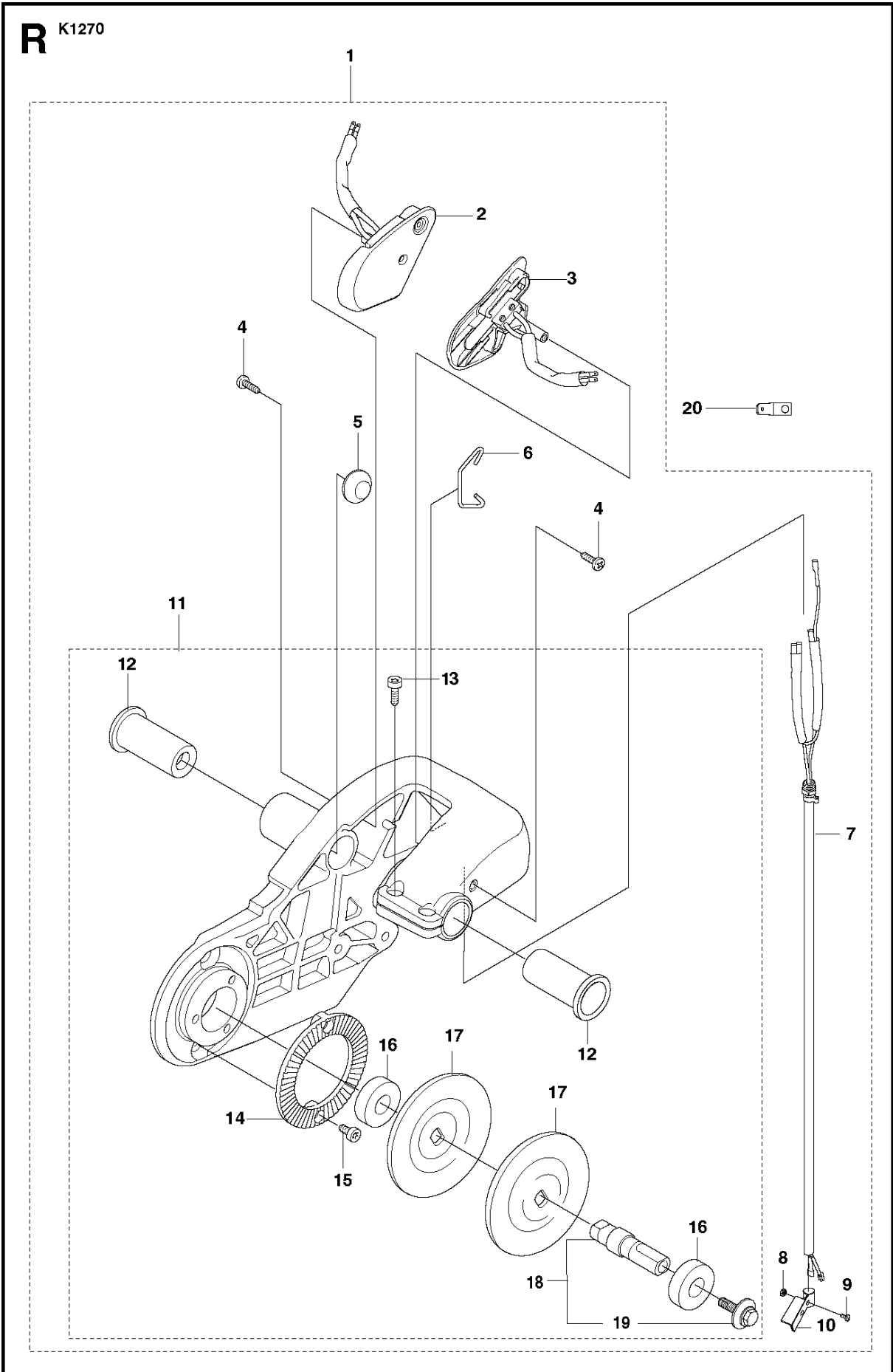
K1270, K1270 Rail, 2016-07

| Ref | Part No | Description | Remark | QTY | KIT |
|-----|--------------|-----------------------|------------------|-----|------|
| 1 | 582 62 58-02 | FUEL TANK | Incl. 1 - 15, 17 | 1 | |
| 2 | 506 28 98-02 | THROTTLE CABLE ASSY | | 1 | 1 |
| 3 | 503 14 08-01 | BUSHING | | 1 | 1 |
| 4 | 581 75 62-03 | FUEL HOSE | | 1 | 1 |
| 5 | 504 35 72-01 | PLUG | | 1 | 1, 7 |
| 7 | 588 99 27-01 | TANK VENT ASSY | | 1 | 1 |
| 8 | 720 12 78-06 | PARALLEL PIN | | 1 | 1 |
| 9 | 720 12 40-20 | PARALLEL PIN | | 1 | 1 |
| 10 | 503 13 16-02 | THROTTLE LOCKOUT | | 1 | 1 |
| 11 | 503 13 18-01 | SPRING | | 1 | 1 |
| 12 | 503 13 36-03 | THROTTLE CONTROL ASSY | | 1 | 1 |
| 13 | 503 14 23-01 | SPÄRRSTIFT RES | | 1 | 1 |
| 14 | 506 23 34-01 | SUPPORT | | 1 | 1 |
| 15 | 503 21 45-16 | SCREW CRCSFT | | 2 | 1 |
| 16 | 585 22 63-01 | ANTIVIBRATION ELEMENT | | 1 | |
| 17 | 506 26 41-11 | FUEL FILTER | Incl. 18 - 19 | 1 | 1 |
| 18 | 506 27 11-01 | HOSE CLAMP | | 1 | 17,1 |
| 19 | 506 26 41-01 | FUEL FILTER | | 1 | 17,1 |
| 20 | 503 21 53-20 | SCREW ITXSCM | | 2 | |
| 21 | 503 13 27-02 | ANTIVIBRATION ELEMENT | | 1 | |
| 22 | 585 22 64-01 | ANTIVIBRATION ELEMENT | | 1 | |
| 23 | 544 21 84-20 | SCREW ITXSCM | | 2 | |
| 24 | 506 25 59-06 | TANK CAP ASSY | Incl. 25 - 26 | 1 | |
| 25 | 506 29 21-01 | GASKET | | 1 | 24 |
| 26 | 503 57 89-01 | HOLDER | | 1 | 24 |
| 27 | 505 42 04-01 | NUT | | 2 | |
| 28 | 501 81 47-01 | ANTIVIBRATION ELEMENT | | 1 | |
| 29 | 503 21 53-12 | SCREW ITXSCM | | 1 | |
| 30 | 574 51 22-01 | NUT LOCKING | | 1 | |
| 31 | 503 21 53-25 | SCREW ITXSCM | | 1 | |

S K1270



| Ref | Part No | Description | Remark | QTY KIT |
|-----|--------------|-------------|--------|---------|
| 1 | 582 41 50-02 | CRANKCASE | | 1 |

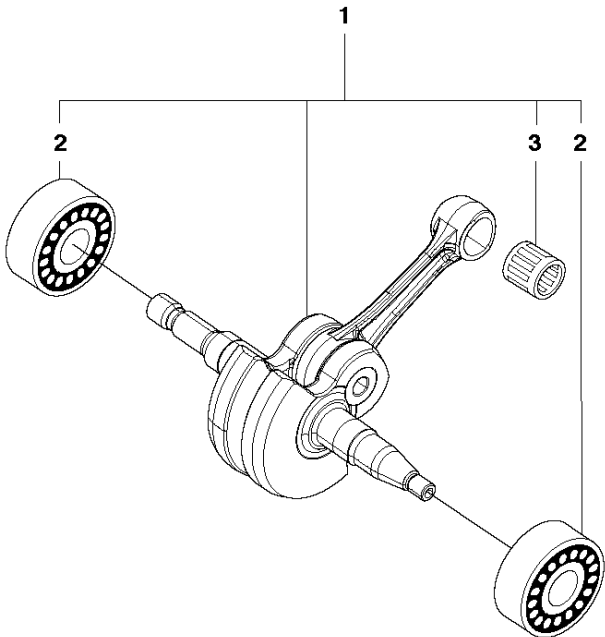


RAIL

K1270, K1270 Rail, 2016-07

| Ref | Part No | Description | Remark | QTY | KIT |
|-----|--------------|----------------------|--------------------------|-----|-----------|
| 1 | 576 66 57-06 | BEARING HOUSING ASSY | "14"" Rail Stop Switch," | 1 | |
| 2 | 506 35 91-04 | STOP SWITCH | RH | 1 | 1 |
| 3 | 506 35 91-03 | STOP SWITCH | LH | 1 | 1 |
| 4 | 729 52 91-71 | SCREW CRPANT | | 2 | 1 |
| 5 | 506 35 96-01 | SPACING BLOCK | | 1 | 1 |
| 6 | 501 35 43-01 | CLIP | | 1 | 1 |
| 7 | 506 35 90-01 | WIRING | | 1 | 1 |
| 8 | 732 25 12-01 | HEXAGON LOCKING NUT | | 1 | 1 |
| 9 | 724 12 87-59 | SCREW CRPANM | | 1 | 1 |
| 10 | 506 35 80-01 | BRACKET | | 1 | 1 |
| 11 | 576 66 57-05 | BEARING HOUSING ASSY | "14"" Rail, " | 1 | 1 |
| 11 | 576 66 57-07 | BEARING HOUSING ASSY | "16"" Rail, " | 1 | 1 |
| 11 | 576 66 57-08 | BEARING HOUSING ASSY | "16"" Rail USA, " | 1 | 1 |
| 12 | 506 22 75-01 | SLEEVE | | 2 | 1, 11 |
| 13 | 503 20 02-16 | SCREW IHSCFM | | 2 | 1, 11 |
| 14 | 506 28 84-01 | SCREEN | | 1 | 1, 11 |
| 15 | 503 21 53-10 | SCREW ITXSCM | | 2 | 1, 11 |
| 16 | 583 95 33-01 | BALL BEARING | | 2 | 1, 11 |
| 17 | 506 07 09-02 | FLANGE WASHER | Incl. 18 | 1 | 1, 11 |
| 18 | 588 99 24-01 | SHAFT | | 1 | 1, 11 |
| 19 | 590 50 38-01 | SCREW | | 1 | 1, 18, 11 |
| 20 | 535 03 94-01 | CONNECTION | | 1 | |

F K1270

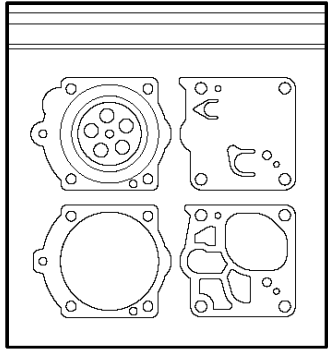
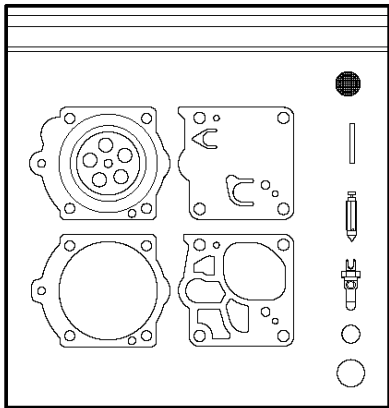
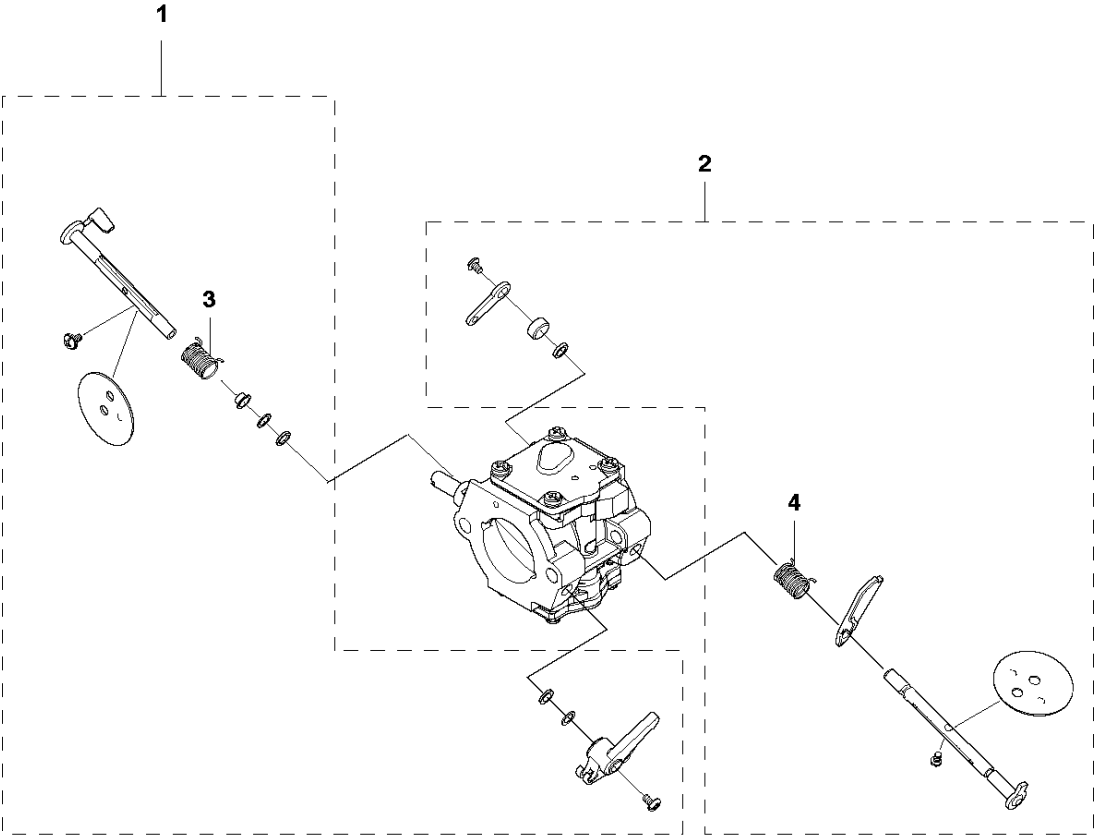


CRANKSHAFT

K1270, K1270 Rail, 2016-07

| Ref | Part No | Description | Remark | QTY | KIT |
|-----|--------------|---------------|------------|-----|-----|
| 1 | 577 34 38-03 | CRANKSHAFT | Incl. 2, 3 | 1 | |
| 2 | 503 25 00-02 | BALL BEARING | | 2 | 1 |
| 3 | 503 13 29-01 | NEEDLE HOLDER | | 1 | 1 |

N K1270

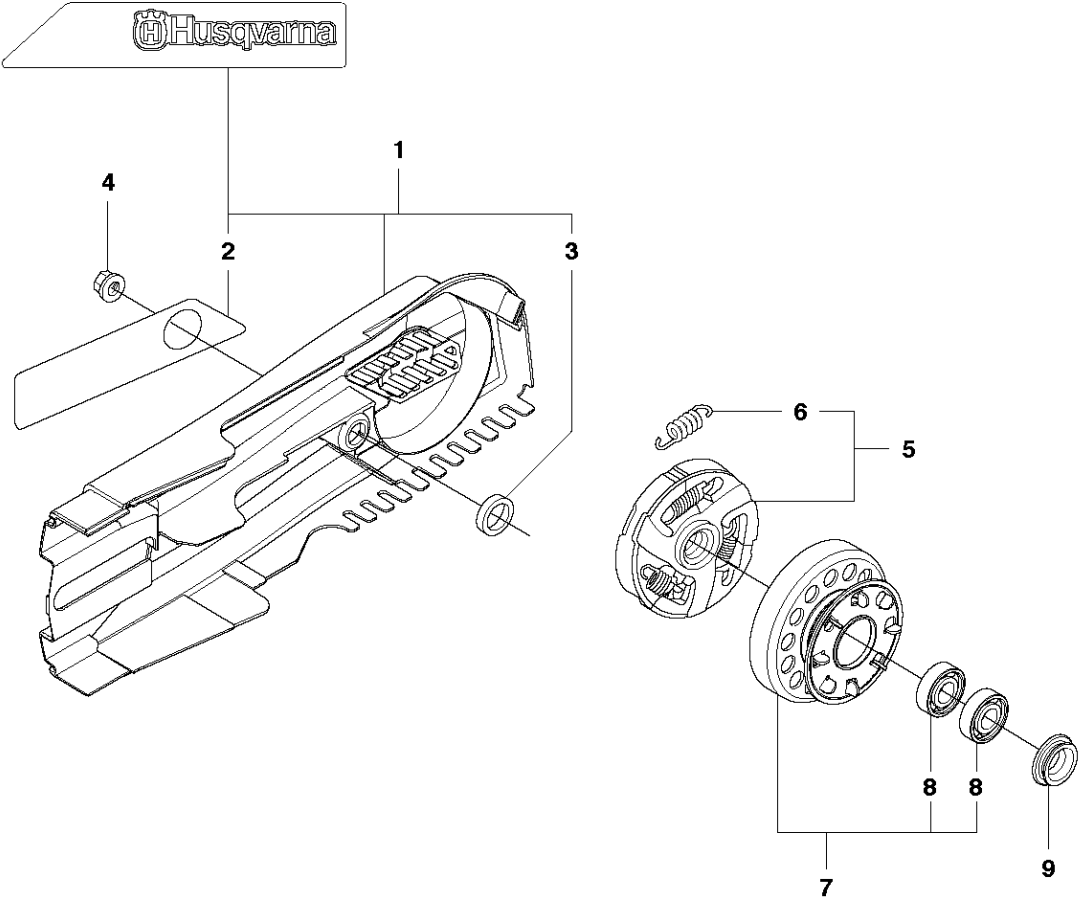


CARBURETOR DETAILS

K1270, K1270 Rail, 2016-07

| Ref | Part No | Description | Remark | QTY | KIT |
|-----|--------------|----------------|--------|-----|-----|
| 1 | 582 72 95-01 | THROTTLE SHAFT | | 1 | |
| 2 | 582 72 97-01 | CHOKE SHAFT | | 1 | |
| 3 | 579 79 15-01 | SPRING | | 1 | 1 |
| 4 | 579 79 16-01 | SPRING | | 1 | 2 |
| 5 | 582 60 65-01 | REPAIR KIT | | 1 | |
| 6 | 503 59 74-03 | GASKET KIT | | 1 | |

C K1270

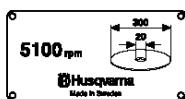
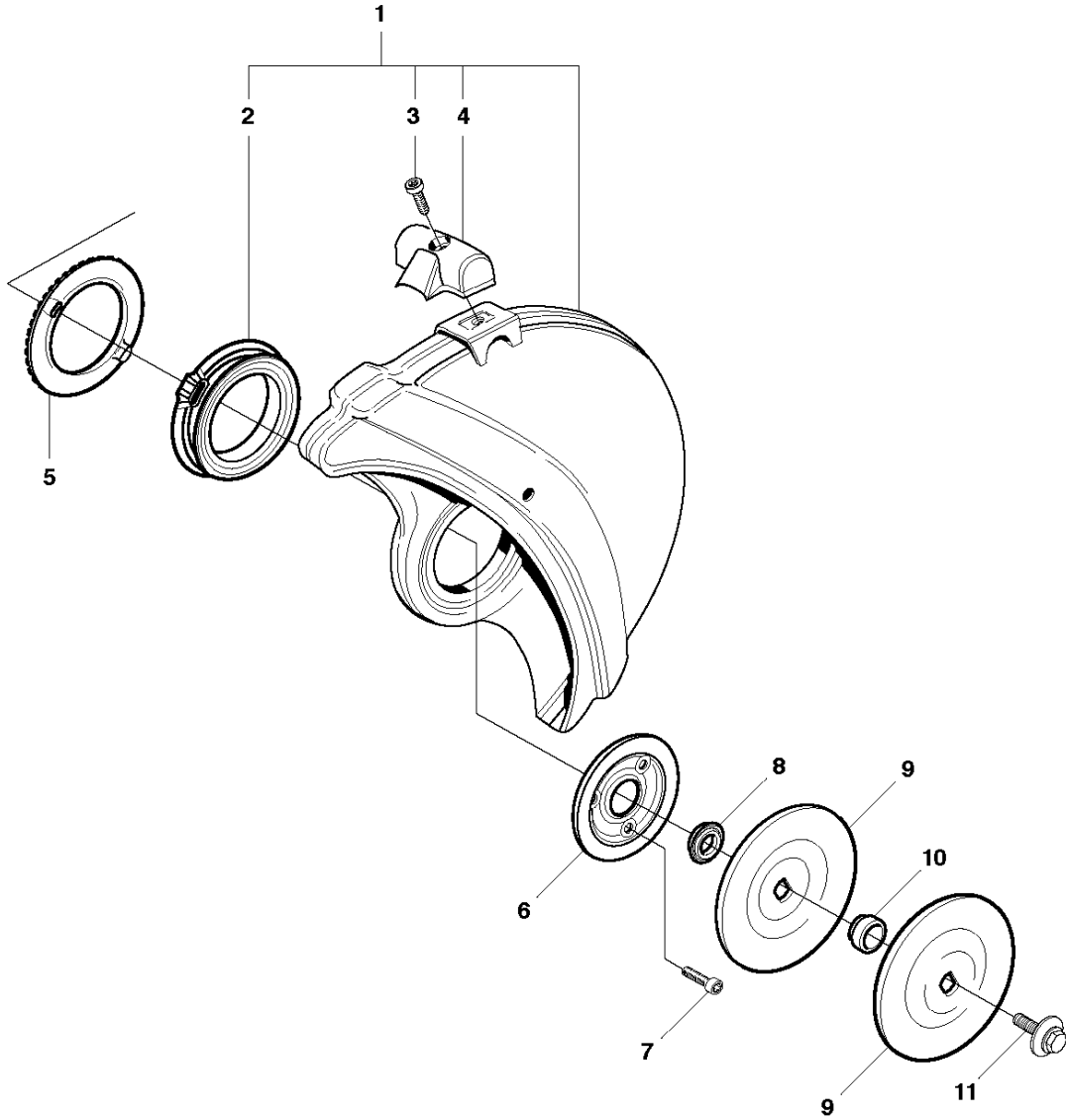


BELT GUARD

K1270, K1270 Rail, 2016-07

| Ref | Part No | Description | Remark | QTY KIT | |
|-----|--------------|---------------------|-----------------|---------|---|
| 1 | 506 27 17-04 | BELT GUARD | Incl. 2, 3 | 1 | |
| 2 | 544 87 36-01 | LABEL | | 1 | 1 |
| 3 | 506 26 84-01 | SPACING SLEEVE | | 1 | 1 |
| 4 | 503 22 00-01 | HEXAGON NUT | | 1 | |
| 5 | 503 14 49-01 | CLUTCH ASSY | Incl. 6 | 1 | |
| 6 | 503 14 51-01 | CLUTCH SPRING | | 3 | 5 |
| 7 | 588 80 92-01 | DRIVING PULLEY ASSY | "14"". Incl. 8" | 1 | |
| 7 | 588 80 92-02 | DRIVING PULLEY ASSY | "16"". Incl. 8" | 1 | |
| 8 | 525 83 18-01 | BALL BEARING | | 2 | 7 |
| 9 | 587 53 64-01 | SPACING SLEEVE | | 1 | |

T K1270 RAIL ONLY



12

⚠ 取扱上の注意 ⚠
 パートナンバーは、取扱いは誤ると危険な結果を招くことが
 あります。安全作業のためには取扱説明書に従ってください。
 ・ 本製品の修理は、必ず正規のサービスセンターまたは Husqvarna の
 認定サービスセンターで行ってください。
 ・ 本製品の修理は、必ず Husqvarna の認定サービスセンターで行ってください。
 ・ 本製品の修理は、必ず Husqvarna の認定サービスセンターで行ってください。
 ・ 本製品の修理は、必ず Husqvarna の認定サービスセンターで行ってください。
 ・ 本製品の修理は、必ず Husqvarna の認定サービスセンターで行ってください。
 ・ 本製品の修理は、必ず Husqvarna の認定サービスセンターで行ってください。
 ・ 本製品の修理は、必ず Husqvarna の認定サービスセンターで行ってください。
 ・ 本製品の修理は、必ず Husqvarna の認定サービスセンターで行ってください。
 Husqvarna

13

GUARDS

K1270, K1270 Rail, 2016-07

| Ref | Part No | Description | Remark | QTY KIT | |
|-----|--------------|----------------|-------------------|---------|---|
| 1 | 506 34 05-54 | BLADE GUARD | "14"" Rail" | 1 | |
| 1 | 506 34 05-56 | BLADE GUARD | "16"" Rail" | 1 | |
| 2 | 506 26 63-02 | LINING | | 1 | 1 |
| 3 | 503 21 53-20 | SCREW ITXSCM | | 1 | 1 |
| 4 | 506 34 46-02 | HANDLE | | 1 | 1 |
| 5 | 506 26 64-01 | SCREEN | | 1 | |
| 6 | 506 26 65-01 | FLANGE | | 1 | |
| 7 | 505 57 41-16 | SCREW ITXSCM | | 3 | |
| 8 | 506 32 48-01 | SUPPORT FLANGE | | 1 | |
| 9 | 583 87 44-02 | FLANGE | Diam 105 | 1 | |
| 9 | 506 07 09-02 | FLANGE WASHER | Diam 119 | 1 | |
| 10 | 506 37 96-20 | KIT | Diam 20 | 1 | |
| 10 | 506 37 96-22 | KIT | Diam 22,2 | 1 | |
| 10 | 506 37 96-25 | KIT | Diam 25 | 1 | |
| 10 | 506 02 88-30 | BUSHING | DIAM 30,5 | 1 | |
| 11 | 588 65 57-01 | SCREW | M10 | 1 | |
| 12 | 506 28 41-12 | LABEL | "14"" Diam 20 mm" | 1 | |
| 12 | 506 28 41-14 | LABEL | "14"" | 1 | |
| 12 | 506 28 41-22 | LABEL | "16"" Diam 20 mm" | 1 | |
| 12 | 506 28 41-24 | LABEL | "16"" | 1 | |
| 13 | 576 12 10-02 | DECAL | "14"" | 1 | |
| 13 | 576 12 10-03 | DECAL | "16"" | 1 | |