



**GRAZER** GROUND MOWERS

**1987 MODELS**

**G3100CD, G3200C, G4200CD  
LIQUID COOLED MOWERS  
(S/N 07-08-100 TO 07-08-800)**

**Parts List**

**TABLE OF CONTENTS**

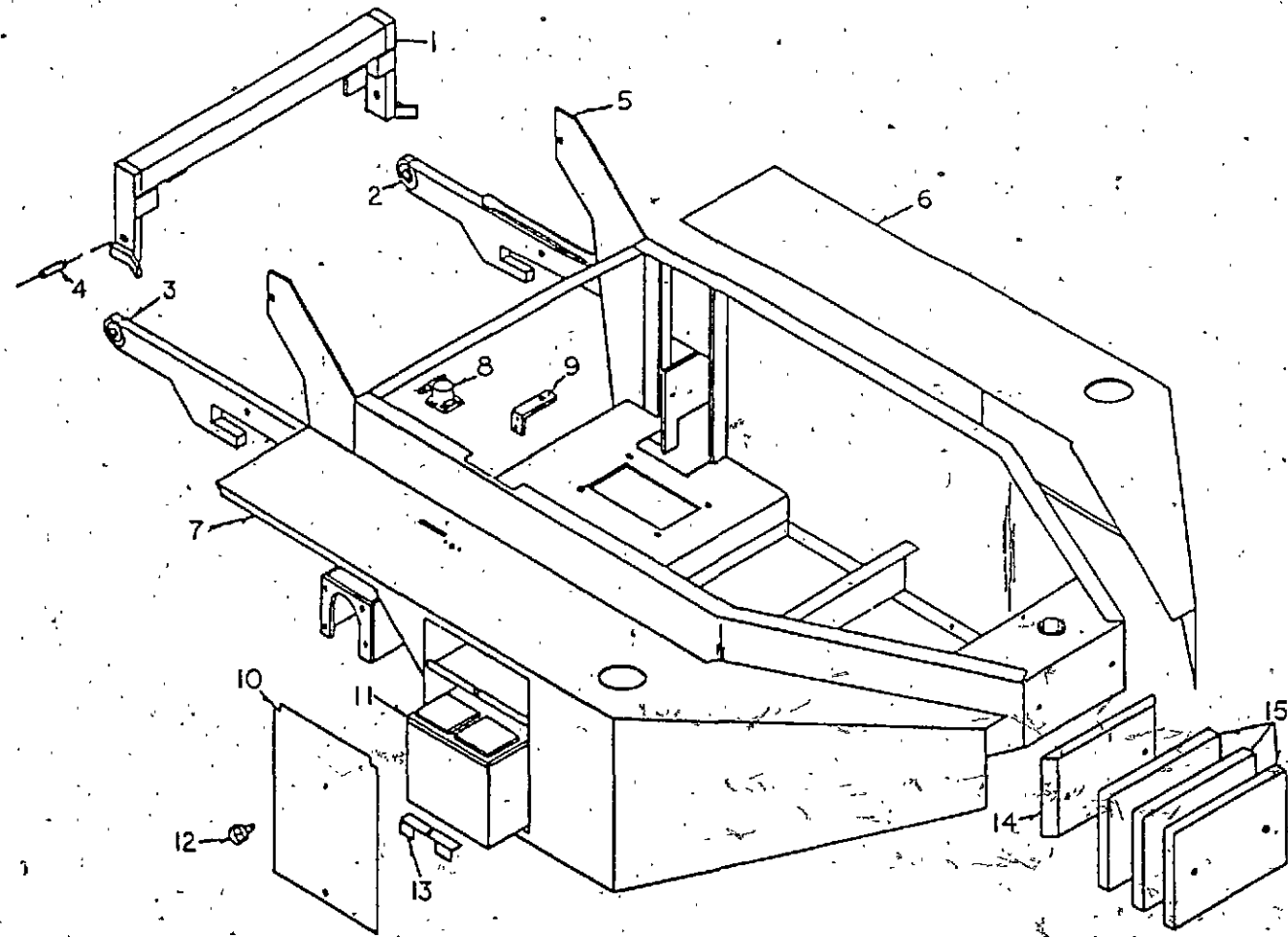
FRAME .....	A3
TAIL WHEEL .....	A4
PARKING BRAKE .....	A5
ENGINE .....	A6
SEAT AND LID .....	A7
CONSOLE .....	A8
RADIATOR .....	A9
FUEL TANK .....	A10
LIFT CYLINDER .....	A11
WHEEL MOTOR AND PUMP .....	A12
OIL COOLER .....	A13
WIRING DIAGRAM .....	A14-B2
DECALS .....	B3



Grazer Division, Ingersoll Equipment Company  
Winneconne, WI 54986

## FRAME ASSEMBLY

REF. NO.	PART NO.	AMT.	REQ'D DESCRIPTION	REF. NO.	PART NO.	AMT.	REQ'D DESCRIPTION
1.	140-0005	1	LIFT BAR	9.	140-0022	1	THROTTLE BRACKET
2.	140-0033	1	DECK LIFT ARM R.H.	10.	240-0003	1	BATTERY BOX LID
3.	140-0034	1	DECK LIFT ARM L.H.	11.	900-2043	1	BATTERY
4.	140-0036	2	LIFT BAR BUSHING	12.	900-5522	2	DZUS FASTENER
5.	140-0000	1	FRAME	13.	240-0027	1	BATTERY HOLD DOWN
6.	240-0001	1	FENDER R.H.	14.	240-0022	1	TAIL CAP
7.	240-0000	1	FENDER L.H.	15.	140-0035	3	TAIL WEIGHT
8.	900-2005	1	SOLENOID				



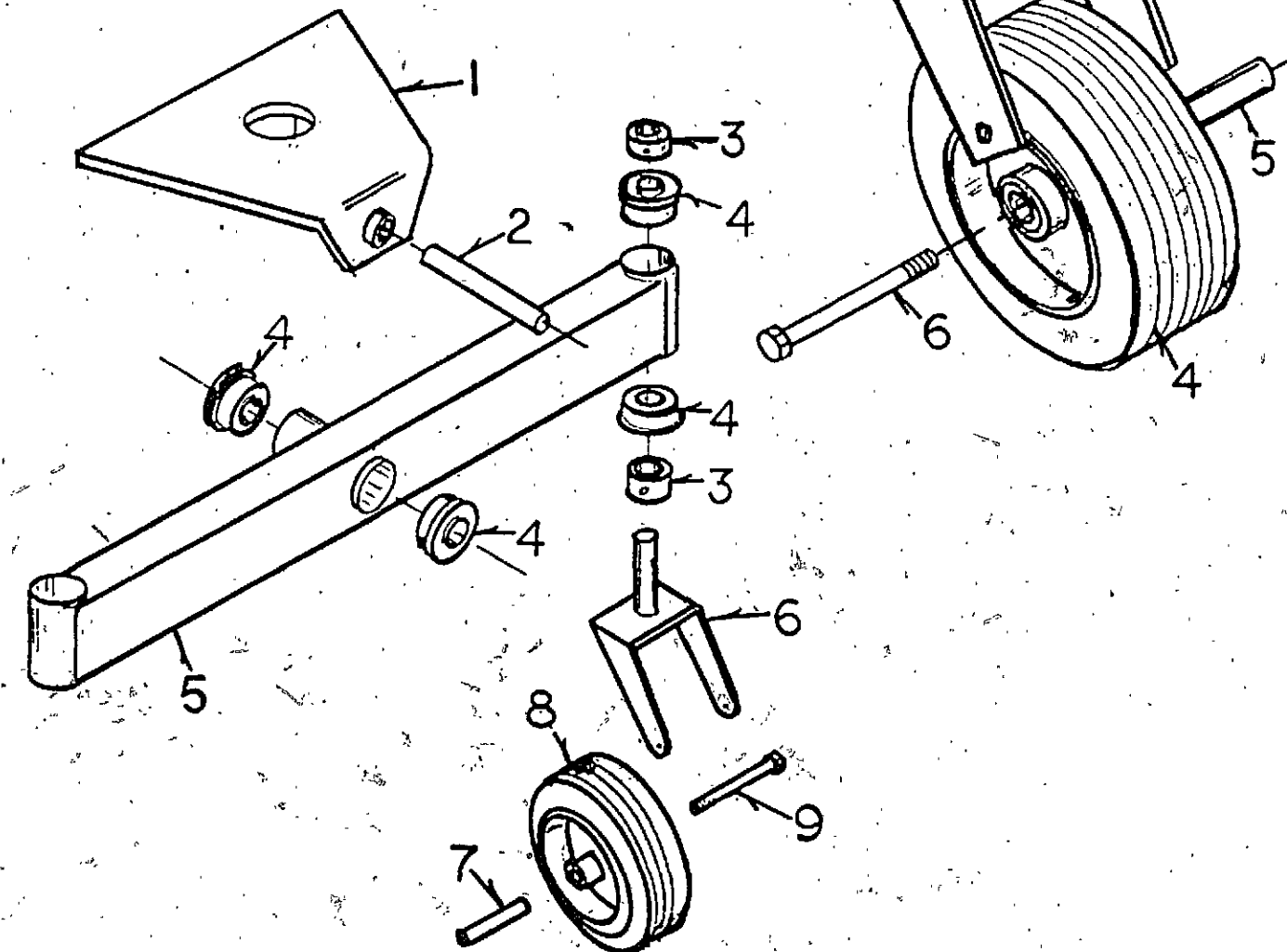
## SINGLE & DUAL TAIL WHEEL ASSEMBLY

### SINGLE TAIL WHEEL

REF. NO.	PART NO.	AMT.	REQ'D DESCRIPTION
1.	900-5659	2	1 1/4" SET COLLAR
2.	900-3514	2	1 1/4" BEARING
3.	140-0025	1	TAIL WHEEL FORK
4.	900-4026	1	WHEEL ASSEMBLY
—	900-3515	2	BEARING (WHEEL ASSEMBLY)
5.	230-0017	1	AXLE
6.	900-6131	1	1/2-13 X 9 1/2" BOLT

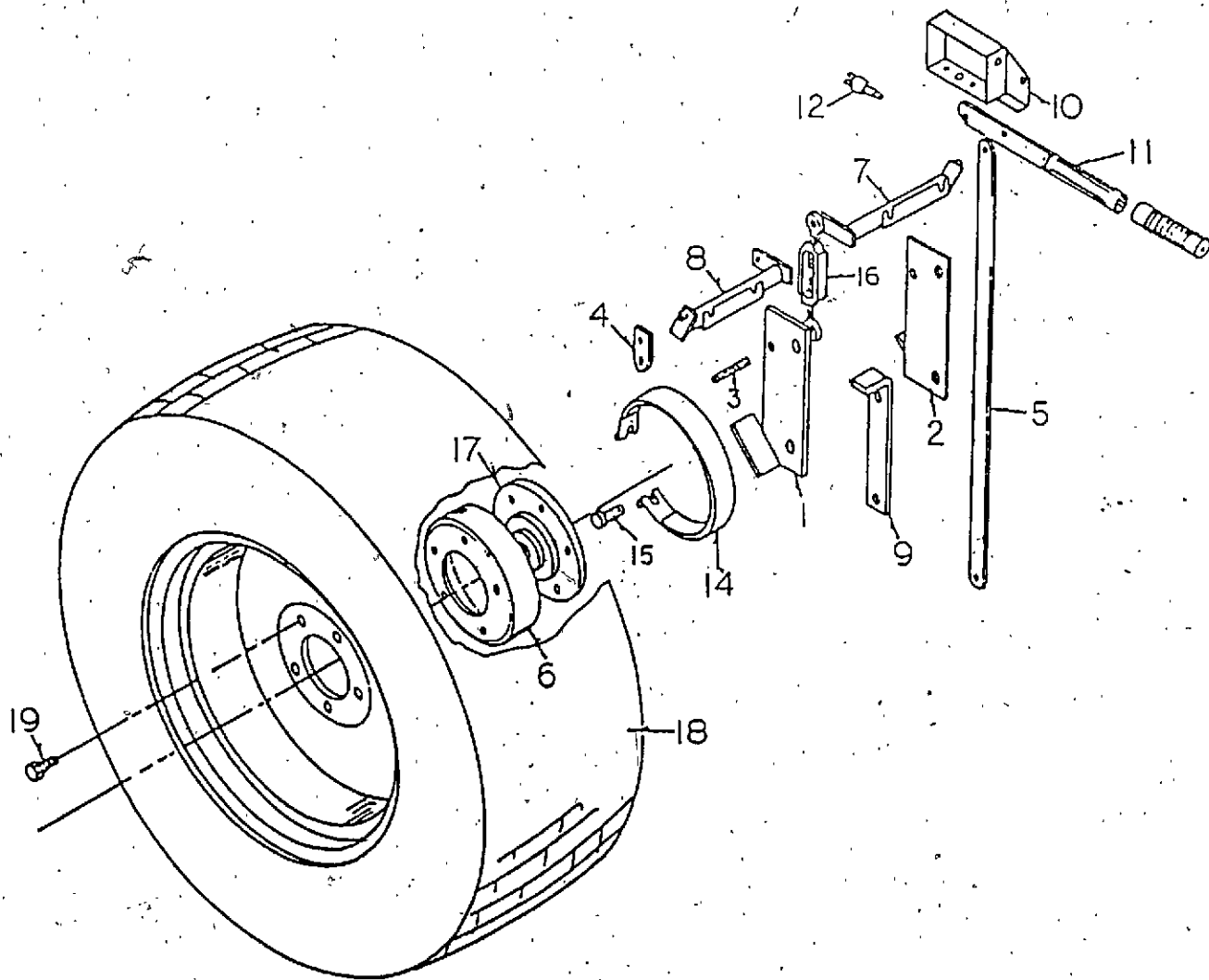
### DUAL TAIL WHEEL

1.	140-0037	1	DUAL TAIL WHEEL MOUNT
2.	230-0008	1	PIVOT AXLE
3.	900-5510	4	1" SET COLLAR
4.	900-3503	6	1" BEARING
5.	230-0004	1	DUAL TAIL WHEEL AXLE
6.	230-0007	2	DUAL TAIL WHEEL FORK
7.	200-0017	2	AXLE
8.	900-4022	2	WHEEL ASSEMBLY
—	900-3505	4	BEARING (WHEEL ASSEMBLY)
9.	900-6133	2	1/2-13 X 6 1/2" BOLT



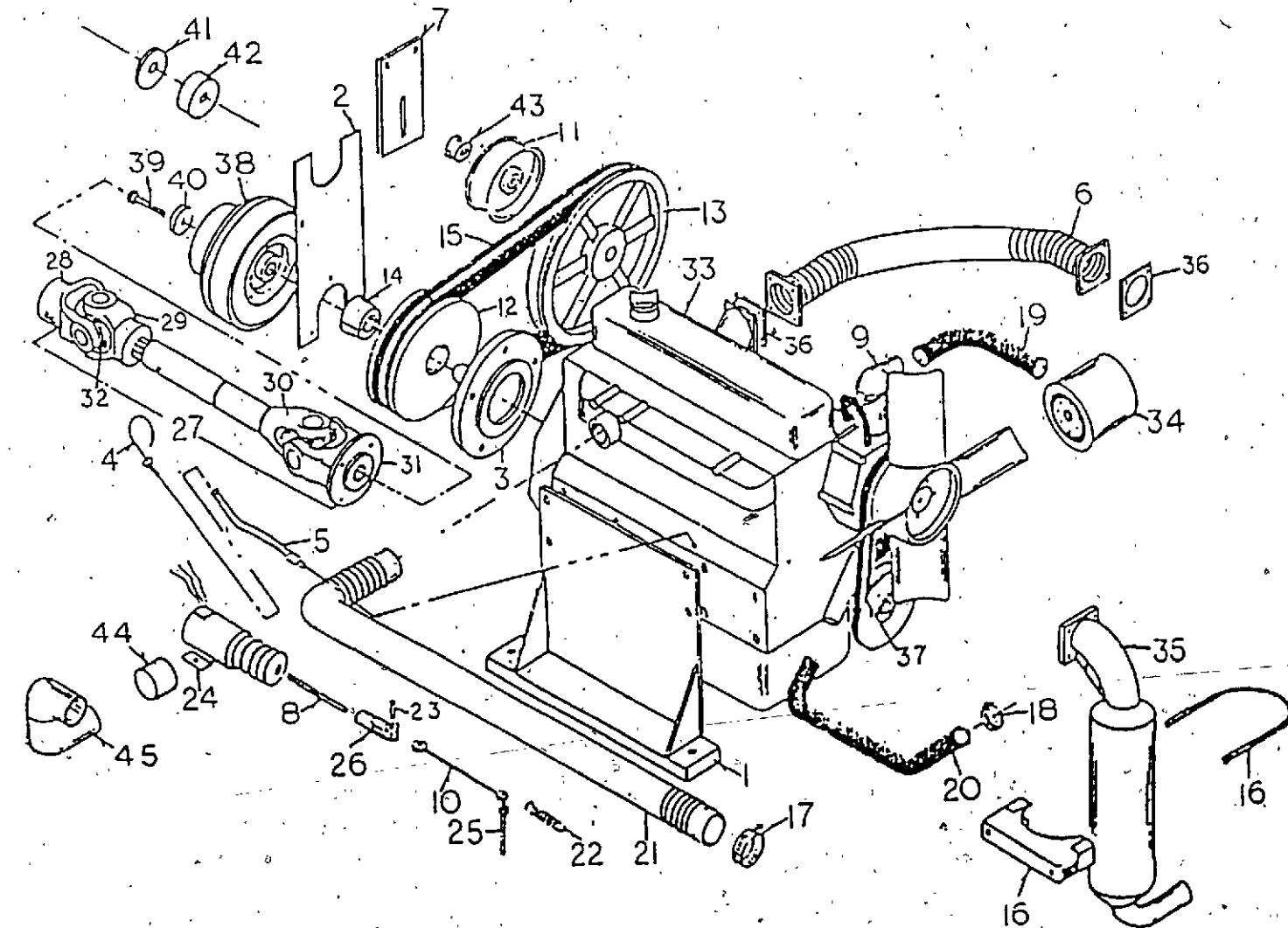
# PARK BRAKE ASSEMBLY

REF. NO.	PART NO.	AMT.	REQ'D DESCRIPTION	REF. NO.	PART NO.	AMT.	REQ'D DESCRIPTION
1.	140-0007	1	BRAKE BAND PLATE R.H.	14.	900-5646	2	BRAKE FLUID
2.	140-0008	1	BRAKE BAND PLATE L.H.	15.	900-5647	2	PIN
3.	140-0009	2	BRAKE BAND PIN	16.	900-5653	2	TURN BUCKLE
4.	140-0010	2	BRAKE BAND LINKAGE	17.	900-4028	2	HUB
5.	140-0013	2	BRAKE LEVER LINKAGE	18.	900-4024	2	WHEEL ASSY. 23 X 8.50 X 12 (G3100-CD)
6.	140-0024	1	BRAKE DRUM	—	900-4029	—	TIRE 23 X 8.50 X 12
7.	140-0029	1	BRAKE BAND ROD L.H.	—	900-4030	—	RIM 12 X 7"
8.	140-0030	1	BRAKE BAND ROD R.H.	18.	900-4025	2	WHEEL ASSY. 23 X 10.50 X 12 (G4200-CD)
9.	140-0031	2	BRAKE BAND STOP	—	900-4031	—	TIRE 23 X 10.50 X 12
10.	240-0017	1	PARK BRAKE MOUNT	—	900-4032	—	RIM 12 X 8.5"
11.	240-0018	1	PARK BRAKE LEVER	19.	900-6105	10	LUG BOLT
12.	900-2046	1	SWITCH				
13.	900-5500	1	HANDLE GRIP				



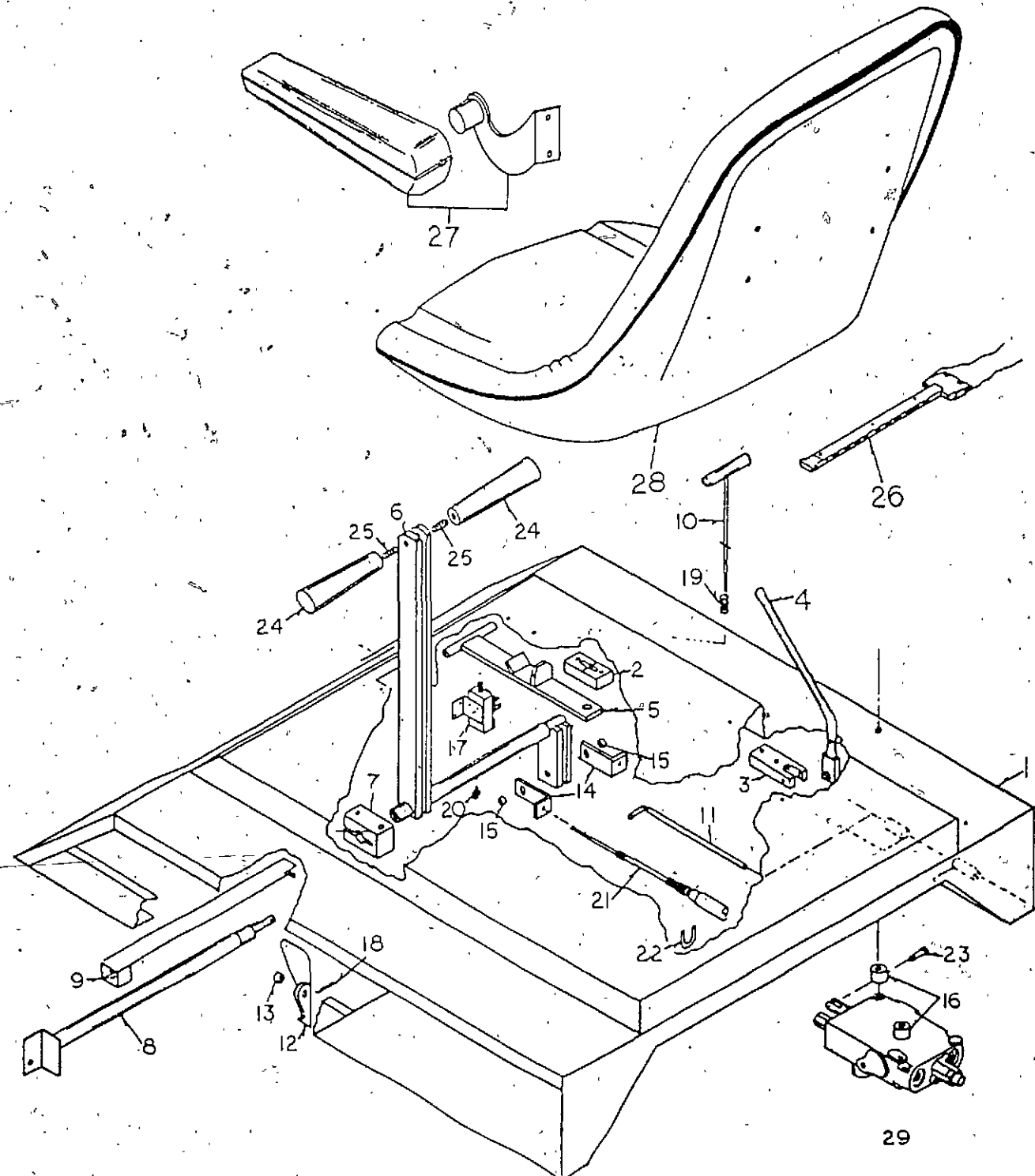
# ENGINE ASSEMBLY

REF. NO.	PART NO.	AMT.	REQ'D DESCRIPTION	REF. NO.	PART NO.	AMT.	REQ'D DESCRIPTION
1.	140-0003	2	MOTOR MOUNT	21.	900-5634	1	AIR INTAKE HOSE
2.	140-0014	1	CLUTCH STOP	22.	900-5501	1	SPRING (DIESEL UNITS ONLY)
3.	140-0018	1	CLUTCH PLATE	23.	900-5626	1	PIN (DIESEL UNIT ONLY)
4.	140-0019	1	DIP STICK	24.	900-2045	1	SOLENOID (DIESEL UNIT ONLY)
5.	140-0020	1	DIP STICK TUBE	25.	900-6033	1	1/4-20x3 STUD (DIESEL UNITS ONLY)
6.	140-0021	1	EXHAUST PIPE	26.	900-5635	1	1/4-28 YOKE END (DIESEL UNITS ONLY)
7.	140-0017	1	PUMP IDLER BRACKET 3 CYL. DIESEL	27.	900-5636	1	DRIVE SHAFT ASS'Y.
7.	140-0038	1	PUMP IDLER BRACKET 4 CYL. DIESEL & 3 CYL. GAS	28.	900-5637	1	YOKE, 1" BORE
8.	140-0011	1	FUEL SHUT OFF STUD 3 CYL. DIESEL	29.	900-5638	1	YOKE, MALE SPLINE
8.	140-0012	1	FUEL SHUT OFF STUD 4 CYL. DIESEL	30.	900-5639	1	YOKE, FEMALE SPLINE
9.	140-0040	1	THERMOSTAT HOUSING	31.	900-5640	1	YOKE, CLUTCH END
10.	900-5518	1	CABLE (DIESEL UNITS ONLY)	32.	900-5641	2	"U" JOINT KIT
11.	900-2501	1	IDLE PULLEY	33.	900-5013	1	KUBOTA D600-B 3 CYL. DIESEL
12.	900-2533	1	DOUBLE PULLEY, 3 CYL. DIESEL	33.	900-5014	1	KUBOTA D800-B 4 CYL. DIESEL
12.	900-2534	1	DOUBLE PULLEY, 4 CYL. DIESEL & 3 CYL. GAS	33.	900-5015	1	KUBOTA WG600-B 3 CYL. GAS
13.	900-2535	1	DOUBLE PULLEY, PUMP	34.	900-7512	1	OIL FILTER
14.	900-2536	1	HUB, SPLIT	35.	900-7513	1	MUFFLER
15.	900-3018	1	DRIVE BELT 4 CYL. DIESEL & 3 CYL. GAS	36.	900-7514	2	EXHAUST GASKET
15.	900-3019	2	DRIVE BELT 3 CYL. DIESEL	37.	900-7515	1	FAN BELT, 3 CYL. DIESEL & GAS
16.	900-5628	1	MUFFLER CLAMP	37.	900-7516	1	FAN BELT, 4 CYL. DIESEL
17.	900-5621	2	HOSE CLAMP LARGE DIESEL UNITS	38.	900-5643	1	CLUTCH
17.	900-5621	3	HOSE CLAMP LARGE GAS UNIT	39.	900-5644	1	CLUTCH BELT
18.	900-5629	4	HOSE CLAMP, SMALL	40.	900-5645	1	CLUTCH WASHER
19.	900-5630	1	TOP RADIATOR HOSE 3 CYL. DIESEL & GAS	41.	200-0015	1	BODY MOUNT WASHER
19.	900-5631	1	TOP RADIATOR HOSE 4 CYL. DIESEL	42.	900-5509	1	RUBBER MOUNT
20.	900-5632	1	BOTTOM RADIATOR HOSE 3 CYL. DIESEL & GAS	43.	300-0016	1	SPACER
20.	900-5633	1	BOTTOM RADIATOR HOSE 4 CYL. DIESEL	44.	900-5687	2	RUBBER BAND (GAS UNIT ONLY)
				45.	900-5688	1	INTAKE AIR HOSE HOOK UP (GAS UNIT ONLY)
				46.	140-0041	1	INTAKE AIR HOSE SUPPORT



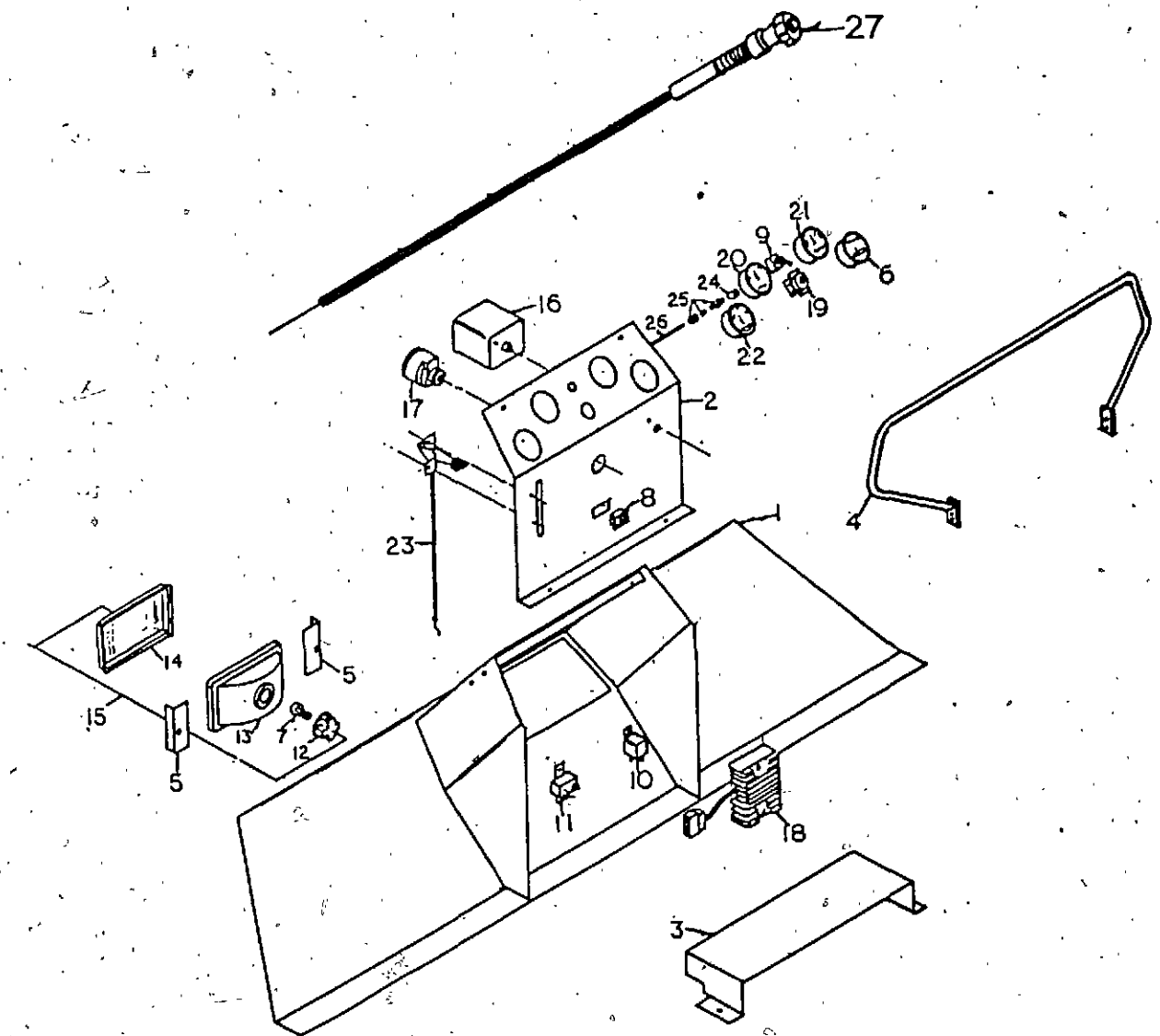
## SEAT LID ASSEMBLY

REF. NO.	PART NO.	AMT. REQ'D	DESCRIPTION	REF. NO.	PART NO.	AMT. REQ'D	DESCRIPTION
1.	240-0005	1	SEAT LID	16.	111-0022	2	SPACER
2.	240-0006	1	LEVER LOCK BLOCK	17.	900-2029	1	SAFETY SWITCH
3.	240-0007	1	DECK LIFT LEVER MOUNT	18.	900-5700	1	SPRING
4.	240-0008	1	DECK LIFT LEVER	19.	900-5674	1	SPRING
5.	240-0009	1	LEVER LOCK	20.	900-5619	1	GREASE ZERK
6.	240-0010	1	STEERING LEVERS	21.	900-5624	2	1/4" STEERING CABLE
7.	240-0011	3	STEERING LEVER BLOCK	22.	900-5625	4	1/4" STEERING CABLE CLAMP
8.	240-0014	1	LID PROP	23.	900-5626	1	PIN
9.	240-0015	1	LID PROP LOCK	24.	900-5627	2	HANDLE
10.	240-0002	1	LEVER LOCK HANDLE	25.	900-6094	2	3/8 STUD
11.	240-0023	2	SEAT LID PIN	26.	900-2001	1	SEAT SWITCH
12.	240-0024	1	SEAT LATCH	27.	GDS-13	1	ARM REST (OPTIONAL)
13.	200-0014	1	BUSHING, STEERING CABLE	28.	900-5648	1	SEAT
14.	140-0023	2	STEERING CABLE ENDS	29.	900-8000	1	HYDRAULIC DECK LIFT
15.	200-0014	3	STEERING CABLE END, BUSHING				



## CONSOLE HOUSING ASSEMBLY

REF. NO.	PART NO.	AMT. REQ'D	DESCRIPTION	REF. NO.	PART NO.	AMT. REQ'D	DESCRIPTION
1.	240-0004	1	CONSOLE HOUSING	16.	900-2052	1	MURPHY SWITCH
2.	240-0013	1	DASH	17.	900-2053	1	IGNITION SWITCH
3.	240-0016	1	TUNNEL	18.	900-2054	1	RECTIFIER REGULATOR
4.	240-0028	1	GRAB BAR	19.	900-2055	1	3 CYL. DIESEL & GAS GLOW PLUG INDICATOR DIESEL ONLY
5.	240-0021	4	LIGHT CLAMP	20.	900-2056	1	OIL GAUGE
6.	900-2023	1	HOUR METER	21.	900-2057	1	TEMPERATURE GAUGE
7.	900-2025	2	LIGHT BULBS	22.	900-2058	1	60 AMP. GAUGE
8.	900-2027	1	LIGHT SWITCH	23.	900-5649	1	THROTTLE CABLE, DIESEL
9.	900-2028	1	P.T.O. SWITCH	24.	900-5682	1	CHOKE CABLE, GAS
10.	900-2037	1	ELECTRIC CLUTCH RELAY	25.	900-5650	1	1/8 PIPE COUPLER
11.	900-2047	1	40 AMP. CIRCUIT BREAKER	26.	900-5651	1	COMPRESSION FITTING
12.	900-2048	2	LIGHT SOCKET	27.	900-5652	1	TUBE
13.	900-2049	2	LAMP	27.	900-5681	1	THROTTLE CABLE, GAS
14.	900-2050	2	LENS				
15.	900-2051	2	LIGHT ASSEMBLY				

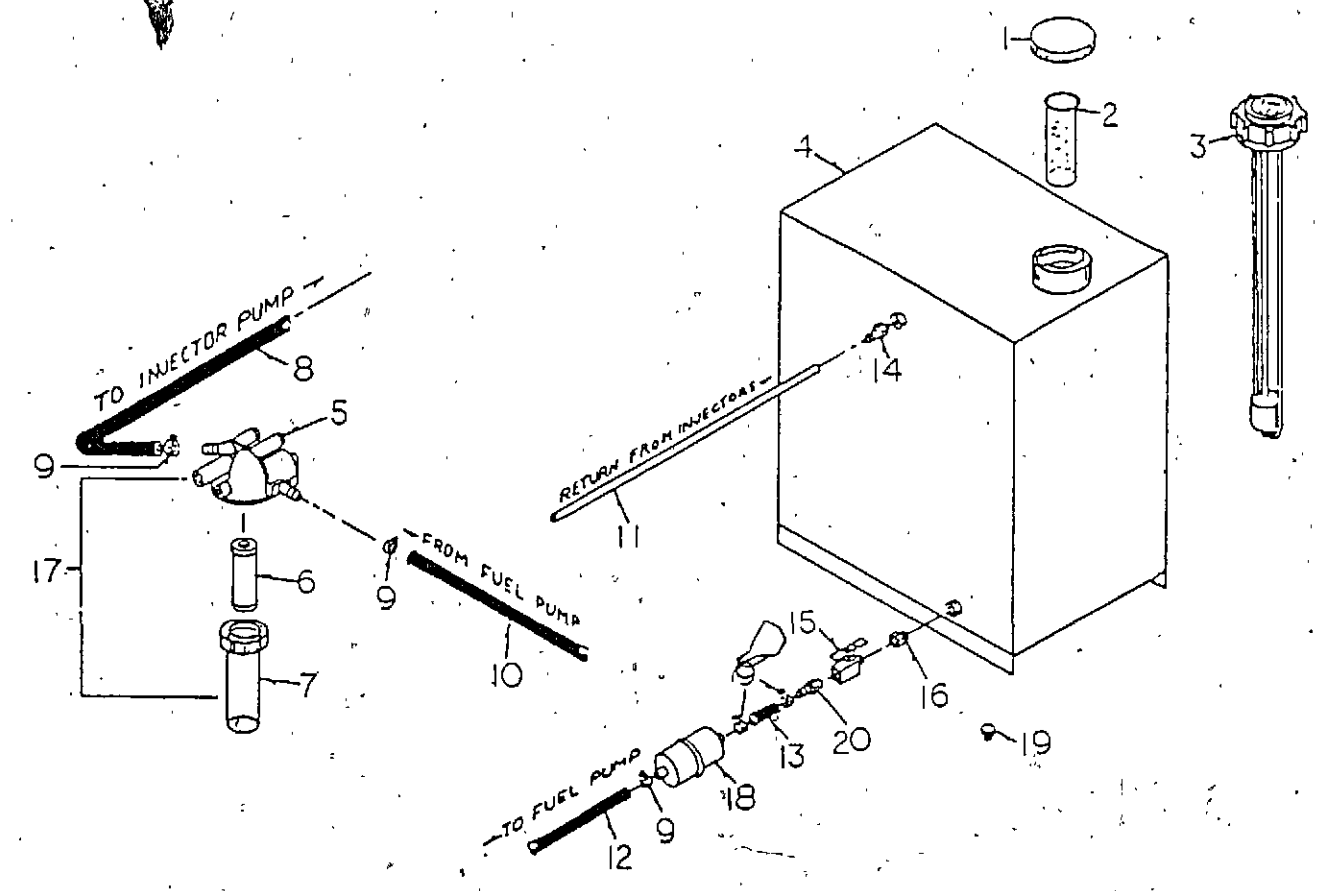
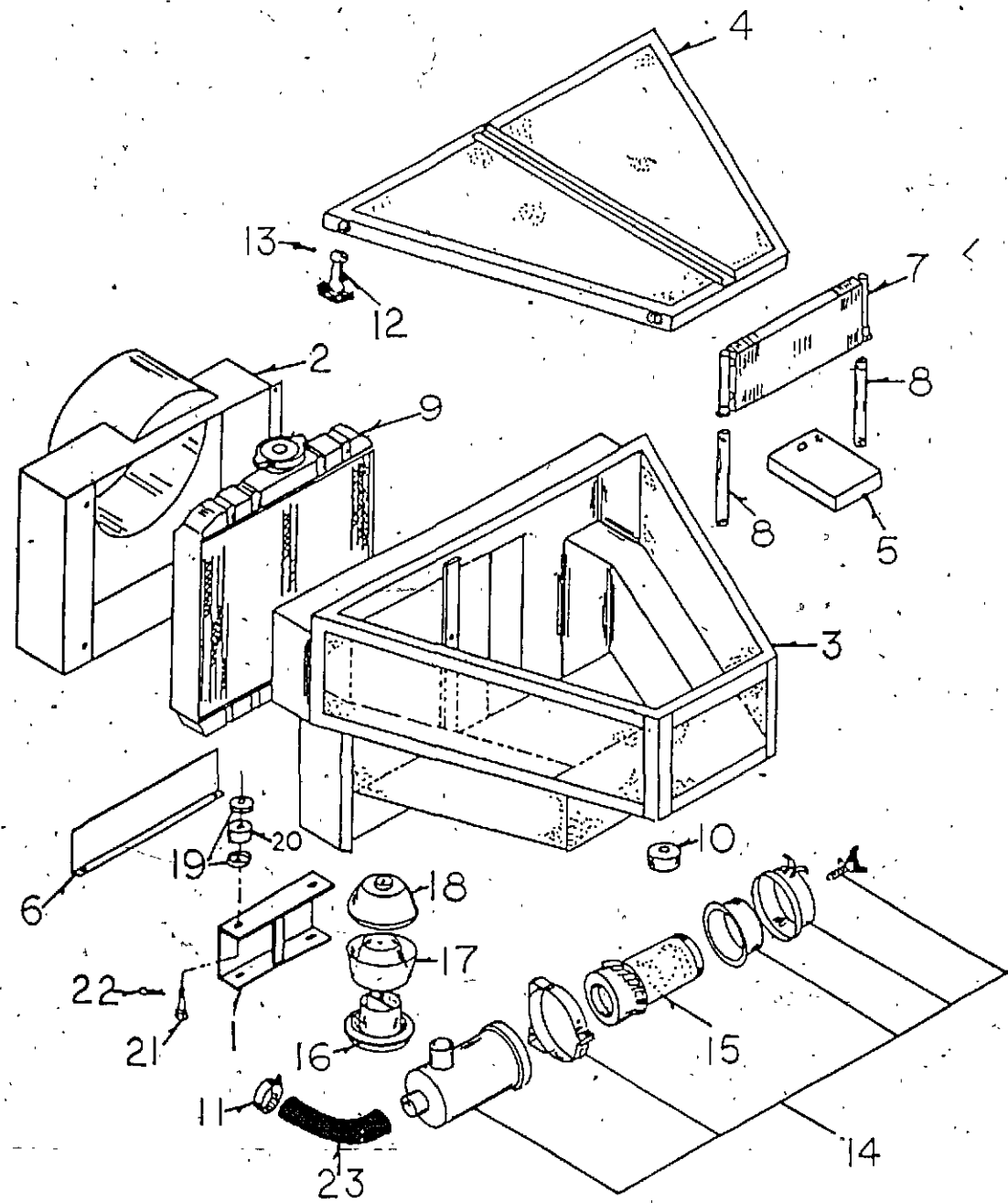


# RADIATOR ASSEMBLY

REF. NO.	PART NO.	AMT.	REQ'D DESCRIPTION	REF. NO.	PART NO.	AMT.	REQ'D DESCRIPTION
1.	140-0006	1	RADIATOR SPACER 3 CYL. ONLY	13.	900-5623	4	PIN, RUBBER HOLD DOWN
2.	140-0015	1	FAN SHROUD 4 CYL.	14.	900-7502	1	AIR CLEANER ASSY
2.	140-0016	1	FAN SHROUD 3 CYL.	15.	900-7503	1	AIR CLEANER ELE.
3.	140-0026	1	AIR INTAKE, RADIATOR	16.	900-7504	1	PRE CLEANER BASE
4.	140-0027	1	AIR INTAKE, LID	17.	900-7505	1	PRE CLEANER BOWL
5.	140-0028	1	AIR INTAKE, AXLE COVER	18.	900-7506	1	PRE CLEANER LID
6.	140-0039	1	FILL PLATE, 3 CYL.	19.	900-7507	4	RUBBER PAD WASH.
7.	900-8001	1	OIL COOLER	20.	900-7508	2	RUBBER PAD
8.	900-8002	2	1/2" PIPE NIPPLE	21.	900-7509	2	RADIATOR BOLTS
9.	900-7500	1	4 CYL. RADIATOR	22.	900-7510	2	HAIR PINS, RAD. BOLTS
9.	900-7501	1	3 CYL. RADIATOR	23.	900-7511	1	HOSE, AIR CLEANER
10.	900-5509	1	RUBBER MOUNT				
11.	900-5621	2	HOSE CLAMP 1" to 2"				
12.	900-5622	4	RUBBER HOLD DOWN				

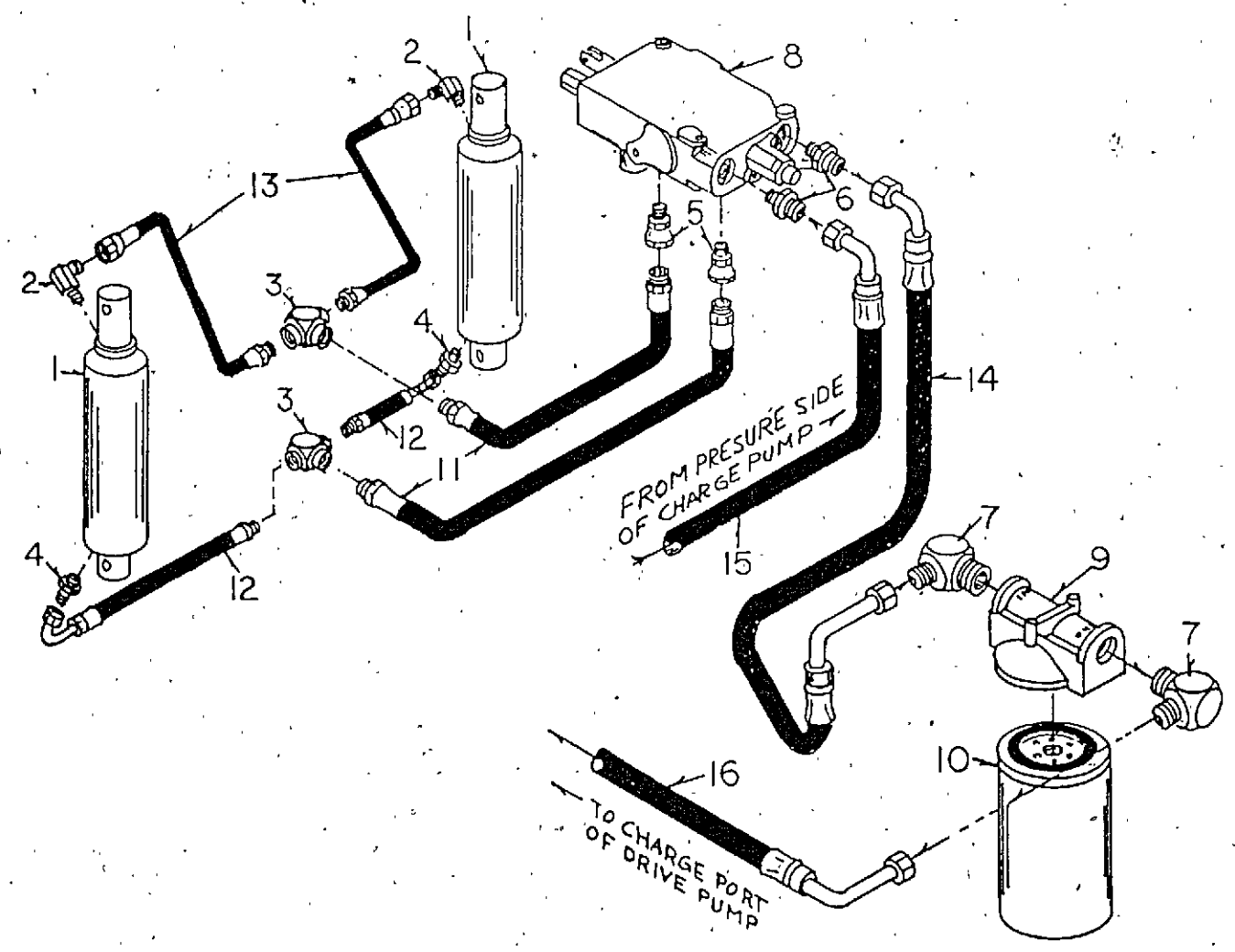
# FUEL TANK ASSEMBLY

REF. NO.	PART NO.	AMT.	REQ'D DESCRIPTION	REF. NO.	PART NO.	AMT.	REQ'D DESCRIPTION
1.	900-5670	1	CAP, FUEL TANK	11.	900-5663	1	HOSE, 3/16 FUEL RETURN
2.	900-5669	1	SCREEN, FUEL TANK	12.	900-5665	1	HOSE, 5/16 FUEL 30"
3.	900-5671	1	CAP W/GAUGE, FUEL TANK	13.	900-5664	1	HOSE, 5/16 FUEL 2"
4.	240-0020	1	FUEL TANK	14.	900-5656	1	1/8 MALE PIPE, 3/16 BARB
5.	900-7514	1	BODY, FUEL FILTER	15.	900-5655	1	1/8 SHUT OFF VALVE
6.	900-7516	1	ELEMENT, FUEL FILTER	16.	900-5654	1	1/8 PIPE BRASS, ADP
7.	900-7515	1	BOWL, FUEL FILTER	17.	900-7513	1	FILTER ASSY, FUEL
8.	900-5667	1	HOSE, 5/16 FUEL 11"	18.	900-5668	1	5/16 INLINE FUEL FILTER
9.	900-5657	9	3/8" HOSE CLAMP	19.	900-5668	1	1/8" PIPE PLUG
10.	900-5666	1	HOSE, 5/16 FUEL 20"	20.	900-5662	1	1/8 MALE PIPE, 5/16 BARB



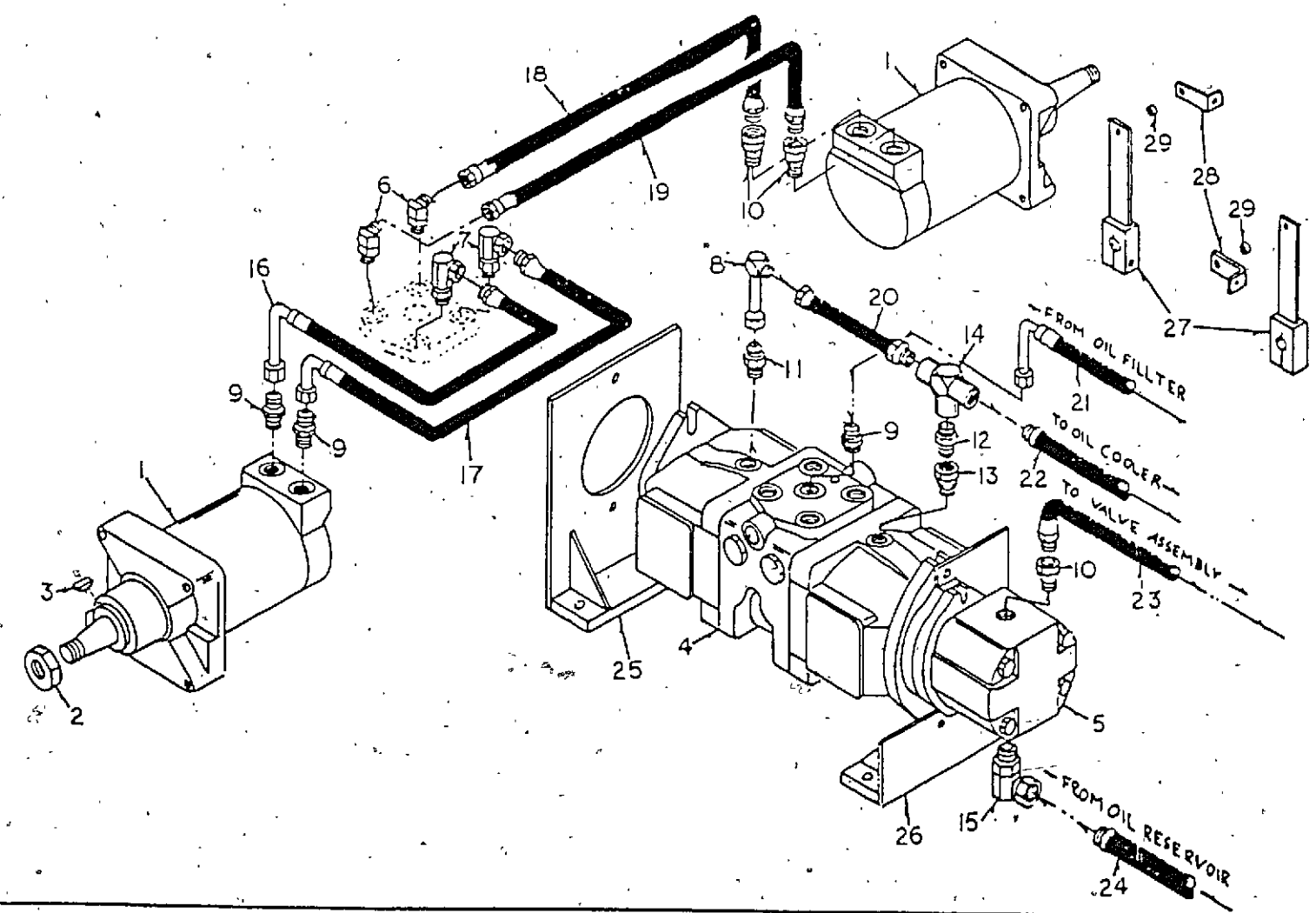
# LIFT CYLINDER, VALVE & FILTER ASSEMBLY

REF. PART NO.	AMT. REQ'D	DESCRIPTION	REF. PART NO.	AMT. REQ'D	DESCRIPTION
1.	2	LIFT CYLINDER	8.	1	VALVE ASSEMBLY
2.	2	MALE TUBE, 45° ADJ O-RING ADP	9.	1	HOUSING, OIL FILTER
3.	2	FEMALE PIPE TEE	10.	1	FILTER ELEMENT
4.	2	MALE TUBE, MALE O-RING ADP	11.	2	HOSE 3/8 ID X 48 LONG
5.	2	MALE O-RING, FEMALE SWIVEL ADP	12.	2	HOSE 1/4 ID X 12 LONG
6.	2	MALE TUBE, MALE O-RING ADP	13.	2	HOSE 1/4 ID X 15 1/2 LONG
7.	2	MALE TUBE, 90° MALE PIPE ADP	14.	1	HOSE 1/2 ID X 23 1/2 LONG
			15.	1	HOSE 1/2 ID X 23 1/2 LONG
			16.	1	HOSE 1/2 ID X 35 1/2 LONG



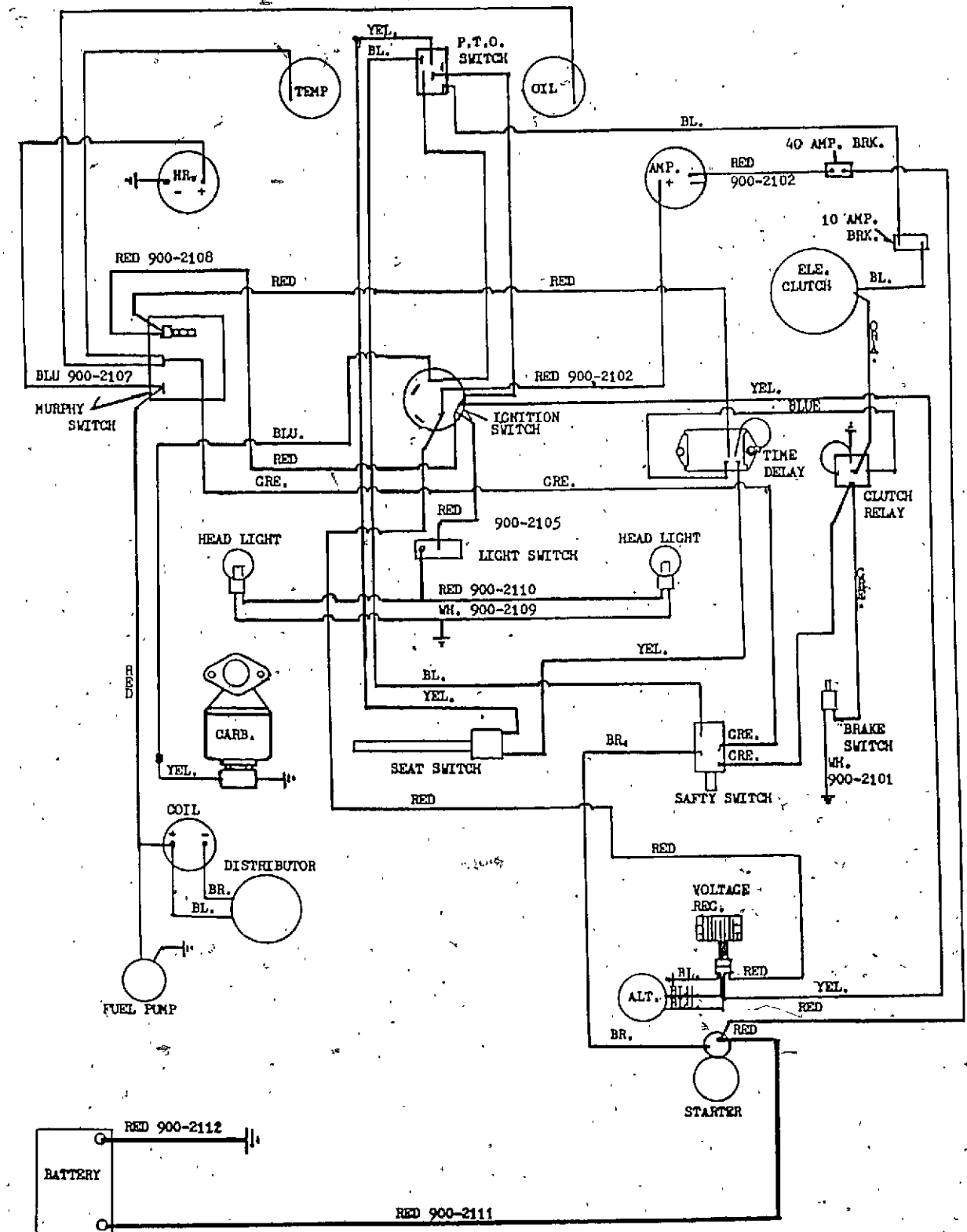
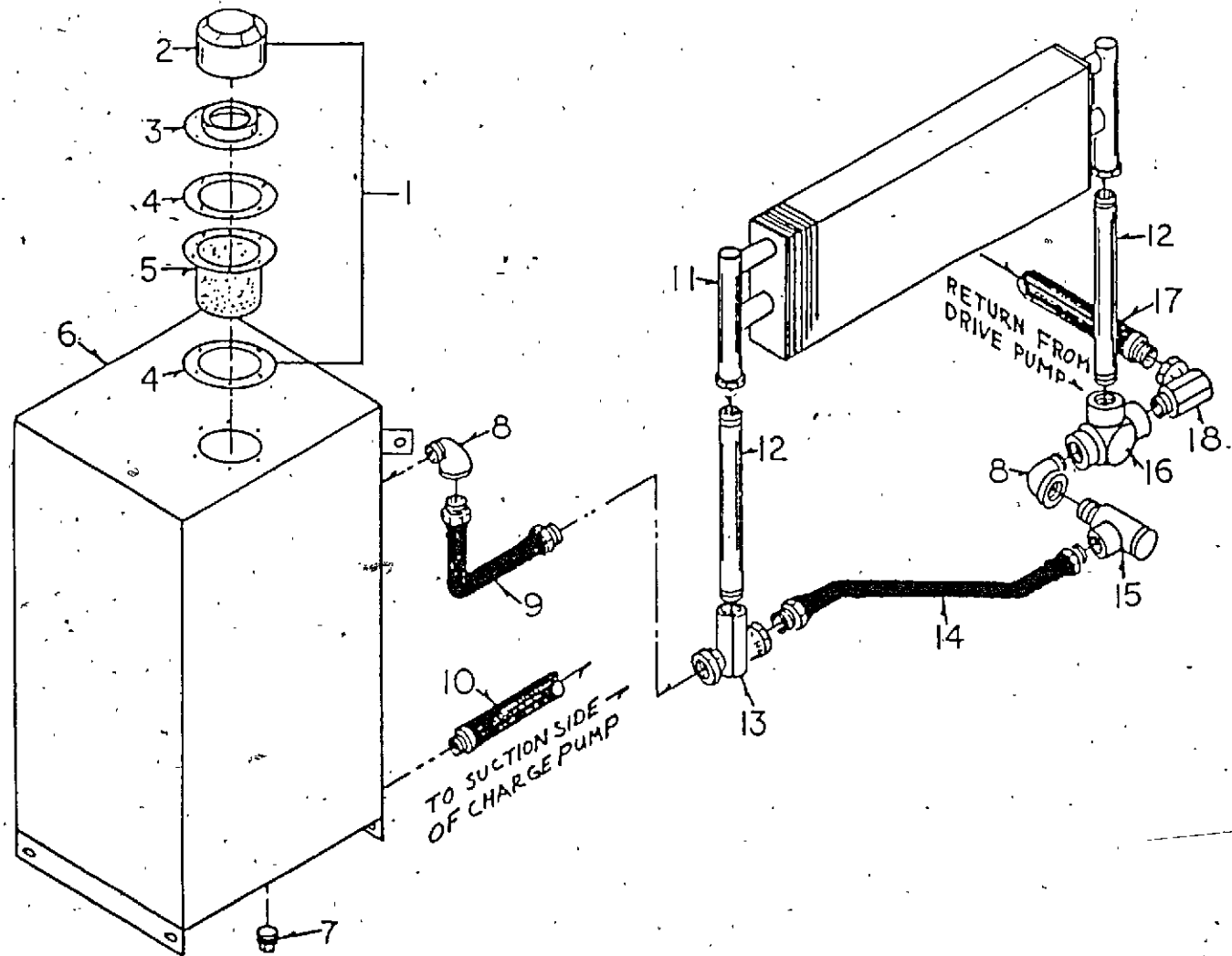
# WHEEL MOTOR & PUMP ASSEMBLY

REF. PART NO.	AMT. REQ'D	DESCRIPTION	REF. PART NO.	AMT. REQ'D	DESCRIPTION
1.	2	WHEEL MOTOR	15.	1	ADJ O-RING, 90° FEMALE PIPE SWIVEL ADP
2.	2	WHEEL MOTOR NUT	16.	1	HOSE 1/2 ID X 42 LONG, LONG DROP
3.	2	KEY	17.	1	HOSE 1/2 ID X 42 LONG, SHORT DROP
4.	1	HYDRAULIC PUMP WITH CHARGE PUMP	18.	1	HOSE 1/2 ID X 12 1/2 LONG
4.	1	HYDRAULIC PUMP WITHOUT CHARGE PUMP	19.	1	HOSE 1/2 ID X 16 LONG
5.	1	CHARGE PUMP	20.	1	HOSE 1/2 ID X 5 1/2 EASY COUPLE
6.	2	MALE TUBE, 45° ADJ O-RING ADP	21.	1	HOSE 1/2 ID X 35 1/2 LONG
7.	2	ADJ O-RING, 90° FEMALE PIPE SWIVEL ADP	22.	1	HOSE 1/2 ID X 22 1/2 EASY COUPLE
8.	1	MALE TUBE, 90° FEMALE SWIVEL ADP	23.	1	HOSE 1/2 ID X 23 1/2 LONG
9.	3	MALE TUBE, MALE O-RING ADP	24.	1	HOSE 3/4 ID X 32 LONG EASY COUPLE
10.	3	MALE O-RING, FEMALE PIPE SWIVEL ADP	25.	1	FRONT PUMP MOUNT
11.	1	MALE TUBE, MALE O-RING ADP	26.	1	BACK PUMP MOUNT
12.	1	MALE PIPE NIPPLE	27.	2	STEERING ARM
13.	1	MALE O-RING, FEMALE PIPE SWIVEL ADP	28.	2	STEERING CABLE END
14.	1	FEMALE PIPE TEE	29.	2	BUSHING, CABLE END



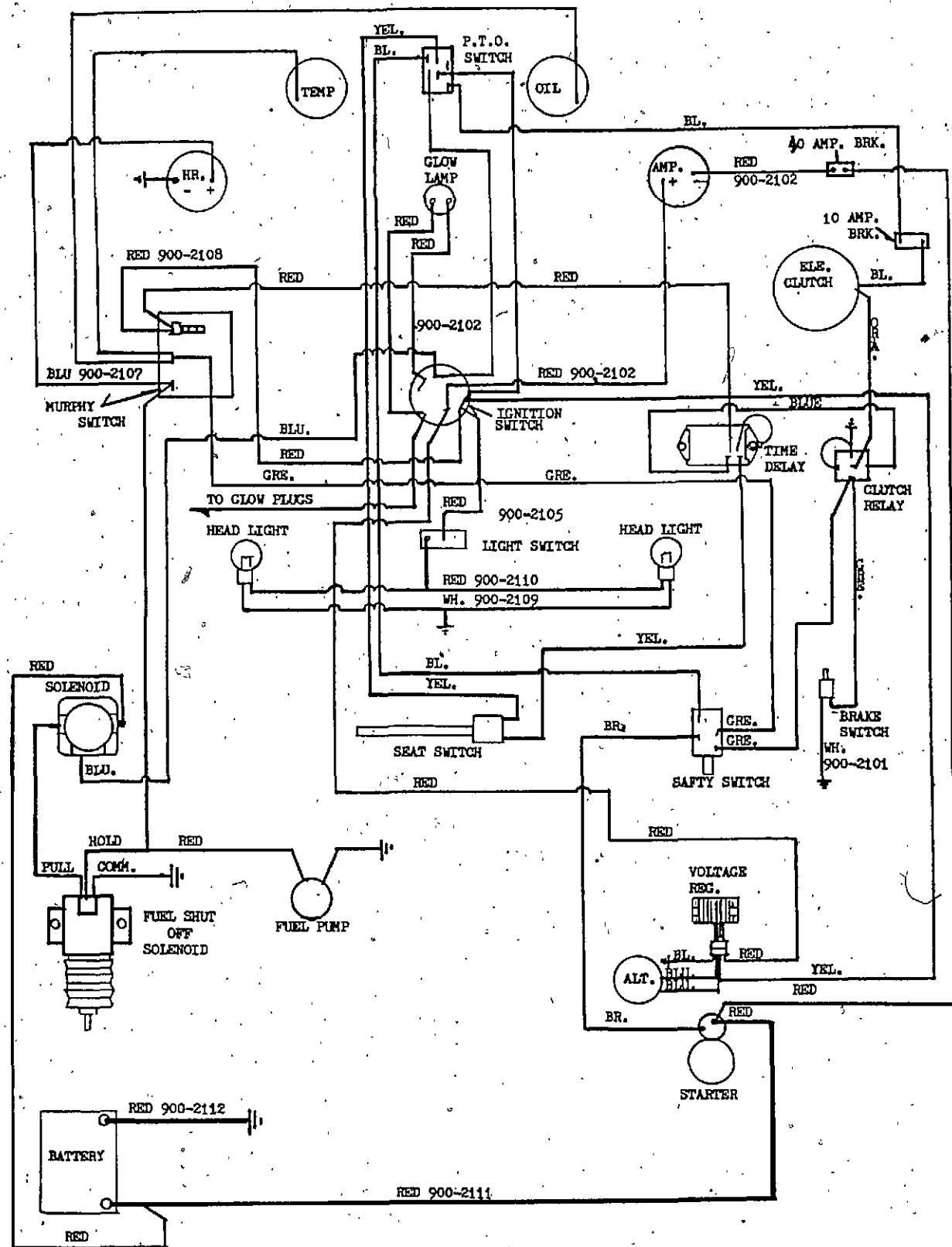
# OIL COOLER & OIL RESERVOIR ASSEMBLY

REF. NO.	PART NO.	AMT.	REQ'D DESCRIPTION	REF. NO.	PART NO.	AMT.	REQ'D DESCRIPTION
1.	900-8046	1	HYDRAULIC FILL CAP ASSEMBLY	12.	900-8002	2	1/2" PIPE NIPPLE X 10"
2.	900-8045	1	BREATHER CAP	13.	900-8009	1	FEMALE PIPE, FEMALE PIE SWIVEL TEE
3.	900-8044	1	FILL NECK	14.	900-8037	1	HOSE 1/2 ID X 10% EASY COUPLE
4.	900-8043	2	GASKET	15.	900-8023	1	RELIEF VALVE
5.	900-8042	1	STRAINER	16.	900-8012	1	FEMALE PIPE TEE
6.	240-0019	1	OIL RESERVOIR	17.	900-8038	1	HOSE 1/2 ID X 22 1/2 EASY COUPLE
7.	900-8024	1	3/8 PLUG				
8.	900-8022	2	1/2 ELBOW				
9.	900-8036	1	HOSE 1/2 ID X 9 EASY COUPLE				
10.	900-8039	1	HOSE 3/4 ID X 32 EASY COUPLE				
11.	900-8001	1	OIL COOLER				



WIRING DIAGRAM (3 CYLINDER GAS)

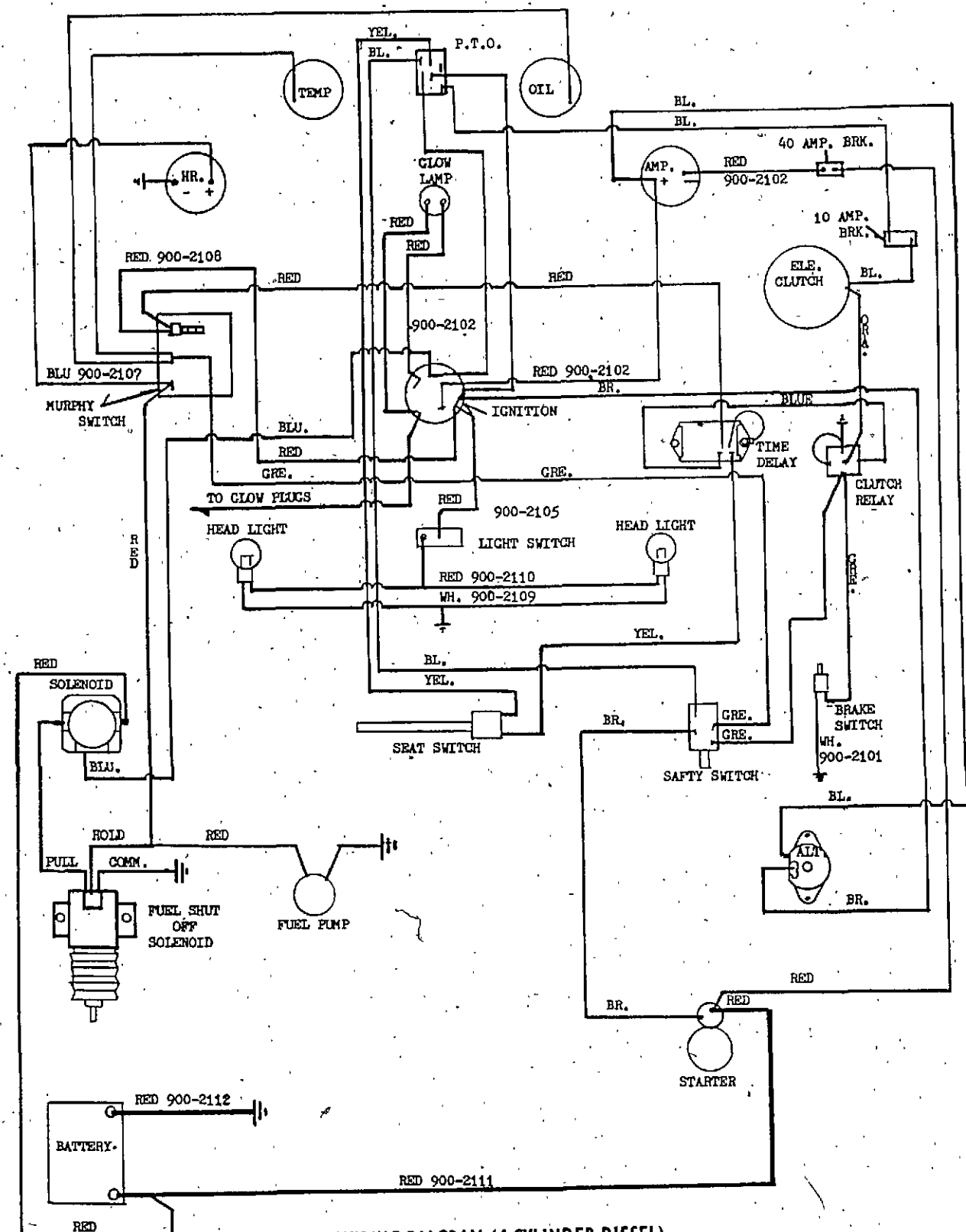
PART NO.	AMT. REQ'D	DESCRIPTION	PART NO.	AMT. REQ'D	DESCRIPTION
900-2001	1	SEAT SWITCH	900-2052	1	MURPHY SWITCH
900-2023	1	HOUR METER	900-2053	1	IGNITION SWITCH
900-2027	1	LIGHT SWITCH	900-2054	1	VOLTAGE REGULATOR
900-2028	1	P.T.O. SWITCH	900-2056	1	OIL GAUGE
900-2029	1	SAFETY SWITCH	900-2057	1	TEMP. GAUGE
900-2037	1	ELE. CLUTCH RELAY	900-2058	1	60 AMP. GAUGE
900-2043	1	BATTERY	900-2059	1	FUEL PUMP
900-2044	1	10 AMP. BREAKER	900-2113	1	MAIN WIRING HARNESS
900-2046	1	BRAKE SWITCH	900-2114	1	TIME DELAY
900-2047	1	30 AMP. BREAKER	900-5643	1	CLUTCH
900-2051	2	LIGHT ASSEMBLY			



WIRING DIAGRAM (3 CYLINDER DIESEL)

PART NO.	AMT. REQ'D	DESCRIPTION
900-2001	1	SEAT SWITCH
900-2005	1	SOLENOID
900-2023	1	HOURL METER
900-2027	1	LIGHT SWITCH
900-2028	1	P.T.O. SWITCH
900-2029	1	SAFTY SWITCH
900-2037	1	ELE. CLUTCH RELAY
900-2043	1	BATTERY
900-2044	1	10 AMP. BREAKER
900-2045	1	FUEL SHUT OFF SOLENOID
900-2046	1	BRAKE SWITCH
900-2047	1	30 AMP. BREAKER

PART NO.	AMT. REQ'D	DESCRIPTION
900-2051	2	LIGHT ASSEMBLY
900-2052	1	MURPHY SWITCH
900-2053	1	IGNITION SWITCH
900-2054	1	VOLTAGE REGULATOR
900-2055	1	GLOW PLUG INDICATOR
900-2056	1	OIL GAUGE
900-2057	1	TEMP. GAUGE
900-2058	1	60 AMP. GAUGE
900-2059	1	FUEL PUMP
900-2113	1	MAIN WIRING HARDNESS
900-2114	1	TIME DELAY
900-5643	1	CLUTCH



WIRING DIAGRAM (4 CYLINDER DIESEL)

PART NO.	AMT. REQ'D	DESCRIPTION
900-2001	1	SEAT SWITCH
900-2005	1	SOLENOID
900-2023	1	HOURL METER
900-2027	1	LIGHT SWITCH
900-2028	1	P.T.O. SWITCH
900-2029	1	SAFTY SWITCH
900-2037	1	ELE. CLUTCH RELAY
900-2043	1	BATTERY
900-2044	1	10 AMP. BREAKER
900-2045	1	FUEL SHUT OFF SOLENOID
900-2046	1	BRAKE SWITCH
900-2047	1	30 AMP. BREAKER

PART NO.	AMT. REQ'D	DESCRIPTION
900-2051	2	LIGHT ASSEMBLY
900-2052	1	MURPHY SWITCH
900-2053	1	IGNITION SWITCH
900-2055	1	GLOW PLUG INDICATOR
900-2056	1	OIL GAUGE
900-2057	1	TEMP. GAUGE
900-2058	1	60 AMP. GAUGE
900-2059	1	FUEL PUMP
900-2100	1	MAIN WIRING HARDNESS
900-2114	1	TIME DELAY
900-5643	1	CLUTCH



## Tractor Decals

These decals have been placed on the tractor to instruct the operator and to warn of safety hazards. It is very important that they be in place and visible at all times. Replace damaged or missing decals immediately! Order by the part numbers shown below.

**OPERATION OF CONTROLS**

**CAUTION! READ OPERATING MANUAL BEFORE OPERATING THIS MACHINE**

CONTROL THE SPEED THROUGH THE USE OF TRANSMISSION CONTROL ONLY

	:	FORWARD	:	
	:	NEUTRAL	:	
	:	REVERSE	:	

900 5541

G9005541



G9005548

**CAUTION**

THIS MACHINE HAS AN IGNITION INTER-LOCK SAFETY SYSTEM. ALL CONTROLS MUST BE IN NEUTRAL BEFORE THE ENGINE WILL START.

900 5543

G9005543

**HYDRAULIC OIL**

P N 900 5672

G9005672

**CAUTION**

WHEN MOWING OR TRANSPORTING KEEP HYDRAULIC VALVE IN FLOAT POSITION!

900 5673

G9005673

**DIESEL FUEL ONLY**

P/N 900-5671

G9005671



Grazer Logo  
G9005611

# INGERSOLL

Ingersoll Equipment Co., Inc.



## GROUNDS MOWERS

### 1988, 1989 MODELS

**G3100CD, G3200C, G4200CD  
LIQUID COOLED MOWERS  
(S/N 08-08-0001 TO 09-08-1181)**

### Parts List

#### TABLE OF CONTENTS

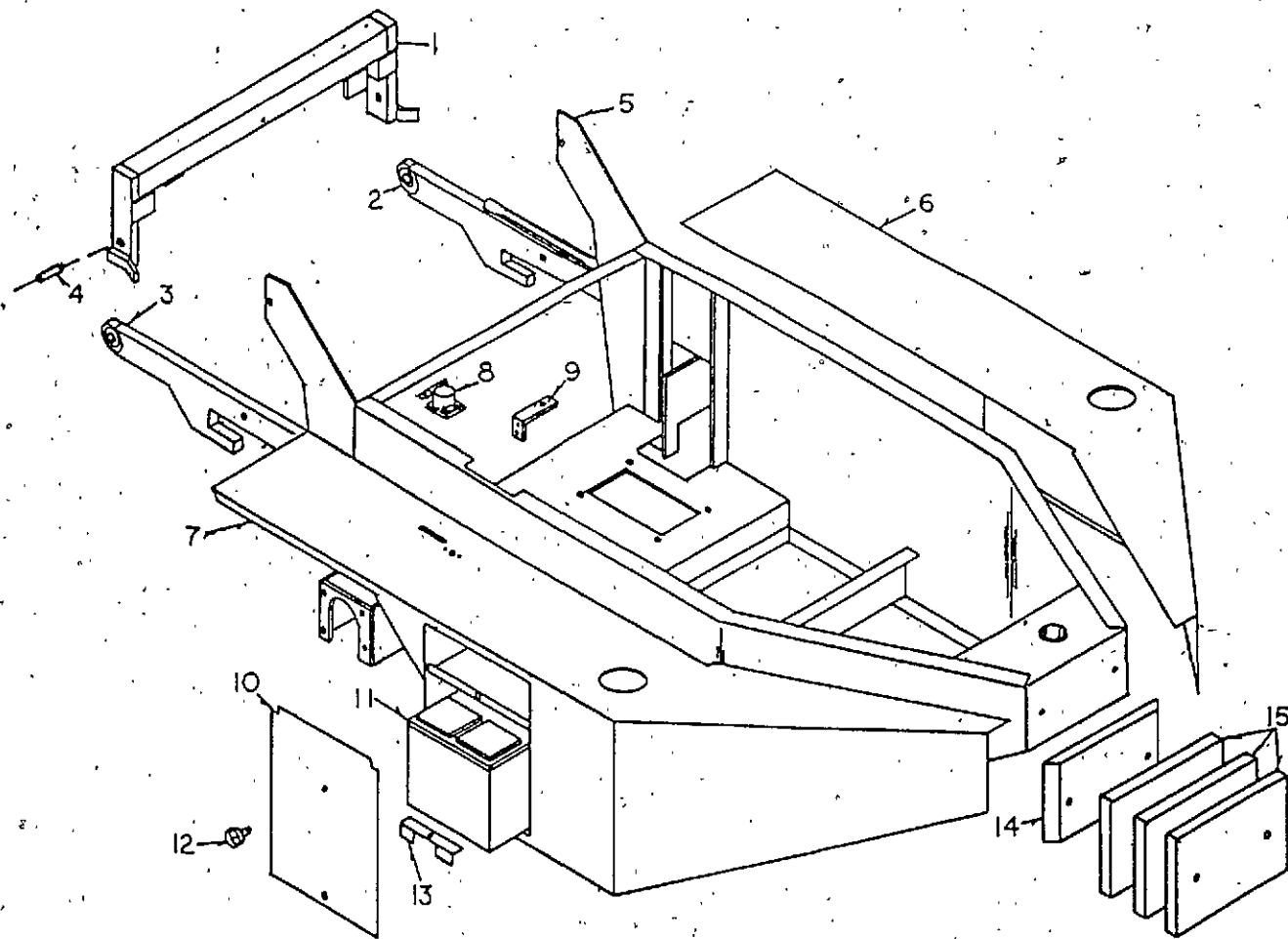
FRAME .....	C3
TAIL WHEEL .....	C4
PARKING BRAKE .....	C5
ENGINE .....	C6
SEAT AND LID .....	C7
CONSOLE .....	C8
RADIATOR .....	C9
FUEL TANK .....	C10
LIFT CYLINDER .....	C11
WHEEL MOTOR AND PUMP .....	C12
OIL COOLER .....	C13
WIRING DIAGRAM .....	C14-D2
DECALS .....	D3



Grazer Division, Ingersoll Equipment Company  
Winneconne, WI 54986

## FRAME ASSEMBLY

REF. NO.	PART NO.	AMT. REQ'D	DESCRIPTION	REF. NO.	PART NO.	AMT. REQ'D	DESCRIPTION
1.	140-0005	1	LIFT BAR	9.	140-0022	1	THROTTLE BRACKET
2.	140-0033	1	DECK LIFT ARM R.H.	10.	240-0032	1	BATTERY BOX LID
3.	140-0034	1	DECK LIFT ARM L.H.	11.	900-2043	1	BATTERY
4.	140-0036	2	LIFT BAR BUSHING	12.	900-5522	2	DZUS FASTENER
5.	140-0044	1	FRAME	13.	240-0027	1	BATTERY HOLD DOWN
6.	240-0031	1	FENDER R.H.	14.	240-0022	1	TAIL CAP
7.	240-0030	1	FENDER L.H.	15.	140-0035	3	TAIL WEIGHT
8.	900-2005	1	SOLENOID				



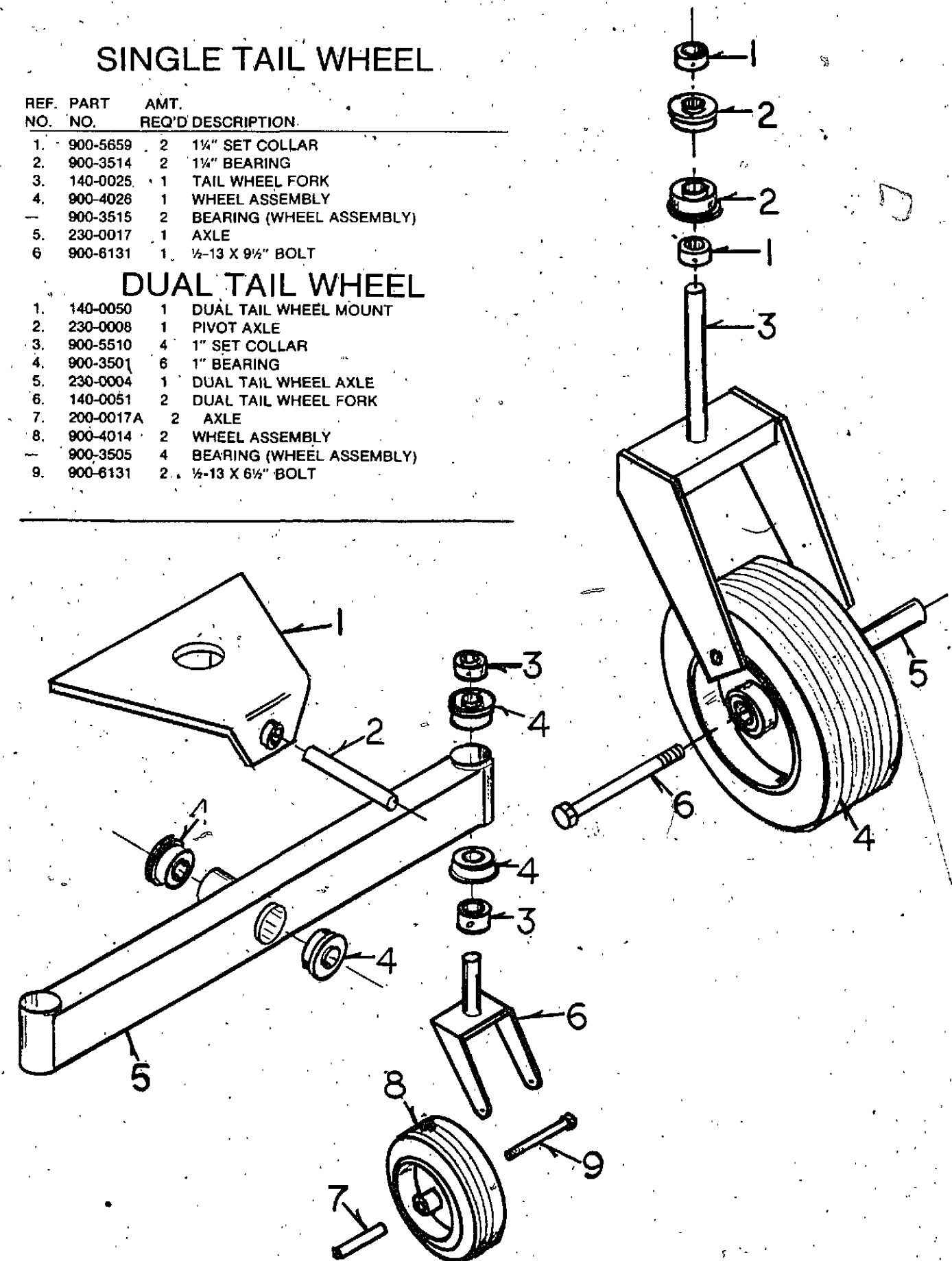
## SINGLE & DUAL TAIL WHEEL ASSEMBLY

### SINGLE TAIL WHEEL

REF. NO.	PART NO.	AMT. REQ'D	DESCRIPTION
1.	900-5659	2	1 1/4" SET COLLAR
2.	900-3514	2	1 1/4" BEARING
3.	140-0025	1	TAIL WHEEL FORK
4.	900-4026	1	WHEEL ASSEMBLY
5.	900-3515	2	BEARING (WHEEL ASSEMBLY)
6.	230-0017	1	AXLE
7.	900-6131	1	1/2-13 X 9 1/2" BOLT

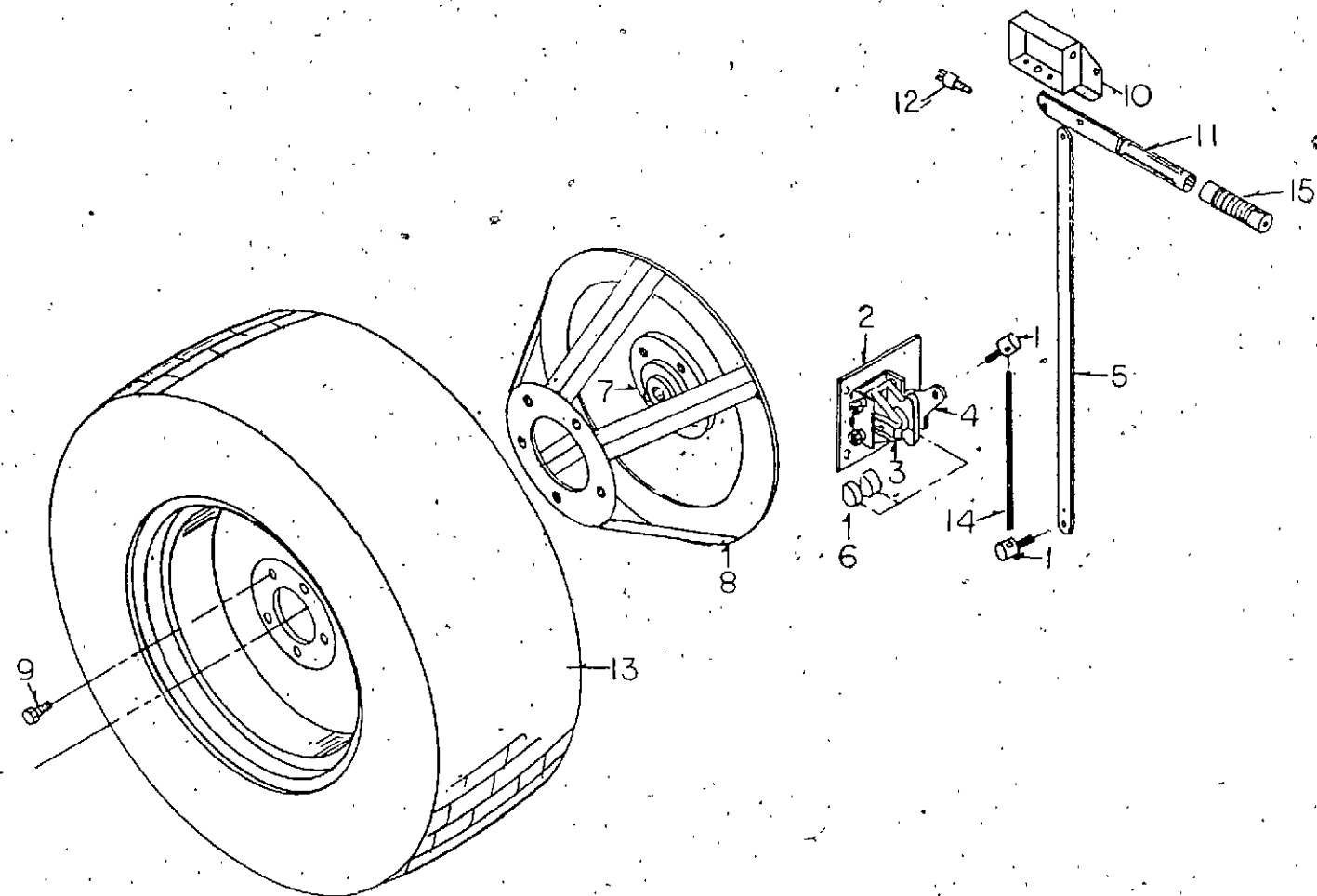
### DUAL TAIL WHEEL

REF. NO.	PART NO.	AMT. REQ'D	DESCRIPTION
1.	140-0050	1	DUAL TAIL WHEEL MOUNT
2.	230-0008	1	PIVOT AXLE
3.	900-5510	4	1" SET COLLAR
4.	900-3501	6	1" BEARING
5.	230-0004	1	DUAL TAIL WHEEL AXLE
6.	140-0051	2	DUAL TAIL WHEEL FORK
7.	200-0017A	2	AXLE
8.	900-4014	2	WHEEL ASSEMBLY
9.	900-3505	4	BEARING (WHEEL ASSEMBLY)
10.	900-6131	2	1/2-13 X 6 1/2" BOLT



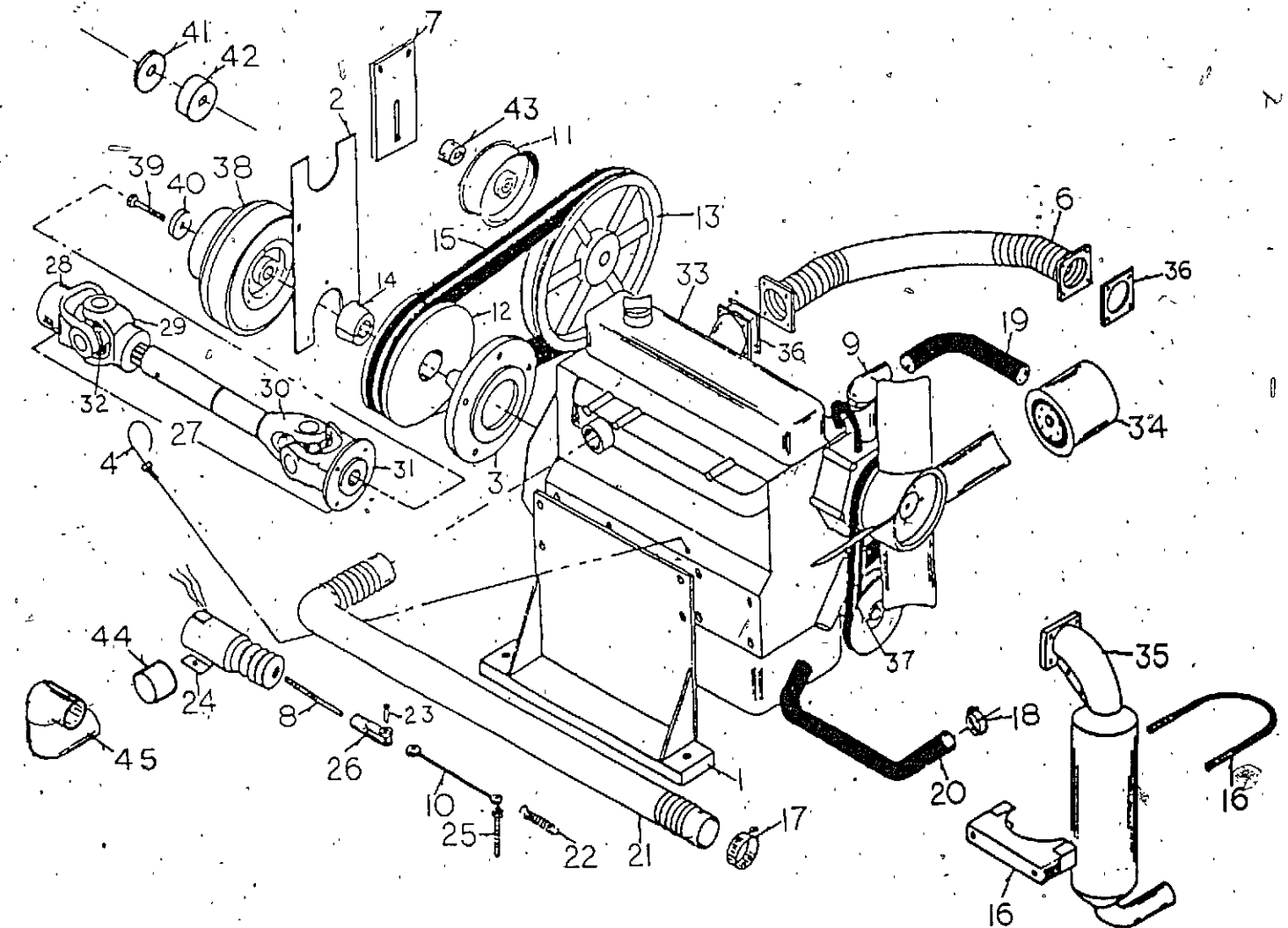
# PARK BRAKE ASSEMBLY

REF. NO.	PART NO.	AMT. REQ'D	DESCRIPTION	REF. NO.	PART NO.	AMT. REQ'D	DESCRIPTION
1.	111-0014	4	CALIPER ROD COLLAR	11.	240-0033	1	PARK BRAKE LEVER
2.	140-0049	2	BRAKE CALIPER BRACKET	12.	900-2046	1	SWITCH
3.	900-5564	2	BRAKE CALIPER	13.	900-4025	2	WHEEL ASSY 23 x 10.50-12
4.	900-5565	1	CALIPER LEVER LH (Shown)		900-4031	—	TIRES 23 x 10.50-12
4.	900-5566	1	CALIPER LEVER RH		900-4032	—	RIM 12" x 8.5"
5.	140-0013	1	BRAKE LEVER LINKAGE	13.	900-4024	—	WHEEL ASSY 23 x 8.50-12 (Use with 52" Deck)
6.	900-5567	—	BRAKE PUCK (Set of 2)		900-4029	—	TIRE 23 x 8.50-12
7.	900-4034	2	5 BOLT WHEEL HUB (1 1/4" Shaft)		900-4030	—	RIM 12" x 7"
8.	140-0047	2	BRAKE DISC	14.	140-0048	2	LINKAGE BOLT, BRAKE CALIPER
9.	900-6105	10	LUG BOLT, 7/16-20 x 3/4"	15.	900-5500	1	HANDLE GRIP
10.	240-0029	1	PARK BRAKE MOUNT				



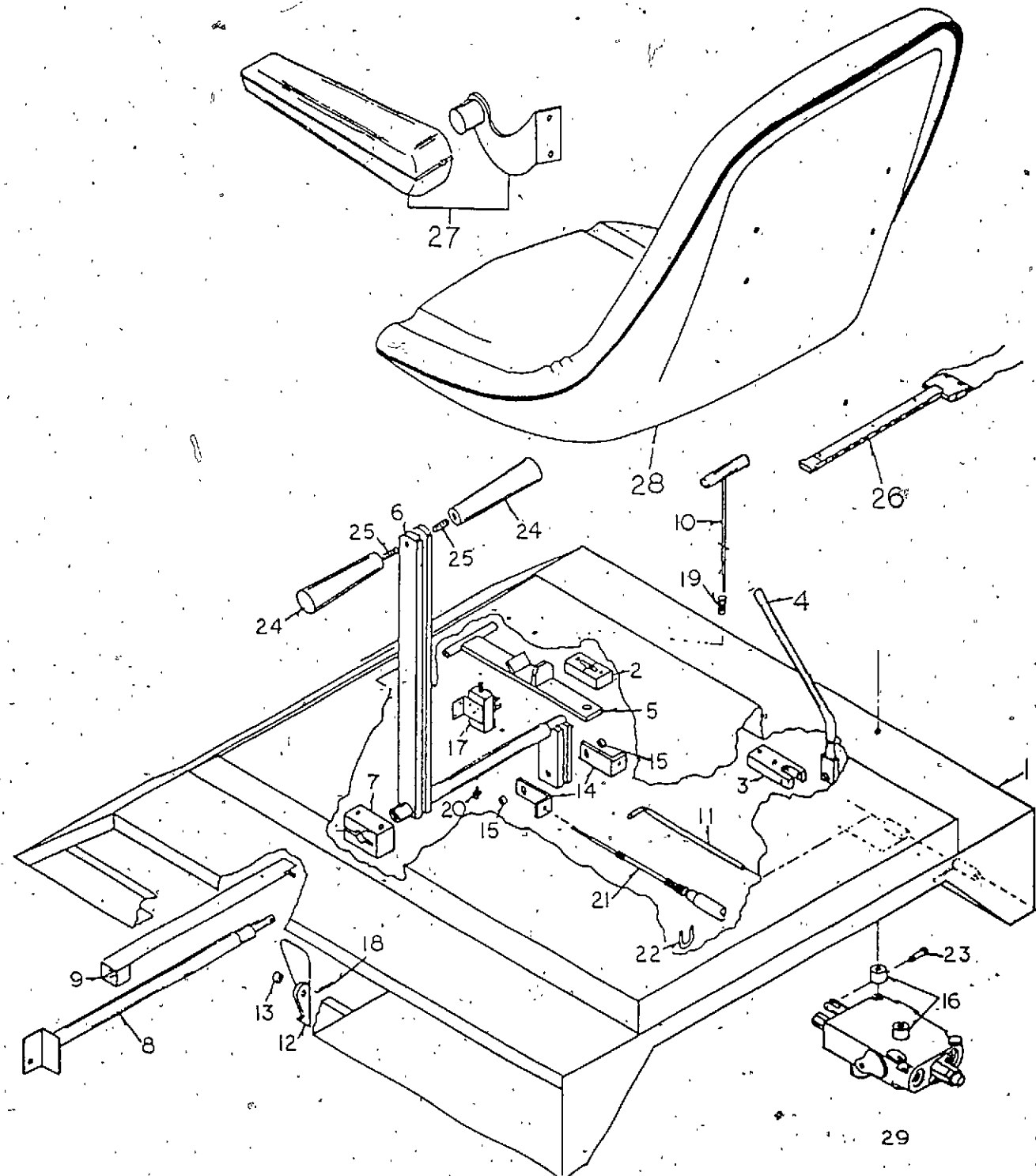
# ENGINE ASSEMBLY

REF. NO.	PART NO.	AMT. REQ'D	DESCRIPTION	REF. NO.	PART NO.	AMT. REQ'D	DESCRIPTION
1.	140-0003	2	MOTOR MOUNT	21.	900-5634	1	AIR INTAKE HOSE
2.	140-0014	1	CLUTCH STOP	22.	900-5501	1	SPRING (DIESEL UNITS ONLY)
3.	140-0018	1	CLUTCH PLATE	23.	900-5626	1	PIN (DIESEL UNIT ONLY)
4.	900-7518	1	DIP STICK	24.	900-2045	1	SOLENOID (DIESEL UNIT ONLY)
6.	140-0021	1	EXHAUST PIPE	25.	900-6033	1	1/4-20x3 STUD (DIESEL UNITS ONLY)
7.	140-0017	1	PUMP IDLER BRACKET 3 CYL. DIESEL	26.	900-5635	1	1/4-28 YOKE END (DIESEL UNITS ONLY)
7.	140-0038	1	PUMP IDLER BRACKET 4 CYL. DIESEL & 3 CYL. GAS	27.	900-5636	1	DRIVE SHAFT ASS'Y.
8.	140-0011	1	FUEL SHUT OFF STUD 3 CYL. DIESEL	28.	900-5637	1	YOKE, 1" BORE
8.	140-0012	1	FUEL SHUT OFF STUD 4 CYL. DIESEL	29.	900-5638	1	YOKE, MALE SPLINE
9.	140-0040	1	THERMOSTAT HOUSING	30.	900-5639	1	YOKE, FEMALE SPLINE
10.	900-5518	1	CABLE (DIESEL UNITS ONLY)	31.	900-5640	1	YOKE, CLUTCH END
11.	900-2541	1	IDLE PULLEY	32.	900-5641	2	"U" JOINT KIT
12.	900-2533	1	DOUBLE PULLEY, 3 CYL. DIESEL	33.	900-5013	1	KUBOTA D600-B 3 CYL. DIESEL
12.	900-2534	1	DOUBLE PULLEY, 4 CYL. DIESEL & 3 CYL. GAS	33.	900-5014	1	KUBOTA D800-B 4 CYL. DIESEL
13.	900-2535	1	DOUBLE PULLEY, PUMP	33.	900-5015	1	KUBOTA WG600-B 3 CYL. GAS
14.	900-2536	1	HUB, SPLIT	34.	900-7512	1	OIL FILTER
15.	900-3018	2	DRIVE BELT 4 CYL. DIESEL & 3 CYL. GAS NOTE: MATCHED BELTS	35.	900-7519	1	MUFFLER
15.	900-3019	2	DRIVE BELT 3 CYL. DIESEL	36.	900-7520	2	EXHAUST GASKET
16.	900-5628	1	MUFFLER CLAMP	37.	900-7521	1	FAN BELT, 3 CYL. DIESEL & GAS
17.	900-5621	2	HOSE CLAMP LARGE DIESEL UNITS	37.	900-7522	1	FAN BELT, 4 CYL. DIESEL
17.	900-5621	3	HOSE CLAMP LARGE GAS UNIT	38.	900-5643	1	CLUTCH
18.	900-5629	4	HOSE CLAMP, SMALL	39.	900-5644	1	CLUTCH BELT
19.	900-5630	1	TOP RADIATOR HOSE 3 CYL. DIESEL & GAS	40.	900-5645	1	CLUTCH WASHER
19.	900-5631	1	TOP RADIATOR HOSE 4 CYL. DIESEL	41.	200-0015	1	BODY MOUNT WASHER
20.	900-5632	1	BOTTOM RADIATOR HOSE 3 CYL. DIESEL & GAS	42.	900-5509	1	RUBBER MOUNT
20.	900-5633	1	BOTTOM RADIATOR HOSE 4 CYL. DIESEL	43.	300-0016	1	SPACER
				44.	900-5687	1	RUBBER BAND (GAS UNIT ONLY)
				45.	900-5688	1	INTAKE AIR HOSE HOOK UP (GAS UNIT ONLY)
				46.	140-0041	1	INTAKE AIR HOSE SUPPORT



## SEAT LID ASSEMBLY

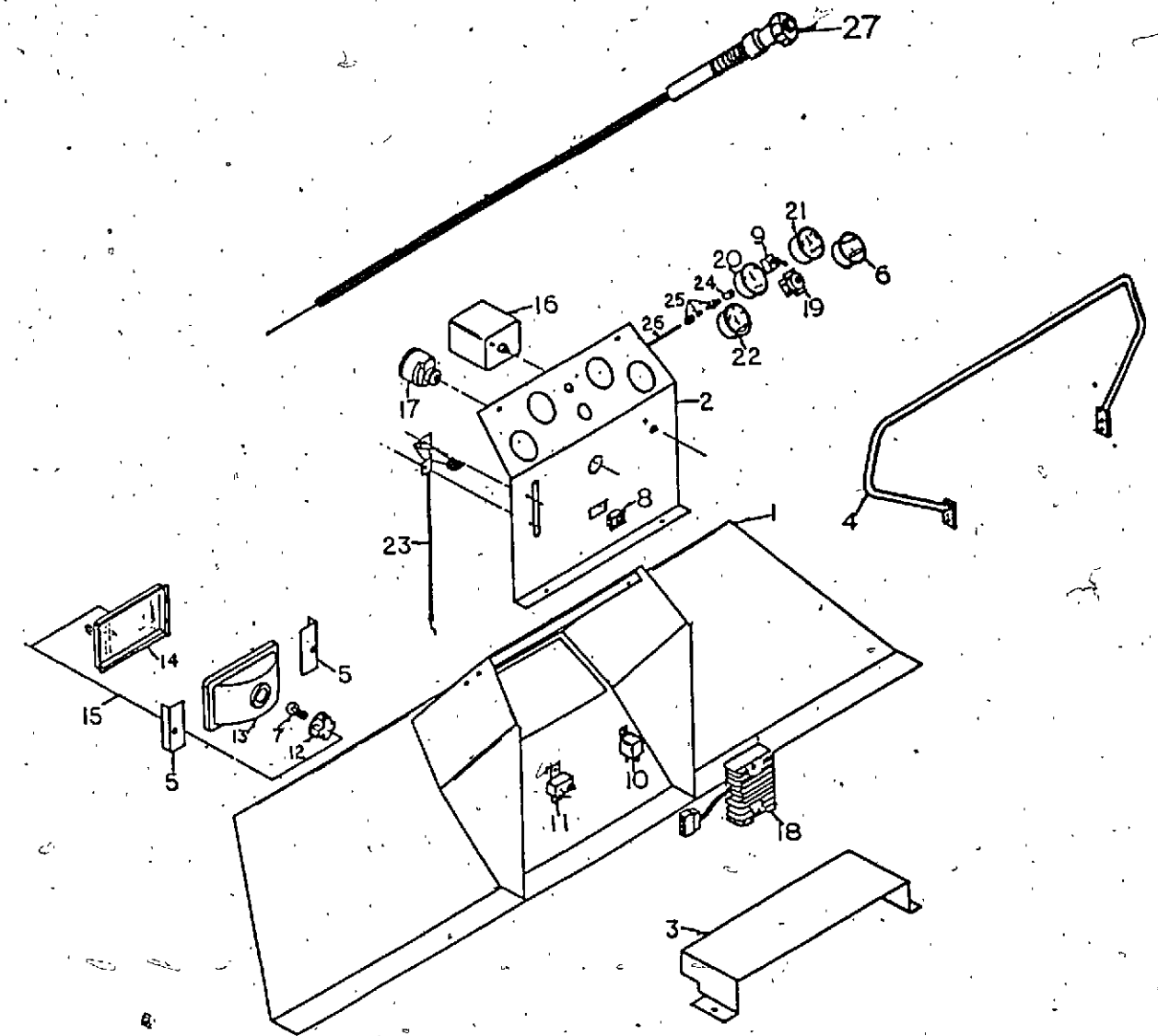
REF. NO.	PART NO.	AMT. REQ'D	DESCRIPTION	REF. NO.	PART NO.	AMT. REQ'D	DESCRIPTION
1.	240-0005	1	SEAT LID	16.	111-0022	2	SPACER
2.	240-0006	1	LEVER LOCK BLOCK	17.	900-2029	1	SAFETY SWITCH
3.	240-0007	1	DECK LIFT LEVER MOUNT	18.	900-5700	1	SPRING
4.	240-0008	1	DECK LIFT LEVER	19.	900-5674	1	SPRING
5.	240-0009	1	LEVER LOCK	20.	900-5619	1	GREASE ZERK
6.	240-0010	1	STEERING LEVERS	21.	900-5624	2	1/4" STEERING CABLE
7.	240-0011	3	STEERING LEVER BLOCK	22.	900-5625	4	1/4" STEERING CABLE CLAMP
8.	240-0014	1	LID PROP	23.	900-5626	1	PIN
9.	240-0015	1	LID PROP LOCK	24.	900-5627	2	HANDLE
10.	240-0002	1	LEVER LOCK HANDLE	25.	900-6094	2	3/8 STUD
11.	240-0023	2	SEAT LID PIN	26.	900-2001	1	SEAT SWITCH
12.	240-0024	1	SEAT LATCH	27.	GDS-13	1	ARM REST (OPTIONAL)
13.	200-0014	1	BUSHING, STEERING CABLE	28.	900-5648	1	SEAT
14.	140-0023	2	STEERING CABLE ENDS	29.	900-8000	1	HYDRAULIC DECK LIFT
15.	200-0014	3	STEERING CABLE END, BUSHING				



29

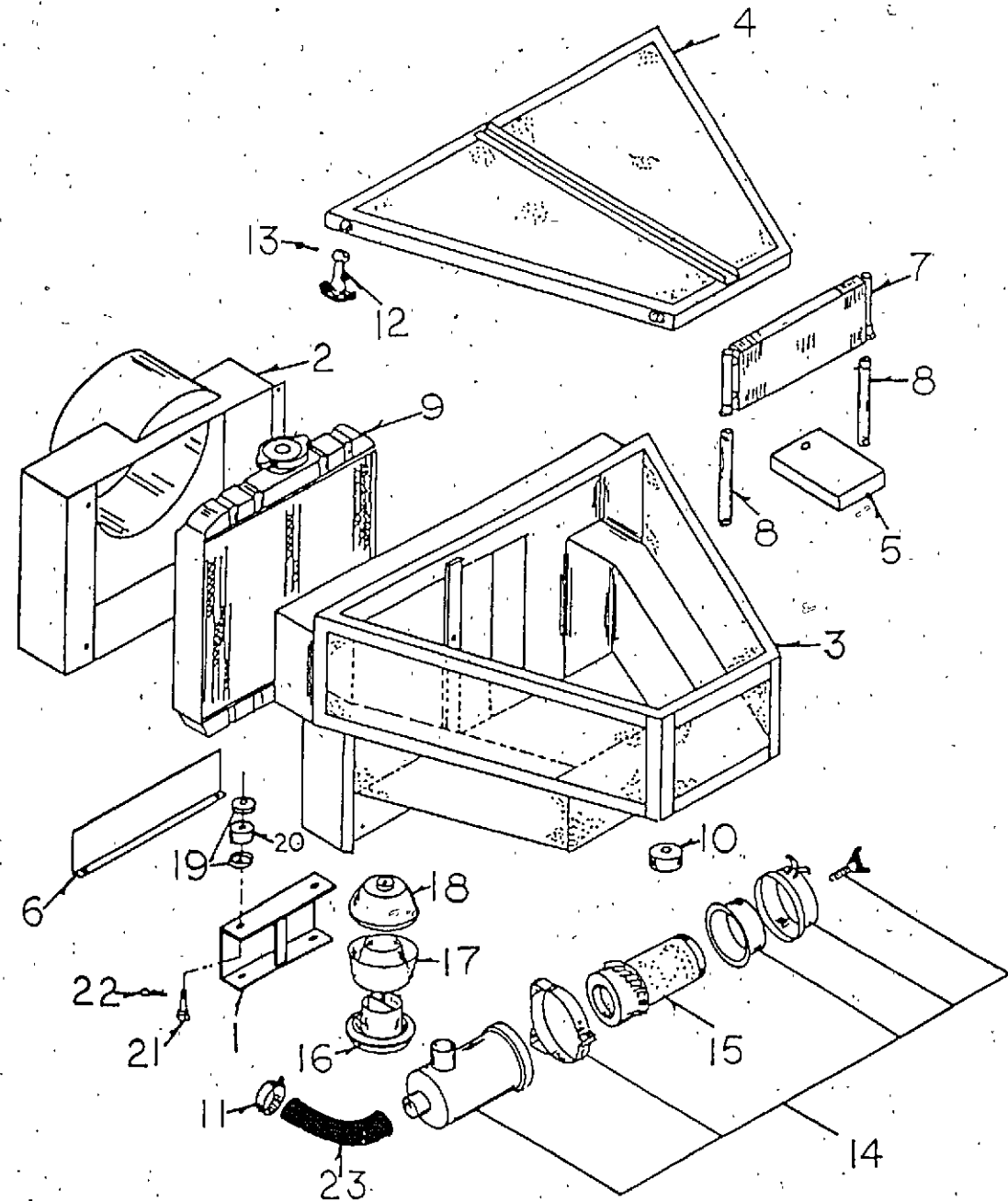
## CONSOLE HOUSING ASSEMBLY

REF. NO.	PART NO.	AMT. REQ'D	DESCRIPTION	REF. NO.	PART NO.	AMT. REQ'D	DESCRIPTION
1.	240-0004	1	CONSOLE HOUSING	16.	900-2052	1	MURPHY SWITCH
2.	240-0013	1	DASH	17.	900-2053	1	IGNITION SWITCH
3.	240-0016	1	TUNNEL	18.	900-2054	1	RECTIFIER REGULATOR
4.	240-0028	1	GRAB BAR	19.	900-2055	1	3 CYL. DIESEL & GAS GLOW PLUG INDICATOR
5.	240-0021	4	LIGHT CLAMP	20.	900-2056	1	DIESEL ONLY OIL GAUGE
6.	900-2023	1	HOUR METER	21.	900-2057	1	TEMPERATURE GAUGE
7.	900-2025	2	LIGHT BULBS	22.	900-2058	1	60 AMP. GAUGE
8.	900-2027	1	LIGHT SWITCH	23.	900-5649	1	THROTTLE CABLE, DIESEL
9.	900-2028	1	P.T.O. SWITCH	23.	900-5682	1	THROTTLE CABLE, GAS
10.	900-2037	1	ELECTRIC CLUTCH RELAY	24.	900-5650	1	CHOKE CABLE, GAS
11.	900-2047	1	40 AMP. CIRCUIT BREAKER	24.	900-5651	1	1/8 PIPE COUPLER
12.	900-2048	2	LIGHT SOCKET	25.	900-5651	1	COMPRESSION FITTING
13.	900-2049	2	LAMP	26.	900-5652	1	TUBE
14.	900-2050	2	LENS	27.	900-5681	1	THROTTLE CABLE, GAS
15.	900-2051	2	LIGHT ASSEMBLY				



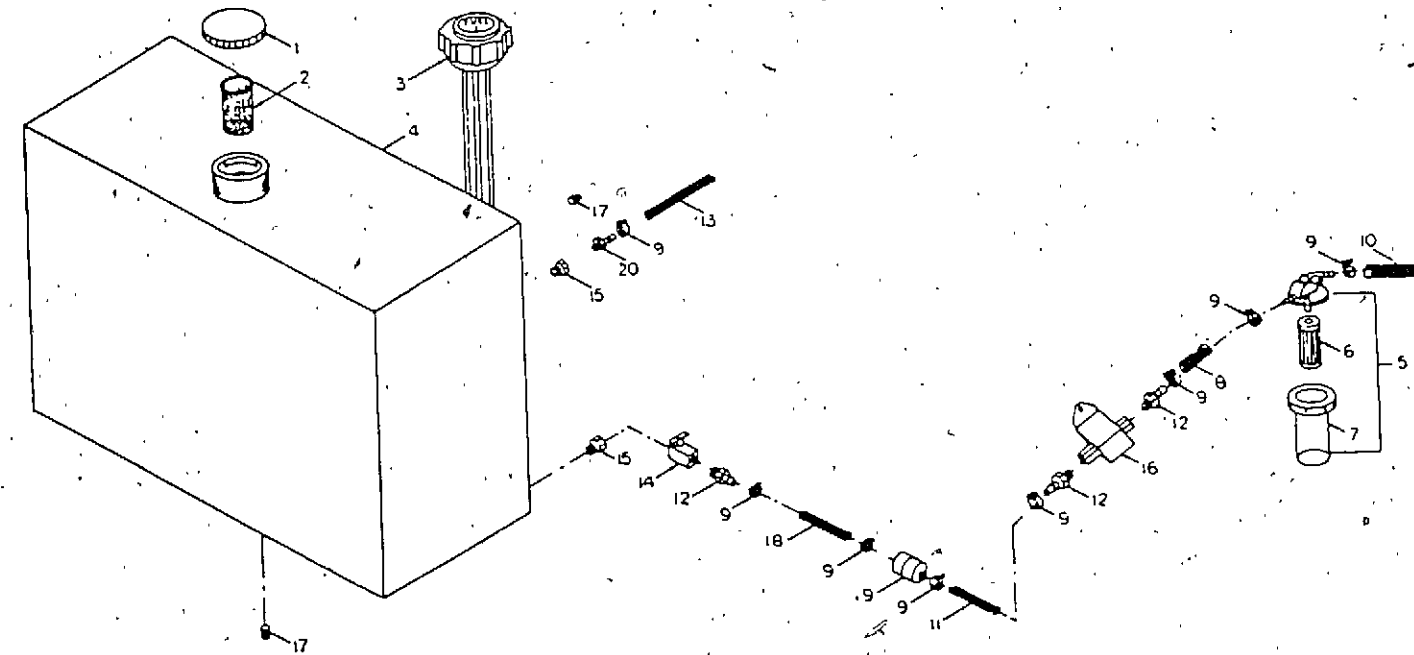
# RADIATOR ASSEMBLY

REF. NO.	PART NO.	AMT. REQ'D	DESCRIPTION	REF. NO.	PART NO.	AMT. REQ'D	DESCRIPTION
1.	140-0006	1	RADIATOR SPACER 3 CYL. ONLY	13.	900-5623	4	PIN, RUBBER HOLD DOWN
2.	140-0015	1	FAN SHROUD 4 CYL.	14.	900-7502	1	AIR CLEANER ASSY
3.	140-0016	1	FAN SHROUD 3 CYL.	15.	900-7503	1	AIR CLEANER ELE.
4.	140-0026	1	AIR INTAKE, RADIATOR	16.	900-7504	1	PRE CLEANER BASE
5.	140-0027	1	AIR INTAKE, LID	17.	900-7505	1	PRE CLEANER BOWL
6.	140-0028	1	AIR INTAKE, AXLE COVER	18.	900-7506	1	PRE CLEANER LID
7.	140-0039	1	FILL PLATE, 3 CYL.	19.	900-7507	4	RUBBER PAD WASH.
8.	900-8001	1	OIL COOLER	20.	900-7508	2	RUBBER PAD
9.	900-8002	2	1/2" PIPE NIPPLE	21.	900-7509	2	RADIATOR BOLTS
10.	900-7500	1	4 CYL. RADIATOR	22.	900-7510	2	HAIR PINS, RAD. BOLTS
11.	900-7501	1	3 CYL. RADIATOR	23.	900-7511	1	HOSE, AIR CLEANER
12.	900-5509	1	RUBBER MOUNT				
	900-5621	2	HOSE CLAMP 1" to 2"				
	900-5622	4	RUBBER HOLD DOWN				



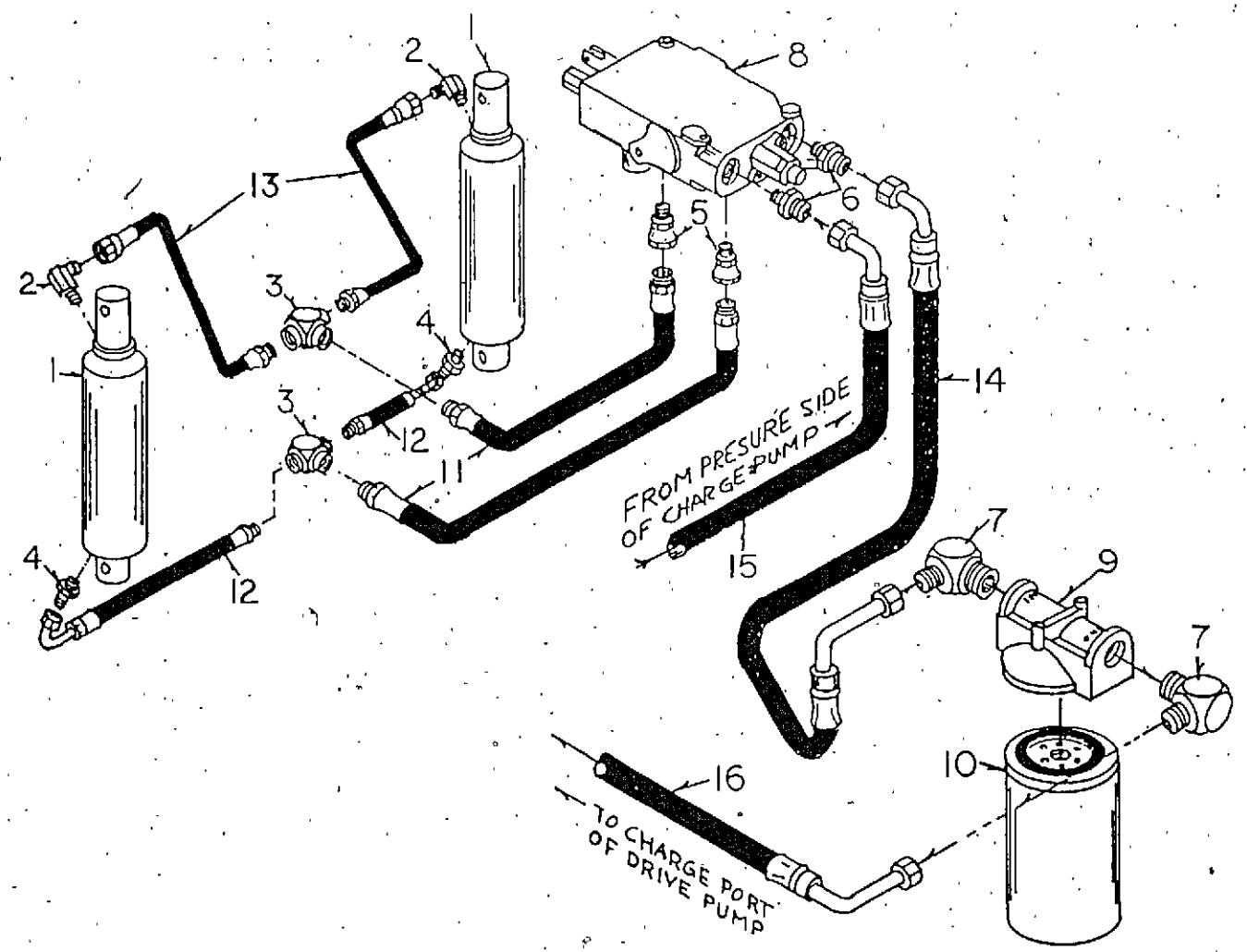
# Fuel Tank Assembly

Item No.	Order No.	Description	Qty.	Item No.	Order No.	Description	Qty.
1	G9005670	Fuel Tank Cap	-	13	G9005663	Fuel Return Line, 3/16", Diesel	1
2	G9005669	Fuel Tank Screen	-	14	G9005656	Brass Shutoff Valve, 1/8"	1
3	G9005701	Fuel Tank Cap w/Gauge	1	15	G9005725	Male Pipe, 3/8", Female Pipe Adpt., 1/8"	1
4	G1400043	Fuel Tank	1	16	G9002059	Electric Fuel Pump, Diesel	1
5	G9007513	Fuel Filter Ass'y., Diesel Only	1	17	G9002064	Electric Fuel Pump, Gas	1
6	G9007516	Fuel Filter Element	-		13002	Pipe Plug, 3/8", Diesel	3
7	G9007515	Fuel Filter Bowl	-		13002	Pipe Plug, 3/8", Gas	1
8	G9005684	Fuel Line, 5/16" x 3 1/2"	1	18	G9005664	Fuel Line, 5/16" x 2"	1
9	G9005657	Hose Clamp, 3/8"	10	19	G9005668	Inline Fuel Filter, 5/16"	1
10	G9005665	Fuel Line, 5/16" x 30"	1	20	G9005656	Male Pipe, 1/8", Barb Adpt., 3/16", Diesel	1
11	G9005685	Fuel Line, 5/16" x 6"	1				
12	G9005662	Male Pipe, 1/8", Barb Adpt., 5/16"	3				



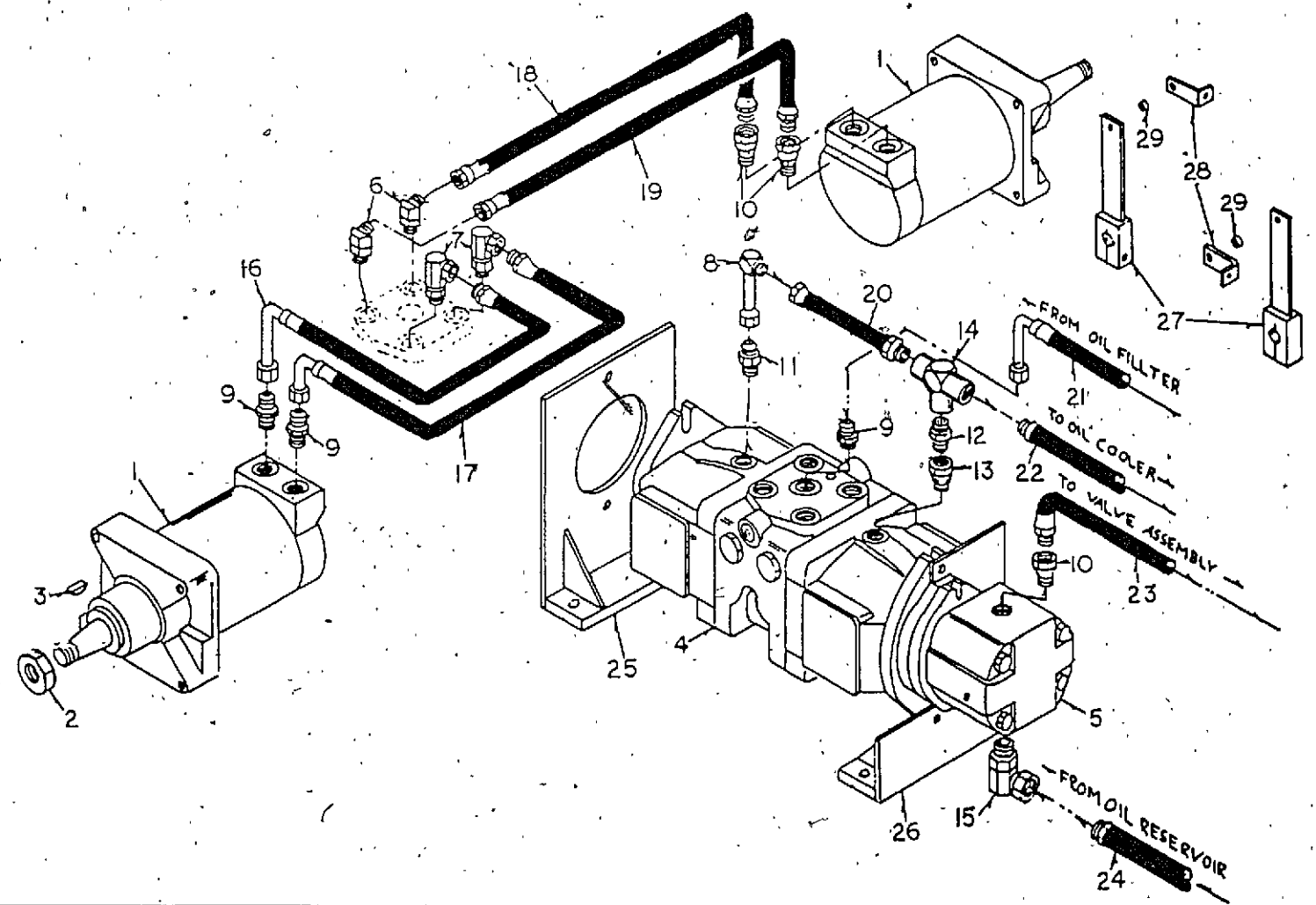
# LIFT CYLINDER, VALVE & FILTER ASSEMBLY

REF. NO.	PART NO.	AMT. REQ'D	DESCRIPTION	REF. NO.	PART NO.	AMT. REQ'D	DESCRIPTION
1.	900-8051	2	LIFT CYLINDER	8.	900-8000	1	VALVE ASSEMBLY
2.	900-8117	2	MALE TUBE, 45° ADJ O-RING ADP	9.	900-8040	1	HOUSING, OIL FILTER
3.	900-8118	2	FEMALE PIPE TEE	10.	900-8041	1	FILTER ELEMENT
4.	900-8094	2	MALE TUBE, MALE O-RING ADP	11.	900-8027	2	HOSE 3/8 ID X 48 LONG
5.	900-8017	2	MALE O-RING, FEMALE SWIVEL ADP	12.	900-8120	2	HOSE 1/4 ID X 12 LONG
6.	900-8014	2	MALE TUBE, MALE O-RING ADP	13.	900-8119	2	HOSE 1/4 ID X 15 1/2 LONG
7.	900-8010	2	MALE TUBE, 90° MALE PIPE ADP	14.	900-8031	1	HOSE 1/2 ID X 23 1/2 LONG
				15.	900-8032	1	HOSE 1/2 ID X 23 1/2 LONG
				16.	900-8030	1	HOSE 1/2 ID X 35 1/2 LONG



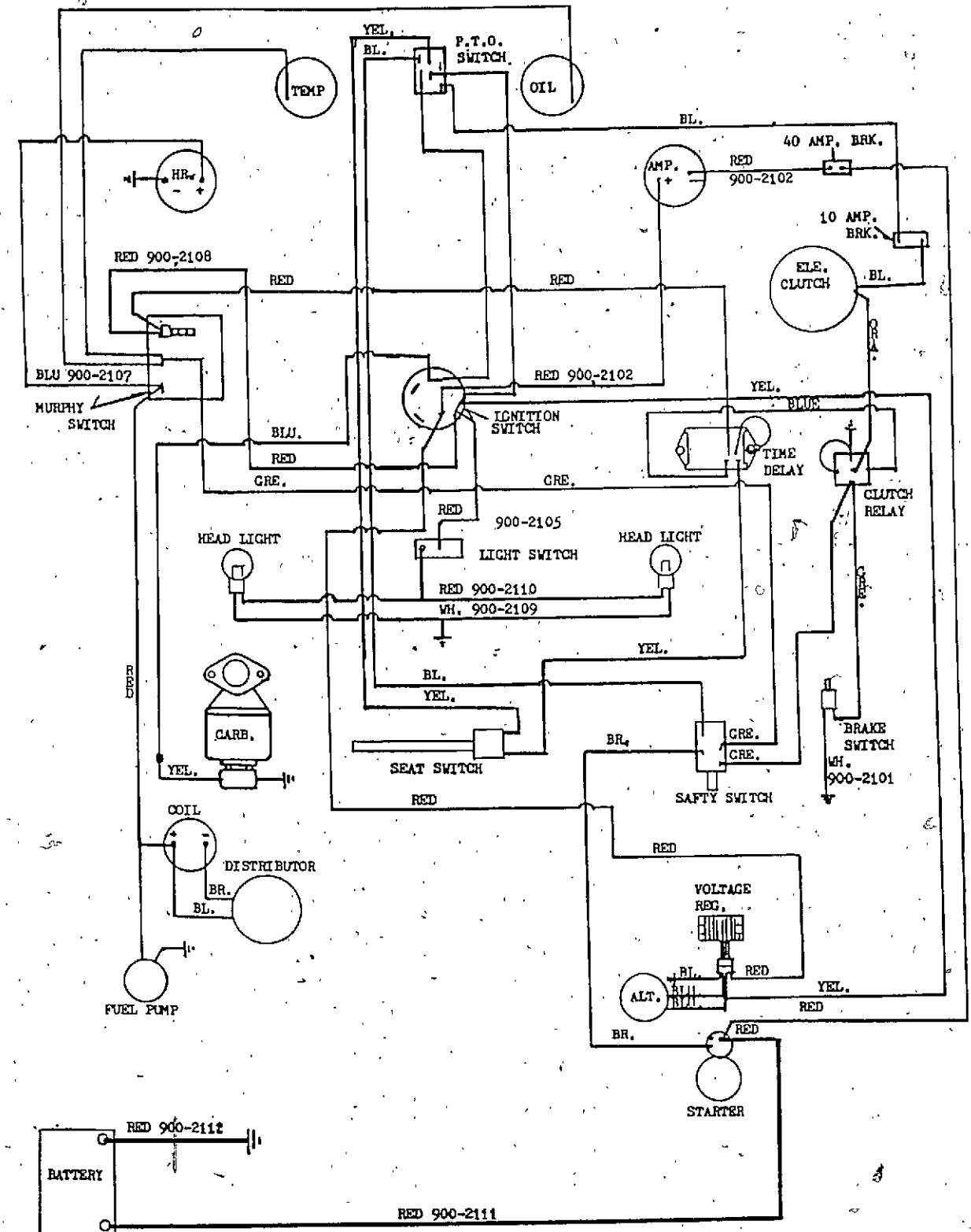
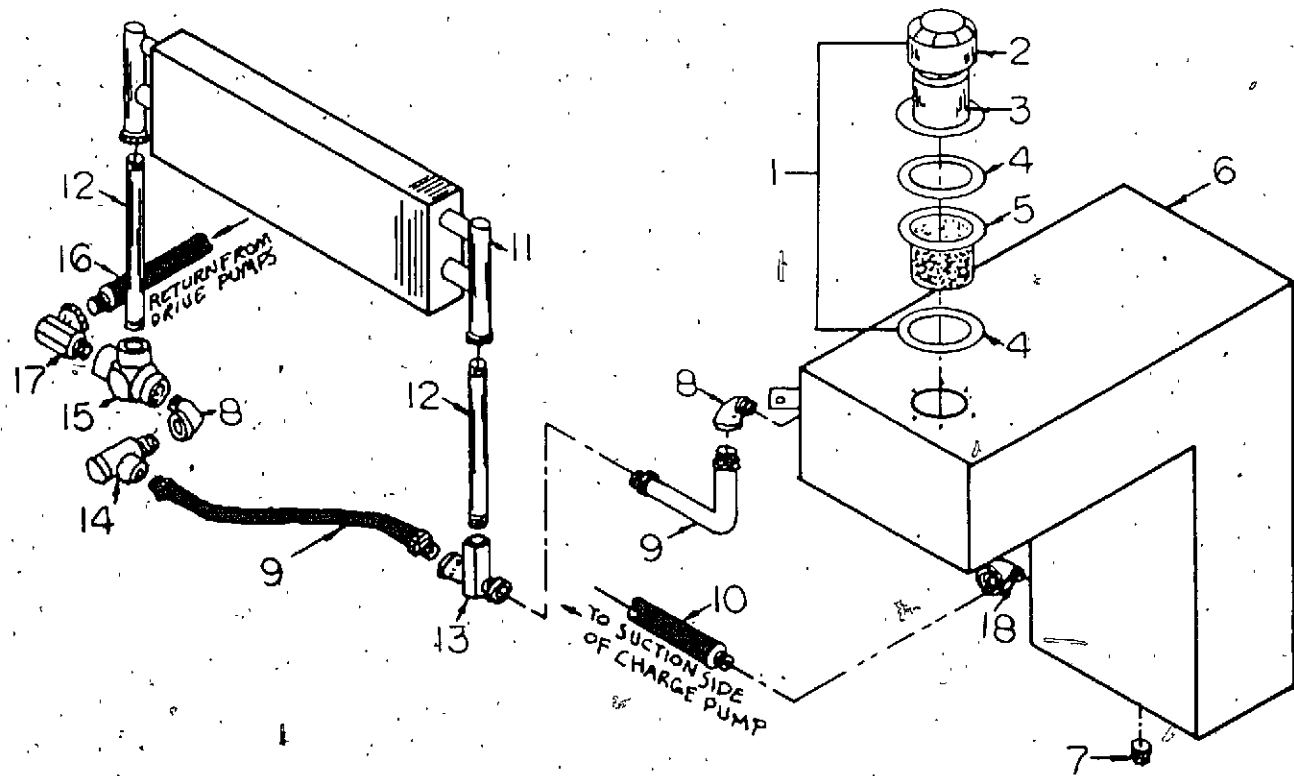
# WHEEL MOTOR & PUMP ASSEMBLY

REF. NO.	PART NO.	AMT. REQ'D	DESCRIPTION	REF. NO.	PART NO.	AMT. REQ'D	DESCRIPTION
1.	900-8050	2	WHEEL MOTOR	15.	900-8062	1	MALE TUBE, 90° ADJ O-RING ADP.
2.	900-8052	2	WHEEL MOTOR NUT	16.	900-8029	1	HOSE 1/2 ID X 42 LONG, LONG DROP
3.	900-8053	2	KEY	17.	900-8028	1	HOSE 1/2 ID X 42 LONG, SHORT DROP
4.	900-8047	1	HYDRAULIC PUMP WITH CHARGE PUMP	18.	900-8034	1	HOSE 1/2 ID X 12 1/2 LONG
4.	900-8048	1	HYDRAULIC PUMP WITHOUT CHARGE PUMP	19.	900-8033	1	HOSE 1/2 ID X 18 LONG
5.	900-8049	1	CHARGE PUMP	20.	900-8035	1	HOSE 1/2 ID X 5 1/2 EASY COUPLE
6.	900-8016	2	MALE TUBE, 45° ADJ O-RING ADP	21.	900-8030	1	HOSE 1/2 ID X 35 1/2 LONG
7.	900-8020	2	ADJ O-RING, 90° FEMALE PIPE SWIVEL ADP	22.	900-8038	1	HOSE 1/2 ID X 22 1/2 EASY COUPLE
8.	900-8004	1	MALE TUBE, 90° FEMALE SWIVEL ADP	23.	900-8032	1	HOSE 1/2 ID X 23 1/2 LONG
9.	900-8007	3	MALE TUBE, MALE O-RING ADP	24.	900-8039	1	HOSE 3/4 ID X 32 LONG EASY COUPLE
10.	900-8019	3	MALE O-RING, FEMALE PIPE SWIVEL ADP	25.	140-0002	1	FRONT PUMP MOUNT
11.	900-8005	1	MALE TUBE, MALE O-RING ADP	26.	140-0001	1	BACK PUMP MOUNT
12.	900-8006	1	MALE PIPE NIPPLE	27.	140-0004	2	STEERING ARM
13.	900-8018	1	MALE O-RING, FEMALE PIPE SWIVEL ADP	28.	140-0023	2	STEERING CABLE END
14.	900-8012	1	FEMALE PIPE TEE	29.	200-0014	2	BUSHING, CABLE END



OIL COOLER & OIL RESERVOIR ASSEMBLY

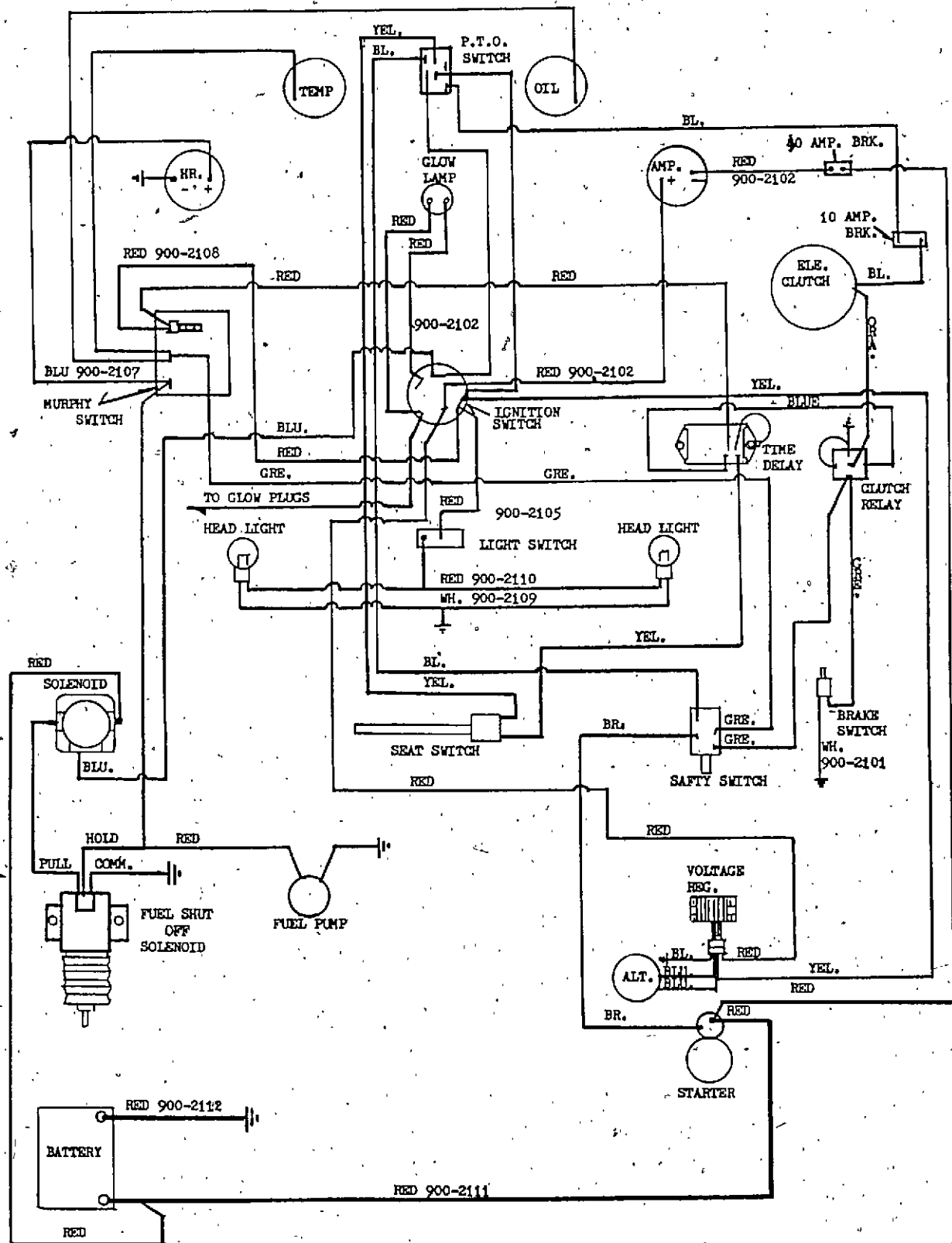
Item No.	Order No.	Description	Qty.	Item No.	Order No.	Description	Qty.
1	G9008056	Hydraulic Fill Cap Assembly	1	12	100215	Pipe Nipple, 1/2" x 10"	2
2	G9008045	Breather Cap	-	13	G9008009	Female Pipe, Female Pipe Swivel Tee	1
3	G9008057	Fill Neck	-	14	G9008023	Relief Valve	1
4	G9008043	Gasket	-	15	G9008012	Female Pipe Tee	1
5	G9008042	Strainer	-	16	G9008150	Easy Couple Hose, 1/2" ID x 29" Long	1
6	G1400043	Oil Reservoir	1	17	G9008137	Male Pipe, 90° Male Tube Adapter 4 Cylinder	1
7	13003	Pipe Plug, 1/2"	1		G9008135	Male Tube, Male Pipe Adapter 3 Cylinder	1
8	11103	Male Pipe, 90° Female Pipe Adpt.	2	18	11004	Male Pipe, 45° Female Pipe Adpt.	1
9	G9008037	Easy Couple Hose, 1/2" ID x 10 5/8" Long	2				
10	G9008153	Easy Couple Hose, 3/4" ID x 21" Long	1				
11	G9008001	Oil Cooler	1				



WIRING DIAGRAM (3 CYLINDER GAS)

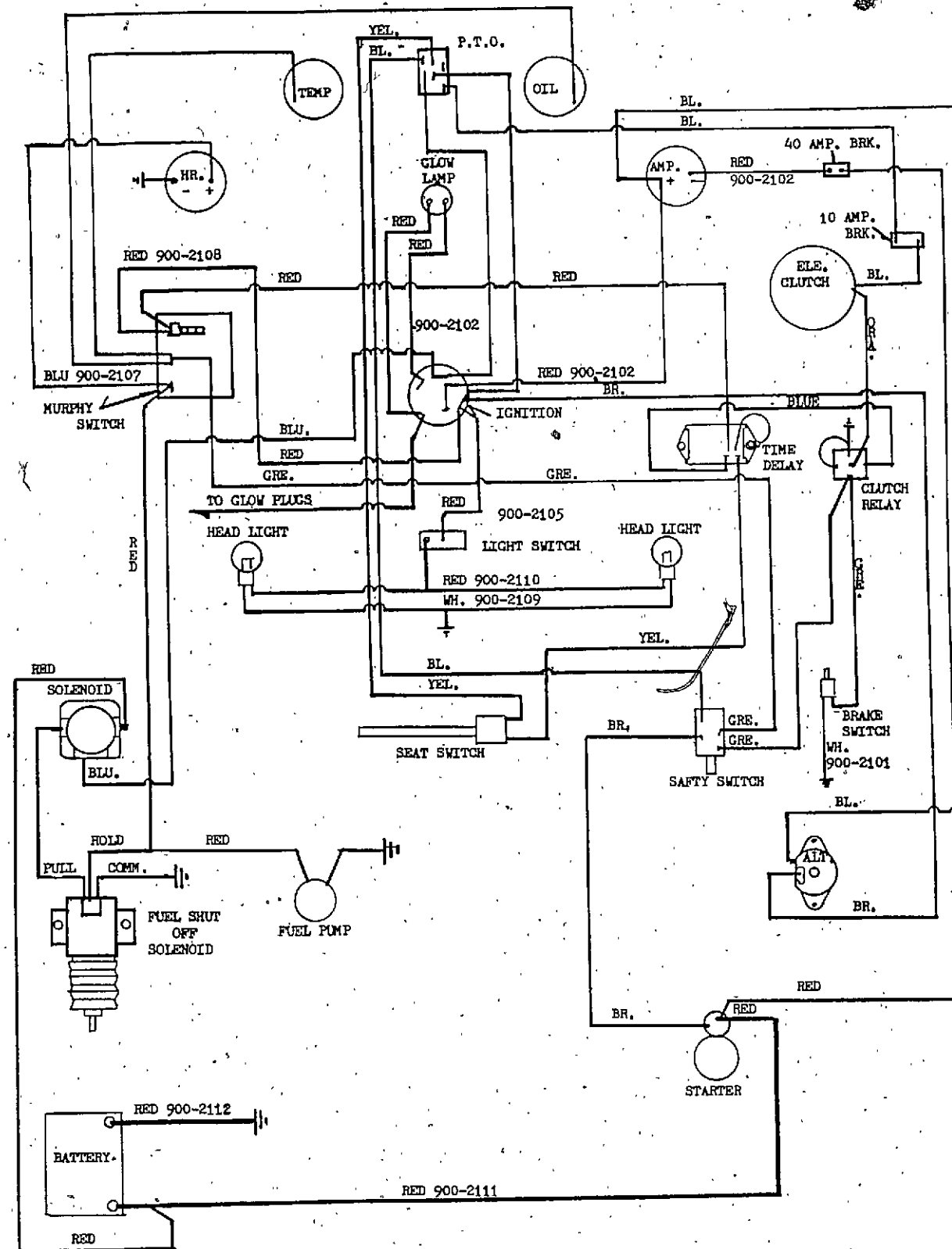
PART NO.	AMT. REQ'D	DESCRIPTION	PART NO.	AMT. REQ'D	DESCRIPTION
900-2001	1	SEAT SWITCH	900-2052	1	MURPHY SWITCH
900-2023	1	HOOR METER	900-2053	1	IGNITION SWITCH
900-2027	1	LIGHT SWITCH	900-2054	1	VOLTAGE REGULATOR
900-2028	1	P.T.O. SWITCH	900-2056	1	OIL GAUGE
900-2029	1	SAFTY SWITCH	900-2057	1	TEMP. GAUGE
900-2037	1	ELE. CLUTCH RELAY	900-2058	1	60 AMP. GAUGE
900-2043	1	BATTERY	900-2059	1	FUEL PUMP
900-2044	1	10 AMP. BREAKER	900-2113	1	MAIN WIRING HARDNESS
900-2046	1	BRAKE SWITCH	900-2114	1	TIME DELAY
900-2047	1	30 AMP. BREAKER	900-5643	1	CLUTCH
900-2051	2	LIGHT ASSEMBLY			





WIRING DIAGRAM (3CYLINDER DIESEL)

PART NO.	AMT. REQ'D	DESCRIPTION	PART NO.	AMT. REQ'D	DESCRIPTION
900-2001	1	SEAT SWITCH	900-2051	2	LIGHT ASSEMBLY
900-2005	1	SOLENOID	900-2052	1	MURPHY SWITCH
900-2023	1	HOUR METER	900-2053	1	IGNITION SWITCH
900-2027	1	LIGHT SWITCH	900-2054	1	VOLTAGE REGULATOR
900-2028	1	P.T.O. SWITCH	900-2055	1	GLOW PLUG INDICATOR
900-2029	1	SAFETY SWITCH	900-2056	1	OIL GAUGE
900-2037	1	ELE. CLUTCH RELAY	900-2057	1	TEMP. GAUGE
900-2043	1	BATTERY	900-2058	1	60 AMP. GAUGE
900-2044	1	10 AMP. BREAKER	900-2059	1	FUEL PUMP
900-2045	1	FUEL SHUT OFF SOLENOID	900-2113	1	MAIN WIRING HARDNESS
900-2046	1	BRAKE SWITCH	900-2114	1	TIME DELAY
900-2047	1	30 AMP. BREAKER	900-5643	1	CLUTCH

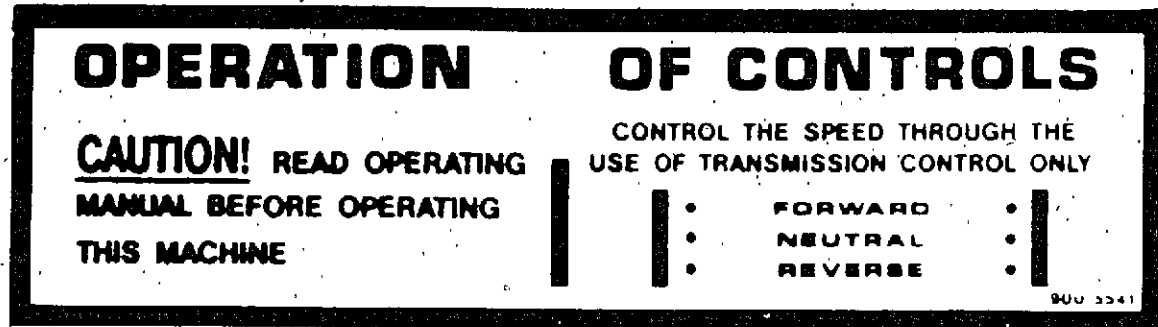


WIRING DIAGRAM (4 CYLINDER DIESEL)

PART NO.	AMT. REQ'D	DESCRIPTION	PART NO.	AMT. REQ'D	DESCRIPTION
900-2001	1	SEAT SWITCH	900-2051	2	LIGHT ASSEMBLY
900-2005	1	SOLENOID	900-2052	1	MURPHY SWITCH
900-2023	1	HOUR METER	900-2053	1	IGNITION SWITCH
900-2027	1	LIGHT SWITCH	900-2054	1	VOLTAGE REGULATOR
900-2028	1	P.T.O. SWITCH	900-2055	1	GLOW PLUG INDICATOR
900-2029	1	SAFETY SWITCH	900-2056	1	OIL GAUGE
900-2037	1	ELE. CLUTCH RELAY	900-2057	1	TEMP. GAUGE
900-2043	1	BATTERY	900-2058	1	60 AMP. GAUGE
900-2044	1	10 AMP. BREAKER	900-2059	1	FUEL PUMP
900-2045	1	FUEL SHUT OFF SOLENOID	900-2100	1	MAIN WIRING HARDNESS
900-2046	1	BRAKE SWITCH	900-2114	1	TIME DELAY
900-2047	1	30 AMP. BREAKER	900-5643	1	CLUTCH

## Tractor Decals

These decals have been placed on the tractor to instruct the operator and to warn of safety hazards. It is very important that they be in place and visible at all times. Replace damaged or missing decals immediately! Order by the part numbers shown below.



G9005541



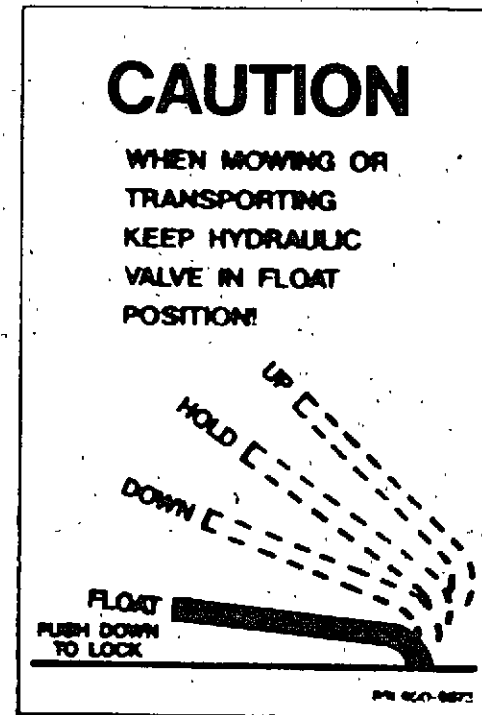
G9005548



G9005543



G9005672



G9005673



G9005671



Grazer Logo  
G9005611

# INGERSOLL

Ingersoll Equipment Co., Inc.



**GROUNDS MOWERS**

**1990,1991 MODELS**

**G3200C,G3210C,G4200CD,G4210CD  
LIQUID COOLED MOWERS  
(S/N 00-09-0001 TO 01-09-1025)**

**Parts List**

**TABLE OF CONTENTS**

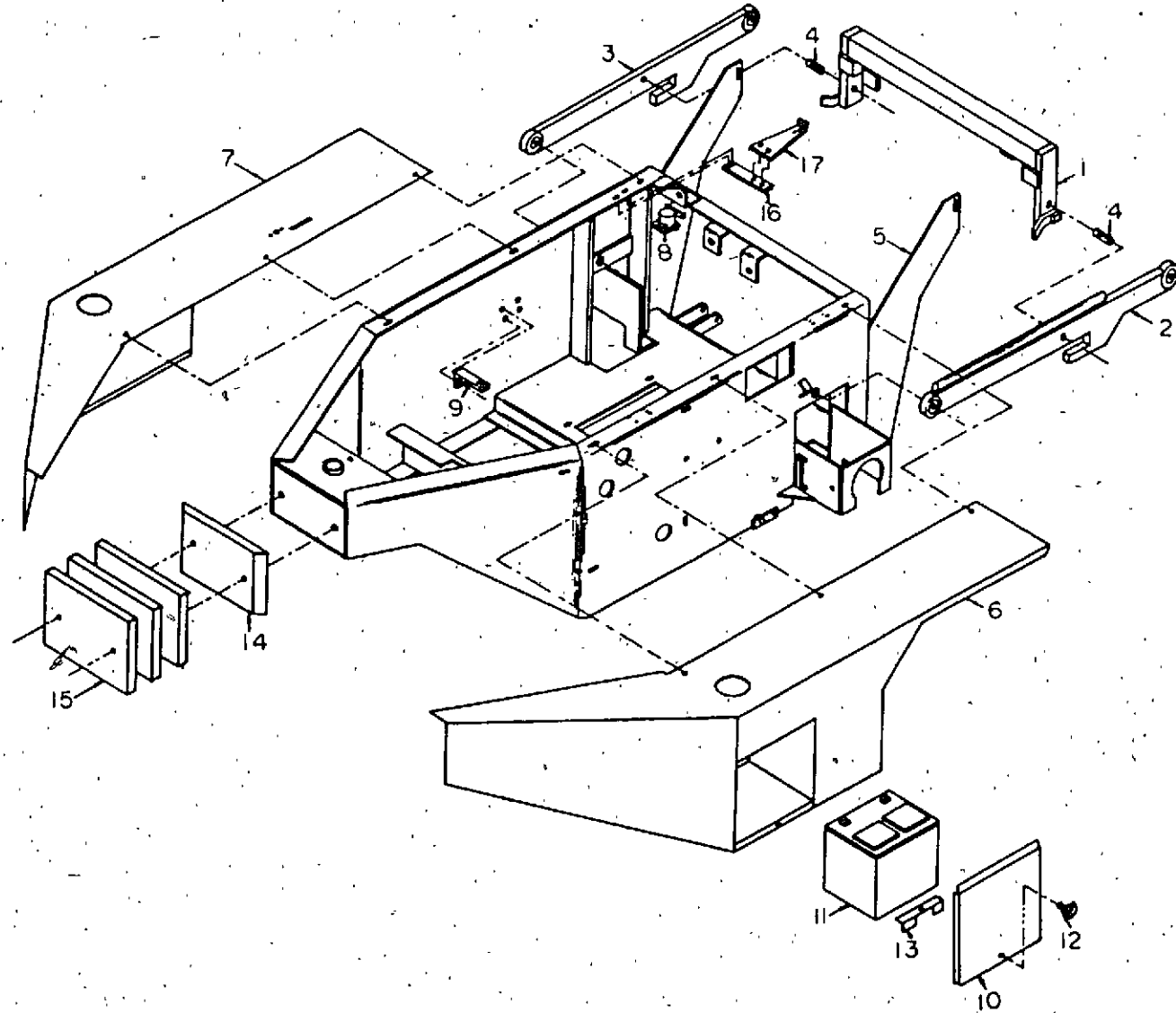
FRAME .....	E3
TAIL WHEEL .....	E4
PARKING BRAKE .....	E5
ENGINE .....	E6
SEAT AND LID .....	E7
CONSOLE .....	E8
RADIATOR .....	E9
FUEL TANK .....	E10
WHEEL MOTOR AND PUMP .....	E12
LIFT CYLINDER .....	E13
OIL COOLER .....	E14
WIRE DIAGRAM .....	E15-E16
DECALS .....	E17



Grazer Division, Ingersoll Equipment Company  
Winneconne, WI 54986

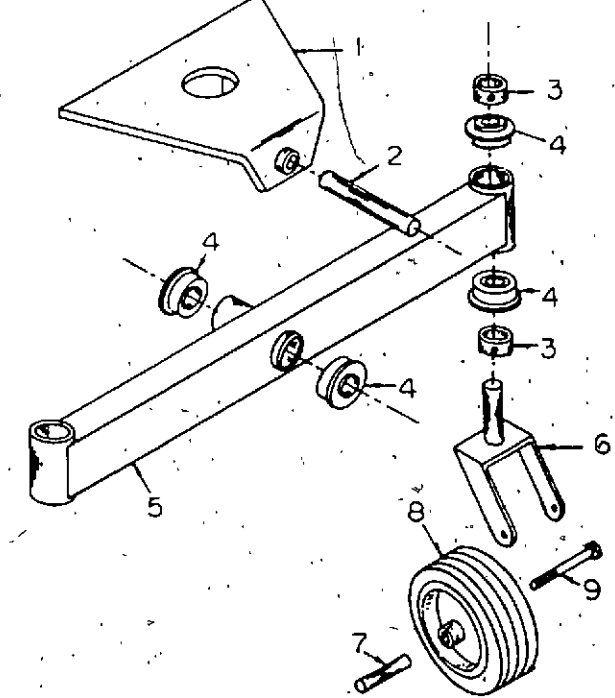
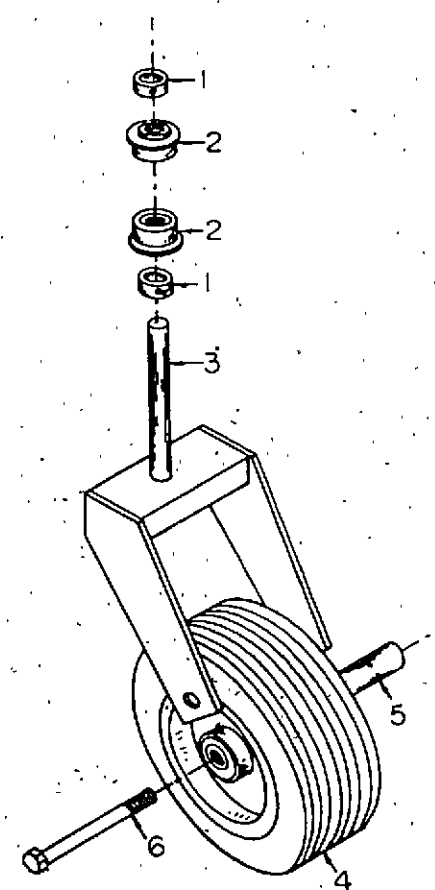
## Frame Assembly

Item	Order No.	Description	Qty.	Item	Order No.	Description	Qty.
1	G1400005	Lift Bar	1	10	G2400032G	Battery Box Lid	1
2	G1400033	Deck Lift Arm, RH	1	11	G9002043	Battery	1
3	G1400034	Deck Lift Arm, LH	1	12	G9005522	Dzus Fastener	1
4	G1400036	Lift Bar Bushing	2	13	G2400027	Battery Hold Down	1
5	G1400064	Base	1	14	G2400022G	Tail Cap	1
6	G2400031G	Fender, RH	1	15	G1400035	Tail Weight	3
7	G2400030G	Fender, LH	1	16	G1400060	Mount, Fuel Shutoff Valve	1
8	G9002005	Solenoid	1	17	G1400052	Retainer, Fuel Shutoff Valve	1
9	G1400022	Throttle Bracket	1				



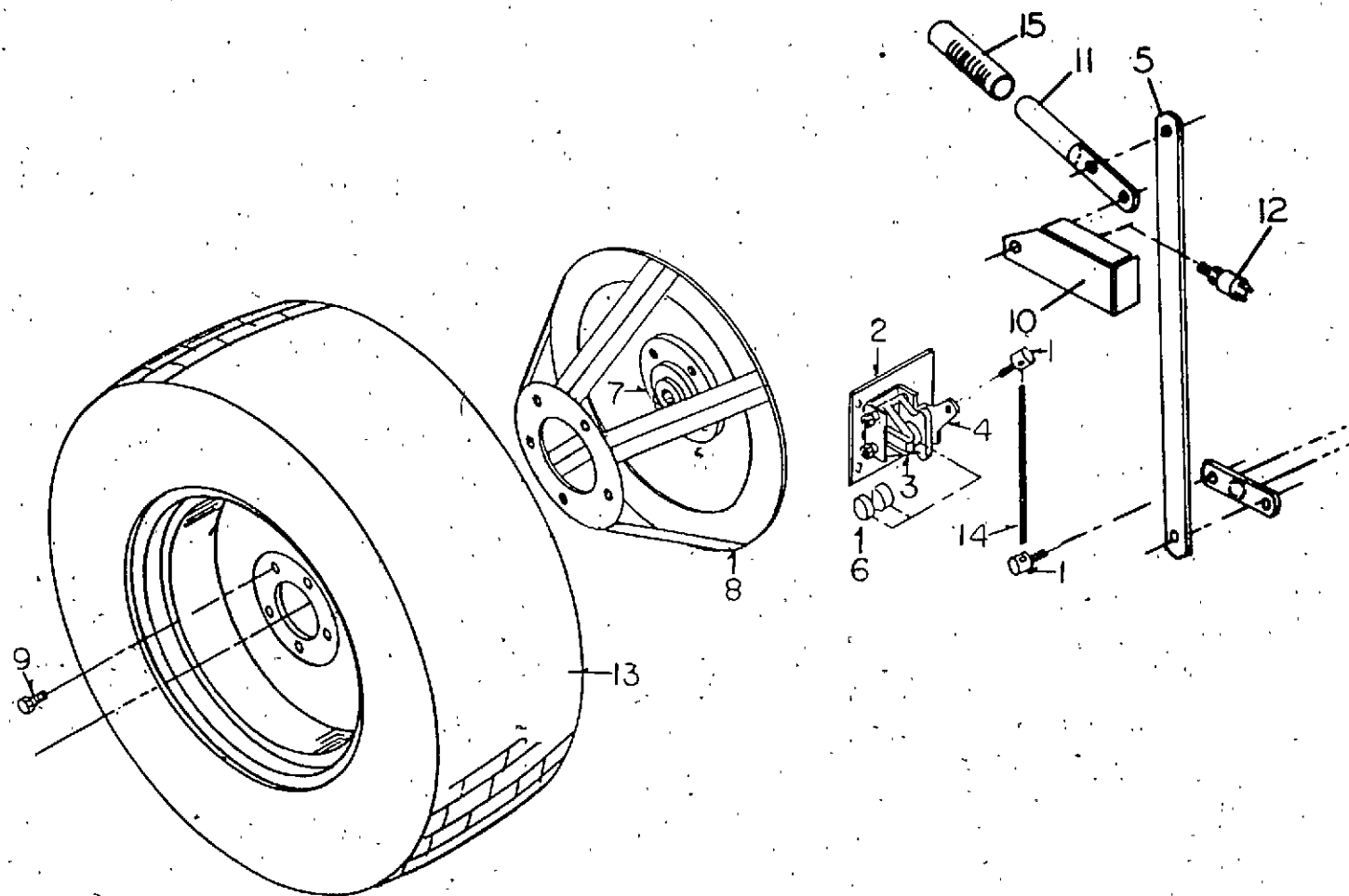
## Single & Dual Tail Wheel Assembly

SINGLE TAIL WHEEL				DUAL TAIL WHEEL			
Item	Order No.	Description	Qty.	Item	Order No.	Description	Qty.
1	G9005659	Set Collar, 1 1/4"	2	1	G1400050	Dual Tail Wheel Mount	1
2	G9003514	Bearing, 1 1/4"	2	2	G2300008	Pivot Axle	1
3	G1400025	Tail Wheel Fork	1	3	G9005510	Set Collar, 1"	4
4	G9004017	Wheel Assembly	1	4	G9003501	Bearing, 1"	6
	G9003515	Wheel Assembly Bearing	2	5	G2300004	Dual Tail Wheel Axle	1
	G9004018	Tire, 16 x 6.50-8	1	6	G1400051	Dual Tail Wheel Fork	2
	G9004019	Rim, 8", 5 3/4"	-	7	G2000017A	Axle	2
5	G2300017	Axle	1	8	G9004014	Wheel Assembly	2
6	G9006131	Bolt, 1/2-13 x 9 1/2"	1		G9003505	Wheel Assembly Bearing	4
					G9004015	Tire, 15 x 6.00-6	2
					G9004016	Rim, 6" x 4.5"	-
				9	G9006131	Bolt, 1/2-13 x 6 1/2"	2



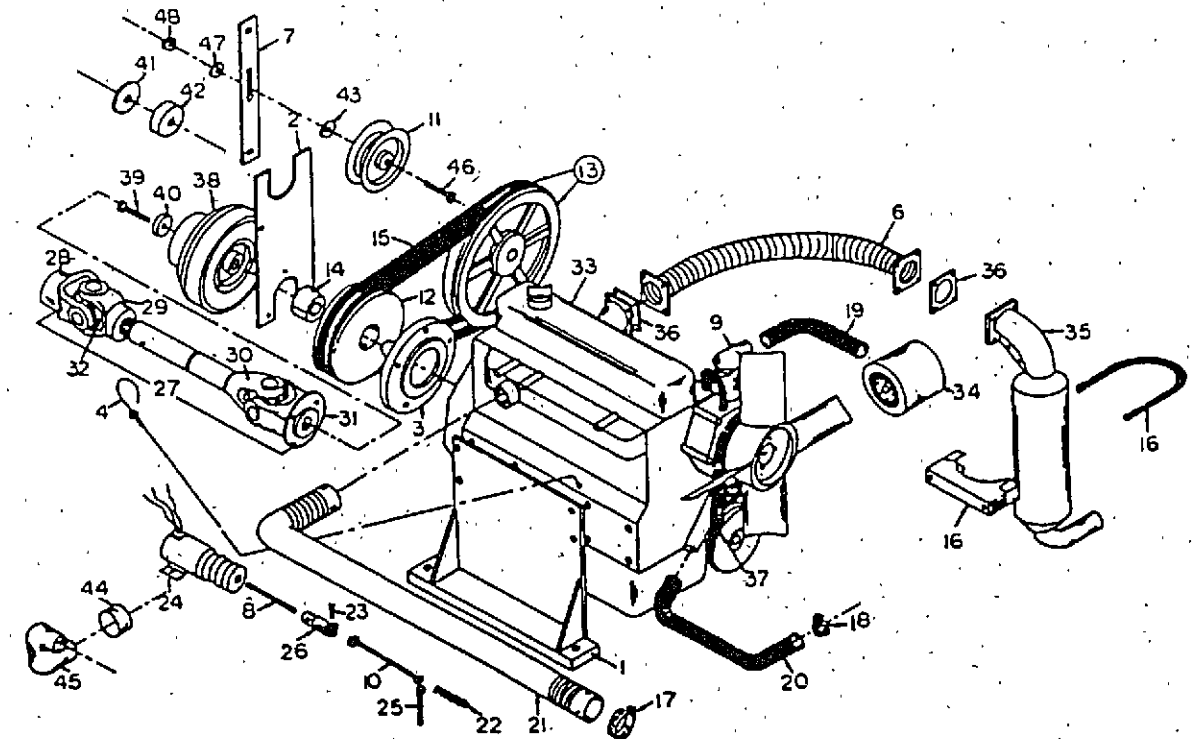
PARK BRAKE ASSEMBLY

Item	Order No.	Description	Qty.	Item	Order No.	Description	Qty.
1	G1110014	Caliper Rod Collar	4	11	G2400033	Park Brake Lever	1
2	G1400049	Brake Caliper Bracket	2	12	G9002046	Switch	1
3	G9005564	Brake Caliper	2	13	G9004025	Wheel Ass'y., 23 x 10.50-12	2
4	G9005565	Caliper Lever, LH (Shown)	1		G9004031	Tire, 23 x 10.50-12	-
	G9005566	Caliper Lever, RH	1		G9004032	Rim, 12" x 8.5"	-
5	G1400013	Brake Lever Linkage	1		G9004024	Wheel Ass'y., 23 x 8.50-12 (Use With .52" Deck)	-
6	G9005567	Brake Puck (Set of 2)	-		G9004029	Tire, 23 x 8.50-12	-
7	G9004028	5-Bolt Wheel Hub	2		G9004030	Rim, 12" x 7"	-
8	G1400047	Brake Disk	2	14	G1400048	Brake Caliper Linkage Bolt	2
9	G9006105	Lug Bolt, 7/16-20 x 3/4"	10	15	G9005500	Handle Grip	1
10	G2400029	Park Brake Mount	1				



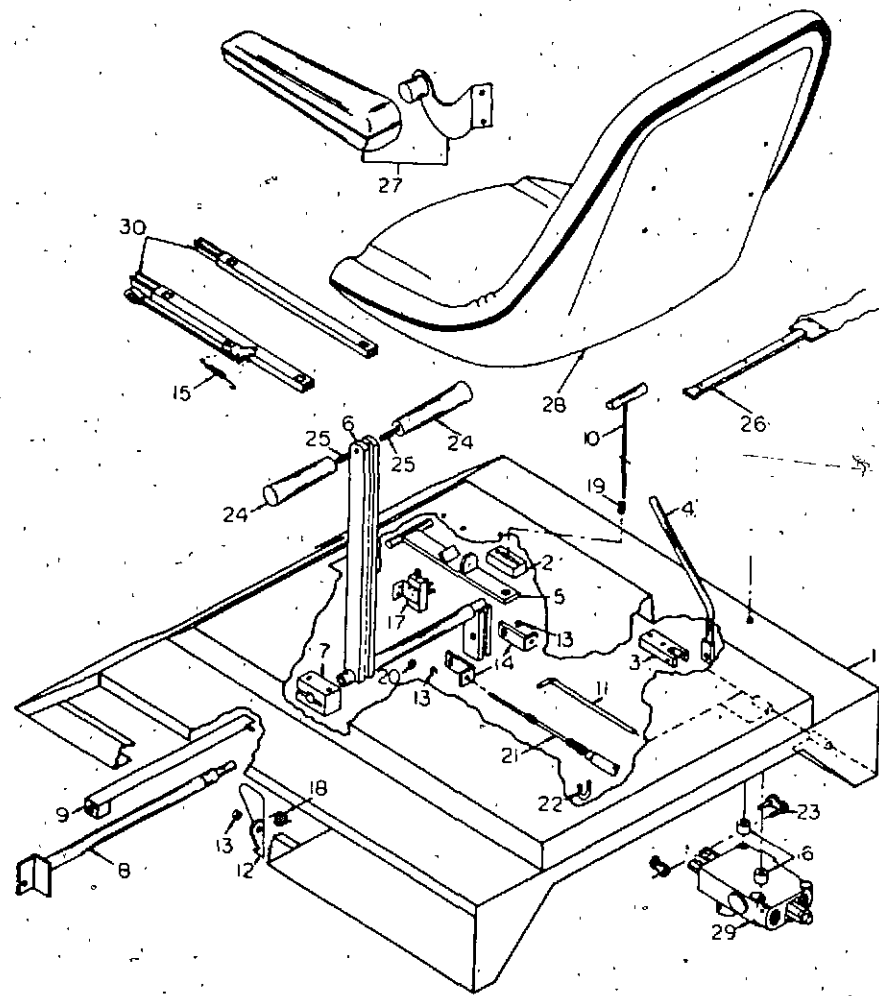
Engine Assembly

Item	Order No.	Description	Qty.	Item	Order No.	Description	Qty.
1	G1400003	Motor Mount	2	26	G9005635	Yoke End, 1/4-28, Diesel Only	1
2	G1400014	Clutch Stop	1	27	G9005816	Drive Shaft Assembly	1
3	G1400018	Clutch Plate	1	28	G9005637	Yoke, 1" Bore	
4	G9007518	Dipstick	1	29	G9005638	Male Spline Yoke	
6	G1400058	Exhaust Pipe	1	30	G9005818	Female Spline Yoke	
7	G1400063	Pump Idler Bracket	1	31	G9005640	Clutch End Yoke	
	G1400062	Fuel Shutoff Stud, 4 Cyl. Diesel	1	32	G9005641	U-joint Kit	
9	G1400040	Thermostat Housing	1	33	G9005014	Kubota D800-B, 4 Cyl. Diesel	1
10	G9005518	Cable, Diesel Units Only	1		G9005015	Kubota WG600-B, 3 Cyl. Gas	1
11	G9002518	Idler Pulley	1	34	G9007512	Oil Filter	1
12	G9002550	Double Pulley, Engine	1	35	G9007519	Muffler	1
13	G9002551	Pump Pulley	2	36	G9007520	Exhaust Gasket	2
14	G9002536	Split Hub	1	37	G9007521	Fan Belt, 3 Cylinder	1
15	G9003026	Pump Drive Belt, Matched Belts	2		G9007522	Fan Belt, 4 Cylinder	1
16	G9005628	Muffler Clamp	1	38	G9005643	Clutch	1
17	60027	Large Hose Clamp, Diesel Units	2	39	G9005644	Clutch Bolt	1
	60027	Large Hose Clamp, Gas Units	3	40	G9005645	Clutch Washer	1
18	60026	Small Hose Clamp	4	41	G2000015	Body Mount Washer	1
19	G9005820	Top Radiator Hose, 3 Cylinder	1	42	G9005509	Rubber Mount	1
	G9005821	Top Radiator Hose, 4 Cylinder	1	43	38003C	Flatwasher, 3/8"	2
20	G9005822	Bottom Radiator Hose, 3 Cylinder	1	44	G9005687	Rubber Band, Gas Only	1
	G9005823	Bottom Radiator Hose, 4 Cylinder	1	45	G9005688	Intake Air Hose Adapter, Gas Only	1
21	G9005634	Air Intake Hose	1				
22	G9005501	Spring, Diesel Only	1	46	31208H5C	Hex Bolt, 3/8-16 x 1 3/4", GR5	1
23	G9005626	Pin, Diesel Only	1	47	35003C	Lockwasher, 3/8"	1
24	G9002045	Solenoid, Diesel Only	1	48	33003C	Hex Nut, 3/8-16	1
25	300111C	Hex Tap Bolt, 1/4-20 x 3", Diesel Only	1				



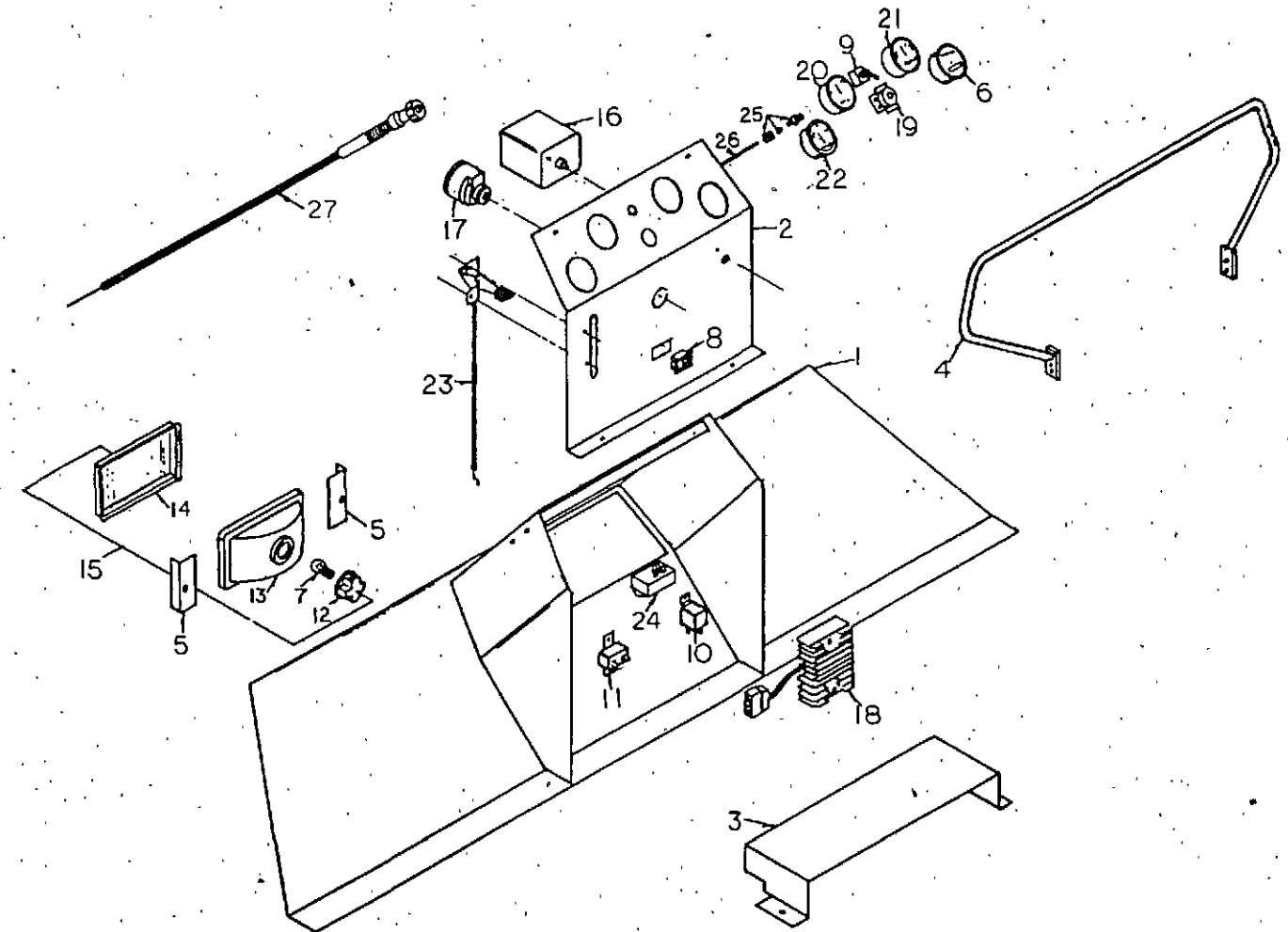
### Seat Lid Assembly

Item	Order No.	Description	Qty.	Item	Order No.	Description	Qty.
1	G240005G	Seat Lid	1	16	G1110022	Spacer	2
2	G2400006	Lever Lock Block	1	17	G9002029	Safety Switch	1
3	G2400007	Deck Lift Lever Mount	1	18	G9005700	Spring	1
4	G2400008	Deck Lift Lever	1	19	G9005674	Spring	1
5	G2400009	Lever Lock	1	20	45051	Grease Zerk	1
6	G2400037	Steering Levers	1	21	G9005624	Steering Cable, 1/4"	2
7	G2400011	Steering Lever Block	3	22	G9005625	Steering Cable Clamp, 1/4"	4
8	G2400014	Lid Prop	1	23	6D5206	Connecting Link, No. 50	1
9	G2400015	Lid Prop Lock	1	24	G9005627	Handle	2
10	G2400002	Lever Lock Handle	1	25	G9006094	Stud, 3/8"	2
11	G2400023	Seat Lid Pin	2	26	G9002001	Seat Switch	1
12	G2400024	Seat Latch	1	27	GDS13	Arm Rest (Optional)	1
13	G2000014	Steering Cable Bushing	3	28	G9005648	Seat	1
14	G1400023	Steering Cable Ends	2	29	G9008000	Hydraulic Deck Valve	1
15	G9005767	Spring, Seat Rail	3	30	G9005813	Seat Rail Kit (Pair)	1



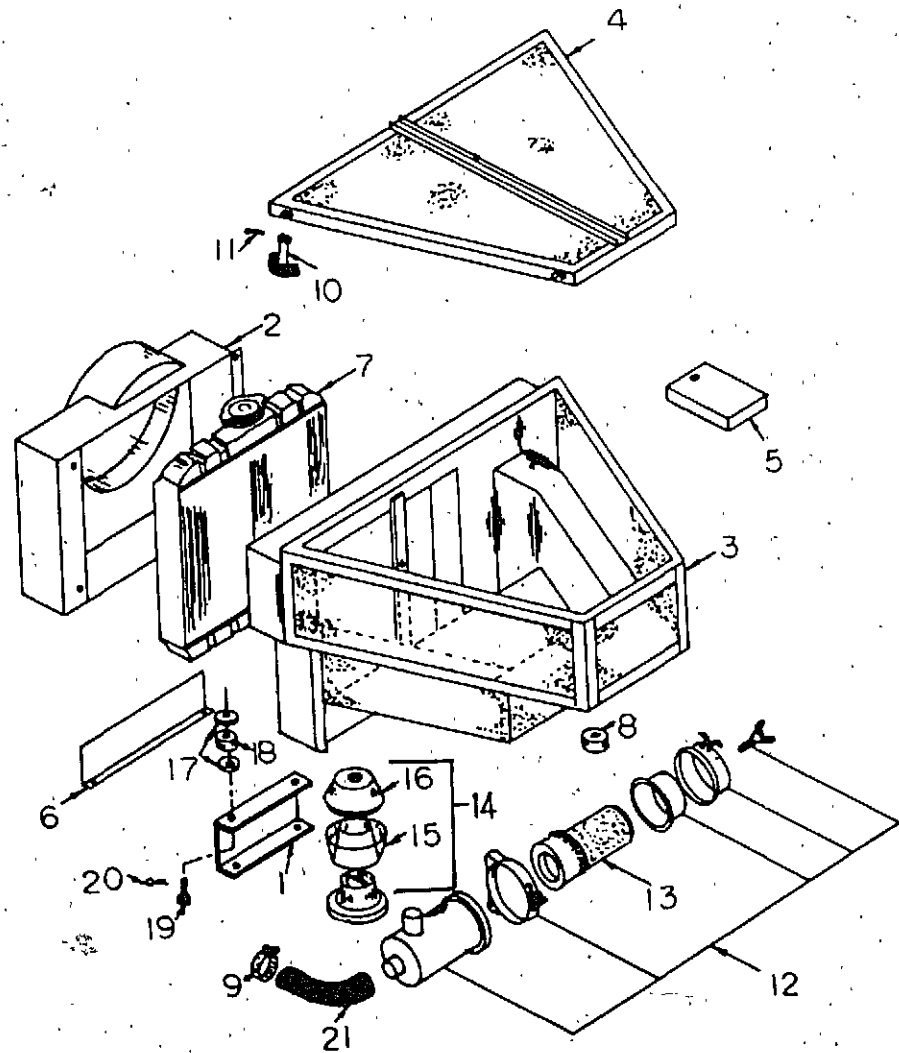
### Console Housing Assembly

Item	Order No.	Description	Qty.	Item	Order No.	Description	Qty.
1	G2400004G	Console Housing	1	16	G9002052	Murphy Switch	1
2	G2400013	Dash	1	17	G9002053	Ignition Switch	1
3	G2400016	Tunnel	1	18	G9002054	Rectifier Regulator, 3 Cylinder Only	1
4	G2400028	Grab Bar	1	19	G9002055	Glow Plug Indicator, Diesel Only	1
5	G2400021	Light Clamp	4	20	G9002056	Oil Gauge	1
6	G9002023	Hour Meter	1	21	G9002057	Temperature Gauge	1
7	G9002025	Light Bulbs	2	22	G9002058	60 Amp Gauge	1
8	G9002027	Light Switch	1	23	G9005649	Throttle Cable, Diesel	1
9	G9002028	PTO Switch	1		G9005682	Choke Cable, Gas	1
10	G9002037	Electric Clutch Relay	1	24	G9002114	Time Delay	1
11	G9002047	40 Amp Circuit Breaker	1	25	G9005651	Compression Fitting	1
12	G9002048	Light Socket	2	26	G9005652	Oil Tube	1
13	G9002049	Lamp	2	27	G9005681	Throttle Cable, Gas	1
14	G9002050	Lens	2				
15	G9002051	Light Assembly	2				



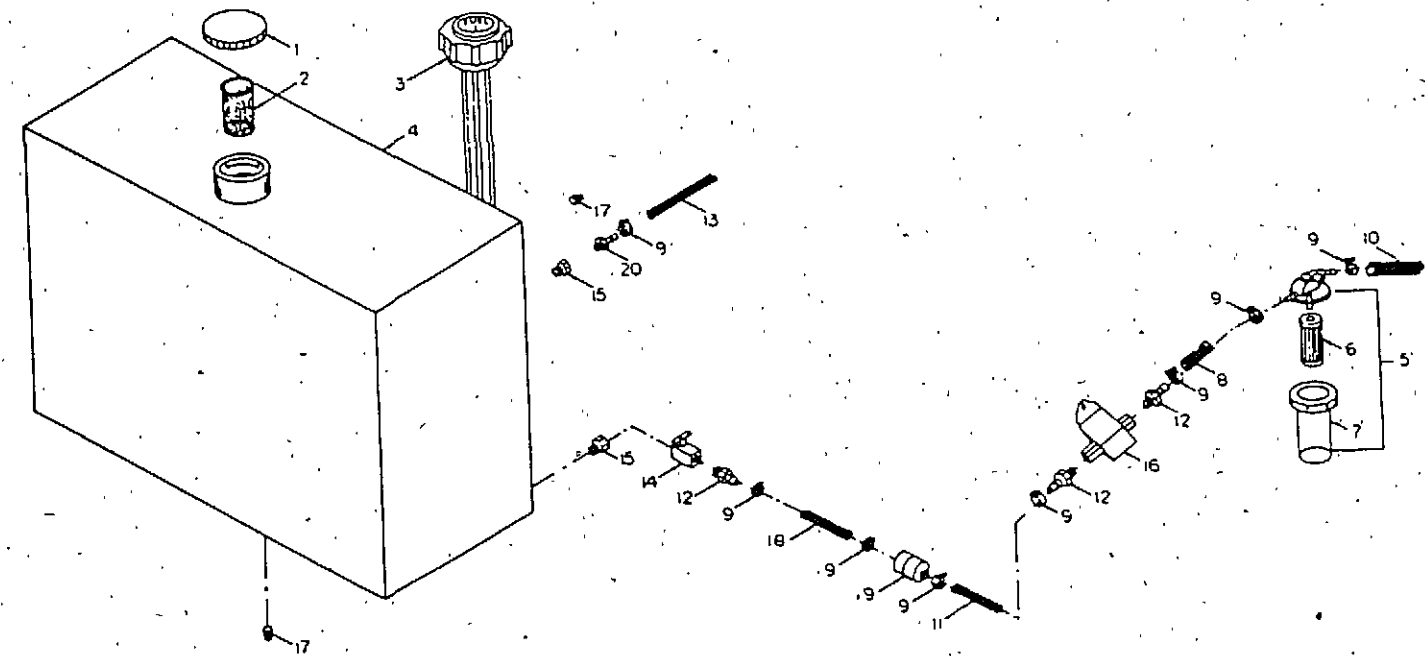
## Radiator Assembly

Item	Order No.	Description	Qty.	Item	Order No.	Description	Qty.
1	G1400006	Radiator Spacing, 3 Cyl. Only	1	11	G9005623	Rubber Hold Down Pin	4
2	G1400054	Fan Shroud, 4 Cyl.	1	12	G9007502	Air Cleaner Assembly	1
	G1400053	Fan Shroud, 3 Cyl.	1	13	G9007503	Air Cleaner Element	1
3	G1400026	Air Intake, Radiator	1	14	G9007504	Precleaner Assembly	1
4	G1400027	Air Intake, Lid	1	15	G9007505	Precleaner Bowl	
5	G1400028	Air Intake, Axle Cover	1	16	G9007506	Precleaner Lid	
6	G1400039	Fill Plate, 3 Cyl.	1	17	G9007507	Rubber Pad Washer	4
7	G9007500	Radiator, 4 Cyl.	1	18	G9007508	Rubber Pad	2
	G9007501	Radiator, 3 Cyl.	1	19	G9007509	Radiator Bolts	2
8	G9005509	Rubber Mount	1	20	G9007510	Hair Pins, Rad. Bolts	2
9	60027	Hose Clamp, 1" to 2"	2	21	G9007511	Air Cleaner Hose	1
10	G9005622	Rubber Hold Down	4				

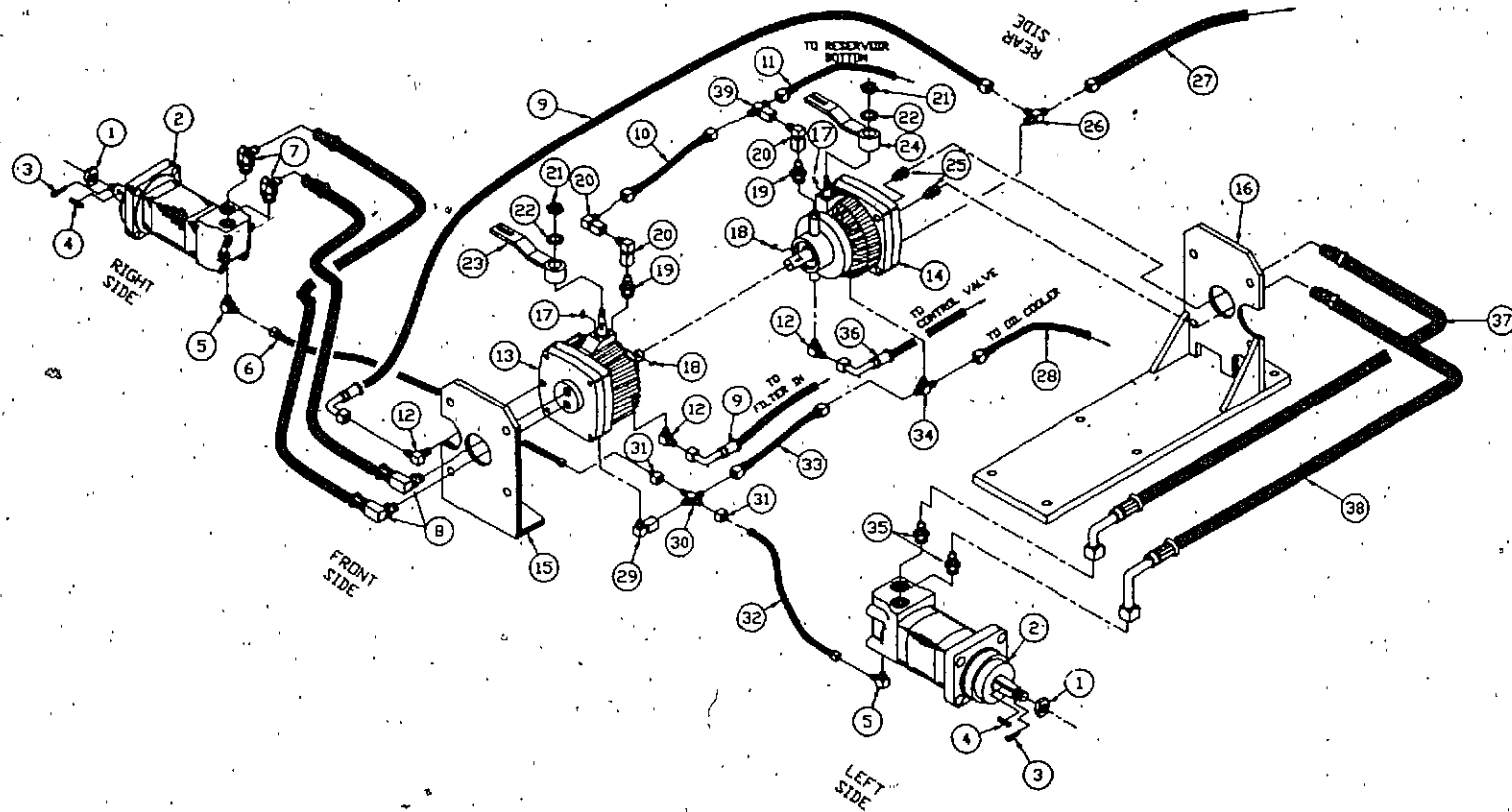


## Fuel Tank Assembly

Item	Order No.	Description	Qty.	Item	Order No.	Description	Qty.
1	G9005670	Fuel Tank Cap	-	13	G9005663	Fuel Return Line, 3/16", Diesel	1
2	G9005669	Fuel Tank Screen	-	14	G9005656	Brass Shutoff Valve, 1/8"	1
3	G9005701	Fuel Tank Cap w/Gauge	1	15	G9005725	Male Pipe, 3/8", Female Pipe Adpt., 1/8"	1
4	G1400043	Fuel Tank	1	16	G9002059	Electric Fuel Pump, Diesel	1
5	G9007513	Fuel Filter Ass'y., Diesel Only	1		G9002064	Electric Fuel Pump, Gas	1
6	G9007516	Fuel Filter Element	-	17	L3002	Pipe Plug, 3/8", Diesel	3
7	G9007515	Fuel Filter Bowl	-		L3002	Pipe Plug, 3/8", Gas	1
8	G9005684	Fuel Line, 5/16" x 3 1/2"	1	18	G9005664	Fuel Line, 5/16" x 2"	1
9	G9005657	Hose Clamp, 3/8"	10	19	G9005668	Inline Fuel Filter, 3/16"	1
10	G9005665	Fuel Line, 5/16" x 30"	1	20	G9005656	Male Pipe, 1/8", Barb Adpt., 3/16", Diesel	1
11	G9005685	Fuel Line, 5/16" x 6"	1				
12	G9005662	Male Pipe, 1/8", Barb Adpt., 5/16"	3				



## Wheel Motor & Pump Assembly

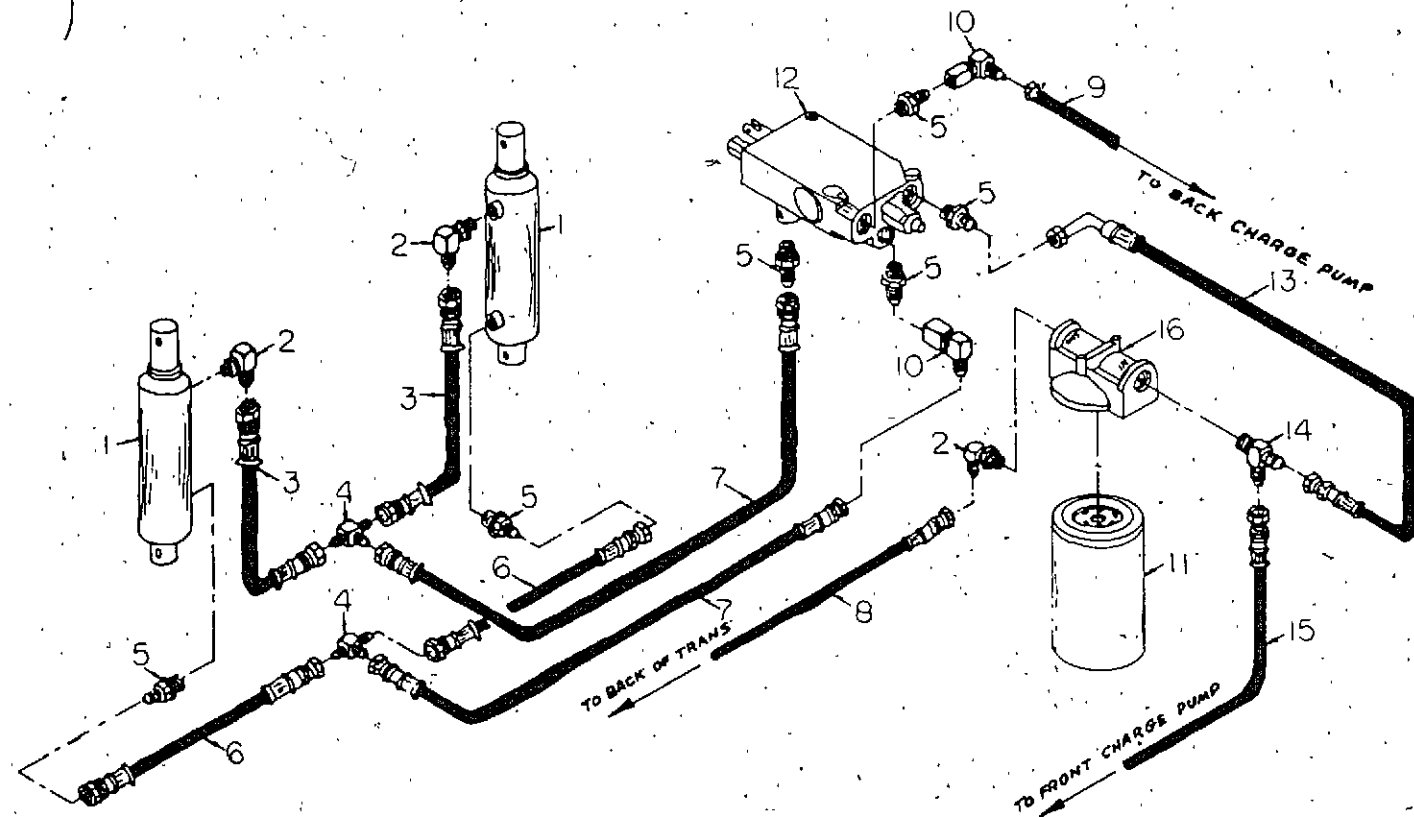


Item	Order No.	Description	Qty.
1	G9008126	Hub Nut	2
2	G9008131	Wheel Motor, Liquid-cooled	2
3	49043	Cotter Key, 3/16" x 1 3/4"	2
4	40631	Key, 5/16" x 1"	2
5	G9008015	Male Tube, 90° Adj. O-ring Adpt.	2
6	G9008149	Hose Ass'y. 1/4" ID x 5 1/4"	1
7	G9008016	Male Tube, 90° Adj. O-ring Adpt.	2
8	G9008158	Hose Ass'y., 1/2" ID x 19"	2
9	G9008106	Hose Ass'y., 3/8" ID x 30"	2
10	G9008152	Hose Ass'y., 5/8" ID x 4 1/2"	1
11	G9008153	Hose Ass'y., 3/4" ID x 21"	1
12	G9008097	Male Tube, 90° Adj. O-ring Adpt.	3
13	G9008064	Model 11 Pump, LH	1
14	G9008063	Model 11 Pump, RH	1
15	G1400056	Trans. Pump Mount End	1
16	G1400055	Trans. Pump Mount	1
17	41008	Woodruff Key, 1/8" x 5/8"	2
18	410013	Woodruff Key, 3/16" x 3/4"	2
19	G9008140	Male Tube, Male O-ring Adpt.	2
20	G9008141	Male Tube, 90° Female Swivel Adpt.	3
21	33005C	Hex Nut, 1/2-13	2
22	35005C	Lockwasher, 1/2"	2
23	G1400057	Steering Arm, RH	1
24	G1400059	Steering Arm, LH	1
25	G9008018	Male O-ring, Female Pipe Swivel Adpt.	2
26	G9008147	Male Tube, Male O-ring Tee	1
27	G9008105	Hose Ass'y., 3/8" ID x 11 1/2"	1
28	G9008150	Hose Ass'y., 1/2" ID x 29"	1
29	G9008148	Adj. Male O-ring, 90° Female Swivel Adpt.	1
30	G9008139	Male Tube Cross	1
31	G9008136	Female Tube, Male Tube Reducer	2
32	G9008108	Hose Ass'y., 1/4" ID x 20"	1
33	G9008151	Hose Ass'y., 1/2" ID x 5 3/4"	1
34	G9008146	Male Tube, Adj. Male O-ring Tee	1
35	G9008007	Male Tube, Male O-ring Adpt.	2
36	G9008157	Hose Ass'y., 3/8" ID x 42"	1
37	G9008028	Hose Ass'y., 1/2" ID x 42"	1
38	G9008029	Hose Ass'y., 1/2" ID x 42"	1
39	G9008144	Male Tube, Female Swivel Tee	1



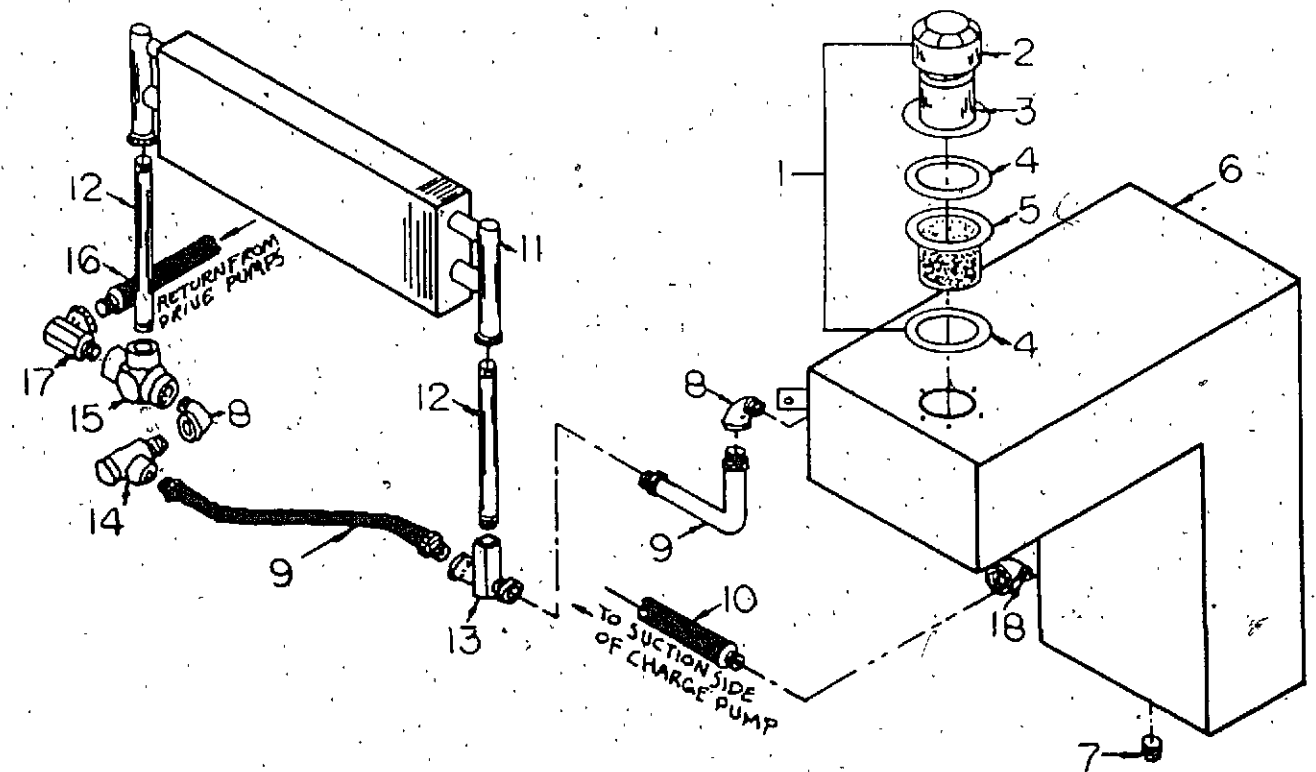
## Lift Cylinder, Valve & Filter Assembly

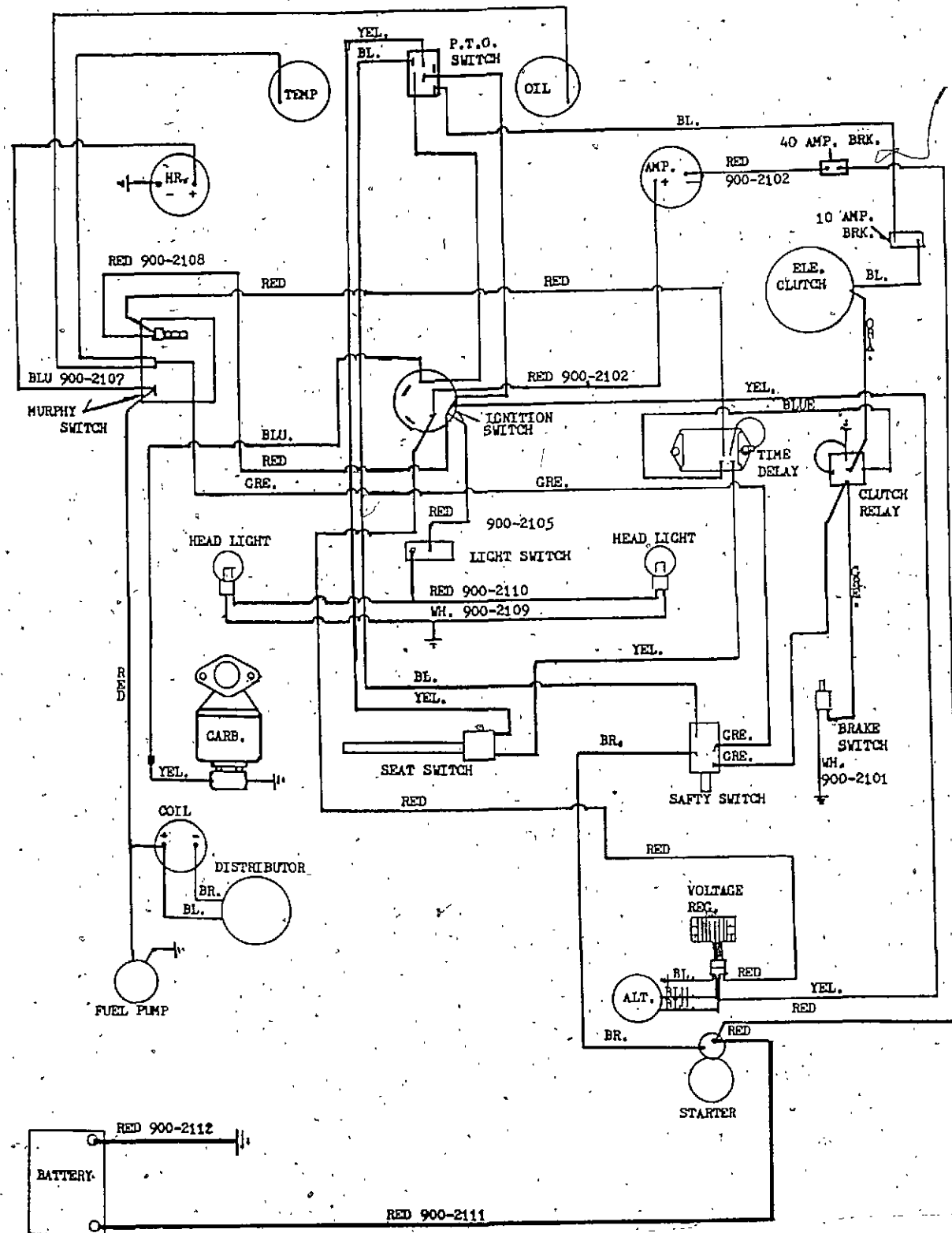
Item	Order No.	Description	Qty.	Item	Order No.	Description	Qty.
1	G9008051	Lift Cylinder	2	10	G9008121	Male Tube, 90° Female Swivel Adpt.	2
2	G9008097	Male Tube, 90° Adj. O-ring Adpt.	3	11	G9008073	Filter Element	1
3	G9008154	Hose, 3/8" x 12 1/2" Long	2	12	G9008000	Valve Assembly	1
4	G9008138	Male Tube Tee	2	13	G9008104	Hose, 3/8" x 21" Long	1
5	G9008094	Male Tube, Male O-ring Adpt.	6	14	G9008147	Male Tube, Male O-ring Tee	1
6	G9008156	Hose, 3/8" x 9" Long	2	15	G9008106	Hose, 3/8" x 30" Long	1
7	G9008155	Hose, 3/8" x 52" Long	1	16	G9008072	Housing, Oil Filter	1
8	G9008105	Hose, 3/8" x 11 1/2" Long	1				
9	G9008157	Hose, 3/8" x 42" Long	1				



## OIL COOLER & OIL RESERVOIR ASSEMBLY

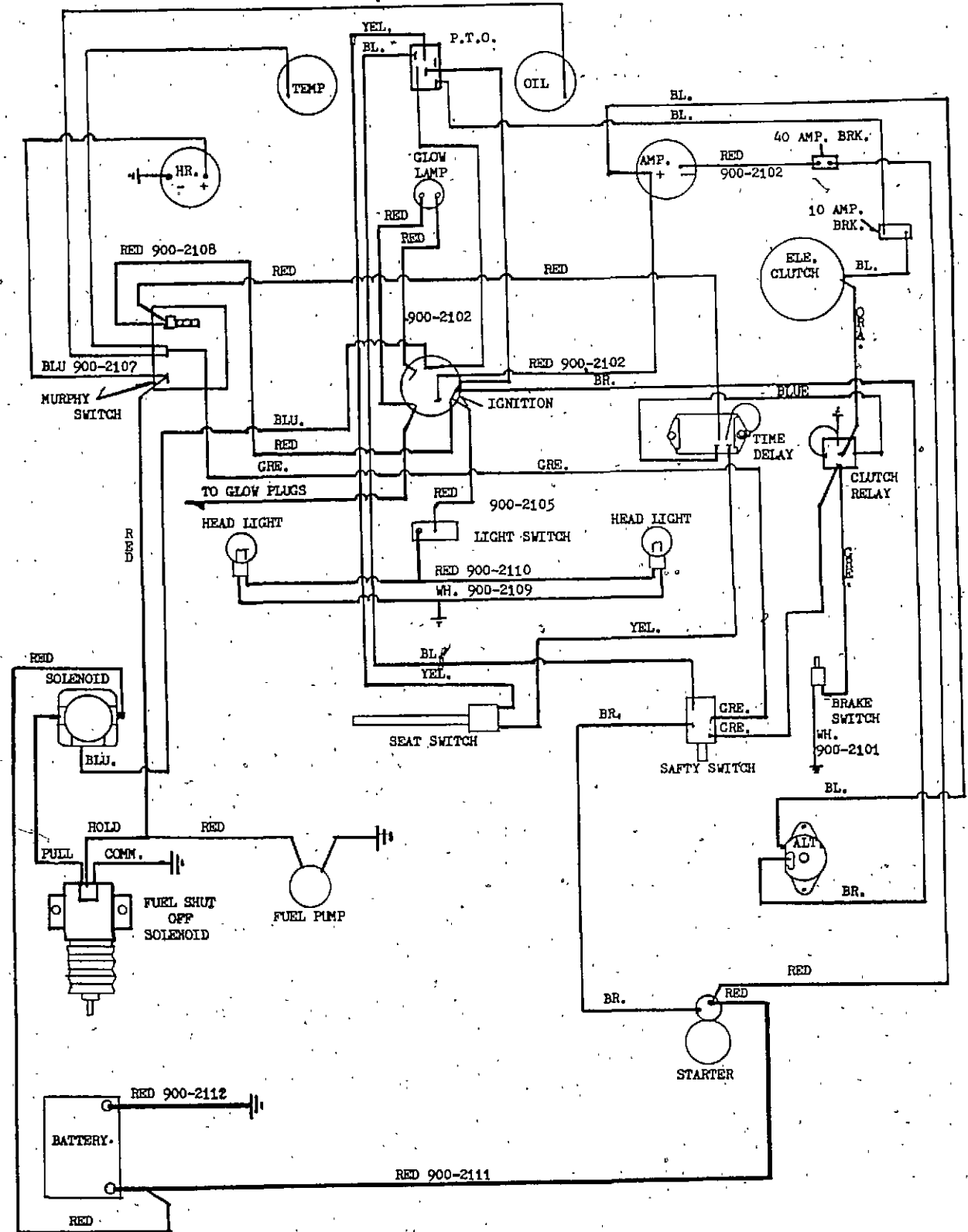
Item	Order No.	Description	Qty.	Item	Order No.	Description	Qty.
1	G9008056	Hydraulic Fill Cap Assembly	1	12	100215	Pipe Nipple, 1/2" x 10"	2
2	G9008045	Breather Cap	-	13	G9008009	Female Pipe, Female Pipe Swivel Tee	1
3	G9008057	Fill Neck	-	14	G9008023	Relief Valve	1
4	G9008043	Gasket	-	15	G9008012	Female Pipe Tee	1
5	G9008042	Strainer	-	16	G9008150	Easy Couple Hose, 1/2" ID x 29" Long	1
6	G1400043	Oil Reservoir	1	17	G9008137	Male Pipe, 90° Male Tube Adapter 4 Cylinder	1
7	13003	Pipe Plug, 1/2"	1		G9008135	Male Tube, Male Pipe Adapter 3 Cylinder	1
8	11103	Male Pipe, 90° Female Pipe Adpt.	2	18	11004	Male Pipe, 45° Female Pipe Adpt.	1
9	G9008037	Easy Couple Hose, 1/2" ID x 10 5/8" Long	2				
10	G9008153	Easy Couple Hose, 3/4" ID x 21" Long	1				
11	G9008001	Oil Cooler	1				





WIRING DIAGRAM (3CYLINDER GAS)

PART NO.	AMT. REQ'D	DESCRIPTION	PART NO.	AMT. REQ'D	DESCRIPTION
900-2001	1	SEAT SWITCH	900-2052	1	MURPHY SWITCH
900-2023	1	HOUR METER	900-2053	1	IGNITION SWITCH
900-2027	1	LIGHT SWITCH	900-2054	1	VOLTAGE REGULATOR
900-2028	1	P.T.O. SWITCH	900-2056	1	OIL GAUGE
900-2029	1	SAFTY SWITCH	900-2057	1	TEMP. GAUGE
900-2037	1	ELE. CLUTCH RELAY	900-2058	1	60 AMP. GAUGE
900-2043	1	BATTERY	900-2059	1	FUEL PUMP
900-2044	1	10 AMP. BREAKER	900-2113	1	MAIN WIRING HARDNESS
900-2046	1	BRAKE SWITCH	900-2114	1	TIME DELAY
900-2047	1	30 AMP. BREAKER	900-5643	1	CLUTCH
900-2051	2	LIGHT ASSEMBLY			

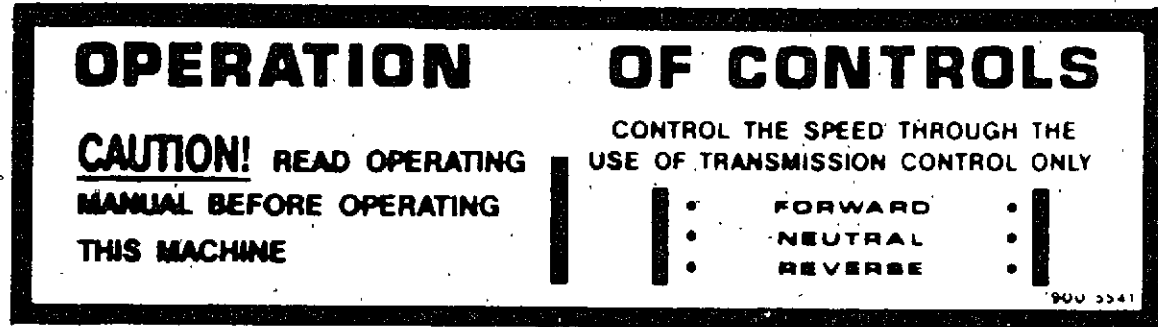


WIRING DIAGRAM (4 CYLINDER DIESEL)

PART NO.	AMT. REQ'D	DESCRIPTION	PART NO.	AMT. REQ'D	DESCRIPTION
900-2001	1	SEAT SWITCH	900-2051	2	LIGHT ASSEMBLY
900-2005	1	SOLENOID	900-2052	1	MURPHY SWITCH
900-2023	1	HOUR METER	900-2053	1	IGNITION SWITCH
900-2027	1	LIGHT SWITCH	900-2055	1	GLow PLUG INDICATOR
900-2028	1	P.T.O. SWITCH	900-2056	1	OIL GAUGE
900-2029	1	SAFTY SWITCH	900-2057	1	TEMP. GAUGE
900-2037	1	ELE. CLUTCH RELAY	900-2058	1	60 AMP. GAUGE
900-2043	1	BATTERY	900-2059	1	FUEL PUMP
900-2044	1	10 AMP. BREAKER	900-2100	1	MAIN WIRING HARDNESS
900-2045	1	FUEL SHUT OFF SOLENOID	900-2114	1	TIME DELAY
900-2046	1	BRAKE SWITCH	900-5643	1	CLUTCH
900-2047	1	30 AMP. BREAKER			

## Tractor Decals

These decals have been placed on the tractor to instruct the operator and to warn of safety hazards. It is very important that they be in place and visible at all times. Replace damaged or missing decals immediately! Order by the part numbers shown below.



G9005541



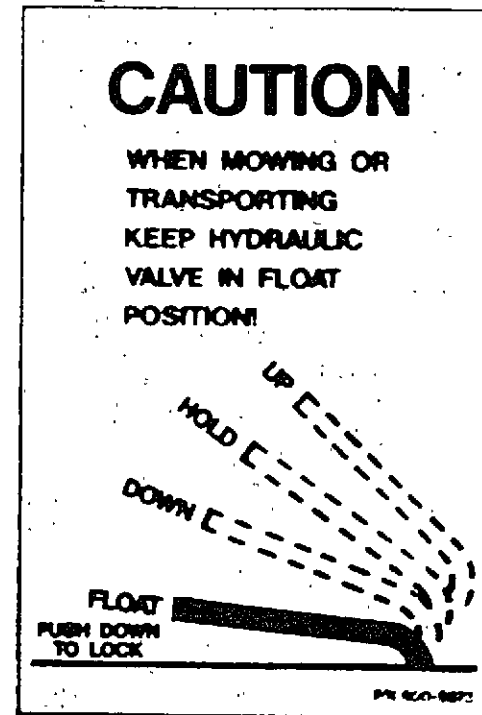
G9005548



G9005543



G9005672



G9005673



G9005671



Grazer Logo  
G9005611

# INGERSOLL

Ingersoll Equipment Co., Inc.