

GRAZER

GROUNDS MOWERS

MODEL

G2090V

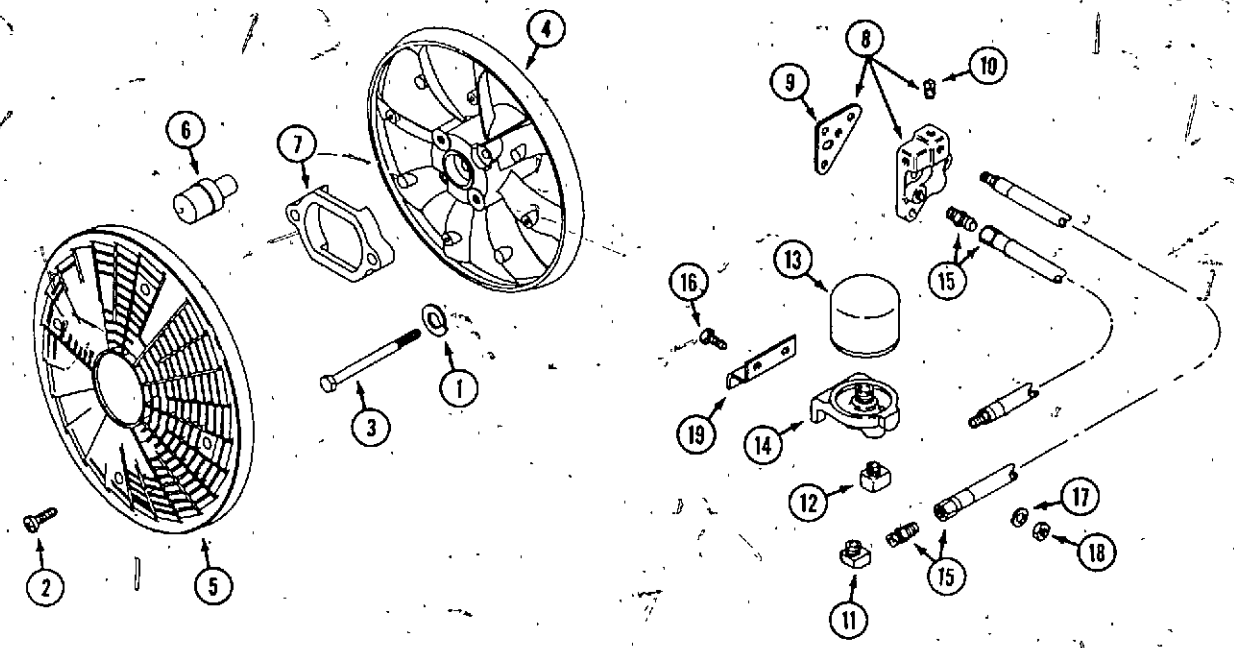
(HYDRAULIC DRIVE MOWERS)

PARTS LIST

GRAZER

TABLE OF CONTENTS

BOOSTER FAN AND REMOTE OIL FILTER	A4
ENGINE AND ATTACHING PARTS	A4
ELECTRIC CLUTCH	A6
FUEL SYSTEM	A6
BASE ASSEMBLY	A8
BODY ASSEMBLY	A10
SEAT LID AND STEERING	A12
DUAL TAIL WHEEL	A14
SINGLE TAIL WHEEL	B2
PUMP DRIVE CROSS SHAFT	B2
DRIVE ASSEMBLY (R.H.)	B4
DRIVE ASSEMBLY (L.H.)	B6
STEERING CABLE KIT	B8
LIFT LEVER	B8
HYDRAULIC SYSTEM	B10
ELECTRIC DECK LIFT (INCLUDES WIRING DIAGRAM)	B12
WIRING DIAGRAM	B14 - C2
DECALS	C4
MOWER DECK AND ATTACHING PARTS (52")	C6
MOWER DRIVE (52")	C8
MOWER DECK AND ATTACHING PARTS (62")	C10
MOWER DRIVE (62")	C12
GEAR BOX (MOWER)	C14

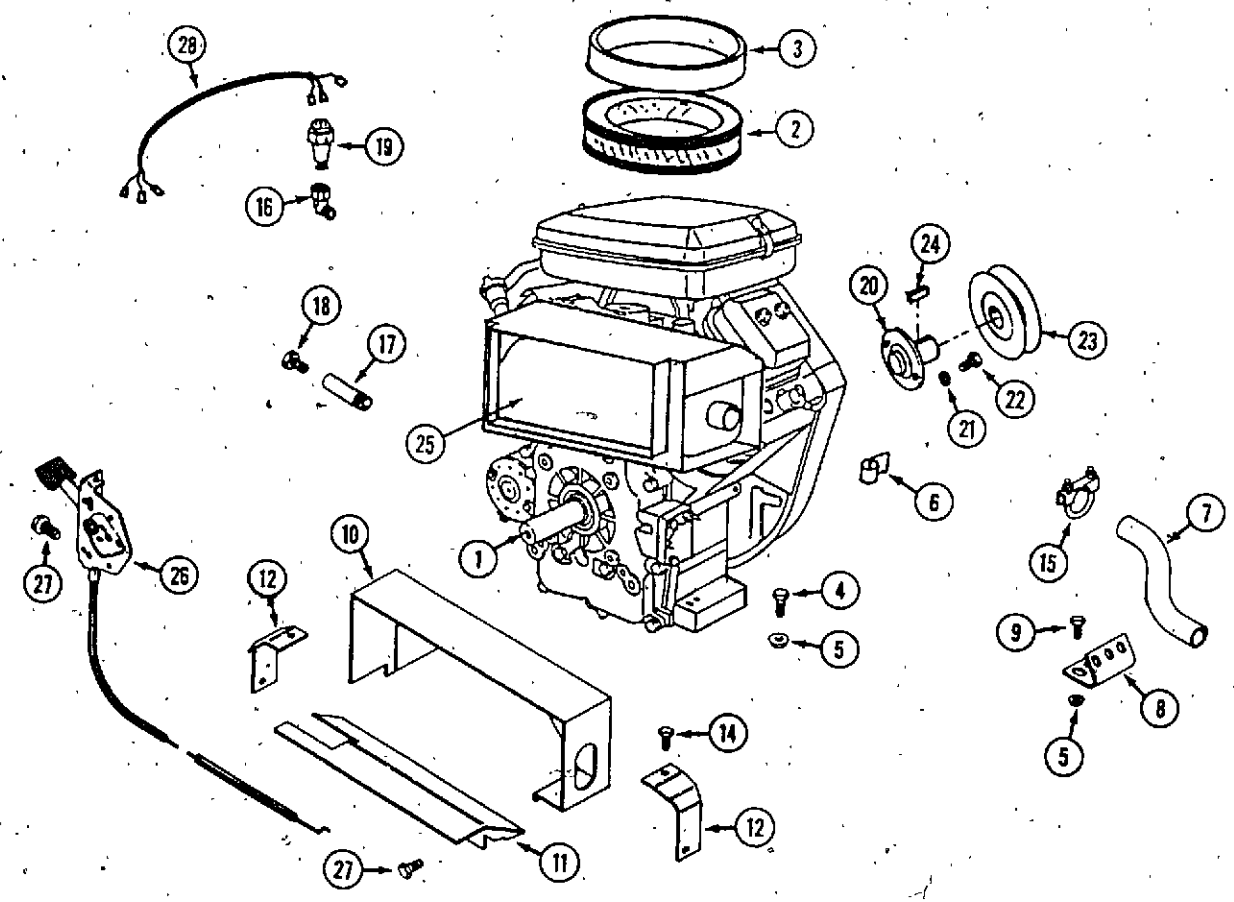


BOOSTER-FAN AND REMOTE OIL FILTER

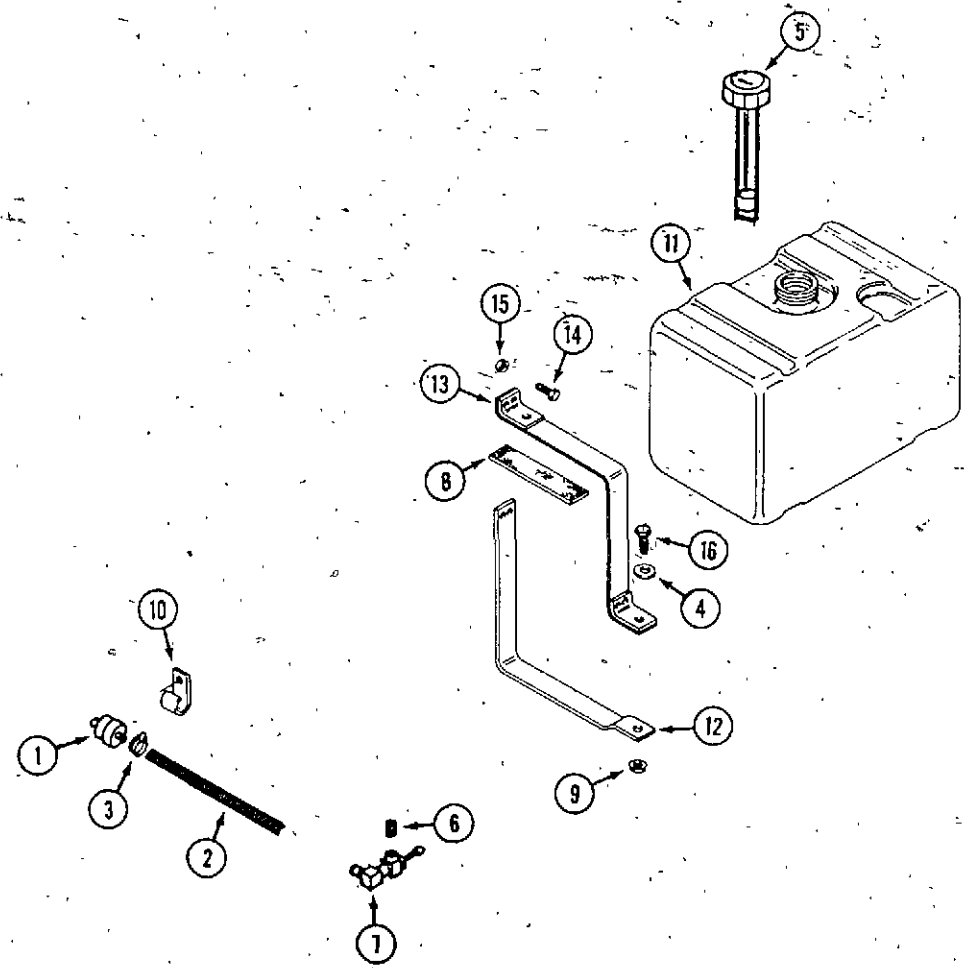
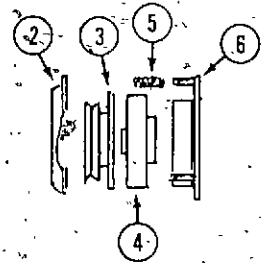
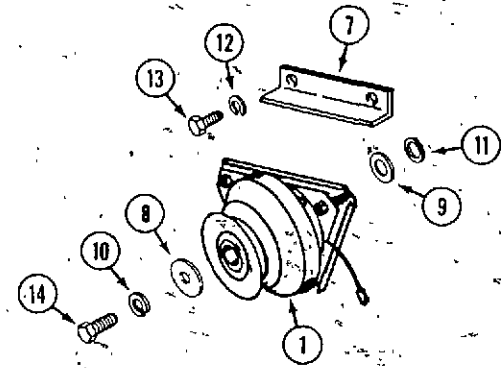
REF.	PART NO.	DESCRIPTION	REQ'D
1	C44857	LOCKWASHER	2
2	BR93805	SCREW	4
3	C44858	SCREW	2
4	C44859	FAN - booster	1
5	C44860	SCREEN - rotating	1
6	C44861	PIN - pilot	1
7	C46079	SPACER - fan	1
8	C45094	ADAPTOR - oil	1
9	C34361	GASKET - adaptor	1
10	C34239	PLUG - pipe 1/8"	1
11	C44865	ELBOW - 90°	1
12	C44866	ELBOW - 90°	1
13	C34374	FILTER - oil	1
14	C44868	MOUNT - oil filter	1
15	C44869	HOSE AND FITTING	2
16	113-3	BOLT - 1/4" - 20 x 3/4	3
17	195-102	WASHER - 5/16"	2
18	131-934	NUT - 1/4" - 20	3
19	C44328	BRACKET - mount	1

**ENGINE AND ATTACHING PARTS
BRIGGS & STRATTON VANGUARD MODEL**

(See your local engine dealer for other parts and repairs)



1	C45915	ENGINE - Briggs & Stratton Model 351447, type 1192 (20 hp)	1
2	C37544	ELEMENT - air cleaner	1
3	C37543	PRE-CLEANER	1
4	113-104	BOLT - 5/16" - 18 X 1-1/4"	4
5	131-911	NUT - 5/16" - 18 FLANGE LOCK	5
6	C32455	CLIP - "J"	2
7	C44244	PIRE - exhaust	1
8	C44243	BRACKET - exhaust pipe	1
9	113-103	BOLT - 5/16" - 18 x 1"	1
10	C45105	DUCT - muffler, upper	1
11	C45109	DUCT - bottom	1
12	C45111	SUPPORT - duct	2
14	C45273	SCREW - M6 x 10	3
15	C28294	CLAMP - exhaust	2
16	217-1085	FITTING - street elbow, 1/4" NPT 45°	1
17	C33949	NIPPLE - pipe 3.5	1
18	218-5154	PLUG - 1/2" - 20	1
19	C37531	UNIT - oil sending (use before S/N 953510001)	1
19	C46222	UNIT - oil sending (use S/N 953510001 and after)	1
20	C37537	SHAFT - stub	1
21	192-21	LOCKWASHER - 3/8"	2
22	113-207	BOLT - 3/8" - 16 x 1"	2
23	C37539	PULLEY - engine (use 83-55 set screw)	1
24	C41015	KEY - 1/4" x 1/4" x 1"	1
25	C44862	MUFFLER	1
26	C37819	CABLE - choke	1
26	C37820	CABLE - throttle	1
27	C39403	SCREW - #12 X 1/2"	4
28	C42240	HARNESS - wire (use before S/N 95351001) shown	1
28	C46218	HARNESS - wire (use S/N 95351001 and after)	1



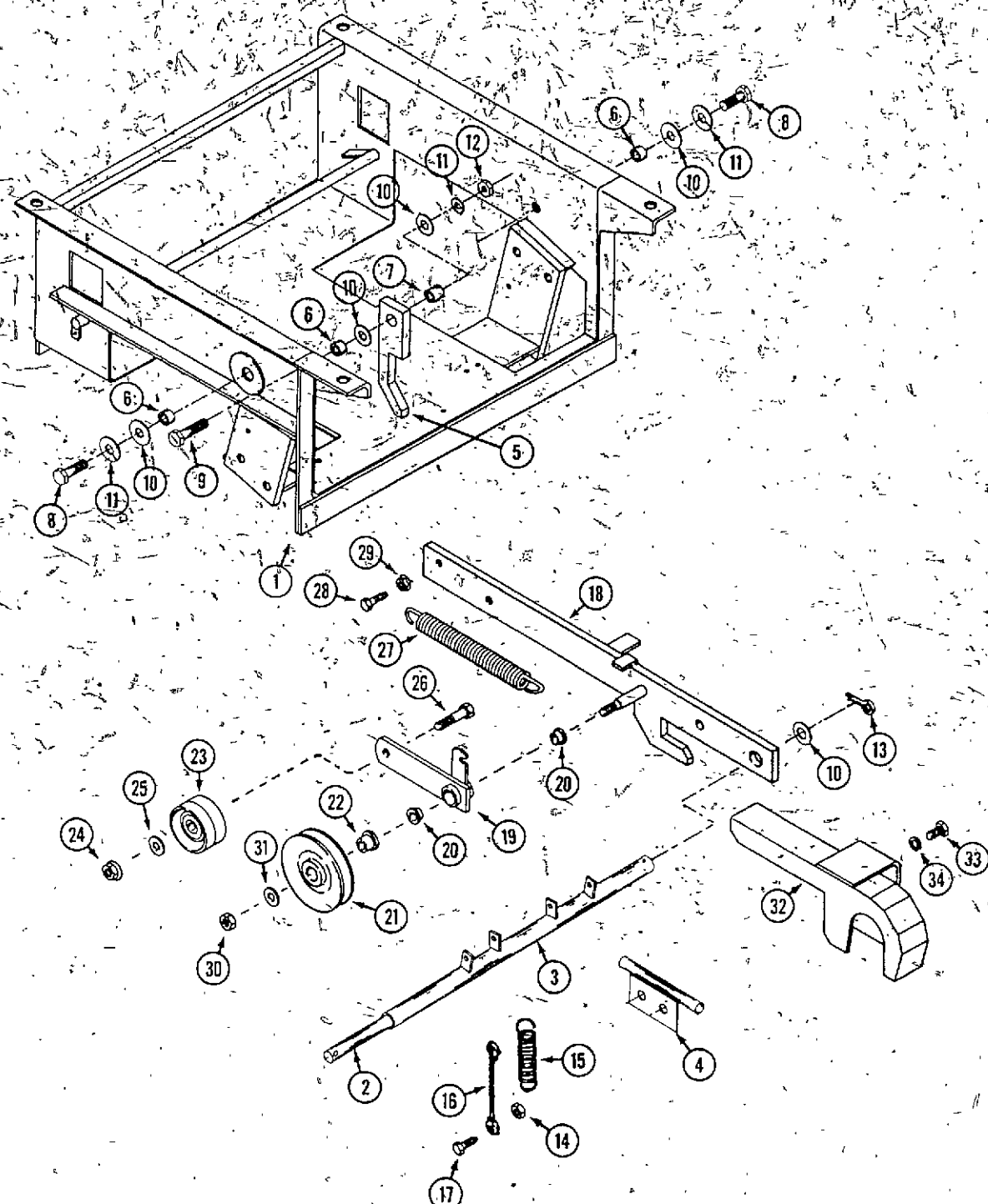
ELECTRIC CLUTCH (PTO)

REF.	PART NO.	DESCRIPTION	REQ'D
1	C37511	CLUTCH ASSEMBLY.....	1
2	C37549	BRAKE - clutch.....	1
3	C37550	ARMATURE - clutch.....	1
4	C37551	ROTOR - clutch.....	1
5	C37552	KIT - spring and nut (3 each).....	1
6	C37553	COIL - clutch.....	1
7	C37562	BRACKET - clutch stop.....	1
8	C31615	WASHER - retaining.....	1
9	195-104	WASHER - 7/16".....	2
10	192-21	LOCKWASHER - 3/8".....	1
11	C31614	WASHER - 1-1/8".....	1
12	192-22	LOCKWASHER - 7/16".....	2
13	113-335	BOLT - 7/16" - 14 x 3/4".....	2
14	114-203	BOLT - 3/8" - 24 x 1-1/2".....	1

FUEL SYSTEM

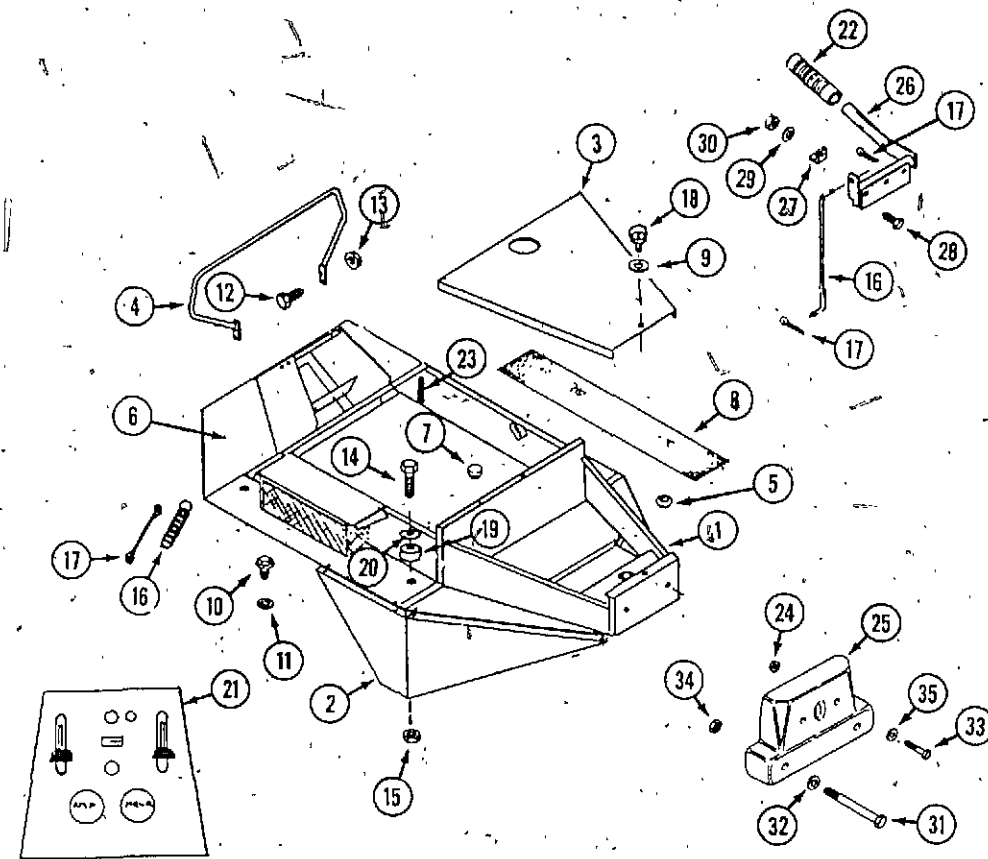
1	C37554	FILTER - fuel.....	1
2	C44027	HOSE - fuel (cut to length).....	1
3	214-103	CLAMP - hose.....	4
4	195-521	WASHER - 5/16".....	2
5	C45334	CAP - fuel tank (with gauge) (2-1/4" threads).....	1
6	221-1101	NIPPLE - pipe 1/8".....	1
7	C37811	VALVE - shut off.....	1
8	C34189	CUSHION - reservoir.....	2
9	131-911	NUT - 5/16" - 18 flange lock.....	2
10	C32455	CLIP - "J" fuel line.....	1
11	C45333	TANK - fuel (2-1/4" filler tube) (plastic).....	1
12	C45061	BRACKET - fuel tank.....	1
13	C45062	STRAP - fuel tank.....	1
14	113-17	BOLT - 1/4" - 20 lock.....	2
15	131-71	NUT - 1/4" - 20 lock.....	2
16	113-103	BOLT - 5/16" 18 x 1".....	2

BASE ASSEMBLY



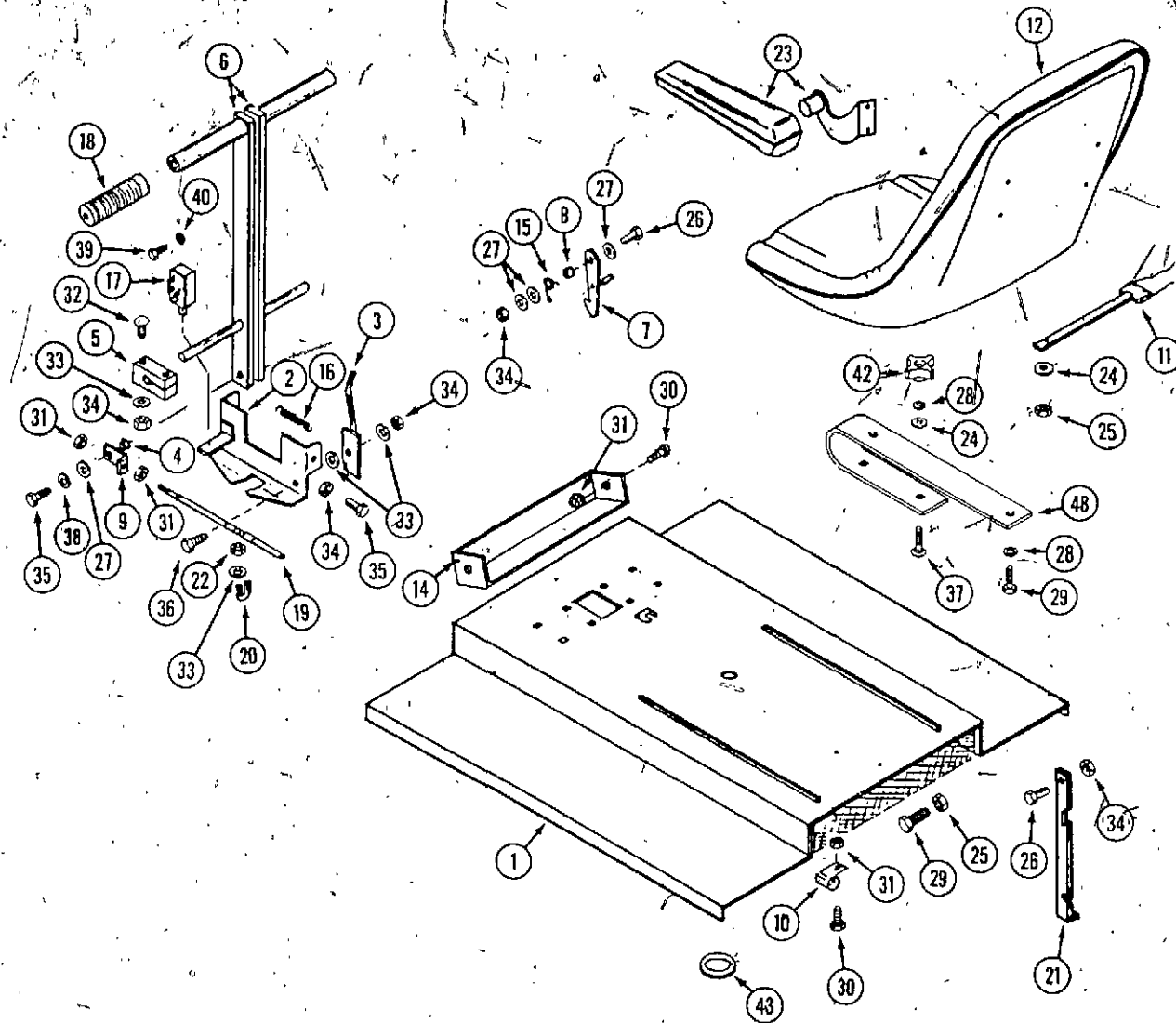
REF	PART NO.	DESCRIPTION	REQ'D
1	C46081	BASE.....	1
2	C37578	PIN - cross bar.....	1
3	C37579	BAR - cross.....	1
4	C37577	TUBE - wire.....	1
5	C37583	LOCK - forward nose down.....	2
6	C37576	BUSHING - deck lift arm (3/8" long).....	3
7	C37586	BUSHING - pivot (1/2" long).....	1
8	113-417	BOLT - 1/2" - 13 x 1-1/4".....	2
9	113-441	BOLT - 1/2" - 13 x 2-1/4".....	1
10	195-106	WASHER - 1/2".....	6
11	192-23	LOCKWASHER - 1/2".....	3
12	129-105	NUT - 1/2" - 13.....	1
13	132-310	PIN - cotter 1/8" x 1".....	2
14	131-71	NUT - lock 1/4" - 20.....	4
15	C37815	SPRING - lift assist.....	2
16	C37816	CABLE - lift.....	2
17	113-4	BOLT - 1/4" - 20 x 1".....	4
18	C45250	ARM - deck R.H.....	1
18	C45099	ARM - deck L.H. (shown).....	1
19	C45095	ARM - idler.....	1
20	C27501	BEARING - flange.....	2
21	C25370	PULLEY - "V" idler.....	1
22	C45102	BUSHING - pulley.....	1
23	C45121	PULLEY - idler, flat.....	1
24	131-938	NUT - 3/8" - 16 flange lock.....	1
25	195-104	WASHER - 3/8".....	1
26	113-219	BOLT - 3/8" - 16 x 2".....	2
27	C44242	SPRING - extension.....	1
28	113-103	BOLT - 5/16" - 18 x 1".....	1
29	131-911	NUT - 5/16" - 18 flange lock.....	1
30	131-1182	NUT - 1/2" - 13 lock.....	1
31	195-533	WASHER - 1/2".....	1
32	C44403	GUARD - belt.....	1
33	113-102	BOLT - 5/16" - 18 x 3/4".....	2
34	192-20	LOCKWASHER.....	2

BODY ASSEMBLY

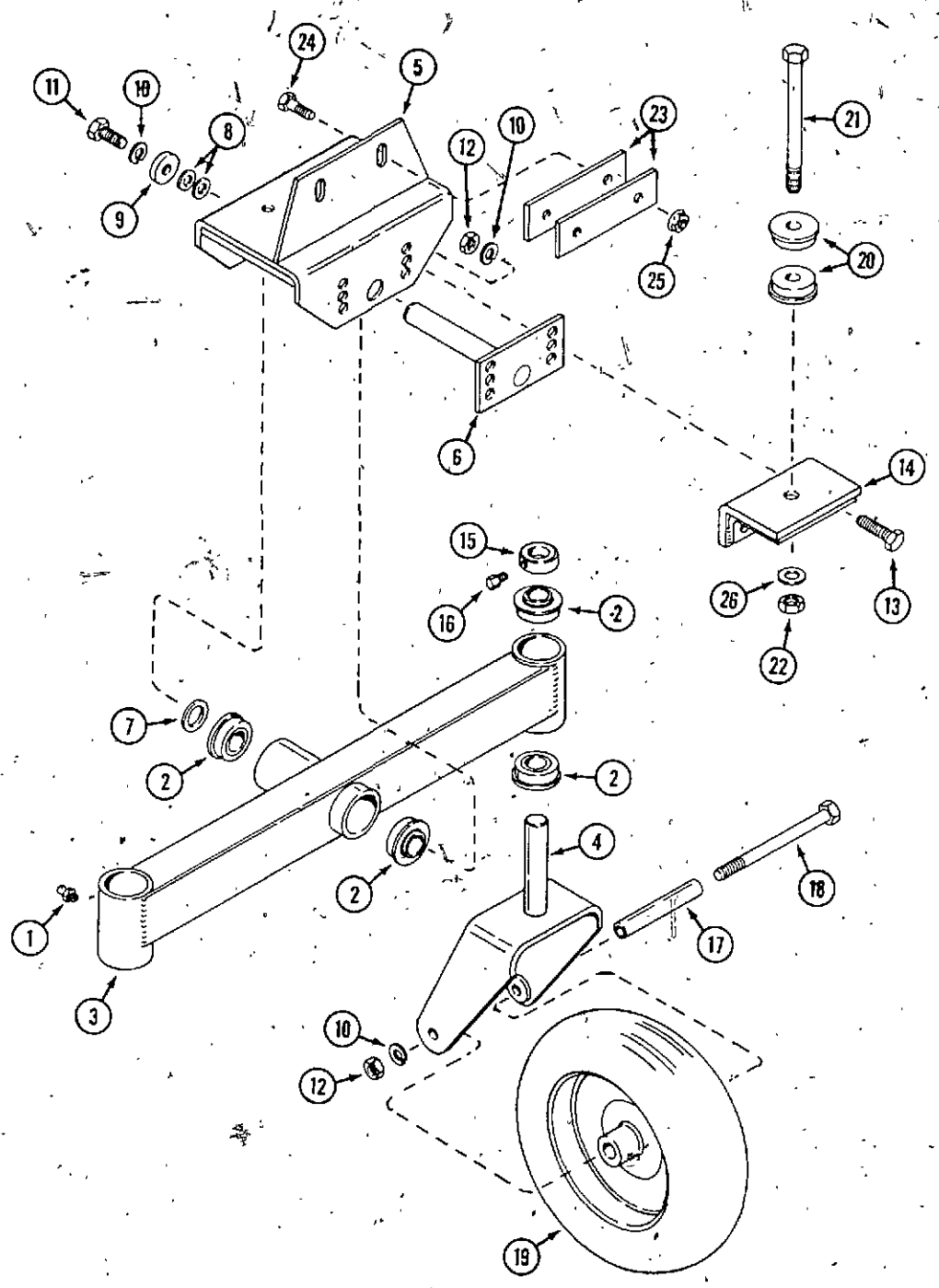


REF.	PART NO.	DESCRIPTION	REQ'D
1	C45856	BODY	1
2	C41175	FENDER - L.H. (Shown)	1
2	C41179	FENDER - RH	1
3	C41163	BACK COVER	1
4	C44844	GUARD RAIL	1
5	C37824	BEARING	2
6	C43419	PAD - safety walk L.H. front	1
6	C43420	PAD - safety walk R.H. front	1
7	C35067	BUMPER - nylon	4
	C44036	TRIM - tower and rear lid (not shown)	1
8	C43421	PAD - safety walk R.H. side	1
9	C41945	GROMMET	1
10	C34808	BOLT - 1/4" - 20 x 3/4" tapping	8
11	192-19	LOCKWASHER - 1/4"	8
12	C42056	BOLT - 5/16" - 18 x 5/8" black	4
13	131-911	NUT - 5/16" - 18 flange lock	4
14	.113-425	BOLT - 1/2" - 13 x 3"	4
15	131-70	NUT - 1/2" - 13 lock	4
16	C37822	ROD - brake	1
17	132-332	PIN - cotter 3/32" x 1"	1
18	C41944	DZUS FASTENER	1
19	C37818	RUBBER BODY MOUNT	8
20	C37581	BODY MOUNT WASHER	4
21	C37821	DASH BOARD	1
	182-573	SCREW - #10 - 24 X 1/2" (used on dash board)	4
	C34117	NUT - #10 - 24 flange lock (used on dash board)	2
22	C37631	GRIP - handle	1
23	C38408	SPRING	1
24	131-1352	NUT - flange lock	2
25	NSS	WEIGHT - tail (order from whole goods) W48 kit	1
26	C37604	HANDLE - brake	1
27	C37630	BRACKET - stop	1
28	113-3	BOLT - 1/4" - 20 x 3/4"	4
29	192-19	LOCKWASHER - 1/4"	4
30	129-101	NUT - 1/4" - 20	4
31	113-650	BOLT - 5/8" - 11 x 6-1/2"	2
32	195-541	WASHER - 5/8"	2
33	113-213	BOLT - 3/8" - 16 x 2-1/4"	2
34	131-356	NUT - 5/8" - 11 lock	2
35	195-525	WASHER - 3/8"	2

SEAT LID AND STEERING

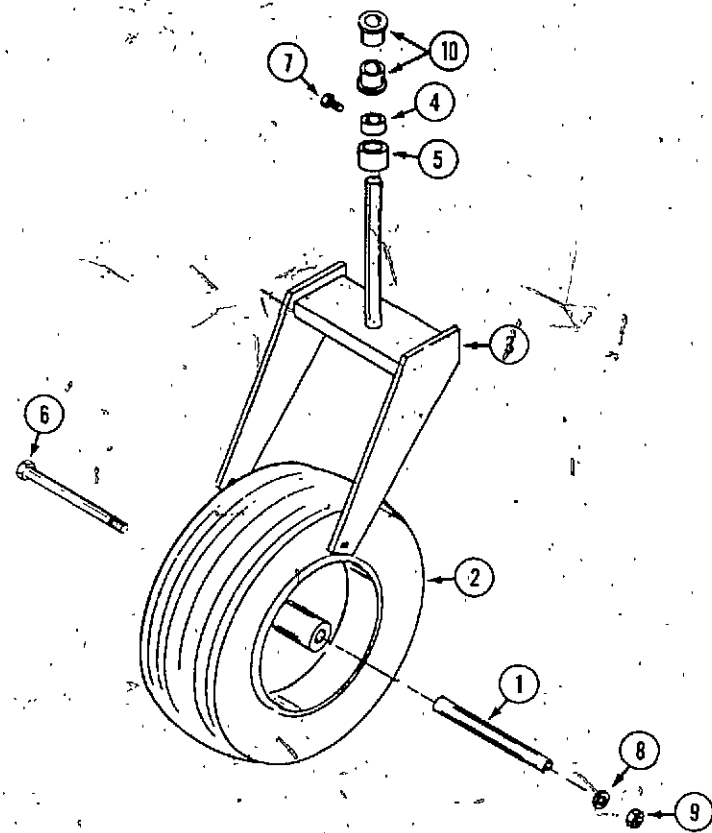


REF.	PART NO.	DESCRIPTION	REQ'D
1	C44237	LID - seat.....	1
2	C37840	BRACKET - lever lock.....	1
3	C37841	LATCH - lever lock.....	1
4	C42895	BUSHING.....	2
5	C37842	BEARING - block.....	4
6	C44915	LEVER - steering.....	4
7	C44481	LATCH - seat lid.....	1
8	C44498	SPACER - latch.....	1
9	C42896	BRACKET - steering cable end.....	4
10	C32455	RETAINER - harness, seat lid.....	1
11	C44012	SWITCH - seat.....	1
12	C43202	SEAT.....	1
14	C37826	PLATE - filler.....	1
15	C37851	SPRING - latch, seat lid.....	1
16	C37837	SPRING - bracket, lever lock.....	1
17	C37521	SWITCH - safety.....	1
18	C37631	GRIP - handle.....	2
19	C42894	CABLE - steering (see page 39).....	2
20	C37616	CLAMP - steering cable.....	2
21	C37852	PROP - seat lid.....	1
22	131-1102	NUT - 1/4" - 20.....	8
23	NSS	KIT - arm rest (optional) (order as machinery item).....	-
24	195-103	WASHER - 5/16".....	4
25	131-69	NUT - 5/16".....	4
26	113-4	BOLT - 1/4" - 20 x 1".....	2
27	195-102	WASHER - 1/4".....	5
28	492-20	LOCKWASHER - 5/16".....	8
29	113-103	BOLT - 5/16" - 18 x 1".....	6
30	182-528	SCREW - #10 - 32 x 1/2".....	3
31	193-1000	NUT - #10 - 32.....	7
32	111-114	BOLT - 1/4" - 20 x 1-1/2" carriage.....	8
33	195-102	WASHER - 1/4".....	10
34	131-71	NUT - 1/4" - 20 lock.....	13
35	113-3	BOLT - 1/4" - 20 x 3/4".....	4
36	C42359	BOLT - 1/4" - 20 x 2".....	1
37	111-256	BOLT - carriage 5/16" - 18 x 1-1/4".....	4
38	192-19	LOCKWASHER - 1/4".....	2
39	182-525	SCREW - #10 - 32 X 3/8".....	1
40	192-18	LOCKWASHER - 3/16".....	1
41	C43137	SPRING - seat.....	2
42	C43438	KNOB - seat.....	4
43	C25165	GROMMET - 1" x 1-3/4".....	1
	C22947	TIE - nylon.....	1
	C37830	TRIM - edge (12 - 3/4") cut to length.....	3



DTW10 DUAL TAIL WHEEL

REF.	PART NO.	DESCRIPTION	REQ'D
1	219-20	FITTING - lubrication 1/4" -28	3
2	C37824	BEARING - ball 1"	6
3	C45610	AXLE - dual wheel	1
4	C45645	FORK - wheel	2
5	C45618	MOUNT - axle	1
6	C45689	ROD - axle pivot	1
7	C14919	WASHER - 1" x 1-3/4"	UAR
8	195-2067	WASHER - 1/2" x 1"	UAR
9	C45841	WASHER - 1/2" x 1-3/8"	1
10	192-23	LOCKWASHER - 1/2"	5
11	113-417	BOLT - 1/2" - 13 x 1-1/4"	1
12	129-105	NUT - 1/2" - 13	4
13	113-412	BOLT - 1/2" - 13 x 1-3/4"	2
14	C45708	MOUNT - axle, front extension	1
15	C37860	COLLAR - set 1"	2
16	85-58	SCREW - set 5/16" - 18 x 1/2" square head	1
17	C37915	TUBE - axle	2
18	113-448	BOLT - 1/2" - 13 x 7"	2
19	C37869	WHEEL ASSEMBLY	2
	C44499	BEARING - wheel	2
	C45636	TIRE - 13 x 5.00 - 6	1
	C45634	RIM	1
20	C45711	BUSHING - tail wheel hub	2
21	113-646	BOLT - 5/8" - 11 x 7-1/2"	UAR
21	113-2606	BOLT - 5/8" - 11 x 11"	UAR
22	131-356	NUT - 5/8" - 11	1
23	C45746	PLATE - stiffener	2
24	113-208	BOLT - 3/8" - 16 x 1-1/4"	2
25	131-1352	NUT - 3/8" - 16 flange lock	2
26	195-541	WASHER - 5/8" x 1-1/2"	1

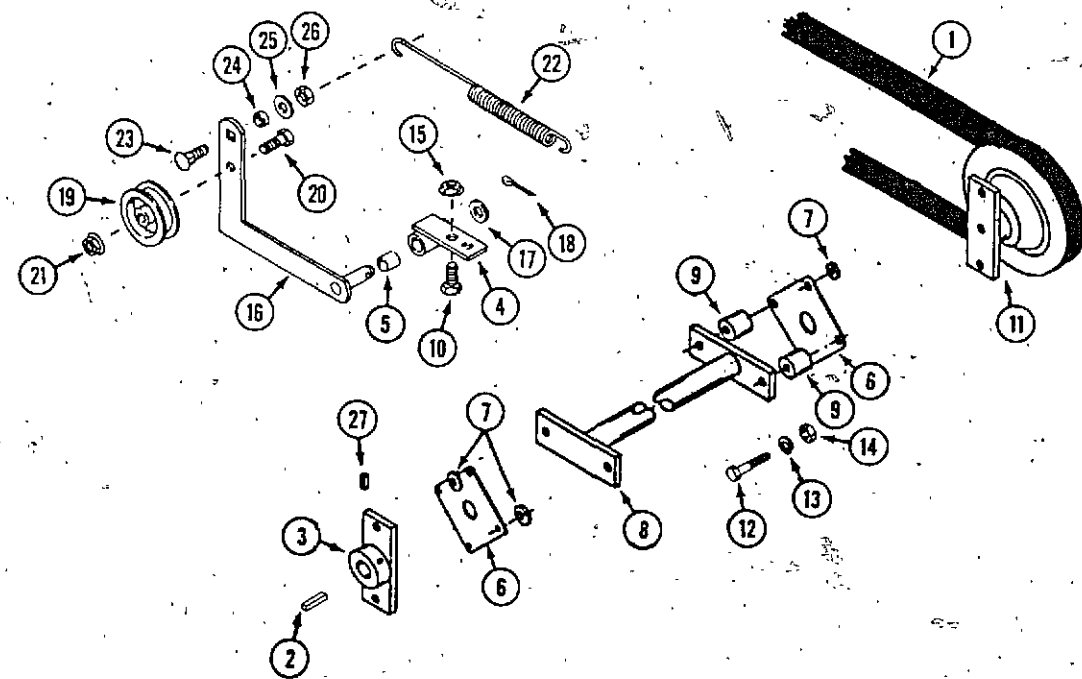


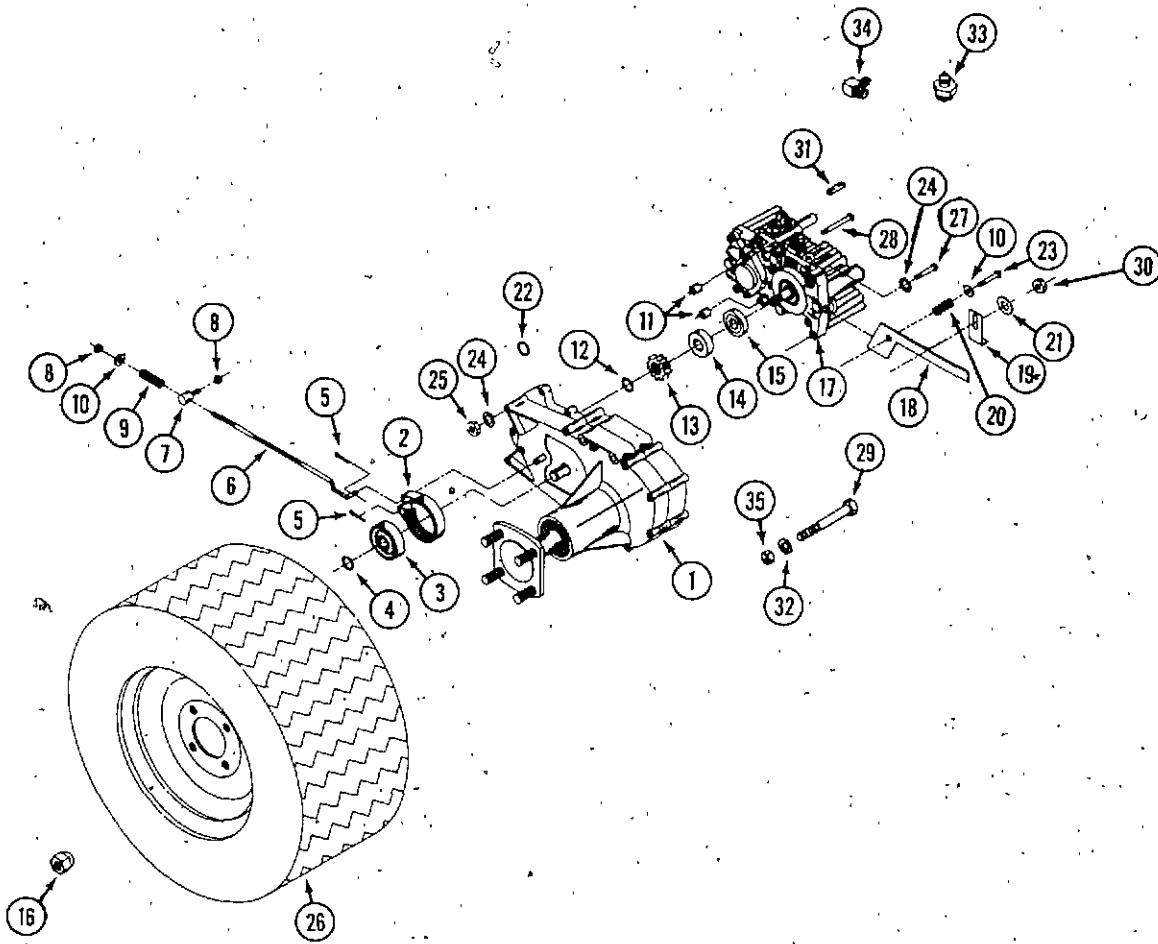
SINGLE TAIL WHEEL

REF.	PART NO.	DESCRIPTION	REQ'D
1	C37854	AXLE - wheel	1
2	C37855	WHEEL ASSEMBLY - tail	1
	C44499	BEARING - wheel	2
	C37857	TIRE - 16 x 6.50 - 8	8
	C37858	RIM - 8" w/bearing	1
3	C37859	FORK - tail wheel	1
4	C37860	COLLAR - set 1"	1
5	C37861	SPACER - tail wheel fork	1
6	113-452	BOLT - 1/2" - 13 x 9-1/2"	1
7	85-58	SCREW - set 5/16" - 18 x 1/2" square head	1
8	192-23	LOCKWASHER - 1/2"	1
9	129-105	NUT - 1/2" - 13	1
10	C37824	BEARING - ball 1"	2
	219-92	FITTING - grease 90° 1/4" - 28 self tap (caster pivot)	1

DRIVE PULLEY AND CROSS SHAFT (TRANSMISSION)

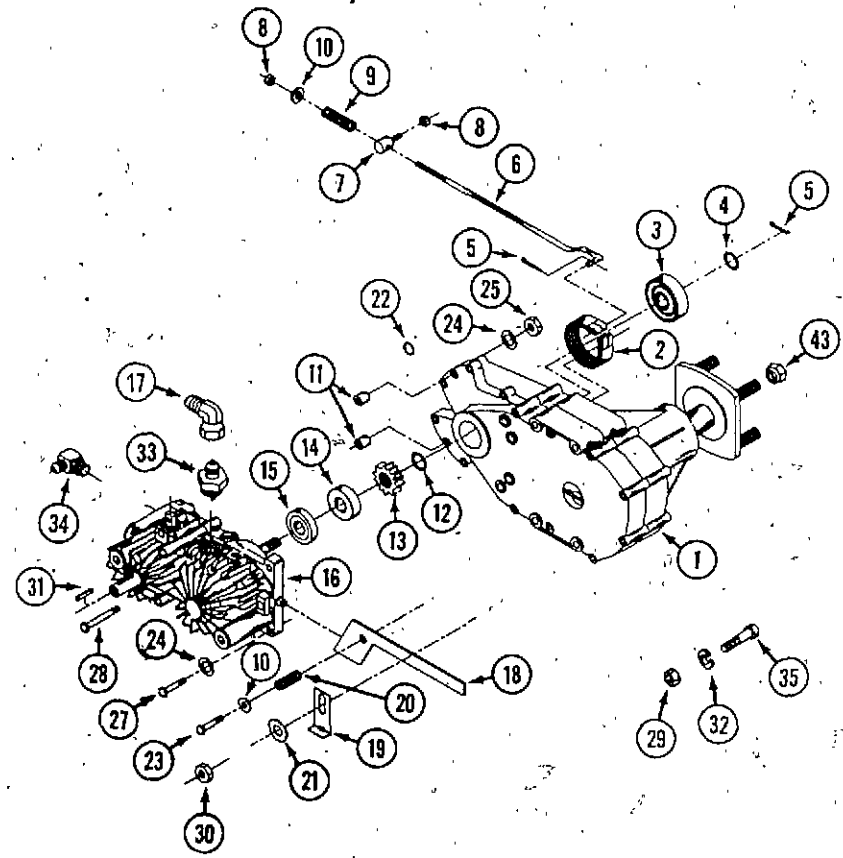
REF.	PART NO.	DESCRIPTION	REQ'D
1	C26437	BELT - transmission drive	1
2	C37725	KEY - 5 x 5 x 25 mm	2
3	C46092	HUB - drive plate	1
4	C46100	MOUNT - idler	1
5	C16714	BUSHING	1
6	C37700	PLATE - drive	2
7	C37704	WASHER - 5/16" 10 ga.	4
7	195-102	WASHER - 5/16"	8
8	C46097	SHAFT - cross	1
9	C37703	SPACER	2
10	113-207	BOLT - 3/8" - 16 x 1"	2
11	C46088	PULLEY - drive (includes drive plate)	1
12	113-103	BOLT - 5/16" - 18 x 1"	UAR
12	113-121	BOLT - 5/16" - 18 x 2"	UAR
13	192-20	LOCKWASHER - 5/16"	8
14	129-102	NUT - 5/16" - 18	8
15	131-938	NUT - 3/8" - 16 flange lock	2
16	C46102	ARM - idler	1
17	195-2067	WASHER - 1/2" x 7/8"	1
18	132-318	PIN - cotter	1
19	C15672	PULLEY - idler	1
20	113-209	BOLT - 3/8" - 16 x 1-1/2"	1
21	131-1352	NUT - 3/8" - 16 flange lock	1
22	C46105	SPRING - tension	1
23	111-342	BOLT - carriage 3/8" - 16 x 1"	1
24	C14768	SPACER - 3/8" x 1/2"	1
25	195-103	WASHER - 3/8"	1
26	131-1181	NUT - 3/8" - 16 lock	1
27	83-55	SETSCREW - 5/16" - 18 x 5/16"	2





DRIVE ASSEMBLY R.H.

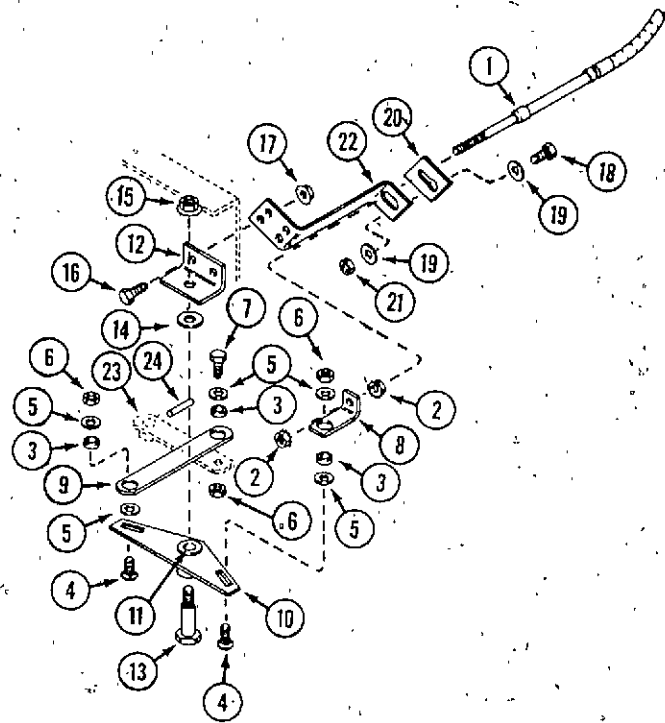
REF.	PART NO.	DESCRIPTION	REQ'D
1	C46087	TRANSMISSION - ZT	1
2	C37730	BAND - brake	1
3	C37731	DRUM - brake	1
4	C37732	RING - snap	1
5	132-332	PIN - cotter 1/8" x 1"	2
6	C37733	ROD - brake	1
7	C37724	COLLAR - brake rod	1
8	131-71	NUT - lock 1/4" - 20	2
9	C37725	SPRING	1
10	195-102	WASHER - 1/4"	2
11	C37736	SPACER	2
12	C37737	RING - snap	1
13	C37738	GEAR	1
14	C37739	BEARING	1
15	C37740	SPACER	1
16	C37657	NUT - lug 1/2" - 20	4
17	C45399	PUMP - hydro R.H.	1
18	C45166	LEVER - transmission dump R.H.	1
19	C37743	BRACKET - dump lever stop	1
20	C37744	SPRING - compression	1
21	195-103	WASHER - 3/8"	1
22	C45900	"O" RING - mounting	8
23	C37747	BOLT - dump valve	1
24	192-20	LOCKWASHER - 5/16"	4
25	129-102	NUT - 5/16" - 18	2
26	C37763	WHEEL ASSEMBLY	1
	C37652	TIRE - 18 x 9.50 - 8	1
	C37656	RIM - wheel 8 x 6	1
27	113-120	BOLT - 5/16" - 18 x 1-3/4"	2
28	113-134	BOLT - 5/16" - 18 x 7-1/2"	2
29	113-203	BOLT - 3/8" - 16 x 3-1/2" mounting	2
29	113-267	BOLT - 3/8" - 16 x 4" mounting	2
30	131-1181	NUT - 3/8" - 16 lock	1
31	C37752	KEY - 5 x 5 x 25 mm	1
32	192-21	LOCKWASHER - 3/8"	8
33	218-5354	ADAPTER	1
34	218-5278	ADAPTER - 90°	1
35	129-103	NUT - 3/8" - 16	8



DRIVE ASSEMBLY L.H.

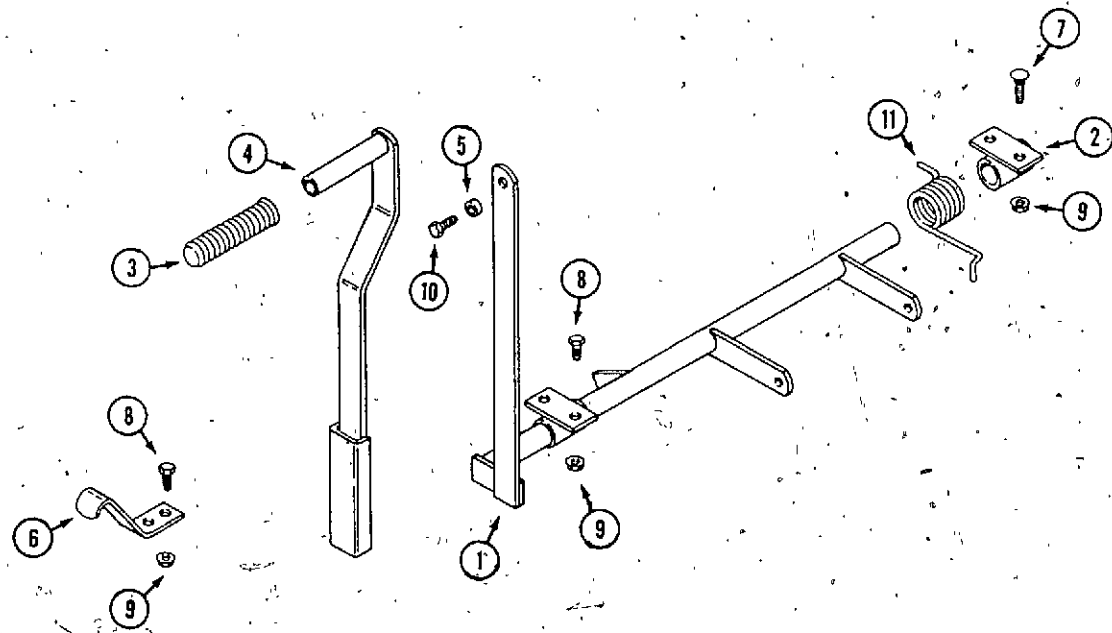
REF.	PART NO.	DESCRIPTION	REQ'D
1	C46087	TRANSMISSION - ZT	1
2	C37730	BAND - brake	1
3	C37731	DRUM - brake	1
4	C37732	RING - snap	1
5	132-332	PIN - cotter 1/8" x 1"	2
6	C37733	ROD - brake	1
7	C37724	COLLAR - brake rod	1
8	131-71	NUT - lock 1/4" - 20	2
9	C37725	SPRING	1
10	195-102	WASHER - 1/4"	2
11	C87736	SPACER	2
12	C37737	RING - snap	1
13	C37738	GEAR	1
14	C37739	BEARING	1
15	C37740	SPACER	1
16	C45398	PUMP - hydro L.H.	1
17	218-980	FITTING - 90° male to female	1
18	C45165	LEVER - transmission dump L.H.	1
19	C37743	BRACKET - dump lever stop	1
20	C37744	SPRING - compression	1
21	195-104	WASHER - 3/8"	1
22	C45900	"O" RING - mounting	8
23	C37747	BOLT - dump lever	1
24	192-20	LOCKWASHER - 5/16"	4
25	129-102	NUT - 5/16" - 18	2
27	113-120	BOLT - 5/16" - 18 x 1-3/4"	2
28	113-134	BOLT - 5/16" - 18 x 7-1/2"	2
29	129-103	NUT - 3/8" - 16	8
30	131-1181	NUT - 3/8" - 16 lock	1
31	C37752	KEY - 5 x 5 x 25 mm	1
32	192-21	LOCKWASHER - 3/8"	8
33	218-5354	FITTING - male adaptor	1
34	218-5278	FITTING - male adaptor 90°	1
35	113-203	BOLT - 3/8" - 16 x 3-1/2" mounting	1
35	113-267	BOLT - 3/8" - 16 x 4" mounting	7
	C37763	WHEEL ASSEMBLY - not shown	1
	C37652	TIRE - 18 x 9.50-8	1
	C37656	RIM - wheel	1
	C37657	NUT - lug 1/2" - 20	4

C43293 STEERING CABLE KIT

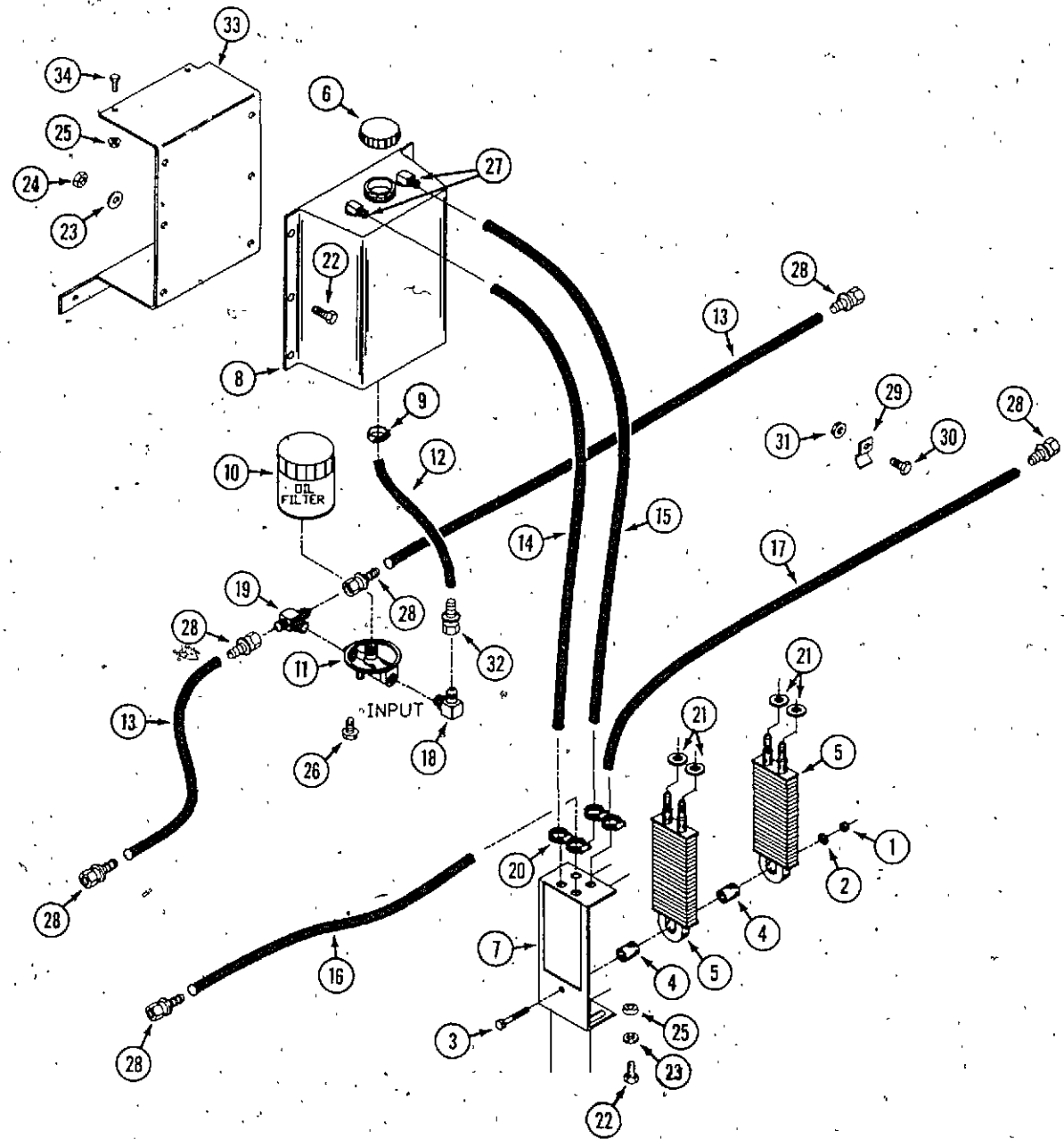


REF.	PART NO.	DESCRIPTION	REQ'D
1	C42894	CABLE - steering 46"	2
2	193-1000	NUT - #10 - 32	8
3	C42895	BUSHING - steering cable	8
4	111-111	BOLT - 1/4" - 20 x 1" carriage	4
5	195-102	WASHER - 1/4"	10
6	131-71	NUT - 1/4" - 10	6
7	113-4	BOLT - 1/4" - 20 x 1"	2
8	C42896	BRACKET - steering cable end	4
9	C42897	LINK - control cable	2
10	C42898	BELLCRANK	2
11	C16714	BUSHING	1
12	C42901	BRACKET - bellcrank mounting	2
13	C16745	BOLT - shoulder	2
14	195-533	WASHER - 1/2"	2
15	131-1352	NUT - 3/8" - 16 flange lock	2
16	113-103	BOLT - 5/16" - 18 x 1"	4
17	131-911	NUT - 5/16" - 18	4
18	113-4	BOLT - 1/4" - 20 x 1"	2
19	195-102	WASHER - 1/4"	4
20	C42903	PLATE - cable mounting	2
21	131-71	NUT - 1/4" - 20 lock	2
22	C42902	BRACKET - cable mounting	2
23	C42904	ARM - transmission	2
24	C34173	PIN - spring	2

LIFT LEVER

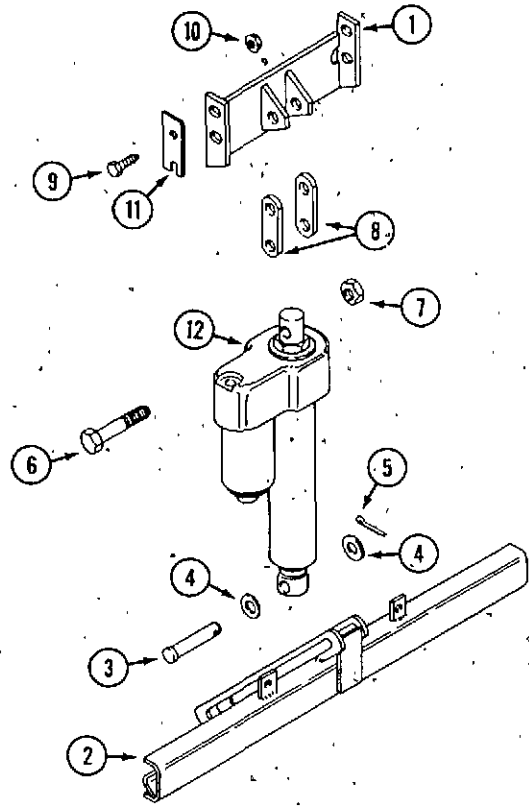


REF.	PART NO.	DESCRIPTION	REQ'D
1	C44942	LEVER - lift	1
2	C44948	PIVOT - lift	1
3	C37631	GRIP - handle	1
4	C44949	EXTENSION - lift lever, upper	1
5	C42895	BUSHING	1
6	C44952	BRACKET - lever lock down	1
7	111-132	BOLT - carriage 5/16" - 18 x 3/4"	2
8	113-103	BOLT - 5/16" - 18 x 1"	4
9	131-911	NUT - 5/16" - 18 flange lock	6
10	113-1	BOLT - 1/4" - 20 x 1/2"	1
11	C45120	SPRING - torsion	1



HYDRAULIC SYSTEM

REF.	PART NO.	DESCRIPTION	REQ'D
1	131-69	NUT - lock 5/16"	1
2	195-103	WASHER - 5/16"	1
3	113-119	BOLT - 5/16" - 18 x 2-3/4"	1
4	C45495	BUSHING - rubber	2
5	C37769	COOLER - oil	2
6	C37639	CAP - oil tank	1
7	C37772	MOUNT - oil cooler	1
8	C37778	TANK - oil	1
9	214-254	CLAMP - hose 5/8"	2
10	C37637	FILTER - oil	1
11	C37636	HEAD - oil filter	1
12	C42785	HOSE - 5/8" x 11" (12" cut to length)	1
13	C42784	HOSE - hydraulic 3/8" x 13" (48" cut to length)	1
14	C42784	HOSE - hydraulic 3/8" x 25" (48" cut to length)	1
15	C42784	HOSE - hydraulic 3/8" x 27" (48" cut to length)	1
16	C42784	HOSE - hydraulic 3/8" x 38" (48" cut to length)	1
17	C42784	HOSE - hydraulic 3/8" x 24" (48" cut to length)	1
18	218-5280	FITTING - male 90° adapter	1
19	218-5182	FITTING - male tee adapter	1
20	214-274	CLAMP - hose 3/8"	4
21	C37787	GROMMET - 1/2" ID x 1" OD	4
22	113-3	BOLT - 1/4" - 20 x 3/4"	6
23	195-102	WASHER - 1/4"	8
24	131-1102	NUT - 1/4" - 20 lock	4
25	131-934	NUT - 1/4" - 20 flange lock	2
26	121-21	BOLT - 1/4" - 20 x 3/4" self-tap	2
27	C42590	FITTING - 90°	2
28	C41986	FITTING - 3/8" hose barb x 3/8" FM JIC	6
29	C32455	CLIP - "J"	1
30	113-102	BOLT - 5/16" x 18 x 3/4"	1
31	131-911	NUT - 5/16" - 18 flange lock	1
32	C38794	FITTING - 5/8" hose barb x 1/2" FM JIC	1
33	C46083	MOUNT - oil tank	1
34	113-1	BOLT - 1/4" - 20 x 1/2"	4

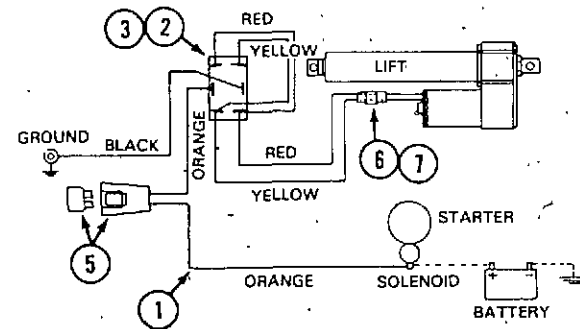


**ELECTRIC DECK LIFT
CYLINDER STYLE**

REF.	PART NO.	DESCRIPTION	REQ'D
1	C45697	MOUNT - cylinder.....	1
2	C45700	BAR - cross.....	1
3	C29804	PIN - clevis 1/2" x 2-1/2".....	1
4	195-2067	WASHER - 1/2".....	2
5	132-320	PIN - cotter 3/32" x 3/4".....	1
6	113-426	BOLT - 1/2" - 13 x 2-3/4".....	2
7	131-1182	NUT - 1/2" - 13 lock.....	2
8	C45768	LINK - spacer.....	UAR
9	113-103	BOLT - 5/16" - 18 x 1".....	4
10	131-911	NUT - 5/16" - 18 flange lock.....	4
11	C45766	SHIM - cylinder mount.....	UAR
12	C45706	CYLINDER - lift.....	1

**ELECTRICAL SYSTEM (DECK LIFT)
CYLINDER STYLE**

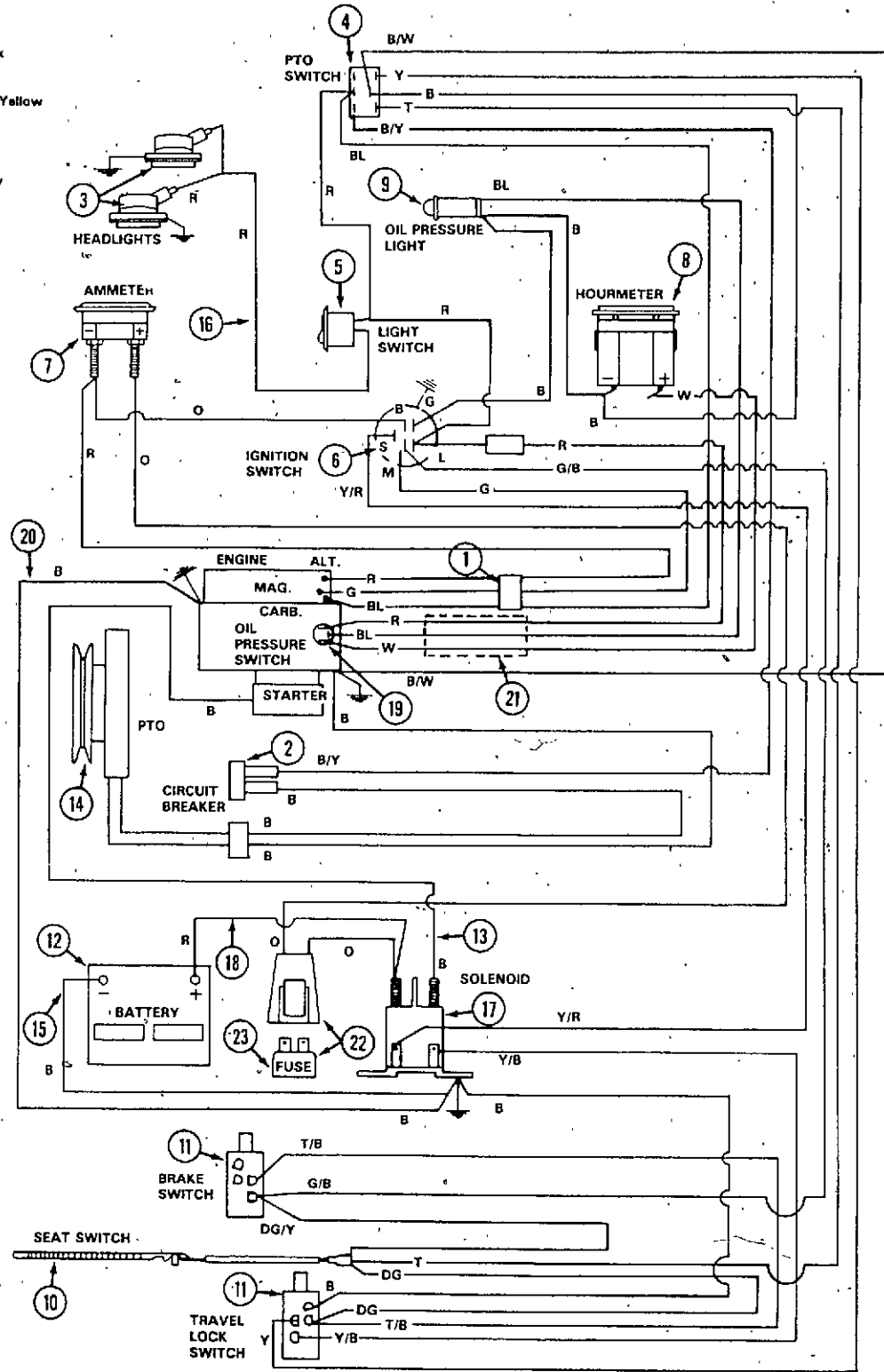
REF.	PART NO.	DESCRIPTION	REQ'D
1	C45705	HARNES - wire.....	1
2	C45775	SWITCH.....	1
3	C45780	NUT - 15/32" - 32 with boot (switch mounting).....	1
4	C44495	DECAL - lift switch.....	1
5	C31947	KIT - fuse holder.....	1
5	C30260	FUSE - 30-amp.....	1
6	C24813	CONNECTOR - wire harness.....	1
7	C31948	CONNECTOR - lift actuator.....	1



**ELECTRICAL SYSTEM
(BEFORE S/N 953510001)**

WIRE COLOR CODE

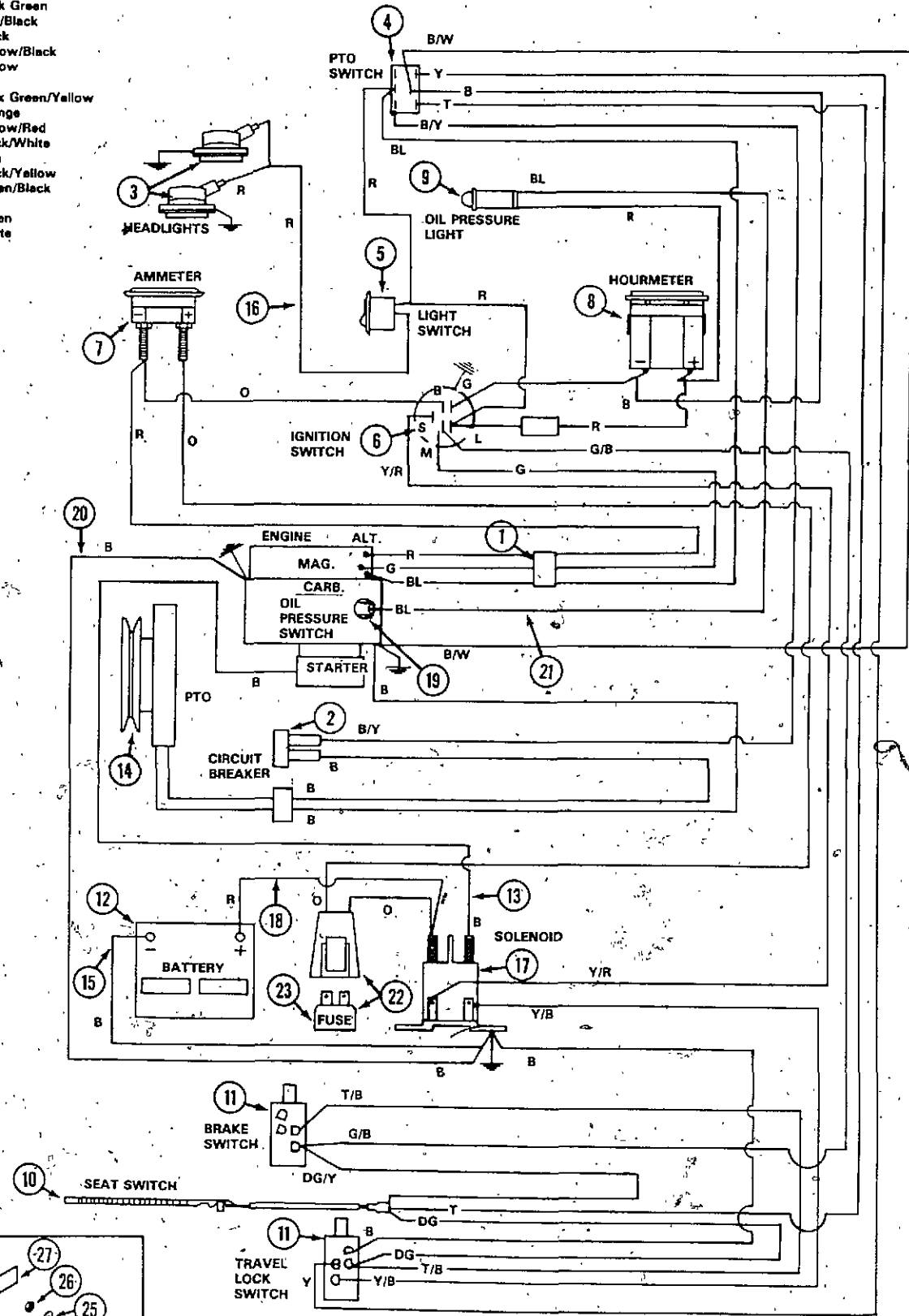
- DG - Dark Green
- T/B - Tan/Black
- B - Black
- Y/B - Yellow/Black
- Y - Yellow
- T - Tan
- DG/Y - Dark Green/Yellow
- O - Orange
- Y/R - Yellow/Red
- B/W - Black/White
- BL - Blue
- B/Y - Black/Yellow
- G/B - Green/Black
- R - Red
- G - Green
- W - White



REF.	PART NO.	DESCRIPTION	REQ'D
	C45535	HARNES - wire, main	1
1	C45539	HARNES - wire, alternator and magne	1
2	C37505	BREAKER - circuit, 10 amp	1
3	C32178	HEADLIGHT	2
	C22573	LENS - headlight	1
	C37508	BULB - headlight	1
	C37509	RECEPTAL	1
	C14304	GASKET - headlight	1
4	C31937	SWITCH - PTO (also use C31619 Cap)	1
	C44469	NUT - 1/2" - 27 (Black) PTO switch retaining	2
5	C43044	SWITCH - headlight	1
6	C30267	SWITCH - ignition	1
	C32407	KEY - ignition	1
	C32397	CAP - nut, ignition switch	1
	193-63	LOCKWASHER - 5/8"	1
	C32396	NUT - 5/8" - 32 ignition switch	1
7	C29413	AMMETER	1
8	C45917	METER - hour	1
9	C45536	LIGHT - oil	1
10	C45537	SWITCH - seat	1
11	C37521	SWITCH - safety	2
	182-525	SCREW - #10 - 32 x 3/8" (safety switch mount)	1
	192-18	LOCKWASHER - 3/16" (safety switch mount)	1
	193-1000	NUT - #10 - 32 Lock (safety switch mount)	2
	182-528	SCREW - #10 - 32 x 1/2" (safety switch mount)	2
12	C41010	BATTERY - 12 volt	1
13	C44261	WIRE - starter	1
14	C37511	CLUTCH - PTO	1
15	C37528	CABLE - ground	1
16	C44075	WIRE - headlight	1
17	C33024	SOLENOID - start	1
	113-3	BOLT - 1/4" - 20 x 3/4" (solenoid mounting)	2
	131-934	NUT - 1/4" - 20 (solenoid mounting)	2
	192-19	LOCKWASHER - 1/4" (solenoid studs)	2
	129-101	NUT - 1/4" - 20 (solenoid studs)	2
18	C37523	CABLE - battery positive to solenoid	1
19	C37531	SWITCH - oil light	1
20	C41643	WIRE - ground	1
21	C42240	HARNES - oil pressure switch	1
22	C31947	KIT - fuse holder	1
23	C30260	FUSE - 30 amp	1

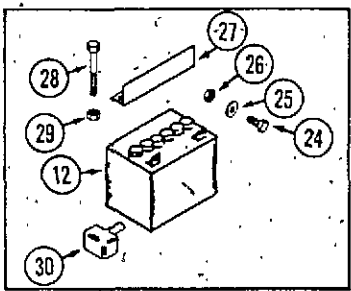
WIRE COLOR CODE

- DG - Dark Green
- T/B - Tan/Black
- B - Black
- Y/B - Yellow/Black
- Y - Yellow
- T - Tan
- DG/Y - Dark Green/Yellow
- O - Orange
- Y/R - Yellow/Red
- B/W - Black/White
- BL - Blue
- B/Y - Black/Yellow
- G/B - Green/Black
- R - Red
- G - Green
- W - White



ELECTRICAL SYSTEM
(S/N 953510001 and after)

REF.	PART NO.	DESCRIPTION	REQ'D
1	C45535	HARNESS - wire, main	1
2	C45539	HARNESS - wire, alternator and magneto	1
3	C37505	BREAKER - circuit, 10 amp	1
3	C32178	HEADLIGHT	2
3	C22573	LENS - headlight	1
3	C37508	BULB - headlight	1
3	C37509	RECEPTICAL	1
3	C14304	GASKET - headlight	1
4	C31937	SWITCH - PTO (also use C31619 Cap)	1
4	C44469	NUT - 1/2" - 27 (Black) PTO switch retaining	2
4	C31620	NUT - 1/2" - 27 (Black) PTO switch retaining	1
5	C43044	SWITCH - headlight	1
6	C30267	SWITCH - ignition	1
6	C32407	KEY - ignition	1
6	C32397	CAP - nut, ignition switch	1
6	193-63	LOCKWASHER - 5/8"	1
6	C32396	NUT - 5/8" - 32 ignition switch	1
7	C29413	AMMETER	1
8	C45917	METER - hour	1
9	C45536	LIGHT - oil	1
10	C45537	SWITCH - seat	1
11	C37521	SWITCH - safety	2
11	182-525	SCREW - #10 - 32 x 3/8" (safety switch mount)	1
11	192-18	LOCKWASHER - 3/16" (safety switch mount)	1
11	193-1000	NUT - #10 - 32 Lock (safety switch mount)	2
11	182-528	SCREW - #10 - 32 x 1/2" (safety switch mount)	2
12	C41010	BATTERY - 12 volt	1
13	C44261	WIRE - starter	1
14	C37511	CLUTCH - PTO	1
15	Q87528	CABLE - ground	1
16	C44075	WIRE - headlight	1
17	C33024	SOLENOID - start	1
17	113-3	BOLT - 1/4" - 20 x 3/4" (solenoid mounting)	2
17	131-934	NUT - 1/4" - 20 (solenoid mounting)	2
17	192-19	LOCKWASHER - 1/4" (solenoid studs)	2
17	129-101	NUT - 1/4" - 20 (solenoid studs)	2
18	C37523	CABLE - battery positive to solenoid	1
19	C46222	SWITCH - oil light	1
20	C41643	WIRE - ground	1
21	C46218	HARNESS - oil pressure switch	1
22	C31947	KIT - fuse holder	1
23	C30260	FUSE - 30 amp	1
24	113-3	BOLT - 1/4" - 20 x 3/4"	2
25	195-102	WASHER - 1/4"	2
26	129-101	NUT - 1/4" - 20	2
27	C37983	BRACKET - hold down	1
28	C38677	BOLT - 1/4" - 20 x 7"	2
29	131-71	NUT - 1/4" - 20 lock	2
30	C24069	COVER - terminal	1



G2090V

GRAZER

DECALS (TRACTOR)

REF.	PART NO.	DESCRIPTION	REQ'D
1	C46076	DECAL - body side L.H. "G2090V"	1
1	C46077	DECAL - body side R.H. "G2090V" (shown)	1
2	C46321	DECAL - "WARNING" operation	1
3	C37501	DECAL - instrument panel	1
4	C38047	MEDALLION - "GRAZER"	1
5	C46315	DECAL - "WARNING" operation	1
6	C46310	DECAL - "ATTENTION"	1
7	C46309	DECAL - steering levers	1
8	C46312	DECAL - parking brake	1
9	C37500	DECAL - "DANGER" carbon monoxide	1
10	C46318	DECAL - lubrication	1
11	C46317	DECAL - clean cooler	1
12	C46385	DECAL - fender skirt L.H.	1
12	C43418	DECAL - fender skirt R.H. (shown)	1
13	C43413	DECAL - front "GRAZER"	1
14	C43416	DECAL - tail side "GRAZER"	2

DECALS (Deck)

REF.	PART NO.	DESCRIPTION	REQ'D
15	C46323	DECAL - "DANGER" spinning blade	1
16	C46324	DECAL - "WARNING" spinning blade	1
17	C46325	DECAL - "Danger"	1

10

WARNING

TO AVOID SERIOUS INJURY AND TO HELP AVOID SERIOUS EQUIPMENT FAILURE DO THE FOLLOWING MAINTENANCE DAILY AFTER STOPPING OR AS SPECIFIED BELOW

- REMOVE IGNITION KEY
- CLEAN ENGINE COMPARTMENT HYDRAULIC PUMP FINS AND COOLER IF EQUIPPED MOWER DECK UNDER SIDE
- FLUIDS ADD IF REQUIRED ENGINE OIL - CHECK EVERY 4 HRS HYDRAULIC OIL
- LUBE READ "LUBRICATION SCHEDULE" SHOWN BELOW

READ OPERATOR'S AND ENGINE MANUALS

LUBRICATION SCHEDULE

ALL MACHINES	SERVICE HOURS
1. AXLE-DRIVE WHEEL	8
2. AXLE-DRIVE WHEEL	8
3. FORK-DRIVE WHEEL	40
4. FORK-DRIVE WHEEL	40
5. SPINDLE-MOWER DECK	40
6. GEAR BOX-MOWER DECK	100
CHAIN DRIVE IF EQUIPPED	
7A. CHAIN	DAILY
7B. JACK SHAFT-SPROCKETS	40
7C. AXLE-DRIVE WHEELS	40
PULLEY JACK SHAFT (IF EQUIPPED)	40
8A. JACK SHAFT PULLEY	40
DUAL TAIL WHEEL	
9A. AXLE TAIL WHEEL	8
9B. FORK TAIL WHEEL	40
9C. AXLE AXLE PIVOT	100
VAC BLOWER	40
10. SPINDLE BLOWER	40

2

WARNING

READ OPERATOR'S MANUALS. KNOW LOCATION & FUNCTION OF ALL CONTROLS. KEEP ALL GUARDS, SHIELDS & SAFETY SWITCHES IN PLACE & WORKING. CLEAN WORK AREA OF THINGS THAT COULD BE THROWN BY THE BLADES. DO NOT MOW WHEN CHILDREN OR OTHERS ARE AROUND. NEVER CARRY CHILDREN. LOCK DOWN & BEHIND BEFORE AND WHILE BACKING. GO UP AND DOWN SLOPES, NOT ACROSS. IF MACHINE STOPS GOING UP HILL, STOP BLADES AND BACK DOWN SLOWLY. AVOID SUDDEN TURNS. FAILURE TO OBSERVE THESE PRECAUTIONS COULD RESULT IN SERIOUS INJURY OR DEATH.

16

WARNING

SPINNING BLADE

TO AVOID SERIOUS INJURY: MOWER SHALL NOT BE OPERATED WITHOUT EITHER ENTIRE CHUTE DEFLECTOR - MULCHER - GRASS CATCHER AND GUARD / COVERS IN PLACE.

WARNING

MACHINE UNSTABLE WITH MOWER DECK IN THE RAISED POSITION. IMPLEMENT LIFT CONTROL. KEEP IN THE FLOAT POSITION WHEN MOWING OR TRANSPORTING. FAILURE TO OBSERVE THIS WARNING COULD RESULT IN SERIOUS INJURY. READ OPERATOR'S MANUAL.

11

CAUTION! TRANSMISSION COOLER MUST BE KEPT CLEAN

SEE OPERATOR'S MANUAL

3

PTO ON

OIL

CHOKE

LIGHTS

THROTTLE

FAST SLOW

START

7

STEERING LEVERS

FORWARD

REVERSE

STEERING LEVER LOCK

UNLOCK LOCK

9

DANGER

ENGINES PRODUCE CARBON MONOXIDE WHICH IS AN ODORLESS DEADLY POISON. DO NOT OPERATE IN AN ENCLOSED AREA.

17

DANGER

SPINNING BLADE

BLOWER / MOWER SHALL NOT BE OPERATED WITHOUT ENTIRE GRASS CATCHER, GUARD, & COVERS IN PLACE. STAY CLEAR OF BLOWER / MOWER WHEN ENGINE IS RUNNING. READ OPERATOR'S MANUAL.

15

DANGER

SPINNING BLADE

STAY CLEAR OF MOWER WHEN ENGINE IS RUNNING

6

ATTENTION

BEFORE STARTING ENGINE - STEERING LEVERS-LOCK IN NEUTRAL - PTO-DISengage - PARKING BRAKE-ON READ OPERATOR'S MANUAL

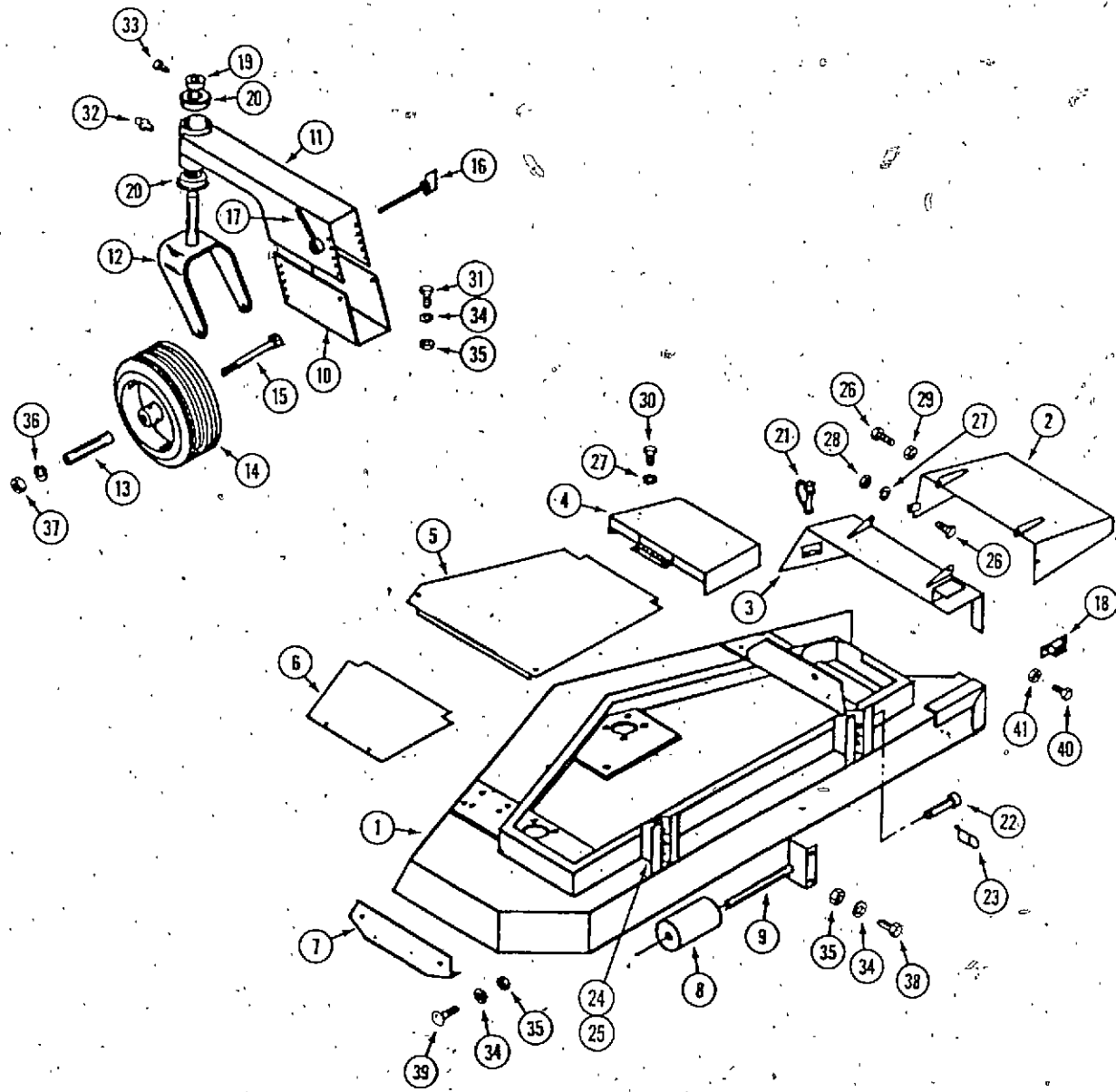


8

PARKING BRAKE

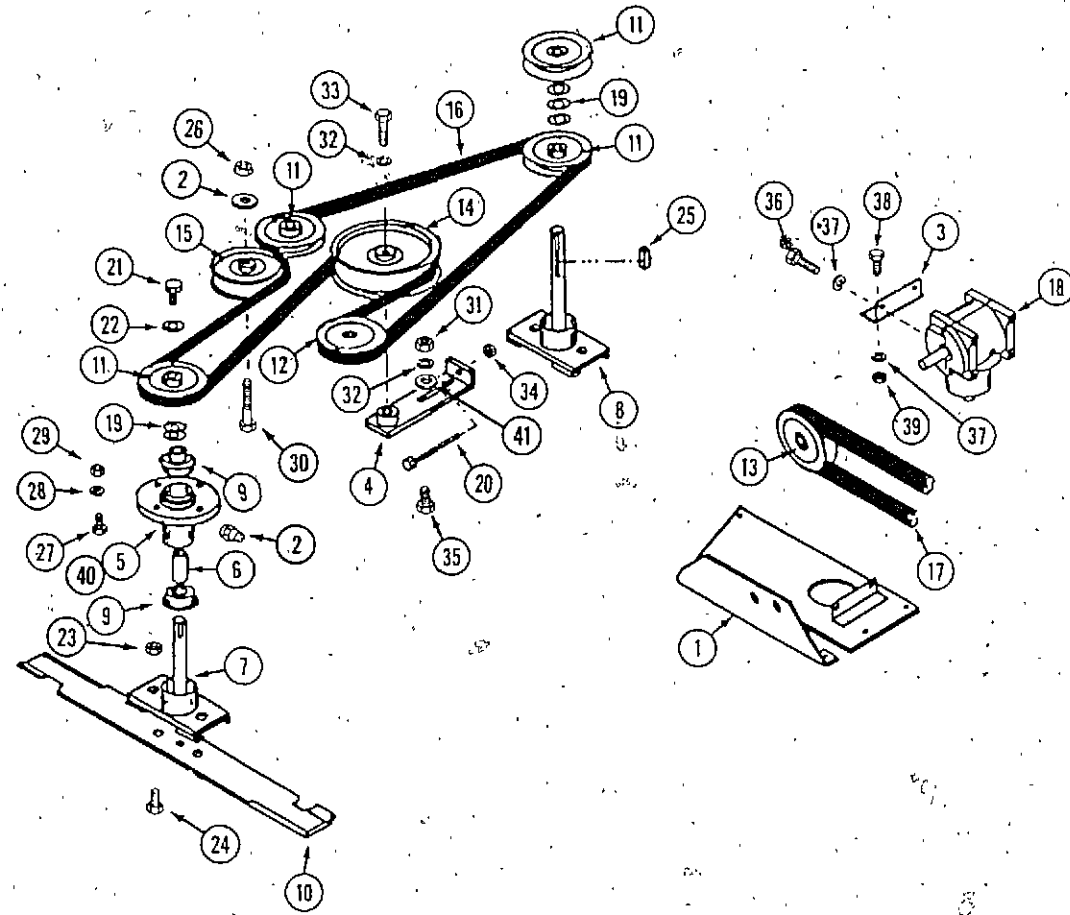
ON UP DOWN OFF

52" MOWER DECK AND ATTACHING PARTS



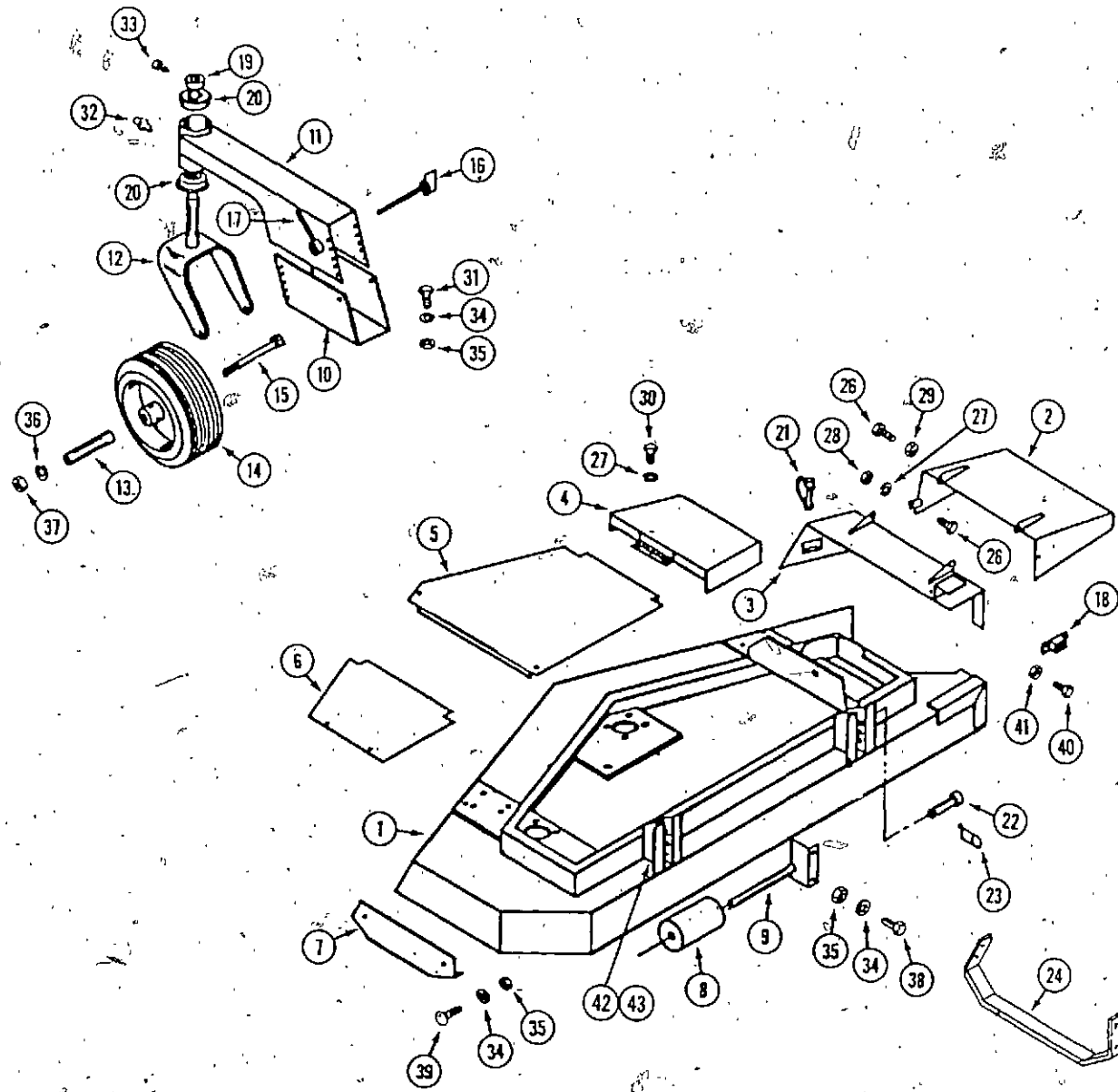
REF.	PART NO.	DESCRIPTION	REQ'D
1	C44086	DECK - 52"	1
2	C44612	CHUTE - foot guard	1
3	C39209	MOUNT - foot guard	1
4	C39204	COVER - pulley	1
5	C39203	COVER - center	1
6	C39200	COVER - L.H.	1
7	C37942	SHOE - skid	1
8	C37910	ROLLER - anti-scalp	1
9	C37911	SHAFT - roller	1
10	C37912	BRACKET - gauge wheel mount	2
11	C37913	MOUNT - gauge wheel	2
12	C45842	FORK	2
13	C37915	AXLE - wheel	2
14	C37916	WHEEL - gauge	2
	C29145	TIRE - 11 x 4.00 - 5	1
	C44496	RIM - 5" (includes bearings and grease fittings)	1
	C44499	BEARING - wheel	2
	219-10	FITTING - grease 1/4" - 28	1
15	113-2419	BOLT - 1/2" - 13 x 6-1/2"	2
16	C37920	BOLT - wing	4
17	C37921	NUT - gauge wheel handle	4
18	C37505	BREAKER - circuit, 10 amp	1
19	C37860	COLLAR - set	2
20	C37824	BEARING - 1"	4
21	C37922	PIN - "fas-tatch"	1
22	141-56	PIN - deck	1
23	C29029	PIN - cotter, hair	2
24	C39221	BRACKET - height adjust L.H.	2
25	C39222	BRACKET - height adjust R.H.	2
26	113-3	BOLT - 1/4" - 20 x 3/4"	2
27	192-19	LOCKWASHER - 1/4"	2
28	129-101	NUT - 1/4" - 20	2
29	131-71	NUT - 1/4" - 20 lock	2
30	113-1	BOLT - 1/4" - 20 x 1"	2
31	111-203	BOLT - 5/16" - 18 x 1" carriage	6
32	219-20	FITTING - grease	2
33	C37756	SCREW - set 5/16" - 18 x 1/2" square head	2
34	192-20	LOCKWASHER - 5/16"	6
35	129-102	NUT - 5/16" - 18	6
36	192-23	LOCKWASHER - 1/2"	2
37	129-105	NUT - 1/2" - 13	2
38	113-102	BOLT - 5/16" - 18 x 3/4"	2
39	111-202	BOLT - 5/16" - 18 x 3/4" carriage	2
40	182-528	SCREW - #10 - 32 x 1/2"	2
41	193-1000	NUT - #10 - 32	2

52" MOWER DRIVE



REF.	PART NO.	DESCRIPTION	REQ'D
1	C39205	MOUNT - gear box.....	1
2	219-20	FITTING - grease 1/4" - 28.....	3
3	C37877	ANGLE - gear box mount.....	1
4	C45653	TIGHTENER - belt.....	1
5	C37880	HOUSING - spindle.....	3
6	C37881*	SPACER - spindle.....	3
6	C45884**	SPACER - spindle.....	3
7	C44128	SHAFT - spindle, short.....	1
8	C44130	SHAFT - spindle, long.....	1
9	C42786*	BEARING - spindle.....	6
9	C45886**	BEARING - spindle.....	6
10	C44136	BLADE - mower.....	3
10	C45248	BLADE - mulching (not shown).....	3
11	C37931	PULLEY - spindle.....	4
12	C37932	PULLEY - gear box output.....	1
13	C37892	PULLEY - gear box input.....	1
14	C37933	PULLEY - idler, large.....	1
15	C45655	PULLEY - idler, small.....	1
16	C37935	BELT - deck.....	1
17	C44241	BELT - drive.....	1
18	C37898	GEAR BOX - angle drive (See page 59).....	1
19	C37888	SPACER - washer.....	UAR
20	C37901	BOLT - 1/4" - 20 x 4".....	1
21	114-201	BOLT - 3/8" - 24 x 1-1/4".....	3
22	C45846	WASHER - 3/8" - 10 ga.....	3
23	131-1216	NUT - lock 3/8".....	6
24	113-268	BOLT - 3/8" - 16 x 1".....	6
25	C29581	KEY - 3/16" x 1".....	6
26	131-1352	NUT - 3/8" flange lock.....	1
27	113-312	BOLT - 7/16" - 14 x 1-1/4".....	12
28	192-22	LOCKWASHER - 7/16".....	12
29	129-104	NUT - 7/16" - 14.....	12
30	113-257	BOLT - 3/8" - 16 x 2-1/2".....	1
31	129-103	NUT - 3/8".....	1
32	192-21	LOCKWASHER - 3/8".....	1
33	113-208	BOLT - 3/8" 16 x 1-1/4".....	1
34	131-71	NUT - 1/4" - 20 lock.....	1
35	111-371	BOLT - 3/8" - 16 x 1" carriage.....	1
36	113-103	BOLT - 5/16" - 18 x 1".....	4
37	192-20	LOCKWASHER - 5/16".....	5
38	113-102	BOLT - 5/16" - 18 x 3/4".....	1
39	129-102	NUT - 5/16" - 18.....	1
40	C45859	HOUSING ASSEMBLY - spindle (includes ref. 5, 6, 9).....	3
41	C30649	WASHER - 3/8".....	1

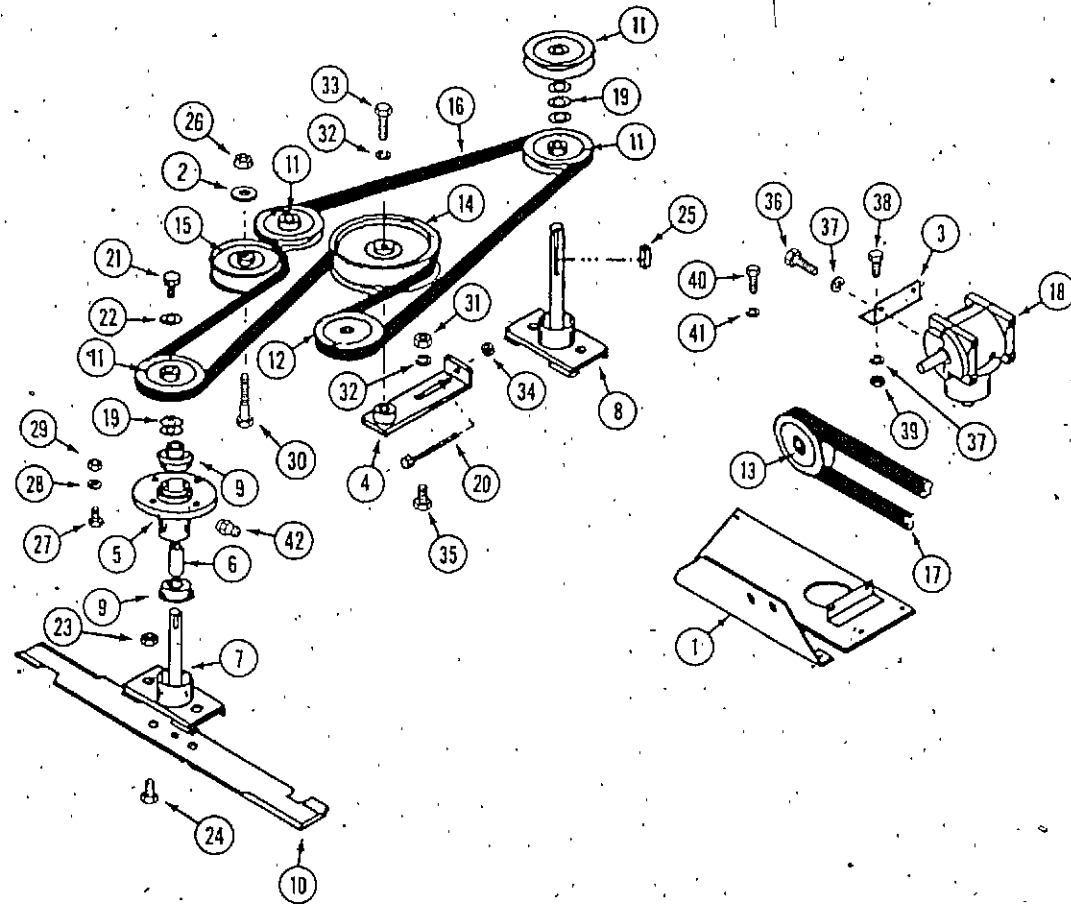
* use before S/N: 13503011
 ** use S/N: 13503011 and after



62" MOWER DECK AND ATTACHING PARTS

REF.	PART NO.	DESCRIPTION	REQ'D
1	C44088	DECK - 62"	1
2	C41396	CHUTE - foot guard	1
3	C41400	MOUNT - foot guard	1
4	C41392	COVER - pulley	1
5	C41378	COVER - center	1
6	C41373	COVER - L.H.	1
7	C37956	SHOE - skid L.H.	1
8	C37910	ROLLER - anti-skid	1
9	C37911	SHAFT - roller	1
10	C37912	BRACKET - gauge wheel mount	2
11	C37913	MOUNT - gauge wheel	2
12	C45842	FORK - gauge wheel	2
13	C37915	AXLE - gauge wheel	2
14	C37916	WHEEL - gauge	2
	C29145	TIRE - 11 x 4.00 - 5	1
	C44496	RIM - 5" (includes bearings and grease fitting)	1
	C44499	BEARING - wheel	2
	219-10	FITTING - grease	1
15	113-2419	BOLT - 1/2" - 13 x 6-1/2"	2
16	C37920	BOLT - wing	4
17	C37921	NUT - gauge wheel handle	4
18	C37505	BREAKER - circuit - 10 amp	1
19	C37860	COLLAR - set 1"	2
20	C37824	BEARING - 1"	4
21	C37922	PIN - "fast-tatch"	1
22	141-56	PIN - deck	2
23	C29029	PIN - cotter, hair	2
24	C37957	SHOE - skid R.H.	1
26	113-3	BOLT - 1/4" - 20 x 3/4"	4
27	192-19	LOCKWASHER - 1/4"	2
28	129-101	NUT - 1/4" - 20	2
29	131-71	NUT - 1/4" - 20 lock	2
30	113-1	BOLT - 1/4" - 20 x 1"	2
31	111-203	BOLT - 5/16" - 18 x 1" carriage	6
32	219-20	FITTING - grease	2
33	C37756	SCREW - set 5/16" - 18 x 1/2" square head	2
34	192-20	LOCKWASHER - 5/16"	6
35	129-102	NUT - 5/16" - 18	6
36	192-23	LOCKWASHER - 1/2"	2
37	129-105	NUT - 1/2" - 13	2
38	113-102	BOLT - 5/16" - 18 x 3/4"	2
39	111-202	BOLT - 5/16" - 18 x 3/4" carriage	2
40	182-528	SCREW - #10 - 32 x 1/2"	2
41	193-1000	NUT - #10 - 32	2
42	C39221	BRACKET - height adjust L.H.	2
43	C39222	BRACKET - height adjust R.H.	2

62" MOWER DRIVE

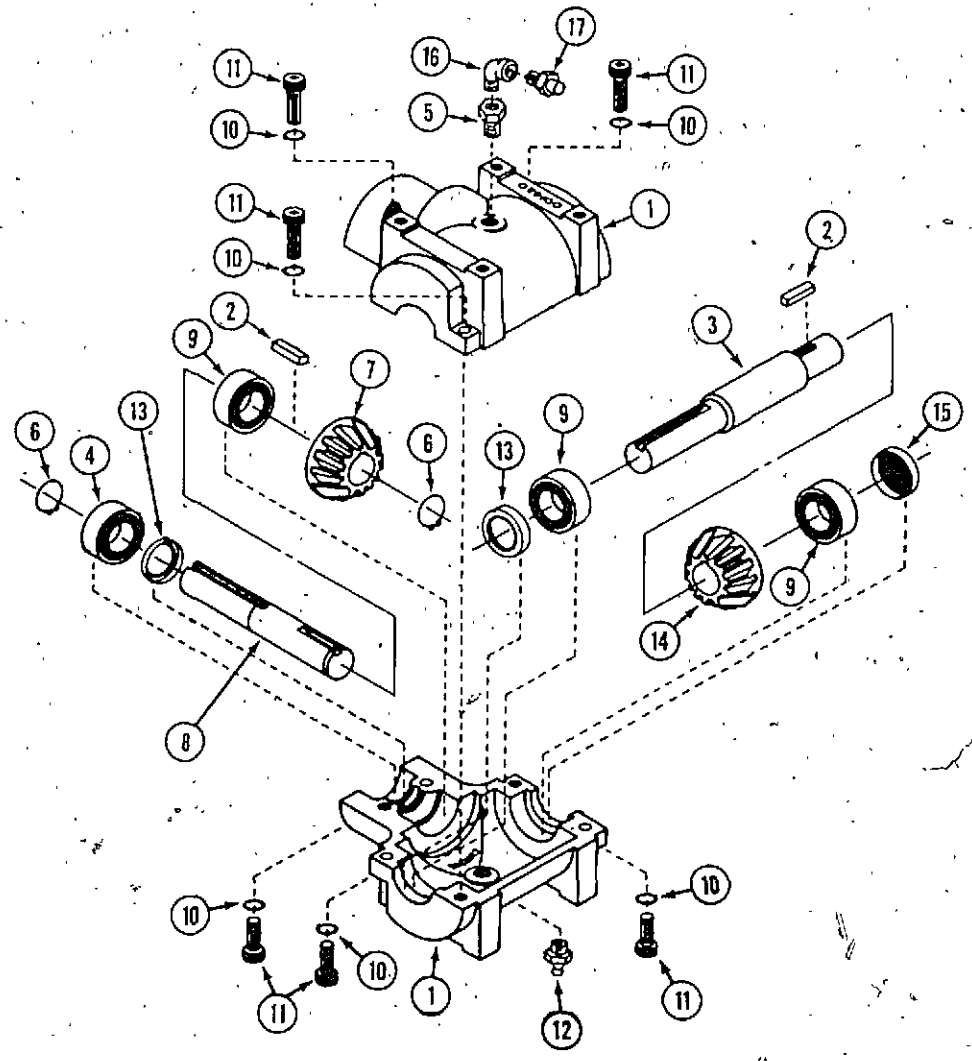


REF.	PART NO.	DESCRIPTION	REQ'D
1	C41757	MOUNT - gear box.....	1
2	195-103	WASHER - 3/8".....	1
3	C37877	ANGLE - gear box mount.....	1
4	C45654	TIGHTENER - belt.....	1
5	C45860	HOUSING ASSEMBLY - spindle (includes ref. 5, 6, 9).....	3
5	C37945	HOUSING - spindle.....	3
6	C37946*	SPACER - spindle.....	3
6	C45885**	SPACER - spindle.....	3
7	C44132	SHAFT - spindle, short.....	2
8	C44134	SHAFT - spindle, long.....	1
9	C42786*	BEARING - spindle.....	6
9	C45886**	BEARING - spindle.....	6
10	C44138	BLADE.....	3
10	C45511	BLADE - mulching (not shown).....	3
11	C37950	PULLEY - spindle.....	4
12	C37932	PULLEY - gear box output.....	1
13	C37892	PULLEY - gear box input.....	1
14	C37933	PULLEY - idler, large.....	1
15	C45655	PULLEY - idler, small.....	1
16	C38929	BELT - deck.....	1
17	C44241	BELT - drive.....	1
18	C37898	GEAR BOX - angle drive (See page 59).....	1
19	C37888	WASHER - spacer.....	9
20	C37901	BOLT - 1/4" - 20 x 4".....	1
21	114-201	BOLT - 3/8" - 24 x 1-1/4".....	3
22	C45846	WASHER - 3/8", 10 ga.....	3
23	131-1216	NUT - lock 3/8".....	6
24	113-268	BOLT - 3/8" - 16 x 1".....	6
25	C29581	KEY - 3/16" x 3/16" x 1".....	6
26	131-1352	NUT - 3/8" flange lock.....	1
27	113-312	BOLT - 7/16" - 14 X 1-1/4".....	12
28	192-22	LOCKWASHER - 7/16".....	12
29	129-104	NUT - 7/16" - 14.....	12
30	113-213	BOLT - 3/8" - 16 x 2-1/4".....	1
31	129-103	NUT - 3/8".....	1
32	192-21	LOCKWASHER - 3/8".....	1
33	113-208	BOLT - 3/8" - 16 x 1-1/4".....	1
34	131-71	NUT - 1/4" - 20 lock.....	1
35	111-371	BOLT - 3/8" - 16 x 1" carriage.....	1
36	113-102	BOLT - 5/16" - 18 x 3/4".....	4
37	192-20	LOCKWASHER - 5/16".....	5
38	113-102	BOLT - 5/16" - 18 x 3/4".....	1
39	129-102	NUT - 5/16" - 18.....	1
40	113-1	BOLT - 1/4" - 20 x 1/2".....	2
41	192-19	LOCKWASHER - 1/4".....	2
42	219-20	FITTING - grease 1/4" - 28.....	3

* Use before S/N 013503103
 ** Use S/N 013503103 and after

FOR ALL MOWERS

GEAR BOX
(Curtis)



REF.	PART NO.	DESCRIPTION	REQ'D
	C37898	GEAR BOX.....	1
1	C37959	HOUSING - half.....	2
2	C29581	KEY - 3/16" x 3/16" x 1".....	2
3	C37960	SHAFT - input.....	1
4	C37961	BEARING - ball.....	1
5	221-84	BUSHING - pipe 1/4" x 1/8".....	1
6	C37963	RING - retaining.....	2
7	C37964	GEAR - output shaft.....	1
8	C37965	SHAFT - output.....	1
9	C37966	BEARING - ball.....	3
10	C37967	LOCKWASHER.....	6
11	C37968	CAP SCREW - allen head.....	6
12	219-23	FITTING - grease 1/4" NPT.....	1
13	C37969	SEAL - shaft.....	2
14	C37970	GEAR - input shaft.....	1
15	C37971	PLUG - expansion.....	1
16	221-411	ELBOW - street 1/8" x 90°.....	1
17	C28241	VALVE - relief.....	1
	C37975	GREASE - synthetic, cartridge.....	1