



GROUNDS MOWERS

Models

GI250
(BEFORE S/N 02-09-0248)
(CHAIN DRIVE MOWERS)

Parts List

TABLE OF CONTENTS

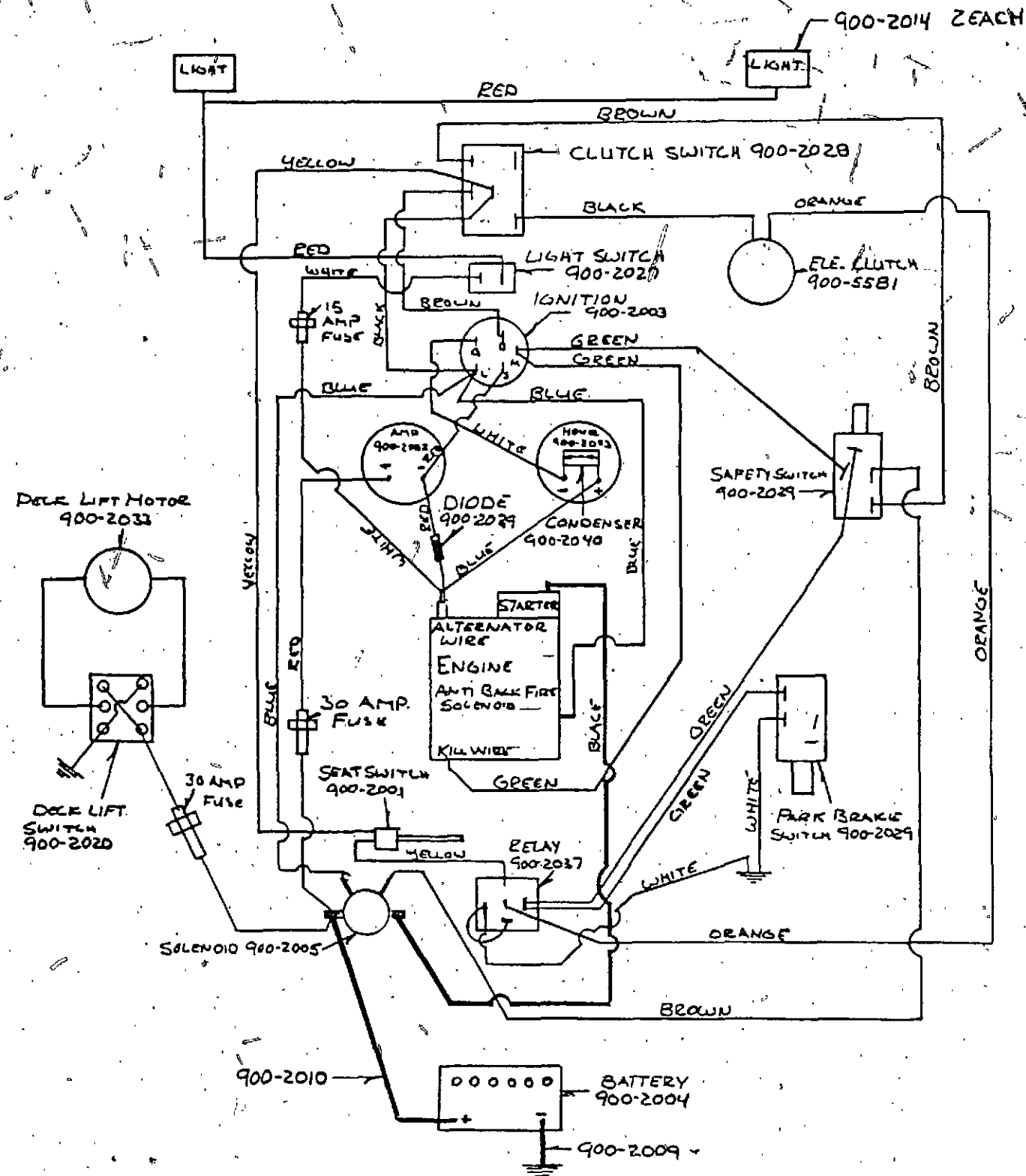
WIRING DIAGRAM (BEFORE 1989)	A3
WIRING DIAGRAM (1989 AND AFTER)	A4
ENGINE	A5-A6
TRANSMISSION & CHAIN DRIVES	A7-A8
BODY	A10-A11
SEAT LID (1989 AND AFTER)	A12
BASE	A13
TAIL WHEEL	A14
DECALS	B1



Grazer Division, Ingersoll Equipment Company
Winneconne, WI 54986

WIRING DIAGRAM

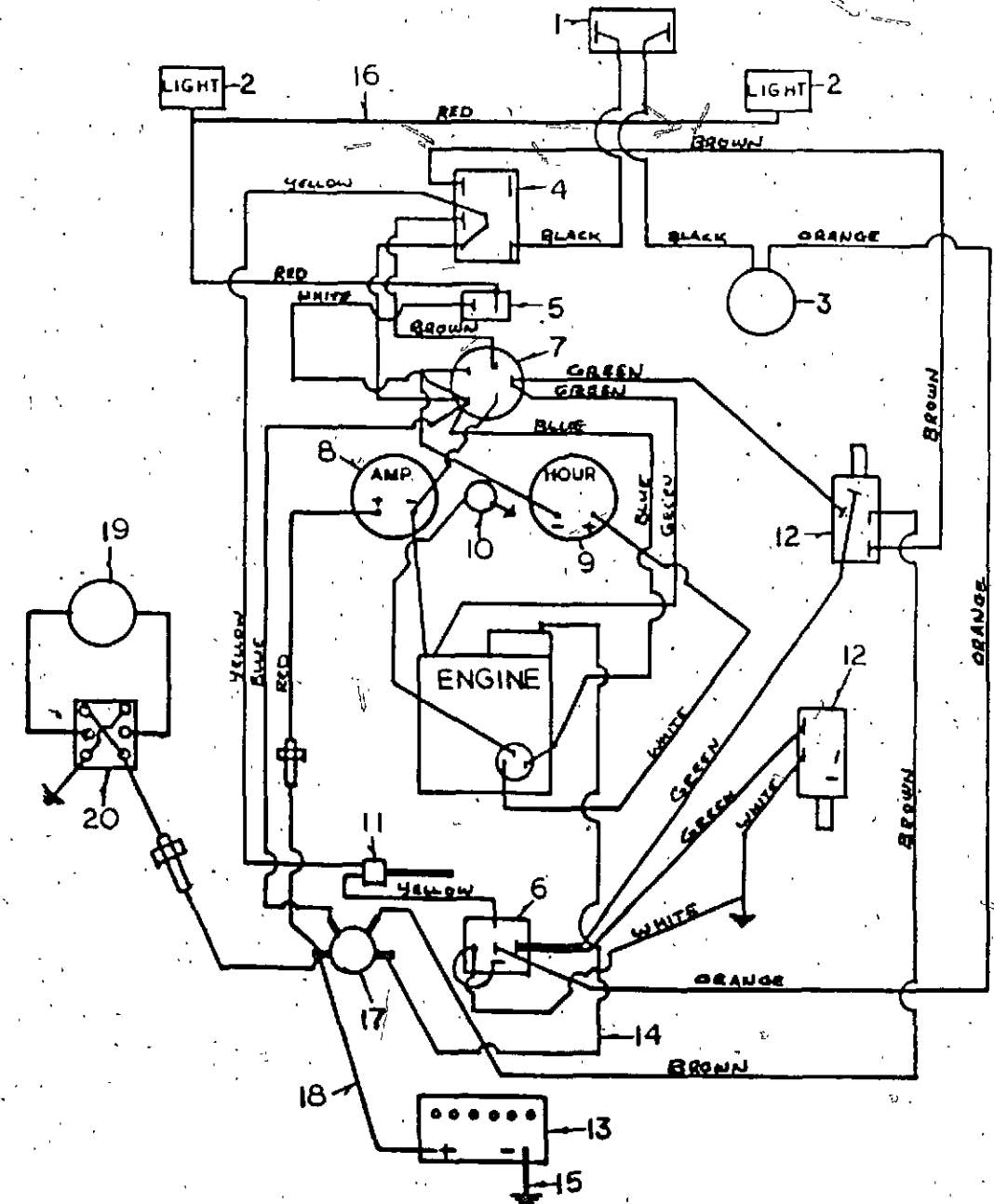
BEFORE 1989



WIRING DIAGRAM

1989 AND AFTER

Item	Part No.	Description	Qty.	Item	Part No.	Description	Qty.
1	G9002044	10 Amp Circuit Breaker	1	12	G9002029	Safety Switch	2
2	G9002014	Headlight Assembly	2	13	G9002060	Battery	1
3	G9005581	Electric Clutch Assembly	1	14	G9002010	Starter Wire	1
4	G9002028	PTO Clutch Switch	1	15	G9002009	Ground Wire	1
5	G9002027	Light Switch	1	16	G9002032	Light to Switch Wire	1
6	G9002037	Relay	1	17	G9002005	Solenoid	1
7	G9002003	Ignition Switch	1	18	G9002010	Starter to Solenoid Wire	1
8	G9002002	Amp Gauge	1	19	G9002033	Electric Lift Actuator	-
9	G9002023	Hour Meter	1	20	G9002020	3 Position Deck Lift Switch	-
10	G9002041	Oil Light	1		G9002034	Wiring Harness	1
11	G9002001	Seat Switch	1				



BRIGGS & STRATTON ENGINE PARTS

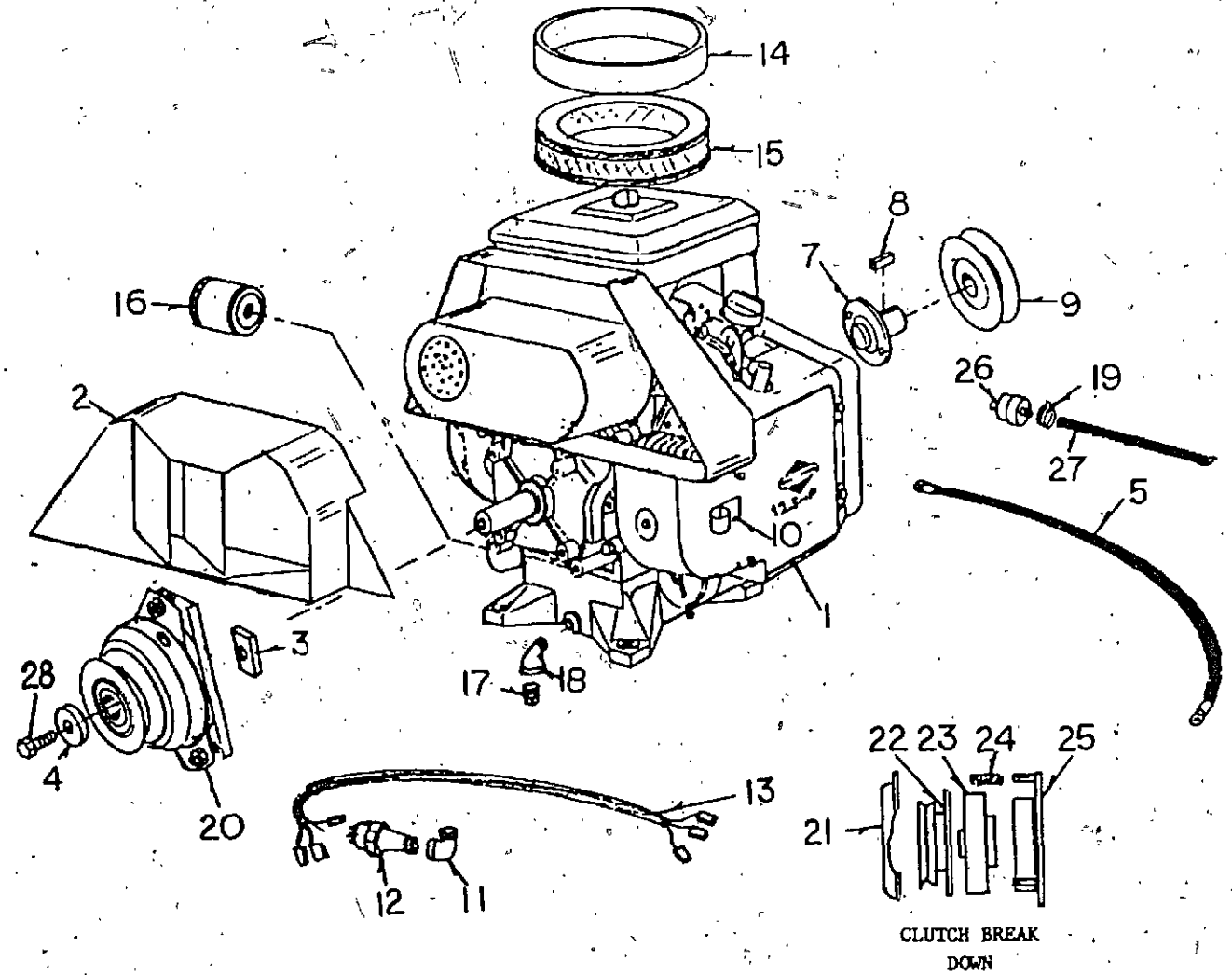
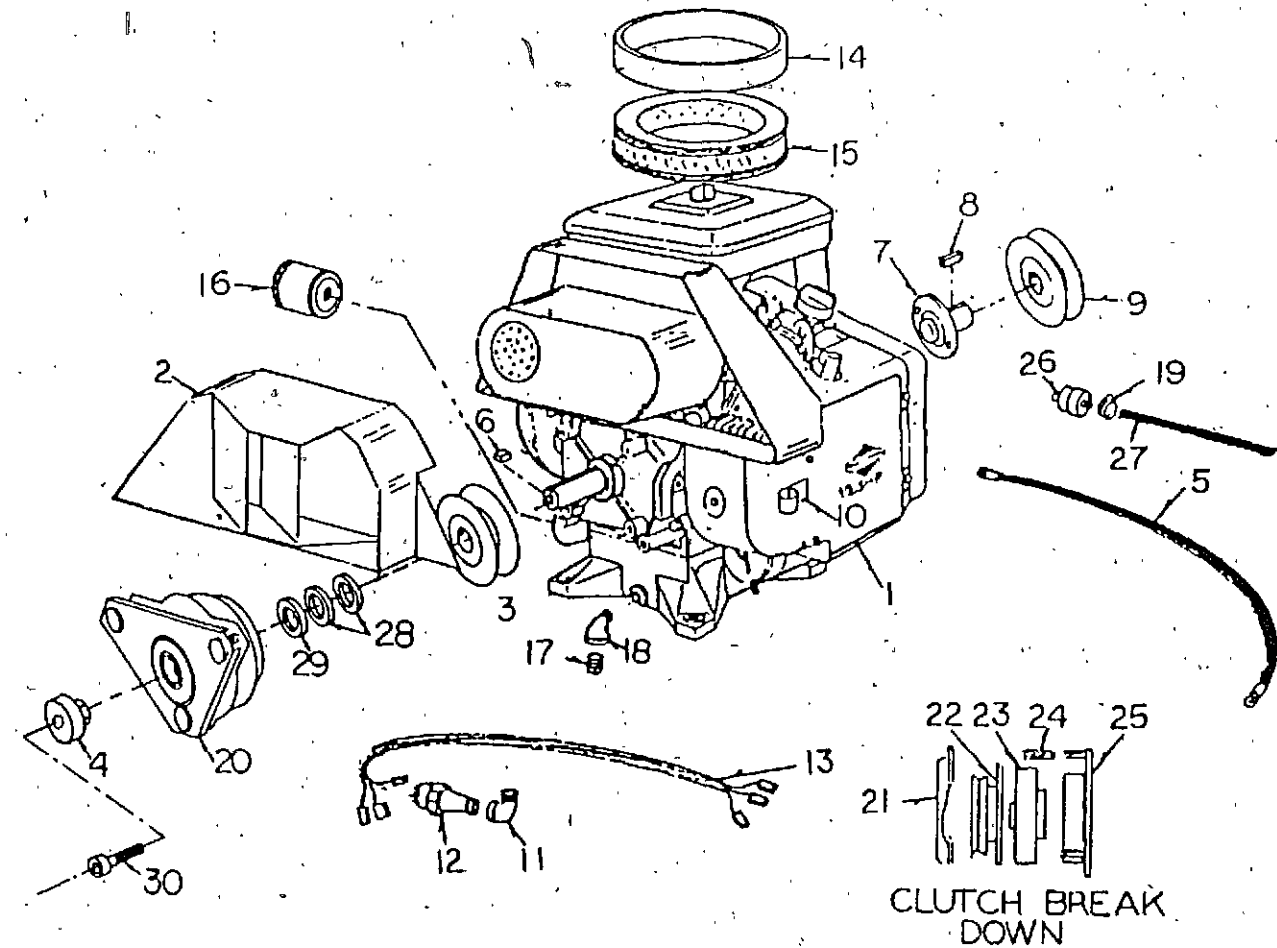
(Serial Numbers Prior to 09-08-0945)

BRIGGS & STRATTON ENGINE PARTS

(Serial Numbers After 09-08-0944)

Item	Part No.	Description	Qty.	Item	Part No.	Description	Qty.
1		Briggs & Stratton Twin, 12.5 HP	1	17	13002	Plug, 3/8"	1
2	G1110001	Air Duct	1	18	11102	Street Elbow, 3/8"	1
3	G9002527	Pulley, Transmission Drive	1	19	G9005525	Fuel Line Clamp	4
4	G1110020	Electric Clutch Retainer	1	20	G9005581	Clutch, Complete	1
5	G9002010	Starter Cable	1	21	G9005582	Clutch Brake	-
6	4062.25	Key, 1/4" x 1/4" x 1/4"	1	22	G9005583	Clutch Armature	-
7	G1000013	Stub Shaft	1	23	G9005584	Clutch Rotor	-
8	40621	Key, 1/4" x 1/4" x 1"	1	24	G9005586	Spring & Nut Set (3 Ea.)	-
9	G9002503	Pulley	1	25	G9005585	Clutch Coil	1
10	G1000021	Starter Cable Retainer	1	26	G9005514	Fuel Filter	1
11	11108	Street Elbow, 1/8" x 90°	1	27	G9005515	Fuel Line	1
12	G9005017	Oil Sending Unit	1	28	G9006001	Machine Washer, 1", 10 GA	2
13	G9002067	Wire Harness, Oil Sending Unit	1	29	G9006000	Machine Washer, 1", 14 GA	1
14	G9005008	Precleaner	1	30	31768H5C	Sockethead Capscrew, 3/8-24 x 1 3/4", GR5	1
15	G9005005	Air Cleaner Cartridge	1				
16	G9005022	Oil Filter	1				

Item	Part No.	Description	Qty.	Item	Part No.	Description	Qty.
1		Briggs & Stratton Twin, 12.5 HP	1	16	G9005022	Oil Filter	1
2	G1110001	Air Duct	1	17	13002	Plug, 3/8"	1
3	G1130010	Clutch Stop	2	18	11102	Street Elbow, 3/8"	1
4	G9005575	Clutch Retainer Washer	1	19	G9005525	Fuel Line Clamp	4
5	G9002010	Starter Cable	1	20	G9005581	Clutch, Complete	1
7	G1000013	Stub Shaft	1	21	G9005582	Clutch Brake	1
8	40621	Key, 1/4" x 1/4" x 1"	1	22	G9005583	Clutch Armature	1
9	G9002503	Pulley	1	23	G9005584	Clutch Rotor	1
10	G1000021	Starter Cable Retainer	2	24	G9005586	Spring & Nut Set (3 Ea.)	1
11	11108	Street Elbow, 1/8" x 90°	1	25	G9005585	Clutch Coil	1
12	G9005017	Oil Sending Unit	1	26	G9005514	Fuel Filter	1
13	G9002067	Wire Harness, Oil Sending Unit	1	27	G9005515	Fuel Line	1
14	G9005008	Precleaner	1	28	G9006001	Machine Washer, 1", 10 GA	1
15	G9005005	Air Cleaner Cartridge	1	29	G9006000	Machine Washer, 1", 14 GA	3



TRANSMISSION & CHAIN DRIVES

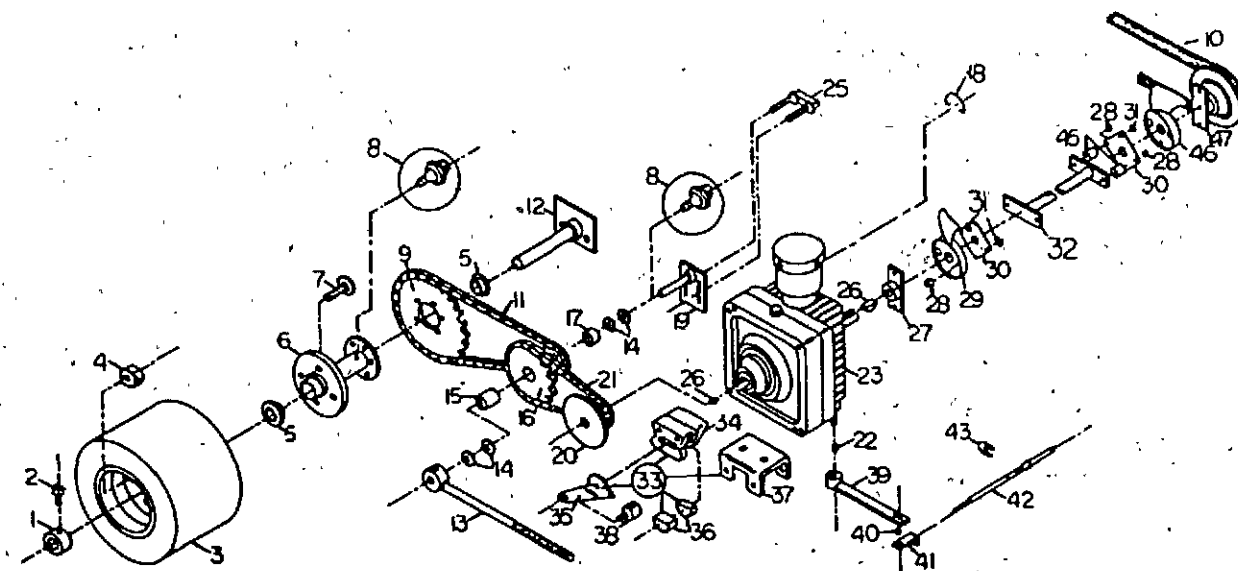
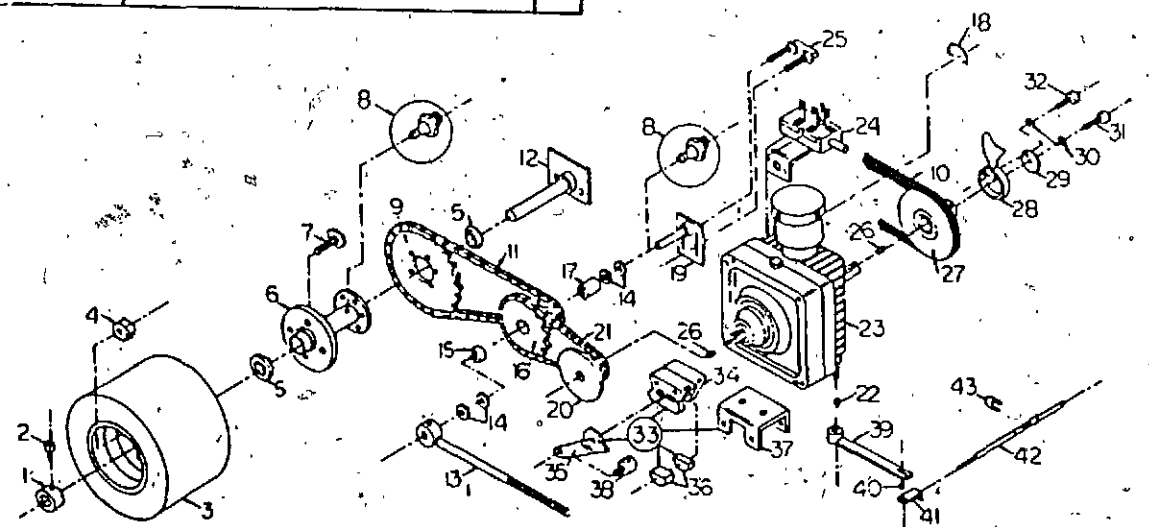
(Serial Numbers Prior to 09-08-0943)

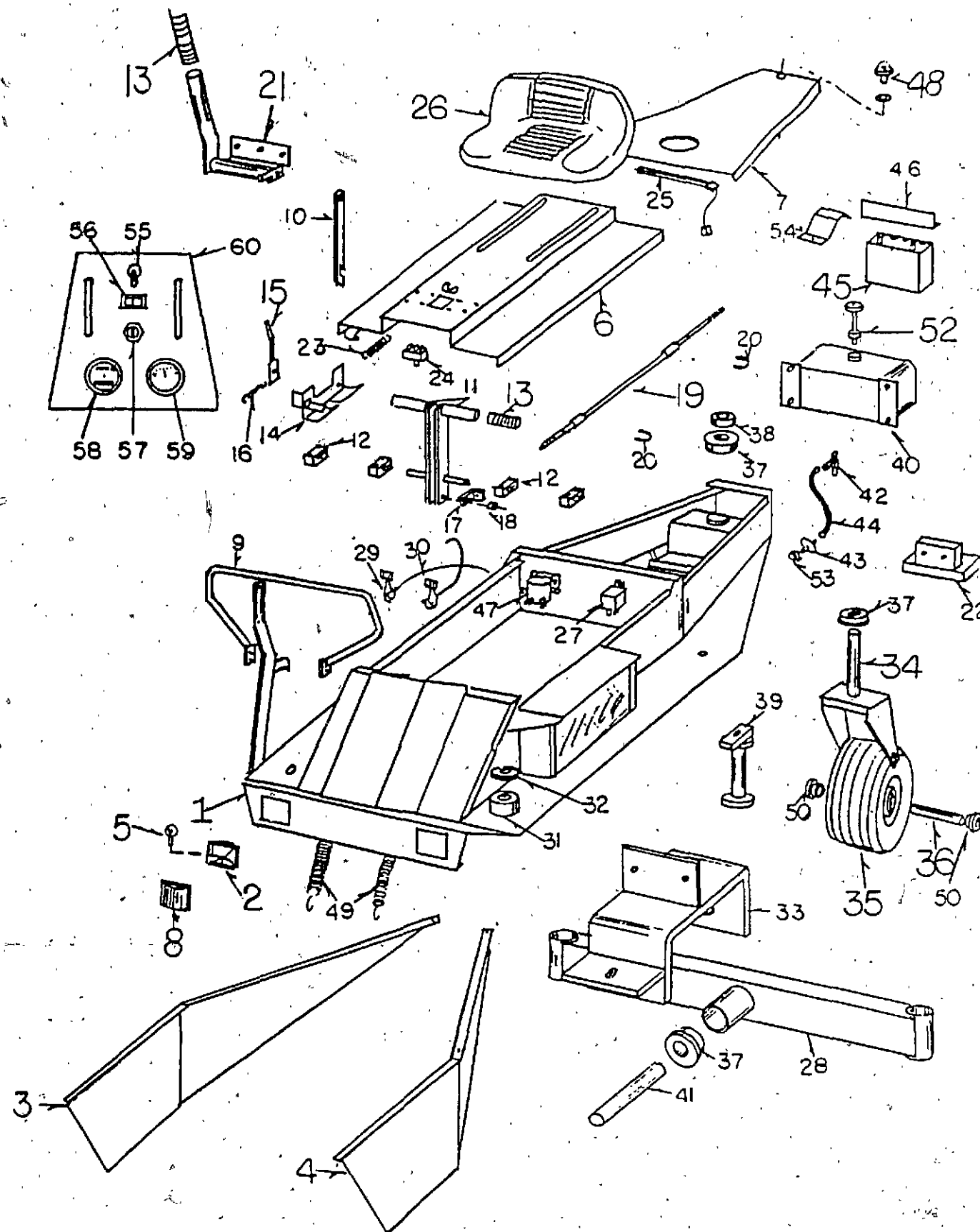
Item No.	Description	Qty.	Item No.	Description	Qty.
1	G9005510 Set Collar, 1"	2	22	41003 Woodruff Key, 1/8" x 3/8"	2
2	3901A2C Squarehead Setscrew, 5/16-18 x G900411 Drive Wheel, 16x6.50-8	2	23	G9004504 Transmission, LH (Shown)	1
3	G9004012 Drive Wheel Assy., 16 x 7.50-8	2		G9004505 Transmission, RH	1
	G9004021 Drive Tire, 16 x 7.50-8	-		G9004523 Transmission Diaphragm	-
	G9004003 Rim, 8" x 5 1/2"	-		G9004528 Seal Kit, Model 6	-
4	G9006138 Lug Nut, 1/2-20	8	24	G9002072 Brake Switch	1
5	G9003501 Drive Wheel Bearing	4	25	G1000016 Bolt Bar	2
6	G9004009 Drive Wheel Hub (G1250)	2	26	41006 Woodruff Key, 1/8" x 1/2"	4
	G6000006 Wheel Hub Assy., Regular (Includes Items 5-9)	-	27	G9002500 Transmission Pulley	2
	G9004033 Wheel Hub, Hill Climber (G1250H)	2	28	G9004501 Transmission Fan, LH	1
				G9004500 Transmission Fan, RH	1
7	G9006137 Lug Bolt, 1/2-20 x 1 1/4"	8	29	G9004509 Transmission Washer	2
8	45051 Self-tapping Zerk, 1/4-28	4	30	35001C Lockwasher, 1/4"	4
9	G9011502 Final Drive Sprocket, 40A 54	2	31	31862H5C Sockethead Capscrew, 1/4-20 x 1/2", GR5	2
10	G9003000 Transmission Belt, A36	2	32	31782H5C Sockethead Capscrew, 1/4-28 x 1/2", GR5	2
11	G9001000 Final Drive Chain (G1250)	2	33	G9005690 Brake Assembly, LH	1
	G9001015 Final Drive Chain, Hill Climber (G1250H)	2		G9005691 Brake Assembly, RH	1
12	G1000001 Drive Wheel Axle (G1250)	2	34	G9005587 Brake Caliper	-
	G1200001 Drive Wheel Axle, Hill Climber (G1250H)	2	35	G9005565 Caliper Lever, LH	-
				G9005566 Caliper Lever, RH	-
13	G1000017 Support Collar	2	36	G9005567 Brake Pad (Set)	-
14	G9006003 Machine Washer, 3/4", 10 GA	8	37	G9005588 Caliper Bracket	-
15	G9003500 Idler Sprocket Bearing, 1/2"	2	38	G1110014 Caliper Rod Collar	2
16	G9011501 Idler Sprocket	2	39	G9004506 Transmission Arm, LH	1
	G9011501A Idler Sprocket w/Bearings	-	39	G9004507 Transmission Arm, RH	1
17	G9003502 Idler Sprocket Bearing, 3/4"	2	40	G2000014 Cable End Bushing	2
18	G9004510 Transmission Dump Valve Clip	2	41	G2000013 Steering Cable End	2
19	G1000002 Idler Sprocket Shaft	2	42	G9005502 Steering Cable	2
20	G9011505 Transmission Sprocket w/Brake Disc	2	43	G9005503 Steering Cable Clamp	2
21	G9001001 Primary Drive Chain	2			

TRANSMISSION & CHAIN DRIVES

(Serial Numbers After 09-08-0944)

Item No.	Description	Qty.	Item No.	Description	Qty.
1	G9005510 Set Collar, 1"	2		G9004505 Transmission, RH	1
2	3901A2C Squarehead Setscrew, 5/16-18 x 1/2"	2		G9004523 Transmission Diaphragm	-
3	G9004012 Drive Wheel Assy., 16 x 7.50-8	2		G9004528 Seal Kit, Model 6	-
	G9004021 Drive Tire, 16 x 7.50-8	-	24	G9004529 Trans. Reservoir Kit, Model 6	-
	G9004003 Rim, 8" x 5 1/2"	-		G9004521 Pulley w/Drive Plate	1
4	G9006138 Lug Nut, 1/2-20	8	25	G1000016 Bolt Bar	2
5	G9003501 Drive Wheel Bearing	4	26	41006 Woodruff Key, 1/8" x 1/2"	4
6	G9004009 Drive Wheel Hub	2	27	G9004522 Hub w/Drive Plate	1
	G6000006 Wheel Hub Assy., Regular (Includes Items 5-9)	-	28	G1110025 Bolt Spacer	4
			29	G9004520 Fan, ccw	1
7	G9006137 Lug Bolt, 1/2-20 x 1 1/4"	8	30	G1110021 Drive Plate	2
8	45051 Self-tapping Zerk, 1/4-28	4	31	G9006161 Washer, 1/4", 10 GA	6
9	G9011502 Final Drive Sprocket, 40A 54	2	32	G1110018 Cross Shaft	1
10	G9003000 Transmission Belt, A36	1	33	G9005690 Brake Assembly, LH	1
11	G9001000 Final Drive Chain	2		G9005691 Brake Assembly, RH	1
12	G1000001 Drive Wheel Axle	2	34	G9005587 Brake Caliper	-
13	G1000017 Support Collar	2	35	G9005565 Caliper Lever, LH	-
14	G9006003 Machine Washer, 3/4", 10 GA	8		G9005566 Caliper Lever, RH	-
15	G9003500 Idler Sprocket Bearing, 1/2"	2	36	G9005567 Brake Pad (Set)	-
16	G9011501 Idler Sprocket	2	37	G9005588 Caliper Bracket	-
	G9011501A Idler Sprocket w/Bearings	-	38	G1110014 Caliper Rod Collar	2
17	G9003502 Idler Sprocket Bearing, 3/4"	2	39	G9004506 Transmission Arm, LH	1
18	G9004510 Transmission Dump Valve Clip	2	39	G9004507 Transmission Arm, RH	1
19	G1000002 Idler Sprocket Shaft	2	40	G2000014 Cable End Bushing	2
20	G9011505 Transmission Sprocket w/Brake Disc	2	41	G2000013 Steering Cable End	2
21	G9001001 Primary Drive Chain	2	42	G9005502 Steering Cable	2
22	41003 Woodruff Key, 1/8" x 3/8"	2	43	G9005503 Steering Cable Clamp	2
23	G9004504 Transmission, LH (Shown)	1			



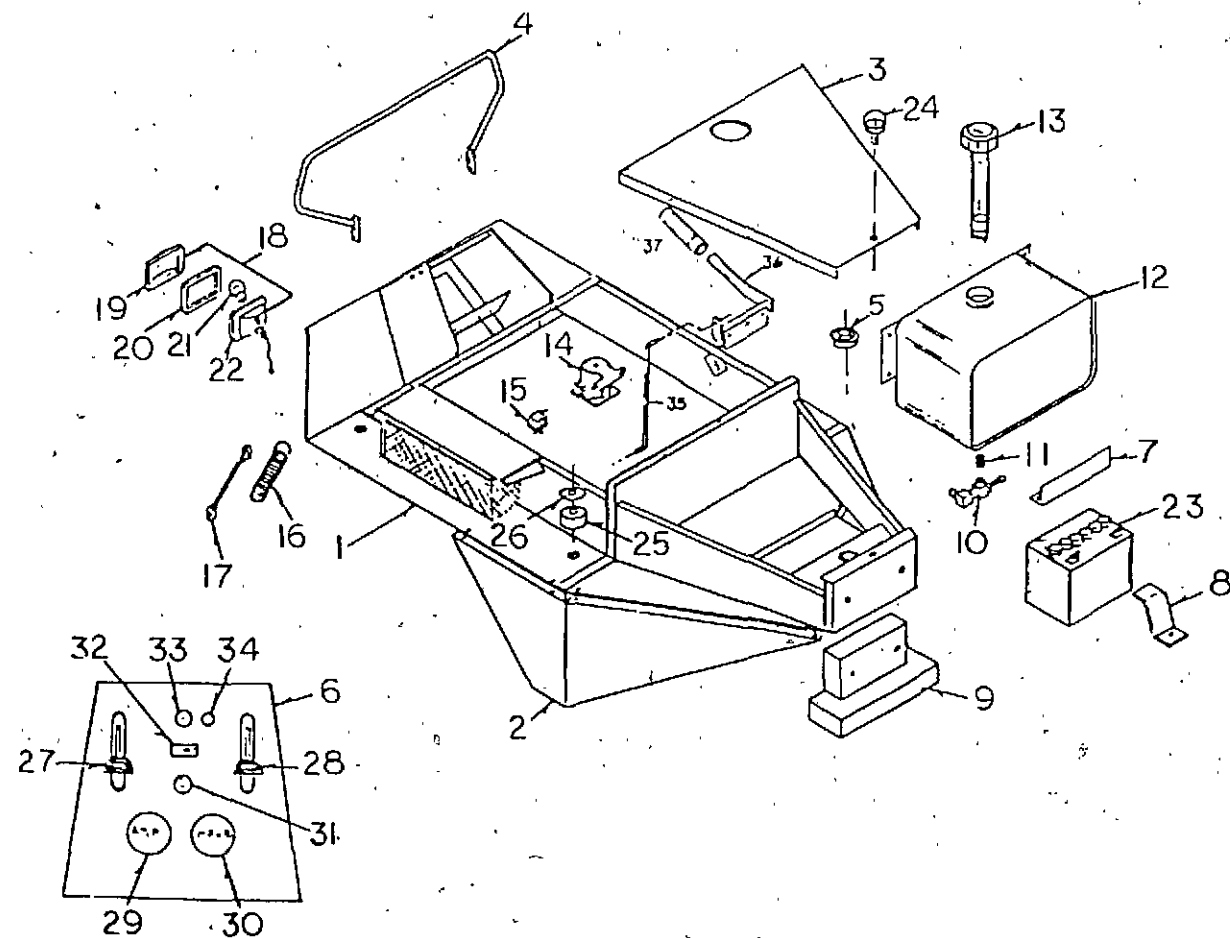


Ref. No.	Part No.	Description	Ref. No.	Part No.	Description
1.	201-0000	Body	36.	200-0017A	Tail Wheel Axle(1600-1800)
2.	900-2026	Lamp	36.	230-0017	Tail Wheel Axle(1600C-1800C)
3.	201-0008	Fender R.H.	36.	200-0017	Tail Wheel Axle(1100-1250), Dual Tail Wheel Axle
4.	201-0007	Fender L.H.	37.	900-3503	Tail Wheel Fork Bearing
5.	900-2025	Bulb	38.	900-5510	Set Collar
6.	201-0004	Lid	39.	230-0006	Dual Tail Wheel Tube Block
7.	201-0009	Back Cover	40.	900-5533	Fuel Tank
8.	900-2024	Lens	41.	230-0008	Pivot Axle
9.	200-0007	Guard Rail	42.	900-5513	Fuel Tank Valve
10.	200-0008	Lid Prop	43.	900-5514	Fuel Filter
11.	200-0009	Steering Lever	44.	900-5515	Fuel Hose
12.	200-0010	Bearing Block, Steering Lever	45.	900-2004	Battery
13.	900-5500	Handle Grip	46.	200-0019	Hold Down
14.	201-0010	Lever Lock	47.	900-2005	Solenoid
15.	200-0012	Latch, Lever Lock	48.	900-5522	Dzus Fastener
16.	900-5501	Spring, Lever Lock	49.	900-5516	Deck Spring
17.	200-0013	Steering cable end	50.	900-3505	Tail Wheel Bearing,(3/4")
18.	200-0014	Bushing, cable end	51.	900-5523	Seat Spacer
19.	900-5502	Steering cable	52.	900-5561	Fuel Tank Cap
20.	900-5503	Clamp, steering cable	53.	900-5525	Fuel Line Clamp
21.	201-0011	Brake lever lock	54.	200-0021	Battery Post Protector
22.	230-0002	Tail Weight	55.	900-2028	Clutch Switch
23.	900-5562	Spring	56.	900-2027	Light Switch
24.	900-2029	Safety Switch	57.	900-2003	Ignition Switch
25.	900-2001	Seat Switch	58.	900-2023	Hour Meter
26.	900-5506	Seat	59.	900-2002	Amp Meter
27.	900-2037	Electric Cluth Relay	60.	201-0006	Dash Board
28.	230-0004	Dual Tail Wheel Axle			
29.	900-5605	Throttle Cable(18HP Kohler)			
29.	900-5595	Throttle Cable(11HP Briggs)			
29.	900-5507	Throttle Cable			
30.	900-5606	Choke Cable(18HP Kohler)			
30.	900-5596	Choke Cable(11HP Briggs)			
30.	900-5508	Choke Cable			
31.	900-5509	Rubber Body Mount			
32.	200-0015	Body Mount Washer			
33.	230-0005	Dual Tail Wheel Mt.			
34.	210-0001	Tail Wheel Fork (1600)(1800)			
34.	230-0001	Tail Wheel Fork (1600C)(1800C)			
34.	200-0016	Tail Wheel Fork (1100)(1250)			
34.	230-0007	Dual Tail Wheel Fork			
35.	900-4014	Tail Wheel Assy. (1600)(1800)			
35.	900-4017	Tail Wheel Assy. (1600C)(1800C)			
35.	900-4004	Tail Wheel Assy. (1100)(1250)			
35.	900-4010	Tail Wheel Assy.			

BODY

1989 AND AFTER

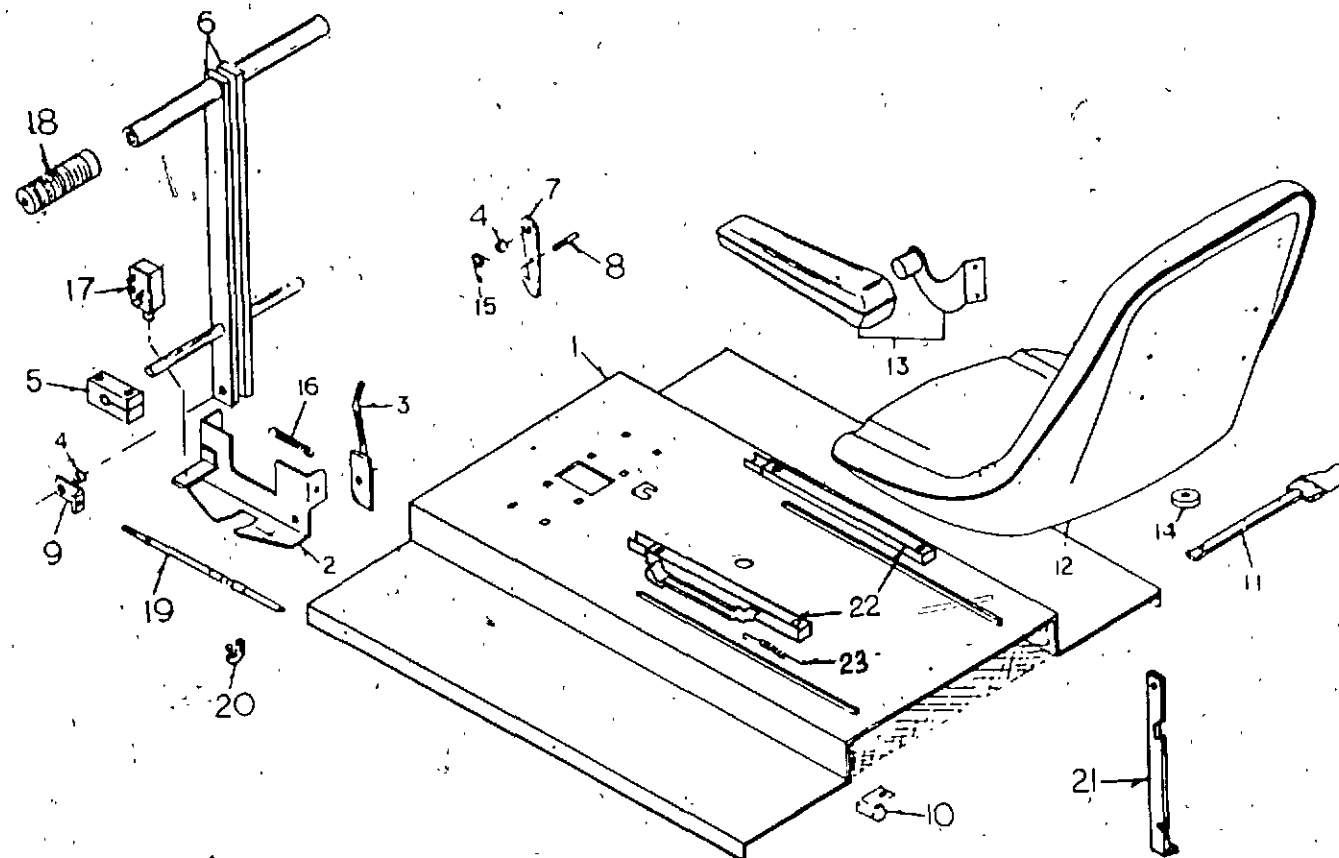
Item	Part No.	Description	Qty.	Item	Part No.	Description	Qty.
1	G201000G	Body	1	18	G9002014	Light Assembly	2
2	G2010017G	Fender, RH (Shown) (G1250)	1	19	G9002024	Lens	-
	G2010013G	Fender, RH, Hill Climber (G1250H)	1	20	G9002068	Gasket	-
	G2010016G	Fender, LH (G1250)	1	21	G9002025	Bulb	-
	G2010012G	Fender, LH, Hill Climber (G1250H)	1	22	G9002026	Lamp	-
3	G2010009G	Back Cover	1	23	G9002060	Battery	1
4	G2000007	Guard Rail	1	24	G9005522	Dzus Fastener	1
5	G9003501	Bearing	2	25	G9005509	Rubber Body Mount	8
6	G2010006	Dashboard	1	26	G2000015	Body Mount Washer	4
7	G2000019	Hold Down, Battery	1	27	G9005508	Choke Cable	1
8	G2000021	Battery Post Protector	1	28	G9005605	Throttle Cable	1
9	G2300002	Tail Weight (Optional)	-	29	G9002002	Amp Meter	1
10	G9005513	Shutoff Valve, Fuel	1	30	G9002023	Hour Meter	1
11	9901	Nipple, 1/8" x Close	1	31	G9002003	Ignition Switch	1
12	G9005533	Fuel Tank	1	32	G9002027	Light Switch	1
13	G9005561	Fuel Tank Cap With Gauge	1	33	G9002028	Clutch Switch	1
14	G9002005	Solenoid	1	34	G9002041	Oil Light	1
15	G9002037	Relay	1	35	G1110016	Brake Rod	1
16	G9005516	Deck Spring	2	36	G2010011	Brake Lever Lock	1
17	G9005518	Deck Lift Cable	2	37	G9005500	Handle Grip	1



SEAT LID ASSEMBLY

1989 AND AFTER

Item	Part No.	Description	Qty.	Item	Part No.	Description	Qty.
1	G2010004	Seat Lid	1	13	GDS13	Arm Rest Kft (Optional)	-
2	G2010010	Lever Lock	1	14	G9005523	Seat Spacer	4
3	G2000012	Latch, Lever Lock	1	15	G9005700	Seat Lid Latch Spring	1
4	G2000014	Bushing	5	16	G9005501	Lever Lock Spring	1
5	G2000010	Bearing Block	4	17	G9002029	Safety Switch	1
6	G2000009	Steering Lever	2	18	G9005500	Handle Grip	2
7	G2010015	Seat Lid Latch	1	19	G9005502	Steering Cable	2
8	G2010014	Seat Lid Latch Bolt	1	20	G9005503	Steering Cable Clamp	4
9	G2000013	Steering Cable End	4	21	G2000008	Lid Prop	1
10	G2010018	Seat Lid Harness Retainer	1	22	G9005813	Seat Rail (Pair)	1
11	G9002001	Seat Switch	1	23	G9005767	Seat Spring	1
12	G9005597	Seat	1				



BASE ASSEMBLY

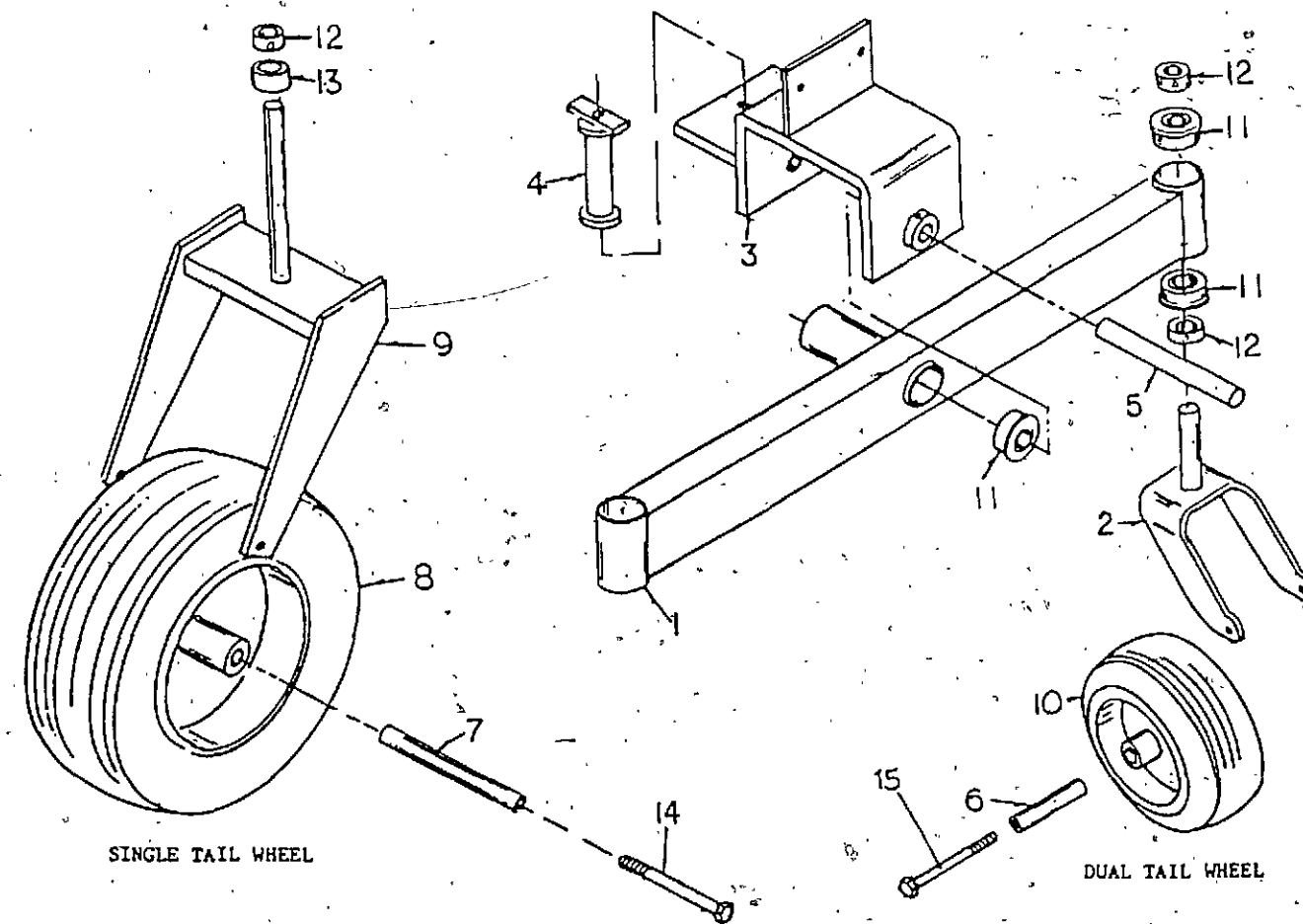
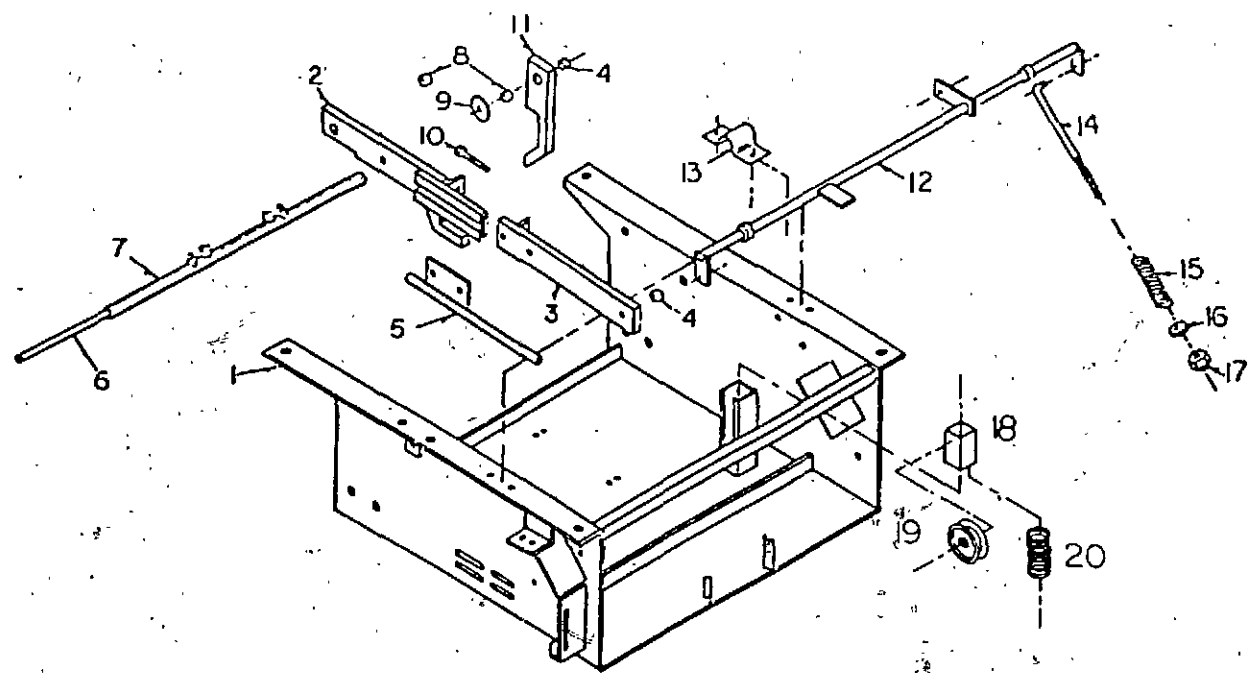
SINGLE & DUAL TAIL WHEEL ASSEMBLY

Item No.	Description	Qty.	Item No.	Description	Qty.
1	G1110000 Base	1	11	G1110023 Forward Nose Down Lock	1
2	G3000023RH Deck Lift Arm, Front RH	1	12	G1110017 Brake Cross Rod	1
	G3000023LH Deck Lift Arm, Front LH	1	13	G1110004 Brake Cross Rod Bearing	2
3	G3010024 Deck Lift Arm, Back RH	2	14	G1110007 Caliper Rod	2
4	G3000013S Bushing, Short	3	15	G9005568 Caliper Spring	2
5	G3000041 Wire Tube	1	16	38001C Flatwasher, 1/4"	2
6	G3000022 Cross Bar Pin	1	17	32941C Elastic Stop Nut, 1/4-20	2
7	G3000014 Cross Bar	1	18	G1110019 Spring Loaded Idler Mount	1
8	G3000013 Bushing, Long	3	19	G9002501 Idler Pulley	1
9	G2000015 Body Mount Washer	1	20	G9005580 Trans. Belt Tightener Spring	1
10	30031H5C Tap Bolt, 3/8-16 x 3", GR5	2			

SINGLE TAIL WHEEL

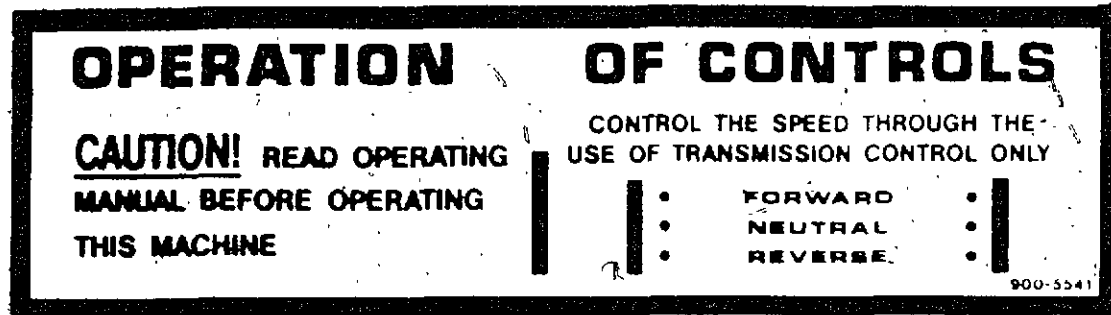
DUAL TAIL WHEEL

Item No.	Description	Qty.	Item No.	Description	Qty.
7	G2300017 Axle	1	1	G2300004 Dual Tail Wheel Axle	1
8	G9004017 Tail Wheel Assembly	1	2	G2300007 Dual Tail Wheel Fork	2
	G9003515 Bearing, Wheel Assembly	2	3	G2300005 Dual Tail Wheel Mount	1
	G9004018 Tire, 16 x 6.50-8	-	4	G2300006 Dual Tail Wheel Tube Block	1
	G9004019 Rim, 8"	-	5	G2300008 Pivot Axle	1
9	G2300001 Tail Wheel Fork	1	6	G2000017 Tail Wheel Axle	2
12	G9005510 Set Collar, 1"	2	10	G9004022 Tail Wheel Assembly	2
13	G2130003 Spacer, Tail Wheel Fork	1		G9003505 Bearing, Wheel Assembly	4
14	J14028C Hex Capscrew, 1/2-13 x 9 1/2"	1	11	G9003501 Bearing, 1"	6
			12	G9005510 Set Collar, 1"	4
			15	J14022C Hex Capscrew, 1/2-13 x 6 1/2"	2



TRACTOR DECALS

These decals have been placed on the tractor to instruct the operator and to warn of safety hazards. It is very important that they be in place and visible at all times. Replace damaged or missing decals immediately! Order by the part numbers shown below.



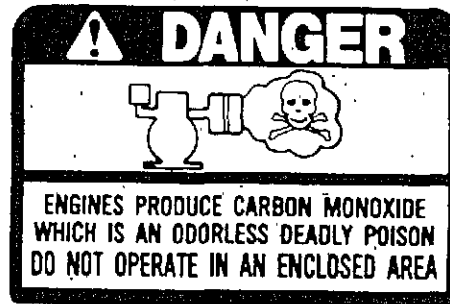
G9005541



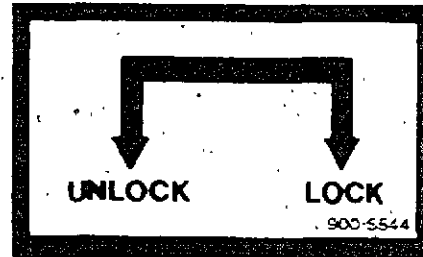
G9005548



G9005543



G9005723



G9005544



G9005611

G9005546 DASH DECAL

G9005702 G1250 DECAL KIT

INGERSOLL

Ingersoll Equipment Co., Inc.