

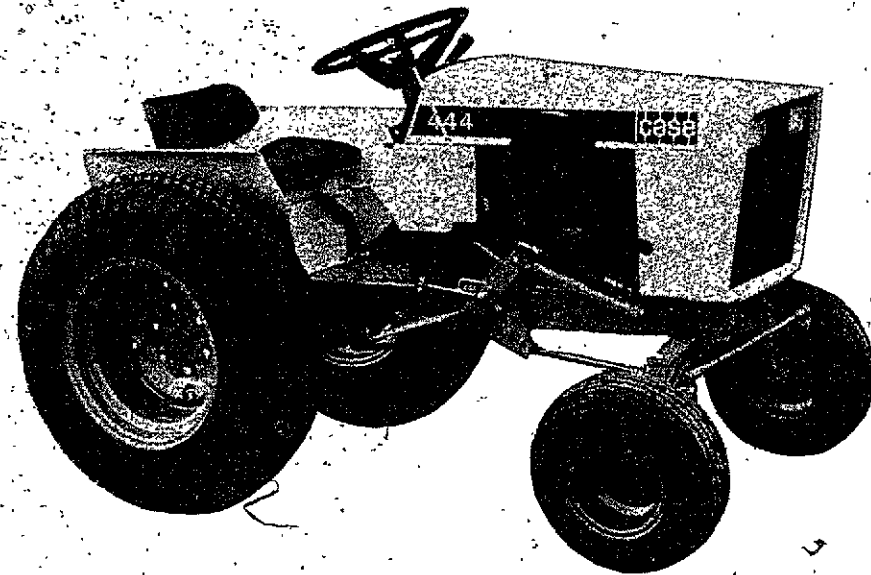
444 COMPACT TRACTOR

PRIOR TO S/N 9646801

Parts Catalog No. D1135

Print Shop 2500 6-76

Note: This Parts Catalog replaces the previous issue - C1135 - which is obsolete and should be discarded.



ALPHABETICAL INDEX

ENGINE SECTION

	PAGE	GRID		PAGE	GRID
Air Cleaner	5	A6	Filter, Breather	7	A8
Battery	49	D8	Flywheel	11	A12
Breather, Crankcase	7	A8	Fuel Strainer	16	B4
Camshaft	7	A8	Fuel System	16	B4
Carburetor	15-17	B2-B4	Gasket Kits	11	A12
Connecting Rod	9	A10	Governor	19	B6
Crankshaft	9	A10	Muffler	5	A6
Cylinder Block	11	A12	Oil Pan	11	A12
Cylinder Head	11	A12	Piston	9	A10
Electrical System	49-51	D8-D10	Pulley, Clutch	15-21	B2-B8
Engine Block & Attaching Parts	11-13	A12-A14	Spark Plug	49	D8
Exchanger, Heat	39	C12	Starter	53	D12
Exhaust System	5	A6	Tank, Fuel	15	B2
Fan	15-23	B2-B10	Throttle Linkage	19	B6
			Valves	7	A8

BASIC TRACTOR SECTION

	PAGE	GRID		PAGE	GRID
Axle, Front	31	C4	Implement Lift	57	E2
Axle, Rear	37	C10	Instruments	49-51	D8-D10
Baffles & Shrouds	15	B2	Model D10 Wheel Weights	61	E6
Brakes	35	C8	Model F11 Shaft Drive PTO	69	E14
Decals	53-55	D12-D14	Model F18 Counterweight		
Electrical System	49-51	D8-D10	Brackets	69	E14
Fenders	29	C2	Model F24 Sleeve Hitch	67	E12
Frame	27	B14	Model F26 Three Point Hitch	63-65	E8-E10
Grille	27	B14	Model F27 Three Point Hitch		
Hitch	37	C10	Adapter	65	E10
Hood	27	B14	Model F30 Hydraulic Lift	57	E2
Hydraulics	39	C12	Pulley, Clutch	15-21	B2-B8
Coupling, Pump Drive	43-45	D2-D4	Seat, Operator's	29	C2
Hoses, Lines & Fittings	39	C12	Steering Wheel & Gear	33	C6
Motor, Hydraulic Drive	39-47	C12-D6	Tail Lamp	61	E6
Pump	43-45	D2-D4	Tool Box	29	C2
Valve, Control	41	C14	Transmission	37	C10
Valve Control Linkage	41	C14	Wheels, Front & Rear	31	C4

GENERAL INFORMATION

Indexes

This Parts Catalog is arranged for easy identification of Genuine CASE Service Parts. An alphabetical index is provided at the front of this Catalog to locate the major groups or assemblies. A numerical index at the rear of the Catalog gives the part numbers and the pages on which they are described.

Illustrations

All parts are illustrated in "Exploded Views" which show the individual parts in their normal relationship to each other. Reference numbers are used in the illustrations. These numbers correspond to those in the "Reference Number" column and are followed by the part number, description and quantity required.

Indented Description

Indented parts in the descriptive list are a part of the preceding assembly or sub-assembly. The quantity shown in the "Number Required" column is the number of parts used on a machine except where parts are indented in descriptive list. In this case the quantity shown is the number required for the preceding assembly or sub-assembly.

REF.	PART NO.	DESCRIPTION	REQ'D
	A 55159	CYLINDER ASSY - rear steering	1
28	A 56208	SOCKET ASSY - rear cylinder	1
29	A 55956	PLUG - adjusting, socket assy	1
30	A 55957	SEAT - socket ball	2
31	A 56210	SPRING - socket	1
32	A 56209	SEAT - socket spring	1
33	G 45175	CLAMP ASSY - socket assy	1
	16- 836	BOLT - 1/2" x 2-1/4" N.F.hex.	1
34	132- 104	PIN - cotter, 3/16" x 3"	1
35	A 55889	STUD - ball, socket & cylinder	2
36	13- 410	BOLT - 1/4" x 5/8" N.C., hex.	4
37	92- 4	LOCKWASHER - 1/4" SAE	4

Terms "Right Hand" and "Left Hand"

"Right Hand" and "Left Hand" sides of this machine are determined by standing at the rear of the unit and facing in the direction of forward travel.

Orders

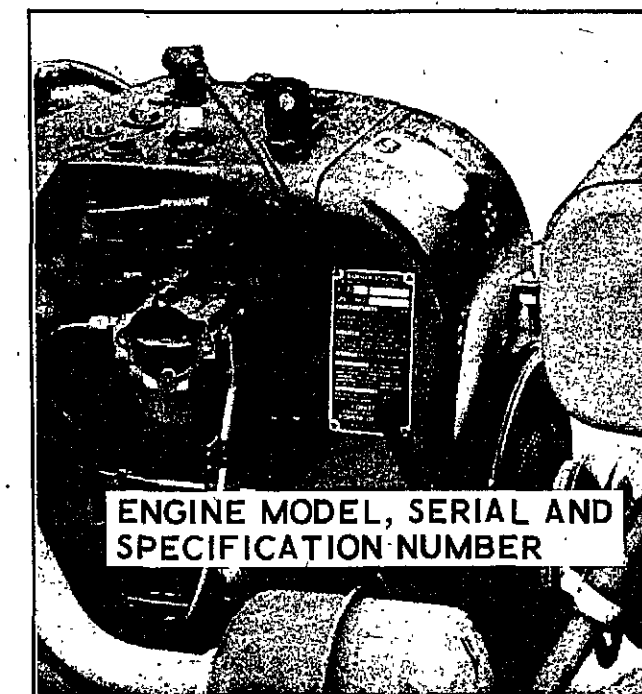
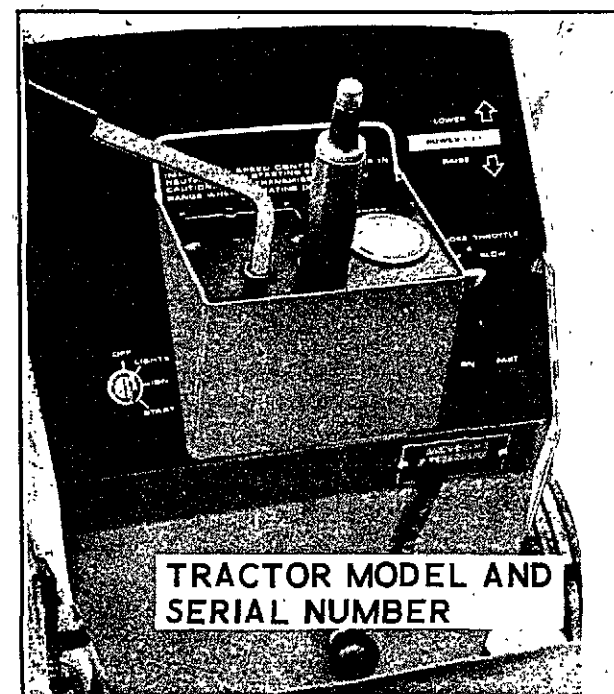
Orders should plainly specify correct part number, full description, quantity required, machine model and engine model, machine and engine serial numbers, method of shipment and shipping address.

Changes

When changes to the machine make it necessary, revised pages for this book will be issued. The revised pages will be issued with the same page number as those they replace and the "issue" number and date will be advanced.

It is imperative that revised Parts Book pages be inserted into their respective Parts Books as soon as received. Failure to do so will lead to confusion and defeat the purpose of the book.

CASE 444 COMPACT TRACTOR



TRACTOR MODEL DESIGNATIONS

444 TRACTOR

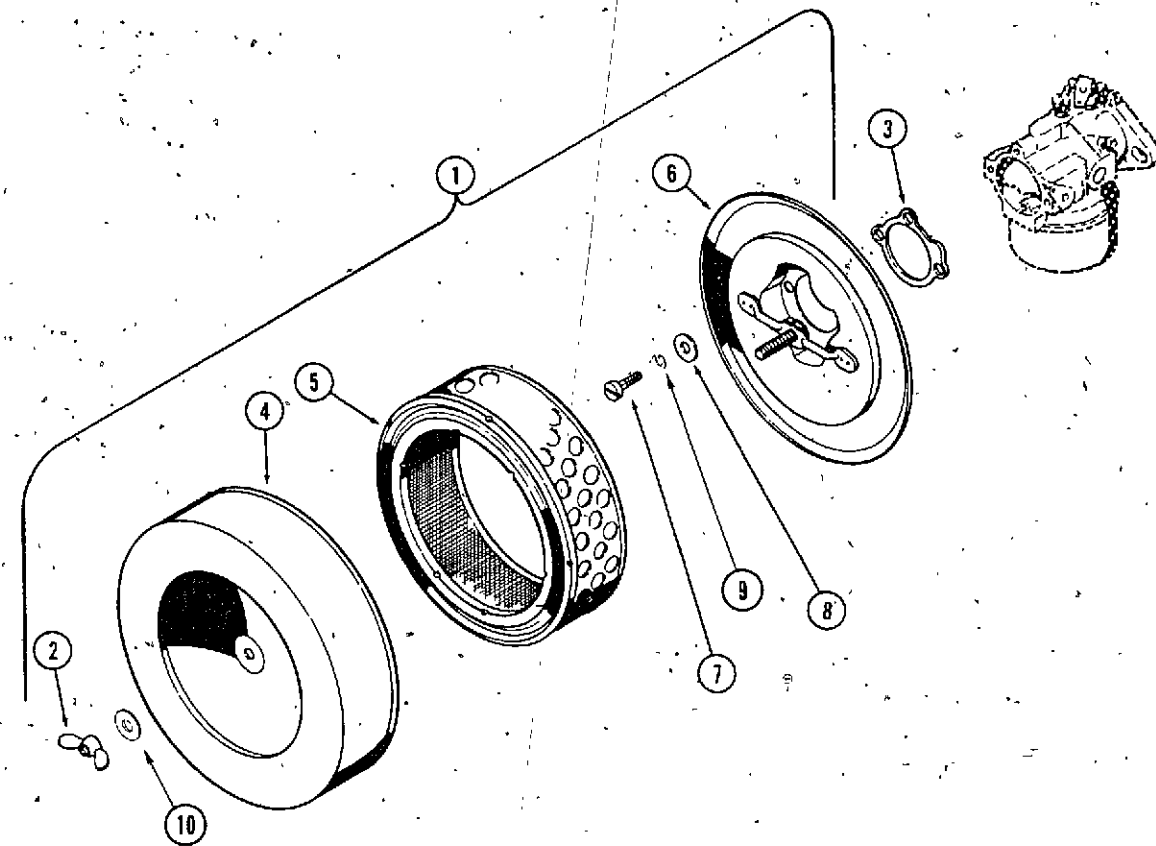
ENGINE MODEL DESIGNATIONS

C 15966 K321 AS ENGINE
Spec No. 60105B

SERIAL NUMBERS

When using this catalog, notice the reference to serial numbers of various components noted here and listed in the "description" copy. By referring to correct serial numbers, proper parts identification will be assured.

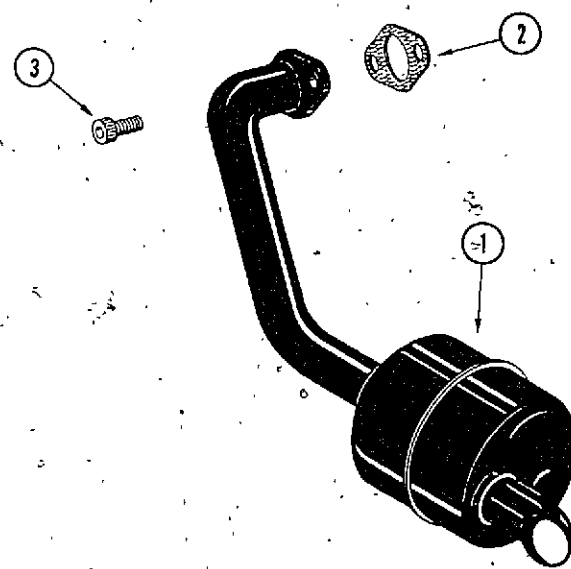
AIR CLEANER



REF. PART NO.	DESCRIPTION	REQ'D
1 KOA235100	AIR CLEANER ASSEMBLY	1
2 129- 409	NUT - wing 3/8" NC	1
3 KO 275341	GASKET - air horn	1
4 NSS	COVER - air cleaner (Order KOA235100)	1
5 A 70090	ELEMENT - air cleaner	1
6 NSS	BASE - air cleaner (Order KOA235100)	1
7 177- 94	SCREW - fillister head #10 x 5/16" NF	3
8 195- 512	WASHER - plain 3/16"	3
9 192- 18	LOCKWASHER - 3/16"	3
10 KOA 536	WASHER - copper	1

EXHAUST SYSTEM

1 NSS	MUFFLER - exhaust (Order C18039)	1
2 C 10372	GASKET - exhaust pad	1
3 61- 510	SCREW - 5/16" x 5/8" NC socket head	2

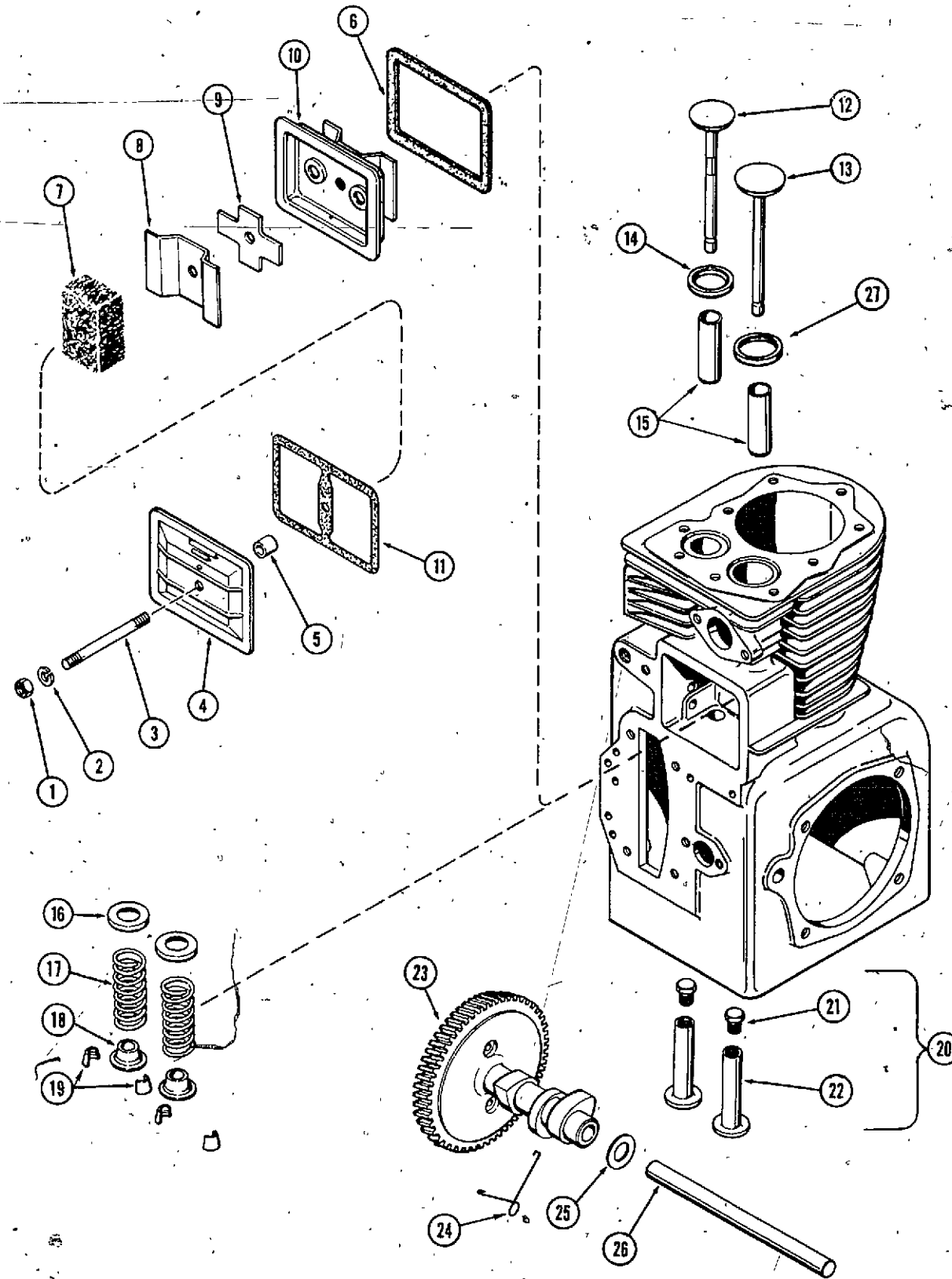


CRANKCASE BREATHER

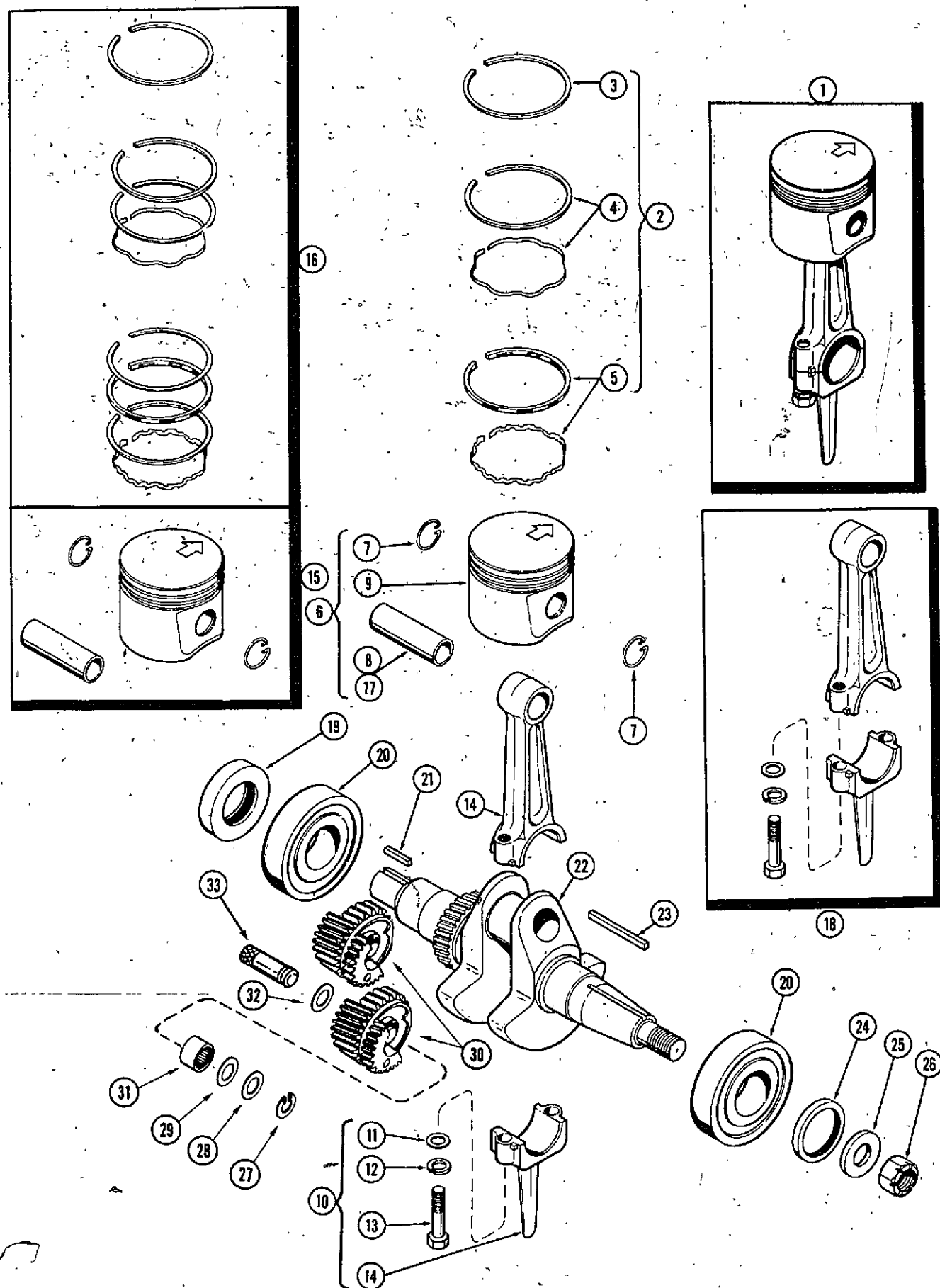
REF. PART NO.	DESCRIPTION	REQ'D
1 25- 104	NUT - 1/4" NC hex	1
2 92- 4	LOCKWASHER - 1/4"	1
3 KO 275220	STUD - valve cover	1
4 KO 275143	COVER - valve	1
5 KO 231032	SEAL - breather	1
6 KO 235048	GASKET - breather plate	1
7 KO 235118	FILTER - breather	1
8 KO 235117	BAFFLE - breather	1
9 KO 235047	REED - breather	1
10 KO 235631	PLATE - breather	1
11 KO 275144	GASKET - valve cover	1

CAMSHAFT AND VALVES

12 KO 235838	VALVE - exhaust	1
13 KO 235582	VALVE - intake	1
14 KO 230170	INSERT - exhaust valve seat	1
15 KO 235007-S	GUIDE - valve	2
16 KO 235011	SEAT - valve spring	2
17 KO 235168	SPRING - valve	2
18 KO 230020	ROTATOR - valve (Furnished in pairs only)	2
19 KO 240013	LOCK - valve retainer	2
20 KOA235327	LIFTER ASSEMBLY	2
21 NSS	SCREW - tappet adjusting	1
22 NSS	LIFTER - valve	1
23 KOA235646	CAMSHAFT ASSEMBLY	1
24 V 34346	SPRING - actuating	1
25 KO 275066	SPACER - camshaft, .005"	UAR
25 KO 275067	SPACER - camshaft, .010"	UAR
26 KO 235053	PIN - camshaft	1
27 KO 230265	INSERT - intake valve seat	1

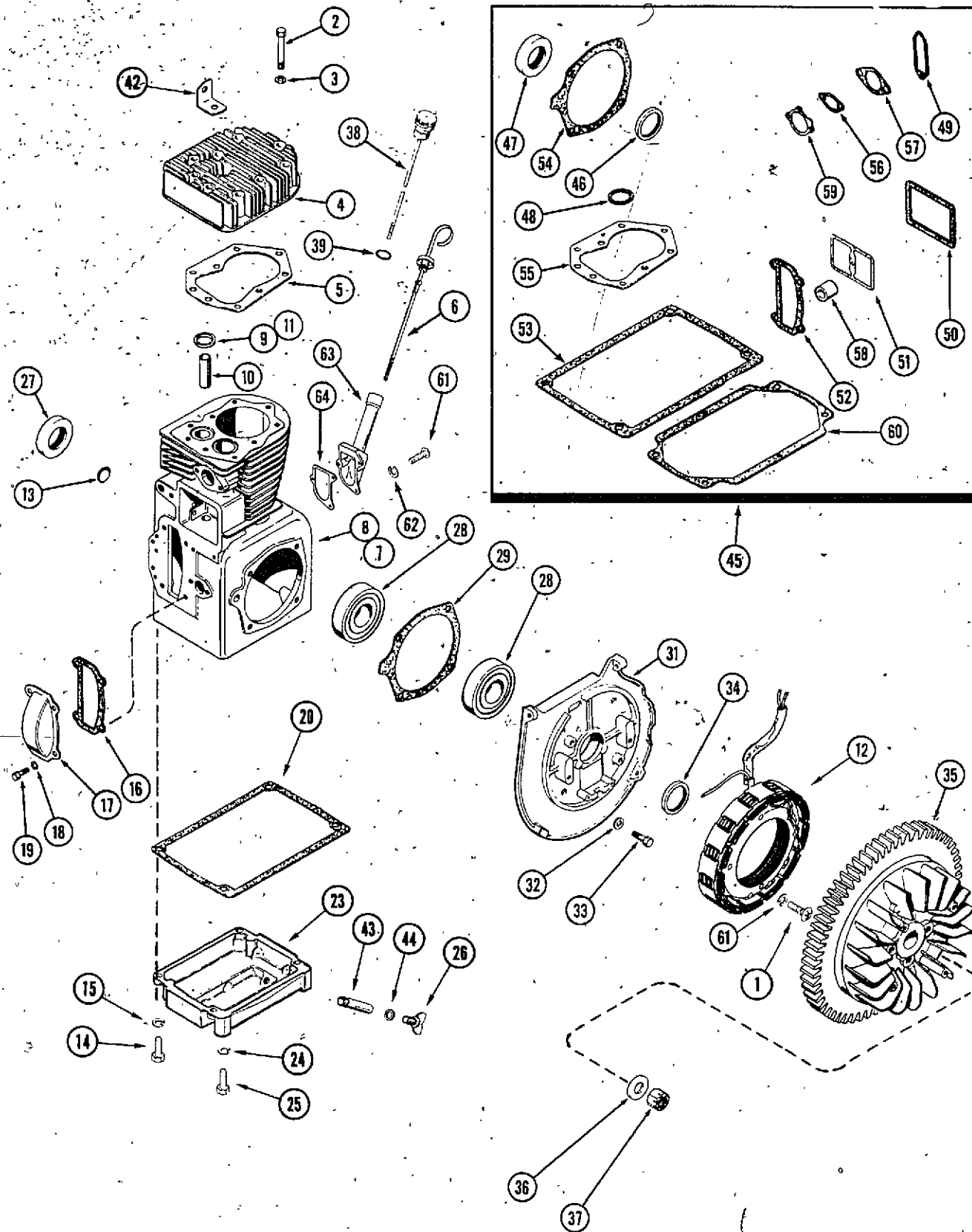


CRANKSHAFT, PISTON - CONNECTING ROD



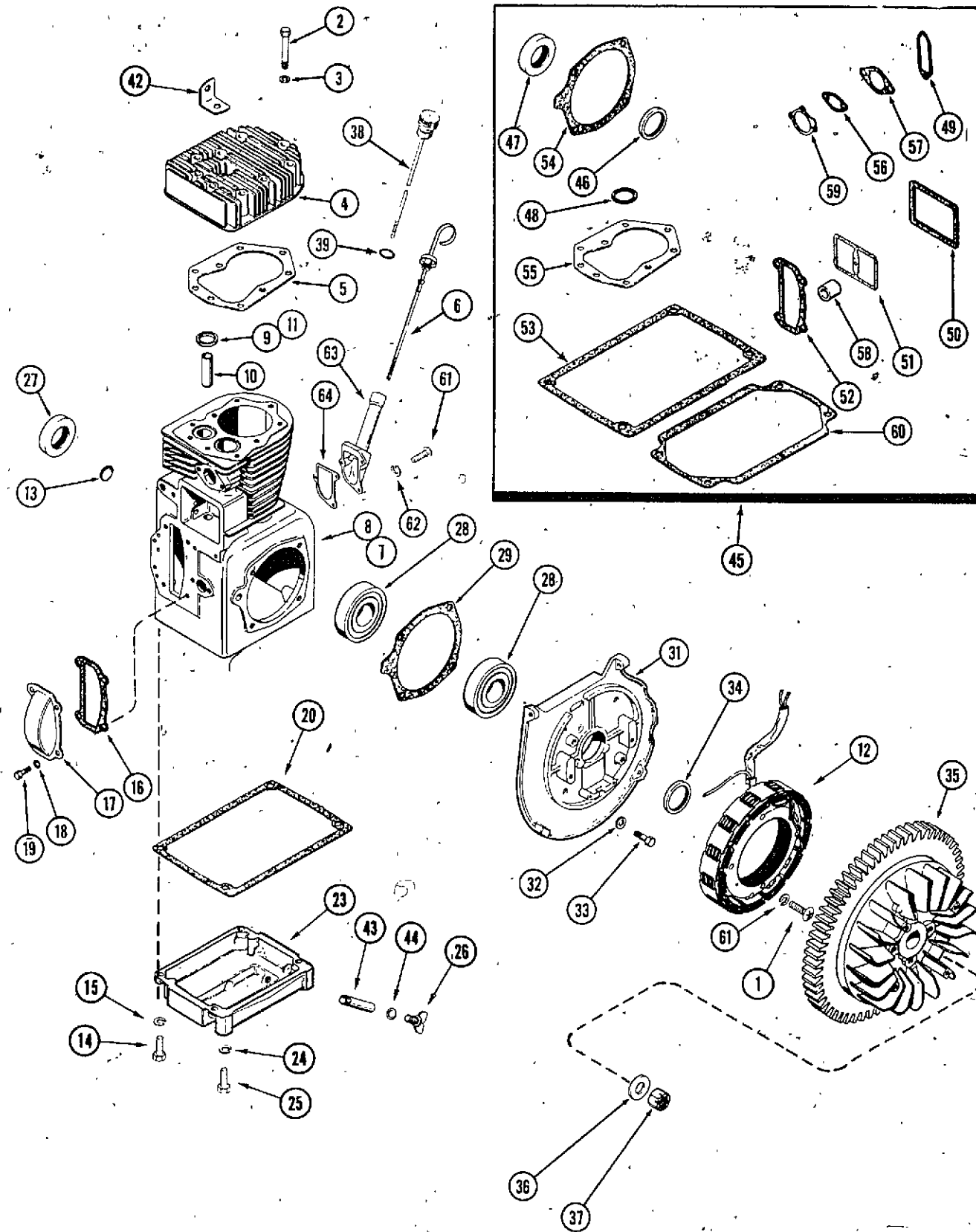
REF. PART NO.	DESCRIPTION	REQ'D
1	NSS PISTON AND ROD ASSEMBLY (Std. size)	1
2	KOA236763 RING SET - piston (For oversize, see item 16)	1
3	NSS RING - top compression	1
4	NSS RING - 2nd compression (Includes expander)	1
5	NSS RING - oil (Includes expander)	1
6	KOA237401 PISTON ASSEMBLY (For oversize, see item 15)	1
7	KO 235811 RETAINER - piston pin	2
8	KO 235803 PIN - piston	1
9	NSS PISTON	1
10	KOA237344 CONNECTING ROD ASSEMBLY (For undersize, see item 18)	1
11	KO 235003 WASHER - special	2
12	92- 6 LOCKWASHER - 3/8"	2
13	KO 236611 SCREW - cap, connecting rod	2
14	NSS ROD - connecting	1
15	KOA237403 PISTON ASSEMBLY - .010" oversize	1
15	KOA237404 PISTON ASSEMBLY - .020" oversize	1
15	KOA237405 PISTON ASSEMBLY - .030" oversize	1
16	KO 236764 RING SET - piston .010" oversize	1
16	KO 236765 RING SET - piston .020" oversize	1
16	KO 236766 RING SET - piston .030" oversize	1
17	KO 235868 PIN - piston .005" oversize	1
18	C 18101 CONNECTING ROD ASSEMBLY - .010" undersize	1
19	R 16287 OIL SEAL - crankshaft rear	1
20	40035 BEARING - crankshaft ball	2
21	W 5063-S KEY - 1/4" Sq. x 3/4" (Pump Coupling)	1
22	KOB237034 CRANKSHAFT	1
23	A 27001 KEY - flat 3/16" x 3/16" x 1-3/8" (Flywheel)	1
24	C 18097 OIL SEAL - crankshaft front	1
25	195- 541 WASHER - 5/8"	1
26	131- 301 NUT - special Marsden 5/8" NF	1
27	C 15060 RETAINER - external 1/2" ID	2
28	KO 236504 SPACER - .020"	2
29	KO 236509 SPACER - .005"	2
30	KOA236507 GEAR ASSEMBLY - counter balance	2
31	KO 236506 BEARING - gear assembly	2
32	KO 236510 SPACER - .010"	2
33	KO 236559 SHAFT - counterbalance stub	2

ENGINE BLOCK AND ATTACHING PARTS

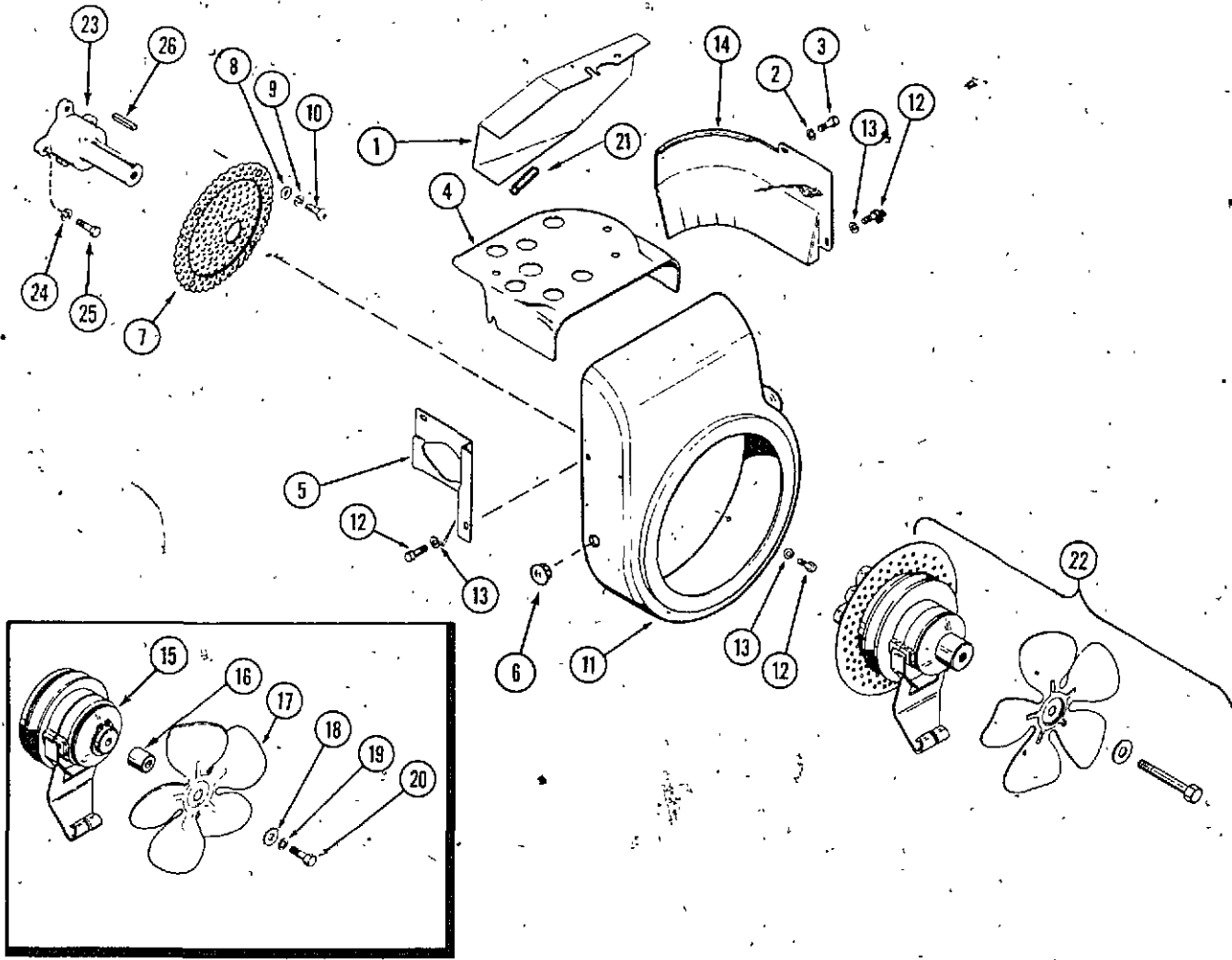


REF. PART NO.	DESCRIPTION	REQ'D
1	175- 464 SCREW - #10 x 1" NC truss head Phillips	1
2	KO 235175 BOLT - cylinder head special (Length 2-1/2")	4
3	KO 270889 WASHER - cylinder head bolt	9
4	KO 236792 HEAD - cylinder	10
5	KO 237658 GASKET - head	1
6	KOA237107 DIPSTICK ASSEMBLY (used on models prior to S/N 9641001)	1
7	KOB237182 BLOCK ASSEMBLY - cylinder, short (Includes crankshaft, piston, rod assembly, camshaft, valves, bearings and plate)	1
8	KOA237033-S BLOCK ASSEMBLY - cylinder, standard bore	1
9	KO 230170 INSERT - exhaust valve	1
10	KO 235007-S GUIDE - valve	2
11	KO 230265 INSERT - intake valve	1
12	KO 237038 STATOR - alternator	1
13	41- 18 PLUG - expansion	1
14	113- 206 BOLT - 3/8" x 1-1/4" NC hex plated	4
15	192- 21 LOCKWASHER - 3/8" plated	4
16	KO 235025 GASKET - camshaft cover	1
17	KO 235026 COVER - camshaft gear	1
18	192- 19 LOCKWASHER - 1/4" plated	4
19	113- 6 BOLT - 1/4" x 1/2" NC plated	4
20	KO 235353 GASKET - oil pan	1
23	KO 235950 BASE - oil pan	1
24	192- 21 LOCKWASHER - 3/8" plated	4
25	165- 109 BOLT - 3/8" x 1" NC hex plated	4
26	C 14399 PLUG - oil drain	1
27	R 16287 OIL SEAL - crankshaft rear	1
28	40035 BEARING - crankshaft ball	2
29	KO 235757 GASKET - shim, bearing plate .312"	1
29	KO 235070 GASKET - shim, .010"	UAR
31	KO 236488 PLATE - bearing	1
32	192- 21 LOCKWASHER - 3/8" plated	4
33	113- 207 BOLT - 3/8" x 1" NC plated	4
34	C 18097 OIL SEAL - crankshaft front	1
35	KOA236720 FLYWHEEL ASSEMBLY	1
	KO 236285 GEAR - ring	1
36	195- 541 WASHER - special, plated 21/32" ID x 1-3/8" OD x 1/4"	1
37	131- 301 NUT - special Marsden 5/8"	1
38	C 14954 DIPSTICK ASSEMBLY (used on models S/N 9645101 and after)	1
39	A 27365 "O" RING - dipstick	1
42	KO 235748 STRAP - lifting	1
43	C 14398 NIPPLE - oil drain extension	1
44	C 14906 GASKET - plug, oil drain	1
45	KO 237727 KIT - engine gasket and seal	1
46	C 18097 SEAL - crankshaft front oil	1
47	R 16287 SEAL - crankshaft rear oil	1
48	B 59393 GASKET - fuel strainer bowl	1
49	KO 220174 GASKET - breaker cover	1
50	KO 235048 GASKET - breather	1
51	KO 275144 GASKET - valve cover	1
52	KO 235025 GASKET - camshaft gear cover	1
53	KO 235353 GASKET - oil pan	1
54	KO 235757 GASKET - shim, bearing plate, .010"	6
54	KO 235070 GASKET - shim, .010"	UAR
55	KO 237306 GASKET - cylinder head	1
56	A 72108 GASKET - fuel pump flange	1
57	A 72100 GASKET - carburetor flange	1
58	KO 231032 SEAL - breather	1

ENGINE BLOCK AND ATTACHING PARTS



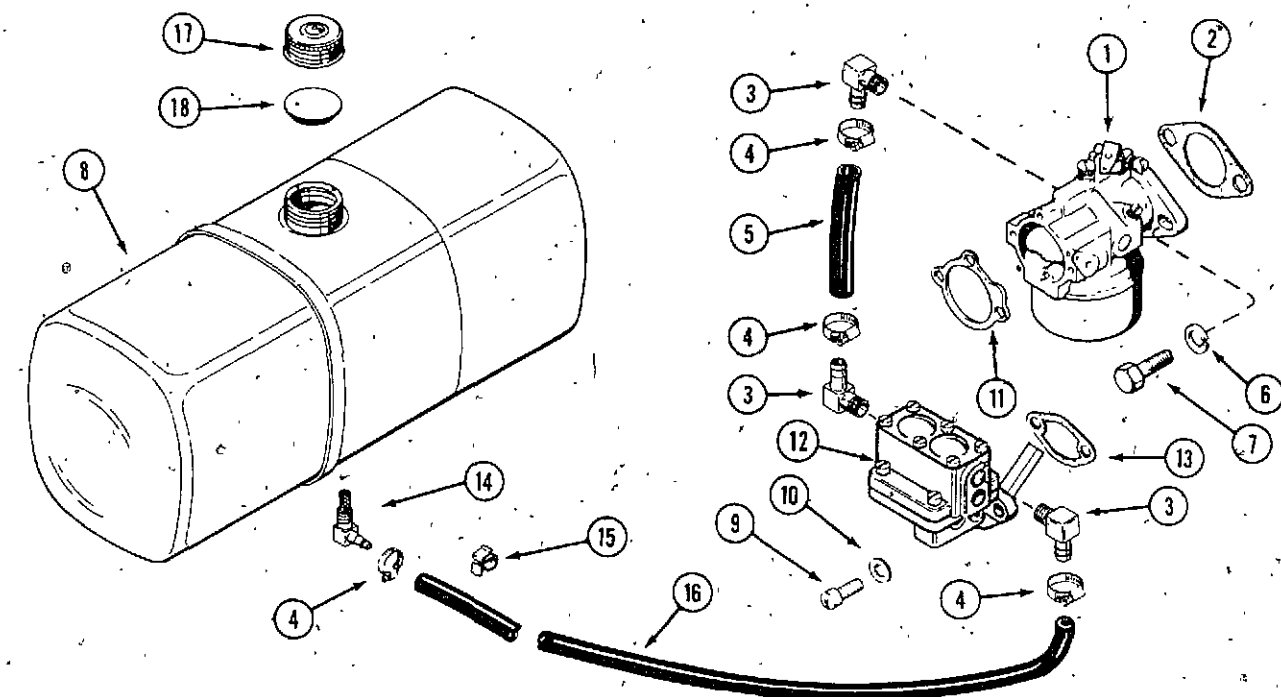
REF. PART NO.	DESCRIPTION	REQ'D
59 KO 275341	GASKET - carburetor air horn.....	1
60 KO 235057	GASKET - oil pan (Not used on this model).....	1
61 173- 221	SCREW - #10 x 7/16" rd. hd. machine.....	3
62 193- 26	LOCKWASHER - #10 internal tooth.....	7
63 KOA236960	FILLER TUBE.....	1
64 KO 237064	GASKET - filler tube.....	1



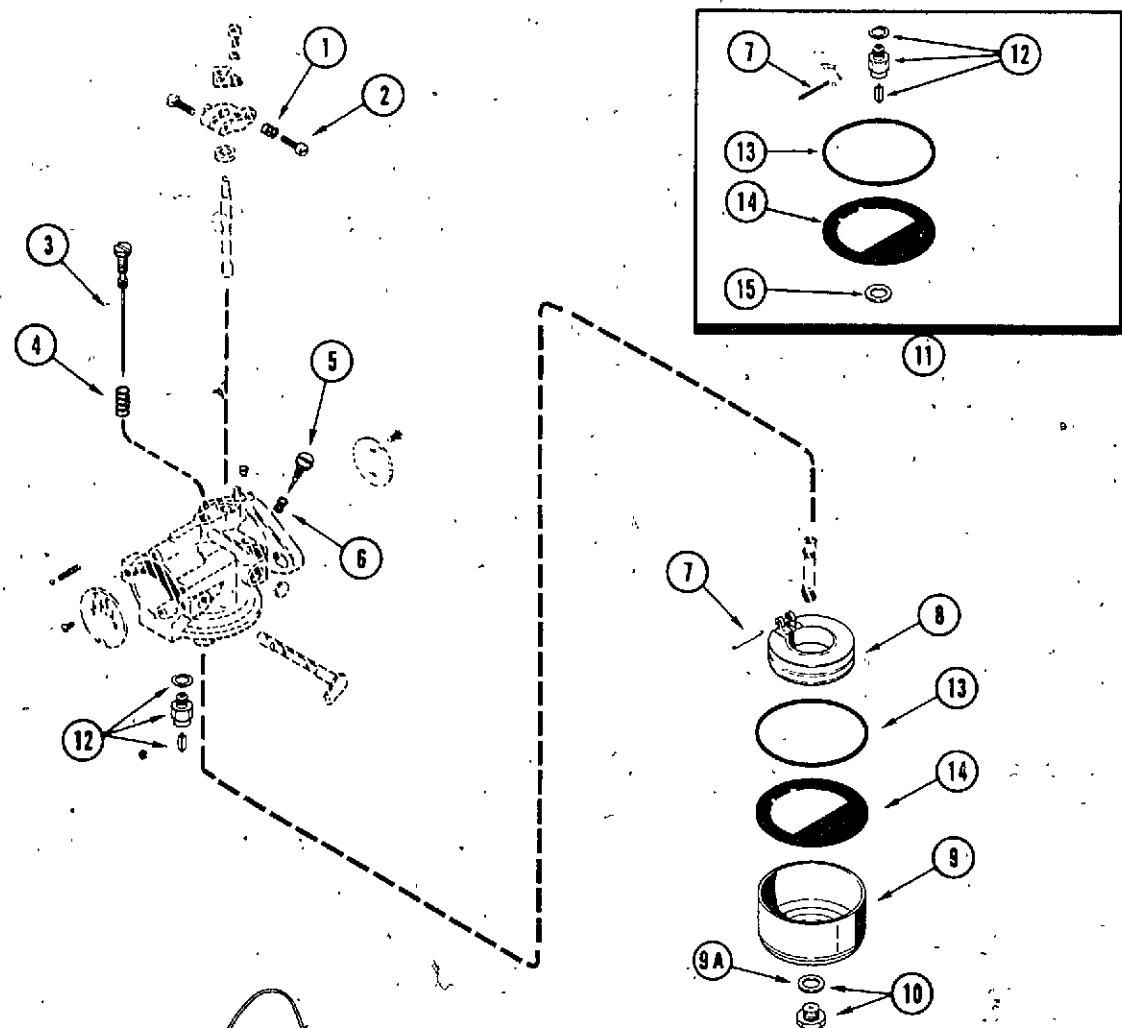
BAFFLES, SHROUDS AND CLUTCH PULLEY

REF.	PART NO.	DESCRIPTION	REQ'D
1	C 18296	DEFLECTOR - engine air	1
2	192- 19	LOCKWASHER - 1/4" plated	2
3	113- 6	BOLT - 1/4" x 1/2" NC hex plated	2
4	KO 235955	BAFFLE - cylinder head	1
5	KO 235368	BAFFLE - carburetor side air	1
6	205- 27	PLUG - button, timing hole	1
7	KO 237029	SCREEN - blower air intake (used on models prior to S/N 9641001)	1
8	195- 515	WASHER - 1/4" plated	4
9	192- 19	LOCKWASHER - 1/4" plated	4
10	175- 436	SCREW - 1/4" x 5/8" NC truss head Phillips, plated	4
11	KO 236865	HOUSING - blower	1
12	113- 2	BOLT - 1/4" x 3/4" NC hex head plated	4
13	192- 19	LOCKWASHER - 1/4" plated	4
14	KO 235054	BAFFLE - cylinder	1
15	NSS	CLUTCH - pulley (repairs page 25) order C19005 clutch	1
16	C 10312	SPACER - short	1
17	C 17217	KIT - FAN	1
18	195- 104	WASHER - 3/8" plain	1
19	192- 21	LOCKWASHER - 3/8"	1
20	115- 208	BOLT - 3/8" x 3-1/2" NC hex (For pulley clutch)	1
21	C 12603	CHANNEL - deflector	1
22	NSS	CLUTCH ASSEMBLY - (order C19005 clutch) (Repairs page 23)	1
23	KO 235954	SHAFT - stub (used prior to S/N 9641001)	1
24	192- 21	LOCKWASHER - 3/8" ZP	4
25	113- 208	BOLT - 3/8" x 1-1/4" NC hex	4
26	W 5063-S	KEY - 1/4" sq. x 3/4"	1

FUEL SYSTEM



REF.	PART NO.	DESCRIPTION	REQ'D
1	KOA236636	CARBURETOR ASSEMBLY (Repairs, page 17)	1
2	A 72100	GASKET - carburetor flange	1
3	C 10678	ELBOW - fuel pump and carburetor	3
4	214- 251	CLAMP - hose	4
5	C 15007	HOSE - carburetor 5-1/4"	1
6	192- 20	LOCKWASHER - 5/16"	2
7	113- 103	BOLT - 5/16" x 1" NC hex	2
8	C 13411	TANK - fuel	1
9	71- 410	SCREW - 1/4" x 5/8" NC fillister head	2
10	193- 60	LOCKWASHER - 1/4"	2
11	KO 275341	GASKET - air horn	1
12	KOA236205	FUEL PUMP	1
13	A 72108	GASKET - fuel pump mounting	1
14	C 10657	ELBOW ASSEMBLY - fuel tank	1
15	A 62079	CLIP - fuel line	2
16	C 17574	HOSE - fuel line	1
17	C 11529	CAP - fuel tank (Includes insert)	1
18	C 11545	INSERT - fuel cap	1

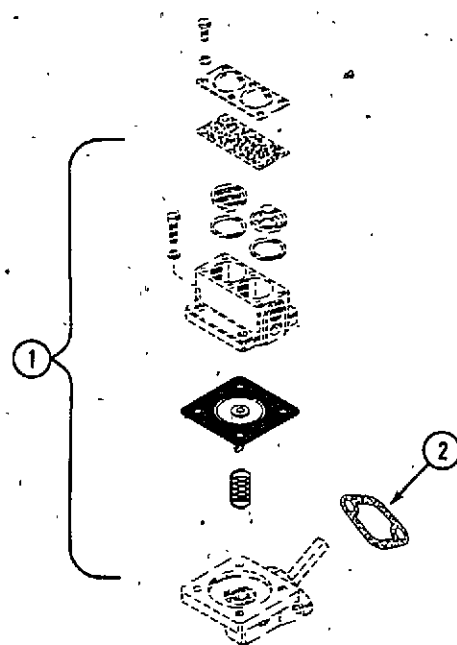


CARBURETOR

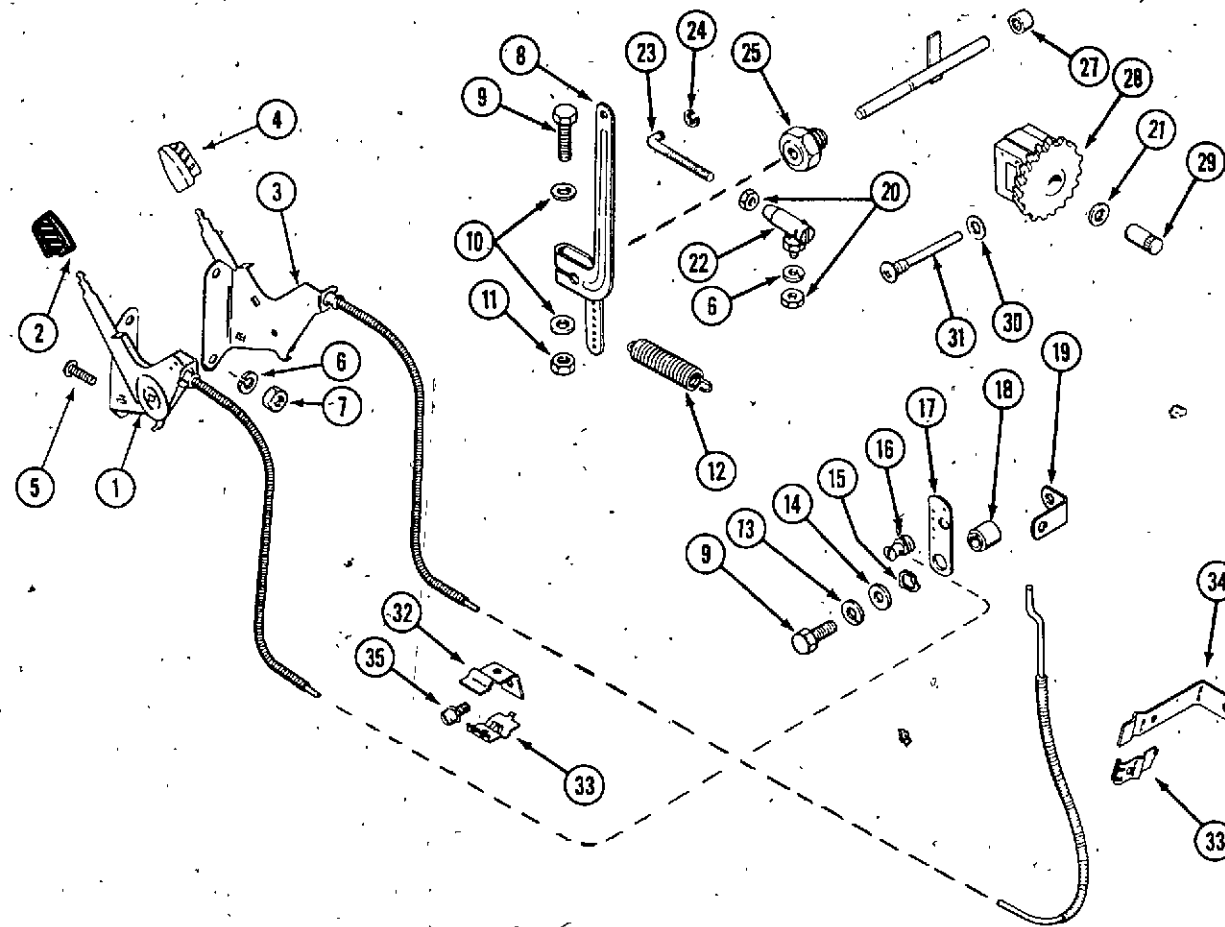
REF. PART NO.	DESCRIPTION	REQ'D
	CARBURETOR ASSEMBLY	1
1	KOA236636	
1	KO 200380	1
2	A 72092	1
3	KO 275373	1
4	A 72076	1
5	KO 275231	1
6	A 72098	1
7	A 72079	1
8	A 72078	1
9	A 72080	1
9A	A 72083	1
10	A 72084	1
11	A 72103	1
12	KO 200443	1
13	NSS	1
14	NSS	1
15	A 72083	1
	DESCRIPTION <td>REQ'D</td>	REQ'D
	CARBURETOR ASSEMBLY	1
	SPRING - idle screw tension	1
	SCREW - idle adjust	1
	JET ASSEMBLY - high speed and idle adjust	1
	SPRING - idle jet	1
	SCREW - adjusting (Lean-rich)	1
	SPRING - Lean-rich adjust screw	1
	PIN - carburetor float	1
	FLOAT ASSEMBLY	1
	BOWL - carburetor	1
	GASKET - bowl screw	1
	NUT AND GASKET ASSEMBLY - bowl	1
	KIT - carburetor repair	1
	INLET NEEDLE AND SEAT ASSEMBLY	1
	GASKET - carburetor bowl ring	1
	GASKET - carburetor bowl	1
	GASKET - bowl screw	1

FUEL PUMP

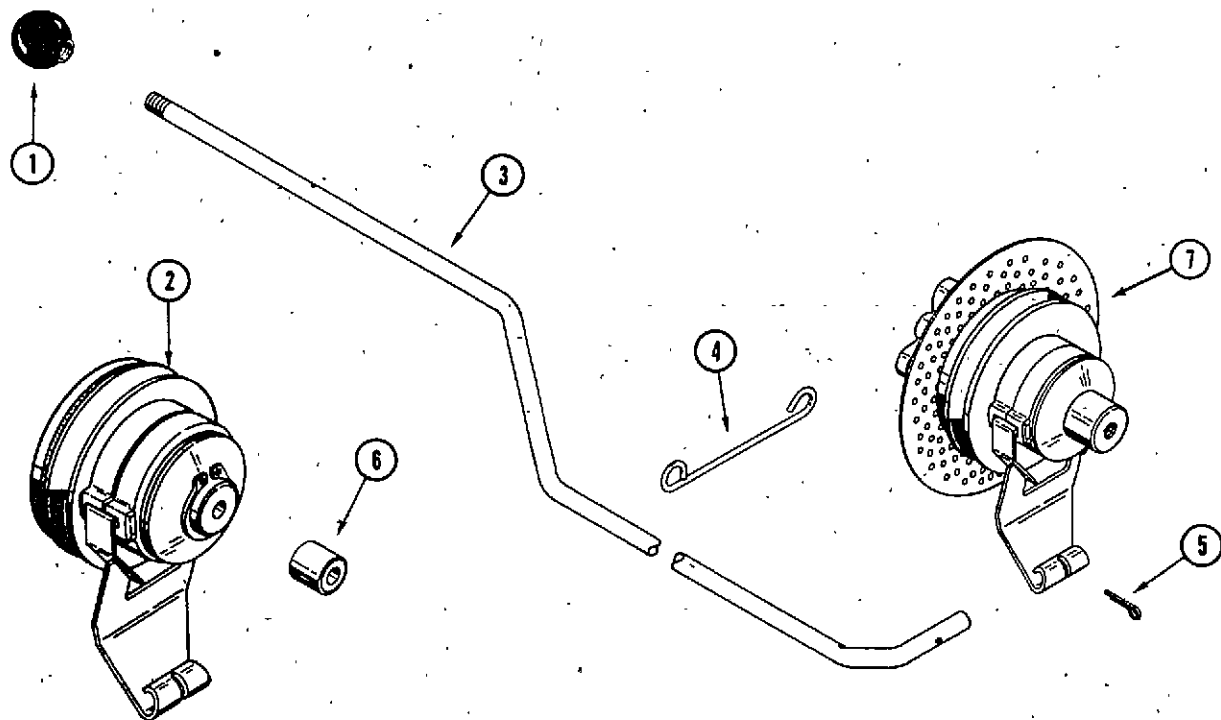
1	KO 236387	KIT - fuel pump for KOA236205 pump	1
	NSS	VALVE ASSEMBLY	2
	NSS	GASKET - valve	2
	NSS	DIAPHRAGM ASSEMBLY	1
	NSS	SPRING - diaphragm	1
	NSS	GASKET - valve	1
2	A 72108	GASKET - fuel pump mounting	1



CHOKE, THROTTLE AND GOVERNOR



REF.	PART NO.	DESCRIPTION	REQ'D
1	C 13848	CONTROL - throttle	1
2	C 12224	HANDLE - throttle control, black	1
3	C 12187	CONTROL - choke	1
4	C 14506	HANDLE - choke control, white	1
5	111-	BOLT - 10-24 x 1/2" rd. hd., square neck	1
6	192-	LOCKWASHER - #10 std. plated	3
7	129-	NUT - #10-24 plated	2
8	KO 235494	LEVER - governor	1
9	15-	BOLT - 1/4" x 1-1/4" NC hex	2
10	195-	WASHER - 1/4" plated	2
11	25-	NUT - 1/4" hex	1
12	KO 235496	SPRING - governor	1
13	192-	LOCKWASHER - 1/4" plated	1
14	A 30751	WASHER - plain 17/64" ID x 1/2" OD	1
15	KO 275690	WASHER - wavy	1
16	KO 231052	CLAMP - swivel, wire	1
17	KO 235086	LEVER - speed control	1
18	KO 235085	SPACER - speed control bracket	1
19	KO 235084	BRACKET - high speed stop	1
20	129-	NUT - #10-32 hex	2
21	KO 237022	WASHER - thrust special	2
22	A 10326	JOINT - ball	1
23	KO 235277	ROD - throttle	1
24	KO 235278	RING - retaining, throttle rod	1
25	KO 235476	BUSHING - governor cross shaft	1
26	KOA235256-S	SHAFT ASSEMBLY - governor cross	1
27	C 18103	BEARING - needle governor shaft	1
28	KOA277031	GEAR ASSEMBLY - governor	1
29	KO 235125-S	SHAFT - governor stub	1
30	C 18099	WASHER - governor stop pin	1
31	KO 231355	PIN - governor stop	1
32	KO 235900	BRACKET - throttle control	1
33	KO 235603	CLIP - bracket	2
34	KO 235680	BRACKET - choke control	1
35	175-	SCREW - #10 x 3/8" NC fillister head	1

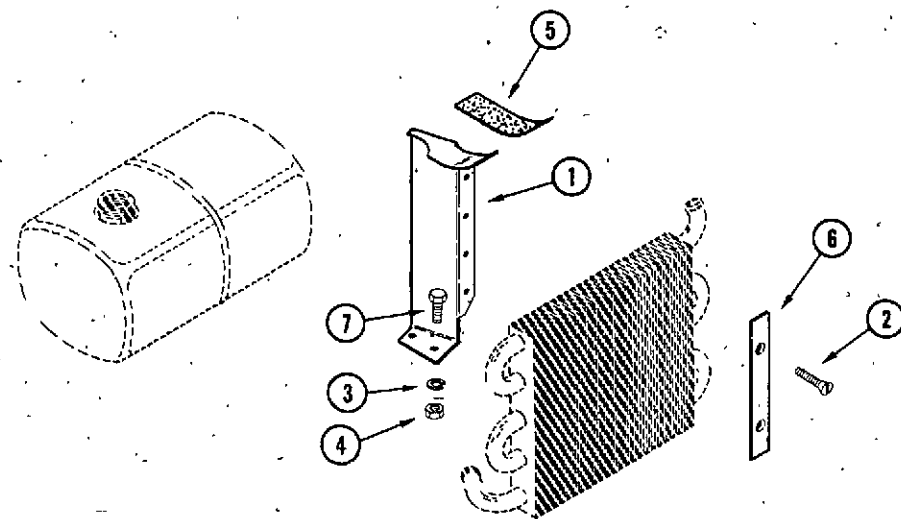


PULLEY CLUTCH & LINKAGE

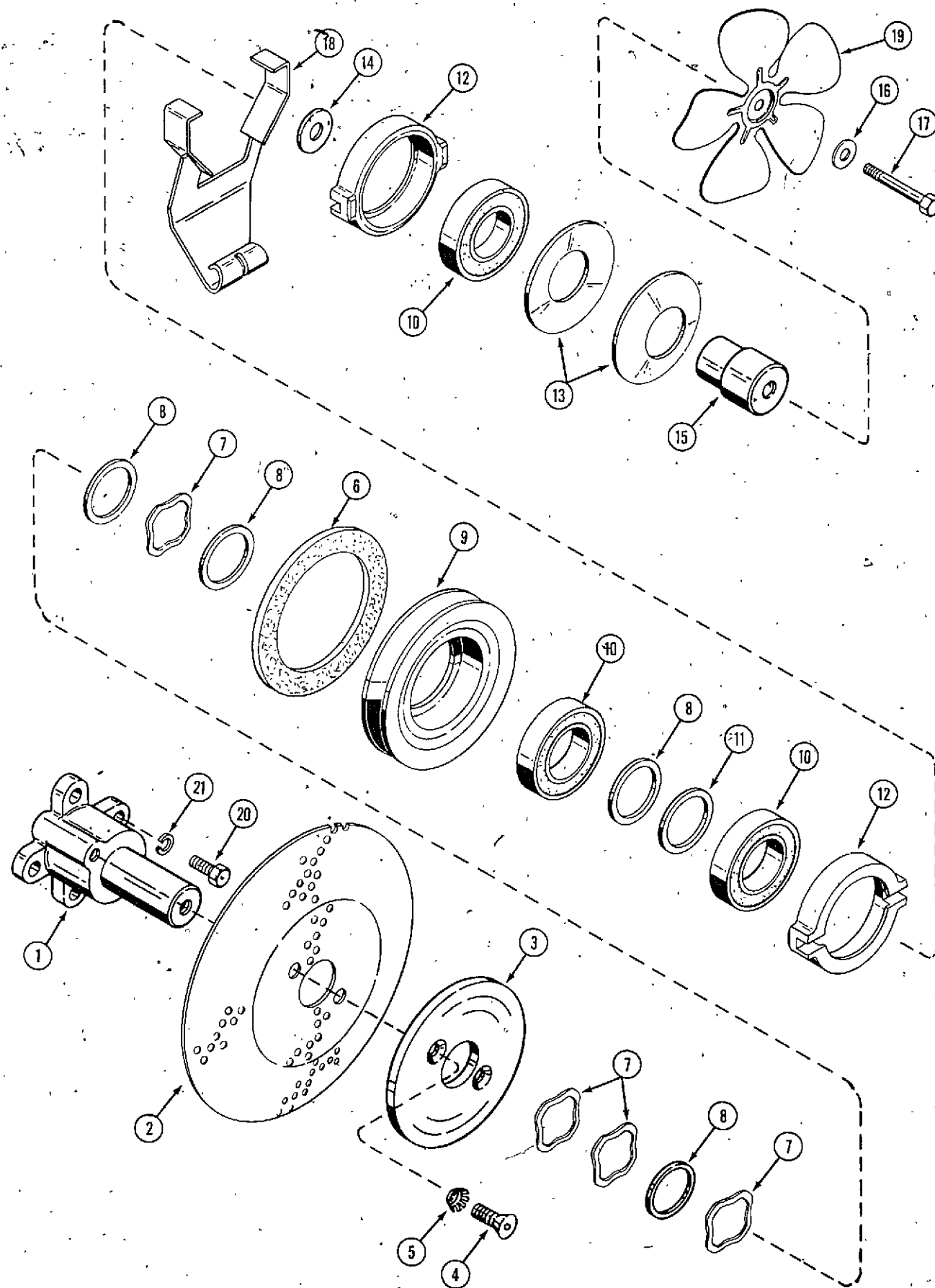
REF. PART NO.	DESCRIPTION	REQ'D
1 C 10487	KNOB - lever	1
2 NSS	CLUTCH - PTO (Repairs, page 25) (Order C19005 clutch)	1
3 C 14224	ROD - clutch control	1
4 C 15961	RETAINER - clutch rod	1
5 132- 48	PIN - cotter 1/8" x 1"	1
6 C 10312	SPACER - fan, short (also see page 25, item 13)	1
7 NSS	CLUTCH - PTO (Repairs, page 23) (Order C19005 clutch)	1
C 12092	BUSHING - fliplock (control rod isolation)	1

HYDRAULIC RESERVOIR MOUNTING

1 C 14240	SUPPORT - reservoir mounting R.H.	1
1 C 14241	SUPPORT - reservoir mounting L.H.	1
2 187- 1251	SCREW - 1/4" x 1-1/4" NC fillister head, Phillips, Z.P.	4
3 192- 20	LOCKWASHER - 5/16" Z.P.	4
4 129- 102	NUT - 5/16" NC hex Z.P.	4
5 C 14690	CUSHION - oil reservoir	2
6 C 14246	BRACKET - heat exchanger mounting	2
7 113- 118	BOLT - 5/16" x 5/8" NC hex Z.P.	4

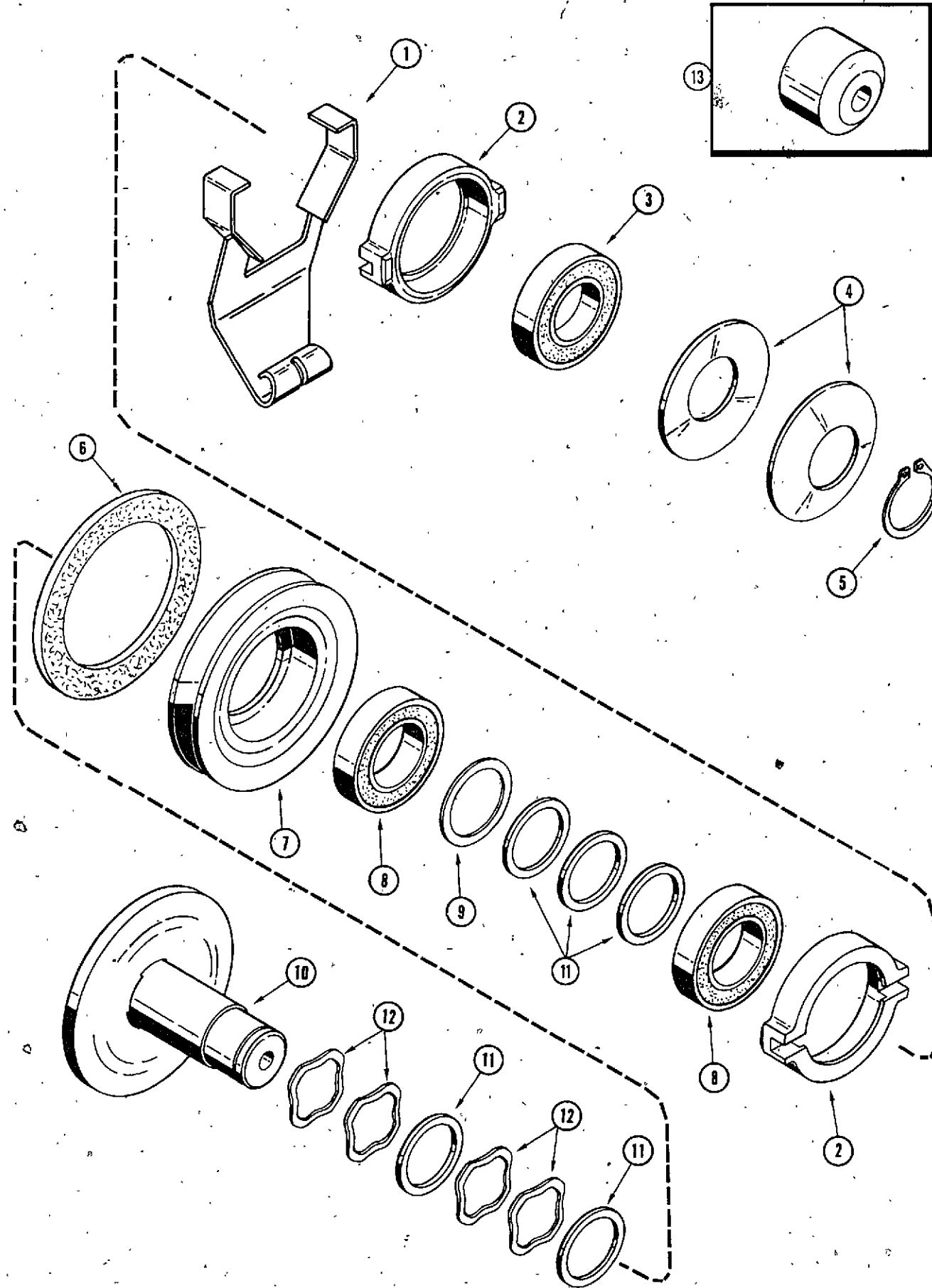


C 15749 CLUTCH ASSEMBLY (PTO)

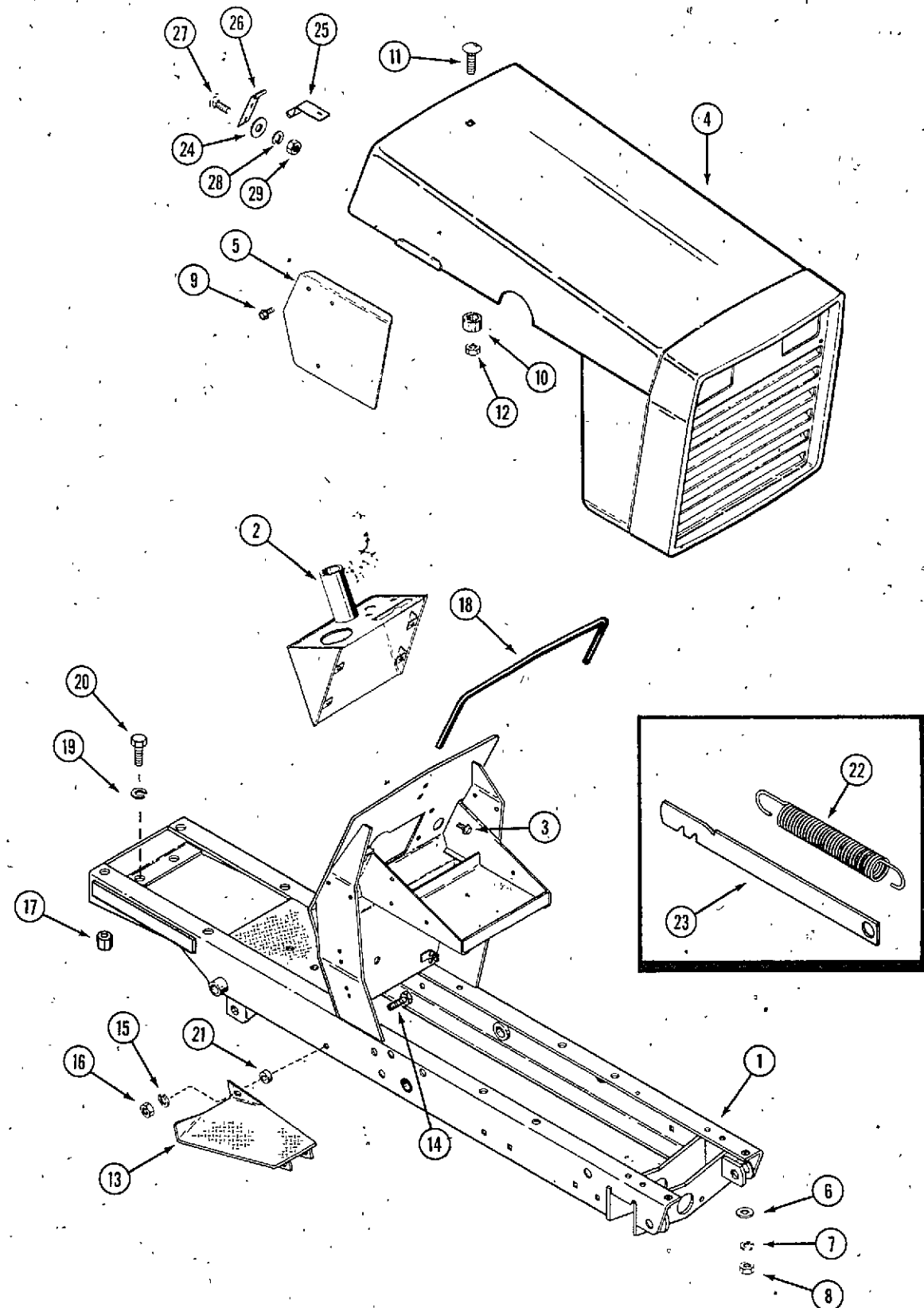


REF. PART NO.	DESCRIPTION	REQ'D
NSS	CLUTCH ASSEMBLY (Order C19005 clutch)	1
1 C 15717	HUB	1
2 C 15746	SCREEN	1
3 C 15718	PLATE - clutch	1
4 164- 41	SCREW	2
5 193- 76	LOCKWASHER - 5/16" external tooth	2
6 C 23740	KIT - disc, friction	1
7 C 15515	WASHER - spring 5/16"	4
8 C 15557	WASHER - spacer .050"	UAR
9 C 22671	PULLEY AND DISC ASSEMBLY - clutch	1
10 C 23245	BEARING - cam and pulley	3
11 C 15556	WASHER - spacer .010"	UAR
12 NSS	CAM (service with (2) C23033 cams and (1) C23506 arm)	2
13 C 16786	SPRING - load	2
14 C 15743	WASHER - spacer	1
15 C 15720	SPACER - hub	1
16 195- 104	WASHER - 3/8"	1
17 C 15744	BOLT - 3/8" x 3-1/8" NC hex (L.H. thread)	1
18 C 23506	ARM - engaging	1
19 C 17217	KIT-FAN	1
20 113- 208	BOLT - 3/8" x 1-1/4" NC hex Z.P.	4
21 192- 21	LOCKWASHER - 3/8"	4

C 14152 PULLEY CLUTCH



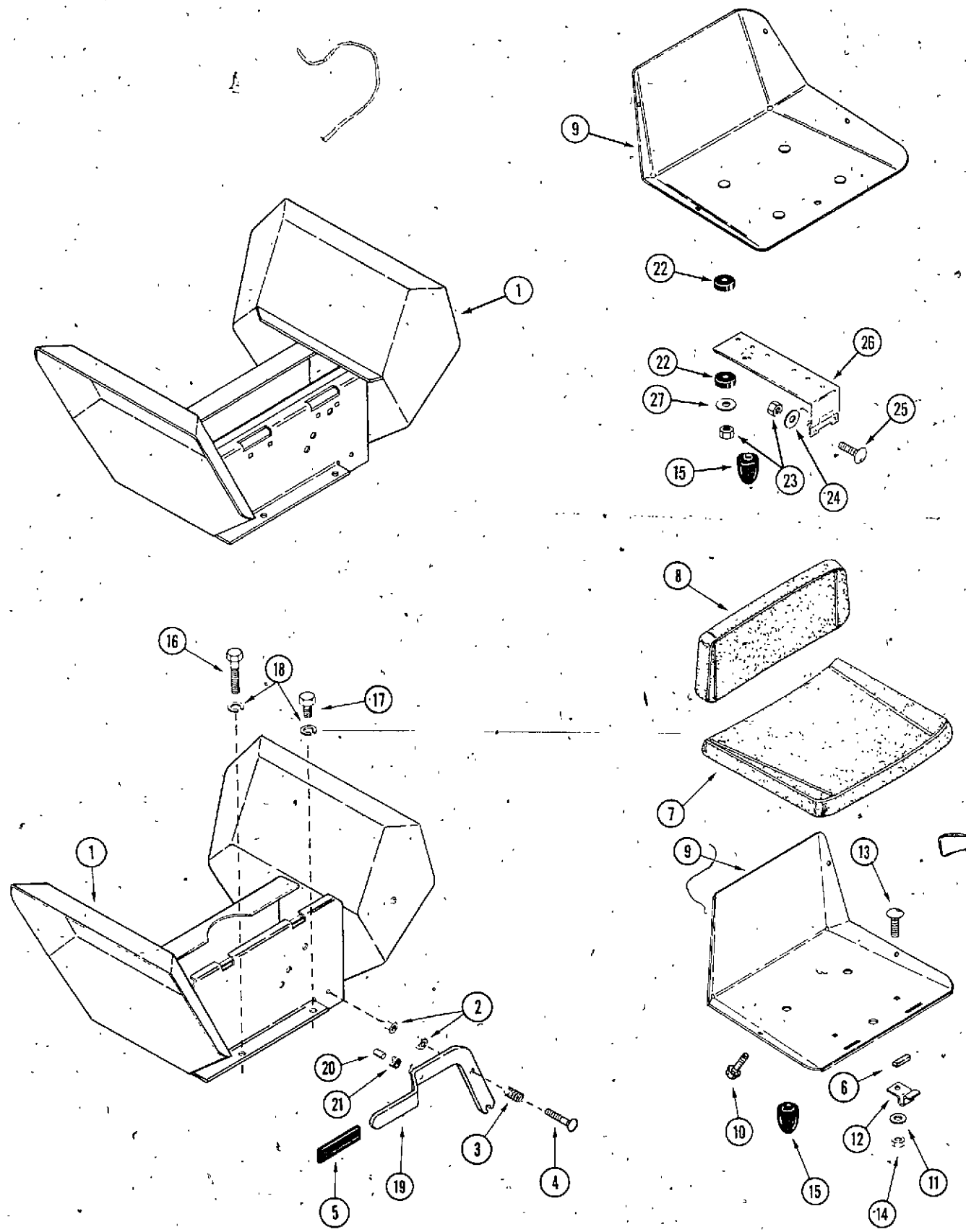
REF. PART NO.	DESCRIPTION	REQ'D
1 C 23506	YOKE ASSEMBLY - clutch	1
2 NSS	CAM (service with (2) C23033 cams and (1) C23506 arm)	2
3 C 23245	BEARING - cam	1
4 C 16786	SPRING - load	2
5 C 14297	RING - retainer (also see item 13)	1
6 C 23740	KIT - disc, friction	1
7 C 14292	PULLEY	1
8 C 14294	BEARING - cam and pulley	2
9 C 14288	SPACER - .010"	UAR
10 C 14283	HUB AND PLATE ASSEMBLY	1
11 C 14290	SPACER - .050"	5
12 C 13077	WASHER - spring	4
13 C 16483	KIT - spacer. (replaces C14297 retainer and C10312 spacer)	1



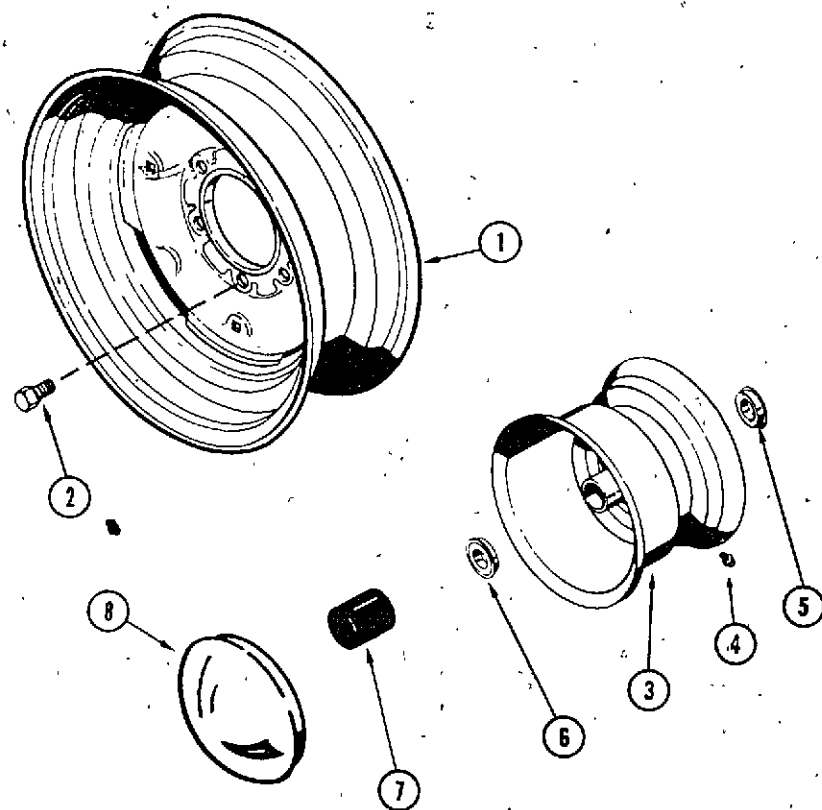
HOOD, FRAME AND GRILLE

REF. PART NO.	DESCRIPTION	REQ'D
1 C 16485	KIT - frame (Includes items 22, 23 and C15478 tube)	1
2 C 14342	SUPPORT - steering	1
3 C 14326	SCREW - 1/4" x 1/2" NC indented hex	4
4 C 14213	GRILLE AND HOOD ASSEMBLY	1
5 C 14210	PANEL - rear side L.H.	1
6 195- 520	WASHER - 1/4" plain Z.P.	2
7 192- 19	LOCKWASHER - 1/4" Z.P.	2
8 129- 101	NUT - 1/4" NC hex	2
9 187- 1036	SCREW - 1/4" x 1/2" self-tapping hex head	6
10 C 14500	SPACER - hood	1
11 111- 109	BOLT - 1/4" x 1-1/4" rd. hd, square neck	1
12 131- 71	NUT - 1/4" NC hex	1
13 C 14589	PAD - foot L.H.	1
13 C 14590	PAD - foot R.H.	1
14 13- 514	BOLT - 5/16" x 7/8" NC hex, L.H. foot pad	1
14 113- 104	BOLT - 5/16" x 1-1/4" NC hex, R.H. foot pad	1
15 192- 20	LOCKWASHER - 5/16"	2
16 129- 102	NUT - 5/16" NC hex	2
17 C 14729	SPACER - rear frame	2
18 C 18153	CHANNEL - instrument panel liner	1
19 92- 8	LOCKWASHER - 1/2"	4
20 15- 816	BOLT - 1/2" x 1" NC hex	4
21 C 14598	SPACER - foot pad R.H.	1
22 C 14944	SPRING - brake lock	1
23 C 16305	LEVER - brake lock	1
24 195- 512	WASHER - 7/32" Z.P.	2
25 C 15183	SPRING - hood latch	1
26 C 15184	LATCH - hood	1
27 111- 1	BOLT - #10 x 1/2" NC rd. hd, square neck	2
28 192- 18	LOCKWASHER - #10 Z.P.	2
29 129- 17	NUT - #10 NC hex Z.P.	2

SEAT, FENDERS AND TOOL BOX



REF. PART NO.	DESCRIPTION	REQ'D
1 C 15448	SUPPORT - seat (Used S/N 9641001 and after)	1
1 C 14513	SUPPORT - (used prior to S/N 9641001)	1
2 129- 103	NUT - 3/8" NC hex Z.P.	2
3 C 11942	SPRING - shift lever	1
4 111- 349	BOLT - 3/8" x 2-1/2" NC rd. hd., square neck	1
5 C 14728	GRIP - shift lever	1
6 C 14645	SPACER - seat hinge	2
C 13345	SEAT ASSEMBLY - (Used prior to S/N 9641001)	1
C 15946	SEAT ASSEMBLY - (Used S/N 9641001 and after)	1
7 C 16443	CUSHION - seat	1
8 C 11635	CUSHION - back	1
9 C 13373	PAN - seat (Used with C13345 assembly)	1
9 C 15452	PAN - seat (Used with C15946 assembly)	1
10 C 14900	SCREW - #10 x 3/8" Spin-Lok	5
11 195- 515	WASHER - 1/4" plain	2
12 C 13297	BRACKET - hinge	2
13 111- 101	BOLT - 1/4" x 5/8" rd. hd., square neck	2
14 131- 350	NUT - lock 1/4" NC hex	2
15 C 14534	BUMPER - seat	2
16 113- 441	BOLT - 1/2" x 2-1/4" NC hex	2
16 113- 447	BOLT - 1/2" x 3-1/2" NC hex	2
17 113- 424	BOLT - 1/2" x 1" NC hex	2
18 192- 23	LOCKWASHER - 1/2"	4
19 C 14258	LEVER - shift (used prior to S/N 9641001)	1
19 C 15455	LEVER - shift (used S/N 9641001 and after)	1
20 353- 157	SLEEVE - lock pin	1
21 C 14517	SPACER - cushion	1
22 C 15410	CUSHION - rubber	8
23 131- 176	NUT - lock 5/16" NC hex Z.P.	8
24 195- 521	WASHER - 5/16" Z.P.	4
25 111- 202	BOLT - 5/16" x 3/4" NC rd. hd., square neck	4
26 C 15396	HINGE - seat R.H.	1
26 C 16255	HINGE - seat L.H.	1
27 195- 2021	WASHER - 5/16"	4

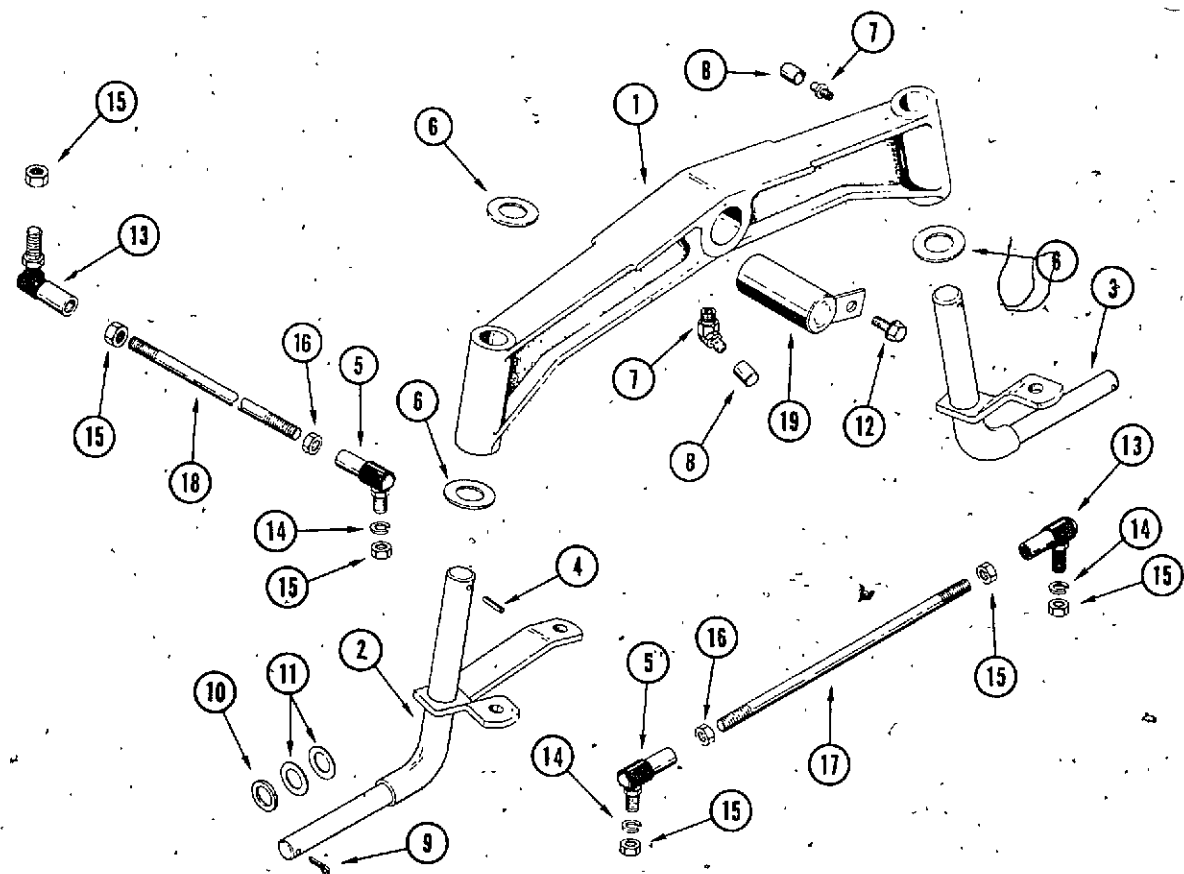


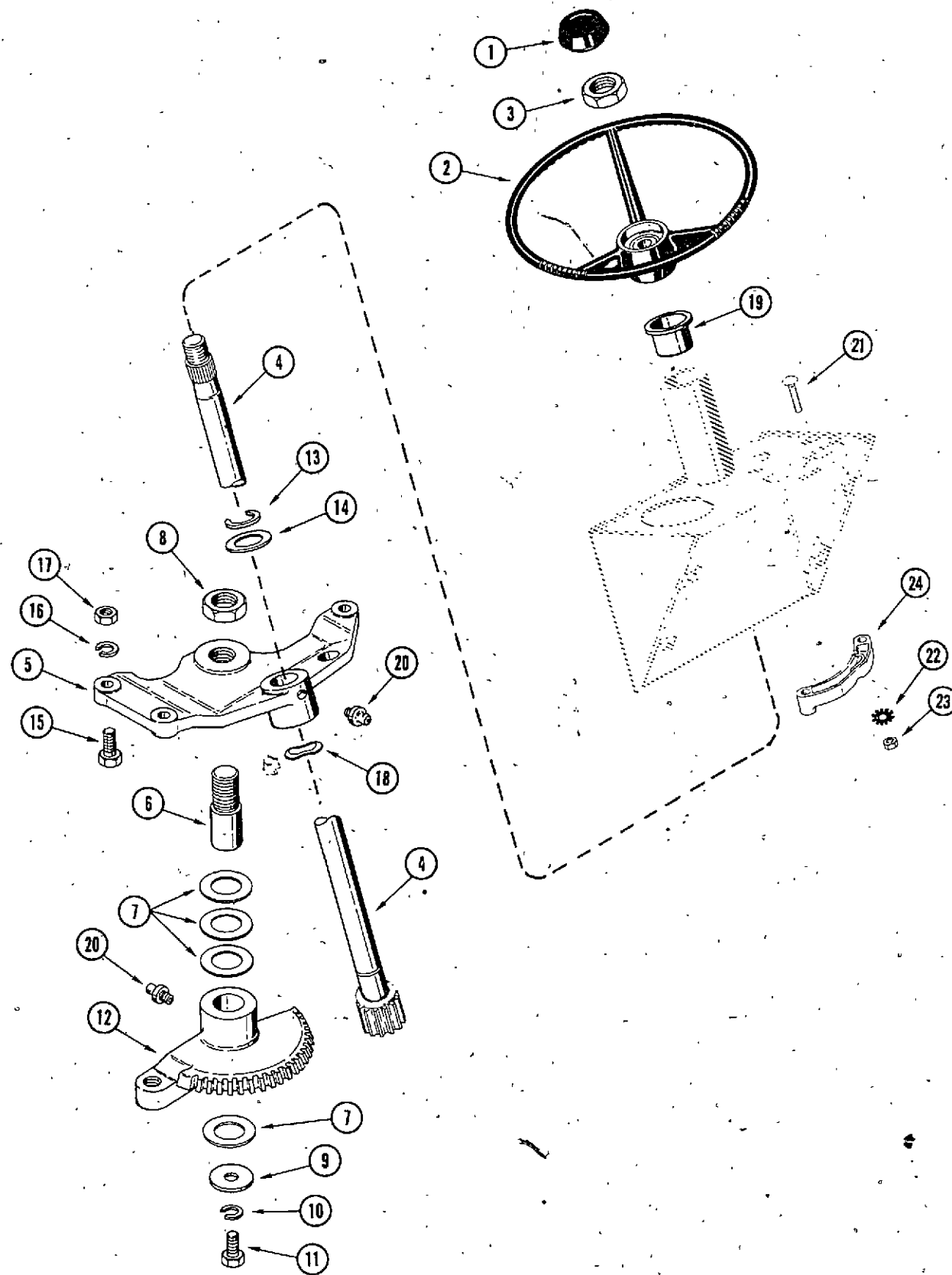
FRONT AND REAR WHEELS

REF. PART NO.	DESCRIPTION	REQ'D
1 C 10317	WHEEL - rear	2
2 A 30064	BOLT - rear wheel	12
3 C 12081	WHEEL - front	2
4 219- 403	FITTING - lube	2
5 C 12110	BEARING - front wheel (inner)	2
6 C 12111	BEARING - front wheel (outer)	2
7 C 12370	CAP - plastic, front wheel	2
8 A 70062	CAP - hub, front wheel (optional)	2

FRONT AXLE

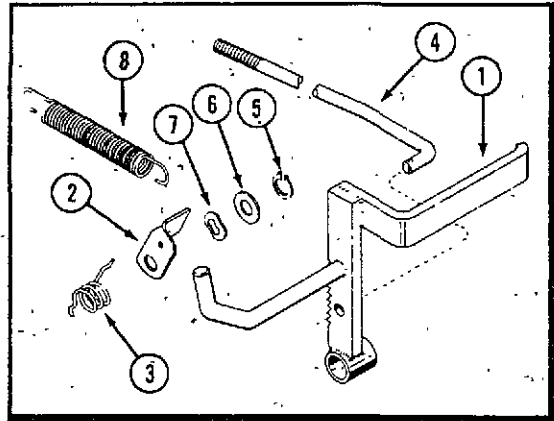
1 C 18813	AXLE - front	1
2 C 14317	SPINDLE - right hand	1
3 C 14318	SPINDLE - left hand	1
4 138- 99	PIN - roll	2
5 C 13605	BALL JOINT - 1/2" L.H. thread	2
6 C 13716	WASHER - thrust	4
7 219- 404	FITTING - lube	3
8 C 13106	COVER - lube fitting	3
9 132- 311	PIN - cotter 5/32" x 1-1/4"	2
10 C 12975	WASHER - wheel spindle	2
11 A 30881	WASHER - wheel spacer	4
12 187- 1046	BOLT - 3/8" NC indented hex head	1
13 C 12102	BALL JOINT - 1/2" R.H. thread	2
14 192- 23	LOCKWASHER - 1/2" Z.P.	3
15 129- 125	NUT - 1/2" NF hex R.H. thread	6
16 129- 325	NUT - 1/2" NF hex L.H. thread	2
17 C 14333	TIE ROD	1
18 C 14332	ROD - drag link	1
19 C 12003	PIN - axle pivot	1



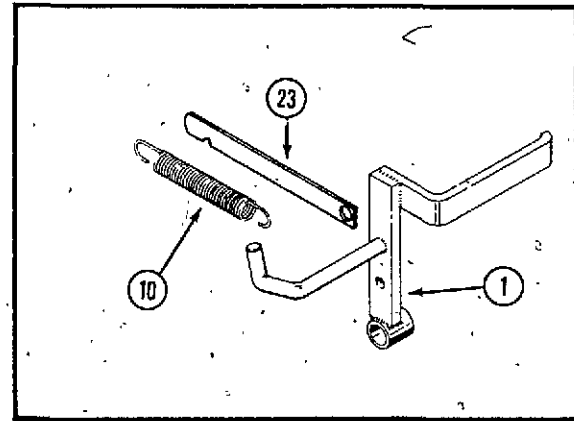


STEERING GEAR

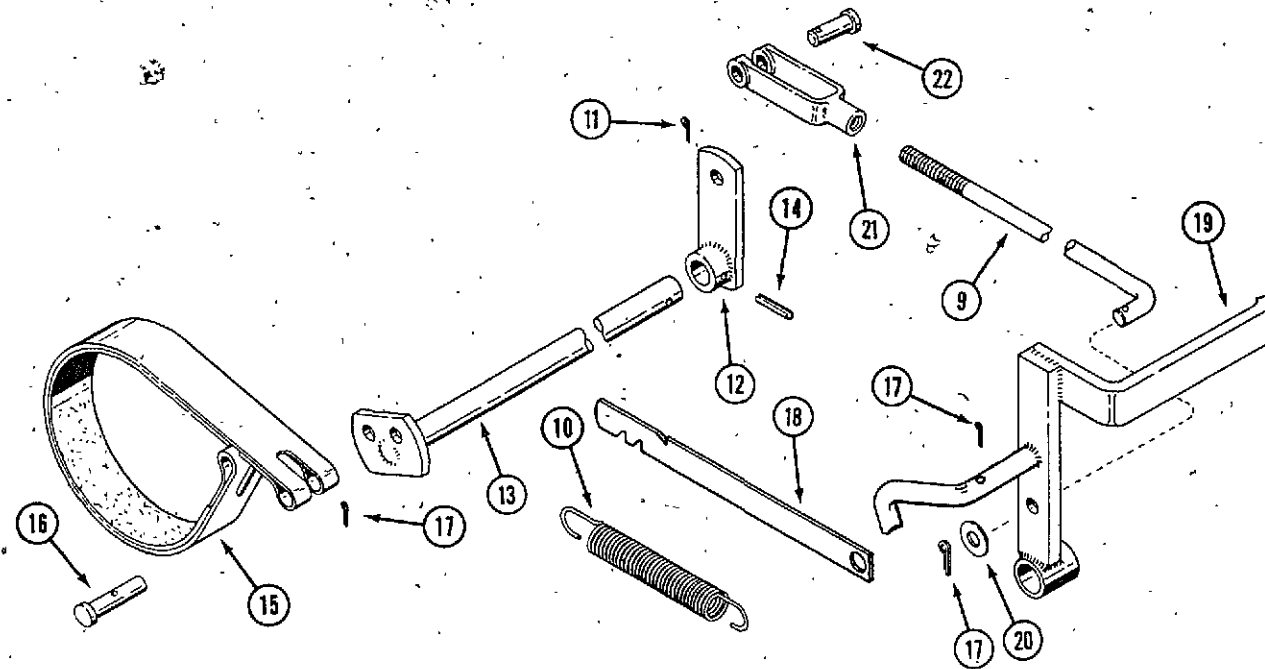
REF. PART NO.	DESCRIPTION	REQ'D
1 L 15282	CAP - steering wheel	1
2 A 70058	WHEEL - steering	1
3 25- 1510	NUT - jam 5/8"	1
4 C 14194	SHAFT - steering	1
5 C 18011	SUPPORT - steering gear	1
6 C 14200	PIN - pivot	1
7 C 14201	WASHER - shim	4
8 131- 1112	NUT - jam 3/4" NC hex Gripeco ZP	1
9 G 49048	WASHER	1
10 192- 20	LOCKWASHER - 5/16" Z.P.	1
11 113- 102	BOLT - 5/16" x 3/4" NC hex	1
12 C 14990	GEAR - steering	1
13 A 31220	RING - external retainer	1
14 A 30881	WASHER	1
15 113- 104	BOLT - 5/16" x 1-1/4" NC hex	3
16 192- 20	LOCKWASHER - 5/16"	3
17 129- 102	NUT - 5/16" NC hex	3
18 C 14343	WASHER - wavy	1
19 C 12126	BUSHING - flanged nylon	1
20 219- 404	FITTING - lube	2
21 111- 131	BOLT - 1/4" x 1-1/8" NC rd. hd., square neck	2
22 193- 57	LOCKWASHER - 1/4" external tooth	2
23 129- 101	NUT - 1/4" NC hex Z.P.	2
24 19562	LOCATOR AND NEUTRAL SAFETY SWITCH ASSEMBLY	1



USED ON MODELS PRIOR TO S/N 9635046



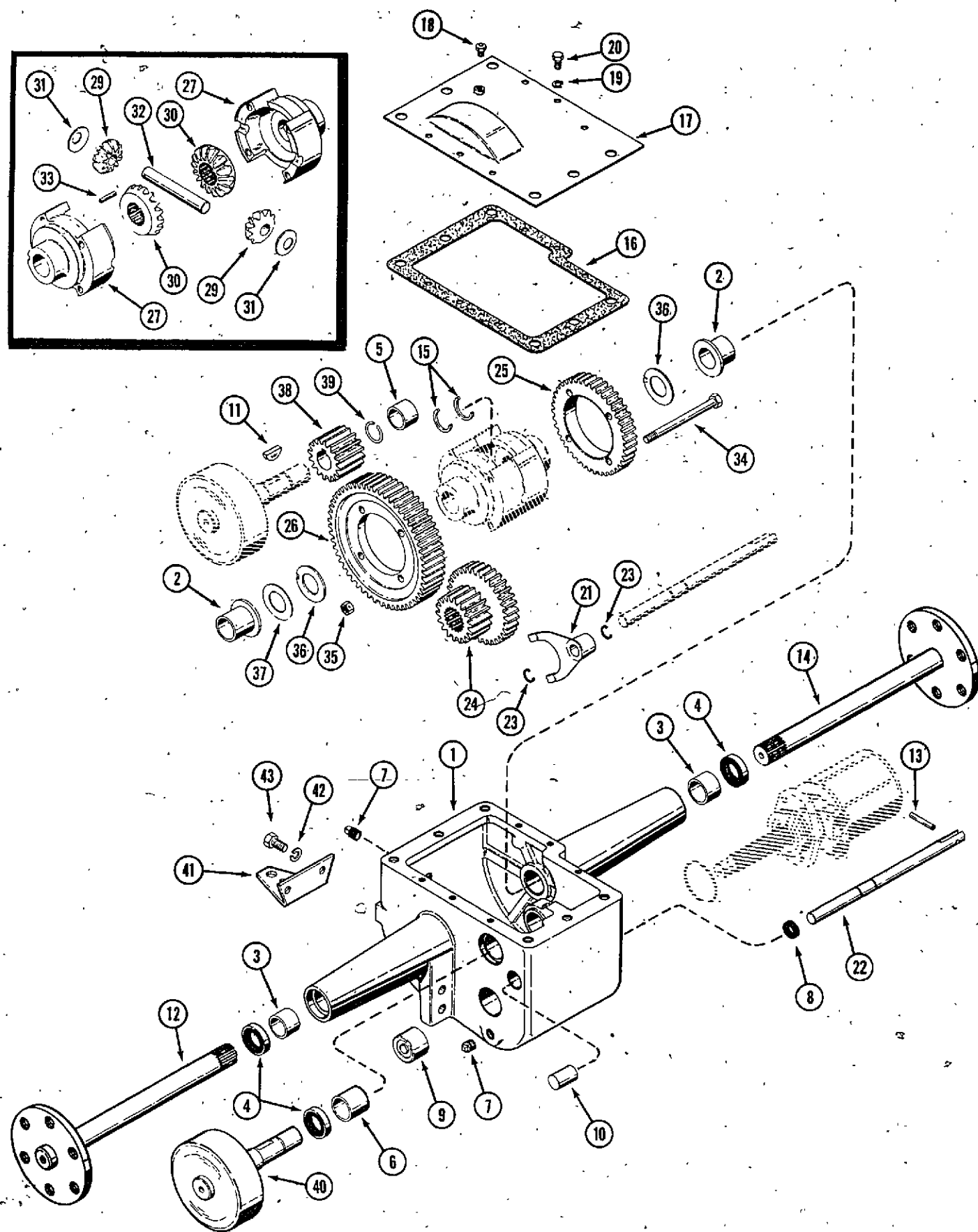
USED ON MODELS 9635046 TO 9641001



BRAKE ASSEMBLY

REF. PART NO.	DESCRIPTION	REQ'D
1 C 14950	PEDAL - brake (Used S/N 9635046 to 9641001)	1
1 C 14268	PEDAL - brake (Used prior to S/N 9635046)	1
2 C 12604	LOCK - brake	1
3 C 13357	SPRING - brake lock	1
4 C 14916	ROD - brake	1
5 A 11538	RETAINER - external	1
6 195- 533	WASHER - 1/2" Z.P.	1
7 C 12115	WASHER - 1/2" wavy	1
8 C 12612	SPRING - brake pedal	1
9 C 14945	ROD - brake	1
10 C 14944	SPRING - brake pedal	1
11 132- 321	PIN - cotter 3/32" x 1"	1
12 C 13863	ARM - brake	1
13 C 13866	SHAFT - brake	1
14 138- 96	PIN - spirol 3/16" x 1"	1
15 C 14187	BAND - brake	1
16 C 13526	PIN - clevis	2
17 132- 310	PIN - cotter 1/8" x 1"	3
18 C 16305	LEVER - brake lock	1
19 C 15632	PEDAL - brake (Used S/N 9641001 and after)	1
20 195- 104	WASHER - 7/16" Z.P.	1
21 213- 4	CLEVIS - 3/8"	1
22 141- 4	PIN - clevis	1
23 C 14942	LEVER - brake lock (Used prior to S/N 9641001)	1

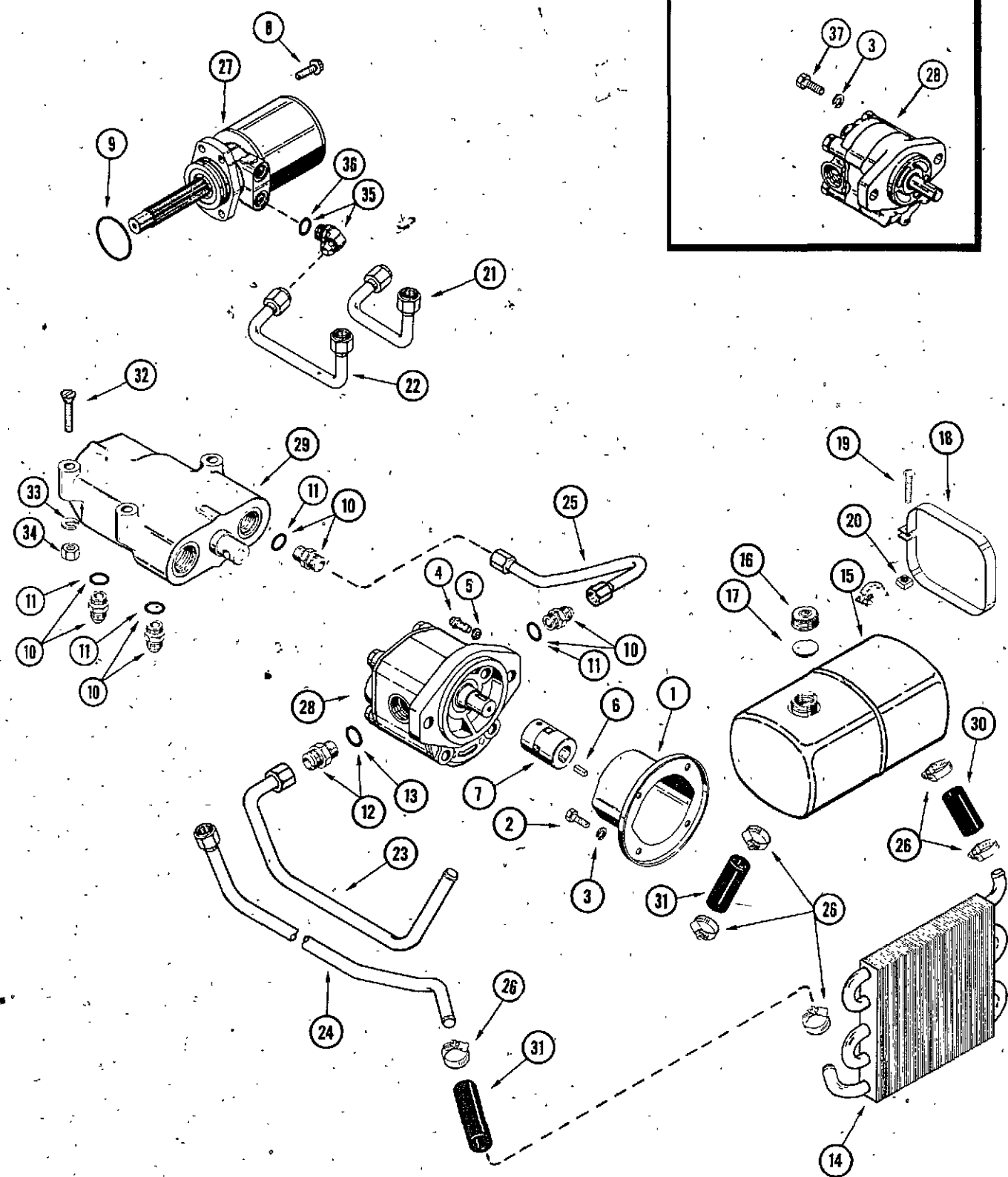
TRANSMISSION AND FINAL DRIVE



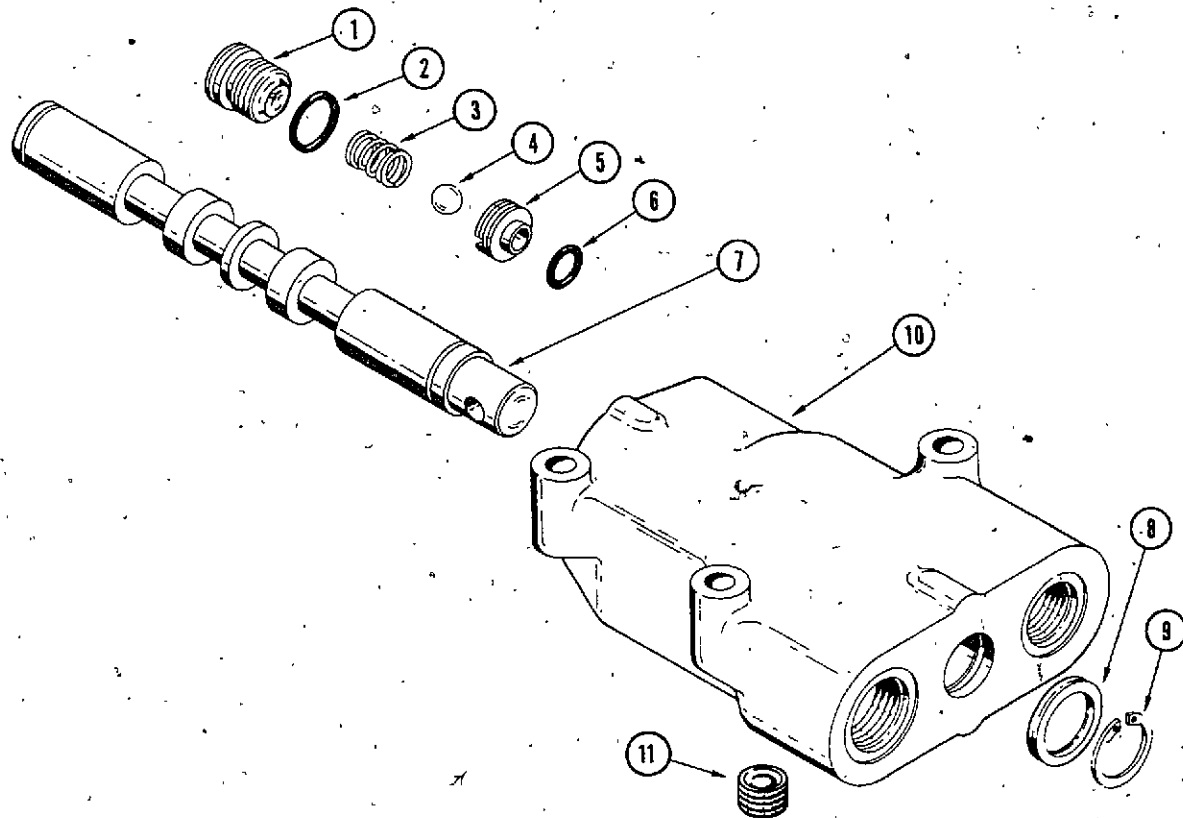
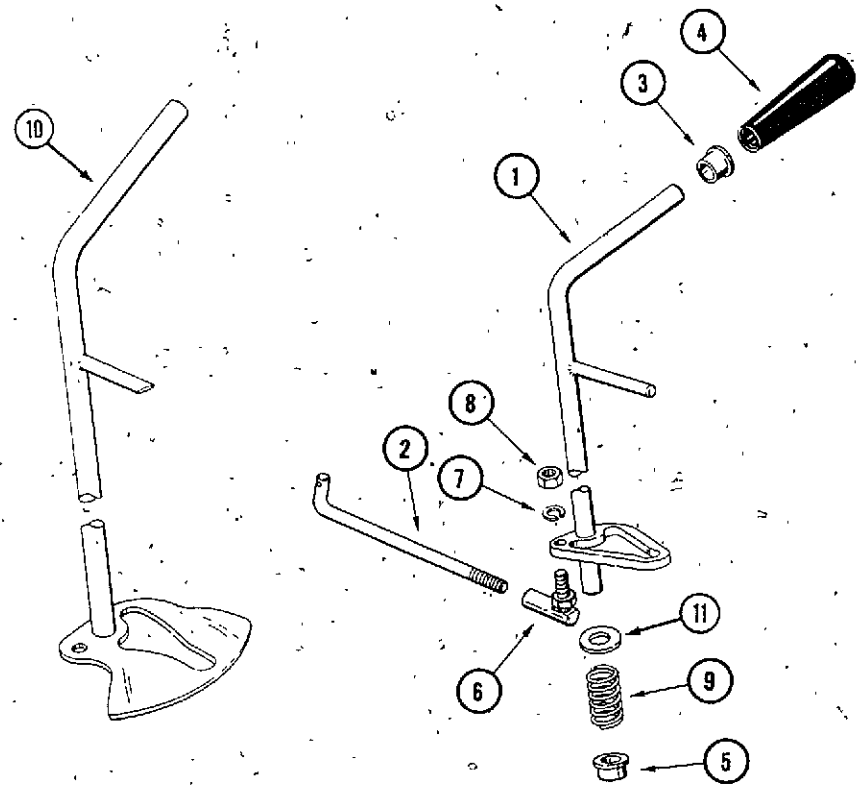
REF. PART NO.	DESCRIPTION	REQ'D
1 C 13770	CASE - transmission	1
2 C 12713	BEARING - flange	2
3 C 12540	BEARING - sleeve	2
4 D 31945	SEAL - axle	3
5 C 13241	BEARING - sleeve	1
6 C 13385	BEARING - sleeve	1
7 221- 4	PLUG - filler and drain 1/2"	2
8 C 13266	SEAL - shift rod	1
9 C 13211	BEARING - roller, input shaft	1
10 C 12723	CAP - shift rod	1
11 126- 128	KEY - Woodruff, brake idler	1
12 C 21514	SHAFT - axle, short R.H.	1
13 138- 2043	PIN - spirol 1/4" x 11/16"	1
14 C 21513	SHAFT - axle, long L.H.	1
15 B 52144	RING - retainer, axle	2
16 C 13196	GASKET - transmission cover	1
17 C 13197	COVER - transmission	1
18 A 50096	BREATHER - transmission	1
19 192- 19	LOCKWASHER - 1/4"	6
20 113- 1	BOLT - 1/4" x 1/2" NC hex	6
21 C 12725	FORK - shift	1
22 C 14519	ROD - gear shift	1
23 C 14168	RING - retaining	2
24 C 14644	GEAR - cluster input	1
25 C 12551	GEAR - high 41 tooth	1
26 C 12552	GEAR - low 55 tooth	1
27 C 16295	KIT - differential case (Includes references 34 and 35)	1
29 *C 12558	GEAR - differential pinion	2
30 *C 12557	GEAR - differential	2
31 C 12559	WASHER - pinion thrust	2
32 C 12560	PIN - differential cross	1
33 R 17820	PIN - differential cross lock	1
34 C 12561	SCREW - 3/8" x 4-3/4" NC hex cap	4
35 131- 366	NUT - lock 3/8" NC hex	4
36 C 12718	WASHER - differential	2
37 C 14223	WASHER - spacer	UAR
38 C 12965	GEAR - brake idler	1
39 C 14222	RING - retainer, brake idler	1
40 C 13261	BRAKE DRUM	1
41 C 13360	DRAWBAR	1
42 192- 23	LOCKWASHER - 1/2" Z.P.	2
43 113- 424	BOLT - 1/2" x 1" NC hex Z.P.	2

* Must be serviced in sets of four using two C12558 pinion gears and two C12557 differential gears.

HYDRAULIC SYSTEM



REF. PART NO.	DESCRIPTION	REQ'D
1 A 70109	SUPPORT - pump mounting (Use with C14244 pump)	1
1 C 15335	SUPPORT - pump mounting (Use with C15481 pump)	1
2 113- 207	BOLT - 3/8" x 1" NC hex Z.P.	4
3 192- 21	LOCKWASHER - 3/8" Z.P.	4
4 166- 561	BOLT - 7/16" x 1" NF ferry cap Z.P.	2
5 193- 31	LOCKWASHER - 7/16" internal tooth	2
6 W 5063-S	KEY - square 1/4" x 3/4"	1
7 C 14507	COUPLING - pump drive (Repairs, page 43) (Use with C14244 pumps)	1
7 C 17298	COUPLING - (Repairs, page 45) (Use with C15481 pumps)	1
8 C 15483	SCREW - 12 pt. 1/2" x 1-1/8" NC	4
9 A 30095	SEAL - hydraulic motor to transmission case	1
10 218- 5062	FITTING - hydraulic 5/8" T x 7/8" "O" ring	4
10 218- 5066	FITTING - pump pressure (Use with C15481 pumps)	1
11 218- 5077	"O" RING - 5/8" (For 218-5062 fittings)	4
12 218- 5064	FITTING - pump suction 3/4" T x 1-1/16" "O" ring	1
12 218- 5065	FITTING - pump suction (Use with C15481 pumps)	1
13 218- 5008	"O" RING - 3/4"	1
14 C 14195	EXCHANGER - heat	1
15 C 16101	RESERVOIR - hydraulic oil	1
16 C 11529	CAP - reservoir with insert	1
17 C 11545	INSERT - reservoir cap	1
18 A 70100	STRAP - reservoir mounting	2
19 173- 215	SCREW - 1/4" x 1-1/4" NC rd. hd., machine, Z.P.	2
20 129- 504	NUT - 1/4" NC square Z.P.	2
21 C 14653	TUBE - short, valve to upper motor port	1
22 C 14654	TUBE - long, valve to lower motor port	1
23 C 14247	TUBE - pump to reservoir (Use with C14244 pump)	1
23 C 15478	TUBE - pump to reservoir (Used S/N 9641001 and after)	1
24 C 14533	TUBE - heat exchanger to hydraulic lift valve (Used prior to S/N 9641001)	1
24 C 15451	TUBE - heat exchanger to hydraulic lift valve (Used S/N 9641001 and after)	1
25 C 14249	TUBE - pump to valve (Used with C14244 pump)	1
25 C 15479	TUBE - pump to valve (Used S/N 9641001 and after)	1
26 214- 8	CLAMP - hose 1-1/4"	6
27 C 14655	MOTOR - hydraulic (repairs on page 47)	1
28 C 14244	PUMP - hydraulic (Repairs, page 43) (Used prior to S/N 9641001)	1
28 C 15481	PUMP - hydraulic (Repairs, page 45) (Used S/N 9641001 and after)	1
29 C 14613	VALVE - control (Repairs, page 41)	1
30 C 14245	HOSE - 3"	1
31 C 14619	HOSE - 4"	2
32 73- 528	SCREW - 5/16" x 1-3/4" NC flat head	3
33 192- 20	LOCKWASHER - 5/16"	3
34 129- 102	NUT - 5/16" NC hex	3
35 218- 5107	FITTING - elbow 90° (Includes "O" ring)	2
36 218- 5007	"O" RING - 5/8"	2
37 114- 200	BOLT - 3/8" x 1" NF hex Z.P.	2



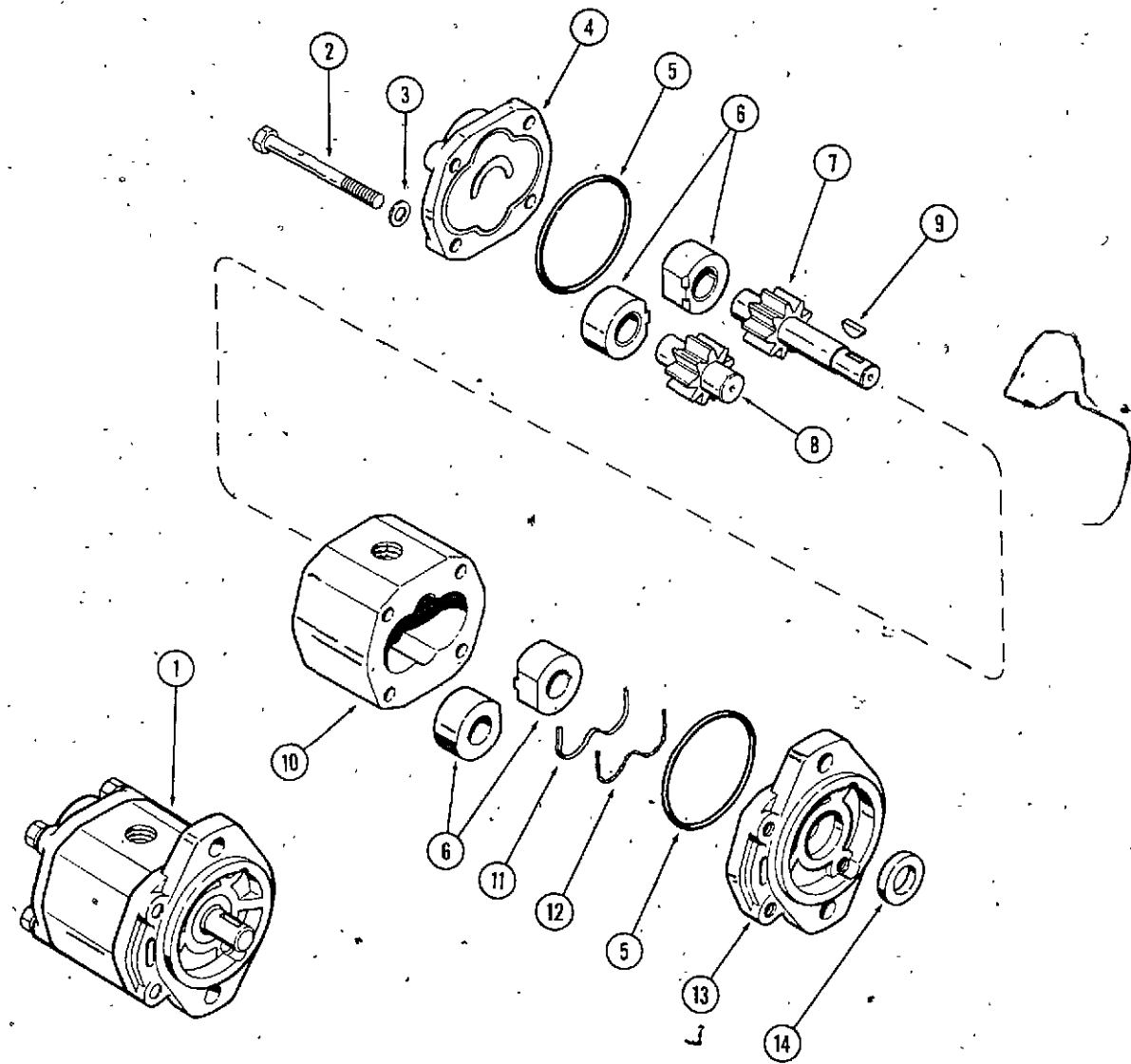
SPEED CONTROL

REF. PART NO.	DESCRIPTION	REQ'D
1 C 14278	LEVER - speed control (Used prior to S/N 9641001)	1
2 C 16297	ROD - speed control	1
3 C 12093	BUSHING - flip lock	1
4 A 37247	KNOB - speed control	1
5 C 12127	BUSHING - nylon	1
6 C 12168	JOINT - ball	1
7 192- 20	LOCKWASHER - 5/16" Z.P.	1
8 129- 102	NUT - 5/16" NC hex Z.P.	1
9 C 11942	SPRING - compression	1
10 C 15633	LEVER - speed control (Used S/N 9641001 and after)	1
11 195- 533	WASHER - 1/2"	1

HYDRAULIC CONTROL VALVE

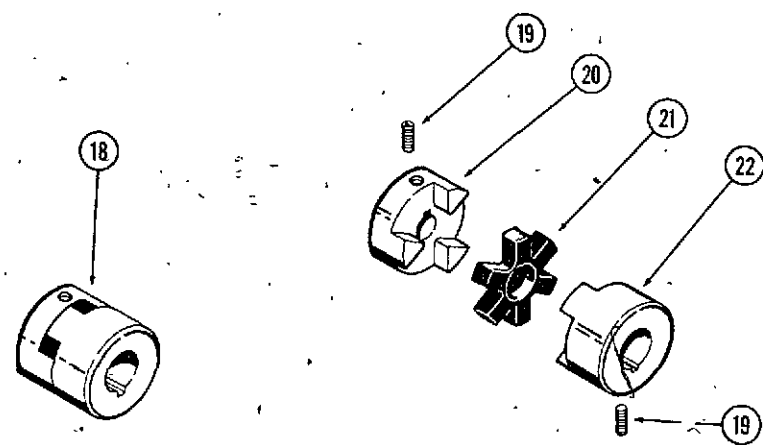
C 14613	VALVE - hydraulic control	1
1 C 13512	PLUG - adjusting	1
2 16905	SEAL - "O" ring	1
3 C 13515	SPRING - relief	1
4 211- 10	BALL - steel 11/32"	1
5 C 13510	SEAT - ball	1
6 A 27891	SEAL - "O" ring	1
7 NSS	SPOOL - (Order C14613 valve)	1
8 C 13514	SEAL - quad ring	2
9 C 13513	RING - retainer	2
10 NSS	BODY - valve (Order C14613 valve)	1
11 221- 12	PLUG - 1/4" NPT	1

HYDRAULIC PUMP

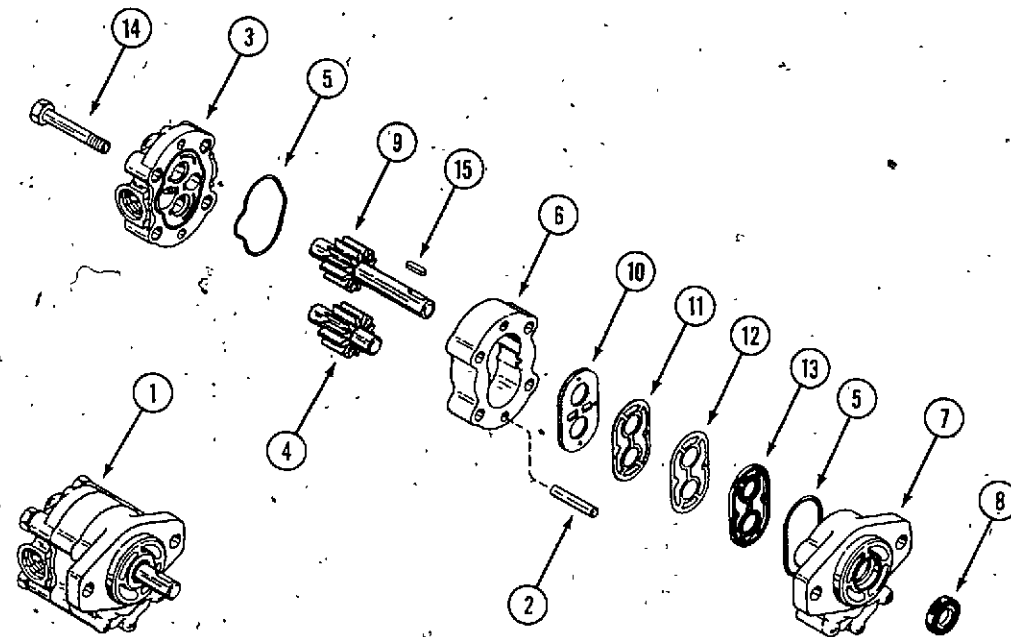


REF. PART NO.	DESCRIPTION	REQ'D
1 C 14244	PUMP - hydraulic (Used prior to S/N 9641001)	1
2 13- 650	BOLT - 3/8" x 3-1/8" NC hex (C14244 pump)	1
3 92- 6	WASHER - special	4
4 C 11644	COVER - rear, pump body	1
5 C 14923	SEAL - pump cover	2
6 A 35956	BEARING - pump gear	4
7 C 11642	GEAR - pump drive	1
8 C 11643	GEAR - pump driven	1
9 126- 12	KEY - Woodruff #6	1
10 NSS	BODY - pump (Order C14244)	1
11 A 72001	GASKET - brass, front cover	1
12 A 72002	SPACER - gasket, front cover	1
13 A 72007	COVER - front pump body	1
14 G 13827	SEAL - pump shaft	1

PUMP DRIVE COUPLING



18 C 14507	COUPLING - pump drive (Used with C14244 pump)	1
19 83- 55	SCREW - 5/16" x 5/16" NC socket head set	2
20 NSS	HUB - half, 5/8" diameter bore (Order C14507)	1
21 C 15036	SPIDER - coupling	1
22 NSS	HUB - half, 1" diameter bore (Order C14507)	1

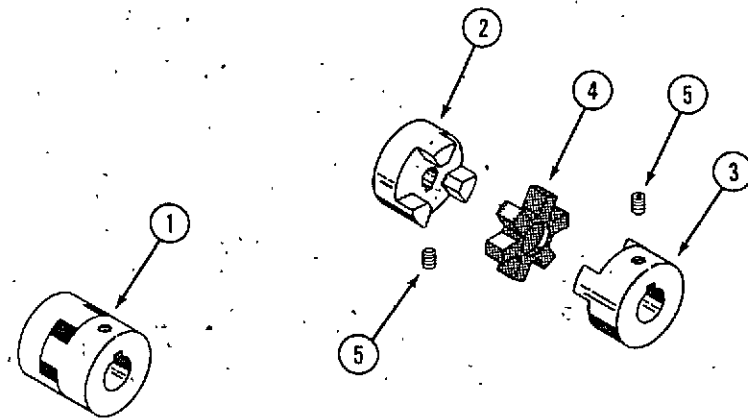


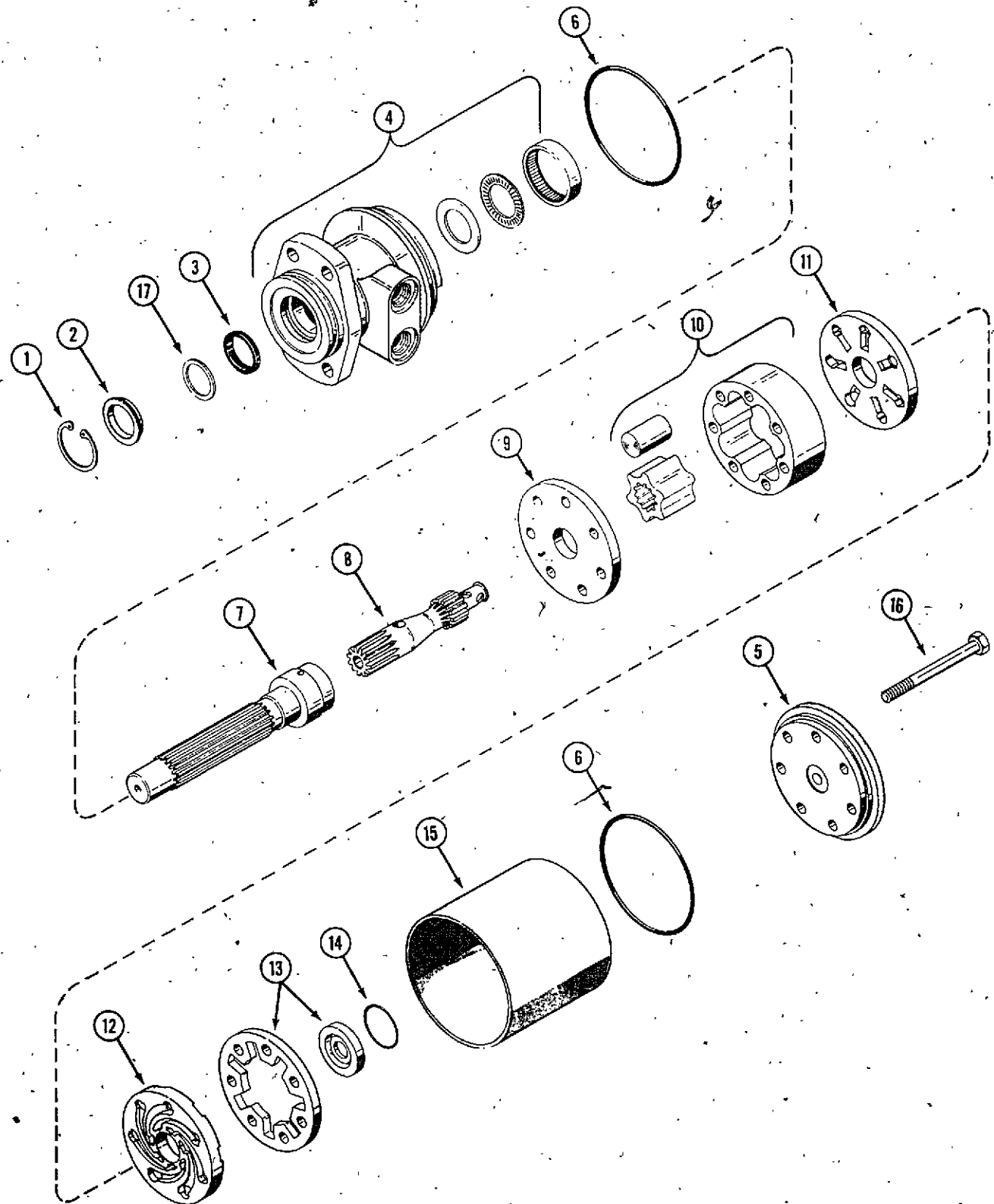
HYDRAULIC PUMP

REF. PART NO.	DESCRIPTION	REQ'D
1 C 15481	PUMP - hydraulic (Used S/N 9641001 and after)	1
2 C 15729	PIN - dowel	2
3 C 15730	COVER - rear	1
4 C 15731	GEAR ASSEMBLY - driven	1
5 C 15732	"O" RING	2
6 C 15733	BODY - pump	1
7 C 15734	COVER - front	1
8 C 15735	SEAL - rotary	1
9 C 18384	GEAR ASSEMBLY - drive	1
10 C 15737	PLATE - wear	1
11 C 15738	SHIELD - heat	1
12 C 15739	GASKET	1
13 C 15740	SEAL	1
14 13- 540	BOLT	4
15 126- 11	KEY - 1/8" x 5/8" Woodruff	1

PUMP DRIVE COUPLING

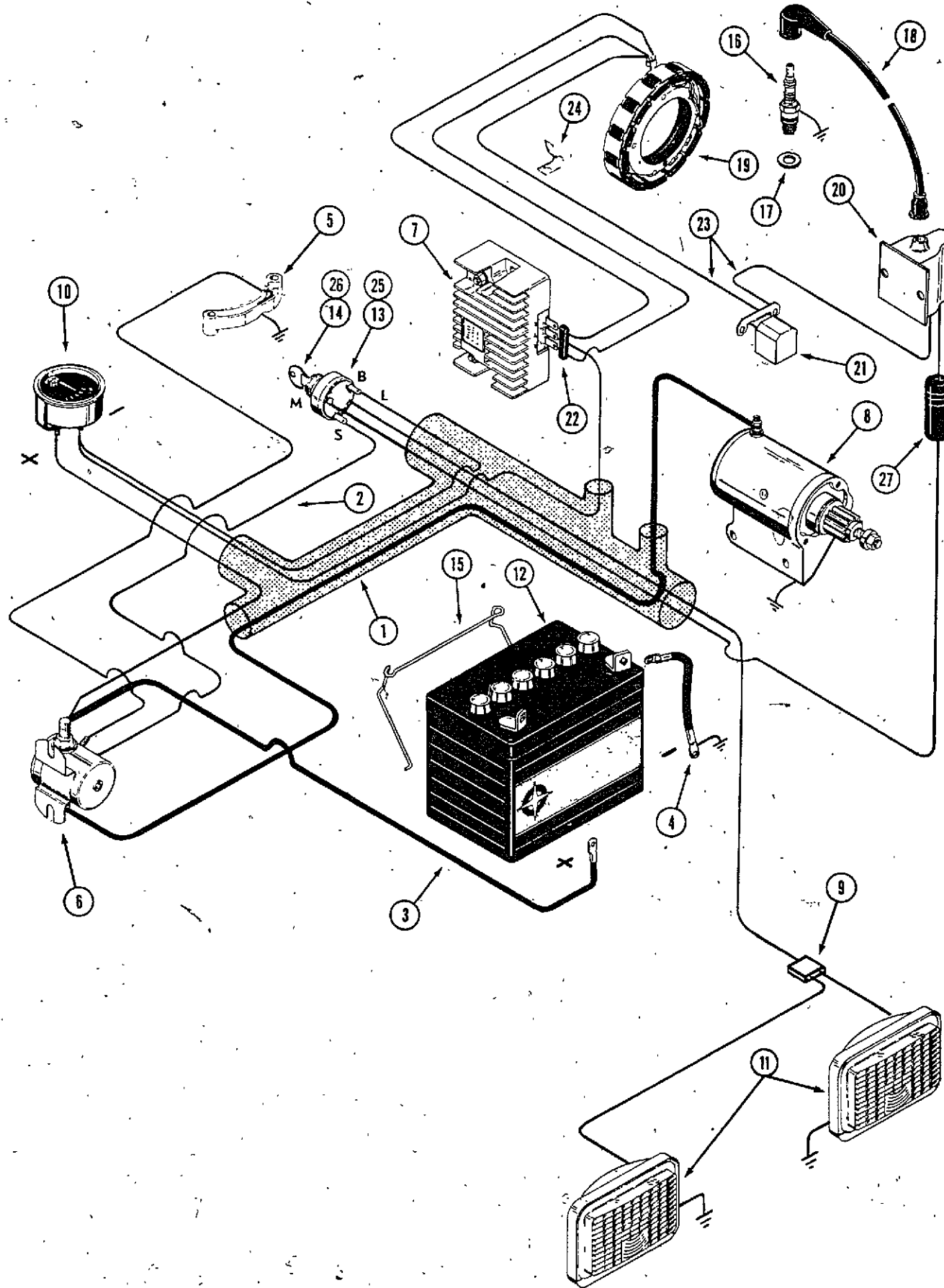
1 C 17298	COUPLING ASSEMBLY - (Used with C15481 pump)	1
2 NSS	HUB - half 1/2" diameter bore	1
3 NSS	HUB - half 1" diameter bore	1
4 C 15036	SPIDER	1
5 83- 55	SCREW - 5/16" x 5/16" NC socket head set	2





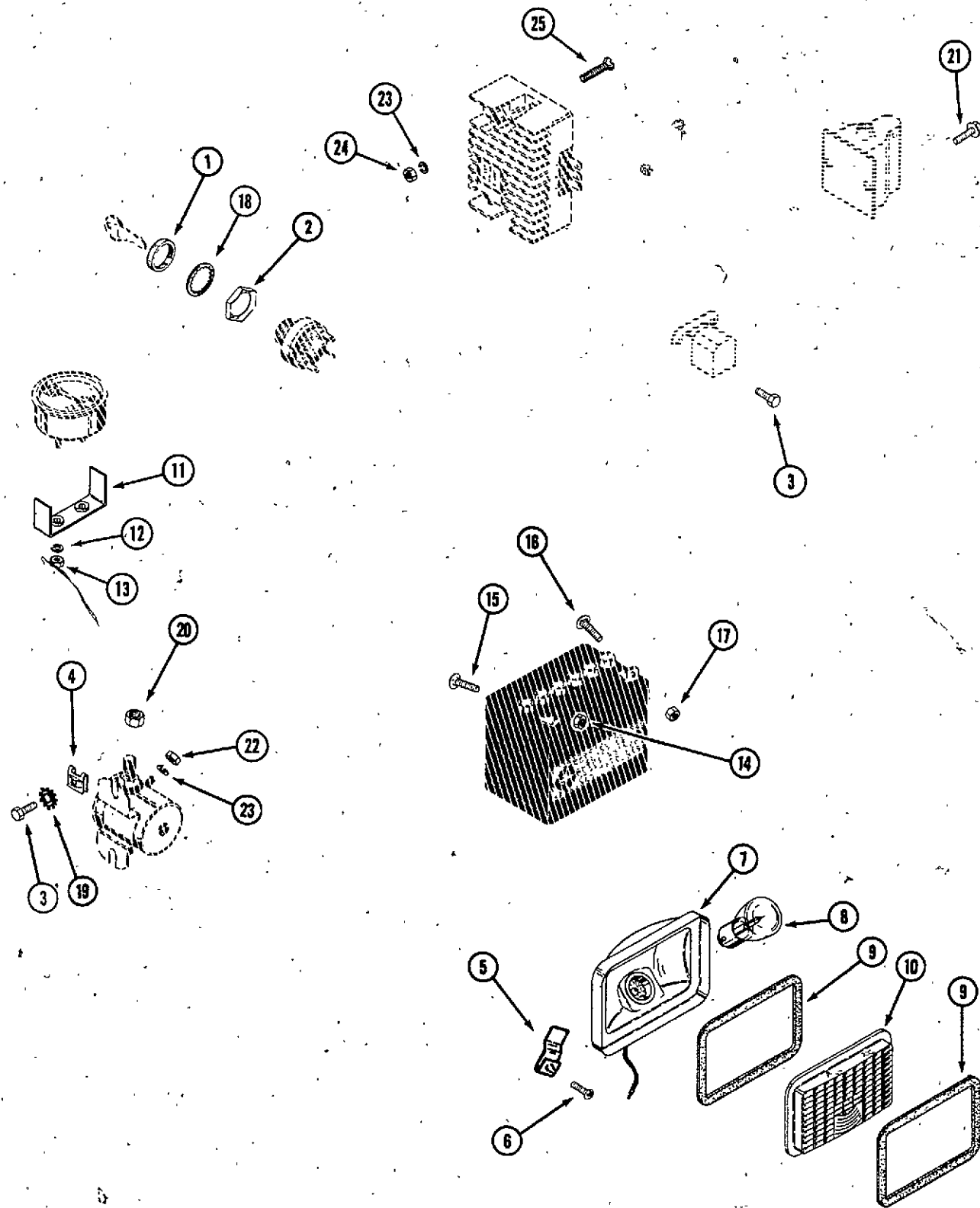
HYDRAULIC DRIVE MOTOR

REF.	PART NO.	DESCRIPTION	REQ'D
	C 14655	MOTOR - hydraulic, 444	1
1	L 30654	RING - retaining	1
2	NSS	SPACER - (See kit below)	1
3	NSS	SEAL - oil (See kit below)	1
4	C 14827	HOUSING ASSEMBLY - 444	1
5	C 14837	END CAP	1
6	NSS	SEAL - (See kit below)	2
7	C 14828	SHAFT - coupling	1
8	C 14829	DRIVE LINK - 444	1
9	C 14830	PLATE - wear	1
10	C 14831	ROTOR ASSEMBLY - 444	1
11	C 14832	PLATE - manifold	1
12	C 14833	MANIFOLD	1
13	C 14834	COMMUTATOR AND RING SET	1
14	NSS	RING - sealing (See kit below)	1
15	C 14836	SLEEVE - 444	1
16	C 14838	BOLT - 3/8" x 4-3/8" NF hex, 444	7
17	NSS	WASHER - back up, .010"	1
	C 19037	KIT - "O" ring and seal	1
	C 19041	RING - sealing	1
	C 19038	SEAL - dirt (not used - throw away item)	1
	C 18382	SEAL	2
	C 19039	SEAL	1
	L 30654	RING - retaining	1
	C 19040	SPACER - seal	1
	C 19467	WASHER - back up, .010"	1



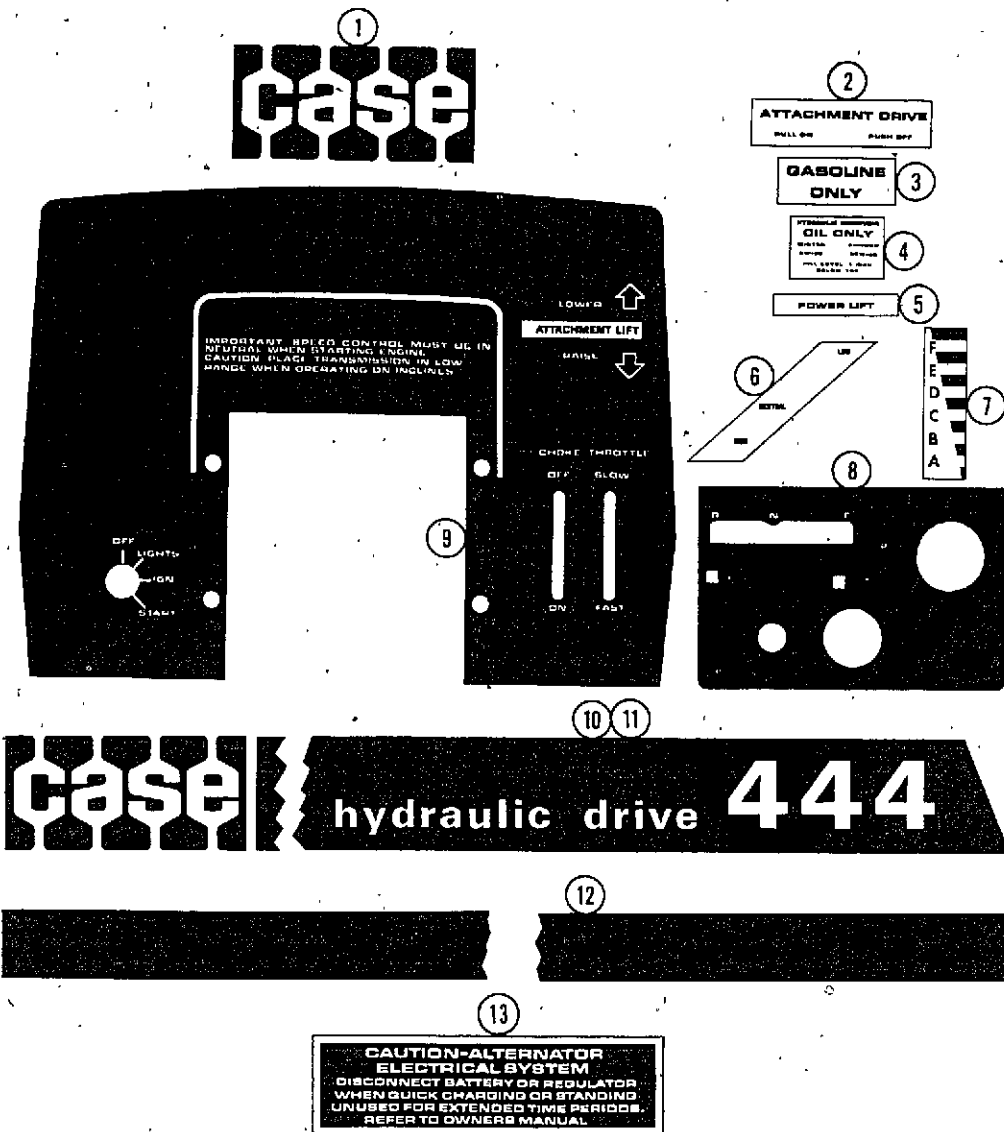
ELECTRICAL SYSTEM

REF. PART NO.	DESCRIPTION	REQ'D
1 C 14556	HARNES - wire	1
2 C 14564	WIRE - switch to solenoid (Red 8")	1
3 C 14565	WIRE - battery to solenoid (Red 10-1/2")	1
4 C 14566	WIRE - battery to ground (Black 12")	1
5 C 19562	SWITCH - neutral safety	1
6 C 14553	SOLENOID - start	1
7 C 14547	REGULATOR - voltage rectifier, 12 volt	1
8 KOA236396-S	STARTER - engine 12 volt	1
9 C 14537	CONNECTOR - head lamp	1
10 C 14554	AMMETER ASSEMBLY	1
11 C 22571	HEAD LAMP ASSEMBLY - 12 volt	2
12 C 18197	BATTERY - 12 volt	1
13 NSS	SWITCH - ignition (Includes key)(Order C 17809 kit)	1
14 C 12684	KEY - ignition	1
15 C 10549	CLAMP - battery hold down	1
16 M 20007	SPARK PLUG - (Includes gasket)	1
17 A 27251	GASKET - spark plug	1
18 KOA231960	CABLE - high tension	1
19 KO 237038	STATOR - alternator	1
20 KO 236826	COIL - ignition	1
21 KO 237339	TRIGGER MODULE ASSEMBLY (Replaces KO236818)	1
22 C 14538	CONNECTOR - body	1
23 KO 237105	LEAD - trigger module	1
24 KO 236442	CLIP - stator wires	1
C 17809	KIT - ignition switch (includes C17746 switch)	1
25 NSS	SWITCH - ignition	1
26 C 17763	KEY	1
C 17808	DECAL	1
27 KO 237327	RESISTOR - coil to ignition switch (22 ohm 1/2 watt)	1
KO 237750	KIT - ignition (breakerless to breaker)	1
KO 231281	COIL - ignition, 12 volt	1
KO 230722	CONDENSER	1
KOA235334	LEAD - high tension	1
KOA231839	LEAD - breaker points	1
KOA220981	BREAKER ASSEMBLY - includes point set	1
KO 232535	COVER - breaker	1
KO 220174	GASKET - breaker cover	1
KO 236829	TUBING - shrink	1
C 18100	ROD - push	1



ELECTRICAL SYSTEM HARDWARE

REF. PART NO.	DESCRIPTION	REQ'D
1 C 14060	NUT - back up 3/4"	1
2 C 12683	NUT - escutcheon 3/4"	1
3 187- 484	SCREW - #10 x 1/2" self-tapping hex Z.P.	4
4 C 10836	NUT - speed type "U"	2
5 131- 629	NUT - speed type	4
6 187- 1047	SCREW - #8 x 1/2" self-tapping, rd. hd. Phillips	4
C 22571	HEAD LAMP ASSEMBLY	2
7 NSS	RECEPTACLE - head lamp (Order C22571)	1
8 C 14305	BULB - head lamp	1
9 C 14304	GASKET - head lamp	2
10 C 22573	LENS - head lamp	1
C 14554	AMMETER ASSEMBLY	1
11 NSS	CLAMP - ammeter mounting	1
12 192- 18	LOCKWASHER - #10	2
13 129- 661	NUT - #10 hex	4
14 129- 102	NUT - 5/16" NC hex	1
15 111- 202	BOLT - 5/16" x 3/4" NC rd. hd., square neck	1
16 111- 108	BOLT - 1/4" x 3/4" NC rd. hd., square neck	1
17 129- 101	NUT - 1/4" NC hex	1
18 193- 61	LOCKWASHER - 3/4" internal tooth	1
19 193- 70	LOCKWASHER - #10 external tooth	2
20 129- 122	NUT - 5/16" NF hex	2
21 193- 517	SCREW - special Sems 1/4" x 1/2" NC hex	2
22 129- 27	NUT - #10 NF hex	2
23 192- 18	LOCKWASHER - #10	4
24 129- 17	NUT - #10 hex Z.P.	2
25 171- 244	SCREW - #10 x 1" NC flat head	2
195- 101	WASHER - 3/16" (spacer on lower rectifier bolt)	2

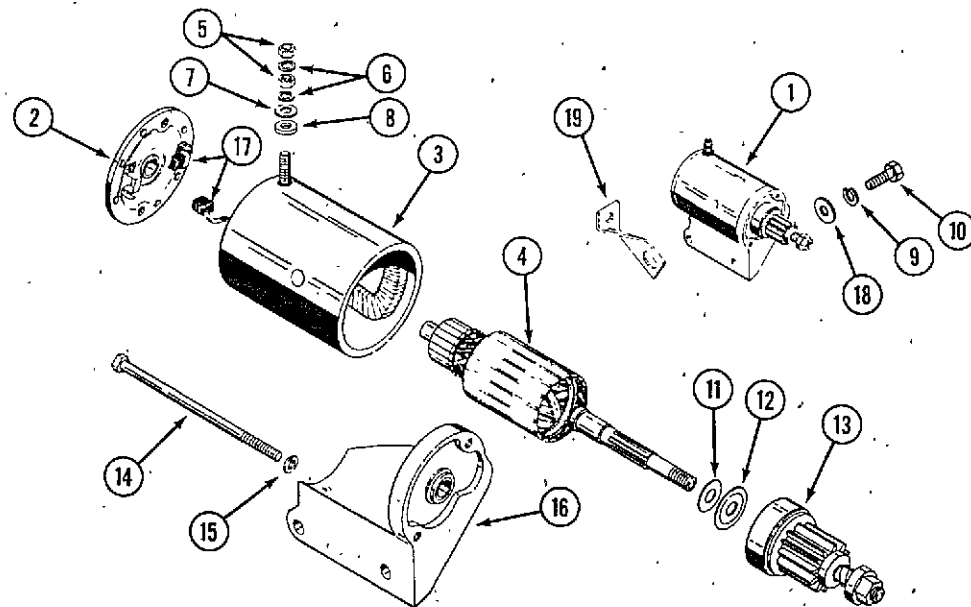


DECALS

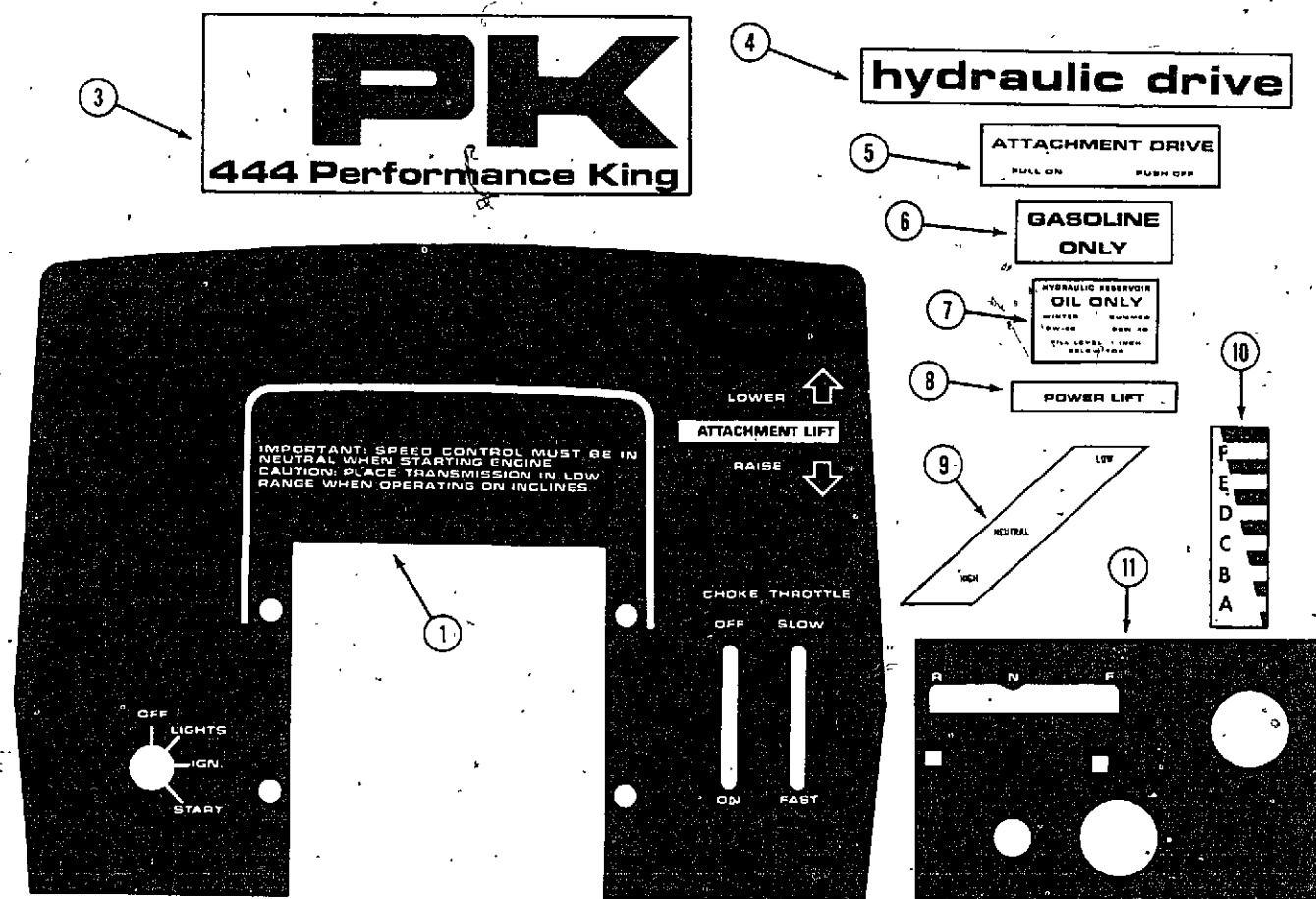
REF. PART NO.	DESCRIPTION	REQ'D
1 321 1571	DECAL - "CASE".....	1
2 C 14067	DECAL - attachment drive.....	1
3 C 14066	DECAL - gasoline.....	1
4 C 14539	DECAL - hydraulic reservoir.....	1
5 C 14627	DECAL - power lift.....	1
6 C 14561	DECAL - shift range.....	1
7 C 12506	DECAL - level indicator.....	1
8 C 14563	DECAL - instrument panel, small.....	1
9 C 14228	DECAL - instrument panel, large.....	1
10 C 15696	DECAL - hood R.H.....	1
11 C 15697	DECAL - hood L.H.....	1
12 C 14546	DECAL - hood, rear.....	1
13 C 15133	DECAL - "CAUTION", electrical.....	1

STARTER

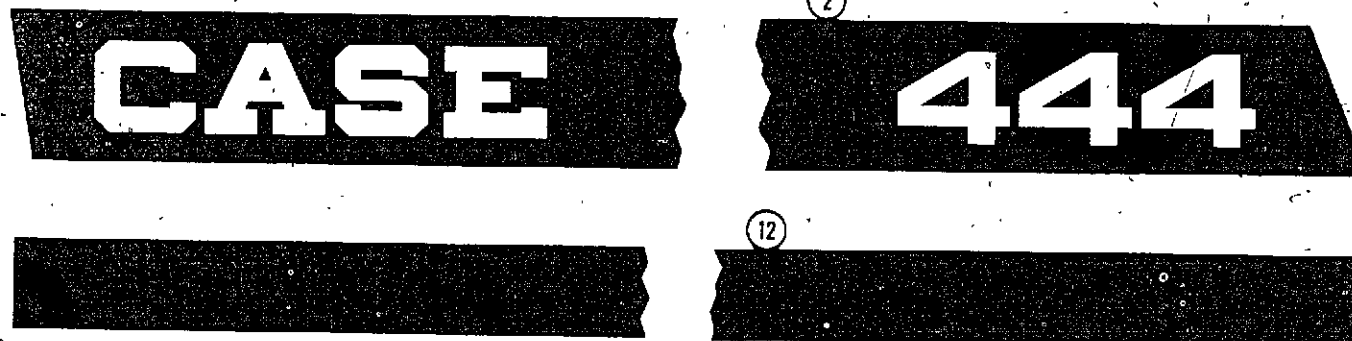
REF. PART NO.	DESCRIPTION	REQ'D
1 KOA236396-S	STARTER - engine 12 volt.....	1
2 KO 236564	CAP - end.....	1
3 NSS	HOUSING - starter (Order KOA236396-S).....	1
4 KO 236571	ARMATURE.....	1
5 KO 236575	NUT - terminal stud.....	2
6 KO 236594	LOCKWASHER - terminal stud.....	2
7 KO 236573	WASHER - terminal spacer.....	1
8 KO 236572	WASHER - terminal insulating.....	1
9 192- 21	LOCKWASHER - 3/8".....	2
10 KO 234380	BOLT - 3/8" x 1-13/32".....	2
11 KO 236570	WASHER - spacer .005".....	1
12 KO 236568	WASHER - spacer .010".....	1
13 KO 236562	BENDIX ASSEMBLY.....	1
14 KO 236577	BOLT - through.....	2
15 KO 236574	LOCKWASHER - through bolt.....	2
16 KO 237225	FRAME ASSEMBLY.....	1
17 KO 236576	BRUSH AND SPRING KIT.....	1
18 195- 521	WASHER - plain 3/8".....	2
19 KO 237143	BRACKET - starter support.....	1



DECALS AND TRANSFERS
(USED PRIOR TO S/N 9641001)

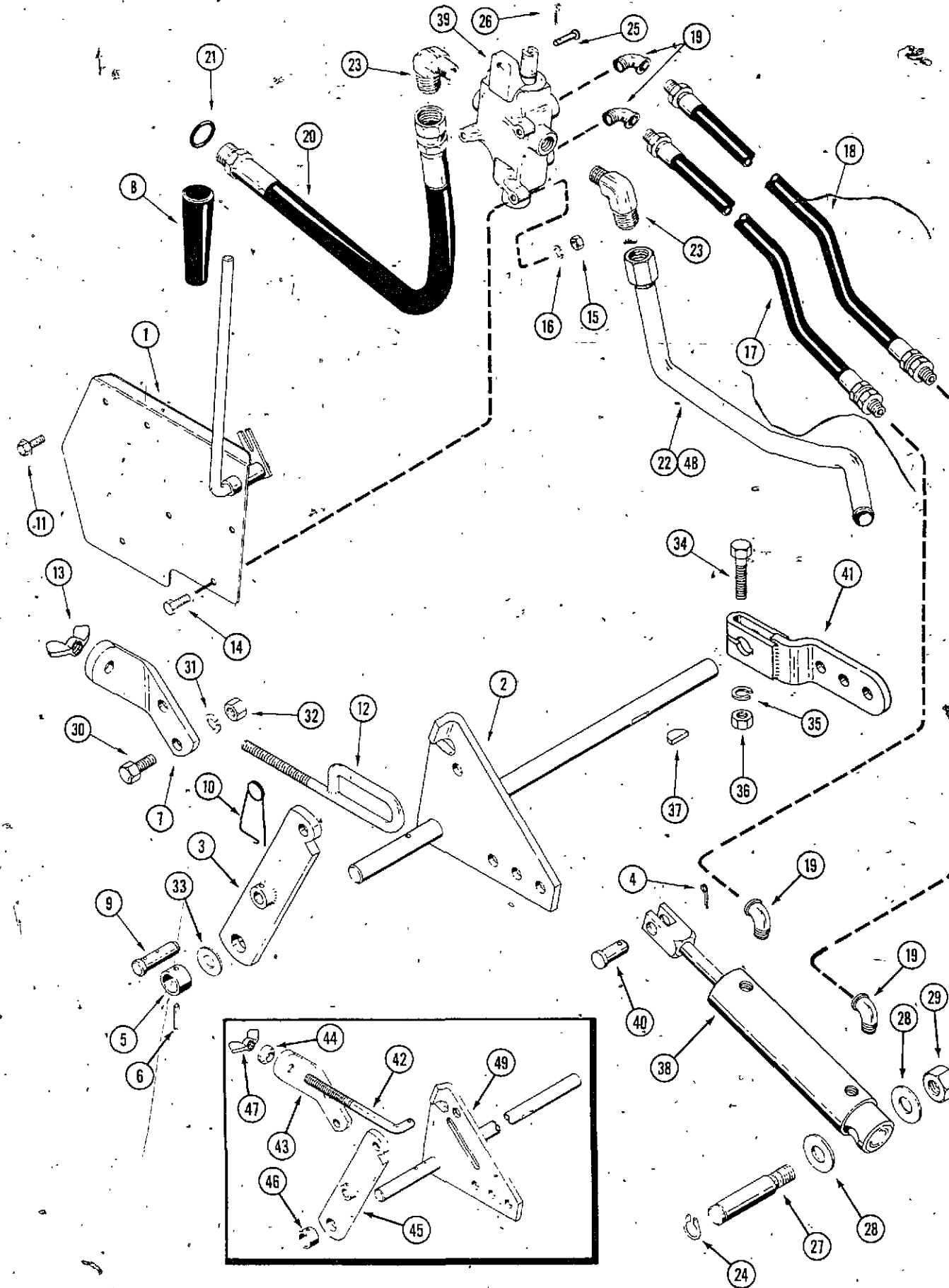


REF. PART NO.	DESCRIPTION	REQ'D
1 C 14228	DECAL - instrument panel, large	1
2 C 14559	DECAL - hood stripe 444 R.H.	1
2 C 14560	DECAL - hood stripe 444 L.H.	1
3 C 14545	TRANSFER - PK 444	1
4 C 14540	TRANSFER - hydraulic drive	1
5 C 14067	DECAL - attachment drive	2
6 C 14066	DECAL - gasoline	1
7 C 14539	DECAL - hydraulic reservoir	1
8 C 14627	DECAL - power lift	1
9 C 14561	DECAL - shift range	1
10 C 12506	DECAL - level indicator	1
11 C 14563	DECAL - instrument panel, small	1
12 C 14546	DECAL - stripe, rear hood	1
13 C 15133	DECAL - battery "alternator caution"	1

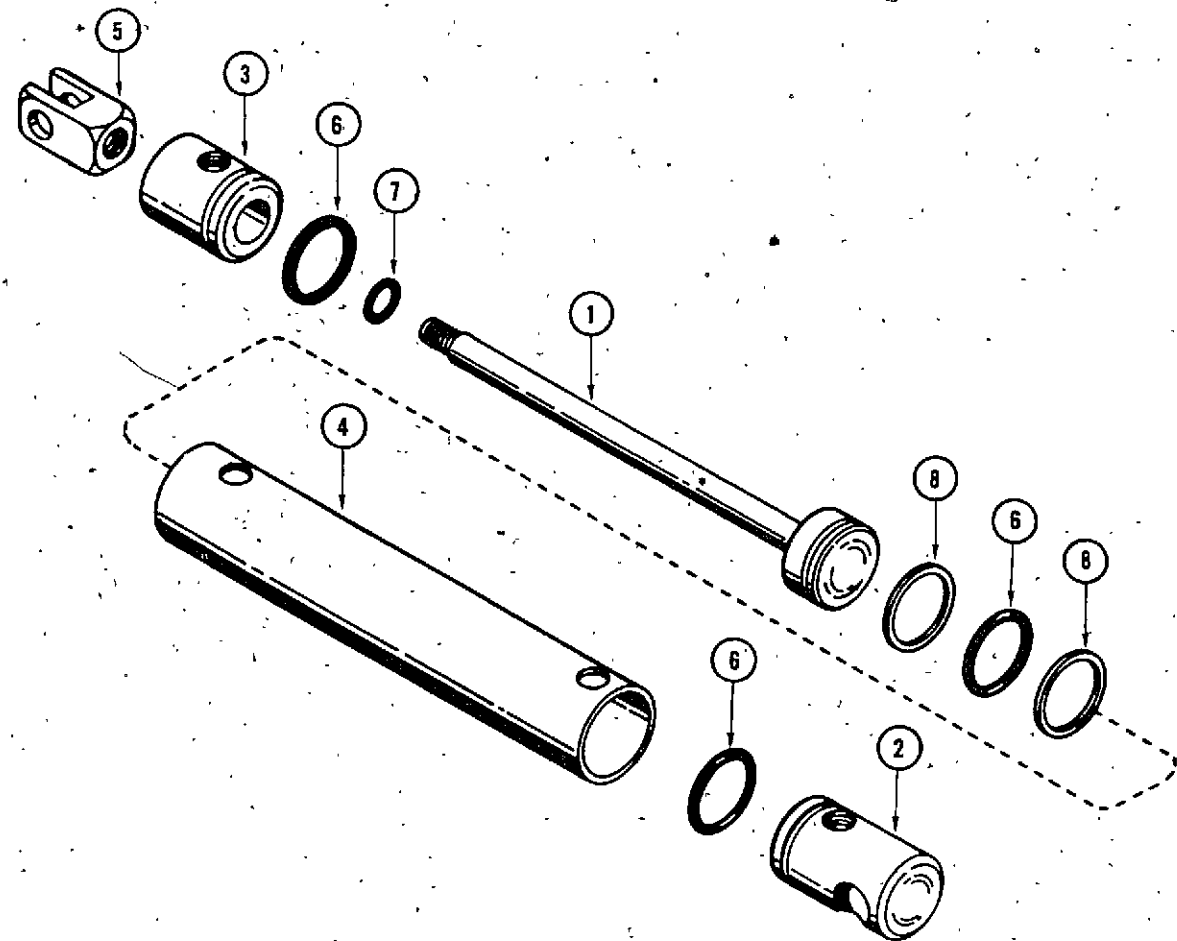


CAUTION-ALTERNATOR ELECTRICAL SYSTEM
DISCONNECT BATTERY OR REGULATOR
WHEN QUICK CHARGING OR STANDING
UNUSED FOR EXTENDED TIME PERIODS.
REFER TO OWNERS MANUAL

MODEL F30 HYDRAULIC LIFT



REF. PART NO.	DESCRIPTION	REQ'D
1 G 14466	PANEL - valve mounting	1
2 NSS	CROSS SHAFT ASSEMBLY. (Order items 42, 43, 44, 45, 46, 47 and 49)	1
3 C 14489	LEVER - cylinder lift (Used prior to S/N 9641001)	1
4 132- 310	PIN - cotter 1/8" x 1" Z.P.	1
5 C 14481	COLLAR - cross shaft (Used prior to S/N 9641001)	1
6 138- 96	PIN - roll 3/16" x 1"	1
7 C 14492	BRACKET - link adjust (Used prior to S/N 9641001)	1
8 C 12678	GRIP - lever	1
9 C 13744	PIN - clevis 1/2"	1
10 C 10898	PIN - safety	1
11 187- 1036	SCREW - 1/4" x 1/2" NC hex self-tapping	3
12 C 14491	LINK - stop (Used prior to S/N 9641001)	1
13 129- 601	NUT - wing 3/8" NC Nylock (Used prior to S/N 9641001)	1
14 113- 4	BOLT - 1/4" x 1" NC hex Z.P.	3
15 129- 101	NUT - 1/4" NC hex Z.P.	3
16 192- 19	LOCKWASHER - 1/4" Z.P.	3
17 C 15080	HOSE - 11"	1
18 C 12675	HOSE - 20"	1
19 221- 412	ELBOW - street 1/4" NPTF	4
20 C 14629	HOSE - pressure	1
21 218- 5007	"O" RING	1
22 C 14533	TUBE - cooler (Used prior to S/N 9641001)	1
23 218- 1057	FITTING - 90° 5/8" T x 3/8" NPTF	2
24 25683	RING - retaining	1
25 141- 2	PIN - clevis 1/4"	1
26 132- 5	PIN - cotter 1/16" x 1/2"	2
27 C 14470	STUD - cylinder pivot	1
28 195- 541	WASHER - 5/8" plain	2
29 129- 107	NUT - 5/8" NC hex Z.P.	1
30 113- 207	BOLT - 3/8" x 1" NC hex	2
31 192- 21	LOCKWASHER - 3/8"	2
32 129- 103	NUT - 3/8" NC hex	2
33 A 30881	WASHER - spacer	UAR
34 113- 219	BOLT - 3/8" x 2" NC hex Z.P.	1
35 192- 21	LOCKWASHER - 3/8" Z.P.	1
36 129- 103	NUT - 3/8" NC hex Z.P.	1
37 126- 119	KEY - Woodruff # 11	1
38 C 12676	CYLINDER - hydraulic (Repairs, see page 59)	1
39 C 14153	VALVE - lift (Repairs, see page 59)	1
40 141- 56	PIN - clevis 1/2"	1
41 C 14528	LEVER - pivot	1
42 C 15971	LINK - stop	1
43 C 16098	BRACKET - link adjust	1
44 C 16097	WASHER - lift lever	1
45 C 15970	LEVER - cylinder adjust	1
46 C 16095	COLLAR - cross shaft	1
47 129- 400	NUT - wing 1/2" NC	1
48 C 15449	TUBE - cooler	1
49 C 16099	CROSS SHAFT ASSEMBLY	1

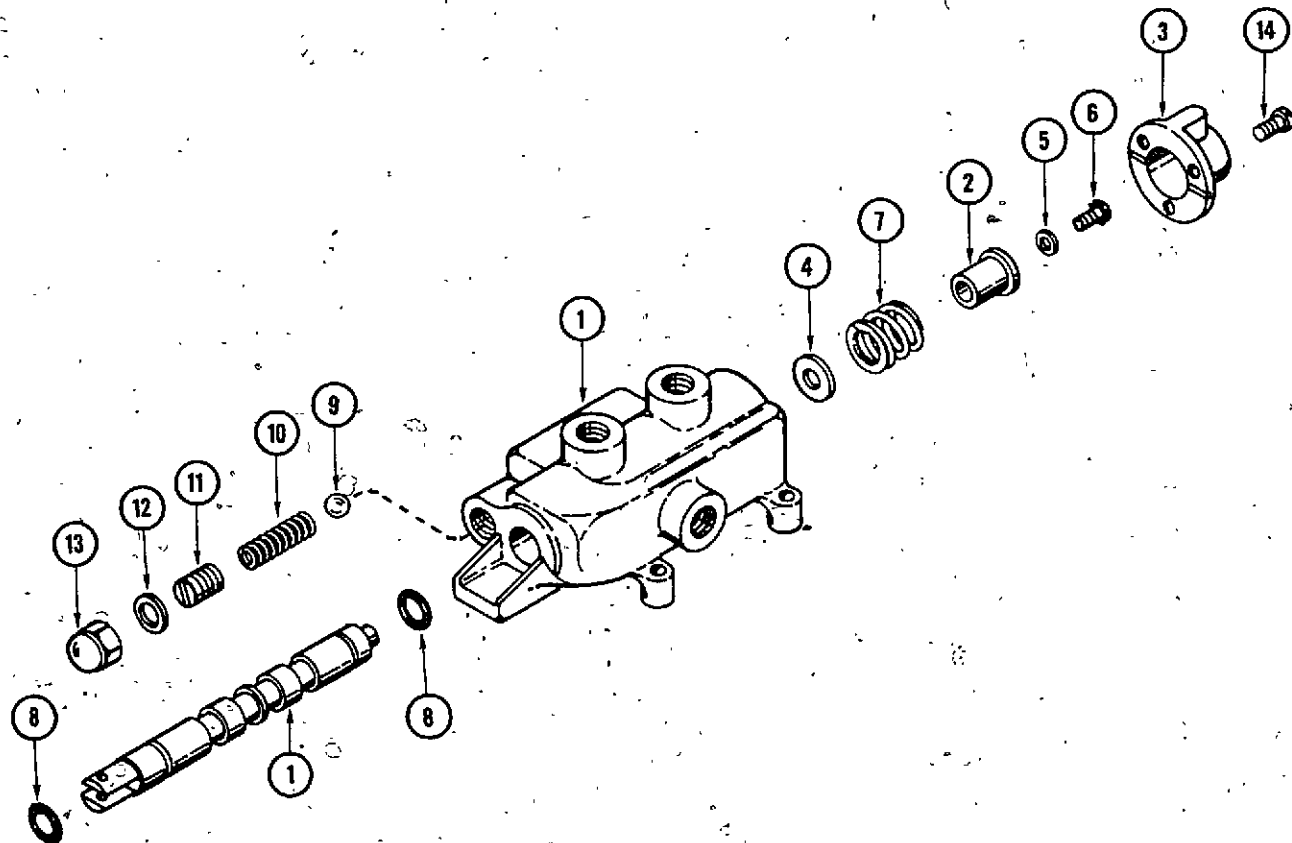


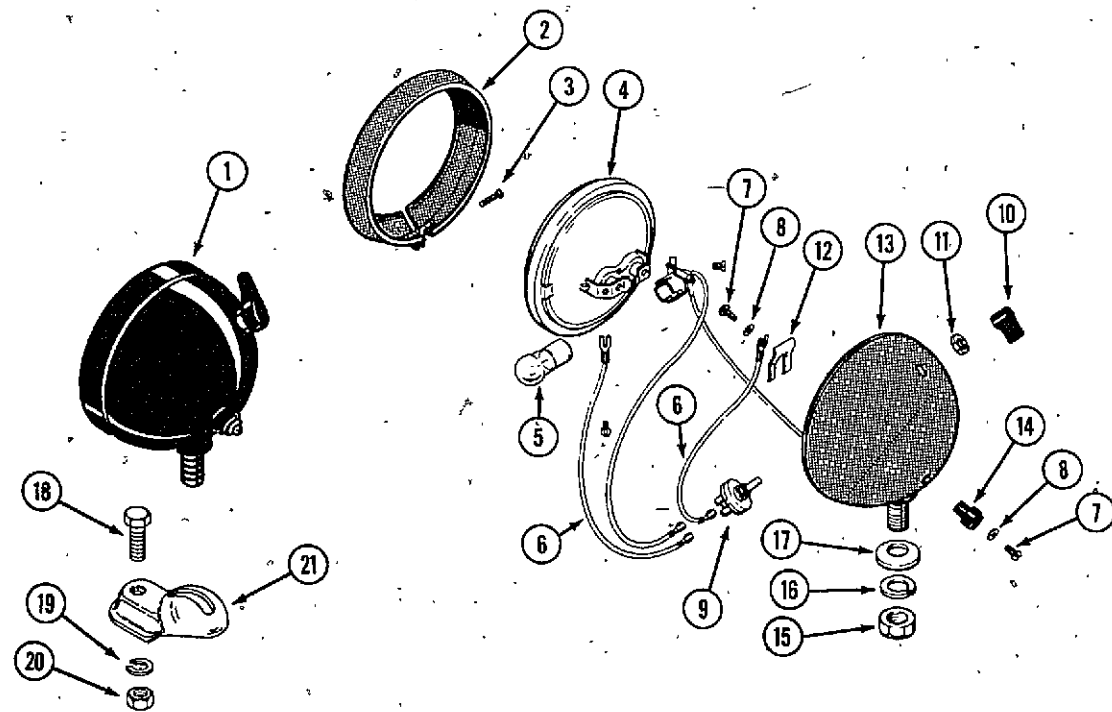
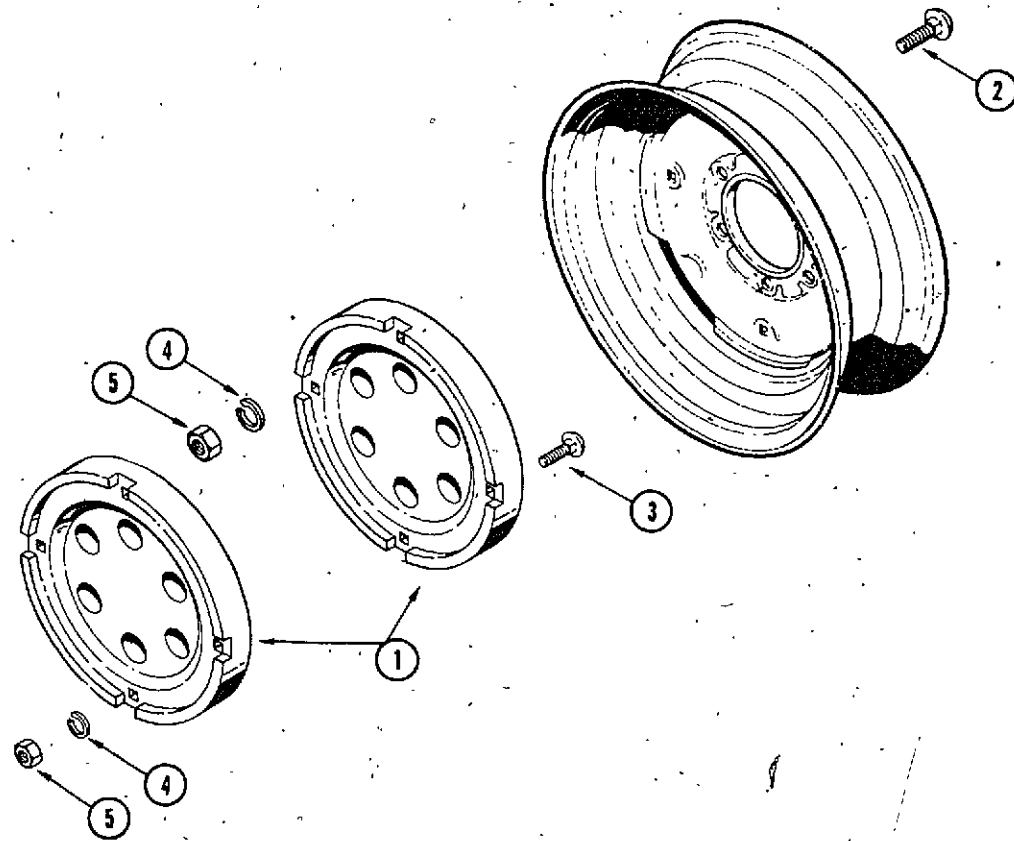
C12676 LIFT CYLINDER

REF. PART NO.	DESCRIPTION	REQ'D
1 C 12880	ROD - cylinder	1
2 C 12883	HEAD - cylinder	1
3 C 12884	HEAD - cylinder rod end	1
4 C 12885	TUBE - cylinder	1
5 C 12886	CLEVIS - rod end	1
6 A 27577	"O" RING - 1-1/2" OD	3
7 A 27410	"O" RING - 3/4" OD	1
8 C 12903	WASHER - back up	2

C-14153 DIRECTIONAL VALVE

1 NSS	BODY AND SPOOL ASSEMBLY	1
2 C 13200	SPACER	1
3 C 13201	CAP - end	1
4 195- 521	WASHER - plain 3/8"	1
5 195- 510	WASHER - plain 3/16"	1
6 193- 524	SCREW - rd. hd. slotted w/ext. lockwasher #10 x 3/8" NF	1
7 C 18850	SPRING - return	1
8 D 40816	SEAL - "O" ring	2
9 211- 9	BALL - steel	1
10 C 13203	SPRING - relief	1
11 C 13207	SCREW - relief adj. 7/16" x 5/8" NC	1
12 C 13204	GASKET - relief cap	1
13 129- 531	CAP - acorn 7/16" NF	1
14 169- 146	SCREW - fillister head #8 x 3/8" NC Z.P.	3



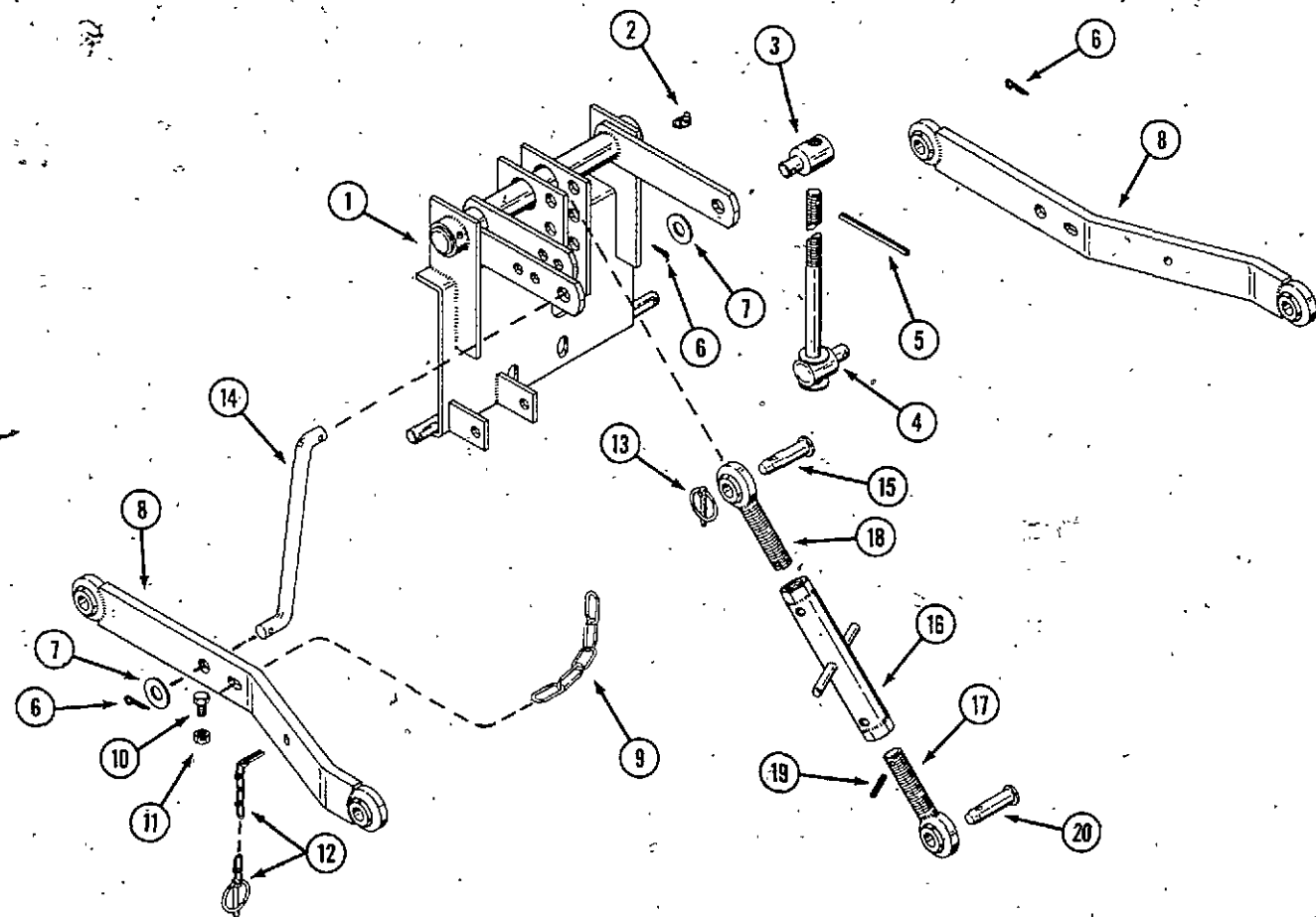


MODEL D10 WHEEL WEIGHTS

REF. PART NO.	DESCRIPTION	REQ'D
1 NSS	WEIGHT - wheel 15" & 16" (Order as Machinery Item)	4
2 111- 530	BOLT - 1/2" x 2-1/2" rd. hd., square neck NC Z.P.	4
3 111- 531	BOLT - 1/2" x 2-3/4" rd. hd., square neck NC Z.P.	4
4 92- 8	LOCKWASHER - 1/2" Z.P.	8
5 129- 105	NUT - 1/2" NC hex	8

TAIL LAMP

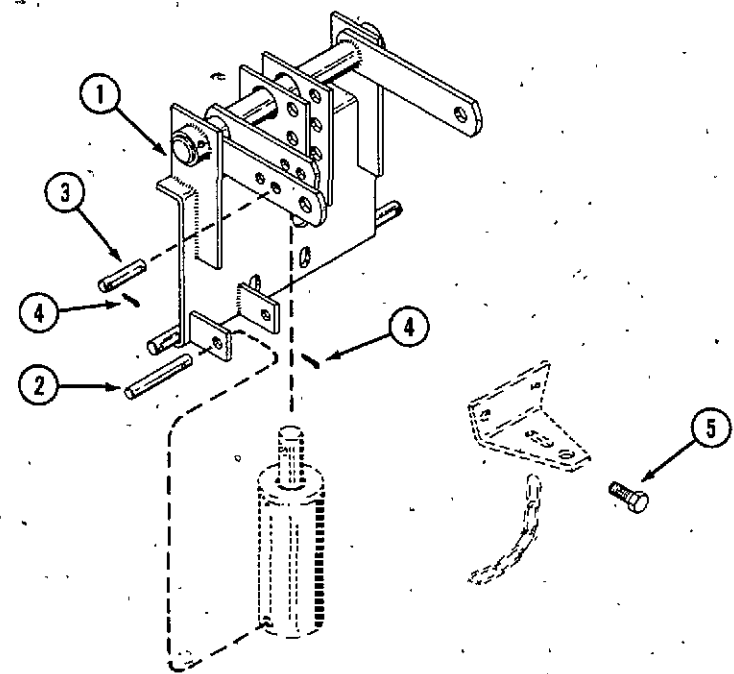
1 A 20965	LAMP ASSY - flood and tail.	1
2 B 50255	MOLDING - lamp retaining	1
3 10934	SCREW - molding	1
4 A 40855	LAMP - sealed unit	1
5 B 50223	BULB - red 15 C.P. 12 volt	1
6 B 50273	WIRE - switch	2
7 173- 73	SCREW - wire	2
8 193- 4	WASHER - 1/4" lock	2
9 NSS	SWITCH (Order A43182 kit below)	1
10 NSS	KNOB - switch (Order A43182 kit below)	1
11 B 50224	NUT - switch	1
12 10927	SPRING - terminal	1
13 NSS	BODY	1
14 B 50293	TERMINAL - wire	1
15 129- 105	NUT - 1/2" NC hex	1
16 192- 23	WASHER - 1/2" lock	1
17 10923	WASHER - bearing	1
18 113- 209	BOLT - 3/8" x 1-1/2" NC hex ZP.	1
19 192- 21	LOCKWASHER - 3/8" ZP.	1
20 129- 103	NUT - 3/8" NC hex ZP.	1
21 A 34046	BRACKET - mounting, tail lamp	1
A 43182	KIT - switch, tail lamp (includes knob)	1



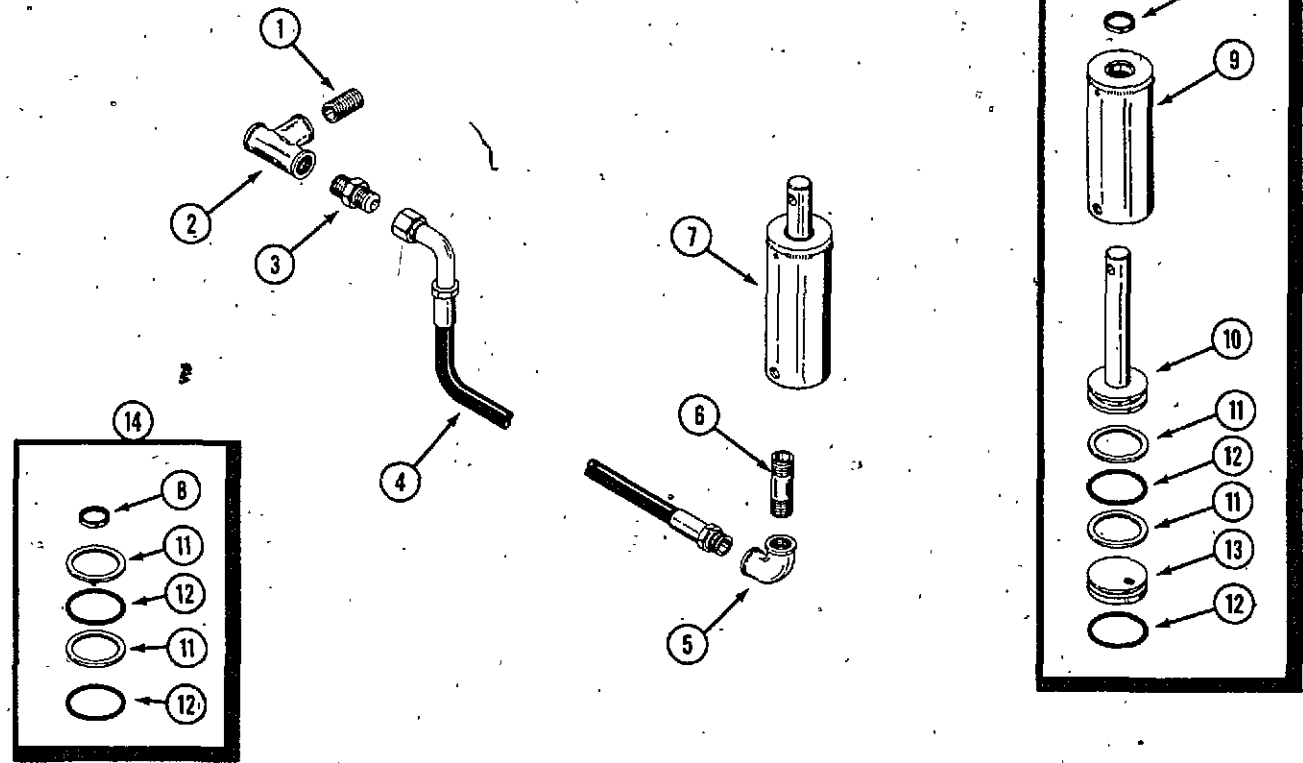
**CASE 444 COMPACT TRACTOR
MODEL F26 THREE POINT HITCH
FRAME, LIFT RODS AND ARMS**

REF. PART NO.	DESCRIPTION	REQ'D
1 C 14977	HITCH PLATE ASSEMBLY	1
2 219- 405	FITTING - lube	2
3 C 14722	NUT - lift rod	1
4 C 14724	ROD ASSEMBLY - R. H. lift	1
5 138- 309	PIN - roll 1/4" x 4"	1
6 132- 91	PIN - cotter 3/16" x 1"	6
7 195- 541	WASHER - plain 5/8"	4
8 C 14715	ARM - lift	2
9 C 14991	CHAIN - stay 19 links	1
10 113- 118	BOLT - 5/16" x 5/8" NC hex ZP	2
11 131- 176	NUT - lock 5/16" NC hex	2
12 B 52118	PIN - Klik	2
13 A 30338	PIN - Klik	3
14 C 14725	ROD - L. H. lift	1
15 C 14717	PIN - clevis	2
C 14712	LINK ASSEMBLY	1
16 C 14703	CENTER TUBE ASSEMBLY	1
17 C 14709	BALL END ASSEMBLY - R. H. thread	1
18 C 14710	BALL END ASSEMBLY - L. H. thread	1
19 138- 59	PIN - roll 1/8" x 7/8"	2
20 C 16128	PIN - clevis 5/8" x 3"	1

CYLINDER AND DRAWBAR MOUNTING



1 C 14977	HITCH PLATE ASSEMBLY	1
2 C 14975	PIN - lower cylinder mounting	1
3 C 14976	PIN - upper cylinder mounting	1
4 132- 310	PIN - cotter 1/8" x 1"	3
5 113- 417	BOLT - 1/2" x 1-1/4" NC hex ZP	2



65

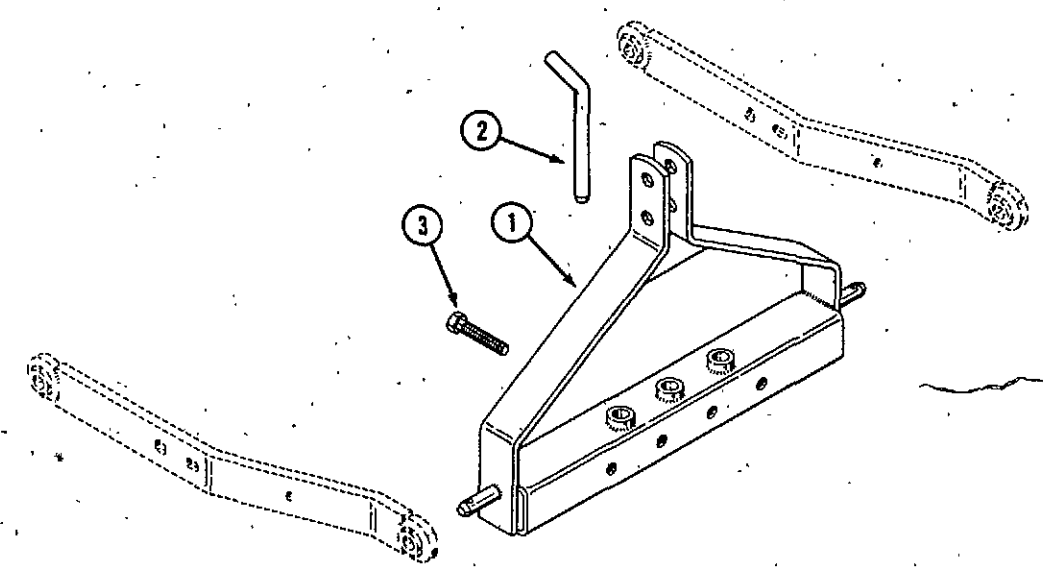
**CASE 444 COMPACT TRACTOR
MODEL F26 THREE POINT HITCH AND
MODEL F27 HITCH ADAPTER**

HYDRAULIC CONNECTIONS AND COMPONENTS

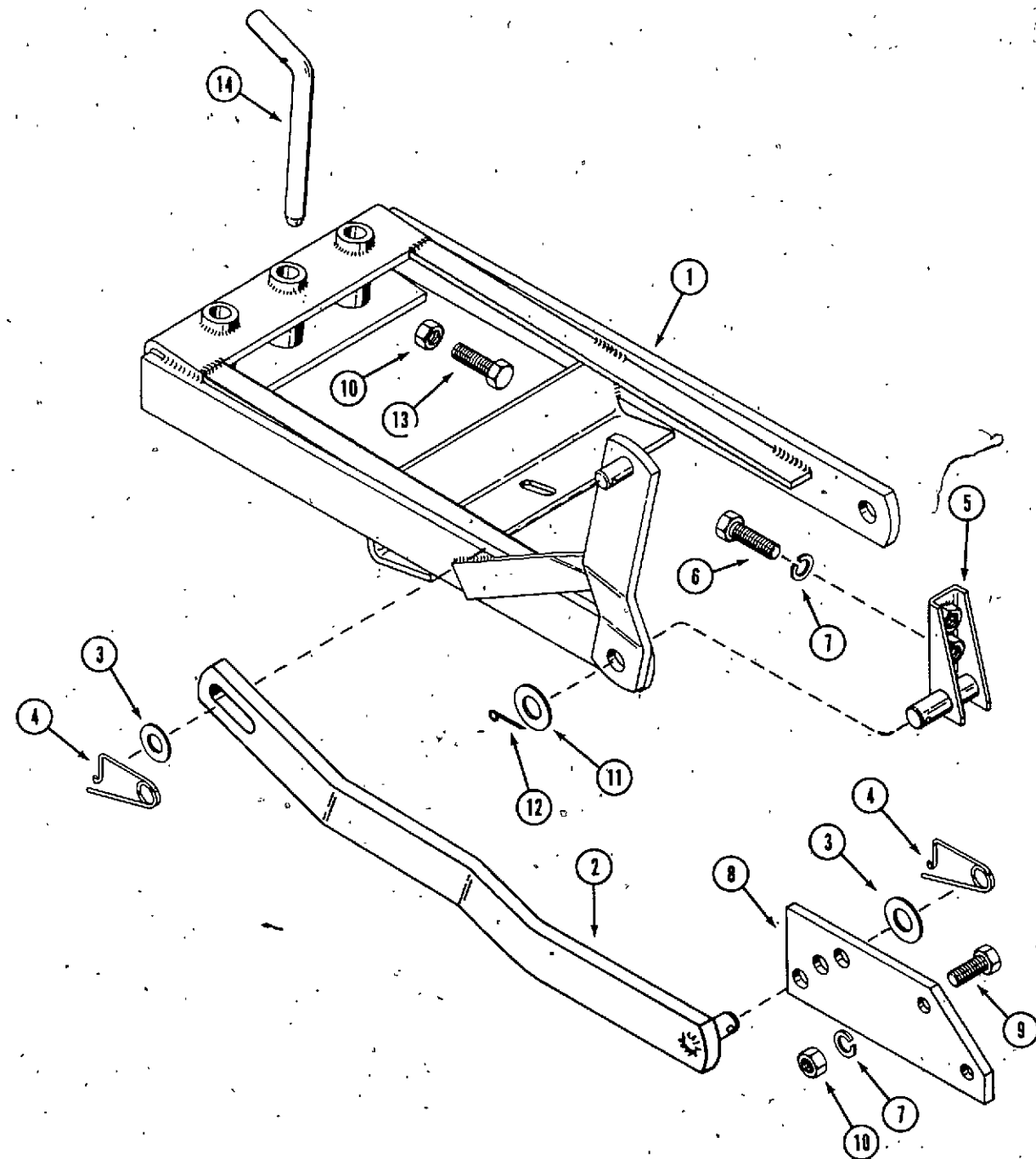
REF. PART NO.	DESCRIPTION	REQ'D
1	221- 1130 NIPPLE - 1/4" x 7/8" NPT	1
2	221- 1422 TEE -1/4" NPT	1
3	218- 455 FITTING - hyd. 1/2 T x 1/4" NPT	1
4	C 14979 HOSE - hydraulic	1
5	221- 1375 ELBOW - 90° x 1/4" NPT	1
6	221- 1139 NIPPLE - 1/4" x 3" NPT	1
7	C 14700 CYLINDER ASSEMBLY	1
8	C 14970 SEAL - wiper	1
9	C 14698 BODY - cylinder	1
10	C 14695 ROD AND PISTON ASSEMBLY	1
11	C 14699 RING - back up	2
12	A 30971 "O" RING	2
13	C 14692 END GAP - cylinder	1
14	C 15123 KIT - "O" ring and seal (consists of items 8, 11 and 12)	1

MODEL F27 HITCH ADAPTER

1	C 14872	BRACKET - hitch adapter	1
2	C 14568	PIN - drawbar	1
3	113- 425	BOLT - 1/2" x 3" NC hex ZP	4



F 24 SLEEVE HITCH

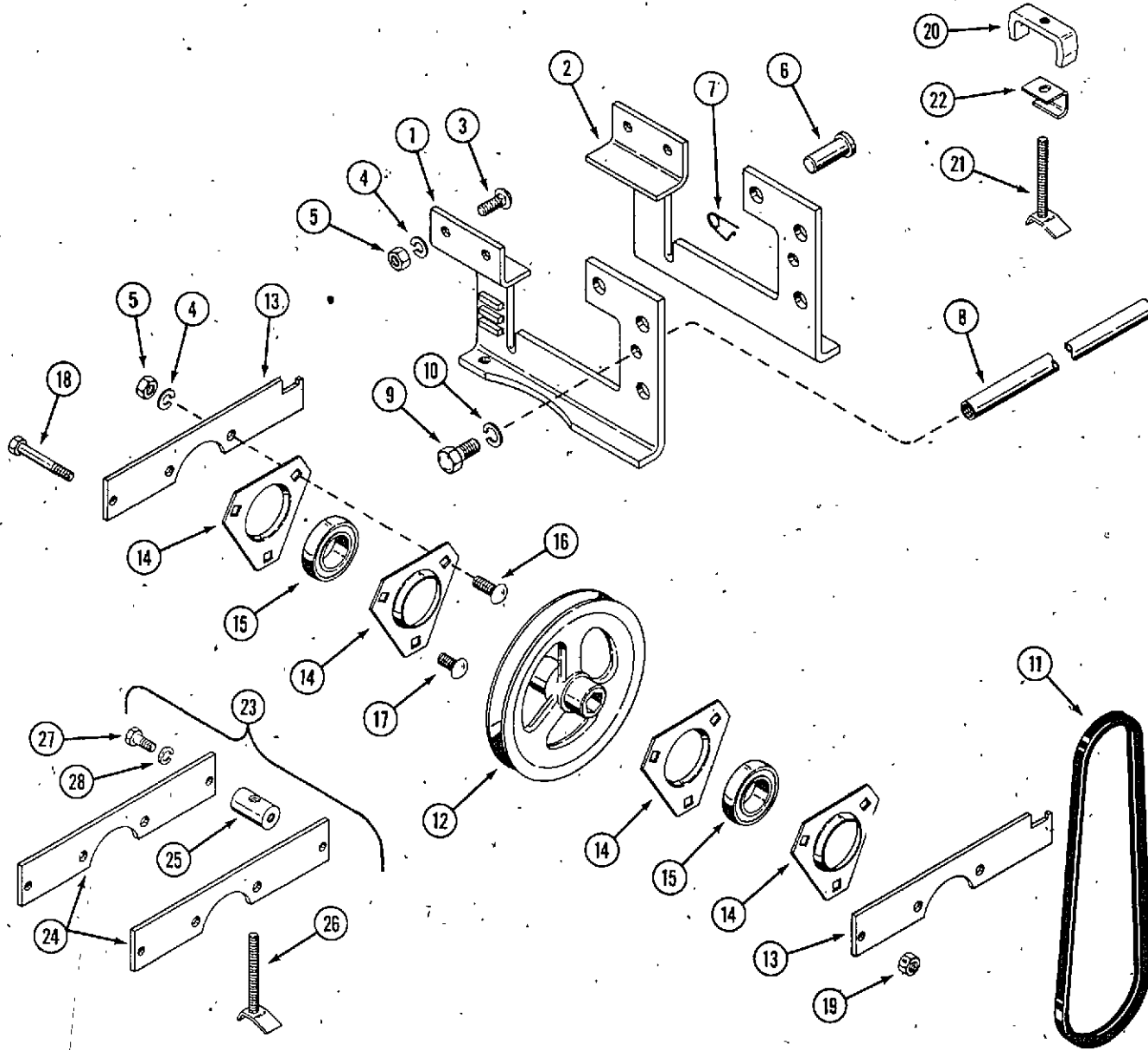


REF. PART NO.	DESCRIPTION	REQ'D
1 C 14867	HITCH FRAME ASSEMBLY	1
2 C 14457	ARM - lift	1
3 195- 541	WASHER - plain 21/32"	2
4 C 10898	PIN - safety	2
5 C 14459	BRACKET - hitch mounting R. H.	1
5 C 14460	BRACKET - hitch mounting L. H.	1
6 113- 412	BOLT - 1/2" x 1-3/4" NC hex ZP	4
7 192- 23	LOCKWASHER - 1/2" ZP	6
8 C 14462	PLATE - lift lever	1
9 113- 417	BOLT - 1/2" x 1-1/4" NC hex ZP	2
10 129- 105	NUT - 1/2" NC hex ZP	4
11 195- 545	WASHER - plain 3/4" ZP	2
12 132- 306	PIN - cotter 3/16" x 1-3/4"	2
13 113- 421	BOLT - 1/2" x 2" NC hex ZP	2
14 C 14568	PIN - drawbar	1

69

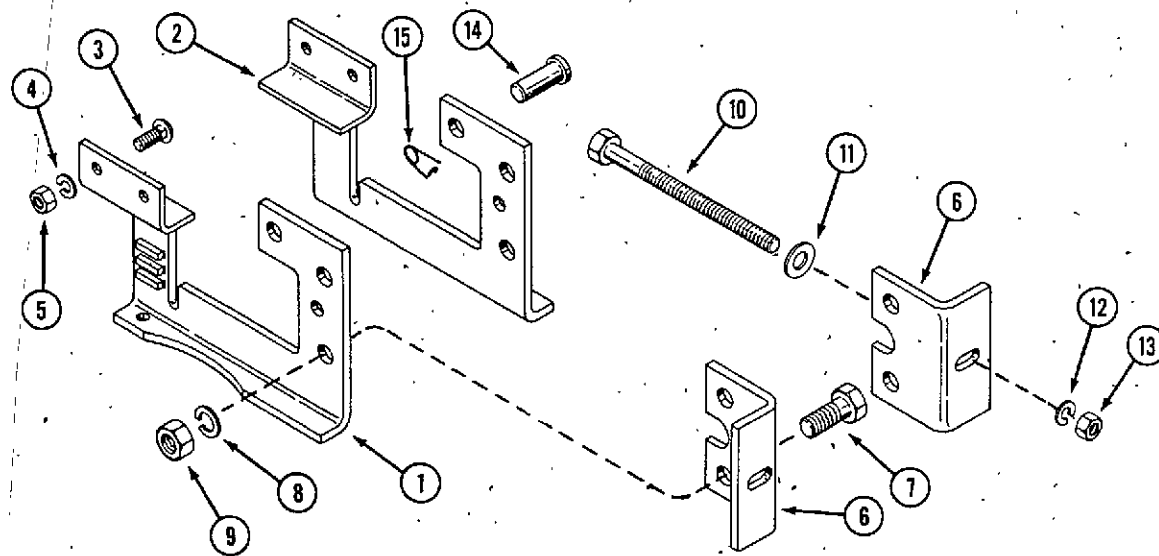
**CASE 444 COMPACT TRACTOR
MODEL F11 SHAFT DRIVE PTO AND MODEL
F18 FRONT COUNTERWEIGHT BRACKET KITS**

MODEL F11 SHAFT DRIVE PTO KIT



REF. PART NO.	DESCRIPTION	REQ'D
1 C 14646	BRACKET - R.H. mounting	1
2 C 14647	BRACKET - L.H. mounting	1
3 111- 362	BOLT - 3/8" x 1" NC rd. hd. square neck	4
4 192- 21	LOCKWASHER - 3/8"	10
5 129- 103	NUT - 3/8" NC hex ZP	10
6 C 12692	PIN - clevis 5/8"	2
7 C 10898	PIN - safety	2
8 C 14363	SPACER - mounting bracket	1
9 113- 424	BOLT - 1/2" x 2" NC hex ZP	2
10 192- 23	LOCKWASHER - 1/2" ZP	2
11 C 14116	BELT - PTO drive	1
12 C 14113	PULLEY - PTO	1
13 NSS	PLATE - bearing mounting (order item 23)	2
14 C 14504	FLANGETTE	4
15 C 14505	BEARING - pulley	2
16 111- 362	BOLT - 3/8" x 1" NC rd. hd. square neck ZP	4
17 111- 340	BOLT - 3/8" x 3/4" NC rd. hd. square neck ZP	2
18 113- 111	BOLT - 5/16" x 2-1/2" NC hex ZP	1
19 131- 176	NUT - lock 5/16" NC hex ZP	1
20 NSS	NUT - belt tension (order item 23)	1
21 NSS	SCREW - belt tension adj. (order item 23)	1
22 C 14353	LOCK - belt tension	1
23 C 15558	KIT - belt tightener	1
24 C 15261	PLATE - bearing mounting	2
25 C 15264	SPACER - belt tension	1
26 C 15262	SCREW - belt tension	1
27 113- 102	BOLT - 5/16" x 3/4" NC hex ZP	2
28 192- 20	LOCKWASHER - 5/16" ZP	2

F18 FRONT COUNTERWEIGHT BRACKET KITS



1 C 14646	BRACKET - R.H. mounting	1
2 C 14647	BRACKET - L.H. mounting	1
3 111- 362	BOLT - 3/8" x 1" NC rd. hd. square neck	4
4 192- 21	LOCKWASHER - 3/8" ZP	4
5 129- 103	NUT - 3/8" NC hex ZP	4
6 C 14687	BRACKET - weight support	2
7 113- 607	BOLT - 5/8" x 1-1/2" NC hex ZP	4
8 192- 25	LOCKWASHER - 5/8" ZP	4
9 129- 107	NUT - 5/8" NC hex ZP	4
10 113- 423	BOLT - 1/2" x 7" NC hex ZP	2
11 195- 533	WASHER - plain 17/32" ZP	2
12 192- 23	LOCKWASHER - 1/2" ZP	2
13 129- 105	NUT - 1/2" NC hex ZP	2
14 C 12692	PIN - clevis 5/8" ZP	2
15 C 10898	PIN - safety	2

NUMERICAL INDEX

PART NO.	PAGE NO.	REF. NO.	PART NO.	PAGE NO.	REF. NO.	PART NO.	PAGE NO.	REF. NO.
C 15633	41	10	C 18153	27	18	KO 235278	19	24
C 15696	53	10	C 18197	49	12	KO 235353	11	20
C 15697	53	11	C 18296	15	1	KO 235353	11	53
C 15717	23	1	C 18384	45	9	KO 235388	13	5
C 15718	23	3	C 18813	31	1	KO 235476	19	25
C 15719	23	9	C 18850	59	7	KO 235494	19	8
C 15720	23	15	C 19005	15	22	KO 235496	19	12
C 15729	45	2	C 19005	21	7	KO 235582	7	13
C 15730	45	3	C 19037	47		KO 235603	19	33
C 15731	45	4	C 19562	33	24	KO 235631	7	10
C 15732	45	5	C 19562	49	5	KO 235680	19	34
C 15733	45	6	C 21513	37	14	KO 235748	11	42
C 15734	45	7	C 21514	37	12	KO 235757	11	29
C 15735	45	8	C 22571	51		KO 235757	11	54
C 15737	45	10	C 22573	51	10	KO 235803	9	8
C 15738	45	11	C 23740	23	6	KO 235811	9	7
C 15739	45	12	C 23740	25	6	KO 235838	7	12
C 15740	45	13	D 31945	37	4	KO 235868	9	17
C 15743	23	14	D 40816	59	8	KO 235900	19	32
C 15744	23	1	G 13827	43	14	KO 235950	11	23
C 15746	23	2	G 49048	33	9	KO 235954	15	23
C 15749	23		KO 200380	17	1	KO 235955	15	4
C 15946	29		KO 200443	17	12	KO 236285	11	
C 15961	21	4	KO 220174	11	49	KO 236387	17	1
C 15970	57	45	KO 220174	49		KO 236442	49	24
C 15971	57	42	KO 230020	7	18	KO 236488	11	31
C 16095	57	46	KO 230170	7	14	KO 236504	9	28
C 16097	57	44	KO 230170	11	9	KO 236506	9	31
C 16098	57	43	KO 230265-S	7	27	KO 236509	9	29
C 16099	57	49	KO 230265-S	11	11	KO 236510	9	32
C 16101	39	15	KO 230722	49		KO 236559	9	33
C 16128	63	20	KO 231032	7	5	KO 236562	53	13
C 16255	29	26	KO 231032	11	58	KO 236564	53	2
C 16295	37	27	KO 231052	19	16	KO 236568	53	12
C 16297	41	2	KO 231281	49		KO 236570	53	11
C 16297	41	11	KO 231355	19	31	KO 236571	53	4
C 16305	27	23	KO 232535	49		KO 236572	53	8
C 16305	35	18	KO 234380	53	10	KO 236573	53	7
C 16443	29	7	KO 235003	9	11	KO 236574	53	15
C 16483	25	13	KO 235007-S	7	15	KO 236575	53	5
C 16485	27	1	KO 235007-S	11	10	KO 236576	53	17
C 16516	47	1	KO 235011	7	16	KO 236577	53	14
C 16517	47		KO 235025	11	16	KO 236594	53	6
C 16786	23	13	KO 235025	11	52	KO 236611	9	13
C 16786	25	4	KO 235026	11	17	KO 236763	9	2
C 17217	15	17	KO 235047	7	9	KO 236764	9	16
C 17217	23	19	KO 235048	7	6	KO 236765	9	16
C 17298	39	1	KO 235048	11	50	KO 236766	9	16
C 17298	45	1	KO 235053	7	26	KO 236792	11	4
C 17574	15	16	KO 235054	15	14	KO 236826	49	20
C 17763	49	26	KO 235057	13	60	KO 236829	49	
C 17808	49		KO 235070	11	29	KO 236865	15	11
C 17809	49	13	KO 235070	11	54	KO 237022	19	21
C 18011	33	5	KO 235084	19	19	KO 237029	15	7
C 18097	9	24	KO 235085	19	18	KO 237038	11	12
C 18097	11	34	KO 235086	19	17	KO 237038	49	19
C 18097	11	46	KO 235117	7	8	KO 237064	13	64
C 18099	19	30	KO 235118	7	7	KO 237105	49	23
C 18100	49		KO 235125-S	19	29	KO 237143	53	19
C 18101	9	18	KO 235168	7	17	KO 237225	53	16
C 18103	19	27	KO 235175	11	2	KO 237306	11	55
			KO 235277	19	23			

NUMERICAL INDEX

PART NO.	PAGE NO.	REF. NO.	PART NO.	PAGE NO.	REF. NO.	PART NO.	PAGE NO.	REF. NO.	
KO 237327	49	27	15- 816	27	20	113-	607	69	7
KO 237339	49	21	25- 104	7	1	114-	200	39	37
KO 237658	11	5	25- 104	19	11	115-	208	15	20
KO 237727	11	45	25- 1510	33	3	126-	11	45	15
KO 237750	49		41- 18	11	13	126-	12	43	9
KO 240013	7	19	61- 510	5	3	126-	119	57	37
KO 270889	11	3	71- 410	15	9	126-	128	37	11
KO 275066	7	25	73- 528	39	32	129-	17	19	7
KO 275067	7	25	83- 55	43	19	129-	17	27	29
KO 275143	7	4	83- 55	45	5	129-	17	51	24
KO 275144	7	11	92- 4	7	2	129-	27	51	22
KO 275144	11	51	92- 6	9	12	129-	37	19	20
KO 275220	7	3	92- 6	43	3	129-	101	27	8
KO 275231	17	5	92- 8	27	19	129-	101	33	23
KO 275341	5	3	92- 8	61	4	129-	101	51	17
KO 275341	13	59	111- 1	19	5	129-	101	57	15
KO 275341	15	11	111- 1	27	27	129-	102	21	4
KO 275690	19	15	111- 101	29	13	129-	102	27	16
KO 275373	17	3	111- 108	51	16	129-	102	33	17
KOA 536	5	10	111- 109	27	11	129-	102	39	34
KOA220981	49		111- 131	33	21	129-	102	41	8
KOA231839	49		111- 202	29	25	129-	102	51	14
KOA235100	5	1	111- 202	51	15	129-	103	29	2
KOA235256-S	19	26	111- 340	69	17	129-	103	57	32
KOA235327	7	20	111- 349	29	4	129-	103	57	36
KOA235334	49		111- 362	69	3	129-	103	61	20
KO 235646	7	23	111- 362	69	3	129-	103	69	5
KOA236205	15	12	111- 362	69	16	129-	103	69	5
KOA236396-S	49	8	111- 530	61	2	129-	105	61	5
KOA236396	53	1	111- 531	61	3	129-	105	61	15
KOA236507	9	30	113- 1	37	20	129-	105	67	10
KOA236636	15	1	113- 2	15	12	129-	105	69	13
KOA236636	17		113- 4	57	14	129-	107	57	29
KOA236720	11	35	113- 6	11	19	129-	107	69	9
KOA236960	13	63	113- 6	15	3	129-	122	51	20
KOA237031	19	28	113- 102	33	11	129-	125	31	15
KOA237033-S	11	8	113- 102	69	27	129-	325	31	16
KOA237107	11	6	113- 103	15	7	129-	400	57	47
KOA237344	9	10	113- 104	27	14	129-	409	5	2
KOA237401	9	15	113- 104	33	15	129-	504	39	20
KOA237403	9	15	113- 111	69	18	129-	531	59	13
KOA237404	9	15	113- 118	21	7	129-	601	57	13
KOA237405	9	15	113- 118	63	10	129-	661	51	13
KOB237034	9	22	113- 206	11	14	131-	71	27	12
KOB237182	11	7	113- 207	11	33	131-	176	29	23
KOX 293-4	19	27	113- 207	39	2	131-	176	63	11
L 15282	33	1	113- 207	57	30	131-	176	69	19
M 20007	49	16	113- 208	15	25	131-	301	9	26
R 16287	9	19	113- 208	23	20	131-	301	11	37
R 16287	11	27	113- 209	61	18	131-	350	29	14
R 16287	11	47	113- 219	57	34	131-	366	37	35
R 17820	37	33	113- 412	67	6	131-	629	51	5
T 25683	57	24	113- 417	63	5	132-	1112	33	8
V 34346	7	24	113- 417	67	9	132-	5	57	26
W 5063-S	9	21	113- 421	67	13	132-	48	21	5
W 5063-S	15	26	113- 423	69	10	132-	91	63	6
W 5063-S	39	6	113- 424	29	17	132-	306	67	12
			113- 424	37	43	132-	310	35	17
			113- 424	69	9	132-	310	57	4
13- 514	27	14	113- 425	65	3	132-	310	63	4
13- 540	45	14	113- 441	29	16	132-	311	31	9
13- 650	43	2	113- 447	29	16				
15- 420	19	9							

HARDWARE CODE NUMBERS

NUMERICAL INDEX

PART NO.	PAGE NO.	REF. NO.	PART NO.	PAGE NO.	REF. NO.	PART NO.	PAGE NO.	REF. NO.
132- 321	35	11	192- 21	69	4	219- 404	33	20
138- 59	63	19	192- 23	29	18	219- 405	63	2
138- 96	35	14	192- 23	31	14	221- 4	37	7
138- 96	57	6	192- 23	37	42	221- 12	41	11
138- 99	31	4	192- 23	61	16	221- 412	57	19
138- 309	63	5	192- 23	67	7	221- 1130	65	1
138- 2043	37	13	192- 23	69	10	221- 1139	65	6
141- 2	57	25	192- 23	69	12	221- 1375	65	5
141- 4	35	22	192- 25	69	8	221- 1422	65	2
141- 56	57	40	193- 4	61	8	353- 157	29	20
164- 41	23	4	193- 26	13	62			
165- 109	11	25	193- 31	39	5			
166- 561	39	4	193- 57	33	22			
169- 146	59	14	193- 60	15	10			
171- 244	51	25	193- 61	51	18			
173- 73	61	7	193- 70	51	19			
173- 215	39	19	193- 76	23	5			
173- 221	13	61	193- 517	51	21			
175- 430	19	35	193- 524	59	6			
175- 436	15	10	195- 101	51				
175- 464	11	1	195- 104	15	18			
177- 94	5	7	195- 104	23	16			
187- 484	51	3	195- 104	35	20			
187- 1036	27	9	195- 510	59	5			
187- 1036	57	11	195- 512	5	8			
187- 1046	31	12	195- 512	27	24			
187- 1047	51	6	195- 515	15	8			
187- 1251	21	2	195- 515	19	10			
192- 18	5	9	195- 515	29	11			
192- 18	19	6	195- 520	27	6			
192- 18	27	28	195- 521	29	24			
192- 18	51	12	195- 521	53	18			
192- 18	51	23	195- 521	59	4			
192- 19	11	18	195- 533	35	6			
192- 19	15	2	195- 533	41	11			
192- 19	15	9	195- 541	9	25			
192- 19	15	13	195- 541	11	36			
192- 19	19	13	195- 541	57	28			
192- 19	27	7	195- 541	63	7			
192- 19	37	19	195- 541	67	3			
192- 19	57	16	195- 545	67	11			
192- 20	15	6	195- 2021	29	27			
192- 20	21	3	205- 27	15	6			
192- 20	27	15	211- 9	59	9			
192- 20	33	10	211- 10	41	4			
192- 20	33	16	213- 4	35	21			
192- 20	39	33	214- 8	39	26			
192- 20	41	7	214- 251	15	4			
192- 20	69	28	218- 455	65	3			
192- 21	11	15	218- 1057	57	23			
192- 21	11	24	218- 5007	39	36			
192- 21	11	32	218- 5007	57	21			
192- 21	15	19	218- 5008	39	13			
192- 21	15	24	218- 5062	39	10			
192- 21	23	21	218- 5064	39	12			
192- 21	39	3	218- 5065	39	12			
192- 21	53	9	218- 5066	39	10			
192- 21	57	31	218- 5077	39	11			
192- 21	57	35	218- 5107	39	35			
192- 21	61	19	219- 403	31	4			
192- 21	69	4	219- 404	31	7			

INGERSOLL
Ingersoll Equipment Co., Inc.