

REVISION RECORD LOG

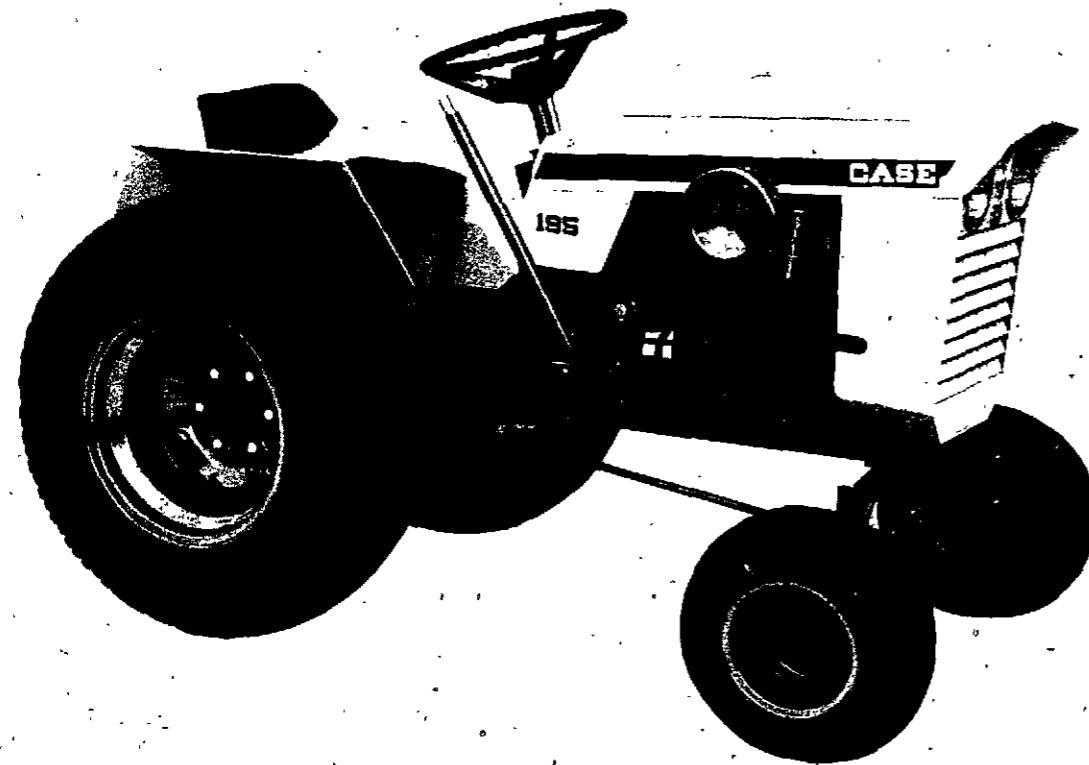
REVISION NO.	DATE INSERTED
1.	
2.	
3.	
4.	
5.	

TS/6-6-76

**MODELS 155 AND 195  
COMPACT TRACTORS**  
Parts Catalog B997

Hi-Liter 2500 10-76

Note: This parts catalog replaces the previous issue - A997 - which is obsolete and should be discarded.



ALPHABETICAL INDEX

ENGINE SECTION

	PAGE	GRID		PAGE	GRID
Air Cleaner	5	A6	Filter, Breather	7	A8
Battery	51-53	E4-E6	Flywheel	13-15	A14-B2
Belt, Starter-Generator	25	C2	Fuel Strainer	21	B8
Breather, Crankcase	7	A8	Fuel System	19	B6
Camshaft	7	A8	Gasket Kits	13-15	A14-B2
Carburetor	21	B8	Governor	17	B4
Connecting Rod	9-11	A10-A12	Muffler	5	A6
Crankshaft	9-11	A10-A12	Oil Pan	13-15	A14-B2
Cylinder Block	13-15	A14-B2	Piston	9-11	A10-A12
Cylinder Head	13-15	A14-B2	PTO, Clutch	23	B10
Electrical System	51-53	E4-E6	Pulley, Clutch	23	B10
Engine Block & Attaching Parts	13-15	A14-B2	Spark Plug	51	E4
Exchanger, Heat	35	C14	Starter-Generator	25	C2
Exhaust System	5	A6	Tank, Fuel	19	B6
Fan	17	B4	Throttle Linkage	17	B4
			Valves	7	A8

BASIC TRACTOR SECTION

	PAGE	GRID		PAGE	GRID
Axle, Front (155)	29	C6	Hydraulics (Continued)		
Axle, Front (195)	29B	C8	Motor, Hydraulic Drive	41	D8
Rear	33	C12	Pump	39	D6
Baffles & Shrouds	17	B4	Valve, Control	37	D4
Brakes, Disc Type	31-49	C10-E2	Valve, Control Linkage	37	D4
Decals	43	D10	Hydraulic Lift Kit (E-25)	57-59	E10-E12
Drawbar	47	D14	Implement Lift Lever	47	D14
Fenders	43	D10	Instruments	51-53	E4-E6
Frame	45	D12	Seat, Operator's	43	D10
Grille	45	D12	Speed-Control	49	E2
Headlights	51	E4	Steering Wheel & Gear	27	C4
Hitch	47	D14	Tool Box	43	D10
Hood	45	D12	Tow Hitch	47	D14
Hydraulics	35-41	C14-D8	Transmission	33	C12
Coupling, Pump Drive	39	D6	Wheels, Front & Rear	31	C10
Hoses, Lines & Fittings	35	C14	Wheel Weights	55	E8

## GENERAL INFORMATION

Parts Catalog No. B997

### Indexes

This Parts Catalog is arranged for easy identification of Genuine CASE Service Parts. An alphabetical index is provided at the front of this Catalog to locate the major groups or assemblies. A numerical index at the rear of the Catalog gives the part numbers and the pages on which they are described.

### Illustrations

All parts are illustrated in "Exploded Views" which show the individual parts in their normal relationship to each other. Reference numbers are used in the illustrations. These numbers correspond to those in the "Reference Number" column and are followed by the part number, description and quantity required.

### Orders

Orders should plainly specify correct part number, full description, quantity required, machine model and engine model, machine and engine serial numbers, method of shipment and shipping address.

### Changes

When changes to the machine make it necessary, revised pages for this book will be issued. The revised pages will be issued with the same page number as those they replace and the "issue" number and date will be advanced.

It is imperative that revised Parts Book pages be inserted into their respective Parts Books as soon as received. Failure to do so will lead to confusion and defeat the purpose of the book.

### Indented Description

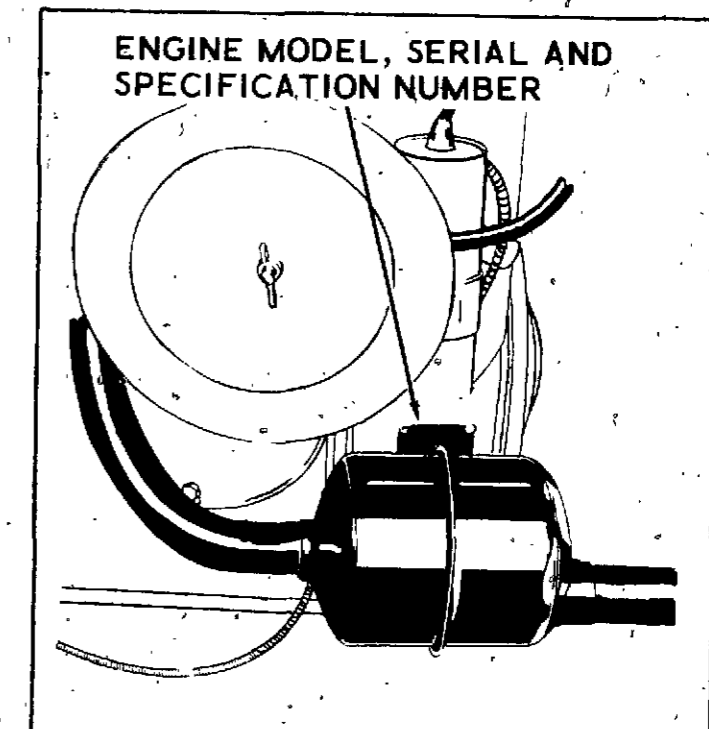
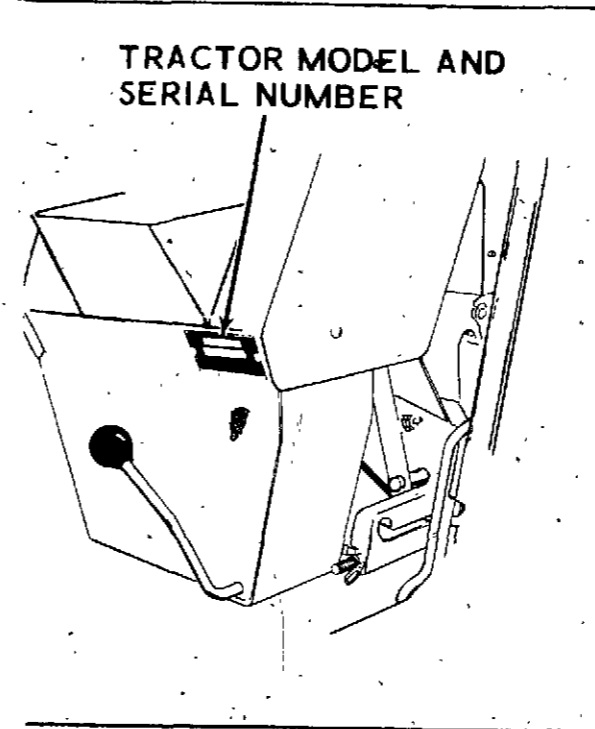
Indented parts in the descriptive list are a part of the preceding assembly or sub-assembly. The quantity shown in the "Number Required" column is the number of parts used on a machine except where parts are indented in descriptive list. In this case the quantity shown is the number required for the preceding assembly or sub-assembly.

REF.	PART NO.	DESCRIPTION	REQ'D
	A 55159	CYLINDER ASSY - rear steering	1
28	A 56208	SOCKET ASSY - rear cylinder	1
29	A 55956	PLUG - adjusting, socket assy	1
30	A 55957	SEAT - socket ball	2
31	A 56210	SPRING - socket	1
32	A 56209	SEAT - socket spring	1
33	G 45175	CLAMP ASSY - socket assy	1
	16- 836	BOLT - 1/2" x 2-1/4" N.F. hex.	1
34	132- 104	PIN - cotter, 3/16" x 3"	1
35	A 55889	STUD - ball, socket & cylinder	2
36	13- 410	BOLT - 1/4" x 5/8" N.C., hex.	4
37	92- 4	LOCKWASHER - 1/4" SAE	4

### Terms "Right Hand" and "Left Hand"

The terms "Right Hand" and "Left Hand" whenever used in this Catalog refers to the machine as viewed when seated in the operator's seat facing the direction of travel.

## CASE 155 AND 195 GARDEN TRACTORS



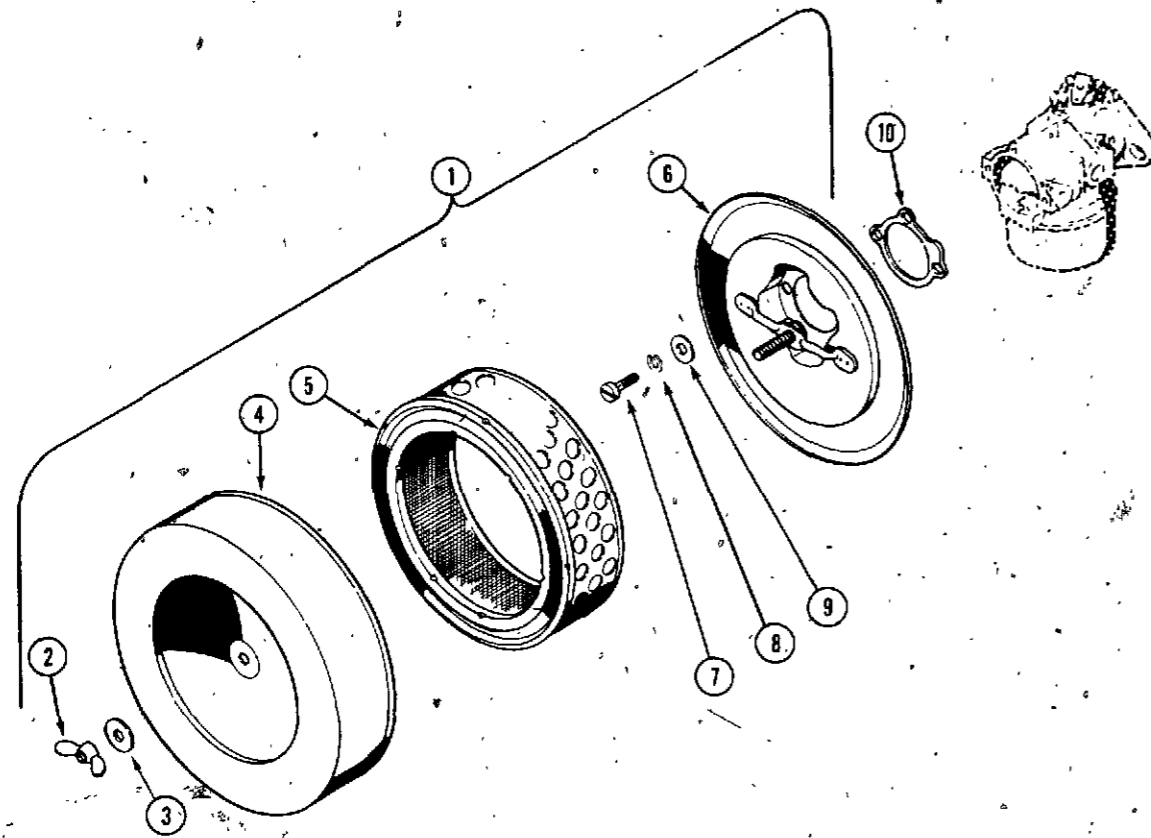
E: THIS CATALOG IS FOR USE WITH MODEL 155 TRACTORS WITH SERIAL NUMBERS 9615882 AND AFTER AND MODEL 195 TRACTORS WITH SERIAL NUMBERS 9620622 AND AFTER. USE PARTS CATALOG NO. 989 FOR MODEL 155 AND 195 TRACTORS WITH SERIAL NUMBERS PRIOR TO THOSE LISTED ABOVE.

TRACTOR MODEL DESIGNATIONS	ENGINE MODEL DESIGNATIONS
155 TRACTOR	K241 A Engine - C12178 SPEC. NO. 46352-D
195 TRACTOR	K301 A Engine - C12179 SPEC. NO. 4770-B

### Serial Numbers

When using this catalog, notice the reference to serial numbers of various components noted here and listed in the "description" copy. By referring to correct serial numbers, proper parts identification will be assured.

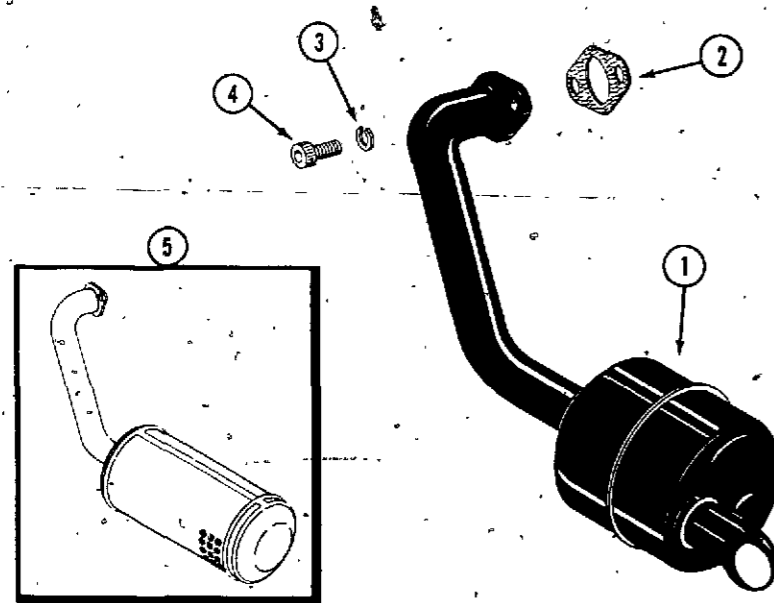
**AIR CLEANER**



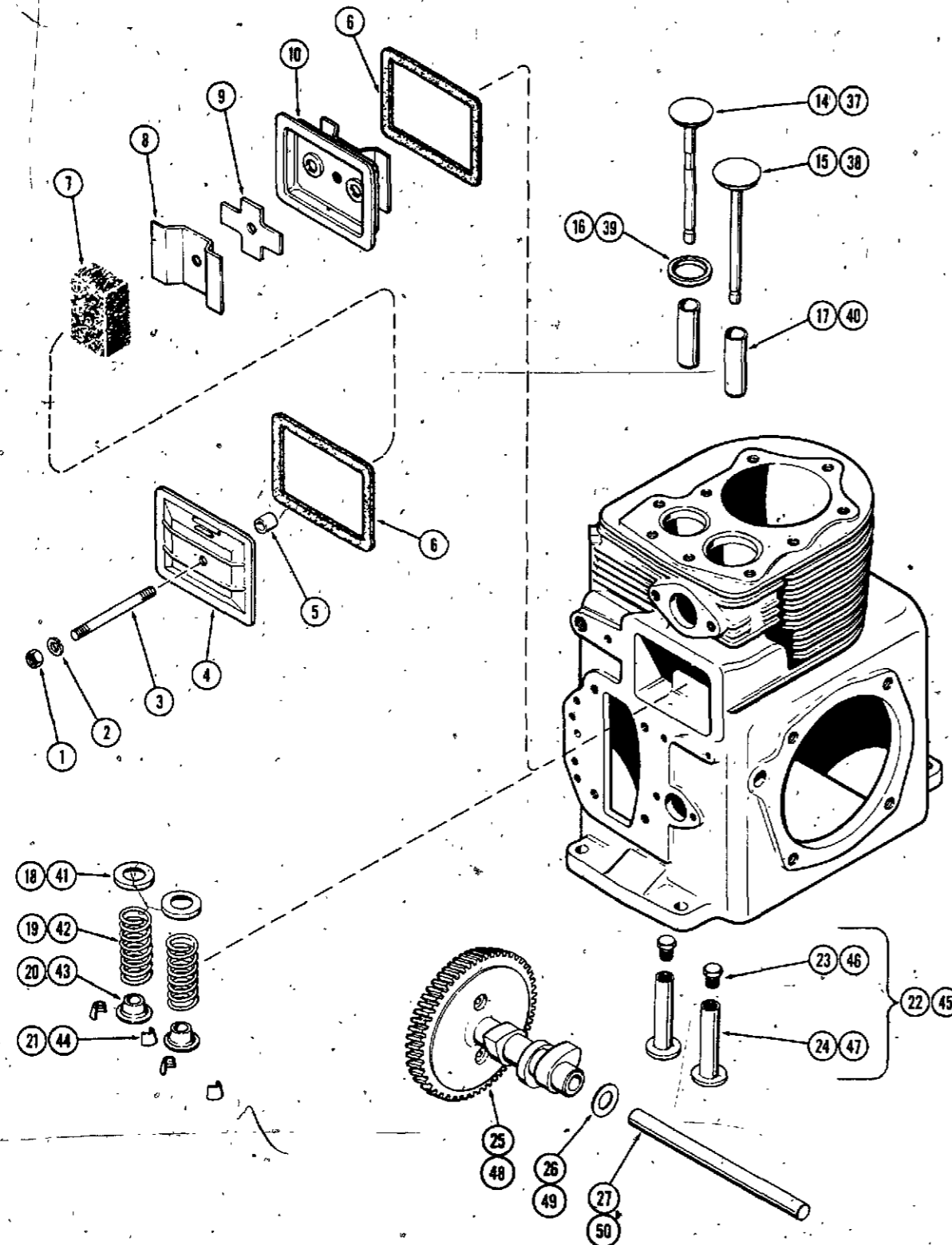
REF. PART NO.	DESCRIPTION	REQ'D
1 KOA235100	AIR CLEANER ASSY	1
2 129- 409	NUT - wing, 3/8" N.C.	1
3 KOA 536	WASHER - copper	1
4 NSS	COVER - air cleaner (Order KOA235100)	1
5 A 70090	ELEMENT - air cleaner	1
6 NSS	BASE - air cleaner (Order KOA235100)	1
7 177- 94	SCREW - fill. hd. 10-32 5/16"	3
8 192- 18	LOCKWASHER - 3/16"	3
9 195- 512	WASHER - plain, 3/16"	3
10 KO 275341	GASKET - air horn	1

**EXHAUST SYSTEM**

1 NSS	MUFFLER - exhaust (Order item 5)	1
2 C 10372	GASKET - exhaust pad	1
3 92- 5	LOCKWASHER - 5/16"	2
4 61- 510	SCREW - 5/16-18 x 5/8" socket hd.	2
5 C 18039	MUFFLER - exhaust	1



**CRANKCASE BREATHER**



REF. PART NO.	DESCRIPTION	REQ'D
13 25- 104	NUT - 1/4" N. C. hex	1
2 92- 4	LOCKWASHER - 1/4"	1
3 KO 275220	STUD - valve cover	1
4 KO 275143	COVER - valve	1
5 KO 231032	SEAL - breather	1
6 KO 235048	GASKET - valve cover	2
7 KO 235118	FILTER - breather	1
8 KO 235117	BAFFLE - breather	1
9 KO 235047	REED - breather	1
10 KO 235631	PLATE - breather	1

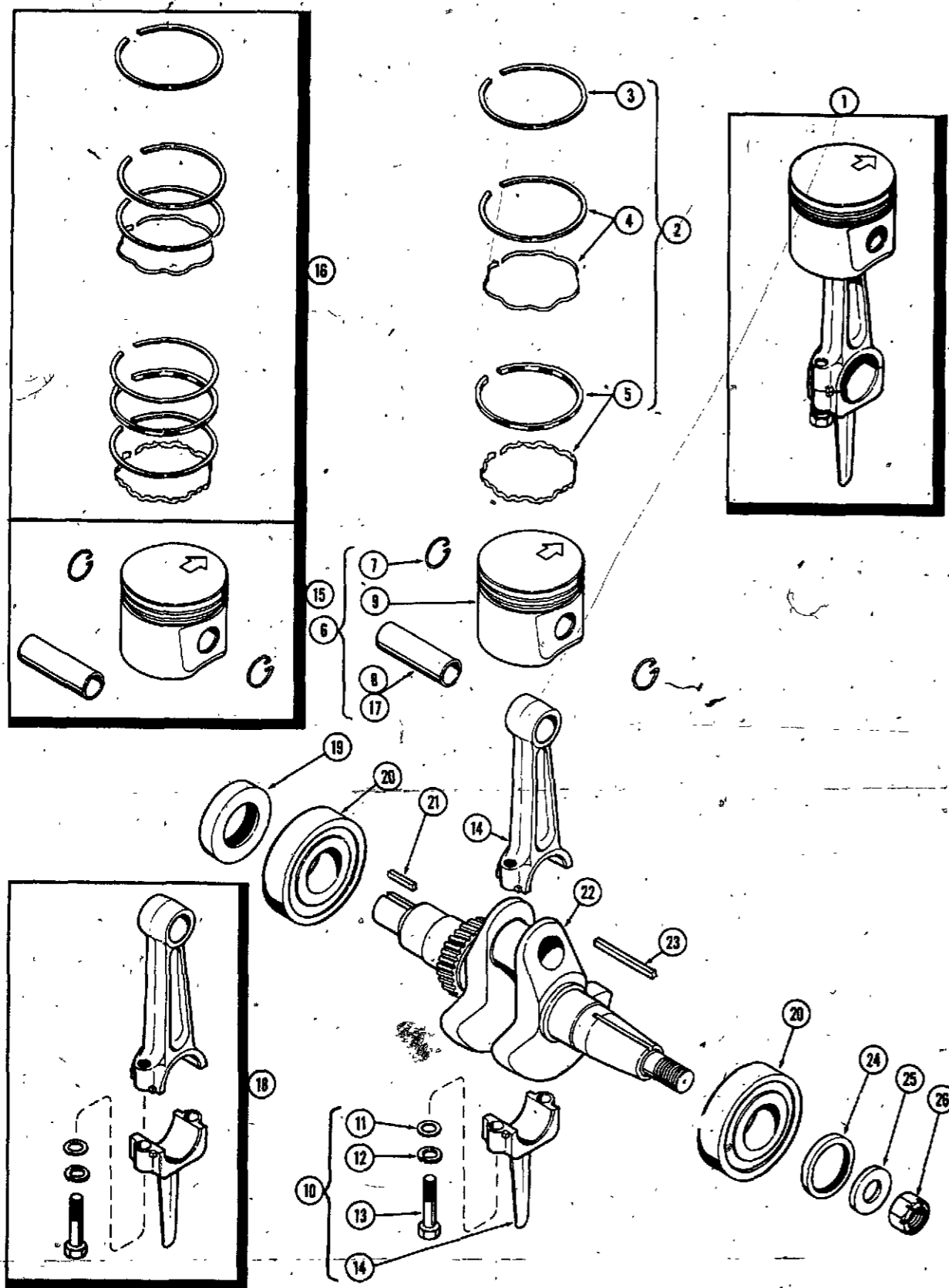
**155 CAMSHAFT AND VALVES**

14 KO 235826	VALVE - exhaust	1
15 KO 235008	VALVE - intake	1
16 KO 230170	INSERT - exhaust valve seat	1
17 KO 235007-S	GUIDE - valve	2
18 KO 235011	SEAT - valve spring	2
19 KO 235010	SPRING - valve	2
20 KO 230011	RETAINER - valve spring	2
21 KO 240013	LOCK - valve retainer	4
22 KOA235327	LIFTER ASSY	2
23 NSS	SCREW - tappet adjusting	1
24 NSS	LIFTER - valve	1
25 KOE235646	CAMSHAFT ASSY	1
26 KO 275086	SPACER - camshaft, .005"	UAR
26 KO 275067	SPACER - camshaft, .010"	UAR
27 KO 235053	PIN - camshaft	1

**195 CAMSHAFT AND VALVES**

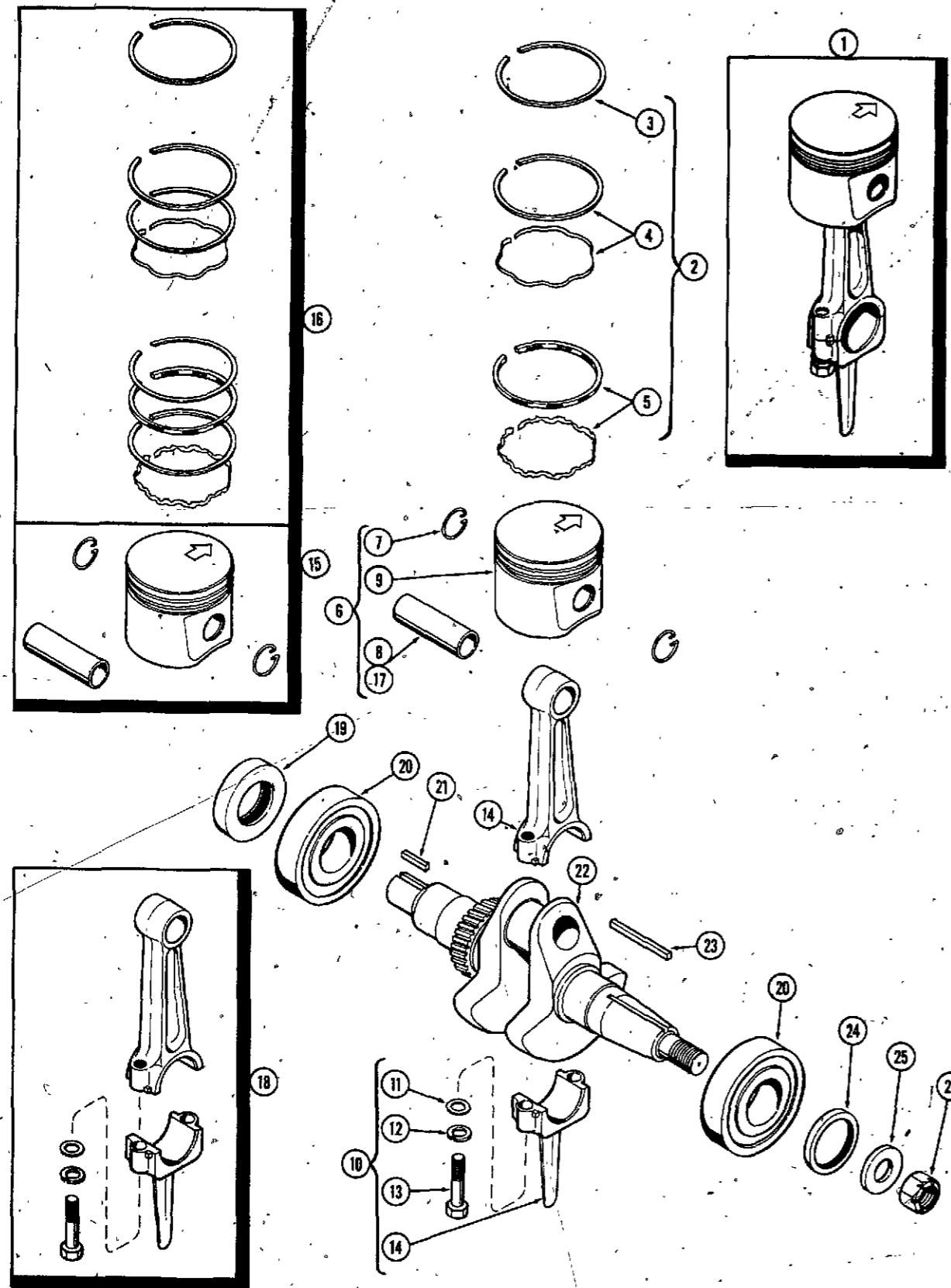
37 KO 235826	VALVE - exhaust	1
38 KO 235008	VALVE - intake	1
39 KO 230170	INSERT - exhaust valve seat	1
40 KO 235007-S	GUIDE - valve	2
41 KO 235011	SEAT - valve spring	2
42 KO 235010	SPRING - valve	2
43 KO 230011	RETAINER - valve spring	2
44 KO 240013	LOCK - valve retainer	4
45 KOA235327	LIFTER ASSY	2
46 NSS	SCREW - tappet adjusting	1
47 NSS	LIFTER - valve	1
48 KOE235646	CAMSHAFT ASSY	1
49 KO 275086	SPACER - camshaft, .005"	UAR
49 KO 275067	SPACER - camshaft, .010"	UAR
50 KO 235053	PIN - camshaft	1

155 CRANKSHAFT, PISTON — CONNECTING ROD



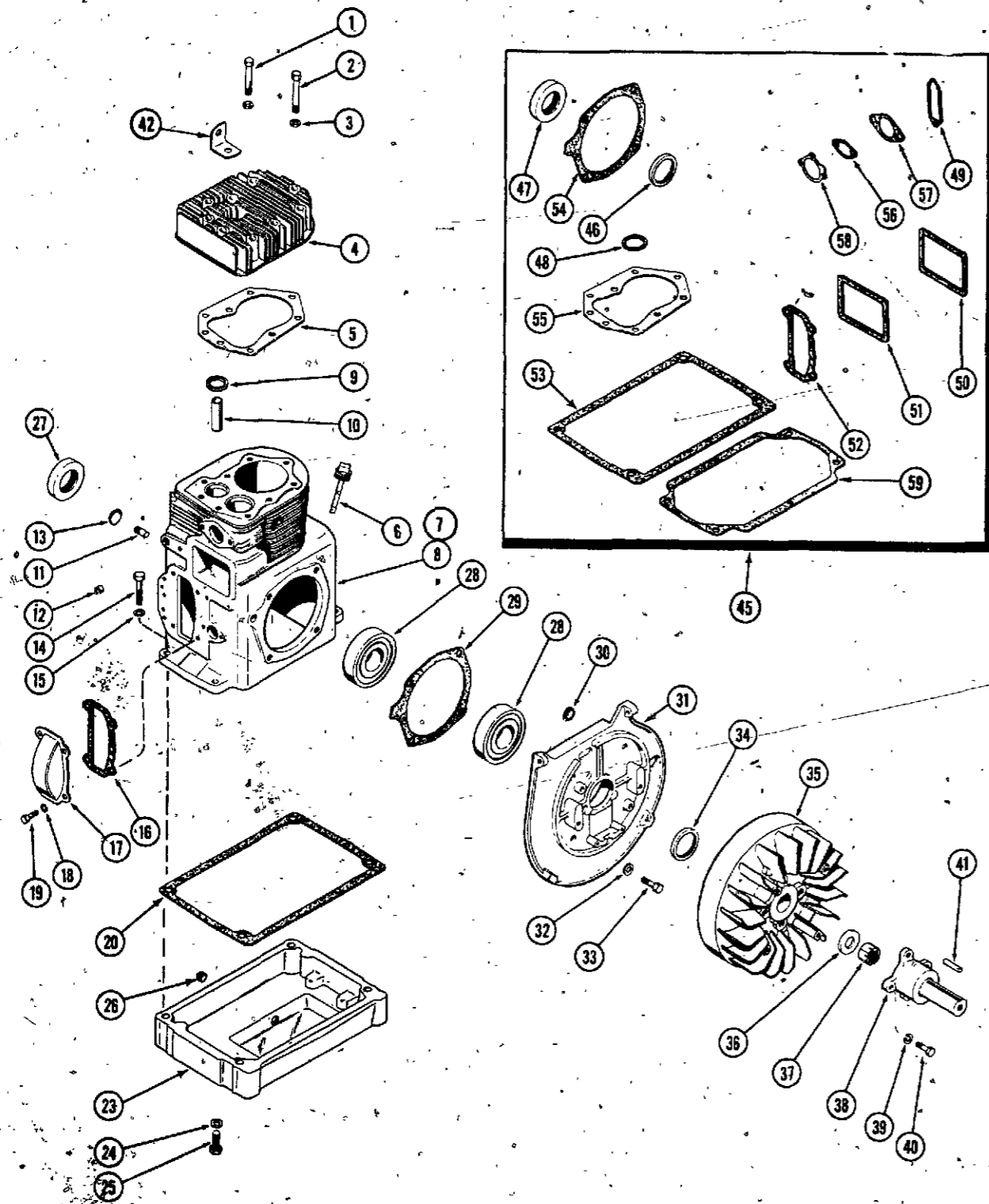
REF. PART NO.	DESCRIPTION	REQ'D
1	NSS PISTON AND ROD ASSY. (Std. size)	1
2	KO 235287 RING SET - piston (for oversize see item 16)	1
3	NSS RING - top compression	1
4	NSS RING - 2nd compression (incl. expander)	1
5	NSS RING - oil (incl. expander)	1
6	KOA235611 PISTON ASSY (for oversize see item 15)	1
7	KO 235004 RETAINER - piston pin	2
8	KO 235572 PIN - piston	1
9	NSS PISTON	1
10	KOA235139 CONNECTING ROD ASSY (for undersize see item 18)	1
11	KO 235003 WASHER - special	2
12	192- .111 LOCKWASHER	2
13	KO 235526 SCREW - cap, connecting rod	2
14	NSS ROD - connecting	1
15	KOA235569 PISTON ASSY - .010" oversize	1
15	KOA235571 PISTON ASSY - .020" oversize	1
15	KOA235616 PISTON ASSY - .030" oversize	1
16	KO 235288 RING SET - piston .010" oversize	1
16	KO 235289 RING SET - piston .020" oversize	1
16	KO 235290 RING SET - piston .030" oversize	1
17	KO 235573 PIN - piston, .005" oversize	1
18	C 18101 CONNECTING ROD ASSY. - .010" undersize	1
19	R 16287 OIL SEAL - crankshaft rear	1
20	40035 BEARING - crankshaft ball	2
21	W 5063-S KEY - 1/4" square x 3/4" (pump cplg)	1
22	KOB235711 CRANKSHAFT	1
23	C 18104 KEY - flat-1/4" x 3/16" x 1-3/4" (flywheel)	1
24	C 18097 OIL SEAL - crankshaft front	1
25	C 18096 WASHER - 3/4"	1
26	131- 301 NUT - special Marsden 3/4" NF	1

195 CRANKSHAFT, PISTON — CONNECTING ROD



REF. PART NO.	DESCRIPTION	REQ'D
1	NSS PISTON AND ROD ASSY. (Std. size)	1
2	KO 235889 RING SET - piston (for oversize see item 16)	1
3	NSS RING - top compression	1
4	NSS RING - 2nd compression (incl. expander)	1
5	NSS RING - oil (incl. expander)	1
6	KOA235827 PISTON ASSY (for oversize see item 15)	1
7	KO 235811 RETAINER - piston pin	2
8	KO 235803 PIN - piston	1
9	NSS PISTON	1
10	KOA237344 CONNECTING ROD ASSY (for undersize see item 18)	1
11	KO 235003 WASHER - special	2
12	192- 111 LOCKWASHER	2
13	KO 235526 SCREW - cap, connecting rod	2
14	NSS ROD - connecting	1
15	KOA235865 PISTON ASSY - .010" oversize	1
15	KOA235866 PISTON ASSY - .020" oversize	1
15	KOA235867 PISTON ASSY - .030" oversize	1
16	KO 235890 RING SET - piston .010" oversize	1
16	KO 235891 RING SET - piston .020" oversize	1
16	KO 235892 RING SET - piston .030" oversize	1
17	KO 235868 PIN - piston .005" oversize	1
18	C 18102 CONNECTING ROD ASSY. - .010" undersize	1
19	R 16287 OIL SEAL - crankshaft rear	1
20	40035 BEARING - crankshaft ball	2
21	W 5063-S KEY - 1/4" square x 3/4" (pump cplg.)	1
22	KOB235949 CRANKSHAFT	1
C	C 18104 KEY - flat 1/4" x 3/16" x 1-3/4" (flywheel)	1
24	C 18097 OIL SEAL - crankshaft front	1
25	C 18096 WASHER - 3/4"	1
26	131- 301 NUT - special Marsden 3/4" NF	1

155 ENGINE BLOCK AND ATTACHING PARTS

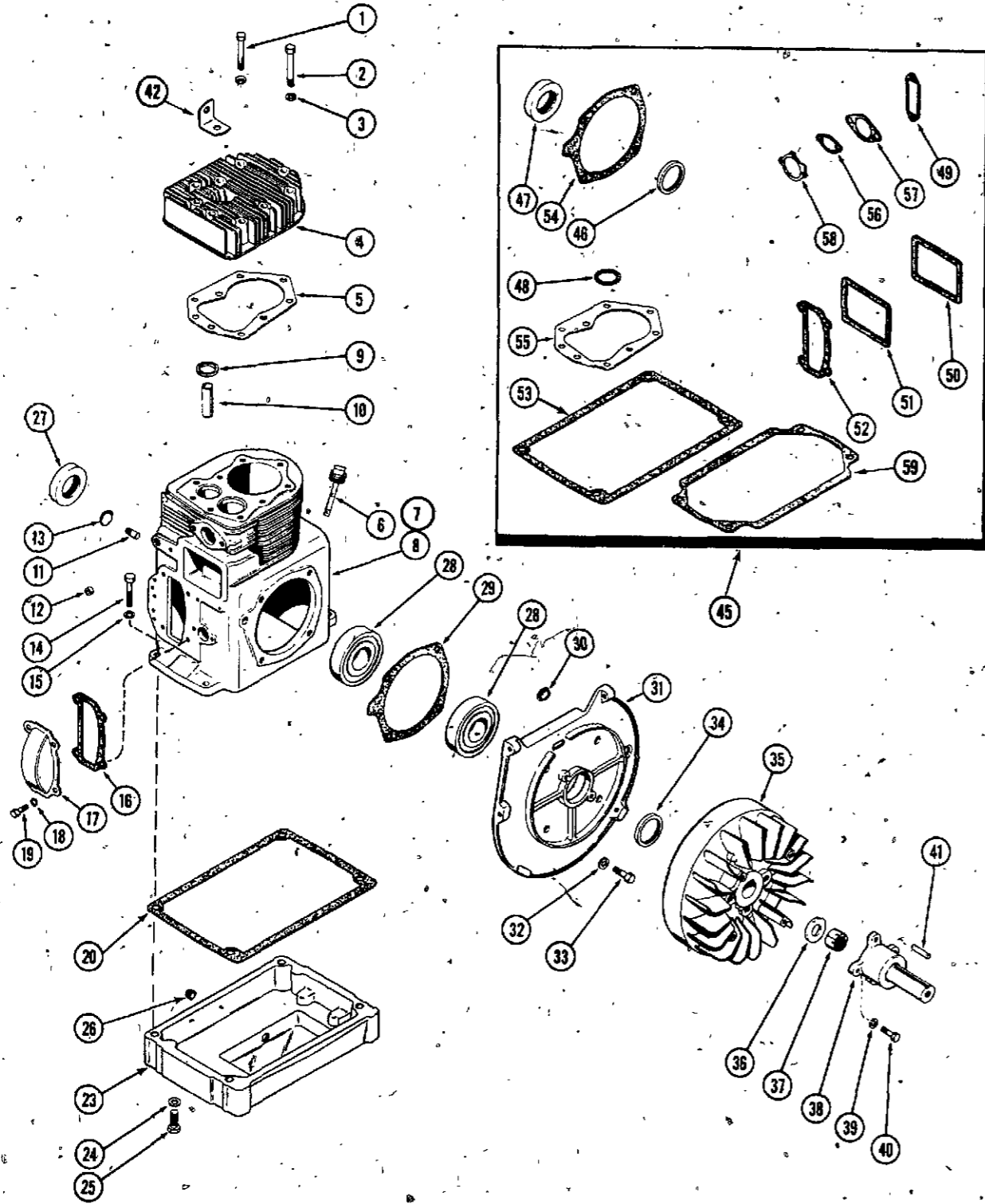


REF. PART NO.	DESCRIPTION	REQ'D
1 KO 271077	BOLT - cyl. hd. (length 2-1/4")	6
2 KO 235175	BOLT - cyl. hd. (length 2-1/2")	3
3 KO 270889	WASHER - cyl. hd; bolt	9
4 KO 235656	HEAD - cylinder	1
5 KO 237658	GASKET - head	1
6 KO 235747	DIPSTICK ASSY	1
7 KOB 236303	BLOCK ASSY - cyl., short (incl. crankshaft, rod assy governor, camshaft, valves, bearings and plate)	1
8 KOA 237871	BLOCK ASSY - cyl., stripped (Std. bore)	1
9 KO 230170	INSERT - exhaust valve	1
10 KO 235007-S	GUIDE - valve	2
11 KO 235125-S	SHAFT - stub, governor	1
12 C 18103	BEARING - needle, governor shaft	1
13 41- 18	PLUG - expansion	1
14 113- 206	BOLT - 3/8" x 7/8" N.C. hex plated	4
15 192- 21	LOCKWASHER - 3/8" SAE plated	4
16 KO 235025	GASKET - camshaft cover	1
17 KO 235026	COVER - camshaft gear	1
18 192- 19	LOCKWASHER - 1/4" plated	4
19 113- 6	BOLT - 1/4" x 1/2" UNC, plated	4
20 KO 235353	GASKET - oil pan	1
23 KO 237808	BASE - oil pan	1
24 192- 21	LOCKWASHER - 3/8" plated	4
25 115- 204	BOLT - 3/8" x 1" N.C. hex plated	4
26 221- 2	PLUG - pipe, 1/4" sq. hd.	1
27 R 16287	OIL SEAL - crankshaft rear	1
28 40035	BEARING - crankshaft ball	2
29 KO 235757	GASKET - shim, bearing plate, .010"	6
29 KO 235070	GASKET - shim, .010"	UAR
30 205- 27	PLUG - button, timing hole	1
31 KO 235815	PLATE - bearing	1
32 192- 21	LOCKWASHER - 3/8" plated	4
33 113- 207	BOLT - 3/8" x 1" N.C. plated	4
34 C 18097	OIL SEAL - crankshaft front	1
35 KO 235818	FLYWHEEL	1
36 195- 545	WASHER - special, plated	1
37 131- 301	NUT - special Marsden	1
38 KO 235954	SHAFT - frt. drive stub	1
39 192- 21	LOCKWASHER - 3/8" SAE plated	4
40 113- 208	BOLT - 3/8" x 1-1/4" N.C. hex	4
41 W 5063-S	KEY - 1/4" sq. x 3/4"	1
42 KO 235748	STRAP - lifting	1

ENGINE GASKET AND SEAL KIT

45 KO 237727	KIT - engine gasket and seal	1
46 C 18097	SEAL - crankshaft front oil	1
47 R 16287	SEAL - crankshaft rear oil	1
48 B 59393	GASKET - fuel strainer bowl	1
49 KO 220174	GASKET - breaker cover	1
50 KO 231032	SEAL - breather	1
51 KO 235048	GASKET - valve cover	2
52 KO 235025	GASKET - camshaft gear cover	1
53 KO 235353	GASKET - oil pan	1
54 KO 235757	GASKET - shim, bearing plate .010"	6
54 KO 235070	GASKET - shim, .010"	UAR
55 KO 237658	GASKET - cyl. head	1
56 A 72108	GASKET - fuel pump flange	1
57 A 72100	GASKET - carburetor flange	1
58 KO 275341	GASKET - carburetor air horn	1
59 KO 235057	GASKET - oil pan (not used on this model)	1

195 ENGINE BLOCK AND ATTACHING PARTS



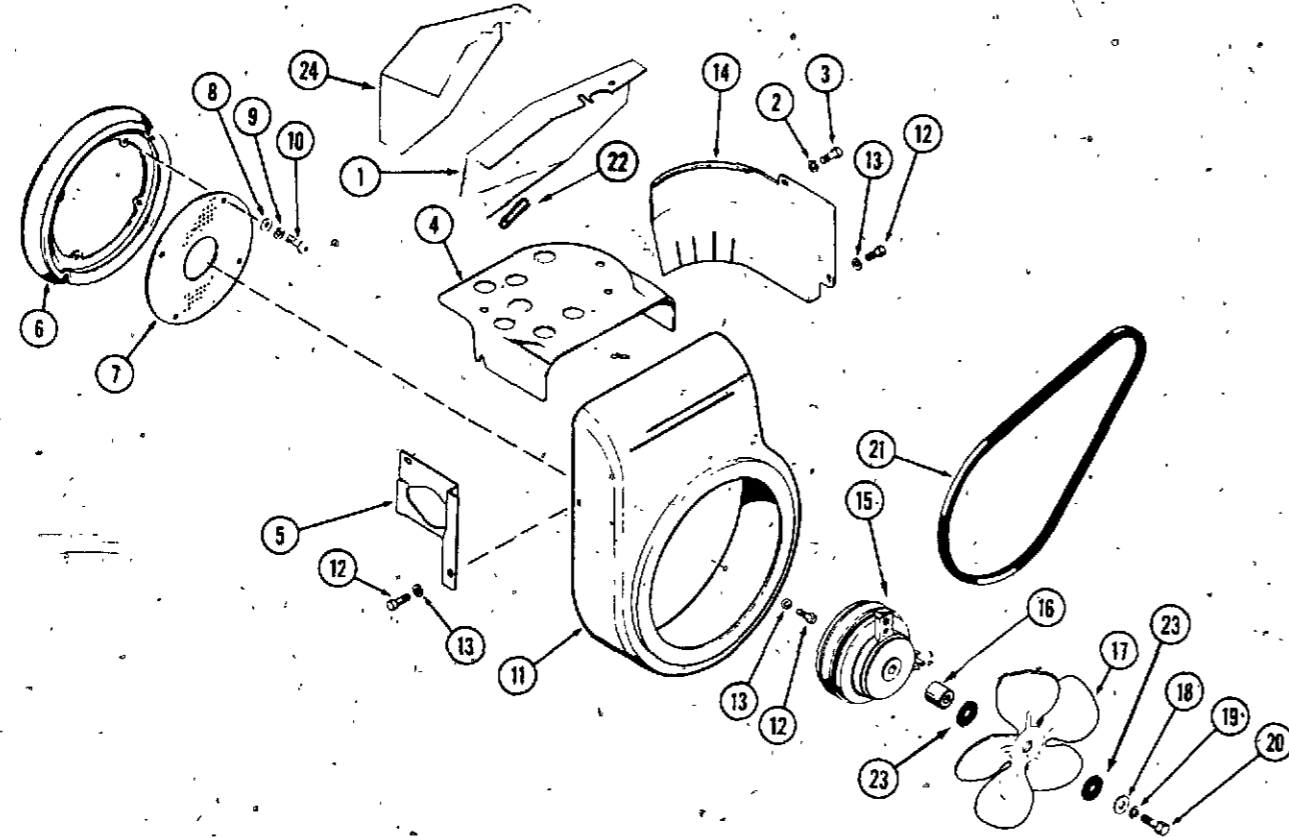
REF. PART NO.	DESCRIPTION	REQ'D
1	KO 271077 BOLT - cyl. hd. (length 2-1/4")	6
2	KO 235175 BOLT - cyl. hd. (length 2-1/2")	3
3	KO 270889 WASHER - cyl. hd. bolt	9
4	KO 235820 HEAD - cyl.	1
5	KO 237658 GASKET - head	1
6	KO 235747 DIPSTICK ASSY	1
7	KOB 236293 BLOCK ASSY - cyl., short (incl. crankshaft, rod assy, governor, camshaft, valves, bearings and plate)	1
8	C 23145 BLOCK ASSY - cyl., standard bore	1
9	KO 230170 INSERT - exhaust valve	1
10	KO 235007-S GUIDE - valve	2
11	KO 235125-S SHAFT - stub, governor	1
12	C 18103 BEARING - needle, governor shaft	1
13	41- 18 PLUG - expansion	1
14	113- 206 BOLT - 3/8" x 1-1/4" N.C. hex plated	4
15	192- 21 LOCKWASHER - 3/8" plated	4
16	KO 235025 GASKET - camshaft cover	1
17	KO 235026 COVER - camshaft gear	1
18	192- 19 LOCKWASHER - 1/4" plated	4
19	113- 6 BOLT - 1/4" x 1/2" UNC plated	4
20	KO 235353 GASKET - oil pan	1
23	KO 237808 BASE - oil pan	1
24	192- 21 LOCKWASHER - 3/8" plated	4
25	115- 204 BOLT - 3/8" x 1" N.C. hex plated	4
26	221- 2 PLUG - pipe, 1/4" sq. hd.	1
27	R 16287 OIL SEAL - crankshaft rear	1
28	40035 BEARING - crankshaft ball	2
29	KO 235757 GASKET - shim, bearing plate .010"	6
29	KO 235070 GASKET - shim, .010"	UAR
30	205- 27 PLUG - button, timing hole	1
31	KO 235815 PLATE - bearing	1
32	192- 21 LOCKWASHER - 3/8" plated	4
33	113- 207 BOLT - 3/8" x 1" N.C. plated	4
34	C 18097 OIL SEAL - crankshaft front	1
35	KO 235818 FLYWHEEL	1
36	195- 545 WASHER - special, plated	1
37	131- 301 NUT - special Marsden	1
38	KO 235954 SHAFT - frt. drive stub	1
39	192- 21 LOCKWASHER - 3/8" SAE plated	4
40	113- 208 BOLT - 3/8" x 1-1/4" N. C. hex plated	4
41	W 5063-S KEY - 1/4" sq. x 3/4"	1
42	KO 235748 STRAP - lifting	1

ENGINE GASKET AND SEAL KIT

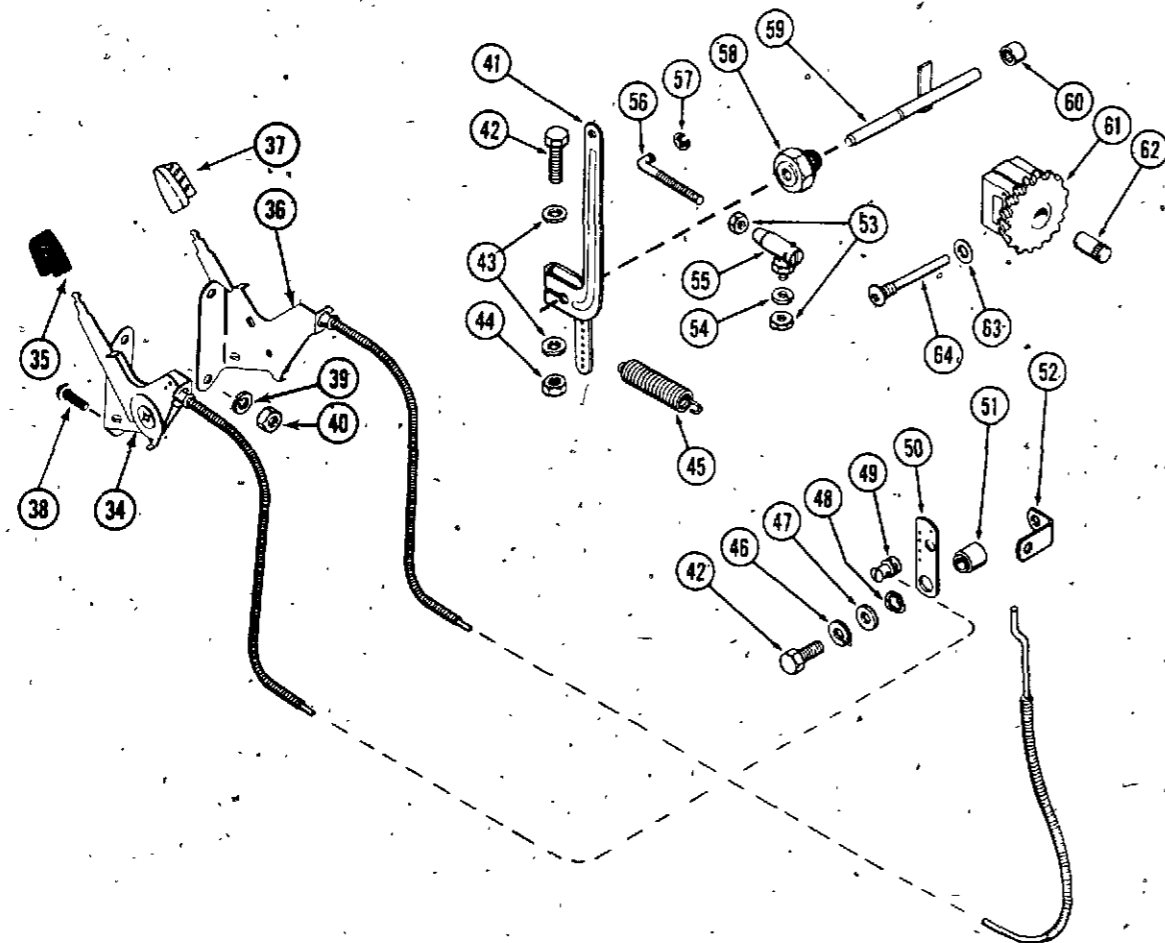
45	KO 237727 KIT - engine gasket and seal	1
46	C 18097 SEAL - crankshaft front oil	1
47	R 16287 SEAL - crankshaft rear oil	1
48	B 59393 GASKET - fuel strainer bowl	1
49	KO 220174 GASKET - breaker cover	1
50	KO 231032 SEAL - breather	1
51	KO 235048 GASKET - valve cover	2
52	KO 235025 GASKET - camshaft gear cover	1
53	KO 235353 GASKET - oil pan	1
54	KO 235757 GASKET - shim, bearing plate, .010"	6
54	KO 235070 GASKET - shim, .010"	UAR
55	KO 237658 GASKET - cyl. head	1
56	A 72108 GASKET - fuel pump flange	1
57	A 72100 GASKET - carburetor flange	1
58	KO 275341 GASKET - carburetor air horn	1
59	KO 235057 GASKET - oil pan (not used on this model)	1



**BAFFLES, SHROUDS AND CLUTCH PULLEY**

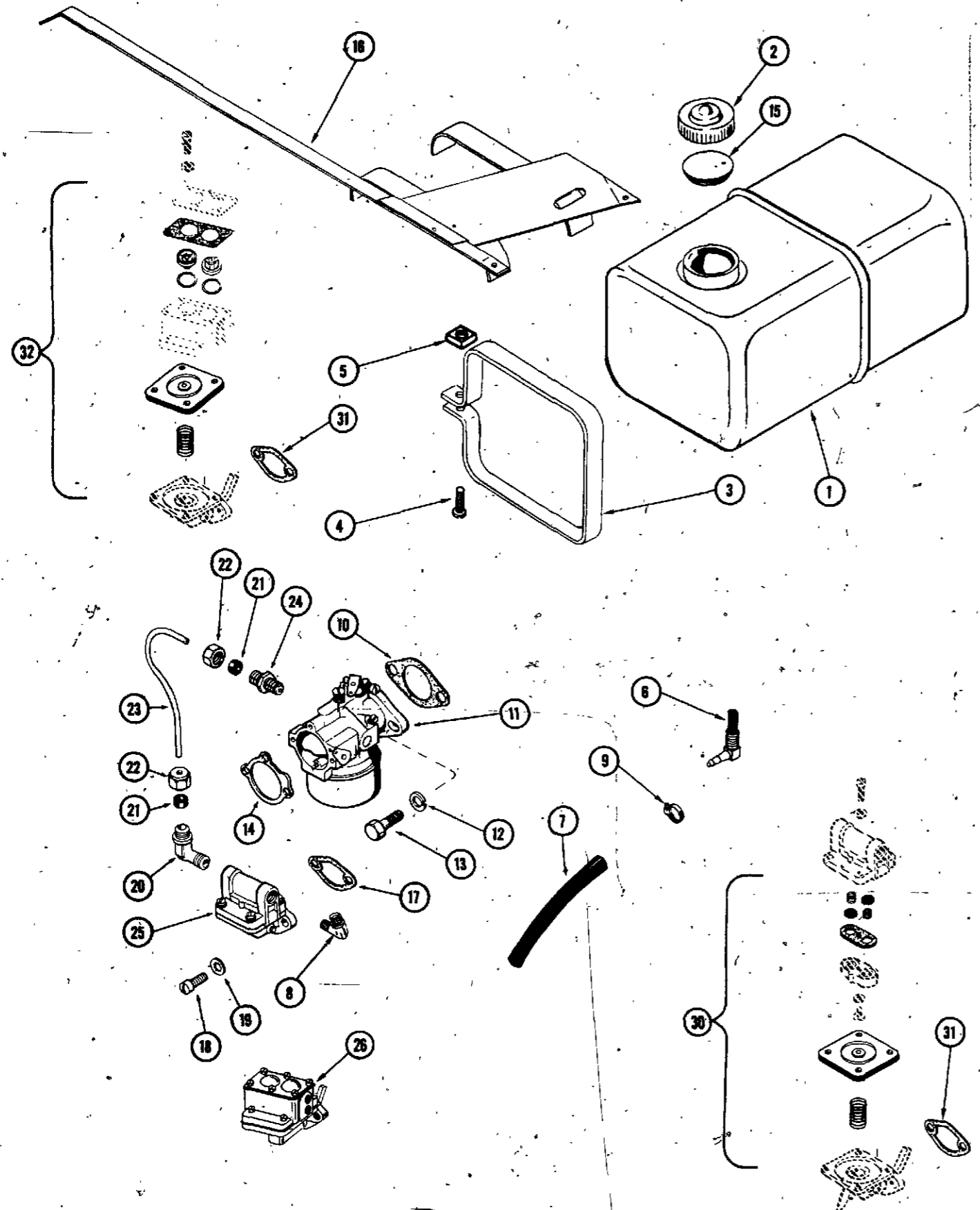


REF. PART NO.	DESCRIPTION	REQ'D
1 NSS	DEFLECTOR - engine air (Order item 24)	1
2 192- 19	LOCKWASHER - 1/4", plated	2
3 113- 6	BOLT - 1/4" x 1/2" N.C. hex plated	2
4 KO 235955	BAFFLE - cylinder head	1
5 KO 235368	BAFFLE - carburetor side air	1
6 KO 235207	PULLEY - starter	1
7 KO 235052	SCREEN - blower air intake	1
8 195- 515	WASHER - 1/4" plated	4
9 192- 19	LOCKWASHER - 1/4" plated	4
10 175- 436	SCREW - 1/4" x 5/8" N.C. truss hd. Phillips, plated	4
11 KO 235951	HOUSING - blower	1
12 113- 2	BOLT 1/4" x 3/4" N.C. hex hd. plated	4
13 192- 19	LOCKWASHER - 1/4" plated	4
14 KO 235054	BAFFLE - cylinder	1
15 NSS	CLUTCH - pulley (Order C19696 kit)	1
16 C 10312	SPACER - short	1
17 NSS	FAN - engine (order C17217 kit)	1
18 195- 104	WASHER - 3/8" plain	1
19 192- 21	LOCKWASHER - 3/8" SAE	1
20 115- 208	BOLT - 3/8" x 3-1/2" N.C., hex (for pulley clutch)	1
21 A 70205	BELT - drive, starter, generator	1
22 C 12603	CHANNEL - deflector	1
23 C 13756	WASHER - fan, rubber	2
24 C 18296	DEFLECTOR - engine air	1



REF. PART NO.	DESCRIPTION	REQ'D
34 C 13848	CONTROL - throttle	1
35 C 12224	HANDLE - throttle control	1
36 C 12187	CONTROL - choke	1
37 C 12223	HANDLE - choke control	1
38 111- 1	BOLT - 10-24 x 1/2" rd. hd., square neck	2
39 192- 18	LOCKWASHER - #10 std. plated	2
40 129- 7	NUT - # 10-24 plated	2
41 KO 235494	LEVER - governor	1
42 15- 420	BOLT - 1/4" x 1/4" N/C. hex	2
43 195- 515	WASHER, 1/4" plated	2
44 25- 104	NUT - 1/4" hex	1
45 KO 235496	SPRING - governor	1
46 192- 19	LOCKWASHER - 1/4" plated	1
47 C 18098	WASHER - thrust	1
48 KO 275690	WASHER - wavy	1
49 KO 231052	CLAMP - swivel, wire	1
50 KO 235086	LEVER - speed control	1
51 KO 235085	SPACER - speed control bracket	1
52 KO 235084	BRACKET - high speed stop	1
53 129- 37	NUT - #10-32, hex	2
54 192- 18	LOCKWASHER - 3/16" plated	1
55 A 10326	JOINT - ball	1
56 KO 235277	ROD - throttle	1
57 KO 235278	RING - retaining, throttle rod	1
58 KO 235476	BUSHING - governor cross shaft	1
59 KOA235256-S	SHAFT ASSY - governor cross	1
60 C 18103	BEARING - needle governor shaft	1
61 KOA235743-S	GEAR ASSY - governor	1
62 KO 235125-S	SHAFT - governor stud	1
63 C 18099	WASHER - governor stop pin	1
64 KO 231355	PIN - governor stop	1

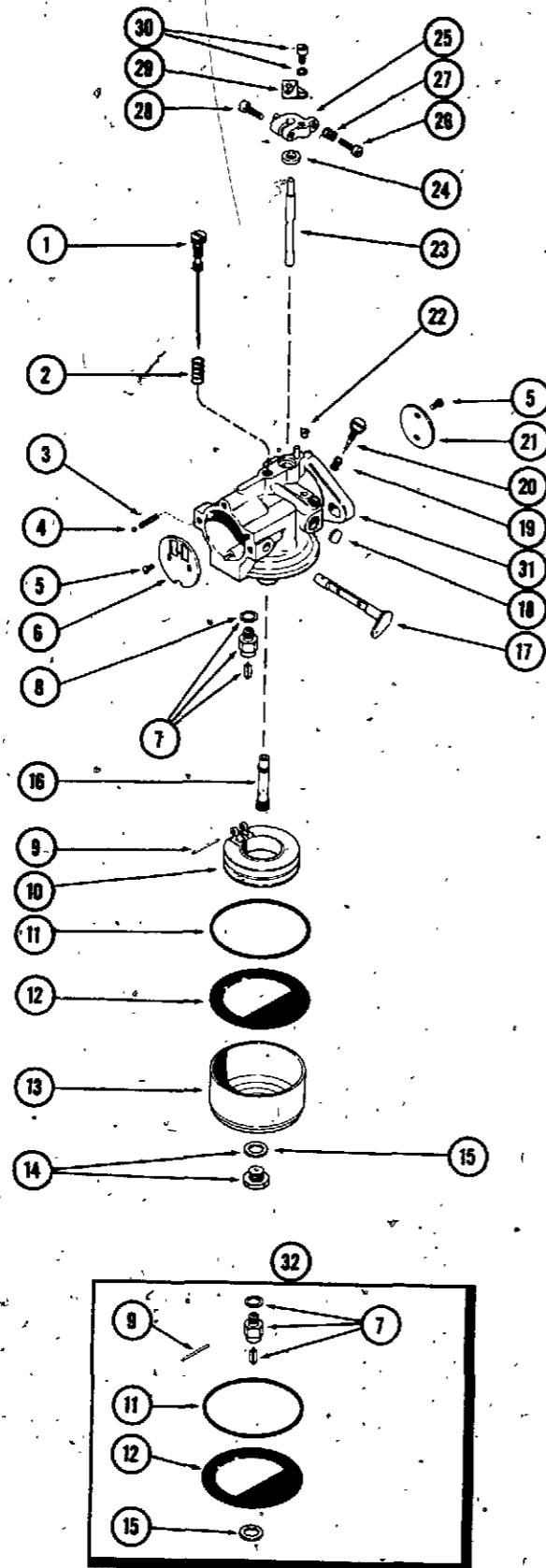
FUEL SYSTEM



REF. PART NO.	DESCRIPTION	REQ'D
1 C 10479	TANK - fuel	1
2 C 11529	CAP - fuel tank	1
3 A 70100	STRAP - fuel tank mounting	2
4 173- 215	SCREW - 1/4" x 1-1/4" rd. hd.	2
5 129- 294	NUT - square, 1/4" N.C.	2
6 C 10657	ELBOW - fuel line	1
7 C 12211	HOSE - fuel line	1
8 C 10678	FITTING - elbow, fuel line, nylon	1
9 214- 253	CLAMP - 1/2" hose	2
10 A 72100	GASKET - carburetor flange	1
11 A 72073	CARBURETOR ASSEMBLY (Repairs Page 21)	1
12 192- 20	LOCKWASHER - 5/16" SAE std.	2
13 113- 103	BOLT - 5/16" x 1" N.C. hex head	2
14 KO275341	GASKET - air horn	1
15 C 11545	INSERT - fuel cap	1
16 C 12203	BRACKET - fuel tank mounting	1
17 A 72108	GASKET - fuel pump mounting	1
18 71- 410	SCREW - 1/4" x 5/8" N.C. fillister head	2
19 193- 60	LOCKWASHER - 1/4" SAE std.	2
20 222- 41	ELBOW - includes sleeve and nut	1
21 222- 101	SLEEVE - for 3/16" O.D. tube	2
22 222- 112	NUT - for 3/16" O.D. tube	2
23 KO235097	LINE - fuel pump to carburetor	1
24 222- 4021	CONNECTOR ASSEMBLY - includes sleeve and nut	1
25 KOA235845	FUEL PUMP - (for 10 HP model) (155)	1
26 C 22987	FUEL PUMP - (for 12 HP model) (195)	1

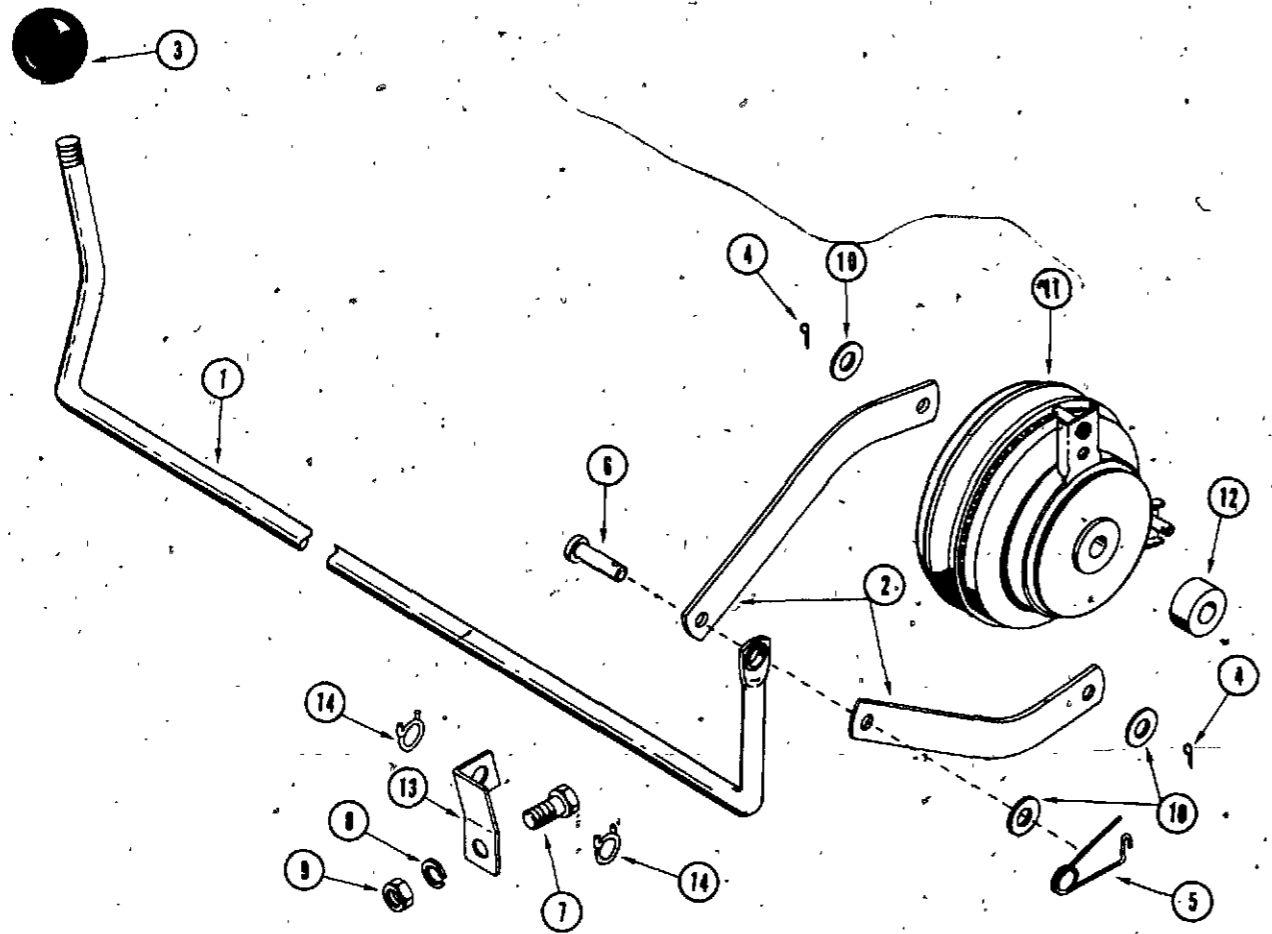
FUEL PUMP

30 KO 230675	FUEL PUMP KIT - for KOA235845 pump	1
NSS	SPRING - fuel pump valve	2
NSS	VALVE - fuel pump	2
NSS	GASKET - valve	1
NSS	DIAPHRAGM ASSEMBLY	1
NSS	SPRING - diaphragm	1
31 A 72108	GASKET - fuel pump mounting	1
32 KO 236387	FUEL PUMP KIT - for C22987 pump	1
NSS	GASKET - valve housing	1
NSS	VALVE ASSEMBLY	2
NSS	GASKET - valve	2
NSS	DISPHRAGM ASSEMBLY	1
NSS	SPRING - diaphragm	1
31 A 72108	GASKET - fuel pump mounting	1



**A72073 CARBURETOR**

REF. PART NO.	DESCRIPTION	REQ'D
	<b>A72073 CARBURETOR ASSY</b> .....	1
1	A 72077 JET ASSY - high speed & idle adj. ....	1
2	KO 200383 SPRING - idle jet. ....	1
3	A 72085 SPRING - choke detent ball .....	1
4	211- 3 BALL - 1/8" steel. ....	1
5	F 19895 SCREW - #3-48 rd. hd. mach., brass. ....	4
6	A 72074 VALVE ASSY - choke disc .....	1
7	KO200443 INLET NEEDLE & SEAT ASSY. ....	1
8	A 72102 GASKET - needle seat .....	1
9	F 19892 PIN - carburetor float .....	1
10	KO 200408 FLOAT ASSY .....	1
11	KO 200375 GASKET - carburetor bowl ring .....	1
12	KO 200439 GASKET - carburetor bowl .....	1
13	KO 235448 BOWL - carburetor .....	1
14	KO 235447 NUT & GASKET ASSY - bowl. ....	1
15	KO 200372 GASKET - bowl screw .....	1
16	A 72101 SEAT - high idle jet. ....	1
17	A 72075 SHAFT & LEVER ASSY - choke .....	1
18	A 72087 PLUG - 3/8" expansion .....	1
19	A 72098 SPRING - lean-rich adjusting screw .....	1
20	A 72099 SCREW - adjusting (lean-rich) .....	1
21	A 72090 VALVE - throttle disc .....	1
22	A 72088 PLUG - carb. body passage .....	1
23	A 72089 SHAFT - throttle lever .....	1
24	A 72097 SEAL - throttle shaft .....	1
25	A 72094 DOG ASSY - throttle shaft. ....	1
26	A 72092 SCREW - idle stop. ....	1
27	KO200380 SPRING - idle screw tension .....	1
28	169- 77 SCREW - throttle dog clamp #8 x 1/2" N.C. fill. hd. ....	1
29	A 72096 LEVER - throttle. ....	1
30	A 72095 SCREW ASSY - throttle lever .....	1
31	NSS BODY - carb. (Order A72073 Carb. Assy) .....	1
32	A 72103 KIT - carburetor repair .....	1

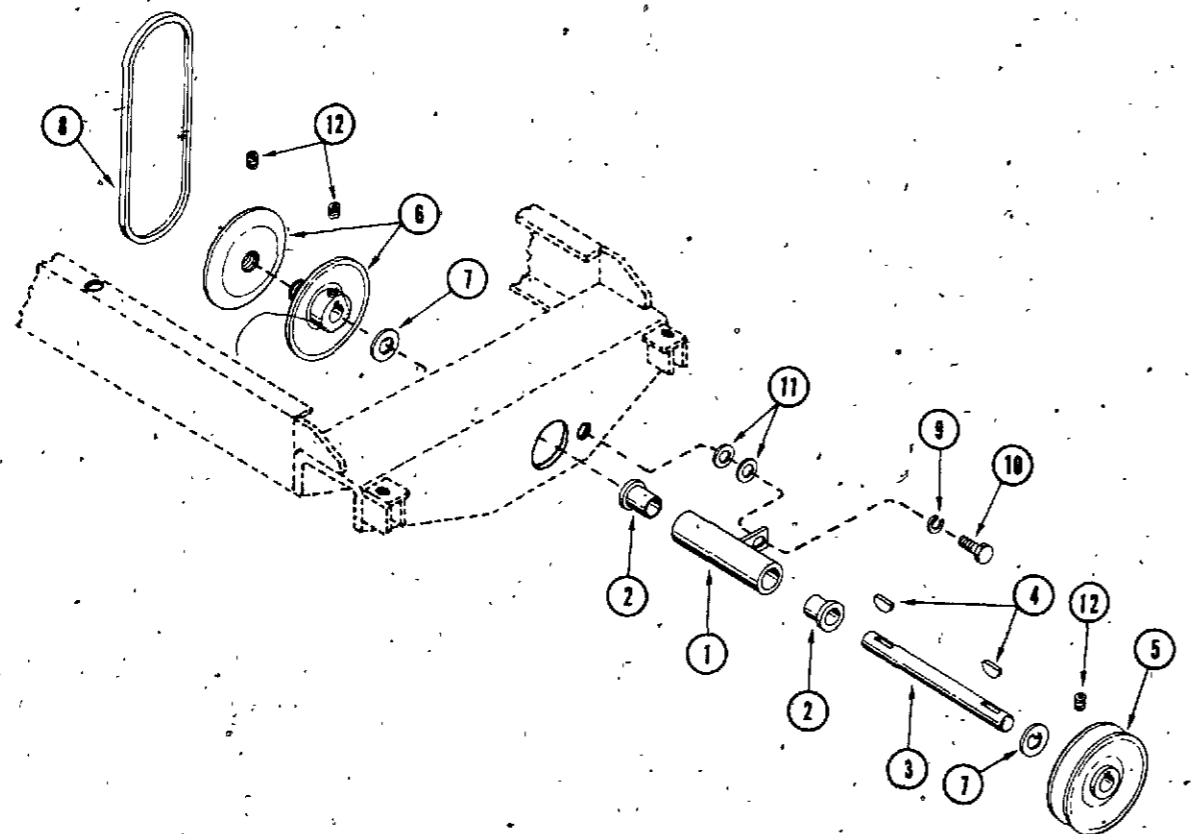


**PULLEY CLUTCH**

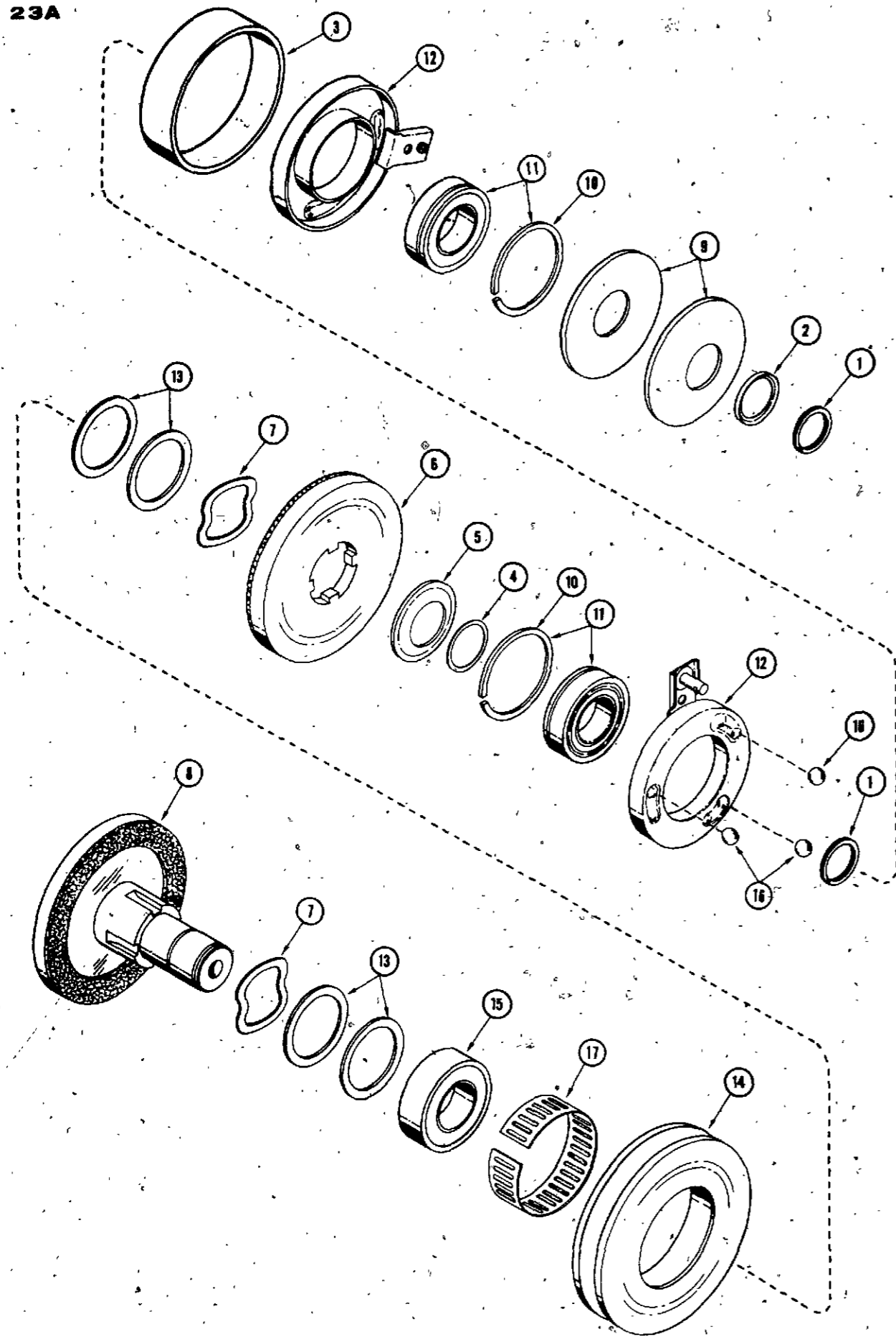
REF. PART NO.	DESCRIPTION	REQ'D.
1 C 14094 NSS	LEVER - clutch control with bushing	1
2 C 12094	BUSHING - fliplock (Order part number C14094)	1
3 C 10487	LINK - clutch control	2
4 132- 24	KNOB - lever	1
5 C 10883	PIN - cotter 3/32" x 1/2"	2
6 D 23693	PIN - safety	1
7 115- 103	PIN - clevis 1/4" x 3/4"	1
8 192- 20	BOLT - 5/16"-18 N.C. x 3/4" plated	1
9 129- 102	LOCKWASHER - 5/16" SAE plated	1
10 195- 517	NUT - 5/16" N.C., plated	1
11 NSS	WASHER - 1/4" plain plated	3
12 C 10312	CLUTCH - PTO "V" belt (Repairs see page 60)	1
13 C 12608	SPACER - fan, short	1
14 C 12813	BRACKET - PTO control	1
	CLAMP - 3/8" I.D.	2

**E-6 FRONT P. T. O. (OPTIONAL)**

1 C 13244	CARRIER - pivot (Includes 2 C10502 bearings)	1
2 C 10502	BEARING - sintered bronze	2
3 C 10503	SHAFT - PTO pulley	1
4 126- 22	KEY - Woodruff #13	2
5 C 10504	PULLEY - drive	1
6 C 10505	PULLEY - driven adjustable	1
7 C 10506	WASHER - thrust	2
8 C 10507	BELT - 3 V section 30"	1
9 192- 21	LOCKWASHER - 3/8"	1
10 115- 203	BOLT - 3/8" x 7/8" N.C., hex	1
11 195- 522	WASHER - 3/8" plain	1
12 83- 56	SETSCREW - 5/16" x 3/8" socket head	3



23A



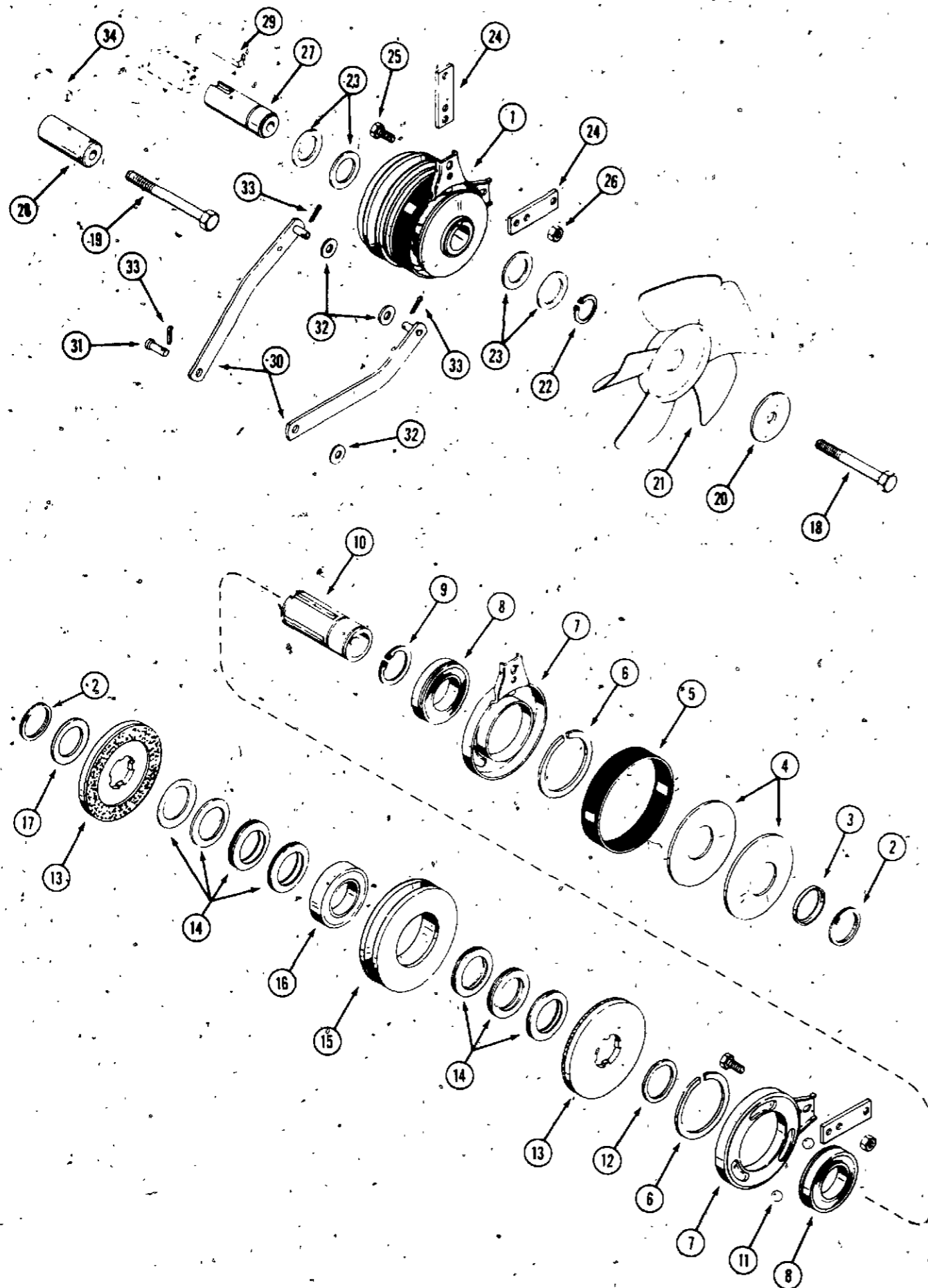
CASE 155 AND 195 GARDEN TRACTORS

23B

**C10311 PULLEY CLUTCH**

(ORDER C19696 KIT FOR REPLACEMENT)

REF. PART NO.	DESCRIPTION	REQ'D.
1	C 13086 HUB - assembly (order C19696 kit)	1
2	C 13089 WASHER - spring	2
3	T 36619 COVER - cam	1
4	T 36615 SPACER - shim	1
5	C 13081 SPACER - drive plate	1
6	C 13080 PLATE - friction	1
7	C 13077 WASHER - spring	2
8	NSS BEARING - pulley	1
9	C 13087 PULLEY - (Requires C14039 ring)	1
10	NSS RING - stop (furnished with Part No. C 13085)	2
11	C 13085 BEARING - cam w/ stop ring	2
12	C 13083 CAM - assembly	2
13	C 13076 SPACER - pulley bearing	4
14	C 14095 PULLEY - (Requires C14039 ring)	1
15	C 13079 BEARING - pulley	1
16	211- 9 BALL - cam	3
17	C 14039 RING - pulley tolerance	1



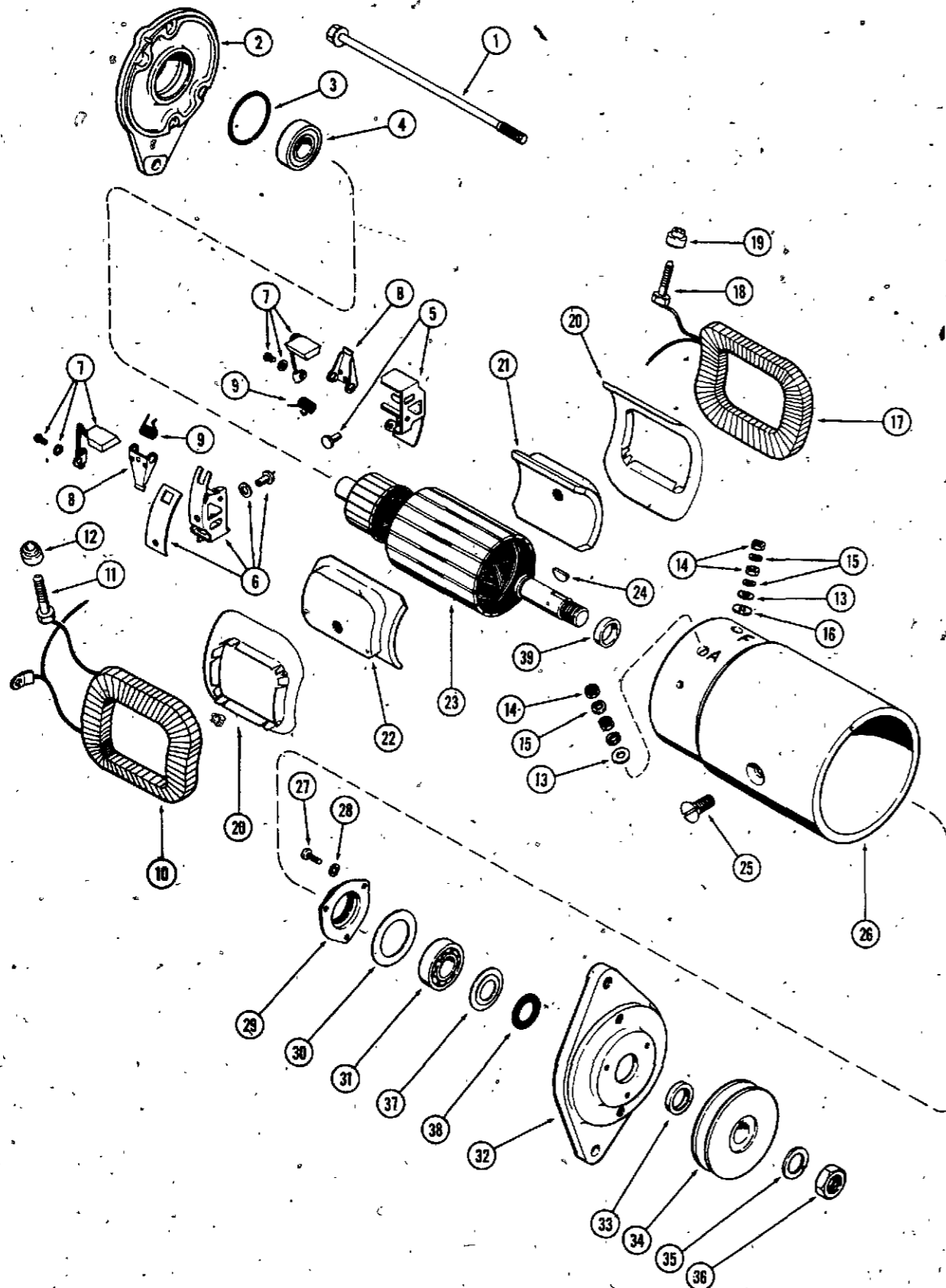
**C19696 CLUTCH KIT**

(FOR REPLACEMENT OF C10311 CLUTCH)

REF. PART NO.	DESCRIPTION	REQ'D
1 C 19493	CLUTCH ASSEMBLY	1
2 C 19891	RING - snap	2
3 C 19892	RETAINER - snap ring	1
4 C 19890	SPRING - load	2
5 C 19889	COVER - cam	1
6 NSS	RING - bearing (see ref. No. 8)	2
7 C 19894	CAM - clutch	2
8 C 19893	BEARING - cam (includes ring)	2
9 C 19896	RING - snap, hub	1
10 C 19895	HUB - clutch	1
11 211- 12	BALL - cam	3
12 C 19898	SPACER	1
13 C 13080	PLATE ASSEMBLY - pressure	2
14 C 19897	WASHER - spring, belleville	12
15 C 19706	PULLEY - clutch	1
16 C 13079	BEARING - pulley	1
17 C 19899	SHIM	1
18 13- 656	BOLT - 3/8 x 3-1/2" NC hex	1
19 13- 664	BOLT - 3/8 x 4" NC hex	1
20 195- 2036	WASHER - 13/32 x 2" O.D.	1
21 C 16616	FAN	1
22 B 18208	RING - snap	2
23 F 41695	WASHER - spacer 1"	4
24 C 19492	ARM - clutch extension	2
25 26- 410	BOLT - 1/4 x 5/8" NC hex	4
26 131- 350	NUT - lock 1/4"	1
27 C 19494	SHAFT - clutch, front PTO	1
28 C 19638	SHAFT - clutch, rear traction drive	1
29 127- T	KEY - 1/4" x 1/4 x 2-1/4" long	1
30 C 19491	LINK - clutch control	2
31 141- 2	PIN - clevis 1/4 x 3/4"	3
32 195- 17	WASHER - 1/4"	8
33 132- 24	PIN - cotter	5
34 O 1117-CH	KEY - 1/4 x 1/4 x 1-3/4" long	1

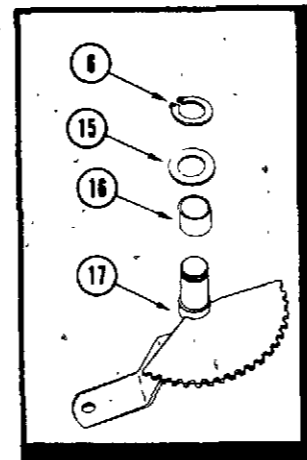
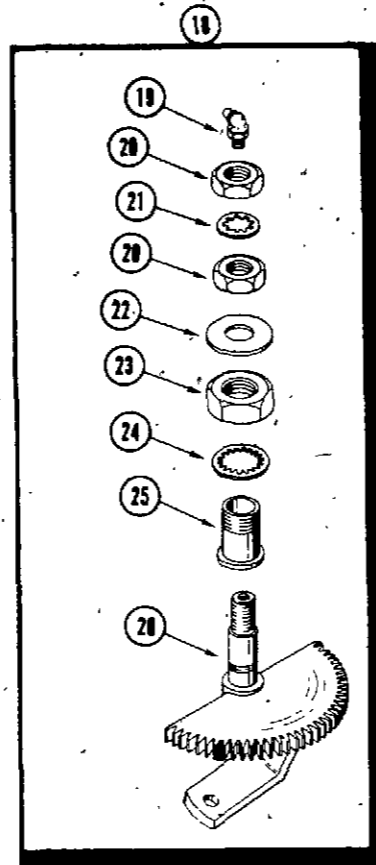
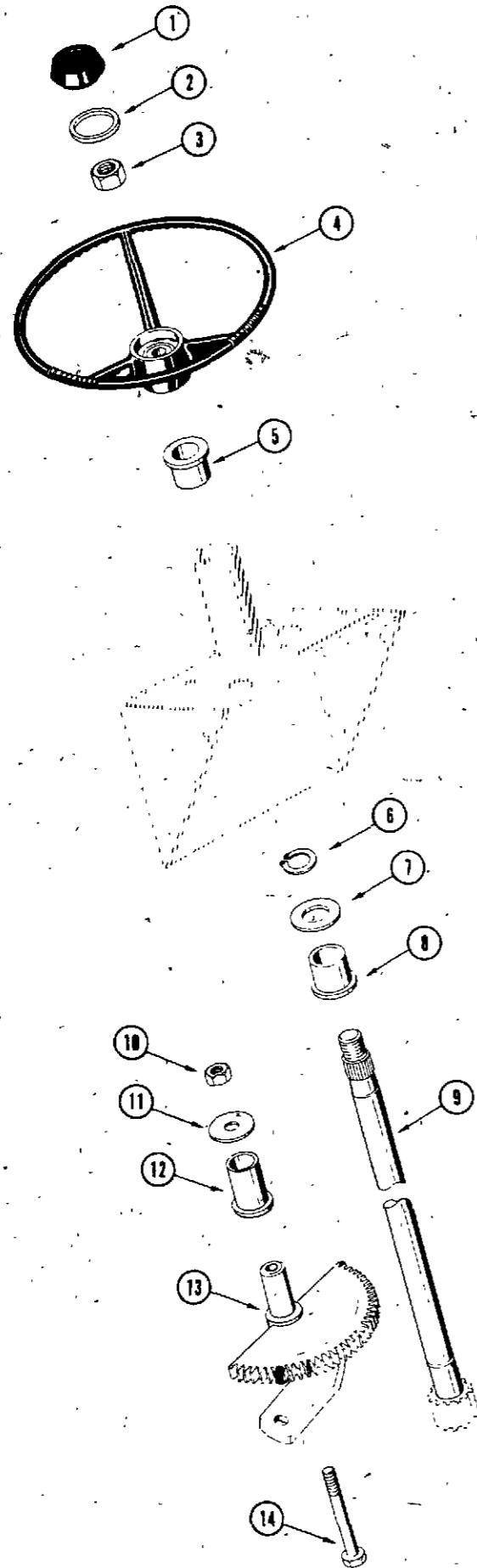
**A70202 STARTER-GENERATOR**

(DELCO NO. 1101970)



REF. PART NO.	DESCRIPTION	REQ'D
1 R 15106	BOLT - thru (includes washer)	2
2 A 72104	FRAME ASSY - commutator end	1
3 R 15087	RING - bearing retainer	1
4 A 25461	BEARING - commutator end ball	1
5 A 72039	HOLDER KIT - ground brush	1
6 A 72040	HOLDER KIT - insulated brush	1
7 A 72038	BRUSH ASSY	2
8 R 15090	ARM - brush pressure	2
9 A 25423	SPRING - brush arm	2
10 A 72042	COIL ASSY - field R. H.	1
11 A 72048	STUD - armature terminal	1
12 R 16147	BUSHING - insulated, armature stud	1
13 A 41927	WASHER - armature stud	2
14 192- 8	NUT - terminal stud 12-24 hex	4
15 192- 17	LOCKWASHER - terminal stud #12	4
16 R 16148	WASHER - insulated, field stud	1
17 A 72043	COIL ASSY - field, L.H.	1
18 NSS	STUD - field terminal (Order item 40)	1
19 R 15077	BUSHING - insulated, field stud	1
20 A 25447	INSULATOR - field coil	2
21 A 40736	SHOE - pole, plain	1
22 A 40736	SHOE - pole, notched	1
23 A 72041	ARMATURE	1
24 126- 111	KEY - woodruff, armature	1
25 74- 610	SCREW - pole	2
26 NSS	BODY - starter generator (order A70202)	1
27 173- 237	SCREW - 10-32 x 1/2" rd. hd.	3
28 192- 18	LOCKWASHER - 3/16" plated	3
29 A 44433	RETAINER ASSY - bearing	1
30* NSS	GASKET - bearing retainer (Order A44433)	1
31 A 43356	BEARING - ball, drive end	1
32 A 72046	FRAME ASSY - drive end	1
33 A 72047	SPACER - pulley	1
34 C 14344	PULLEY - starter - generator drive	1
35 192- 26	LOCKWASHER - 11/16" plated	1
36 A 25546	NUT - armature shaft, drive end	1
37 A 43499	RETAINER - grease	1
38* NSS	SEAL - felt (Order A44433)	1
39 NSS	SPACER - armature shaft, inner	1
40 A 40702	KIT - stud (includes items 16, 18 and 19)	1

\*Bearing retainer gasket and felt seal no longer required. Service with new retainer assembly.



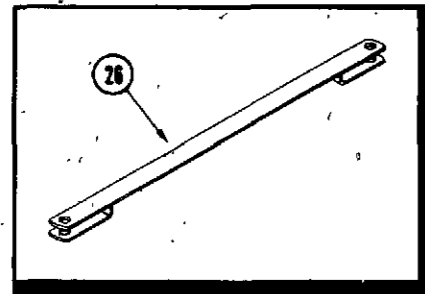
STEERING GEAR

REF. PART NO.	DESCRIPTION	REQ'D
1 C 10569	CAP - steering wheel	1
2 A 70392	RING - cap retainer	1
3 25- 1510	NUT - jam 5/8" N.F. hex	1
4 A 70058	WHEEL - steering	1
5 C 12126	BUSHING - nylon	1
6 T 25683	RING - retaining	1
7 C 12125	WASHER - thrust	1
8 C 12205	BUSHING - flanged	1
9 C 12116	SHAFT - steering (155)	1
9 C 11685	SHAFT - steering (195)	1
10* 131- 351	NUT - lock 5/16" N.C. hex	1
11* G 49048	WASHER - plain	1
12* C 13596	BUSHING - flanged	1
13* C 13614	GEAR - steering	1
14* 15- 540	BOLT - 5/16" x 2-1/2" N.C. hex	1
15** 195- 2082	WASHER	1
16** C 12206	BUSHING	1
17** NSS	GEAR - steering (Order C13801 Kit)	1
18** C 13801	KIT - steering gear (Includes Ref. No's. 19 through 26)	1
19 219- 57	FITTING - lube	1
20 129- 167	NUT - jam 5/8" N.C. hex Z.P.	2
21 193- 34	LOCKWASHER - 5/8" internal tooth	1
22 F 62147	WASHER - plain	1
23 129- 582	NUT - jam 7/8" N.C. hex Z.P.	1
24 193- 36	LOCKWASHER - 7/8" internal tooth	1
25 C 13795	BUSHING - flanged	1
26 C 13800	GEAR - steering	1

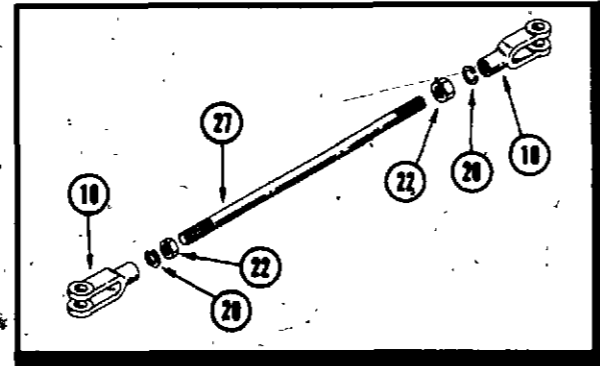
\* Used on Model 155 Tractors with Serial Number 9618951 and above.  
 \* Used on Model 195 Tractors with Serial Number 9622282 and above.

\*\* Applicable to Model 155 Tractors with Serial Number 9618950 and below.  
 \*\* Applicable to Model 195 Tractors with Serial Number 9622281 and below.

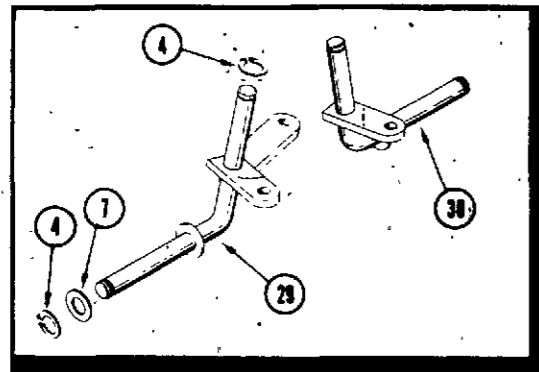




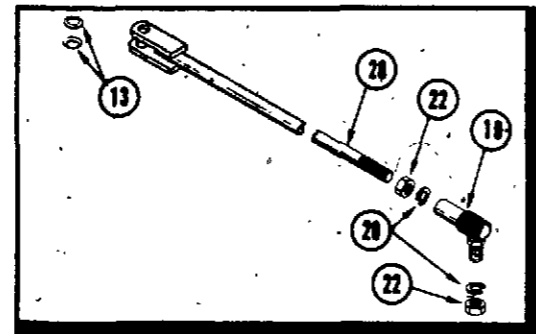
USED PRIOR TO S/N 9616833



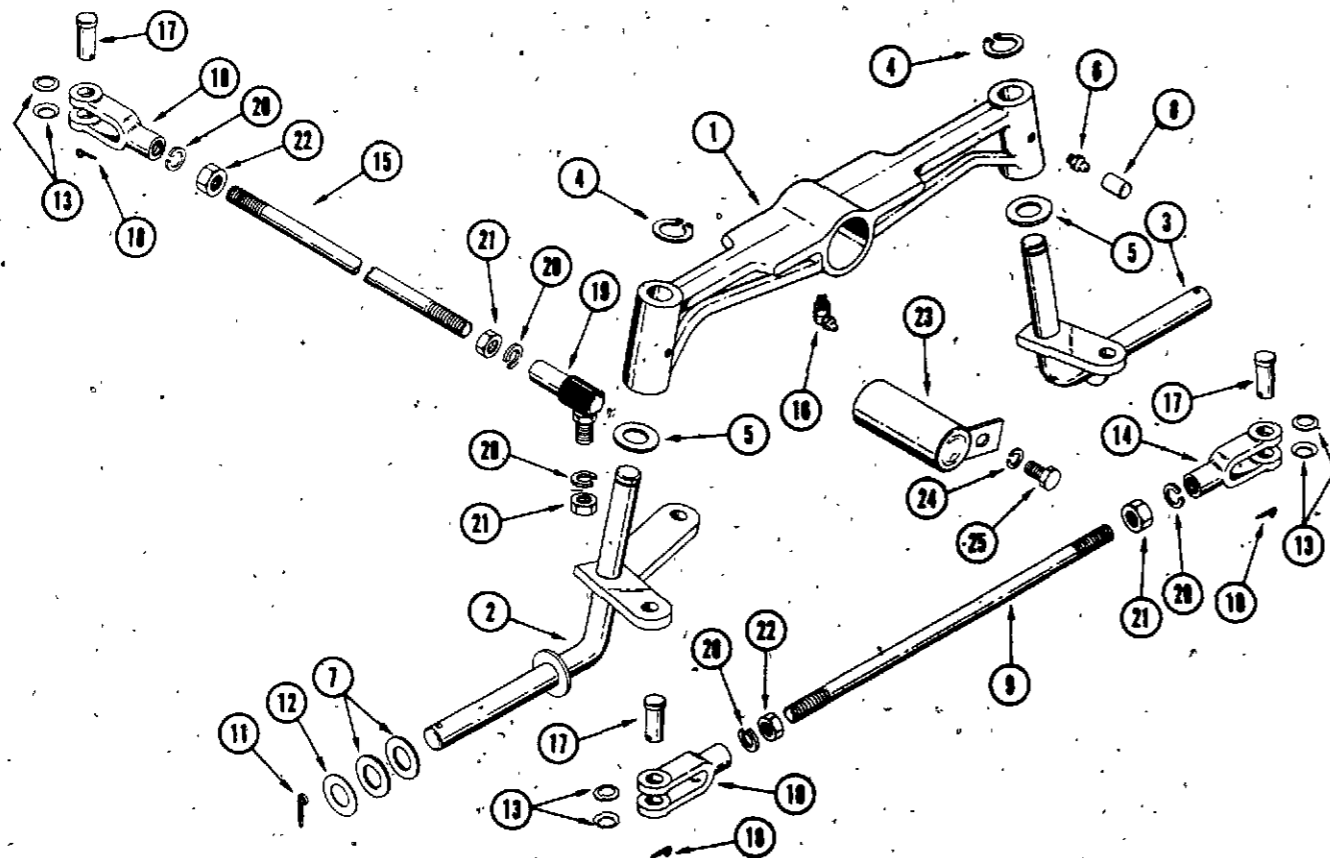
USED FROM S/N 9616833 TO 9622667



USED PRIOR TO S/N 9618948

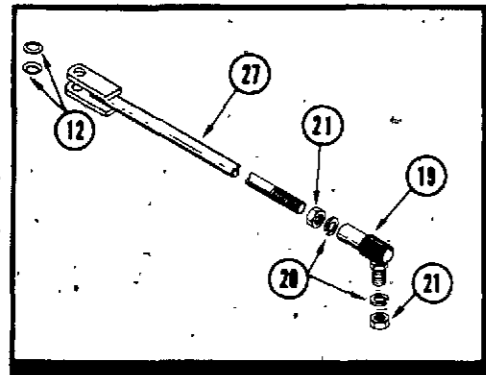


USED PRIOR TO S/N 9622668

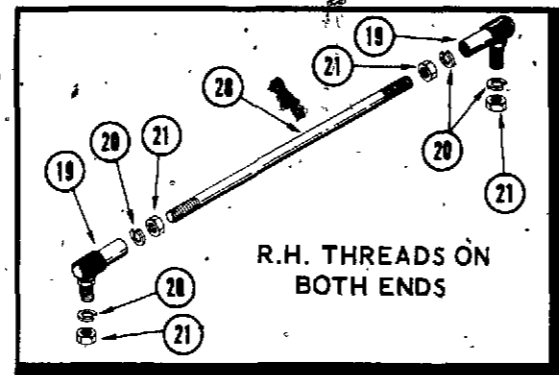


155 FRONT AXLE

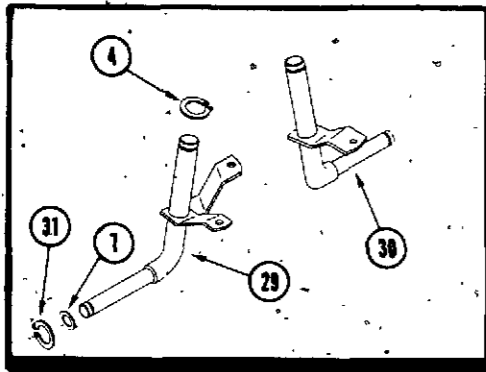
REF. PART NO.	DESCRIPTION	REQ'D
1 C 11999	AXLE - front	1
2 C 13583	SPINDLE - R.H. (Used S/N 9618948 and after)	1
3 C 13584	SPINDLE - L.H. (Used S/N 9618948 and after)	1
4 T 25683	RING - external retaining, 3/4"	2
5 C 11906	WASHER - thrust	2
6 219- 8	FITTING - lube	2
7 A 30881	WASHER - wheel spacer	UAR
8 C 13106	COVER - lube fitting	3
9 C 13677	TIE ROD - (Used in production S/N 9622668 and after)	1
10 C 10952	YOKE - tie rod N.C. thread	2
11 132- 311	PIN - cotter 5/32" x 1-1/4" (For C13583 & C13584 spindles)	2
12 C 12975	WASHER - wheel spindle (For C13583 & C13584 spindles)	2
13 C 12115	WASHER - wavy	6
14 C 13603	YOKE - tie rod N.F. thread (Used with C13677 tie rod)	1
15 C 12526	ROD - drag link (Used in production S/N 9622668 and after)	1
16 219- 38	FITTING - lube 45°	1
17 141- 56	PIN - clevis	3
18 132- 47	PIN - cotter 1/8" x 7/8"	3
19 C 12102	JOINT - ball	1
20 92- 8	LOCKWASHER - 1/2"	5
21 25- 118	NUT - 1/2" N.F. hex (For C13677 tie rod & C12526 drag link)	3
22 25- 108	NUT - 1/2" N.C. hex	2
23 C 19009	PIN - axle pivot	1
24 192- 21	LOCKWASHER - 3/8"	1
25 113- 205	BOLT - 3/8" x 5/8" N.C. hex	1
26 NSS	TIE BAR - not available (Order items 9, 10, 13, 14, 17, 18, 20, 21, & 22)	1
27 NSS	TIE ROD - not available (Order items 9, 14, 17, 18, 20, & 21)	1
28 NSS	ROD - drag link (Order items 10, 13, 15, 17, 18, 20, & 22)	1
29 NSS	SPINDLE, R.H., not available (Order items 2, 11, & 12)	1
30 NSS	SPINDLE, L.H., not available (Order items 3, 11, & 12)	1



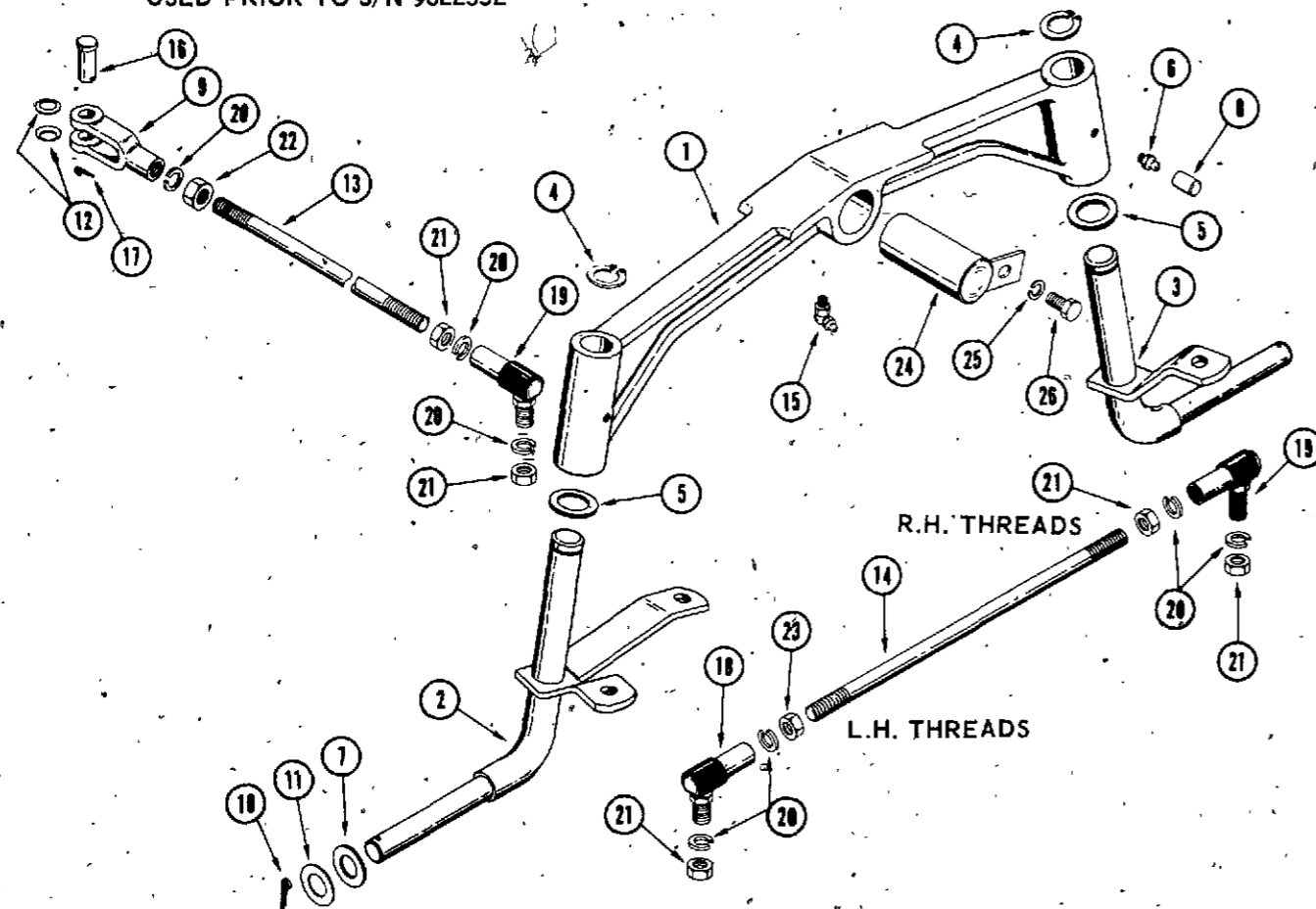
USED PRIOR TO S/N 9627170



USED PRIOR TO S/N 9627190

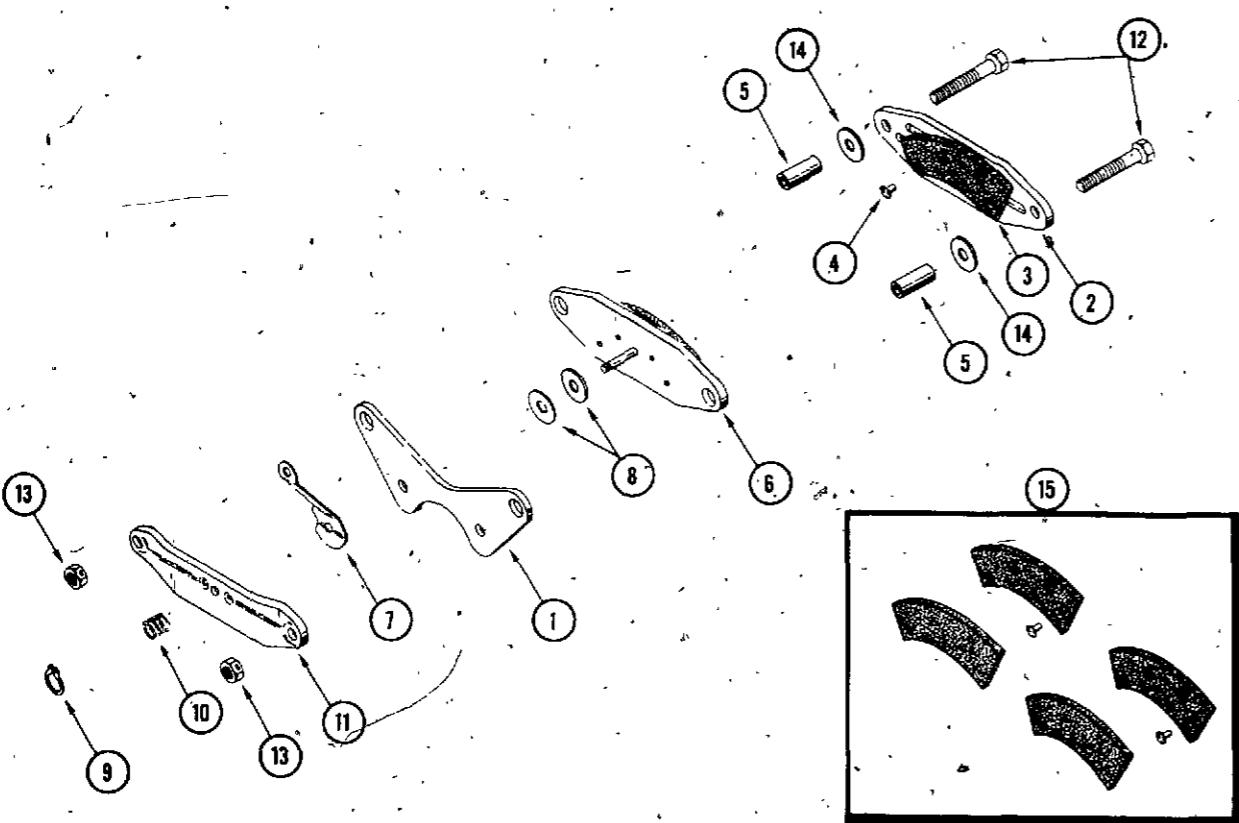
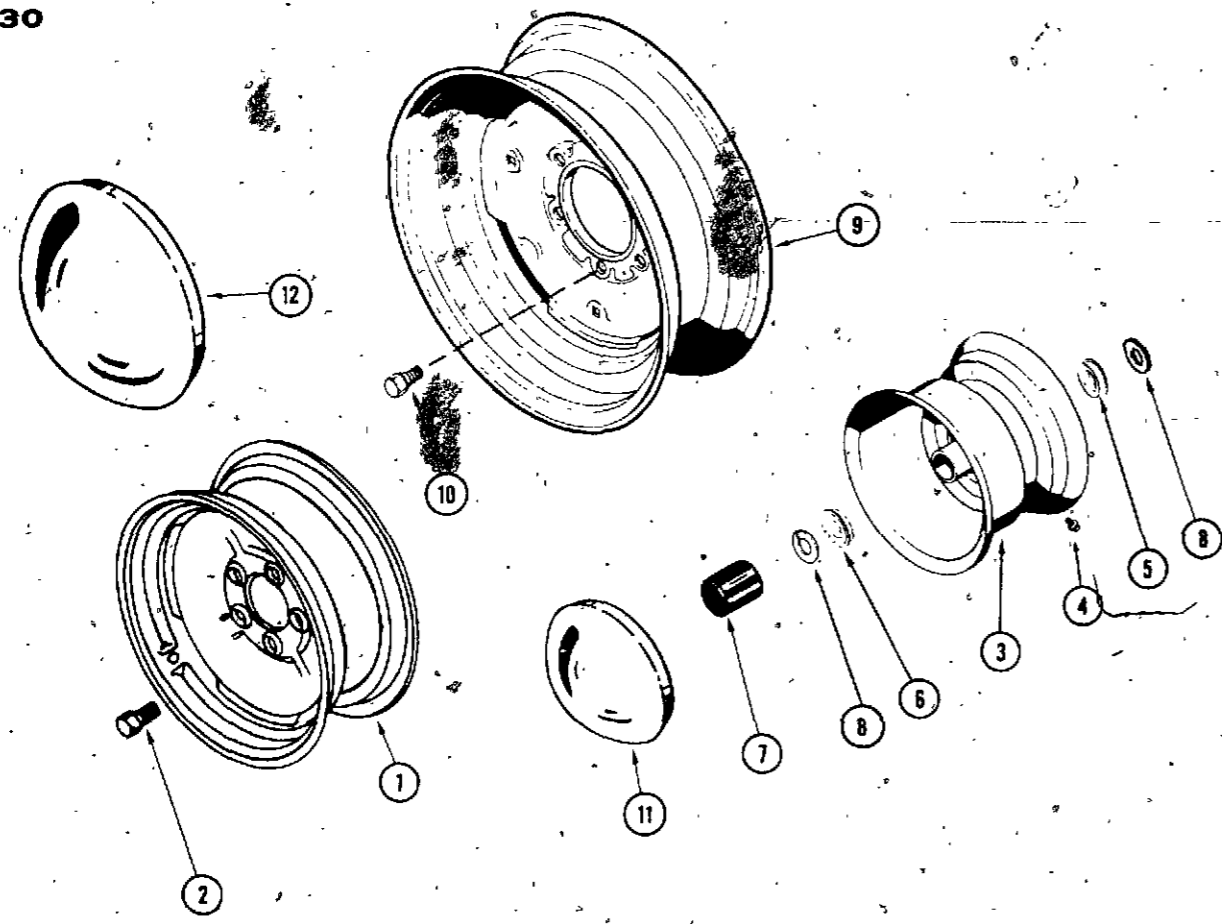


USED PRIOR TO S/N 9622352



195 FRONT AXLE

REF. PART NO.	DESCRIPTION	REQ'D
1 C 12000	AXLE - front	1
2 C 13586	SPINDLE - R.H. (Used in production S/N 9622352 and after)	1
3 C 13587	SPINDLE - L.H. (Used in production S/N 9622352 and after)	1
4 B 18208	RING - external retaining, 1"	2
5 C 13716	WASHER - thrust	2
6 219- 8	FITTING - lube	2
7 A 30881	WASHER - wheel spacer	2
8 C 13106	COVER - lube fitting	3
9 C 10952	YOKE - adjustable	1
10 132- 311	PIN - cotter 5/32" x 1-1/4" (For C13586 & C13587 spindles)	2
11 C 12975	WASHER - wheel spindle (For C13586 & C13587 spindles)	2
12 C 12115	WASHER - wavy	2
13 C 12103	ROD - drag link (Used in production S/N 9627170 and after)	1
14 C 13679	TIE ROD - (Used in production S/N 9627170 and after)	1
15 219- 38	FITTING - lube 45°	1
16 141- 56	PIN - clevis	1
17 132- 47	PIN - cotter 1/8" x 7/8"	1
18 C 13605	JOINT - ball 1/2" L.H. thread (For C13679 tie rod)	1
19 C 12102	JOINT - ball 1/2" R.H. thread	2
20 92- 8	LOCKWASHER - 1/2"	7
21 25- 118	NUT - 1/2" N.F. hex	5
22 25- 108	NUT - 1/2" N.C. hex	1
23 129- 325	NUT - 1/2" N.F. hex L.H. thread (For C13679 tie rod)	1
24 C 19009	PIN - axle pivot	1
25 192- 21	LOCKWASHER - 3/8"	1
26 113- 205	BOLT - 3/8" x 5/8" N.C. Hex	1
27 NSS	ROD - drag link, not available (Order items 9, 12, 13, 16, 17, 20, & 22)	1
28 NSS	TIE ROD - not available (Order items 14, 18, 21, & 23)	1
29 NSS	SPINDLE - R.H., not available (Order items 2, 10, & 11)	1
30 NSS	SPINDLE - L.H., not available (Order items 3, 10, & 11)	1
31 T 25683	RING - external retaining, 3/4"	2



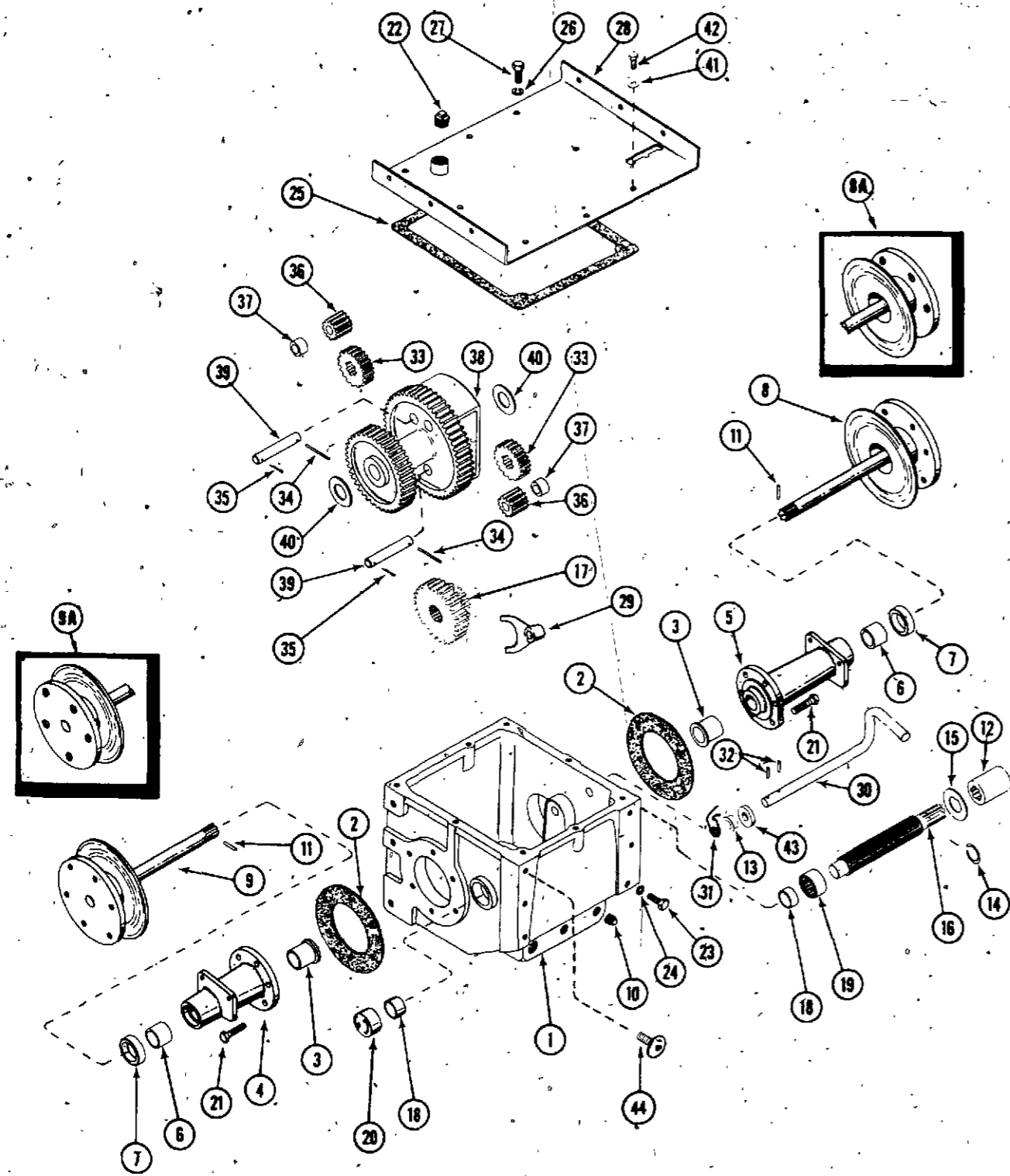
**FRONT AND REAR WHEELS**

REF. PART NO.	DESCRIPTION	Model	Model
		155	195
1 C 10263	WHEEL - rear (uses 5 bolts)	2	
2 C 10314	BOLT - rear wheel	10	
3 C 12081	WHEEL - front	2	2
4 219- 403	FITTING - lube, 1/8" NPT	2	2
5 C 12110	BEARING - front wheel (inner)	2	2
6 C 12111	BEARING - front wheel (outer)	2	2
7 C 12370	CAP - plastic, front wheel	2	2
8 T 25683	RING - external retainer	2	2
9 C 10317	WHEEL - rear (uses 6 bolts)	2	2
10 A 30064	BOLT - rear wheel		12
11 A 70062	CAP - hub cover front wheel (optional)	2	2
12 A 70185	CAP - hub cover rear wheel (optional)	2	

**BRAKE ASSEMBLY**

1 C 12140	BRACKET - brake - 155	1
1 C 12141	BRACKET - brake - 195	1
2 C 12621	CARRIER - solid side (includes lining)	1
3 NSS	LINING - friction	2
4 151- 106	RIVET - lining	8
5 C 12624	SPACER	2
6 C 12620	CARRIER - cam side (includes lining)	1
7 C 12623	CAM - actuating	1
8 C 13811	WASHER	2
9 C 14652	RING - external retaining	1
10 C 12625	SPRING - compression	1
11 C 12619	CAM - actuator	1
12 114- 201	BOLT - 3/8" x 2-1/4" N.F. Hex.	2
13 131- 366	NUT - lock, 3/8" N.F.	2
14 O 1594-N	WASHER	2
15 C 12656	KIT - brake lining	1
NSS	LINING - friction	4
114- 213	RIVET - lining	16

TRANSMISSION AND FINAL DRIVE

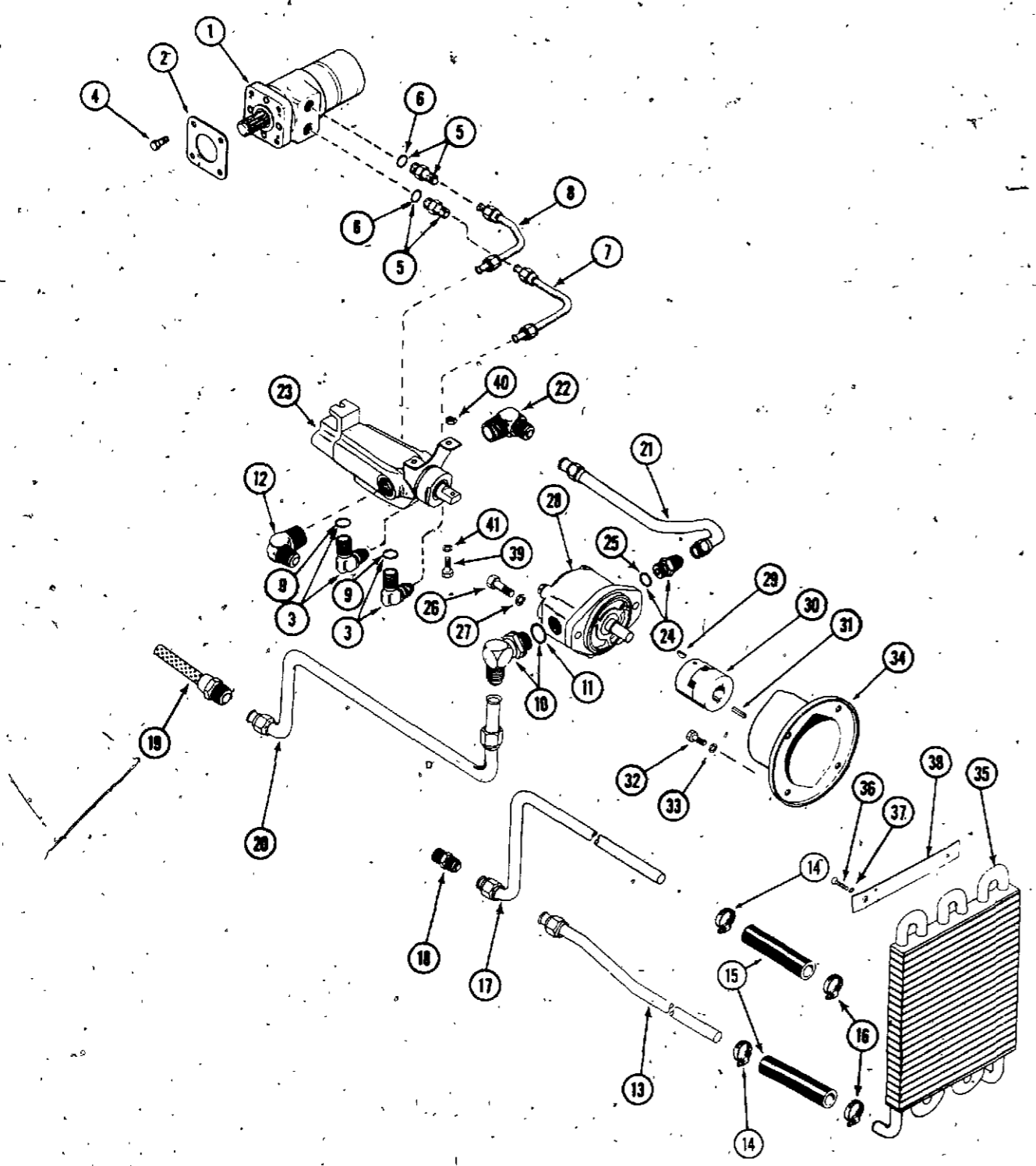


REF. PART NO.	DESCRIPTION	REQ'D
1 C 11640	CASE - transmission	1
2 A 70137	GASKET - housing to case	2
3 A 70142	BUSHING - flanged, rear axle housing	2
4 C 12147	HOUSING - rear axle, right hand	1
5 C 12146	HOUSING - rear axle, left hand	1
6 A 70141	BUSHING - plain, rear axle housing	2
7 A 70143	SEAL - rear axle housing	2
8 C 12144	SHAFT - axle, left hand (195)	1
8A C 12584	SHAFT - axle, left hand (155)	1
9 C 12143	SHAFT - axle, right hand (195)	1
9A C 12583	SHAFT - axle, right hand (155)	1
10 221- 4	PLUG - pipe, 1/2" square head	1
11 138- 102	PIN - axle retaining	2
12 C 10259	COUPLING - motor input	1
13 C 12156	BUSHING - nylon	1
14 B 18208	RING - coupling, retaining	1
15 C 10291	WASHER - input shaft stop	1
16 C 11998	SHAFT, transmission input	1
17 C 12009	CLUSTER - input gear	1
18 C 10299	RACE - bearing inner	2
19 F 19478	BEARING - input shaft, middle	1
20 C 12013	BEARING - input shaft, end	1
21 A 70127	BOLT - 3/8" x 1-1/4" N.C., special sealing	12
22 C 10303	PLUG - breather, transmission	1
23 13- 820	BOLT - 1/2" x 1-1/4", case to frame	6
24 92- 8	LOCKWASHER, 1/2" SAE	6
25 C 10302	GASKET - transmission case cover	1
26 92- 5	LOCKWASHER - 5/16" SAE	7
27 13- 512	BOLT - 5/16" x 3/4" N.C., trans. cover	7
28 C 10296	COVER - transmission case	1
29 C 12011	FORK - gear shift	1
30 C 10254	LEVER - shift	1
31 C 10261	SPRING - shift lever	1
32 138- 2002	PIN - shift fork, locating	2
33 C 10253	GEAR - differential	2
34 138- 2036	PIN - differential pin, locking	2
35 132- 69	PIN - cotter, 5/32" x 1"	4
36 C 10252	PINION - differential	4
37 A 70131	SPACER - differential pinion	4
38 C 10243	HOUSING - differential gear	1
39 C 10298	PIN - differential pinion	4
40 C 10292	WASHER - transmission	2
41 95- 5	WASHER - 5/16" SAE, plain	3
42 13- 510	BOLT - 5/16" x 5/8" trans. cover	1
43 C 11332	SEAL - shift shaft oil	1
44 C 12729	BOLT - 1/2" x 1" N.C. Hex, Socket Button Head (155)	1

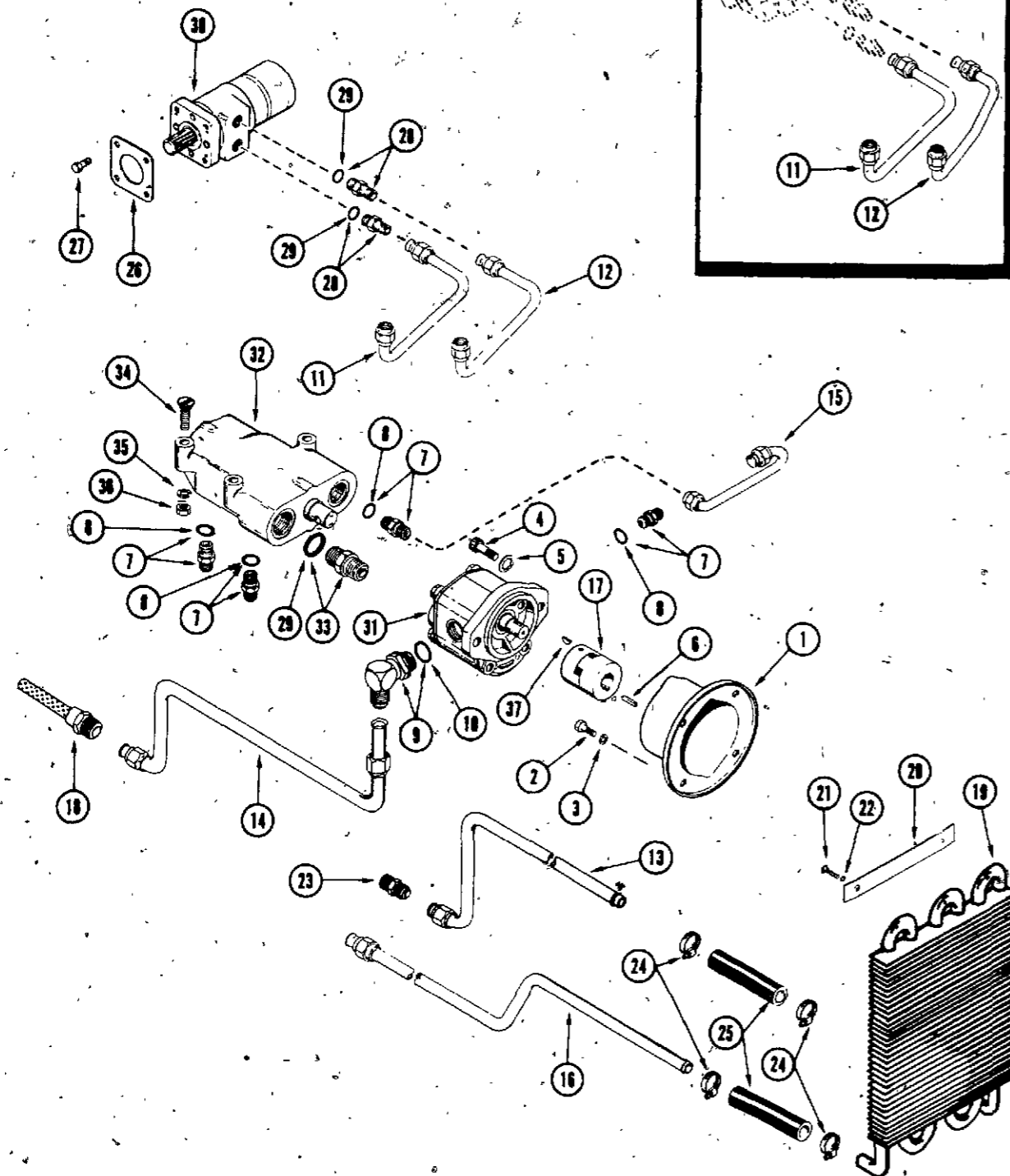
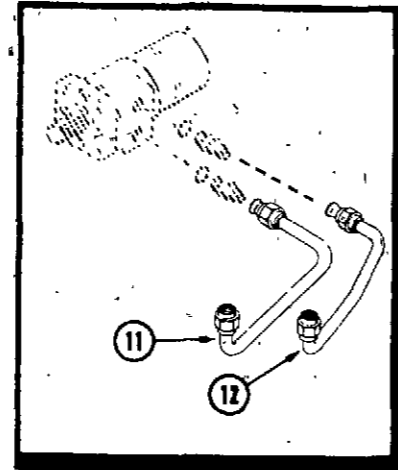
HYDRAULIC SYSTEM

Used on Model 155 Tractors Prior to Serial Number 9623328  
 Used on Model 195 Tractors Prior to Serial Number 9627528

REF. PART NO.	DESCRIPTION	REQ'D
1 C 12304	MOTOR - hydraulic (195) Repairs Page 41	1
1 C 12305	MOTOR - hydraulic (155) Repairs Page 41	1
2 A 70128	GASKET - motor to transfer case	1
3 218- 5106	FITTING - 90° elbow, 1/2" tube x 3/4"-16 "O" ring	2
4 A 70127	BOLT - special, Jay-Lock	4
5 218- 5080	FITTING - 1/2" tube x 7/8" thread	2
6 218- 5007	"O" RING - 5/8"	2
7 C 12394	TUBE - frt. valve port to motor (195)	1
7 C 12396	TUBE - frt. valve port to motor (155)	1
8 C 12395	TUBE - rear valve port to motor (195)	1
8 C 12397	TUBE - rear valve port to motor (155)	1
9 218- 5008	"O" RING - 1/2"	2
10 218- 5108	FITTING - 90°, 3/4" tube x 1-1/16" thread	1
11 218- 5008	"O" RING - 3/4"	1
12 218- 494	FITTING - 90°, 5/8" tube x 3/4" NPT	1
13 C 10266	TUBE - heat exchanger to valve	1
14 214- 253	CLAMP - hose	2
15 C 18721	HOSE	2
16 214- 253	CLAMP - hose	2
17 C 10267	TUBE - trans. to heat exchanger (195)	1
17 C 12067	TUBE - trans. to heat exchanger (155)	1
18 218- 445	FITTING - 3/4" tube x 3/4" NPT	1
19 A 70117	FITTING - w/filter	1
20 C 10264	TUBE - pump to transmission (195)	1
20 C 12070	TUBE - pump to transmission (155)	1
21 C 12142	TUBE - pump to valve	1
22 218- 1056	FITTING - 90° elbow, 1/2" tube x 3/4" thread	1
23 C 12149	VALVE - control (Repairs Page 37)	1
24 218- 5059	FITTING - "O" ring, 1/2" tube x 3/4" thread	1
25 218- 5006	"O" RING - 1/2"	1
26 166- 561	SCREW - ferry cap, 7/16"-20 x 1"	2
27 193- 31	LOCKWASHER - 7/16" external tooth	2
28 C 10493	PUMP - hydraulic (195) (Repairs Page 39)	1
28 C 10258	PUMP - hydraulic (155) (Repairs Page 39)	1
29 126- 12	KEY - Woodruff	1
30 A 70111	COUPLING - (Repairs Page 39)	1
31 W 5083-S	KEY - 1/4" square x 3/4"	1
32 115- 204	BOLT - 3/8" x 1" N.C. hex plated	4
33 192- 21	WASHER - 3/8" plated	4
34 A 70109	SUPPORT - hydraulic pump mounting	1
35 C 12072	EXCHANGER - heat	1
36 171- 209	SCREW - 1/4" x 1" N.C. hex plated	4
37 193- 52	LOCKWASHER - 1/4" external tooth	4
38 C 10348	BRACKET - heat exchanger	2
39 73- 410	SCREW - 1/4"-20 x 5/8" N.C. flat head	2
40 25- 104	NUT - 1/4"-20 N.C.	2
41 92- 4	LOCKWASHER - 1/4" SAE	2



(USED ON MODEL 195 TRACTORS)



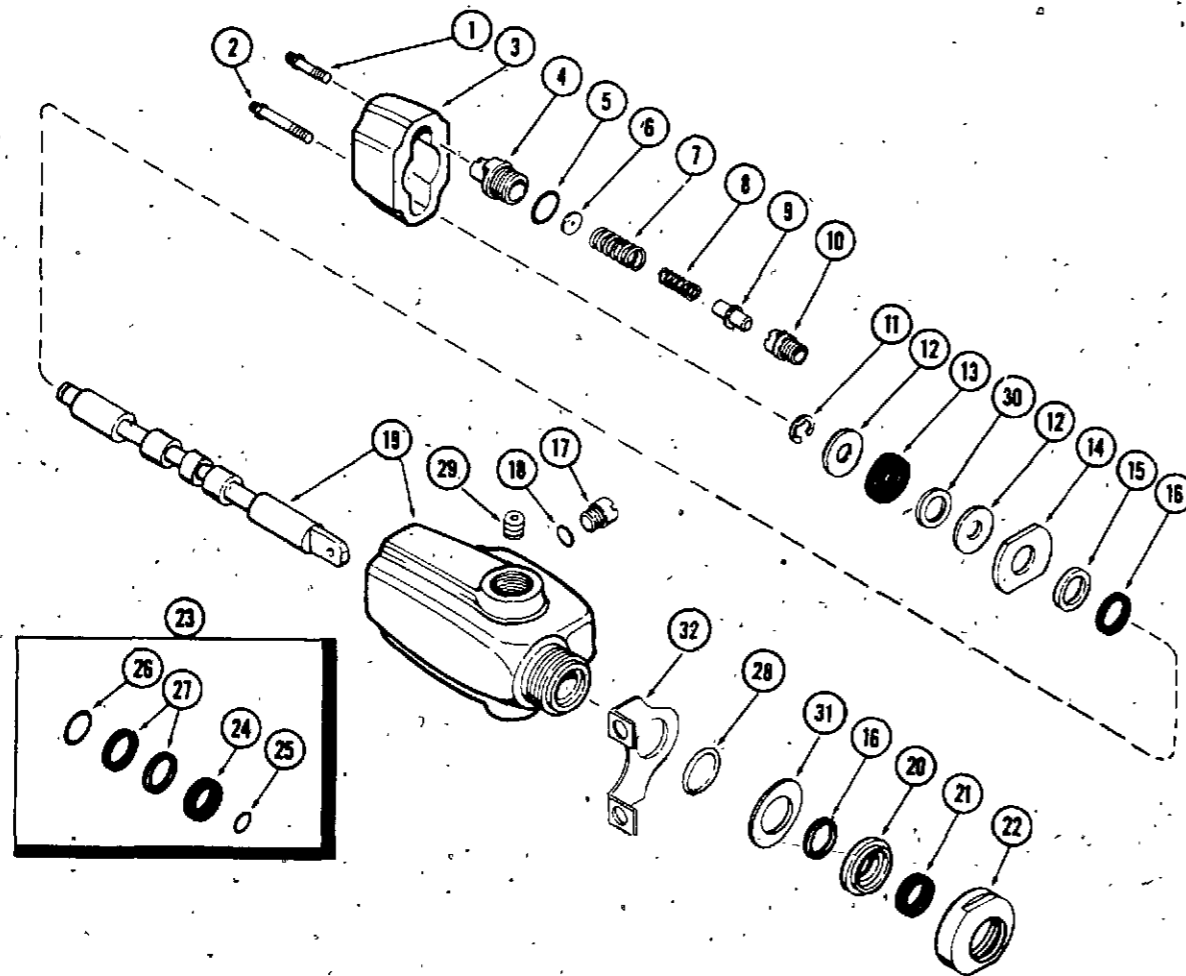
### HYDRAULIC SYSTEM

Used on Model 155 Tractors with S/N 9623328 and after.  
Used on Model 195 Tractors with S/N 9627528 and after.

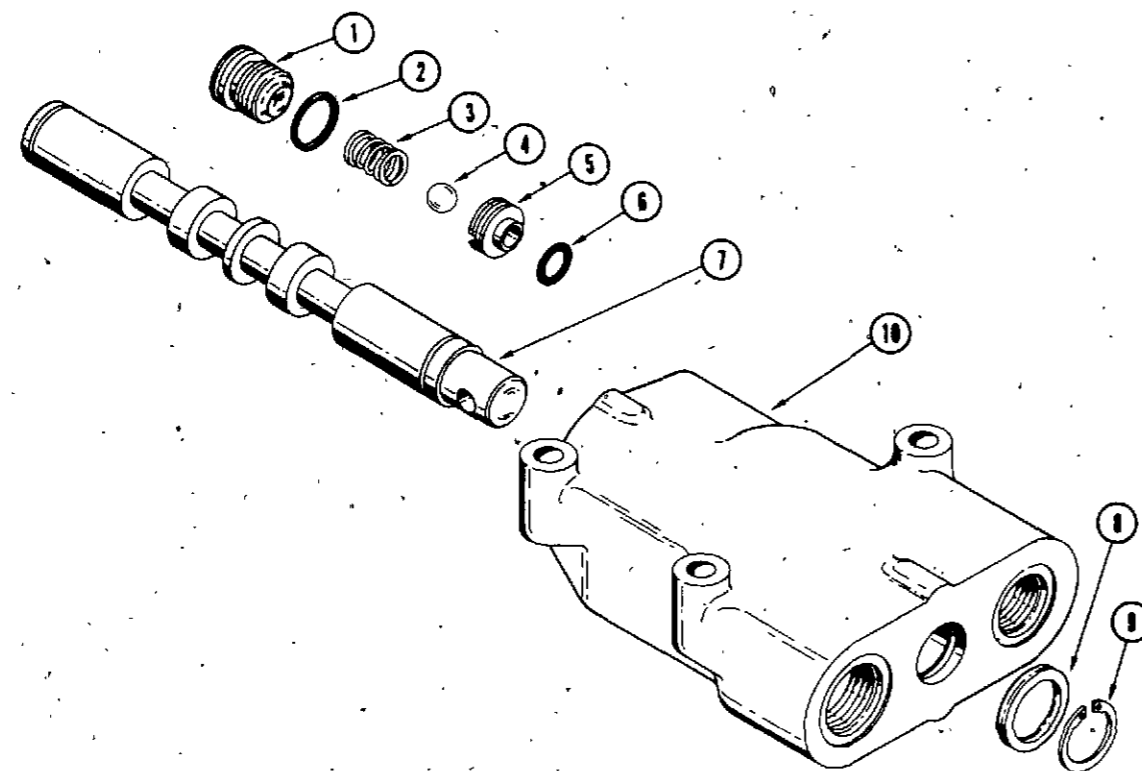
REF. PART NO.	DESCRIPTION	REQ'D
1 A 70109	SUPPORT - hydraulic pump mounting	1
2 115- 204	BOLT - 3/8" x 1" N.C. hex Z.P.	4
3 192- 21	LOCKWASHER - 3/8" Z.P.	4
4 166- 561	BOLT - 7/16" x 1" Ferry-Cap Z.P.	2
5 193- 31	LOCKWASHER - 7/16" internal tooth	2
6 W. 5063S	KEY - 1/4" square x 3/4"	1
7 218- 5059	FITTING - "O" ring 1/2 tube x 3/4" thread	4
8 218- 5006	"O" RING - 1/2"	4
9 218- 5108	FITTING - "O" ring 90° 3/4" tube x 1-1/16" thread	1
10 218- 5008	"O" RING - 3/4"	1
11 C 14091	TUBE - rear valve to upper motor port (155)	1
12 C 14090	TUBE - front valve to lower motor port (155)	1
13 C 12067	TUBE - transmission to heat exchanger (155)	1
13 C 10267	TUBE - transmission to heat exchanger (195)	1
14 C 12070	TUBE - pump to transmission (155)	1
14 C 10264	TUBE - pump to transmission (195)	1
15 C 13414	TUBE - pump to valve	1
16 C 13663	TUBE - valve to heat exchanger	1
17 A 70111	COUPLING - pump drive	1
18 A 70117	FITTING - transmission w/filter	1
19 C 12072	EXCHANGER - heat	1
20 C 10348	BRACKET - heat exchanger mounting	2
21 171- 209	SCREW - 1/4" x 1" N.C. flat hd. Phillips Z.P.	4
22 193- 52	LOCKWASHER - 1/4" external tooth	4
23 218- 455	FITTING - 5/8" tube x 1/2" male pipe	1
24 214- 253	CLAMP - hose	4
25 C 18721	HOSE - 5/8" heat exchanger	2
26 A 70128	GASKET - motor to case	1
27 A 70127	BOLT - special 3/8" x 1-1/4" jay lock	4
28 218- 5060	FITTING - "O" ring 1/2 tube x 7/8 thread	2
29 218- 5007	"O" RING - 5/8"	3
30 C 12305	MOTOR - hydraulic (155) (Repairs see page 41)	1
30 C 12304	MOTOR - hydraulic (195) (Repairs see page 41)	1
31 C 10258	PUMP - hydraulic (155) (Repairs see page 39)	1
31 C 10493	PUMP - hydraulic (195) (Repairs see page 39)	1
32 C 13341	VALVE - hydraulic control (Repairs see page 37)	1
33 218- 5062	FITTING - "O" ring 5/8 tube x 7/8 thread	1
34 73- 528	SCREW - 5/16" x 1-3/4" N.C. flat head	3
35 92- 5	LOCKWASHER - 5/16"	3
36 25- 105	NUT - 5/16" N.C. hex	3
37 126- 12	KEY - Woodruff	1
38 C 14093	TUBE - rear valve to lower motor post (195)	1
39 C 14092	TUBE - rear valve to upper motor post (195)	1

**C-12149 HYDRAULIC CONTROL VALVE**

Used on Model 155 Tractors prior to Serial Number 9623328.  
 Used on Model 195 Tractors prior to Serial Number 9627528.



REF. PART NO.	DESCRIPTION	REQ'D
1 166- 6	CAPSCREW - 1/4" x 1" N.C. ferry head	1
2 166- 8	CAPSCREW - 1/4" x 1-1/2" N.C. ferry head	1
3 A 72065	CAP - valve end	1
4 A 72059	PLUG - relief valve	1
5 A 7982	"O" RING - relief valve plug	1
6 A 72069	SHIM - relief valve	2
7 A 72058	SPRING - relief valve (outer)	1
8 A 72071	SPRING - relief valve (inner)	1
9 A 72057	SPOOL - relief valve poppet	1
10 A 72055	SEAT - relief valve	1
11 O 9638AB	SNAP RING - valve	1
12 A 72060	WASHER - valve spool end spacer	2
13 A 72063	SPACER - valve spool end	1
14 A 72066	WASHER - retainer relief valve plug	1
15 A 72067	RING - back up	1
16 A 72062	SEAL - quad ring	2
17 A 72056	PLUG	1
18 D 26872	"O" RING - plug	1
19 C 12524	BODY AND SPOOL ASSEMBLY - SAE ports	1
20 A 72068	RETAINER - seal	1
21 A 72070	SEAL - vee	1
22 A 72064	CAP - valve end	1
23 A 72072	KIT - valve seal repair	1
24 A 72070	SEAL - vee	1
25 D 26872	"O" RING - 5/8"	1
26 A 7982	"O" RING - 13/16"	1
27 A 72062	QUAD RING	2
28 T 13224	SEAL - "O" ring	1
29 221- 841	PLUG - conversion	1
30 C 10989	WASHER	1
31 C 10988	WASHER - special	1
32 C 10987	BRACKET MOUNTING	1

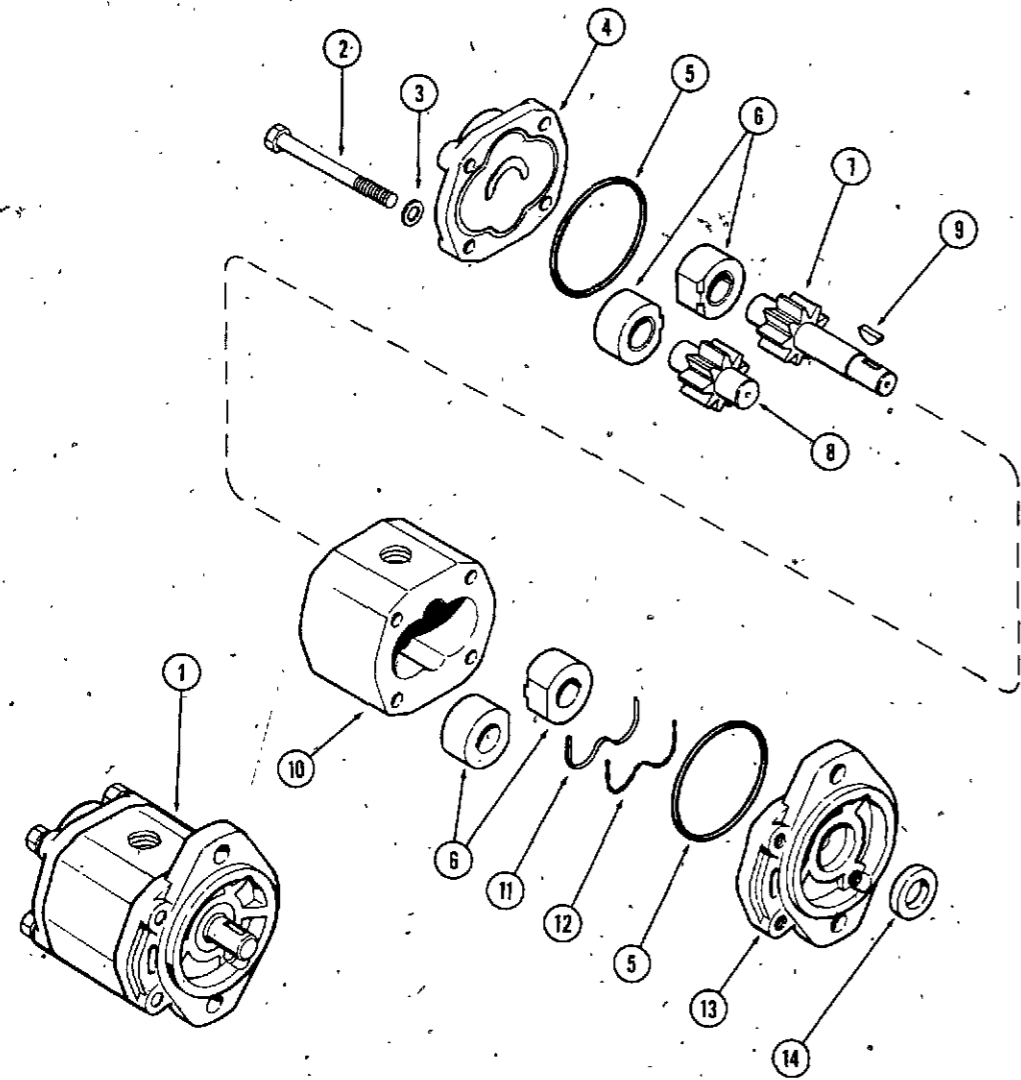


**C-13341 HYDRAULIC CONTROL VALVE**

Used on Model 155 Tractors Serial Number 9623328 and after.  
 Used on Model 195 Tractors Serial Number 9627528 and after.

1 C 13512	PLUG - adjusting	1
2 16905	SEAL - "O" ring	1
3 C 13515	SPRING - relief	1
4 211- 10	BALL	1
5 C 13510	SEAT - ball	1
6 A 27891	SEAL - "O" ring	1
7 NSS	SPOOL (Order C13341 valve)	1
8 C 13514	SEAL - quad ring	2
9 C 13513	RING - retainer	2
10 NSS	BODY - valve (Order C13341 valve)	1
11 221- 12	PLUG - pipe 1/4" NPT	1

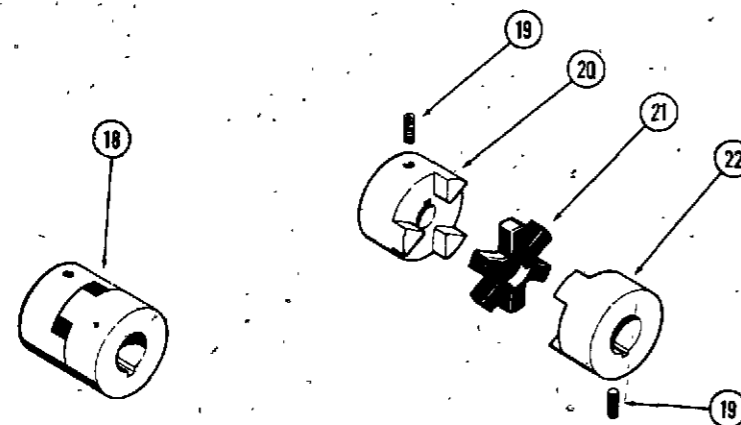
**HYDRAULIC PUMP**



REF. PART NO.	DESCRIPTION	REQ'D
1 C 10493	PUMP - hydraulic (195)	1
1 C 10258	PUMP - hydraulic (155)	1
2 13- 652	BOLT - 3/8" x 3-1/4" N.C. hex head	4
3 195- 2028	WASHER - special	4
4 C 11644	COVER - rear, pump body	1
5 A 72003	SEAL - pump cover	2
6 A 35956	BEARING - pump gear	4
7 C 11642	GEAR - pump drive (For C10258 pump on Model 155)	1
7 A 72005	GEAR - pump drive (For C10493 pump on Model 195)	1
8 C 11643	GEAR - pump driven (For C10258 pump on Model 155)	1
8 A 72004	GEAR - pump driven (For C10493 pump on Model 195)	1
9 126- 12	KEY - Woodruff #6	1
10 NSS	BODY - pump (Order C10258 or C10493)	1
11 A 72001	GASKET - brass, front cover	1
12 A 72002	SPACER - gasket, front cover	1
13 A 72007	COVER - front pump body	1
14 A 50421	SEAL - pump shaft	1

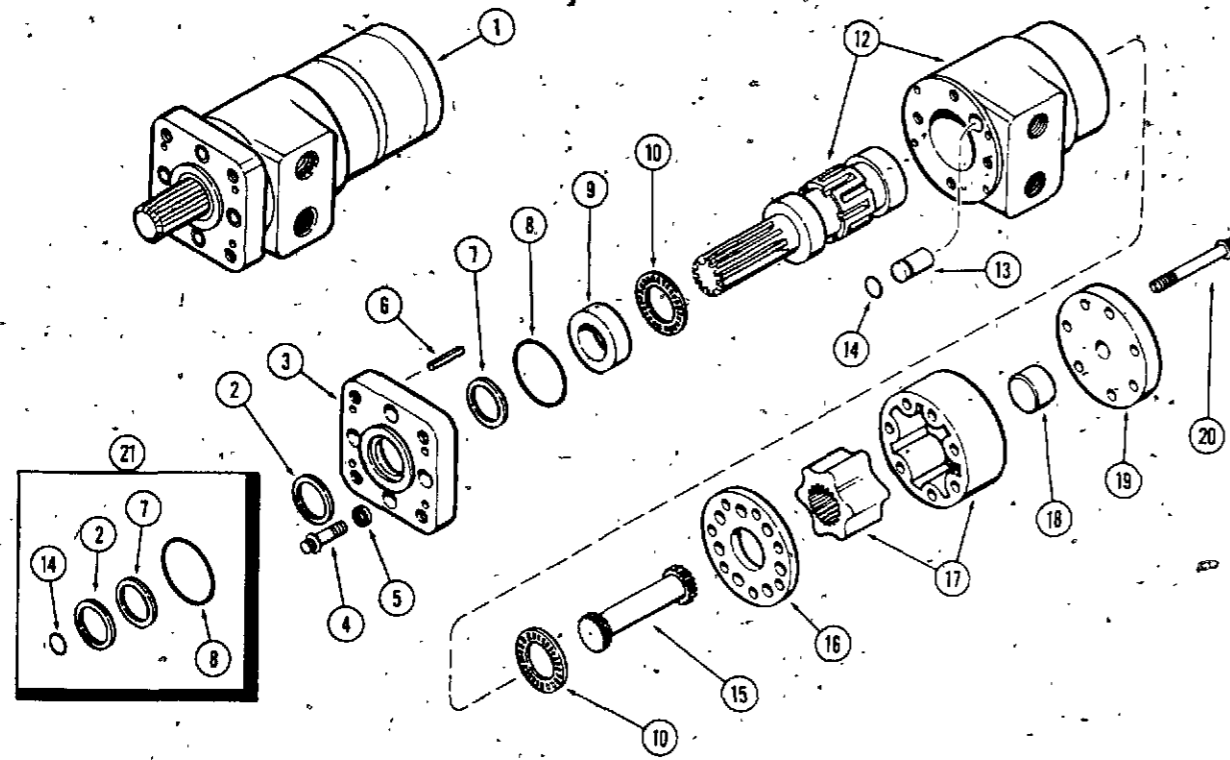
**PUMP DRIVE COUPLING**

18 A 70111	COUPLING - pump drive	1
19 83- 55	SCREW - 5/16" x 5/16" N.C. socket head set	2
20 NSS	HUB - half, 5/8" dia. bore (Order A70111)	1
21 A 70112	SPIDER - coupling	1
22 NSS	HUB - half, 1" dia. bore (Order A70111)	1





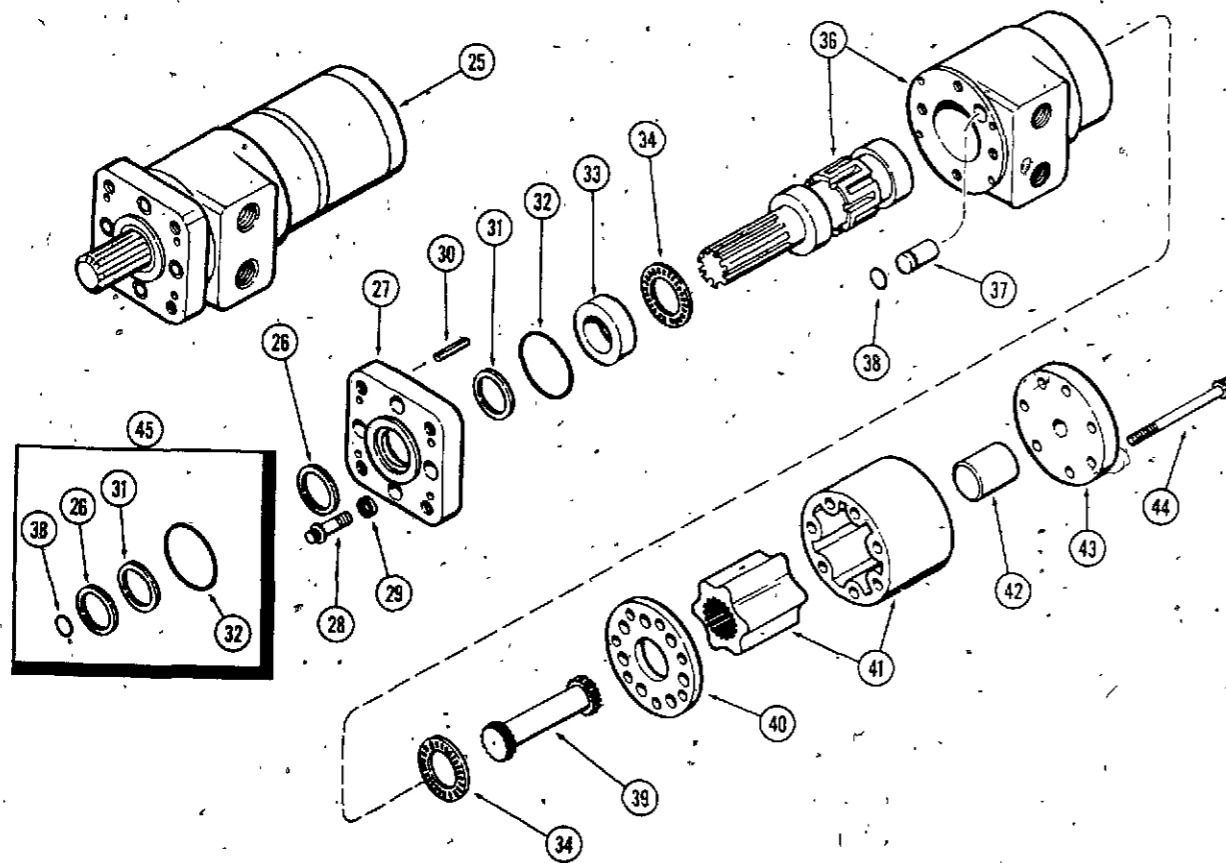
**155 HYDRAULIC DRIVE MOTOR**



REF. PART NO.		
1	C	12305
2*		NSS
3	A	72028
4	166-	23
5	193-	82
6	138-	134
7*		NSS
8*	A	17528
9	A	72030
10	A	72031
12	C	12682
13	A	72034
14*		NSS
15	A	72027
16	A	72026
17	A	72025
18	A	72051
19	A	72024
20	166-	531
21	A	72036

DESCRIPTION	REQ'D
MOTOR - hydraulic drive (155)	1
OIL SEAL - mtg. plate (See ref. 21)	1
PLATE - mounting	1
CAPSCREW - ferry 5/16" x 5/8" N.C.	4
LOCKWASHER - int. shakeproof 5/16"	4
PIN - roll 1/4" x 1"	4
QUAD RING - mtg. plate (See ref. 21)	1
"O" RING - mtg. plate to hsg. (See ref. 21)	1
RACE - output shaft bearing	1
BEARING - thrust, output shaft thrust	2
SHAFT AND HOUSING	1
PLUG - housing	1
"O" RING - hsg. plug (See ref. 21)	1
COUPLING - drive	1
PLATE - spacer	1
GEROTOR SET (1-1/4" thick)	1
SPACER - cplg. drive (3/4" thick)	1
CAP - end	1
CAPSCREW - ferry 5/16" x 2-1/2" N.F.	7
KIT - "O" ring and seal (Incl. items marked w/*)	1

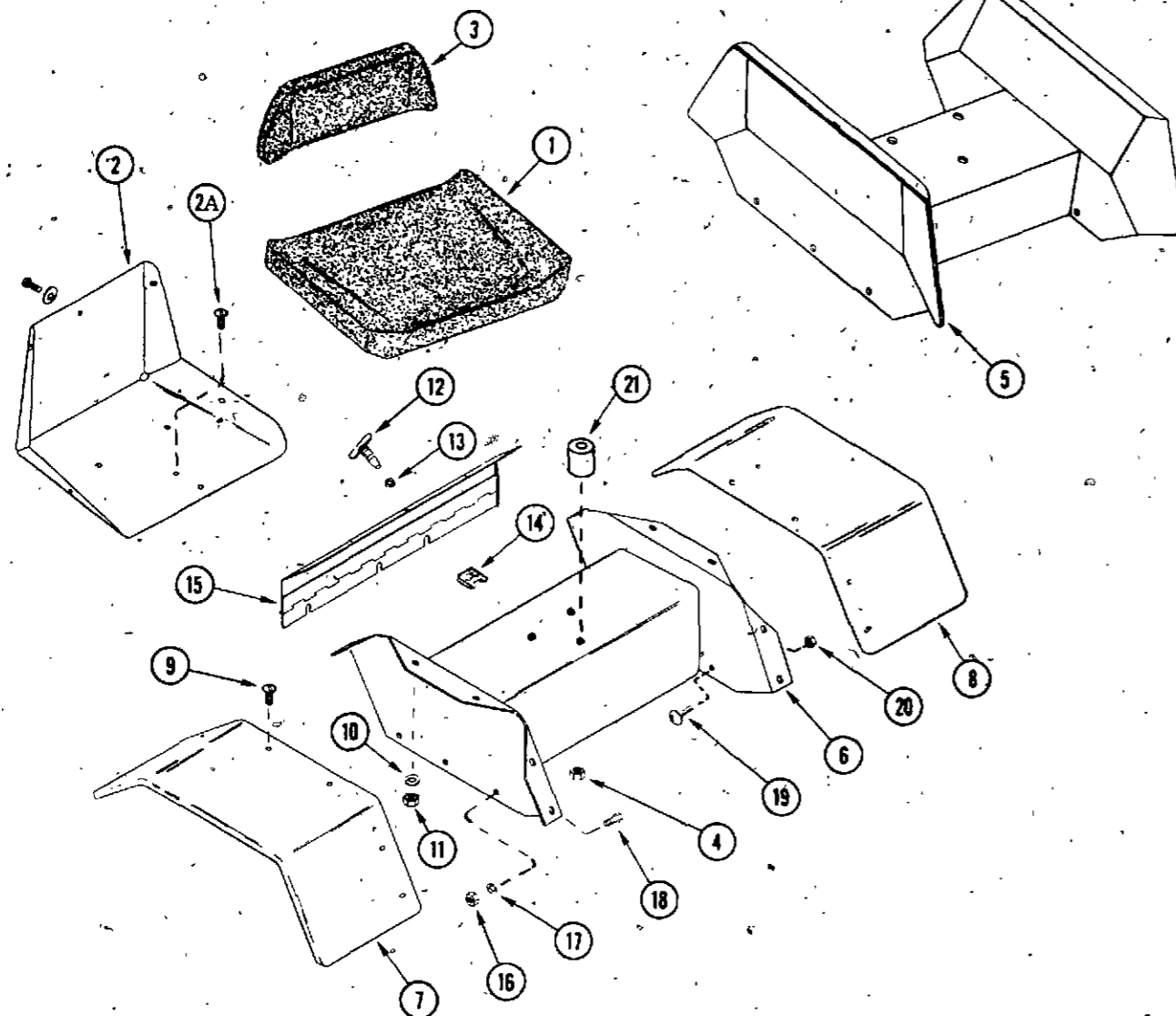
**195 HYDRAULIC DRIVE MOTOR**



25	C	12304
26*		NSS
27	A	72028
28	166-	23
29	193-	82
30	138-	134
31*		NSS
32*		NSS
33	A	72030
34	A	72031
36	C	12682
37	A	72034
38*		NSS
39	A	72027
40	A	72026
41	A	72112
42	A	72113
43	A	72024
44	166-	532
45	A	72036

MOTOR - hydraulic drive (195)	1
OIL SEAL - mtg. plate (See ref. 45)	1
PLATE - mounting	1
CAPSCREW - ferry 5/16" x 5/8" N.C.	4
LOCKWASHER - int. shakeproof 5/16"	4
PIN - roll, 1/4" x 1"	4
QUAD RING - mtg. plate (See ref. 45)	1
"O" RING - (See ref. 45)	1
RACE - output shaft bearing	1
BEARING - thrust, output shaft	2
SHAFT AND HOUSING	1
PLUG - housing	1
"O" RING - housing plug (See ref. 45)	1
COUPLING - drive	1
PLATE - spacer	1
GEROTOR SET (2" thick)	1
SPACER - cplg. drv. (1-1/2" thick)	1
CAP - end	1
CAPSCREW - ferry, 5/16" x 3-1/4" N.F.	7
KIT - "O" ring and seal (incl. item marked w/*)	1

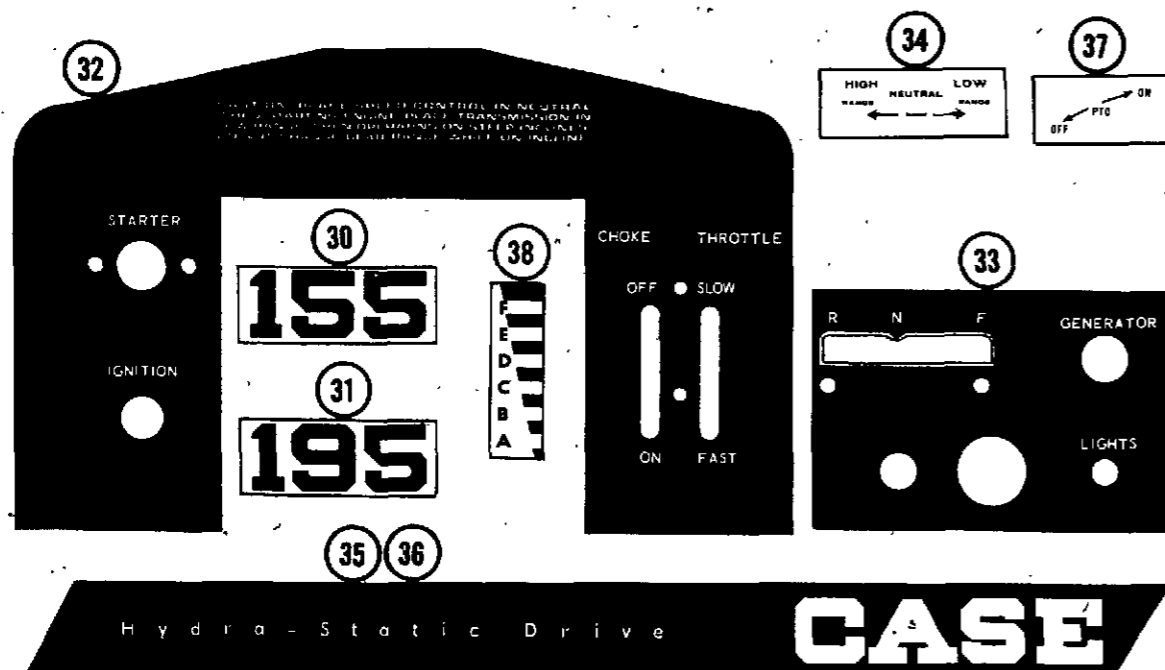
SEAT, FENDERS AND TOOL BOX



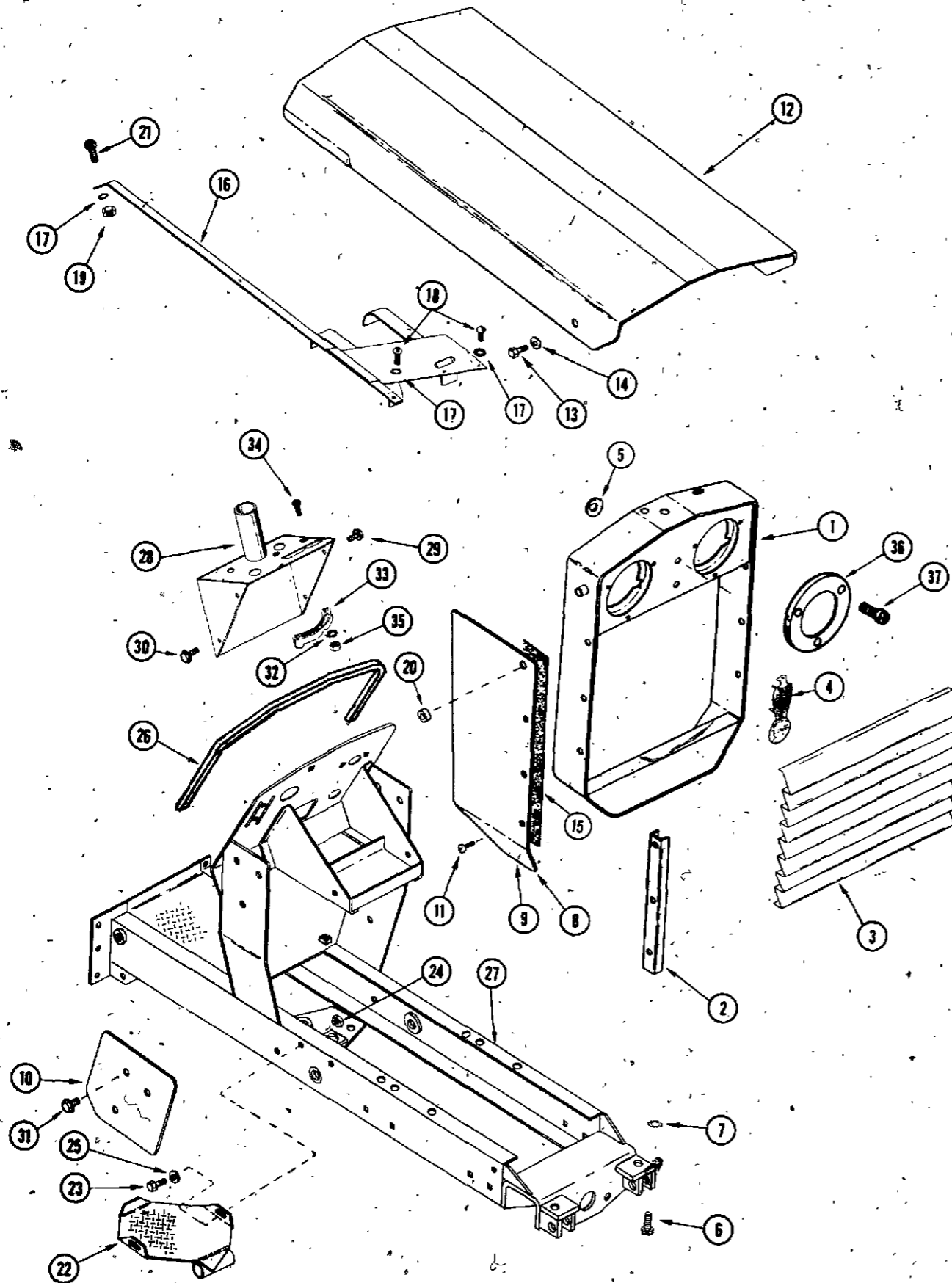
REF. PART NO.	DESCRIPTION	REQ'D
C 10421	SEAT ASSEMBLY	1
1 <sup>o</sup> C 11636	CUSHION - seat	1
2 C 11637	PAN - seat	1
2A 111- 207	BOLT - Rd. Hd. Short Sq. Neck, 5/16" x 2" N.C.	3
3 C 11635	CUSHION - back	1
4 131- 351	NUT - 5/16" N.C., hex	3
5 C 10429	SUPPORT - seat (195)	1
6 C 10380	SUPPORT - seat (155)	1
7 C 10395	FENDER - right hand (155)	1
8 C 10396	FENDER - left hand (155)	1
9 175- 400	SCREW - 1/4"-20 x 1/2" truss head	10
10 192- 19	LOCKWASHER - 1/4" Z.P.	10
11 129- 101	NUT - 1/4" N.C., hex, Z.P.	10
12 C 10423	STUD - tool box latch	1
13 C 10489	WASHER - stud retainer	1
14 C 10490	RECEPTACLE - stud clip-on	1
15 C 10424	DOOR - tool box	1
16 129- 102	NUT - 5/8" N.C., hex, Z.P.	5
17 192- 20	LOCKWASHER - 5/16" Z.P.	5
18 115- 103	BOLT - 5/16"-18 x 3/4" rd. hd., plated	5
19 175- 46	SCREW - 5/16" x 3/8" truss head, plated	1
20 131- 176	NUT - 5/16" N.C., Gripco, plated	1
21 C 10433	MOUNTS - seat	3

DECALS

30 C 12180	DECAL - Model 155	2
31 C 12181	DECAL - Model 195	2
32 C 12212	DECAL - instrument panel (large)	1
33 C 13934	DECAL - instrument panel (small)	1
34 A 70233	DECAL - Hi-Lo shift	1
35 C 12276	DECAL - hood stripe, R. H.	1
36 C 12277	DECAL - hood stripe, L. H.	1
37 C 10936	DECAL - PTO ON-OFF	1
38 C 12506	DECAL - level indicator	1



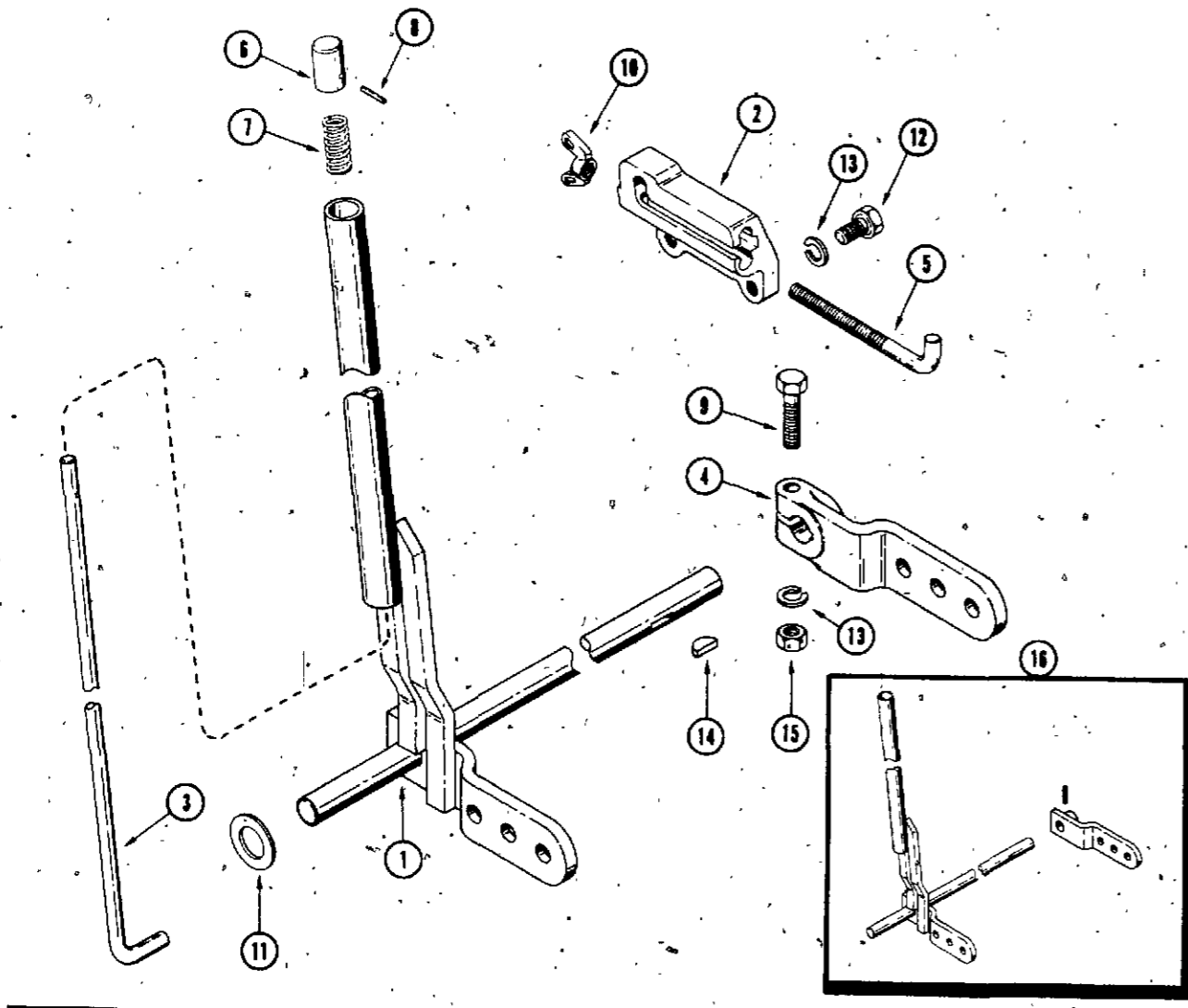
HOOD, FRAME AND GRILLE



REF. PART NO.	DESCRIPTION	REQ'D
1 C 14024	GRILLE	1
2 C 10349	BRACKET - grille mounting	2
3 C 10413	PANEL - grille	1
4 A 24526	MEDALLION - radiator grille	1
5 131- 413	NUT - 1/4"	2
6 182- 509	SCREW - 5/16"-18 x 1" pan head, Phillips	2
7 193- 9	LOCKWASHER - 5/16" SAE external tooth	2
8 C 10370	PANEL - front, side, right hand	1
9 C 10371	PANEL - front, side, left hand	1
10 C 12234	PANEL - rear, side, right hand	1
10 C 12114	PANEL - rear, side, left hand	1
11 C 10596	SCREW - #10 Phillips pan head	6
12 C 10360	HOOD	1
13 C 10361	SCREW - 1/4"-20 x 1/2", lock, plated	2
14 C 11534	BUSHING - hood	2
15 C 12165	WRAPPER - front panel	2
16 C 12203	BRACKET - fuel tank mounting	1
17 193- 8	WASHER - 1/4" shakeproof	3
18 173- 207	SCREW - 1/4" x 5/8" rd. hd. machine	3
19 129- 101	NUT - 1/4" N.C., zinc plated	1
20 C 11533	SPACER - hood	2
21 111- 128	BOLT - 1/4"-20 x 3/4" rd. hd., square neck	1
22 C 10283	FOOTPAD	2
23 15- 514	BOLT - 5/16" x 7/8" N.C., hex	2
24 25- 105	NUT - 5/16" N.C., hex	2
25 92- 5	LOCKWASHER - 5/16" SAE	2
26 C 11582	CHANNEL - instrument panel liner	1
27 C 14077	FRAME - main (195)(used prior to S/N 9628317)	1
27 C 14076	FRAME - main (155)(used prior to S/N 9624443)	1
27 C 14315	FRAME - main (195) (used S/N 9628317 and after)	1
27 C 14314	FRAME - main (155) (used S/N 9624443 and after)	1
28 C 13983	SUPPORT - steering (195)(used prior to S/N 9628317)	1
28 C 13984	SUPPORT - steering (155)(used prior to S/N 9624443)	1
28 C 14312	SUPPORT - steering (195) (used S/N 9628317 and after)	1
28 C 14311	SUPPORT - steering (155) (used S/N 9624443 and after)	1
29 187- 1009	SCREW - 1/4"-20 x 3/8" shakeproof	1
30 187- 1043	SCREW - 1/4"-20 x 1/2" self-tapping, hex head	3
31 187- 1036	SCREW - 1/4"-20 x 1/2" self-tapping	6
* C 14063	KIT - speed control locator	1
32 193- 57	WASHER - 1/4" external tooth	2
33 C 13388	LOCATOR - speed control	1
34 111- 129	SCREW - 1/4"-20 x 1" rd. hd., square neck, Z.P.	2
35 129- 101	NUT - 1/4" N.C., hex, Z.P.	2
36 A 11275,	RING - headlamp retainer	1
37 187- 1008	SCREW - #6 x 1/2" pan head, self-tapping	6

\*Use as replacement on Model 155 tractors prior to s/n 9622668 and on Model 195 tractors prior to s/n 9627170.

**IMPLEMENT LIFT**

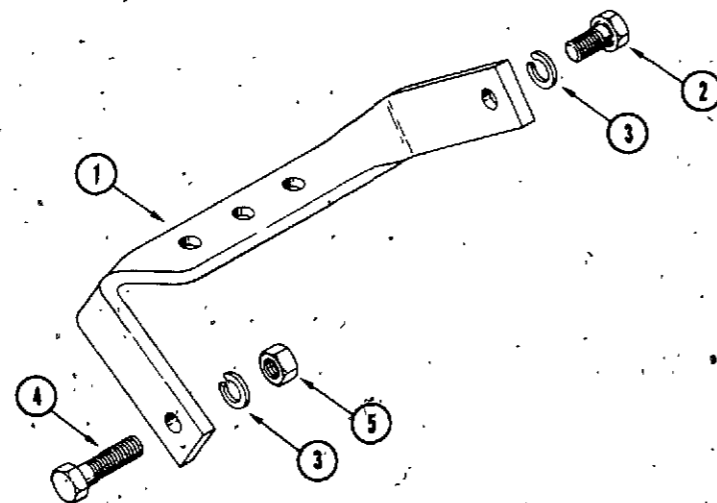


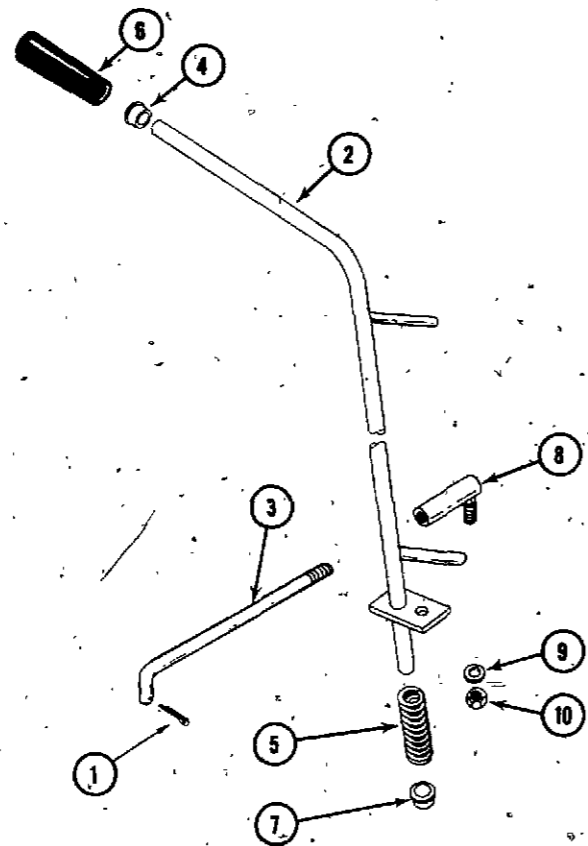
REF. PART NO.	DESCRIPTION	REQ'D
1 C 13356	LEVER - implement lift (keyed type)	1
2 C 13289	PAD - lift lever	1
3 C 10338	ROD - lift lever	1
4* C 14528	LEVER - pivot	1
5 C 12280	ROD - depth adjusting	1
6 C 10356	BUTTON - thumb	1
7 C 10482	SPRING - compression	1
8 138- 2026	PIN - spiral, 1/8" x 3/4"	1
9* 113- 219	BOLT - 3/8" x 2" N.C., hex, Z.P.	1
10 129- 601	NUT - wing 3/8" Z.P.	1
11 195- 545	WASHER - 13/16" plain	1
12 115- 203	BOLT - 3/8"-16 x 3/4" N.C., hex head	2
13 192- 21	LOCKWASHER - 3/8" Z.P.	3
14* 129- 601	KEY - Woodruff #11	1
15* 129- 103	NUT - 3/8" N.C., hex, Z.P.	1
16** C 12570	LEVER ASSEMBLY - implement lift, pinned type, (Not available) (Order one each items 1, 4, 9, 13, 14, & 15)	1
17** 135- 137	PIN - drive 10k 1/4" x 1-1/2"	1

**DRAWBAR AND TOW HITCH**

1 C 10449	DRAWBAR - hitch	1
2 15- 816	BOLT - 1/2" x 1" N.C., hex	1
3 92- 8	LOCKWASHER - 1/2"	2
4 15- 836	BOLT - 1/2" x 2-1/4" N.C., hex	1
5 25- 108	NUT - 1/2" N.C., hex	1

\* Used on Model 155 S/N 9622882 and after and Model 195 S/N 9627208 and after.  
 \*\* Used on Model 155 prior to S/N 9622882 and Model 195 prior to S/N 9627208.





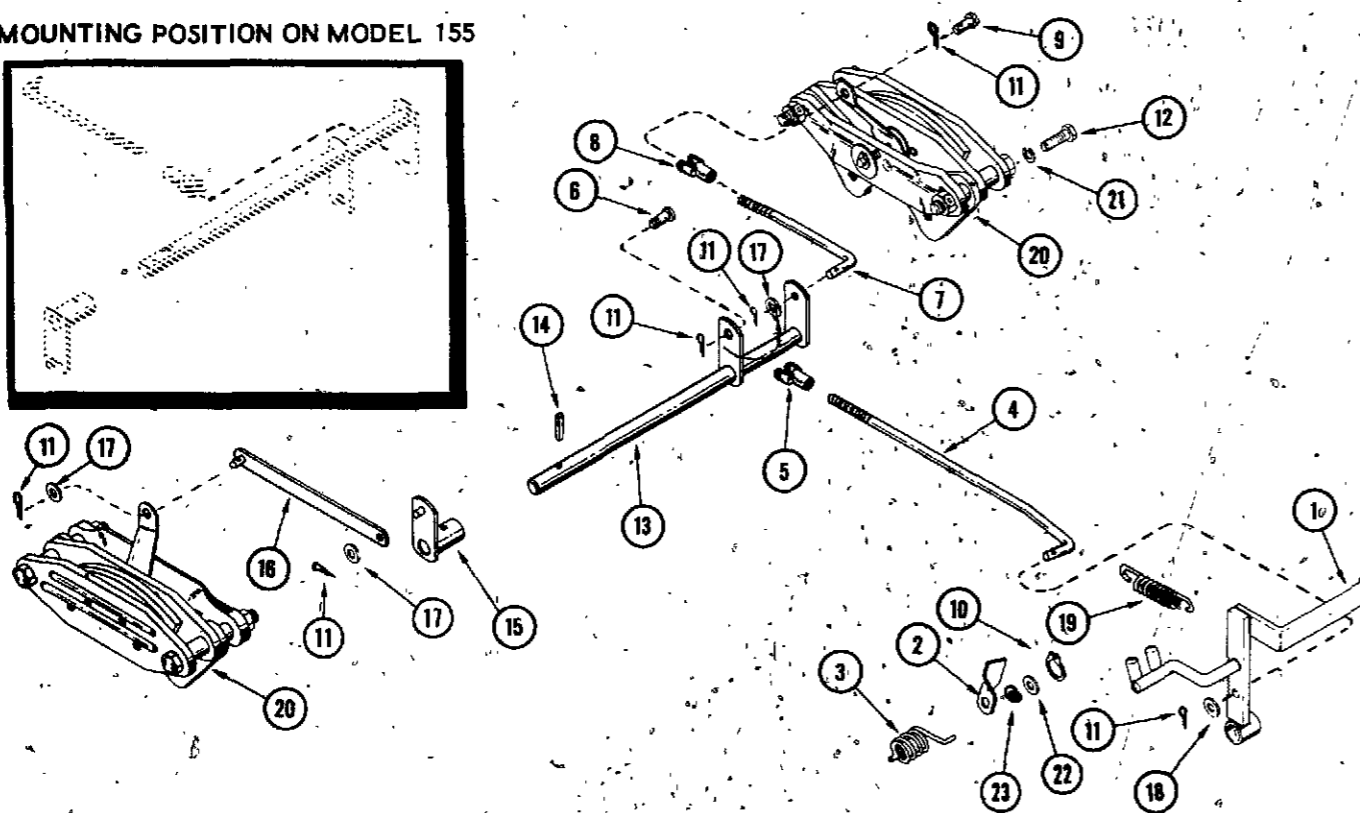
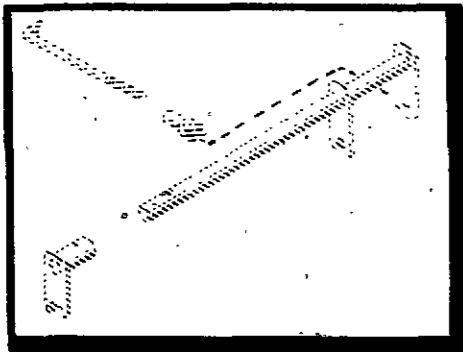
**SPEED CONTROL**

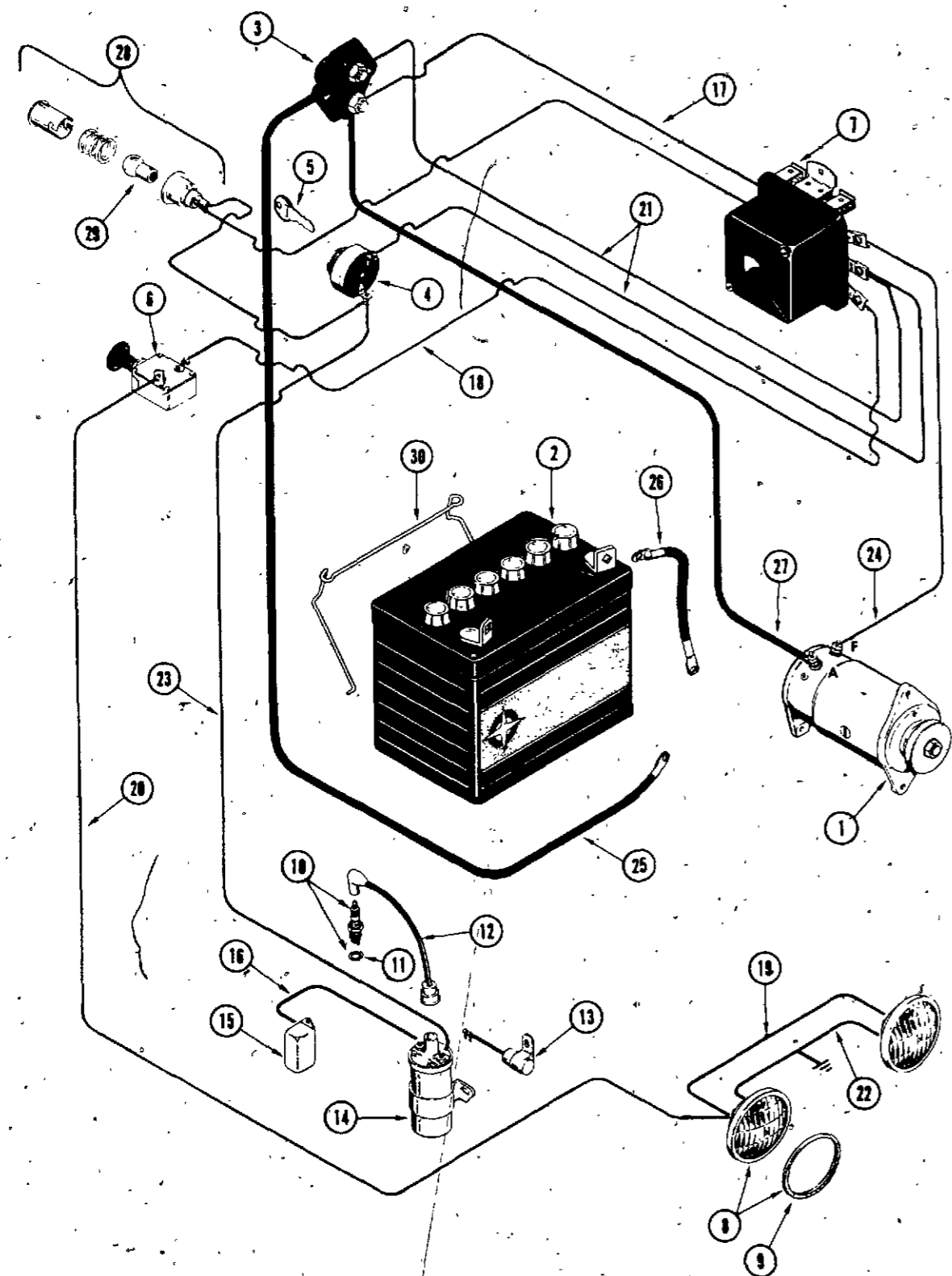
REF. PART NO.	DESCRIPTION	REQ'D
1 132- 320	PIN - cotter 3/32" x 3/4" Z.P.	1
2 C 12139	LEVER - speed control	1
3 C 11943	ROD - speed control (Use with C12149 control valve)	1
4 C 14059	ROD - speed control (Use with C13341 control valve)	1
5 C 12093	BUSHING - fliplock	1
6 C 11942	SPRING - compression	1
7 A 37247	KNOB - speed control lever	1
8 C 12127	BUSHING - nylon	1
9 C 12168	JOINT - ball	1
10 192- 20	LOCKWASHER - 5/16" std. plated	1
11 129- 102	NUT - 5/16" N.C., hex, Z.P.	1

**BRAKE MOUNTING**

1 C 12597	PEDAL - brake	1
2 C 12604	LOCK - brake	1
3 C 13357	SPRING - brake lock	1
4 C 12135	ROD - brake	1
5 213- 4	CLEVIS - 3/8"	1
6 141- 4	PIN - clevis, 3/8"	1
7 C 12145	ROD - pull, L.H.	1
8 213- 3	CLEVIS - 5/16"	1
9 141- 3	PIN - clevis, 5/16"	1
10 A 11538	RING - external retaining	1
11 132- 26	PIN - cotter, 3/32" x 3/4"	6
12 113- 206	BOLT - 3/8" x 3/4" N.C., hex	4
13 C 12132	SHAFT - brake (195)	1
13 C 14147	SHAFT - brake (155)	1
14 138- 2005	PIN - spiral, 1/4" x 1"	1
15 NSS	LEVER (order items 24 and 25)	1
16 NSS	STRAP - pull, R.H. (order items 24 and 25)	1
17 195- 521	WASHER - plain plated	3
18 195- 104	WASHER - 3/8" plain plated	1
19 C 12612	SPRING - brake extension	1
20 NSS	BRAKE - (155) (See page 31)	2
20 NSS	BRAKE - (195) (See page 31)	2
21 192- 21	LOCKWASHER - 3/8" Z.P.	4
22 195- 533	WASHER - Z.P.	1
23 C 12115	WASHER - wavy 1/2"	1
24 C 14018	ROD - pull	1
25 C 14019	LEVER	1

MOUNTING POSITION ON MODEL 155



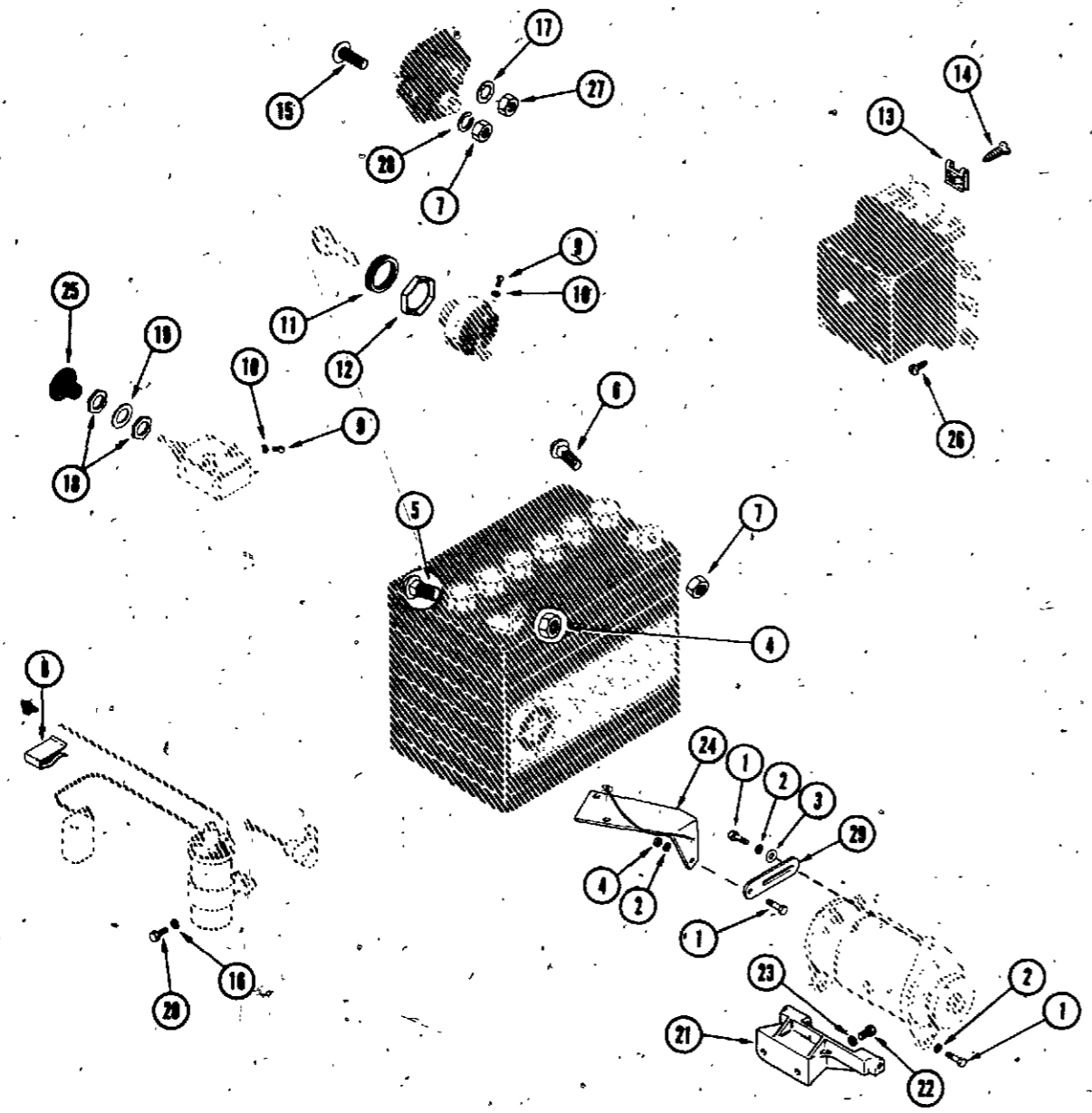


### ELECTRICAL SYSTEM

REF. PART NO.	DESCRIPTION	REQ'D
1 A 70202	STARTER - generator	1
2 C 10458	BATTERY - 12 volt	1
3 C 11247	SWITCH - starter	1
4 C 13985	SWITCH - ignition (Includes key)	1
5 C 12684	KEY - ignition	1
6 C 10474	SWITCH - light	1
7 A 70221	REGULATOR - voltage 12 volt	1
8 A 24572	HEADLAMP - 12 volt	2
9 A 11276	GASKET - headlight retainer	2
10 M 20007	SPARK PLUG (Includes gasket)	1
11 A 27251	GASKET - spark plug	1
12 KO 238057	CABLE - high tension	1
13 KO 230722	CONDENSER	1
14 KO 231281	COIL - ignition 12 volt	1
15 KO 232535	COVER - breaker contact	1
16 KO 231533	WIRE - breaker contact (Includes grommet)	1
17 C 12193	WIRE - regulator ground to starter switch (White 12")	1
18 C 12194	WIRE - regulator to light switch (Yellow 19")	1
19 C 12269	WIRE - connector to lights (Black)	1
20 C 12270	WIRE - light switch to head lamp (Black)	1
21 C 13812	WIRE ASSEMBLY - regulator (Red 9") (Black 13")	1
22 C 10985	WIRE - head lamp to head lamp ground (Black 9" and 5")	1
23 C 10592	WIRE - ignition switch to coil (Green 36")	1
24 C 12192	WIRE - regulator to generator field (Black 17")	1
25 C 12197	CABLE - battery to starter switch (Black 18")	1
26 C 12198	CABLE - battery to ground (Black 10-3/4")	1
27 C 12199	CABLE - starter switch to generator (Black 20-1/2")	1
28* C 13618	LAMP ASSEMBLY - warning generator indicator	1
29* A 24354	BULB - warning lamp (Red)	1
28** C 12209	LAMP ASSEMBLY - generator warning (Red lens)	1
29** B 50213	BULB - warning lamp (White)	1
30 C 10549	BRACKET - battery hold down	1

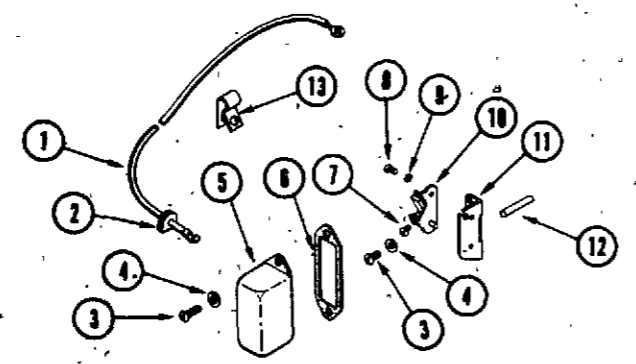
\* Used on Model 155 Tractors Serial Number 9622668 and after.  
 \* Used on Model 195 Tractors Serial Number 9627170 and after.  
 \*\* Used on Model 155 Tractors prior to Serial Number 9622668.  
 \*\* Used on Model 195 Tractors prior to Serial Number 9627170.

**ELECTRICAL SYSTEM HARDWARE**

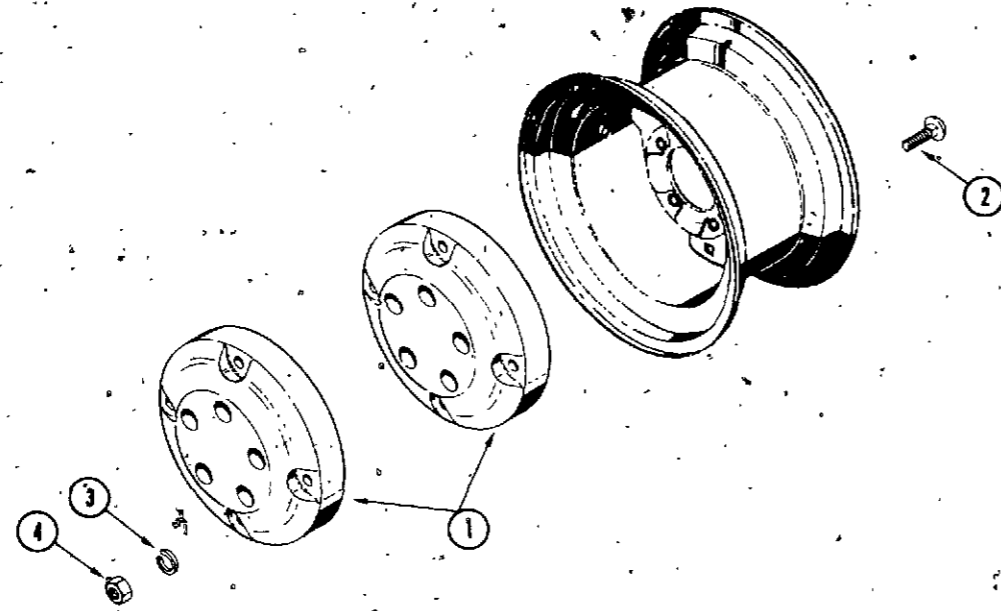


REF. PART NO.	DESCRIPTION	REQ'D
1 113- 103	BOLT - 5/16" x 1" N.C., hex, Z.P.	3
2 192- 20	LOCKWASHER - 5/16" Z.P.	2
3 195- 520	WASHER - plain 5/16" Z.P.	1
4 129- 102	NUT - 5/16" N.C., hex, Z.P.	2
5 11- 512	BOLT - 5/16" N.C., rd. hd., square neck, battery positive cable	1
6 11- 412	BOLT - 1/4" N.C., rd. hd., square neck, battery ground cable	1
7 129- 101	NUT - 1/4" N.C., hex, Z.P.	3
8 C 10472	CLIP - wire holder	2
9 173- 224	SCREW - #8 x 1/4" round head	4
10 193- 91	WASHER - #8 internal tooth	2
11 C 12683	NUT - 3/4" escutcheon	1
12 C 14060	NUT - 3/4" back up	1
13 C 10836	NUT - speed type U	2
14 187- 131	SCREW - #10 x 3/4" Self-tapping, flat head, Z.P.	2
15 111- 128	BOLT - 1/4" x 3/4" N.C., rd. hd., square neck, blk., Z.P.	2
16 192- 19	LOCKWASHER - 1/4" Z.P.	2
17 193- 82	WASHER - 5/16" internal tooth, Z.P.	2
18 C 14088	NUT - 3/8"	2
19 C 12617	WASHER - 3/8" plain	1
20 113- 1	BOLT - 1/4" x 1/2" N.C., hex, Z.P.	2
21 KO 235196	SUPPORT - starter generator	1
22 113- 221	BOLT - 3/8" x 7/8" N.C., hex, Z.P.	2
23 192- 21	LOCKWASHER - 3/8"	2
24 KO 235197	SUPPORT - starter generator adjust	1
25 C 14089	KNOB - light switch	1
26 169- 131	SCREW - #8 N.C. x 5/16" fillister head	3
27 129- 122	NUT - 5/16" N.F. hex, Z.P.	2
28 193- 57	WASHER - 1/4" external tooth, Z.P.	2
29 C 14599	BRACKET - starter generator adjust	1

**BREAKER CONTACTS**



1 KOA231533	LEAD - breaker contact (includes grommet)	1
2 KO 220297	GROMMET - contact lead	1
3 173- 210	SCREW - #10-24 x 3/8" rd. hd., Z.P.	4
4 192- 18	LOCKWASHER - 3/16" Z.P.	4
5 KO 232535	COVER - breaker contact	1
6 KO 220174	GASKET - cover	1
7 187- 408	SCREW - #6-32 x 3/8" Self-tapping	1
8 173- 224	SCREW - breaker contact mounting #8 x 1/4" N.C., rd. hd.	1
9 193- 5	LOCKWASHER - #8 internal tooth	1
10 KOA 220474	POINT SET - breaker contact	1
11 KO 220476	BRACKET - breaker contact mounting	1
12 C 18100	ROD - breaker contact push	1
13 KO 275303	CLIP - wire	1

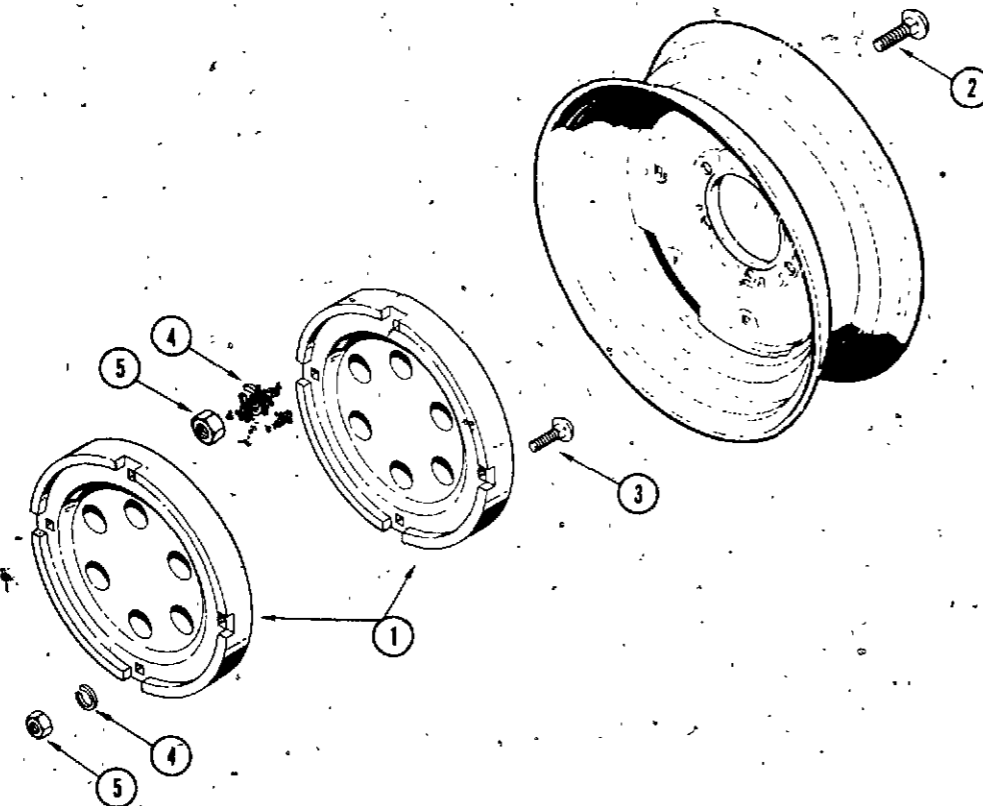


**D8 WHEEL WEIGHTS - MODEL 155**

REF. PART NO.	DESCRIPTION	REQ'D
1 NSS	WEIGHT - wheel, 12" (order as machinery item)	4
2 111- 532	BOLT - 1/2" x 3-3/4" rd. hd., square neck, N.C., Z.P.	8
3 192- 23	LOCKWASHER - 1/2" Z.P.	8
4 129- 105	NUT - 1/2" N.C., hex	8

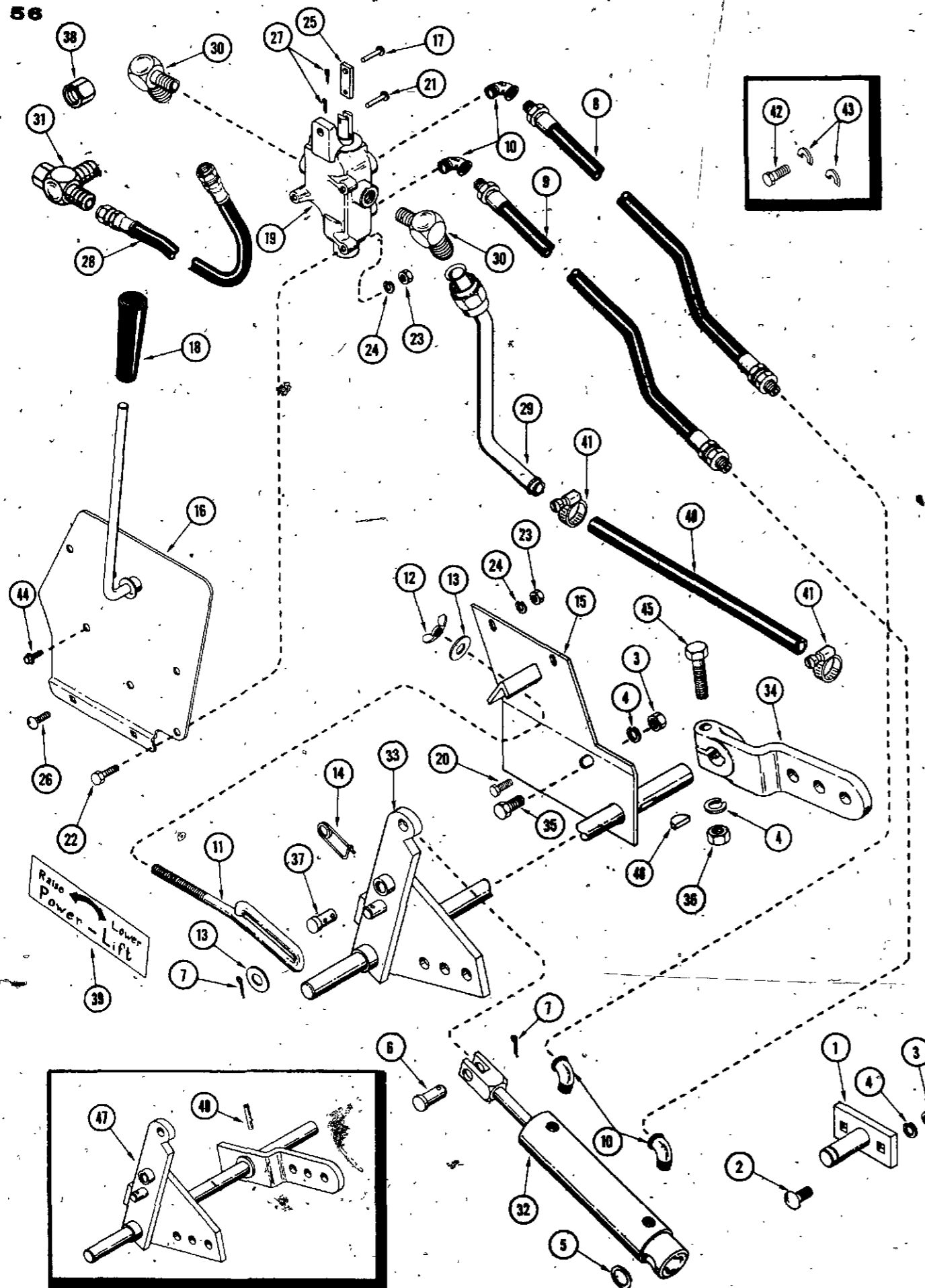
**D10 WHEEL WEIGHTS - MODEL 195**

REF. PART NO.	DESCRIPTION	REQ'D
1 NSS	WEIGHT - wheel, 15" & 16" (order as machinery item)	4
2 111- 530	BOLT - 1/2" x 2-1/2" rd. hd., square neck, N.C., Z.P.	4
3 111- 531	BOLT - 1/2" x 2-3/4" rd. hd., square neck, N.C., Z.P.	4
4 92- 8	LOCKWASHER - 1/2" Z.P.	8
5 129- 105	NUT - 1/2" N.C., hex	8

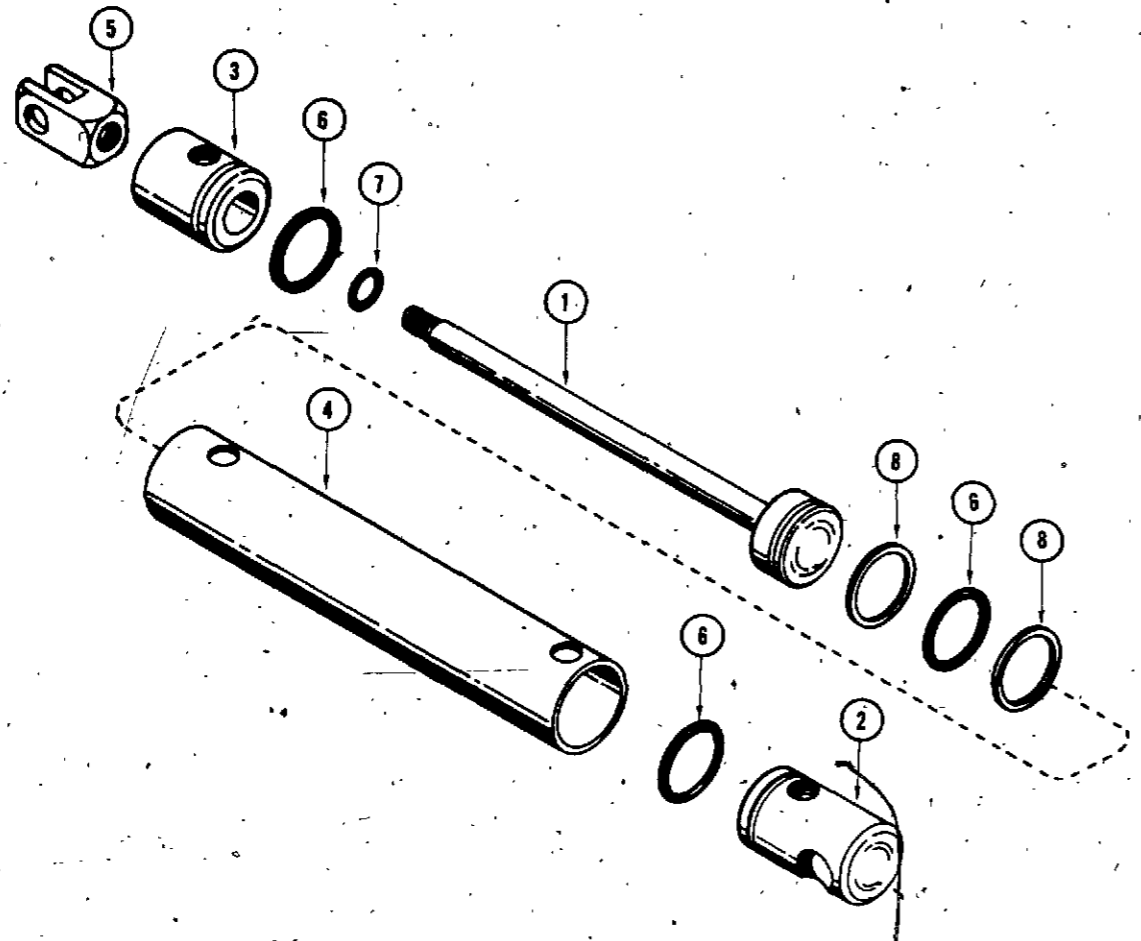




MODEL E25 HYDRAULIC LIFT KIT



REF. PART NO.	DESCRIPTION	REQ'D
1 C 12750	BRACKET - cylinder mounting	1
2 111- 319	BOLT - rd. hd., square neck, 3/8" x 1-1/4" N.C.	2
3 129- 103	NUT - 3/8" N.C., hex, Z.P.	3
4 192- 21	LOCKWASHER - 3/8" Z.P.	4
5 T 25683	RING - retaining	1
6 141- 56	PIN - clevis 1/2"	1
7 132- 310	PIN - cotter, 1/8" x 1" Z.P.	2
8 C 12674	HOSE - 12-1/2"	1
9 C 12675	HOSE - 20"	1
10 221- 412	ELBOW - street 1/4" NPTF	4
11 C 12792	LINK - stop	1
12 129- 601	NUT - wing 3/8" N.C., Z.P.	1
13 195- 530	WASHER - plain 1/2" Z.P.	2
14 C 10898	PIN - safety	1
15 C 12758	PLATE - stop	1
16 C 14154	PLATE - valve mounting	1
17 135- 137	PIN - Drive-Lok, 1/4" x 1-1/2"	1
18 C 12678	GRIP - lever	1
19 C 14153	VALVE - lift (Repairs see page 59)	1
20 115- 105	BOLT - 5/16" x 1" N.C., hex, Z.P.	1
21 141- 2	PIN - clevis 1/4" x 3/4"	2
22 113 4	BOLT - 1/4" x 1" N.C., hex, Z.P.	3
23 129- 101	NUT - 1/4" N.C., hex, Z.P.	5
24 192- 19	LOCKWASHER - 1/4" Z.P.	5
25 C 12633	LINK - valve	1
26 111- 112	BOLT - rd. hd., short square neck, 1/4" x 3/4" N.C., Z.P.	2
27 132- 5	PIN - cotter, 1/16" x 1/2" Z.P.	2
28 C 13317	HOSE - pressure	1
29 C 13329	TUBE - cooler	1
30 218- 1057	FITTING - 90° 5/8" tube x 3/8" NPTF	2
31 C 11430	TEE - 5/8" x 5/8" x 1/2" tube	1
32 C 12676	CYLINDER - hydraulic (Repairs see page 59)	1
33 C 13804	LIFT LEVER ASSEMBLY	1
34 C 14528	LEVER - pivot	1
35 115- 204	BOLT - 3/8" x 1" N.C., hex, Z.P.	1
36 129- 103	NUT - 3/8" N.C., hex, Z.P.	1
37 C 12777	PIN - clevis 1/2"	1
38 218- 755	CAP - C11430 tee (For tube removal)	1
39 C 13210	DECAL - power lift	1
40 C 13330	HOSE - cooler	1
41 214- 253	CLAMP - hose	2
42 115- 204	BOLT - 3/8" x 1" N.C. (Required when installing E36 Snow Thrower)	1
43 C 13331	SHIM - 3/8" flat (Required when installing E36 Snow Thrower)	2
44 187 1036	SCREW - 1/4" x 1/2" N.C., hex, self-tapping	3
45 113 219	BOLT - 3/8" x 2" N.C., hex, Z.P.	1
46 126- 119	KEY - Woodruff #11	1
47 NSS	LIFT LEVER ASSEMBLY - not available (Order one each Ref. No. 4, 33, 34, 36, 45, & 46)	1



**MODEL E25 HYDRAULIC LIFT KIT  
C12676 LIFT CYLINDER**

REF. PART NO.	DESCRIPTION	REQ'D
1 C 12880	ROD - cylinder	1
2 C 12883	HEAD - cylinder	1
3 C 12884	HEAD - cylinder rod end	1
4 C 12885	TUBE - cylinder	1
5 C 12886	CLEVIS - rod end	1
6 D 26819	"O" RING - 1-1/2" OD	3
7 A 27410	"O" RING - 3/4" OD	1
8 C 12903	WASHER - back up	2

**C14153 DIRECTIONAL VALVE  
(REPLACES C12677 VALVE)**

1 NSS	BODY AND SPOOL ASSEMBLY	1
2 C 13200	SPACER	1
3 C 13201	CAP - end	1
4 195- 521	WASHER - plain 3/8"	1
5 195- 510	WASHER - plain 3/16"	1
6 193- 524	SCREW - rd. hd. slotted w/ext. lockwasher #10-32 x 3/8"	1
7 C 18850	SPRING - return	1
8 D 40816	SEAL - "O" ring	2
9 211- 9	BALL - steel	1
10 C 13203	SPRING - relief	1
11 C 13207	SCREW - relief adj. 7/16-20 x 5/8"	1
12 C 13204	GASKET - relief cap	1
13 129- 531	CAP - acorn 7/16" N.F.	1
14 169-2 146	SCREW - fill. hd., #8-32 x 3/8" N. C. ZP	3

