

# PARTS LIST

## B420

### CONTENTS

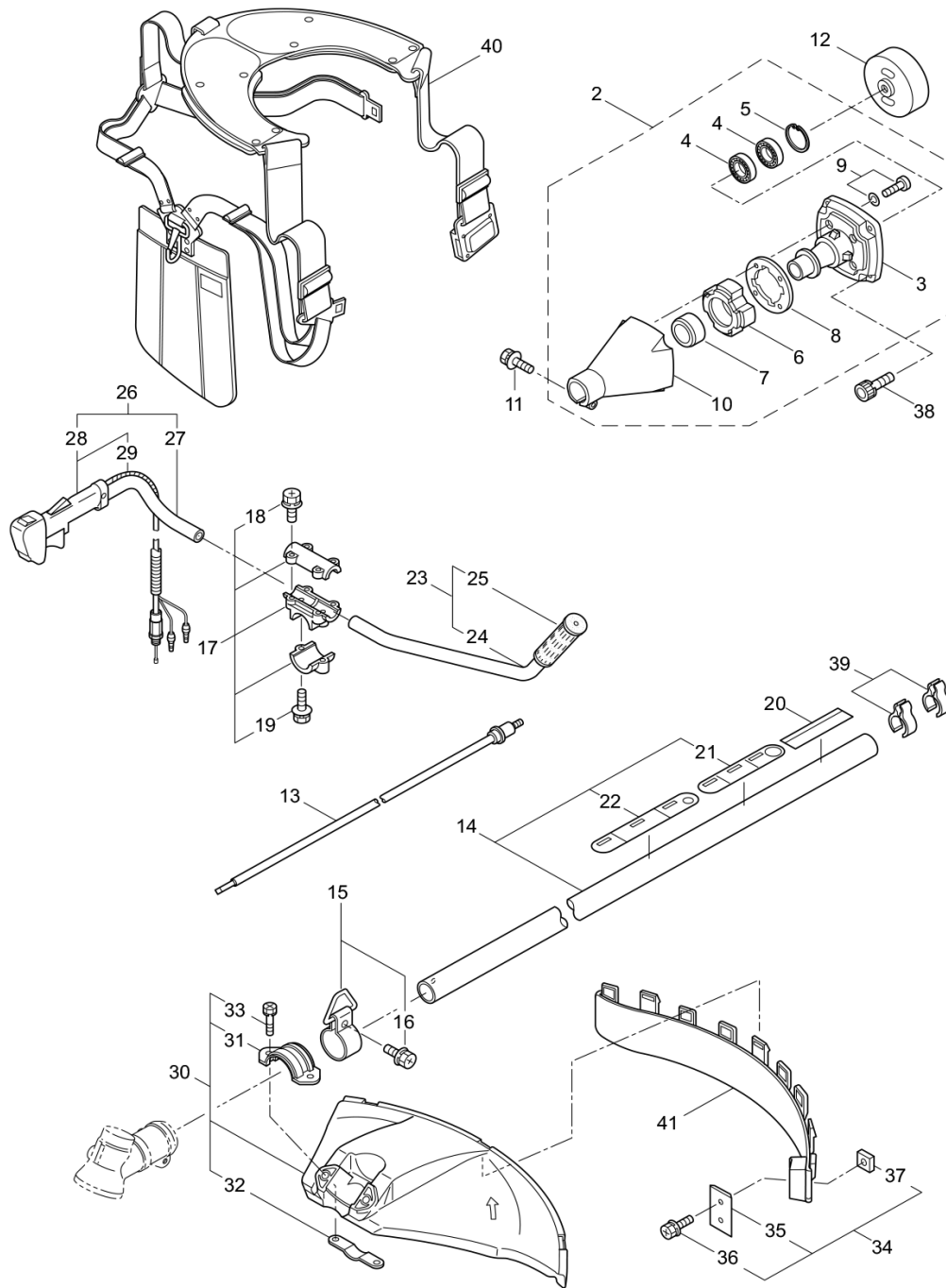
1. MAIN BODY .....	1 ~ 2
2. GEARCASE .....	3 ~ 4
3. ENGINE .....	5 ~ 8
4. CARBURETOR, FUEL TANK .....	9 ~ 12
5. ACCESSORIES .....	13 ~ 14

2019. 12.



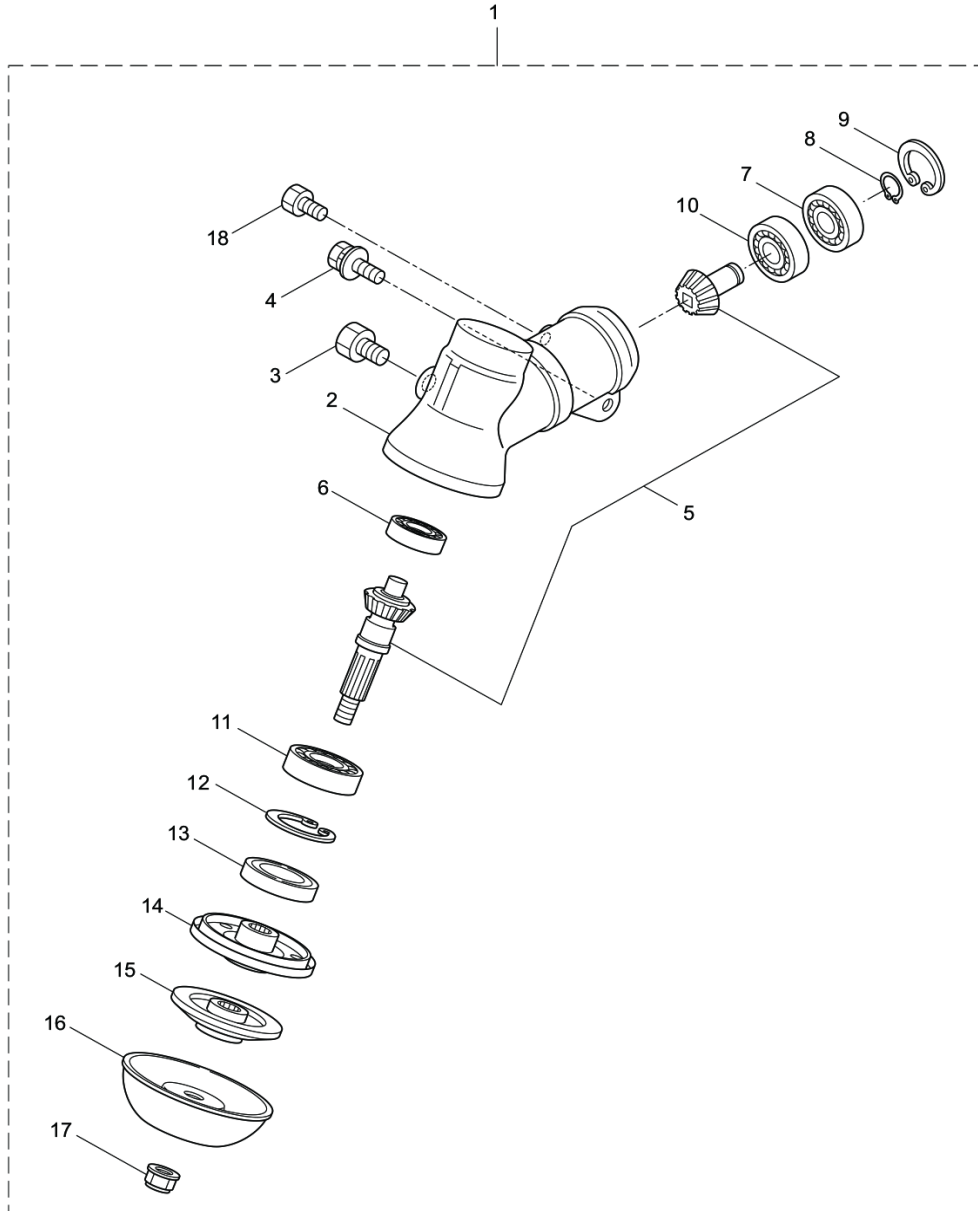
P/N 524917

1. B420  
MAIN BODY



Status	Position	Parts Number	Parts Name	Unit Quantity	Set Unit Quantity	Specification	Remarks	Maker code
	1	364856	B420 (MUS)	1				
	2	234162	CLUTCH CASE ASSY	1		B43 / B50R (MUS)	Incl.3-10	
	3	234143	CASE BEARING	1				
	Four	140474	BEARING 6202 ZZ	2		# 6202ZZ	# 6202ZZ	
	Five	012380	SNAP RING	1		Anou 35	# 35	
	6	217045	BUFFER	1				
	7	217046	BUFFER	1				
	8	217047	WASHER	1		Mal 74		
	9	092033	SCREW	Four	Ten	M5X15	M5x15	
	Ten	227728	OUTER TUBE ADAPTER	1				
	11	092556	BOLT	1	Five	M6X30 Appetite	M6x30	
	12	211203	CLUTCH DRUM	1		78XM8		
	13	217897	DRIVE SHAFT	1				
	14	220082	DRIVESHAFT TUBE ASSY	1		BC420H (MUS)	Incl.21,22	
	15	217850	HANGING BRACKET ASSY	1		Mal 28	Incl.16	
	16	092548	BOLT	1	Ten	M5X15 Appetite	M5x15	
	17	217638	BRACKET ASSY	1		Mal 28	Incl.18,19	
	18	092554	BOLT	Four	Five	M6X25 Appetite	M6x25	
	19	092556	BOLT	2	Five	M6X30 Appetite	M6x30	
	20	242085		1		B420	B420	
	twenty one	221501	CAUTION MARK	1		ANSI	Warning	
	twenty two	221502	CAUTION MARK	1		ANSI	Caution	
	twenty three	228398	HANDLE A ASSY	1		EO type / aluminum handle	Incl.24,25	
	twenty four	228399	HANDLE	1		(19) XT2.0 EO		
	twenty five	226512	GRIP	1		(19) Cro		
	26	229074	HANDLE B ASSY	1		EO type / aluminum handle	Incl.27-29	
	27	228401	HANDLE	1		(19) Slit / Anatsuki EO		
	28	229005	Throttle Lever Assy (229005)	1			Incl.29	
	29	229026	WIRE ASSY	1		H200 546 060 02		
	30	228303	COVER ASSY	1		Tevakan Cue CE Aka 42	Incl.31-33	
	31	223179	BRACKET	1				
	32	237364	THREADED BRACKET	1		42		
	33	092555	BOLT	2	Five	M6X30 Appetite	M6x30	
	34	230789	CORD CUTTER ASSY	1		Riva / Frat	Incl.35-37	
	35	230747	CORD CUTTER	1		Riva / Frat		
	36	817002	BOLT	1	Five	M5X20 (SM)	M5x20	
	37	228325	SQUARE NUT	1		M5		
	38	219113	CAP SCREW	Four		M6X20	M6x20	
	39	219161	WIRE GUIDE	2				
×	40	998384	USE P / N 228086	1				746-37100-900
	41	230748	EXTENSION	1		One Tachiaka / Ribunashi		

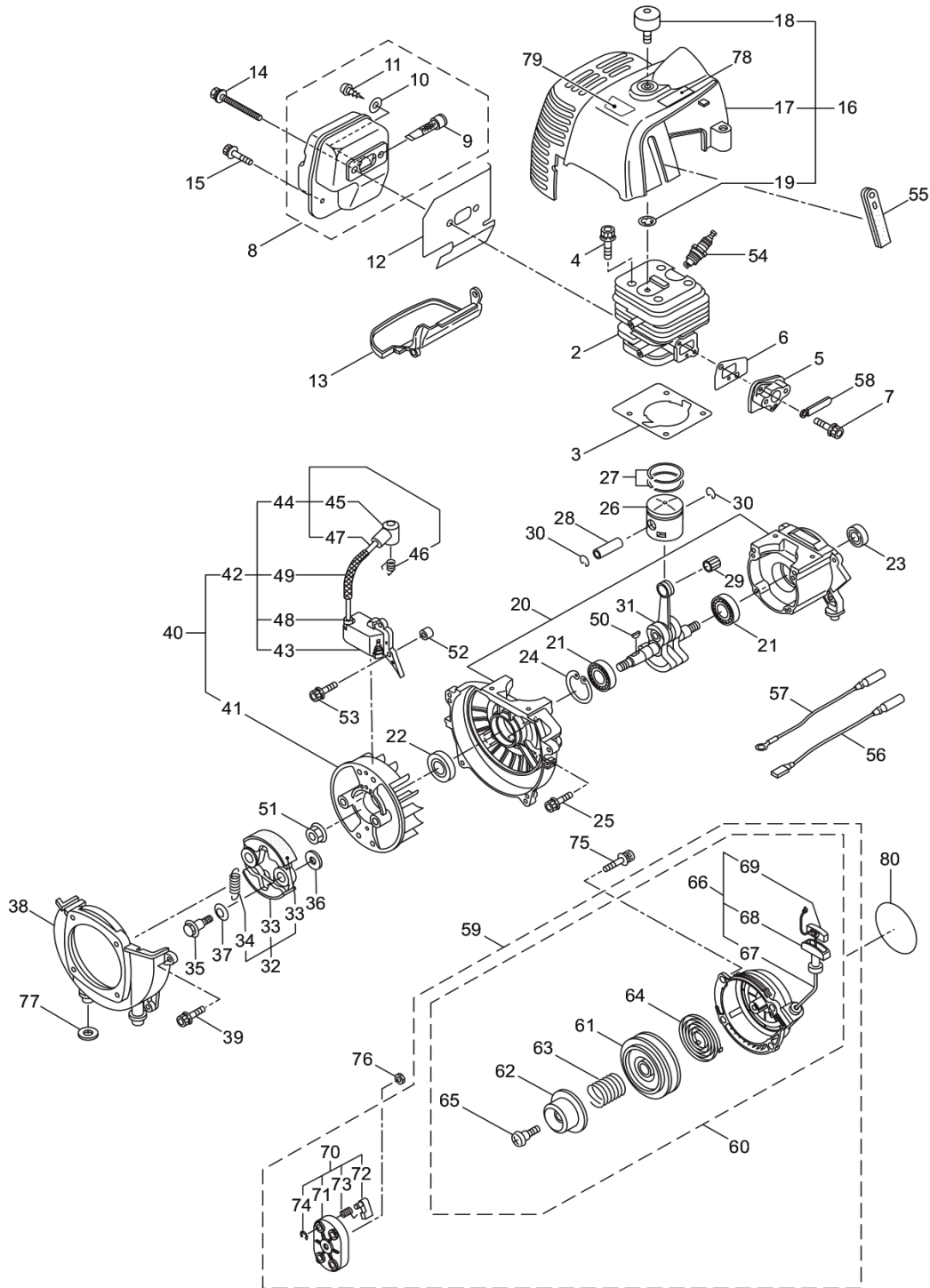
2. B420  
GEARCASE



Status	Position	Parts Number	Parts Name	Unit Quantity	Set Unit Quantity	Specification	Remarks	Maker code
--------	----------	--------------	------------	---------------	-------------------	---------------	---------	------------

Status	Position	Parts Number	Parts Name	Unit Quantity	Set Unit Quantity	Specification	Remarks	Maker code
	1	232919	GEAR CASE ASSY	1		M10 One / 6 Kakubolt	Incl.2-18	
	2	232833	GEAR CASE	1		Kyoukagata / 28		
	3	234109	BOLT	1	Five	M8X8	M8x8	
	Four	092556	BOLT	1	Five	M6X30 Appetite	M6x30	
	Five	234349	GEAR SET	1		55 ° / B 6.1 14:19		
	6	014490	BEARING 6000	1		# 6000	# 6000	
	7	106933	BEARING 6000Z	1		# 6000Z	# 6000Z	
	8	014210	SNAP RING	1	Five	Jiku 10	#Ten	
	9	054676	RING SNAP	1	Five	Anou 26	# 26	
	Ten	014490	BEARING 6000	1		# 6000	# 6000	
	11	012544	BEARING	1		# 6202	# 6202	
	12	012380	SNAP RING	1		Anou 35	# 35	
	13	232049	OIL SEAL	1		D21355	D21355	
	14	232322	BRACKET A	1				
	15	232052	BRACKET B	1				
	16	230849	NUT COVER	1		T1.5		
	17	232920	NUT	1		M10X1.25	M10x1.25	
	18	089747	BOLT	1	Ten	M6X12	M6x12	

### 3. B420 ENGINE

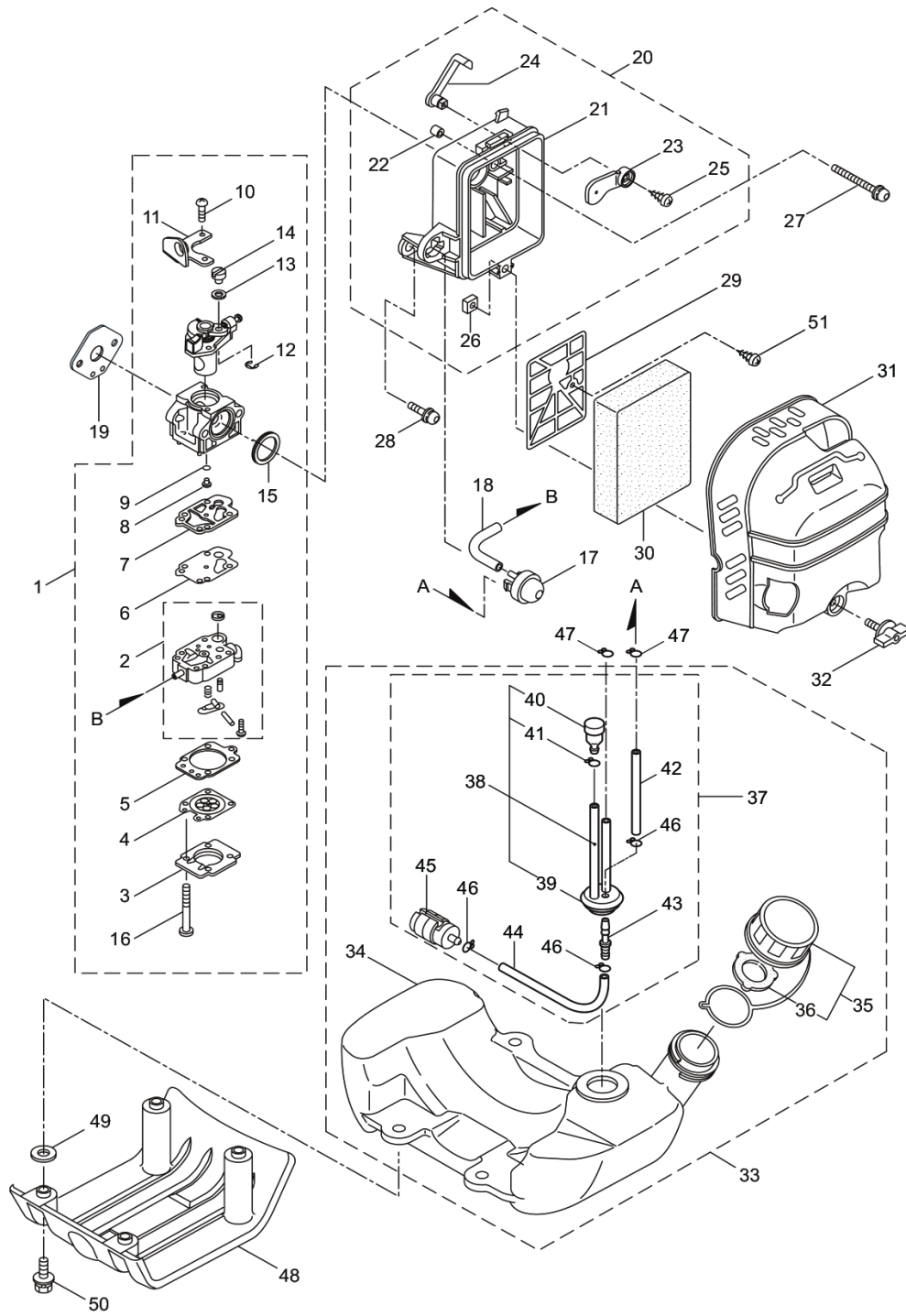


Status	Position	Parts Number	Parts Name	Unit Quantity	Set Unit Quantity	Specification	Remarks	Maker code
	1	875356		1			CE420/32	
	2	279099	CYLINDER COMP.	1		CE420		
	3	279101	GASKET	1				
	4	261246	CAP SCREW	4	5	M5X25	M5x25	
	5	285778	INSURATOR	1			New gasket required	
	6	285779	GASKET	1				
	7	265924	CAP SCREW	2	5	M5X25WSW+オ	M5x25	
	8	286788	MUFFLER COMPLETE	1		カノイアレスタ	Incl.9-11	
	9	262395	ARRESTER	1				
	10	284052	WASHER	1		M3コカ' タマル	M3	
	11	089530	SCREW	1		ナベ' 1ｼｺ M3X10	M3x10	
	12	285783	GASKET	1				
	13	285784	UNDER COVER	1		ｸﾞｯ		
	14	266713	CAP SCREW	2		M5X60ﾌﾗﾝｼﾞ	M5x60	
	15	283315	CAP SCREW	1		M5X12W-12	M5x12W-12	
	16	286891	TOP COVER	1			Incl.17-19	
	17	285786	TOP COVER	1		ｱｶ		
	18	285843	KNOB BOLT	1				
	19	286362	WASHER	1	5	M6	M6	
	20	288200	CRANKCASE	1				
	21	262658	BEARING 6202 C3	2		6202C3**	#6202C3	
	22	262660	OIL SEAL	1		AE0610-E0 (NOK)	TC15357	
	23	262565	OIL SEAL	1		ISCD15257	ISCD15257	
	24	012380	SNAP RING	1		ｱﾅﾖｸ35	#35	
	25	261612	CAP SCREW	4		M5X30	M5x30	
	26	285795	PISTON	1		CE420		
	27	262476	PISTON RING	2			(2)Required	
	28	262749	PISTON PIN	1		7.5X11X33.5		
	29	262659	NEEDLE BEARING KTV111414EGX01B	1		KTV111414EG01B2	KTV111414EG01B2	
	30	262479	CLIP PISTON	2				
	31	285797	SHAFT COMPLETE	1		CE420		
	32	262577	CLUTCH ASSY	1		78ﾖｸｸﾗｯﾁ	Incl.33,34	
	33	282624	CLUTCHSHOE	2			(2)required	
	34	263615	SPRING	1		2.0-44.8L		
	35	283671	CLUTCH BOLT	2		M8X1.25 ﾏｯｸ	M8x1.25	
	36	262683	WASHER	2	5	8X22XT1.2	8x22xt1.2	
	37	262682	WAVE WASHER	2	5			
	38	282285	FAN COVER	1		NE420		
	39	261250	CAP SCREW	4	5	M5X20	M5x20	
	40	285803	MAGNETO ASSY	1			Incl.41-49	
	41	286207	ROTOR	1				
	42	285804	IGNITION COIL	1		CDI	Incl.43-49	
	43	285805	COIL	1				
	44	285806	WIRE ASSY	1			Incl.45-47	
	45	261074	PLUG BOOT	1		10855-40131		
	46	261075	CONNECTOR	1		10805-40061		
	47	286273	SPARK PLUG WIRE	1				
	48	261072	CAP	1		ｲｸﾀ' 10855-40101		
	49	284759	INSULATOR	1				
	50	261076	WOODRUFF KEY 3X10	1	5	Aｼｺ 3X10	3x10	
	51	262731	NUT	1		M10X17XT8ﾌﾞﾚｯﾄ	M10	
	52	280381	SPACER	2	5			
	53	261256	BOLT	2	5	M4X25	M4x25	
	54	285982	SPARK PLUG(BPM8Y)	1		NGK BPM8Y	NGK BPM8Y	
	55	286988	GROMMET	1				
	56	283735	WIRE COIL	1		155ﾋﾞ7HCBH		
	57	284541	LEAD	1		135M4HCBH		
	58	264588	CLAMP	1	5			
	59	285809	RECOIL STARTER ASSY	1			Incl.60-74	
	60	285810	RECOIL STARTER ASSY	1		CE420ﾌﾞﾗｯｸ -	Incl.61-69	
	61	286291	REEL	1		A54108100500		
	62	286292	CAM PLATE	1		A54308110100		

Status	Position	Parts Number	Parts Name	Unit Quantity	Set Unit Quantity	Specification	Remarks	Maker code
	63	286293	CAMPER SPRING	1		A52408110000		
	64	280995	SPIRAL SPRING	1				
	65	286295	SET SCREW	1		A607116A0010		
	66	286296	STARTER ROPE ASSY	1		A201267R0300	Incl.67-69	
	67	286297	STARTER ROPE	1		3.8X1000	3.8x1000	
	68	262633	STARTER KNOB	1		クワ		
	69	262981	CAP	1		クワ		
	70	285679	STARTER PULLEY ASSY	1			Incl.71-74	
	71	285680	STARTER PULLEY	1				
	72	285681	RATCHET	2				
	73	285682	RETURN SPRING	2				
	74	262638	E-RING	2				
	75	268940	SCREW	4		M5X18WSW-12	M5x18	
	76	285736	NUT	1		M8 6かX4	M8	
	77	285735	RUBBER PACKING	4	5	17X8X2		
	78	287272	LABEL	1		スパークアレスタイコク		
	79	246573		1		MARUYAMA B420	MARUYAMA B420	
	80	246572		1		66 CER420	CER420	

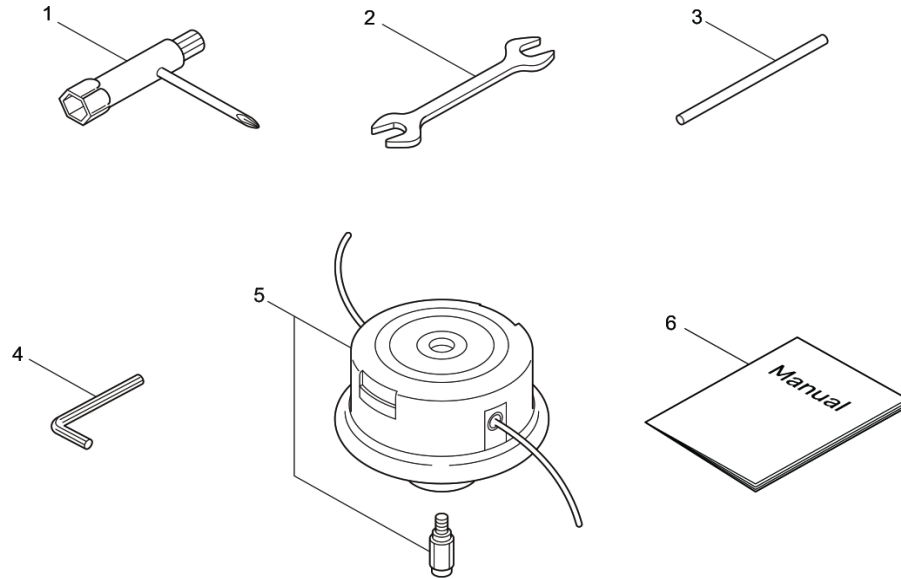


### 4. B420 CARBURETOR, FUEL TANK



Status	Position	Parts Number	Parts Name	Unit Quantity	Set Unit Quantity	Specification	Remarks	Maker code
	1	287021	CARBURETOR ASSY	1		WYK-365	Incl.2-16 New gasket required	
	2	283124	CARBURETOR BODY	1		WB5-7437		
	3	263726	COVER PLATE	1		WB21-158		
	4	283905	DIAPHRAGM METERRING	1		WB95-614		
	5	263727	GASKET	1		WB92-192		
	6	262994	DIAPHRAGM	1		WB95-99		
	7	282576	GASKET	1		WB92-415		
	8	287061	JET	1		#48		
	9	261871	O-RING	1		WB16-104		
	10	261875	SCREW	2		WB96-323		
	11	264677	BRACKET	1		WB167-143		
	12	261876	RING	1		WB16-71		
	13	264678	WASHER	1	5	WB136-221		
	14	261658	SWIVEL	1		WB52-34		
	15	261657	PACKING	1		WB16-171		
	16	263737	SCREW	4		WB96-325		
	17	282299	PRIMER	1				
	18	282512	PIPE	1				
	19	282301	GASKET	1				
	20	282302	HOUSING ASSY	1			Incl.21-26	
	21	282303	HOUSING BODY	1				
	22	282484	SLEEVE	3				
	23	282304	MACHINED DISC	1				
	24	282305	LEVER	1				
	25	269032	SCREW	1	5	タツビ ンネジ 3.5X8		
	26	269423	NUT	1	5	シカナットM5		
	27	261814	CAP SCREW	2	5	M5X50WSWホ	M5x50	
	28	264807	CAP SCREW	1	5	M5X16WSWホ	M5x16	
	29	282481	PLATE	1				
	30	282306	ELEMENT	1				
	31	285814	CLEANER COVER	1		ク		
	32	279350	KNOB	1				
	33	289040	FUEL TANK ASSY	1		A46B88C180D97	Incl.34-46	
	34	285817	FUEL TANK	1		CE420 タワ		
	35	289046	TANK CAP ASSY	1			Incl.36	
	36	287058	GASKET	1				
	37	289041	FUEL PIPE PICK-UP ASSY	1			Incl.38-46	
	38	289042	FUEL PIPE ASSY	1			Incl.39-41	
	39	268065	GROMMET	1		37ナ		
	40	261590	BREATHER SUB ASSY	1				
	41	261117	CLIP	1				
	42	289028	PIPE A	1		3X5X53L	3x5x53L	
	43	288921	JOINT	1				
	44	289029	PIPE	1		3X5X125L	3x5x125L	
	45	267328	FUEL FILTER ASSY	1		125-532		
	46	261117	CLIP	3				
	47	261117	CLIP	2				
	48	285819	STAND	1		ク		
	49	285735	RUBBER PACKING	4	5	17X8X2		
	50	281714	CAP SCREW	4		M5X20WSW-12	M5x20	
	51	269032	SCREW	1	5	タツビ ンネジ 3.5X8		

5. B420  
ACCESSORIES



Status	Position	Parts Number	Parts Name	Unit Quantity	Set Unit Quantity	Specification	Remarks	Maker code
--------	----------	--------------	------------	---------------	-------------------	---------------	---------	------------

Status	Position	Parts Number	Parts Name	Unit Quantity	Set Unit Quantity	Specification	Remarks	Maker code
	1	228008	BOX SPANNER	1		17X19X (+) driver	17x19x (+)	
	2	054756	DOUBLE ENDED SPANNER	1		10X13	10x13	
	3	212300	LEVER HANDLE	1		6X100L	6x100L	
	4	219433	WRENCH	1		ニモンバ <sup>ハ</sup> 5 ユニク <sup>ロ</sup>	5mm	
	5	840337	NYLON HEAD 4 INCH	1		ホ <sup>リ</sup> ア <sup>ク</sup> クロイ <sup>リ</sup> /ア <sup>カ</sup>		
	6	242086		1		B420/B420L	B420/B420L	