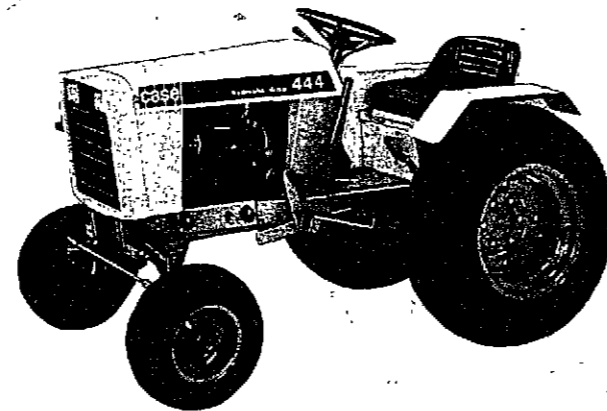
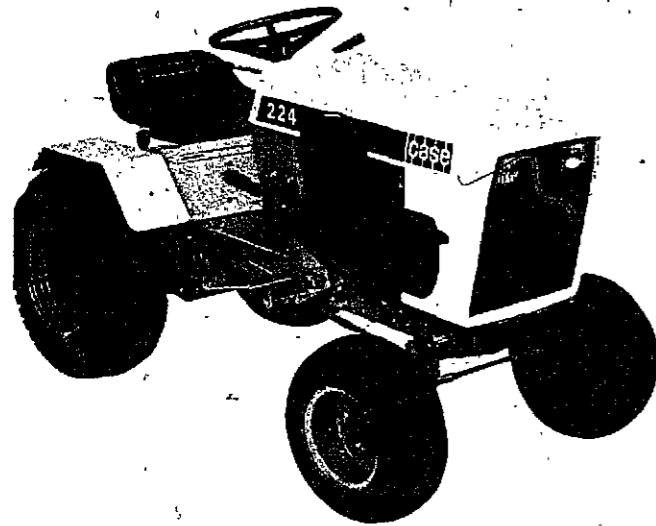
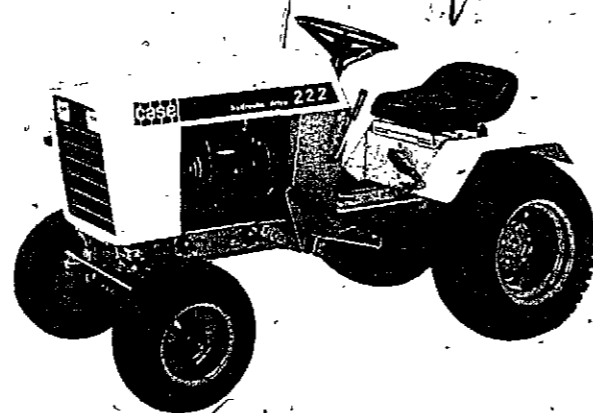
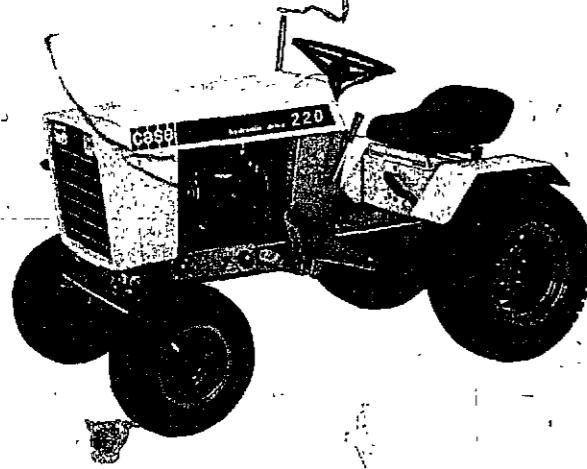


MODEL 220 S/N 9674235 to 9702946  
 MODEL 222 S/N 9681170 to 9706651  
 MODEL 224 S/N 9676354 to 9708665  
 MODEL 444 S/N 9677449 to 9711027  
**COMPACT TRACTORS**  
 Parts Catalog B1278

9-84-RP-1500-115

**NOTE:** This parts catalog replaces the previous issue A1278 and any revisions. They are obsolete and should be discarded.



## ALPHABETICAL INDEX

### ENGINE SECTION

	PAGE	GRID		PAGE	GRID
Air Cleaner .....	5	A6	Filter, Breather .....	7-9	A8-A10
Battery .....	61	E6	Flywheel .....	17-21	B4-B8
Belt, Starter-Generator .....	25	B12	Fuel Pump .....	25-27	B12-B14
Breaker Contacts .....	63	E10	Fuel Strainer .....	25	B12
Breather, Crankcase .....	7-9	A8-A10	Fuel System .....	25	B12
Camshaft .....	7-9	A8-A10	Gasket Kits .....	23	B10
Carburetor .....	25-27	B12-B14	Governor .....	29	C2
Connecting Rod .....	11-15	A12-B2	Muffler .....	5	A6
Crankshaft .....	11-15	A12-B2	Oil Pan .....	17-21	B4-B8
Cylinder Block .....	17-21	B4-B8	Piston .....	11-15	A12-B2
Cylinder Head .....	17-21	B4-B8	Pulley, Clutch .....	31-33	C4-C6
Electrical System .....	61-63	E6-E10	Spark Plug .....	61	E6
Engine Block & Attaching Parts .....	17-21	B4-B8	Starter - Generator .....	57-59	E2-E4
Exchanger, Heat .....	49	D8	Tank, Fuel .....	25	B12
Exhaust System .....	5	A6	Throttle Linkage .....	29	C2
Fan .....	33	C6	Valves .....	7-9	A8-A10

### BASIC TRACTOR SECTION

	PAGE	GRID		PAGE	GRID
Axle, Front .....	39	C12	J17 Hydraulic PTO .....	79	F12
Axle, Rear .....	47	D6	K19 Flow Control Valve Kit .....	81	F14
Baffles & Shrouds .....	25	B12	Models D8 & D10 Wheel Weights .....	67	E14
Brakes .....	43	D2	Model H26 Three Point Hitch .....	71	F4
Control - Speed .....	55	D14	Model F27 Three Point Hitch Adapter .....	73	F6
Decals .....	65	E12	Model H22 & H24 Sleeve Hitches .....	75	F8
Electrical System .....	61-63	E6-E10	Model H13 Weight Box .....	77	F10
Fenders .....	37	C10	Model H18 Counterweight Brackets .....	77	F10
Frame .....	35	C8	Model J30 Hydraulic Lift .....	69	F2
Grille .....	35	C8	Mounts, Engine .....	29	C2
Hitch .....	45	D4	Pulley Clutch .....	31-33	C4-C6
Hood .....	35	C8	Seat, Operator's .....	37	C10
Hydraulics .....	49	D8	Steering Wheel & Gear .....	41	C14
Coupling, Pump Drive .....	49-53	D8-D12	Tail Lamp .....	61	E6
Hoses, Lines & Fittings .....	49	D8	Tool Box .....	37	C10
Motor, Hydraulic Drive .....	49-55	D8-D14	Transmission .....	47	D6
Pump .....	49-53	D8-D12	Wheels, Front & Rear .....	43	D2
Valve, Control .....	49-53	D8-D12			
Valve Control Linkage .....	55	D14			
Implement Lift Lever .....	45	D4			
Instruments .....	61	E6			

**INGERSOLL**

Ingersoll Equipment Co., Inc.

Technical Publications  
 119 South First Street  
 Winneconne, WI 54986-9576

# GENERAL INFORMATION

## Indexes

This parts Catalog is arranged for easy identification of Genuine CASE Service Parts. An alphabetical index is provided at the front of this Catalog to locate the major groups or assemblies. A numerical index at the rear of the Catalog gives the part numbers and the pages on which they are described.

## Illustrations

All parts are illustrated in "Exploded Views" which show the individual parts in their normal relationship to each other. Reference numbers are used in the illustrations. These numbers correspond to those in the "Reference Number" column and are followed by the part number, description and quantity required.

## Indented Description

Indented parts in the descriptive list are a part of the preceding assembly or sub-assembly. The quantity shown in the "Number Required" column is the number of parts used on a machine except where parts are indented in descriptive list. In this case the quantity shown is the number required for the preceding assembly or sub-assembly.

REF.	PART NO.	DESCRIPTION	REQ'D
	A 55159	CYLINDER ASSY - rear steering	1
28	A 56208	SOCKET ASSY - rear cylinder	1
29	A 55956	PLUG - adjusting, socket assy.	1
30	A 55957	SEAT - socket ball	2
31	A 56210	SPRING - socket	1
32	A 56209	SEAT - socket spring	1
33	G 45175	CLAMP ASSY - socket assy.	1
	16- 836	BOLT - 1/2" x 2-1/4" N.F. hex.	1
34	132- 104	PIN - cotter, 3/16" x 3"	1
35	A 55889	STUD - ball, socket & cylinder	2
36	13- 410	BOLT - 1/4" x 5/8" N.C., hex.	4
37	92- 4	LOCKWASHER - 1/4" SAE	4

## Terms "Right Hand" and "Left Hand"

"Right Hand" and "Left Hand" sides of this machine are determined by standing at the rear of the unit and facing in the direction of forward travel.

## Orders

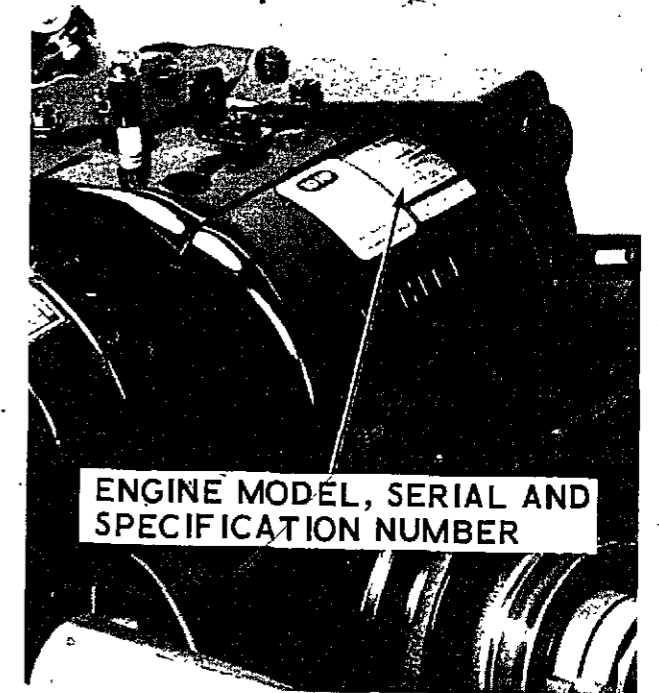
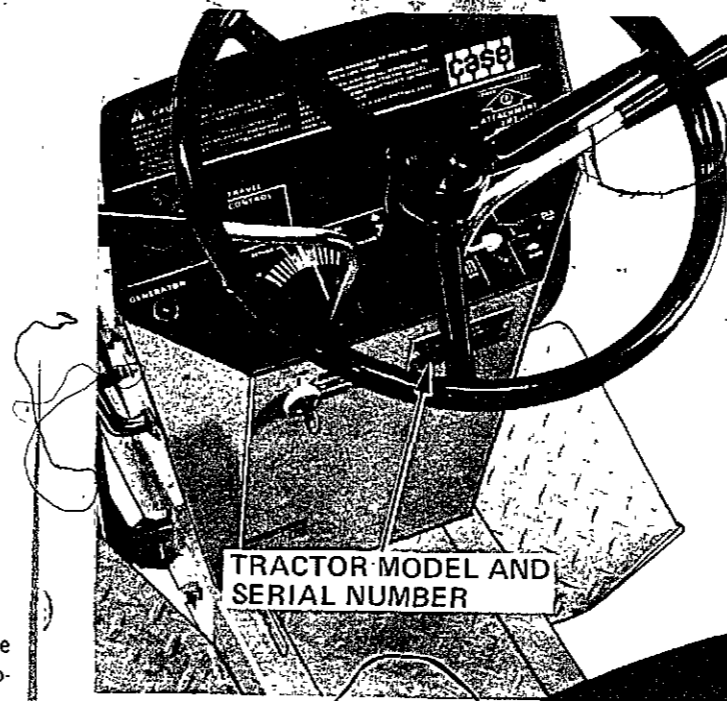
Orders should plainly specify correct part number, full description, quantity required, machine model and engine model, machine and engine serial numbers, method of shipment and shipping address.

## Changes

When changes to the machine make it necessary, revised pages for this book will be issued. The revised pages will be issued with the same page number as those they replace and the "issue" number and date will be advanced.

It is imperative that revised Parts Book pages be inserted into their respective Parts Books as soon as received. Failure to do so will lead to confusion and defeat the purpose of the book.

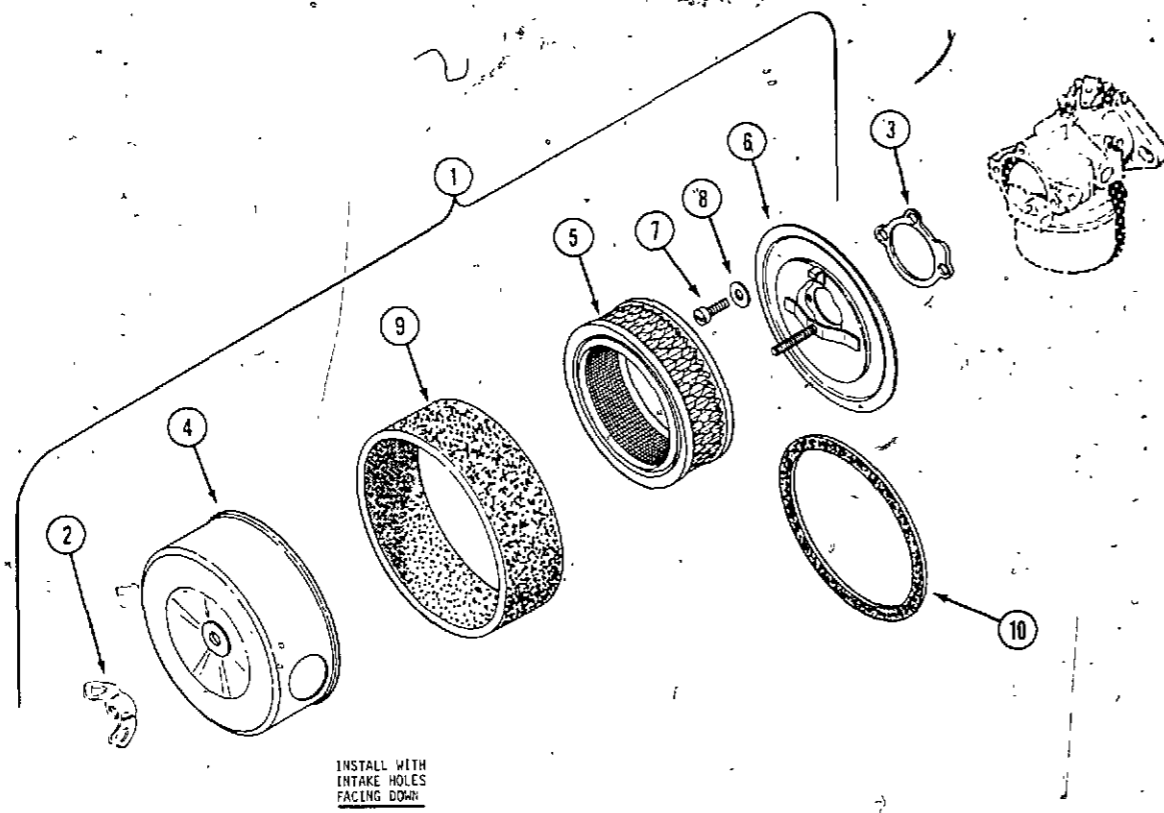
## CASE 220, 222, 224 AND 444 COMPACT TRACTORS



TRACTOR MODEL DESIGNATIONS	ENGINE MODEL DESIGNATIONS
220 TRACTOR	C20181 ENGINE K-241-A SPEC. NO. 46708D
222 TRACTOR	C20182 ENGINE K-301-A SPEC. NO. 47529D
224 TRACTOR	C20183 ENGINE K-321-A SPEC. NO. 60258D
444 TRACTOR	C20183 ENGINE K-321-A SPEC. NO. 60258D

## SERIAL NUMBERS

When using this catalog, notice the reference to serial numbers of various components noted here and listed in the "description" copy. By referring to correct serial numbers, proper parts identification will be assured.

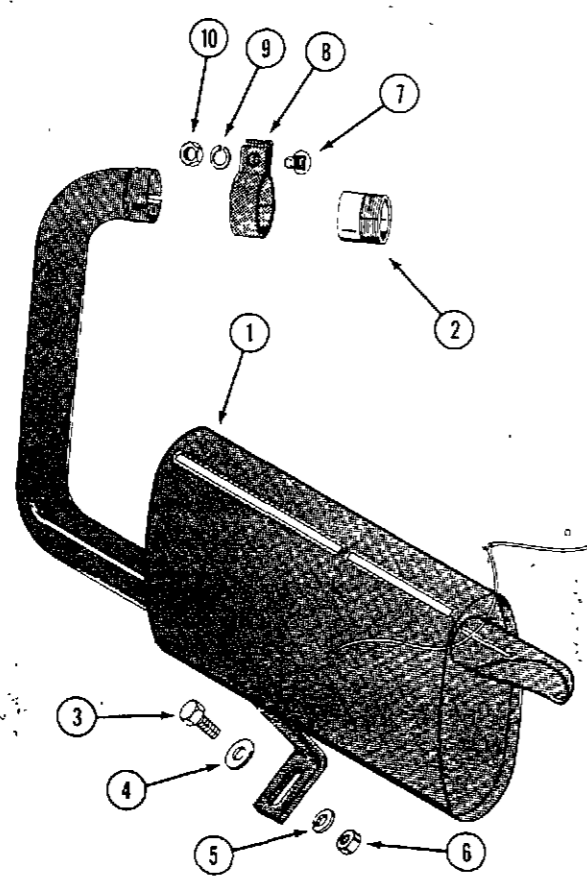


REF.	PART NO.
1	KO 237895
2	C 26703
3	KO 275341
4	NSS
5	A 70090
6	NSS
7	177- 94
8	195- 512
9	KO 237421
10	KO 237423

AIR CLEANER		
REF.	DESCRIPTION	REQ'D
1	AIR CLEANER ASSEMBLY (includes items 4, 6 & 10)	1
2	NUT - wing NC 1/4"	1
3	GASKET - air horn	1
4	COVER - air cleaner (Order KO237895)	1
5	ELEMENT - air cleaner	1
6	BASE - air cleaner (Order KO237895)	1
7	SCREW - fillister head 10-32 x 5/16"	3
8	WASHER - plain 3/16"	3
9	PRE-CLEANER	1
10	GASKET - cover, air cleaner	1

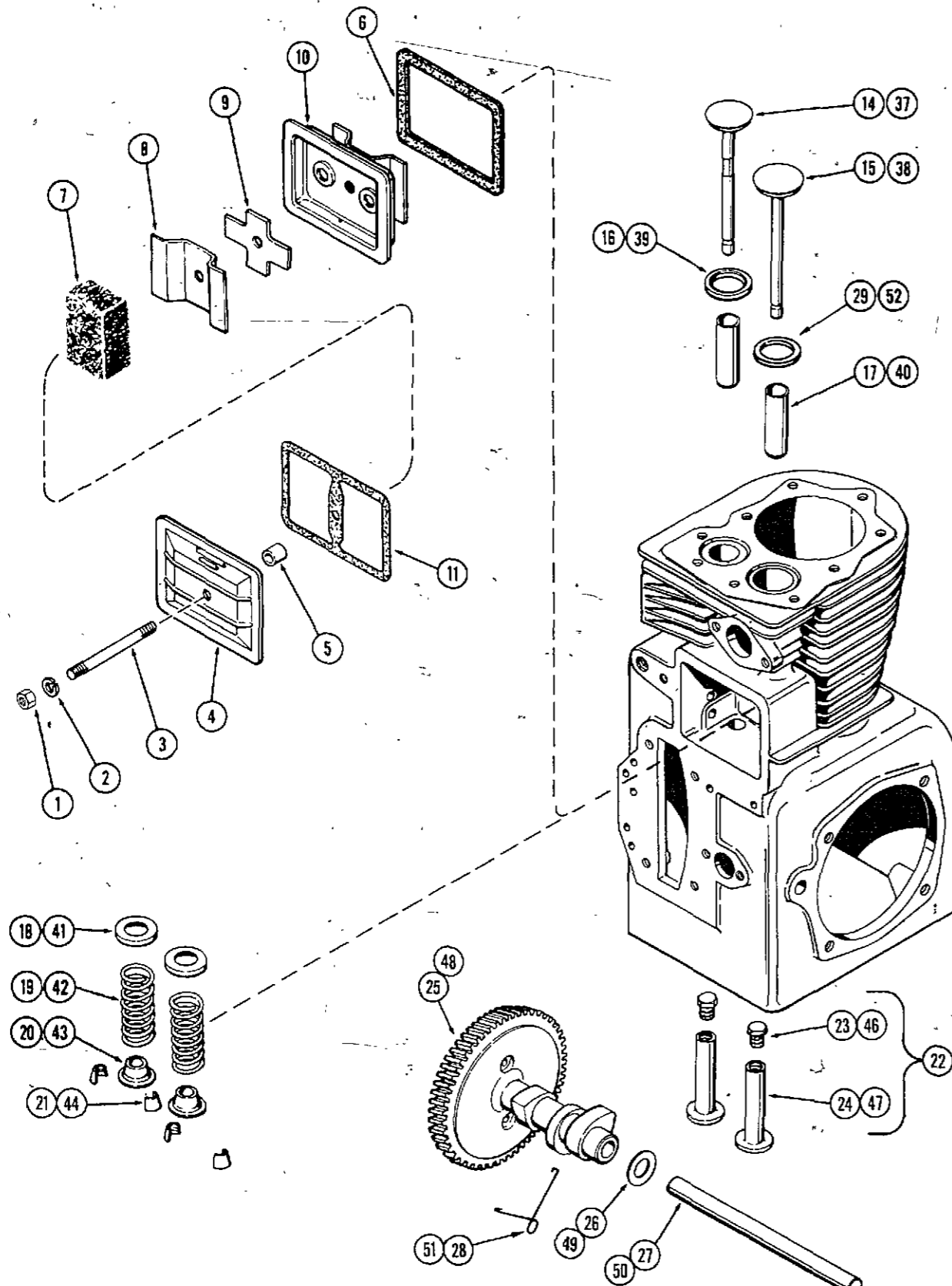
1	C 19053
2	C 19213
3	113- 207
4	195- 525
5	192- 21
6	129- 103
7	111- 256
8	C 19449
9	192- 20
10	129- 102

EXHAUST SYSTEM		
1	MUFFLER - exhaust, (includes C19449 clamp)	1
2	PIPE - engine exhaust	1
3	BOLT - 3/8" x 1" hex NC	1
4	WASHER - 3/8" plain	1
5	LOCKWASHER - 3/8"	1
6	NUT 3/8" hex. NC	1
7	BOLT - 5/16" x 1-1/4" round head NC	1
8	CLAMP - muffler	1
9	LOCKWASHER 5/16"	1
10	NUT - 5/16" NC hex	1



220, 222, 224 AND 444 COMPACT TRACTORS

220 AND 222 CRANKCASE BREATHER



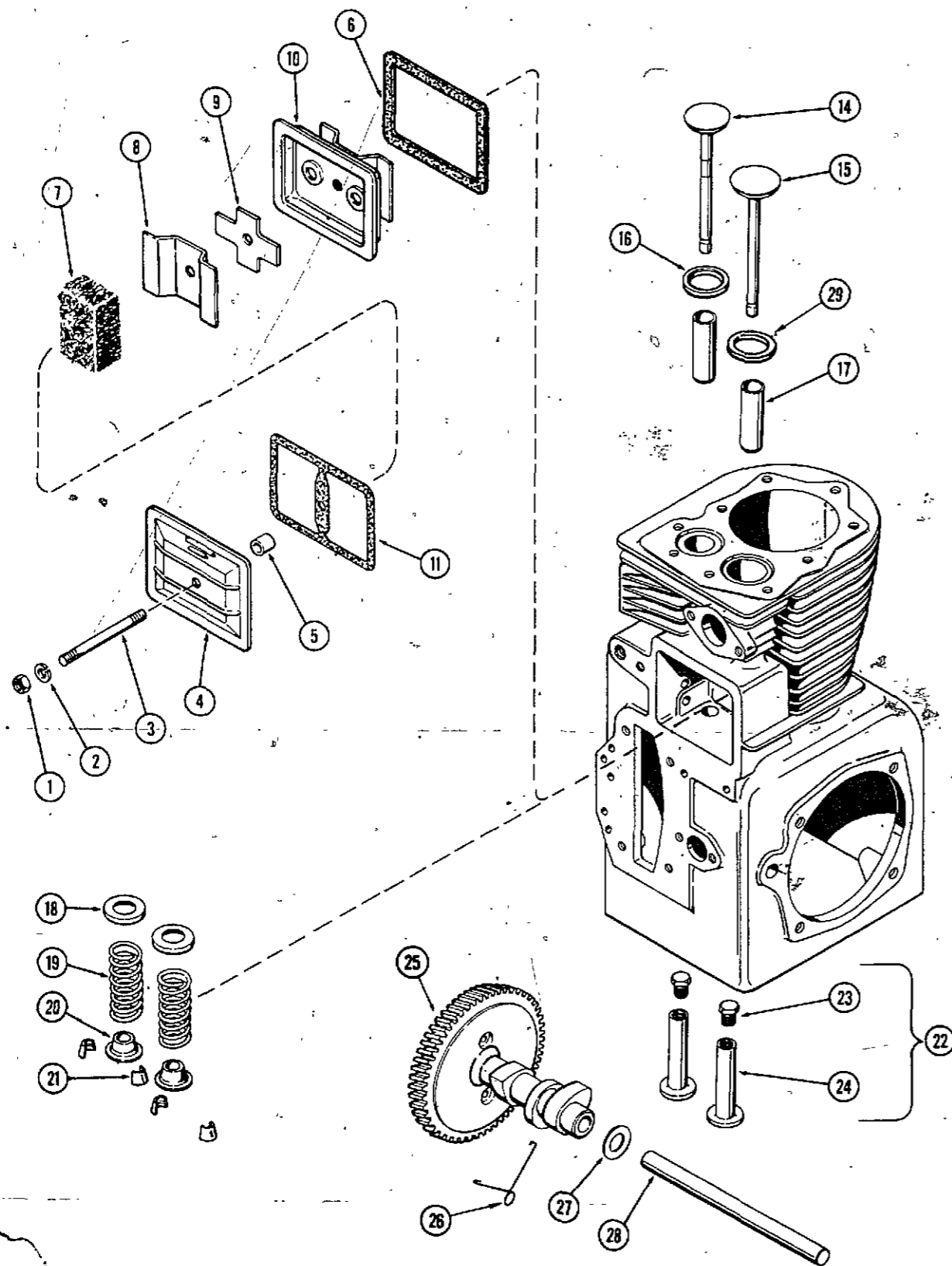
REF.	PART NO.	DESCRIPTION	REQ'D
1	129- 101	NUT - 1/4" NC hex	1
2	192- 19	LOCKWASHER - 1/4"	1
3	KO 275220	STUD - valve cover	1
4	KO 275143	COVER - valve	1
5	KO 231032	SEAL - breather	1
6	KO 235048	GASKET - breather plate	1
7	KO 235118	FILTER - breather	1
8	KO 235117	BAFFLE - breather	1
9	KO 235047	REED - breather	1
10	KO 235631	PLATE - breather	1
11	KO 275144	GASKET - valve cover	1

220 CAMSHAFT AND VALVES

14	KO 235826	VALVE - exhaust	1
15	KO 235008	VALVE - intake	1
16	KO 230170	INSERT - exhaust valve seat	1
17	KO 235007-S	GUIDE - valve	2
18	KO 235011	SEAT - valve spring	2
19	KO 235010	SPRING - valve	2
20	KO 230011	RETAINER - valve spring	2
21	C 24884	LOCK - valve retainer	4
22	KOD 235327	LIFTER ASSEMBLY	2
23	NSS	SCREW - tappet adjusting	1
24	NSS	LIFTER - valve	1
25	C 25043	CAMSHAFT ASSEMBLY	1
26	KO 275066	SPACER - camshaft, .005"	UAR
26	KO 275067	SPACER - camshaft, .010"	UAR
27	KO 235053	PIN - camshaft	1
28	V 34346	SPRING - actuating	1
29	KO 230265	INSERT - intake valve seat	1

222 CAMSHAFT AND VALVES

37	KO 235826	VALVE - exhaust	1
38	KO 235008	VALVE - intake	1
39	KO 230170	INSERT - exhaust valve seat	1
40	KO 235007-S	GUIDE - valve	2
41	KO 235011	SEAT - valve spring	2
42	KO 235010	SPRING - valve	2
43	KO 230011	RETAINER - valve spring	2
44	C 24884	LOCK - valve retainer	4
45	KOD 235327	LIFTER ASSEMBLY	2
46	NSS	SCREW - tappet adjusting	1
47	NSS	LIFTER - valve	1
48	C 25043	CAMSHAFT ASSEMBLY	1
49	KO 275066	SPACER - camshaft, .005"	UAR
49	KO 275067	SPACER - camshaft, .010"	UAR
50	KO 235053	PIN - camshaft	1
51	V 34346	SPRING - actuating	1
52	KO 230265	INSERT - intake valve seat	1



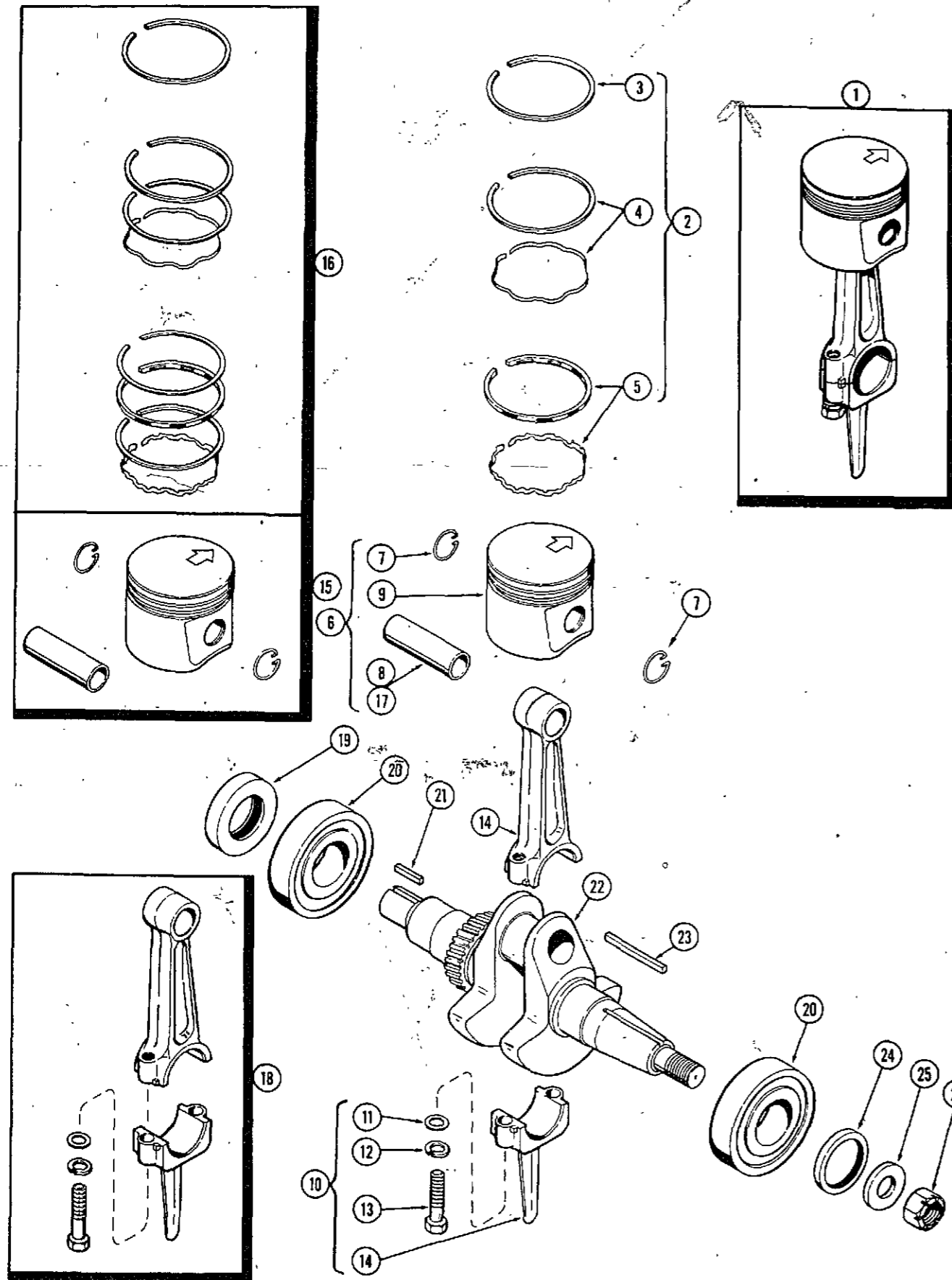
**224 AND 444 CRANKCASE BREATHER**

REF.	PART NO.	DESCRIPTION	REQ'D
1	129- 101	NUT - 1/4" NC hex	1
2	192- 19	LOCKWASHER - 1/4"	1
3	KO 275220	STUD - valve cover	1
4	KO 275143	COVER - valve	1
5	KO 231032	SEAL - breather	1
6	KO 235048	GASKET - breather plate	1
7	KO 235118	FILTER - breather	1
8	KO 235117	BAFFLE - breather	1
9	KO 235047	REED - breather	1
10	KO 235631	PLATE - breather	1
11	KO 275144	GASKET - valve cover	1

**224 AND 444 CAMSHAFT AND VALVES**

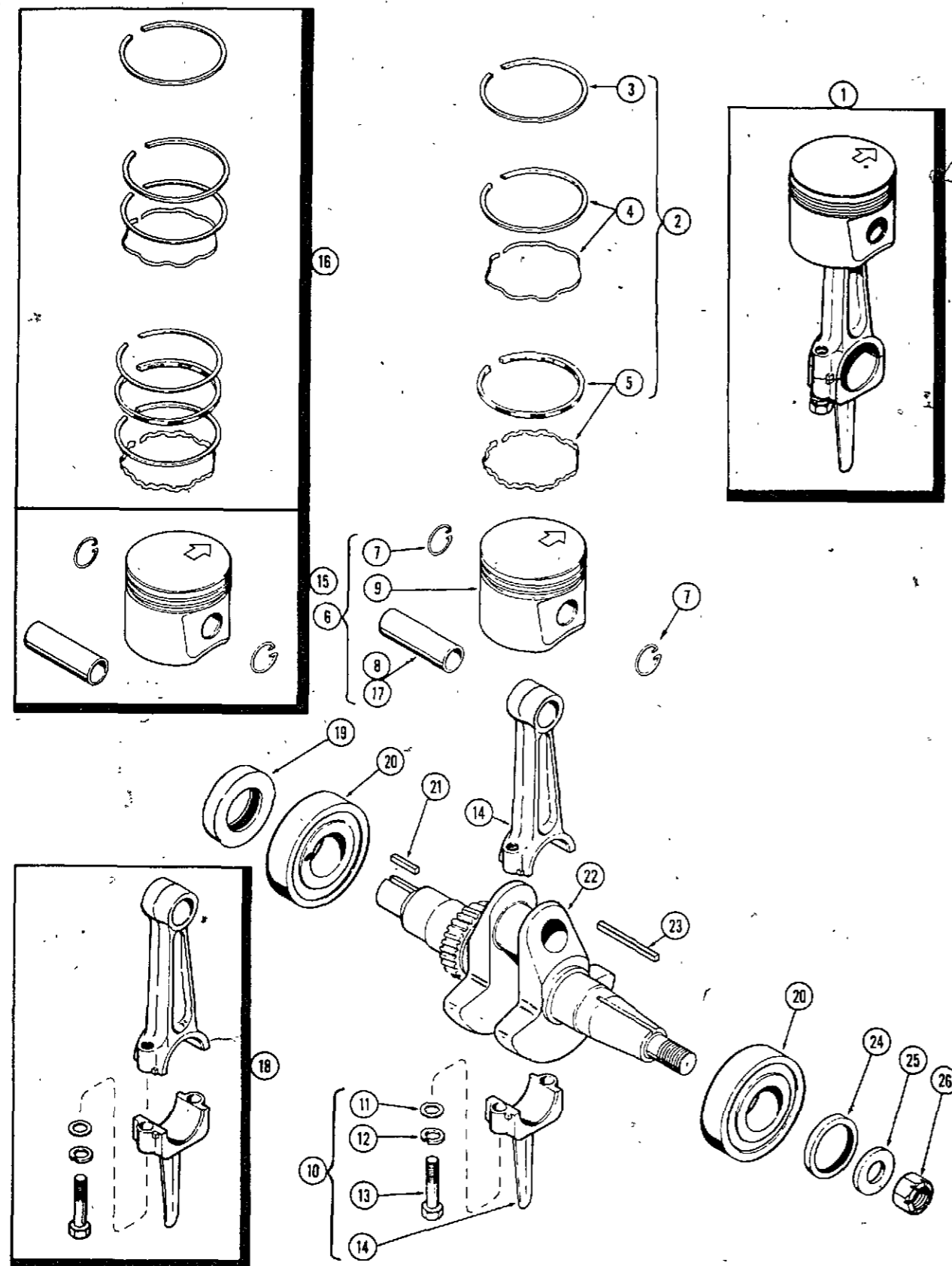
14	KO 235838	VALVE - exhaust	1
15	KO 235582	VALVE - intake	1
16	KO 230170	INSERT - exhaust valve seat	1
17	KO 235007-S	GUIDE - valve	2
18	KO 235011	SEAT - valve spring	2
19	KO 235168	SPRING - valve	2
20	KO 230020	ROTATOR - valve (Furnished in pairs only)	2
21	C 24884	LOCK - valve retainer	2
22	KOD 235327	LIFTER ASSEMBLY	2
23	NSS	SCREW - tapped adjusting	1
24	NSS	LIFTER - valve	1
25	C 25043	CAMSHAFT ASSEMBLY	1
26	V 34346	SPRING - actuating	1
27	KO 275066	SPACER - camshaft, .005"	UAR
27	KO 275067	SPACER - camshaft, .010"	UAR
28	KO 235053	PIN - camshaft	1
29	KO 230265	INSERT - intake valve seat	1

220 CRANKSHAFT, PISTON - CONNECTING ROD



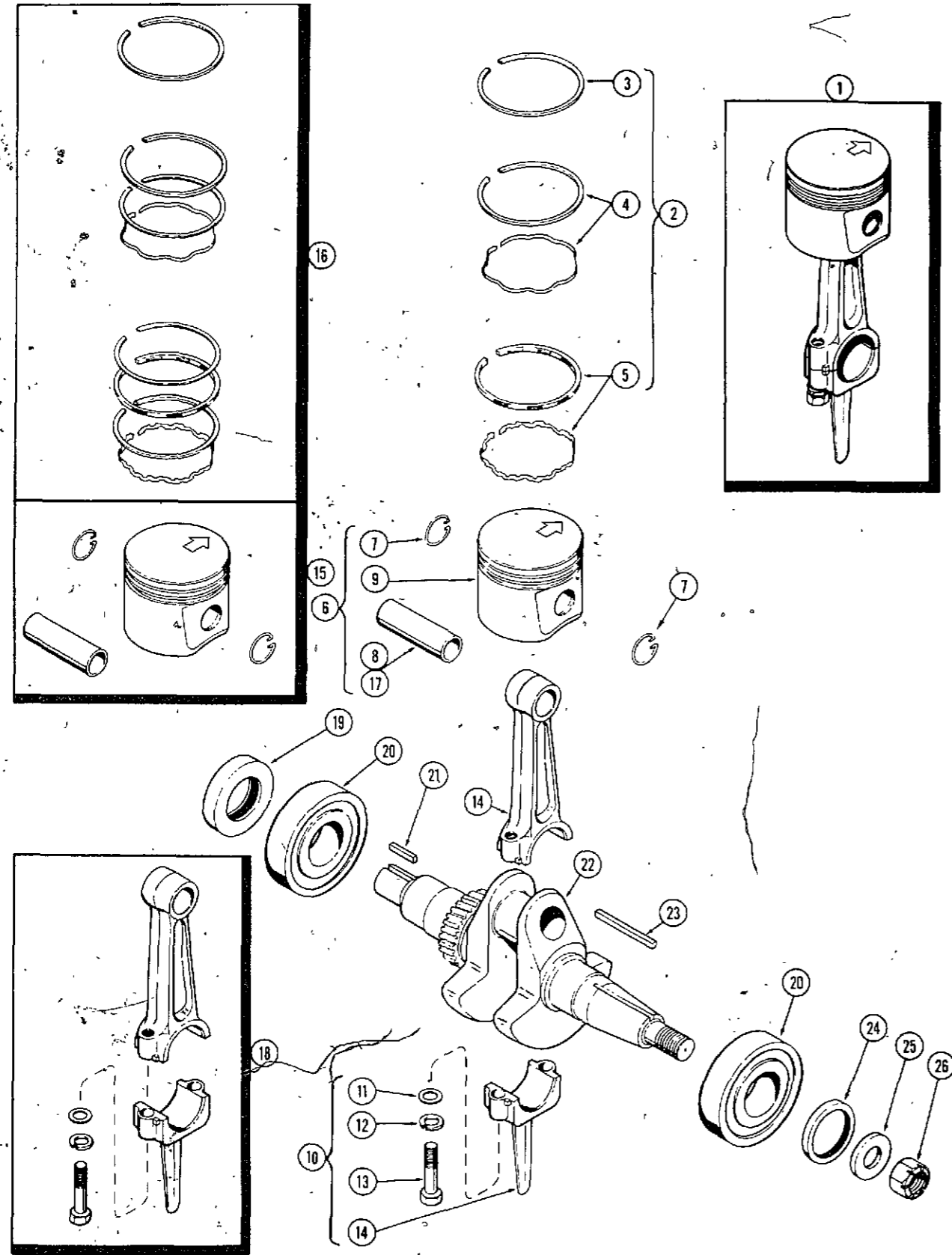
REF:	PART NO.	DESCRIPTION	REQ'D
1	NSS	PISTON AND ROD ASSEMBLY (Std. size)	1
2	KO 235287	RING SET - piston (For oversize, see item 16)	1
3	NSS	RING - top compression	1
4	NSS	RING - 2nd compression (Includes expander)	1
5	NSS	RING - oil (Includes expander)	1
6	C 26509	PISTON ASSEMBLY (For oversize, see item 15)	1
7	KO 235004	RETAINER - piston pin	2
8	KO 235572	PIN - piston	1
9	NSS	PISTON	1
10	KOA 235139	CONNECTING ROD ASSEMBLY (For undersize, see item 18)	1
11	KO 235003	WASHER - special	2
12	92- 6	LOCKWASHER	2
13	KO 236611	SCREW - cap, connecting rod	2
14	NSS	ROD - connecting	1
15	C 26511	PISTON ASSEMBLY - .010" oversize	1
15	C 26512	PISTON ASSEMBLY - .020" oversize	1
15	C 26513	PISTON ASSEMBLY - .030" oversize	1
15	C 26510	PISTON ASSEMBLY - .003" oversize (order KO235287 standard ring set)	1
16	KO 235288	RING SET - piston .010" oversize	1
16	KO 235289	RING SET - piston .020" oversize	1
16	KO 235290	RING SET - piston .030" oversize	1
17	KO 235573	PIN - piston, .005" oversize	1
18	C 18101	CONNECTING ROD ASSEMBLY - .010" undersize	1
19	R 16287	OIL SEAL - crankshaft rear	1
20	40035	BEARING - crankshaft ball	2
21	H 233346	KEY - 1/4" Sq. x 3/4" (Pump Coupling)	1
22	KOB 236364	CRANKSHAFT	1
23	H 61168	KEY - flat 3/16" x 3/16" x 3/4" (Flywheel)	1
24	C 18097	OIL SEAL - crankshaft front	1
25	C 26421	WASHER - 5/8"	1
26	131- 580	NUT - special Marsden 5/8" NF	1

222 CRANKSHAFT, PISTON - CONNECTING ROD



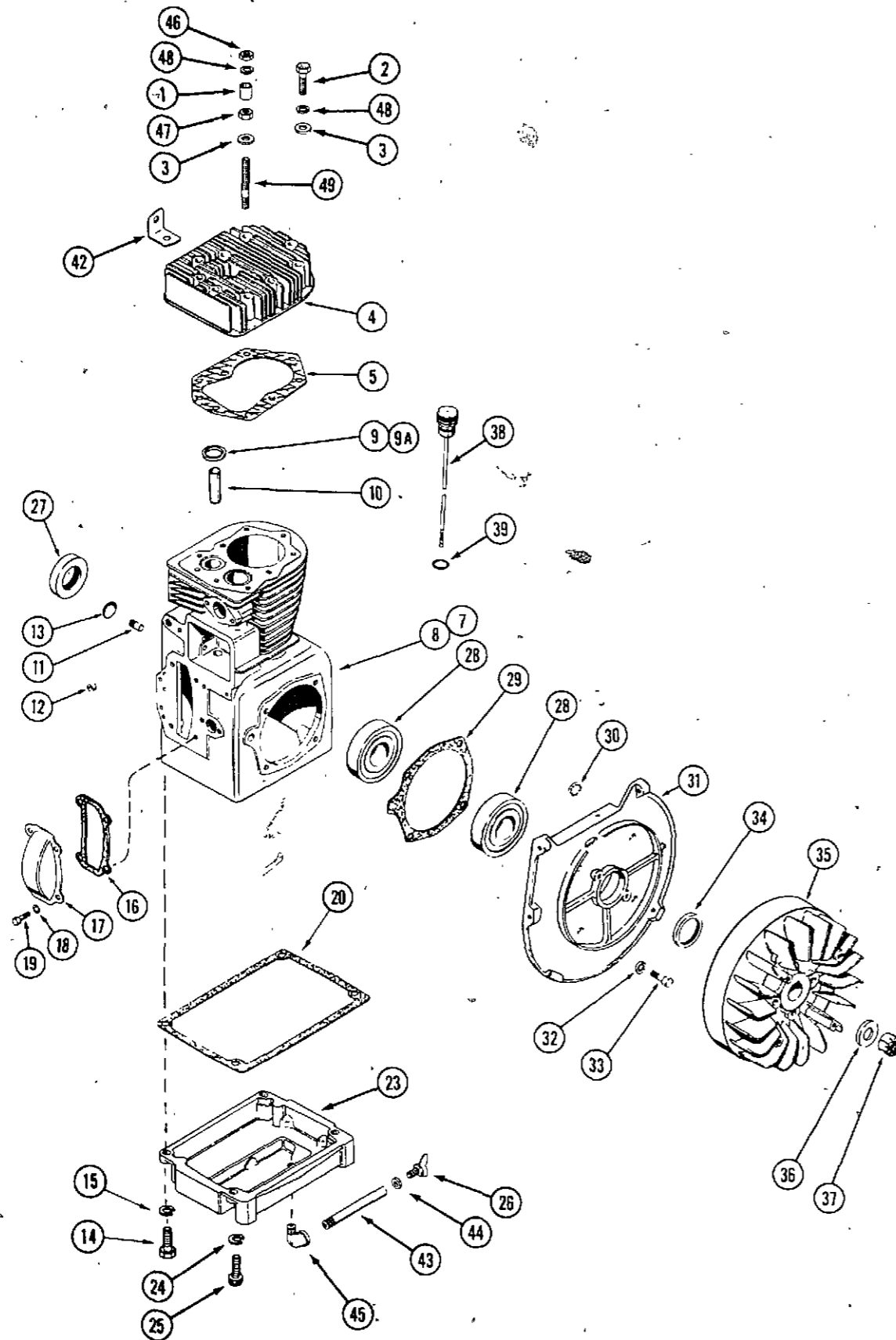
REF.	PART NO.	DESCRIPTION	REQ'D
1	NSS	PISTON AND ROD ASSEMBLY (Std. size)	1
2	KO 235889	RING SET - piston (For oversize, see item 16)	1
3	NSS	RING - top compression	1
4	NSS	RING - 2nd compression (Includes expander)	1
5	NSS	RING - oil (Includes expander)	1
6	C 26514	PISTON ASSEMBLY (For oversize, see item 15)	1
7	KO 235004	RETAINER - piston pin	2
8	NSS	PIN - piston	1
9	NSS	PISTON	1
10	KOA 237344	CONNECTING ROD ASSEMBLY (For undersize, see item 18)	1
11	KO 235003	WASHER - special	2
12	92- 6	LOCKWASHER	2
13	KO 236611	SCREW - cap, connecting rod	2
14	NSS	ROD - connecting	1
15	C 26516	PISTON ASSEMBLY - .010" oversize	1
15	C 26517	PISTON ASSEMBLY - .020" oversize	1
15	C 26361	PISTON ASSEMBLY - .030" oversize	1
15	C 26515	PISTON ASSEMBLY - .003" oversize (order KO235889 standard ring set)	1
16	KO 235890	RING SET - piston .010" oversize	1
16	KO 235891	RING SET - piston .020" oversize	1
16	KO 235892	RING SET - piston .030" oversize	1
17	KO 235868	PIN - piston .005" oversize	1
18	C 23135	CONNECTING ROD ASSEMBLY - .010" undersize	1
19	R 16287	OIL SEAL - crankshaft rear	1
20	40035	BEARING - crankshaft ball	2
21	H 26492	KEY - 1/4" Sq. x 3/4" (Pump Coupling)	1
22	KOB 235949	CRANKSHAFT	1
23	H 233346	KEY - flat 3/16" x 3/16" x 3/4" (Flywheel)	1
24	C 18097	OIL SEAL - crankshaft front	1
25	C 26421	WASHER - 5/8"	1
26	131- 580	NUT - special Marsden 5/8" NF	1

224 AND 444 CRANKSHAFT, PISTON - CONNECTING ROD



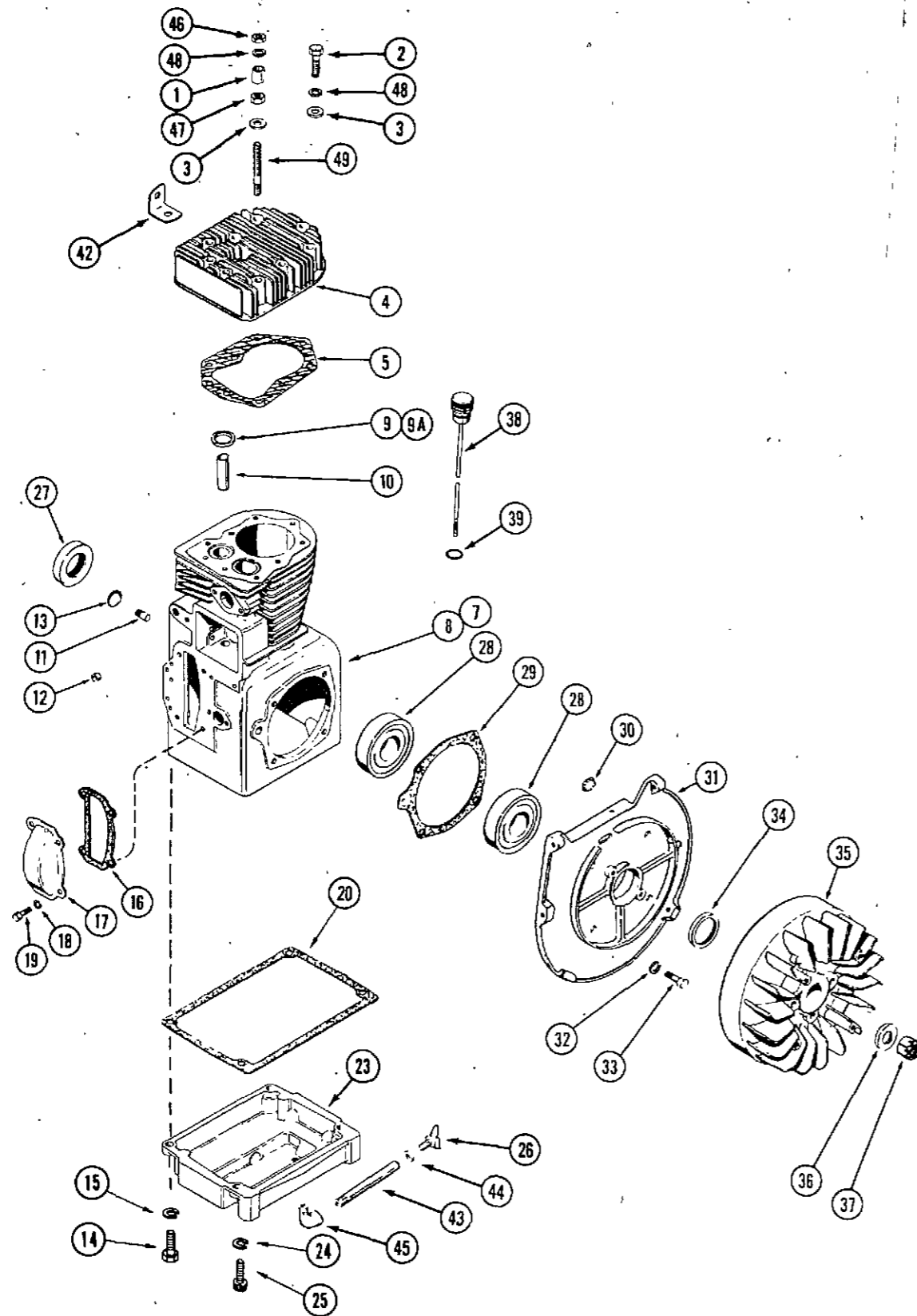
REF.	PART NO.	DESCRIPTION	REQ'D
1	NSS	PISTON AND ROD ASSEMBLY (Std. size)	1
2	KO 236763	RING SET - piston (For oversize, see item 16)	1
3	NSS	RING - top compression	1
4	NSS	RING - 2nd compression (Includes expander)	1
5	NSS	RING - oil (Includes expander)	1
6	C 26282	PISTON ASSEMBLY (For oversize, see item 15)	1
7	KO 235004	RETAINER - piston pin	2
8	NSS	PIN - piston	1
9	NSS	PISTON	1
10	KOA 237344	CONNECTING ROD ASSEMBLY (For undersize, see item 18)	1
11	KO 235003	WASHER - special	2
12	92- 6	LOCKWASHER - 3/8"	2
13	KO 236611	SCREW - cap, connecting rod	2
14	NSS	ROD - connecting	1
15	C 26284	PISTON ASSEMBLY - .010" oversize	1
15	C 26190	PISTON ASSEMBLY - .020" oversize	1
15	C 26285	PISTON ASSEMBLY - .030" oversize	1
15	C 26283	PISTON ASSEMBLY - .003" oversize (order KO236763 standard ring set)	1
16	KO 236764	RING SET - piston .010" oversize	1
16	KO 236765	RING SET - piston .020" oversize	1
16	KO 236766	RING SET - piston .030" oversize	1
17	KO 235868	PIN - piston .005" oversize	1
18	C 23135	CONNECTING ROD ASSEMBLY - .010 undersize	1
19	R 16287	OIL SEAL - crankshaft rear	1
20	40035	BEARING - crankshaft ball	2
21	H 26492	KEY - 1/4" Sq. x 3/4" (Pump Coupling)	1
22	C 25054	CRANKSHAFT	1
23	H 233346	KEY - flat 3/16" x 3/16" x 3/4" (Flywheel)	1
24	C 18097	OIL SEAL - crankshaft front	1
25	C 26421	WASHER - 5/8"	1
26	131- 580	NUT - special Marsden 5/8" NF	1





**220 ENGINE BLOCK AND ATTACHING PARTS  
(FOR COMPLETE ENGINE SEE PAGE 1)**

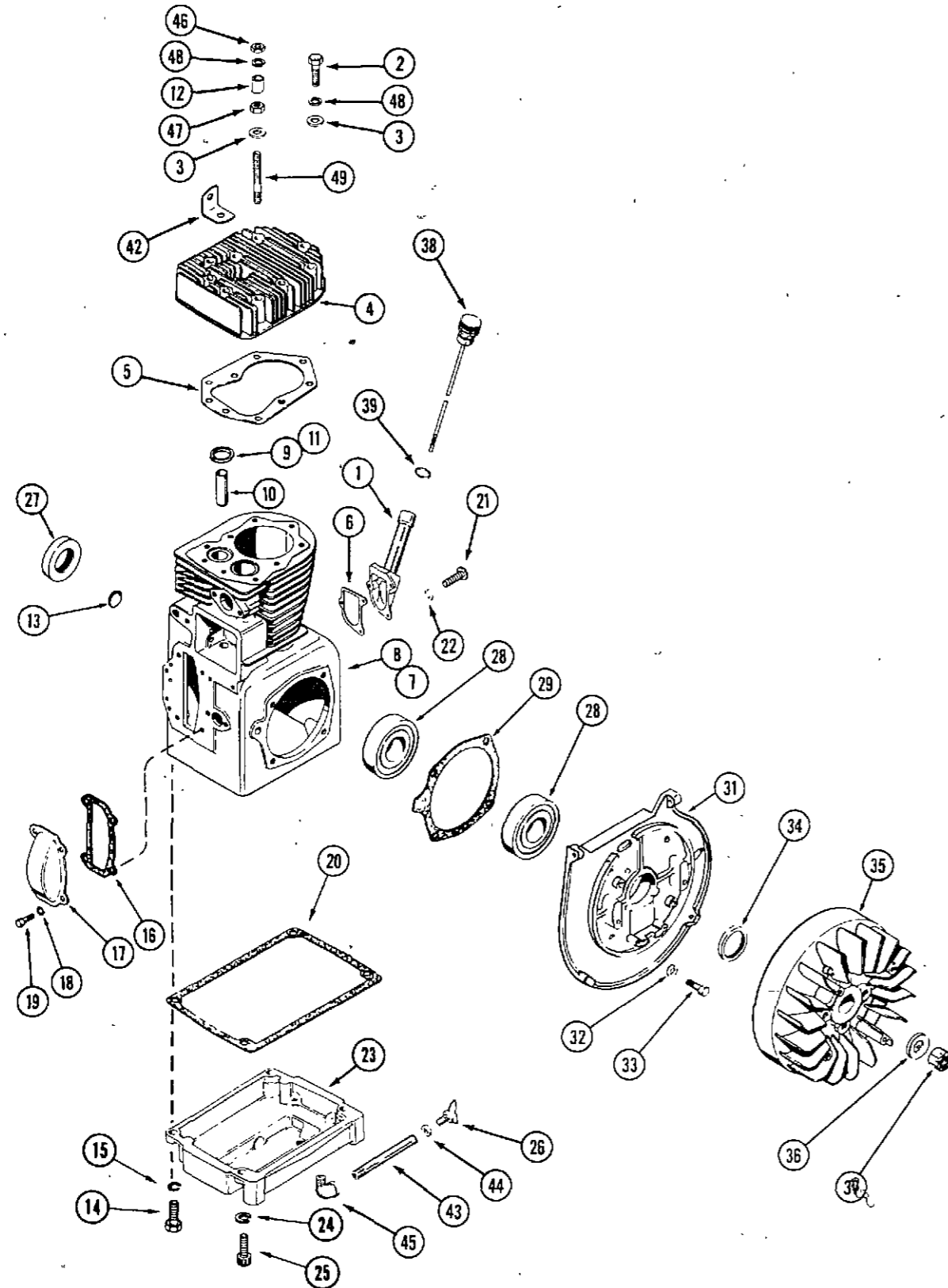
REF.	PART NO.	DESCRIPTION	REQ'D
1	C 21814	SPACER - cylinder head	6
2	KO 270158	BOLT - cylinder head	3
3	KO 270889	WASHER - cylinder head	9
4	KO 236675	HEAD - cylinder	1
5	KO 237658	GASKET - head	1
7	KOC 236303	BLOCK ASSEMBLY - cylinder, short (Includes crankshaft, rod assembly, camshaft, valves, bearings and plate)	1
8	KOA 235871	BLOCK ASSEMBLY - cylinder, standard bore	1
9	KO 230170	INSERT - exhaust valve	1
9A	KO 230265	INSERT - intake valve seat	1
10	KO 235007-S	GUIDE - valve	2
11	KO 235125-S	SHAFT - stub governor	1
12	V 34418	BEARING - needle, governor shaft	1
13	41- 18	PLUG - expansion	1
14	113- 206	BOLT - 3/8" x 1-1/4" NC hex plated	4
15	192- 21	LOCKWASHER - 3/8" plated	4
16	KO 235025	GASKET - camshaft cover	1
17	KO 235026	COVER - camshaft gear	1
18	192- 19	LOCKWASHER - 1/4" plated	4
19	113- 6	BOLT - 1/4" x 1/2" NC plated	4
20	KO 235353	GASKET - oil pan	1
23	C 22699	BASE - oil pan	1
24	192- 21	LOCKWASHER - 3/8" plated	4
25	61- 616	BOLT - 3/8" x 1" NC socket head	4
26	C 14399	PLUG - oil drain	1
27	R 16287	OIL SEAL - crankshaft rear	1
28	40035	BEARING - crankshaft ball	2
29	KO 235757	GASKET - shim, bearing plate .010"	1
29	KO 235070	GASKET - shim, .010	1
30	205- 27	PLUG - button, timing hole	1
31	C 22034	PLATE - bearing	1
32	192- 21	LOCKWASHER - 3/8" plated	4
33	113- 207	BOLT - 3/8" x 1" NC plated	4
34	C 18097	OIL SEAL - crankshaft front	1
35	KO 235818	FLYWHEEL	1
36	C 26421	WASHER - special, plated	1
37	131- 580	NUT - special, Marsden	1
38	C 14953	DIPSTICK ASSEMBLY	1
39	A 27365	"O" RING - dipstick	1
42	KO 235748	STRAP - lifting	1
43	C 18814	NIPPLE - oil drain extension	1
44	C 14906	GASKET - plug, oil drain	1
45	221- 1412	ELBOW - street	1
46	129- 143	NUT - 3/8" NC hex, jam	6
47	129- 103	NUT - 3/8" NC hex	6
48	192- 21	LOCKWASHER - 3/8"	9
49	KO 237277	STUD - cylinder head	6



**222 ENGINE BLOCK AND ATTACHING PARTS**  
(FOR COMPLETE ENGINE SEE PAGE 1)

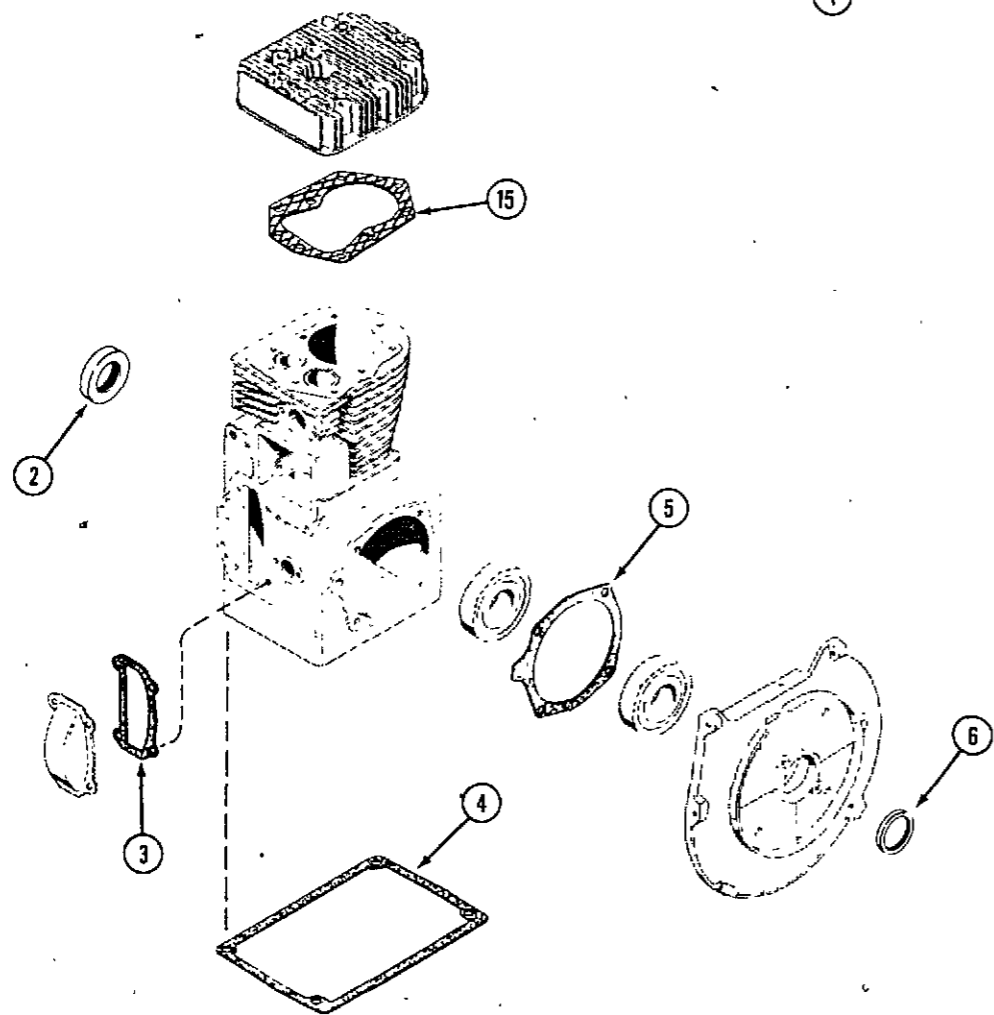
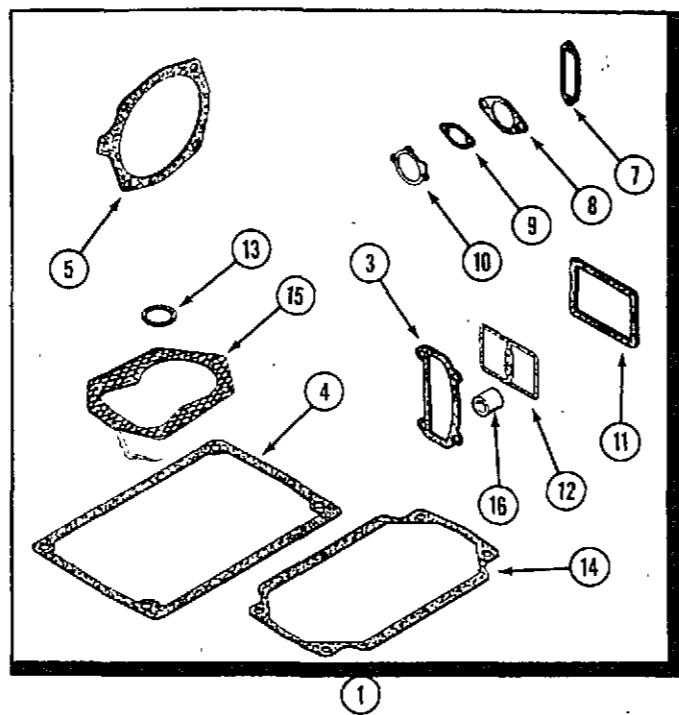
REF.	PART NO.	DESCRIPTION	REQ'D
1	C 21814	SPACER - cylinder head	6
2	KO 270158	BOLT - cylinder head 3/8" x 1-1/2" NC hex	3
3	KO 270889	WASHER - cylinder head	9
4	KO 237670	HEAD - cylinder	1
5	KO 237658	GASKET - head	1
7	C 24141	BLOCK ASSEMBLY - cylinder, short (Includes crankshaft, rod assembly, camshaft, valves, bearings and plate)	1
8	NSS	BLOCK ASSEMBLY - cylinder, standard bore	1
9	KO 230170	INSERT - exhaust valve	1
9A	KO 230265	INSERT - intake valve seat	1
10	KO 235007-S	GUIDE - valve	2
11	KO 235125-S	SHAFT - stub governor	1
12	V 34418	BEARING - needle, governor shaft	1
13	41- 18	PLUG - expansion	1
14	113- 206	BOLT - 3/8" x 1-1/4" NC hex plated	4
15	192- 21	LOCKWASHER - 3/8" plated	4
16	KO 235025	GASKET - camshaft cover	1
17	KO 235026	COVER - camshaft gear	1
18	192- 19	LOCKWASHER - 1/4" plated	4
19	113- 6	BOLT - 1/4" x 1/2" NC plated	4
20	KO 235353	GASKET - oil pan	1
23	C 22699	BASE - oil pan	1
24	192- 21	LOCKWASHER - 3/8" plated	4
25	61- 616	BOLT - 3/8" x 1" NC socket head	4
26	C 14399	PLUG - oil drain	1
27	R 16287	OIL SEAL - crankshaft rear	1
28	40035	BEARING - crankshaft ball	2
29	KO 235757	GASKET - shim, bearing plate .010"	6
29	KO 235070	GASKET - shim, .020"	1
30	205- 27	PLUG - button, timing hole	1
31	C 22034	PLATE - bearing	1
32	192- 21	LOCKWASHER - 3/8" plated	4
33	113- 207	BOLT - 3/8" x 1" NC plated	4
34	C 18097	OIL SEAL - crankshaft front	1
35	KO 235818	FLYWHEEL	1
36	C 26421	WASHER - special, plated	1
37	131- 580	NUT - special, Marsden	1
38	C 14953	DIPSTICK ASSEMBLY	1
39	A 27365	"O" RING - dipstick	1
42	KO 235748	STRAP - lifting	1
43	C 18814	NIPPLE - oil drain extension	1
44	C 14906	GASKET - plug, oil drain	1
45	221- 1412	ELBOW - street	1
46	129- 143	NUT - 3/8" NC hex, jam	6
47	129- 103	NUT - 3/8" NC hex	6
48	192- 21	LOCKWASHER - 3/8	9
49	KO 237277	STUD - cylinder head	6

224 AND 444 ENGINE BLOCK AND ATTACHING PARTS  
(FOR COMPLETE ENGINE SEE PAGE 1)



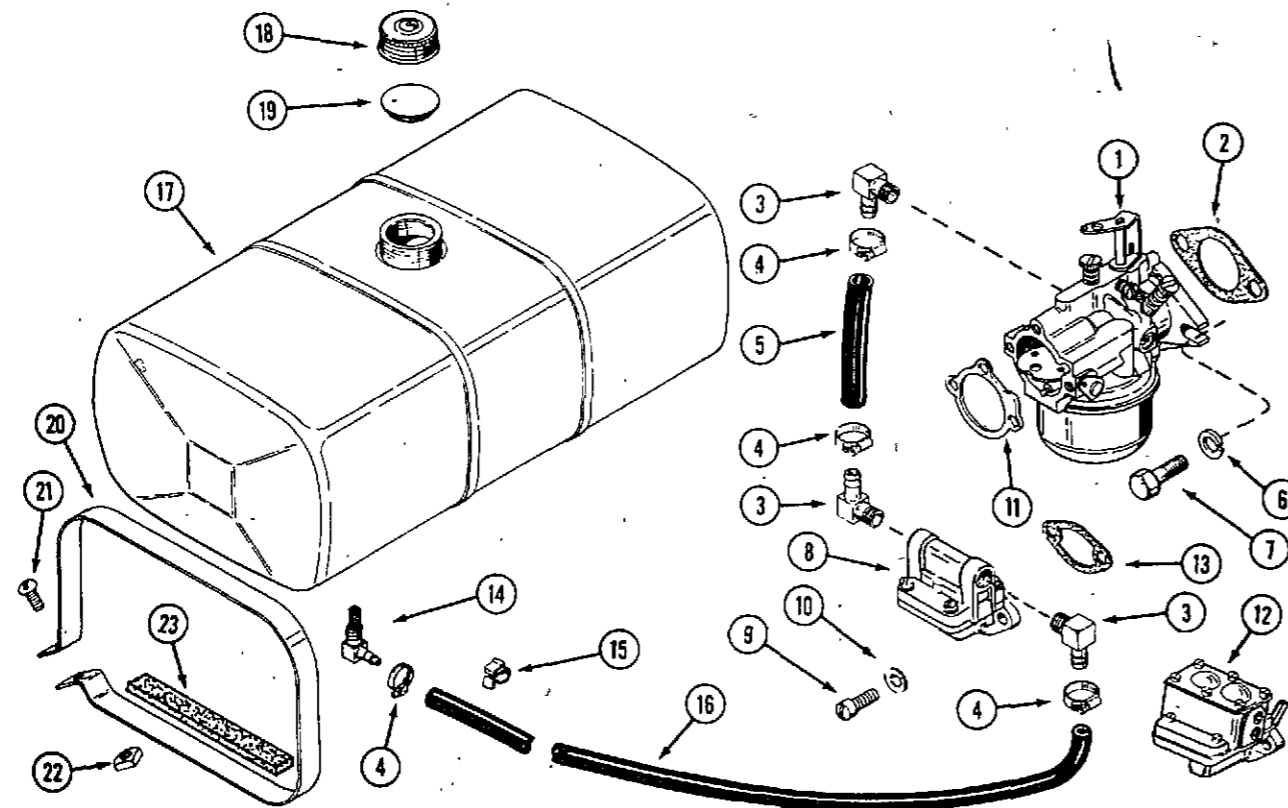
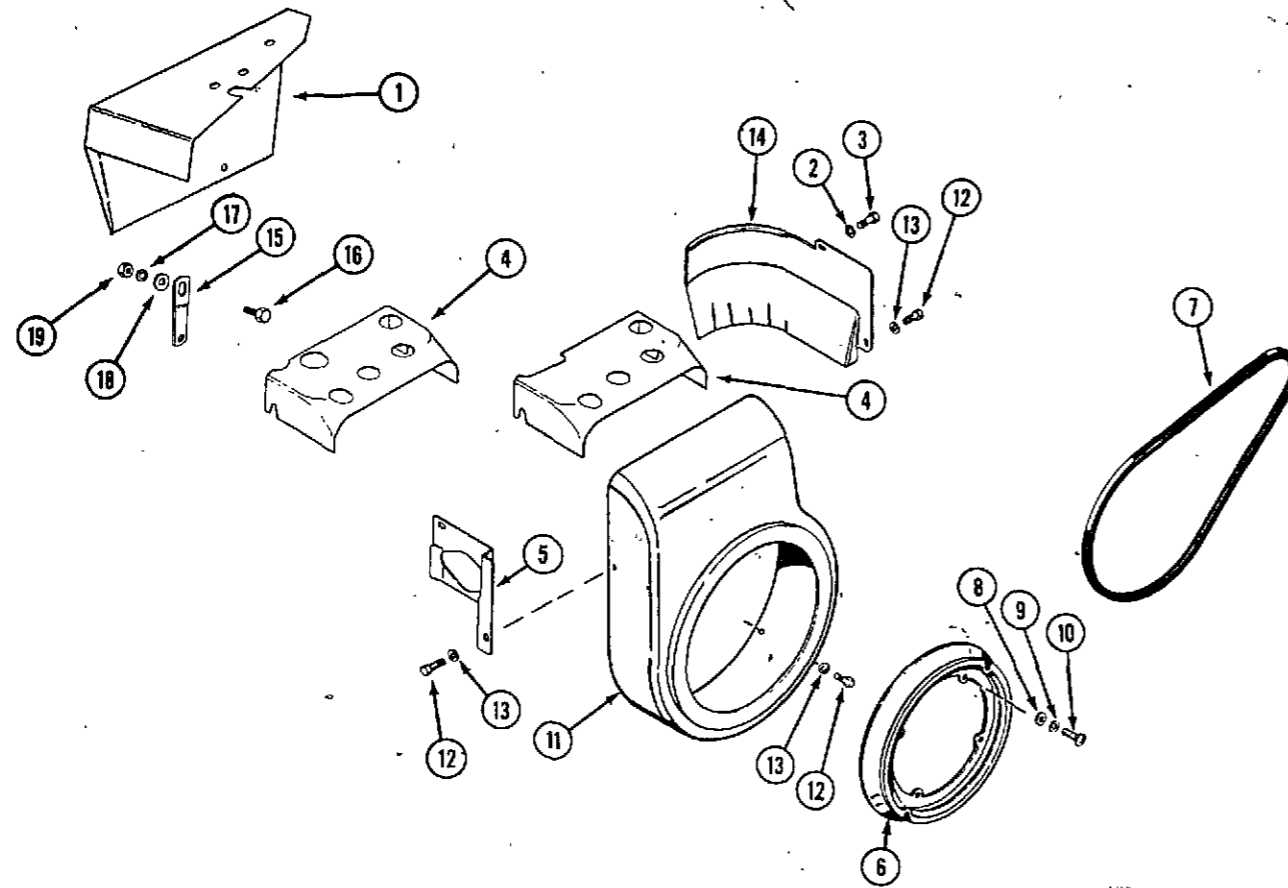
REF.	PART NO.	DESCRIPTION	REQ'D
1	KO 236886	FILLER TUBE	1
2	KO 270158	BOLT - cylinder head special 3/8" x 1-1/2" NC hex	9
3	KO 270889	WASHER - cylinder head bolt	10
4	KO 237670	HEAD - cylinder	1
5	KO 237658	GASKET - head	1
6	KO 237064	GASKET - filler tube	1
7	KOC 237182	BLOCK ASSEMBLY - cylinder, short (Includes crankshaft, piston, rod assembly, camshaft, valves, bearings and plate)	1
8	NSS	BLOCK ASSEMBLY - cylinder, standard bore	1
9	KO 230170	INSERT - exhaust valve	1
10	KO 235007-S	GUIDE - valve	2
11	KO 230265	INSERT - intake valve	1
12	C 21814	SPACER - cylinder head	1
13	41- 18	PLUG - expansion	1
14	113- 206	BOLT - 3/8" x 1-1/4" NC hex plated	4
15	192- 21	LOCKWASHER - 3/8" plated	4
16	KO 235025	GASKET - camshaft cover	1
17	KO 235026	COVER - camshaft gear	1
18	192- 19	LOCKWASHER - 1/4" plated	4
19	113- 6	BOLT - 1/4" x 1/2" NC plated	4
20	KO 235353	GASKET - oil pan	1
21	173- 221	SCREW - #10 x 7/16" round head machine	3
22	193- 26	LOCKWASHER - #10 internal tooth	7
23	C 22699	BASE - oil pan	1
24	192- 21	LOCKWASHER - 3/8" plated	4
25	61- 616	BOLT - 3/8" x 1" NC socket head	4
26	C 14399	PLUG - oil drain	1
27	R 16287	OIL SEAL - crankshaft rear	1
28	40035	BEARING - crankshaft ball	2
29	KO 235757	GASKET - shim, bearing plate .312"	1
29	KO 235070	GASKET - shim, .010"	1
31	C 24290	PLATE - bearing	1
32	192- 21	LOCKWASHER - 3/8" plated	4
33	113- 207	BOLT - 3/8" x 1" NC plated	4
34	C 18097	OIL SEAL - crankshaft front	1
35	KO 235818	FLYWHEEL	1
36	C 26421	WASHER - special, plated 21/32" ID x 1-3/8" OD x 1/4"	1
37	131- 580	NUT - special Marsden 5/8"	1
38	C 14954	DIPSTICK ASSEMBLY	1
39	A 27365	"O" RING - dipstick	1
42	KO 235748	STRAP - lifting	1
43	C 18814	NIPPLE - oil drain extension	1
44	C 14906	GASKET - plug, oil drain	1
45	221- 1412	ELBOW - street	1
46	129- 143	NUT - 3/8" NC hex, jam	6
47	129- 103	NUT - 3/8" NC hex	6
48	192- 21	LOCKWASHER - 3/8"	9
49	KO 237277	STUD - cylinder head	6

UAR



ENGINE GASKET AND SEAL KIT

REF.	PART NO.	DESCRIPTION	REQ'D
1	C 23858	KIT - engine gasket (10 thru 14 hp engines)	1
3	KO 235025	GASKET - camshaft cover	1
4	KO 235353	GASKET - oil pan	1
5	KO 235757	GASKET - shim, bearing plate (.010")	6
5	KO 235070	GASKET - shim (.010")	UAR
7	C 26518	GASKET - breaker cover	1
8	C 23860	GASKET - carburetor flange	1
9	C 22738	GASKET - fuel pump flange	1
10	KO 275341	GASKET - carburetor air horn	1
11	KO 235048	GASKET - breather plate	1
12	KO 275144	GASKET - valve cover	1
13	NSS	GASKET - fuel strainer bowl (not used)	1
14	KO 235057	GASKET - pan (not used)	1
15	KO 237658	GASKET - cylinder head	1
16	KO 231032	SEAL - breather (14 hp engine)	1

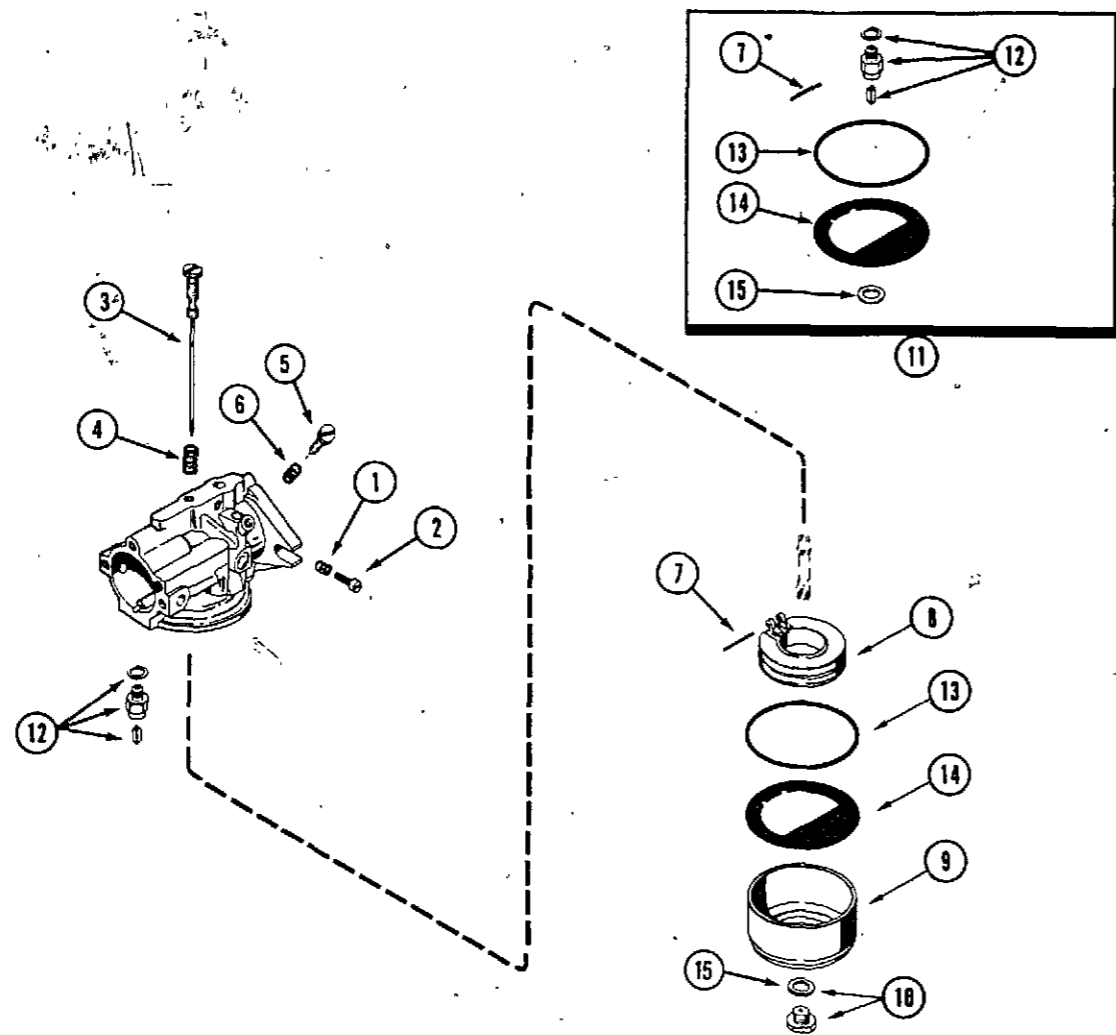


**BAFFLES AND SHROUDS**

REF.	PART NO.	DESCRIPTION	REQ'D
1	C 18989	DEFLECTOR - engine air	1
2	192- 19	LOCKWASHER - 1/4" zinc plated	2
3	113- 6	BOLT - 1/4" x 1/2" NC hex, zinc plated	2
4	KO 237520	BAFFLE - cylinder head (10 hp engine)	1
4	KO 237677	BAFFLE - cylinder head (12 - 14 hp engine)	1
5	KO 235652	BAFFLE - carburetor side air	1
6	KO 235207	PULLEY - starter	1
7	C 14345	BELT - drive, starter - generator	1
8	195- 515	WASHER - 1/4" zinc plated	4
9	192- 19	LOCKWASHER - 1/4" zinc plated	4
10	175- 436	SCREW - 1/4" x 5/8" NC truss head Phillips, zinc plated	4
11	KO 235901	HOUSING - blower	1
12	113- 2	BOLT - 1/4" x 3/4" NC hex, zinc plated	4
13	192- 19	LOCKWASHER - 1/4" zinc plated	4
14	KO 235054	BAFFLE - cylinder	1
15	C 19021	SUPPORT - engine air deflector	1
16	113- 118	BOLT - 5/16" x 5/8" NC hex	1
17	192- 20	LOCKWASHER - 5/16"	1
18	195- 521	WASHER - 5/16" plain	1
19	129- 102	NUT - 5/16" NC hex	1

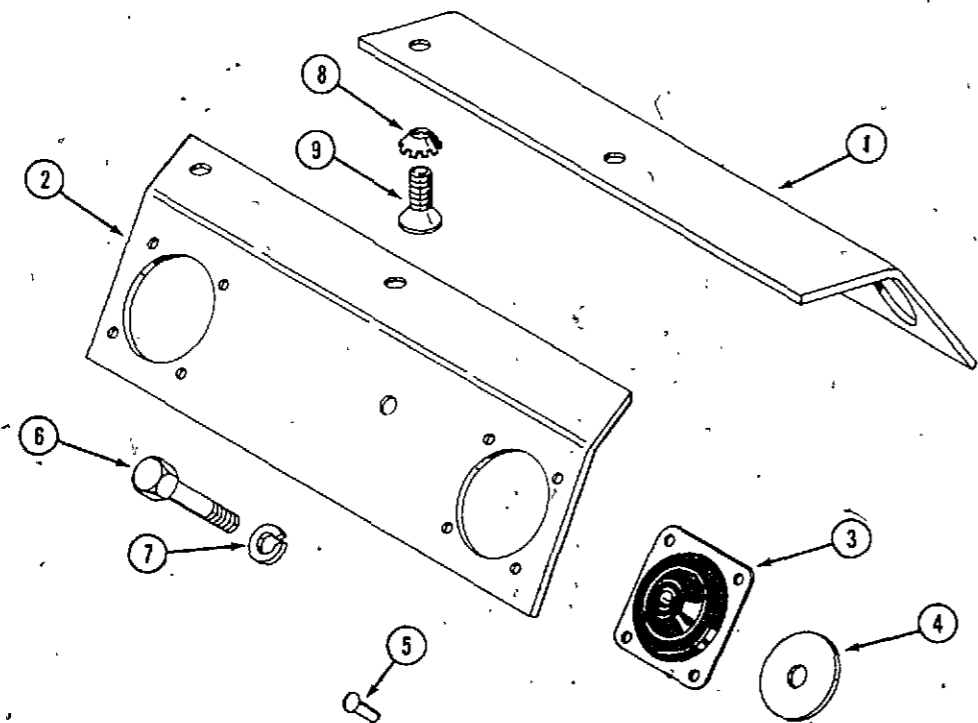
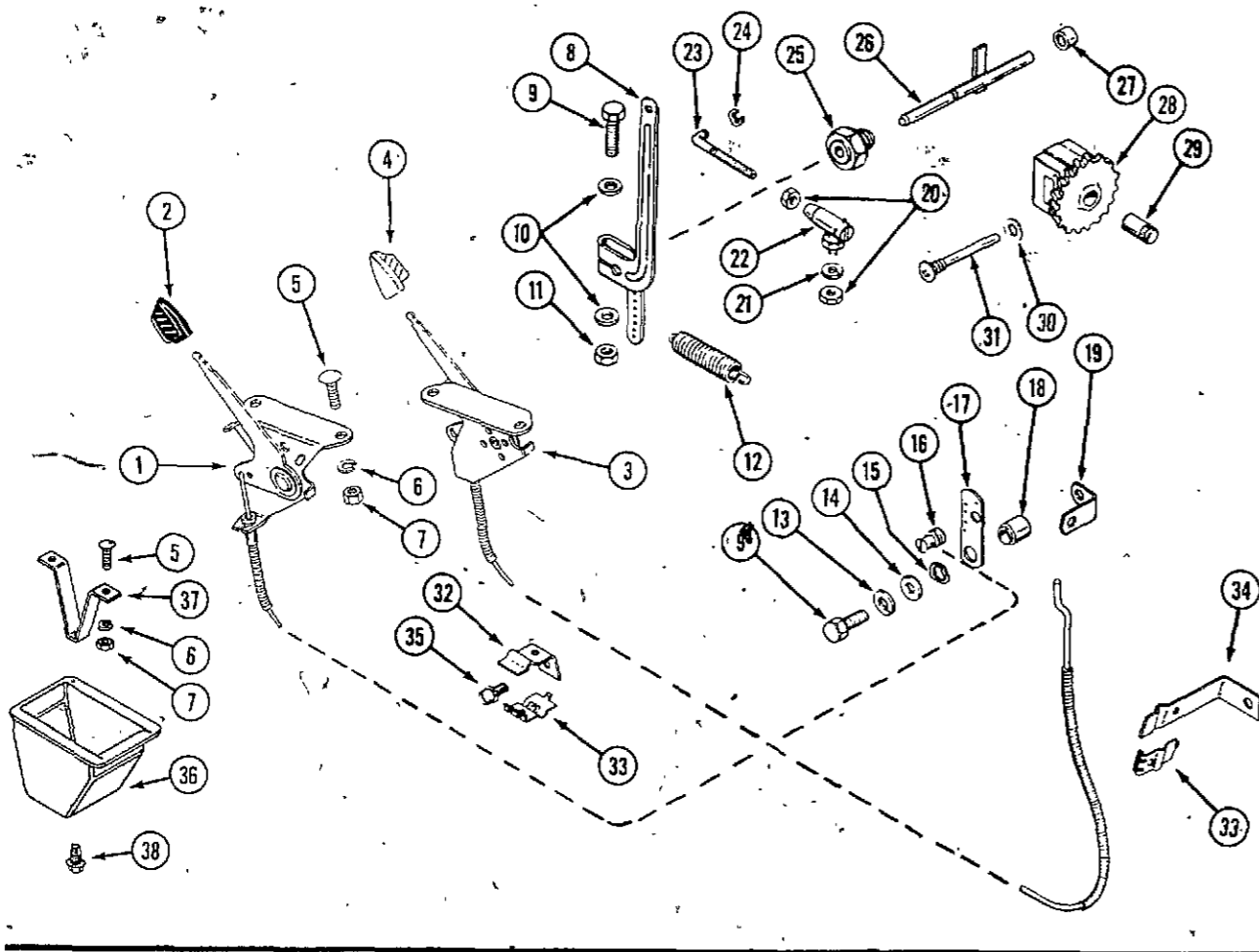
**FUEL SYSTEM**

1	C 24408	CARBURETOR ASSEMBLY - 444 & 224 (Repairs page 27)	1
1	A 72073	CARBURETOR ASSEMBLY - 220 & 222 (Repairs page 27)	1
2	C 23860	GASKET - carburetor flange	1
3	C 10678	ELBOW - fuel pump and carburetor	3
4	214- 251	CLAMP - hose 1/2"	4
5	NSS	HOSE - carburetor 5-1/4" (use C19238 cut to length)	1
6	192- 20	LOCKWASHER 5/16"	2
7	113- 103	BOLT - 5/16" x 1" NC hex	2
8	NSS	PUMP - fuel, 10 h.p. models (use C24851)	1
9	169- 145	SCREW - 1/4" x 5/8" NC fillister head	2
10	193- 60	LOCKWASHER - 1/4"	2
11	KO 275341	GASKET - air horn	1
12	NSS	PUMP - fuel, 12 and 14 h.p. models (use C24851)	1
13	C 22738	GASKET - fuel pump mounting, all models	1
14	C 10657	ELBOW ASSEMBLY - fuel tank	1
15	A 62079	CLIP - fuel line	2
16	C 17574	HOSE - fuel line 43"	1
17	C 16363	TANK - fuel	1
18	C 11529	CAP - fuel tank (Includes insert)	1
19	C 11545	INSERT - fuel cap	1
20	C 16796	STRAP - fuel tank mounting	2
21	182- 209	SCREW - 1/4 x 1-1/2" NC round head, machine, zinc plated	2
22	129- 504	NUT - square 1/4" NC	2
23	C 14690	CUSHION - fuel tank	2



**CARBURETOR**

REF.	PART NO.	DESCRIPTION	REQ'D
	A 72073	CARBURETOR ASSEMBLY - 220, 222	1
	C 24408	CARBURETOR ASSEMBLY - 224 & 444	1
1	KO 200380	SPRING - tension, idle adjust	1
2	A 72092	SCREW - idle adjust	1
3	A 72077	NEEDLE - main fuel adjust, 220, 222	1
3	KO 237489	NEEDLE - main fuel adjust, 224 & 444	1
4	KO 200383	SPRING - main fuel adjust	1
5	A 72099	NEEDLE - idle adjust (220, 222)	1
5	KO 275231	NEEDLE - idle adjust (224 & 444)	1
6	KO 200380	SPRING - idle fuel adjust	1
7	F 19892	PIN - float	1
8	KO 200408	FLOAT - carburetor	1
9	KO 235448	BOWL - carburetor	1
10	C 26422	SCREW AND GASKET ASSEMBLY - carburetor bowl	1
11	C 27278	KIT - carburetor repair	1
12	NSS	INLET NEEDLE AND SEAT ASSEMBLY	1
13	NSS	GASKET - bowl ring	1
14	NSS	GASKET - bowl baffle	1
15	KO 200372	GASKET - bowl screw	1



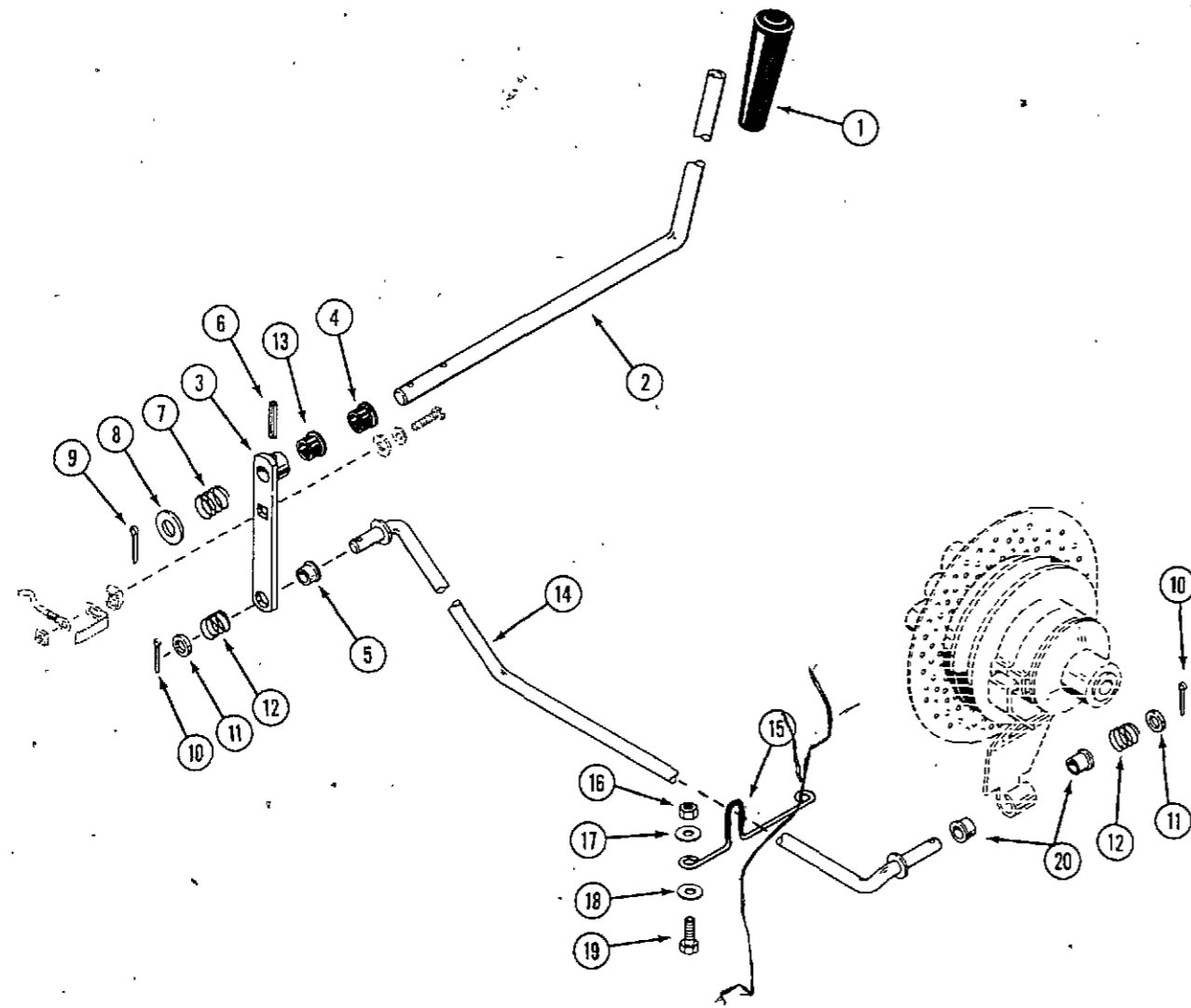
**CHOKE, THROTTLE AND GOVERNOR**

REF.	PART NO.	DESCRIPTION	REQ'D
1	C 25603	CONTROL - throttle	1
2	C 12224	HANDLE - throttle control, black	1
3	C 25604	CONTROL - choke	1
4	C 14506	HANDLE - choke control, white	1
5	111- 2	BOLT - 10-24 x 3/4" round head, square neck	2
6	192- 18	LOCKWASHER - #10 Std. plated	2
7	129- 17	NUT - #10-24 plated	2
8	KOA 237653	LEVER - governor	1
9	15- 420	BOLT - 1/4" x 1-1/4" NC hex	2
10	195- 515	WASHER - 1/4" plated	2
11	129- 101	NUT - 1/4" hex	1
12	KQ 235496	SPRING - governor	1
13	192- 19	LOCKWASHER - 1/4" plated	1
14	C 18098	WASHER - thrust	1
15	KO 275690	WASHER - wavy	1
16	H 43034	CLAMP - swivel, wire	1
17	KO 235086	LEVER - speed control	1
18	KO 235085	SPACER - speed control bracket	1
19	KO 235084	BRACKET - high speed stop	1
20	129- 37	NUT - #10-32 hex	2
21	192- 18	LOCKWASHER - 3/16" plated	1
22	A 10326	JOINT - ball	1
23	KO 235277	ROD - throttle	1
24	49485	RING - retaining, throttle rod	1
25	KO 235476	BUSHING - governor cross shaft	1
26	KOA 235256-S	KIT - governor cross shaft	1
27	V 34418	BEARING - needle governor shaft	1
28	KOA 237031	GEAR ASSEMBLY - governor	1
29	KO 235125-S	SHAFT - governor stub	1
30	C 18099	WASHER - governor stop pin	1
31	V 34416	PIN - governor stop	1
32	KOA 237559	BRACKET - throttle cable	1
33	KO 235603	CLIP - bracket	2
34	KOA 236919	BRACKET - choke cable	1
35	169- 95	SCREW - #10 x 3/8" NC fillister head	1
36	C 23032	ENCLOSURE - choke and throttle cable	1
37	C 20194	BRACKET - enclosure mtg.	1
38	187- 1036	SCREW - 1/4 x 1/2" hex self tapping	1

**ENGINE MOUNT PLATES**

1	C 17717	PLATE - engine mount L.H.	1
2	C 17718	PLATE - engine mount R.H.	1
3	C 18793	MOUNT - engine	4
4	D 22988	WASHER - snubbing	4
5	151- 544	RIVET - 3/16"	16
6	113- 219	BOLT - 3/8" x 2" NC hex	4
7	192- 21	LOCKWASHER - 3/8"	4
8	193- 56	LOCKWASHER - 3/8" countersunk external tooth	4
9	164- 50	BOLT - flat head hex socket	4

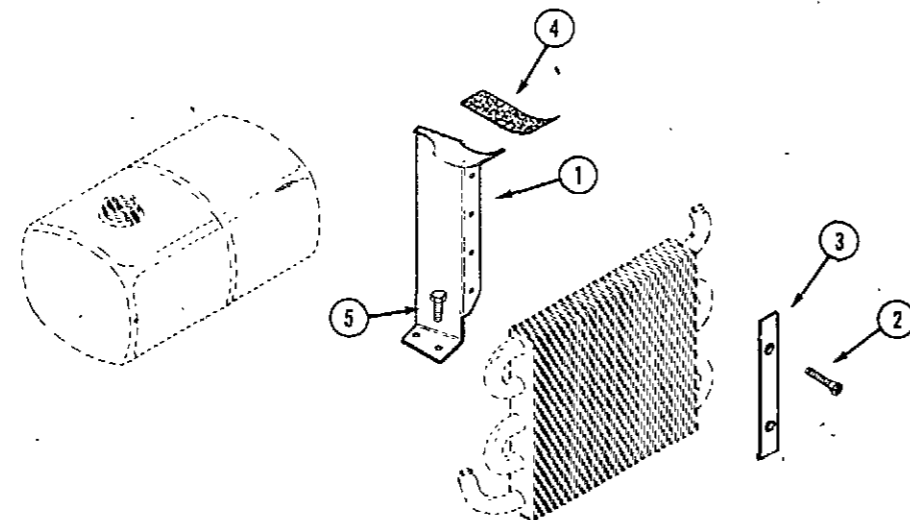
PTO CLUTCH AND LINKAGE



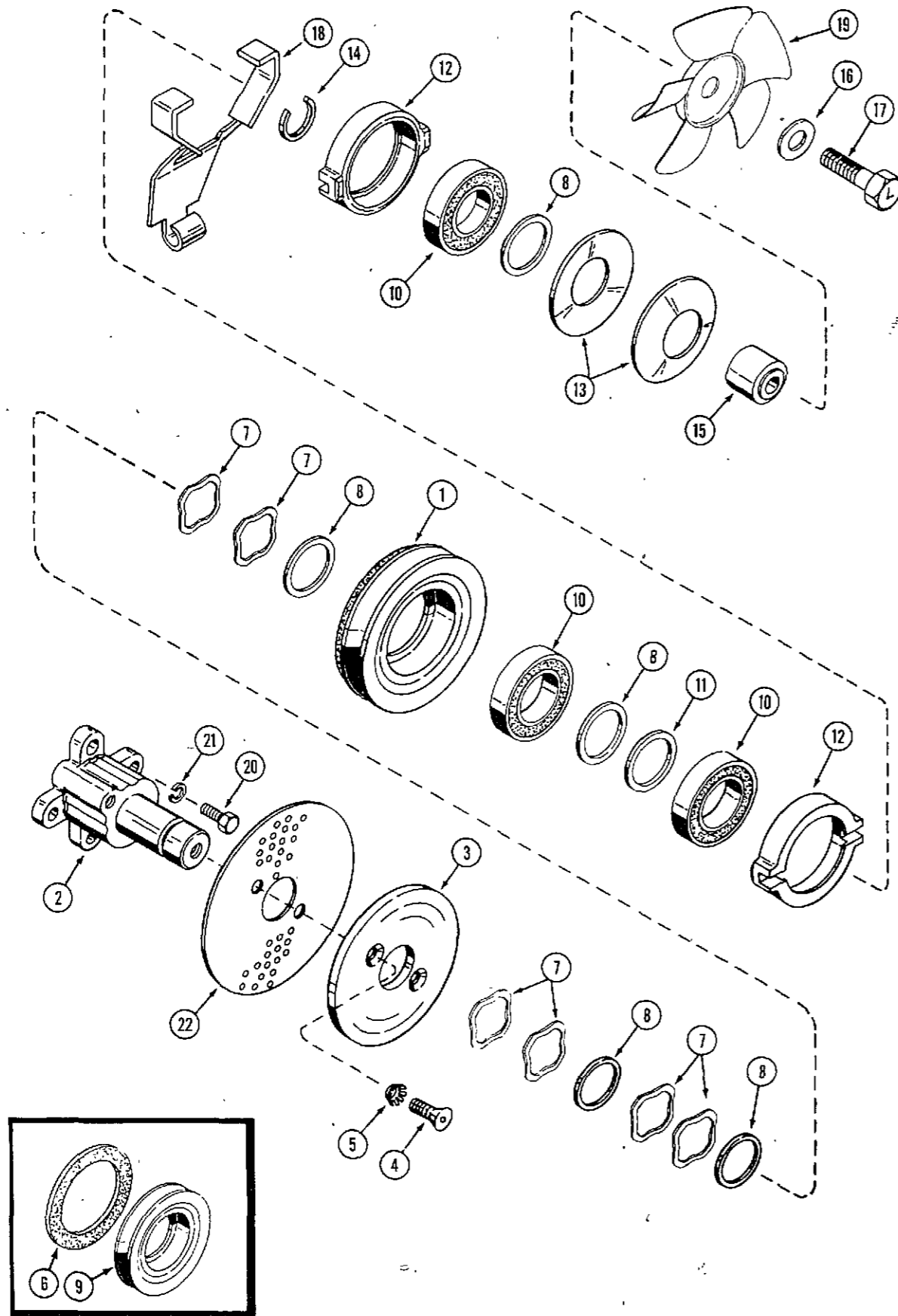
REF.	PART NO.	DESCRIPTION	REQ'D
1	A 37247	KNOB - lever, PTO	1
2	C 22998	LEVER - PTO engaging	1
3	G 20035	ARM ASSEMBLY - PTO	1
4	353- 462	BUSHING - lever, dash tower	1
5	C 20093	BUSHING - fliplock	1
6	138- 96	PIN - roll 3/16 x 1"	1
7	C 20036	SPRING - lever, PTO	1
8	A 39519	WASHER - nylon	1
9	132- 91	PIN - cotter 3/16 x 1"	1
10	132- 48	PIN - cotter 1/8 x 1"	2
11	C 14906	WASHER - nylon 3/8"	2
12	C 19867	SPRING - clutch rod	2
13	C 26266	BUSHING - heyco, clutch rod	1
14	C 20041	ROD - clutch	1
15	C 19767	GUIDE - clutch rod	1
16	131- 178	NUT - lock 3/8" n.c. hex	2
17	195- 104	WASHER - 3/8"	2
18	195- 126	WASHER - spacer (used on models without hyd. lift)	2
19	113- 207	BOLT - 3/8 x 1" n.c. hex	2
20	C 20053	BUSHING - nylon	2

HYDRAULIC RESERVOIR MOUNTING

1	C 14240	SUPPORT - reservoir mtg. R.H.	1
1	C 14241	SUPPORT - reservoir mtg. L.H.	1
2	187- 1251	SCREW - 1/4 x 1-1/4" n.c. flat hd. phillips	4
3	C 14246	BRACKET - heat exchanger mtg.	2
4	C 14690	CUSHION - reservoir mtg.	2
5	113- 118	BOLT - 5/16 x 5/8" n.c. hex	4





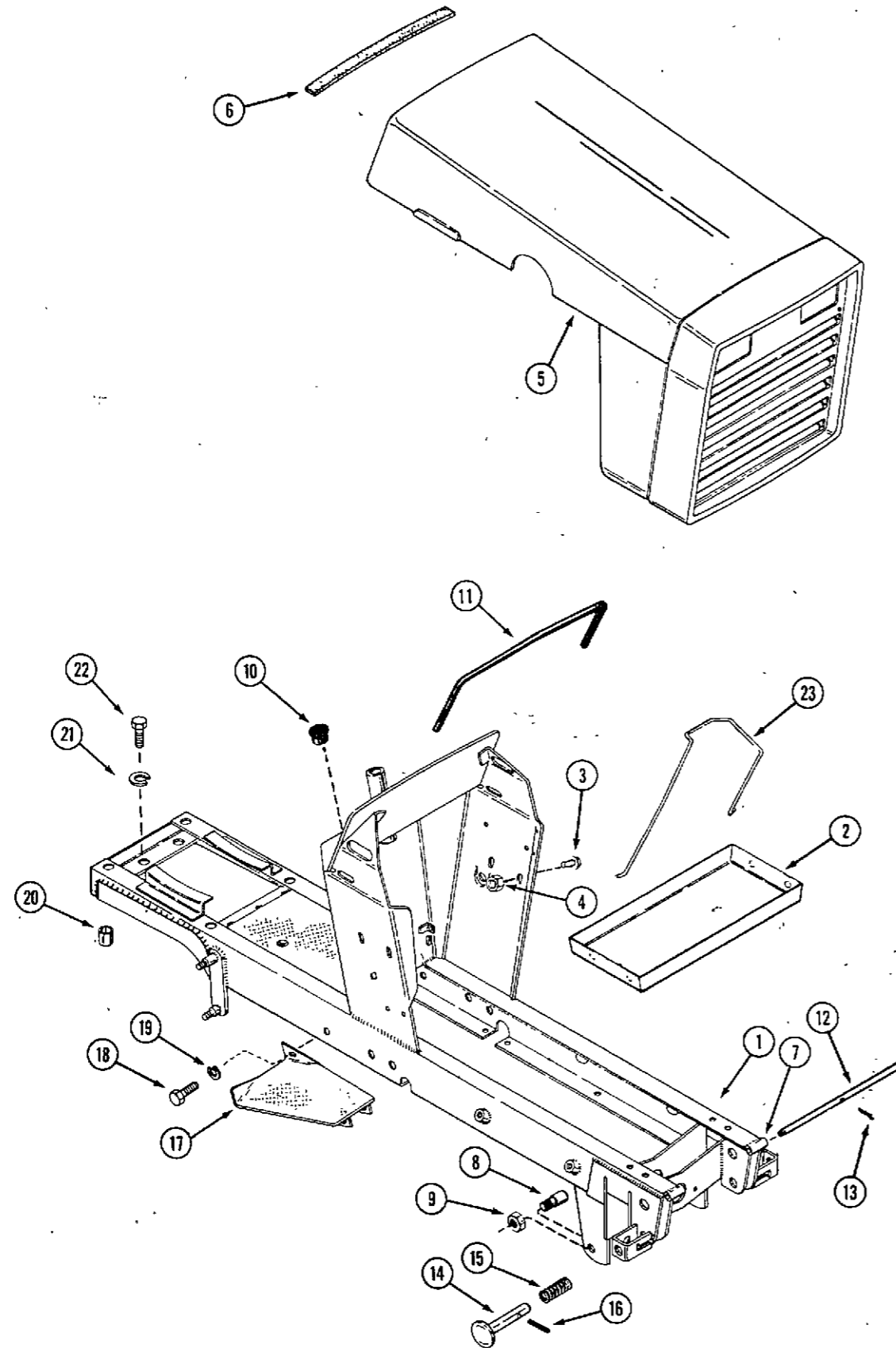


CLUTCH ASSEMBLY (PTO)

REF.	PART NO.	DESCRIPTION	REQ'D
	NSS	CLUTCH AND FAN ASSEMBLY - less screen (use C27150)	1
1	C 26353	PULLEY AND DISC ASSEMBLY - clutch	1
2	NSS*	HUB - clutch	1
3	C 15718	PLATE - clutch	1
4	164- 40	BOLT - 5/16" x 3/4" NC flat head socket	2
5	193- 76	LOCKWASHER - 5/16" countersunk external tooth	2
6	C 23740	Kit - friction disc	1
7	C 15515	WASHER - spring	6
8	C 15557	WASHER - spacer .050"	UAR
9	NSS	PULLEY - clutch (order item 1)	1
10	C 23245	BEARING - cam and pulley	3
11	C 21596	WASHER - spacer .005"	UAR
11	C 15556	WASHER - spacer .010"	UAR
12	NSS	CAM - clutch (service with (2) C23033 cams and (1) C23391 arm)	2
13	C 16786	SPRING - clutch load	2
14	F 59014	RING - retaining	1
15	C 18908	SPACER - hub	1
16	O 2815N	WASHER - fan 17/32"	1
17	C 18940	BOLT - 1/2" x 1-3/4" NC hex L.H. threads	1
18	C 23391	ARM - engaging	1
19	C 16616	FAN - cooling	1
20	113- 207	BOLT - 3/8" x 1" NC hex ZP	4
21	192- 21	LOCKWASHER - 3/8"	4
22	C 15721	SCREEN - grass	1

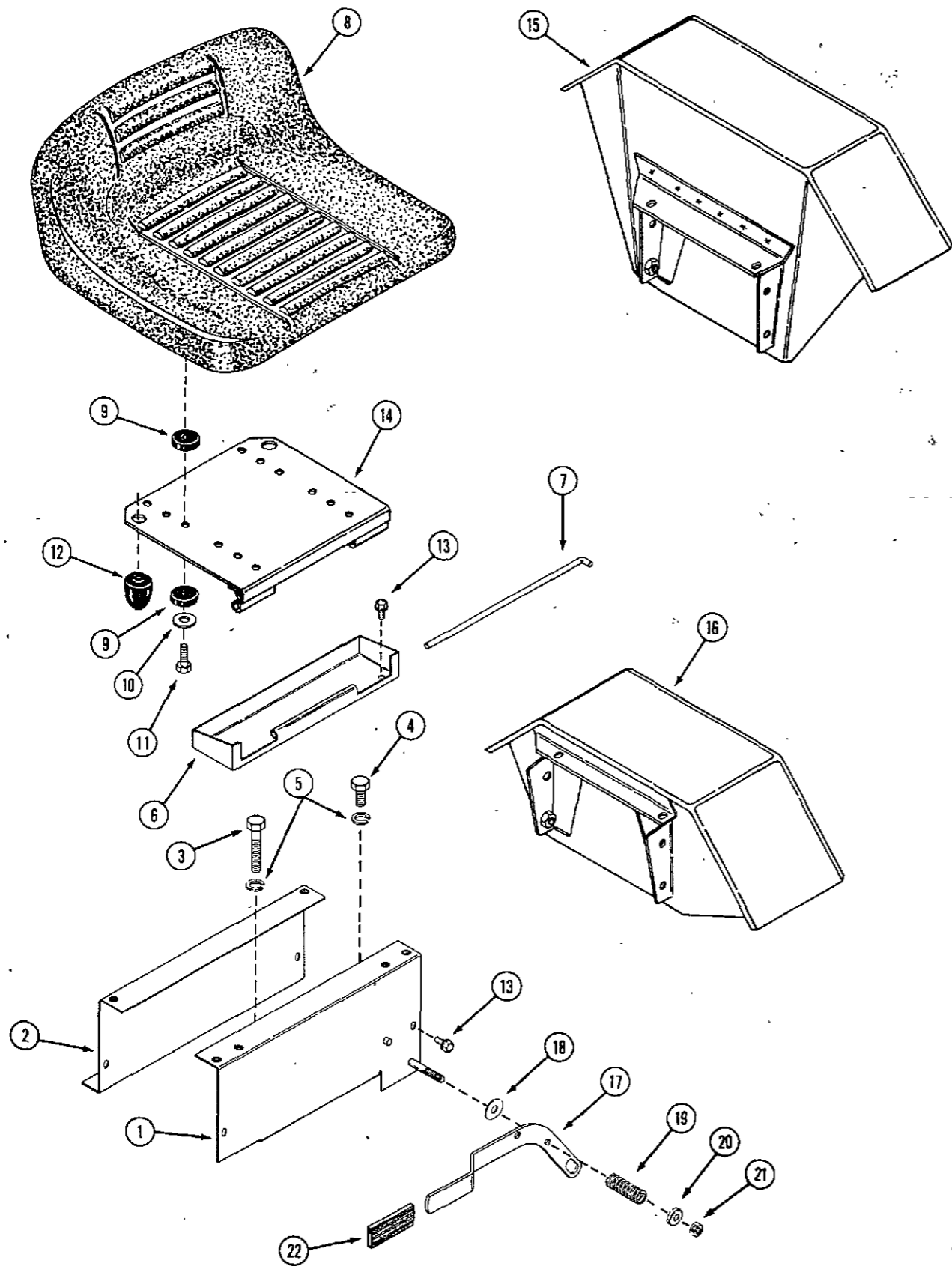
\*use C23624, C23625, C23627, C23630, C23677, C24743,  
(2) C26346, O 2815N, 129-125

HOOD, FRAME AND GRILLE

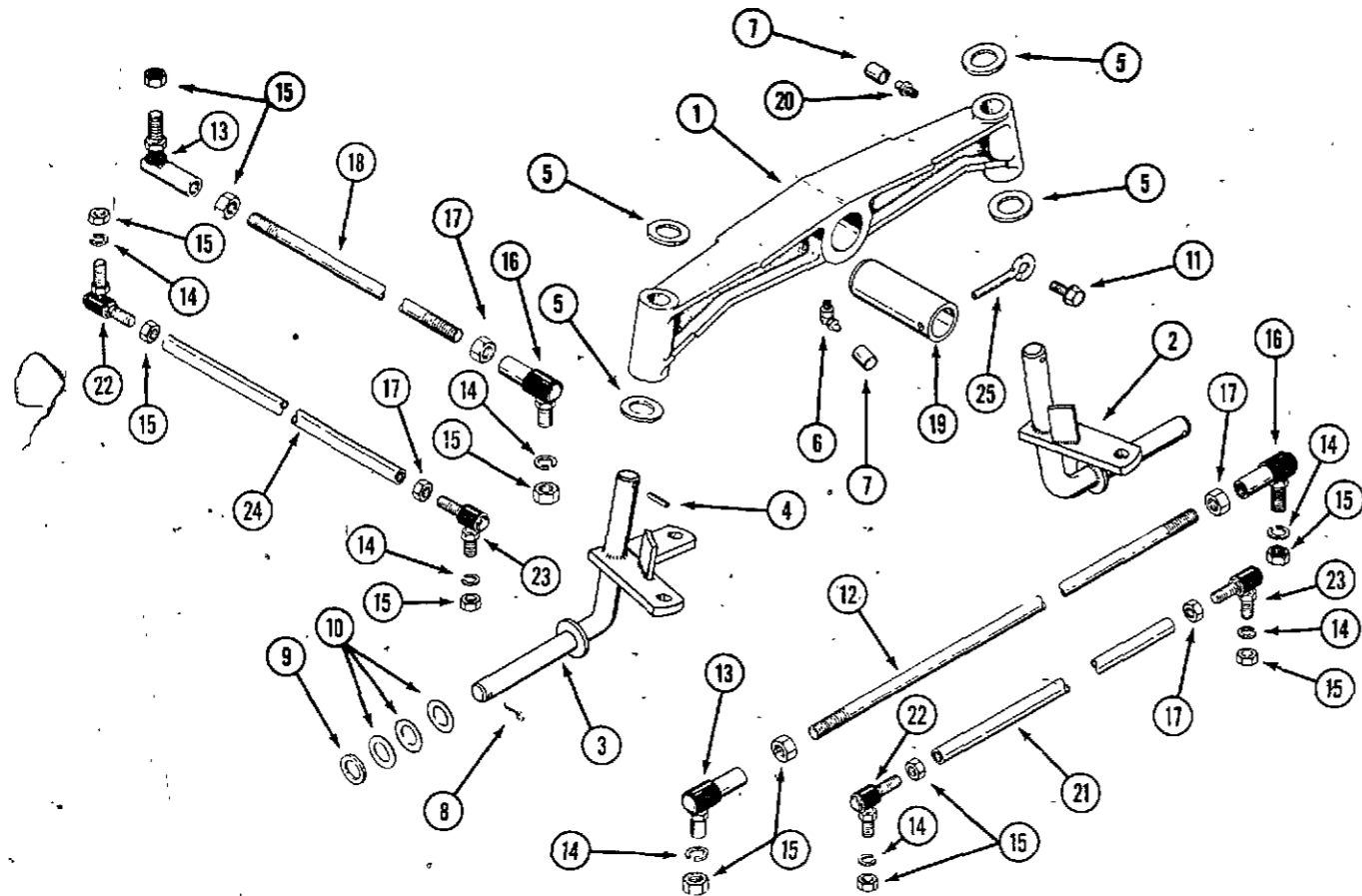


REF.	PART NO.	DESCRIPTION	REQ'D
1	C 24973	FRAME - main, 220 (used S/N 9689174 and after)	1
1	C 24973	FRAME - main, 222 (used S/N 9705780 and after)	1
1	C 24973	FRAME - main, 224 (used S/N 9707924 and after)	1
1	C 22714	FRAME - main, 444 (used S/N 9693858 and after)	1
1	NSS	FRAME - main, 220, 222 & 224 (See Kits below)	1
1	NSS	FRAME - main, 444 (See Kits below)	1
2	C 16170	TRAY - battery	1
3	121- 106	SCREW - 5/16 x 1/2" whizlock	4
4	129- 102	NUT - 5/16" nc hex	4
5	C 20056	HOOD AND GRILLE ASSEMBLY	1
6	C 20082	LINER - hood	1
7	C 22023	HINGE - frame	2
8	C 18733	PIN - attachment	2
9	131- 1318	NUT - lock 1/2" NF jam	2
10	353- 406	PLUG - hole (models without hydraulic lift)	1
11	C 18153	CHANNEL - instrument panel	1
12	C 16362	ROD - hood hinge	1
13	132- 46	PIN - cotter 1/8 x 3/4"	1
14	C 16373	PIN - latch	2
15	C 24137	SPRING - latch	2
16	138- 319	PIN - roll 3/16 x 1-1/4"	2
17	C 18890	PAD - foot rest, L.H.	1
17	C 18150	PAD - foot rest, R.H.	1
18	113- 113	BOLT - 5/16 x 7/8" NC hex	2
19	192- 20	LOCKWASHER - 5/16"	2
20	C 14729	SPACER - frame, rear (444)	2
20	C 14730	SPACER - frame, rear (220, 222 and 224)	2
21	192- 23	LOCKWASHER - 1/2"	4
22	113- 424	BOLT - 1/2 x 1" NC hex	4
23	C 16239	STRAP - battery hold down	1
	C 22979	KIT - frame (220, 222 & 224) includes frame, ammeter, wire harness and ammeter to solenoid wire. Used 220 S/N 9674235 to 9689174 Used 222 S/N 9681170 to 970580 Used 224 S/N 9676354 to 9707924	
	C 22980	KIT - frame (444) includes frame, ammeter, wire harness and ammeter to solenoid wire. Used 444 S/N 9677449 to 9693858	

SEAT, FENDERS AND TOOL TRAY



REF.	PART NO.	DESCRIPTION	REQ'D
1	C 16408	SUPPORT - seat, front	1
2	C 16404	SUPPORT - seat, rear	1
3	113- 441	BOLT - 1/2 x 2-1/4" NC hex (444)	2
3	113- 427	BOLT - 1/2 x 3-1/4" NC hex (220, 222 and 224)	2
4	113- 424	BOLT - 1/2 x 1" NC hex (444)	2
5	192- 23	LOCKWASHER - 1/2"	4
6	C 19417	TRAY - tool	1
7	C 16429	PIN - seat hinge	1
8	C 26215	SEAT - (220, 222 and 224)	1
8	C 26214	SEAT - (444)	1
9	D 59705	CUSHION - rubber	8
10	195- 2175	WASHER - 5/16 x 1-1/4" OD, zinc plated.	4
11	113- 122	BOLT - 5/16 x 1-1/2"	4
12	C 14534	BUMPER - seat	2
13	121- 106	BOLT - 5/16 x 1/2" flange whizlock	10
14	C 17152	HINGE ASSEMBLY - seat	1
15	C 16444	FENDER - L.H. (444)	1
15	C 16445	FENDER - R.H. (444)	1
16	C 16446	FENDER - L.H. (220, 222 and 224)	1
16	C 16447	FENDER - R.H. (220, 222 and 224)	1
17	C 16393	LEVER - shift	1
18	195- 524	WASHER - 7/16 x 1-1/4" OD	1
19	C 17216	SPRING - shift lever	1
20	C 17066	WASHER - cupped	1
21	131- 178	NUT - lock 3/8" NC hex	1
22	C 14728	GRIP - shift lever	1

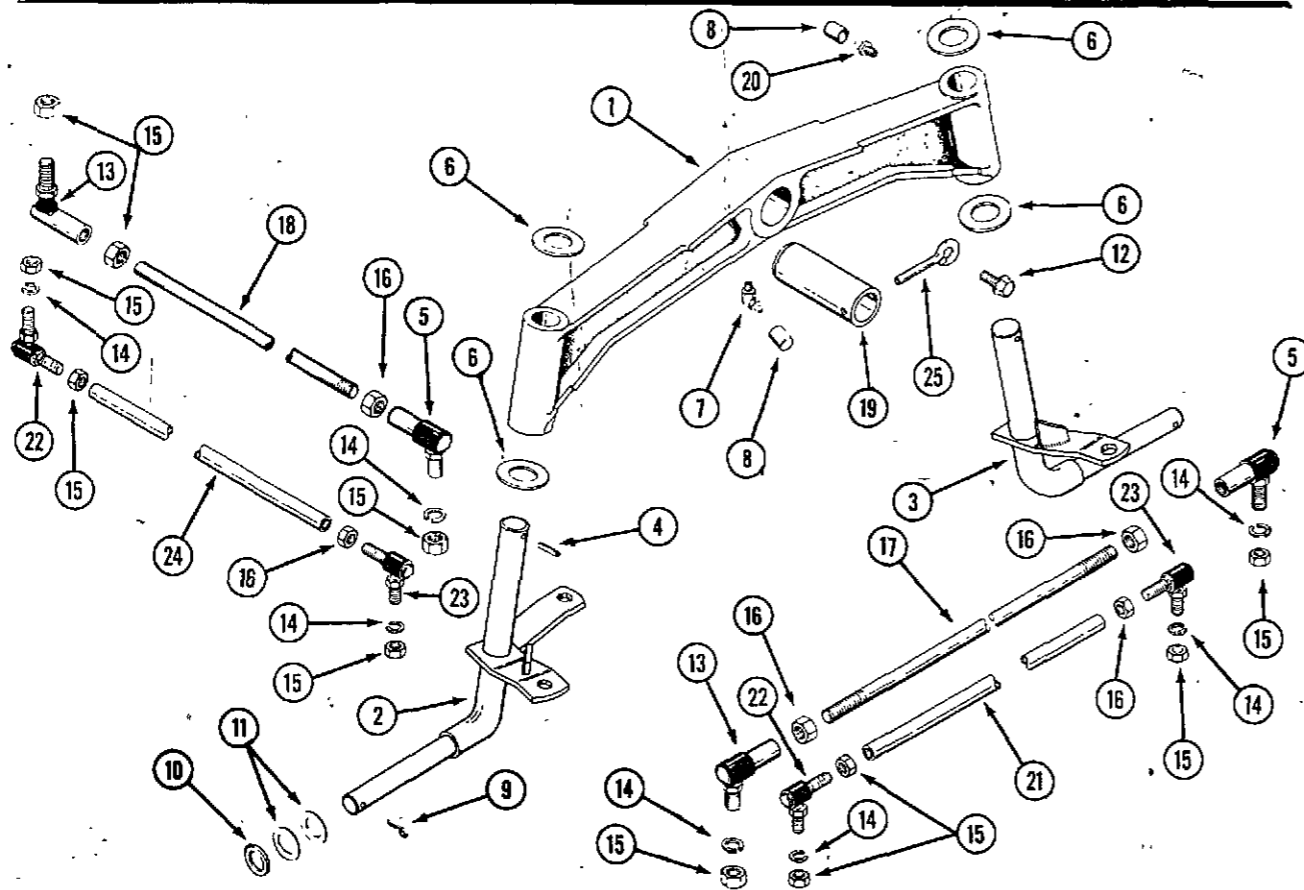


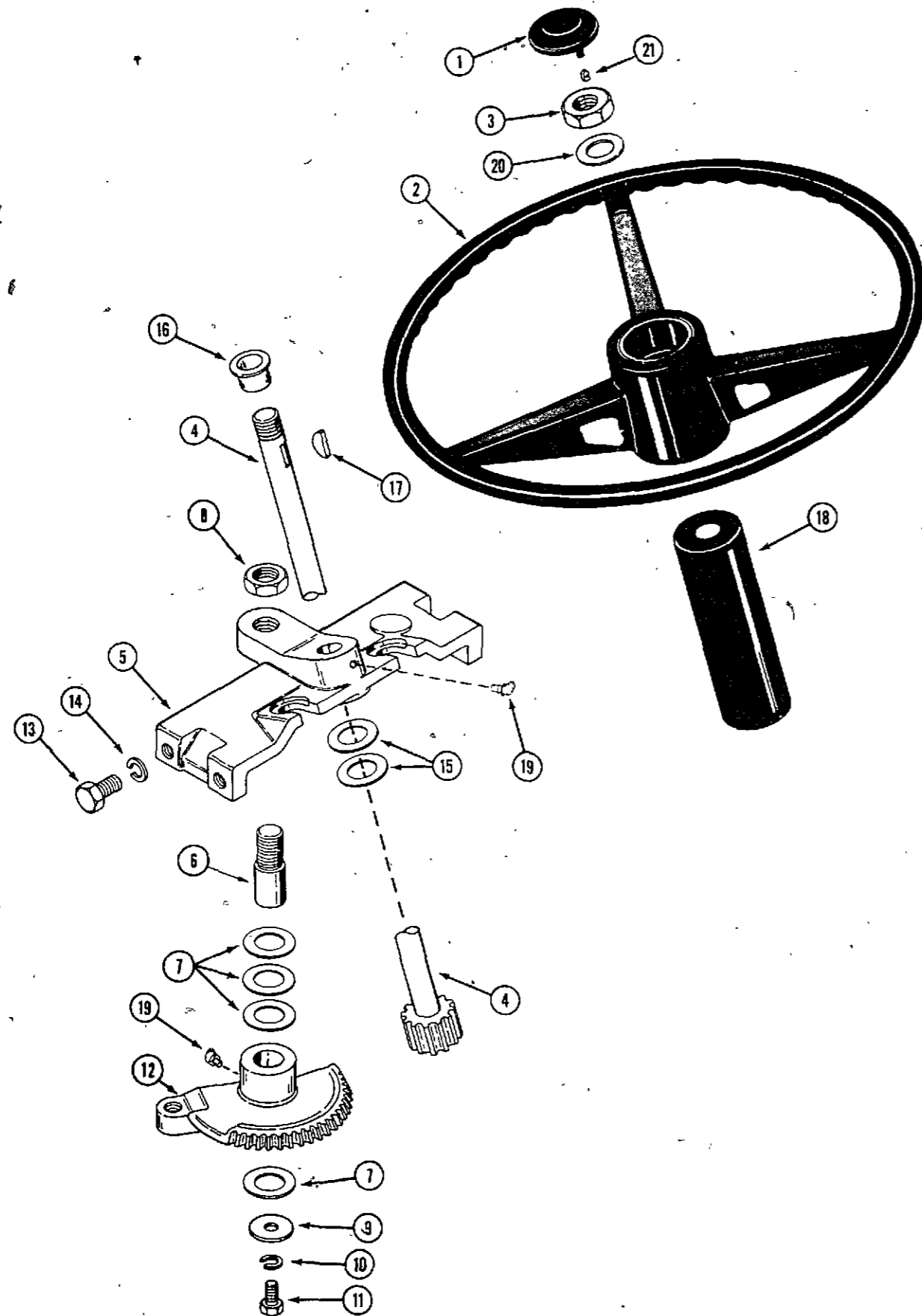
220, 222 AND 224 FRONT AXLE

REF.	PART NO.	DESCRIPTION	REQ'D
1	C 18812	AXLE - front	1
2	C 18777	SPINDLE - left hand	1
3	C 18779	SPINDLE - right hand	1
4	138- 99	PIN - roll	1
5	C 11906	WASHER - thrust	2
6	219- 404	FITTING - lube	4
7	C 13106	COVER - lube fitting	1
8	132- 311	PIN - cotter 5/32 x 1-1/4"	3
9	C 12975	WASHER - wheel spindle	2
10	A 30881	WASHER - wheel spacer	2
11	187- 1046	BOLT - 3/8" NC indented hex head	6
12	C 14334	TIE ROD (early production)	1
13	C 12102	BALL JOINT - 1/2" R.H. thread (early production)	1
14	192- 23	LOCKWASHER - 1/2" zinc plated	2
15	129- 125	NUT - 1/2" NF hex R.H. thread	3
16	C 13605	BALL JOINT - 1/2" L.H. thread	6
17	129- 325	NUT - 1/2" NF hex L.H. thread	2
18	C 18786	ROD - drag link (early production)	2
19	C 22568	TUBE - axle pivot (late prod.) items 19 & 25 will replace C19009 pivot	1
20	219- 17	FITTING - lube	1
21	C 21530	TIE ROD - (late production)	2
22	C 21526	BALL JOINT - 1/2" R.H. thread (late production)	1
23	C 21527	BALL JOINT - 1/2" L.H. thread (late production)	2
24	C 22992	KIT - drag link rod (late production)	2
25	C 22278	PIN - retaining, axle pivot (late prod.)	1

444 FRONT AXLE

1	C 18813	AXLE - front	1
2	C 26205	SPINDLE - right hand	1
3	C 18782	SPINDLE - left hand	1
4	138- 99	PIN - roll	1
5	C 13605	BALL JOINT - 1/2" L.H. thread (early production)	2
6	C 13716	WASHER - thrust	2
7	219- 404	FITTING - lube	4
8	C 13106	COVER - lube fitting	1
9	132- 311	PIN - cotter 5/32 x 1-1/4"	3
10	C 12975	WASHER - wheel spindle	2
11	A 30881	WASHER - wheel spacer	2
12	187- 1046	BOLT - 3/8" NC indented hex head	4
13	C 12102	BALL JOINT - 1/2" R.H. thread (early production)	1
14	192- 23	LOCKWASHER - 1/2" zinc plated	2
15	129- 125	NUT - 1/2" NF hex R.H. thread	3
16	129- 325	NUT - 1/2" NF hex L.H. thread	6
17	C 16384	TIE ROD - (early production)	2
18	C 18786	ROD - drag link (early production)	1
19	C 22568	TUBE - axle pivot (late prod.) items 19 & 25 will replace C19009 pivot	1
20	219- 17	FITTING - lube	1
21	C 21529	TIE ROD - (late production)	2
22	C 21526	BALL JOINT - R.H. thread (late production)	1
23	C 21527	BALL JOINT - L.H. thread (late production)	2
24	C 22992	KIT - drag link rod (late production)	2
25	C 22278	PIN - retaining, axle pivot (late prod.)	1



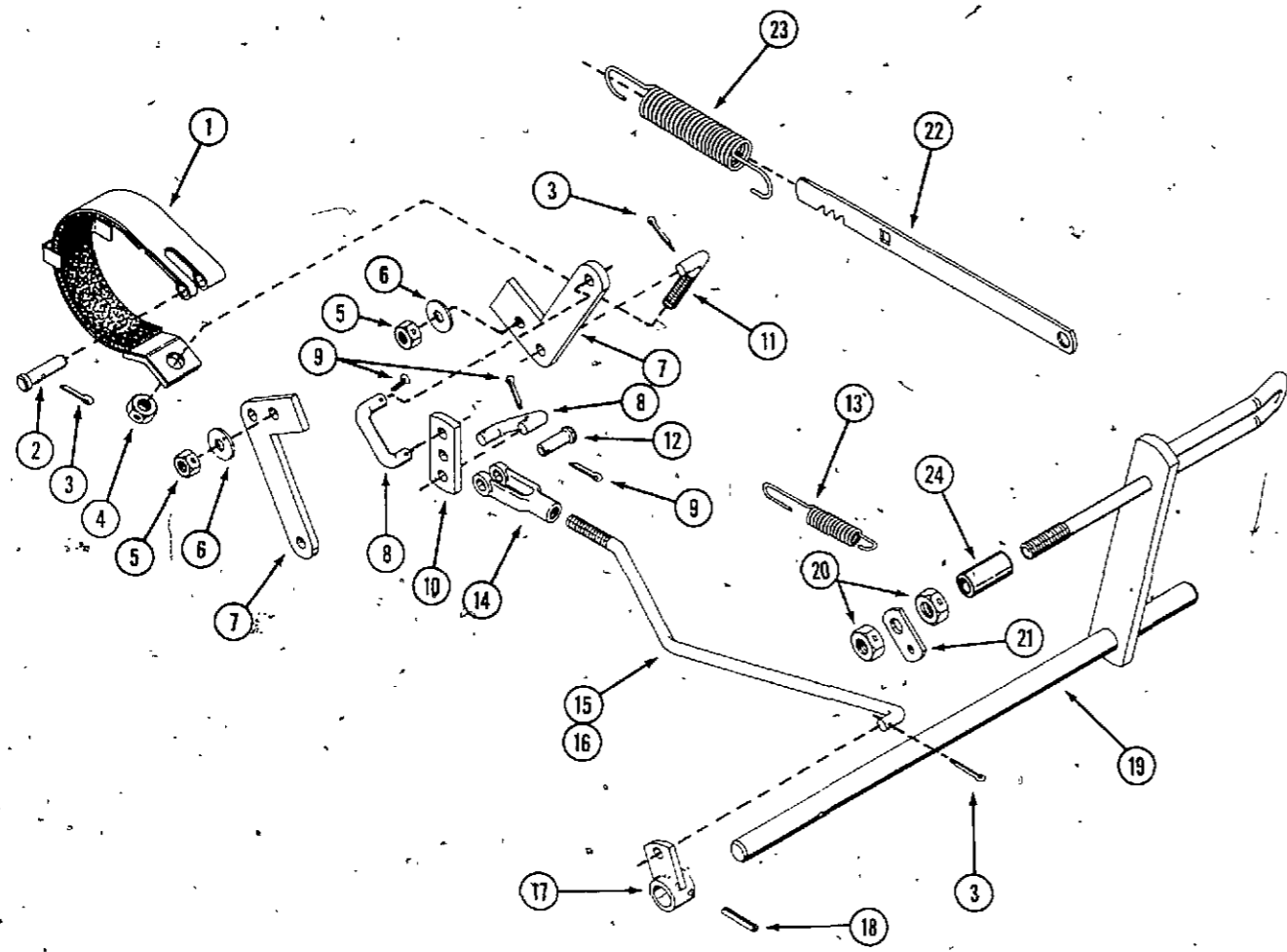


STEERING GEAR

REF.	PART NO.	DESCRIPTION	REQ'D
1	C 16945	CAP - steering wheel	1
2	C 18014	WHEEL - steering	1
3	131- 1113	NUT - lock 5/8" Gripco	1
4	NSS	SHAFT - steering (use C26325, C26326, and 138-143)	1
5	NSS*	SUPPORT - steering gear	1
6	C 14200	PIN - pivot	1
7	C 14201	WASHER - shim	4
8	131- 1112	NUT - jam 3/4"	1
9	195- 2175	WASHER	1
10	192- 20	LOCKWASHER - 5/16" zinc plated	1
11	113- 102	BOLT - 5/16" x 3/4" NC hex	1
12	C 18711	GEAR - steering	1
13	113- 206	BOLT - 3/8" x 3/4" NC hex	4
14	192- 21	LOCKWASHER - 3/8"	4
15	195- 2069	WASHER - 5/8" zinc plated	2
16	C 15096	BUSHING - flanged nylon	1
17	126- 16	KEY - Woodruff 3/16" x 3/4"	1
18	C 24098	TUBE - steering	1
19	219- 404	FITTING - lube 45°	2
20	C 12975	WASHER - 5/8"	2
21	C 18017	CLIP - tinnerman (use with C18014 steering wheel)	2
	C 13106	COVER - lube fitting	2

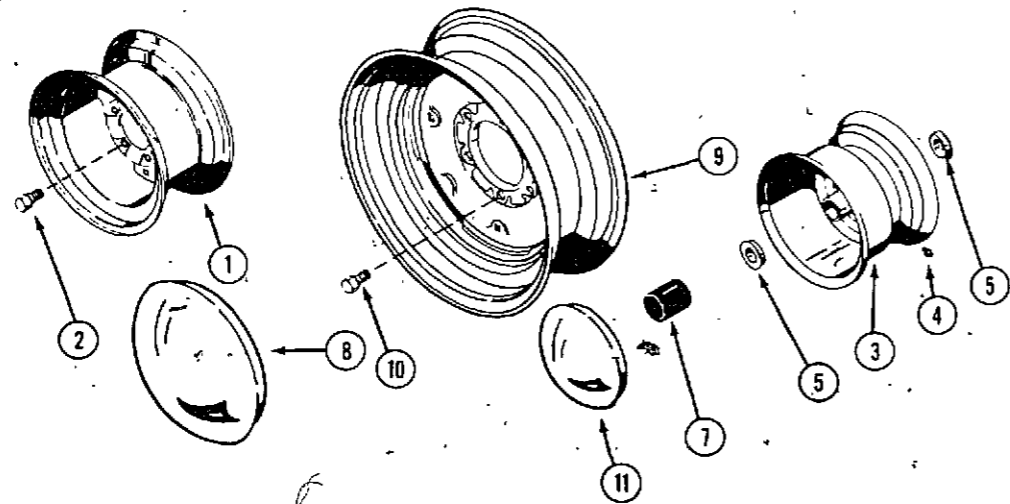
\*use C25787, C25788, (2) 113-248, (2) 129-103, (2) 192-21, (2) 195-2029

**BRAKE ASSEMBLY**



REF.	PART NO.	DESCRIPTION	REQ'D
1	C 19250	BAND - brake	1
2	C 13526	PIN - clevis	1
3	132- 310	PIN - cotter 1/8" x 1"	3
4	131- 1129	LOCKNUT - 7/16" hex NC	1
5	131- 179	LOCKNUT - 3/8" hex NC	2
6	195- 104	WASHER - 3/8" flat	2
7	C 19063	ARM - brake	2
8	C 19064	LINK - brake	2
9	132- 321	PIN - cotter 3/32" x 1"	6
10	C 19179	LINK - brake	1
11	C 19251	LINK - brake band	1
12	141- 54	PIN - clevis	1
13	C 25022	SPRING - return	1
14	213- 41	CLEVIS	1
15	C 24097	ROD - brake (220, 222, and 224)	1
16	C 24096	ROD - brake (444)	1
17	C 26381	ARM - brake rod	1
18	138- 319	PIN - roll 3/16" x 1-1/4"	1
19	C 21872	PEDAL - brake assembly (For early prod. also order item 24)	1
20	131- 1308	NUT - centerlock jam	2
21	C 16164	TAB - lift control	1
22	C 18147	LEVER - brake lock	1
23	C 16379	SPRING - brake lock	1
24	C 21857	SPACER - brake pedal	1

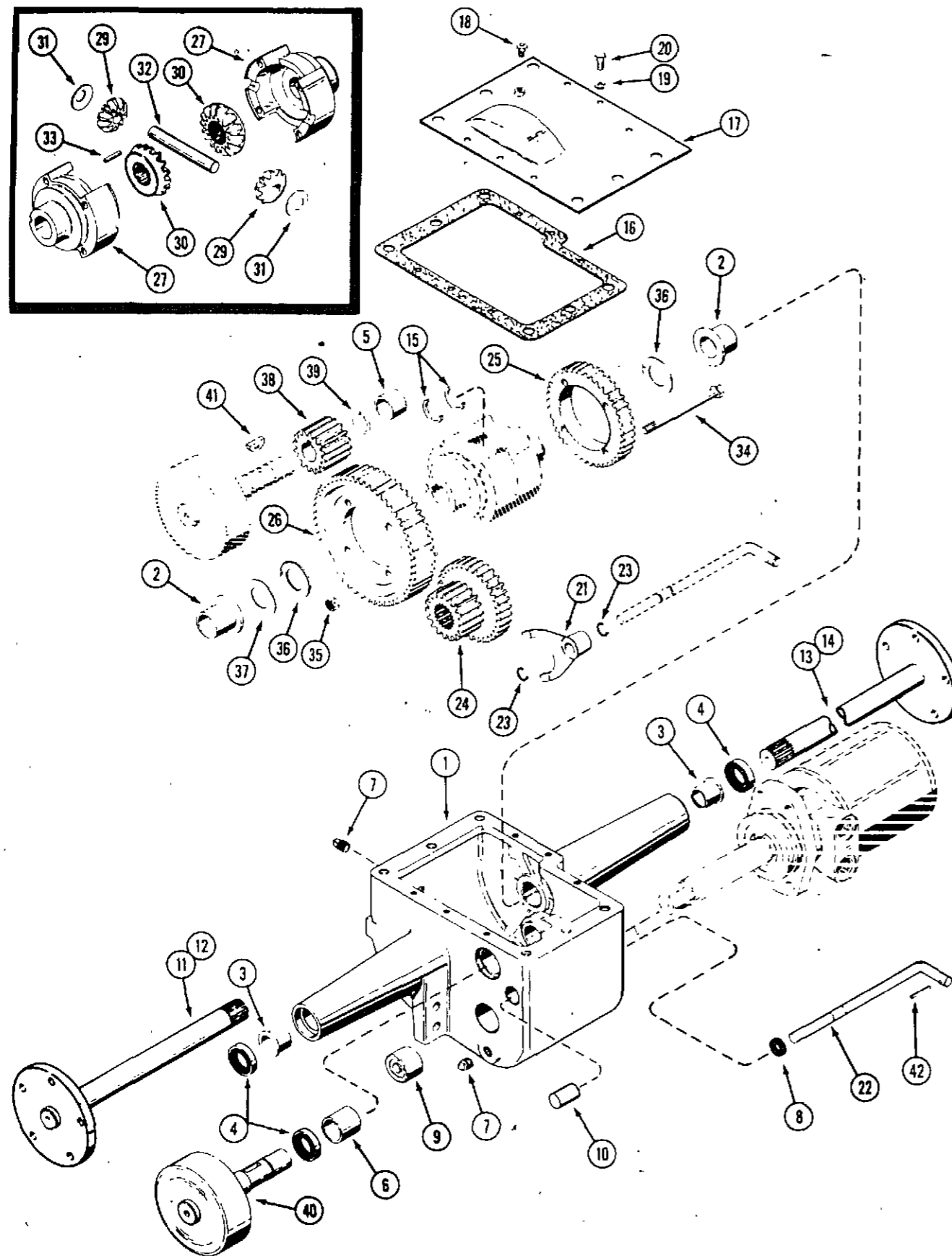
**FRONT AND REAR WHEELS**



REF.	PART NO.	DESCRIPTION	220	222	224	444
1	C 24435	WHEEL - rear, 5 bolt	2			
2	C 10314	BOLT - rear wheel	10			
3	C 24433	WHEEL - front	2			2
4	219- 403	FITTING - lube	2			2
5	C 12110	BEARING - wheel	2			2
7	C 26021	CAP - plastic, front	2			2
8	A 70185	CAP - hub, rear (optional)	2			
9	C 24438	WHEEL - rear, 6 bolt				2
10	A 30064	BOLT - rear wheel				12
11	A 70062	CAP - hub front wheel (optional)	2			2
	C 13106	COVER - lube fitting	2			2



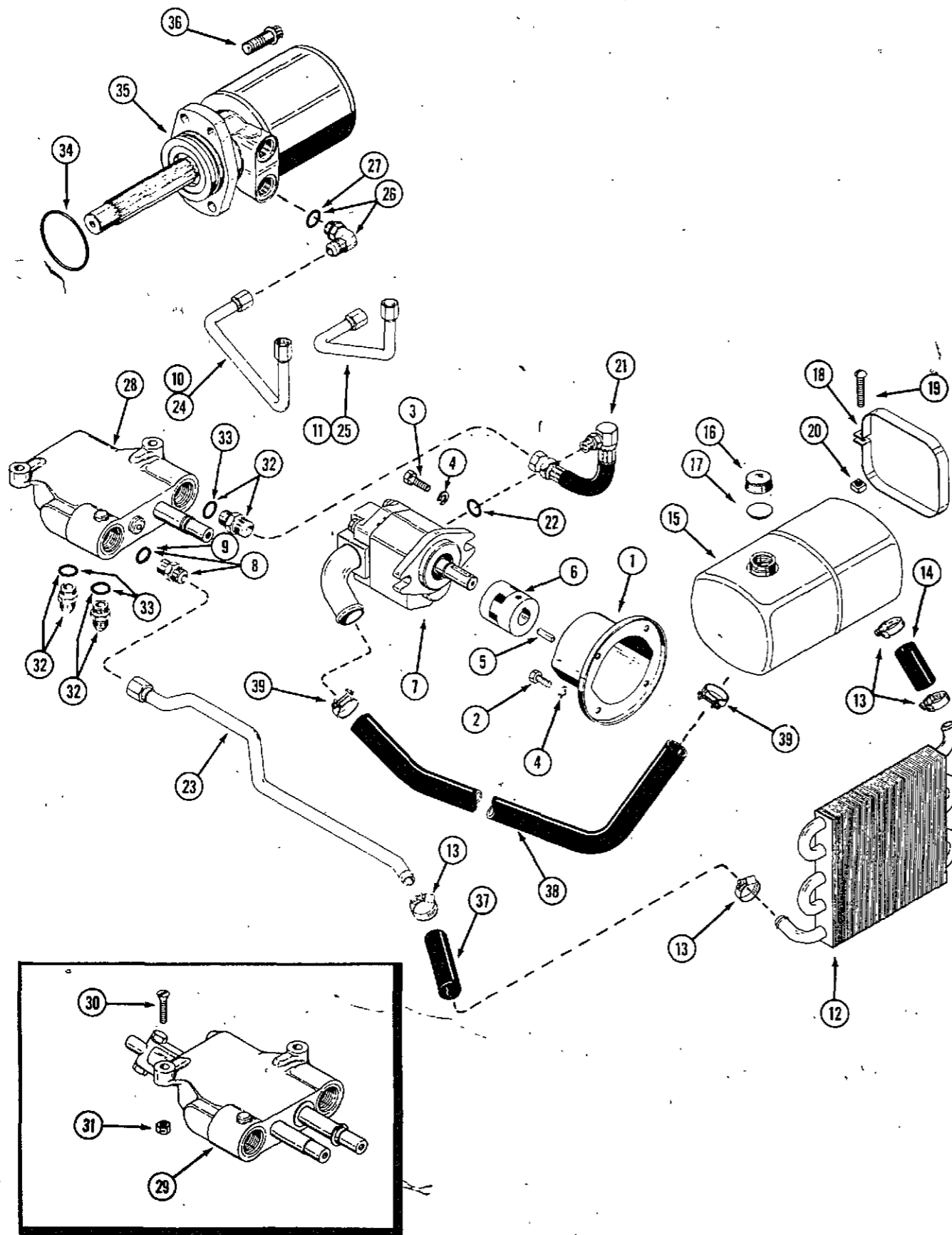
TRANSMISSION AND FINAL DRIVE



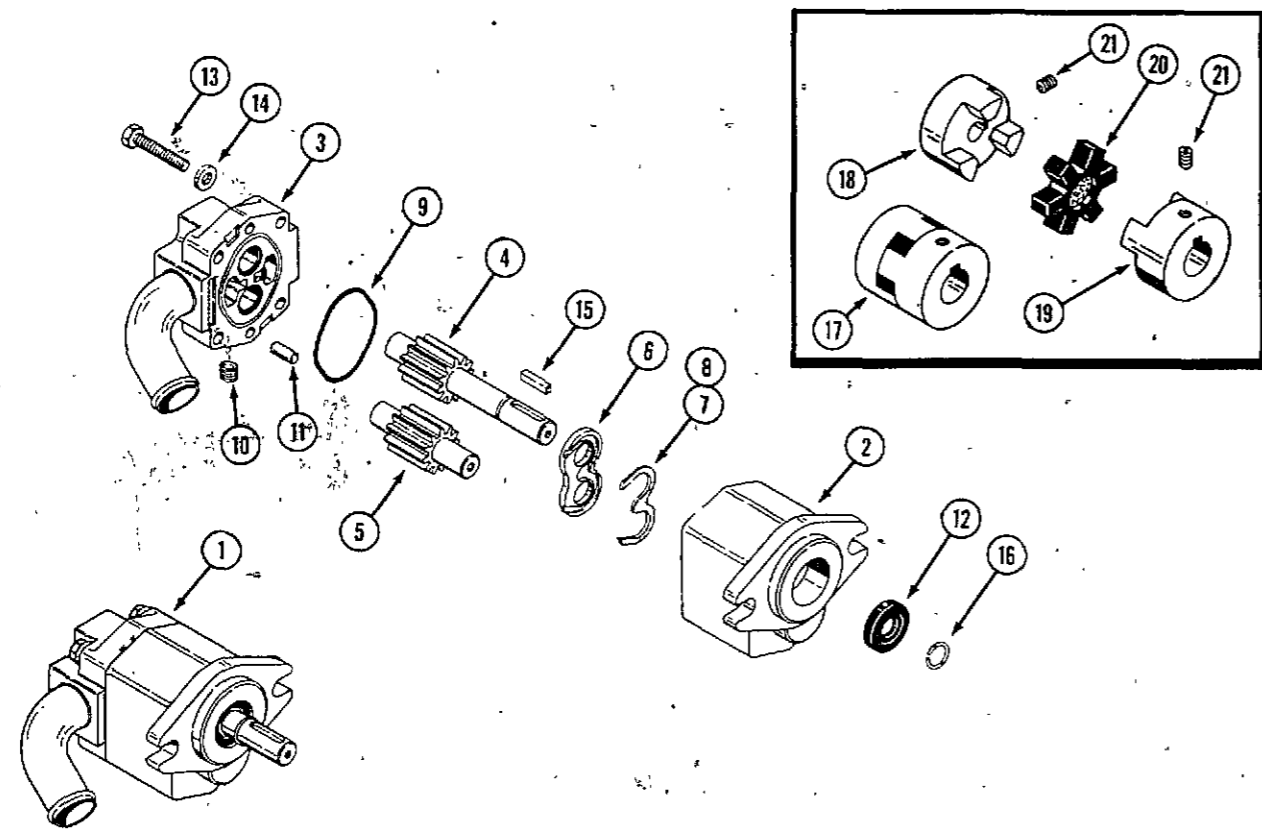
REF.	PART NO.	DESCRIPTION	REQ'D
1	NSS	CASE - transmission (use C24802 and C24843)	1
2	C 12713	BEARING - flange	2
3	C 16744	BEARING - flanged	2
4	D 31945	SEAL - axle	3
5	C 13241	BEARING - sleeve	1
6	C 13385	BEARING - sleeve	1
7	221- 844	PLUG - filler and drain 1/2"	2
8	C 13266	SEAL - shift rod	1
9	C 13211	BEARING - roller, input shaft	1
10	C 12723	CAP - shift rod	1
11	C 16699	SHAFT - axle, short R.H. (220, 222 and 224)	1
12	C 22638	SHAFT - axle, short R.H. (444)	1
13	C 16700	SHAFT - axle, long L.H. (220, 222 and 224)	1
14	C 22637	SHAFT - axle, long, L.H. (444)	1
15	B 52144	RING - retainer, axle	2
16	C 13196	GASKET - transmission cover	1
17	C 13197	COVER - transmission	1
18	A 50096	BREATHER - transmission	1
19	192- 19'	LOCKWASHER - 1/4"	6
20	113- 1	BOLT - 1/4 x 1/2" NC hex.	6
21	C 12725	FORK - shift	1
22	C 16339	ROD - gear shift	1
23	C 14168	RING - retaining	2
24	C 14644	GEAR - cluster input	1
25	C 12551	GEAR - high 41 tooth	1
26	C 12552	GEAR - low 55 tooth	1
27	C 25177	KIT - diff. case (includes Ref. 34 and 35)	1
	C 26363	KIT - differential and pinion gear	1
29	NSS	GEAR - differential pinion	2
30	NSS	GEAR - differential pinion	2
31	C 12559	WASHER - pinion thrust	2
32	C 12560	PIN - differential cross	1
33	R 17820	PIN - differential cross lock	1
34	28- 680	SCREW - 3/8 x 4-3/4" NC hex cap	4
35	131- 1103	NUT - lock 3/8" NC hex	4
36	C 12718	WASHER - differential	2
37	C 14223	WASHER - spacer	1
38	NSS	GEAR - brake idler (use C25254 and C25258)	1
39	C 14222	RING - retainer, brake idler	1
40	C 13261	BRAKE DRUM	1
41	126- 128	KEY - Woodruff, brake idler	1
42	138- 319	PIN - roll 3/16 x 1-1/2"	1



HYDRAULIC SYSTEM



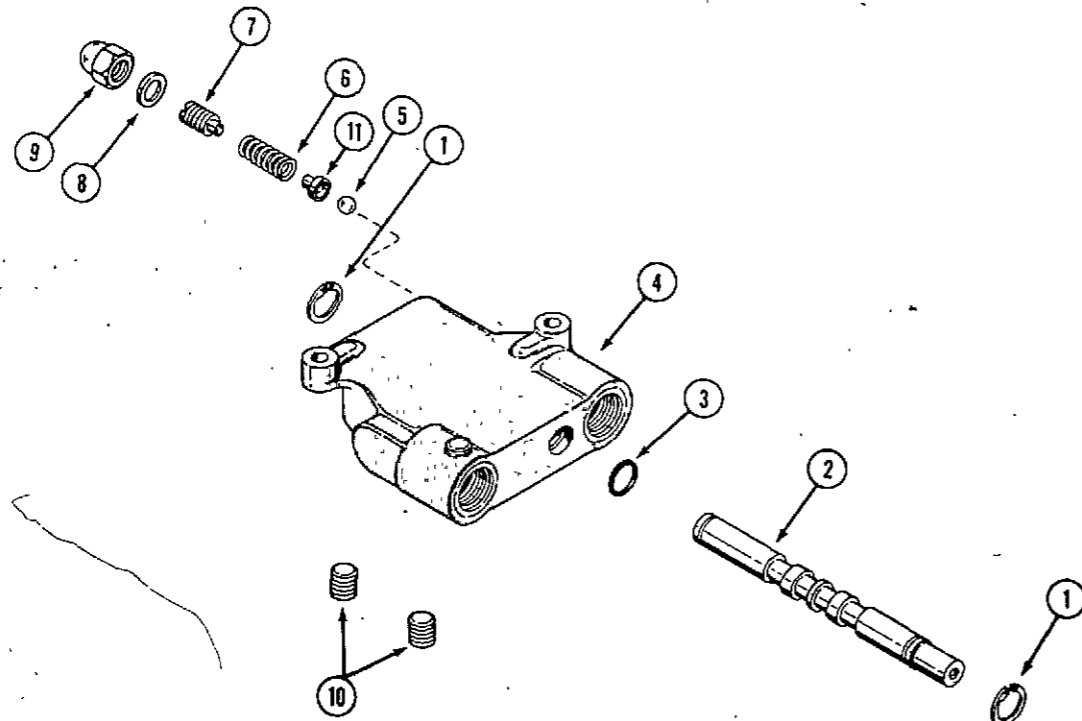
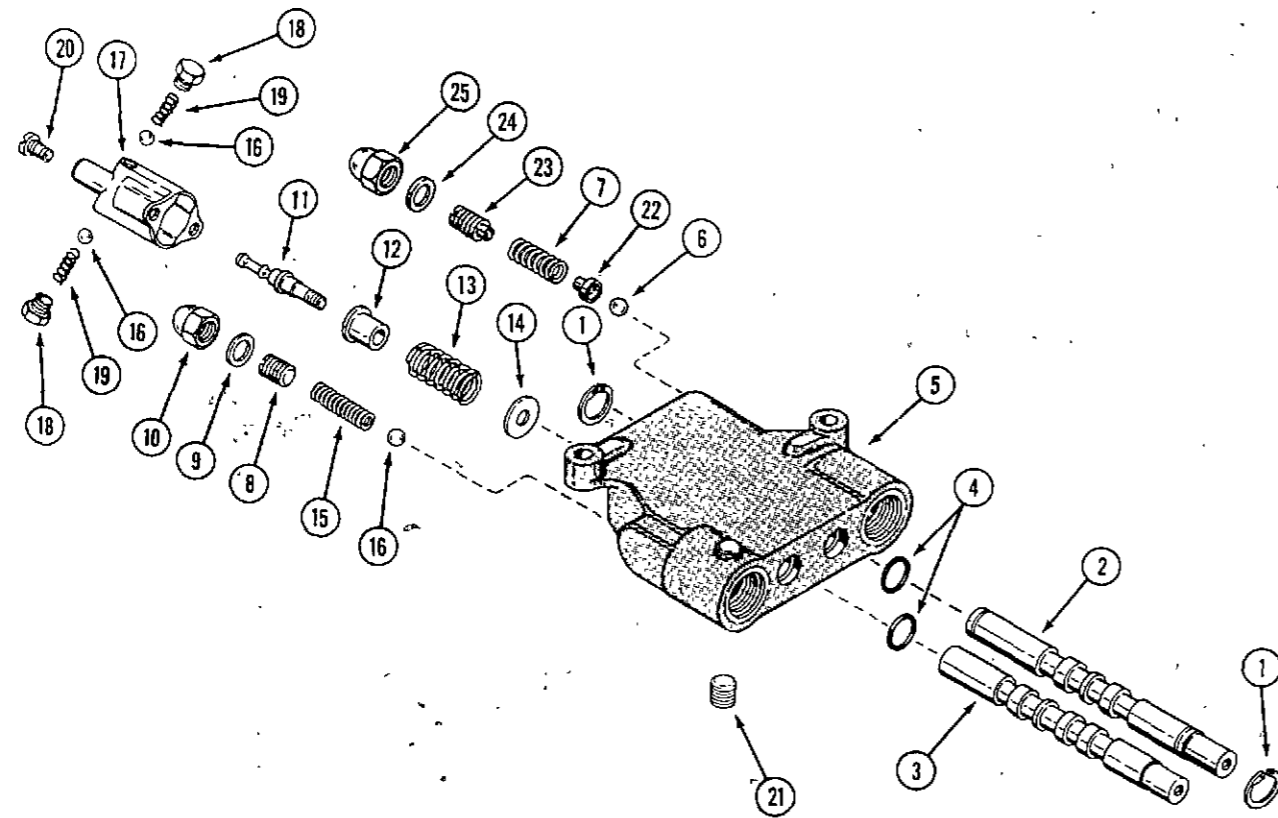
REF.	PART NO.	DESCRIPTION	REQ'D
1	C 15335	SUPPORT - pump mounting	1
2	113- 207	BOLT - 3/8 x 1" NC hex, support mounting	4
3	114- 200	BOLT - 3/8 x 1" NF hex, pump mounting	2
4	192- 21	LOCKWASHER - 3/8" zinc plated	6
5	H 233346	KEY - square 1/4 x 3/4" (engine shaft)	1
6	C 15726	COUPLING - pump (220 and 222) 1/2" shaft see page 51	1
6	C 17298	COUPLING - pump (224 and 444) 1/2" shaft see page 51	1
6	C 25207	COUPLING - pump 9/16" shaft (220, 222) see page 51	1
6	C 25208	COUPLING - pump 9/16" shaft (224, 444) see page 51	1
7	NSS	PUMP - hyd. 1/2" shaft (see page 51 for S/N)	1
7	NSS	PUMP - hyd. 1/2" shaft (see page 51 for S/N) Order C25053 pump & C25207 coupling, 220-222	1
7	NSS	PUMP - hyd. 1/2" shaft (see page 51 for S/N) Order C25053 pump & C25208 coupling, 224-444	1
7	C 25053	PUMP - hyd. 9/16" shaft (see page 51 for S/N)	1
8	218- 5065	FITTING - hydraulic 3/4T x 7/8" "O" RING, pump and valve	1
9	218- 5007	"O" RING - 5/8" for C17263 fitting	1
10	C 16794	TUBE - valve to lower motor port, 220, 222 and 224	1
11	C 16793	TUBE - valve to upper motor port, 220, 222 and 224	1
12	C 14195	EXCHANGER - heat	1
13	214- 254	CLAMP - hose	4
14	NSS	HOSE - rubber 3" (use D55911, cut to length)	1
15	C 18580	RESERVOIR - hydraulic oil	1
16	C 11529	CAP - reservoir with insert	1
17	C 11545	INSERT - reservoir cap	1
18	A 70100	STRAP - reservoir mounting	2
19	182- 209	SCREW - 1/4 x 1-1/4" round head machine	2
20	129- 504	NUT - square 1/4" NC zinc plated	1
21	C 18797	HOSE - hydraulic, pump to valve	1
22	218- 5006	"O" RING - 1/2" for C18797	1
23	C 26182	TUBE - valve to heat exchanger	1
24	C 16687	TUBE - valve to lower motor port (444)	1
25	C 17898	TUBE - valve to upper motor port (444)	1
26	218- 5107	FITTING - motor port, 90° elbow "O" ring	2
27	218- 5007	"O" RING - 5/8" for 218-5107 fitting	2
28	C 21495	VALVE - hydraulic control, single spool (220 and 222) (Repairs page 53)	1
29	NSS	VALVE - hydraulic control, two spool (all models with hydraulic lift) (Repairs page 53) (use C25967)	1
30	171- 247	SCREW - 5/16 x 1-1/4" NC flat head machine	2
31	131- 351	NUT - lock 5/16" NC hex	2
32	218- 5062	FITTING - hydraulic valve 5/8T x 7/8" "O" RING	3
33	218- 5007	"O" RING - 5/8" for C18321	2
34	A 30095	SEAL - motor to transmission case	1
35	C 16697	MOTOR - hydraulic, 220, 222 and 224 (Repairs page 55)	1
35	C 14655	MOTOR - hydraulic, 444 (Repairs page 55)	1
36	166- 86	SCREW - 1/2" x 1-1/4" NC flanged 12 pt.	4
37	NSS	HOSE - rubber 4" (use D55911, cut to length)	1
38	C 19253	HOSE - rubber	1
39	C 23326	CLAMP - hose	2



HYDRAULIC PUMP AND COUPLING

REF.	PART NO.	DESCRIPTION	REQ'D
1	NSS	PUMP - hyd. 1/2" shaft, 220 (used S/N 9674324 to 9674589) . . . . .	1
		Order C25053 pump & C25207 coupling	
1	NSS	PUMP - hyd. 1/2" shaft, 222 (used S/N 9681180 to 9681266) . . . . .	1
		Order C25053 pump & C25207 coupling	
1	NSS	PUMP - hyd. 1/2" shaft, 224 (used S/N 9676393 to 9676545) . . . . .	1
		Order C25053 pump & C25208 coupling	
1	NSS	PUMP - hyd. 1/2" shaft, 444 (used S/N 9677489 to 9677752) . . . . .	1
		Order C25053 pump & C25208 coupling	
1	C 25053	PUMP - hyd. 9/16" shaft, 220 (used S/N 9674589 and after) . . . . .	1
1	C 25053	PUMP - hyd. 9/16" shaft, 222 (used S/N 9681266 and after) . . . . .	1
1	C 25053	PUMP - hyd. 9/16" shaft, 224 (used S/N 9676545 and after) . . . . .	1
1	C 25053	PUMP - hyd. 9/16" shaft, 444 (used S/N 9677752 and after) . . . . .	1
2	C 20761	BODY - pump 1/2" shaft . . . . .	1
2	C 20456	BODY - pump 9/16" shaft . . . . .	1
3	NSS*	COVER ASSEMBLY - pump 1/2" shaft . . . . .	1
3	C 20457	COVER ASSEMBLY - pump 9/16" shaft . . . . .	1
4	C 20764	GEAR - pump, drive 1/2" shaft . . . . .	1
4	C 20460	GEAR - pump, drive 9/16" shaft . . . . .	1
5	C 20765	GEAR - pump, driven 1/2" shaft . . . . .	1
5	C 20461	GEAR - pump, driven 9/16" shaft . . . . .	1
6	D 58185	PLATE - wear, 1/2" shaft . . . . .	1
6	C 20462	PLATE - wear, 9/16" shaft . . . . .	1
7	D 58186	SEAL - wear plate 1/2" shaft . . . . .	1
7	NSS	SEAL AND RETAINER - 9/16" shaft (use C24070 and C24071) . . . . .	1
8	D 58187	SEAL - pressure loading (1/2" shaft pump only) . . . . .	1
9	D 58196	SEAL - "O" ring . . . . .	1
10	221- 849	PLUG - pipe . . . . .	1
11	D 58188	PIN - dowel . . . . .	2
12	D 59650	SEAL - shaft, 1/2" shaft . . . . .	1
12	C 20464	SEAL - shaft, 9/16" shaft . . . . .	1
13	113- 5	BOLT - 1/4 x 1-1/2" nc hex, grade 5 . . . . .	4
14	D 58189	WASHER - 1/4" . . . . .	4
15	C 19207	KEY - square 1/8 x 3/4", 1/2" shaft . . . . .	1
15	C 20455	KEY - square 3/16" x 13/16", 9/16" shaft . . . . .	1
16	O 10323AB	RING - retaining, 1/2" shaft . . . . .	1
16	A 35690	RING - retaining, 9/16" shaft . . . . .	1
	C 20767	KIT - seal, for 1/2" shaft pump (includes items: 7, 8, 9, 12, 15 and 16) . . . . .	1
17	C 15726	COUPLING - 220, 222 (use with pump 1/2" shaft) . . . . .	1
17	C 17298	COUPLING - 224, 444 (use with pump 1/2" shaft) . . . . .	1
17	C 25207	COUPLING - 220, 222 (use with pump 9/16" shaft) . . . . .	1
17	C 25208	COUPLING - 224, 444 (use with pump 9/16" shaft) . . . . .	1
18	NSS	HUB - coupling (order item 17) . . . . .	1
19	NSS	HUB - coupling (order item 17) . . . . .	1
20	A 70112	SPIDER - (for C15726 and C25207 couplings) . . . . .	1
20	C 15036	SPIDER - (for C17298 and C25208 couplings) . . . . .	1
21	83- 55	SETSCREW - 5/16 x 5/16" N.C. soc. hd. . . . .	2

\* For Models 220 and 222 use: C25053 pump and C25207 coupling  
 For Models 224 and 444 use: C25053 pump and C25208 coupling



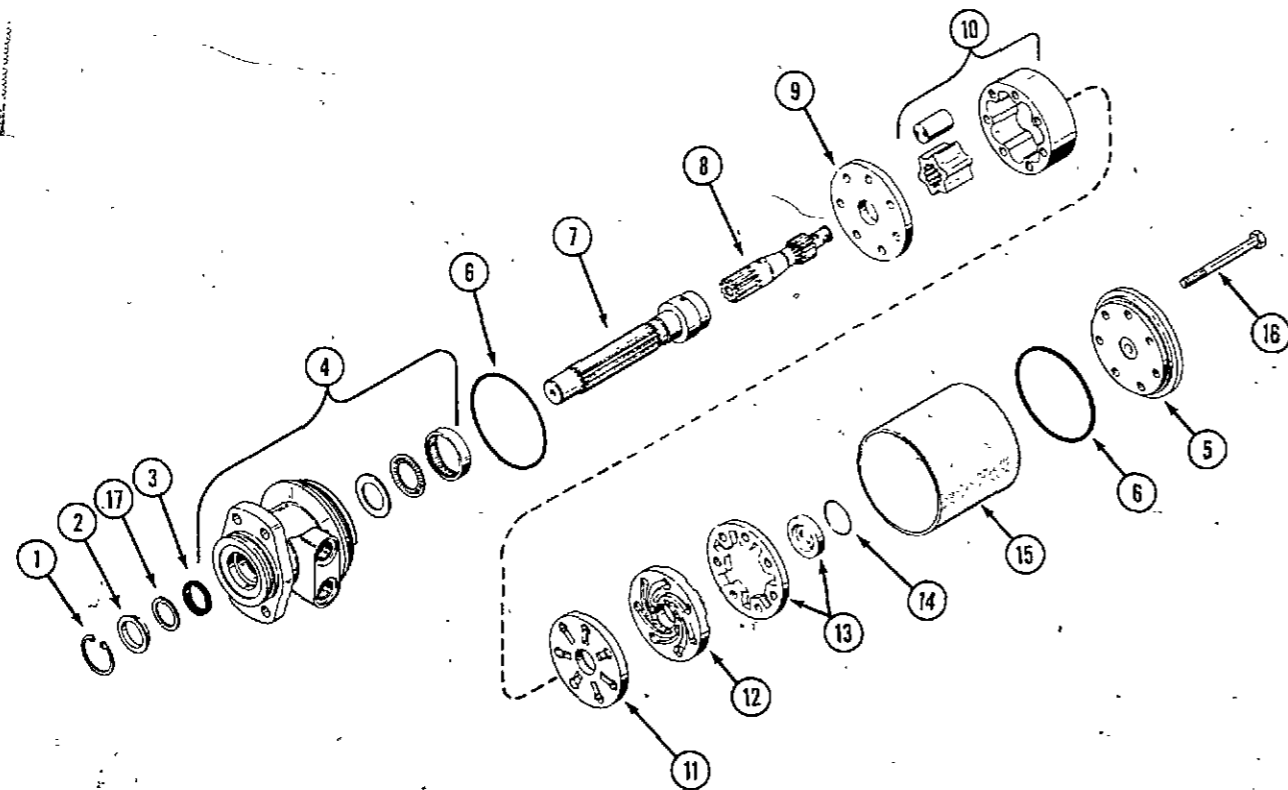
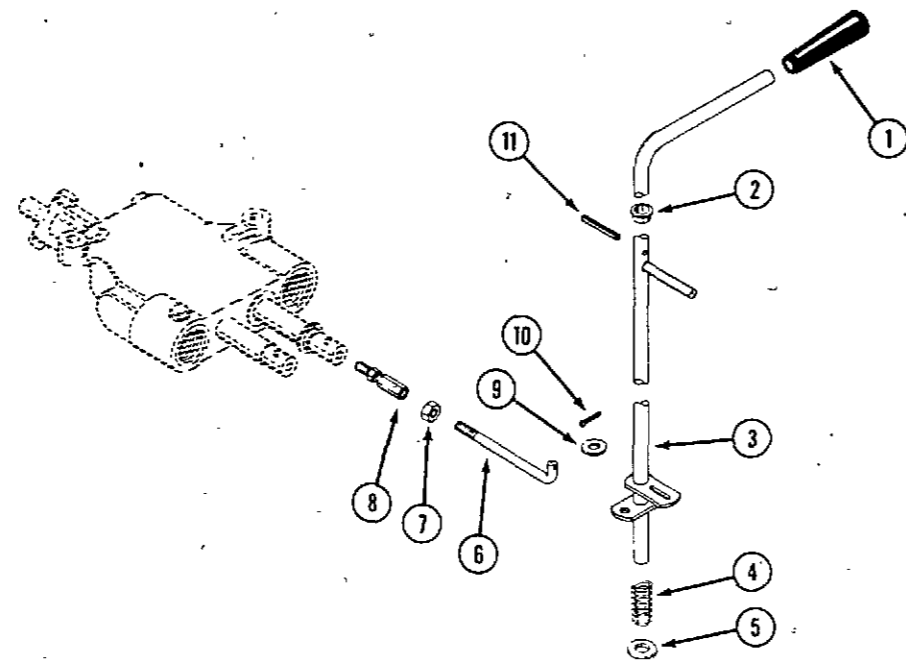
**HYDRAULIC CONTROL VALVE (TWO SPOOL)**

REF.	PART NO.	DESCRIPTION	REQ'D
	NSS*	VALVE - control, two spool (220 S/N 9674546 and after)	1
	NSS*	VALVE - control, two spool (222 S/N 9681252 and after)	1
	NSS*	VALVE - control, two spool (224 S/N 9676527 and after)	1
	NSS*	VALVE - control, two spool (444 S/N 9677698 and after)	1
1	A 60273	RING - retaining	2
2	NSS	SPOOL - motor (Order C25967)	1
3	NSS	SPOOL - float (Order C25967)	1
4	A 7982	SEAL - spool	4
5	NSS	BODY - valve (Order C25967)	1
6	211- 9	BALL - steel 5/16"	1
7	C 21507	SPRING - relief	2
8	C 17433	SCREW - relief adjust	1
9	C 17435	GASKET - relief adjust cap.	1
10	129- 531	CAP - adjust screw	2
11	C 17439	DETENT - spool	1
12	C 13200	SPACER - detent	1
13	C 26431	SPRING - detent return	1
14	C 17440	WASHER - return	1
15	C 21505	SPRING - relief	1
16	211- 7	BALL - steel 1/4"	3
17	C 17438	COVER - detent	1
18	C 17443	SCREW - detent	2
19	C 17444	SPRING - detent	2
20	169- 114	SCREW - cover	2
21	221- 841	PLUG - pipe	1
22	C 21506	RETAINER - ball seat	1
23	C 21509	SCREW - adjust, relief	1
24	C 21508	GASKET - adjust cap	1
25	C 21510	CAP - adjust screw	1
	C 21504	KIT - relief (includes items 6, 7, 22, 23, 24 and 25)	1
	C 21511	KIT - relief (includes items 8, 9, 10, 15 and 16)	1
	C 18851	KIT - detent (includes items 11, 12, 13, 14, 16, 17, 18, 19 and 20)	1

\*Use C25967 for service

**HYDRAULIC CONTROL VALVE (SINGLE SPOOL)**

	C 21495	VALVE - control, single spool (220) S/N 9687548 and after	1
	C 21495	VALVE - control, single spool (222) S/N 9689912 and after	1
1	A 60273	RING - retaining	2
2	NSS	SPOOL - Order C21495 valve	1
3	A 7982	SEAL - spool	2
4	NSS	BODY - valve (Order C21495)	1
5	211- 9	BALL - steel 5/16"	1
6	C 21507	SPRING - relief	1
7	C 21509	SCREW - relief adjust	1
8	C 21508	GASKET - relief adjust cap.	1
9	C 21510	CAP - adjust screw	1
10	221- 841	PLUG - 1/4"	3
11	C 21506	RETAINER - ball seat	1
	C 21504	KIT - relief (includes items 5, 6, 7, 8, 9 and 12)	1



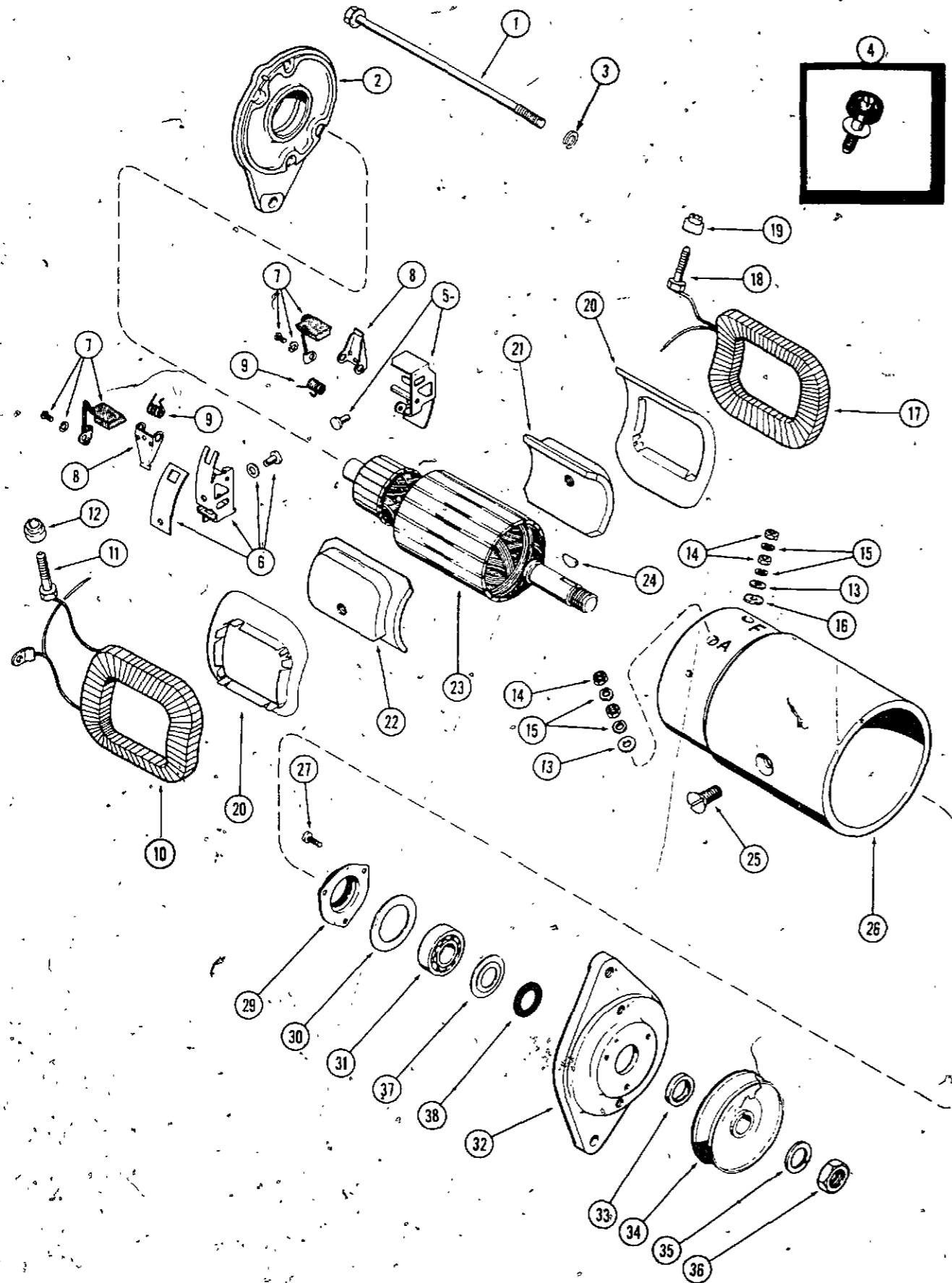
**SPEED CONTROL**

REF.	PART NO.	DESCRIPTION	REQ'D
1	A 37247	KNOB - speed control	1
2	C 12093	BUSHING - lever	1
3	C 24819	LEVER - speed control	1
4	C 27822	SPRING - compression	1
5	C 21518	WASHER - nylon	1
6	C 18742	ROD - control	1
7	129- 122	NUT - 5/16" NF hex, zinc plated	1
8	C 19025	JOINT - ball	1
9	195- 521	WASHER - 5/16"	1
10	132- 320	PIN - cotter 3/32" x 3/4"	1
11	138- 323	PIN - roll 1/8 x 1-3/4"	1

**HYDRAULIC DRIVE MOTOR**

C 16697	MOTOR - hydraulic, 220, 222 and 224	1
C 14655	MOTOR - hydraulic, 444	1
C 16516	RING - retaining	1
2 C 19040	SPACER	1
3 C 25048	SEAL - oil	1
4 C 14827	HOUSING ASSEMBLY - 220, 222, 224 and 444	1
5 C 14837	END CAP	1
6 C 18382	SEAL	2
7 C 14828	SHAFT - coupling	1
8 D 72853	DRIVE LINK - 220, 222 and 224	1
8 C 14829	DRIVE LINK - 444	1
9 C 14830	PLATE - wear	1
10 C 18110	ROTOR ASSEMBLY - 220, 222 and 224	1
10 C 14831	ROTOR ASSEMBLY - 444	1
11 D 71234	PLATE - manifold	1
12 NSS	MANIFOLD - (use D59700 and D71234)	1
13 C 14834	COMMUTATOR AND RING SET	1
14 C 19041	RING - sealing	1
15 C 18092	SLEEVE - 220, 222 and 224	1
15 C 14836	SLEEVE - 444	1
16 28- 662	BOLT - 3/8" x 3-7/8" NF hex, 220, 222 and 224	7
16 C 14838	BOLT - 3/8" x 4-3/8" NF hex, 444	7
17 C 19212	WASHER - back up, .010"	1

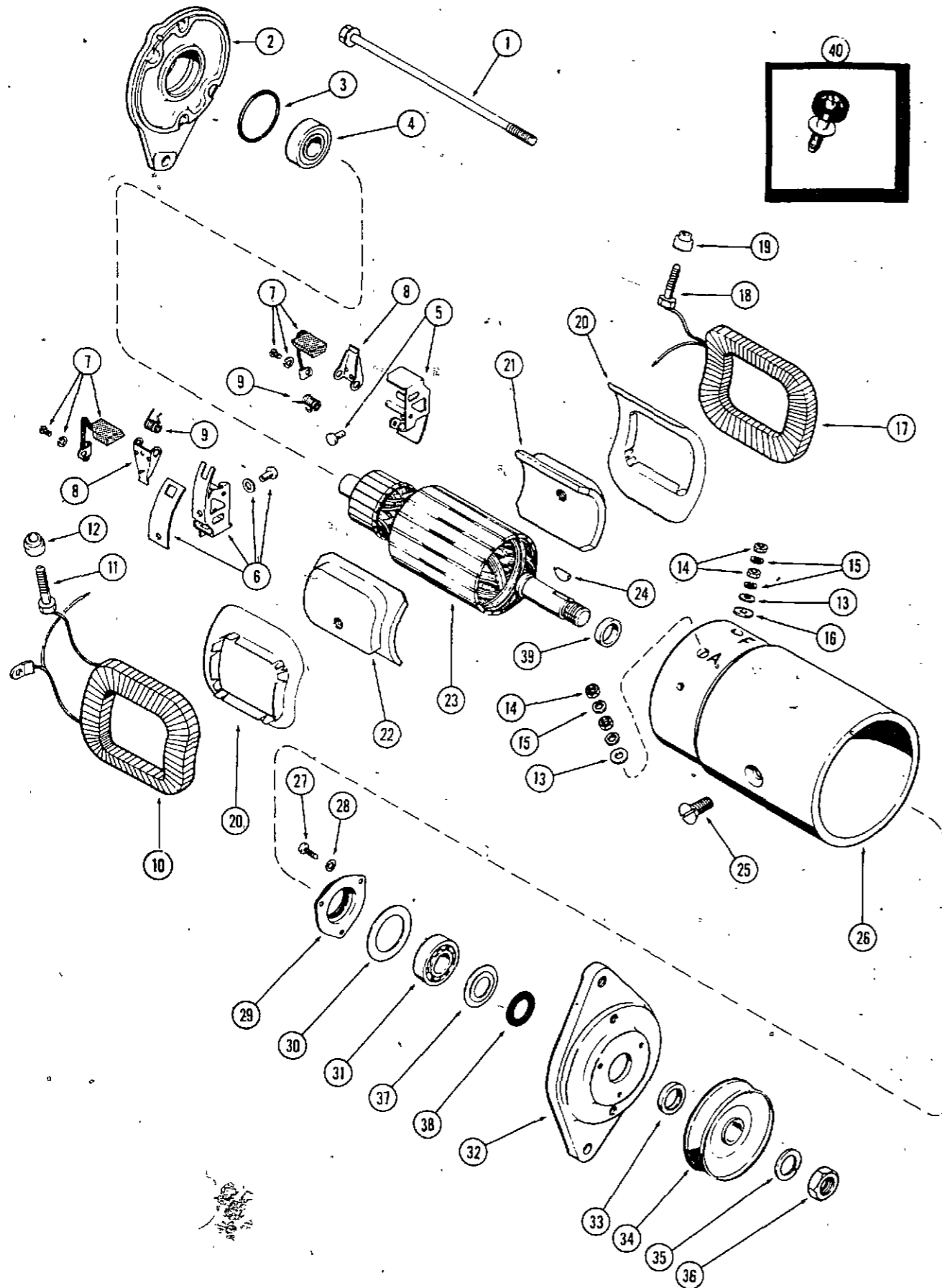
**C 16852 STARTER-GENERATOR**  
 (Order A70202\*\* For Service Replacement)



REF.	PART NO.	DESCRIPTION	REQ'D
1	R 15106	BOLT - through	2
2	A 43494	FRAME ASSEMBLY - commutator end	1
3	192- 20	LOCKWASHER - 5/16"	2
4	A 40702	KIT - stud (Includes items 16, 18 and 19)	1
5	A 72039	HOLDER KIT - ground brush	1
6	A 72040	HOLDER KIT - insulated brush	1
7	A 72038	BRUSH ASSEMBLY	2
8	R 15090	ARM - brush pressure	2
9	R 16161	SPRING - brush arm	2
10	A 72042	COIL ASSEMBLY - field R.H.	1
11	A 72048	STUD - armature terminal	1
12	R 16147	BUSHING - insulated, armature stud	1
13	A 41927	WASHER - armature stud	2
14	129- 18	NUT - terminal stud 12-24 hex	4
15	192- 17	LOCKWASHER - terminal stud #12	4
16	NSS	WASHER - insulated, field stud (Order A40702)	1
17	A 72043	COIL ASSEMBLY - field L.H.	1
18	NSS	STUD - field terminal (Order A40702)	1
19	NSS	BUSHING - insulated, field stud (Order A40702)	1
20	A 25447	INSULATOR - field coil	2
21	A 40736	SHOE - pole	1
22	A 40736	SHOE - pole	1
23	A 43495	ARMATURE	1
24	126- 111	KEY - Woodruff, armature	1
25	A 42127	SCREW - pole	2
26	NSS	BODY - starter, generator (Order A70202 starter)	1
27	A 41959	SCREW - 10-32 x 1/2" round head	3
29	A 44433	RETAINER ASSEMBLY - bearing	1
30*	NSS	GASKET - bearing retainer (order A44433)	1
31	A 43356	BEARING - ball, drive end	1
32	A 72046	FRAME ASSEMBLY - drive end	1
33	A 72047	SPACER - pulley	1
34	C 14344	PULLEY - starter, generator drive	1
35	192- 26	LOCKWASHER - 11/16" plated	1
36	A 25546	NUT - armature shaft, drive end	1
37	A 43499	RETAINER - grease	1
38*	NSS	SEAL - felt (Order A44433)	1

\* Bearing retainer gasket and felt seal not required.  
 New retainer assembly services all starters.

\*\* Also available, C25256 Remanufactured Starter-Generator.  
 To return old starter-generator for credit, use C25255 as return number.

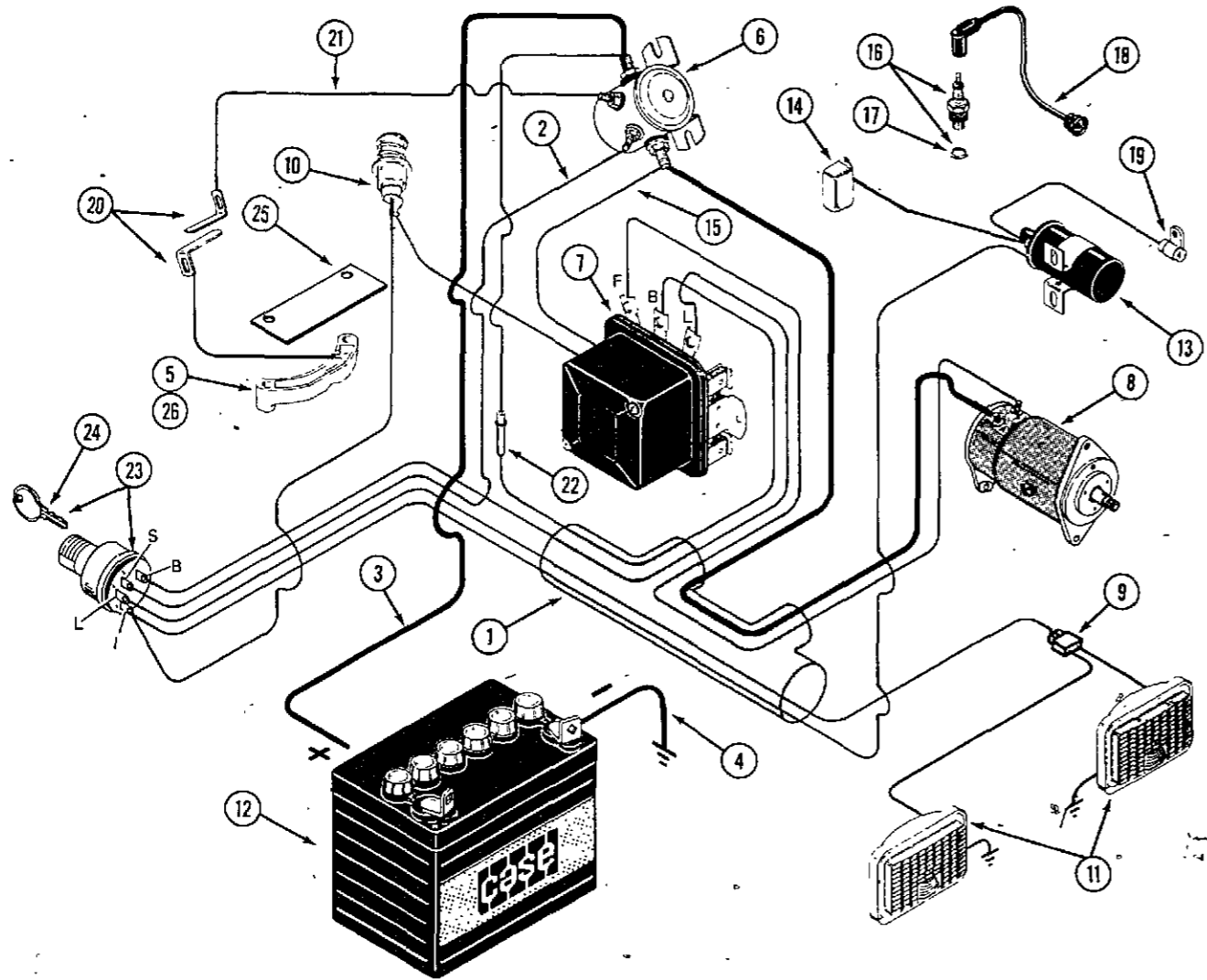


**A70202\*\* STARTER-GENERATOR  
(DELCO NO. 1101970)**  
DESCRIPTION

REF.	PART NO.	DESCRIPTION	REQ'D
1	R 15106	BOLT - through (Includes washer)	2
2	A 72104	FRAME ASSEMBLY - commutator end	1
3	R 15087	RING - bearing retainer	1
4	A 45230	BEARING - commutator end ball	1
5	A 72039	HOLDER KIT - ground brush	1
6	A 72040	HOLDER KIT - insulated brush	1
7	A 72038	BRUSH ASSEMBLY	2
8	R 15090	ARM - brush pressure	2
9	R 16161	SPRING - brush arm	2
10	A 72042	COIL ASSEMBLY - field R.H.	1
11	A 72048	STUD - armature terminal	1
12	R 16147	BUSHING - insulated, armature stud	1
13	A 41927	WASHER - armature stud	2
14	129- 18	NUT - terminal stud 12-24 hex	4
15	192- 17	LOCKWASHER - terminal stud #12	4
16	R 16148	WASHER - insulated, field stud	1
17	A 72043	COIL ASSEMBLY - field L.H.	1
18	NSS	STUD - field terminal (See Ref. 40)	1
19	R 15077	BUSHING - insulated, field stud (Order A40702)	1
20	A 25447	INSULATOR - field coil	2
21	A 40736	SHOE - pole, plain	1
22	A 40736	SHOE - pole, noticed	1
23	A 72041	ARMATURE	1
24	126- 111	KEY - Woodruff, armature	1
25	74- 610	SCREW - pole	2
26	NSS	BODY - starter, generator (Order A70202)	1
27	173- 237	SCREW - 10-32 x 1/2" rd. hd.	3
28	192- 18	LOCKWASHER - 3/16" plated	3
29	A 44433	RETAINER ASSEMBLY - bearing	1
30*	NSS	GASKET - bearing retainer (order A44433)	1
31	A 43356	BEARING - ball, drive end	1
32	A 72046	FRAME ASSEMBLY - drive end	1
33	A 72047	SPACER - pulley	1
34	C 14344	PULLEY - starter, generator drive	1
35	192- 26	LOCKWASHER - 11/16" plated	1
36	A 25546	NUT - armature shaft, drive end	1
37	A 43499	RETAINER - grease	1
38*	NSS	SEAL - felt (Order A44433)	1
39	NSS	SPACER - armature shaft, inner	1
40	A 40702	KIT - stud (Includes items 16, 18 and 19)	1

\* Bearing retainer gasket and felt seal not required.  
New retainer assembly services all starters.

\*\* Also available, C25256 remanufactured Starter-Generator.  
To return old starter-generator for credit, use C25255 as return number.



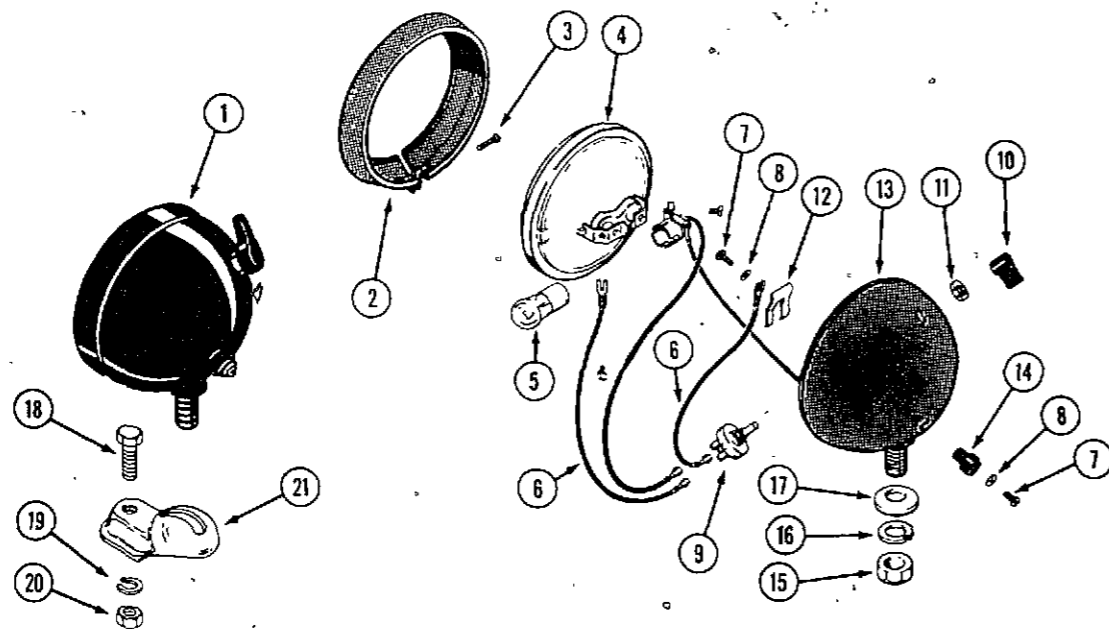
**ELECTRICAL SYSTEM  
(USED ON MODELS WITH GEN. WARNING LIGHT)**

REF.	PART NO.	DESCRIPTION	REQ'D
1	C 19120	HARNES - wire	1
2	C 17187	WIRE - ignition switch to solenoid (yellow 8")	1
3	C 14565	CABLE - battery "+" to solenoid (red 10-1/2")	1
4	C 14566	CABLE - battery to ground (black 12")	1
5	NSS*	SWITCH - neutral start	1
6	C 14553	SOLENOID - start, 12 volt	1
7	C 26929	REGULATOR - voltage, 12 volt	1
8	NSS	STARTER - generator 12 V. (Repairs page 57) Delco No. 1101875	1
8	A 70202**	STARTER - generator 12 V. (Repairs page 59) Delco No. 1101970	1
9	C 14537	CONNECTOR - headlamp	1
10	C 17186	LAMP ASSEMBLY - warning, generator indicator	1
	B 50213	BULB - generator indicator (red)	1
11	C 22571	HEADLAMP ASSEMBLY - 12 volt (Repairs page 63)	2
12	C 18197	BATTERY - 12 volt	1
13	KO 231281	COIL - ignition 12 volt	1
14	KO 232535	COVER - breaker contacts	1
15	C 17275	WIRE - regulator "G" terminal to solenoid (white 7")	1
16	C 24301	SPARK PLUG - (includes gasket)	1
17	A 27251	GASKET - spark plug	1
18	V 34433	CABLE - high tension	1
19	KO 230722	CONDENSER	1
20	C 18115	SWITCH - PTO safety	2
21	C 19055	WIRE - solenoid to PTO safety switch (black 17")	1
22	223- 20	FUSE - 20 amp. (used in C19120 harness)	1
23	C 23839	KIT - switch, ignition	1
24	C 17763	KEY - ignition	1
25	C 21989	INSULATOR - safety start switch	1
26	C 21988	SWITCH ASSY - neutral start (used 444 S/N 9710421, 224 SN 9708220, 222 S/N 9706113, 220 S/N 9702608 and after)	1

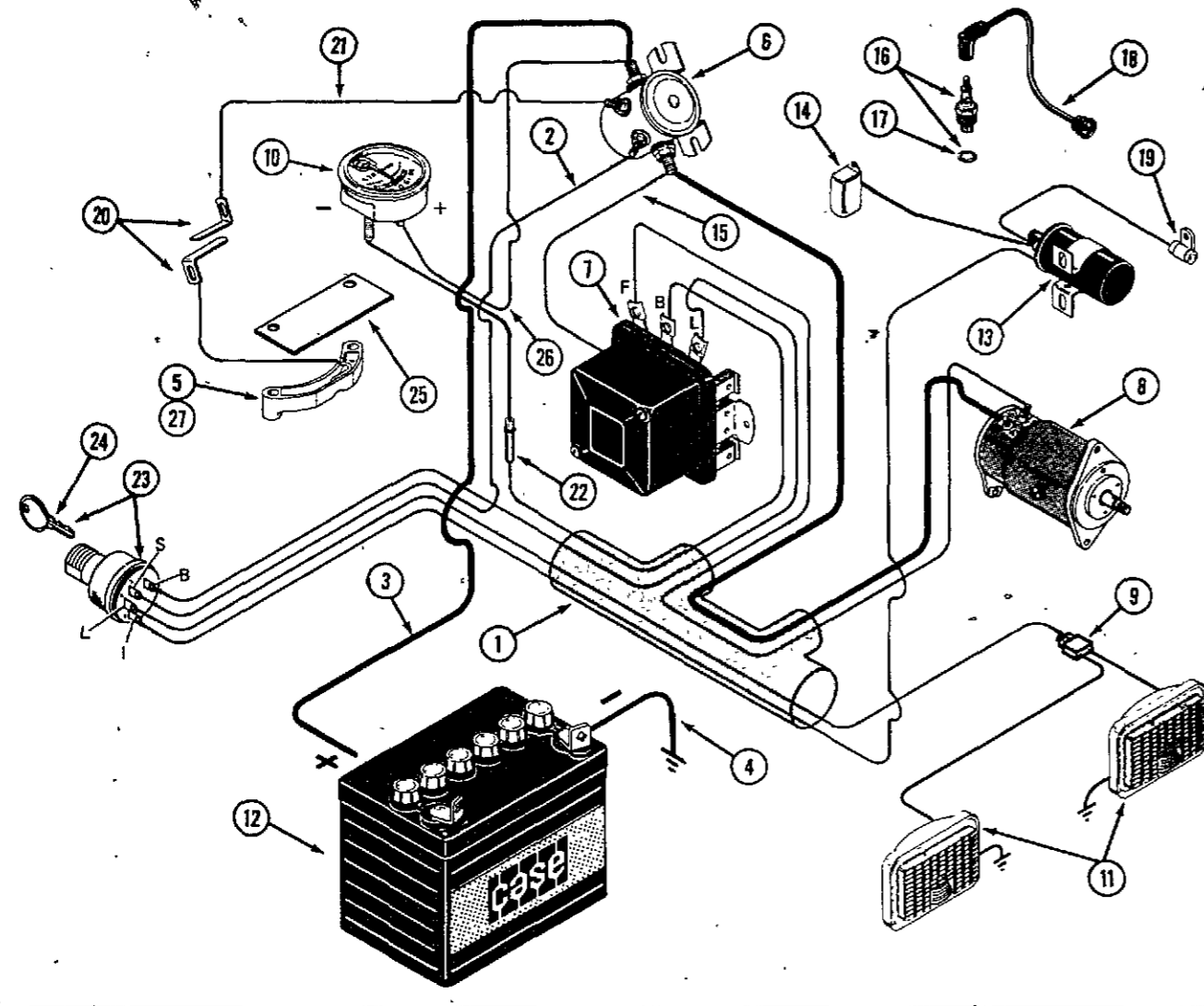
\*Use C21988 and C21989 before S/N: 220 - 9702608 224 - 9708220  
222 - 9706113 444 - 9710421

\*\*See page 59 for remanufactured Starter-Generator.

**TAIL LAMP (OPTIONAL)**



1	D 70115	LAMP ASSEMBLY - flood and tail	1
2	B 50255	MOLDING - lamp retaining	1
3	10934	SCREW - molding	1
4	A 40855	LAMP - sealed unit	1
5	B 50223	BULB - red 15 C.P. 12 volt	1
6	B 50273	WIRE - switch	2
7	173- 73	SCREW - wire	2
8	193- 4	WASHER - 1/4" lock	2
9	NSS	SWITCH (see Kit below)	1
10	NSS	KNOB - switch (see Kit below)	1
11	A 39888	NUT - switch	1
12	10927	SPRING - terminal	1
13	NSS	BODY	1
14	B 50293	TERMINAL - wire	1
15	129- 105	NUT - 1/2" NC hex	1
16	192- 23	WASHER - 1/2" lock	1
17	10923	WASHER - bearing	1
18	113- 209	BOLT - 3/8 x 1-1/2" NC hex, zinc plated	1
19	192- 21	LOCKWASHER - 3/8" zinc plated	1
20	129- 103	NUT - 3/8" NC hex, zinc plated	1
21	A 34046	BRACKET - mounting, tail lamp	1
	A 43182	KIT - switch (includes knob)	1



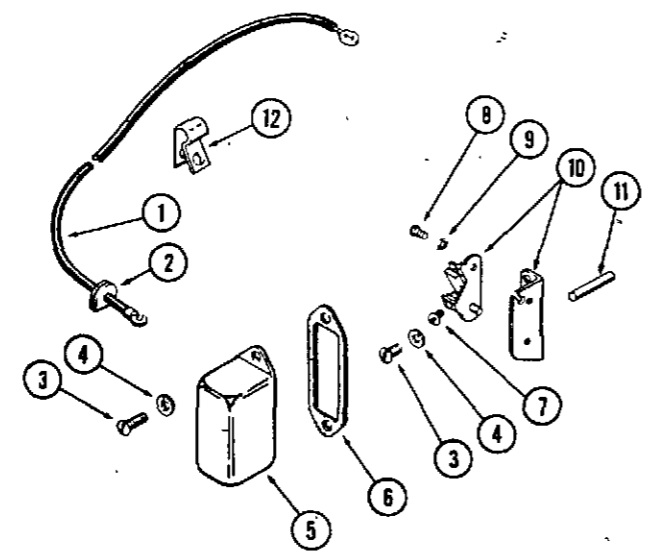
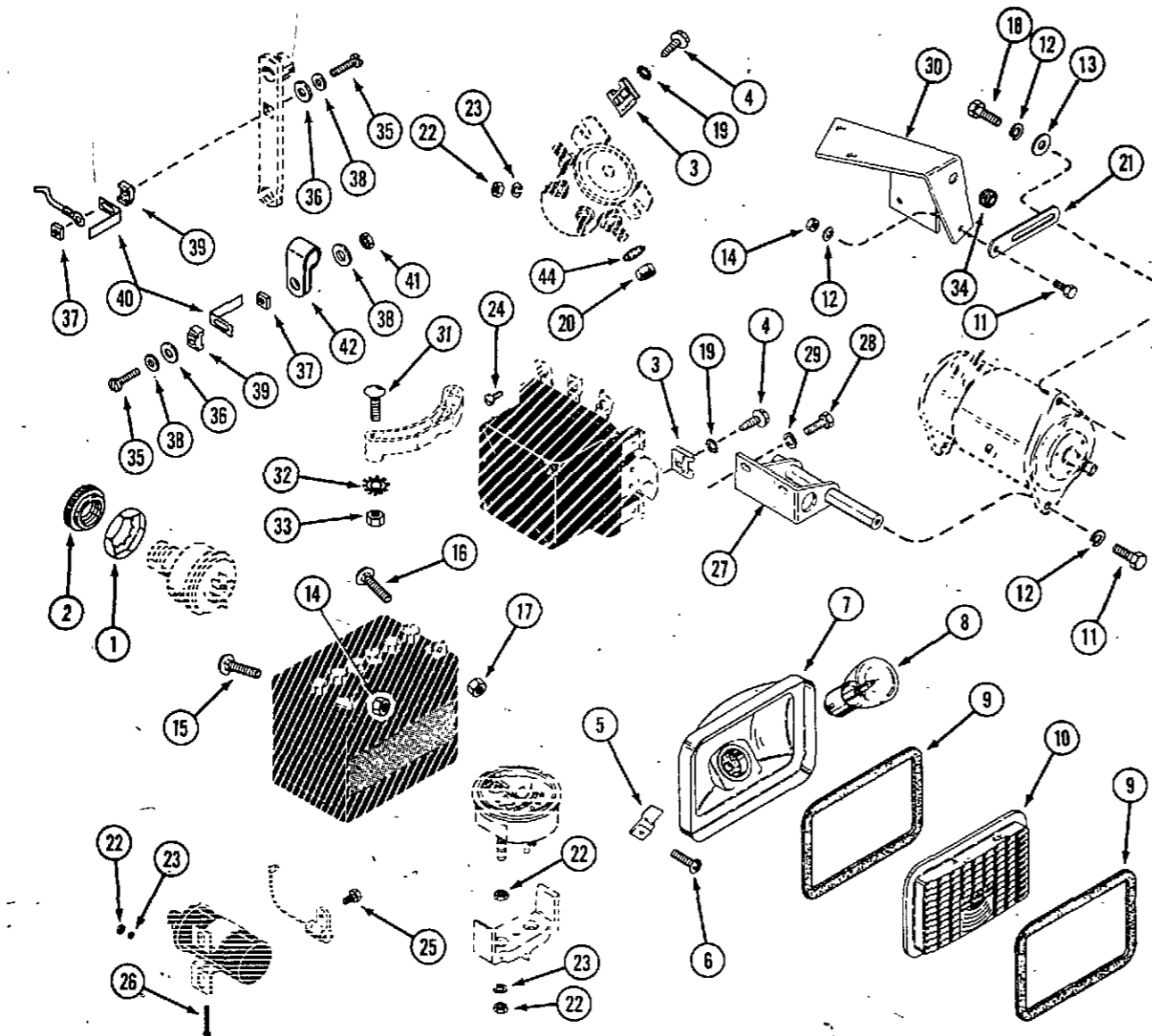
**ELECTRICAL SYSTEM  
(USED ON MODELS WITH AMMETER)**

REF.	PART NO.	DESCRIPTION	REQ'D
1	C 21948	HARNES - wire	1
2	C 17187	WIRE - ignition switch to solenoid (yellow 8")	1
3	C 14565	CABLE - battery "+" to solenoid (red 10-1/2")	1
4	C 14566	CABLE - battery to ground (black 12")	1
5	NSS*	SWITCH - neutral start	1
6	C 14553	SOLENOID - start, 12 volt.	1
7	C 26929	REGULATOR - voltage, 12 volt	1
8	NSS	STARTER - generator, 12 V. (repairs page 57) Delco No. 1101875	1
8	A 70202**	STARTER - generator, 12 V. (repairs page 59) Delco No. 1101920	1
9	C 14537	CONNECTOR - head lamp.	1
10	C 18389	AMMETER	1
11	C 22571	HEADLAMP ASSEMBLY - 12 Volt (repairs page 63)	2
12	C 18197	BATTERY - 12 Volt	1
13	KO 231281	COIL - ignition, 12 Volt	1
14	KO 232535	COVER - breaker contacts	1
15	C 17275	WIRE - regulator "G" terminal to solenoid (white 7")	1
16	C 24301	SPARK PLUG - (includes gasket).	1
17	A 27251	GASKET - spark plug	1
18	V 34433	CABLE - high tension	1
19	KO 230722	CONDENSER	1
20	C 18115	SWITCH - PTO safety	2
21	C 19055	WIRE - solenoid to PTO safety switch (black 17")	1
22	223- 20	FUSE - 20 amp.	1
23	C 23839	KIT - switch, ignition	1
24	C 17763	KEY - ignition	1
25	C 21989	INSULATOR - safety start switch	1
26	C 21950	WIRE - solenoid to ammeter "+"	1
27	C 21988	SWITCH - neutral start (used 444 S/N 9710421, 224 S/N 9708220, 222 S/N 9706113, 220 S/N 9702608 and after)	1

\*Use C21988 and C21989 before S/N  
 220 - 9702608  
 222 - 9706113  
 224 - 9708220  
 444 - 9710421

\*\*See page 59 for remanufactured Starter-Generator.

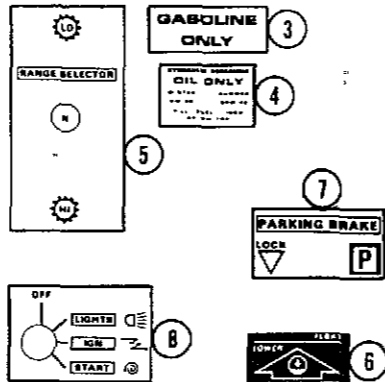
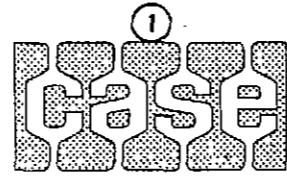
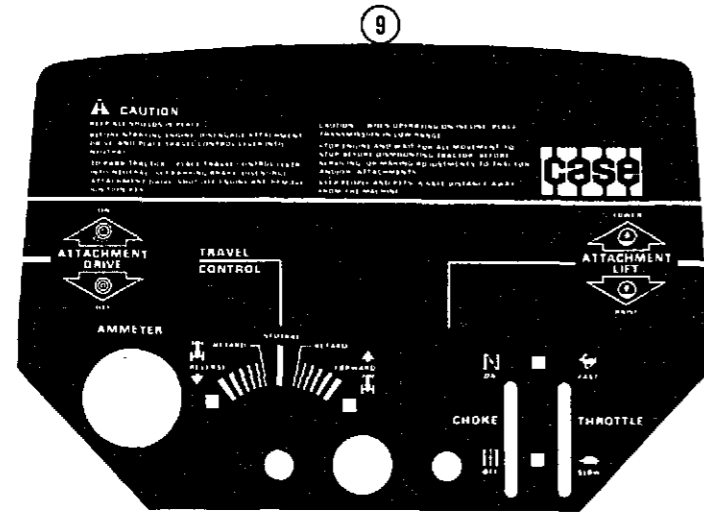




ELECTRICAL SYSTEM HARDWARE

REF.	PART NO.	DESCRIPTION	REQ'D
1	C 14060	NUT - back up 3/4" . . . . .	1
2	C 17921	NUT - escutcheon 3/4" . . . . .	1
3	C 10836	NUT - speed type "U" . . . . .	4
4	187- 485	SCREW - #10 x 5/8" Self-Tapping Hex. Zinc Plated . . . . .	4
5	131- 629	NUT - speed type "U" . . . . .	4
6	187- 1047	SCREW - #8 x 1/2" Self-Tapping round head, Phillips . . . . .	4
	C 22571	HEADLAMP ASSEMBLY . . . . .	2
7	NSS	RECEPTACLE - headlamp (Order C22571) . . . . .	1
8	C 14305	BULB - headlamp . . . . .	1
9	C 14304	GASKET - headlamp . . . . .	2
10	C 22573	LENS - headlamp . . . . .	1
11	113- 103	BOLT - 5/16 x 1" NC hex, zinc plated . . . . .	2
12	192- 20	LOCKWASHER - 5/16" zinc plated . . . . .	3
13	195- 520	WASHER - 5/16" plain, zinc plated . . . . .	2
14	129- 102	NUT - 5/16" NC hex, zinc plated . . . . .	2
15	111- 202	BOLT - 5/16 x 3/4" NC, round head, square neck . . . . .	1
16	111- 108	BOLT - 1/4 x 3/4" NC, round head, square neck . . . . .	1
17	129- 101	NUT - 1/4" NC hex . . . . .	1
18	113- 102	BOLT - 5/16 x 3/4" NC hex, zinc plated . . . . .	1
19	193- 70	LOCKWASHER - #10 external tooth . . . . .	4
20	129- 122	NUT - 5/16" NF hex . . . . .	2
21	C 14599	BRACKET - starter generator adjust . . . . .	1
22	129- 27	NUT - #10 NF hex . . . . .	8
23	192- 18	LOCKWASHER - #10 . . . . .	6
24	169- 131	SCREW - #8 x 5/16" NC fillister head . . . . .	3
25	22- 58	BOLT - 5/16 x 1/2" NC hex, self tap . . . . .	2
26	187- 1844	SCREW - #10 UNF x 1-1/2" self tap . . . . .	1
27	C 18788	SUPPORT - starter generator . . . . .	1
28	113- 206	BOLT - 3/8 x 3/4" NC hex . . . . .	2
29	192- 21	LOCKWASHER - 3/8" . . . . .	2
30	C 18999	SUPPORT - starter generator adjust . . . . .	1
31	111- 131	BOLT - 1/4 x 1-1/8" NC round head, square neck . . . . .	2
32	193- 57	LOCKWASHER - 1/4" external tooth . . . . .	2
33	129- 101	NUT - 1/4" NC hex . . . . .	2
34	C 17546	GROMMET - wire . . . . .	1
35	182- 523	SCREW - #10 x 7/8" binder head . . . . .	2
36	C 19254	WASHER - nylon 13/64" . . . . .	2
37	129- 77	NUT - #10-32 square . . . . .	2
38	195- 513	WASHER - #10 . . . . .	2
39	C 19246	HOLDER - strip switch . . . . .	2
40	C 18115	STRIP - switch . . . . .	2
41	129- 37	NUT - #10 NC hex . . . . .	1
42	C 21679	CLAMP, choke & throttle . . . . .	1
43	195- 521	WASHER, 11/32" . . . . .	1
44	193- 29	LOCKWASHER - 5/16" . . . . .	2

BREAKER CONTACTS			
1	KOA 231533	LEAD - breaker contact (Includes grommet) . . . . .	1
2	KO 220297	GROMMET - contact lead . . . . .	1
3	173- 210	SCREW - #10 x 3/8" round head, zinc plated . . . . .	4
4	192- 18	LOCKWASHER - 3/16" zinc plated . . . . .	4
5	KO 232535	COVER - breaker contact . . . . .	1
6	C 26518	GASKET - cover . . . . .	1
7	187- 408	SCREW - #6 x 3/8" Self-Tapping . . . . .	1
8	173- 224	SCREW - #8 x 1/4" NC round head . . . . .	1
9	193- 90	LOCKWASHER - #8 internal tooth . . . . .	1
10	C 24135	POINT SET - breaker contact assembly . . . . .	1
11	C 27440	ROD - breaker contact push . . . . .	1
12	KO 275182	CLIP - wire . . . . .	1



DECALS

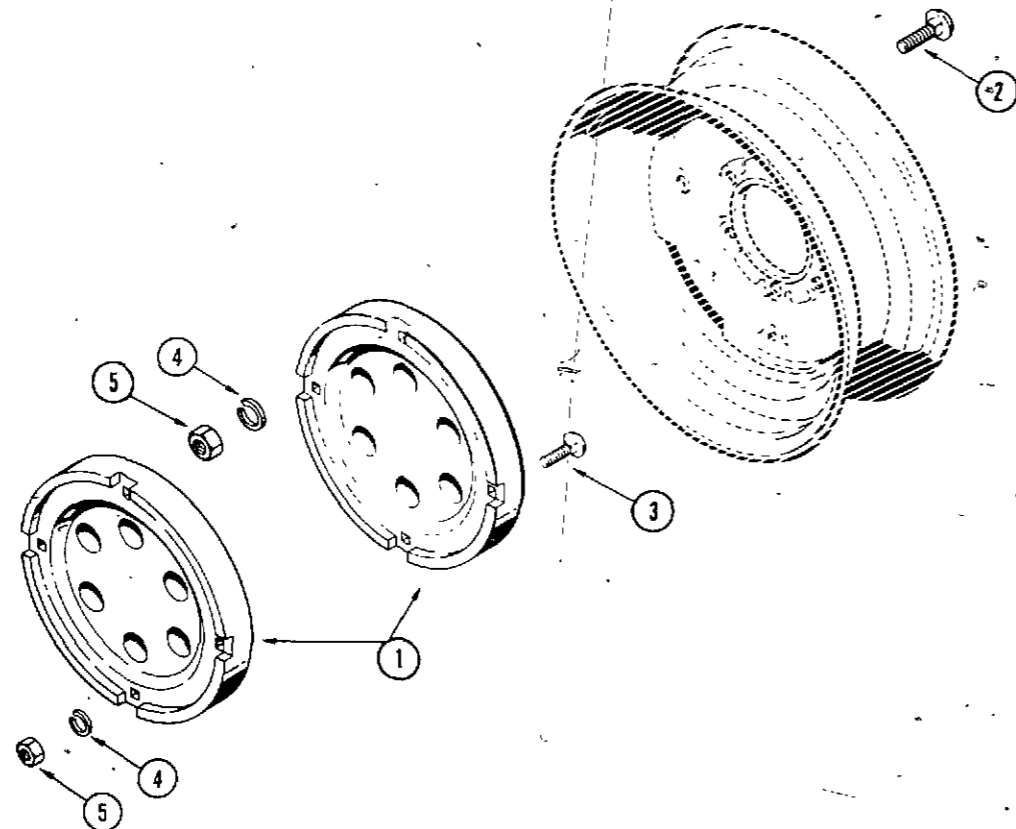
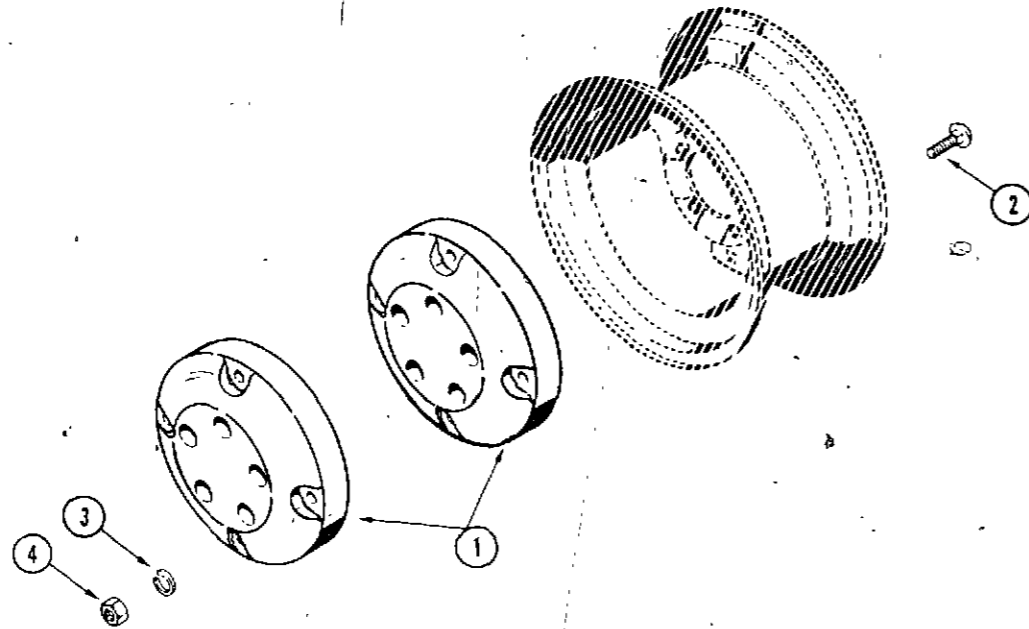
REF.	PART NO.	DESCRIPTION	REQ'D
1	321- 1423	DECAL - "CASE"	1
3	321- 18	DECAL - gasoline	1
4	C 14539	DECAL - hydraulic reservoir	1
5	321- 1788	DECAL - shift range	1
6	321- 2658	DECAL - float	1
7	321- 2110	DECAL - brake	1
8	321- 1786	DECAL - ignition switch	1
9	321- 2624	DECAL - instrument panel (used with gen. indicator light)	1
9	321- 2625	DECAL - instrument panel (used with ammeter)	1
10	C 15690	DECAL - hood 220 R.H.	1
11	C 15691	DECAL - hood 220 L.H., hydraulic drive	1
12	C 15692	DECAL - hood 222 R.H.	1
13	C 15693	DECAL - hood 222 L.H., hydraulic drive	1
14	321- 2468	DECAL - hood 224 R.H.	1
15	321- 2469	DECAL - hood 224 L.H., hydraulic drive	1
16	C 15696	DECAL - hood 444 R.H.	1
17	C 15697	DECAL - hood 444 L.H., hydraulic drive	1

**D8 WHEEL WEIGHTS - MODEL 220, 222 AND 224**

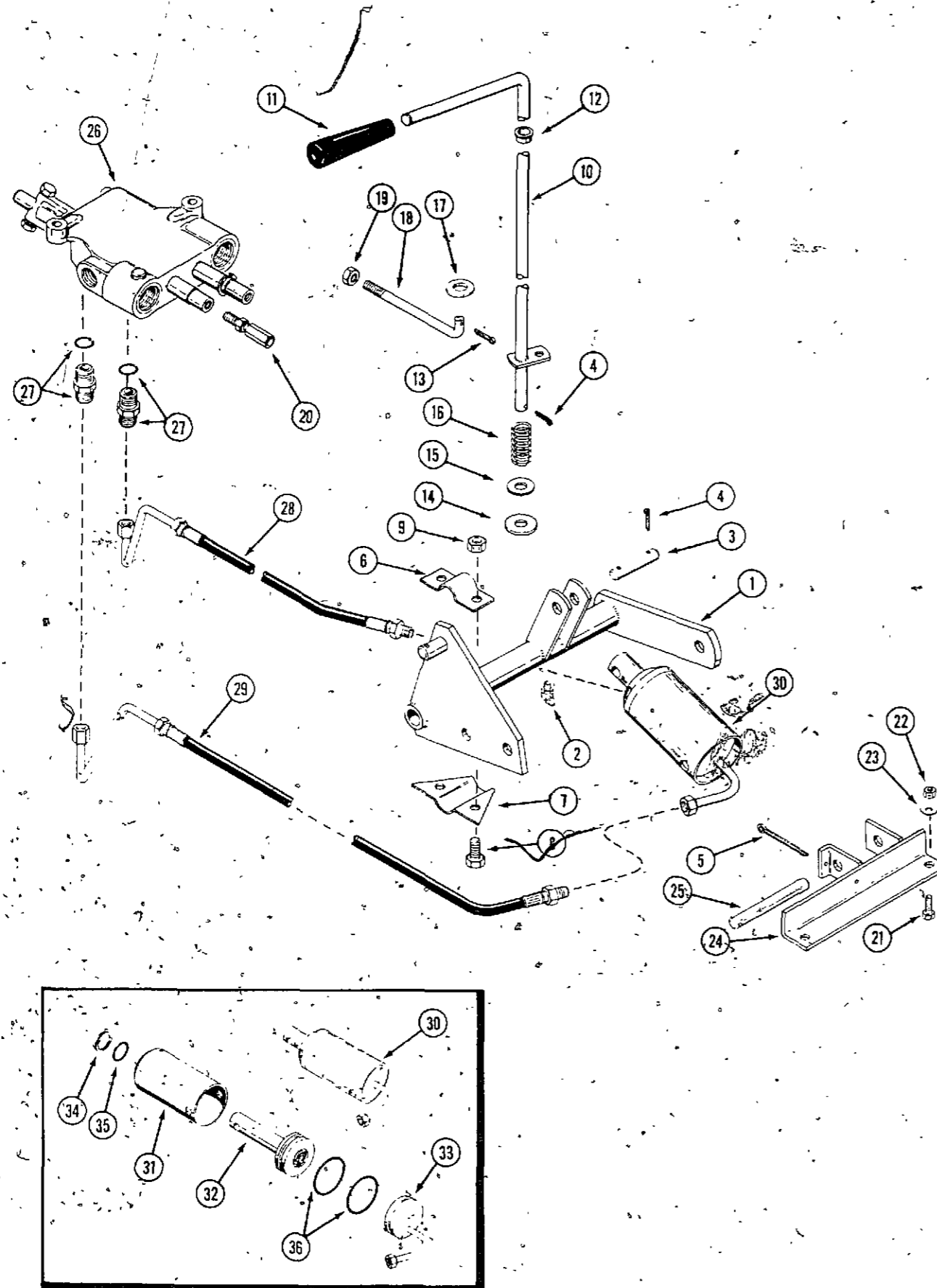
REF.	PART NO.	DESCRIPTION	REQ'D
1	NSS	WEIGHT - wheel 12" (Order as Machinery Item)	4
2	111- 532	BOLT - 1/2 x 3-3/4" round head, square neck, NC, zinc plated	8
3	192- 23	LOCKWASHER - 1/2" zinc plated	8
4	129- 105	NUT - 1/2" NC hex	8

**D10 WHEEL WEIGHTS - MODEL 444**

1	NSS	WEIGHT - wheel 15" and 16" (Order as Machinery Item)	4
2	111- 530	BOLT - 1/2 x 2-1/2" round head, square neck, NC, zinc plated	4
3	111- 531	BOLT - 1/2 x 2-3/4" round head, square neck, NC, zinc plated	4
4	92- 8	LOCKWASHER - 1/2" zinc plated	8
5	129- 105	NUT - 1/2" NC hex	8

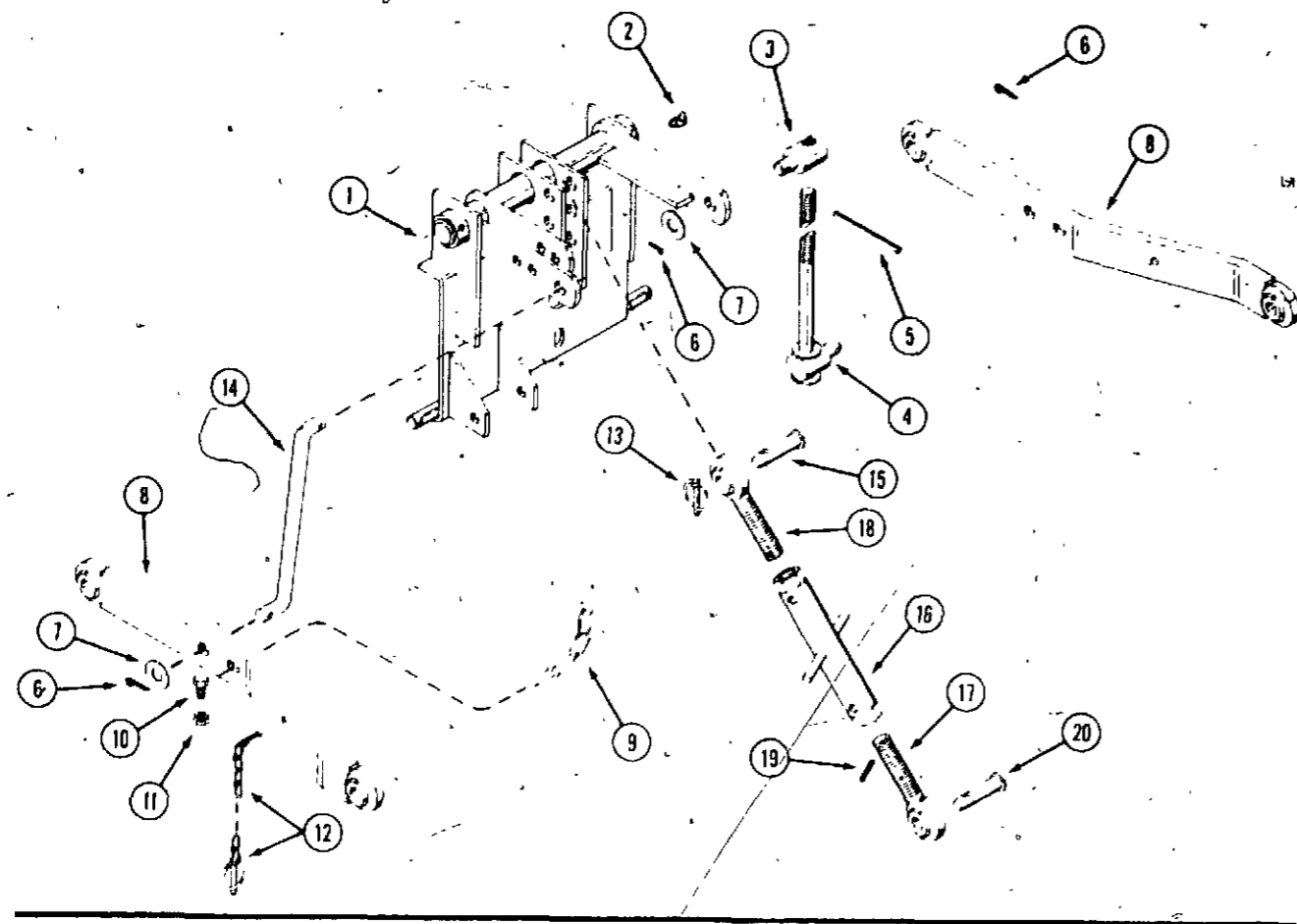


MODEL J30 HYDRAULIC LIFT



REF.	PART NO.	DESCRIPTION	REQ'D
1	C 18808	CROSS SHAFT ASSEMBLY	1
2	219- 404	FITTING - lube	1
3	C 18251	PIN - cylinder to lever	1
4	132- 310	PIN - cotter 1/8" x 1"	3
5	132- 361	PIN - cotter 1/8" x 2-1/2"	1
6	C 17249	BRACKET - mounting, top	2
7	C 17250	BRACKET - mounting, bottom	2
8	113- 221	BOLT - 3/8" x 7/8" NC hex	4
9	131- 178	NUT - 3/8" NC hex	4
10	C 16163	LEVER - lift control	1
11	A 37247	KNOB - control lever	1
12	C 12093	BUSHING - lift lever	1
13	132- 320	PIN - cotter 3/32" x 3/4"	1
14	195- 533	WASHER - 1/2"	1
15	C 21518	WASHER - nylon	1
16	C 27822	SPRING - control lever	1
17	195- 521	WASHER - 5/16"	1
18	C 18742	ROD - control	1
19	129- 122	NUT - 5/16 NF hex	1
20	C 19025	BALL JOINT	1
21	113- 207	BOLT - 3/8" x 1" NC hex	2
22	131- 178	LOCKNUT - 3/8" NC hex	2
23	195- 104	WASHER - 3/8" x 1-1/8" OD	2
24	NSS	BRACKET - cylinder (use C26185 and C26188)	1
25	C 26188	PIN - cylinder foot	1
26	NSS	VALVE - hydraulic, 2 spool (use C25967)	1
27	218- 5056	FITTING - valve (includes 218-5004 "O" ring)	2
28	C 17224	HOSE - short	1
29	C 17734	HOSE - long	1
30	NSS	CYLINDER - lift (use C19475 and D63720)	1
31	C 16133	BODY - cylinder	1
32	C 19104	ROD AND PISTON ASSEMBLY	1
33	C 17732	FOOT - cylinder	1
34	C 14970	SEAL	1
35	A 7623	"O" RING	1
36	A 30971	"O" RING	2
	C 13106	COVER - lube fitting	1

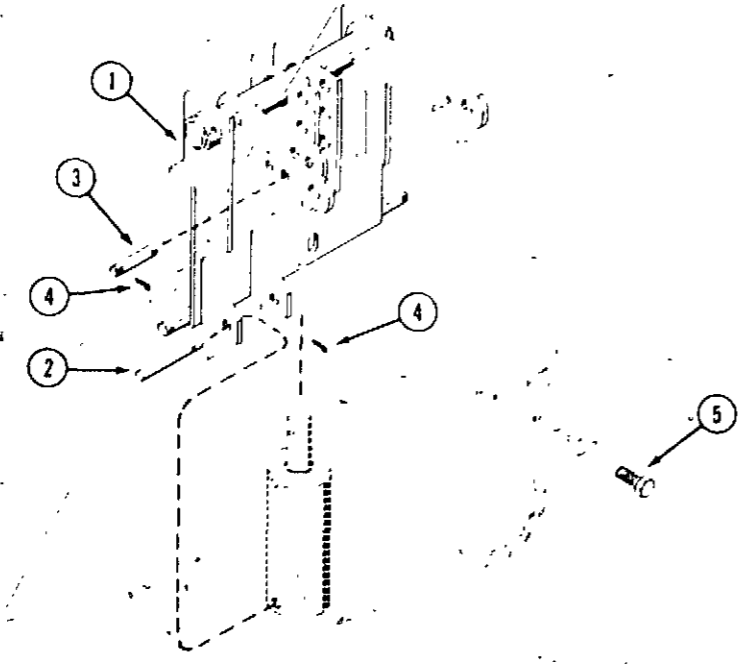
**H26 THREE POINT HITCH 444  
FRAME, LIFT RODS AND ARMS**

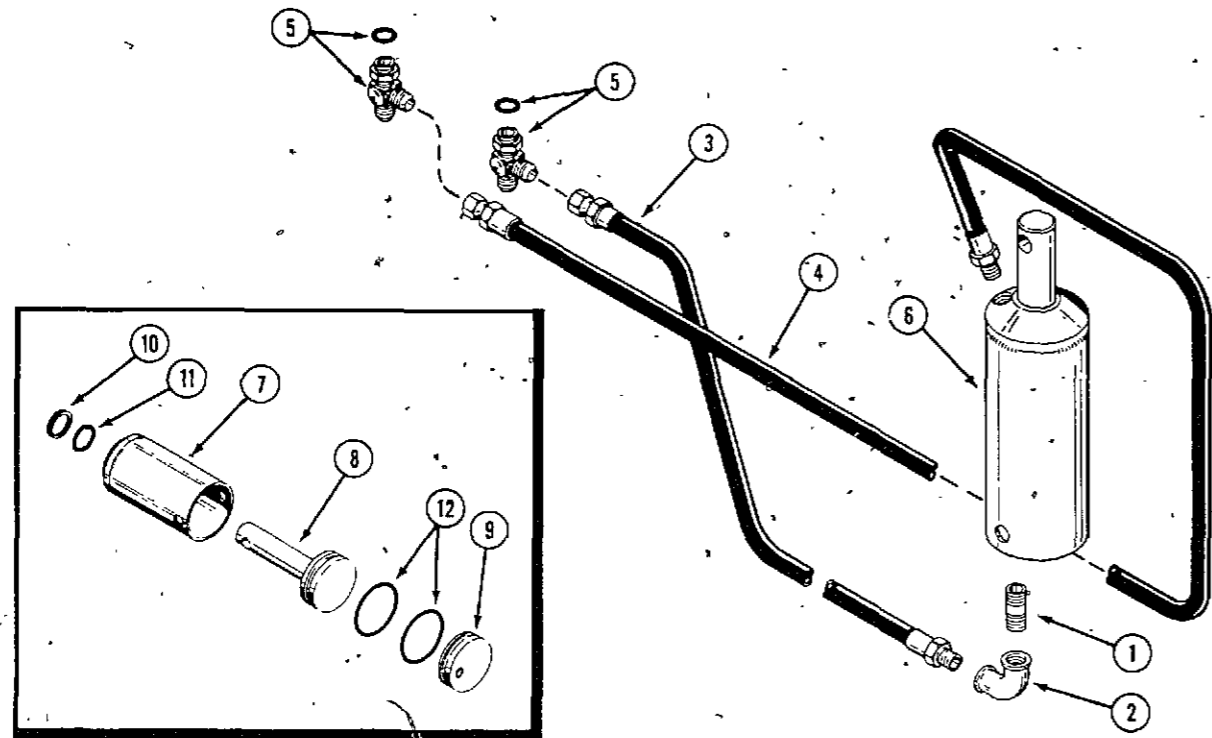


REF.	PART NO.	DESCRIPTION	REQ'D
1	C 19740	HITCH PLATE ASSEMBLY	1
2	219- 405	FITTING - lube	2
3	C 14722	NUT - lift rod	1
4	C 14724	ROD ASSEMBLY - R.H. lift	1
5	138- 309	PIN - roll 1/4 x 4"	1
6	132- 81	PIN - cotter 3/16 x 1"	6
7	195- 541	WASHER - plain 5/8"	4
8	C 14715	ARM - lift	2
9	C 14991	CHAIN - stay 19 links	1
10	113- 118	BOLT - 5/16 x 5/8" hex, zinc plated	2
11	131- 176	NUT - lock 5/16" NC hex	2
12	B 52118	PIN - klik	2
13	A 30338	PIN - klik	3
14	C 14725	ROD - lift L.H.	1
15	C 14717	PIN - clevis	1
	C 14712	LINK ASSEMBLY	1
16	C 14703	CENTER TUBE ASSEMBLY	1
17	C 14709	BALL END ASSEMBLY R.H. THREAD	1
18	C 14710	BALL END ASSEMBLY L.H. THREAD	1
19	138- 59	PIN - roll 1/8 x 7/8"	2
20	C 16128	PIN - clevis 5/8 x 3"	1

**CYLINDER AND DRAWBAR MOUNTING**

1	C 19740	HITCH PLATE ASSEMBLY	1
2	C 26188	PIN - lower cylinder mounting	1
3	C 14976	PIN - upper cylinder mounting	1
4	132 310	PIN - cotter 1/8 x 1"	3
5	113- 417	BOLT - 1/2 x 1-1/4" NC, hex, zinc plated	2



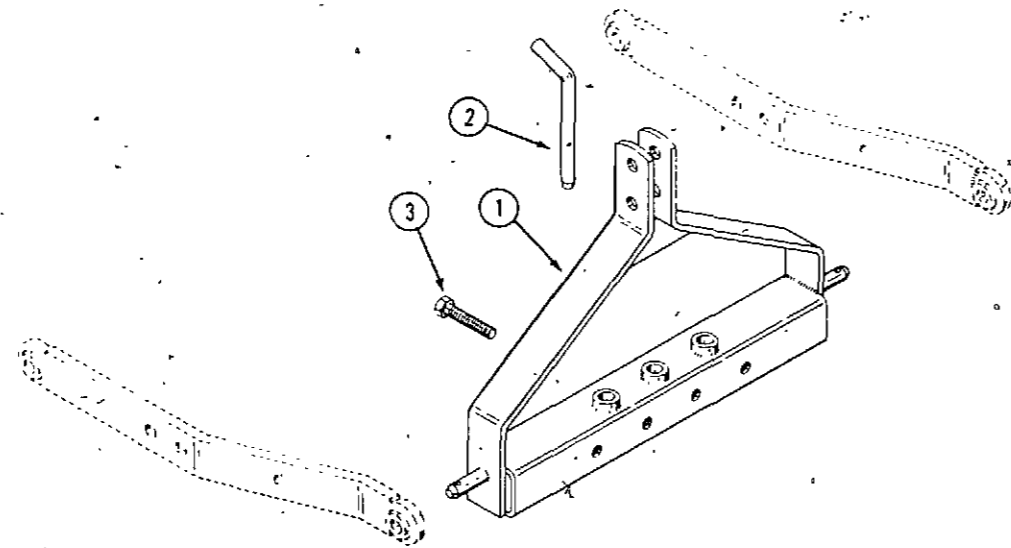


**MODEL H26 THREE POINT HITCH AND  
MODEL F27 HITCH ADAPTER  
HYDRAULIC CONNECTIONS AND COMPONENTS**

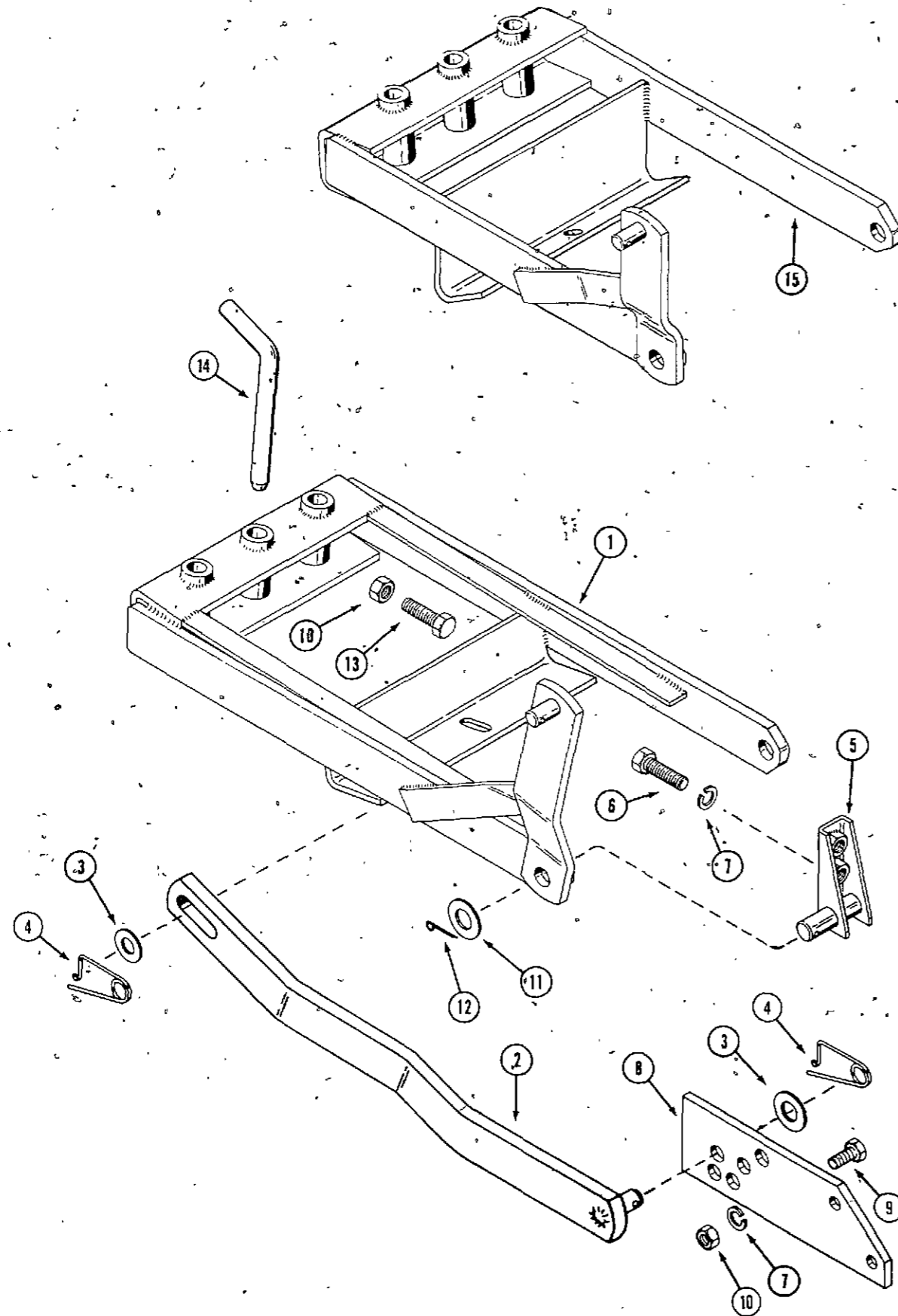
REF.	PART NO.	DESCRIPTION	REQ'D
1	221- 1134	NIPPLE - 1/4 x 1-1/2"	1
2	221- 1375	ELBOW - 90°	1
3	C 17188	HOSE - hydraulic short	1
4	C 17189	HOSE - hydraulic long	1
5	218- 5291	FITTING - tee (Includes 218-5004 "O" ring)	2
6	NSS	CYLINDER ASSEMBLY - (use C19480 and S10817)	1
7	C 19476	BODY - cylinder	1
8	C 19469	ROD AND PISTON ASSEMBLY	1
9	C 14692	FOOT - cylinder	1
10	C 14970	SEAL - wiper	1
11	A 7623	"O" RING	1
12	A 30971	"O" RING	2

**MODEL F27 HITCH ADAPTER**

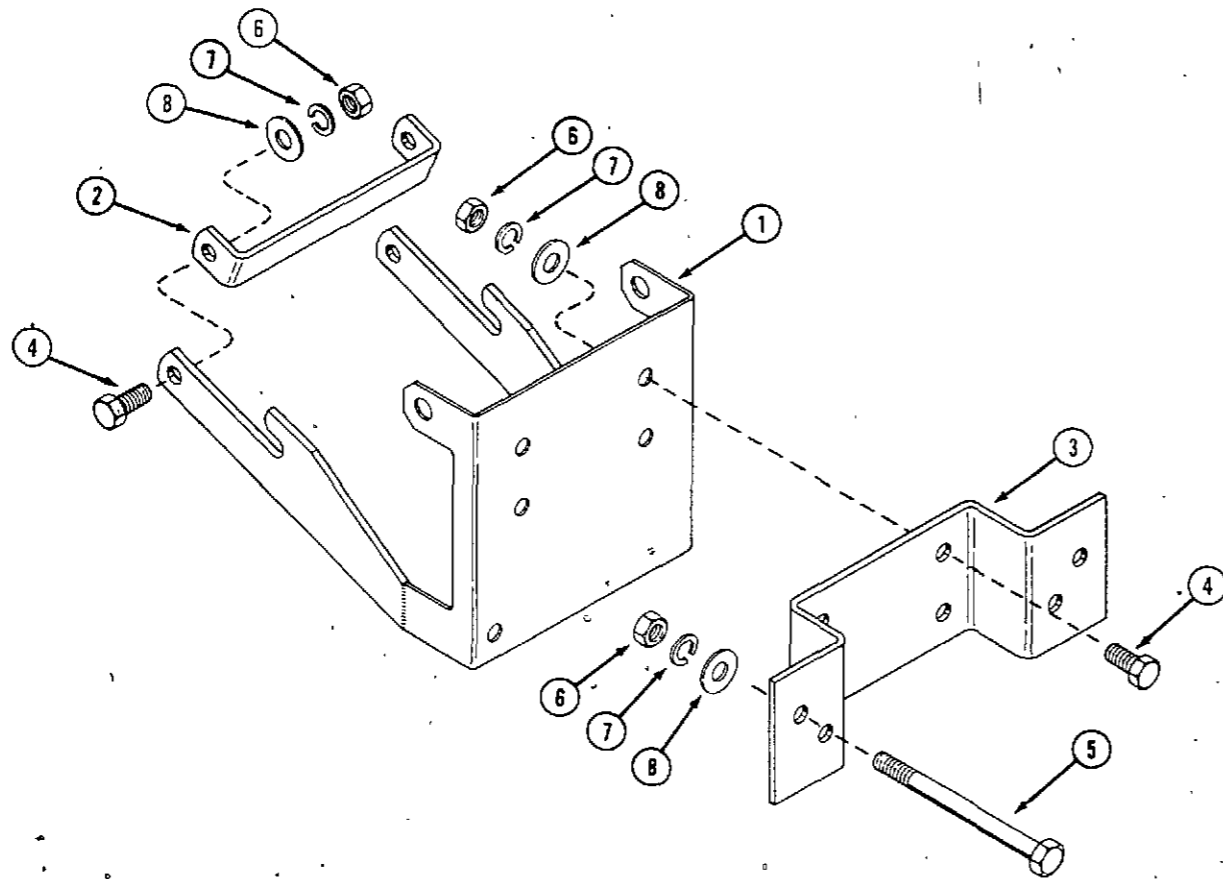
1	C 14872	BRACKET - hitch adapter	1
2	C 14568	PIN - drawbar	1
3	113- 425	BOLT - 1/2 x 3" NC hex, zinc plated	4



MODEL H22 AND H24 SLEEVE HITCH



REF.	PART NO.	DESCRIPTION	REQ'D
1	C 22218	HITCH FRAME ASSEMBLY (444)	1
2	C 14457	ARM - lift	1
3	195- 541	WASHER - plain 21/32"	2
4	C 10898	PIN - safety	2
5	C 14459	BRACKET - hitch mounting, R.H.	1
5	C 14460	BRACKET - hitch mounting, L.H.	1
6	113- 417	BOLT - 1/2 x 1-1/4" NC hex, zinc plated	4
7	192- 23	LOCKWASHER - 1/2" zinc plated	6
8	NSS	PLATE - lift lever (use C25382)	1
9	113- 417	BOLT - 1/2 x 1-1/4" NC hex, zinc plated	2
10	129- 105	NUT - 1/2" NC hex, zinc plated	4
11	195- 545	WASHER - plain 3/4" zinc plated	2
12	132- 306	PIN - cotter 3/16 x 1-3/4"	2
13	113- 421	BOLT - 1/2 x 2" NC hex, zinc plated	2
14	C 14568	PIN - drawbar	1
15	C 23707	HITCH FRAME ASSEMBLY (220, 222 and 224)	1

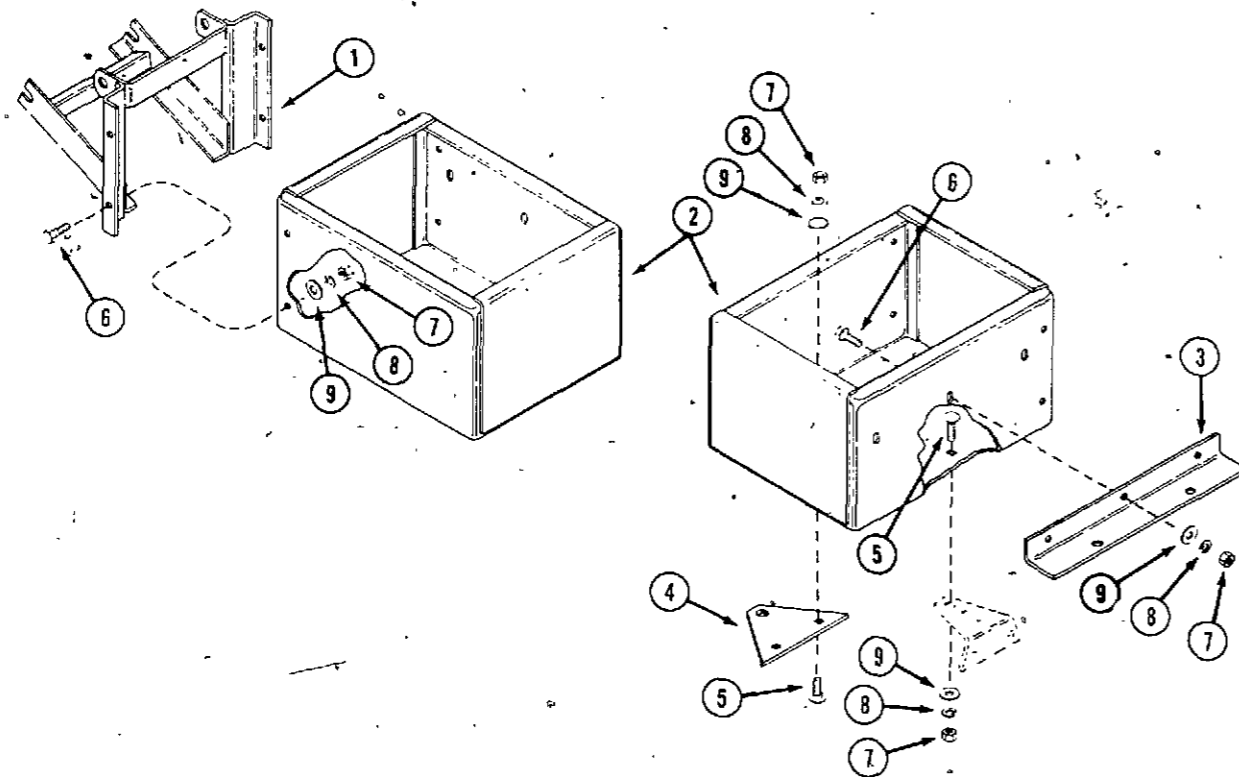


MODEL H18 FRONT END WEIGHT BRACKETS

REF.	PART NO.	DESCRIPTION	REQ'D
1	C 16581	BRACKET - mounting	1
2	C 17161	BRACE - rear	1
3	C 17162	BRACKET - weight mounting	1
4	113- 417	BOLT - 1/2 x 1-1/4" NC hex, zinc plated	6
5	113- 443	BOLT - 1/2 x 6-1/2" NC hex	2
6	25- 108	NUT - 1/2" NC hex, zinc plated	8
7	192- 23	LOCKWASHER - 1/2"	8
8	195- 533	WASHER - 1/2" zinc plated	8

MODEL H13 WEIGHT BOX

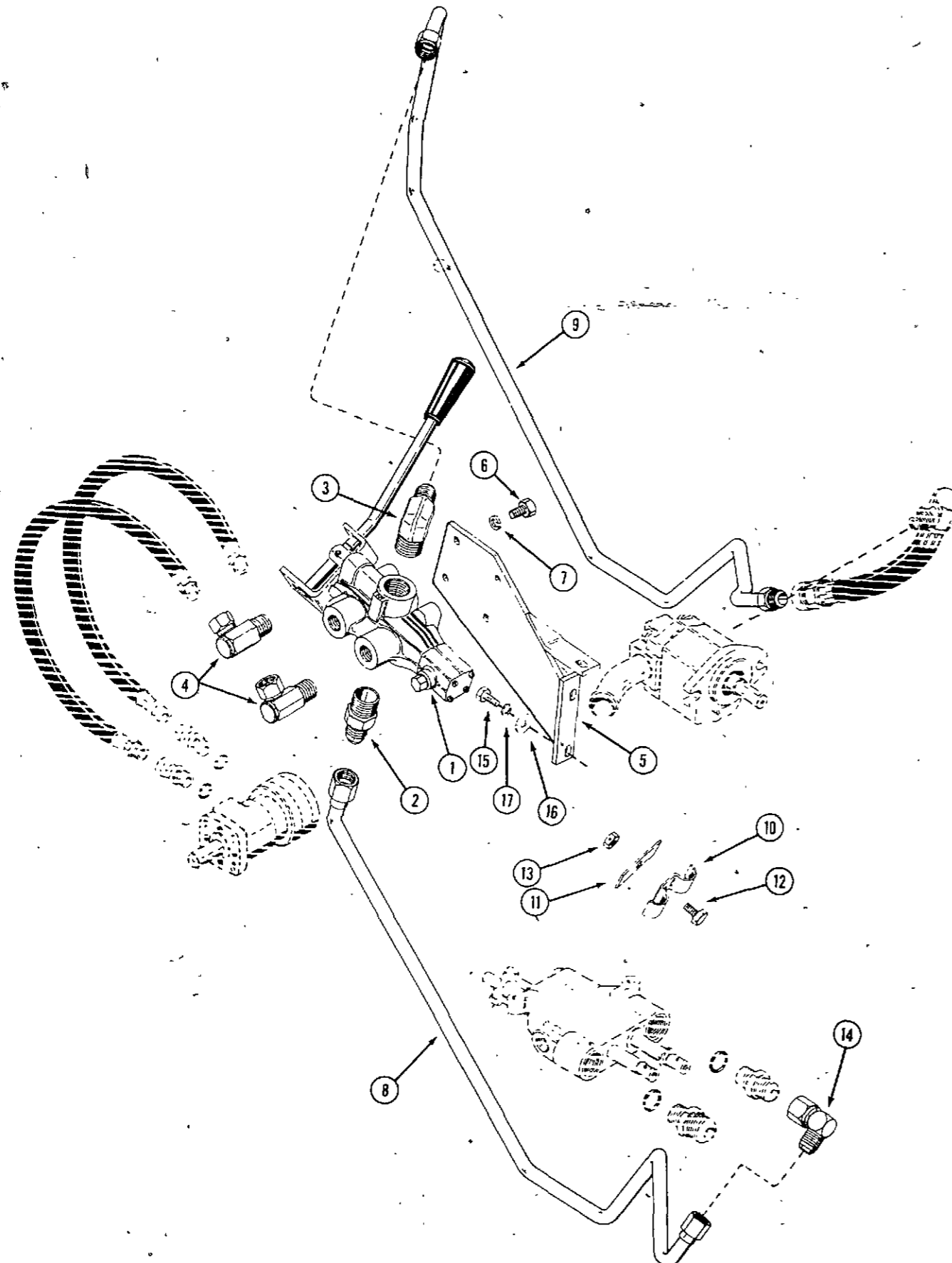
1	C 17859	FRAME - weight box	1
2	C 17863	BOX - weight	1
3	C 17860	SUPPORT - weight box	1
4	C 17636	PLATE - hitch	1
5	111- 317	BOLT - 3/8 x 1" round head, square neck	3
6	113- 207	BOLT - 3/8 x 1" NC hex	4
7	129- 103	NUT - 3/8" NC hex	7
8	192- 21	LOCKWASHER - 3/8"	7
9	195- 525	WASHER - 3/8"	7



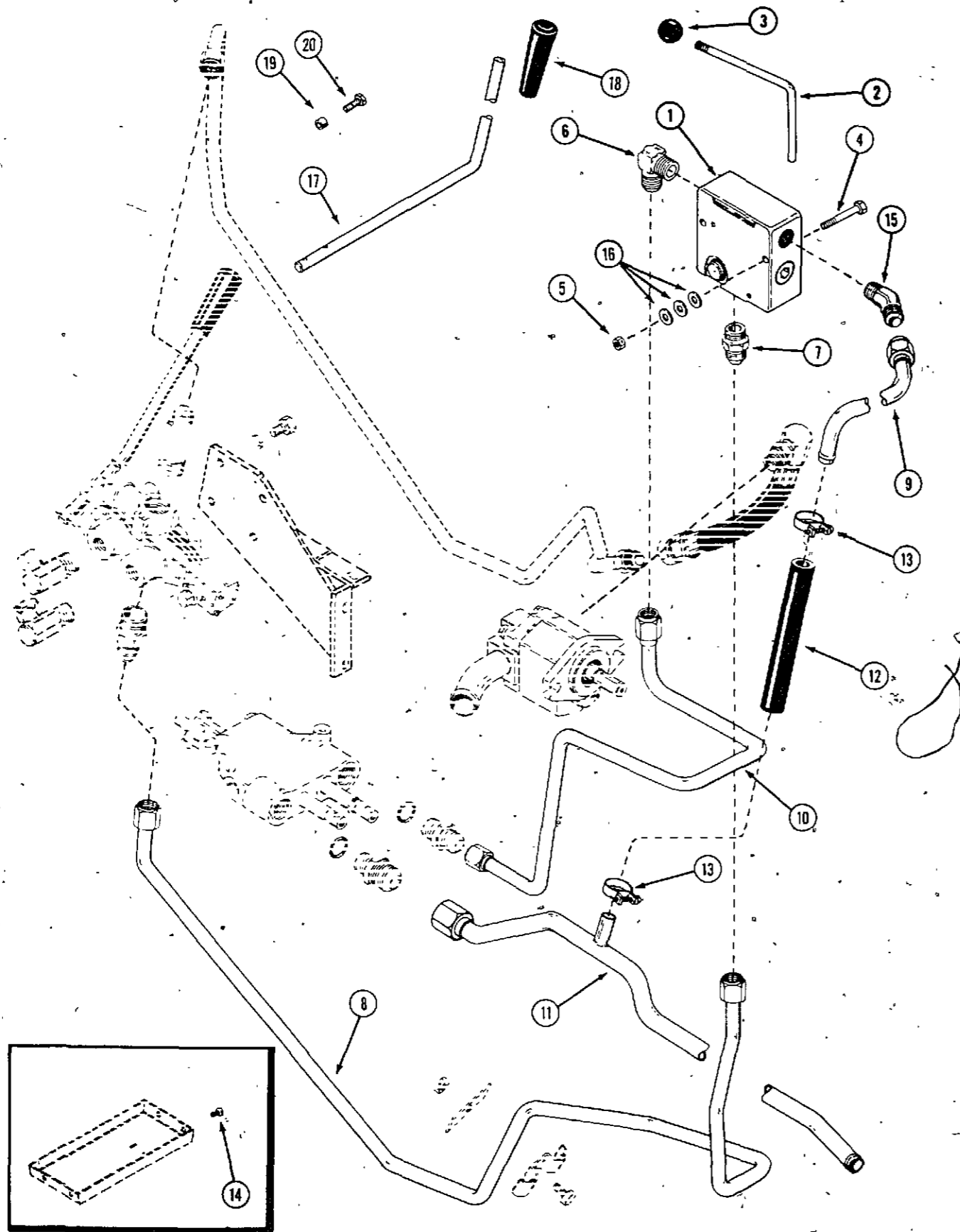


J-17 HYDRAULIC PTO KIT

REF.	PART NO.	DESCRIPTION	REQ'D
1	C 18281	VALVE - PTO control	1
2	218- 457	FITTING - straight 3/4" NPT x 5/8" tube	1
3	218- 494	FITTING - elbow - 90° 3/4" NPT x 5/8" tube	1
4	218- 927	FITTING - elbow - 90° 1/2" NPT x 1/2" female NPSM swivel	2
5	C 23337	BRACKET - valve mounting	1
6	113- 206	BOLT - 3/8" hex NC x 3/4"	4
7	192- 21	LOCKWASHER - 3/8"	4
8	C 23888	TUBE - PTO valve to travel control valve	1
9	C 23962	TUBE - pump to PTO valve	1
10	C 15389	CLAMP - double tubing	1
11	C 19424	BAR - clamp	1
12	113- 102	BOLT - 5/16" hex NC x 3/4"	1
13	129- 102	LOCKNUT - 5/16" NC hex	1
14	218- 5232	FITTING - 90° swivel elbow 37° x 37° flare 3/4" NPT x 5/8" tube	1
15	113- 103	BOLT - 5/16" x 1" NC hex (fender mtg.)	3
16	195- 521	WASHER - 5/16" (fender mtg.)	3
17	192- 20	LOCKWASHER - 5/16" (fender mtg.)	3

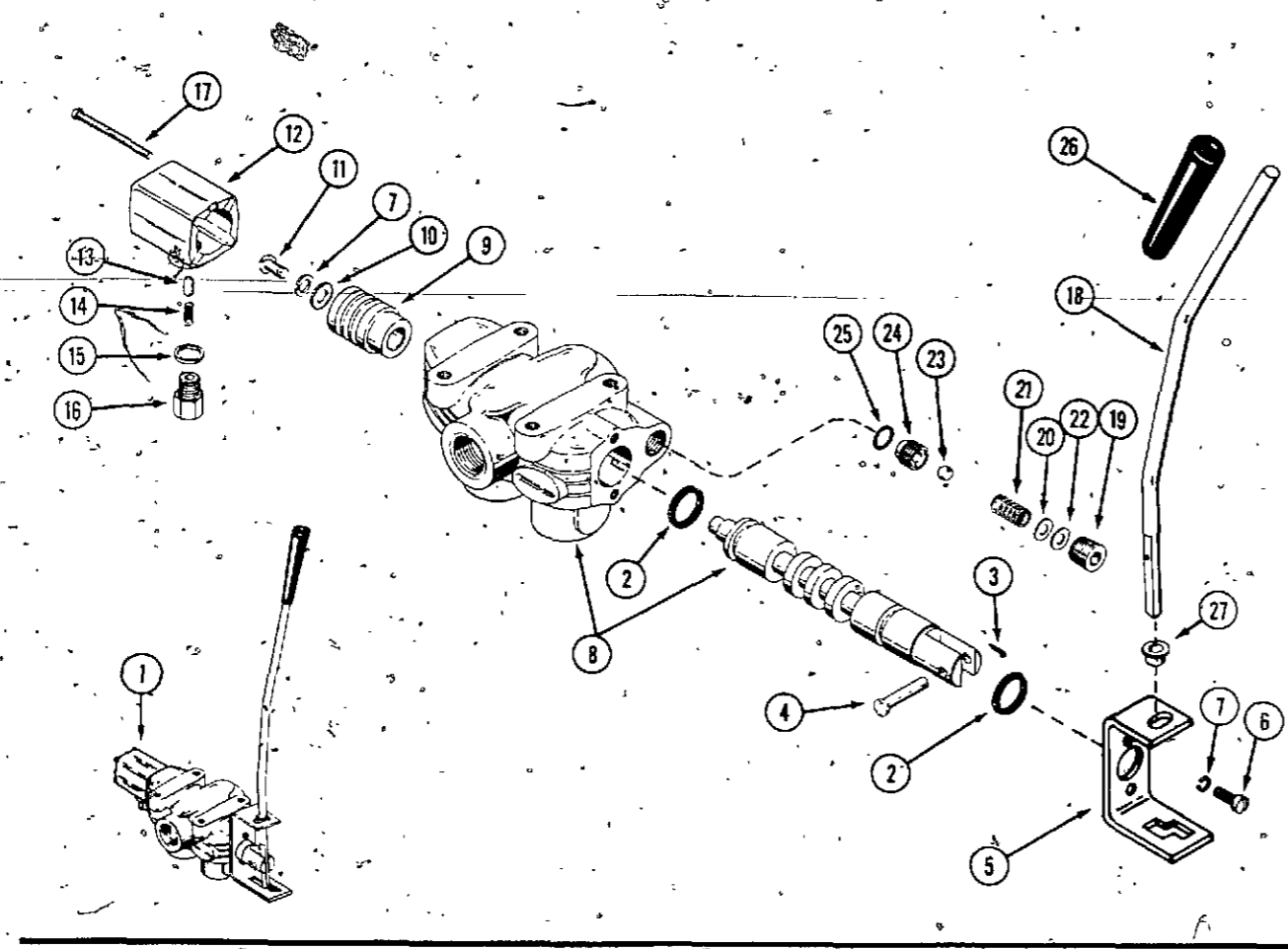


MODEL K-19 FLOW CONTROL VALVE KIT



REF.	PART NO.	DESCRIPTION	REQ'D
1	C 18722	VALVE - flow control	1
	A 27365	"O" RING - shaft 3/4" x 15/16"	2
2	C 18720	LEVER - valve	1
3	A 61683	KNOB - lever	1
4	113- 12	BOLT - 1/4" x 2-1/2" NC hex	2
5	131- 1115	NUT - lock 1/4" NC hex	2
6	218- 485	FITTING - elbow 90° 1/2" NPT	1
7	218- 445	FITTING - straight 1/2" NPT	2
8	C 19402	TUBE - valve to PTO valve	1
9	C 19404	TUBE - bypass to return line	1
10	C 19403	TUBE - valve to tractor valve	1
11	C 19405	TUBE - heat exchanger	1
12	L 79701	HOSE - return	1
13	214- 6	CLAMP - hose	2
14	182- 515	SCREW - battery tray 5/16" x 5/8" pan head	2
15	218- 535	FITTING - 45° 1/2" NPT x 5/8" tube	1
16	195- 518	WASHER - spacer, valve 1/4"	6
17	C 21591	LEVER - PTO	1
18	A 37247	KNOB - lever, PTO	1
19	C 21592	SPACER - rectifier mtg. (446)	2
20	113- 4	BOLT - rectifier mtg. 1/4 x 1" (446)	2
	C 18719	DECAL - valve, "slow - fast"	1

J-17 HYDRAULIC PTO VALVE



REF.	PART NO.	DESCRIPTION	REQ'D
1	C 18281	VALVE - control	1
2	C 11891	SEAL - U-cup	2
3	132- 5	PIN - cotter 1/16" x 1/2"	1
4	36627	PIN - handle	1
5	C 19422	BRACKET - handle	1
6	169- 145	SCREW - 1/4" x 5/8" NC fillister head	2
7	36628	LOCKWASHER - 1/4"	3
8	NSS	BODY AND SPOOL ASSEMBLY (Order C18281)	1
9	C 11895	ADAPTER - spool	1
10	195- 102	WASHER - plain 1/4"	1
11	75- 48	SCREW - 1/4" x 1/2" rd. hd. machine	1
12	C 11893	BONNET - detent	1
13	C 11901	PIN - detent	1
14	C 11892	SPRING - detent	1
15	C 11886	WASHER - detent spring	1
16	C 11887	CAP - detent	1
17	169- 108	SCREW - bonnet 8-32 x 2-1/4" fillister head	4
18	C 19423	LEVER - valve	1
19	221- 842	PLUG - relief 3/8" NPT	1
20	D 39712	SHIM - .010" thick	UAR
21	T 40189	SPRING - relief	1
22	A 55894	SHIM - .020" thick	UAR
23	211- 11	BALL - relief 3/8"	1
24	C 18417	SEAT - relief	1
25	A 27891	"O" RING - relief seat	1
26	A 32747	KNOB - hand throttle	1
27	C 12127	BUSHING - nylon	1

## NUMERICAL INDEX

PART NO.	PAGE NO.	REF. NO.	PART NO.	PAGE NO.	REF. NO.		
	10923	61	17	A	43499	59	37
	10927	61	12	A	44433	57	29
	10934	61	3	A	44433	59	29
	36627	83	4	A	45230	59	4
	36628	83	7	A	50096	47	18
	40035	11	20	A	55894	83	22
	40035	13	20	A	60273	53	1
	40035	15	20	A	60273	53	1
	40035	17	28	A	61683	81	3
	40035	19	28	A	62079	25	15
	40035	21	28	A	70062	43	11
	49485	29	24	A	70090	5	5
A	7623	69	35	A	70100	49	18
A	7623	73	11	A	70112	51	20
A	7982	53	3	A	70185	43	8
A	7982	53	4	A	70202	61	8
A	10326	29	22	A	70202	61B	8
A	25447	57	20	A	72038	57	7
A	25447	59	20	A	72038	59	7
A	25546	57	36	A	72039	57	5
A	25546	59	36	A	72039	59	5
A	27251	61	17	A	72040	57	6
A	27251	61B	17	A	72040	59	6
A	27365	17	39	A	72041	59	23
A	27365	19	39	A	72042	57	10
A	27365	21	39	A	72042	59	10
A	27365	81		A	72043	57	17
A	27891	83	25	A	72043	59	17
A	30064	43	10	A	72046	57	32
A	30095	49	34	A	72046	59	32
A	30338	71	13	A	72047	57	33
A	30881	39	10	A	72047	59	33
A	30881	39	11	A	72048	57	11
A	30971	69	36	A	72048	59	11
A	30971	73	12	A	72073	25	1
A	32747	83	26	A	72073	27	
A	34046	61	21	A	72077	27	3
A	35690	51	16	A	72092	27	2
A	37247	31	1	A	72099	27	5
A	37247	55	1	A	72104	59	2
A	37247	69	11	B	50213	61	
A	37247	81	18	B	50223	61	5
A	39519	31	8	B	50255	61	2
A	39888	61	11	B	50273	61	6
A	40702	57	4	B	50293	61	14
A	40702	59	40	B	52118	71	12
A	40736	57	21	B	52144	47	15
A	40736	57	22	C	10314	43	2
A	40736	59	21	C	10657	25	14
A	40736	59	22	C	10678	25	3
A	40855	61	4	C	10836	63	3
A	41927	57	13	C	10898	75	4
A	41927	59	13	C	11529	25	18
A	41959	57	27	C	11529	49	16
A	42127	57	25	C	11545	25	19
A	43182	61		C	11545	49	17
A	43356	57	31	C	11886	83	15
A	43356	59	31	C	11887	83	16
A	43494	57	2	C	11891	83	2
A	43495	57	23	C	11892	83	14
A	43499	57	37	C	11893	83	12

PART NO.	PAGE NO.	REF. NO.	PART NO.	PAGE NO.	REF. NO.		
C	11895	83	9	C	14506	29	4
C	11901	83	13	C	14525	45	14
C	11906	39	5	C	14534	37	12
C	12093	55	2	C	14537	61	9
C	12093	69	12	C	14537	61B	9
C	12102	39	13	C	14539	65	4
C	12102	39	13	C	14553	61	6
C	12110	43	5	C	14553	61B	6
C	12127	83	27	C	14565	61	3
C	12224	29	2	C	14565	61B	3
C	12551	47	25	C	14566	61	4
C	12552	47	26	C	14566	61B	4
C	12559	47	31	C	14568	73	2
C	12560	47	32	C	14568	75	14
C	12713	47	2	C	14599	63	21
C	12718	47	36	C	14644	47	24
C	12723	47	10	C	14655	49	35
C	12725	47	21	C	14655	55	22
C	12975	39	9	C	14690	25	23
C	12975	39	10	C	14690	31	4
C	12975	41	20	C	14692	73	9
C	13106	39	7	C	14703	71	16
C	13106	39	8	C	14709	71	17
C	13106	41		C	14710	71	18
C	13106	43		C	14712	71	
C	13106	69		C	14715	71	8
C	13196	47	16	C	14717	71	15
C	13197	47	17	C	14722	71	3
C	13200	53	12	C	14724	71	4
C	13211	47	9	C	14725	71	14
C	13241	47	5	C	14728	37	22
C	13261	47	40	C	14729	35	20
C	13266	47	8	C	14730	35	20
C	13360	45	1	C	14827	55	4
C	13385	47	6	C	14828	55	7
C	13526	43	2	C	14829	55	8
C	13605	39	5	C	14830	55	9
C	13605	39	16	C	14831	55	10
C	13716	39	6	C	14834	55	13
C	14060	63	1	C	14836	55	15
C	14168	47	23	C	14837	55	5
C	14195	49	12	C	14838	55	16
C	14200	41	6	C	14872	73	1
C	14201	41	7	C	14906	17	44
C	14222	47	39	C	14906	19	44
C	14223	47	37	C	14906	21	44
C	14240	31	1	C	14906	31	11
C	14241	31	1	C	14953	17	38
C	14246	31	3	C	14953	19	38
C	14304	63	9	C	14954	21	38
C	14305	63	8	C	14970	69	34
C	14334	39	12	C	14970	73	10
C	14344	57	34	C	14976	71	3
C	14344	59	34	C	14991	71	9
C	14345	25	7	C	15036	51	20
C	14399	17	26	C	15096	41	16
C	14399	19	26	C	15335	49	1
C	14399	21	26	C	15389	79	10
C	14457	75	2	C	15515	33	7
C	14459	75	5	C	15556	33	11
C	14460	75	5	C	15557	33	8

## NUMERICAL INDEX

PART NO.	PAGE NO.	REF. NO.	PART NO.	PAGE NO.	REF. NO.		
C	15564	45	11	C	17275	61	15
C	15690	65	10	C	17275	61B	15
C	15691	65	11	C	17281	45	3
C	15692	65	12	C	17298	49	6
C	15693	65	13	C	17298	51	17
C	15696	65	16	C	17433	53	8
C	15697	65	17	C	17435	53	9
C	15718	33	3	C	17438	53	17
C	15721	33	22	C	17439	53	11
C	15726	49	6	C	17440	53	14
C	15726	51	17	C	17443	53	18
C	16128	71	20	C	17444	53	19
C	16133	69	31	C	17546	63	34
C	16163	69	10	C	17574	25	16
C	16164	43	21	C	17636	77	4
C	16170	35	2	C	17717	29	1
C	16239	35	23	C	17718	29	2
C	16339	47	22	C	17732	69	33
C	16362	35	12	C	17734	69	29
C	16363	25	17	C	17763	61	24
C	16373	35	14	C	17763	61B	24
C	16379	43	23	C	17859	77	1
C	16384	39	17	C	17860	77	3
C	16393	37	17	C	17863	77	2
C	16404	37	2	C	17898	49	25
C	16408	37	1	C	17921	63	2
C	16429	37	7	C	18014	41	2
C	16444	37	15	C	18017	41	21
C	16445	37	15	C	18092	55	15
C	16446	37	16	C	18097	11	24
C	16447	37	16	C	18097	13	24
C	16516	55	1	C	18097	15	24
C	16581	77	1	C	18097	17	34
C	16616	33	19	C	18097	19	34
C	16687	49	24	C	18097	21	34
C	16697	49	35	C	18097	21	34
C	16697	49	35	C	18098	29	14
C	16697	55	5	C	18099	29	30
C	16699	47	11	C	18099	29	30
C	16700	47	13	C	18101	11	18
C	16744	47	3	C	18110	55	10
C	16786	33	13	C	18115	61	20
C	16793	49	11	C	18115	63	40
C	16794	49	10	C	18115	61B	20
C	16796	25	20	C	18147	43	22
C	16945	41	1	C	18150	35	17
C	17066	37	20	C	18153	35	11
C	17067	45	13	C	18197	61	12
C	17152	37	14	C	18197	61B	12
C	17161	77	2	C	18197	61B	12
C	17162	77	3	C	18251	69	3
C	17186	61	10	C	18281	79	1
C	17187	61	2	C	18281	83	1
C	17187	61B	2	C	18382	55	6
C	17187	73	3	C	18389	61B	10
C	17188	73	3	C	18417	83	24
C	17189	73	4	C	18580	49	15
C	17216	37	19	C	18711	41	12
C	17224	69	28	C	18719	81	2
C	17249	45	6	C	18720	81	1
C	17249	69	6	C	18722	81	1
C	17250	45	7	C	18733	35	8
C	17250	69	7	C	18742	55	6
C	17250	69	7	C	18742	69	18

## NUMERICAL INDEX

PART NO.	PAGE NO.	REF. NO.	PART NO.	PAGE NO.	REF. NO.	PART NO.	PAGE NO.	REF. NO.	PART NO.	PAGE NO.	REF. NO.	PART NO.	PAGE NO.	REF. NO.	PART NO.	PAGE NO.	REF. NO.						
C	18777	39	2	C	20053	31	20	C	22568	39	19	C	25054	15	22	D	59705	37	9	KO	235011	7	18
C	18779	39	3	C	20056	35	5	C	22571	61	11	C	25177	47	27	D	70115	61	1	KO	235011	7	41
C	18782	39	3	C	20082	35	6	C	22571	63		C	25207	49	6	D	71234	55	11	KO	235011	9	18
C	18786	39	18	C	20093	31	5	C	22571	61B	11	C	25207	51	17	D	72853	55	8	KO	235025	17	16
C	18786	39	18	C	20194	29	37	C	22573	63	10	C	25208	49	6	F	19892	27	7	KO	235025	19	16
C	18788	63	27	C	20455	51	15	C	22637	47	14	C	25208	51	17	F	59014	33	14	KO	235025	21	16
C	18793	29	3	C	20456	51	2	C	22638	47	12	C	25603	29	1	H	43034	29	16	KO	235025	23	3
C	18797	49	21	C	20457	51	3	C	22699	17	23	C	25604	29	3	H	61168	11	23	KO	235026	17	17
C	18808	69	1	C	20460	51	4	C	22699	19	23	C	26021	43	7	H	61168	13	23	KO	235026	19	17
C	18809	45	1	C	20461	51	5	C	22699	21	23	C	26182	49	23	H	61168	15	23	KO	235026	21	17
C	18811	45	4	C	20462	51	6	C	22714	35	1	C	26188	69	25	H	233346	11	21	KO	235047	7	9
C	18812	39	1	C	20464	51	12	C	22738	23	9	C	26188	71	2	H	233346	13	21	KO	235047	9	9
C	18813	39	1	C	20761	51	2	C	22738	25	13	C	26190	15	15	H	233346	15	21	KO	235048	7	6
C	18814	17	43	C	20764	51	4	C	22979	35		C	26205	39	2	H	233346	49	5	KO	235048	9	6
C	18814	19	43	C	20765	51	5	C	22992	39	24	C	26214	37	8	KO	200372	27	15	KO	235048	23	11
C	18814	21	43	C	20767	51		C	22992	39	24	C	26215	37	8	KO	200380	27	1	KO	235053	7	27
C	18851	53		C	21495	49	28	C	22998	31	2	C	26266	31	13	KO	200380	27	6	KO	235053	7	50
C	18890	35	17	C	21495	53		C	23032	29	36	C	26282	15	6	KO	200383	27	4	KO	235053	9	28
C	18908	33	15	C	21495	53		C	23135	13	18	C	26283	15	15	KO	200408	27	8	KO	235054	25	14
C	18940	33	17	C	21504	53		C	23135	15	18	C	26284	15	15	KO	220297	63	2	KO	235057	23	14
C	18989	25	1	C	21504	53		C	23245	33	10	C	26285	15	15	KO	230011	7	20	KO	235070	17	29
C	18999	63	30	C	21505	53	15	C	23326	49	39	C	26353	33	1	KO	230011	7	43	KO	235070	19	29
C	19021	25	15	C	21506	53	11	C	23337	79	5	C	26361	13	15	KO	230020	9	20	KO	235070	21	29
C	19025	55	8	C	21506	53	22	C	23391	33	18	C	26363	47		KO	230170	7	16	KO	235070	23	5
C	19025	69	20	C	21507	53	6	C	23707	75	15	C	26381	43	17	KO	230170	7	39	KO	235084	29	19
C	19040	55	2	C	21507	53	7	C	23740	33	6	C	26421	11	25	KO	230170	9	16	KO	235085	29	18
C	19041	55	14	C	21508	53	8	C	23839	61	23	C	26421	13	25	KO	230170	17	9	KO	235086	29	17
C	19053	5	1	C	21508	53	24	C	23839	61B	23	C	26421	15	25	KO	230170	19	9	KO	235117	7	8
C	19053	5	1	C	21508	53	24	C	23858	23	1	C	26421	17	36	KO	230170	21	9	KO	235117	9	8
C	19055	61	21	C	21509	53	7	C	23858	23	8	C	26421	19	36	KO	230265	7	29	KO	235118	7	7
C	19055	61B	21	C	21509	53	23	C	23860	23	8	C	26421	21	36	KO	230265	7	52	KO	235118	9	7
C	19063	43	7	C	21510	53	9	C	23860	25	2	C	26422	27	10	KO	230265	9	29	KO	235125-S	17	11
C	19064	43	8	C	21510	53	25	C	23888	79	8	C	26431	53	13	KO	230265	17	9A	KO	235125-S	19	11
C	19104	69	32	C	21511	53		C	23962	79	9	C	26509	11	6	KO	230265	19	9A	KO	235125-S	29	29
C	19120	61	1	C	21518	55	5	C	24096	43	16	C	26510	11	15	KO	230265	21	11	KO	235168	9	19
C	19179	43	10	C	21518	69	15	C	24097	43	15	C	26511	11	15	KO	230722	61	19	KO	235207	25	6
C	19207	51	15	C	21526	39	22	C	24098	41	18	C	26512	11	15	KO	230722	61B	19	KO	235277	29	23
C	19212	55	17	C	21527	39	23	C	24135	63	10	C	26513	11	15	KO	231032	7	5	KO	235287	11	2
C	19213	5	2	C	21529	39	21	C	24137	35	15	C	26514	13	6	KO	231032	9	5	KO	235288	11	16
C	19246	63	39	C	21530	39	21	C	24141	19	7	C	26515	13	15	KO	231032	23	16	KO	235289	11	16
C	19250	43	1	C	21591	81	17	C	24290	21	31	C	26515	13	15	KO	231281	61	13	KO	235290	11	16
C	19251	43	11	C	21592	81	19	C	24301	61	16	C	26516	13	15	KO	231281	61	13	KO	235353	17	20
C	19253	49	38	C	21596	33	11	C	24301	61B	16	C	26517	13	15	KO	231281	61B	13	KO	235353	19	20
C	19254	63	36	C	21679	63	42	C	24408	25	1	C	26518	23	7	KO	232535	61	14	KO	235353	21	20
C	19402	81	8	C	21814	17	1	C	24408	27		C	26518	63	6	KO	232535	63	5	KO	235353	23	4
C	19403	81	10	C	21814	19	1	C	24433	43	3	C	26703	5	2	KO	232535	61B	14	KO	235448	27	9
C	19404	81	9	C	21814	21	12	C	24435	43	1	C	26929	61	7	KO	235003	11	11	KO	235476	29	25
C	19405	81	11	C	21857	43	24	C	24438	43	9	C	26929	61B	7	KO	235003	13	11	KO	235496	29	12
C	19417	37	6	C	21872	43	19	C	24819	55	3	C	27278	27	11	KO	235003	15	11	KO	235572	11	8
C	19422	83	5	C	21948	61B	1	C	24884	7	21	C	27440	63	11	KO	235004	11	7	KO	235573	11	17
C	19423	83	18	C	21950	61B	26	C	24884	7	44	C	27822	55	4	KO	235004	13	7	KO	235582	9	15
C	19424	79	11	C	21988	61	26	C	24884	9	21	C	27822	69	16	KO	235004	15	7	KO	235603	29	33
C	19449	5	8	C	21988	61B	27	C	24973	35	1	D	22988	29	4	KO	235007-S	7	17	KO	235631	7	10
C	19469	73	8	C	21989	61	25	C	24973	35	1	D	31945	47	4	KO	235007-S	7	40	KO	235631	9	10
C	19476	73	7	C	21989	61B	25	C	24973	35	1	D	39712	83	20	KO	235007-S	9	17	KO	235652	25	5
C	19740	71	1	C	22023	35	7	C	25022	43	13	D	58185	51	6	KO	235007-S	17	10	KO	235748	17	42
C	19740	71	1	C	22034	17	31	C	25043	7	25	D	58186	51	7	KO	235007-S	19	10	KO	235748	19	42
C	19767	31	15	C	22034	19	31	C	25043	7	48	D	58187	51	8	KO	235007-S	21	10	KO	235748	21	42
C	19867	31	12	C	22218	75	1	C	25043	9	25	D	58188	51	11	KO	235008	7	15	KO	235757	17	29
C	20035	31	3	C	22278	39	25	C	25048	55	3	D	58189	51	14	KO	235010	7	38	KO	235757	19	29
C	20036	31	7	C	22278	39	25	C	25053	49	7	D	58196	51	9	KO	235010	7	19	KO	235757	21	29
C	20041	31	14	C	22568	39	19	C	25053	51	1	D	59650	51	12	KO	235010	7	42	KO	235757	21	29

## NUMERICAL INDEX

NUMERICAL INDEX

PART NO.	PAGE NO.	REF. NO.	PART NO.	PAGE NO.	REF. NO.
KO 235757	23	5	KO 275341	23	10
KO 235818	17	35	KO 275341	25	11
KO 235818	19	35	KO 275690	29	15
KO 235818	21	35	KOA 231533	63	1
KO 235826	7	14	KOA 235139	11	10
KO 235826	7	37	KOA 235256S	29	26
KO 235838	9	14	KOA 235871	17	8
KO 235868	13	17	KOA 236919	29	34
KO 235868	15	17	KOA 237031	29	28
KO 235889	13	2	KOA 237344	13	10
KO 235890	13	16	KOA 237344	15	10
KO 235891	13	16	KOA 237559	29	32
KO 235892	13	16	KOA 237653	29	8
KO 235901	25	11	KOB 235949	13	22
KO 236611	11	13	KOB 236364	11	22
KO 236611	13	13	KOC 236303	17	7
KO 236611	15	13	KOC 237182	21	7
KO 236675	17	4	KOD 235327	7	22
KO 236763	15	2	KOD 235327	7	45
KO 236764	15	16	L 79701	81	12
KO 236765	15	16	O 2815N	33	16
KO 236766	15	16	O 10323AB	51	16
KO 236886	21	1	R 15077	59	19
KO 237064	21	6	R 15087	59	3
KO 237277	17	49	R 15090	57	8
KO 237277	19	49	R 15090	59	8
KO 237277	21	49	R 15106	57	1
KO 237421	5	9	R 15106	59	1
KO 237423	5	10	R 15147	57	12
KO 237489	27	3	R 16147	59	12
KO 237520	25	4	R 16148	59	16
KO 237658	17	5	R 16161	57	9
KO 237658	19	5	R 16161	59	9
KO 237658	21	5	R 16287	11	19
KO 237658	23	15	R 16287	13	19
KO 237670	19	4	R 16287	15	19
KO 237670	21	4	R 16287	17	27
KO 237677	25	4	R 16287	19	27
KO 237895	5	1	R 16287	21	27
KO 270158	17	2	R 17820	47	33
KO 270158	19	2	T 40189	83	21
KO 270158	21	2	V 34346	7	28
KO 270889	17	3	V 34346	7	51
KO 270889	19	3	V 34346	9	26
KO 270889	21	3	V 34416	29	31
KO 275066	7	26	V 34418	17	12
KO 275066	7	49	V 34418	19	12
KO 275066	9	27	V 34418	29	27
KO 275067	7	26	V 34433	61	18
KO 275067	7	49	V 34433	61B	18
KO 275067	9	27			
KO 275143	7	4			
KO 275143	9	4			
KO 275144	7	11			
KO 275144	9	11			
KO 275144	23	12			
KO 275182	63	12			
KO 275220	7	3			
KO 275220	9	3			
KO 275231	27	5			
KO 275341	5	3			

HARDWARE CODE NUMBERS

15- 420	29	9
22- 58	63	25
25- 108	77	6
28- 662	55	16
28- 680	47	34
41- 18	17	13
41- 18	19	13

NUMERICAL INDEX

PART NO.	PAGE NO.	REF. NO.	PART NO.	PAGE NO.	REF. NO.	PART NO.	PAGE NO.	REF. NO.	PART NO.	PAGE NO.	REF. NO.	PART NO.	PAGE NO.	REF. NO.
41- 18	21	13	113- 417	75	9	131- 178	69	9	175- 436	25	10			
61- 616	17	25	113- 417	77	4	131- 178	69	22	177- 94	5	7			
61- 616	19	25	113- 421	75	13	131- 179	43	5	182- 209	25	21			
61- 616	21	25	113- 424	35	22	131- 351	49	31	182- 209	49	19			
74- 610	59	25	113- 424	37	4	131- 580	11	26	182- 515	81	14			
75- 48	83	11	113- 424	45	3	131- 580	13	26	182- 523	63	35			
83- 55	51	21	113- 425	73	3	131- 580	15	26	187- 408	63	7			
92- 6	11	12	113- 427	37	3	131- 580	17	37	187- 485	63	4			
92- 6	13	12	113- 441	37	3	131- 580	19	37	187- 1036	29	38			
92- 6	15	12	113- 443	77	5	131- 580	21	37	187- 1046	39	11			
92- 8	67	4	114- 200	49	3	131- 629	63	5	187- 1046	39	12			
111- 2	29	5	121- 106	35	3	131- 1103	47	35	187- 1047	63	6			
111- 108	63	16	121- 106	37	13	131- 1112	41	8	187- 1251	31	2			
111- 131	63	31	126- 16	41	17	131- 1113	41	3	187- 1844	63	26			
111- 202	63	15	126- 111	57	24	131- 1115	81	5	192- 17	57	15			
111- 256	5	7	126- 111	59	24	131- 1129	43	4	192- 17	59	15			
111- 317	77	5	126- 128	47	41	131- 1308	43	20	192- 18	29	26			
111- 530	67	2	129- 17	29	7	131- 1318	35	9	192- 18	29	21			
111- 531	67	3	129- 18	57	14	132- 5	83	3	192- 18	59	28			
111- 532	67	2	129- 18	59	14	132- 46	35	13	192- 18	63	4			
113- 1	47	20	129- 27	63	22	132- 48	31	10	192- 18	63	23			
113- 2	25	12	129- 37	29	20	132- 91	31	9	192- 19	7	2			
113- 4	81	20	129- 37	63	41	132- 91	71	6	192- 19	9	2			
113- 5	51	13	129- 77	63	37	132- 306	75	12	192- 19	17	18			
113- 6	17	19	129- 101	7	1	132- 310	43	3	192- 19	19	18			
113- 6	19	19	129- 101	9	1	132- 310	69	4	192- 19	21	18			
113- 6	21	19	129- 101	29	11	132- 310	71	4	192- 19	25	2			
113- 6	25	3	129- 101	63	17	132- 311	39	8	192- 19	25	9			
113- 12	81	4	129- 101	63	33	132- 311	39	9	192- 19	25	13			
113- 102	41	11	129- 102	5	10	132- 320	55	10	192- 19	29	13			
113- 102	63	18	129- 102	25	19	132- 320	69	13	192- 19	47	19			
113- 102	79	12	129- 102	35	4	132- 321	43	9	192- 20	5	9			
113- 103	25	7	129- 102	63	14	132- 361	69	5	192- 20	25	6			
113- 103	63	11	129- 102	79	13	138- 59	71	19	192- 20	25	17			
113- 103	79	15	129- 103	5	6	138- 96	31	6	192- 20	35	19			
113- 103	35	18	129- 103	17	47	138- 99	39	4	192- 20	41	10			
113- 118	25	16	129- 103	19	47	138- 99	39	4	192- 20	57	3			
113- 118	31	5	129- 103	21	47	138- 309	71	5	192- 20	63	12			
113- 118	71	10	129- 103	61	20	138- 319	35	16	192- 20	79	17			
113- 122	37	11	129- 103	77	7	138- 319	43	18	192- 21	5	5			
113- 206	17	14	129- 105	61	15	138- 319	47	42	192- 21	17	15			
113- 206	19	14	129- 105	67	4	138- 323	55	11	192- 21	17	24			
113- 206	21	14	129- 105	67	5	138- 2054	45	10	192- 21	17	32			
113- 206	41	13	129- 105	75	10	141- 54	43	12	192- 21	17	48			
113- 206	63	28	129- 122	55	7	151- 544	29	5	192- 21	19	15			
113- 206	79	6	129- 122	63	20	164- 40	33	4	192- 21	19	24			
113- 207	5	3	129- 122	69	19	164- 42	45	5	192- 21	19	32			
113- 207	17	33	129- 125	39	15	164- 50	29	9	192- 21	19	48			
113- 207	19	33	129- 125	39	15	166- 86	49	36	192- 21	21	15			
113- 207	21	33	129- 143	17	46	169- 95	29	35	192- 21	21	24			
113- 207	31	19	129- 143	19	46	169- 108	83	17	192- 21	21	32			
113- 207	33	20	129- 143	21	46	169- 114	53	20	192- 21	21	48			
113- 207	49	2	129- 325	39	16	169- 131	63	24	192- 21	29	7			
113- 207	69	21	129- 325	39	17	169- 145	25	9	192- 21	33	21			
113- 207	77	6	129- 504	25	22	169- 145	83	6	192- 21	41	14			
113- 209	61	18	129- 504	49	20	171- 247	49	30	192- 21	49	4			
113- 219	29	6	129- 531	53	10	173- 73	61	7	192- 21	61	19			
113- 221	45	8	131- 176	71	11	173- 210	63	3	192- 21	63	29			
113- 221	69	8	131- 178	31	16	173- 221	21	21	192- 21	77	8			
113- 417	71	5	131- 178	37	21	173- 224	63	8	192- 21	79	7			
113- 417	75	6	131- 178	45	9	173- 237	59	27	192- 23	35	21			

NUMERICAL INDEX

PART NO.	PAGE NO.	REF. NO.	PART NO.	PAGE NO.	REF. NO.		
192-	23	37	5	218-	535	81	15
192-	23	39	14	218-	927	79	4
192-	23	39	14	218-	5006	49	22
192-	23	45	2	218-	5007	49	9
192-	23	61	16	218-	5007	49	27
192-	23	67	3	218-	5007	49	33
192-	23	75	7	218-	5056	69	27
192-	23	77	7	218-	5062	49	32
192-	26	57	35	218-	5065	49	8
192-	26	59	35	218-	5107	49	26
193-	4	61	8	218-	5232	79	14
193-	26	21	22	218-	5291	73	5
193-	29	63	44	219-	17	39	20
193-	56	29	8	219-	17	39	20
193-	57	63	32	219-	403	43	4
193-	60	25	10	219-	404	39	6
193-	70	63	19	219-	404	39	7
193-	76	33	5	219-	404	41	19
193-	90	63	9	219-	404	45	2
195-	102	83	10	219-	404	69	2
195-	104	31	17	219-	405	71	2
195-	104	43	6	221-	841	53	10
195-	104	69	23	221-	841	53	21
195-	126	31	18	221-	842	83	19
195-	512	5	8	221-	844	47	7
195-	513	63	38	221-	849	51	10
195-	515	25	8	221-	1134	73	1
195-	515	29	10	221-	1375	73	2
195-	518	81	16	221-	1412	17	45
195-	520	63	13	221-	1412	19	45
195-	521	25	18	221-	1412	21	45
195-	521	45	12	223-	20	61	22
195-	521	55	9	223-	20	61B	22
195-	521	63	43	321-	18	65	3
195-	521	69	17	321-	1423	65	1
195-	521	79	16	321-	1786	65	8
195-	524	37	18	321-	1788	65	5
195-	525	5	4	321-	2110	65	7
195-	525	77	9	321-	2468	65	14
195-	533	69	14	321-	2469	65	15
195-	533	77	8	321-	2624	65	9
195-	541	71	7	321-	2625	65	9
195-	541	75	3	321-	2658	65	6
195-	545	75	11	353-	406	35	10
195-	2069	41	15	353-	462	31	4
195-	2175	37	10				
195-	2175	41	9				
205-	27	17	30				
205-	27	19	30				
211-	7	53	16				
211-	9	53	5				
211-	9	53	6				
211-	11	83	23				
213-	41	43	14				
214-	6	81	13				
214-	251	25	4				
214-	254	49	13				
218-	445	81	7				
218-	457	79	2				
218-	485	81	6				
218-	494	79	3				

**INGERSOLL**  
 Ingersoll Equipment Co., Inc.