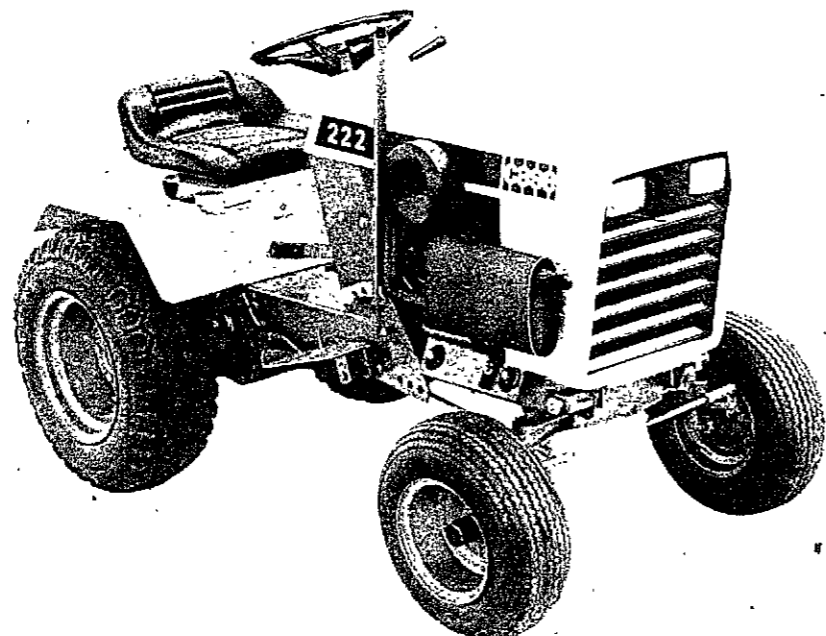
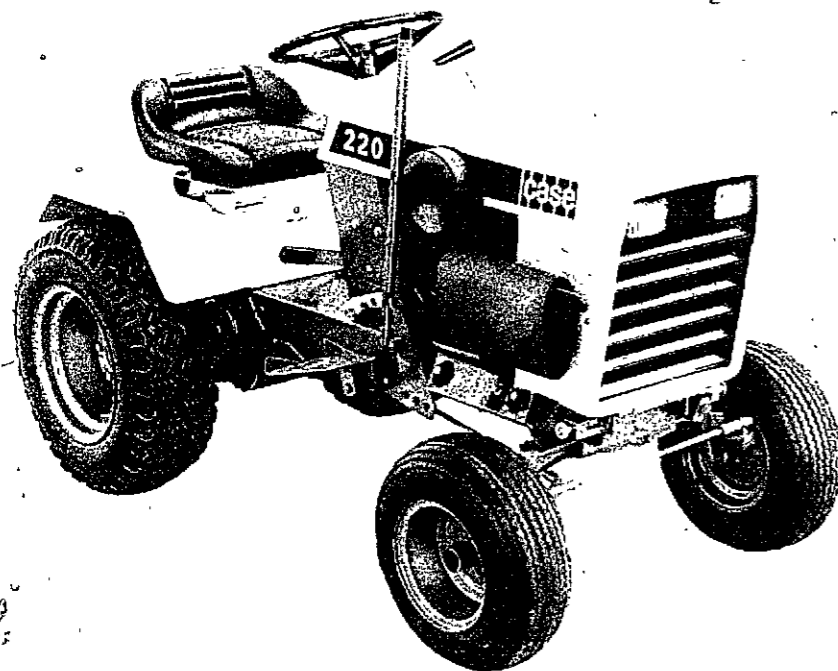


COMPACT TRACTORS  
 MODELS 220, 222, 224 AND 444  
 220 - S/N 9656747 THRU 9674234  
 222 - S/N 9658189 THRU 9681169  
 224 - S/N 9667000 THRU 9676353  
 444 - S/N 9661261 THRU 9677448

Parts Catalog B1255

NOTE: This Parts Catalog replaces the previous Issue No. A1255 which is obsolete and should be discarded.



ALPHABETICAL INDEX

ENGINE SECTION

	PAGE	GRID		PAGE	GRID
Air Cleaner	5	A6	Filter, Breather	7-9	A8-A10
Battery	61	E8	Flywheel	17-21	B4-B8
Belt, Starter-Generator	25	B12	Fuel Pump	25-27	B12-B14
Breaker Contacts	63	E10	Fuel Strainer	25	B12
Breather, Crankcase	7-9	A8-A10	Fuel System	25	B12
Camshaft	7-9	A8-A10	Gasket Kits	23	B10
Carburetor	25-27	B12-B14	Governor	29	C2
Connecting Rod	11-15	A12-B2	Muffler	5	A6
Crankshaft	11-15	A12-B2	Oil Pan	17-21	B4-B8
Cylinder Block	17-21	B4-B8	Piston	11-15	A12-B2
Cylinder Head	17-21	B4-B8	Pulley, Clutch	31-33	C4-C6
Electrical System	61-63	E8-E10	Spark Plug	61	E8
Engine Block & Attaching Parts	17-21	B4-B8	Starter - Generator	57-59	E4-E6
Exchanger, Heat	49	D8	Tank, Fuel	25	B12
Exhaust System	5	A6	Throttle Linkage	29	C2
Fan	33	C6	Valves	7-9	A8-A10

BASIC TRACTOR SECTION

	PAGE	GRID		PAGE	GRID
Axle, Front	39	C12	J17 Hydraulic PTO	79	F12
Axle, Rear	47	D6	J19 Flow Control Valve Kit	81	F14
Baffles & Shrouds	25	B12	Models D8 & D10 Wheel Weights	67	E14
Brakes	43	D2	Model H26 Three Point Hitch	71	F4
Control - Speed	51	D10	Model F27 Three Point Hitch Adapter	73	F6
Decals	65	E12	Model H22 & H24 Sleeve Hitches	75	F8
Electrical System	61-63	E8-E10	Model H13 Weight Box	77	F10
Fenders	37	C10	Model H18 Counterweight Brackets	77	F10
Frame	35	C8	Model J30 Hydraulic Lift	69	F2
Grille	35	C8	Mounts, Engine	29	C2
Hitch	45	D4	Pulley Clutch	31-33	C4-C6
Hood	35	C8	Seat, Operator's	37	C10
Hydraulics	49	D8	Steering Wheel & Gear	41	C14
Coupling, Pump Drive	49-51	D8-D10	Tail Lamp	61	E8
Hoses, Lines & Fittings	49	D8	Tool Box	37	C10
Motor, Hydraulic Drive	49-55	D8-E2	Transmission	47	D6
Pump	49-51	D8-D10	Wheels, Front & Rear	43	D2
Valve, Control	49-53	D8-D12			
Valve Control Linkage	51	D10			
Implement Lift Lever	45	D4			
Instruments	61	E8			

J I Case  
 A Tenneco Company  
 OPE Division  
 Technical Publications  
 119 S. First Street  
 Winneconne, Wis. 54986



## GENERAL INFORMATION

### Indexes

This Parts Catalog is arranged for easy identification of Genuine CASE Service Parts. An alphabetical index is provided at the front of this Catalog to locate the major groups or assemblies. A numerical index at the rear of the Catalog gives the part numbers and the pages on which they are described.

### Illustrations

All parts are illustrated in "Exploded Views" which show the individual parts in their normal relationship to each other. Reference numbers are used in the illustrations. These numbers correspond to those in the "Reference Number" column and are followed by the part number, description and quantity required.

### Indented Description

Indented parts in the descriptive list are a part of the preceding assembly or sub-assembly. The quantity shown in the "Number Required" column is the number of parts used on a machine except where parts are indented in descriptive list. In this case the quantity shown is the number required for the preceding assembly or sub-assembly.

REF.	PART NO.	DESCRIPTION	REQ'D
	A 55159	CYLINDER ASSY - rear steering	1
28	A 56208	SOCKET ASSY - rear cylinder	1
29	A 55956	PLUG - adjusting, socket assy	1
30	A 55957	SEAT - socket ball	2
31	A 56210	SPRING - socket	1
32	A 56209	SEAT - socket spring	1
33	G 45175	CLAMP ASSY - socket assy	1
	16- 836	BOLT - 1/2" x 2-1/4" N.F.hex.	1
34	132- 104	PIN - cotter, 3/16" x 3"	1
35	A 55889	STUD - ball, socket & cylinder	2
36	13- 410	BOLT - 1/4" x 5/8" N.C., hex.	4
37	92- 4	LOCKWASHER - 1/4" SAE	4

### Terms "Right Hand" and "Left Hand"

"Right Hand" and "Left Hand" sides of this machine are determined by standing at the rear of the unit and facing in the direction of forward travel.

### Orders

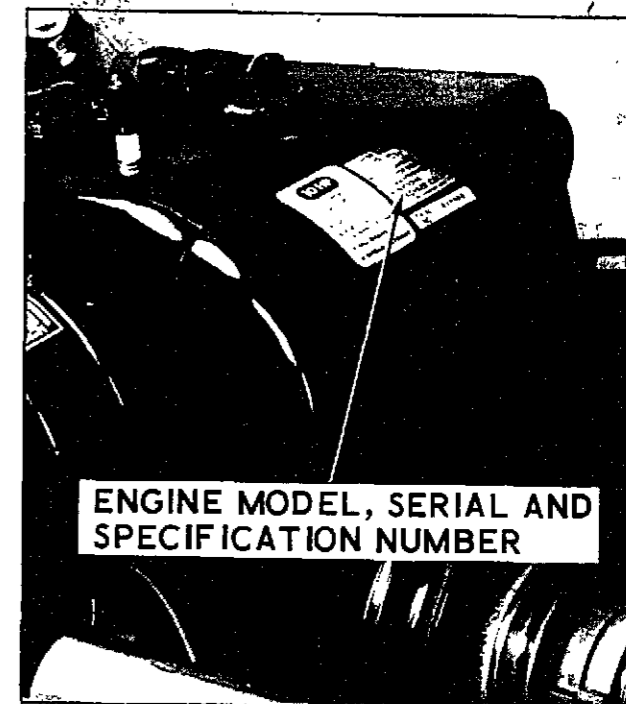
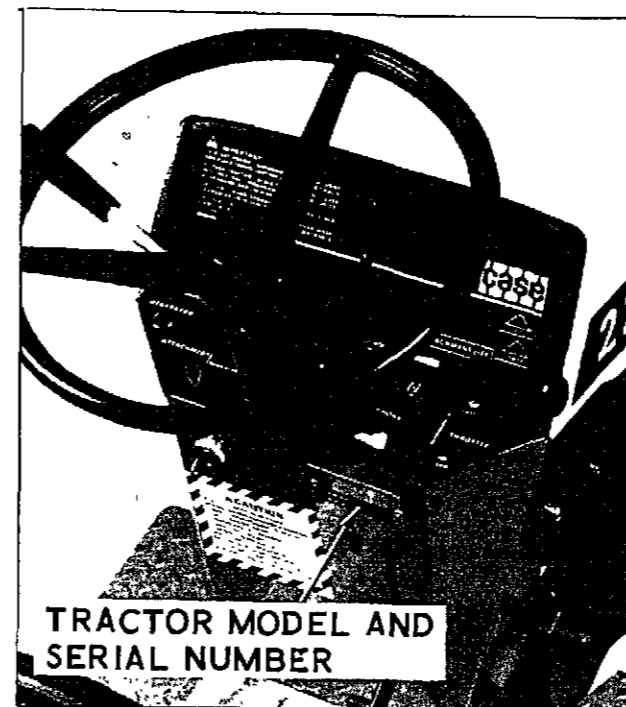
Orders should plainly specify correct part number, full description, quantity required, machine model and engine model, machine and engine serial numbers, method of shipment and shipping address.

### Changes

When changes to the machine make it necessary, revised pages for this book will be issued. The revised pages will be issued with the same page number as those they replace and the "issue" number and date will be advanced.

It is imperative that revised Parts Book pages be inserted into their respective Parts Books as soon as received. Failure to do so will lead to confusion and defeat the purpose of the book.

## CASE 220, 222, 224 AND 444 COMPACT TRACTORS

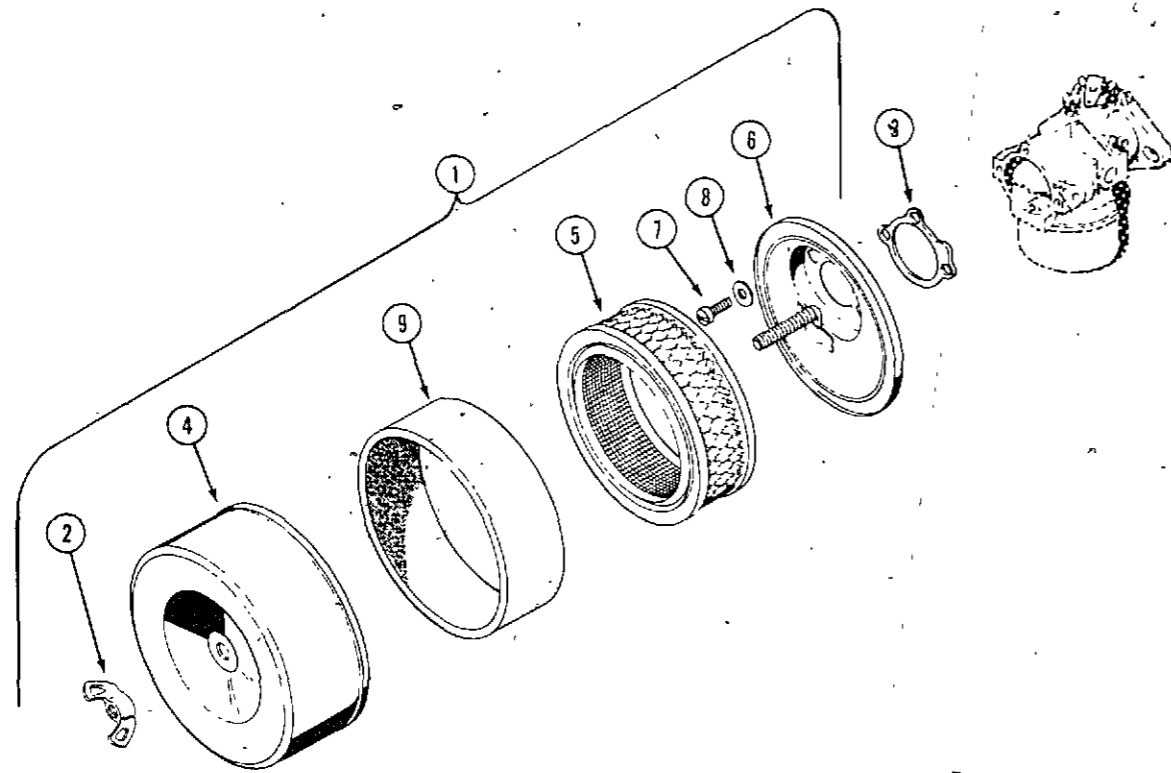


TRACTOR MODEL DESIGNATIONS	ENGINE MODEL DESIGNATIONS
220 TRACTOR	K-241-A C19026 ENGINE
222 TRACTOR	K-301-A C19027 ENGINE
224 TRACTOR	K-321-A C19028 ENGINE used S/N 966700 to 967601
444 TRACTOR	K-321-A C19028 ENGINE used S/N 9661261 to 9676901
224 TRACTOR	K-321-A C19564 ENGINE used S/N 9676010 and after
444 TRACTOR	K-321-A C19564 ENGINE used S/N 9676901 and after

### SERIAL NUMBERS

When using this catalog, notice the reference to serial numbers of various components noted here and listed in the "description" copy. By referring to correct serial numbers, proper parts identification will be assured.

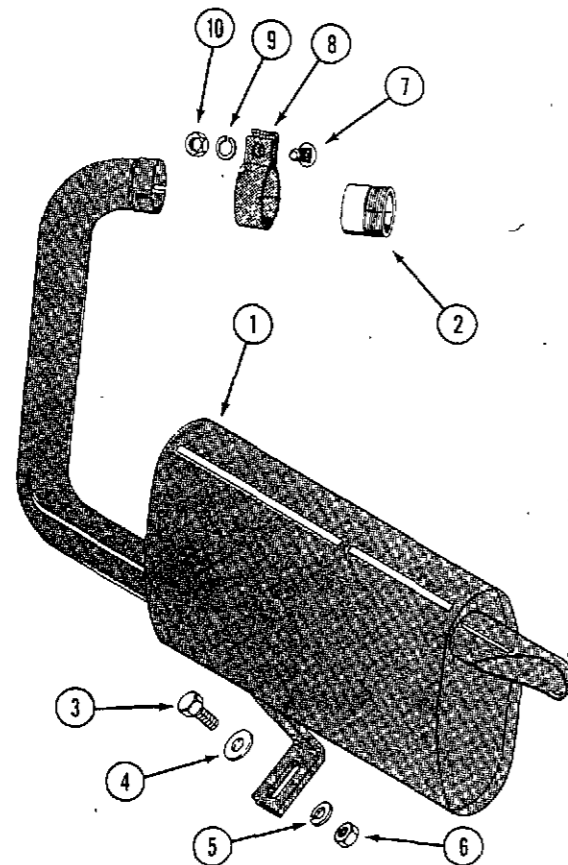
**AIR CLEANER**



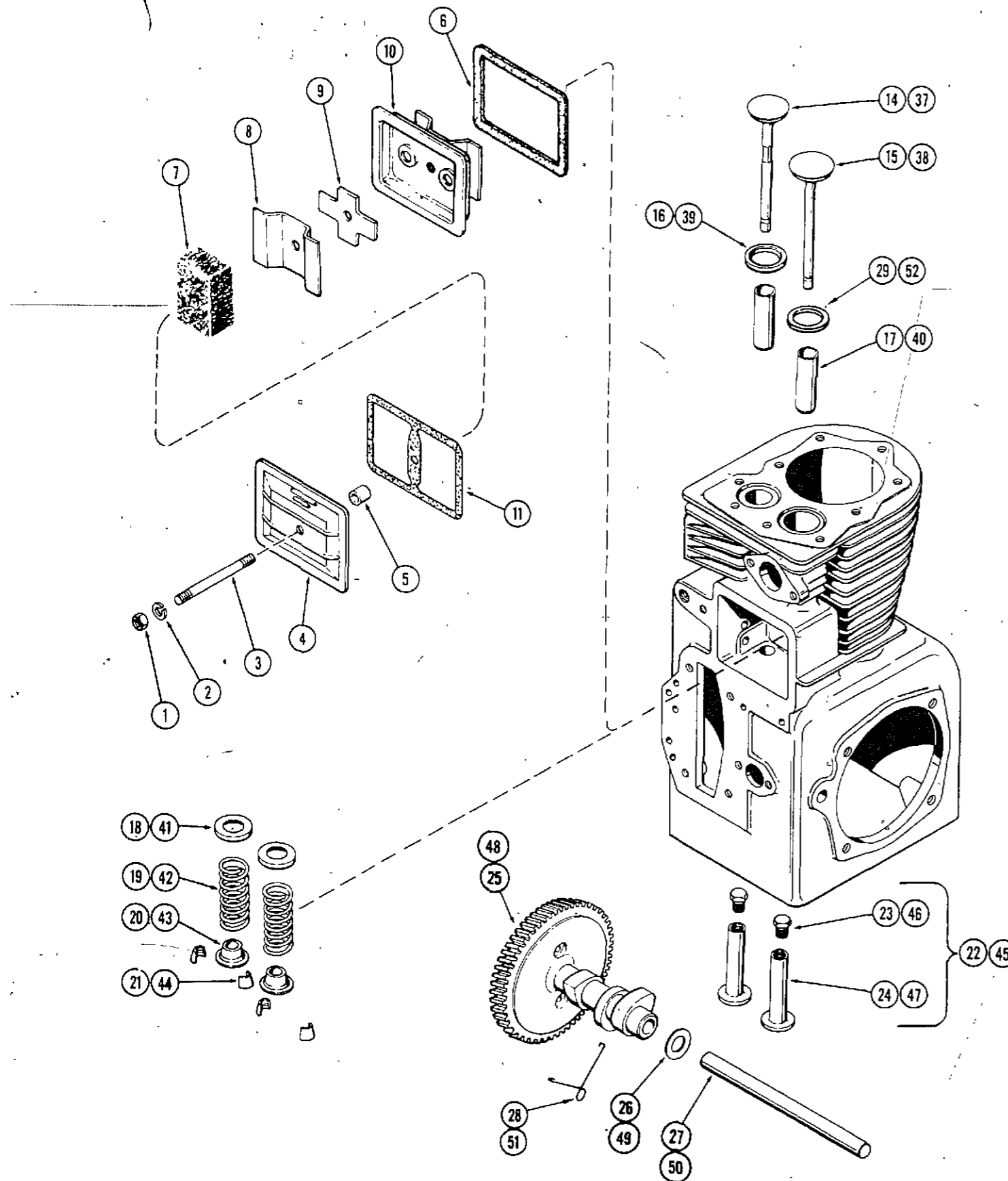
REF.	PART NO.	DESCRIPTION	REQ'D
1	KOA235100	AIR CLEANER ASSEMBLY	1
2	129- 409	NUT - wing NC 1/4"	1
3	KO 275341	GASKET - air horn	1
4	NSS	COVER- air cleaner (Order KOA235100)	1
5	A 70090	ELEMENT- air cleaner	1
6	NSS	BASE - air cleaner (Order KOA235100)	1
7	177- 94	SCREW - fillister head 10-32 x 5/16"	3
8	195- 512	WASHER - plain 3/16"	3
9	KO 237421	PRE-CLEANER - (optional)	1

**EXHAUST SYSTEM**

1	C 19053	MUFFLER - exhaust	1
2	C 19213	PIPE - engine exhaust	1
3	113- 207	BOLT - 3/8" x 1" hex NC	1
4	195- 525	WASHER - 3/8" plain	1
5	192- 21	LOCKWASHER - 3/8"	1
6	129- 103	NUT 3/8" hex. NC	1
7	111- 256	BOLT - 5/16" x 1 1/4" round head NC	1
8	C 19449	CLAMP - muffler	1
9	192- 20	LOCKWASHER 5/16"	1
10	129- 102	NUT - 5/16" NC hex	1



**220 AND 222 CRANKCASE BREATHER**



REF. PART NO.	DESCRIPTION	REQ'D
1 25- 104	NUT - 1/4" NC hex	1
2 92- 4	LOCKWASHER - 1/4"	1
3 KO 275220	STUD - valve cover	1
4 KO 275143	COVER - valve	1
5 KO 231032	SEAL - breather	1
6 KO 235048	GASKET - breather plate	1
7 KO 235118	FILTER - breather	1
8 KO 235117	BAFFLE - breather	1
9 KO 235047	REED - breather	1
10 KO 235631	PLATE - breather	1
11 KO 275144	GASKET - valve cover	1

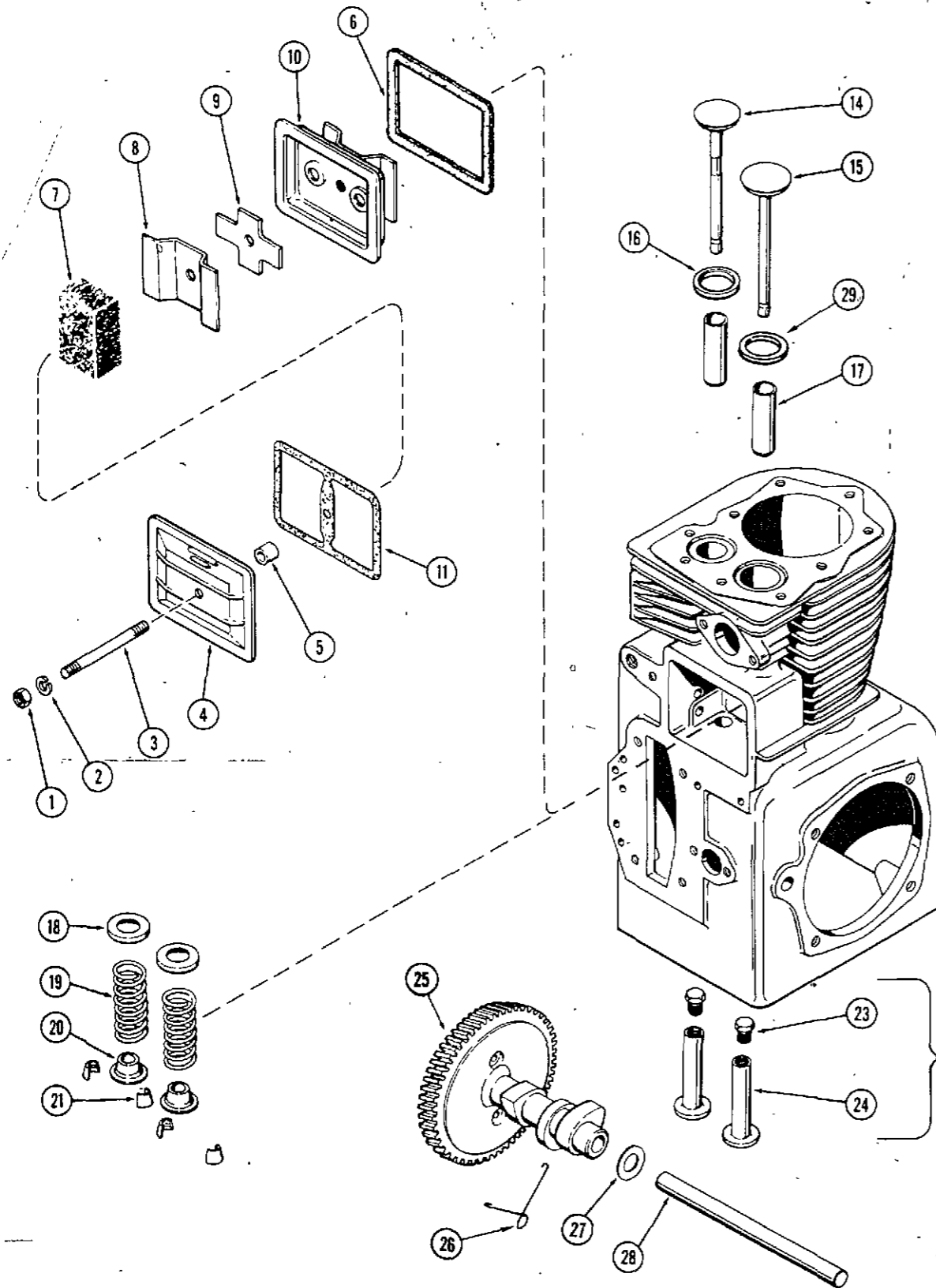
**220 CAMSHAFT AND VALVES**

14 KO 235826	VALVE - exhaust	1
15 KO 235008	VALVE - intake	1
16 KO 230170	INSERT - exhaust valve seat	1
17 KO 235007-S	GUIDE - valve	2
18 KO 235011	SEAT - valve spring	2
19 KO 235010	SPRING - valve	2
20 KO 230011	RETAINER - valve spring	2
21 C 24884	KIT - valve retainer (includes both valves)	2
22 KOD 235327	LIFTER ASSEMBLY	2
23 NSS	SCREW - tappet adjusting	1
24 NSS	LIFTER - valve	1
25 C 25043	CAMSHAFT ASSEMBLY	1
26 KO 275066	SPACER - camshaft, .005"	UAR
26 KO 275067	SPACER - camshaft, .010"	UAR
27 KO 235053	PIN - camshaft	1
28 KO 4708901	SPRING - actuating	1
29 KO 230265	INSERT - intake valve seat	1

**222 CAMSHAFT AND VALVES**

37 KO 235826	VALVE - exhaust	1
38 KO 235008	VALVE - intake	1
39 KO 230170	INSERT - exhaust valve seat	1
40 KO 235007-S	GUIDE - valve	2
41 KO 235011	SEAT - valve spring	2
42 KO 235010	SPRING - valve	2
43 KO 230011	RETAINER - valve spring	2
44 C 24884	KIT - valve retainer (includes both valves)	2
45 KOD 235327	LIFTER ASSEMBLY	2
46 NSS	SCREW - tappet adjusting	1
47 NSS	LIFTER - valve	1
48 C 25043	CAMSHAFT ASSEMBLY	1
49 KO 275066	SPACER - camshaft, .005"	UAR
49 KO 275067	SPACER - camshaft, .010"	UAR
50 KO 235053	PIN - camshaft	1
51 V 34346	SPRING - actuating	1
52 KO 230265	INSERT - intake valve seat	1

**224 AND 444 CRANKCASE BREATHER**

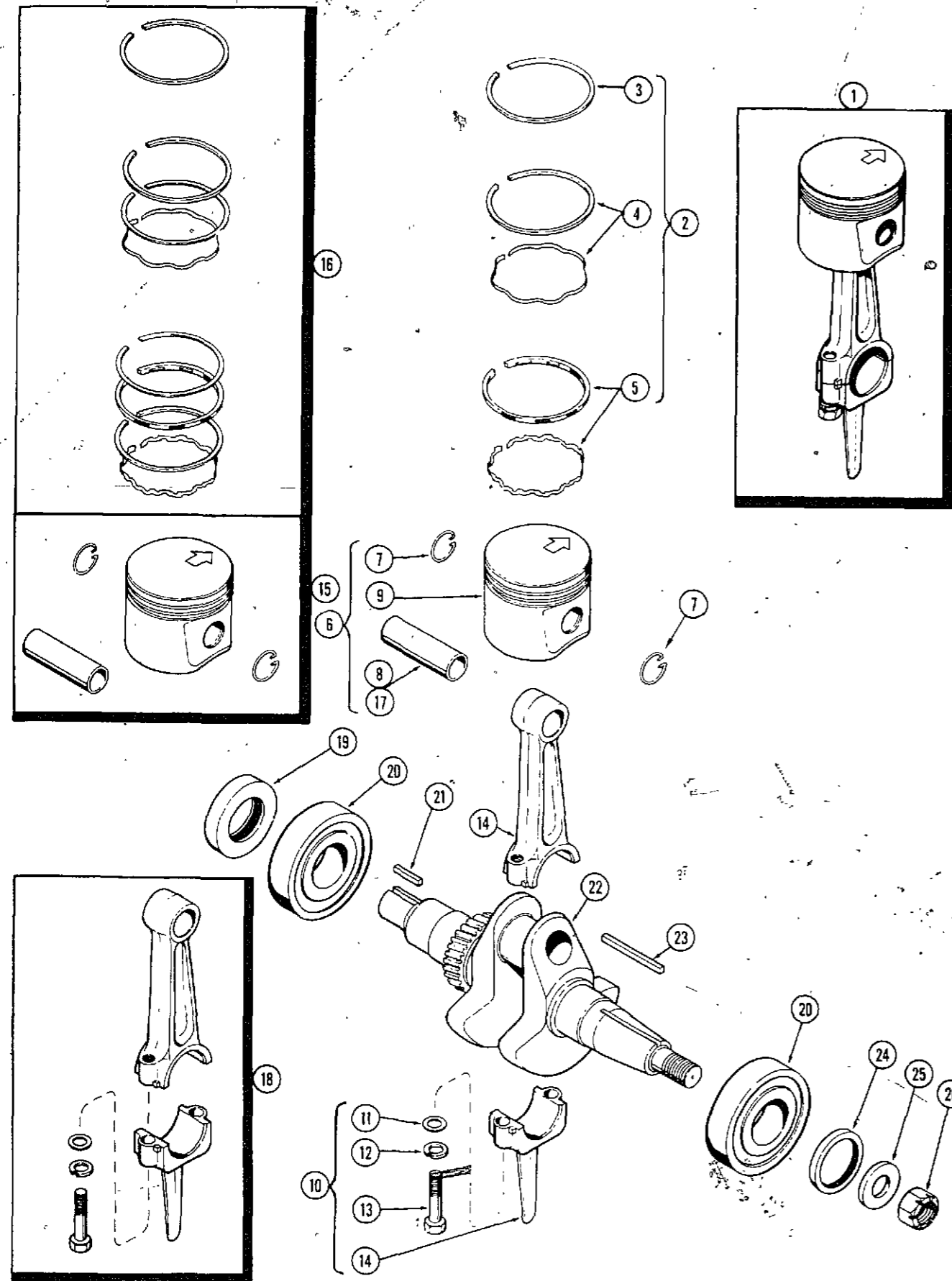


REF. PART NO.	DESCRIPTION	REQ'D
1 25- 104	NUT - 1/4" NC hex	1
2 92- 4	LOCKWASHER - 1/4"	1
3 KO 275220	STUD - valve cover	1
4 KO 275143	COVER - valve	1
5 KO 231032	SEAL - breather	1
6 KO 235048	GASKET - breather plate	1
7 KO 235118	FILTER - breather	1
8 KO 235117	BAFFLE - breather	1
9 KO 235047	REED - breather	1
10 KO 235631	PLATE - breather	1
11 KO 275144	GASKET - valve cover	1

**224 AND 444 CAMSHAFT AND VALVES**

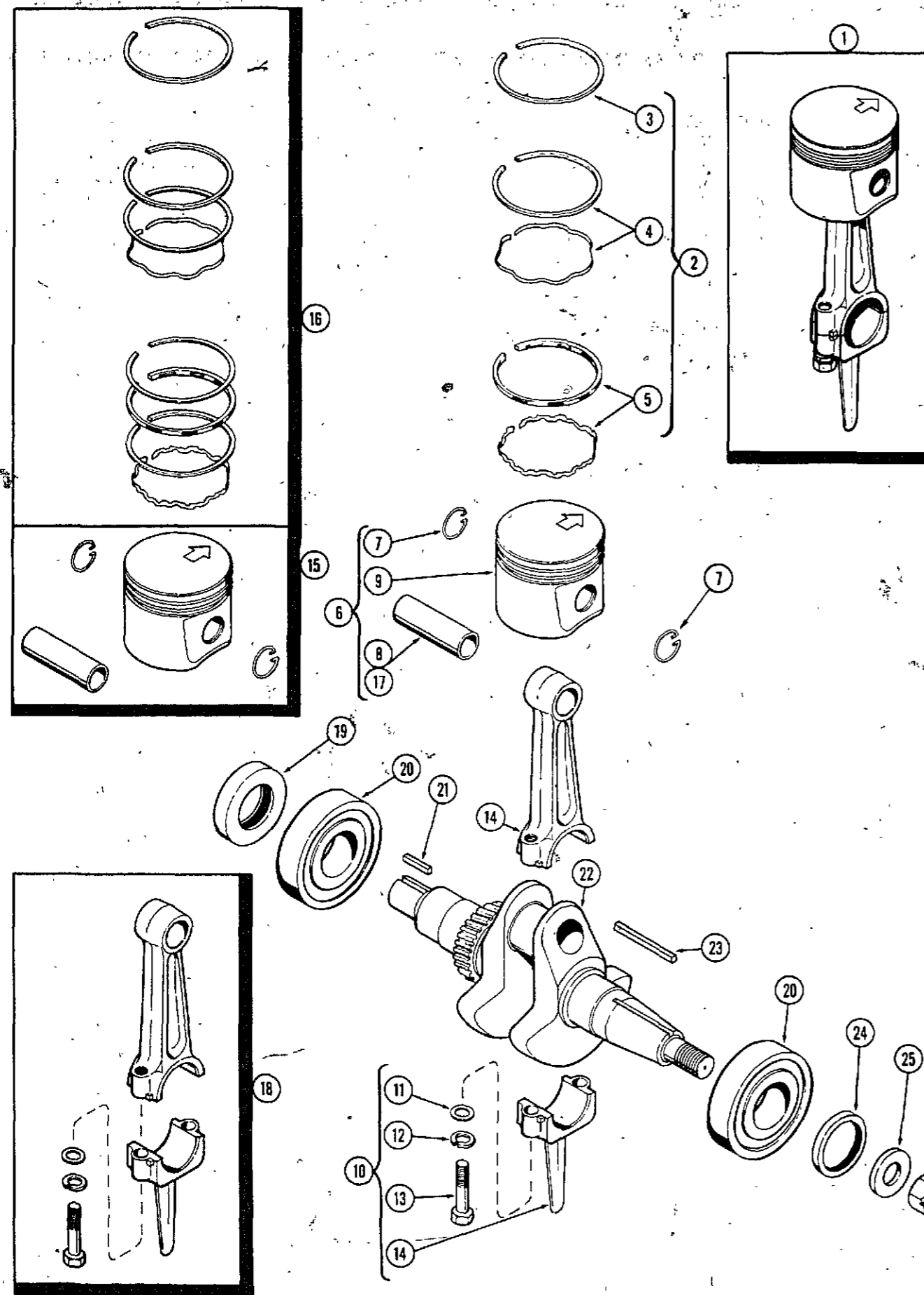
14 KO 237672	VALVE - exhaust	1
15 KO 235582	VALVE - intake	1
16 KO 230170	INSERT - exhaust valve seat	1
17 KO 235007-S	GUIDE - valve	2
18 KO 235011	SEAT - valve spring	2
19 KO 235168	SPRING - valve	2
20 KO 230020	ROTATOR - valve (Furnished in pairs only)	2
21 C 24884	KIT - valve retainer (includes both valves)	2
22 KOD 235327	LIFTER ASSEMBLY	2
23 NSS	SCREW - tappet adjusting	1
24 NSS	LIFTER - valve	1
25 C 25043	CAMSHAFT ASSEMBLY (Includes actuating spring)	1
26 V 34346	SPRING - actuating	1
27 KO 275066	SPACER - camshaft, .005"	UAR
27 KO 275067	SPACER - camshaft, .010"	UAR
28 KO 235053	PIN - camshaft	1
29 KO 230265	INSERT - intake valve seat	1

220 CRANKSHAFT, PISTON — CONNECTING ROD



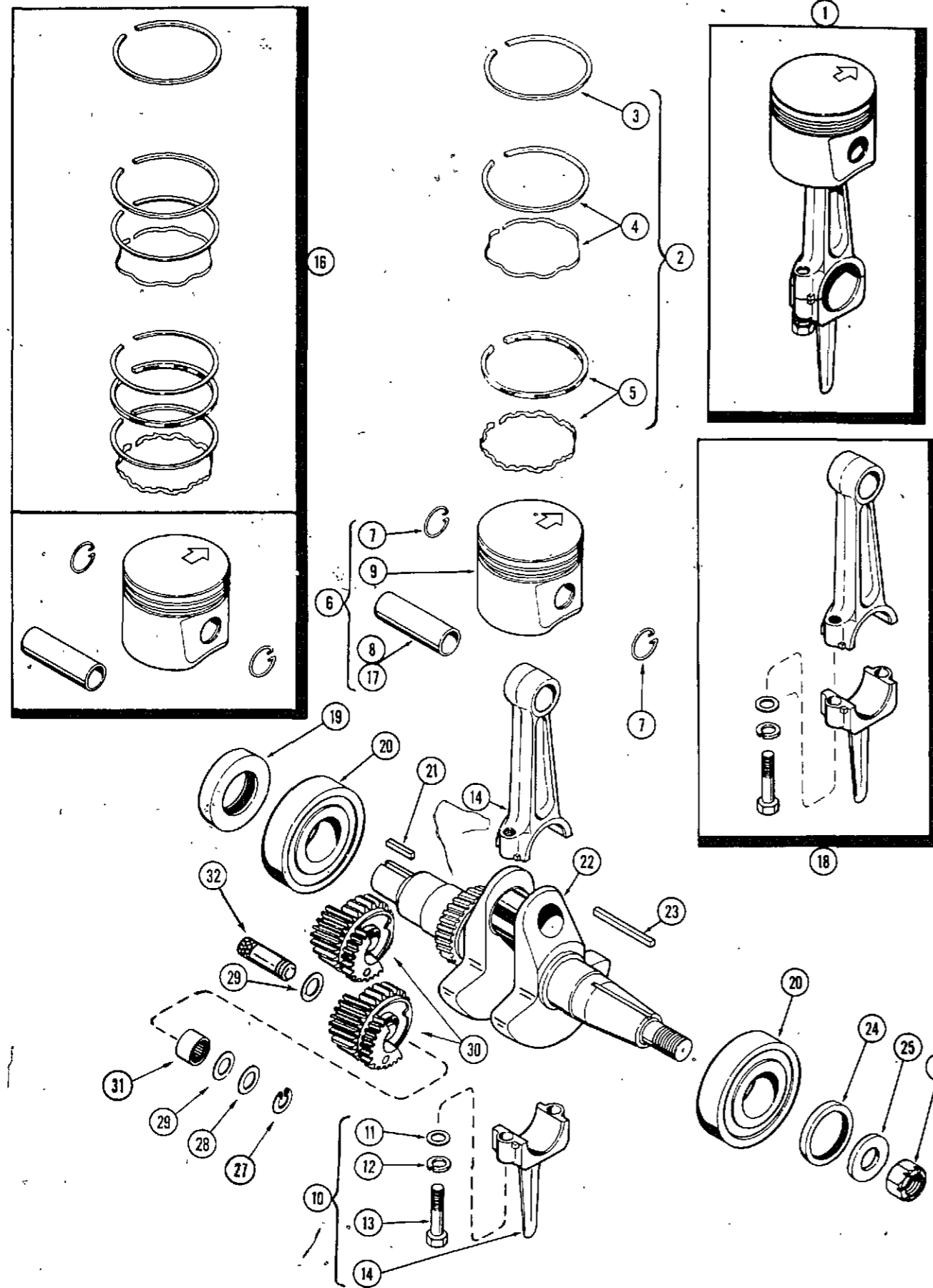
REF. PART NO.	DESCRIPTION	REQ'D
1	NSS PISTON AND ROD ASSEMBLY (Std. size)	1
2	KO 235287 RING SET - piston (For oversize, see item 16)	1
3	NSS RING - top compression	1
4	NSS RING - 2nd compression (Includes expander)	1
5	NSS RING - oil (Includes expander)	1
6	KOA 235611 PISTON ASSEMBLY (For oversize, see item 15)	1
7	KO 235004 RETAINER - piston pin	2
8	KO 235572 PIN - piston	1
9	NSS PISTON	1
10	KOA 235139 CONNECTING ROD ASSEMBLY (For undersize, see item 18)	1
11	KO 235003 WASHER - special	2
12	92- 6 LOCKWASHER	2
13	KO 236611 SCREW - cap, connecting-rod	2
14	NSS ROD - connecting	1
15	KOA 235569 PISTON ASSEMBLY - .010" oversize	1
15	KOA 235571 PISTON ASSEMBLY - .020" oversize	1
15	KOA 235616 PISTON ASSEMBLY - .030" oversize	1
16	KO 235288 RING SET - piston .010" oversize	1
16	KO 235289 RING SET - piston .020" oversize	1
16	KO 235290 RING SET - piston .030" oversize	1
17	KO 235573 PIN - piston, .005" oversize	1
18	C 18101 CONNECTING ROD ASSEMBLY - .010" undersize	1
19	R 16287 OIL SEAL - crankshaft rear	1
20	40035 BEARING - crankshaft ball	2
21	W 5063-S KEY - 1/4" Sq. x 3/4" (Pump Coupling)	1
22	KOB 236364 CRANKSHAFT	1
23	A 27001 KEY - flat 3/16" x 3/16" x 1-3/8" (Flywheel)	1
24	C 18097 OIL SEAL - crankshaft front	1
25	195- 541 WASHER - 5/8"	1
26	13T 301 NUT - special Marsden 5/8" NF	1

222 CRANKSHAFT, PISTON - CONNECTING ROD



REF. PART NO.	DESCRIPTION	REQ'D
1	NSS	
2	KO 235889	
3	NSS	
4	NSS	
5	NSS	
6	KOA 235827	
7	KO 235004	
8	KOA 235827	
9	NSS	
10	KOA 237344	
11	KO 235003	
12	92- 6	
13	KO 236611	
14	NSS	
15	KOA 235865	
15	KOA 235866	
15	KOA 235867	
16	KO 235890	
16	KO 235891	
16	KO 235892	
17	KO 235868	
18	KOA 237344	
19	R 16287	
20	40035	
21	W 5063-S	
22	KOB 235949	
23	A 27001	
24	C 18097	
25	195- 541	
26	131- 301	
	PISTON AND ROD ASSEMBLY (Std. size) . . . . .	1
	RING SET - piston (For oversize, see item 16) . . . . .	1
	RING - top compression . . . . .	1
	RING - 2nd compression (Includes expander) . . . . .	1
	RING - oil (Includes expander) . . . . .	1
	PISTON ASSEMBLY (For oversize, see item 15) . . . . .	1
	RETAINER - piston pin . . . . .	2
	PIN - piston . . . . .	1
	PISTON . . . . .	1
	CONNECTING ROD ASSEMBLY (For undersize, see item 18) . . . . .	1
	WASHER - special . . . . .	2
	LOCKWASHER . . . . .	2
	SCREW - cap, connecting rod . . . . .	2
	ROD - connecting . . . . .	1
	PISTON ASSEMBLY - .010" oversize . . . . .	1
	PISTON ASSEMBLY - .020" oversize . . . . .	1
	PISTON ASSEMBLY - .030" oversize . . . . .	1
	RING SET - piston .010" oversize . . . . .	1
	RING SET - piston .020" oversize . . . . .	1
	RING SET - piston .030" oversize . . . . .	1
	PIN - piston .005" oversize . . . . .	1
	CONNECTING ROD ASSEMBLY - .010" undersize . . . . .	1
	OIL SEAL - crankshaft rear . . . . .	1
	BEARING - crankshaft ball . . . . .	2
	KEY - 1/4" Sq. x 3/4" (Pump Coupling) . . . . .	1
	CRANKSHAFT . . . . .	1
	KEY - flat 3/16" x 3/16" x 1-3/8" (Flywheel) . . . . .	1
	OIL SEAL - crankshaft front . . . . .	1
	WASHER - 5/8" . . . . .	1
	NUT - special Marsden 5/8" NF . . . . .	1

224 AND 444 CRANKSHAFT, PISTON — CONNECTING ROD

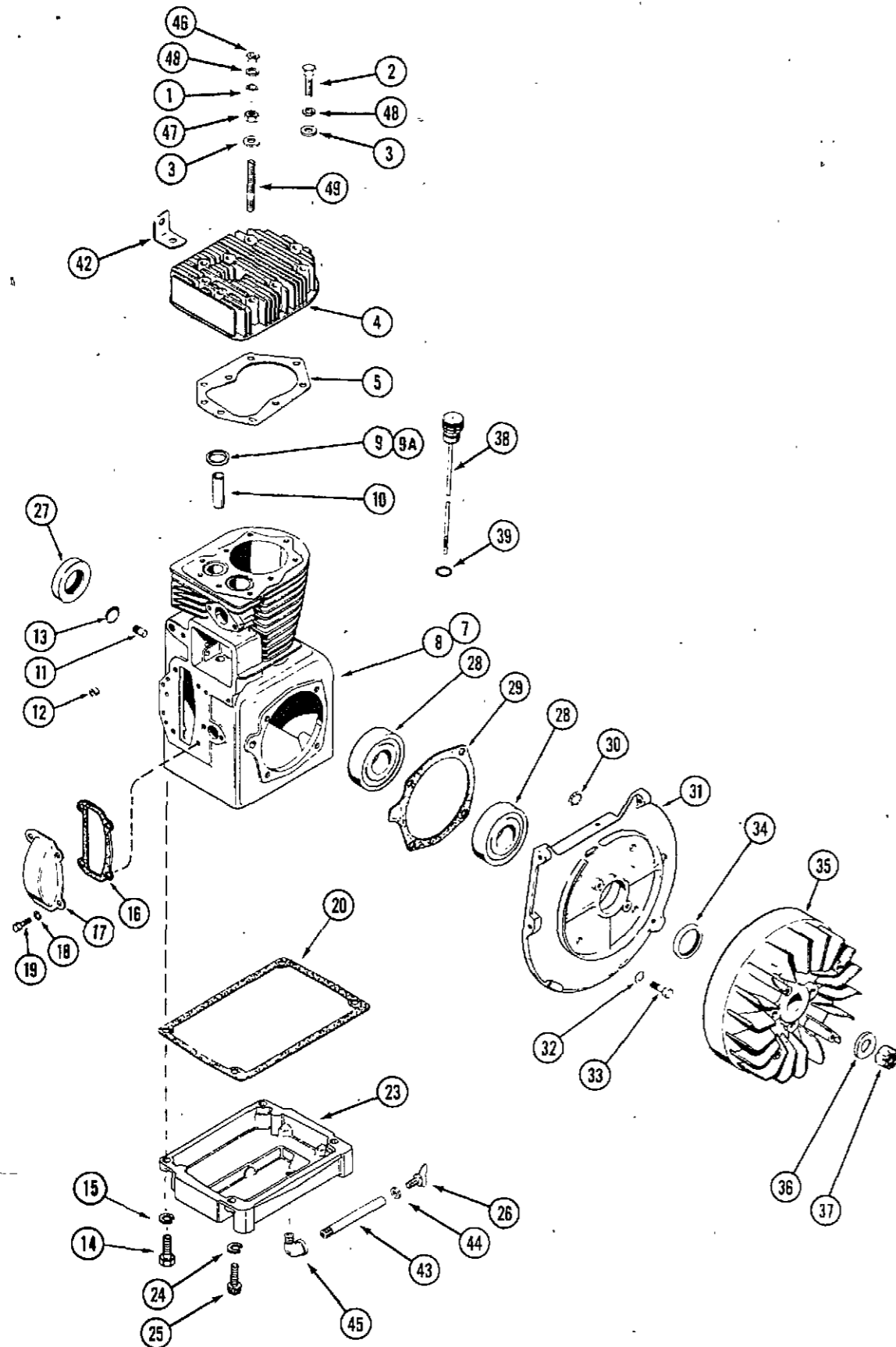


REF. PART NO.	DESCRIPTION	REQ'D
1	NSS	
2	KO 236763	
3	NSS	
4	NSS	
5	NSS	
6	KOA 237401	
7	KO 235004	
8	KOA 235827	
9	NSS	
10	KOA 237344	
11	KO 235003	
12	92- 6	
13	KO 236611	
14	NSS	
15	KOA 237403	
15	KOA 237404	
15	KOA 237405	
16	KO 236764	
16	KO 236765	
16	KO 236766	
17	KO 235868	
18	KOA 237344	
19	R 16287	
20	40035	
21	W 5063-S	
22	C 25054	
23	A 27001	
24	C 18097	
25	195- 541	
26	131- 301	
* 27	C 15060	
* 28	C 22754	
* 29	KO 237769	
* 30	KOA 236507	
* 31	KO 236506	
* 32	KO 236559	
	PISTON AND ROD ASSEMBLY (Std. size) . . . . .	1
	RING SET - piston (For oversize, see item 16) . . . . .	1
	RING - top compression . . . . .	1
	RING - 2nd compression (Includes expander) . . . . .	1
	RING - oil (Includes expander) . . . . .	1
	PISTON ASSEMBLY (For oversize, see item 15) . . . . .	1
	RETAINER - piston pin . . . . .	2
	PIN - piston . . . . .	1
	PISTON . . . . .	1
	CONNECTING ROD ASSEMBLY (For undersize, see item 18) . . . . .	1
	WASHER - special . . . . .	2
	LOCKWASHER - 3/8" . . . . .	2
	SCREW - cap, connecting rod . . . . .	2
	ROD - connecting . . . . .	1
	PISTON ASSEMBLY - .010" oversize . . . . .	1
	PISTON ASSEMBLY - .020" oversize . . . . .	1
	PISTON ASSEMBLY - .030" oversize . . . . .	1
	RING SET - piston .010" oversize . . . . .	1
	RING SET - piston .020" oversize . . . . .	1
	RING SET - piston .030" oversize . . . . .	1
	PIN - piston .005" oversize . . . . .	1
	CONNECTING ROD ASSEMBLY - .010 undersize . . . . .	1
	OIL SEAL - crankshaft rear . . . . .	1
	BEARING - crankshaft ball . . . . .	2
	KEY - 1/4" Sq. x 3/4" (Pump Coupling) . . . . .	1
	CRANKSHAFT . . . . .	1
	KEY - flat 3/16" x 3/16" x 1-3/8" (Flywheel) . . . . .	1
	OIL SEAL - crankshaft front . . . . .	1
	WASHER - 5/8" . . . . .	1
	NUT - special Marsden 5/8" NF . . . . .	1
	RETAINER - external 1/2" ID . . . . .	2
	SPACER - .020" . . . . .	2
	SPACER . . . . .	2
	GEAR ASSEMBLY - counter balance . . . . .	2
	BEARING - gear assembly . . . . .	2
	SHAFT - counterbalance stub . . . . .	2

\* These parts not used on 224 engines S/N 9676010 and after.  
 \* These parts not used on 444 engines S/N 9676901 and after.

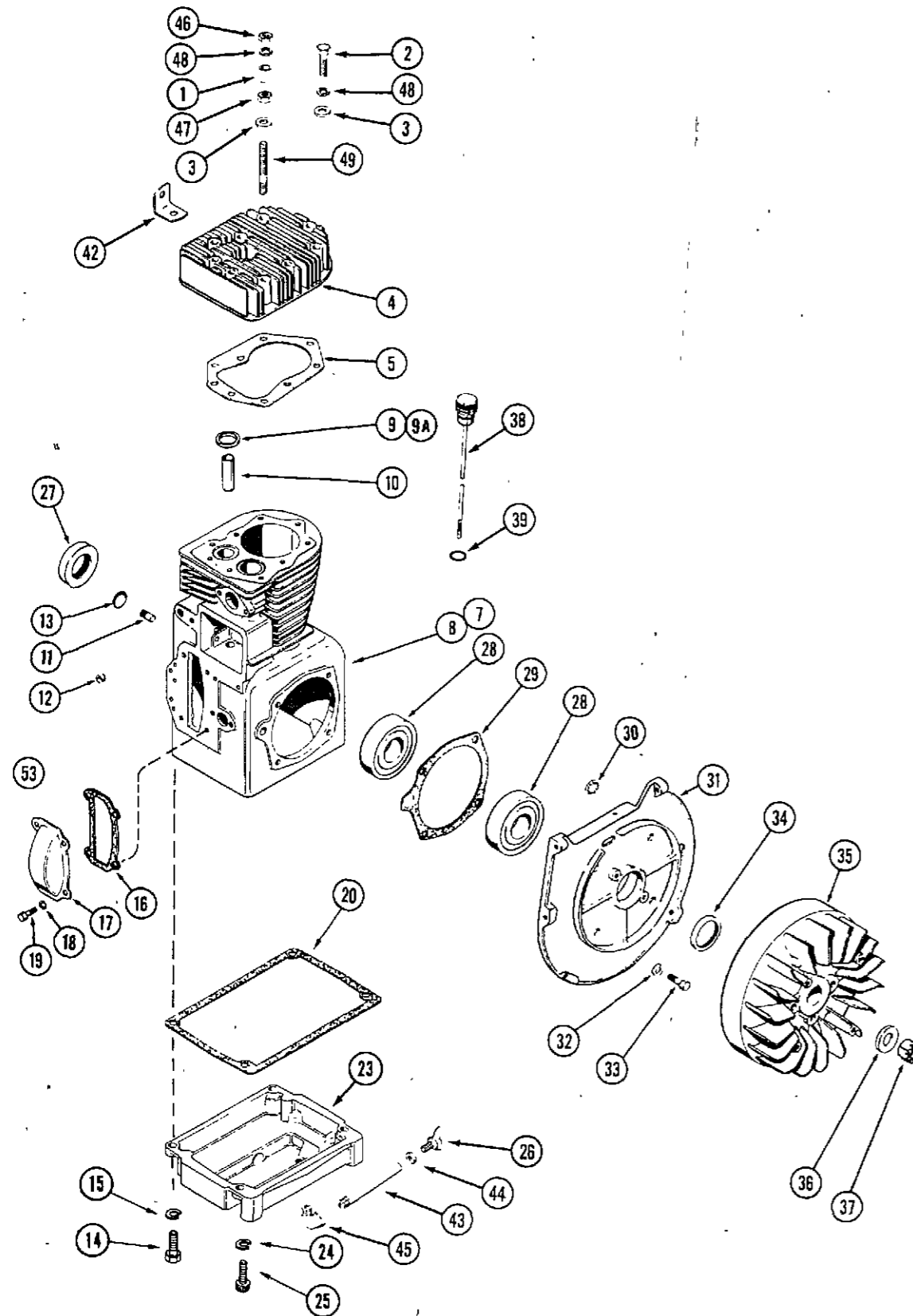


220 ENGINE BLOCK AND ATTACHING PARTS



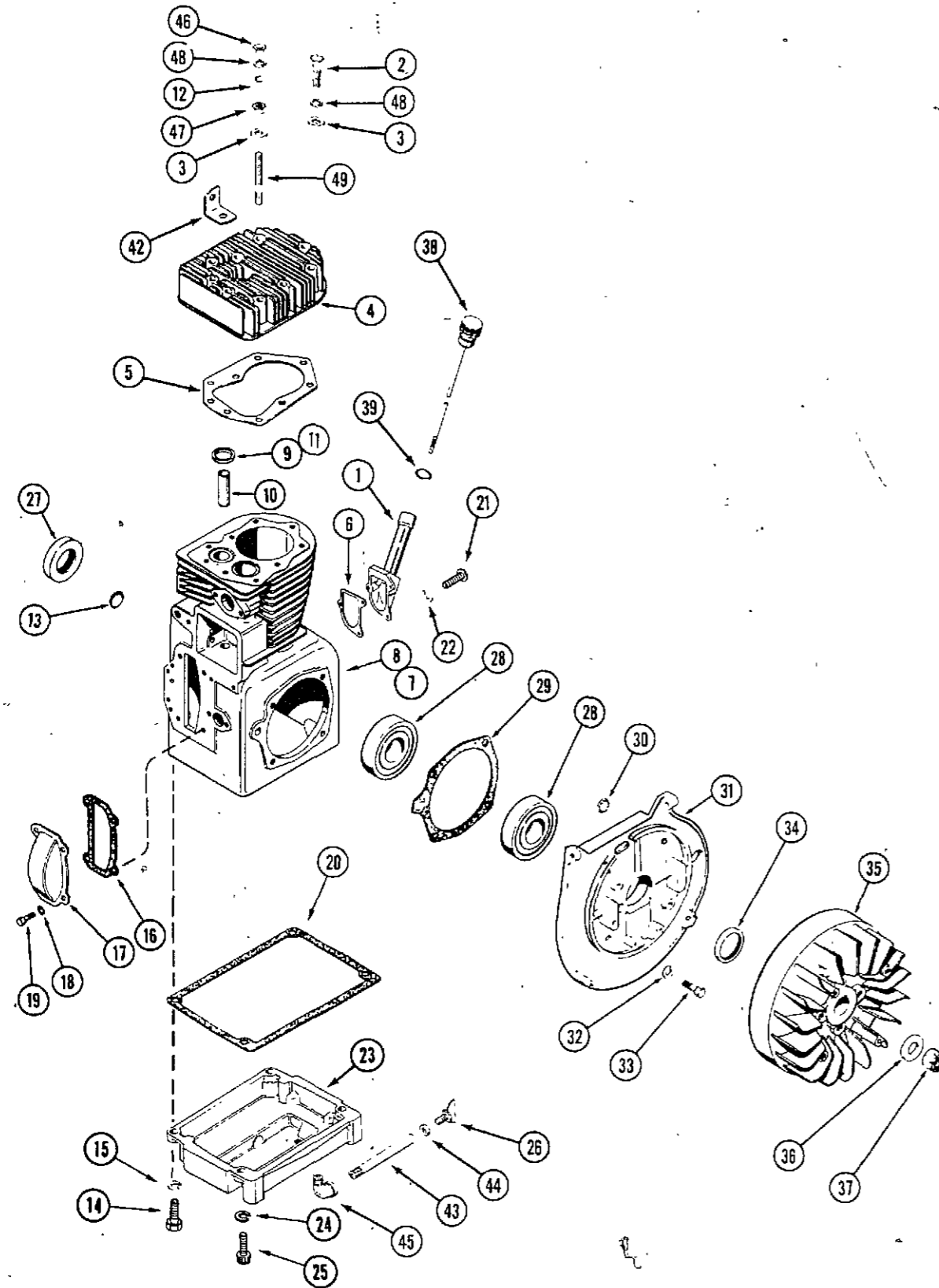
REF.	PART NO.	DESCRIPTION	REQ'D
1	C 21814	SPACER - cylinder head	6
2	KO 270158	BOLT - cylinder head	3
3	KO 270889	WASHER - cylinder head	9
4	KO 236675	HEAD - cylinder	1
5	KO 237658	GASKET - head	1
7	KOC 236303	BLOCK ASSEMBLY - cylinder, short (Includes crankshaft, rod assembly, camshaft, valves, bearings and plate)	1
8	C 24138	BLOCK ASSEMBLY - cylinder, standard bore	1
9	KO 230170	INSERT - exhaust valve	1
9A	KO 230265	INSERT - intake valve seat	1
10	KO 235007-S	GUIDE - valve	2
11	KO 235125-S	SHAFT - stub governor	1
12	V 34418	BEARING - needle, governor shaft	1
13	41- 18	PLUG - expansion	1
14	113- 206	BOLT - 3/8" x 1-1/4" NC hex plated	4
15	192- 21	LOCKWASHER - 3/8" plated	4
16	KO 235025	GASKET - camshaft cover	1
17	KO 235026	COVER - camshaft gear	1
18	192- 19	LOCKWASHER - 1/4" plated	4
19	113- 6	BOLT - 1/4" x 1/2" NC plated	4
20	KO 235353	GASKET - oil pan	1
23	KO 237808	BASE - oil pan	1
24	192- 21	LOCKWASHER - 3/8" plated	4
25	61- 616	BOLT - 3/8" x 1" NC socket head	4
26	C 14399	PLUG - oil drain	1
27	R 16287	OIL SEAL - crankshaft rear	1
28	40035	BEARING - crankshaft ball	2
29	KO 235757	GASKET - shim, bearing plate, .010"	1
29	KO 235070	GASKET - shim, .010"	1
30	205- 27	PLUG - button, timing hole	1
31	C 22034	PLATE - bearing	1
32	192- 21	LOCKWASHER - 3/8" plated	4
33	113- 207	BOLT - 3/8" x 1" NC plated	4
34	C 18097	OIL SEAL - crankshaft front	1
35	KO 235818	FLYWHEEL	1
36	195- 541	WASHER - special, plated	1
37	131- 301	NUT - special, Marsden	1
38	C 14953	DIPSTICK ASSEMBLY	1
39	A 27365	"O" RING - dipstick	1
42	KO 235748	STRAP - lifting	1
43	C 18814	NIPPLE - oil drain extension	1
44	C 14906	GASKET - plug, oil drain	1
45	221- 1412	ELBOW - street	1
46	129- 143	NUT - 3/8" NC hex, jam	6
47	129- 103	NUT - 3/8" NC hex	6
48	192- 21	LOCKWASHER - 3/8"	9
49	KO 237277	STUD - cylinder head	6

222 ENGINE BLOCK AND ATTACHING PARTS



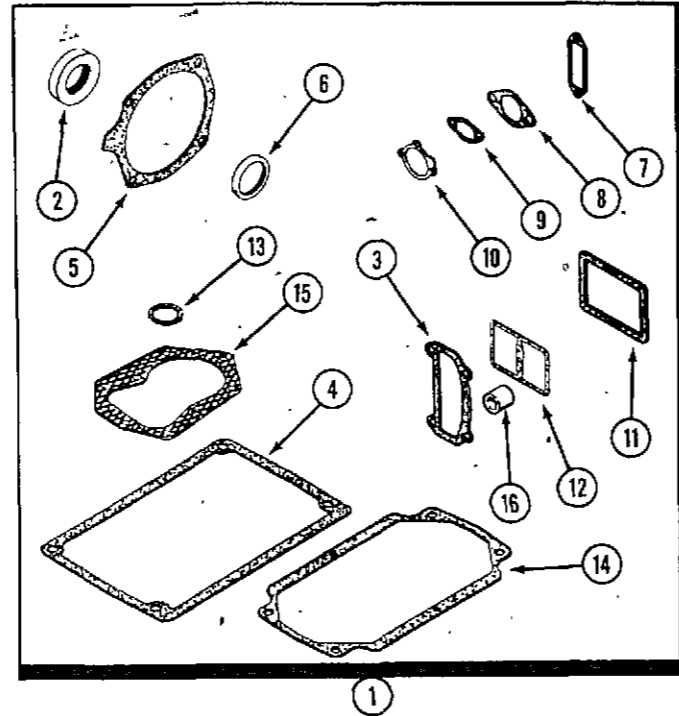
REF. PART NO.	DESCRIPTION	REQ'D
1 C 21814	SPACER - cylinder head	6
2 KO 270158	BOLT - cylinder head 3/8" x 1-1/2" NC hex	3
3 KO 270889	WASHER - cylinder head	9
4 KO 237670	HEAD - cylinder	1
5 KO 237658	GASKET - head	1
7 C 24141	BLOCK ASSEMBLY - cylinder, short (Includes crankshaft, rod assembly, camshaft, valves, bearings and plate)	1
8 NSS	BLOCK ASSEMBLY - cylinder, standard bore (use C24141)	1
9 KO 230170	INSERT - exhaust valve	1
9A KO 230265	INSERT - intake valve seat	1
10 KO 235007-S	GUIDE - valve	2
11 KO 235125-S	SHAFT - stub governor	1
12 V 34418	BEARING - needle, governor shaft	1
13 41- 18	PLUG - expansion	1
14 113- 206	BOLT - 3/8" x 1-1/4" NC hex plated	4
15 192- 21	LOCKWASHER - 3/8" plated	4
16 KO 235025	GASKET - camshaft cover	1
17 KO 235026	COVER - camshaft gear	1
18 192- 19	LOCKWASHER - 1/4" plated	4
19 113- 6	BOLT - 1/4" x 1/2" NC plated	4
20 KO 235353	GASKET - oil pan	1
23 KO 237808	BASE - oil pan	1
24 192- 21	LOCKWASHER - 3/8" plated	4
25 61- 616	BOLT - 3/8" x 1" NC socket head	4
26 C 14399	PLUG - oil drain	1
27 R 16287	OIL SEAL - crankshaft rear	1
28 40035	BEARING - crankshaft ball	2
29 KO 235757	GASKET - shim, bearing plate .010"	6
29 KO 235070	GASKET - shim, .010"	6
30 205- 27	PLUG - button, timing hole	1
31 C 22034	PLATE - bearing	1
32 192- 21	LOCKWASHER - 3/8" plated	4
33 113- 207	BOLT - 3/8" x 1" NC plated	4
34 C 18097	OIL SEAL - crankshaft front	1
35 KO 235818	FLYWHEEL	1
36 195- 541	WASHER - special, plated	1
37 131- 301	NUT - special, Marsden	1
38 C 14953	DIPSTICK ASSEMBLY	1
39 A 27365	"O" RING - dipstick	1
42 KO 235748	STRAP - lifting	1
43 C 18814	NIPPLE - oil drain extension	1
44 C 14906	GASKET - plug, oil drain	1
45 221- 1412	ELBOW - street	1
46 129- 143	NUT - 3/8" NC hex, jam	6
47 129- 103	NUT - 3/8" NC hex	6
48 192- 21	LOCKWASHER - 3/8"	9
49 KO 237277	STUD - cylinder head	6

224 AND 444 ENGINE BLOCK AND ATTACHING PARTS

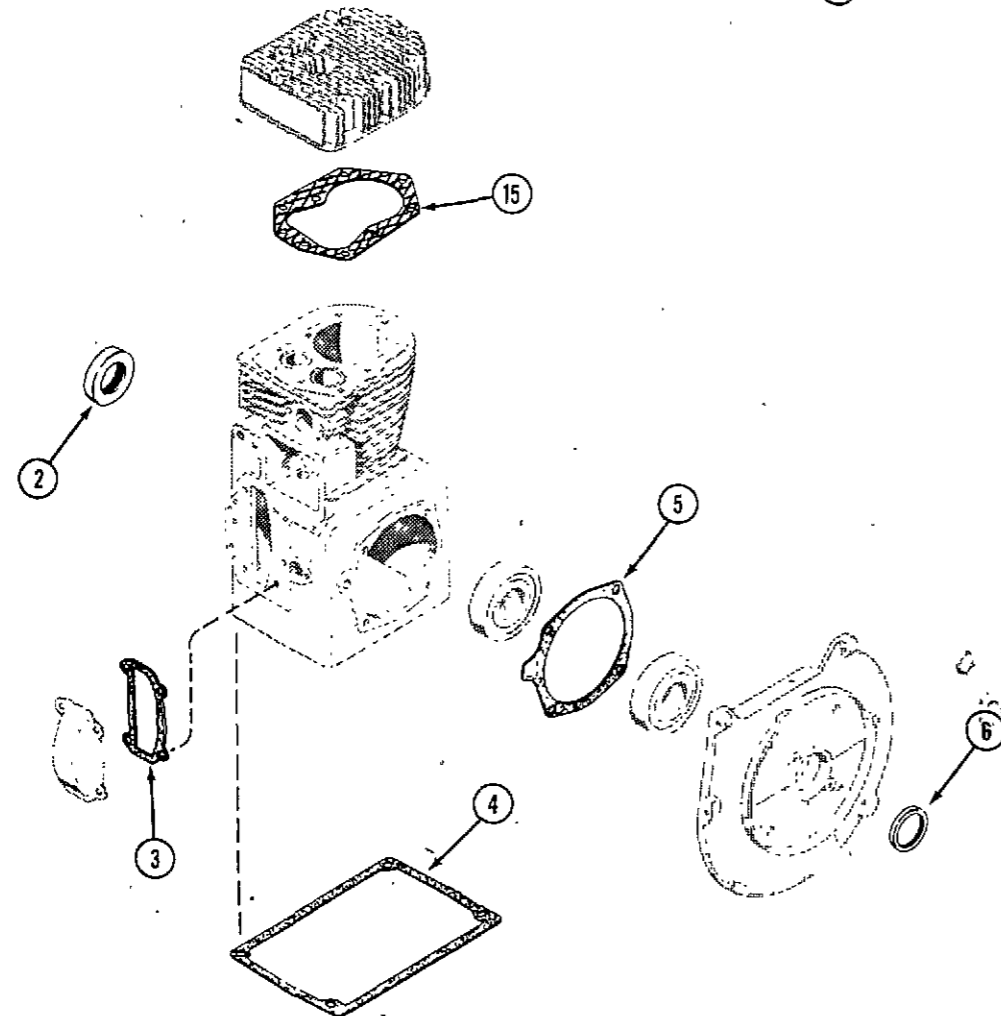


REF. PART NO.	DESCRIPTION	REQ'D
1 KO 236886	FILLER TUBE	1
2 KO 270158	BOLT - cylinder head special 3/8" x 1-1/2" NC hex	9
3 KO 270889	WASHER - cylinder head bolt	10
4 KO 237670	HEAD - cylinder	1
5 KO 237658	GASKET - head	1
6 KO 237064	GASKET - filler tube	1
7 KOC 237182	BLOCK ASSEMBLY - cylinder, short (Includes crankshaft, piston, rod assembly, camshaft, valves, bearings and plate)	1
8 NSS	BLOCK ASSEMBLY - cylinder, standard bore (use KOC237182)	1
9 KO 230170	INSERT - exhaust valve	1
10 KO 235007-S	GUIDE - valve	2
11 KO 230265	INSERT - intake valve	1
12 C 21814	SPACER - cylinder head	1
13 41- 18	PLUG - expansion	1
14 113- 206	BOLT - 3/8" x 1-1/4" NC hex plated	4
15 192- 21	LOCKWASHER - 3/8" plated	4
16 KO 235025	GASKET - camshaft cover	1
17 KO 235026	COVER - camshaft gear	1
18 192- 19	LOCKWASHER - 1/4" plated	4
19 113- 6	BOLT - 1/4" x 1/2" NC plated	4
20 KO 235353	GASKET - oil pan	1
21 173- 221	SCREW - #10 x 7/16" round head machine	3
22 193- 26	LOCKWASHER - #10 internal tooth	7
23 KO 237808	BASE - oil pan	1
24 192- 21	LOCKWASHER - 3/8" plated	4
25 61- 616	BOLT - 3/8" x 1" NC socket head	4
26 C 14399	PLUG - oil drain	1
27 R 16287	OIL SEAL - crankshaft rear	1
28 40035	BEARING - crankshaft ball	2
29 KO 235757	GASKET - shim, bearing plate .312"	1
29 KO 235070	GASKET - shim, .010"	UAR
31 C 24290	PLATE - bearing	1
32 192- 21	LOCKWASHER - 3/8" plated	4
33 113- 207	BOLT - 3/8" x 1" NC plated	4
34 C 18097	OIL SEAL - crankshaft front	1
35 KO 235818	FLYWHEEL	1
36 195- 541	WASHER - special, plated 21/32" ID x 1-3/8" OD x 1/4"	1
37 131- 301	NUT - special Marsden 5/8"	1
38 C 14954	DIPSTICK ASSEMBLY	1
39 A 27365	"O" RING - dipstick	1
42 KO 235748	STRAP - lifting	1
43 C 18814	NIPPLE - oil drain extension	1
44 C 14906	GASKET - plug, oil drain	1
45 221- 1412	ELBOW - street	1
46 129- 143	NUT - 3/8" NC hex, jam	6
47 129- 103	NUT - 3/8" NC hex	6
48 192- 21	LOCKWASHER - 3/8"	9
49 KO 237277	STUD - cylinder head	6

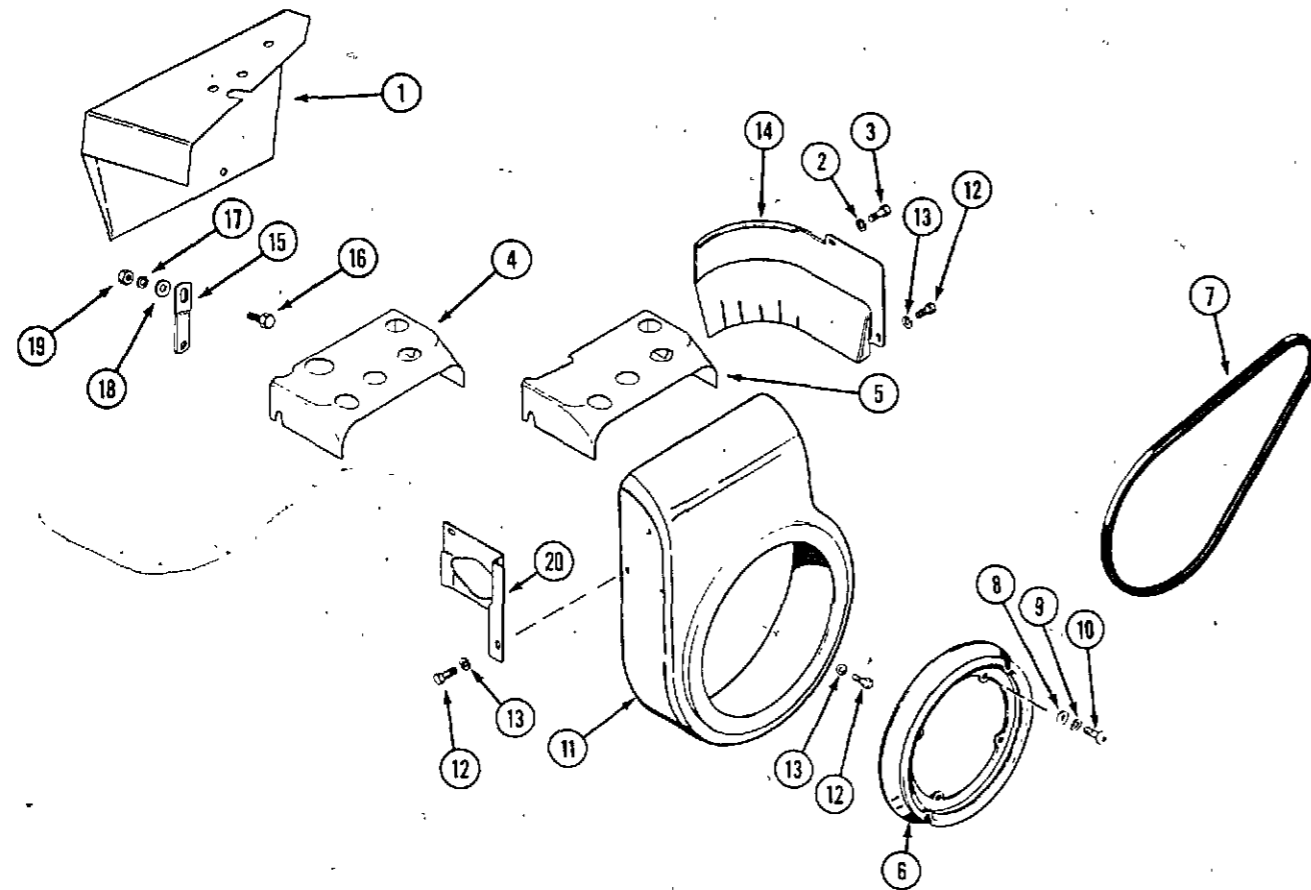
**ENGINE GASKET AND SEAL KIT**



REF. PART NO.	DESCRIPTION	REQ'D.
1 C 23858	KIT - engine gasket (does not include bearing seals)	1
3 KO 235025	GASKET - camshaft cover	1
4 KO 235353	GASKET - oil pan	1
5 KO 235757	GASKET - shim, bearing plate (.010")	6
5 KO 235070	GASKET - shim (.010")	UAR
7 KO 220174	GASKET - breaker cover	1
8 C 23860	GASKET - carburetor flange	1
9 C 22738	GASKET - fuel pump flange	1
10 KO 275341	GASKET - carburetor air horn	1
11 KO 235048	GASKET - breather plate	1
12 KO 275144	GASKET - valve cover	1
13 B 53393	GASKET - fuel strainer bowl (not used)	1
14 KO 235057	GASKET - pan (not used)	1
15 KO 237658	GASKET - cylinder head (10, 12 & 14 hp engines)	1
16 KO 231032	SEAL - breather (14 hp engine)	1

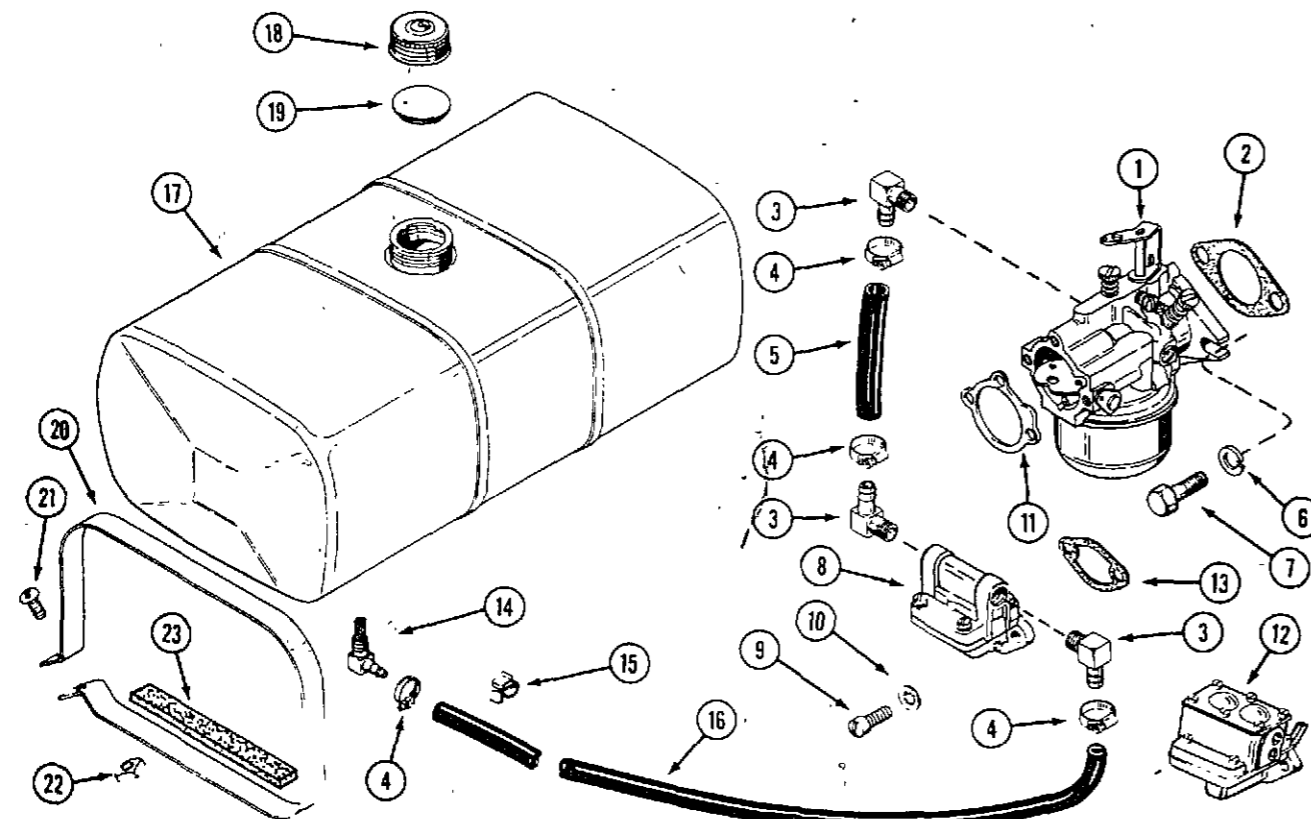


**BAFFLES AND SHROUDS**



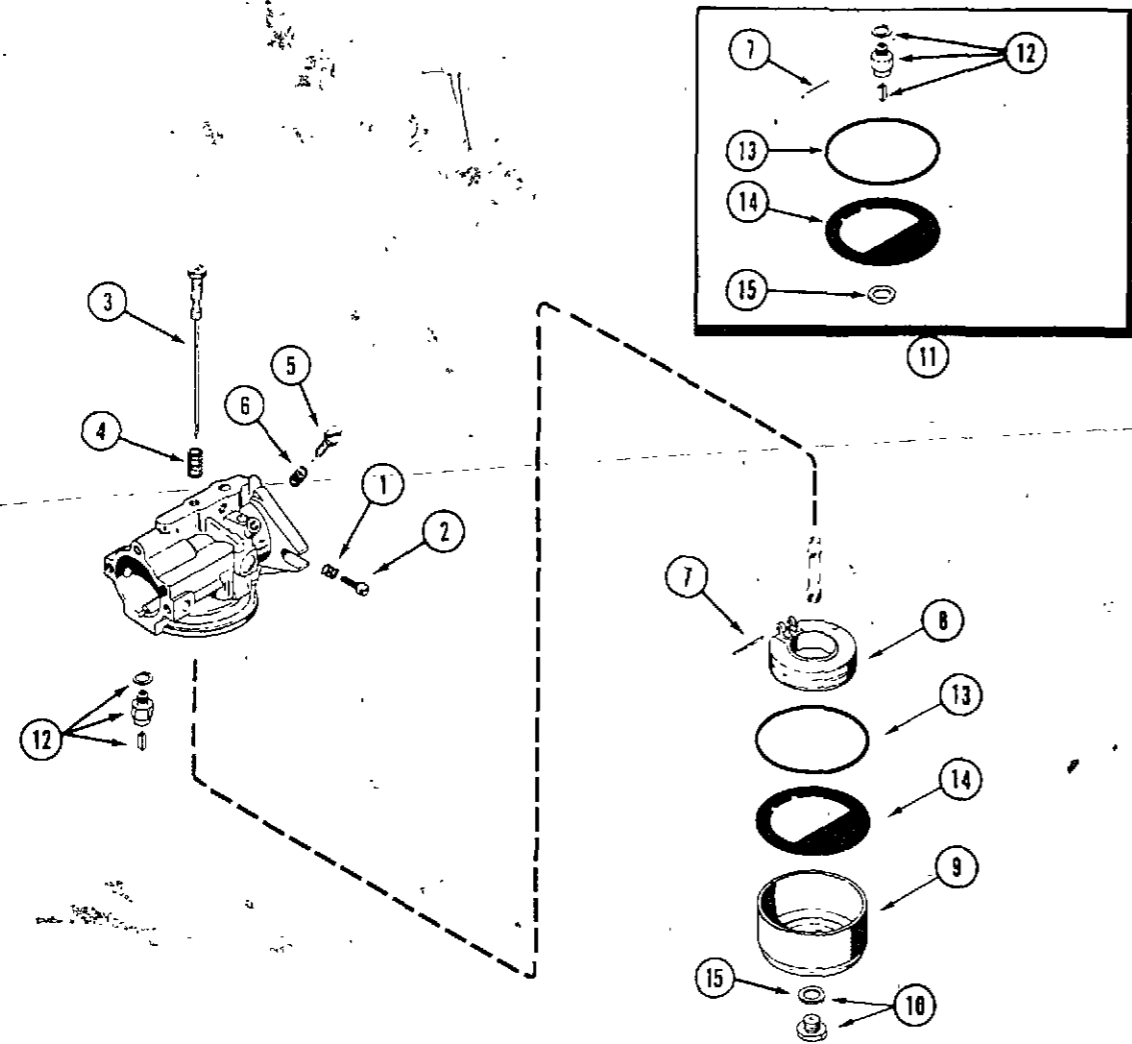
REF. PART NO.	DESCRIPTION	REQ'D
1 C 18989	DEFLECTOR - engine air	1
2 192- 19	LOCKWASHER - 1/4" zinc plated	2
3 113- 6	BOLT - 1/4" x 1/2" NC hex, zinc plated	2
4 KO 237520	BAFFLE - cylinder head (10 hp engine)	1
5 KO 237677	BAFFLE - cylinder head (12 - 14 hp engine)	1
6 KO 235207	PULLEY - starter	1
7 C 23902	BELT - drive, starter-generator	1
8 195- 515	WASHER - 1/4" zinc plated	4
9 192- 19	LOCKWASHER - 1/4" zinc plated	4
10 175- 436	SCREW - 1/4" x 5/8" NC truss head Phillips, zinc plated	4
11 KO 235901	HOUSING - blower	1
12 113- 2	BOLT - 1/4" x 3/4" NC hex, zinc plated	4
13 192- 19	LOCKWASHER - 1/4" zinc plated	4
14 KO 235054	BAFFLE - cylinder	1
15 C 19021	SUPPORT - engine air deflector	1
16 113- 118	BOLT - 5/16" x 5/8" NC hex	1
17 192- 20	LOCKWASHER - 5/16"	1
18 195- 521	WASHER - 5/16" plain	1
19 129- 102	NUT - 5/16" NC hex	1
20 KO 235652	BAFFLE - carburetor side air	1

**FUEL SYSTEM**



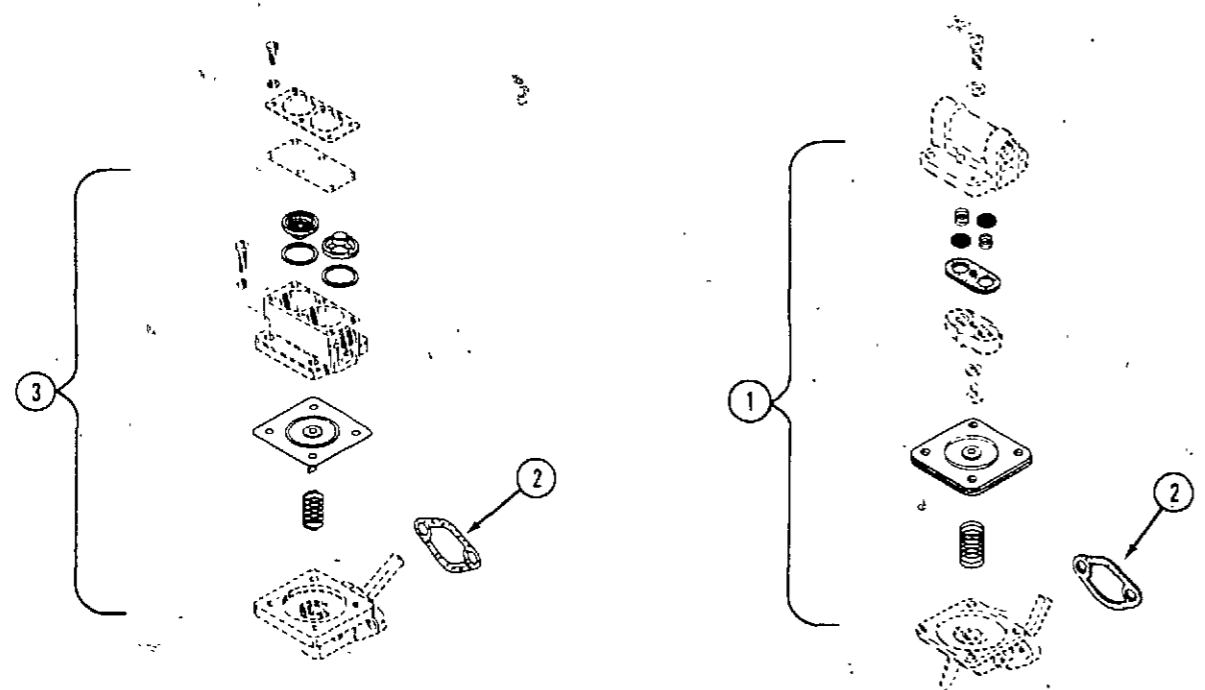
1 C 24408	CARBURETOR ASSEMBLY - 444 & 224 (Repairs page 27)	1
1 A 72073	CARBURETOR ASSEMBLY - 220 & 222 (Repairs page 27)	1
2 C 23860	GASKET - carburetor flange	1
3 C 10678	ELBOW - fuel pump and carburetor	3
4 214- 251	CLAMP - hose	4
5 C 15007	HOSE - carburetor 5-1/4"	1
6 192- 20	LOCKWASHER 5/16"	2
7 113- 103	BOLT - 5/16" x 1" NC hex	2
8 NSS	PUMP - fuel, 10 h.p. models (Repairs page 27)(order C24851)	1
9 71- 410	SCREW - 1/4" x 5/8" NC fillister head	2
10 193- 60	LOCKWASHER - 1/4"	2
11 KO 275341	GASKET - air horn	1
12 NSS	PUMP - fuel, 12 and 14 h.p. models (Repairs page 27)(use C24851)	1
13 C 22738	GASKET - fuel pump mounting, all models	1
14 C 10657	ELBOW ASSEMBLY - fuel tank	1
15 A 62079	CLIP - fuel line	2
16 C 17574	HOSE - fuel line 43"	1
17 C 16363	TANK - fuel	1
18 C 11529	CAP - fuel tank (Includes insert)	1
19 C 11545	INSERT - fuel cap	1
20 C 16796	STRAP - fuel tank mounting	2
21 173- 215	SCREW - 1/4 x 1/2" NC round head, machine, zinc plated	2
22 129- 504	NUT - square 1/4" NC	2
23 C 14690	CUSHION - fuel tank	2

**CARBURETOR**



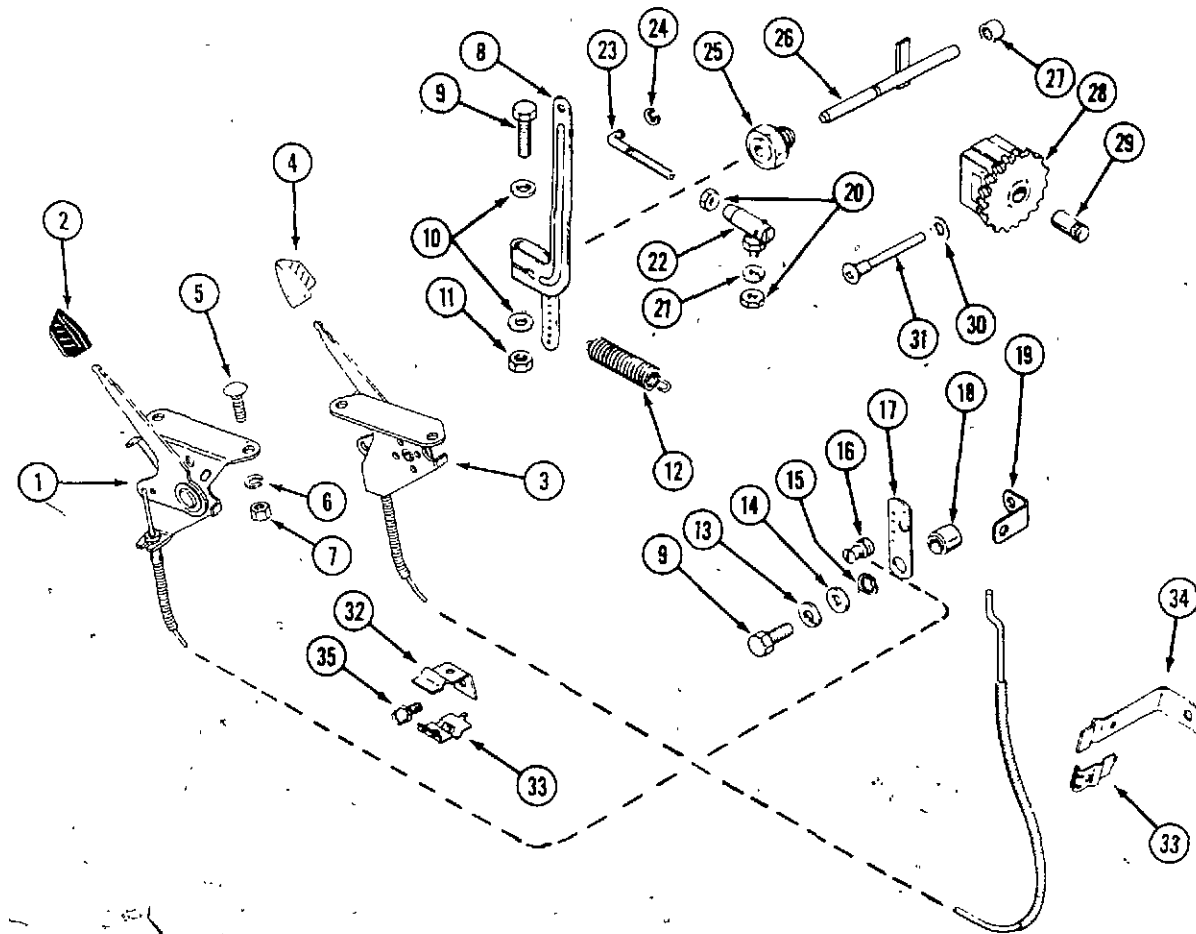
REF. PART NO.	DESCRIPTION	REQ'D
A 72073	CARBURETOR ASSEMBLY - 220, 222	1
C 24408	CARBURETOR ASSEMBLY - 224 & 444	1
1 KO 200380	SPRING - tension, idle adjust	1
2 A 72092	SCREW - idle adjust	1
3 A 72077	NEEDLE - main fuel adjust, 220, 222	1
3 KO 237489	NEEDLE - main fuel adjust, 224 & 444	1
4 KO 200383	SPRING - main fuel adjust	1
5 A 72099	NEEDLE - idle adjust (220, 222)	1
5 KO 275231	NEEDLE - idle adjust (224 & 444)	1
6 KO 200380	SPRING - idle fuel adjust	1
7 A 72079	PIN - float	1
8 A 72078	FLOAT - carburetor	1
9 A 72080	BOWL - carburetor	1
10 A 72084	SCREW AND GASKET ASSEMBLY - carburetor bowl	1
11 A 72103	KIT - carburetor repair	1
12 NSS	INLET NEEDLE AND SEAT ASSEMBLY	1
13 NSS	GASKET - bowl ring	1
14 NSS	GASKET - bowl baffle	1
15 A 72083	GASKET - bowl screw	1

**FUEL PUMP**

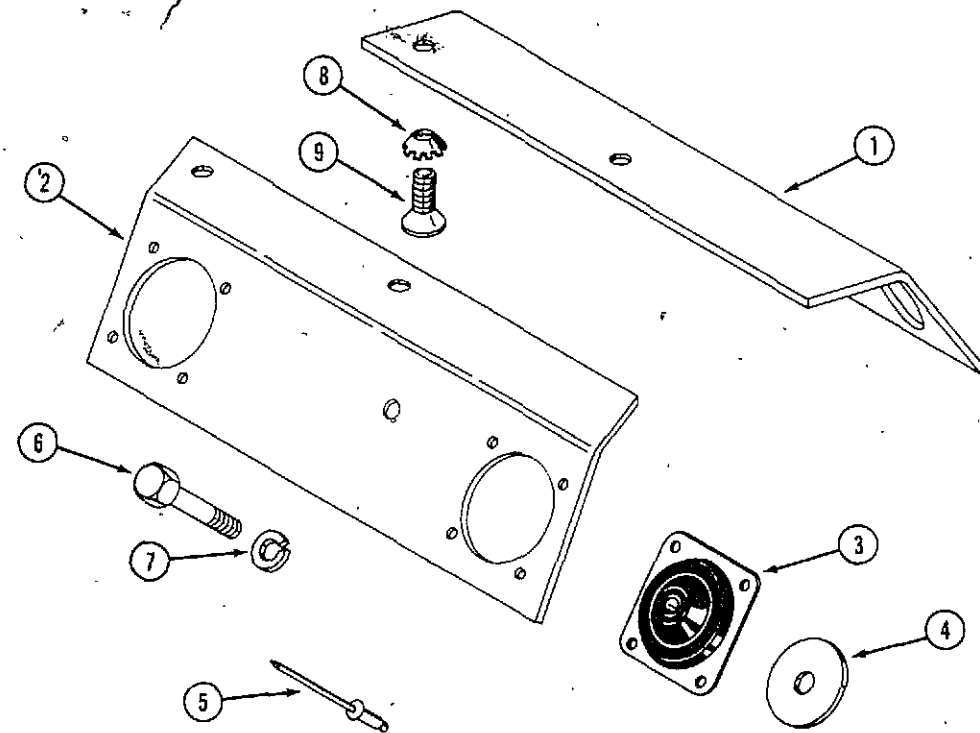


1 NSS	KIT - fuel pump for KOA235845 pump (use C24851)	1
NSS	SPRING - fuel pump valve	2
NSS	VALVE	2
NSS	GASKET - valve	1
NSS	DIAPHRAGM ASSEMBLY	1
NSS	SPRING - diaphragm	1
2 C 22738	GASKET - fuel pump mounting	1
3 NSS	KIT - fuel pump for KOA236205 pump (use C24851)	1
NSS	VALVE ASSEMBLY	2
NSS	GASKET - valve	2
NSS	DIAPHRAGM ASSEMBLY	1
NSS	SPRING - diaphragm	1
NSS	GASKET - valve	1
2 C 22738	GASKET - fuel pump mounting	1

**CHOKE, THROTTLE AND GOVERNOR**



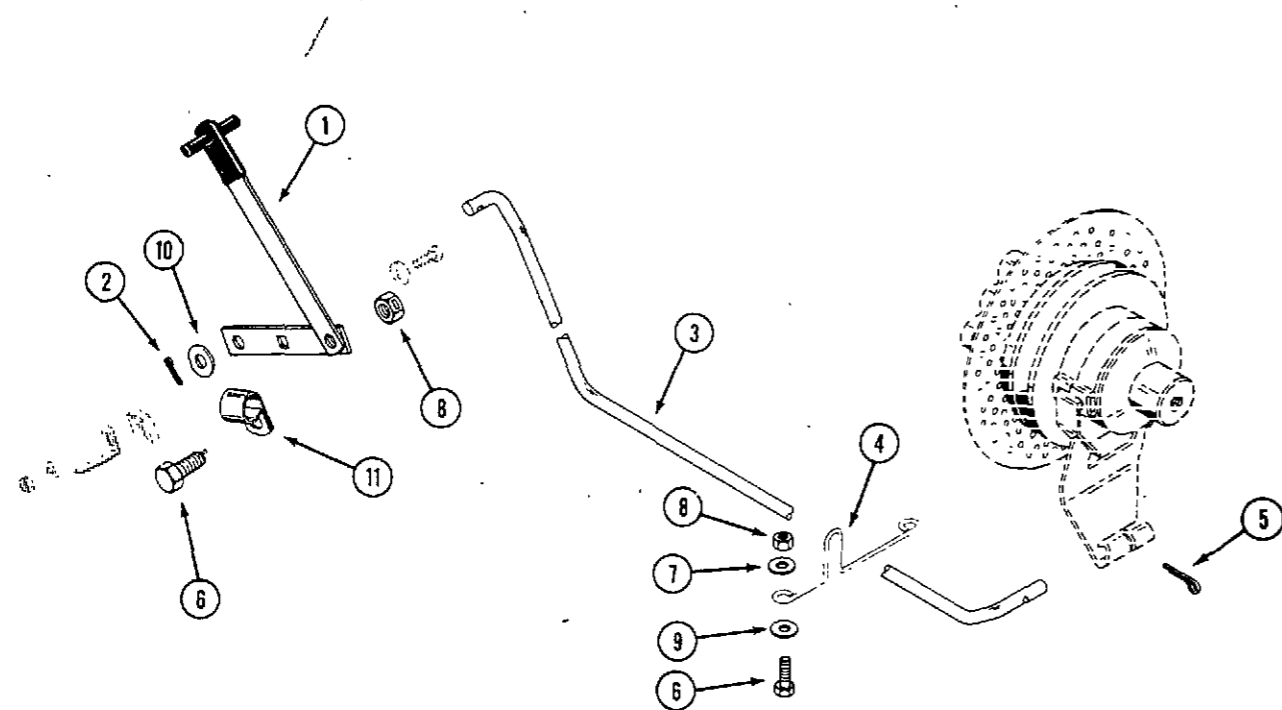
REF. PART NO.	DESCRIPTION	REQ'D
1 C 16449	CONTROL - throttle	1
2 C 12224	HANDLE - throttle control, black	1
3 C 16448	CONTROL - choke	1
4 C 14508	HANDLE - choke control, white	1
5 111- 1	BOLT - 10-24 x 1/2" round head, square neck	2
6 192- 18	LOCKWASHER - #10 Std. plated	2
7 129- 17	NUT - #10-24 plated	2
8 KOA 237653	LEVER - governor	1
9 15- 420	BOLT - 1/4" x 1-1/4" NC hex	2
10 195- 515	WASHER - 1/4" plated	2
11 25- 104	NUT - 1/4" hex	1
12 KO 235498	SPRING - governor	1
13 192- 19	LOCKWASHER - 1/4" plated	1
14 C 18098	WASHER - thrust	1
15 KO 275690	WASHER - wavy	1
16 H 43034	CLAMP - swivel, wire	1
17 KO 235086	LEVER - speed control	1
18 KO 235085	SPACER - speed control bracket	1
19 KO 235084	BRACKET - high speed stop	1
20 129- 37	NUT - #10-32 hex	2
21 192- 18	LOCKWASHER - 3/16" plated	1
22 A 10326	JOINT - ball	1
23 KO 235277	ROD - throttle	1
24 49485	RING - retaining, throttle rod	1
25 KO 235476	BUSHING - governor cross shaft	1
26 KOA 235256-S	KIT - shaft assembly, governor cross	1
27 V 34418	BEARING - needle governor shaft	1
28 KOA 237031	GEAR ASSEMBLY - governor	1
29 KO 235125-S	SHAFT - governor stub	1
30 C 18099	WASHER - governor stop pin	1
31 V 34416	PIN - governor stop	1
32 KOA 237559	BRACKET - throttle cable	1
33 KOA 237559	CLIP - bracket	2
34 KOA 236919	BRACKET - choke cable	1
35 169- 95	SCREW - #10 x 3/8" NC fillister head	1



**ENGINE MOUNT PLATES**

1 C 17717	PLATE - engine mount L.H.	1
2 C 17718	PLATE - engine mount R.H.	1
3 C 18793	MOUNT - engine	4
4 D 22988	WASHER - snubbing	4
5 151- 538	RIVET - pop 3/16"	16
6 113- 219	BOLT - 3/8" x 2" NC hex	4
7 192- 21	LOCKWASHER - 3/8"	4
8 193- 56	LOCKWASHER - 3/8" countersunk external tooth	4
9 164- 50	BOLT - flat head hex socket	4

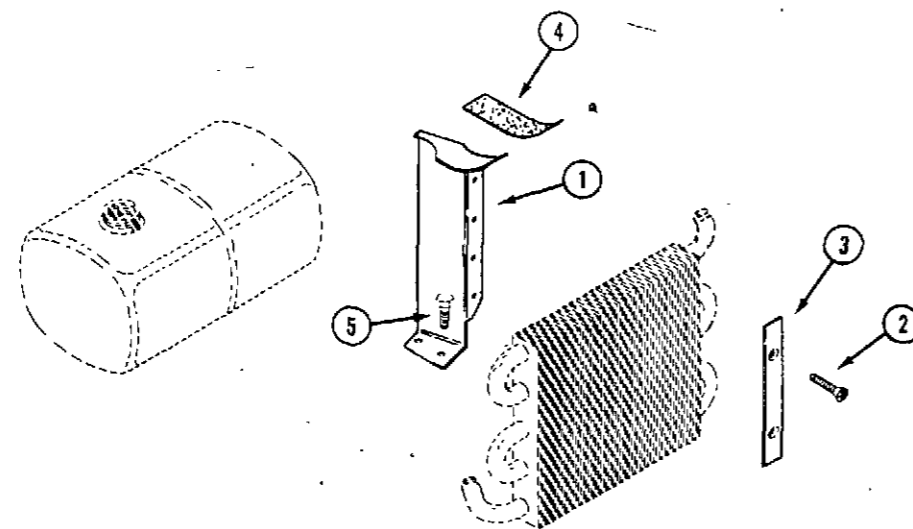
**PULLEY CLUTCH & LINKAGE**



REF. PART NO.	DESCRIPTION	REQ'D
1 C 19362	LEVER - clutch, .....	1
2 132 <sup>a</sup> 46	PIN - cotter 1/8" x 3/4" .....	1
3 C 18053	ROD - clutch, 220 .....	1
4 C 18825	RETAINER - clutch rod .....	1
5 132- 48	PIN - cotter 1/8" x 1" .....	1
6 113- 207	BOLT - 3/8" x 1" NC hex .....	3
7 195- 126	WASHER - spacer (used on models without hydraulic lift) .....	2
8 131- 118	LOCKNUT - 3/8" NC hex .....	3
9 195- 104	WASHER - 3/8" .....	2
10 195- 525	WASHER - 3/8" .....	1
11 49885	CLAMP - choke and throttle cable .....	1

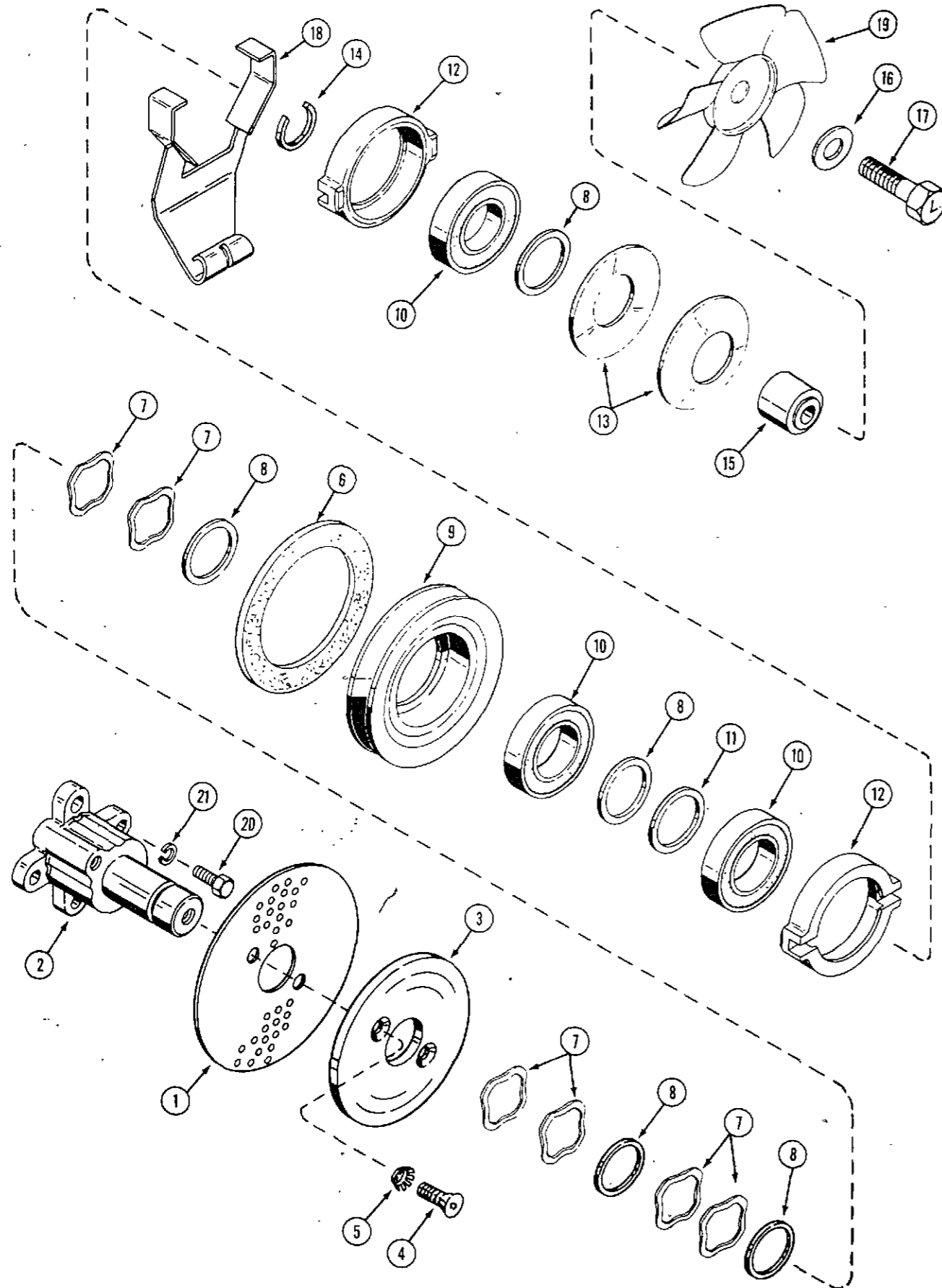
**HYDRAULIC RESERVOIR MOUNTING**

1 C 14240	SUPPORT - reservoir mounting R.H. ....	1
1 C 14241	SUPPORT - reservoir mounting L.H. ....	1
2 187- 1251	SCREW - 1/4 x 1-1/4" NC flat head Phillips .....	4
3 C 14246	BRACKET - heat exchanger mounting .....	2
4 C 14690	CUSHION - reservoir .....	2
5 113- 118	BOLT - 5/16 x 5/8" NC hex .....	4



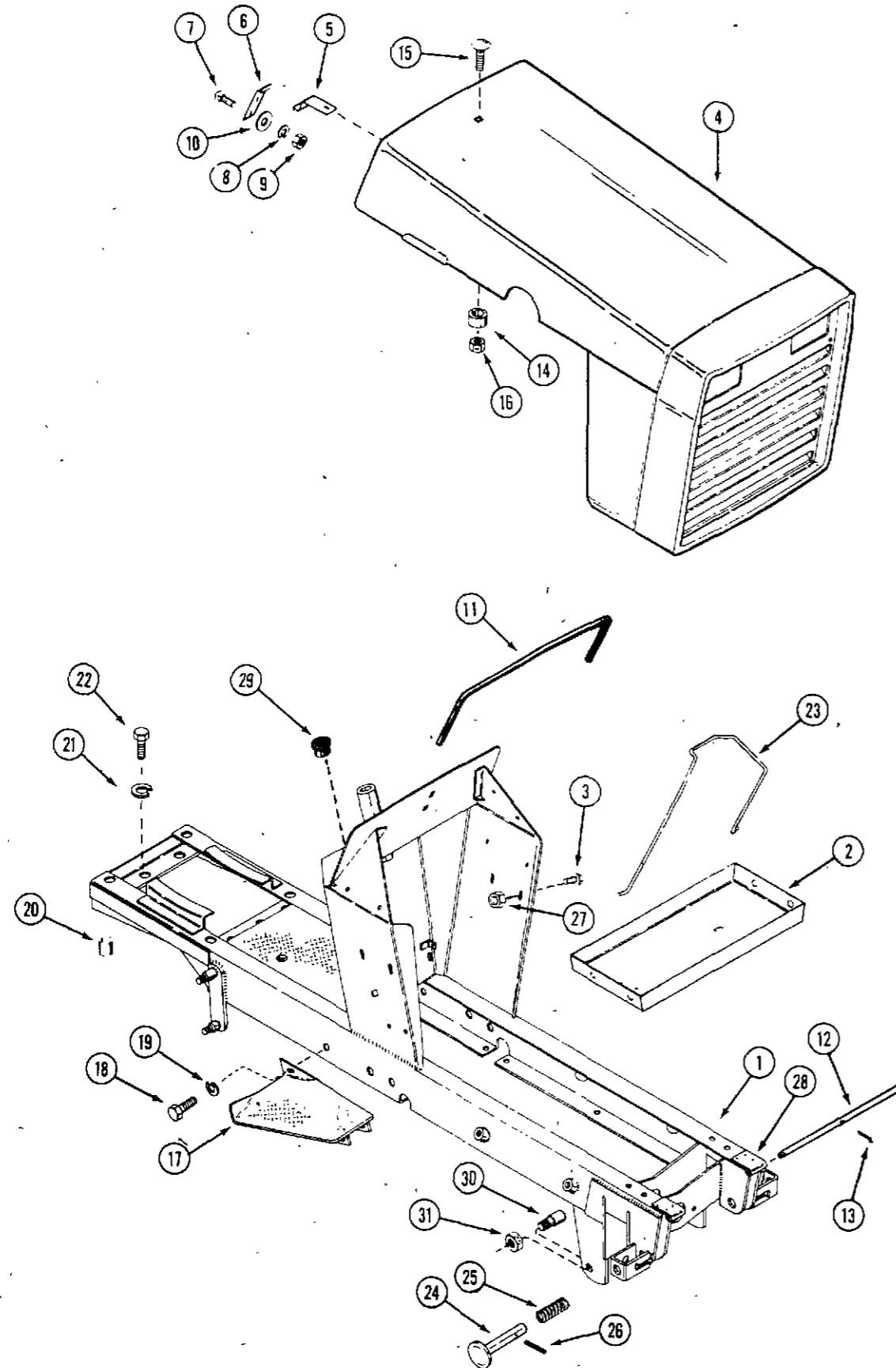


**CLUTCH ASSEMBLY (PTO)**



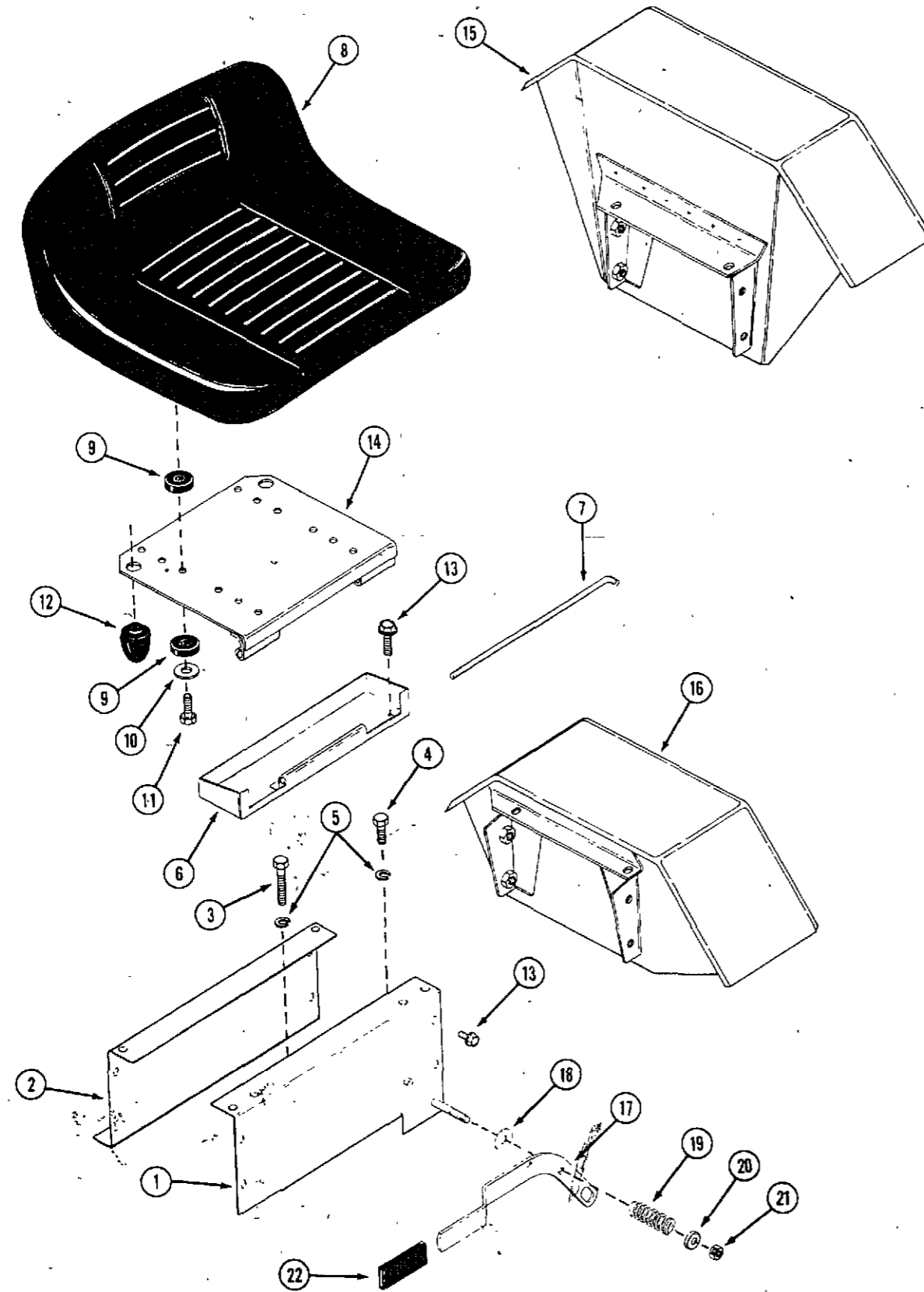
REF.	PART NO.	DESCRIPTION	REQ'D
1	NSS	CLUTCH ASSEMBLY - less screen (use C24774)	1
2	C 15721	SCREEN - grass	1
3	C 18907	HUB - clutch	1
4	C 15718	PLATE - clutch	1
5	164- 40	BOLT - 5/16" x 3/4" NC flat head socket	2
6	193- 76	LOCKWASHER - 5/16" countersunk external tooth	2
7	C 23740	KIT - disc	1
8	C 15515	WASHER - spring	6
9	C 15557	WASHER - spacer .050"	5
10	C 22671	PULLEY AND DISC ASSEMBLY - clutch	1
11	C 23245	BEARING - cam and pulley	3
12	C 15556	WASHER - spacer .010"	1
13	NSS	CAM - clutch (service with (2)C23033 cams and (1)C23506 arm)	2
14	C 16786	SPRING - clutch load	2
15	F 59014	RING - retaining	1
16	C 18908	SPACER - hub	1
17	O 2815N	WASHER - fan 17/32"	1
18	C 18940	BOLT - 1/2" x 1-3/4" NC hex L.H. threads	1
19	C 23506	ARM - engaging	1
20	C 16616	FAN - cooling	1
21	113- 207	BOLT - 3/8" x 1" NC hex ZP	4
	192- 21	LOCKWASHER - 3/8"	4
	NSS	KIT - clutch stub shaft (includes items 2, 8, 11, 14, 15, 16, 17, 19 and C21596)	1

**HOOD, FRAME AND GRILLE**



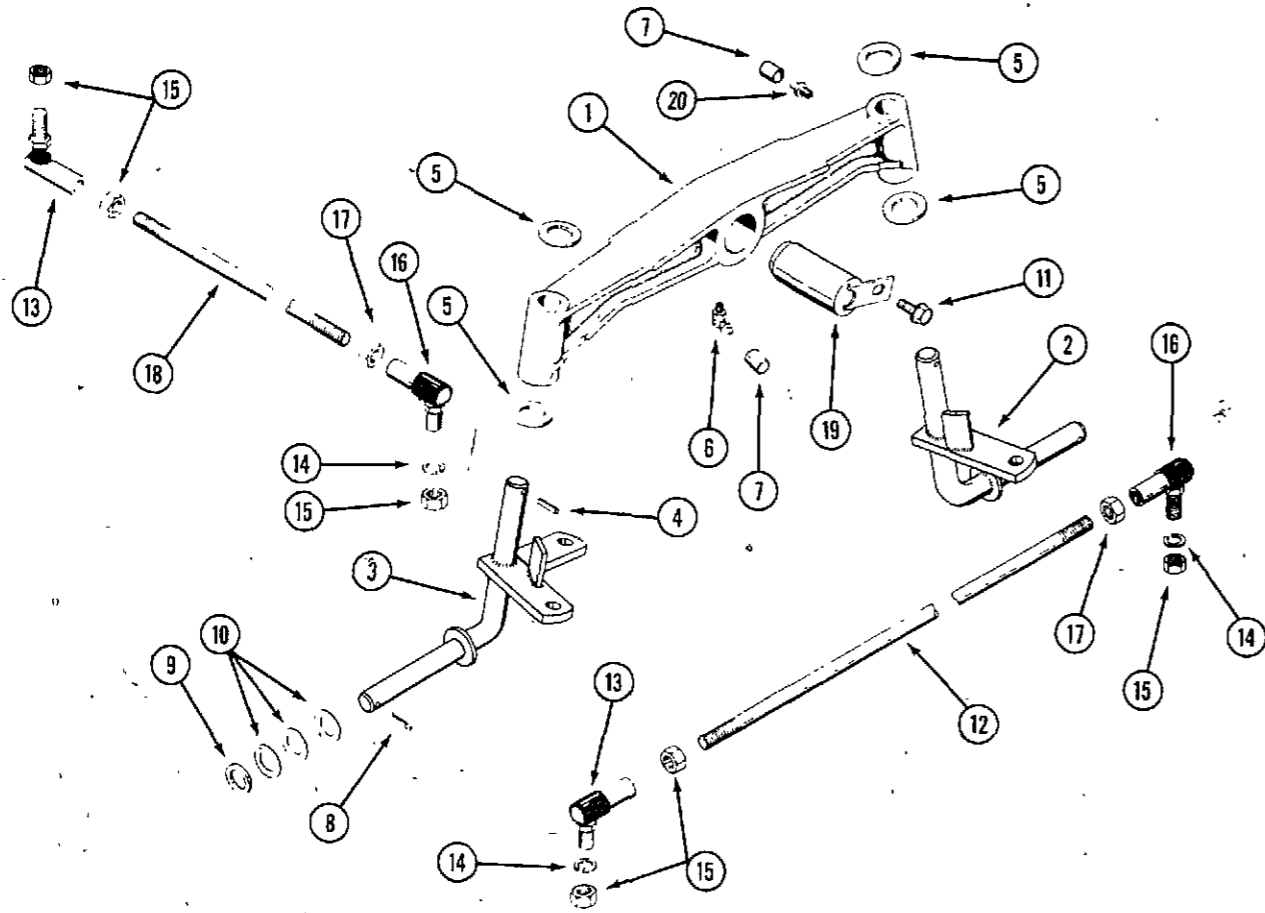
REF. PART NO.	DESCRIPTION	REQ'D
1 C 19089	FRAME - main, 220, 222 & 224	1
1 C 19090	FRAME - main, 444	1
2 C 16170	TRAY - battery	1
3 121- 106	SCREW - 5/16" x 1/2" whizlock	4
4 C 16364	HOOD AND GRILLE ASSEMBLY	1
5 C 15183	SPRING - hood latch	1
6 C 15184	LATCH - hood	1
7 111- 1	BOLT - #10 x 1/2" NC round head, square neck	2
8 192- 18	LOCKWASHER - #10	2
9 129- 17	NUT - #10 NC hex	2
10 195- 512	WASHER - 7/32" zinc plated	2
11 C 18153	CHANNEL - instrument panel liner	1
12 C 16362	ROD - hood hinge	1
13 132- 46	PIN - cotter 1/8" x 3/4"	1
14 C 14500	SPACER - hood	1
15 111- 109	BOLT - 1/4" x 1-1/4" NC round head, square neck	1
16 131- 71	LOCKNUT - 1/4" NC hex	1
17 C 18890	PAD - foot L.H.	1
17 C 18150	PAD - foot R.H.	1
18 13- 514	BOLT - 5/16" x 7/8" NC hex	2
19 192- 20	LOCKWASHER - 5/16"	2
20 C 14729	SPACER - rear frame (444)	2
20 C 14730	SPACER - rear frame (220, 222, and 224)	2
21 192- 23	LOCKWASHER - 1/2"	4
22 113- 424	BOLT - 1/2" x 1" NC hex	4
23 C 16239	STRAP - battery hold down	1
24 C 16373	PIN - latch	2
25 C 24137	SPRING - latch	2
26 138- 319	PIN - roll 3/16" x 1-1/4"	2
27 129- 102	NUT - 5/16" NC hex	4
28 C 16351	HINGE - frame	2
29 353- 406	PLUG - hole (mechanical drive models only)	1
30 C 18733	PIN - attachment	2
31 131-159	LOCKNUT - jam, 1/2" NF	2

SEAT, FENDERS AND TOOL TRAY



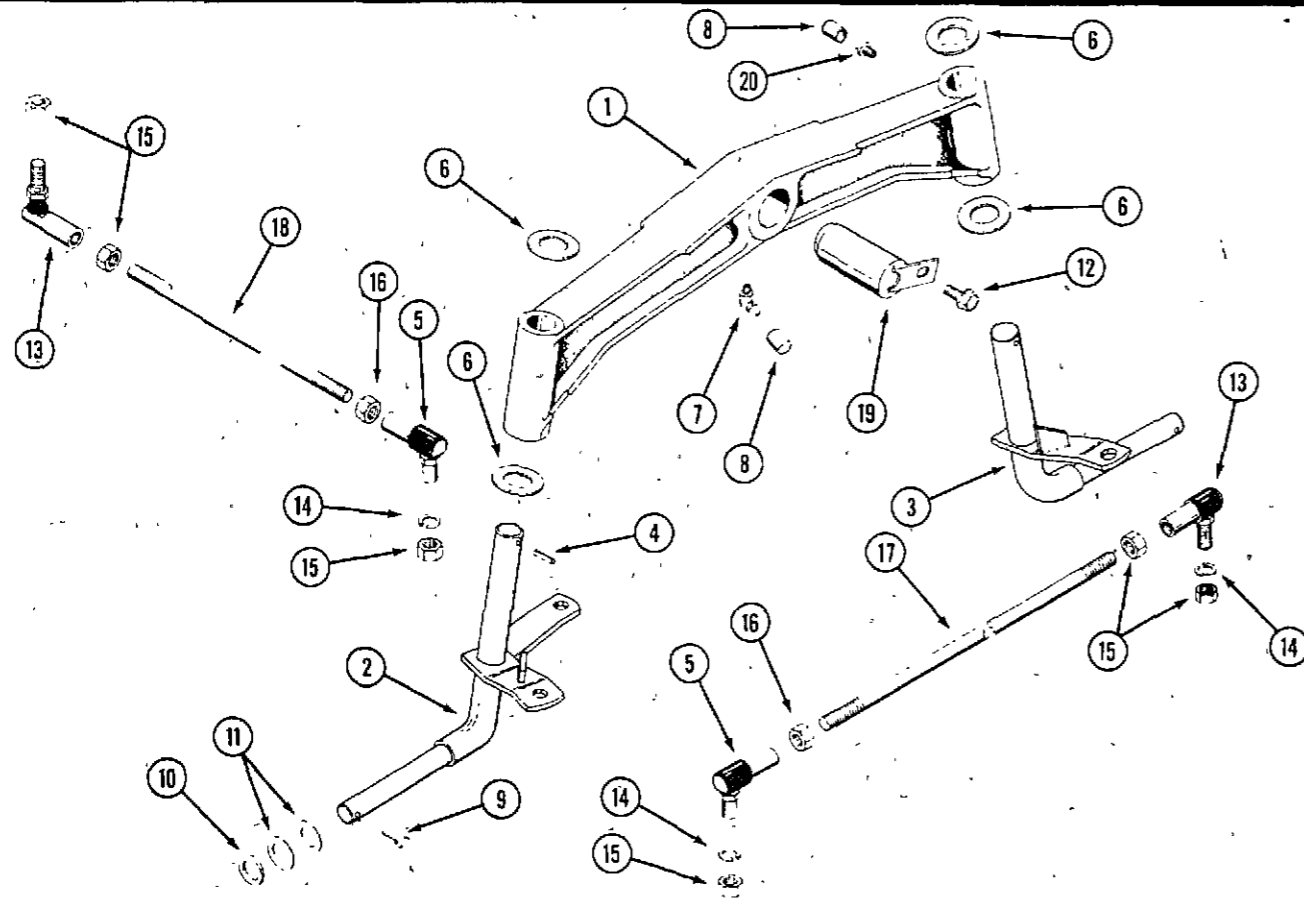
REF.	PART NO.	DESCRIPTION	REQ'D
1	C 16408	SUPPORT - seat, front	1
2	C 16404	SUPPORT - seat, rear	1
3	113- 441	BOLT - 1/2 x 2-1/4" NC hex (444)	2
3	113- 427	BOLT - 1/2 x 3-1/4" NC hex (220, 222 and 224)	2
4	113- 424	BOLT - 1/2 x 1" NC hex (444)	2
5	192- 23	LOCKWASHER - 1/2"	4
6	C 19417	TRAY - tool	1
7	C 16429	PIN - seat hinge	1
8	C 24319	SEAT - (220, 222 and 224)	1
8	C 24318	SEAT - (444)	1
9	C 15410	CUSHION - rubber	8
10	195- 2021	WASHER - 5/16 x 1-1/4" OD, zinc plated	4
11	113- 122	BOLT - 5/16 x 1-1/2"	4
12	C 14534	BUMPER - seat	2
13	121- 106	BOLT - 5/16 x 1/2" flange whizlock	14
14	C 17152	HINGE ASSEMBLY - seat	1
15	C 16444	FENDER - L.H. (444)	1
15	C 16445	FENDER - R.H. (444)	1
16	C 16446	FENDER - L.H. (220, 222 and 224)	1
16	C 16447	FENDER - R.H. (220, 222 and 224)	1
17	C 16393	LEVER - shift	1
18	195- 524	WASHER - 7/16 x 1-1/4" OD	1
19	C 17216	SPRING - shift lever	1
20	C 17066	WASHER - cupped	1
21	131- 178	NUT - lock 3/8" NC hex	1
22	C 14728	GRIP - shift lever	1

220, 222 AND 224 FRONT AXLE



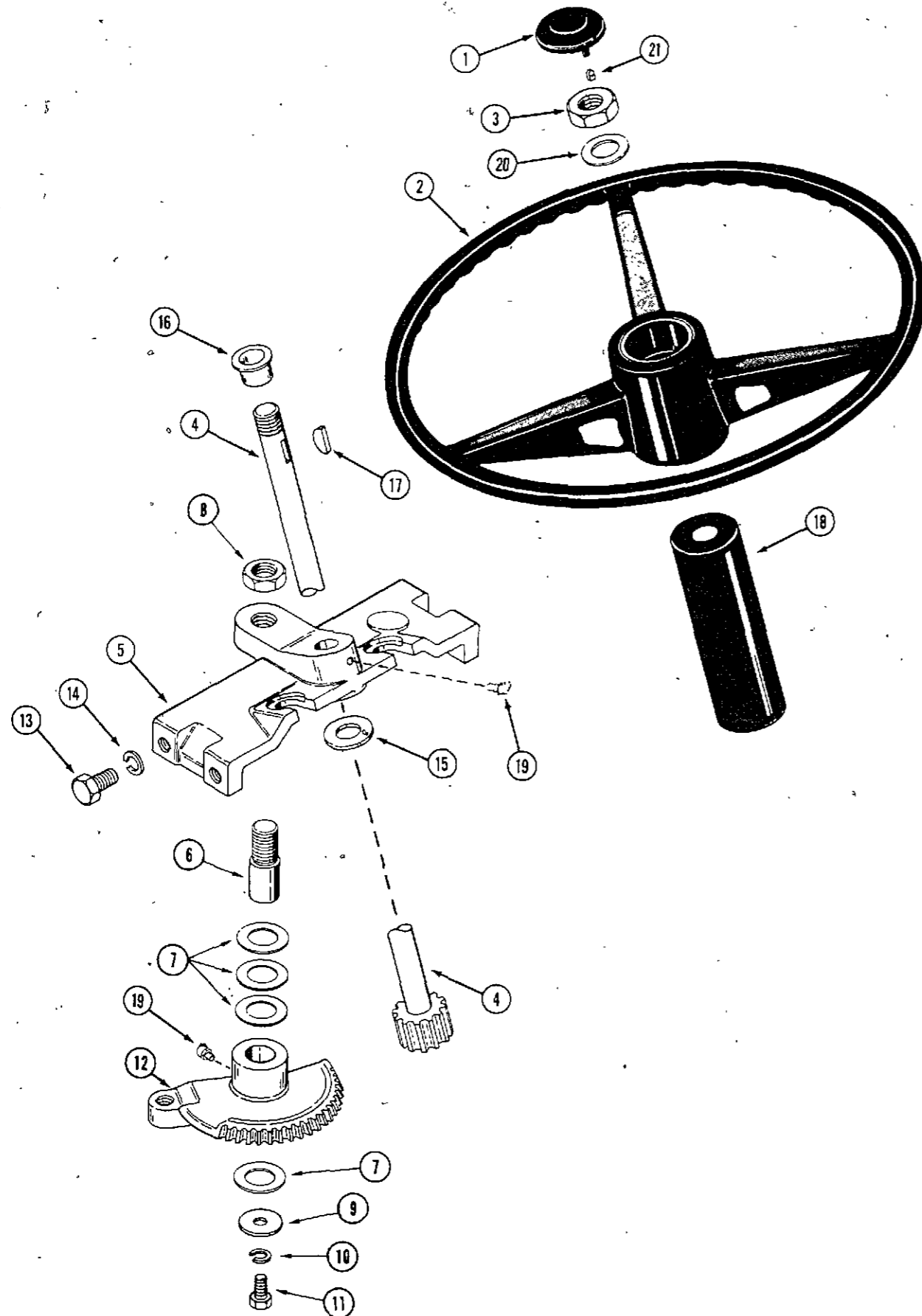
REF.	PART NO.	DESCRIPTION	REQ'D
1	C 18812	AXLE - front	1
2	C 18777	SPINDLE - left hand	1
3	C 18779	SPINDLE - right hand	1
4	138- 99	PIN - roll	2
5	C 11906	WASHER - thrust	4
6	219- 404	FITTING - lube	3
7	C 13106	COVER - lube fitting	3
8	132- 311	PIN - cotter 5/32 x 1-1/4"	2
9	C 12975	WASHER - wheel spindle	2
10	A 30881	WASHER - wheel spacer	6
11	187- 1046	BOLT - 3/8" NC indented hex head	1
12	C 14334	TIE ROD	1
13	C 12102	BALL JOINT - 1/2" R. H. thread	2
14	192- 23	LOCKWASHER - 1/2" zinc plated	3
15	129- 125	NUT - 1/2" NF hex R.H. thread	6
16	C 13605	BALL JOINT - 1/2" L. H. thread	2
17	129- 325	NUT - 1/2" NF hex L.H. thread	2
18	C 18786	ROD - drag link	1
19	NSS	PIN - axle pivot (use C22568 and C22278)	1
20	219- 17	FITTING - lube	2

444 FRONT AXLE



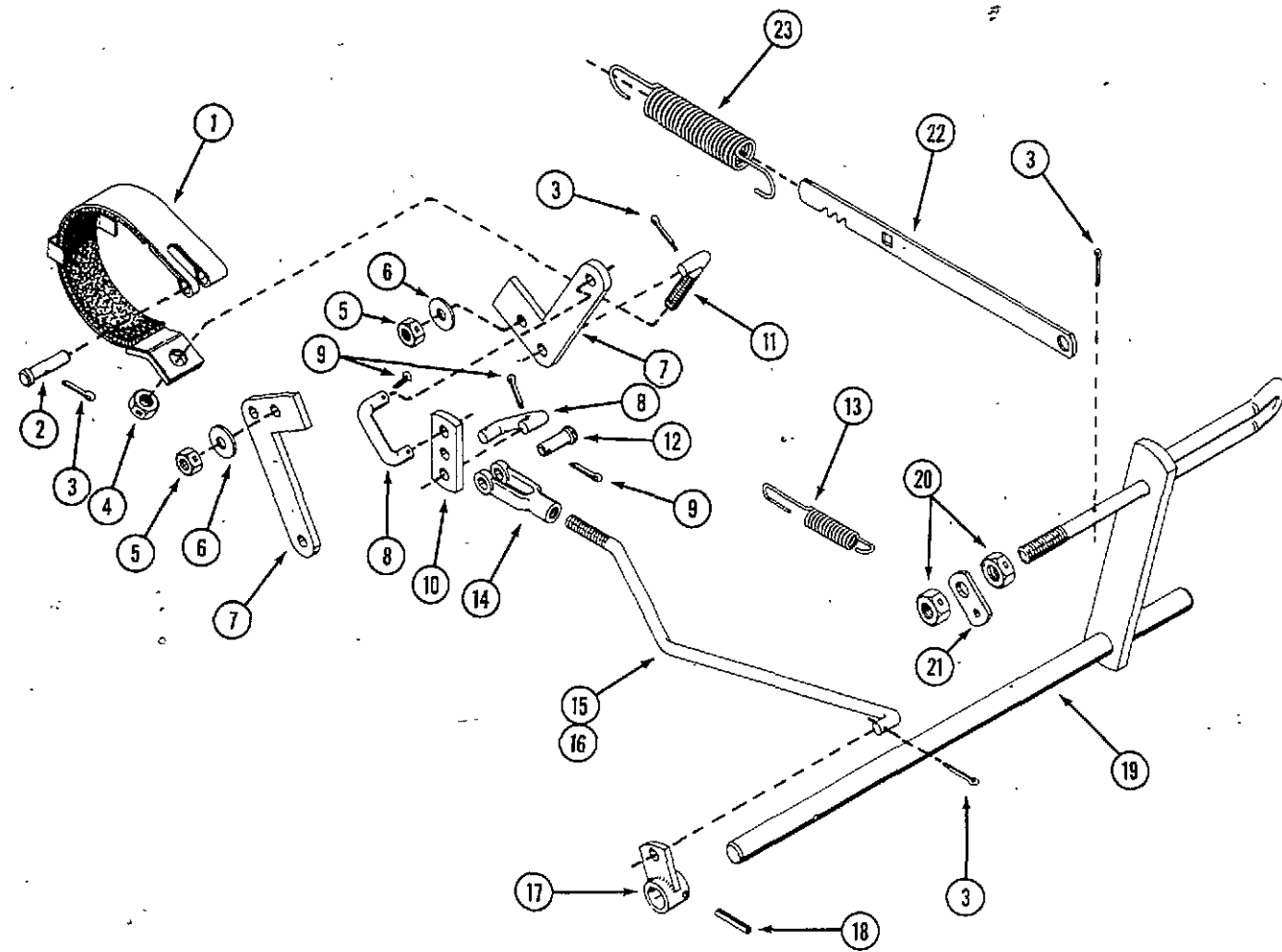
1	C 18813	AXLE - front	1
2	C 18784	SPINDLE - right hand	1
3	C 18782	SPINDLE - left hand	1
4	138- 99	PIN - roll	2
5	C 13605	BALL JOINT - 1/2" L.H. thread	2
6	C 13716	WASHER - thrust	4
7	219- 404	FITTING - lube	3
8	C 13106	COVER - lube fitting	3
9	132- 311	PIN - cotter 5/32 x 1-1/4"	2
10	C 12975	WASHER - wheel spindle	2
11	A 30881	WASHER - wheel spacer	4
12	187- 1046	BOLT - 3/8" NC indented hex head	1
13	C 12102	BALL JOINT - 1/2" R.H. thread	2
14	192- 23	LOCKWASHER - 1/2" zinc plated	3
15	129- 125	NUT - 1/2" NF hex R.H. thread	6
16	129- 325	NUT - 1/2" NF hex L.H. thread	2
17	C 16384	TIE ROD	1
18	C 18786	ROD - drag link	1
19	NSS	PIN - axle pivot (use C22568 and C22278)	1
20	219- 17	FITTING - lube	2

STEERING GEAR



REF. PART NO.	DESCRIPTION	REQ'D
1 C 16945	CAP - steering wheel	1
2 C 18014	WHEEL - steering, 220	1
3 131- 356	NUT - lock 5/8"	1
4 C 16200	SHAFT - steering	1
5 C 18992	SUPPORT - steering gear	1
6 C 14200	PIN - pivot	1
7 C 14201	WASHER - shim	4
8 131- 1112	NUT - jam 3/4"	1
9 195- 2021	WASHER	1
10 192- 20	LOCKWASHER - 5/16" zinc plated	1
11 113- 103	BOLT - 5/16" x 7/8" NC hex	1
12 C 18711	GEAR - steering	1
13 113- 206	BOLT - 3/8" x 3/4" NC hex	4
14 192- 21	LOCKWASHER - 3/8"	4
15 195- 2069	WASHER - 5/8" zinc plated	1
16 C 15096	BUSHING - flanged nylon	1
17 126- 16	KEY - Woodruff 3/16" x 3/4"	1
18 C 24098	TUBE - steering	1
19 219- 404	FITTING - lube 45°	2
20 C 12975	WASHER - 5/8"	1
21 C 18017	CLIP - tinnerman (use with C18014 steering wheel)	2

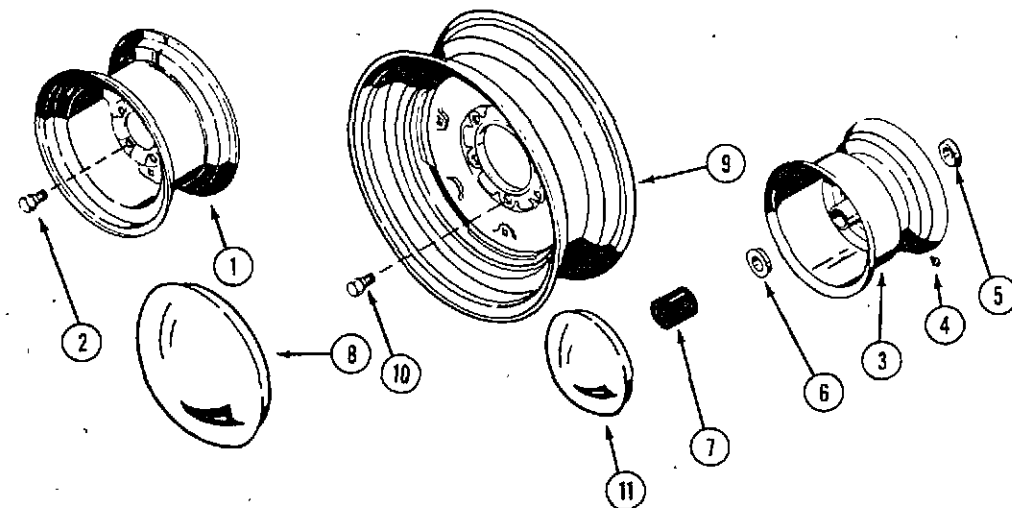
**BRAKE ASSEMBLY**



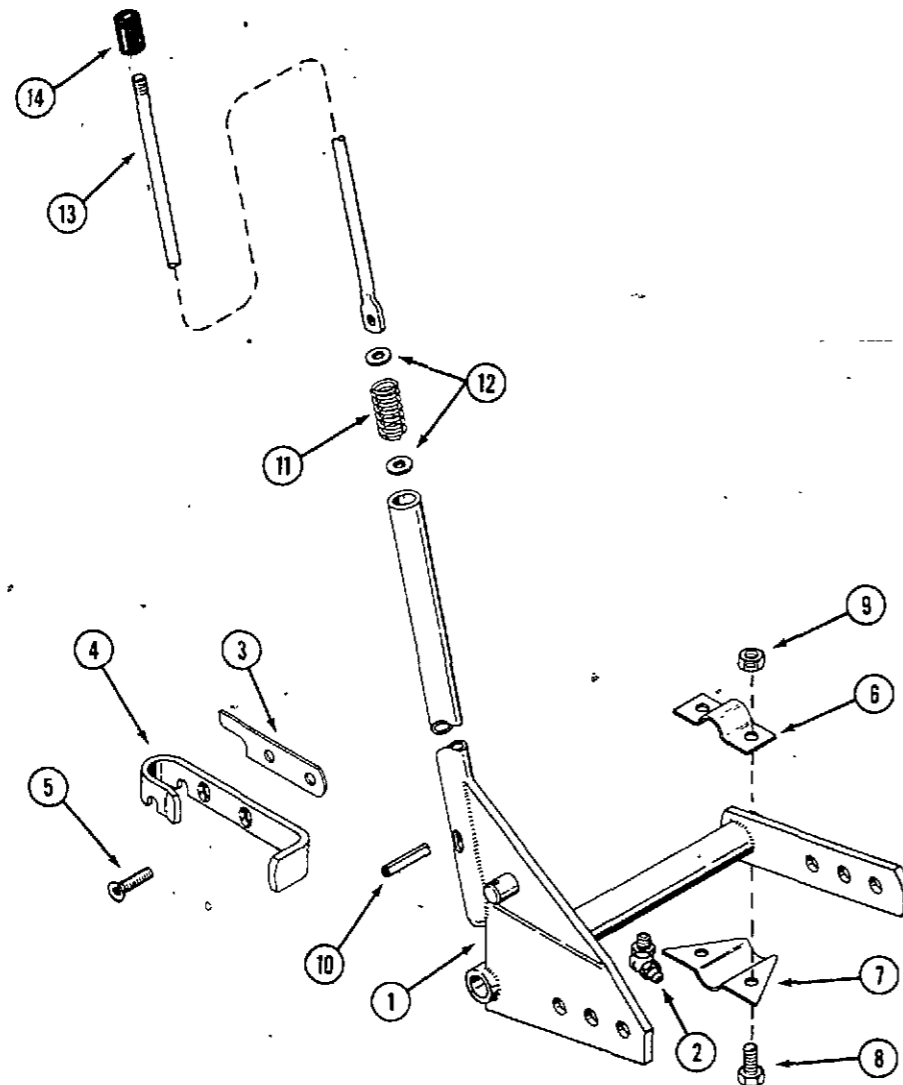
REF. PART NO.	DESCRIPTION	REQ'D
1 C 19250	BAND - brake	1
2 C 13526	PIN - clevis	1
3 132- 310	PIN - cotter 1/8" x 1"	4
4 131- 1129	LOCKNUT - 7/16" hex NC	1
5 131- 179	LOCKNUT - 3/8" hex NC	2
6 195- 104	WASHER - 3/8" flat	2
7 C 19063	ARM - brake	2
8 C 19064	LINK - brake	2
9 132- 321	PIN - cotter 3/32" x 1"	6
10 C 19179	LINK - brake	1
11 C 19251	LINK - brake band	1
12 141- 4	PIN - clevis	1
13 C 25022	SPRING - return	1
14 213- 4	CLEVIS	1
15 C 24097	ROD - brake (220, 222, and 224)	1
16 C 24096	ROD - brake (444)	1
17 C 19183	ARM - brake rod	1
18 138- 319	PIN - roll 3/16" x 1-1/4"	1
19 C 19180	PEDAL - brake assembly	1
20 131- 164	NUT - centerlock jam	2
21 C 16164	TAB - lift control	1
22 C 18147	LEVER - brake lock	1
23 C 16379	SPRING - brake lock	1

**FRONT AND REAR WHEELS**

REF. PART NO.	DESCRIPTION	220	222	224	444
1 C 24435	WHEEL - rear, 5 bolt	2			
2 C 10314	BOLT - rear wheel	10			
3 C 24433	WHEEL - front	2			2
4 219- 403	FITTING - lube	2			2
5 C 12110	BEARING - wheel, inner	2			2
7 C 12370	CAP - plastic, front	2			2
8 A 70185	CAP - hub, rear (optional)	2			
9 C 24438	WHEEL - rear, 6 bolt				2
10 A 30064	BOLT - rear wheel				12
11 A 70062	CAP - hub front wheel (optional)	2			2



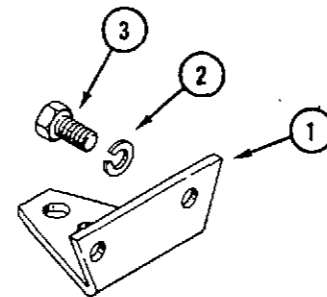
**IMPLEMENT LIFT**



REF.	PART NO.	DESCRIPTION	REQ'D
1	C 18809	LEVER ASSEMBLY - implement lift	1
2	219- 404	FITTING - lube 45°	1
3	C 17281	SPACER - latch	4
4	C 18811	LIFT - latch	1
5	164- 42	SCREW - 5/16 x 1-1/4" flat head socket	2
6	C 17249	BRACKET - mounting top	1
7	C 17250	BRACKET - mounting bottom	1
8	13- 614	BOLT - 3/8 x 7/8" NC hex	4
9	131- 178	NUT - lock 3/8"	4
10	138- 2054	PIN - spirol 5/16 x 1-3/4"	1
11	C 15564	SPRING - lift lever	1
12	195- 521	WASHER - 3/8 x 11/16" OD	2
13	C 17067	ROD - lift lever push	1
14	C 14525	BUTTON - thumb	1

**DRAWBAR AND TOW HITCH**

1	C 13360	DRAWBAR	1
2	192- 23	LOCKWASHER - 1/2" zinc plated	2
3	113- 424	BOLT - 1/2 x 1" NC hex zinc plated	2

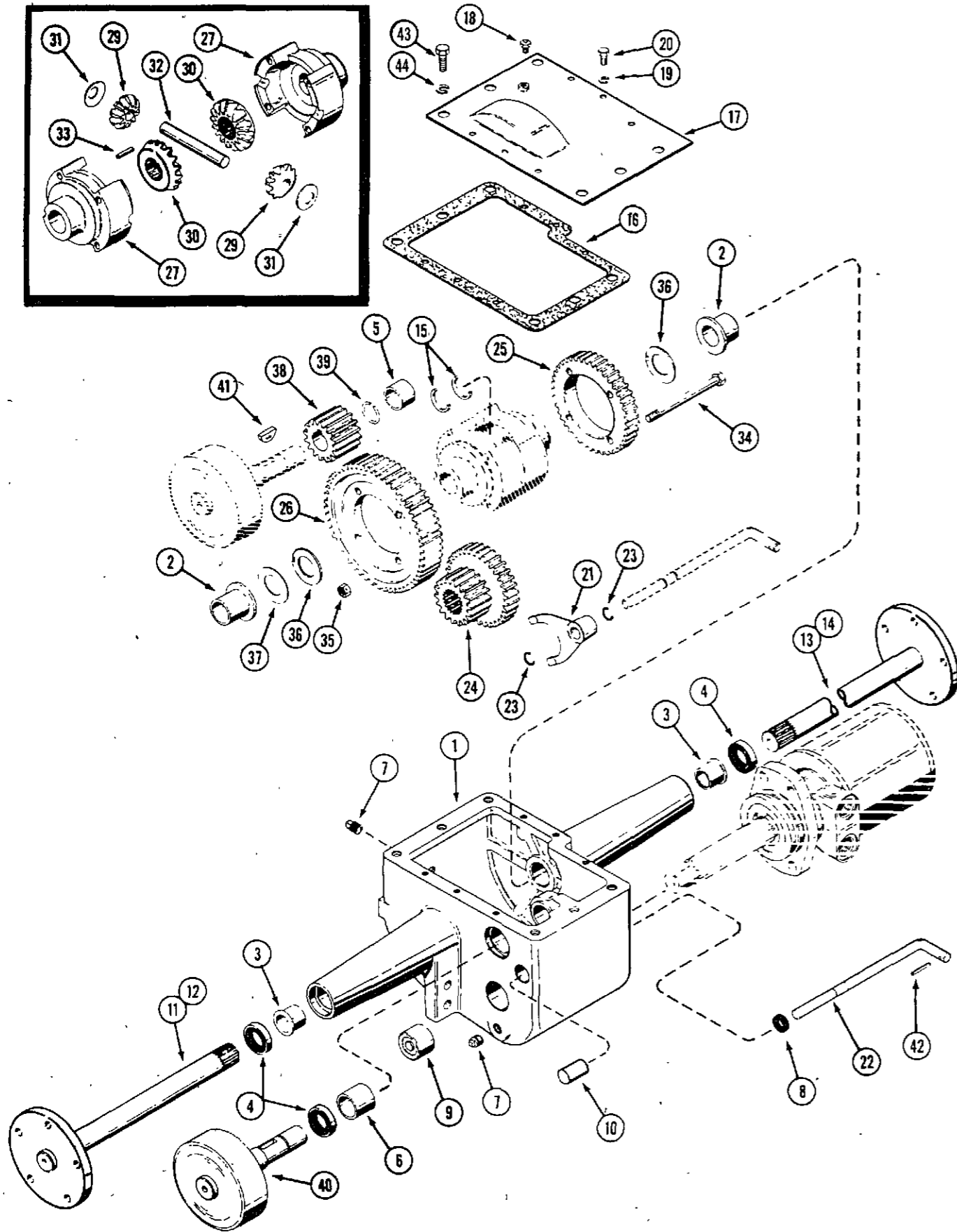


MOUNTING POSITION FOR 220, 222 AND 224 TRACTORS.

TRANSMISSION AND FINAL DRIVE

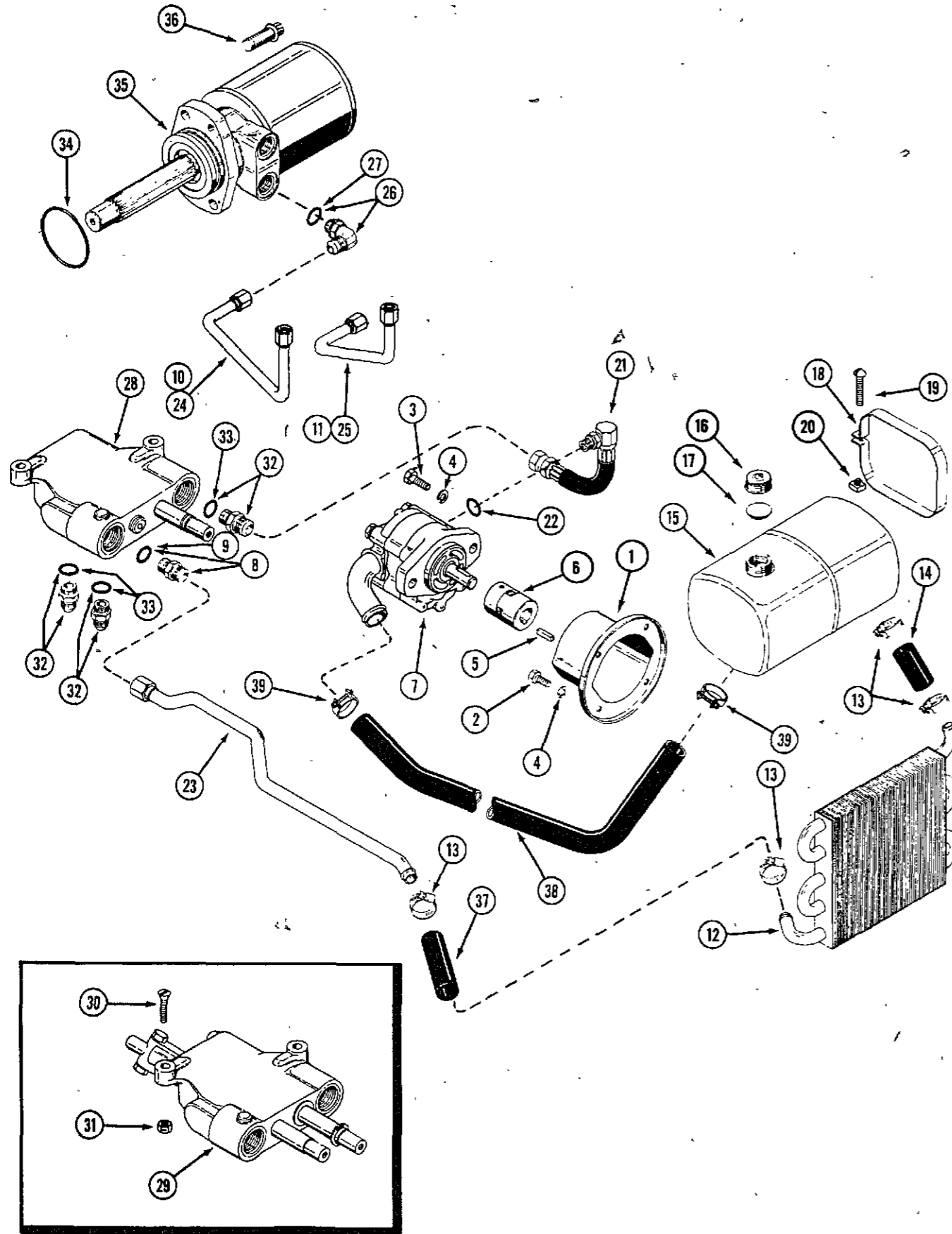
REF. PART NO.	DESCRIPTION	REQ'D
1	NSS CASE - transmission (use C24843 includes bearings)	1
2	C 12713 BEARING - flange	2
3	C 16744 BEARING - flanged	2
4	D 31945 SEAL - axle	3
5	C 13241 BEARING - sleeve	1
6	C 13385 BEARING - sleeve	1
7	221- 4 PLUG - filler and drain 1/2"	2
8	C 13266 SEAL - shift rod	1
9	C 13211 BEARING - roller, input shaft	1
10	C 12723 CAP - shift rod	1
11	C 16699 SHAFT - axle, short R.H. (220, 222 & 224)	1
12	C 22638 SHAFT - axle, short R.H. (444)	1
13	C 16700 SHAFT - axle, long L. H. (220, 222 & 224)	1
14	C 22637 SHAFT - axle, long L. H. (444)	1
15	B 52144 RING - retainer, axle	2
16	C 13196 GASKET - transmission cover	1
17	C 13197 COVER - transmission	1
18	A 50096 BREATHER - transmission	1
19	192- 19 LOCKWASHER - 1/4"	6
20	113- 1 BOLT - 1/4 x 1/2" NC hex	6
21	C 12725 FORK - shift	1
22	C 16339 ROD - gear shift	1
23	C 14168 RING - retaining	2
24	C 14644 GEAR - cluster input	1
25	C 12551 GEAR - high 41 tooth	1
26	C 12552 GEAR - low 55 tooth	1
27	NSS KIT - diff. case (use C25177 differential assembly)	1
29*	GEAR - differential pinion (order two of each, items 29 and 30)	2
30*	GEAR - differential (order two of each, items 29 and 30)	2
31	C 12559 WASHER - pinion thrust	2
32	C 12560 PIN - differential cross	1
33	R 17820 PIN - differential cross lock	1
34	28- 680 SCREW - 3/8 x 5" NC hex cap	4
35	131- 1232 NUT - lock 3/8" NC hex	4
36	C 12718 WASHER - differential	2
37	C 14223 WASHER - spacer	UAR
38	C 25254 GEAR - brake idler (also use C25258)	1
39	C 14222 RING - retainer, brake idler	1
40	C 25258 BRAKE DRUM - (also use C25254)	1
41	126- 128 KEY - Woodruff, brake idler	1
42	138- 319 PIN - roll 3/16 x 1-1/2"	1
43	113- 424 BOLT - 1/2" 13 x 1"	4
44	192- 23 LOCK WASHER - 1/2"	4

\* Must be serviced in sets of four using two C12558 Pinion Gears and two C12557 Differential Gears.

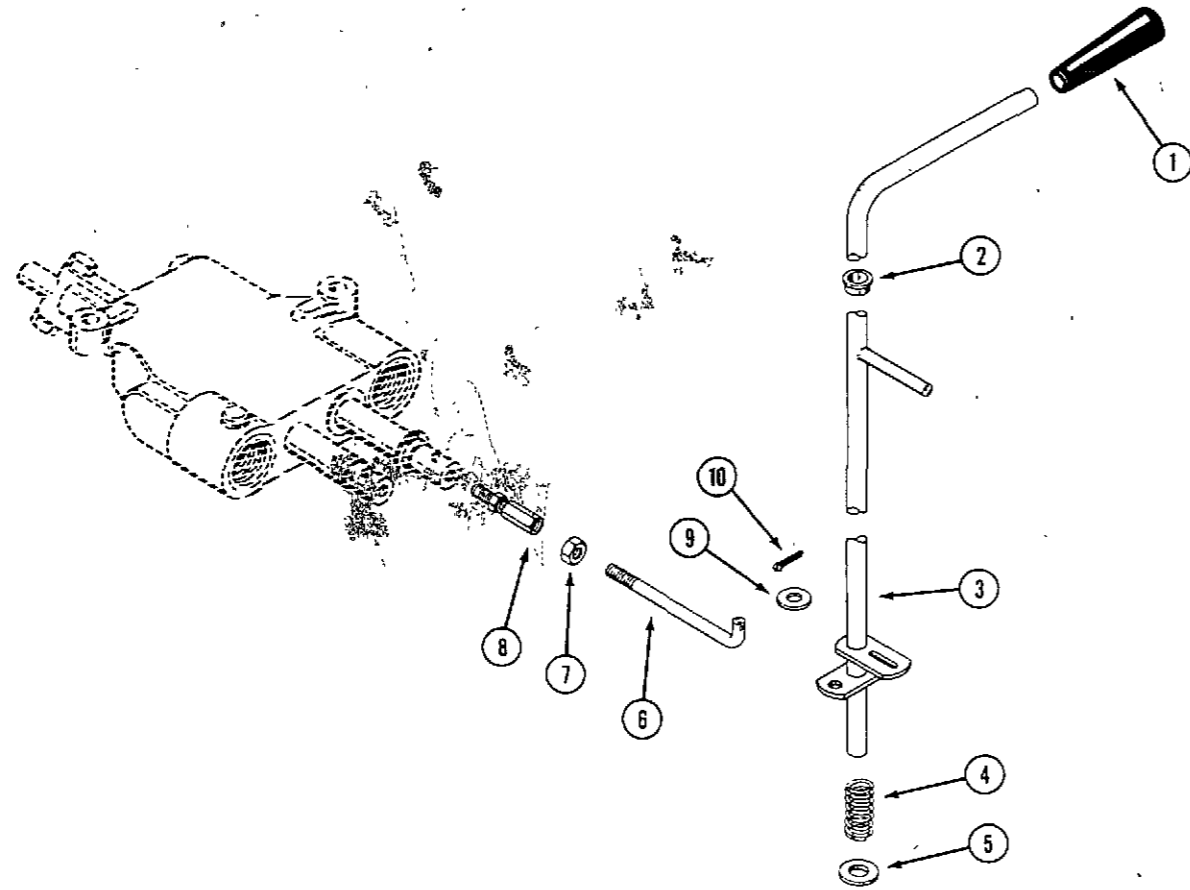




HYDRAULIC SYSTEM



REF.	PART NO.	DESCRIPTION	REQ'D
1	C 15335	SUPPORT - pump mounting- . . . . .	1
2	113- 207	BOLT - 3/8 x 1" NC hex, support mounting . . . . .	4
3	114- 200	BOLT - 3/8 x 1" NF hex, pump mounting . . . . .	2
4	192- 21	LOCKWASHER - 3/8" zinc plated . . . . .	6
5	W 5063-S	KEY - square 1/4 x 3/4" (engine shaft) . . . . .	1
6	C 15726	COUPLING - pump (220 & 222) . . . . .	1
6	C 17298	COUPLING - pump (224 & 444) (Repairs page 51) . . . . .	1
7	C 19045	PUMP - hydraulic (Repairs page 51) . . . . .	1
8	C 17236	FITTING - hydraulic 3/4T x 7/8" "O"RING, pump and valve . . . . .	2
9	218- 5007	"O" RING - 5/8" for C17263 fitting . . . . .	2
10	C 16794	TUBE - valve to lower motor port, 220, 222 & 224 . . . . .	1
11	C 16793	TUBE - valve to upper motor port, 220, 222 & 224 . . . . .	1
12	C 14195	EXCHANGER - heat . . . . .	1
13	214- 8	CLAMP- hose . . . . .	4
14	C 14245	HOSE - rubber 3" . . . . .	2
15	C 18580	RESERVOIR - hydraulic oil . . . . .	1
16	C 11529	CAP - reservoir with insert . . . . .	1
17	C 11545	INSERT - reservoir cap . . . . .	1
18	A 70100	STRAP - reservoir mounting . . . . .	2
19	173- 215	SCREW - 1/4 x 1-1/4" round head machine . . . . .	2
20	129- 504	NUT - square 1/4" NC zinc plated . . . . .	1
21	C 18797	HOSE - hydraulic, pump to valve . . . . .	1
22	218- 5006	"O" RING - 1/2" for 218-5066 fitting . . . . .	1
23	C 19002	TUBE - valve to heat exchanger . . . . .	1
24	C 16687	TUBE- valve to lower motor port (444) . . . . .	1
25	C 17898	TUBE - valve to upper motor port (444) . . . . .	1
26	218- 5107	FITTING - motor port, 90° elbow "O" ring . . . . .	2
27	218- 5007	"O" RING - 5/8" for 218-5107 fitting . . . . .	2
28	NSS	VALVE - hydraulic control, single spool (220, 222 & 442) (Repairs page 53) (Order C21495 valve) . . . . .	1
29	NSS	VALVE - hydraulic control, two spool (all models with hydraulic lift) (Repairs page 53) (Order C21496 valve) . . . . .	1
30	171- 247	SCREW - 5/16 x 1-1/4" NC flat head machine . . . . .	2
31	131- 351	NUT - lock 5/16" NC hex . . . . .	2
32	218- 5062	FITTING - hydraulic valve 5/8T x 7/8" "O" RING . . . . .	3
33	218- 5007	"O" RING - 5/8" for 218-5062 . . . . .	2
34	A 30095	SEAL - motor to transmission case . . . . .	1
35	C 16697	MOTOR - hydraulic, 220, 222 & 224 (Repairs page 55) . . . . .	1
35	C 14655	MOTOR - hydraulic, 444 (Repairs page 55) . . . . .	1
36	166- 86	SCREW - 1/2" x 1-1/4" NC flanged 12 pt. . . . .	4
37	C 14619	HOSE - rubber 4" . . . . .	1
38	C 19253	HOSE - rubber . . . . .	1
39	214- 14	CLAMP - hose . . . . .	1

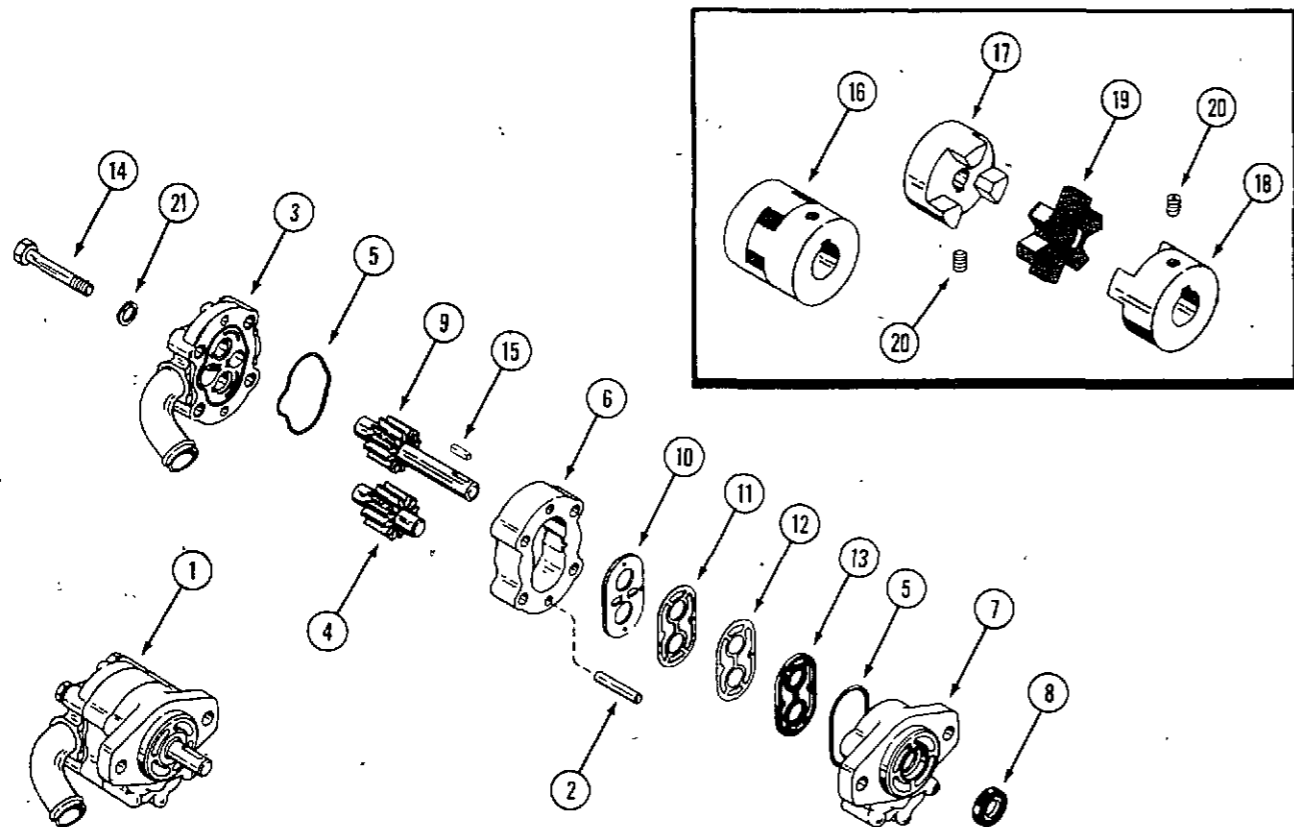


**SPEED CONTROL**

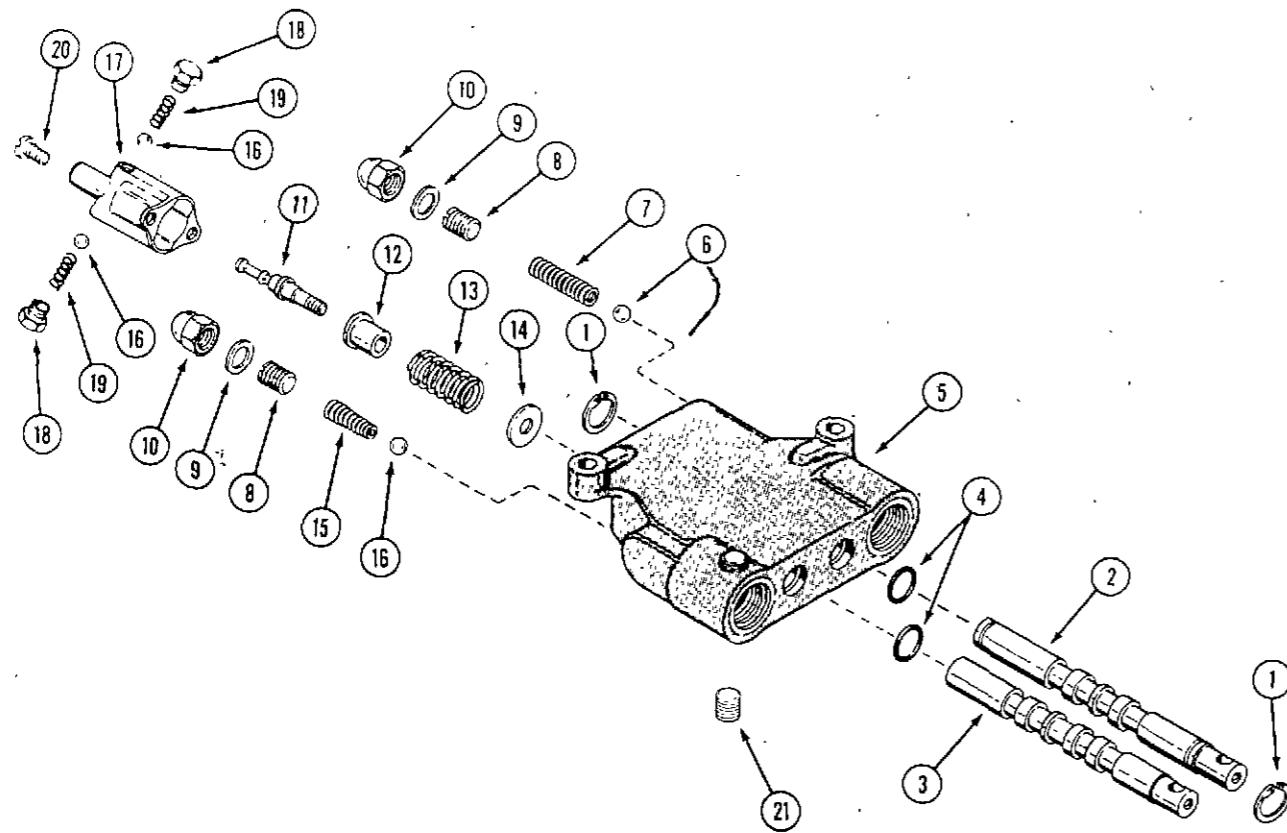
REF.	PART NO.	DESCRIPTION	REQ'D
1	A 37247	KNOB - speed control	1
2	C 12093	BUSHING - lever	1
3	C 18857	LEVER - speed control	1
4	C 17612	SPRING - compressions	1
5	C 21518	WASHER - oilite	1
6	C 18742	ROD - control	1
7	129- 122	NUT - 5/16" NF hex, zinc plated	2
8	C 19025	JOINT - ball	1
9	195- 521	WASHER - 5/16"	1
10	132- 320	PIN - cotter 3/32" x 3/4"	1

**HYDRAULIC PUMP AND COUPLING**

1	C 19045	PUMP - hydraulic	1
2	F 53109	PIN - dowel	2
3	C 19113	COVER - back assembly	1
4	C 15731	GEAR ASSEMBLY - driven	1
5	C 15732	"O" RING	2
6	C 15733	BODY - pump	1
7	C 15734	COVER - front	1
8	C 15735	SEAL - rotary	1
9	C 19114	GEAR ASSEMBLY - drive	1
10	C 15737	PLATE - wear	1
11	C 15738	SHIELD - heat	1
12	C 15739	GASKET	1
13	C 15740	SEAL	1
14	13- 540	BOLT	4
15	C 19207	KEY - 1/8" Sq. x 3/4"	1
16	C 15726	COUPLING - pump (220 & 222)	1
16	C 17298	COUPLING - pump (444 & 224)	1
17	NSS	HUB - (order item 16)	1
18	NSS	HUB - (order item 16)	1
19	A 70112	SPIDER - (for C15726 coupling)	1
19	C 15036	SPIDER - (for C17298 coupling)	1
20	83- 55	SCREW - set 5/16 x 5/16" NC socket head	2
21	A 50773	WASHER	4

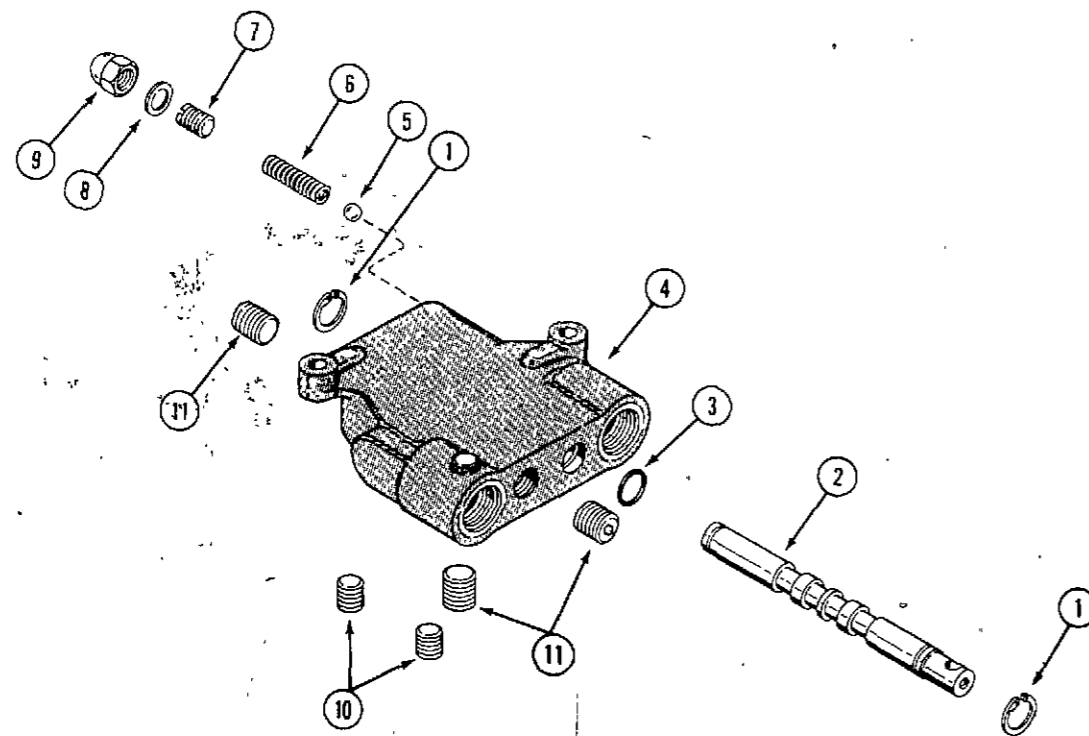


HYDRAULIC CONTROL VALVE C 18713 (TWO SPOOL)

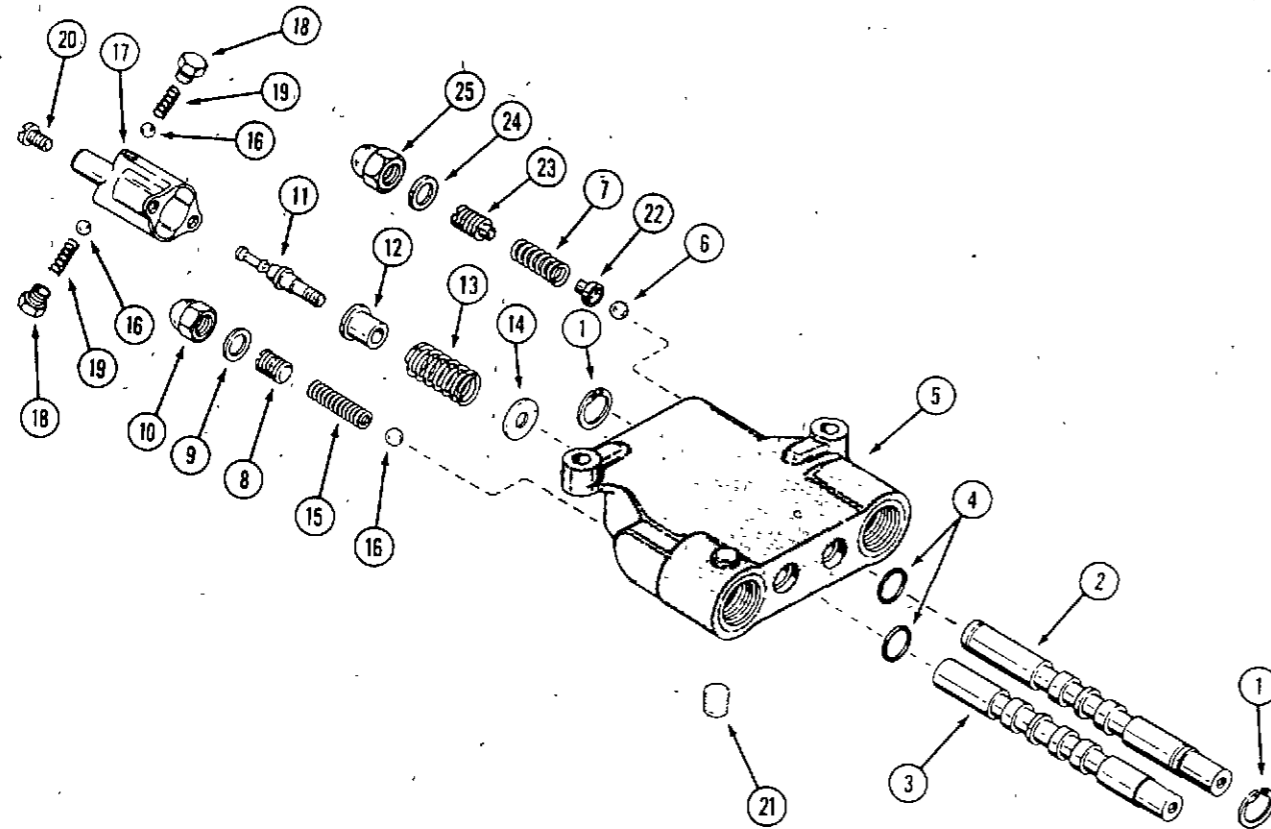


REF. PART NO.	DESCRIPTION	REQ'D
NSS	VALVE - control, two spool (All models with hydraulic lift) (Order C21496 valve) (repairs page 53B)	1
1 A 60273	RING - retaining	2
2 NSS	SPOOL - motor (Order C21496 valve)	1
3 NSS	SPOOL - float (Order C21496 valve)	1
4 A 7982	SEAL - spool	4
5 NSS	BODY - valve (Order C21496 valve)	1
6 211- 9	BALL - steel 5/16"	1
7 C 17432	SPRING - relief	2
8 C 17433	SCREW - relief adjust	2
9 C 17435	GASKET - relief adjust cap	2
10 129- 531	CAP - adjust screw	2
11 C 17439	DETENT - spool	1
12 C 13200	SPACER - detent	1
13 C 17441	SPRING - detent return	1
14 C 17440	WASHER - return	1
15 C 17445	SPRING - relief, tapered	1
16 211- 7	BALL - steel 1/4"	3
17 C 17438	COVER - detent	1
18 C 17443	SCREW - detent	2
19 C 17444	SPRING - detent	2
20 169- 114	SCREW - cover	2
21 221- 841	PLUG - pipe	1

HYDRAULIC CONTROL VALVE C18712 (SINGLE SPOOL)



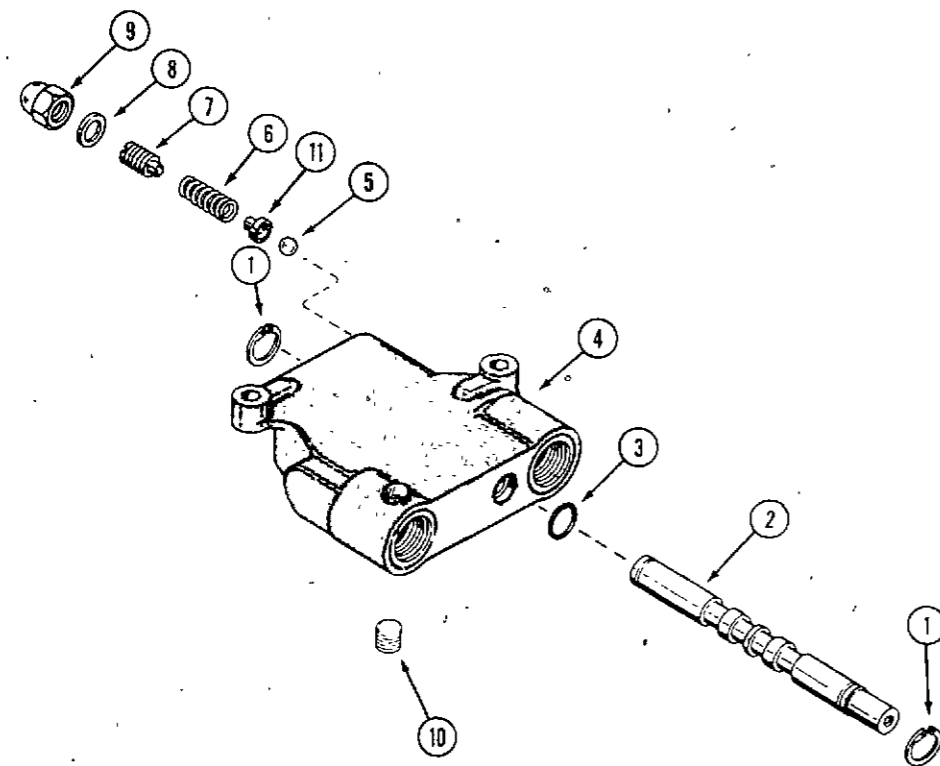
REF. PART NO.	DESCRIPTION	REQ'D
NSS	VALVE - control, single spool (Order C21495 valve) (repairs page 53B)	1
1 A 60273	RING - retaining	2
2 NSS	SPOOL - (Order C21495 valve)	1
3 A 7982	SEAL - spool	2
4 NSS	BODY - valve (Order C21495 valve)	1
5 211- 9	BALL - steel 5/16"	1
6 C 17432	SPRING - relief	1
7 C 17433	SCREW - relief adjust	1
8 C 17435	GASKET - relief adjust cap	1
9 129- 531	CAP - adjust screw	1
10 221- 841	PLUG - 1/4"	3
11 221- 843	PLUG - 3/8"	2



**CASE 220, 222, 224 AND 444 COMPACT TRACTORS  
HYDRAULIC CONTROL VALVE (Two Spool)**

(FOR REPLACEMENT OF C18713 HYDRAULIC VALVE)

REF.	PART NO.	DESCRIPTION	REQ'D
1	C 21496	VALVE - control, two spool	1
2	A 60273	RING - retaining	2
3	NSS	SPOOL - motor (Order C21496)	1
4	A 7982	SEAL - spool	4
5	NSS	BODY - valve (Order C21496)	1
6	211- 9	BALL - steel 5/16"	1
7	C 21507	SPRING - relief	2
8	C 17433	SCREW - relief adjust	1
9	C 17435	GASKET - relief adjust cap	1
10	129- 531	CAP - adjust screw	2
11	C 17439	DETENT - spool	1
12	C 13200	SPACER - detent	1
13	C 18850	SPRING - detent return	1
14	C 17440	WASHER - return	1
15	C 21505	SPRING - relief	1
16	211- 7	BALL - steel 1/4"	3
17	C 17438	COVER - detent	1
18	C 17443	SCREW - detent	2
19	C 17444	SPRING - detent	2
20	169- 114	SCREW - cover	2
21	221- 841	PLUG - pipe	1
22	C 21506	RETAINER - ball seat	1
23	C 21509	SCREW - adjust, relief	1
24	C 21508	GASKET - adjust cap	1
25	C 21510	CAP - adjust screw	1
	C 21504	KIT - relief (includes items 8, 7, 22, 23, 24 and 25)	1
	C 21511	KIT - relief (includes items 8, 9, 10, 15 and 16)	1
	C 18851	KIT - detent (includes items 11, 12, 13, 14, 16, 17, 18, 19 and 20)	1

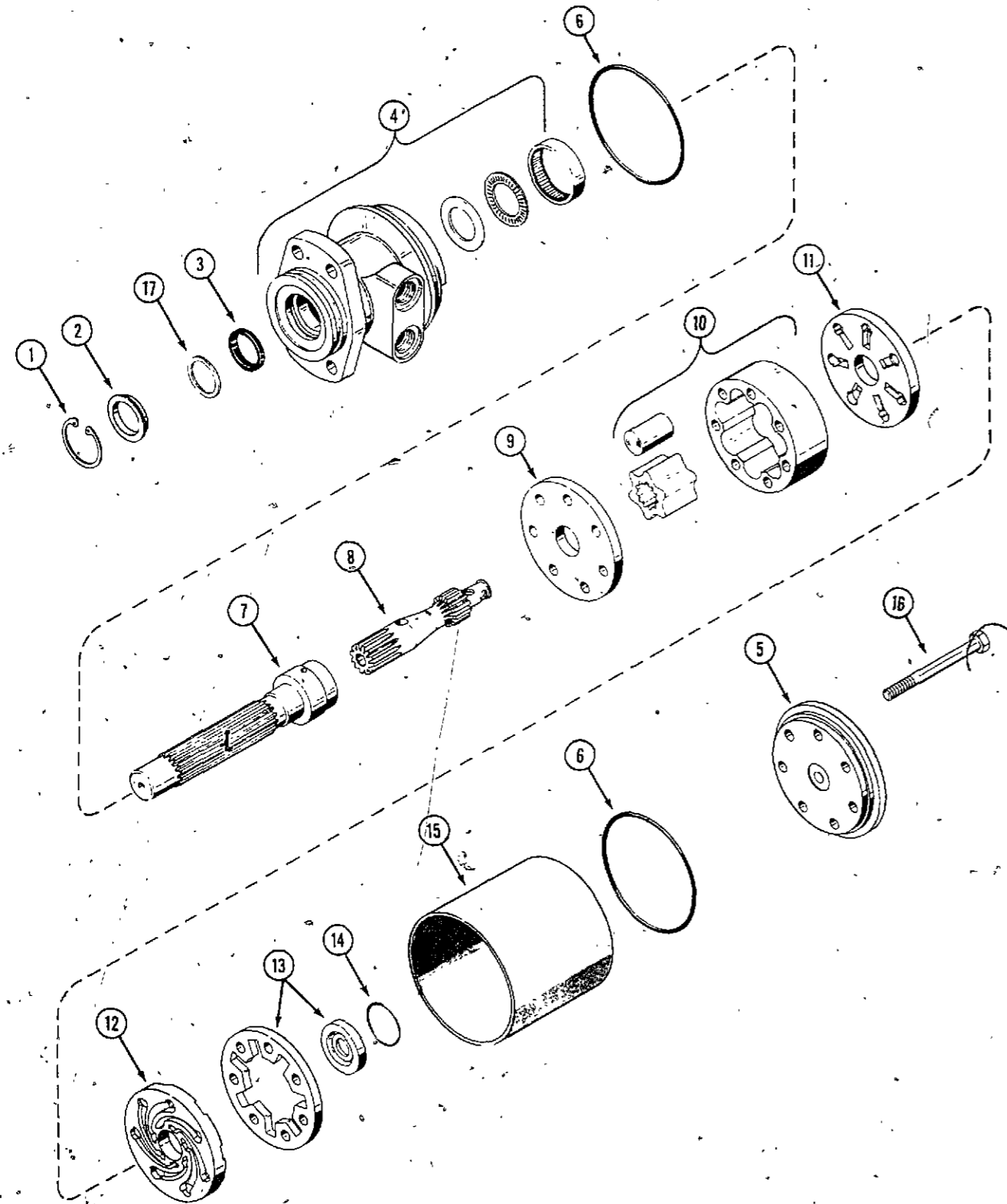


**HYDRAULIC CONTROL VALVE (Single Spool)**

(FOR REPLACEMENT OF C18712 HYDRAULIC VALVE)

	NSS	VALVE - control, single spool (use C21496)	1
1	A 60273	RING - retaining	2
2	NSS	SPOOL - Order C21495 valve	1
3	A 7982	SEAL - spool	2
4	NSS	BODY - valve (Order C21495)	1
5	211- 9	BALL - steel 5/16"	1
6	C 21507	SPRING - relief	1
7	C 21509	SCREW - relief adjust	1
8	C 21508	GASKET - relief adjust cap	1
9	C 21510	CAP - adjust screw	1
10	221- 841	PLUG - 1/4"	1
11	C 21506	RETAINER - ball seat	1
	C 21504	KIT - relief (includes items 5, 6, 7, 8, 9 and 12)	1

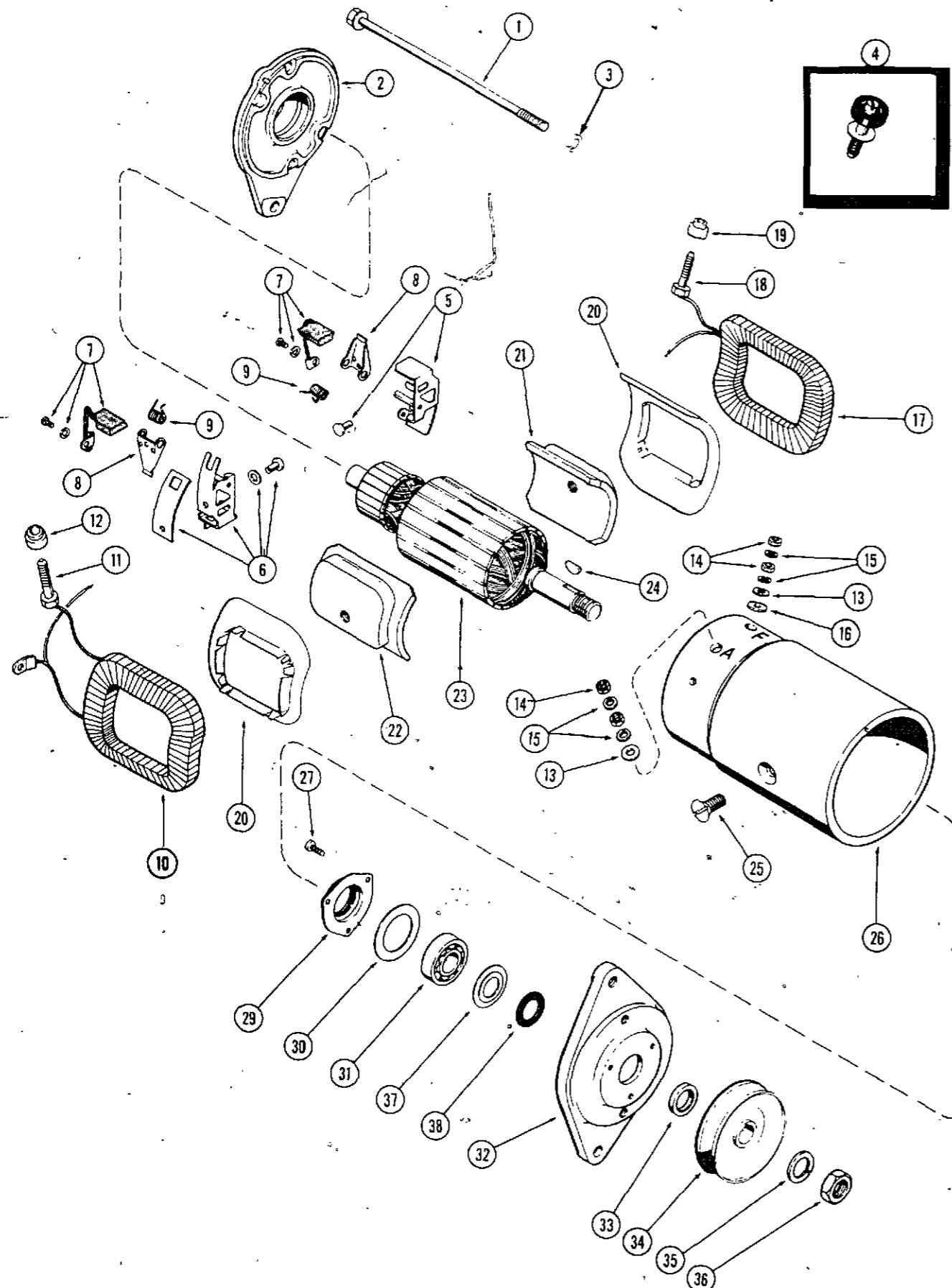
HYDRAULIC DRIVE MOTOR



REF. PART NO.	DESCRIPTION	REQ'D
C 16697	MOTOR - hydraulic, 220, 222 & 224	1
C 14655	MOTOR - hydraulic, 444	1
1 C 16516	RING - retaining	1
2 NSS	SPACER - (See kit below)	1
3 NSS	SEAL - oil (See kit below)	1
4 C 14827	HOUSING ASSEMBLY	1
5 C 14837	END CAP	1
6 NSS	SEAL - (See kit below)	2
7 C 14828	SHAFT - coupling	1
8 NSS	DRIVE LINK - 220, 222 & 224 (use D59699 and D72853)	1
8 C 14829	DRIVE LINK - 444	1
9 C 14830	PLATE - wear	1
10 C 18110	ROTOR ASSEMBLY - 220, 222 & 224	1
10 C 14831	ROTOR ASSEMBLY - 444	1
11 C 24731	PLATE - manifold	1
12 NSS	MANIFOLD - (use D59700 and C24731)	1
13 C 14834	COMMUTATOR AND RING SET	1
14 NSS	RING - sealing (See kit below)	1
15 C 18092	SLEEVE - 220, 222 & 224	1
15 C 14836	SLEEVE - 444	1
16 28- 662	BOLT - 3/8" x 3-7/8" NF hex, 220, 222 & 224	7
16 C 14838	BOLT - 3/8" x 4-3/8" NF hex, 444	7
17 NSS	WASHER - back up, .010"	1
C 19037	KIT - "O" ring and seal	1
NSS	RING - sealing	1
NSS	SEAL - dirt (not used - throw-away item)	1
NSS	SEAL	2
NSS	SEAL	1
NSS	RING - retaining	1
NSS	SPACER - seal	1
NSS	WASHER - back up, .010"	1

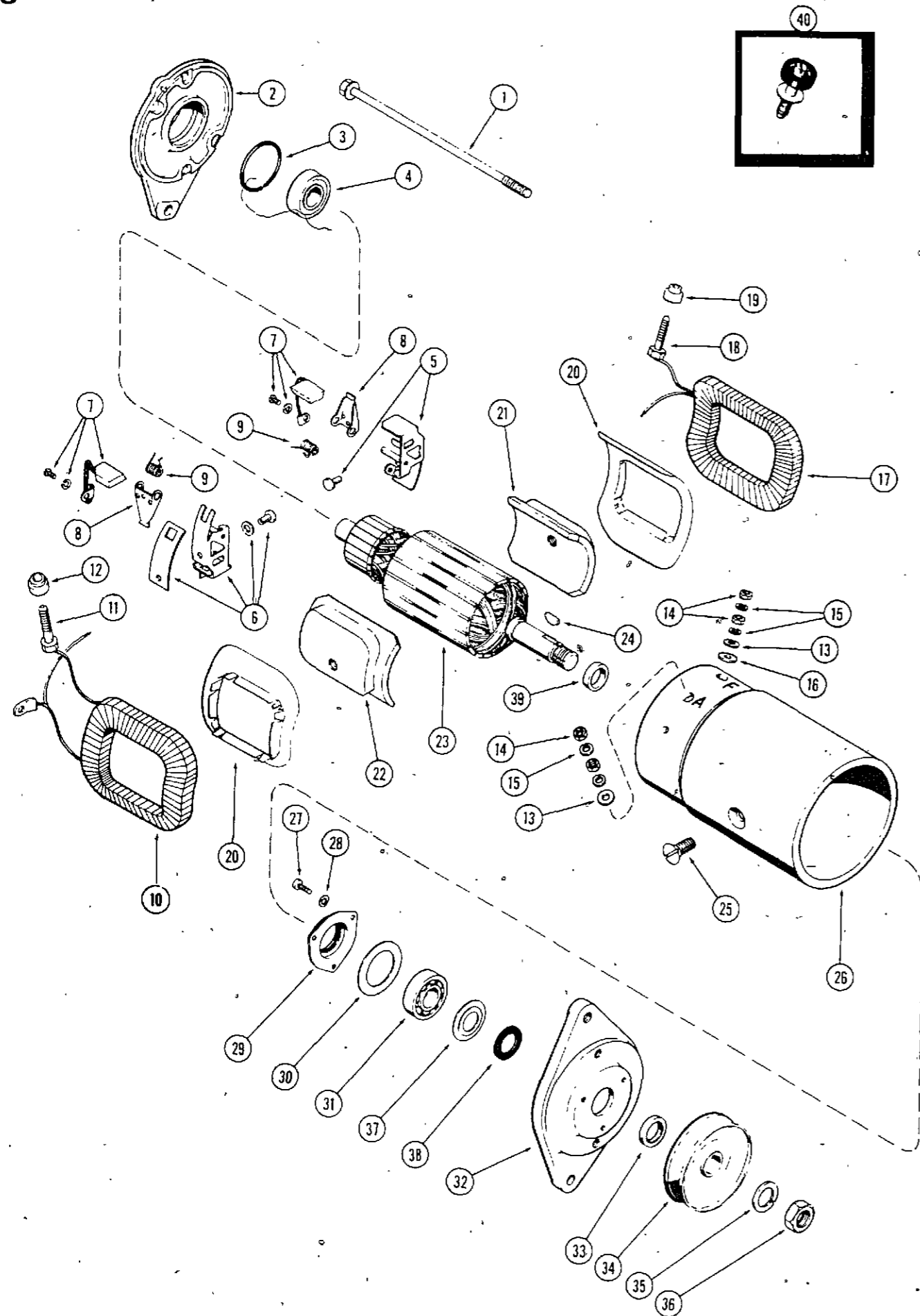
**C 16852 STARTER-GENERATOR**

(Order A70202 Starter)



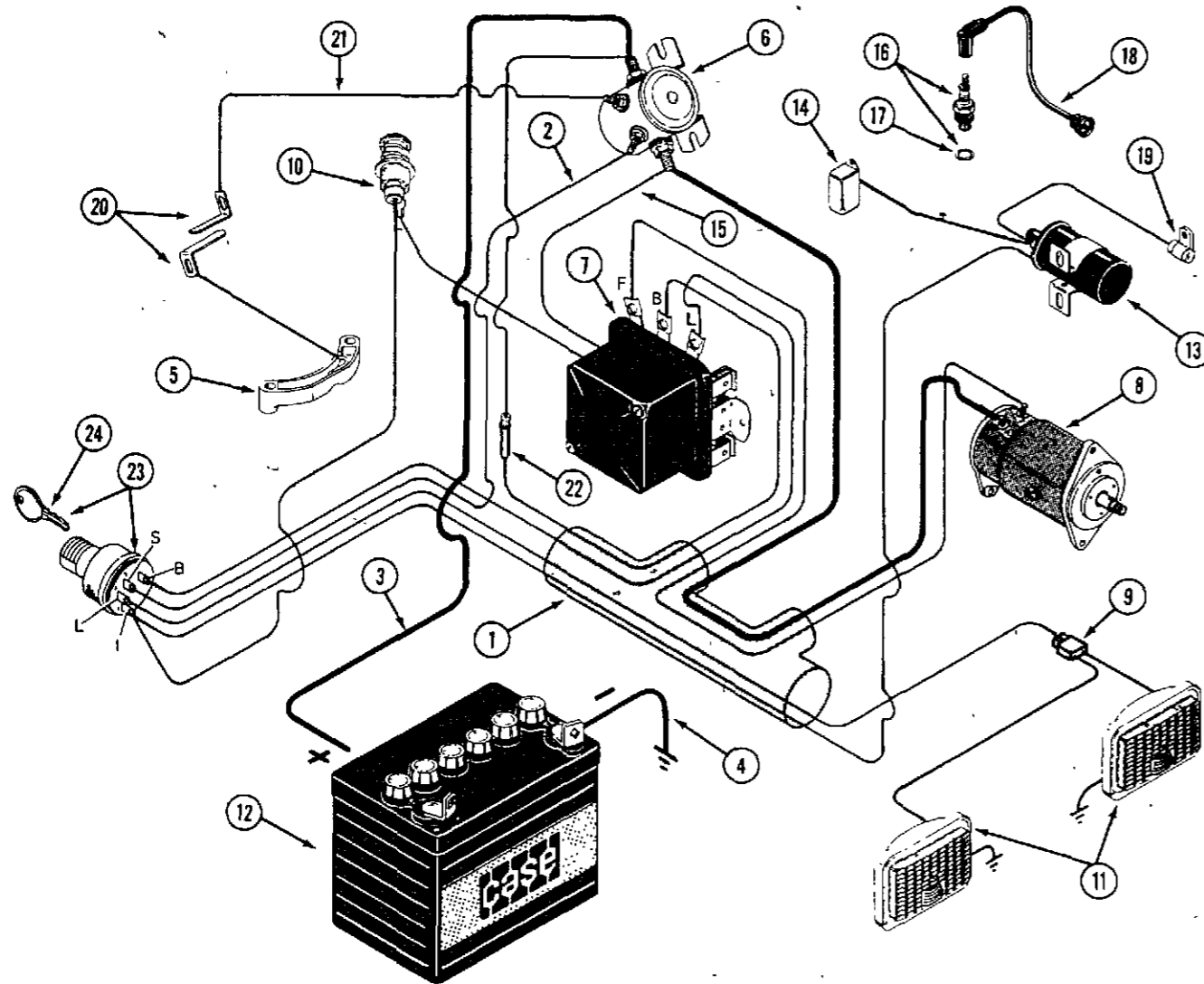
REF.	PART NO.	DESCRIPTION	REQ'D
1	R 15106	BOLT - through	2
2	A 43494	FRAME ASSEMBLY - commutator end	1
3	192- 20	LOCKWASHER - 5/16"	2
4	A 40702	KIT - stud (Includes items 16, 18 and 19)	1
5	A 72039	HOLDER KIT - ground brush	1
6	A 72040	HOLDER KIT - insulated brush	1
7	A 72038	BRUSH ASSEMBLY	2
8	R 15090	ARM - brush pressure	2
9	R 16161	SPRING - brush arm	2
10	A 72042	COIL ASSEMBLY - field R.H.	1
11	A 72048	STUD - armature terminal	1
12	R 16147	BUSHING - insulated, armature stud	1
13	A 41927	WASHER - armature stud	2
14	129- 18	NUT - terminal stud 12-24 hex	4
15	192- 17	LOCKWASHER - terminal stud #12	4
16	R 16148	WASHER - insulated, field stud (Order A40702)	1
17	A 72043	COIL ASSEMBLY - field L.H.	1
18	NSS	STUD - field terminal (Order A40702)	1
19	R 15077	BUSHING - insulated, field stud (Order A40702)	1
20	A 25447	INSULATOR - field coil	2
21	A 40736	SHOE - pole	1
22	A 40736	SHOE - pole	1
23	A 43495	ARMATURE	1
24	126- 111	KEY - Woodruff, armature	1
25	A 42127	SCREW - pole	2
26	NSS	BODY - starter, generator (Order C16852)	1
27	A 41959	SCREW - 10-32 x 1/2" round head	3
29	A 44433	RETAINER ASSEMBLY - bearing (Includes Refs. 37 and 38)	1
30	R 16170	GASKET - bearing retainer	1
31	A 43356	BEARING - ball, drive end	1
32	A 72046	FRAME ASSEMBLY - drive end	1
33	A 72047	SPACER - pulley	1
34	C 14344	PULLEY - starter, generator drive	1
35	192- 116	LOCKWASHER - 11/16" plated	1
36	A 25546	NUT - armature shaft, drive end	1
37	NSS	RETAINER - grease (Order A72050)	1
38	NSS	SEAL - felt (order A72050)	1

**A70202 STARTER-GENERATOR**



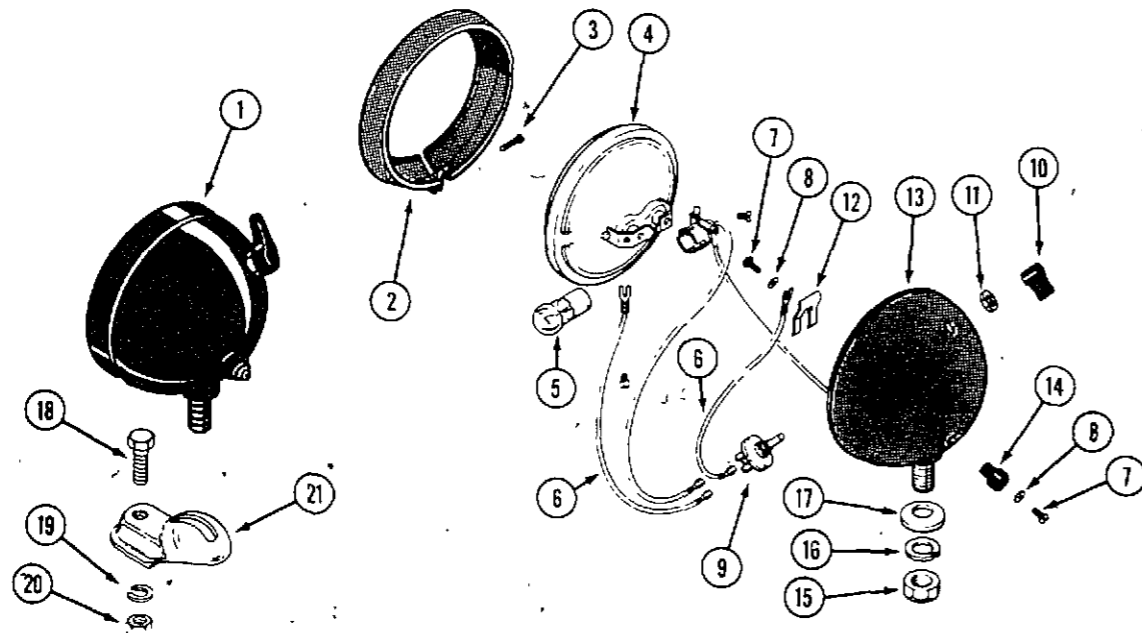
REF. PART NO.	DESCRIPTION	REQ'D
1 R 15106	BOLT - through (Includes washer) . . . . .	2
2 A 72104	FRAME ASSEMBLY - commutator end . . . . .	1
3 R 15087	RING - bearing retainer . . . . .	1
4 A 25461	BEARING - commutator end ball . . . . .	1
5 A 72039	HOLDER KIT - ground brush . . . . .	1
6 A 72040	HOLDER KIT - insulated brush . . . . .	1
7 A 72038	BRUSH ASSEMBLY . . . . .	2
8 R 15090	ARM - brush pressure . . . . .	2
9 R 16161	SPRING - brush arm . . . . .	2
10 A 72042	COIL ASSEMBLY - field R.H. . . . .	1
11 A 72048	STUD - armature terminal . . . . .	1
12 R 16147	BUSHING - insulated, armature stud . . . . .	1
13 A 41927	WASHER - armature stud . . . . .	2
14 129- 18	NUT - terminal stud 12-24 hex . . . . .	4
15 192- 17	LOCKWASHER - terminal stud #12 . . . . .	4
16 R 16148	WASHER - insulated, field stud . . . . .	1
17 A 72043	COIL ASSEMBLY - field L.H. . . . .	1
18 NSS	STUD - field terminal (See Ref. 40) . . . . .	1
19 R 15077	BUSHING - insulated, field stud (Order A40702) . . . . .	1
20 A 25447	INSULATOR - field coil . . . . .	2
21 A 40736	SHOE - pole, plain . . . . .	1
22 A 40736	SHOE - pole, noticed . . . . .	1
23 A 72041	ARMATURE . . . . .	1
24 126- 111	KEY - Woodruff, armature . . . . .	1
25 74- 610	SCREW - pole . . . . .	2
26 NSS	BODY - starter, generator (Order A70202) . . . . .	1
27 173- 237	SCREW - 10-32 x 1/2" rd. hd. . . . .	3
28 192- 18	LOCKWASHER - 3/16" plated . . . . .	3
29 A 44433	RETAINER ASSEMBLY - bearing (Includes Ref. 37 and 38) . . . . .	1
30 R 16170	GASKET - bearing retainer . . . . .	1
31 A 43356	BEARING - ball, drive end . . . . .	1
32 A 72046	FRAME ASSEMBLY - drive end . . . . .	1
33 A 72047	SPACER - pulley . . . . .	1
34 C 14344	PULLEY - starter, generator drive . . . . .	1
35 192- 26	LOCKWASHER - 11/16" plated . . . . .	1
36 A 25546	NUT - armature shaft, drive end . . . . .	1
37 NSS	RETAINER - grease (Order A72050) . . . . .	1
38 NSS	SEAL - felt (Order A72050) . . . . .	1
39 NSS	SPACER - armature shaft, inner . . . . .	1
40 A 40702	KIT - stud (Includes items 16, 18 and 19) . . . . .	1

**ELECTRICAL SYSTEM**



REF.	PART NO.	DESCRIPTION	REQ'D
1	C 19120	HARNES - wire	1
2	C 17187	WIRE - ignition switch to solenoid (yellow 8")	1
3	C 14565	CABLE - battery to solenoid (red 10-1/2")	1
4	C 14566	CABLE - battery to ground (black 12")	1
5	C 21993	SWITCH - neutral safety	1
6	C 14553	SOLENOID - start	1
7	C 24221	REGULATOR - voltage, 12 volt	1
8	NSS	STARTER - generator 12 V. (Repairs page 57) Delco No. 1101875	1
8	A 70202	STARTER - generator 12 V. (Repairs page 59) Delco No. 1101970	1
9	C 14537	CONNECTOR - headlamp	1
10	C 17186	LAMP ASSEMBLY - warning, generator indicator	1
	B 50213	BULB - generator indicator (red)	1
11	C 22571	HEADLAMP ASSEMBLY - 12 volt (Repairs page 63)	2
12	C 18197	BATTERY - 12 volt	1
13	KO 231281	COIL - ignition 12 volt	1
14	KO 232535	COVER - breaker contacts	1
15	C 17275	WIRE - regulator ground to solenoid (white 7")	1
16	C 24301	SPARK PLUG - (includes gasket)	1
17	A 27251	GASKET - spark plug	1
18	V 34433	CABLE - high tension	1
19	KO 230722	CONDENSER	1
20	C 18115	SWITCH - PTO safety	2
21	C 19055	WIRE - solenoid to PTO safety switch (black 17")	1
22	223- 20	FUSE - 20 amp. (used in C19120 harness)	1
23	NSS	SWITCH - ignition (includes key) (use C23839)	1
24	C 17763	KEY - ignition (for C17796 switch)	1

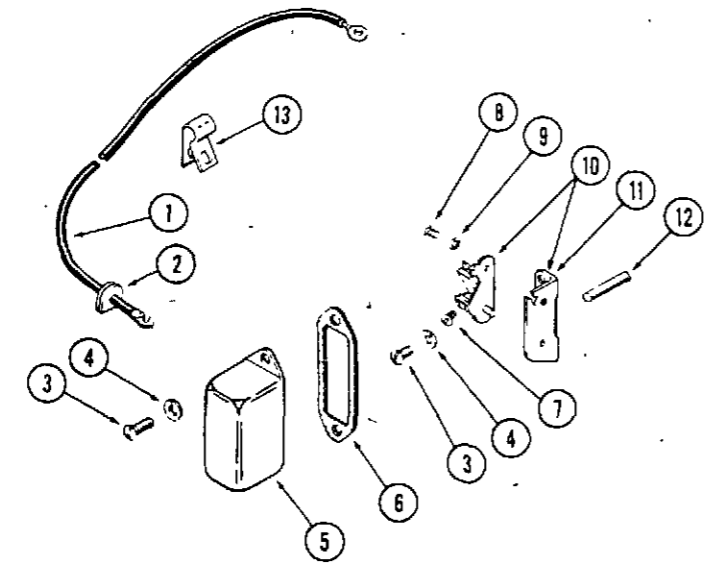
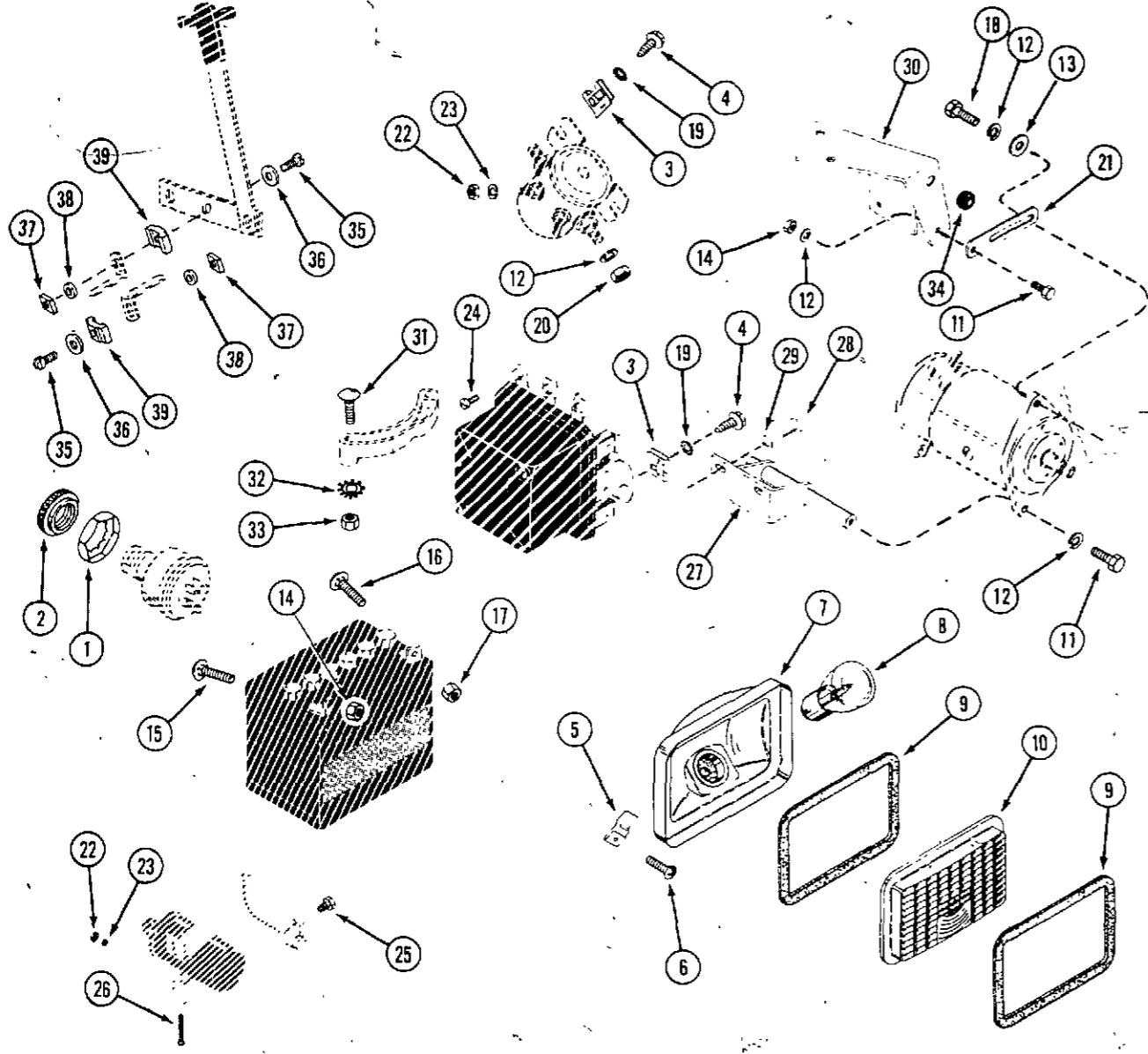
**TAIL LAMP**



1	NSS	LAMP ASSEMBLY - flood and tail (use D70115)	1
2	B 50255	MOLDING - lamp retaining	1
3	10934	SCREW - molding	1
4	A 40855	LAMP - sealed unit	1
5	B 50223	BULB - red 15 C.P. 12 volt	1
6	B 50273	WIRE - switch	2
7	173- 73	SCREW - wire	2
8	193- 4	WASHER - 1/4" lock	2
9	NSS	SWITCH - (order A43182 Kit)	1
10	NSS	KNOB - switch	1
11	A 39888	NUT - switch	1
12	10927	SPRING - terminal	1
13	NSS	BODY	1
14	B 50293	TERMINAL - wire	1
15	129- 105	NUT - 1/2" NC hex	1
16	192- 23	WASHER - 1/2" lock	1
17	10923	WASHER - bearing	1
18	113- 209	BOLT - 3/8 x 1-1/2" NC hex, zinc plated	1
19	192- 21	LOCKWASHER - 3/8" zinc plated	1
20	129- 103	NUT - 3/8" NC hex, zinc plated	1
21	A 34046	BRACKET - mounting, tail lamp	1
	A 43182	KIT - switch (includes items 9, knob)	1



**ELECTRICAL SYSTEM HARDWARE**

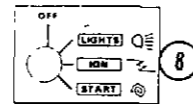
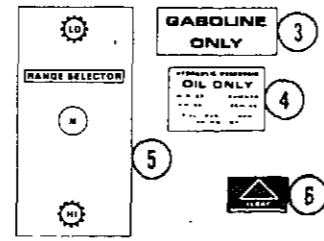
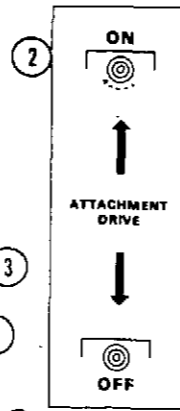
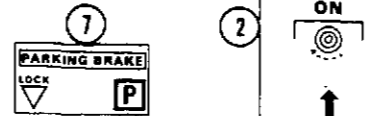
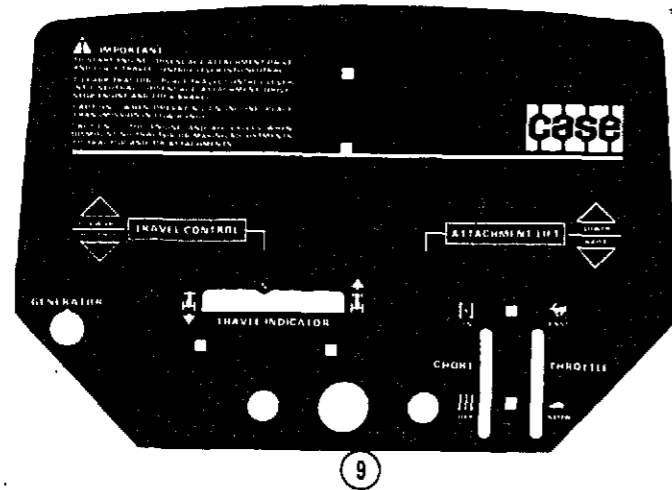


REF.	PART NO.	DESCRIPTION	REQ'D
1	C 14060	NUT - back up 3/4"	1
2	C 17921	NUT - escutcheon 3/4"	1
3	C 10836	NUT - speed type "U"	1
4	187- 485	SCREW - #10 x 5/8" Self-Tapping Hex, Zinc Plated	4
5	131- 629	NUT - speed type "U"	4
6	187- 1047	SCREW - #8 x 1/2" Self-Tapping round head, Phillips	4
	C 22571	HEADLAMP ASSEMBLY	2
7	NSS	RECEPTACLE - headlamp (Order C22571)	1
8	C 41264	BULB - headlamp	1
9	C 14304	GASKET - headlamp	2
10	C 22573	LENS - headlamp	1
11	113- 103	BOLT - 5/16 x 1" NC hex, zinc plated	2
12	192- 20	LOCKWASHER - 5/16" zinc plated	5
13	195- 520	WASHER - 5/16" plain, zinc plated	2
14	129- 102	NUT - 5/16" NC hex, zinc plated	2
15	111- 202	BOLT - 5/16 x 3/4" NC, round head, square neck	1
16	111- 108	BOLT - 1/4 x 3/4" NC, round head, square neck	1
17	129- 101	NUT - 1/4" NC hex	1
18	113- 102	BOLT - 5/16 x 3/4" NC hex, zinc plated	1
19	193- 70	LOCKWASHER - #10 external tooth	4
20	129- 122	NUT - 5/16" NF hex	2
21	C 14599	BRACKET - starter generator adjust	1
22	129- 27	NUT - #10 NF hex	4
23	192- 18	LOCKWASHER - #10	4
24	169- 131	SCREW - #8 x 5/16" NC fillister head	3
25	22- 58	BOLT - 5/16 x 1/2" NC hex, self tap	2
26	187- 1844	SCREW - #10 UNFX 1-1/2" self tap	1
27	C 18788	SUPPORT - starter generator	1
28	13- 612	BOLT - 3/8 x 3/4" NC hex	2
29	192- 21	LOCKWASHER - 3/8"	2
30	C 18999	SUPPORT - starter generator adjust	1
31	111- 131	BOLT - 1/4 x 1-1/8" NC round head, square neck	2
32	193- 57	LOCKWASHER - 1/4" external tooth	2
33	129- 101	NUT - 1/4" NC hex	2
34	C 17546	GROMMET - wire	1
35	182- 523	SCREW - #10 x 7/8" binder head	2
36	C 19254	WASHER - nylon 13/64"	2
37	129 77	NUT - #10-32 square	2
38	195- 513	WASHER - #10	2
39	C 19246	HOLDER - strip switch	2

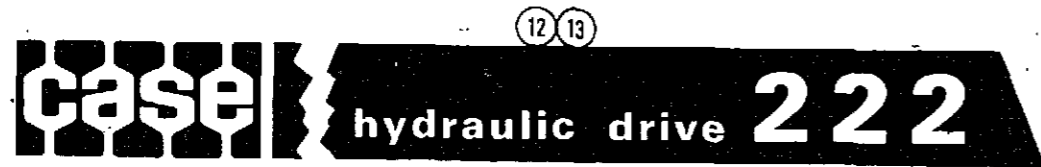
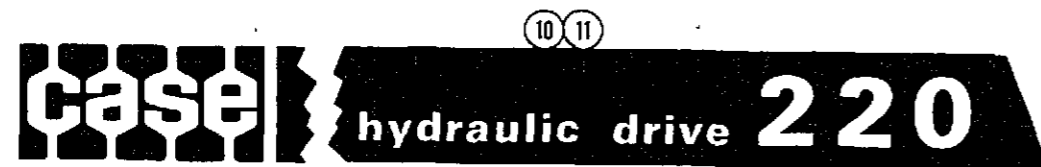
**BREAKER CONTACTS**

1	KOA231533	LEAD - breaker contact (Includes grommet)	1
2	KO 220297	GROMMET - contact lead	1
3	173- 210	SCREW - #10 x 3/8" round head, zinc plated	4
4	192- 18	LOCKWASHER - 3/16" zinc plated	4
5	KO 232535	COVER - breaker contact	1
6	KO 220174	GASKET - cover	1
7	187- 408	SCREW - #6 x 3/8" Self-Tapping	1
8	173- 224	SCREW - #8 x 1/4" NC round head	1
9	193- 5	LOCKWASHER - #8 internal tooth	1
10	C 24135	POINT SET - breaker contact assembly	1
11	NSS	BRACKET - breaker contact (order item 10)	1
12	V 34831	ROD - breaker contact push	1
13	KO 275182	CLIP - wire	1

DECALS

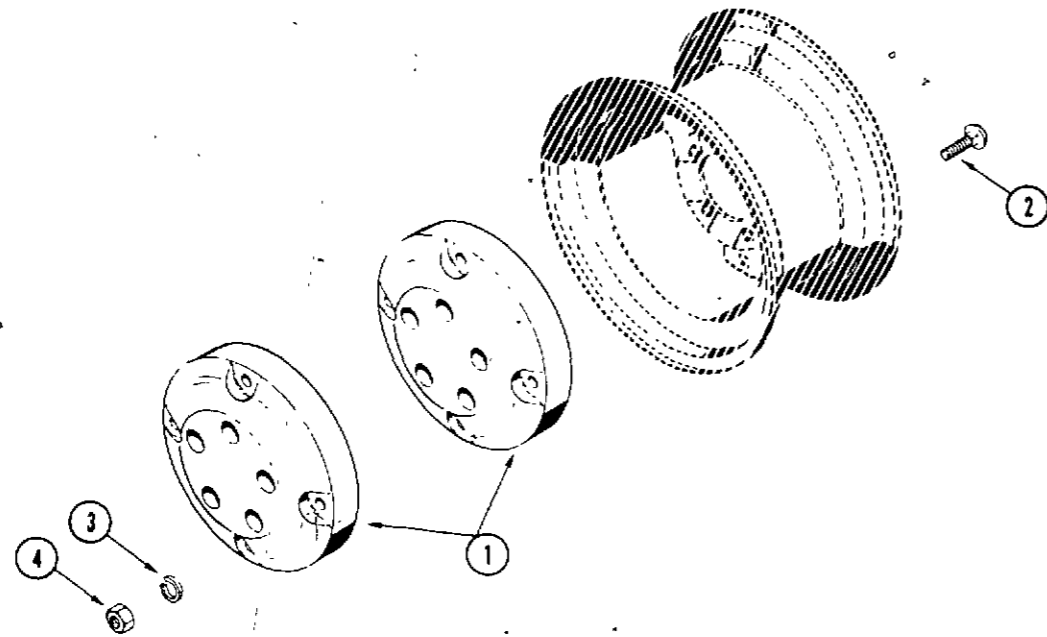


REF.	PART NO.	DESCRIPTION	REQ'D
1	321- 1571	DECAL - "CASE"	1
2	321- 2111	DECAL - attachment drive	1
3	321- 18	DECAL - gasoline	1
4	C 14539	DECAL - hydraulic reservoir	1
5	321- 1788	DECAL - shift range	1
6	321- 1785	DECAL - float	1
7	321- 2110	DECAL - brake	1
8	321- 1786	DECAL - ignition switch	1
9	321- 2467	DECAL - instrument panel	1
10	C 15690	DECAL - hood 220 R.H.	1
11	C 15691	DECAL - hood 220 L.H., hydraulic drive	1
12	C 15692	DECAL - hood 222 R.H.	1
13	C 15693	DECAL - hood 222 L.H., hydraulic drive	1
14	321- 2468	DECAL - hood 224 R.H.	1
15	321- 2469	DECAL - hood 224 L.H., hydraulic drive	1
16	C 15696	DECAL - hood 444 R.H.	1
17	C 15697	DECAL - hood 444 L.H., hydraulic drive	1
18	321- 2487	DECAL - caution	1



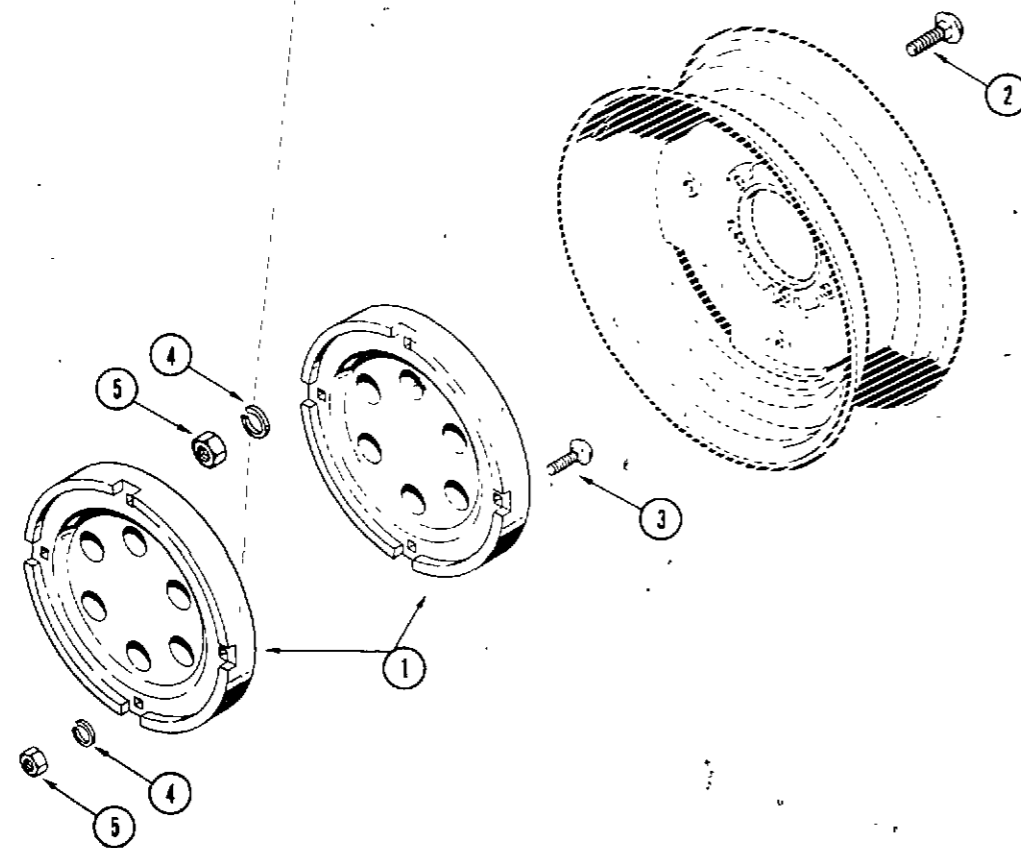
**D8 WHEEL WEIGHTS - MODEL 220, 222 AND 224**

REF. PART NO.	DESCRIPTION	REQ'D
1 NSS	WEIGHT - wheel 12" (Order as Machinery Item)	4
2 111- 532	BOLT - 1/2 x 3-3/4" round head, square neck, NC, zinc plated	8
3 192- 23	LOCKWASHER - 1/2" zinc plated	8
4 129- 105	NUT - 1/2" NC hex	8

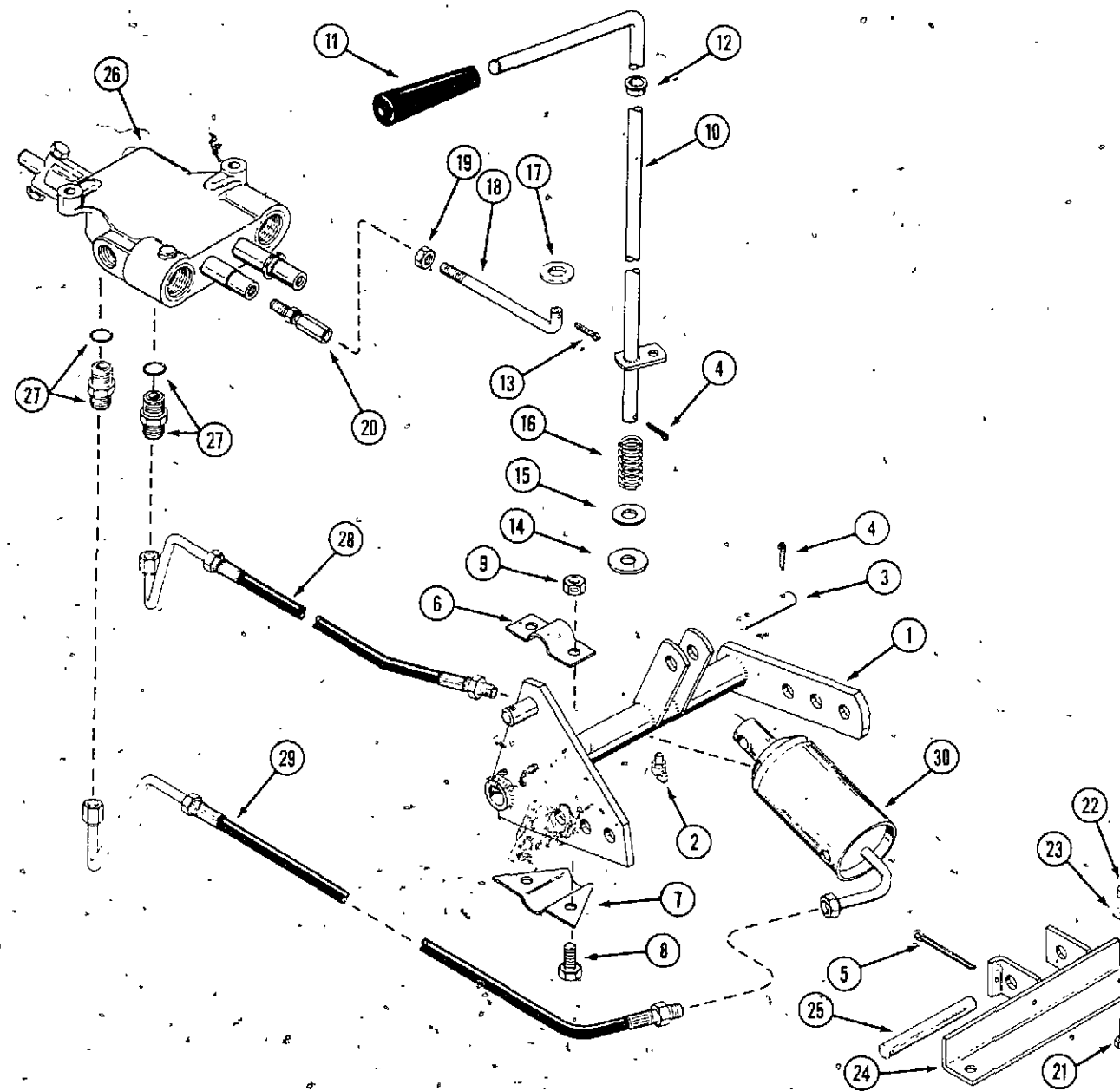


**D10 WHEEL WEIGHTS - MODEL 444**

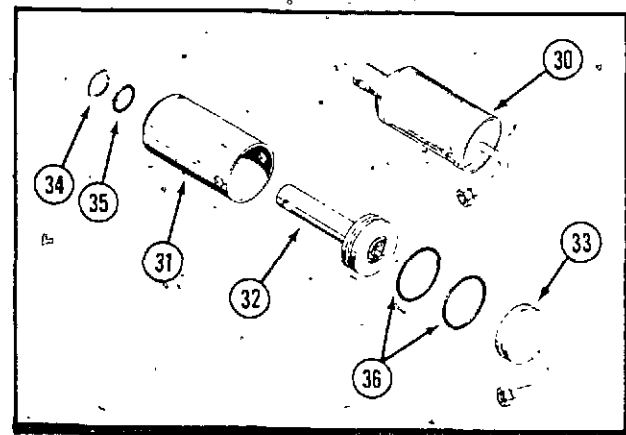
1 NSS	WEIGHT - wheel 15" & 16" (Order as Machinery Item)	4
2 111- 530	BOLT - 1/2 x 2-1/2" round head, square neck, NC, zinc plated	4
3 111- 531	BOLT - 1/2 x 2-3/4" round head, square neck, NC, zinc plated	4
4 92- 8	LOCKWASHER - 1/2" zinc plated	8
5 129- 105	NUT - 1/2" NC hex	8



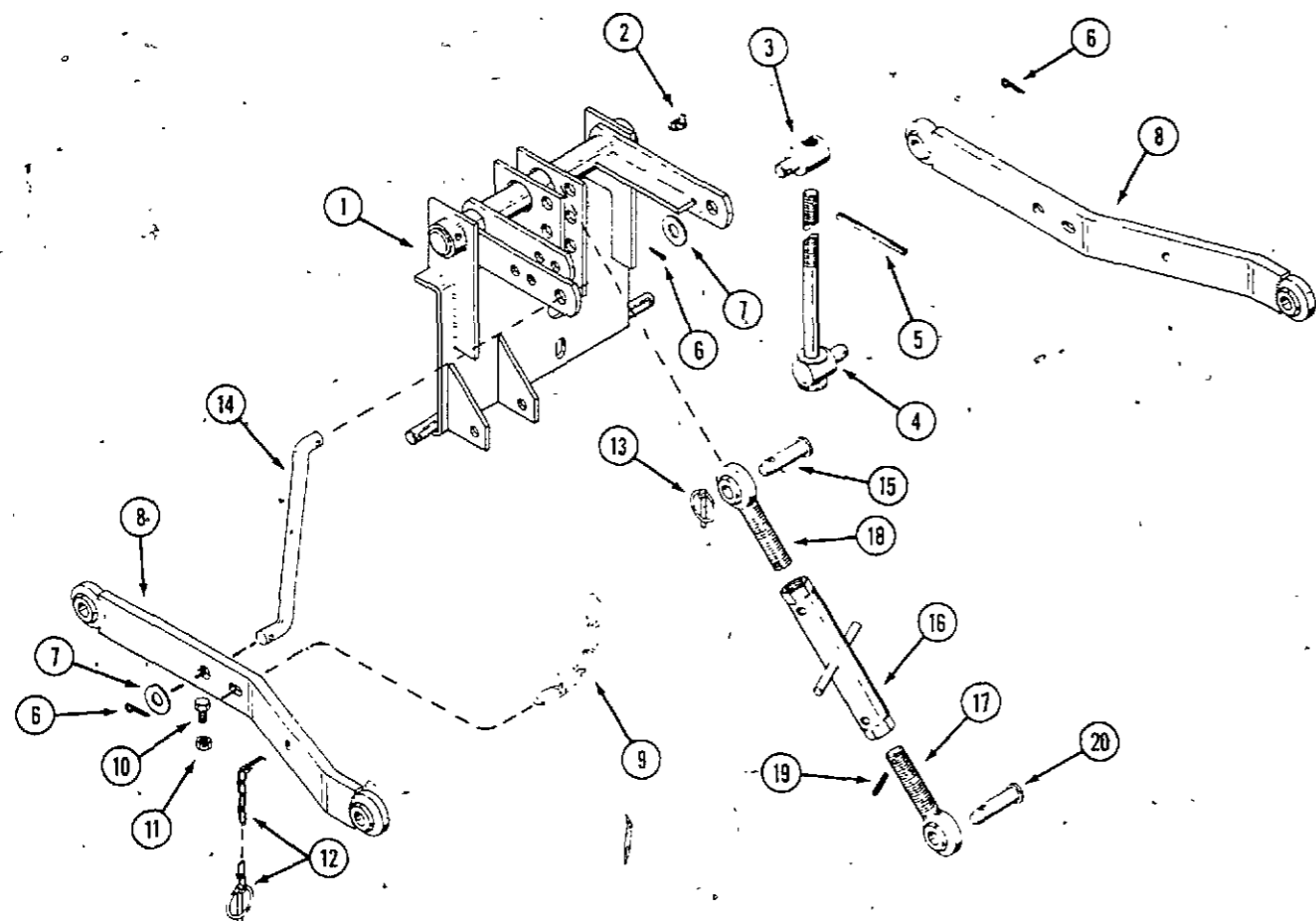
MODEL J30 HYDRAULIC LIFT



REF. PART NO.	DESCRIPTION	REQ'D
1	C 18808 CROSS SHAFT ASSEMBLY	1
2	219- 404 FITTING - lube	1
3	C 18251 PIN - cylinder to lever	1
4	132- 310 PIN - cotter 1/8" x 1"	3
5	132- 361 PIN - cotter 3/16" x 2-1/2"	1
6	C 17249 BRACKET - mounting, top	2
7	C 17250 BRACKET - mounting, bottom	2
8	13- 614 BOLT - 3/8" x 7/8" NC hex	4
9	131- 178 NUT - 3/8" NC hex	4
10	C 16163 LEVER - lift control	1
11	A 37247 KNOB - control lever	1
12	C 12093 BUSHING - lift lever	1
13	132- 320 PIN - cotter 3/32" x 3/4"	1
14	195- 533 WASHER - 1/2"	1
15	C 21518 WASHER - oilite	1
16	C 17612 SPRING - control lever	1
17	195- 521 WASHER - 5/16"	1
18	C 18742 ROD - control	1
19	129- 122 NUT - 5/16 NF hex	1
20	C 19025 BALL JOINT	1
21	113- 207 BOLT - 3/8" x 1" NC hex	2
22	131- 178 LOCKNUT - 3/8" NC hex	2
23	195- 104 WASHER - 3/8" x 1-1/8" OD	2
24	C 18810 BRACKET - cylinder	1
25	C 17536 PIN - cylinder foot	1
26	NSS VALVE - hydraulic, 2 spool (Order C21496 valve) (repairs page 53B)	1
27	218- 5056 FITTING - valve (includes 218-5004 "O" ring)	2
28	C 17224 HOSE - short	1
29	C 17734 HOSE - long	1
30	NSS CYLINDER - lift (use C19475)	1
31	C 16133 BODY - cylinder	1
32	C 19104 ROD AND PISTON ASSEMBLY	1
33	C 17732 FOOT - cylinder	1
34	C 14970 SEAL	1
35	A 7623 "O" RING	1
36	A 30971 "O" RING	2

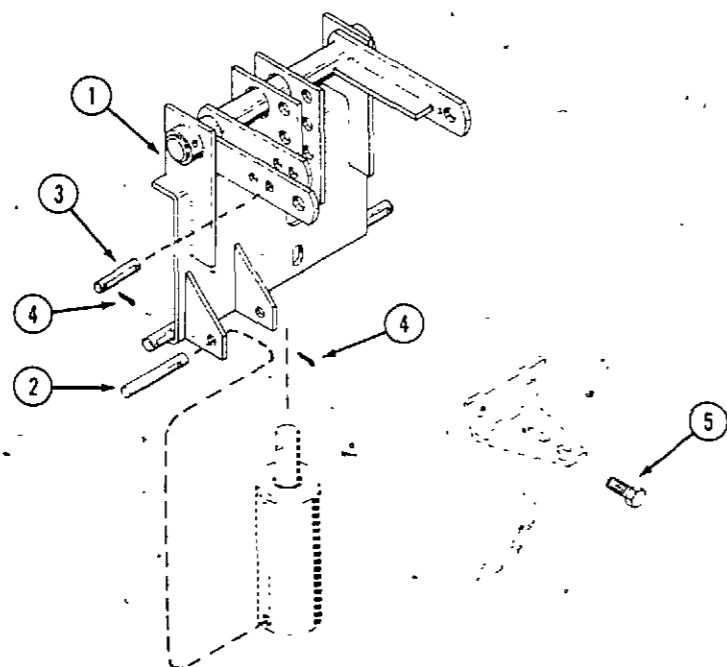


## H26 THREE POINT HITCH 444 FRAME, LIFT RODS AND ARMS



REF. PART NO.	DESCRIPTION	REQ'D
1 C 19740	HITCH PLATE ASSEMBLY	1
2 219- 405	FITTING - lube	2
3 C 14722	NUT - lift rod	1
4 C 14724	ROD ASSEMBLY - R.H. lift	1
5 138- 309	PIN - roll 1/4 x 4"	1
6 132- 91	PIN - cotter 3/16 x 1"	6
7 195- 541	WASHER - plain 5/8"	4
8 C 14715	ARM - lift	2
9 C 14991	CHAIN - stay 19 links	1
10 113- 118	BOLT - 5/16 x 5/8" NC hex, zinc plated	2
11 131- 176	NUT - lock 5/16" NC hex	2
12 B 52118	PIN - klik	2
13 A 30338	PIN - klik	3
14 C 14725	ROD - lift L.H.	1
15 C 14717	PIN - clevis	1
G 14712	LINK ASSEMBLY	1
16 C 14703	CENTER TUBE ASSEMBLY	1
17 C 14709	BALL END ASSEMBLY R.H. THREAD	1
18 C 14710	BALL END ASSEMBLY L.H. THREAD	1
19 138- 59	PIN - roll 1/8 x 7/8"	2
20 C 16128	PIN - clevis 5/8 x 3"	1

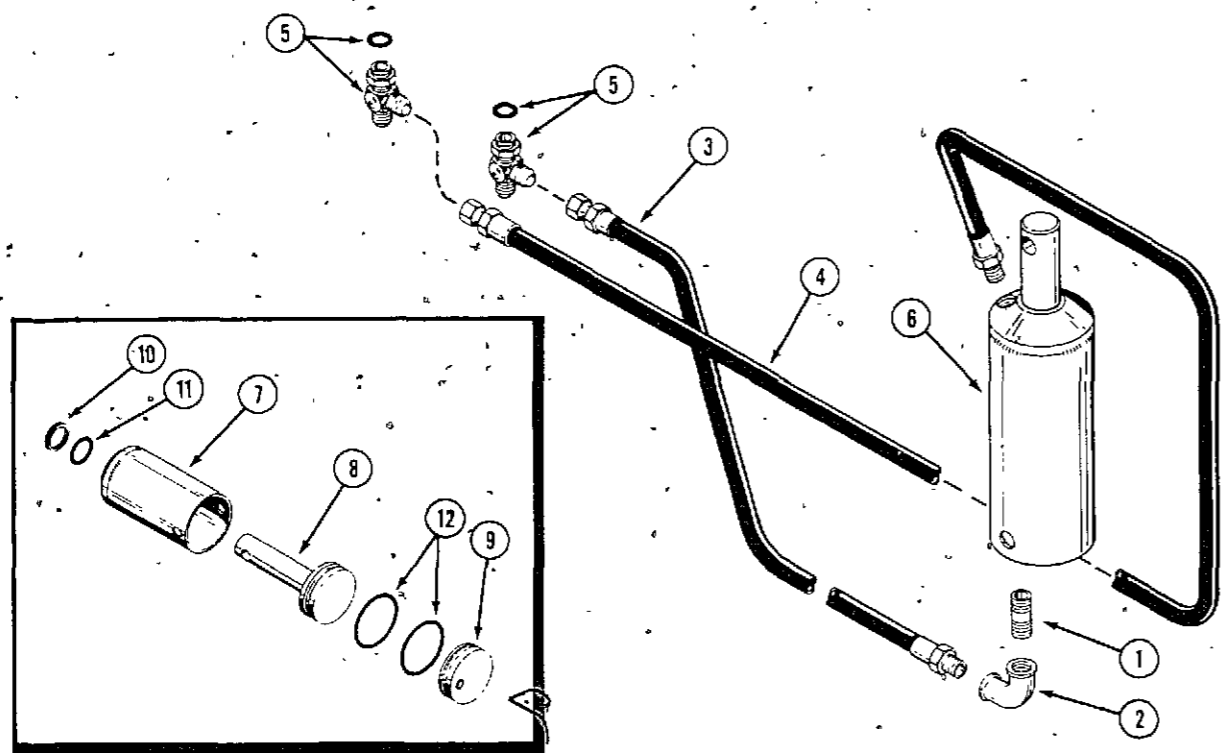
## CYLINDER AND DRAWBAR MOUNTING



1 C 19740	HITCH PLATE ASSEMBLY	1
2 C 14975	PIN - lower cylinder mounting	1
3 C 14976	PIN - upper cylinder mounting	1
4 132- 310	PIN - cotter 1/8 x 1"	3
5 113- 417	BOLT - 1/2 x 1-1/4" NC, hex, zinc plated	2

**CASE 220, 222, 224 AND 444 COMPACT TRACTORS 73  
MODEL H26 THREE POINT HITCH AND MODEL  
F27 HITCH ADAPTER**

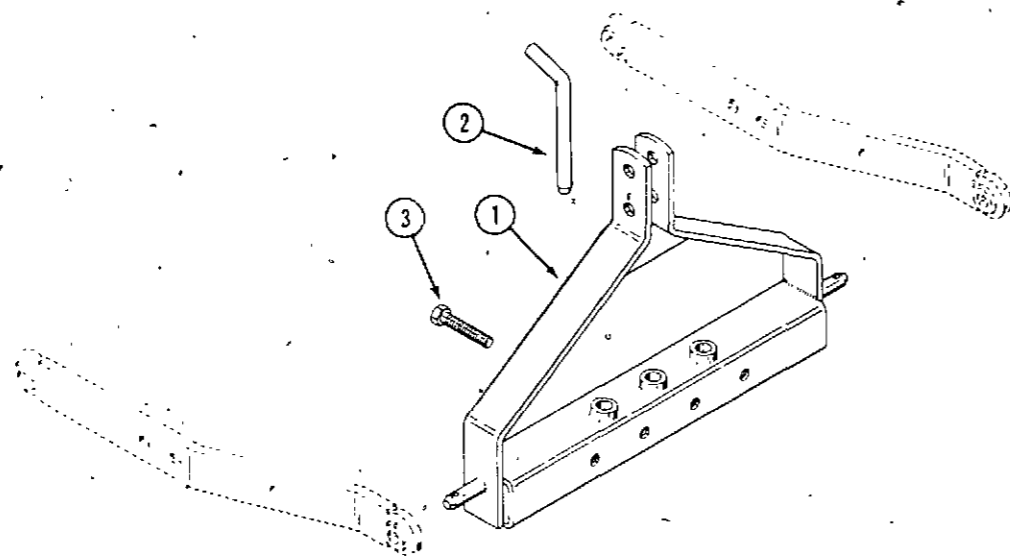
**HYDRAULIC CONNECTIONS AND COMPONENTS**



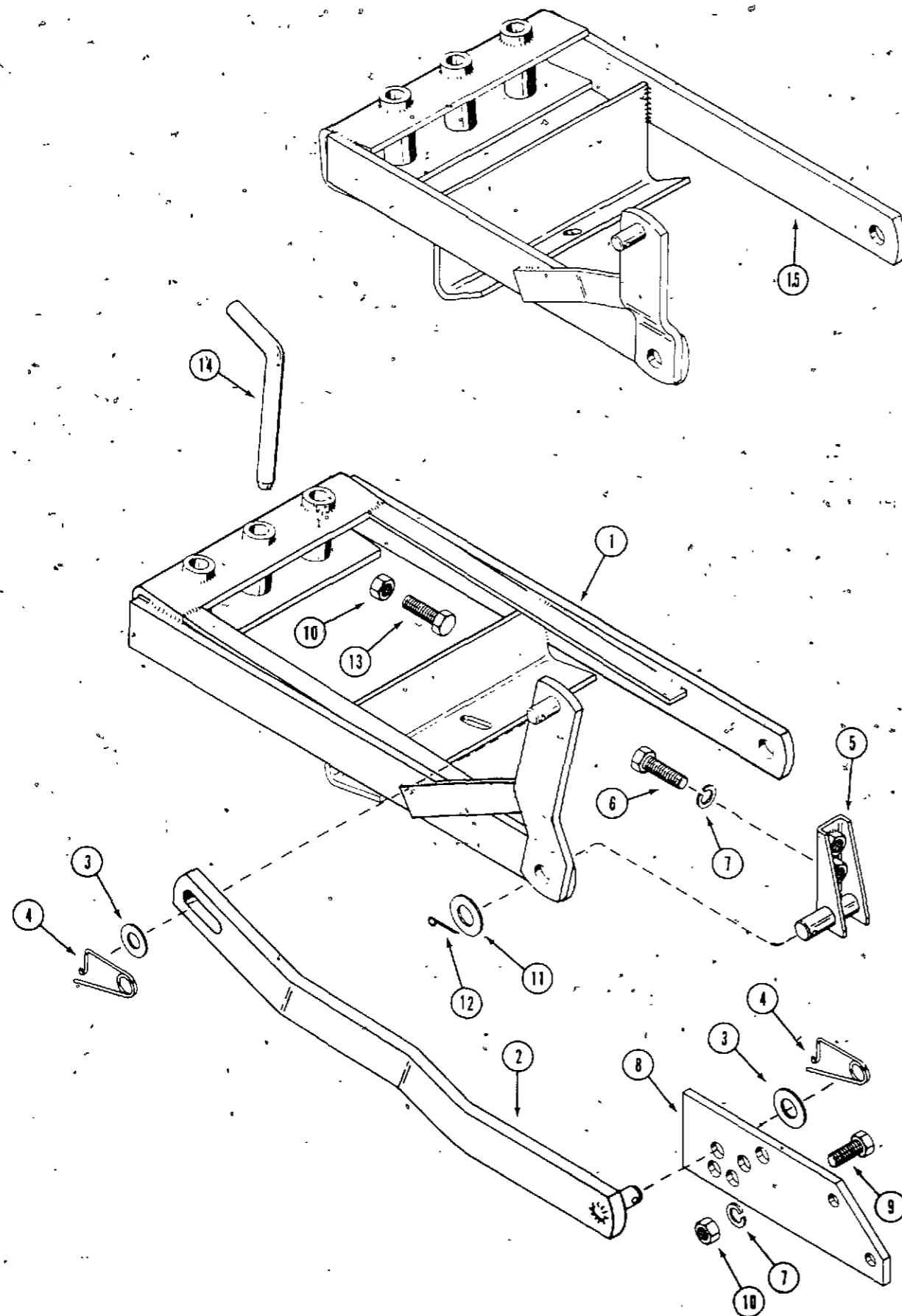
REF. PART NO.	DESCRIPTION	REQ'D
1 221- 1139	NIPPLE - 1/4 x 3"	1
2 221- 1375	ELBOW - 90°	1
3 C 17188	HOSE - hydraulic short	1
4 C 17189	HOSE - hydraulic long	1
5 218- 5291	FITTING - tee (Includes 218-5004 "O" ring)	2
6 NSS	CYLINDER ASSEMBLY - (use C19480 and C19481)	1
7 C 15768	BODY - cylinder	1
8 C 19469	ROD AND PISTON ASSEMBLY	1
9 C 14692	FOOT - cylinder	1
10 C 14970	SEAL - wiper	1
11 A 7623	"O" RING	1
12 A 30971	"O" RING	2

**MODEL F27 HITCH ADAPTER**

1 C 14872	BRACKET - hitch adapter	1
2 C 14568	PIN - drawbar	1
3 113- 425	BOLT - 1/2 x 3" NC hex, zinc plated	4

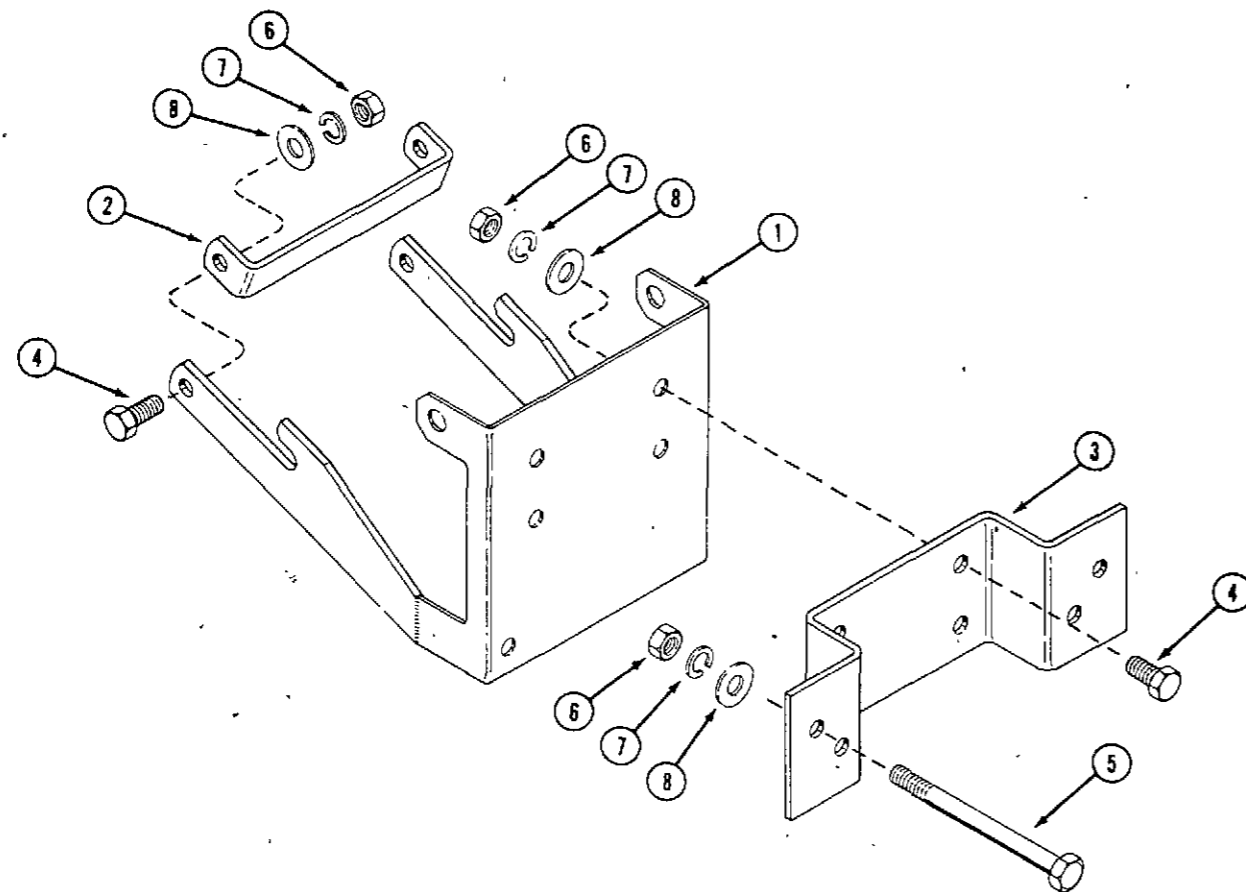


MODEL H22 AND H24 SLEEVE HITCH



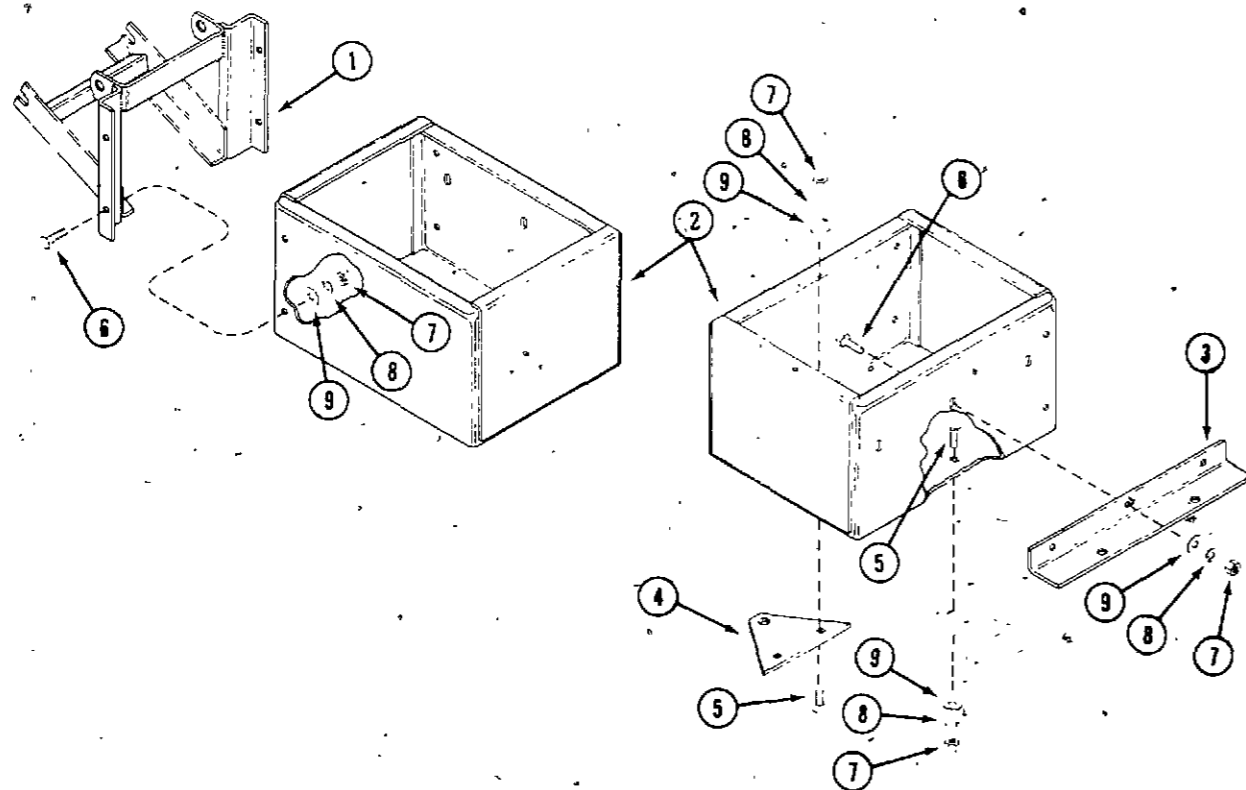
REF. PART NO.	DESCRIPTION	REQ'D
1 C 14867	HITCH FRAME ASSEMBLY (444)	1
2 C 14457	ARM - lift	1
3 195- 541	WASHER - plain 21/32"	2
4 C 10898	PIN - safety	2
5 C 14459	BRACKET - hitch mounting R.H.	1
5 C 14460	BRACKET - hitch mounting, L.H.	1
6 113- 417	BOLT - 1/2 x 1-1/4" NC hex, zinc plated	4
7 192- 23	LOCKWASHER - 1/2" zinc plated	6
8 NSS	PLATE - lift lever (use C25382)	1
9 113- 417	BOLT - 1/2 x 1-1/4" NC hex, zinc plated	2
10 129- 105	NUT - 1/2" NC hex, zinc plated	4
11 195- 545	WASHER - plain 3/4" zinc plated	2
12 132- 306	PIN - cotter 3/16 x 1-3/4"	2
13 113- 421	BOLT - 1/2 x 2" NC hex, zinc plated	2
14 C 14568	PIN - drawbar	1
15 C 14866	HITCH FRAME ASSEMBLY (220, 222 & 224)	1

**MODEL H18 FRONT END WEIGHT BRACKETS**



REF.	PART NO.	DESCRIPTION	REQ'D
1	C 16581	BRACKET - mounting	1
2	C 17161	BRACE - rear	1
3	C 17162	BRACKET - weight mounting	1
4	113- 417	BOLT - 1/2 x 1-1/4" NC hex, zinc plated	6
5	113- 443	BOLT - 1/2 x 6-1/2" NC hex	2
6	25- 108	NUT - 1/2" NC hex, zinc plated	8
7	192- 23	LOCKWASHER - 1/2"	8
8	195- 533	WASHER - 1/2" zinc plated	8

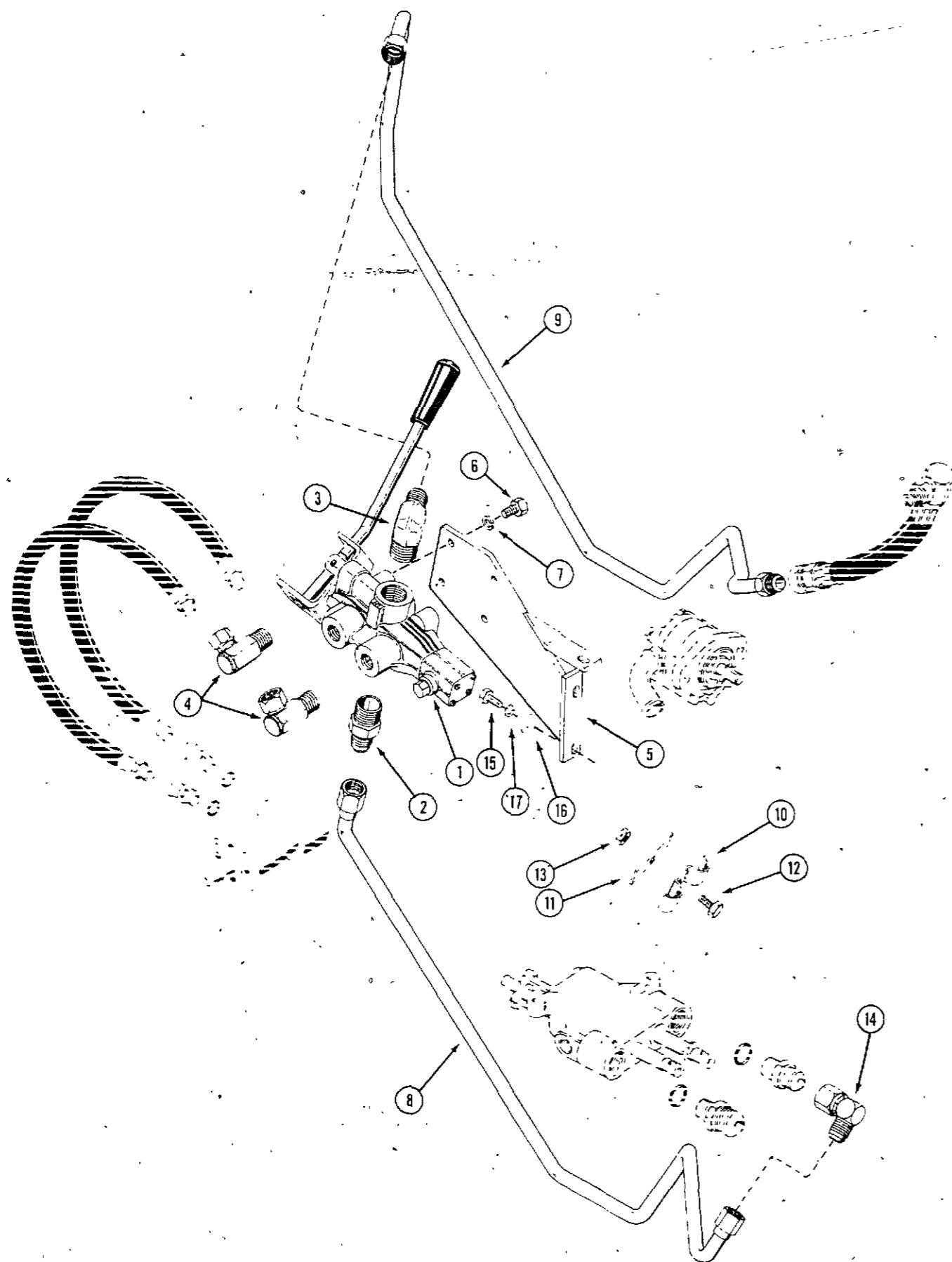
**MODEL H13 WEIGHT BOX**



1	C 17859	FRAME - weight box	1
2	C 17863	BOX - weight	1
3	C 17860	SUPPORT - weight box	1
4	C 17636	PLATE - hitch	1
5	111- 317	BOLT - 3/8 x 1" round head, square neck	3
6	113- 207	BOLT - 3/8 x 1" NC hex	4
7	129- 103	NUT - 3/8" NC hex	7
8	192- 21	LOCKWASHER - 3/8"	7
9	195- 525	WASHER - 3/8"	7

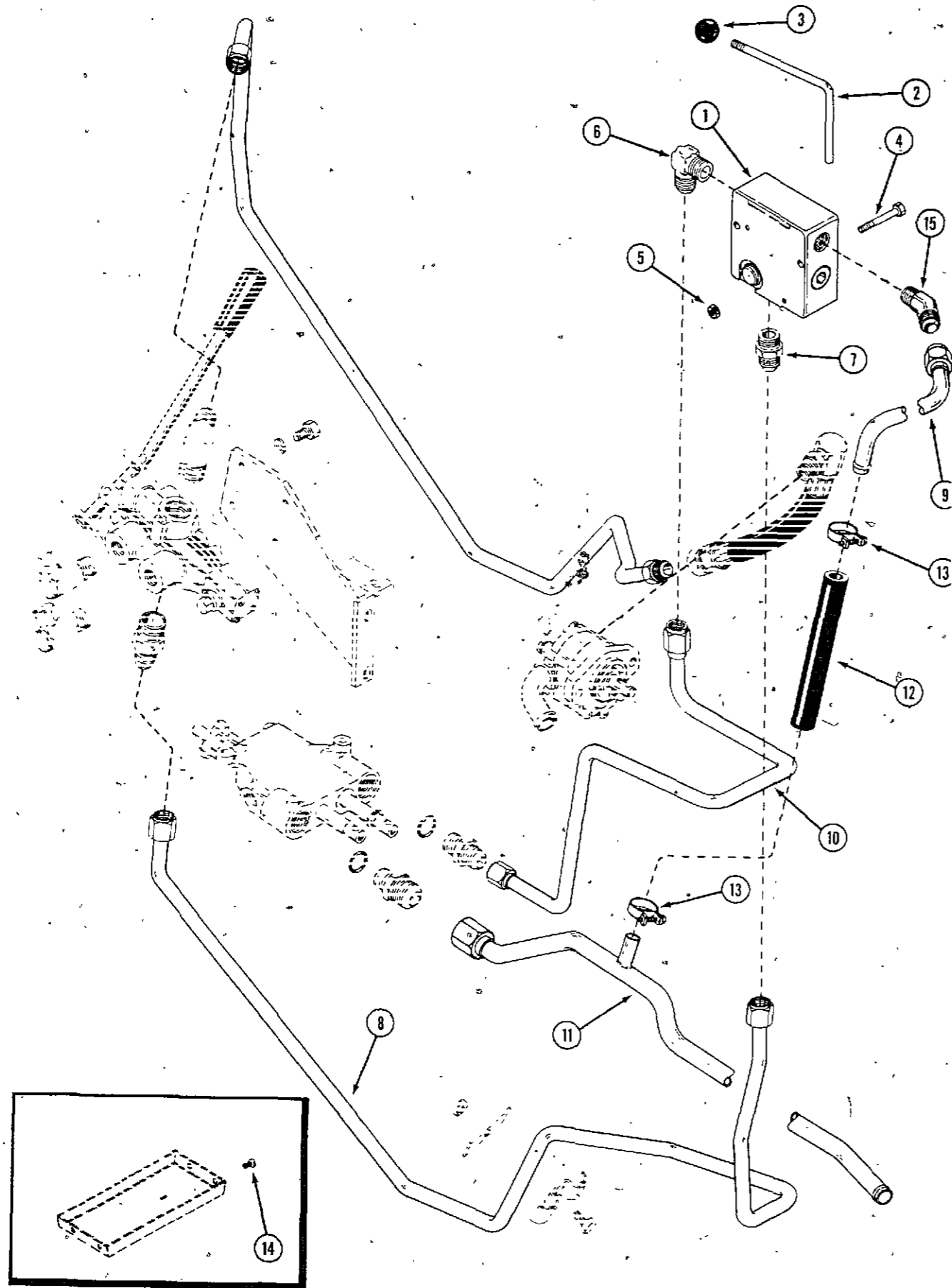


J-17 HYDRAULIC PTO KIT



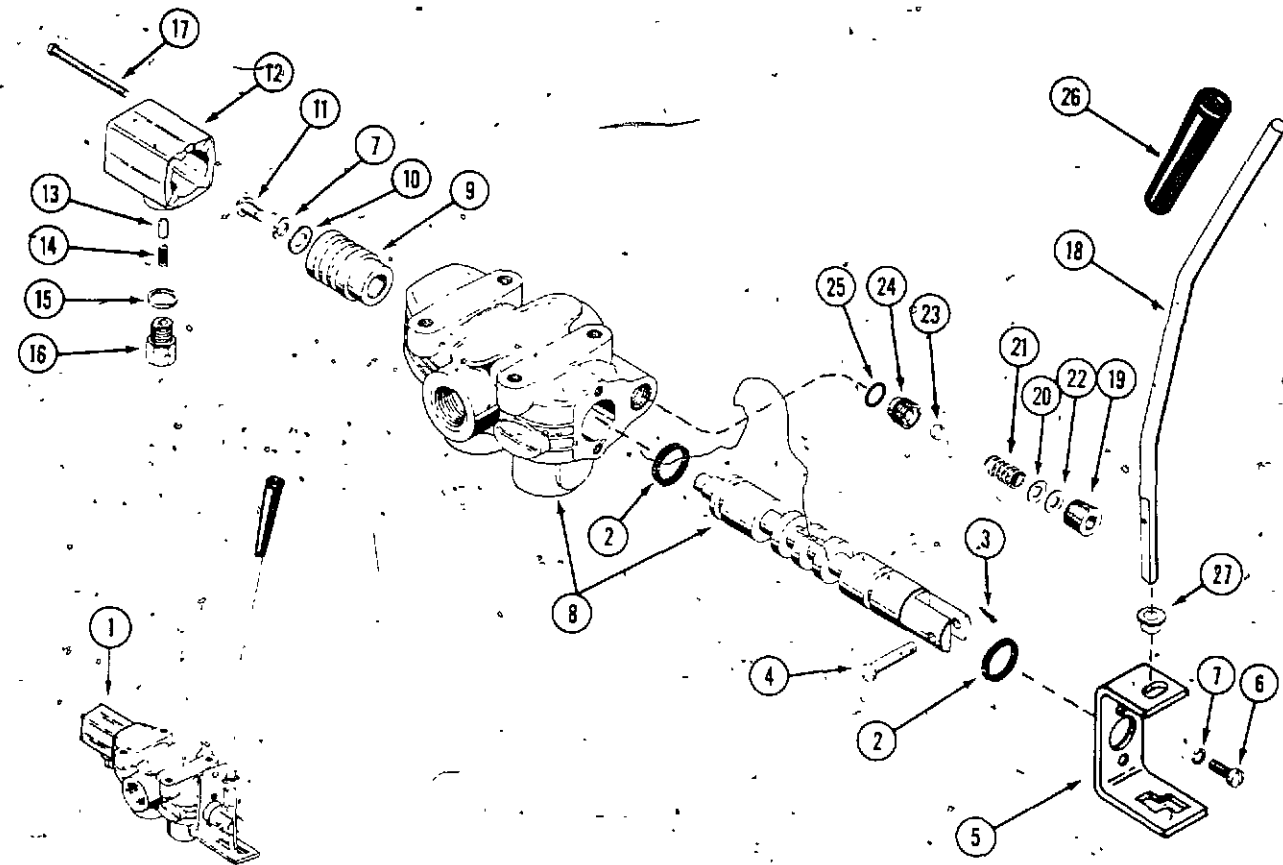
REF.	PART NO.	DESCRIPTION	REQ'D
1	C 18281	VALVE - PTO control	1
2	218- 457	FITTING - straight 3/4" NPT x 5/8" tube	1
3	218- 494	FITTING - elbow - 90° 3/4" NPT x 5/8" tube	1
4	218- 927	FITTING - elbow - 90° 1/2" NPT x 1/2" female NPSM swivel	2
5	NSS	BRACKET - valve mounting (use C23337)	1
6	113- 206	BOLT - 3/8" hex NC x 3/4"	4
7	192- 21	LOCKWASHER - 3/8"	4
8	NSS	TUBE - pump to PTO valve (use C23888)	1
9	NSS	TUBE - PTO valve to travel control valve (use C23962)	1
10	C 15389	CLAMP - double tubing	1
11	C 19424	BAR - clamp	1
12	113- 102	BOLT - 5/16" hex NC x 3/4"	1
13	129- 102	LOCKNUT - 5/16" NC hex	1
14	218- 5232	FITTING - 90° swivel elbow 37° x 37° flare 3/4" NPT x 5/8" tube	1
15	113- 103	BOLT - 5/16" x 1" NC hex (fender mounting)	3
16	195- 521	WASHER - 5/16" (fender mounting)	3
17	192- 20	LOCKWASHER - 5/16" (fender mounting)	3

MODEL J-19 FLOW CONTROL VALVE KIT



REF. PART NO.	DESCRIPTION	REQ'D
1 C 18722	VALVE - flow control .....	1
2 C 18720	LEVER - valve .....	1
3 A 61683	KNOB - lever .....	1
4 113- 12	BOLT - 1/4" x 2-1/2" NC hex .....	2
5 131- 1115	NUT - lock 1/4" NC hex .....	2
6 218- 485	FITTING - elbow 90° 1/2" NPT .....	1
7 218- 445	FITTING - straight 1/2" NPT .....	2
8 C 19402	TUBE - valve to PTO valve .....	1
9 C 19404	TUBE - bypass to return line .....	1
10 C 19403	TUBE - valve to tractor valve .....	1
11 C 19405	TUBE - heat exchanger .....	1
12 L 79701	HOSE - return .....	1
13 214- 6	CLAMP - hose .....	2
14 182- 515	SCREW - battery tray 5/16" x 5/8" pan head .....	2
15 218- 535	FITTING - 45° 1/2" NPT x 5/8" tube .....	1
C 18719	DECAL - valve, "slow - fast" .....	1

J-17 HYDRAULIC PTO VALVE



REF.	PART NO.	DESCRIPTION	REQ'D
1	C 18281	VALVE - control	1
2	C 11891	SEAL - U-cup	2
3	132- 5	PIN - cotter 1/16" x 1/2"	1
4	36627	PIN - handle	1
5	C 19422	BRACKET - handle	1
6	71- 410	SCREW - 1/4" x 5/8" NC fillister head	2
7	36628	LOCKWASHER - 1/4"	3
8	NSS	BODY AND SPOOL ASSEMBLY (Order C18281)	1
9	C 11895	ADAPTER - spool	1
10	95- 4	WASHER - plain 1/4"	1
11	75- 48	SCREW - 1/4" x 1 7/2" rd. hd. machine	1
12	C 11893	BONNET - detent	1
13	C 11901	PIN - detent	1
14	C 11892	SPRING - detent	1
15	C 11886	WASHER - detent spring	1
16	C 11887	CAP - detent	1
17	169- 108	SCREW - bonnet 8-32 x 2-1/4" fillister head	4
18	C 19423	LEVER - valve	1
19	221- 842	PLUG - relief 3/8" NPT	1
20	D 39712	SHIM - .010" thick	UAR
21	T 40189	SPRING - relief	1
22	A 55894	SHIM - .020" thick	UAR
23	211- 11	BALL - relief 3/8"	1
24	C 18417	SEAT - relief	1
25	A 27891	"O" RING - relief seat	1
26	A 37247	KNOB - hand throttle	1
27	C 12127	BUSHING - nylon	1

## NUMERICAL INDEX

PART NO.	PAGE NO.	REF. NO.	PART NO.	PAGE NO.	REF. NO.		
	10923	61	17	A	44433	57	29
	10927	61	12	A	44433	59	29
	10934	61	3	A	50096	47	18
	36627	83	4	A	50773	51	21
	36628	83	7	A	55894	83	22
	40035	11	20	A	60273	53	1
	40035	13	20	A	60273	53	1
	40035	15	20	A	60273	53B	1
	40035	17	28	A	60273	53B	1
	40035	19	28	A	61683	81	3
	40035	21	28	A	62079	25	15
	49485	29	24	A	70062	43	11
	49885	31	11	A	70090	5	5
	7623	69	35	A	70100	49	18
A	7623	73	11	A	70112	51	19
A	7982	53	3	A	70185	43	8
A	7982	53	4	A	70202	61	8
A	7982	53B	3	A	72038	57	7
A	7982	53B	4	A	72038	59	7
A	10326	29	22	A	72039	57	5
A	25447	57	20	A	72039	59	5
A	25447	59	20	A	72040	57	6
A	25461	59	4	A	72040	59	6
A	25546	57	36	A	72041	59	23
A	25546	59	36	A	72042	57	10
A	27001	11	23	A	72042	59	10
A	27001	13	23	A	72043	57	17
A	27001	15	23	A	72043	59	17
A	27251	61	17	A	72046	57	32
A	27365	17	39	A	72046	59	32
A	27365	19	39	A	72047	57	33
A	27365	21	39	A	72047	59	33
A	27891	83	25	A	72048	57	11
A	30064	43	10	A	72048	59	11
A	30095	49	34	A	72073	25	1
A	30338	71	13	A	72073	27	
A	30881	39	10	A	72077	27	3
A	30881	39	11	A	72078	27	8
A	30971	69	36	A	72079	27	7
A	30971	73	12	A	72080	27	9
A	34046	61	21	A	72083	27	15
A	37247	51	1	A	72084	27	10
A	37247	69	11	A	72092	27	2
A	37247	83	26	A	72099	27	5
A	39888	61	11	A	72103	27	11
A	40702	57	4	A	72104	59	2
A	40702	59	40	B	50213	61	
A	40736	57	21	B	50223	61	5
A	40736	57	22	B	50255	61	2
A	40736	59	21	B	50273	61	6
A	40736	59	22	B	50293	61	14
A	40855	61	4	B	52118	71	12
A	41927	57	13	B	52144	47	15
A	41927	59	13	B	53393	23	13
A	41959	57	27	C	10314	43	2
A	42127	57	25	C	10657	25	14
A	43182	61		C	10678	25	3
A	43356	57	31	C	10836	63	3
A	43356	59	31	C	10898	75	4
A	43494	57	2	C	11529	25	18
A	43495	57	23	C	11529	49	16

PART NO.	PAGE NO.	REF. NO.	PART NO.	PAGE NO.	REF. NO.		
C	11545	25	19	C	11545	25	19
C	11545	49	17	C	11545	49	17
C	11886	83	15	C	11886	83	15
C	11887	83	16	C	11887	83	16
C	11891	83	2	C	11891	83	2
C	11892	83	14	C	11892	83	14
C	11893	83	12	C	11893	83	12
C	11895	83	9	C	11895	83	9
C	11901	83	13	C	11901	83	13
C	11906	39	5	C	11906	39	5
C	12093	51	2	C	12093	51	2
C	12093	69	12	C	12093	69	12
C	12102	39	13	C	12102	39	13
C	12102	39	13	C	12102	39	13
C	12110	43	5	C	12110	43	5
C	12127	83	27	C	12127	83	27
C	12224	29	2	C	12224	29	2
C	12370	43	7	C	12370	43	7
C	12551	47	25	C	12551	47	25
C	12552	47	26	C	12552	47	26
C	12559	47	31	C	12559	47	31
C	12560	47	32	C	12560	47	32
C	12713	47	2	C	12713	47	2
C	12718	47	36	C	12718	47	36
C	12723	47	10	C	12723	47	10
C	12725	47	21	C	12725	47	21
C	12975	39	9	C	12975	39	9
C	12975	39	10	C	12975	39	10
C	12975	41	20	C	12975	41	20
C	13106	39	7	C	13106	39	7
C	13106	39	8	C	13106	39	8
C	13196	47	16	C	13196	47	16
C	13197	47	17	C	13197	47	17
C	13200	53	12	C	13200	53	12
C	13200	53B	12	C	13200	53B	12
C	13211	47	9	C	13211	47	9
C	13241	47	5	C	13241	47	5
C	13266	47	8	C	13266	47	8
C	13360	45	1	C	13360	45	1
C	13385	47	6	C	13385	47	6
C	13526	43	2	C	13526	43	2
C	13605	39	5	C	13605	39	5
C	13605	39	16	C	13605	39	16
C	13716	39	6	C	13716	39	6
C	14060	63	1	C	14060	63	1
C	14168	47	23	C	14168	47	23
C	14195	49	12	C	14195	49	12
C	14200	41	6	C	14200	41	6
C	14201	41	7	C	14201	41	7
C	14222	47	39	C	14222	47	39
C	14223	47	37	C	14223	47	37
C	14240	31	1	C	14240	31	1
C	14241	31	1	C	14241	31	1
C	14245	49	14	C	14245	49	14
C	14246	31	3	C	14246	31	3
C	14304	63	9	C	14304	63	9
C	14334	39	12	C	14334	39	12
C	14344	57	34	C	14344	57	34
C	14344	59	34	C	14344	59	34
C	14399	17	26	C	14399	17	26
C	14399	19	26	C	14399	19	26

## NUMERICAL INDEX

PART NO.	PAGE NO.	REF. NO.	PART NO.	PAGE NO.	REF. NO.		
C	14399	21	26	C	15096	41	16
C	14457	75	2	C	15183	35	5
C	14459	75	5	C	15184	35	6
C	14460	75	5	C	15335	49	1
C	14500	35	14	C	15389	79	10
C	14506	29	4	C	15410	37	9
C	14525	45	14	C	15515	33	7
C	14534	37	12	C	15556	33	11
C	14537	61	9	C	15557	33	8
C	14539	65	4	C	15564	45	11
C	14553	61	6	C	15690	65	10
C	14565	61	3	C	15691	65	11
C	14566	61	4	C	15692	65	12
C	14568	73	2	C	15693	65	13
C	14568	75	14	C	15696	65	16
C	14599	63	21	C	15697	65	17
C	14619	49	37	C	15718	33	3
C	14644	47	24	C	15721	33	1
C	14655	49	35	C	15726	49	6
C	14655	55		C	15726	51	16
C	14690	25	23	C	15731	51	4
C	14690	31	4	C	15732	51	5
C	14692	73	9	C	15733	51	6
C	14703	71	16	C	15734	51	7
C	14709	71	17	C	15735	51	8
C	14710	71	18	C	15737	51	10
C	14712	71		C	15738	51	11
C	14715	71	8	C	15739	51	12
C	14717	71	15	C	15740	51	13
C	14722	71	3	C	16128	71	20
C	14724	71	4	C	16133	69	31
C	14725	71	14	C	16163	69	10
C	14728	37	22	C	16164	43	21
C	14729	35	20	C	16170	35	2
C	14730	35	20	C	16200	41	4
C	14827	55	4	C	16239	35	23
C	14828	55	7	C	16339	47	22
C	14829	55	8	C	16351	35	28
C	14830	55	9	C	16362	35	12
C	14831	55	10	C	16363	25	17
C	14834	55	13	C	16364	35	4
C	14836	55	15	C	16373	35	24
C	14837	55	5	C	16379	43	23
C	14838	55	16	C	16384	39	17
C	14866	75	15	C	16393	37	17
C	14867	75	1	C	16404	37	2
C	14872	73	1	C	16408	37	1
C	14906	17	44	C	16429	37	7
C	14906	19	44	C	16444	37	15
C	14906	21	44	C	16445	37	15
C	14953	17	38	C	16446	37	16
C	14953	19	38	C	16447	37	16
C	14954	21	38	C	16448	29	3
C	14970	69	34	C	16449	29	1
C	14970	73	10	C	16516	55	1
C	14975	71	2	C	16581	77	1
C	14976	71	3	C	16616	33	19
C	14991	71	9	C	16687	49	24
C	15007	25	5	C	16697	49	35
C	15036	51	19	C	16697	55	
C	15060	15	27	C	16699	47	11

PART NO.	PAGE NO.	REF. NO.	PART NO.	PAGE NO.	REF. NO.		
C	16700	47	13	C	16700	47	13
C	16744	47	3	C	16744	47	3
C	16786	33	13	C	16786	33	13
C	16793	49	11	C	16793	49	11
C	16794	49	10	C	16794	49	10
C	16796	25	20	C	16796	25	20
C	16945	41	1	C	16945	41	1
C	17066	37	20				

NUMERICAL INDEX

PART NO.	PAGE NO.	REF. NO.	PART NO.	PAGE NO.	REF. NO.	PART NO.	PAGE NO.	REF. NO.
C	17898	49	25	C	18992	41	5	
C	17921	63	2	C	18999	63	30	
C	18014	41	2	C	19002	49	23	
C	18017	41	21	C	19021	25	15	
C	18053	31	3	C	19025	51	8	
C	18092	55	15	C	19025	69	20	
C	18097	11	24	C	19037	55		
C	18097	13	24	C	19045	49	7	
C	18097	15	24	C	19045	51	1	
C	18097	17	34	C	19053	5	1	
C	18097	19	34	C	19055	61	21	
C	18097	19	34	C	19063	43	7	
C	18097	23	6	C	19064	43	8	
C	18098	29	14	C	19089	35	1	
C	18099	29	30	C	19090	35	1	
C	18101	11	18	C	19104	69	32	
C	18110	55	10	C	19113	51	3	
C	18115	61	20	C	19114	51	9	
C	18147	43	22	C	19120	61	1	
C	18150	35	17	C	19179	43	10	
C	18153	35	11	C	19180	43	19	
C	18197	61	12	C	19183	43	17	
C	18251	69	3	C	19207	51	15	
C	18281	79	1	C	19213	5	2	
C	18281	83	1	C	19246	63	39	
C	18417	83	24	C	19250	43	1	
C	18580	49	15	C	19251	43	11	
C	18711	41	12	C	19253	49	38	
C	18719	81		C	19254	63	36	
C	18720	81	2	C	19362	31	1	
C	18722	81	1	C	19402	81	8	
C	18733	35	30	C	19403	81	10	
C	18742	51	6	C	19404	81	9	
C	18742	69	18	C	19405	81	11	
C	18777	39	2	C	19417	37	6	
C	18779	39	3	C	19422	83	5	
C	18782	39	3	C	19423	83	18	
C	18784	39	2	C	19424	79	1.1	
C	18786	39	18	C	19449	5	8	
C	18786	39	18	C	19469	73	8	
C	18788	63	27	C	19476	73	7	
C	18793	29	3	C	19740	71	1	
C	18797	49	21	C	19740	71	1	
C	18808	69	1	C	21496	53B		
C	18809	45	1	C	21504	53B		
C	18810	69	24	C	21504	53B		
C	18811	45	4	C	21505	53B	15	
C	18812	39	1	C	21506	53B	11	
C	18813	39	1	C	21506	53B	22	
C	18814	17	43	C	21507	53B	6	
C	18814	19	43	C	21507	53B	7	
C	18814	21	43	C	21508	53B	8	
C	18825	31	4	C	21508	53B	24	
C	18850	53B	13	C	21509	53B	7	
C	18851	53B		C	21509	53B	23	
C	18857	51	3	C	21510	53B	9	
C	18890	35	17	C	21510	53B	25	
C	18907	33	2	C	21511	53B		
C	18908	33	15	C	21518	51	5	
C	18940	33	17	C	21518	69	15	
C	18989	25	1	C	21814	17	1	

NUMERICAL INDEX

PART NO.	PAGE NO.	REF. NO.	PART NO.	PAGE NO.	REF. NO.	PART NO.	PAGE NO.	REF. NO.	
C	21814	19	1			KO	220174	23	7
C	21814	21	12			KO	220174	63	6
C	21993	61	5			KO	220297	63	2
C	22034	17	31			KO	230011	7	20
C	22034	19	31			KO	230011	7	43
C	22571	61	11			KO	230020	9	20
C	22571	63				KO	230170	7	16
C	22573	63	10			KO	230170	7	39
C	22637	47	14			KO	230170	9	16
C	22638	47	12			KO	230170	17	9
C	22671	33	9			KO	230170	19	9
C	22738	23	9			KO	230170	21	9
C	22738	25	13			KO	230265	7	29
C	22738	27	2			KO	230265	7	52
C	22754	15	28			KO	230265	9	29
C	23245	33	10			KO	230265	17	9A
C	23506	33	18			KO	230265	19	9A
C	23740	33	6			KO	230265	21	11
C	23839	61	23			KO	230722	61	19
C	23858	23	1			KO	231032	7	5
C	23860	23	8			KO	231032	9	5
C	23860	25	2			KO	231032	23	16
C	23902	25	7			KO	231281	61	13
C	24096	43	16			KO	232535	61	14
C	24097	43	15			KO	232535	63	5
C	24098	41	18			KO	235003	11	11
C	24135	63	10			KO	235003	13	11
C	24137	35	25			KO	235003	15	11
C	24138	17	8			KO	235004	11	7
C	24221	61	7			KO	235004	13	7
C	24290	21	31			KO	235004	15	7
C	24301	61	16			KO	235007-S	7	17
C	24318	37	8			KO	235007-S	7	40
C	24319	37	8			KO	235007-S	9	17
C	24408	25	1			KO	235007-S	17	10
C	24408	27				KO	235007-S	19	10
C	24433	43	3			KO	235007-S	21	10
C	24435	43	1			KO	235008	7	15
C	24438	43	9			KO	235008	7	38
C	24731	55	11			KO	235010	7	19
C	24884	7	21			KO	235101	7	42
C	24884	7	44			KO	235011	7	18
C	24884	9	21			KO	235011	7	41
C	25043	7	25			KO	235011	9	18
C	25043	7	48			KO	235025	17	16
C	25043	9	25			KO	235025	19	16
C	25022	43	13			KO	235025	21	16
C	25054	15	22			KO	235025	23	3
C	25177	47	27			KO	235026	17	17
C	25254	47	38			KO	235026	19	17
C	25258	47	40			KO	235026	21	17
C	41264	63	8			KO	235047	7	9
D	22988	29	4			KO	235047	9	9
D	31945	47	4			KO	235048	7	6
D	39712	83	20			KO	235048	9	6
F	53109	51	2			KO	235048	23	11
F	59014	33	14			KO	235053	7	27
H	43034	29	16			KO	235053	7	50
KO	200380	27	1			KO	235053	9	28
KO	200380	27	6			KO	235054	25	14
KO	200383	27	4			KO	235057	23	14
KO	235070	17	29			KO	235070	19	29
KO	235070	21	29			KO	235070	21	29
KO	235070	23	5			KO	235084	29	19
KO	235084	29	19			KO	235085	29	18
KO	235085	29	18			KO	235086	29	17
KO	235086	29	17			KO	235117	7	8
KO	235117	7	8			KO	235117	9	8
KO	235117	9	8			KO	235118	7	7
KO	235118	7	7			KO	235118	9	7
KO	235118	9	7			KO	235125-S	17	11
KO	235125-S	17	11			KO	235125-S	19	11
KO	235125-S	19	11			KO	235125-S	29	29
KO	235125-S	29	29			KO	235168	9	19
KO	235168	9	19			KO	235207	25	6
KO	235207	25	6			KO	235277	29	23
KO	235277	29	23			KO	235287	11	2
KO	235287	11	2			KO	235288	11	16
KO	235288	11	16			KO	235289	11	16
KO	235289	11	16			KO	235290	11	16
KO	235290	11	16			KO	235353	17	20
KO	235353	17	20			KO	235353	19	20
KO	235353	19	20			KO	235353	21	20
KO	235353	21	20			KO	235353	23	4
KO	235353	23	4			KO	235476	29	25
KO	235476	29	25			KO	235496	29	12
KO	235496	29	12			KO	235572	11	8
KO	235572	11	8			KO	235573	11	17
KO	235573	11	17			KO	235582	9	15
KO	235582	9	15			KO	235631	7	10
KO	235631	7	10			KO	235631	9	10
KO	235631	9	10			KO	235652	25	20
KO	235652	25	20			KO	235748	17	42
KO	235748	17	42			KO	235748	19	42
KO	235748	19	42			KO	235748	21	42
KO	235748	21	42			KO	235757	17	29
KO	235757	17	29			KO	235757	19	29
KO	235757	19	29			KO	235757	21	29
KO	235757	21	29			KO	235757	23	5
KO	235757	23	5			KO	235818	17	35
KO	235818	17	35			KO	235818	19	35
KO	235818	19	35			KO	235818	21	35
KO	235818	21	35			KO	235826	7	14
KO	235826	7	14			KO	235826	7	37
KO	235826	7	37			KO	235868	13	17
KO	235868	13	17			KO	235868	15	17
KO	235868	15	17			KO	235889	13	2
KO	235889	13	2			KO	235890	13	16
KO	235890	13	16			KO	235891	13	

NUMERICAL INDEX

PART NO.	PAGE NO.	REF. NO.	PART NO.	PAGE NO.	REF. NO.
KOA	236507	15	V 34831	63	12
KOA	236919	29			
KOA	237031	29			
KOA	237033-S	21			
KOA	237127-S	19			
KOA	237344	13	13- 514	35	18
KOA	237344	13	13- 540	51	14
KOA	237344	15	13- 612	63	28
KOA	237344	15	13- 614	45	8
KOA	237344	15	13- 614	69	8
KOA	237401	15	15- 420	29	9
KOA	237403	15	22- 58	63	25
KOA	237404	15	25- 104	7	1
KOA	237405	15	25- 104	9	1
KOA	237559	29	25- 104	29	11
KOA	237559	29	25- 108	77	6
KOA	237653	29	28- 662	55	16
KOB	235949	13	28- 680	47	34
KOB	236293	19	41- 18	17	13
KOB	236364	11	41- 18	19	13
KOC	236303	17	41- 18	21	13
KOC	237182	21	61- 616	17	25
KOD	235327	7	61- 616	19	25
KOD	235327	7	61- 616	21	25
KOD	235327	9	71- 410	25	9
L	79701	81	71- 410	83	6
O	2815N	33	74- 610	59	25
R	15077	57	75- 48	83	11
R	15077	59	83- 55	51	20
R	15087	59	92- 4	7	2
R	15090	57	92- 4	9	2
R	15090	59	92- 6	11	12
R	15106	57	92- 6	13	12
R	15106	59	92- 6	15	12
R	16147	57	92- 8	67	4
R	16147	59	95- 4	83	10
R	16148	57	111- 1	29	5
R	16148	59	111- 1	35	7
R	16161	57	111- 108	63	16
R	16161	59	111- 109	35	15
R	16170	57	111- 131	63	31
R	16170	59	111- 202	63	15
R	16287	11	111- 256	5	7
R	16287	13	111- 317	77	5
R	16287	15	111- 530	67	2
R	16287	17	111- 531	67	3
R	16287	19	111- 532	67	2
R	16287	21	113- 1	47	20
R	16287	23	113- 2	25	12
R	17820	47	113- 6	17	19
T	40189	83	113- 6	19	19
W	5063-S	11	113- 6	21	19
W	5063-S	13	113- 6	25	3
W	5063-S	15	113- 12	81	4
W	5063-S	49	113- 102	63	18
V	34346	7	113- 102	79	12
V	34346	9	113- 103	25	7
V	34416	29	113- 103	41	11
V	34418	17	113- 103	63	11
V	34418	19	113- 103	79	15
V	34418	29	113- 118	25	16
V	34433	61	113- 118	31	5

HARDWARE CODE NUMBERS

PART NO.	PAGE NO.	REF. NO.	PART NO.	PAGE NO.	REF. NO.
113-	118	71	10	129-	105
113-	122	37	11	129-	122
113-	206	17	14	129-	122
113-	206	19	14	129-	122
113-	206	21	14	129-	125
113-	206	41	13	129-	125
113-	206	79	6	129-	143
113-	207	5	3	129-	143
113-	207	17	33	129-	143
113-	207	19	33	129-	325
113-	207	21	33	129-	325
113-	207	31	6	129-	409
113-	207	33	20	129-	504
113-	207	49	2	129-	504
113-	207	69	21	129-	531
113-	207	77	6	129-	531
113-	209	61	18	129-	531
113-	219	29	6	131-	71
113-	417	71	5	131-	118
113-	417	75	6	131-	159
113-	417	75	9	131-	164
113-	417	77	4	131-	176
113-	421	75	13	131-	178
113-	424	35	22	131-	178
113-	424	37	4	131-	178
113-	424	45	3	131-	179
113-	424	47	4	131-	179
113-	425	73	4	131-	301
113-	427	37	3	131-	301
113-	441	37	3	131-	301
113-	443	77	5	131-	301
114-	200	49	3	131-	301
121-	106	35	3	138-	301
121-	106	37	13	131-	351
126-	16	41	17	131-	356
126-	111	57	24	131-	629
126-	111	59	24	131-	1112
126-	128	47	41	131-	1115
129-	17	29	7	131-	1129
129-	17	35	9	131-	1232
129-	18	57	14	132-	5
129-	18	59	14	132-	91
129-	27	63	22	132-	46
129-	37	29	20	132-	46
129-	77	63	37	132-	48
129-	101	63	17	132-	306
129-	101	63	33	132-	310
129-	102	5	10	132-	310
129-	102	25	19	132-	310
129-	102	35	27	132-	310
129-	102	63	14	132-	311
129-	102	79	13	132-	311
129-	103	5	6	132-	320
129-	103	17	47	132-	320
129-	103	19	4	132-	321
129-	103	21	4	132-	361
129-	103	61	20	138-	59
129-	103	77	7	138-	99
129-	105	61	15	138-	99
129-	105	67	4	138-	319
129-	105	67	5	138-	319

NUMERICAL INDEX

PART NO.	PAGE NO.	REF. NO.	PART NO.	PAGE NO.	REF. NO.
138-	319	47	192-	21	17
138-	2054	45	192-	21	19
141-	4	43	192-	21	19
151-	538	29	192-	21	19
164-	40	33	192-	21	19
164-	42	45	192-	21	21
164-	50	29	192-	21	21
166-	86	49	192-	21	21
169-	95	29	192-	21	21
169-	108	83	192-	21	29
169-	114	53	192-	21	33
169-	114	53B	192-	21	41
169-	131	63	192-	21	49
171-	247	49	192-	21	61
173-	73	61	192-	21	63
173-	210	63	192-	21	77
173-	215	25	192-	21	79
173-	215	49	192-	23	35
173-	221	21	192-	23	37
173-	224	63	192-	23	39
173-	237	59	192-	23	39
175-	436	25	192-	23	45
177-	94	5	192-	23	47
182-	515	81	192-	23	61
182-	523	63	192-	23	67
187-	408	63	192-	23	75
187-	485	63	192-	23	77
187-	1046	39	192-	26	59
187-	1046	39	192-	116	57
187-	1047	63	192-	4	61
187-	1251	31	193-	5	63
187-	1844	63	193-	26	21
192-	17	57	193-	56	29
192-	17	59	193-	57	63
192-	18	29	193-	60	25
192-	18	29	193-	70	63
192-	18	35	193-	76	33
192-	18	59	195-	104	31
192-	18	63	195-	104	43
192-	18	63	195-	104	69
192-	19	17	195-	126	31
192-	19	19	195-	512	5
192-	19	21	195-	512	35
192-	19	25	195-	513	63
192-	19	25	195-	515	25
192-	19	25	195-	515	29
192-	19	29	195-	520	63
192-	19	47	195-	521	25
192-	20	5	195-	521	45
192-	20	25	195-	521	51
192-	20	25	195-	521	69
192-	20	35	195-	521	79
192-	20	41	195-	524	37
192-	20	57	195-	525	5
192-	20	63	195-	525	31
192-	20	63	195-	525	77
192-	20	79	195-	533	69
192-	21	5	195-	533	77
192-	21	17	195-	541	11
192-	21	17	195-	541	13
192-	21	17	195-	541	15

## NUMERICAL INDEX

PART NO.	PAGE NO.	REF. NO.	PART NO.	PAGE NO.	REF. NO.	PART NO.	PAGE NO.	REF. NO.
195-	541	17	36	223-	20	61	22	
195-	541	19	36	321-	18	65	3	
195-	541	21	36	321-	1571	65	1	
195-	541	71	7	321-	1785	65	6	
195-	541	75	3	321-	1786	65	8	
195-	545	75	11	321-	1788	65	5	
195-	2021	37	10	321-	2110	65	7	
195-	2021	41	9	321-	2111	65	2	
195-	2069	41	15	321-	2467	65	9	
205-	27	17	30	321-	2468	65	14	
205-	27	19	30	321-	2469	65	15	
211-	7	53	16	321-	2487	65	18	
211-	7	53B	16	353-	406	35	29	
211-	9	53	5					
211-	9	53	6					
211-	9	53B	5					
211-	9	53B	6					
211-	11	83	23					
213-	213	43	14					
214-	6	81	13					
214-	8	49	13					
214-	14	49	39					
214-	251	25	4					
218-	445	81	7					
218-	457	79	2					
218-	485	81	6					
218-	494	79	3					
218-	535	81	15					
218-	927	79	4					
218-	5006	49	22					
218-	5007	49	9					
218-	5007	49	27					
218-	5007	49	33					
218-	5056	69	27					
218-	5062	49	32					
218-	5107	49	26					
218-	5232	79	14					
218-	5291	73	5					
219-	17	39	20					
219-	403	43	4					
219-	404	39	6					
219-	404	39	7					
219-	404	41	19					
219-	404	45	2					
219-	404	69	2					
219-	405	71	2					
221-	4	47	7					
221-	841	53	10					
221-	841	53	21					
221-	841	53B	10					
221-	841	53B	21					
221-	842	83	19					
221-	843	53	11					
221-	1139	73	1					
221-	1375	73	2					
221-	1412	17	45					
221-	1412	19	45					
221-	1412	21	45					

**INGERSOLL**  
Ingersoll Equipment Co., Inc.