



H40, H44 & H46 Mowers
H50 & H54 Blades
H80 & H84 Snowblowers
E60 Dump Cart

Parts Catalog B1188

REVISION RECORD LOG

| REVISION NO. | DATE INSERTED |
|--------------|---------------|
| 1. | |
| 2. | |
| 3. | |
| 4. | |
| 5. | |
| | TS/6-6-78 |

**H40, H44 & H46 ROTARY MOWER
H50 & H54 UTILITY BLADE
E60 DUMP CART
H80 & H84 SNOW BLOWER
FOR 220, 222, 442, & 444 COMPACT
TRACTORS (S/N 9646800 & AFTER)**

Parts Catalog B1188

HI-Liter 2500

Published June 1978

Note: This parts catalog covers all "H" Attachments & E60 Dump Cart after the above serial no. and replaces both catalogs A1188 and A1183 which are obsolete and should be discarded.

| Model Designations | Tractor Application | | | |
|--------------------|---------------------|-----|-----|-----|
| | 220 | 222 | 442 | 444 |
| H40 Rotary Mower | X | X | (1) | (1) |
| H44 Rotary Mower | X | X | X | X |
| H46 Rotary Mower | (1) | X | X | X |
| H50 Dozer Blade | X | X | (1) | (1) |
| H54 Dozer Blade | (1) | X | X | X |
| E60 Dump Cart | X | X | X | X |
| H80 Snowblower | X | X | (1) | (1) |
| H84 Snowblower | (1) | X | X | X |

(1) Will Fit But Not Recommended.

J I Case
A Tenneco Company



Services Parts Supply

700 State Street
Racine, Wisconsin 53404

Printed in U.S.A.

ALPHABETICAL INDEX

3

MOWER SECTION

| | |
|-------------------------|------|
| Axle | 11 |
| Belts | 5 |
| Blades | 7 |
| Blades, H46 | 9 |
| Decks | 5 |
| Guards and Covers | 5 |
| Housing, Spindle | 7- 9 |
| Idler, Deck | 7- 9 |
| Idler, Drive | 11 |
| Lift Assembly | 11 |
| Pulleys, Deck | 7- 9 |
| Rollers, Rubber | 5 |
| Spindles | 7- 9 |
| Wheels, Gauge | 11 |

DOZER SECTION

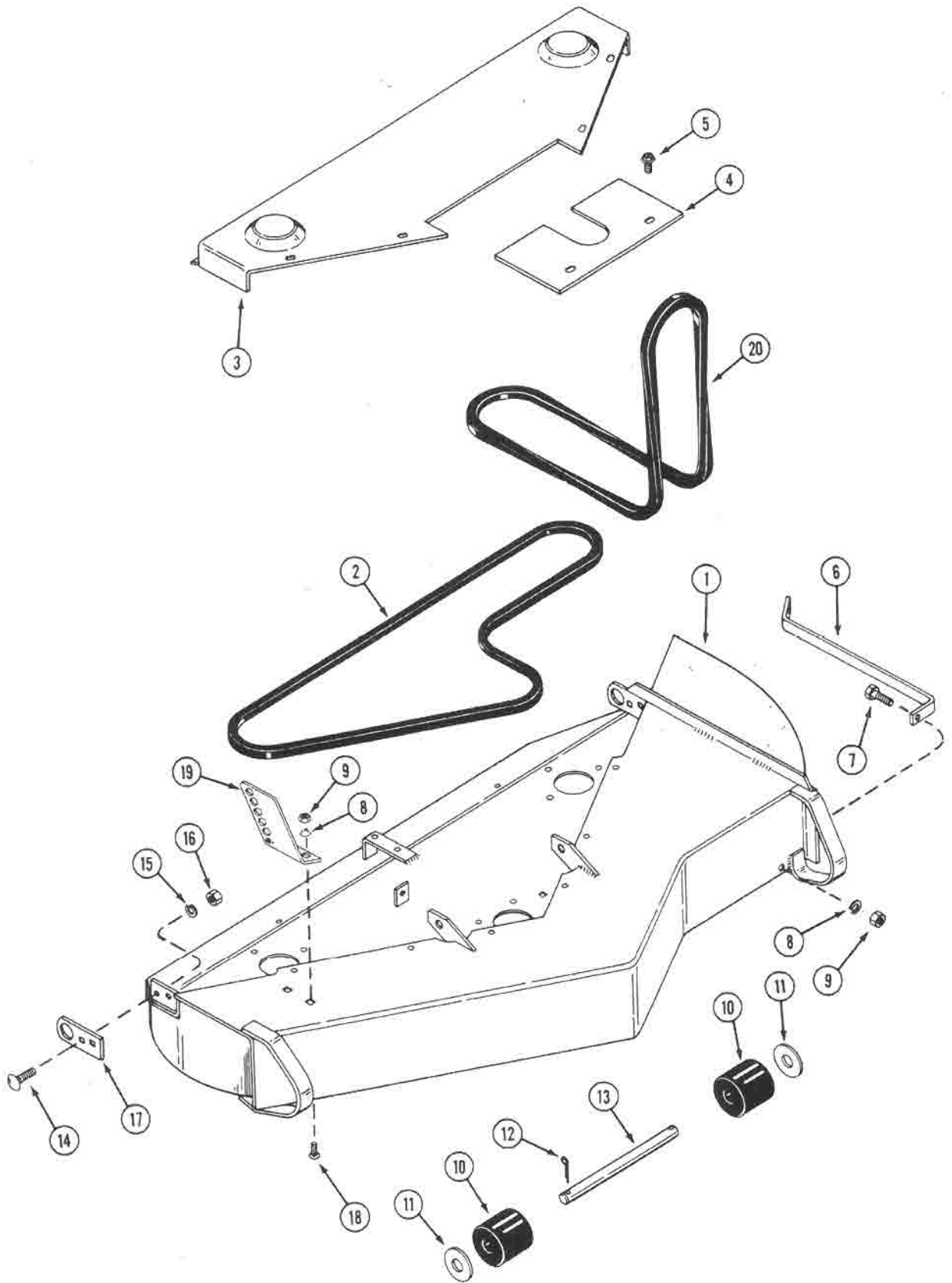
| | |
|--------------------------|----|
| Blade, 44" and 54" | 13 |
| Brackets, Mounting | 13 |
| Edge, Cutting | 13 |
| Skids | 13 |

DUMP CART SECTION

| | |
|------------------------|----|
| Axle | 15 |
| Body | 15 |
| Extensions, Side | 17 |
| Tongue | 15 |
| Wheels | 15 |

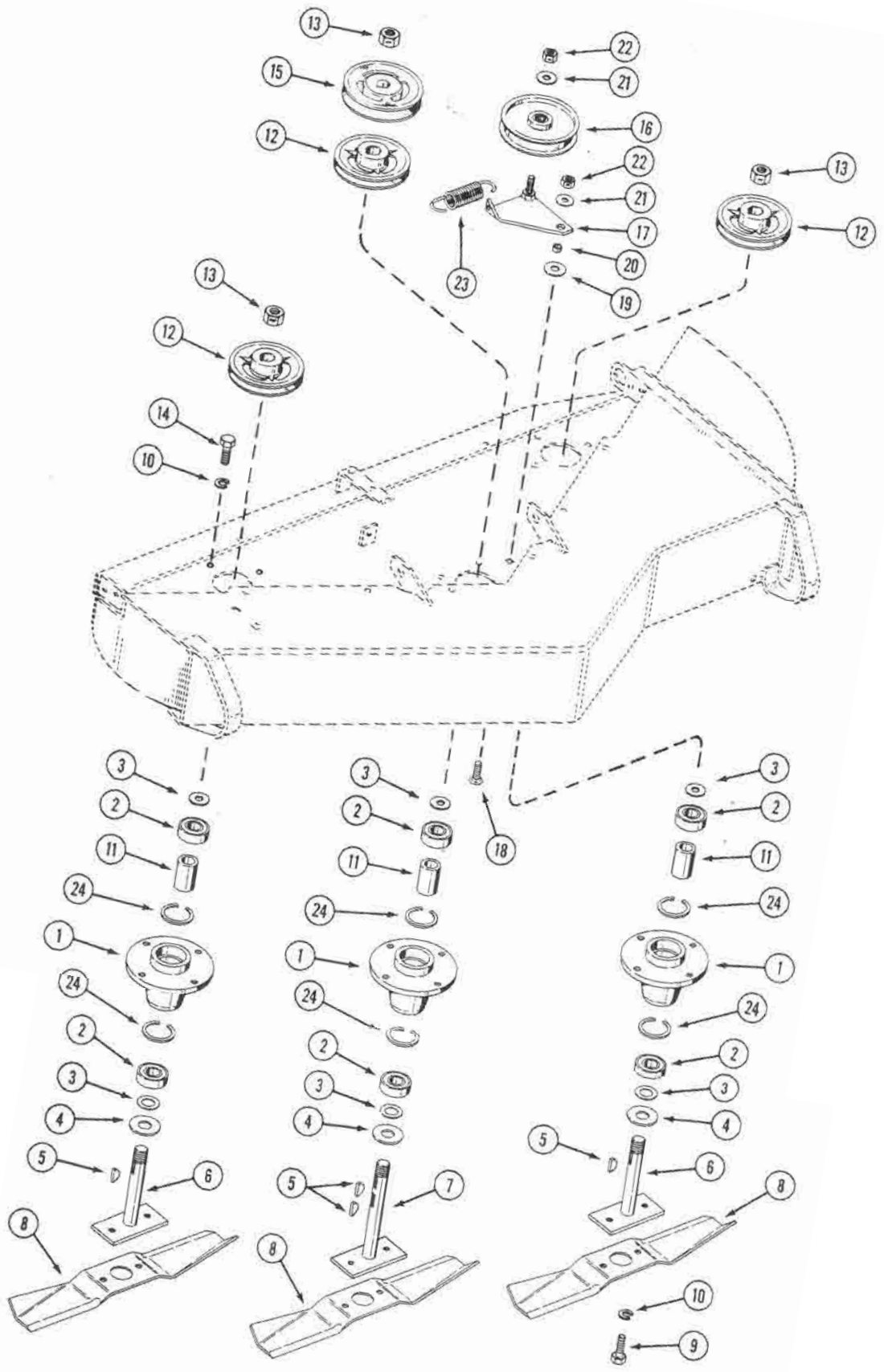
SNOWBLOWER SECTION

| | |
|----------------------|----|
| Auger | 19 |
| Belts | 23 |
| Chute Control | 19 |
| Drive Assembly | 21 |
| Lift Assembly | 19 |



CASE MODEL H40, H44, AND H46 ROTARY MOWERS 5
DECK, BELTS AND DECK COVERS
MODELS H40, H44, AND H46

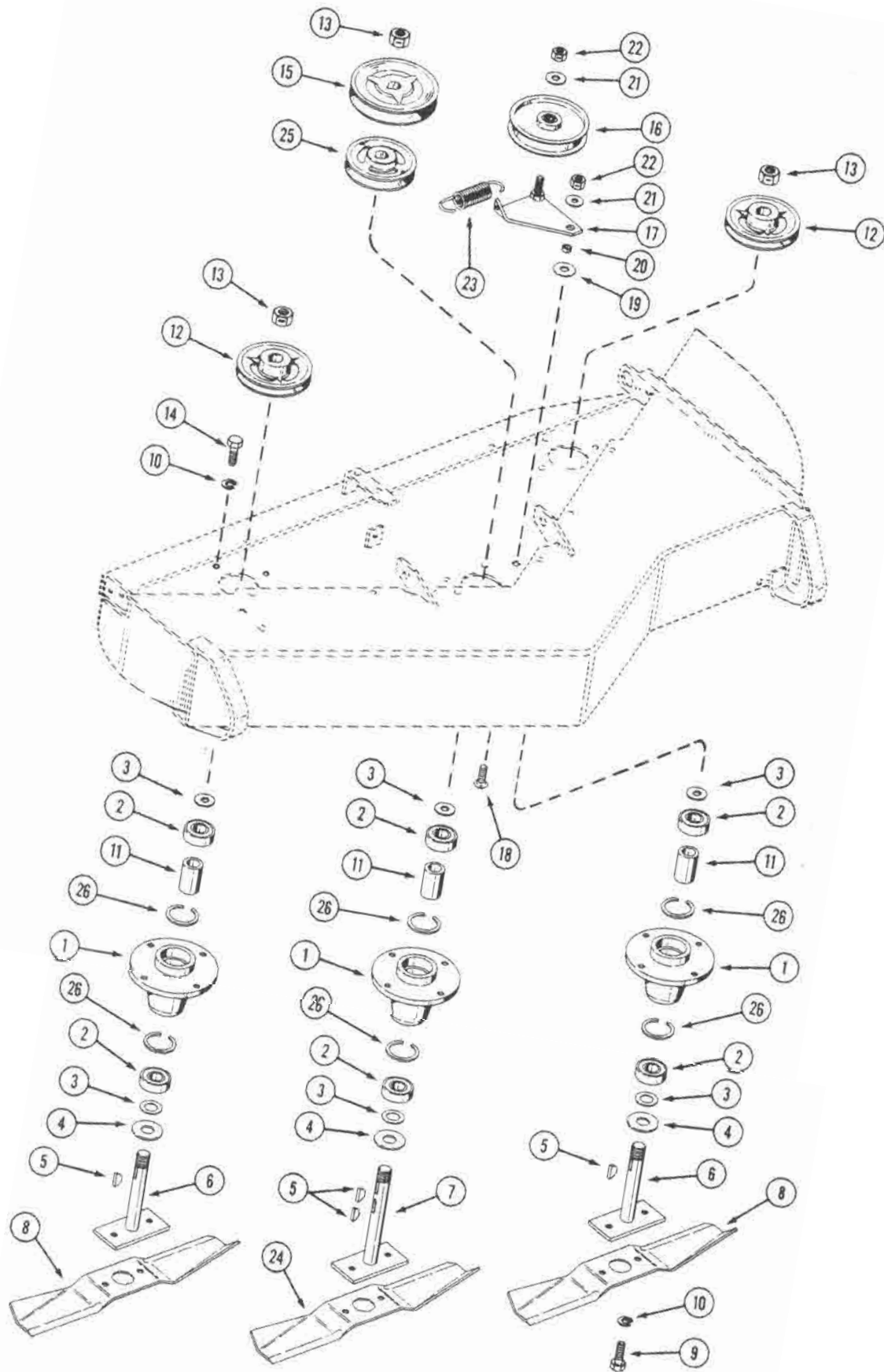
| REF. PART NO. | DESCRIPTION | REQ'D |
|---------------|--|-------|
| 1 C 18925 | DECK - mower, H40 (38") | 1 |
| 1 C 18927 | DECK - mower, H44 (44") | 1 |
| 1 C 18932 | DECK - mower, H46 (48") | 1 |
| 2 C 23810 | BELT - mower deck, H40 | 1 |
| 2 C 22707 | BELT - mower deck, H44 | 1 |
| 2 C 22708 | BELT - mower deck, H46 | 1 |
| 3 C 15679 | GUARD - deck belt, H40 | 1 |
| 3 C 15680 | GUARD - deck belt, H44 | 1 |
| 3 C 15681 | GUARD - deck belt, H46 | 1 |
| 4 C 15675 | COVER - deck, small | 1 |
| 5 187- 1036 | SCREW - 1/4" x 1/2" NC hex self-tapping | 8 |
| 6 C 15640 | BAR - safety, H40 | 1 |
| 6 C 15639 | BAR - safety, H44 | 1 |
| 6 C 15634 | BAR - safety, H46 | 1 |
| 7 113- 102 | BOLT - 5/16" x 3/4" NC hex ZP | 2 |
| 8 192- 20 | LOCKWASHER - 5/16" ZP | 4 |
| 9 129- 102 | NUT - 5/16" NC hex ZP | 4 |
| 10 A 70514 | ROLLER - 2-1/2" x 2-3/8" | 2 |
| 11 195- 108 | WASHER - 5/8" ZP | 2 |
| 12 132- 310 | PIN - cotter 1/8" x 1" | 2 |
| 13 C 14892 | SHAFT - rear roller | 2 |
| 14 111- 317 | BOLT - 3/8" x 1" NC rd. hd. square neck | 2 |
| 15 192- 21 | LOCKWASHER - 3/8" ZP | 2 |
| 16 129- 103 | NUT - 3/8" NC hex ZP | 2 |
| 17 C 15562 | BRACKET - axle pivot, H40 | 1 |
| 17 C 15560 | BRACKET - axle pivot, H44 | 1 |
| 17 C 15561 | BRACKET - axle pivot, H46 | 1 |
| 18 111- 202 | BOLT - 5/16" x 3/4" rd. hd. square neck | 2 |
| 19 C 15935 | BRACKET - height adj. | 1 |
| 20 C 23807 | BELT - drive (Use with 220 and 222 tractors) | 1 |
| 20 C 23809 | BELT - drive (Use with 442 and 444 tractors) | 1 |
| 321- 1571 | DECAL - "CASE" | 1 |
| 321- 4381 | DECAL - "DANGER" SPINNING BLADE | 2 |
| C 12519 | DECAL - "NO STEP" | 2 |
| C 15956 | DECAL - height adjust | 1 |
| C 19272 | DECAL - safety | 1 |



PULLEYS, BLADES, AND SPINDLES

MODELS H40 AND H44

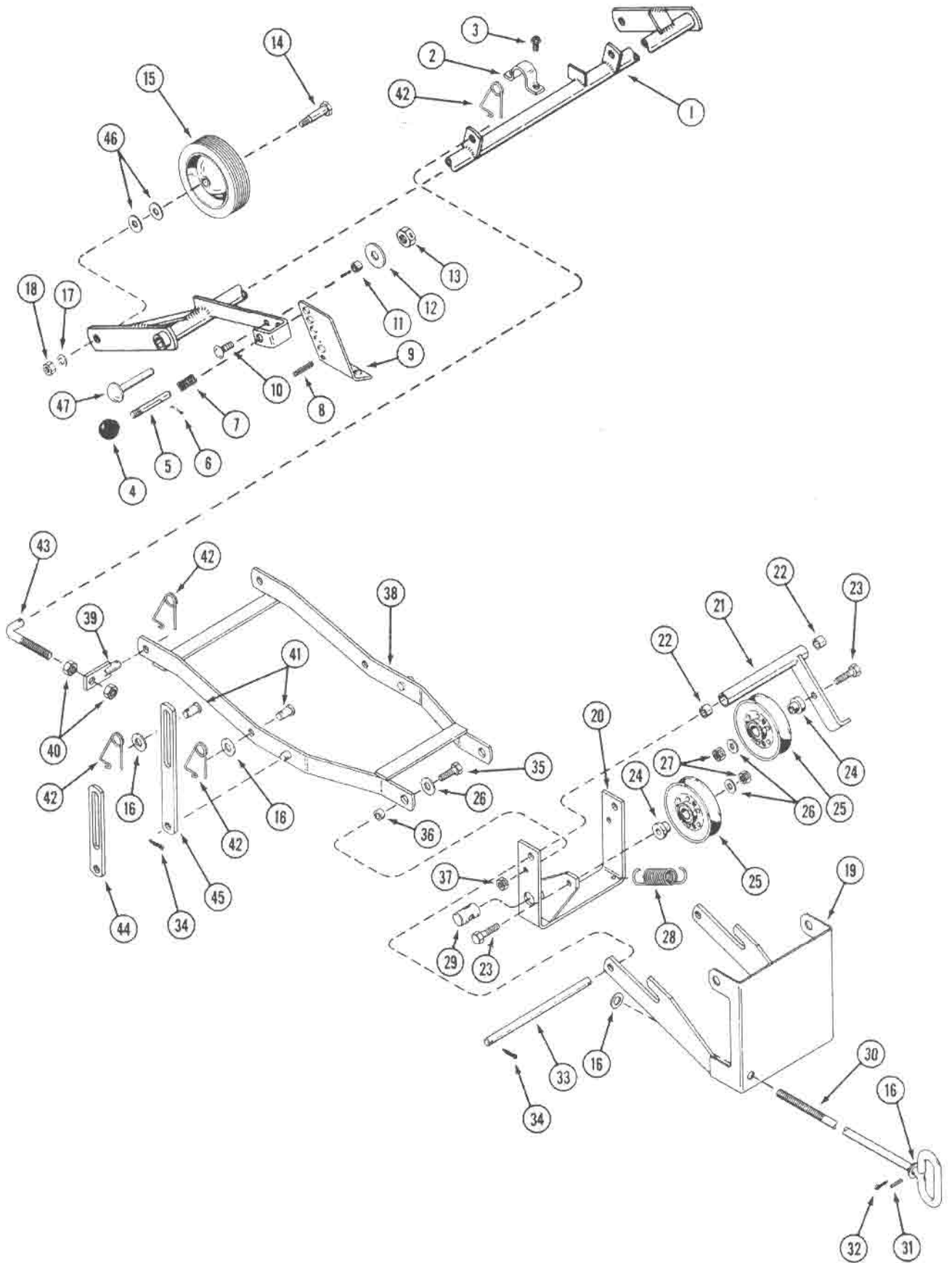
| REF. | PART NO. | DESCRIPTION | REQ'D |
|------|-----------|--------------------------------------|-------|
| 1 | C 17666 | HOUSING - mower spindle | 3 |
| 2 | A 70280 | BEARING - spindle | 6 |
| 3 | C 10822 | WASHER - bearing seal | 6 |
| 4 | C 10942 | WASHER - mower spindle | 3 |
| 5 | 126- 19 | KEY - spindle, #11 Woodruff | 4 |
| 6 | C 15763 | SPINDLE - outboard | 2 |
| 7 | C 15604 | SPINDLE - center | 1 |
| 8 | C 24441 | BLADE - 14" (H40) | 3 |
| 8 | C 24442 | BLADE - 15-1/2" (H44) | 3 |
| 9 | 113- 205 | BOLT - 3/8" x 5/8" NC hex (grade 5) | 6 |
| 10 | 192- 21 | LOCKWASHER - 3/8" | 18 |
| 11 | C 10810 | SPACER - bearing | 3 |
| 12 | C 21581 | PULLEY - outboard | 3 |
| 13 | 131- 1127 | NUT - jam lock 3/4" NF hex | 3 |
| 14 | 113- 206 | BOLT - 3/8" x 3/4" NC hex | 12 |
| 15 | C 15963 | PULLEY - drive | 1 |
| 16 | C 12251 | PULLEY - deck idler | 1 |
| 17 | C 14731 | BRACKET - idler | 1 |
| 18 | 111- 362 | BOLT - 3/8" x 1" rd. hd. square neck | 1 |
| 19 | 195- 530 | WASHER - 1/2" ZP | 1 |
| 20 | C 14768 | SPACER - idler bracket | 1 |
| 21 | 195- 525 | WASHER - 3/8" ZP | 2 |
| 22 | 131- 178 | NUT - lock 3/8" NC hex | 2 |
| 23 | C 14482 | SPRING - idler | 1 |
| 24 | A 63279 | RING - retainer | 6 |



PULLEYS, BLADES, AND SPINDLES

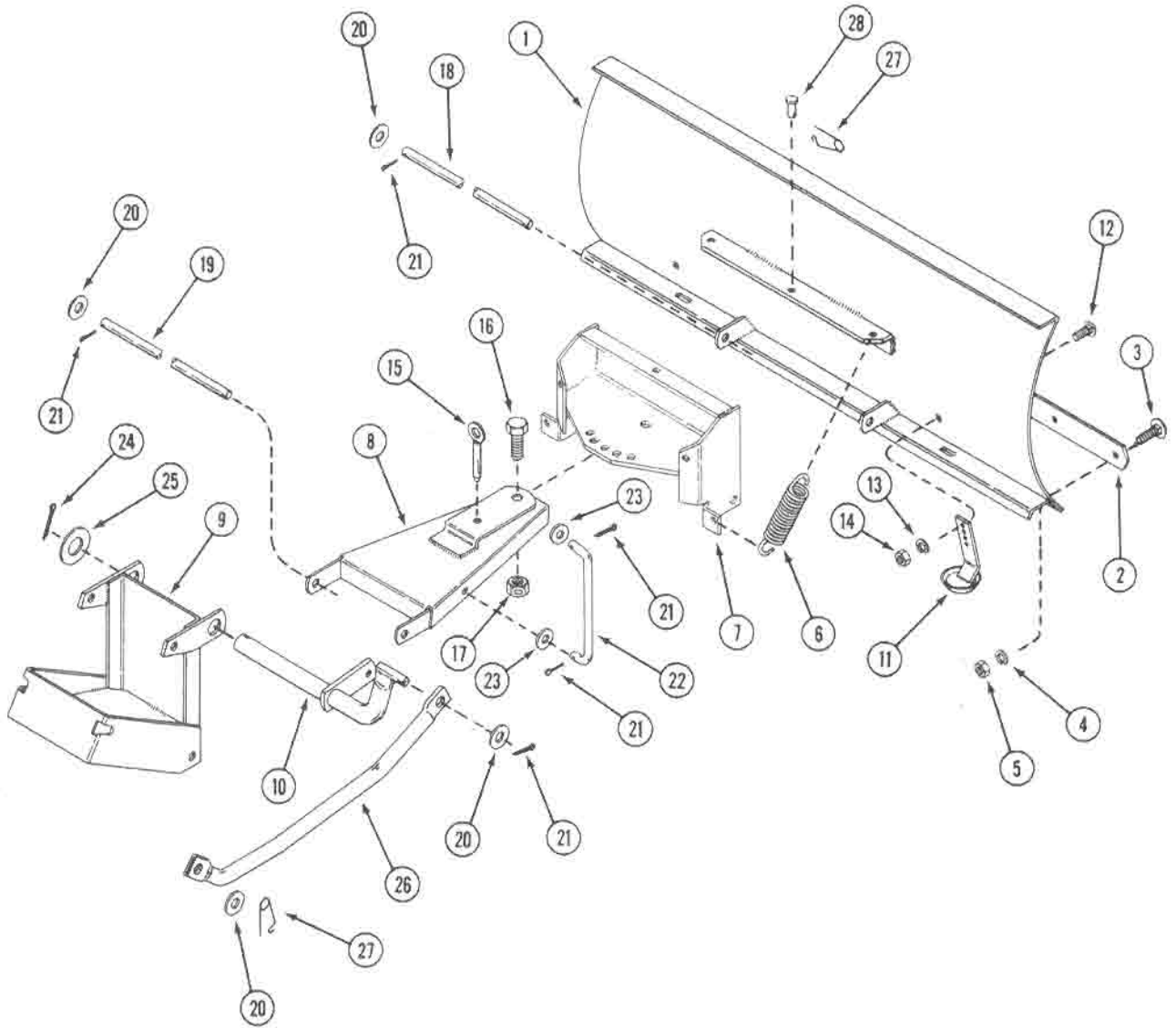
MODEL H46

| REF. | PART NO. | DESCRIPTION | REQ'D |
|------|-----------|--|-------|
| 1 | C 17666 | HOUSING - mower spindle | 3 |
| 2 | A 70280 | BEARING - spindle | 6 |
| 3 | C 10822 | WASHER - bearing seal | 6 |
| 4 | C 10942 | WASHER - mower spindle | 3 |
| 5 | 126- 19 | KEY - spindle, #11 Woodruff | 4 |
| 6 | C 15763 | SPINDLE - outboard | 2 |
| 7 | C 15604 | SPINDLE - center | 1 |
| 8 | C 14886 | BLADE - 17" outboard | 2 |
| 9 | 113- 205 | BOLT - 3/8" x 5/8" NC hex (grade 5) | 6 |
| 10 | 192- 21 | LOCKWASHER - 3/8" | 18 |
| 11 | C 10810 | SPACER - bearing | 3 |
| 12 | C 21581 | PULLEY - outboard | 2 |
| 13 | 131- 1127 | NUT - jam lock 3/4" NF hex | 3 |
| 14 | 113- 206 | BOLT - 3/8" x 3/4" NC hex | 12 |
| 15 | C 15615 | PULLEY - drive | 1 |
| 16 | C 12251 | PULLEY - deck idler | 1 |
| 17 | C 14731 | BRACKET - idler | 1 |
| 18 | 111- 362 | BOLT - 3/8" x 1" rd. hd. square neck | 1 |
| 19 | 195- 530 | WASHER - 1/2" ZP | 1 |
| 20 | C 14768 | SPACER - idler bracket | 1 |
| 21 | 195- 525 | WASHER - 3/8" ZP | 2 |
| 22 | 131- 178 | NUT - lock 3/8" NC hex | 2 |
| 23 | C 14482 | SPRING - idler | 1 |
| 24 | C 24443 | BLADE - 16" center | 1 |
| 25 | C 15616 | PULLEY - center | 1 |
| 26 | A 63279 | RING - retainer | 6 |



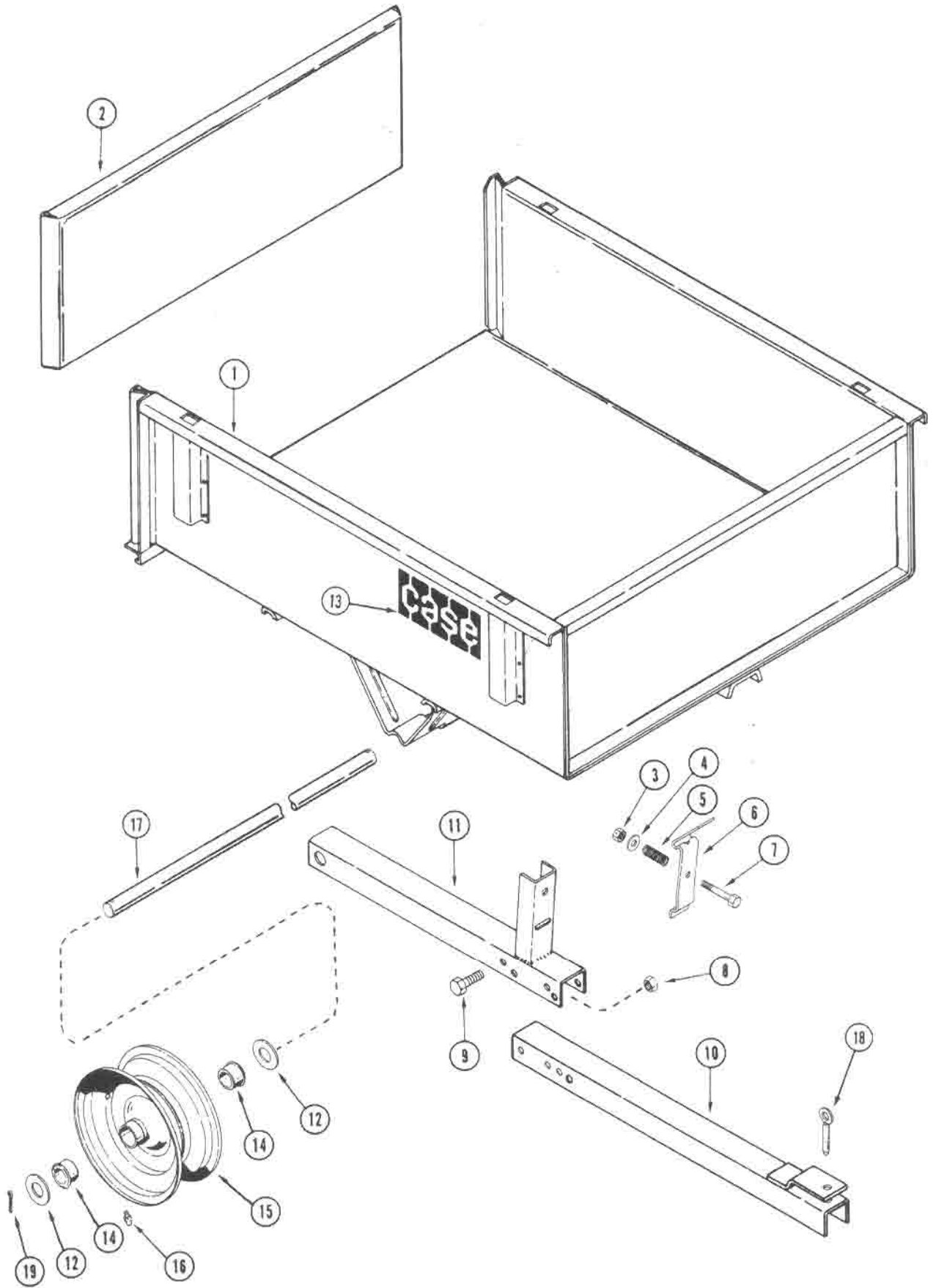
AXLE, IDLER AND MOUNTING ASSEMBLIES

| REF. | PART NO. | DESCRIPTION | REQ'D |
|------|-----------|--|-------|
| 1 | C 24707 | AXLE - rear (H40) | 1 |
| 1 | C 24708 | AXLE - rear (H44) | 1 |
| 1 | C 24709 | AXLE - rear (H46) | 1 |
| 2 | C 14932 | BRACKET - axle mounting (H40 and H44) | 1 |
| 2 | C 14932 | BRACKET - axle mounting (H46) | 2 |
| 3 | 187- 1036 | SCREW - 1/4" x 1/2" NC hex self-tapping (4 req'd, for H46) | 2 |
| 4 | NSS | KNOB - height adjust (order C20005) | 1 |
| 5 | NSS | PIN - locking (order C20005) | 1 |
| 6 | 138- 77 | PIN - roll | 1 |
| 7 | C 10482 | SPRING | 1 |
| 8 | 138- 92 | PIN - roll 3/16" x 3/4" | 1 |
| 9 | C 15935 | BRACKET - height adjust | 1 |
| 10 | 111- 203 | BOLT - 5/16" x 1" NC rd. hd. square neck | 1 |
| 11 | C 14768 | SPACER - height adjust | 1 |
| 12 | 195- 2021 | WASHER - 21/64" x 1-1/4" | 1 |
| 13 | 131- 176 | NUT - lock 5/16" NC hex | 1 |
| 14 | C 16745 | STUD - gauge wheel (H40 and H44) | 2 |
| 14 | C 14966 | STUD - gauge wheel (H46) | 2 |
| 15 | C 19555 | WHEEL - gauge (H40 and H44) | 2 |
| 15 | C 19556 | WHEEL - gauge (H46) | 2 |
| 16 | 195- 533 | WASHER - 1/2" | 4 |
| 17 | 192- 21 | LOCKWASHER - 3/8" | 2 |
| 18 | 129- 103 | NUT - 3/8" NC hex | 2 |
| 19 | C 17648 | BRACKET - front mounting | 1 |
| 20 | C 16569 | BRACKET - idler | 1 |
| 21 | C 16575 | BRACKET - idler arm | 1 |
| 22 | C 17597 | BUSHING - idler arm | 2 |
| 23 | 113- 209 | BOLT - 3/8" x 1-1/2" NC hex | 2 |
| 24 | C 12264 | BUSHING - idler pulley | 2 |
| 25 | C 10463 | PULLEY - idler | 2 |
| 26 | 195- 525 | WASHER - 3/8" | 4 |
| 27 | 131- 178 | NUT - lock 3/8" NC hex | 2 |
| 28 | C 14482 | SPRING - idler | 1 |
| 29 | C 14269 | NUT - belt tension | 1 |
| 30 | C 16562 | SCREW - idler adjust | 1 |
| 31 | 138- 319 | PIN - roll 3/16" x 1-1/4" | 1 |
| 32 | 132- 311 | PIN - cotter | 1 |
| 33 | C 16574 | ROD - pivot | 1 |
| 34 | 132- 310 | PIN - cotter | 4 |
| 35 | 113- 208 | BOLT - 3/8" x 1-1/4" NC hex | 2 |
| 36 | C 16573 | SPACER | 2 |
| 37 | 131- 1114 | NUT - lock 3/8" NC hex jam | 2 |
| 38 | C 16824 | FRAME - rear mounting | 1 |
| 39 | C 17048 | PIN | 2 |
| 40 | 131- 165 | NUT - 1/2" NC hex | 4 |
| 41 | C 10821 | PIN - clevis 1/2" x 7/8" | 4 |
| 42 | C 10898 | PIN - safety | 8 |
| 43 | C 17686 | BOLT - "J" | 2 |
| 44 | C 18315 | LINK - lift, short (used with Models 210, 220, 224, 644 and 646) | 2 |
| 45 | C 18338 | LINK - lift, long (used with Models 442, 444 and 446) | 2 |
| 46 | 195- 533 | WASHER - 1/2" (H46 only) | 4 |
| 47 | C 20005 | PIN - height adjust | 1 |



MODEL H50 AND H54 DOZER BLADE

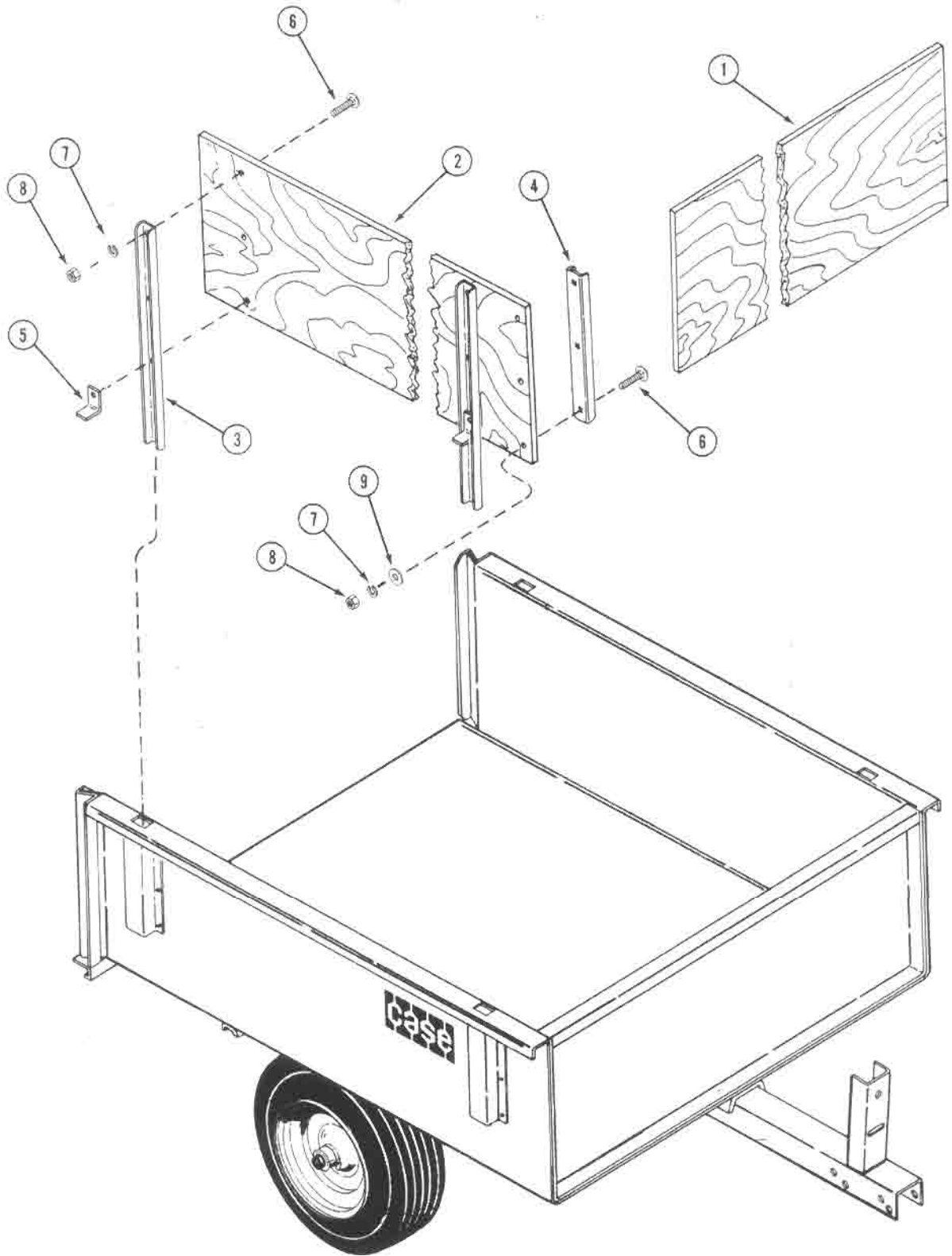
| REF. | PART NO. | DESCRIPTION | REQ'D |
|------|-----------|--|-------|
| 1 | C 16524 | BLADE - (H50) (44") | 1 |
| 1 | C 16525 | BLADE - H54 (54") | 1 |
| 2 | C 10871 | EDGE - H50 (44") | 1 |
| 2 | C 14440 | EDGE - H54 (54") | 1 |
| 3 | 111- 203 | BOLT - 5/16" x 1" NC rd. hd. square neck (H50) | 8 |
| 3 | 111- 203 | BOLT - 5/16" x 1" NC rd. hd. square neck (H54) | 9 |
| 4 | 192- 20 | LOCKWASHER - 5/16" (H50) | 8 |
| 4 | 192- 20 | LOCKWASHER - 5/16" (H54) | 9 |
| 5 | 129- 102 | NUT - 5/16" NC hex (H50) | 8 |
| 5 | 129- 102 | NUT - 5/16" NC hex (H54) | 9 |
| 6 | C 16805 | SPRING - blade | 2 |
| 7 | C 22741 | BRACKET - pivot | 1 |
| 8 | C 16515 | BRACKET - center push | 1 |
| 9 | C 16503 | BRACKET - rear support | 1 |
| 10 | C 17890 | ARM - lift | 1 |
| 11 | C 16664 | SKID | 2 |
| 12 | 111- 362 | BOLT - 3/8" x 1" NC rd. hd. square neck | 2 |
| 13 | 192- 21 | LOCKWASHER - 3/8" | 2 |
| 14 | 129- 103 | NUT - 3/8" NC hex | 2 |
| 15 | C 10888 | PIN - lock | 1 |
| 16 | 113- 713 | BOLT - 3/4" x 1-3/4" NC hex | 1 |
| 17 | 131- 1112 | NUT - lock 3/4" NC hex | 1 |
| 18 | C 16529 | ROD - front pivot | 1 |
| 19 | C 16530 | ROD - rear pivot | 1 |
| 20 | 195- 541 | WASHER - 5/8" | 6 |
| 21 | 132- 310 | PIN - cotter 1/8" x 1" | 7 |
| 22 | C 16531 | LINK - lift | 1 |
| 23 | 195- 533 | WASHER - 1/2" | 2 |
| 24 | 132- 77 | PIN - cotter 5/32" x 2" | 1 |
| 25 | 195- 2135 | WASHER - 1-5/16" | 1 |
| 26 | C 22024 | ROD - lift | 1 |
| 27 | C 10898 | PIN - safety | 2 |
| 28 | 141- 56 | PIN - clevis 1/2" x 1-3/8" | 1 |
| | 321- 1571 | DECAL - "CASE" | 1 |
| | C 17201 | DECAL - safety | 1 |



MODEL E60 DUMP CART

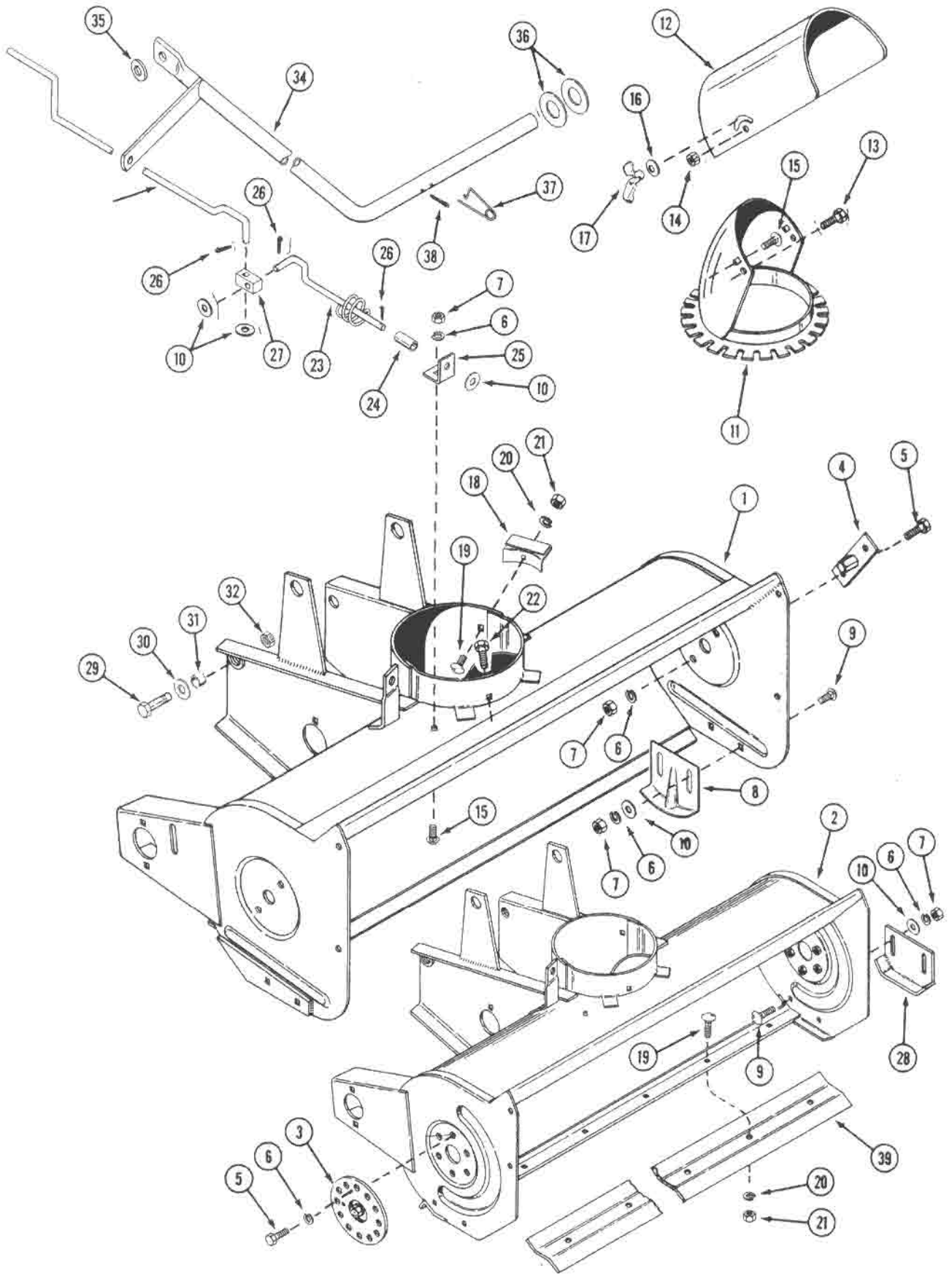
220, 222, 442 AND 444 COMPACT TRACTORS

| REF. PART NO. | DESCRIPTION | REQ'D |
|---------------|---|-------|
| 1 NSS | BODY..... | 1 |
| 2 C 13547 | TAILGATE | 1 |
| 3 131- 176 | NUT - lock 5/16" NC hex ZP | 1 |
| 4 195- 2027 | WASHER - 11/32" ID ZP..... | 1 |
| 5 C 11942 | SPRING - release..... | 1 |
| 6 C 13859 | LEVER - release..... | 1 |
| 7 113- 111 | BOLT - 5/16" x 2-1/2" NC hex ZP | 1 |
| 8 131- 1181 | NUT - lock 3/8" NC hex ZP..... | 4 |
| 9 113- 206 | BOLT - 3/8" x 3/4" NC hex ZP | 4 |
| 10 C 14072 | TONGUE - front | 1 |
| 11 C 14073 | TONGUE - rear | 1 |
| 12 195- 533 | WASHER - plain 1"..... | 4 |
| 13 321- 1571 | DECAL..... | 2 |
| 14 C 14221 | BUSHING - flanged | 2 |
| 15 C 24964 | WHEEL - centered hub (used with C13920 axle)(includes bearings) | 2 |
| 16 219- 1 | FITTING - lube | 2 |
| 17 C 13920 | SHAFT - axle 33-3/4" (Used with A70066 wheel) | 1 |
| 18 C 10888 | PIN - hitch | 1 |
| 19 132- 306 | PIN - cotter 3/16" x 1-3/4" ZP | 2 |



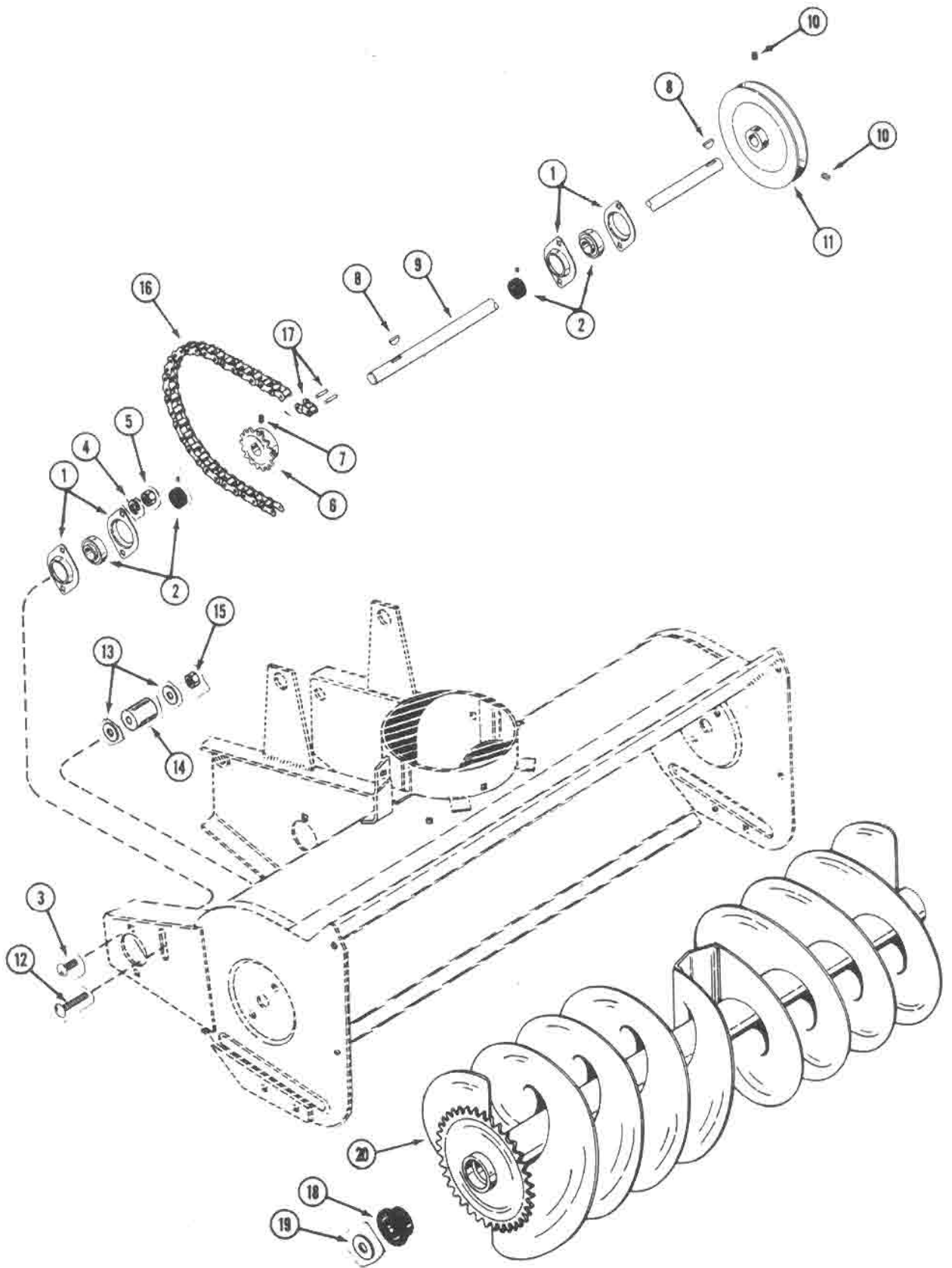
MODEL E65 DUMP CART EXTENSIONS

| REF. PART NO. | DESCRIPTION | REQ'D |
|---------------|---|-------|
| 1 C 17276 | BOARD - front | 1 |
| 2 C 17277 | BOARD - side | 2 |
| 3 C 17279 | BRACKET - support side | 4 |
| 4 C 17280 | BRACKET - support front | 2 |
| 5 C 17278 | BRACKET - stop | 4 |
| 6 111- 111 | BOLT - 1/4" x 1" NC rd. hd. square neck | 18 |
| 7 192- 19 | LOCKWASHER - 1/4" | 18 |
| 8 129- 101 | NUT - 1/4" NC hex | 18 |
| 9 195- 518 | WASHER - 1/4" | 6 |



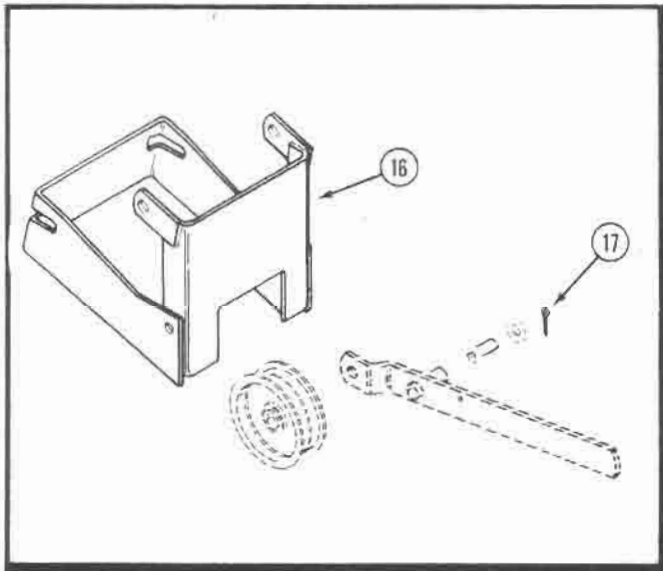
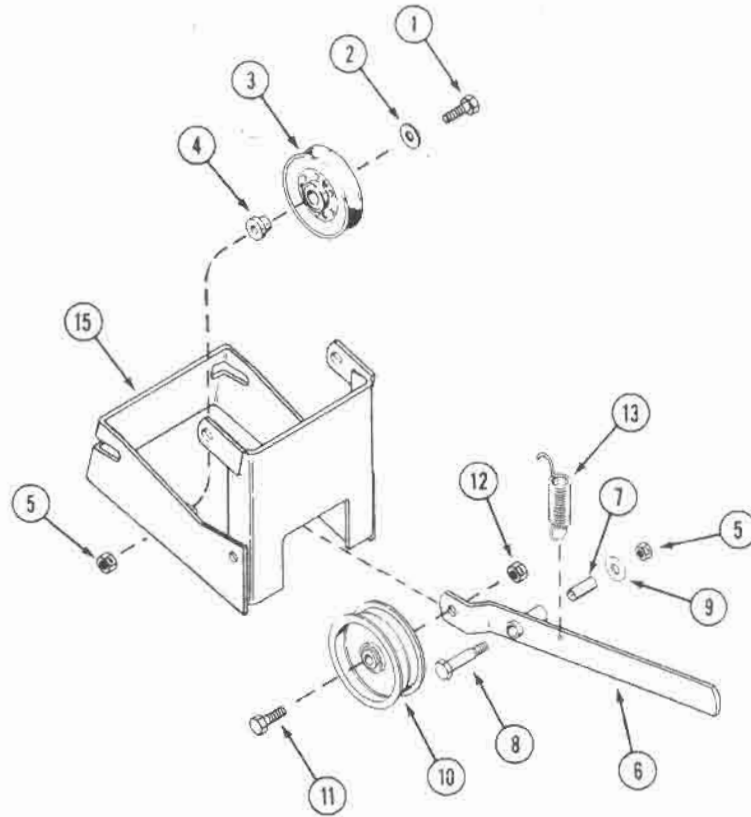
AUGER, CHUTE CONTROL AND LIFT ASSEMBLY

| REF. PART NO. | DESCRIPTION | REQ'D |
|---------------|--|-------|
| 1 C 16159 | HOUSING - auger 38" (used prior to S/N F20182) | 1 |
| 1 C 16311 | HOUSING - auger 48" (used prior to S/N G20205) | 1 |
| 2 C 19820 | HOUSING - auger 38" (used S/N F20182 and above) | 1 |
| 2 C 19718 | HOUSING - auger 48" (used S/N G20205 and above) | 1 |
| 3 C 19734 | HUB - auger mounting (used S/N F20182 & G20205 and above) . . | 2 |
| 4 C 15186 | SHAFT - auger mounting (used with C16159 & C16311 housing) . . | 2 |
| 5 113- 206 | BOLT - 3/8 x 3/4" NC hex | 4 |
| 6 192- 21 | LOCKWASHER - 3/8" ZP | 9 |
| 7 129- 103 | NUT - 3/8" NC hex ZP | 9 |
| 8 C 15190 | SKID - shoe (used with C16159 & C16311 housing) | 2 |
| 9 111- 342 | BOLT - 3/8 x 1" NC round head, long square neck | 4 |
| 10 195- 525 | WASHER - 3/8" ZP | 7 |
| 11 C 15248 | SHROUD | 1 |
| 12 C 16940 | DEFLECTOR | 1 |
| 13 113- 1 | BOLT - 1/4 x 1/2" NC hex ZP | 2 |
| 14 131- 1102 | NUT - lock 1/4" NC hex ZP | 2 |
| 15 111- 340 | BOLT - 3/8 x 3/4" NC round head, short square neck | 3 |
| 16 D 33544 | WASHER - dished 25/64 x 1" O.D. | 2 |
| 17 C 22774 | WINGNUT - deflector locking | 2 |
| 18 C 15334 | BRACKET - chute holddown | 3 |
| 19 111- 202 | BOLT - 5/16 x 3/4" NC round head, square neck (H80) | 9 |
| 19 111- 202 | BOLT - 5/16 x 3/4" NC round head, square neck (H84) | 11 |
| 20 192- 20 | LOCKWASHER - 5/16" ZP (H80) | 9 |
| 20 192- 20 | LOCKWASHER - 5/16" ZP (H84) | 11 |
| 21 129- 102 | NUT - 5/16" NC hex ZP (H80) | 9 |
| 21 129- 102 | NUT - 5/16" NC hex ZP (H84) | 11 |
| 22 113- 102 | BOLT - 5/16 x 3/4" NC hex ZP (used with C16159 & C16311 housing) | 1 |
| 23 C 15244 | ROD - chute control | 1 |
| 24 C 15277 | SPACER | 1 |
| 25 C 15240 | BRACKET - control rod | 1 |
| 26 132- 320 | PIN - cotter 3/32 x 3/4" | 3 |
| 27 C 14583 | JOINT - block | 1 |
| 28 C 17775 | SKID - shoe (used with C17899 & 17900 housing) | 2 |
| 29 113- 412 | BOLT - 1/2 x 1-3/4" NC hex | 2 |
| 30 195- 534 | WASHER - 1/2" | 2 |
| 31 C 18770 | BUSHING | 2 |
| 32 131- 165 | NUT - lock 1/2" NC hex | 2 |
| 33 C 14584 | CRANK - chute | 1 |
| 34 C 16309 | ARM - lift | 1 |
| 35 195- 541 | WASHER - 21/32 x 1-5/16" ZP | 1 |
| 36 195- 2134 | WASHER - 1-3/16 x 2-1/4" ZP | 2 |
| 37 C 10898 | PIN - safety | 1 |
| 38 132- 34 | PIN - cotter | 1 |
| 39 C 17776 | BLADE - snowblower (H84) | 1 |
| 39 C 17878 | BLADE - snowblower (H80) | 1 |

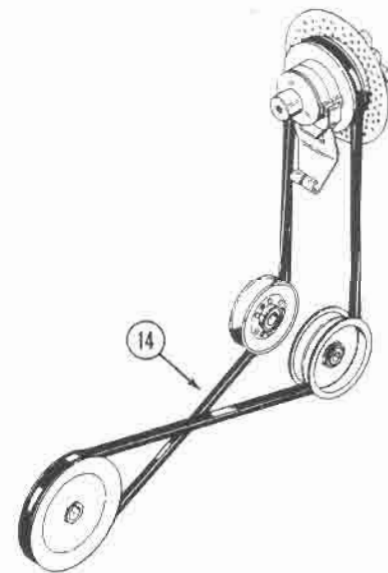


DRIVE ASSEMBLY

| REF. | PART NO. | DESCRIPTION | REQ'D |
|------|-----------|--|-------|
| 1 | C 15514 | FLANGETTE | 4 |
| 2 | C 14419 | BEARING - includes collar and setscrew | 2 |
| 3 | 111- 202 | BOLT - 5/16 x 3/4" NC round head, square neck, ZP | 4 |
| 4 | 192- 20 | LOCKWASHER - 5/16" ZP | 4 |
| 5 | 129- 102 | NUT - 5/16" NC hex ZP | 4 |
| 6 | C 14579 | SPROCKET - drive 16 tooth | 1 |
| 7 | 178- 858 | SETSCREW - 5/16 x 3/8" | 2 |
| 8 | 126- 16 | KEY - Woodruff #9 | 2 |
| 9 | C 17724 | SHAFT - drive (H84) | 1 |
| 9 | C 17723 | SHAFT - drive (H80) | 1 |
| 10 | 178- 858 | SETSCREW - 5/16 x 3/8" | 2 |
| 11 | C 16119 | PULLEY - drive shaft | 1 |
| 12 | 111- 349 | BOLT - 3/8 x 2-1/2" NC round head, square neck | 1 |
| 13 | 195- 2029 | WASHER - 7/16 x 1-1/4" O.D. ZP | 2 |
| 14 | C 16158 | BLOCK- chain tightener (used prior to S/N F20182 & G20205) | 1 |
| 15 | 131- 178 | NUT - lock 3/8" ZP | 1 |
| 16 | | CHAIN - auger drive 74 pitches #40 roller chain, use: | |
| | B 12470 | CHAIN - 50 links #40 | 1 |
| | B 12471 | CHAIN - 20 links #40 | 1 |
| | B 12501 | LINK - connecting #40 | 1 |
| | B 12503 | LINK - roller #40 | 1 |
| 17 | B 12502 | LINK - offset #40 | 2 |
| 18 | C 14421 | BEARING - auger | 2 |
| 19 | 195- 545 | WASHER - spacer 13/16" | 1 |
| 20 | C 16108 | AUGER - 38" (H80) | 1 |
| 20 | C 16179 | AUGER - 48" (H84) | 1 |



USED ON H80 S/N F20182 AND AFTER
USED ON H84 S/N G20205 AND AFTER



BELT ILLUSTRATION AS VIEWED
FROM FRONT LEFT SIDE.

BELTS AND IDLER ASSEMBLY

| REF. PART NO. | DESCRIPTION | REQ'D |
|---------------|---|-------|
| 1 113- 206 | BOLT - 3/8 x 3/4" NC hex ZP | 1 |
| 2 193- 68 | WASHER - 3/8" internal tooth | 1 |
| 3 C 10463 | PULLEY - idler | 1 |
| 4 C 12264 | BUSHING - idler (used prior to S/N F20182 & G20205) | 1 |
| 5 131- 178 | NUT - lock 3/8" NC hex ZP | 2 |
| 6 C 16853 | ARM - idler | 1 |
| 7 C 16714 | BUSHING - idler arm | 1 |
| 8 C 16745 | BOLT - shoulder | 1 |
| 9 195- 533 | WASHER - 1/2" ZP | 1 |
| 10 F 51571 | PULLEY - backside idler | 1 |
| 11 113- 412 | BOLT - 1/2 x 1-3/4" NC hex ZP | 1 |
| 12 131- 165 | NUT - lock 1/2" NC hex ZP | 1 |
| 13 C 16870 | SPRING - idler | 1 |
| 14 C 23949 | BELT - use on H80 and H84 with models 220 and 222 | 1 |
| 14 C 23950 | BELT - use on H84 with models 442 and 444 | 1 |
| 15 NSS | FRAME - idler (used prior to S/N F20182 & G20205) order items 16 and 17) | 1 |
| 16 C 17713 | FRAME - idler | 1 |
| 17 132- 318 | PIN - cotter | 1 |
| 321- 1571 | DECAL - "CASE" | 1 |
| C 17462 | DECAL - belt installation | 1 |
| 321- 4199 | DECAL - "WARNING" | 1 |