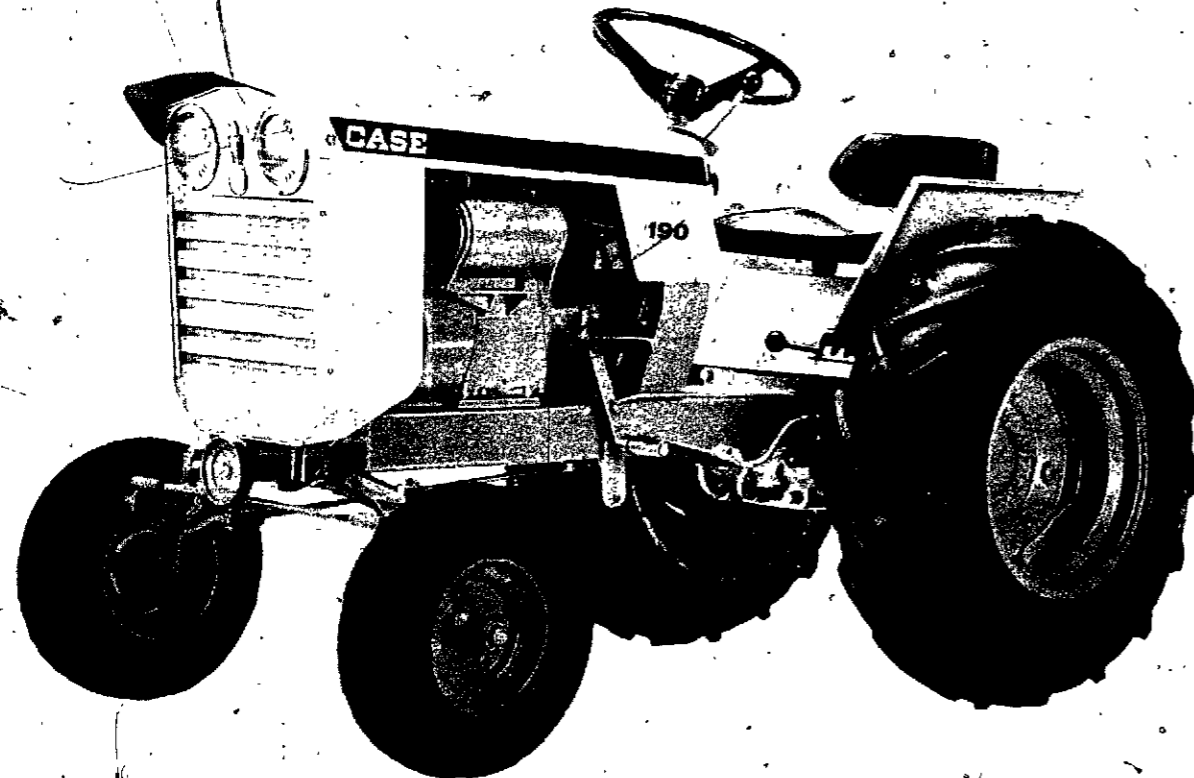
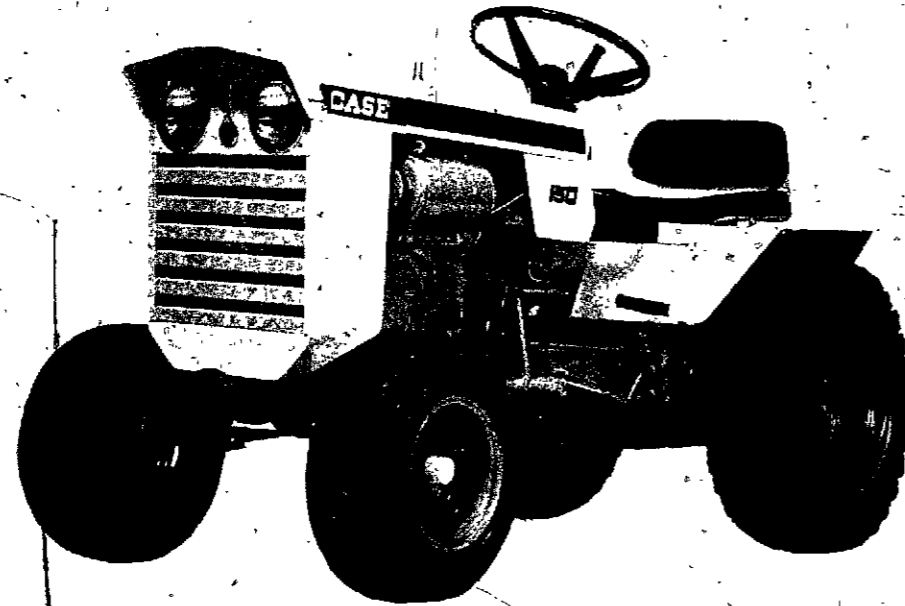


**CASE COMPACT TRACTORS
MODELS 150 & 190**
Parts Catalog No. A977

Hi-Liter 1000 10-72



ALPHABETICAL INDEX

ENGINE SECTION

	PAGE	GRID		PAGE	GRID
Air Cleaner	5	A6	Filter, Breather	7	A8
Battery	51-53	D10-D12	Flywheel	13-15	A14-B2
Belt, Starter-Generator	25	B12	Fuel Strainer	21	B8
Breather, Crankcase	7	A8	Fuel System	19	B6
Camshaft	7	A8	Gasket Kits	13-15	A14-B2
Carburetor	21	B8	Governor	17	B4
Connecting Rod	9-11	A10-A12	Muffler	5	A6
Crankshaft	9-11	A10-A12	Oil Pan	13-15	A14-B2
Cylinder Block	13-15	A14-B2	Piston	9-11	A10-A12
Cylinder Head	13-15	A14-B2	PTO, Front	23	B10
Electrical System	51-53	D10-D12	Pulley, Clutch	23	B10
Engine Block & Attaching Parts	13-15	A14-B2	Spark Plug	51	D10
Exchanger, Heat	35	C8	Starter-Generator	25	B12
Exhaust System	5	A6	Tank, Fuel	19	B6
Fan	17	B4	Throttle Linkage	17	B4
			Valves	7	A8

BASIC TRACTOR SECTION

	PAGE	GRID		PAGE	GRID
Axle, Front	29	C2	Hydraulics (Continued)		
Rear	33	C6	Motor, Hydraulic Drive	41	C14
Baffles & Shrouds	17	B4	Pump	39	C12
Decals	43	D2	Valve, Control	37	C10
Fenders	43	D2	Valve, Control Linkage	37	C10
Frame	45	D4	Implement Lift Lever	47	D6
Grille	45	D4	Instruments	51-53	D10-D12
Headlights	51	D10	Seat, Operator's	43	D2
Hitch	47	D6	Steering Wheel & Gear	27	B14
Hood	45	D4	Tool Box	43	D2
Hydraulics	35-41	C8-C14	Transmission	33	C6
Coupling, Pump Drive	39	C12	Wheels, Front & Rear	31	C4
Hoses, Lines & Fittings	35	C8	Wheel Weights	55	D14

NOTE: See grid F1 for model T90.

Indexes

This Parts Catalog is arranged for easy identification of Genuine CASE Service Parts. An alphabetical index is provided at the front of this Catalog to locate the major groups or assemblies. A numerical index at the rear of the Catalog gives the part numbers and the pages on which they are described.

Illustrations

All parts are illustrated in "Exploded Views" which show the individual parts in their normal relationship to each other. Reference numbers are used in the illustrations. These numbers correspond to those in the "Reference Number" column and are followed by the part number, description and quantity required.

Indented Description

Indented parts in the descriptive list are a part of the preceding assembly or sub-assembly. The quantity shown in the "Number Required" column is the number of parts used on a machine except where parts are indented in descriptive list. In this case the quantity shown is the number required for the preceding assembly or sub-assembly.

REF.	PART NO.	DESCRIPTION	REQ'D
	A 55159	CYLINDER ASSY - rear steering	1
28	A 56208	SOCKET ASSY - rear cylinder	1
29	A 55956	PLUG - adjusting, socket assy	1
30	A 55957	SEAT - socket ball	2
31	A 56210	SPRING - socket	1
32	A 56209	SEAT - socket spring	1
33	G 45175	CLAMP ASSY - socket assy	1
	16- 836	BOLT - 1/2" x 2-1/4" N.F.hex.	1
34	132- 104	PIN - cotter, 3/16" x 3"	1
35	A 55889	STUD - ball, socket & cylinder	2
36	13- 410	BOLT - 1/4" x 5/8" N.C., hex.	4
37	92- 4	LOCKWASHER - 1/4" SAE	4

Terms "Right Hand" and "Left Hand"

"Right Hand" and "Left Hand" sides of this machine are determined by standing at the rear of the unit and facing in the direction of forward travel.

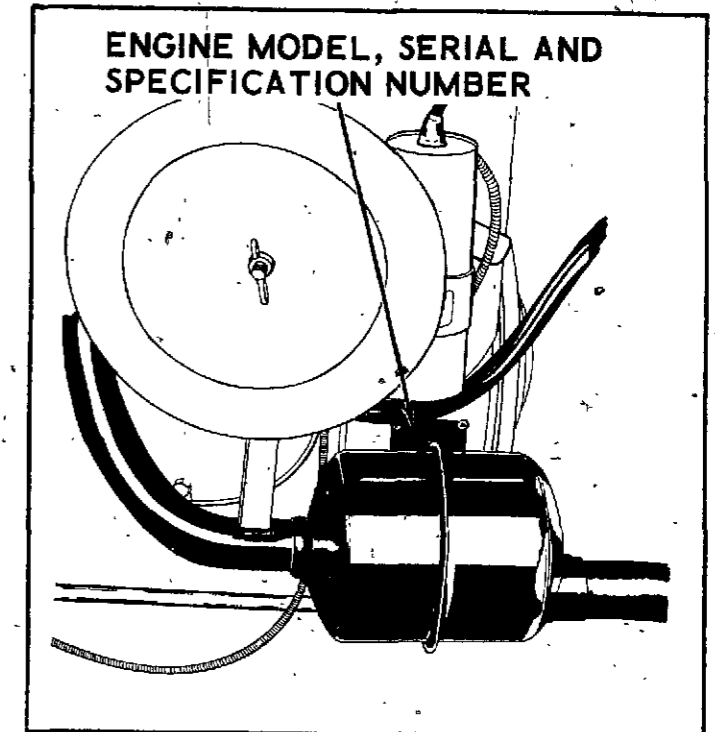
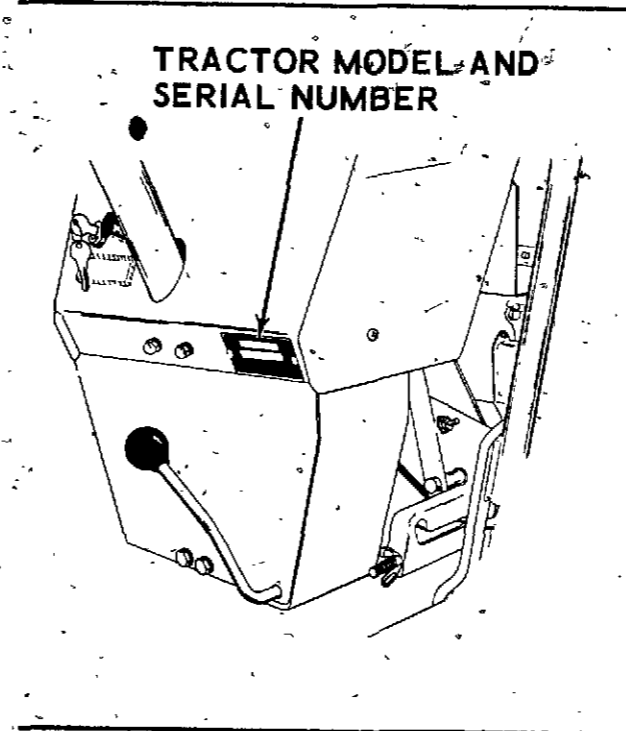
Orders

Orders should plainly specify correct part number, full description, quantity required, machine model and engine model, machine and engine serial numbers, method of shipment and shipping address.

Changes

When changes to the machine make it necessary, revised pages for this book will be issued. The revised pages will be issued with the same page number as those they replace and the "issue" number and date will be advanced.

It is imperative that revised Parts Book pages be inserted into their respective Parts Books as soon as received. Failure to do so will lead to confusion and defeat the purpose of the book.

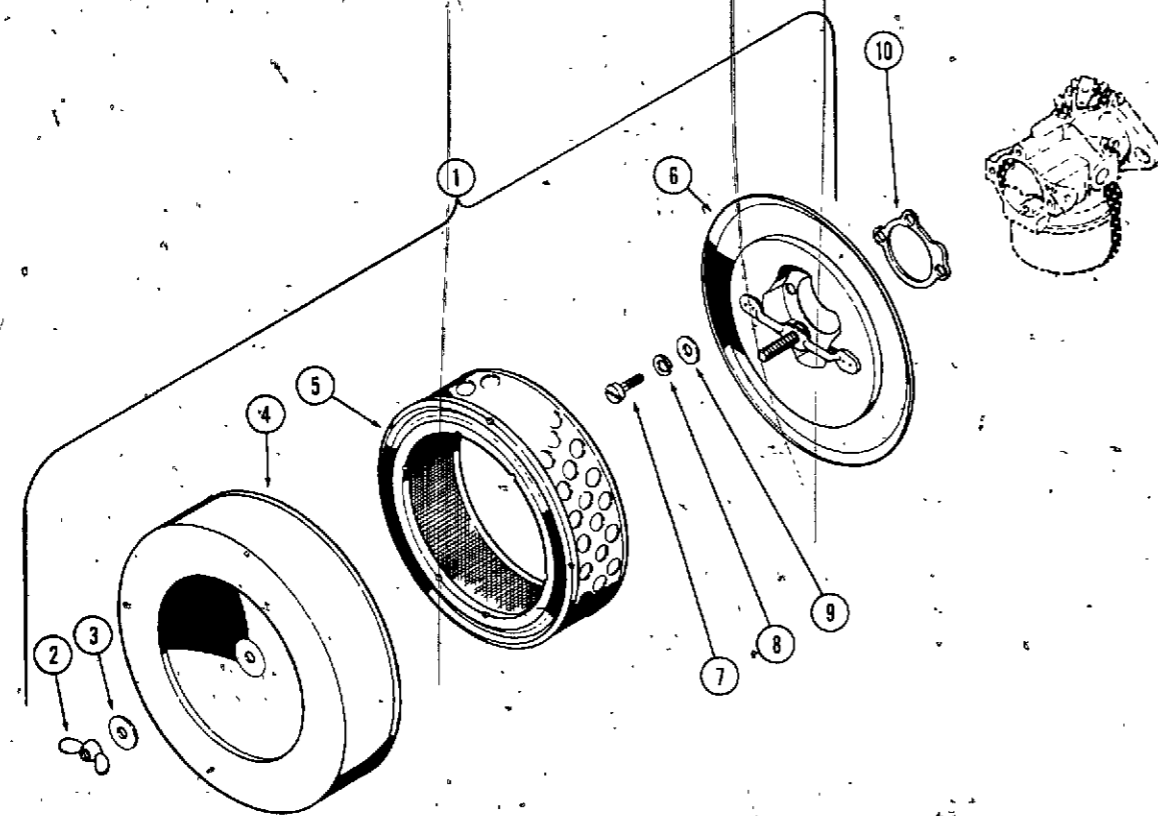
CASE 150 AND 190 GARDEN TRACTORS

TRACTOR MODEL DESIGNATIONS	ENGINE MODEL DESIGNATIONS
150 TRACTOR	K241 A Engine
190 TRACTOR	K301 A Engine

Serial Numbers

When using this catalog, notice the reference to serial numbers of various components noted here and listed in the "description" copy. By referring to correct serial numbers, proper parts identification will be assured.

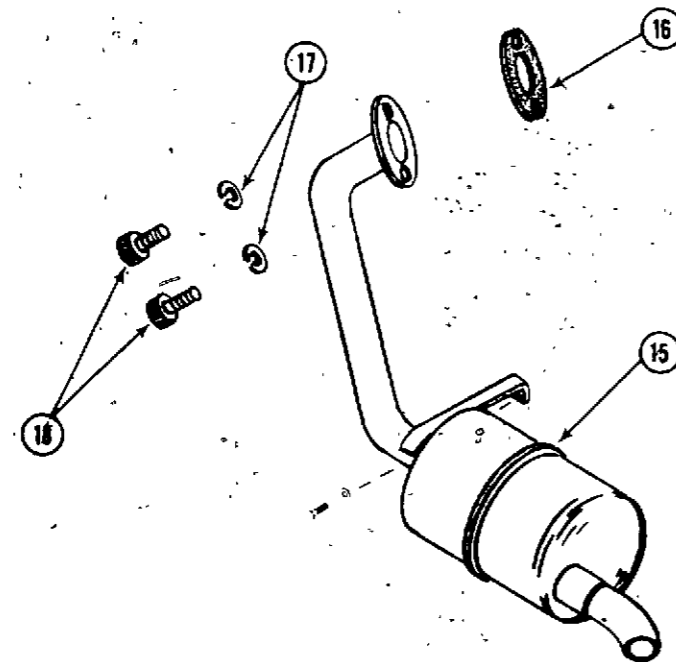
AIR CLEANER



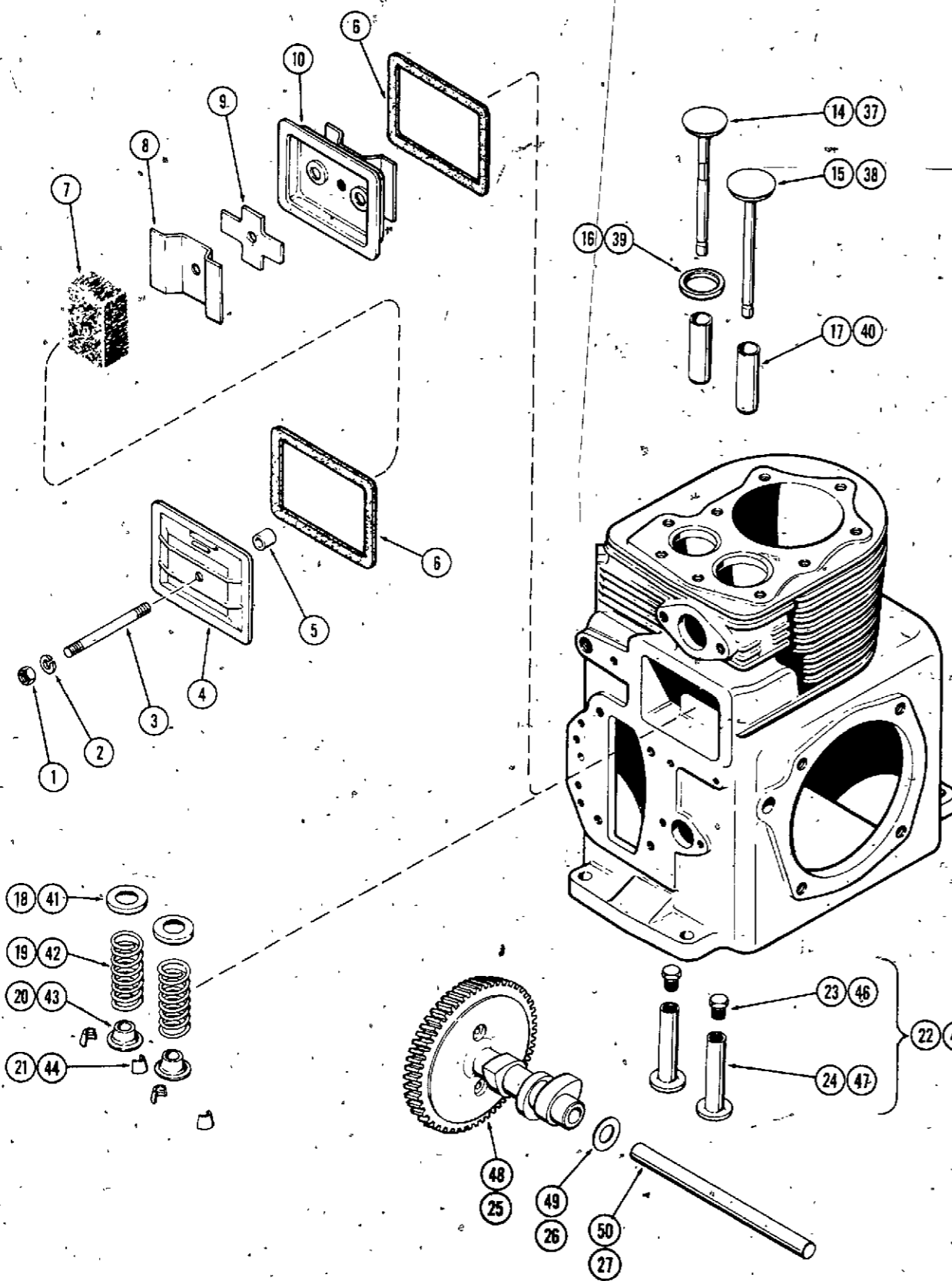
REF. PART NO.	DESCRIPTION	REQ'D
1 KOA235100	AIR CLEANER ASSY	1
2 129- 409	NUT - wing, 3/8" N.C.	1
3 KOA 536	WASHER - copper	1
4 NSS	COVER - air cleaner	1
5 A 70090	ELEMENT - air cleaner	1
6 NSS	BASE - air cleaner	1
7 177- 131	SCREW - fill. hd. 10-32 x 1/2"	3
8 192- 18	LOCKWASHER - 3/16"	3
9 195- 512	WASHER - plain, 3/16" SAE	3
10 KO 275341	GASKET - air horn	1

EXHAUST SYSTEM

15 C 10373	MUFFLER - exhaust	1
16 C 10372	GASKET - exhaust pad	1
17 92- 5	WASHER - lock, 5/16" SAE	2
18 61- 510	SCREW - 5/16-18 x 5/8" socket hd.	2
71- 410	SCREW - 1/4" x 5/8" N.C., fillister head.	1
193- 60	LOCKWASHER - 1/4" SAE, plated	1



CRANKCASE BREATHER



REF. PART NO.	DESCRIPTION	REQ'D
1 25- 104	NUT - 1/4" N. C. hex	1
2 92- 4	LOCKWASHER - 1/4" SAE	1
3 KO 275220	STUD - valve cover	1
4 KO 275143	COVER - valve	1
5 KO 231032	SEAL - breather	1
6 KO 235048	GASKET - valve cover	2
7 KO 235118	FILTER - breather	1
8 KO 235117	BAFFLE - breather	1
9 KO 235047	REED - breather	1
10 KO 235631	PLATE - breather	1

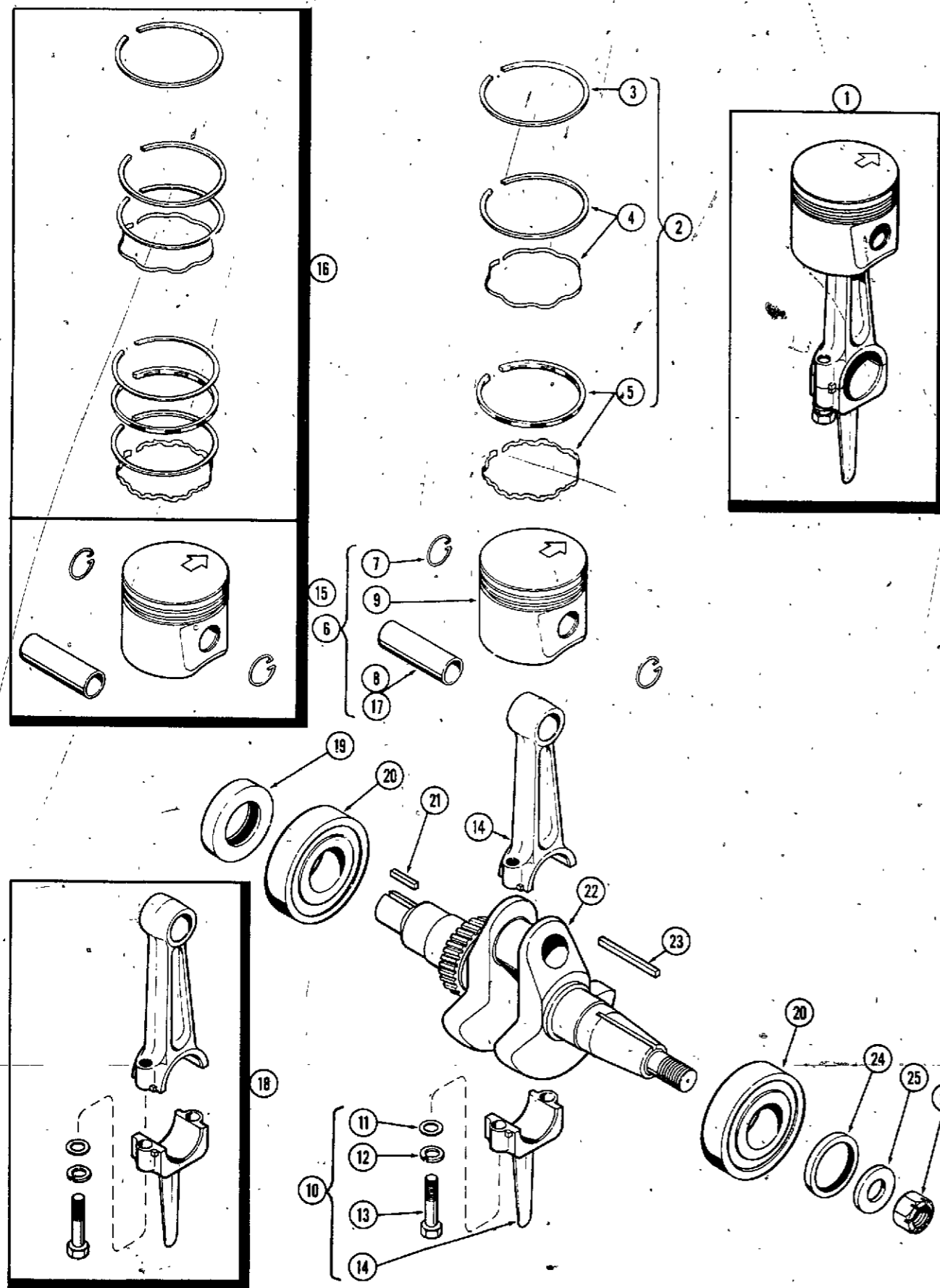
150 CAMSHAFT AND VALVES

14 KO 235826	VALVE - exhaust	1
15 KO 235008	VALVE - intake	1
16 KO 230170-S	INSERT - exhaust valve seat	1
17 KO 235007-S	GUIDE - valve	2
18 KO 235011	SEAT - valve spring	2
19 KO 235010	SPRING - valve	2
20 KO 230011	RETAINER - valve spring	2
21 KO 240013	LOCK - valve retainer	4
22 KOA235327	LIFTER ASSY	2
23 NSS	SCREW - tappet adjusting	1
24 NSS	LIFTER - valve	1
25 KOA235646	CAMSHAFT ASSY	1
26 KO 275066	SPACER - camshaft, .005"	UAR
26 KO 275067	SPACER - camshaft, .010"	UAR
27 KO 235053	PIN - camshaft	1

190 CAMSHAFT AND VALVES

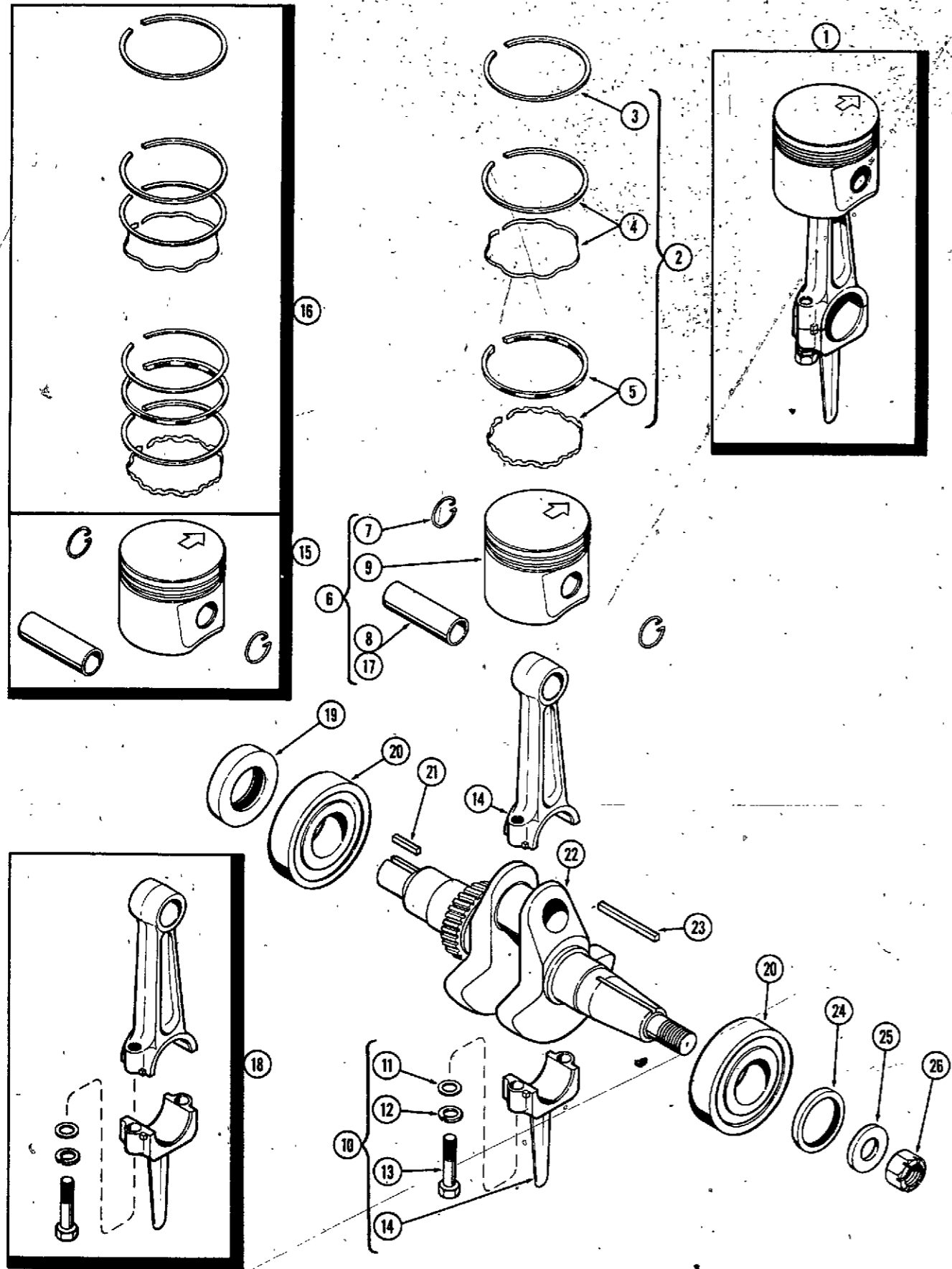
37 KO 235826	VALVE - exhaust	1
38 KO 235008	VALVE - intake	1
39 KO 230170-S	INSERT - exhaust valve seat	1
40 KO 235007-S	GUIDE - valve	2
41 KO 235011	SEAT - valve spring	2
42 KO 235010	SPRING - valve	2
43 KO 230011	RETAINER - valve spring	2
44 KO 240013	LOCK - valve retainer	4
45 KOA235327	LIFTER ASSY	2
46 NSS	SCREW - tappet adjusting	1
47 NSS	LIFTER - valve	1
48 KOA235646	CAMSHAFT ASSY	1
49 KO 275066	SPACER - camshaft, .005"	UAR
49 KO 275067	SPACER - camshaft, .010"	UAR
50 KO 235053	PIN - camshaft	1

150 CRANKSHAFT, PISTON — CONNECTING ROD



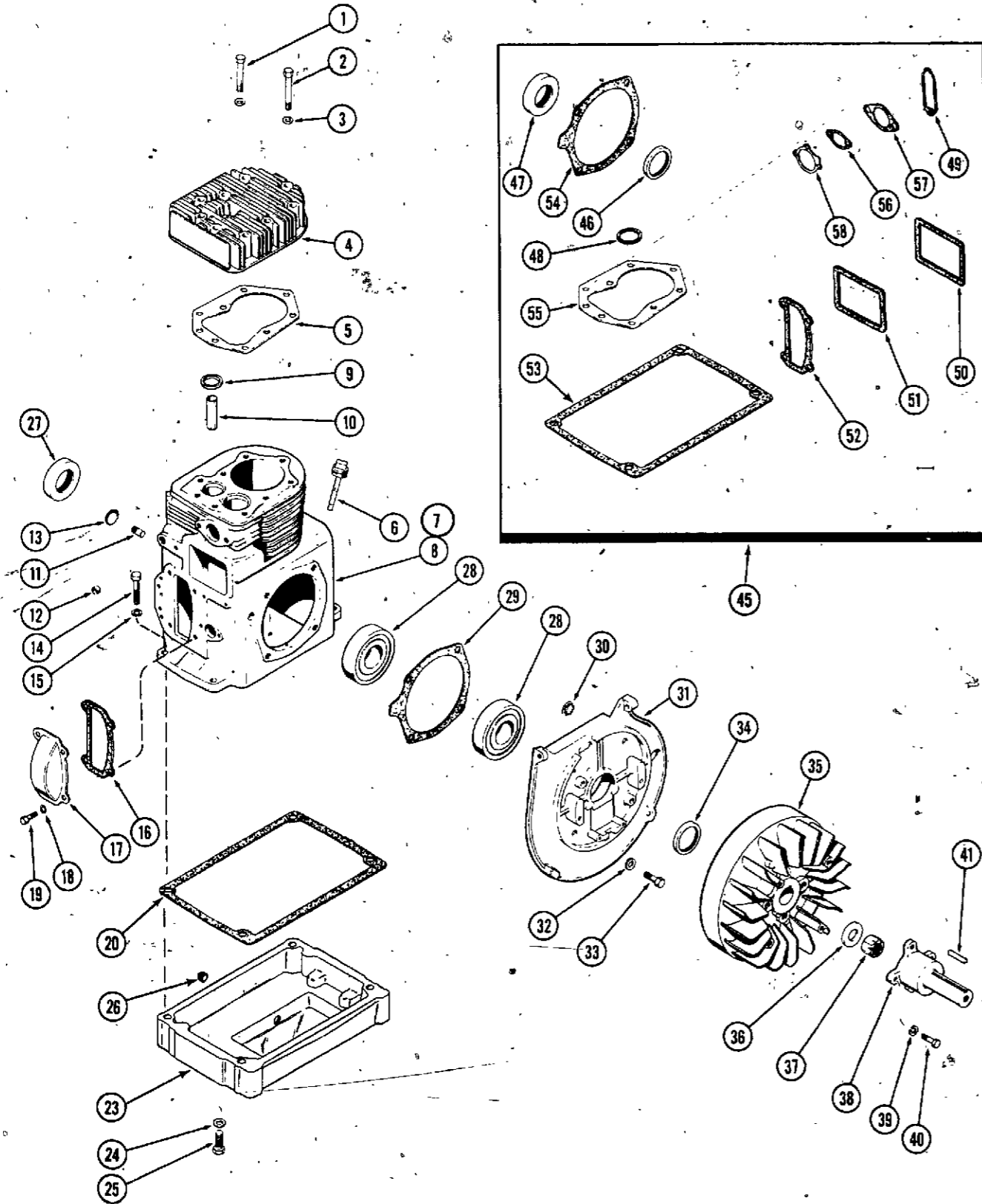
REF. PART NO.	DESCRIPTION	REQ'D
1	NSS PISTON AND ROD ASSY. (Std. size)	1
2	KO 235287 RING SET - piston (for oversize see item 16)	1
3	NSS RING - top compression	1
4	NSS RING - 2nd compression (incl. expander)	1
5	NSS RING - oil (incl. expander)	1
6	KOA235611 PISTON ASSY (for oversize see item 15)	1
7	KO 235004 RETAINER - piston pin	2
8	KO 235572 PIN - piston	1
9	NSS PISTON	1
10	KOA235139 CONNECTING ROD ASSY (for undersize see item 18)	1
11	KO 235003 WASHER - special	2
12	KOX 22-35 LOCKWASHER	2
13	KO 235526 SCREW - cap, connecting rod	2
14	NSS ROD - connecting	1
15	KOA235669 PISTON ASSY - .010" oversize	1
15	KOA235571 PISTON ASSY - .020" oversize	1
15	KOA235616 PISTON ASSY - .030" oversize	1
16	KO 235288 RING SET - piston .010" oversize	1
16	KO 235289 RING SET - piston .020" oversize	1
16	KO 235290 RING SET - piston .030" oversize	1
17	KO 235573 PIN - piston, .005" oversize	1
18	KOA235139-10 CONNECTING ROD ASSY. - .010" undersize	1
19	KOX379-6 OIL SEAL - crankshaft rear	1
20	40035° BEARING - crankshaft ball	2
21	W 5063-S KEY - 1/4" square x 3/4" (pump cplg)	1
22	KOA235711 CRANKSHAFT	1
23	KOX 366-1 KEY - flat 1/4" x 3/16" x 1-3/4" (flywheel)	1
24	KOX 271-30 OIL SEAL - crankshaft front	1
25	KOX 25-71 WASHER - 3/4"	1
26	KOX 119-16 NUT - special Marsden 3/4" NF	1

190 CRANKSHAFT, PISTON - CONNECTING ROD



REF. PART NO.	DESCRIPTION	REQ'D
1	NSS PISTON AND ROD ASSY. (Std. size)	1
2	KO 235889 RING SET - piston (for oversize see item 16)	1
3	NSS RING - top compression	1
4	NSS RING - 2nd compression (incl. expander)	1
5	NSS RING - oil (incl. expander)	1
6	KOA235827 PISTON ASSY (for oversize see item 15)	1
7	KO 235811 RETAINER - piston pin	2
8	KO 235803 PIN - piston	1
9	NSS PISTON	1
10	KOA235828 CONNECTING ROD ASSY (for undersize see item 18)	1
11	KO 235003 WASHER - special	2
12	KOX 22-35 LOCKWASHER	2
13	KO 235526 SCREW - cap, connecting rod	2
14	NSS ROD - connecting	1
15	KOA235865 PISTON ASSY - .010" oversize	1
15	KOA235866 PISTON ASSY - .020" oversize	1
15	KOA235867 PISTON ASSY - .030" oversize	1
16	KO 235890 RING SET - piston .010" oversize	1
16	KO 235891 RING SET - piston .020" oversize	1
16	KO 235892 RING SET - piston .030" oversize	1
17	KO 235868 PIN - piston .005" oversize	1
18	KOA235828-10 CONNECTING ROD ASSY. - .010" undersize	1
19	KOX 379-6 OIL SEAL - crankshaft rear	1
20	40035 BEARING - crankshaft ball	2
21	W 5063-S KEY - 1/4" square x 3/4" (pump cplg.)	1
22	KOA235949 CRANKSHAFT	1
23	KOX 366-1 KEY - flat 1/4" x 3/16" x 1-3/4" (flywheel)	1
24	KOX271-30 OIL SEAL - crankshaft front	1
25	KOX 25-71 WASHER - 3/4"	1
26	KOX119-16 NUT - special Marsden 3/4" NF	1

150 ENGINE BLOCK AND ATTACHING PARTS

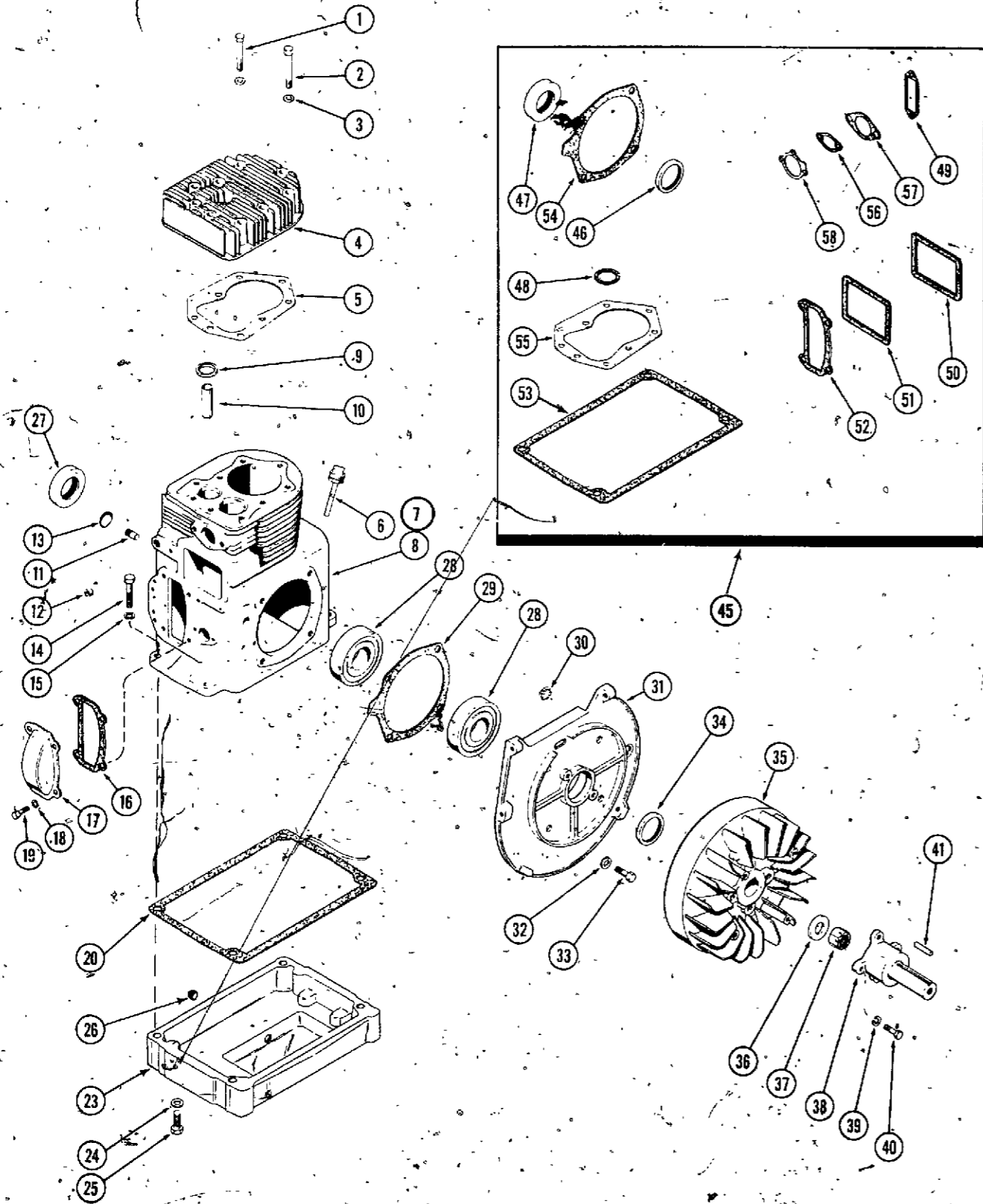


REF. PART NO.	DESCRIPTION	REQ'D
1 KO 271077	BOLT - cyl. hd. (length 2-1/4")	7
2 KO 235175	BOLT - cyl. hd. (length 2-1/2")	2
3 KO 270889	WASHER - cyl. hd. bolt	9
4 KO 235856	HEAD - cylinder	1
5 KO 235810	GASKET - head	1
6 KOA235747	DIPSTICK ASSY	1
7 KOA236303	BLOCK ASSY - cyl., short. (incl. crankshaft, rod assy governor, camshaft, valves, bearings and plate)	1
8 KOA235737	BLOCK ASSY - cyl., stripped (Std. bore)	1
9 KO 230170-S	INSERT - exhaust valve	1
10 KO 235007-S	GUIDE - valve	2
11 KO 235125-S	SHAFT - stub, governor	1
12 KOX293-4	BEARING - needle, governor shaft	1
13 41- 18	PLUG - expansion	1
14 113- 206	BOLT - 3/8" x 7/8" N.C. hex plated	4
15 192- 21	LOCKWASHER - 3/8" SAE plated	4
16 KO 235025	GASKET - camshaft cover	1
17 KO 235026	COVER - camshaft gear	1
18 192- 19	LOCKWASHER - 1/4" plated	4
19 113- 6	BOLT - 1/4" x 1/2" UNC, plated	4
20 KO 235353	GASKET - oil pan	1
23 KO 235950	BASE - oil pan	1
24 192- 21	LOCKWASHER - 3/8" plated	4
25 115- 204	BOLT - 3/8" x 1" N.C. hex plated	4
26 221- 2	PLUG - pipe, 1/4" sq. hd.	1
27 KOX 379-6	OIL SEAL - crankshaft rear	1
28 40035	BEARING - crankshaft ball	2
29 KO 235757	GASKET - shim, bearing plate, .010"	6
30 205- 27	PLUG - button, timing hole	1
31 KO 235062	PLATE - bearing	1
32 192- 21	LOCKWASHER - 3/8" plated	4
33 113- 207	BOLT - 3/8" x 1" N.C. plated	4
34 KOX 271-30	OIL SEAL - crankshaft front	1
35 KO 235818	FLYWHEEL	1
36 195- 545	WASHER - special, plated	1
37 KOX 119-16	NUT - special Marsden	1
38 KO 235954	SHAFT - frt. drive stub	1
39 192- 21	LOCKWASHER - 3/8" SAE plated	4
40 113- 208	BOLT - 3/8" x 1-1/4" N.C. hex	4
41 W 5063-S	KEY - 1/4" sq. x 3/4"	1

ENGINE GASKET AND SEAL KIT

45 KO 235417	KIT - engine gasket and seal	1
46 KOX271-30	SEAL - crankshaft front oil	1
47 KOX 379-6	SEAL - crankshaft rear oil	1
48 B 59393	GASKET - fuel strainer bowl	1
49 KO 220174	GASKET - breaker cover	1
50 KO 231032	SEAL - breather	1
51 KO 235048	GASKET - valve cover	2
52 KO 235025	GASKET - camshaft gear cover	1
53 KO 235353	GASKET - oil pan	1
54 KO 235757	GASKET - shim, bearing plate .010"	6
55 KO 235810	GASKET - cyl. head	1
56 A 72108	GASKET - fuel pump flange	1
57 A 72100	GASKET - carburetor flange	1
58 KO 275341	GASKET - carburetor air horn	1

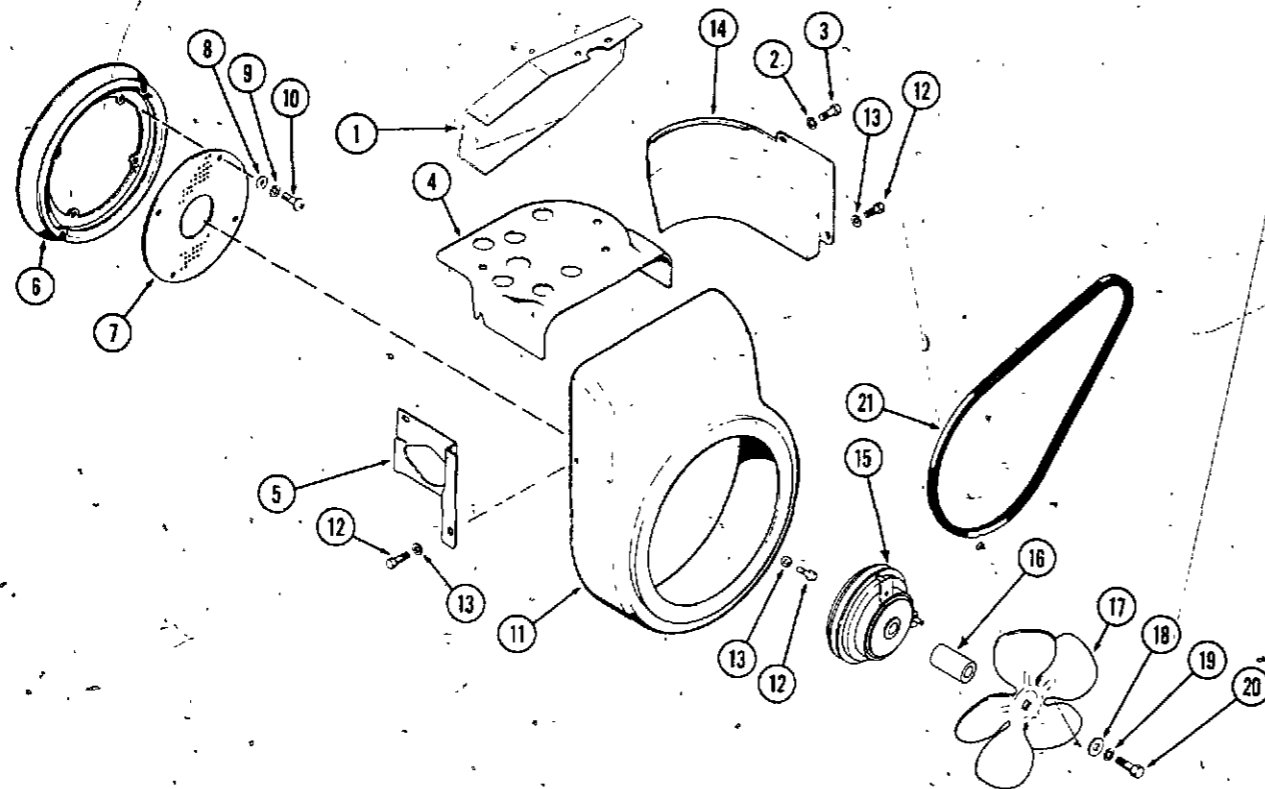
190 ENGINE BLOCK AND ATTACHING PARTS



REF. PART NO.	DESCRIPTION	REQ'D
1 KO 271077	BOLT - cyl. hd. (length 2-1/4")	7
2 KO 235175	BOLT - cyl. hd. (length 2-1/2")	2
3 KO 270889	WASHER - cyl. hd. bolt	9
4 KO 235820	HEAD - cyl.	1
5 KO 235810	GASKET - head	1
6 KOA235747 KOA236293	DIPSTICK ASSY BLOCK ASSY - cyl., short (incl. crankshaft, rod assy governor, camshaft, valves, bearings and plate)	1 1
8 KOA235952	BLOCK ASSY - cyl., standard bore	1
9 KO 230170-S	INSERT - exhaust valve	1
10 KO 235007-S	GUIDE - valve	2
11 KO 235125-S	SHAFT - stub, governor	1
12 KOX 293-4	BEARING - needle, governor shaft	1
13 41- 18	PLUG - expansion	1
14 113- 206	BOLT - 3/8" x 1-1/4" N.C. hex plated	4
15 192- 21	LOCKWASHER - 3/8" plated	4
16 KO 235025	GASKET - camshaft cover	1
17 KO 235026	COVER - camshaft gear	1
18 192- 19	LOCKWASHER - 1/4" plated	4
19 113- 6	BOLT - 1/4" x 1/2" UNC plated	4
20 KO 235353	GASKET - oil pan	1
23 KO 235950	BASE - oil pan	1
24 192- 21	LOCKWASHER - 3/8" plated	4
25 115- 204	BOLT - 3/8" x 1" N.C. hex plated	4
26 221- 2	PLUG - pipe, 1/4" sq. hd.	1
27 KOX379-6	OIL SEAL - crankshaft rear	1
28 40035	BEARING - crankshaft ball	2
29 KO 235757	GASKET - shim, bearing plate .010"	6
30 205- 27	PLUG - button, timing hole	1
31 KO 235815	PLATE - bearing	1
32 192- 21	LOCKWASHER - 3/8" plated	4
33 113- 207	BOLT - 3/8" x 1" N.C. plated	4
34 KOX271-30	OIL SEAL - crankshaft front	1
35 KO 235818	FLYWHEEL	1
36 195- 545	WASHER - special, plated	1
37 KOX119-16	NUT - special Marsden	1
38 KO 235954	SHAFT - frt. drive stub	1
39 192- 21	LOCKWASHER - 3/8" SAE plated	4
40 113- 208	BOLT - 3/8" x 1-1/4" N. C. hex plated	4
41 W 5063-S	KEY - 1/4" sq. x 3/4"	1

ENGINE GASKET AND SEAL KIT

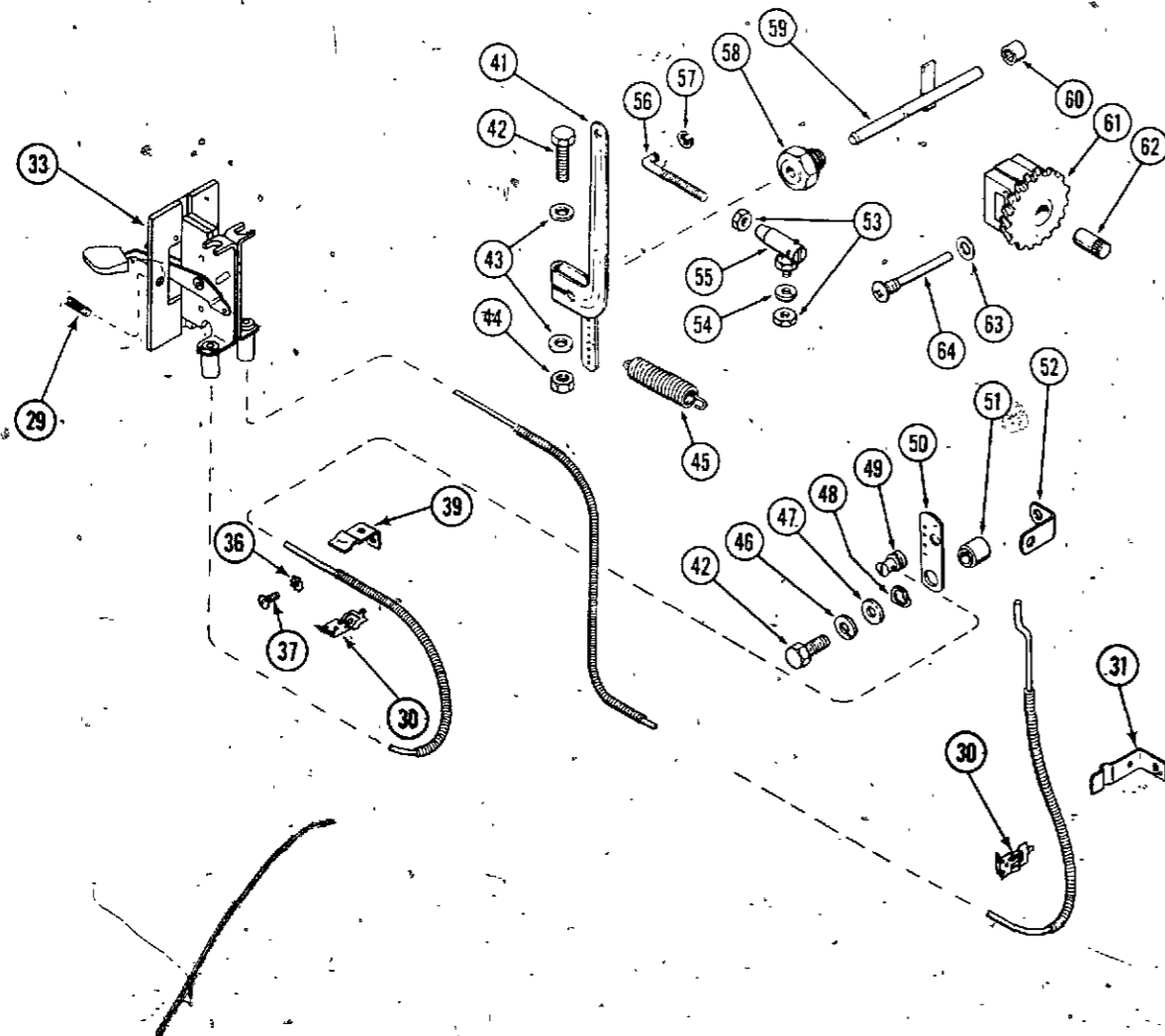
45 KO 235417	KIT - engine gasket and seal	1
46 KOX271-30	SEAL - crankshaft front oil	1
47 KOX 379-6	SEAL - crankshaft rear oil	1
48 B 59393	GASKET - fuel strainer bowl	1
49 KO 220174	GASKET - breaker cover	1
50 KO 231032	SEAL - breather	1
51 KO 235048	GASKET - valve cover	2
52 KO 235025	GASKET - camshaft gear cover	1
53 KO 235353	GASKET - oil pan	1
54 KO 235757	GASKET - shim, bearing plate, .010"	6
55 KO 235810	GASKET - cyl. head	1
56 A 72108	GASKET - fuel pump flange	1
57 A 72100	GASKET - carburetor flange	1
58 KO 275341	GASKET - carburetor air horn	1



BAFFLES, SHROUDS AND CLUTCH PULLEY

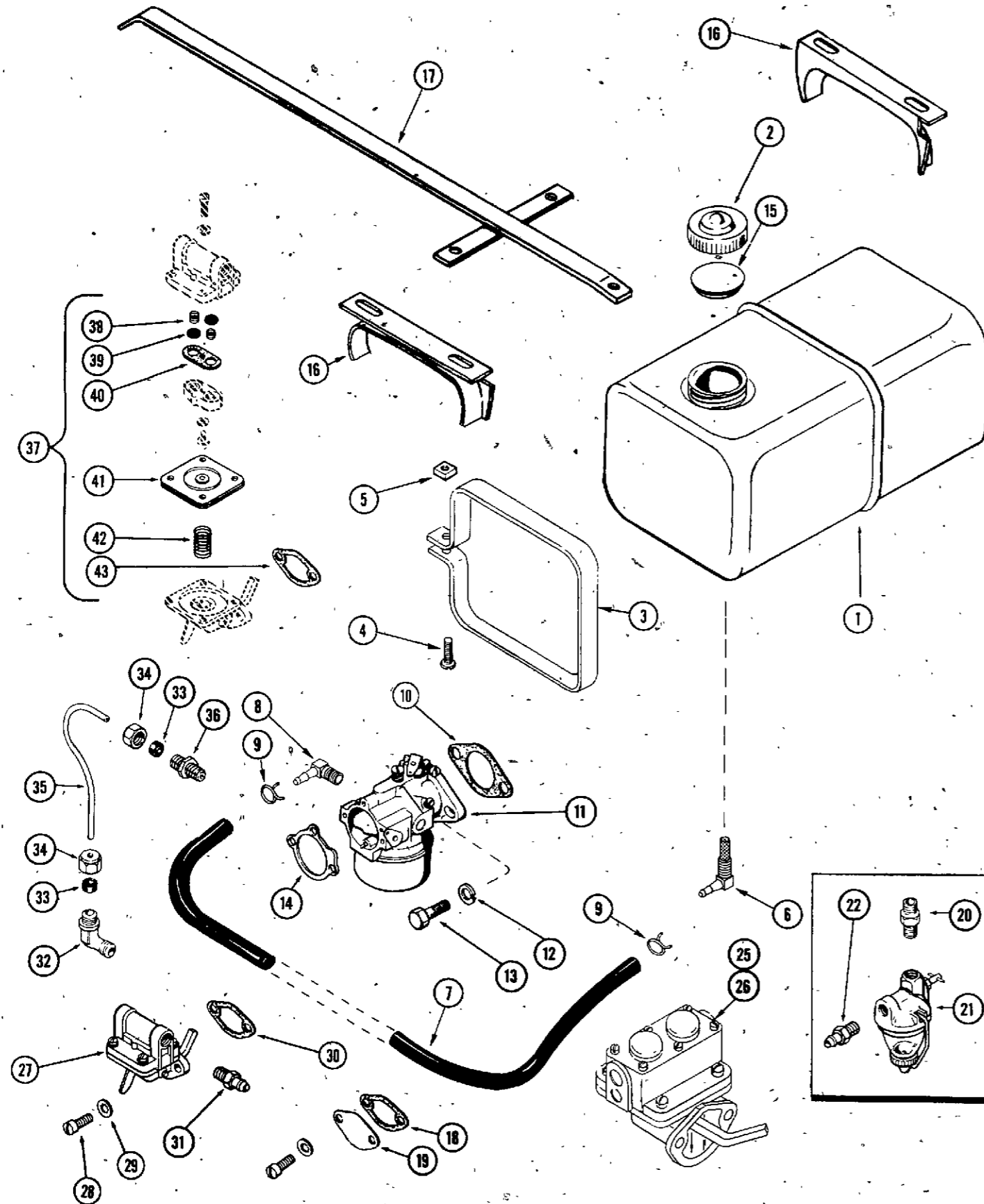
REF. PART NO.	DESCRIPTION	REQ'D
1 C 10492	DEFLECTOR - engine air	1
2 192- 19	LOCKWASHER - 1/4", plated	2
3 113- 6	BOLT - 1/4" x 1/2" N.C. hex plated	2
4 KO 235955	BAFFLE - cyl. head	1
5 KO 235368	BAFFLE - carburetor side air	1
6 KO 235207	PULLEY - starter	1
7 KO 235052	SCREEN - blower air intake	1
8 195- 515	WASHER - 1/4" plated	4
9 192- 19	LOCKWASHER - 1/4" plated	4
10 175- 436	SCREW - 1/4" x 5/8" N.C. truss hd. Phillips, plated	4
11 KO 235951	HOUSING - blower	1
12 113- 2	BOLT - 1/4" x 3/4" N.C., hex hd. plated	4
13 192- 19	LOCKWASHER - 1/4" plated	4
14 KO 235054	BAFFLE - cylinder	1
15 C 10311	CLUTCH - pulley	1
16 C 10312	SPACER - short	1
17 A 70084	FAN - engine	1
18 95- 6	WASHER - 3/8" plain	1
19 92- 6	LOCKWASHER - 3/8" SAE	1
20 113- 203	BOLT - 3/8" x 3-1/2" N.C., hex (for pulley clutch)	1
21 A 70205	BELT - drive, starter, generator	1

CHOKE, THROTTLE AND GOVERNOR



29 187- 1008	SCREW - #6 x 1/2" Phillips pan hd.	1
30 KO 235603	CLAMP - choke control	2
31 KO 235680	BRACKET - choke control	1
33 C 10427	CONTROL - throttle and choke	1
36 193- 70	LOCKWASHER - #10 int. ext. shakeproof plated	1
37 177- 131	SCREW - #10-24 x 1/2" rd. fill. hd. plated	2
39 KO 235900	BRACKET - throttle	1
41 KO 235494	LEVER - governor	1
42 15- 420	BOLT - 1/4" x 1-1/4" N.C. hex	2
43 195- 515	WASHER - 1/4" plated	2
44 25- 104	NUT - 1/4" hex	1
45 KO 235496	SPRING - governor	1
46 192- 19	LOCKWASHER - 1/4" plated	1
47 KOX 25-67	WASHER - thrust	1
48 KO 275690	WASHER - wavy	1
49 KO 231052	CLAMP - swivel, wire	1
50 KO 235086	LEVER - speed control	1
51 KO 235085	SPACER - speed control bracket	1
52 KO 235084	BRACKET - high speed stop	1
53 129- 37	NUT - #10-32, hex	2
54 192- 18	LOCKWASHER - 3/16" plated	1
55 A 10326	JOINT - ball	1
56 KO 235277	ROD - throttle	1
57 KO 235278	RING - retaining, throttle rod	1
58 KO 235476	BUSHING - governor cross shaft	1
59 KOA235256	SHAFT ASSY - governor cross	1
60 KOX 293-4	BEARING - needle governor shaft	1
61 KOA235743	GEAR ASSY - governor	1
62 KO 235125-S	SHAFT - governor stub	1
63 KOX 25-55	WASHER - governor stop pin	1
64 KO 231355	PIN - governor stop	1

FUEL SYSTEM



REF. PART NO.	DESCRIPTION	REQ'D
1	C 10479	TANK - fuel 1
2	C 11529	CAP - fuel tank 1
3	A 70100	STRAP - fuel tank mounting 2
4	173- 215	SCREW - 1/4" x 1-1/4" rd. hd. 2
5	25- 224	NUT - 1/4" square 2
6*	C 10657	ELBOW - fuel line 1
7	C 11665	HOSE - fuel line, 18-1/4" 1
8	C 10678	ELBOW - fuel line 1
9	214- 253	CLAMP - hose, 1/2" 2
10	A 72100	GASKET - carburetor flange 1
11	A 72073	CARBURETOR ASSY (Repairs see Page 17) 1
12	192- 20	LOCKWASHER - 5/16" plated 2
13	113- 103	BOLT - 5/16" x 1" N.C. hex head 2
14	KO 275341	GASKET - air horn 1
15	C 11545	INSERT - breather 1
16	A 70099	CLAMP - fuel tank mounting 2
17	C 10483	TIE BAR ASSY 1
18	A 72108	GASKET, fuel pump cover 1
19	KO 240282	COVER, fuel pump opening 1
20**	217- 200	NIPPLE - 1/8" x 3/4" close brass 1
21**	B 53256	FUEL STRAINER ASSY (Repairs Page 21) 1
22**	A 70103	FITTING - fuel line, nylon 1
25	KOA235845	FUEL PUMP - as furnished in Kit No. C11726 for 150 1
25A	KOA275366	REPAIR KIT - for fuel pump No. KOA235845 1
26	KOA236205	FUEL PUMP - as furnished in Kit No. C11727 for 190 1
26A	KO 271171	REPAIR KIT - for fuel pump No. KOA236205 1

* Used on Model 150 tractors with serial numbers above 9607254
 * Used on Model 190 tractors with serial numbers above 9605808

** Used on Model 150 tractors with serial numbers below 9607254
 ** Used on Model 190 tractors with serial numbers below 9605808

FUEL PUMP - OPTIONAL

27	KOA235361	FUEL PUMP - (150) Ident. No. on primer lever - 1965 (130) type . 1
27	KOA235807	FUEL PUMP - (190) Ident. No. on primer lever - 1965 (180) type . 1
28	71- 410	SCREW - 1/4" x 5/8" N.C., fillister head 2
29	193- 60	LOCKWASHER - 1/4" SAE std. 2
30	A 72108	GASKET - fuel pump mounting 1
31	A 70103	FITTING - fuel line, nylon 1
32	222- 41	ELBOW - (includes sleeve and nut) 1
33	222- 101	SLEEVE - (for 3/16" O.D. tube) 2
34	222- 112	NUT - (for 3/16" O.D. tube) 2
35	KO 235097	LINE - fuel pump to carburetor 1
36	222- 4021	CONNECTOR ASSEMBLY - (includes sleeve and nut) 1
37	A 72111	FUEL PUMP REPAIR KIT - for KOA235361 and KOA235807 1
38	A 72105	SPRING - fuel pump valve - for KOA235361 and KOA235807 . . . 2
39	A 72107	VALVE - fuel pump - for KOA235361 and KOA235807 2
40	A 72106	GASKET - valve - for KOA235361 and KOA235807 1
41	A 72109	DIAPHRAGM ASSEMBLY - for KOA235361 and KOA235807 . . . 1
42	A 72110	SPRING - diaphragm - for KOA235361 and KOA235807 1
43	A 72108	GASKET - fuel pump mounting for KOA235361 and KOA235807 . 1

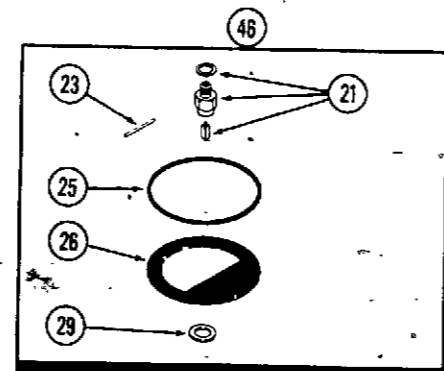
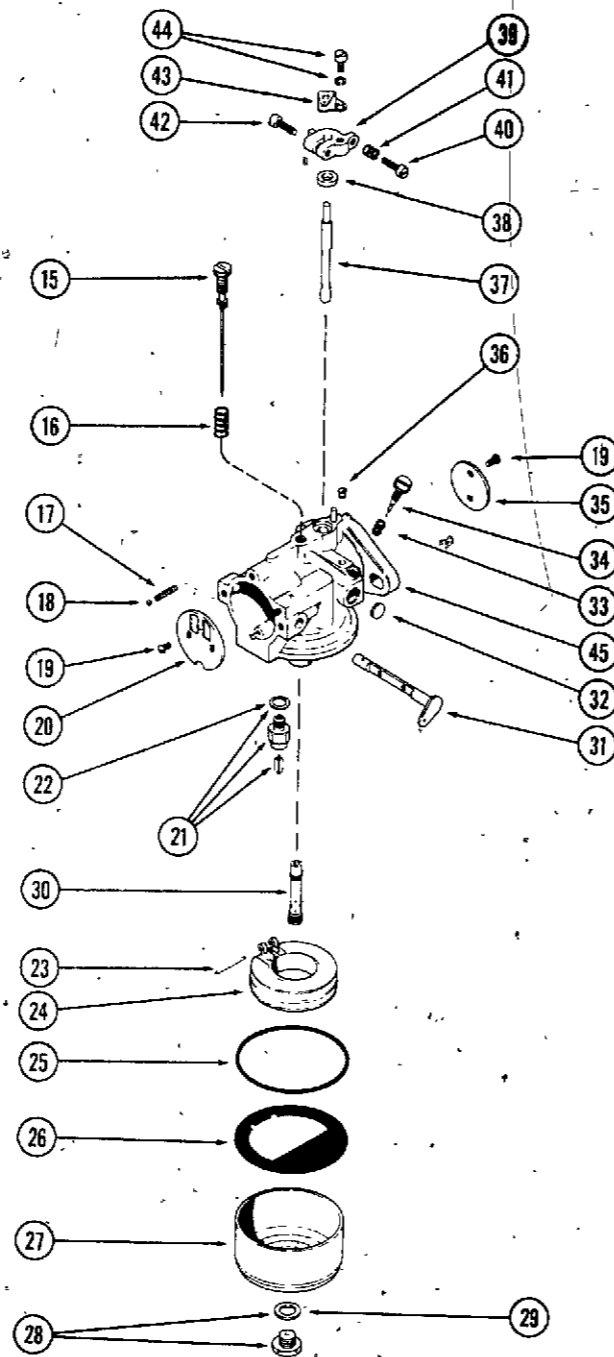
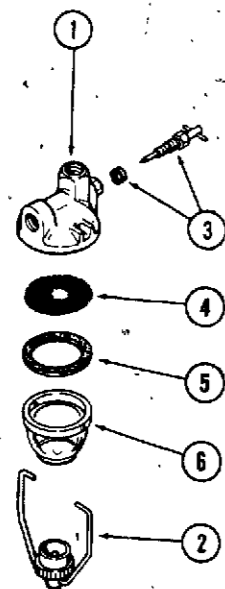
FUEL STRAINER

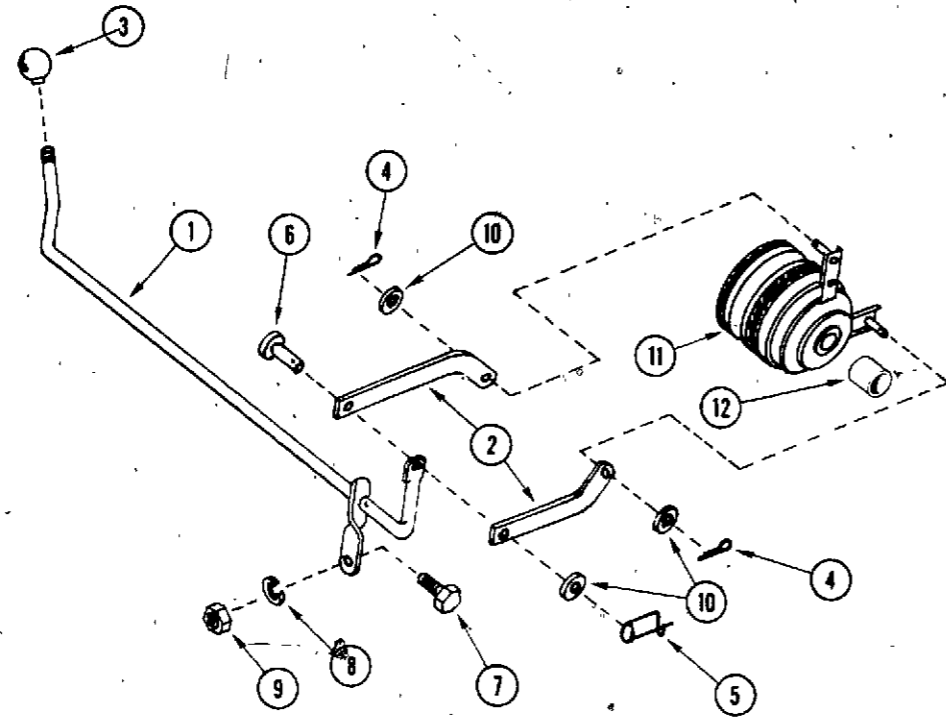
REF. PART NO.	DESCRIPTION	REQ'D
B 53256	FUEL STRAINER ASSY	1
1* B 51980	COVER - fuel strainer	1
2* B 51978	CLAMP ASSY - wire and thumb nut	1
3* B 51979	STEM - valve	1
4* B 51977	SCREEN - strainer	1
5* B 59393	GASKET - strainer	1
6* B 51975	BOWL - strainer	1

A72073 CARBURETOR

REF. PART NO.	DESCRIPTION	REQ'D
A 72073	CARBURETOR ASSY	1
15 A 72077	JET ASSY - high speed & idle adj.	1
16 A 72076	SPRING - idle jet	1
17 A 72085	SPRING - choke detent ball	1
18 211- 3	BALL - 1/8" steel	1
19 A 72091	SCREW - #3-48 rd. hd. mach., brass.	4
20 A 72074	VALVE ASSY - choke disc	1
21 A 72086	INLET NEEDLE & SEAT ASSY.	1
22 A 72102	GASKET - needle seat	1
23 A 72079	PIN - carburetor float	1
24 A 72078	FLOAT ASSY	1
25 A 72081	GASKET - carburetor bowl ring	1
26 A 72082	GASKET - carburetor bowl	1
27 A 72080	BOWL - carburetor	1
28 A 72084	NUT & GASKET ASSY - bowl	1
29 A 72083	GASKET - bowl screw	1
30 A 72101	SEAT - high idle jet	1
31 A 72075	SHAFT & LEVER ASSY - choke	1
32 A 72087	PLUG - 3/8" expansion	1
33 A 72098	SPRING - lean-rich adjusting screw	1
34 A 72099	SCREW - adjusting (lean-rich)	1
35 A 72090	VALVE - throttle disc	1
36 A 72088	PLUG - carb. body passage	1
37 A 72089	SHAFT - throttle lever	1
38 A 72097	SEAL - throttle shaft	1
39 A 72094	DOG ASSY - throttle shaft	1
40 A 72092	SCREW - idle stop	1
41 A 72093	SPRING - idle screw tension	1
42 169- 77	SCREW - throttle dog clamp #8 x 1/2" N.C. fill. hd.	1
43 A 72096	LEVER - throttle	1
44 A 72095	SCREW ASSY - throttle lever	1
45 NSS	BODY - carb. (Order A72073 Carb. Assy)	1
46 A 72103	KIT - carburetor repair	1

* Used on Model 150 tractors with serial numbers below 9607254
 * Used on Model 190 tractors with serial numbers below 9605808



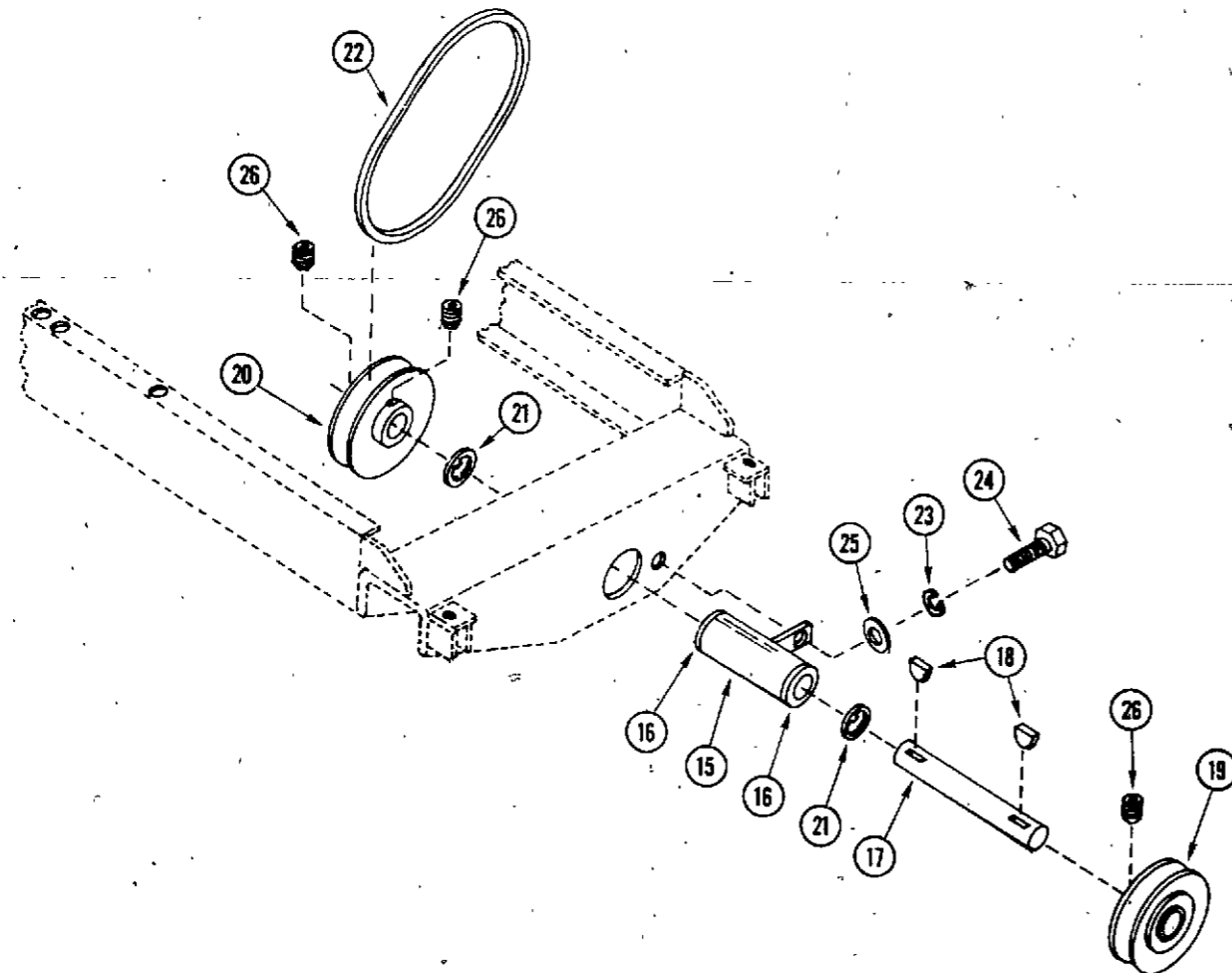


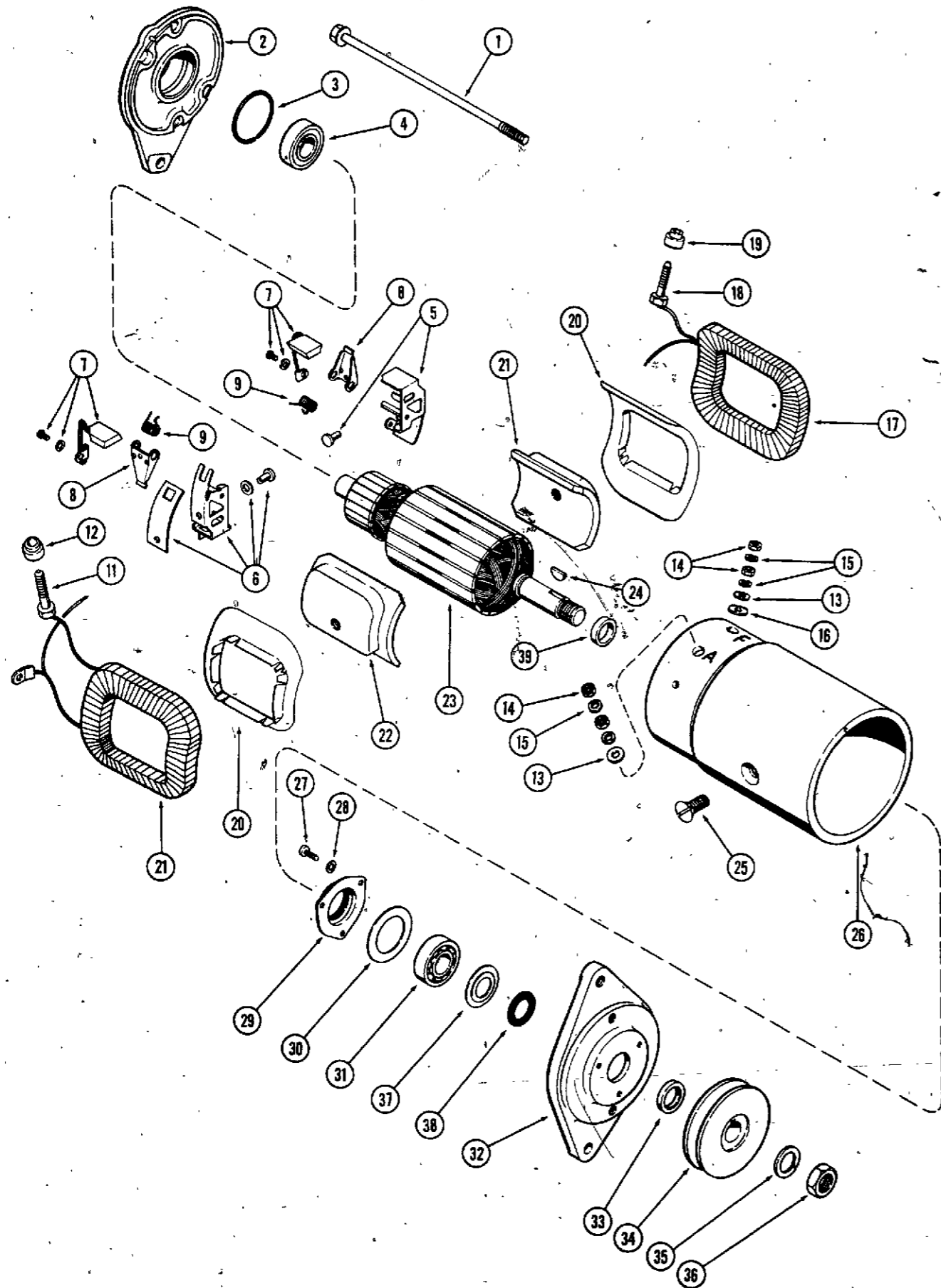
PULLEY CLUTCH

REF. PART NO.	DESCRIPTION	REQ'D
1 C 10880	LEVER - clutch control	1
2 C 10525	LINK - clutch control	2
3 C 10487	KNOB - lever	1
4 132- 24	PIN - cotter, 3/32" x 1/2"	2
5 C 10883	PIN - safety	1
6 141- 2	PIN - clevis, 1/4" x 3/4"	1
7 15- 512	BOLT - 5/16"-18 N.C. x 3/4"	1
8 92- 5	LOCKWASHER - 5/16" SAE	1
9 25- 105	NUT - 5/16"-18 N.C.	1
10 195- 17	WASHER - 1/4" plain	3
11 C 10311	CLUTCH - PTO "V" belt (Parts not serviced)	1
12 C 10312	SPACER - fan short	1

FRONT P. T. O. (OPTIONAL)

15 C 10500	CARRIER - pivot and bearing	1
16 C 10502	BEARING - sintered bronze	2
17 C 10503	SHAFT - PTO pulley	1
18 126- 22	KEY - Woodruff #13 SAE	2
19 C 10504	PULLEY - drive	1
20 C 10505	PULLEY - driven adjustable	1
21 C 10506	WASHER - thrust	2
22 C 10507	BELT - 3 V section 30"	1
23 192- 21	LOCKWASHER - 3/8" SAE	1
24 113- 221	BOLT - 3/8"-16 x 7/8" hex head	1
25 195- 522	WASHER - 3/8" SAE plain	2
26 83- 56	SETSCREW - 5/16" x 3/8" socket head	3

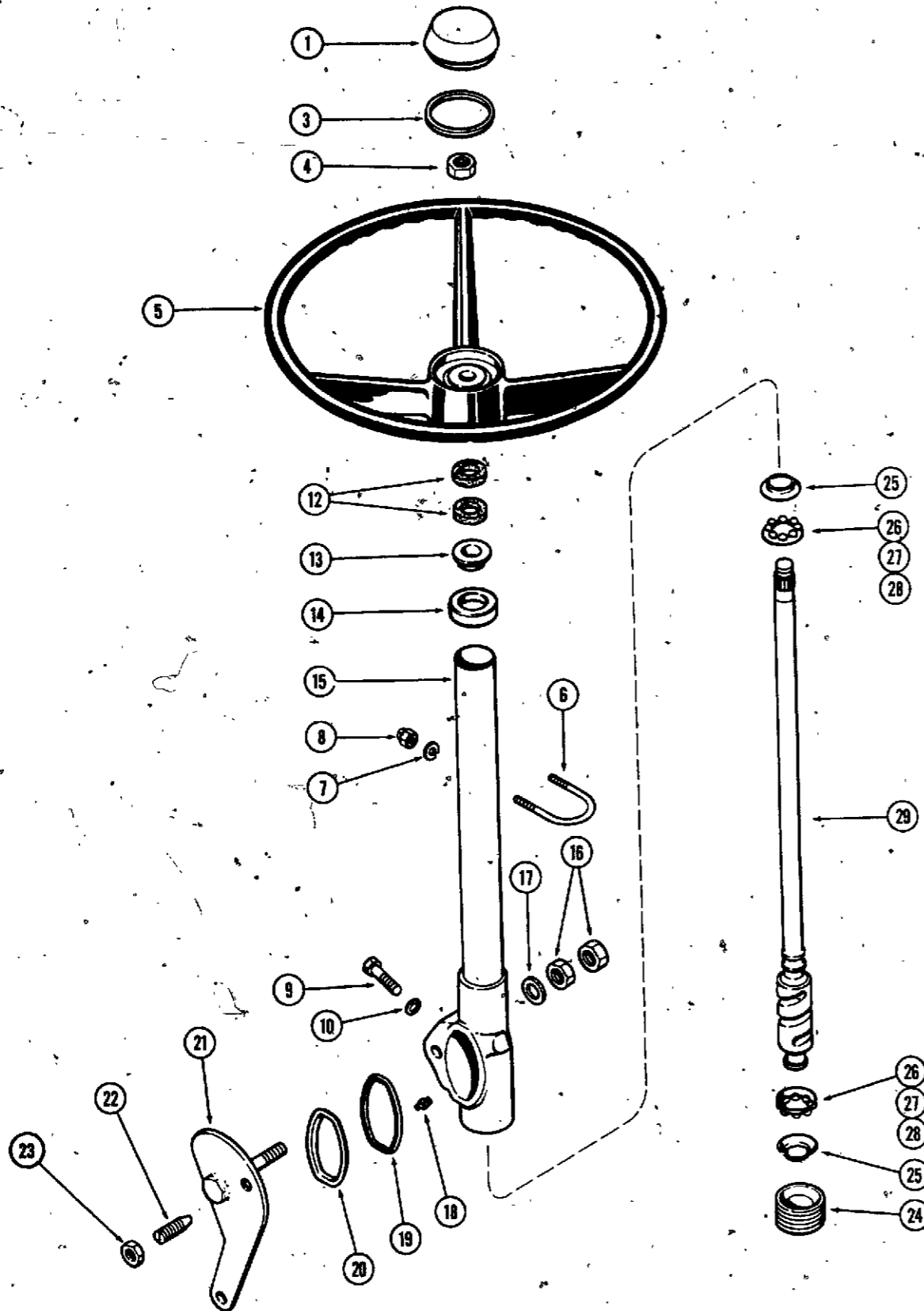




A70202 STARTER-GENERATOR

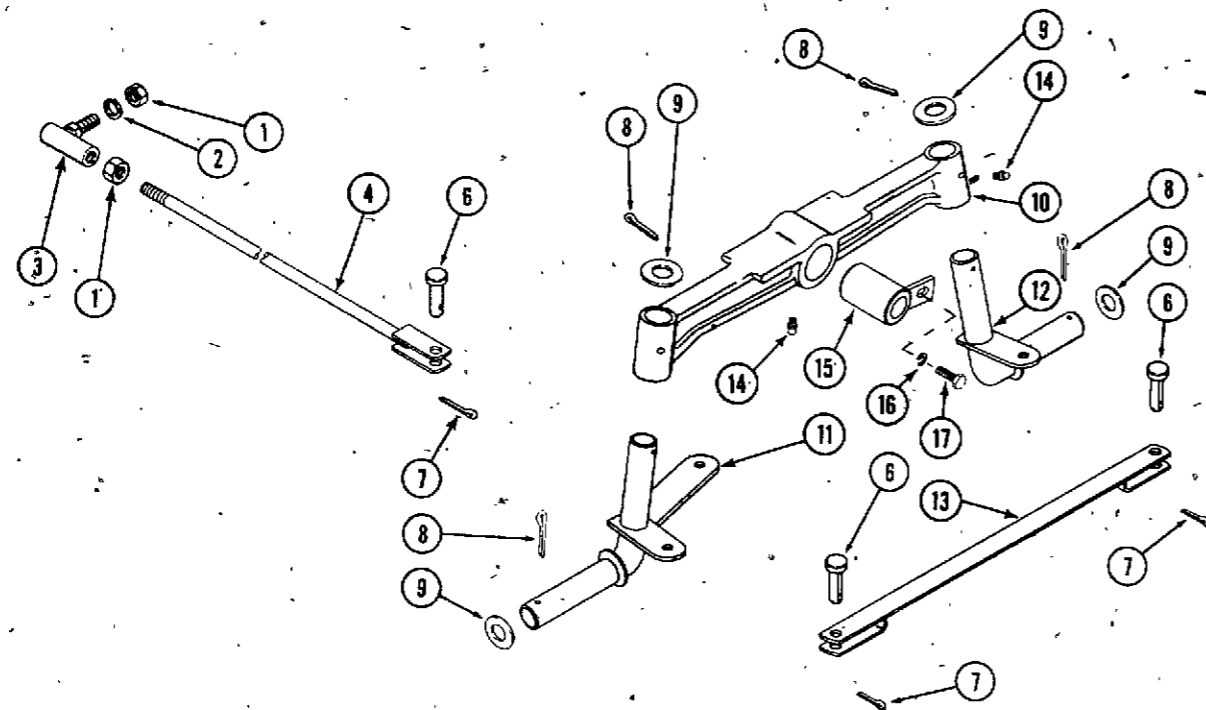
REF. PART NO.	DESCRIPTION	REQ'D
1 R 15108	BOLT - thru (includes washer)	2
2 A 72104	FRAME ASSY - commutator end	1
3 R 15087	RING - bearing retainer	1
4 A 25461	BEARING - commutator end ball	1
5 A 72039	HOLDER KIT - ground brush	1
6 A 72040	HOLDER KIT - insulated brush	1
7 A 72038	BRUSH ASSY	2
8 R 15090	ARM - brush pressure	2
9 A 25423	SPRING - brush arm	2
10 A 72042	COIL ASSY - field R.H.	1
11 A 72048	STUD - armature terminal	1
12 R 16147	BUSHING - insulated, armature stud	1
13 R 15079	WASHER - armature stud	2
14 192- 8	NUT - terminal stud 12-24 hex	4
15 192- 17	LOCKWASHER - terminal stud #12	4
16 R 16148	WASHER - insulated, field stud	1
17 A 72043	COIL ASSY - field, L.H.	1
18 A 72049	STUD - field terminal	1
19 R 15077	BUSHING - insulated, field stud	1
20 A 25447	INSULATOR - field coil	2
21 A 40736	SHOE - pole	1
22 A 40736	SHOE - pole	1
23 A 72041	ARMATURE	1
24 126- 111	KEY - Woodruff, armature	1
25 D 32477	SCREW - pole	2
26 NSS	BODY - starter generator (Order A70202)	1
27 173- 237	SCREW - 10-32 x 1/2" rd. Hd.	3
28 192- 18	LOCKWASHER - 3/16" plated	3
29 A 72050	RETAINER ASSY - bearing (includes ref. 37 & 38)	1
30 R 16170	GASKET - bearing retainer	1
31 A 25441	BEARING - ball, drive end	1
32 A 72046	FRAME ASSY - drive end	1
33 A 72047	SPACER - pulley	1
34 KO 235260	PULLEY - starter - generator drive	1
35 192- 26	LOCKWASHER - 11/16" plated	1
36 R 15105	NUT - armature shaft, drive end	1
37 NSS	RETAINER - grease (Order A72050)	1
38 NSS	SEAL - felt (Order A72050)	1
39 NSS	SPACER - armature shaft, inner	1

STEERING GEAR



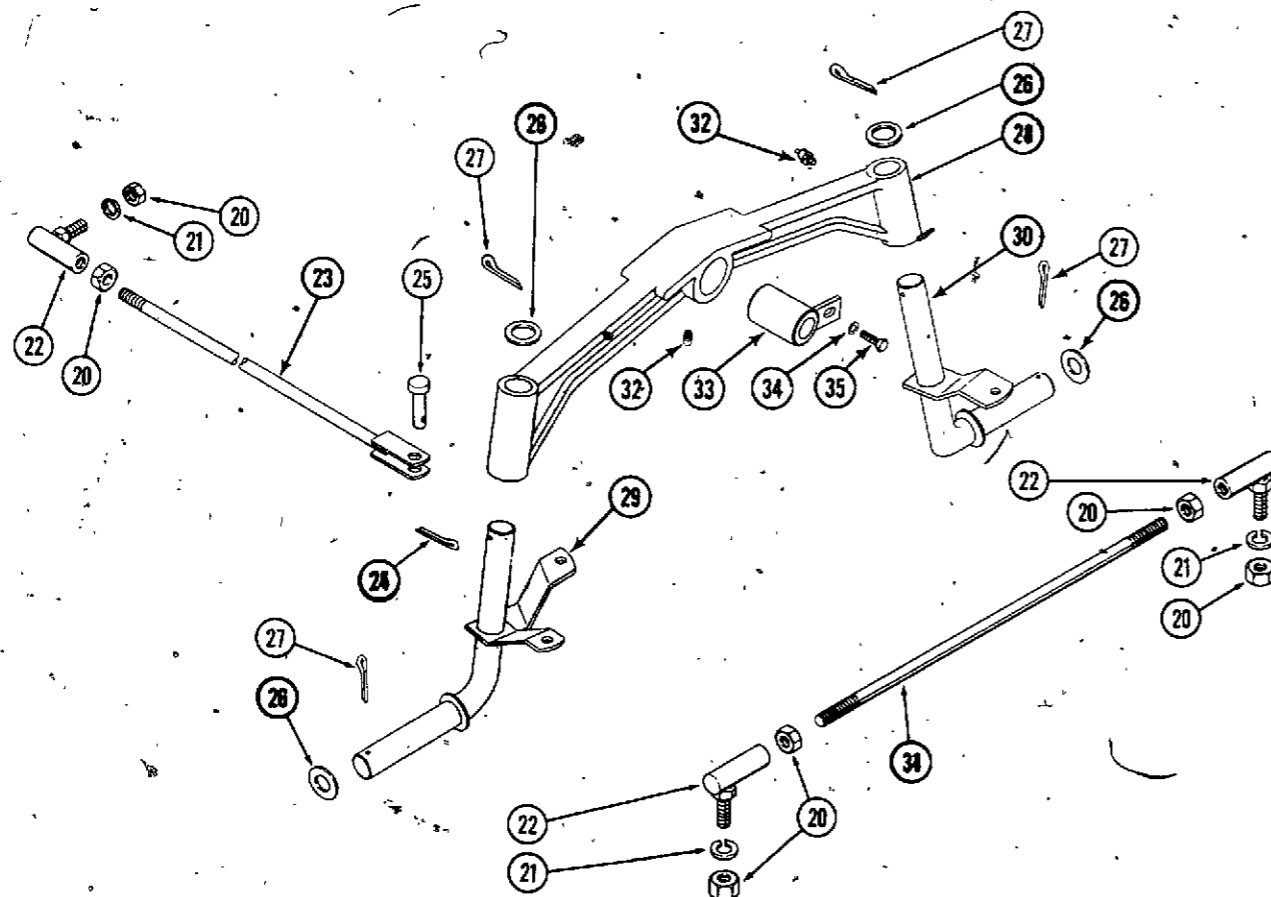
REF. PART NO.	DESCRIPTION	REQ'D
1 C 10569	MEDALLION - steering wheel	1
3 C 10570	RING - medallion retaining	1
4 25- 1510	NUT - 5/8" N.F. hex	1
5 A 70058	WHEEL - steering	1
6 C 10364	U-bolt - strg. gear mtg.	1
7 92- 4	LOCKWASHER - 1/4"	2
8 129- 501	NUT - 1/4" N.C. hex Acorn	2
9 13- 644	BOLT - 3/8" x 2-3/4" N.C. hex hd, plated	2
10 92- 6	LOCKWASHER - 3/8"	2
A 70056	STEERING GEAR ASSY	1
12 F 19645	SEAL - felt	2
13 A 72011	BEARING - spacer (Nylon)	1
14 A 72012	RETAINER - bearing	1
15 NSS	HOUSING AND TUBE ASSY (Order A70056)	1
16 25- 1510	NUT - jam 5/8" N.F. hex	2
17 A 72014	WASHER - bronze	1
18 219- 14	FITTING - lube	1
19 A 72015	SEAL	1
20 A 72013	RETAINER - seal	1
21 A 72022	LEVER & BOLT ASSY	1
22 A 72017	STUD - adjusting	1
23 A 72010	NUT - adjusting	1
24 A 72021	PLUG - adjusting	1
25 A 72018	CUP - bearing	2
26 A 72020	BALL - retainer assembly	2
27 NSS	RETAINER - ball	1
28 211- 9	BALL - 5/16" dia.	8
29 NSS	CAM AND TUBE ASSY - (Order A70056)	1

150 FRONT AXLE

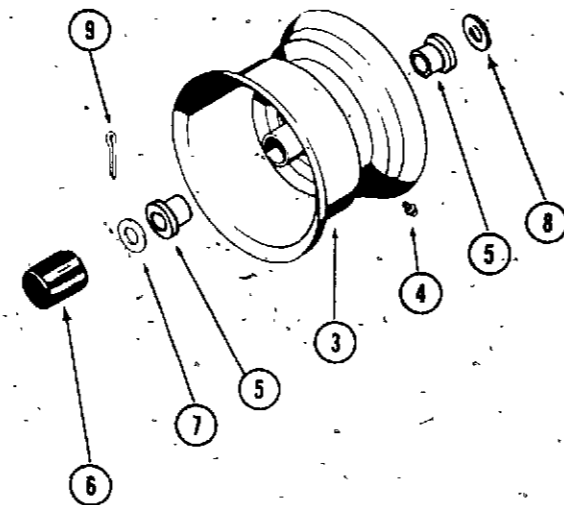
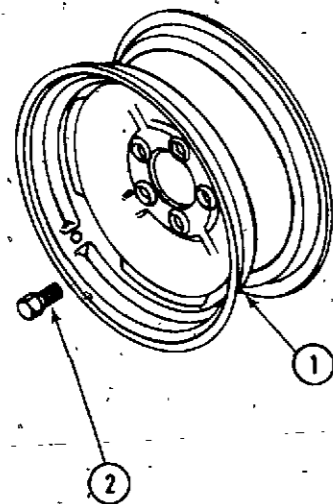


REF. PART NO.	DESCRIPTION	REQ'D
1 25- 108	NUT - 1/2" N.C., hex	2
2 92- 8	LOCKWASHER - 1/2" SAE,	2
3 A 70055	JOINT - ball, 1/2"	1
4 C 10247	ROD - drag link	1
6 141- 6	PIN - tie bar and drag link	3
7 132- 47	PIN - cotter, 1/8" x 7/8"	3
8 132- 73	PIN - cotter, 5/32" x 1-1/2"	2
9 195- 45	WASHER - plain, 3/4"	2
10 C 10209	AXLE - front	1
11 C 10240	SPINDLE - right hand	1
12 C 10241	SPINDLE - left hand	1
13 C 10235	TIE BAR - spindle	1
14 219- 8	FITTING - lube	3
15 C 10501	PIN - axle pivot (See C10500 for tractor w/PTO)	1
16 192- 21	LOCKWASHER - 3/8" SAE	1
17 113- 205	CAPSCREW - 3/8" x 5/8" FHBUNC	1

190 FRONT AXLE



20 25- 108	NUT - 1/2" N.C., hex	6
21 92- 8	LOCKWASHER - 1/2" SAE,	6
22 A 70055	JOINT - ball, 1/2"	3
23 C 10250	ROD - drag link	1
24 132- 47	PIN - cotter, 1/8" x 7/8"	1
25 141- 6	PIN - drag link	1
26 A 70463	WASHER - plain, 1"	2
27 132- 73	PIN - cotter, 5/32" x 1-1/2"	2
28 C 10208	AXLE - front	1
29 C 10215	SPINDLE - right hand	1
30 C 10217	SPINDLE - left hand	1
31 C 10246	TIE ROD	1
32 219- 8	FITTING, lube	3
33 C 10501	PIN - axle pivot (See C10500 for tractor w/PTO)	1
34 192- 21	LOCKWASHER - 3/8" SAE	1
35 113- 205	CAPSCREW - 3/8" x 5/8" FHBUNC	1

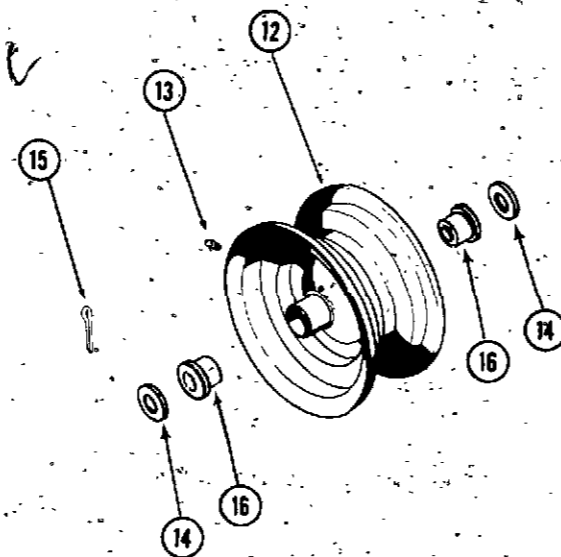
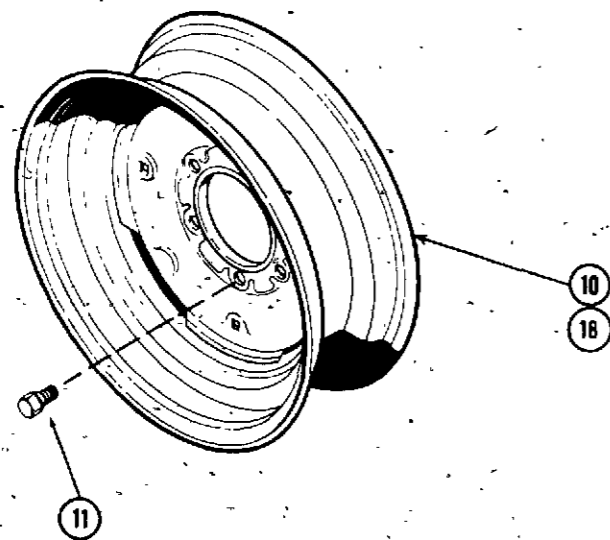


150 FRONT AND REAR WHEELS

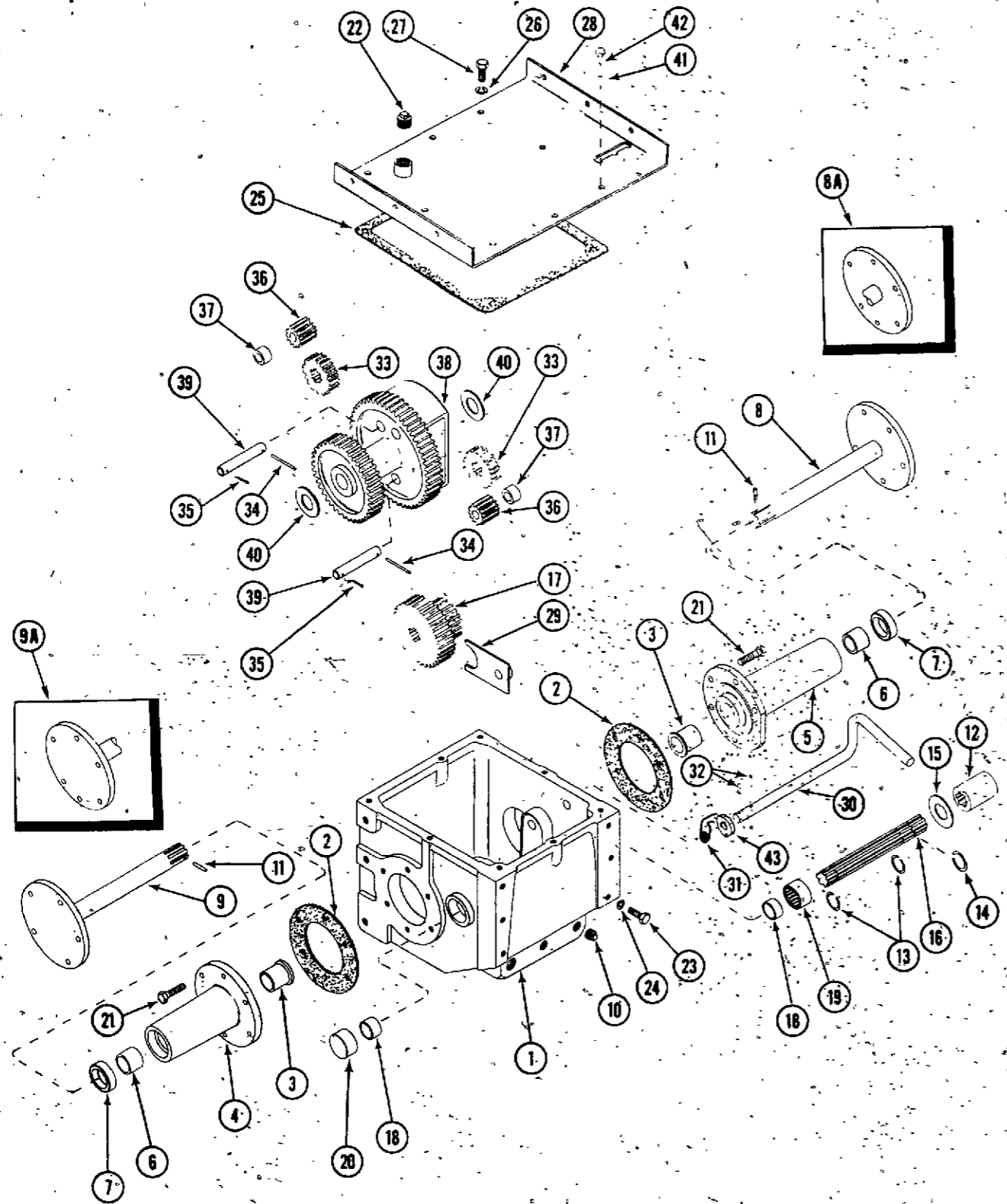
REF. PART NO.	DESCRIPTION	REQ'D
1 C 10263	WHEEL - rear	2
2 C 10314	BOLT - rear wheel	10
3 A 70061	WHEEL - front	2
4 219- 1	FITTING - lubrication, 1/8" NPT	2
5 A 70398	BUSHING - front wheel	4
6 C 10534	CAP - plastic, front wheel	2
7 C 10552	WASHER - 3/4" x 1-1/4", spacer	2
8 195- 45	WASHER - 3/4" plain	2
9 132- 73	PIN - cotter, 5/32" x 1-1/2"	2

190 FRONT AND REAR WHEELS

10 C 10317	WHEEL - rear	2
11 A 30064	BOLT - rear wheel	12
12 A 70479	WHEEL - front	2
13 219- 1	FITTING - lubrication, 1/8" NPT	2
14 A 70463	WASHER - 1" plain	4
15 132- 73	PIN - cotter, 5/32" x 1-1/2"	2
16 C 10537	BUSHING - front wheel	4

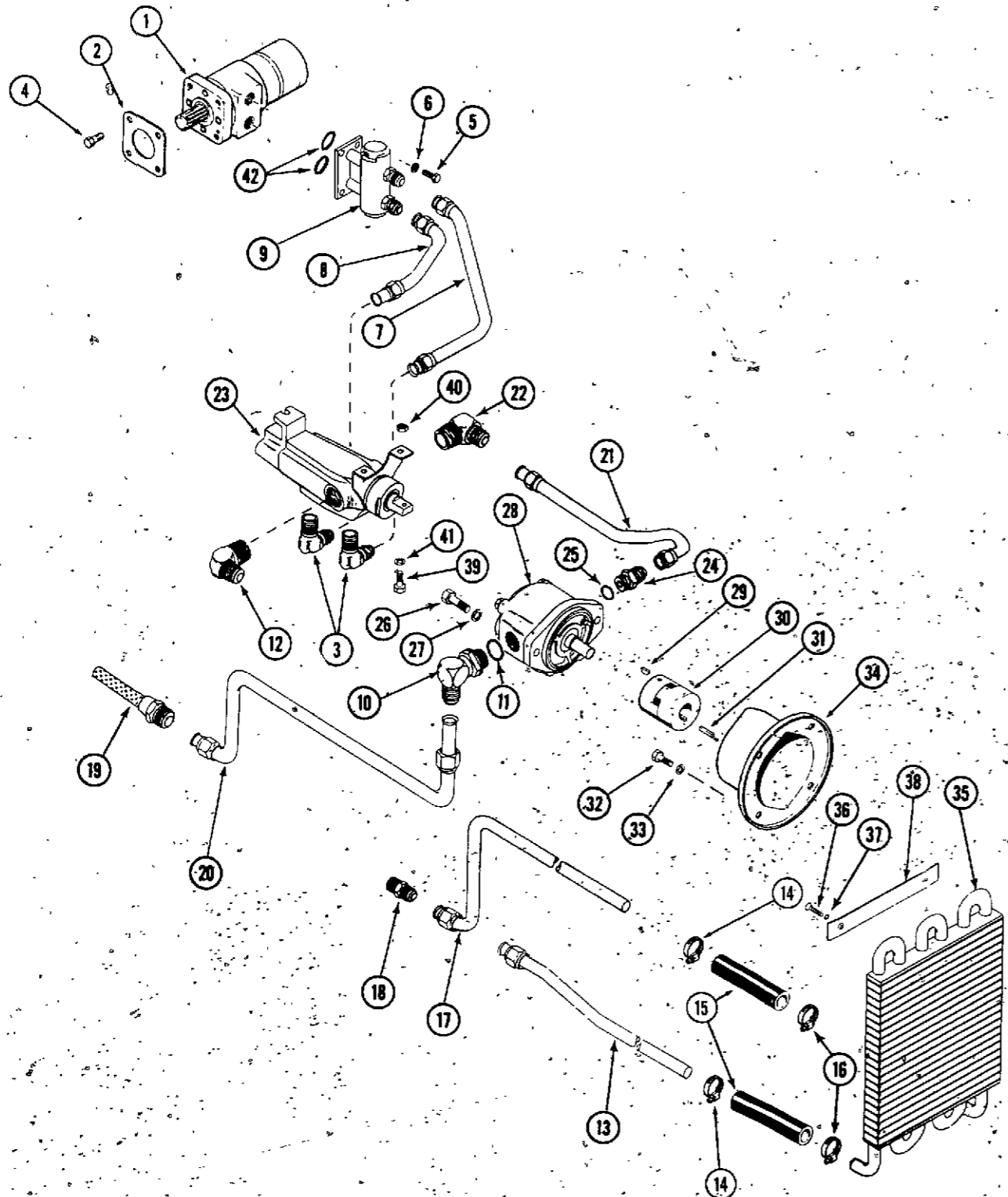


TRANSMISSION AND FINAL DRIVE



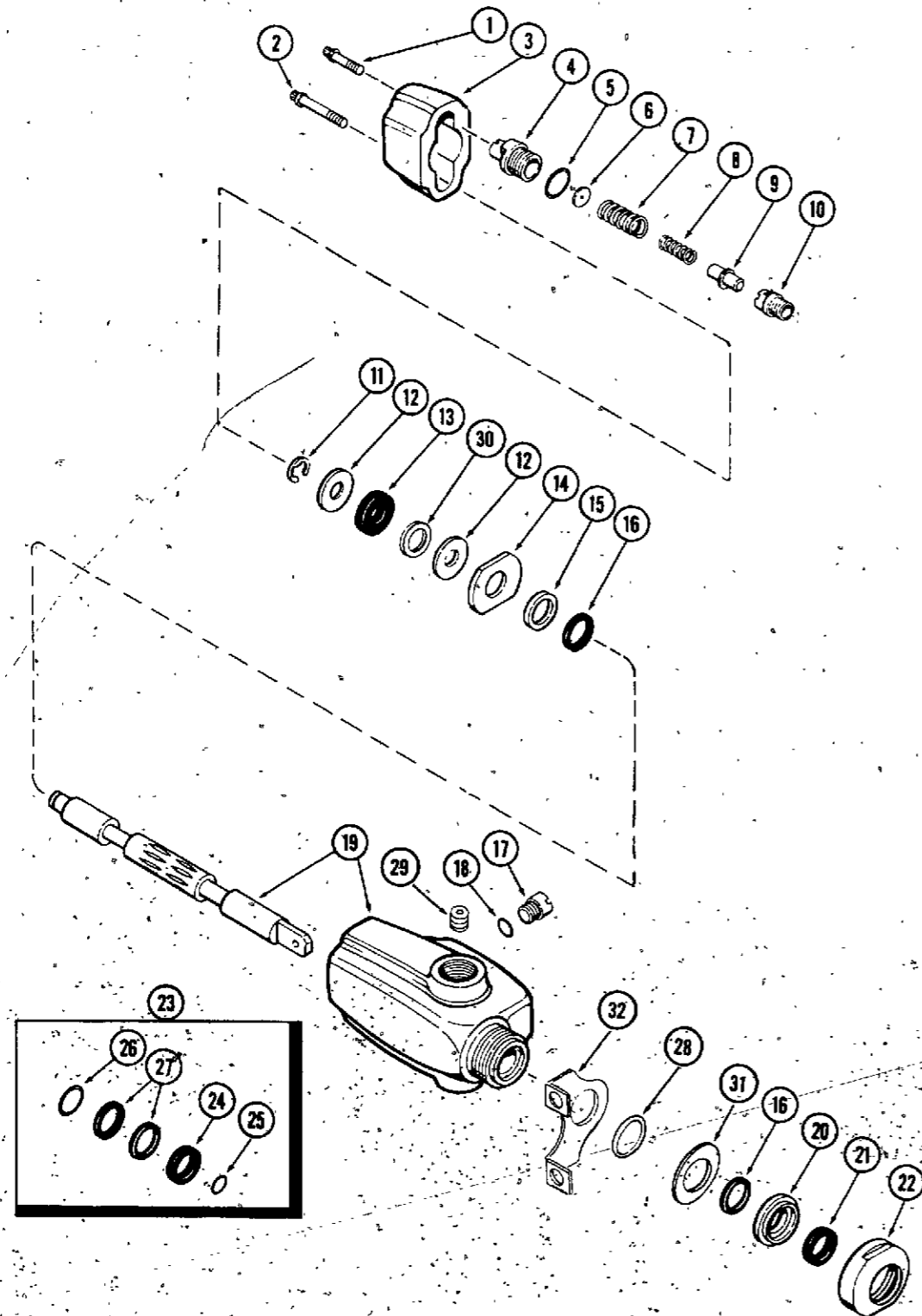
REF.	PART NO.	DESCRIPTION	REQ'D
1	C 10201	CASE - transmission	1
2	A 70137	GASKET - housing to case	2
3	A 70142	BUSHING - flanged, rear axle housing	2
4	C 10294	HOUSING - rear axle, right hand	1
5	C 10295	HOUSING - rear axle, left hand	1
6	A 70141	BUSHING - plain, rear axle housing	2
7	A 70143	SEAL - rear axle housing	2
8	C 10287	SHAFT - axle, left hand (150)	1
8A	C 10289	SHAFT - axle, left hand (190)	1
9	C 10286	SHAFT - axle, right hand (150)	1
9A	C 10288	SHAFT - axle, right hand (190)	1
10	221- 4	PLUG - pipe, 1/2" square head	1
11	138- 102	PIN - axle retaining	2
12	C 10259	COUPLING -- motor input	1
13	C 10882	RING - wire retaining	2
14	C 10291	WASHER - input shaft stop	1
15	B 18208	RING - coupling, retaining	1
16	C 10293	SHAFT, transmission input	1
17	C 10242	CLUSTER - input gear	1
18	C 10299	RING - bearing inner	2
19	C 10300	BEARING - input shaft, middle	1
20	C 10301	BEARING - input shaft, end	1
21	A 70127	BOLT - 3/8" x 1-1/4" N.C., special sealing	12
22	C 10303	PLUG - breather, transmission	1
23	13- 820	BOLT - 1/2" x 1-1/4", case to frame	6
24	92- 8	LOCKWASHER, 1/2" SAE	6
25	C 10302	GASKET - transmission case cover	1
26	92- 5	LOCKWASHER - 5/16" SAE	7
27	13- 512	BOLT - 5/16" x 3/4" N.C., trans. cover	7
28	C 10296	COVER - transmission case	1
29	C 10255	FORK - gear shift	1
30	C 10254	LEVER - shift	1
31	C 10261	SPRING - shift lever	1
32	138- 2002	PIN - shift fork, locating	2
33	C 10253	GEAR - differential	2
34	C 10465	PIN - differential pin, locking	2
35	132- 91	PIN - cotter, 3/16" x 1"	4
36	C 10252	PINION - differential	4
37	A 70131	SPACER - differential pinion	4
38	C 10243	HOUSING - differential gear	1
39	C 10298	PIN - differential pinion	4
40	C 10292	WASHER - transmission	2
41	95- 5	WASHER - 5/16" SAE, plain	3
42	13- 510	BOLT - 5/16" x 5/8" trans. cover	1
43	C 11332	SEAL - shift shaft oil	1

HYDRAULIC SYSTEM



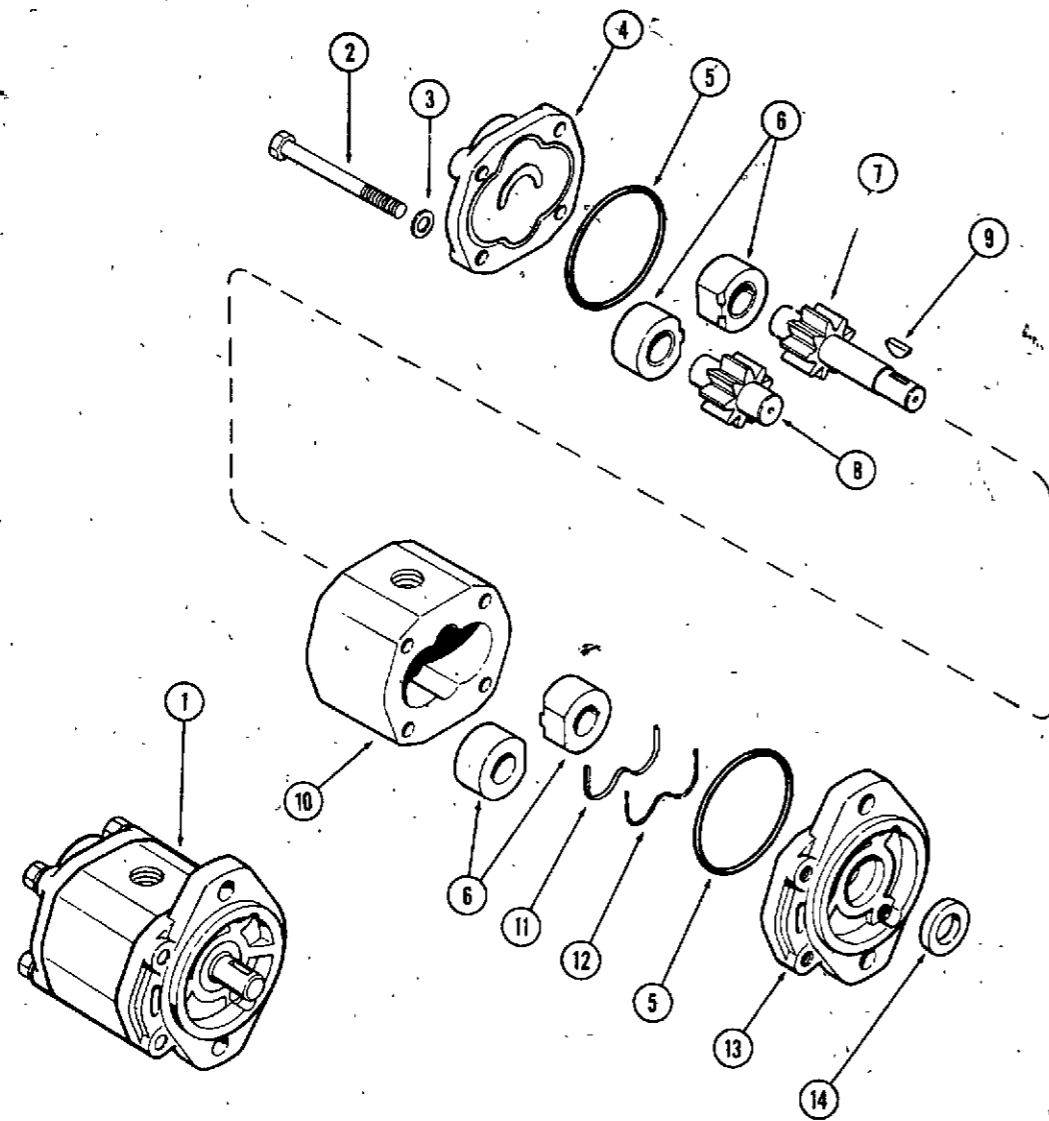
REF. PART NO.	DESCRIPTION	REQ'D
1 C 10270	MOTOR - hydraulic (190) (Repairs Page 41)	1
1 C 10271	MOTOR - hydraulic (150) (Repairs Page 41)	1
2 A 70128	GASKET - motor to transfer case	1
3 218- 493	FITTING, 90°, 1/2" tube x 1/2" NPT	2
4 A 70127	BOLT - special, Jay-Lock	4
5 166- 23	BOLT - 5/16"-18 x 5/8" N.C.	4
6 193- 29	LOCKWASHER - 5/16" internal tooth	4
7 C 10268	TUBE - frt. valve port to motor	1
8 C 10269	TUBE - rear valve port to motor	1
9 C 12774	VALVE - park and brake (Repairs Page 49)	1
10 218- 5108	FITTING - 90°, 3/4" tube x 1-1/16 thread	1
11 218- 5008	"O" RING - 3/4"	1
12 218- 494	FITTING - 90°, 5/8" tube x 3/4" NPT	1
13 C 10266	TUBE - heat exchanger to valve	1
14 214- 253	CLAMP - hose (tube end)	2
15 C 10419	HOSE	2
16 C 10677	CLAMP - hose (heat exchange end)	2
17 C 10267	TUBE - trans. to heat exchanger	1
18 218- 445	FITTING - 3/4" tube x 3/4" NPT	1
19 A 70117	FITTING - w/filter	1
20 C 10264	TUBE - pump to transmission	1
21 C 10265	TUBE - pump to valve	1
22 218- 1056	FITTING - 90° elbow, 1/2" tube x 3/4" NPT	1
23 C 10495	VALVE - control (Repairs Page 37)	1
24 218- 5059	FITTING - "O" ring 1/2" tube x 3/4" thread	1
25 218- 5006	"O" RING - 1/2"	1
26 166- 561	SCREW - ferry cap, 7/16"-20 x 1"	2
27 193- 31	LOCKWASHER - 7/16" external tooth	2
28 C 10493	PUMP - hydraulic (190) (Repairs Page 39)	1
28 C 10258	PUMP - hydraulic (150) (Repairs Page 39)	1
29 126- 12	KEY - Woodruff	1
30 A 70111	COUPLING - (Repairs Page 39)	1
31 W 5063-S	KEY - 1/4" square x 3/4"	1
32 113- 207	BOLT - 3/8" x 1" N.C. hex plated	4
33 192- 21	WASHER - 3/8" plated	4
34 A 70109	SUPPORT - hydraulic pump mounting	1
35 C 10262	EXCHANGER - heat	1
36 171- 209	SCREW - 1/4" x 1" N.C. hex plated	4
37 193- 52	LOCKWASHER - 1/4" external tooth	4
38 C 10348	BRACKET, heat exchanger	2
39 73- 410	SCREW - 1/4"-20 x 5/8" N.C. flat head	2
40 25- 104	NUT - 1/4"-20 N.C.	2
41 92- 4	LOCKWASHER - 1/4" SAE	2
42 A 27410	"O" RING - hydraulic motor to brake valve	2

HYDRAULIC CONTROL VALVE



REF. PART NO.	DESCRIPTION	REQ'D
1 166- 6	CAPSCREW - 1/4" x 1" N.C. ferry hd.	1
2 166- 8	CAPSCREW - 1/4" x 1-1/2" N. C. ferry hd.	1
3 A 72065	CAP - valve end	1
4 A 72059	PLUG - relief valve	1
5 A 7982	"O" RING - relief valve plug	1
6 A 72069	SHIM - relief valve	2
7 A 72058	SPRING - relief valve (outer)	1
8 A 72071	SPRING - valve relief (inner)	1
9 A 72057	SPOOL - relief valve poppet	1
10 A 72055	SEAT - relief valve	1
11 O 9638 AB	SNAP RING - valve	1
12 A 72060	WASHER - valve spool end spacer	2
13 A 72063	SPACER - valve spool end	1
14 A 72066	WASHER - retainer relief valve plug	1
15 A 72067	RING - back up	1
16 A 72062	SEAL - quad ring	2
17 A 72056	PLUG	1
18 A 72061	"O" RING - plug	1
19 A 72052	BODY AND SPOOL ASSY	1
20 A 72068	RETAINER - seal	1
21 A 72070	SEAL - vee	1
22 A 72064	CAP - valve end	1
23 A 72072	KIT - valve seal repair	1
24 A 72070	SEAL - vee	1
25 A 72061	"O" RING - 5/8"	1
26 A 7982	"O" RING - 13/16"	1
27 A 72062	QUAD RING	2
28 T 13224	SEAL - "O" ring	1
29 C 10990	PLUG - conversion	1
30 C 10989	WASHER	1
31 C 10988	WASHER - special	1
32 C 10987	BRACKET MOUNTING	1

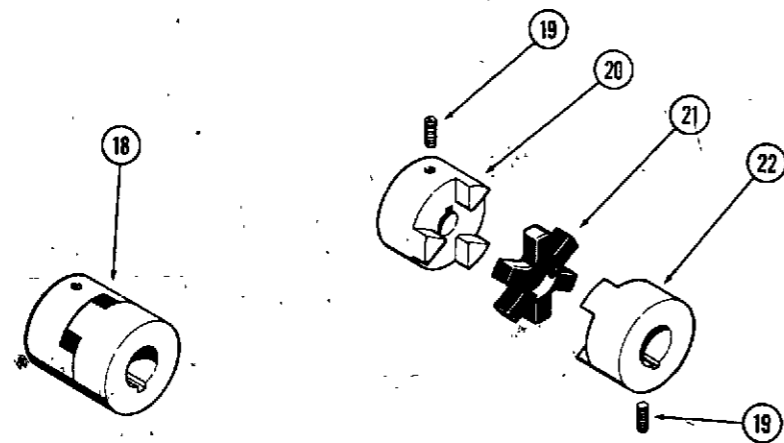
HYDRAULIC PUMP

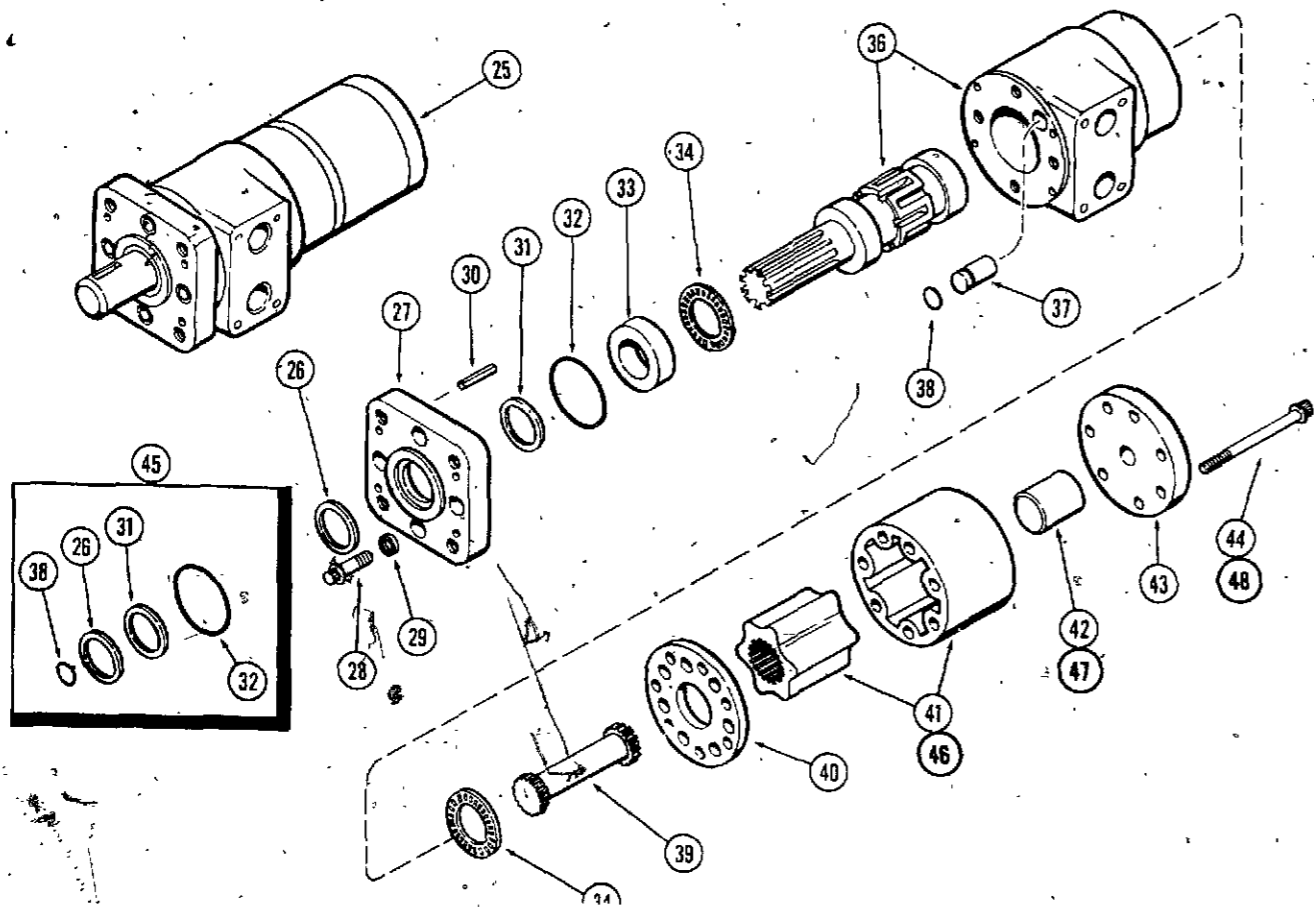
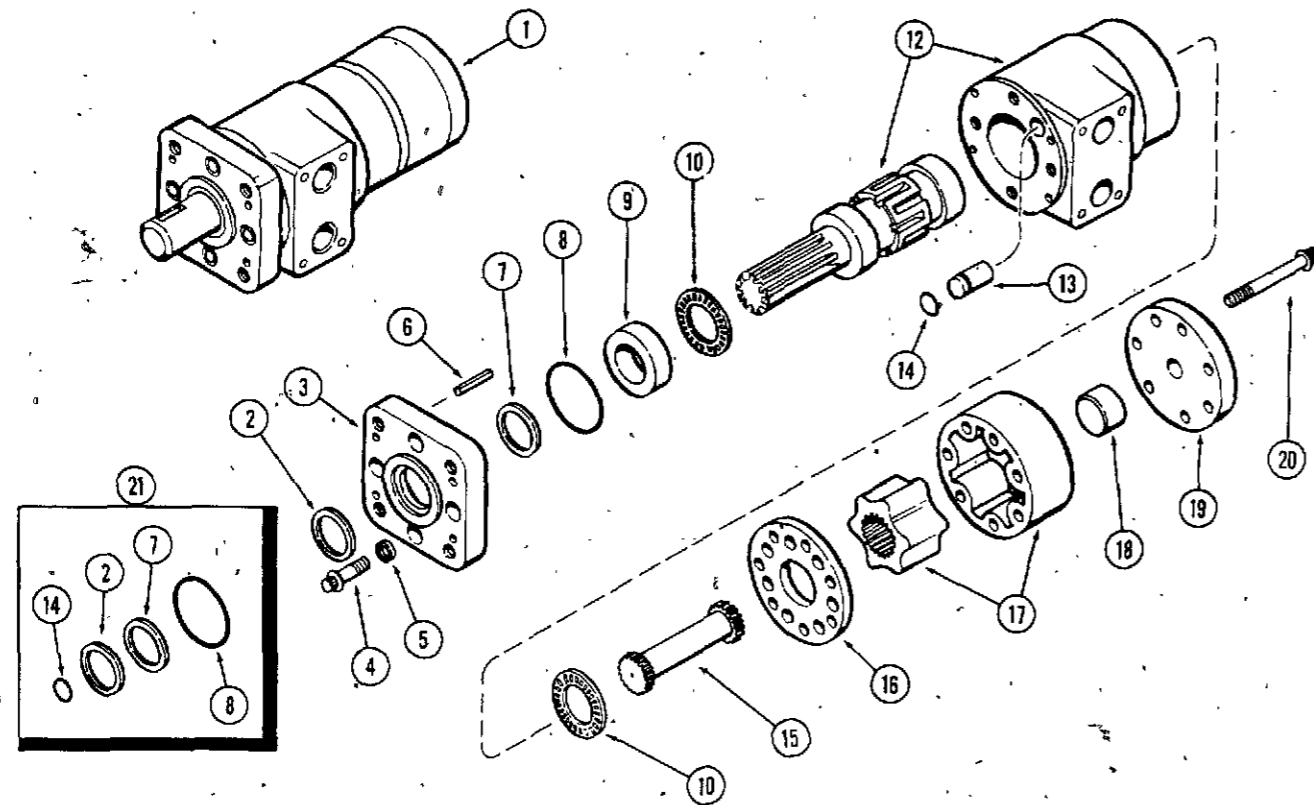


REF. PART NO.	DESCRIPTION	REQ'D
1 C 10493	PUMP - hydraulic (190)	1
1 C 10258	PUMP - hydraulic (150)	1
2 13- 652	BOLT - 3/8" x 3-1/4" N.C. hex head	4
3 A 72000	WASHER - special	4
4 C 11644	COVER - rear, pump body	1
5 A 72003	SEAL - pump cover	2
6 A 35956	BEARING - pump gear	4
7 C 11642	GEAR - pump drive (For C10258 pump on Model 150)	1
7 A 72005	GEAR - pump drive (For C10493 pump on Model 190)	1
8 C 11643	GEAR - pump driven (For C10258 pump on Model 150)	1
8 A 72004	GEAR - pump driven (For C10493 pump on Model 190)	1
9 126- 12	KEY - Woodruff #6	1
10 NSS	BODY - pump (Order C10258 or C10493)	1
11 A 72001	GASKET - brass, front cover	1
12 A 72002	SPACER - gasket, front cover	1
13 A 72007	COVER - front pump body	1
14 G 13827	SEAL - pump shaft	1

PUMP DRIVE COUPLING

18 A 70111	COUPLING - pump drive	1
19 83- 55	SCREW - 5/16" x 5/16" N.C. socket head set	2
20 NSS	HUB - half, 5/8" dia. bore (Order A70111)	1
21 A 70112	SPIDER - coupling	1
22 NSS	HUB - half, 1" dia. bore (Order A70111)	1



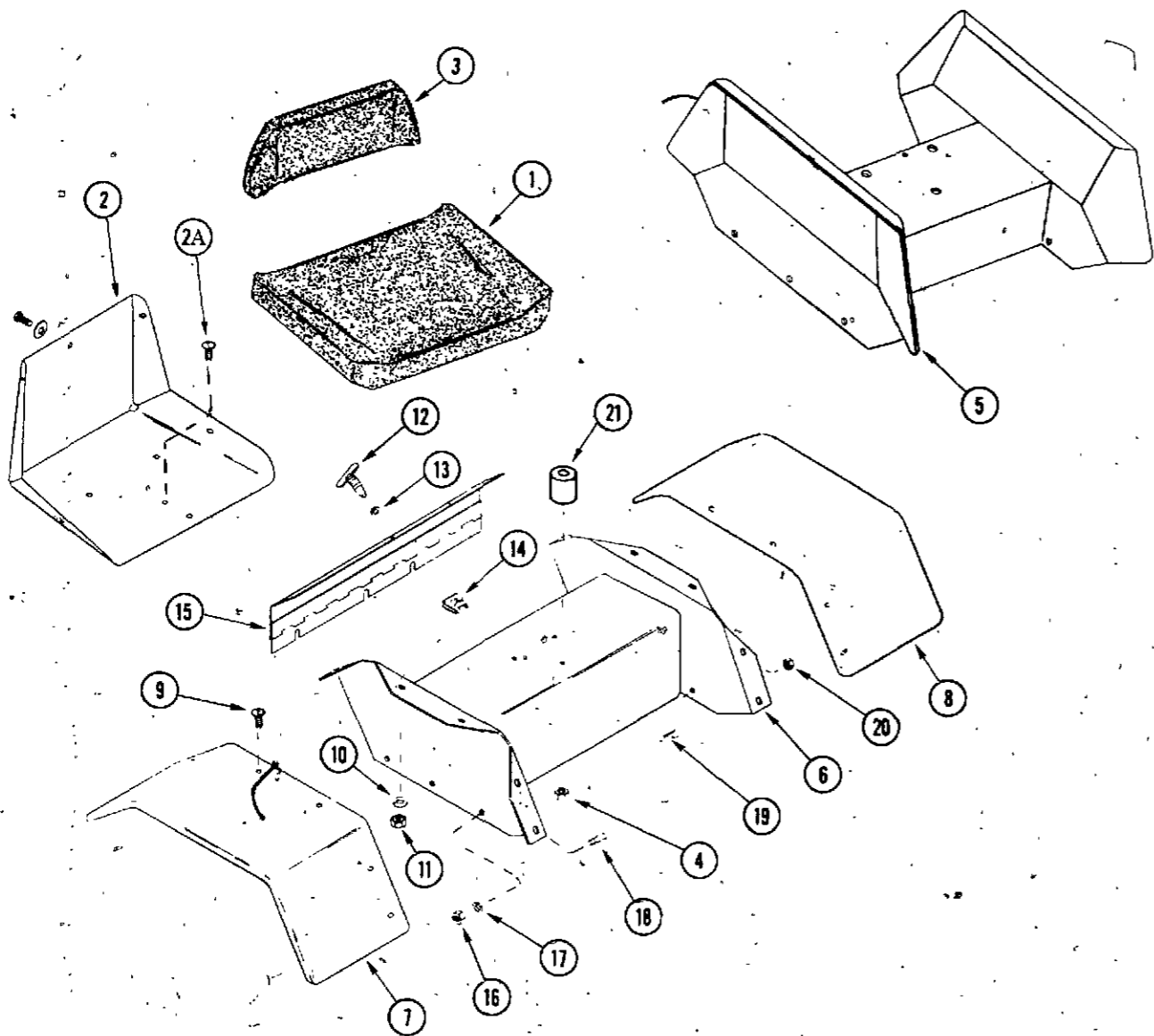


150 HYDRAULIC DRIVE MOTOR

REF. PART NO.	DESCRIPTION	REQ'D
1 C 10271	MOTOR - hydraulic drive (150)	1
2* NSS	OIL SEAL - mtg. plate (See ref. 21)	1
3 A 72028	PLATE - mounting	1
4 166- 23	CAPSCREW - ferry 5/16" x 5/8" N.C.	4
5 193- 29	LOCKWASHER - int. shakeproof 5/16"	4
6 138- 134	PIN - roll 1/4" x 1"	4
7* NSS	QUAD RING - mtg. plate (See ref. 21)	1
8* NSS	"O" RING - mtg. plate to hsg. (See ref. 21) Case A17528	1
9 A 72030	RACE - output shaft bearing	1
10 A 72031	BEARING - thrust, output shaft thrust	2
12 C 11645	SHAFT AND HOUSING	1
13 A 72034	PLUG - housing	1
14* NSS	"O" RING - hsg. plug (See ref. 21)	1
15 A 72027	COUPLING - drive	1
16 A 72026	PLATE - spacer	1
17 A 72025	GEROTOR SET (1-1/4" thick)	1
18 A 72051	SPACER - cplg. drive (3/4" thick)	1
19 A 72024	CAP - end	1
20 166- 531	CAPSCREW - ferry 5/16" x 2-1/2" N.F.	7
21 A 72036	KIT - "O" ring and seal (incl. items marked w/*)	1

190 HYDRAULIC DRIVE MOTOR

25 C 10270	MOTOR - hydraulic drive (190)	1
26* NSS	OIL SEAL - mtg. plate (See ref. 45)	1
27 A 72028	PLATE - mounting	1
28 166- 23	CAPSCREW - ferry 5/16" x 5/8" N.C.	4
29 193- 29	LOCKWASHER - int. shakeproof 5/16"	4
30 138- 134	PIN - roll, 1/4" x 1"	4
31* NSS	QUAD RING - mtg. plate (See ref. 45)	1
32* NSS	"O" RING - (See ref. 45)	1
33 A 72030	RACE - output shaft bearing	1
34 A 72031	BEARING - thrust, output shaft	2
36 C 11645	SHAFT AND HOUSING	1
37 A 72034	PLUG - housing	1
38* NSS	"O" RING - housing plug (See ref. 45)	1
39 A 72027	COUPLING - drive	1
40 A 72026	PLATE - spacer	1
41 A 72112	GEROTOR SET (2" thick)	1
42 A 72113	SPACER - cplg. drv. (1-1/2" thick)	1
43 A 72024	CAP - end	1
44 166- 532	CAPSCREW - ferry, 5/16" x 3-1/4" N.F.	7
45 A 72036	KIT - "O" ring and seal (incl. item marked w/*)	1

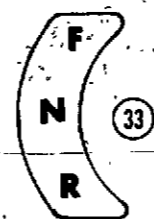
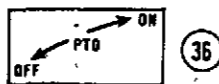
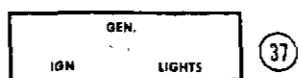


SEAT, FENDERS AND TOOL BOX

REF. PART NO.	DESCRIPTION	REQ'D.
	SEAT ASSEMBLY	1
1 C 11636	CUSHION - seat	1
2 C 11637	PAN - seat	1
2A 111- 207	BOLT - Rd. Hd. Short Sq. Neck, 5/16" x 2" N.C.	3
3 C 11635	CUSHION - back	1
4 131- 351	NUT - 5/16"-18 N.C.	3
5 C 10429	SUPPORT - seat (190)	1
6 C 10380	SUPPORT - seat (150)	1
7 C 10393	FENDER - right hand (150)	1
8 C 10394	FENDER - left hand (150)	1
9 175- 400	SCREW - 1/4"-20 x 1/2" truss head	10
10 192- 19	LOCKWASHER - 1/4" SAE, plated	10
11 129- 101	NUT - 1/4"-20 N.C., fl. head	10
12 C 10423	STUD - tool box latch	1
13 C 10489	WASHER - stud retainer	1
14 C 10490	RECEPTACLE - stud clip-on	1
15 C 10424	DOOR - tool box	1
16 129- 102	NUT - 5/8"-18 N.C., fl. hd., plated	5
17 192- 20	LOCKWASHER - 5/16" SAE, plated	5
18 115- 103	BOLT - 5/16"-18 x 3/4" rd. hd., plated	5
19 115- 104	BOLT - 5/16"-18 x 1/2" rd. hd., plated	1
20 131- 176	NUT - 5/16"-18 N.C. Gripco, plated	1
21 C 10433	MOUNTS - seat	3

DECALS

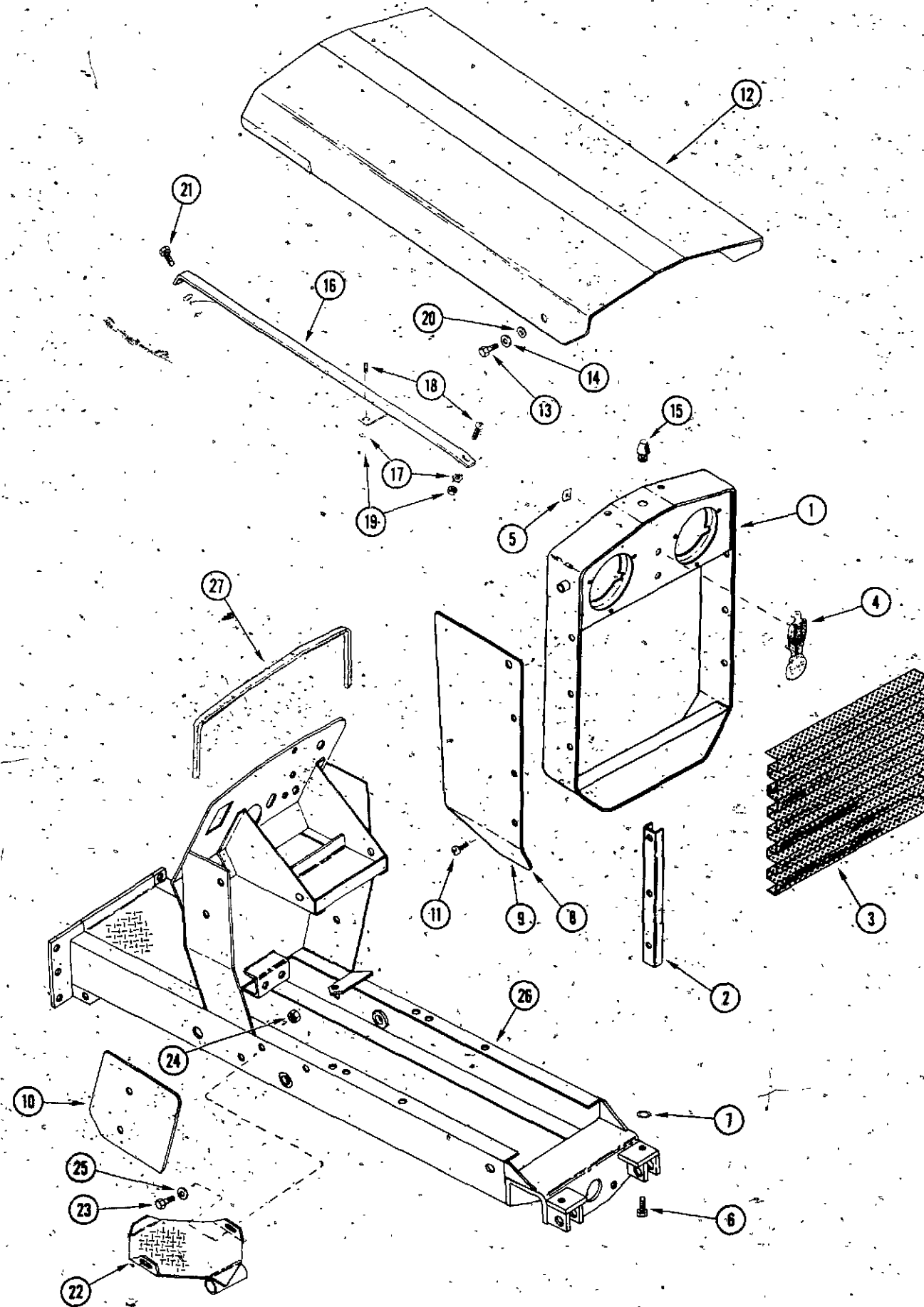
28 321- 846	DECAL - right hand hood CASE	1
29 321- 847	DECAL - left hand hood CASE	1
30 C 10931	DECAL - Model 150	1
31 C 10932	DECAL - Model 190	1
32 A 70231	DECAL - transmission	1
33 C 11663	DECAL - FWD - NEUTRAL - REVERSE	1
34 A 70233	DECAL - Hi-Lo shift	1
35 C 11661	DECAL - BRAKE - INST. CAUTION	1
36 C 10936	DECAL - PTO - OFF - ON	1
37 C 11647	DECAL - ignition - generator - lights	1



28 29

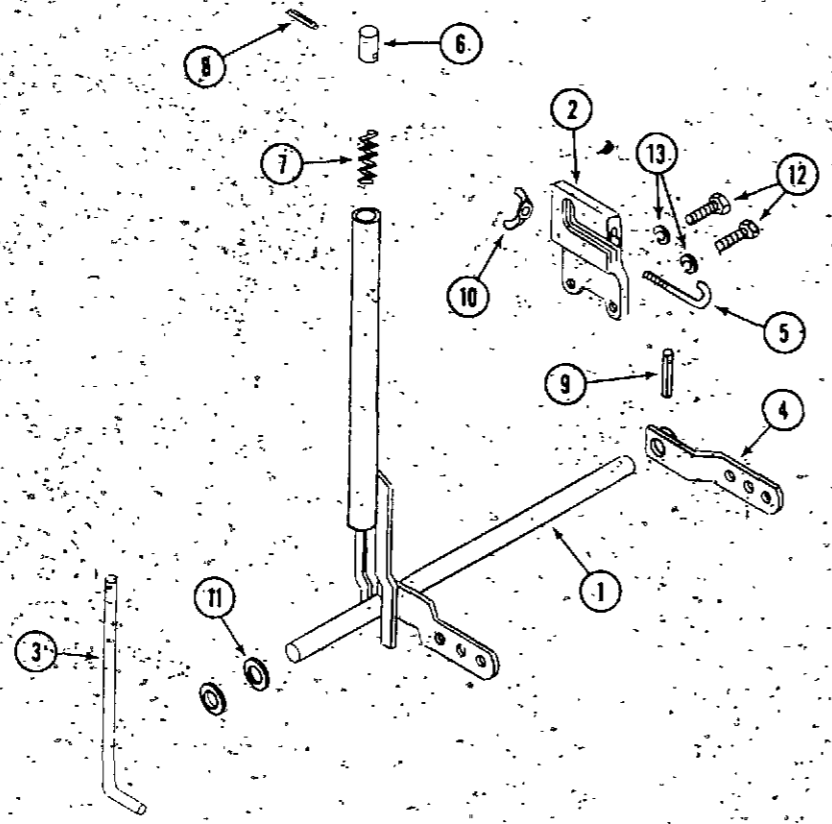
CASE

HOOD, FRAME AND GRILLE



REF. PART NO.	DESCRIPTION	REQ'D
1 C 11295	GRILLE	1
2 C 10349	BRACKET - grille mounting	2
3 C 10413	PANEL - grille	1
4 C 10935	DÉCAL - radiator grille	1
5 C 11582	CHANNEL - instrument panel liner	1
6 182- 509	SCREW - 5/16"-18 x 1" pan head, Phillips	2
7 193- 9	LOCKWASHER - 5/16" SAE external tooth	2
8 G 10370	PANEL - front, side, right hand	1
9 C 10371	PANEL - front, side, left hand	1
10 C 10408	PANEL - rear, side	2
11 C 10596	SCREW - #10 Phillips pan head	10
12 C 10360	HOOD	1
13 C 10361	SCREW - 1/4"-20 x 1/2", lock, plated	2
14 C 11533	SPACER - nylon	2
15 C 10439	CUSHION - rubber, hood	1
16 C 10483	BRACKET - fuel tank mounting	1
17 193- 8	WASHER - 1/4" shakeproof	3
18 173- 207	SCREW - 1/4" x 5/8" rd. hd. machine	3
19 25- 104	NUT - 1/4" N.C., zinc plated	1
20 C 11534	BUSHING	2
21 113- 3	BOLT - 1/4"-20 x 3/4" plated	1
22 C 10283	FOOTPAD	2
23 15- 514	BOLT - 5/16" x 7/8" N.C., rd. hd.	2
24 25- 105	NUT - 5/16"	2
25 92- 5	LOCKWASHER - 5/16" SAE	2
26 C 11016	FRAME - instrument panel	1
27 C 11582	CHANNEL - instrument panel liner	1

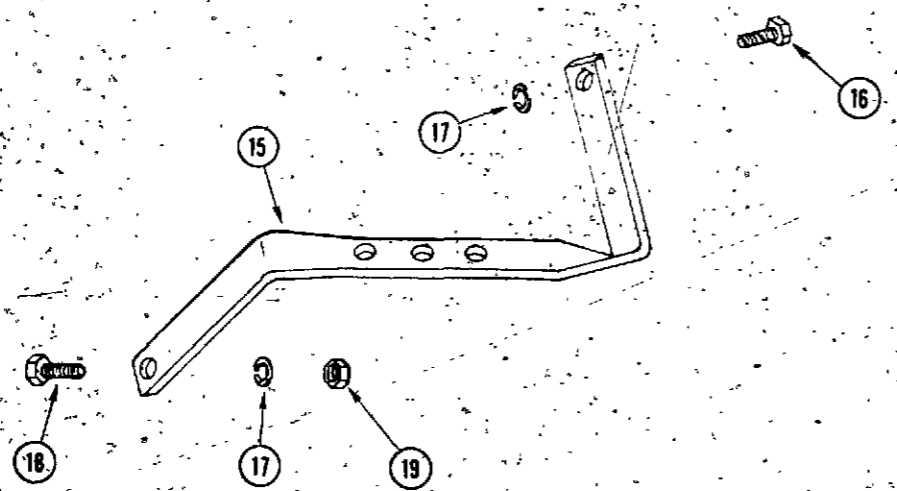
IMPLEMENT LIFT



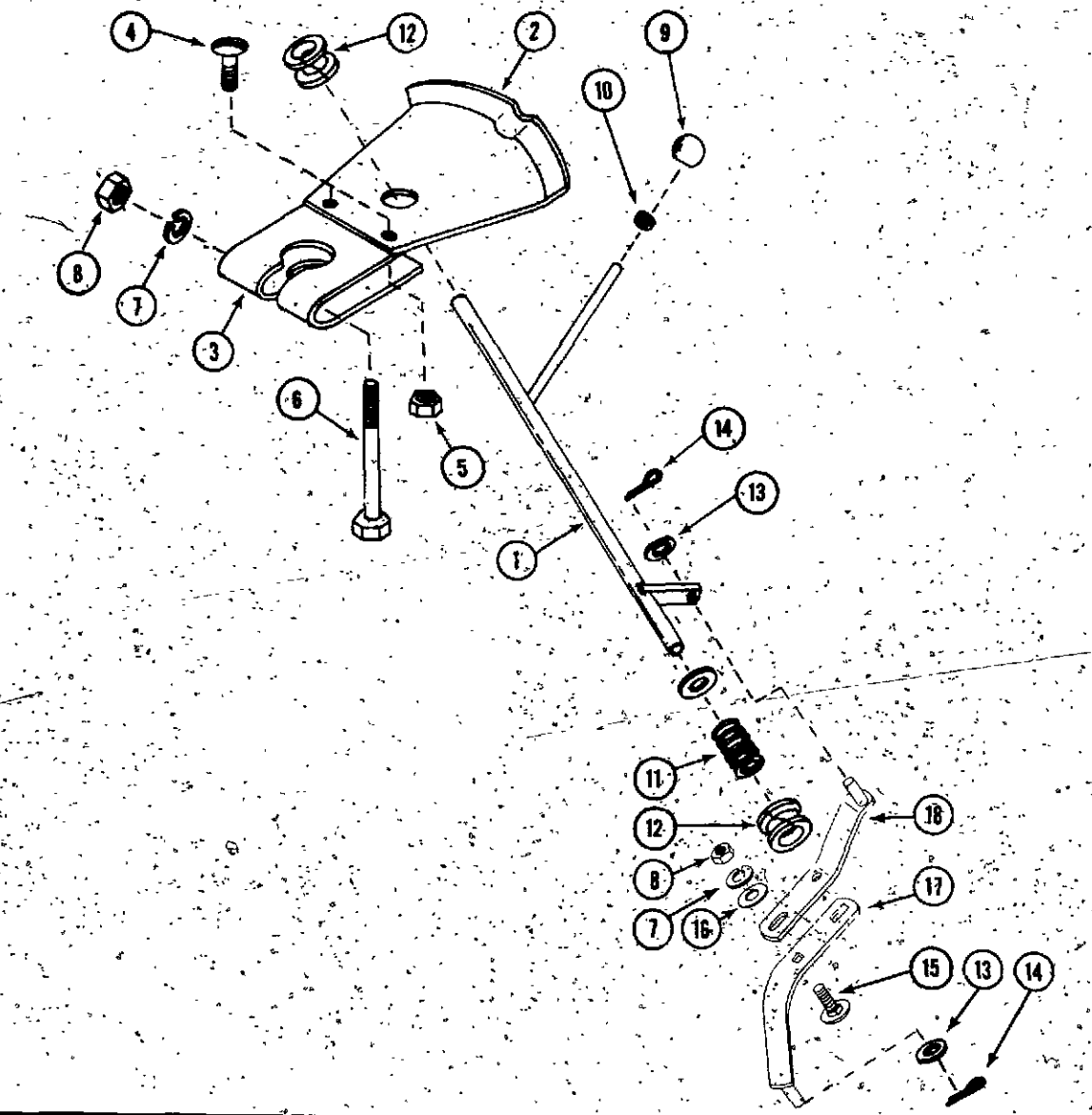
REF.	PART NO.	DESCRIPTION	REQ'D
1	C 10343	LEVER - implement lift	1
2	C 10336	PAD - lift lever	1
3	C 10338	ROD - lift lever	1
4	C 10342	LEVER - pivot	1
5	C 10347	ROD - depth adjusting	1
6	C 10356	BUTTON - thumb	1
7	C 10482	SPRING, compression	1
8	C 10485	PIN - spiral, 1/8" x 3/4"	1
9	138- 2033	PIN - spiral, 1/4" x 1-1/4"	1
10	129- 410	NUT - wing	1
11	195- 45	WASHER - 13/16 SAE, plain	1
12	15- 612	BOLT - 3/8"-16 x 3/4" N.C. hex head	2
13	92- 6	LOCKWASHER - 3/8" SAE	2

DRAWBAR AND TOW HITCH

15	C 10449	DRAWBAR - hitch	1
16	15- 816	BOLT - 1/2"-13 N.C. x 1"	1
17	92- 8	LOCKWASHER - 1/2" SAE	2
18	15- 824	BOLT - 1/2"-13 N.C. x 2-1/4"	1
19	25- 108	NUT - 1/2"-13 N.C., hex	1



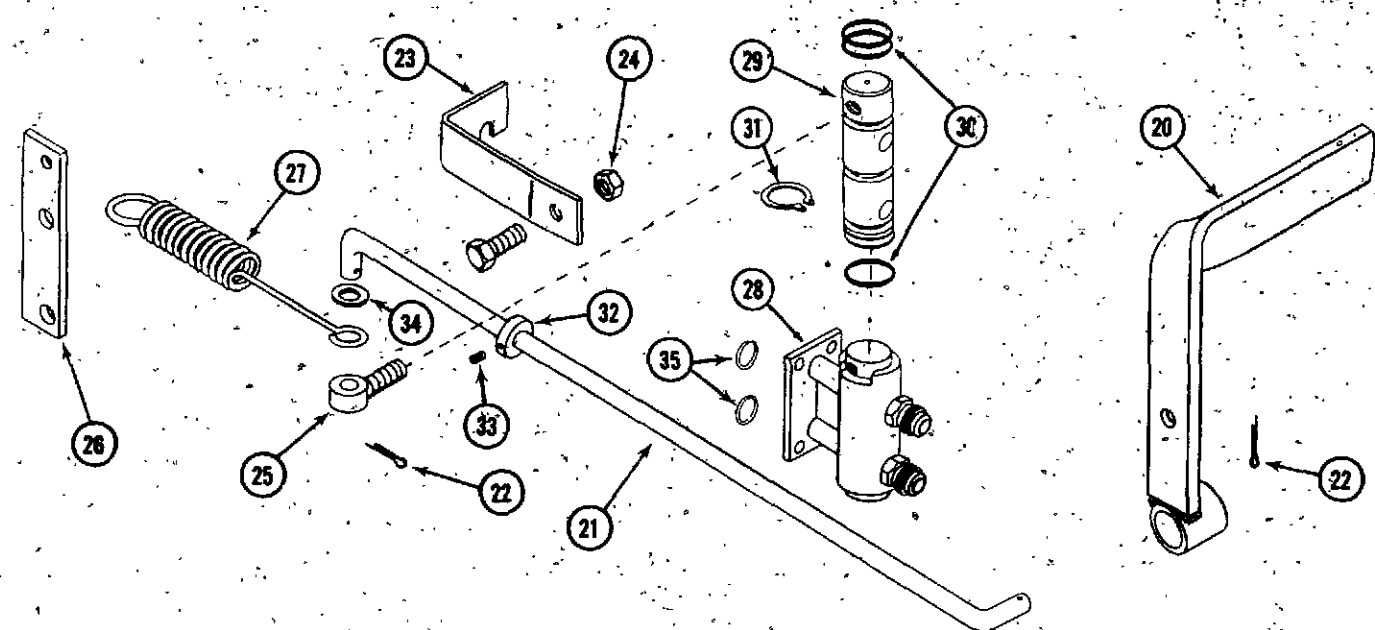
SPEED CONTROL



REF. PART NO.	DESCRIPTION	REQ'D
1 C 10755	CONTROL - lever	1
2 C 11231	QUADRANT - speed control	1
3 C 11230	CLAMP - quadrant	1
4 115- 1	SCREW - 1/4"-20 x 1 1/2", plated	2
5 131- 350	NUT - 1/4"-20 N.C., self-locking	2
6 15- 528	BOLT - 5/16"-18 x 2-3/4" hex.	1
7 92- 5	LOCKWASHER - 5/16" SAE	3
8 25- 105	NUT - 5-1/6"-18 N.C., hex.	3
9 C 10562	KNOB - speed control lever	1
10 C 10565	RING - star	1
11 C 10538	SPRING - compression	1
12 C 10571	NYLINER - 1/2" I.D. x 9/16" O.D.	2
13 195- 102	WASHER - 1/4" SAE, plain	2
14 132- 26	PIN - cotter, 3/32" x 1/2"	2
15 12- 516	BOLT - rd. hd, square neck, 5/16"-18 x 1"	2
16 95- 5	WASHER - 5/16" plain	2
17 C 11588*	LINK - weldment	1
18 C 11588*	LINK - speed control	1

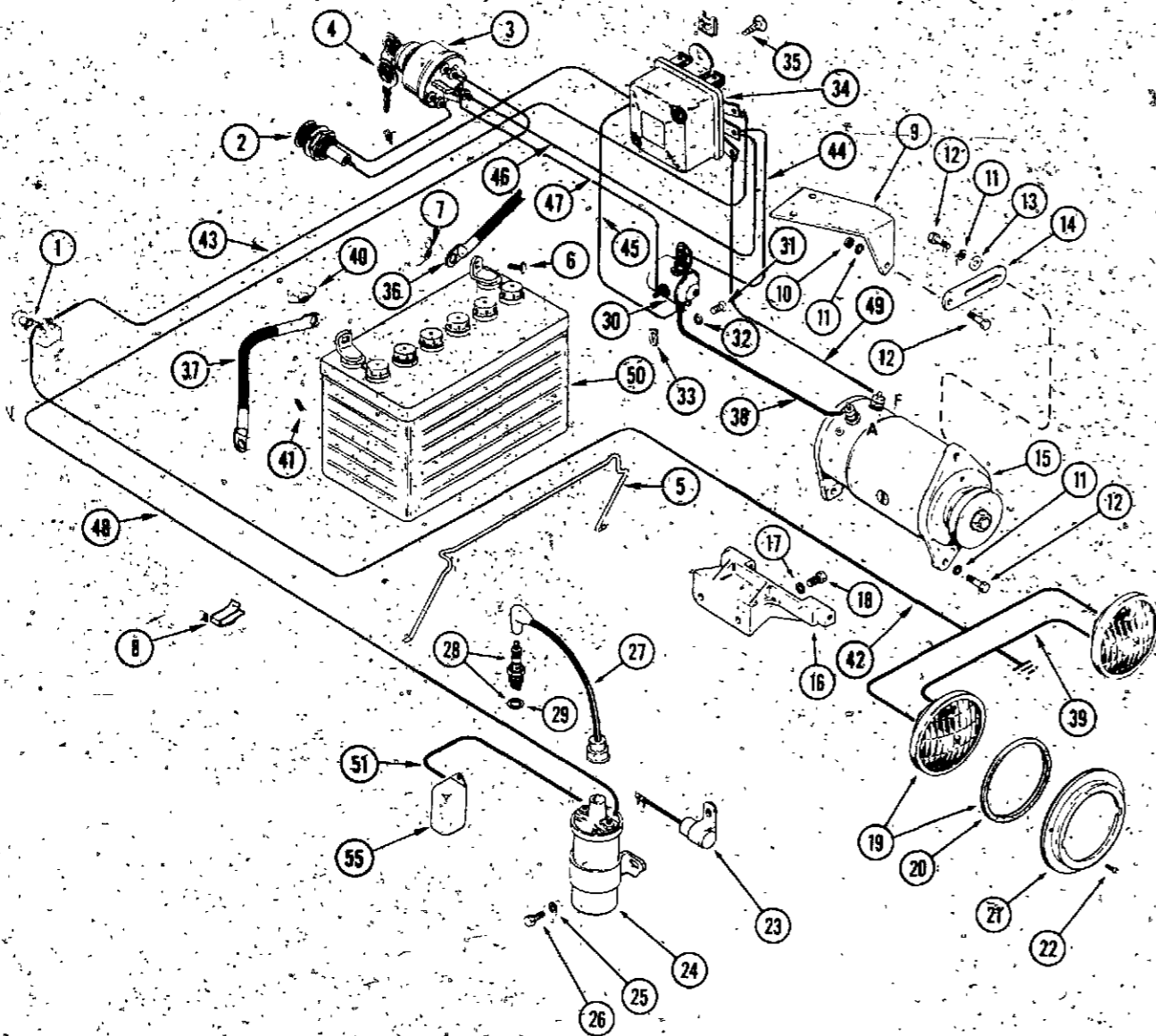
* The two piece control link, as illustrated, replaces all previous types.

BRAKE



20 C 10309	PEDAL - brake	1
21 C 10991	ROD - brake-lock	1
22 132- 26	PIN - cotter, 3/32" x 3/4"	2
23 C 11620	LEVER - brake lock	1
24 131- 352	NUT - 3/8"-16, self-locking	1
25 C 10467	ROD-EYE	1
26 C 11531	ANCHOR, spring	1
27 C 11523	SPRING, extension	1
28 C 10528	VALVE - park and brake	1
29 NSS	SPOOL	1
30 F 62075	"O" RING	3
31 B 18208	SNAP RING	1
32 C 11791	STOP - brake rod	1
33 178- 26	SCREW - set, 1/4" x 3/8" N.C. Cone Pt.	1
34 C 11475	WASHER - spring	1
35 A 27410	"O" RING - brake valve to hydraulic motor	2

ELECTRICAL WIRING AND HARDWARE



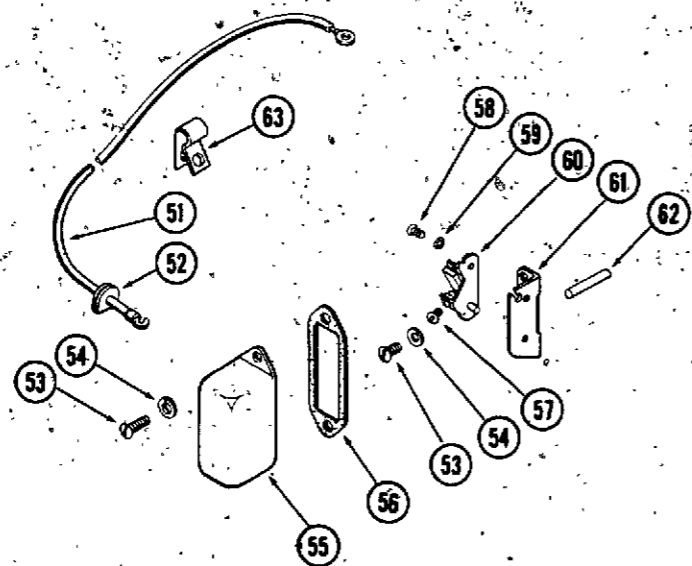
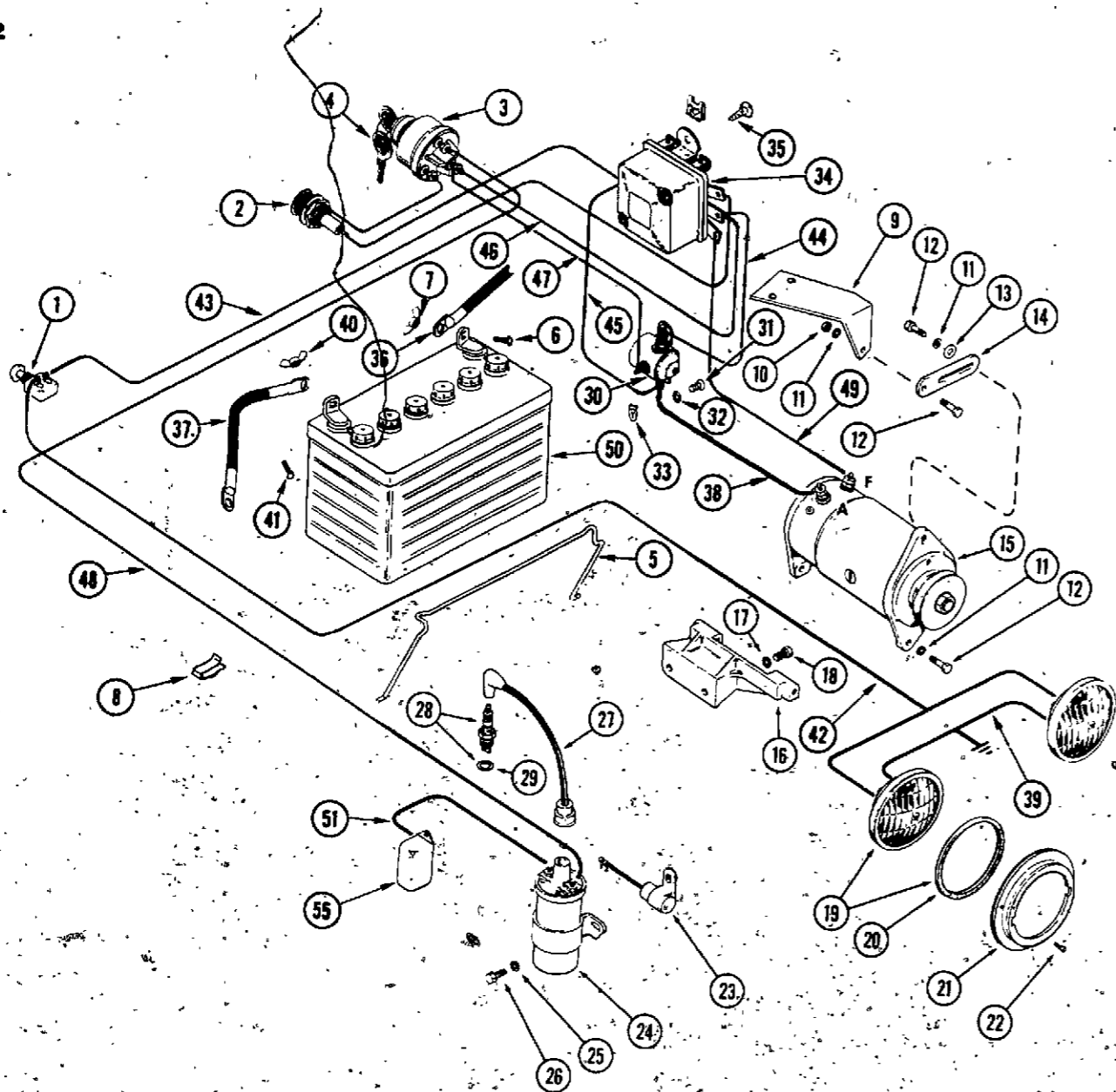
REF. PART NO.	DESCRIPTION	REQ'D
1 C 10474	SWITCH - light	1
2 C 10397	LIGHT - generator indicator (with leads)	1
3* C 10450	SWITCH - ignition (incl. key and nut) (Keys not furnished - must be made locally)	1
3** A 11373	SWITCH - ignition (incl. key and nut)	1
4 A 20346	KEY - ignition switch (for A11373 only)	2
5 C 10549	HOLD-DOWN - battery	1
6 C 10461	BOLT - carriage, battery positive	1
7 129- 419	NUT - wing, battery positive	1
8 C 10472	CLIP - wire holder	2
9 KO 235197	SUPPORT - starter generator adj. bracket	1
10 25- 105	NUT - 5/16" N. C. hex plated	2
11 92- 5	LOCKWASHER - 5/16" plated	4
12 13- 516	BOLT - 5/16" x 1" N.C. hex hd. plated	4
13 95- 5	WASHER - 5/16" plain plated	1
14 KO 235203	BRACKET - adjusting, starter generator	1
15 A 70202	STARTER-GENERATOR - Delco No. 1101970	1
16 KO 235198	SUPPORT - starter, generator	1
17 192- 21	LOCKWASHER - 3/8" plated	2
18 113- 221	BOLT - 3/8" x 7/8" N.C. hex hd. plated	2
19 A 11280	HEADLAMP - 12 volt	2
20 A 11276	GASKET - retainer ring	2
21 A 11275	RING - headlamp retainer	2
22 187- 1008	SCREW - #6 x 1/2" pan hd. self-tapping	6
23 KO 230722	CONDENSER	1
24 KO 231281	COIL - ignition	1
25 192- 19	LOCKWASHER - 1/4" plated	2
26 113- 1	BOLT - 1/4" x 1/2" N.C. hex hd. plated	2
27 KOA235095	CABLE - hi-tension	1
28 M 20007	SPARK PLUG - (includes gasket)	1
29 A 27251	GASKET - spark plug	1
30 A 21481	SOLENOID - starting	1
31 113- 101	BOLT - 5/16" x 1/2" UN hex hd. plated	2
32 192- 20	WASHER - 5/16" plated	2
33 C 10836	NUT - speed type "U"	4

* Used on Model 190 tractor with serial nos. 9605701 to 9605751 and again beginning with serial no. 9605964 and up.

** Used on Model 150 tractor with serial nos. 9607001 to 9607099 and again beginning with serial no. 9607394 and up.

*** Used on Model 190 tractor with serial nos. 9605751 through 9605964.

**** Used on Model 150 tractor with serial nos. 9607099 through 9605964.



ELECTRICAL WIRING AND HARDWARE

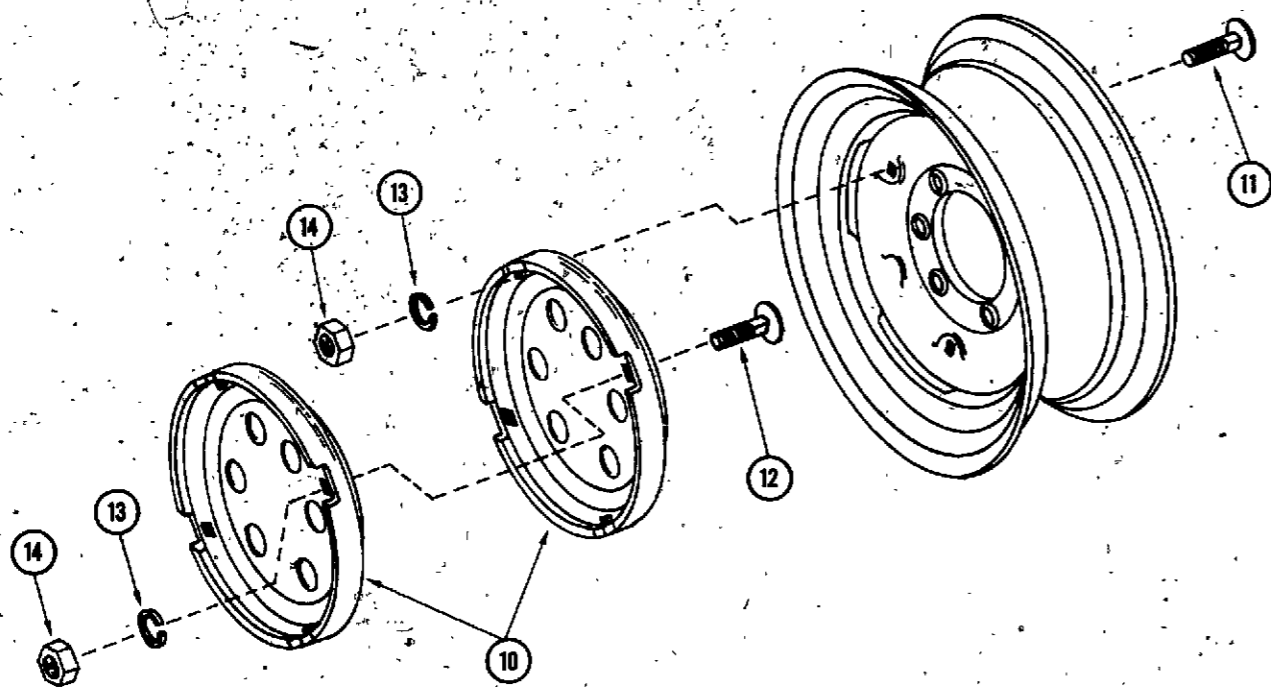
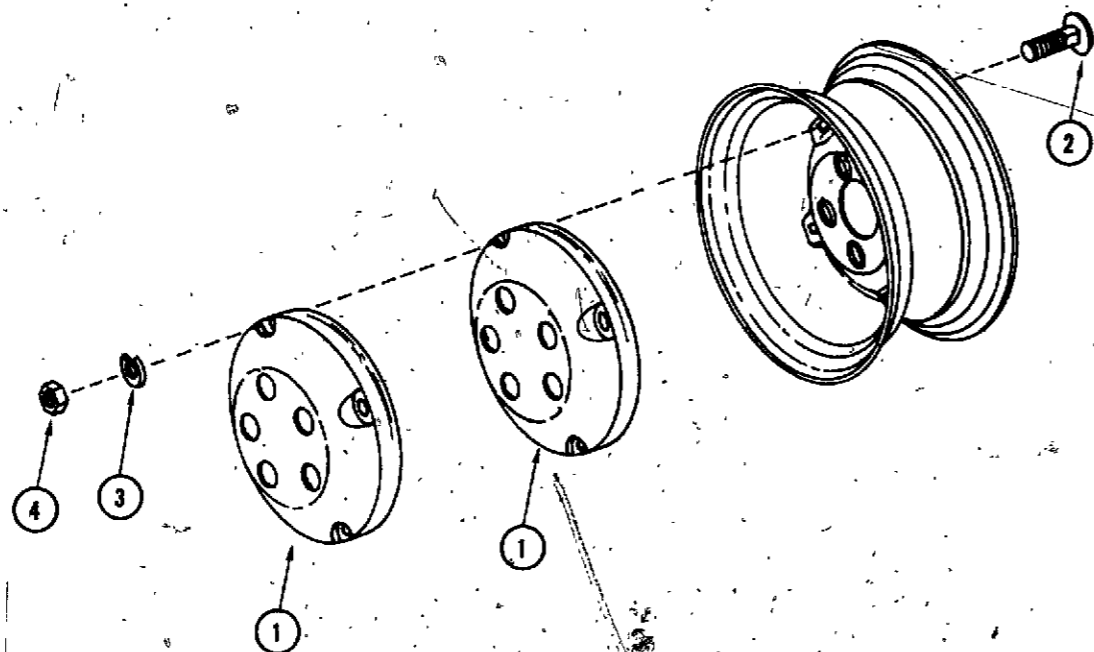
REF. PART NO.	DESCRIPTION	REQ'D
34 A 70221	REGULATOR - voltage Delco No. 1118988	1
35 187- 131	SCREW - 10" x 1/2", self-tapping flat head	2
36 C 10470	CABLE - battery - positive to solenoid	1
37 C 10473	CABLE - battery - negative to ground	1
38 C 10471	CABLE - solenoid to starter-generator	1
39 C 10985	WIRE ASSY - headlight to ground	1
40 129- 409	NUT - wing, battery negative	1
41 C 10469	BOLT - carriage, battery negative	1
42 C 10588	WIRE - switch to headlights, 40" black	1
43 C 10587	WIRE - regulator to light switch, 10" yellow	1
44 C 10590	WIRE - regulator to solenoid, 4-3/4" black	1
45 C 10586	WIRE - regulator ground to solenoid, 7-1/4" white	1
46 C 10589	WIRE - ignition switch to regulator, 6-1/2" red	1
47 C 10591	WIRE - ignition switch to solenoid, 10" blue	1
48 C 10592	WIRE - ignition switch to coil, 36" green	1
49 C 10585	WIRE - regulator field to generator field, 22-3/4" black	1
50 M 20164	BATTERY - 12 volt	1
51 KOA231533	LEAD - breaker contact (incl. grommet)	1
52 KO 220297	GROMMET - breaker contact lead	1
53 173- 210	SCREW - #10-24 x 3/8" rd. hd., plated	4
54 192- 18	LOCKWASHER - 3/16" plated	4
55 KO 232535	COVER - breaker contact	1
56 KO 220174	GASKET - cover, breaker contact	1
57 187- 408	SCREW - terminal, #6-32 x 3/8" self-tapping	1
58 173- 224	SCREW - breaker contact mtg. #8 x 1/4" N.C. rd. hd.	1
59 193- 5	LOCKWASHER - #8 internal shakeproof	1
60 KO 220475	POINT SET - breaker contact	1
61 KO 220476	BRACKET - mounting breaker contacts	1
62 KOX 389-1	ROD - breaker contact push	1
63 KO 275303	CLIP - breaker contact wire	1

D8 WHEEL WEIGHTS - MODEL 150

REF. PART NO.	DESCRIPTION	REQ'D
1 NSS	WEIGHT - wheel, 12" (order as machinery item)	4
2 C 10860	BOLT - carriage, 1/2" x 3-3/4"	8
3 92- 8	LOCKWASHER - 1/2" SAE std.	8
4 129- 105	NUT - FHNUNC 1/2"-13	8

D10 WHEEL WEIGHTS - MODEL 190

REF. PART NO.	DESCRIPTION	REQ'D
10 NSS	WEIGHT - wheel, 15" & 16" (order as machinery item)	4
11 11- 840	BOLT - carriage, 1/2"-13 x 2-1/2"	4
12 11- 844	BOLT - carriage, 1/2"-13 x 2-3/4"	4
13 92- 8	LOCKWASHER - 1/2" SAE std.	8
14 129- 105	NUT - FHNUNC 1/2"-13	8



NUMERICAL INDEX

PART NO.	PAGE NO.	REF. NO.	PART NO.	PAGE NO.	REF. NO.	PART NO.	PAGE NO.	REF. NO.
			A 72005	39	7	A 72071	37	8
			A 72007	39	13	A 72072	37	23
			A 72010	27	23	A 72073	19	11
			A 72011	27	13	A 72073	21	11
A			A 72012	27	14	A 72074	21	20
A			A 72013	27	20	A 72075	21	31
A			A 72014	27	17	A 72076	21	16
A			A 72015	27	19	A 72077	21	15
A			A 72017	27	22	A 72078	21	24
A			A 72018	27	25	A 72079	21	23
A			A 72020	27	26	A 72080	21	27
A			A 72021	27	24	A 72081	21	25
A			A 72022	27	21	A 72082	21	26
A			A 72024	41	19	A 72083	21	29
A			A 72024	41	43	A 72084	21	28
A			A 72025	41	17	A 72085	21	17
A			A 72026	41	16	A 72086	21	21
A			A 72026	41	40	A 72087	21	32
A			A 72027	41	15	A 72088	21	36
A			A 72027	41	39	A 72089	21	37
A			A 72028	41	3	A 72090	21	35
A			A 72028	41	27	A 72091	21	19
A			A 72030	41	9	A 72092	21	40
A			A 72030	41	33	A 72093	21	41
A			A 72031	41	10	A 72094	21	39
A			A 72031	41	34	A 72095	21	44
A			A 72034	41	13	A 72096	21	43
A			A 72034	41	37	A 72097	21	38
A			A 72036	41	21	A 72098	21	33
A			A 72036	41	45	A 72099	21	34
A			A 72038	25	7	A 72100	13	57
A			A 72039	25	5	A 72100	15	57
A			A 72040	25	6	A 72100	19	10
A			A 72041	25	23	A 72101	21	30
A			A 72042	25	10	A 72102	21	22
A			A 72043	25	17	A 72103	21	46
A			A 72046	25	32	A 72104	25	2
A			A 72047	25	33	A 72024	41	19
A			A 72048	25	11	A 72024	41	43
A			A 72049	25	18	A 72025	41	17
A			A 72050	25	29	A 72026	41	16
A			A 72051	41	18	A 72026	41	40
A			A 72052	37	19	A 72027	41	15
A			A 72055	37	10	A 72027	41	39
A			A 72056	37	17	A 72028	41	3
A			A 72057	37	9	A 72028	41	27
A			A 72058	37	4	A 72030	41	9
A			A 72059	37	4	A 72030	41	33
A			A 72060	37	12	A 72031	41	10
A			A 72061	37	18	A 72031	41	34
A			A 72061	37	25	A 72034	41	13
A			A 72062	37	16	A 72034	41	37
A			A 72062	37	27	A 72036	41	21
A			A 72063	37	13	A 72036	41	45
A			A 72064	37	22	A 72051	41	18
A			A 72065	37	3	A 72052	37	19
A			A 72066	37	14	A 72055	37	10
A			A 72067	37	15	A 72056	37	17
A			A 72068	37	20	A 72057	37	9
A			A 72069	37	6	A 72058	37	7
A			A 72070	37	21	A 72059	37	4

NUMERICAL INDEX

PART NO.	PAGE NO.	REF. NO.	PART NO.	PAGE NO.	REF. NO.	PART NO.	PAGE NO.	REF. NO.	
A			A 72060	37	12	C	10258	35	28
A			A 72061	37	18	C	10258	39	1
A			A 72061	37	25	C	10259	36	12
A			A 72062	37	16	C	10261	33	31
A			A 72062	37	27	C	10262	35	35
A			A 72063	37	13	C	10263	31	1
A			A 72064	37	22	C	10266	35	13
A			A 72065	37	3	C	10267	35	17
A			A 72066	37	14	C	10268	35	7
A			A 72067	37	15	C	10269	35	8
A			A 72068	37	20	C	10270	35	1
A			A 72069	37	6	C	10270	41	25
A			A 72070	37	21	C	10271	35	1
A			A 72070	37	24	C	10271	41	1
A			A 72071	37	8	C	10283	45	22
A			A 72072	37	23	C	10286	33	9
A			A 72073	19	11	C	10287	33	8
A			A 72100	13	57	C	10288	33	9A
A			A 72100	15	57	C	10289	33	8A
A			A 72100	19	10	C	10291	33	14
A			A 72105	19	38	C	10292	33	40
A			A 72106	19	40	C	10293	33	16
A			A 72107	19	39	C	10294	33	4
A			A 72108	13	55	C	10295	33	5
A			A 72108	15	56	C	10296	33	28
A			A 72108	19	18	C	10298	33	39
A			A 72108	19	30	C	10299	33	18
A			A 72108	19	43	C	10300	33	19
A			A 72109	19	41	C	10301	33	20
A			A 72110	19	42	C	10302	33	26
A			A 72111	19	37	C	10303	33	22
A			A 72112	41	41	C	10309	49	20
A			A 72113	41	42	C	10311	17	15
B			18208	33	15	C	10311	23	11
B			18208	49	31	C	10312	17	16
B			51975	21	6*	C	10312	23	12
B			51977	21	4*	C	10314	31	2
B			51978	21	2*	C	10317	31	10
B			51979	21	3*	C	10336	47	2
B			51980	21	1*	C	10338	47	3
B			53256	19	21	C	10342	47	4
B			53256	21		C	10343	47	1
B			59393	13	48	C	10347	47	5
B			59393	15	48	C	10348	35	38
C			10201	33	1	C	10349	45	2
C			10208	29	28	C	10356	47	6
C			10209	29	10	C	10360	45	12
C			10215	29	29	C	10361	45	13
C			10217	29	30	C	10364	27	6
C			10235	29	13	C	10370	45	8
C			10240	29	11	C	10371	45	9
C			10241	29	12	C	10372	5	16
C			10242	33	17	C	10373	5	15
C			10243	33	38	C	10380	43	6
C			10246	29	31	C	10393	43	7
C			10247	29	4	C	10394	43	8
C			10250	29	23	C	10397	51	2
C			10252	33	36	C	10408	45	10
C			10253	33	33	C	10413	45	3
C			10254	33	30	C	10418	35	14
C			10255	33	29	C	10419	35	15
C						C	10421	43	
C						C	10423	43	12
C						C	10424	43	15
C						C	10427	17	33
C						C	10429	43	5
C						C	10433	43	21
C						C	10439	45	15
C						C	10449	47	15
C						C	10450	51	3*
C						C	10461	51	6
C						C	10465	33	34
C						C	10467	49	25
C						C	10469	53	41
C						C	10470	53	36
C						C	10471	53	38
C						C	10472	51	8
C						C	10473	53	37
C						C	10474	51	1
C						C	10479	19	1
C						C	10482	47	7
C						C	10483	19	17
C						C	10483	45	16
C						C	10485	47	8
C						C	10487	23	3
C						C	10489	43	13
C						C	10490	43	14
C						C	10492	17	1
C						C	10493	35	28
C						C	10493	39	1
C						C	10495	35	23
C						C	10500	23	15
C						C	10501	29	15
C						C	10501	29	33
C						C	10502	23	16
C						C	10503	23	17
C						C	10504	23	19
C						C	10505	23	20
C						C	10506	23	21
C						C	10507	23	22
C						C	10525	23	2
C						C	10528	35	9
C						C	10528	49	28
C						C	10534	31	6
C						C	10537	31	16
C						C	10538	49	11
C						C	10549	51	5
C						C	10552	31	7
C						C	10559	35	34
C						C	10562	49	9
C						C	10565	49	10
C						C	10569	27	1
C						C	10570	27	3
C						C	10571	49	12
C						C	10575	35	20
C						C	10576	35	21
C						C	10585	53	49
C						C	10586	53	45
C						C	10587	53	43
C						C	10588	53	42
C						C	10589	53	46
C	</								

NUMERICAL INDEX

PART NO.	PAGE NO.	REF. NO.	PART NO.	PAGE NO.	REF. NO.	PART NO.	PAGE NO.	REF. NO.
129-105	55	14	192-19	15	18	219-1	31	13
129-409	5	2	192-19	43	10	219-8	29	14
129-409	53	40	192-19	51	25	219-8	29	32
129-410	47	10	192-19	17	2	219-14	27	18
129-419	51	7	192-19	17	9	221-2	13	26
129-501	27	8	192-19	17	43	221-2	15	26
131-176	43	20	192-19	17	46	221-4	33	10
131-350	49	5	192-20	19	12	222-41	19	32
131-351	43	4	192-20	43	17	222-101	19	33
131-352	49	24	192-20	51	32	222-112	19	34
132-24	23	4	192-21	13	15	222-4021	19	36
132-26	49	14	192-21	13	24	321-846	43	28
132-26	49	22	192-21	13	32	321-847	43	29
132-47	29	7	192-21	13	39			
132-47	29	24	192-21	15	15			
132-73	29	8	192-21	15	24			
132-73	29	27	192-21	15	32			
132-73	31	9	192-21	15	39			
132-73	31	15	192-21	23	23			
132-91	33	35	192-21	29	16			
138-102	33	11	192-21	29	34			
138-134	41	6	192-21	35	33			
138-134	41	30	192-21	51	17			
138-2002	33	32	192-26	25	35			
138-2033	47	9	193-5	53	59			
141-2	23	6	193-8	45	17			
141-6	29	6	193-9	45	7			
141-6	29	25	193-29	35	6			
166-6	37	1	193-29	41	5			
166-8	37	2	193-29	41	29			
166-23	35	5	193-31	35	27			
166-23	41	4	193-52	35	37			
166-23	41	28	193-60	5				
166-531	41	20	193-60	19	29			
166-532	41	44	193-70	17	36			
166-561	35	26	195-17	23	10			
169-77	21	42	195-45	29	9			
171-209	35	36	195-45	31	8			
173-207	45	18	195-45	47	11			
173-210	53	53	195-102	49	13			
173-215	19	4	195-512	5	9			
173-224	53	58	195-515	17	8			
173-237	25	27	195-515	17	43			
175-400	43	9	195-522	23	25			
175-436	17	10	195-545	13	36			
177-131	5	7	195-545	15	36			
177-131	17	37	205-27	13	30			
178-26	49	33	205-27	15	30			
178-26	49	33	211-3	21	18			
182-509	45	6	211-9	27	28			
187-131	53	35	214-253	19	9			
187-408	53	57	217-200	19	20			
187-1008	17	29	218-445	35	18			
187-1008	51	22	218-493	35	3			
192-8	25	14	218-494	35	12			
192-17	25	15	218-1056	35	22			
192-18	5	8	218-5006	35	25			
192-18	17	54	218-5008	35	11			
192-18	25	28	218-5059	35	24			
192-18	53	54	218-5108	35	10			
192-19	13	18	219-1	31	4			

INGERSOLL

Ingersoll Equipment Co., Inc.

PARTS CATALOG NO 990

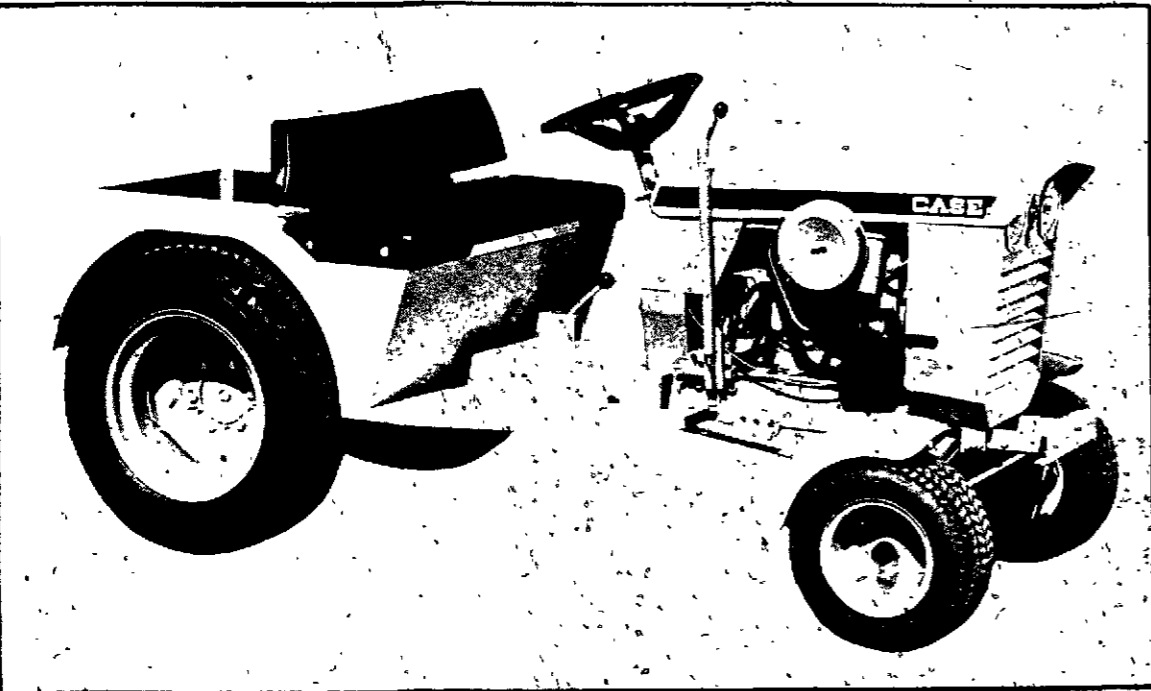
This catalog covers parts peculiar to the T-90 Utility Transporter.

Catalog No. A977 Model 150 and 190 Garden Tractors must be used to ascertain part numbers common to both machines.

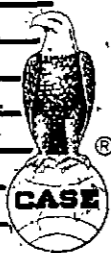


MODEL T90

UTILITY TRANSPORTER



PRICE 75¢



J. I. CASE COMPANY
Racine, Wisconsin, U.S.A.

ALPHABETICAL INDEX

	PAGE	GRID
Brake	11	F11
Drawbar and Tow Hitch	11	F11
Electrical Wiring and Hardware	13-15	F14-G2
Front Axle	3	F4
Hood, Frame and Grille	9	F10
Hydraulic Drive Motor	7	F8
Hydraulic System	3	F4
Seat, Fenders and Tool Box	7	F8
Transmission and Final Drive	5	F6

NOTE: See grid A1 for models 150, 190.

FRONT AXLE

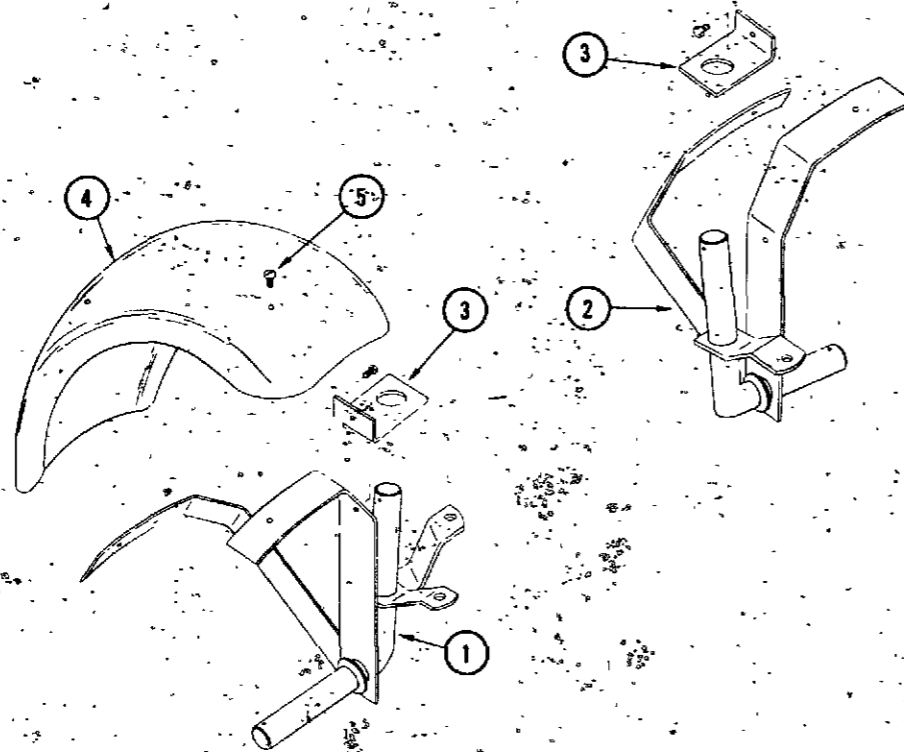
REF. PART NO.	DESCRIPTION	REQ'D
1 C 11554	SPINDLE - right hand (In place of C-10215)	1
2 C 11555	SPINDLE - left hand (In place of C-10217)	1
3 C 11556	SUPPORT - fender bracket	2
4 C 11277	FENDER - front	2
5 175-400	SCREW - truss head, 1/4-24, plated	4

(See page 29, #A977 Parts Catalog)

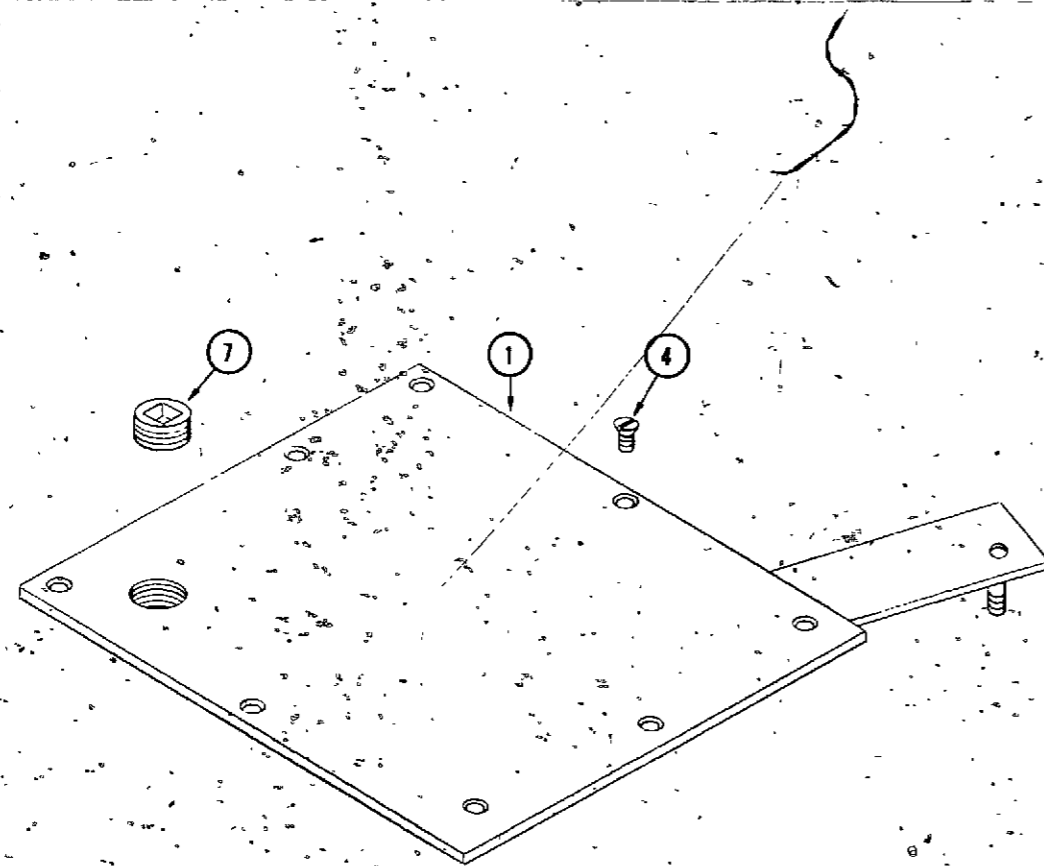
HYDRAULIC SYSTEM

C 10415	MOTOR - hydraulic (In place of C-10270)	1
C 11035	TUBE - frt. valve port to motor (In place of C-10268)	1
C 11036	TUBE - rear valve port to motor (In place of C-10269)	1
C 11037	TUBE - trans. to heat exchanger (In place of C-10267)	1
C 11038	TUBE - pump to transmission (In place of C-10575)	1

(See page 35, #A977 Parts Catalog)

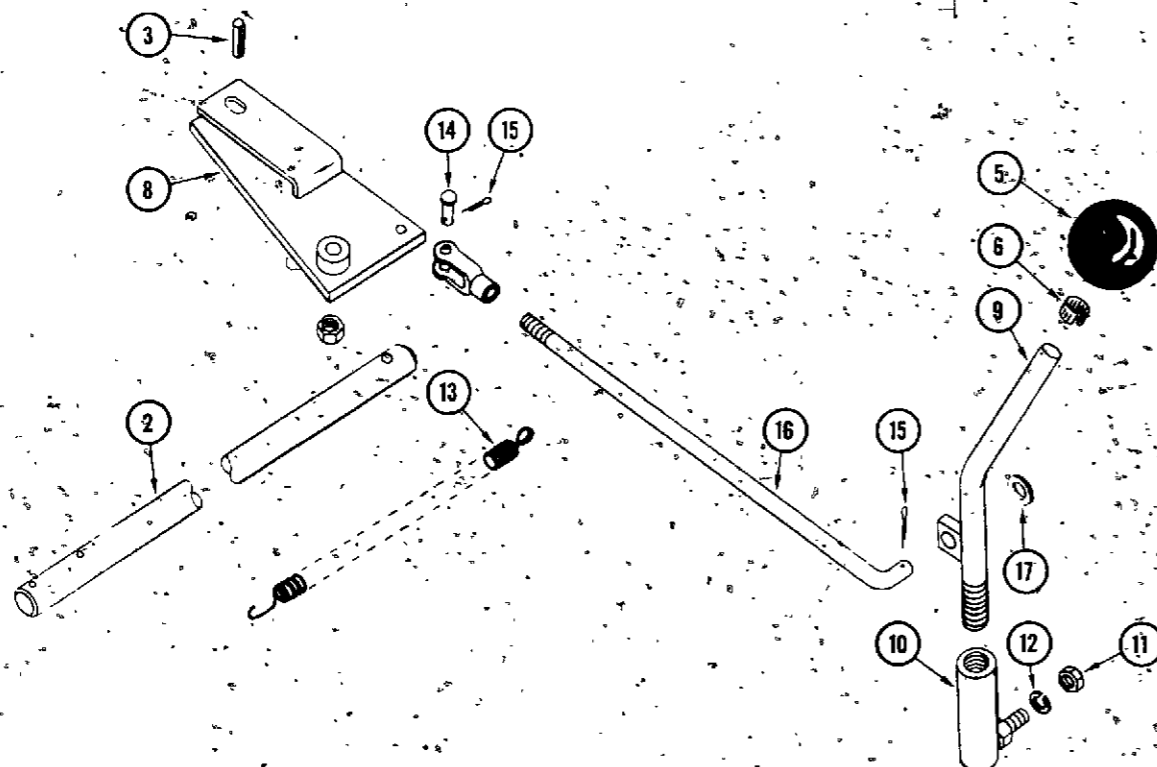


TRANSMISSION AND FINAL DRIVE



REF. PART NO.	DESCRIPTION	REQ'D
C 11562	SHAFT - axle, right hand (In place of C-10288)	1
C 11286	COVER - transmission case (In place of C-10296)	1
C 11055	LEVER - shift (In place of C-10254)	1
138- 155	PIN - roll, 5/16" x 1-1/4"	1
164- 39	CAPSCREW - 5/16"-18 x 5/8" F.H. hex socket	8
C 10562	KNOB - shift lever	1
C 10565	RING - star	1
C 11585	PLUG - special socket head, 3/4 NPT	1
C 11043	BELLCRANK	1
C 11048	LEVER - shift weldment	1
A 70055	JOINT - ball	1
25- 118	NUT - 1/2"-20 N.F.	1
92- 8	LOCKWASHER - 1/2" SAE std.	1
C 10997	SPRING - extension	1
141- 4	PIN - clevis	1
132- 26	PIN - cotter, 3/32" x 3/4"	2
C 11044	ROD - shift	1
195- 104	WASHER - 3/8" SAE plain, plated	1

(See page 33, #A977 Parts Catalog)



SEAT, FENDERS AND TOOL BOX

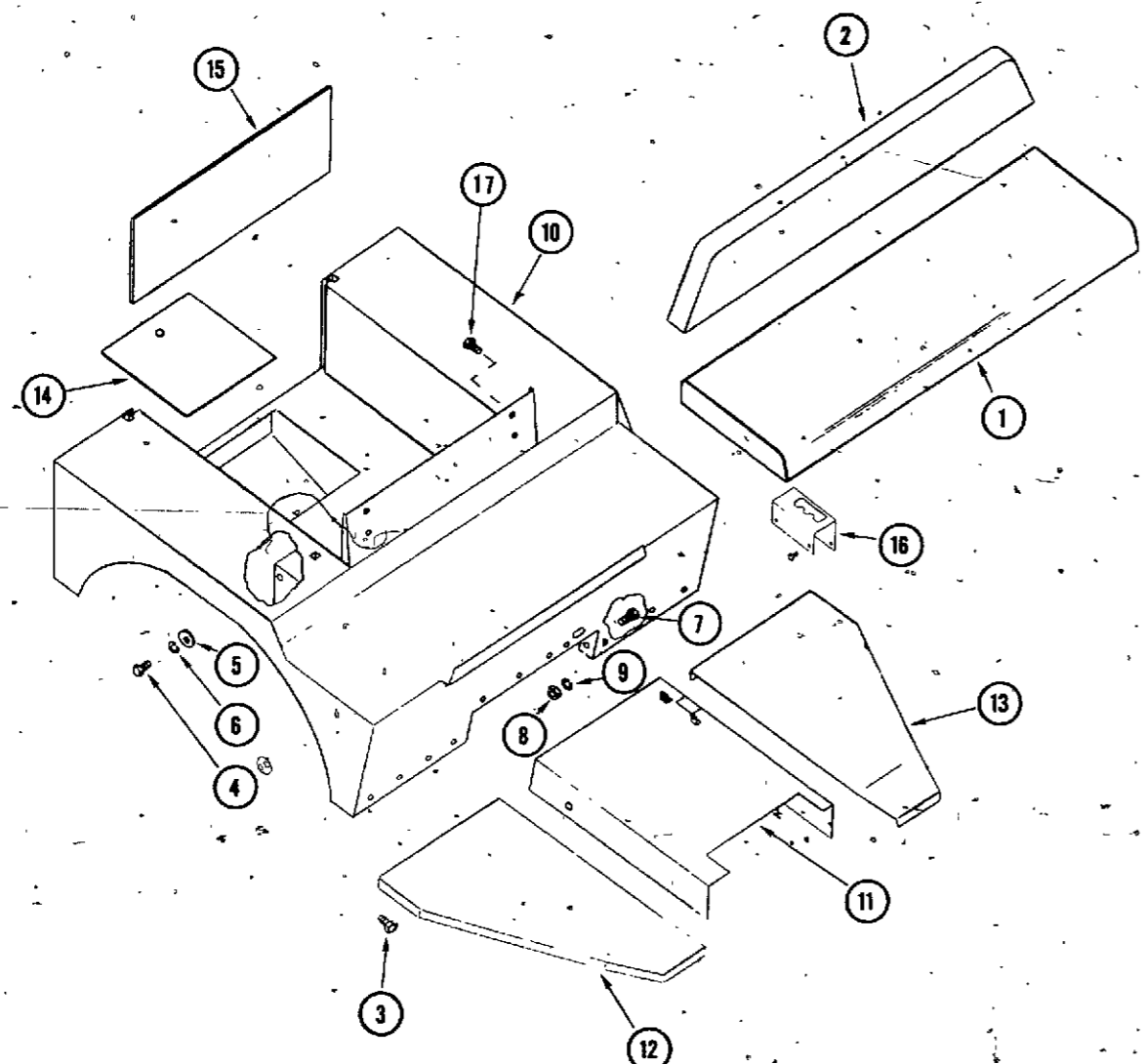
REF. PART NO.	DESCRIPTION	REQ'D
1 C 11569	CUSHION - seat	1
2 C 11570	BACK - seat	1
3 193- 517	SCREW - 1/4"-20 x 1/2" Hex Hd. w/lockwasher	26
4 113- 424	BOLT - 1/2"-18 N.C., hex hd., plated	4
5 195- 106	WASHER - flat, 1/2", plated	4
6 192- 23	LOCKWASHER - 1/2" SAE, plated	4
7 113- 207	BOLT - 3/8"-16" N.C. x 1", plated	2
8 129- 103	NUT - 3/8"-16" N.C., plated	2
9 192- 21	LOCKWASHER - 3/8" SAE plated	2
10 C 11571	BODY - rear	1
11 C 11572	COVER - center	1
12 C 11573	PAD - foot, R. H.	1
13 C 11574	PAD - foot, L. H.	1
14 C 11575	COVER - tool box	1
15 C 11576	GATE - tail assembly	1
16 C 11530	LOCATOR - gear shift	1
17 175- 400	SCREW - 1/4"-24 x 1/2" truss head, slotted	4

(See page 43, #A977 Parts Catalog)

HYDRAULIC DRIVE MOTOR

C 10415	MOTOR - hydraulic drive (In place of C-10270)	1
C 11827	GEAR SET - 1-1/2" thick (In place of A-72112)	1
C 11828	SPACER - cplg. drv., 1" thick (In place of A-72113)	1
166- 534	CAPSCREW - ferry, 5/16" x 2-3/4" N.F. (In place of 166-532)	7

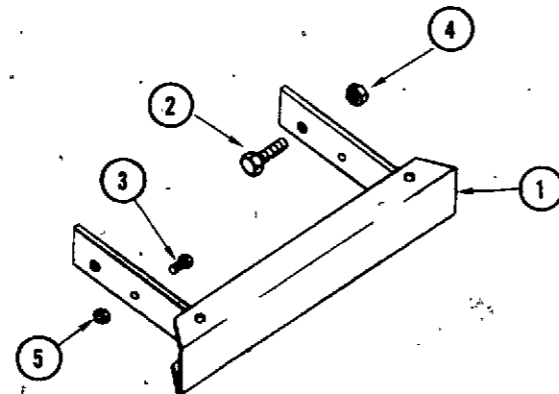
(See page 41, #A977 Parts Catalog)

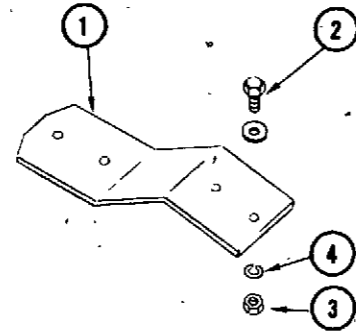


HOOD, FRAME AND GRILLE

REF. PART NO.	DESCRIPTION	REQ'D
C 11560	FRAME - (In place of C-11016)	1
1 C 11267	BUMPER ASSEMBLY	1
2 115- 507	BOLT - 5/8-11 x 2" plated	2
3 115- 204	BOLT - 3/8-16 x 1" plated	2
4 131- 387	NUT - 5/8-11 self-locking	2
5 131- 590	NUT - 3/8-16 self-locking	2

(See page 45, #A977 Parts Catalog)





CASE T-90 UTILITY TRANSPORTER

DRAWBAR AND TOW HITCH

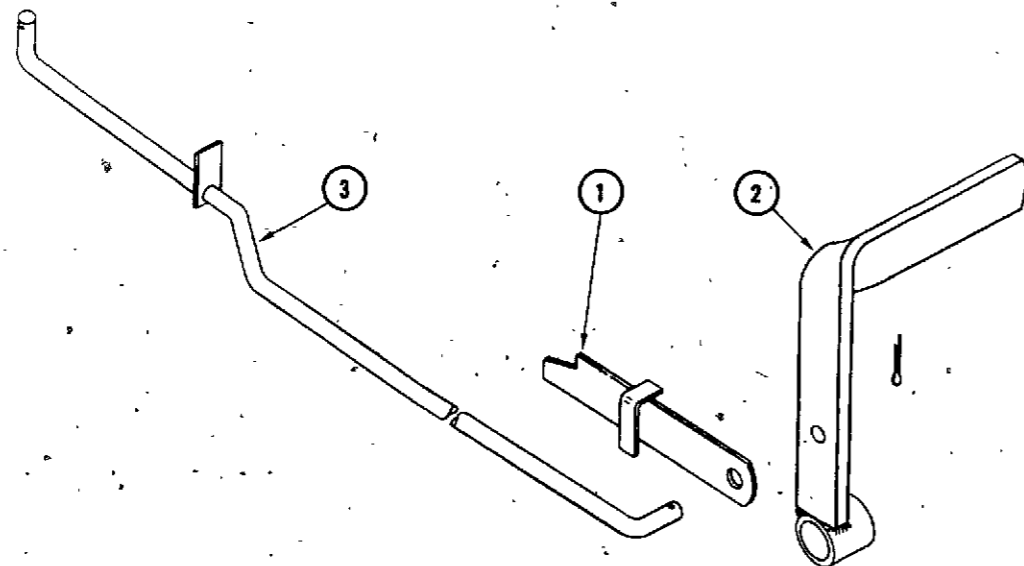
REF. PART NO.	DESCRIPTION	REQ'D
1 C 11657	DRAWBAR - hitch (In place of C10449)	1
2 113- 208	BOLT - 3/8"-16 x 1-1/4" N.C., plated	2
3 129- 103	NUT - 3/8"-16 N.C., plated	2
4 192- 21	LOCKWASHER - 3/8" SAE, plated	2

(See page 47, #A977 Parts Catalog)

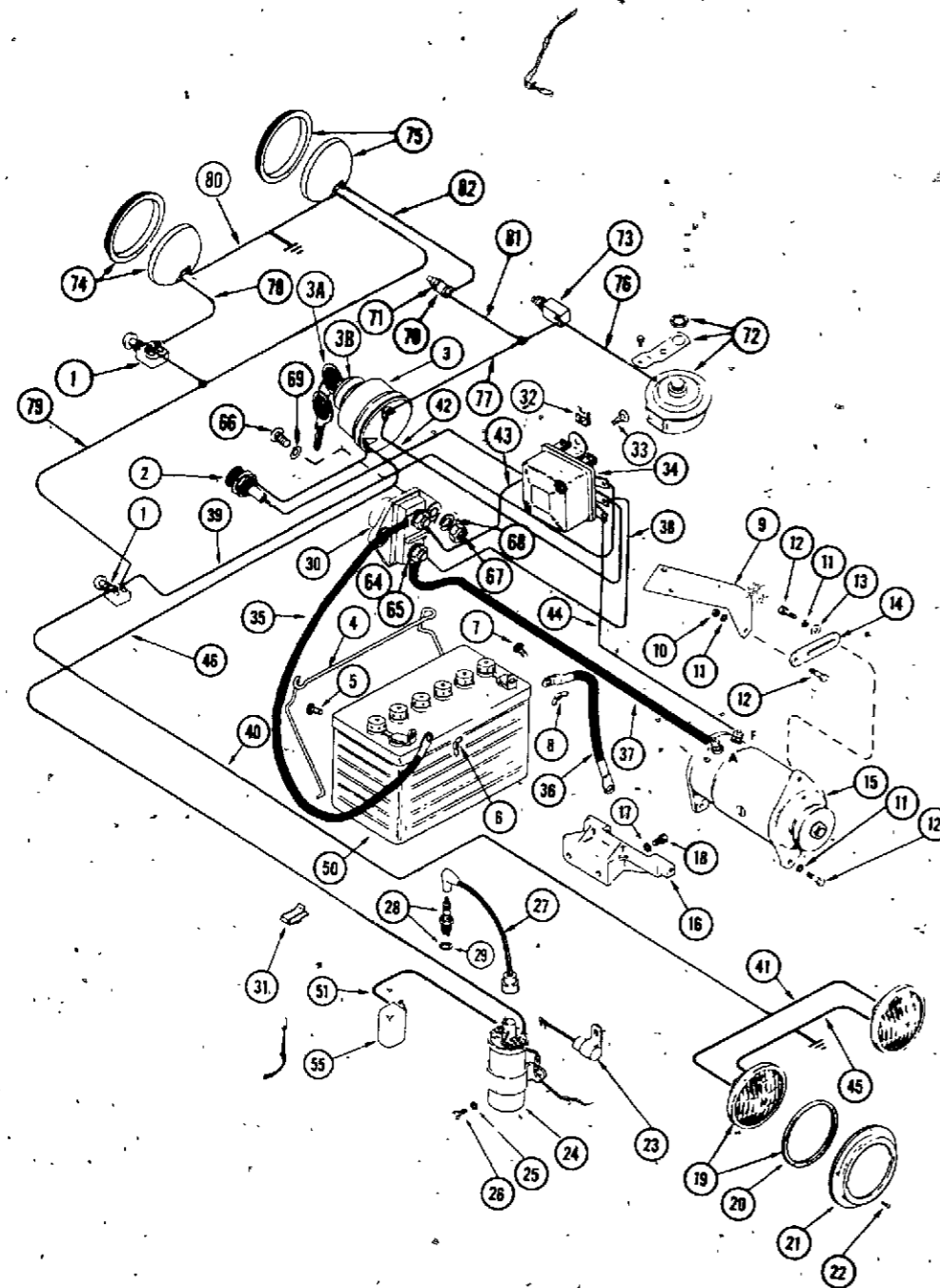
BRAKE

1 C 11551	LOCK - brake	1
2 C 11553	PEDAL - brake (In place of C-10309)	1
3 C 11559	ROD - brake	1

(See page 49, #A977 Parts Catalog)

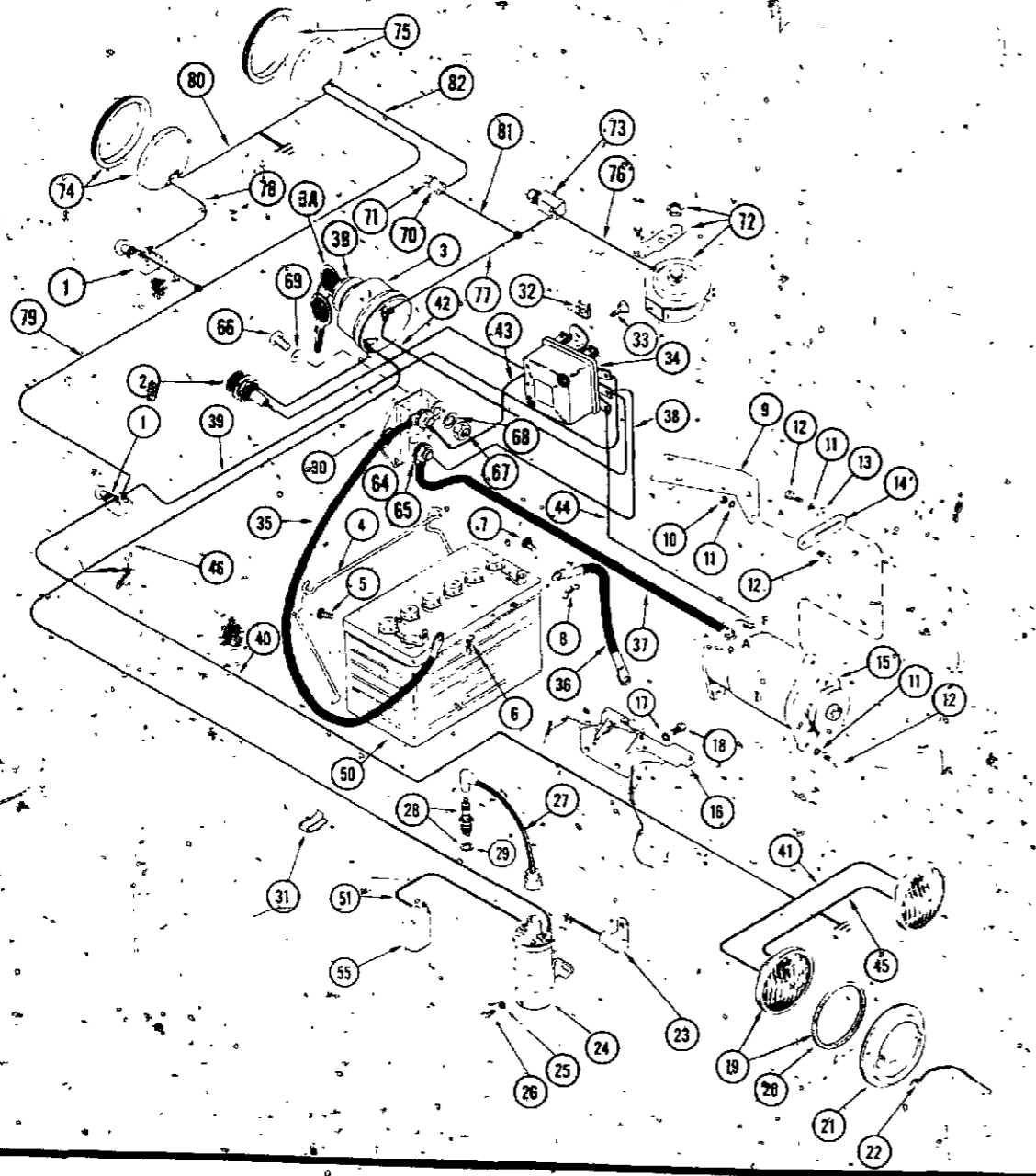


ELECTRICAL WIRING AND HARDWARE



REF. PART NO.	DESCRIPTION	REQ'D
1 C 10474	SWITCH - light	1
2 C 12209	LIGHT - generator indicator (with leads)	1
3 C 11249	SWITCH - ignition (incl. key and nut)	1
3A C 12684	KEY	2
3B C 12683	NUT - switch	1
4 C 10549	STRAP - battery hold-down	1
5 11- 512	BOLT - carriage, battery positive	1
6 129- 419	NUT - wing, battery positive	1
7 11- 412	BOLT - carriage, battery negative	1
8 129- 409	NUT - wing, battery negative	1
9 KO235197	SUPPORT - starter generator adj. bracket	1
10 129- 102	NUT - 5/16" N.C. hex plated	4
11 192- 20	LOCKWASHER - 5/16" SAE std.	5
12 113- 113	BOLT - 5/16" x 1" N.C. hex head plated	3
13 195- 520	WASHER - 5/16" SAE plain	1
14 KO235203	BRACKET - adjusting, starter generator	1
15 A 70202	STARTER-GENERATOR - Delco No. 1101970	1
16 KO235196	SUPPORT - starter generator	1
17 192- 21	LOCKWASHER - 3/8" SAE std. plated	2
18 113- 221	BOLT - 3/8" x 7/8" N.C. hex head plated	2
19 A 24572	HEADLAMP - 12 volt	2
20 A 11276	GASKET - retainer ring	2
21 A 11275	RING - headlamp retainer	2
22 187- 1008	SCREW - #6 x 1/2" pan head self-tapping	6
23 KO230722	CONDENSER	1
24 KO231281	COIL - ignition	1
25 192- 19	LOCKWASHER - 1/4" plated	2
26 113- 1	BOLT - 1/4" x 1/2" N.C. hex head plated	2
27 KOA235095	CABLE - high tension	1
28 M 20007	SPARK PLUG - (includes gasket)	1
29 A 27251	GASKET - spark plug	1
30 C 11247	SWITCH - starter	1
31 C 10472	CLIP - wire holder	2
32 C 10836	NUT - speed type "U"	2
33 187- 131	SCREW - #10 x 1/2" flat head self-tapping	2

ELECTRICAL WIRING AND HARDWARE



REF. PART NO.	DESCRIPTION	REQ'D
34 A 70221	REGULATOR - voltage, Delco No. 1118988	1
35 C 12197	CABLE - battery to starter button	1
36 C 12198	CABLE - battery to ground	1
37 C 12199	CABLE - starter button to generator	1
38 C 12193	WIRE - regulator ground to starter button, white, 12"	1
39 C 12194	WIRE - regulator to light switch, yellow, 19"	1
40 C 12269	WIRE - connector to lights, black	1
41 C 12270	WIRE - lights to connector	1
42 C 12195	WIRE - ignition switch to regulator, red, 8-3/4"	1
43 C 12196	WIRE - regulator to starter button, black, 13"	1
44 C 12192	WIRE - regulator to generator, black, 17"	1
45 C 10985	WIRE ASSEMBLY - headlight to ground	1
46 C 10592	WIRE - ignition switch to coil, green, 36"	1
50 M 20164	BATTERY - 12 volt	1
51 KOA231533	LEAD - breaker contact (includes grommet)	1
52 KO220297	GROMMET - breaker contact lead	1
53 173- 210	SCREW - #10-24 x 3/8" rd. hd. plated	4
54 192- 18	LOCKWASHER - 3/16" plated	4
55 KO232535	COVER - breaker contact	1
56 KO220174	GASKET - cover, breaker contact	1
57 187- 408	SCREW - terminal, #6-32 x 3/8" self-tapping	1
58 173- 224	SCREW - breaker contact mtg. #8 x 1/4" N.C. rd. hd.	1
59 193- 5	LOCKWASHER - #8 internal shakeproof	1
60 KO220475	POINT SET - breaker contact	1
61 KO220476	BRACKET - mounting breaker contacts	1
62 KOX389-1	ROD - breaker contact push	1
63 KO275303	CLIP - breaker contact wire	1
64 124- 102	NUT - FHNUNC 5/16 plated	2
65 192- 20	LOCKWASHER - 5/16 SAE std. plated	2
66 175- 403	SCREW - 1/4" N.C. x 3/4" truss head plated	2
67 129- 101	NUT - 1/4" FHNUNC plated	2
68 192- 19	LOCKWASHER - 1/4" plated	2
69 195- 517	WASHER - plain 1/4" plated	1
70 C 11583	SWITCH - stop	1
71 129- 365	NUT - 1/2"-20 jam hex	2
72 A 19581	HORN - with nut and bracket	1
73 C 11584	SWITCH - horn	1
74 C 11254	LAMP - white, tail (with grommet - without plug and leads)	1
75 C 11255	LAMP - red, tail (with grommet - without plug and leads)	1
76 C 11609	WIRE - horn to button	1
77 C 11610	WIRE - horn button to starter switch	1
78 C 11611	WIRE - implement switch to implement light	1
79 C 11611	WIRE - headlight switch to tail light	1
80 C 11612	WIRE - implement light and tail light to ground	2
81 C 11613	WIRE - start switch to stoplight switch	1
82 C 11614	WIRE - stop switch to light	1

NUMERICAL INDEX

PART NO.	PAGE NO.	REF. NO.	PART NO.	PAGE NO.	REF. NO.	PART NO.	PAGE NO.	REF. NO.	
A	11275	13	21	C	11657	11	1	166- 534	7
A	11276	13	20	C	11827	7		173- 210	15
A	19581	15	72	C	11828	7		173- 224	15
A	24572	13	19	C	12192	15	44	175- 400	3
A	27251	13	29	C	12193	15	38	175- 400	7
A	70055	5	10	C	12194	15	39	175- 403	15
A	70202	13	15	C	12195	15	42	187- 131	13
A	70221	15	34	C	12196	15	43	187- 408	15
C	10415	3		C	12197	15	35	187- 1008	13
C	10415	7		C	12198	15	36	192- 18	15
C	10472	13	31	C	12199	15	37	192- 19	13
C	10474	13	1	C	12209	13	2	192- 19	15
C	10549	13	4	C	12269	15	40	192- 20	13
C	10562	5	5	C	12270	15	41	192- 20	15
C	10565	5	6	C	12683	13	3B	192- 21	7
C	10592	15	46	C	12684	13	3A	192- 21	11
C	10836	13	32	KO	220174	15	56	192- 21	13
C	10985	15	45	KO	220297	15	52	192- 23	7
C	10997	5	13	KO	220475	15	60	193- 5	15
C	11035	3		KO	220476	15	61	193- 517	7
C	11036	3		KO	230722	13	23	195- 104	5
C	11037	3		KO	231281	13	24	195- 106	7
C	11038	3		KO	232535	15	55	195- 517	15
C	11043	5	8	KO	235196	13	16	195- 520	13
C	11044	5	16	KO	235197	13	19		
C	11048	5	9	KO	235203	13	14		
C	11055	5	2	KO	275303	15	63		
C	11247	13	30	KOA	231533	15	51		
C	11249	13	3	KOA	235095	13	27		
C	11254	15	74	KOX	389-1	15	62		
C	11255	15	75	M	20007	13	28		
C	11267	9	1	M	20164	15	50		
C	11277	3	4						
C	11286	5	1						
C	11530	7	16						
C	11551	11	1						
C	11553	11	2						
C	11554	3	1						
C	11555	3	2						
C	11556	3	3						
C	11559	11	3						
C	11560	9							
C	11562	5							
C	11569	7	1						
C	11570	7	2						
C	11571	7	10						
C	11572	7	11						
C	11573	7	12						
C	11574	7	13						
C	11575	7	14						
C	11576	7	15						
C	11583	15	70						
C	11584	15	73						
C	11585	5	7						
C	11609	15	76						
C	11610	15	77						
C	11611	15	78						
C	11611	15	79						
C	11612	15	80						
C	11613	15	81						
C	11614	15	82						

HARDWARE CODE NUMBERS

11-	412	13	7
11-	512	13	5
25-	118	5	11
92-	8	5	12
113-	1	13	26
113-	113	13	12
113-	207	7	7
113-	208	11	2
113-	221	13	18
113-	424	7	4
115-	204	9	3
115-	507	9	2
124-	102	15	64
129-	101	15	67
129-	102	13	10
129-	103	7	8
129-	103	11	3
129-	365	15	71
129-	409	13	8
129-	419	13	6
131-	387	9	4
131-	590	9	5
132-	26	5	15
138-	155	5	3
141-	4	5	14
164-	39	5	4

INGERSOLL
Ingersoll Equipment Co., Inc.