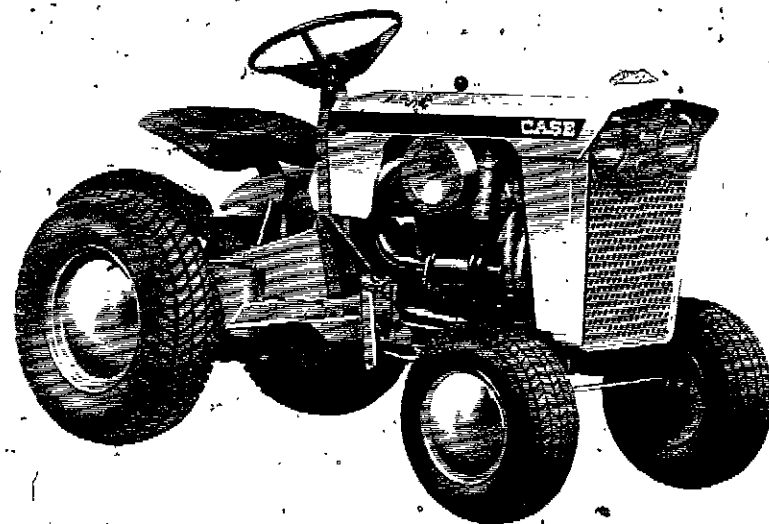


CASE

130 and 180 GARDEN TRACTOR



PRICE 75 CENTS



J. I. CASE COMPANY
Racine, Wisconsin, U.S.A.

ALPHABETICAL INDEX

ENGINE SECTION

	PAGE	GRID		PAGE	GRID
Air Cleaner	5	A6	Fuel Pump	21	B8
Battery	23	B10	Fuel Strainer	21	B8
Belt, Starter-Generator	17	B4	Fuel System	19-21	B6-B8
Camshaft	7	A8	Gasket Kits	13-21	A13-B8
Carburetor	21	B8	Governor	17	B4
Connecting Rod	9-11	A10-A12	Muffler	5	A6
Crankshaft	9-11	A10-A12	Oil Pan	13-15	A13-B2
Cylinder Block	13-15	A14-B2	Piston	9-11	A10-A12
Cylinder Head	13-15	A14-B2	Spark Plug	23	B10
Electrical System	23	B10	Starter-Generator	25	B12
Exchanger, Heat	35	C8	Tank, Fuel	21	B8
Fan	17	B4	Throttle Linkage	17	B4
Filter, Breather	7	A8	Valves	7	A8
Flywheel	13-15	A14-B2			

BASIC TRACTOR SECTION

	PAGE	GRID		PAGE	GRID
Axle, Front	29	C2	Hydraulics (Continued)		
Rear	33	C6	Motor, Hydraulic Drive	41	C14
Baffles & Shrouds	17	B4	Pump	39	C12
Decals	43	D2	Valve, Control	37	C10
Fenders	43	D2	Valve, Control Linkage	37	C10
Frame	45	D4	Implement Lift Lever	47	D6
Grille	45	D4	Instruments	23	B10
Headlights	23	B10	Parking Brake	31	C4
Hitch	47	D6	Seat, Operator's	43	D2
Hood	45	D4	Steering Wheel & Gear	27	B14
Hydraulics	35-41	C8-C14	Tool Box	43	D2
Coupling, Pump Drive	39	C12	Transmission	33	C6
Hoses, Lines & Fittings	35	C8	Wheels, Front & Rear	31	C4

Indexes

This Parts Catalog is arranged for easy identification of Genuine CASE Service Parts. An alphabetical index is provided at the front of this Catalog to locate the major groups or assemblies. A numerical index at the rear of the Catalog gives the part numbers and the pages on which they are described.

Illustrations

All parts are illustrated in "Exploded Views" which show the individual parts in their normal relationship to each other. Reference numbers are used in the illustrations. These numbers correspond to those in the "Reference Number" column and are followed by the part number, description, and quantity required.

Orders

Orders should plainly specify correct part number, full description, quantity required, machine model and engine model, machine and engine serial numbers, method of shipment and shipping address.

Changes

When changes to the machine make it necessary, revised pages for this book will be issued. The revised pages will be issued with the same page number as those they replace and the "issue" number and date will be advanced.

It is imperative that revised Parts Book pages be inserted into their respective Parts Books as soon as received. Failure to do so will lead to confusion and defeat the purpose of the book.

Indented Description

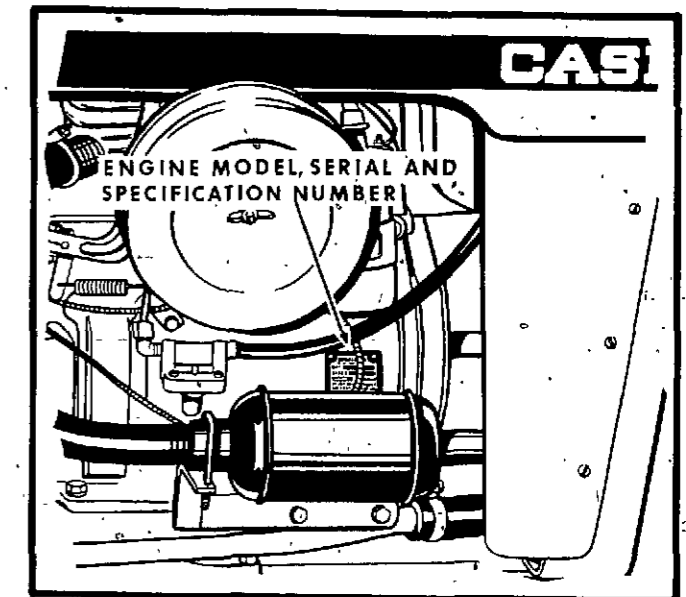
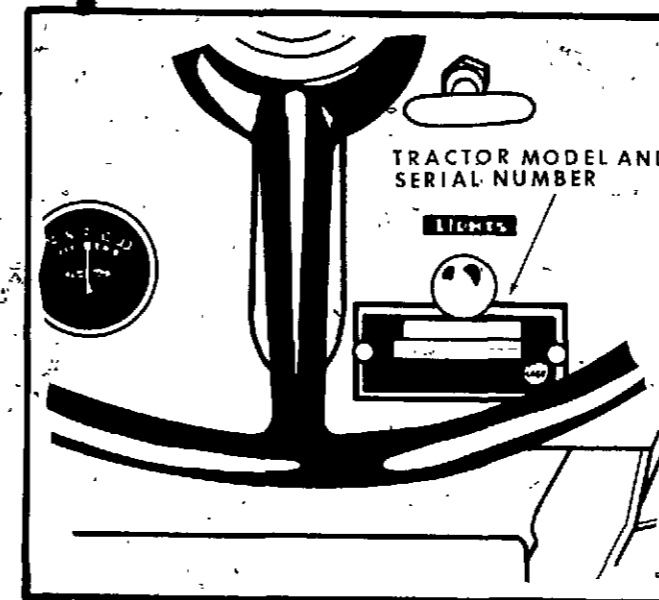
Indented parts in the descriptive list are a part of the preceding assembly or sub-assembly. The quantity shown in the "Number Required" column is the number of parts used on a machine except where parts are indented in descriptive list. In this case the quantity shown is the number required for the preceding assembly or sub-assembly.

REF.	PART NO.	DESCRIPTION	REQ'D
	A 55159	CYLINDER ASSY - rear steering	1
28	A 56208	SOCKET ASSY - rear cylinder	1
29	A 55956	PLUG - adjusting, socket assy	1
30	A 55957	SEAT - socket ball	2
31	A 56210	SPRING - socket	1
32	A 56209	SEAT - socket spring	1
33	G 45175	CLAMP ASSY - socket assy	1
	16- 836	BOLT - 1/2" x 2-1/4" N.F. hex.	1
34	132- 104	PIN - cotter, 3/16" x 3"	1
35	A 55889	STUD - ball, socket & cylinder	2
36	13- 410	BOLT - 1/4" x 5/8" N.C., hex.	4
37	92- 4	LOCKWASHER - 1/4" SAE	4

Terms "Right Hand" and "Left Hand"

"Right Hand" and "Left Hand" sides of this machine are determined by standing at the rear of the unit and facing in the direction of forward travel.

CASE 130-180 GARDEN TRACTORS

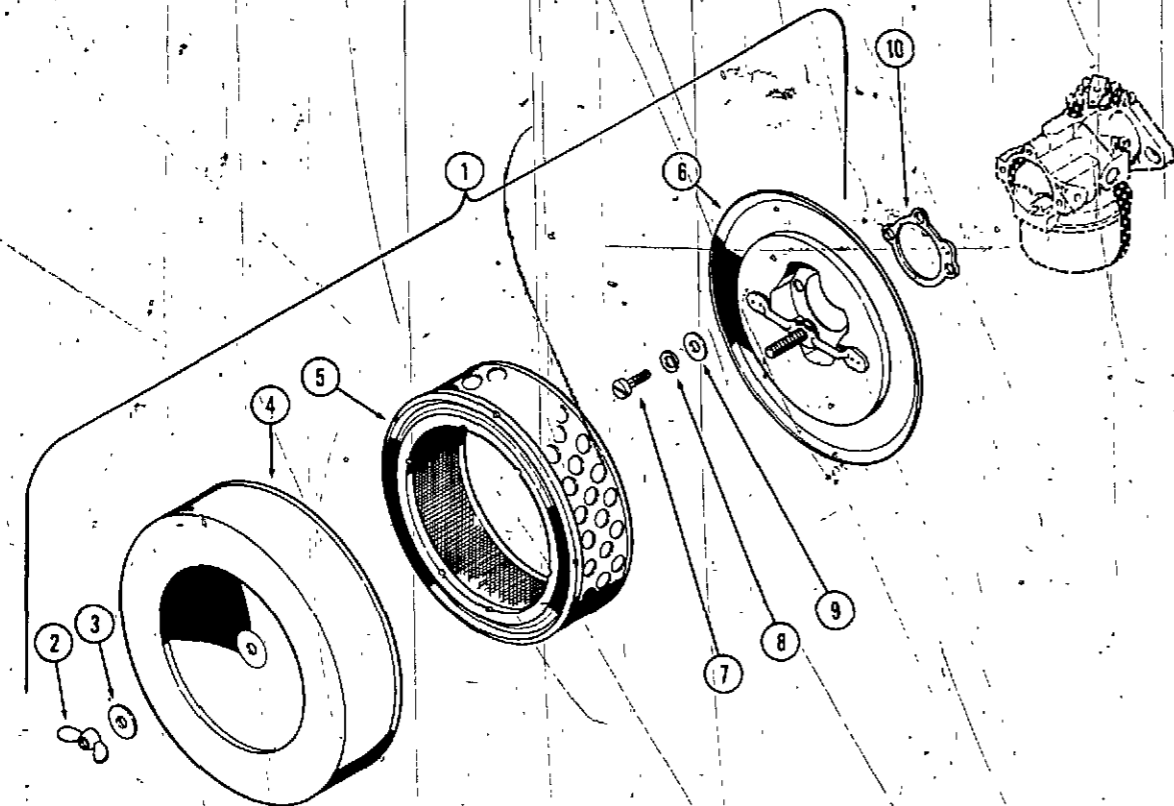


TRACTOR MODEL DESIGNATIONS	ENGINE MODEL DESIGNATIONS
130 Tractor	K 241 S Engine
180 Tractor	K 301 S Engine

Serial Numbers

When using this catalog, notice the reference to serial and specification numbers of various components noted here and listed in the "description" copy. By referring to correct serial numbers, proper parts identification will be assured.

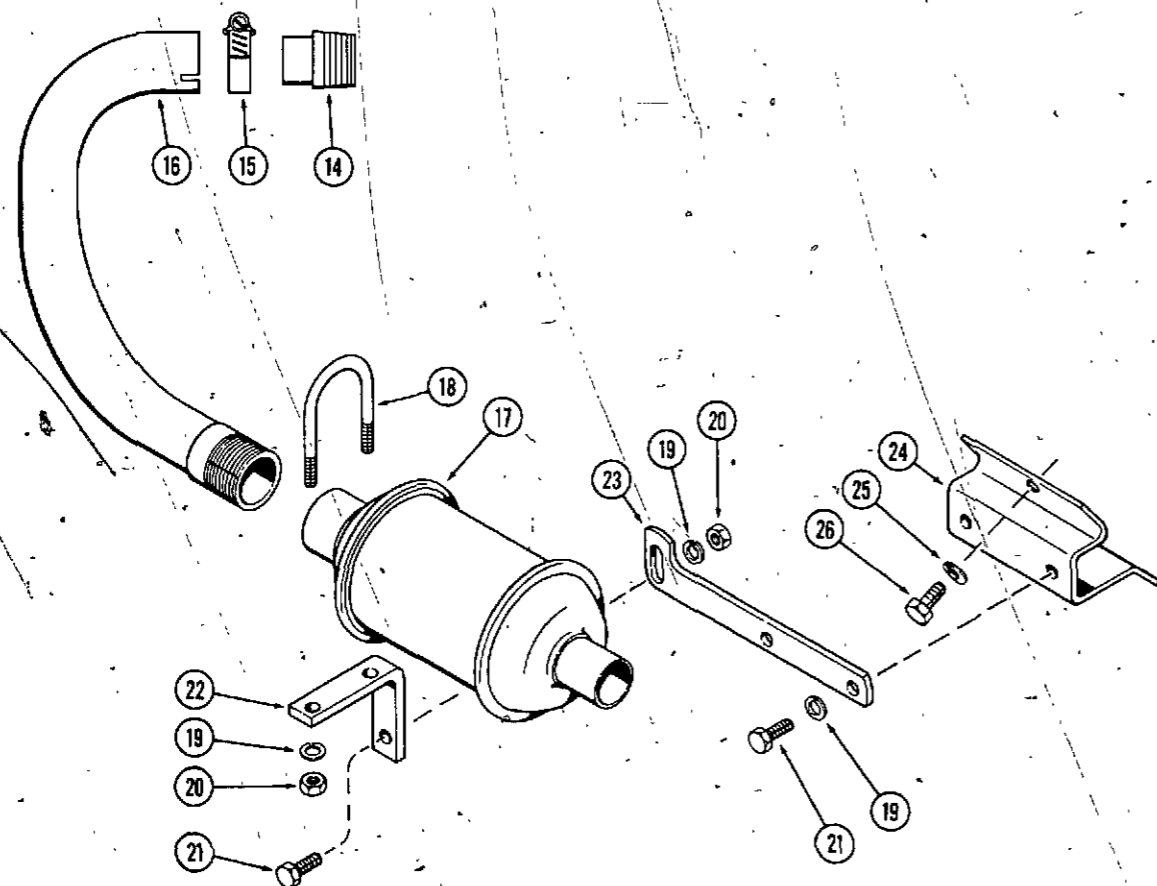
AIR CLEANER



REF.	PART NO.	DESCRIPTION	REQ'D
1	KOA235100	AIR CLEANER ASSY	1
2	129- 409	NUT - wing, 3/8" N.C.	1
3	KOA 536	WASHER - copper	1
4	NSS	COVER - air cleaner	1
5	A 70090	ELEMENT - air cleaner	1
6	NSS	BASE - air cleaner	1
7	177- 131	SCREW - fill,hd. 10-32 x 1/2"	3
8	192- 18	LOCKWASHER - 3/16"	3
9	195- 512	WASHER - plain, 3/16" SAE	3
10	KO 275341	GASKET - air horn	1

EXHAUST SYSTEM

14	A 70399	NIPPLE - exh. pipe to engine	1
15	214- 256	CLAMP - hose, 1-3/16" to 1-3/4"	1
16	A 70085	PIPE - exhaust	1
17	A 70088	MUFFLER	1
18	A 70057	U-BOLT - exh. pipe to bracket	1
19	92- 4	LOCKWASHER - 1/4" SAE	5
20	25- 104	NUT - 1/4" N.C. hex.	3
21	13- 412	BOLT - 1/4" x 3/4" N.C. hex.	3
22	A 70097	BRACKET - muffler support	1
23	A 70052	BRACKET - muffler mounting	1
24	KO 235563	BRACKET - muffler mtg. support	1
25	192- 19	LOCKWASHER - 1/4" SAE (plated)	3
26	113- 6	BOLT - 1/4" x 1/2" N.C.hex.(plated)	3



CRANKCASE BREATHER

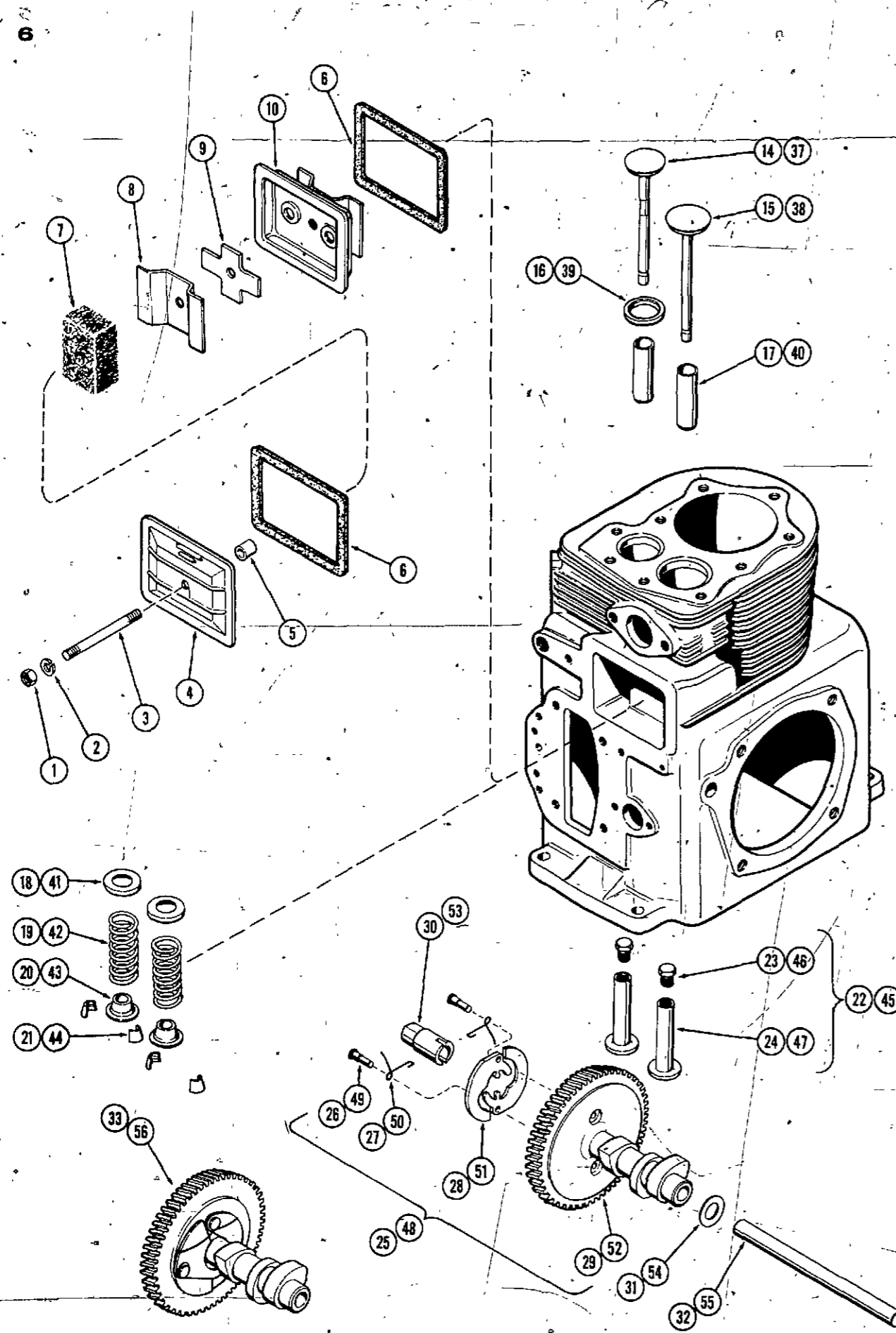
REF.	PART NO.	DESCRIPTION	REQ'D
1	25- 104	NUT - 1/4" N.C. hex	1
2	92- 4	LOCKWASHER - 1/4" SAE	1
3	KO 275220	STUD - valve cover	1
4	KO 275143	COVER - valve	1
5	KO 231032	SEAL - breather	1
6	KO 235048	GASKET - valve cover	2
7	KO 235118	FILTER - breather	1
8	KO 235117	BAFFLE - breather	1
9	KO 235047	REED - breather	1
10	KO 235631	PLATE - breather	1

130 CAMSHAFT AND VALVES

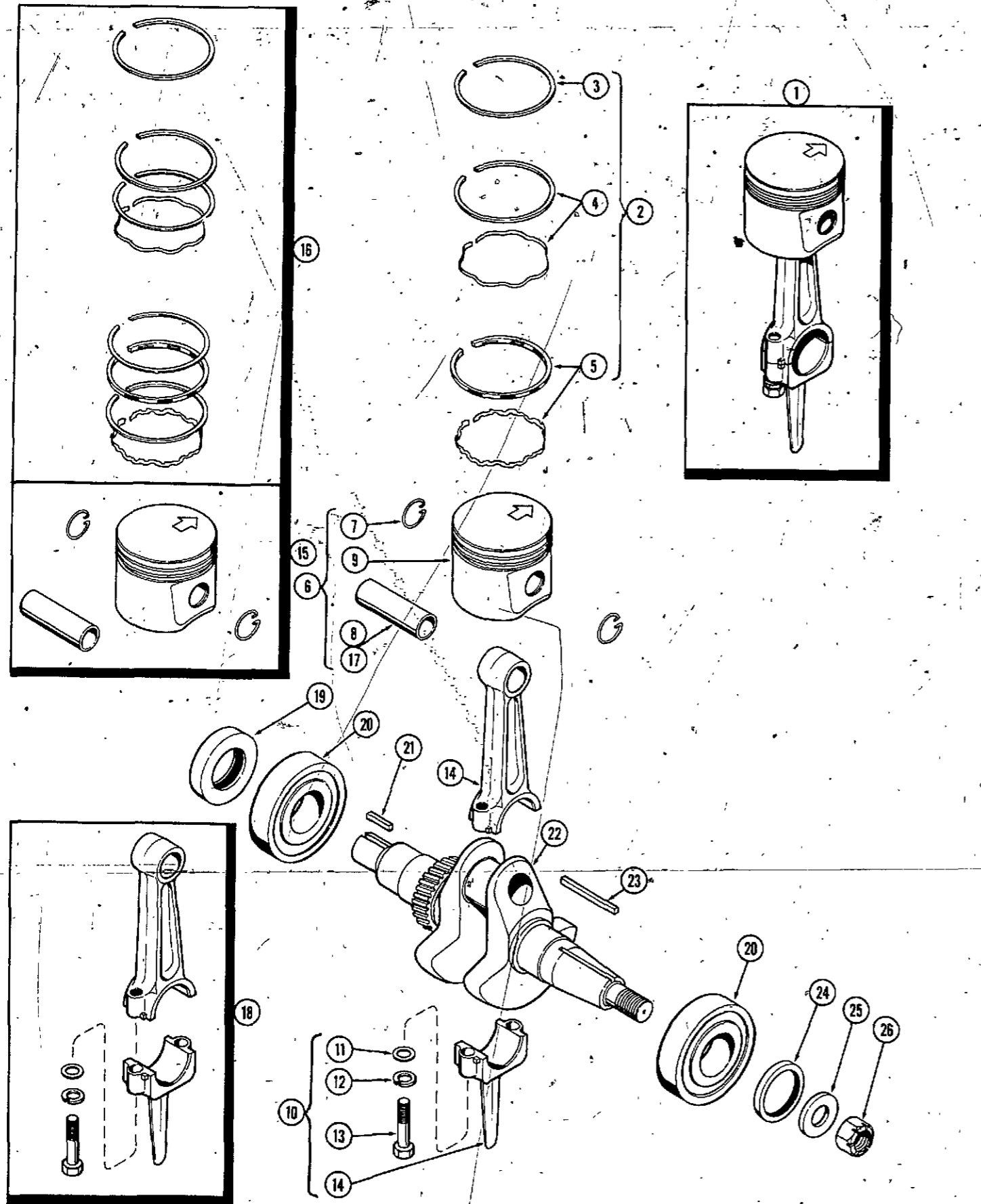
14	KO 235009	VALVE - exhaust	1
15	KO 235008	VALVE - intake	1
16	KO 230170-S	INSERT - exhaust valve seat	1
17	KO 235007-S	GUIDE - valve	2
18	KO 235011	SEAT - valve spring	2
19	KO 235010	SPRING - valve	2
20	KO 230011	RETAINER - valve spring	2
21	KO 240013	LOCK - valve retainer	4
22	KOA235327	LIFTER ASSY	2
23	NSS	SCREW - tappet adjusting	1
24	NSS	LIFTER - valve	1
26	KO 230080	PIN - flyweight pivot	2
25	KOA235155	CAMSHAFT ASSY. - w/flyweight (See item 33)	1
27	KO 275267	SPRING - flyweight	2
28	KO 230087	FLYWEIGHT - spark advance	2
29	NSS	CAMSHAFT	1
30	KO 235690	CAM - ignition breaker	1
31	KO 275066	SPACER - camshaft, .005"	UAR
31	KO 275067	SPACER - camshaft, .010"	UAR
32	KO 235193	PIN - camshaft	1
33	KOA235675	CAMSHAFT ASSY. - automatic comp. release	1

180 CAMSHAFT AND VALVES

37	KO 235826	VALVE - exhaust	1
38	KO 235008	VALVE - intake	1
39	KO 230170-S	INSERT - exhaust valve seat	1
40	KO 235007-S	GUIDE - valve	2
41	KO 235011	SEAT - valve spring	2
42	KO 235010	SPRING - valve	2
43	KO 230011	RETAINER - valve spring	2
44	KO 240013	LOCK - valve retainer	4
45	KOA235327	LIFTER ASSY	2
46	NSS	SCREW - tappet adjusting	1
47	NSS	LIFTER - valve	1
49	KO 230080	PIN - flyweight pivot	2
50	KO 275267	SPRING - flyweight	2
48	KOA235857	CAMSHAFT ASSY. - w/flyweight (See item 56)	1
51	KO 230087	FLYWEIGHT - spark advance	2
52	NSS	CAMSHAFT	1
53	KO 235690	CAM - ignition breaker	1
54	KO 275066	SPACER - camshaft, .005"	UAR
54	KO 275067	SPACER - camshaft .010"	UAR
55	KO 235193	PIN - camshaft	1
56	KOA235646	CAMSHAFT ASSY. - automatic comp. release	1

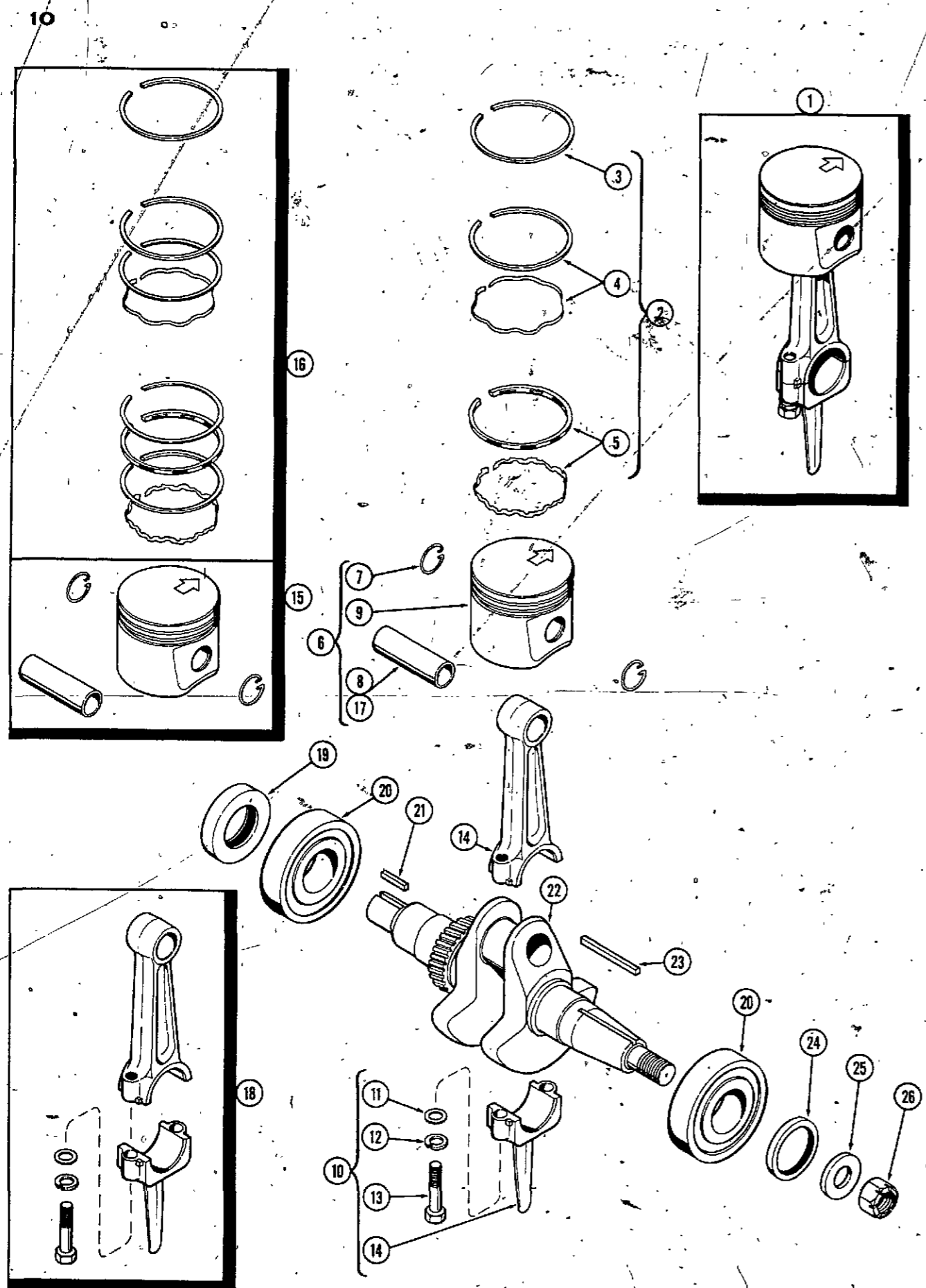


130 CRANKSHAFT, PISTON - CONNECTING ROD



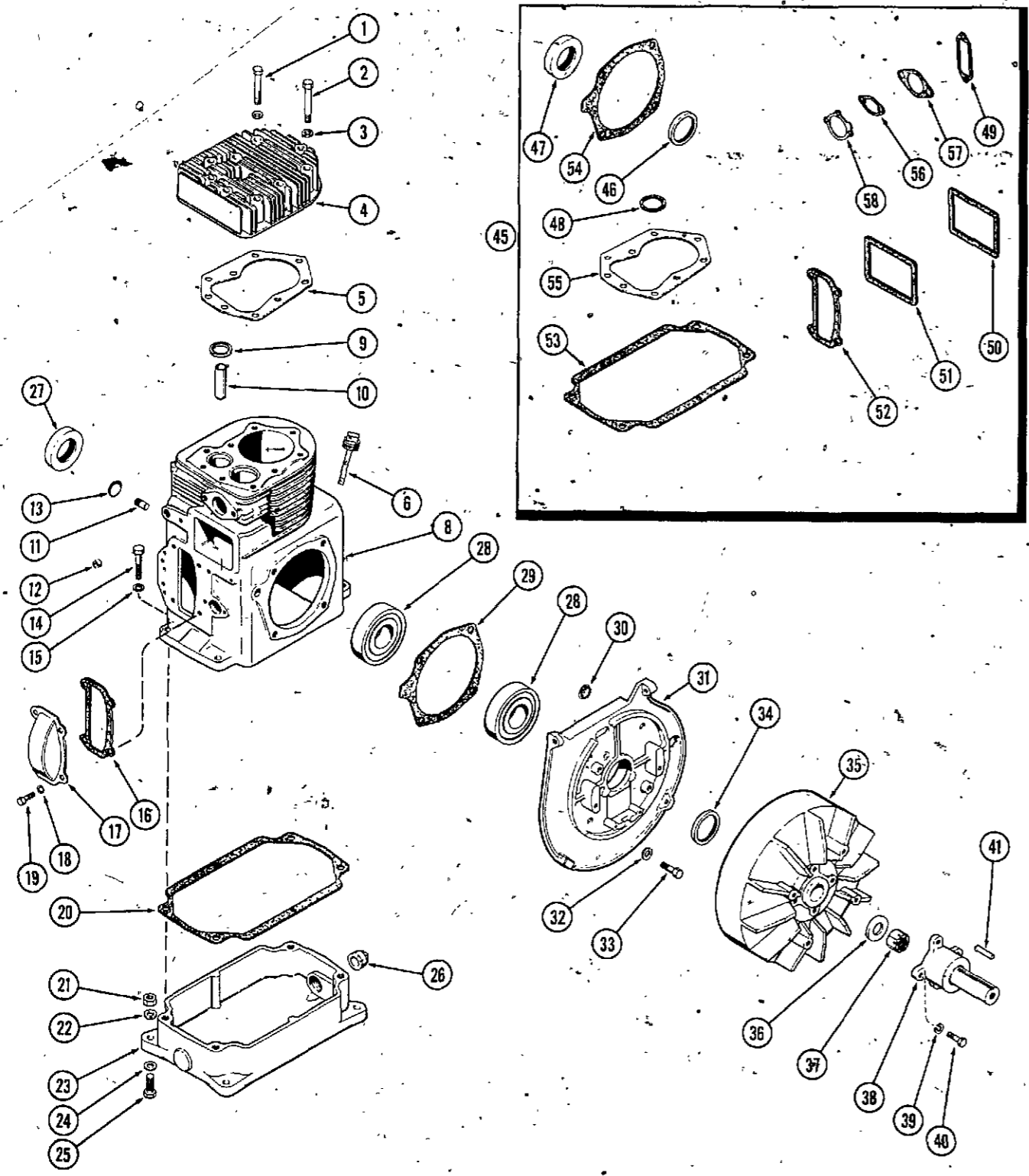
REF.	PART NO.	DESCRIPTION	REQ'D
1	NSS	PISTON AND ROD ASSY. (Std. size)	1
2	KO 235287	RING SET - piston (for oversize see item 16)	1
3	NSS	RING - top compression	1
4	NSS	RING - 2nd compression (incl. expander)	1
5	NSS	RING - oil (incl. expander)	1
6	KOA235611	PISTON ASSY (for oversize see item 15)	1
7	KO 235004	RETAINER - piston pin	2
8	KO 235572	PIN - piston	1
9	NSS	PISTON	1
10	KOA235139	CONNECTING ROD ASSY (for undersize see item 18)	1
11	KO 235003	WASHER - special	2
12	KOX 22-35	LOCKWASHER	2
13	KO 235526	SCREW - cap, connecting rod	2
14	NSS	ROD - connecting	1
15	KOA235569	PISTON ASSY - .010" oversize	1
15	KOA235571	PISTON ASSY - .020" oversize	1
15	KOA235616	PISTON ASSY - .030" oversize	1
16	KO 235288	RING SET - piston .010" oversize	1
16	KO 235289	RING SET - piston .020" oversize	1
16	KO 235290	RING SET - piston .030" oversize	1
17	KO 235573	PIN - piston .005" oversize	1
18	KOA235139-10	CONNECTING ROD ASSY. - .010" undersize	1
19	KOX379-6	OIL SEAL - crankshaft rear	1
20	40035	BEARING - crankshaft ball	2
21	W 5063-S	KEY - 1/4" square x 3/4" (pump cplg)	1
22	KOA235555	CRANKSHAFT	1
23	KOX 366-1	KEY - flat 1/4" x 3/16" x 1-3/4" (flywheel)	1
24	KOX 271-30	OIL SEAL - crankshaft front	1
25	KOX 25-71	WASHER - 3/4"	1
26	KOX 119-16	NUT - special Marsden 3/4"NF	1

180 CRANKSHAFT, PISTON - CONNECTING ROD



REF.	PART NO.	DESCRIPTION	REQ'D
1	NSS	PISTON AND ROD ASSY. (Std. size)	1
2	KO 235889	RING SET - piston (for oversize see item 16)	1
3	NSS	RING - top compression	1
4	NSS	RING - 2nd compression (incl. expander)	1
5	NSS	RING - oil (incl. expander)	1
6	KOA235827	PISTON ASSY (for oversize see item 15)	1
7	KO 235811	RETAINER - piston pin	2
8	KO 235803	PIN - piston	1
9	NSS	PISTON	1
10	KOA235828	CONNECTING ROD ASSY (for undersize see item 18)	1
11	KO 235003	WASHER - special	2
12	KOX/22-35	LOCKWASHER	2
13	KO 235528	SCREW - cap, connecting rod	2
14	NSS	ROD - connecting	1
15	KOA235865	PISTON ASSY - .010" oversize	1
15	KOA235866	PISTON ASSY - .020" oversize	1
15	KOA235867	PISTON ASSY - .030" oversize	1
16	KO 235890	RING SET - piston .010" oversize	1
16	KO 235891	RING SET - piston .020" oversize	1
16	KO 235892	RING SET - piston .030" oversize	1
17	KO 235868	PIN - piston .005" oversize	1
18	KOA235828-10	CONNECTING ROD ASSY. - .010" undersize	1
19	KOX 379-6	OIL SEAL - crankshaft rear	1
20	40035	BEARING - crankshaft ball	2
21	W 5063-S	KEY - 1/4" square x 3/4" (pump cplg.)	1
22	KOA235849	CRANKSHAFT	1
23	KOX 366-1	KEY - flat 1/4" x 3/16" x 1-3/4" (flywheel)	1
24	*KOX271-30	OIL SEAL - crankshaft front	1
25	KOX 25-71	WASHER - 3/4"	1
26	KOX119-16	NUT - special Marsden 3/4" NF	1

130 ENGINE BLOCK AND ATTACHING PARTS

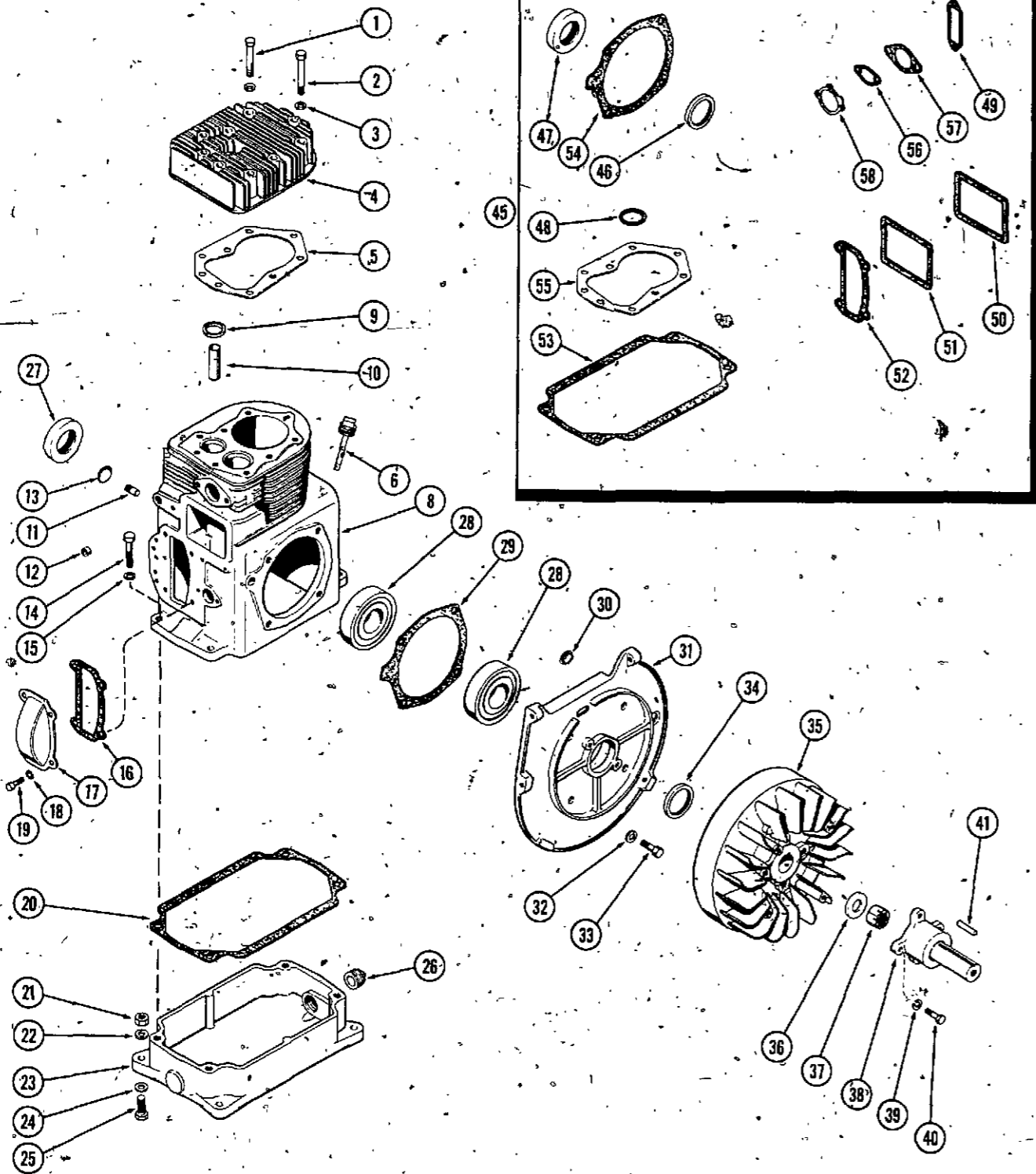


REF.	PART NO.	DESCRIPTION	REQ'D
1	KO 271077	BOLT - cyl.hd(length 2-1/4")	7
2	KO 235175	BOLT - cyl. hd.(length 2-1/2")	2
3	KO 270889	WASHER - cyl.hd. bolt.	9
4	KO 235461	HEAD - cylinder	1
5	KO 235810	GASKET - head	1
6	KOA235092	DIPSTICK ASSY	1
7	KOB235699	BLOCK ASSY - cyl.,short (incl. crankshaft, rod assy governor, camshaft, valves, bearings and plate).	1
8	KOA235314	BLOCK ASSY - cyl.,stripped (Std. bore)	1
9	KO 230170-S	INSERT - exhaust valve	1
10	KO 235007-S	GUIDE - valve	2
11	KO 235125-S	SHAFT - stub, governor	1
12	KOX293-4	BEARING - needle, governor shaft	1
13	41- 18	PLUG - expansion	1
14	113- 206	BOLT - 3/8" X 7/8" N.C.hex. plated	4
15	192- 21	LOCKWASHER - 3/8" SAE plated	4
16	KO 235025	GASKET - camshaft cover	1
17	KO 235026	COVER - camshaft gear	1
18	192- 19	LOCKWASHER - 1/4" plated	4
19	113- 6	BOLT - 1/4" x 1/2" UNC, plated	4
20	KO 235057	GASKET - oil pan	1
21	129- 103	NUT - 3/8" N.C. hex. plated	4
22	192- 21	LOCKWASHER - 3/8"plated	4
23	KO 235115	BASE - oil pan	1
24	195- 522	WASHER - 3/8" plated	4
25	113- 209	BOLT - 3/8" x 1-1/2" N.C.hex.plated	4
26	221- 5	PLUG - pipe, 3/4" sq.hd.	1
27	KOX 379-6	OIL SEAL - crankshaft rear	1
28	40035	BEARING - crankshaft ball	2
29	KO 235071	GASKET - shim, bearing plate .005"	UAR
29	KO 235070	GASKET - shim, bearing plate .010"	UAR
30	205- 27	PLUG - button, timing hole	1
31	KO 235062	PLATE - bearing	1
32	192- 21	LOCKWASHER - 3/8" plated	4
33	113- 207	BOLT - 3/8" x 1" N.C. plated	4
34	KOX 271-30	OIL SEAL - crankshaft front	1
35	KO 235080	FLYWHEEL	1
36	195- 545	WASHER - special, plated	1
37	KOX 119-16	NUT - special Marsden	1
38	KO 235556	SHAFT - frt. drive stub	1
39	192- 21	LOCKWASHER - 3/8" SAE plated	4
40	113- 208	BOLT - 3/8" x 1-1/4" N.C.hex	4
41	W 5063-S	KEY - 1/4" sq. x 3/4"	1

ENGINE GASKET AND SEAL KIT

45	KO 235165	KIT - engine gasket and seal	1
46	KOX271-30	SEAL - crankshaft front oil	1
47	KOX 379-6	SEAL - crankshaft rear oil	1
48	B 59393	GASKET - fuel strainer bowl	1
49	KO 220174	GASKET - breaker cover	1
50	KO 231032	SEAL - breather	1
51	KO 235048	GASKET - valve cover	2
52	KO 235025	GASKET - camshaft gear cover	1
53	KO 235057	GASKET - oil pan	1
54	KO 235070	GASKET - shim, bearing plate .010"	6
55	KO 235810	GASKET - cyl.head	1
56	KO 240281	GASKET - fuel pump flange	1
57	A 72100	GASKET - carburetor flange	1
58	KO 275341	GASKET - carburetor air horn	1

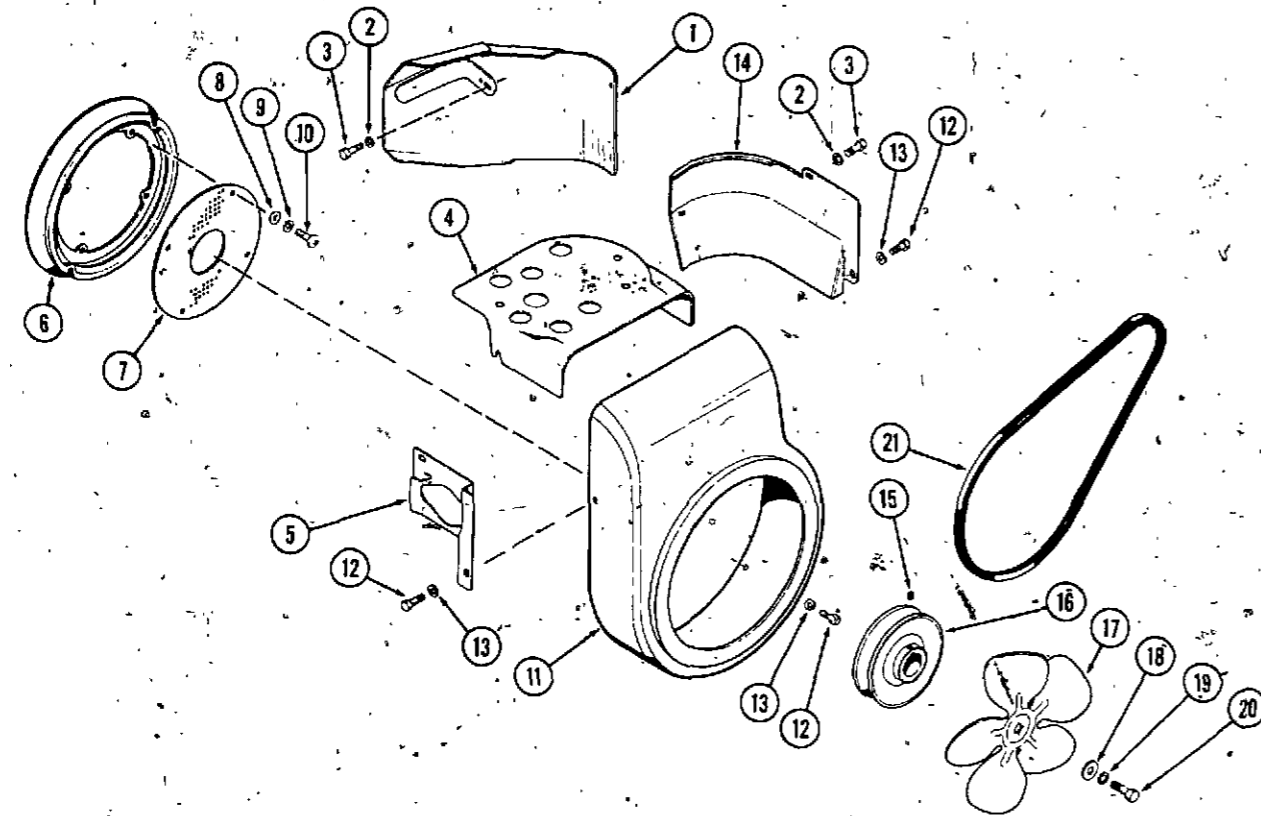
180 ENGINE BLOCK AND ATTACHING PARTS



REF.	PART NO.	DESCRIPTION	REQ'D
1	KO 271077	BOLT - cyl. hd. (length 2-1/4)	7
2	KO 235175	BOLT - cyl. hd. (length 2-1/2")	2
3	KO 270889	WASHER - cyl.hd. bolt	9
4	KO 235820	HEAD - cyl.	1
5	KO 235810	GASKET - head	1
6	KOA 235092	DIPSTICK ASSY.	1
8	KOA 235851	BLOCK ASSY - cyl., standard bore	1
9	KO 230170-S	INSERT - exhaust valve	1
10	KO 235007-S	GUIDE - valve	2
11	KO 235125-S	SHAFT - stub, governor	1
12	KOX 203-4	BEARING - needle, governor shaft	1
13	41- 18	PLUG - expansion	1
14	113- 206	BOLT - 3/8" x 1-1/4" N.C. hex. pltd.	4
15	192- 21	LOCKWASHER - 3/8" pltd.	4
16	KO 235025	GASKET - camshaft cover	1
17	KO 235026	COVER - camshaft gear	1
18	192- 19	LOCKWASHER - 1/4" pltd.	4
19	113- 8	BOLT - 1/4" x 1/2" UNC pltd.	4
20	KO 235057	GASKET - oil pan	1
21	129- 103	NUT - 3/8" N.C. hex. pltd.	4
22	192- 21	LOCKWASHER - 3/8" pltd.	4
23	KO 235115	BASE - oil pan	1
24	195- 522	WASHER - 3/8" pltd.	4
25	113- 209	BOLT - 3/8" x 1-1/2" N.C. hex. pltd.	4
26	221- 5	PLUG - pipe 3/4" sq.hd.	1
27	KO 379-6	OIL SEAL - crankshaft rear	1
28	40035	BEARING - crankshaft ball	2
29	KO 235071	GASKET - shim, bearing plate .005"	UAR
29	KO 235070	GASKET - shim, bearing plate .010"	UAR
30	205- 27	PLUG - button, timing hole	1
31	KO 235815	PLATE - bearing	1
32	192- 21	LOCKWASHER - 3/8" pltd.	4
33	113- 207	BOLT - 3/8" x 1" N.C. pltd.	4
34	KOX271-30	OIL SEAL - crankshaft front	1
35	KO 235818	FLYWHEEL	1
36	195- 545	WASHER - special, plated	1
37	KOX119-16	NUT - special Marsden	1
38	KO 235556	SHAFT - frt. drive stub	1
39	192- 21	LOCKWASHER - 3/8" SAE, plated	4
40	113- 208	BOLT - 3/8" x 1-1/4" N.C. hex. pltd.	4
41	W 5063-S	KEY - 1/4" sq. x 3/4"	1

ENGINE GASKET AND SEAL KIT

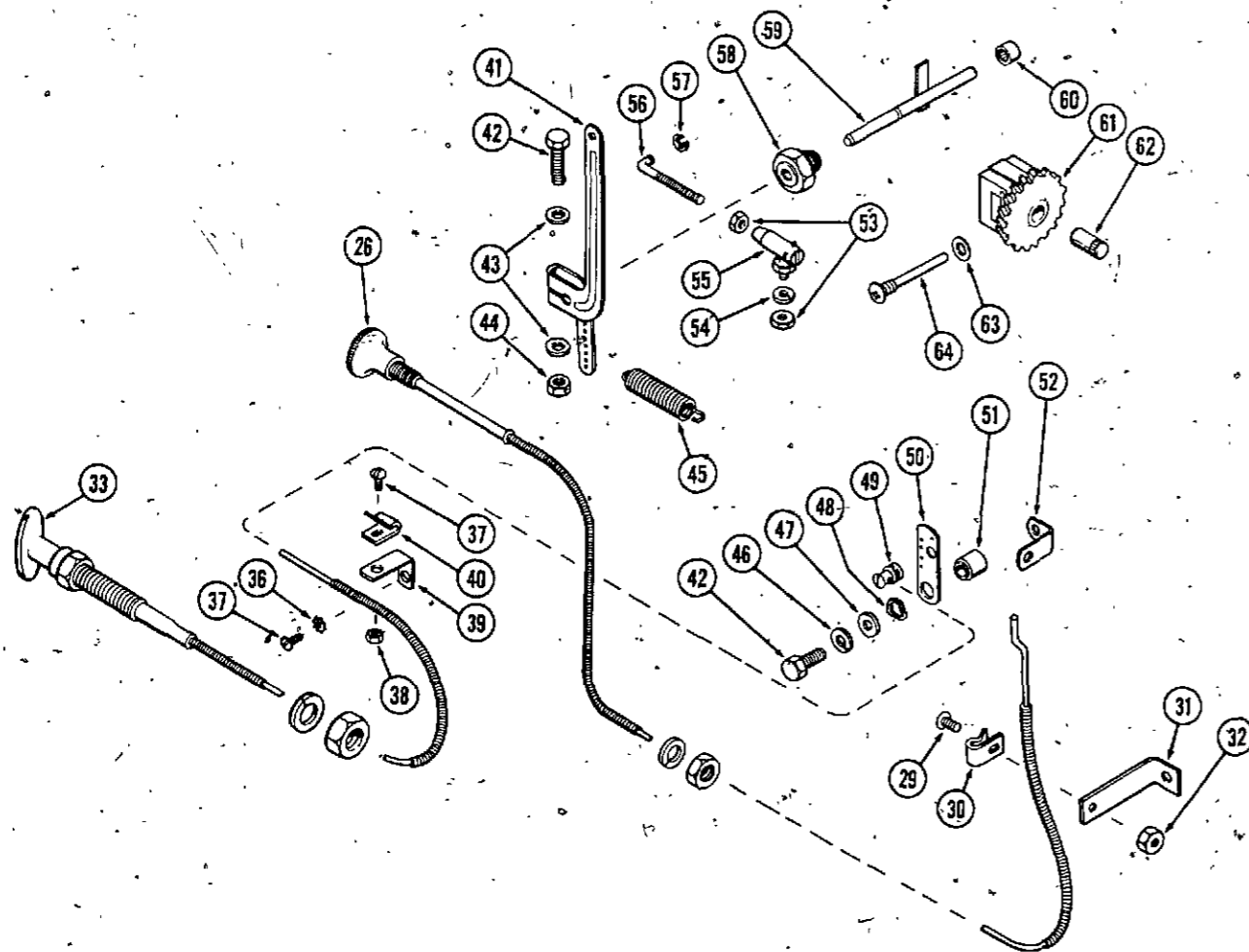
45	KO 235165	KIT - engine gasket and seal	1
46	KOX271-30	SEAL - crankshaft front oil	1
47	KOX 379-6	SEAL - crankshaft rear oil	1
48	B 59393	GASKET - fuel strainer bowl	1
49	KO 220174	GASKET - breaker cover	1
50	KO 231032	SEAL - breather	1
51	KO 235048	GASKET - valve cover	2
52	KO 235025	GASKET - camshaft gear cover	1
53	KO 235057	GASKET - oil pan	1
54	KO 235070	GASKET - shim, bearing plate .010"	6
55	KO 235810	GASKET - cyl. head	1
56	KO 240281	GASKET - fuel pump flange	1
57	A 72100	GASKET - carburetor flange	1
58	KO 275341	GASKET - carburetor air horn	1



BAFFLES, SHROUDS, FAN AND PULLEYS

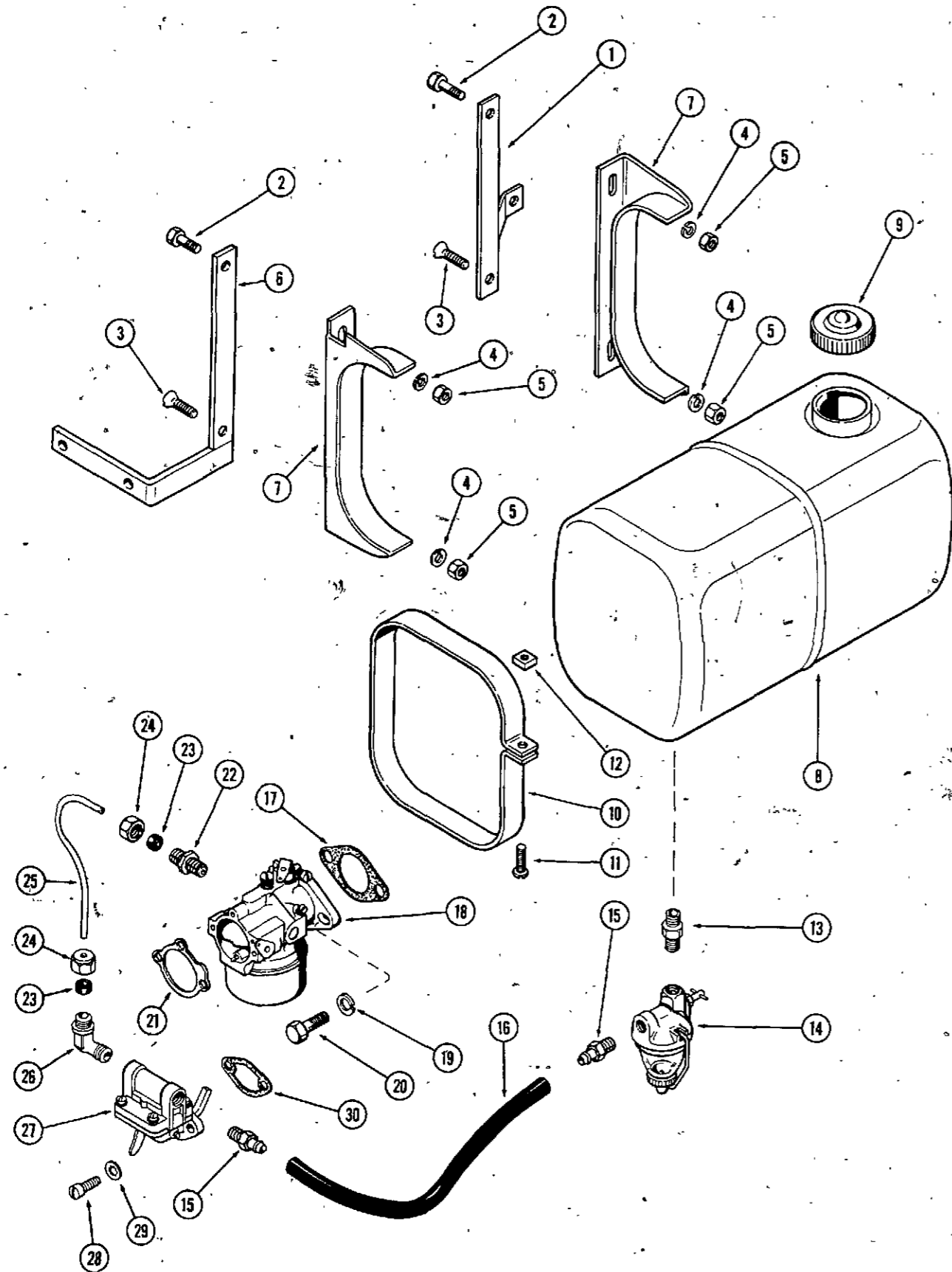
REF.	PART NO.	DESCRIPTION	REQ'D
1	A 70008	DEFLECTOR - engine air	1
2	192- 19	LOCKWASHER - 1/4", pltd.	2
3	113- 6	BOLT - 1/4" x 1/2" N.C. hex. pltd.	2
4	KO 235049	BAFFLE - cyl. head	1
5	KO 235368	BAFFLE - carb. side air	1
6	KO 235207	PULLEY - starter	1
7	KO 235052	SCREEN - blower air intake	1
8	195- 515	WASHER - 1/4" plated	4
9	192- 19	LOCKWASHER - 1/4" pltd.	4
10	175- 436	SCREW - 1/4" x 5/8" N.C. truss hd. Phillips, pltd.	4
11	KO 235883	HOUSING - blower	1
12	113- 2	BOLT - 1/4" x 3/4" N.C., hex. hd. pltd.	4
13	192- 19	LOCKWASHER - 1/4" pltd.	4
14	KO 235054	BAFFLE - cylinder	1
15	83- 55	SETSCREW - 5/16" x 5/16" N.C. hollow hd. cup pt.	1
16	A 70082	PULLEY - engine	1
17	A 70084	FAN - engine	1
18	95- 6	WASHER - 3/8" plain	1
19	92- 6	LOCKWASHER - 3/8" SAE	1
20	13- 616	BOLT - 3/8" x 1" N.C., hex.	1
21	A 70205	BELT - drive, starter, generator	1

CHOKE, THROTTLE AND GOVERNOR



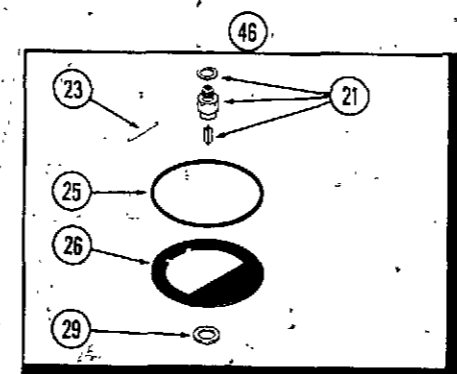
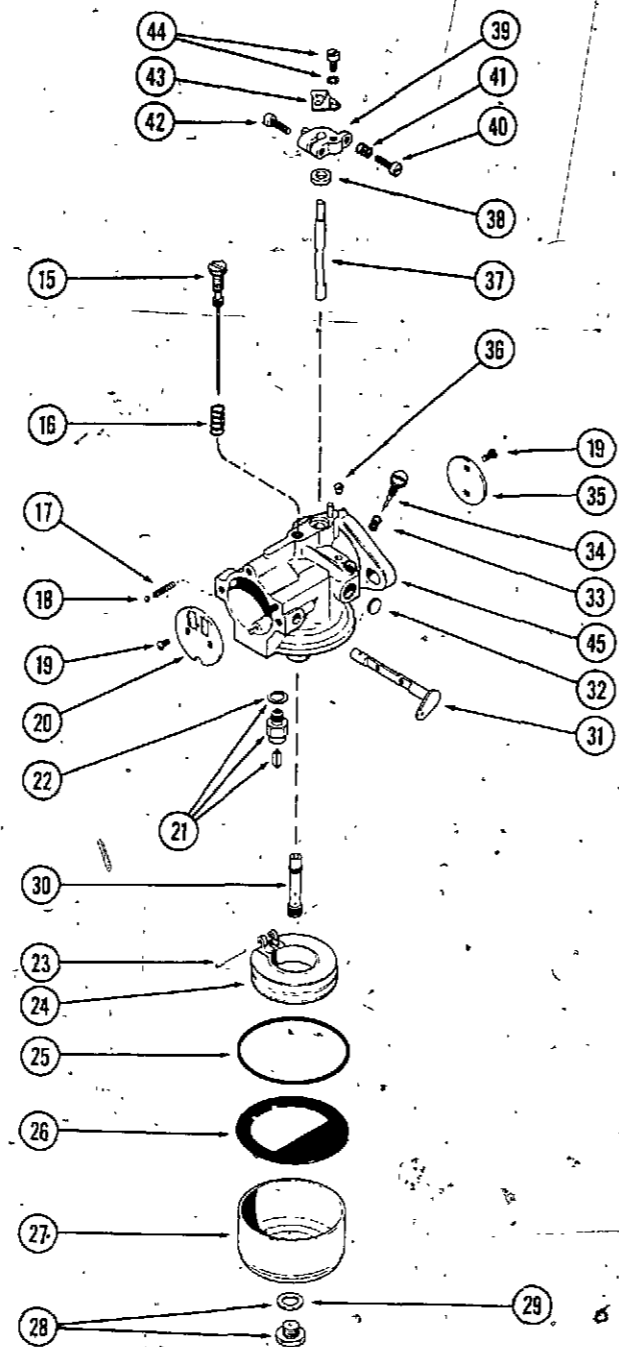
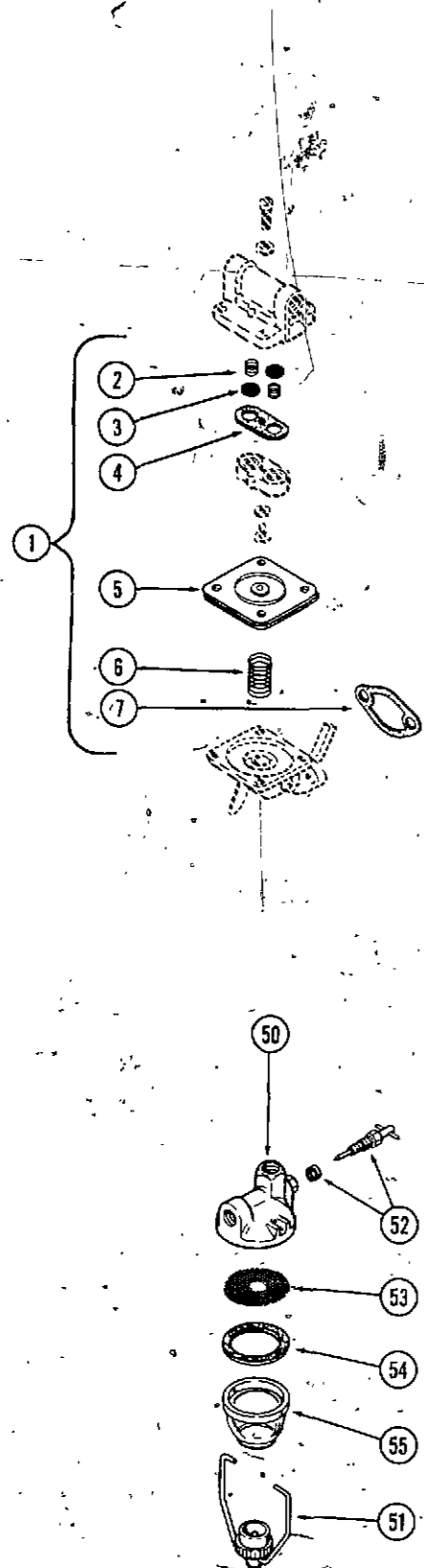
26	A 70108	CONTROL - choke (incl. lockwasher & nut)	1
29	173- 212	SCREW #10-24 x 1/2" rd. hd.	1
30	A 70106	CLAMP - choke control	1
31	KO 235056	BRACKET - choke control	1
32	129- 7	NUT - #10 - 24 hex.	1
33	A 70107	CONTROL - throttle (incl. lockwasher & nut)	1
36	193- 70	LOCKWASHER - #10 int. ext. shakeproof pltd.	1
37	177- 131	SCREW - #10-24 x 1/2" rd. fill. hd. pltd.	2
38	129- 7	NUT - #10-24 N.C.	1
39	A 70105	BRACKET - throttle	1
40	A 70106	CLAMP - cable	1
41	KO 235494	LEVER - governor	1
42	15- 420	BOLT - 1/4" x 1-1/4" N.C. hex	2
43	195- 515	WASHER - 1/4" pltd.	2
44	25- 104	NUT - 1/4" Hex.	1
45	KO 235496	SPRING - governor	1
46	192- 19	LOCKWASHER - 1/4" pltd.	1
47	KOX 25-67	WASHER - thrust	1
48	KO 275690	WASHER - wavy	1
49	KO 231052	CLAMP - swivel, wire	1
50	KO 235086	LEVER - speed control	1
51	KO 235085	SPACER - speed control brkt.	1
52	KO 235084	BRACKET - high speed stop	1
53	129- 37	NUT - #10-32, hex	2
54	192- 18	LOCKWASHER - 3/16" pltd.	1
55	A 10326	JOINT - ball	1
56	KO 235277	ROD - throttle	1
57	KO 235278	RING - retaining, throttle rod	1
58	KO 235476	BUSHING - governor cross shaft	1
59	KOA235256	SHAFT ASSY - governor cross	1
60	KOX 293-4	BEARING - needle governor shaft	1
61	KOA235157	GEAR ASSY - governor	1
62	KO 235125-S	SHAFT - governor stub	1
63	KOX 25-55	WASHER - governor stop pin	1
64	KO 231355	PIN - governor stop	1

FUEL SYSTEM



REF.	PART NO.	DESCRIPTION	REQ'D
1	A 70094	BRACKET - L.H. fuel tank support	1
2	113- 1	BOLT - 1/4" x 1/2" N.C. hex., plated	2
3	171- 2	SCREW - 1/4" x 1/2" N.C. flt.hd.plated	2
4	192- 19	LOCKWASHER - 1/4" plated	4
5	129- 101	NUT - 1/4" N.C. hex.plated	4
6	A 70091	BRACKET - R.H. fuel tank support	1
7	A 70099	CLAMP - fuel tank mtg.	2
8	A 70101	TANK - fuel (includes cap A70526)	1
9	A 70526	CAP - tank	1
10	A 70100	STRAP - fuel tank mtg.	2
11	173- 239	SCREW - 1/4" x 1" rd.hd. plated	2
12	129- 504	NUT - 1/4" N.C. sq.	2
13	217- 200	NIPPLE - 1/8" x 3/4" close-brass	1
14	B 53256	FUEL STRAINER ASSY (Repairs see Page 21)	1
15	A 70103	FITTING - fuel line, Nylon	2
16	A 70102	HOSE - fuel line	1
17	A 72100	GASKET - carburetor flange	1
18	A 72073	CARBURETOR ASSY (Repairs see page 21)	1
19	192- 20	LOCKWASHER - 5/16" plated	2
20	113- 103	BOLT - 5/16" x 1" N.C.hex.hd.	2
21	KO 275341	GASKET - air horn	1
22	222- 4021	CONNECTOR ASSY (includes sleeve and nut)	1
23	222- 101	SLEEVE - (For 3/16" O.D. tube)	2
24	222- 112	NUT - (For 3/16" O.D.tube)	2
25	KO 235097	LINE - fuel pump to carburetor	1
26	222- 41	ELBOW - (includes sleeve and nut)	1
27	KOA235361	FUEL PUMP (130) Ident.no.on primer lever (Repairs see page 21)	1
27	KOA235807	FUEL PUMP (180) Ident. no.on primer lever (Repairs see page 21)	1
28	71- 410	SCREW - 1/4" x 5/8" N.C.fillister hd.	2
29	193- 60	LOCKWASHER - 1/4" plated	2
30	A 72108	GASKET - fuel pump mtg.	1

CASE 130 AND 180 GARDEN TRACTOR
KOA235361 AND KOA235807 FUEL PUMPS



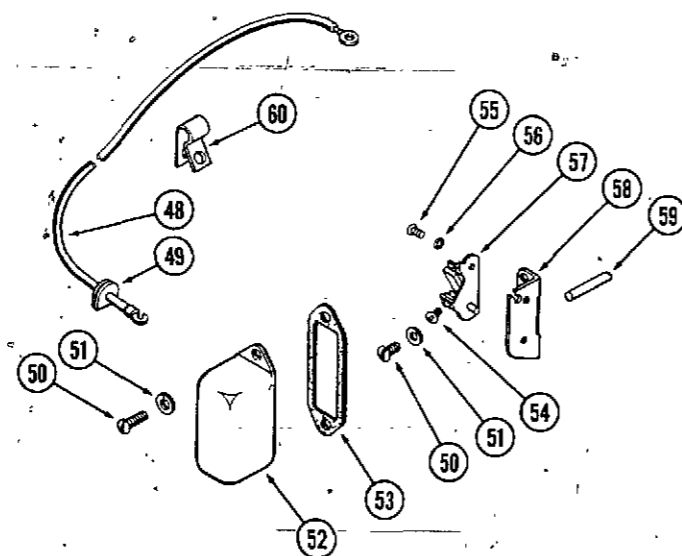
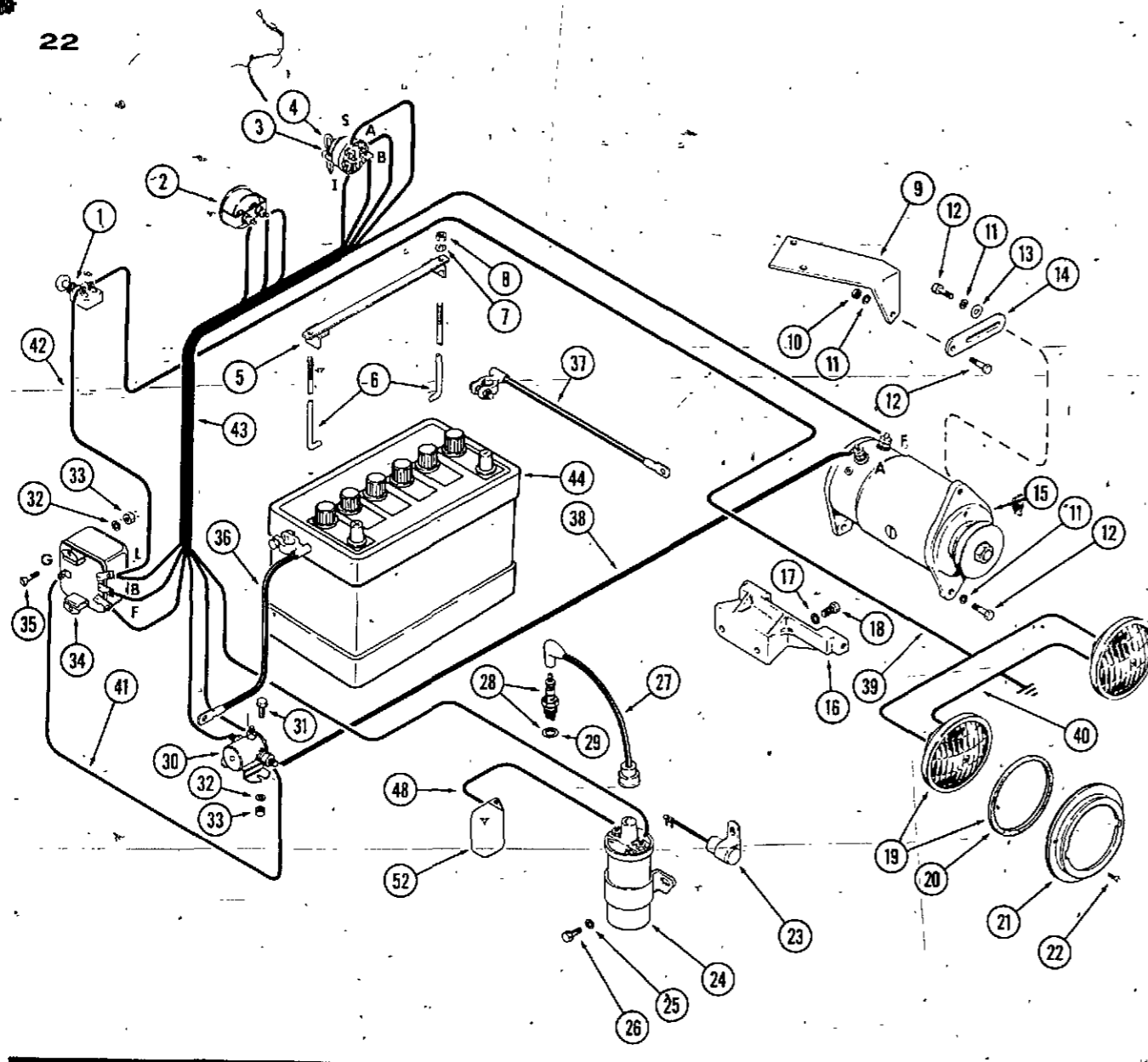
REF.	PART NO.	DESCRIPTION	REQ'D
1	A 72111	FUEL PUMP REPAIR KIT	1
2	A 72105	SPRING - fuel pump valve	2
3	A 72107	VALVE - fuel pump	2
4	A 72106	GASKET - valve	1
5	A 72109	DIAPHRAGM ASSY.	1
6	A 72110	SPRING - diaphragm	1
7	A 72108	GASKET - fuel pump mtg.	1

A72073 CARBURETOR

A	72073	CARBURETOR ASSY.	1
15	A 72077	JET ASSY - high speed & idle adj.	1
16	A 72076	SPRING - idle jet	1
17	A 72085	SPRING - choke detent ball	1
18	211- 3	BALL - 1/8" steel	1
19	A 72091	SCREW - #3-48 rd.hd.mach., brass	4
20	A 72074	VALVE ASSY - choke disc	1
21	A 72086	INLET NEEDLE & SEAT ASSY	1
22	A 72102	GASKET - needle seat	1
23	A 72079	PIN - carburetor float	1
24	A 72078	FLOAT ASSY.	1
25	A 72081	GASKET - carburetor bowl ring	1
26	A 72082	GASKET - carburetor bowl	1
27	A 72080	BOWL - carburetor	1
28	A 72084	NUT & GASKET ASSY - bowl	1
29	A 72083	GASKET - bowl screw	1
30	A 72101	SEAT - high idle jet	1
31	A 72075	SHAFT & LEVER ASSY - choke	1
32	A 72087	PLUG - 3/8" expansion	1
33	A 72098	SPRING - lean-rich adjusting screw	1
34	A 72099	SCREW - adjusting (lean-rich)	1
35	A 72090	VALVE - throttle disc	1
36	A 72088	PLUG - carb. body passage	1
37	A 72089	SHAFT - throttle lever	1
38	A 72097	SEAL - throttle shaft	1
39	A 72094	DOG ASSY - throttle shaft	1
40	A 72092	SCREW - idle stop	1
41	A 72093	SPRING - idlescrew tension	1
42	169- 77	SCREW - throttle dog clamp #8x1/2" N.C.fill.hd.	1
43	A 72096	LEVER - throttle	1
44	A 72095	SCREW ASSY - throttle lever	1
45	NSS	BODY - carb. (Order A72073 Carb. Assy.)	1
46	A 72103	KIT - carburetor repair	1

B53256 FUEL STRAINER

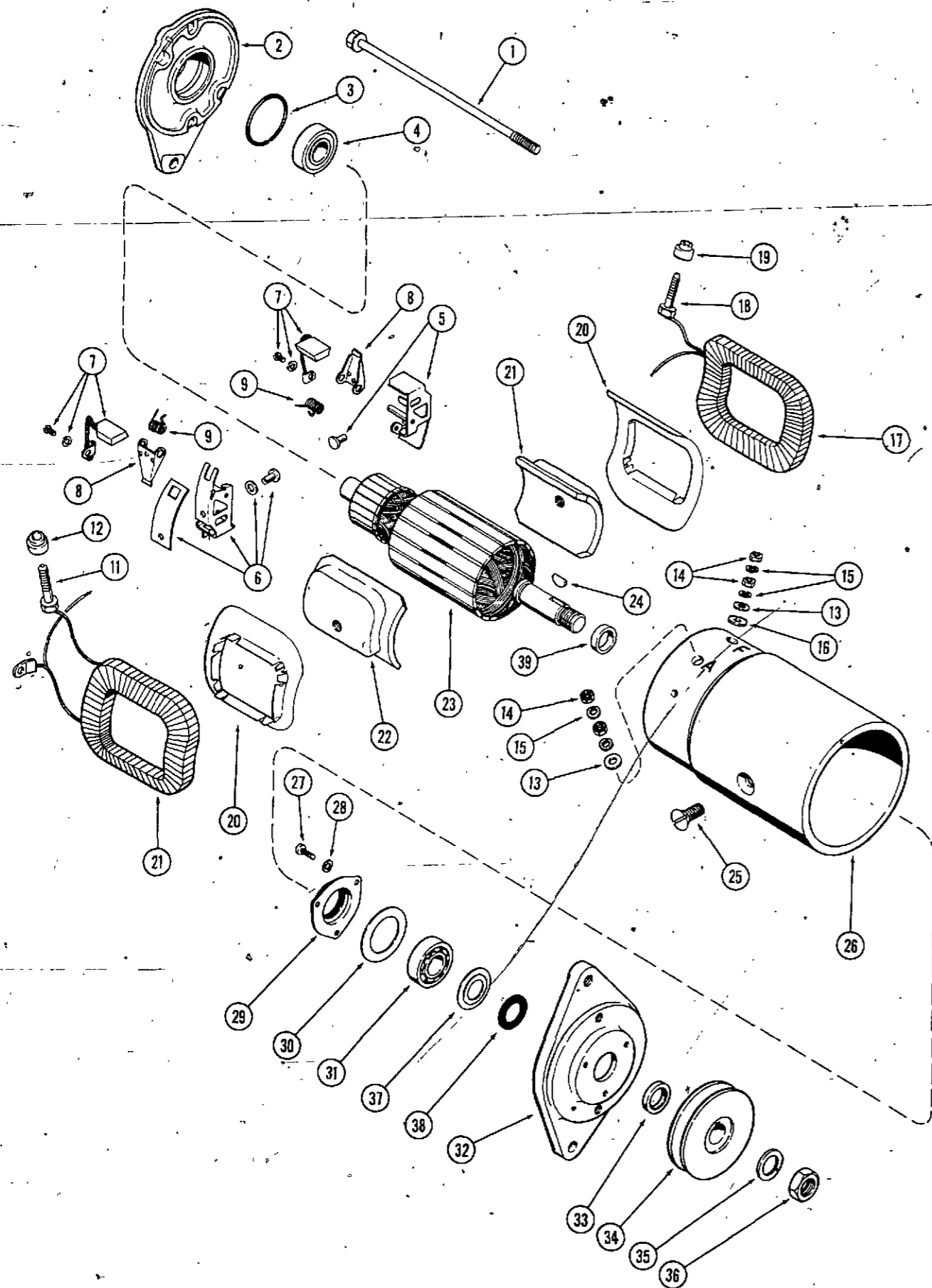
B	53256	FUEL STRAINER ASSY.	1
50	B 51980	COVER - fuel strainer	1
51	B 51978	CLAMP ASSY. - wire & thumb nut	1
52	B 51979	STEM - valve	1
53	B 51977	SCREEN - strainer	1
54	B 59393	GASKET - strainer	1
55	B 51975	BOWL - strainer	1



CASE 130 AND 180 GARDEN TRACTOR 23
ELECTRICAL WIRING AND HARDWARE

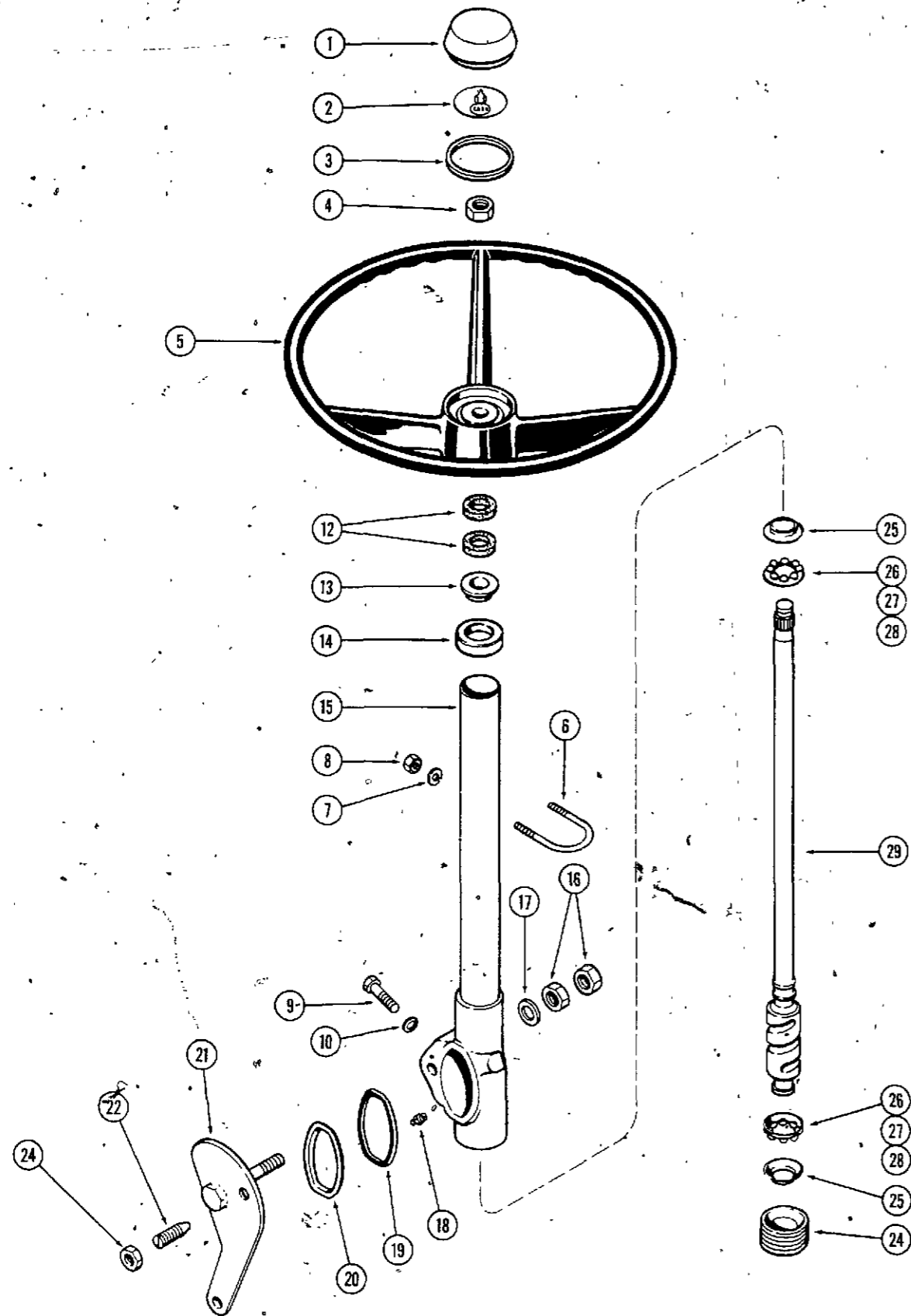
REF.	PART NO.	DESCRIPTION	REQ'D
1	A 70222	SWITCH - light	1
2	R 18748	AMMETER - 30 amp.	1
3	A 11373	SWITCH - ignition (incl. keys and nut)	1
4	A 20348	KEY - ignition switch	2
5	A 70208	HOLD-DOWN - battery	1
6	A 70207	ROD - battery hold-down	2
7	192- 19	LOCKWASHER - 1/4", pltd.	2
8	129- 101	NUT - 1/4" N.C. hex., plated	2
9	KO 235197	SUPPORT - starter generator adj.brkt.	1
10	129- 102	NUT - 5/16" N.C. hex. plated	1
11	195- 20	LOCKWASHER - 5/16" plated	4
12	113- 103	BOLT - 5/16" x 1" N.C. hex.hd. plated	4
13	195- 520	WASHER - 5/16" plain plated	1
14	KO 235203	BRACKET - adjusting, starter generator	1
15	A 70202	STARTER-GENERATOR DELCO NO. 1101970	1
16	KO 235196	SUPPORT - starter, generator	1
17	192- 21	LOCKWASHER - 3/8" plated	2
18	113- 221	BOLT - 3/8" x 7/8" N.C. hex.hd., plated	2
19	A 24572	HEADLAMP - 12 volt	2
20	A 11276	GASKET - retainer ring	2
21	A 11275	RING - headlamp retainer	2
22	187- 1102	SCREW - #6 x 1/2 pan hd. self tapping	6
23	KO 230722	CONDENSER	1
24	KO 231281	COIL - ignition	1
25	192- 19	LOCKWASHER - 1/4" plated	2
26	113- 1	BOLT - 1/4" x 1/2" N.C. hex.hd. plated	2
27	KOA 235095	CABLE - hi-tension	1
28	M 20007	SPARK PLUG - (includes gasket)	1
29	O 7768	GASKET - spark plug	1
30	A 21481	SOLENOID - starting Delco No. 1498	1
31	113- 1	BOLT - 1/4" x 1/2" UN hex.hd. plated	2
32	192- 19	LOCKWASHER - 1/4" plated	4
33	129- 101	NUT - 1/4" N.C. hex., plated	4
34	A 70221	REGULATOR - voltage Delco No. 1118988	1
35	73- 46	SCREW - 1/4" x 3/8" N.C. flt. hd. mach.	2
36	A 70211	CABLE - battery-positive to solenoid 10"	1
37	A 70212	CABLE - battery negative to ground 12"	1
38	A 70213	CABLE - solenoid to starter generator, 16"	1
39	A 70446	WIRE ASSY. - headlight 42" lt. green	1
40	A 70447	WIRE ASSY. - headlight 9" lt. green	1
41	A 70219	WIRE - sol. to reg. grd. 8-1/2" white	1
42	A 70214	WIRE - light sw. to volt. reg. 8" white	1
43	A 70403	WIRE HARNESS ASSY.	1
44	M 20149	BATTERY - 12 volt	1
48	KOA 231533	LEAD - breaker contact (incl. grommet)	1
49	KO 220297	GROMMET - breaker contact lead	1
50	173- 210	SCREW - 10-24 x 3/8" rd. hd. plated	4
51	192- 18	LOCKWASHER - 3/16" plated	4
52	KO 232535	COVER - breaker contact	1
53	KO 220174	GASKET - cover, breaker contact	1
54	187- 408	SCREW - terminal, #6-32 x 3/8" self-tapping	1
55	173- 224	SCREW - breaker contact mtg. #8 x 1/4" N. C. rd. hd.	1
56	193- 5	LOCKWASHER - #8 internal shakeproof	1
57	KO 220475	POINT SET - breaker contact	1
58	KO 220476	BRACKET - mtg. breaker contacts	1
59	KOX 389-1	ROD - breaker contact push	1
60	KO 275303	CLIP - breaker contact wire	1

A70202 STARTER-GENERATOR

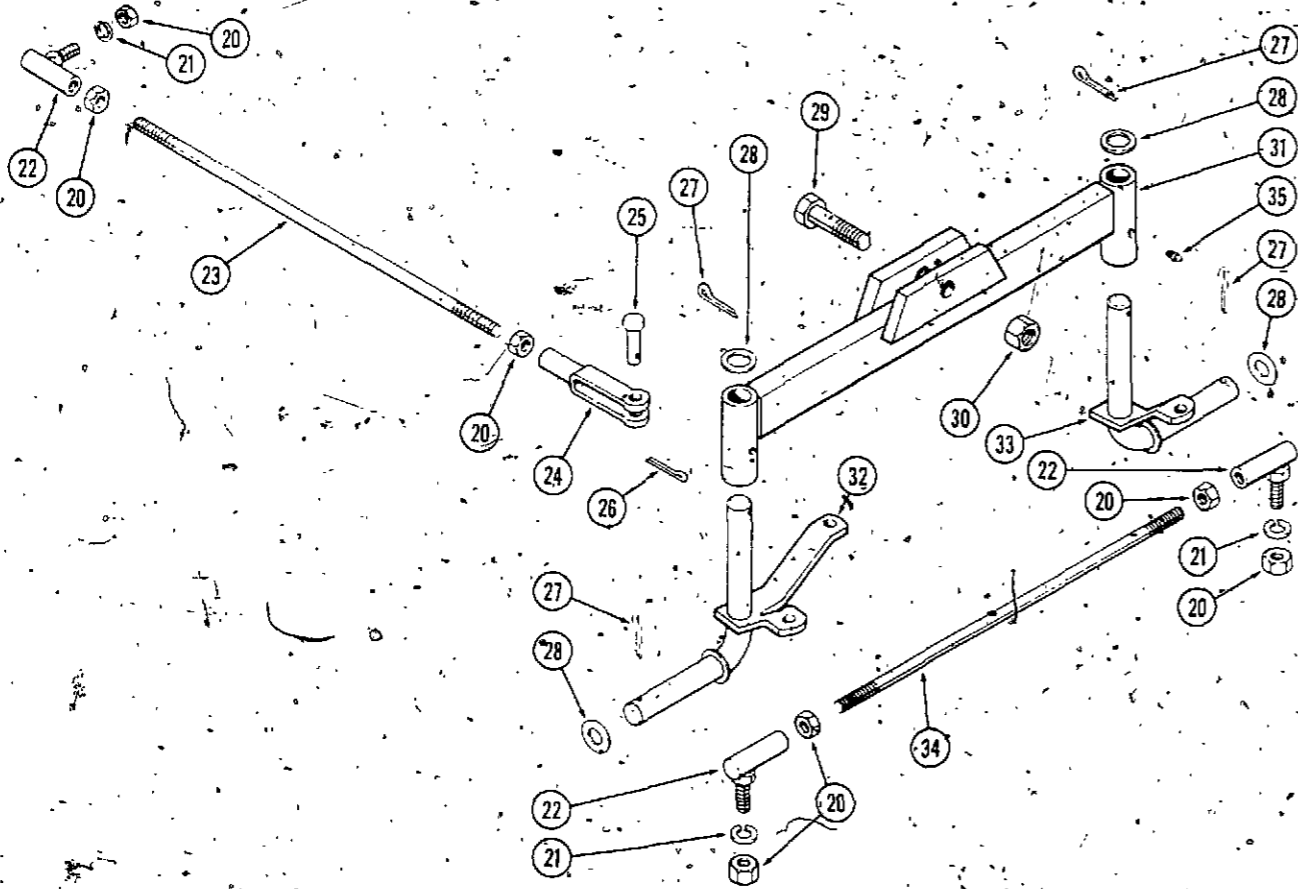
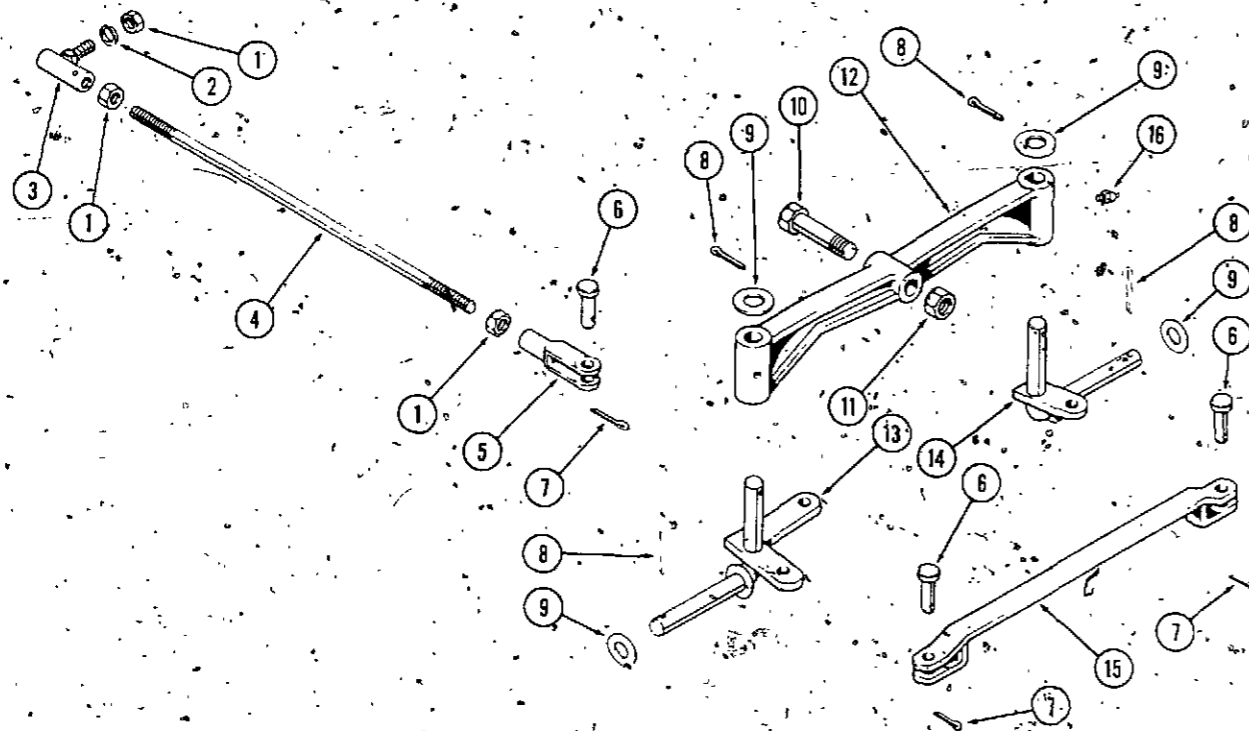


REF.	PART NO.	DESCRIPTION	REQ'D
1 R	15106	BOLT - thru (includes washer)	2
2 A	72104	FRAME ASSY - commutator end	1
3 R	15087	RING - bearing retainer	1
4 A	25461	BEARING - commutator end ball	1
5 A	72039	HOLDER KIT - ground brush	1
6 A	72040	HOLDER KIT - insulated brush	1
7 A	72038	BRUSH ASSY	2
8 R	15090	ARM - brush pressure	2
9 A	25423	SPRING - brush arm	2
10 A	72042	COIL ASSY. - field R. H.	1
11 A	72048	STUD - armature terminal	1
12 R	16147	BUSHING - insulated, armature stud	1
13 R	15079	WASHER - armature stud	2
14 129-	18	NUT - terminal stud 12-24 hex.	4
15 192-	17	LOCKWASHER - terminal stud #12	4
16 R	16148	WASHER - insulated, field stud	1
17 A	72043	COIL ASSY. - field, L. H.	1
18 A	72049	STUD - field terminal	1
19 R	15077	BUSHING - insulated, field stud	1
20 A	25447	INSULATOR - field coil	2
21 A	72044	SHOE - pole, plain	1
22 A	40736	SHOE - pole, notched	1
23 A	72041	ARMATURE	1
24 126-	111	KEY - Woodruff, armature	1
25 D	32477	SCREW - pole	2
26	NSS	BODY - starter generator (Order A70202)	1
27 173-	237	SCREW - 10-32 x 1/2" rd.hd.	3
28 192-	18	LOCKWASHER - 3/16" plated	3
29 A	72050	RETAINER ASSY. - bearing (includes rer. 37 & 38)	1
30 R	16170	GASKET - bearing retainer	1
31 A	25441	BEARING - ball, drive end	1
32 A	72046	FRAME ASSY - drive end	1
33 A	72047	SPACER - pulley	1
34 KO	235260	PULLEY - starter - generator drive	1
35 192-	26	LOCKWASHER - 11/16" plated	1
36 R	15105	NUT - armature shaft, drive end	1
37	NSS	RETAINER - grease (Order A72050)	1
38	NSS	SEAL - felt (Order A72050)	1
39	NSS	SPACER - armature shaft, inner	1

STEERING GEAR



REF.	PART NO.	DESCRIPTION	REQ'D
1	A 70391	MEDALLION - steering wheel	1
2	A 70393	DECAL - medallion	1
3	A 70392	RING - medallion retaining	1
4	25- 1510	NUT - 5/8" N.F. hex.	1
5	A 70058	WHEEL - steering	1
6	A 70057	U-bolt - strg. gear mtg.	1
7	192- 19	LOCKWASHER - 1/4" plated	2
8	129- 121	NUT - 1/4" N.C. hex. plated	2
9	113- 207	BOLT - 3/8" x 1" N.C. hex. hd. plated.	2
10	192- 21	LOCKWASHER - 3/8" plated	2
	A 70056	STEERING GEAR ASSY	1
12	F 19645	SEAL - felt	2
13	A 72011	BEARING - spacer (Nylon)	1
14	A 72012	RETAINER - bearing	1
15	NSS	HOUSING AND TUBE ASSY (Order A70056)	1
16	25- 1510	NUT - jam 5/8" N.F. hex.	2
17	A 72014	WASHER - bronze	1
18	219- 14	FITTING - lube	1
19	A 72015	SEAL	1
20	A 72013	RETAINER - seal	1
21	A 72022	LEVER & BOLT ASSY	1
22	A 72017	STUD - adjusting	1
23	A 72010	NUT - adjusting	1
24	A 72021	PLUG - adjusting	1
25	A 72018	CUP - bearing	2
26	A 72020	BALL - retainer assembly	2
27	NSS	RETAINER - ball	1
28	211- 9	BALL - 5/16" dia.	8
29	NSS	CAM AND TUBE ASSY - (Order A70056)	1

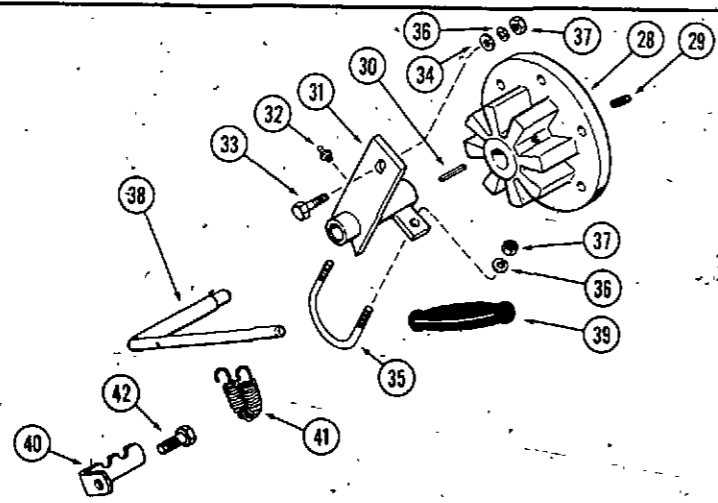
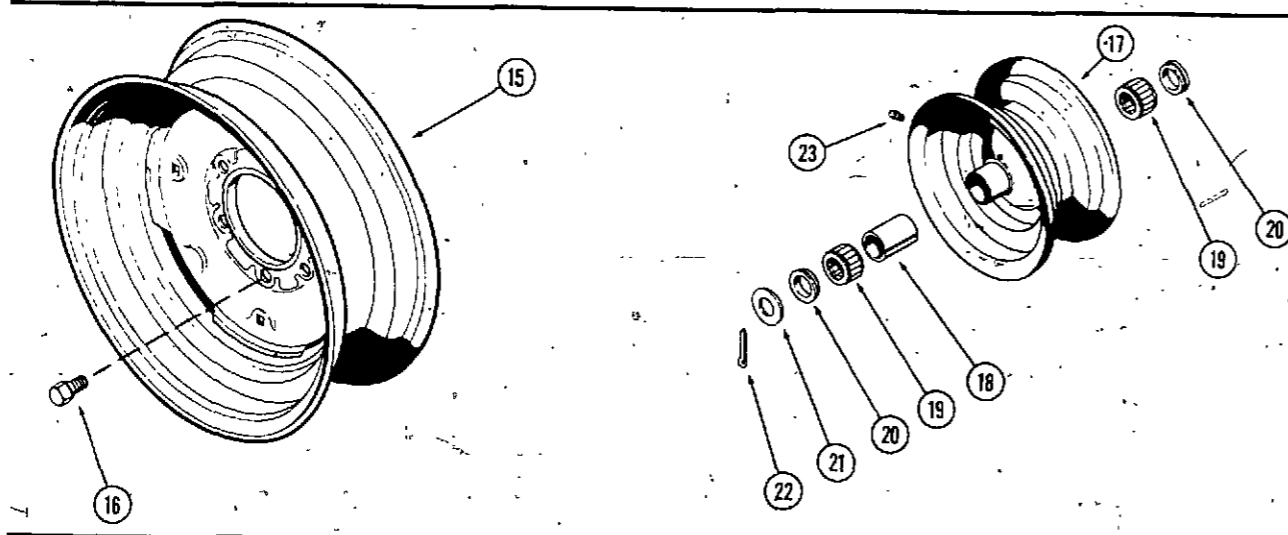
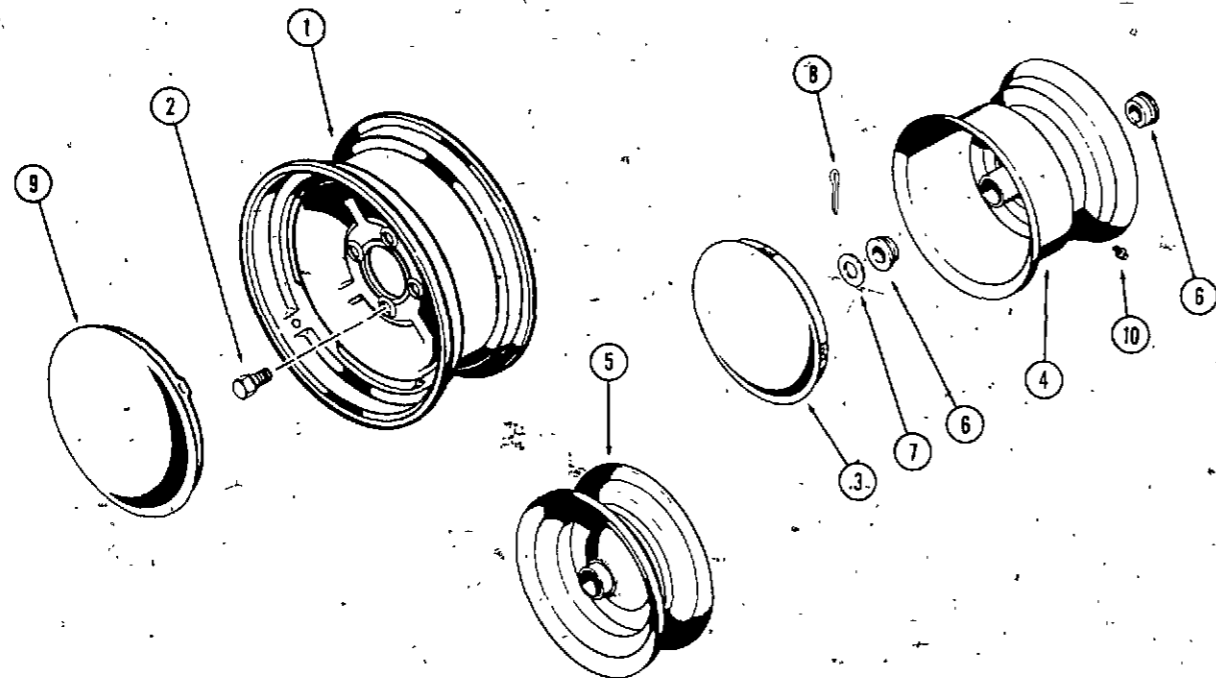


130 FRONT AXLE

REF.	PART NO.	DESCRIPTION	REQ'D
1	129- 105	NUT - 1/2" N.C. hex., plated	3
2	192- 23	LOCKWASHER - 1/2" SAE, plated	1
3	A 70055	JOINT - ball, 1/2"	1
4	A 70054	ROD - drag link (length 21")	1
5	213- 6	CLEVIS - drag link rod	1
6	141- 6	PIN - clevis	3
7	132- 50	PIN - cotter (1/8" x 1-1/4")	3
8	132- 77	PIN - cotter (5/32" x 2")	4
9	195- 545	WASHER - 13/16" plated	4
10	15- 1260	BOLT - 3/4" x 3-3/4" N.C. hex.	1
11	131- 357	NUT - Gripco 3/4" N.C. hex.	1
12	A 70040	AXLE - front	1
13	A 70041	SPINDLE KING PIN ASSY - R.H.	1
14	A 70047	SPINDLE KING PIN ASSY - L.H.	1
15	A 70048	TIE BAR - spindle	1
16	219- 1	FITTING - lube	2

180 FRONT AXLE

20	129- 105	NUT - 1/2" N.C. hex. plated	7
21	192- 23	LOCKWASHER - 1/2" SAE, plated	3
22	A 70055	JOINT - ball, 1/2"	3
23	A 70054	ROD - drag link (length 21")	1
24	213- 6	CLEVIS - drag link rod	1
25	141- 6	PIN - clevis	1
26	132- 50	PIN - cotter (1/8" x 1-1/4")	1
27	132- 77	PIN - cotter (5/32" x 2")	4
28	A 70463	WASHER	4
29	15- 1260	BOLT - 3/4" x 3-3/4" N.C. hex.	1
30	131- 357	NUT - Gripco 3/4" N.C. hex.	1
31	A 70455	AXLE - front	1
32	A 70460	SPINDLE - KING PIN ASSY - R.H.	1
33	A 70461	SPINDLE - KING PIN ASSY - L.H.	1
34	A 70054	TIE ROD	1
35	219- 1	FITTING - lube	2



130 FRONT AND REAR WHEELS

REF.	PART NO.	DESCRIPTION	REQ'D
1	A 70183	WHEEL - rear (8.50 x 12 Xtra-Traction, G1 lug cleat, and 6.00 x 12 G2 Lawn and Garden tires)	2
2	A 70184	BOLT - rear wheel lug	8
3	A 70062	COVER - frt. wheel disc (for A70061 wheel)	2
4	A 70061	WHEEL - frt. (16/6.50 x 8 Terra or Rib tread tire)	2
5	A 70066	WHEEL - frt. (16.5/4.80 x 8 Rib tread tire)	2
6	A 70398	BUSHING - frt. wheel	4
7	195- 545	WASHER - front wheel retaining	2
8	132- 77	PIN - cotter (5/32" x 2")	2
9	A 70185	CAP - rear wheel hub	2
10	219- 1	FITTING - lub.	2

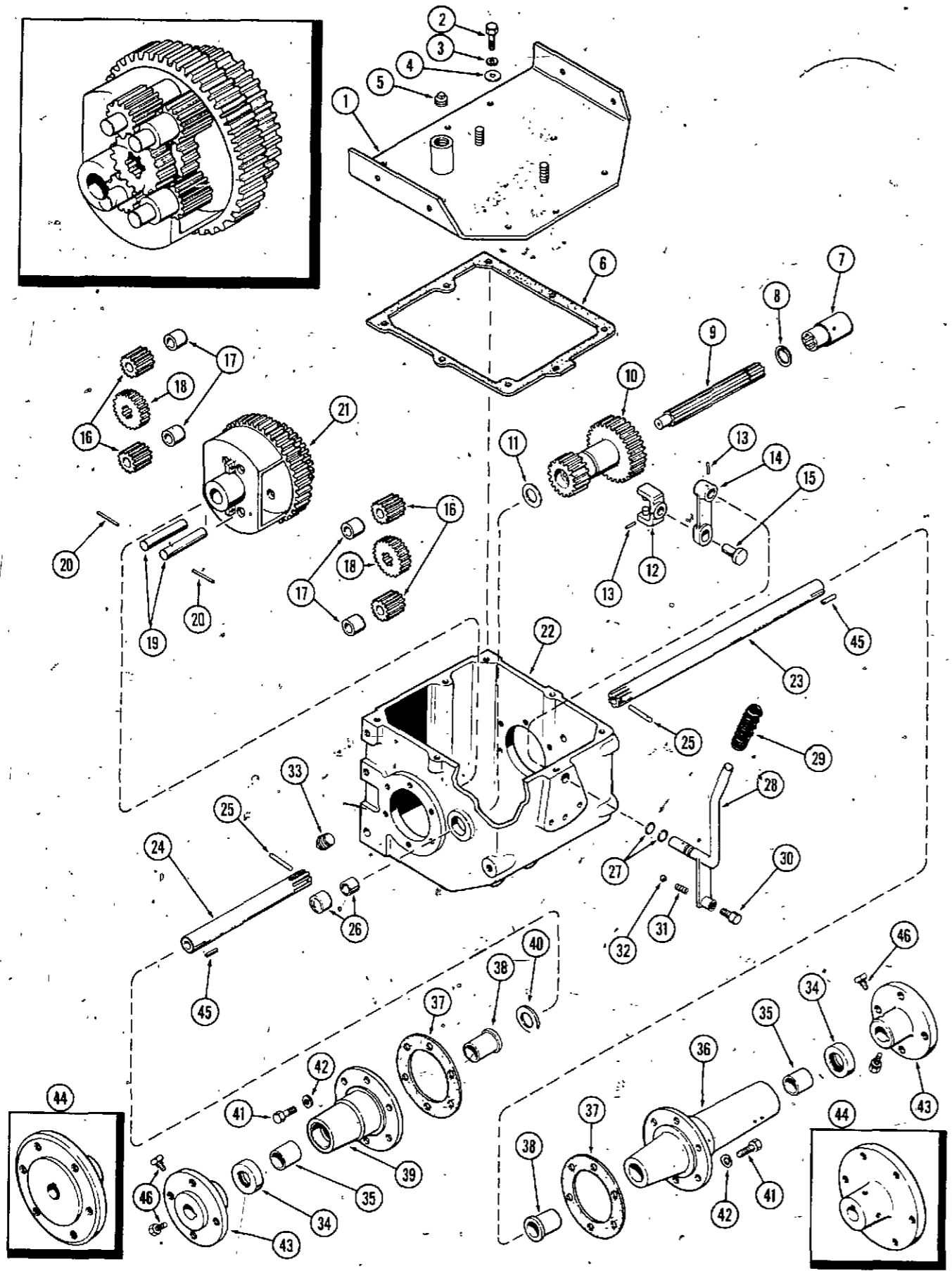
180 FRONT AND REAR WHEELS

15	A 70467	WHEEL - rear (8.00 x 16 G1 Lug Cleat tire)	2
16	O 4557	AB BOLT - rear wheel lug	12
17	A 70479	WHEEL - frt. (16.5/4.8 x 8 Rib tread tire)	2
18	A 70482	SPACER - front wheel bearing	2
19	A 70480	BEARING - front wheel roller	4
20	A 70481	RETAINER - front wheel bearing	4
21	A 70463	WASHER - front wheel retaining	2
22	132- 77	PIN - cotter (5/32" x 2")	2
23	219- 1	FITTING - lube	2

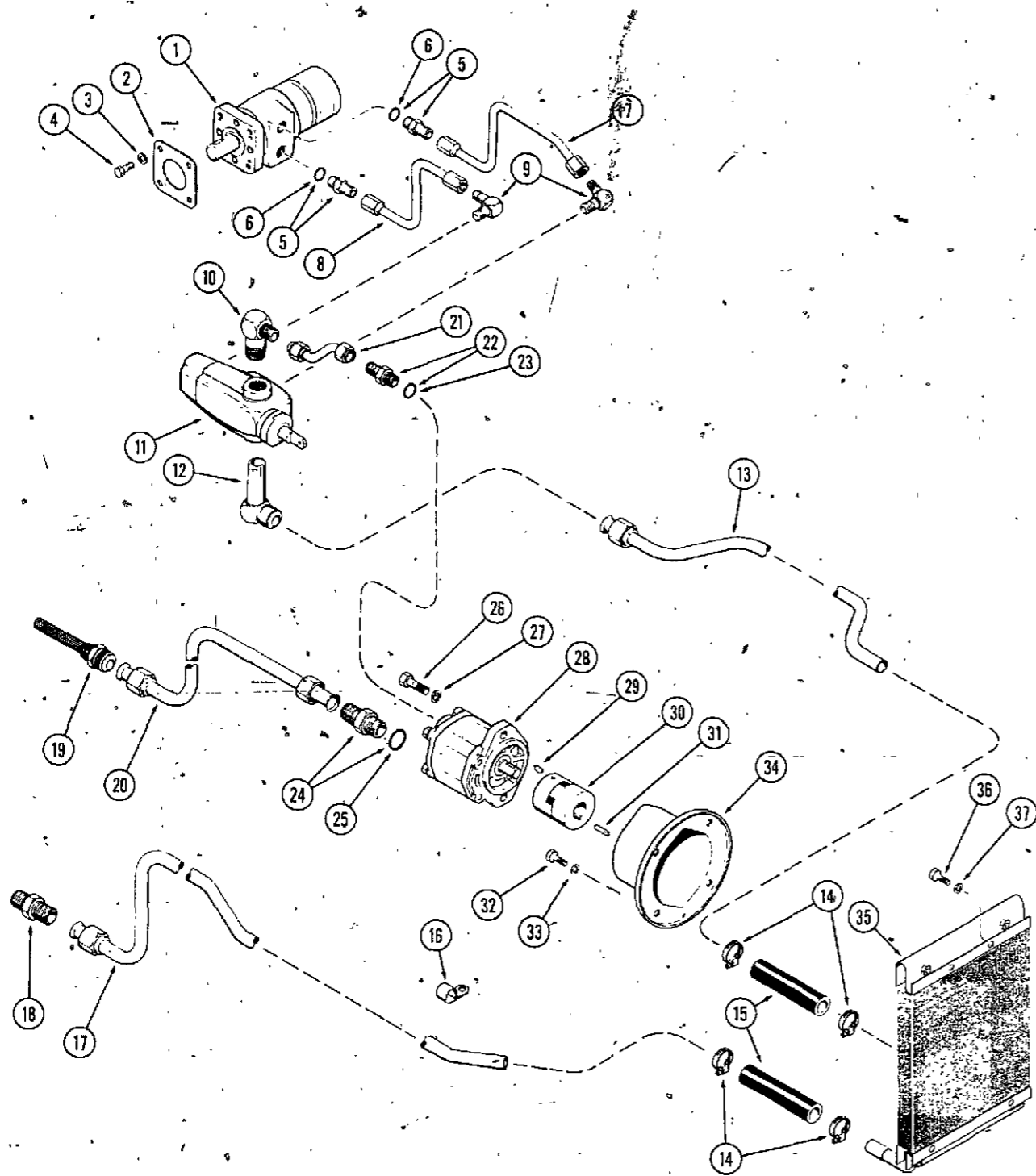
PARKING BRAKE

28	C 10681	HUB - wheel (130)(4 hole)	1
28	C 10682	HUB - wheel (180)(6 hole)	1
29	83- 512	SCREW - set, wheel hub (130) (5/16 x 3/4" N. C., sckt. hd., cup pt.)	2
29	83- 614	SCREW - set, wheel hub (180) (3/8 x 7/8" N. C., sckt. hd., cup pt.)	2
30	O 3312	AB KEY - hub (1/4" sq. x 1-1/2")	1
31	C 10683	BRACKET - anchor	1
32	219- 8	FITTING - grease (1/4-28 str.)	1
33	13- 620	BOLT - bracket (3/8 x 1-1/4" N. C. hex.)	1
34	95- 6	WASHER - (5/32 x 5/16 x 1/32")	1
35	C 10691	"U" BOLT - bracket	1
36	92- 6	WASHER - (3/8" lock)	3
37	25- 106	NUT - (3/8" N. C. hex.)	3
38	C 10687	LEVER - lock	1
39	C 10692	GRIP - lever handle	1
40	C 10688	PLATE - lever latch	1
41	VT 2888	SPRING - lever latch	1
42	13- 820	BOLT - latch plate (1/2 x 1-1/4" N. C. hex.)	1

TRANSMISSION AND FINAL DRIVE



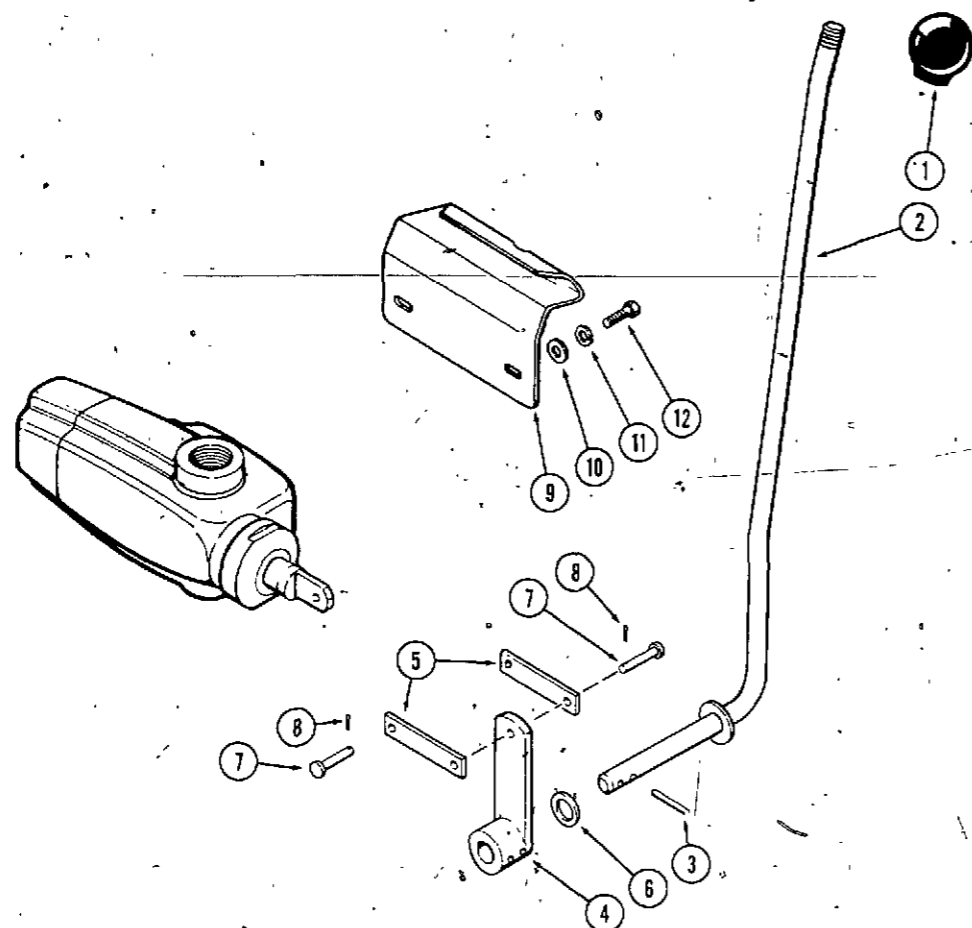
REF.	PART NO.	DESCRIPTION	REQ'D
1	A 70178	COVER ASSY - transmission case	1
2	113- 102	BOLT - 5/16" x 3/4" N.C. hex. plated	8
3	192- 20	LOCKWASHER - 5/16" plated	8
4	195- 103	WASHER - 5/16" plated	8
5	221- 5	PLUG - 3/4" sq.hd. pipe	1
6	A 70177	GASKET - transmission case	1
7	A 70158	COUPLING - input shaft to hyd. mtr. (130)	1
7	C 10835	COUPLING - input shaft to hyd. mtr. (180)	1
8	B 18208	RING - coupling retaining	1
9	A 70154	SHAFT - transmission input	1
10	A 70156	CLUSTER - input gear	1
11	195- 2080	WASHER - 3/4" plain	UAR
12	A 70152	YOKE - shifter (also order Ref. Nos. 13 and 15)	1
13	138- 98	PIN - roll (3/16" x 1-1/4")	2
14	A 70163	LEVER - yoke (also order Ref. Nos. 13 and 28)	1
15	A 70161	PIN - yoke to pivot lever	1
16	A 70149	PINION - differential	4
17	A 70131	SPACER - differential pinion	4
18	A 70150	GEAR - differential	2
19	A 70151	PIN - differential pinion	4
20	138- 102	PIN - roll (3/16" x 1-3/4")	2
21	A 70148	HOUSING - differential gear	1
22	A 70136	CASE - transmission	1
23	A 70146	AXLE - rear, L. H.	1
24	A 70145	AXLE - rear, R.H.	1
25	138- 102	PIN - roll 3/16" x 1-3/4"	2
26	A 70153	BEARING - needle, input shaft	1
27	VT 2983	"O" RING - shift lever	2
28	A 70164	LEVER - shift (also order Ref.No. 13 and 14)	1
29	A 70170	GRIP - shift lever hand	1
30	178- 453	SCREW - detent, 3/8" x 3/8" sckt.hd.	1
31	A 70169	SPRING - lever detent	1
32	211- 11	BALL - steel, 3/8" dia.	1
33	221- 674	PLUG - drain, magnetic 1/2" NPT sq.hd.	1
34	A 70143	OIL SEAL - rear axle hsg.	2
35	A 70141	BUSHING - rear axle hsg.	2
36	A 70139	HOUSING - rear axle, L.H.	1
37	A 70137	GASKET - rear axle hsg.	2
38	A 70142	BUSHING - rear axle hsg., flanged	2
39	A 70138	HOUSING - rear axle, R.H.	1
40	C 10292	SHIM - axle hsg. & diff. hsg.	3
41	A 70127	BOLT - Jay-Lok" spec. sealing (3/8" x 1-1/4" N. C.)	12
42	92- 6	LOCKWASHER - 3/8" SAE	12
43	A 70144	HUB - rear wheel (130)	2
44	A 70485	HUB - rear wheel(180)	2
45	O 3312	KEY - 1/4" sq. x 1-1/2"	2
46	A 70223	BOLT - 3/8" x 3/4" N. C. Jay-lock	4



HYDRAULIC SYSTEM

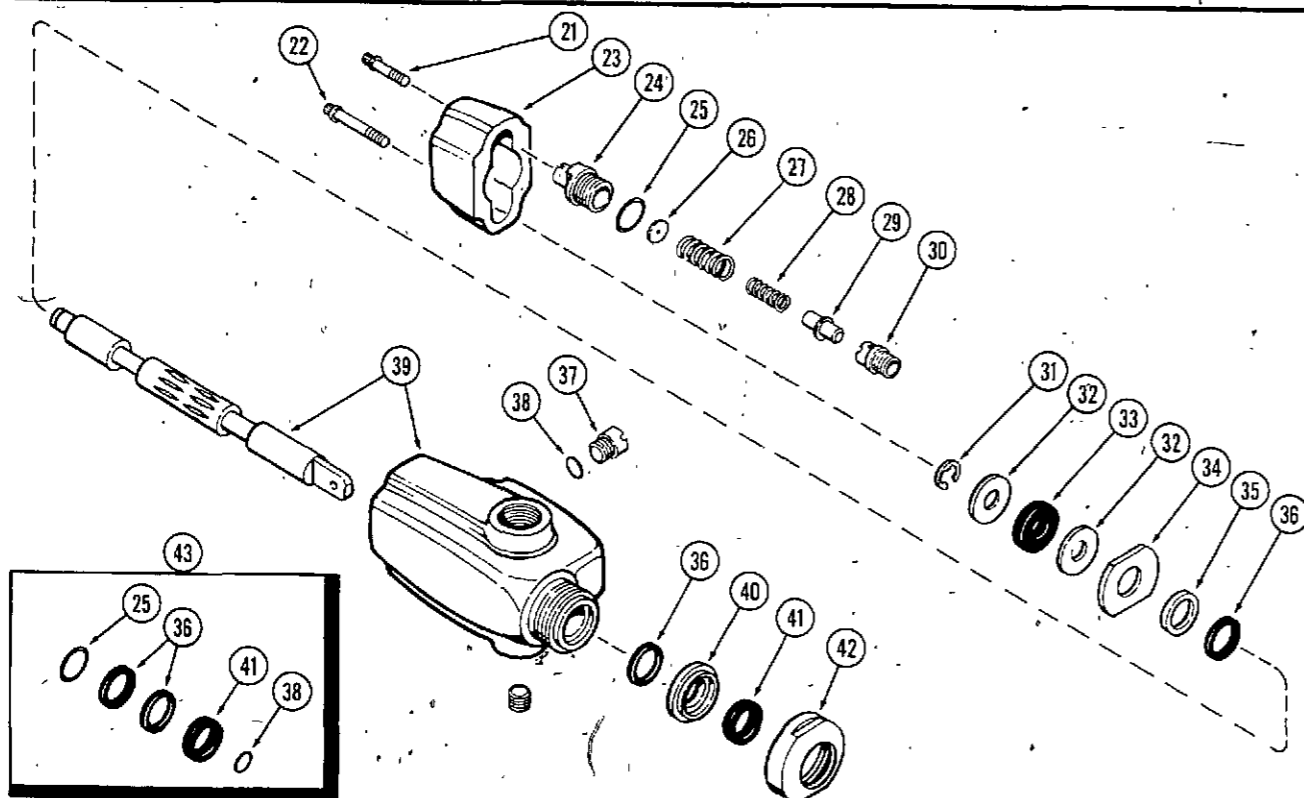
REF.	PART NO.	DESCRIPTION	REQ'D
1	A 70123	MOTOR - hyd. (130) Repairs Page 41)	1
1	A 70483	MOTOR - hydraulic (180) Repair Page 41	1
2	A 70128	GASKET - motor to trans. case	1
3	92- 6	LOCKWASHER - 3/8" SAE	4
4	A 70127	BOLT - special, Jay-Lock	4
5	218- 5060	FITTING - "O" ring 1/2"x 7/8" thd.	2
6	218- 5006	"O" RING - 1/2"	2
7	A 70124	TUBE - frt. valve port to motor	1
8	A 70125	TUBE - rear valve port to motor	1
9	A 70126	FITTING - hyd.valve pressure	2
10	A 70390	FITTING - 90°, 1/2" Tube x 3/4" NPT	1
11	A 70140	VALVE - control (Repairs Page 37)	1
12	A 70122	FITTING - 90°, 3/4" Tube x 3/4" NPT.	1
13	A 70121	TUBE - heat exchanger to valve	1
14	214- 253	CLAMP - hose	4
15	A 70119	HOSE	2
16	A 70389	CLIP - tube	2
17	A 70118	TUBE - trans. to heat exchanger	1
18	218- 446	FITTING - 3/4" Tube x 3/4" N.P.T.	1
19	A 70117	FITTING - w/filter	1
20	A 70116	TUBE - pump to transmission	1
21	A 70115	TUBE - pump to valve	1
22	218- 5059	FITTING - "O" ring - 1/2" tube x 3/4" thd.	1
23	218- 5005	"O" RING - 1/2"	1
24	218- 5064	FITTING - "O" ring 3/4" Tube x 1-1/16" thd.	1
25	218- 5008	"O" RING - 3/4"	1
26	113- 312	BOLT - 7/16" x 1-1/4" N. C. hex. plated.	2
27	192- 22	WASHER - 7/16" plated	2
28	A 70110	PUMP - hydraulic - (Repairs Page 39)	1
29	126- 12	KEY - Woodruff	1
30	A 70111	COUPLING - (Repairs Page 39)	1
31	W 5063-S	KEY - 1/4" square x 3/4"	1
32	113- 207	BOLT - 3/8" x 1" N.C. hex. plated	4
33	192- 21	WASHER - 3/8" plated	4
34	A 70109	SUPPORT - hydraulic pump mtg.	1
35	A 70120	EXCHANGER - heat	1
36	113- 3	BOLT - 1/4" x 3/4" N.C. hex., plated	4
37	192- 19	LOCKWASHER - 1/4" plated	4

HYDRAULIC CONTROL VALVE LINKAGE



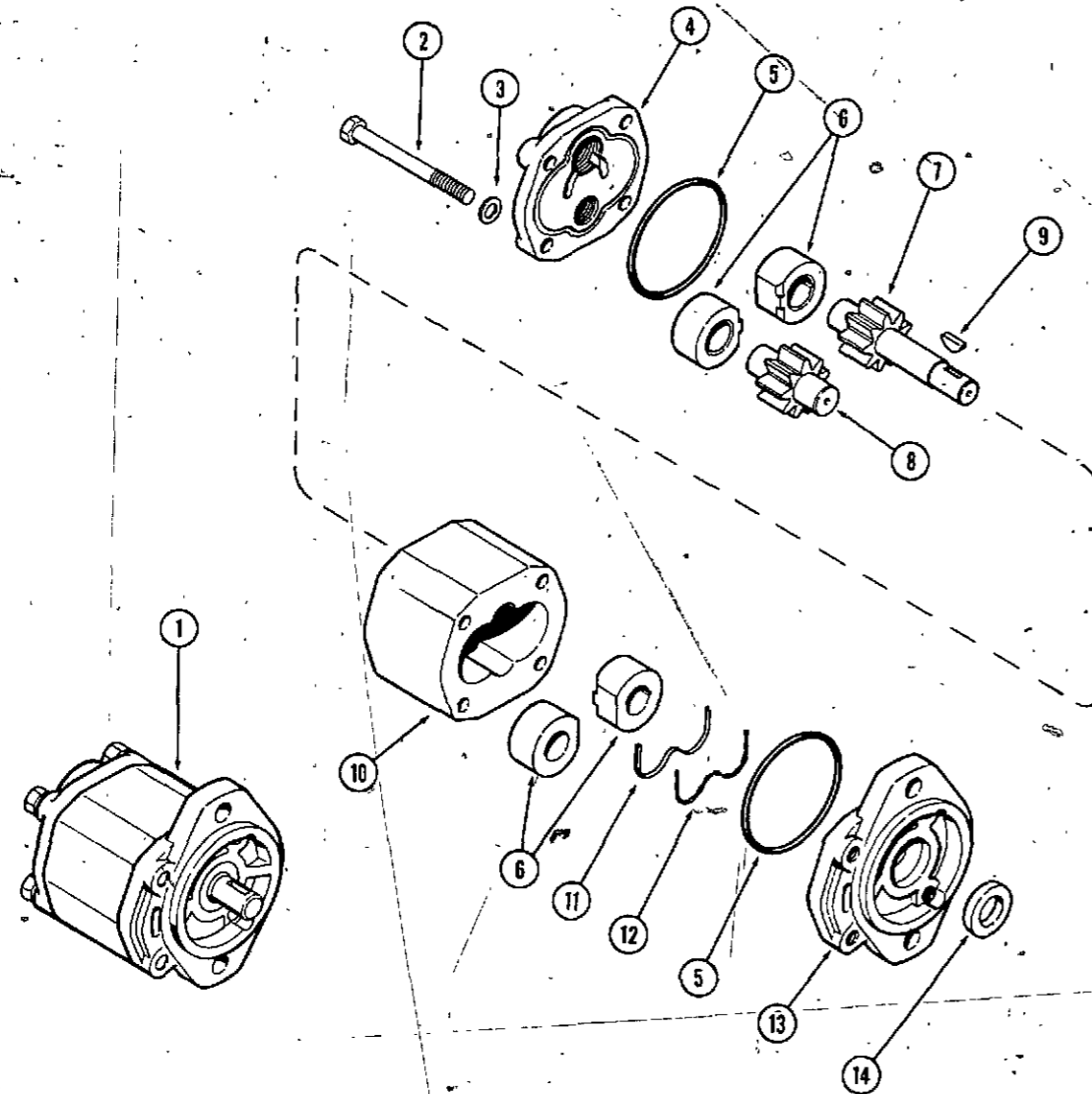
REF.	PART NO.	DESCRIPTION	REQ'D
1	A 23885	KNOB - hand lever	1
2	A 70008	LEVER ASSY. - hand control (incl. Ref. Nos. 3 & 4)	1
3	138- 98	PIN - roll (3/16" x 1-1/4")	2
4	NSS	LEVER - control valve lever	1
5	A 70129	LINK - valve spool	2
6	195- 534	WASHER - spacer, 9/16" plated	UAR
7	A 70130	PIN - valve spool link	2
8	132- 7	PIN - cotter 1/16 x 3/4"	2
9	A 70135	PLATE - hand lever pressure	2
10	195- 515	WASHER - 1/4" plated	2
11	192- 19	LOCKWASHER - 1/4" plated	2
12	113- 1	BOLT - 1/4" x 1/2" N.C. hex.hd.plated	2

A70140 HYDRAULIC CONTROL VALVE



21	166- 6	CAPSCREW - 1/4" x 1" N.C.ferry hd.	1
22	166- 8	CAPSCREW - 1/4" x 1-1/2" N.C.ferry hd.	1
23	A 72065	CAP - valve end	1
24	A 72059	PLUG - relief valve	1
25	A 7982	"O" RING - relief valve plug	1
26	A 72069	SHIM - relief valve	2
27	A 72058	SPRING - relief valve (outer)	1
28	A 72071	SPRING - valve relief (inner)	1
29	A 72057	SPOOL - relief valve poppet	1
30	A 72055	SEAT - relief valve	1
31	0 9638 AB	SNAP RING - valve	1
32	A 72060	WASHER - valve spool end spacer	2
33	A 72063	SPACER - valve spool end	1
34	A 72066	WASHER - retainer relief valve plug	1
35	A 72067	RING - back up	1
36	A 72062	SEAL - quad ring	2
37	A 72056	PLUG	1
38	A 72061	"O" RING - plug	1
39	A 72052	BODY AND SPOOL ASSY	1
40	A 72068	RETAINER - seal	1
41	A 72070	SEAL - vee	1
42	A 72064	CAP - valve end	1
43	A 72072	KIT - valve seal repair	1
41	A 72070	SEAL - vee	1
38	A 72061	"O" RING - 5/8"	1
25	A 7982	"O" RING - 13/16"	1
36	A 72062	QUAD RING	2

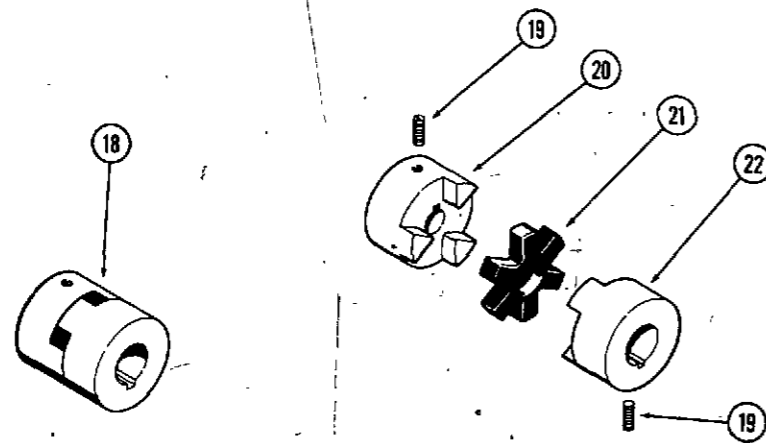
A70110 HYDRAULIC PUMP

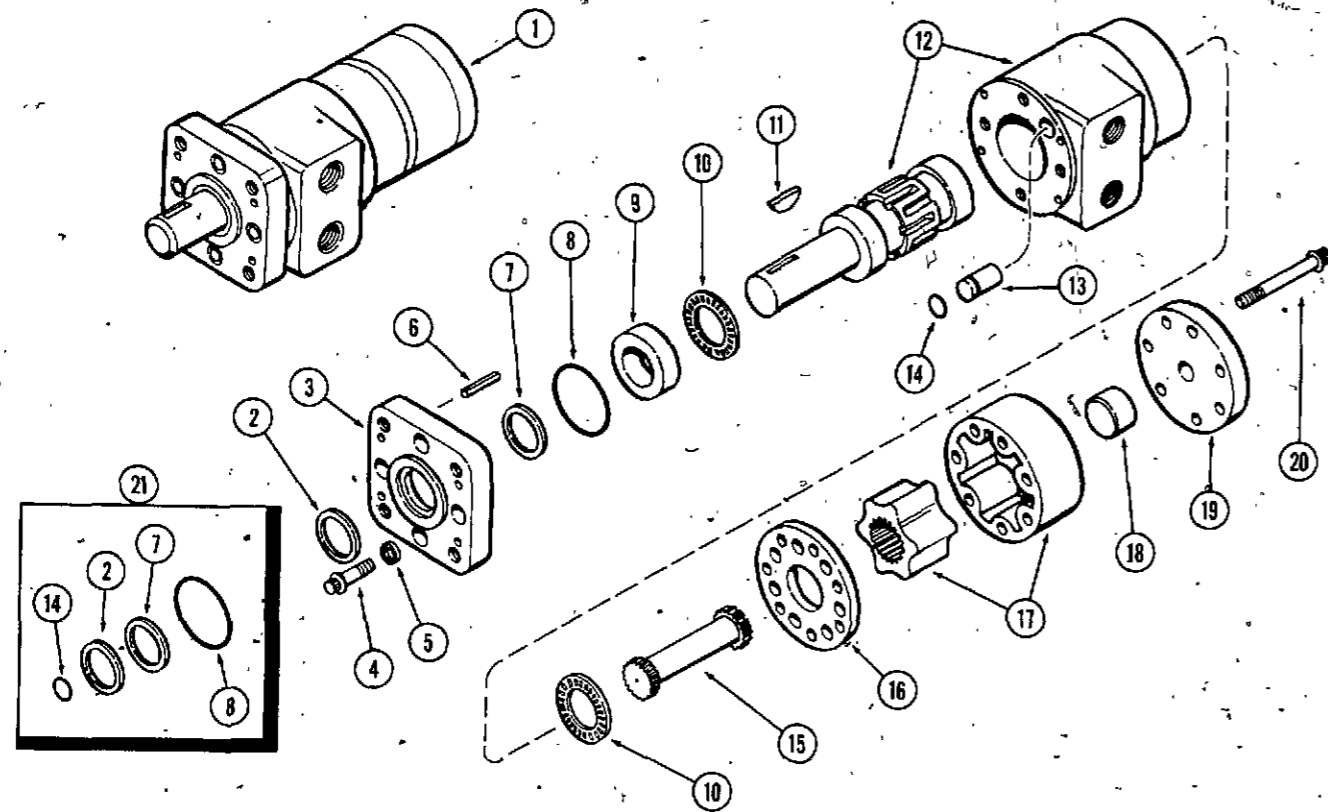


REF.	PART NO.	DESCRIPTION	REQ'D
1	A 70110	PUMP - hydraulic	1
2	13- 652	BOLT - 3/8" x 3-1/4" N. C. hex. hd.	4
3	A 72000	WASHER - special	4
4	A 72006	COVER - rear, pump body	1
5	A 72003	SEAL - pump cover	2
6	A 35956	BEARING - pump gear	4
7	A 72005	GEAR - pump, drive	1
8	A 72004	GEAR - pump, driven	1
9	126- 12	KEY - Woodruff #6	1
10	NSS	BODY - pump (Order A70110 pump)	1
11	A 72001	GASKET - brass, front cover	1
12	A 72002	SPACER - gasket, front cover	1
13	A 72007	COVER - front pump body	1
14	A 35960	SEAL - pump shaft	1

A70111 PUMP DRIVE COUPLING

18	A 70111	COUPLING - pump drive	1
19	83- 55	SCREW - 5/16" x 5/16" N. C. sokt. hd. set.	2
20	NSS	HUB - half, 5/8" dia. bore (Order A70111)	1
21	A 70112	SPIDER - coupling	1
22	NSS	HUB - half, 1" dia. bore (Order A70111)	1



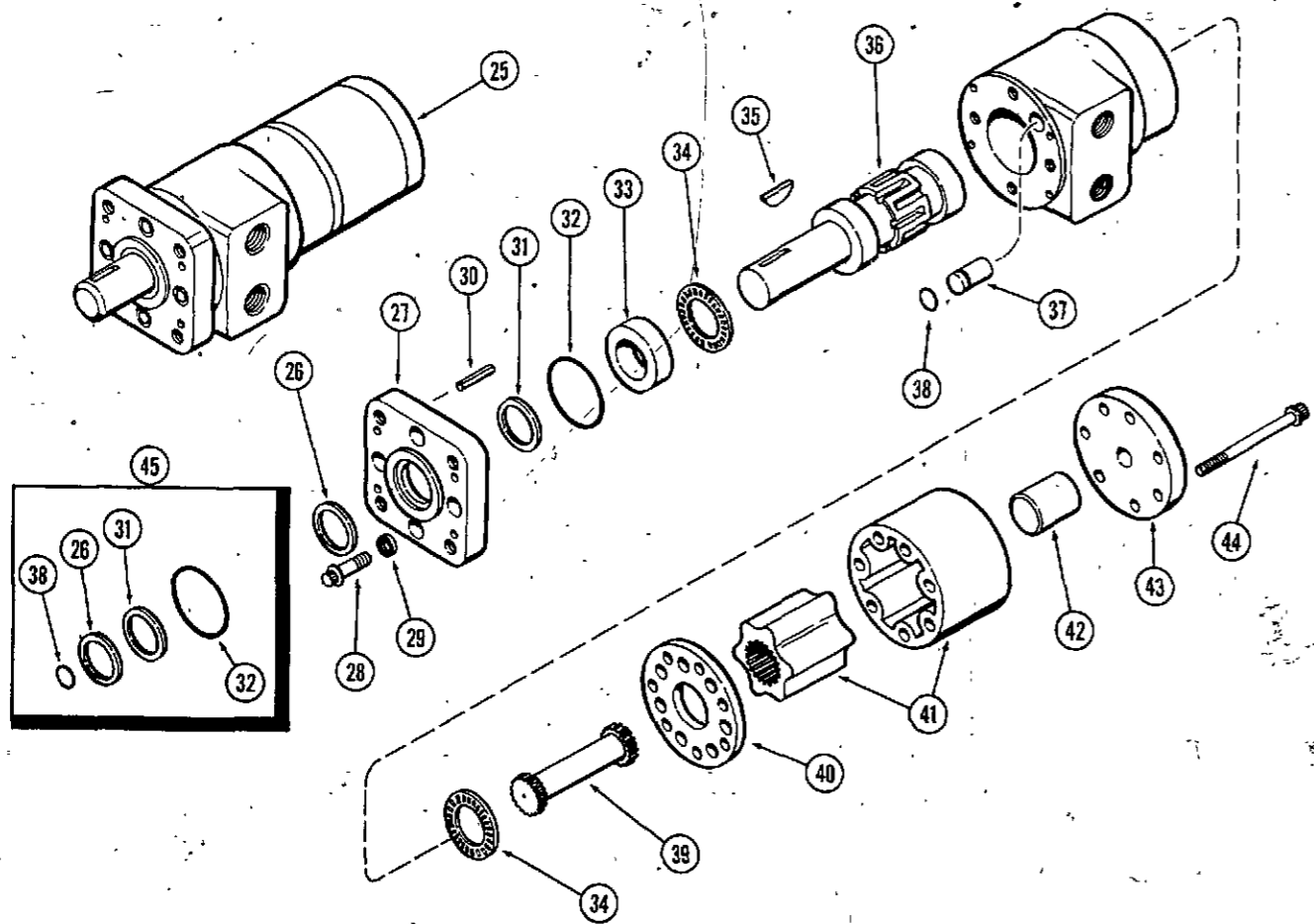


A70123 HYDRAULIC DRIVE MOTOR (130)

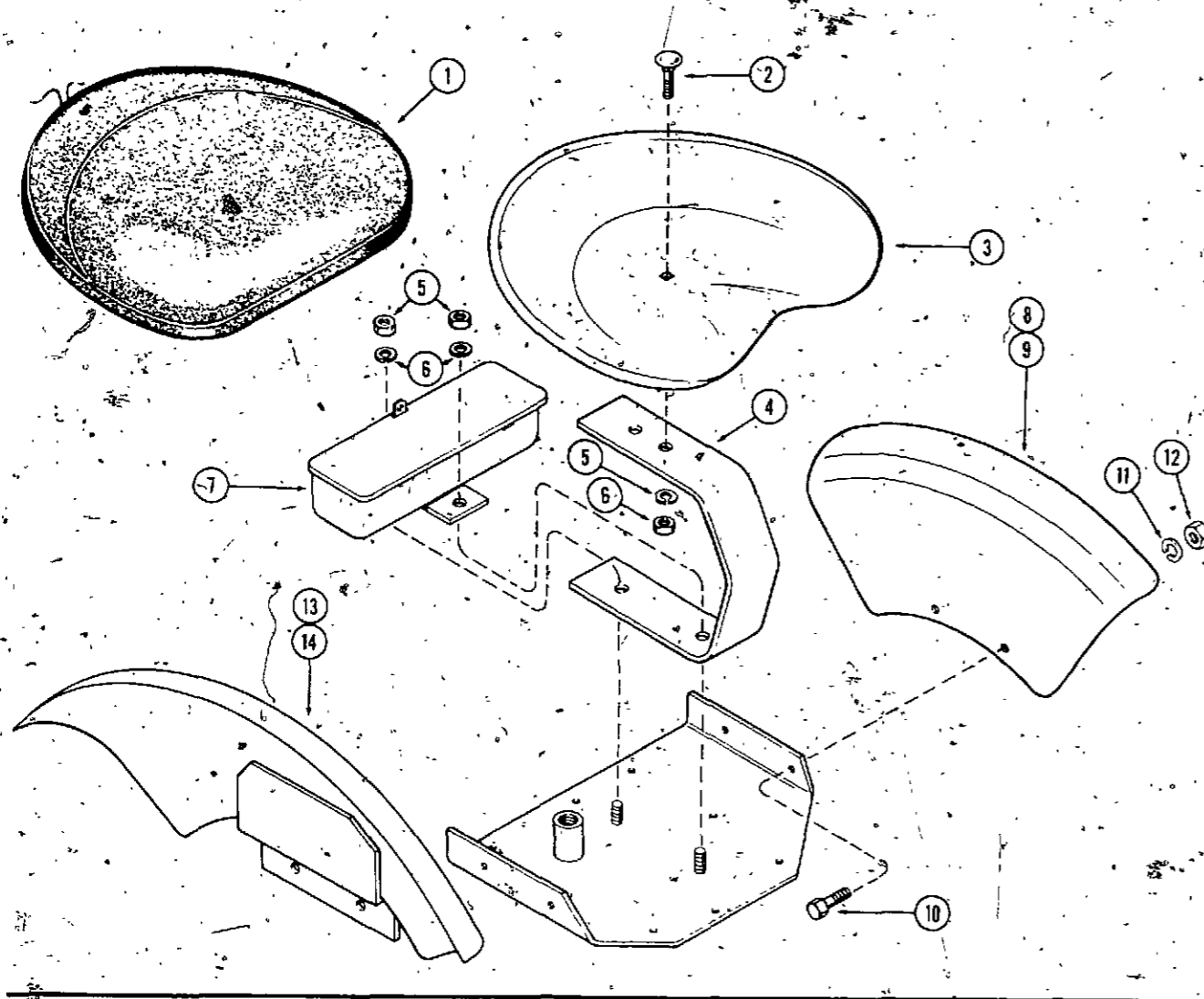
REF.	PART NO.	DESCRIPTION	REQ'D
1	A 70123	MOTOR - hydraulic drive (130)	1
2*	NSS	OIL SEAL - mtg. plate (See ref. 21)	1
3	A 72028	PLATE - mounting	1
4	166- 23	CAPSCREW - ferry 5/16" x 5/8" N.C.	4
5	193- 29	LOCKWASHER - int. shakeproof 5/16"	4
6	138- 134	PIN - roll 1/4" x 1"	4
7*	NSS	QUAD RING - mtg. plate (See ref. 21)	1
8*	NSS	"O" RING - mtg. plate to hsg. (See ref. 21) Case A17528	1
9	A 72030	RACE - output shaft bearing	1
10	A 72031	BEARING - thrust, output shaft thrust	2
11	126- 24	KEY - Woodruff	1
12	A 72035	SHAFT AND HOUSING	1
13	A 72034	PLUG - housing	1
14*	NSS	"O" RING - hsg. plug (See ref. 21)	1
15	A 72027	COUPLING - drive	1
16	A 72026	PLATE - spacer	1
17	A 72025	GEROTOR SET (1-1/4" thick)	1
18	A 72051	SPACER - cplg. drive (3/4" thick)	1
19	A 72024	CAP - end	1
20	166- 531	CAPSCREW - ferry 5/16" x 2-1/2" N.F.	7
21	A 72036	KIT - "O" ring and seal (Incl. items marked w/*)	1

A70483 HYDRAULIC DRIVE MOTOR (180)

25	A 70483	MOTOR - hydraulic drive (180)	1
26*	NSS	OIL SEAL - mtg. plate (See ref. 45)	1
27	A 72028	PLATE - mounting	1
28	166- 23	CAPSCREW - ferry 5/16" x 5/8" N.C.	4
29	193- 29	LOCKWASHER - int. Shakeproof 5/16"	4
30	138- 134	PIN - roll, 1/4" x 1"	4
31*	NSS	QUAD RING - mtg. plate (See ref. 45)	1
32	NSS	"O" RING - (See ref. 45)	1
33	A 72030	RACE - output shaft bearing	1
34	A 72031	BEARING - thrust, output shaft	2
35	126- 24	KEY - Woodruff	1
36	A 72035	SHAFT AND HOUSING	1
37	A 72034	PLUG - housing	1
38*	NSS	"O" RING - housing plug (See ref. 45)	1
39	A 72027	COUPLING - drive	1
40	A 72026	PLATE - spacer	1
41	A 72112	GEROTOR SET (2" thick)	1
42	A 72113	SPACER - cplg. drv. (1-1/2" thick)	1
43	A 72024	CAP - end	1
44	166- 532	CAPSCREW - ferry, 5/16" x 3-1/4" N.F.	7
45	A 72036	KIT - "O" ring and seal (incl. item marked w/*)	1



SEAT, FENDERS AND TOOL BOX



REF.	PART NO.	DESCRIPTION	REQ'D
1	A 70192	CUSHION - seat	1
2	111- 517	BOLT - 1/2" x 1" rd.hd.sq.neck,plated	1
3	A 70191	SEAT	1
4	A 70190	SPRING - seat support	1
5	192- 23	LOCKWASHER - 1/2" plated	3
6	129- 105	NUT - 1/2" N.C. hex. plated	3
7	A 70000	BOX - tool	1
8	A 70193	FENDER - rear R.H. (130)	1
9	A 70194	FENDER - rear L.H. (130)	1
10	113- 102	BOLT - 5/16" x 3/4" N.C.hex.hd.plated	4
11	192- 20	LOCKWASHER - 5/16" plated	4
12	129- 102	NUT - 5/16" N.C. hex.,plated	4
13	A 70472	FENDER - rear RH (180)	1
14	A 70473	FENDER - rear L.H. (180)	1

DECALS

A 72114	DECAL KIT - includes Ref. Nos. 19 thru 29	1
19 A 70231	TRANSMISSION - lubrication	1
20 A 70234	CAUTION - brake instruction	1
21 A 70533	LIGHTS	1
22 A 70230	IGNITION	1
23 A 70232	FORWARD - BRAKE - REVERSE	1
24 A 70233	HI-LO- shift	1
25 321- 846	"CASE" - hood R.H.	1
26 321- 847	"CASE" - hood L.H.	1
27 KO 220720	AIR CLEANER SERVICE INSTRUCTIONS	1
28 KO 235472	10 H. P. KOHLER	1
29 KO 235881	12 H. P. KOHLER	1

19

TRANSMISSION OIL CAP 10 QT
MAINTAIN OIL LEVEL ONE INCH FROM TOP OF COVER USE SAE 10W SHELL ROTELLA 4 MOTOR OIL THAT SHOWS SHELL ROTELLA IN SUMMARY

20

CAUTION PLACE SPEED CONTROL IN NEUTRAL WHEN STARTING AND ON STEEP INCLINES IN LOW RANGE!

LIGHTS 21

23

FORWARD
↑
BRAKE
↓
REVERSE

24

HIGH RANGE NEUTRAL LOW RANGE
← | | | →

27

AIR CLEANER SERVICE INSTRUCTIONS
CARTRIDGE SHOULD BE CLEANED BY GENTLY TAPPING ON A FLAT SURFACE. BE SURE CARTRIDGE FITS ON BOTTOM ADAPTER PLATE AND WING NUT ON TOP ADAPTER PLATE IS FINGER TIGHT.
REPLACE CARTRIDGE IF BENT, CRUSHED, OR DAMAGED AND UNDER EXTREME DUST CONDITIONS AFTER 100 TO 200 HOURS OPERATION CLEAN OR REPLACE CARTRIDGE WHEN LOSS OF POWER IS NOTICEABLE.

28

10HP KOHLER
THE CAST IRON LINE

- CAST IRON - LONGER LIFE, SMOOTHER - QUIETER
- BALL BEARINGS - GREATER LOAD CAPACITY
- MECHANICAL GOVERNOR - INSTANTANEOUS POWER RESPONSE

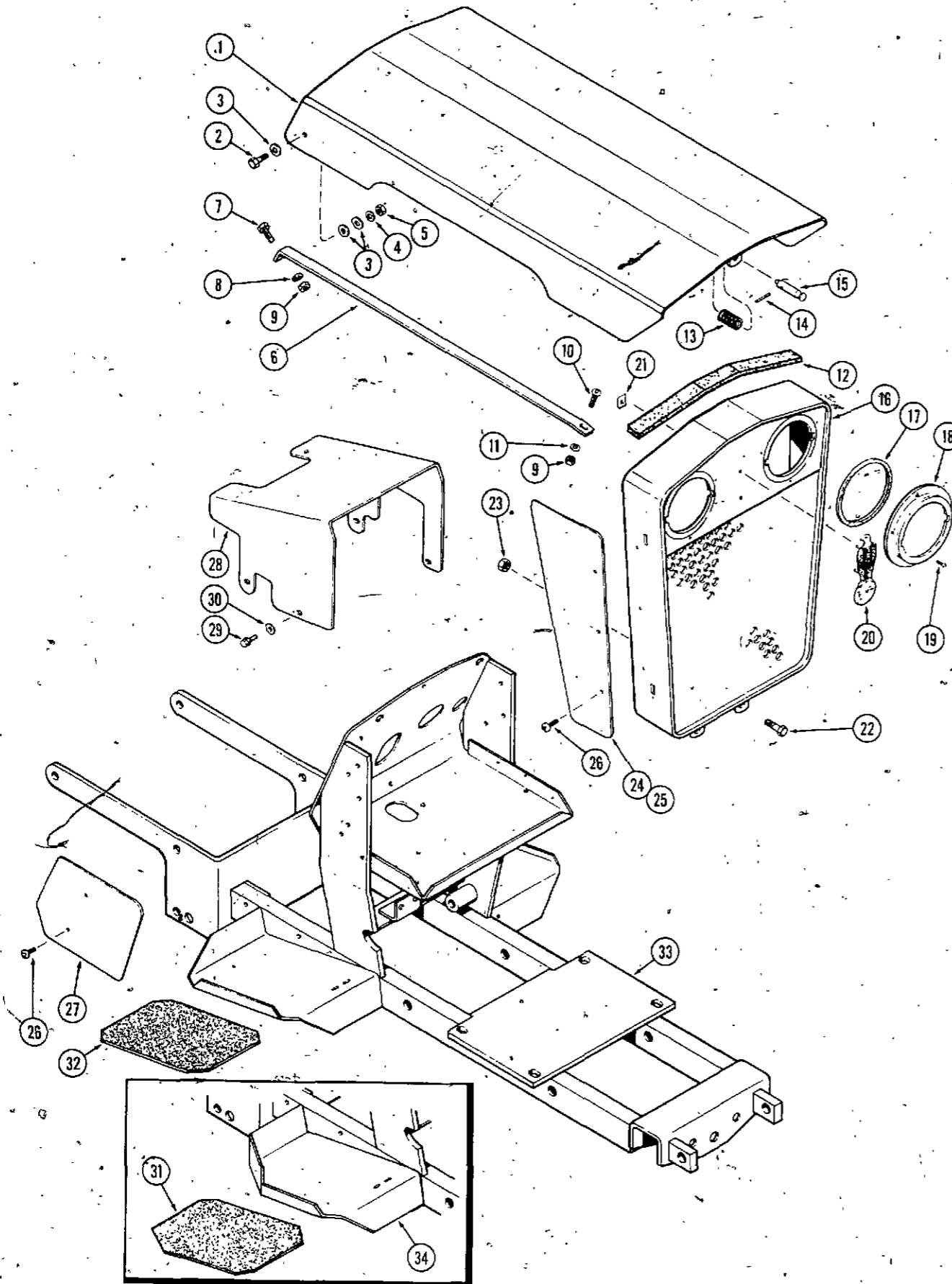
29

12HP KOHLER
THE CAST IRON LINE

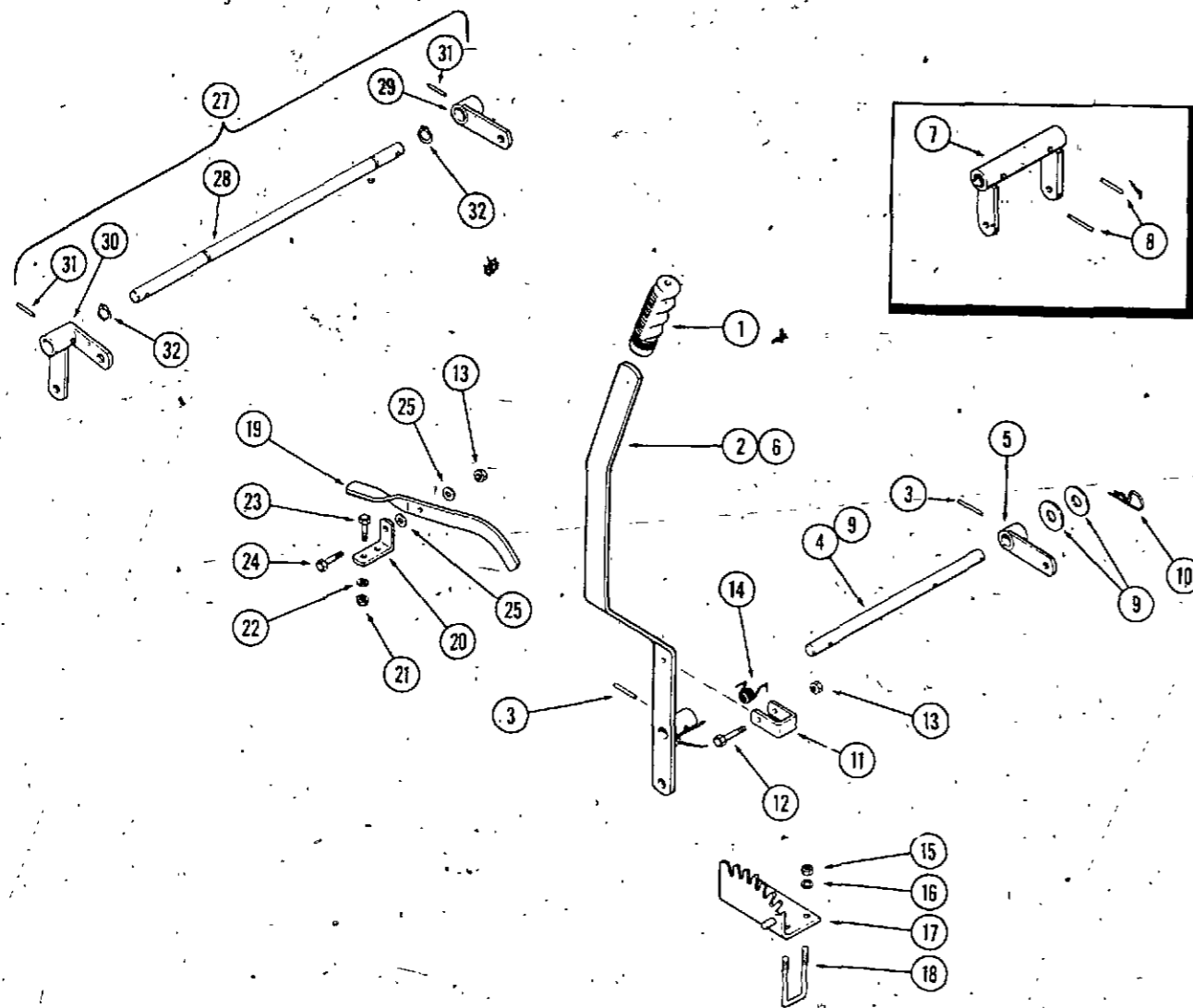
- CAST IRON - LONGER LIFE, SMOOTHER QUIETER
- BALL BEARINGS - GREATER LOAD CAPACITY
- MECHANICAL GOVERNOR - INSTANTANEOUS POWER RESPONSE

25 26

HOOD, FRAME AND GRILLE



REF.	PART NO.	DESCRIPTION	REQ'D
1	A 70079	HOOD	1
2	113- 102	BOLT - 5/16" x 3/4" N.C. hex. hd. plated	2
3	195- 103	WASHER - 5/16" plain	6
4	192- 20	LOCKWASHER - 5/16" plated	2
5	129- 102	NUT - 5/16" N.C. hex.	2
6	A 70078	BAR - grille stabilizer	1
7	113- 3	BOLT - 1/4" x 3/4" NC., hex.hd.plated	1
8	192- 19	LOCKWASHER - 1/4" plated	1
9	129- 101	NUT - 1/4" N.C.hex. plated	2
10	73- 410	SCREW - 1/4" x 5/8" N.C. flt. hd.mach.	1
11	193- 8	WASHER - shakeproof internal 1/4"	1
12	A 70077	CUSHION - hood, rubber	1
13	A 70009	SPRING - hood catch	1
14	138- 92	PIN - roll, 3/16" x 3/4"	1
15	A 70448	PIN - hood latch	1
16	A 70005	GRILLE	1
17	A 11276	GASKET - headlamp retaining	2
18	A 11275	RING - headlamp retaining	2
19	187- 1102	SCREW - #6 x 1/2" N.C., self-tap pan hd.ph.	6
20	A 24526	MEDALLION - radiator grille	1
21	131- 138	NUT - 1/4" Tinnerman push-on	2
22	113- 207	BOLT - 3/8" x 1" N.C. hex.hd. plated (130)	2
22	113- 206	BOLT - 3/8" x 3/4" N.C. hex.hd.plated (180)	1
23	131- 352	LOCKNUT - 3/8" N.C.hex.	2
24	A 70012	PANEL - grille side R.H.	1
25	A 70011	PANEL grille side L.H.	1
26	187- 1117	SCREW - Phillips taptite 10-24 x 3/8" pan hd.	10
27	A 70147	PANEL - hood side	2
28	A 70195	SHROUD - hyd. control valve	1
29	187- 1014	SCREW - 1-1/4" x 1/2" self-tap type 1	4
30	195- 102	WASHER - plain 1/4" plated	4
31	A 70454	PAD - foot pad, rubber R.H. (180)	1
32	A 70038	PAD - foot pad, rubber L.H. (180)	1
32	A 70038	PAD - foot pad, rubber (130)	2
33	A 70018	FRAME - main (130)	1
34	A 70450	FRAME - main (180)	1

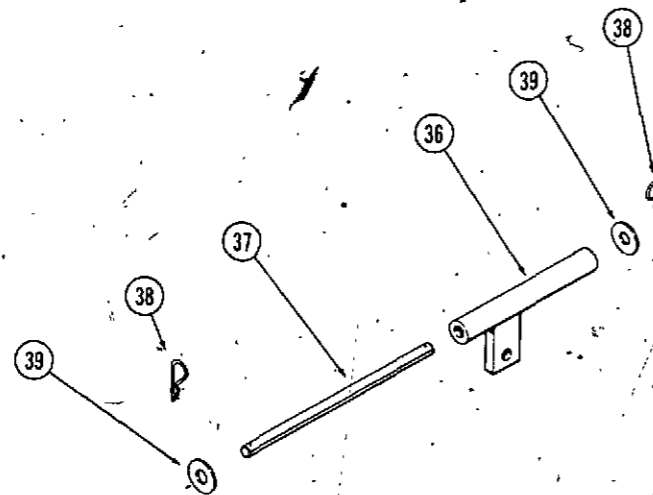


IMPLEMENT LIFT

REF.	PART NO.	DESCRIPTION	REQ'D
1	A 70396	GRIP - hand, implement lever	1
2	A 70224	LEVER - assm., impl. lift hand, includes Ref. Nos. 3, 4 and 5 (130)	1
3	138- 136	PIN - roll 1/4" x 1-1/4"	2
4	NSS	SHAFT - implement lever pivot	1
5	NSS	LEVER - center implement link (130)	1
6	A 70532	LEVER - assm., impl. lift hand, includes ref. Nos. 3, 7, 8 and 9 (180)	1
7	NSS	LEVER - center, implement link (180)	1
8	138- 2007	PIN - spiral 1/4" x 1-1/4" (180)	2
9	NSS	SHAFT - implement lever pivot	1
10	A 70176	PIN - hair cotter	1
11	A 70487	RATCHET - trip, foot lever	1
12	13- 432	BOLT - 1/4" x 2" N.C. hex.	1
13	131- 2	LOCKNUT - Essna 1/4" N.C. hex.	2
14	A 70395	SPRING - trip, ratchet	1
15	129- 103	NUT - 3/8" N.C. plated	4
16	192- 21	LOCKWASHER - 3/8" SAE plated	4
17	A 70032	QUADRANT - implement lift ratchet	1
18	A 70039	U-BOLT - quadrant 3/8" N.C.	2
19	A 70197	LEVER - foot, implement trip	1
20	A 70196	BRACKET - implement foot trip lever	1
21	129- 101	NUT - 1/4" N.C. hex. plated	2
22	192- 19	LOCKWASHER - 1/4" plated	2
23	113- 3	BOLT - 1/4" x 3/4" N.C. hex., plated	2
24	113- 4	BOLT - 1/4" x 1" N.C. hex. plated	1
25	195- 102	WASHER - 1/4" plated	2
26	195- 108	WASHER - 5/8" plated	2
27	A 70225	LEVER - assm. impl. rear lift includes Ref. Nos. 28, 29, 30 and 31 (130)	1
28	NSS	SHAFT - impl. rear lift	1
29	NSS	LEVER - rear lift L. H.	1
30	NSS	LEVER - rear lift R. H.	1
31	138- 136	ROLL PIN - 1/4" x 1-1/4"	2
32	0 1038	FH RING - shaft retainer	2

DRAWBAR AND TOW HITCH

36	A 70171	HITCH - assy., drawbar and tow	1
37	A 70175	SHAFT - pivot, hitch	1
38	A 70176	PIN - hair, cotter	2
39	195- 106	WASHER - 1/2" wrought	2



NUMERICAL INDEX

Table with columns: PART NO., PAGE NO., REF. NO., PART NO., PAGE NO., REF. NO., PART NO., PAGE NO., REF. NO. Listing parts like 40035, 70103, 70191, etc.

NUMERICAL INDEX

Table with columns: PART NO., PAGE NO., REF. NO., PART NO., PAGE NO., REF. NO., PART NO., PAGE NO., REF. NO. Listing parts like 72010, 72075, 220297, etc.

NUMERICAL INDEX

Table with 9 columns: PART NO., PAGE NO., REF. NO., PART NO., PAGE NO., REF. NO., PART NO., PAGE NO., REF. NO. Contains parts like KO 235117, KOX 379-6, etc.

HARDWARE CODE NUMBERS

NUMERICAL INDEX

Table with 9 columns: PART NO., PAGE NO., REF. NO., PART NO., PAGE NO., REF. NO., PART NO., PAGE NO., REF. NO. Contains parts like 113 3, 113 3, 113 3, etc.