

446 COMPACT TRACTOR
S/N 9742953 AND AFTER
Parts Catalog A1376

1-96-RP-250-500

ALPHABETICAL INDEX

ENGINE SECTION

	Page	Grid		Page	Grid
Air Filter	5	A6	Exhaust System	21	B8
Baffles and Shields	17-21	B4-B8	Fan	27	B14
Battery	51	D12	Flywheel Engine	9	A10
Camshaft	9	A10	Fuel System	5-23	A6-B10
Carburetor	5-7	A6-A8	Governor	15-17	B2-B4
Choke & Throttle	23	B10	Housing, Blower	17	B4
Clutch, PTO	27	B14	Oil Pan	15	B2
Crankshaft	9	A10	Oil Pump	15	B2
Electrical System	19-53	B6-D14	Pistons & Rods	9	A10
Engine Block	11-13	A12-A14	Starter	17	B4

BASIC TRACTOR SECTION

	Page	Grid		Page	Grid
Axle, Front	33	C6	Instruments	51	D12
Axle, Rear	47	D8	Lift Implement Hydraulic	49	D10
Baffles & Heat Shields	17-21-43	B4-B8-D2	Model F27 Hitch Adapter	59	E6
Brakes	37	C10	Model H26 Three Point Hitch	57	E4
Clutch Assembly, PTO	25	B12	Model H13 Weight Box	65	E12
Control, Speed	41	C14	Model J17 Hyd, PTO	67-69	E14-F2
Decals	55	E2	Model J24 Sleeve Hitch	61	E8
Electrical System	19-51	B6-D12	Model K10 Wheel Weights	63	E10
Fenders	31	C4	Model K18 Weight Brackets	65	E12
Frame	29	C2	Model L19 Flow Control Kit	71	F4
Grille	29	C2	PTO Linkage	27	B14
Hitch	45	D6	Seat, Operator's	31	C4
Hood	29	C2	Steering Wheel & Gear	35	C8
Hydraulics	39	C12	Tool Box	31	C4
Coupling, Pump Drive	39-43	C12-D2	Transmission	47	D8
Heat Exchanger Mtg.	43B	D4	Wheels, Front & Rear	37	C10
Hoses, Lines & Fittings	39	C12			
Motor, Hydraulic Drive	39-41	C12-C14			
Pump	39-43	C12-D2			
Reservoir Mtg.	51	D12			
Valve, Hydraulic	45	D6			

GENERAL INFORMATION

Indexes

This parts Catalog is arranged for easy identification of Genuine CASE Service Parts. An alphabetical index is provided at the front of this Catalog to locate the major groups or assemblies. A numerical index at the rear of the Catalog gives the part numbers and the pages on which they are described.

Illustrations

All parts are illustrated in "Exploded Views" which show the individual parts in their normal relationship to each other. Reference numbers are used in the illustrations. These numbers correspond to those in the "Reference Number" column and are followed by the part number, description and quantity required.

Orders

Orders should plainly specify correct part number, full description, quantity required, machine model and engine model, machine and engine serial numbers, method of shipment and shipping address.

Changes

When changes to the machine make it necessary, revised pages for this book will be issued. The revised pages will be issued with the same page number as those they replace and the "issue" number and date will be advanced.

It is imperative that revised Parts Book pages be inserted into their respective Parts Books as soon as received. Failure to do so will lead to confusion and defeat the purpose of the book.

Indented Description

Indented parts in the descriptive list are a part of the preceding assembly or sub-assembly.

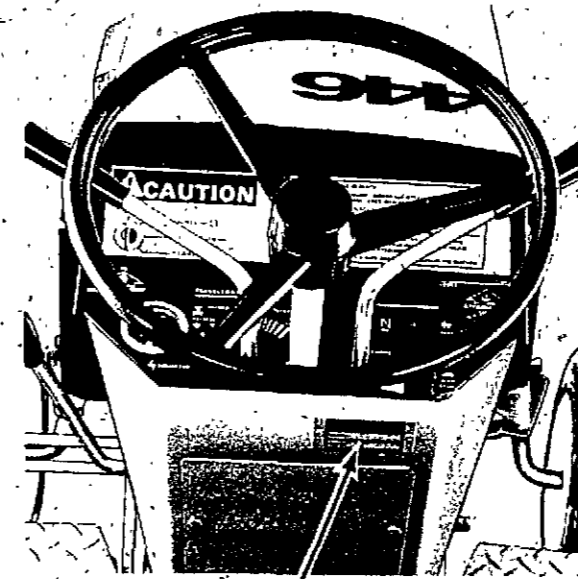
The quantity shown in the "Number Required" column is the number of parts used on a machine except where parts are indented in descriptive list. In this case the quantity shown is the number required for the preceding assembly or sub-assembly.

REF.	PART NO.	DESCRIPTION	REQ'D
	A 55159	CYLINDER ASSY - rear steering	1
28	A 56208	SOCKET ASSY - rear cylinder	1
29	A 55956	PLUG - adjusting, socket assy	1
30	A 55957	SEAT - socket ball	2
31	A 56210	SPRING - socket	1
32	A 56209	SEAT - socket spring	1
33	G 45175	CLAMP ASSY - socket assy	1
	16- 836	BOLT - 1/2" x 2-1/4" N.F. hex.	1
34	132- 104	PIN - cotter, 3/16" x 3"	1
35	A 55889	STUD - ball, socket & cylinder	2
36	13- 410	BOLT - 1/4" x 5/8" N.C., hex.	4
37	92- 4	LOCKWASHER - 1/4" SAE	4

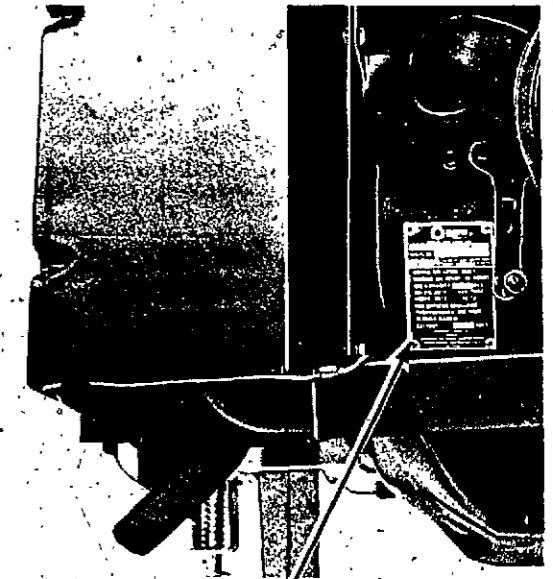
Terms "Right Hand" and "Left Hand"

"Right Hand" and "Left Hand" sides of this machine are determined by standing at the rear of the unit and facing in the direction of forward travel.

CASE 446 COMPACT TRACTOR



TRACTOR MODEL AND SERIAL NUMBER



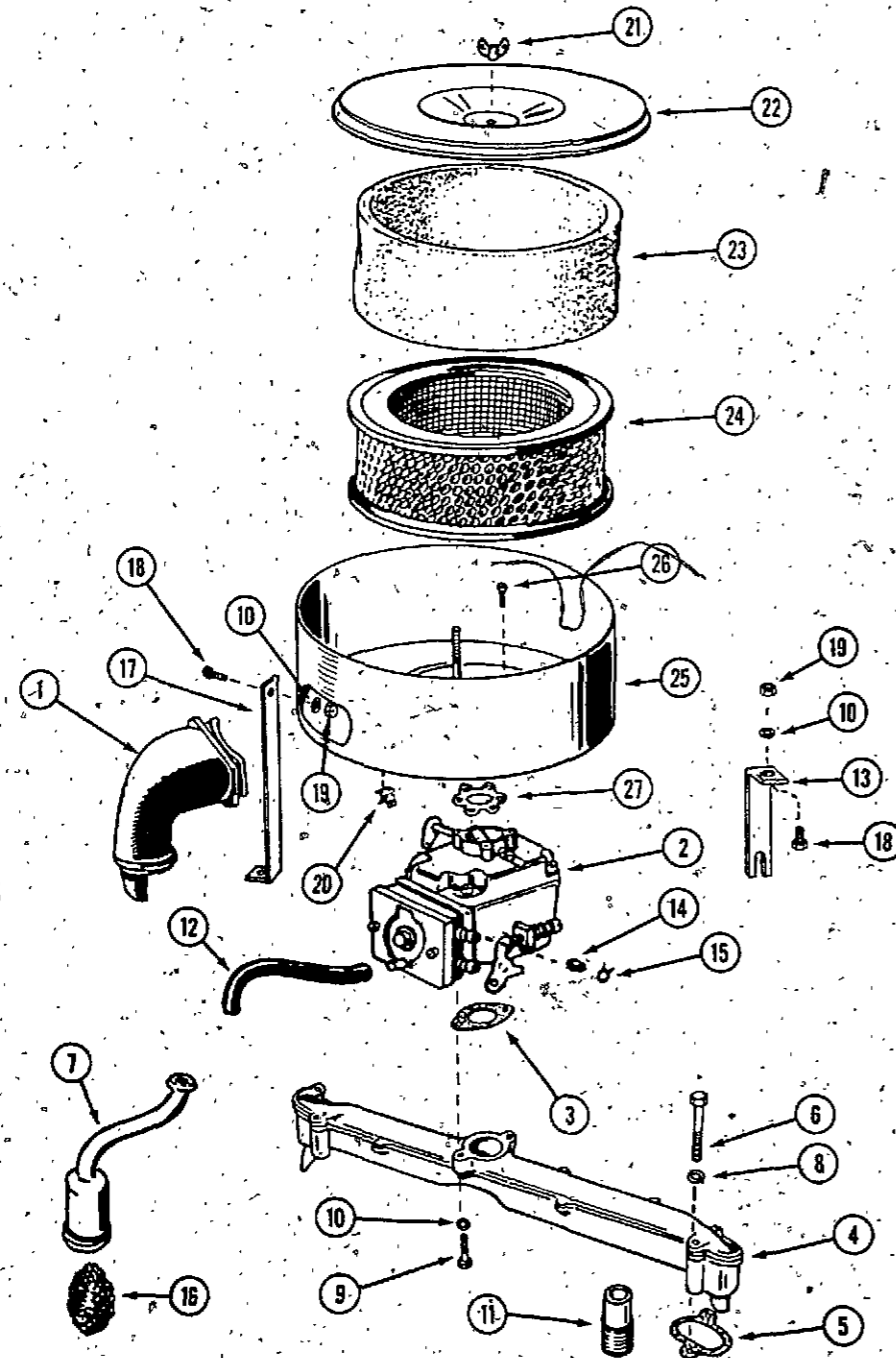
ENGINE MODEL, SERIAL AND SPECIFICATION NUMBERS

TRACTOR MODEL DESIGNATIONS	ENGINE MODEL DESIGNATIONS
446 TRACTOR	ONAN B43M - GAO16 C24787 ENGINE SPEC. NO. 3419A

SERIAL NUMBERS

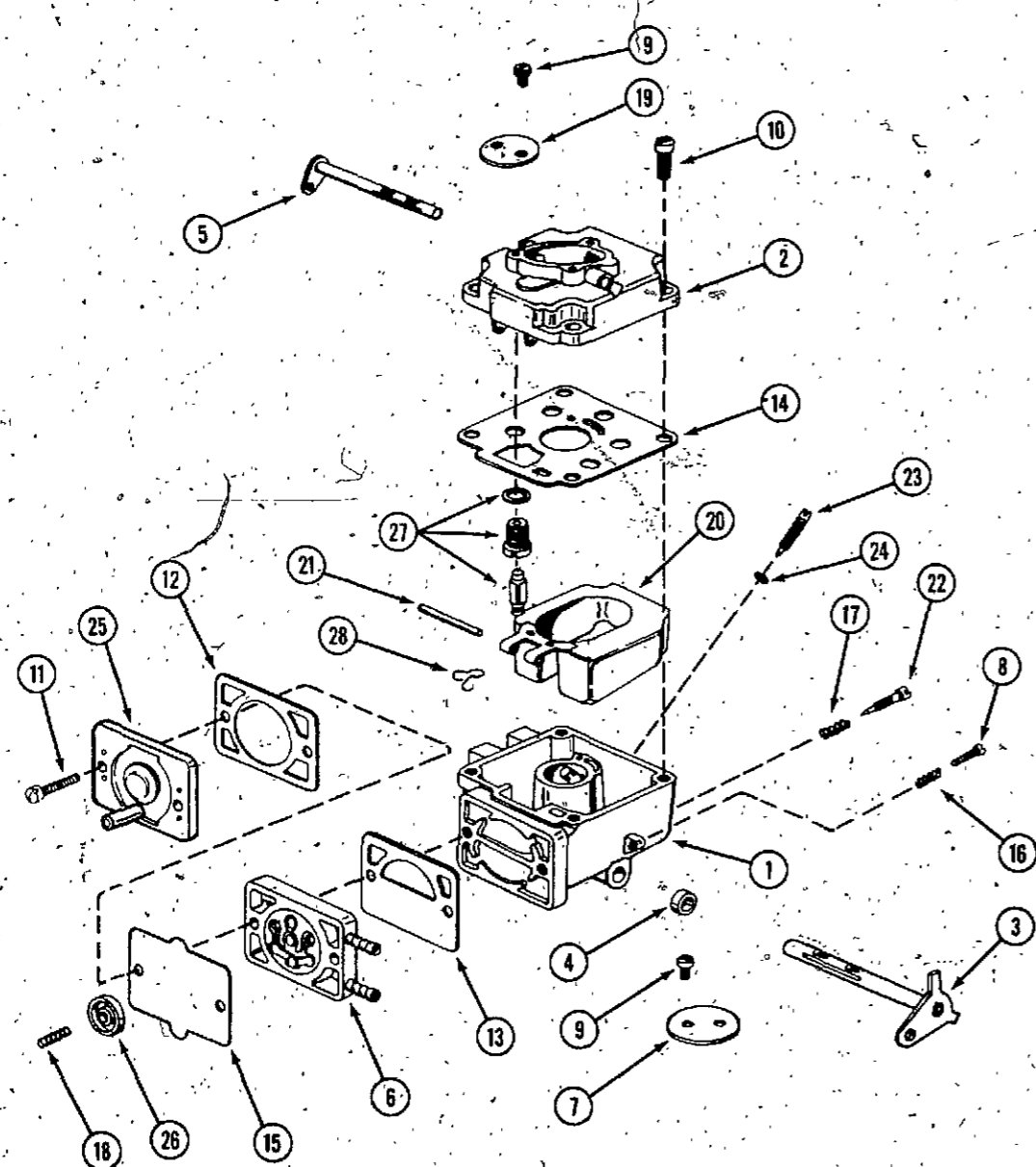
When using this catalog, notice the reference to serial numbers of various components noted here and listed in the "description" copy. By referring to correct serial numbers, proper parts identification will be assured.

CARBURETOR, AIR FILTER AND MANIFOLD



REF.	PART NO.	DESCRIPTION	REQ'D
1	C 20387	TUBE - air intake	1
2	C 27507	CARBURETOR AND FUEL PUMP ASSEMBLY (repairs page 7)	1
3	C 20389	GASKET - carburetor mtg.	1
4	C 20390	MANIFOLD - engine intake	1
5	C 26202	GASKET - intake manifold	2
6	13- 532	BOLT - manifold 5/16" x 2"	4
7	C 24927	HOSE - breather	1
8	92- 5	LOCKWASHER - 5/16"	4
9	113- 65	BOLT - 1/4" x 1-3/4" N.C. hex	2
10	92- 4	LOCKWASHER - 1/4"	3
11	C 20401	NIPPLE - exhaust, 1" x 2-1/2" (use prior to PIN 9756606)	2
12	C 23300	HOSE - fuel pump	1
13	C 24929	BRACKET - support	1
14	C 20411	CAP - fuel pump	1
15	214- 102	CLAMP - hose 7/16"	1
16	C 29948	FILTER - breather	1
17	C 20393	SUPPORT - air cleaner	1
18	13- 48	BOLT - 1/4" x 1/2" N.C. hex	1
19	25- 104	NUT - 1/4" N.C. hex	1
20	C 20407	CLIP - choke cable	2
21	C 26703	NUT - wing 1/4"	1
22	C 20399	COVER - air cleaner	1
23	C 20405	PRE-CLEANER	1
24	C 20398	ELEMENT - air cleaner	1
25	C 20397	HOUSING - air cleaner	1
26	182- 525	SCREW - #10 x 3/8" round head	3
27	C 20396	GASKET - air cleaner mtg.	1

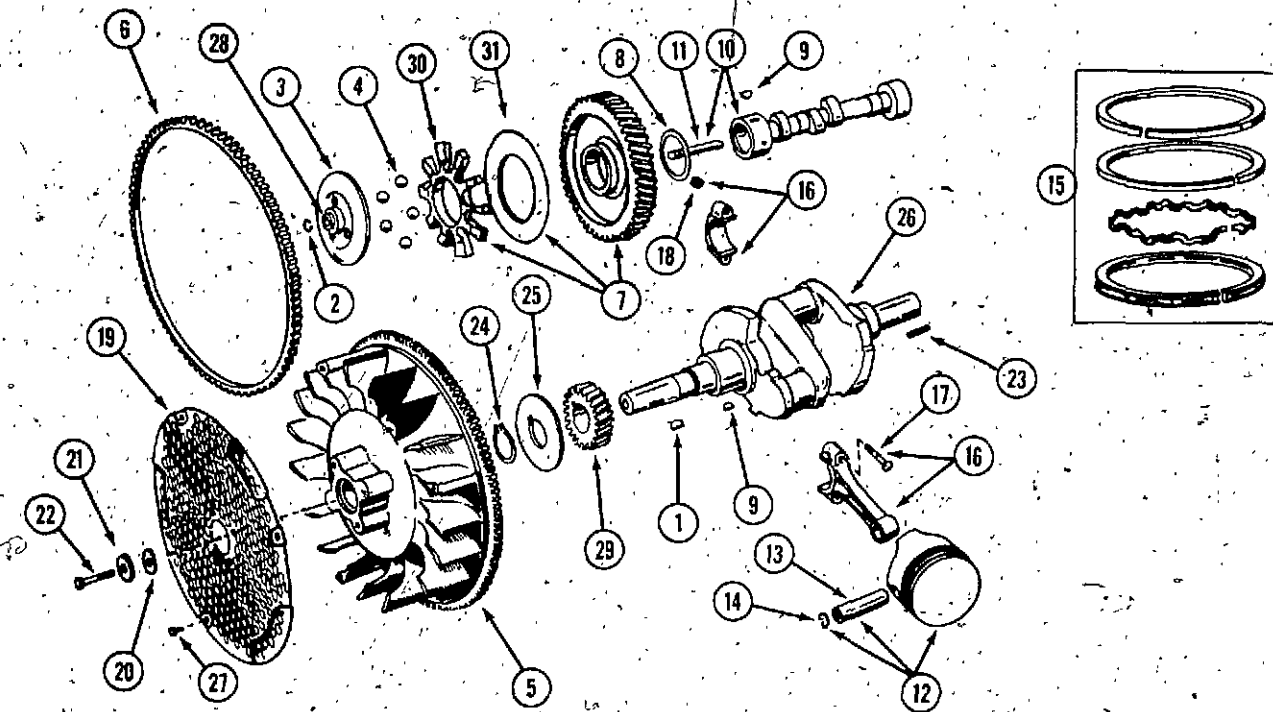
C24926 CARBURETOR AND FUEL PUMP ASSEMBLY



REF.	PART NO.	DESCRIPTION	REQ'D
1	NSS	BODY ASSEMBLY - carburetor (order C27507 carburetor)	1
2	NSS	SLEEVE ASSEMBLY - carburetor (order C27507 carburetor)	1
3	C 20425	SHAFT - throttle (See kit below)	1
4	NSS	PACKING - shaft (See kit below)	1
5	C 20427	SHAFT - choke	1
6	NSS	VALVE - plate assembly (see kit below)	1
7	C 20429	FLY - throttle	1
8	C 20430	SCREW - throttle stop	1
9	C 20431	SCREW - fly mounting (See kit below)	4
10	C 20432	SCREW - bowl cover mtg.	4
11	C 20433	SCREW - pump cover	2
12	NSS	GASKET - cover to valve plate (See kit below)	1
13	NSS	GASKET - pump cover (See kit below)	1
14	NSS	GASKET - sleeve assembly (See kit below)	1
15	NSS	DIAPHRAGM - fuel pump (See kit below)	1
16	C 20438	SPRING - screw, throttle stop	1
17	C 20439	SPRING - idle needle (See kit below)	1
18	C 20440	SPRING - diaphragm, fuel pump (See kit below)	1
19	C 20441	FLY - choke	1
20	C 27506	FLOAT ASSEMBLY - carburetor	1
21	C 20443	PIN - float (See kit below)	1
22	C 20444	NEEDLE - idle adjust (See kit below)	1
23	C 20445	NEEDLE ASSEMBLY - power	1
24	C 20446	"O" RING - needle assembly (see kit below)	1
25	C 20447*	COVER - fuel pump	1
26	C 20448	PLATE - spring, fuel pump (See kit below)	2
27	C 20449	INLET - needle and seat assembly (See kit below)	1
28	C 20450	CLIP - float pin	1
	C 24665	KIT - gasket (includes items 4, 12, 13, 14, 15, 24)	1
	C 24666	KIT - repair (includes items 3, 6, 9, 15, 17, 18, 21, 22, 26, 27 and gasket kit)	1

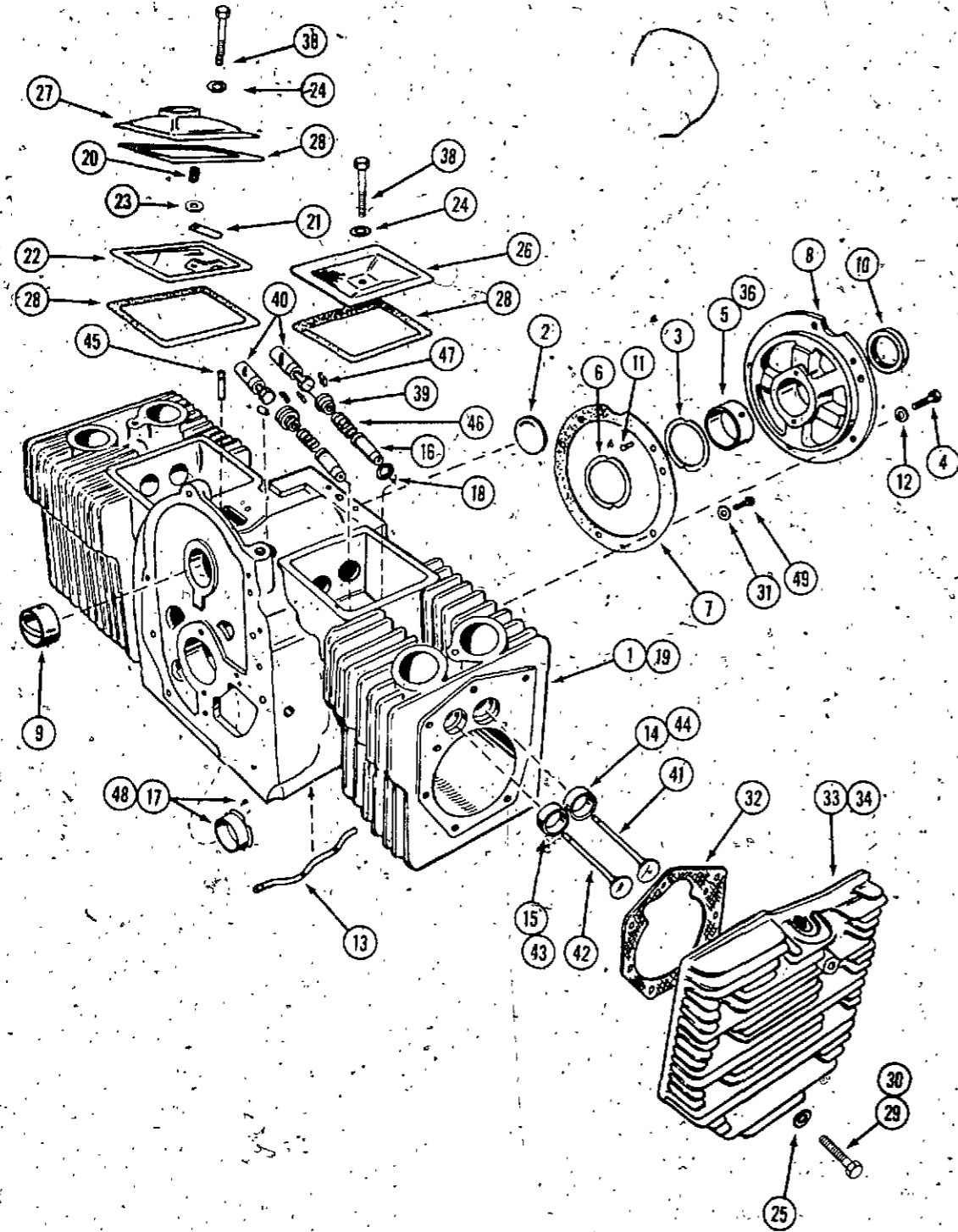
* Use C43676 Kit - fuel pump cover when you use a remote fuel pump

PISTON, CRANKSHAFT, FLYWHEEL AND CAMSHAFT



REF.	PART NO.	DESCRIPTION	REQ'D
1	126- 13	KEY - woodruff 3/16" x 5/8", flywheel mtg.	1
2	C 20223	RING - camshaft center pin	1
3	C 24326	CUP - governor	1
4	211- 216	BALL - fly, governor	5
5	C 24943	FLYWHEEL - eng. (includes ring gear & magnet ring)	1
6	C 20226	GEAR - ring, flywheel	1
7	C 22261	GEAR ASSEMBLY - camshaft (includes items 30 and 31)	1
8	C 20229	WASHER - thrust, camshaft gear	1
9	126- 9	KEY - woodruff 1/8" x 1/2"	2
10	C 32469	CAMSHAFT - (includes C 20233 pin)	1
11	C 20233	PIN - camshaft center	1
12	C 40793	PISTON AND PIN ASSEMBLY - standard (includes item 14)	2
12	C 24932	PISTON AND PIN ASSEMBLY - .005" oversize (includes item 14)	2
12	C 40794	PISTON AND PIN ASSEMBLY - .010" oversize (includes item 14)	2
12	C 40795	PISTON AND PIN ASSEMBLY - .020" oversize (includes item 14)	2
12	C 40796	PISTON AND PIN ASSEMBLY - .030" oversize (includes item 14)	2
12	C 24936	PISTON AND PIN ASSEMBLY - .040" oversize (includes item 14)	2
13	C 29972	PIN - piston	2
14	C 20241	RETAINER - piston pin	4
15	C 29739	RING SET - piston, (standard)	2
15	C 24938	RING SET - piston, (.005" oversize)	2
15	C 24939	RING SET - piston, (.010" oversize)	2
15	C 24940	RING SET - piston, (.020" oversize)	2
15	C 24941	RING SET - piston, (.030" oversize)	2
15	C 24942	RING SET - piston, (.040" oversize)	2
16	C 29750	CONNECTING ROD ASSEMBLY - (standard) includes 17 and 18.	2
16	C 29751	CONNECTING ROD ASSEMBLY - (.010" undersize) includes 17 and 18.	2
16	C 20204	CONNECTING ROD ASSEMBLY - (.020" undersize) includes 17 and 18.	2
16	C 20205	CONNECTING ROD ASSEMBLY - (.030" undersize) includes 17 and 18.	2
17	C 25774	BOLT - connecting rod, special 5/16" N.F. hex	4
18	C 25775	NUT - lock, connecting rod 5/16" N.F. hex	4
19	C 20215	SCREEN - flywheel	1
20	C 20303	WASHER - 7/16" flywheel mtg.	1
21	92- 7	LOCKWASHER - 7/16"	1
22	13- 764	BOLT - 7/16" x 4" N.C. hex, flywheel mtg.	1
23	C 28315	KEY - 1/4 x 1/4" sq. x 2", rear crankshaft	1
24	C 20218	RETAINER - crankshaft gear	1
25	C 20219	WASHER - retaining, crankshaft gear	1
26	C 22500	CRANKSHAFT - engine	1
27	182- 547	SCREW - locking 1/4" x 1/2" N.C. hex	3
28	C 24325	HUB - governor cup	2
29	C 22262	GEAR - crankshaft	1
30	C 22263	SPACER - governor flyball	1
31	C 22261	PLATE - governor flyball	1

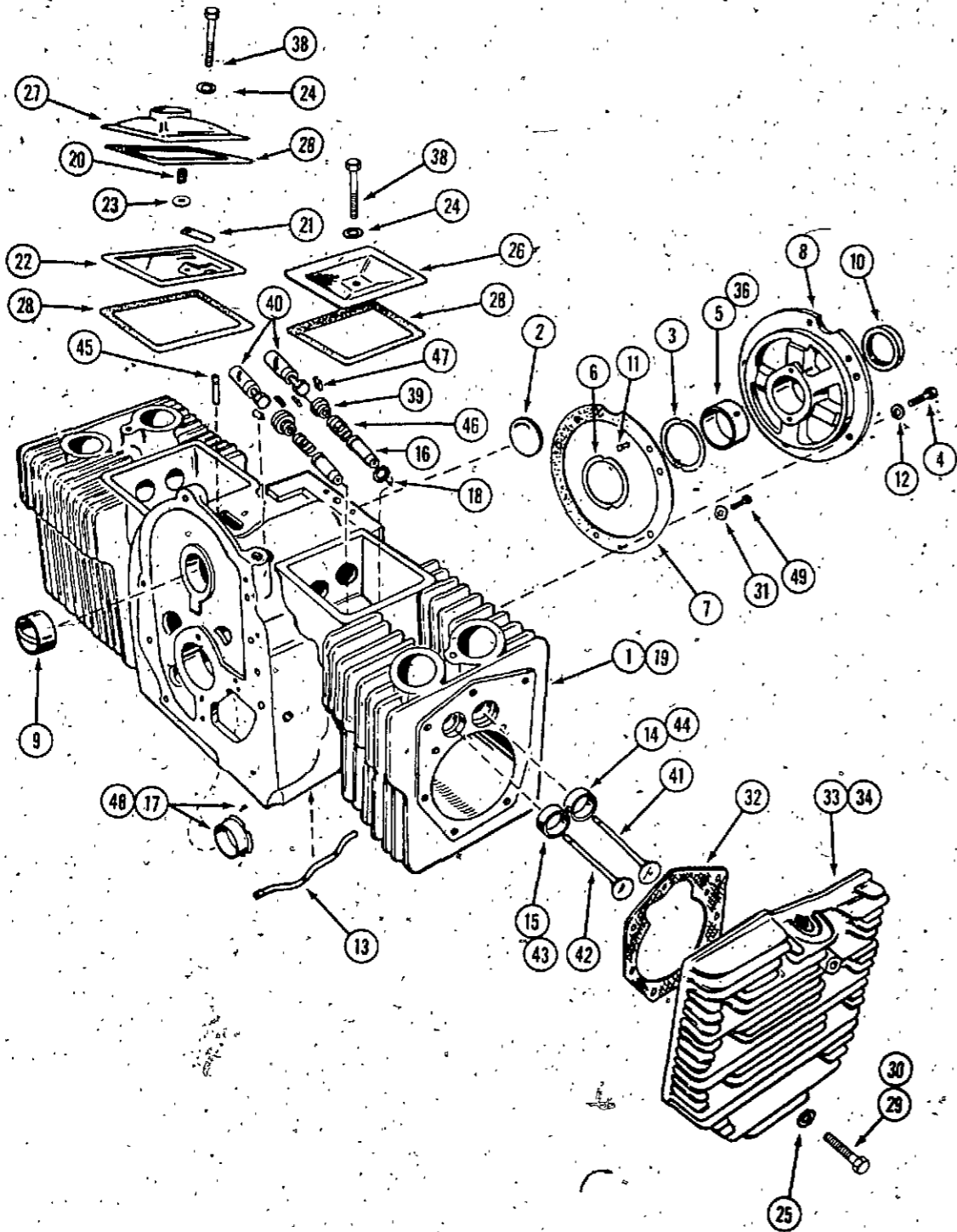
ENGINE BLOCK AND ATTACHING PARTS



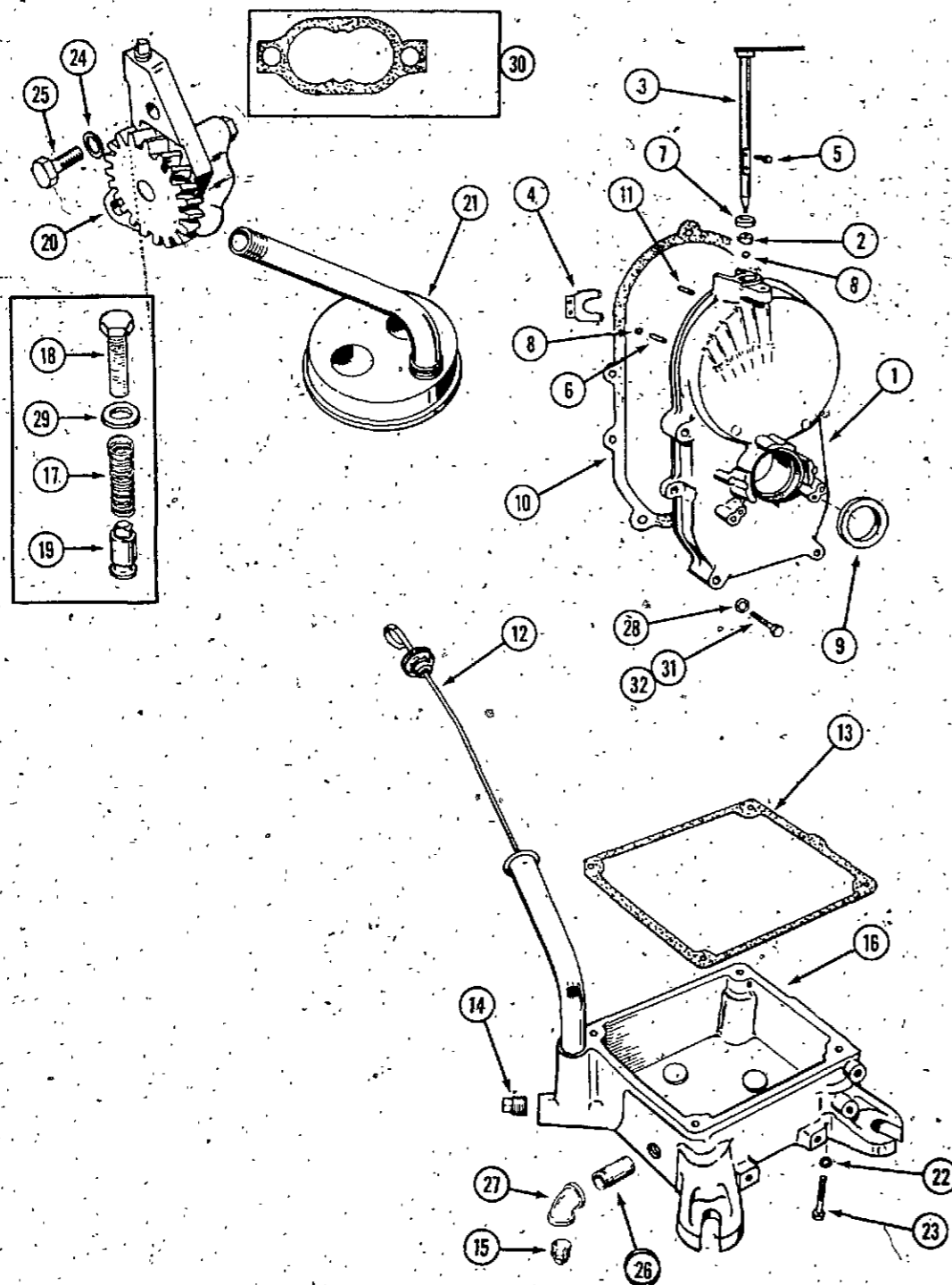
REF.	PART NO.	DESCRIPTION	REQ'D
1	NSS	BLOCK ASSEMBLY - cylinder, standard bore (use with spec. 3552A)	1
1	NSS	BLOCK ASSEMBLY - cylinder, standard bore (use with spec. 3419A)	1
2	41- 26	PLUG - camshaft expansion	1
3	C 20256	SHIM - rear bearing plate (.005")	UAR
4	13- 620	BOLT - 3/8" x 1-1/4" N.C. hex	5
5	C 22618	BEARING - crankshaft, rear (std.)	1
6	C 20267	WASHER - thrust, crankshaft bearing	2
7	C 20268	GASKET - bearing plate	1
8	C 20269	PLATE - bearing (excludes bearing)	1
9	C 20270	BEARING - camshaft	2
10	C 20271	SEAL - bearing plate	1
11	C 20272	PIN - main bearing stop	4
12	192- 21	LOCKWASHER - 3/8" bearing plate	5
13	C 24946	TUBE - oil, crankcase	1
14	C 20287	INSERT - valve seat, intake	2
15	C 29974	INSERT - valve seat, exhaust	2
16	C 20292	GUIDE - valve	4
17	C 20295	BEARING - crankshaft front (std.)	1
18	C 20302	GASKET - valve guide, intake	2
19	C 40929*	BLOCK ASSEMBLY - short (includes: cylinder and crankcase, all bearings, crankshaft, camshaft, timing gear, governor, gear case, rods, pistons, rings, valves, oil pump and breather tube)	1
20	C 20243	SPRING - breather valve	1
21	C 20244	VALVE - breather	1
22	C 20245	BAFFLE - breather	1
23	195- 2010	WASHER - 1/4"	1
24	C 20247	WASHER - 1/4" copper	2
25	C 20248	WASHER - 5/16"	18
26	C 20250	COVER - valve	1
27	C 24948	COVER - valve (with breather hole)	1
28	C 20251	GASKET - valve cover	3
29	26- 532	BOLT - head, 5/16" - 18 x 2"	6
30	26- 526	BOLT - head, 5/16" - 18 x 1-5/8"	12
31	C 20574	WASHER - copper 3/8"	2
32	C 29979	GASKET - cylinder head	2
33	C 24949	HEAD - L.H. No. 1	1
34	C 24950	HEAD - R.H. No. 2	1
36	C 22619	BEARING - crankshaft, rear (.002" undersize)	1
36	C 22620	BEARING - crankshaft, rear (.010" undersize)	1
36	C 22621	BEARING - crankshaft, rear (.020" undersize)	1
36	C 22622	BEARING - crankshaft, rear (.030" undersize)	1
38	113- 132	BOLT - valve cover 1/4" x 1-3/4" hex	2
39	NSS	RETAINER - valve spring (use C20517)	4
40	C 20276	TAPPET - valve (standard)	4
40	C 20470	TAPPET - valve (.001" oversize)	4

* Also use C33098 flange kit

ENGINE BLOCK AND ATTACHING PARTS

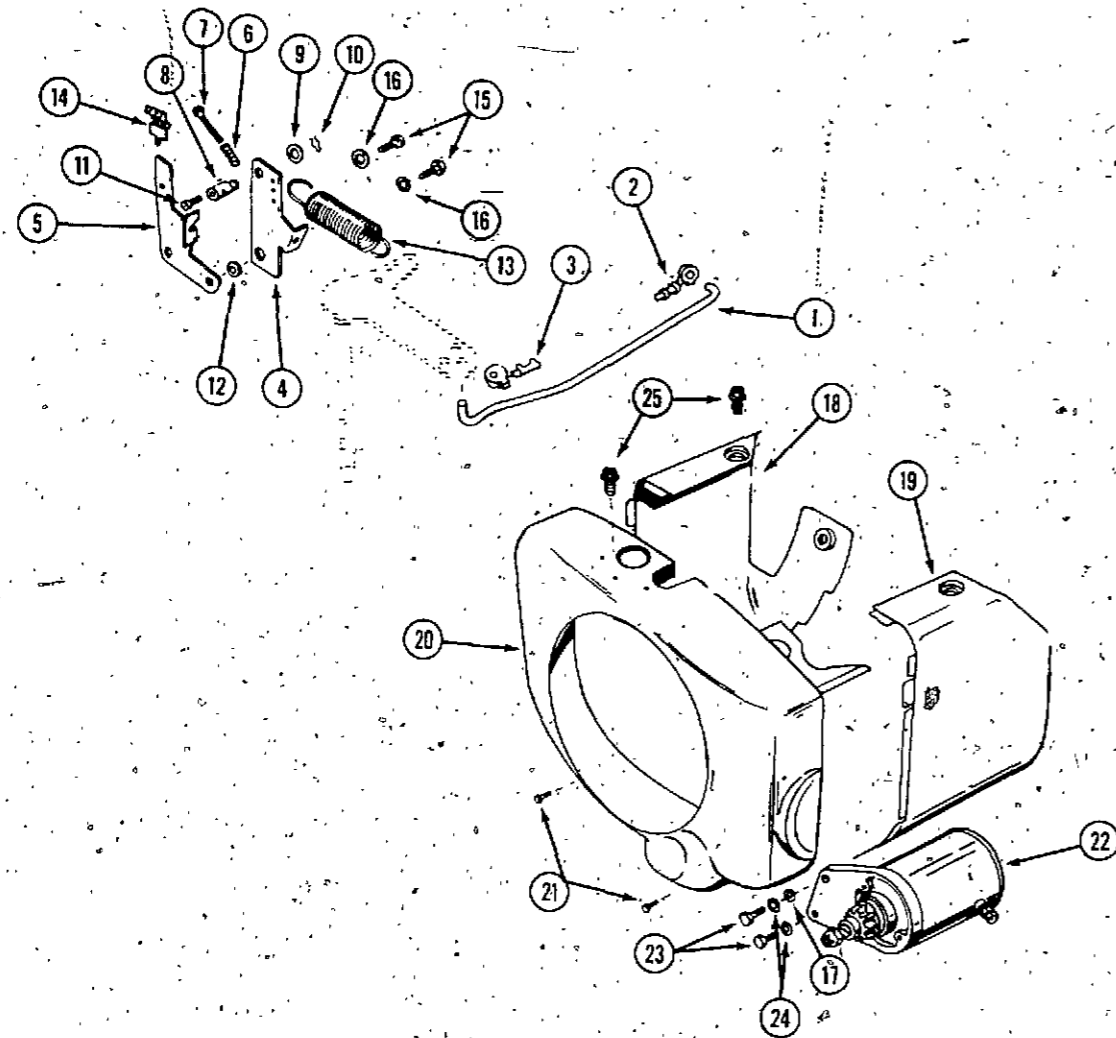


REF.	PART NO.	DESCRIPTION	REQ'D
40	C 20471	TAPPET - valve (.002" oversize)	4
40	C 20277	TAPPET - valve (.005" oversize)	4
41	C 29754	VALVE - intake	2
42	C 29755	VALVE - exhaust	2
43	C 29975	INSERT - valve seat, exhaust (.002" oversize)	2
43	C 29976	INSERT - valve seat, exhaust (.005" oversize)	2
43	C 29977	INSERT - valve seat, exhaust (.010" oversize)	2
43	C 29978	INSERT - valve seat, exhaust (.025" oversize)	2
44	C 20288	INSERT - valve seat, intake (.002" oversize)	2
44	C 20289	INSERT - valve seat, intake (.005" oversize)	2
44	C 20290	INSERT - valve seat, intake (.010" oversize)	2
44	C 20291	INSERT - valve seat, intake (.025" oversize)	2
45	C 20412	TUBE - fuel pump vacuum	1
46	C 20293	SPRING - valve	4
47	C 20294	LOCK - valve and spring	8
48	C 20296	BEARING - crankshaft, front (.002" undersize)	1
48	C 20297	BEARING - crankshaft, front (.010" undersize)	1
48	C 20298	BEARING - crankshaft, front (.020" undersize)	1
48	C 20299	BEARING - crankshaft, front (.030" undersize)	1
49	13 68	BOLT - 3/8" x 1/2" N.C. hex	2
	C 29981	KIT - gasket, engine	1
	C 29982	KIT - gasket, carbon removal (includes: valve cover gaskets, cylinder head gaskets, and intake manifold gaskets)	1
	C 25226	KIT - overhaul, engine (includes: valves, valve springs and retainers, ring set, breather tube, points, plugs, condenser, crankshaft retaining ring, air cleaner element, carburetor gasket kit and engine gasket kit)	1



OIL BASE, OIL PUMP AND GEAR COVER

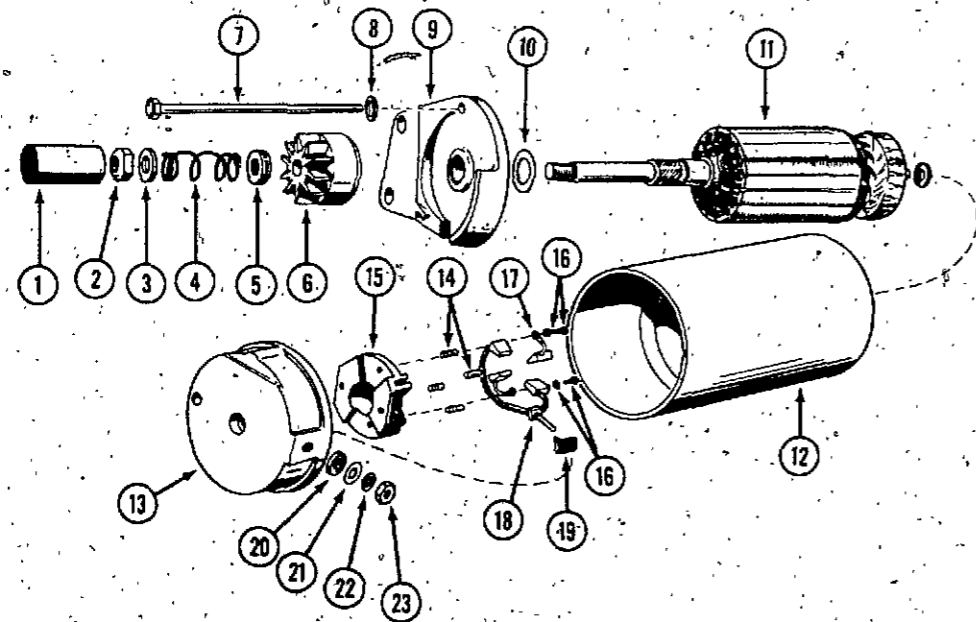
REF.	PART NO.	DESCRIPTION	REQ'D
1	C 22631	COVER ASSEMBLY - gear	1
2	C 20305	BEARING - governor shaft	1
3	C 22632	SHAFT AND ARM ASSEMBLY - governor	1
4	C 20307	YOKE - governor shaft	1
5	182- 84	SCREW - yoke retaining	2
6	C 20309	PIN - governor, cup stop	1
7	C 20310	SEAL - oil, governor shaft	1
8	211- 5	BALL - governor shaft bearing	2
9	C 20312	SEAL - gear cover	1
10	C 20313	GASKET - gear cover	1
11	C 23320	PIN - gear cover 5/16" x 1-1/8"	2
12	C 24958	DIPSTICK - oil level indicator	1
13	C 29984	GASKET - oil pan	1
14	221- 14	PLUG - oil base, 1/2" sq. head	1
15	221- 844	PLUG - oil base, 1/2" socket head	1
16	C 22633	BASE - oil	1
17	C 20320	SPRING - oil by-pass	1
18	114- 200	BOLT - oil by-pass 3/8" x 1" N.C. hex	1
19	C 20322	VALVE - oil by-pass	1
20	C 29734	PUMP - oil	1
21	C 23321	INTAKE - oil pump (includes cup, screen and pipe)	1
22	192- 21	LOCKWASHER - 3/8"	4
23	13- 640	BOLT - 3/8" x 2-1/2" N.C. hex	4
24	192- 19	LOCKWASHER - 1/4"	2
25	13- 416	BOLT - 1/4" x 1" N.C. hex	2
26	221- 1190	NIPPLE - oil drain	1
27	221- 1377	ELBOW - oil drain	1
28	C 20331	WASHER - 5/16" copper	5
29	C 20574	WASHER - 3/8" copper	1
30	C 20325	KIT - gasket, oil pump	1
31	13- 528	BOLT - 5/16" x 1-3/4"	4
32	26- 544	BOLT - 5/16" x 2-3/4"	1



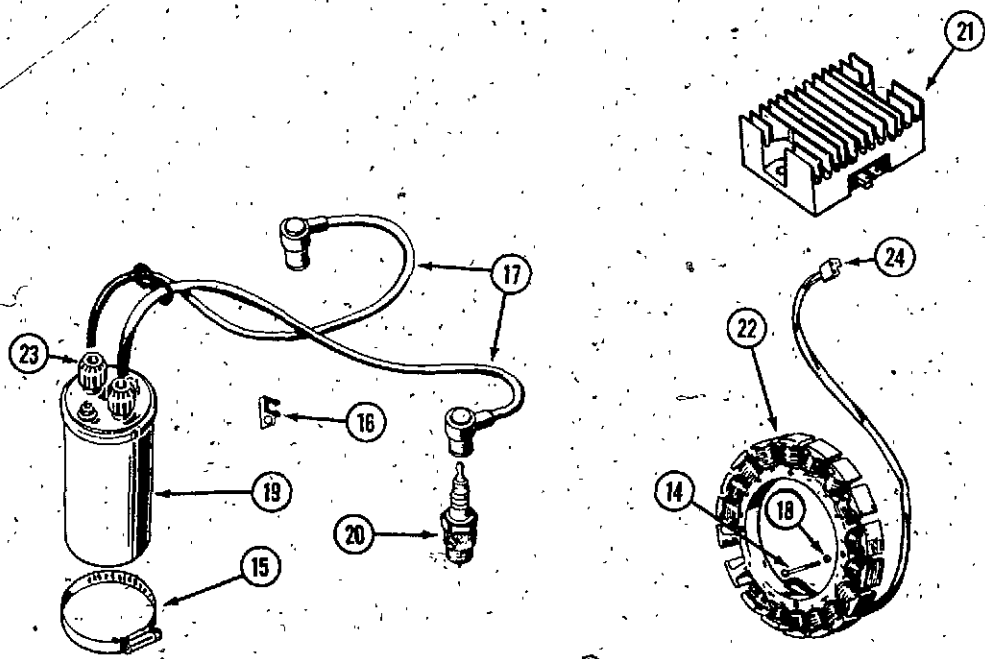
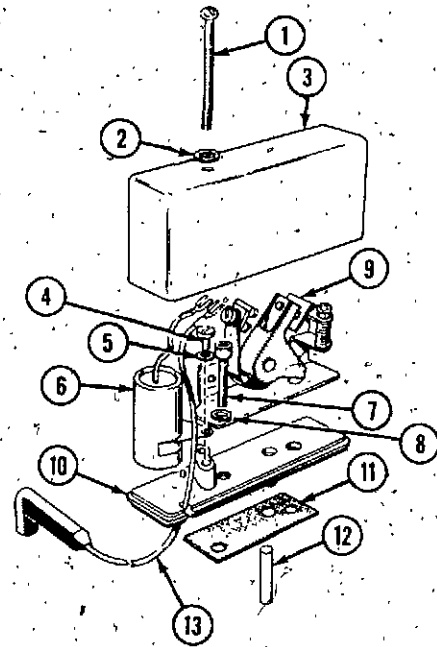
GOVERNOR AND BLOWER HOUSING

REF.	PART NO.	DESCRIPTION	REQ'D
1	C 20359	ROD - governor control	1
2	C 20360	CLIP - governor control rod, carburetor end	1
3	C 20361	CLIP - governor control rod, governor end	1
4	C 20369	ARM - governor control	1
5	C 28719	BRACKET - governor mtg.	1
6	C 20371	SPRING - throttle lever adj.	1
7	182- 49	SCREW - #6 x 7/8" round hd. mach.	1
8	C 20372	CLAMP - swivel throttle	1
9	195- 14	WASHER - swivel clamp mtg.	2
10	136- 2	PIN - cotter, swivel clamp mtg.	1
11	169- 74	SCREW - #8 x 5/16", swivel clamp	1
12	C 20375	BUSHING - governor control	1
13	C 20376	SPRING - governor	1
14	NSS	CLIP - throttle cable (use C29506, 187-1511)	1
15	187- 1839	BOLT - #10 - 32 x 5/8"	2
16	193- 6	LOCKWASHER - 1/4"	2
17	195- 2027	WASHER - 5/16"	2
18	C 24951	BAFFLE - cylinder air, L.H.	1
19	C 24952	BAFFLE - cylinder air, R.H.	1
20	C 24953	HOUSING - blower	1
21	163- 22	BOLT - 1/4" x 7/16" N.C. hex	7
22	C 29733	MOTOR - starting, 12 volt (see below)	1
23	13- 516	BOLT - 5/16" x 1" N.C. hex, starter motor	2
24	92- 5	LOCKWASHER - 5/16"	2
25	187- 1078	BOLT	4

C 20230 STARTER MOTOR

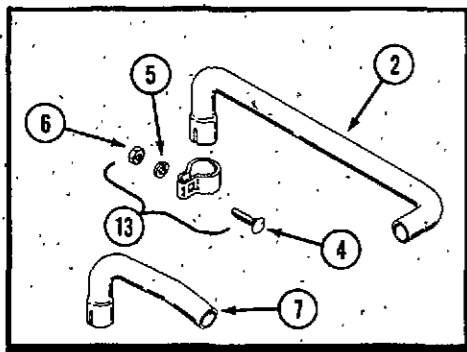
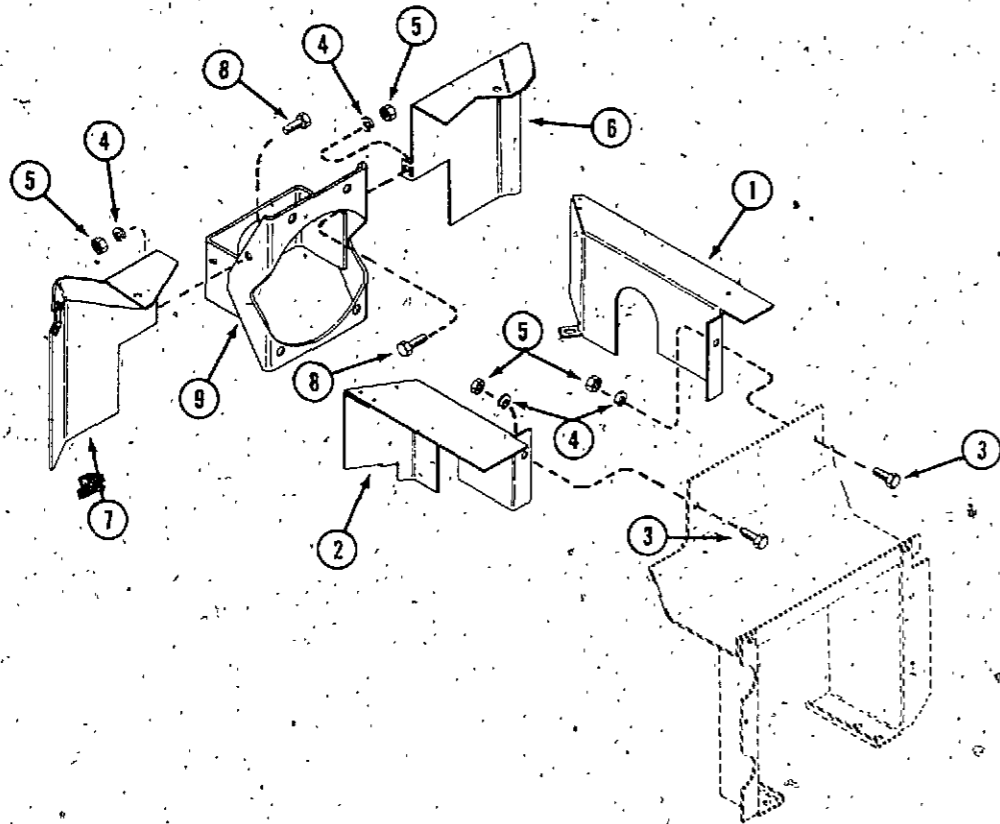


1	C 26508	COVER - dust	1
2	NSS	NUT - stop	1
3	NSS	WASHER - stop nut	1
4	NSS	SPRING - anti drift	1
5	NSS	SPACER - dust cover	1
6	C 20274	DRIVE ASSEMBLY	1
7	C 20278	BOLT - thru	2
8	92- 4	LOCKWASHER - thru bolt	2
9	C 20333	CAP ASSEMBLY - drive end	1
10	C 20334	WASHER - thrust, armature	1
11	C 20335	ARMATURE - starter motor	1
12	NSS	HOUSING - starter, order C 29733 starter	1
13	C 20336	CAP ASSEMBLY - commutator (includes item 14 thru 23)	1
14	NSS	SPRING - brush	4
15	NSS	HOLDER - brush	1
16	NSS	SCREW AND LOCKWASHER - brush mtg.	2
17	NSS	BRUSH - ground	2
18	NSS	STUD AND BRUSH ASSEMBLY	2
19	NSS	BUSHING - insulating	1
20	NSS	WASHER - insulating	1
21	NSS	WASHER - stud mtg.	1
22	NSS	LOCKWASHER - stud mtg.	1
23	NSS	NUT - stud mtg.	1
	C 20337	KIT - brush and spring (includes items 14, 17, and 18)	1

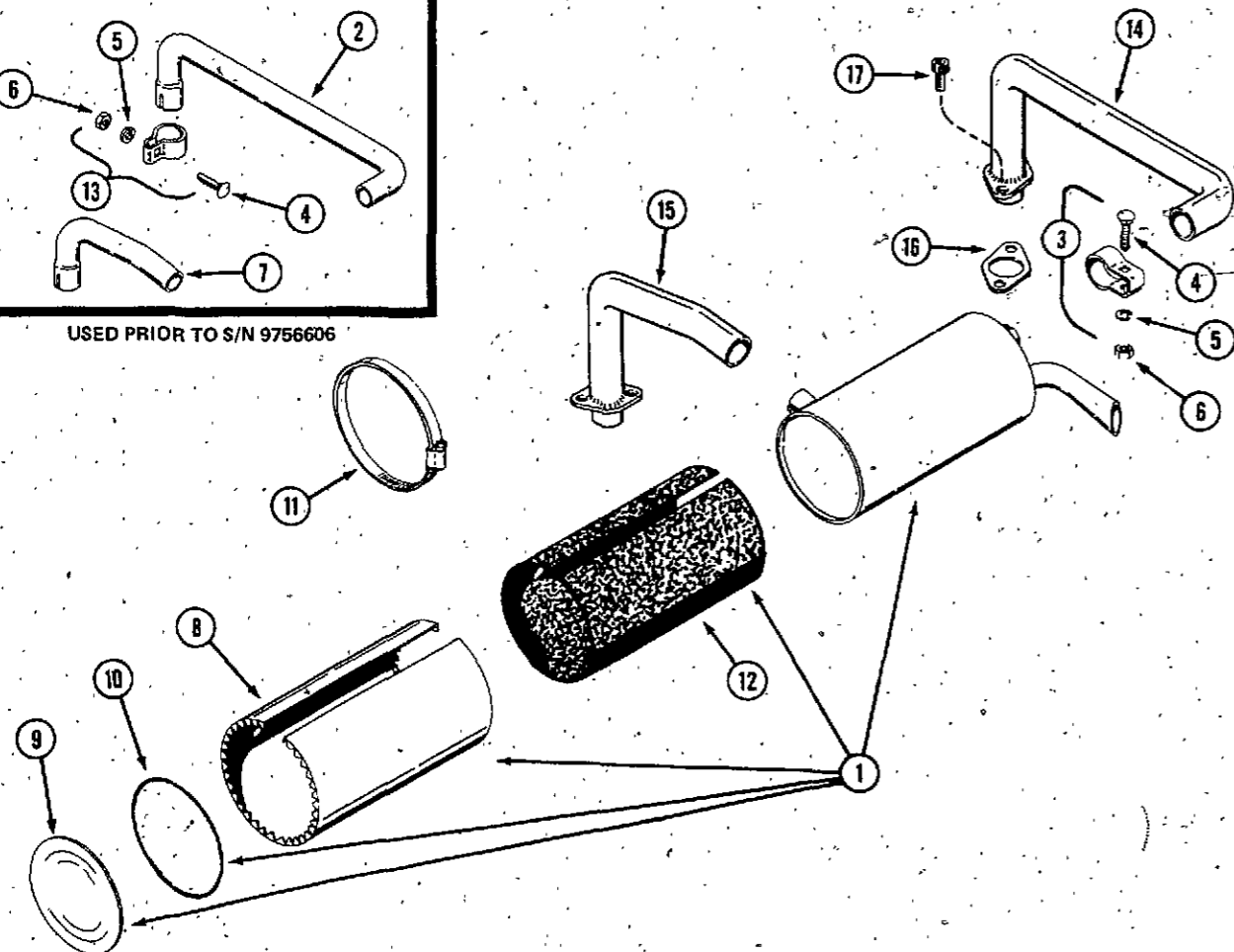


IGNITION AND CHARGING SYSTEMS

REF.	PART NO.	DESCRIPTION	REQ'D
	C 29990	BOX ASSEMBLY - breaker contact	1
1	182- 520	SCREW - #10 - 24 x 1-1/2" pan hd.	1
2	195- 513	WASHER - #10	1
3	C 23854	COVER - breaker box	1
4	182- 545	SCREW - #8 - 32 x 5/16" self tapping	1
5	192- 16	LOCKWASHER - #8	1
6	C 29991	CONDENSER - ignition	1
7	165- 143	SCREW - 1/4" - 20 x 3/4"	2
8	192- 19	LOCKWASHER - 1/4"	2
9	C 29736	POINT ASSEMBLY - breaker contact	1
10	C 25100	BASE - breaker box	1
11	C 20345	GASKET - breaker box	1
12	C 20347	PLUNGER - breaker box	1
13	C 29992	LEAD - breaker to coil negative	1
14	173- 219	SCREW - #10 x 1-1/2" rd. head mach.	3
15	214- 259	CLAMP - coil mtg.	1
16	C 20344	CLIP - sparkplug cables	1
17	C 32299	KIT - spark plug cable	2
18	92- 18	LOCKWASHER - #10	3
19	C 29752	COIL - ignition	1
20	C 25845	SPARK PLUG	2
21	C 31249	REGULATOR, RECTIFIER ASSEMBLY - 12 volt.	1
22	C 24956	STATOR - alternator charging	1
23	C 25227	CAP - coil	2
24	C 25338	CONNECTOR	1



USED PRIOR TO S/N 9756606

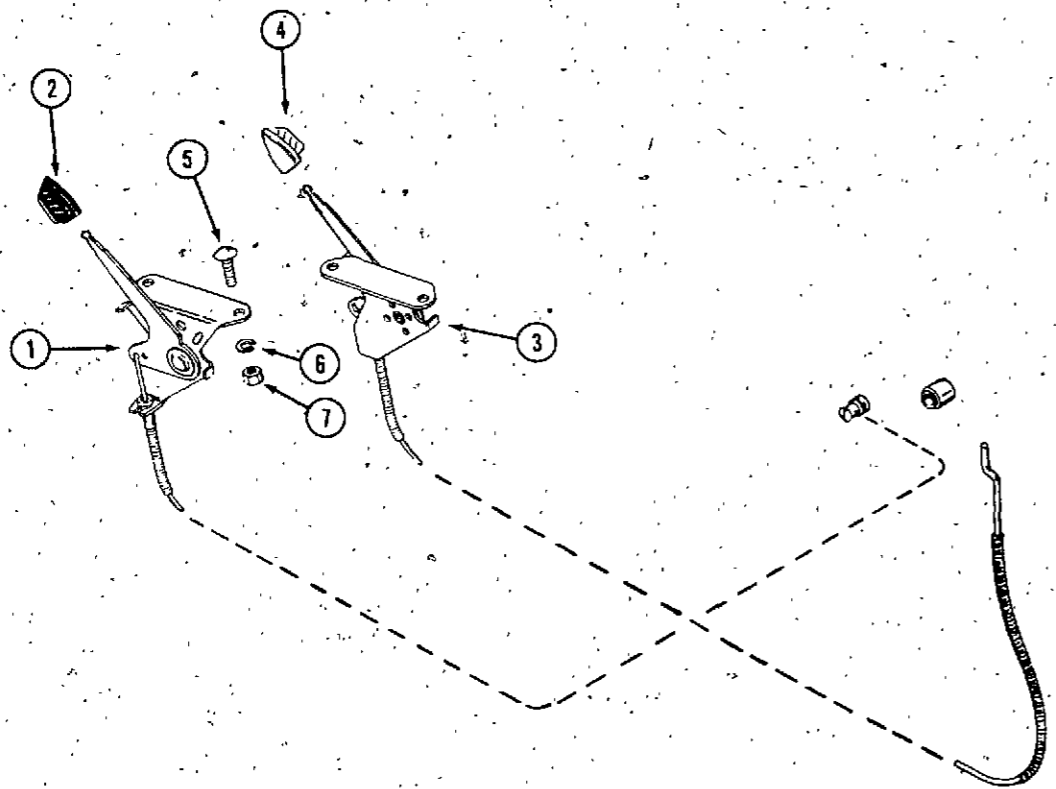


HEAT SHIELDS AND ENGINE Baffles

REF.	PART NO.	DESCRIPTION.	REQ'D
1	C 25489	SHIELD - exhaust pipe L.H.	1
2	C 25490	SHIELD - exhaust pipe R.H.	1
3	113- 7	BOLT - 1/4" - 20 x 1/2" hex	2
4	192- 19	LOCKWASHER - 1/4"	4
5	129- 101	NUT - 1/4" - 20 hex	4
6	C 28033	BAFFLE - cylinder L.H.	1
7	C 28034	BAFFLE - cylinder R.H.	1
8	187- 1036	SCREW - self tap (used S/N 9741243 and after)	2
8	113- 3	BOLT - 1/4" - 20 x 3/4" hex (used prior to S/N 9741243)	2
9	C 26255	SUPPORT - pump mounting	1

EXHAUST SYSTEM

1	C 24703	MUFFLER ASSEMBLY - exhaust (includes items 8, 9, 10 and 12 banded together)	1
2	C 22969	PIPE - engine exhaust L.H. (used prior to S/N 9756606)	1
3	C 28968	CLAMP ASSEMBLY - muffler	4
4	111- 256	BOLT - 5/16" x 1-1/4" round head, square neck N.C.	1
5	192- 20	LOCKWASHER - 5/16"	1
6	129- 102	NUT - 5/16" N.C. hex	1
7	C 22970	PIPE - engine exhaust R.H. (used prior to S/N 9756606)	1
8	C 24296	WRAPPER - muffler	1
9	C 23581	COVER - muffler end	1
10	C 23580	INSULATION - muffler end	1
11	214- 272	CLAMP - wrapper mounting	3
12	C 23686	INSULATION - muffler	1
13	C 20468	CLAMP ASSEMBLY - exhaust pipe (includes items 4, 5 and 6) (used prior to S/N 9756606)	2
14	C 25071	PIPE - engine exhaust L.H. (used S/N 9756606 and after)	1
15	C 25073	PIPE - engine exhaust R.H. (used S/N 9756606 and after)	1
16	C 26207	GASKET - pipe, exhaust (used S/N 9756606 and after)	2
17	61- 510	BOLT - 5/16" x 5/8" sockethead (used S/N 9756606 and after)	1

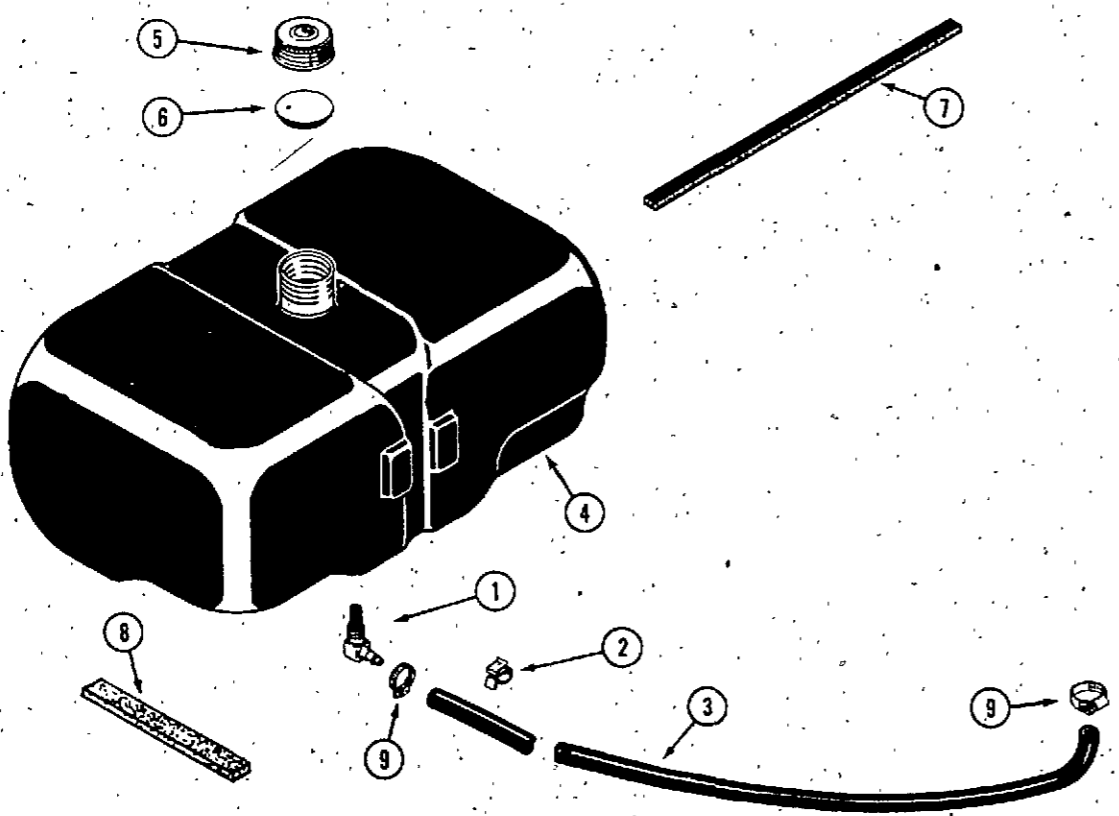


CHOKE AND THROTTLE

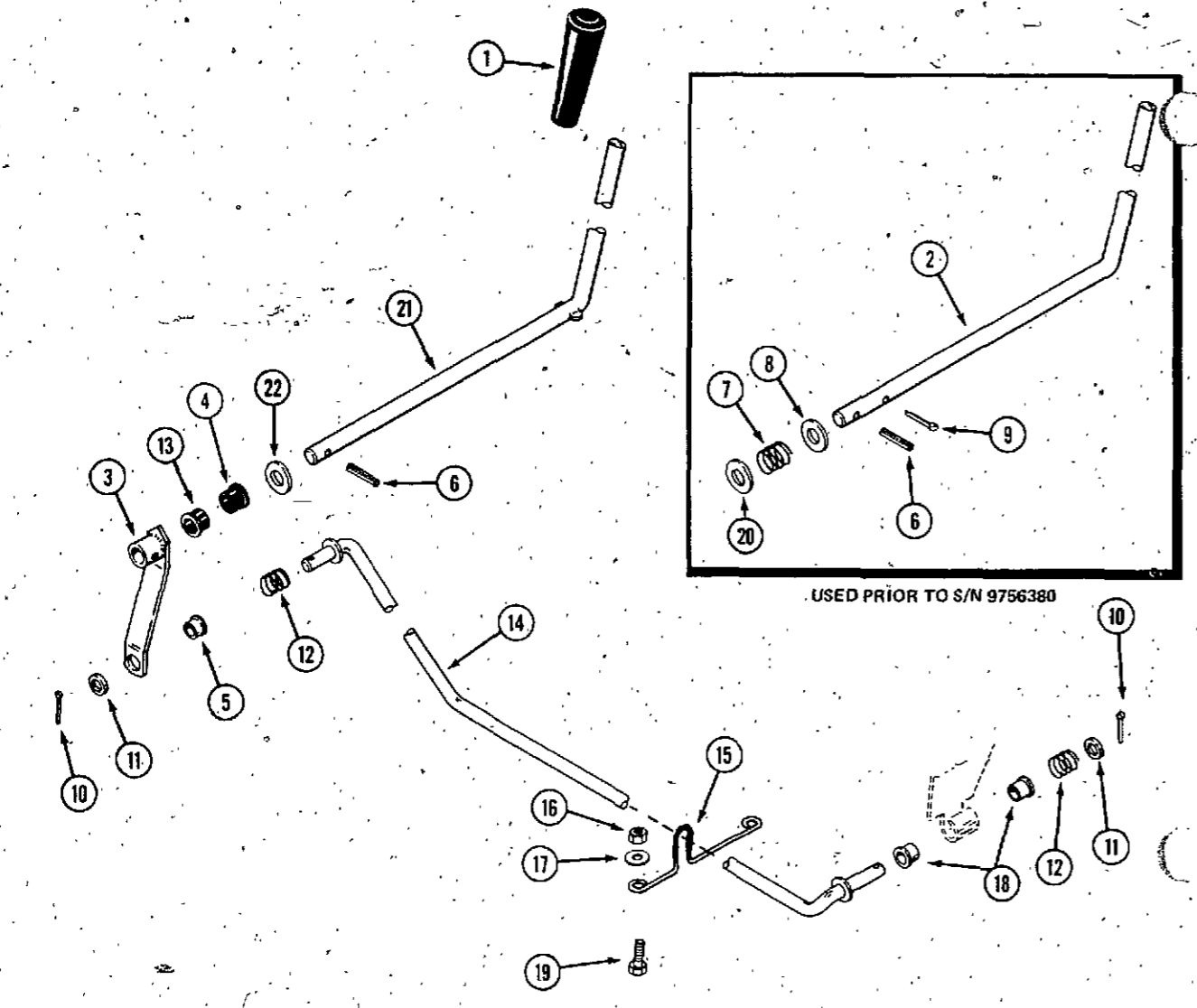
REF.	PART NO.	DESCRIPTION	REQ'D
1	C 32430	CONTROL - throttle	1
2	C 30073	HANDLE - throttle control	1
3	C 25604	CONTROL - choke	1
4	C 30074	HANDLE - choke control	1
5	.111- 5	BOLT - #10 - 24 x 1/2" N.C. round head, square neck	2
6	192- 18	LOCKWASHER - #10 Std. plated	2
7	129- 17	NUT - #10-24 plated	2

FUEL SYSTEM

1	NSS	ELBOW ASSEMBLY - fuel tank (use C10678, C31978, (2) 214-274)	1
2	C 28962	CLIP - fuel line (optional)	2
3	C 28937	HOSE - fuel line 43"	1
4	C 23815	TANK - fuel	1
5	C 11529	CAP - fuel tank (includes insert)	1
6	NSS	INSERT - fuel cap	1
7	C 23527	LINER - tank	1
8	C 14690	CUSHION - fuel tank	2
9	214- 103	CLAMP - hose 1/2"	2



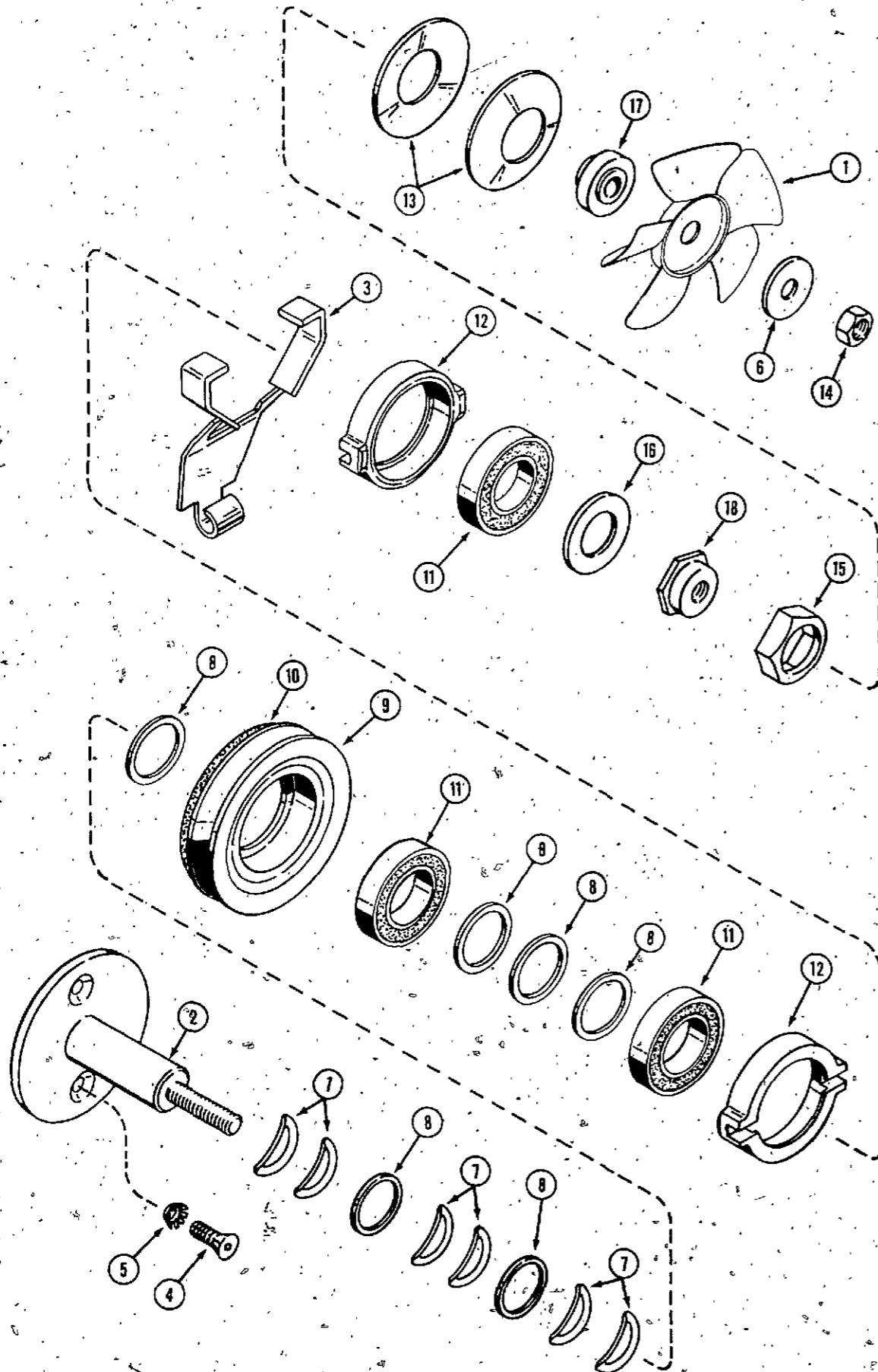
PTO CLUTCH LINKAGE



USED PRIOR TO S/N 9756380

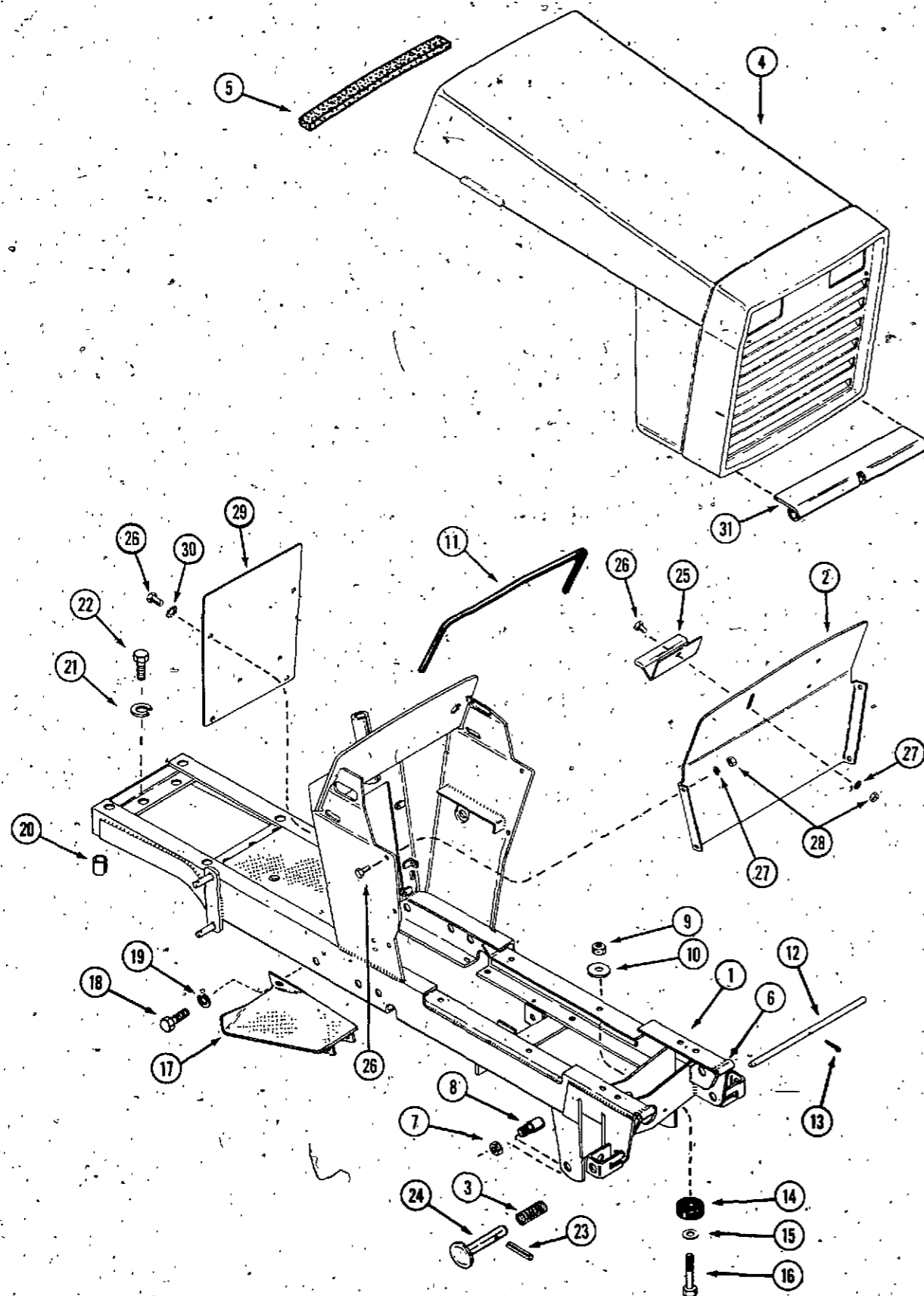
REF.	PART NO.	DESCRIPTION	REQ'D
1	C 28237	KNOB - lever, PTO	1
2	NSS.	LEVER - PTO engaging (order item 21 and 22)	1
3	C 24872	ARM ASSEMBLY - PTO (used S/N 9743060 and after)	1
3	C 24792	ARM ASSEMBLY - PTO (used prior to S/N 9743060)	1
4	353- 462	BUSHING - lever, dash tower	1
5	C 20093	BUSHING - fliplock	1
6	138- 96	PIN - roll 3/16" x 1"	1
7	C 20036	SPRING - lever, PTO (used prior to S/N 9756380)	1
8	C 28240	WASHER - nylon (used prior to S/N 9756380)	1
9	132- 310	PIN - cotter 1/8" x 1"	1
10	132- 310	PIN - cotter 1/8" x 1"	2
11	C 14906	WASHER - nylon 3/8"	2
12	C 19867	SPRING - clutch rod	2
13	353- 442	BUSHING - heyco	1
14	NSS	ROD - clutch (use C27734, C26166, C20053)	1
15	C 19767	GUIDE - clutch rod	1
16	131- 178	NUT - lock 3/8" N.C. hex	2
17	195- 104	WASHER - 3/8"	2
18	C 20053	BUSHING - nylon	2
19	113- 207	BOLT - 3/8" x 1" N.C. hex	2
20	195- 2069	WASHER - 5/8" (used prior to S/N 9756380)	1
21	C 29409	LEVER - PTO engaging (used S/N 9756380 and after)	1
22	195- 533	WASHER - 1/2" (used S/N 9756380 and after)	1

CLUTCH ASSEMBLY (PTO)



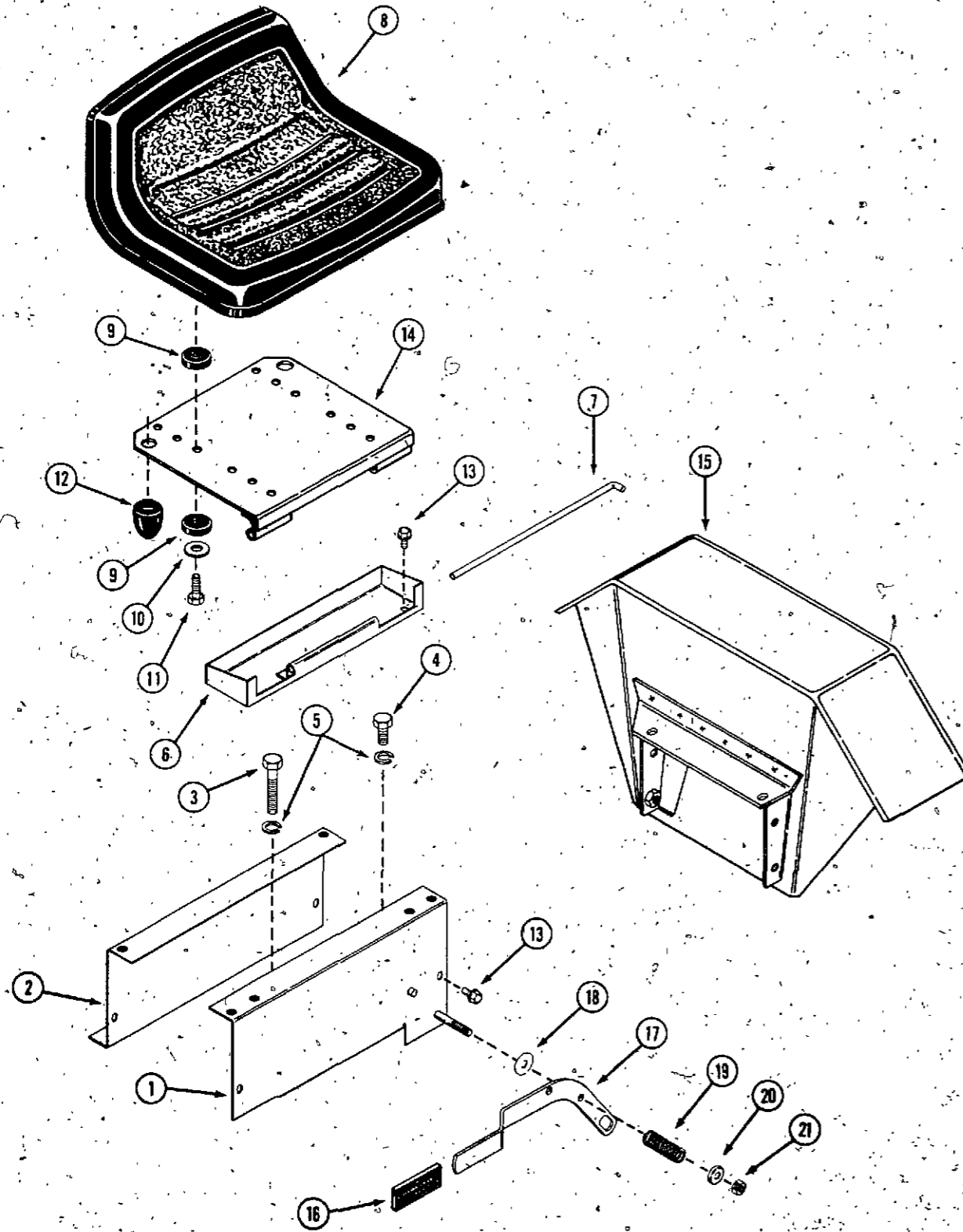
REF.	PART NO.	DESCRIPTION	REQ'D
	C 27152	CLUTCH AND FAN ASSEMBLY	1
1	C 16616	FAN - cooling	1
2	C 24741	HUB - clutch	1
3	C 27031	ARM - engaging	1
4	164- 41	SCREW - 5/16" - 18 x 1" flat head socket	2
5	193- 76	LOCKWASHER - 5/16" countersunk external tooth	2
6	C 28677	WASHER - fan 17/32"	1
7	C 15515	WASHER - spring	6
8	C 15557	WASHER - spacer .050	6
9	C 31045	PULLEY AND DISC ASSEMBLY	1
10	C 23740	KIT - friction disc	1
11	C 29735	BEARING - ball	3
12	C 32169	CAM - clutch	2
13	C 16786	SPRING - clutch load	2
14	129- 125	NUT - 1/2" N.F.	1
15	C 23627	GUIDE - adjusting nut	1
16	C 23624	WASHER - spacer	1
17	C 23630	SPACER - hub	1
18	C 23625	NUT - adjust	1

HOOD, FRAME AND GRILLE



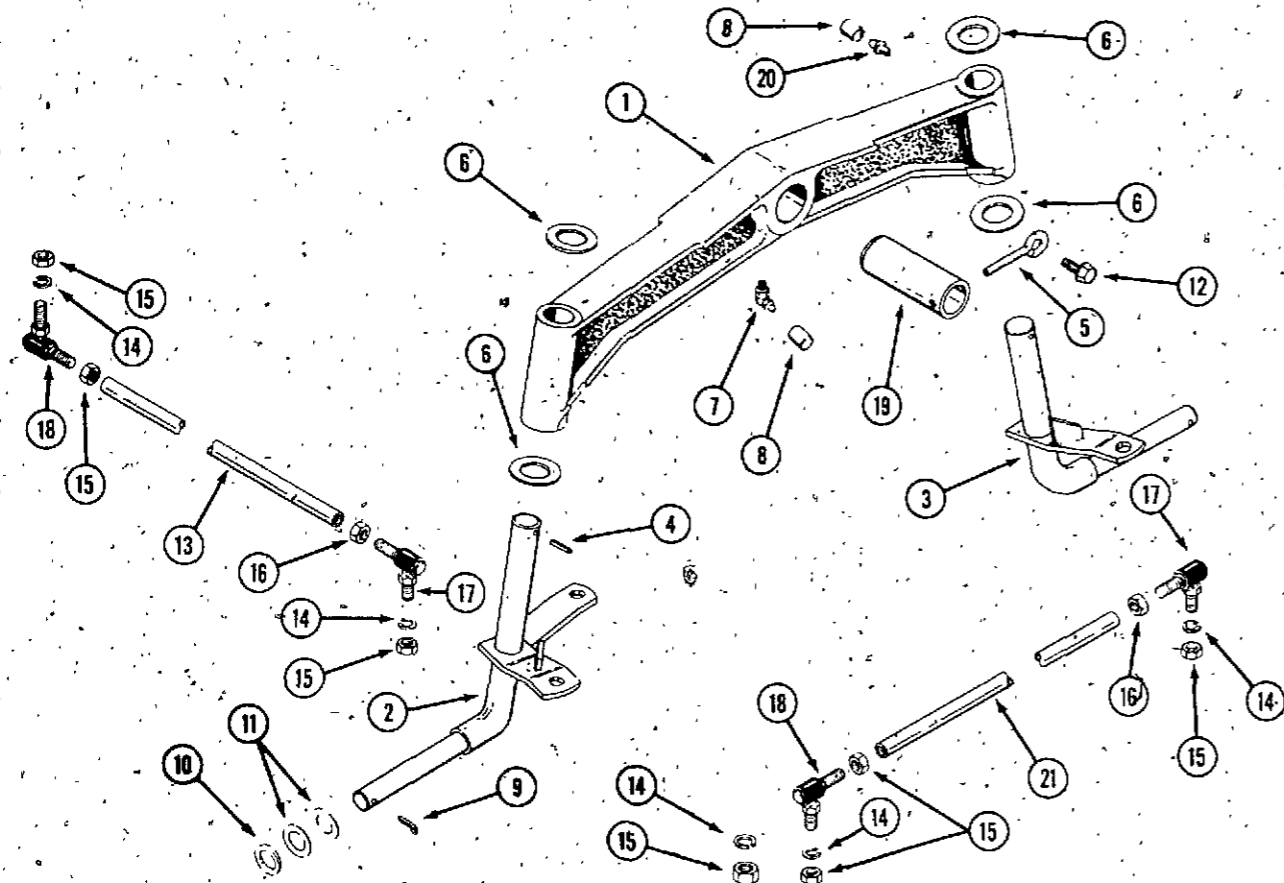
REF.	PART NO.	DESCRIPTION	REQ'D
1	C 24772	FRAME - main (also order C24872 arm prior to S/N 9743060)	1
2	C 24821	SHIELD - heat	1
3	C 24137	SPRING - latch	2
4	C 23573	HOOD AND GRILLE ASSEMBLY (includes item 31)	1
5	C 23527	LINER - hood	1
6	C 22023	HINGE - frame	2
7	131- 1318	NUT - lock 1/2" N.F.	2
8	C 27508	PIN - attachment	2
9	131- 1181	NUT - lock 3/8" N.C.	4
10	195- 525	WASHER - plain 3/8" x 13/16" O.D. (over engine foot pad)	4
11	C 18153	CHANNEL - instrument panel liner	1
12	C 16362	ROD - hood hinge	1
13	132- 334	PIN - cotter 1/8" x 3/4"	1
14	C 15410	CUSHION - washer	4
15	195- 2029	WASHER - plain 3/8" x 1-1/4" O.D. (under cushion)	8
16	113- 219	BOLT - 3/8" x 2-1/4" N.C. hex	4
17	C 18890	PAD - foot L.H.	1
17	C 18150	PAD - foot R.H.	1
18	13- 514	BOLT - 5/16" x 7/8" N.C. hex	2
19	192- 20	LOCKWASHER - 5/16"	2
20	C 14729	SPACER - rear, frame	2
21	192- 23	LOCKWASHER - 1/2"	4
22	113- 424	BOLT - 1/2" N.C. hex, transaxle mtg.	4
23	138- 319	PIN - roll 3/16" x 1-1/4"	2
24	C 16373	PIN - latch	2
25	C 24820	CLIP - battery hold down	1
26	113- 1	BOLT - 1/4" - 20 x 1/2"	9
27	192- 19	LOCKWASHER - 1/4"	5
28	129- 101	NUT - 1/4" - 20 hex	5
29	C 24822	COVER - access	1
30	193- 57	LOCKWASHER - 1/4" external tooth	4
31	C 16361	HINGE - hood	1

SEAT, FENDERS AND TOOL TRAY



REF.	PART NO.	DESCRIPTION	REQ'D
1	C 16408	SUPPORT - seat, front	1
2	C 16404	SUPPORT - seat, rear	1
3	113- 441	BOLT - 1/2" x 2-1/4" N.C. hex	2
4	113- 424	BOLT - 7/2" x 1" N.C. hex	2
5	192- 23	LOCKWASHER - 1/2"	4
6	C 19417	TRAY - tool	1
7	C 16429	PIN - seat hinge	1
8	C 30071	SEAT	1
9	C 15410	CUSHION - rubber	8
10	195- 2175	WASHER - 5/16" x 1-1/4" OD, zinc plated	4
11	113- 122	BOLT - 5/16" x 1-1/2"	4
12	NSS*	BUMPER - seat	2
13	121- 106	BOLT - 5/16" x 1/2" flange whizlock	10
14	C 17152	HINGE ASSEMBLY - seat	1
15	C 16444	FENDER - L.H.	1
15	C 16445	FENDER - R.H.	1
16	C 14728	GRIP - shift lever	1
17	C 16393	LEVER - shift	1
18	195- 525	WASHER - 7/16" x 1-1/4" O.D.	1
19	C 17216	SPRING - shift lever	1
20	C 17066	WASHER - cupped	1
21	131- 178	NUT - lock 3/8" N.C. hex	1

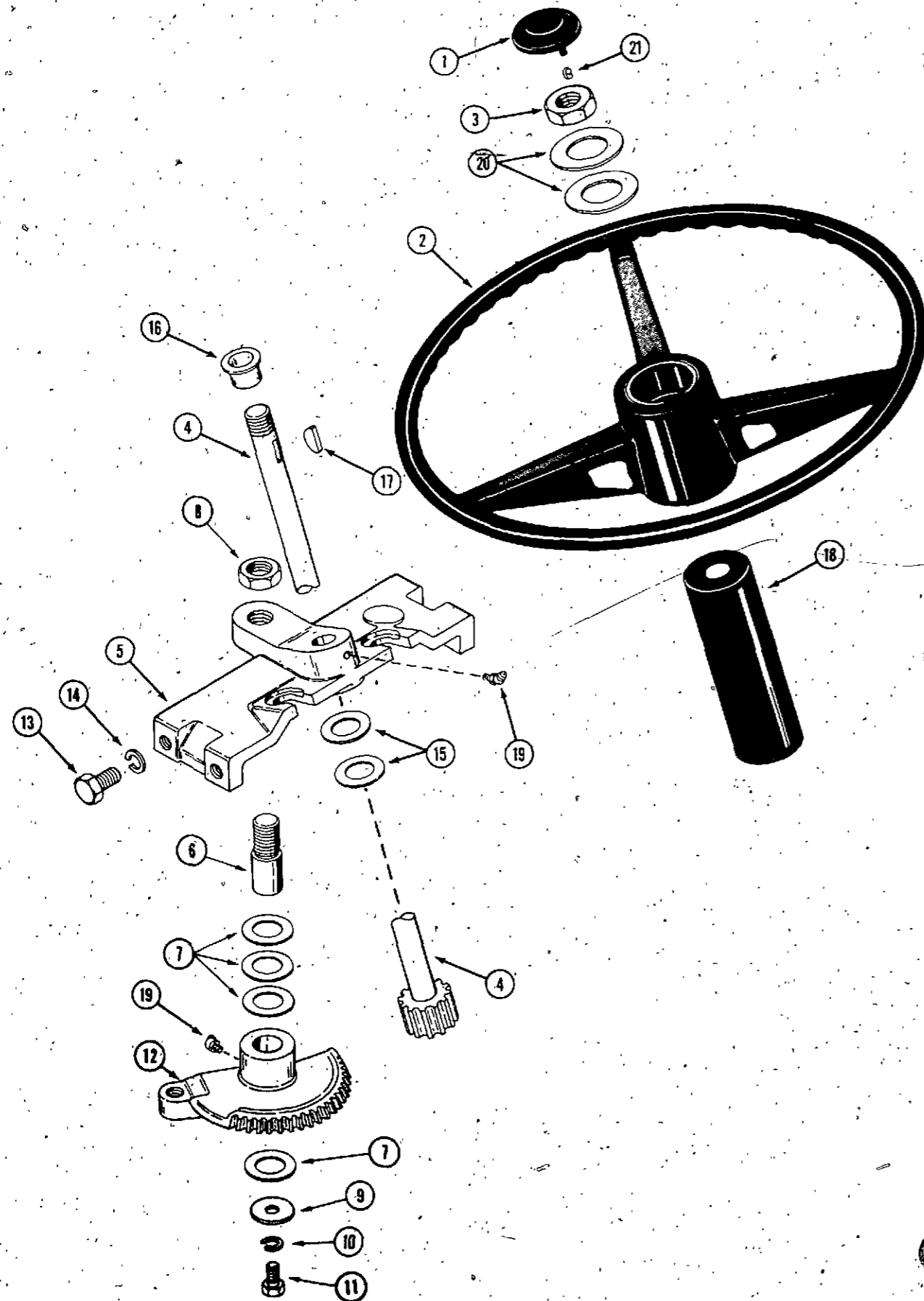
* Use 2 of each:
 C29306
 C29305
 113-103
 C28263
 131-911



FRONT AXLE

REF.	PART NO.	DESCRIPTION	REQ'D
1	C 40687	AXLE - front	1
2	NSS	SPINDLE - right hand (use C31341, 132-311, C27902)	1
3	NSS	SPINDLE - left hand (use C31340, 132-311, C27902)	1
4	138- 99	PIN - roll	2
5	C 22278	PIN - retaining, axle pivot	1
6	C 13716	WASHER - thrust	4
7	219- 404	FITTING - lube	3
8	C 13106	COVER - lube fitting	3
9	132- 311	PIN - cotter 5/32" x 1-1/4"	2
10	C 12975	WASHER - wheel spindle	2
11	C 28226	WASHER - wheel spacer	4
12	187- 1910	BOLT - 3/8" N.C. indented hex head	1
13	C 22992	KIT - drag link (includes items 15 and 16)	1
14	192- 23	LOCKWASHER - 1/2" zinc plated	3
15	129- 165	NUT - 1/2" jam N.F. R.H. thread	6
16	129- 365	NUT - 1/2" jam N.F. L.H. thread	2
17	C 21527	BALL JOINT - 1/2" L.H.	2
18	C 21526	BALL JOINT - 1/2" R.H.	2
19	C 22568	PIN - axle pivot	1
20	219- 17	FITTING - lube	2
21	C 21529	TIE ROD	1

STEERING GEAR

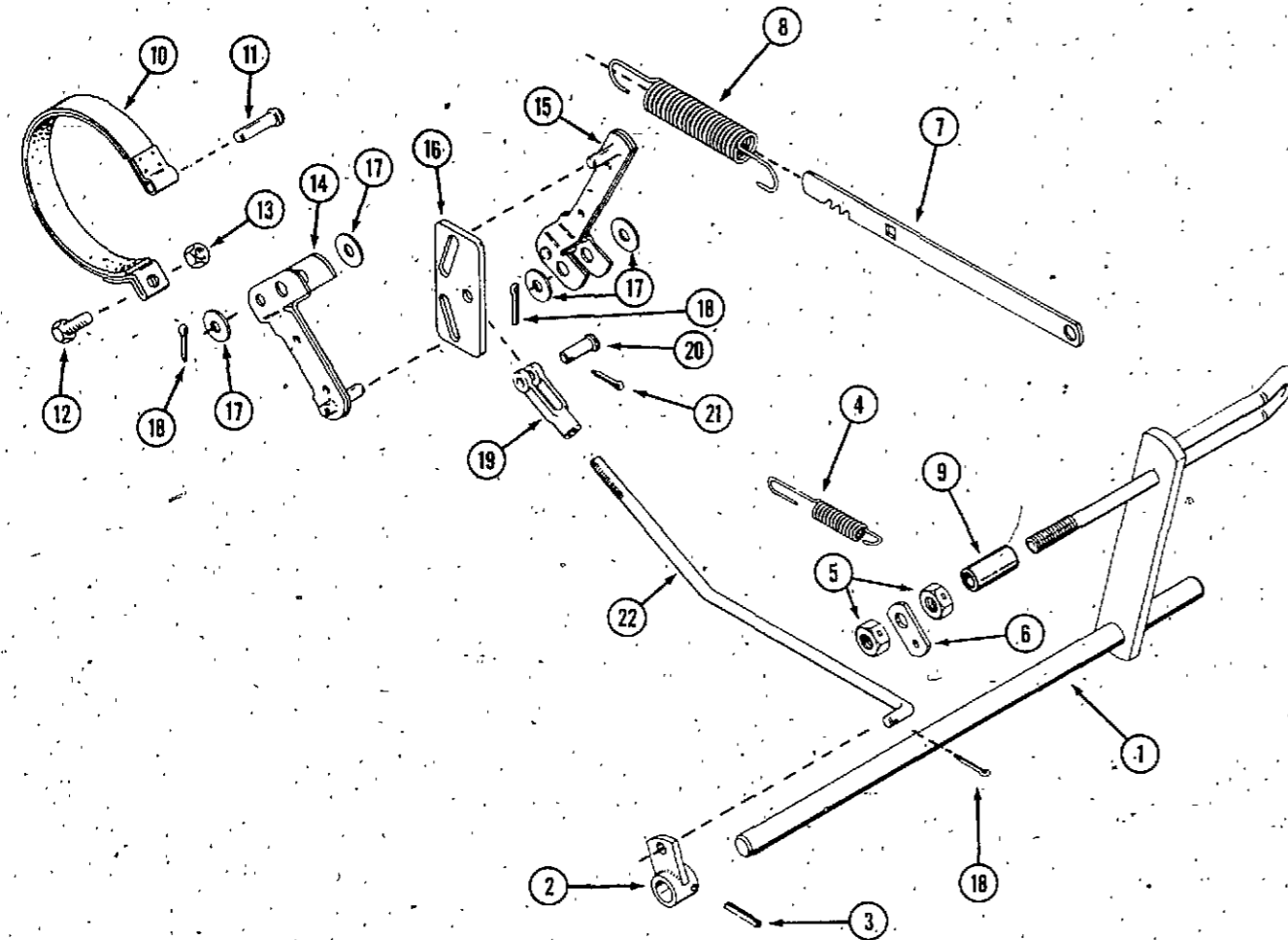


REF.	PART NO.	DESCRIPTION	REQ'D
1	C 16945	CAP - steering wheel	1
2	C 18014	WHEEL - steering	1
3	131- 356	NUT - lock 5/8"	1
4	NSS*	SHAFT - steering	1
5	NSS**	SUPPORT - steering gear	1
6	C 14200	PIN - pivot	1
7	C 14201	WASHER - shim	4
8	129- 48	NUT - jam 3/4"	1
9	195- 2021	WASHER	1
10	192- 20	LOCKWASHER - 5/16" zinc plated	1
11	113- 102	BOLT - 5/16" x 3/4" N.C. hex	1
12	C 33309	GEAR - steering	1
13	113- 206	BOLT - 3/8" x 3/4" N.C. hex	4
14	192- 21	LOCKWASHER - 3/8"	4
15	195- 2069	WASHER - 5/8" zinc plated	2
16	C 15096	BUSHING - flanged nylon	1
17	126- 16	KEY - Woodruff 3/16" x 3/4"	1
18	C 24098	TUBE - steering	1
19	219- 404	FITTING - lube 45°	2
20	C 12975	WASHER - 5/8"	2
21	C 18017	CLIP - tinnerman, steering wheel	2
	C 13106	COVER - lube fitting	2

* Use C26325 & C26326 & 138-143

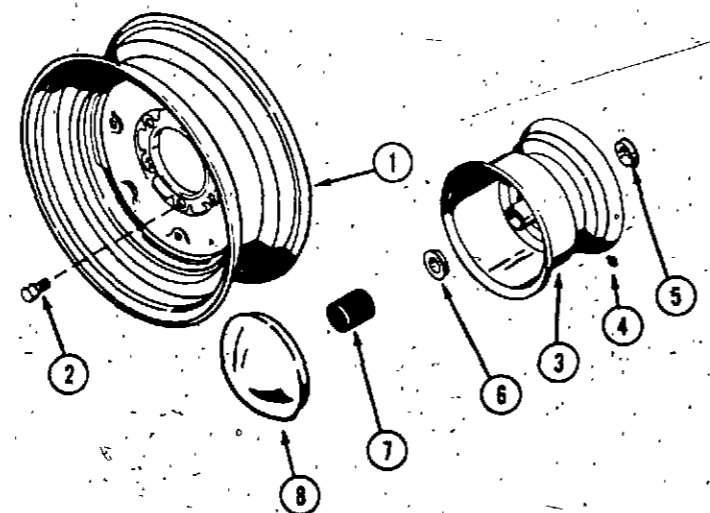
** Use C44378 & C29044 & C29812, 113-248, 129-103, 192-21, 195-2029

BRAKE ASSEMBLY



REF.	PART NO.	DESCRIPTION	REQ'D
1	C 22316	PEDAL - brake actuating	1
2	C 26381	ARM - brake pedal	1
3	138- 319	PIN - roll 3/16" x 1-1/4"	1
4	C 25022	SPRING - return	1
5	131- 164	NUT - centerlock, jam	2
6	C 16164	TAB - lift	1
7	C 18147	LEVER - brake lock	1
8	C 27755	SPRING - brake lock	1
9	C 21857	SPACER - brake pedal	1
10	C 33427	BAND - brake	1
11	C 23910	PIN - clevis	1
12	113- 2262	BOLT - 3/8" - 16 x 1-1/2" hex	1
13	129- 143	NUT - 3/8" - 16 jam	1
14	C 23899	ARM - brake	1
15	C 24761	ARM - brake (includes adjustment nut)	1
16	C 40646	GUIDE - brake actuation	1
17	195- 533	WASHER - .531 I.D.	4
18	132- 310	PIN - cotter 1/8" x 1"	3
19	213- 41	CLEVIS	1
20	141- 4	PIN - clevis	1
21	132- 321	PIN - cotter	1
22	C 24795	ROD - brake	1

FRONT AND REAR WHEELS

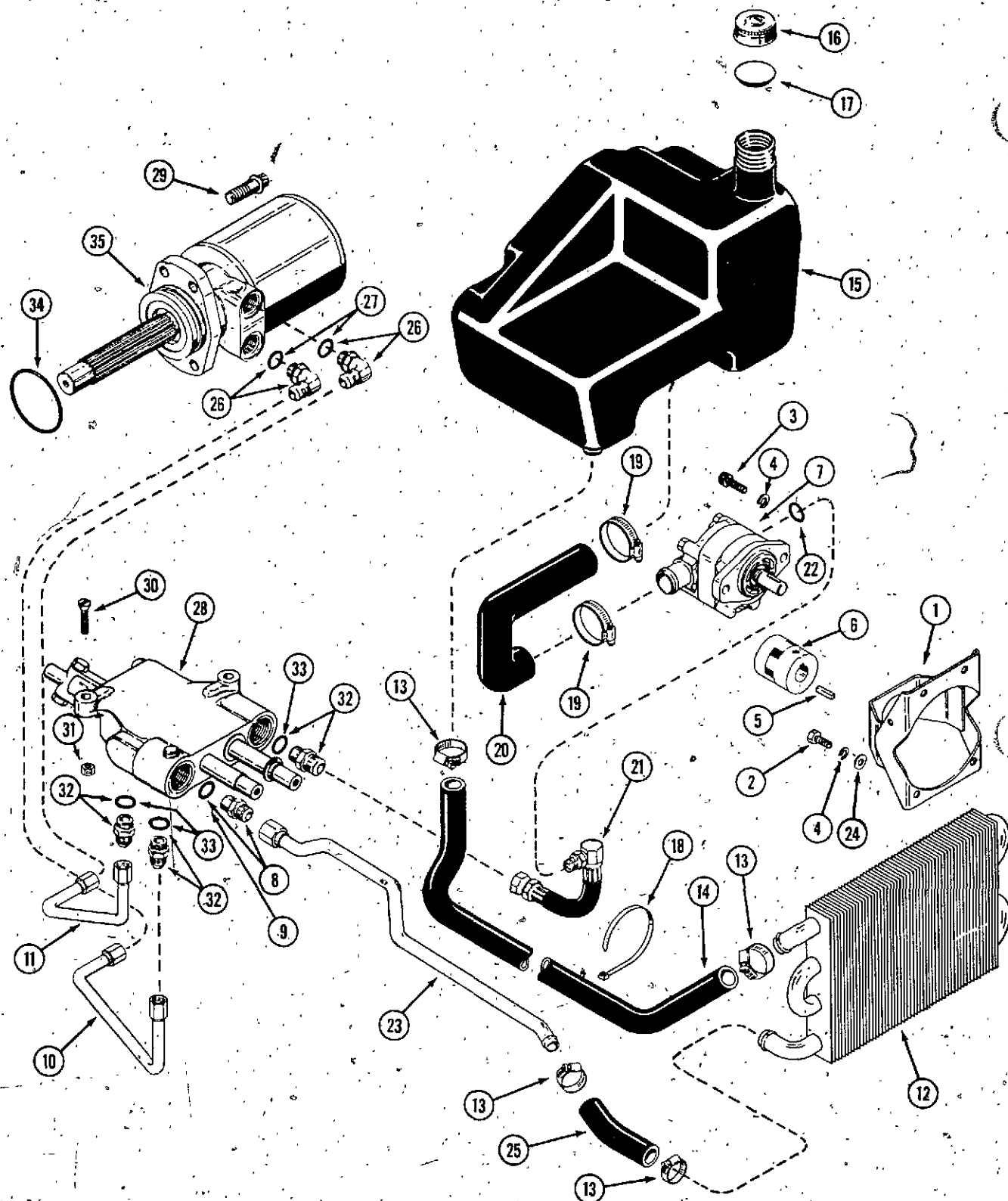


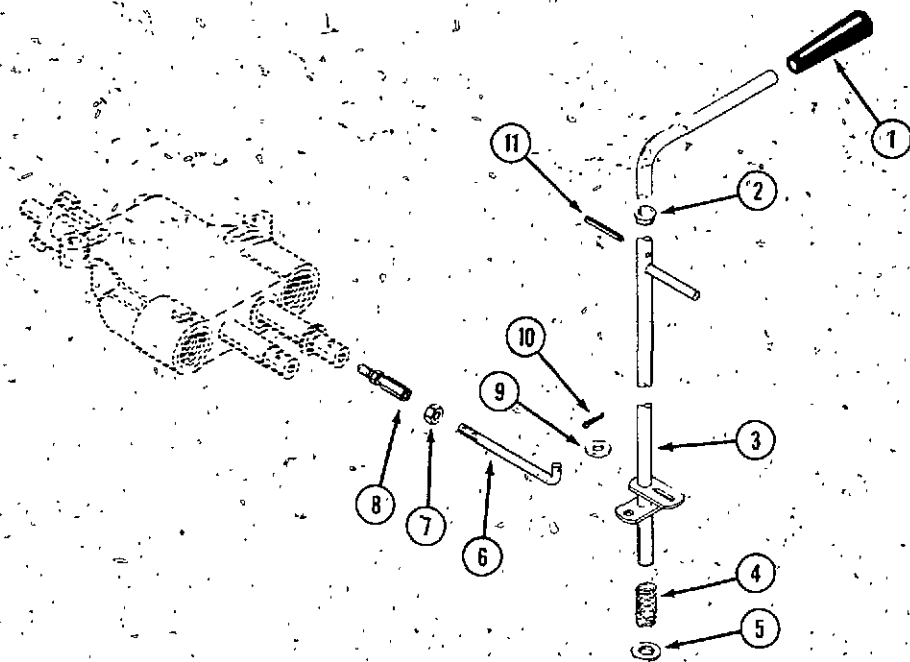
1	C 30917	WHEEL - rear, 6 bolt (white)	2
2	C 27763	BOLT - rear wheel	12
3	C 30912	WHEEL - front (white) (includes items 5 and 6)	2
4	219- 403	FITTING - lube	2
5	C 44499	BEARING - wheel, inner	2
6	C 44499	BEARING - wheel, outer	2
7	C 44478	CAP - plastic, front	2
8	C 28965	CAP - hub, front wheel (optional)	2
	C 13106	COVER - lube fitting	2

HYDRAULIC SYSTEM

REF.	PART NO.	DESCRIPTION	REQ'D.
1	C 26255	SUPPORT - pump mounting	1
2	113- 206	BOLT - 3/8" x 3/4" N.C. hex, support mounting	4
3	61- 616	SCREW - 3/8" x 1" N.C. hex, soc. hd. pump mounting	2
4	192- 21	LOCKWASHER - 3/8" zinc plated	6
5	C 28980	KEY - square 1/4" x 1" (engine shaft)	1
6	C 25209	COUPLING - pump, 9/16" shaft. (See page 43)	1
7	NSS*	PUMP - hyd. 9/16" shaft (repairs page 43)	1
8	218- 5065	FITTINGS - hyd. 3/4" x 7/8" "O" Ring	1
9	218- 5007	"O" RING - 5/8" (for C17236 fitting)	1
10	C 16687	TUBE - valve to lower motor port	1
11	C 17898	TUBE - valve to upper motor port	1
12	C 25784	EXCHANGER - heat	1
13	214- 254	CLAMP - hose	4
14	C 29697	HOSE - rubber, tank to heat exchanger	1
15	NSS	RESERVOIR - hydraulic oil (use C33,167 kit)	1
16	C 25237	CAP - reservoir (includes insert)	1
17	NSS	INSERT - reservoir cap	1
18	C 22947	TIE - hose clamp	2
19	C 23326	CLAMP - hose	2
20	C 33423	HOSE - rubber, tank to pump	1
21	C 18797	HOSE - hydraulic, pump to valve	1
22	218- 5006	"O" RING - 1/2" (for C18797)	1
23	C 26182	TUBE - valve to heat exchanger	1
24	195- 104	WASHER - 3/8"	4
25	C 29697	HOSE - rubber, 4"	1
26	218- 5107	FITTING - motor port, 90° elbow, "O" Ring	2
27	218- 5007	"O" RING - 5/8" (for 218-5107 fitting)	2
28	C 25967	VALVE - hydraulic control, two spool (repairs page 45)	1
29	166- 86	SCREW - 1/2" x 1-1/4" N.C. flanged 12 pt.	4
30	171- 247	SCREW - 5/16" x 1-1/4" N.C. flat hd. machine	2
31	131- 351	NUT - lock 5/16" N.C. hex	2
32	218- 5062	FITTING - hydraulic valve 5/8" x 7/8" "O" Ring	3
33	218- 5007	"O" RING - 5/8" (for C18321)	3
34	C 28949	SEAL - motor to transmission	1
35	C 14655	MOTOR - hydraulic (repairs page 41)	1

*Use C26278, C15724, C17300



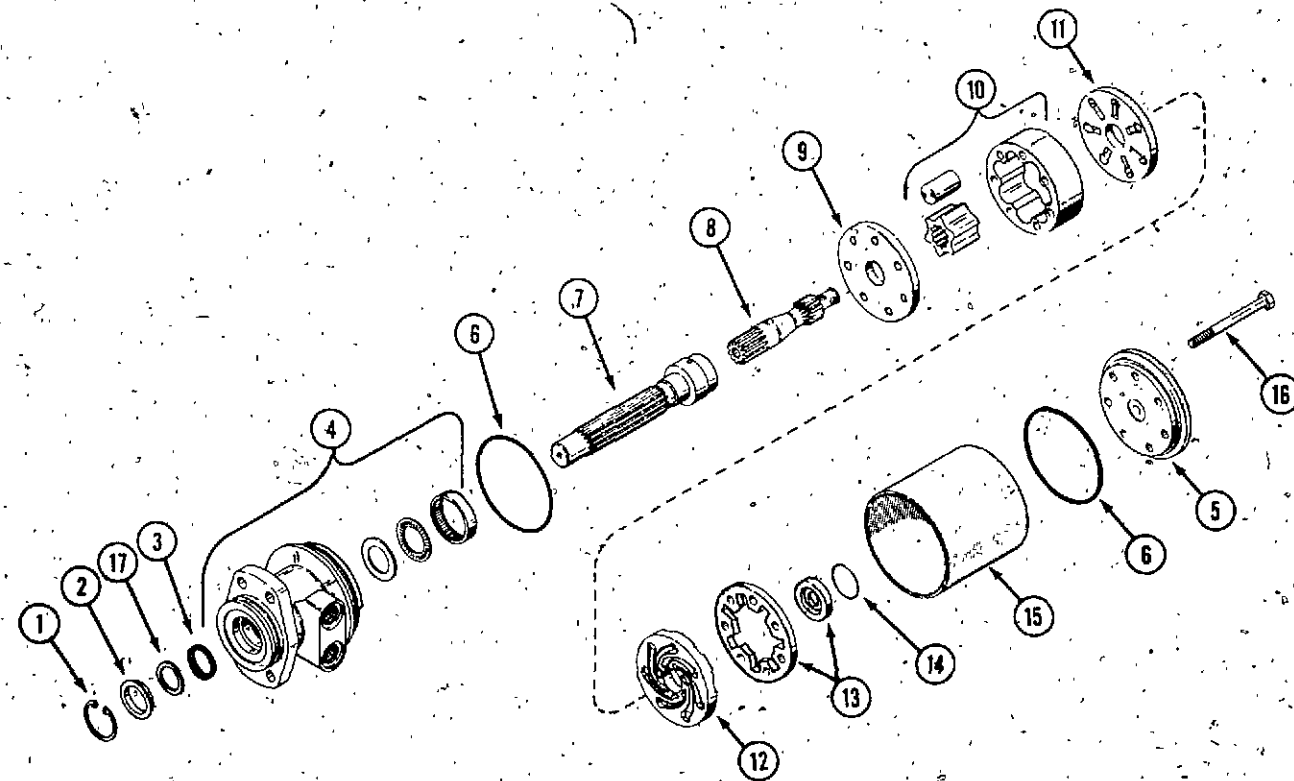


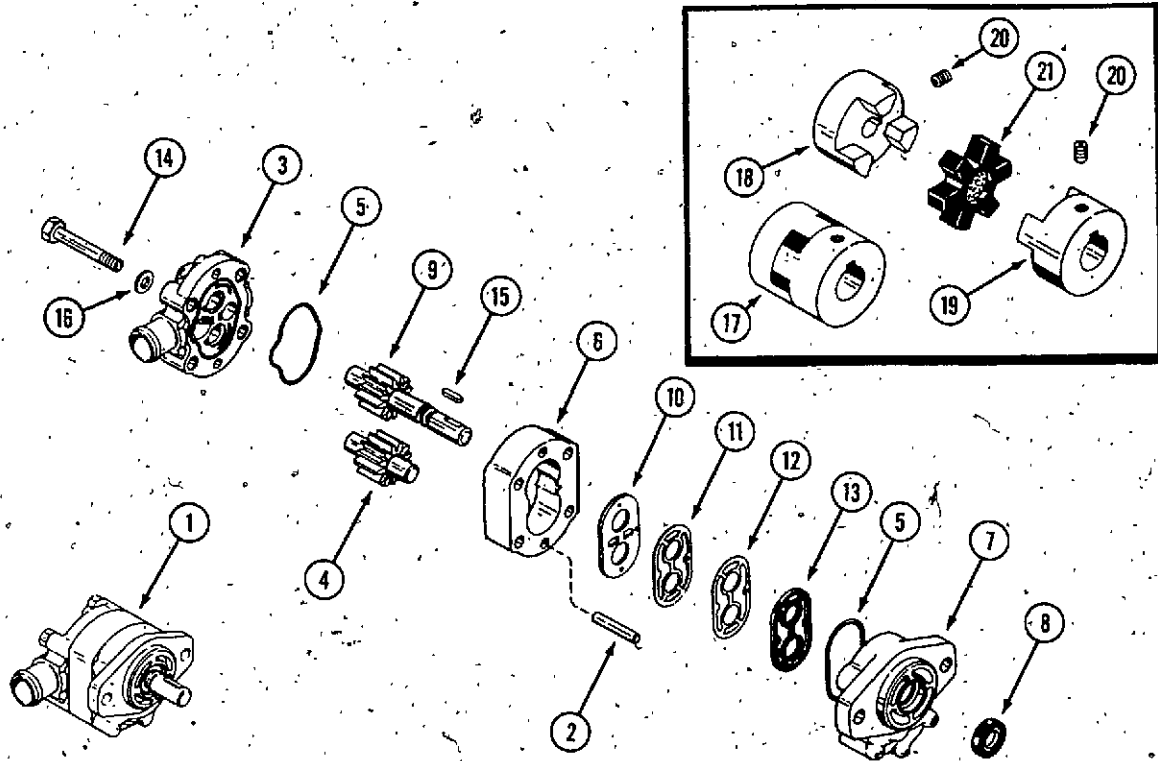
SPEED CONTROL

REF.	PART NO.	DESCRIPTION	REQ'D
1	C 28237	KNOB - speed control	1
2	C 27593	BUSHING - lever	1
3	NSS	LEVER - speed control (use C29407, C28003)	1
4	C 27822	SPRING - compression	1
5	C 21518	WASHER - nylon	1
6	C 18742	ROD - control	1
7	129- 122	NUT - 5/16" N.F. hex; zinc plated	1
8	C 19025	JOINT - ball	1
9	195- 521	WASHER - 5/16"	1
10	132- 320	PIN - cotter 3/32" x 3/4"	1
11	138- 2072	PIN - roll 1/8" x 1-3/4"	1

HYDRAULIC DRIVE MOTOR

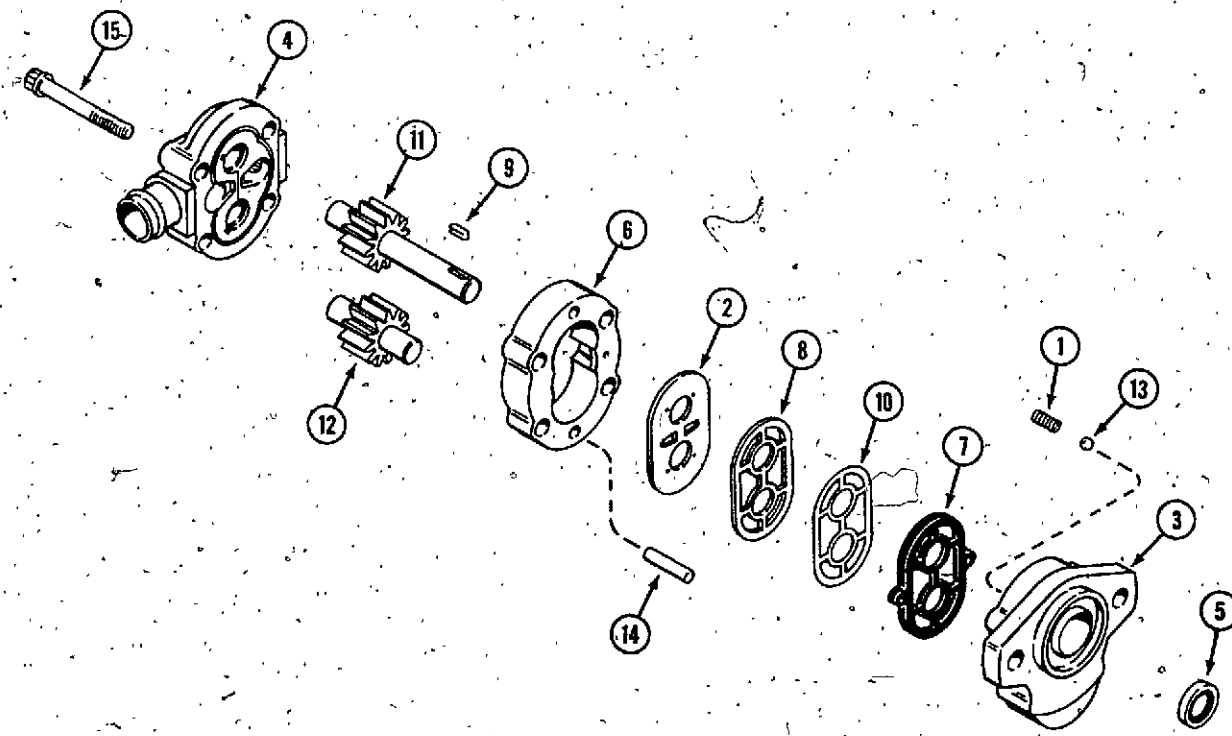
1	C 14655	MOTOR - hydraulic	1
2	C 16516	RING - retaining	1
3	NSS	SPACER - (See kit below)	1
4	C 14827	SEAL - oil (See kit below)	1
5	C 14837	HOUSING ASSEMBLY	1
6	NSS	END CAP	1
7	NSS	SEAL - (See kit below)	2
8	C 14828	SHAFT - coupling	1
9	C 14829	DRIVE LINK	1
10	C 14830	PLATE - wear	1
11	C 14831	ROTOR ASSEMBLY	1
12	NSS	KIT - manifold (use complete motor)	1
13	NSS	PLATE - manifold	1
14	NSS	MANIFOLD	1
15	NSS	COMMUTATOR AND RING SET (use complete motor)	1
16	NSS	RING - sealing (See kit below)	1
17	C 14836	SLEEVE	1
18	C 14838	BOLT - 3/8" x 4-3/8" N.F. hex.	7
19	NSS	WASHER - back up, .010" (see kit below)	1
20	C 29732	KIT - "O" ring and seal	1
21	NSS	RING - sealing	1
22	NSS	SEAL - dirt (not used - throw away item)	1
23	NSS	SEAL	2
24	NSS	SEAL	1
25	NSS	RING - retaining	1
26	NSS	SPACER - seal	1
27	NSS	WASHER - back up, .010"	1





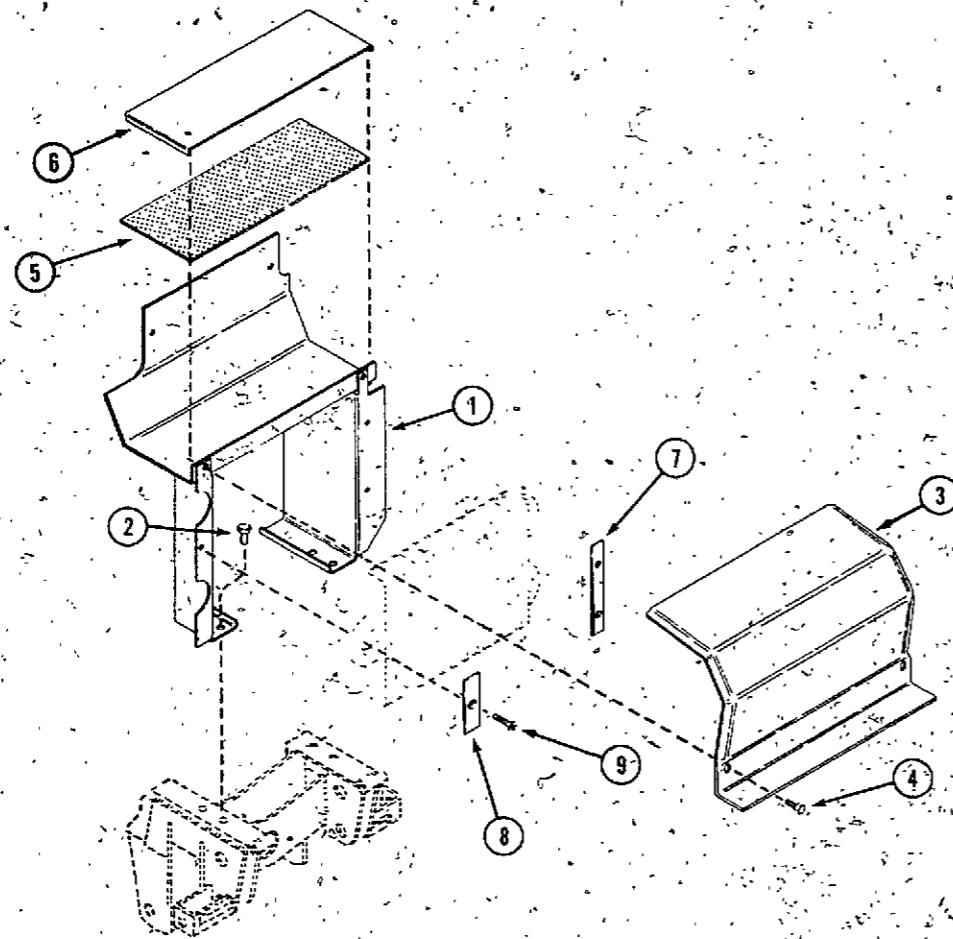
**HYDRAULIC PUMP AND COUPLING
(PARKER-HANNIFIN)**

REF.	PART-NO.	DESCRIPTION	REQ'D
1	NSS	PUMP - hyd. 9/16" shaft (use C26278, C15724, C17300)	1
2	F 53109	PIN - dowel	2
3	C 24861	COVER - rear	1
4	C 15731	GEAR ASSEMBLY - driven	1
5	C 15732	"O" RING - cover	2
6	C 15733	BODY - pump	1
7	C 15734	COVER - front	1
8	C 15735	SEAL - shaft	1
9	NSS	GEAR ASSEMBLY - drive	1
	C 24862	SHAFT - drive	1
	C 24863	GEAR - drive	1
	C 24864	KEY - gear	1
	C 24865	RING - retaining	2
10	C 15737	PLATE - wear	1
11	C 15738	SHIELD - heat	1
12	C 15739	GASKET	1
13	C 15740	SEAL	1
14	13- 540	BOLT	4
15	C 28215	KEY - 3/16" square	1
16	C 19115	WASHER	4
17	C 25209	COUPLING - pump	1
18	NSS	HUB - (order item 17)	1
19	NSS	HUB - (order item 17)	1
20	C 32199	SCREW - set 5/16" x 5/16" NC socket head	2
21	C 15036	SPIDER - (for C17298 coupling)	1



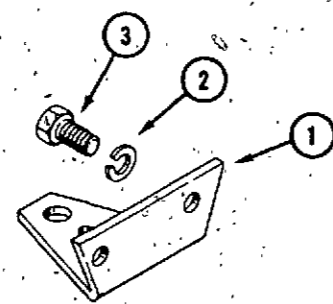
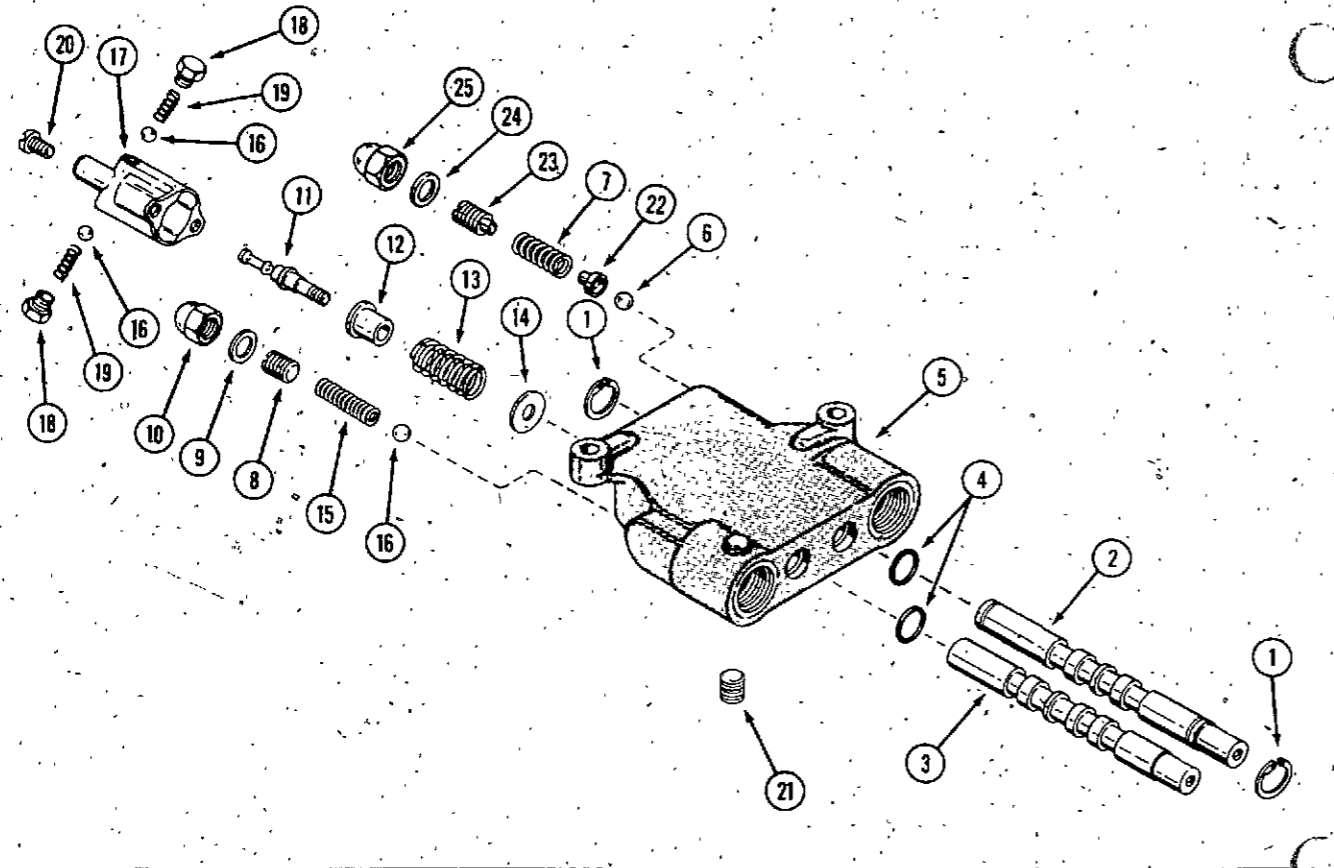
REF.	PART-NO.	DESCRIPTION	REQ'D
1	NSS*	PUMP - hyd. 9/16" shaft	1
2	C 28709	SPRING	2
3	C 28718	DIAPHRAGM - wear plate	1
4	NSS*	COVER - front	1
5	NSS*	COVER - rear	1
6	C 28711	SEAL - shaft	1
7	NSS*	BODY - pump	1
8	C 28712	SEAL - diaphragm	1
9	C 28714	GASKET - back up	1
10	C 28215	KEY - 3/16" square x .609	1
11	C 28713	GASKET - back up	1
12	NSS*	GEAR ASSEMBLY - drive	1
13	NSS*	GEAR ASSEMBLY - drive	1
14	211- 306	BALL - steel 7/32"	2
15	C 28715	PIN - dowel 1/4" x 1-1/4"	2
	O/L	BOLT - 5/16" - 18 x 2-1/2" 12 pt. flange	4

** use C26278, C15724, C17300



HEAT EXCHANGER MOUNTS AND MUFFLER SHIELDS

REF.	PART.NO.	DESCRIPTION	REQ'D
1	C 23482	SUPPORT - heat exchanger	1
2	113- 118	BOLT - 5/16" x 5/8"	4
3	C 26455	SHIELD - heat, muffler	1
4	113- 1	BOLT - 1/4" - 20 x 1/2" hex	2
5	C 23558	PAD - insulation	1
6	C 23559	RETAINER - insulation	1
7	C 14246	BRACKET - heat exchanger L.H.	1
8	C 25556	BRACKET - heat exchanger R.H.	1
9	187- 1252	SCREW - 1/4" x 1-1/2" flat head Phillips	3



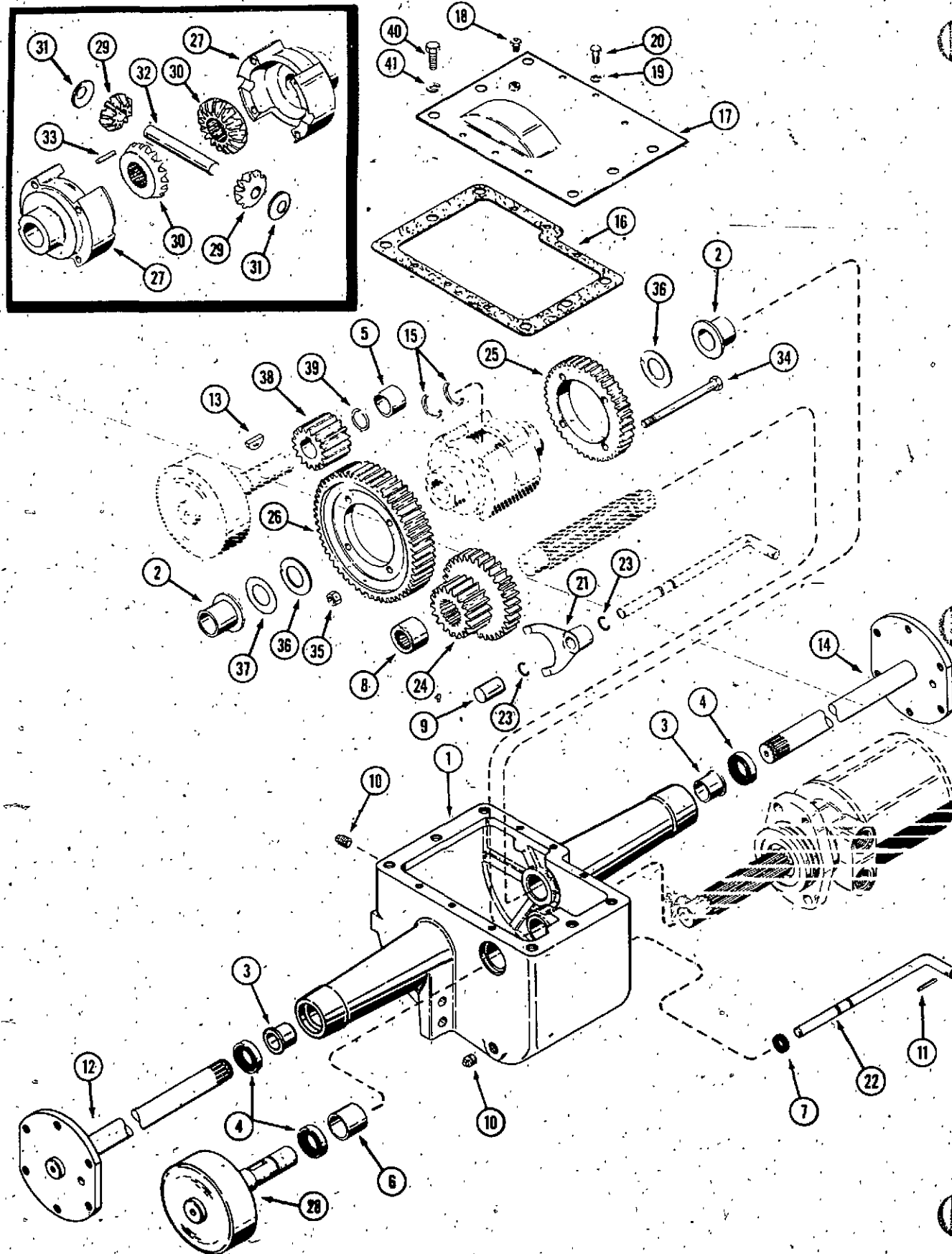
HYDRAULIC CONTROL VALVE (TWO SPOOL)

REF.	PART NO.	DESCRIPTION	REQ'D
	C 25967	VALVE - control, two spool.	1
1.	C 28699	RING - retaining	2
2.	NSS	SPOOL - motor (Order C25967)	1
3.	NSS	SPOOL - float (Order C25967)	1
4.	C 28856	SEAL - spool	4
5.	NSS	BODY - valve (Order C25967)	1
6.	211- 208	BALL - steel 5/16"	1
7.	C 21507	SPRING - relief	2
8.	C 17433	SCREW - relief adjust	1
9.	C 17435	GASKET - relief adjust cap.	1
10.	129- 531	CAP - adjust screw	2
11.	C 17439	DETENT - spool	1
12.	C 13200	SPACER - detent	1
13.	NSS	SPRING - detent return (use C21511 kit)	1
14.	C 17440	WASHER - return.	1
15.	NSS	SPRING - relief (use C21511 kit)	1
16.	211- 7	BALL - steel 1/4"	3
17.	C 17438	COVER - detent	1
18.	C 17443	SCREW - detent	2
19.	C 17444	SPRING - detent	2
20.	169- 114	SCREW - cover.	2
21.	221- 841	PLUG - pipe	1
22.	C 21506	RETAINER - ball seat.	1
23.	C 21509	SCREW - adjust, relief.	1
24.	C 21508	GASKET - adjust cap	1
25.	C 21510	CAP - adjust screw	1
	C 21521	KIT - relief (includes items 6, 7, 22, 23, 24 and 25)	1
	C 21511	KIT - relief (includes items 8, 9, 10, 15 and 16)	1
	C 18851	KIT - detent (includes items 11, 12, 13, 14, 16, 17, 18, 19 and 20)	1

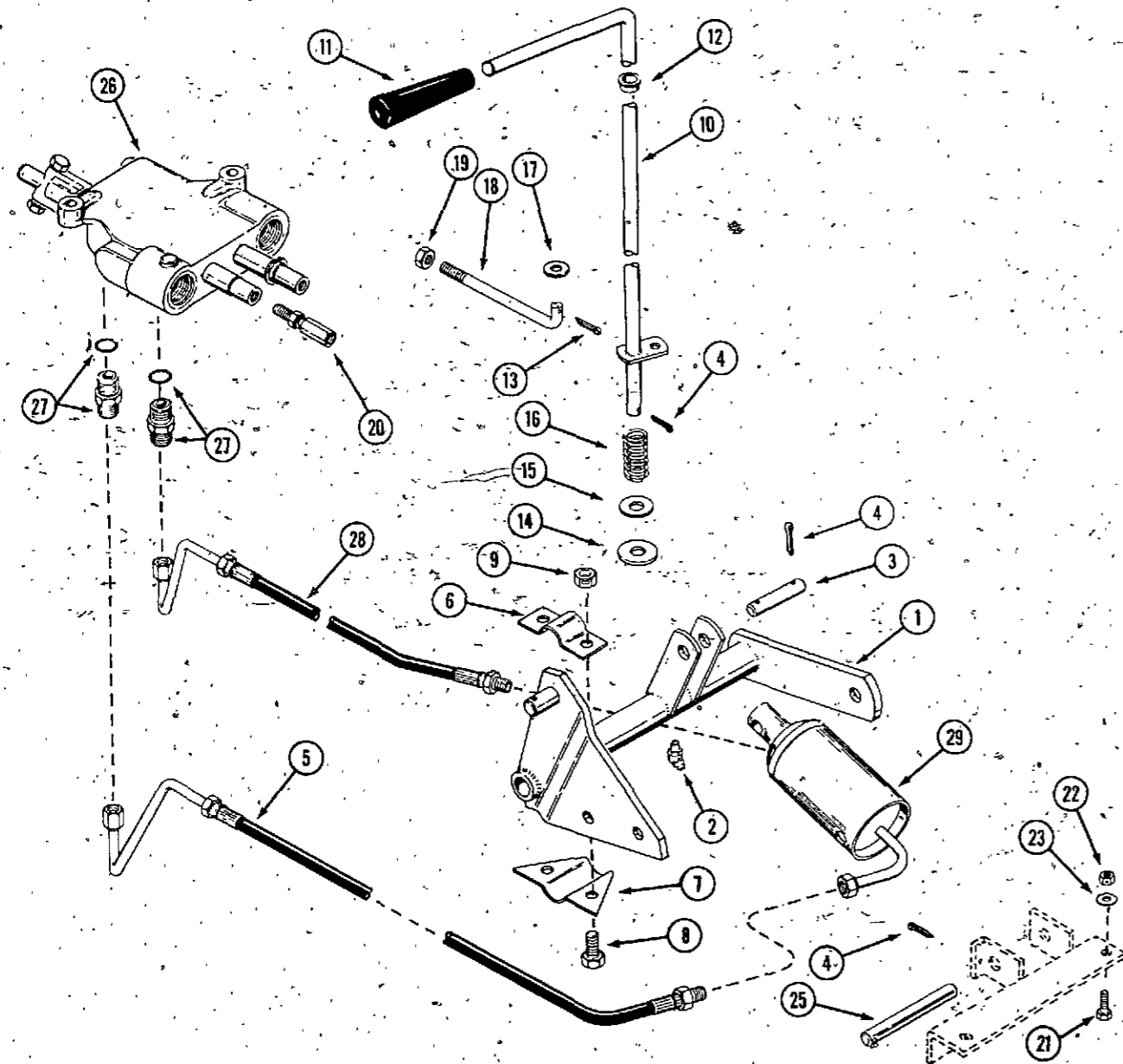
DRAWBAR AND TOW HITCH

1	C 13360	DRAWBAR.	1
2	192- 23	LOCKWASHER - 1/2" ZP	2
3	113- 424	BOLT - 1/2" x 1" N.C. hex ZP	2

TRANSMISSION AND FINAL DRIVE

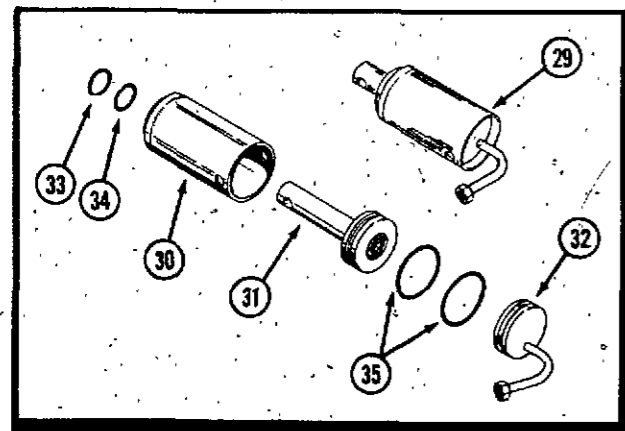


REF.	PART NO.	DESCRIPTION	REQ'D
1	C 24843	CASE ASSEMBLY - transmission (used S/N 9755072 and after)	1
	NSS	CASE - transmission (used prior to S/N 9755072)(order C24843 assembly and C24802 rod)	1
1	NSS	CASE - transmission (used S/N 9755072 and after)(order C24843 assembly)	1
2	C 12713	BEARING - flanged	2
3	C 16744	BEARING - flanged (used prior to S/N 9755072)	2
3	C 24804	BEARING - flanged (used S/N 9755072 and after)	2
4	C 24803	SEAL - shaft (used S/N 9755072 and after)	3
4	C 14531	SEAL - shaft (used prior to S/N 9755072)	3
5	C 13241	BEARING - sleeve	1
6	C 13385	BEARING - sleeve	1
7	C 13266	SEAL - shift rod	1
8	C 28281	BEARING - roller (used S/N 9755072 and after)	1
8	C 13211	BEARING - roller (used prior to S/N 9755072)	1
10	221- 4	PLUG - filler and drain 1/2"	2
11	138- 319	PIN - roll 3/16" x 1-1/2"	1
12	C 22638	SHAFT - axle, short R.H.	1
13	126- 128	KEY - Woodruff, brake idler	1
14	C 22637	SHAFT - axle, long L.H.	1
15	C 26342	RING - retainer, axle	2
16	C 13196	GASKET - transmission cover	1
17	C 36935	COVER - transmission	1
18	C 28241	BREATHER - transmission	1
19	192- 19	LOCKWASHER - 1/4"	6
20	113- 1	BOLT - 1/4" x 1/2" N.C. hex	6
21	C 12725	FORK - shift	1
22	C 16339	ROD - gear shift (used prior to S/N 9755072)	1
22	C 37222	ROD - gear shift (used S/N 9755072 and after)	1
23	C 14168	RING - retaining	2
24	C 14644	GEAR - cluster input	1
25	C 12551	GEAR - high 41 tooth	1
26	C 12552	GEAR - low 55 tooth	1
27	NSS	KIT - diff. case (includes Ref. 34 and 35)	1
28	NSS	BRAKE DRUM (use C25258 & C25254)	1
	C 24192	KIT - pinion and side gear	1
29	NSS	GEAR - differential pinion	2
30	NSS	GEAR - differential	2
31	NSS	WASHER - pinion thrust	2
32	NSS	PIN - differential cross	1
33	NSS	PIN - differential cross lock	1
34	28- 680	SCREW - 3/8" x 5" N.F. hex cap	4
35	131- 1133	NUT - lock 3/8" N.F. hex	4
36	C 12718	WASHER - differential	2
37	C 14223	WASHER - spacer	1
38	NSS	GEAR - brake idler (use C25254 & C25258)	1
39	C* 14222	RING - retainer, brake idler	1
40	113- 424	BOLT - 1/2" - 13 x 1" hex	3
40	166- 86	BOLT - 1/2" - 13 x 1-1/4" flange	1
41	192- 23	LOCKWASHER - 1/2"	4
42	C 25177	DIFFERENTIAL	1

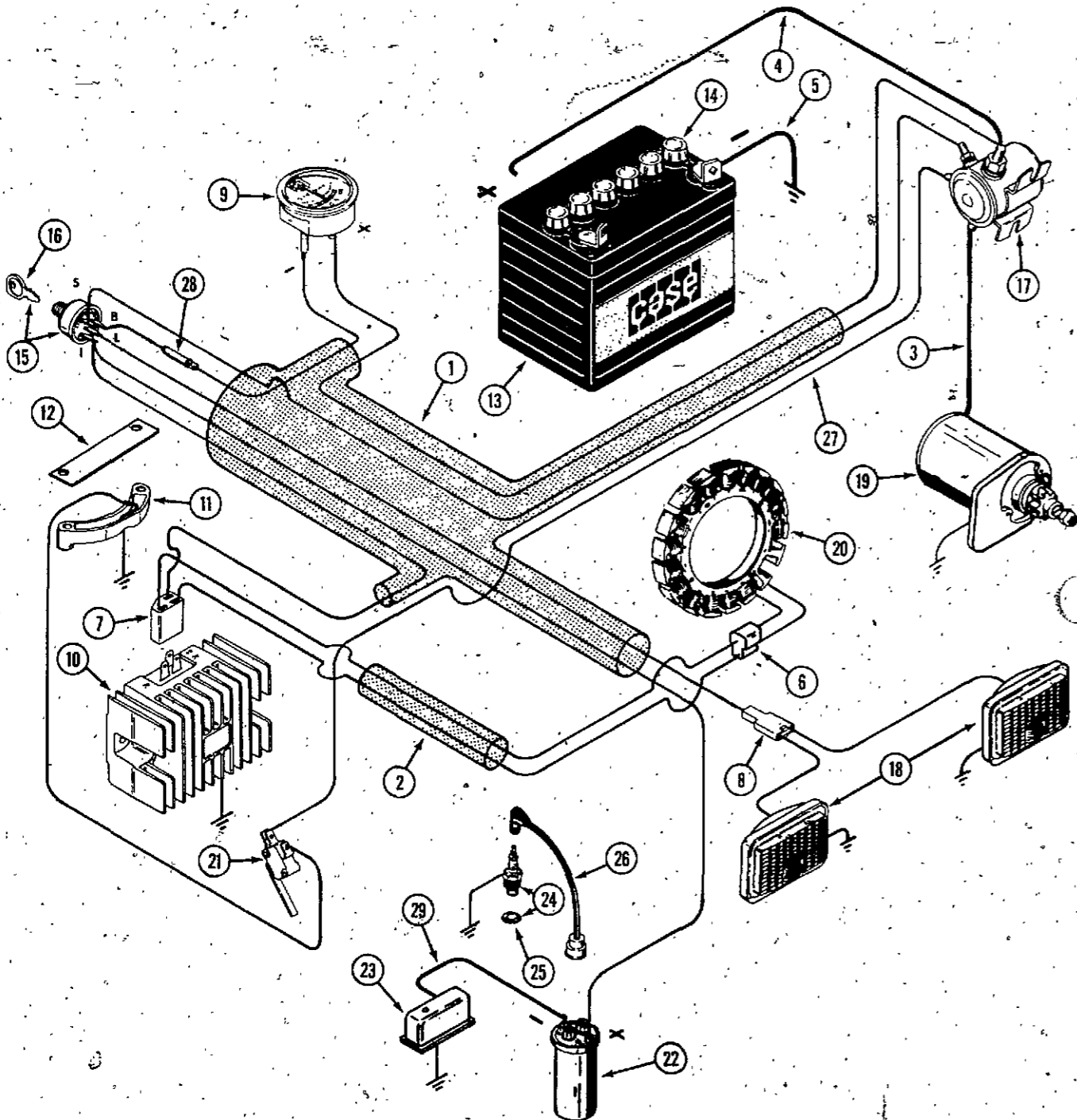


HYDRAULIC LIFT

REF.	PART NO.	DESCRIPTION	REQ'D
1	C 19661	CROSS SHAFT ASSEMBLY	1
2	219- 404	FITTING - lube	1
3	C 18251	PIN - cylinder to lever	1
4	132- 310	PIN - cotter 1/8" x 1"	5
5	NSS	HOSE - long (use C44753, 218-5134)	1
6	C 17249	BRACKET - mounting top	2
7	C 17250	BRACKET - mounting bottom	2
8	113- 207	BOLT - 3/8" x 1" N.C. hex	4
9	131- 1181	NUT - 3/8" N.C. hex	4
10	C 29408	LEVER - lift control	1
11	C 29237	KNOB - control lever	1
12	C 27593	BUSHING - lift lever	1
13	132- 320	PIN - cotter 3/32" x 3/4"	1
14	195- 533	WASHER - 1/2"	1
15	C 21518	WASHER - nylon	1
16	C 27822	SPRING - control lever	1
17	195- 521	WASHER - 5/16"	1
18	C 18742	ROD - control	1
19	129- 122	NUT - 5/16" N.F. hex	1
20	C 19025	BALL JOINT	1
21	113- 207	BOLT - 3/8" x 1" N.C. hex	2
22	131- 1181	NUT - lock 3/8" N.C. hex	2
23	195- 104	WASHER - 3/8" x 1-1/8" O.D.	2
25	C 26188	PIN - cylinder foot	1
26	C 21496	VALVE - hydraulic, two spool	1
27	218- 5056	FITTING - valve (includes 218-5004 "O" ring)	2
28	NSS	HOSE - short (use C44742, 218-5134, 218-1093)	1
29	NSS	CYLINDER - lift (use C26493 & C30049)	1
30	NSS	BODY - cylinder	1
31	NSS	ROD AND PISTON ASSEMBLY (use C26493)	1
32	NSS	FOOT - cylinder	1
33	NSS	SEAL	1
34	NSS	"O" RING	1
35	NSS	"O" RING	2
	C 30054	KIT - seal, cylinder	1
	C 13106	COVER - lube fitting	1



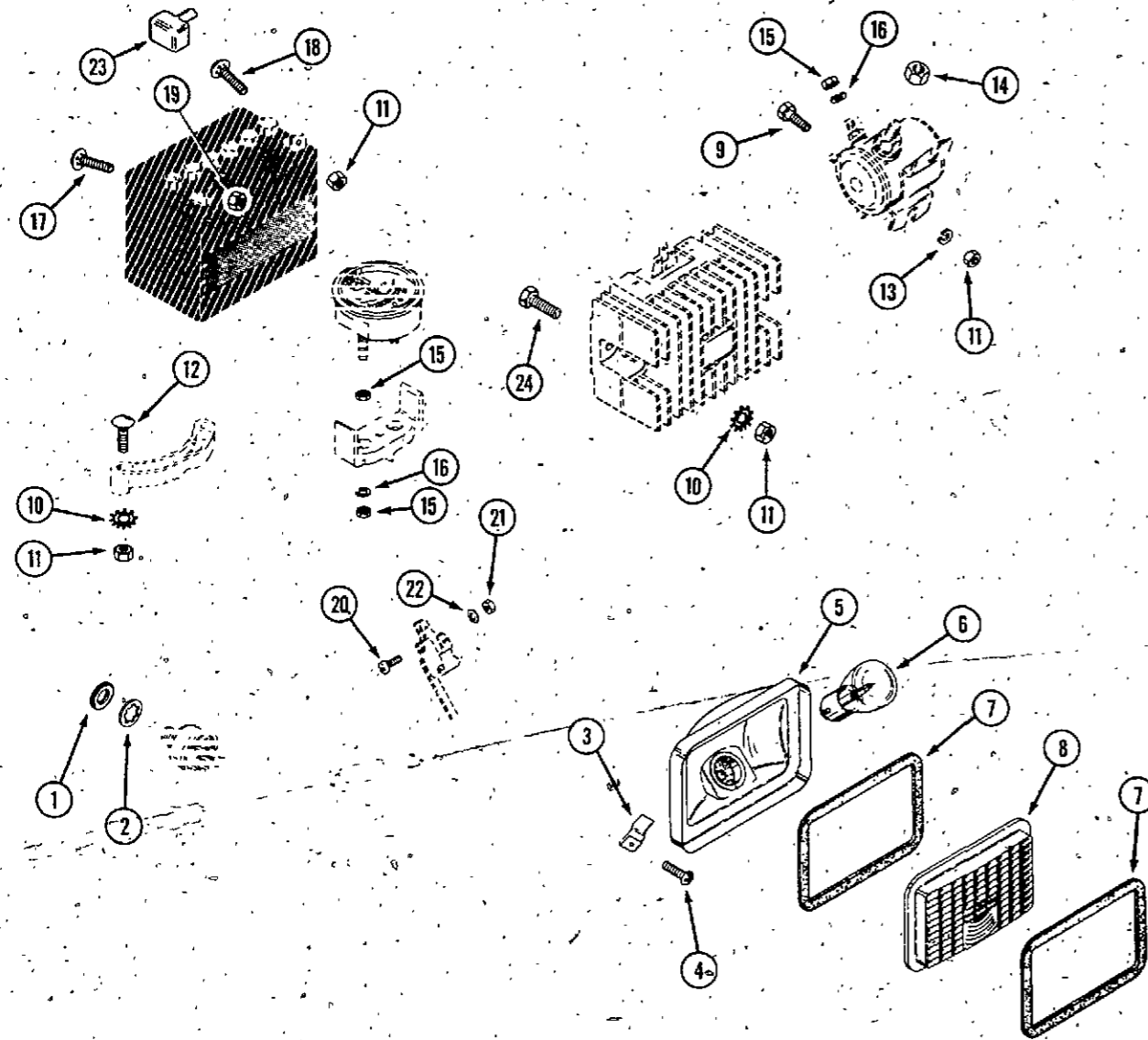
ELECTRICAL SYSTEM-



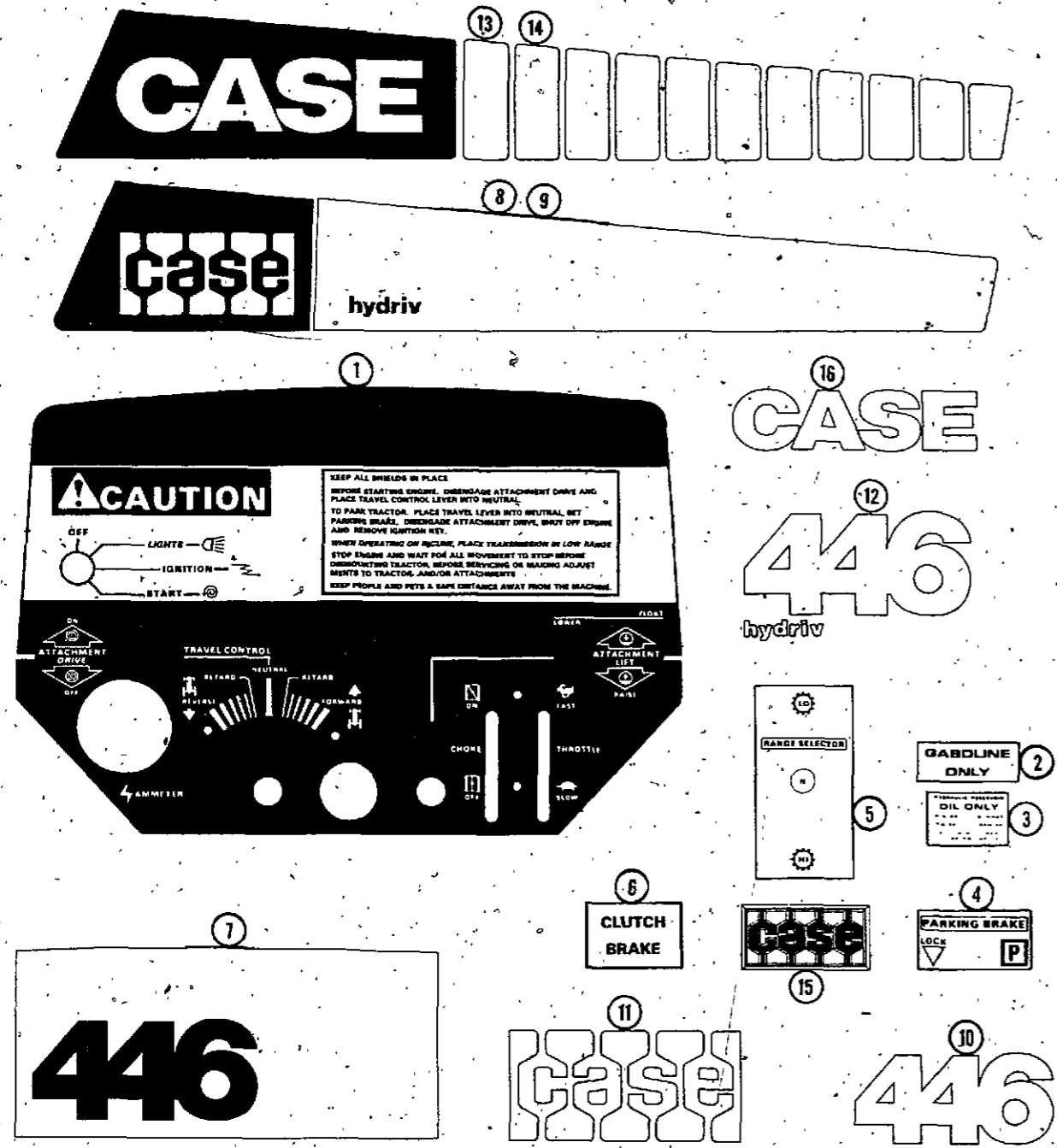
REF.	PART NO.	DESCRIPTION	REQ'D
1	C 24898	HARNESS - wire	1
2	C 24815	HARNESS - wire	1
3	C 24809	CABLE - solenoid to starter (black)	1
4	C 14565	CABLE - solenoid to battery positive (red)	1
5	C 24814	CABLE - battery negative to ground (black)	1
6	C 24813	CONNECTOR - stator	1
7	C 19378	CONNECTOR - rectifier	1
8	C 14537	CONNECTOR - lights	1
9	C 29413	AMMETER - 30 amps, 12v	1
10	NSS*	RECTIFIER - voltage, 12v	1
11	C 23002	SWITCH - neutral start (includes wire)	1
12	C 21989	INSULATOR - locator	1
13	C 41010	BATTERY - 12v	1
14	NLA	CAP - battery	6
15	C 30268	SWITCH ASSEMBLY - ignition (includes key and lockwasher)	1
16	C 32407	KEY - ignition	1
17	NSS**	SOLENOID - start 12v	1
18	C 22571	HEADLAMP ASSEMBLY - 12v (repairs page 53)	2
19	C 29733	STARTER - bendix drive (repairs page 17)	1
20	C 24956	STATOR	1
21	C 26108	SWITCH - neutral start, PTO	1
22	C 29752	COIL - ignition, 12v	1
23	C 29990	BREAKER CONTACT ASSEMBLY - ignition (repairs page 19)	1
24	C 25845	SPARK PLUG - (includes gasket)	2
25	C 28673	GASKET - spark plug	1
26	C 32299	KIT - high tension cable	1
27	C 24896	WIRE - solenoid to micro switch	1
28	NLA	FUSE - 20 amp (included in C24808 harness)	1
29	C 29992	WIRE - breaker contacts to coil negative	1

* Use C25486, C26670, C31249
 ** Use C33024, C33026, 129-101, 192-19

ELECTRICAL SYSTEM HARDWARE



REF.	PART NO.	DESCRIPTION	REQ'D.
1	C 23330	NUT - switch mounting	1
2	C 23012	LOCKWASHER - internal tooth	1
3	131- 629	NUT - speed type "U"	4
4	187- 1334	SCREW - #8 x 1/2" self tapping, rd. head Phillips	4
	C 32178	HEADLAMP ASSEMBLY	2
5	NSS	RECEPTACLE - headlamp (order C32178)	1
6	C 28932	BULB - headlamp	1
7	C 14304	GASKET - headlamp	2
8	C 22573	LENS - headlamp	1
9	113- 1	BOLT - 1/4" - 20 x 1/2" hex	2
10	193- 57	LOCKWASHER - 1/4" external tooth	4
11	129- 101	NUT - 1/4" - 20 hex	2
12	111- 140	BOLT - 1/4" - 20 x 1-1/8" rd. head sq. neck	2
13	192- 19	LOCKWASHER - 1/4"	2
14	129- 162	NUT - 5/16" NF hex	2
15	129- 27	NUT - #10 N.F. hex	8
16	193- 26	LOCKWASHER - #10	8
17	111- 202	BOLT - 5/16" x 3/4" N.C. rd. head sq. neck	1
18	111- 108	BOLT - 1/4" x 3/4" N.C. rd. head sq. neck	1
19	129- 102	NUT - 5/16" NC hex	1
20	182- 9	SCREW - #4 - 40 x 3/4 N.C. pan head	2
21	C 33697	NUT - #4 - 40 hex	2
22	192- 13	LOCKWASHER - #4	2
23	C 24069	COVER - terminal	1
24	113- 3	BOLT - 1/4" - 20 x 3/4" hex	2



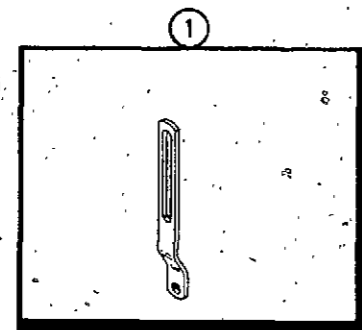
DECALS

(English)

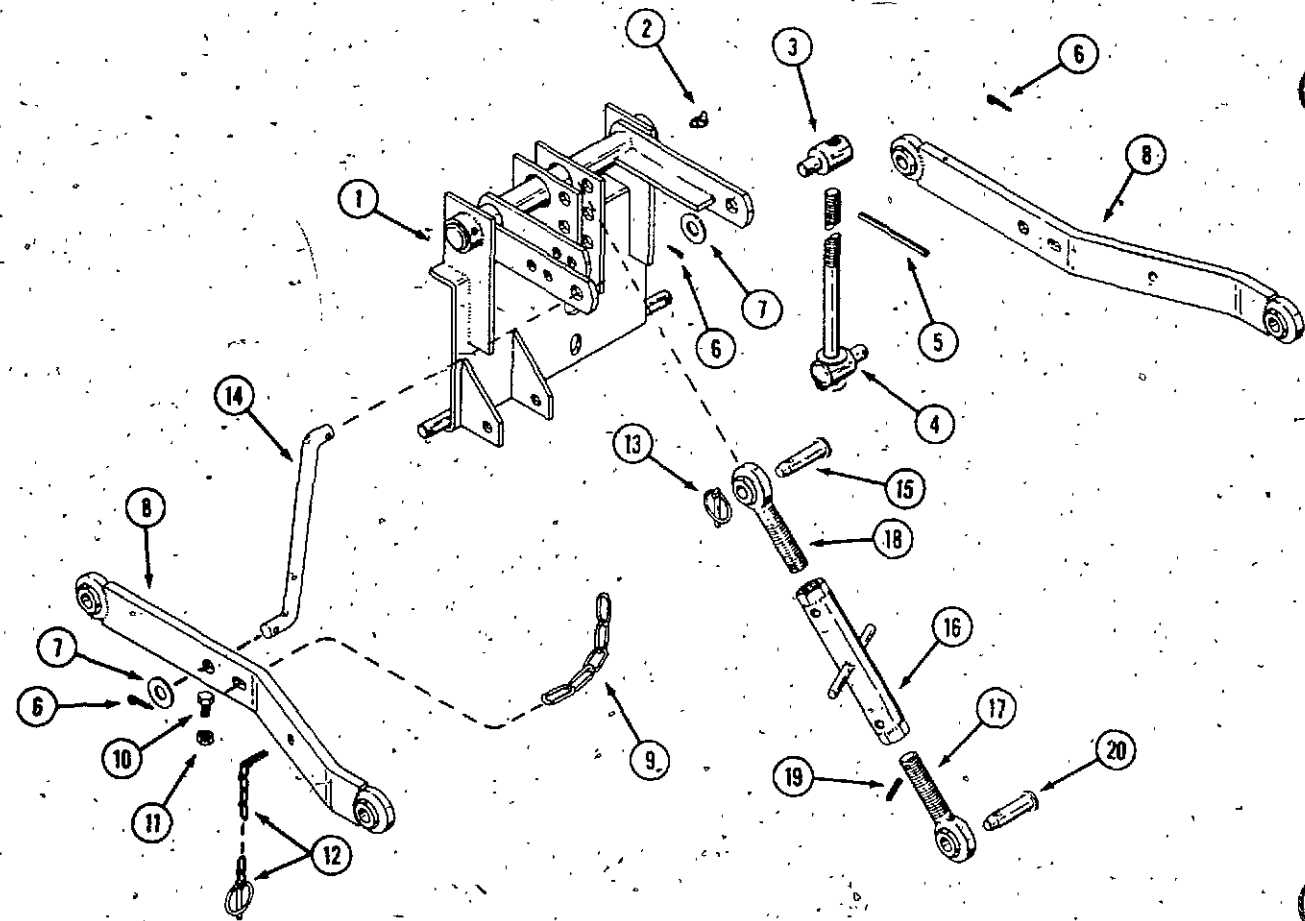
REF.	PART NO.	DESCRIPTION	REQ'D
1	321- 3585	DECAL - instrument panel	1
2	C 29031	DECAL - gasoline	1
3	321- 4767	DECAL - hydraulic reservoir	1
4	C 27481	DECAL - parking brake	1
5	C 33589	DECAL - shift range	1
6	C 26932	DECAL - clutch, brake	1
7	321- 4166	DECAL - hood top (used prior to S/N 9756430)	1
8	321- 4155	DECAL - hood R.H. (used prior to S/N 9756430)	1
9	321- 4156	DECAL - hood L.H. (used prior to S/N 9756430)	1
10	321- 4153	DECAL - fender, "446" (used prior to S/N 9756430)	1
11	321- 2677	DECAL - fender, "Case" (used prior to S/N 9756430)	1
12	321- 5107	DECAL - hood top (used S/N 9756430 and after)	1
13	321- 5100	DECAL - hood R.H. (shown) (used S/N 9756430 and after)	1
14	321- 5101	DECAL - hood L.H. (used S/N 9756430 and after)	1
15	321- 5040	MEDALLION - "Case" (used S/N 9756430 and after)	1
16	321- 5097	DECAL - "Case" seatback (used S/N 9756430 and after)	1

MOWER LIFT LINK

1	C 25702	LINK - lift, rotary mower (shipped loose with tractor)	1
---	---------	--	---

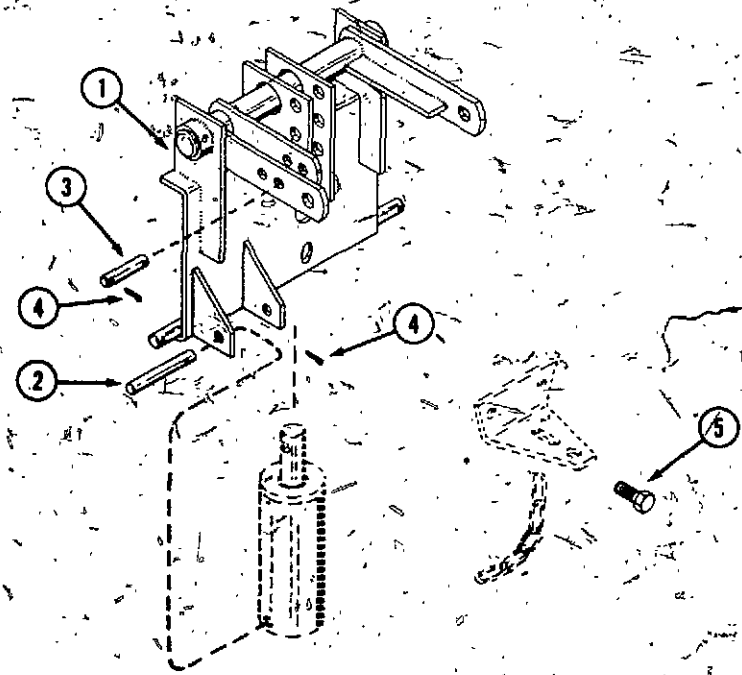


**H26, J26 THREE POINT HITCH
FRAME, LIFT RODS AND ARMS**



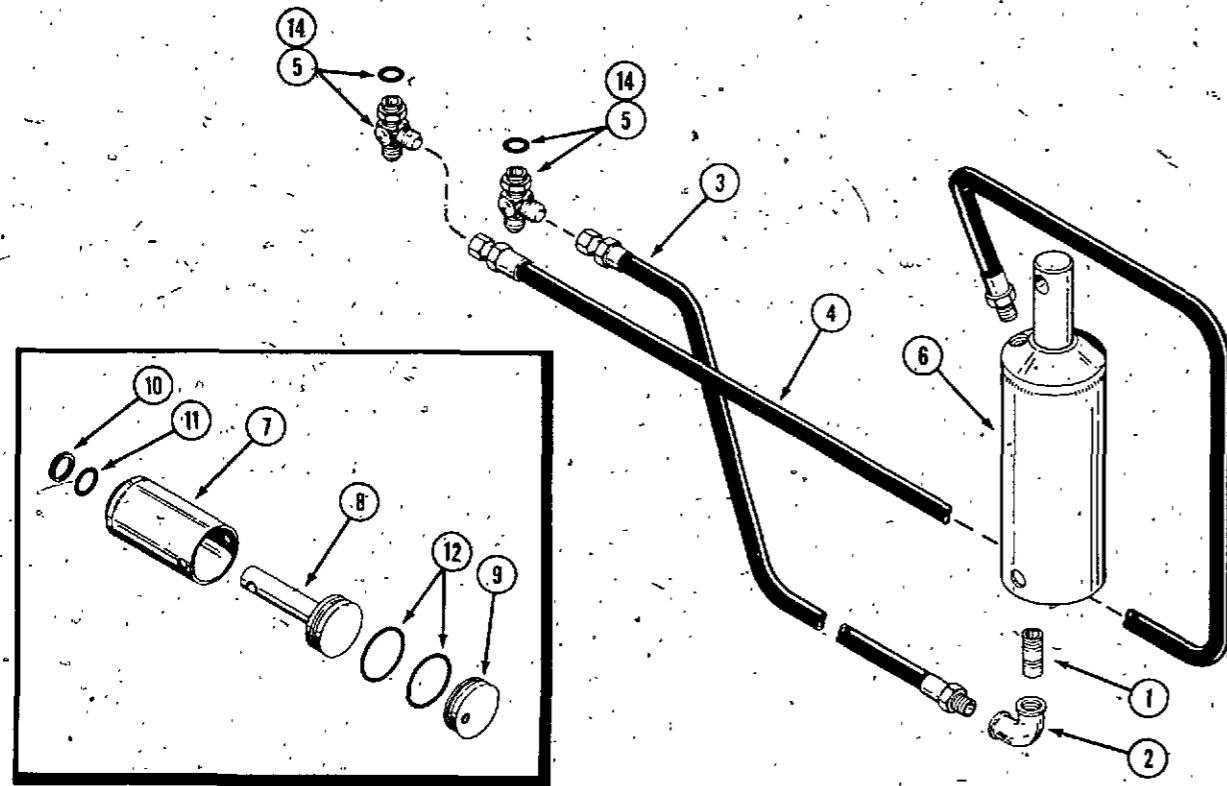
REF.	PART NO.	DESCRIPTION	REQ'D
1	C 19740	HITCH PLATE ASSEMBLY	1
2	219- 405	FITTING - lube	2
	C 24447	ROD ASSEMBLY - R.H. lift	1
3	C 14722	NUT - lift rod	1
4	C 14724	ROD ASSEMBLY - R.H. lift	1
5	138- 308	PIN - roll 1/4" x 3"	1
6	132- 91	PIN - cotter 3/16" x 1"	6
7	195- 541	WASHER - plain 5/8"	4
8	C 14715	ARM - lift	2
9	C 14991	CHAIN - stay 19 links	1
10	113- 118	BOLT - 5/16" x 5/8" N.C. hex, zinc plated	2
11	131- 176	NUT - lock 5/16" N.C. hex	2
12	B 52118	PIN - klik	2
13	C 28985	PIN - klik	3
14	C 28222	ROD - lift L.H.	1
15	C 14717	PIN - clevis	1
	C 14712	LINK ASSEMBLY	1
16	C 14703	CENTER TUBE ASSEMBLY	1
17	C 14709	BALL END ASSEMBLY R.H. thread	1
18	C 32427	BALL END ASSEMBLY L.H. thread	1
19	138- 59	PIN - roll 1/8" x 7/8"	2
20	C 14717	PIN - clevis 5/8" x 3"	1

CYLINDER AND DRAWBAR MOUNTING



1	C 19740	HITCH PLATE ASSEMBLY	1
2	C 26188	PIN - lower cylinder mounting	1
3	C 14976	PIN - upper cylinder mounting	1
4	132- 310	PIN - cotter 1/8" x 1"	3
5	113- 417	BOLT - 1/2" x 1-1/4" N.C., hex, zinc plated	2

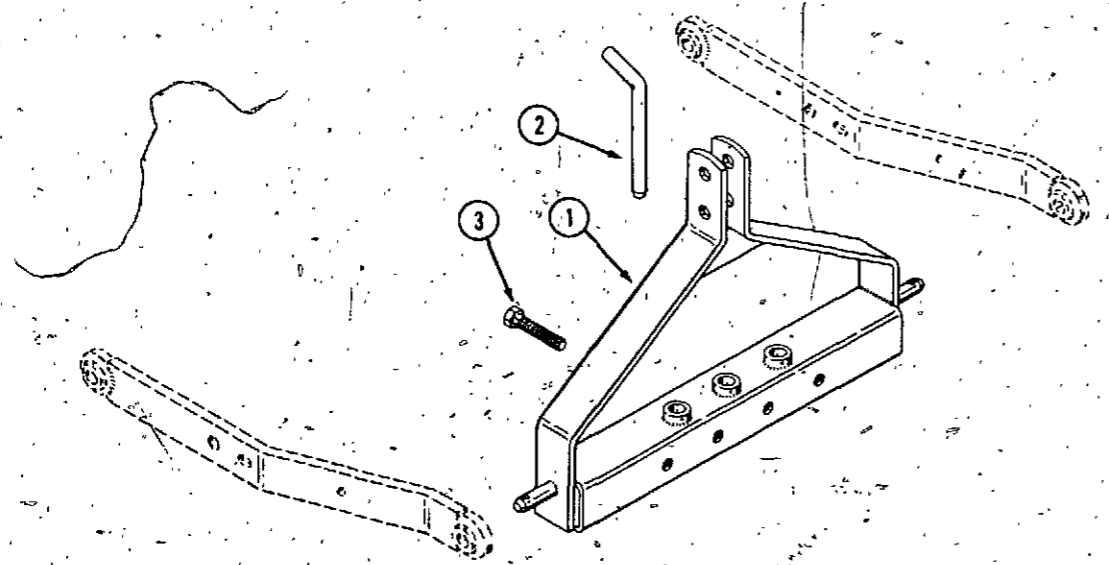
**MODEL H26, J26 THREE POINT HITCH AND MODEL F27 HITCH ADAPTER
HYDRAULIC CONNECTIONS AND COMPONENTS**



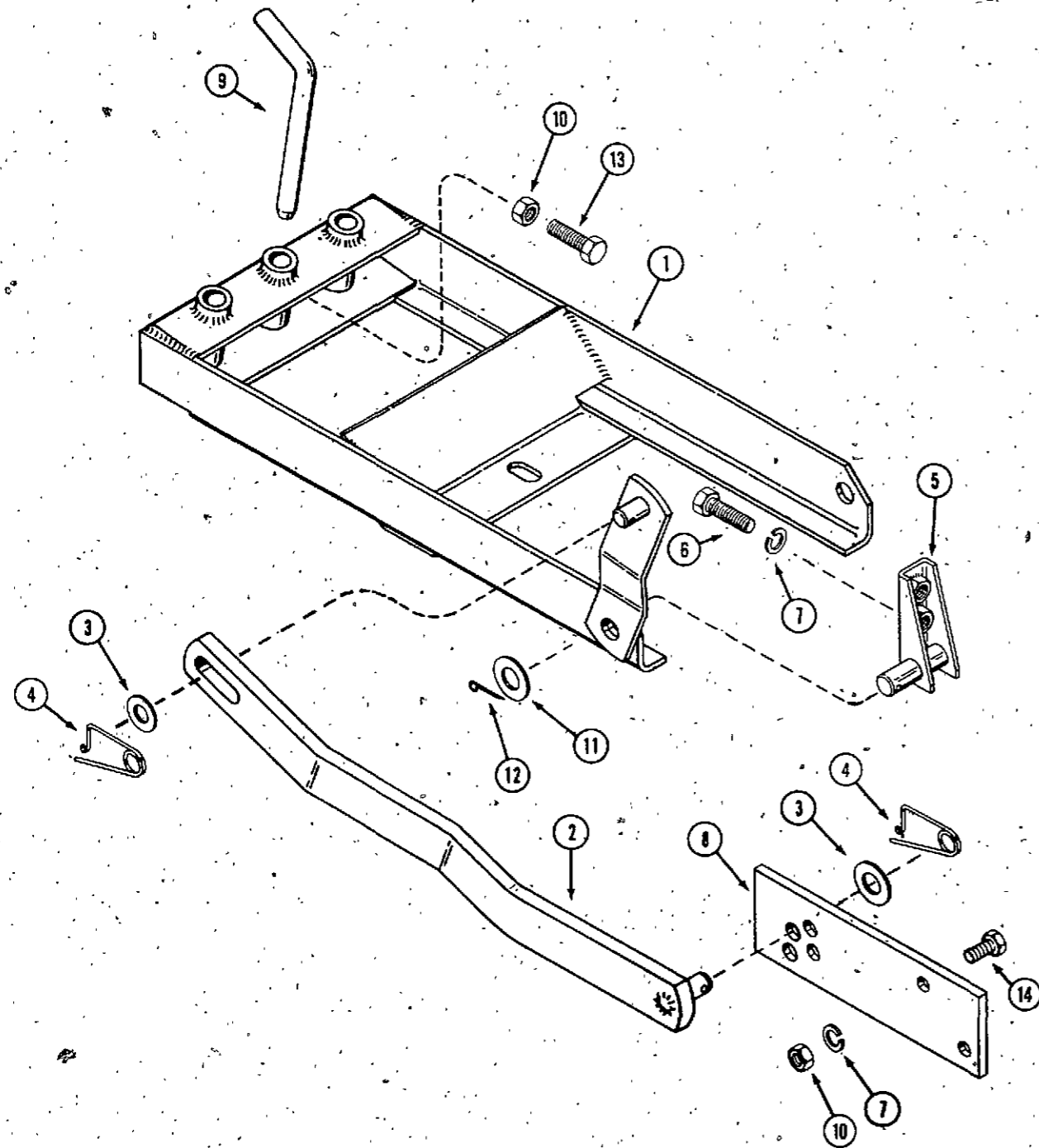
REF.	PART NO.	DESCRIPTION	REQ'D
1	221- 1139	NIPPLE - 1/4" x 3"	1
2	221- 1375	ELBOW - 90°	1
3	C 25369	HOSE - hydraulic short	1
4	C 25368	HOSE - hydraulic long	1
5	218- 5291	FITTING - tee (includes 218-5004 "O" ring) (early production)	2
6	NSS	CYLINDER ASSEMBLY (use C26494, C26188)	1
7	C 19476	BODY - cylinder (also use C26188)	1
8	C 19469	ROD AND PISTON ASSEMBLY	1
9	NSS	FOOT - cylinder (order complete cylinder)	1
10	NSS	SEAL - wiper	1
11	NSS	"O" RING	1
12	NSS	"O" RING	2
13	C 17268	KIT - seal (Consists of items 10, 11 and 12)	1
14	218- 5479	FITTING - tee, swivel (late production)	2

MODEL F27 HITCH ADAPTER

1	C 14872	BRACKET - hitch adapter	1
2	C 14568	PIN - drawbar	1
3	113- 425	BOLT - 1/2" x 3" N.C. hex, zinc plated	4

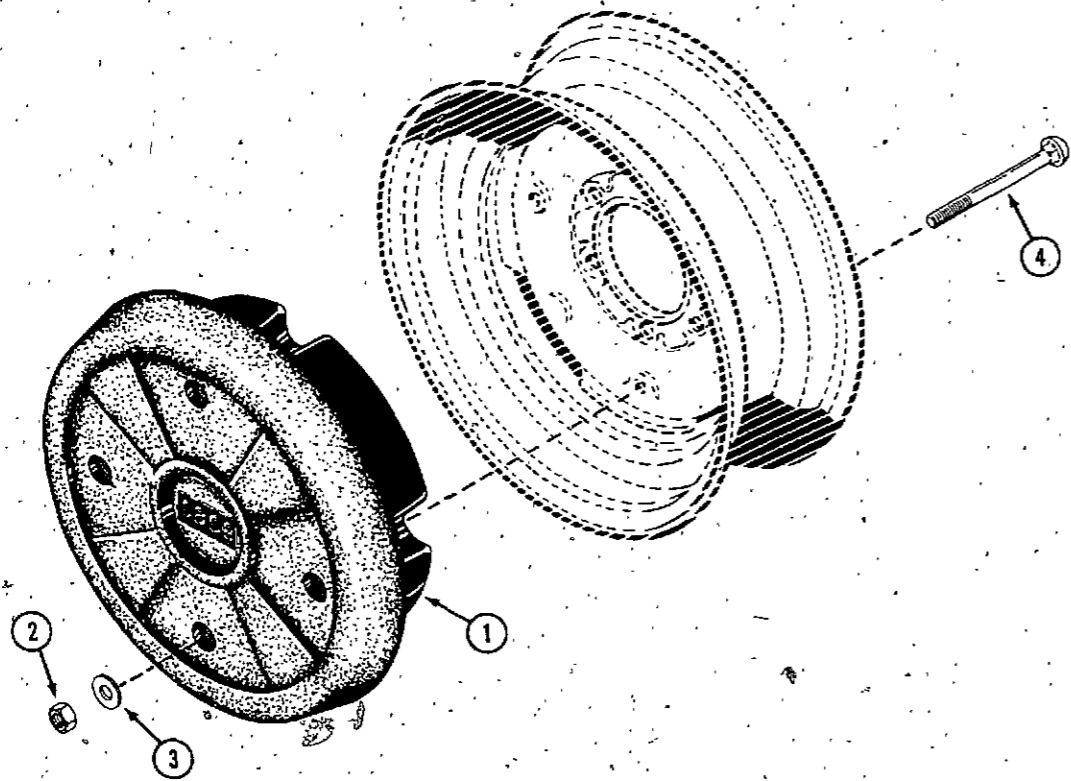


J24, K24 SLEEVE HITCH

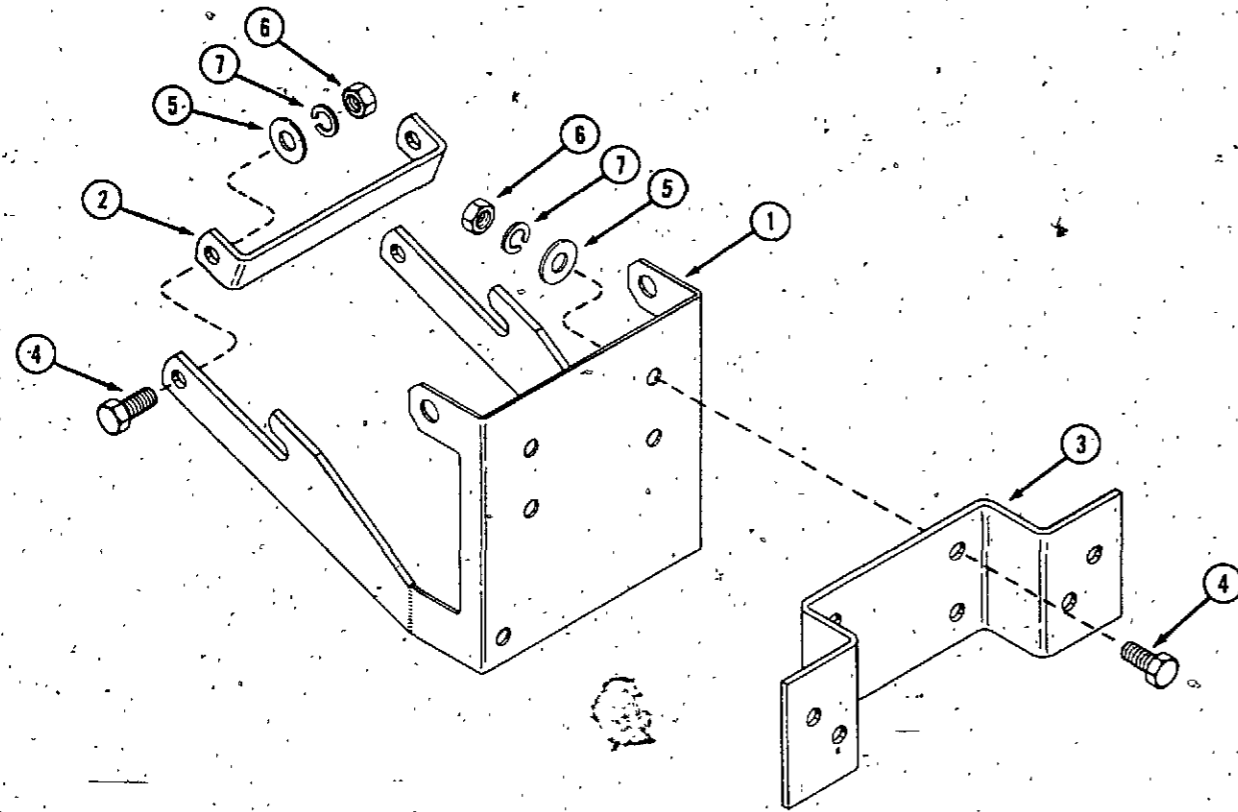


REF.	PART NO.	DESCRIPTION	REQ'D
1	C 22218	HITCH FRAME ASSEMBLY	1
2	C 25371	ARM - lift (K24) (use S/N 9770165 and after)	1
2	C 14457	ARM - lift (J24) (use before S/N 9770165)	1
3	195- 541	WASHER - plain 21/32"	2
4	C 10898	PIN - safety	2
5	C 14459	BRACKET - hitch mounting R.H.	1
5	C 25789	BRACKET - hitch mounting L.H.	1
6	113- 2400	BOLT - 1/2" x 1-3/8" N.C. hex, zinc plated	6
7	192- 23	LOCKWASHER - 1/2" zinc plated	6
8	C 25382	PLATE - lift lever	1
9	C 14568	PIN - drawbar	1
10	129- 105	NUT - 1/2" N.C. hex, zinc plated	4
11	195- 545	WASHER - plain 3/4" zinc plated	2
12	132- 306	PIN - cotter 3/16" x 1-3/4"	2
13	22- 844	BOLT - 1/2" x N.C. hex, zinc plated 2-3/4"	2
14	113- 417	BOLT - 1/2" - 13 x 1-1/4	2

K10 WHEEL WEIGHTS



REF.	PART NO.	DESCRIPTION	REQ'D
1	NSS	WEIGHT - wheel, 75 lb. (order as machinery item)	2
2	131- 1182	NUT - 1/2" N.C. hex	8
3	195- 533	WASHER - 1/2"	8
4	111- 525	BOLT - 1/2" x 6" rd. hd. sq. neck	8

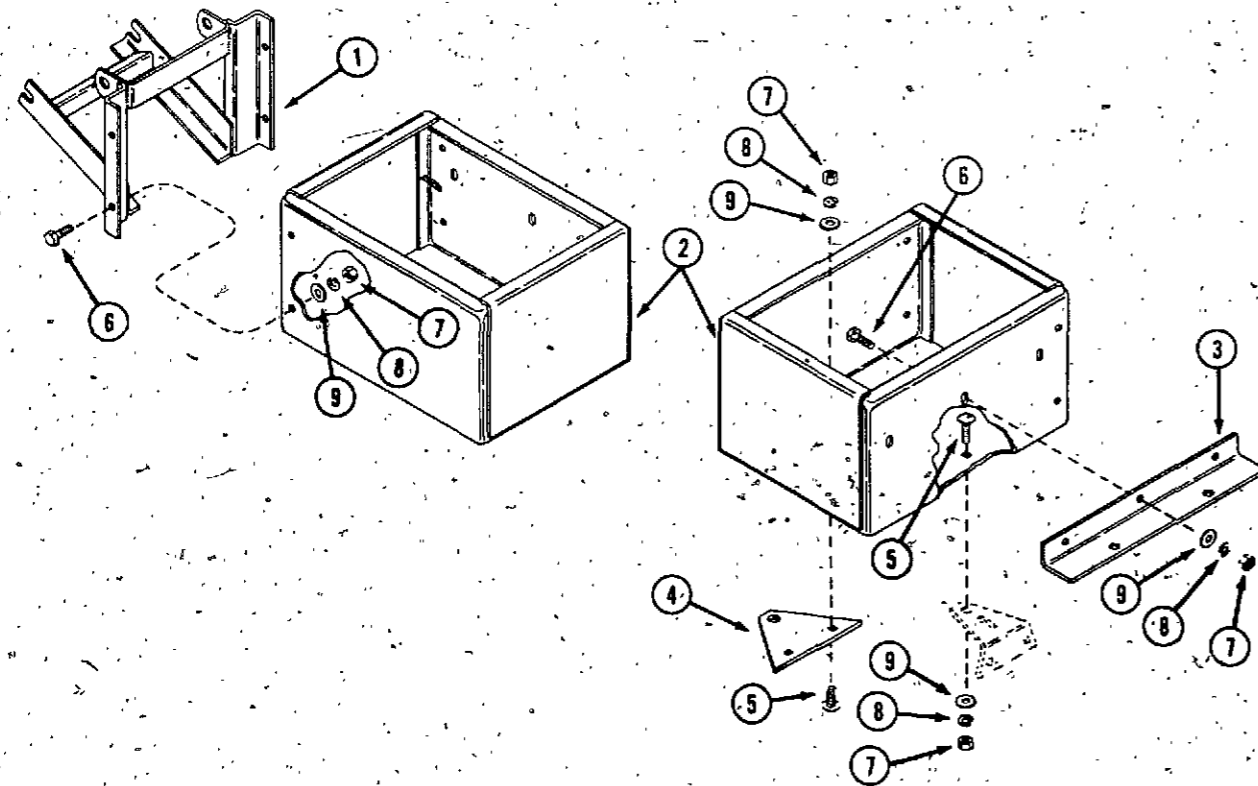


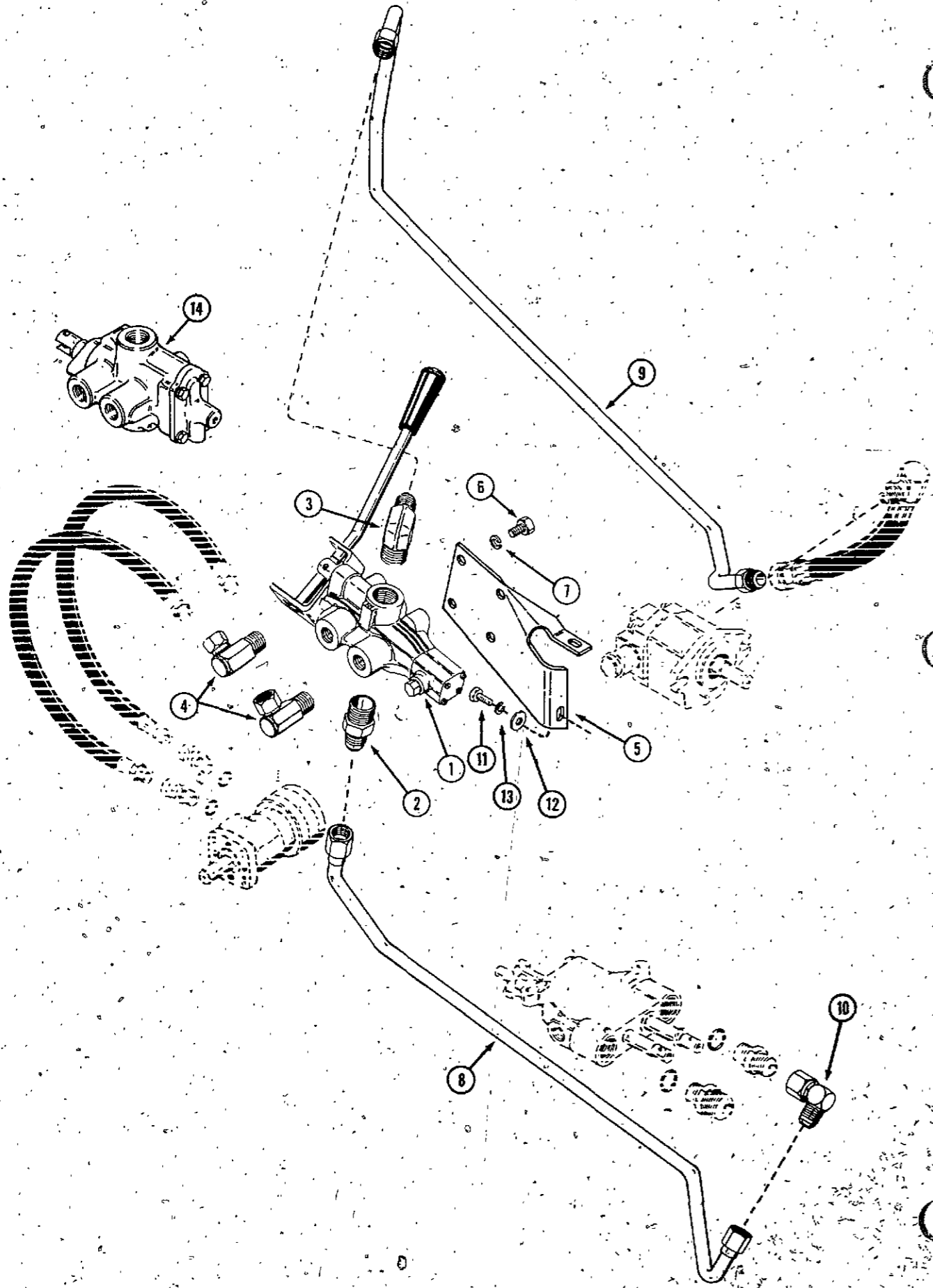
MODEL K18 FRONT END WEIGHT BRACKETS

REF.	PART NO.	DESCRIPTION	REQ'D
1	C 16581	BRACKET - mounting	1
2	C 17161	BRACE - rear	1
3	C 17162	BRACKET - weight mounting	1
4	113- 417	BOLT - 1/2" x 1-1/2" N.C. hex, zinc plated	6
5	195- 533	WASHER - 1/2" zinc plated	6
6	129- 105	NUT - 1/2" N.C. hex, zinc plated	6
7	192- 23	LOCKWASHER - 1/2"	6

MODEL H13 WEIGHT BOX

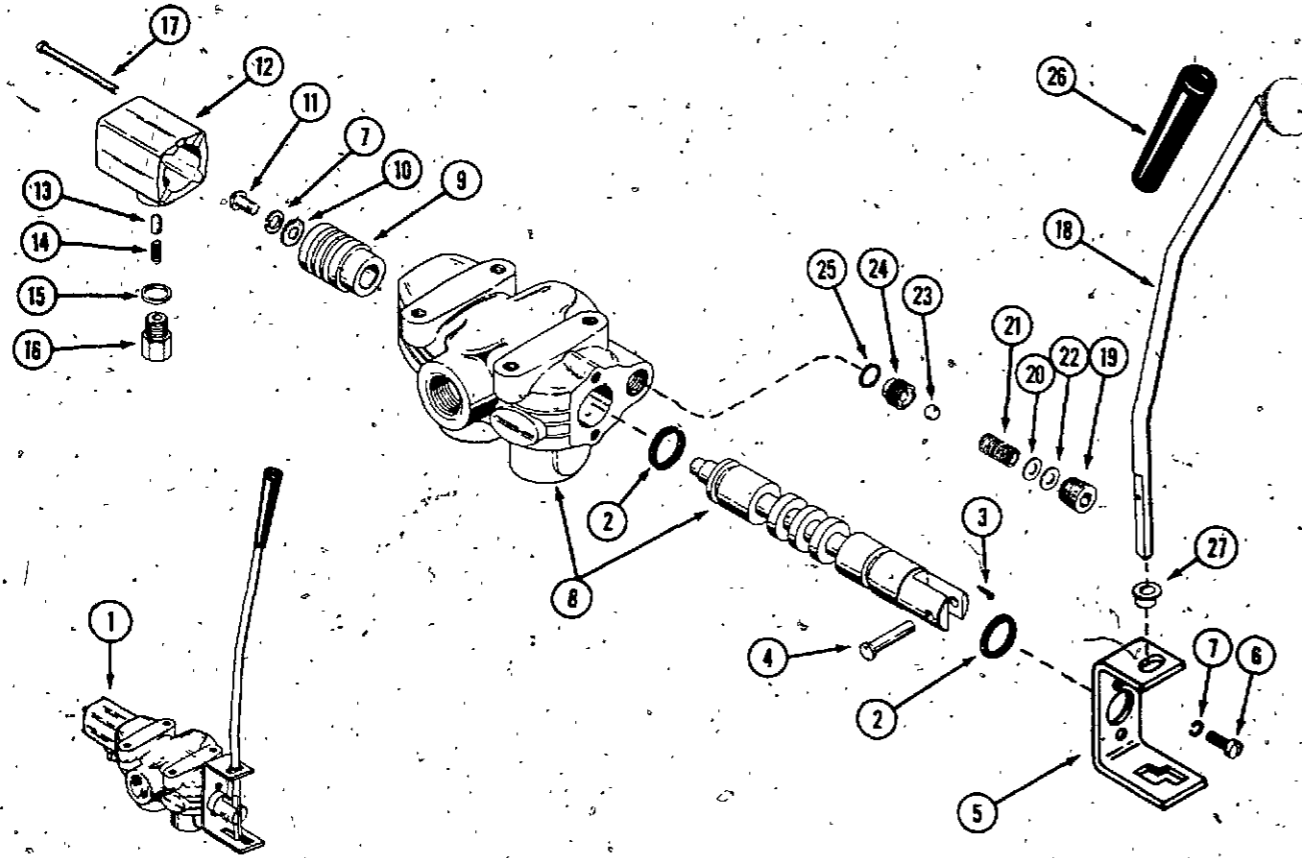
REF.	PART NO.	DESCRIPTION	REQ'D
1	C 17859	FRAME - weight box	1
2	C 17863	BOX - weight	1
3	C 17860	SUPPORT - weight box	1
4	C 17636	PLATE - hitch	1
5	111- 371	BOLT - 3/8" x 1" round head, square neck	3
6	113- 207	BOLT - 3/8" x 1" N.C. hex	4
7	129- 103	NUT - 3/8" N.C. hex	7
8	192- 21	LOCKWASHER - 3/8"	7
9	195- 525	WASHER - 3/8"	7





J-17 AND K-17 HYDRAULIC PTO KIT

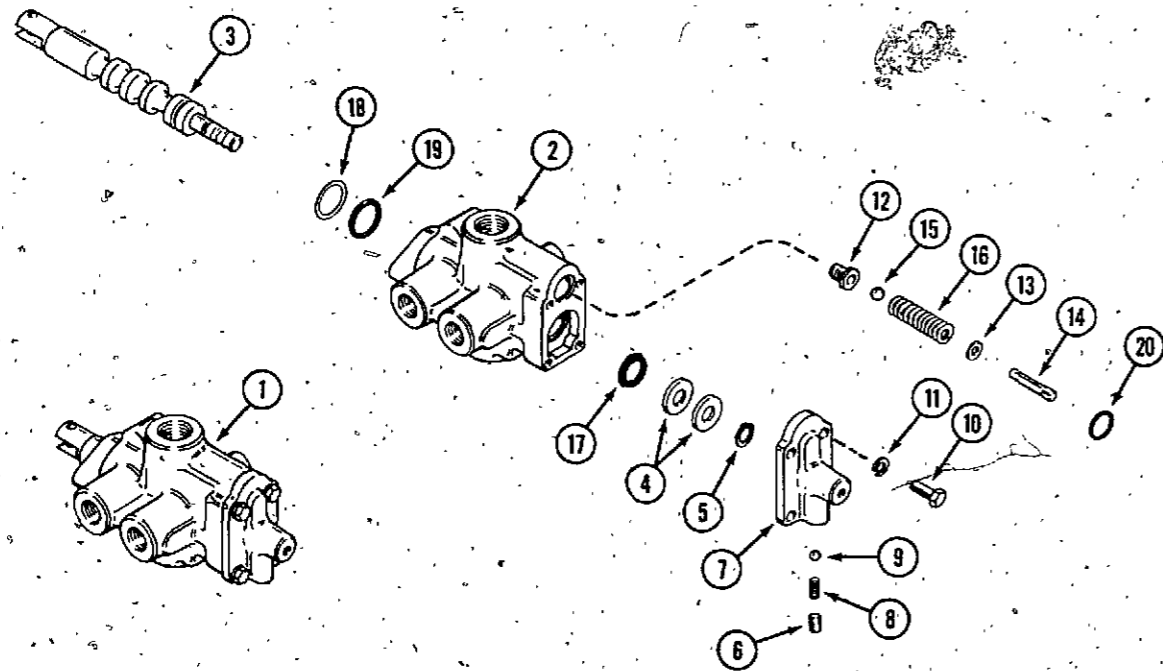
REF.	PART NO.	DESCRIPTION	REQ'D
1	C 30044	VALVE - PTO control (J17)	1
2	218- 457	FITTING - straight 3/4" NPT x 5/8" tube	1
3	218- 494	FITTING - elbow 90° 3/4" NPT x 5/8" tube	1
4	218- 927	FITTING - elbow - 90°, 1/2" NPT x 1/2" female NPSM swivel	2
5	C 23337	BRACKET - valve mounting	1
6	113- 206	BOLT - 3/8" x 3/4" N.C. hex	4
7	192- 21	LOCKWASHER - 3/8"	4
8	C 23888	TUBE - PTO valve to travel control valve (use before S/N 9770165)	1
8	C 25343	TUBE - PTO to travel valve (use S/N 9770165 and after)	1
9	C 25344	TUBE - Pump to PTO (use S/N 9770165 and after)	1
9	C 23962	TUBE - pump to PTO valve (use before S/N 9770165)	1
10	218- 5232	FITTING - 90° swivel elbow 37° x 37° flare 3/4" NPT x 5/8" tube	1
11	113- 103	BOLT - 5/16" x 1" N.C. hex	2
12	195- 521	WASHER - 5/16"	2
13	192- 20	LOCKWASHER - 5/16"	2
14	NSS	VALVE - control (K17) (use C30044)	1



**J-17 HYDRAULIC PTO VALVE
J-17 AND K-17 LEVER ASSEMBLY**

REF.	PART NO.	DESCRIPTION	REQ'D
1	NSS	VALVE - control (use C30044)	1
2	C 11891	SEAL - U-cup	2
3	132- 5	PIN - cotter 1/16" x 1/2"	1
4	C 28875	PIN - handle	1
5	C 19422	BRACKET - handle	1
6	71- 410	SCREW - 1/4" x 5/8" N.C. fillister head	2
7	192- 19	LOCKWASHER - 1/4"	3
8	NSS	BODY AND SPOOL ASSEMBLY (Order C30044)	1
9	C 11895	ADAPTER - spool	1
10	95- 4	WASHER - plain 1/4"	1
11	75- 48	SCREW - 1/4" x 1/2" rd. hd. machine	1
12	C 11893	BONNET - detent	1
13	C 11901	PIN - detent	1
14	C 11892	SPRING - detent	1
15	C 11886	WASHER - detent spring	1
16	C 11887	CAP - detent	1
17	169- 88	SCREW - bonnet #8-32 x 2-1/4" fillister head	4
18	C 19423	LEVER - valve	1
19	221- 842	PLUG - relief 3/8" NPT	1
20	C 28700	SHIM - .010" thick	UAR
21	C 28716	SPRING - relief	1
22	C 28698	SHIM - .020" thick	UAR
23	211- 11	BALL - relief 3/8"	1
24	C 18417	SEAT - relief	1
25	C 28696	"O" RING - relief seat	1
26	C 28237	KNOB - hand throttle	1
27	C 26266	BUSHING - nylon	1
	C 25024	SHIM - handle mount	1

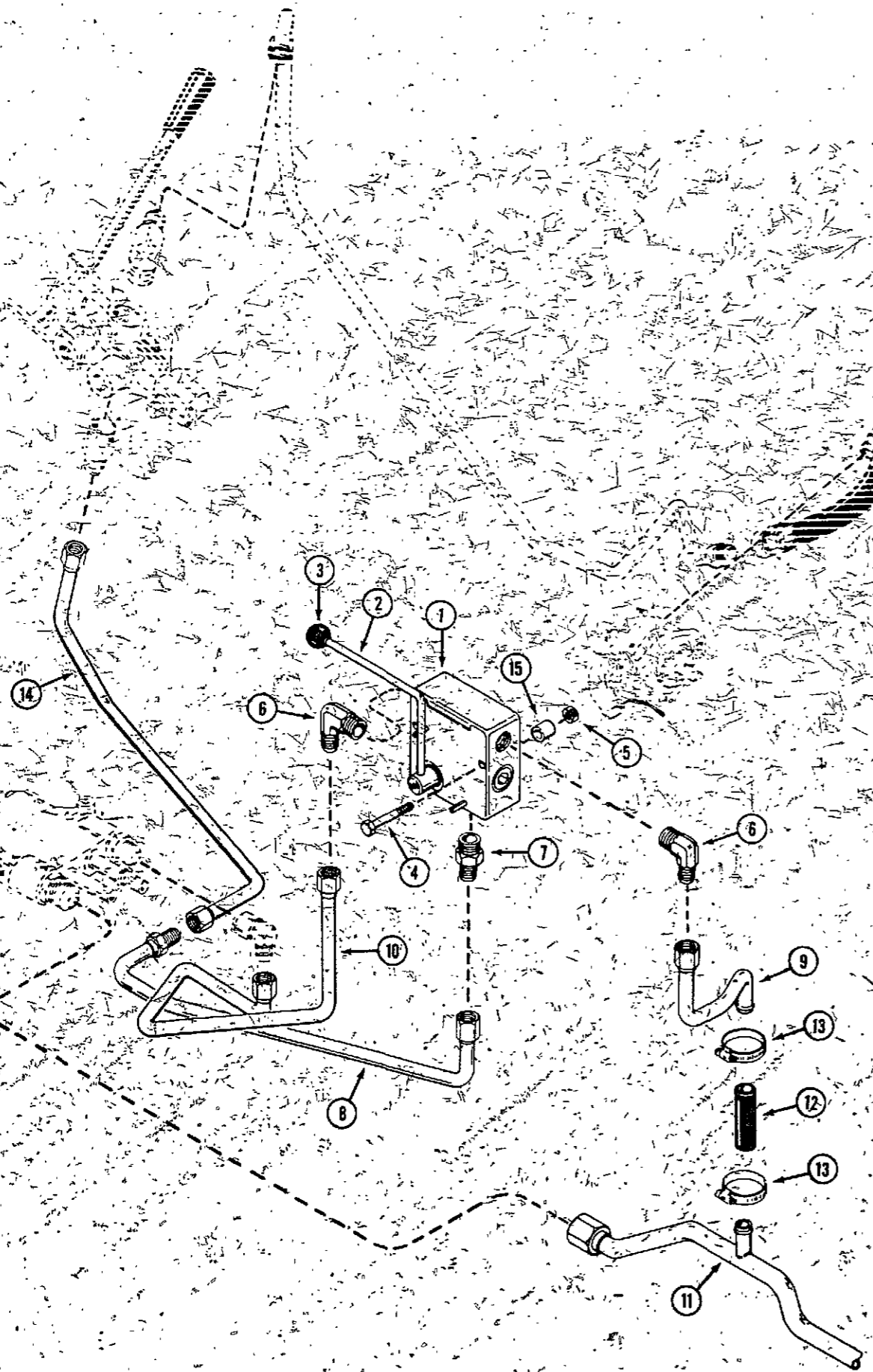
K-17 HYDRAULIC PTO VALVE

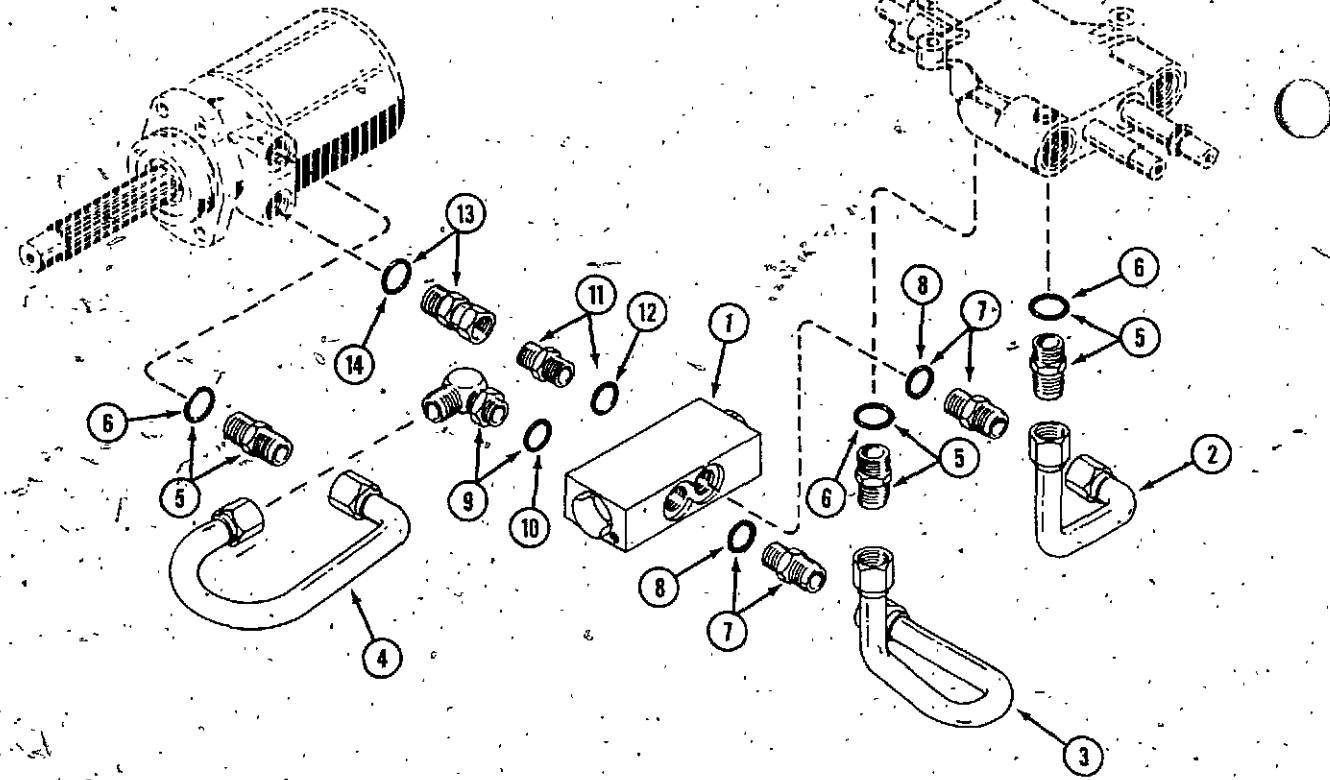


1	NSS	VALVE - control (use C30044)	1
2	NSS	BODY - valve (order C30044 valve)	1
3	NSS	SPOOL - valve (order C30044 valve)	1
4	195- 533	WASHER - spool	2
5	NSS	RETAINER - spool	1
6	173- 38	SCREW - set	1
7	C 24984	COVER - detent and relief	1
8	C 24986	SPRING - detent	1
9	211- 7	BALL - detent, 1/4" steel	1
10	113- 3	BOLT - 1/4" - 20 x 3/4" hex	4
11	192- 19	LOCKWASHER - 1/4"	4
12	NSS	SEAT - relief	1
13	C 28700	SHIM - pressure adjust	1
14	C 24985	PIN - limit	4
15	211- 103	BALL - relief, 5/16" steel	1
16	C 24988	SPRING - relief	1
17	C 24983	V-PACKING	1
18	C 24987	WASHER - backup	1
19	NSS	"O" RING	1
20	NSS	"O" RING	1

MODEL L-19, M-19 FLOW CONTROL VALVE KIT

REF	PART NO.	DESCRIPTION	REQ'D
1	C 23618	VALVE - flow control	1
	C 28217	O-RING - shaft 3/4" I.D. x 15/16" O.D. x 3/32"	2
	C 28710	RING - snap	2
2	C 36848	LEVER - valve	1
3	C 28251	KNOB - lever	1
4	113 12	BOLT - 1/4" x 2-1/2" NC hex	2
5	131 1180	NUT - lock, 1/4" NC hex	2
6	218 485	FITTING - elbow 90° 1/2" NPT	2
7	C 45431	FITTING - straight 1/2" NPT	1
8	C 25390	TUBE - flow control valve to tube	1
9	C 23407	TUBE - bypass to return line	1
10	C 23600	TUBE - valve to tractor valve	1
11	C 26181	TUBE - heat-exchanger	1
12	C 36849	HOSE - return	1
13	214 6	CLAMP - hose	2
14	C 23879	TUBE - PTO valve to tube (446 before S/N 9770165)	1
14	C 25392	TUBE - PTO valve to tube (448) (446 S/N 9770165 and after)	1
15	C 21592	SPACER (L19)	2
	C 18749	DECAL - valve, "slow-fast"	1
16	C 25391	PLATE - adapter (M19)	1
17	113 2	BOLT - 1/4" 20 x 5/8" (M19)	2





L-9 HOLDING VALVE

REF.	PART NO.	DESCRIPTION	REQ'D
1	C 24995	VALVE - holding	1
	C 28487	"O" RING - end caps	2
2	C 24992	TUBE - valve to valve	1
3	C 24993	TUBE - valve to valve	1
4	C 24994	TUBE - valve to motor	1
5	218- 5062	CONNECTOR - straight, male	3
6	218- 5007	"O" RING	1
7	218- 5066	CONNECTOR - straight, male	2
8	218- 5006	"O" RING	1
9	218- 5117	ELBOW - adjustable	1
10	218- 5006	"O" RING	1
11	NSS	CONNECTOR - straight, male (use 218-5406, 218-5254)	1
12	218- 5006	"O" RING	1
13	218- 5251	CONNECTOR - straight, male/female swivel	1
14	218- 5007	"O" RING	1

PART NO.	PAGE NO.	REF. NO.	PART NO.	PAGE NO.	REF. NO.	PART NO.	PAGE NO.	REF. NO.
C10898	81	4	C15410	29	14	C19025	41	8
C11529	23	5	C15410	31	9	C19025	49	20
C11886	69	15	C15515	27	7	C19115	43	16
C11887	69	16	C15557	27	8	C19378	51	7
C11891	69	2	C15731	43	4	C19417	31	6
C11892	69	14	C15732	43	5	C19422	69	5
C11893	69	12	C15733	43	6	C19423	69	18
C11895	69	9	C15734	43	7	C19469	59	8
C11901	69	13	C15735	43	8	C19476	59	7
C12551	47	25	C15737	43	10	C19661	49	1
C12552	47	26	C15738	43	11	C19740	57	1
C12713	47	2	C15739	43	12	C19740	57	1
C12718	47	36	C15740	43	13	C19767	25	15
C12725	47	21	C16133	49	30	C19867	25	12
C12975	33	10	C16164	37	6	C20036	25	7
C12975	35	20	C16339	47	22	C20053	25	18
C13106	33	8	C16361	29	31	C20093	25	5
C13106	35		C16362	29	12	C20204	9	16
C13106	37		C16373	29	24	C20205	9	16
C13106	49		C16393	31	17	C20215	9	19
C13196	47	16	C16404	31	2	C20218	9	24
C13200	45	12	C16408	31	1	C20219	9	25
C13211	47	8	C16429	31	7	C20223	9	2
C13241	47	5	C16444	31	15	C20226	9	6
C13266	47	7	C16445	31	15	C20229	9	8
C13360	45	1	C16516	41	1	C20233	9	11
C13385	47	6	C16581	65	1	C20233	15	19
C13716	33	6	C16616	27	1	C20241	9	14
C14168	47	23	C16687	39	10	C20241	13	44
C14200	35	6	C16744	47	3	C20243	11	20
C14201	35	7	C16786	27	13	C20244	11	21
C14222	47	39	C16945	35	1	C20244	11	22
C14223	47	37	C17066	31	20	C20245	11	22
C14246	43B	7	C17152	31	14	C20247	11	24
C14304	53	7	C17161	65	2	C20248	11	25
C14457	61	2	C17162	65	3	C20250	11	26
C14459	61	5	C17216	31	19	C20251	11	28
C14531	47	4	C17249	49	6	C20256	11	3
C14537	51	8	C17250	49	7	C20267	11	3
C14565	51	4	C17268	49		C20268	11	7
C14568	59	2	C17268	59	13	C20269	11	8
C14568	61	9	C17433	45	8	C20270	11	9
C14644	47	24	C17435	45	9	C20271	11	10
C14655	39		C17438	45	17	C20272	11	11
C14655	41		C17439	45	11	C20274	17	6
C14690	23	8	C17440	45	14	C20276	11	40
C14703	57	16	C17443	45	18	C20277	13	40
C14709	57	17	C17444	45	19	C20278	17	7
C14712	57		C17636	65	4	C20287	11	14
C14715	57	8	C17732	49	32	C20288	13	44
C14717	57	15	C17859	65	1	C20289	13	44
C14717	57	20	C17860	65	3	C20290	13	44
C14722	57	3	C17863	65	2	C20292	11	16
C14724	57	4	C17898	39	11	C20293	13	46
C14725	57	14	C18014	35	2	C20294	13	47
C14728	31	16	C18017	35	21	C20295	11	17
C14729	29	20	C18113	51	14	C20296	13	48
C14827	41	4	C18147	37	7	C20297	13	48
C14828	41	7	C18150	29	17	C20298	13	48
C14829	41	8	C18153	29	11	C20299	13	48
C14830	41	9	C18251	49	3	C20302	11	18
C14831	41	10	C18417	69	24	C20303	9	20
C14836	41	15	C18719	71		C20305	45	2
C14837	41	5	C18742	41	6	C20307	15	4
C14838	41	16	C18742	49	18	C20309	15	6
C14872	59	1	C18782	33	3	C20310	15	7
C14906	25	11	C18784	33	2	C20312	15	9
C14976	57	3	C18797	39	21	C20313	15	10
C14991	57	9	C18851	45		C20320	15	17
C15036	43	21	C18888	49	25	C20325	15	30
C15096	35	16	C18890	29	17	C20331	15	28
						C20333	17	9

PART NO.	PAGE NO.	REF. NO.	PART NO.	PAGE NO.	REF. NO.	PART NO.	PAGE NO.	REF. NO.
C20334	17	10	C22261	9	30	C24809	51	3
C20335	17	11	C22262	9	29	C24813	51	6
C20336	17	13	C22264	9	31	C24814	51	5
C20337	17		C22278	33	5	C24815	51	2
C20344	19	16	C22316	37	1	C24820	29	25
C20345	19	11	C22500	9	26	C24821	29	2
C20347	19	12	C22568	33	19	C24822	29	29
C20359	17	1	C22571	51	18	C24843	47	
C20360	17	2	C22571	53		C24861	43	3
C20361	17	3	C22573	53	8	C24862	43	
C20369	17	4	C22618	11	5	C24863	43	
C20371	17	6	C22619	11	36	C24864	43	
C20372	17	8	C22620	11	36	C24865	43	
C20375	17	12	C22622	11	36	C24872	25	3
C20376	17	13	C22631	15	1	C24896	51	27
C20387	5	1	C22632	15	3	C24898	51	1
C20389	5	3	C22633	15	16	C24927	5	7
C20390	5	4	C22637	47	14	C24929	5	13
C20393	5	17	C22638	47	12	C24932	9	12
C20396	5	27	C22947	39	18	C24936	9	12
C20397	5	25	C22969	21	2	C24938	9	15
C20398	5	24	C22970	21	7	C24940	9	15
C20399	5	22	C22992	33	13	C24941	9	15
C20401	5	11	C23002	51	11	C24942	9	15
C20405	5	23	C23012	53	2	C24943	9	5
C20407	5	20	C23300	5	12	C24946	11	13
C20411	5	14	C23320	15	11	C24948	11	27
C20412	13	45	C23321	15	21	C24949	11	33
C20425	7	3	C23326	39	19	C24950	11	34
C20427	7	5	C23330	53	1	C24951	17	18
C20429	7	7	C23337	67	5	C24952	17	19
C20430	7	8	C23407	71	9	C24953	17	20
C20431	7	9	C23482	43B	1	C24956	19	22
C20432	7	10	C23527	23	7	C24956	51	20
C20433	7	11	C23527	29	5	C24958	15	12
C20438	7	16	C23558	43B	5	C24983	69	17
C20439	7	17	C23559	43B	6	C24984	69	7
C20440	7	18	C23573	29	4	C24985	69	14
C20441	7	19	C23580	21	10	C24986	69	8
C20443	7	21	C23581	21	9	C24987	69	18
C20444	7	22	C23600	71	10	C24988	69	16
C20445	7	23	C23618	71	1	C24992	73	2
C20446	7	24	C23624	27	16	C24993	73	3
C20447	7	25	C23625	27	18	C24994	73	4
C20448	7	26	C23627	27	15	C24995	73	1
C20449	7	27	C23630	27	17	C25022	37	4
C20450	7	28	C23686	21	12	C25024	69	
C20468	21	13	C23740	27	10	C25071	21	14
C20470	11	40	C23854	19	3	C25073	21	15
C20471	13	40	C23879	71	14	C25100	19	10
C20574	11	31	C23888	67	8	C25177	47	42
C20574	15	29	C23899	37	14	C25209	39	6
C21496	49	26	C23910	37	11	C25209	43	17
C21506	45	22	C23962	67	9	C25226	13	
C21507	45	7	C24069	53	23	C25227	19	23
C21508	45	24	C24098	35	18	C25237	39	16
C21509	45	23	C24137	29	3	C25338	19	24
C21510	45	25	C24296	21	8	C25343	67	8
C21511	45		C24325	9	28	C25344	67	9
C21518	41	5	C24326	9	3	C25368	59	4
C21518	49	15	C24447	57		C25369	59	3
C21521	45		C24665	7		C25371	61	2
C21526	33	18	C24666	7		C25382	61	8
C21527	33	17	C24703	21	1	C25390	71	8
C21529	33	21	C24741	27	2	C25391	71	16
C21592	71	15	C24761	37	15	C25392	71	14
C21857	37	9	C24772	29	1	C25489	21	1
C21989	51	12	C24792	25	3	C25490	21	2
C22023	29	6	C24795	37	22	C25556	43B	8
C22218	61	1	C24803	47	4	C25604	23	3
C22261	9	7	C24804	47	3	C25774	9	17

NUMERICAL INDEX

PART NO.	PAGE NO.	REF. NO.	PART NO.	PAGE NO.	REF. NO.	PART NO.	PAGE NO.	REF. NO.
C25775	9	18	C28719	17	5	C36935	47	17
C25784	39	12	C28856	45	4	C37222	47	22
C25789	61	5	C28875	69	4	C40646	37	16
C25845	19	20	C28932	53	6	C40687	33	1
C25845	51	24	C28937	23	3	C40793	9	12
C25967	39	28	C28949	39	34	C40794	9	12
C25967	45		C28962	23	2	C40795	9	12
C26108	51	21	C28965	37	8	C40796	9	12
C26181	71	11	C28968	21	3	C40929	11	1
C26182	39	23	C28980	39	5	C40929	11	1
C26188	57	2	C28985	57	12	C40929	11	19
C26202	5	5	C29031	55	2	C41010	51	13
C26207	21	16	C29408	49	10	C44478	37	7
C26255	21	9	C29409	25	21	C44499	37	5
C26255	39	1	C29413	51	9	C44499	37	6
C26266	69	27	C29697	39	14	C45431	71	7
C26342	47	15	C29697	39	25	F53109	43	2
C26381	37	2	C29732	41		013- 48	5	18
C26455	43B	3	C29733	17	22	013- 416	15	25
C26493	49	31	C29733	51	19	013- 514	29	18
C26493	59	9	C29734	15	20	013- 516	17	23
C26495	49		C29735	27	11	013- 528	15	31
C26508	17	1	C29736	19	9	013- 532	5	6
C26703	5	21	C29739	9	15	013- 540	43	14
C26932	55	6	C29750	9	16	013- 620	11	4
C27031	27	3	C29751	9	16	013- 640	15	23
C27152	27		C29752	19	19	013- 764	9	22
C27481	55	4	C29752	51	22	022- 844	61	13
C27506	7	20	C29754	13	41	025- 104	5	19
C27507	5	2	C29755	13	42	026- 526	11	30
C27508	29	8	C29948	5	16	026- 532	11	29
C27593	41	2	C29972	9	13	026- 544	15	32
C27593	49	12	C29974	11	15	028- 680	47	34
C27755	37	8	C29975	13	43	041- 26	11	2
C27763	37	2	C29976	13	43	061- 510	21	17
C27822	41	4	C29977	13	43	061- 616	39	3
C27822	49	16	C29978	13	43	071- 410	69	6
C28033	21	6	C29979	11	32	075- 48	69	11
C28034	21	7	C29981	13		092- 4	5	10
C28215	43	15	C29982	13		092- 4	17	8
C28215	43	9	C29984	15	13	092- 5	5	8
C28217	71		C29990	19		092- 5	17	24
C28222	57	13	C29990	51	23	092- 7	9	21
C28226	33	11	C29991	19	6	092- 18	19	18
C28237	25	1	C29992	19	13	095- 4	69	10
C28237	41	1	C29994	51	29	111- 5	23	5
C28237	49	11	C30044	67	1	111- 40	53	12
C28237	69	26	C30071	31	8	111- 108	53	18
C28240	25	8	C30073	23	2	111- 202	53	17
C28241	47	18	C30074	23	4	111- 256	21	4
C28251	71	3	C30268	51	15	111- 371	65	5
C28281	47	8	C30912	37	3	111- 525	63	4
C28315	9	23	C30917	37	1	113- 1	21	3
C28487	73		C31045	27	9	113- 1	29	26
C28673	51	25	C31249	19	21	113- 1	47	20
C28677	27	6	C32169	27	12	113- 1	53	9
C28696	69	25	C32199	43	20	113- 1	43B	4
C28698	69	22	C32299	19	17	113- 2	71	17
C28699	45	1	C32299	51	26	113- 3	21	8
C28700	69	20	C32407	51	16	113- 3	53	24
C28700	69	13	C32427	57	18	113- 3	69	10
C28709	43	1	C32430	23	1	113- 12	71	4
C28710	71		C32469	9	10	113- 65	5	9
C28711	43	5	C33309	35	12	113- 102	35	11
C28712	43	7	C33423	39	20	113- 103	67	11
C28713	43	10	C33427	37	10	113- 118	57	10
C28714	43	8	C33589	55	5	113- 118	43B	2
C28715	43	14	C33621	11	36	113- 122	31	11
C28716	69	21	C33697	53	21	113- 132	11	38
C28718	43	2	C36848	71	2	113- 206	35	13
			C36849	71	12	113- 206	39	2

NUMERICAL INDEX

PART NO.	PAGE NO.	REF. NO.	PART NO.	PAGE NO.	REF. NO.	PART NO.	PAGE NO.	REF. NO.
113- 206	67	6	136- 2	17	10	195- 513	19	2
113- 207	25	19	138- 59	57	19	195- 521	41	9
113- 207	49	8	138- 96	25	6	195- 521	49	17
113- 207	49	21	138- 99	33	4	195- 521	67	12
113- 207	65	6	138- 308	57	5	195- 525	29	10
113- 219	29	16	138- 319	29	23	195- 525	31	18
113- 417	57	5	138- 319	37	3	195- 525	65	9
113- 417	61	14	138- 319	47	11	195- 533	25	22
113- 417	65	4	138- 2072	41	11	195- 533	37	17
113- 424	29	22	141- 4	37	20	195- 533	49	14
113- 424	31	4	163- 22	17	21	195- 533	49	14
113- 424	45	3	164- 41	27	4	195- 533	63	3
113- 424	47	40	165- 143	19	7	195- 533	65	5
113- 425	59	3	166- 86	39	29	195- 533	69	4
113- 441	31	3	166- 86	47	40	195- 541	57	7
113- 2262	37	12	169- 74	17	11	195- 541	61	3
113- 2400	61	6	169- 88	69	17	195- 541	61	11
114- 200	15	18	169- 114	45	20	195- 545	61	11
121- 106	31	13	171- 247	39	30	195- 2010	11	23
126- 9	9	9	173- 38	69	6	195- 2021	35	9
126- 13	9	1	173- 219	19	14	195- 2027	17	17
126- 16	35	17	182- 9	53	20	195- 2029	29	15
126- 128	47	13	182- 520	19	1	195- 2069	25	20
129- 17	23	7	182- 525	5	26	195- 2069	35	15
129- 19	69	7	182- 545	19	4	195- 2175	31	10
129- 27	53	15	182- 547	9	27	211- 5	15	8
129- 48	35	8	187- 1036	21	8	211- 7	45	16
129- 101	21	5	187- 1073	17	25	211- 7	69	9
129- 101	29	28	187- 1252	43B	9	211- 11	69	23
129- 101	53	11	187- 1334	53	4	211- 103	69	15
129- 102	21	6	187- 1839	17	15	211- 208	45	6
129- 102	53	19	187- 1910	33	12	211- 216	9	4
129- 103	65	7	192- 13	53	22	211- 306	43	13
129- 105	61	10	192- 16	19	5	211- 41	37	19
129- 105	65	6	192- 18	23	6	214- 6	71	13
129- 122	41	7	192- 19	15	24	214- 102	5	15
129- 122	49	19	192- 19	19	8	214- 103	23	9
129- 125	27	14	192- 19	21	4	214- 254	39	13
129- 143	37	13	192- 19	29	27	214- 259	19	15
129- 162	53	14	192- 19	47	19	214- 272	21	11
129- 165	33	15	192- 19	53	13	218- 457	67	2
129- 365	33	16	192- 19	69	11	218- 485	71	6
129- 531	45	10	192- 20	69	11	218- 494	67	3
13- 68	13	49	192- 20	21	5	218- 927	67	4
131- 164	37	5	192- 20	29	19	218- 5006	39	22
131- 176	57	11	192- 20	35	10	218- 5006	73	8
131- 178	25	16	192- 20	67	13	218- 5006	73	10
131- 178	31	21	192- 21	11	12	218- 5006	73	12
131- 351	39	31	192- 21	15	22	218- 5007	39	9
131- 356	35	3	192- 21	35	14	218- 5007	39	27
131- 629	53	3	192- 21	39	4	218- 5007	39	33
131- 1133	47	35	192- 21	65	8	218- 5007	73	6
131- 1180	71	5	192- 21	67	7	218- 5007	73	14
131- 1181	29	9	192- 23	29	21	218- 5056	49	27
131- 1181	49	9	192- 23	31	5	218- 5062	39	32
131- 1181	49	22	192- 23	33	14	218- 5062	73	5
131- 1182	63	2	192- 23	45	2	218- 5065	39	8
131- 1318	29	7	192- 23	47	41	218- 5066	73	7
132- 5	69	3	192- 23	61	7	218- 5107	39	26
132- 91	57	6	192- 23	65	7	218- 5117	73	9
132- 306	61	12	192- 49	17	7	218- 5232	67	10
132- 310	25	9	192- 84	15	5	218- 5251	73	13
132- 310	25	10	193- 6	17	16	218- 5291	59	5
132- 310	37	18	193- 26	53	16	218- 5479	59	14
132- 310	49	4	193- 29	53	25	219- 17	33	20
132- 310	57	4	193- 57	29	30	219- 403	37	4
132- 311	33	9	193- 57	53	10	219- 404	33	7
132- 320	41	10	193- 76	27	5	219- 404	35	19
132- 320	49	13	195- 14	17	9	219- 404	49	2
132- 321	37	21	195- 104	25	17	219- 405	57	2
132- 334	29	13	195- 104	39	24	221- 4	47	10
			195- 104	49	23	221- 14	15	14

NUMERICAL INDEX

PART NO.	PAGE NO.	REF. NO.	PART NO.	PAGE NO.	REF. NO.	PART NO.	PAGE NO.	REF. NO.
221-841	45	21						
221-842	69	19						
221-844	15	15						
221-1139	59	1						
221-1190	15	26						
221-1375	59	2						
221-1377	15	27						
321-2677	55	11						
321-3585	55	1						
321-4153	55	10						
321-4155	55	8						
321-4156	55	9						
321-4166	55	7						
321-4767	55	3						
353-442	25	13						
353-462	25	4						

INGERSOLL
Ingersoll Equipment Co., Inc.