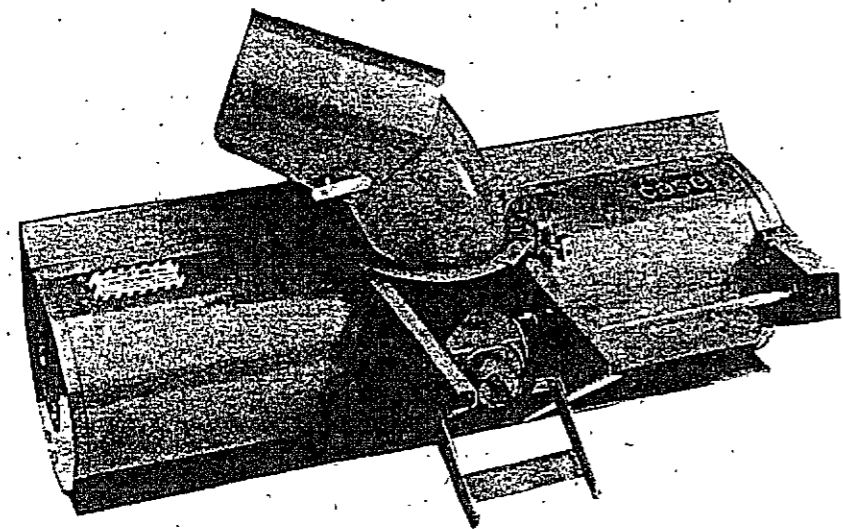


MODELS G80 AND G84 SNOWCASTERS

Parts Catalog A1159

Print Shop 1500 1-75



ALPHABETICAL INDEX

	PAGE	GRID
Auger Assembly	5	A4
Chute Assembly	5	A4
Drive Assembly	9	A8
Drive Shaft	9	A8
Gearbox	9-11	A8-A10
Lift Assembly	7	A6

NOTE: See grid B2 for -
G40, G44, G46 Rotary Mower,
G3 and G5 Mounting Kits

NOTE: See grid C2 for -
H40, H44, H46 Rotary Mowers,
H50, H54 Dozer Blades,
E60 Dump Cart,
H80, H84 Snowblowers

NOTE: See grid E2 for -
J, K, L, M, N40; J, K, L, M, N44;
J, K, L, M, N46 Rotary Mowers,
J, K, L, M, N, P, R, S80
Snowcasters,
J, K, L, M, N, P, R, S84
Snowcasters,
J50, K50, L50 Utility Blades,
J54, K54, L54 Utility Blades

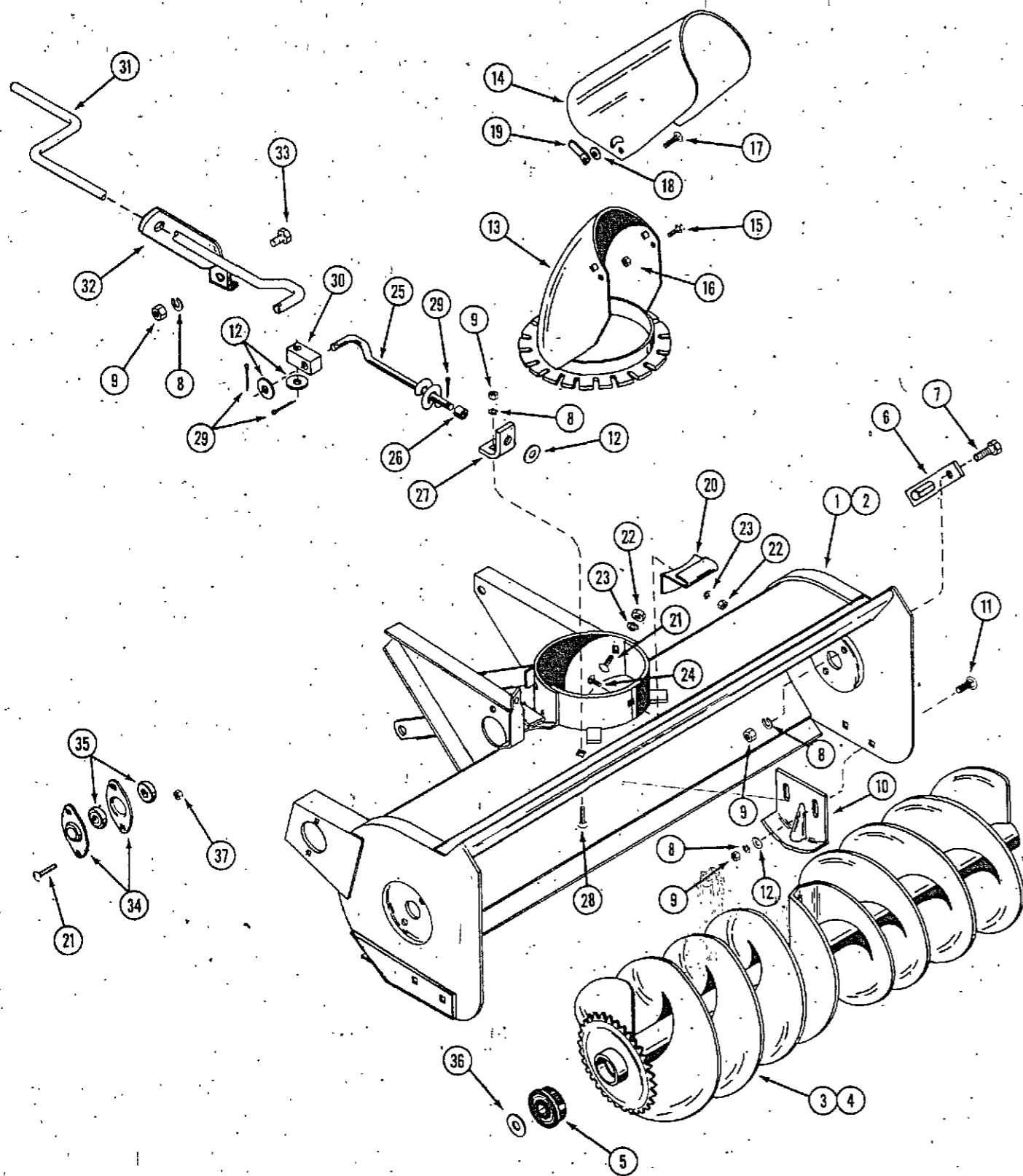
DESIGNATION	TRACTOR APPLICATION			
	220	222	442	444
G 80	X	X		
G 84			X	X

SERIAL NUMBERS

When using this catalog, notice the reference to serial numbers of various components noted here and listed in the "description" copy. By referring to correct serial numbers, proper parts identification will be assured.

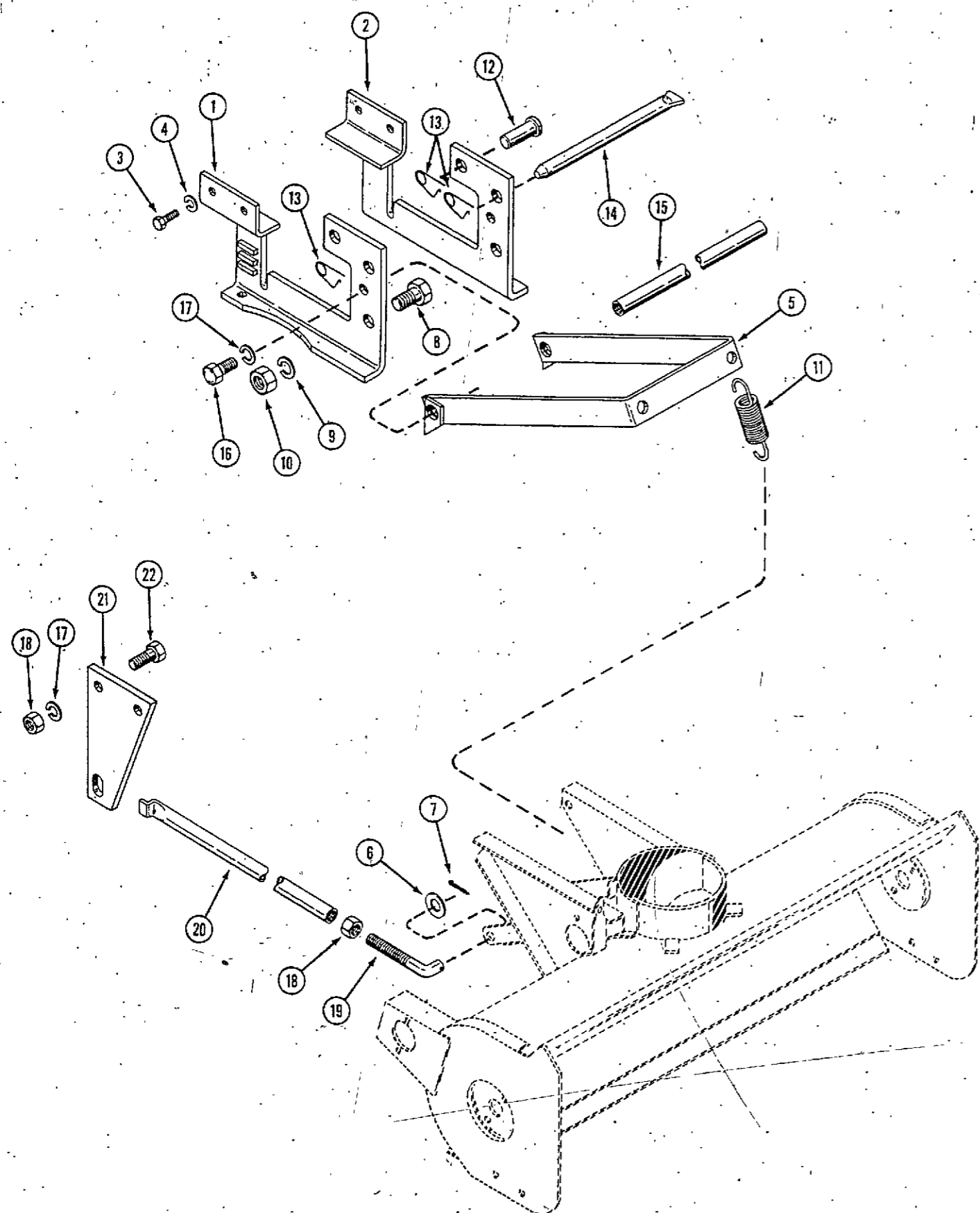
AUGER AND CHUTE CONTROL

MODEL G 80 38" FOR 220 AND 222 TRACTORS
MODEL G 84 48" FOR 442 AND 444 TRACTORS



REF. PART NO.	DESCRIPTION	REQ'D
1 C 15267	HOUSING - auger 38"	1
2 C 15529	HOUSING - auger 48"	1
3 C 15205	AUGER - 38"	1
4 C 15201	AUGER - 48"	1
5 C 14421	BEARING - auger	2
6 C 15186	SHAFT - auger mounting	2
7 113- 206	BOLT - 3/8" x 3/4" NC hex	4
8 192- 21	LOCKWASHER - 3/8" ZP	11
9 129- 103	NUT - 3/8" NC hex ZP	11
10 C 15190	SKID - auger housing	2
11 111- 317	BOLT - 3/8" x 1" NC round head, short, square neck	4
12 195- 525	WASHER - 3/8" ZP	7
13 C 15248	CHUTE	1
14 C 14597	DEFLECTOR	1
15 113- 1	BOLT - 1/4" x 1/2" NC hex	2
16 131- 1102	NUT - 1/4" NC locking	2
17 111- 340	BOLT - 3/8" x 3/4" NC round head, square neck	2
18 D 33544	WASHER - dished 25/64"	2
19 C 14569	LEVER - locking, deflector	2
20 C 15334	BRACKET - chute holddown	3
21 111- 202	BOLT - 5/16" x 3/4" NC round head, square neck	4
22 129- 102	NUT - 5/16" NC hex	5
23 192- 20	LOCKWASHER - 5/16"	4
24 113- 102	BOLT - 5/16" x 3/4" NC hex	1
25 C 15244	ROD - chute control	1
26 C 15277	SPACER	1
27 C 15240	BRACKET - control rod	1
28 111- 324	BOLT - 3/8" x 7/8" NC round head, square neck	1
29 132- 320	PIN - cotter 3/32" x 3/4"	3
30 C 14583	JOINT - block	1
31 C 14584	CRANK - chute control	1
32 C 15957	BRACKET - crank	1
33 113- 207	BOLT - 3/8" x 1" NC hex	1
34 C 15514	FLANGETTE	2
35 C 14419	BEARING - includes collar and setscrew	1
321- 1571	DECAL - "CASE"	1
C 12296	DECAL - "CAUTION"	1
36 195- 545	WASHER - 13/16"	UAR
37 131- 176	NUT - 5/16" NC hex	2

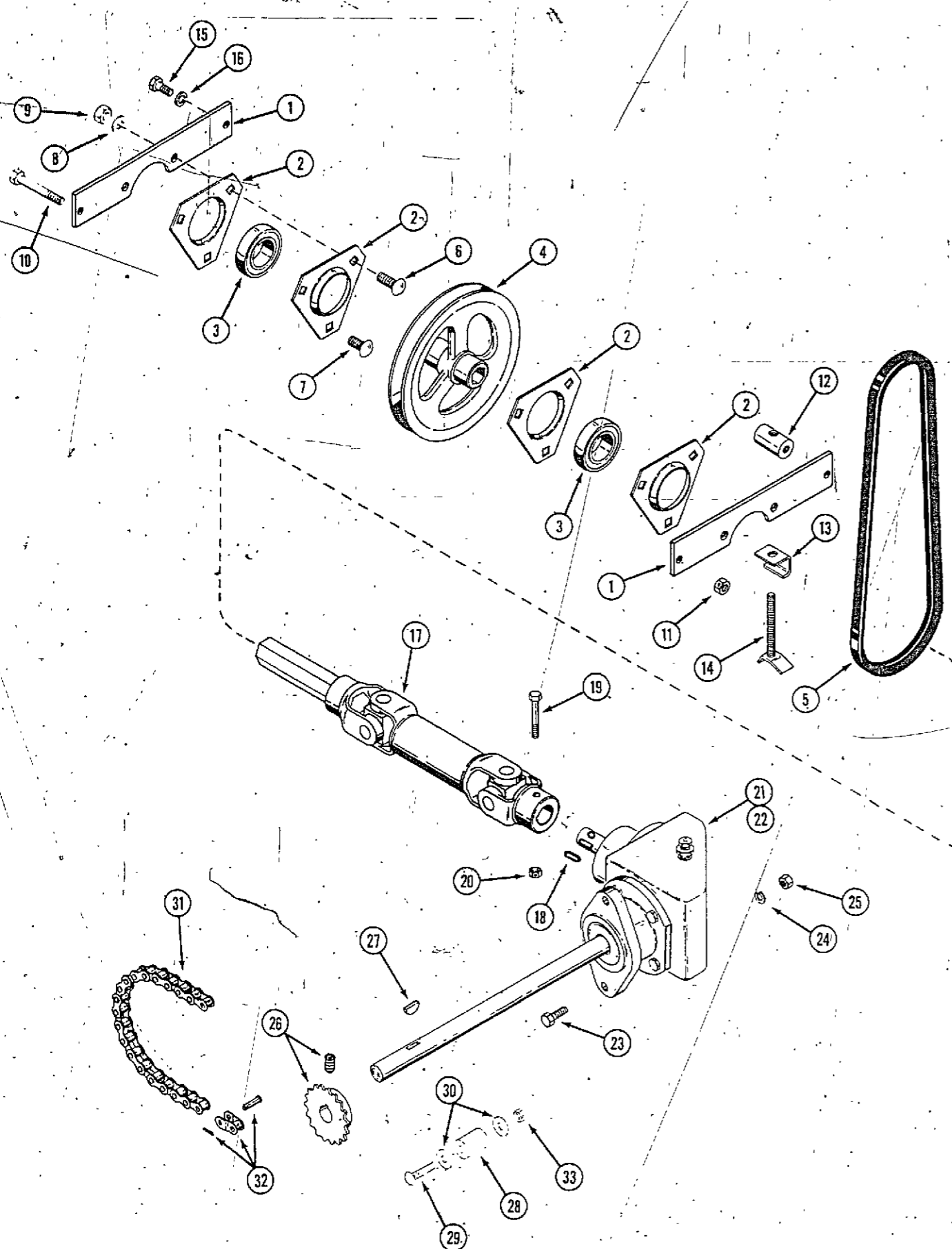
CASE MODEL G80 AND G84 SNOWCASTERS
LIFT ASSEMBLY



REF. PART NO.	DESCRIPTION	REQ'D
1 C 14646	BRACKET - mounting R.H.	1
2 C 14647	BRACKET - mounting L.H.	1
3 113- 207	BOLT - 3/8" x 1" NC hex	4
4 192- 21	LOCKWASHER - 3/8"	4
5 C 14632	BRACKET - spring anchor	1
6 195- 530	WASHER - 1/2" ID ZP	2
7 132- 34	PIN - cotter 3/32" x 1-3/4"	2
8 113- 602	BOLT - 5/8" x 1" NC hex	2
9 192- 25	LOCKWASHER - 5/8"	2
10 129- 107	NUT - 5/8" NC hex	2
11 C 14482	SPRING - lift	2
12 C 12692	PIN - clevis 5/8"	2
13 C 10898	PIN - safety	3
14 C 14635	PIN - mounting	1
15 C 14363	SPACER - mounting bracket	1
16 113- 424	BOLT - 1/2" x 1" NC hex	2
17 192- 23	LOCKWASHER - 1/2"	4
18 129- 105	NUT - 1/2" NC hex	4
19 C 14413	"J" BOLT - lift rod	2
20 C 14414	ROD - lift	2
21 C 14415	LEVER - push rod	2
22 113- 417	BOLT - 1/2" x 1-1/4" NC hex	2

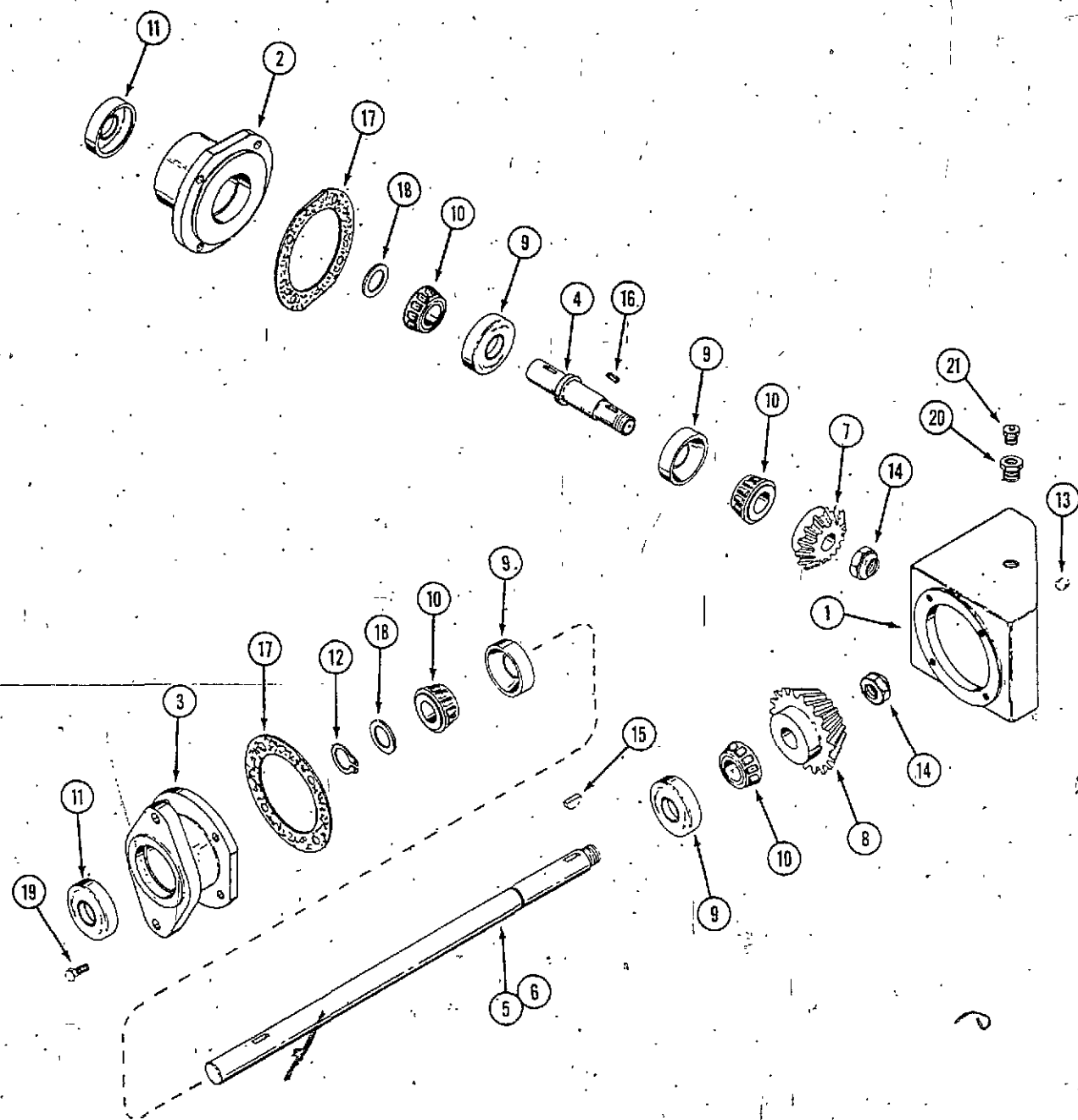
DRIVE ASSEMBLY

MODEL G80 38" FOR 220 AND 222 TRACTORS
MODEL G84 48" FOR 442 AND 444 TRACTORS



REF. PART NO.	DESCRIPTION	REQ'D
1 C 15261	PLATE - bearing mounting	2
2 C 14504	FLANGETTE	4
3 C 14505	BEARING - pulley	2
4 C 14113	PULLEY - PTO	1
5 C 14116	BELT - PTO drive	1
6 111- 362	BOLT - 3/8" x 1" NC round head, square neck	4
7 111- 340	BOLT - 3/8" x 3/4" round head, square neck	2
8 192- 21	LOCKWASHER - 3/8" ZP	6
9 129- 103	NUT - 3/8" NC hex ZP	6
10 113- 111	BOLT - 5/16" x 2-1/2" NC hex	1
11 131- 176	NUT - lock 5/16" NC hex	1
12 C 15264	BLOCK - belt tension	1
13 C 14353	LOCK - belt tension	1
14 C 15262	SCREW - adjust	1
15 113- 102	BOLT - 5/16" x 3/4" NC hex	2
16 192- 20	LOCKWASHER - 5/16" ZP	2
17 C 15774	SHAFT - drive	1
18 C 14606	KEY - flat 3/16" x 1"	1
19 113- 132	BOLT - 1/4" x 1-3/4" NC hex	1
20 131- 1102	NUT - lock 1/4" NC hex	1
21 C 15505	GEARBOX ASSEMBLY - G84 (Repairs page 11)	1
22 C 15506	GEARBOX ASSEMBLY - G80 (Repairs page 11)	1
23 113- 208	BOLT - 3/8" x 1-1/4" NC hex ZP	2
24 192- 21	LOCKWASHER - 3/8" ZP	2
25 129- 103	NUT - 3/8" NC hex ZP	2
26 C 14579	SPROCKET - drive, includes setscrews	1
27 126- 16	KEY - Woodruff 3/16" x 3/4"	1
28 C 16158	BLOCK - idler	1
29 111- 349	BOLT - 3/8" x 2-1/2" round head, square neck	1
30 195- 2029	WASHER - 7/16"	2
31	CHAIN - auger drive 64 pitches #40 roller chain, use:	1
	1 - B12470 chain 50 links #40	
	2 - B12473 chain 6 links #40	
	1 - B12501 connecting link #40	
	1 - B12503 roller link #40	
B 12470	CHAIN - 50 links #40	1
B 12473	CHAIN - 6 links #40	2
B 12501	LINK - connecting #40	1
B 12503	LINK - roller #40	1
32 B 12502	LINK - offset #40	1
33 131- 178	NUT - lock 3/8" NC hex	1

CASE MODEL G80 AND G84 SNOWCASTERS
GEAR BOX ASSEMBLY



REF. PART NO.	DESCRIPTION	REQ'D
C 15505	GEAR BOX - complete for Model G84	1
C 15506	GEAR BOX - complete for Model G80	1
1 C 11850	HOUSING - gear box	1
2 C 11851	HOUSING - input bearing	1
3 C 11852	HOUSING - output bearing	1
4 C 14605	SHAFT - input	1
5 C 15503	SHAFT - output G84	1
6 C 15504	SHAFT - output G80	1
7 C 11855	GEAR - pinion	1
8 C 11856	GEAR - output	1
9 B 12410	CUP - bearing	4
10 B 12411	BEARING - cone	4
11 C 12079	OIL SEAL	2
12 T 25683	RING - retaining	1
13 221- 841	PLUG - housing 1/4" NPT	2
14 131- 34	NUT - pinion retaining	2
15 126- 16	KEY - Woodruff 3/16" x 3/4"	1
16 C 14604	KEY - 3/16" x 3/4" square	1
17 T 32754	GASKET	2
18 C 12077	SPACER - bearing	2
19 15- 412	BOLT - 1/4" x 3/4" NC hex	8
20 221- 51	BUSHING - reducer 1/4" NPT to 1/8"	1
21 A 50096	VENT - pressure relief	1

NUMERICAL INDEX

PART NO.	PAGE NO.	REF. NO.	PART NO.	PAGE NO.	REF. NO.	PART NO.	PAGE NO.	REF. NO.	
A	50096	11	21	C	15514	5	34		
B	12410	11	9	C	15529	5	2		
B	12411	11	10	C	15774	9	17		
B	12470	9		C	15957	5	32		
B	12473	9		C	16158	9	28		
B	12501	9		D	33544	5	18		
B	12502	9	32	T	25683	11	12		
B	12503	9		T	32754	11	17		
C	10898	7	13	HARDWARE CODE NUMBERS					
C	11850	11	1	15-	412	11	19		
C	11851	11	2	111-	202	5	21		
C	11852	11	3	111-	317	5	11		
C	11855	11	7	111-	324	5	28		
C	11856	11	8	111-	340	5	17		
C	12077	11	18	111-	340	9	7		
C	12079	11	11	111-	349	9	29		
C	12296	5		111-	362	9	6		
C	12692	7	12	113-	1	5	15		
C	14113	9	4	113-	102	5	24		
C	14116	9	5	113-	102	9	15		
C	14353	9	13	113-	111	9	10		
C	14363	7	15	113-	132	9	19		
C	14413	7	19	113-	206	5	7		
C	14414	7	20	113-	207	5	33		
C	14415	7	21	113-	207	7	3		
C	14419	5	35	113-	208	9	23		
C	14421	5	5	113-	417	7	22		
C	14482	7	11	113-	424	7	16		
C	14504	9	2	113-	602	7	8		
C	14505	9	3	126-	16	9	271		
C	14569	5	19	126-	16	11	15		
C	14579	9	26	129-	102	5	22		
C	14583	5	30	129-	103	5	9		
C	14584	5	31	129-	103	9	9		
C	14597	5	14	129-	103	9	25		
C	14604	11	16	129-	105	7	18		
C	14605	11	4	129-	107	7	10		
C	14606	9	18	131-	34	11	14		
C	14632	7	5	131-	176	5	37		
C	14635	7	14	131-	176	9	11		
C	14646	7	1	131-	178	9	33		
C	14647	7	2	131-	1102	5	16		
C	15186	5	6	131-	1102	9	20		
C	15190	5	10	132-	34	7	7		
C	15201	5	4	132-	320	5	29		
C	15205	5	3	192-	20	5	23		
C	15240	5	27	192-	20	9	16		
C	15244	5	25	192-	21	5	8		
C	15248	5	13	192-	21	7	4		
C	15261	9	1	192-	21	9	8		
C	15262	9	14	192-	21	9	24		
C	15264	9	12	192-	23	7	17		
C	15267	5	1	192-	25	7	9		
C	15277	5	26	195-	525	5	12		
C	15334	5	20	195-	530	7	6		
C	15503	11	5	195-	545	5	6		
C	15504	11	6	195-	2029	9	30		
C	15505	9	21	221-	51	11	20		
C	15505	11		221-	841	11	13		
C	15506	9	22	321-	1571	5			
C	15506	11							

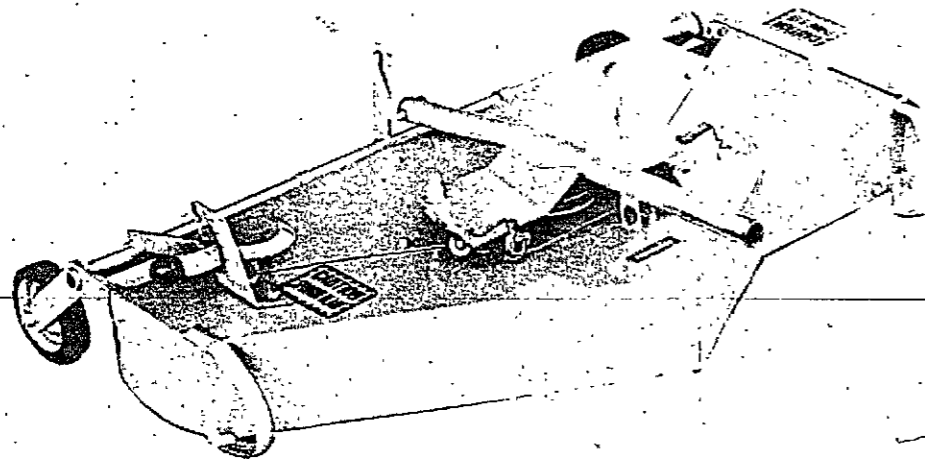
INGERSOLL
 Ingersoll Equipment Co., Inc.

MODELS G40, G44 AND G46 ROTARY MOWERS

Parts Catalog A1163

Print Shop 2000 1-75

NOTE: This Parts Catalog replaces the previous Issue No. 1163 which is obsolete and should be discarded.



ALPHABETICAL INDEX

	PAGE	GRID
Axle, G40 & G44	9	B8
Axle, G46	13	B12
Belts, deck	5	B4
Belts, drive	5	B4
Blades, G40 & G44	7	B6
Blades, G46	11	B10
Decks	5	B4
Drive assembly	9-13	B8-B12
Guards & Covers	5	B4
Housing, spindle	7-11	B6-B10
Lift assembly	9-13	B8-B12
Pulleys, G40 & G44	7	B6
Pulleys, G46	11	B10
Rollers, rubber	5	B4
Rods, adjusting	9-13	B8-B12
Spindles	7-11	B6-B10
Wheels, gauge	9-13	B8-B12

MODEL DESIGNATIONS	TRACTOR APPLICATION			
	220	222	442	444
G40	X	X		
G44	X	X	X	X
G46	1	X	X	X
G3 MOUNTING KIT	X	X		
G5 MOUNTING KIT			X	X

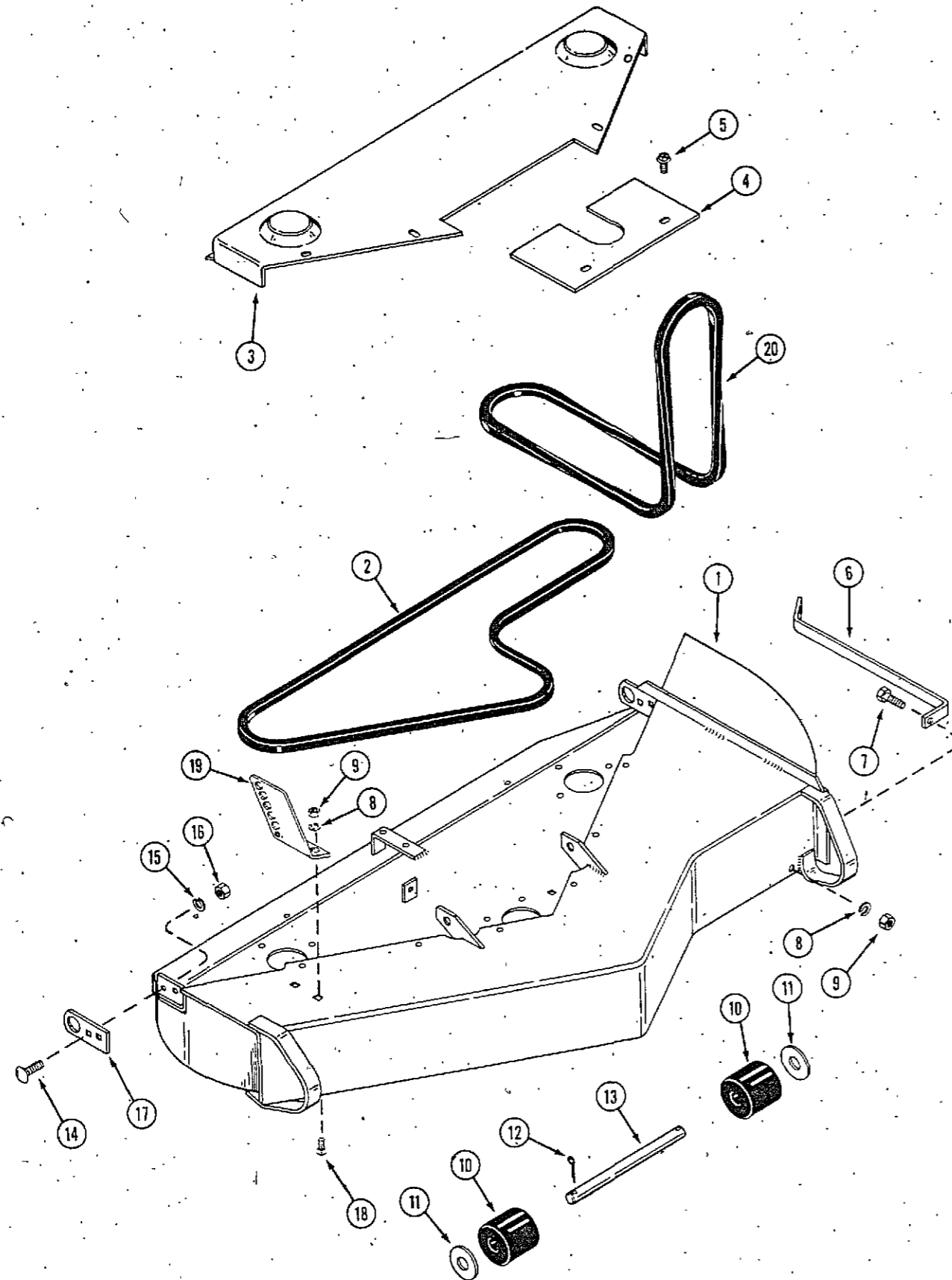
NOTE: See grid A2 for -
G80, G84 Snowcasters

NOTE: See grid C2 for -
H40, H44, H46 Rotary Mower,
H50, H54 Dozer Blades,
E60 Dump Cart,
H80, H84 Snow Casters

NOTE: See grid E2 for -
J, K, L, M, N40; J, K, L, M, N44;
J, K, L, M, N46 Rotary Mowers,
J, K, L, M, N, P, R, S80
Snow Casters,
J, K, L, M, N, P, R, S84
Snow Casters,
J, K, L(50)(54) Utility Blades

1 - WILL FIT BUT NOT RECOMMENDED.

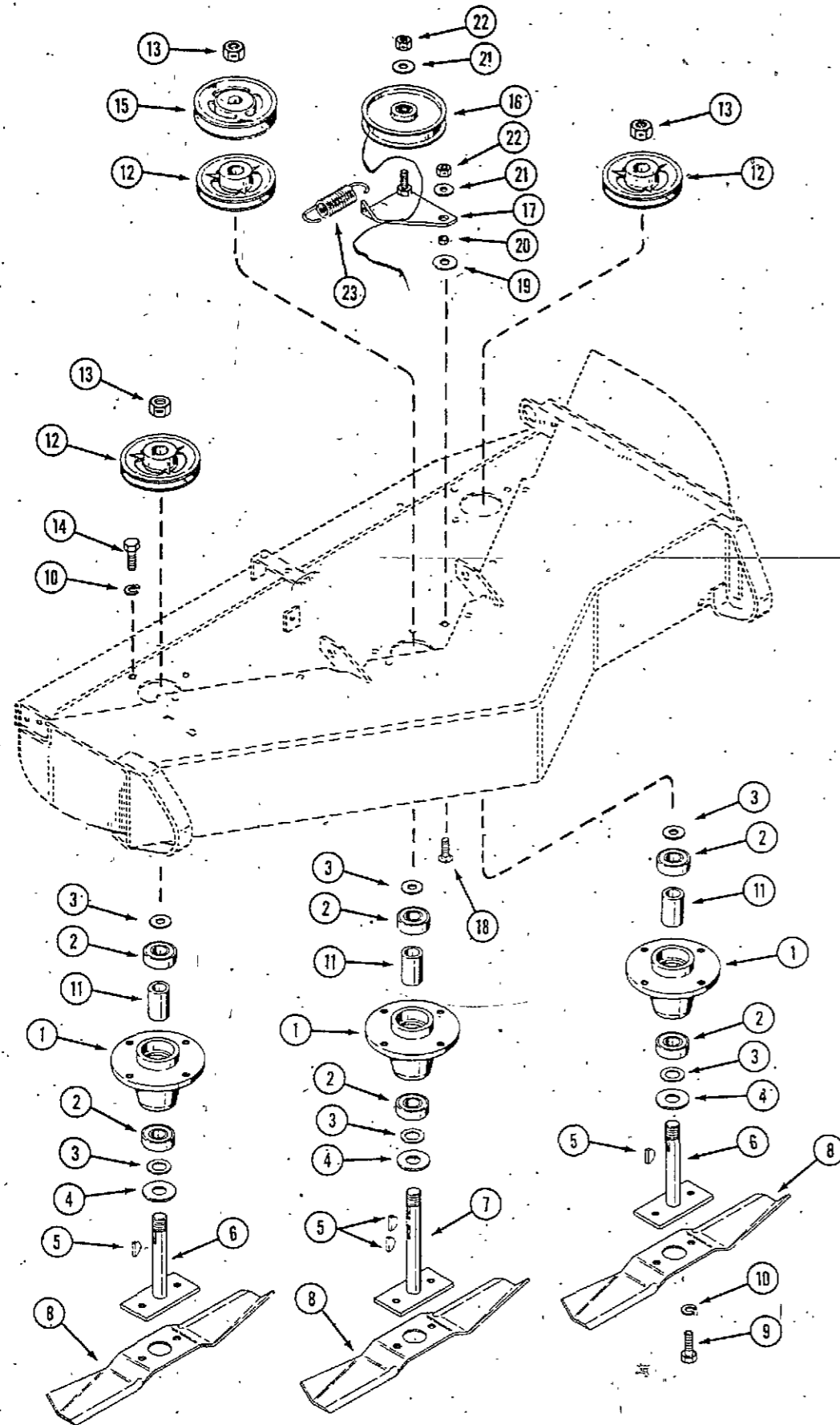
CASE MODEL G40, G44, AND G46 ROTARY MOWERS 5
DECK, BELTS AND DECK COVERS
MODELS G40, G44, AND G46



REF. PART NO.	DESCRIPTION	REQ'D
1 C 15575	DECK - mower, G40 (38")	1
1 C 15620	DECK - mower, G44 (44")	1
1 C 15592	DECK - mower, G46 (48")	1
2 C 16093	BELT - mower deck, G40	1
2 C 16094	BELT - mower deck, G44	1
2 C 14965	BELT - mower deck, G46	1
3 C 15679	GUARD - deck belt, G40	1
3 C 15680	GUARD - deck belt, G44	1
3 C 15681	GUARD - deck belt, G46	1
4 C 15675	COVER - deck, small	1
5 187- 1036	SCREW - 1/4" x 1/2" NC hex self-tapping	8
6 C 15640	BAR - safety, G40	1
6 C 15639	BAR - safety, G44	1
6 C 15634	BAR - safety, G46	1
7 113- 102	BOLT - 5/16" x 3/4" NC hex ZP	2
8 192- 20	LOCKWASHER - 5/16" ZP	4
9 129- 102	NUT - 5/16" NC hex ZP	4
10 A 70514	ROLLER - 2-1/2" x 2-3/8"	2
11 195- 108	WASHER - 5/8" ZP	2
12 132- 310	PIN - cotter 1/8" x 1"	2
13 C 14892	SHAFT - rear roller	2
14 111- 317	BOLT - 3/8" x 1" NC rd. hd. square neck	2
15 192- 21	LOCKWASHER - 3/8" ZP	2
16 129- 103	NUT - 3/8" NC hex ZP	2
17 C 15562	BRACKET - axle pivot, G40	1
17 C 15560	BRACKET - axle pivot, G44	1
17 C 15561	BRACKET - axle pivot, G46	1
18 111- 202	BOLT - 5/16" x 3/4" rd. hd. square neck	2
19 C 15935	BRACKET - height adj.	1
20 C 15944	BELT - drive, G40	1
20 C 16088	BELT - drive (use with G44 & G46 on 220 & 222 tractors)	1
20 C 15943	BELT - drive (use with G44 & G46 on 442 & 444 tractors)	1
321- 1571	DECAL - "CASE"	1
A 70404	DECAL - CAUTION SPINNING BLADE	2
C 12519	DECAL - "NO STEP"	2
C 15956	DECAL - height adjust	1
C 15678	DECAL - safety	1

PULLEYS, BLADES AND SPINDLES

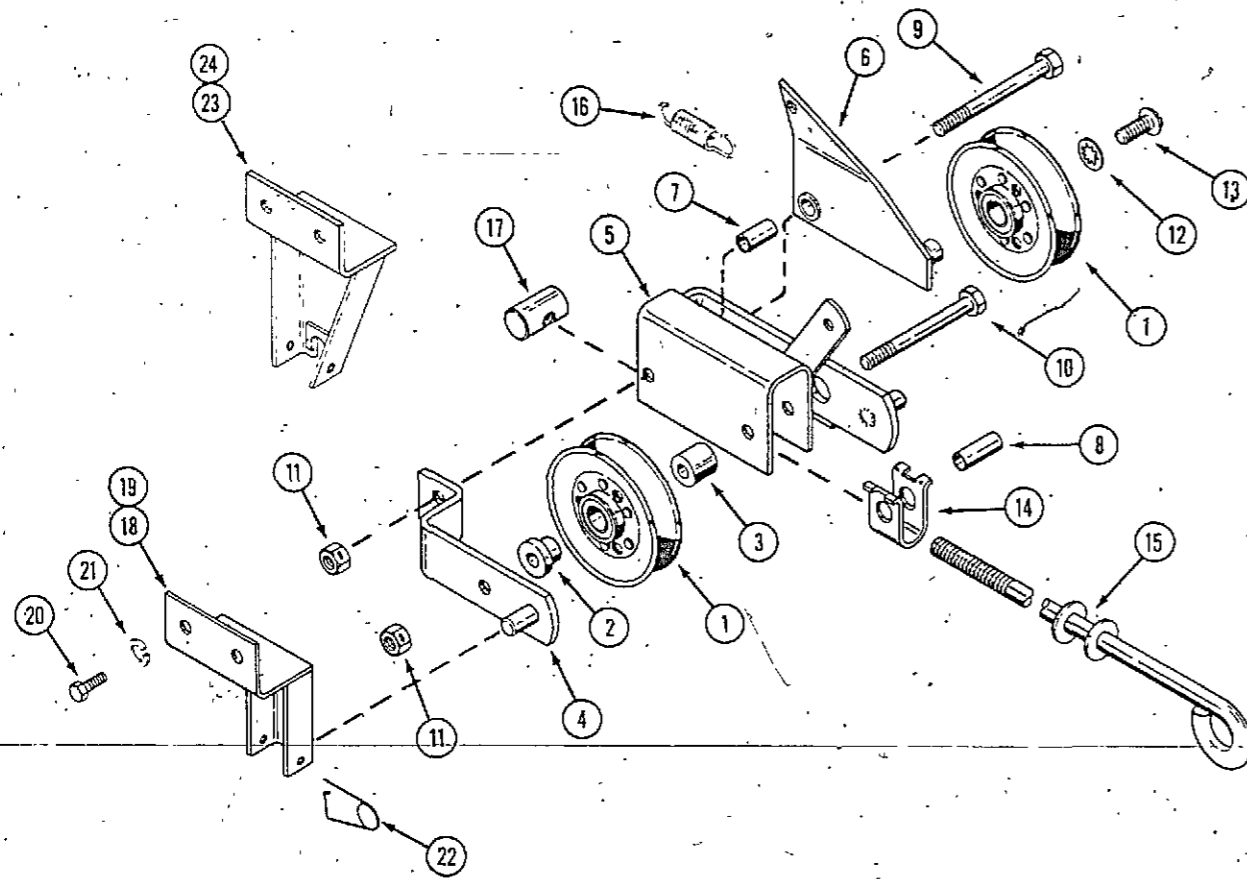
MODELS G40 AND G44



REF. PART NO.	DESCRIPTION	REQ'D
1 C 10807	HOUSING - mower spindle	3
2 C 10899	BEARING - spindle	6
3 C 10822	WASHER - bearing seal	6
4 C 10942	WASHER - mower spindle	3
5 126- 19	KEY - spindle, #11 Woodruff	4
6 C 15763	SPINDLE - outboard	2
7 C 15604	SPINDLE - center	1
8 C 12261	BLADE - 14" (G40)	3
8 C 12262	BLADE - 15-1/2" (G44)	3
9 115- 206	BOLT - 3/8" x 5/8" NC hex (grade 5)	6
10 92- 6	LOCKWASHER - 3/8"	18
11 C 10810	SPACER - bearing	3
12 C 15617	PULLEY - outboard	3
13 131- 152	NUT - jam lock 3/4" NF hex	3
14 15- 612	BOLT - 3/8" x 3/4" NC hex	12
15 C 15963	PULLEY - drive	1
16 C 12251	PULLEY - deck idler	1
17 C 14731	BRACKET - idler	1
18 111- 317	BOLT - 3/8" x 1" rd. hd. Square neck	1
19 195- 530	WASHER - 1/2" ZP	1
20 C 14768	SPACER - idler bracket	1
21 195- 525	WASHER - 3/8" ZP	2
22 131- 178	NUT - lock 3/8" NC hex	2
23 C 14482	SPRING - idler	1

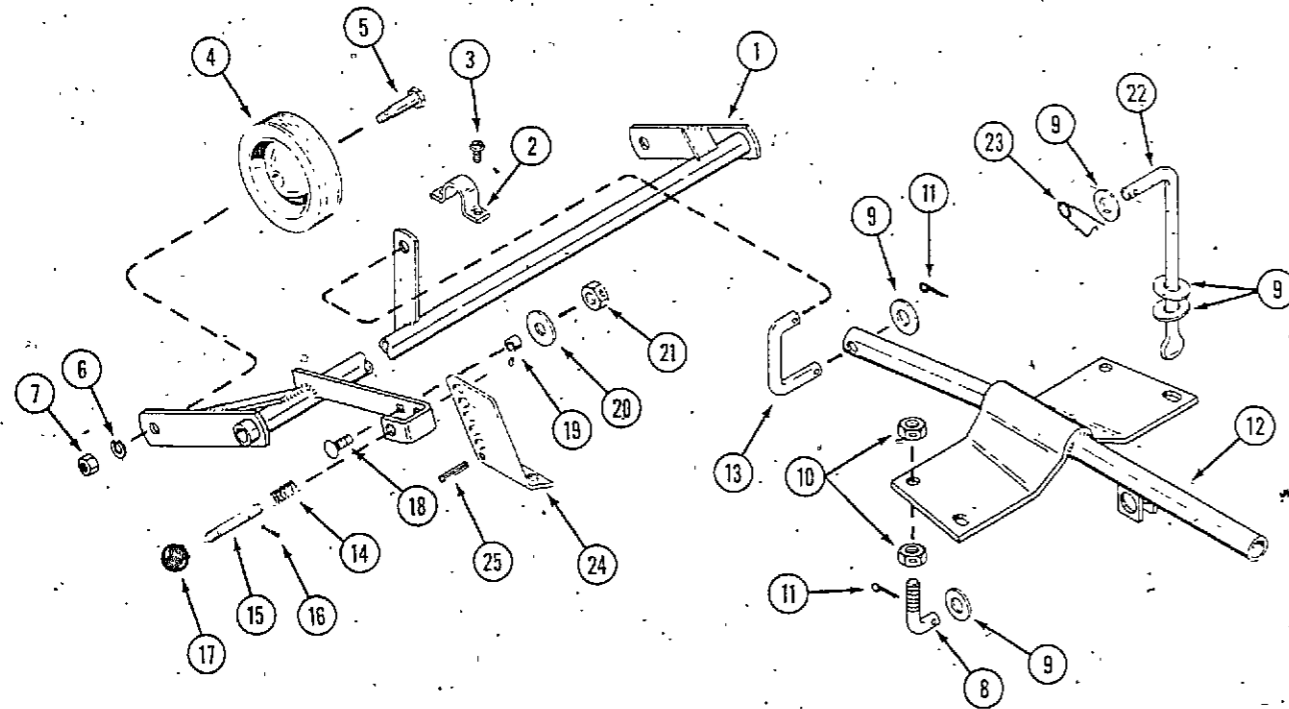
DRIVE ASSEMBLY

MODELS G40 AND G44



REF. PART NO.	DESCRIPTION	REQ'D
1 C 10463	PULLEY - idler drive	2
2 C 12264	BUSHING - idler pulley	1
3 C 12249	SPACER - idler pulley	1
4 C 12256	BRACKET - pivot R.H.	1
5 C 15930	BRACKET ASSEMBLY	1
6 C 15962	BELLCRANK	1
7 C 15931	SPACER - bellcrank	1
8 C 12236	SPACER - bracket assembly	2
9 113- 267	BOLT - 3/8" x 4" NC hex ZP	1
10 113- 259	BOLT - 3/8" x 4-1/2" NC hex ZP	1
11 131- 178	NUT - lock 3/8" NC hex ZP	2
12 193- 30	LOCKWASHER - 3/8" internal tooth	1
13 175- 420	SCREW - 3/8" x 3/4" NC truss hd. mach.	1
14 C 14262	PIVOT - adjusting screw	1
15 C 14264	SCREW - belt tension	1
16 C 14482	SPRING - bellcrank idler	1
17 C 14269	NUT - belt tension	1
18 C 15949	BRACKET - mower mtg. R.H. (For Models 220 & 222)	1
19 C 15950	BRACKET - mower mtg. L.H. (For Models 220 & 222)	1
20 113- 207	BOLT - 3/8" x 1" NC hex ZP	4
21 192- 21	LOCKWASHER - 3/8" ZP	4
22 C 10898	PIN - safety	2
23 C 15953	BRACKET - mower mtg. R.H. (For Models 442 & 444)	1
24 C 15954	BRACKET - mower mtg. L.H. (For Models 442 & 444)	1

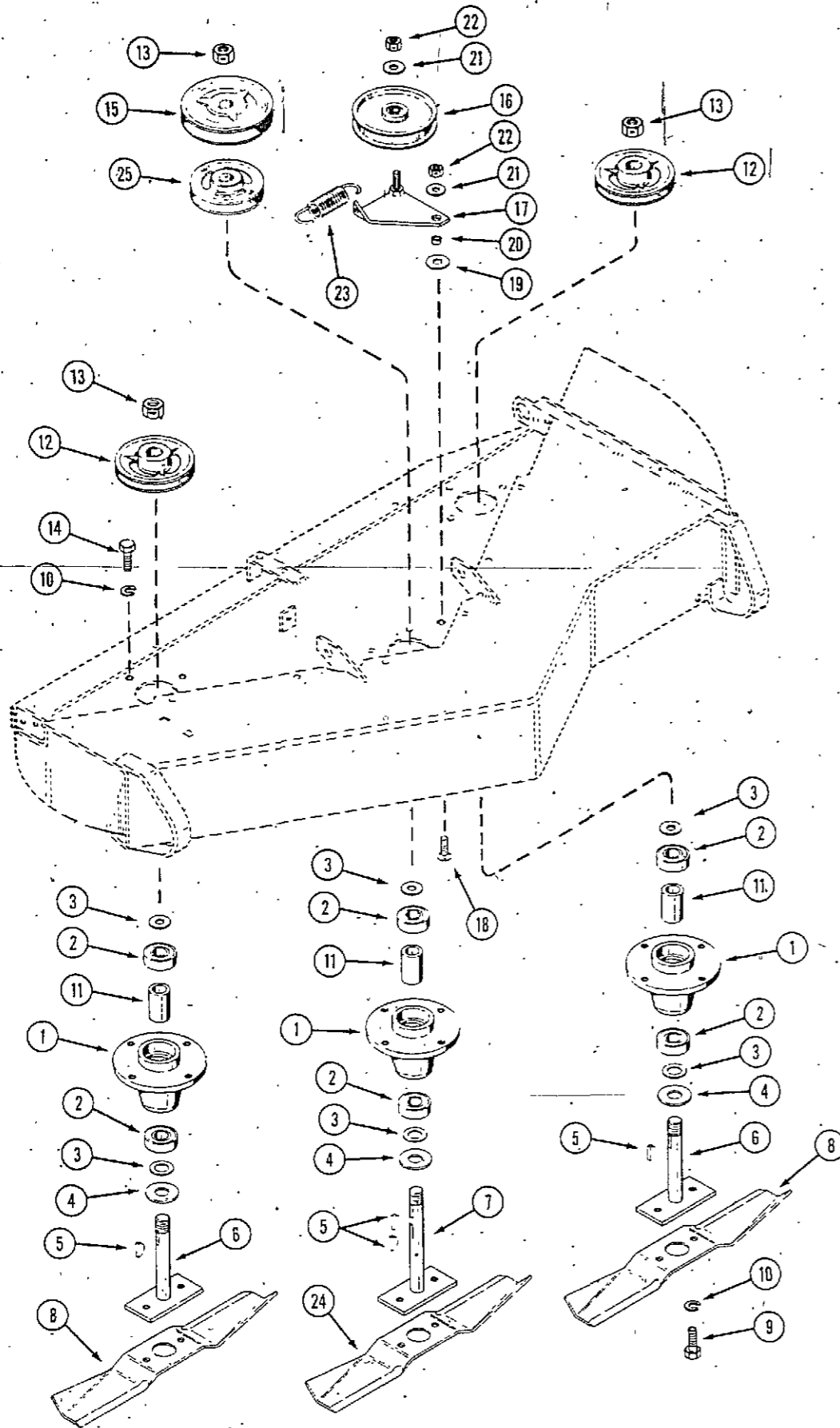
AXLE AND LIFT ASSEMBLY



1 C 15600	AXLE - rear (G40)	1
1 C 15602	AXLE - rear (G44)	1
2 C 14932	BRACKET - center, axle mounting	1
3 187- 1036	SCREW - 1/4" x 1/2" NC hex self-tapping	2
4 C 19555	WHEEL - gauge	2
5 C 15412	STUD - gauge wheel	2
6 192- 21	LOCKWASHER - 3/8"	2
7 129- 103	NUT - 3/8" NC hex	2
8 C 14933	"J" BOLT	2
9 195- 533	WASHER - 1/2" ZP	10
10 131- 165	NUT - lock 1/2" ZP	4
11 132- 310	PIN - cotter 1/8" x 1"	4
12 C 15613	FRAME - mower lift	1
13 C 15614	LINK - lift	1
14 C 10482	SPRING	1
15 C 15942	PIN - locking	1
16 138- 77	PIN - roll	1
17 C 15618	KNOB - height adjust	1
18 11- 516	ROLT - 5/16" x 1" NC rd. hd. square neck	1
19 C 14768	SPACER	1
20 G 49048	WASHER - 5/16" x 1-1/4"	1
21 131- 176	NUT - lock 5/16" NC hex	1
22 C 15761	ROD - lift (use with 220 and 222 tractors)	2
22 C 15762	ROD - lift (use with 442 and 444 tractors)	2
23 C 10898	PIN - safety	1
24 C 15935	BRACKET - height adj.	1
25 138- 92	PIN - roll 3/16" x 3/4"	1

PULLEYS, BLADES AND SPINDLES

MODEL G46

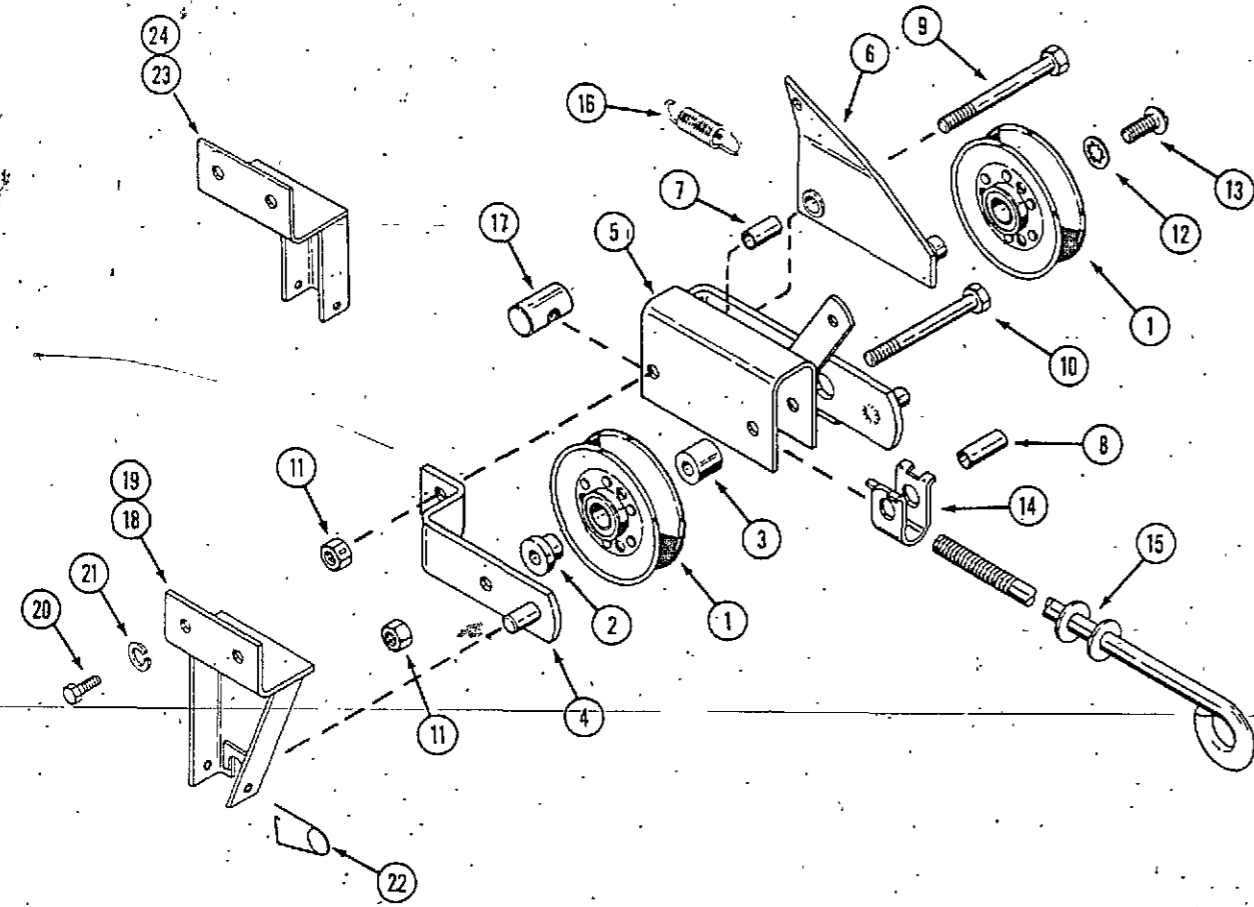


REF. PART NO.	DESCRIPTION	REQ'D
1 C 10807	HOUSING - mower spindle	3
2 C 10899	BEARING - spindle	6
3 C 10822	WASHER - bearing seal	6
4 C 10942	WASHER - mower spindle	3
5 126- 19	KEY - spindle, #11 Woodruff	4
6 C 15763	SPINDLE - outboard	2
7 C 15604	SPINDLE - center	1
8 C 14886	BLADE - 17" outboard	2
9 115- 206	BOLT - 3/8" x 5/8" NC hex (grade 5)	6
10 92- 6	LOCKWASHER - 3/8"	18
11 C 10810	SPACER - bearing	3
12 C 15617	PULLEY - outboard	2
13 131- 152	NUT - jam lock 3/4" NF hex	3
14 15- 612	BOLT - 3/8" x 3/4" NC hex	12
15 C 15615	PULLEY - drive	1
16 C 12251	PULLEY - deck idler	1
17 C 14731	BRACKET - idler	1
18 111- 317	BOLT - 3/8" x 1" rd. hd. square neck	1
19 195- 530	WASHER - 1/2" ZP	1
20 C 14768	SPACER - idler bracket	1
21 195- 525	WASHER - 3/8" ZP	2
22 131- 178	NUT - lock 3/8" NC hex	2
23 C 14482	SPRING - idler	1
24 C 14885	BLADE - 16" center	1
25 C 15616	PULLEY - center	1

DRIVE ASSEMBLY

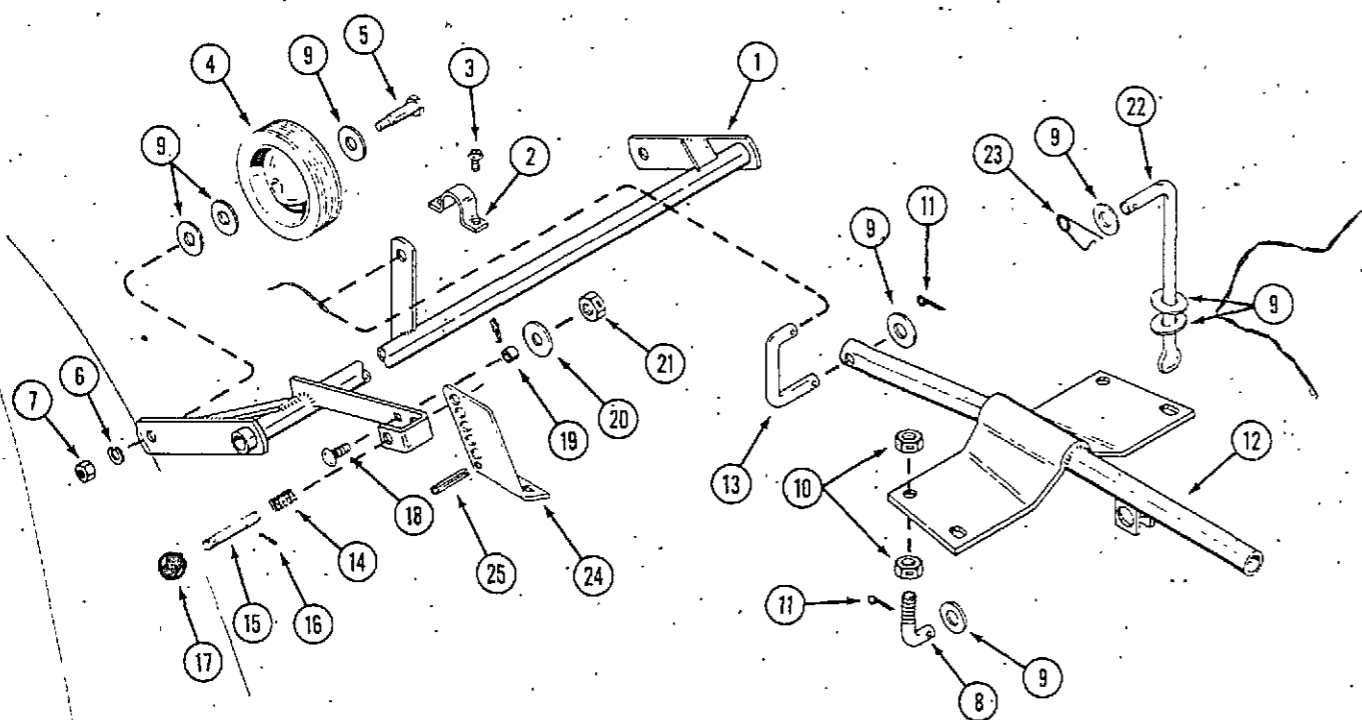
MODEL G46

REF. PART NO.	DESCRIPTION	REQ'D
1 C 10463	PULLEY - idler drive	2
2 C 12264	BUSHING - idler pulley	1
3 C 12249	SPACER - idler pulley	1
4 C 12256	BRACKET - idler R.H.	1
5 C 15930	BRACKET ASSEMBLY	1
6 C 15962	BELLCRANK	1
7 C 15931	SPACER - bellcrank	1
8 C 12236	SPACER - bracket assembly	2
9 113- 267	BOLT - 3/8" x 4" NC hex ZP	1
10 113- 259	BOLT - 3/8" x 4" NC hex ZP	1
11 131- 178	NUT - lock 3/8" NC hex ZP	2
12 193- 30	LOCKWASHER - 3/8" internal tooth	1
13 175- 420	SCREW - 3/8" x 3/4" NC truss hd. mach.	1
14 C 14262	PIVOT - adjusting screw	1
15 C 14264	SCREW - belt tension	1
16 C 14482	SPRING - bellcrank idler	1
17 C 14269	NUT - belt tension	1
18 C 15953	BRACKET - mower mtg. R.H. (For models 442 and 444)	1
19 C 15954	BRACKET - mower mtg. L.H. (For models 442 and 444)	1
20 113- 207	BOLT - 3/8" NC hex ZP	4
21 192- 21	LOCKWASHER - 3/8" ZP	4
22 C 10898	PIN - safety	2
23 C 15949	BRACKET - mower mtg. R.H. (For models 220 and 222)	1
24 C 15950	BRACKET - mower mtg. R.H. (For models 220 and 222)	1



AXLE AND LIFT ASSEMBLY

1 C 15619	AXLE - rear	1
2 C 14932	BRACKET - center, axle mtg.	2
3 187- 1036	SCREW - 1/4" x 1/2" NC hex self-tapping	4
4 C 19556	WHEEL - gauge	2
5 C 14966	STUD - gauge wheel	2
6 192- 21	LOCKWASHER - 3/8"	2
7 129- 103	NUT - 3/8" NC hex	2
8 C 14933	"J" BOLT	2
9 195- 533	WASHER - 1/2" ZP	18
10 131- 165	NUT - lock 1/2" ZP	4
11 132- 310	PIN - cotter 1/8" x 1"	4
12 C 15613	FRAME - mower lift	1
13 C 15614	LINK - lift	1
14 C 10482	SPRING	1
15 C 15942	PIN - locking	1
16 138- 77	PIN - roll	1
17 C 15618	KNOB - height adjust	1
18 11- 516	BOLT - 5/16" x 1" NC rd. hd. square neck	1
19 C 14768	SPACER	1
20 G 49048	WASHER - 5/16" x 1-1/4"	1
21 131- 176	NUT - lock 5/16" NC hex	1
22 C 15761	ROD - lift (use with 222 tractor)	2
22 C 15762	ROD - lift (use with 442 and 444 tractors)	2
23 C 10898	PIN - safety	2
24 C 15935	BRACKET - height adj.	1
25 138- 92	PIN - roll 3/16" x 3/4"	1



NUMERICAL INDEX

PART NO.	PAGE NO.	REF. NO.	PART NO.	PAGE NO.	REF. NO.	PART NO.	PAGE NO.	REF. NO.		
A	70404	5	C	15604	7	92-	6	11		
A	70514	5	C	15604	11	111-	202	5		
C	10463	9	C	15613	9	111-	317	5		
C	10463	13	C	15613	13	111-	317	7		
C	10482	9	C	15614	9	111-	317	11		
C	10482	13	C	15614	13	113-	102	5		
C	10807	7	C	15615	11	113-	207	9		
C	10807	11	C	15616	11	113-	207	13		
C	10810	7	C	15617	7	113-	159	9		
C	10810	11	C	15617	11	113-	259	13		
C	10822	7	C	15618	9	113-	267	9		
C	10822	11	C	15618	13	113-	267	13		
C	10898	9	C	15619	13	115-	206	7		
C	10898	9	C	15620	5	115-	206	11		
C	10898	13	C	15634	5	126-	19	7		
C	10898	13	C	15639	5	126-	19	11		
C	10899	7	C	15640	5	129-	102	5		
C	10899	11	C	15675	5	129-	103	5		
C	10942	11	C	15678	5	129-	103	9		
C	10942	11	C	15679	5	129-	103	13		
C	12236	9	C	15680	5	131-	152	7		
C	12236	13	C	15681	5	131-	152	11		
C	12249	9	C	15761	9	131-	165	9		
C	12249	13	C	15761	13	131-	165	13		
C	12251	7	C	15762	9	131-	176	9		
C	12251	11	C	15762	13	131-	176	13		
C	12256	9	C	15763	7	131-	178	7		
C	12256	13	C	15763	11	131-	178	9		
C	12261	7	C	15930	9	131-	178	11		
C	12262	7	C	15930	13	131-	178	13		
C	12264	9	C	15931	9	132-	310	5		
C	12264	13	C	15931	13	132-	310	9		
C	12519	5	C	15935	5	132-	310	13		
C	14262	9	C	15935	9	138-	77	9		
C	14262	13	C	15935	13	138-	77	13		
C	14264	9	C	15942	9	138-	92	9		
C	14264	13	C	15942	13	138-	92	13		
C	14269	9	C	15943	5	175-	420	9		
C	14269	13	C	15944	5	175-	420	13		
C	14482	7	C	15949	9	187-	1036	5		
C	14482	9	C	15949	13	187-	1036	9		
C	14482	11	C	15950	9	187-	1036	13		
C	14482	13	C	15950	13	192-	20	5		
C	14731	7	C	15953	9	192-	21	5		
C	14731	11	C	15953	13	192-	21	9		
C	14768	7	C	15954	9	192-	21	9		
C	14768	9	C	15954	13	192-	21	13		
C	14768	11	C	15956	5	192-	21	13		
C	14768	13	C	15962	9	193-	30	9		
C	14885	11	C	15962	13	193-	30	13		
C	14886	11	C	15963	7	195-	108	5		
C	14892	5	C	16088	5	195-	525	7		
C	14932	9	C	16093	5	195-	525	11		
C	14932	13	C	16094	5	195-	530	7		
C	14933	9	C	19555	9	195-	530	11		
C	14933	13	C	19556	13	195-	533	9		
C	14965	5	G	49048	9	195-	533	13		
C	14966	13	G	49048	13	321-	1571	5		
C	15412	9								
C	15560	5								
C	15561	5								
C	15562	5								
C	15575	5								
C	15592	5								
C	15600	9								
C	15602	9								
				HARDWARE CODE NUMBERS						
C	15562	5	11-	516	9	18				
C	15575	5	11-	516	13	18				
C	15592	5	15-	612	7	14				
C	15600	9	15-	612	11	14				
C	15602	9	92-	6	7	10				

INGERSOLL
Ingersoll Equipment Co., Inc.

REVISION RECORD LOG

REVISION NO.	DATE INSERTED
1.	
2.	
3.	
4.	
5.	

TS/8-6-76

**H40, H44 & H46 ROTARY MOWER
H50 & H54 UTILITY BLADE
E60 DUMP CART
H80 & H84 SNOW BLOWER
FOR 220, 222, 442, & 444 COMPACT
TRACTORS (S/N 9646800 & AFTER)**

Parts Catalog B1188

HI-Liter 2500

Published June 1978

Note: This parts catalog covers all "H" Attachments & E60 Dump Cart after the above serial no. and replaces both catalogs A1188 and A1183 which are obsolete and should be discarded.

Model Designations	Tractor Application			
	220	222	442	444
H40 Rotary Mower	X	X	(1)	(1)
H44 Rotary Mower	X	X	X	X
H46 Rotary Mower	(1)	X	X	X
H50 Dozer Blade	X	X	(1)	(1)
H54 Dozer Blade	(1)	X	X	X
E60 Dump Cart	X	X	X	X
H80 Snowblower	X	X	(1)	(1)
H84 Snowblower	(1)	X	X	X

(1) Will Fit But Not Recommended.

J I Case
A Tenneco Company



Services Parts Supply

700 State Street
Racine, Wisconsin 53404

Printed in U.S.A.

ALPHABETICAL INDEX

MOWER SECTION

	PAGE	GRID
Axle	11	C10
Belts	5	C4
Blades	7	C6
Blades, H46	9	C8
Decks	5	C4
Guards and Covers	5	C4
Housing, Spindle	7-9	C6-C8
Idler, Deck	7-9	C6-C8
Idler, Drive	11	C10
Lift Assembly	11	C10
Pulleys, Deck	7-9	C6-C8
Rollers, Rubber	5	C4
Spindles	7-9	C6-C8
Wheels, Gauge	11	C10

DOZER SECTION

Blade, 44" and 54"	13	C12
Brackets, Mounting	13	C12
Edge, Cutting	13	C12
Skids	13	C12

DUMP CART SECTION

Axle	15	C14
Body	15	C14
Extensions, Side	17	D2
Tongue	15	C14
Wheels	15	C14

SNOWBLOWER SECTION

Auger	19	D4
Belts	23	D8
Chute Control	19	D4
Drive Assembly	21	D6
Lift Assembly	19	D4

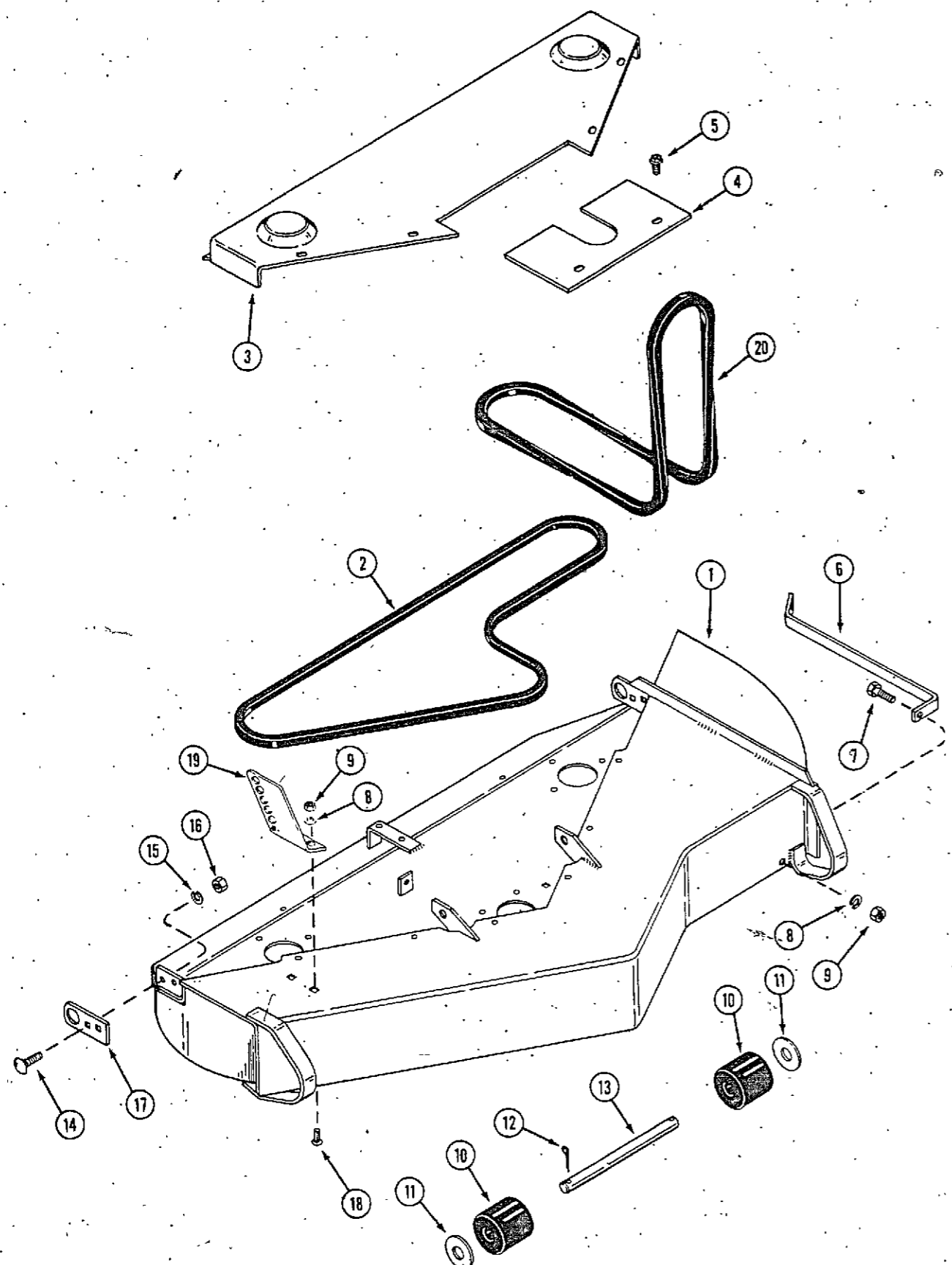
NOTE: See grid A2 for -
G80, G84 Snowcaster

NOTE: See grid B2 for -
G40, G44, G46 Rotary Mowers,
G3, G5 Mounting Kits

NOTE: See grid E2 for -
J, K, L, M, N40; J, K, L, M, N44;
J, K, L, M, N46 Rotary Mowers,
J, K, L, M, N, P, R, S80
Snowcasters,
J, K, L, M, N, P, R, S84
Snowcasters,
J, K, L(50)(54) Utility Blades

DECK, BELTS AND DECK COVERS

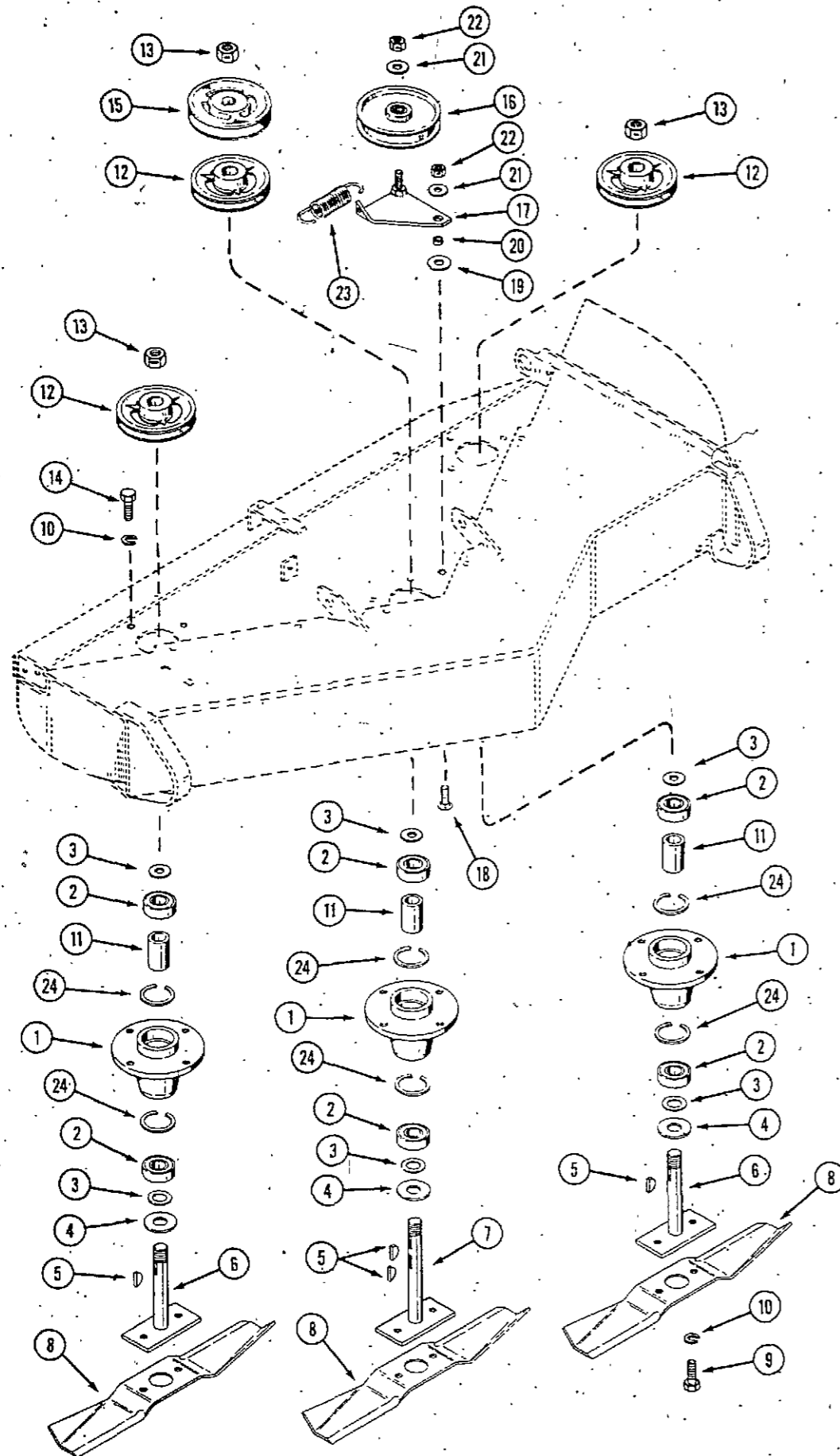
MODELS H40, H44, AND H46



REF. PART NO.	DESCRIPTION	REQ'D
1 C 18925	DECK - mower, H40 (38")	1
1 C 18927	DECK - mower, H44 (44")	1
1 C 18932	DECK - mower, H46 (48")	1
2 C 23810	BELT - mower deck, H40	1
2 C 22707	BELT - mower deck, H44	1
2 C 22708	BELT - mower deck, H46	1
3 C 15679	GUARD - deck belt, H40	1
3 C 15680	GUARD - deck belt, H44	1
3 C 15681	GUARD - deck belt, H46	1
4 C 15675	COVER - deck, small	1
5 187- 1036	SCREW - 1/4" x 1/2" NC hex self-tapping	8
6 C 15640	BAR - safety, H40	1
6 C 15639	BAR - safety, H44	1
6 C 15634	BAR - safety, H46	1
7 113- 102	BOLT - 5/16" x 3/4" NC hex ZP	2
8 192- 20	LOCKWASHER - 5/16" ZP	4
9 129- 102	NUT - 5/16" NC hex ZP	4
10 A 70514	ROLLER - 2-1/2" x 2-3/8"	2
11 195- 108	WASHER - 5/8" ZP	2
12 132- 310	PIN - cotter 1/8" x 1"	2
13 C 14892	SHAFT - rear roller	2
14 111- 317	BOLT - 3/8" x 1" NC rd. hd. square neck	2
15 192- 21	LOCKWASHER - 3/8" ZP	2
16 129- 103	NUT - 3/8" NC hex ZP	2
17 C 15562	BRACKET - axle pivot, H40	1
17 C 15560	BRACKET - axle pivot, H44	1
17 C 15561	BRACKET - axle pivot, H46	1
18 111- 202	BOLT - 5/16" x 3/4" rd. hd. square neck	2
19 C 15935	BRACKET - height adj.	1
20 C 23807	BELT - drive (Use with 220 and 222 tractors)	1
20 C 23809	BELT - drive (Use with 442 and 444 tractors)	1
321- 1571	DECAL - "CASE"	1
321- 4381	DECAL - "DANGER" SPINNING BLADE	2
C 12519	DECAL - "NO STEP"	2
C 15956	DECAL - height adjust	1
C 19272	DECAL - safety	1

PULLEYS, BLADES, AND SPINDLES

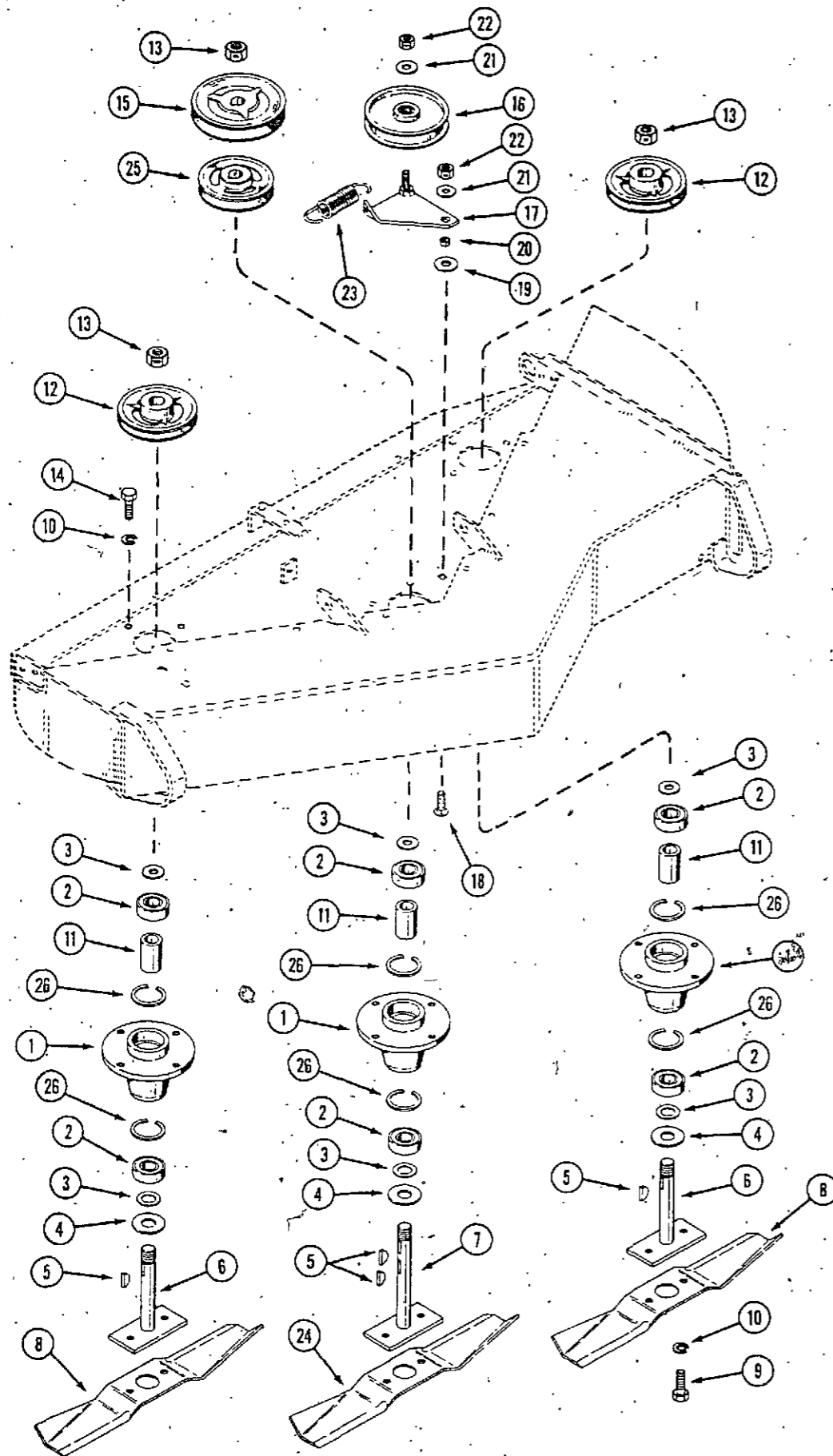
MODELS H40 AND H44



REF.	PART NO.	DESCRIPTION	REQ'D
1	C 17666	HOUSING - mower spindle	3
2	A 70280	BEARING - spindle	6
3	C 10822	WASHER - bearing seal	6
4	C 10942	WASHER - mower spindle	3
5	126- 19	KEY - spindle, #11 Woodruff	4
6	C 15763	SPINDLE - outboard	2
7	C 15604	SPINDLE - center	1
8	C 24441	BLADE - 14" (H40)	3
8	C 24442	BLADE - 15-1/2" (H44)	3
9	113- 205	BOLT - 3/8" x 5/8" NC hex (grade 5)	6
10	192- 21	LOCKWASHER - 3/8"	18
11	C 10810	SPACER - bearing	3
12	C 21581	PULLEY - outboard	3
13	131- 1127	NUT - jam lock 3/4" NF hex	3
14	113- 206	BOLT - 3/8" x 3/4" NC hex	12
15	C 15963	PULLEY - drive	1
16	C 12251	PULLEY - deck idler	1
17	C 14731	BRACKET - idler	1
18	111- 362	BOLT - 3/8" x 1" rd. hd. square neck	1
19	195- 530	WASHER - 1/2" ZP	1
20	C 14768	SPACER - idler bracket	1
21	195- 525	WASHER - 3/8" ZP	2
22	131- 178	NUT - lock 3/8" NC hex	2
23	C 14482	SPRING - idler	1
24	A 63279	RING - retainer	6

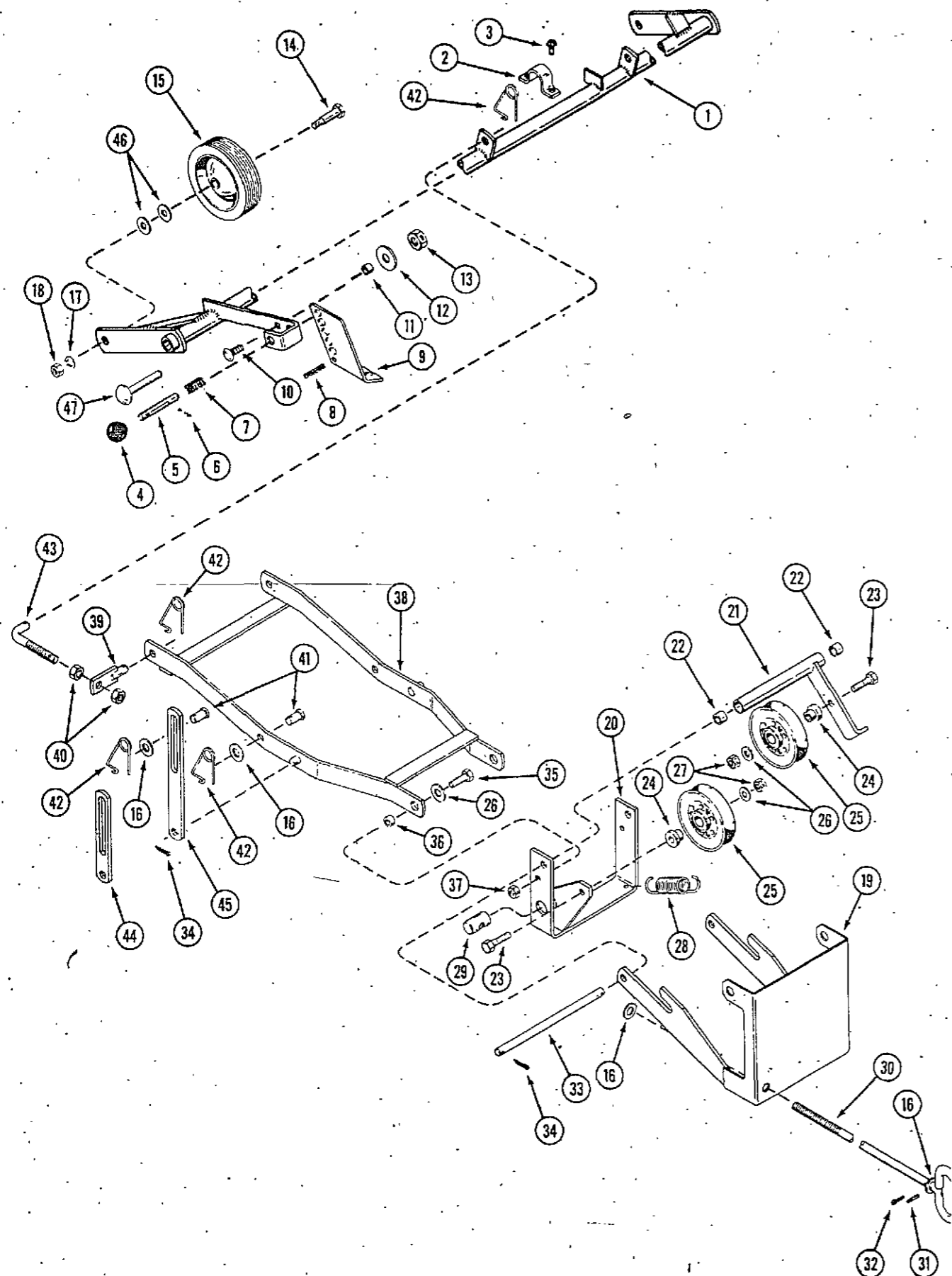
PULLEYS, BLADES, AND SPINDLES

MODEL H46



REF. PART NO.	DESCRIPTION	REQ'D
1 C 17666	HOUSING - mower spindle	3
2 A 70280	BEARING - spindle	6
3 C 10822	WASHER - bearing seal	6
4 C 10942	WASHER - mower spindle	3
5 126- 19	KEY - spindle, #11 Woodruff	4
6 C 15763	SPINDLE - outboard	2
7 C 15604	SPINDLE - center	1
8 C 14886	BLADE - 17" outboard	2
9 113- 205	BOLT - 3/8" x 5/8" NC hex (grade 5)	6
10 192- 21	LOCKWASHER - 3/8"	18
11 C 10810	SPACER - bearing	3
12 C 21581	PULLEY - outboard	2
13 131- 1127	NUT - jam lock 3/4" NF hex	3
14 113- 206	BOLT - 3/8" x 3/4" NC hex	12
15 C 15615	PULLEY - drive	1
16 C 12251	PULLEY - deck idler	1
17 C 14731	BRACKET - idler	1
18 111- 362	BOLT - 3/8" x 1" rd. hd. square neck	1
19 195- 530	WASHER - 1/2" ZP	1
20 C 14768	SPACER - idler bracket	1
21 195- 525	WASHER - 3/8" ZP	2
22 131- 178	NUT - lock 3/8" NC hex	2
23 C 14482	SPRING - idler	1
24 C 24443	BLADE - 16" center	1
25 C 15616	PULLEY - center	1
26 A 63279	RING - retainer	6

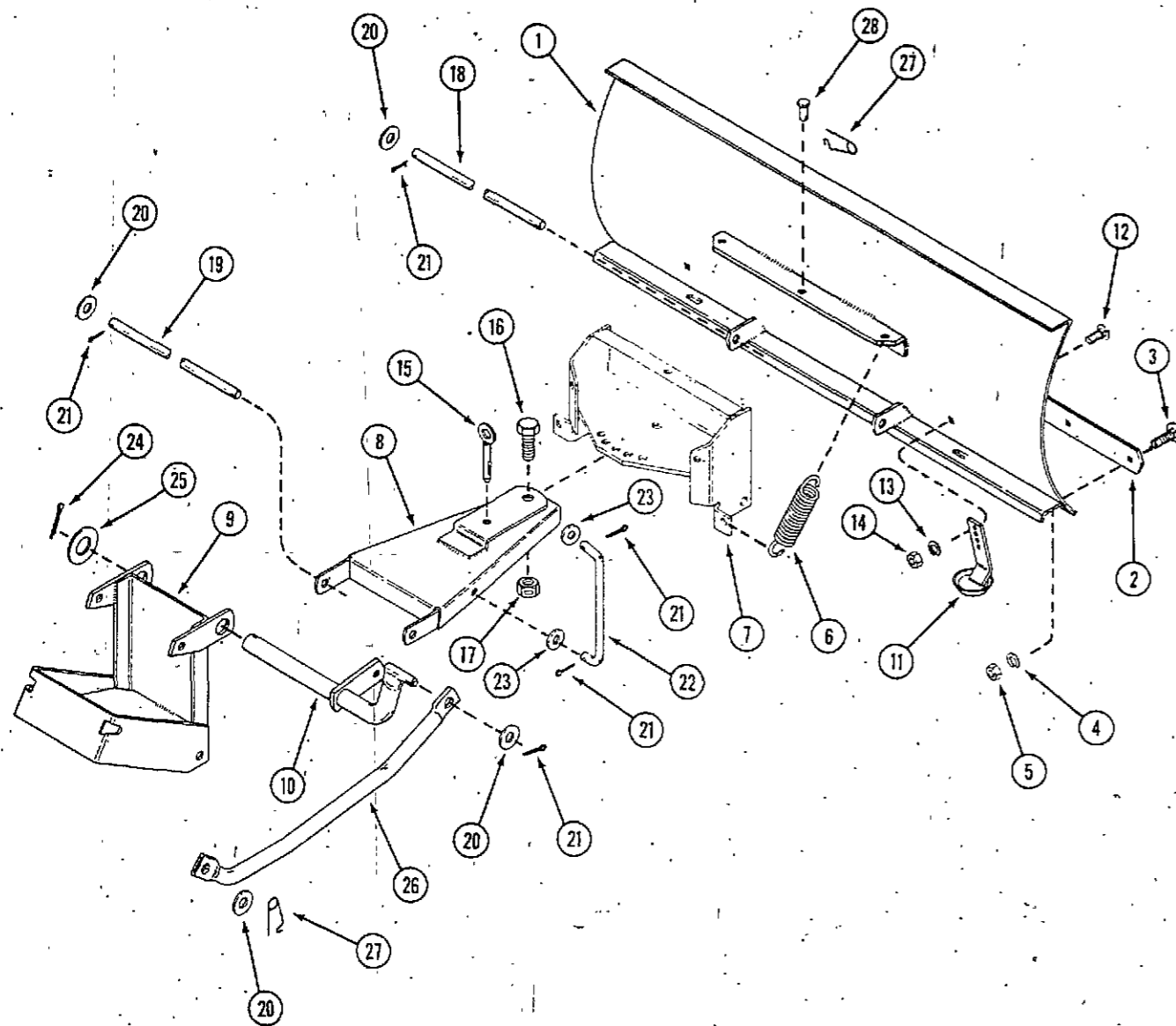
AXLE, IDLER AND MOUNTING ASSEMBLIES



REF. PART NO.	DESCRIPTION	REQ'D
1 C 24707	AXLE - rear (H40)	1
1 C 24708	AXLE - rear (H44)	1
1 C 24709	AXLE - rear (H46)	1
2 C 14932	BRACKET - axle mounting (H40 and H44)	1
2 C 14932	BRACKET - axle mounting (H46)	2
3 187- 1036	SCREW - 1/4" x 1/2" NC hex self-tapping (4 req'd. for H46)	2
4 NSS	KNOB - height adjust (order C20005)	1
5 NSS	PIN - locking (order C20005)	1
6 138- 77	PIN - roll	1
7 C 10482	SPRING	1
8 138- 92	PIN - roll 3/16" x 3/4"	1
9 C 15935	BRACKET - height adjust	1
10 111- 203	BOLT - 5/16" x 1" NC rd. hd. square neck	1
11 C 14768	SPACER - height adjust	1
12 195- 2021	WASHER - 21/64" x 1-1/4"	1
13 131- 176	NUT - lock 5/16" NC hex	1
14 C 16745	STUD - gauge wheel (H40 and H44)	2
14 C 14966	STUD - gauge wheel (H46)	2
15 C 19555	WHEEL - gauge (H40 and H44)	2
15 C 19556	WHEEL - gauge (H46)	2
16 195- 533	WASHER - 1/2"	4
17 192- 21	LOCKWASHER - 3/8"	2
18 129- 103	NUT - 3/8" NC hex	2
19 C 17648	BRACKET - front mounting	1
20 C 16569	BRACKET - idler	1
21 C 16575	BRACKET - idler arm	1
22 C 17597	BUSHING - idler arm	2
23 113- 209	BOLT - 3/8" x 1-1/2" NC hex	2
24 C 12264	BUSHING - idler pulley	2
25 C 10463	PULLEY - idler	2
26 195- 525	WASHER - 3/8"	4
27 131- 178	NUT - lock 3/8" NC hex	2
28 C 14482	SPRING - idler	1
29 C 14269	NUT - belt tension	1
30 C 16562	SCREW - idler adjust	1
31 138- 319	PIN - roll 3/16" x 1-1/4"	1
32 132- 311	PIN - cotter	1
33 C 16574	ROD - pivot	1
34 132- 310	PIN - cotter	4
35 113- 208	BOLT - 3/8" x 1-1/4" NC hex	2
36 C 16573	SPACER	2
37 131- 1114	NUT - lock 3/8" NC hex jam	2
38 C 16824	FRAME - rear mounting	1
39 C 17048	PIN	2
40 131- 165	NUT - 1/2" NC hex	4
41 C 10821	PIN - clevis 1/2" x 7/8"	4
42 C 10898	PIN - safety	8
43 C 17686	BOLT - "J"	2
44 C 18315	LINK - lift, short (used with Models 210, 220, 224, 644 and 646)	2
45 C 18338	LINK - lift, long (used with Models 442, 444 and 446)	2
46 195- 533	WASHER - 1/2" (H46 only)	4
47 C 20005	PIN - height adjust	1

MODEL H50 AND H54 DOZER BLADE

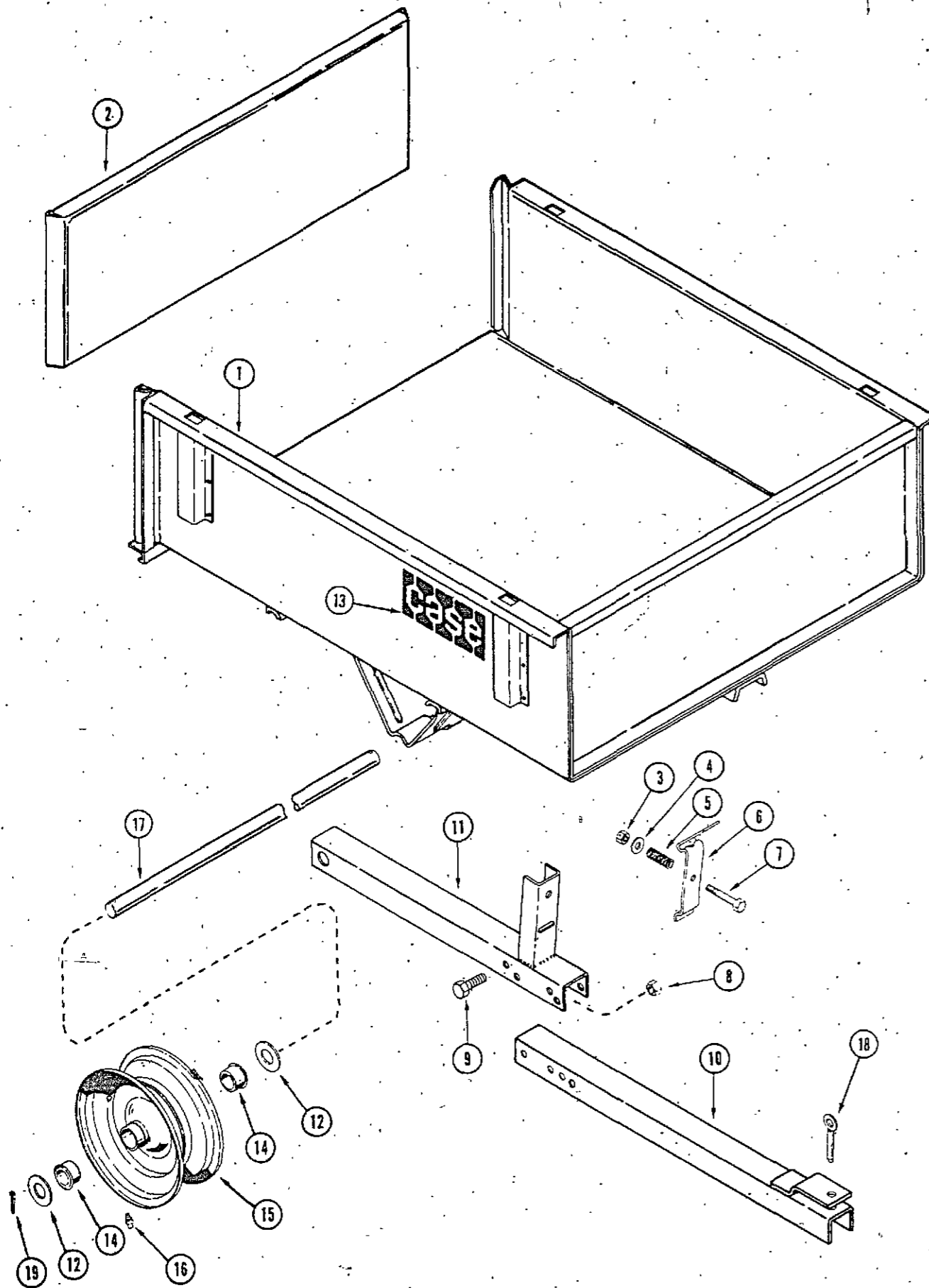
REF. PART NO.	DESCRIPTION	REQ'D
1 C 16524	BLADE - (H50) (44")	1
1 C 16525	BLADE - H54 (54")	1
2 C 10871	EDGE - H50 (44")	1
2 C 14440	EDGE - H54 (54")	1
3 111- 203	BOLT - 5/16" x 1" NC rd. hd. square neck (H50)	8
3 111- 203	BOLT - 5/16" x 1" NC rd. hd. square neck (H54)	9
4 192- 20	LOCKWASHER - 5/16" (H50)	8
4 192- 20	LOCKWASHER - 5/16" (H54)	9
5 129- 102	NUT - 5/16" NC hex (H50)	8
5 129- 102	NUT - 5/16" NC hex (H54)	9
6 C 16805	SPRING - blade	2
7 C 22741	BRACKET - pivot	1
8 C 16515	BRACKET - center push	1
9 C 16503	BRACKET - rear support	1
10 C 17890	ARM - lift	1
11 C 16664	SKID	2
12 111- 362	BOLT - 3/8" x 1" NC rd. hd. square neck	2
13 192- 21	LOCKWASHER - 3/8"	2
14 129- 103	NUT - 3/8" NC hex	2
15 C 10888	PIN - lock	1
16 113- 713	BOLT - 3/4" x 1-3/4" NC hex	1
17 131- 1112	NUT - lock 3/4" NC hex	1
18 C 16529	ROD - front pivot	1
19 C 16530	ROD - rear pivot	1
20 195- 541	WASHER - 5/8"	6
21 132- 310	PIN - cotter 1/8" x 1"	7
22 C 16531	LINK - lift	1
23 195- 533	WASHER - 1/2"	2
24 132- 77	PIN - cotter 5/32" x 2"	1
25 195- 2135	WASHER - 1-5/16"	1
26 C 22024	ROD - lift	1
27 C 10898	PIN - safety	2
28 141- 56	PIN - clevis 1/2" x 1-3/8"	1
321- 1571	DECAL - "CASE"	1
C 17201	DECAL - safety	1



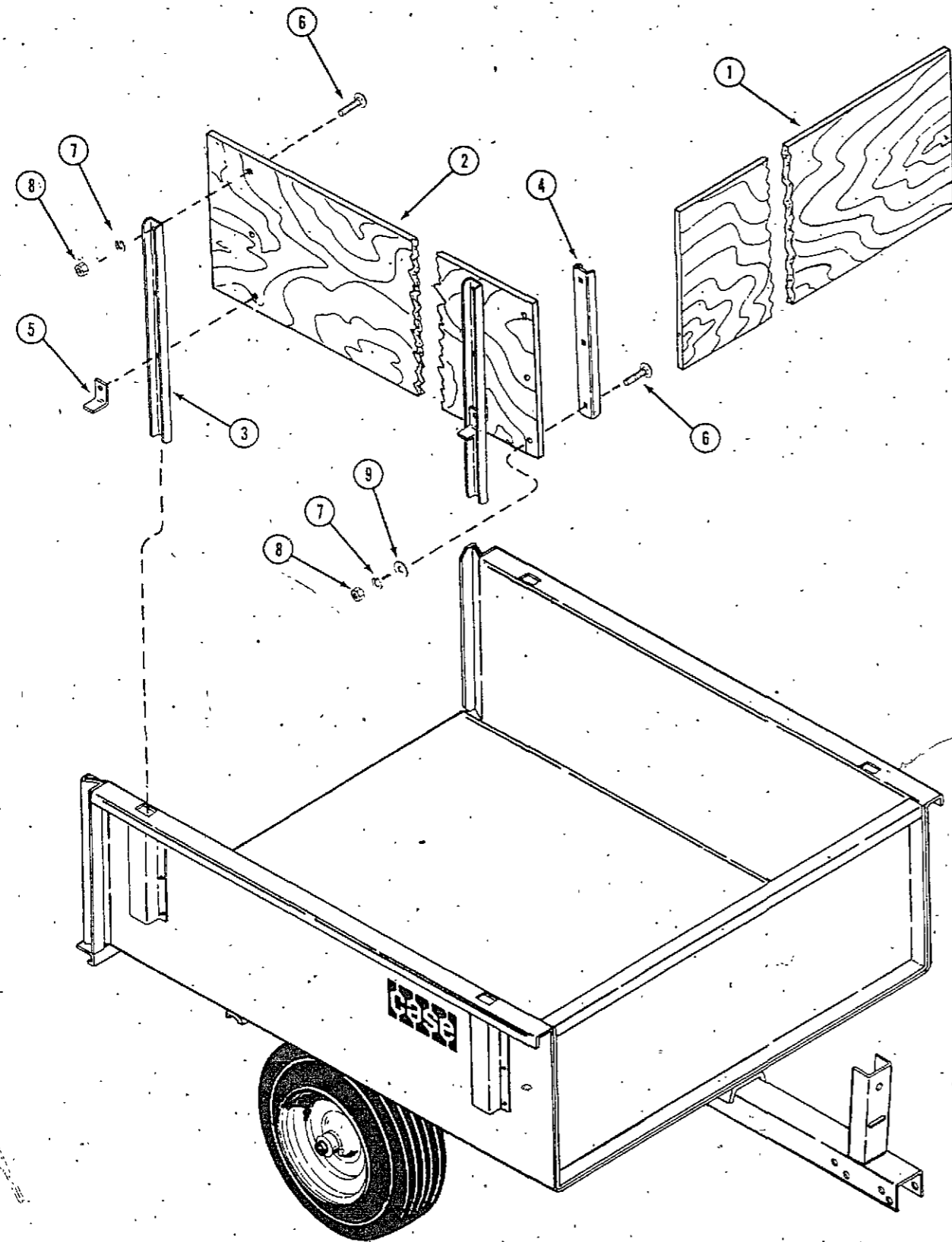
MODEL E60 DUMP CART

220, 222, 442 AND 444 COMPACT TRACTORS

REF. PART NO.	DESCRIPTION	REQ'D
1	NSS	BODY.....1
2	C 13547	TAILGATE.....1
3	131- 176	NUT - lock 5/16" NC hex ZP.....1
4	195- 2027	WASHER - 11/32" ID ZP.....1
5	C 11942	SPRING - release.....1
6	C 13859	LEVER - release.....1
7	113- 111	BOLT - 5/16" x 2-1/2" NC hex ZP.....1
8	131- 1181	NUT - lock 3/8" NC hex ZP.....4
9	113- 206	BOLT - 3/8" x 3/4" NC hex ZP.....4
10	C 14072	TONGUE - front.....1
11	C 14073	TONGUE - rear.....1
12	195- 533	WASHER - plain 1".....4
13	321- 1571	DECAL.....2
14	C 14221	BUSHING - flanged.....2
15	C 24964	WHEEL - centered hub (used with C13920 axle)(includes bearings).....2
16	219- 1	FITTING - lube.....2
17	C 13920	SHAFT - axle 33-3/4" (Used with A70066 wheel).....1
18	C 10888	PIN - hitch.....1
19	132- 306	PIN - cotter 3/16" x 1-3/4" ZP.....2

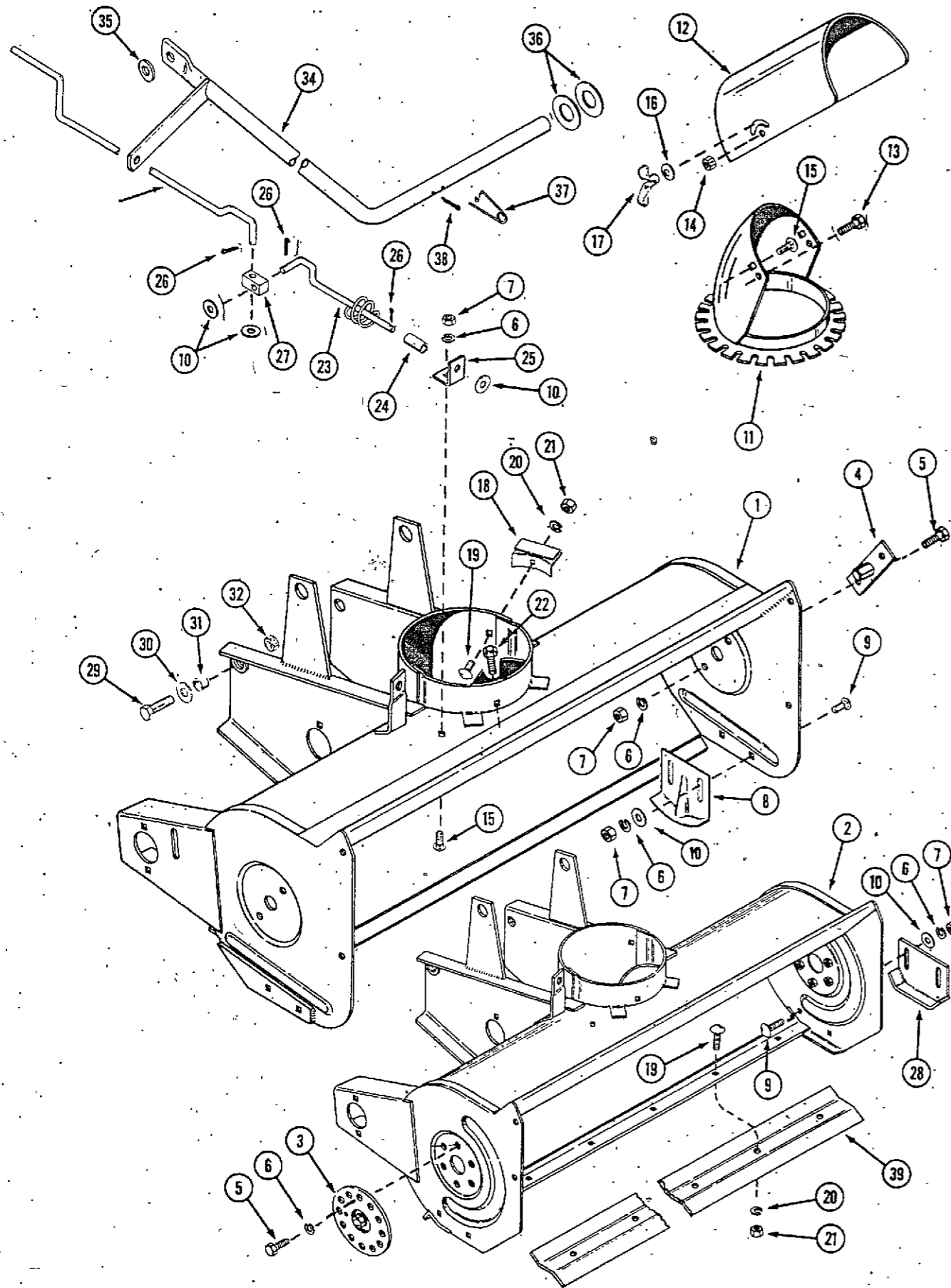


MODEL E65 DUMP CART EXTENSIONS



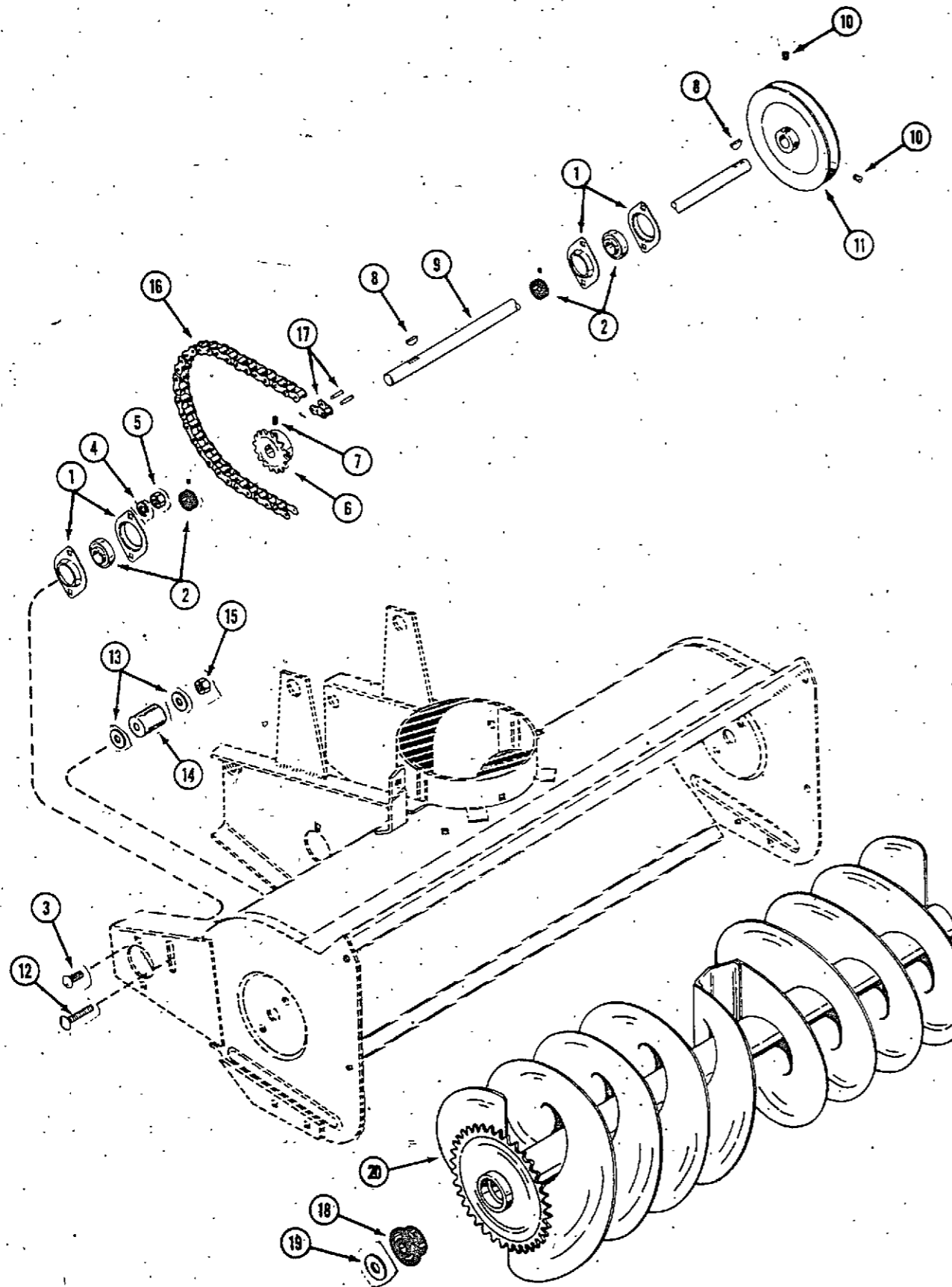
REF. PART NO.	DESCRIPTION	REQ'D
1 C 17276	BOARD - front	1
2 C 17277	BOARD - side	2
3 C 17279	BRACKET - support side	4
4 C 17280	BRACKET - support front	2
5 C 17278	BRACKET - stop	4
6 111- 111	BOLT - 1/4" x 1" NC rd. hd. square neck	18
7 192- 19	LOCKWASHER - 1/4"	18
8 129- 101	NUT - 1/4" NC hex	18
9 195- 518	WASHER - 1/4"	6

AUGER, CHUTE CONTROL AND LIFT ASSEMBLY



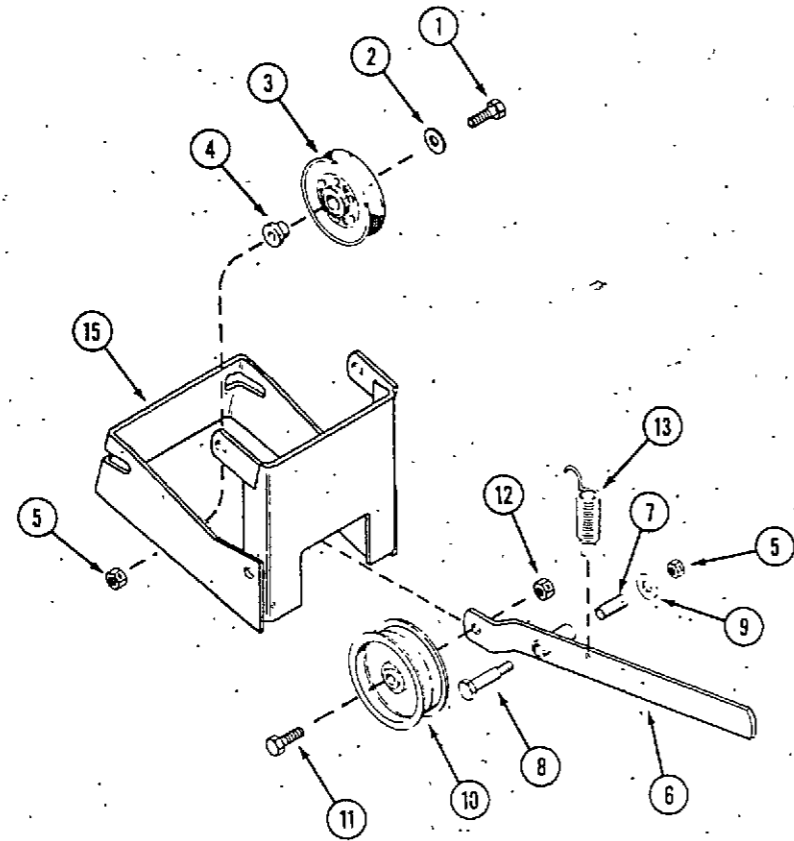
REF. PART NO.	DESCRIPTION	REQ'D
1 C 16159	HOUSING - auger 38" (used prior to S/N F20182)	1
1 C 16311	HOUSING - auger 48" (used prior to S/N G20205)	1
2 C 19820	HOUSING - auger 38" (used S/N F20182 and above)	1
2 C 19718	HOUSING - auger 48" (used S/N G20205 and above)	1
3 C 19734	HUB - auger mounting (used S/N F20182 & G20205 and above)	2
4 C 15186	SHAFT - auger mounting (used with C16159 & C16311 housing)	2
5 113- 206	BOLT - 3/8 x 3/4" NC hex	4
6 192- 21	LOCKWASHER - 3/8" ZP	9
7 129- 103	NUT - 3/8" NC hex ZP	9
8 C 15190	SKID - shoe (used with C16159 & C16311 housing)	2
9 111- 342	BOLT - 3/8 x 1" NC round head, long square neck	4
10 195- 525	WASHER - 3/8" ZP	7
11 C 15248	SHROUD	1
12 C 16940	DEFLECTOR	1
13 113- 1	BOLT - 1/4 x 1/2" NC hex ZP	2
14 131- 1102	NUT - lock 1/4" NC hex ZP	2
15 111- 340	BOLT - 3/8 x 3/4" NC round head, short square neck	3
16 D 33544	WASHER - dished 25/64 x 1" O.D.	2
17 C 22774	WINGNUT - deflector locking	2
18 C 15334	BRACKET - chute holddown	3
19 111- 202	BOLT - 5/16 x 3/4" NC round head, square neck (H80)	9
19 111- 202	BOLT - 5/16 x 3/4" NC round head, square neck (H84)	11
20 192- 20	LOCKWASHER - 5/16" ZP (H80)	9
20 192- 20	LOCKWASHER - 5/16" ZP (H84)	11
21 129- 102	NUT - 5/16" NC hex ZP (H80)	9
21 129- 102	NUT - 5/16" NC hex ZP (H84)	11
22 113- 102	BOLT - 5/16 x 3/4" NC hex ZP (used with C16159 & C16311 housing)	1
23 C 15244	ROD - chute control	1
24 C 15277	SPACER	1
25 C 15240	BRACKET - control rod	1
26 132- 320	PIN - cotter 3/32 x 3/4"	3
27 C 14583	JOINT - block	1
28 C 17775	SKID - shoe (used with C17899 & 17900 housing)	2
29 113- 412	BOLT - 1/2 x 1-3/4" NC hex	2
30 195- 534	WASHER - 1/2"	2
31 C 18770	BUSHING	2
32 131- 165	NUT - lock 1/2" NC hex	2
33 C 14584	CRANK - chute	1
34 C 16309	ARM - lift	1
35 195- 541	WASHER - 21/32 x 1-5/16" ZP	1
36 195- 2134	WASHER - 1-3/16 x 2-1/4" ZP	2
37 C 10898	PIN - safety	1
38 132- 34	PIN - cotter	1
39 C 17776	BLADE - snowblower (H84)	1
39 C 17878	BLADE - snowblower (H80)	1

DRIVE ASSEMBLY

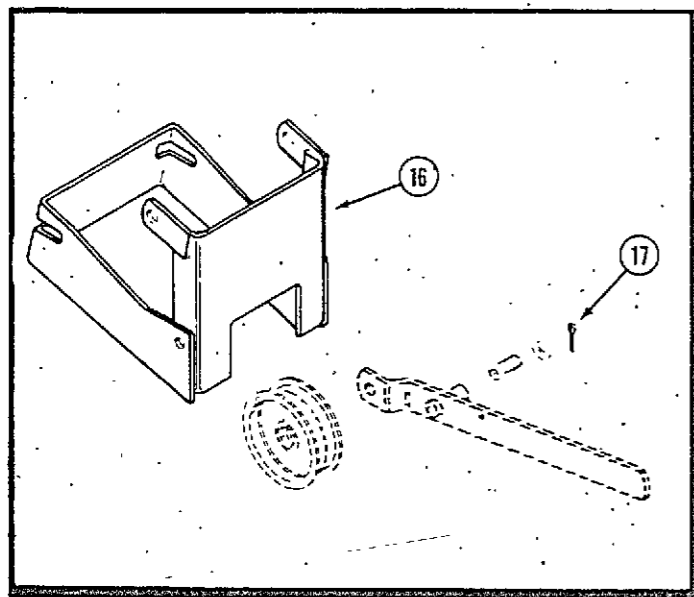


REF. PART NO.	DESCRIPTION	REQ'D
1 C 15514	FLANGETTE	4
2 C 14419	BEARING - includes collar and setscrew	2
3 111- 202	BOLT - 5/16 x 3/4" NC round head, square neck, ZP	4
4 192- 20	LOCKWASHER - 5/16" ZP	4
5 129- 102	NUT - 5/16" NC hex ZP	4
6 C 14579	SPROCKET - drive 16 tooth	1
7 178- 858	SETScrew - 5/16 x 3/8"	2
8 126- 16	KEY - Woodruff #9	2
9 C 17724	SHAFT - drive (H84)	1
9 C 17723	SHAFT - drive (H80)	1
10 178- 858	SETScrew - 5/16 x 3/8"	2
11 C 16119	PULLEY - drive shaft	1
12 111- 349	BOLT - 3/8 x 2-1/2" NC round head, square neck	1
13 195- 2029	WASHER - 7/16 x 1-1/4" O.D. ZP	2
14 C 16158	BLOCK - chain tightener (used prior to S/N F20182 & G20205)	1
15 131- 178	NUT - lock 3/8" ZP	1
16	CHAIN - auger drive 74 pitches #40 roller chain, use:	
B 12470	CHAIN - 50 links #40	1
B 12471	CHAIN - 20 links #40	1
B 12501	LINK - connecting #40	1
B 12503	LINK - roller #40	1
B 12502	LINK - offset #40	2
17 B 14421	BEARING - auger	2
18 C 14421	BEARING - auger	2
19 195- 545	WASHER - spacer 13/16"	JUAR
20 C 16108	AUGER - 38" (H80)	1
20 C 16179	AUGER - 48" (H84)	1

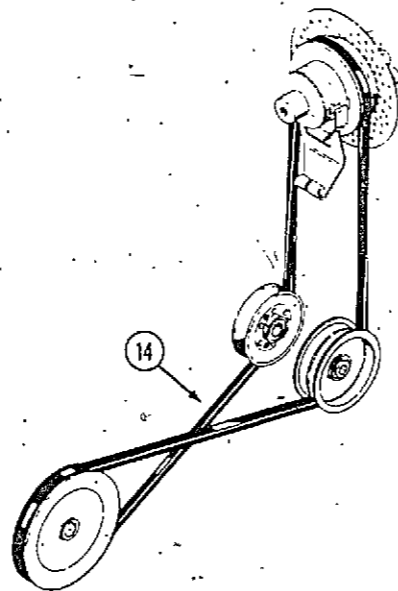
BELTS AND IDLER ASSEMBLY



REF. PART NO.	DESCRIPTION	REQ'D
1 113- 206	BOLT - 3/8 x 3/4" NC hex ZP	1
2 193- 68	WASHER - 3/8" internal tooth	1
3 C 10463	PULLEY - idler	1
4 C 12264	BUSHING - idler (used prior to S/N F20182 & G20205)	1
5 131- 178	NUT - lock 3/8" NC hex ZP	2
6 C 16853	ARM - idler	1
7 C 16714	BUSHING - idler arm	1
8 C 16745	BOLT - shoulder	1
9 195- 533	WASHER - 1/2" ZP	1
10 F 51571	PULLEY - backside idler	1
11 113- 412	BOLT - 1/2 x 1-3/4" NC hex ZP	1
12 131- 165	NUT - lock 1/2" NC hex ZP	1
13 C 16870	SPRING - idler	1
14 C 23949	BELT - use on H80 and H84 with models 220 and 222	1
14 C 23950	BELT - use on H84 with models 442 and 444	1
15 NSS	FRAME - idler (used prior to S/N F20182 & G20205) order items 16 and 17	1
16 C 17713	FRAME - idler	1
17 132- 318	PIN - cotter	1
321- 1571	DECAL - "CASE"	1
C 17462	DECAL - belt installation	1
321- 4199	DECAL - "WARNING"	1



USED ON H80 S/N F20182 AND AFTER
USED ON H84 S/N G20205 AND AFTER



BELT ILLUSTRATION AS VIEWED
FROM FRONT LEFT SIDE.

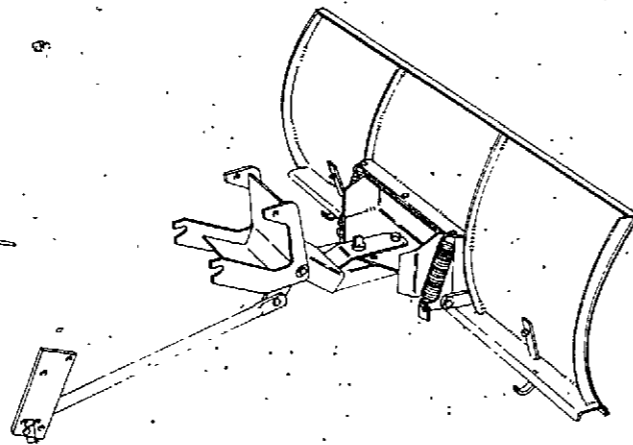
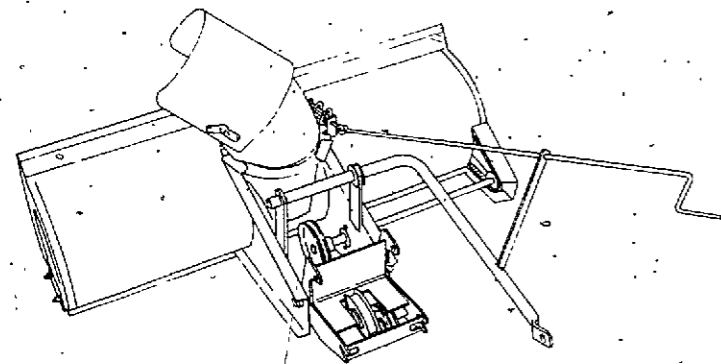
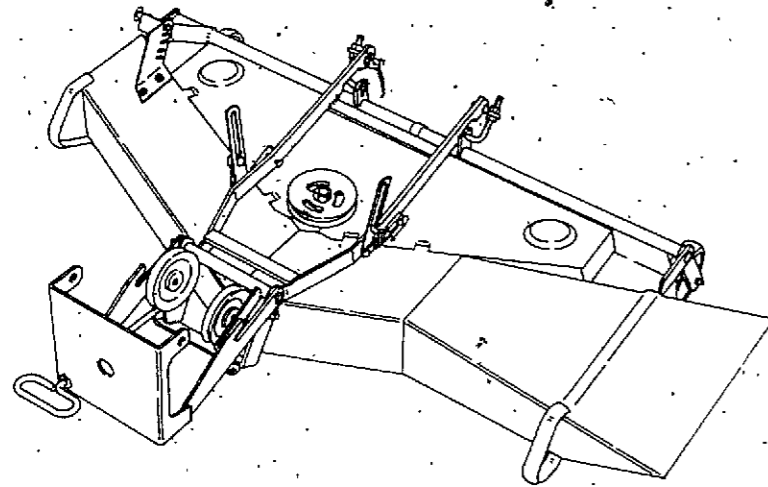
PART NO.	PAGE NO.	REF. NO.	PART NO.	PAGE NO.	REF. NO.	PART NO.	PAGE NO.	REF. NO.			
A	63279	7	24	C	15186	19	4	C	17276	17	1
A	63279	9	26	C	15190	19	8	C	17277	17	2
A	70280	7	2	C	15240	19	25	C	17278	17	5
A	70280	9	2	C	15244	19	23	C	17279	17	3
A	70514	5	10	C	15248	19	11	C	17280	17	4
B	12470	21		C	15277	19	24	C	17462	23	
B	12471	21		C	15334	19	18	C	17597	11	22
B	12501	21		C	15514	21	1	C	17648	11	19
B	12502	21	17	C	15560	5	17	C	17666	7	1
B	12503	21		C	15561	5	17	C	17666	9	1
C	10463	11	25	C	15562	5	17	C	17686	11	43
C	10463	23	3	C	15604	7	7	C	17713	23	16
C	10482	11	7	C	15604	9	7	C	17723	21	9
C	10810	7	11	C	15615	9	15	C	17724	21	9
C	10810	9	11	C	15616	9	25	C	17775	19	28
C	10821	11	41	C	15634	5	6	C	17776	19	39
C	10822	7	3	C	15639	5	6	C	17878	19	39
C	10822	9	3	C	15640	5	6	C	17890	13	10
C	10871	13	2	C	15675	5	4	C	18315	11	44
C	10888	13	15	C	15679	5	3	C	18338	11	45
C	10888	15	18	C	15680	5	3	C	18770	19	31
C	10898	11	42	C	15681	5	3	C	18925	5	1
C	10898	13	27	C	15763	7	6	C	18927	5	1
C	10898	19	37	C	15763	9	6	C	18932	5	1
C	10942	7	4	C	15935	5	19	C	19272	5	
C	10942	9	4	C	15935	11	9	C	19555	11	15
C	11942	15	5	C	15956	5		C	19556	11	15
C	12251	7	16	C	15963	7	15	C	19718	19	2
C	12251	9	16	C	16108	21	20	C	19734	19	3
C	12264	11	24	C	16119	21	11	C	19820	19	2
C	12264	23	4	C	16158	21	14	C	20005	11	47
C	12519	5		C	16159	19	1	C	21581	7	12
C	13547	15	2	C	16179	21	20	C	21581	9	12
C	13859	15	6	C	16309	19	34	C	22024	13	26
C	13920	15	17	C	16311	19	1	C	22707	5	2
C	14072	15	10	C	16503	13	9	C	22708	5	2
C	14073	15	11	C	16515	13	8	C	22741	13	7
C	14221	15	14	C	16524	13	1	C	22774	19	17
C	14269	11	29	C	16525	13	1	C	23807	5	20
C	14419	21	2	C	16529	13	18	C	23809	5	20
C	14421	21	18	C	16530	13	19	C	23810	5	2
C	14440	13	2	C	16531	13	22	C	23949	23	14
C	14482	7	23	C	16562	11	30	C	23950	23	14
C	14482	9	23	C	16569	11	20	C	24441	7	8
C	14482	11	28	C	16573	11	36	C	24442	7	8
C	14579	21	6	C	16574	11	33	C	24443	9	24
C	14583	19	27	C	16575	11	21	C	24707	11	1
C	14584	19	33	C	16664	13	11	C	24708	11	1
C	14731	7	17	C	16714	23	7	C	24709	11	1
C	14731	9	17	C	16745	11	14	C	24964	15	15
C	14768	7	20	C	16745	23	8	D	33544	19	16
C	14768	9	20	C	16805	13	6	F	51571	23	10
C	14768	11	11	C	16824	11	38				
C	14886	9	8	C	16853	23	6				
C	14892	5	13	C	16870	23	13				
C	14932	11	2	C	16940	19	12				
C	14932	11	2	C	17048	11	39				
C	14966	11	14	C	17201	13					

PART NO.	PAGE NO.	REF. NO.	PART NO.	PAGE NO.	REF. NO.	PART NO.	PAGE NO.	REF. NO.		
HARDWARE CODE NUMBERS										
11-	111	17	6	131-	1127	7	13	321-	1571	13
11-	202	5	18	131-	1127	9	13	321-	1571	15
11-	202	19	19	131-	1181	15	8	321-	1571	23
11-	202	19	19	132-	34	19	38	321-	4199	23
11-	202	21	3	132-	77	13	24	321-	4381	5
11-	203	11	10	132-	306	15	19			
11-	203	13	3	132-	310	5	12			
11-	203	13	3	132-	310	11	34			
11-	317	5	14	132-	310	13	21			
11-	340	19	15	132-	311	11	32			
11-	342	19	9	132-	318	23	17			
11-	349	21	12	132-	320	19	26			
11-	362	7	18	138-	77	11	6			
11-	362	9	18	138-	92	11	8			
11-	362	13	12	138-	319	11	31			
13-	1	19	13	141-	56	13	28			
13-	102	5	7	178-	858	21	7			
13-	102	19	22	178-	858	21	10			
13-	111	15	7	187-	1036	5	5			
13-	205	7	9	187-	1036	11	3			
13-	205	9	9	192-	19	17	7			
13-	206	7	14	192-	20	5	8			
13-	206	9	14	192-	20	13	4			
13-	206	15	9	192-	20	13	4			
13-	206	19	5	192-	20	19	20			
13-	206	23	1	192-	20	21	4			
13-	208	11	35	192-	21	5	15			
13-	209	11	23	192-	21	7	10			
13-	412	19	29	192-	21	9	10			
13-	412	23	11	192-	21	11	17			
13-	713	13	16	192-	21	13	13			
26-	16	21	8	192-	21	19	6			
26-	19	7	5	193-	68	23	2			
26-	19	9	5	195-	108	5	11			
29-	101	17	8	195-	518	17	9			
29-	102	5	9	195-	525	7	21			
29-	102	13	5	195-	525	9	21			
29-	102	19	21	195-	525	11	26			
29-	102	21	5	195-	525	19	10			
29-	103	5	16	195-	530	7	19			
29-	103	11	18	195-	530	9	19			
29-	103	13	14	195-	533	11	16			
29-	103	19	7	195-	533	11	46			
31-	165	11	40	195-	533	13	23			
31-	165	19	32	195-	533	15	12			
31-	165	23	12	195-	533	23	9			
31-	176	11	13	195-	534	15	12			
31-	176	15	3	195-	541	19	30			
31-	178	7	22	195-	541	13	20			
31-	178	9	22	195-	541	19	35			
31-	178	11	27	195-	545	21	19			
31-	178	21	15	195-	545	21	19			
31-	178	23	5	195-	2021	11	12			
31-	1102	19	14	195-	2027	15	4			
31-	1112	13	17	195-	2029	21	13			
31-	1114	11	37	195-	2134	19	36			
				195-	2135	13	25			
				219-	1	15	16			
				321-	1571	5				

ROTARY MOWER
J, K, L, M, N (40)(44)(46)
SNOWCASTER
J, K, L, M, N, P, R, S (80)(84)
UTILITY BLADE
J, K, L (50)(54)
Parts Catalog J1250

This Parts Catalog replaces catalog H1250

3-93-RP-500-139



APPLICATION CHART

MODEL DESIGNATIONS	TRACTOR APPLICATION										
	210	220	222	224	226	444	446	448	644	646	648
J, K, L, M, N (40) Rotary Mower	X	X	X	X	X	(1)	(1)	(1)	(1)	(1)	(1)
J, K, L, M, N (44) Rotary Mower	X	X	X	X	X	X	X	X	X	X	X
J, K, L, M, N, (46) Rotary Mower	(1)	(1)	X	X	X	X	X	X	X	X	X
J, K, L, M, N, P, R, S (80) Snowcaster	X	X	X	X	X	(1)	(1)	(1)			
J, K, L, M, N, P, R, S (84) Snowcaster	(1)	(1)	X	X	X	X	X	X			
	X	X	X	(1)	(1)	(1)	(1)	(1)			
J, K, L (54) Utility Blade	(1)	(1)	X	X	X	X	X	X			

(1) Will fit, but not recommended

ALPHABETICAL INDEX

MOWER SECTION

	Page	Grid
Axle	15-17	E14-F2
Bearings	11-13	E10-E12
Belts	5-7	E4-E6
Blades	11-13	E10-E12
Decals	29	F14
Decks	5-7	E4-E6
Guards and Covers	5-7	E4-E6
Housing, Spindle	11-13	E10-E12
Idler, Deck	11-13	E10-E12
Idler, Drive	15-17	E14-F2
Kits, Roller	9	E8
Lift Assembly	15-17	E14-F2
Pulleys, Deck	11-13	E10-E12
Rollers, Rubber	5-9	E4-E8
Spindles	11-13	E10-E12
Wheels, Gauge	15-17	E14-F2

SNOWCASTER SECTION

Auger	23	F8
Auger Housing	19-21	F4-F6
Bearings	23	F8
Belts	25	F10
Chain - Auger	23	F8
Chute Assembly	19-21	F4-F6
Decals	29-31	F14-G2
Drive Assembly	23	F8
Idler Assembly	25	F10
Lift Assembly	19-21	F4-F6

UTILITY BLADE SECTION

Blade	27	F12
Decals	29-31	F14-G2
Lift Arm	27	F12
Mounting Bracket	27	F12

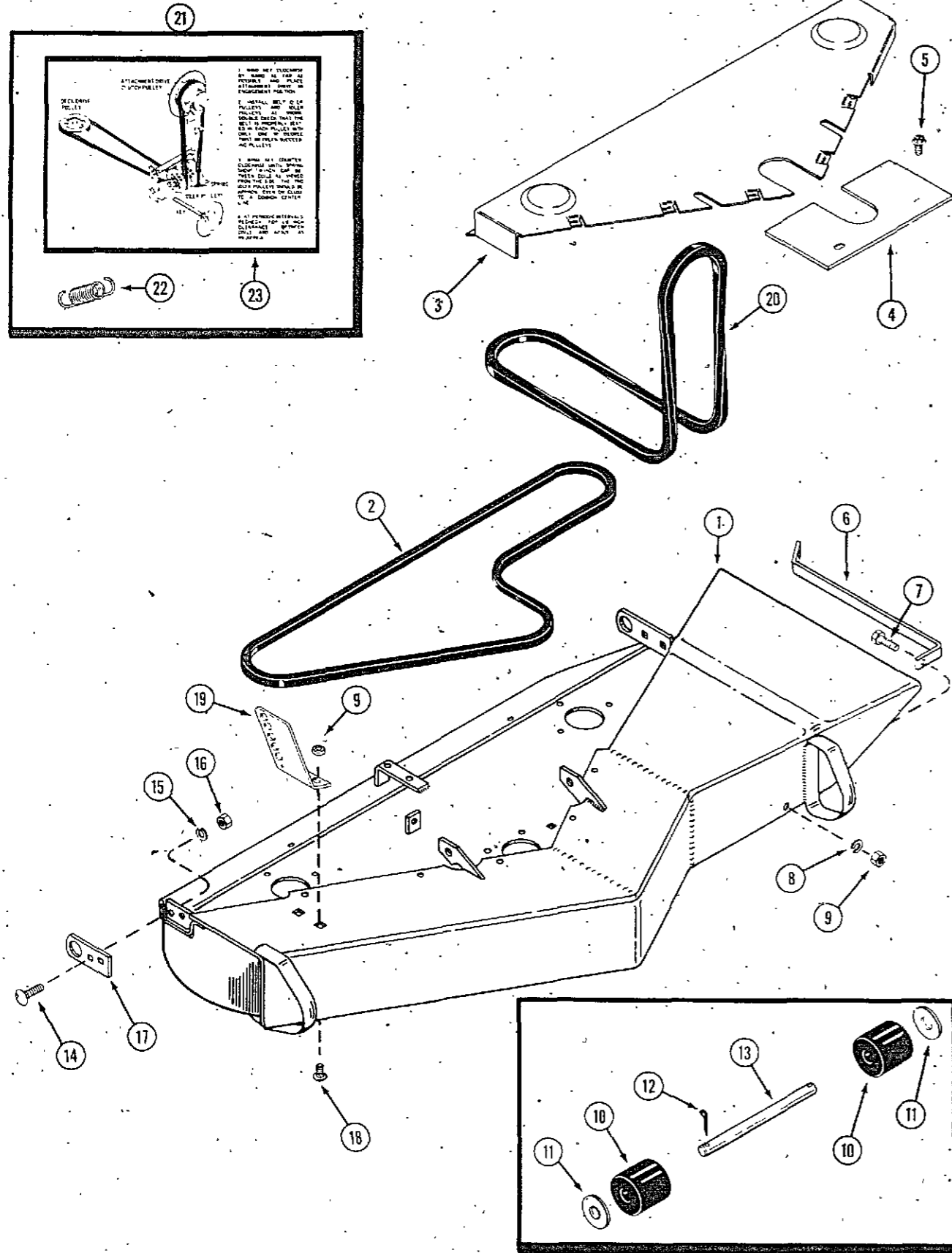
NOTE: See grid A2 for -
 G80, G84 Snowcasters

NOTE: See grid B2 for -
 G40, G44, G46 Rotary Mowers,
 G3, G5 Mounting Kits

NOTE: See grid C2 for -
 H40, H44, H46 Rotary Mowers,
 H50, H54 Dozer Blades,
 E60 Dump Cart,
 H80, H84 Snowblower

DECK, BELTS AND DECK COVERS

Use for J, K, L, M(40)(44)(46)



REF.	PART NO.	DESCRIPTION	REQ'D
1	NSS	DECK - mower J40, K40, L40, M40 (38") (use C28455 and C30841)	1
1	NSS	DECK - mower J44, K44, L44, M44 (44") (use C28463 and C30841)	1
1	NSS	DECK - mower J46, K46, L46, M46 (48") (use C28470 and C30841)	1
2	C 23810	BELT - mower deck, J40, K40, L40, M40	1
2	C 22707	BELT - mower deck, J44, K44, L44, M44	1
2	C 22708	BELT - mower deck, J46, K46, L46, M46	1
3	C 26809	GUARD - deck belt, J40, K40, L40, M40	1
3	C 26810	GUARD - deck belt, J44, K44, L44, M44	1
3	C 26811	GUARD - deck belt, J46, K46, L46, M46	1
4	C 15675*	COVER - deck, small (early production)	1
5	187- 1036	SCREW - 1/4" x 1/2" NC hex self-tapping	UAR
6	C 15640	BAR - toe guard, J40 (early production only)	1
6	C 15639	BAR - toe guard, J44 (early production only)	1
6	C 15634	BAR - toe guard, J46 (early production only)	1
7	113- 102	BOLT - 5/16" x 3/4" NC hex ZP	2
8	193- 29	LOCK WASHER - 5/16" ZP, internal tooth	2
9	131- 911	NUT - 5/16" NC hex ZP flange lock	5
10	C 28976	ROLLER - 2/1/2" x 2-3/8"	2
11	195- 108	WASHER - 5/8" ZP	2
12	132- 310	PIN - cotter 1/8" x 1"	2
13	C 14892	SHAFT - rear roller	2
14	111- 371	BOLT - 3/8" x 1" NC rd. hd. square neck	2
15	192- 21	LOCK WASHER - 3/8" ZP	2
16	129- 103	NUT - 3/8" NC hex ZP	2
17	C 15562	BRACKET - axle pivot, J40, K40, L40	1
17	C 15560	BRACKET - axle pivot, J44, K44, L44	1
17	C 15561	BRACKET - axle pivot, J46, K46, L46	1
18	111- 132	BOLT - 5/16" x 3/4" rd. hd. square neck	5
19	C 15935	BRACKET - height adj.	1
20	C 23358	BELT - drive (Use with 210, 220, 222, 224 and 226 tractors)	1
20	C 23359	BELT - drive (Use with 444, 446 and 448 tractors)	1
20	C 23808	BELT - drive (Use with 646 and 648 tractors)	1
20	C 23810	BELT - drive (Use with 644 S/N 9698343 and after)	1
20	C 23807	BELT - drive (used with 644 prior to S/N 9698343)	1
21	NSS	KIT - spring and decal (J46 used prior to S/N D46376)	1
22	C 21942	SPRING - idler	1
23	C 31494	DECAL - belt installation	1
	C 26485	SKID - rear	1
	C 15590	SKID - front R.H.	1
	C 18921	SKID - front L.H.	1

*used before S/N:
 J40 and K40 - AA 13699
 J44 and K44 - BB 14443
 J46 and K46 - DD 15449

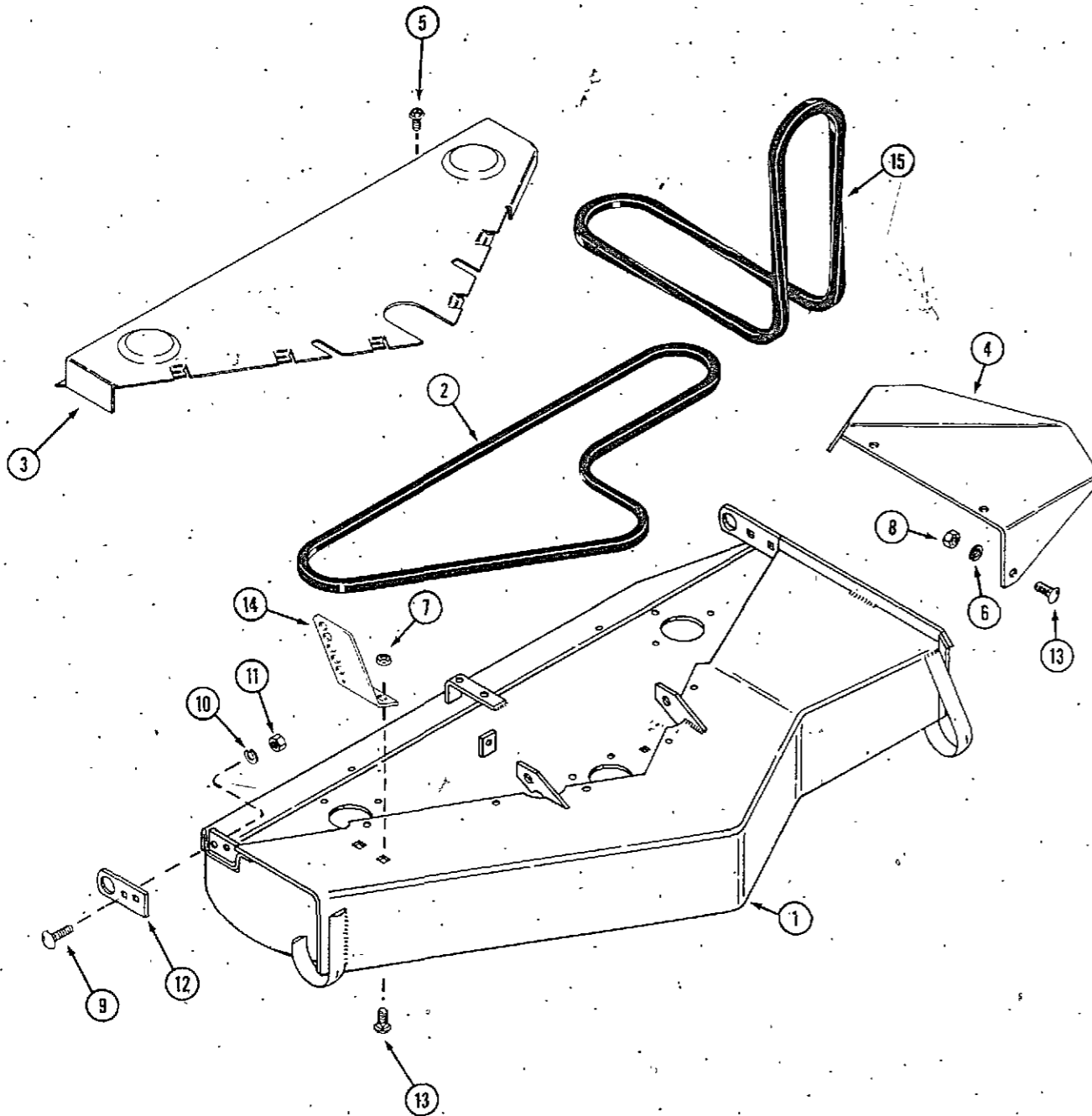
NOTE: Optional roller kits to replace skids
 (See page 9 for parts)
 C33139 KIT - front rollers (H, J, K, L, M, N40)
 C33140 KIT - front rollers (H, J, K, L, M, N44)
 C33141 KIT - front rollers (H, J, K, L, M, N46)
 C33142 KIT - rear roller (all above models)

USED ON MODELS PRIOR TO 1975

DECK, BELTS AND DECK COVERS

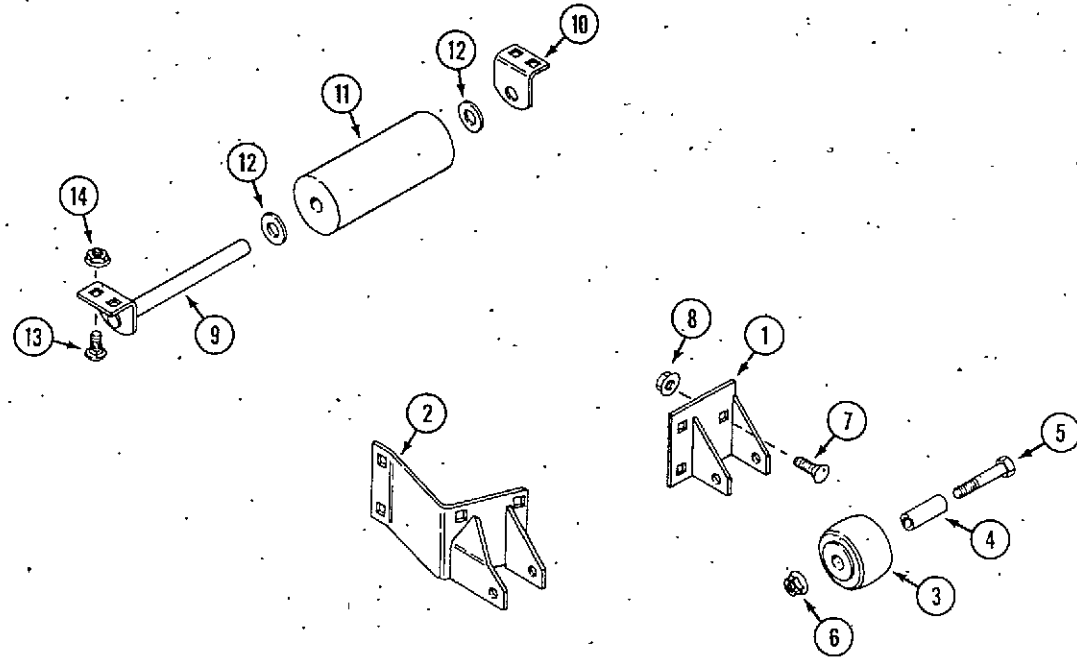
Use for N40, N44, N46

REF.	PART NO.	DESCRIPTION	REQ'D
1	C 28455	DECK - mower N40 (38") (970 mm)	1
1	C 28463	DECK - mower N44 (44") (1120 mm)	1
1	C 28470	DECK - mower N46 (48") (1220 mm)	1
2	C 23810	BELT - mower deck, N40	1
2	C 22707	BELT - mower deck, N44	1
2	C 22708	BELT - mower deck, N46	1
3	C 26809	GUARD - deck belt, N40	1
3	C 26810	GUARD - deck belt, N44	1
3	C 26811	GUARD - deck belt, N46	1
4	C 30841	DEFLECTOR - chute	1
5	187- 1036	SCREW - 1/4" x 1/2" NC hex self-tapping	UAR
6	192- 20	LOCK WASHER - 5/16"	3
7	131- 911	NUT - 5/16" NC hex ZP flange	2
8	129- 102	NUT - 5/16" NC hex ZP	5
9	111- 371	BOLT - 3/8" x 1" NC rd. hd. square neck	2
10	192- 21	LOCK WASHER - 3/8" ZP	2
11	129- 103	NUT - 3/8" NC hex ZP	2
12	C 15562	BRACKET - axle pivot, N40	1
12	C 15560	BRACKET - axle pivot, N44	1
12	C 15561	BRACKET - axle pivot, N46	1
13	111- 132	BOLT - 5/16" x 3/4" rd. hd. square neck	5
14	C 15935	BRACKET - height adj.	1
15	C 23358	BELT - drive (Use with 210, 220, 222, 224 and 226 tractors)	1
15	C 23359	BELT - drive (Use with 444, 446 and 448 tractors)	1
15	C 23808	BELT - drive (Use with 646 and 648 tractors)	1
15	C 23810	BELT - drive (Use with 644 S/N 9698343 and after)	1
15	C 23807	BELT - drive (used with 644 prior to S/N 9698343)	1
	C 26485	SKID - rear	1
	C 15590	SKID - front R.H.	1
	C 18921	SKID - front L.H.	1



NOTE: Optional roller kits to replace skids
(See page 9 for parts)

- C33139 KIT - front rollers (H, J, K, L, M, N40)
- C33140 KIT - front rollers (H, J, K, L, M, N44)
- C33141 KIT - front rollers (H, J, K, L, M, N46)
- C33142 KIT - rear roller (all above models)

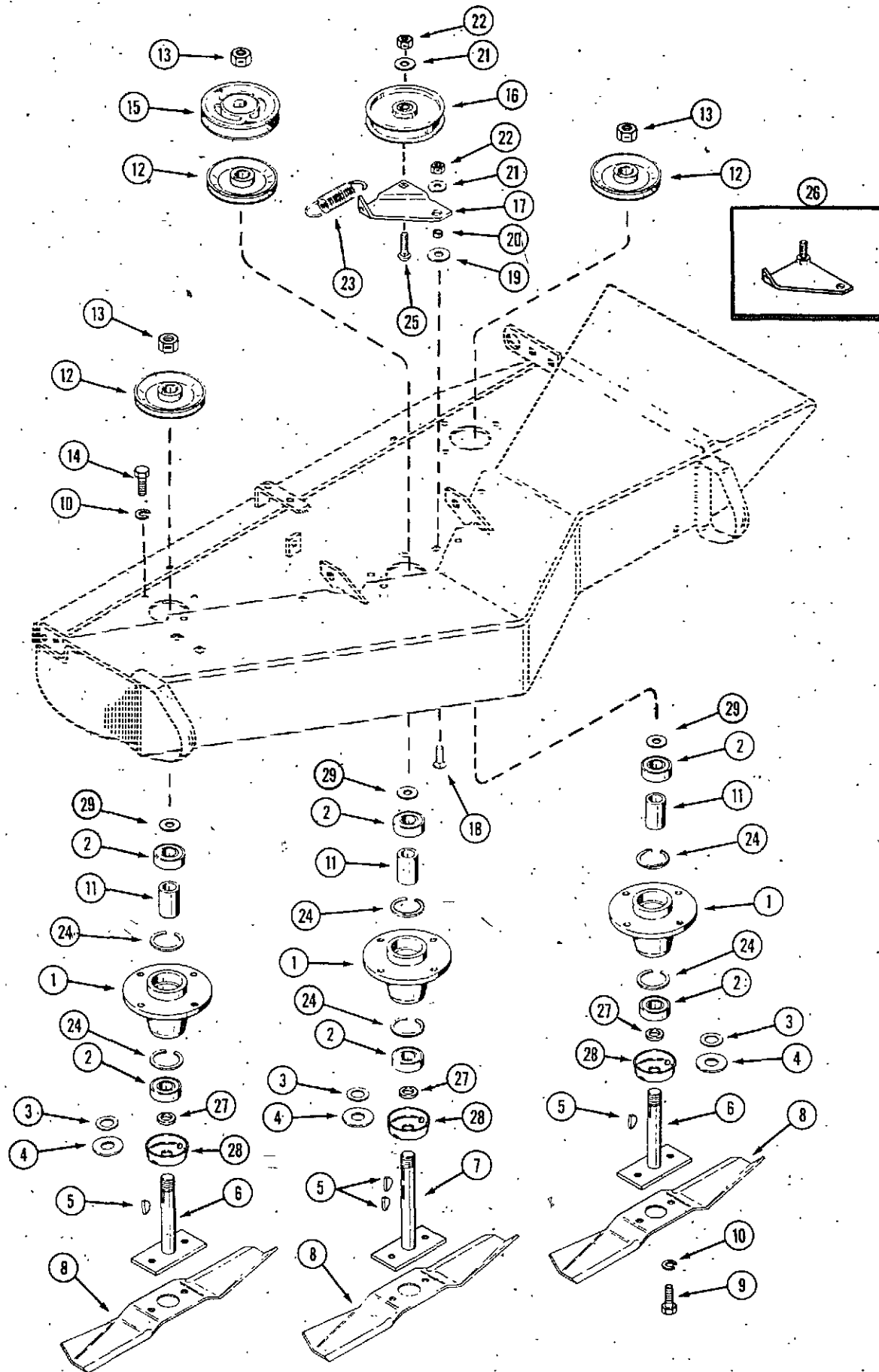


ROLLER KITS

	C 33139	KIT - front rollers (H40, J40, K40, L40, M40, N40)	1
	C 33140	KIT - front rollers (H44, J44, K44, L44, M44, N44)	1
	C 33141	KIT - front rollers (H46, J46, K46, L46, M46, N46)	1
1	C 33143	BRACKET - mounting L.H.	1
2	C 33144	BRACKET - mounting R.H. (H40, J40, K40, L40, M40, N40)	1
2	C 33145	BRACKET - mounting R.H. (H44, J44, K44, L44, M44, N44)	1
2	C 33146	BRACKET - mounting R.H. (H46, J46, K46, L46, M46, N46)	1
3	C 31500	ROLLER	2
4	C 31501	SPACER - sleeve	2
5	113- 241	BOLT - 3/8" - 16 x 3" (attach L.H. Roller)	1
5	111- 375	BOLT - 3/8" - 16 x 3" carriage (attach R.H. roller)	1
6	131- 938	NUT - 3/8" - 16 flange lock	2
7	111- 132	BOLT - 5/16" - 18 x 3/4" carriage	8
8	131- 911	NUT - 5/16" - 18 flange lock	8
	C 33142	KIT - rear roller	1
9	C 33156	BRACKET - mounting	1
10	C 33157	BRACKET - mounting	1
11	C 28977	ROLLER - 7"	1
12	195- 541	WASHER - 5/8"	2
13	111- 132	BOLT - 5/16" - 18 x 3/4" carriage	4
14	131- 911	NUT - 5/16" - 18 flange lock	4

PULLEYS, BLADES AND SPINDLES

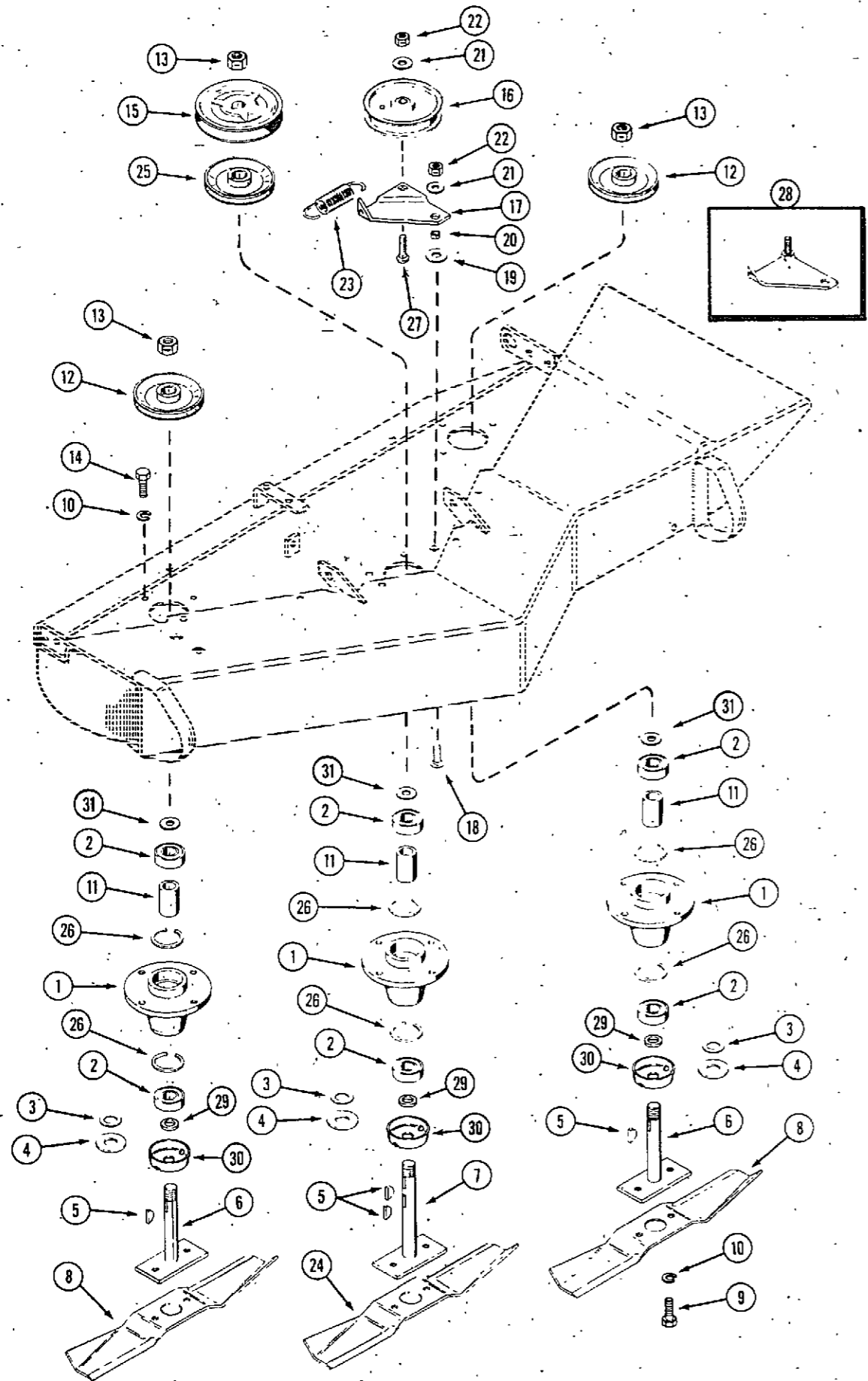
Use for J, K, L, M, N(40)(44)



REF.	PART NO.	DESCRIPTION	REQ'D
1	C 17666*	HOUSING - mower spindle	3
2	C 28971	BEARING - spindle	6
3	C 28972	WASHER - bearing seal (early production)	3
4	C 10942	WASHER - mower spindle (early production)	3
5	126- 19	KEY - spindle, #11 Woodruff	4
6	C 15763	SPINDLE - outboard	2
7	C 15604	SPINDLE - center	1
8	C 24441	BLADE - 14" (J40, K40, L40, M40, N40)	3
8	C 24442	BLADE - 15-1/2" (J44, K44, L44, M44, N44)	3
9	113- 206	BOLT - 3/8" x 3/4" NC hex (grade 5)	6
10	192- 21	LOCKWASHER - 3/8"	18
11	C 10810	SPACER - bearing	3
12	C 21581	PULLEY - outboard	3
13	131- 1331	NUT - jam lock 3/4" NF hex	3
14	113- 206	BOLT - 3/8" x 3/4" NC hex	12
15	C 15963	PULLEY - drive (J40, K40, L40, M40, N40)	1
15	C 15615	PULLEY - drive (J44, K44, L44, M44, N44)	1
16	C 12251	PULLEY - deck idler	1
17	C 25080	BRACKET - idler	1
18	111- 371	BOLT - 3/8" x 1" rd. hd. square neck	1
19	195- 105	WASHER - 1/2" ZP	1
20	C 14768	SPACER - idler bracket	1
21	195- 525	WASHER - 3/8" ZP	2
22	131- 1181	NUT - lock 3/8" NC hex	2
23	C 31606	SPRING - idler	1
24	C 16516**	RING - retainer	6
25	111- 366	BOLT - 3/8" rd. hd. sq. neck	1
26	NSS	BRACKET - idler (use C25080 bracket and 111-366 bolt)	1
27	C 25541	SPACER - bearing shield	3
28	C 25543	SHIELD - bearing	3
29	C 28972	WASHER - bearing	3

*also use (2) C16516 retaining rings
S/N and after:
K40, L40, M40, N40 - AA11798
K44, L44, M44, N44 - BB12278

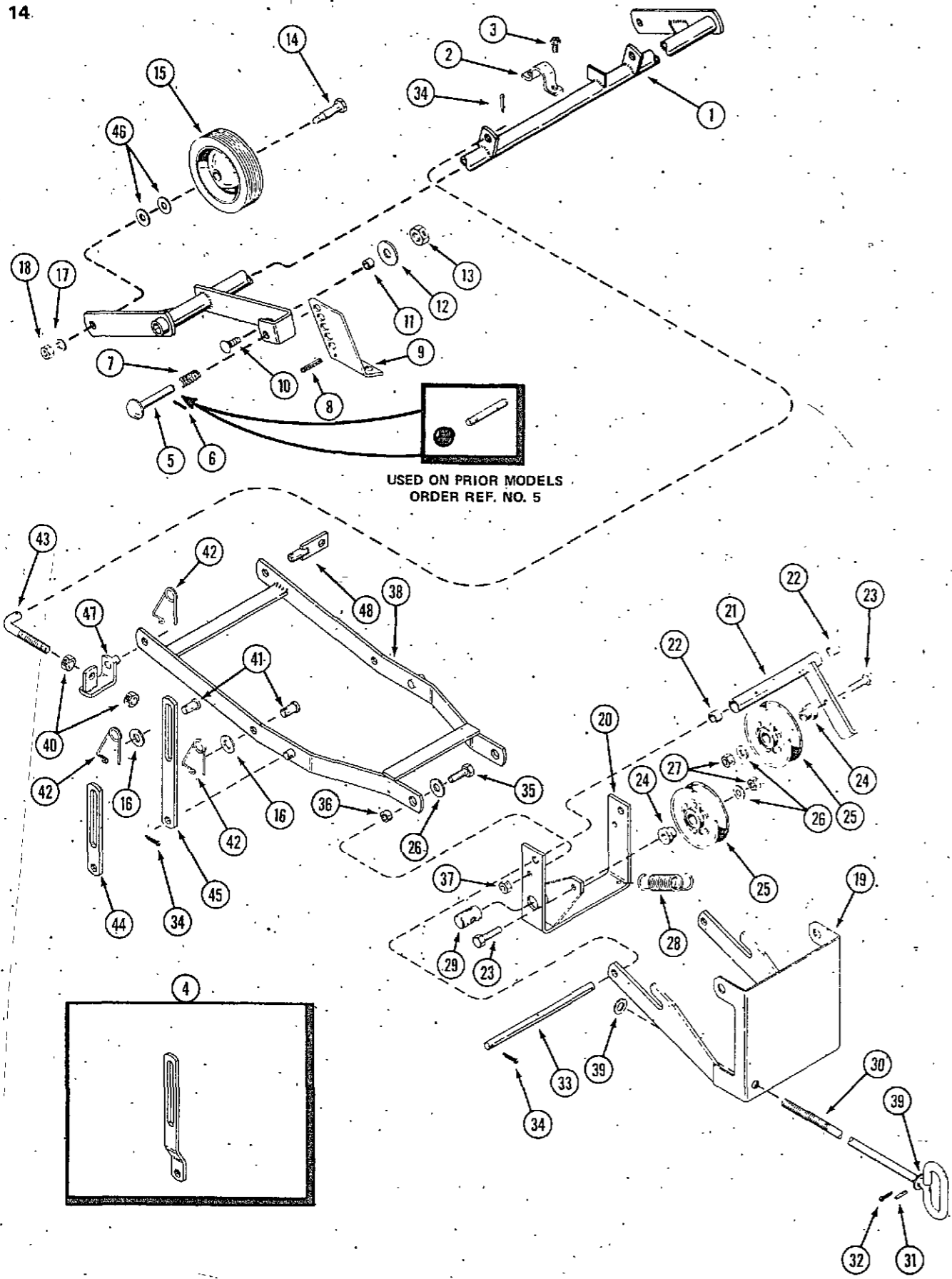
**for service of J40 and J44
for service of K40 and K44
before S/N:
K40 - AA11798
K44 - BB12278



PULLEYS, BLADES AND SPINDLES

Use for J, K, L, M, N(46)

REF.	PART NO.	DESCRIPTION	REQ'D
1	C 17666	HOUSING - mower spindle (also use [2] C16516 after S/N DD12835)	3
2	C 28971	BEARING - spindle	6
3	C 28972	WASHER - bearing (early production)	3
4	C 10942	WASHER - spacer (early production)	3
5	126- 19	KEY - spindle, #11 Woodruff	4
6	C 15763	SPINDLE - outboard	2
7	C 15604	SPINDLE - center	1
8	C 14886	BLADE - 17" outboard	2
9	113- 206	BOLT - 3/8" x 3/4" NC hex (grade 5)	6
10	192- 21	LOCK WASHER - 3/8"	18
11	C 10810	SPACER - bearing	3
12	C 21581	PULLEY - outboard	2
13	131- 1331	NUT - jam lock 3/4" NF hex	3
14	113- 206	BOLT - 3/8" x 3/4" NC hex	12
15	C 15615	PULLEY - drive	1
16	C 12251	PULLEY - deck idler	1
17	C 25080	BRACKET - idler	1
18	111- 371	BOLT - 3/8" x 1" rd. hd. square neck	1
19	195- 105	WASHER - 1/2" ZP	1
20	C 14768	SPACER - idler bracket	1
21	195- 525	WASHER - 3/8" ZP	2
22	131- 1181	NUT - lock 3/8" NC hex	2
23	C 31606	SPRING - idler	1
24	C 24443	BLADE - 16" center	1
25	C 21580	PULLEY - center	1
26	C 16516	RING - retainer (use before S/N DD12835)	6
27	111- 366	BOLT - 3/8" rd. hd. sq. neck	1
28	NSS	BRACKET - idler (use C25080 bracket and 111-366 bolt)	1
29	C 25541	SPACER - bearing shield	3
30	C 25543	SHIELD - bearing	3
31	C 28972	WASHER - bearing	3



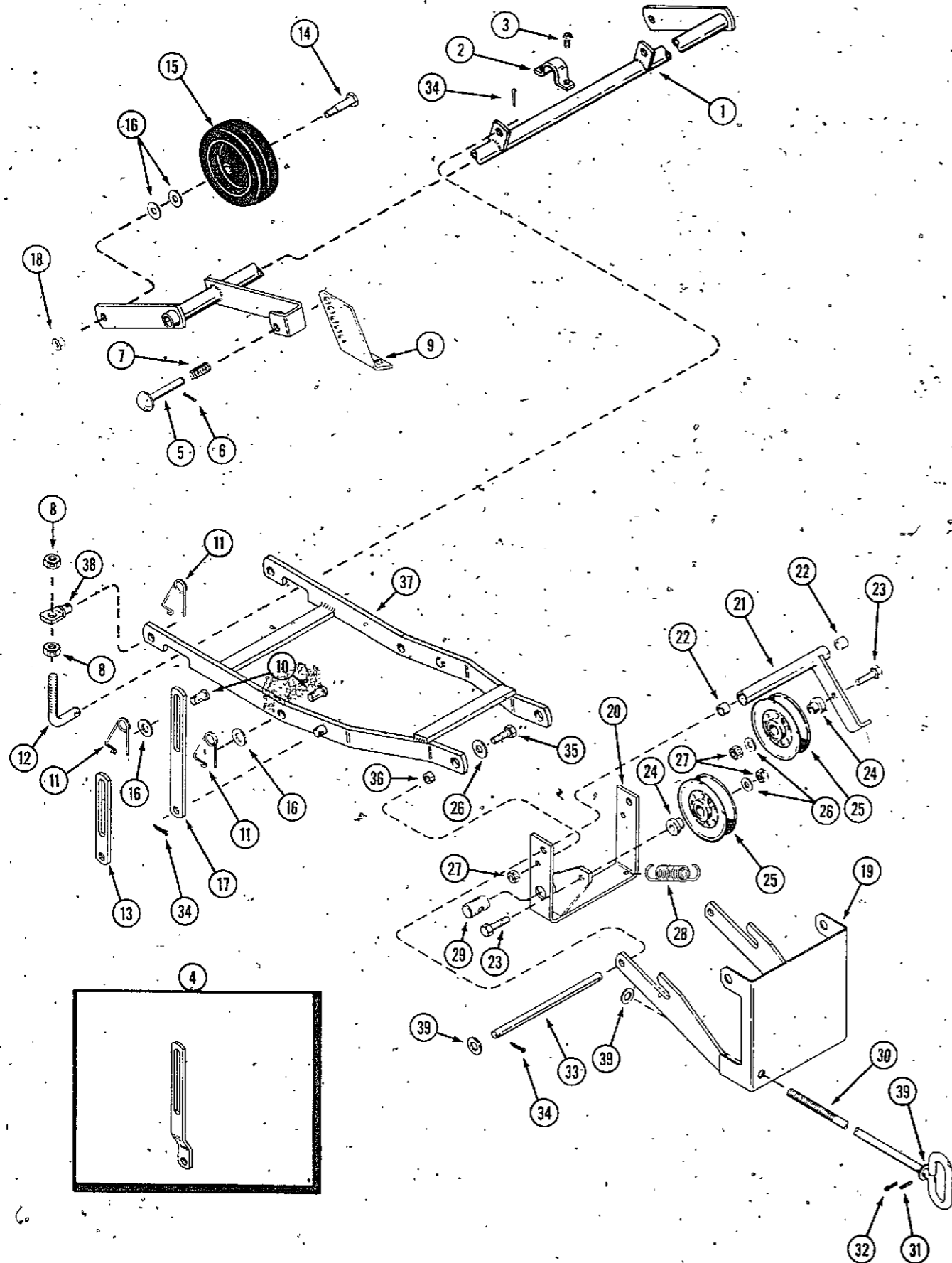
AXLE, IDLER AND MOUNTING ASSEMBLIES

Use for J40, J44 and J46

REF.	PART NO.	DESCRIPTION	REQ'D
1	C 24707	AXLE - rear (J40)	1
1	C 24708	AXLE - rear (J44)	1
1	C 24709	AXLE - rear (J46)	1
2	C 14932	BRACKET - axle mounting (J40 and J44)	1
2	C 14932	BRACKET - axle mounting (J46)	2
3	187- 1036	SCREW - 1/4" x 1/2" NC hex self-tapping (4 req'd for J46)	2
4	NSS	LINK - R.H. 446 only (shipped with tractor) 9-1/2" (240 mm) (Use C25702, C25703)	1
4	C 25702	LINK - lift (R.H. 446, 448) comes with tractor, 8-3/4" (220 mm)	1
5	C 20005	PIN - locking	1
6	138- 96	PIN - roll 3/16" x 1"	1
7	C 10482	SPRING	1
8	138- 92	PIN - roll 3/16" x 3/4" (early production)	1
9	C 15935	BRACKET - height adjust	1
10	111- 203	BOLT - 5/16" x 1" NC rd. hd. square neck (early production)	1
11	C 14768	SPACER - height adjust (early production)	1
12	195- 2175	WASHER - 11/32" x 1-1/4" (early production)	1
13	131- 176	NUT - lock 5/16" NC hex (early production)	1
14	C 16745	STUD - gauge wheel	2
14	NSS	STUD - gauge wheel (J46) (use before S/N D61713) (use C26848, 113-248)	2
15	C 26736	WHEEL - gauge (J40 and J44)	2
15	C 26737	WHEEL - gauge (J46) (also use C16745 before S/N D61713)	2
16	195- 533	WASHER - 1/2"	4
17	192- 21	LOCK WASHER - 3/8" (early production)	2
18	131- 1181	NUT - 3/8" NC hex lock	2
19	C 25418	FRAME ASSEMBLY - mounting	1
19	C 17648	BRACKET - front mounting (use C30168 for 648 loader)	1
20	C 16569	BRACKET - idler	1
21	C 16575	BRACKET ASSEMBLY - idler arm	1
22	C 17597	BUSHING - idler arm	2
23	113- 209	BOLT - 3/8" x 1-1/2" NC hex	2
24	C 12264	BUSHING - idler pulley	2
25	C 25370**	PULLEY - idler	2
25	C 10463*	PULLEY - idler	2
26	195- 525	WASHER - 3/8"	4
27	131- 1181	NUT - lock 3/8" NC hex	2
28	C 21942	SPRING - idler, used (J40) S/N A45655, (J44) S/N C47621, (J46) S/N D46376 and after	1
28	NSS	SPRING - idler (order C21961 Kit page 5) used early production	1
29	C 14269	NUT - belt tension	1
30	C 26890	SCREW - idler adjust	1
31	138- 2073	PIN - roll 3/16" x 1	1
32	132- 318	PIN - cotter	1
33	C 31575	ROD - pivot	1
34	132- 310	PIN - cotter 1/8" x 1"	8
35	113- 208	BOLT - 3/8" x 1-1/4" NC hex	2
36	C 16573	SPACER	2
37	131- 1181	NUT - lock 3/8" NC hex jam	2
38	C 16824	FRAME - rear mounting	1
39	195- 533	WASHER - 1/2"	2
40	131- 1182	NUT - lock 1/2" NC hex	4
41	C 10821	PIN - clevis 1/2" x 7/8"	4
42	C 10898	PIN - safety	6
43	C 17686	BOLT - "J"	2
44	C 18315	LINK - lift, short (use with Model 210, 220, 222, 224, 644, 646 and 648)	2
45	NSS	LINK - lift, long (use with Model 444), 9-1/2" (240mm) (use [2] C25703)	2
45	NSS	LINK - lift, long (use with Model 446, 448) 9-1/2" (240 mm) (use C25702, C25703)	1
45	C 25703	LINK - lift, long (use on 444, 446, 448), 8-3/4" (220 mm)	2
46	195- 533	WASHER - 1/2" (6 reg. on J46)	1
47	C 19412	LINK - adjust (use on early production)	1
48	C 17048	PIN	1

* use before S/N:
J40 - A59542
J44 - C65190
J46 - D63972

**use S/N and after:
J40 - A59542
J44 - C65190
J46 - D63972



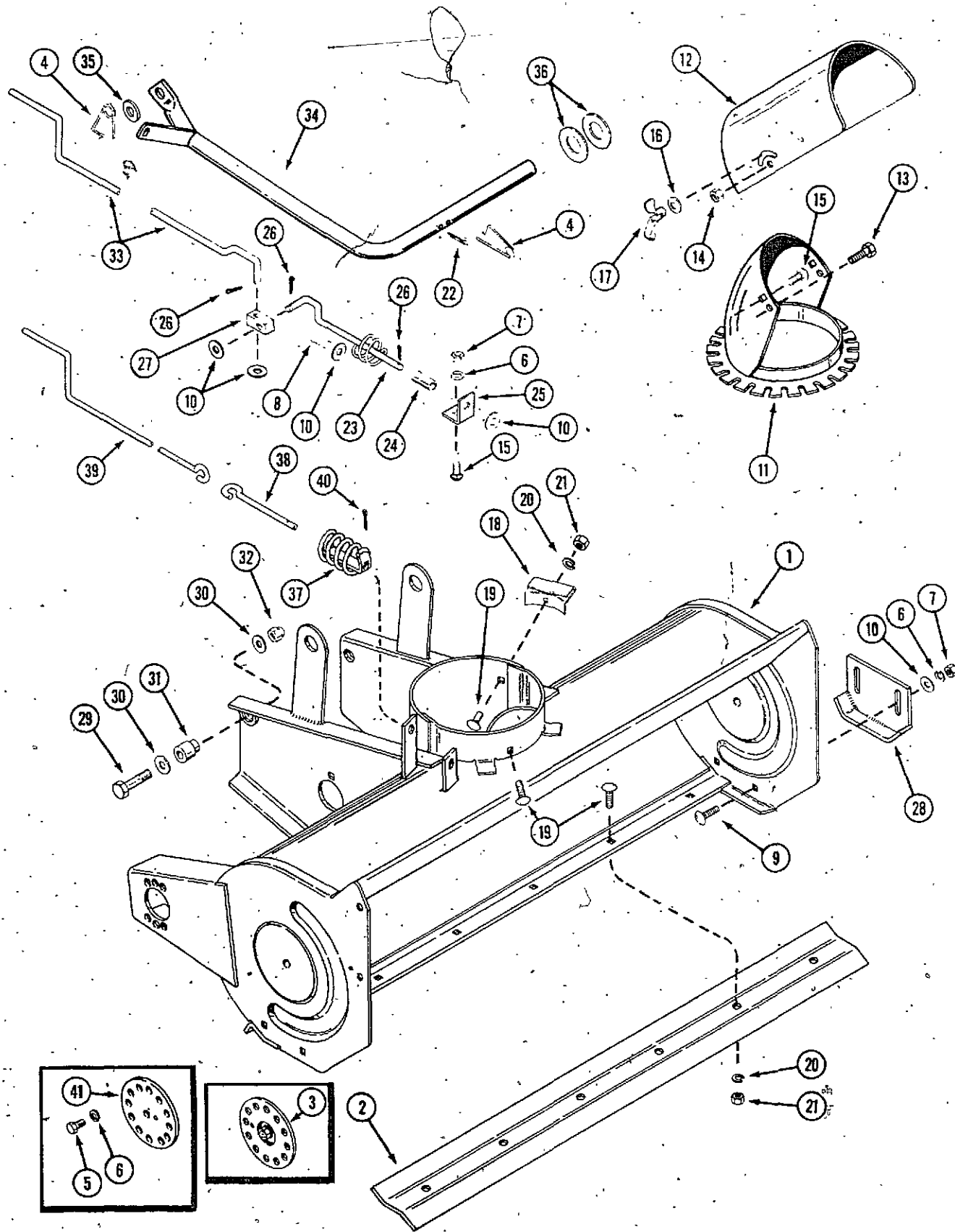
AXLE IDLER AND MOUNTING ASSEMBLIES

Use for K, L, M, N(40)(44)(46)

REF.	PART NO.	DESCRIPTION	REQ'D
1	C 26047	AXLE - rear (K40, L40, M40, N40)	1
1	C 26048	AXLE - rear (K44, L44, M44, N44)	1
1	C 26049	AXLE - rear (K46, L46, M46; N46)	1
2	C 14932	BRACKET - axle mounting (2 required on K46, L46, M46, N46)	1
3	187- 1036	SCREW - 1/4" x 1/2" NC hex self-tapping	UAR
4	C 25702	LINK - lift (R.H. 444, 446, 448) comes with tractor, 8-3/4" (220 mm)	1
4	C 27225	LINK - short offset (226) R.H.	1
5	C 20005	PIN - locking	1
6	138- 96	PIN - roll 3/16" x 1"	1
7	C 10482	SPRING	1
8	131- 930	NUT - lock 1/2" NC hex flange	4
9	C 15935	BRACKET - height adjust	1
10	C 10821	PIN - clevis 1/2" x 7/8"	4
11	C 10898	PIN - safety	6
12	C 26044	BOLT - "J"	2
13	C 18315	LINK - lift, short (use with Model 210, 220, 222, 224, 644, 646 and 648)	2
13	C 18315	LINK - lift, short (226) L.H.	1
14	C 16745	STUD - gauge wheel	2
15	C 26736	WHEEL - gauge (K40, K44, L40, L44, M40, M44, N40, N44) 5" (127 mm)	2
15	C 26737	WHEEL - gauge (K46, L46, M46, N46) 6" (152 mm)	2
16	195- 533	WASHER - 1/2"	6
17	C 25703	LINK - lift, long (use on 444, 446, 448) 8-3/4" (220 mm) L.H.	2
18	131- 938	NUT - 3/8" NC hex lock flange	2
19	C 26107	FRAME ASSEMBLY - mounting	1
19	C 17648	BRACKET - front mounting (use C30168 for 648 loader)	1
20	C 16569	BRACKET - idler	1
21	C 16575	BRACKET ASSEMBLY - idler arm	1
22	C 17597	BUSHING - idler arm	2
23	113- 209	BOLT - 3/8" x 1-1/2" NC hex	2
24	C 12264	BUSHING - idler pulley	2
25	C 25370	PULLEY - idler	2
26	195- 525	WASHER - 3/8"	4
27	131- 1352	NUT - lock 3/8" NC hex	4
28	C 21942	SPRING - idler	1
29	C 14269	NUT - belt tension	1
30	C 26890	SCREW - idler adjust	1
31	138- 2073	PIN - roll 3/16" x 1-1/4"	1
32	132- 318	PIN - cotter	1
33	C 31575	ROD - pivot	1
34	132- 310	PIN - cotter 1/8" x 1"	8
35	113- 208	BOLT - 3/8" x 1-1/4" NC hex	2
36	C 16573	SPACER	2
37	C 26050	FRAME - rear mounting	1
38	C 26033	PIN - adjustment	2
39	195- 533	WASHER - 1/2"	4

AUGER HOUSING, CHUTE CONTROL AND LIFT ASSEMBLY

Use for J, K, L, M, N, P, R (80) (84)



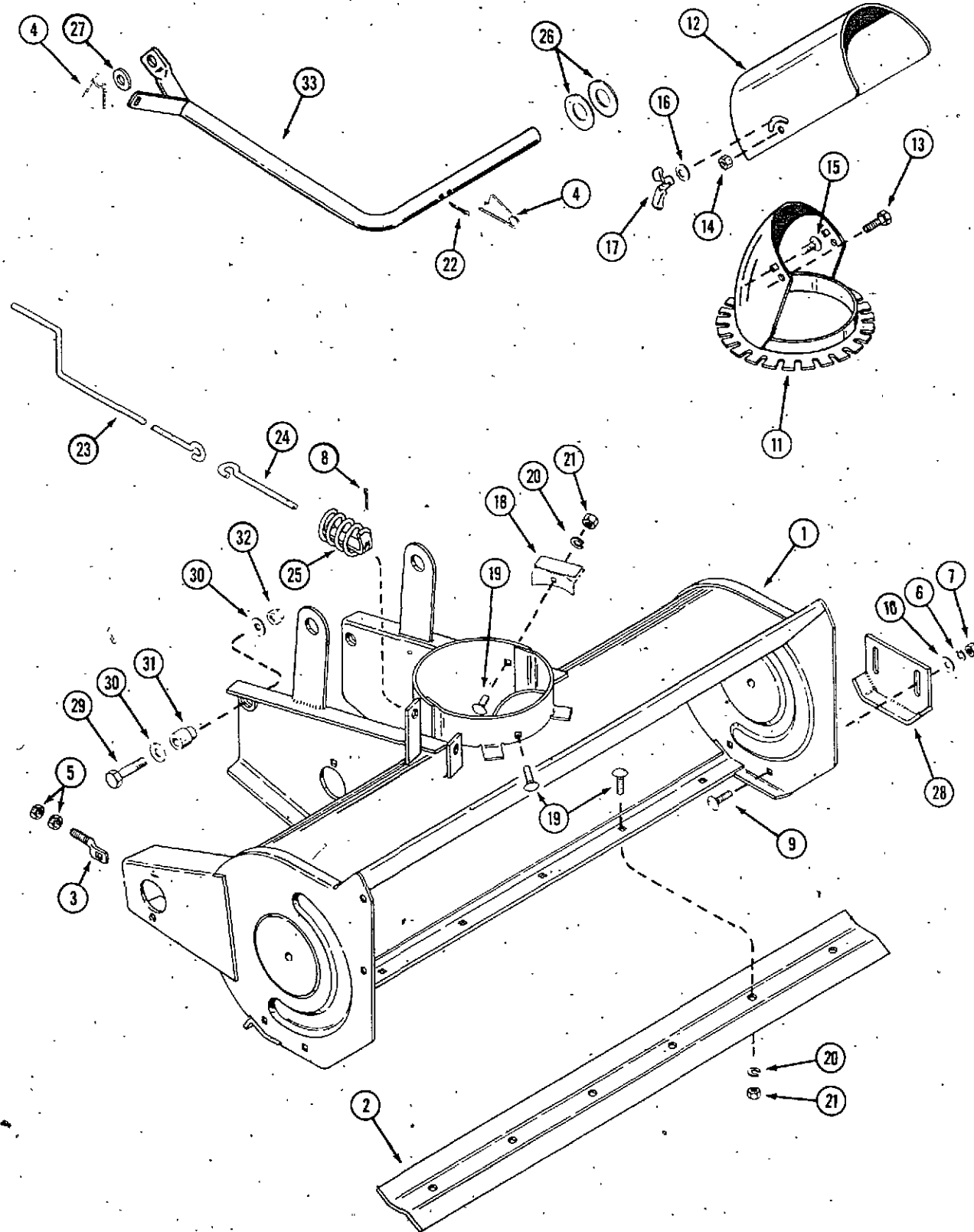
REF.	PART NO.	DESCRIPTION	REQ'D
1	NSS	HOUSING - auger 38" (J80 and K80) (Use C24719, C24640, C24643, C24644, 132-300)	1
1	NSS	HOUSING - auger 48" (J84 and K84) (order C24720, C24640, C24643, C24644, 132-300)	1
1	NSS	HOUSING - auger 38" (L80, M80) (Use C24719)	1
1	NSS	HOUSING - auger 48" (L84, M84) (Use C24720)	1
1	NSS*	HOUSING - auger 38" (N80, P80, R80)	1
1	NSS**	HOUSING - auger 48" (N84, P84, R84)	1
2	C 17776	BLADE - snowblower (J, K, L, M, N, P, R84)	1
2	C 17878	BLADE - snowblower (J, K, L, M, N, P, R80)	1
3	C 19734	HUB - auger mounting (J, K and L80 - J, K and L84)	2
4	C 10898	PIN - safety	2
5	113- 206	BOLT - 3/8" x 3/4" NC hex	6
6	192- 21	LOCK WASHER - 3/8" ZP	11
7	129- 103	NUT - 3/8" NC hex ZP	5
8	C 27822	SPRING - rod, chute control (J80, J84, K80 and K84)	1
9	111- 371	BOLT - 3/8" x 1" NC round head, long square neck	4
10	195- 525	WASHER - 3/8" ZP	8
11	C 15248	CHUTE	1
12	C 16940	DEFLECTOR	1
13	113- 1	BOLT - 1/4" x 1/2" NC hex ZP	2
14	131- 1102	NUT - lock 1/4" NC hex ZP	2
15	111- 340	BOLT - 3/8" x 3/4" NC round head, short square neck	3
16	C 28263	WASHER - dished 25/64 x 1" O.D.	2
17	C 22774	WINGNUT - deflector locking	2
18	C 15334	BRACKET - chute holddown	3
19	111- 132	BOLT - 5/16" x 3/4" NC round head, square neck	UAR
20	192- 20	LOCK WASHER - 5/16" ZP	UAR
21	129- 102	NUT - 5/16" NC hex ZP	UAR
22	132- 332	PIN - cotter	1
23	C 15244	ROD - chute control (J80, J84, K80 and K84)	1
24	C 15277	SPACER - (J80, J84, K80 and K84)	1
25	C 15240	BRACKET - control rod (J80, J84, K80 and K84)	1
26	132- 320	PIN - cotter 3/32" x 3/4" (J80, J84, K80 and K84)	3
27	C 14583	JOINT - block (J80, J84, K80 and K84)	1
28	C 17775	SKID - shoe	2
29	113- 421	BOLT - 1/2" x 2" NC hex	2
30	195- 533	WASHER - 1/2"	4
31	C 18770	BUSHING - (J, K, L80 - J, K, L84)	2
31	C 25580	BUSHING - (M, N, P, R (80) - M, N, P, R (84))	2
32	131- 165	NUT - lock 1/2" hex crown	2
33	C 14584	CRANK - chute (J, K80 - J, K84)	1
34	C 31995	ARM - lift	1
35	195- 541	WASHER - 21/32 x 5/16" ZP	1
36	195- 2134	WASHER - 1-3/16 x 2-1/4" ZP	2
37	C 24640	COIL - chute control (L, M, N, P, R80 - L, M, N, P, R84)	1
38	C 24643	ROD - chute, control (L, M, N, P, R80 - L, M, N, P, R84)	1
39	C 24644	CRANK - chute (L, M, N, P, R80 - L, M, N, P, R84)	1
40	132- 300	PIN - cotter 1/8" x 7/8" (L, M, N, P, R80 - L, M, N, P, R84)	1
41	C 25842	HUB - auger mounting (M80, M84)	2

*Use C31899, C32391, C29877 and 2 of (111-202, 129-163, 131-911)

**Use C31900, C32391, C29877 and 2 of (111-202, 129-163, 131-911)

AUGER, HOUSING, CHUTE CONTROL AND LIFT ASSEMBLY

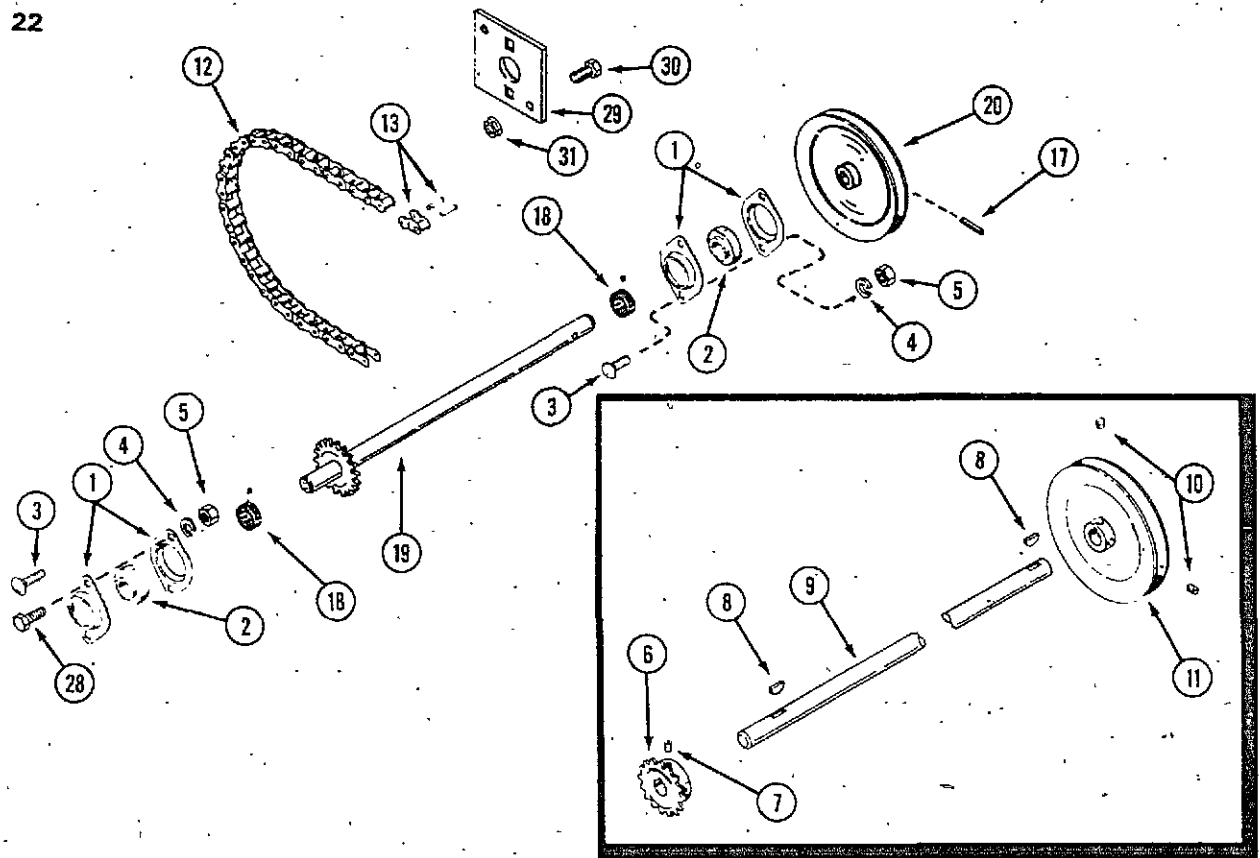
For S80, S84



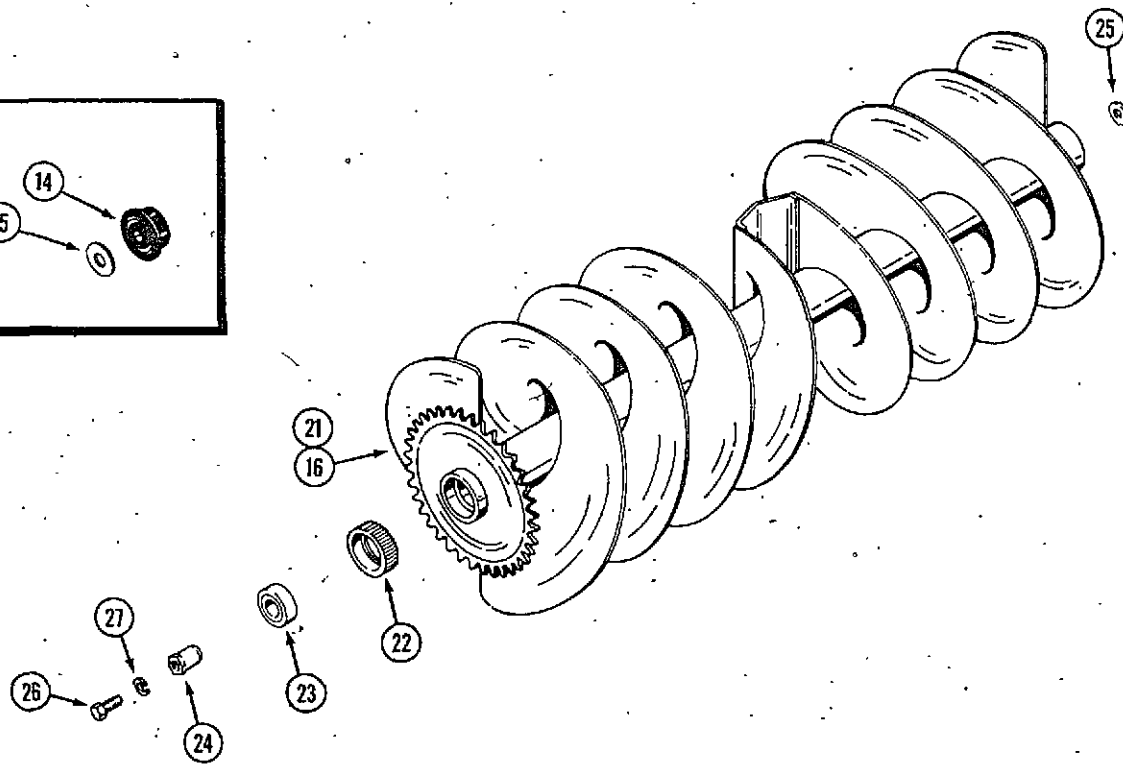
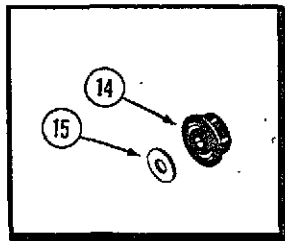
REF	PART NO.	DESCRIPTION	REQ'D
1	NSS	HOUSING - auger 38" (S80) (use C31899, C32391)	1
1	NSS	HOUSING - auger 48" (S84) (use C31900, C32391)	1
2	C 17776	BLADE - snowblower (S84)	1
2	C 17878	BLADE - snowblower (S80)	1
3	C 29877	SCREW - chain adjust	1
4	C 10898	PIN - safety	2
5	129- 163	NUT - 3/8" - 24 lock	2
6	192- 21	LOCK WASHER - 3/8" ZP (early production)	4
7	131 938	NUT - 3/8" NC hex ZP	4
8	132- 300	PIN - cotter 1/8" x 7/8"	1
9	111- 371	BOLT - 3/8" x 1" NC round head, long square neck	4
9	111- 340	BOLT - 3/8" - 16 x 3/4" carriage	4
10	195- 525	WASHER - 3/8" ZP	4
11	C 15248	CHUTE	1
12	C 16940	DEFLECTOR	1
13	113- 1	BOLT - 1/4" x 1/2" NC hex ZP	2
14	131- 1102	NUT - lock 1/4" NC hex ZP	2
15	111- 340	BOLT - 3/8" x 3/4" NC round head, short square neck	2
16	C 28263	WASHER - dished 25/64 x 1" O.D.	2
17	C 22774	WINGNUT - deflector locking	2
18	C 15334	BRACKET - chute holddown	3
19	111- 132	BOLT - 5/16" x 3/4" NC round head, square neck	UAR
20	192- 20	LOCK WASHER - 5/16" ZP (early production)	UAR
21	131- 911	NUT - 5/16" NC hex ZP flange	UAR
22	132- 332	PIN - cotter	1
23	C 24644	CRANK - chute	1
24	C 24643	ROD - chute, control	1
25	C 24640	COIL - chute control	1
26	195- 2134	WASHER - 1-3/16" x 2-1/4" ZP	2
27	195- 541	WASHER - 21/32" x 5/16" ZP	1
28	C 17775	SKID - shoe	2
29	113- 421	BOLT - 1/2" x 2" NC hex	2
30	195- 533	WASHER - 1/2"	4
31	C 25580	BUSHING - pivot	2
32	131- 165	NUT - lock 1/2" hex crown	2
33	C 31995	ARM - lift	1

C33228 conversion kit for 38"
 C33229 conversion kit for 48"
 to use on 3000, 4000 series tractors

NOTE: If this snowcaster has been converted to fit on 3000, 4000 series tractors, see model SB38G and SB48 snowcaster for parts.



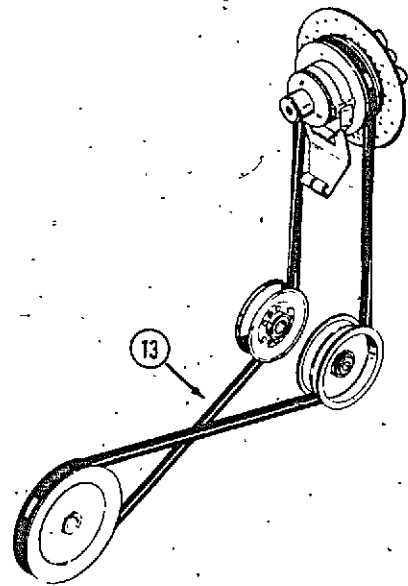
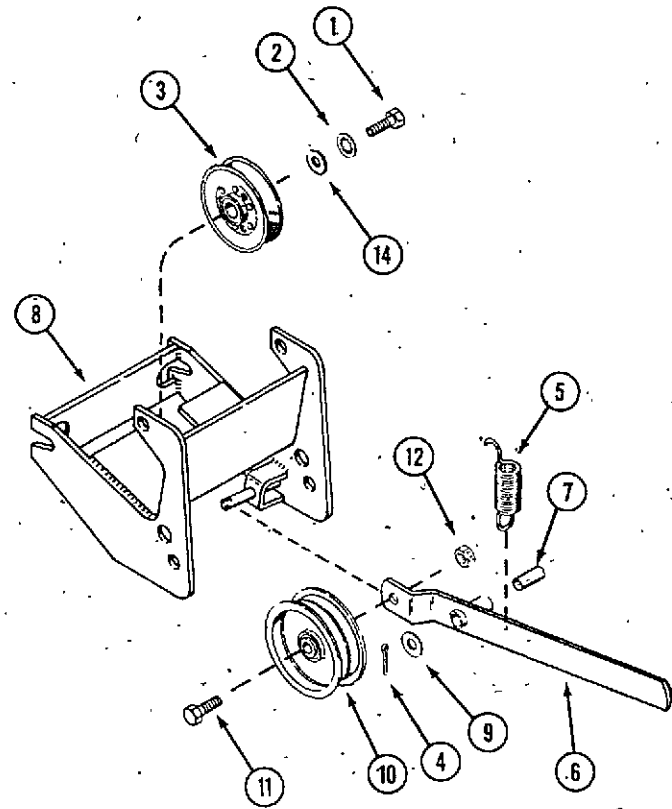
USED ON J80 PRIOR TO S/N F30897
 USED ON J84 PRIOR TO S/N G40059



AUGER AND DRIVE ASSEMBLY

REF.	PART NO.	DESCRIPTION	REQ'D
1	C 15514	FLANGETTE - (J, K, L80 before S/N R11815 - J, K, L84 before S/N S13196)	4
1	C 28277	FLANGETTE - (L, M, N, P, R, S80 S/N R11815 - L, M, N, P, R, S84 S/N S13196 and after)	4
2	C 28817	BEARING - (L, M, N, P, R, S80 S/N R11815 - L, M, N, P, R, S84 S/N S13196 and after)	2
2	C 14419	BEARING - shaft (includes item 18) (J, K, L80 before S/N R11815 - J, K, L84 before S/N S13196)	2
3	111- 132	BOLT - 5/16" x 3/4" NC round head, square neck, ZP	UAR
4	192- 20	LOCK WASHER - 5/16" ZP (early production)	4
5	131- 911	NUT - 5/16" NC hex ZP flange	4
6	C 14579	SPROCKET - drive, 16 tooth (J80, used prior to S/N F30897)	1
6	C 14579	SPROCKET - drive, 16 tooth (J84, used prior to S/N G40059)	1
7	178- 858	SETSCREW - 5/16" x 3/8" (J80, used prior to S/N F30897)	2
7	178- 858	SETSCREW - 5/16" x 3/8" (J84, used prior to S/N G40059)	2
8	126- 16	KEY - woodruff #9 (J80, used prior to S/N F30897)	2
8	126- 16	KEY - woodruff #9 (J84, used prior to S/N G40059)	2
9	C 17724	SHAFT - drive (J84, used prior to S/N G40059)	1
9	C 17723	SHAFT - drive (J80, used prior to S/N F30897)	1
10	178- 858	SETSCREW - 5/16" x 3/8" (J80, used prior to S/N F30897)	2
10	178- 858	SETSCREW - 5/16" x 3/8" (J84, used prior to S/N G40059)	2
11	C 16119	PULLEY - drive shaft (J80; used prior to S/N F30897)	1
11	C 16119	PULLEY - drive shaft (J84, used prior to S/N G40059)	1
12	C 18183	CHAIN - auger drive 75 pitches #40 roller chain,	1
	C 28982	LINK - connecting #40	1
	C 28984	LINK - roller #40	2
	C 28983	LINK - offset #40	2
13	C	LINK - offset #40	2
14	NSS	BEARING - auger (J, K, L80 - J, K, L84) (use C29265)	1
15	195- 545	WASHER - spacer 13/16" (J, K, L80 - J, K, L84)	UAR
16	C 16108	AUGER - 38" (J80, K80 and L80)	1
16	C 24378	AUGER - 48" (J84, K84 and L84)	1
17	138- 2040	PIN - spirol 1/4" x 1-1/2"	1
18	NSS	COLLAR - locking (included with item 2)	2
19	C 31908	SHAFT ASSEMBLY - drive (J, K, L, M, N, P, R, S84, used S/N G40059 and after)	1
19	C 31907	SHAFT ASSEMBLY - drive (J, K, L, M, N, P, R, S80, used S/N F30897 and after)	1
20	C 19731	PULLEY - drive shaft (J80, used S/N F30897 and after)	1
20	C 19731	PULLEY - drive shaft (J84, used S/N G40059 and after)	1
20	C 31953	PULLEY - drive shaft (K, L, M, N, P, R, S80 - K, L, M, N, P, R, S84)	1
21	C 25205	AUGER - 38" (M, N, P, R, S80) includes C25840	1
21	C 25853	AUGER - 48" (M, N, P, R, S84) includes C25840	1
22	C 25840	SLEEVE - bearing (M, N, P, R, S80 - M, N, P, R, S84)	2
23	C 28971	BEARING - auger (M, N, P, R, S80 - M, N, P, R, S84)	2
24	C 25841	SHAFT - stub (M, N, P, R, S80 - M, N, P, R, S84)	2
25	195- 522	WASHER - spacer 3/8" (M, N, P, R, S80 - M, N, P, R, S84)	UAR
26	121- 226	BOLT - 3/8" x 1" NC hex (use lock sealant on threads) flange lock	2
27	193- 68	LOCK WASHER - 3/8"	2
28	113- 102	BOLT - 5/16" x 3/4"	2
29	C 32391	BRACKET - bearing (S80, S84)	1
30	113- 206	BOLT - 3/8" - 16 x 3/4"	2
31	131- 938	NUT - flange lock 3/8" - 16	2

NOTE: If this snowcaster has been converted to fit on 3000, 4000 series tractors, see model SB38G and SB48 snowcaster for parts.



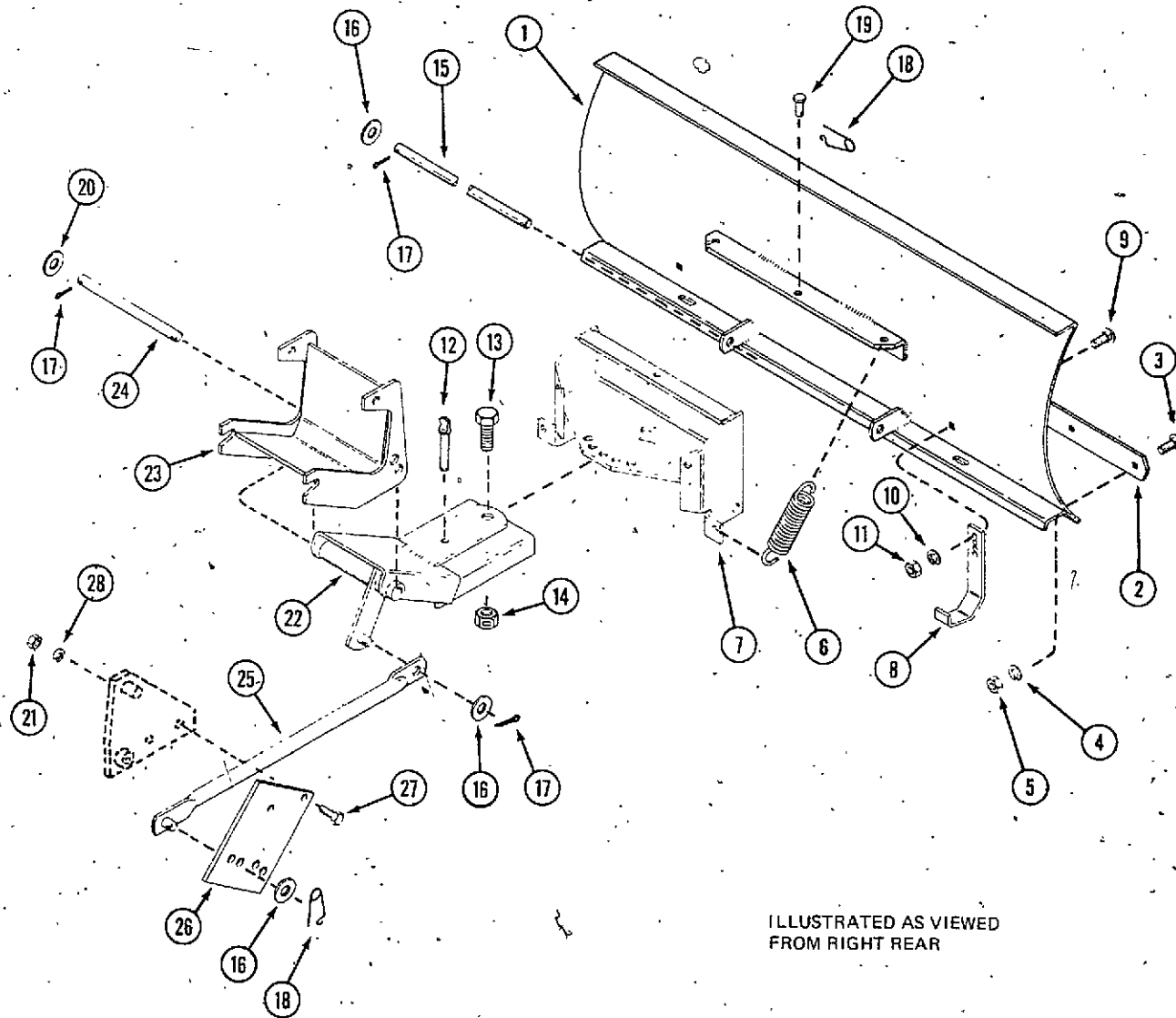
BELT ILLUSTRATION AS VIEWED FROM FRONT LEFT SIDE.

BELTS AND IDLER ASSEMBLY

REF.	PART NO.	DESCRIPTION	REQ'D
1	113- 206	BOLT - 3/8 x 3/4" NC hex ZP	1
2	193- 68	WASHER - 3/8" internal tooth	1
3	C 25370	PULLEY - idler	1
4	132- 318	PIN - cotter	1
5	C 16870	SPRING - idler	1
6	C 16853	ARM - idler	1
7	C 16714	BUSHING - idler arm	1
8	C 25565	FRAME - idler (also use two C25580 for J, K, L80- J, K, L84)	1
9	195- 533	WASHER - 1/2" ZP	1
10	C 26090	PULLEY - backside idler	1
11	113- 410	BOLT - 1/2 x 1-3/4" NC hex ZP	1
12	131- 1182	NUT - lock 1/2" NC hex ZP	1
13	C 23949	BELT - J80 and J84 (use with 200 series tractors)	1
13	C 23950	BELT - J84 (use with 400 series tractors)	1
13	C 23538	BELT - K, L, M, N, P, R, S80 - K, L, M, N, P, R, S84 (use with 200 series tractors)	1
13	C 23539	BELT - K, L, M, N, P, R, S84 (use with 400 series tractors)	1
14	195- 103	WASHER - 3/8"	1

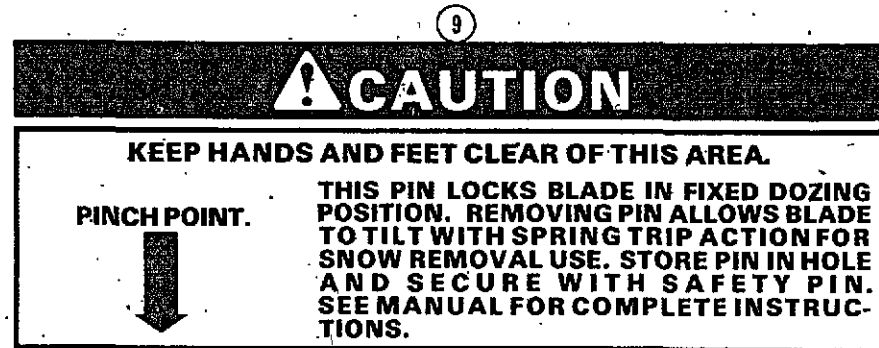
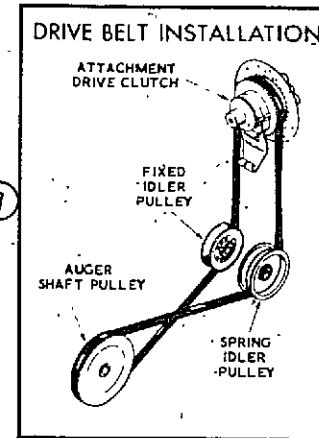
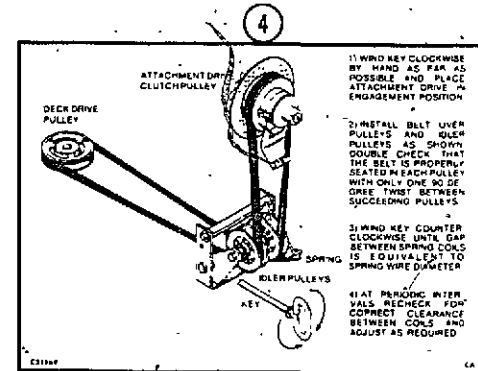
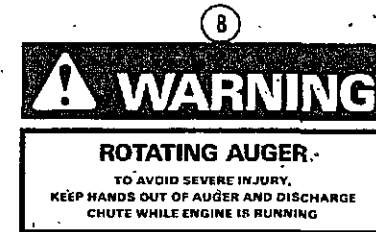
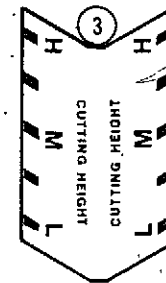
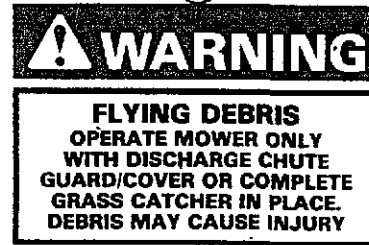
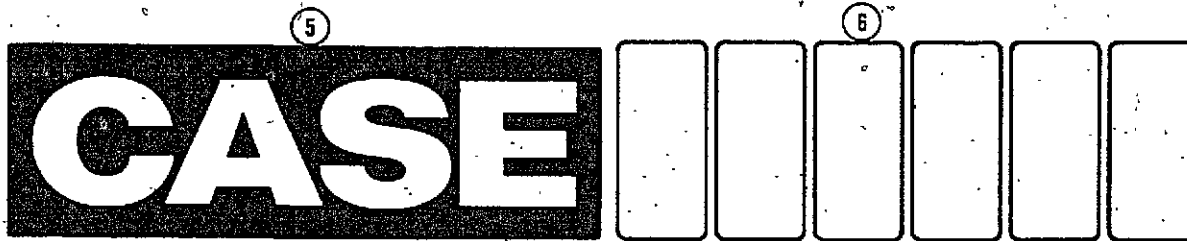
NOTE: If this snowcaster has been converted to fit on 3000, 4000 series tractors, see model SB38G and SB48 snowcaster for parts.

BLADE, BRACKET AND LIFT ASSEMBLY



ILLUSTRATED AS VIEWED FROM RIGHT REAR

REF.	PART NO.	DESCRIPTION	REQ'D
1	C 16524	BLADE - 44" shown (J50, K50, L50)	1
1	C 16525	BLADE - 54" (J54, K54, L54)	1
2	C 10871	EDGE - 44" (J50, K50, L50)	1
2	C 14440	EDGE - 54" (J54, K54, L54)	1
3	111- 203	BOLT - 5/16" x 1" NC rd. hd. square neck (J50, K50, L50)	8
3	111- 203	BOLT - 5/16" x 1" NC rd. hd. square neck (J54, K54, L54)	9
4	192- 20	LOCK WASHER - 5/16" (J50, K50, L50)	8
4	192- 20	LOCK WASHER - 5/16" (J54, K54, L54)	9
5	129- 102	NUT - 5/16" NC hex (J50, K50, L50)	8
5	129- 102	NUT - 5/16" NC hex (J54, K54, L54)	9
6	C 16805	SPRING - blade	2
7	C 22741	BRACKET - pivot	1
8	C 25876	SKID	2
9	111- 371	BOLT - 3/8" x 1" NC rd. hd. square neck	2
10	192- 21	LOCK WASHER - 3/8"	2
11	129- 103	NUT - 3/8" NC hex	2
12	C 10888	PIN - lock	1
13	113- 713	BOLT - 3/4" x 1-3/4" NC hex	1
14	131- 1112	NUT - lock, 3/4" NC hex	1
15	C 16529	ROD - front pivot	1
16	195- 541	WASHER - 5/8"	4
17	132- 310	PIN - cotter 1/8" x 1"	5
18	C 10898	PIN - safety	2
19	141- 56	PIN - clevis 1/2" x 1-3/8"	1
20	C 12975	WASHER - 3/4" ID x 1-1/8"	2
21	129- 105	NUT - 1/2" hex	2
22	C 23702	BRACKET - center push	1
23	C 25571	BRACKET - rear support	1
24	C 23713	ROD - rear pivot	1
25	C 23841	ROD - lift	1
26	C 25382	PLATE - adapter, lift bracket	1
27	113- 417	BOLT - 1/2" x 1-1/4" hex	2
28	192- 23	LOCK WASHER - 1/2"	2



DECALS

REF.	PART NO.	DESCRIPTION	REQ'D
1	C 31087	DECAL - "DANGER" spinning blade (mower)	1
2	C 12519	DECAL - "NO STEP" (mower)	2
3	321- 6210	DECAL - height adjust (mower)	1
4	C 31494	DECAL - belt installation (mower)	1
5	321- 6379	DECAL - "CASE" (snowcaster, blade)	1
6	321- 6380	DECAL - white tread (snowcaster, blade)	UAR
7	C 17462	DECAL - belt installation (snowcaster)	1
8	321- 4199	DECAL - "WARNING" rotating auger (snowcaster)	1
9	321- 3932	DECAL - "CAUTION" pinch point (blade)	1
10	NSS	DECAL - "CASE" (early production) (use 321-6379)	1
11	C 27199	DECAL - "HI CAST 38" (P80)	1
11	C 27200	DECAL - "HI CAST 48" (P84) shown	1
12	C 27202	DECAL - blade 44" (K50) shown	1
12	C 27203	DECAL - blade 54" (K54)	1
13	C 31086	DECAL - "Flying Debris" (N40, N44, N46)	1

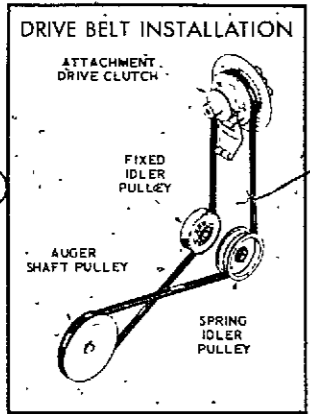
NOTE: Decals may be different than illustrated. Substitutes may be supplied when original decals are not available.

INGERSOLL



hi cast 38

hi cast 48



! WARNING
ROTATING AUGER
 TO AVOID SEVERE INJURY,
 KEEP HANDS OUT OF AUGER AND DISCHARGE
 CHUTE WHILE ENGINE IS RUNNING

44

54

! CAUTION
 KEEP HANDS AND FEET CLEAR OF THIS AREA.
PINCH POINT.
 ↓
 THIS PIN LOCKS BLADE IN FIXED DOZING POSITION. REMOVING PIN ALLOWS BLADE TO TILT WITH SPRING TRIP ACTION FOR SNOW REMOVAL USE. STORE PIN IN HOLE AND SECURE WITH SAFETY PIN. SEE MANUAL FOR COMPLETE INSTRUCTIONS.

DECALS

REF.	PART NO.	DESCRIPTION	REQ'D
1	321- 3932	DECAL - "Caution" pinch point (L50, L54)	1
2	C 31047	DECAL - blade 44" (L50)	1
3	C 31048	DECAL - blade 54" (L54)	1
4	C 31328	DECAL - stripe (cut to length)	1
5	C 31989	DECAL - "Ingersoll"	1
6	321- 4199	DECAL - "Warning" (R80, R84, S80, S84)	1
7	C 17462	DECAL - belt installation (R80, R84, S80, S84)	1
8	C 27938	DECAL - "HI CAST 38" (R80, S80)	1
9	C 27939	DECAL - "HI CAST 48" (R84, S84)	1

NOTE: Decals may be different than illustrated. Substitutes may be supplied when original decals are not available.

NUMERICAL INDEX

Table with 6 columns: PART NO., PAGE NO., REF. NO., PART NO., PAGE NO., REF. NO. containing numerical index data for parts C10463 to C16108.

Table with 6 columns: PART NO., PAGE NO., REF. NO., PART NO., PAGE NO., REF. NO. containing numerical index data for parts C23359 to C26809.

NUMERICAL INDEX

Table with 6 columns: PART NO., PAGE NO., REF. NO., PART NO., PAGE NO., REF. NO. containing numerical index data for parts C26809 to 111-132.

Table with 6 columns: PART NO., PAGE NO., REF. NO., PART NO., PAGE NO., REF. NO. containing numerical index data for parts 111-132 to 131-1102.

Table with 6 columns: PART NO., PAGE NO., REF. NO., PART NO., PAGE NO., REF. NO. containing numerical index data for parts 131-1102 to 195-533.

NUMERICAL INDEX

PART NO.	PAGE NO.	REF. NO.
195-533	15	46
195-533	17	16
195-533	17	39
195-533	19	30
195-533	21	30
195-533	25	9
195-541	9	12
195-541	19	35
195-541	21	27
195-541	27	16
195-545	23	15
195-2134	19	36
195-2134	21	26
195-2175	15	12
321-3932	29	9
321-3932	31	1
321-4199	29	8
321-4199	31	6
321-6210	29	3
321-6379	29	5
321-6380	29	6

INGERSOLL
Ingersoll Equipment Co., Inc.