



GROUNDS MOWERS

**Model
G1897V, G2097V, G2297K**



Manual No. 8-60211

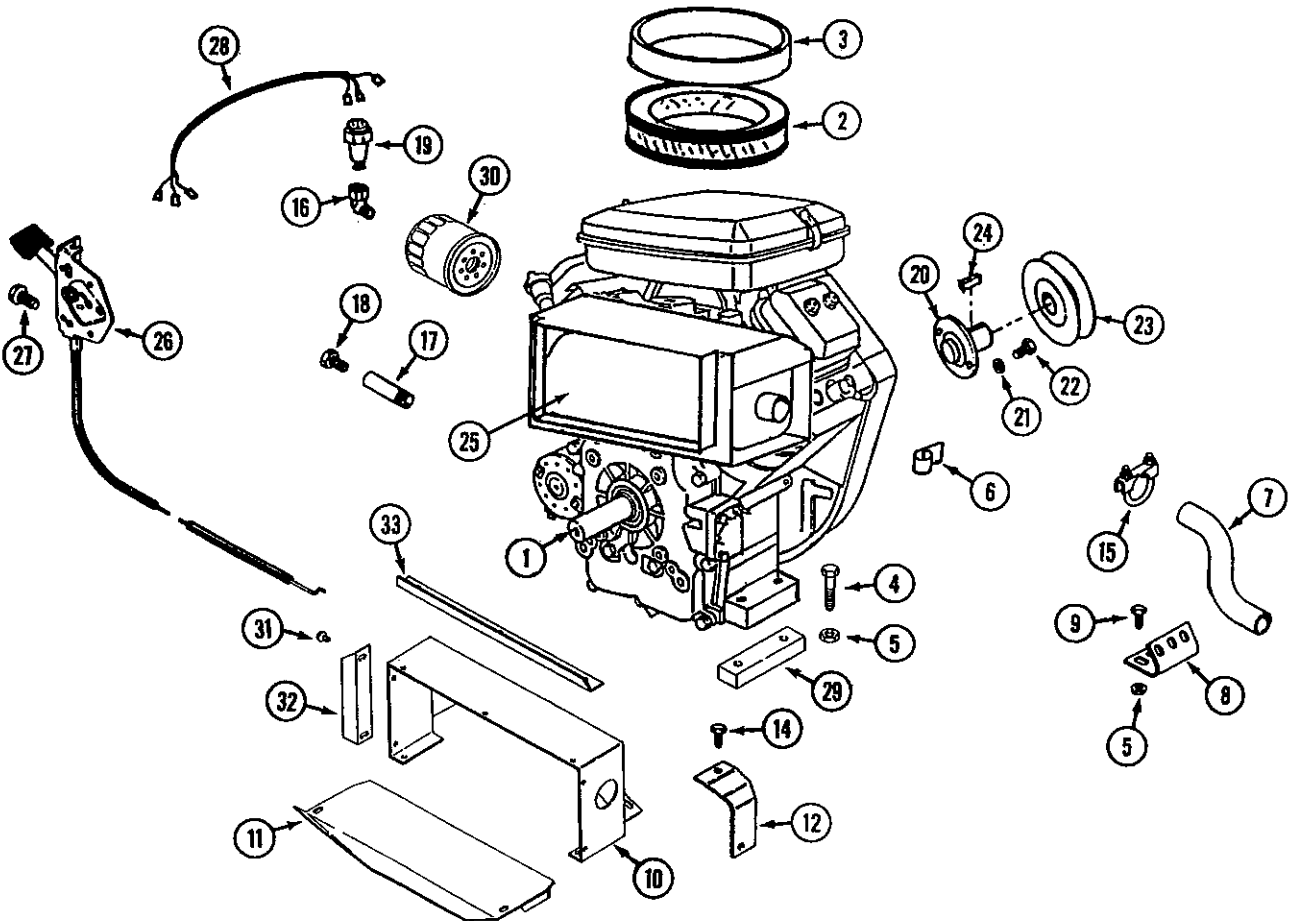
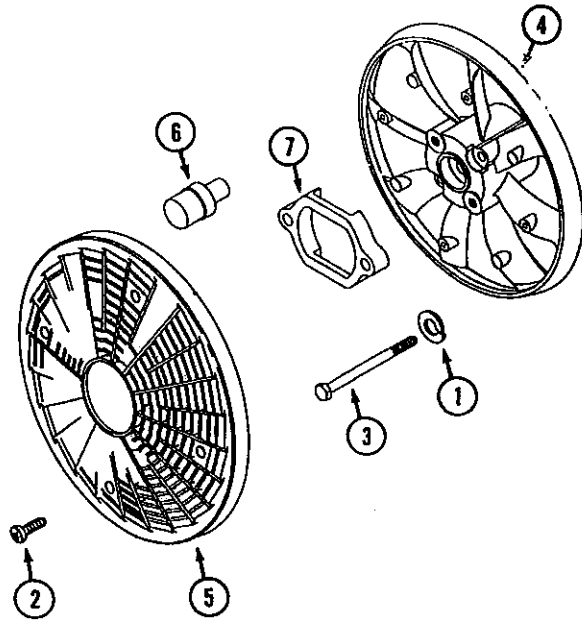
**Grazer Division, Ingersoll Equipment Company
200 Ingersoll Road - Winneconne, WI 54986**

**BLANK
PAGE**

PARTS LIST

TABLE OF CONTENTS

Booster Fan.....	21
Engine and Attaching Parts (Briggs and Stratton Vanguard Model).....	21
Engine and Attaching Parts (Kohler Model).....	23
Fuel System.....	23
Electric Clutch.....	25
Base Assembly.....	27
Body Assembly.....	29
Seat Lid and Steering.....	31
Dual Tail Wheel.....	33
Single Tail Wheel.....	35
Pump Drive Cross Shaft.....	35
Drive Assembly R.H.....	37
Drive Assembly L.H.....	39
Transmission - ZT Drive.....	41
Hydrostatic Pump - ZT Drive.....	43
Parking Brake.....	45
Steering Cable Kit.....	47
Lift Lever.....	47
Hydraulic System.....	49
Electric Deck Lift (includes wiring diagram).....	51
Electrical System.....	53-55
Decals.....	57
Mower Deck and Attaching Parts (52SD).....	59
Mower Drive (52SD).....	61
Mower Deck and Attaching Parts (62SD).....	63
Mower Drive (62SD).....	65
Gear Box (Mower).....	67
Mulching Kits (MK52SD, MK62-2B).....	69



**BOOSTER FAN
(G1897V, G2097V)**

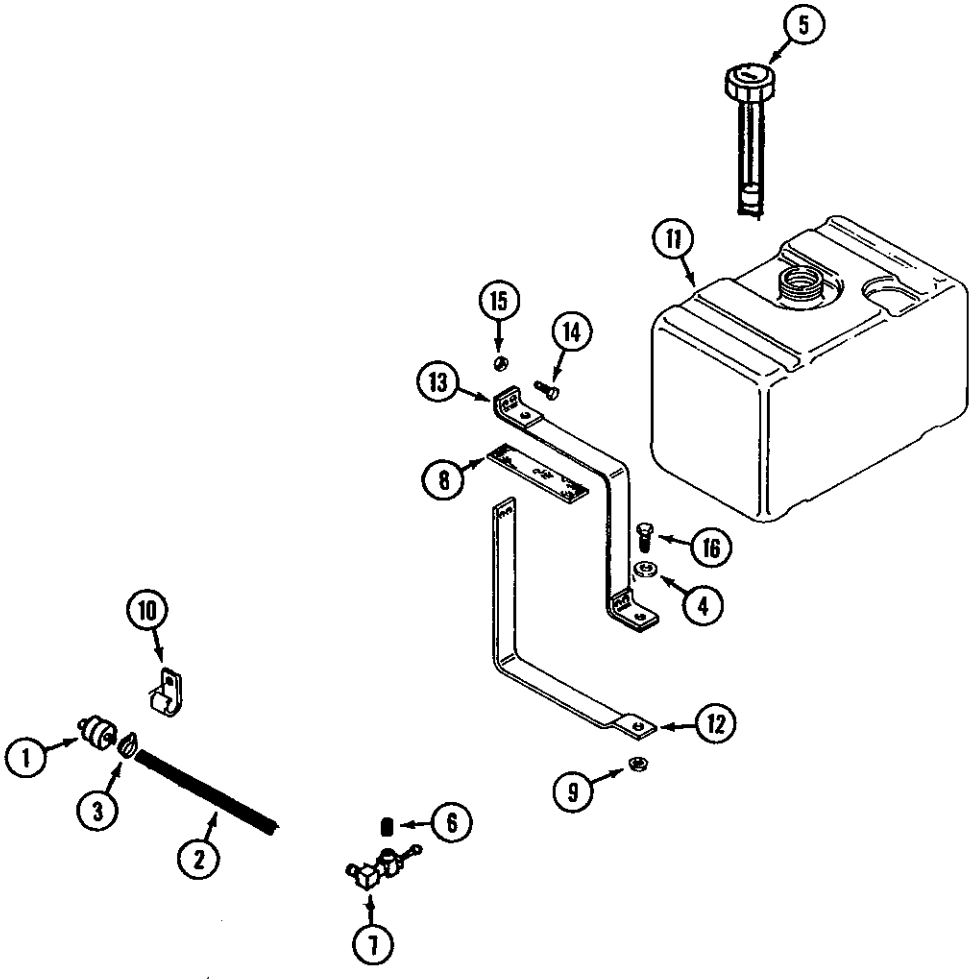
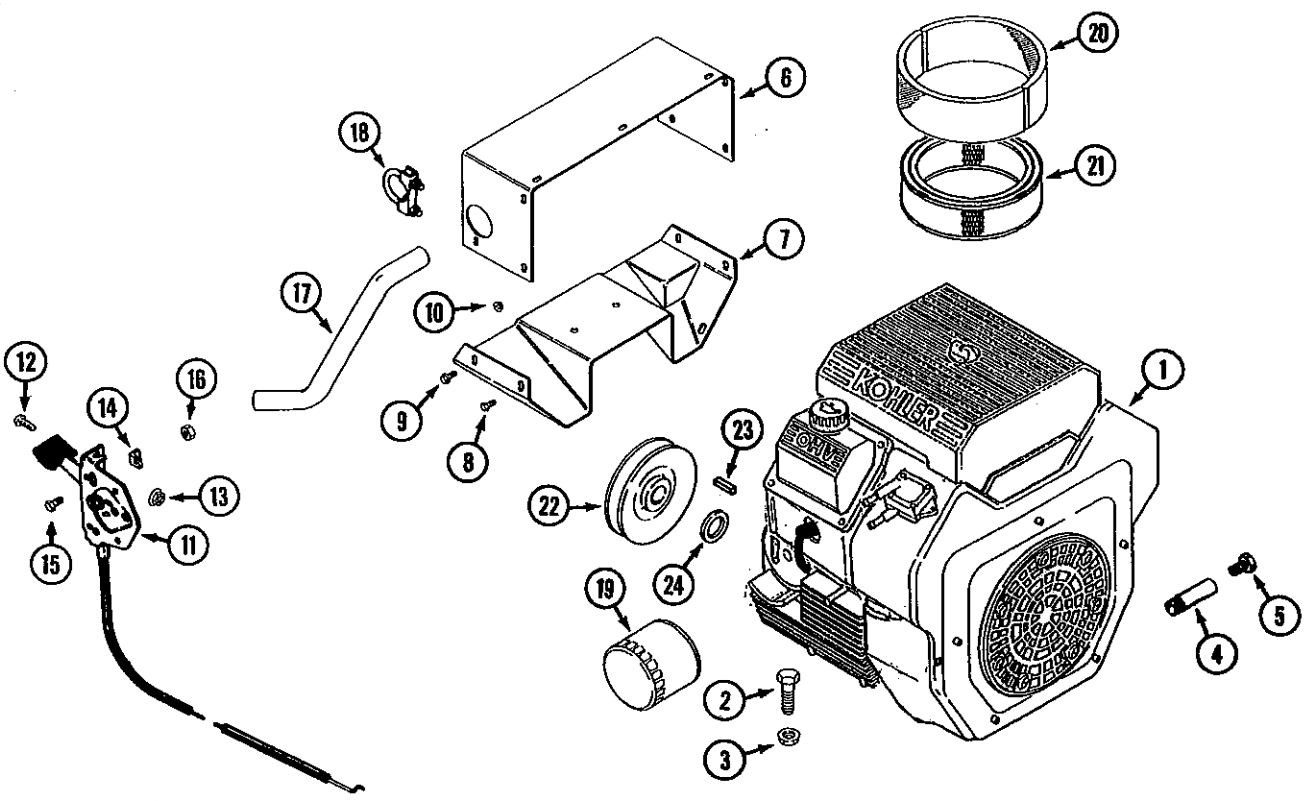
REF.	PART NO.	DESCRIPTION	REQ'D
1	C44857	LOCKWASHER.....	2
2	BR93805	SCREW.....	4
3	C44858	SCREW.....	2
4	C44859	FAN - booster.....	1
5	C44860	SCREEN - rotating.....	1
6	C44861	PIN - pilot.....	1
7	C46079	SPACER - fan.....	1

**ENGINE AND ATTACHING PARTS
(G1897V, G2097V)**

BRIGGS & STRATTON VANGUARD MODEL

(See your local engine dealer for other parts and repairs)

1	C44853	ENGINE - B & S Model 350447, type 0139 (18 hp).....	1
1	C46506	ENGINE - Briggs & Stratton Model 351447, type 1192 (20 hp).....	1
2	C37544	ELEMENT - air cleaner.....	1
3	C37543	PRE-CLEANER.....	1
4	113-119	BOLT - 5/16" - 18 X 2-3/4".....	4
5	131-69	NUT - 5/16" - 18.....	5
6	C32455	CLIP - "J".....	2
7	C46563	PIPE - exhaust.....	1
8	C44243	BRACKET - exhaust pipe.....	1
9	113-103	BOLT - 5/16" - 18 x 1".....	1
10	C46564	DUCT - muffler, upper.....	1
11	C46568	DUCT - bottom.....	1
12	C45111	SUPPORT - duct.....	2
14	C45273	SCREW - M6 x 10.....	3
15	C28294	CLAMP - exhaust.....	2
16	221-411	FITTING - street elbow, 1/8" - 27 NPT 90°.....	1
17	C33949	NIPPLE - pipe 3.5.....	1
18	218-5154	PLUG - 1/2" - 20.....	1
19	C46222	UNIT - oil sending.....	1
20	C37537	SHAFT - stub.....	1
21	192-21	LOCKWASHER - 3/8".....	2
22	113-207	BOLT - 3/8" - 16 x 1".....	2
23	C37539	PULLEY - engine (includes 83-55 set screw).....	1
24	C41015	KEY - 1/4" x 1/4" x 1".....	1
25	C46507	MUFFLER.....	1
26	C37819	CABLE - choke.....	1
26	C37820	CABLE - throttle.....	1
27	C39403	SCREW - #12 X 1/2".....	2
28	C46218	HARNESS - wire.....	1
29	C46562	SPACER - engine mount.....	2
30	C34374	FILTER - oil.....	1
31	187-1328	SCREW - #8 - 18 x 3/4.....	9
32	C46744	ANGLE - air duct 6-1/2" long.....	2
33	C46745	ANGLE - air duct 15" long.....	1

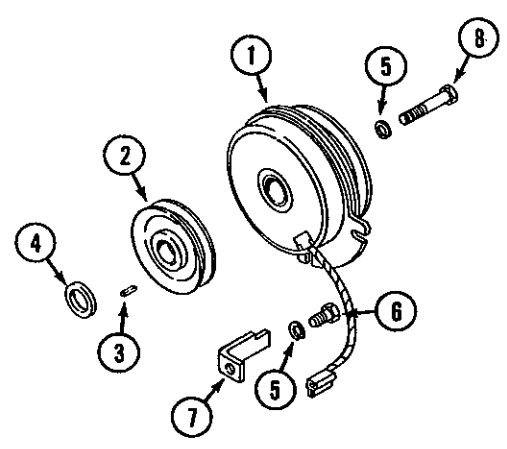
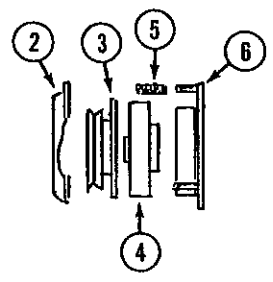
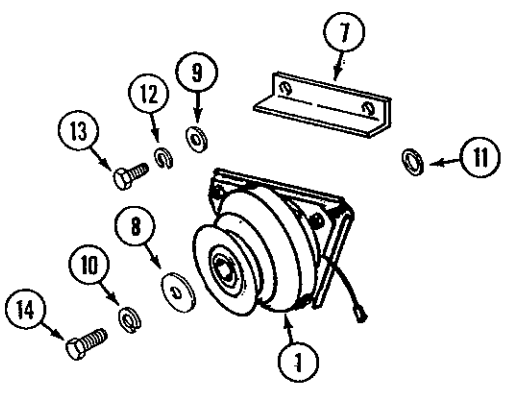


**ENGINE AND ATTACHING PARTS (G2297K)
KOHLER COMMAND MODEL**

REF.	PART NO.	DESCRIPTION	REQ'D
1	C46505	ENGINE - 22 hp KOHLER.....	1
2	113-233	BOLT - 3/8" 16 x 1-3/4".....	4
3	131-1352	NUT - 3/8" - 16 flange, lock.....	4
4	C33757	NIPPLE - oil drain.....	1
5	218-5154	PLUG - 1/2" - 20.....	1
6	C46569	SHIELD - upper exhaust.....	1
7	C46570	SHIELD - lower exhaust.....	1
8	C37200	SCREW - 6M x 10.....	9
9	121-21	BOLT - 1/4" - 20 x 1/2" flange.....	2
10	131-934	NUT - 1/4" - 20 flange lock.....	2
11	C46573	CABLE - choke.....	1
11	C46574	CABLE - throttle.....	1
12	182-573	SCREW - # 10 - 24 x 1/2 black.....	4
13	C34117	NUT - # 10 - 24 flange lock.....	4
14	C37630	BRACKET - stop.....	2
15	113-3	BOLT - 1/4" - 20 x 3/4".....	2
16	131-71	NUT - 1/4" - 20 lock.....	2
17	C46563	PIPE - exhaust.....	1
18	C28294	CLAMP - pipe 1-1/8".....	1
19	C43754	FILTER - oil.....	1
20	C43755	PRECLEANER.....	1
21	C43756	ELEMENT - air cleaner.....	1
22	C46632	PULLEY - drive.....	1
23	C46633	KEY - pulley.....	1
24	C33200	SPACER - 1/4".....	1

FUEL SYSTEM

1	C37554	FILTER - fuel.....	1
2	C44027	HOSE - fuel (cut to length).....	1
3	214-103	CLAMP - hose.....	4
4	195-521	WASHER - 5/16".....	2
5	C45334	CAP - fuel tank (with gauge).....	1
6	221-1101	NIPPLE - pipe 1/8".....	1
7	C37811	VALVE - shut off.....	1
8	C34189	CUSHION - reservoir.....	2
9	131-911	NUT - 5/16" - 18 flange lock.....	2
10	C32455	CLIP - "J" fuel line.....	1
11	C45333	TANK - fuel (2-1/4" filler tube) (plastic).....	1
12	C45061	BRACKET - fuel tank.....	1
13	C45062	STRAP - fuel tank.....	1
14	113-17	BOLT - 1/4" - 20 lock.....	2
15	131-71	NUT - 1/4" - 20 lock.....	2
16	113-103	BOLT - 5/16" 18 x 1".....	2

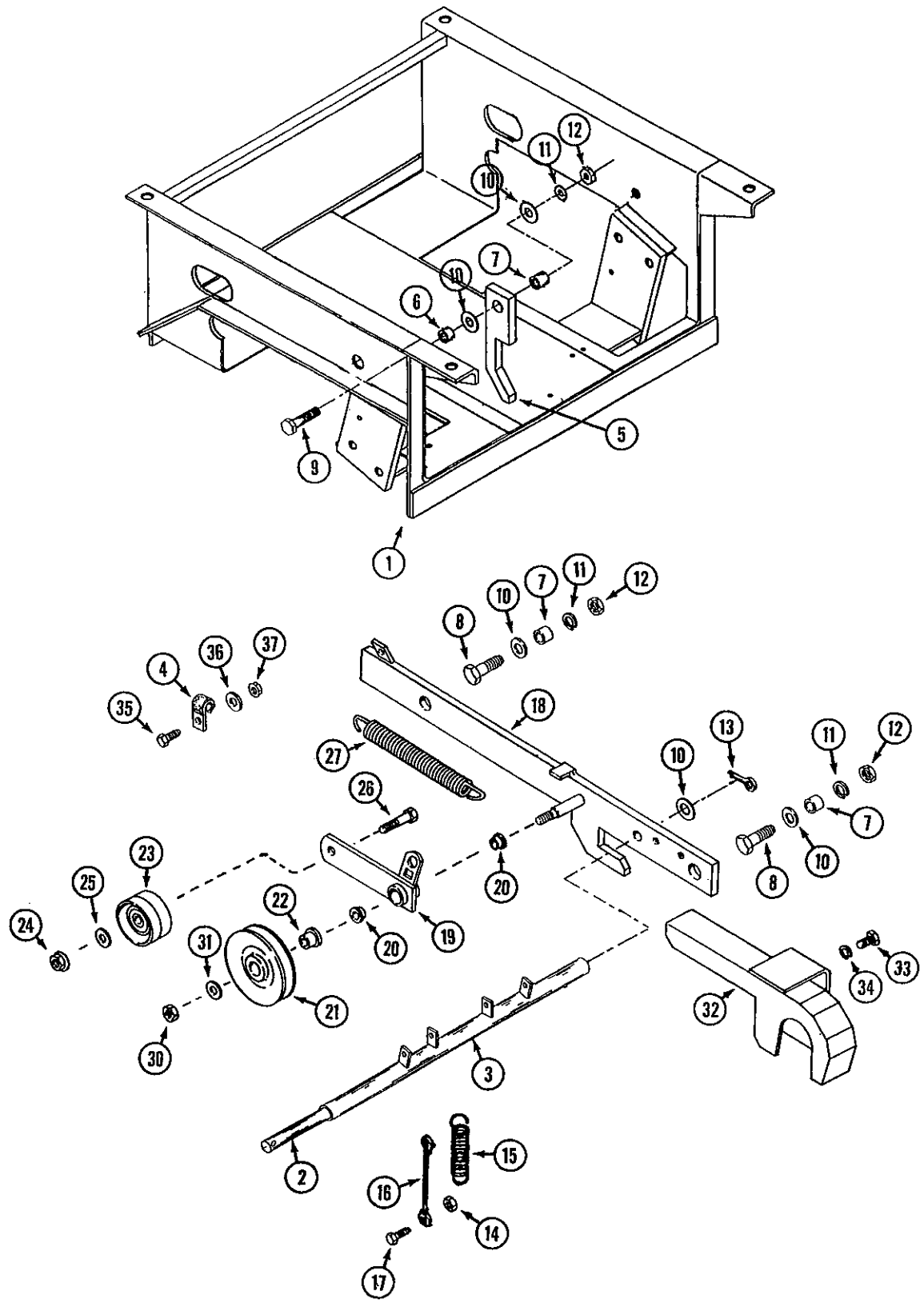


ELECTRIC CLUTCH (PTO)
(G1897V, G2097V)

REF.	PART NO.	DESCRIPTION	REQ'D
1	C37511	CLUTCH ASSEMBLY.....	1
2	C37549	BRAKE - clutch.....	1
3	C37550	ARMATURE - clutch.....	1
4	C37551	ROTOR - clutch.....	1
5	C37552	KIT - spring and nut (3 each).....	1
6	C37553	COIL - clutch.....	1
7	C37562	BRACKET - clutch stop.....	1
8	C31615	WASHER - retaining.....	1
9	195-104	WASHER - 7/16".....	2
10	192-21	LOCKWASHER - 3/8".....	1
11	C31614	WASHER - 1-1/8" spacer.....	1
12	192-22	LOCKWASHER - 7/16".....	2
13	113-312	BOLT - 7/16" - 14 x 1-1/4".....	2
14	114-203	BOLT - 3/8" - 24 x 1-1/2".....	1

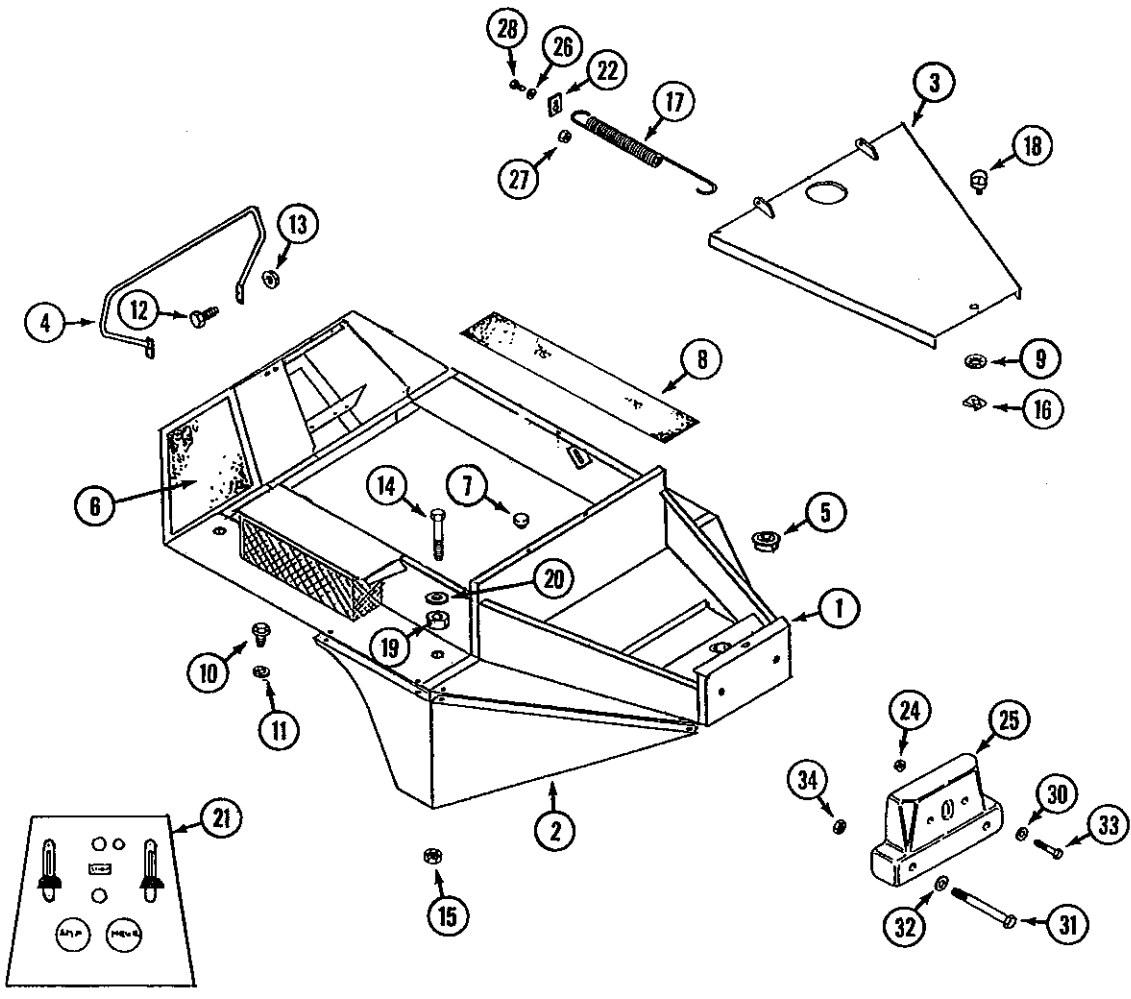
ELECTRIC CLUTCH (PTO) AND DRIVE PULLEY
(G2297K)

REF.	PART NO.	DESCRIPTION	REQ'D
1	C46504	CLUTCH ASSEMBLY.....	1
2	C46632	PULLEY -	1
3	C46633	KEY - 1/4" X 1-1/16".....	1
4	C33200	SPACER - 1/4".....	1
5	192-22	LOCKWASHER - 7/16".....	2
6	113-310	BOLT - 7/16" - 14 x 1".....	1
7	C46634	BRACKET - clutch stop.....	1
8	114-326	BOLT - 7/16" - 20 x 2-1/2".....	1



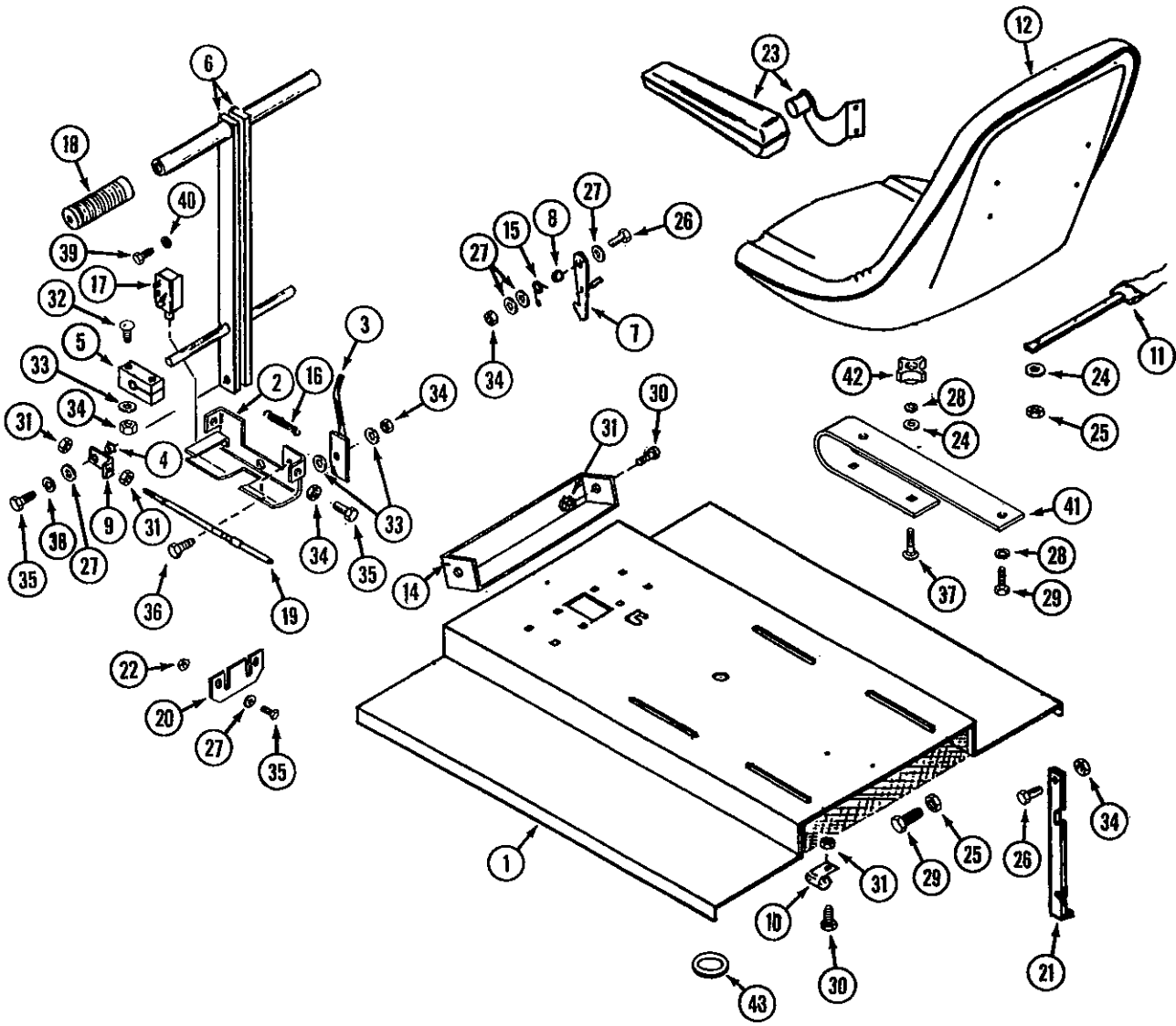
BASE ASSEMBLY

REF.	PART NO.	DESCRIPTION	REQ'D
1	C46530	BASE.....	1
2	C37578	PIN - cross bar.....	1
3	C37579	BAR - cross.....	1
4	C32455	CLIP - "J".....	2
5	C37583	LOCK - forward nose down.....	2
6	C37576	BUSHING - pivot (3/8" long).....	1
7	C46622	BUSHING - pivot (1/2" long).....	5
8	113-410	BOLT - 1/2" - 13 x 1-1/2".....	4
9	113-441	BOLT - 1/2" - 13 x 2-1/4".....	1
10	195-105	WASHER - 1/2".....	6
11	192-23	LOCKWASHER - 1/2".....	5
12	129-105	NUT - 1/2" - 13.....	3
13	132-310	PIN - cotter 1/8" x 1".....	2
14	131-71	NUT - lock 1/4" - 20.....	4
15	C37815	SPRING - lift assist.....	2
16	C37816	CABLE - lift.....	2
17	113-4	BOLT - 1/4" - 20 x 1".....	4
18	C46620	ARM - deck R.H.....	1
18	C46616	ARM - deck L.H. (shown).....	1
19	C46623	ARM - idler.....	1
20	C27501	BEARING - flange.....	2
21	C25370	PULLEY - "V" idler.....	1
22	C45102	BUSHING - pulley.....	1
23	C45121	PULLEY - idler, flat.....	1
24	131-938	NUT - 3/8" - 16 flange lock.....	1
25	195-104	WASHER - 3/8".....	1
26	113-219	BOLT - 3/8" - 16 x 2".....	2
27	C44242	SPRING - extension.....	1
28	113-103	BOLT - 5/16" - 18 x 1".....	1
29	131-911	NUT - 5/16" - 18 flange lock.....	1
30	131-1182	NUT - 1/2" - 13 lock.....	1
31	195-533	WASHER - 1/2".....	1
32	C46613	GUARD - belt.....	1
33	113-102	BOLT - 5/16" - 18 x 3/4".....	2
34	192-20	LOCKWASHER.....	2
35	113-103	BOLT - 5/16" - 18 x 1".....	2
36	195-102	WASHER - 5/16".....	2
37	131-911	NUT - 5/16" - 18 flange lock.....	2



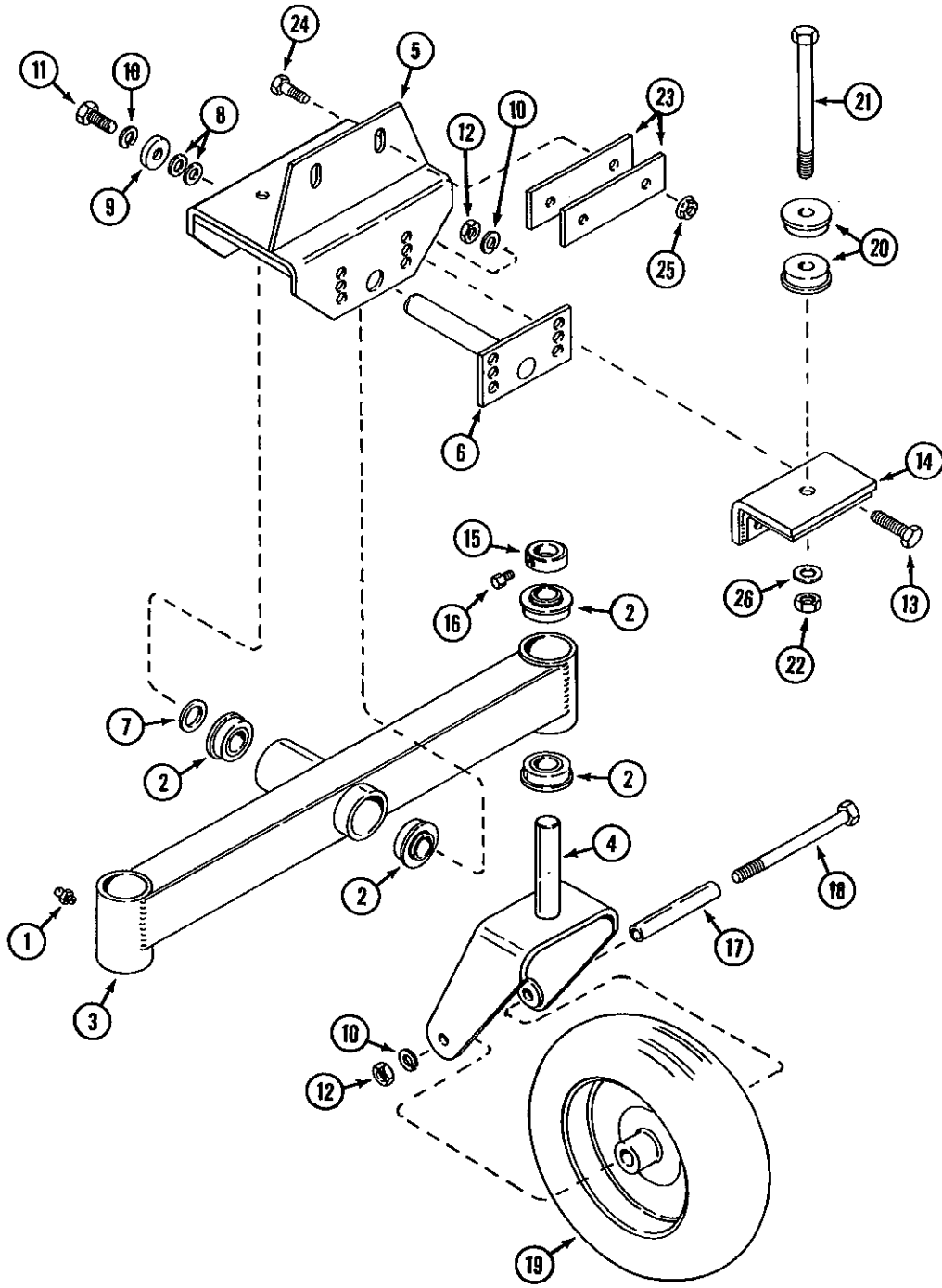
BODY ASSEMBLY

REF.	PART NO.	DESCRIPTION	REQ'D
1	C46545	BODY.....	1
2	C41175	FENDER - L.H. (Shown).....	1
2	C41179	FENDER - RH.....	1
3	C46555	COVER - rear.....	1
4	C44844	GUARD RAIL.....	1
5	C37824	BEARING.....	2
6	C43419	PAD - L.H. front, foot.....	1
6	C43420	PAD - R.H. front, foot.....	1
7	C35067	BUMPER - nylon.....	4
	C44036	TRIM - tower and rear lid (not shown).....	1
8	C43421	PAD - R.H. side, foot.....	1
9	C46560	RETAINER - stud.....	1
10	C34808	BOLT - 1/4" - 20 x 3/4" tapping.....	8
11	192-19	LOCKWASHER - 1/4".....	8
12	C42056	BOLT - 5/16" - 18 x 5/8" black.....	4
13	131-911	NUT - 5/16" - 18 flange lock.....	4
14	113-427	BOLT - 1/2" - 13 x 3-1/4".....	4
15	131-70	NUT - 1/2" - 13 lock.....	4
16	C46561	RECEPTACLE - stud.....	1
17	C46105	SPRING - extension.....	1
18	C46559	FASTENER - stud.....	1
19	C37818	MOUNT - body, rubber.....	8
20	C37581	WASHER - body mount.....	4
21	C37821	DASH BOARD.....	1
	182-573	SCREW - #10 - 24 X 1/2" (used on dash board).....	4
	C34117	NUT - #10 - 24 flange lock (used on dash board).....	2
22	C42903	BRACKET - mounting.....	1
23	C38408	SPRING.....	1
24	131-1352	NUT - flange lock.....	2
25	NSS	WEIGHT - tail (order from whole goods) W48 kit.....	2
26	195-102	WASHER - 5/16" x 3/4".....	1
27	131-934	NUT - 1/4" - 20 flange, lock.....	1
28	113-3	BOLT - 1/4" - 20 x 3/4".....	1
30	195-525	WASHER - 3/8".....	2
31	113-650	BOLT - 5/8" - 11 x 6-1/2".....	2
32	195-541	WASHER - 5/8".....	2
33	113-213	BOLT - 3/8" - 16 x 2-1/4".....	2
34	131-356	NUT - 5/8" - 11 lock.....	2



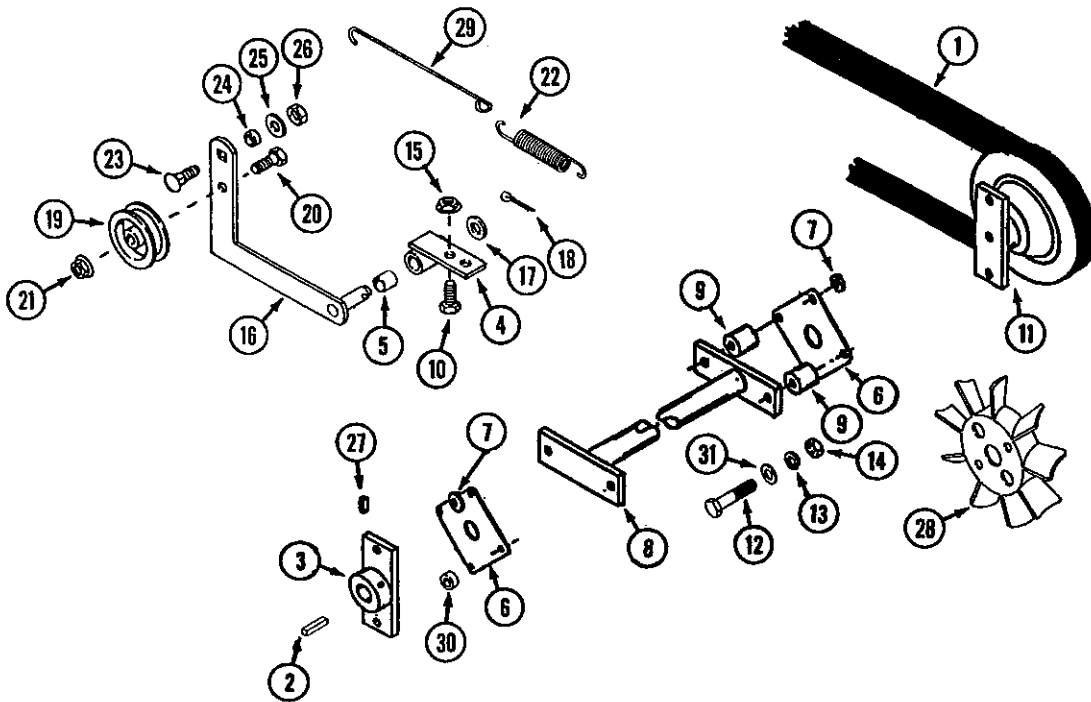
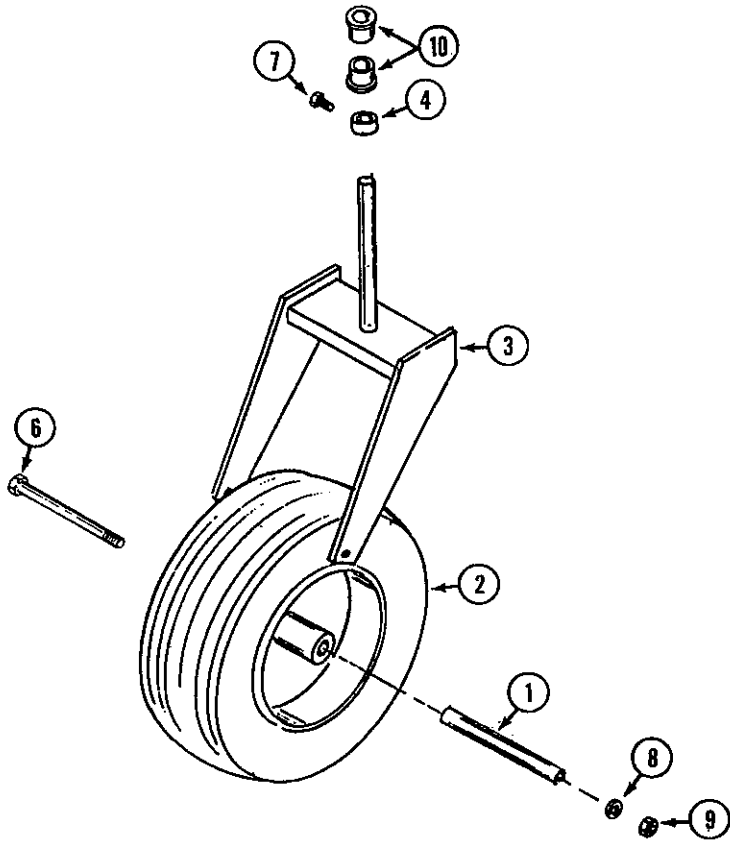
SEAT LID AND STEERING

REF.	PART NO.	DESCRIPTION	REQ'D
1	C46551	LID - seat.....	1
2	C46588	BRACKET - lever lock.....	1
3	C46591	LATCH - lever lock.....	1
4	C42895	BUSHING.....	2
5	C37842	BEARING - block.....	4
6	C46586	LEVER - steering.....	4
7	C46659	LATCH - seat lid.....	1
8	C44498	SPACER - latch.....	1
9	C42896	BRACKET - steering cable end.....	4
10	C32455	RETAINER - harness, seat lid.....	1
11	C44012	SWITCH - seat.....	1
12	C43202	SEAT.....	1
14	C37826	PLATE - filler.....	1
15	C37851	SPRING - latch, seat lid.....	1
16	C37837	SPRING - bracket, lever lock.....	1
17	C37521	SWITCH - safety.....	1
18	C37631	GRIP - handle.....	2
19	C42894	CABLE - steering (see page 39).....	2
20	C46592	CLAMP - steering cable.....	2
21	C45471	PROP - seat lid.....	1
22	131-934	NUT - 1/4" - 20 flange lock.....	2
23	NSS	KIT - arm rest (optional) (order as whole goods item).....	-
24	195-103	WASHER - 5/16".....	4
25	131-69	NUT - 5/16".....	4
26	113-17	BOLT - 1/4" - 20 x 1-1/4".....	2
27	195-102	WASHER - 1/4".....	7
28	192-20	LOCKWASHER - 5/16".....	8
29	113-103	BOLT - 5/16" - 18 x 1".....	6
30	182-528	SCREW - #10 - 32 x 1/2".....	3
31	193-1000	NUT - #10 - 32.....	7
32	111-114	BOLT - 1/4" - 20 x 1-1/2" carriage.....	8
33	195-521	WASHER - 1/4".....	10
34	131-71	NUT - 1/4" - 20 lock.....	13
35	113-3	BOLT - 1/4" - 20 x 3/4".....	5
36	113-17	BOLT - 1/4" - 20 x 1-1/4".....	1
37	111-256	BOLT - carriage 5/16" - 18 x 1-1/4".....	4
38	192-19	LOCKWASHER - 1/4".....	2
39	182-525	SCREW - #10 - 32 X 3/8".....	1
40	192-18	LOCKWASHER - 3/16".....	1
41	C43137	SPRING - seat.....	2
42	C43438	KNOB - seat.....	4
43	C25165	GROMMET - 1" x 1-3/4".....	1
	C22947	TIE - nylon.....	1
	C37830	TRIM - edge (12 - 3/4") cut to length.....	3



DTW10 DUAL TAIL WHEEL

REF.	PART NO.	DESCRIPTION	REQ'D
1	219-20	FITTING - lubrication 1/4" - 28	3
2	C37824	BEARING - ball 1"	6
3	C45610	AXLE - dual wheel.....	1
4	C45645	FORK - wheel.....	2
5	C45618	MOUNT - axle.....	1
6	C45689	ROD - axle pivot.....	1
7	C14919	WASHER - 1" x 1-3/4".....	UAR
8	195-2067	WASHER - 1/2" x 1".....	UAR
9	C45841	WASHER - 1/2" x 1-3/8".....	1
10	192-23	LOCKWASHER - 1/2".....	5
11	113-417	BOLT - 1/2" - 13 x 1-1/4".....	1
12	129-105	NUT - 1/2" - 13.....	4
13	113-412	BOLT - 1/2" - 13 x 1-3/4".....	2
14	C45708	MOUNT - axle, front extension.....	1
15	C37860	COLLAR - set 1".....	2
16	85-58	SCREW - set 5/16" - 18 x 1/2" square head.....	1
17	C37915	TUBE - axle.....	2
18	113-448	BOLT - 1/2" - 13 x 7".....	2
19	C37869	WHEEL ASSEMBLY.....	2
	C44499	BEARING - wheel.....	2
	C45636	TIRE - 13 x 5.00 - 6.....	1
	C45634	RIM.....	1
20	C45711	BUSHING - tail wheel hub.....	2
21	113-646	BOLT - 5/8" - 11 x 7-1/2".....	UAR
21	113-2606	BOLT - 5/8" - 11 x 11".....	UAR
22	131-356	NUT - 5/8" - 11.....	1
23	C45746	PLATE - stiffener.....	2
24	113-208	BOLT - 3/8" - 16 x 1-1/4".....	2
25	131-1352	NUT - 3/8" - 16 flange lock.....	2
26	195-541	WASHER - 5/8" x 1-1/2".....	1

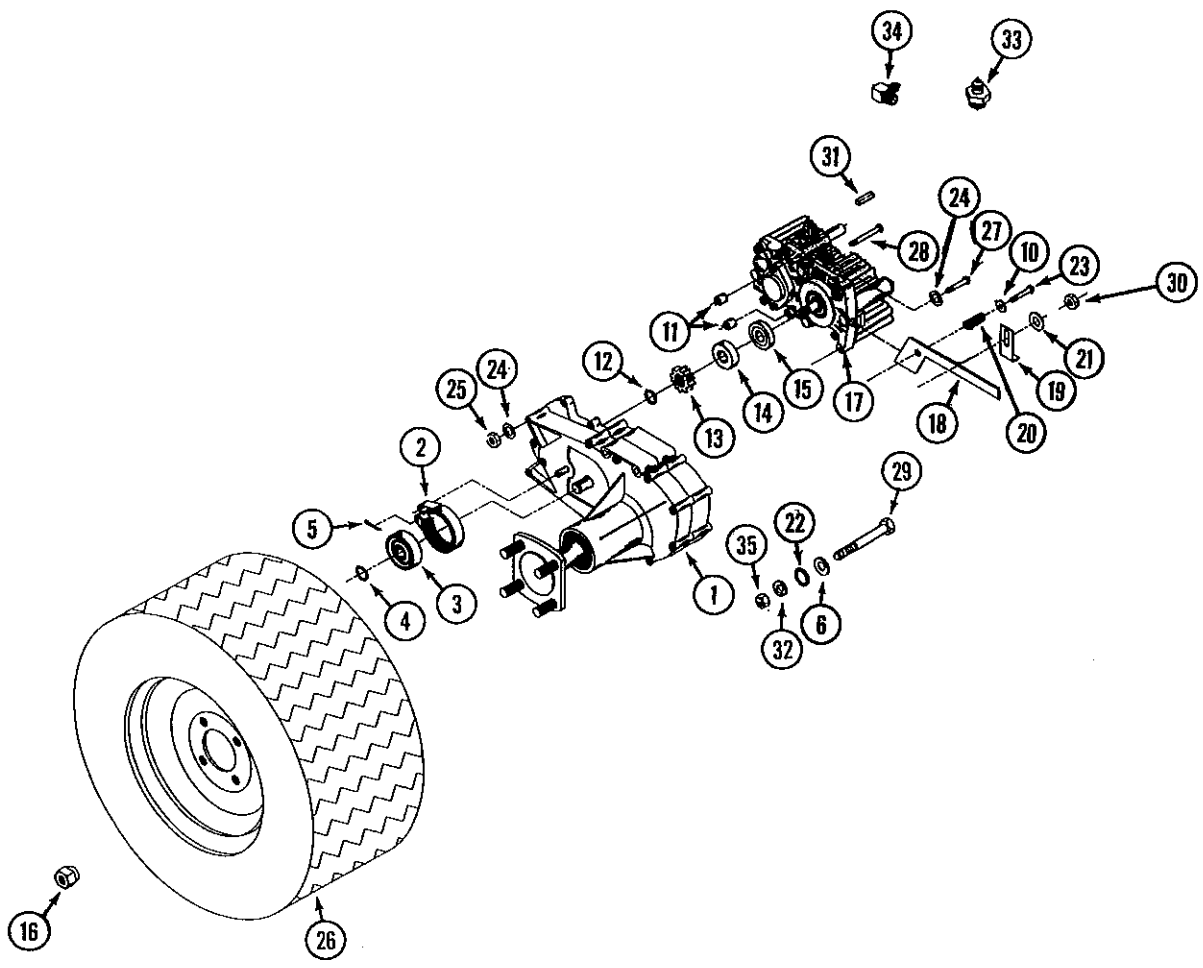


SINGLE TAIL WHEEL

REF.	PART NO.	DESCRIPTION	REQ'D
1	C37854	AXLE - wheel	1
2	C37855	WHEEL ASSEMBLY - tail	1
	C44499	BEARING - wheel	2
	C37857	TIRE - 16 x 6.50 - 8.....	8
	C37858	RIM - 8" w/bearing.....	1
3	C37859	FORK - tail wheel.....	1
4	C37860	COLLAR - set 1"	1
6	113-452	BOLT - 1/2" - 13 x 9-1/2".....	1
7	85-58	SCREW - set 5/16" - 18 x 1/2" square head	1
8	192-23	LOCKWASHER - 1/2"	1
9	129-105	NUT - 1/2" - 13	1
10	C37824	BEARING - ball 1"	2
	219-20	FITTING - grease 90° 1/4" - 28 self tap (caster pivot)	1

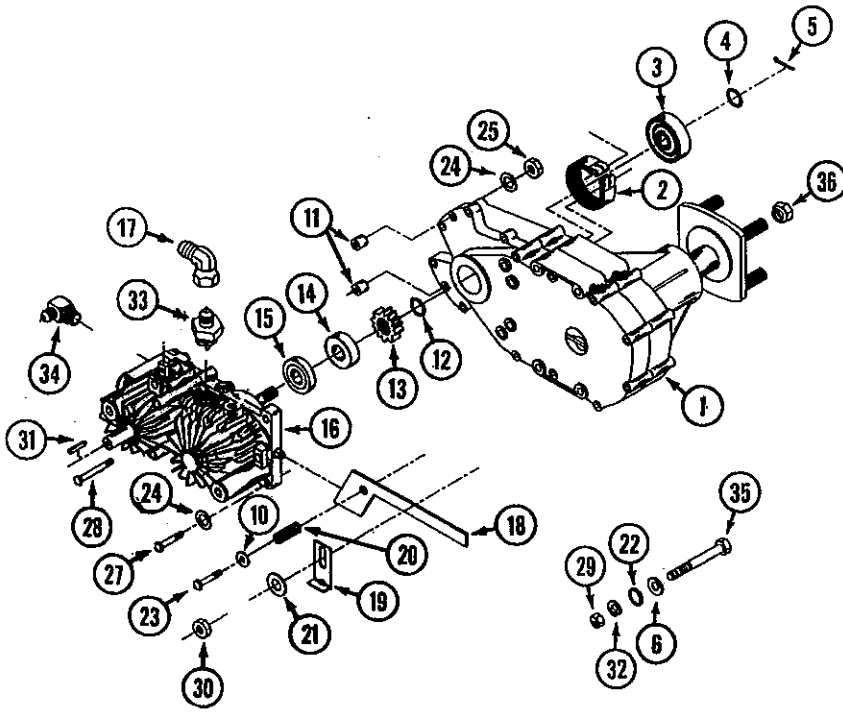
DRIVE PULLEY AND CROSS SHAFT (TRANSMISSION)

REF.	PART NO.	DESCRIPTION	REQ'D
1	C46612	BELT - transmission drive	1
2	C37725	KEY - 5 x 5 x 25 mm	2
3	C46092	HUB - drive plate	1
4	C46100	MOUNT - idler.....	1
5	C16714	BUSHING.....	1
6	C37700	PLATE - drive.....	2
7	C37704	WASHER - 5/16" 10 ga.....	4
8	C46097	SHAFT - cross.....	1
9	C37703	SPACER - 1".....	UAR
10	113-207	BOLT - 3/8" - 16 x 1"	2
11	C46088	PULLEY - drive (includes drive plate).....	1
12	113-103	BOLT - 5/16" - 18 x 1"	UAR
12	113-104	BOLT - 5/16" - 18 x 1-1/4".....	UAR
12	113-121	BOLT - 5/16" - 18 x 2"	UAR
13	192-20	LOCKWASHER - 5/16"	8
14	129-102	NUT - 5/16" - 18.....	8
15	131-938	NUT - 3/8" - 16 flange lock.....	2
16	C46609	ARM - idler (G1897V, G2097V) shown	1
16	C46611	ARM - idler (G2297K)	1
17	195-2067	WASHER - 1/2" x 7/8"	1
18	132-310	PIN - cotter - 1/8" x 1"	1
19	C15672	PULLEY - idler	1
20	113-209	BOLT - 3/8" - 16 x 1-1/2"	1
21	131-1352	NUT - 3/8" - 16 flange lock.....	1
22	C36998	SPRING - tension	1
23	111-342	BOLT - carriage 3/8" - 16 x 1"	1
24	C14768	SPACER - 3/8" x 1/2"	1
25	195-103	WASHER - 3/8"	1
26	131-1181	NUT - 3/8" - 16 lock.....	1
27	83-55	SETSCREW - 5/16" - 18 x 5/16"	2
28	C46608	FAN - CCW	2
29	C46658	LINK - idler spring.....	1
30	C37702	SPACER - 1/4".....	UAR
31	195-102	WASHER - 5/16".....	8



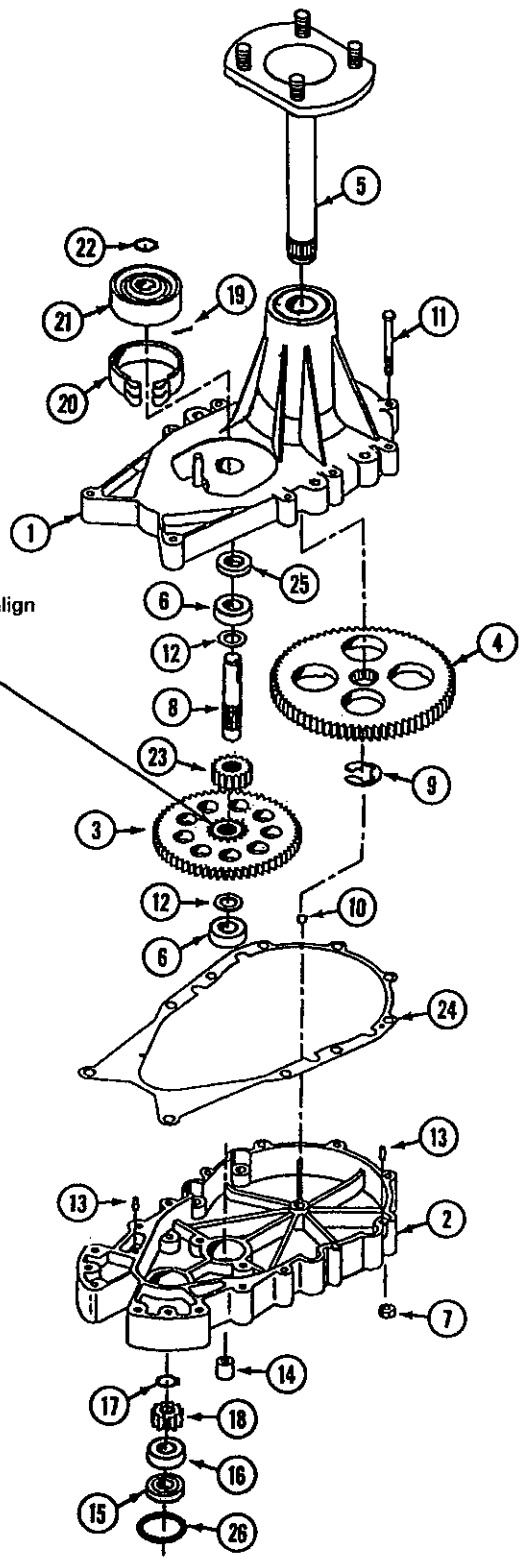
DRIVE ASSEMBLY R.H.

REF.	PART NO.	DESCRIPTION	REQ'D
1	C46087	TRANSMISSION - ZT (see page 41 for repairs).....	1
2	C37730	BAND - brake.....	1
3	C37731	DRUM - brake.....	1
4	C37732	RING - snap.....	1
5	132-320	PIN - cotter 3/32" x 3/4".....	1
6	195-525	WASHER - .40" x .81".....	6
10	195-102	WASHER - 1/4".....	1
11	C37736	SPACER.....	2
12	C37737	RING - snap.....	1
13	C37738	GEAR.....	1
14	C37739	BEARING.....	1
15	C37740	SPACER.....	1
16	C37657	NUT - lug 1/2" - 20.....	4
17	C45399	PUMP - hydro R.H. (see page 43 for repairs).....	1
18	C45166	LEVER - transmission dump R.H.	1
19	C37743	BRACKET - dump lever stop.....	1
20	C37744	SPRING - compression.....	1
21	195-104	WASHER - 3/8".....	1
22	C45900	"O" RING - mounting.....	8
23	C37747	BOLT - dump lever.....	1
24	192-20	LOCKWASHER - 5/16".....	4
25	129-102	NUT - 5/16" - 18.....	2
26	C37763	WHEEL ASSEMBLY.....	1
	C37652	TIRE - 18 X 9.50 - 8.....	1
	C37656	RIM - wheel 8 x 6.....	1
27	113-120	BOLT - 5/16" - 18 x 1-3/4".....	2
28	113-134	BOLT - 5/16" - 18 x 7-1/2".....	2
29	113-203	BOLT - 3/8" - 16 x 3-1/2.....	8
29	113-267	BOLT - 3/8" - 16 x 4" mounting.....	2
30	131-1181	NUT - 3/8" - 16 lock.....	1
31	C37752	KEY - 5 x 5 x 25 mm.....	1
32	192-21	LOCKWASHER - 3/8".....	8
33	218-5354	ADAPTER - pump outlet.....	1
34	218-5278	ADAPTER - 90° pump inlet.....	1
35	129-103	NUT - 3/8" - 16.....	8

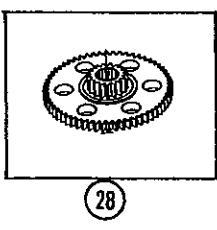


DRIVE ASSEMBLY L.H.

REF.	PART NO.	DESCRIPTION	REQ'D
1	C46087	TRANSMISSION - ZT (see page 41 for repairs).....	1
2	C37730	BAND - brake	1
3	C37731	DRUM - brake	1
4	C37732	RING - snap	1
5	132-320	PIN - cotter 3/32" x 3/4"	1
6	195-525	WASHER - .40" x .81".....	6
10	195-102	WASHER - 1/4"	1
11	C37736	SPACER.....	2
12	C37737	RING - snap	1
13	C37738	GEAR	1
14	C37739	BEARING	1
15	C37740	SPACER.....	1
16	C45398	PUMP - hydro L.H. (see page 43 for repairs).....	1
17	218-980	FITTING - 90° male to female	1
18	C45165	LEVER - transmission dump L.H.....	1
19	C37743	BRACKET - dump lever stop.....	1
20	C37744	SPRING - compression	1
21	195-104	WASHER - 3/8"	1
22	C45900	"O" RING - mounting.....	8
23	C37747	BOLT - dump lever	1
24	192-20	LOCKWASHER - 5/16"	4
25	129-102	NUT - 5/16" - 18.....	2
27	113-120	BOLT - 5/16" - 18 x 1-3/4"	2
28	113-134	BOLT - 5/16" - 18 x 7-1/2"	2
29	129-103	NUT - 3/8" - 16	8
30	131-1181	NUT - 3/8" - 16 lock.....	1
31	C37752	KEY - 5 x 5 x 25 mm	1
32	192-21	LOCKWASHER - 3/8"	8
33	218-5354	FITTING - male adaptor pump outlet.....	1
34	218-5278	FITTING - male adaptor 90° pump inlet	1
35	113-203	BOLT - 3/8" - 16 x 3-1/2" mounting	2
35	113-267	BOLT - 3/8" - 16 x 4" mounting.....	6
	C37763	WHEEL ASSEMBLY - not shown	1
	C37652	TIRE - 18 x 9.50-8	1
	C37656	RIM - wheel	1
36	C37657	NUT - lug 1/2" - 20	4

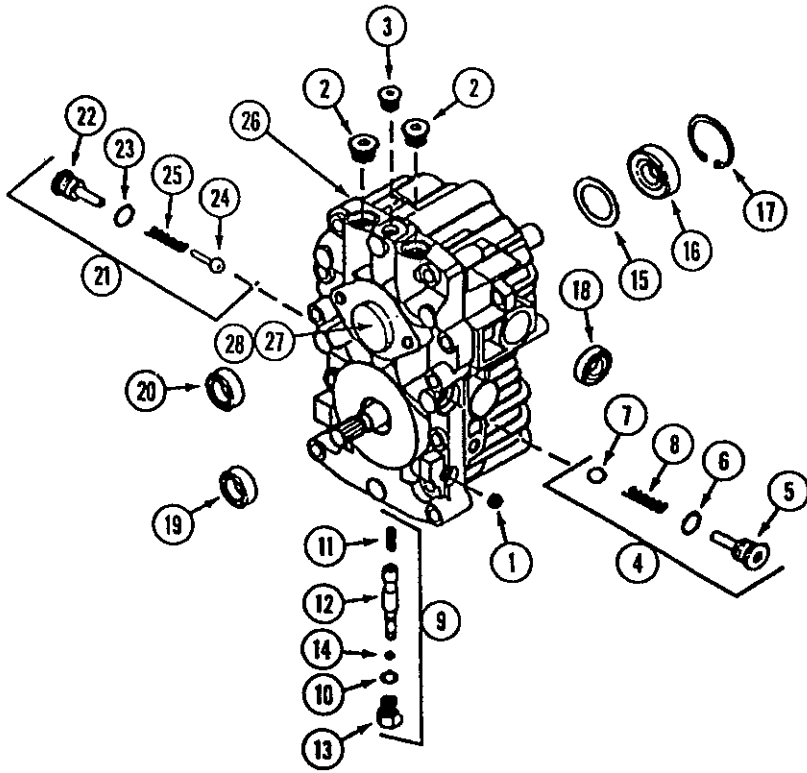


Phantom gear teeth on Ref. 3 must align with gear Ref. 23



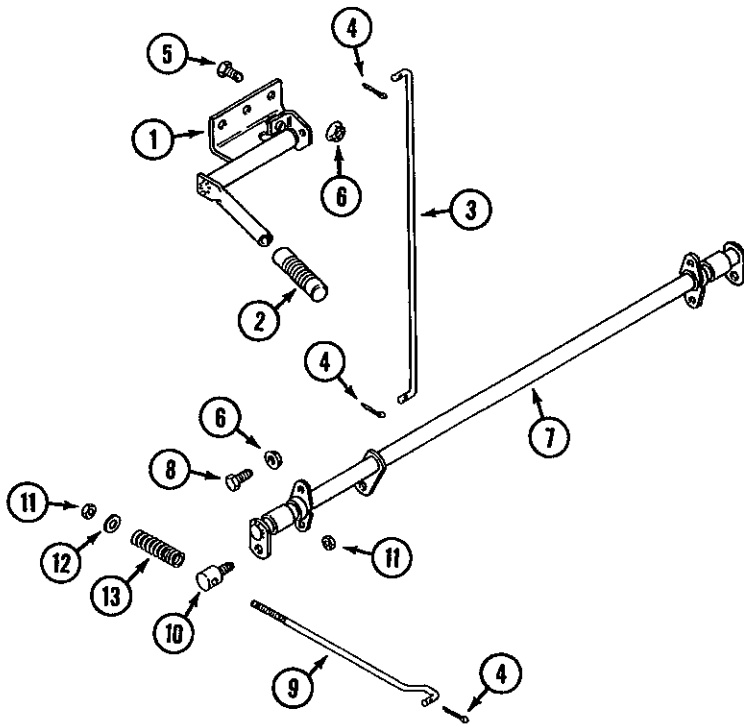
TRANSMISSION - ZT DRIVE

REF.	PART NO.	DESCRIPTION	REQ'D
1	C40898	HOUSING - axle.....	1
	NSS	BEARING - ball.....	1
	NSS	BEARING - flanged.....	1
	NSS	PIN - clevis.....	1
2	C40902	HOUSING - hydro mount.....	1
3	C43685	GEAR - 60 T.....	1
4	C40904	GEAR - drive.....	1
5	C40905	SHAFT - axle.....	1
6	C34464	BEARING.....	2
7	129-102	NUT - 5/16" - 18.....	2
8	C40908	SHAFT - brake.....	1
9	C40909	RING - retaining.....	1
10	C40910	BALL - 3/8".....	1
11	113-12	BOLT - 1/4" - 20 x 2-1/2".....	UAR
11	113-119	BOLT - 5/16" - 18 x 2-3/4".....	UAR
12	C34447	WASHER.....	2
13	C34446	PIN - spirol.....	2
14	C37736	SPACER - mounting.....	2
15	C37740	SPACER - bearing.....	1
16	C37739	BEARING - ball.....	1
17	C37737	RING - retaining.....	1
18	C37738	GEAR - input.....	1
19	132-320	PIN - cotter.....	1
20	C37730	BAND - brake.....	1
21	C37731	DRUM - brake.....	1
22	C37732	RING - retaining.....	1
23	C43686	GEAR - 17T.....	1
24	C43687	GASKET - housing.....	1
25	C43688	SEAL - oil.....	1
26	C43689	"O" RING.....	1
27	C43752	GREASE - 10 oz. tube (2 required).....	2
28	NSS	GEAR - (use C43685, C43686).....	1



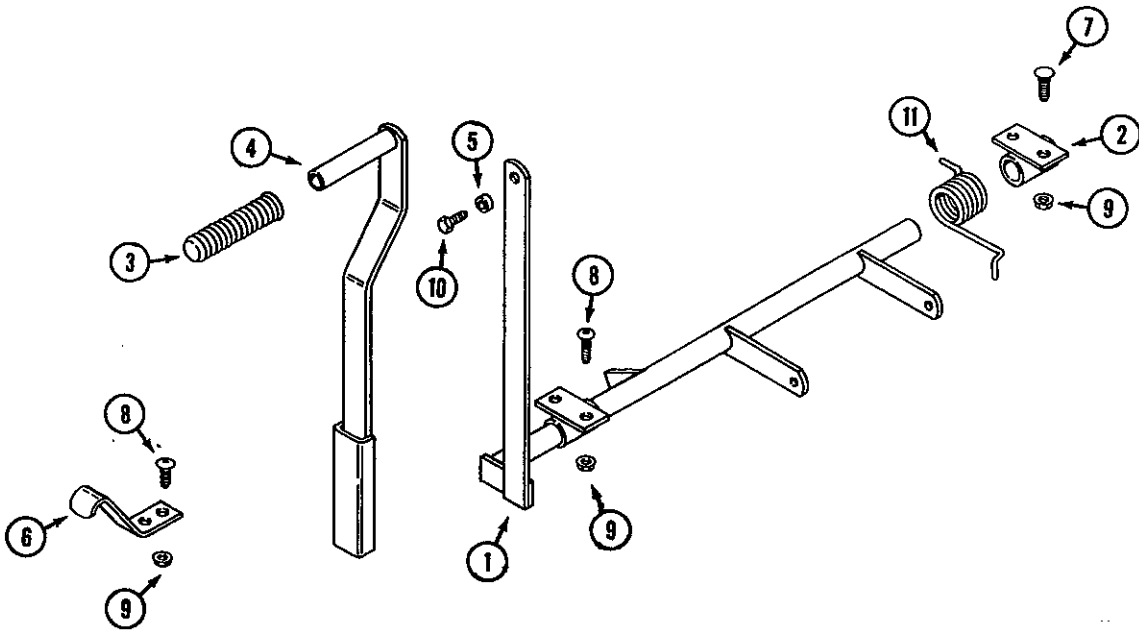
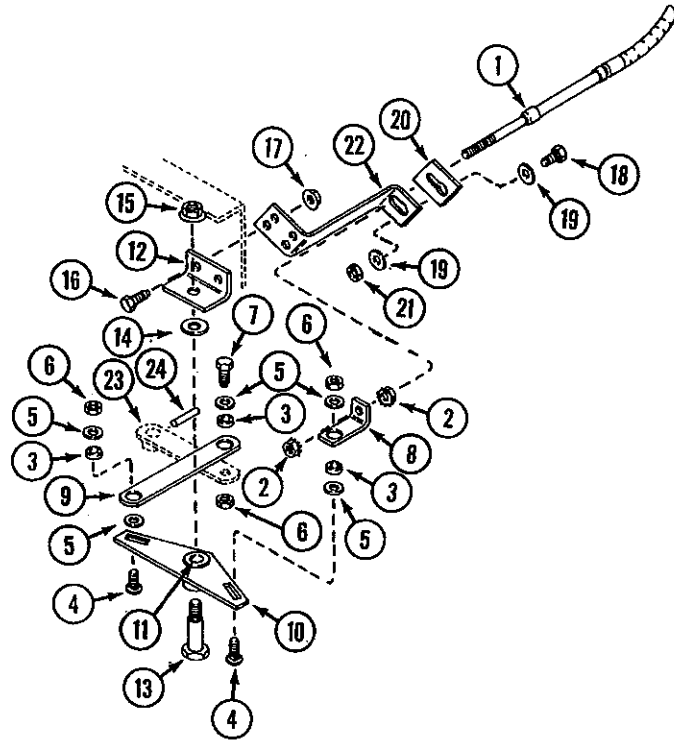
HYDROSTATIC PUMP-ZT DRIVE

REF.	PART NO.	DESCRIPTION	REQ'D
	C45398	PUMP - hydrostatic L.H. (CW).....	1
	C45399	PUMP - hydrostatic R.H. (CCW).....	1
1	C34124	PLUG - pipe.....	1
2	C34125	PLUG - 9/16" - 18.....	2
3	C34126	PLUG - 7/16" - 20.....	1
4	C43690	KIT - check valve (with check ball) top.....	2
5	NSS	PLUG - check valve.....	1
6	NSS	"O" RING - .078" x .468".....	1
7	NSS	BALL - check.....	1
8	NSS	SPRING.....	1
9	C34128	KIT - by pass.....	1
10	NSS	"O" RING - .072 x .351.....	1
11	NSS	SPRING.....	1
12	NSS	SPOOL - by pass.....	1
13	NSS	PLUG - by pass.....	1
14	NSS	"O" RING.....	1
15	NSS	SPACER.....	1
16	NSS	SEAL - lip.....	1
17	NSS	RING - retaining.....	1
18	NSS	SEAL - lip.....	1
19	NSS	SEAL - lip.....	1
20	NSS	SEAL - lip.....	1
21	C45408	KIT - check valve (with poppet) bottom.....	1
22	NSS	PLUG - check valve.....	1
23	NSS	"O" RING - .078" x .468".....	1
24	NSS	POPPET - check.....	1
25	NSS	SPRING.....	1
26	C43751	GASKET - body.....	1
27	C43750	KIT - charge pump.....	1
28	C43749	O-RING - charge pump cover.....	1
	C34129	KIT - seal (includes ref. 6, 10, 14, 15, 16, 17, 18, 19 and 20).....	1



PARKING BRAKE

REF.	PART NO.	DESCRIPTION	REQ'D
1	C46596	LEVER - brake	1
2	C37631	GRIP - handle	1
3	C46601	ROD - brake lever	1
4	132-332	PIN - cotter 3/32" x 1"	4
5	113-3	BOLT - 1/4" - 20 x 3/4"	2
6	131-934	NUT - 1/4" - 20 flange lock	6
7	C46602	SHAFT - brake	1
8	113-2	BOLT - 1/4" - 20 x 5/8"	4
9	C37733	ROD - brake caliper	2
10	C37724	COLLAR - caliper rod	2
11	131-71	NUT - 1/4" - 20 lock	4
12	195-102	WASHER - 5/16" x 3/4"	2
13	C37725	SPRING - compression	2

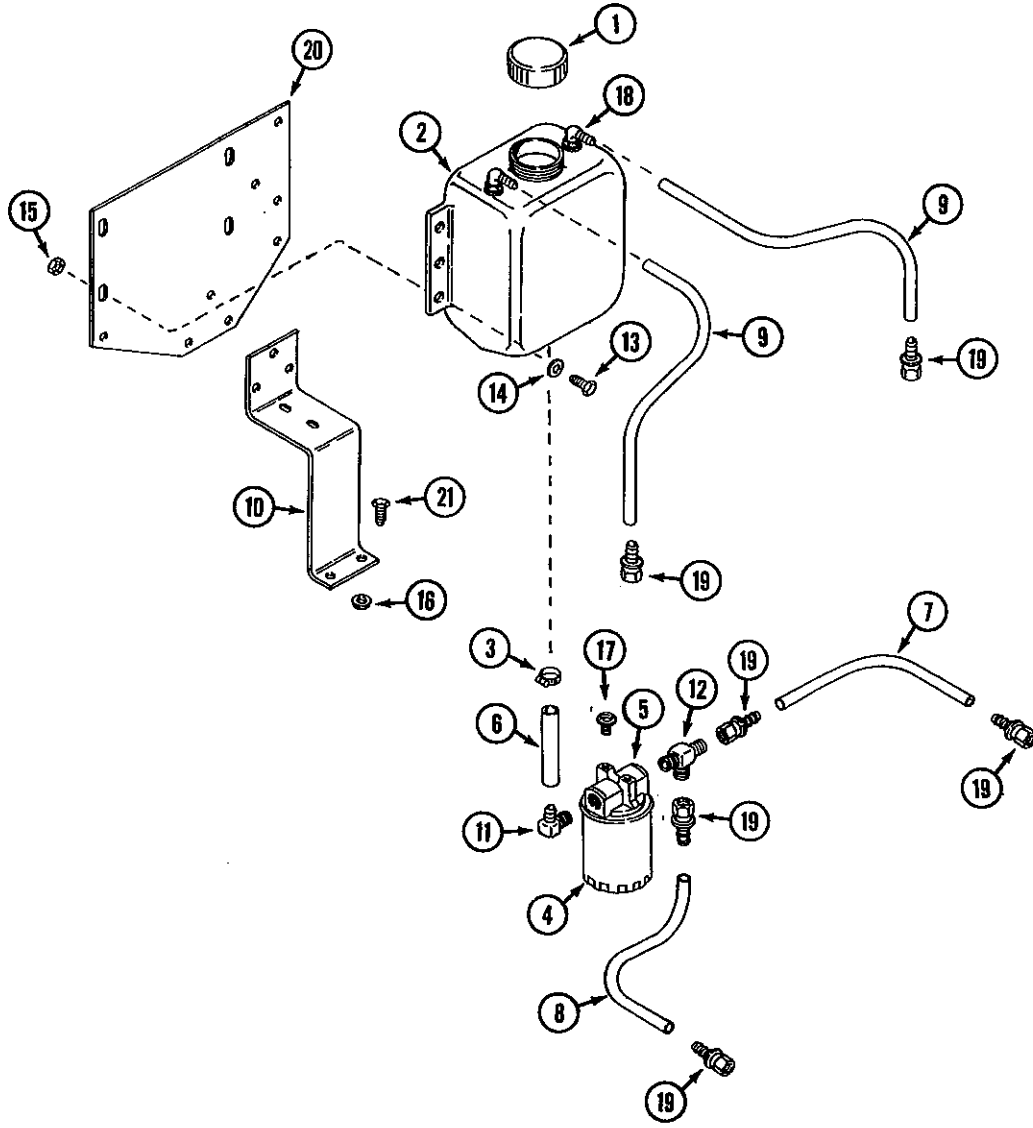


C43293 STEERING CABLE KIT

REF.	PART NO.	DESCRIPTION	REQ'D
1	C42894	CABLE - steering 46"	2
2	193-1000	NUT - # 10 - 32	8
3	C42895	BUSHING - steering cable	8
4	111-111	BOLT - 1/4" - 20 x 1" carriage	4
5	195-102	WASHER - 1/4"	10
6	131-71	NUT - 1/4" - 10	6
7	113-4	BOLT - 1/4" - 20 x 1"	2
8	C42896	BRACKET - steering cable end	4
9	C42897	LINK - control cable	2
10	C42898	BELLCRANK	2
11	C16714	BUSHING	1
12	C42901	BRACKET - bellcrank mounting	2
13	C16745	BOLT - shoulder	2
14	195-533	WASHER - 1/2"	2
15	131-1352	NUT - 3/8" - 16 flange lock	2
16	113-103	BOLT - 5/16" - 18 x 1"	4
17	131-911	NUT - 5/16" - 18	4
18	113-4	BOLT - 1/4" - 20 x 1"	2
19	195-102	WASHER - 1/4"	4
20	C42903	PLATE - cable mounting	2
21	131-71	NUT - 1/4" - 20 lock	2
22	C42902	BRACKET - cable mounting	2
23	C46593	ARM - transmission	2
24	C34173	PIN - spring	2

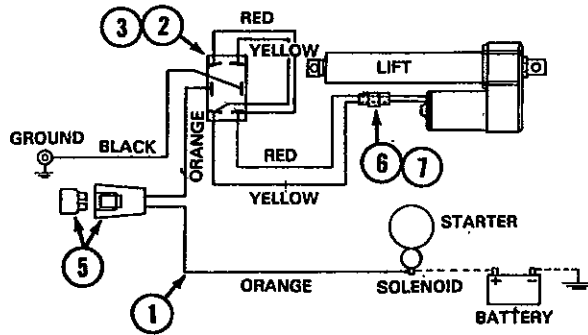
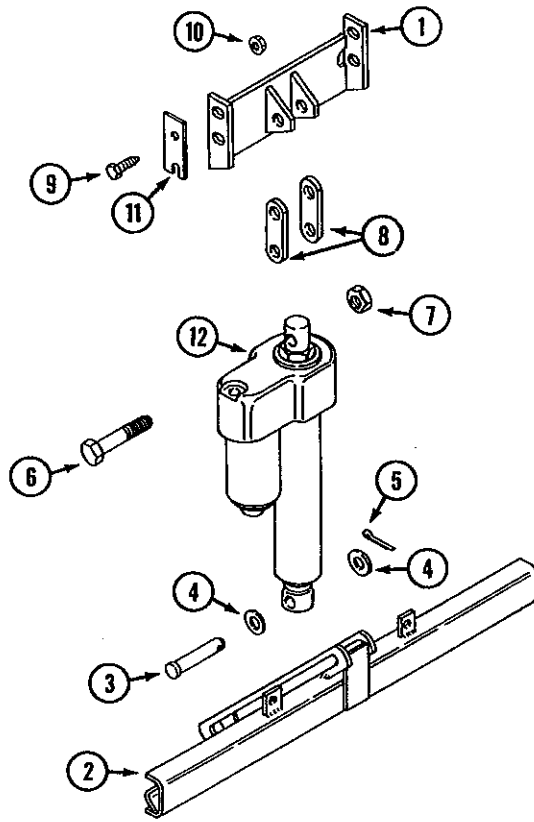
LIFT LEVER

1	C44942	LEVER - lift	1
2	C44948	PIVOT - lift	1
3	C37631	GRIP - handle	1
4	C44949	EXTENSION - lift lever, upper	1
5	C42895	BUSHING	1
6	C44952	BRACKET - lever lock down	1
7	111-132	BOLT - carriage 5/16" - 18 x 3/4"	2
8	113-103	BOLT - 5/16" - 18 x 1"	4
9	131-911	NUT - 5/16" - 18 flange lock	6
10	113-1	BOLT - 1/4" - 20 x 1/2"	1
11	C45120	SPRING - torsion	1



HYDRAULIC SYSTEM

REF.	PART NO.	DESCRIPTION	REQ'D
1	C37639	CAP - oil tank.....	1
2	C37778	TANK - oil (includes cap and fittings).....	1
3	214-254	CLAMP - hose 5/8".....	2
4	C37637	FILTER - oil.....	1
5	C37636	HEAD - oil filter.....	1
6	C42785	HOSE - 5/8" x 4" (12" cut to length).....	1
7	C42784	HOSE - hydraulic 3/8" x 13.5" (48" cut to length).....	1
8	C42784	HOSE - hydraulic 3/8" x 17.75" (48" cut to length).....	1
9	C42784	HOSE - hydraulic 3/8" x 20.5" (48" cut to length).....	1
10	C46577	BRACKET - filter mounting.....	1
11	217-332	FITTING - male 90° adapter.....	1
12	218-626	FITTING - male tee adapter.....	1
13	113-3	BOLT - 1/4" - 20 x 3/4".....	4
14	195-102	WASHER - 1/4".....	8
15	131-71	NUT - 1/4" - 20 lock.....	4
16	131-934	NUT - 1/4" - 20 flange lock.....	7
17	121-21	BOLT - 1/4" - 20 x 3/4" self-tap.....	2
18	C42590	FITTING - 90°.....	2
19	C41986	FITTING - 3/8" hose barb x 3/8" FM JIC.....	6
20	C46575	MOUNT - oil tank.....	1
21	113-2	BOLT - 1/4" - 20 x 5/8".....	7



**ELECTRIC DECK LIFT
CYLINDER STYLE**

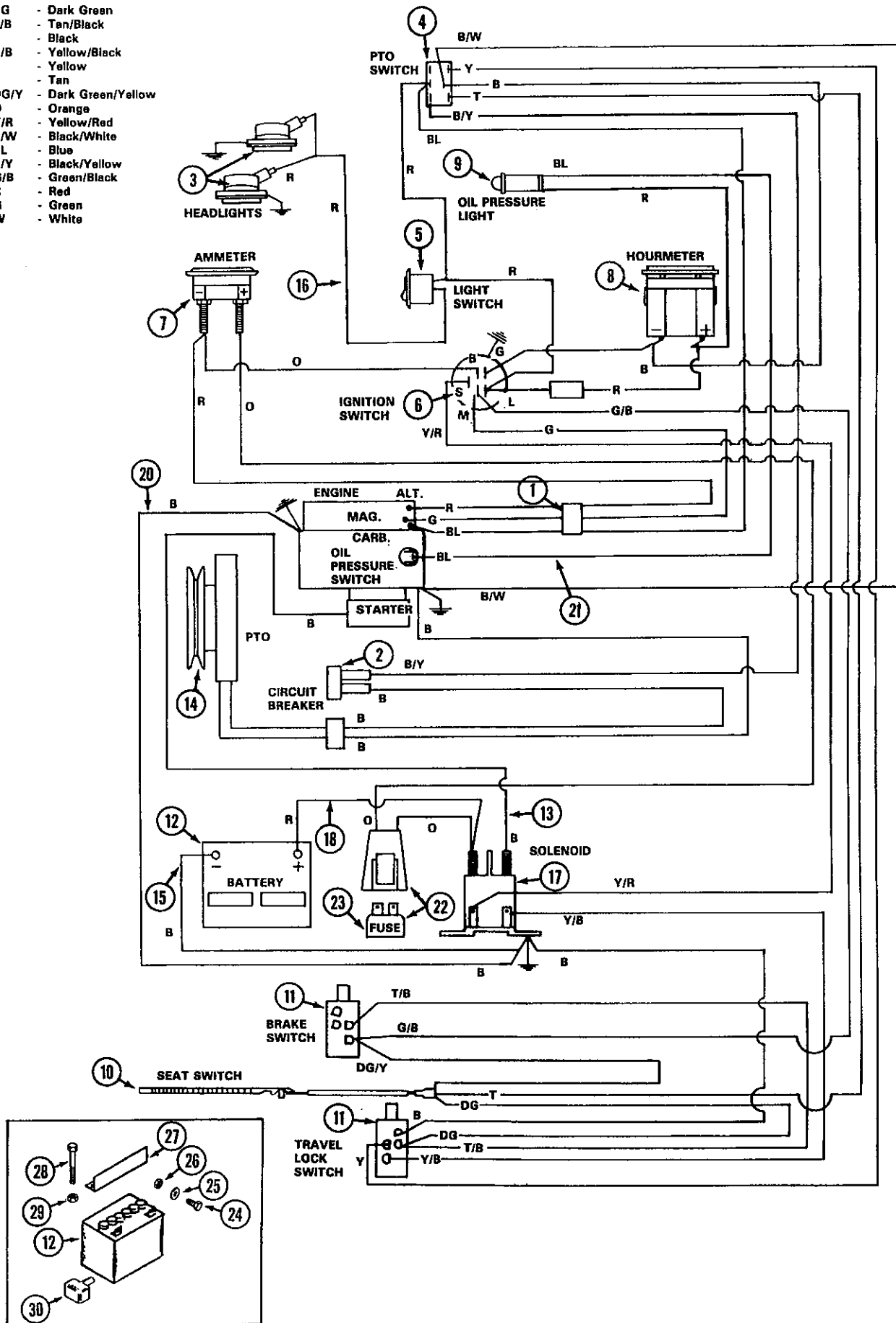
REF.	PART NO.	DESCRIPTION	REQ'D
1	C45697	MOUNT - cylinder.....	1
2	C45700	BAR - cross.....	1
3	C29804	PIN - clevis 1/2" x 2-1/2".....	1
4	195-2067	WASHER - 1/2".....	2
5	132-320	PIN - cotter 3/32" x 3/4".....	1
6	113-426	BOLT - 1/2" - 13 x 2-3/4".....	2
7	131-1182	NUT - 1/2" - 13 lock.....	2
8	C45768	LINK - spacer.....	UAR
9	113-103	BOLT - 5/16" - 18 x 1".....	4
10	131-911	NUT - 5/16" - 18 flange lock.....	4
11	C45766	SHIM - cylinder mount.....	UAR
12	C45706	CYLINDER - lift.....	1

**ELECTRICAL SYSTEM (DECK LIFT)
CYLINDER STYLE**

REF.	PART NO.	DESCRIPTION	REQ'D
1	C45705	HARNESS - wire.....	1
2	C45775	SWITCH.....	1
3	C45780	NUT - 15/32" - 32 with boot (switch mounting).....	1
4	C44495	DECAL - lift switch.....	1
5	C31947	KIT - fuse holder.....	1
5	C30260	FUSE - 30 amp.....	1
6	C24813	CONNECTOR - wire harness.....	1
7	C31948	CONNECTOR - lift actuator.....	1

WIRE COLOR CODE

- DG - Dark Green
- T/B - Tan/Black
- B - Black
- Y/B - Yellow/Black
- Y - Yellow
- T - Tan
- DG/Y - Dark Green/Yellow
- O - Orange
- Y/R - Yellow/Red
- B/W - Black/White
- BL - Blue
- B/Y - Black/Yellow
- G/B - Green/Black
- R - Red
- G - Green
- W - White

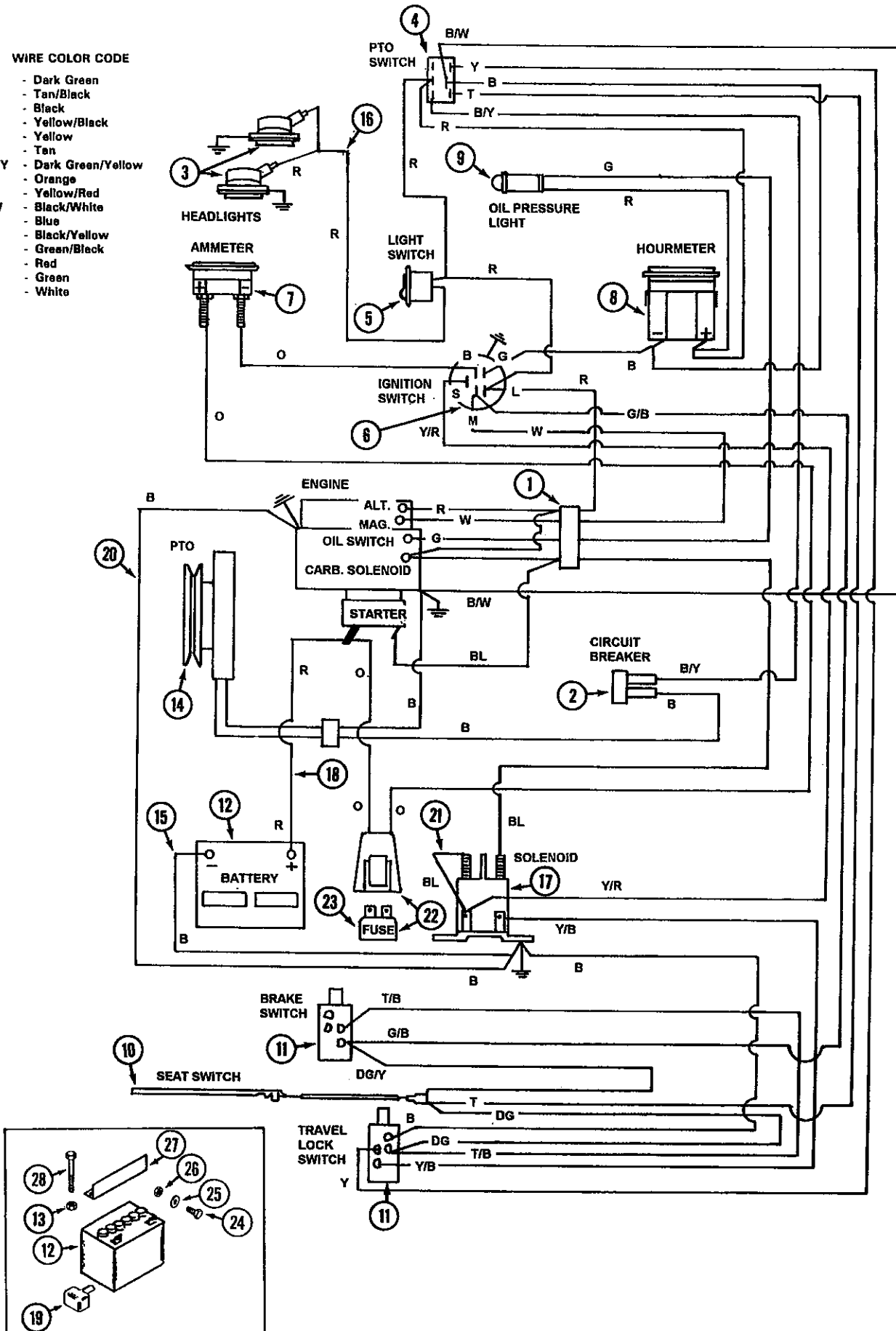


ELECTRICAL SYSTEM
(G1897V, G2097V)

REF.	PART NO.	DESCRIPTION	REQ'D
	C45535	HARNESS - wire, main.....	1
1	C45539	HARNESS - wire, alternator and magneto.....	1
2	C37505	BREAKER - circuit, 10 amp.....	1
3	C32178	HEADLIGHT.....	2
	C22573	LENS - headlight.....	1
	C37508	BULB - headlight.....	1
	C37509	RECEPTICAL.....	1
	C14304	GASKET - headlight.....	1
4	C31937	SWITCH - PTO (also use C31619 Cap).....	1
	C44469	NUT - 1/2" - 27 (Black) PTO switch retaining.....	1
	C31620	NUT - 1/2" - 27 (Black) PTO switch retaining (knurled).....	1
5	C43044	SWITCH - headlight.....	1
6	C30267	SWITCH - ignition.....	1
	C32407	KEY - ignition.....	1
	C32397	CAP - nut, ignition switch.....	1
	193-63	LOCKWASHER - 5/8".....	1
	C32396	NUT - 5/8" - 32 ignition switch.....	1
7	C29413	AMMETER.....	1
8	C45917	METER - hour.....	1
9	C45536	LIGHT - oil.....	1
10	C45537	SWITCH - seat.....	1
11	C37521	SWITCH - safety.....	2
	182-525	SCREW - #10 - 32 x 3/8" (safety switch mount).....	1
	192-18	LOCKWASHER - 3/16" (safety switch mount).....	1
	193-1000	NUT - #10 - 32 Lock (safety switch mount).....	2
	182-528	SCREW - #10 - 32 x 1/2" (safety switch mount).....	2
12	C41010	BATTERY - 12 volt.....	1
13	C44261	WIRE - starter.....	1
14	C37511	CLUTCH - PTO.....	1
15	C37528	CABLE - ground.....	1
16	C44075	WIRE - headlight.....	1
17	C33024	SOLENOID - start.....	1
	113-1	BOLT - 1/4" - 20 x 1/2" (solenoid mounting).....	2
	195-518	WASHER - 1/4".....	2
	192-19	LOCKWASHER - 1/4" (solenoid studs).....	2
	129-101	NUT - 1/4" - 20 (solenoid studs).....	2
18	C37523	CABLE - battery positive to solenoid.....	1
20	C41643	WIRE - ground.....	1
21	C46218	HARNESS - oil pressure switch.....	1
22	C31947	KIT - fuse holder.....	1
23	C30260	FUSE - 30 amp.....	1
24	113-3	BOLT - 1/4" - 20 x 3/4".....	2
25	195-102	WASHER - 1/4".....	2
26	129-101	NUT - 1/4" - 20.....	2
27	C37983	BRACKET - hold down.....	1
28	C38677	BOLT - 1/4" - 20 x 7".....	2
29	131-71	NUT - 1/4" - 20 lock.....	2
30	C24069	COVER - terminal, battery.....	1
30	C44079	COVER - terminal, starter.....	1

WIRE COLOR CODE

- DG - Dark Green
- T/B - Tan/Black
- B - Black
- Y/B - Yellow/Black
- Y - Yellow
- T - Tan
- DG/Y - Dark Green/Yellow
- O - Orange
- Y/R - Yellow/Red
- B/W - Black/White
- BL - Blue
- B/Y - Black/Yellow
- G/B - Green/Black
- R - Red
- G - Green
- W - White



**ELECTRICAL SYSTEM
(G2297K)**

REF.	PART NO.	DESCRIPTION	REQ'D
	C46636	HARNESS - wire, main.....	1
1	C46528	CONNECTOR - engine.....	1
2	C37505	BREAKER - circuit, 10 amp.....	1
3	C32178	HEADLIGHT.....	2
	C22573	LENS - headlight.....	1
	C37508	BULB - headlight.....	1
	C37509	RECEPTICAL.....	1
	C14304	GASKET - headlight.....	1
4	C31937	SWITCH - PTO (also use C31619 Cap).....	1
	C44469	NUT - 1/2" - 27 (Black) PTO switch retaining.....	2
5	C43044	SWITCH - headlight.....	1
6	C30267	SWITCH - ignition.....	1
	C32407	KEY - ignition.....	1
	C32397	CAP - nut, ignition switch.....	1
	193-63	LOCKWASHER - 5/8".....	1
	C32396	NUT - 5/8" - 32 ignition switch.....	1
7	C29413	AMMETER.....	1
8	C45917	METER - hour.....	1
9	C45536	LIGHT - oil.....	1
10	C45537	SWITCH - seat.....	1
11	C37521	SWITCH - safety.....	2
	182-525	SCREW - #10 - 32 x 3/8" (safety switch mount).....	1
	192-18	LOCKWASHER - 3/16" (safety switch mount).....	1
	193-1000	NUT - #10 - 32 Lock (safety switch mount).....	2
	182-528	SCREW - #10 - 32 x 1/2" (safety switch mount).....	2
12	C41010	BATTERY - 12 volt.....	1
13	131-71	NUT - 1/4" - 20 lock.....	2
14	C46504	CLUTCH - PTO.....	1
15	C37528	CABLE - ground.....	1
16	C44075	WIRE - headlight.....	1
17	C33024	SOLENOID - start.....	1
	113-1	BOLT - 1/4" - 20 x 1/2" (solenoid mounting).....	2
	195-518	WASHER - 1/4".....	2
	192-19	LOCKWASHER - 1/4" (solenoid studs).....	2
	129-101	NUT - 1/4" - 20 (solenoid studs).....	2
18	C46635	CABLE - battery positive to starter.....	1
19	C24069	COVER - terminal, battery.....	1
19	C44079	COVER - terminal, starter.....	1
20	C41643	WIRE - ground.....	1
21	C46529	WIRE - solenoid jumper.....	1
22	C31947	KIT - fuse holder.....	1
23	C30260	FUSE - 30 amp.....	1
24	113-3	BOLT - 1/4" - 20 x 3/4".....	2
25	195-102	WASHER - 1/4".....	2
26	129-101	NUT - 1/4" - 20.....	2
27	C37983	BRACKET - hold down.....	1
28	C38677	BOLT - 1/4" - 20 x 7".....	2

G1897V

G2097V

G2297K

GRAZER

17

⚠ DANGER

SPINNING BLADE

- BLOWER / MOWER SHALL NOT BE OPERATED WITHOUT ENTIRE GRASS CATCHER, GUARD, & COVERS IN PLACE.
- STAY CLEAR OF BLOWER / MOWER WHEN ENGINE IS RUNNING.
- READ OPERATOR'S MANUAL.

10

⚠ WARNING

TO AVOID SERIOUS INJURY AND TO HELP AVOID SERIOUS EQUIPMENT FAILURE DO THE FOLLOWING MAINTENANCE DAILY AFTER STOPPING OR AS SPECIFIED BELOW.

- REMOVE IGNITION KEY
- CLEAN:
 - ENGINE
 - ENGINE COMPARTMENT
 - HYDRAULIC PUMP FINS AND COOLER IF EQUIPPED.
 - MOWER DECK UNDER SIDE
- FLUIDS:
 - ADD IF REQUIRED
 - ENGINE OIL - CHECK EVERY 4 HRS.
 - HYDRAULIC OIL
- LUBE: READ "LUBRICATION SCHEDULE" SHOWN BELOW.

READ OPERATOR'S AND ENGINE MANUALS.

2

⚠ WARNING

READ OPERATOR'S MANUALS. KNOW LOCATION & FUNCTION OF ALL CONTROLS. KEEP ALL GUARDS, SHIELDS & SAFETY SWITCHES IN PLACE & WORKING. CLEAR WORK AREA OF THINGS THAT COULD BE TRIPPED BY THE BLADES. DO NOT MOW WHEN CHILDREN OR OTHERS ARE AROUND. NEVER CARRY CHILDREN. LOCK DOWN & BEHIND BEFORE AND WHILE BACKING. GO UP AND DOWN SLOPES, NOT ACROSS. IF MACHINE STOPS GOING UPHILL, STOP BLADES AND BACK DOWN SLOWLY. AVOID SUDDEN TURNS. FAILURE TO OBSERVE THESE PRECAUTIONS COULD RESULT IN SERIOUS INJURY OR DEATH.

15

⚠ DANGER

SPINNING BLADE

STAY CLEAR OF MOWER WHEN ENGINE IS RUNNING

16

⚠ WARNING

SPINNING BLADE

TO AVOID SERIOUS INJURY: MOWER SHALL NOT BE OPERATED WITHOUT EITHER ENTIRE:

- CHUTE DEFLECTOR - MULCHER
- GRASS CATCHER
- AND GUARD / COVERS IN PLACE.

LUBRICATION SCHEDULE

ALL MACHINES	SERVICE HOURS
1. AXLE-GAUGE WHEEL	8
2. AXLE-TAIL WHEEL	8
3. FORK-GAUGE WHEEL	40
4. FORK-TAIL WHEEL	40
5. SPINDLE-MOWER DECK	40
6. GEAR BOX-MOWER DECK	100
CHAIN DRIVE (IF EQUIPPED)	
7A. CHAIN	DAILY
7B. JACK SHAFT-SPROCKETS	4
7C. AXLE-DRIVE WHEELS	40
PULLEY JACK SHAFT (IF EQUIPPED)	
8A. JACK SHAFT-FULLY	40
DUAL TAIL WHEEL	
9A. AXLE-TAIL WHEEL	8
9B. FORK-TAIL WHEEL	40
9C. AXLE-AXLE PIVOT	100
VAC BLOWER	
10. SPINDLE-BLOWER	40

5

⚠ WARNING

MACHINE UNSTABLE WITH MOWER DECK IN THE RAISED POSITION. IMPLEMENT LIFT CONTROL: KEEP IN THE FLOAT POSITION WHEN MOWING OR TRANSPORTING. FAILURE TO OBSERVE THIS WARNING COULD RESULT IN SERIOUS INJURY. READ OPERATOR'S MANUAL

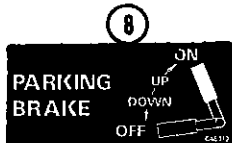
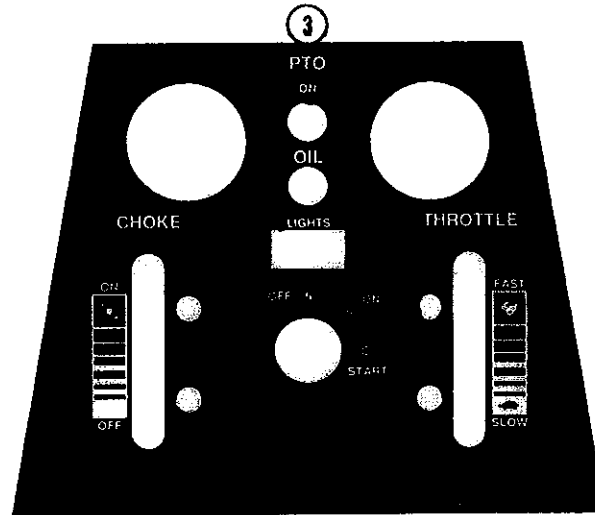
6

⚠ ATTENTION

BEFORE STARTING ENGINE

- STEERING LEVERS-LOCK IN NEUTRAL
- PTO-DISENGAGE
- PARKING BRAKE-ON

READ OPERATOR'S MANUAL.



9

⚠ DANGER

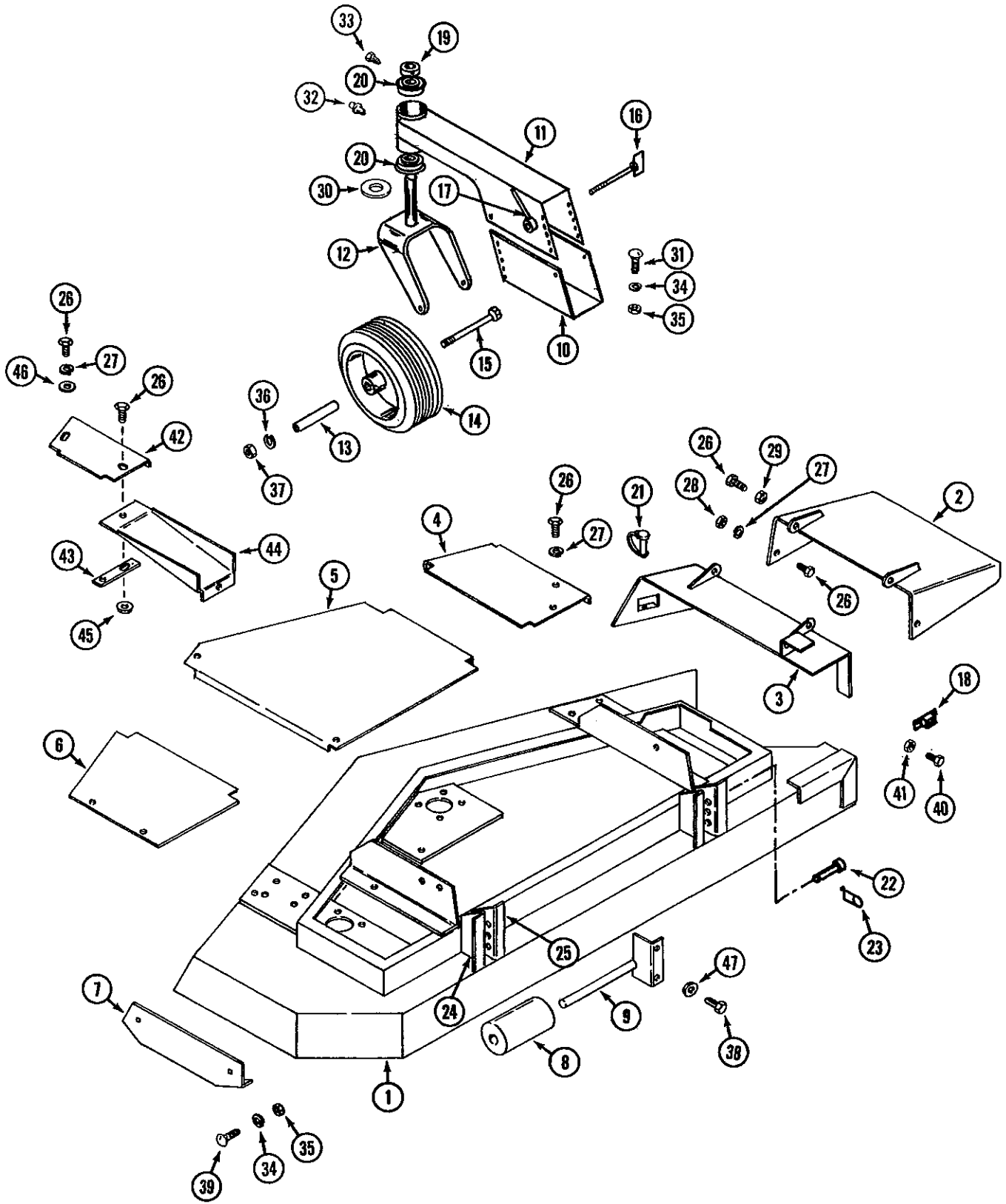
ENGINES PRODUCE CARBON MONOXIDE WHICH IS AN INVISIBLE, READY POSION. DO NOT OPERATE IN AN ENCLOSED AREA.

DECALS (TRACTOR)

REF.	PART NO.	DESCRIPTION	REQ'D
1	C46637	DECAL - body side L.H. "G1897V"	1
1	C46638	DECAL - body side R.H. "G1897V" (shown)	1
2	C46321	DECAL - "WARNING" operation	1
3	C37501	DECAL - instrument panel	1
4	C38047	MEDALLION - "GRAZER"	1
5	C46315	DECAL - "WARNING" operation	1
6	C46310	DECAL - "ATTENTION"	1
7	C46309	DECAL - steering levers	1
8	C46312	DECAL - parking brake	1
9	C37500	DECAL - "DANGER" carbon monoxide	1
10	C46318	DECAL - lubrication	1
11	C46639	DECAL - body side L.H. "G2097V"	1
11	C46640	DECAL - body side R.H. "G2097V" (shown)	1
12	C46385	DECAL - fender skirt	1
13	C43413	DECAL - front "GRAZER"	1
13	C43416	DECAL - tail side "GRAZER"	2
14	C46641	DECAL - body side L.H. "G2297K"	1
14	C46642	DECAL - body side R.H. "G2297K" (shown)	1

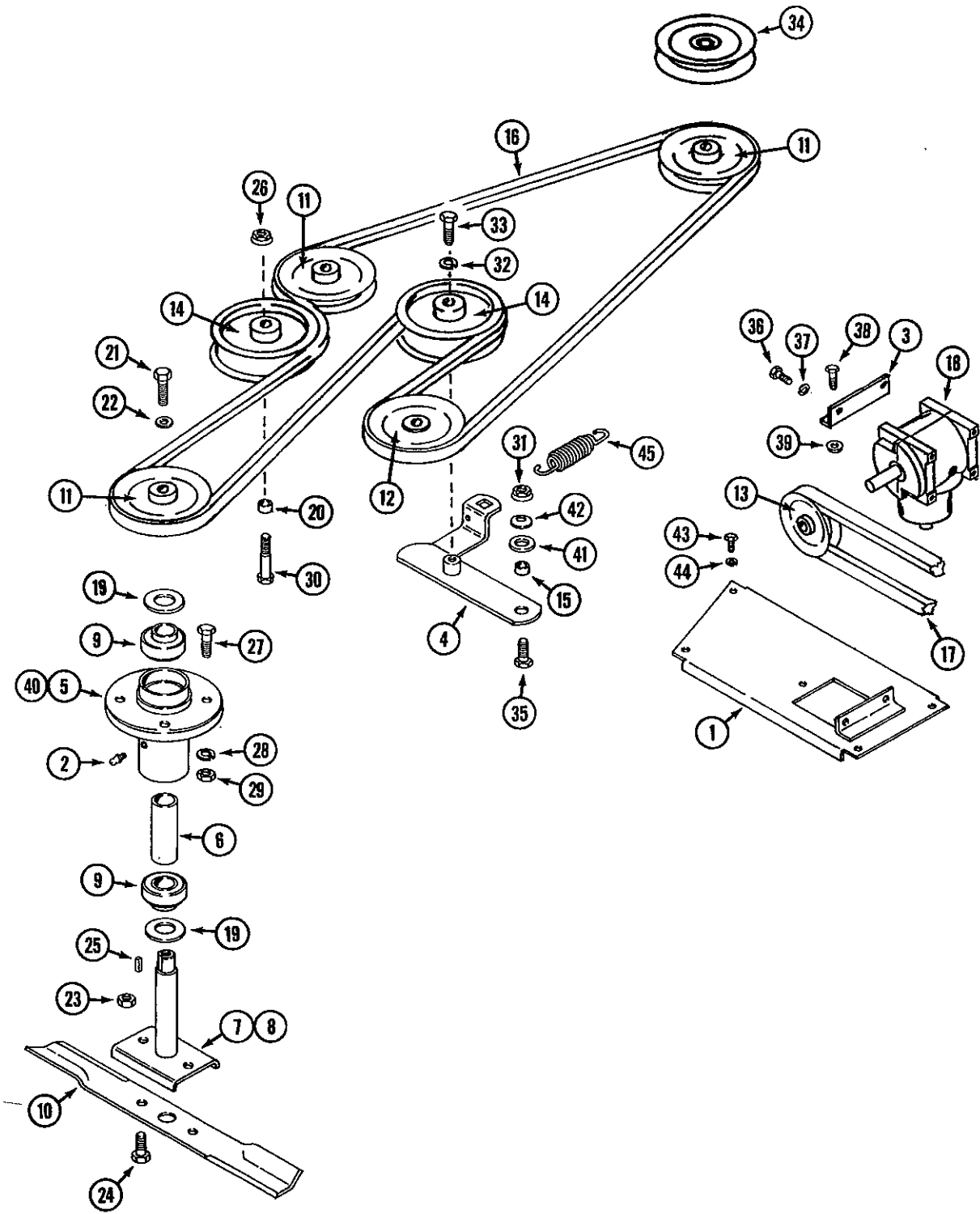
DECALS (DECK)

REF.	PART NO.	DESCRIPTION	REQ'D
15	C46323	DECAL - "DANGER" spinning blade	1
16	C46324	DECAL - "WARNING" spinning blade	1
17	C46325	DECAL - "Danger"	1



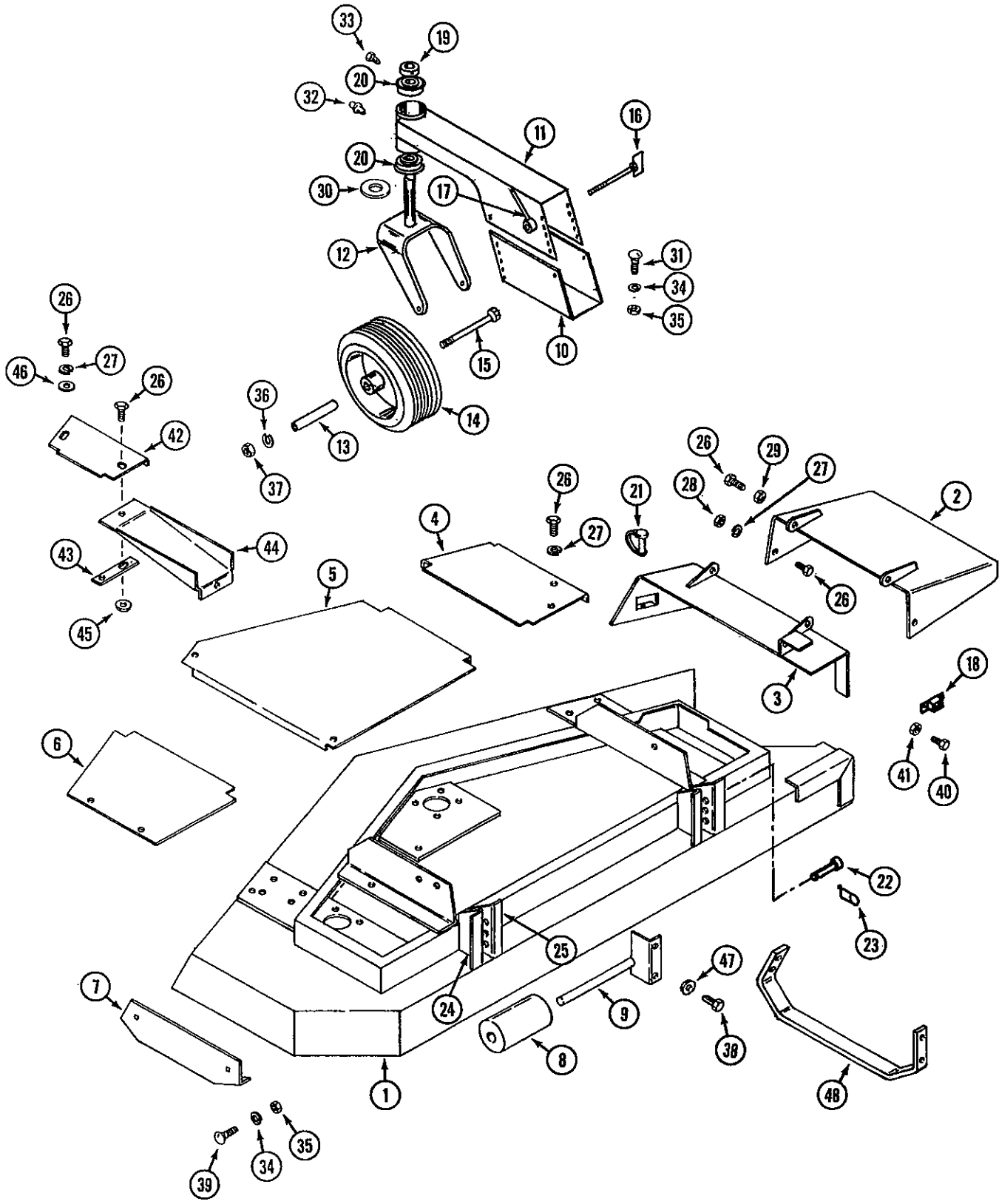
52SD MOWER DECK AND ATTACHING PARTS

REF.	PART NO.	DESCRIPTION	REQ'D
1	C46663	DECK - 52".....	1
2	C46703	CHUTE - foot guard.....	1
3	C46705	MOUNT - foot guard.....	1
4	C46700	COVER - R.H.....	1
5	C46699	COVER - center.....	1
6	C46698	COVER - L.H.....	1
7	C46701	SHOE - skid.....	1
8	C37910	ROLLER - anti-scalp.....	1
9	C37911	SHAFT - roller.....	1
10	C45541	BRACKET - gauge wheel mount.....	2
11	C45542	MOUNT - gauge wheel.....	2
12	C46785	FORK.....	2
13	C37915	AXLE - wheel.....	2
14	C37916	WHEEL - gauge.....	2
	C29145	TIRE - 11 x 4.00 - 5.....	1
	C44496	RIM - 5" (includes bearings and grease fittings).....	1
	C44499	BEARING - wheel.....	2
	219-10	FITTING - grease 1/4" - 28.....	1
15	113-2419	BOLT - 1/2" - 13 x 6-1/2".....	2
16	C37920	BOLT - wing.....	4
17	C37921	NUT - gauge wheel handle.....	4
18	C37505	BREAKER - circuit, 10 amp.....	1
19	C37860	COLLAR - set.....	2
20	C37824	BEARING - 1".....	4
21	C37922	PIN - "fas-tatch".....	1
22	C29693	PIN - deck.....	1
23	C29029	PIN - cotter, hair.....	2
24	C46671	BRACKET - height adjust L.H.....	2
25	C46672	BRACKET - height adjust R.H.....	2
26	113-3	BOLT - 1/4" - 20 x 3/4".....	10
27	192-19	LOCKWASHER - 1/4".....	2
28	129-101	NUT - 1/4" - 20.....	2
29	131-71	NUT - 1/4" - 20 lock.....	2
30	C13716	WASHER - thrust.....	UAR
31	111-203	BOLT - 5/16" - 18 x 1" carriage.....	6
32	219-20	FITTING - grease.....	2
33	85-58	SCREW - set 5/16" - 18 x 1/2" square head.....	2
34	192-20	LOCKWASHER - 5/16".....	6
35	129-102	NUT - 5/16" - 18.....	4
36	192-23	LOCKWASHER - 1/2".....	2
37	129-105	NUT - 1/2" - 13.....	2
38	113-102	BOLT - 5/16" - 18 x 3/4".....	2
39	111-132	BOLT - 5/16" - 18 x 3/4" carriage.....	2
40	182-528	SCREW - # 10 - 32 x 1/2".....	2
41	193-1000	NUT - # 10 - 32.....	2
42	C46694	COVER - center, small.....	1
43	C46695	STRAP - cover.....	1
44	C46696	COVER - center, rear.....	1
45	131-934	NUT - 1/4" - 20 flange lock.....	1
46	195-102	WASHER - 1/4".....	3
47	131-911	NUT - 5/16" - 18 flange lock.....	2



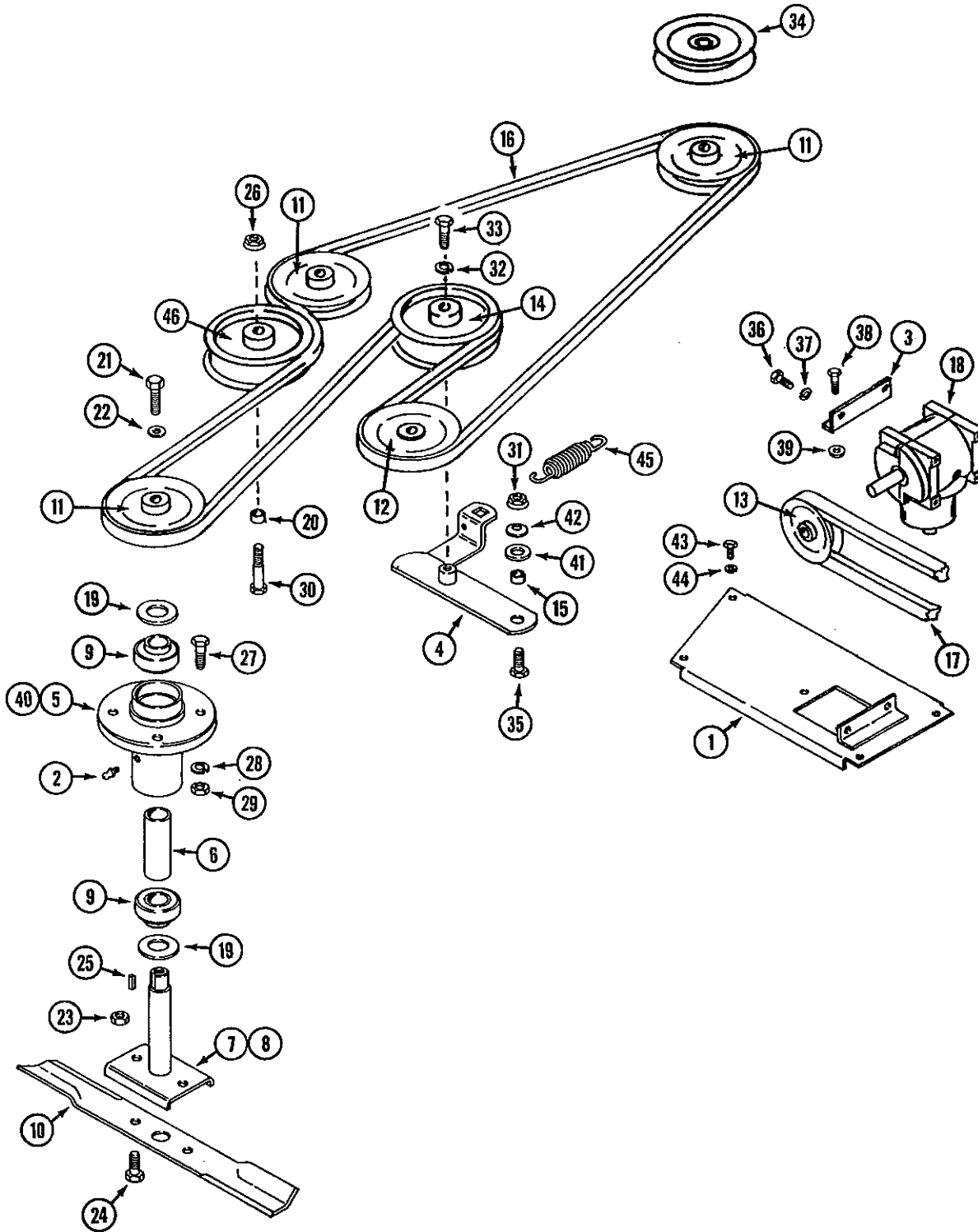
52SD MOWER DRIVE

REF.	PART NO.	DESCRIPTION	REQ'D
1	C46692	MOUNT - gear box.....	1
2	219-20	FITTING - grease 1/4" - 28.....	3
3	C37877	ANGLE - gear box mount.....	1
4	C46688	ARM - idler.....	1
5	C46683	HOUSING - spindle.....	3
6	C46685	SPACER - spindle.....	3
7	C46680	SHAFT - spindle, short.....	3
8	C46778	SHAFT - spindle, long (used only when vac is installed).....	1
9	C46686	BEARING - spindle.....	6
10	C44136	BLADE - mower.....	3
10	C45248	BLADE - mulching (not shown).....	3
11	C37931	PULLEY - spindle.....	3
12	C37932	PULLEY - gear box output (use locktite).....	1
13	C37892	PULLEY - gear box input (align w/engine and use locktite).....	1
14	C46687	PULLEY - idler.....	2
15	C16573	SPACER.....	1
16	C37935	BELT - deck.....	1
17	C44241	BELT - drive.....	1
18	C37898	GEAR BOX - angle drive (See page 67).....	1
19	C29575	SPACER - washer.....	6
20	C46726	SPACER.....	1
21	114-201	BOLT - 3/8" - 24 x 1-1/4" (use loctite).....	3
22	C45846	WASHER - 3/8" - 10 ga.....	3
23	131-1216	NUT - lock 3/8".....	6
24	113-268	BOLT - 3/8" - 16 x 1".....	6
25	C29581	KEY - 3/16" x 1".....	6
26	131-1352	NUT - 3/8" flange lock.....	1
27	113-312	BOLT - 7/16" - 14 x 1-1/4".....	12
28	192-22	LOCKWASHER - 7/16".....	12
29	129-104	NUT - 7/16" - 14.....	12
30	113-213	BOLT - 3/8" - 16 x 2-1/4".....	1
31	131-1352	NUT - 3/8" flange lock.....	1
32	192-21	LOCKWASHER - 3/8".....	1
33	113-208	BOLT - 3/8" 16 x 1-1/4".....	1
34	C46300	PULLEY - vac drive (used only when vac is installed).....	1
35	113-207	BOLT - 3/8" - 16 x 1".....	1
36	113-103	BOLT - 5/16" - 18 x 1".....	4
37	192-20	LOCKWASHER - 5/16".....	4
38	113-102	BOLT - 5/16" - 18 x 3/4".....	1
39	131-911	NUT - 5/16" - 18 flange lock.....	1
40	C46682	HOUSING ASSEMBLY - spindle (includes ref. 2, 5, 6, 9).....	3
41	195-541	WASHER - 5/8".....	1
42	C28263	WASHER - spring.....	1
43	113-3	BOLT - 1/4" - 20 x 3/4".....	4
44	192-19	LOCKWASHER - 1/4".....	4
45	C14482	SPRING - tension.....	1



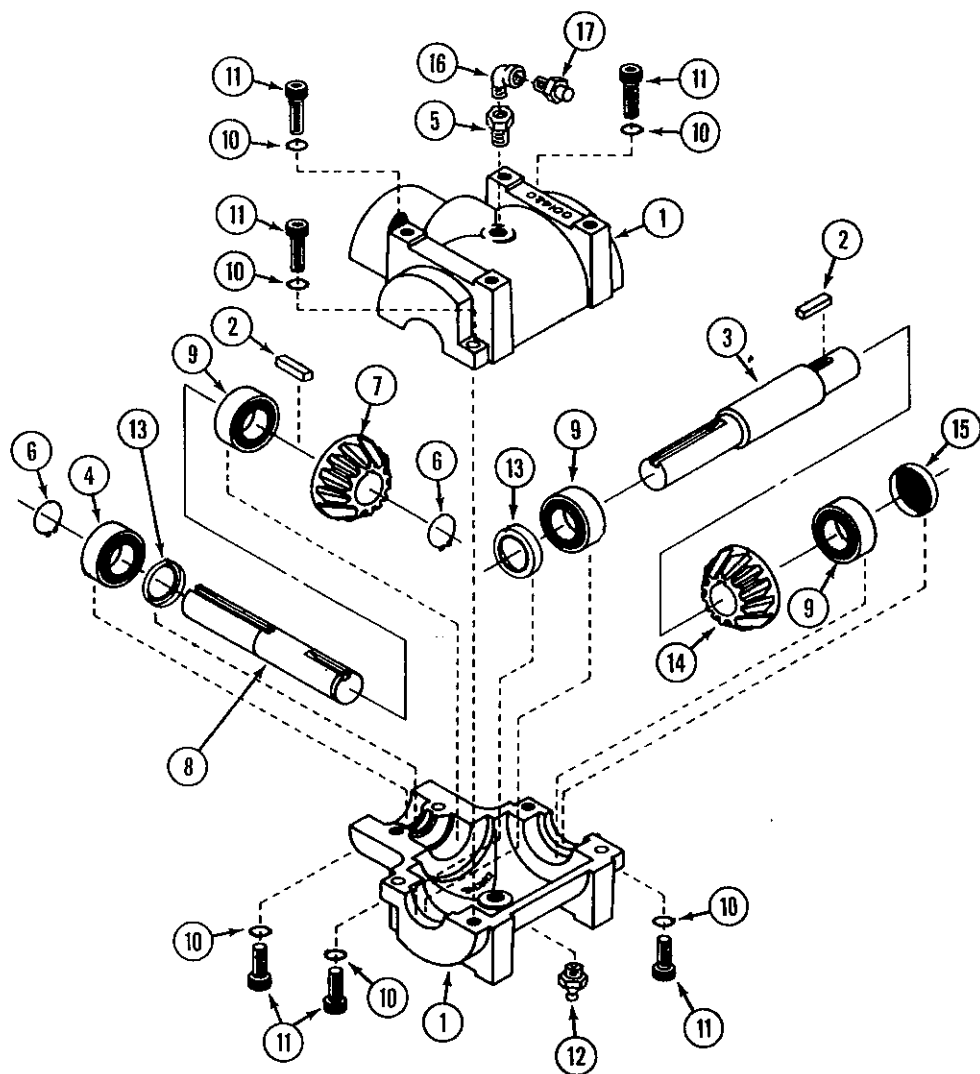
62SD MOWER DECK AND ATTACHING PARTS

REF.	PART NO.	DESCRIPTION	REQ'D
1	C46711	DECK - 62".....	1
2	C41396	CHUTE - foot guard.....	1
3	C46732	MOUNT - foot guard.....	1
4	C46725	COVER - R.H.....	1
5	C46724	COVER - center.....	1
6	C46723	COVER - L.H.....	1
7	C37956	SHOE - skid L.H.....	1
8	C37910	ROLLER - anti-skid.....	1
9	C37911	SHAFT - roller.....	1
10	C45541	BRACKET - gauge wheel mount.....	2
11	C45542	MOUNT - gauge wheel.....	2
12	C46785	FORK - gauge wheel.....	2
13	C37915	AXLE - gauge wheel.....	2
14	C37916	WHEEL - gauge.....	2
	C29145	TIRE - 11 x 4.00 - 5.....	1
	C44496	RIM - 5" (includes bearings and grease fitting).....	1
	C44499	BEARING - wheel.....	2
	219-10	FITTING - grease.....	1
15	113-2419	BOLT - 1/2" - 13 x 6-1/2".....	2
16	C37920	BOLT - wing.....	4
17	C37921	NUT - gauge wheel handle.....	4
18	C37505	BREAKER - circuit - 10 amp.....	1
19	C37860	COLLAR - set 1".....	2
20	C37824	BEARING - 1".....	4
21	C37922	PIN - "fas-tatch".....	1
22	C29693	PIN - deck.....	2
23	C29029	PIN - cotter, hair.....	2
24	C46671	BRACKET - height adjust L.H.....	2
25	C46672	BRACKET - height adjust R.H.....	2
26	113-3	BOLT - 1/4" - 20 x 3/4".....	4
27	192-19	LOCKWASHER - 1/4".....	2
28	129-101	NUT - 1/4" - 20.....	2
29	131-71	NUT - 1/4" - 20 lock.....	2
30	C13716	WASHER - thrust.....	UAR
31	111-203	BOLT - 5/16" - 18 x 1" carriage.....	6
32	219-20	FITTING - grease.....	2
33	85-58	SCREW - set 5/16" - 18 x 1/2" square head.....	2
34	192-20	LOCKWASHER - 5/16".....	8
35	129-102	NUT - 5/16" - 18.....	8
36	192-23	LOCKWASHER - 1/2".....	2
37	129-105	NUT - 1/2" - 13.....	2
38	113-102	BOLT - 5/16" - 18 x 3/4".....	2
39	111-132	BOLT - 5/16" - 18 x 3/4" carriage.....	2
40	182-528	SCREW - #10 - 32 x 1/2".....	2
41	193-1000	NUT - #10 - 32.....	2
42	C46722	COVER - center, small.....	1
43	C46695	STRAP - cover.....	1
44	C46696	COVER - center, rear.....	1
45	131-934	NUT - 1/4" - 20 flange lock.....	1
46	195-102	WASHER - 1/4".....	3
47	131-911	NUT - 5/16" - 18 flange lock.....	2
48	C37957	SHOE - skid R.H.....	1



62SD MOWER DRIVE

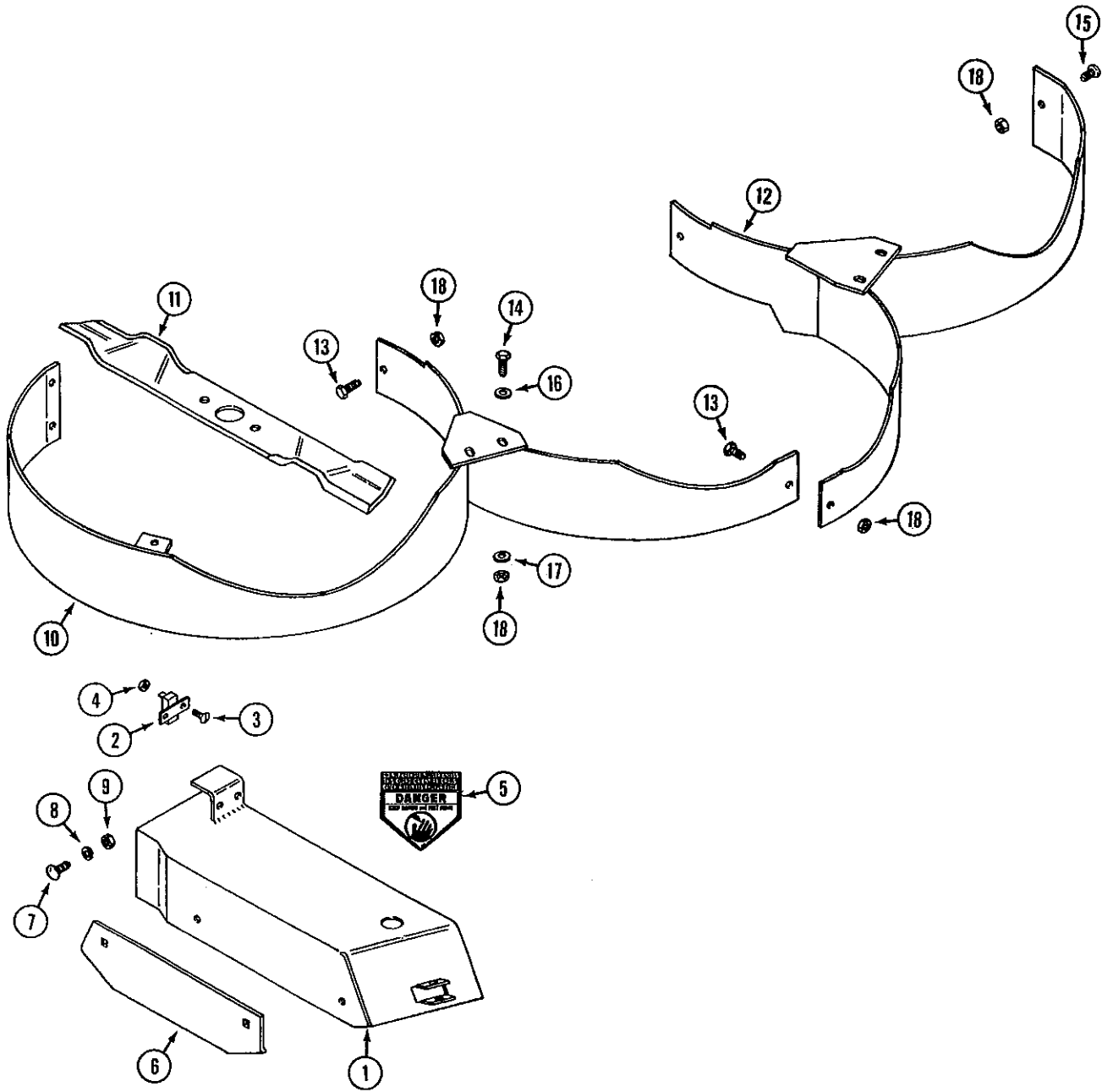
REF.	PART NO.	DESCRIPTION	REQ'D
1	C46720	MOUNT - gear box.....	1
2	219-20	FITTING - grease 1/4" - 28.....	3
3	C37877	ANGLE - gear box mount.....	1
4	C46718	ARM - idler.....	1
5	C46683	HOUSING - spindle.....	3
6	C46685	SPACER - spindle.....	3
7	C46680	SHAFT - spindle, short.....	3
8	C46778	SHAFT - spindle, long (used only when vac is installed).....	1
9	C46686	BEARING - spindle.....	6
10	C44138	BLADE.....	3
10	C45511	BLADE - mulching (not shown).....	3
11	C37950	PULLEY - spindle.....	4
12	C37932	PULLEY - gear box output (use locktite).....	1
13	C37892	PULLEY - gear box input (align with engine and use locktite).....	1
14	C46687	PULLEY - idler 5".....	1
15	C16573	SPACER.....	1
16	C38929	BELT - deck.....	1
17	C44241	BELT - drive.....	1
18	C37898	GEAR BOX - angle drive (See page 67).....	1
19	C29575	WASHER - spacer.....	6
20	C46726	SPACER.....	1
21	114-201	BOLT - 3/8" - 24 x 1-1/4" (use locktite).....	3
22	C45846	WASHER - 3/8", 10 ga.....	3
23	131-1216	NUT - lock 3/8".....	6
24	113-268	BOLT - 3/8" - 16 x 1".....	6
25	C29581	KEY - 3/16" x 3/16" x 1".....	6
26	131-1352	NUT - 3/8" flange lock.....	1
27	113-312	BOLT - 7/16" - 14 X 1-1/4".....	12
28	192-22	LOCKWASHER - 7/16".....	12
29	129-104	NUT - 7/16" - 14.....	12
30	113-213	BOLT - 3/8" - 16 x 2-1/4".....	
31	131-1352	NUT - 3/8" flange lock.....	1
32	192-21	LOCKWASHER - 3/8".....	1
33	113-208	BOLT - 3/8" - 16 x 1-1/4".....	1
34	C46301	PULLEY - vac drive (used only when vac is installed).....	1
35	113-207	BOLT - 3/8" - 16 x 1".....	1
36	113-103	BOLT - 5/16" - 18 x 1".....	4
37	192-20	LOCKWASHER - 5/16".....	4
38	113-102	BOLT - 5/16" - 18 x 3/4".....	1
39	131-911	NUT - 5/16" - 18 flange lock.....	2
40	C46682	HOUSING ASSEMBLY - spindle (includes ref. 2, 5, 6, 9).....	3
41	195-541	WASHER - 5/8".....	1
42	C28263	WASHER - spring.....	1
43	113-3	BOLT - 1/4" - 20 x 3/4".....	4
44	192-19	LOCKWASHER - 1/4".....	4
45	C14482	SPRING - tension.....	1
46	C45649	PULLEY - idler, idler 5-1/2".....	1



FOR ALL MOWERS

GEAR BOX
(Curtis)

REF.	PART NO.	DESCRIPTION	REQ'D
	C37898	GEAR BOX	1
1	C37959	HOUSING - half.....	2
2	C29581	KEY - 3/16" x 3/16" x 1".....	2
3	C37960	SHAFT - input	1
4	C37961	BEARING - ball.....	1
5	221-84	BUSHING - pipe 1/4" x 1/8".....	1
6	C37963	RING - retaining.....	2
7	C37964	GEAR - output shaft.....	1
8	C37965	SHAFT - output.....	1
9	C37966	BEARING - ball.....	3
10	C37967	LOCKWASHER	6
11	C37968	CAP SCREW - allen head.....	6
12	219-23	FITTING - grease 1/4" NPT.....	1
13	C37969	SEAL - shaft.....	2
14	C37970	GEAR - input shaft.....	1
15	C37971	PLUG - expansion.....	1
16	221-411	ELBOW - street 1/8" x 90°.....	1
17	C28241	VALVE - relief.....	1
	C37975	GREASE - synthetic, cartridge.....	1



MULCHING KITS
MK52SD FOR 52SD DECK
MK62-2B FOR 62SD DECK

REF.	PART NO.	DESCRIPTION	REQ'D
1	C46746	CAP - end (MK52SD).....	1
1	C45512	CAP - end (MK62-2B) shown.....	1
2	C37505	BREAKER - 10 amp.....	1
3	182-528	SCREW - #10 - 32 x 1/2".....	2
4	193-1000	NUT - #10 - 32 lock.....	2
5	C37494	DECAL - "Danger".....	1
6	C37956	SHOE - skid (MK62-2B).....	1
6	C46701	SHOE - skid (MK52SD).....	1
7	111-132	BOLT - 5/16" - 18 x 3/4" carriage.....	2
8	192-20	WASHER - lock 5/16".....	2
9	129-102	NUT - 5/16" - 18.....	2
10	C46749	BAFFLE - R.H. (MK52SD).....	1
10	C45516	BAFFLE - R.H. (MK62-2B) shown.....	1
11	C45248	BLADE - (18") (MK52SD).....	3
11	C45511	BLADE - (MK62-2B) (21.5") shown.....	3
12	C46751	BAFFLE - L.H. (MK52SD).....	1
12	C45519	BAFFLE - L.H. (MK62-2B) shown.....	1
13	113-102	BOLT - 5/16" - 18 x 3/4".....	6
14	113-103	BOLT - 5/16" - 18 x 1".....	4
15	C42056	SCREW - 5/16" x 18 x 5/8".....	1
16	195-521	WASHER - 5/16" x 5/8".....	7
17	195-103	WASHER - 3/8" x 7/8".....	4
18	131-69	NUT - 5/16" - 18 lock.....	11

