



GROUNDS MOWERS

Models G1897V & C2097V

Serial Number 95GT04D002 & After

Model G2597K

All Serial Numbers

Operator's Manual



Manual # 8-3400

**Grazer Division, Ingersoll Equipment Co., Inc.
200 Ingersoll Road - Winneconne, WI 54986**



This Safety Alert Symbol Indicates Important Safety Messages In This Manual. When You See This Symbol, Carefully Read The Message That Follows And Be Alert To The Possibility Of Personal Injury Or Death.

IF THIS MACHINE IS USED BY AN EMPLOYEE OR IS LOANED OR RENTED, MAKE ABSOLUTELY CERTAIN THAT THE OPERATOR(S), PRIOR TO OPERATING:

1. IS INSTRUCTED IN SAFE AND PROPER USE.
2. REVIEWS AND UNDERSTANDS THE MANUAL(S) PERTAINING TO THE MACHINE.

751253



WARNING

BEFORE STARTING ENGINE

**STUDY OPERATOR'S MANUAL SAFETY MESSAGES
READ ALL SAFETY SIGNS ON MACHINE
CLEAR THE AREA OF OTHER PERSONS**

LEARN & PRACTICE SAFE USE OF CONTROLS BEFORE OPERATING

IT IS YOUR RESPONSIBILITY TO UNDERSTAND AND FOLLOW MANUFACTURER'S INSTRUCTIONS ON MACHINE OPERATION, SERVICE, AND TO OBSERVE PERTINENT LAWS AND REGULATIONS. OPERATOR AND SERVICE MANUALS MAY BE OBTAINED FROM YOUR EQUIPMENT DEALER.

▲ WARNING:

The engine exhaust from this product contains chemicals known to the State of California to cause cancer, birth defects or other reproductive harm.

INDEX

Adjustments	11	Engine Air Filter	10
Brake	12	Engine Oil System	8
Deck Belts	13	Exterior Surface	11
Deck Drive Belt	13	Fuel System	10
Deck Height	12	Ignition Interlock Safety System	8
Electric Clutch	12	Hydraulic System	8
Pump Drive Belt	14	Lubrication	9
Steering Cable	11	Seat Switch	8
Break-in Service	8	Tires and Wheels	11
Dealer Preparation for Operation	4	Machine Check List	5
Installation of Decks to Tractor	14	Moving Tractor with Engine Inoperative	14
Lubrication and Maintenance	7	Operation	5
Quick Reference Maintenance Schedule	7	Safety Alert Symbol and Notation	2
Blade Care	13	Specifications	17
Cooling System	10	Storage	14
Deck Gearbox	10	Tilting-Deck-for-Service	7
Electrical System	10	Troubleshooting Guide	16

CONGRATULATIONS

When you purchased this mower, you acquired one of the finest grounds mowers available in today's industry.

This mower will reduce your mowing time by at least 35% over conventional tractors with center-mounted decks of equal horsepower and mowing width. You'll eliminate time normally wasted by backing for turns and corners or mowing over grass already mowed. This mower will save time, fuel, maintenance and operator fatigue.

We feel that we manufacture the most efficient and productive mower your money can buy. We build machines to keep mowing and doing a better job of it.

INTRODUCTION

Your Operator's Manual will assist you in the operation and service of your mower. The manual will acquaint you with your machine and outline how you affect performance and longevity of your mower.

Please read the manual carefully and thoroughly. Give close attention to all Safety Alert Symbols, Warnings and Cautions (See page 2) - Safety is always a priority!

Decals have been placed on the tractor to instruct the operator and to warn of safety hazards. It is very important that they be in place and visible at all times. Replace damaged or missing decals immediately!

A separate manual is provided for the engine. Please note, the engine in these tractors should be serviced by your local engine service center - when ordering parts, identify the engine model, code and type number. These numbers are located on the shrouding of the engine.

Always use original equipment parts available from your factory authorized dealer.

Enter your mower identification numbers here for future reference.

TRACTOR:	Model Number	_____
	Serial Number	_____
DECK:	Model Number	_____
	Serial Number	_____
ENGINE:	Make	_____
	Model Number	_____
	Code Number	_____
	Type Number	_____

SAFETY ALERT SYMBOL AND NOTATIONS

The following safety notations are used throughout this manual to call attention to special information or operating procedures. Understand the message in each notation. Be alert to unsafe conditions and the possibility of personal injury.

NOTE: A NOTE points out general reference information regarding proper operation and maintenance practices.

IMPORTANT

An IMPORTANT statement indicates specific procedures or information that is required to prevent damage to the machine or its attachments.



This safety alert symbol is used to attract your attention! PERSONAL SAFETY IS INVOLVED! When you see this symbol - BECOME ALERT - HEED ITS MESSAGE.



CAUTION

CAUTION identifies safe operating practices or indicates unsafe conditions that could result in personal injury.



WARNING

A WARNING describes a condition where failure to follow instructions could result in severe personal injury.



DANGER

A DANGER designates a condition where failure to follow instructions or heed warning will most likely result in serious personal injury or death.

SAFETY FIRST

NOTE: DO NOT ATTEMPT TO START THE ENGINE UNTIL YOU HAVE READ THE ENGINE MANUAL.



THIS IS A SAFETY ALERT SYMBOL USED TO ALERT YOU TO POSSIBLE DANGER TO YOUR OR SOMEONE ELSE'S PERSONAL SAFETY. WHEN YOU SEE THIS SYMBOL, BE ALERT TO THE ACCOMPANYING MESSAGES IN THIS MANUAL.



CAUTION

Your mower is equipped with an ignition interlock safety system. This system is designed to protect the operator and others in the immediate area by preventing the engine from starting when the PTO switch is ON or the lever lock is not in the locked position. This system should always be operative.

Listed below are a common set of rules you should read and follow, remember, your safety and the safety of others depends on the operator's awareness and adherence to these basic rules.

1. Remove all debris from area to be mowed. Keep persons and pets away from mowing area. Although area has been supposedly cleared of all debris, small objects may have been overlooked and may be discharged or thrown by mowing parts—causing injury to people, pets, property or to the mower.
2. To start the engine (A) lock steering levers in neutral (B) disengage PTO switch.
3. Never place hands or feet under deck while engine is running.
4. Never fill the fuel tank while the engine is hot. Wipe off any fuel that might have spilled. Replace fuel cap on tank.
5. Only persons thoroughly acquainted with rules of safety operation should be permitted to use mower. Never allow a small child to operate, or be in the operating area of power equipment.
6. DO NOT attempt to get off or on mower when mower deck is engaged and engine is running. Wait until mower blades stop turning before getting on or off mower. Make sure the PTO is disengaged before parking mower.
7. Keep blades sharp and properly balanced. If your equipment should start vibrating, stop the engine and check for damaged or loose parts. Vibration is generally a warning of trouble.
8. When putting on new blades, make sure they are tight.
9. DO NOT attempt to clean deck housing, or to otherwise clean, adjust or repair machine before stopping mower engine. FOR YOUR OWN SAFETY, remove ignition key and disengage PTO switch.
10. Always keep all shields and guards in place. Mower must never be operated with any shields or guards removed.
11. Never leave machine running unattended. Remove key from ignition switch to prevent children from starting the mower.
12. Never run engine inside a building without proper ventilation.
13. ALWAYS operate the machine with the deck in the lowered position.
14. Always drive slowly over varied terrain to prevent tipping the mower.
15. DO NOT operate the mower at high speed going downhill and DO NOT TURN SHARP CORNERS WHILE GOING DOWNHILL. NOTE: The hydraulic pumps produce braking action when steering levers are moved toward neutral; this procedure is recommended for braking action.
16. DO NOT operate mower on inclines greater than 25%.
17. Always observe traffic laws while driving machine from one location to another.
18. Always stop the engine and inspect the machine after striking a foreign object. If damage is found, repair the machine immediately.
19. Keep all caution and safety decals legible at all times. Replace any that are damaged.
20. Do not operate the machine while under the influence of alcohol or drugs.

In addition to the above safety procedures for operation of the mower, the following precaution should be observed when using fuel. Its improper use, handling and storage can be dangerous:

ALWAYS USE AN APPROVED CONTAINER. PLACE CONTAINER OUT OF REACH OF CHILDREN.

NEVER ADD FUEL TO A RUNNING OR HOT ENGINE. FILL TANK OUT OF DOORS AND WIPE UP ANY SPILLED FUEL.

POSITIVELY NO SMOKING.

DEALER PREPARATION FOR OPERATION

CUSTOMER NOTE: Your dealer is expected to complete these preparation steps and review important information, including this manual, with you before or upon delivery of this unit.

The preparation information is included here so that you and your dealer may review it together.

NOTE: All reference to "Left", "Right", "Front" and "Rear" are from operator seated on seat.

SEAT

Remove band from seat, raise seat lid and bolt seat to lid using lockwashers and nuts supplied. Check to see that wires to seat switch are connected.

BATTERY

Battery is shipped without electrolyte. After removing battery from tractor, fill each cell with electrolyte to level indicator.

PERFORM ALL STEPS outlined in the Machine Check List.

IGNITION INTERLOCK SAFETY SYSTEM



Failure of Ignition Interlock Safety System, together with improper operation of unit, could result in severe personal injury.

Check Interlock Safety System to make sure it is functioning properly. Engine must not start unless steering lever lock is locked and PTO switch is off. Engine must stop if operator leaves the seat when lever lock is unlocked or PTO switch is on.

INSTALL DECK

Refer to Installation of Deck to Tractor Section of operator's manual for instructions.

REGISTRATION

Complete Mower Delivery Report.

Warranty is registered under catalog and serial number found on left side of body under seat lid.

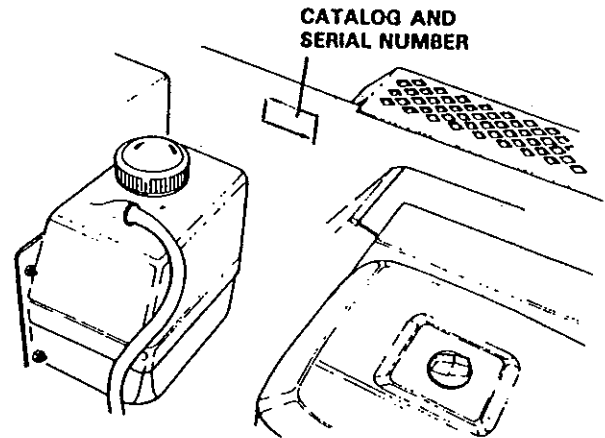


FIGURE 1

Deck model and serial number is found on back left corner of pulley box.

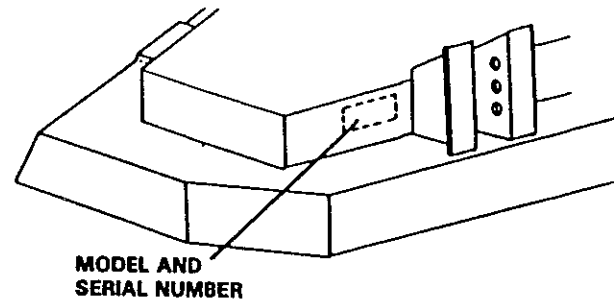


FIGURE 2

DELIVERY

Use the operator's manual, instruct customer on controls and operation of unit. Emphasize safety and discuss Safety Precautions.

IMPORTANT

Remind customer to change oil in engine crankcase and engine oil filter after first 5 hours. Adjust deck belts after 2 hours of operation if required.

MACHINE CHECK LIST

The following list should be acknowledged before a new machine is put into service:

1. Check engine oil level (See engine manual for recommendations).
2. Check oil level in hydrostatic system. The oil reservoir (Plastic Reservoir) should be kept 1/2 full when oil is cold.
3. Fill fuel tank with fresh clean gasoline.
4. Check deck drive belt idler for free movement and tension.
5. On older mower decks check tension on deck belt. This belt should have a 1/2" deflection on longest span when 5 pounds of pressure is applied. Current decks use tension spring and are not adjustable.
6. Check pump drive belt idler to see that it operates freely and applies tension on belt.
7. Check pressure on all tires (See Tire Pressure Chart, Fig. 2A). Tire pressure must be equal in each drive wheel. This also applies to deck gauge wheels.

TIRE	PRESSURE PSI
Drive Wheels	10 to 14
Tail Wheel	10 to 18
Gauge Wheels	8 to 14

FIGURE 2A

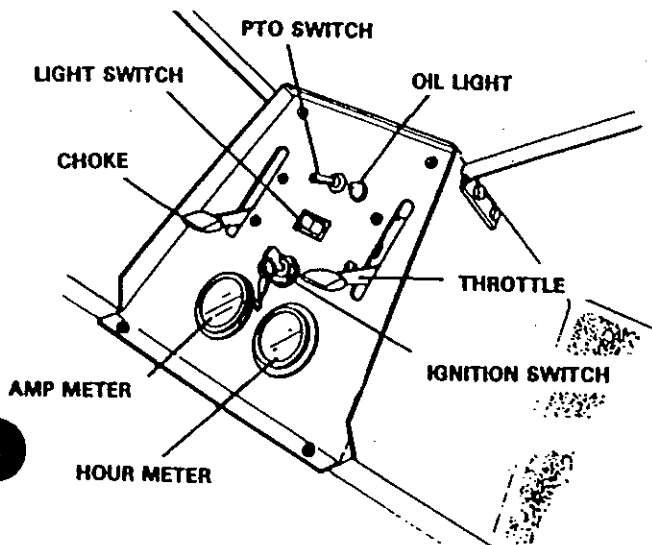


FIGURE 3

STARTING AND STOPPING THE ENGINE

NOTE: Engine starter will not engage unless steering levers are LOCKED in neutral and PTO switch is in OFF position. This is identified as the IGNITION INTERLOCK SAFETY SYSTEM



Never operate machine with Ignition Interlock Safety System disconnected, bypassed or malfunctioning.



Engine exhaust gases contain poisonous carbon monoxide. Avoid inhaling fumes and never run engine in a closed building or confined area.

1. Move the choke to CLOSED position. On a warm engine (normal operating temperature) place choke in OPEN position.
2. Open throttle midway between SLOW and FAST position.
3. Turn key to START. Return key to ON when engine starts.
4. Gradually return choke to the OPEN position after engine starts and warms up.



Do not crank the engine continuously for more than 10 seconds at a time. If engine does not start, allow a 60 second cool-down period between starting attempts. Failure to follow these guidelines can burn out starter motor.



Always start engine with the park brake ON. This helps keep the tractor from creeping upon start-up.

TO STOP ENGINE

1. Run the engine at half throttle for a minimum of 15 seconds under no load to cool down.
2. Turn ignition key to OFF and remove key.

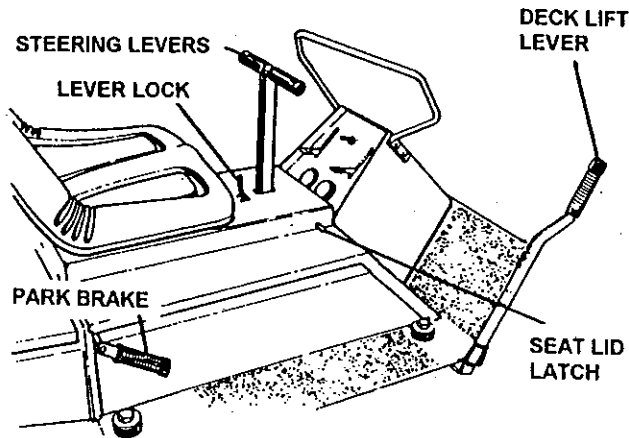


FIGURE 4

DRIVING

After starting engine, place parking brake in run and unlock lever lock. If the lever lock is unlocked while the parking brake is on, the engine should stop. Steering levers control forward and reverse movement as well as turning and braking. Each lever controls the direction of the corresponding drive wheel. To turn the machine to the right move the right lever back and/or left lever forward. To turn the machine to the left, move the left lever back and/or the right lever forward.

CAUTION

Any sudden movement of levers will result in sudden braking or opposite direction of travel.

BRAKING

Forward or reverse movement is slowed or stopped by returning steering levers toward the neutral position.

ENGAGING PTO

The PTO switch, at upper center of dash panel, activates electric clutch. To engage, set the engine throttle to 1/3 speed and pull out and up on PTO switch.

If PTO does not engage, make sure connector is connected to deck safety switch located on mower foot guard.

WARNING

Operator must be in seat before PTO is activated.

Stop the tractor immediately and have it repaired if engine does not stop when operator leaves the seat with PTO engaged.

CAUTION

Do not permit mower to discharge in direction of people, pets or personal property. Injury can result.

LIFTING THE ATTACHMENTS

WARNING

Never travel at road speeds with attachment in position.

The attachments for tractor are raised and lowered by a hand lever located at the right front of tractor. Pulling the lift lever back and down, it can be latched to the body to hold attachment in raised position for service and to clear obstacles.

An optional electric lift can be installed. Attachment is raised and lowered by a two-way switch located on the dash. When operating with an electric lift, the lift should be fully extended, or all the way down to allow attachment to float.

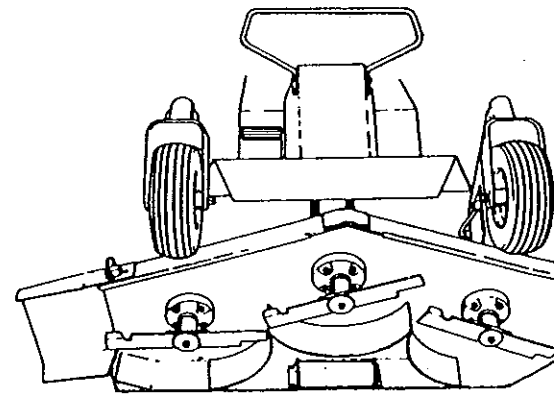


FIGURE 5

TILTING DECK FOR SERVICE

WARNING

Never handle deck while tractor engine is running.

1. SHUT ENGINE OFF and remove key.
2. Stand in front of deck facing tractor. Push on lift lever (if equipped) enough to remove two pins at rear of deck.
3. Push on lift lever (if equipped) to raise deck a little and with other hand raise front of the deck into an upright position. Release lift lever and lower deck to the ground.
4. Place one of the deck pins in hole to lock deck up.
5. To lower deck, remove deck pin and lower front of deck to the ground. Push on lift lever (if equipped) and replace deck pins at desired cutting height.

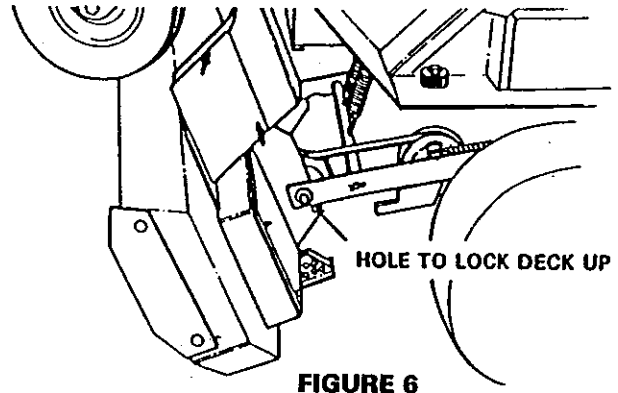


FIGURE 6

LUBRICATION AND MAINTENANCE

CAUTION

When servicing machine, stop engine, remove key and engage lever lock and parking brake.

Routine lubrication and maintenance is the most important step toward low upkeep, long machine life, satisfactory service and a quality mowing.

QUICK REFERENCE MAINTENANCE SCHEDULE

REF	SERVICE AT INTERVALS INDICATED	DAILY PRESTART	DAILY AFTER STOPPING	EVERY					ANNUALLY OR 100 HR.
				4 HR.	8 HR.	25 HR.	40 HR.	50 HR.	
A	Verify Ignition Interlock Safety System	X							
A	Check Engine Oil Level	X		X					
A	Check Fuel Level	X		X					
A	Check Hydraulic Oil Level	X							
A	Visually Inspect Tractor	X							
A	Visually Inspect Tires	X							
A	Clean Underside of Deck		X						
A	Lube Deck Gauge Wheels				X				
A	Lube Tail Wheels				X				
A	Clean Air Filter Element (1)					X			
A	Lube Gauge Wheel Fork Tubes						X		
A	Lube Tail Wheel Fork Tube						X		
A	Check Grease or oil in Gearbox								X
A	Lube Spindle Housing				X				
A	Check Battery and Connections						X		
C	Change Engine Oil (2)							X	
C	Change Engine Oil Filter (2)							X	
B	Clean Air Filter Paper Cartridge (1)								X
A	Check Tire Pressure With Gauge								X
A	Torque Wheel Nuts								X

NOTES:

(1) More often under dusty conditions and when mower is equipped with center discharge deck.

(2) Initial oil and filter change is at 5 hours.

REFERENCE:

- A-See Owner's Manual
- B-See Engine Manual
- C-See Both Owner's and Engine Manuals.

FIGURE 7

IGNITION SAFETY SYSTEM

Check tractor Ignition Interlock Safety System daily, prior to operation. This system is important to safety of persons in the area. It should be repaired immediately if malfunctioning. To check system follow these steps:

1. Begin with parking brake engaged, PTO switch off and lever lock engaged.
2. Disengage lever lock and turn the ignition key to start position. The starter motor should not respond.
3. Lock the lever lock and turn PTO switch on and turn ignition key to start position. Starter motor should not respond.

If starter responds to either of these tests, turn off ignition and make corrections immediately. Otherwise, proceed with other preoperative checks.

SEAT SWITCH

The seat switch should be checked before each operation. The machine should not be operated with an inoperative switch. To check seat switch:

1. Start engage while seated in operator's seat. Unlock lever lock and raise from seat—engine should stop.
2. Return lever lock to lock position and restart engine. Engage PTO switch and raise from seat engine should stop.

If engine does not stop, turn off ignition switch and correct immediately.

BREAK-IN SERVICES

A new engine requires special break-in maintenance services. Read appropriate section of owner's manual. Engine oil and filter should be changed after first 5 hours of operation.

ENGINE OIL SYSTEM

Check engine oil level at the start of each day and again after 4 hours of operation. Oil must always be between marks on the dipstick.

Change engine oil after first 5 hours of operation. Refer to engine manual for oil change intervals after initial change.

To change oil, park tractor on level surface, remove ignition key, lock the lever lock and apply parking brake. Remove drain plug from bottom of engine. Drain oil into pan that holds 3 quarts. Dispose of oil in accordance with local laws. Remove oil filter. Lubricate gasket on new filter with new engine oil and install. Tighten filter by hand only. Replace oil drain plug.

Add new oil through port plug. When adding new oil,

check level with dipstick (DO NOT OVERFILL). See engine manual for oil capacity, API service class and viscosity.



WARNING

During normal operation oil heats to a level that may cause severe burns. Allow engine to cool before servicing.

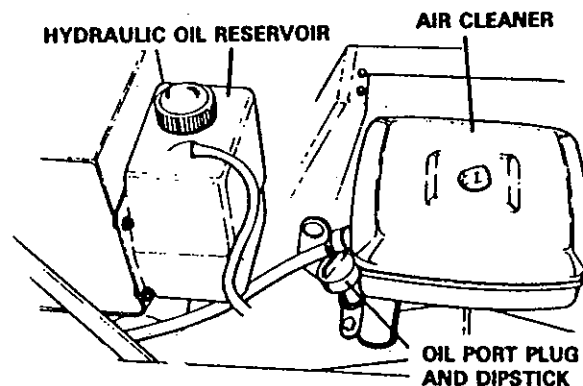


FIGURE 8

Model with Vanguard Engine Shown

HYDRAULIC SYSTEM



CAUTION

Care must be taken to keep any dirt or moisture from entering the hydraulic system. Small amounts either will greatly reduce the life of the component.

The hydraulic system reservoir is located under seat lid.

Check hydraulic oil level daily. Oil level in plastic should to be half full.

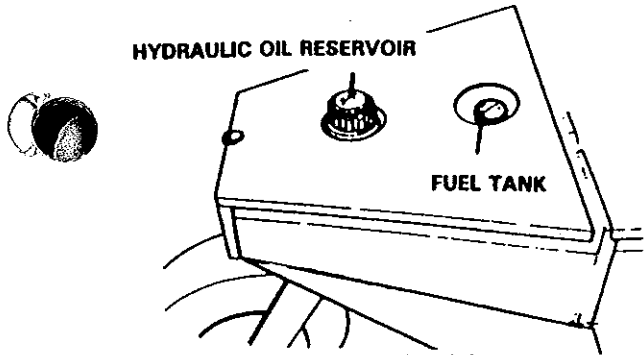


FIGURE 9

CAUTION

Use only 20W40 special oil in hydraulic drive system.

NORMALLY no hydraulic filter change should be required during life of drive system.

NOTE: If tractor drive performance becomes sluggish it is recommended that the filter be changed. Great care must be taken to insure that ALL PARTICLES that may cause contamination to system be removed from around filter and housing before removal.

To clean around filter before removal, use a solvent and brush to remove soil and dirt. Then use compressed air to final clean the area.

Only original equipment filters should be used as they have been precleaned.

When a leak is detected in hydraulic system, stop the machine at once and repair the leak. Once repaired, refill hydraulic reservoir.

WARNING

Hydraulic oil escaping under pressure can penetrate skin. Before applying pressure to hydraulic system, make sure all connections are tight and all hoses and lines are in good condition. To find a leak under pressure, use a piece of cardboard or wood—NEVER use your hands. Lower all attachments, shut engine off and remove key before opening any hydraulic lines. Eye protection should be worn when servicing hydraulic system.

It is important to keep the transmission pump's fins and cooling fans clean at all times. If a cooling fan becomes damaged it should be replaced with a new one.

LUBRICATION

Use a SAE multi-purpose gun grease on all zerks. Do not use more than one or two pumps from grease gun each time.

LUBRICATION REFERENCE GUIDE

- 1 - Gauge Wheel Axle Bearing 8 Hrs.
- 2 - Gauge Wheel Fork Bearing 40 Hrs.
- 3 - Spindle Bearings 8 Hrs.
- 4 - Tail Wheel Fork Bearings 40 Hrs.
- 5 - Tail Wheel Axle Bearings 8 Hrs.

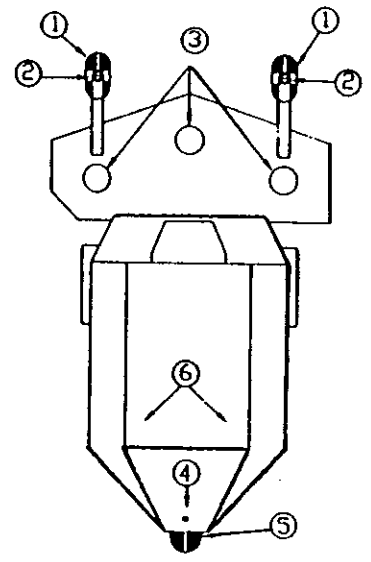


FIGURE 11

DECK GEARBOX

The gearbox is shipped filled with synthetic grease. Keep it full at all times. If grease should be needed, use Mobil Mobilith SHC 460 synthetic lubricating grease or its equivalent. Use a grease gun to fill box until grease appears from vent plug.

NOTE: After refilling, grease will purge from vent plug until maximum operating temperature is reached.

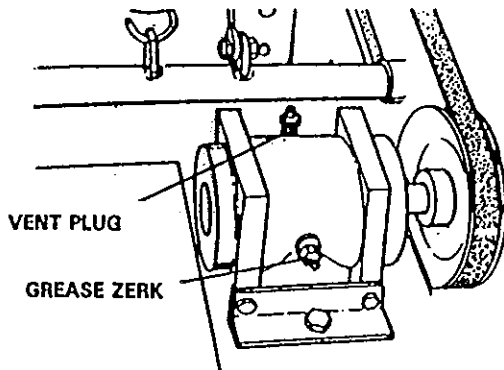


FIGURE 12

COOLING SYSTEM



WARNING

Never attempt to clean or make adjustments on engine while it is running.

Grass, chaff or dirt may clog rotating screen and air cooling system. Yearly or every 100 hours remove cooling shrouds and clean cooling fins. Also remove dust, dirt and oil from external surfaces of engine which can cause improper cooling. In extremely dusty or dirty conditions, or when the mower is equipped with center discharge deck, clean more often.

IMPORTANT

Do not operate engine without cooling shrouds installed. Operating engine without cooling shrouds will cause engine damage due to overheating.

ENGINE AIR FILTER

Clean and apply oil to foam precleaner every 25 hours. Every 100 hours paper cartridge should be removed and cleaned. Perform these procedures more often in dusty conditions. See your engine manual for further instructions on air cleaner care.

FUEL SYSTEM

Fuel tank is located under tail cover just back of the operator's seat. Capacity of fuel tank is 5 gallons.

Always keep and use clean, fresh fuel. Regular UNLEADED gasoline with a minimum 87 octane rating is recommended. Leaded gasoline may be used if unleaded is not available.

NOTE: WE DO NOT recommend use of gasoline which contains alcohol, such as gasohol. However, gasoline with alcohol is used, it MUST NOT contain more than 10 percent Ethanol and MUST be removed from engine during storage. DO NOT use gasoline containing Methanol.



WARNING

Observe usual fuel handling precautions. Do not smoke while refueling. Do not fill tank with engine running or while engine is hot. Allow engine to cool before storing machine inside a building. Keep fuel away from open flame or spark. Read and observe safety precautions in this manual.

An inline fuel filter is located under the seat between the engine and fuel tank. If the filter becomes plugged, it should be replaced.

There is a fuel shutoff valve located on the bottom of the fuel tank. This valve should be closed to prevent fuel loss when changing filters, doing other engine work or transporting the machine.

ELECTRICAL SYSTEM

The electrical system is 12 volt, negative ground. Factory installed battery is a size U11L, 300 CCA. The battery is located under tail cover of the tractor.

Check battery connections every 40 hours to ensure they are clean and tight. At same time check for proper electrolyte level.



WARNING

When charging battery, keep away from open flame or sparks. Do not breathe battery fumes. Avoid contact with battery acid. Wear eye protection. If contact does occur, flush area with cold water and consult a physician.



WARNING

When jump starting a low or dead battery, follow these procedures to avoid sparks that could cause battery gases to explode:

1. Attach first jumper cable from positive (+) terminal of good battery to positive (+) terminal of dead battery.

2. Attach second jumper cable from negative (-) terminal of good battery to FRAME OF UNIT WITH DEAD BATTERY.

A 30 amp fuse, located under seat lid next to the starter solenoid on the back of the engine compartment, protects the electrical system. If there is an overloaded circuit, fuse will blow. Cause of the blown fuse should be located and fixed before a new fuse is installed.

EXTERIOR SURFACE

Exterior surface of tractor should be washed regularly (a minimum of monthly) but more often in corrosive environments. Spray paint is available from your dealer to cover scrapes and chips and to protect against rust.

Mower deck should be cleaned after each cutting for best cutting results. If cleaned before clippings have dried, water pressure from a garden hose can be used to clean underside of deck housing. If clippings have dried, a putty knife may be used to remove accumulation from under deck.

Every 40 hours remove deck covers and clean debris from pulley box. Do not operate machine without covers in place. To tilt deck for cleaning, see Machine Operation Section, TILTING DECK FOR SERVICE.

IMPORTANT: Do not direct spray from pressure washer at bearing areas. moisture can be forced into bearings causing premature failure.

TIRES AND WHEELS

Visually inspect tires daily. Check tire pressure with gauge every 100 hours or whenever tires appear low. Tire pressure in both drive tires should be equal and set at 10 to 14 PSI. Tail wheel tire pressure should be 10 to 18 PSI. The deck gauge wheel tire pressure may vary depending on ground conditions—a minimum of 8 PSI to a maximum of 14 PSI may be used. Always keep pressure equal in gauge wheels to maintain even cutting.

STEERING CABLE ADJUSTMENT

The steering levers should move fully forward without binding. The machine should not creep with engine running and steering levers in neutral. The machine should drive in a straight line with steering levers fully forward.

WARNING

Do not attempt to adjust steering cables until you have read this entire section. Stop engine while placing the tractor on blocks.

1. Block up tractor so that both drive wheels do not touch ground and are free to move. Block tail wheel and gauge wheels so that tractor will not fall from block.
2. Adjust forward stop of steering levers.
 - a. Raise seat lid.
 - b. Loosen bearing blocks at steering levers. (see figure 13).
 - c. Push top of steering levers fully forward. Both levers must contact forward edge of seat lid notch and levers must be aligned with each other. (see figure 13A)

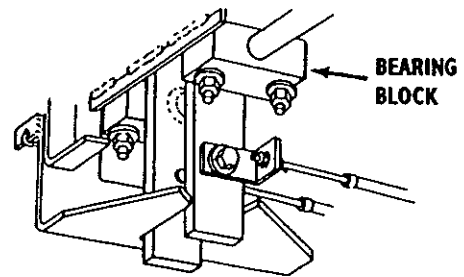


FIGURE 13

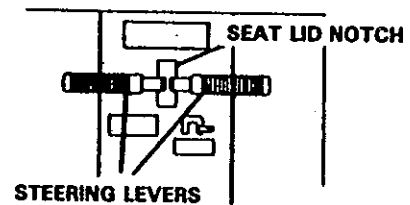


FIGURE 13A

3. Adjust neutral position of steering levers.
 - a. Run engine. Move steering levers backward and forward.
 - b. Lock steering levers in neutral position. Drive wheels should stop turning.
 - c. Adjust neutral position as needed. Loosen nuts on end of steering cables. (see figure 13B) Move in direction that stops drive wheels. Tighten nuts.
4. Adjust tracking if machine will not travel in a straight line with steering levers fully forward.
 - a. Always turn engine off before making tracking adjustments.
 - b. Machine tracks to right when both steering levers are fully forward. Loosen left control link and move a small amount to rear in bell-crank slot. Adjust as needed.

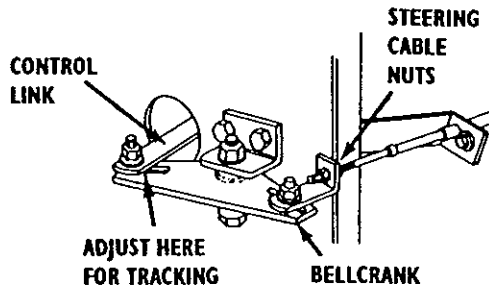


FIGURE 13B

- c. Machine tracks to left when both steering levers are fully forward. Loosen right control link and move a small amount to rear in bellcrank slot. Adjust as needed.

BRAKE ADJUSTMENT

Occasionally test brake for proper adjustment by backing the machine onto a 25 degree incline. With engine running, engage lever lock and apply parking brake. The tractor should remain in position. If not, follow these steps and adjust brake:

1. Block up side of tractor that does not hold.
2. Apply parking brake.
3. Shorten brake linkage rod by turning locknut clockwise (see Figure 14) until wheel can not be turned by hand.
4. Repeat above steps on other side if needed.

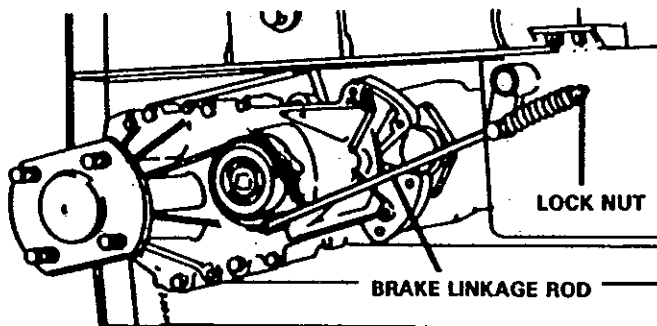


FIGURE 14

ELECTRIC CLUTCH ADJUSTMENT

Clutch clearance is too wide if clutch will engage when the tractor is cool, but will not when it is warm.

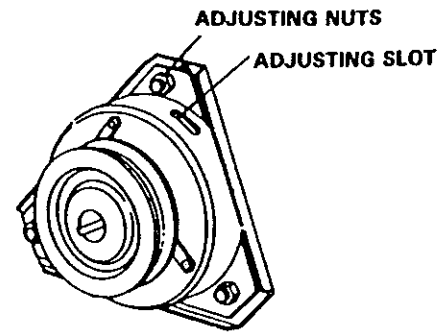


FIGURE 15

To adjust clutch, follow these steps:

1. Unplug electrical connector to clutch.
2. Remove clutch stop so clutch body can be rotated.
3. Place a .012 feeler gauge in oblong slot by adjusting bolt. Adjust so that gauge starts to drag. Adjust all three bolts.
4. All three points should be checked again because adjusting one may change the others.
5. Reinstall clutch stop and plug in electrical connector.

DECK HEIGHT ADJUSTMENT

Cutting height of all decks on all air cooled models is adjustable. Place mower on level surface. Turn ignition key off and remove key.



WARNING

Stop engine. Make sure PTO switch is off. Engage lever lock and remove ignition key before getting off machine.

Raise deck and lock in raised position. Remove gauge wheel wing bolts and move gauge wheels up or down to desired height. Current gauge wheels can be adjusted by removing only one wing bolt at a time. Gauge wheel bracket will rotate to desired height. Both front and rear of wheel bracket need equal adjustment. Replace wing bolts and tighten handle nuts. Remove rear deck pins and adjust back of deck. For best cutting results, in most conditions, back of deck should 1/8" to 1/4" higher than front.

Lower deck to ground and check cutting height.

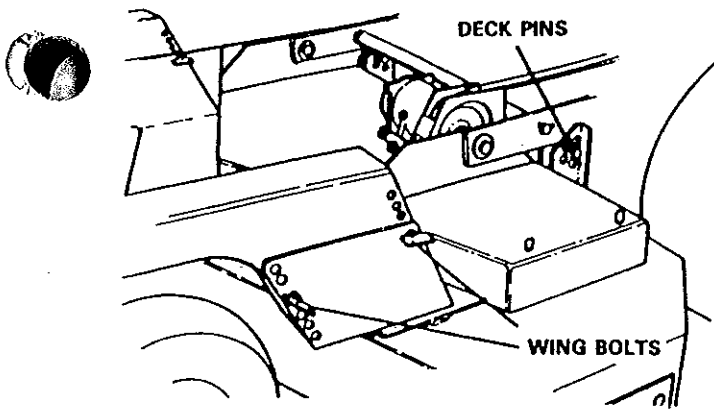


FIGURE 16

BLADE CARE

For best results, cutting blades must be kept sharp.

DANGER

Never work with blades while engine is running or PTO switch is on. Engage lever lock and remove ignition key.

To service blades, tilt and lock deck up to remove blades. Do not sharpen blades while on deck. Blades may be sharpened on a grinder or by filing. When grinding, care should be taken to maintain blade balance. A balancer should be used to check blade balance before reinstallation on mower. Unbalanced or bent blades will cause excessive vibration and decrease life of deck parts.

Always use new lock nuts when remounting blades.

WARNING

Do not use any form of heat to straighten a bent blade. Do not weld a cracked or broken blade.

DECK DRIVE BELT REPLACEMENT

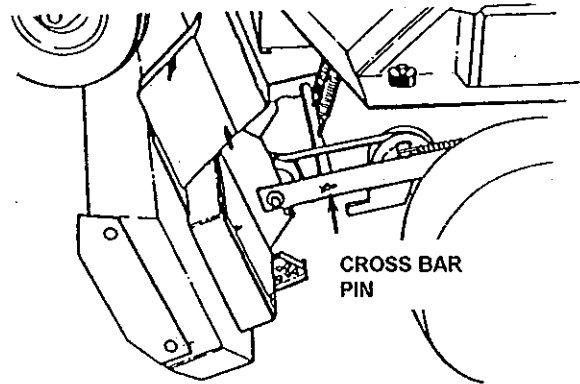
(See figure 17)

1. Remove belt guard.
2. Push idler pulley to release belt tension.
3. Remove cross bar pin from left-hand arm.

CAUTION

Care must be taken when removing cross bar pin as the deck springs will cause the cross bar to fly up when pin is removed.

4. Remove belt and install new belt.
5. Reverse steps 1 through 3.
6. Tension is applied to top section of drive belt with spring loaded idler pulley. No adjustment is available.



DECK BELT REPLACEMENT

1. Loosen deck drive belt (see Deck Drive Belt Section).
2. Remove deck covers.
3. Loosen belt tension on idler pulley and remove belt from pulley.
4. Unbolt gearbox mount from deck and remove belt from under gearbox pulley.
5. Remove old belt from spindle pulleys.
6. Replace with original equipment replacement belt available from your factory authorized dealer.
7. Place belt in groove on the gearbox pulley and rebolt gearbox mount.
8. Put belt on pulleys and apply tension with idler pulley.
9. Replace deck covers.

PUMP DRIVE BELT

The pump drive belt is kept tight by a spring loaded idler. No adjusting is necessary, but the idler should be checked periodically to see that it moves freely.

To Replace Pump Drive Belt:

1. Apply parking brake and lock.
2. Remove spring tension from idler.
3. Remove 1-1/6" spacer from between pump fan and pump cross shaft.
4. Remove belt from engine pulley and then from pump pulley and fan.
5. Install new belt over pump pulley, then engine pulley and reverse steps above.

STORAGE

End of Season Machine Care:

When storing tractor at end of season, the following steps should be taken to insure readiness for next mowing season:

1. Remove all grass, dirt and trash from tractor and deck. Wash both tractor and deck, including underside of deck.

IMPORTANT: Do not direct spray from pressure washer at bearing areas. Moisture can be forced into bearings causing premature failure.

2. Check thoroughly for any worn or damaged parts that need replacing - order them from your dealer.
3. Thoroughly lubricate machine according to lubrication instructions.
4. Lightly oil underside of deck to prevent rusting.
5. Drain fuel tank and run engine to remove all gas from carburetor.
6. Perform engine preparations as outlined in engine owner's manual.
7. Protect battery from freezing temperatures. Occasionally recharging battery during storage will extend battery life.
8. Store tractor in a dry place away from sparks or flame.

MOVING TRACTOR WITH ENGINE INOPERATIVE

Hydraulic pumps have a dump valve located on front of pump. It is activated by a lever located at lower front of base (see figure 18). To engage dump valves, push dump valve lever past lever stop and push lever down. To reactivate pumps, push dump valve lever past lever stop and raise lever so that it rests on top of lever stop.

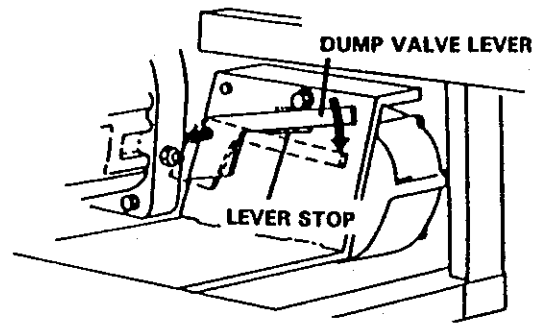


FIGURE 18

INSTALLATION OF DECKS

Following steps are suggested for installation of deck:

1. Remove deck from packing crate and place on level surface in front of tractor.
2. Remove two 1/2" bolts and bushings from deck mounts. Remove 1/2" deck pins from deck adjustment holes in back of deck.
3. Remove belt guard from lift arm.
4. Push both arms down at same time to align holes in arms with holes in deck mounts. Once arms are down, one arm may be released while you place bolt and bushing in first arm. Push other arm back down and install bolt and bushing.

NOTE: If machine is equipped with an electric lift, it must be run to it's lowest position before you can attach arms to deck.

5. Place deck drive belt over gearbox pulley.

IMPORTANT: Gearbox pulley must be aligned. Fasten to gearbox shaft with locktite.

6. Raise deck lift arms enough to install deck pins at desired cutting height.
7. Raise deck with lift arms and lock in raised position. Install front gauge wheels mounts at desired cutting height.

8. Lower deck to ground. Put idler pulley over top of belt for tension. Install belt guard to deck lift arm.
9. Install Fas-tatch foot guards and plug deck safety wires into deck safety switch.
10. Check blade bolts to be sure they are tight. Also remove pulley box covers and check deck belt tension.

NOTE: Tail Weight Kit for 62" Deck.

Some 62" decks are shipped with a 13 lb. weight kit. It is not used on this machine.



WARNING

When running deck be sure that area is clear of persons and pets. Only operate deck while sitting in operator's seat.

TRACTOR TROUBLE SHOOTING GUIDE

SYMPTOMS	PROBABLE CAUSES	SUGGESTED REMEDIES
Starter Does Not Crank	Ignition Interlock Safety System not Engaged	Engage System
	PTO Switch in ON Position	Put Switch in OFF Position
	Weak or Dead Battery	Recharge or Replace Battery
	Fuse Blown	Replace Fuse
	For Additional Causes	See Engine Manual
Engine Cranks But Does Not Start	No Gas or Line Plugged	Fill Tank or Replace Plug
	No Fire at Spark Plug	Clean or Replace Spark Plug See Engine Manual or Dealer
	Numerous Other Causes	See Engine Manual or Dealer
Engine Runs with Loss of Power or Excessive Black Exhaust	Restriction in Air Cleaner	Service Air Cleaner
	Poor Compression or Timing	See Engine Manual or Dealer
Tractor Jerky When Starting or Tractor Operates in One Direction Only	Steering Cables Need Adjustment	Adjust Cable
	Pump or Wheel Motor Faulty	See Your Dealer
	Oil has been Contaminated with Water or Dirt	Drain Oil From System and Replace or See Your Dealer
Hydraulic System Operating Hot	Damaged or Broken Fan	Replace Fan
	Cooling Fins Plugged	Clean Cooling Fins
	Hydraulic Pump Faulty	See Your Dealer
Tractor Creeps When Steering Levers are in Neutral	Steering Cables Out of Adjustment	Adjust Steering Cables
Tractor Creeps or Veers in One Direction	Steering Cables Out of Adjustment	Adjust Steering Cables
	Hydraulic Pump Faulty	See Your Dealer
Tractor Creeps with Parking Brake on	Brake Out of Adjustment	Adjust Parking Brake
Engine Overheating	Intake Screen Clogged	Clean Screen
	Cooling Fins Clogged	See Engine Manual for Cleaning
Engine Oil Pressure Low	Low Oil Level	Add Oil
	Oil Sending Unit Faulty	See Your Dealer
	Oil Diluted or Grade Too Light	Change Oil and Check for Source of Contamination
Amp Meter Shows Discharge	Wiring Defective	See Your Dealer
	Alternator Defective	See Your Dealer
High oil Consumption Engine Knocks and Other Engine Noises	Numerous Causes	See Engine Manual
Electric Clutch Will Not Engage	Deck Safety Wires Not Plugged In	Plug Wires In
	Loose or Faulty Wiring	Check Wiring
	Seat Switch Faulty	Change Seat Switch
	Clutch Out of Adjustment	Adjust Clutch
Grass Cut Uneven	Deck Height Adjustment Not Even on Both Sides	Adjust Height
	Tire Pressure Uneven	Check Tire Pressure
	Blade Bent	Replace Blade

SPECIFICATIONS

Tractor Model	G1897V	G2097V	G2597K
Engine Make	Briggs and Stratton Vanguard		
Type, 4 Cycle	2 Cylinder Gas		
Horsepower	18 (13.4 kw)	20 (14.9 kw)	25 (18.6 kw)
Displacement	34.75 Cu. Inches (570 cc)		44 Cu.Inches (723 cc)
Maximum RPM	3600		
Starting System	12 Volt		
Charging System	16 amp		20 amp
Battery	12 Volt 300 CCA Size U11L		
Transmission	Sundstrand BDU-10L		
Final Drive	Agri-Fab ZT		
Brake	Dynamic Braking Through Drive		
Parking Brake	Band		
Clutch	Electric		
Attachment Drive	1 - B Belt		
MPH Forward & Reverse	0-7 MPH (0 to 11 km/h)		
Turning Radius	Zero		
Tire Size, Drive	19 x 9.50-8		
Tire Size Tail	16 x 6.50-8		
Seat	Vinyl, Adjustable with Optional Arm Rests		
Wheel Base	41" (1040 mm)		
Height, Tractor	48.5 (1230 mm)		
Width, Tractor	49" (1244 mm)		
Length, Tractor	69" (1750 mm)		
Weight, Tractor (Shipping)	660 (299 kg)		685 (310 kg)
Available Deck Widths	52" (1320) 62" (1575mm), 72" (1830 mm)		
Features	Electric Deck Lift (Optional)		
	Tilt Back Deck Interlock Safety System Hour and Amp meter Dual Headlights Rear Frame Weight		

FLUID CAPACITY

Tractor Model	G1897V	G2097V	G2597K
Fuel Tank	5 gallon (19 Liters)		
Engine Oil with filter	1.75 quart	(1.65 Liters)	2.1 quart (2.0 liters)
Transmission	4 Quart (3.8 Liters)		



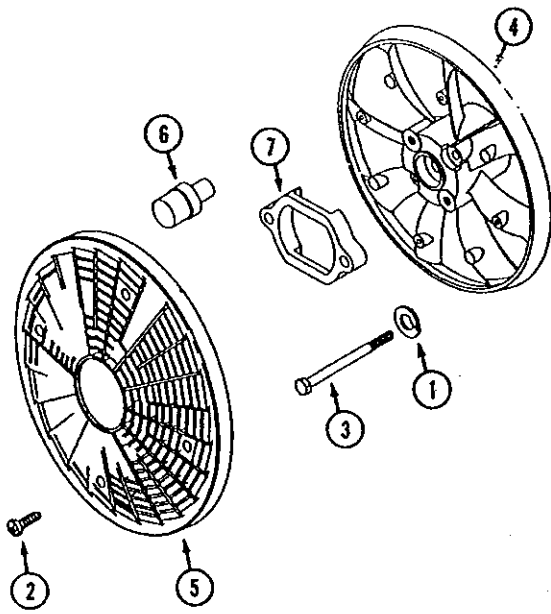
PARTS LIST

TABLE OF CONTENTS

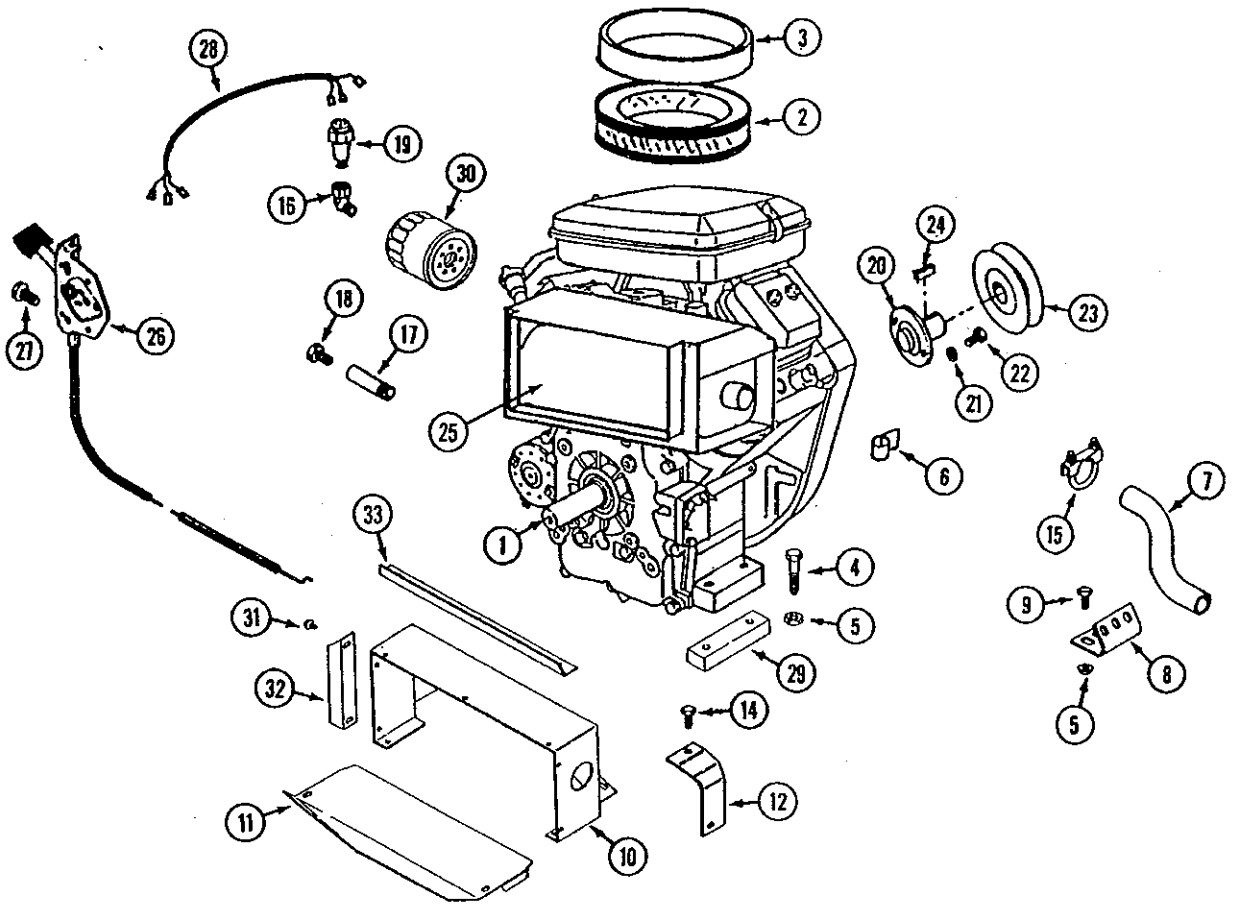
Booster Fan	21
Engine and Attaching Parts (Briggs and Stratton Vanguard Model).....	21
Engine and Attaching Parts (Kohler Model)	23
Fuel System.....	23
Electric Clutch	25
Base Assembly.....	27
Body Assembly.....	29
Seat Lid and Steering.....	31
Dual Tail Wheel.....	33
Single Tail Wheel	35
Pump Drive Cross Shaft.....	35
Drive Assembly R.H.....	37
Drive Assembly L.H.....	39
Transmission - ZT Drive	41
Hydrostatic Pump - ZT Drive	43
Parking Brake	45
Steering Cable Kit	47
Lift Lever.....	47
Hydraulic System	49
Electric Deck Lift (includes wiring diagram)	51
Electrical System – Vanguard Tractors.....	53
Electrical System – Kohler Tractors.....	55
Decals.....	57

Mower Decks

52SD Deck Shell, Covers, Gage Wheels and Brackets.....	59
52SD Blades, pulleys, Belts and Spindles	61
62SD Deck Shell, Covers, Gage Wheels and Brackets.....	63
62SD Blades, pulleys, Belts and Spindles	65
72SD Deck Shell, Covers, Gage Wheels and Brackets.....	67
72SD Blades, pulleys, Belts and Spindles	69
Gearbox - Deck Serial Number 010706048 and Prior	71
Gearbox - Deck Serial Number 010706048 and After	73
Mulching Kit Parts	75



BRIGGS AND STRATTON VANGUARD SERIES



**BOOSTER FAN
(G1897V, G2097V)**

REF.	PART NO.	DESCRIPTION	REQ'D
1	C44857	LOCKWASHER	2
2	BR93805	SCREW	4
3	C44858	SCREW	2
4	C44859	FAN - booster	1
5	C44860	SCREEN - rotating.....	1
6	C44861	PIN - pilot	1
7	C46079	SPACER - fan.....	1

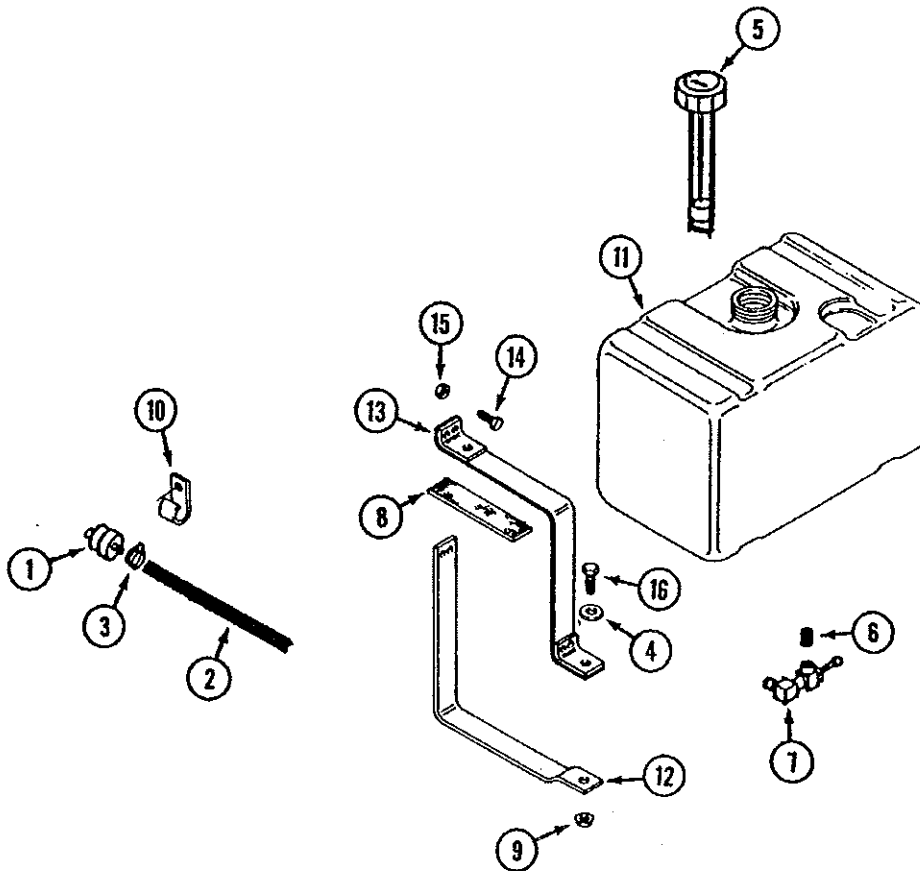
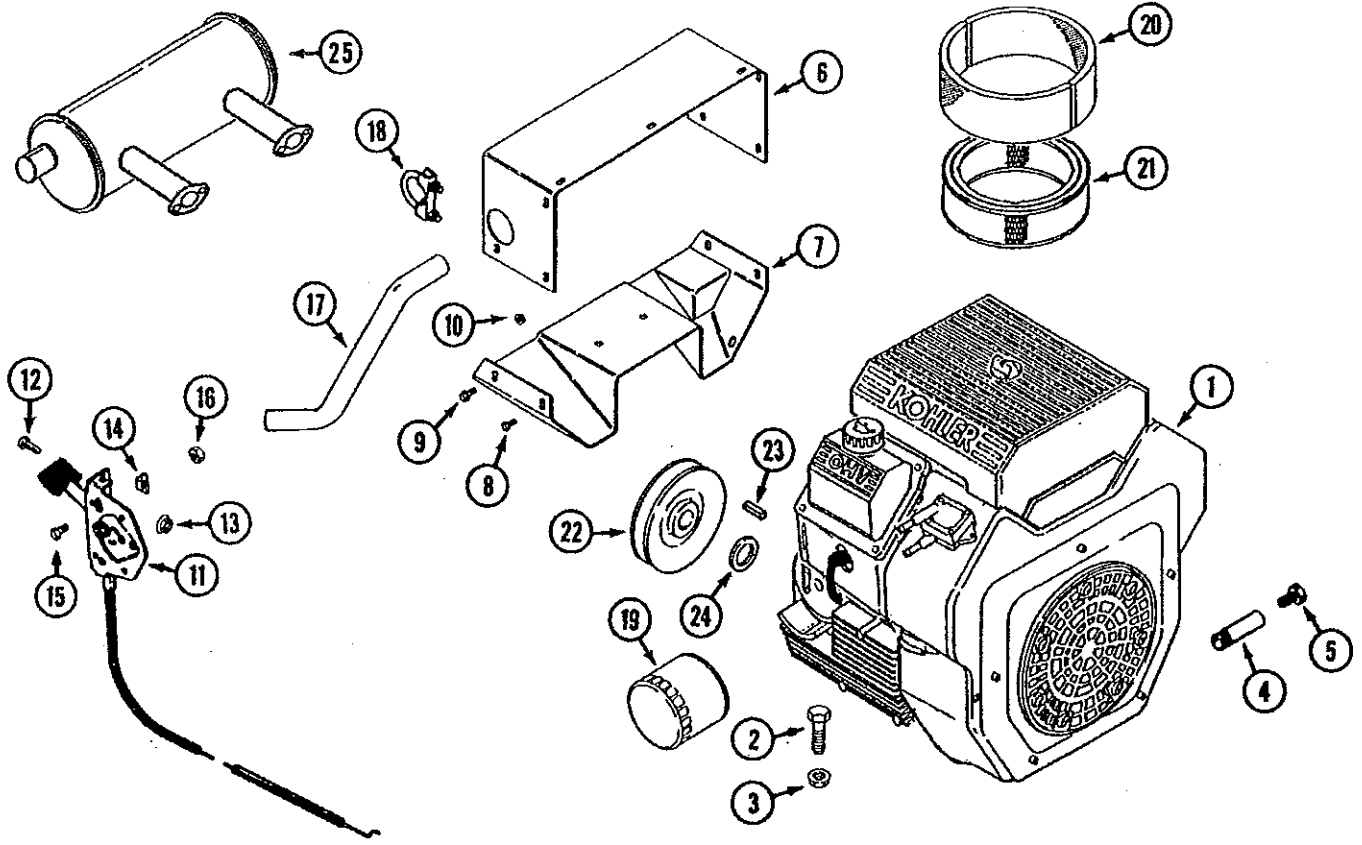
**ENGINE AND ATTACHING PARTS
(G1897V, G2097V)**

BRIGGS & STRATTON VANGUARD MODEL

(See your local engine dealer for other parts and repairs)

1	C44853	ENGINE - B & S Model 350447, type 0139 (18 hp)	1
1	C46506	ENGINE - Briggs & Stratton Model 351447, type 1192 (20 hp)	1
2	C37544	ELEMENT - air cleaner.....	1
3	C37543	PRE - CLEANER	1
4	113-119	BOLT - 5/16" - 18 X 2-3/4"	4
5	131-69	NUT - 5/16" - 18	5
6	C32455	CLIP - "J"	2
7	C46563	PIPE - exhaust.....	1
10	C46564	DUCT - muffler, upper	1
11	C46568	DUCT - bottom.....	1
12	C45111	SUPPORT - duct	2
14	C45273	SCREW - M6 x 10	3
15	C28294	CLAMP - exhaust.....	2
16	221-411	FITTING - street elbow, 1/8" - 27 NPT 90°	1
17	C33949	NIPPLE - pipe 3.5	1
18	218-5154	PLUG - 1/2" - 20	1
19	C46222	UNIT - oil sending	1
20	C37537	SHAFT - stub	1
21	192-21	LOCKWASHER - 3/8"	2
22	113-207	BOLT - 3/8" - 16 x 1"	2
23	C37539	PULLEY - engine (includes 83-55 set screw).....	1
24	C41015	KEY - 1/4" x 1/4" x 1"	1
25	C46507	MUFFLER.....	1
26	C46892	CABLE - choke	1
26	C46893	CABLE - throttle.....	1
27	C39403	SCREW - #12 X 1/2"	2
28	C46218	HARNES - wire.....	1
29	C46562	SPACER - engine mount.....	2
30	C34374	FILTER - oil.....	1
31	187-1328	SCREW - #8 - 18 x 3/4	9
32	C46744	ANGLE - air duct 6-1/2" long	2
33	C46745	ANGLE - air duct 15" long	1
34	C37200	SCREW - Heat Shield.....	5

KOHLER COMMAND SERIES

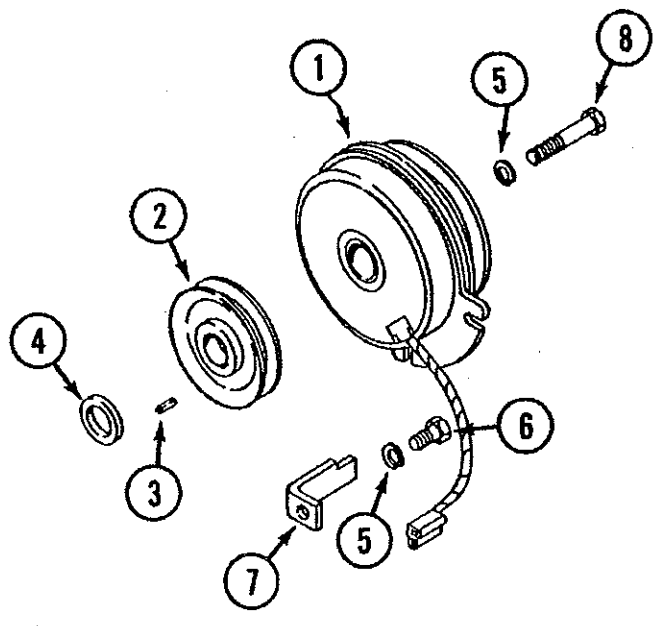
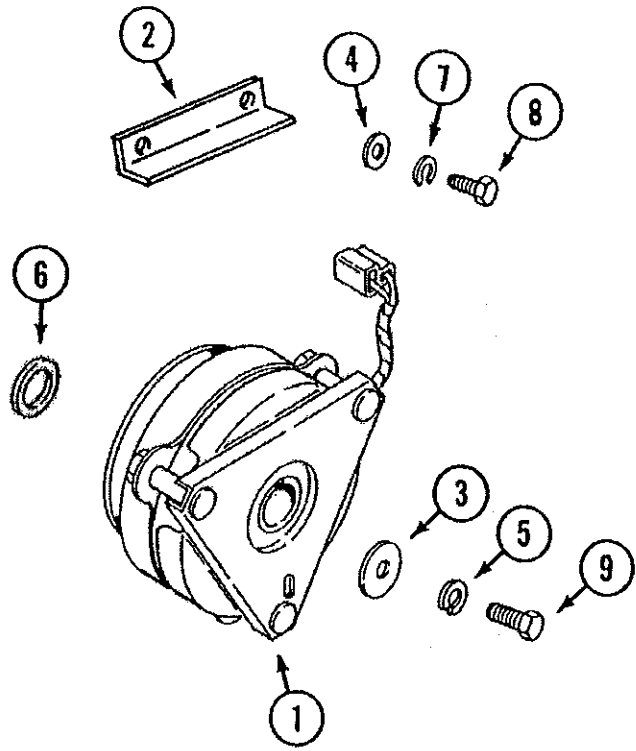


ENGINE AND ATTACHING PARTS (G2597K) KOHLER COMMAND MODEL

REF.	PART NO.	DESCRIPTION	REQ'D
1	C48504	ENGINE - 25 hp KOHLER Model CH730 Spec # PA-CH730-0039	1
	C48505	SCREEN - Chopper	1
	C48506	HOUSING - Blower	1
2	113-233	BOLT - 3/8" 16 x 1-3/4"	4
3	131-1352	NUT - 3/8" - 16 flange, lock	4
4	C33757	NIPPLE - oil drain	1
5	218-5154	PLUG - 1/2" - 20	1
6	C46569	SHIELD - upper exhaust	1
7	C46570	SHIELD - lower exhaust	1
8	C37200	SCREW - 6M x 10	9
9	121-21	BOLT - 1/4" - 20 x 1/2" flange	2
10	131-934	NUT - 1/4" - 20 flange lock	2
11	C46573	CABLE - choke	1
11	C46574	CABLE - throttle	1
12	182-573	SCREW - #10 - 24 x 1/2 black	4
13	C34117	NUT - #10 - 24 flange lock	4
14	C37630	BRACKET - stop	2
15	113-3	BOLT - 1/4" - 20 x 3/4"	2
16	131-71	NUT - 1/4" - 20 lock	2
17	C46563	PIPE - exhaust	1
18	C28294	CLAMP - pipe 1-1/8"	1
19	C43754	FILTER - oil	1
20	C43755	PRECLEANER	1
21	C43756	ELEMENT - air cleaner	1
22	C46632	PULLEY - drive	1
23	C46633	KEY - pulley	1
24	C33200	SPACER - 1/4"	1
25	C48507	MUFFLER	1

FUEL SYSTEM

1	C37554	FILTER - fuel	1
2	C32328	HOSE - fuel (cut to length)	1
3	214-103	CLAMP - hose	4
4	195-521	WASHER - 5/16"	2
5	C45334	CAP - fuel tank (with gauge)	1
6	221-1101	NIPPLE - pipe 1/8"	1
7	C37811	VALVE - shutoff	1
8	C34189	CUSHION - reservoir	2
9	131-911	NUT - 5/16" - 18 flange lock	2
10	C32455	CLIP - "J" fuel line	1
11	C45333	TANK - fuel (2-1/4" filler tube) (plastic)	1
12	C45061	BRACKET - fuel tank	1
13	C45062	STRAP - fuel tank	1
14	113-17	BOLT - 1/4" - 20 lock	2
15	131-71	NUT - 1/4" - 20 lock	2
16	113-103	BOLT - 5/16" 18 x 1"	2



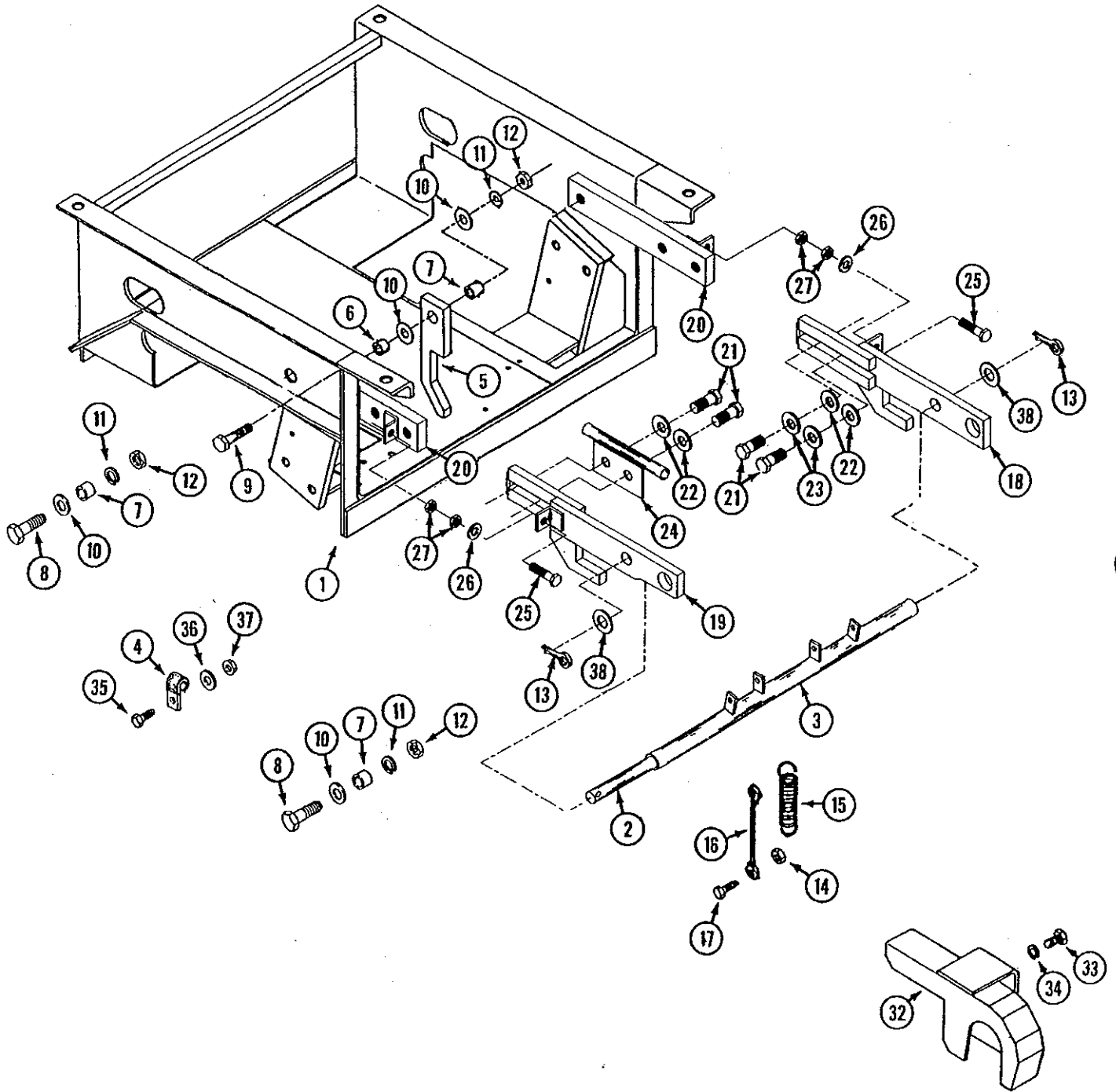
**ELECTRIC CLUTCH (PTO)
(G1897V, G2097V)**

REF.	PART NO.	DESCRIPTION	REQ'D
1	C46994	CLUTCH ASSEMBLY.....	1
2	C37562	BRACKET - clutch stop.....	1
3	C31615	WASHER - retaining.....	1
4	195-104	WASHER - 7/16".....	2
5	192-21	LOCKWASHER - 3/8".....	1
6	C31614	WASHER - 1-1/8" spacer.....	1
7	192-22	LOCKWASHER - 7/16".....	2
8	113-312	BOLT - 7/16" - 14 x 1-1/4".....	2
9	114-203	BOLT - 3/8" - 24 x 1-1/2".....	1

**ELECTRIC CLUTCH (PTO) AND DRIVE PULLEY
(G2597K)**

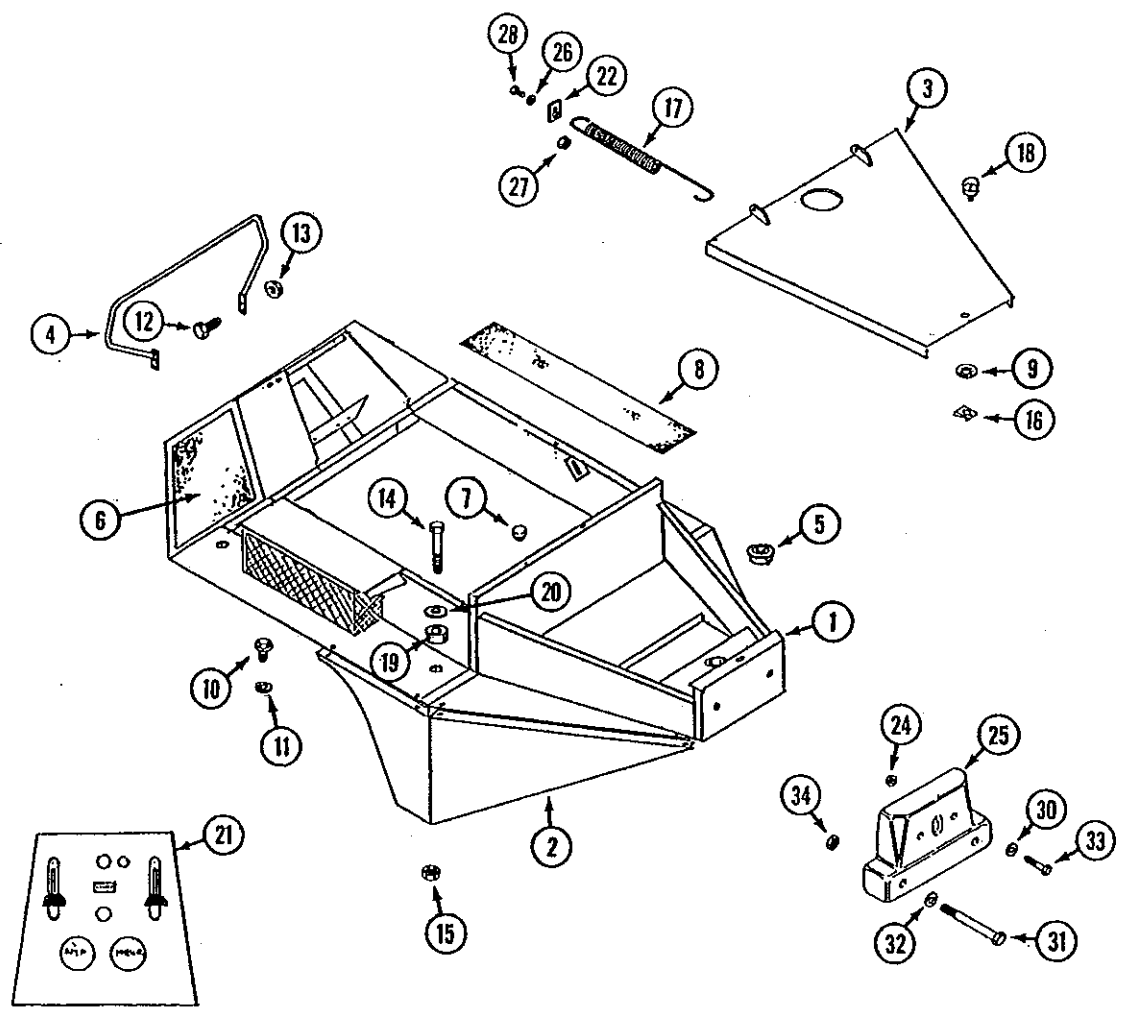
REF.	PART NO.	DESCRIPTION	REQ'D
1	C46504	CLUTCH ASSEMBLY.....	1
2	C46632	PULLEY -.....	1
3	C46633	KEY - 1/4" X 1-1/16".....	1
4	C33200	SPACER - 1/4".....	1
5	192-22	LOCKWASHER - 7/16".....	2
6	113-310	BOLT - 7/16" - 14 x 1".....	1
7	C46634	BRACKET - clutch stop.....	1
8	114-303	BOLT - 7/16" - 20 x 2-1/2".....	1

BASE ASSEMBLY



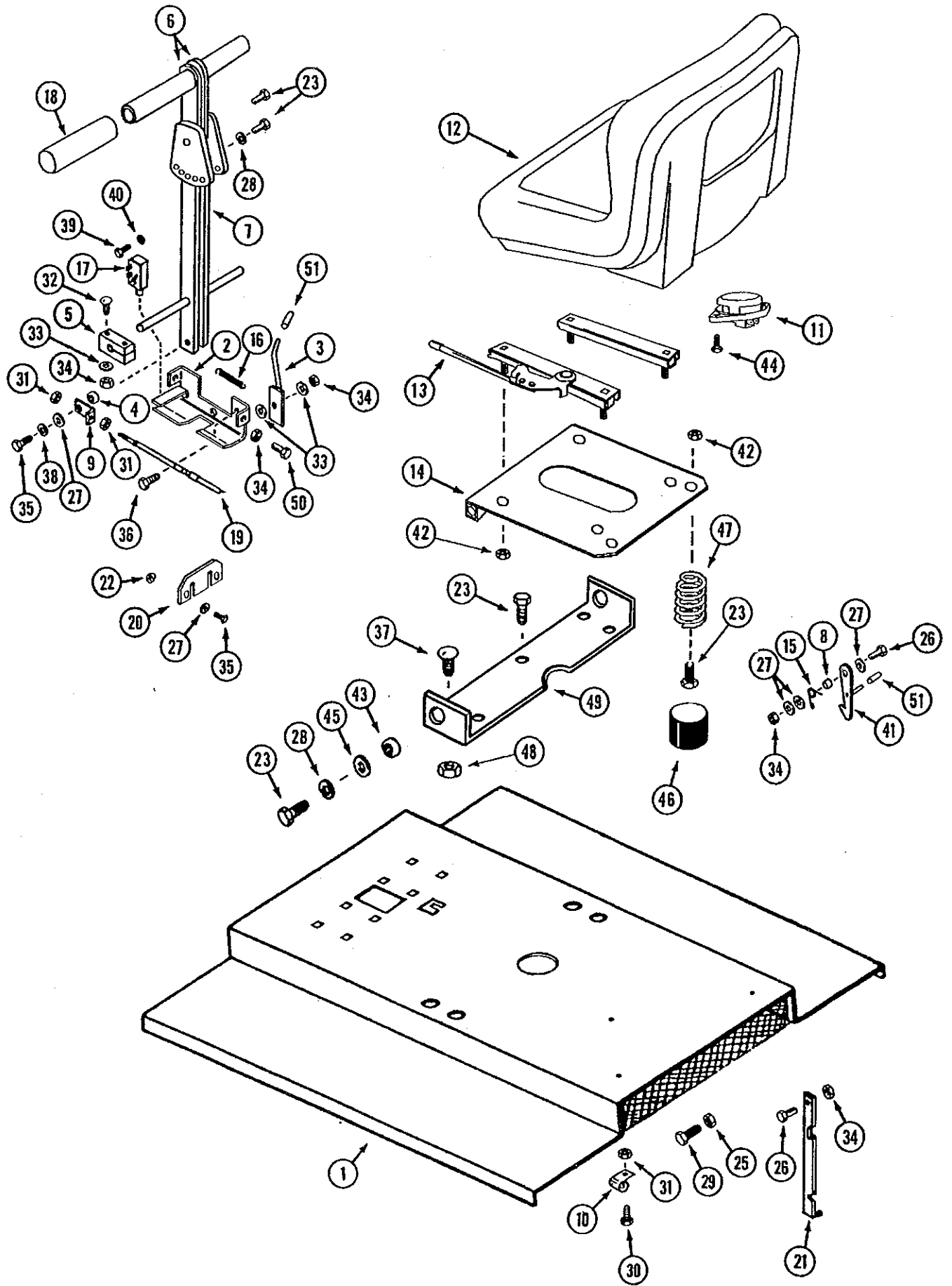
BASE ASSEMBLY

REF.	PART NO.	DESCRIPTION	REQ'D
1	C46530	BASE	1
2	C37578	PIN - cross bar	1
3	C37579	BAR - cross	1
4	C32455	CLIP - "J"	2
5	C37583	LOCK - forward nose down	2
6	C37576	BUSHING - pivot (3/8" long)	1
7	C46622	BUSHING - pivot (1/2" long)	5
8	113-410	BOLT - 1/2" - 13 x 1-1/2"	4
9	113-441	BOLT - 1/2" - 13 x 2-1/4"	1
10	195-105	WASHER - 1/2"	6
11	192-23	LOCKWASHER - 1/2	5
12	129-105	NUT - 1/2" - 13	3
13	132-310	PIN - cotter 1/8" x 1"	2
14	131-71	NUT - lock 1/4" - 20	4
15	C37815	SPRING - lift assist	2
16	C37816	CABLE - lift	2
17	113-4	BOLT - 1/4" - 20 x 1"	4
18	C37574	LIFT ARM - LH, Front	1
19	C48512	LIFT ARM - RH, Front	1
20	C48514	LIFT ARM - Rear	2
21	113-417	BOLT - 1/2" - 13 x 1-1/4"	4
22	195-106	WASHER - 9/16"	4
23	192-23	LOCK WASHER - 1/2"	4
24	C37577	TUBE -Wire	1
25	113-210	BOLT - 3/8 - 16 x 3"	2
26	192-21	LOCKWASHER - 3/8"	2
27	129-103	NUT - 3/8 - 16	4
32	C48510	GUARD - belt	1
33	113-102	BOLT - 5/16" - 18 x 3/4"	2
34	192-20	LOCKWASHER	2
35	113-103	BOLT - 5/16"- 18 x 1"	2
36	195-102	WASHER - 5/16"	2
37	131-911	NUT - 5/16" - 18 flange lock	2
38	195-106	WASHER - 9/16"	2



BODY ASSEMBLY

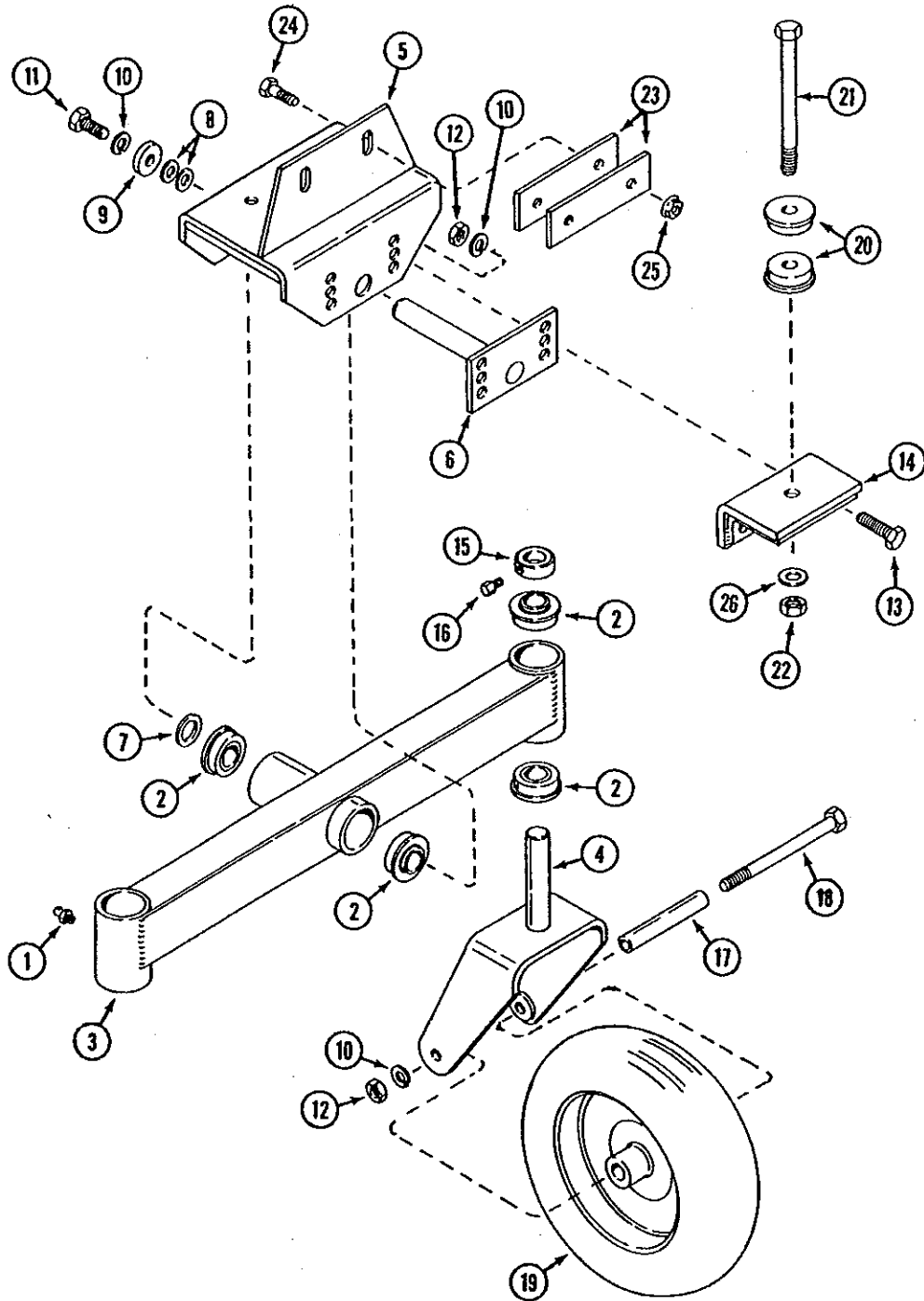
REF.	PART NO.	DESCRIPTION	REQ'D
1	C46545	BODY.....	1
2	C41175	FENDER - L.H. (Shown).....	1
2	C41179	FENDER - RH.....	1
3	C46555	COVER - rear.....	1
4	C44844	GUARD RAIL.....	1
5	C37824	BEARING.....	2
6	C43419	PAD - L.H. front, foot.....	1
6	C43420	PAD - R.H. front, foot.....	1
7	C35067	BUMPER - nylon.....	4
	C44036	TRIM - tower and rear lid (not shown).....	1
8	C43421	PAD - R.H. side, foot.....	1
9	C46560	RETAINER - stud.....	1
10	C34808	BOLT - 1/4" - 20 x 3/4" tapping.....	8
11	192-19	LOCKWASHER - 1/4".....	8
12	C42056	BOLT - 5/16" - 18 x 5/8" black.....	4
13	131-911	NUT - 5/16" - 18 flange lock.....	4
14	113-427	BOLT - 1/2" - 13 x 3-1/4".....	4
15	131-70	NUT - 1/2" - 13 lock.....	4
16	C46561	RECEPTACLE - stud.....	1
17	C46105	SPRING - extension.....	1
18	C46559	FASTENER-stud.....	1
19	C37818	MOUNT - body, rubber.....	8
20	C37581	WASHER - body mount.....	4
21	C37821	DASH BOARD.....	1
	182-573	SCREW - #10 - 24 X 1/2" (used on dash board).....	4
	C34117	NUT - #10 - 24 flange lock (used on dash board).....	2
22	C42903	BRACKET - mounting.....	1
24	131-1352	NUT - flange lock.....	2
25	NSS	WEIGHT - tail (order from whole goods) W48 kit.....	2
26	195-102	WASHER - 5/16" x 3/4".....	1
27	131-934	NUT - 1/4" - 20 flange, lock.....	1
28	113-3	BOLT - 1/4" - 20 x 3/4".....	1
30	195-525	WASHER - 3/8".....	2
31	113-650	BOLT - 5/8" - 11 x 6-1/2".....	2
32	195-541	WASHER - 5/8".....	2
33	113-213	BOLT - 3/8" - 16 x 2-1/4".....	2
34	131-356	NUT - 5/8" - 11 lock.....	2



SEAT LID AND STEERING

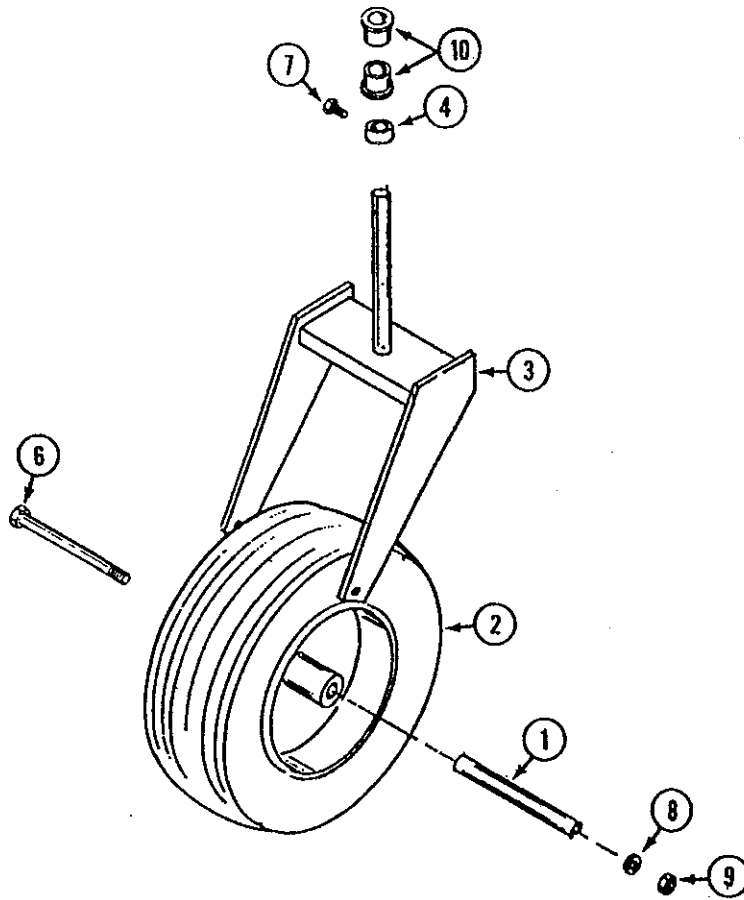
REF.	PART NO.	DESCRIPTION	REQ'D
1	C48502	LID - seat	1
2	C46588	BRACKET - lever lock	1
3	C46591	LATCH - lever lock.....	1
4	C42895	BUSHING	2
5	C37842	BEARING - block.....	4
6	C47437	LEVER - steering, upper.....	2
7	C47440	LEVER, -steering, lower	2
8	C44498	SPACER - latch	1
9	C42896	BRACKET - steering cable end.....	4
10	C32455	RETAINER - harness, seat lid	1
11	C30938	SWITCH - seat.....	1
12	C47979	SEAT - Operator's	1
13	C47978	KIT - Adjusting Rails	1
14	C48436	PAN, seat.....	1
15	C37851	SPRING - latch, seat lid.....	1
16	C37837	SPRING - bracket, lever lock.....	1
17	C37521	SWITCH - safety.....	1
18	C37631	GRIP - handle	2
19	C42894	CABLE - steering (see page 39).....	2
20	C46592	CLAMP - steering cable.....	2
21	C45471	PROP - seat lid	1
22	131-934	NUT - 1/4" - 20 flange lock.....	2
23	113-102	BOLT - 5/16 - 18 x 3/4"	9
24	195-103	WASHER - 5/16"	4
25	131-69	NUT - 5/16"	4
26	113-17	BOLT - 1/4" - 20 x 1-1/4"	2
27	195-102	WASHER - 1/4"	7
28	192-20	LOCKWASHER - 5/16"	8
29	113-103	BOLT - 5/16" - 18 x 1"	6
30	182-528	SCREW - #10 - 32 x 1/2"	3
31	193-1000	NUT - #10 - 32	7
32	111-114	BOLT - 1/4" - 20 x 1-1/2" carriage	8
33	195-521	WASHER - 1/4"	10
34	131-71	NUT - 1/4" - 20 lock	13
35	113-3	BOLT - 1/4" - 20 x 3/4"	5
36	113-17	BOLT - 1/4" - 20 x 1-1/4"	1
37	113-132	BOLT - 1/4 - 20 x 1 3/4"	4
38	192-19	LOCKWASHER - 1/4"	2
39	182-525	SCREW - #10 - 32 X 3/8"	1
40	192-18	LOCKWASHER - 3/16"	1
41	C46659	LATCH - seat lid	1
42	131-911	NUT - 5-16 - 18 flange lock	6
43	C48066	SPACER, bushing	2
44	197-1036	SCREW - 1/4 - 20 Self Tap	2
45	195-521	WASHER	2
46	C29305	CAP - spring	2
47	C29306	SPRING - seat	2
48	131-C2	NUT - 5/16 - 18 center lock	5
49	C48440	YOKE -Seat Pan Hinge	1
50	113-4	BOLT - 1/4 - 20 x 1.0"	1
51	C46891	CAP - Lever Lock.....	2

DTW10 DUAL TAIL WHEEL



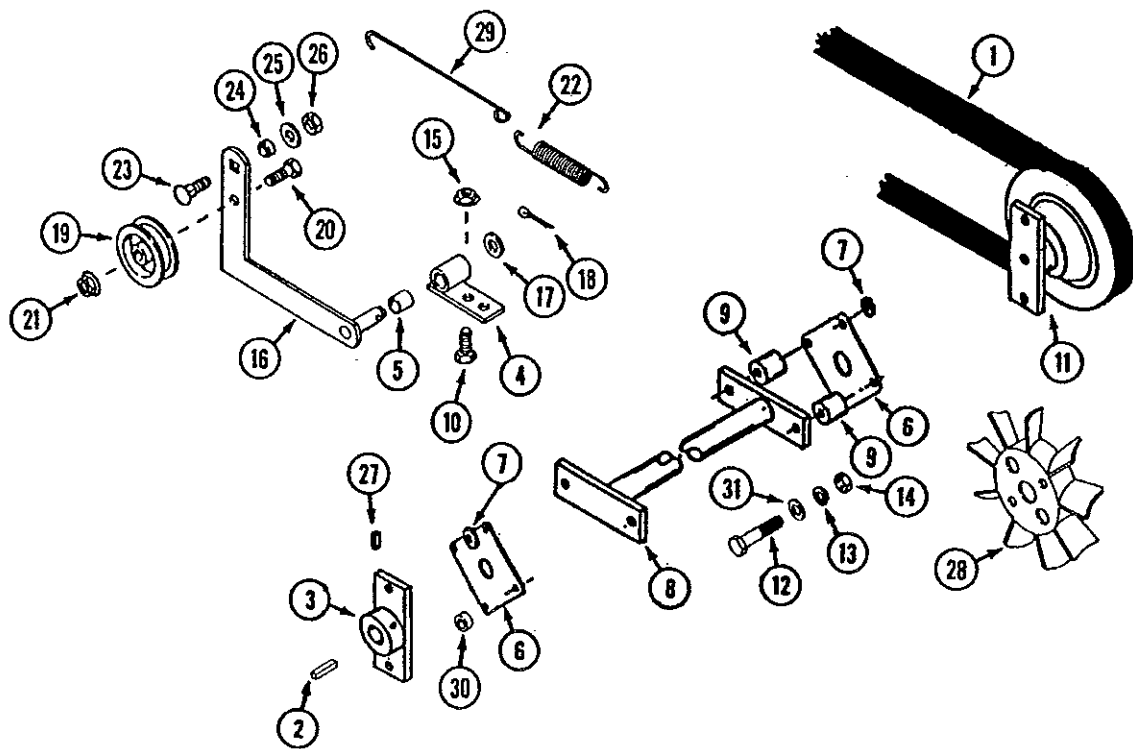
DTW10 DUAL TAIL WHEEL

REF.	PART NO.	DESCRIPTION	REQ'D
1	219-20	FITTING - lubrication 1/4" - 28.....	3
2	C37824	BEARING-ball 1".....	6
3	C45610	AXLE - dual wheel.....	1
4	C45645	FORK - wheel.....	2
5	C45618	MOUNT - axle.....	1
6	C45689	ROD - axle pivot.....	1
7	C14919	WASHER - 1" x 1-3/4".....	UAR
8	195-2067	WASHER - 1/2" x 1".....	UAR
9	C45841	WASHER - 1/2" x 1-3/8".....	1
10	192-23	LOCKWASHER - 1/2".....	5
11	113-417	BOLT - 1/2" - 13 x 1-1/4".....	1
12	129-105	NUT - 1/2" - 13.....	4
13	113-412	BOLT - 1/2" - 13 x 1-3/4".....	2
14	C45708	MOUNT - axle, front extension.....	1
15	C37860	COLLAR - set 1".....	2
16	85-58	SCREW - set 5/16" - 18 x 1/2" square head.....	1
17	C37915	TUBE - axle.....	2
18	113-448	BOLT - 1/2" - 13 x 7".....	2
19	C37869	WHEEL ASSEMBLY.....	2
	C44499	BEARING - wheel.....	2
	C45636	TIRE - 13 x 5.00 - 6.....	1
	C45634	RIM.....	1
20	C45711	BUSHING - tail wheel hub.....	2
21	113-646	BOLT - 5/8" - 11 x 7-1/2".....	UAR
21	113-2606	BOLT - 5/8" - 11 x 11".....	UAR
22	131-356	NUT - 5/8" - 11.....	1
23	C45746	PLATE - stiffener.....	2
24	113-208	BOLT - 3/8" - 16 x 1-1/4".....	2
25	131-1352	NUT - 3/8" - 16 flange lock.....	2
26	195-541	WASHER - 5/8" x 1-1/2".....	1



REF
1
2

3
4
6
7
8
9
10



RE
1
2
3
4
5
6
7
8
9
10
11
12
13
14
15
16
17
18
19
20
21
22
23
24
25
26
27
28
29
30
31

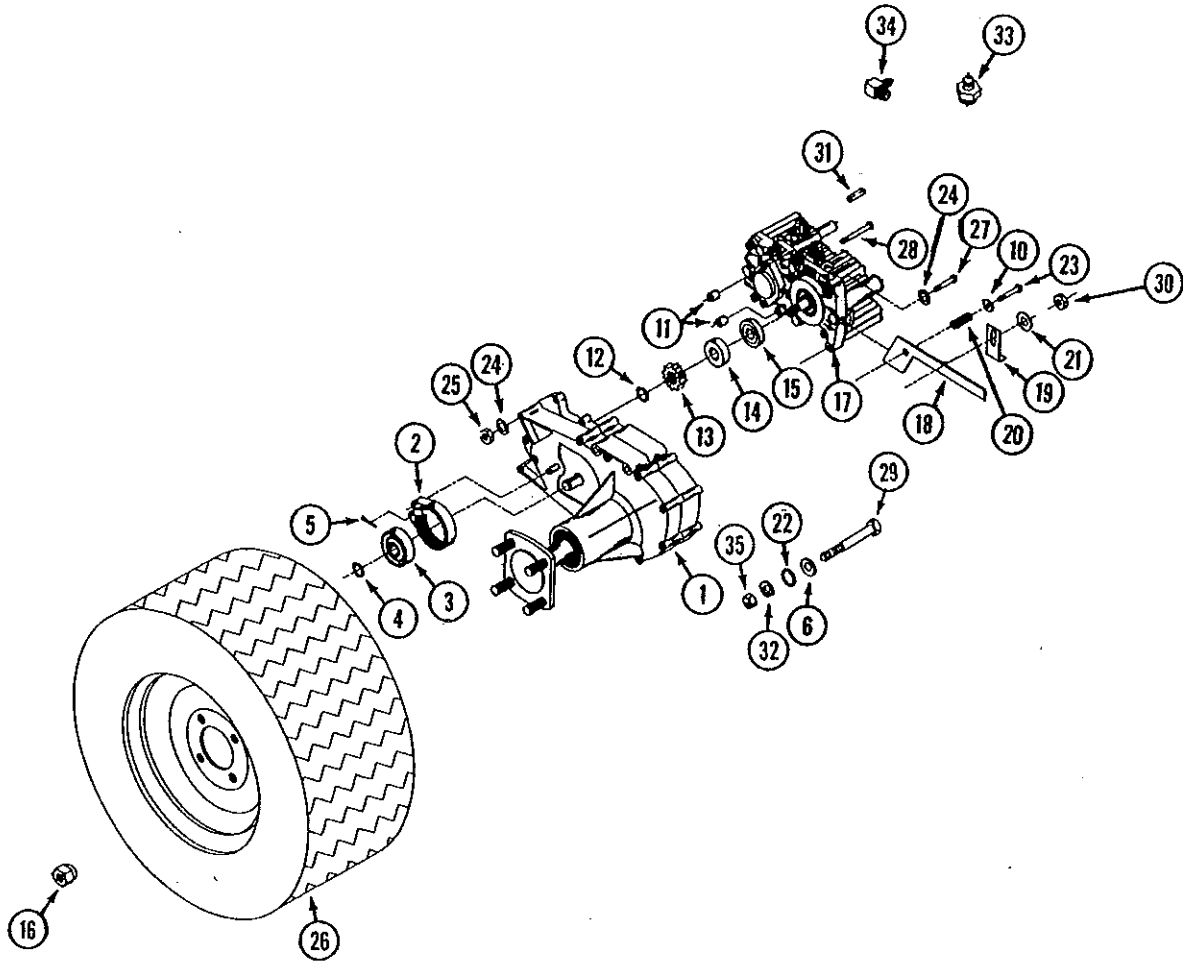
SINGLE TAIL WHEEL

REF.	PART NO.	DESCRIPTION	REQ'D
1	C37854	AXLE - wheel.....	1
2	C37855	WHEEL ASSEMBLY - tail.....	1
	C44499	BEARING - wheel.....	2
	C37857	TIRE - 16 x 6.50 - 8.....	8
	C37858	RIM - 8" w/bearing.....	1
3	C37859	FORK - tail wheel.....	1
4	C37860	COLLAR - set 1 ".....	1
6	113-452	BOLT - 1/2" - 13 x 9-1/2".....	1
7	85-58	SCREW - set 5/16" - 18 x 1/2" square head.....	1
8	192-23	LOCKWASHER - 1/2".....	1
9	129-105	NUT - 1/2" - 13.....	1
10	C37824	BEARING - ball 1".....	2
	219-20	FITTING - grease 90° 1/4" - 28 self tap (caster pivot).....	1

DRIVE PULLEY AND CROSS SHAFT (TRANSMISSION)

REF.	PART NO.	DESCRIPTION	REQ'D
1	C46612	BELT - transmission drive.....	1
2	C37752	KEY - 5 x 5 x 25 mm.....	2
3	C46092	HUB - drive plate.....	1
4	C46100	MOUNT - idler.....	1
5	C16714	BUSHING.....	1
6	C37700	PLATE - drive.....	2
7	C37704	WASHER - 5/16" 10 ga.....	4
8	C46097	SHAFT - cross.....	1
9	C37703	SPACER - 1".....	UAR
10	113-207	BOLT - 3/8" - 16 x 1".....	2
11	C46088	PULLEY - drive (includes drive plate).....	1
12	113-103	BOLT - 5/16" - 18 x 1".....	UAR
12	113-104	BOLT - 5/16" - 18 x 1-1/4".....	UAR
12	113-110	BOLT - 5/16" - 18 x 2 1/4".....	UAR
13	192-20	LOCKWASHER - 5/16".....	8
14	129-102	NUT - 5/16" - 18.....	8
15	131-938	NUT - 3/8" - 16 flange lock.....	2
16	C46609	ARM - idler (G1897V, G2097V) shown.....	1
16	C46611	ARM - idler (G2297K).....	1
17	195-2067	WASHER - 1/2" x 7/8".....	1
18	132-310	PIN - cotter - 1/8" x 1".....	1
19	C15672	PULLEY-idler.....	1
20	113-209	BOLT - 3/8" - 16 x 1-1/2".....	1
21	131-1352	NUT - 3/8" - 16 flange lock.....	1
22	C36998	SPRING - tension.....	1
23	111-342	BOLT - carriage 3/8" - 16 x 1".....	1
24	C14768	SPACER - 3/8" x 1/2".....	1
25	195-103	WASHER - 3/8".....	1
26	131-1181	NUT - 3/8" - 16 lock.....	1
27	83-55	SETSCREW - 5/16" - 18 x 5/16".....	2
28	C46608	FAN - LH offset CCW.....	1
28	C46792	FAN - RH centered CCW.....	1
29	C46658	LINK - idler spring.....	1
30	C37702	SPACER - 1/4".....	UAR
31	195-102	WASHER - 5/16".....	8

DRIVE ASSEMBLY R.H.

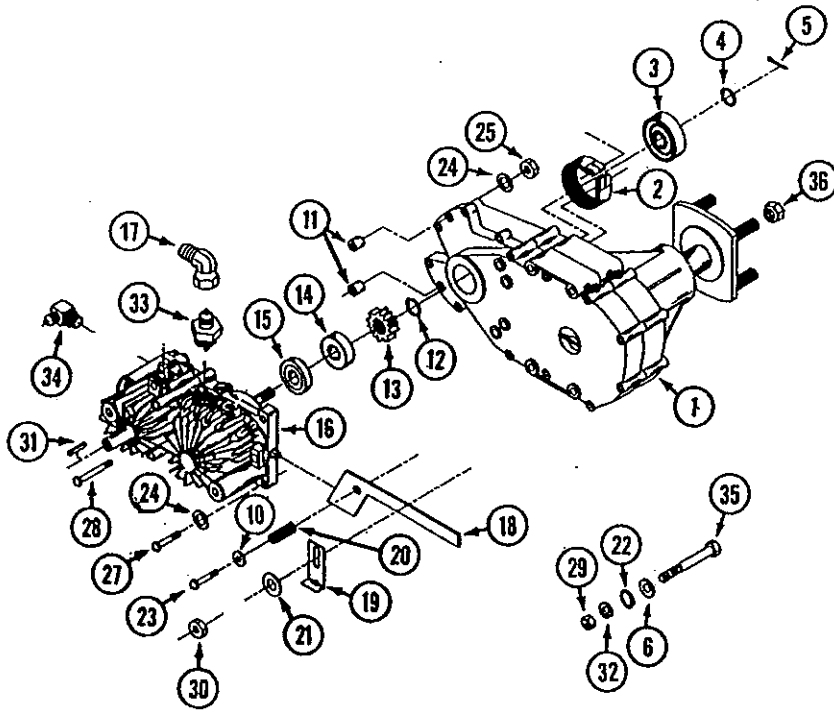


- RE
- 1
- 2
- 3
- 4
- 5
- 6
- 10
- 11
- 12
- 13
- 14
- 15
- 16
- 17
- 18
- 19
- 20
- 21
- 22
- 23
- 24
- 25
- 26
- 27
- 28
- 29
- 29
- 30
- 31
- 32
- 33
- 34
- 35

DRIVE ASSEMBLY R.H.

REF.	PART NO.	DESCRIPTION	REQ'D
1	C46087	TRANSMISSION - ZT (see page 41 for repairs)	1
2	C37730	BAND - brake	1
3	C37731	DRUM - brake	1
4	C37732	RING - snap	1
5	132-320	PIN - cotter 3/32 x 3/4"	1
6	195-525	WASHER - .40 x .81"	6
10	195-102	WASHER - 1/4"	1
11	C37736	SPACER	2
12	C37737	RING - snap	1
13	C37738	GEAR	1
14	C37739	BEARING	1
15	C37740	SPACER	1
16	C37657	NUT - lug 1/2-20	4
17	C45399	PUMP - hydro R.H. (see page 43 for repairs)	1
18	C45166	LEVER - transmission dump R.H.	1
19	C37743	BRACKET - dump lever stop	1
20	C37744	SPRING - compression	1
21	195-104	WASHER - 3/8"	1
22	C45900	"O" RING - mounting	8
23	C37747	BOLT - dump lever	1
24	192-20	LOCKWASHER - 5/16"	4
25	129-102	NUT - 5/16" - 18	2
26	C48458	WHEEL ASSEMBLY	1
	C37652	TIRE - 18 X 9.50 - 8	1
	C37656	RIM - wheel 8 x 6	1
27	113-120	BOLT - 5/16" - 18 x 1-3/4"	2
28	113-134	BOLT - 5/16" - 18 x 7-1/2"	2
29	113-203	BOLT - 3/8" - 16 x 3-1/2"	8
29	113-267	BOLT - 3/8" - 16 x 4" mounting	2
30	131-1181	NUT - 3/8" - 16 lock	1
31	C37752	KEY - 5 x 5 x 25 mm	1
32	192-21	LOCKWASHER - 3/8"	8
33	218-5354	ADAPTER - pump outlet	1
34	218-5278	ADAPTER - 90° pump inlet	1
35	129-103	NUT - 3/8" - 16	8

DRIVE ASSEMBLY L.H.

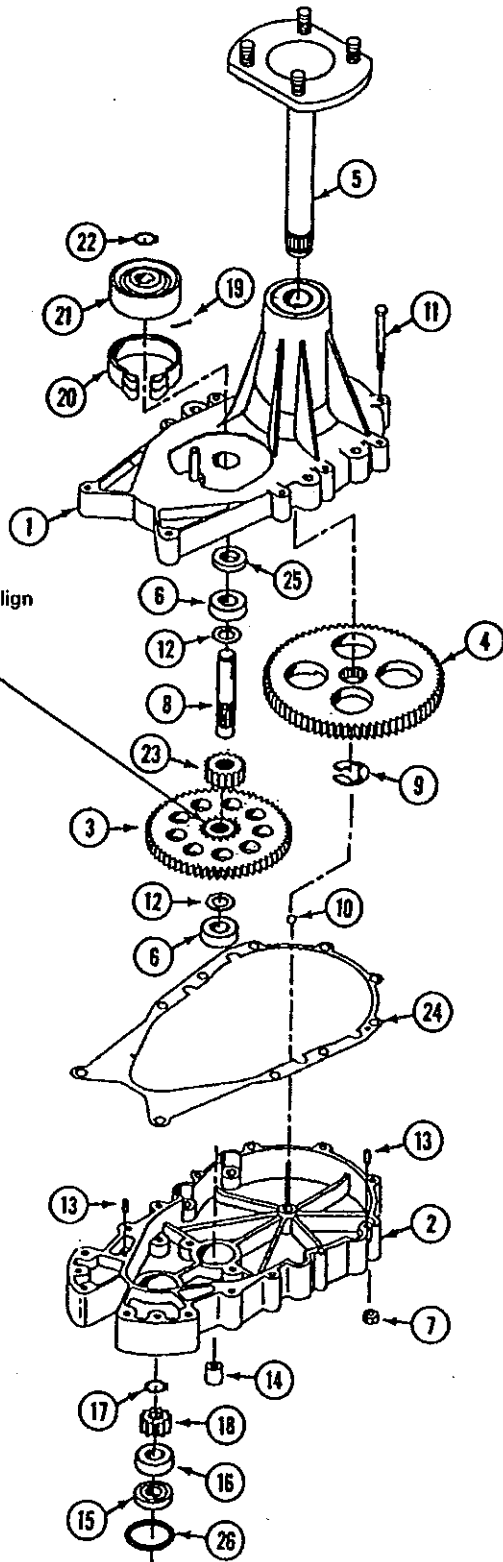
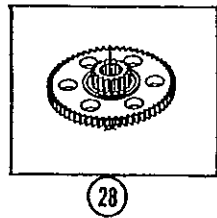


DRIVE ASSEMBLY L.H.

REF.	PART NO.	DESCRIPTION	REQ'D
1	C46087	TRANSMISSION - ZT (see page 41 for repairs).....	1
2	C37730	BAND - brake.....	1
3	C37731	DRUM - brake.....	1
4	C37732	RING - snap.....	1
5	132-320	PIN - cotter 3/32" x 3/4".....	1
6	195-525	WASHER - .40" x .81".....	6
10	195-102	WASHER - 1/4".....	1
11	C37736	SPACER.....	2
12	C37737	RING - snap.....	1
13	C37738	GEAR.....	1
14	C37739	BEARING.....	1
15	C37740	SPACER.....	1
16	C45398	PUMP - hydro L.H. (see page 43 for repairs).....	1
17	218-980	FITTING - 90° male to female.....	1
18	C45165	LEVER - transmission dump L.H.....	1
19	C37743	BRACKET - dump lever stop.....	1
20	C37744	SPRING - compression.....	1
21	195-104	WASHER - 3/8".....	1
22	C45900	"O" RING - mounting.....	8
23	C37747	BOLT - dump lever.....	1
24	192-20	LOCKWASHER - 5/16".....	4
25	129-102	NUT - 5/16" - 18.....	2
27	113-120	BOLT - 5/16" - 18 x 1-3/4".....	2
28	113-134	BOLT - 5/16" - 18 x 7-1/2".....	2
29	129-103	NUT - 3/8" - 16.....	8
30	131-1181	NUT - 3/8" - 16 lock.....	1
31	C37752	KEY - 5 x 5 x 25 mm.....	1
32	192-21	LOCKWASHER - 3/8".....	8
33	218-5354	FITTING - male adaptor pump outlet.....	1
34	218-5278	FITTING - male adaptor 90° pump inlet.....	1
35	113-203	BOLT - 3/8" - 16 x 3-1/2" mounting.....	2
35	113-267	BOLT - 3/8" - 16 x 4" mounting.....	6
	C48458	WHEEL ASSEMBLY - not shown.....	1
	C37652	TIRE - 18 x 9.50-8.....	1
	C37656	RIM - wheel.....	1
36	C37657	NUT - lug 1/2" - 20.....	4

TRANSMISSION - ZT DRIVE

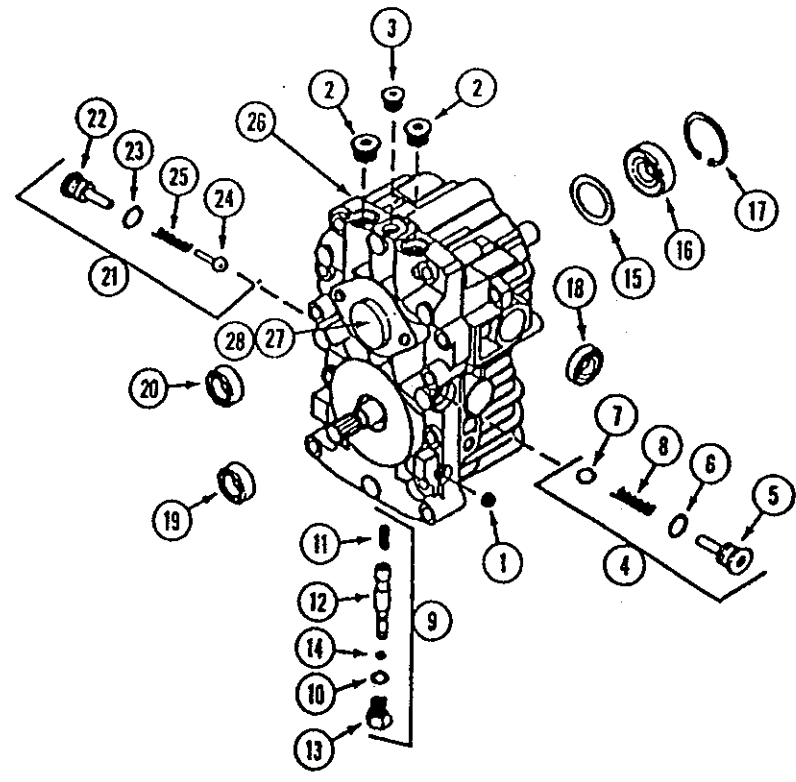
Phantom gear teeth on Ref. 3 must align with gear Ref. 23



TRANSMISSION - ZT DRIVE

REF.	PART NO.	DESCRIPTION	REQ'D
1	C40898	HOUSING - axle	1
	NSS	BEARING - ball	1
	NSS	BEARING - flanged	1
	NSS	PIN-clevis	1
2	C40902	HOUSING - hydro mount	1
3	C43685	GEAR - 60T	1
4	C40904	GEAR - drive	1
5	C40905	SHAFT - axle	1
6	C34464	BEARING	2
7	129-102	NUT - 5/16" - 18	2
8	C40908	SHAFT - brake	1
9	C40909	RING - retaining	1
10	C40910	BALL - 3/8"	1
11	113-12	BOLT - 1/4" - 20 x 2-1/2"	UAR
11	113-119	BOLT - 5/16" - 18 x 2-3/4"	UAR
12	C34447	WASHER	2
13	C34446	PIN - spiral	2
14	C37736	SPACER - mounting	2
15	C37740	SPACER - bearing	1
16	C37739	BEARING - ball	1
17	C37737	RING-retaining	1
18	C37738	GEAR - input	1
19	132-320	PIN - cotter	1
20	C37730	BAND - brake	1
21	C37731	DRUM-brake	1
22	C37732	RING - retaining	1
23	C43686	GEAR - 17T	1
24	C43687	GASKET - housing	1
25	C43688	SEAL-oil	1
26	C43689	"O" RING	1
27	C43752	GREASE - 10 oz. tube (2 required)	2
28	NSS	GEAR - (use C43685, C43686)	1

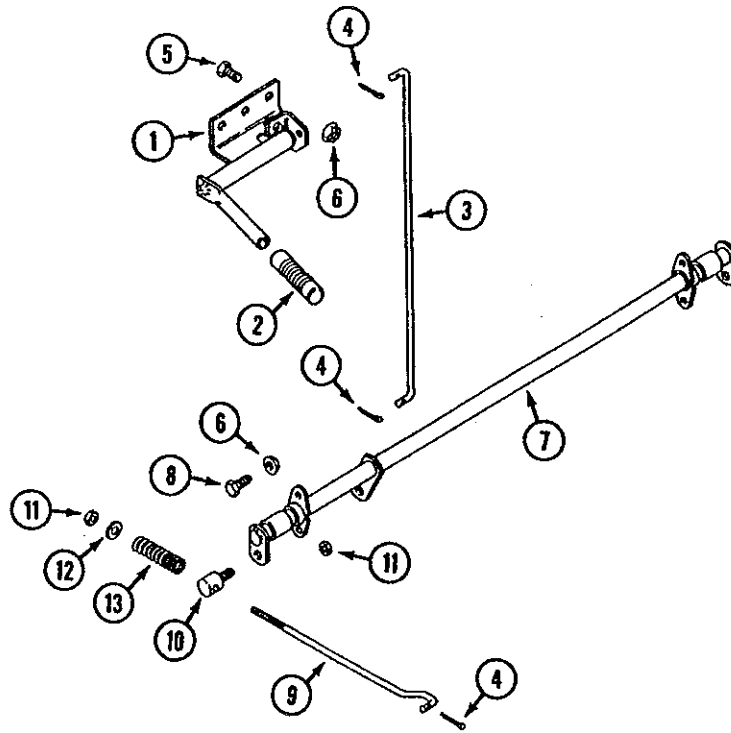
HYDROSTATIC PUMP-ZT DRIVE



HYDROSTATIC PUMP-ZT DRIVE

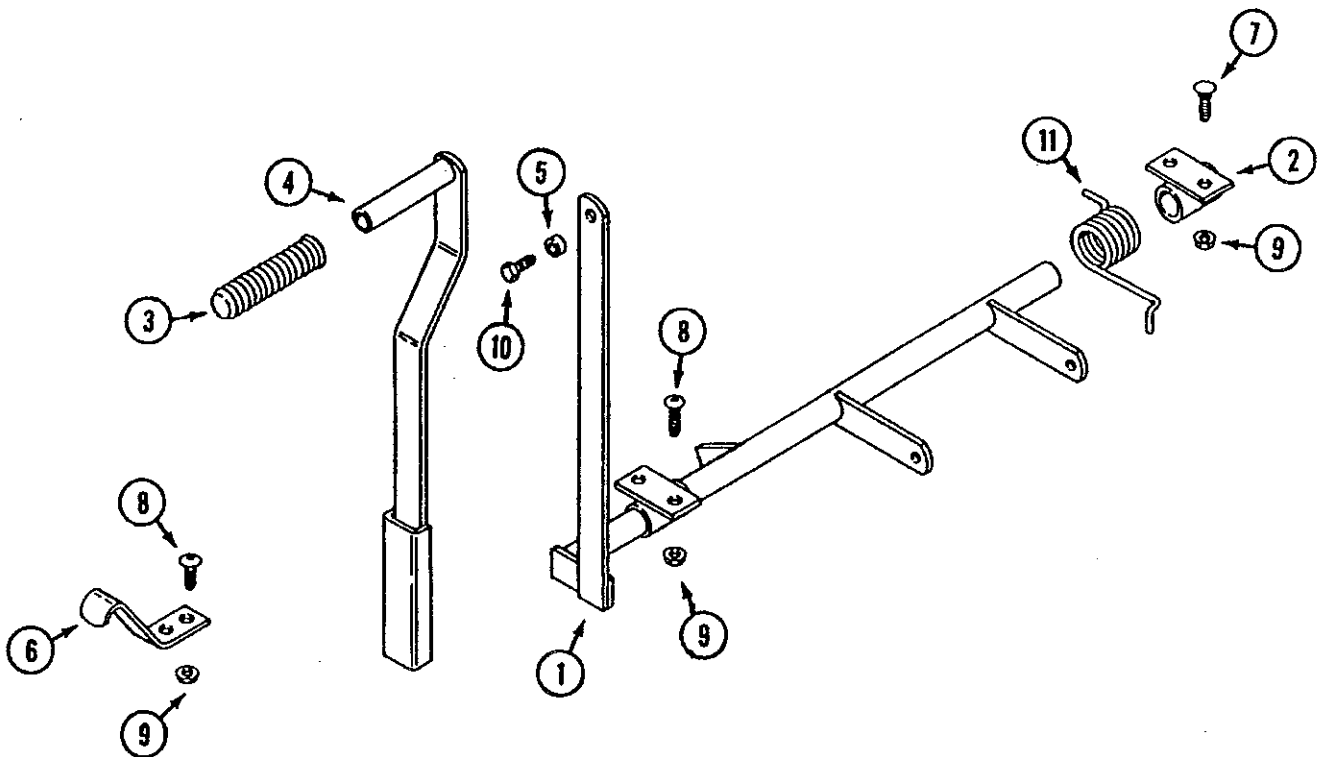
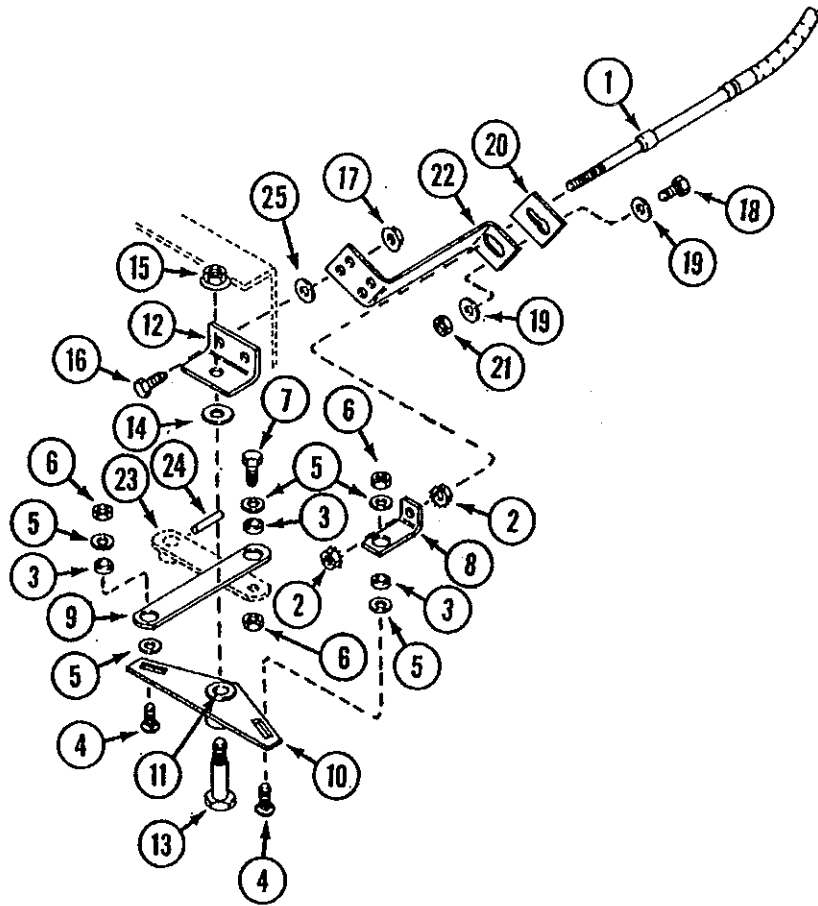
REF.	PART NO.	DESCRIPTION	REQ'D
	C45398	PUMP - hydrostatic L.H. (CW).....	1
	C45399	PUMP - hydrostatic R.H. (CCW)	1
1	C34124	PLUG - pipe.....	1
2	C34125	PLUG - 9/16" - 18	2
3	C34126	PLUG - 7/16" - 20	1
4	C43690	KIT - check valve (with check ball) top	2
5	NSS	PLUG - check valve.....	1
6	NSS	"O" - RING - .078" x .468"	1
7	NSS	BALL - check	1
8	NSS	SPRING	1
9	C34128	KIT - by pass.....	1
10	NSS	"O" - RING - .072 x .351	1
11	NSS	SPRING	1
12	NSS	SPOOL - by pass.....	1
13	NSS	PLUG - by pass	1
14	NSS	"O" - RING	1
15	NSS	SPACER.....	1
16	NSS	SEAL - lip.....	1
17	NSS	RING - retaining.....	1
18	NSS	SEAL - lip.....	1
19	NSS	SEAL - lip.....	1
20	NSS	SEAL - lip.....	1
21	C45408	KIT - check valve (with poppet) bottom	1
22	NSS	PLUG - check valve.....	1
23	NSS	"O" RING - .078 x .468"	1
24	NSS	POPPET - check.....	1
25	NSS	SPRING	1
26	C43751	GASKET - body	1
27	C43750	KIT - charge pump.....	1
28	C43749	"O" - RING - charge pump cover	1
	C34129	KIT - seal (includes ref. 6, 10, 14, 15, 16, 17, 18, 19 and 20).....	1

PARKING BRAKE



PARKING BRAKE

REF.	PART NO.	DESCRIPTION	REQ'D
1	C46596	LEVER - brake.....	1
2	C37631	GRIP - handle.....	1
3	C46601	ROD - brake lever.....	1
4	132-332	PIN - cotter 3/32" x 1".....	4
5	113-3	BOLT - 1/4" - 20 x 3/4".....	2
6	131-934	NUT - 1/4" - 20 flange lock.....	6
7	C46602	SHAFT - brake.....	1
8	113-2	BOLT - 1/4" - 20 x 5/8".....	4
9	C37733	ROD - brake caliper.....	2
10	C37724	COLLAR - caliper rod.....	2
11	131-71	NUT - 1/4" - 20 lock.....	4
12	195-102	WASHER - 5/16" x 3/4".....	2
13	C37725	SPRING - compression.....	2



C43293 STEERING CABLE KIT

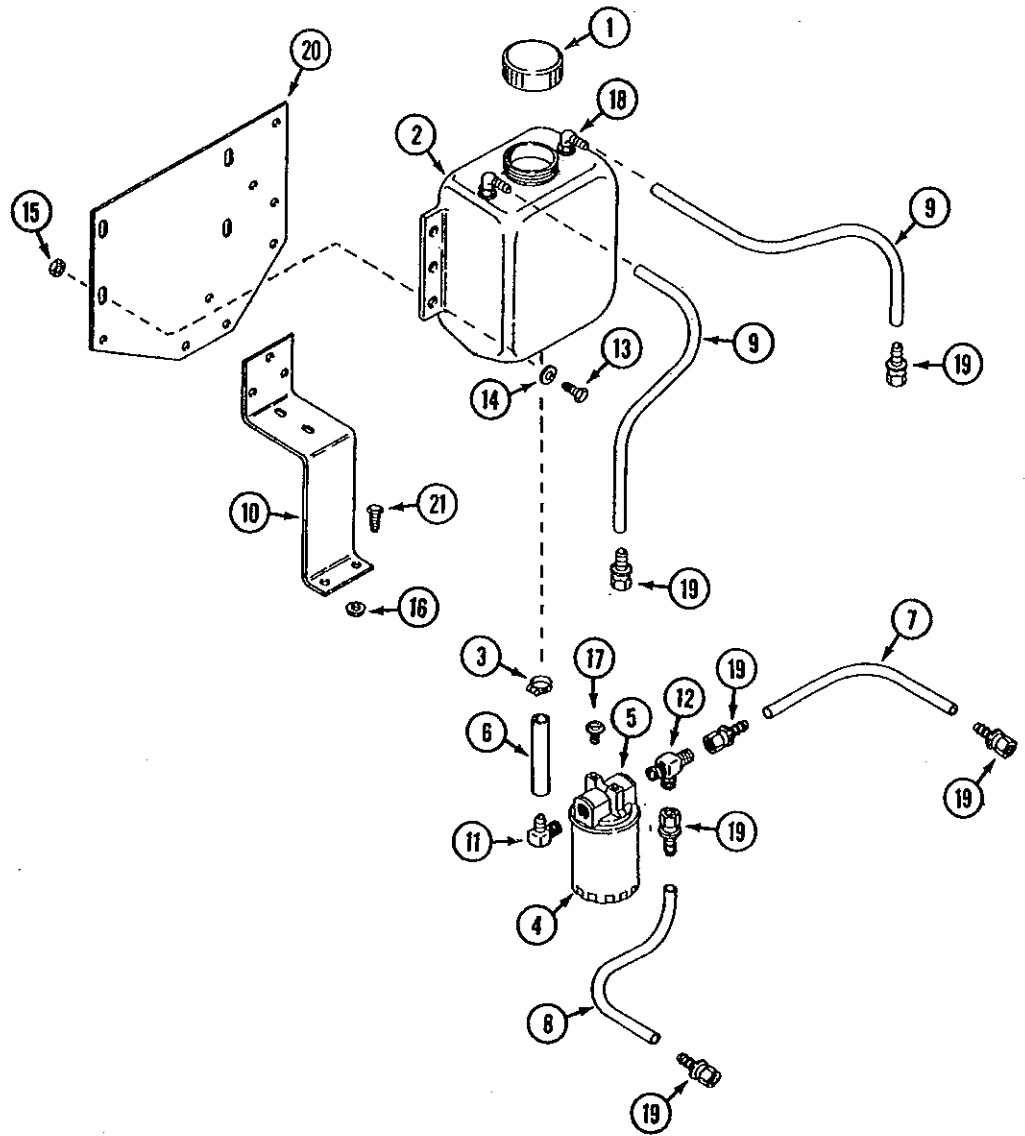
REF.	PART NO.	DESCRIPTION	REQ'D
1	C42894	CABLE - steering 46	2
2	193-1000	NUT - #10-32	8
3	C42895	BUSHING - steering cable	8
4	111-111	BOLT - 1/4" - 20 x 1 carriage	4
5	195-102	WASHER - 1/4"	10
6	131-71	NUT - 1/4"-10	6
7	113-4	BOLT - 1/4" - 20 x 1"	2
8	C42896	BRACKET - steering cable end	4
9	C42897	LINK - control cable	2
10	C42898	BELLCRANK	2
11	C16714	BUSHING	1
12	C42901	BRACKET - bell crank mounting	2
13	C16745	BOLT - shoulder	2
14	195-533	WASHER - 1/2"	2
15	131-1352	NUT - 3/8" - 16 flange lock	2
16	113-103	BOLT - 5/16 - 18 x 1"	4
17	131-911	NUT - 5/16 - 18	4
18	113-4	BOLT - 1/4 - 20 x 1	2
19	195-102	WASHER - 1/4"	4
20	C42903	PLATE - cable mounting	2
21	131-1351	NUT - 1/4" - 20 top lock	2
22	C42902	BRACKET - cable mounting	2
23	C46593	ARM - transmission	2
24	C34173	PIN - spring	2
25	C37704 *	WASHER - shim	UAR

* Use as required to shim cable mounting bracket to assure
0.20" of threads on cable beyond nuts for adjusting.

LIFT LEVER

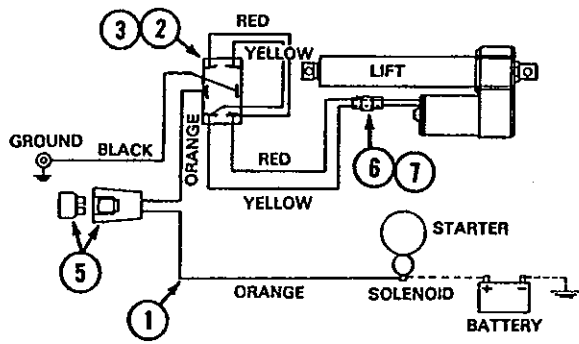
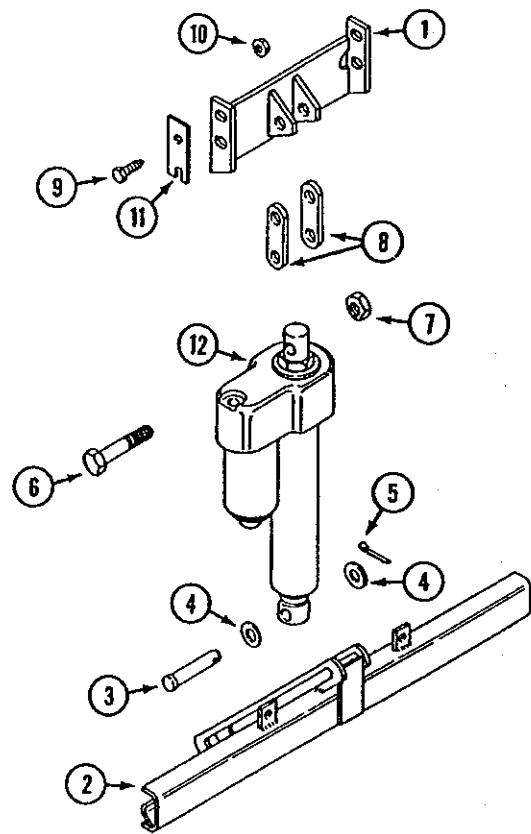
1	C44942	LEVER - lift	1
2	C44948	PIVOT - lift	1
3	C37631	GRIP - handle	1
4	C44949	EXTENSION - lift lever, upper	1
5	C42895	BUSHING	1
6	C44952	BRACKET - lever lock down	1
7	111-132	BOLT - carriage 5/16" - 18 x 3/4"	2
8	C44959	BOLT - 5/16"- 18 x 1"	4
9	131-911	NUT - 5/16" - 18 flange lock	6
10	113-1	BOLT - 1/4 - 20 x 1/2"	1
11	C45120	SPRING - torsion	1

HYDRAULIC SYSTEM



HYDRAULIC SYSTEM

REF.	PART NO.	DESCRIPTION	REQ'D
1	C37639	CAP - oil tank.....	1
2	C37778	TANK - oil (includes cap and fittings)	1
3	214-254	CLAMP - hose 5/8"	2
4	C37637	FILTER - oil.....	1
5	C33446	HEAD - oil filter	1
6	C42785	HOSE - 5/8" x 4" (12" cut to length).....	1
7	C42784	HOSE - hydraulic 3/8" x 13.5" (48" cut to length)	1
8	C42784	HOSE - hydraulic 3/8" x 17.75" (48" cut to length)	1
9	C42784	HOSE - hydraulic 3/8" x 20.5" (48" cut to length)	1
10	C46577	BRACKET - filter mounting.....	1
11	217-332	FITTING - male 900 adapter	1
12	218-626	FITTING - male tee adapter	1
13	113-3	BOLT - 1/4" - 20 x 3/4"	4
14	195-102	WASHER - 1/4"	8
15	131-71	NUT - 1/4" - 20 lock	4
16	131-934	NUT - 1/4" - 20 flange lock	7
17	121-21	BOLT - 1/4" - 20 x 3/4" self-tap.....	2
18	C42590	FITTING - 90°	2
19	C41986	FITTING - 3/8" hose barb x 3/8" FM JIC.....	6
20	C46575	MOUNT - oil tank.....	1
21	113-2	BOLT - 1/4" - 20 x 5/8	7



ELECTRIC DECK LIFT CYUNDER STYLE

REF.	PART NO.	DESCRIPTION	REQ'D
1	C45697	MOUNT - cylinder.....	1
2	C45700	BAR - cross.....	1
3	C29804	PIN - clevis 1/2" x 2-1/2".....	1
4	195-2067	WASHER - 1/2".....	2
5	132-320	PIN - cotter 3/32" x 3/4.....	1
6	113-426	BOLT - 1/2" - 13 x 2-3/4".....	2
7	131-1182	NUT - 1/2" - 13 lock.....	2
8	C45768	LINK - spacer.....	UAR
9	113-103	BOLT - 5/16-18 x 1.....	4
10	131-911	NUT - 5/16" - 18 flange lock.....	4
11	C45766	SHIM - cylinder mount.....	UAR
12	C45706	CYLINDER - lift.....	1

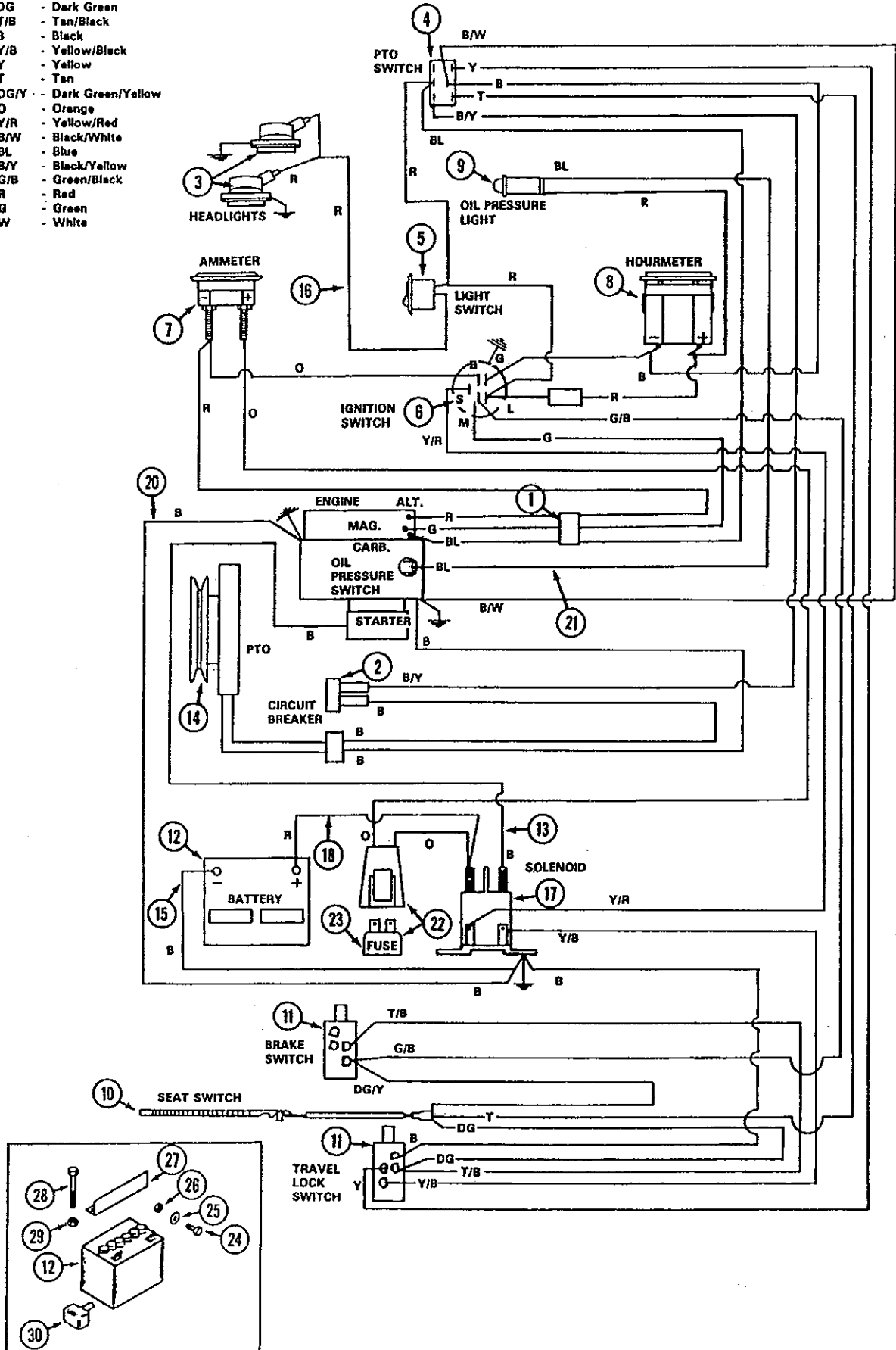
ELECTRICAL SYSTEM (DECK LIFT) CYLINDER STYLE

REF.	PART NO.	DESCRIPTION	REQ'D
1	C45705	HARNES - wire.....	1
2	C45775	SWITCH.....	1
3	C45780	NUT - 15/32" - 32 with boot (switch mounting).....	1
4	C44495	DECAL - lift switch.....	1
5	C31947	KIT - fuse holder.....	1
5	C30260	FUSE - 30 amp.....	1
6	C24813	CONNECTOR - wire harness.....	1
7	C31948	CONNECTOR - lift actuator.....	1

ELECTRICAL SYSTEM (Briggs Vanguard Powered Tractors)

WIRE COLOR CODE

- DG - Dark Green
- T/B - Tan/Black
- B - Black
- Y/B - Yellow/Black
- Y - Yellow
- T - Tan
- DG/Y - Dark Green/Yellow
- O - Orange
- Y/R - Yellow/Red
- B/W - Black/White
- BL - Blue
- B/Y - Black/Yellow
- G/B - Green/Black
- R - Red
- G - Green
- W - White



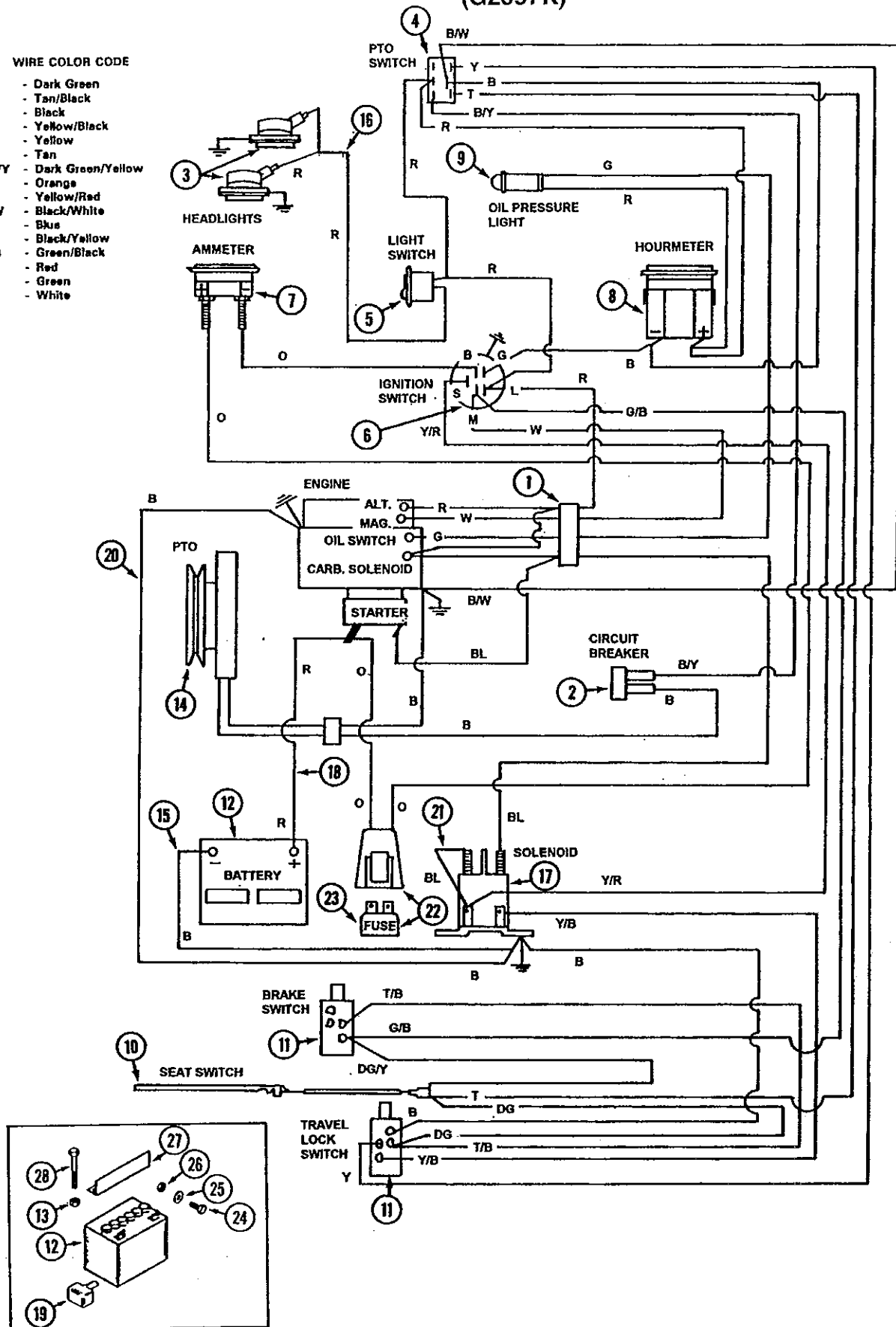
ELECTRICAL SYSTEM (Briggs Vanguard Powered Tractors)

REF.	PART NO.	DESCRIPTION	REQ'D
	C48521	HARNESS - wire, main.....	1
1	C45539	HARNESS - wire, alternator and magneto.....	1
2	C37505	BREAKER - circuit, 10 amp.....	1
3	C32178	HEADLIGHT.....	2
	C22573	LENS - headlight.....	1
	C37508	BULB - headlight.....	1
	C37509	RECEPTICAL.....	1
	C14304	GASKET - headlight.....	1
4	C31937	SWITCH - PTO (also use C31619 Cap).....	1
	C44469	NUT - 1/2 - 27 (Black) PTO switch retaining.....	1
	C31620	NUT - 1/2" - 27 (Black) PTO switch retaining (knurled).....	1
5	C43044	SWITCH - headlight.....	1
6	C30267	SWITCH - ignition.....	1
	C32407	KEY - ignition.....	1
	C32397	CAP - nut, ignition switch.....	1
	C32396	NUT - 5/8 - 32 ignition switch.....	1
	193-63	LOCKWASHER - 5/8.....	1
7	C29413	AMMETER.....	1
8	C45917	METER - hour.....	1
9	C45536	LIGHT - oil.....	1
10	C30938	SWITCH - seat.....	1
11	C37521	SWITCH - safety.....	2
	182-525	SCREW - #10 - 32 x 3/8 (safety switch mount).....	1
	192-18	LOCKWASHER - 3/16" (safety switch mount).....	1
	193-1000	NUT - #10-32 Lock (safety switch mount).....	2
	182-528	SCREW - #10 - 32 x 1/2 (safety switch mount).....	2
12	C48529	BATTERY - 12 volt.....	1
13	C44261	WIRE - starter.....	1
14	C46994	CLUTCH - PTO.....	1
15	C37528	CABLE - ground.....	1
16	C44075	WIRE - headlight.....	1
17	C33024	SOLENOID - start.....	1
	113-1	BOLT - 1/4 - 20 x 1/2" (solenoid mounting).....	2
	195-518	WASHER - 1/4".....	2
	192-19	LOCKWASHER - 1/4 (solenoid studs).....	2
	129-101	NUT - 1/4 - 20 (solenoid studs).....	2
18	C37523	CABLE - battery positive to solenoid.....	1
20	C41643	WIRE - ground.....	1
21	C46218	HARNESS - oil pressure switch.....	1
22	C31 947	KIT - fuse holder.....	1
23	C30260	FUSE - 30 amp.....	1
24	113-3	BOLT - 1/4" - 20 x 3/4".....	2
25	195-102	WASHER - 1/4".....	2
26	129-101	NUT - 1/4" - 20.....	2
27	C37983	BRACKET - hold down.....	1
28	C38677	BOLT - 1/4" - 20 x 7".....	2
29	131-71	NUT - 1/4" - 20 lock.....	2
30	C24069	COVER - terminal, battery.....	1
30	C44079	COVER - terminal, starter.....	1

ELECTRICAL SYSTEM (G2597K)

WIRE COLOR CODE

- DG - Dark Green
- T/B - Tan/Black
- B - Black
- Y/B - Yellow/Black
- Y - Yellow
- T - Tan
- DG/Y - Dark Green/Yellow
- O - Orange
- Y/R - Yellow/Red
- B/W - Black/White
- BL - Blue
- B/Y - Black/Yellow
- G/B - Green/Black
- R - Red
- G - Green
- W - White



ELECTRICAL SYSTEM (G2597K)

REF.	PART NO.	DESCRIPTION	REQ'D
	C48518	HARNESS - wire, main.....	1
1	C46528	CONNECTOR - engine.....	1
2	C37505	BREAKER - circuit, 10 amp.....	1
3	C32178	HEADLIGHT.....	2
	C22573	LENS - headlight.....	1
	C37508	BULB - headlight.....	1
	C37509	RECEPTICAL.....	1
	C14304	GASKET - headlight.....	1
4	C31937	SWITCH - PTO (also use C31619 Cap).....	1
	C44469	NUT - 1/2" - 27 (Black) PTO switch retaining.....	2
5	C43044	SWITCH - headlight.....	1
6	C30267	SWITCH - ignition.....	1
	C32407	KEY - ignition.....	1
	C32397	CAP - nut, ignition switch.....	1
	C32396	NUT - 5/8" - 32 ignition switch.....	1
	193-63	LOCKWASHER - 5/8".....	1
7	C29413	AMMETER.....	1
8	C45917	METER - hour.....	1
9	C45536	LIGHT - oil.....	1
10	C30938	SWITCH - seat.....	1
11	C37521	SWITCH - safety.....	2
	182-525	SCREW - #10 - 32 x 3/8" (safety switch mount).....	1
	192-18	LOCKWASHER - 3/16" (safety switch mount).....	1
	193-1000	NUT - #10 - 32 Lock (safety switch mount).....	2
	182-528	SCREW - #10 - 32 x 1/2" (safety switch mount).....	2
12	C48529	BATTERY - 12 volt.....	1
13	131-71	NUT - 1/4" - 20 lock.....	2
14	C46504	CLUTCH - PTO.....	1
15	C37528	CABLE - ground.....	1
16	C44075	WIRE - headlight.....	1
17	C33024	SOLENOID - start.....	1
	113-1	BOLT - 1/4" - 20 x 1/2" (solenoid mounting).....	2
	195-518	WASHER - 1/4".....	2
	192-19	LOCKWASHER - 1/4" (solenoid studs).....	2
	129-101	NUT - 1/4" - 20 (solenoid studs).....	2
18	C46635	CABLE - battery positive to starter.....	1
19	C24069	COVER - terminal, battery.....	1
19	C44079	COVER - terminal, starter.....	1
20	C41643	WIRE - ground.....	1
21	C46529	WIRE - solenoid jumper.....	1
22	C31947	KIT - fuse holder.....	1
23	C30260	FUSE - 30 amp.....	1
24	113-3	BOLT - 1/4" - 20 x 3/4".....	2
25	195-102	WASHER - 1/4".....	2
26	129-101	NUT - 1/4" - 20.....	2
27	C37983	BRACKET - hold down.....	1
28	C38677	BOLT - 1/4" - 20 x 7".....	2

G1897V

G2097V

G2597K

GRAZER

17

⚠ DANGER

SPINNING BLADE

- BLOWER / MOWER SHALL NOT BE OPERATED WITHOUT ENTIRE GRASS CATCHER, GUARD, & COVERS IN PLACE.
- STAY CLEAR OF BLOWER / MOWER WHEN ENGINE IS RUNNING.
- READ OPERATOR'S MANUAL.

15

⚠ DANGER

SPINNING BLADE

STAY CLEAR OF MOWER WHEN ENGINE IS RUNNING

6

⚠ ATTENTION

BEFORE STARTING ENGINE

- STEERING LEVERS - LOCK IN NEUTRAL
- PTO - DISENGAGE
- PARKING BRAKE - ON

READ OPERATOR'S MANUAL.



8

PARKING BRAKE

10

⚠ WARNING

TO AVOID SERIOUS INJURY AND TO HELP AVOID SERIOUS EQUIPMENT FAILURE DO THE FOLLOWING MAINTENANCE DAILY AFTER STOPPING OR AS SPECIFIED BELOW.

1. REMOVE IGNITION KEY
2. CLEAN: - ENGINE
- ENGINE COMPARTMENT
- HYDRAULIC PUMP FINS AND COOLER IF EQUIPPED.
- MOWER DECK UNDER SIDE
3. FLUIDS: - ADD IF REQUIRED
- ENGINE OIL - CHECK EVERY 4 HRS.
- HYDRAULIC OIL
4. LUBE: - READ "LUBRICATION SCHEDULE" SHOWN BELOW.

READ OPERATOR'S AND ENGINE MANUALS.

LUBRICATION SCHEDULE

ALL MACHINES	SERVICE HOURS
1. AXLE - GAUGE WHEEL	8
2. AXLE - TAIL WHEEL	8
3. FORK - GAUGE WHEEL	40
4. FORK - TAIL WHEEL	40
5. SPINDLE - MOWER DECK	40
6. GEAR BOX - MOWER DECK	100
CHAIN DRIVE (IF EQUIPPED)	DAILY
7A CHAIN	40
7B JACK SHAFT - SPROCKETS	4
7C AXLE - DRIVE WHEELS	40
PULLEY JACK SHAFT (IF EQUIPPED)	40
8A JACK SHAFT - FULLY	40
DUAL TAIL WHEEL	8
9A AXLE - TAIL WHEEL	40
9B FORK - TAIL WHEEL	40
9C AXLE - AXLE PIVOT	100
VAC BLOWER	40
10 SPINDLE - BLOWER	40

2

⚠ WARNING

READ OPERATOR'S MANUALS. KNOW LOCATION & FUNCTION OF ALL CONTROLS. KEEP ALL GUARDS, SHIELDS & SAFETY SWITCHES IN PLACE & WORKING. CLEAR WORK AREA OF THINGS THAT COULD BE THROWN BY THE BLADES. DO NOT MOW WHEN CHILDREN OR OTHERS ARE AROUND. NEVER CARRY CHILDREN. LOOK DOWN & BEHIND BEFORE AND WHILE BACKING. GO UP AND DOWN SLOPES, NOT ACROSS. IF MACHINE STOPS GOING UP HILL, STOP BLADES AND BACK DOWN SLOWLY. AVOID SUDDEN TURNS. FAILURE TO OBSERVE THESE PRECAUTIONS COULD RESULT IN SERIOUS INJURY OR DEATH.

⚠ WARNING

SPINNING BLADE

TO AVOID SERIOUS INJURY: MOWER SHALL NOT BE OPERATED WITHOUT EITHER ENTIRE:

- CHUTE DEFLECTOR - MULCHER
- GRASS CATCHER AND GUARD / COVERS IN PLACE.

16

5

⚠ WARNING

MACHINE UNSTABLE WITH MOWER DECK IN THE RAISED POSITION. IMPLEMENT LIFT CONTROL: KEEP IN THE FLOAT POSITION WHEN MOVING OR TRANSPORTING. FAILURE TO OBSERVE THIS WARNING COULD RESULT IN SERIOUS INJURY. READ OPERATOR'S MANUAL.

3

PTO ON

OIL

LIGHTS

THROTTLE

CHOKE

START

FAST

SLOW

7

STEERING LEVERS

FORWARD

REVERSE

STEERING LEVER LOCK

UNLOCK LOCK

9

⚠ DANGER

ENGINES PRODUCE CARBON MONOXIDE WHICH IS AN ODORLESS DEADLY POISON. DO NOT OPERATE IN AN ENCLOSED AREA.

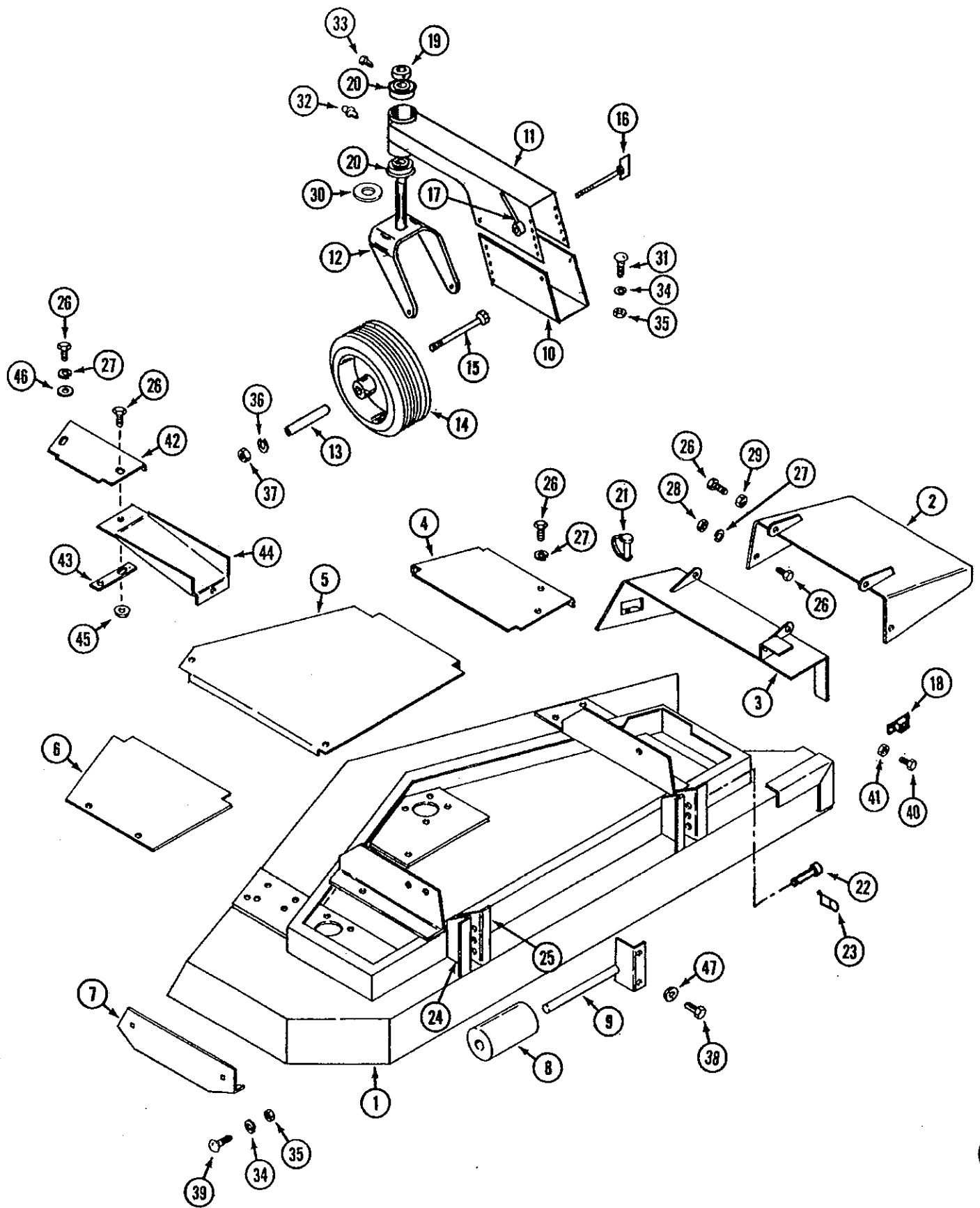
DECALS (TRACTOR)

REF.	PART NO.	DESCRIPTION	REQ'D
1	C46637	DECAL - body side L.H. "G1897V"	1
1	C46638	DECAL - body side R.H. "G1897V" (shown)	1
2	C46321	DECAL - "WARNING" operation.....	1
3	C37501	DECAL - instrument panel.....	1
4	C38047	MEDALLION - "GRAZER"	1
5	C46315	DECAL - "WARNING" operation.....	1
6	C46310	DECAL - "ATTENTION".....	1
7	C46309	DECAL - steering levers	1
8	C46312	DECAL - parking brake.....	1
9	C37500	DECAL - "DANGER" carbon monoxide	1
10	C46318	DECAL - lubrication	1
11	C46639	DECAL - body side L.H. "G2097V"	1
11	C46640	DECAL - body side R.H. "G2097V" (shown)	1
12	C46385	DECAL - fender skirt.....	1
13	C43413	DECAL - front "GRAZER"	1
13	C43416	DECAL - tail side "GRAZER"	2
14	C47543	DECAL - body side L.H. "G2597K"	1
14	C47544	DECAL - body side R.H. "G2597K" (shown)	1

DECALS (DECK)

REF.	PART NO.	DESCRIPTION	REQ'D
15	C46323	DECAL - "DANGER" spinning blade	1
16	C46324	DECAL - "WARNING" spinning blade	1
17	C46325	DECAL - "Danger"	1

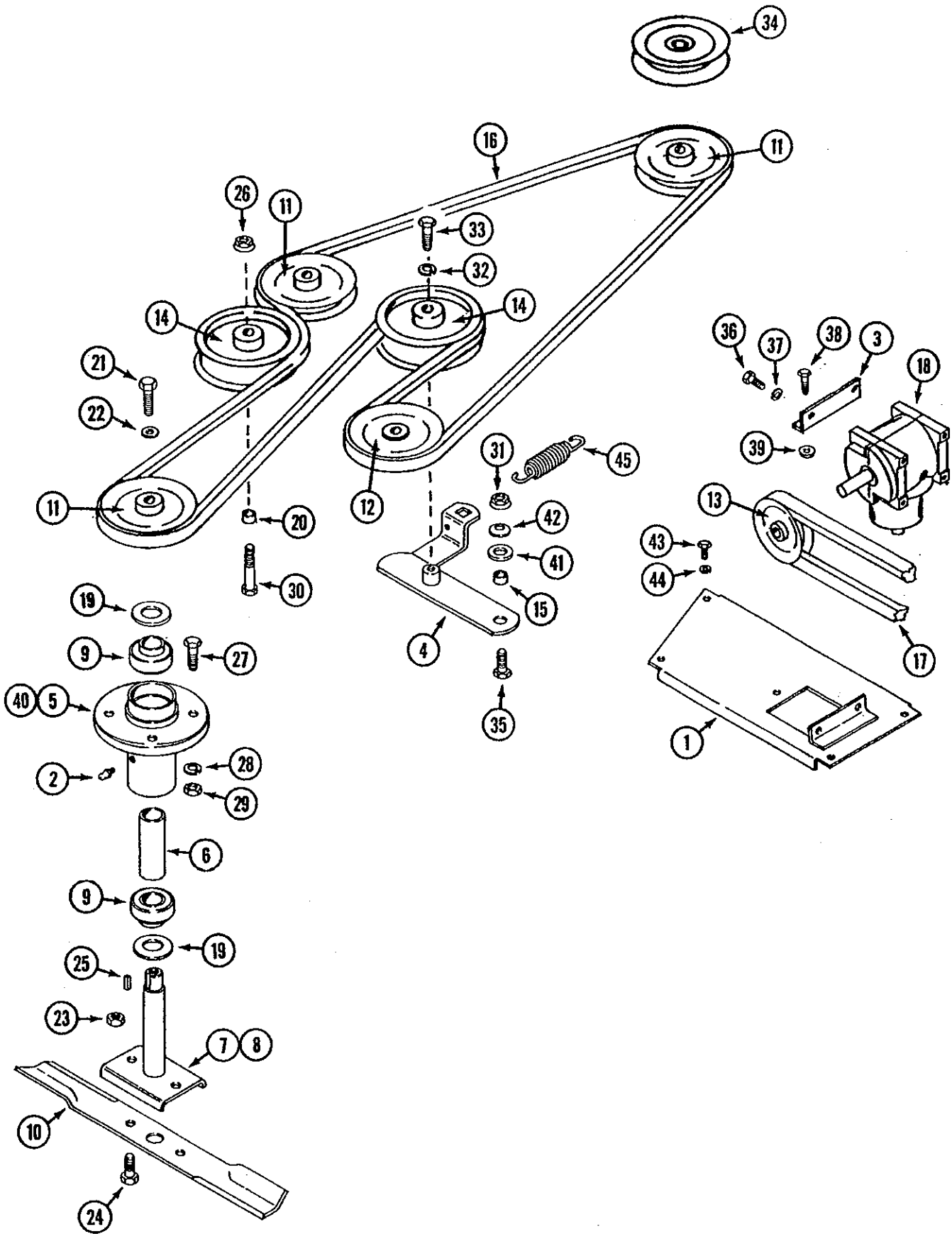
52SD MOWER DECK AND ATTACHING PARTS



52SD MOWER DECK AND ATTACHING PARTS

REF.	PART NO.	DESCRIPTION	REQ'D
1	C46663	DECK - 52"	1
2	C46703	CHUTE - foot guard	1
3	C46705	MOUNT - foot guard	1
4	C46700	COVER - R.H.	1
5	C46699	COVER - center	1
6	C46698	COVER - L.H.	1
7	C46701	SHOE - skid	1
8	C37910	ROLLER - anti-scalp	1
9	C37911	SHAFT - roller	1
10	C45541	BRACKET - gauge wheel mount	2
11	C45542	MOUNT - gauge wheel	2
12	C46785	FORK	2
13	C37915	AXLE - wheel	2
14	C37916	WHEEL - gauge	2
	C29145	TIRE - 11 x 4.00 - 5	1
	C44496	RIM - 5" (includes bearings and grease fittings)	1
	C44499	BEARING - wheel	2
	219-10	FITTING - grease 1/4" - 28	1
15	113-2419	BOLT - 1/2" - 13 x 6-1/2"	2
16	C37920	BOLT - wing	4
17	C37921	NUT - gauge wheel handle	4
18	C37505	BREAKER - circuit, 10 amp	1
19	C37860	COLLAR - set	2
20	C37824	BEARING - 1"	4
21	C37922	PIN - "fas-tatch"	1
22	C29693	PIN - deck	1
23	C29029	PIN - cotter, hair	2
24	C46671	BRACKET - height adjust L.H.	2
25	C46672	BRACKET - height adjust R.H.	2
26	113-3	BOLT - 1/4" - 20 x 3/4"	10
27	192-19	LOCKWASHER - 1/4"	2
28	129-101	NUT - 1/4" - 20	2
29	131-71	NUT - 1/4" - 20 lock	2
30	C13716	WASHER - thrust	UAR
31	111-203	BOLT - 5/16" - 18 x 1" carriage	6
32	219-20	FITTING - grease	2
33	85-58	SCREW - set 5/16" - 18 x 1/2" square head	2
34	192-20	LOCKWASHER - 5/16"	6
35	129-102	NUT - 5/16" - 18	4
36	192-23	LOCKWASHER - 1/2"	2
37	129-105	NUT - 1/2" - 13	2
38	113-102	BOLT - 5/16" - 18 x 3/4"	2
39	111-132	BOLT - 5/16" - 18 x 3/4" carriage	2
40	182-528	SCREW - #10-32 x 1/2"	2
41	193-1000	NUT - #10 - 32	2
42	C46694	COVER - center, small	1
43	C46695	STRAP - cover	1
44	C46696	COVER - center, rear	1
45	131-934	NUT - 1/4" - 20 flange lock	1
46	195-102	WASHER - 1/4"	3
47	131-911	NUT - 5/16" - 18 flange lock	2

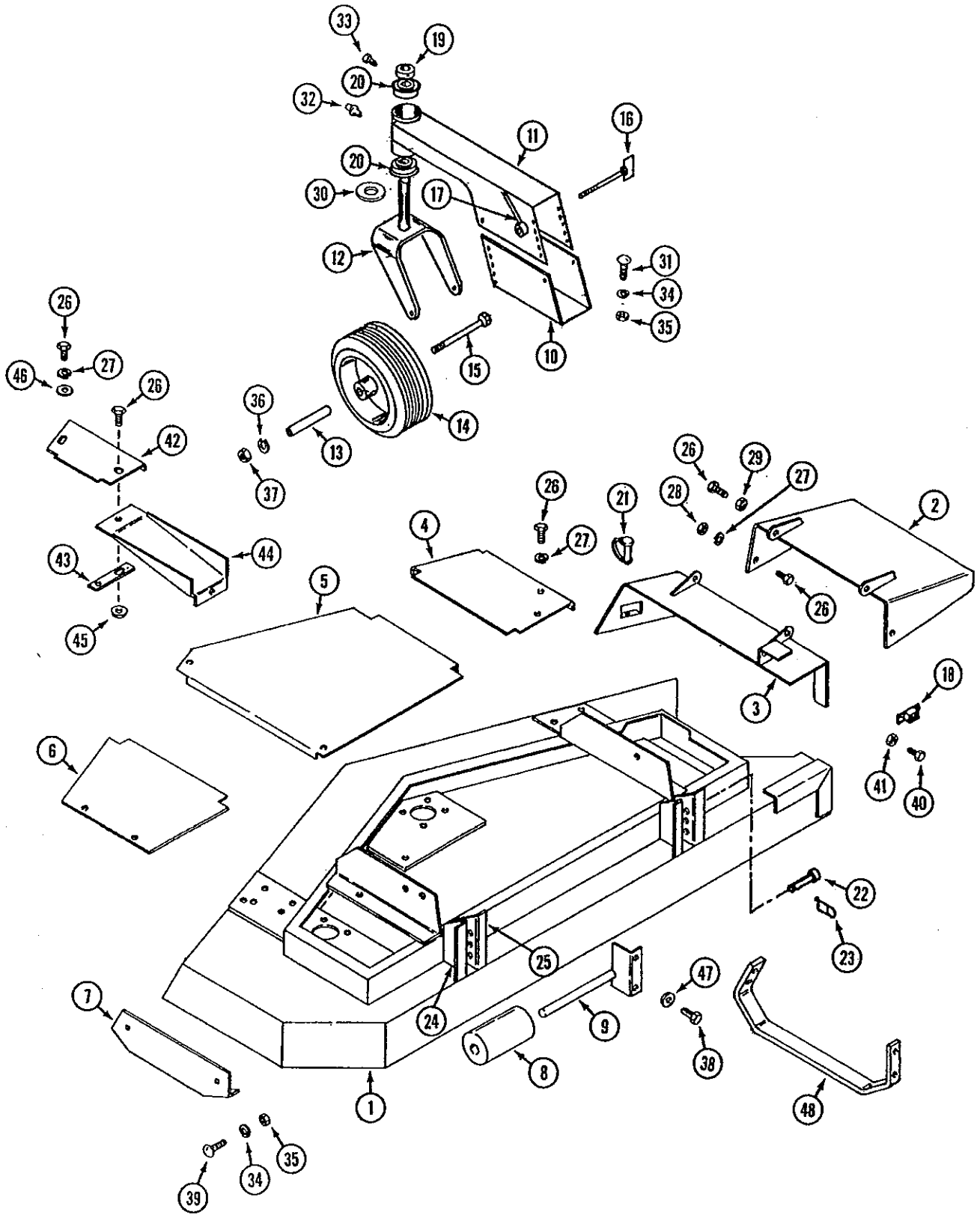
52SD MOWER DRIVE



52SD MOWER DRIVE

REF.	PART NO.	DESCRIPTION	REQ'D
1	C46692	MOUNT - gearbox	1
2	219-20	FITTING - grease 1/4" - 28	3
3	C37877	ANGLE - gear box mount	1
4	C46688	ARM - idler	1
5	C46683	HOUSING - spindle	3
6	C46685	SPACER - spindle	3
7	C46680	SHAFT - spindle, short	3
8	C46778	SHAFT - spindle, long (used only when vac is installed)	1
9	C46686	BEARING - spindle	6
10	C44136	BLADE - mower	3
10	C45248	BLADE - mulching (not shown)	3
11	C37931	PULLEY - spindle	3
12	C37932	PULLEY - gear box output (use Loctite)	1
13	C37892	PULLEY - gear box input (align w/engine and use Loctite)	1
14	C46687	PULLEY - idler	2
15	C16573	SPACER	1
16	C37935	BELT - deck	1
17	C44241	BELT - drive	1
18	C37898	GEAR BOX - angle drive (See page 67)	1
19	C29575	SPACER-washer	6
20	C46726	SPACER	1
21	114-201	BOLT - 3/8" - 24 x 1-1/4" (use loctite)	3
22	C45846	WASHER - 3/8" - 10 gage	3
23	131-1216	NUT - lock 3/8"	6
24	113-268	BOLT - 3/8" - 16 x 1"	6
25	C29581	KEY - 3/16" x 1"	6
26	131-1352	NUT - 3/8" flange lock	1
27	113-312	BOLT - 7/16" - 14 x 1-1/4"	12
28	192-22	LOCKWASHER - 7/16"	12
29	129-104	NUT - 7/16" - 14	12
30	113-213	BOLT - 3/8" - 16 x 2-1/4"	1
31	131-1352	NUT - 3/8" flange lock	1
32	192-21	LOCKWASHER - 3/8"	1
33	113-208	BOLT - 3/8" 16 x 1-1/4"	1
34	C46300	PULLEY - vac drive (used only when vac is installed)	1
35	113-207	BOLT - 3/8" - 16 x 1"	1
36	113-103	BOLT - 5/16" - 18 x 1"	4
37	192-20	LOCKWASHER - 5/16"	4
38	113-102	BOLT - 5/16" - 18 x 3/4"	1
39	131-911	NUT - 5/16" - 18 flange lock	1
40	C46682	HOUSING ASSEMBLY - spindle (includes ref. 2, 5, 6, 9)	3
41	195-541	WASHER - 5/8	1
42	C28263	WASHER - spring	1
43	113-3	BOLT - 1/4" - 20 x 3/4"	4
44	192-19	LOCKWASHER - 1/4"	4
45	C14482	SPRING - tension	1

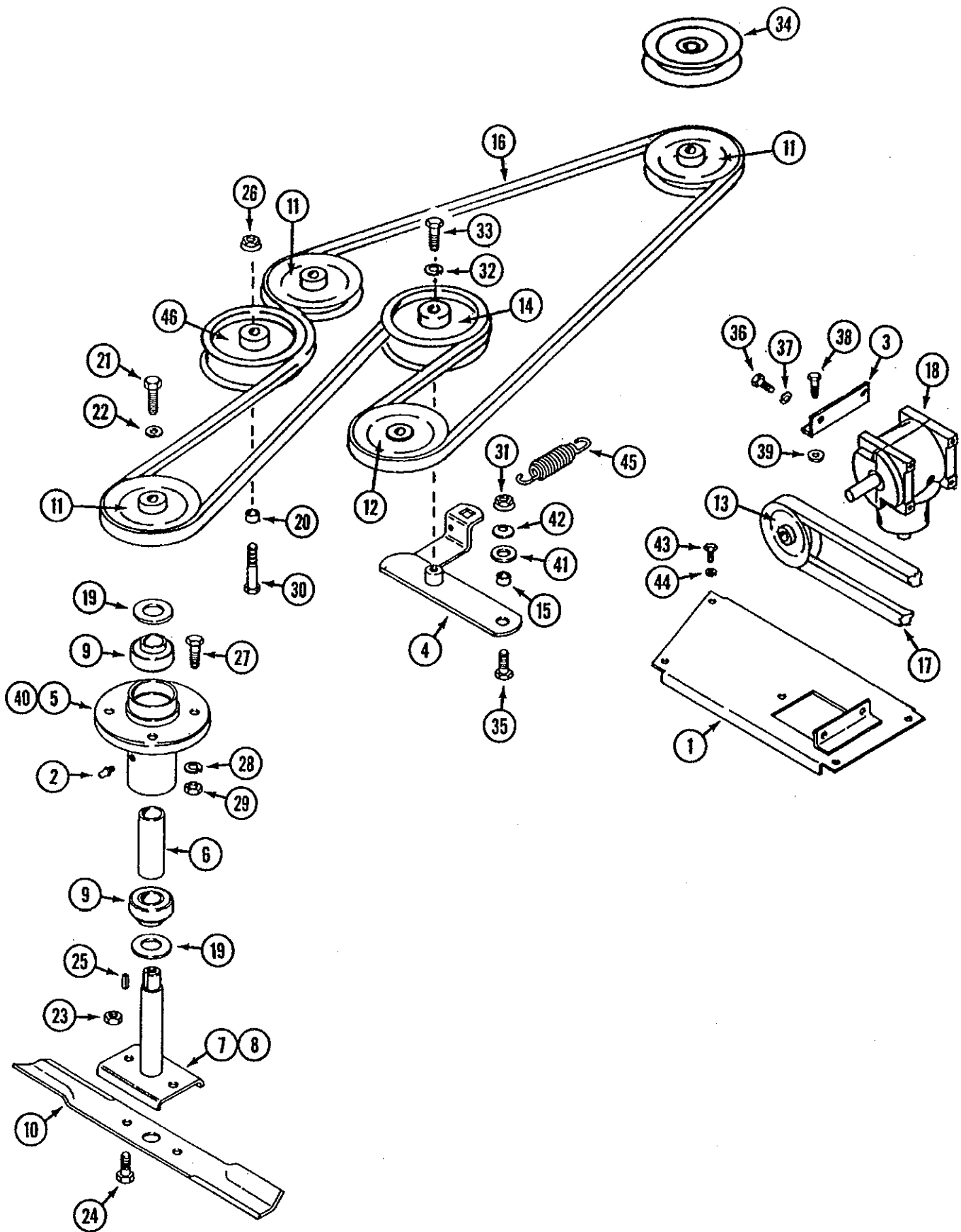
62SD MOWER DECK AND ATTACHING PARTS



62SD MOWER DECK AND ATTACHING PARTS

REF.	PART NO.	DESCRIPTION	REQ'D
1	C46711	DECK - 62"	1
2	C41396	CHUTE - foot guard	1
3	C46732	MOUNT - foot guard	1
4	C46725	COVER - R.H.	1
5	C46724	COVER - center	1
6	C46723	COVER - L.H.	1
7	C37956	SHOE - skid L.H.	1
8	C37910	ROLLER - anti-skid	1
9	C37911	SHAFT - roller	1
10	C45541	BRACKET - gauge wheel mount	2
11	C45542	MOUNT - gauge wheel	2
12	C46785	FORK - gauge wheel	2
13	C37915	AXLE - gauge wheel	2
14	C37916	WHEEL - gauge	2
	C29145	TIRE - 11 x 4.00 - 5	1
	C44496	RIM - 5" (includes bearings and grease fitting)	1
	C44499	BEARING - wheel	2
	219-10	FITTING - grease	1
15	113-2419	BOLT - 1/2" - 13 x 6-1/2"	2
16	C37920	BOLT - wing	4
17	C37921	NUT - gauge wheel handle	4
18	C37505	BREAKER - circuit - 10 amp	1
19	C37860	COLLAR - set 1"	2
20	C37824	BEARING - 1"	4
21	C37922	PIN - "fas-tatch"	1
22	C29693	PIN - deck	2
23	C29029	PIN - cotter, hair	2
24	C46671	BRACKET - height adjust L.H.	2
25	C46672	BRACKET - height adjust R.H.	2
26	113-3	BOLT - 1/4" - 20 x 3/4"	4
27	192-19	LOCKWASHER - 1/4"	2
28	129-101	NUT - 1/4 - 20	2
29	131 -71	NUT - 1/4" - 20 lock	2
30	C13716	WASHER - thrust	2
31	111-203	BOLT - 5/16" - 18 x 1" carriage	UAR
32	219-20	FITTING - grease	6
33	85-58	SCREW - set 5/16" - 18 x 1/2" square head	2
34	192-20	LOCKWASHER - 5/16"	2
35	129-102	NUT - 5/16" - 18	8
36	192-23	LOCKWASHER - 1/2"	8
37	129-105	NUT - 1/2" - 13	2
38	113-102	BOLT - 5/16" - 18 x 3/4"	2
39	111-132	BOLT - 5/16" - 18 x 3/4" carriage	2
40	182-528	SCREW - #10 - 32 x 1/2	2
41	193-1000	NUT - #10-32	2
42	C46722	COVER - center, small	1
43	C46695	STRAP - cover	1
44	C46696	COVER - center, rear	1
45	131-934	NUT - 1/4" - 20 flange lock	1
46	195-102	WASHER - 1/4"	3
47	131-911	NUT - 5/16" - 18 flange lock	2
48	C37957	SHOE - skid R.H.	1

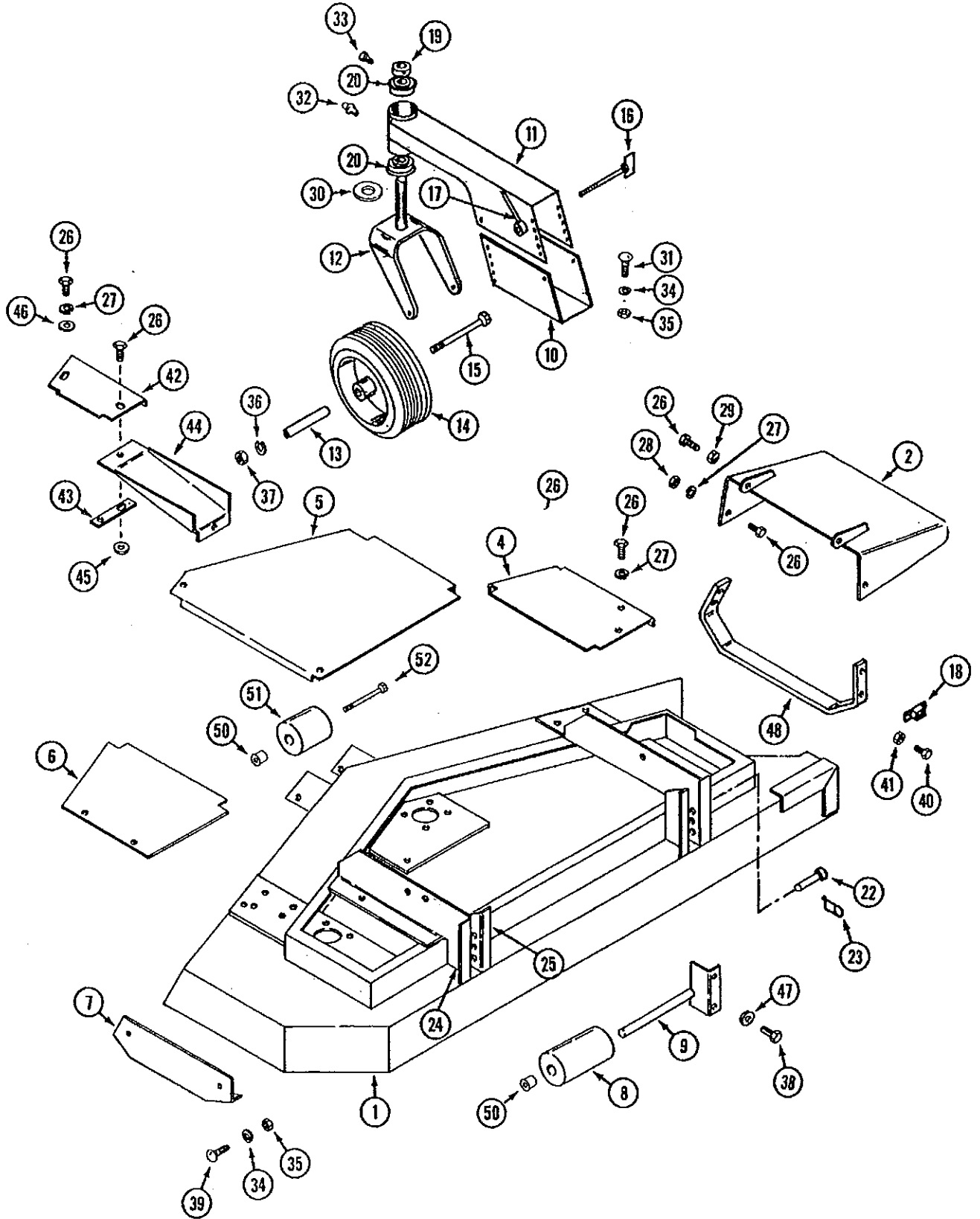
62SD MOWER DRIVE



62SD MOWER DRIVE

REF.	PART NO.	DESCRIPTION	REQ'D
1	C46720	MOUNT - gearbox	1
2	219-20	FITTING - grease 1/4' - 28	3
3	C37877	ANGLE - gear box mount	1
4	C46718	ARM - idler	1
5	C46683	HOUSING - spindle	3
6	C46685	SPACER - spindle	3
7	C46680	SHAFT - spindle, short	3
8	C46778	SHAFT - spindle, long (used only when vac is installed)	1
9	C46686	BEARING - spindle	6
10	C44138	BLADE	3
10	C45511	BLADE - mulching (not shown)	3
11	C37950	PULLEY - spindle	4
12	C37932	PULLEY - gear box output (use Loctite)	1
13	C37892	PULLEY - gear box input (align with engine and use Loctite)	1
14	C46687	PULLEY - idler 5"	1
15	C16573	SPACER	1
16	C38929	BELT - deck	1
17	C44241	BELT - drive	1
18	C37898	GEAR BOX - angle drive (See page 67)	1
19	C29575	WASHER-spacer	6
20	C46726	SPACER	1
21	114-201	BOLT - 3/8" - 24 x 1-1/4" (use locklife)	3
22	C45846	WASHER - 3/8", 10 gage	3
23	131-1216	NUT - lock 3/8"	6
24	113-268	BOLT - 3/8" - 16 x 1"	6
25	C29581	KEY - 3/16" x 3/16" x 1"	6
26	131-1352	NUT - 3/8" flange lock	1
27	113-312	BOLT - 7/16" - 14 X 1-1/4"	12
28	192-22	LOCKWASHER - 7/16"	12
29	129-104	NUT - 7/16" - 14	12
30	113-213	BOLT - 3/8" - 16 x 2-1/4"	1
31	131-1352	NUT - 3/8" flange lock	1
32	192-21	LOCKWASHER - 3/8"	1
33	113-208	BOLT - 3/8" - 16 x 1-1/4"	1
34	C46301	PULLEY - vac drive (used only when vac is installed)	1
35	113-207	BOLT - 3/8" - 16 x 1"	1
36	113-103	BOLT - 5/16" - 18 x 1"	4
37	192-20	LOCKWASHER - 5/16"	4
38	113-102	BOLT - 5/16" - 18 x 3/4"	1
39	131-911	NUT - 5/16" - 18 flange lock	2
40	C46682	HOUSING ASSEMBLY - spindle (includes ref. 2, 5, 6, 9)	3
41	195-541	WASHER - 5/8"	1
42	C28263	WASHER - spring	1
43	113-3	BOLT - 1/4" - 20 x 3/4"	4
44	192-19	LOCKWASHER - 1/4"	4
45	C14482	SPRING - tension	1
46	C45649	PULLEY - idler, idler 5-1/2"	1

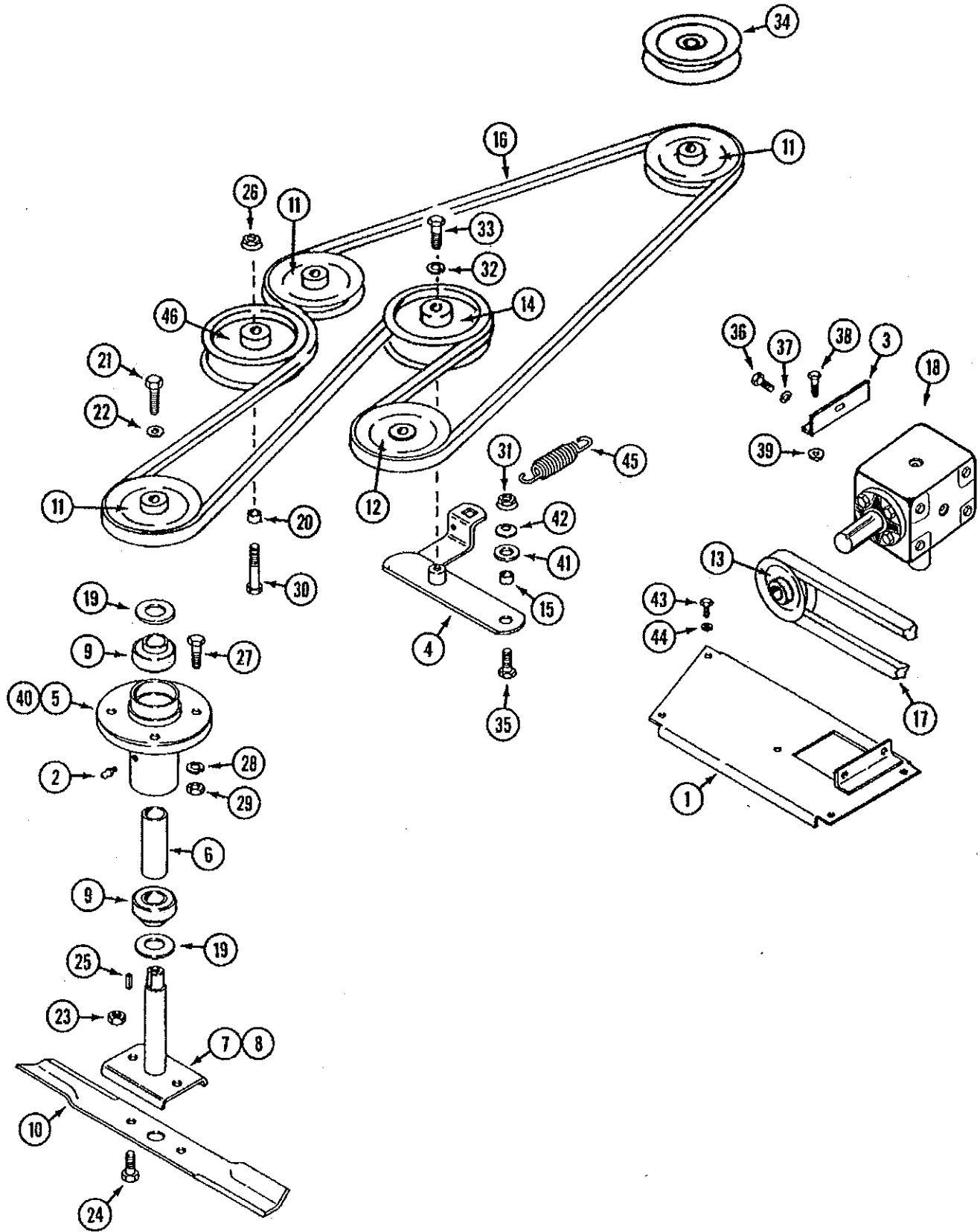
72" MOWER DECK AND ATTACHING PARTS



72" MOWER DECK AND ATTACHING PARTS

REF.	PART NO.	DESCRIPTION	REQ'D
1	C47013	DECK - 72"	1
2	C47053	CHUTE foot guard.....	1
4	C47043	COVER - R.H.....	1
5	C47042	COVER - center	1
6	C47041	COVER - L.H.....	1
7	C47051	SHOE - skid L.H.....	1
8	C37910	ROLLER - anti-skid	1
9	C37911	SHAFT - roller	1
10	C47056	BRACKET - gauge wheel.....	2
11	C46786	MOUNT - gauge wheel.....	2
12	C46785	FORK - gauge wheel.....	2
13	C37915	AXLE - gauge wheel.....	2
14	C37916	WHEEL - gauge	2
	C29145	TIRE - 11 x 4.00-5	1
	C44496	RIM - 5" (Includes bearings and grease fitting)	1
	C44499	BEARING - wheel.....	2
	219-10	FITTING - grease	1
15	113-2419	BOLT - 1/2" - 13 x 6-1/2"	2
16	C37920	BOLT - wing	4
17	C37921	NUT - gauge wheel handle.....	4
18	C37505	BREAKER - circuit - 10 amp	1
19	C37860	COLLAR - set 1".....	2
20	C37824	BEARING - 1".....	4
22	C29693	PIN - deck.....	2
23	C29029	PIN - cotter, hair	2
24	C46671	BRACKET - height adjust L.H.....	2
25	C46672	BRACKET - height adjust R.H.....	2
26	113-3	BOLT - 1/4" - 20 x 3/4"	8
27	192-19	LOCKWASHER - 1/4"	9
28	129-101	NUT - 1/4 - 20.....	2
29	131-71	NUT - 1/4" - 20 lock.....	8
30	C13716	WASHER - thrust	UAR
31	111-203	BOLT - 5/16" - 18 x 1" carriage	6
32	219-20	FITTING - grease.....	2
33	85-58	SCREW - set 5/16" - 18 x 1/2" square head	2
34	192-20	LOCKWASHER - 5/16".....	8
35	129-102	NUT - 5/16" - 18	8
36	192-23	LOCKWASHER - 1/2"	2
37	129-105	NUT - 1/2" - 13	2
38	113-102	BOLT - 5/16" - 18 x 3/4"	2
39	111-132	BOLT - 5/16" - 18 x 3/4" carriage	2
40	182-528	SCREW - #10 - 32 x 1/2.....	2
41	193-1000	NUT - #10 - 32.....	2
42	C46722	COVER - center, small.....	1
43	C46695	STRAP - cover	1
44	C46696	COVER - center, rear	1
45	131-934	NUT - 1/4" - 20 flange lock	1
46	195-102	WASHER - 1/4	3
47	131-911	NUT - 5/16" - 18 flange lock	2
48	C47049	SHOE - skid R.H	1
50	C47096	BUSHING - shoulder	2
51	C47044	ROLLER - anti scalp.....	1
52	C47045	SHAFT - front roller	1

72" DECK DRIVE AND ATTACHING PARTS

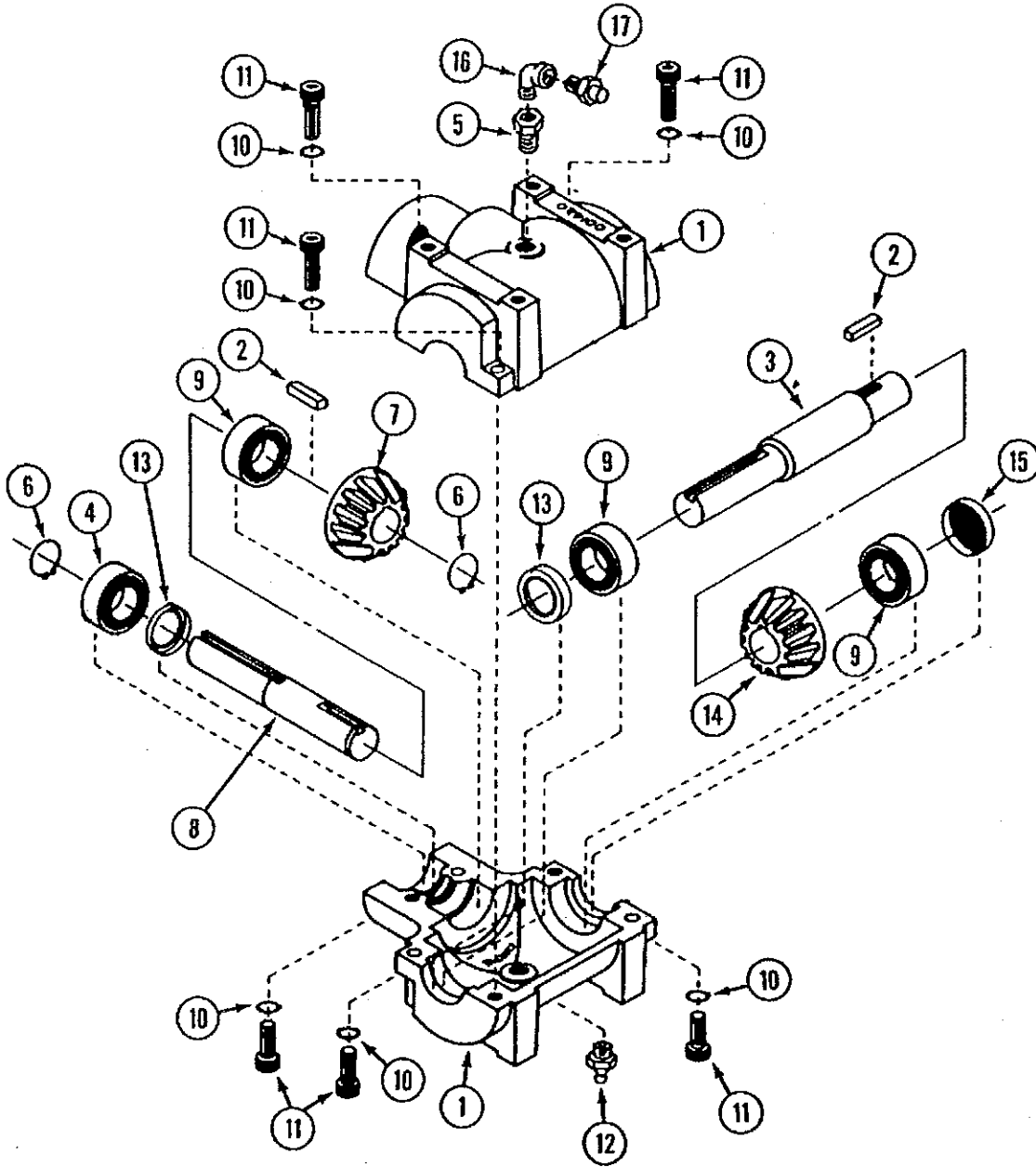


72" DECK DRIVE AND ATTACHING PARTS

REF.	PART NO.	DESCRIPTION	REQ'D
1	C47035	MOUNT - gear box.....	1
2	219-20	FITTING - grease 1/4" - 28.....	3
3	C47034	ANGLE - gear box mount.....	1
4	C47097	ARM - idler.....	1
5	C46683	HOUSING - spindle.....	3
6	C46685	SPACER - spindle.....	3
7	C46680	SHAFT - spindle. short.....	3
9	C46686	BEARING - spindle.....	6
10	C47030	BLADE - mower.....	3
11	C37950	PULLEY - spindle.....	3
12	C47032	PULLEY - gear box output (use loctite).....	1
13	C47033	PULLEY - gear box input (align w/engine and use loctite).....	1
14	C46687	PULLEY - idler.....	2
15	C16573	SPACER.....	1
16	C47031	BELT - deck.....	1
17	C44241	BELT - drive.....	1
18	C47038	GEAR BOX - angle drive.....	1
19	C29575	SPACER - washer.....	6
20	C46726	SPACER.....	1
21	114-201	BOLT - 3/8" - 24 x 1-1/4" (use loctite).....	3
22	C45846	WASHER - 3/8" - 10 gage.....	3
23	131-1216	NUT - lock 3/8".....	6
24	113-268	BOLT - 3/8" - 16 x 1".....	6
25	C29581	KEY - 3/16" x 1".....	6
26	131-1352	NUT - 3/8" flange lock.....	1
27	113-312	BOLT - 7/16" - 14 x 1-1/4".....	12
28	192-22	LOCKWASHER - 7/16".....	12
29	129-104	NUT - 7/16" - 14.....	12
30	113-213	BOLT - 3/8" - 16 x 2-1/4".....	1
31	131-1352	NUT - 3/8" flange lock.....	1
32	192-21	LOCKWASHER - 3/8".....	1
33	113-208	BOLT - 3/8" 16 x 1-1/4".....	1
34	C28246	SHIM - washer.....	1
35	113-207	BOLT - 3/8" - 16 x 1".....	1
36	113-207	BOLT - 5/16" - 18 x 1".....	4
37	192-21	LOCKWASHER - 5/16".....	4
38	113-206	BOLT - 5/16" - 18 x 3/4".....	1
39	131-938	NUT - 5/16" - 18 flange lock.....	1
40	C46682	HOUSING ASSEMBLY - spindle (includes ref. 2, 5, 6, 9).....	3
41	195-541	WASHER - 5/8.....	1
42	C28263	WASHER - spring.....	1
43	113-4	BOLT - 1/4" - 20 x 1.0".....	4
44	192-19	LOCKWASHER - 1/4".....	4
45	C31606	SPRING - tension.....	1
46	C45649	Pulley - Idler.....	1
47	C47048	Bolt - spring tension.....	1
48	129-103	Nut - 3/8" - 16, hex.....	1

GEARBOX

52SD AND 62SD
Prior to PIN #010706048

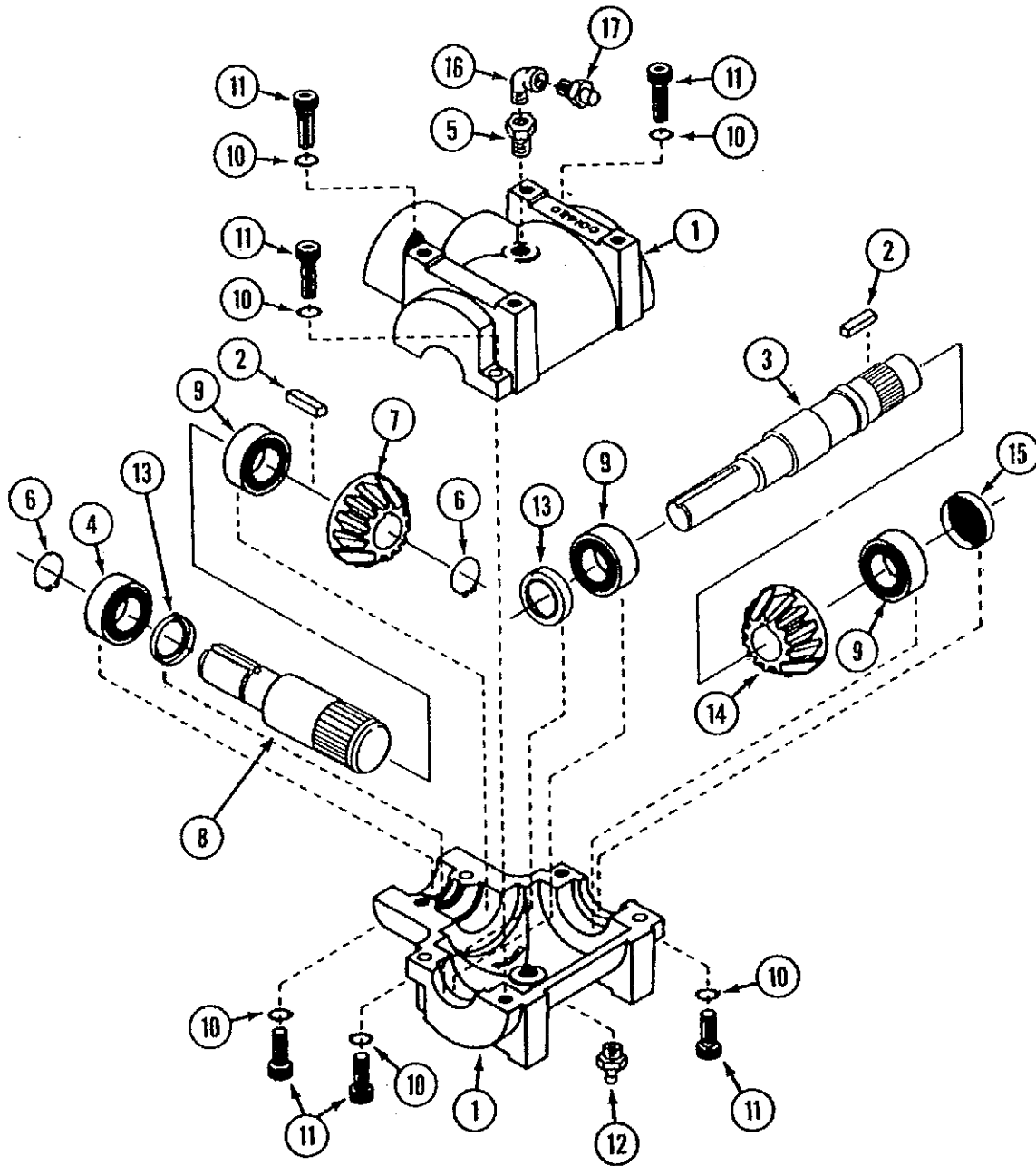


R
10
11
12
13
14
15
16
17

GEAR BOX
(Curtis)
Prior to Serial #010706048

REF.	PART NO.	DESCRIPTION	REQ'D
	C37898	GEAR BOX.....	1
1	C37959	HOUSING - half.....	1
2	C29581	KEY - 3/16" x 3/16" x 1".....	2
3	C37960	SHAFT - input.....	2
4	C37961	BEARING - ball.....	1
5	221-84	BUSHING - pipe 1/4" x 1/8".....	1
6	C37963	RING - retaining.....	1
7	C37964	GEAR - output shaft.....	2
8	C37965	SHAFT - output.....	1
9	C37966	BEARING - ball.....	1
10	C37967	LOCKWASHER.....	3
11	C37968	CAP SCREW - allen head.....	6
12	219-23	FITTING - grease 1/4" NPT.....	6
13	C37969	SEAL - shaft.....	1
14	C37970	GEAR - input shaft.....	2
15	C37971	PLUG - expansion.....	1
16	221-411	ELBOW - street 1/8" x 90°.....	1
17	C28241	VALVE - relief.....	1
	C43346	GREASE - synthetic, cartridge.....	1

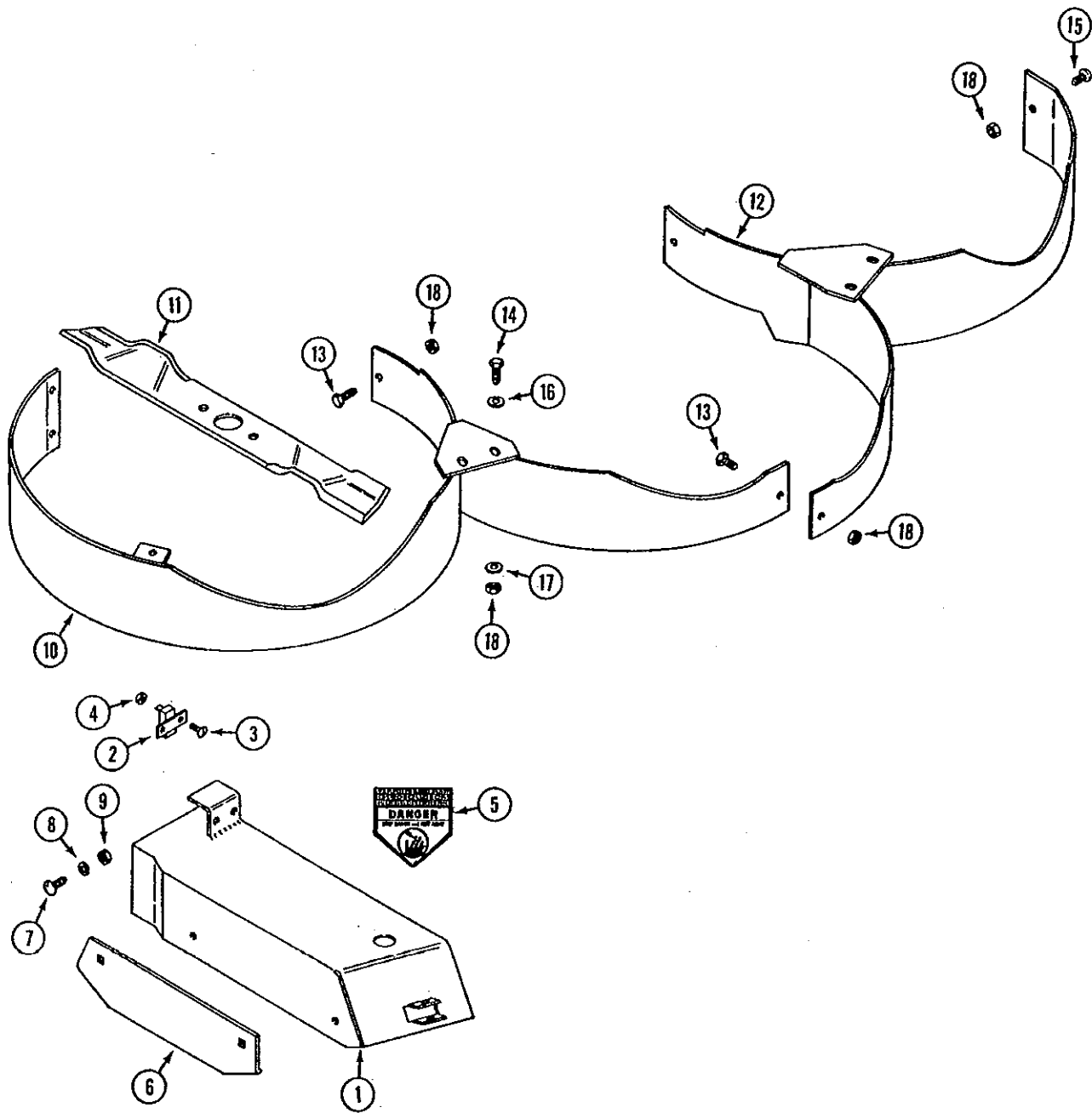
GEAR BOX
52SD & 62SD
(Curtis)
After PIN #010706048



GEAR BOX
52SD & 62SD
(Curtis)
 After PIN #010706048

REF.	PART NO.	DESCRIPTION	REQ'D
	C46942	GEAR BOX.....	1
1	C43765	HOUSING - half.....	1
2	C43772	RING - retaining.....	2
3	C43768	SHAFT - input.....	1
4	C43770	BEARING - ball.....	1
5	221-84	BUSHING - pipe 1/4" x 1/8".....	1
6	C37963	RING - retaining.....	1
7	C43769	GEAR - output shaft.....	1
8	C43771	SHAFT - output.....	1
9	C43766	BEARING - ball.....	3
10	C43776	LOCKWASHER.....	6
11	C43775	CAP SCREW - allen head.....	6
12	219-23	FITTING - grease 1/4" NPT.....	1
13	C43767	SEAL - shaft.....	2
14	C43774	GEAR - input shaft.....	1
15	C43773	PLUG - expansion.....	1
16	221-411	ELBOW - street 1/8" x 90°.....	1
17	C28241	VALVE - relief.....	1
	C43346	GREASE - synthetic, cartridge.....	1

MULCHING KITS
MK52SD FOR 52SD DECK
MK62-2B FOR 62SD DECK



**MULCHING KITS
MK52SD FOR 52SD DECK
MK62-2B FOR 62SD DECK**

REF.	PART NO.	DESCRIPTION	REQ'D
1	C46746	CAP - end (MK52SD)	1
1	C45512	CAP - end (MK62-2B) shown	1
2	C37505	BREAKER - 10 amp	1
3	182-528	SCREW - #10 - 32 x 1/2"	2
4	193-1000	NUT - #10 - 32 lock	2
5	C37494	DECAL - "Danger"	1
6	C37956	SHOE - skid (MK62-2B)	1
6	C46701	SHOE - skid (MK52SD)	1
7	111-132	BOLT - 5/16" - 18 x 3/4" carriage	2
8	192-20	WASHER - lock 5/16"	2
9	129-102	NUT - 5/16" - 18	2
10	C46749	BAFFLE - R.H. (MK52SD)	1
10	C45516	BAFFLE - R.H. (MK62-2B) shown	1
11	C45248	BLADE - (18") (MK52SD)	3
11	C45511	BLADE - (MK62-2B) (21.5") shown	3
12	C46751	BAFFLE - L.H. (MK52SD)	1
12	C45519	BAFFLE - L.H. (MK62-2B) shown	1
13	113-102	BOLT - 5/16" - 18 x 3/4"	6
14	113-103	BOLT - 5/16" - 18x 1"	4
15	C42056	SCREW - 5/16" x 18 x 5/8	1
16	195-521	WASHER - 5/16" x 5/8"	7
17	195-103	WASHER - 3/8" x 7/8"	4
18	131-69	NUT - 5/16" - 18 lock	11