



**Ingersoll**

**COMPACT WHEEL LOADERS  
7020, 7020BH  
Parts Catalog 8-3370**

[HOME](#)

[TRACTORS](#)

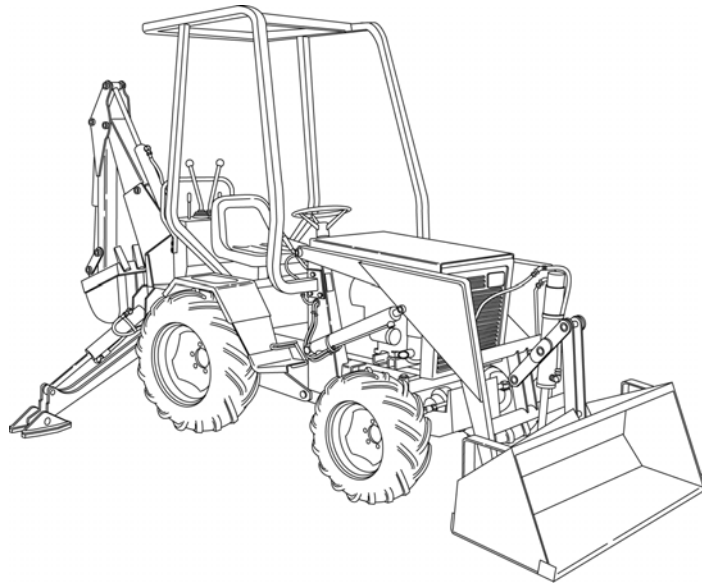
[ATTACHMENTS](#)

[INDEX](#)

[PAINT](#)

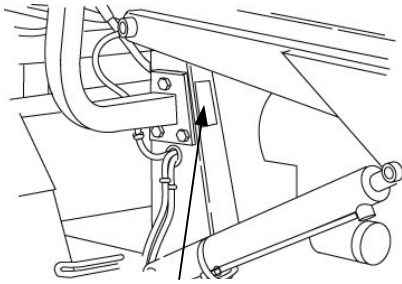
[ENGINES](#)

[GENERAL INFO](#)

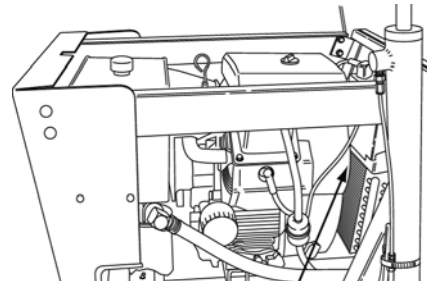


**INDEX**

**PRODUCT IDENTIFICATION NUMBERS (PIN)  
AND SERIAL NUMBERS (S/N)**



**TRACTOR MODEL  
AND PIN NUMBER**



**KOHLER ENGINE MODEL, SERIAL  
AND SPECIFICATION NUMBERS**

**NOTE:** This catalog contains references to serial or PIN numbers. Use these numbers as a guide to identify the correct part.

**NOTE:** Engine parts and warranty must be obtained from your local engine distributor.

TRACTOR MODEL	ENGINE MODEL
7020 - 7020BH	C47630 ENGINE KOHLER MODEL CH20 SPEC. NO. 64666

**INDEX**

There is an index at the front of this catalog. The front index is an alphabetical index of the major groups or assemblies.

**ILLUSTRATION**

Each illustration in this catalog shows a group of parts or components. These parts and components are aligned approximately as the parts and components on your machine. Each part and component in an illustration has a reference number. These reference numbers are in a list on the page opposite of the illustration. Next to the reference number is the part number, description and required quantity of the part shown in the illustration.

UAR - "Use as required" indicates that the part quantity is variable.

NSS - "Not sold separately" indicates that the part is only available as component of an assembly or the part must be purchased locally. If the part is an assembly component, the description will be indented under the assembly description in the parts list.

O/L - "Obtain locally"

- "Footnotes" are added to a part number when more information is needed for identification. They only relate to the part numbers indicated. All orders must include the following information:

1. Correct part number.

**PARTS ORDERS**

2. Complete description of part or component.
3. Total quantity of each part or component.
4. Product model number.
5. All necessary product identification numbers.
6. Method for sending the parts.
7. Complete and correct address.

**CATALOG REVISIONS**

As the product changes, new pages will be available for your catalog. A notice will be issued.

**IMPORTANT:** Put all revisions into the catalog as soon as possible.

**RIGHT HAND AND LEFT HAND IDENTIFICATION**

The words right hand (RH) and left hand (LH) as used in this catalog indicate the direction while you are in the operator's seat in the normal operating position.

**INDENTED DESCRIPTIONS**

An assembly can have many components. The components of an assembly are indicated by an indented description. The quantity for an indented part is the total needed for that complete assembly. See the example.

REF.	PART NO.	DESCRIPTION	REQ'D
	C 55159	CYLINDER ASSY - rear steering .....	1
28	C 56208	SOCKET ASSY - rear cylinder .....	1
29	C 55956	PLUG - adjusting, socket assy .....	1
30	C 55957	SEAT- socket, ball.....	2
31	C 56210	SPRING-socket .....	1
32	C 56209	SEAT - socket spring .....	1
33	G 45175	CLAMP ASSY - socket assy .....	1
	16- 836	BOLT-1/2"x2-1/4" N.F. hex.....	1
34	132- 104	PIN-cotter, 3/16"x3" .....	1
35	C 55889	STUD - ball, socket & cylinder .....	2
36	13- 410	BOLT-1/4"x5/8"N.C.,hex .....	4
37	92- 4	LOCK WASHER - 1/4"SAE .....	4



**Ingersoll**

## Paint & Oil

**INDEX**

### PAINT

#### **Power Red Gloss**

16-ounce Aerosol Can..... C28484  
Quart ..... C28485

#### **Power White**

16-ounce Aerosol Can..... C28812  
Quart ..... C28845

#### **Power Yellow** (Older 600 Series)

16-ounce Aerosol Can..... C28847  
Quart ..... C28848

#### **Power Tan** (6000 Series)

16-ounce Aerosol Can..... C28853  
Quart ..... C28854

#### **Desert Sunset** (Older 400 Series)

16-ounce Aerosol Can..... C28846  
Quart ..... C28852

#### **Black, Semi Gloss**

16-ounce Aerosol Can..... C28849  
Quart ..... C28850

#### **Black, High Heat**

16-ounce Aerosol Can..... C28851

#### **Silver**

16-ounce Aerosol Can..... C30870

#### **M & W Plum**

16-ounce Aerosol Can..... 10-5688

#### **Grazer Grey**

16-ounce Aerosol Can..... C38444  
Quart ..... C38982

#### **Odyssey Charcoal Grey**

16-ounce Aerosol Can..... C47171

### HYDRAULIC OIL

**20W40**, Use 32 Degrees and above.  
12-Quart Case..... C32778

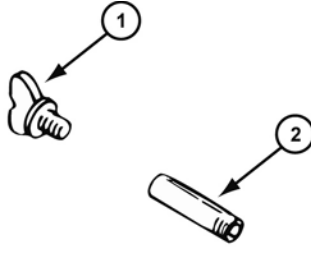
**5W20**, Use Below 32 Degrees.  
12-Quart Case..... C32777

**ALPHABETICAL INDEX**

Axle, Front .....	19	Hydraulic PTO Valve .....	41
Axle, Rear .....	27	Hydraulic System (Bucket) .....	37
Backhoe Seat Assembly .....	17	Hydraulic System (Drive) .....	35
Backhoe Mounting Components .....	69	Hydraulic System (Power Steering) .....	35
Baffles and Shields .....	13	Motor - Hydraulic Drive .....	49
Brakes .....	23	Pump - Manual, Power Steering .....	51
Bucket and Arms .....	25	Pump - Main .....	43
Controls - Choke and Throttle .....	11	Valve - Control, Tractor .....	45
Controls - Speed, Hydraulic .....	55	Valve Control Linkage - Travel .....	55
Decals .....	63	Valve and Control Linkage - Bucket .....	47
Electrical System .....	57-61	Instruments, Electrical .....	57-59
Fenders .....	17	Lever - Range Selector .....	17
Frame, Grille and Hood .....	15	Lift - Implement, Hydraulic .....	71
Fuel System .....	11	Mounts, Engine .....	9
FWD Components .....	21	Muffler .....	13
Hitch Adapter - F27 .....	71	Oil Drain - Engine .....	9
Hydraulic System - Loaders.....	29	PTO Inter-lock Switch Assembly .....	41
Hydraulic System – Backhoes .....	33	Seat - Operator's .....	17
Coupling, Pump Drive .....	43	Steering Wheel .....	35
Cylinder - Arms .....	53	Tool Tray .....	17
Cylinder - Bucket .....	53	Transmission .....	27
Filter, Oil .....	29-33	Wheels - Front and Rear .....	19
Hydraulic PTO Lines .....	39		

**INDEX**

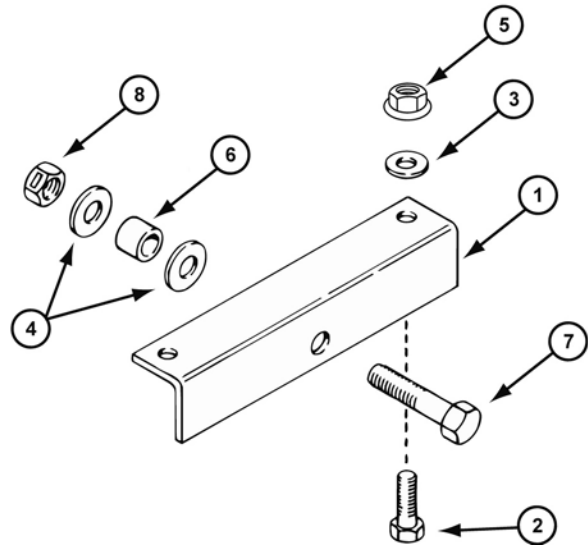
**ENGINE OIL DRAIN**



---

**INDEX**

**REAR ENGINE MOUNTS**



**INDEX**

**ENGINE OIL DRAIN**

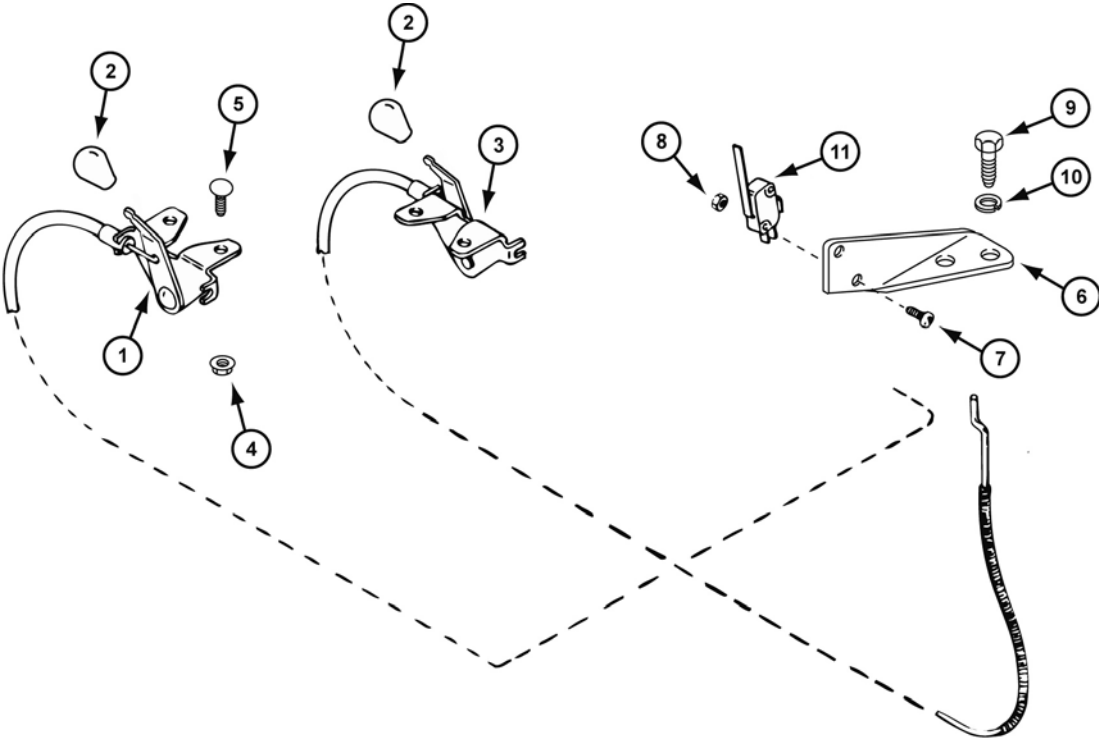
REF.	PART NO.	DESCRIPTION	REQ'D
1	218-5154	PLUG - oil drain (Kohler engine).....	1
2	C37148	NIPPLE - pipe 3/8" x 2" (Kohler engine) .....	1

**REAR ENGINE MOUNTS**

1	C22949	MOUNT - engine, rear .....	1
2	113-233	BOLT - 3/8" - 16 x 1-3/4".....	4
3	195-103	WASHER - 3/8" .....	4
4	195-533	WASHER - 1/2" .....	4
5	131-1352	NUT - 3/8" - 16 flange lock .....	4
6	C21652	BUSHING - mount .....	1
7	113-441	BOLT - 1/2" - 13 x 2-1/4" .....	1
8	131-1182	NUT - lock 1/2" - 13 .....	1

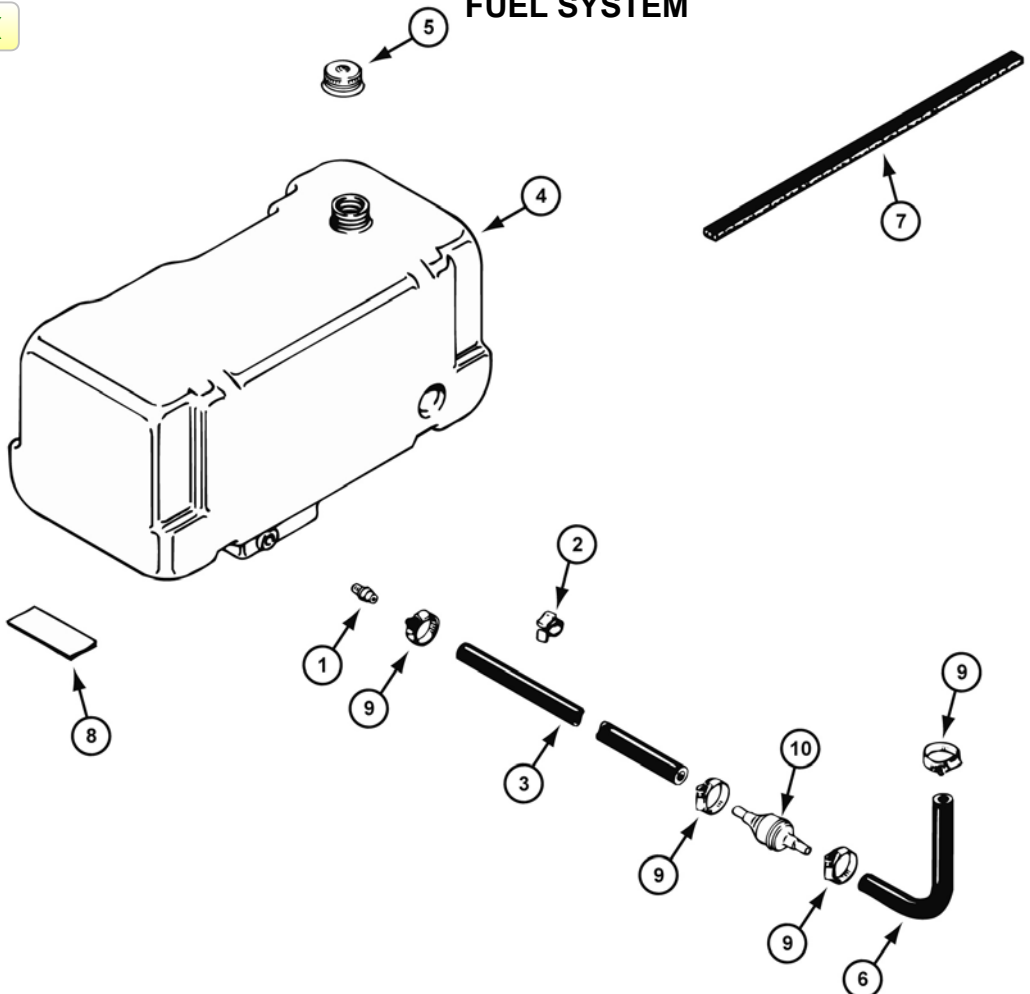
**INDEX**

**CHOKE AND THROTTLE CABLES**



**INDEX**

**FUEL SYSTEM**





**INDEX**

**CHOKE AND THROTTLE CONTROLS**

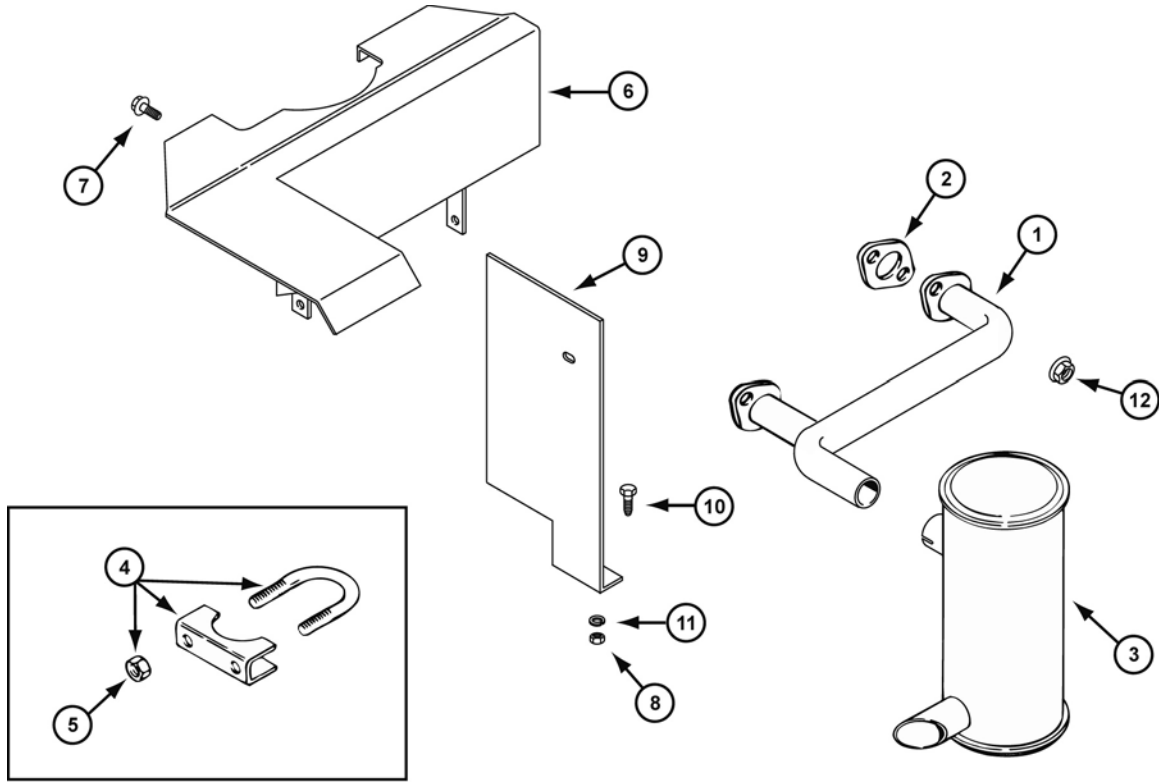
REF.	PART NO.	DESCRIPTION	REQ'D
1	C46373	CONTROL - throttle .....	1
2	C35291	KNOB - choke/throttle .....	2
3	C46886	CONTROL - choke .....	1
4	C34117	NUT - No. 10 - 24 flange lock .....	2
5	111-5	BOLT - No. 10 - 24 x 5/8" black, carriage .....	2
6	C47707	BRACKET - inter-lock switch mount .....	1
7	182-10	SCREW - #4 - 40 x 7/8" .....	2
8	C33697	NUT - #4 - 40 .....	2
9	861-C1	SCREW - M5 - .8 x 8 .....	2
10	192-18	LOCKWASHER - #10 .....	2
11	C30275	SWITCH - inter-lock .....	1

**INDEX**

**FUEL SYSTEM (TRACTOR)**

1	C26521	FITTING - hose 1/8" - 27 NPTF .....	1
2	C28962	RETAINER - fuel line .....	1
3	NSS	HOSE - fuel line, long (use C28937 cut to length) .....	1
4	C32089	TANK - fuel .....	1
5	C11529	CAP - fuel tank .....	1
6	NSS	HOSE - fuel line, short (use C28937 cut to length) .....	1
7	C23527	LINER - tank .....	2
8	C47205	CUSHION - fuel tank .....	4
9	C32376	CLAMP - hose 1/2" .....	4
10	C31978	FILTER - fuel .....	1

MUFFLER AND SHIELDS

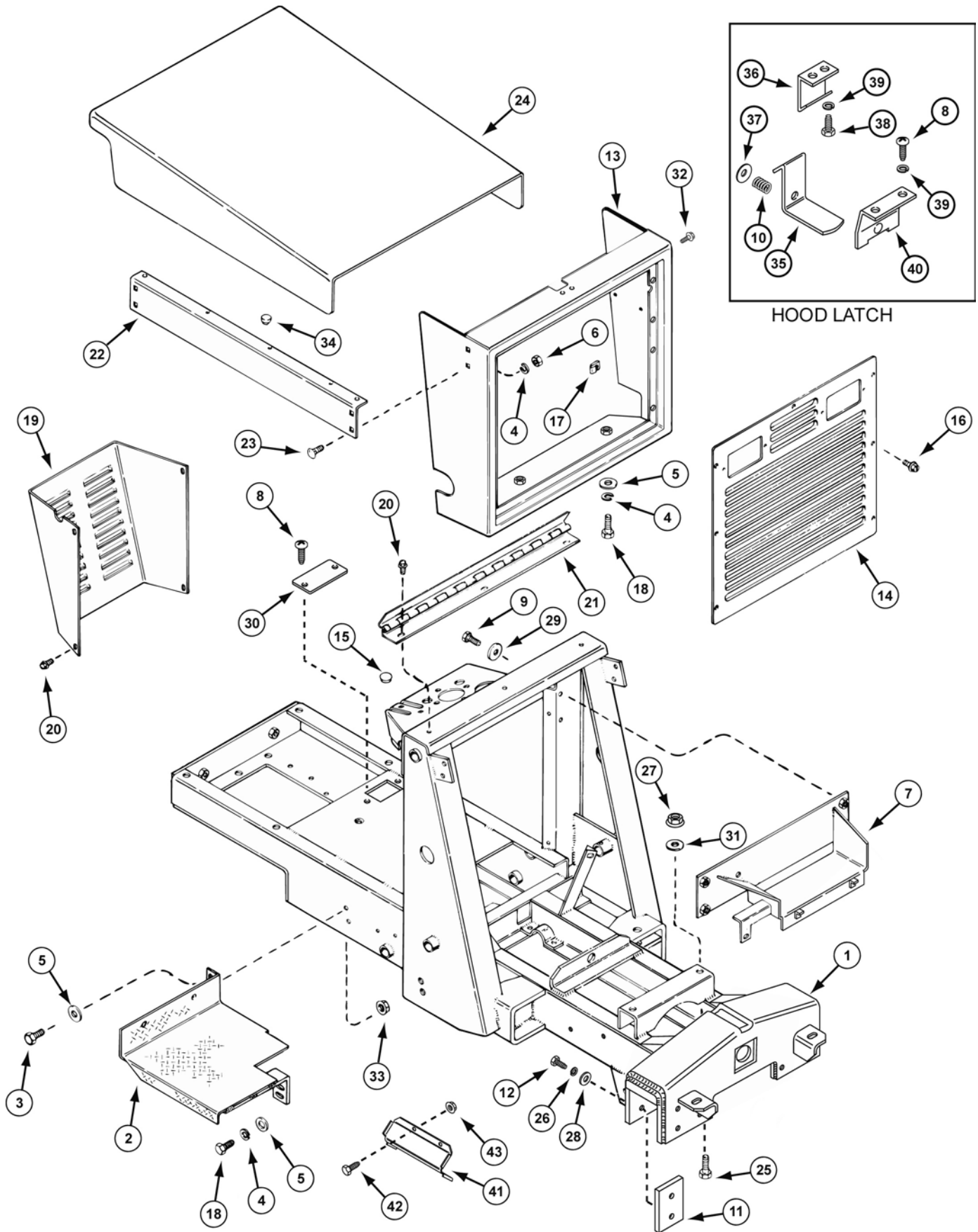


**INDEX**

**MUFFLER AND SHIELDS**

REF.	PART NO.	DESCRIPTION	REQ'D
1	C47558	MANIFOLD - exhaust .....	1
2	NSS	GASKET - exhaust (Kohler engine) (see local engine distributor).....	2
3	C46876	MUFFLER - exhaust .....	1
4	C28294	CLAMP - muffler .....	2
5	129-102	NUT - 5/16" - 18 .....	2
6	C47554	SHIELD - heat .....	1
7	187-1036	SCREW - 1/4" - 20 x 1/2" self tap .....	2
8	129-101	NUT - 1/4" - 20 .....	1
9	C46858	SUPPORT - oil tank .....	1
10	113-2	BOLT - 1/4" - 20 x 5/8" .....	1
11	192-19	LOCKWASHER - 1/4" .....	1
12	131-911	NUT - 5/16" - 16 flange lock .....	4

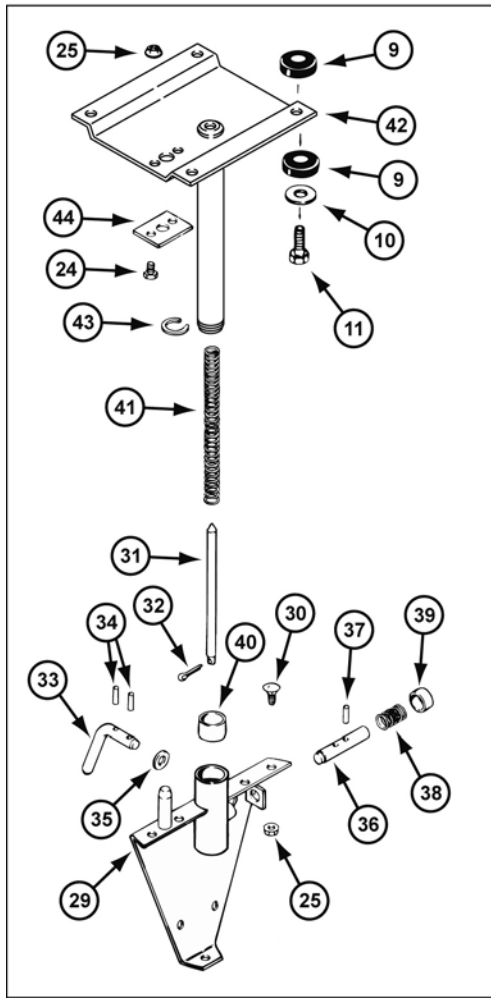
HOOD, FRAME AND GRILLE



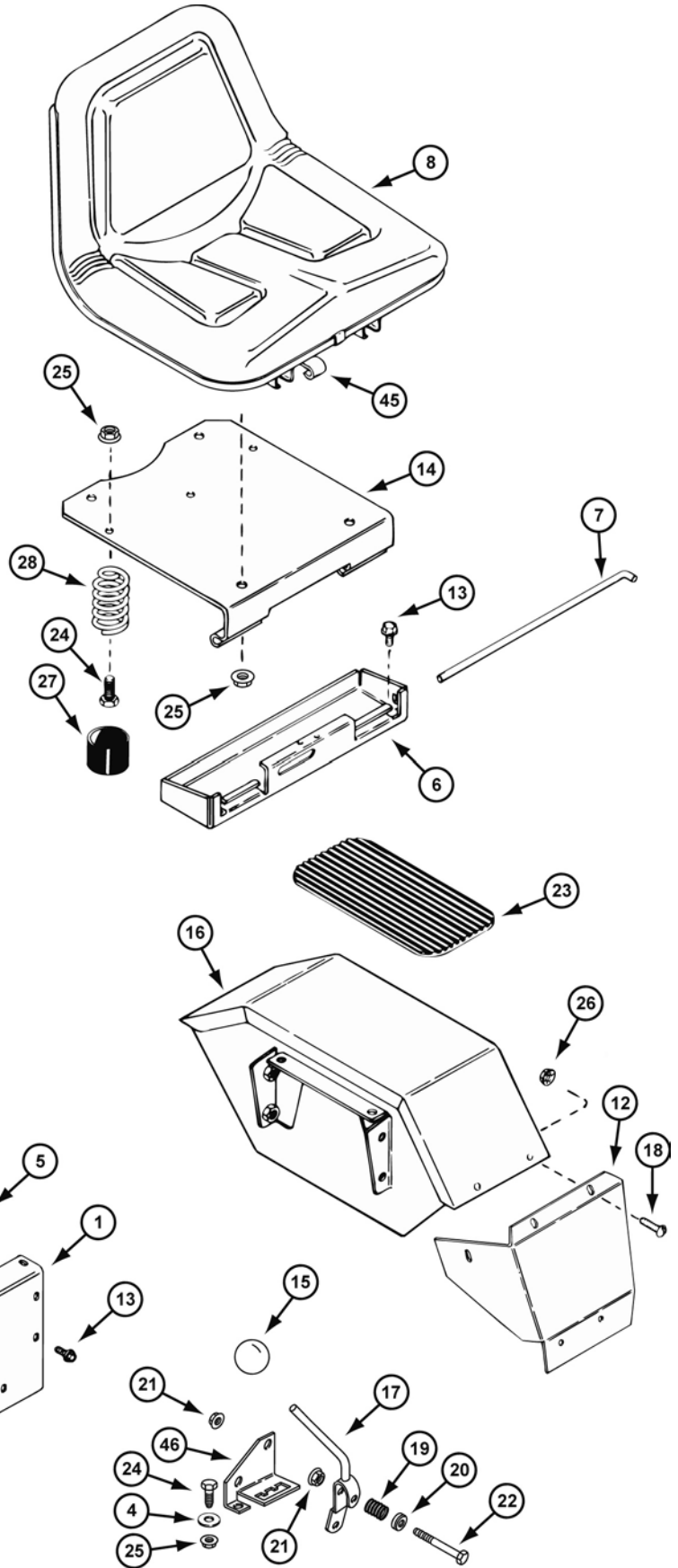
**INDEX**

**HOOD, FRAME AND GRILLE**

REF.	PART NO.	DESCRIPTION	REQ'D
1	C47548	FRAME - main (7020) shown .....	1
1	C47549	FRAME - main (7020BH) .....	1
2	C32193	PAD - foot L.H. (use before PIN 17193801) .....	1
2	C47880	PAD - foot L.H. (use PIN 17193801 and after) .....	1
2	C32195	PAD - foot R.H. (shown) (use before PIN 17193801) .....	1
2	C47881	PAD - foot R.H. (use PIN 17193801 and after) .....	1
3	113-206	BOLT - 3/8" x 3/4" N.C. hex .....	4
4	192-21	LOCKWASHER - 3/8" .....	18
5	195-104	WASHER - 3/8" .....	6
6	129-103	NUT - 3/8" N.C. hex .....	6
7	C46872	TRAY - battery .....	1
8	182-547	SCREW - 1/4" - 20 X 1/2" .....	4
9	113-102	BOLT - 5/16" x 3/4" NC hex .....	4
10	C30827	SPRING - tension .....	1
11	C47782	BAR - wear .....	4
12	113-103	BOLT - 3/8" - 16 x 1" .....	8
13	C47613	GRILLE - frame .....	1
14	C32176	INSERT - grille .....	1
15	353-406	PLUG - hole (7020BH) .....	1
16	187-1036	BOLT - 1/4" - 20 x 1/2" NC self tap .....	9
17	C17653	NUT - 1/4" tinnerman .....	9
18	113-207	BOLT - 3/8" x 1" NC hex .....	4
19	C32044	PANEL - dash .....	1
20	187-1036	BOLT - 1/4" x 1/2" NC self tap .....	7
21	C21540	HINGE - hood (included with hood) .....	1
22	C32124	SUPPORT - grille .....	2
23	111-340	BOLT - 3/8" x 3/4" NC carriage .....	8
24	C32040	HOOD - includes hinge .....	1
25	113-233	BOLT - 3/8" - 16 x 1-3/4" (engine mounts) .....	4
26	192-21	LOCKWASHER - 3/8" .....	8
27	131-1352	NUT - 3/8" - 16 flange lock .....	4
28	195-525	WASHER - .406" x .812" .....	8
29	195-521	WASHER - 5/16" .....	4
30	C45918	PLATE - cover .....	1
31	195-103	WASHER - 3/8" .....	4
32	121-21	BOLT - 1/4" - 20 x 1/2" flange lock .....	2
33	131-938	NUT - 3/8" - 16 flange lock .....	4
34	C18193	BUMPER - hood .....	1
35	C46514	LEVER - latch .....	1
36	C46517	ANCHOR - latch .....	1
37	C30768	NUT - push .....	1
38	113-1	BOLT - 1/4" - 20 x 1/2" .....	2
39	192-19	LOCKWASHER - 1/4" .....	4
40	C46515	GUIDE - lever .....	1
41	C46983	SHIELD - hose .....	1
42	113-103	BOLT - 5/16" - 18 x 1" .....	2
43	131-911	NUT - 5/16" - 18 flange lock .....	2



SEAT SUPPORT 6018BH, 6020BH



**INDEX**

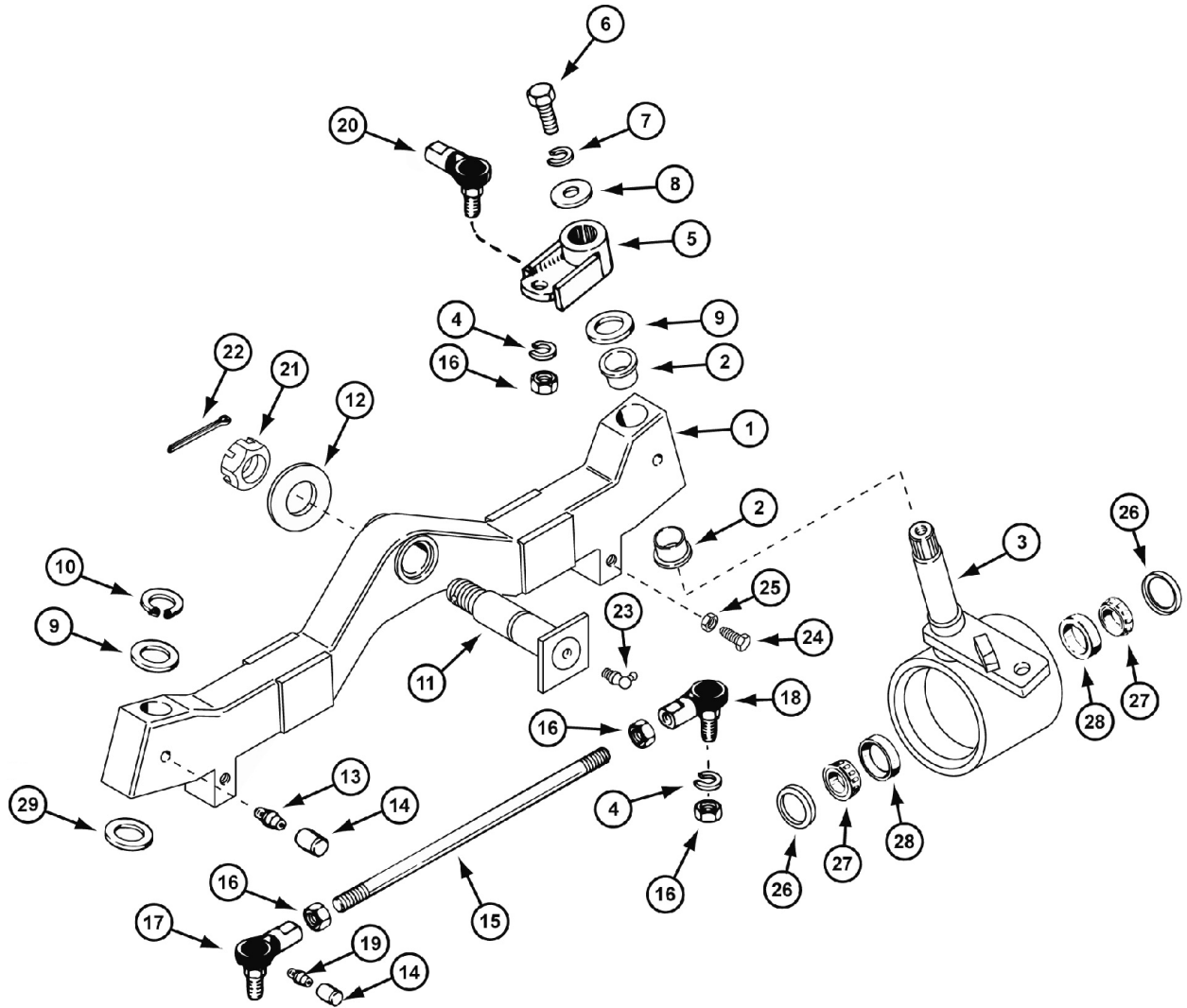
**SEAT, FENDERS AND TOOL TRAY**

REF.	PART NO.	DESCRIPTION	REQ'D
1	C47620	SUPPORT - seat, front .....	1
2	C26698	SUPPORT - seat, rear (7020) .....	1
2	C33054	SUPPORT - seat, rear (7020BH) .....	1
3	113-424	BOLT - 1/2" x 1" NC hex .....	4
4	195-521	WASHER - 5/16" .....	1
5	192-23	LOCKWASHER - 1/2" .....	4
6	C47623	TRAY - tool (7020) .....	1
7	C16429	PIN - seat hinge (7020) .....	1
8	C44982	SEAT .....	1
9	C15410	CUSHION - rubber (7020BH) .....	4
10	195-2175	WASHER - 5/16" x 1-1/4" O.D. ....	4
11	113-122	BOLT - 5/16" - 18 x 1-1/2" .....	4
12	C32417	EXTENSION - fender L.H. (shown) (use before PIN 17193801) .....	1
12	C47897	EXTENSION - fender L.H. (shown) (use PIN 17193801 and after) .....	1
12	C32418	EXTENSION - fender R.H. (use before PIN 17193801) .....	1
12	C47898	EXTENSION - fender R.H. (use PIN 17193801 and after) .....	1
13	121-106	BOLT - 5/16" x 1/2" NC hex flange .....	14
14	C37152	HINGE - seat (7020) .....	1
15	C10487	KNOB - shift lever .....	1
16	C32050	FENDER - L.H. (shown) (use before PIN 17193801) .....	1
16	C47899	FENDER - L.H. (shown) (use PIN 17193801 and after) .....	1
16	C32053	FENDER - R.H. (7020BH) (use before PIN 17193801) .....	1
16	C47900	FENDER - R.H. (7020BH) (use PIN 17193801 and after) .....	1
16	C47622	FENDER - R.H. (7020) (use before PIN 17193801) .....	1
16	C47901	FENDER - R.H. (7020) (use PIN 17193801 and after) .....	1
17	C47148	LEVER - shift .....	1
18	182-547	SCREW - 1/4" - 20 x 1/2" Phillips .....	10
19	C10482	SPRING - shift lever .....	1
20	C17066	WASHER - cupped .....	1
21	131-938	NUT - flange lock 3/8" NC hex .....	2
22	113-259	BOLT - 3/8" x 4-1/2" NC hex .....	1
23	C26092	PAD - step, fender (7020BH) .....	UAR
24	113-102	BOLT - 5/16" - 18 x 3/4" .....	5
25	131-911	NUT - 5/16" - 18 flange lock .....	11
26	131-934	NUT - 1/4" - 20 flange lock .....	10
27	C29305	CAP - spring (7020) .....	2
28	C29306	SPRING - seat (7020) .....	2
29	C32408	BRACKET - support .....	1
30	111-132	BOLT - 5/16" - 18 x 3/4" carriage .....	6
31	C32070	ROD - spring guide .....	1
32	132-320	PIN - cotter 3/32" x 3/4" .....	1
33	C32066	LEVER - latch .....	1
34	138-2071	PIN - spirol 3/16" x .94" .....	2
35	C21518	WASHER - 1/2" nylon .....	1
36	C32067	PIN - latch .....	1
37	C44068	PIN - spirol 1/4" x 1" .....	1
38	C24137	SPRING - compression .....	1
39	C32065	SPACER - sleeve .....	1
40	C13385	BUSHING - bearing .....	2
41	C32064	SPRING - compression .....	1
42	C46882	POST - seat .....	1
43	C26342	RING - retaining .....	1
44	C32161	PLATE - retainer .....	1
45	C37848	KIT - seat rails .....	1
46	C47165	GATE - range selector .....	1

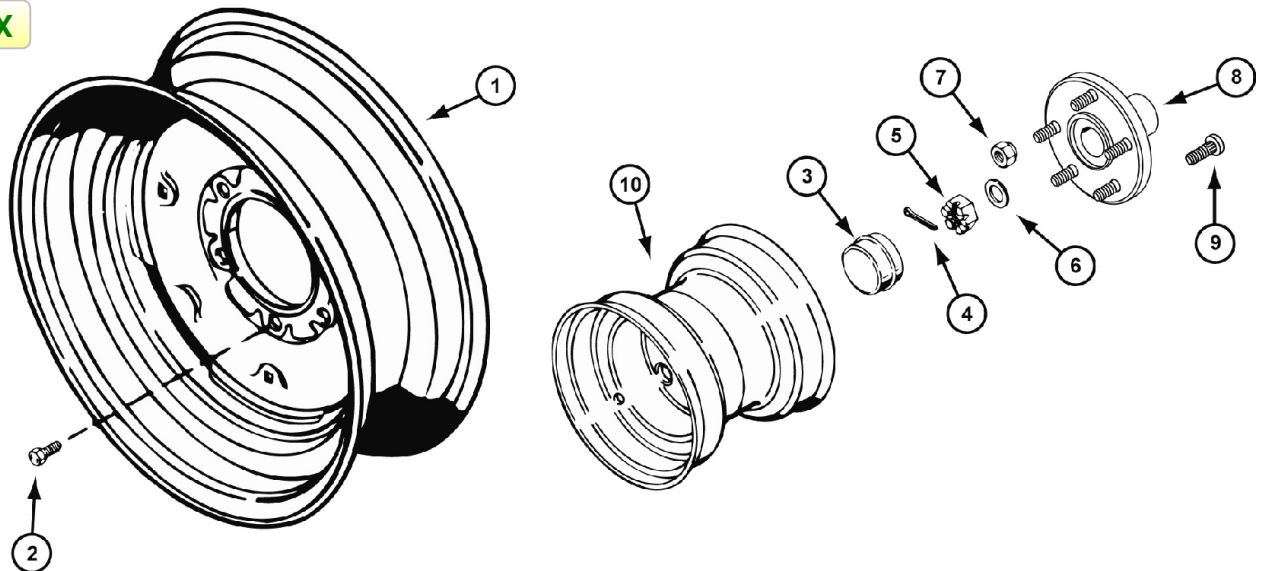


**INDEX**

**FRONT AXLE**



**INDEX**





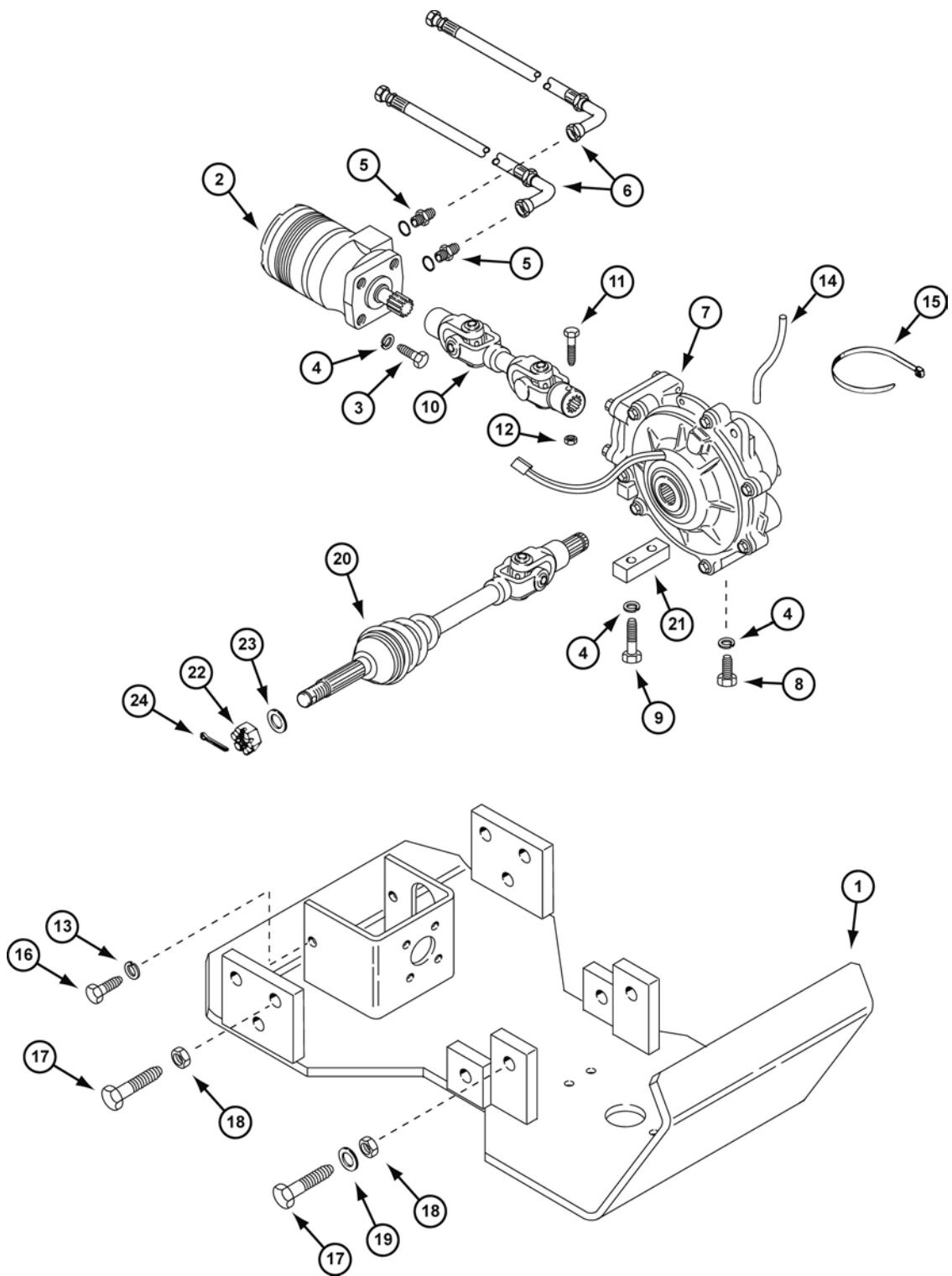
**INDEX****FRONT AXLE**

REF.	PART NO.	DESCRIPTION	REQ'D
1	C48027	AXLE - front .....	1
2	C48028	BUSHING - spindle .....	4
3	C48041	KING PIN AND BRNG - L.H. (shown) (includes items 27 an 28).....	1
3	C48034	KING PIN AND BRNG - R.H. (includes items 27 an 28) .....	1
4	192-25	LOCKWASHER - 5/8" .....	3
5	C30163	ARM - upper, spindle .....	1
6	113-417	BOLT - 1/2" x 1-1/4" NC hex .....	1
7	192-23	LOCKWASHER - 1/2" .....	1
8	195-536	WASHER - 9/16" .....	1
9	C17684	WASHER - thrust .....	2
10	C28248	RING - retaining .....	1
11	C47727	SHAFT - axle pivot .....	1
12	C29575	WASHER - 1" x 2" .....	1
13	219-20	FITTING - lubrication .....	2
14	C13106	COVER - lubrication fitting .....	2
15	C47703	TIE ROD .....	1
16	129-127	NUT - 5/8" N.F. hex .....	6
17	C46653	BALL JOINT - R.H. (includes lube fitting) .....	1
18	C46654	BALL JOINT - L. H. (includes lube fitting) .....	2
19	219-413	FITTING - lubrication .....	3
20	C47650	BALL JOINT .....	1
21	129-291	NUT - 1" - 14 slotted .....	1
22	132-306	PIN - cotter 3/16" x 1-3/4" .....	1
23	219-55	FITTING - lubrication 90o .....	1
24	113-417	BOLT - 1/2" - 13 x 1-1/4" .....	2
25	129-105	NUT - 1/2" - 13 .....	2
26	C47714	SEAL - bearing .....	4
	C47759	BEARING AND CUP ASSEMBLY .....	4
27	NSS	BEARING - 1.375" tapered .....	1
28	NSS	CUP - bearing .....	1
29	C48043	WASHER - Thrust.....	2

**INDEX****FRONT AND REAR WHEELS**

1	C47612	WHEEL - rim, rear 10 x 15 black .....	2
2	C27763	BOLT - rear wheel lug .....	12
3	C28317	CAP - dust .....	2
4	132-310	PIN - cotter 1/8" x 1" .....	2
5	25-1310	NUT - castle 5/8" - 16 NC hex .....	2
6	195-108	WASHER - retaining .....	2
7	C47961	NUT - wheel.....	5
8	C48032	HUB ASSEMBLY - front wheel .....	1
9	C47960	STUD - wheel .....	5
	NSS	HUB - wheel .....	1
10	C47639	WHEEL - rim, front .....	2

4WD COMPONENTS



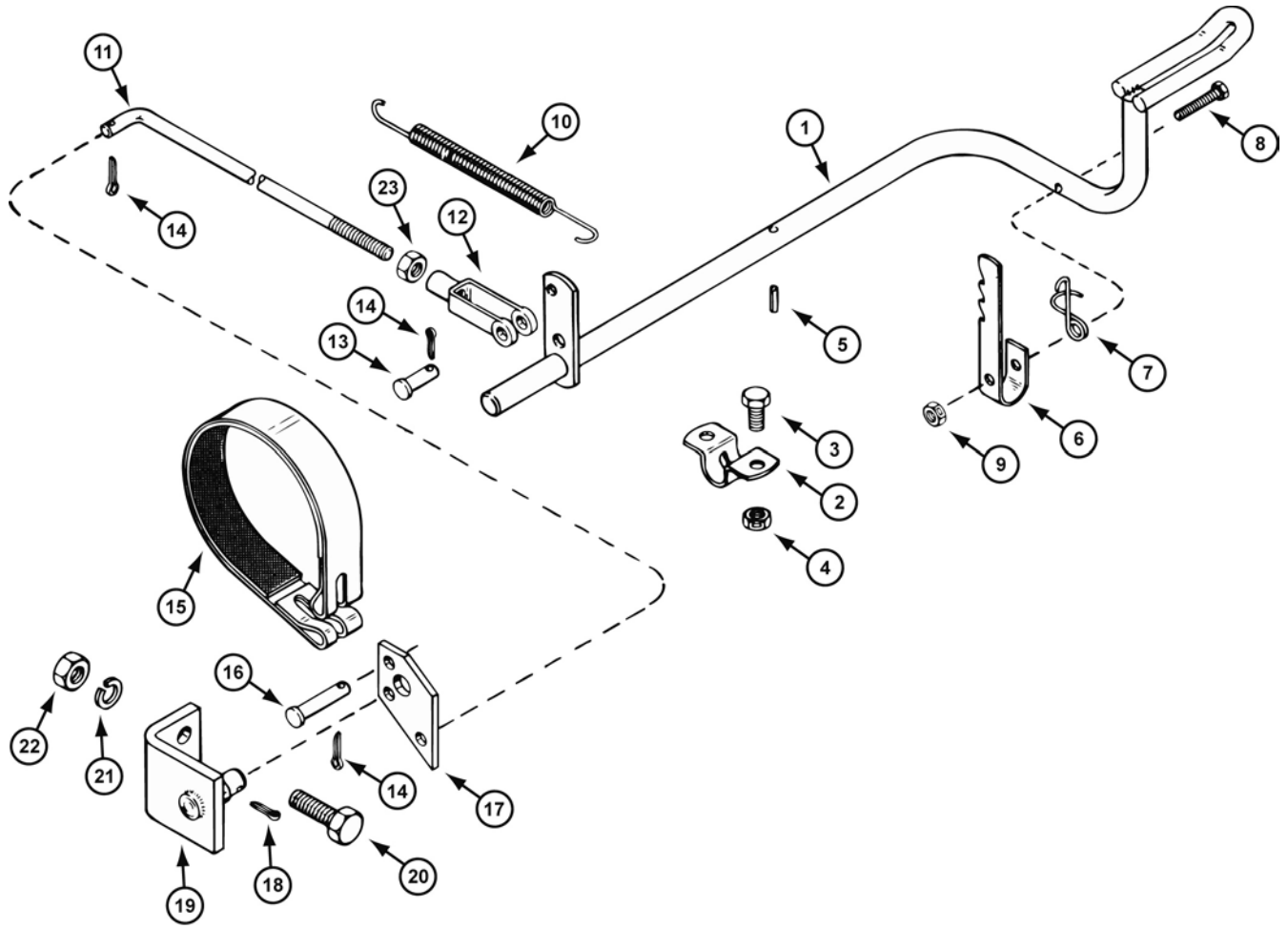
**INDEX**

**FWD COMPONENTS**

REF.	PART NO.	DESCRIPTION	REQ'D
1	C48023	PLATE - skid (7020) .....	1
1	C48024	PLATE - skid (7020BH) (shown) .....	1
2	C47661	MOTOR - hydraulic .....	1
	C48257	SEAL - Shaft .....	1
3	113-207	BOLT - 3/8" - 16 x 1" .....	4
4	192-21	LOCKWASHER - 3/8" .....	8
5	218-5062	FITTING - 5/8" tube x 7/8" - 14 (includes 218-5007 "O" ring) .....	2
6	C31966	HOSE - hydraulic 20" .....	2
7	C47572	DIFFERENTIAL - bi-directional .....	1
	C47959	GASKET - differential .....	1
8	113-207	BOLT - 3/8" - 16 x 1" (7020) .....	2
8	113-209	BOLT - 3/8" - 16 x 1-1/2" (7020BH) .....	2
9	113-219	BOLT - 3/8" - 16 x 2" (7020) .....	2
9	113-213	BOLT - 3/8" - 16 x 2-1/4" (7020BH) .....	2
10	C48026	SHAFT - differential drive .....	1
11	113-121	BOLT - 5/16" - 18 x 2" .....	1
12	131-176	NUT - 5/16" - 18 lock .....	1
13	192-23	LOCKWASHER - 1/2" (7020) .....	2
14	C24653	HOSE - vent .....	1
15	C22947	TIE - cable .....	1
16	113-424	BOLT - 1/2" - 13 x 1" (7020) .....	2
17	113-730	BOLT - 3/4" - 10 x 2-3/4" .....	UAR
18	131-C3	NUT - 3/4" - 10 .....	UAR
19	C14201	WASHER - spacer (.032") .....	UAR
19	C23301	WASHER - spacer (.105") .....	UAR
19	195-545	WASHER - spacer (.135") .....	UAR
20	C48031	SHAFT - wheel drive (also includes ref. 22, 23, 24) .....	2
	C47956	BOOT - drive shaft .....	1
	C47957	CLAMP - boot, 1" .....	1
	C47958	CLAMP - boot, 3.1" .....	1
21	C48025	SPACER - differential .....	1
22	25-2310	NUT - 5/8" - 16 slotted .....	2
23	195-108	WASHER - .69" x 1.75" x .135" .....	2
24	132-310	PIN - cotter 1/8" x 1" .....	2

INDEX

BRAKE ASSEMBLY

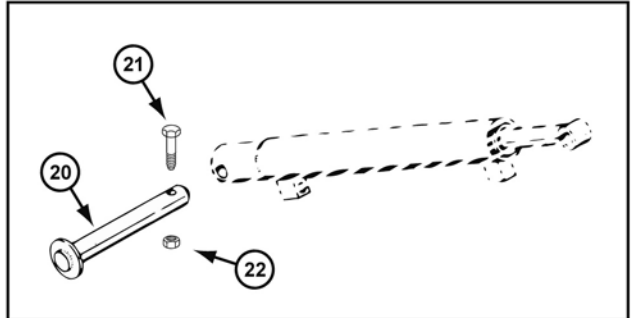
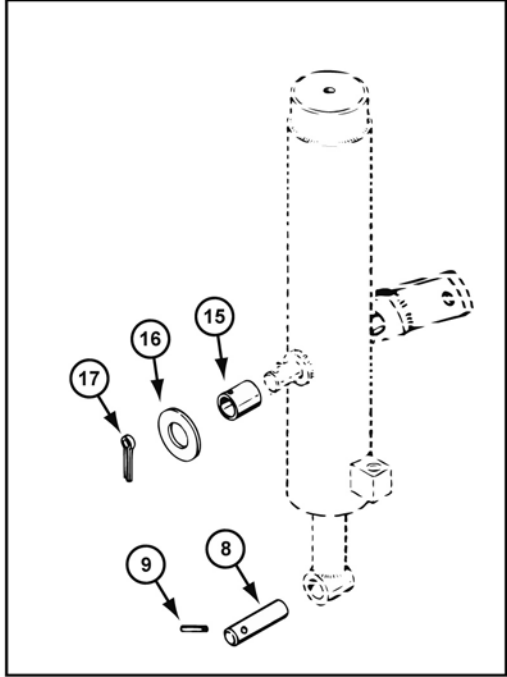
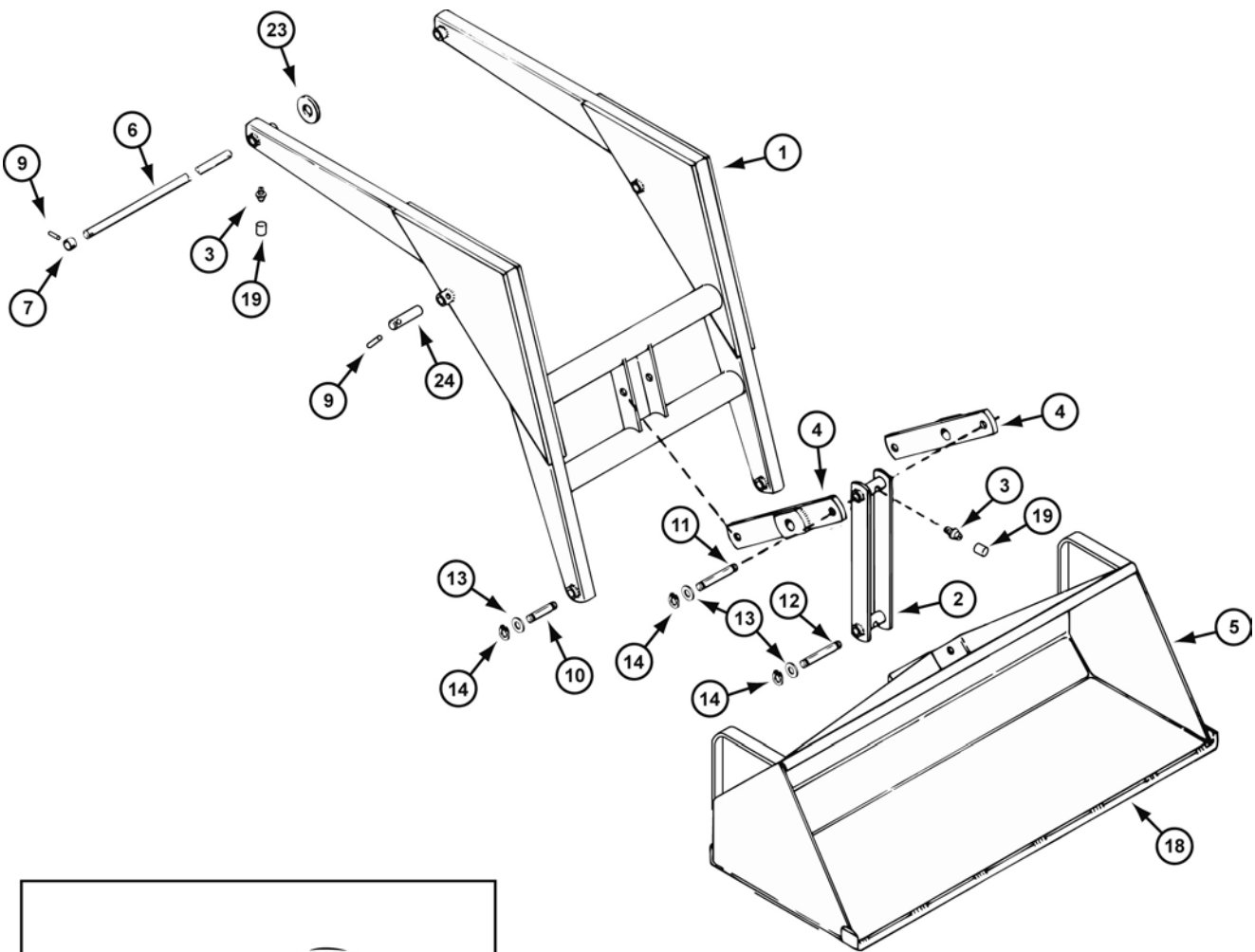


**INDEX**

**BRAKE ASSEMBLY**

REF.	PART NO.	DESCRIPTION	REQ'D
1	C26683	PEDAL - brake (shown) (use before PIN 17193801) .....	1
1	C47895	PEDAL - brake (use PIN 17193801 and after) .....	1
2	C18029	BRACKET - saddle .....	2
3	113-207	BOLT - 3/8" x 1" NC hex .....	4
4	131-938	NUT - lock 3/8" NC hex .....	4
5	138-92	PIN - roll 3/16" x 3/4" .....	1
6	C18105	LOCK - brake .....	1
7	C17541	SPRING - brake lock .....	1
8	113-5	BOLT - 1/4" x 1-1/2" NC hex .....	1
9	131-1102	NUT - lock 1/4" NC hex .....	1
10	C18278	SPRING - brake return .....	1
11	C31993	ROD - brake .....	1
12	C28978	CLEVIS .....	1
13	141-54	PIN - clevis .....	1
14	132-310	PIN - cotter 1/8" x 1" .....	4
15	C47142	BAND - brake .....	1
16	C13526	PIN - clevis .....	2
17	C18305	ARM - actuator .....	1
18	132-333	PIN - cotter 1/8" x 5/8" .....	1
19	C18306	BRACKET - pivot .....	1
20	113-426	BOLT - 1/2" x 2-3/4" NC hex .....	UAR
21	192-23	LOCKWASHER - 1/2" .....	2
22	129-105	NUT - 1/2" NC hex .....	2
23	129-163	NUT - 3/8" - 24 .....	1

BUCKET AND ARM ASSEMBLY

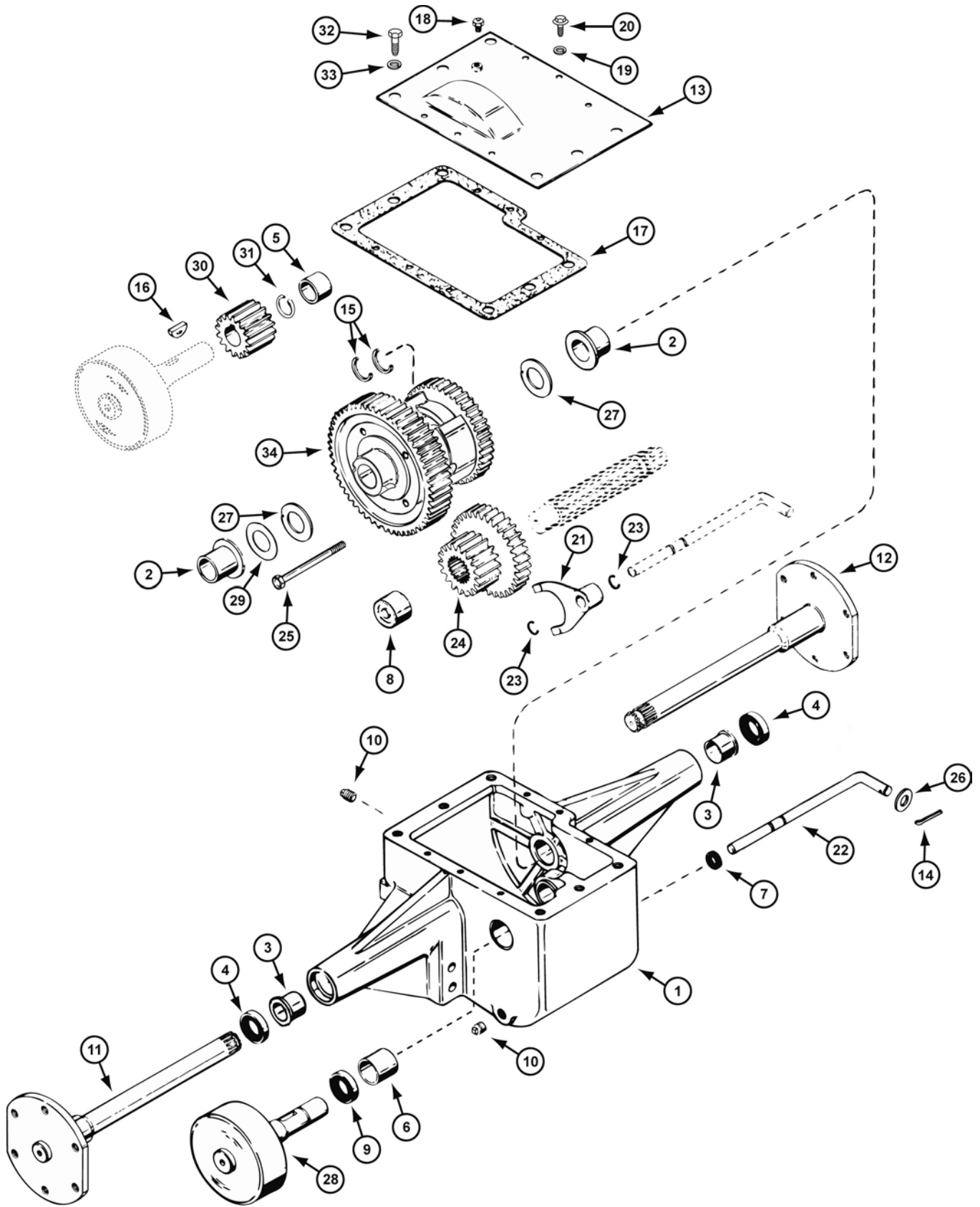


**INDEX**

**BUCKET AND ARM ASSEMBLY**

REF.	PART NO.	DESCRIPTION	REQ'D
1	C47602	ARM ASSEMBLY - bucket lift (7020) (shown) .....	1
1	C47627	ARM ASSEMBLY - bucket lift (7020BH) .....	1
2	C17322	ARM - bucket .....	1
3	219-20	FITTING - lube .....	4
4	C18249	LINK - bucket cylinder .....	2
5	C47076	BUCKET - loader 48" (7020BH).....	1
5	C33181	BUCKET - loader 48" (7020) (shown) .....	1
6	C17337	ROD - arm assembly mounting .....	1
7	C17987	COLLAR .....	2
8	C47200	PIN - cylinder mounting 3/4" x 3-1/2" .....	3
9	C44068	PIN - spiral 1/4" x 1" .....	5
10	C17334	PIN - bucket mounting, 3-5/16" (7020) .....	2
10	C47088	PIN - bucket mounting, 4" (7020BH) .....	2
11	C17335	PIN - 5" .....	2
12	C17336	PIN - 4-3/4" .....	1
13	195-545	WASHER - 13/32" .....	1
14	C28232	RING - retaining .....	1
15	C18145	BUSHING - oilite .....	2
16	195-533	WASHER - 1-1/16" .....	2
17	132-311	PIN - cotter 5/32" x 1-1/4" .....	2
18	C47077	EDGE - cutting 48" .....	1
19	C13106	COVER - lubrication fitting .....	4
20	C17714	PIN - cylinder mounting .....	2
21	113-122	BOLT - 5/16" - 18 x 1-1/2" .....	2
22	131-176	NUT - lock 5/16" hex .....	2
23	C12975	WASHER - .76" x 1.12" .....	1
24	C47199	PIN - lift arm 3/4" x 3" .....	2

TRANSMISSION AND FINAL DRIVE





**INDEX**

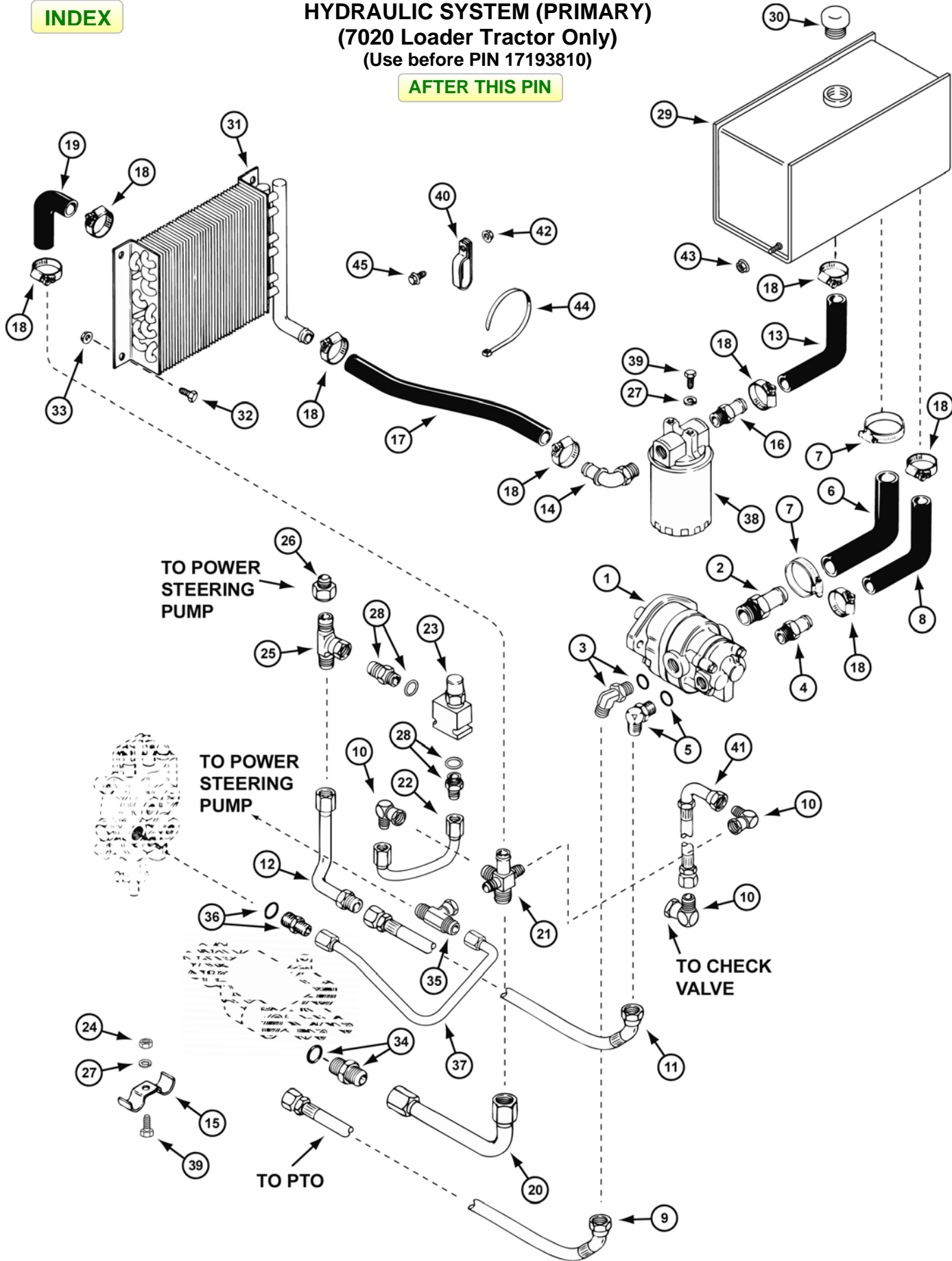
**TRANSMISSION AND FINAL DRIVE**

REF.	PART NO.	DESCRIPTION	REQ'D
	C26322	CASE ASSEMBLY .....	1
1	NSS	CASE - transmission (order assembly above) .....	1
2	C12713	BEARING - flanged .....	2
3	C26245	BEARING - flanged .....	2
4	C26246	SEAL - axle .....	2
5	C13241	BEARING - sleeve .....	1
6	C13385	BEARING - sleeve .....	1
7	C13266	SEAL - shift rod .....	1
8	C28281	BEARING - roller .....	1
9	C24803	SEAL - shaft .....	1
10	221-3	PLUG - filler and drain 3/8" square head .....	2
10	221-1842	PLUG - pipe 3/8" hex socket .....	1
11	C26249	SHAFT - axle, short R.H. ....	1
12	C26250	SHAFT - axle, long L.H. ....	1
13	C36935	COVER - transmission .....	1
14	132-310	PIN - cotter 1/8" x 1" .....	1
15	C26342	RING - retainer, axle .....	2
16	126-128	KEY - woodruff, brake idler .....	1
17	C13196	GASKET - transmission cover .....	1
18	C28241	BREATHER - transmission .....	1
19	192-19	LOCKWASHER - 1/4" .....	6
20	187-C2	SCREW - 1/4" - 20 x 1" tap .....	6
21	C47578	FORK - shift .....	1
22	C37222	ROD - gear shift .....	1
23	C14168	RING - retaining .....	2
24	C47670	GEAR - cluster input .....	1
25	C30031	KIT - bolt (set of four) .....	4
26	195-541	WASHER .....	1
27	C12718	WASHER - differential .....	2
28	C33305	BRAKE DRUM .....	1
29	C14223	WASHER - spacer .....	UAR
30	C46927	GEAR - brake idler .....	1
31	C14222	RING - retainer, brake idler .....	1
32	113-417	BOLT - 1/2" x 1-1/4" NC transaxle mounting .....	6
32	166-86	BOLT - 1/2" - 13 x 1-1/4", 12 pt. flange .....	1
33	192-23	LOCKWASHER - 1/2" .....	6
34	C46929	DIFFERENTIAL - (also includes item 25) .....	1

**INDEX**

**HYDRAULIC SYSTEM (PRIMARY)  
(7020 Loader Tractor Only)  
(Use before PIN 17193810)**

**AFTER THIS PIN**



**HYDRAULIC SYSTEM (PRIMARY)  
(7020 Loader Tractor Only)  
(Use before PIN 17193810)**

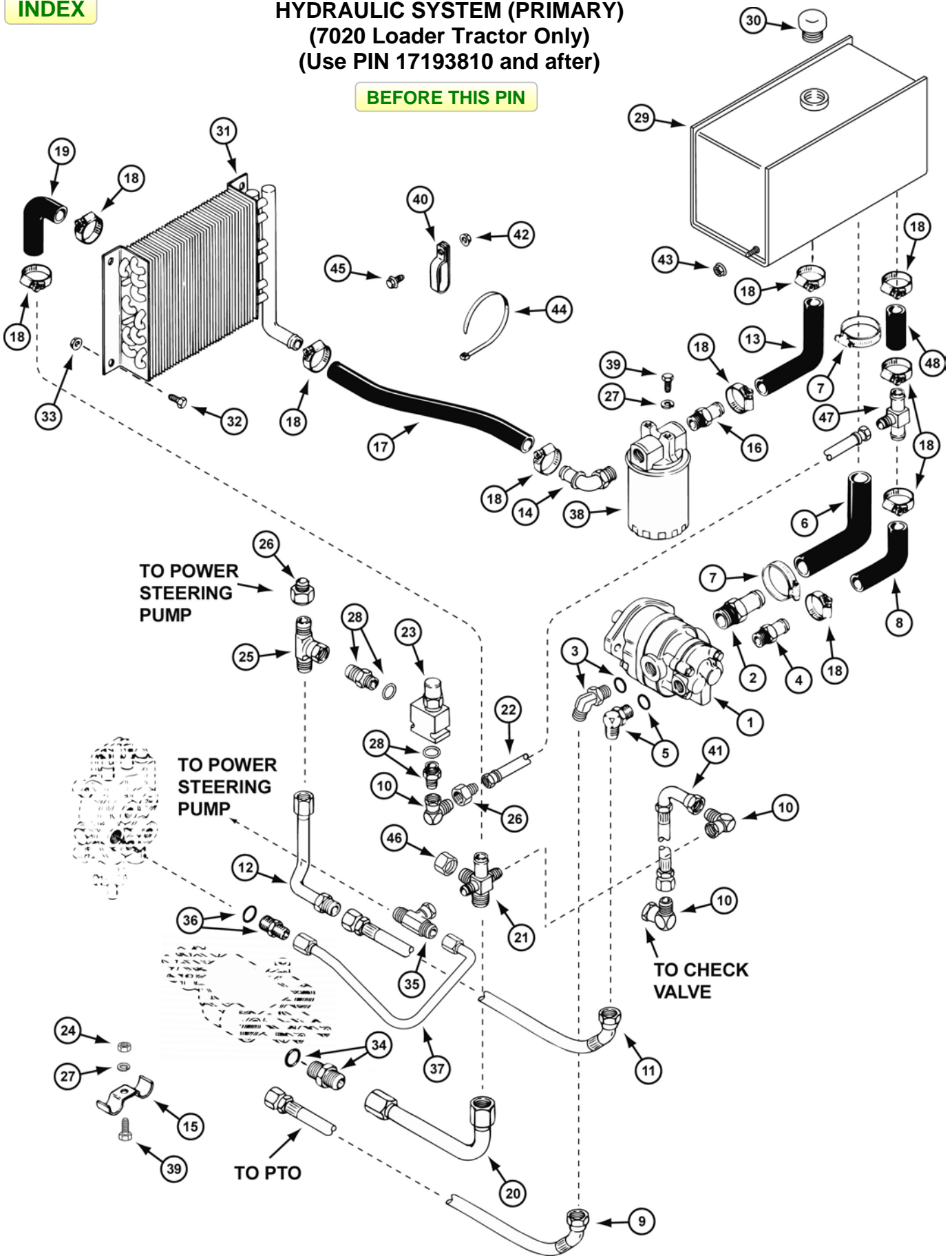
AFTER THIS PIN

REF.	PART NO.	DESCRIPTION	REQ'D
1	C32170	PUMP - hydraulic (repairs page 43) .....	1
2	217-179	FITTING - 1" hose x 1-5/16" - 12 (includes 218-5010 "O" ring) .....	1
3	218-5137	FITTING - 5/8" O.D. x 7/8" - 14, 45° adjustable (includes 218-5007 "O" ring) .....	1
4	217-398	FITTING - 3/4" hose x 7/8" - 14 (includes 218-5007 "O" ring) .....	1
5	218-5117	FITTING - 5/8" O.D. x 3/4" - 16, 90° adjustable (includes 218-5006 "O" ring) .....	1
6	C32107	HOSE - 1" I.D. 90° pump inlet .....	1
7	214-255	CLAMP - hose .....	2
8	C37230	HOSE - 3/4" I.D. pump inlet .....	1
9	C34186	HOSE - pump to PTO (also use C47785 hose before PIN 17193533) .....	1
10	218-5232	FITTING - 90° elbow 5/8" x 5/8" .....	3
11	C33394	HOSE - pump to relief valve .....	1
12	C32111	TUBE - pump to relief valve tee .....	1
13	C47069	HOSE - oil filter to oil tank .....	1
14	217-135	CONNECTOR - 90° 3/4" hose x 3/4" NPTF thread .....	1
15	C15389	CLAMP - tube .....	1
16	217-155	CONNECTOR - 3/4" hose x 3/4" NPTF thread .....	1
17	C33046	HOSE - 3/4" I.D. x 19" (cut to required length) .....	1
18	214-254	CLAMP - hose 1-1/4" .....	8
19	C32148	HOSE - 90° heat exchanger to manifold .....	1
20	C32114	TUBE - travel valve to manifold .....	1
21	C44892	MANIFOLD - return .....	1
22	C44885	TUBE - manifold to relief valve .....	1
23	C46649	VALVE - relief 1800 PSI.....	1
	C46650	CARTRIDGE - relief 1800 PSI .....	1
24	129-101	NUT - 1/4" - 20 .....	1
25	218-842	FITTING - tee swivel 5/8" tube x 7/8" - 14 .....	1
26	C33112	FITTING - tube reducer 5/8" to 3/8" tube .....	1
27	192-19	LOCKWASHER - 1/4" .....	3
28	C25245	FITTING - 5/8" tube x 3/4" - 14 (includes 218-5007 "O" ring) .....	2
29	C47058	RESERVOIR - oil .....	1
30	C46387	CAP - oil tank .....	1
31	C32047	EXCHANGER - heat .....	1
32	113-1	BOLT - 1/4" - 20 x 1/2" .....	4
33	131-934	NUT - 1/4" - 20 flange lock .....	4
34	218-5065	FITTING - 3/4" tube x 7/8" - 14 (includes 218-5006 "O" ring) .....	1
35	218-836	FITTING - 3/8" tube x 3/8" tee .....	1
36	218-5058	FITTING - 3/8" tube x 3/4" - 16 (includes 218-5006 "O" ring) .....	1
37	C46450	TUBE - bucket valve "out" to return manifold .....	1
38	C33038	FILTER ASSEMBLY .....	1
	C33039	FILTER - oil .....	1
39	113-3	BOLT - 1/4" - 20 x 3/4" .....	3
40	C32213	CLAMP - tube .....	1
41	C47210	HOSE - hydraulic .....	1
42	131-938	NUT - 3/8" - 16 x flange lock .....	UAR
43	131-934	NUT - 1/4" - 20 flange lock.....	UAR
44	C22947	TIE - nylon .....	2
45	113-207	BOLT - 3/8" - 16 x 1" .....	UAR

**INDEX**

**HYDRAULIC SYSTEM (PRIMARY)  
(7020 Loader Tractor Only)  
(Use PIN 17193810 and after)**

**BEFORE THIS PIN**



**HYDRAULIC SYSTEM (PRIMARY)**  
**(7020 Loader Tractor Only)**  
**(Use PIN 17193810 and after)**

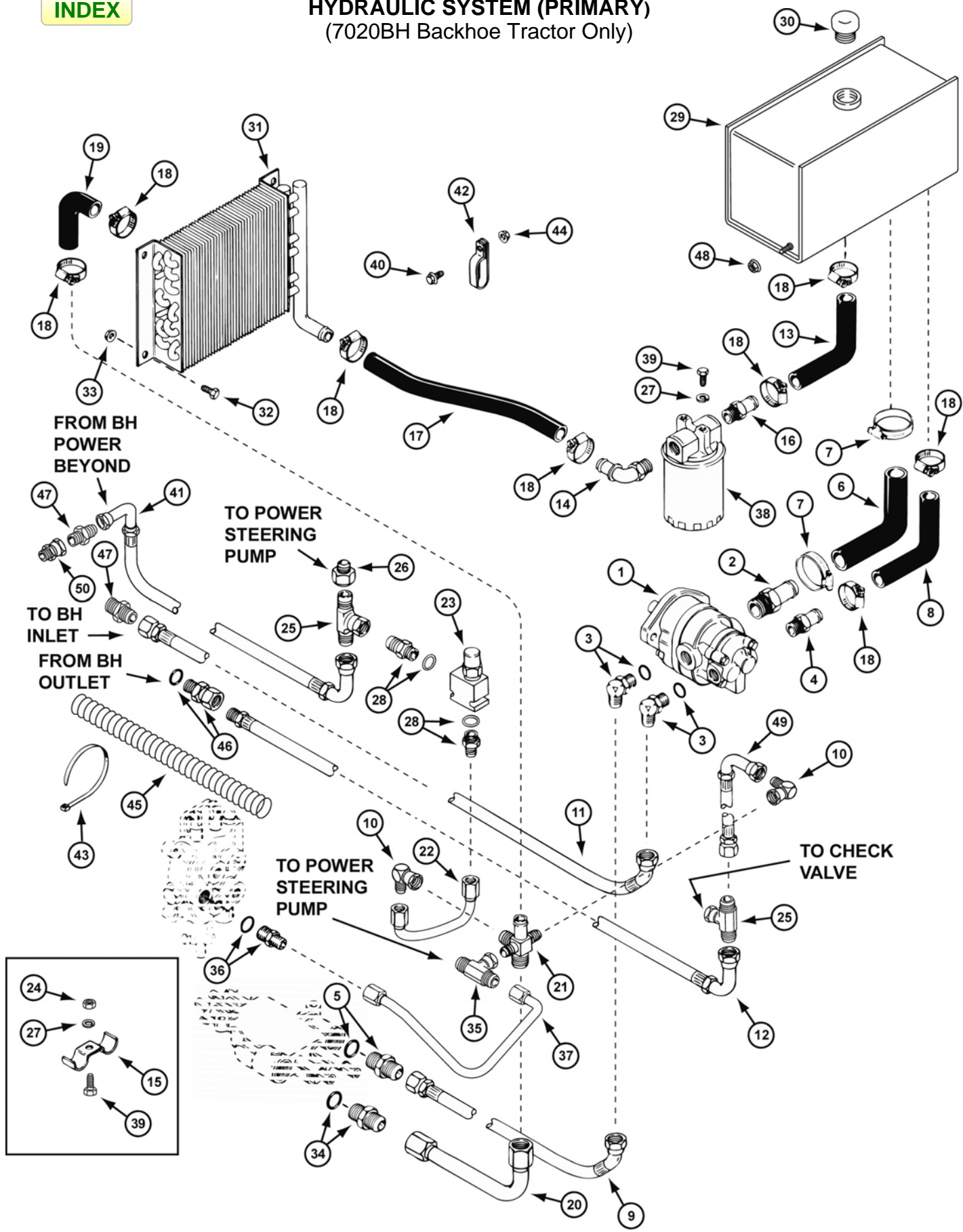
BEFORE THIS PIN

REF.	PART NO.	DESCRIPTION	REQ'D
1	C32170	PUMP - hydraulic (repairs page 43) .....	1
2	217-179	FITTING - 1" hose x 1-5/16" - 12 (includes 218-5010 "O" ring) .....	1
3	218-5137	FITTING - 5/8" O.D. x 7/8" - 14, 45° adjustable (includes 218-5007 "O" ring) .....	1
4	217-398	FITTING - 3/4" hose x 7/8" - 14 (includes 218-5007 "O" ring) .....	1
5	218-5117	FITTING - 5/8" O.D. x 3/4" - 16, 90° adjustable (includes 218-5006 "O" ring) .....	1
6	C32107	HOSE - 1" I.D. 90° pump inlet .....	1
7	214-255	CLAMP - hose .....	2
8	C47964	HOSE - 3/4" I.D. pump inlet .....	1
9	C34186	HOSE - pump to PTO (also use C47785 hose before PIN 17193533) .....	1
10	218-5232	FITTING - 90° elbow 5/8" x 5/8" .....	3
11	C33394	HOSE - pump to relief valve .....	1
12	C32111	TUBE - pump to relief valve tee .....	1
13	C47069	HOSE - oil filter to oil tank .....	1
14	217-135	CONNECTOR - 90° 3/4" hose x 3/4" NPTF thread .....	1
15	C15389	CLAMP - tube .....	1
16	217-155	CONNECTOR - 3/4" hose x 3/4" NPTF thread .....	1
17	C33046	HOSE - 3/4" I.D. x 19" (cut to required length) .....	1
18	214-254	CLAMP - hose 1-1/4" .....	8
19	C32148	HOSE - 90° heat exchanger to manifold .....	1
20	C32114	TUBE - travel valve to manifold .....	1
21	C44892	MANIFOLD - return .....	1
22	C47962	HOSE - 3/8" x 28.5" .....	1
23	C46649	VALVE - relief 1800 PSI.....	1
	C46650	CARTRIDGE - relief 1800 PSI .....	1
24	129-101	NUT - 1/4" - 20 .....	1
25	218-842	FITTING - tee swivel 5/8" tube x 7/8" - 14 .....	1
26	C33112	FITTING - tube reducer 5/8" to 3/8" tube .....	2
27	192-19	LOCKWASHER - 1/4" .....	3
28	C25245	FITTING - 5/8" tube x 3/4" - 14 (includes 218-5007 "O" ring) .....	2
29	C47058	RESERVOIR - oil .....	1
30	C46387	CAP - oil tank .....	1
31	C32047	EXCHANGER - heat .....	1
32	113-1	BOLT - 1/4" - 20 x 1/2" .....	4
33	131-934	NUT - 1/4" - 20 flange lock .....	4
34	218-5065	FITTING - 3/4" tube x 7/8" - 14 (includes 218-5006 "O" ring) .....	1
35	218-836	FITTING - 3/8" tube x 3/8" tee .....	1
36	218-5058	FITTING - 3/8" tube x 3/4" - 16 (includes 218-5006 "O" ring) .....	1
37	C46450	TUBE - bucket valve "out" to return manifold .....	1
38	C33038	FILTER ASSEMBLY .....	1
	C33039	FILTER - oil .....	1
39	113-3	BOLT - 1/4" - 20 x 3/4" .....	3
40	C32213	CLAMP - tube .....	1
41	C47210	HOSE - hydraulic .....	1
42	131-938	NUT - 3/8" - 16 x flange lock .....	UAR
43	131-934	NUT - 1/4" - 20 flange lock.....	UAR
44	C22947	TIE - nylon .....	UAR
45	113-207	BOLT - 3/8" - 16 x 1" .....	UAR
46	218-756	CAP - 5/8" x 7/8" - 14 .....	1
47	C33204	FITTING - tee, 3/4" tube x 9/16" - 18 .....	1
48	NSS	HOSE -3/4" ID x 2-1/2" (cut from C47964) .....	1



**INDEX**

**HYDRAULIC SYSTEM (PRIMARY)**  
(7020BH Backhoe Tractor Only)

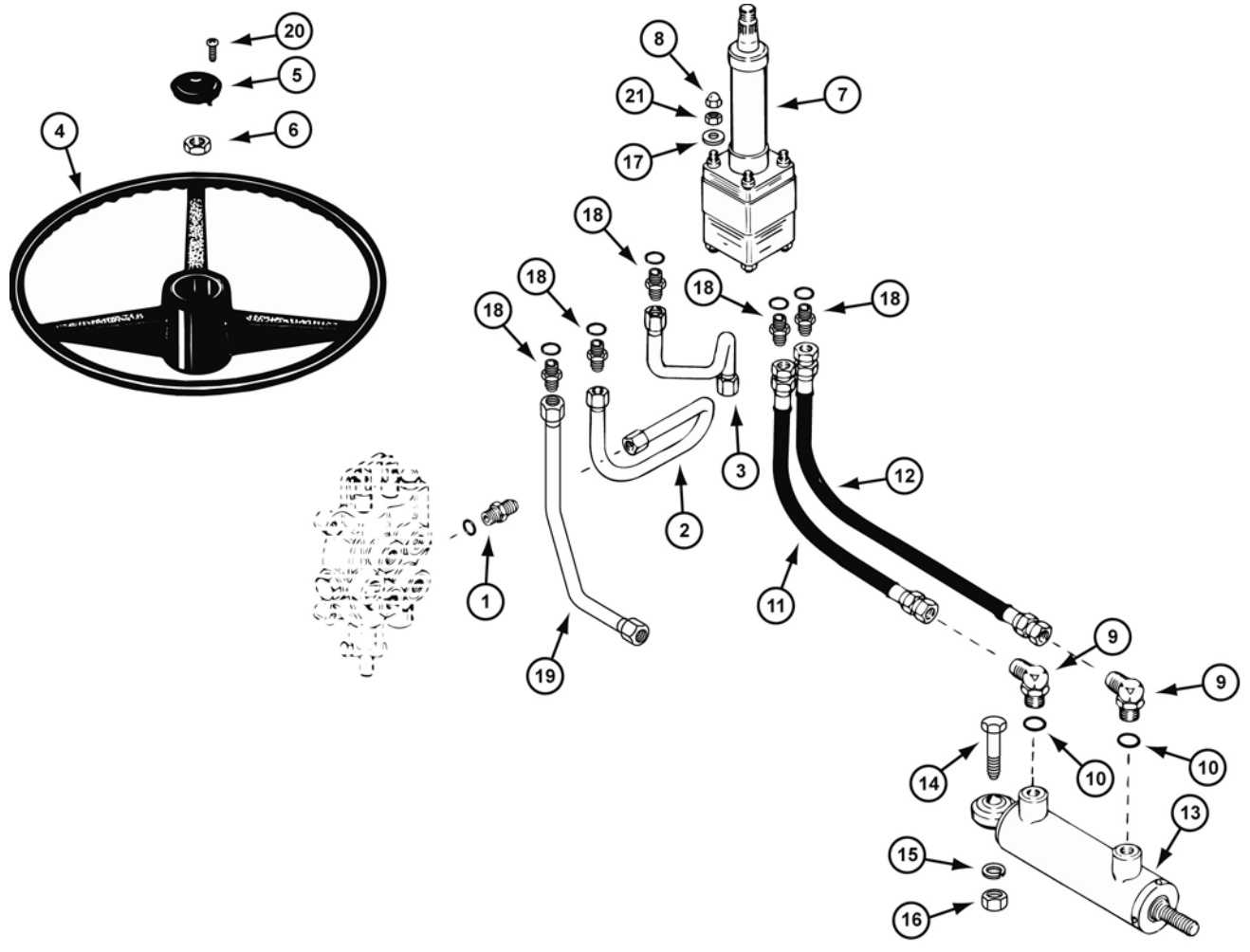


**HYDRAULIC SYSTEM (PRIMARY)  
(7020BH Backhoe Tractor Only)**

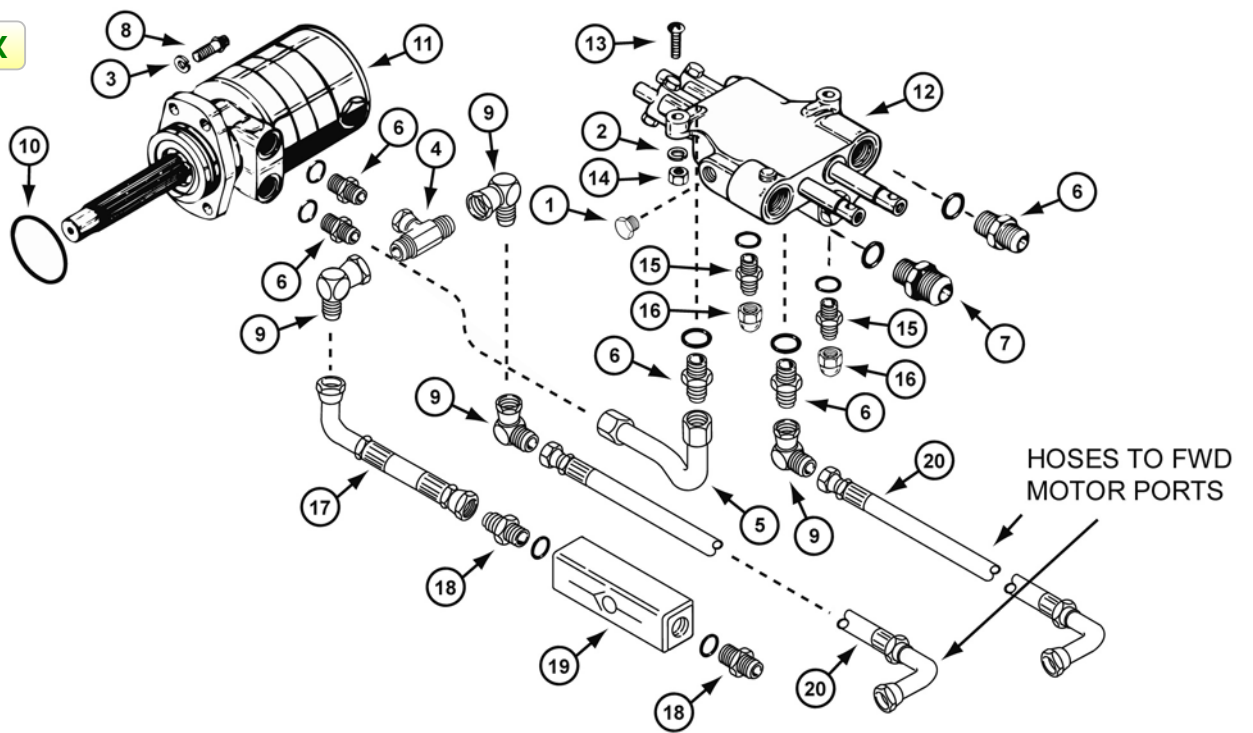
REF.	PART NO.	DESCRIPTION	REQ'D
1	C46971	PUMP - hydraulic (repairs page 43)	1
2	217-179	FITTING - 1" hose x 1-5/16" - 12 (includes 218-5010 "O" ring)	1
3	218-5107	FITTING - 5/8" O.D. x 7/8" - 14, 90° adjustable (includes 218-5007 "O" ring)	2
4	217-393	FITTING - 3/4" hose x 1-5/16"	1
5	218-5062	FITTING - 5/8" tube x 7/8" - 14 (includes 218-5007 "O" ring)	1
6	C32107	HOSE - 1" I.D. 90° pump inlet	1
7	214-255	CLAMP - hose	2
8	C37230	HOSE - 3/4" I.D. pump inlet, 90°	1
9	C34186	HOSE - pump to travel valve	1
10	218-5232	FITTING - 90° elbow 5/8" x 5/8" tube	2
11	C34187	HOSE - pump to backhoe inlet	1
12	C44893	HOSE - backhoe outlet	1
13	C47069	HOSE - oil filter to oil tank	1
14	217-135	CONNECTOR - 90° 3/4" hose x 3/4" NPTF thread	1
15	C15389	CLAMP - tube	1
16	217-155	CONNECTOR - 3/4" hose x 3/4" NPTF thread	1
17	C33046	HOSE - 3/4" I.D. x 19" (cut to required length)	1
18	214-254	CLAMP - hose 1-1/4"	8
19	C32148	HOSE - 90° heat exchanger to manifold	1
20	C32114	TUBE - travel valve to manifold	1
21	C44892	MANIFOLD - return	1
22	C44885	TUBE - manifold to relief valve	1
23	C46649	VALVE - relief 1800 PSI	1
	C46650	CARTRIDGE - relief 1800 PSI	1
24	129-101	NUT - 1/4" - 20	1
25	218-842	FITTING - tee swivel 5/8" tube x 5/8" tube	2
26	C33112	FITTING - tube reducer 5/8" to 3/8" tube x 9/16"	1
27	192-19	LOCKWASHER - 1/4"	2
28	C25245	FITTING - 5/8" tube x 3/4" - 14 (includes 218-5007 "O" ring)	2
29	C47058	RESERVOIR - oil	1
30	C46387	CAP - oil tank	1
31	C32047	EXCHANGER - heat	1
32	113-1	BOLT - 1/4" - 20 x 1/2"	4
33	131-934	NUT - 1/4" - 20 flange lock	4
34	218-5065	FITTING - 3/4" tube x 7/8" - 14 (includes 218-5007 "O" ring)	1
35	218-836	FITTING - 3/8" tube x 3/8" tee	1
36	218-5058	FITTING - 3/8" tube x 3/4" - 16 (includes 218-5006 "O" ring)	1
37	C46450	TUBE - bucket valve "out" to return manifold	1
38	C33038	FILTER ASSEMBLY	1
	C33039	FILTER - oil	1
39	113-3	BOLT - 1/4" - 20 x 3/4"	3
40	121-21	BOLT - 1/4" - 20 x 1/2" flange lock	1
40	113-207	BOLT - 3/8" - 16 x 1"	1
41	C46976	HOSE - backhoe power beyond to relief valve	1
42	C32213	CLAMP - tube	1
43	C22947	TIE - nylon	UAR
44	131-938	NUT - 3/8" - 16 flange lock	1
45	C47099	SLEEVE - protective 29"	2
45	C47100	SLEEVE - protective 32"	1
46	218-5254	FITTING - 3/4" - 16 x 1/2" female swivel NPSM (Includes 218-5007 "O" ring)	1
47	C25245	FITTING - 5/8" tube x 3/4" - 16	2
48	131-934	NUT - 1/4" - 20 flange lock	1
49	C47210	HOSE - hydraulic	1
50	C47927	FITTING - power beyond in backhoe	1

**INDEX**

**HYDRAULIC STEERING AND DRIVE SYSTEM**



**INDEX**





**INDEX****HYDRAULIC POWER STEERING SYSTEM**

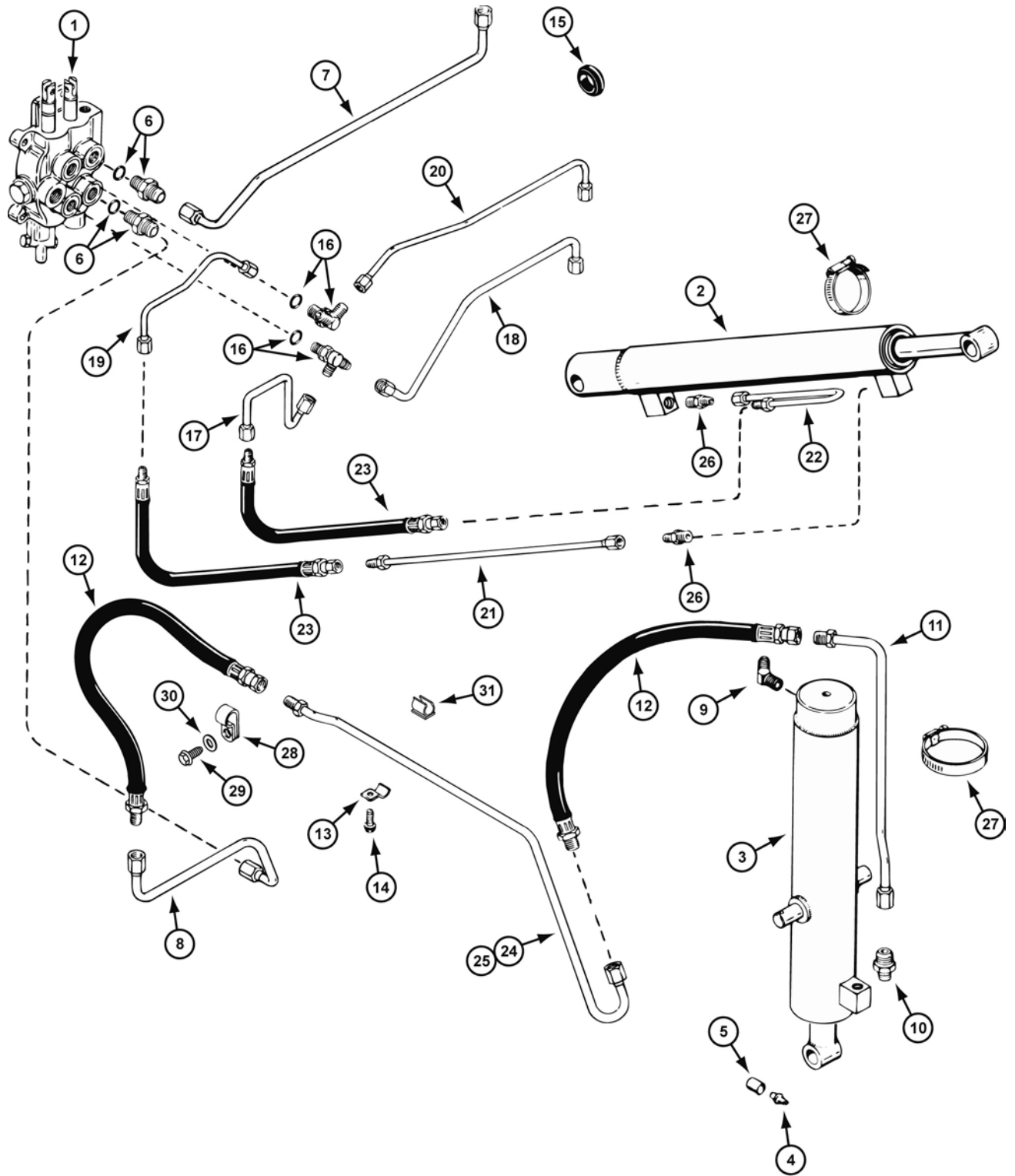
REF.	PART NO.	DESCRIPTION	REQ'D
1	218-5058	FITTING - 3/8" tube x 3/4" - 16 straight (includes "O" ring) .....	1
2	C46524	TUBE - steering to loader valve (in) .....	1
3	C46525	TUBE - steering (in) to relief valve tee .....	1
4	C47106	WHEEL - steering .....	1
5	C47107	CAP - steering wheel .....	1
6	129-127	NUT - 5/8" - 18 .....	1
7	C46447	PUMP - steering, five port (repairs page 51) .....	1
8	C27991	NUT - 5/16" - 24 acorn, black .....	4
9	218-5105	FITTING - 90° elbow, adjustable 3/8" tube x 9/18" - 18 .....	2
10	218-5005	"O" ring .....	1
11	C32399	HOSE - steering pump (L.T.) to cylinder, 25" .....	1
12	C32125	HOSE - steering pump (R.T.) to cylinder, 31" .....	1
13	C32027	CYLINDER - steering .....	1
	C26443	KIT - gasket .....	1
14	113-601	BOLT - 5/8" - 11 x 3" .....	1
15	192-25	LOCKWASHER - 5/8" .....	1
16	129-107	NUT - 5/8" - 11 .....	1
17	195-C2	WASHER .....	4
18	218-5057	FITTING - 3/8" tube x 9/16" - 18 (includes 218-5005 "O" ring) .....	5
19	C46523	TUBE - steering (out) to return tee .....	1
20	C42592	SCREW - #7 - 19 x 3/4" .....	UAR
21	129-122	NUT - 5/16" - 24 .....	1

**INDEX****HYDRAULIC DRIVE SYSTEM**

1	218-5154	PLUG - 1/2" - 20 .....	UAR
2	192-21	LOCKWASHER - 3/8" .....	2
3	192-23	LOCKWASHER - 1/2" .....	4
4	218-842	FITTING - 5/8" tube x 5/8" tube x 5/8" swivel tee .....	1
5	C45914	TUBE - travel valve to motor (lower port) .....	1
6	218-5062	FITTING - 5/8" tube x 7/8" - 14 (includes 218-5007 "O" ring) .....	4
7	218-5065	FITTING - 3/4" x 7/8" - 14 (includes 218-5007 "O" ring) .....	1
8	166-86	BOLT - 1/2" - 13 x 1-1/4" .....	4
9	218-5232	FITTING - 90° elbow 5/8" tube x 5/8" tube .....	1
10	C28949	SEAL - motor to case .....	1
11	C46957	MOTOR - hydraulic (repairs page 49) .....	1
12	C45909	VALVE - travel control (7020) (repairs page 45) .....	1
12	C46972	VALVE - travel control (7020BH) (repairs page 45) .....	1
13	C27764	SCREW - 5/16" - 18 x 1-1/4" .....	2
14	129-102	NUT - 5/16" - 18 .....	2
15	218-5056	FITTING - 5/16" tube x 1/2" - 20 (7020) .....	2
16	218-513	CAP - fitting .....	UAR
17	C47210	HOSE - hydraulic 1/2" x 7-1/2" .....	1
18	C25245	FITTING - 5/8" tube x 3/4" - 16 (includes 218-5007 "O" ring) .....	2
19	C47789	VALVE - check .....	1
20	C31966	HOSE - 1/2" x 20" (to FWD motor) .....	2

**INDEX**

**HYDRAULIC SYSTEM (BUCKET CONTROL)**

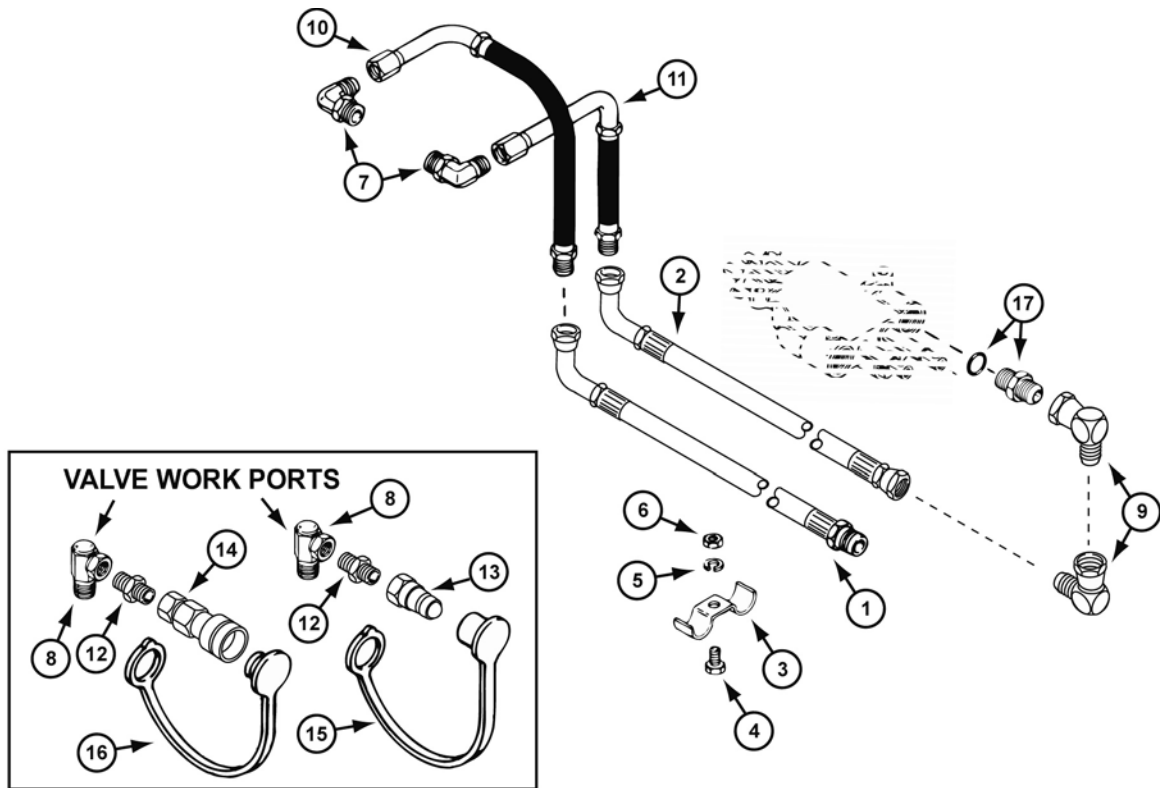


**INDEX**

**HYDRAULIC SYSTEM (BUCKET CONTROL)**

REF.	PART NO.	DESCRIPTION	REQ'D
1	C18179	VALVE - bucket control (repairs page 47) .....	1
2	C26433	CYLINDER - lift arm (repairs page 53) .....	2
3	C26432	CYLINDER - bucket (repairs page 53) .....	1
4	219-17	FITTING - lubrication, straight .....	5
5	C13106	COVER - lubrication fitting .....	5
6	218-5057	FITTING - hydraulic (includes 218-5005 "O" ring) .....	2
7	C25162	TUBE - bucket valve to L.H. tower .....	1
8	C25161	TUBE - bucket valve to R.H. tower .....	1
9	218-533	FITTING - 45° .....	1
10	218-443	FITTING - hydraulic .....	1
11	C26439	TUBE - bucket cylinder .....	1
12	720-303	HOSE - bucket cylinder .....	4
13	C25164	CLIP - tube mounting .....	4
14	187-1036	SCREW - 1/4" - 20 x 1/2" tapping .....	4
15	C25165	GROMMET - tower .....	2
16	C25167	FITTING - special 90° (includes 218-5005 "O" ring) .....	2
17	C26032	TUBE - bucket valve to R.H. tower .....	1
18	C32121	TUBE - bucket valve to L.H. tower .....	1
19	C25160	TUBE - bucket valve to R.H. tower .....	1
20	C25158	TUBE - bucket valve to L.H. tower .....	1
21	C25153	TUBE - lift cylinder, rod end .....	1
22	C26435	TUBE - lift cylinder, piston end .....	2
23	720-301	HOSE - lift cylinder .....	4
24	C47736	TUBE - bucket cylinder R.H. ....	1
25	C47737	TUBE - bucket cylinder L.H. ....	1
26	218-1022	FITTING - hydraulic .....	4
27	214-262	CLAMP - 2-5/16" to 3-1/4" .....	3
28	C33218	CLIP - hose .....	2
29	C34808	SCREW - 1/4" - 20 x 3/4" self tap, flange head .....	2
30	195-518	WASHER - 1/4" .....	2
31	C47996	CLIP - snap-in .....	1

**PTO HYDRAULIC LINES (7020 Loader Tractor)**



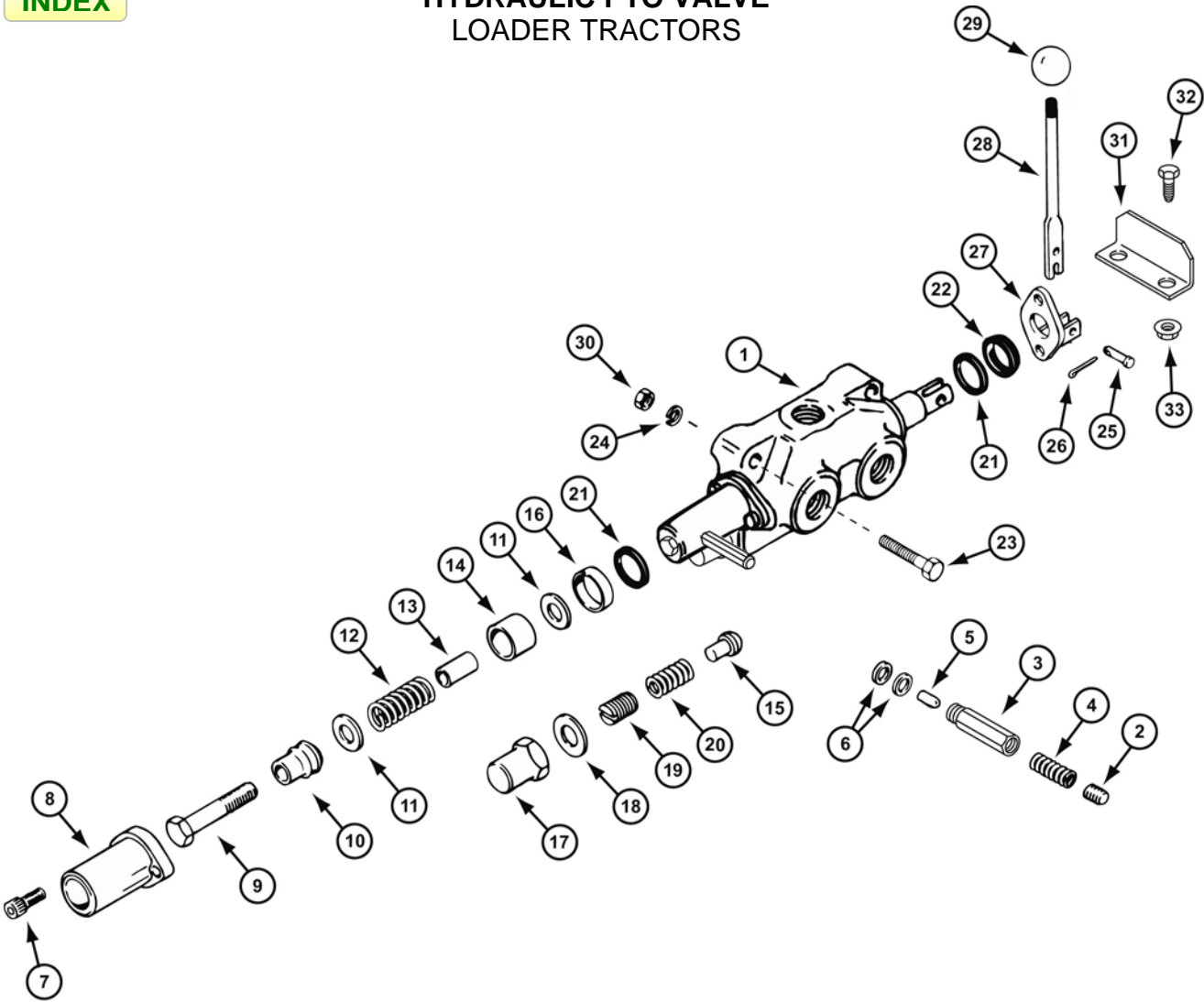
**INDEX**

**PTO HYDRAULIC LINES  
(7020 Loader Tractor)**

REF.	PART NO.	DESCRIPTION	REQ'D
1	C47785	HOSE - pump to PTO (rear) (also use C34186 hose before PIN 17193533) .....	1
2	C47793	HOSE - travel valve to PTO .....	1
3	C15389	CLAMP - tube .....	1
4	113-3	BOLT - 1/4" - 20 x 3/4" .....	1
5	192-19	LOCKWASHER - 1/4" .....	1
6	129-101	NUT - 1/4" - 20 .....	1
7	218-5107	FITTING - 90° adjustable elbow (PTO inlet & outlet) .....	2
8	218-5201	FITTING - 90° swivel 7/8" - 14 (PTO work ports) .....	2
9	218-5232	FITTING - 5/8" x 5/8" tube.....	2
10	C32149	HOSE - PTO valve (inlet) .....	1
11	C47886	HOSE - PTO valve (outlet) .....	1
12	C46934	FITTING - pipe nipple 1/2" .....	2
13	C37187	NIPPLE - quick disconnect (male) .....	1
14	C37188	CONNECTOR - quick disconnect (female) .....	1
15	C40641	CAP - dust .....	1
16	C40642	PLUG - dust .....	1
17	218-5062	FITTING - 5/8" tube x 7/8" - 14 .....	1

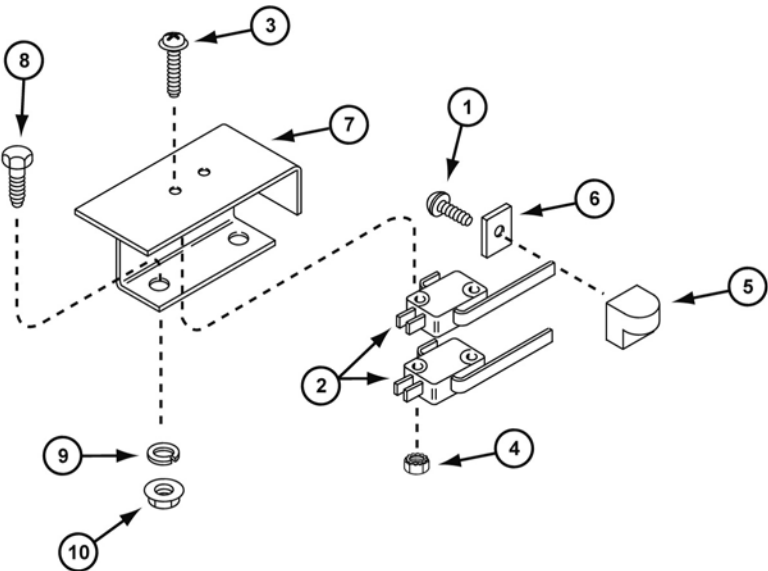
**INDEX**

**HYDRAULIC PTO VALVE  
LOADER TRACTORS**



**INDEX**

**PTO INTER-LOCK SWITCH ASSEMBLY**



**INDEX****PTO HYDRAULIC VALVE (7020 Loader Tractor)**

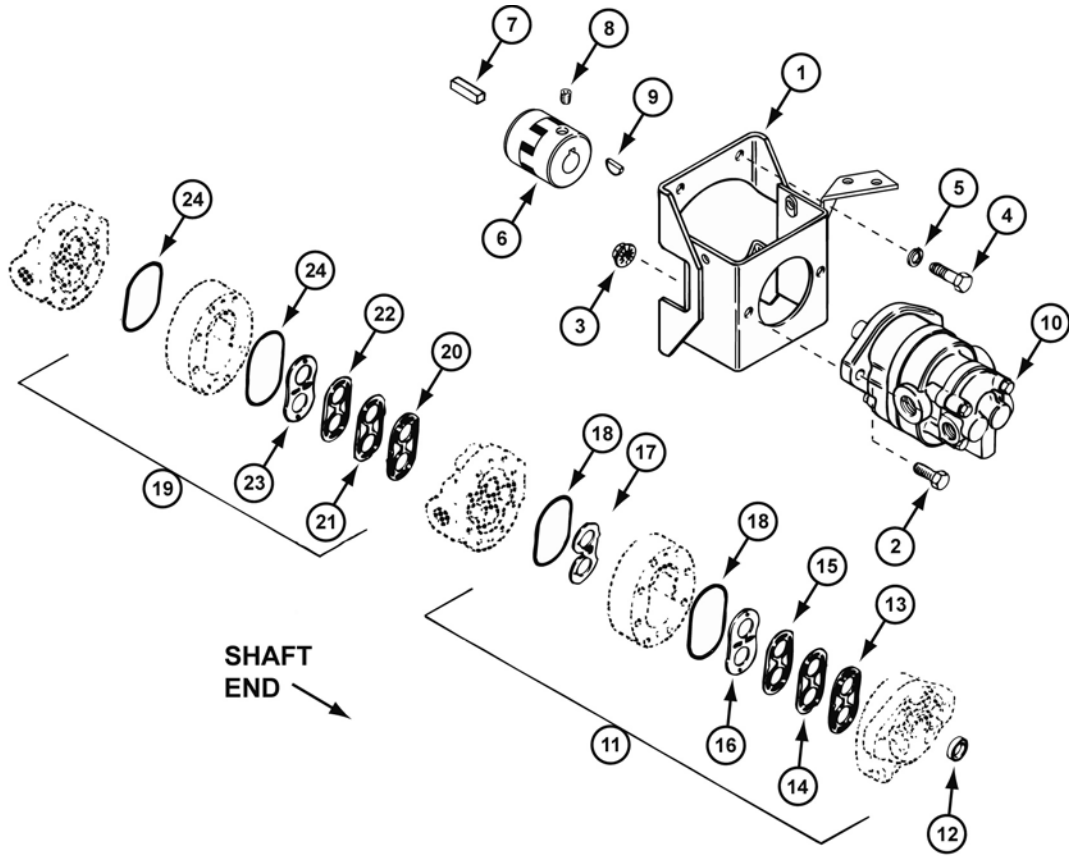
REF.	PART NO.	DESCRIPTION	REQ'D
1	C33426	VALVE - hydraulic (2100 PSI Relief) .....	1
2	83-56	SCREW - set 5/16" - 18 .....	1
3	C26719	HOUSING - detent plunger .....	1
4	C26718	SPRING - detent plunger .....	1
5	C26717	PLUNGER - detent .....	1
6	C26716	WASHER - aluminum, seal .....	UAR
7	165-143	SCREW - socket head 1/4" - 20 x 3/4" .....	4
8	C26715	BONNET - end cap .....	1
9	113-110	BOLT - 5/16" - 18 x 2-1/4" .....	1
10	C26714	SLEEVE - detent .....	1
11	195-526	WASHER .....	1
12	C26721	SPRING - centering .....	1
13	C26720	SPACER - detent .....	1
14	C26713	SPACER - spool .....	1
15	C26708	POPPET - relief .....	1
16	C26722	SPACER - end cap .....	1
17	C26712	NUT - cap, relief .....	1
18	C26710	WASHER - aluminum, seal .....	1
19	C26711	SCREW - adjustment, relief .....	1
20	C26709	SPRING - relief .....	1
21	C26707	RING - quad .....	2
22	C26706	WIPER - spool .....	1
23	113-5	BOLT - 1/4" - 20 x 1-1/2" .....	3
24	192-19	LOCKWASHER - 1/4" .....	3
25	C28964	PIN - clevis 3/16" .....	1
26	132-329	PIN - cotter .....	1
27	C32156	BRACKET - handle .....	1
28	C32155	HANDLE - valve .....	1
29	C32154	KNOB - handle .....	1
30	129-101	NUT - 1/4" .....	3
31	C47233	BRACKET - valve stop .....	1
32	113-118	BOLT - 5/16" - 18 x 5/8" .....	2
33	131-C2	NUT - 5/16" - 18 flange lock .....	2

**INDEX****PTO INTER-LOCK SWITCH ASSEMBLY (7020 Loader Tractor)**

1	187-1328	SCREW - #8 - 18 x 3/8" self tap .....	1
2	C30275	SWITCH - neutral inter-lock .....	2
3	C33696	SCREW - #4 - 40 x 1-1/8" .....	2
4	C33697	NUT - #4 - 40 .....	2
5	C37198	CAM - switch .....	1
6	C44029	RETAINER - switch lever .....	1
7	C47307	BRACKET - switch mount .....	1
8	113-2	BOLT - 1/4" - 20 x 5/8" .....	2
9	192-19	LOCKWASHER - 1/4" .....	2
10	131-934	NUT - 1/4" - 20 flange lock .....	2

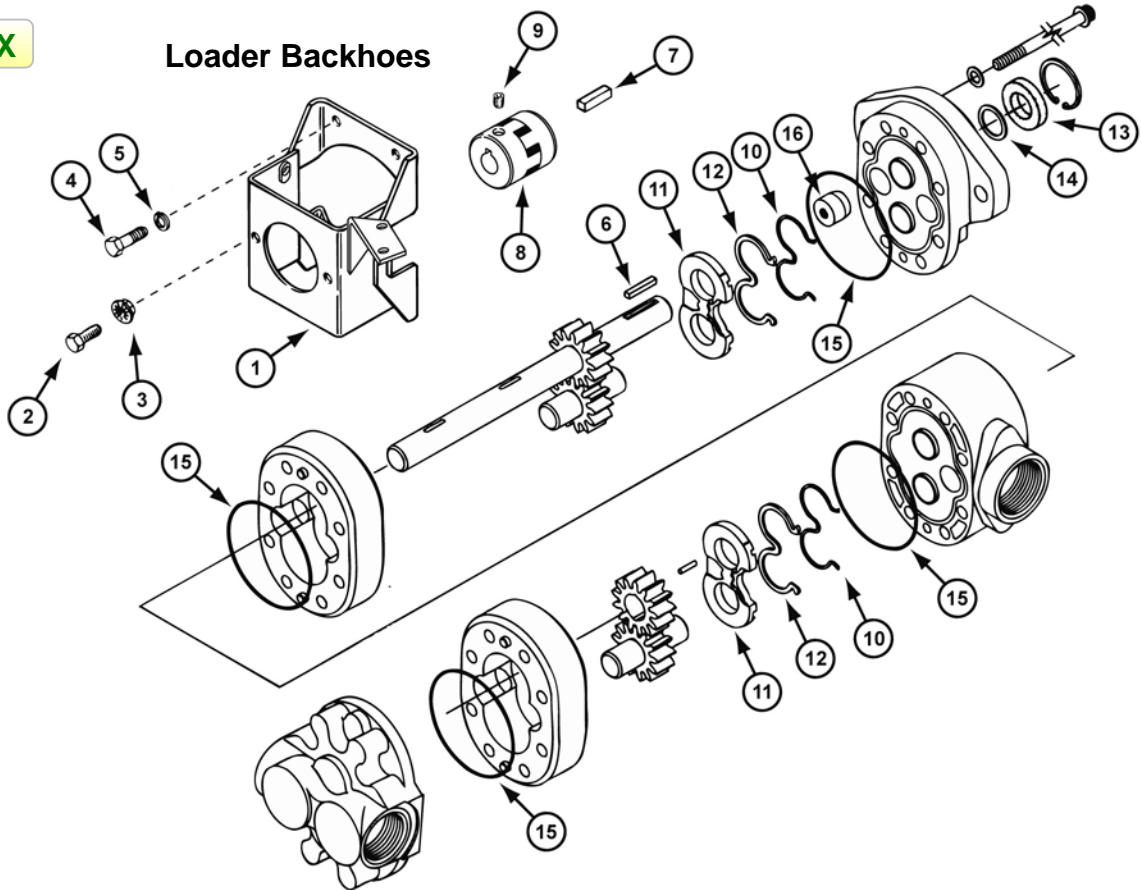
**INDEX**

**Loader Tractors**



**INDEX**

**Loader Backhoes**





**INDEX**

**MAIN HYDRAULIC PUMP, COUPLING AND MOUNT  
(7020 Loader Tractor)**

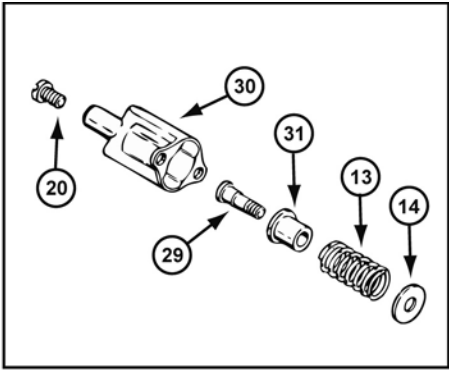
REF.	PART NO.	DESCRIPTION	REQ'D
1	C47559	MOUNT - pump .....	1
2	113-208	BOLT - 3/8" - 16 x 1-1/4" .....	2
3	131-938	NUT - 3/8" - 16 flange lock .....	2
4	113-310	BOLT - 7/16" - 14 x 1" .....	4
5	192-22	LOCKWASHER - 7/16" .....	4
6	C47794	COUPLING - pump .....	1
7	C28321	KEY - 1/4" x 1/4" x 3/4" (engine shaft) .....	1
8	178-858	SCREW - set 5/16" x 3/8" .....	2
9	126-13	KEY - 3/16" x 5/8" woodruff carbon (pump shaft) .....	1
10	C32170	PUMP - hydraulic, double (Loader Tractors Only).....	1
11	C32955	KIT - seal (main pump section) .....	1
12	C33110	SEAL - shaft .....	1
13	NSS	SEAL - "V" ("V" side towards cover) .....	1
14	NSS	GASKET .....	1
15	NSS	SHIELD - heat .....	1
16	NSS	PLATE - wear (bronze side towards gears) .....	1
17	NSS	PLATE - thrust (bronze side towards gears) .....	1
18	C33111	"O" RING .....	2
19	C32956	KIT - seal (secondary pump section) .....	1
20	NSS	SEAL - "V" ("V" side towards body) .....	1
21	NSS	GASKET .....	1
22	NSS	SHIELD - heat .....	1
23	NSS	PLATE - wear (bronze side towards gears) .....	1
24	C15732	"O" RING .....	2
	NSS	SEAL - shaft (not used).....	1

**INDEX**

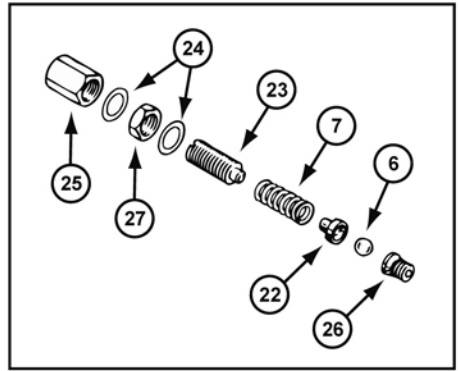
**MAIN HYDRAULIC PUMP, COUPLING AND MOUNT  
(7020BH)**

1	C47559	MOUNT - pump .....	1
2	113-208	BOLT - 3/8" - 16 x 1-1/4" .....	2
3	131-938	NUT - 3/8" - 16 flange lock .....	2
4	113-310	BOLT - 7/16" -14 x 1" .....	4
5	192-22	LOCKWASHER - 7/16" .....	4
6	C43819	KEY - 3/16" x 1" (pump shaft) .....	1
7	C28321	KEY - 1/4" x 1/4" x 3/4" (engine shaft) .....	1
8	C47794	COUPLING - pump .....	1
9	178-858	SCREW - set .....	2
	C46971	PUMP - hydraulic, double (Loader Backhoes only).....	1
	C43818	KIT - seal, complete .....	1
10	NSS	GASKET - backup .....	2
11	NSS	PLATE - wear .....	2
12	NSS	SEAL - wear plate .....	2
13	NSS	SEAL - shaft .....	1
14	NSS	WASHER .....	1
15	NSS	"O" RING .....	4
16	NSS	PLUG - internal .....	1

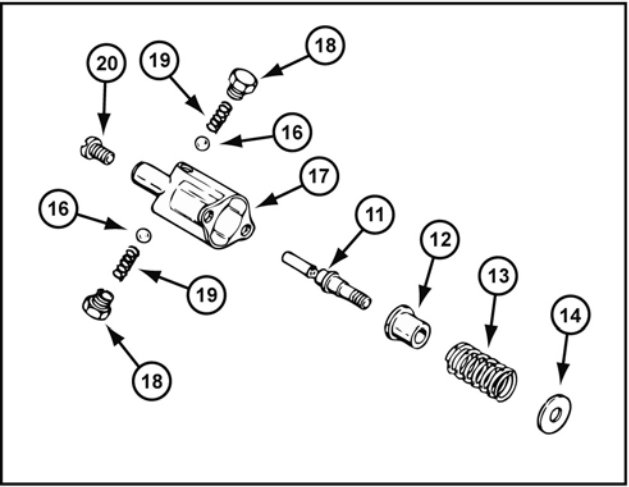
**INDEX**



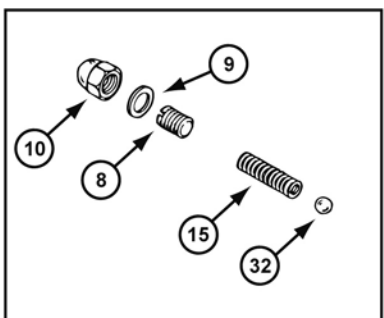
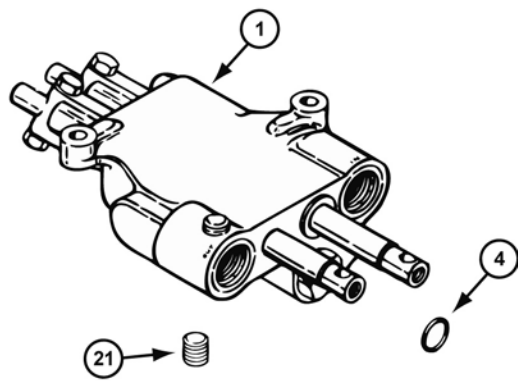
**TRAVEL SECTION END COVER**



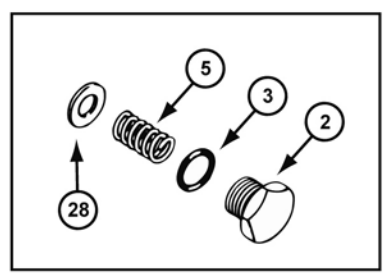
**TRAVEL SECTION RELIEF GROUP**



**LIFT SECTION DETENT GROUP**



**LIFT SECTION RELIEF GROUP**



**HOLDING SECTION GROUP**

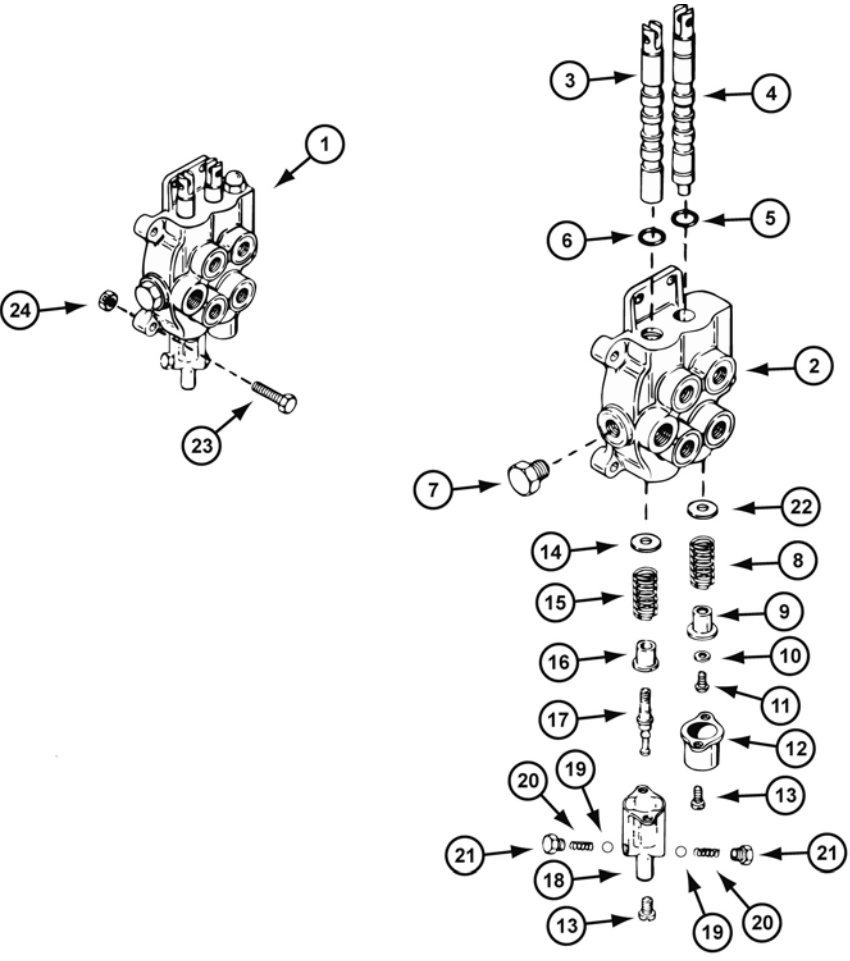
**INDEX**

**HYDRAULIC CONTROL VALVE (TRACTOR)**

REF.	PART NO.	DESCRIPTION	REQ'D
1	C46972	VALVE - control, two spool (7020BH) .....	1
1	C45909	VALVE - control, two spool (7020) .....	1
2	C29956	CAP - end .....	2
3	C28217	"O" RING - end cap .....	1
4	C28856	SEAL - spool .....	4
5	C29951	SPRING - centering .....	2
6	211-208	BALL - steel 5/16" (7.94mm) .....	1
7	C21507	SPRING - relief .....	2
8	C17433	SCREW - relief adjust .....	1
9	C17435	GASKET - relief adjust cap .....	1
10	129-531	CAP - adjust screw .....	2
11	C26668	DETENT - spool .....	1
12	C28707	SPACER - detent .....	1
13	NSS	SPRING - return (order C43926 kit, use spring only) .....	2
14	NSS	WASHER - return (order C43926 kit, use washer only) .....	2
15	NSS	SPRING - relief (order C21511 relief kit, use spring only) .....	1
16	211-5	BALL - steel 3/16" (4.76 mm) .....	2
17	C17438	COVER - detent .....	1
18	C28708	SCREW - detent .....	4
19	C17444	SPRING - detent .....	2
20	169-114	SCREW - cover .....	4
21	221-841	PLUG - pipe .....	1
22	C21506	RETAINER - ball seat .....	1
23	C26665	SCREW - adjust, relief .....	1
24	C26664	GASKET - adjust cap .....	1
25	C26666	CAP - adjust screw .....	1
26	C26663	SEAT - relief ball .....	1
27	129-166	NUT - lock .....	1
28	C29950	WASHER - spring retaining .....	2
29	C47353	SCREW .....	1
30	C47352	COVER .....	2
31	C47354	SPACER .....	2
32	211-7	BALL - steel 1/4" (6.35mm) .....	1
	C30002	KIT - seal .....	1

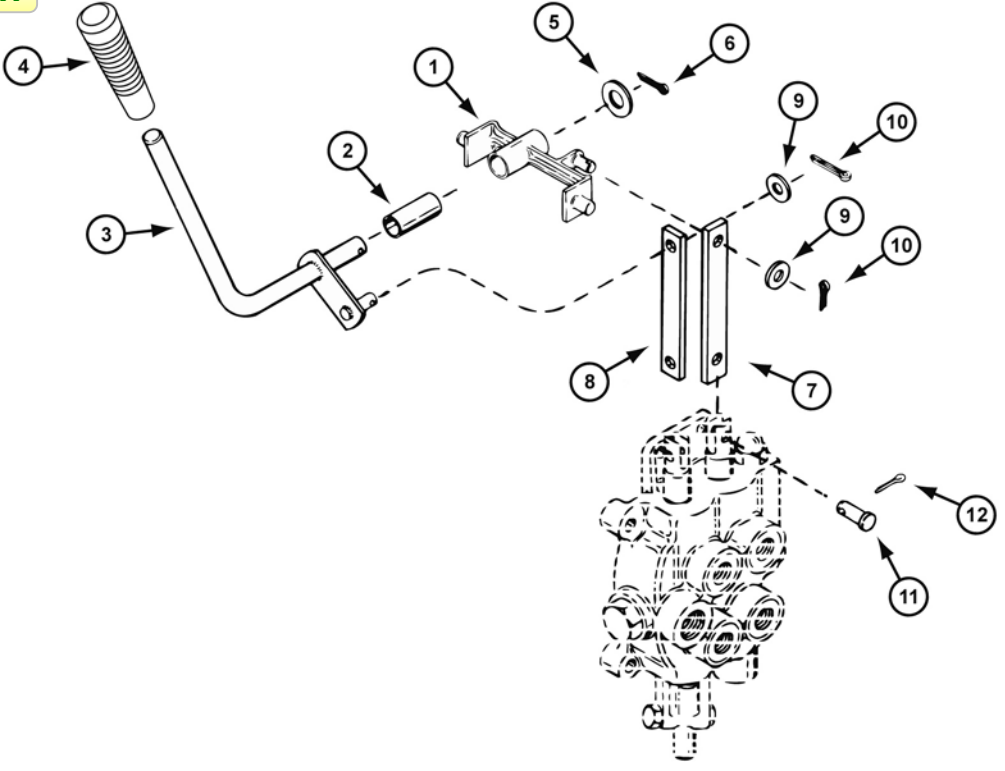
**INDEX**

**BUCKET CONTROL VALVE**



**INDEX**

**BUCKET CONTROL LINKAGE**



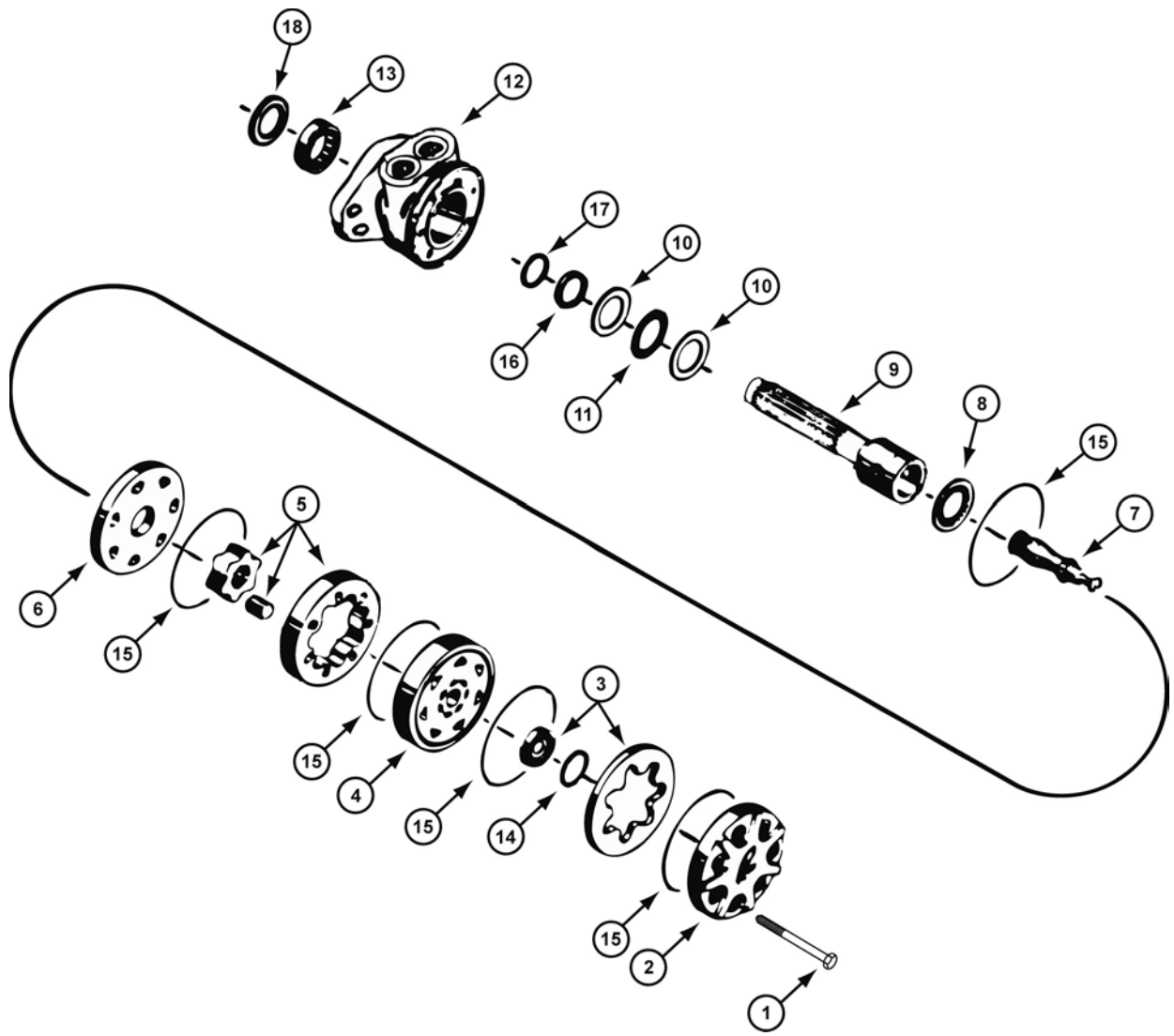
**INDEX****HYDRAULIC CONTROL VALVE (BUCKET)**

REF.	PART NO.	DESCRIPTION	REQ'D
1	C18179	VALVE - bucket control .....	1
2	NSS	BODY - valve (order C18179 valve) .....	1
3	NSS	SPOOL - valve (order C18179 valve) .....	1
4	NSS	SPOOL - valve (order C18179 valve) .....	1
5	C28989	SEAL - "O" ring, spool .....	2
6	C28856	SEAL - "O" ring, spool .....	2
7	221-843	PLUG - 3/8" .....	1
8	C26431	SPRING - return .....	1
9	C13200	SPACER .....	1
10	195-510	WASHER .....	1
11	193-524	SCREW .....	1
12	C18847	COVER - centering .....	1
13	169-114	SCREW - cover .....	4
14	C17440	WASHER .....	1
15	C17441	SPRING - return .....	1
16	C13200	SPACER - detent .....	1
17	C17439	DETENT - spool .....	1
18	C17438	COVER - detent .....	1
19	211-7	BALL - steel 1/4" .....	2
20	C17444	SPRING - detent .....	2
21	C17443	SCREW - detent .....	2
22	195-521	WASHER - return .....	1
23	113-17	BOLT - valve mounting 1/4" x 1-1/4" NC hex .....	3
24	131-1102	NUT - lock 1/4" NC hex .....	3
	C18846	KIT - spring, center (includes items 22, 23, 24, 25, 26 and 27) .....	1
	C18851	KIT - detent (includes items 14, 15, 16, 17, 18, 19, 20 and 22) .....	1

**INDEX****BUCKET CONTROL LINKAGE**

1	C24445	BRACKET - pivot .....	1
2	C16714	BUSHING - pivot bracket .....	1
3	C46488	LEVER - bucket control .....	1
4	C46481	GRIP - lever, bucket control .....	1
5	195-533	WASHER - 1/2" .....	1
6	132-321	PIN - cotter 3/32" x 1" .....	1
7	C34744	LINK - valve 4" .....	1
8	C34745	LINK - valve 3-3/4" .....	1
9	195-521	WASHER - 5/16" .....	2
10	132-320	PIN - cotter 3/32" x 3/4" .....	2
11	141-2	PIN - clevis .....	2
12	132-329	PIN - cotter 1/16" x 3/4" .....	2

HYDRAULIC DRIVE MOTOR



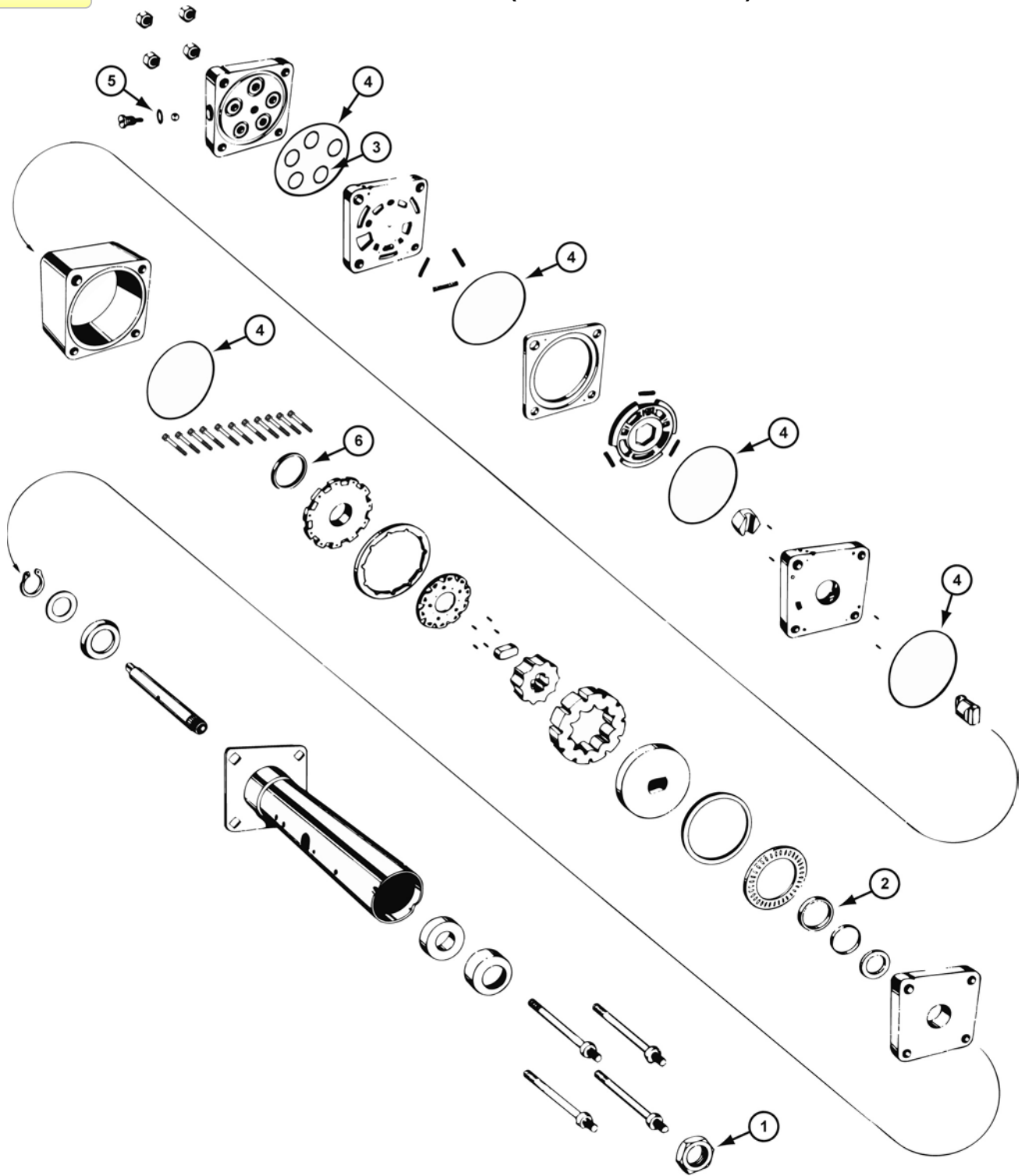
**INDEX**

**HYDRAULIC DRIVE MOTOR**

REF.	PART NO.	DESCRIPTION	REQ'D
	C46957	MOTOR - hydraulic .....	1
1	C47089	BOLT - 3/8" - 24 .....	7
2	C31309	COVER - end .....	1
3	C31310	COMMUTATOR AND RING SET .....	1
4	C31311	MANIFOLD .....	1
5	C47090	ROTOR ASSEMBLY .....	1
6	C31314	PLATE - wear .....	1
7	C47091	LINK - drive .....	1
8	C31317	BEARING - thrust .....	1
9	C47092	SHAFT - coupling .....	1
10	C31319	WASHER - thrust .....	2
11	C31320	BEARING - thrust .....	1
12	C31321	HOUSING - drive end .....	1
13	C31322	BEARING - outer .....	1
	C31323	KIT - seal .....	1
14	NSS	SEAL - commutator ring .....	1
15	NSS	SEAL - ring .....	5
16	NSS	SEAL - ring .....	1
17	NSS	WASHER - backup .....	1
18	NSS	SEAL - dirt (not used) .....	1

**INDEX**

**MANUAL PUMP (POWER STEERING)**





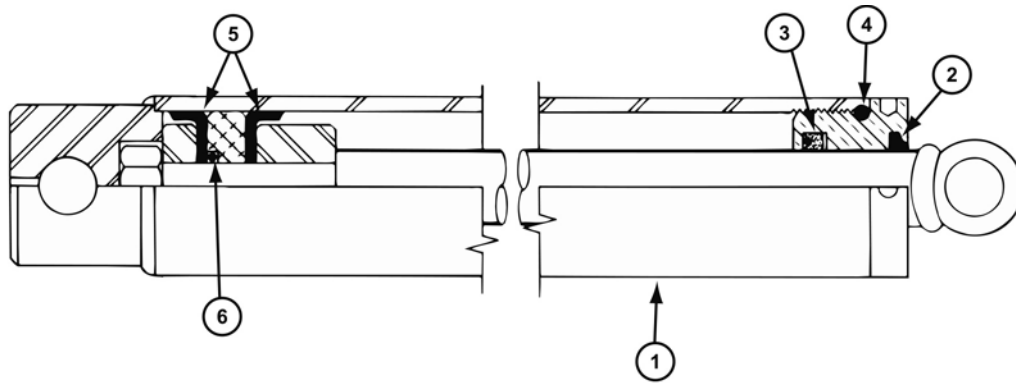
**INDEX**

**MANUAL PUMP (POWER STEERING)**

REF.	PART NO.	DESCRIPTION	REQ'D
	C46447	PUMP - steering, manual, five port (shown) .....	1
1	129-127	NUT - 5/8" - 18 .....	1
	C46453	KIT - seal (for five port steering pump) .....	1
2	NSS	SEAL - face .....	1
3	NSS	"O" RING .....	UAR
4	NSS	RING - seal .....	5
5	NSS	"O" RING .....	1
6	NSS	SEAL - commutator .....	1

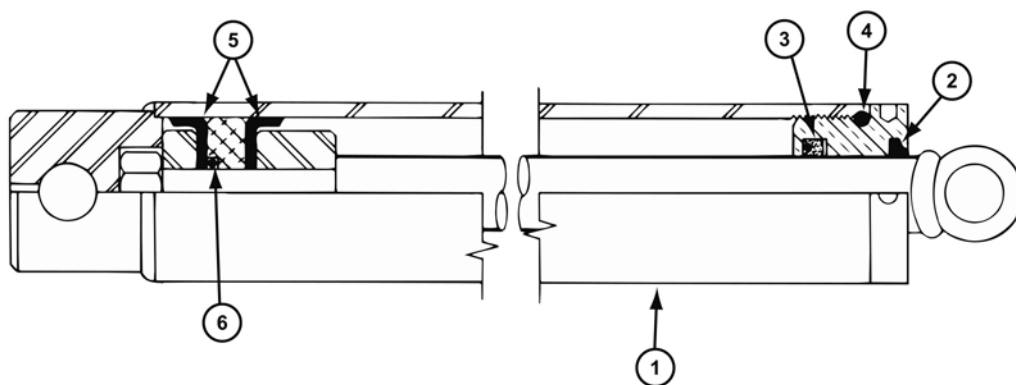
**INDEX**

### CYLINDER - LIFT ARM



**INDEX**

### CYLINDER - BUCKET



**INDEX**

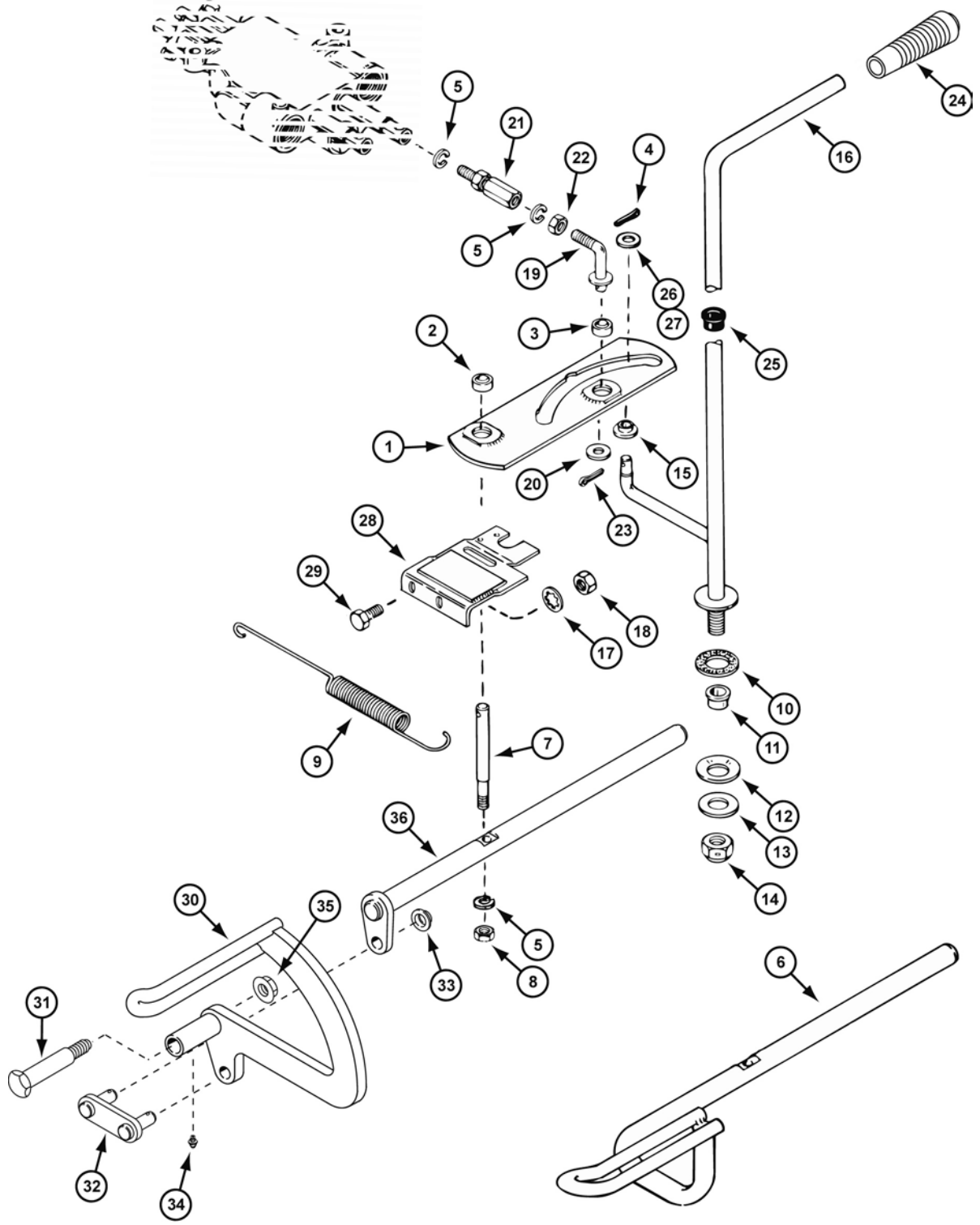
**CYLINDER - LIFT ARM**

REF.	PART NO.	DESCRIPTION	REQ'D
1	C26433	CYLINDER - lift arm .....	2
	C26445	KIT - seal .....	1
2	NSS	SEAL - wiper .....	1
3	NSS	"O" RING AND SEAL - rod .....	1
4	NSS	"O" RING - body .....	1
5	NSS	SEAL - piston .....	2
6	NSS	"O" RING - piston .....	1

**CYLINDER - BUCKET**

1	C26432	CYLINDER - bucket .....	1
	C26444	KIT - seal .....	1
2	NSS	SEAL - wiper .....	1
3	NSS	"O" RING AND SEAL - rod .....	1
4	NSS	"O" RING - body .....	1
5	NSS	SEAL - piston .....	2
6	NSS	"O" RING - piston .....	1

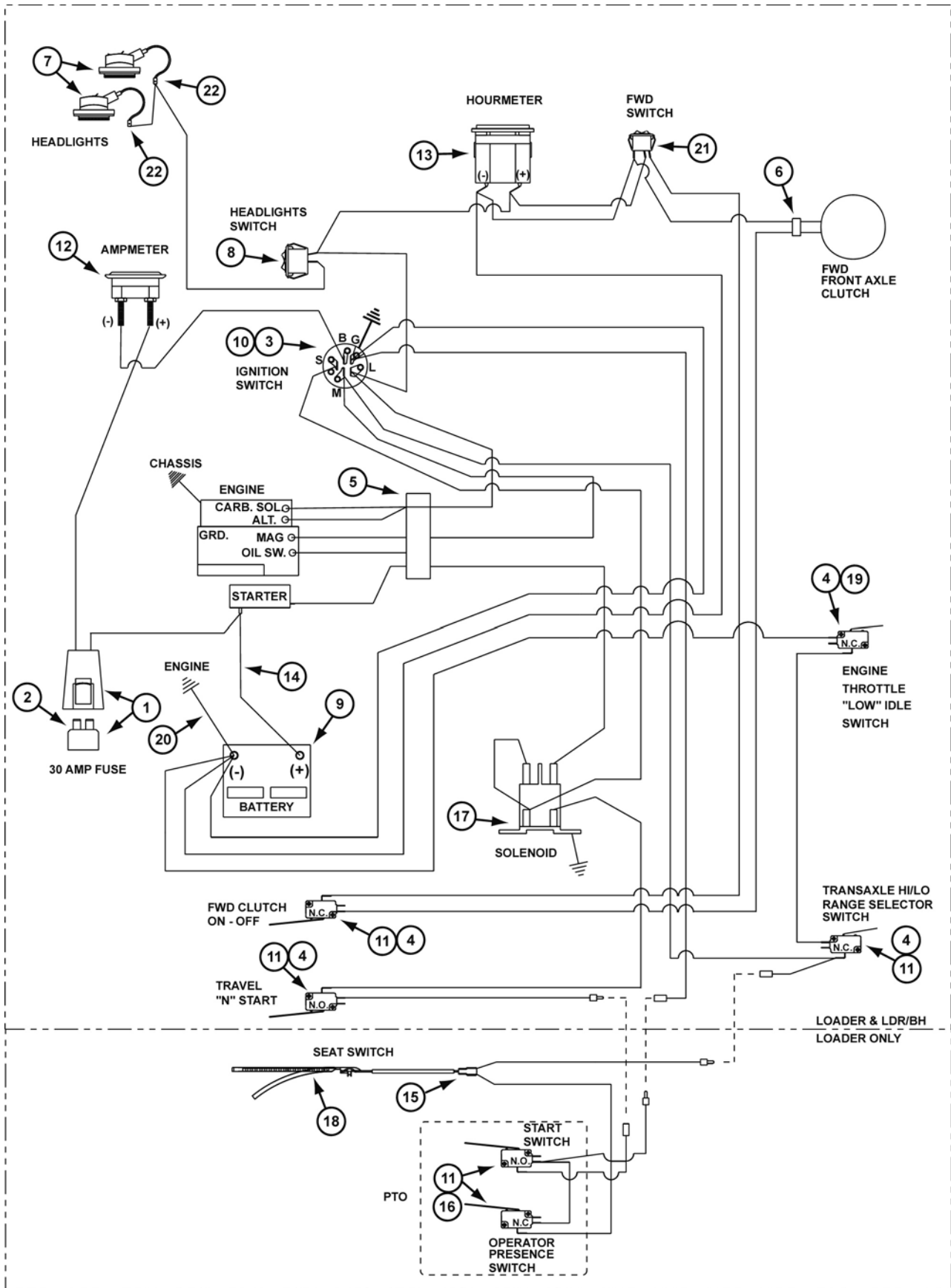
TRAVEL CONTROL LINKAGE



**INDEX**

**TRAVEL CONTROL LINKAGE**

REF.	PART NO.	DESCRIPTION	REQ'D
1	C29801	ARM - control .....	1
2	C29764	BUSHING - ball .....	1
3	C29800	BUSHING - ball .....	1
4	132-334	PIN - cotter 1/8" x 3/4" .....	1
5	192-20	LOCKWASHER - 5/16" .....	3
6	C26680	PEDAL - travel control (use before PIN 17193801) .....	1
7	C26424	ROD - pedal control .....	1
8	129-102	NUT - 5/16" NC hex .....	1
9	C18277	SPRING - pedal return .....	1
10	C17551	DISC - friction .....	1
11	C26266	BUSHING - nylon .....	1
12	C18391	WASHER - spring .....	1
13	195-533	WASHER - 1/2" .....	3
14	131-165	NUT - 1/2" NC hex lock .....	2
15	C23514	FOLLOWER - cam .....	1
16	C46487	LEVER - direction control .....	1
17	193-29	LOCKWASHER - 5/16" (internal tooth) .....	2
18	129-102	NUT - 5/16" - 18 N.C. hex .....	2
19	C29803	ROD - valve control .....	1
20	195-521	WASHER - 5/16" .....	1
21	C19025	BALLJOINT .....	1
22	129-122	NUT - 5/16" NF hex .....	1
23	132-333	PIN - cotter 1/8" x 5/8" .....	1
24	C46481	GRIP - control lever .....	1
25	353-442	BUSHING - lever .....	1
26	195-520	WASHER - spacer .....	UAR
27	C19377	WASHER - spacer, 1/32" .....	UAR
28	C33315	BRACKET - valve control .....	1
29	113-102	BOLT - 5/16" x 3/4" N.C. hex .....	2
30	C47890	PEDAL - travel control (use PIN 17193801 and after) .....	1
31	C31499	BOLT - shoulder (use PIN 17193801 and after) .....	1
32	C47893	LINK - travel pedal (use PIN 17193801 and after) .....	1
33	C30817	PUSHNUT - 3/8" (use PIN 17193801 and after) .....	2
34	219-403	FITTING - grease (use PIN 17193801 and after) .....	1
35	131-930	NUT - 1/2" - 13 flange lock (use PIN 17193801 and after) .....	1
36	C47887	ROD - travel (use PIN 17193801 and after) .....	1



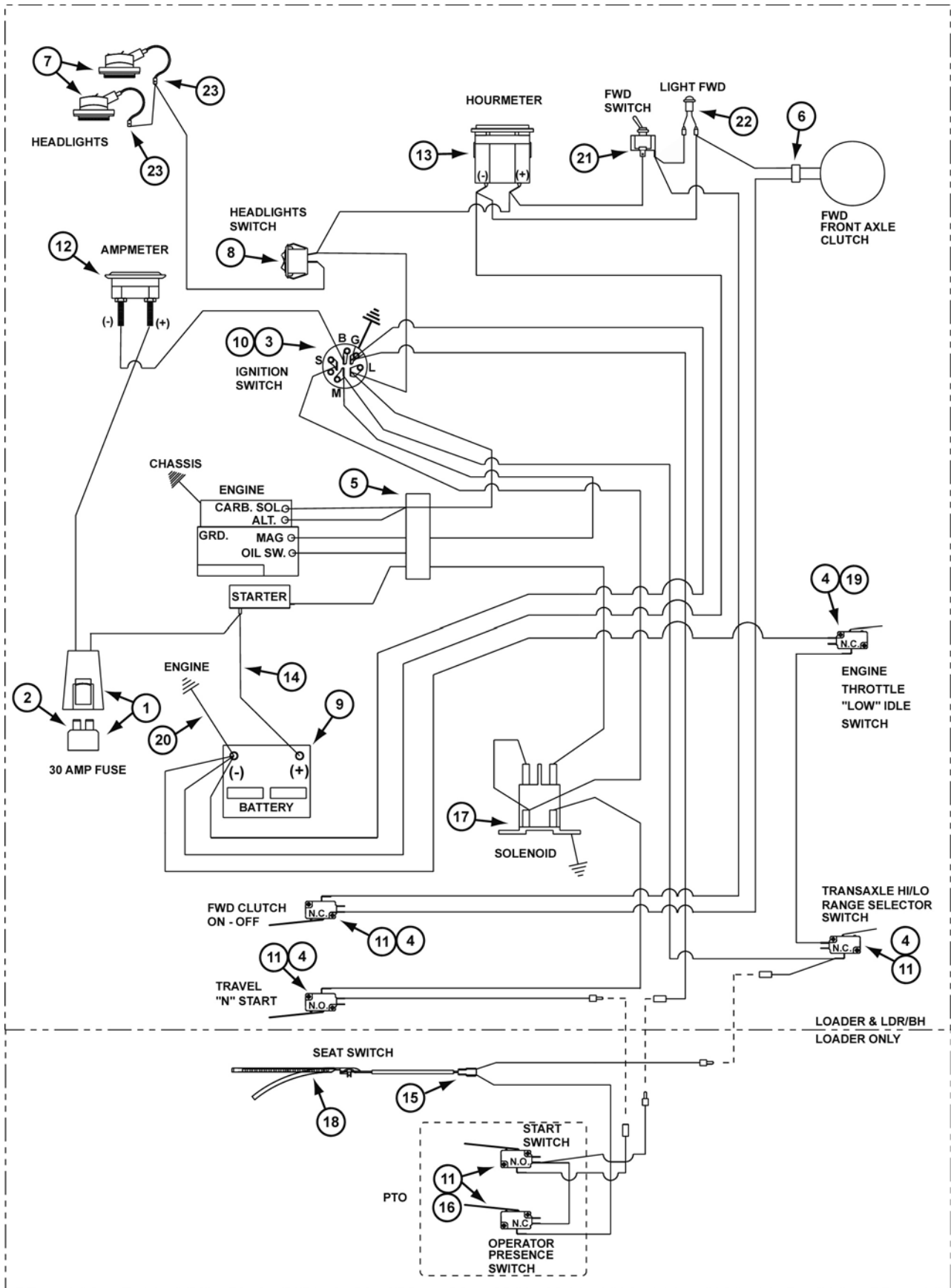
**ELECTRICAL SYSTEM**  
**(Before PIN 17193801)**

**AFTER THIS PIN**

REF.	PART NO.	DESCRIPTION	REQ'D
	C47564	HARNESS - wire, main .....	1
1	C31947	KIT - fuse holder .....	1
2	C30260	FUSE - 30 amp .....	1
3	C24460	CONNECTOR - ignition switch .....	1
4	C30279	CONNECTOR - inter-lock switch .....	3
5	C46528	CONNECTOR - engine .....	1
6	C25243	CONNECTOR - FWD clutch.....	1
7	C32178	HEADLIGHT - 12 volt ( <a href="#">repairs page 61</a> ) .....	2
8	C43044	SWITCH - headlight .....	1
9	C41010	BATTERY - 12 volt .....	1
10	C30267	SWITCH - ignition .....	1
	C32407	KEY - ignition .....	2
11	C30275	SWITCH - inter-lock .....	UAR
12	C29413	AMMETER - 12 volt .....	1
13	C45917	HOURLMETER - 12 volt .....	1
14	C46875	CABLE - battery to solenoid .....	1
	C47565	HARNESS - wire, rear PTO (7020) .....	1
15	C25338	CONNECTOR - seat switch (7020) .....	1
16	C30279	CONNECTOR - inter-lock switch (7020) .....	2
17	C33024	SOLENOID - start .....	1
18	C45537	SWITCH - seat .....	1
19	C47708	SWITCH - inter-lock .....	1
20	C31943	CABLE - battery ground .....	2
21	NSS	SWITCH - FWD (use C47497 kit).....	1
22	C44169	CONNECTOR - headlight .....	2

# ELECTRICAL SYSTEM (PIN 17193801 and after)

BEFORE THIS PIN

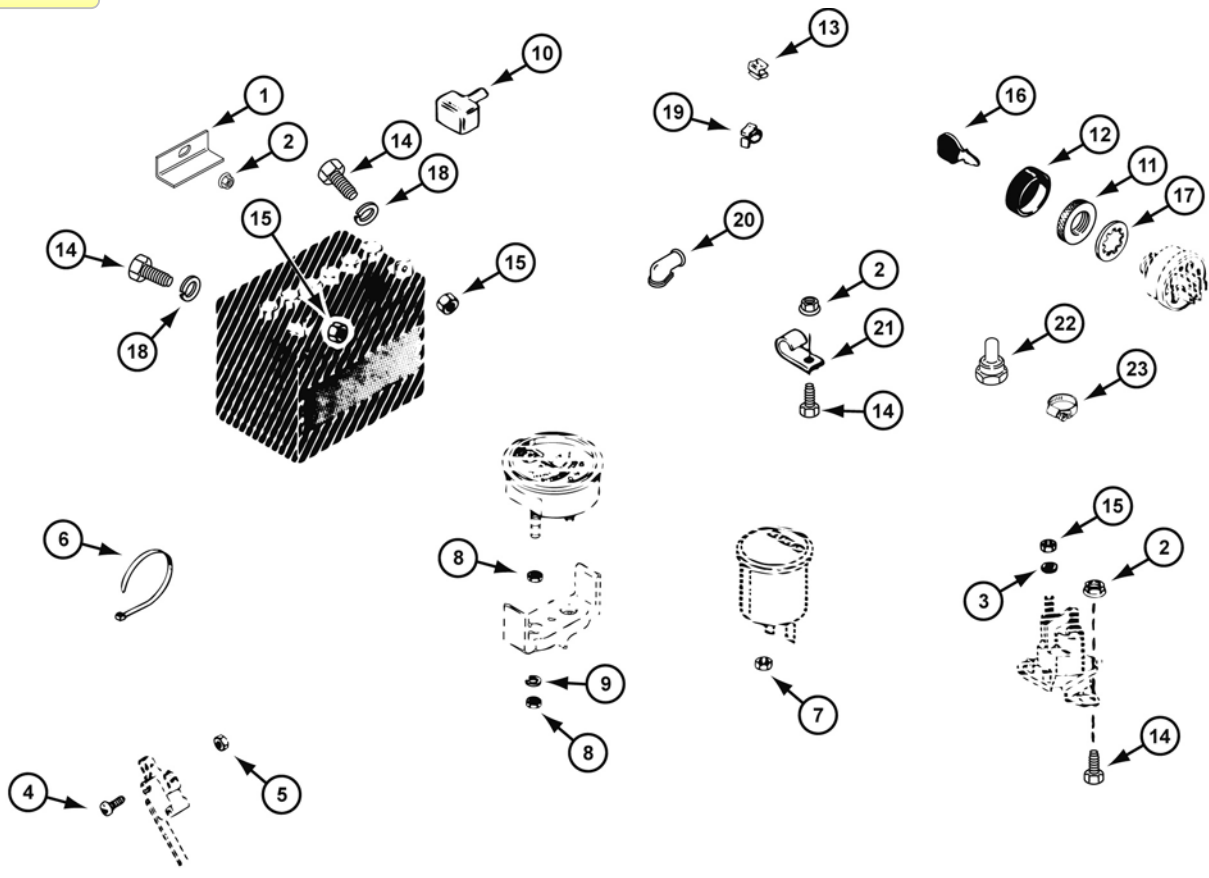




REF.	PART NO.	DESCRIPTION	REQ'D
	C47564	HARNESS - wire, main .....	1
1	C31947	KIT - fuse holder .....	1
2	C30260	FUSE - 30 amp .....	1
3	C24460	CONNECTOR - ignition switch .....	1
4	C30279	CONNECTOR - inter-lock switch .....	3
5	C46528	CONNECTOR - engine .....	1
6	C25243	CONNECTOR - FWD clutch .....	1
7	C32178	HEADLIGHT - 12 volt ( <a href="#">repairs page 61</a> ) .....	2
8	C43044	SWITCH - headlight .....	1
9	C41010	BATTERY - 12 volt .....	1
10	C30267	SWITCH - ignition .....	1
	C32407	KEY - ignition .....	2
11	C30275	SWITCH - inter-lock .....	UAR
12	C29413	AMMETER - 12 volt .....	1
13	C45917	HOURMETER - 12 volt .....	1
14	C46875	CABLE - battery to solenoid .....	1
	C47565	HARNESS - wire, rear PTO (7020) .....	1
15	C25338	CONNECTOR - seat switch (7020) .....	1
16	C30279	CONNECTOR - inter-lock switch (7020) .....	2
17	C33024	SOLENOID - start .....	1
18	C45537	SWITCH - seat .....	1
19	C47708	SWITCH - inter-lock .....	1
20	C31943	CABLE - battery ground .....	2
21	C47928	SWITCH - FWD .....	1
22	C45536	LIGHT - indicator .....	1
23	C44169	CONNECTOR - headlight .....	2

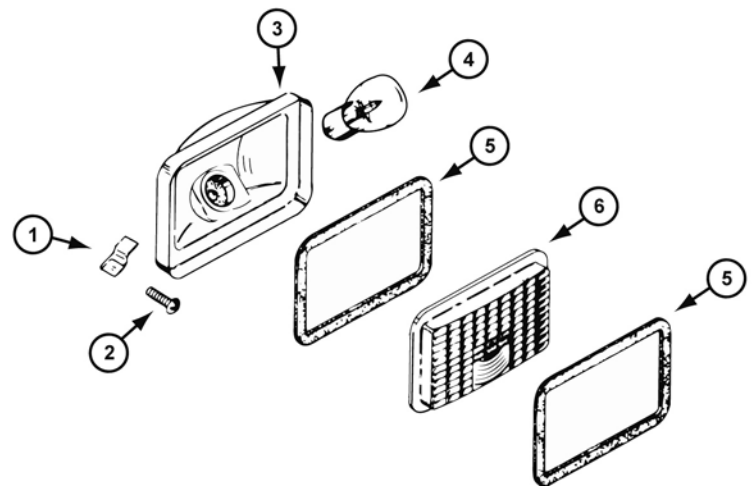
**INDEX**

**ELECTRICAL SYSTEM HARDWARE**



**INDEX**

**HEADLIGHT ASSEMBLY**



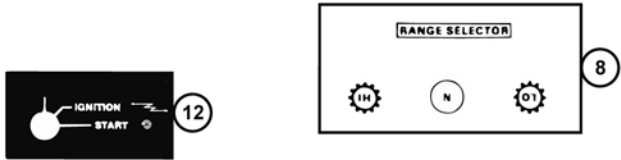
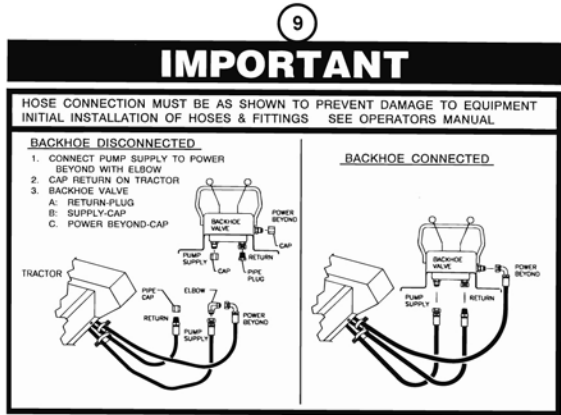
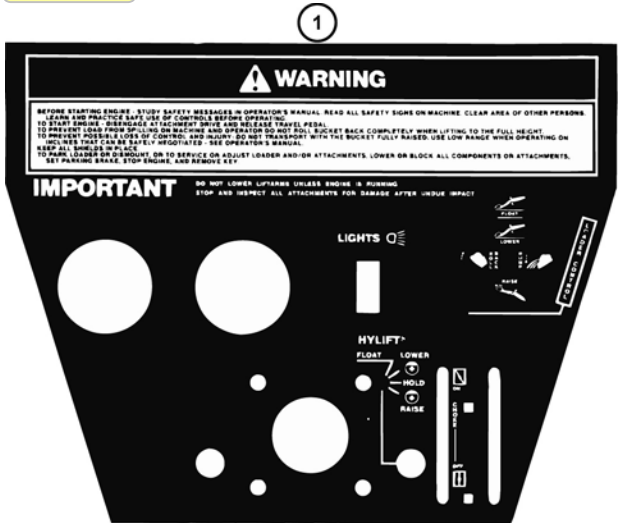
**INDEX****ELECTRICAL SYSTEM HARDWARE**

REF.	PART NO.	DESCRIPTION	REQ'D
1	C33475	RETAINER - battery .....	1
2	131-934	NUT - 1/4" - 20 flange lock .....	2
3	192-19	LOCKWASHER - 1/4" .....	2
4	182-10	SCREW - #4 - 40 x 7/8" .....	2
5	C33697	NUT - #4 - 40 .....	2
6	C22947	TIE - wire .....	UAR
7	131-971	NUT - #8 - 32 flange lock .....	2
8	129-27	NUT - #10 NF .....	4
9	192-18	LOCKWASHER - #10 .....	2
10	C24069	COVER - battery positive terminal .....	1
11	C32396	NUT - switch .....	1
12	C32397	CAP - nut .....	1
13	C19521	CLIP - wire .....	UAR
14	113-3	BOLT - 1/4" - 20 x 3/4" .....	4
15	129-101	NUT - 1/4" - 20 .....	4
16	C32407	KEY - ignition .....	1
17	193-63	LOCKWASHER - 5/8" .....	1
18	195-518	WASHER - 1/4" .....	4
19	C28962	CLIP - wire .....	1
20	C44079	INSULATOR - starter terminal .....	1
21	C32455	CLIP - "J" .....	UAR
22	C47929	BOOT - toggle switch (use PIN 17193801 and after) .....	1
23	214-103	CLAMP - hose, FWD indicator light retainer (use PIN 17193801 and after) .....	1

**INDEX****HEADLIGHT ASSEMBLY**

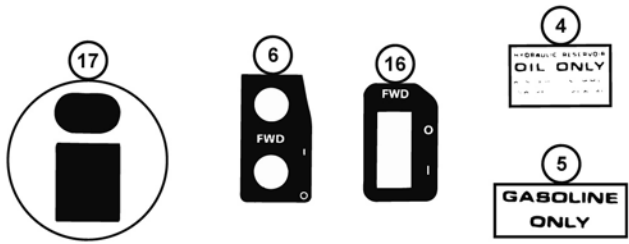
1	131-629	RETAINER - headlight .....	4
2	187-1334	SCREW - #8 x 1/2" .....	4
	C32178	HEADLIGHT ASSEMBLY .....	2
3	NSS	RECEPTACLE - headlight (order headlight assembly) .....	1
4	C28932	BULB - headlight .....	1
5	C14304	GASKET - headlight .....	2
6	C22573	LENS - headlight .....	1

**INDEX**



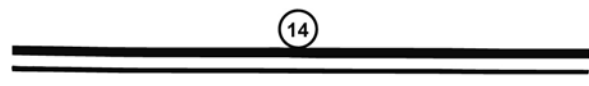
**2**

# 7020



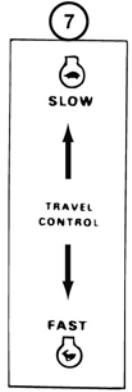
**18**

# 4WD



**11**

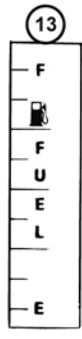
# INGERSOLL



**3**

**WARNING**

READ OPERATOR'S MANUALS. KNOW LOCATION & FUNCTION OF ALL CONTROLS. BEFORE STARTING ENGINE: DISENGAGE PTO & PLACE TRAVEL CONTROL IN NEUTRAL. USE LOW GEAR ON HILLS & RAMPS. BACK UP STEEP HILLS & RAMPS. DRIVE FORWARD GOING DOWN STEEP HILLS & RAMPS. KEEP ALL GUARDS, SHIELDS & SAFETY SWITCHES IN PLACE & WORKING. CLEAN WORK AREA OF THINGS THAT COULD BE THROWN BY THE BLADES. DO NOT MOW WHEN CHILDREN OR OTHERS ARE AROUND. NEVER CARRY CHILDREN. LOOK DOWN & BEHIND BEFORE AND WHILE BACKING. GO UP AND DOWN SLOPES, NOT ACROSS. IF MACHINE STOPS GOING UPHILL, STOP BLADES AND BACK DOWN SLOWLY. AVOID SUDDEN TURNS. FAILURE TO OBSERVE THESE PRECAUTIONS COULD RESULT IN SERIOUS INJURY OR DEATH.



**INDEX**

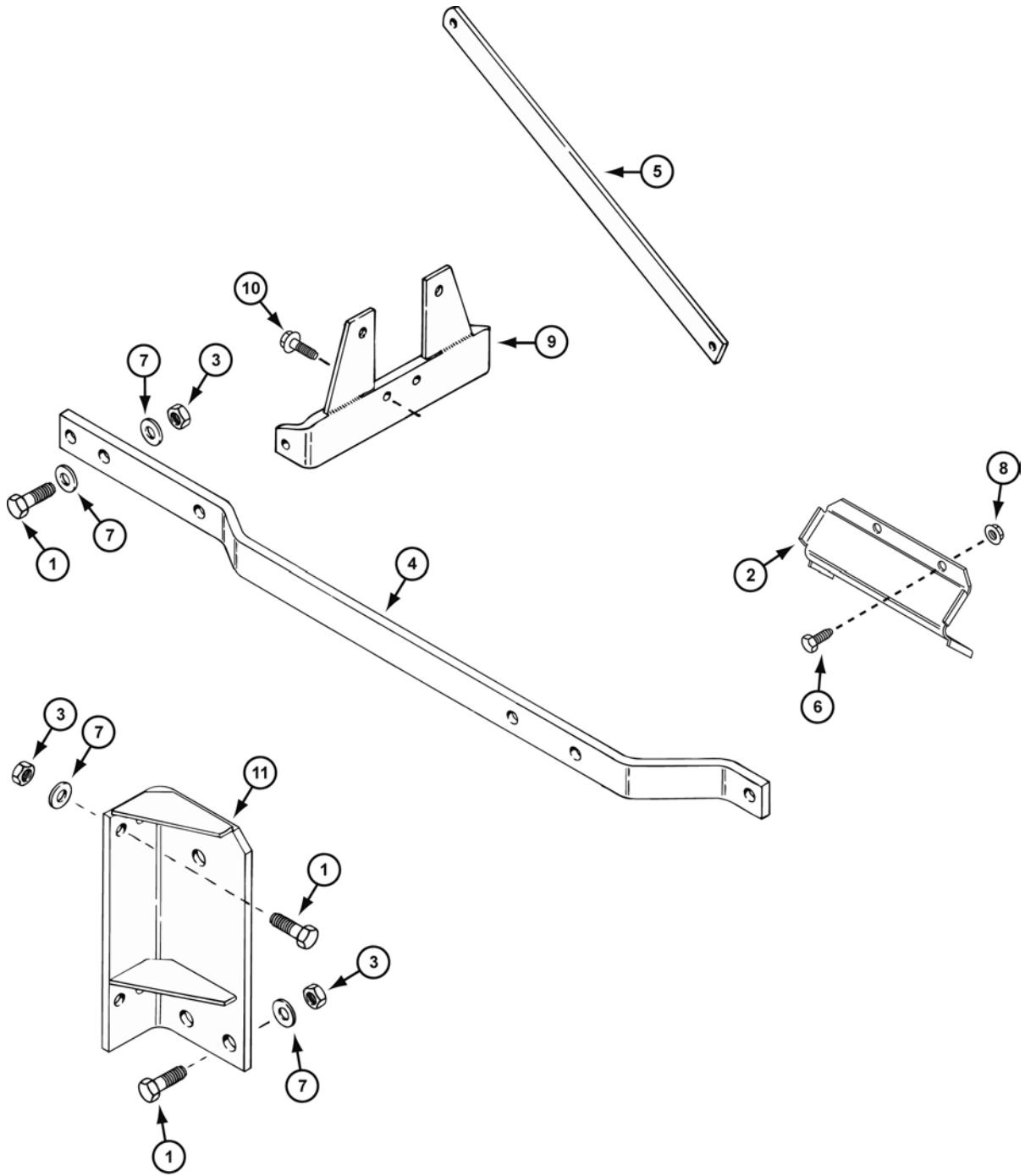
**DECALS**

REF.	PART NO.	DESCRIPTION	REQ'D
1	C34747	DECAL - instrument panel .....	1
2	C47606	DECAL - "7020" .....	2
3	C46326	DECAL - "Warning" .....	1
4	C14539	DECAL - oil, hydraulic reservoir .....	1
5	C14066	DECAL - gasoline .....	1
6	C47937	DECAL - "FWD" switch (current production) (switch with separate warning light) .....	1
7	C34775	DECAL - travel control .....	1
8	C47147	DECAL - range selector .....	1
9	C46958	DECAL - "Important" hose routing (7020BH) .....	1
10	C34750	DECAL - fuse .....	1
11	C34769	DECAL - "INGERSOLL" loader arms and backhoe .....	UAR
11	C32093	DECAL - "INGERSOLL" front skid pan and back of seat .....	2
12	C34749	DECAL - ignition switch .....	1
13	C34777	DECAL - fuel .....	1
14	C34772	DECAL - stripe (red and black) (7020BH) .....	4
14	C34773	DECAL - stripe (silver and black) (7020) .....	2
15	C34184	DECAL - flag .....	1
16	NSS*	DECAL - "FWD" use with illuminated switch (early production) .....	1
17	C37197	DECAL - steering wheel center .....	1
18	C47757	DECAL - FWD .....	2

\* Use C47937 decal and modify to fit.

**INDEX**

**BACKHOE MOUNTING COMPONENTS (7020BH)**



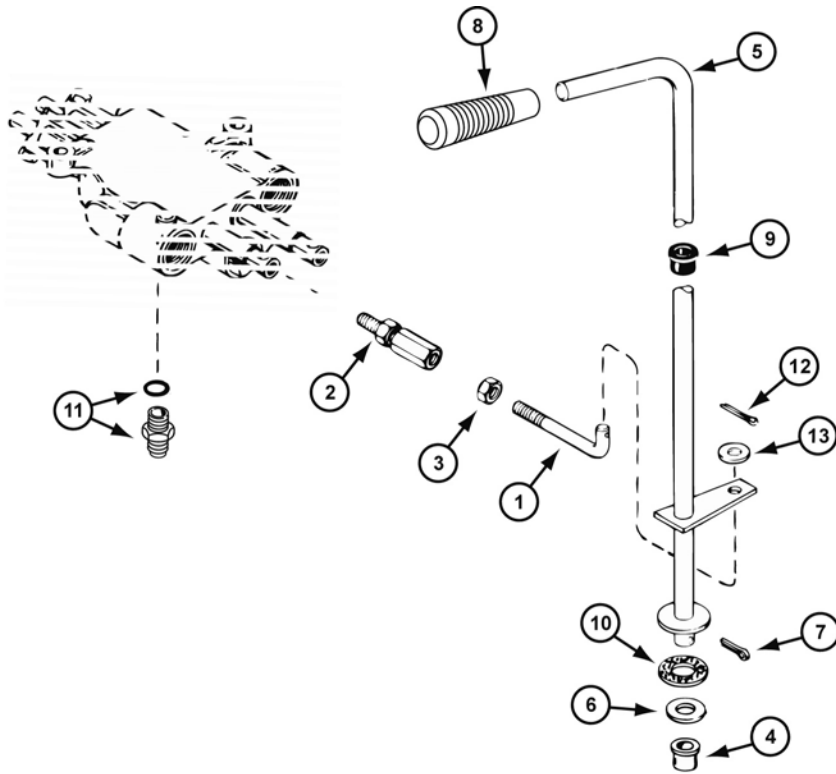
**INDEX**

**BACKHOE MOUNTING COMPONENTS (7020BH)**

REF.	PART NO.	DESCRIPTION	REQ'D
1	113-705	BOLT - 3/4" - 10 x 2-1/2" .....	UAR
1	113-730	BOLT - 3/4" - 10 x 2-3/4" .....	UAR
2	C46983	SHIELD - hose .....	1
3	131-C3	NUT - 3/4" - 10 lock .....	10
4	C32077	ARM - lower R.H. (shown) .....	1
4	C33164	ARM - lower L.H. ....	1
5	C32079	ARM - upper .....	2
6	113-103	BOLT - 5/16" - 18 x 1" .....	2
7	C11906	WASHER - 3/4" .....	6
8	131-911	NUT - 5/16" - 18 flange lock .....	2
9	C32081	PLATE - rear .....	1
10	C33270	BOLT - 1/2" - 13 x 1-1/2" flange .....	4
11	C46965	BRACKET - mounting L. H. ....	1
11	C46966	BRACKET - mounting (shown) R. H. ....	1

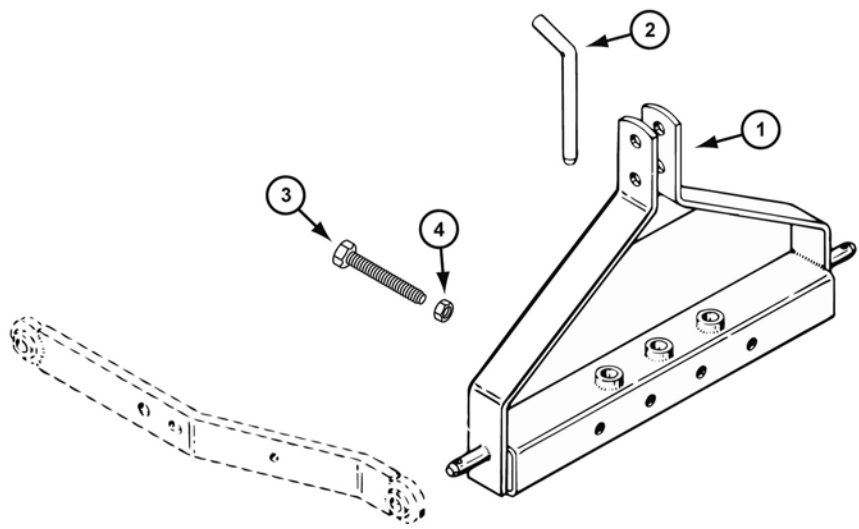
**INDEX**

**HYDRAULIC LIFT CONTROL (7020)**



**INDEX**

**MODEL F27 HITCH ADAPTER**





**INDEX**

**HYDRAULIC LIFT CONTROL (7020)**

REF.	PART NO.	DESCRIPTION	REQ'D
1	C19384	ROD - lift control .....	1
2	C19025	BALLJOINT .....	1
3	129-122	NUT - 5/16" NF hex .....	1
4	C26266	BUSHING - nylon .....	1
5	C46498	LEVER - lift control .....	1
6	195-533	WASHER - 5/8" .....	1
7	132-310	PIN - cotter 1/8" x 1" .....	1
8	C46481	GRIP - lift lever .....	1
9	353-442	BUSHING - lever .....	1
10	C17551	DISC - friction .....	1
11	218-5056	FITTING - 5/16" tube x 1/2" - 20 .....	2
12	132-320	PIN - cotter 3/32" x 3/4" .....	1
13	195-518	WASHER - 1/4" .....	1

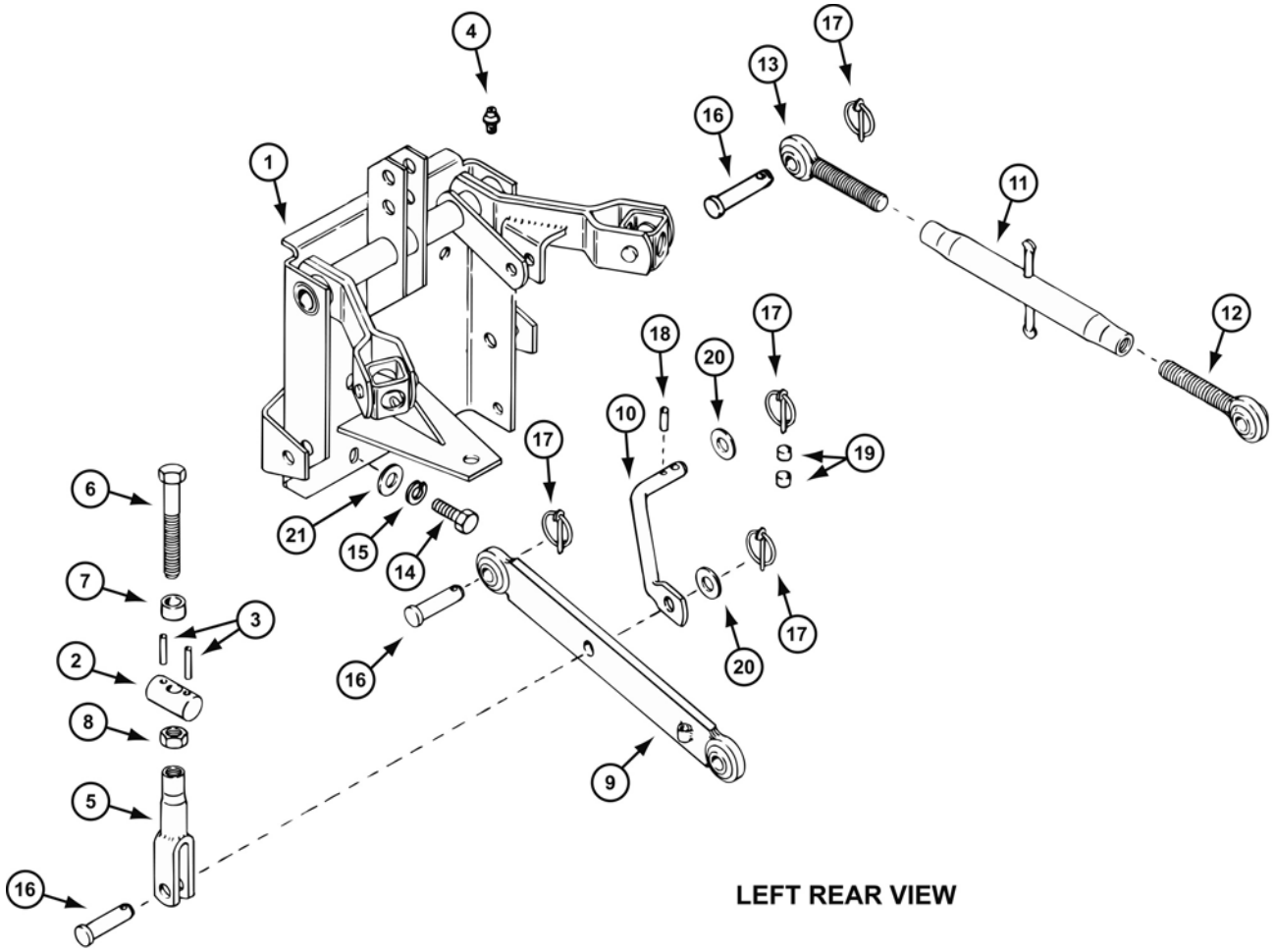
**INDEX**

**MODEL F27 HITCH ADAPTER**

1	NSS	BRACKET - hitch adapter (order as machinery item) .....	1
2	C14568	PIN - drawbar .....	1
3	22-844	BOLT - 1/2" x 2-3/4" NC hex .....	2
4	129-105	NUT - 1/2" - 13 .....	2

**INDEX**

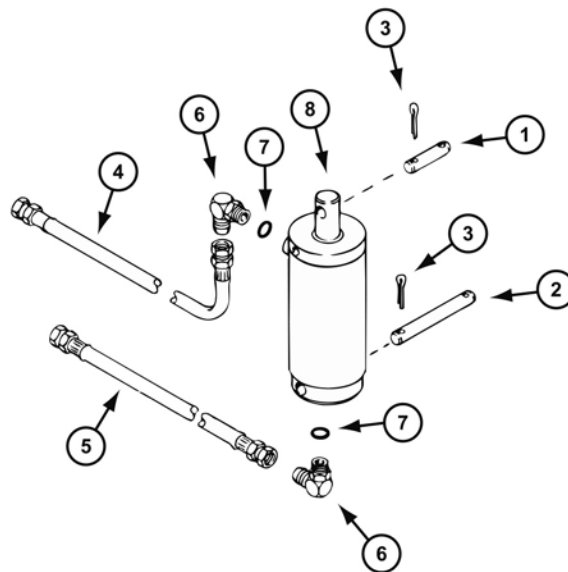
**THREE POINT HITCH**



**INDEX**

**THREE POINT HITCH CYLINDER**

**LEFT REAR VIEW**



**INDEX**

**THREE POINT HITCH**

REF.	PART NO.	DESCRIPTION	REQ'D
1	C46350	PLATE - hitch .....	1
2	C44058	SWIVEL - lift link .....	2
3	C32231	PIN - spirol 3/16" x 1-1/2" .....	4
4	219-403	FITTING - grease .....	2
5	C32428	LINK - adjusting .....	2
6	C32235	BOLT - 5/8" - 11 x 5" .....	2
7	C32239	SPACER - bolt .....	2
8	129-107	NUT - 5/8" - 11 .....	2
9	C32240	ARM - lift .....	2
10	C32242	ARM - stabilizer .....	1
11	C32249	TUBE - upper link .....	1
12	C32426	BALLJOINT - R.H. thread .....	1
13	C32427	BALLJOINT - L.H. thread .....	1
14	113-417	BOLT - 1/2" - 13 x 1-1/4" .....	2
14	113-424	BOLT - 1/2" - 13 x 1" .....	2
15	192-23	LOCKWASHER - 1/2" .....	2
16	C14717	PIN - clevis 5/8" x 2-1/2" .....	6
17	C28222	PIN - klick .....	9
18	138-2073	PIN - spirol 3/16" x 1-1/4" .....	1
19	C14768	SPACER - klick pin .....	2
20	195-541	WASHER - 5/8" .....	2
21	195-533	WASHER - 1/2" .....	2

**INDEX**

**THREE POINT HITCH CYLINDER**

1	C29693	PIN - cylinder rod 1/2" x 1-3/4" .....	1
2	C32254	PIN - cylinder foot 1/2" x 4-5/8" .....	1
3	132-310	PIN - cotter 1/8" x 1" .....	4
4	C32247	HOSE - hydraulic 1/4" x 33" (cylinder to forward valve port) .....	1
5	C32246	HOSE - hydraulic 1/4" x 24" (cylinder to rear valve port) .....	1
6	218-5104	FITTING - 90° elbow 5/16" tube x 1/2" - 20.....	2
7	218-5004	"O" RING .....	1
8	C32245	CYLINDER - lift .....	1
	C34533	KIT - seal .....	1