



Ingersoll

[HOME](#)

[TRACTORS](#)

[ATTACHMENTS](#)

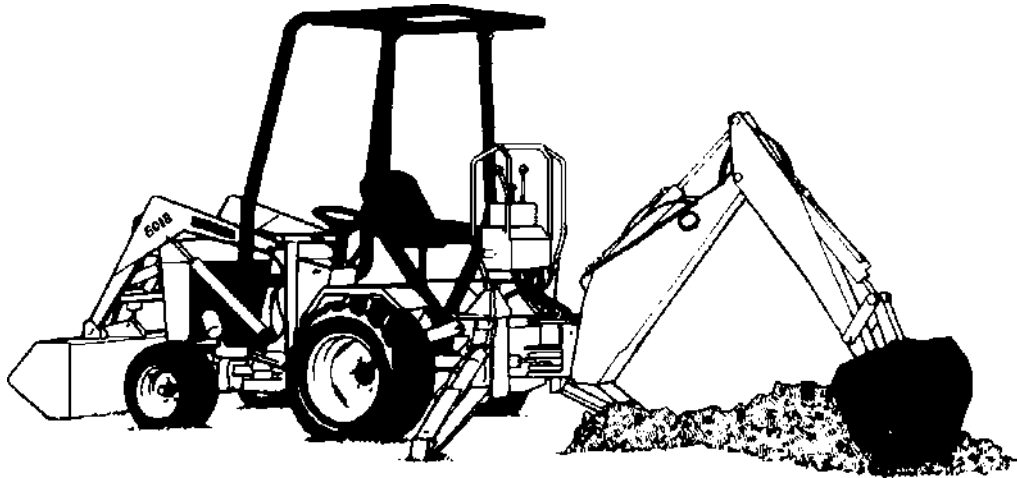
[INDEX](#)

[PAINT](#)

[ENGINES](#)

[GENERAL INFO](#)

COMPACT WHEEL LOADERS
6018 - PIN 14190349 and after
6018BH - PIN 14190351 and after
6020L, 6020BH
Parts Catalog 8-3360



INDEX

There is an index at the front of this catalog. The front index is an alphabetical index of the major groups or assemblies.

ILLUSTRATION

Each illustration in this catalog shows a group of parts or components. These parts and components are aligned approximately as the parts and components on your machine. Each part and component in an illustration has a reference number. These reference numbers are in a list on the page opposite of the illustration. Next to the reference number is the part number, description and required quantity of the part shown in the illustration.

UAR - "Use as required" indicates that the part quantity is variable.

NSS - "Not sold separately" indicates that the part is only available as component of an assembly or the part must be purchased locally. If the part is an assembly component, the description will be indented under the assembly description in the parts list.

O/L - "Obtain locally"

- "Footnotes" are added to a part number when more information is needed for identification. They only relate to the part numbers indicated. All orders must include the following information:

1. Correct part number.

PARTS ORDERS

2. Complete description of part or component.
3. Total quantity of each part or component.
4. Product model number.
5. All necessary product identification numbers.
6. Method for sending the parts.
7. Complete and correct address.

CATALOG REVISIONS

As the product changes, new pages will be available for your catalog. A notice will be issued.

IMPORTANT: Put all revisions into the catalog as soon as possible.

RIGHT HAND AND LEFT HAND IDENTIFICATION

The words right hand (RH) and left hand (LH) as used in this catalog indicate the direction while you are in the operator's seat in the normal operating position.

INDENTED DESCRIPTIONS

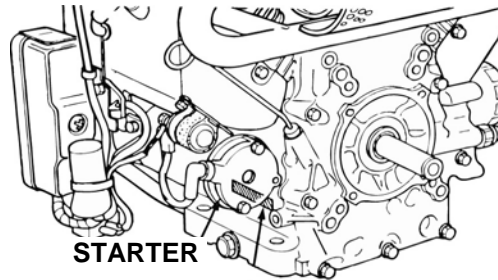
An assembly can have many components. The components of an assembly are indicated by an indented description. The quantity for an indented part is the total needed for that complete assembly. See the example.

REF.	PART NO.	DESCRIPTION	REQ'D
	C 55159	CYLINDER ASSY - rear steering	1
28	C 56208	SOCKET ASSY - rear cylinder	1
29	C 55956	PLUG - adjusting, socket assy	1
30	C 55957	SEAT- socket, ball.....	2
31	C 56210	SPRING-socket	1
32	C 56209	SEAT - socket spring	1
33	G 45175	CLAMP ASSY - socket assy	1
	16- 836	BOLT-1/2"x2-1/4" N.F. hex.....	1
34	132- 104	PIN-cotter, 3/16"x3"	1
35	C 55889	STUD - ball, socket & cylinder	2
36	13- 410	BOLT-1/4"x5/8"N.C.,hex	4
37	92- 4	LOCK WASHER - 1/4"SAE	4

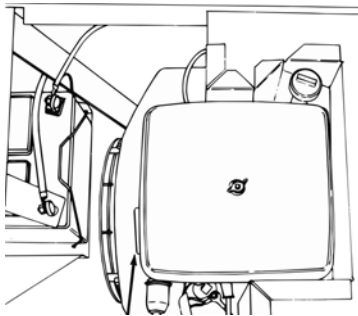
**PRODUCT IDENTIFICATION NUMBERS (PIN)
AND SERIAL NUMBERS (S/N)**



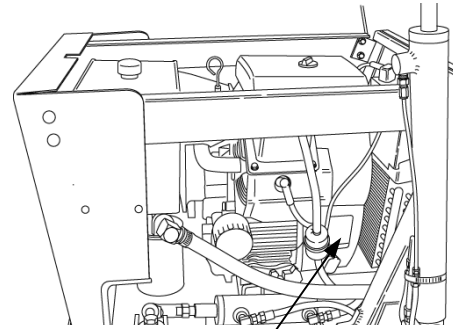
**TRACTOR MODEL
AND PIN NUMBER**



**STARTER
HONDA ENGINE MODEL, SERIAL
AND SPECIFICATION NUMBERS**



**ONAN ENGINE MODEL, SERIAL
AND SPECIFICATION NUMBERS**



**KOHLER ENGINE MODEL, SERIAL
AND SPECIFICATION NUMBERS**

NOTE: This catalog contains references to serial or PIN numbers. Use these numbers as a guide to identify the correct part.

NOTE: Engine parts and warranty must be obtained from your local engine distributor.

TRACTOR MODEL	ENGINE MODEL
6018, 6018BH	C33238 ENGINE ONAN MODEL P218G SPEC. NO. 10905G
Use before PIN : 6020L - PIN 17193591 6020BH - PIN 17193505	C46874 ENGINE HONDA MODEL GX620QAF SPEC. NO. 553300
Use PIN and after : 6020L - 17193591 6020BH - 17193505	C47630 ENGINE KOHLER MODEL CH20 SPEC. NO. 64666



Ingersoll

Paint & Oil

INDEX

PAINT

Power Red Gloss

16-ounce Aerosol Can..... C28484
Quart C28485

Power White

16-ounce Aerosol Can..... C28812
Quart C28845

Power Yellow (Older 600 Series)

16-ounce Aerosol Can..... C28847
Quart C28848

Power Tan (6000 Series)

16-ounce Aerosol Can..... C28853
Quart C28854

Desert Sunset (Older 400 Series)

16-ounce Aerosol Can..... C28846
Quart C28852

Black, Semi Gloss

16-ounce Aerosol Can..... C28849
Quart C28850

Black, High Heat

16-ounce Aerosol Can..... C28851

Silver

16-ounce Aerosol Can..... C30870

M & W Plum

16-ounce Aerosol Can..... 10-5688

Grazer Grey

16-ounce Aerosol Can..... C38444
Quart C38982

Odyssey Charcoal Grey

16-ounce Aerosol Can..... C47171

HYDRAULIC OIL

20W40, Use 32 Degrees and above.
12-Quart Case..... C32778

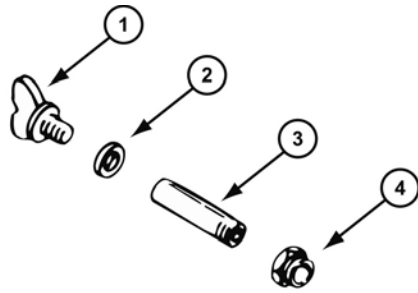
5W20, Use Below 32 Degrees.
12-Quart Case..... C32777

ALPHABETICAL INDEX

Axle, Front	21	Hydraulic PTO Lines	39
Axle, Rear	27-29	Hydraulic PTO Valve	41
Backhoe Seat Assembly	17-19	Hydraulic System (Bucket)	37
Backhoe Mounting Components	71	Hydraulic System (Drive) Loaders	31
Baffles and Shields	13	Hydraulic System (Drive) Backhoes	33
Brakes	23	Hydraulic System (Power Steering)	35
Bucket and Arms	25	Motor - Hydraulic Drive	49
Controls - Choke and Throttle	11	Pump - Manual, Power Steering	51
Controls - Speed, Hydraulic	55	Pump - Main	43
Decals	65	Valve - Control, Tractor	45
Electrical System – Onan Engines	57	Valve Control Linkage - Travel	55
Electrical System – Honda Engines.....	59	Valve and Control Linkage - Bucket	47
Electrical System – Kohler Engines.....	61	Lever - Range Selector	17-19
Frame, Grille and Hood	15	Lift - Implement, Hydraulic	73
Fuel System	11	Mounts, Engine	9
Hitch - 3PT	75	Muffler	13
Hitch Adapter - F27	73	Oil Drain - Engine	9
Hydraulic System - Loaders.....	31	Seat - Operator's	17-19
Hydraulic System – Backhoes	33	Steering Wheel	35
Coupling, Pump Drive	43	Tool Tray	17-19
Cylinder – Arms and Bucket	53	Transmission	27-29
Filter, Oil	31-33	Wheels - Front and Rear	21

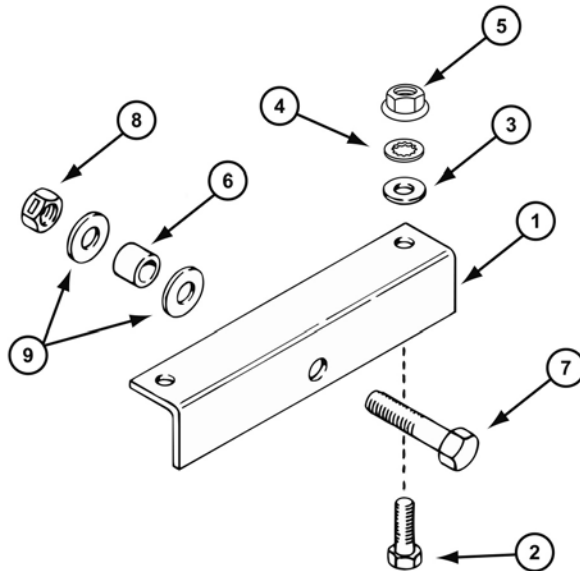
INDEX

ENGINE OIL DRAIN



INDEX

REAR ENGINE MOUNTS



INDEX**ENGINE OIL DRAIN**

REF.	PART NO.	DESCRIPTION	REQ'D
1	C14399	PLUG - oil drain (Onan engine).....	1
1	218-5154	PLUG - oil drain (Kohler engine)	1
2	C14906	GASKET - oil drain (Onan engine)	2
3	C19473	NIPPLE - pipe 2.5" (Onan engine)	1
3	C37148	NIPPLE - pipe 3/8" x 2" (Kohler engine).....	1
4	221-86	REDUCER - pipe 3/8" - 1/4"	1

REAR ENGINE MOUNTS

1	C46869	MOUNT - engine, rear (For Honda engine).....	1
1	C22949	MOUNT - engine, rear (shown) (For Onan and Kohler engines)	1
2	113-219	BOLT - 3/8" - 16 x 2".....	4
2	113-208	BOLT - 3/8" - 16 x 1-1/4" (6018, 6018BH)	4
3	195-103	WASHER - 3/8"	4
4	193-68	LOCKWASHER - 3/8" (6020L, 6020BH).....	1
5	131-1352	NUT - 3/8" - 16 flange lock	4
6	C21652	BUSHING - mount	1
7	113-441	BOLT - 1/2" - 13 x 2-1/4"	1
8	131-1182	NUT - lock 1/2" - 13	1
9	195-533	WASHER - 1/2"	2

INDEX**CHOKE AND THROTTLE CONTROLS**

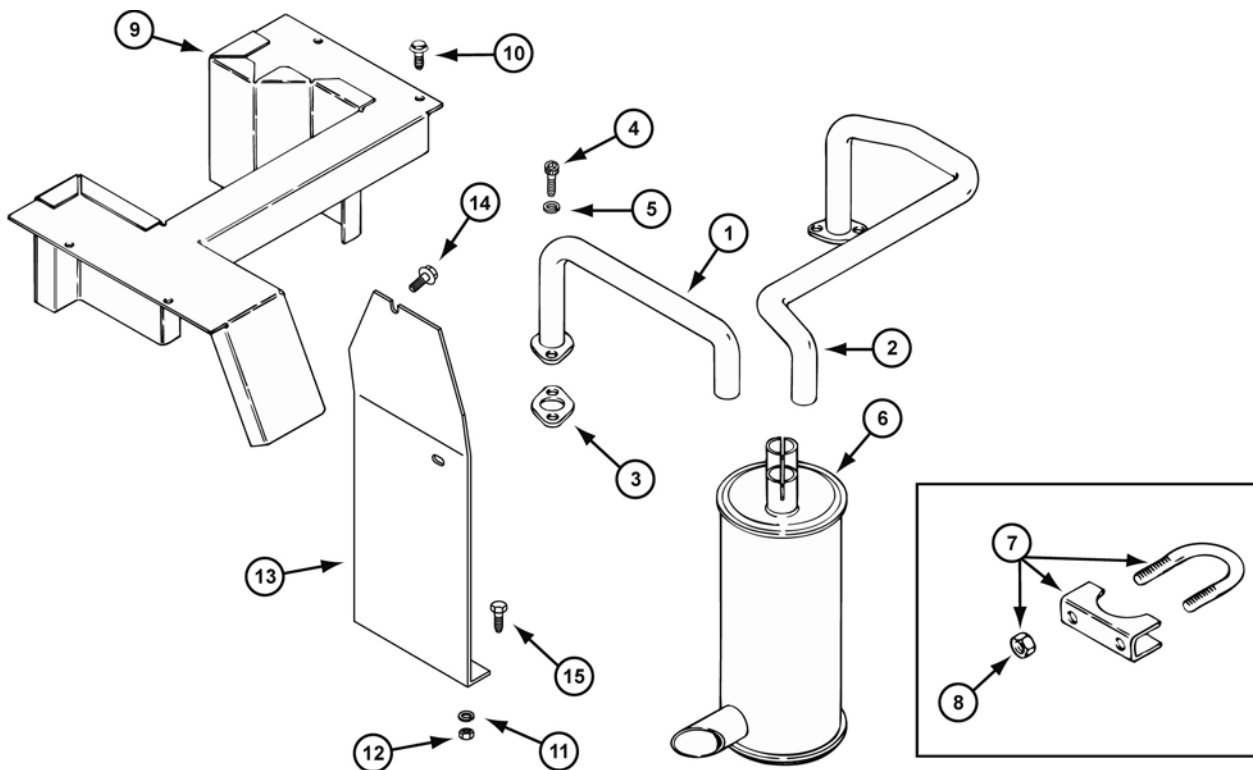
REF.	PART NO.	DESCRIPTION	REQ'D
1	C46373	CONTROL - throttle	1
2	C35291	KNOB - choke/throttle.....	2
3	C46886	CONTROL - choke (6020L, 6020BH).....	1
3	C46372	CONTROL - choke (6018, 6018BH).....	1
4	C34117	NUT - No. 10 - 24 flange lock	2
5	111-5	BOLT - No. 10 - 24 x 5/8" black, carriage.....	2
6	C47707	BRACKET - inter-lock switch mount	1
7	182-10	SCREW - #4 - 40 x 7/8"	2
8	C33697	NUT - #4 - 40	2
9	861-C1	SCREW - M5 - .8 x 8	2
10	192-18	LOCKWASHER - #10	2
11	C30275	SWITCH - inter-lock	1

INDEX**FUEL SYSTEM (TRACTOR)**

1	C26521	FITTING - hose 1/8" - 27 NPTF.....	1
2	C28962	RETAINER - fuel line	1
3	NSS	HOSE - fuel line, long (use C28937 cut to length)	1
4	C32089	TANK - fuel	1
5	C11529	CAP - fuel tank	1
6	NSS	HOSE - fuel line, short (use C28937 cut to length)	1
7	C23527	LINER - tank	2
8	C47205	CUSHION - fuel tank	4
9	C32376	CLAMP - hose 1/2"	4
10	C31978	FILTER - fuel	1
11	C24689	CLIP - "J" fuel line retaining	1
12	187-1036	SCREW - 1/4" - 20 self tap	1

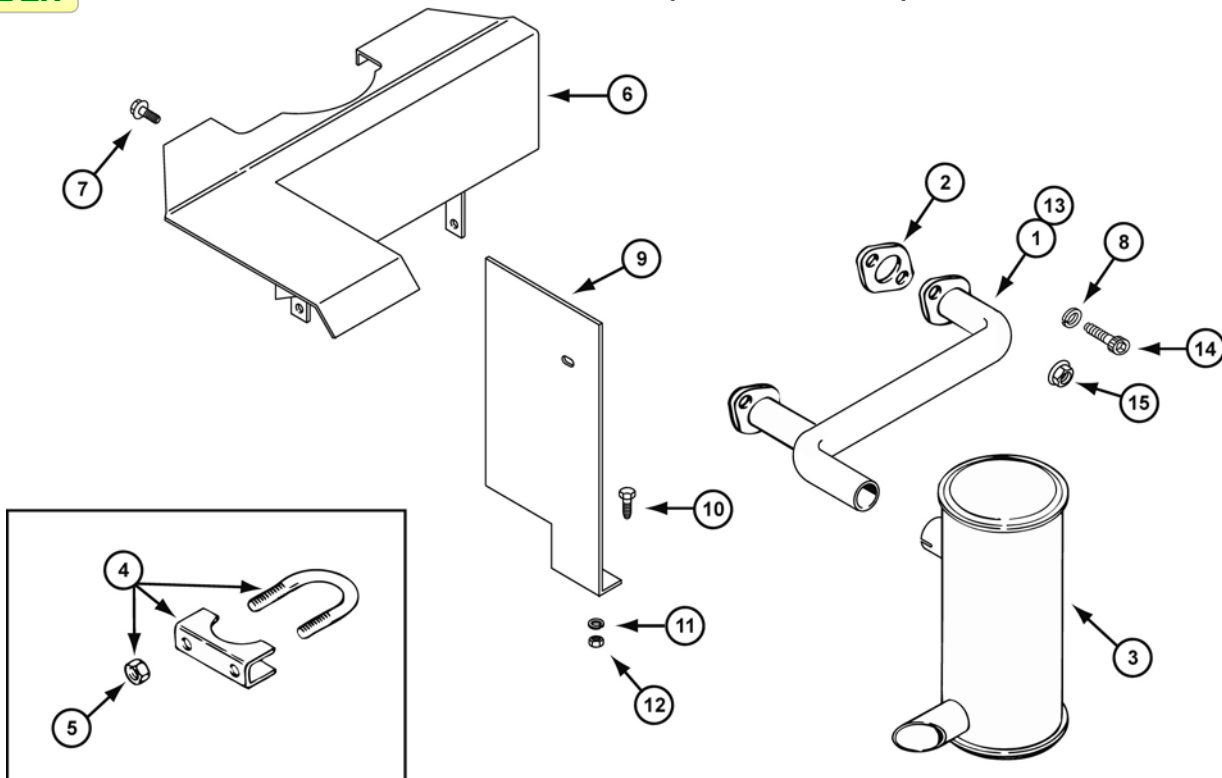
INDEX

MUFFLER AND SHIELDS (6018, 6018BH)



INDEX

MUFFLER AND SHIELDS (6020L, 6020BH)



INDEX**MUFFLER AND SHIELDS (6018, 6018BH)**

REF.	PART NO.	DESCRIPTION	REQ'D
1	C32085	PIPE - exhaust R.H.	1
2	C32086	PIPE - exhaust L.H.	1
3	C26207	GASKET - exhaust	2
4	61-512	BOLT - 5/16" - 18 x 3/4"	4
5	192-404	LOCKWASHER - 5/16"	4
6	C32131	MUFFLER - exhaust	1
7	C28294	CLAMP - muffler	2
8	129-102	NUT - 5/16" - 18	2
9	C46805	SHEILD - muffler and pipe	1
10	187-1036	SCREW - 1/4" - 20 x 1/2" self tap	4
11	192-19	LOCKWASHER - 1/4"	1
12	129-101	NUT - 1/4" - 20	1
13	C46386	SUPPORT - oil tank	1
14	121-21	BOLT - 1/4" - 20 x 1/2" flange	1
15	113-2	BOLT - 1/4" - 20 X 5/8"	1

INDEX**MUFFLER AND SHIELDS (6020L, 6020BH)**

1	C46877*	PIPE - exhaust (Honda engine).....	1
2	C26207*	GASKET - exhaust (Honda engine)	2
2	NSS**	GASKET - exhaust (Kohler engine) (see local engine distributor).....	2
3	C46876	MUFFLER - exhaust	1
4	C28294	CLAMP - muffler	2
5	129-102	NUT - 5/16" - 18	2
6	C46862*	SHIELD - muffler and pipe (Honda engine)	1
6	C47554**	SHIELD - heat (Kohler engine).....	1
7	187-1036	SCREW - 1/4" - 20 x 1/2" self tap (shown)	2
7	814-8016	BOLT - M8 - 1.25 x 16 (shield to Honda engine)	2
8	192-404	LOCKWASHER - 5/16" (Honda engine)	4
9	C46858	SUPPORT - oil tank	1
10	113-2	BOLT - 1/4" - 20 x 5/8"	1
11	192-19	LOCKWASHER - 1/4"	1
12	129-101	NUT - 1/4" - 20	1
13	C47558**	MANIFOLD - exhaust (Kohler engine)	1
14	61-512	BOLT - 5/16 - 18 x 3/4" (Honda engine)	4
15	131-911*	NUT - 5/16" - 16 flange lock (Kohler engine)	4

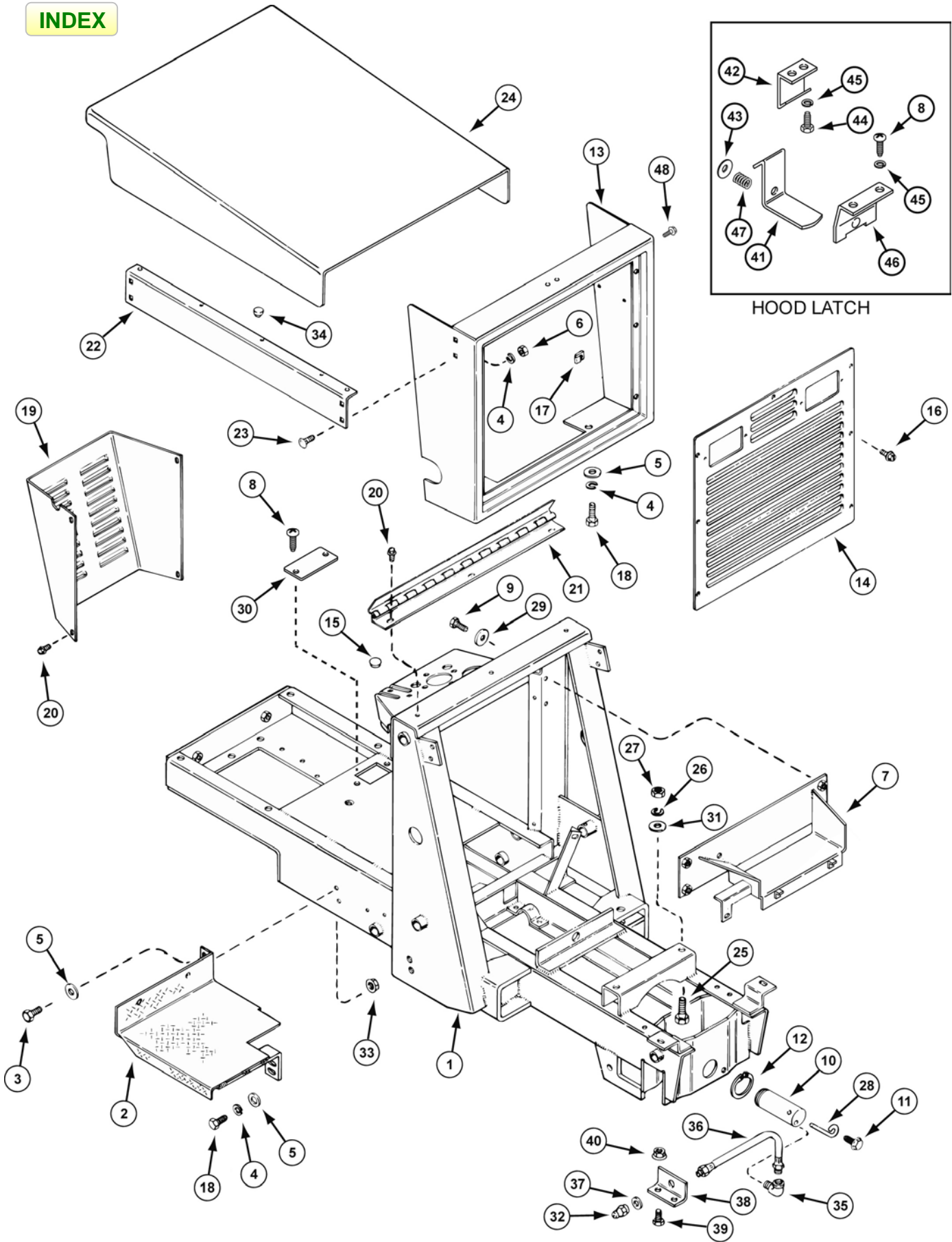
*Use before PIN:

**Use PIN and after:

6020L - 17193591

6020BH - 17193505

INDEX



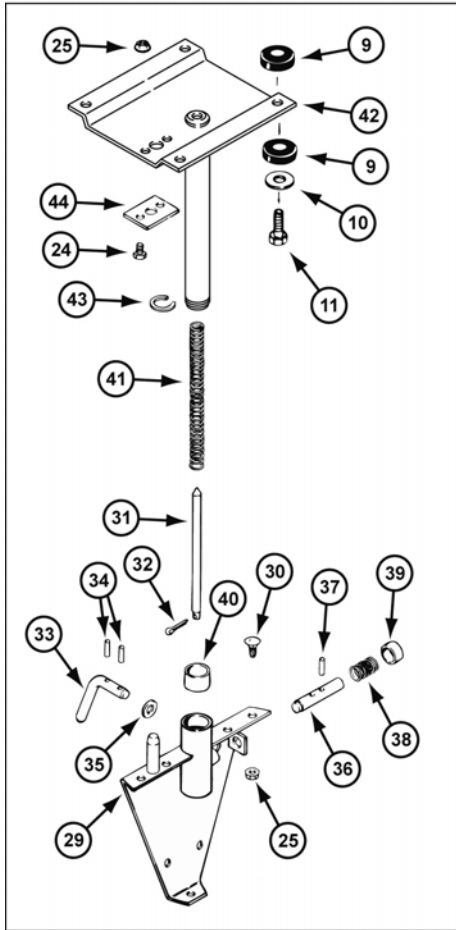
INDEX

HOOD, FRAME AND GRILLE

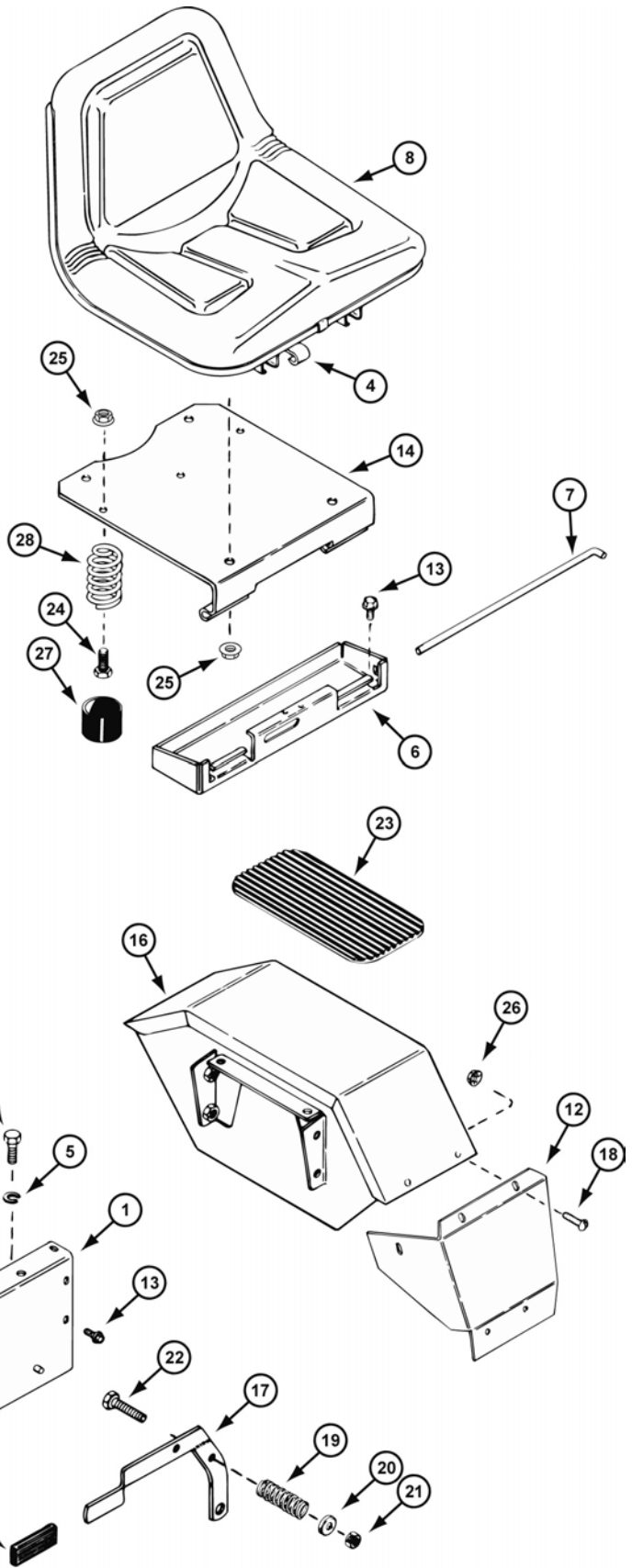
REF.	PART NO.	DESCRIPTION	REQ'D
1	C46866	FRAME - main (6018 - all) (6020L - before PIN 17193591) shown	1
1	C46867	FRAME - main (6018BH - all) (6020BH - before PIN 17193505)	1
1	C47710	FRAME - main (6020BH - PIN 17193505 and after)	1
1	C47709	FRAME - main (6020L - PIN 17193591 and after)	1
2	C32193	PAD - foot L.H.	1
2	C32195	PAD - foot R.H.	1
3	113-206	BOLT - 3/8" x 3/4" N.C. hex	4
4	192-21	LOCKWASHER - 3/8"	18
5	195-104	WASHER - 3/8"	6
6	129-103	NUT - 3/8" N.C. hex	6
7	C46872	TRAY - battery (6018, 6018BH - PIN 17191925 and after) (6020L, 6020BH - PIN 17191997 and after).....	1
7	C32045	TRAY - battery (6018, 6018BH - before PIN 17191925) (6020L, 6020BH - before PIN 17191997).....	1
8	182-547	SCREW - 1/4" - 20 X 1/2"	4
9	113-102	BOLT - 5/16" x 3/4" NC hex	4
10	C45082	PIN - axle pivot	1
11	187-1910	BOLT - 3/8" NC hex	1
12	C29760	RING - retaining	1
13	C46984	GRILLE - frame	1
14	C32176	INSERT - grille	1
15	353-406	PLUG - hole (6018BH, 6020BH)	1
16	187-1036	BOLT - 1/4" - 20 x 1/2" NC self tap	9
17	C17653	NUT - 1/4" tinnerman	9
18	113-207	BOLT - 3/8" x 1" NC hex	4
19	C32044	PANEL - dash	1
20	187-1036	BOLT - 1/4" x 1/2" NC self tap	7
21	C21540	HINGE - hood (included with hood)	1
22	C32124	SUPPORT - grille	2
23	111-340	BOLT - 3/8" x 3/4" NC carriage	8
24	C32040	HOOD - includes hinge	1
25	113-219	BOLT - 3/8" - 16 x 2" (engine mounts)	4
26	193-68	LOCKWASHER - 3/8"	1
27	131-1352	NUT - 3/8" - 16 flange lock	4
28	C22278	PIN - retaining	1
29	195-521	WASHER - 5/16"	4
30	C45918	PLATE - cover	1
31	195-103	WASHER - 3/8"	4
32	219-55	FITTING - lube, 90° (6018, 6020L)	1
32	219-60	FITTING - lube, straight (shown) (6018BH, 6020BH).....	1
33	131-938	NUT - 3/8" - 16 flange lock	4
34	C18193	BUMPER - hood	1
35	C34178	FITTING - 90° elbow (6018BH, 6020BH)	1
36	C34176	HOSE - (6018BH, 6020BH)	1
37	195-104	WASHER - (6018BH, 6020BH)	1
38	C34177	BRACKET - mounting, grease fitting (6018BH, 6020BH).....	1
39	113-102	BOLT - 5/16" - 18 x 3/4" (6018BH, 6020BH)	2
40	131-911	NUT - 5/16" - 18 flange lock (6018BH, 6020BH)	2
41	C46514	LEVER - latch (not on all units).....	1
42	C46517	ANCHOR - latch (not on all units)	1
43	C30768	NUT - push (not on all units)	1
44	113-1	BOLT - 1/4" - 20 x 1/2" (not on all units)	2
45	192-19	LOCKWASHER - 1/4" (not on all units)	4
46	C46515	GUIDE - lever (not on all units)	1
47	C30827	SPRING (not on all units)	1
48	121-21	BOLT - 1/4" - 20 x 1/2" flange lock	2

SEAT, FENDERS AND TOOL TRAY
(6018 - all) (6020L - before PIN 17193591)
(6018BH - all) (6020BH - before PIN 17193505)

AFTER THESE PINS



SEAT SUPPORT 6018BH, 6020BH



INDEX

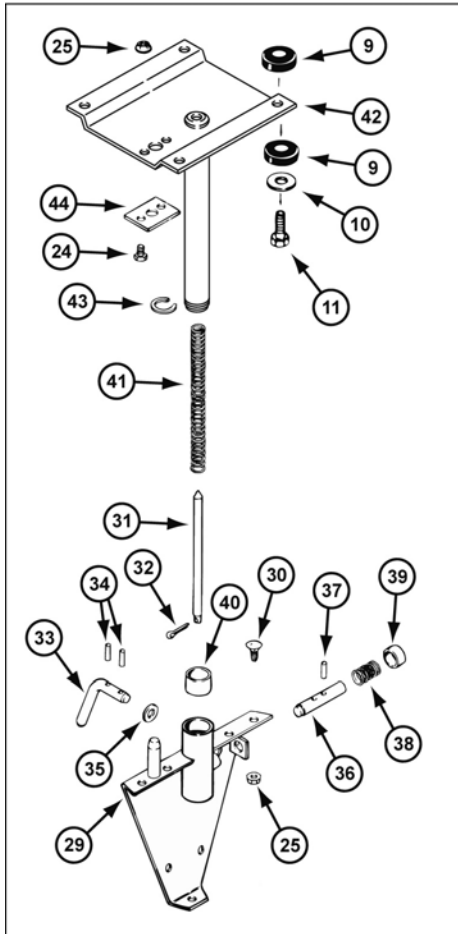
**SEAT, FENDERS AND TOOL TRAY
(6018 - all) (6020L - before PIN 17193591)
(6018BH - all) (6020BH - before PIN 17193505)**

AFTER THESE PINS

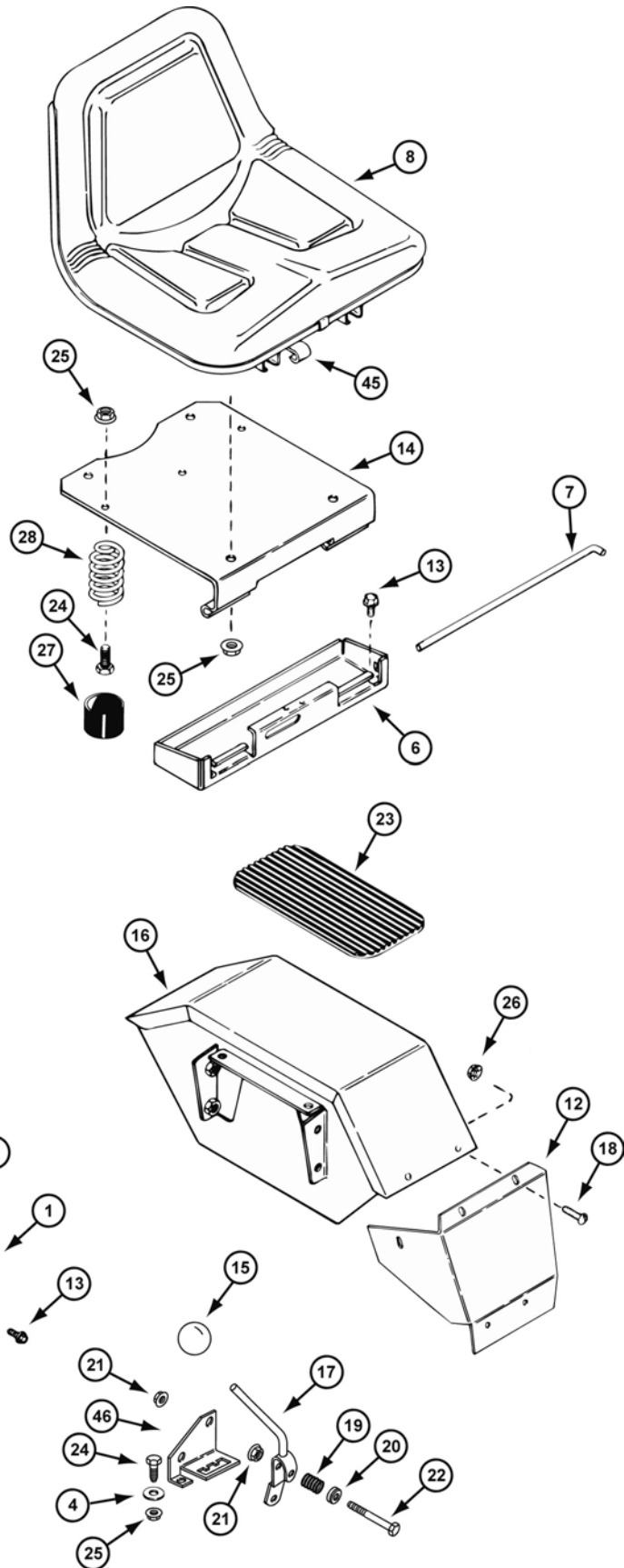
REF.	PART NO.	DESCRIPTION	REQ'D
1	C17488	SUPPORT - seat, front	1
2	C26698	SUPPORT - seat, rear (6018, 6020L)	1
2	C33054	SUPPORT - seat, rear (6018BH, 6020BH) shown	1
3	113-424	BOLT - 1/2" x 1" NC hex	4
4	C37848	KIT - seat rails	1
5	192-23	LOCKWASHER - 1/2"	4
6	C37017	TRAY - tool (6018, 6020L)	1
7	C16429	PIN - seat hinge (6018, 6020L)	1
8	C44982	SEAT	1
9	C15410	CUSHION - rubber (6018BH, 6020BH)	4
10	195-2175	WASHER - 5/16" x 1-1/4" O.D.	4
11	113-122	BOLT - 5/16" - 18 x 1-1/2"	4
11	113-103	BOLT - 5/16" x 1" NC hex	4
12	C32417	EXTENSION - fender L.H. (shown)	1
12	C32418	EXTENSION - fender R.H.	1
13	121-106	BOLT - 5/16" x 1/2" NC hex flange	14
14	C37152	HINGE - seat (6018, 6020L)	1
15	C14728	GRIP - shift lever	1
16	C32050	FENDER - L.H. (shown) (6018BH, 6020BH)	1
16	C32053	FENDER - R.H. (6018BH, 6020BH)	1
16	C32144	FENDER - L.H. (6018, 6020L)	1
16	C32132	FENDER - R.H. (6018, 6020L)	1
17	C17491	LEVER - shift	1
18	182-547	SCREW - 1/4" - 20 x 1/2" Phillips	10
19	C17216	SPRING - shift lever	1
20	C17066	WASHER - cupped	1
21	131-1216	NUT - lock 3/8" NC hex	1
22	113-257	BOLT - 3/8" x 2-1/2" NC hex.....	1
23	C26092	PAD - step, fender (6018BH, 6020BH)	2
24	113-102	BOLT - 5/16" - 18 x 3/4"	4
25	131-911	NUT - 5/16" - 18 flange lock	10
26	131-934	NUT - 1/4" - 20 flange lock	10
27	C29305	CAP - spring (6018, 6020L)	2
28	C29306	SPRING - seat (6018, 6020L)	2
29	C32408	BRACKET - support	1
30	111-132	BOLT - 5/16" - 18 x 3/4" carriage	6
31	C32070	ROD - spring guide	1
32	132-320	PIN - cotter 3/32" x 3/4"	1
33	C32066	LEVER - latch	1
34	138-2071	PIN - spiral 3/16" x .94"	2
35	C21518	WASHER - 1/2" nylon	1
36	C32067	PIN - latch	1
37	C44068	PIN - spiral 1/4" x 1"	1
38	C24137	SPRING - compression	1
39	C32065	SPACER - sleeve	1
40	C13385	BUSHING - bearing	2
41	C32064	SPRING - compression	1
42	C46882	POST - seat	1
43	C26342	RING - retaining	1
44	C32161	PLATE - retainer	1

SEAT, FENDERS AND TOOL TRAY
(6020L - PIN 17193591 and after)
(6020BH - PIN 17193505 and after)

BEFORE THESE PINS



SEAT SUPPORT 6018BH, 6020BH

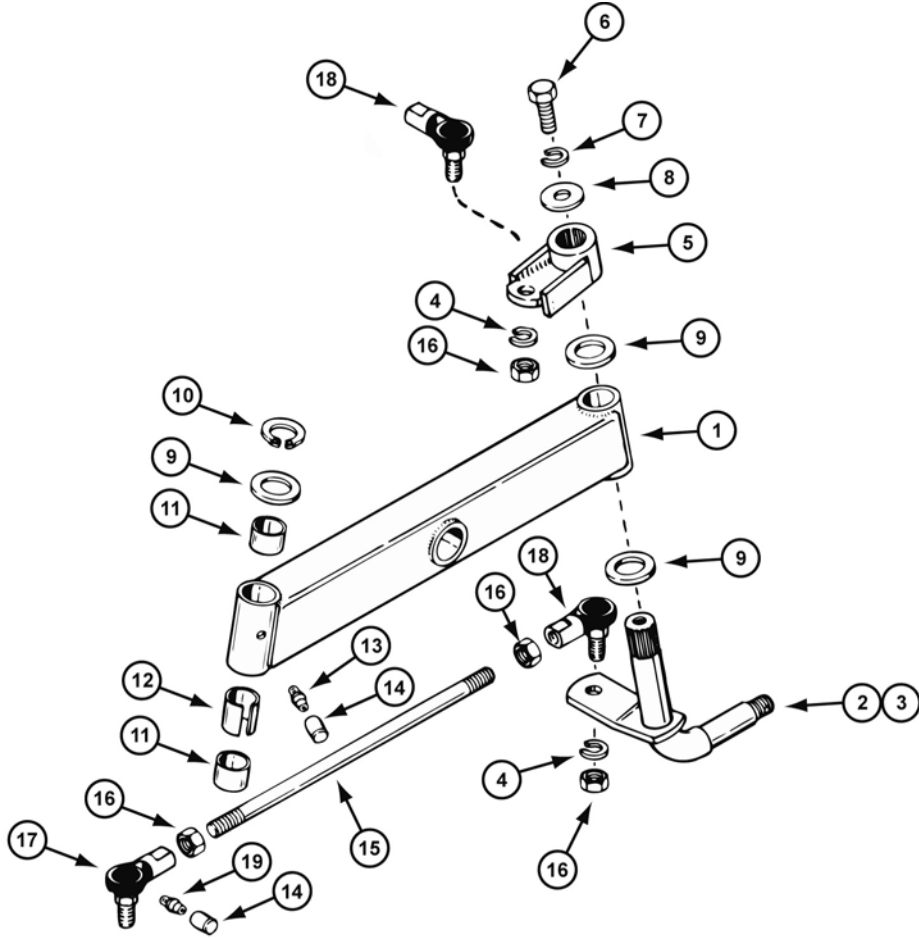


INDEX**SEAT, FENDERS AND TOOL TRAY
(6020L - PIN 17193591 and after)
(6020BH - PIN 17193505 and after)****BEFORE THESE PINS**

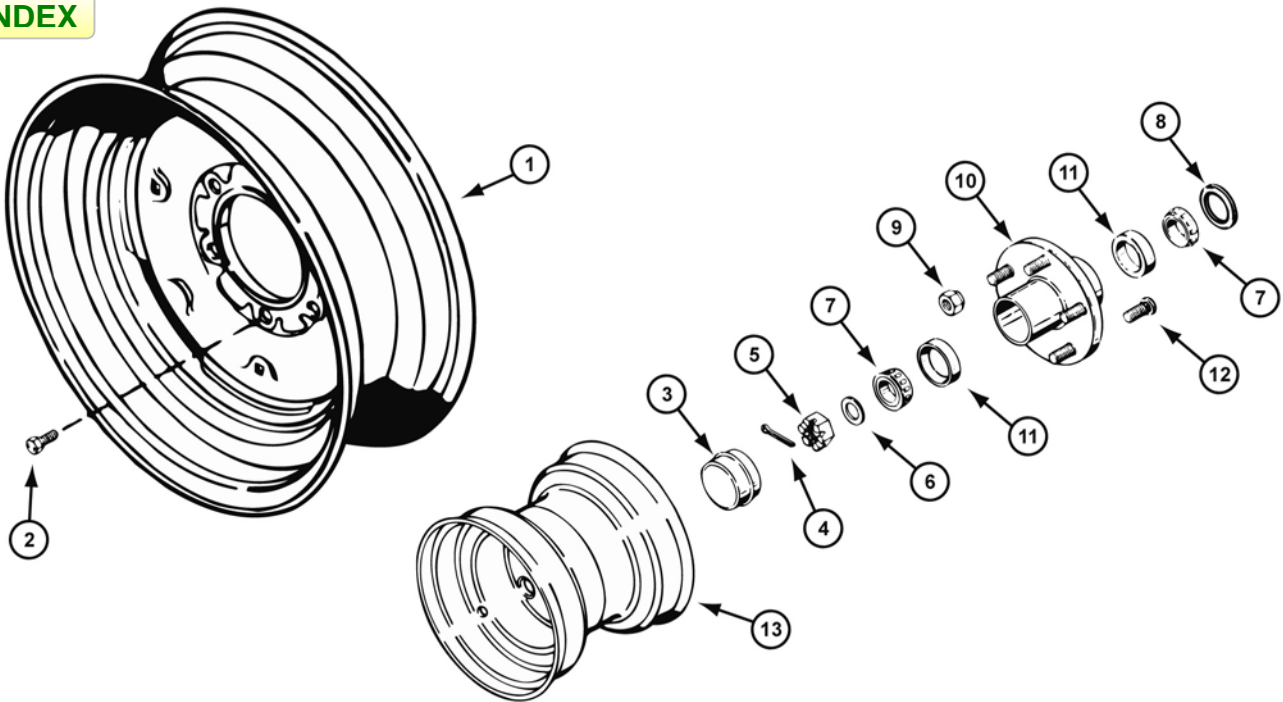
REF.	PART NO.	DESCRIPTION	REQ'D
1	C47620	SUPPORT - seat, front	1
2	C26698	SUPPORT - seat, rear (6018, 6020L)	1
2	C33054	SUPPORT - seat, rear (6020BH) shown	1
3	113-424	BOLT - 1/2" x 1" NC hex	4
4	195-521	WASHER - 5/16"	1
5	192-23	LOCKWASHER - 1/2"	4
6	C47623	TRAY - tool (6018, 6020L)	1
7	C16429	PIN - seat hinge (6018, 6020L)	1
8	C44982	SEAT	1
9	C15410	CUSHION - rubber (6020BH)	4
10	195-2175	WASHER - 5/16" x 1-1/4" O.D.	4
11	113-122	BOLT - 5/16" - 18 x 1-1/2"	4
11	113-103	BOLT - 5/16" x 1" NC hex	4
12	C32417	EXTENSION - fender L.H. (shown)	1
12	C32418	EXTENSION - fender R.H.	1
13	121-106	BOLT - 5/16" x 1/2" NC hex flange	14
14	C37152	HINGE - seat (6018, 6020L)	1
15	C10487	KNOB - shift lever	1
16	C32050	FENDER - L.H. (shown)	1
16	C32053	FENDER - R.H. (6020BH)	1
16	C47622	FENDER - R.H. (6018, 6020L)	1
17	C47148	LEVER - shift	1
18	182-547	SCREW - 1/4" - 20 x 1/2" Phillips	10
19	C10482	SPRING - shift lever	1
20	C17066	WASHER - cupped	1
21	131-938	NUT - flange lock 3/8" NC hex	2
22	113-259	BOLT - 3/8" x 4-1/2" NC hex.....	1
23	C26092	PAD - step, fender (6020BH)	2
24	113-102	BOLT - 5/16" - 18 x 3/4"	5
25	131-911	NUT - 5/16" - 18 flange lock	11
26	131-934	NUT - 1/4" - 20 flange lock	10
27	C29305	CAP - spring (6018, 6020L)	2
28	C29306	SPRING - seat (6018, 6020L)	2
29	C32408	BRACKET - support	1
30	111-132	BOLT - 5/16" - 18 x 3/4" carriage	6
31	C32070	ROD - spring guide	1
32	132-320	PIN - cotter 3/32" x 3/4"	1
33	C32066	LEVER - latch	1
34	138-2071	PIN - spiral 3/16" x .94"	2
35	C21518	WASHER - 1/2" nylon	1
36	C32067	PIN - latch	1
37	C44068	PIN - spiral 1/4" x 1"	1
38	C24137	SPRING - compression	1
39	C32065	SPACER - sleeve	1
40	C13385	BUSHING - bearing	2
41	C32064	SPRING - compression	1
42	C46882	POST - seat	1
43	C26342	RING - retaining	1
44	C32161	PLATE - retainer	1
45	C37848	KIT - seat rails	1
46	C47165	GATE - range selector	1

INDEX

FRONT AXLE



INDEX



INDEX**FRONT AXLE**

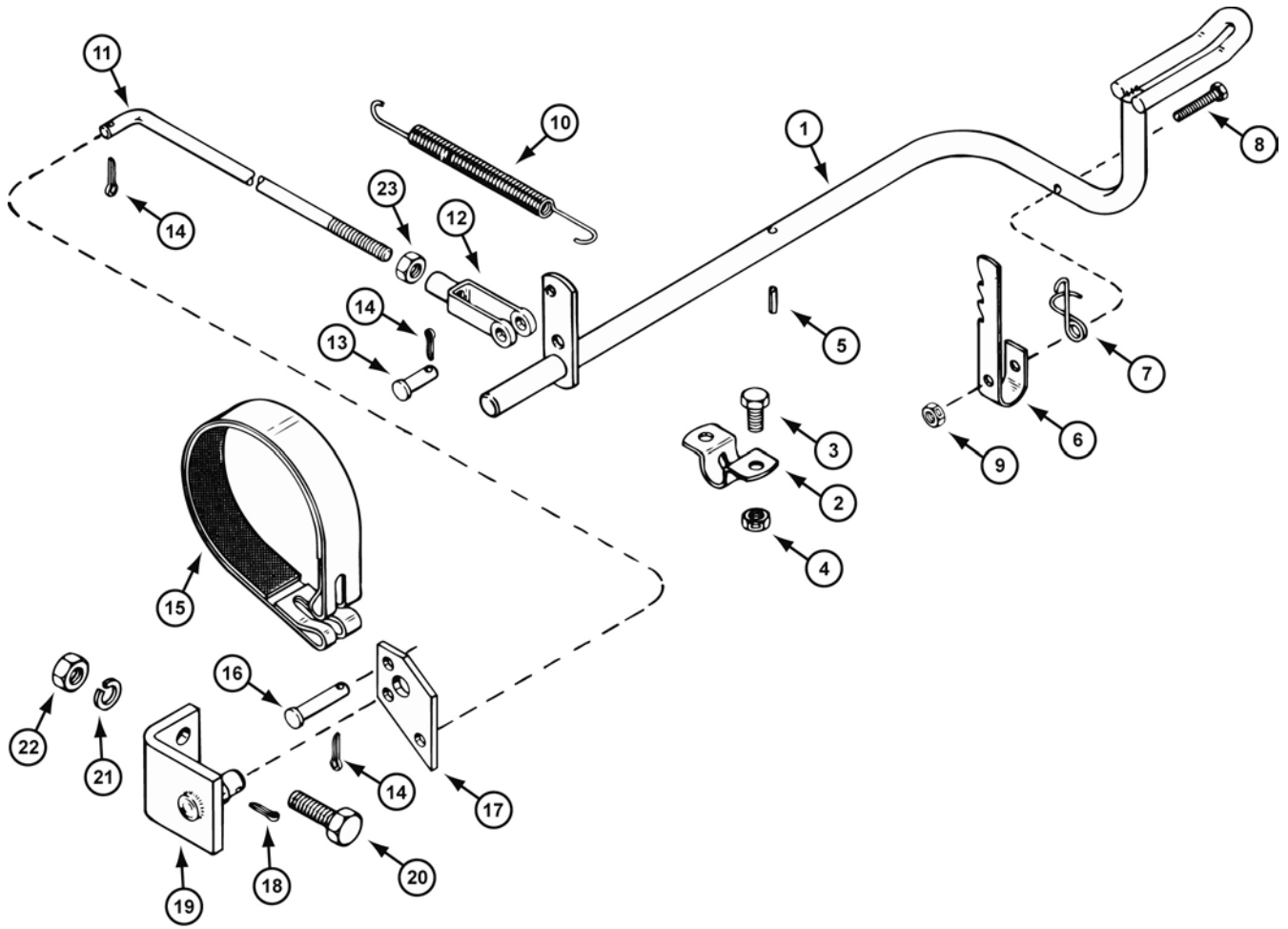
REF.	PART NO.	DESCRIPTION	REQ'D
1	C17296	AXLE - front	1
2	C47102	SPINDLE - L.H.	1
3	C47103	SPINDLE - R.H.	1
4	192-25	LOCKWASHER - 5/8"	3
5	C30163	ARM - upper, spindle	1
6	113-417	BOLT - 1/2" x 1-1/4" NC hex	1
7	192-23	LOCKWASHER - 1/2"	1
8	195-536	WASHER - 9/16"	1
9	C17684	WASHER - thrust	4
10	C28248	RING - retaining	1
11	C33419	BUSHING - spindle 1-1/4" length	4
12	C33418	SPACER - bushing	2
13	219-17	FITTING - lubrication	2
14	C13106	COVER - lubrication fitting	2
15	C25942	TIE ROD	1
16	129-127	NUT - 5/8" N.F. hex	6
17	C46653	BALL JOINT - R.H. (includes lube fitting)	1
18	C46654	BALL JOINT - L. H. (includes lube fitting)	2
19	219-413	FITTING - lubrication	3

INDEX**FRONT AND REAR WHEELS**

1	C47612	WHEEL - rim, rear 10 x 15 black (6020L, 6020BH).....	2
1	C32032	WHEEL - rim, rear 10 x 15 (6018BH, 6020BH)	2
1	C33464	WHEEL - rim, rear 7 x 15 silver (6018, 6020L)	2
2	C27763	BOLT - rear wheel lug	12
3	C28317	CAP - dust	2
4	132-335	PIN - cotter 1/8" x 1-1/4"	2
5	25-1312	NUT - castle 3/4" NC hex	2
6	C28972	WASHER - retaining	2
	C33400	HUB AND BEARING ASSEMBLY - front wheel	2
7	C28262	BEARING - cone	2
8	C28316	SEAL - bearing	1
9	C28305	NUT - wheel	5
10	NSS	HUB ASSEMBLY - front wheel	1
11	C28988	RACE - bearing	2
12	C18300	STUD - wheel	5
	NSS	HUB - wheel	1
13	C33462	WHEEL - rim, front 8 x 7 silver (6018, 6020L)	2
13	C32029	WHEEL - rim, front 10 x 6 (6018BH, 6020BH)	2
13	C47582	WHEEL - rim, front 10 x 6 tan (6018BH, 6020BH)	2
13	C26902	WHEEL - rim, front 8 x 7 black (6020L, 6020BH)	2

INDEX

BRAKE ASSEMBLY

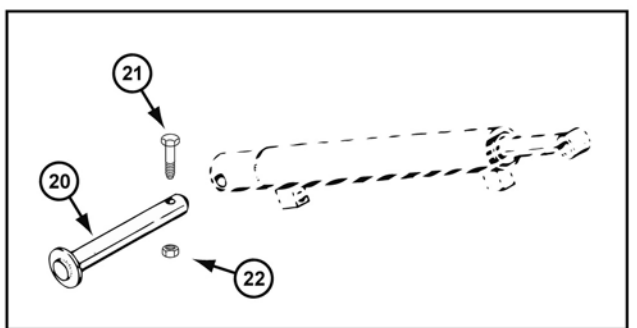
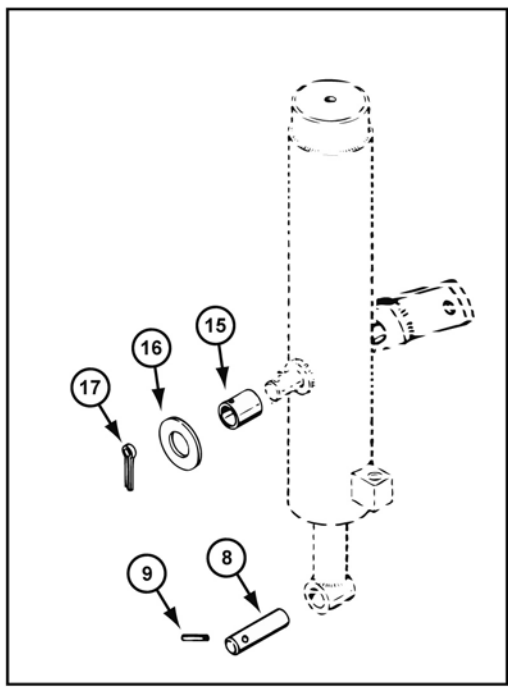
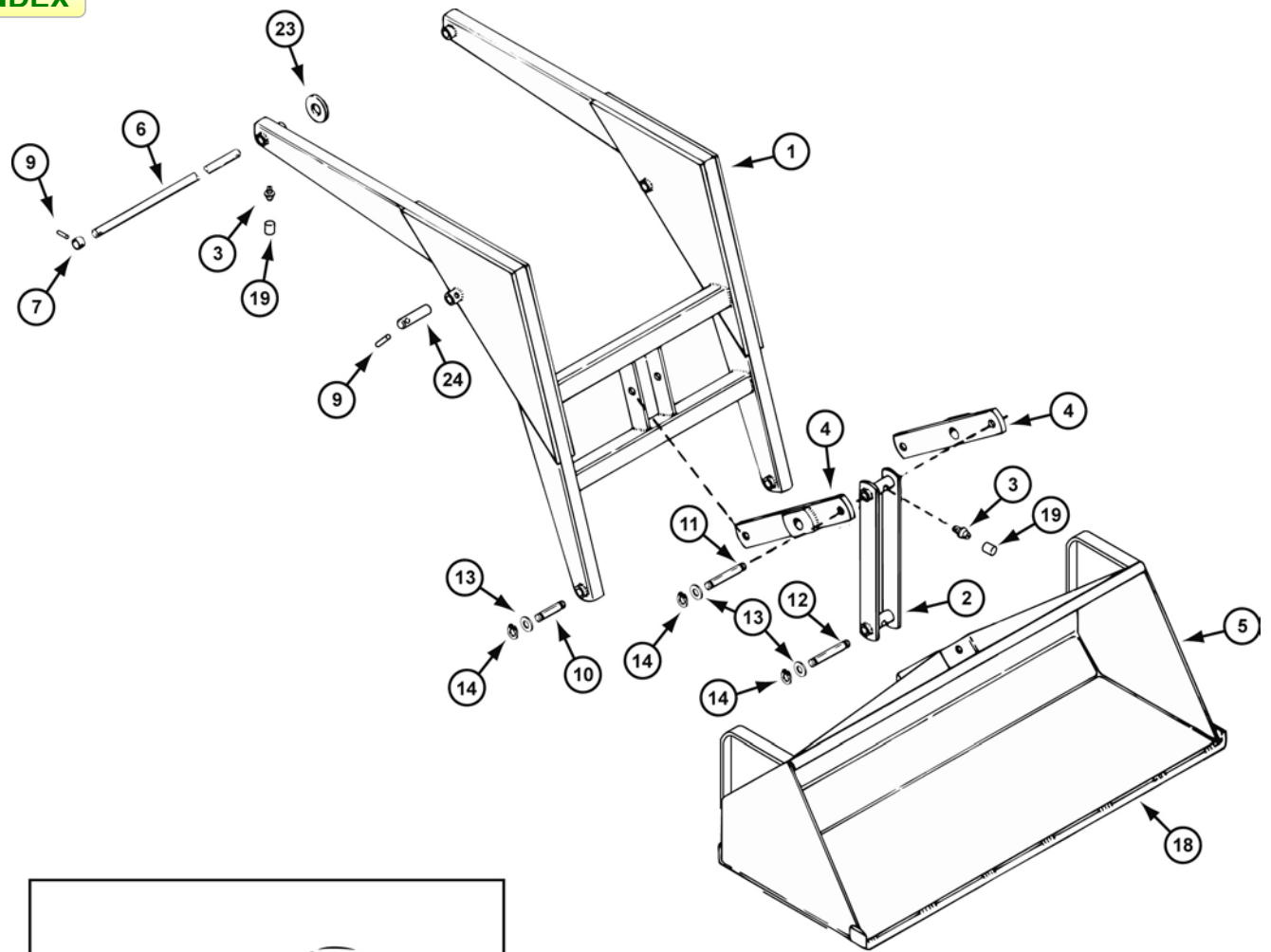


INDEX

BRAKE ASSEMBLY

REF.	PART NO.	DESCRIPTION	REQ'D
1	C26683	PEDAL - brake	1
2	C18029	BRACKET - saddle	2
3	113-207	BOLT - 3/8" x 1" NC hex	4
4	131-938	NUT - lock 3/8" NC hex	4
5	138-92	PIN - roll 3/16" x 3/4"	1
6	C18105	LOCK - brake	1
7	C17541	SPRING - brake lock	1
8	113-5	BOLT - 1/4" x 1-1/2" NC hex	1
9	131-1102	NUT - lock 1/4" NC hex	1
10	C18278	SPRING - brake return	1
11	C43871	ROD - brake (also includes Ref. 23)	1
12	C28978	CLEVIS	1
13	141-4	PIN - clevis	1
14	132-310	PIN - cotter 1/8" x 1"	4
15	C47142	BAND - brake	1
16	C13526	PIN - clevis	2
17	C18305	ARM - actuator	1
18	132-333	PIN - cotter 1/8" x 5/8"	1
19	C18306	BRACKET - pivot	1
20	113-412	BOLT - 1/2" x 1-3/4" NC hex	UAR
20	113-426	BOLT - 1/2" x 2-3/4" NC hex	UAR
21	192-23	LOCKWASHER - 1/2"	2
22	129-105	NUT - 1/2" NC hex	2
23	129-163	NUT - 3/8" - 24	1

INDEX



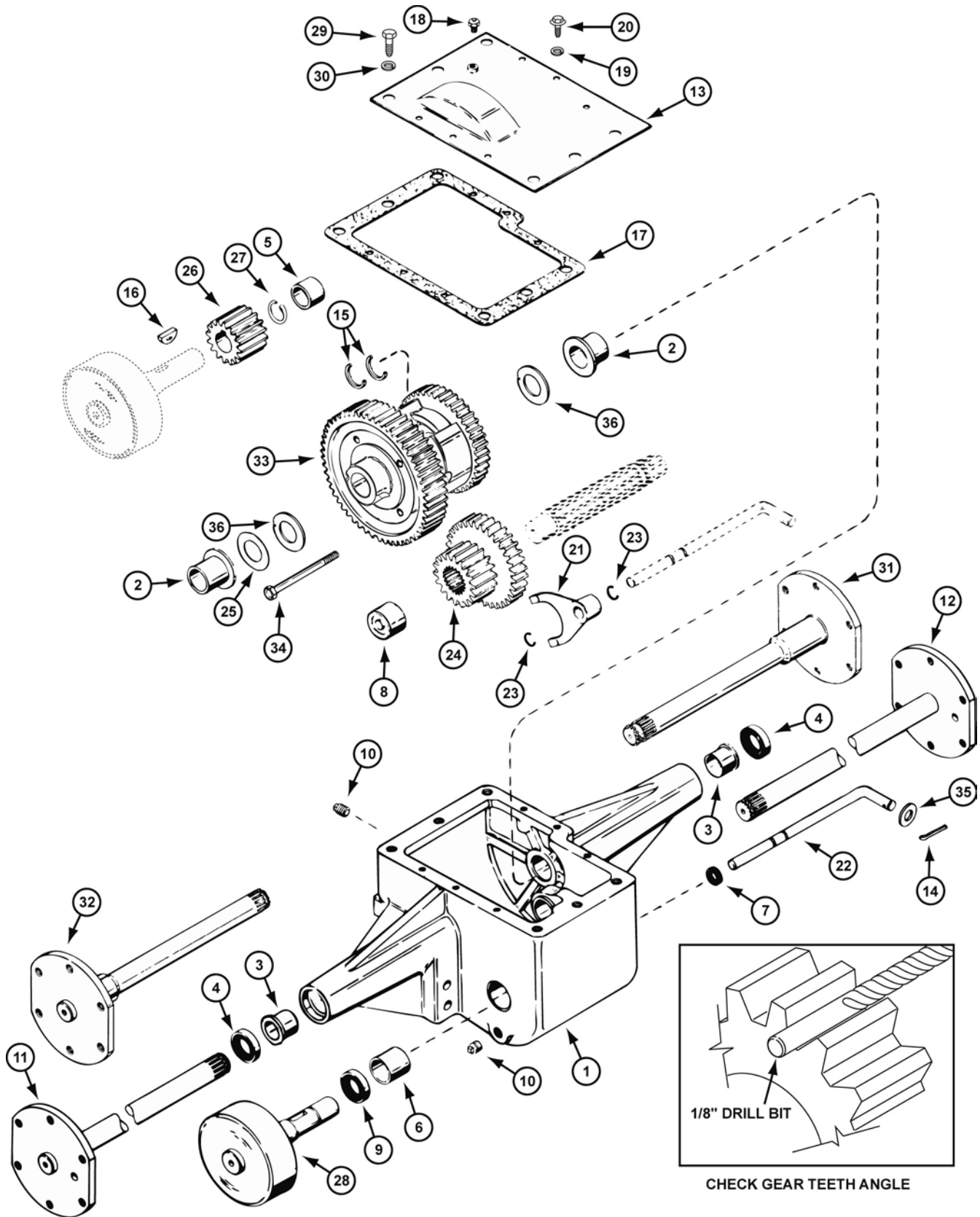
INDEX

BUCKET AND ARM ASSEMBLY

REF.	PART NO.	DESCRIPTION	REQ'D
1	C17311	ARM ASSEMBLY - bucket lift (6018, 6020L) (shown)	1
1	C47070	ARM ASSEMBLY - bucket lift (6018BH, 6020BH)	1
2	C17322	ARM - bucket	1
3	219-20	FITTING - lube	4
4	C18249	LINK - bucket cylinder	2
5	C47076	BUCKET - loader 48" (6018BH, 6020BH)	1
5	C33181	BUCKET - loader 48" (6018, 6020L) (shown)	1
6	C17337	ROD - arm assembly mounting	1
7	C17987	COLLAR	2
8	C47200	PIN - cylinder mounting 3/4" x 3-1/2"	3
9	C44068	PIN - 1/4" x 1"	5
10	C17334	PIN - bucket mounting, 3-5/16" (6018, 6020L)	2
10	C47088	PIN - bucket mounting, 4" (6018BH, 6020BH)	2
11	C17335	PIN - 5"	2
12	C17336	PIN - 4-3/4"	1
13	195-545	WASHER - 13/32"	1
14	C28232	RING - retaining	1
15	C18145	BUSHING - oilite	2
16	195-533	WASHER - 1-1/16"	2
17	132-311	PIN - cotter 5/32" x 1-1/4"	2
18	C47077	EDGE - cutting 48"	1
19	C13106	COVER - lubrication fitting	4
20	C17714	PIN - cylinder mounting	2
21	113-122	BOLT - 5/16" - 18 x 1-1/2"	2
22	131-176	NUT - lock 5/16" hex	2
23	C12975	WASHER - .76" x 1.12"	1
24	C47199	PIN - lift arm 3/4" x 3"	2

TRANSMISSION AND FINAL DRIVE
 (6018 - all) (6020L - before PIN 17193591)
 (6018BH - all) (6020BH - before PIN 17193505)

AFTER THESE PINS



TRANSMISSION AND FINAL DRIVE
 (6018 - all) (6020L - before PIN 17193591)
 (6018BH - all) (6020BH - before PIN 17193505)

AFTER THESE PINS

REF.	PART NO.	DESCRIPTION	REQ'D
	C26322	CASE ASSEMBLY - (6018BH, 6020BH)	1
	C47666	CASE ASSEMBLY - (6018, 6020L)	1
1	NSS	CASE - transmission (order assembly above)	1
2	C12713	BEARING - flanged	2
3	C24804	BEARING - flanged (6018, 6020L)	2
3	C26245	BEARING - flanged (6018BH, 6020BH)	2
4	C32891	SEAL - axle (6018BH, 6020BH)	2
4	C24803	SEAL - axle (6018, 6020L)	2
5	C13241	BEARING - sleeve	1
6	C13385	BEARING - sleeve	1
7	C13266	SEAL - shift rod	1
8	C28281	BEARING - roller	1
9	C24803	SEAL - shaft	1
10	221-3	PLUG - filler and drain 3/8" square head	2
10	221-1842	PLUG - pipe 3/8" hex socket	1
11	C22638	SHAFT - axle, short R.H. (6018, 6020L)	1
12	C22637	SHAFT - axle, long L.H. (6018, 6020L)	1
13	C36935	COVER - transmission	1
14	132-310	PIN - cotter 1/8" x 1"	1
15	C26342	RING - retainer, axle	2
16	126-128	KEY - woodruff, brake idler	1
17	C13196	GASKET - transmission cover	1
18	C28241	BREATHER - transmission	1
19	192-19	LOCKWASHER - 1/4"	6
20	187-C2	SCREW - 1/4" - 20 x 1" tap	6
21	C22660	FORK - shift	1
22	C37222	ROD - gear shift	1
23	C14168	RING - retaining	2
24	C36901 *	GEAR - cluster input (20° angle teeth)	1
24	C47670 **	GEAR - cluster input (25° angle teeth)	1
25	C14223	WASHER - spacer	UAR
26	C33417 *	GEAR - brake idler (20° angle teeth)	1
26	C46927 **	GEAR - brake idler (25° angle teeth)	1
27	C14222	RING - retainer, brake idler	1
28	C33305	BRAKE DRUM	1
29	113-417	BOLT - 1/2" x 1-1/4" NC transaxle mounting	6
29	166-86	BOLT - 1/2" - 13 x 1-1/4", 12 pt. flange	1
30	192-23	LOCKWASHER - 1/2"	6
31	C26250	SHAFT - axle, long L.H. (6018BH, 6020BH)	1
32	C26249	SHAFT - axle, short R.H. (6018BH, 6020BH)	1
33	NSS *	DIFFERENTIAL - (20° angle teeth) (use C47667 kit - includes items 24, 26 and 33) .	1
33	C46929 **	DIFFERENTIAL - (25° angle teeth) (also includes item 34)	1
34	C30031	KIT - bolt (set of four)	4
35	195-541	WASHER	1
36	C12718	WASHER - differential	2

* Use before PIN:

** Use PIN and after:

6018BH - 17191925

6020BH - 17191997

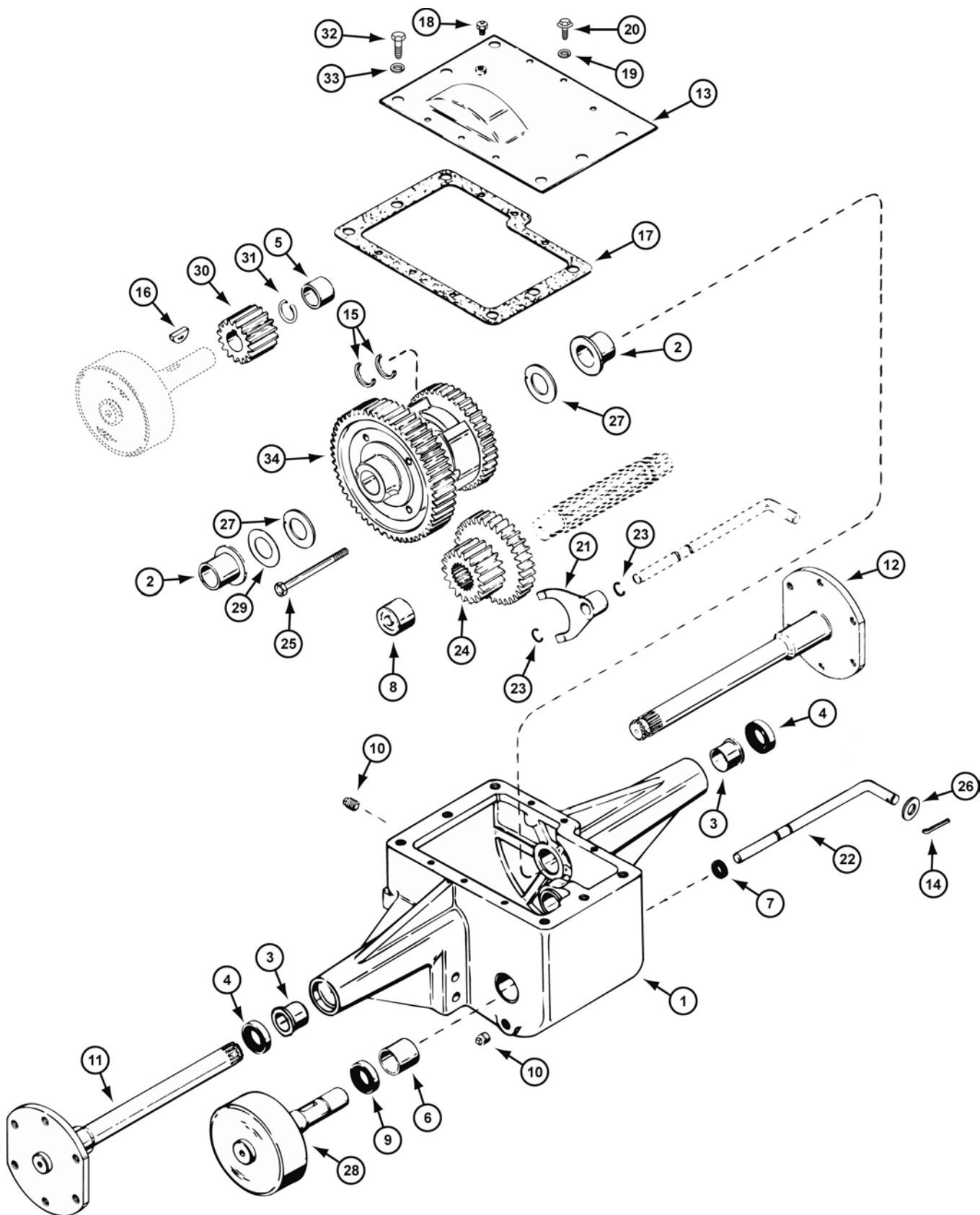
6018, 6020L - Must determine if gear teeth are 20° or 25° angle for correct part.

A 1/8" drill bit will fit loosely between two teeth of a
 20° gear and snugly between the teeth of a 25° gear.

[See illustration on opposite page.](#)

TRANSMISSION AND FINAL DRIVE
(6020L - PIN 17193591 and after)
(6020BH - PIN 17193505 and after)

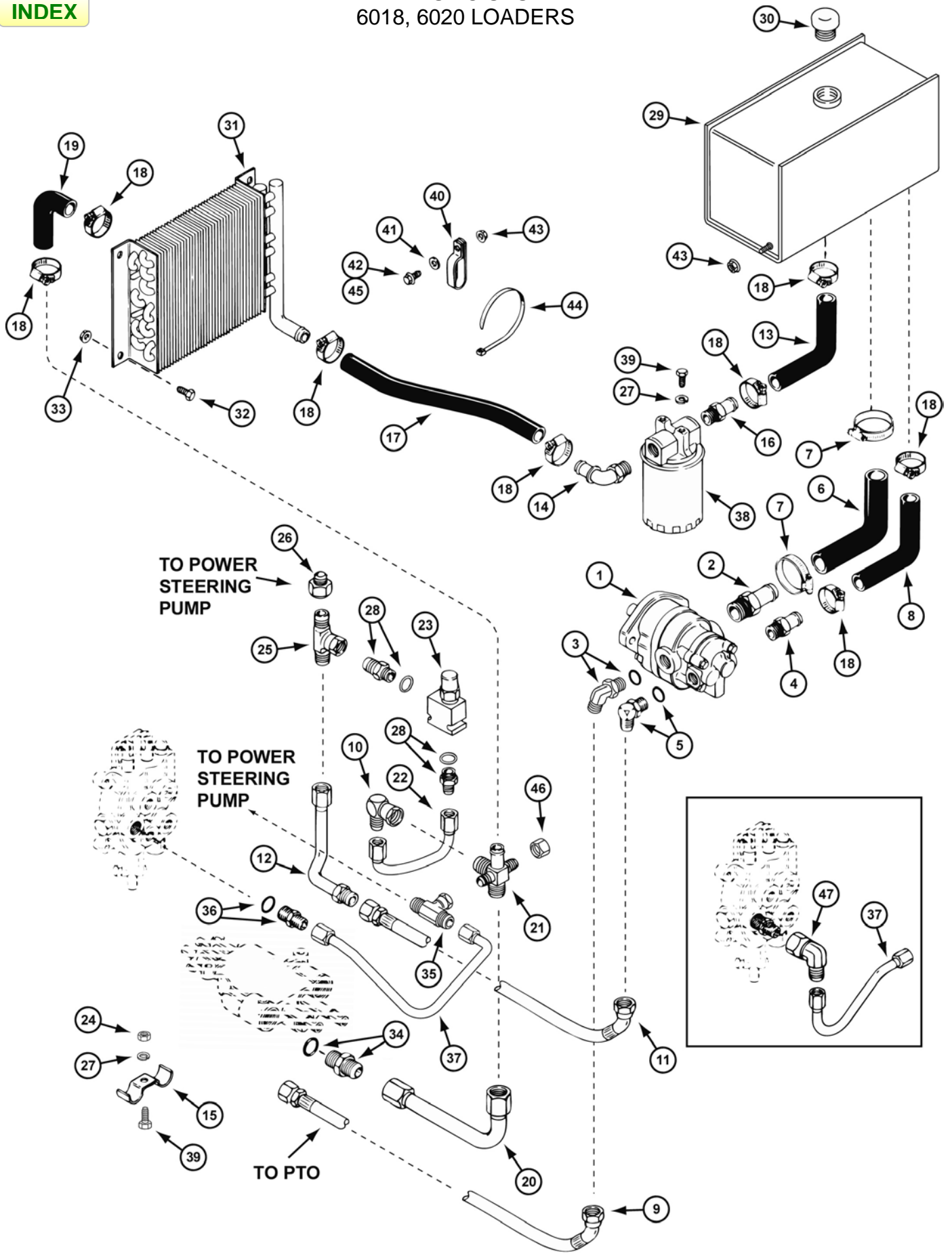
BEFORE THESE PINS



INDEX**TRANSMISSION AND FINAL DRIVE
(6020L - PIN 17193591 and after)
(6020BH - PIN 17193505 and after)****BEFORE THESE PINS**

REF.	PART NO.	DESCRIPTION	REQ'D
	C26322	CASE ASSEMBLY	1
1	NSS	CASE - transmission (order assembly above)	1
2	C12713	BEARING - flanged	2
3	C26245	BEARING - flanged	2
4	C26246	SEAL - axle	2
5	C13241	BEARING - sleeve	1
6	C13385	BEARING - sleeve	1
7	C13266	SEAL - shift rod	1
8	C28281	BEARING - roller	1
9	C24803	SEAL - shaft	1
10	221-3	PLUG - filler and drain 3/8" square head	2
10	221-1842	PLUG - pipe 3/8" hex socket	1
11	C26249	SHAFT - axle, short R.H.	1
12	C26250	SHAFT - axle, long L.H.	1
13	C36935	COVER - transmission	1
14	132-310	PIN - cotter 1/8" x 1"	1
15	C26342	RING - retainer, axle	2
16	126-128	KEY - woodruff, brake idler	1
17	C13196	GASKET - transmission cover	1
18	C28241	BREATHER - transmission	1
19	192-19	LOCKWASHER - 1/4"	6
20	187-C2	SCREW - 1/4" - 20 x 1" tap	6
21	C47578	FORK - shift	1
22	C37222	ROD - gear shift	1
23	C14168	RING - retaining	2
24	C47670	GEAR - cluster input	1
25	C30031	KIT - bolt (set of four)	4
26	195-541	WASHER	1
27	C12718	WASHER - differential	2
28	C33305	BRAKE DRUM	1
29	C14223	WASHER - spacer	UAR
30	C46927	GEAR - brake idler	1
31	C14222	RING - retainer, brake idler	1
32	113-417	BOLT - 1/2" x 1-1/4" NC transaxle mounting	6
32	166-86	BOLT - 1/2" - 13 x 1-1/4", 12 pt. flange	1
33	192-23	LOCKWASHER - 1/2"	6
34	C46929	DIFFERENTIAL - (also includes item 25)	1

HYDRAULIC SYSTEM
6018, 6020 LOADERS

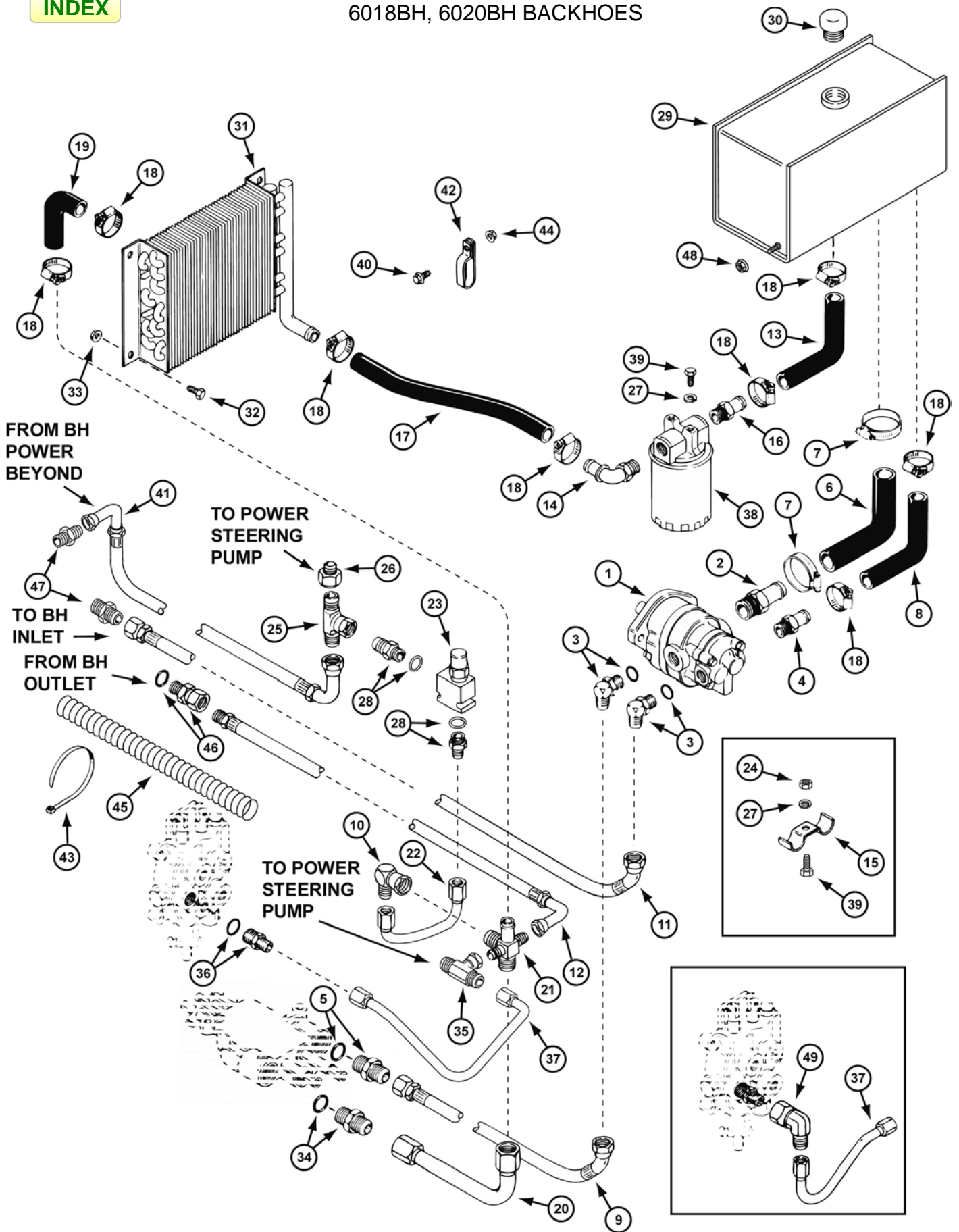


INDEX

HYDRAULIC SYSTEM (PRIMARY) 6018, 6020L

REF.	PART NO.	DESCRIPTION	REQ'D
1	C32170	PUMP - hydraulic (repairs page 43)	1
2	217-179	FITTING - 1" hose x 1-5/16" - 12 (includes 218-5010 "O" ring)	1
3	218-5137	FITTING - 5/8" O.D. x 7/8" - 14, 45° adjustable (includes 218-5007 "O" ring)	1
4	217-398	FITTING - 3/4" hose x 7/8" - 14 (includes 218-5007 "O" ring)	1
5	218-5117	FITTING - 5/8" O.D. x 3/4" - 16, 90° adjustable (includes 218-5006 "O" ring)	1
6	C32107	HOSE - 1" I.D. 90° pump inlet	1
7	214-255	CLAMP - hose	2
8	C31432	HOSE - 3/4" I.D. 90° pump inlet (6018)	1
8	C37230	HOSE - 3/4" I.D. pump inlet (6020L).....	1
9	C46976	HOSE - pump to PTO	1
10	218-5232	FITTING - 90° elbow 5/8" x 7/8" - 14	1
11	C33394	HOSE - pump to relief valve	1
12	C32111	TUBE - pump to relief valve tee	1
13	C31431	HOSE - oil filter to oil tank (cut to required length) (6018)	1
13	C47069	HOSE - oil filter to oil tank (6020L)	1
14	217-135	CONNECTOR - 90° 3/4" hose x 3/4" NPTF thread	1
15	C15389	CLAMP - tube	1
16	217-155	CONNECTOR - 3/4" hose x 3/4" NPTF thread	1
17	C33046	HOSE - 3/4" I.D. x 19" (cut to required length)	1
18	214-254	CLAMP - hose 1-1/4"	8
19	C32148	HOSE - 90° heat exchanger to manifold	1
20	C32114	TUBE - travel valve to manifold	1
21	C44892	MANIFOLD - return	1
22	C44885	TUBE - manifold to relief valve	1
23	C46649	VALVE - relief 1800 PSI.....	1
	C46650	CARTRIDGE - relief 1800 PSI	1
24	129-101	NUT - 1/4" - 20	1
25	218-842	FITTING - tee swivel 5/8" tube x 7/8" - 14	1
26	C33112	FITTING - tube reducer 5/8" to 3/8" tube x 9/16 " - 18	1
27	192-19	LOCKWASHER - 1/4"	3
28	C25245	FITTING - 5/8" tube x 3/4" - 14 (includes 218-5007 "O" ring)	2
29	C47058	RESERVOIR - oil	1
30	C46387	CAP - oil tank	1
31	C32047	EXCHANGER - heat	1
32	113-1	BOLT - 1/4" - 20 x 1/2"	4
33	131-934	NUT - 1/4" - 20 flange lock	4
34	218-5065	FITTING - 3/4" tube x 7/8" - 14 (includes 218-5006 "O" ring)	1
35	218-836	FITTING - 3/8" tube x 3/8" tee	1
36	218-5058	FITTING - 3/8" tube x 3/4" - 16 (includes 218-5006 "O" ring)	1
37	C46450	TUBE - bucket valve "out" to return manifold (use PIN 17191257 and after)	1
37	C32179	TUBE - bucket valve "out" to return manifold (use before 17191257)	1
38	C33038	FILTER ASSEMBLY	1
	C33039	FILTER - oil	1
39	113-3	BOLT - 1/4" - 20 x 3/4"	3
40	C32213	CLAMP - tube	1
41	195-521	WASHER - 1/4"	UAR
42	121-21	BOLT - 1/4" - 20 x 1/2" flange lock.....	UAR
43	131-934	NUT - 1/4" - 20 flange lock.....	UAR
43	131-1352	NUT - 3/8" - 16	UAR
44	C22947	TIE - nylon	2
45	113-207	BOLT - 3/8" - 16 x 1"	UAR
46	218-756	CAP - tube	1
47	218-980	FITTING - 90° 3/8" tube x 9/16" - 18 swivel (use before PIN 17181257)	1

HYDRAULIC SYSTEM
6018BH, 6020BH BACKHOES



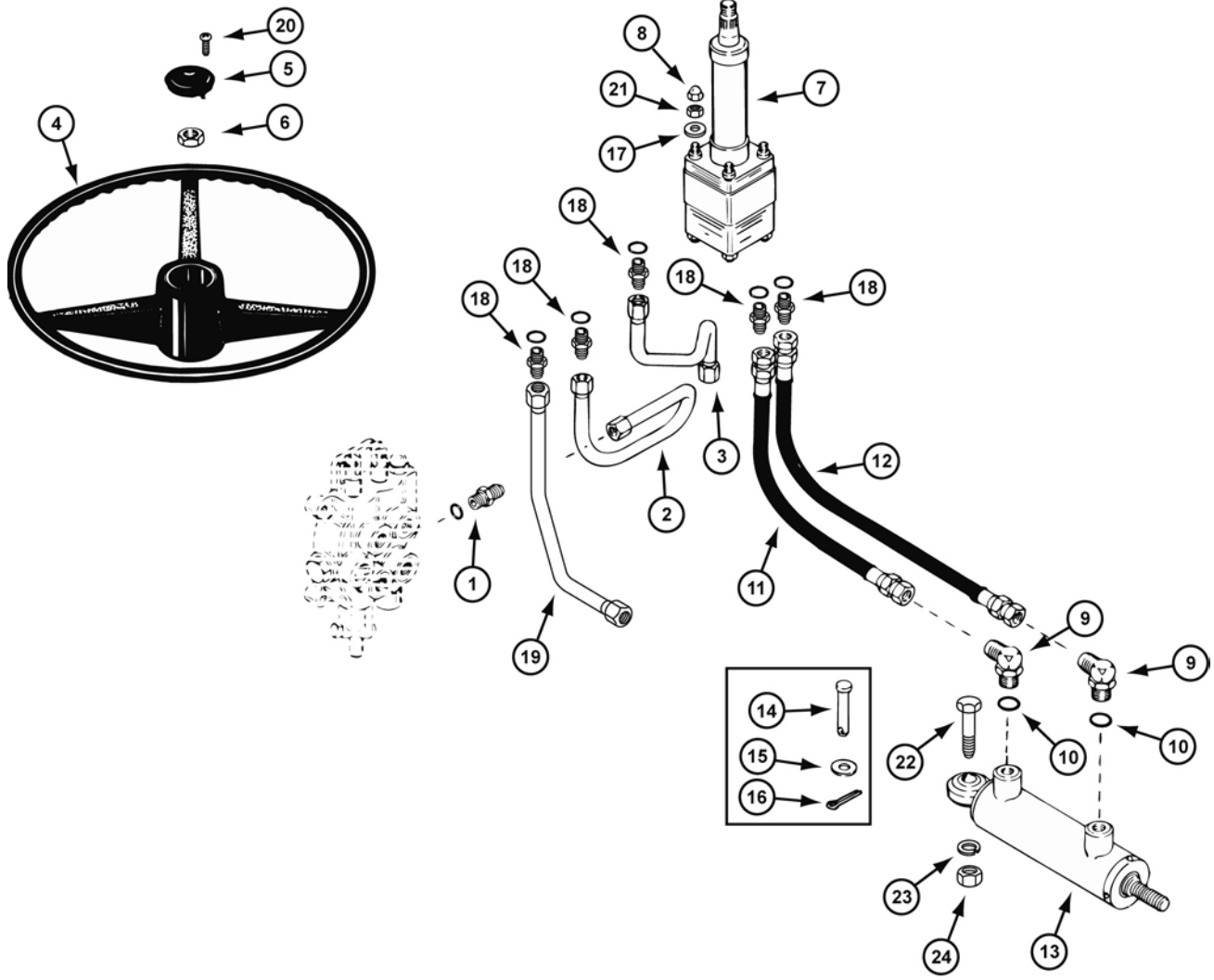
INDEX

HYDRAULIC SYSTEM (PRIMARY) 6018BH, 6020BH

REF.	PART NO.	DESCRIPTION	REQ'D
1	C46971	PUMP - hydraulic (repairs page 43)	1
2	217-179	FITTING - 1" hose x 1-5/16" - 12 (includes 218-5010 "O" ring)	1
3	218-5107	FITTING - 5/8" O.D. x 7/8" - 14, 90° adjustable (includes 218-5007 "O" ring)	2
4	217-393	FITTING - 3/4" hose x 1-5/16"	1
5	218-5062	FITTING - 5/8" tube x 7/8" - 14 (includes 218-5007 "O" ring)	1
6	C32107	HOSE - 1" I.D. 90° pump inlet	1
7	214-255	CLAMP - hose	2
8	C31432	HOSE - 3/4" I.D. 90° pump inlet (6018BH)	1
8	C37230	HOSE - 3/4" I.D. pump inlet (6020BH)	1
9	C46974	HOSE - pump to travel valve (6018BH) (6020BH before PIN 17193505)	1
9	C34186	HOSE - pump to travel valve (6020BH - PIN 17193505 and after)	1
10	218-5232	FITTING - 90° elbow 5/8" x 7/8" - 14	1
11	C34187	HOSE - pump to backhoe inlet	1
12	C44893	HOSE - backhoe outlet	1
13	C31431	HOSE - oil filter to oil tank (cut to required length) (6018BH)	1
13	C47069	HOSE - oil filter to oil tank (6020BH)	1
14	217-135	CONNECTOR - 90° 3/4" hose x 3/4" NPTF thread	1
15	C15389	CLAMP - tube	1
16	217-155	CONNECTOR - 3/4" hose x 3/4" NPTF thread	1
17	C33046	HOSE - 3/4" I.D. x 19" (cut to required length)	1
18	214-254	CLAMP - hose 1-1/4"	8
19	C32148	HOSE - 90° heat exchanger to manifold	1
20	C32114	TUBE - travel valve to manifold	1
21	C44892	MANIFOLD - return	1
22	C44885	TUBE - manifold to relief valve	1
23	C46649	VALVE - relief 1800 PSI	1
	C46650	CARTRIDGE - relief 1800 PSI	1
24	129-101	NUT - 1/4" - 20	1
25	218-842	FITTING - tee swivel 5/8" tube x 7/8" tube - 14	1
26	C33112	FITTING - tube reducer 5/8" to 3/8" tube x 9/16" - 18	1
27	192-19	LOCKWASHER - 1/4"	2
28	C25245	FITTING - 5/8" tube x 3/4" - 14 (includes 218-5007 "O" ring)	2
29	C47058	RESERVOIR - oil	1
30	C46387	CAP - oil tank	1
31	C32047	EXCHANGER - heat	1
32	113-1	BOLT - 1/4" - 20 x 1/2"	4
33	131-934	NUT - 1/4" - 20 flange lock	4
34	218-5065	FITTING - 3/4" tube x 7/8" - 14 (includes 218-5007 "O" ring)	1
35	218-836	FITTING - 3/8" tube x 3/8" tee (use PIN 17191257 and after)	1
36	218-5058	FITTING - 3/8" tube x 3/4" - 16 (includes 218-5006 "O" ring)	1
37	C32179	TUBE - bucket valve "out" to return manifold (use before PIN 17191257)	1
37	C46450	TUBE - bucket valve "out" to return manifold (use PIN 17191257 and after)	1
38	C33038	FILTER ASSEMBLY	1
	C33039	FILTER - oil	1
39	113-3	BOLT - 1/4" - 20 x 3/4"	3
40	121-21	BOLT - 1/4" - 20 x 1/2" flange lock	1
40	113-207	BOLT - 3/8" - 16 x 1"	1
41	C46976	HOSE - backhoe power beyond to relief valve	1
42	C32213	CLAMP - tube	1
43	C22947	TIE - nylon	UAR
44	131-938	NUT - 3/8" - 16 flange lock	1
45	C47099	SLEEVE - protective 27"	2
45	C47100	SLEEVE - protective 32"	1
46	218-5254	FITTING - 3/4" - 16 x 1/2" female swivel NPSM (Includes 218-5007 "O" ring)	1
47	C25245	FITTING - 5/8" tube x 3/4" - 16	2
48	131-934	NUT - 1/4" - 20 flange lock	1
49	218-980	FITTING - 90° 3/8" tube x 9/16" - 18 swivel (use before PIN 17191257)	1

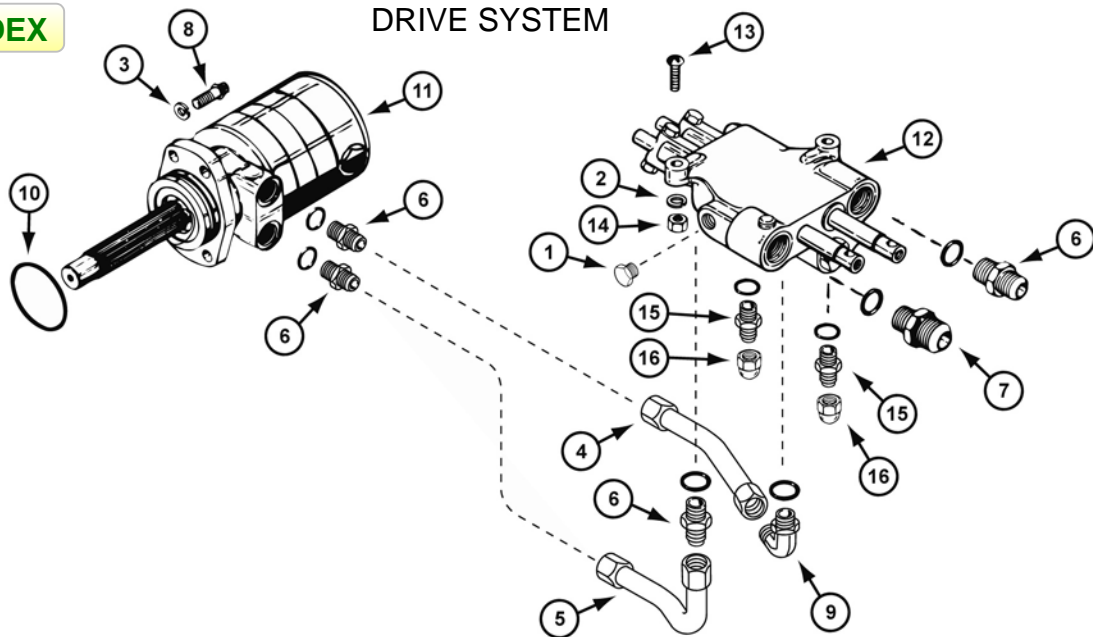
INDEX

POWER STEERING



INDEX

DRIVE SYSTEM



INDEX

HYDRAULIC POWER STEERING SYSTEM

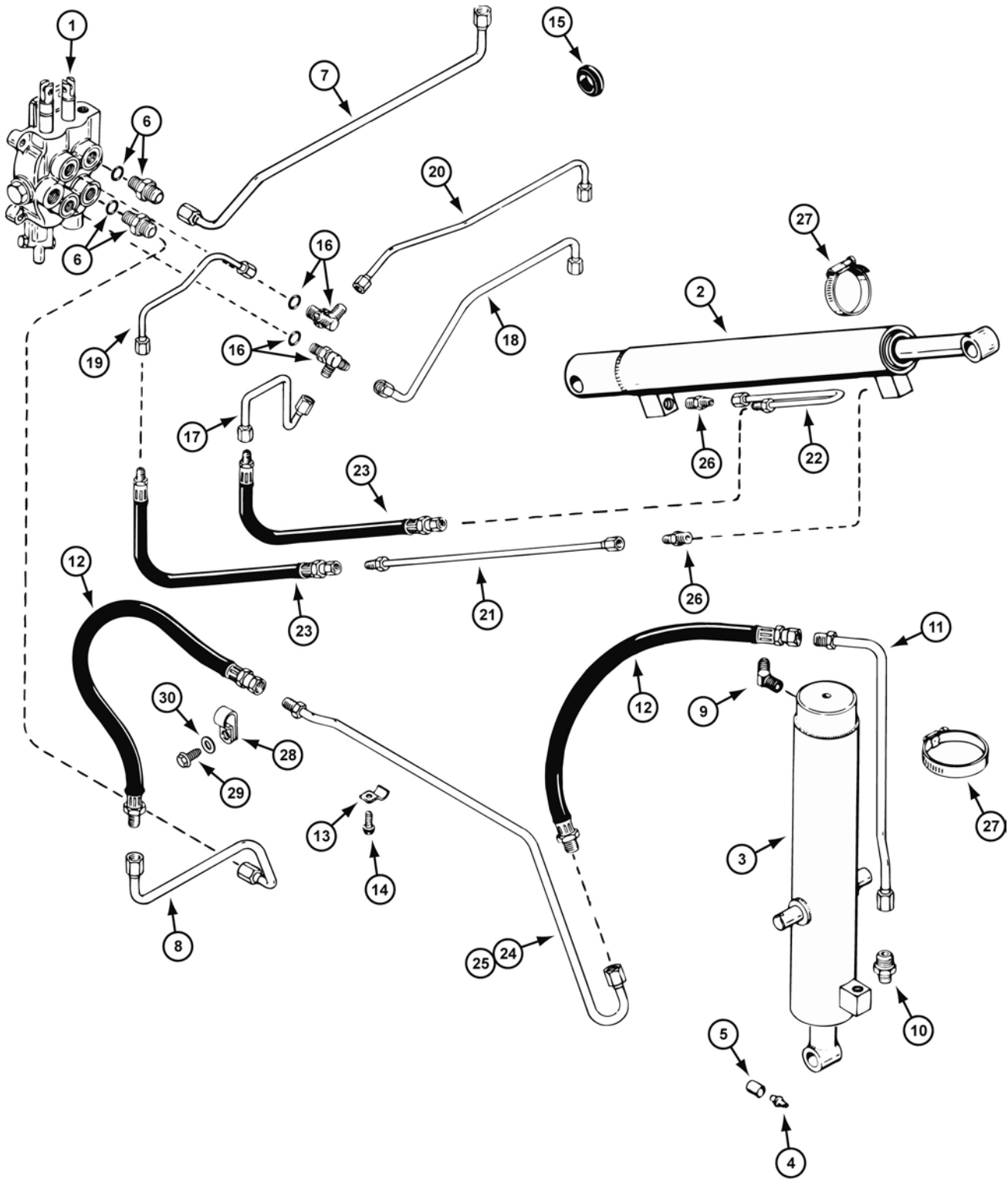
REF.	PART NO.	DESCRIPTION	REQ'D
1	218-5058	FITTING - 3/8" tube x 3/4" - 16 straight (includes "O" ring)	1
2	C32126	TUBE - steering to loader valve (in) (use before PIN 17191257)	1
2	C46524	TUBE - steering to loader valve (in) (use PIN 17191257 and after)	1
3	C32401	TUBE - steering (in) to relief valve tee (use before PIN 17191257)	1
3	C46525	TUBE - steering (in) to relief valve tee (use PIN 17191257 and after)	1
4	C47106	WHEEL - steering	1
5	C47107	CAP - steering wheel	1
5	C46940	CAP - steering wheel (early production)	1
6	129-127	NUT - 5/8" - 18	1
7	C46459	KIT - steering pump (use to replace four port pump) (use before PIN 17191257)	1
7	C46447	PUMP - steering, five port (repairs page 51) (use PIN 17191257 and after)	1
8	C27991	NUT - 5/16" - 24 acorn, black	4
9	218-5105	FITTING - 90° elbow, adjustable	2
10	218-5005	"O" ring	1
11	C32399	HOSE - steering pump (L.T.) to cylinder, 25"	1
12	C32125	HOSE - steering pump (R.T.) to cylinder, 31"	1
13	C32027	CYLINDER - steering	1
	C26443	KIT - gasket	1
14	C14717	PIN - clevis 5/8" (early production)	1
15	195-541	WASHER - .656" I.D. x 1.31" O.D. (early production)	1
16	132-91	PIN - cotter 3/16" x 1" (early production)	1
17	195-C2	WASHER	4
18	218-5057	FITTING - 3/8" tube x 9/16" - 18 (includes 218-5005 "O" ring)	5
19	C46523	TUBE - steering (out) to return tee (use PIN 17191257 and after)	1
20	C42592	SCREW - #7 - 19 x 3/4"	UAR
21	129-122	NUT - 5/16" - 24	4
22	113-626	BOLT - 5/8" - 11 x 2-1/2"	1
23	192-25	LOCKWASHER - 5/8"	1
24	129-107	NUT - 5/8" - 11	1

INDEX

HYDRAULIC DRIVE SYSTEM

1	218-5154	PLUG - 1/2" - 20	UAR
2	192-21	LOCKWASHER - 3/8"	2
3	192-23	LOCKWASHER - 1/2"	4
4	C45913	TUBE - travel valve to motor (upper port)	1
5	C45914	TUBE - travel valve to motor (lower port)	1
6	218-5062	FITTING - 5/8" tube x 7/8" - 14 (includes 218-5007 "O" ring)	5
7	218-5065	FITTING - 3/4" x 7/8" - 14 (includes 218-5007 "O" ring)	1
8	166-86	BOLT - 1/2" - 13 x 1-1/4"	4
9	218-5232	FITTING - 90° elbow 5/8" x 7/8" - 14	1
10	C28949	SEAL - motor to case	1
11	C46957	MOTOR - hydraulic (repairs page 49)	1
12	C45909	VALVE - travel control (6018, 6020L) (repairs page 45)	1
12	C46972	VALVE - travel control (6018BH, 6020BH) (repairs page 45)	1
13	C27764	SCREW - 5/16" - 18 x 1-1/4"	2
14	129-102	NUT - 5/16" - 18	2
15	218-5056	FITTING - 5/16" tube x 1/2" - 20	2
16	218-513	CAP - fitting	UAR

HYDRAULIC SYSTEM BUCKET CONTROL

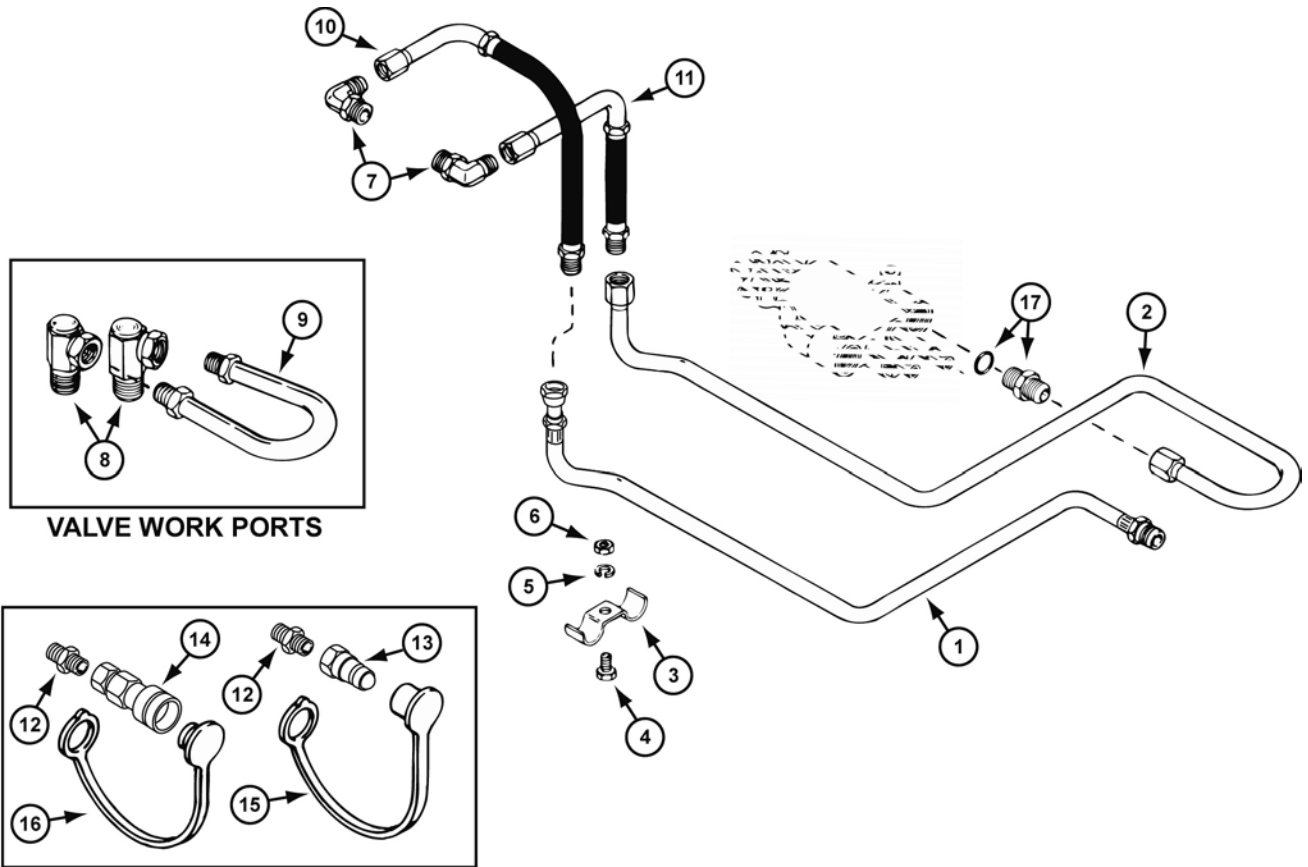


INDEX

HYDRAULIC SYSTEM (BUCKET CONTROL)

REF.	PART NO.	DESCRIPTION	REQ'D
1	C18179	VALVE - bucket control (repairs page 47)	1
2	C26433	CYLINDER - lift arm (repairs page 53)	2
3	C26432	CYLINDER - bucket (repairs page 53)	1
4	219-17	FITTING - lubrication, straight	5
5	C13106	COVER - lubrication fitting	5
6	218-5057	FITTING - hydraulic (includes 218-5005 "O" ring)	2
7	C25162	TUBE - bucket valve to L.H. tower	1
8	C25161	TUBE - bucket valve to R.H. tower	1
9	218-533	FITTING - 45°	1
10	218-443	FITTING - hydraulic	1
11	C26439	TUBE - bucket cylinder	1
12	720-303	HOSE - bucket cylinder	4
13	C25164	CLIP - tube mounting	4
14	187-1036	SCREW - 1/4" - 20 x 1/2" tapping	4
15	C25165	GROMMET - tower	2
16	C25167	FITTING - special 90° (includes 218-5005 "O" ring)	2
17	C26032	TUBE - bucket valve to R.H. tower	1
18	C32121	TUBE - bucket valve to L.H. tower	1
19	C25160	TUBE - bucket valve to R.H. tower	1
20	C25158	TUBE - bucket valve to L.H. tower	1
21	C25153	TUBE - lift cylinder, rod end	1
22	C26435	TUBE - lift cylinder, piston end	2
23	720-301	HOSE - lift cylinder	4
24	C25155	TUBE - bucket cylinder R.H.	1
25	C25156	TUBE - bucket cylinder L.H.	1
26	218-1022	FITTING - hydraulic	4
27	214-262	CLAMP - 2-5/16" to 3-1/4"	3
28	C33218	CLIP - hose	2
29	C34808	SCREW - 1/4" - 20 x 3/4" self tap, flange head	2
30	195-518	WASHER - 1/4"	2

HYDRALIC PTO LINES
(6018, 6020 LOADERS)

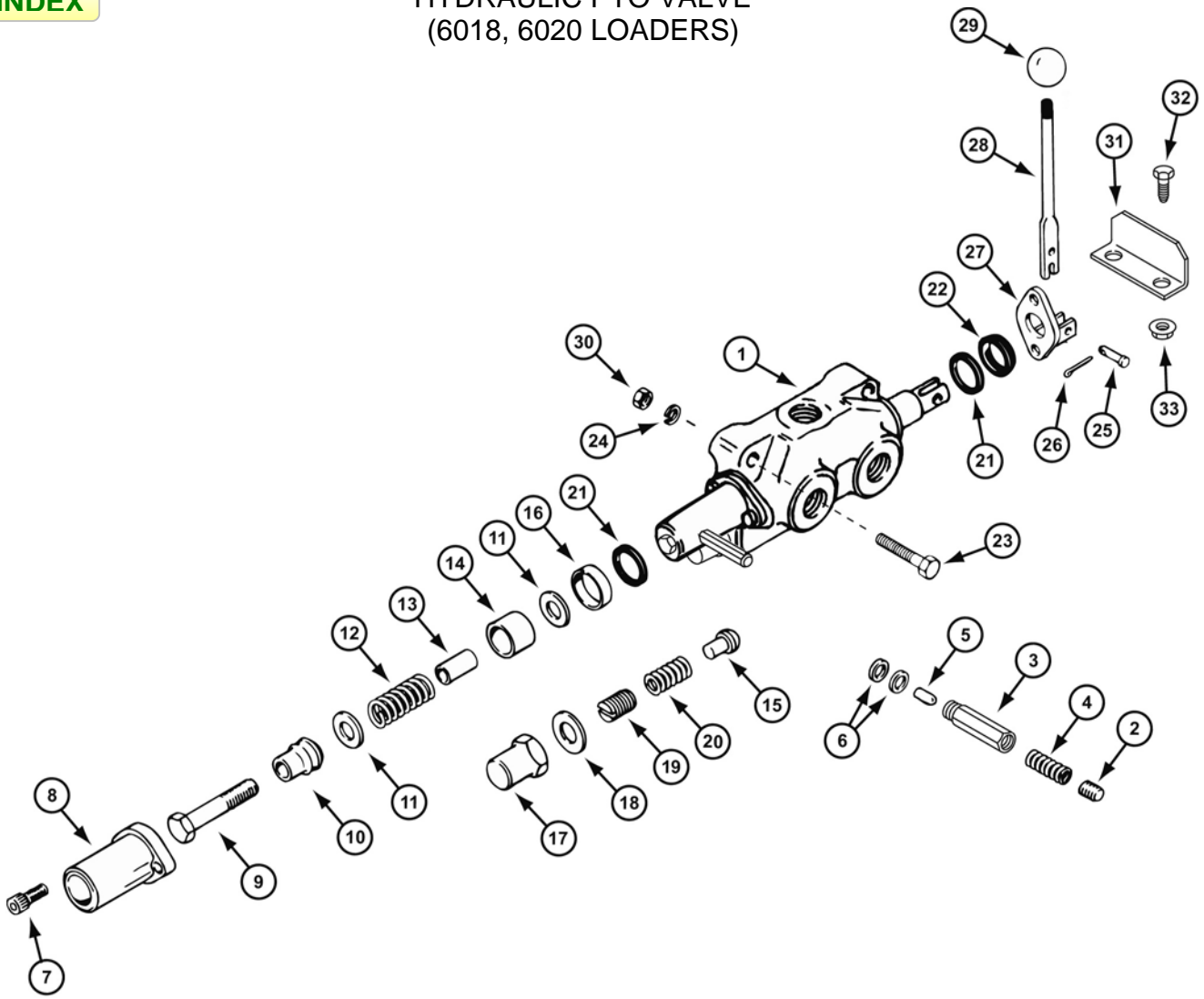


INDEX**PTO HYDRAULIC LINES (6018, 6020L)**

REF.	PART NO.	DESCRIPTION	REQ'D
1	C46976	HOSE - pump to PTO (rear)	1
2	C18285	TUBE - travel valve to PTO	1
3	C15389	CLAMP - tube	1
4	113-3	BOLT - 1/4" - 20 x 3/4"	1
5	192-19	LOCKWASHER - 1/4"	1
6	129-101	NUT - 1/4" - 20	1
7	218-5107	FITTING - 90° adjustable elbow (PTO inlet & outlet)	2
8	218-5201	FITTING - 90° swivel 7/8" - 14 (PTO work ports)	2
9	C22829	TUBE - hydraulic loop	1
10	C32149	HOSE - PTO valve (inlet)	1
11	C32150	HOSE - PTO valve (outlet)	1
12	C46934	FITTING - pipe nipple 1/2"	2
13	C37187	NIPPLE - quick disconnect (male).....	1
14	C37188	CONNECTOR - quick disconnect (female)	1
15	C40641	CAP - dust	1
16	C40642	PLUG - dust	1
17	218-5062	FITTING - 5/8" tube x 7/8" - 14	1

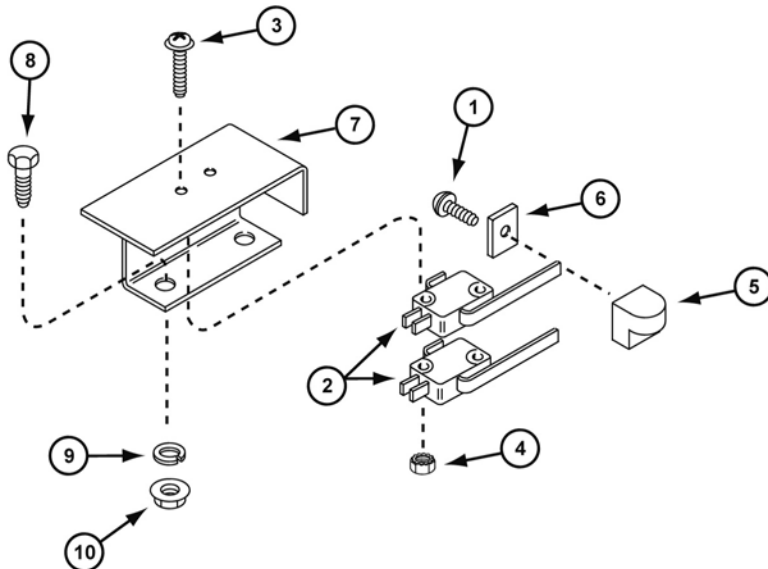
INDEX

HYDRAULIC PTO VALVE
(6018, 6020 LOADERS)



INDEX

INTERLOCK SAFETY SWITCHES



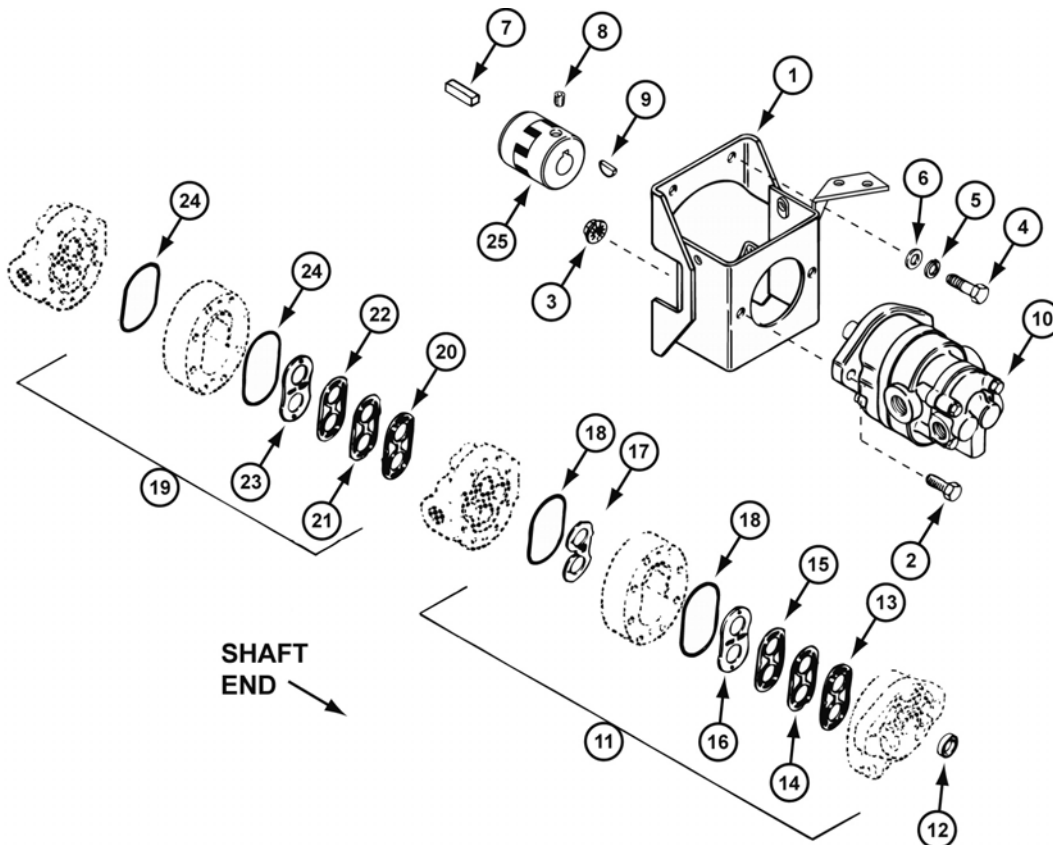
INDEX**PTO HYDRAULIC VALVE (6018, 6020L)**

REF.	PART NO.	DESCRIPTION	REQ'D
1	C33426	VALVE - hydraulic (2100 PSI Relief)	1
2	83-56	SCREW - set 5/16" - 18	1
3	C26719	HOUSING - detent plunger	1
4	C26718	SPRING - detent plunger	1
5	C26717	PLUNGER - detent	1
6	C26716	WASHER - aluminum, seal	UAR
7	165-143	SCREW - socket head 1/4" - 20 x 3/4"	4
8	C26715	BONNET - end cap	1
9	113-110	BOLT - 5/16" - 18 x 2-1/4"	1
10	C26714	SLEEVE - detent	1
11	195-526	WASHER	1
12	C26721	SPRING - centering	1
13	C26720	SPACER - detent	1
14	C26713	SPACER - spool	1
15	C26708	POPPET - relief	1
16	C26722	SPACER - end cap	1
17	C26712	NUT - cap, relief	1
18	C26710	WASHER - aluminum, seal	1
19	C26711	SCREW - adjustment, relief	1
20	C26709	SPRING - relief	1
21	C26707	RING - quad	2
22	C26706	WIPER - spool	1
23	113-5	BOLT - 1/4" - 20 x 1-1/2"	3
24	192-19	LOCKWASHER - 1/4"	3
25	C28964	PIN - clevis 3/16"	1
26	132- 329	PIN - cotter	1
27	C32156	BRACKET - handle	1
28	C32155	HANDLE - valve	1
29	C32154	KNOB - handle	1
30	129-101	NUT - 1/4"	3
31	C47233	BRACKET - valve stop	1
32	113-118	BOLT - 5/16" - 18 x 5/8"	2
33	131-C2	NUT - 5/16" - 18 flange lock	2

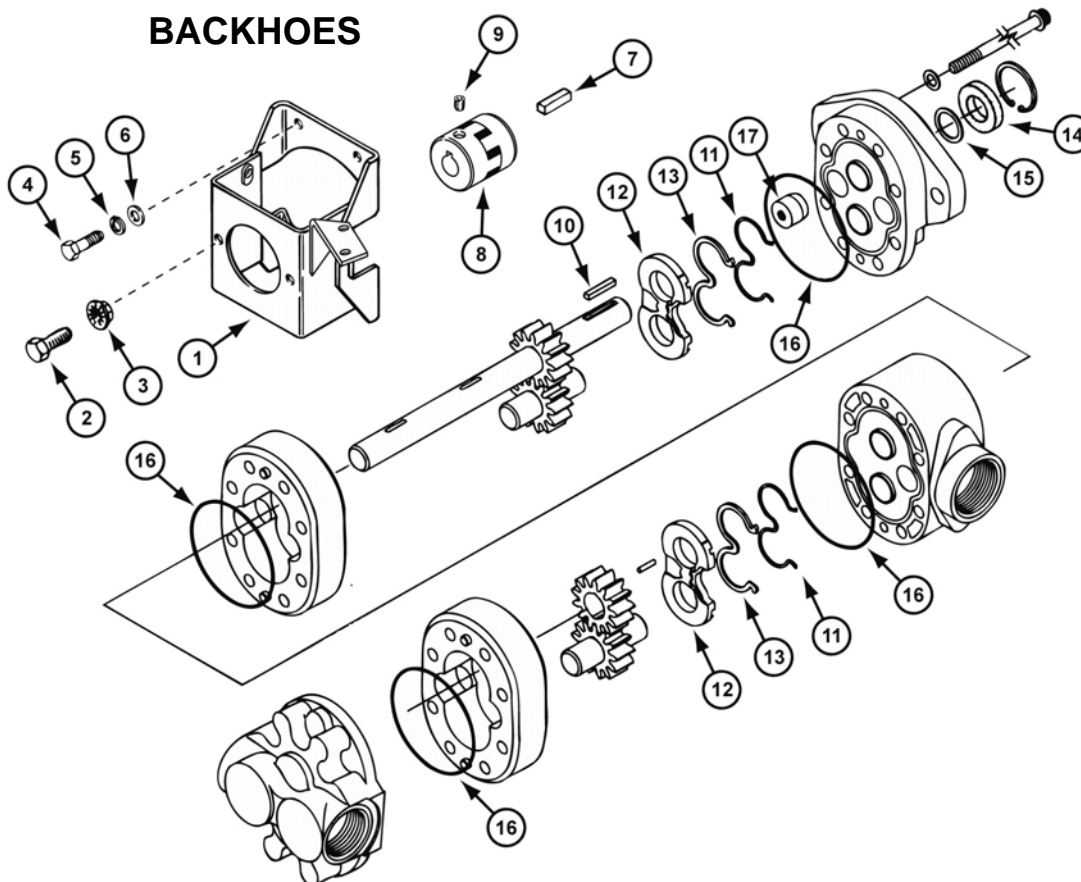
INDEX**PTO INTER-LOCK SWITCH ASSEMBLY**

1	187-1328	SCREW - #8 - 18 x 3/8" self tap	1
2	C30275	SWITCH - neutral inter-lock	2
3	C33696	SCREW - #4 - 40 x 1-1/8"	2
4	C33697	NUT - #4 - 40	2
5	C37198	CAM - switch	1
6	C44029	RETAINER - switch lever	1
7	C47307	BRACKET - switch mount	1
8	113-2	BOLT - 1/4" - 20 x 5/8"	2
9	192-19	LOCKWASHER - 1/4"	2
10	131-934	NUT - 1/4" - 20 flange lock	2

HYDRAULIC PUMP - LOADERS



BACKHOES



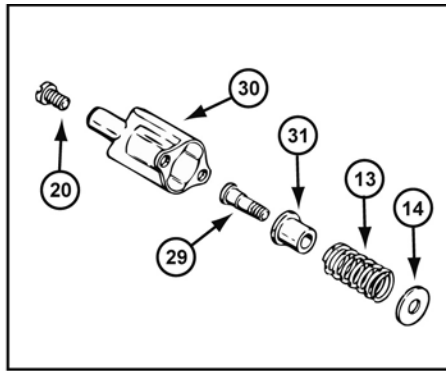
INDEX**HYDRAULIC PUMP, COUPLING AND MOUNT (6018, 6020L)**

REF.	PART NO.	DESCRIPTION	REQ'D
1	C33041	MOUNT - pump (6018) (Onan engines)	1
1	C46859	MOUNT - pump (6020L) (before PIN 17193591) (Honda engines)	1
1	C47559	MOUNT - pump (6020L) (PIN 17193591 and after) (Kohler engines)	1
2	113-208	BOLT - 3/8" - 16 x 1-1/4"	2
3	131-938	NUT - 3/8" - 16 flange lock	2
4	113-207	BOLT - 3/8" - 16 x 1" (use teflon sealant on lower bolts)	UAR
4	113-310	BOLT - 7/16" -14 x 1"	UAR
5	192-21	LOCKWASHER - 3/8"	UAR
5	192-22	LOCKWASHER - 7/16"	UAR
6	195-104	WASHER - .438" x 1"	4
7	C28321	KEY - 1/4" x 1/4" x 3/4" (engine shaft)	1
8	178-858	SCREW - set 5/16" x 3/8"	2
9	126-13	KEY - 3/16" x 5/8" woodruff carbon (pump shaft)	1
10	C32170	PUMP - hydraulic, double	1
11	C32955	KIT - seal (main pump section)	1
12	C33110	SEAL - shaft	1
13	NSS	SEAL - "V" ("V" side towards cover)	1
14	NSS	GASKET	1
15	NSS	SHIELD - heat	1
16	NSS	PLATE - wear (bronze side towards gears)	1
17	NSS	PLATE - thrust (bronze side towards gears)	1
18	C33111	"O" RING	2
19	C32956	KIT - seal (secondary pump section)	1
20	NSS	SEAL - "V" ("V" side towards body)	1
21	NSS	GASKET	1
22	NSS	SHIELD - heat	1
23	NSS	PLATE - wear (bronze side towards gears)	1
24	C15732	"O" RING	2
	NSS	SEAL - shaft (not used)	1
25	C33265	COUPLING - pump (6018) (Onan engines)	1
25	C46937	COUPLING - pump (6020L) (before PIN 17193591) (Honda engines)	1
25	C47794	COUPLING - pump (PIN 17193591 and after) (Kohler engines)	1

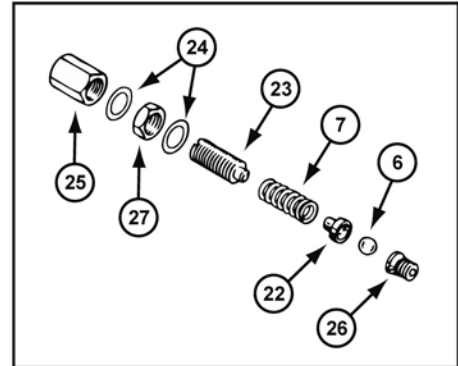
INDEX**HYDRAULIC PUMP, COUPLING AND MOUNT (6018BH, 6020BH)**

1	C47559	MOUNT - pump (6020BH) (PIN 17193505 and after) (Kohler engine)	1
1	C46859	MOUNT - pump (6020BH) (before PIN 17193505) (Honda engine)	1
1	C33041	MOUNT - pump (6018BH) (Onan engine)	1
2	113-208	BOLT - 3/8" - 16 x 1-1/4"	2
3	131-938	NUT - 3/8" - 16 flange lock	2
4	113-207	BOLT - 3/8" -16 x 1"	UAR
4	113-310	BOLT - 7/16" -14 x 1"	UAR
5	192-21	LOCKWASHER - 3/8"	UAR
5	192-22	LOCKWASHER - 7/16"	UAR
6	195-104	WASHER - .438" x 1"	4
7	C28321	KEY - 1/4" x 1/4" x 3/4" (engine shaft)	1
8	C33265	COUPLING - pump (6018BH) (Onan engine)	1
8	C47794	COUPLING - pump (6020BH) (PIN 17193505 and after) (Kohler engine)	1
8	C46937	COUPLING - pump (6020BH) (before PIN 17193505) (Honda engine)	1
9	178-858	SCREW - set	2
10	C43819	KEY - 3/16" x 1" (pump shaft)	1
	C46971	PUMP - hydraulic, double	1
	C43818	KIT - seal, complete	1
11	NSS	GASKET - backup	2
12	NSS	PLATE - wear	2
13	NSS	SEAL - wear plate	2
14	NSS	SEAL - shaft	1
15	NSS	WASHER	1
16	NSS	"O" RING	4
17	NSS	PLUG - internal	1

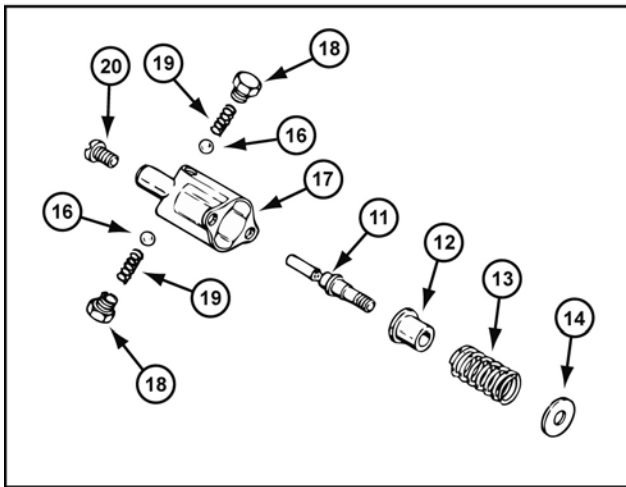
HYDRAULIC TRAVEL VALVE



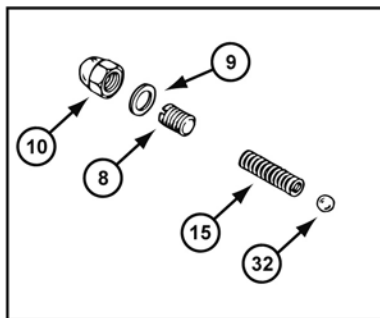
TRAVEL SECTION END COVER



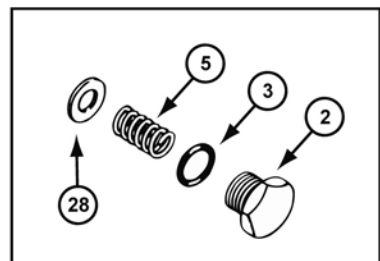
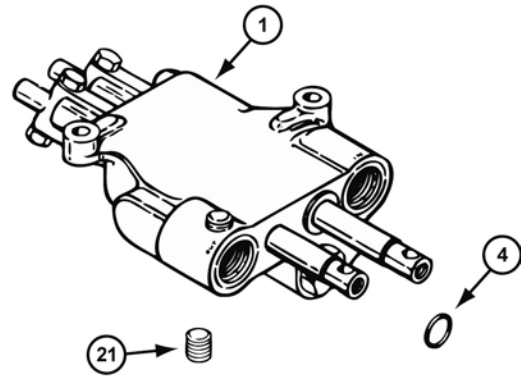
TRAVEL SECTION RELIEF GROUP



LIFT SECTION DETENT GROUP



LIFT SECTION RELIEF GROUP



HOLDING SECTION GROUP

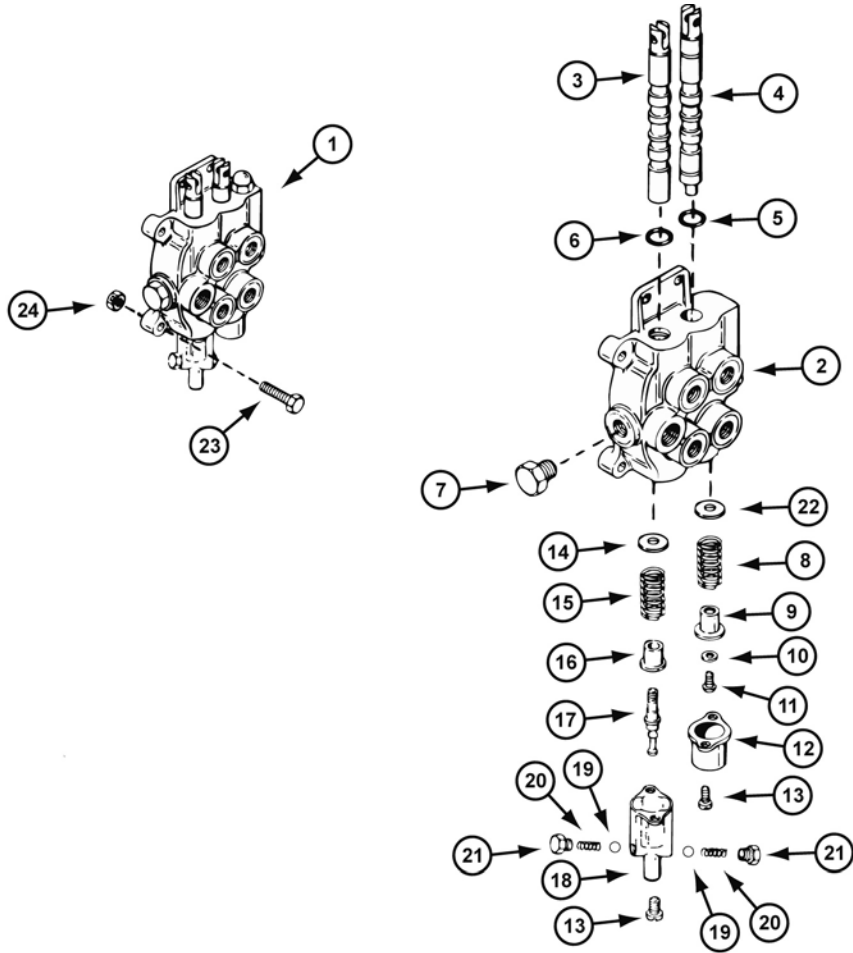
INDEX

HYDRAULIC CONTROL VALVE (TRACTOR)

REF.	PART NO.	DESCRIPTION	REQ'D
1	C46972	VALVE - control, two spool (6018BH, 6020BH)	1
1	C45909	VALVE - control, two spool (6018, 6020L)	1
2	C29956	CAP - end	2
3	C28217	"O" RING - end cap	1
4	C28856	SEAL - spool	4
5	C29951	SPRING - centering	2
6	211-208	BALL - steel 5/16" (7.94mm)	1
7	C21507	SPRING - relief	2
8	C17433	SCREW - relief adjust	1
9	C17435	GASKET - relief adjust cap	1
10	129-531	CAP - adjust screw	2
11	C26668	DETENT - spool	1
12	C28707	SPACER - detent	1
13	NSS	SPRING - return (order C43926 kit, use spring only)	2
14	NSS	WASHER - return (order C43926 kit, use washer only)	2
15	NSS	SPRING - relief (order C21511 relief kit, use spring only)	1
16	211-5	BALL - steel 3/16" (4.76 mm)	2
17	C17438	COVER - detent	1
18	C28708	SCREW - detent	4
19	C17444	SPRING - detent	2
20	169-114	SCREW - cover	4
21	221-841	PLUG - pipe	1
22	C21506	RETAINER - ball seat	1
23	C26665	SCREW - adjust, relief	1
24	C26664	GASKET - adjust cap	1
25	C26666	CAP - adjust screw	1
26	C26663	SEAT - relief ball	1
27	129-166	NUT - lock	1
28	C29950	WASHER - spring retaining	2
29	C47353	SCREW	1
30	C47352	COVER	2
31	C47354	SPACER	2
32	211-7	BALL - steel 1/4" (6.35mm)	1
	C30002	KIT - seal	1

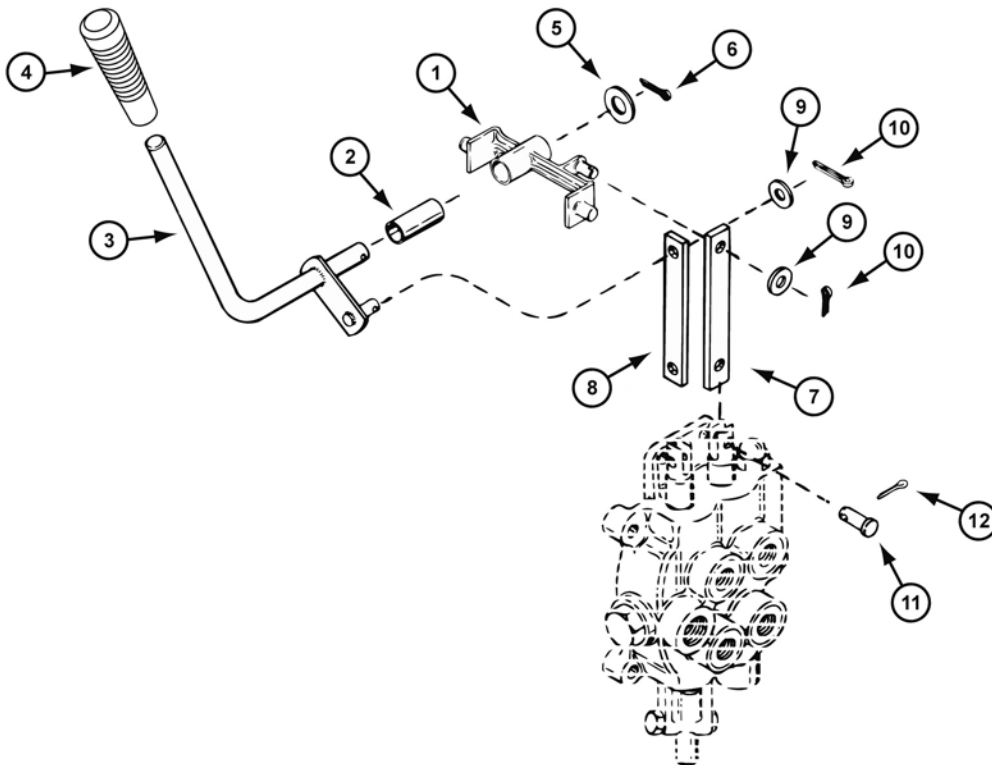
INDEX

HYDRAULIC BUCKET VALVE



INDEX

CONTROL LINCKAGE



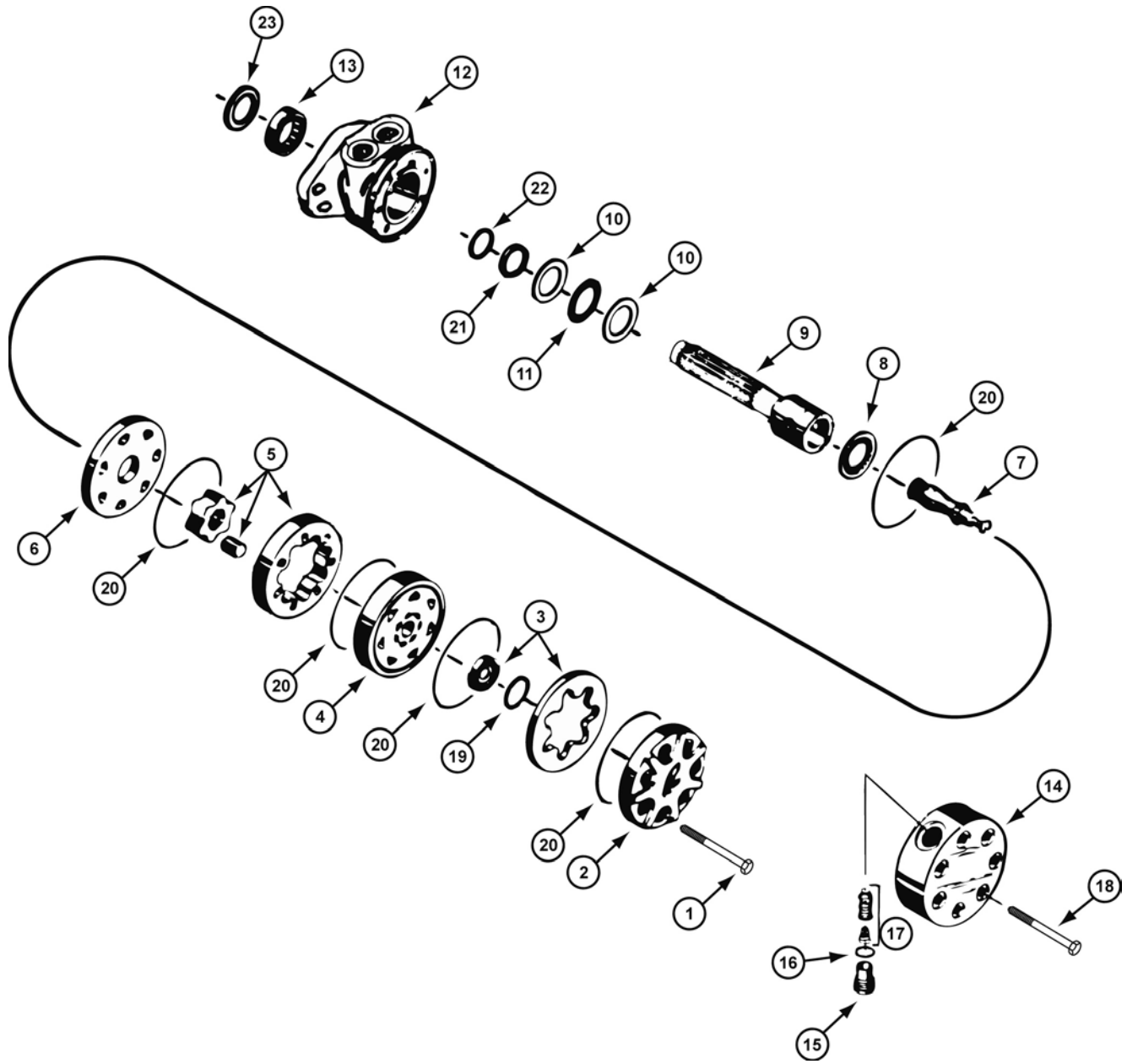
INDEX**HYDRAULIC CONTROL VALVE (BUCKET)**

REF.	PART NO.	DESCRIPTION	REQ'D
1	C18179	VALVE - bucket control	1
2	NSS	BODY - valve (order C18179 valve)	1
3	NSS	SPOOL - valve (order C18179 valve)	1
4	NSS	SPOOL - valve (order C18179 valve)	1
5	C28989	SEAL - "O" ring, spool	2
6	C28856	SEAL - "O" ring, spool	2
7	221-843	PLUG - 3/8"	1
8	C26431	SPRING - return	1
9	C13200	SPACER	1
10	195-510	WASHER	1
11	193-524	SCREW	1
12	C18847	COVER - centering	1
13	169-114	SCREW - cover	4
14	C17440	WASHER	1
15	C17441	SPRING - return	1
16	C13200	SPACER - detent	1
17	C17439	DETENT - spool	1
18	C17438	COVER - detent	1
19	211-7	BALL - steel 1/4"	2
20	C17444	SPRING - detent	2
21	C17443	SCREW - detent	2
22	195-521	WASHER - return	1
23	113-17	BOLT - valve mounting 1/4" x 1-1/4" NC hex	3
24	131-1102	NUT - lock 1/4" NC hex	3
	C18846	KIT - spring, center (includes items 22, 23, 24, 25, 26 and 27)	1
	C18851	KIT - detent (includes items 14, 15, 16, 17, 18, 19, 20 and 22)	1

INDEX**BUCKET CONTROL LINKAGE**

1	C24445	BRACKET - pivot	1
2	C16714	BUSHING - pivot bracket	1
3	C46488	LEVER - bucket control	1
4	C46481	GRIP - lever, bucket control	1
5	195-533	WASHER - 1/2"	1
6	132-321	PIN - cotter 3/32" x 1"	1
7	C34744	LINK - valve 4"	1
8	C34745	LINK - valve 3-3/4"	1
9	195-521	WASHER - 5/16"	2
10	132-320	PIN - cotter 3/32" x 3/4"	2
11	141-2	PIN - clevis	2
12	132-329	PIN - cotter 1/16" x 3/4"	2

DRIVE MOTOR



INDEX

HYDRAULIC DRIVE MOTOR

REF.	PART NO.	DESCRIPTION	REQ'D
	NSS*	MOTOR - hydraulic (use C46957)	1
	C46957**	MOTOR - hydraulic	1
1	C47089**	BOLT - 3/8" - 24	7
2	C31309**	COVER - end shown	1
3	C31310	COMMUTATOR AND RING SET	1
4	C31311	MANIFOLD	1
5	C31313*	ROTOR ASSEMBLY	1
5	C47090**	ROTOR ASSEMBLY	1
6	C31314	PLATE - wear	1
7	C31316*	LINK - drive	1
7	C47091**	LINK - drive	1
8	C31317	BEARING - thrust	1
9	C31318*	SHAFT - coupling	1
9	C47092**	SHAFT - coupling	1
10	C31319	WASHER - thrust	2
11	C31320	BEARING - thrust	1
12	C31321	HOUSING - drive end	1
13	C31322	BEARING - outer	1
14	C34417*	COVER - end (with relief)	1
15	C34418*	PLUG AND "O" RING	2
16	C34419*	"O" RING	1
17	C34420*	VALVE - relief (3000 PSI)	2
18	C34421*	BOLT - thru (use with C34417 end cover)	7
	C31323	KIT - seal	1
19	NSS	SEAL - commutator ring	1
20	NSS	SEAL - ring	5
21	NSS	SEAL - ring	1
22	NSS	WASHER - backup	1
23	NSS	SEAL - dirt (not used)	1

*Use before PIN:

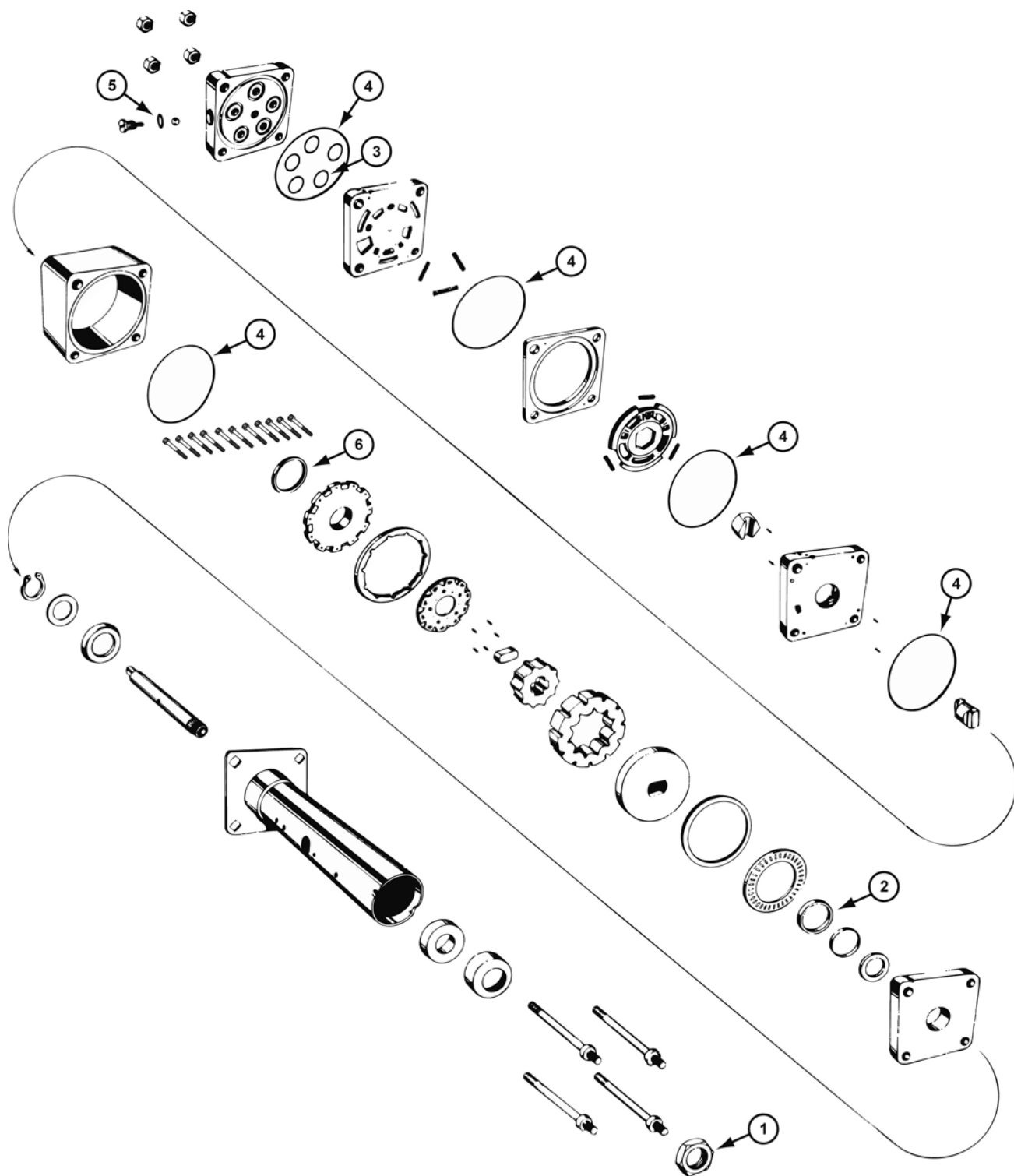
**Use PIN and after:

6018 - 17191946

6020L - 17192133

6018BH, 6020BH - all after

STEERING PUMP

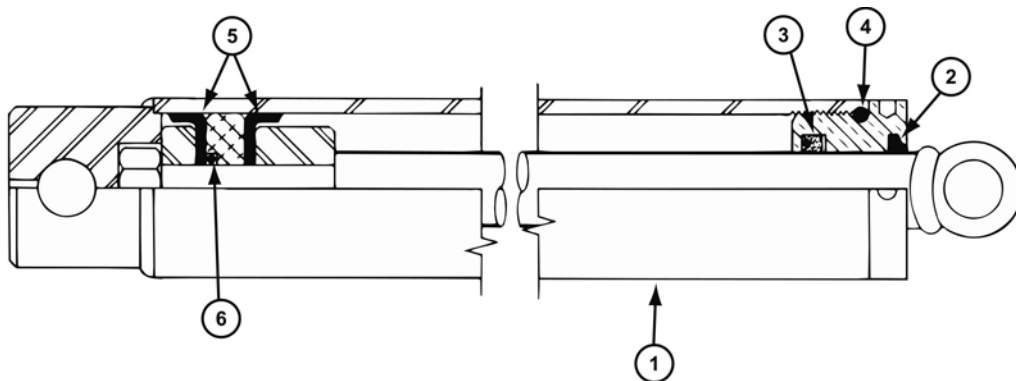


INDEX**MANUAL PUMP (POWER STEERING)**

REF.	PART NO.	DESCRIPTION	REQ'D
	C46447	PUMP - steering, manual, five port (shown).....	1
	NSS	PUMP - steering, manual, four port (use C46459 kit)	1
1	129-127	NUT - 5/8" - 18	1
	C46453	KIT - seal (for five port steering pump)	1
	C30281	KIT - seal (for four port steering pump)	1
2	NSS	SEAL - face	1
3	NSS	"O" RING	UAR
4	NSS	RING - seal	5
5	NSS	"O" RING	1
6	NSS	SEAL - commutator	1

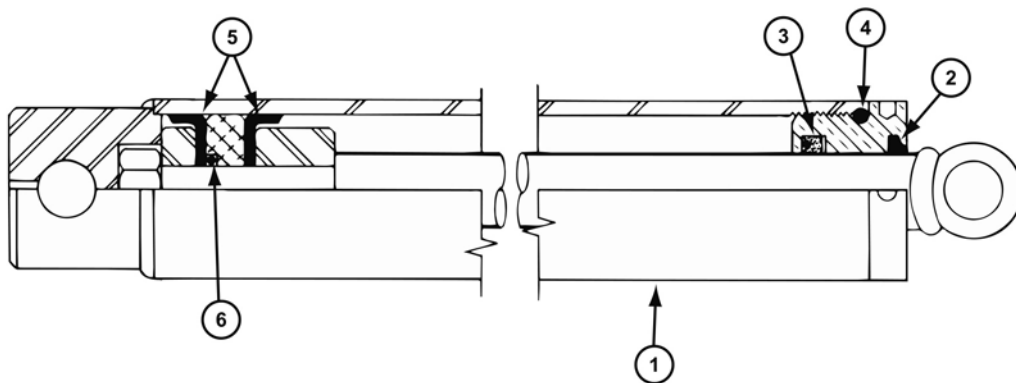
INDEX

CYLINDER - LIFT ARM



INDEX

CYLINDER - BUCKET



INDEX**CYLINDER - LIFT ARM**

REF.	PART NO.	DESCRIPTION	REQ'D
1	C26433	CYLINDER - lift arm	2
	C26445	KIT - seal	1
2	NSS	SEAL - wiper	1
3	NSS	"O" RING AND SEAL - rod	1
4	NSS	"O" RING - body	1
5	NSS	SEAL - piston	2
6	NSS	"O" RING - piston	1

CYLINDER - BUCKET

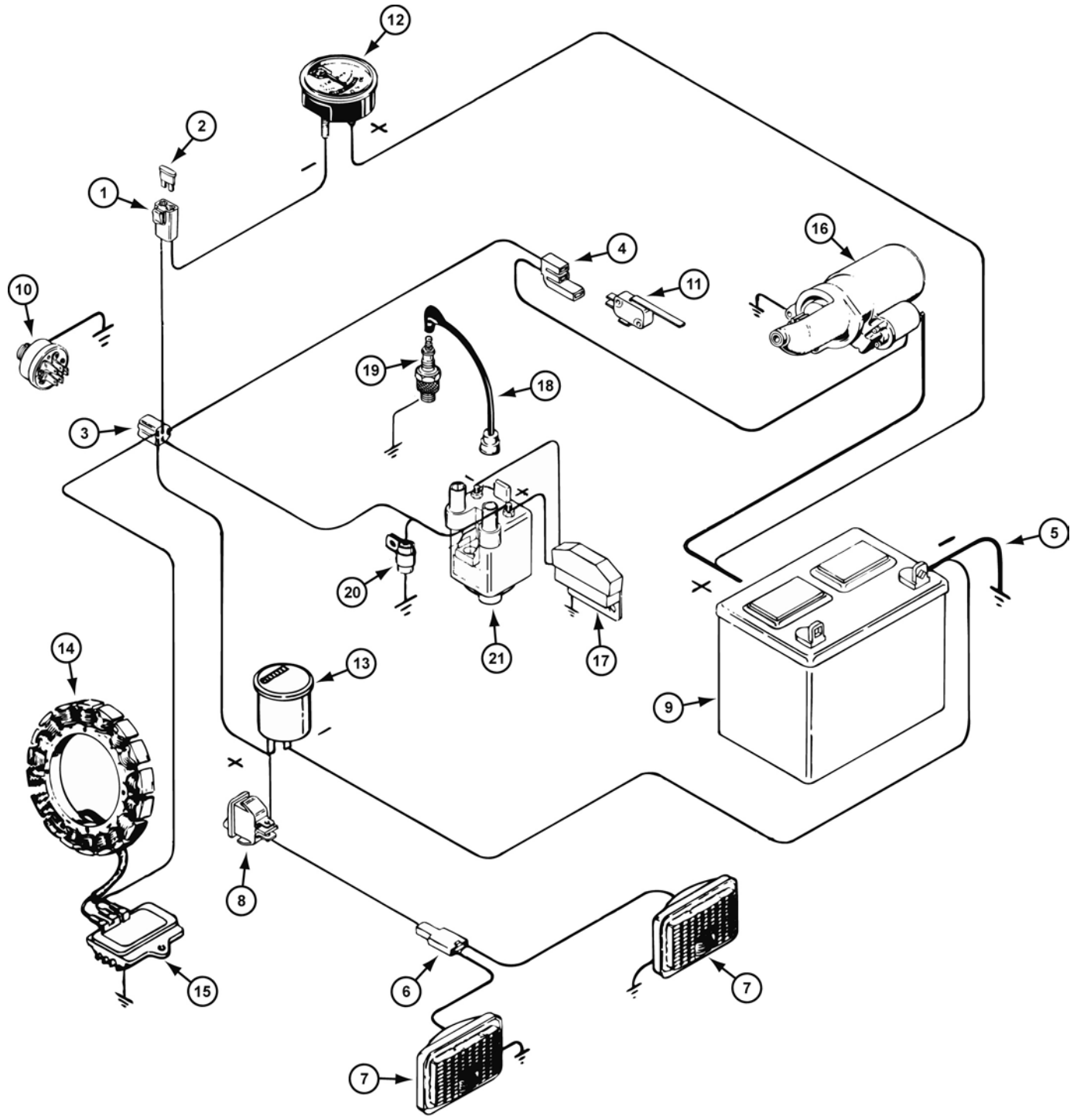
1	C26432	CYLINDER - bucket	1
	C26444	KIT - seal	1
2	NSS	SEAL - wiper	1
3	NSS	"O" RING AND SEAL - rod	1
4	NSS	"O" RING - body	1
5	NSS	SEAL - piston	2
6	NSS	"O" RING - piston	1

INDEX

TRAVEL CONTROL LINKAGE

REF. REQ'D	PART NO.	DESCRIPTION	
1	C29801	ARM - control.....	1
2	C29764	BUSHING - ball	1
3	C29800	BUSHING - ball	1
4	132-334	PIN - cotter 1/8" x 3/4"	1
5	192-20	LOCKWASHER - 5/16"	3
6	C26680	PEDAL - travel control	1
7	C26424	ROD - pedal control.....	1
8	129-102	NUT - 5/16" NC hex.....	1
9	C18277	SPRING - pedal return	1
10	C17551	DISC - friction	1
11	C26266	BUSHING - nylon	1
12	C18391	WASHER - spring.....	1
13	195-533	WASHER - 1/2"	3
14	131-165	NUT - 1/2" NC hex lock	2
15	C23514	FOLLOWER - cam	1
16	C46487	LEVER - direction control	1
17	193-29	LOCKWASHER - 5/16" (internal tooth)	2
18	129-102	NUT - 5/16" - 18 N.C. hex	2
19	C29803	ROD - valve control	1
20	195-521	WASHER - 5/16"	1
21	C19025	BALLJOINT	1
22	129-122	NUT - 5/16" NF hex	1
23	132-333	PIN - cotter 1/8" x 5/8"	1
24	C46481	GRIP - control lever	1
25	353-442	BUSHING - lever	1
26	195-520	WASHER - spacer.....	UAR
27	C19377	WASHER - spacer, 1/32"	UAR
28	C33315	BRACKET - valve control	1
29	113-102	BOLT - 5/16" x 3/4" N.C. hex.....	2

ELECTRICAL SYSTEM
6018, 6018BH (WITH ONAN ENGINES)



INDEX

ELECTRICAL SYSTEM (6018, 6018BH)

REF.	PART NO.	DESCRIPTION	REQ'D
	C34746	HARNESS - wire	1
1	C31947	KIT - fuse holder	1
2	C30260	FUSE - 30 amp	1
3	C24460	CONNECTOR - ignition switch	1
4	C30279	CONNECTOR - inter-lock switch	1
5	C31943	CABLE - battery negative to ground	1
6	C14537	CONNECTOR - headlight	1
7	C32178	HEADLIGHT - 12 volt (repairs page 63)	2
8	C43044	SWITCH - headlight	1
9	C41010	BATTERY - 12 volt	1
10	C30530	SWITCH - ignition (includes key and hardware)	1
	C32407	KEY - ignition	2
11	C30275	SWITCH - inter-lock	1
12	C29413	AMMETER - 12 volt	1
13	C45917	HOURMETER - 12 volt	1
14	O/L*	STATOR - charging	1
15	O/L*	RECTIFIER - 12 volt	1
16	O/L*	STARTER AND SOLENOID	1
17	O/L*	CONTROL - ignition	1
18	C32299	CABLE - spark plug 18-1/2" (cut to length)	2
19	O/L*	SPARK PLUG - includes gasket	2
20	O/L*	CONDENSER	1
21	O/L*	COIL - ignition, 12 volt	1

* Obtain from your local engine dealer

INDEX

ELECTRICAL SYSTEM (6020L, 6020BH)

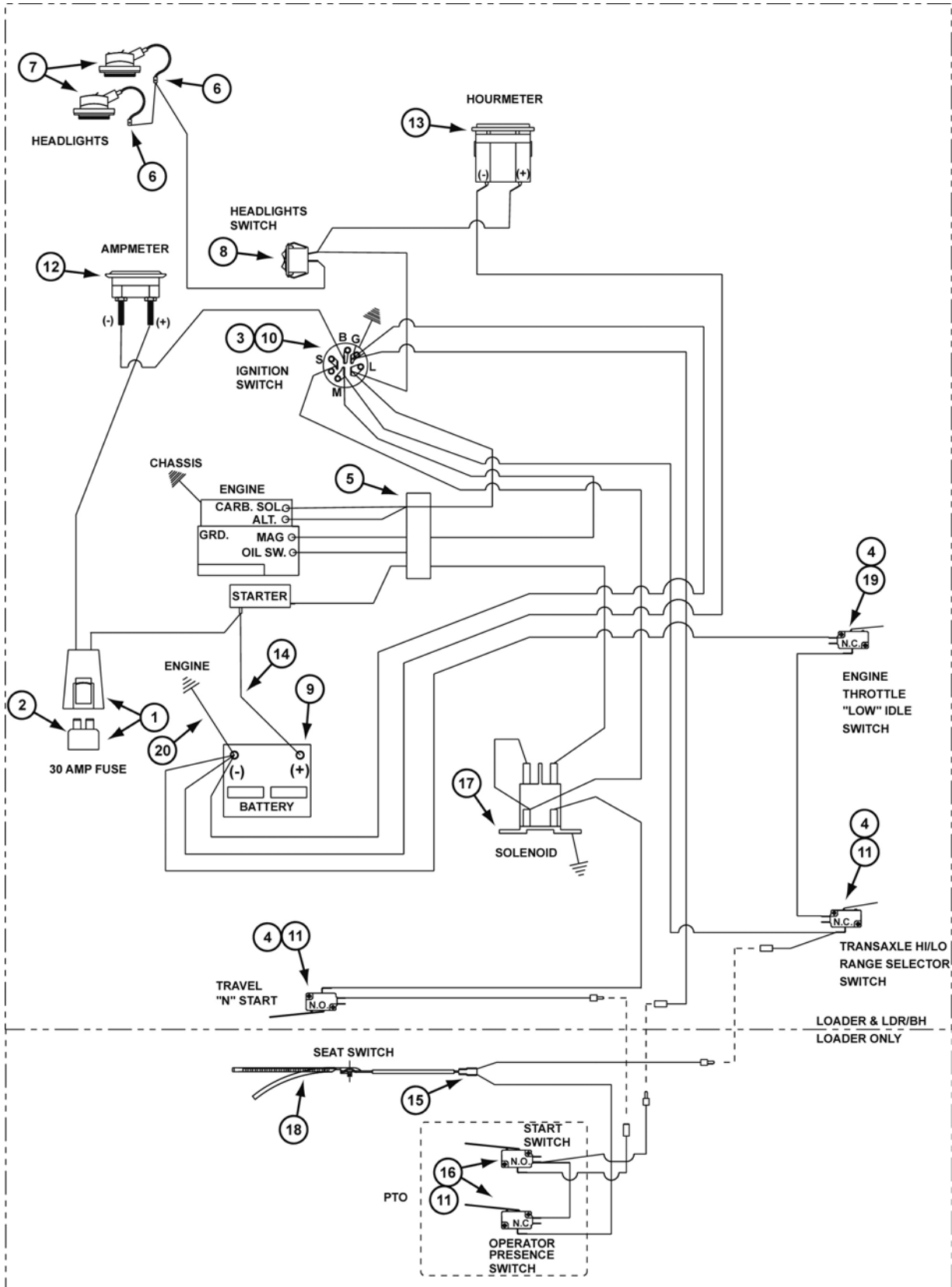
(6020L - before PIN 17193591)

(6020BH - before PIN 17193505)

REF.	PART NO.	DESCRIPTION	REQ'D
	C46880	HARNESS - wire	1
1	C31947	KIT - fuse holder	1
2	C30260	FUSE - 30 amp	1
3	C24460	CONNECTOR - ignition switch	1
4	C30279	CONNECTOR - inter-lock switch	1
5	C46875	CABLE - battery	2
6	C14537	CONNECTOR - headlight	1
7	C32178	HEADLIGHT - 12 volt (repairs page 63)	2
8	C43044	SWITCH - headlight	1
9	C41010	BATTERY - 12 volt	1
10	C30267	SWITCH - ignition (includes key and hardware)	1
	C32407	KEY - ignition	2
11	C30275	SWITCH - inter-lock	1
12	C29413	AMMETER - 12 volt	1
13	C45917	HOURMETER - 12 volt	1
14	O/L*	STATOR - charging	1
15	O/L*	RECTIFIER - 12 volt	1
16	O/L*	STARTER	1
17	O/L*	MAGNETO - ignition	1
18	C33024	SOLENOID - start	1
19	O/L*	SPARK PLUG - includes gasket	2
20	C33022	CABLE - battery to solenoid	1
21	O/L*	SOLENOID - carburetor	1

* Obtain from your local engine dealer

ELECTRICAL SYSTEM
 TRACTORS WITH KOHLER ENGINES
 (6020L PIN 17193591 AND AFTER)
 (6020LBH – PIN 17193505 AND AFTER)



INDEX

ELECTRICAL SYSTEM (6020L, 6020BH)

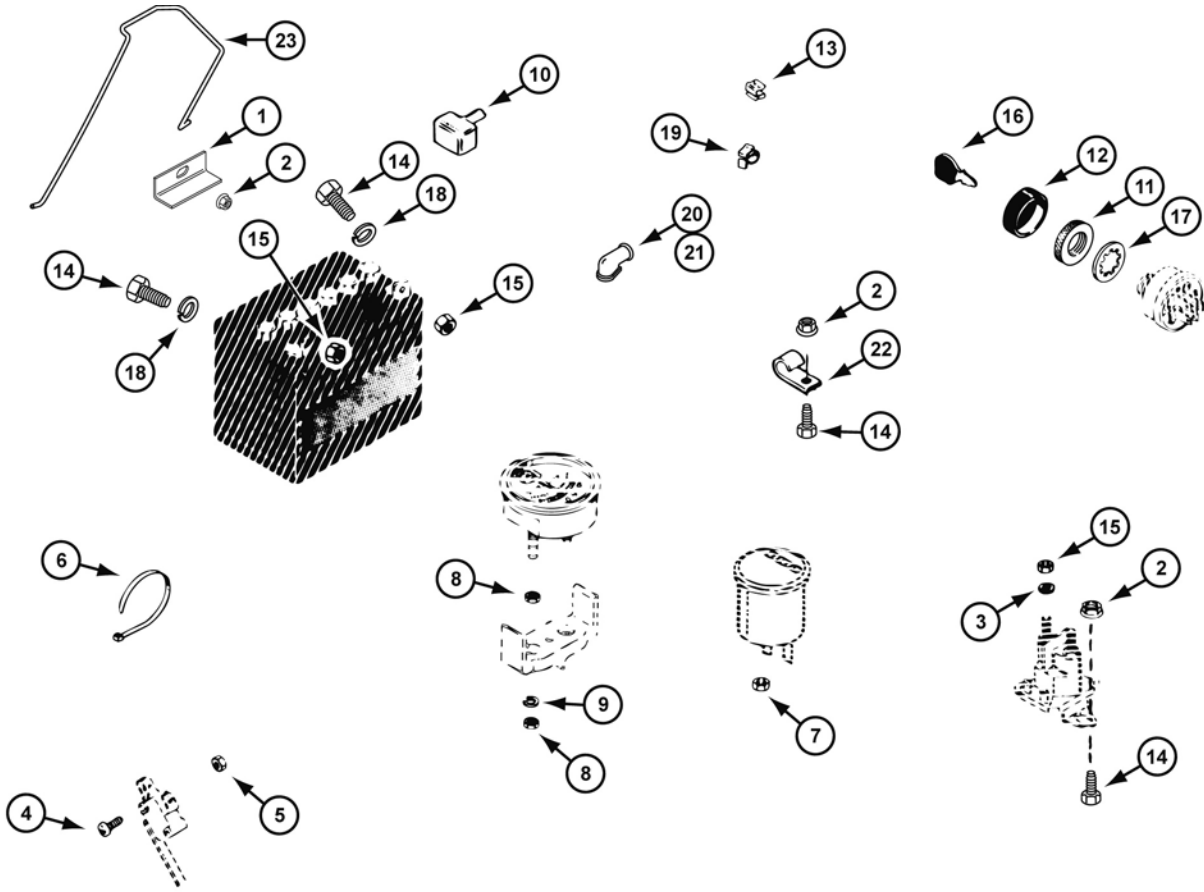
(6020L - PIN 17193591 and after)

(6020BH - PIN 17193505 and after)

REF.	PART NO.	DESCRIPTION	REQ'D
	C47732	HARNESS - wire, main	1
1	C31947	KIT - fuse holder	1
2	C30260	FUSE - 30 amp	1
3	C24460	CONNECTOR - ignition switch	1
4	C30279	CONNECTOR - inter-lock switch	3
5	C46528	CONNECTOR - engine	1
6	C44169	CONNECTOR - headlight	2
7	C32178	HEADLIGHT - 12 volt (repairs page 63)	2
8	C43044	SWITCH - headlight	1
9	C41010	BATTERY - 12 volt	1
10	C30267	SWITCH - ignition	1
	C32407	KEY - ignition	2
11	C30275	SWITCH - inter-lock	4
12	C29413	AMMETER - 12 volt	1
13	C45917	HOURMETER - 12 volt	1
14	C46875	CABLE - battery to solenoid	1
	C47565	HARNESS - wire, rear PTO (6020L)	1
15	C25338	CONNECTOR - seat switch (6020L)	1
16	C30279	CONNECTOR - inter-lock switch (6020L)	2
17	C33024	SOLENOID - start	1
18	C45537	SWITCH - seat	1
19	C47708	SWITCH - inter-lock	1
20	C31943	CABLE - battery ground	2

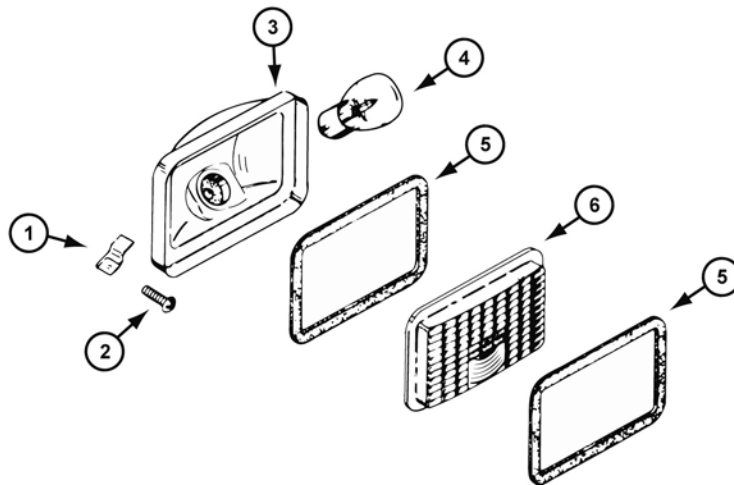
INDEX

ELECTRICAL HARDWARE



INDEX

HEADLIGHT ASSEMBLY

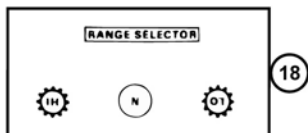
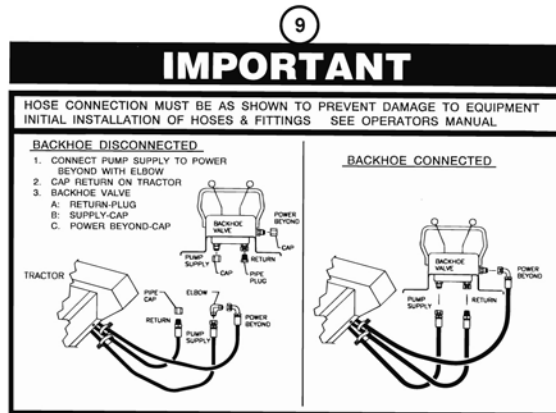


INDEX**ELECTRICAL SYSTEM HARDWARE**

REF.	PART NO.	DESCRIPTION	REQ'D
1	C33475	RETAINER - battery (current production).....	1
2	131-934	NUT - 1/4" - 20 flange lock	2
3	192-19	LOCKWASHER - 1/4"	2
4	182-10	SCREW - #4 - 40 x 7/8"	2
5	C33697	NUT - #4 - 40	2
6	C22947	TIE - wire	UAR
7	131-971	NUT - #8 - 32 flange lock	2
8	129-27	NUT - #10 NF	4
9	192-18	LOCKWASHER - #10	2
10	C24069	COVER - battery positive terminal	1
11	C32396	NUT - switch	1
12	C32397	CAP - nut	1
13	C19521	CLIP - wire	UAR
14	113-3	BOLT - 1/4" - 20 x 3/4"	4
15	129-101	NUT - 1/4" - 20	4
16	C32407	KEY - ignition	1
17	193-63	LOCKWASHER - 5/8"	1
18	195-518	WASHER - 1/4"	4
19	C28962	CLIP - wire	1
20	C31618	COVER - starter terminal.....	1
21	C44079	INSULATOR - starter terminal (6020L, 6020BH)	1
22	C32455	CLIP - "J"	UAR
23	C16239	STRAP - battery hold down (early production).....	1

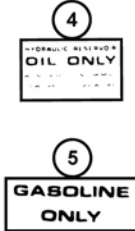
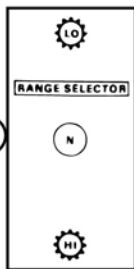
INDEX**HEADLIGHT ASSEMBLY**

1	131-629	RETAINER - headlight	4
2	187-1334	SCREW - #8 x 1/2"	4
	C32178	HEADLIGHT ASSEMBLY	2
3	NSS	RECEPTACLE - headlight (order headlight assembly)	1
4	C28932	BULB - headlight	1
5	C14304	GASKET - headlight	2
6	C22573	LENS - headlight	1



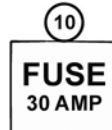
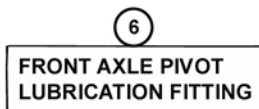
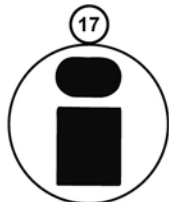
2

6018



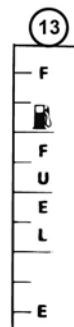
16

6020



11

INGERSOLL



INDEX**DECALS**

REF.	PART NO.	DESCRIPTION	REQ'D
1	C34747	DECAL - instrument panel	1
2	C31991	DECAL - "6018"	2
3	C46326	DECAL - "Warning"	1
4	C14539	DECAL - oil, hydraulic reservoir	1
5	C14066	DECAL - gasoline	1
6	C34170	DECAL - grease	1
7	C34775	DECAL - travel control	1
8	C34776 *	DECAL - range selector (6018, 6018BH) (6020L, 6020BH)	1
9	C46958	DECAL - "Important" hose routing (6018BH, 6020BH)	1
10	C34750	DECAL - fuse	1
11	C34769	DECAL - "INGERSOLL" loader arms and backhoe	UAR
12	C34749	DECAL - ignition switch	1
13	C34777	DECAL - fuel	1
14	C34772	DECAL - stripe (red and black) (6018BH, 6020BH)	4
14	C34773	DECAL - stripe (silver and black) (6018, 6020L)	2
15	C34184	DECAL - flag	1
16	C46814	DECAL - "6020"	2
17	C37197	DECAL - steering wheel center	1
18	C47147 **	DECAL - range selector (6020L, 6020BH)	1

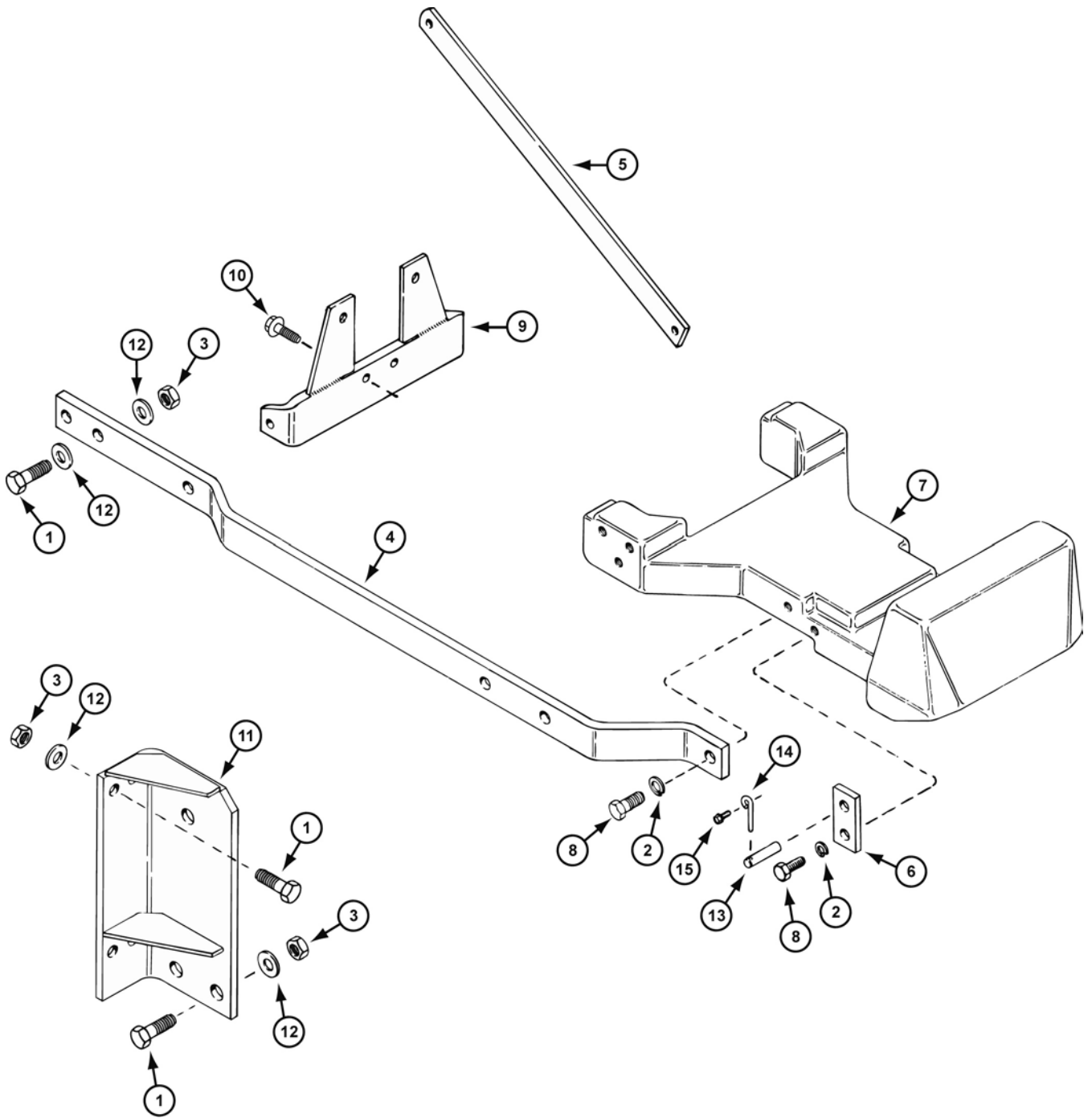
*Use before PIN:

**Use PIN and after:

6020L - 17193591

6020BH - 17193505

BACKHOE MOUNTING COMPONENTS

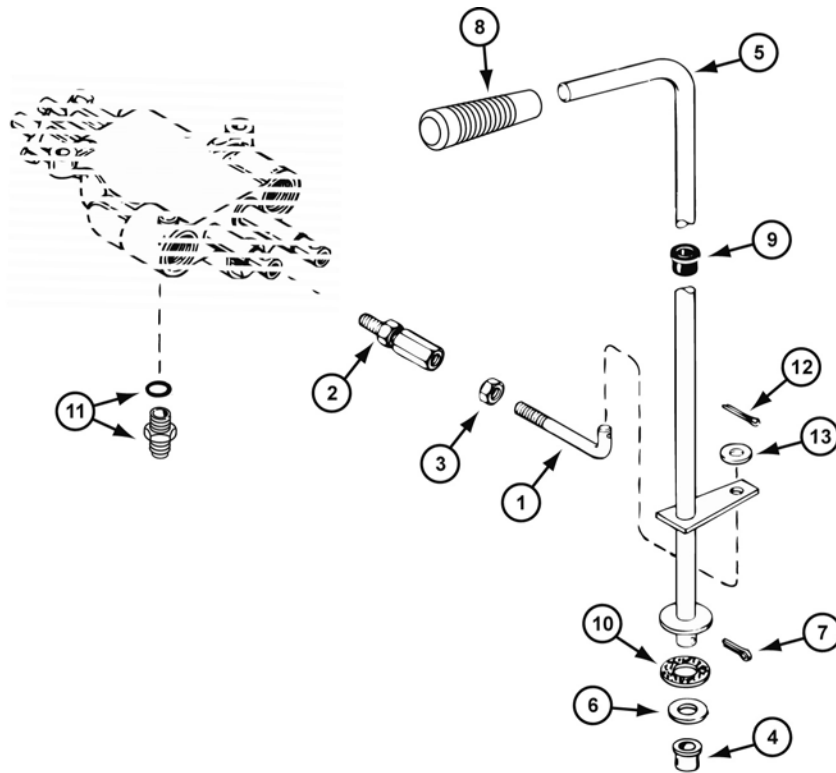


INDEX**BACKHOE MOUNTING COMPONENTS (6018BH, 6020BH)**

REF.	PART NO.	DESCRIPTION	REQ'D
1	113-705	BOLT - 3/4" - 10 x 2-1/2"	UAR
1	113-730	BOLT - 3/4" - 10 x 2-3/4"	UAR
2	192-27	LOCKWASHER - 3/4"	20
3	131-C3	NUT - 3/4" - 10 lock	10
4	C32077	ARM - lower R.H. (shown)	1
4	C33164	ARM - lower L.H.	1
5	C32079	ARM - upper	2
6	C32508	STRAP - weight mounting	2
7	C32080	WEIGHT - counter	1
8	113-713	BOLT - 3/4" - 10 x 1-3/4"	10
9	C32081	PLATE - rear	1
10	C33270	BOLT - 1/2" - 13 x 1-1/2" flange	4
11	C46965	BRACKET - mounting L. H. (Woods backhoe only)	1
11	C46966	BRACKET - mounting (shown) R. H. (Woods backhoe only)	1
12	C11906	WASHER - 3/4"	6
13	C47199	PIN - mounting	2
14	C25965	PIN - retaining	2
15	187-1910	SCREW - 3/8" - 16 x 3/4" self tap	2

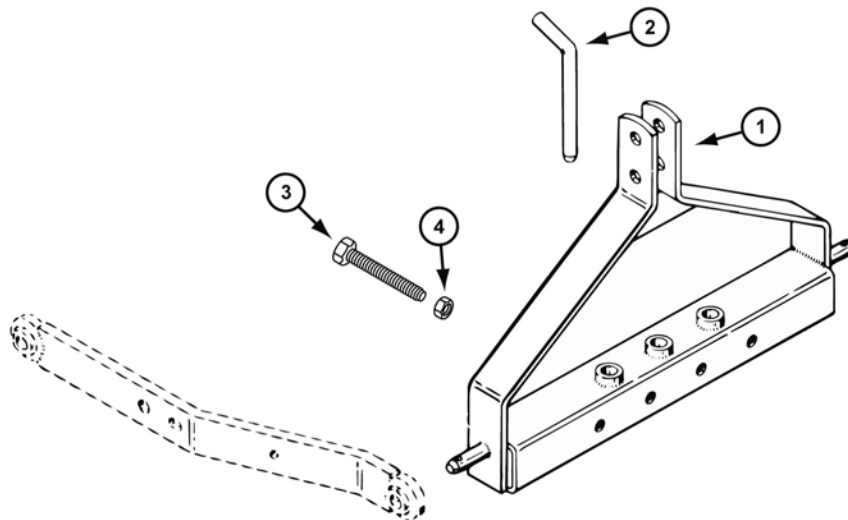
INDEX

HYDRAULIC LIFT
(6018, 6020 LOADERS)



INDEX

F27 SLEEVE ADAPTER



INDEX**HYDRAULIC LIFT CONTROL (6018, 6020L)**

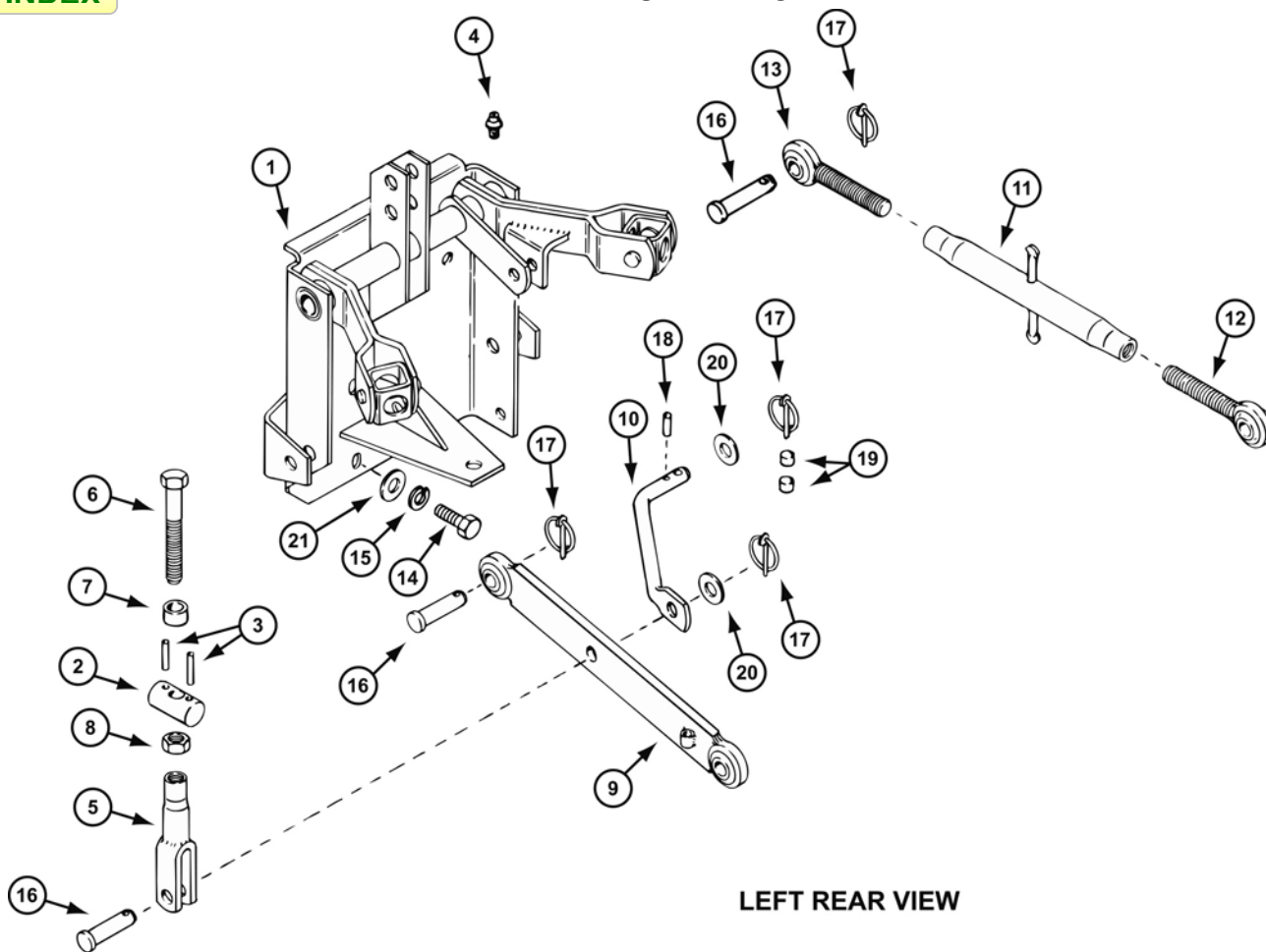
REF.	PART NO.	DESCRIPTION	REQ'D
1	C19384	ROD - lift control	1
2	C19025	BALLJOINT	1
3	129-122	NUT - 5/16" NF hex	1
4	C26266	BUSHING - nylon	1
5	C46498	LEVER - lift control	1
6	195-533	WASHER - 5/8"	1
7	132-310	PIN - cotter 1/8" x 1"	1
8	C46481	GRIP - lift lever	1
9	353-442	BUSHING - lever	1
10	C17551	DISC - friction	1
11	218-5056	FITTING - 5/16" tube x 1/2" - 20	2
12	132-320	PIN - cotter 3/32" x 3/4"	1
13	195-518	WASHER - 1/4"	1

MODEL F27 HITCH ADAPTER

1	NSS	BRACKET - hitch adapter (order as machinery item)	1
2	C14568	PIN - drawbar	1
3	22-844	BOLT - 1/2" x 2-3/4" NC hex	2
4	129-105	NUT - 1/2" - 13	2

INDEX

THREE-POINT HITCH

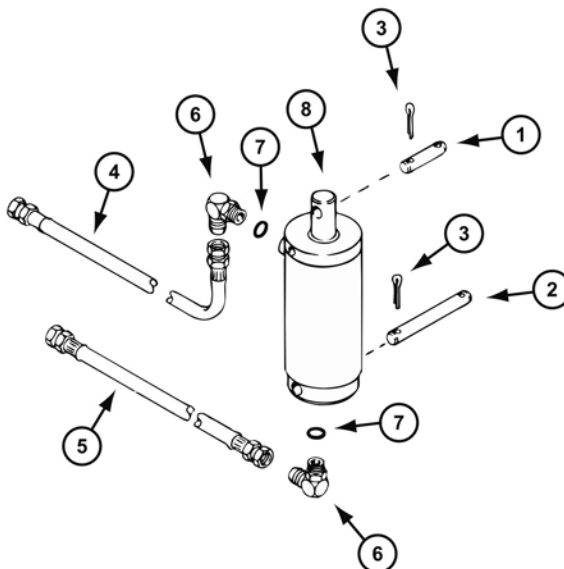


LEFT REAR VIEW

INDEX

THREE-POINT HITCH CYLINDER

LEFT REAR VIEW



INDEX**THREE POINT HITCH**

REF.	PART NO.	DESCRIPTION	REQ'D
1	C46350	PLATE - hitch	1
2	C44058	SWIVEL - lift link	2
3	C32231	PIN - 3/16" x 1-1/2"	4
4	219-403	FITTING - grease	2
5	C32428	LINK - adjusting	2
6	C32235	BOLT - 5/8" - 11 x 5"	2
7	C32239	SPACER - bolt	2
8	129-107	NUT - 5/8" - 11	2
9	C32240	ARM - lift	2
10	C32242	ARM - stabilizer	1
11	C32249	TUBE - upper link	1
12	C32426	BALLJOINT - R.H. thread	1
13	C32427	BALLJOINT - L.H. thread	1
14	113-417	BOLT - 1/2" - 13 x 1-1/4"	2
14	113-424	BOLT - 1/2" - 13 x 1"	2
15	192-23	LOCKWASHER - 1/2"	2
16	C14717	PIN - clevis 5/8" x 2-1/2"	6
17	C28222	PIN - click	9
18	138-2073	PIN - 3/16" x 1-1/4"	1
19	C14768	SPACER - click pin	2
20	195-541	WASHER - 5/8"	2
21	195-533	WASHER - 1/2"	2

INDEX**THREE POINT HITCH CYLINDER**

1	C29693	PIN - cylinder rod 1/2" x 1-3/4"	1
2	C32254	PIN - cylinder foot 1/2" x 4-5/8"	1
3	132-310	PIN - cotter 1/8" x 1"	4
4	C32247	HOSE - hydraulic 1/4" x 33" (cylinder to forward valve port)	1
5	C32246	HOSE - hydraulic 1/4" x 24" (cylinder to rear valve port)	1
6	218-5104	FITTING - 90° elbow 5/16" tube x 1/2" - 20.....	2
7	218-5004	"O" RING	1
8	C32245	CYLINDER - lift	1
	C34533	KIT - seal	1