



## PARTS CATALOG 8-3350

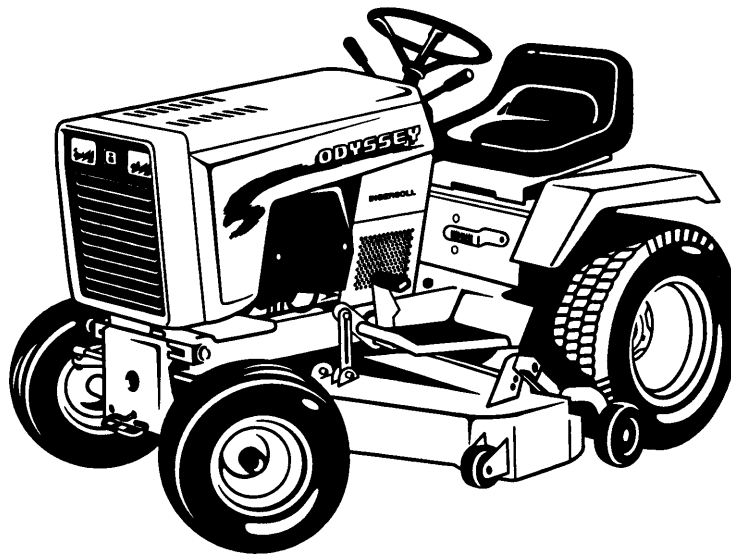
### ODYSSEY INCLUDES MOWER

[INDEX](#)

[PAINT](#)

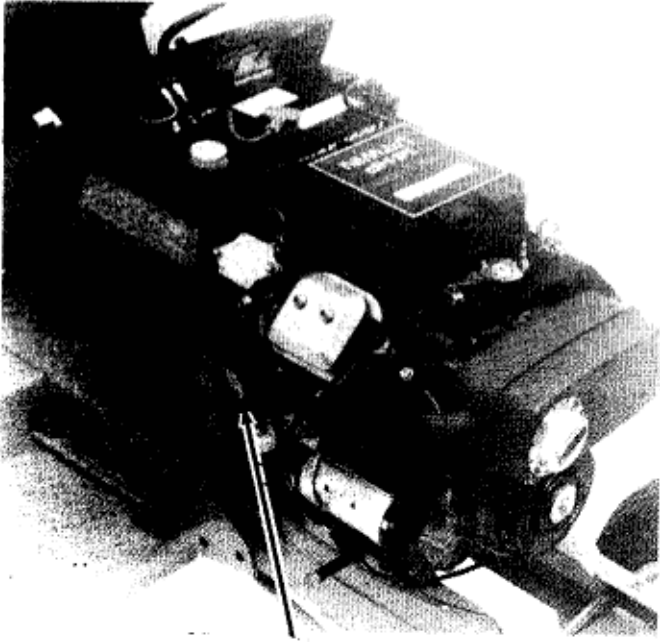
[ENGINES](#)

[GENERAL INFO](#)

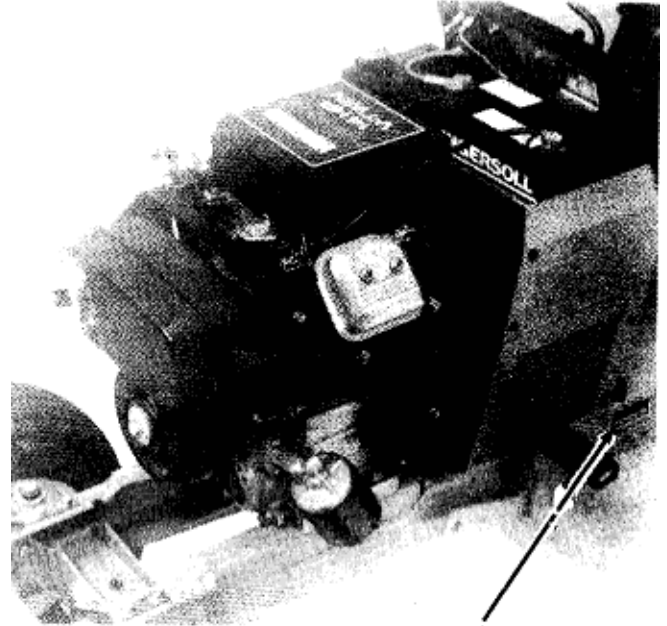


**INDEX**

## PRODUCT IDENTIFICATION NUMBERS (P.I.N.) OR SERIAL NUMBERS (S/N)



ENGINE MODEL, SERIAL AND  
SPECIFICATION NUMBERS



TRACTOR MODEL AND P.I.N.  
OR SERIAL NUMBERS

## ENGINE IDENTIFICATION

TRACTOR MODEL

**Odyssey**

ENGINE MODEL

Briggs and Stratton  
Vanguard 14 HP  
Model 294447  
Type 0445

NOTE: In this catalog there are references to serial numbers. To order the correct part use these serial numbers as a guide.

**INDEX**

There is an index at the front and rear of this catalog. The front index is an alphabetical index of the major groups or assemblies.

The rear index is a numerical index of the part numbers and pages on which these numbers are shown.

**ILLUSTRATION**

Each illustration in this catalog shows a group of parts or components. These parts and components are aligned approximately as the parts and components on your machine. Each part and component in an illustration has a reference number. These reference numbers are in a list on the page opposite of the illustration. Next to the reference number is the part number, description and required quantity of the part shown in the illustration.

UAR - "Use as required" indicates that the part quantity is variable.

NSS - "Not sold separately" indicates that the part is only available as component of an assembly or the part must be purchased locally. If the part is an assembly component, the description will be indented under the assembly description in the parts list.

O/L - "Obtain locally"

- "Footnotes" are added to a part number when more information is needed for identification. They only relate to the part numbers indicated. All orders must include the following information:

**PARTS ORDERS**

1. Correct part number.
2. Complete description of part or component.
3. Total quantity of each part or component.
4. Product model number.
5. All necessary product identification numbers.
6. Method for sending the parts.
7. Complete and correct address.

**CATALOG REVISIONS**

As the product changes, new pages will be available for your catalog. A notice will be issued.

**IMPORTANT:** Put all revisions into the catalog as soon as possible.

**RIGHT HAND AND LEFT HAND IDENTIFICATION**

The words right hand (RH) and left hand (LH) as used in this catalog indicate the direction while you are in the operator's seat in the normal operating position.

**INDENTED DESCRIPTIONS**

An assembly can have many components. The components of an assembly are indicated by an indented description. The quantity for an indented part is the total needed for that complete assembly. See the example.

REF.	PART NO.	DESCRIPTION	REQ'D
	C 55159	CYLINDER ASSY - rear steering .....	1
28	C 56208	SOCKET ASSY - rear cylinder .....	1
29	C 55956	PLUG - adjusting, socket assy .....	1
30	C 55957	SEAT- socket, ball.....	2
31	C 56210	SPRING-socket .....	1
32	C 56209	SEAT - socket spring .....	1
33	G 45175	CLAMP ASSY - socket assy .....	1
	16- 836	BOLT-1/2"x2-1/4" N.F. hex.....	1
34	132- 104	PIN-cotter, 3/16"x3".....	1
35	C 55889	STUD - ball, socket & cylinder .....	2
36	13- 410	BOLT-1/4"x5/8"N.C.,hex .....	4
37	92- 4	LOCK WASHER - 1/4"SAE .....	4

# ALPHABETICAL INDEX

## TRACTOR SECTION

Axle, Front.....	19	Hydraulic System.....	25-35
Axle, Rear .....	23	Adapter, Pump Drive.....	31
Brake.....	21	Hoses, Lines and Fittings.....	25
Control, Travel.....	33	Lift, Hydraulic .....	35
Decals .....	41	Linkage, Control Valve.....	33
Electrical System.....	37-39	Motor, Hydraulic Drive .....	29
Fenders .....	15	Pump.....	31
Filter, Engine Air.....	5	Valve, Control .....	27
Filter, Engine Oil.....	5	Muffler.....	5
Frame.....	11	PTO Clutch (Electric) .....	9
Fuel System .....	7	Reflector, Rear.....	39
Grille.....	13	Seat, Operator's.....	15
Hitch, Tow .....	29	Steering Wheel & Gear .....	17
Hood.....	13	Throttle Control .....	7
Choke Control .....	7	Tool Tray.....	15
		Transmission.....	19
		Wheels, Front & Rear .....	21

## MOWER SECTION

Axle, Rear .....	45	Deck.....	43
Belts .....	43	Linkage, Leveling.....	45
Blades .....	45	Mounting Bracket.....	47
Covers.....	43	Pulleys .....	43-47
Decals .....	47	Spindles .....	45



**Ingersoll**

## Paint & Oil

**INDEX**

### PAINT

#### **Power Red Gloss**

16-ounce Aerosol Can..... C28484  
Quart ..... C28485

#### **Power White**

16-ounce Aerosol Can..... C28812  
Quart ..... C28845

#### **Power Yellow** (Older 600 Series)

16-ounce Aerosol Can..... C28847  
Quart ..... C28848

#### **Power Tan** (6000 Series)

16-ounce Aerosol Can..... C28853  
Quart ..... C28854

#### **Desert Sunset** (Older 400 Series)

16-ounce Aerosol Can..... C28846  
Quart ..... C28852

#### **Black, Semi Gloss**

16-ounce Aerosol Can..... C28849  
Quart ..... C28850

#### **Black, High Heat**

16-ounce Aerosol Can..... C28851

#### **Silver**

16-ounce Aerosol Can..... C30870

#### **M & W Plum**

16-ounce Aerosol Can..... 10-5688

#### **Grazer Grey**

16-ounce Aerosol Can..... C38444  
Quart ..... C38982

#### **Odyssey Charcoal Grey**

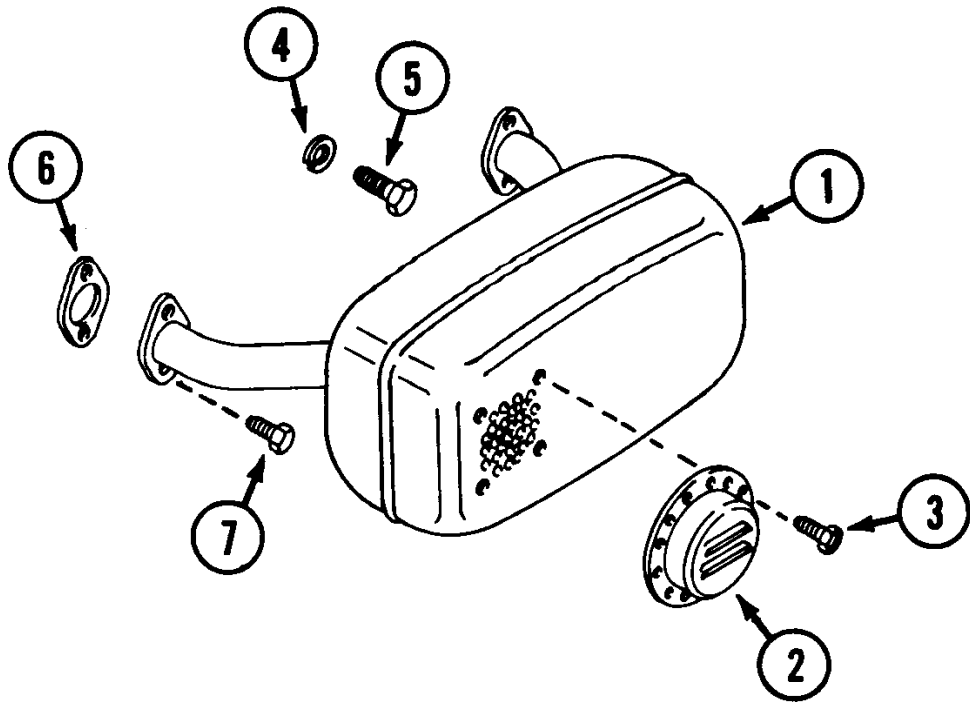
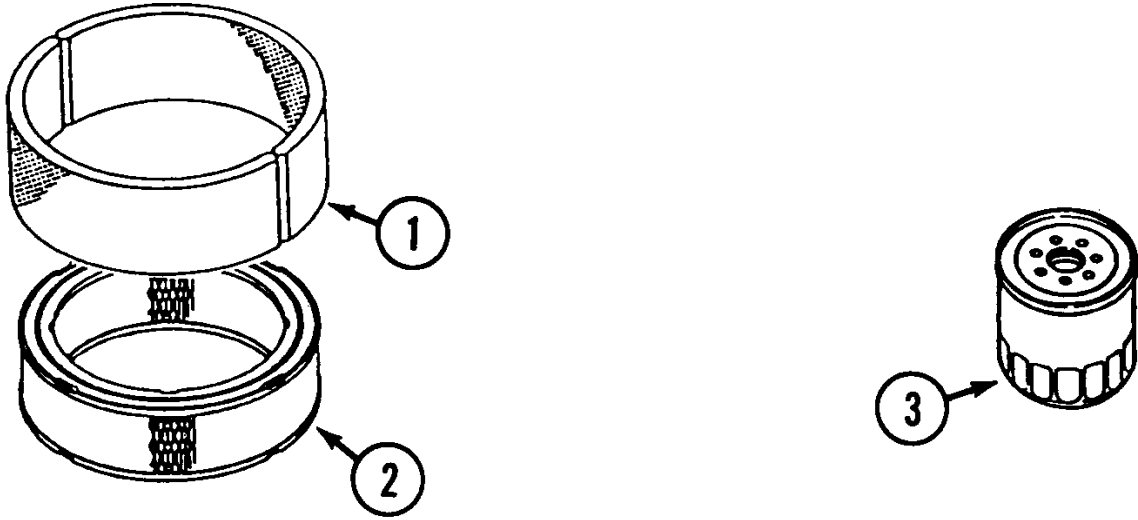
16-ounce Aerosol Can..... C47171

### HYDRAULIC OIL

**20W40**, Use 32 Degrees and above.  
12-Quart Case..... C32778

**5W20**, Use Below 32 Degrees.  
12-Quart Case..... C32777

INDEX



**INDEX**

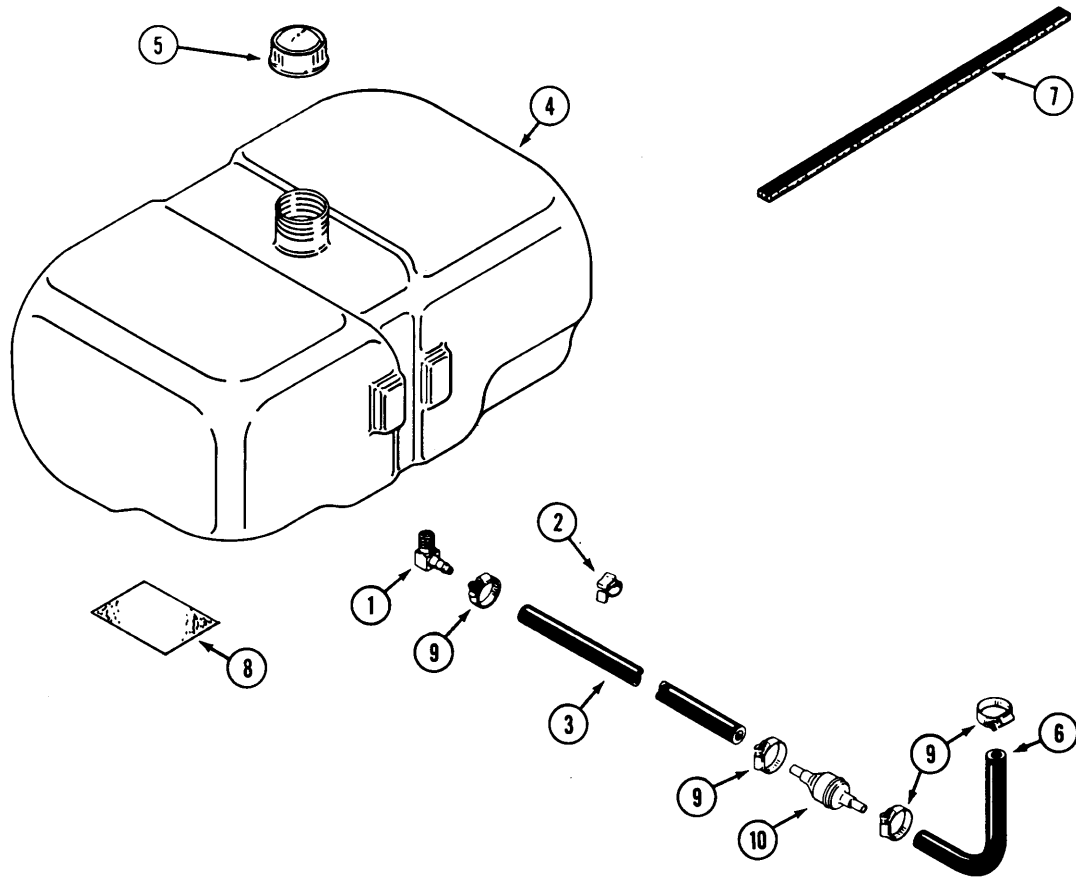
**AIR FILTER AND OIL FILTER**

REF.	PART NO.	DESCRIPTION	REQ'D
1	C37543	PRECLEANER.....	1
2	C37544	FILTER - air.....	1
3	C34544	FILTER - oil.....	1

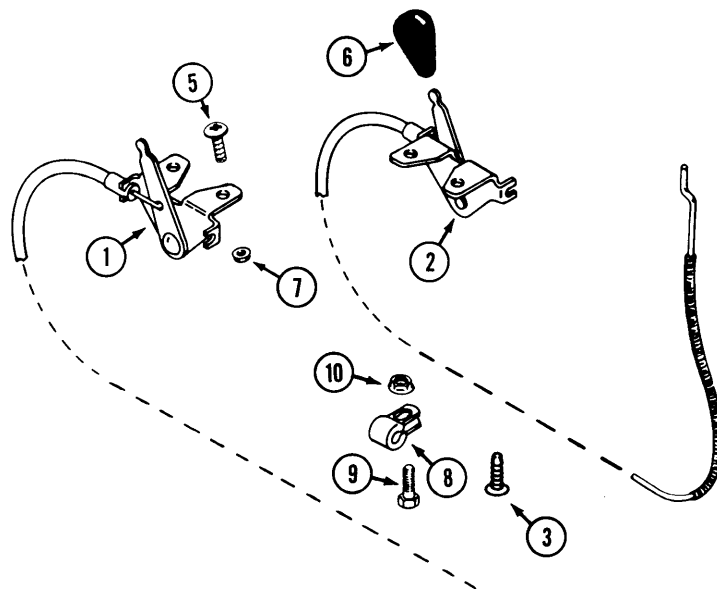
**MUFFLER**

1	C33469	MUFFLER - exhaust.....	1
2	C33444	DEFLECTOR - exhaust.....	1
3	187-1041	SCREW - #8 - 32 x 3/8".....	4
4	192-21	LOCKWASHER - 3/8".....	1
5	113-208	BOLT - 3/8" - 16 x 1-1/4".....	1
6	C34351	GASKET - exhaust.....	2
7	C34320	BOLT - exhaust flange.....	4

INDEX



INDEX





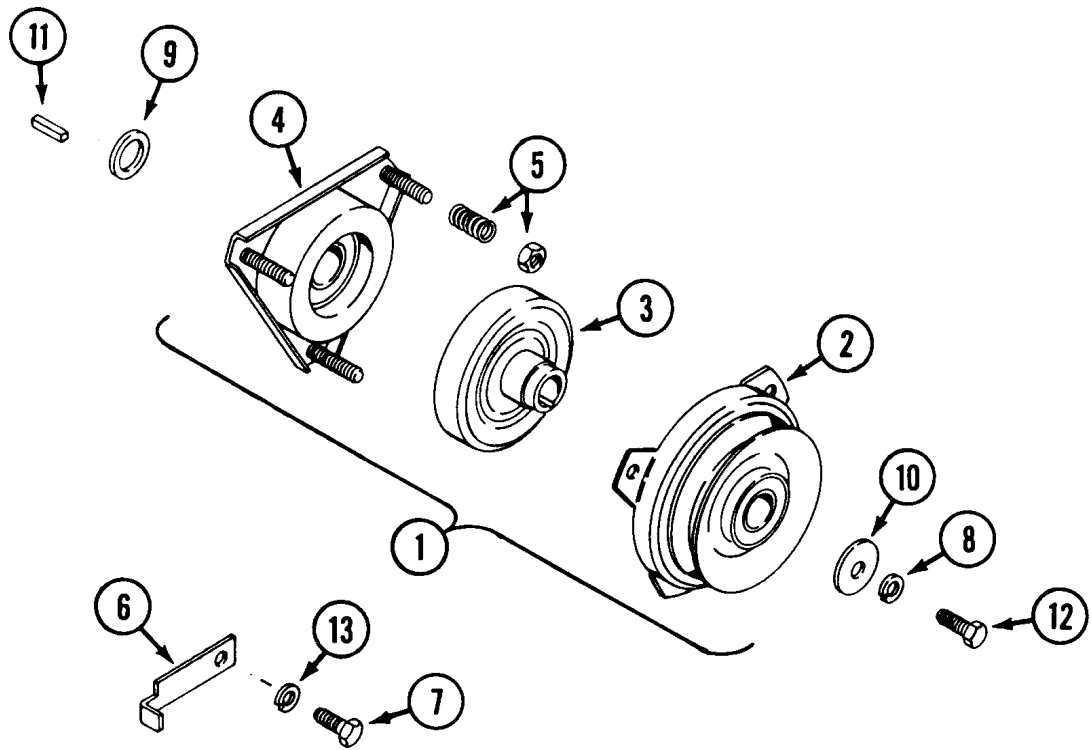
**INDEX****FUEL SYSTEM**

REF.	PART NO.	DESCRIPTION	REQ'D
1	C10678	ELBOW - hose 90° .....	1
2	C28962	RETAINER - fuel line .....	1
3	NSS	HOSE - fuel line (34.5") (use C28937 cut to length) .....	1
4	C44818	TANK - fuel.....	1
5	C44819	CAP - fuel tank.....	1
6	NSS	HOSE - fuel line 14" (use C28937 cut to length) .....	1
7	C23527	LINER - tank.....	1
8	C14690	CUSHION - fuel tank.....	2
9	C32376	CLAMP - hose 1/2".....	4
10	C31978	FILTER - fuel.....	1

**CHOKE AND THROTTLE CONTROLS**

1	C46393	CONTROL - throttle .....	1
2	C46394	CONTROL - choke.....	1
3	C35067	RETAINER - plastic.....	1
5	182-559	BOLT - No. 10 - 24 x 3/4" .....	2
6	C35291	KNOB - control .....	2
7	C34117	NUT - No. 10 - 24 flange lock .....	2
8	C31977	CLIP - cable (shown).....	2
8	C27233	CLAMP - double.....	1
8	C32455	CLIP - "J" .....	1
9	113-1	BOLT - 1/4" - 20 x 1/2" (clip to frame) .....	1
9	C37200	SCREW - 6 mm (clip to engine).....	1
10	131-934	NUT - 1/4" - 20 .....	1

INDEX

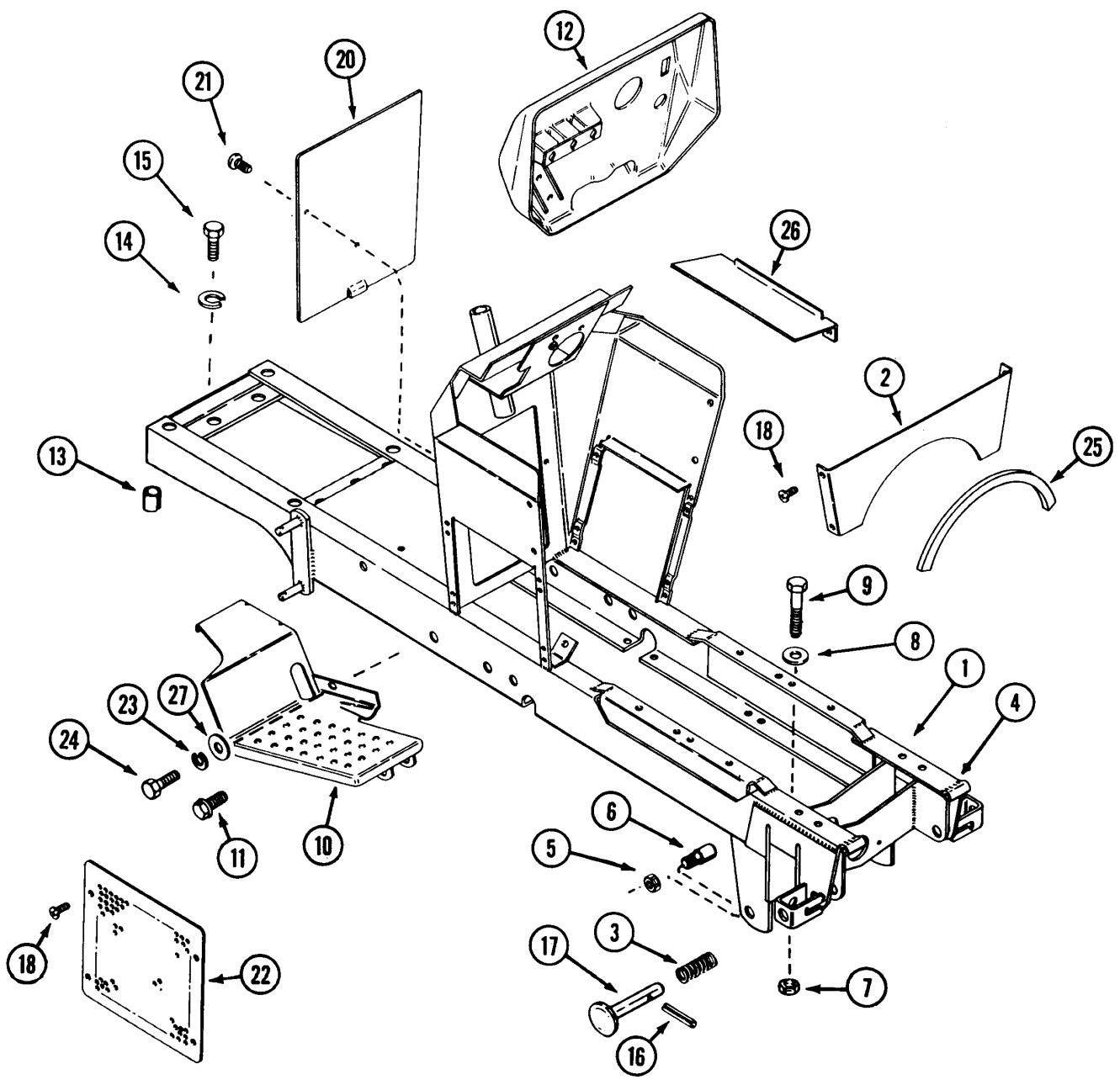


**INDEX**

**PTO ELECTRIC CLUTCH**

REF.	PART NO.	DESCRIPTION	REQ'D
1	C33197	CLUTCH - PTO .....	1
2	C32378	ARMATURE - clutch.....	1
3	C32379	ROTOR - clutch.....	1
4	C32380	FIELD - clutch .....	1
5	C32381	KIT - spring and nut.....	1
6	C33507	BRACKET - anti-rotation .....	1
7	113-335	BOLT - 7/16" - 14 x 3/4" .....	1
8	192-21	LOCKWASHER - 3/8" .....	1
9	C31614	SPACER - clutch.....	1
10	C31615	WASHER - clamping.....	1
11	C31976	KEY - 1/4" x 1/4" x 1-1/4" .....	1
12	114-203	BOLT - 3/8" - 24 x 1-1/2 (use 31 ft. lbs. torque).....	1
13	192-22	LOCKWASHER - 7/16" .....	1

INDEX

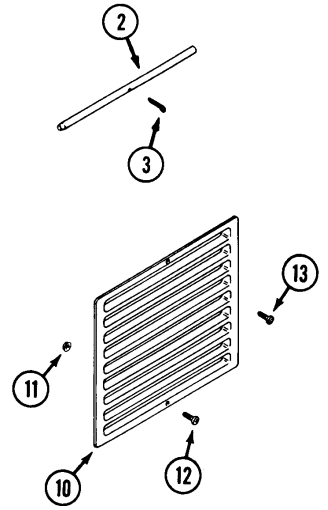
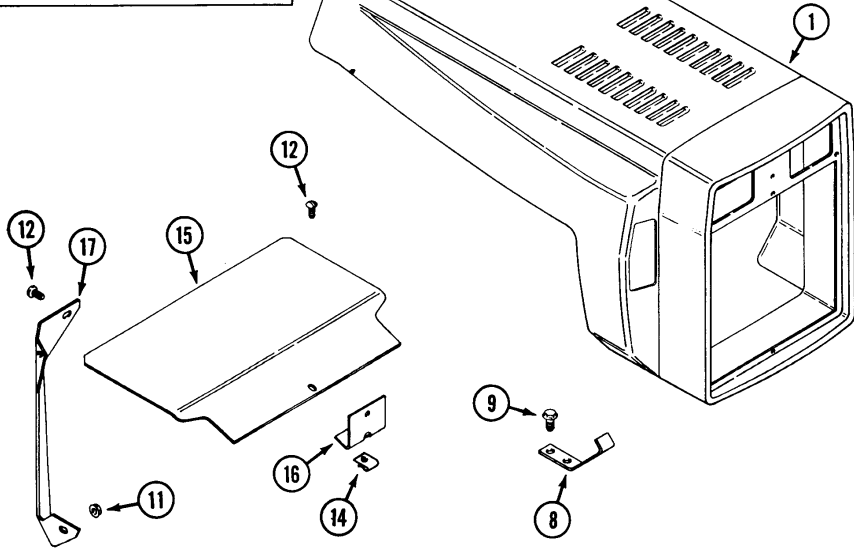
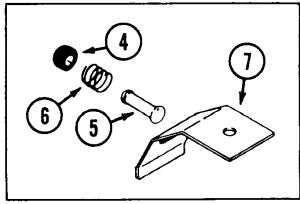


**INDEX**

**FRAME AND FOOT PADS**

REF.	PART NO.	DESCRIPTION	REQ'D
1	C46827D	FRAME - main.....	1
2	C31610	SHIELD - oil tank.....	1
3	C24137	SPRING - latch.....	1
4	C22023	HINGE - frame .....	2
5	131-1318	NUT - lock1/2"N.F .....	2
6	C27508	PIN - attachment .....	2
7	131-69	NUT - lock 1/2" N.F .....	2
8	195-521	WASHER - 5/16" (over engine foot pad).....	4
9	113-120	BOLT - 5/16" - 18 x 1-3/4" .....	4
10	C25317D	FOOT REST - L.H.....	1
10	C25318D	FOOT REST - R.H .....	1
11	121-106	BOLT - 5/16" x 1/2" N.C. flange lock.....	4
12	C46837	CAP - instrument panel.....	1
	C37166	INSERT - cap .....	1
13	C14730	SPACER - rear, frame.....	2
14	192-23	LOCKWASHER - 1/2" .....	4
15	113-424	BOLT - 1/2" - 13 x 1" transaxle mounting.....	UAR
16	138-2073	PIN - roll 3/16" x 1-1/4" .....	2
17	C16373	PIN - latch.....	2
18	C31597	SCREW - 1/4" -20 x 1/2" black.....	UAR
18	C33576	SCREW - 1/4" x 5/16" black .....	UAR
20	C33548D	COVER - access .....	1
21	C33576	SCREW - 1/4" - 20 x 5/16" .....	2
22	C44887D	SCREEN - tower side R.H. (shown) .....	2
22	C44886D	SCREEN - tower side L.H.....	1
23	192-20	LOCKWASHER - 5/16" .....	2
24	113-101	BOLT - 5/16" - 18 x 1/2" .....	2
25	C33472	SEAL - engine air .....	1
26	C45916	SHIELD - heat exchange .....	1
27	195-520	WASHER - 5/16" .....	2

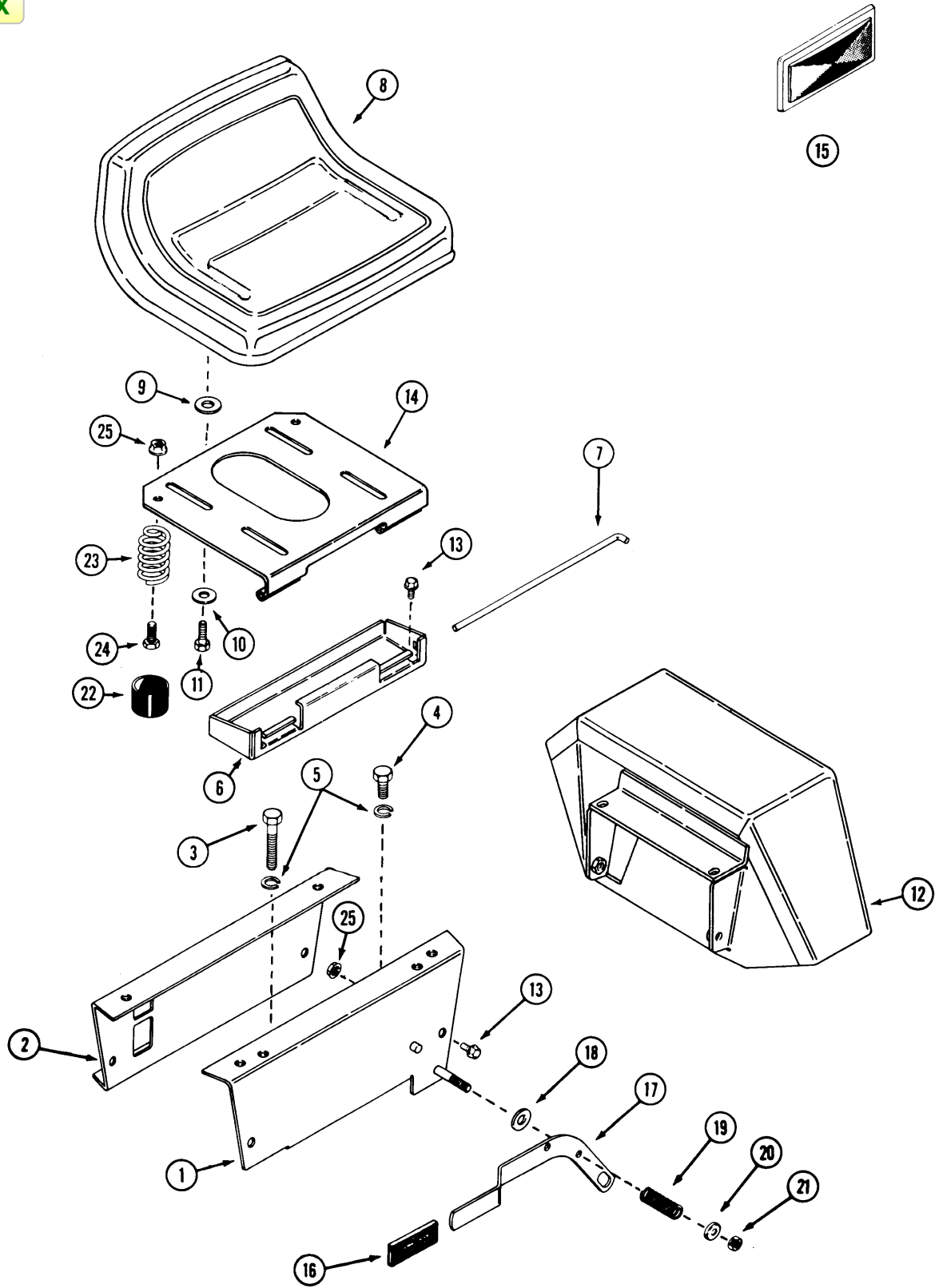
INDEX



**INDEX****HOOD AND GRILL**

REF.	PART NO.	DESCRIPTION	REQ'D
1	C33547D	HOOD.....	1
	C37312	HINGE - hood (not shown) is welded to hood.....	1
2	C16362	ROD - hood hinge .....	1
3	132-334	PIN - cotter 1/8" x 3/4" .....	1
4	C29314	BUTTON - push, hood release .....	1
5	C30126	ROD - push, hood release .....	1
6	C30004	SPRING - release .....	1
7	C33467	LATCH - hood .....	1
8	C31611	BRACKET - hood stop .....	2
9	121-106	BOLT - 5/16" - 18 x 1/2" flange lock.....	4
10	C45043	GRILLE.....	1
11	131-934	NUT - 1/4" - 20 flange lock.....	9
12	C31597	SCREW - 1/4" - 20 x 1/2" black.....	7
13	187-1334	SCREW - #8 - 18 x 1/2 black .....	1
14	C10836	NUT-speed .....	1
15	C43248D	SHIELD - heat.....	1
16	C46842	BRACKET - heat shield.....	1
17	C33569D	EXTENDER - hood L.H.....	1
17	C33570D	EXTENDER - hood R.H. (shown) .....	1

INDEX



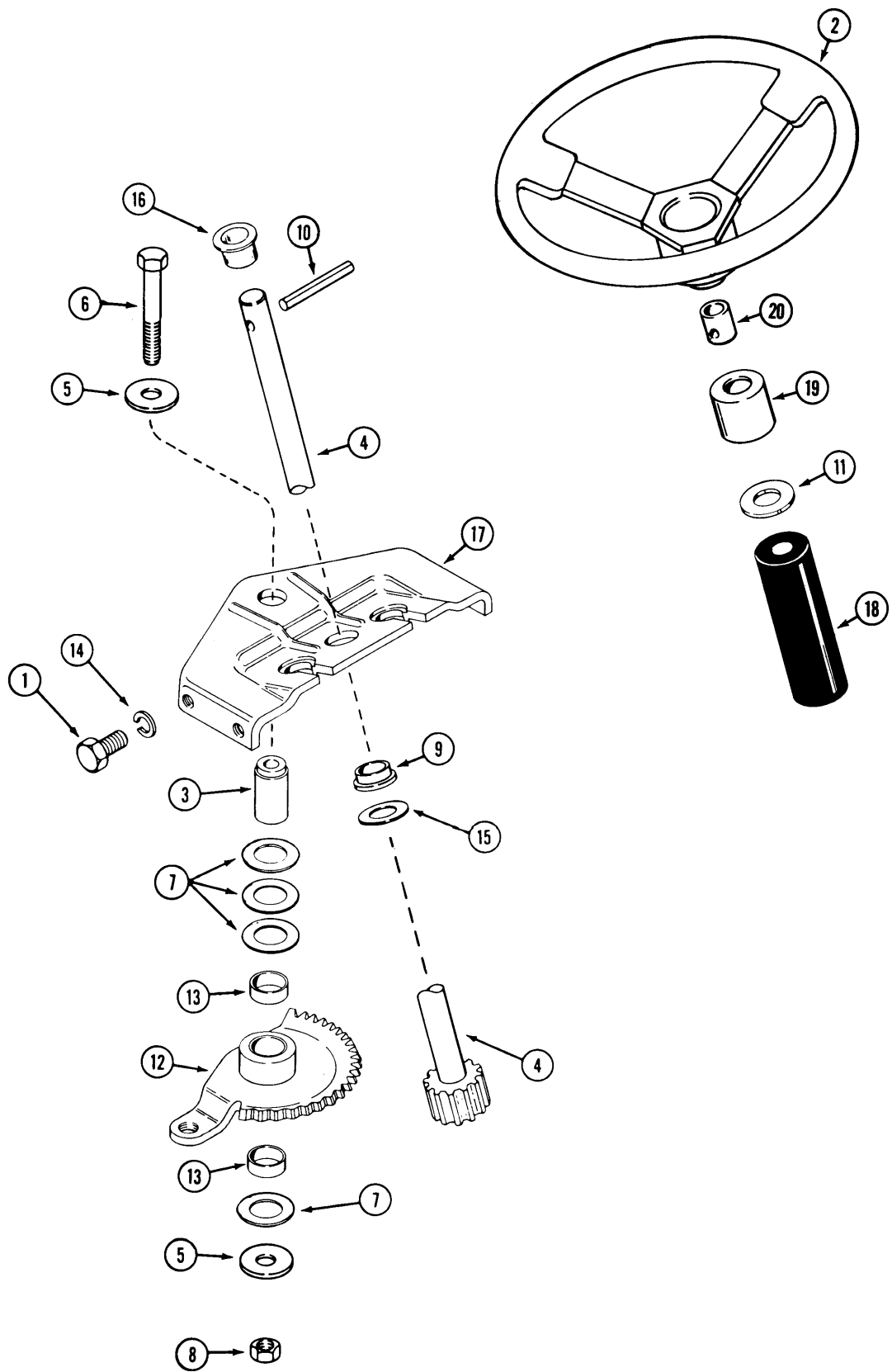


**INDEX**

**SEAT, FENDER AND TOOL TRAY**

REF.	PART NO.	DESCRIPTION	REQ'D
1	C31020D	SUPPORT - seat, front.....	1
2	C26827D	SUPPORT - seat, rear .....	1
3	113-427	BOLT - 1/2" x 3-1/4" .....	2
4	113-424	BOLT - 1/2" x 1" N.C. hex .....	1
4	113-118	BOLT - 5/16" x 5/8" .....	1
5	192-20	LOCKWASHER - 5/16" .....	1
5	192-23	LOCKWASHER - 1/2" .....	3
6	C37017D	TRAY - tool.....	1
7	C16429	PIN - seat hinge .....	1
8	C46836	SEAT .....	1
9	C29812	WASHER.....	4
10	195-2175	WASHER - 5/16" x 1-1/4" OD, zinc.....	4
11	113-102	BOLT - 5/16" x 3/4" .....	4
12	C26831D	FENDER - L.H. shown .....	1
12	C26829D	FENDER - R.H. ....	1
13	121-106	BOLT - 5/16" x 1/2" flange lock .....	10
14	C46835D	HINGE ASSEMBLY - seat .....	1
15	C30942	REFLECTOR - red, rear fender .....	2
16	C14728	GRIP - shift lever .....	1
17	C27594D	LEVER - shift.....	1
18	195-525	WASHER - 7/16" x 1-1/4" O.D .....	1
19	C17216	SPRING - shift lever.....	1
20	C17066	WASHER - cupped .....	1
21	131-1216	NUT - lock 3/8" N.C. hex .....	2
22	C29305	CAP - spring.....	2
23	C29306	SPRING - seat .....	1
24	113-1 02	BOLT - 5/16" - 18 x 3/4" .....	3
25	131-911	NUT - 5/16" - 18 flange lock.....	7

INDEX

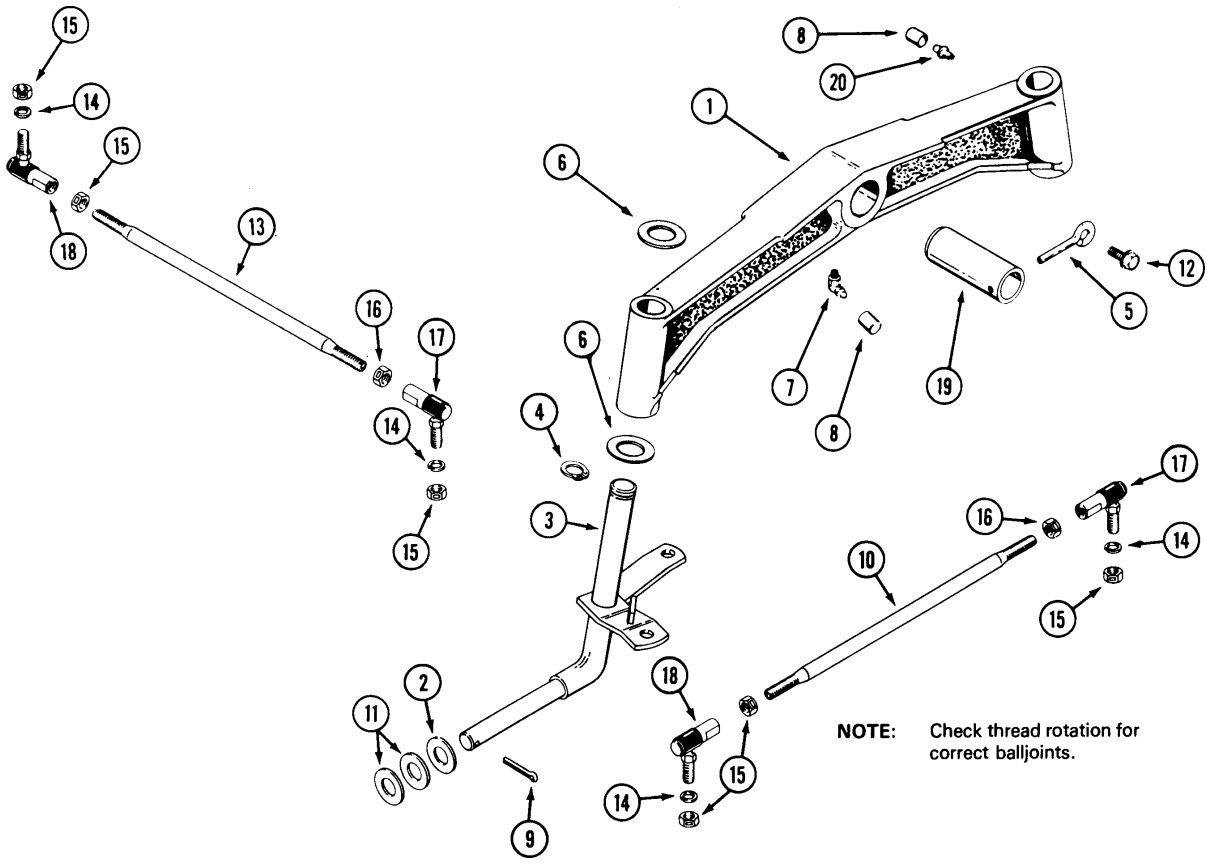


**INDEX**

**STEERING GEAR**

REF.	PART NO.	DESCRIPTION	REQ'D
1	113-206	BOLT - 3/8" x 3/4" N.C. hex .....	4
2	C46840	WHEEL - steering .....	1
3	C29044	PIN - pivot.....	1
4	C33940	SHAFT - steering .....	1
5	C29812	WASHER - 3/8" x 1.4" .....	2
6	113-241	BOLT - 3/8" - 16 x 3 .....	1
7	C14201	WASHER - shim.....	4
8	131-1 352	NUT - 3/8" - 16 hex lock (torque 40-45 ft. lbs.) .....	1
9	C27501	BUSHING .....	1
10	138-143	PIN - roll 1/4" x 2-1/4".....	1
11	195-541	BOLT - 5/8" .....	UAR
11	195-2206	WASHER - 5/8" x 1-1/4" x .06" thick .....	UAR
12	C33309	GEAR - steering.....	1
13	C33308	BUSHING - sleeve .....	2
14	192-21	LOCKWASHER - 3/8" .....	4
15	195-2069	WASHER - 5/8" zinc plated.....	1
16	015096	BUSHING - flanged nylon .....	1
17	C44378	SUPPORT - steering gear (includes item 9) .....	1
18	C37479	TUBE - steering.....	1
19	C46857	BOOT - plastic.....	1
20	C46841	SPACER - steering wheel.....	1

**INDEX**

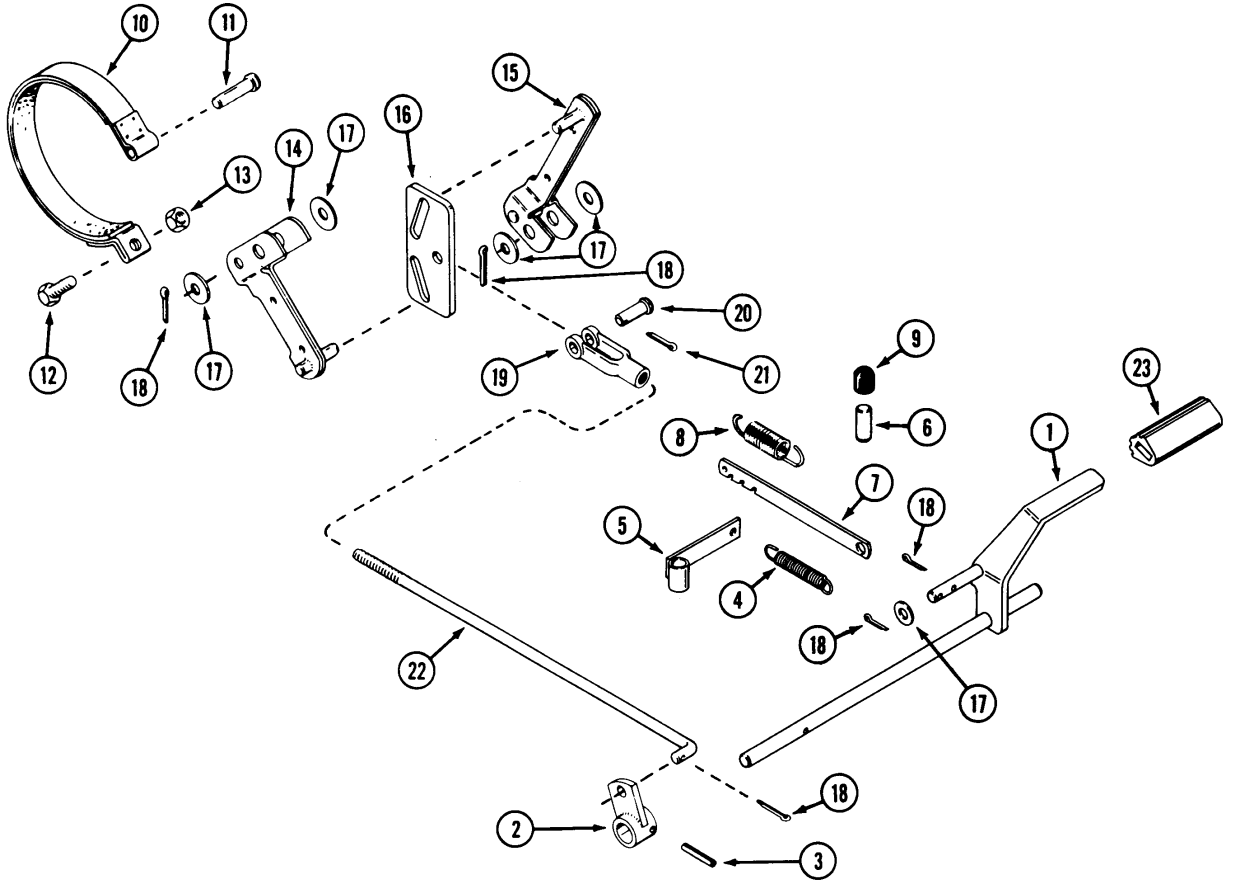


**NOTE:** Check thread rotation for correct balljoints.

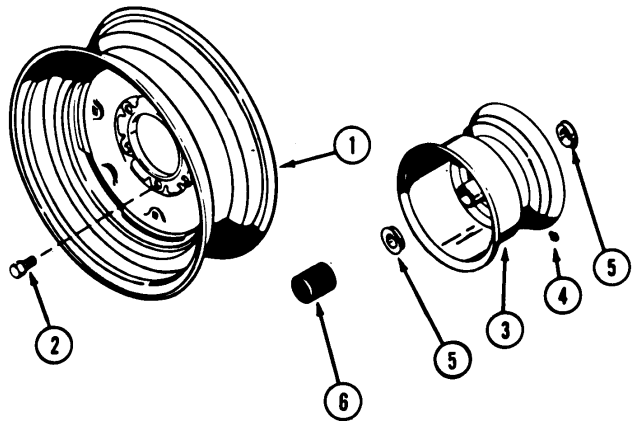
**INDEX****FRONT AXLE**

REF.	PART NO.	DESCRIPTION	REQ'D
1	C18812D	AXLE - front.....	1
2	195-545	WASHER - spacer .....	2
3	C45087D	SPINDLE - R.H .....	1
3	C45086D	SPINDLE - L.H.....	1
4	C28232	RING - retaining spindle.....	2
5	C22278	PIN - retaining, axle pivot.....	1
6	C11906	WASHER - thrust .....	4
7	219-404	FITTING - lubrication.....	3
8	C13106	COVER - lubrication fitting .....	3
9	132-311	PIN - cotter 5/32" x 1-1/4".....	2
10	C25856D	TIE ROD.....	1
11	C28226	WASHER - wheel spacer .....	UAR
12	187-1910	BOLT - 3/8" - 16 x 3/4" N.C. hex head .....	1
13	C44805D	LINK - drag.....	1
14	192-23	LOCKWASHER - 1/2" zinc.....	4
15	129-165	NUT - 1/2" N.F. R.H. thread, lock.....	6
16	129-365	NUT - 1/2" N.F. L.H. thread, lock .....	2
17	C44641	BALL JOINT - 1/2" L.H. thread.....	2
18	C44640	BALL JOINT - 1/2" R.H. thread .....	1
20	219-17	FITTING - lubrication.....	2

**INDEX**



**INDEX**



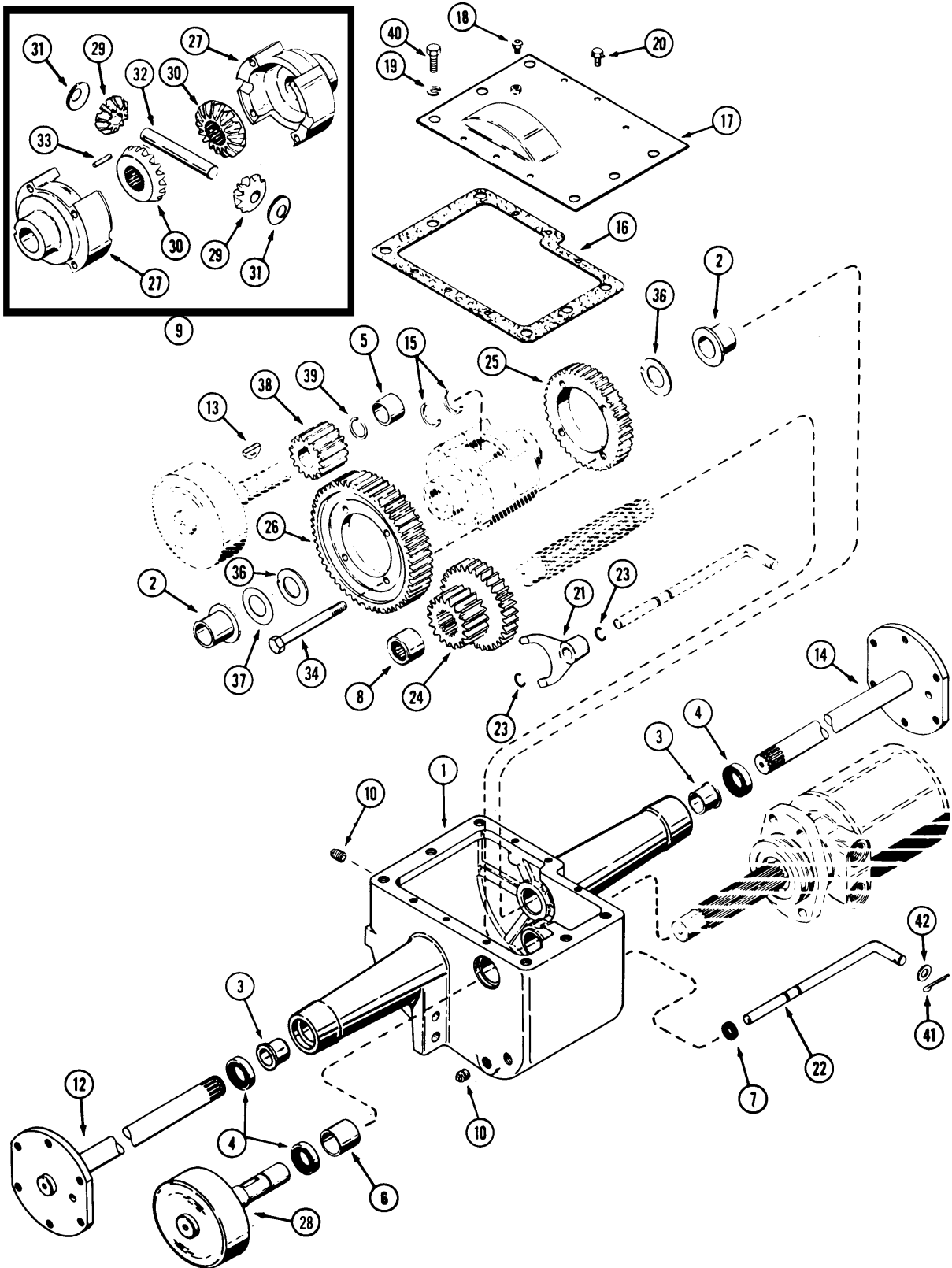
**INDEX****ODYSSEY COMPACT TRACTOR****BRAKE ASSEMBLY**

REF.	PART NO.	DESCRIPTION	REQ'D
1	C33942	PEDAL - brake actuating.....	1
2	C26381	ARM - brake pedal .....	1
3	138-2073	PIN - roll 3/16" x 1-1/4".....	1
4	C31660	SPRING - return.....	1
5	C31662	GUIDE - neutral return .....	1
6	C31604	ACCUATOR - parking brake.....	1
7	C31661	LEVER - brake lock.....	1
8	C21942	SPRING - brake lock.....	1
9	C31605	CAP - actuator.....	1
10	C33427	BAND - brake .....	1
11	C23910	PIN - clevis .....	1
12	113-2262	BOLT - 3/8" - 16 x 1-1/2" hex.....	1
13	129-143	NUT-3/8"-16 .....	1
14	C23899	ARM - brake .....	1
15	C24761	ARM - brake (includes adjustment nut).....	1
16	C40646	GUIDE - brake actuator.....	1
17	195-533	WASHER - .531" I.D .....	5
18	132-310	PIN - cotter 1/8" x 1".....	5
19	C28978	CLEVIS.....	1
20	141-4	PIN-clevis .....	1
21	132-321	PIN - cotter .....	1
22	C31992	ROD - brake .....	1
23	C31975	PAD - brake pedal.....	1

**INDEX****FRONT AND REAR WHEELS**

1	C30913	WHEEL - rear, 5 bolt for 23 x 8.50 -12 tire.....	2
2	C10314	BOLT - rear wheel.....	10
3	C30912	WHEEL - front (includes bearings) .....	2
4	219-403	FITTING - lubrication.....	2
5	C12110	BEARING - wheel .....	2
6	C26021	CAP - plastic, front .....	2

INDEX



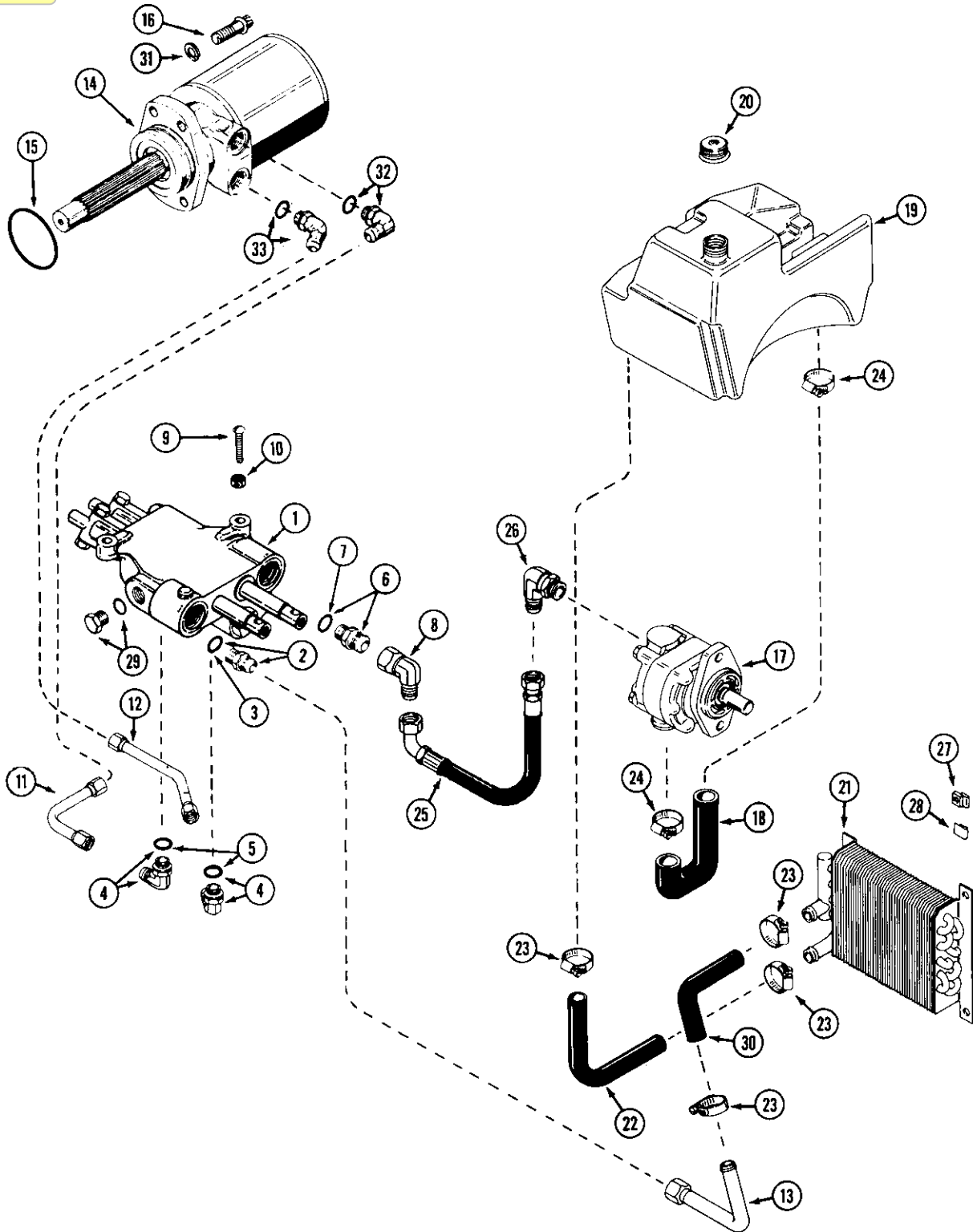


**INDEX**

**TRANSMISSION AND FINAL DRIVE**

REF.	PART NO.	DESCRIPTION	REQ'D
	C24843	CASE ASSEMBLY - transmission (includes bearings & seals only) .....	1
1	NSS	CASE - transmission (order C24843) .....	1
2	CI 2713	BEARING - flange .....	2
3	C24804	BEARING - flange .....	2
4	C24803	SEAL - shaft .....	3
5	C13241	BEARING - sleeve .....	1
6	C13385	BEARING - sleeve .....	1
7	C13266	SEAL - shift rod .....	1
8	C28281	BEARING - roller .....	1
9	C36902	DIFFERENTIAL ASSEMBLY (includes C36903, C30031, 12552) .....	1
10	221-3	PLUG - filler and drain 3/8" (square head) .....	3
10	221-1842	PLUG - pipe 3/8" socket .....	1
12	C16699	SHAFT - axle, short R.H .....	1
13	126-128	KEY - Woodruff, brake idler #18, 1/4" x 1-1/8" .....	2
14	C16700	SHAFT - axle, long L.H .....	1
15	C26342	RING - retainer, axle .....	2
16	C13196	GASKET - transmission cover .....	1
17	C36935	COVER - transmission .....	1
18	C28241	BREATHER - transmission .....	1
19	192-23	LOCKWASHER - 1/2" .....	4
20	121-21	BOLT - 1/4" x 1/2" N.C. hex lock .....	6
21	C12725	FORK - shift .....	1
22	C37222	ROD - gear shift .....	1
23	C14168	RING - retaining .....	2
24	C36901	GEAR - cluster input .....	1
25	C36903	GEAR - high range .....	1
26	C12552	GEAR - low 55 tooth .....	1
27	NSS	DIFFERENTIAL CASE .....	1
28	C33305	BRAKE DRUM .....	1
29	NSS	GEAR - differential pinion .....	2
30	NSS	GEAR - differential .....	2
31	NSS	WASHER - pinion thrust .....	2
32	NSS	PIN - differential .....	1
33	NSS	PIN - differential pin lock .....	1
34	C30031	KIT - screw (set of four) .....	1
36	C12718	WASHER - differential .....	2
37	C14223	WASHER - spacer .....	UAR
38	C33417	GEAR - brake idler .....	1
39	C14222	RING - retainer, brake idler .....	1
40	113-424	BOLT - 1/2" - 13 x 1" hex .....	4
40	166-85	BOLT - 1/2" - 13 x 1" 12 pt. flange .....	UAR
41	132-310	PIN - cotter 1/8" x 1" .....	1
42	195-541	WASHER - .656" ID x 1.312" OD .....	1
43	138-2073	PIN - spiral 3/16" x 1-1/4" .....	1

**INDEX**

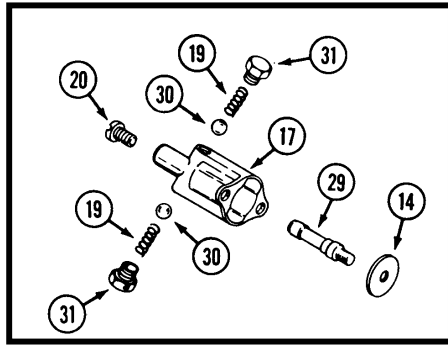


**INDEX**

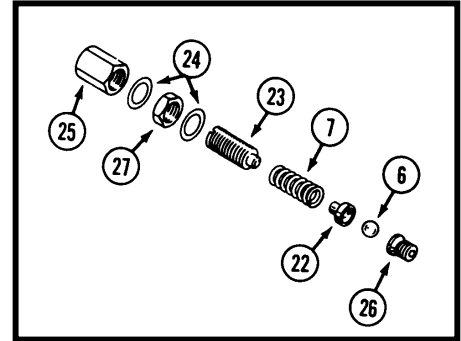
**HYDRAULIC SYSTEM**

REF.	PART NO.	DESCRIPTION	REQ'D
1	C33473	VALVE - control (repairs page 27) .....	1
2	218-5065	FITTING - 3/4" x 7/8" "O" ring .....	1
3	218-5007	"O" RING .....	1
4	218-5107	FITTING - 90° elbow .....	2
5	218-5007	"O" RING .....	1
6	218-5062	FITTING - 5/8" x 7/8" "O" ring .....	1
7	218-5007	"O" RING .....	1
8	218-5232	FITTING - 90° elbow .....	1
9	C27764	SCREW - 5/16" - 18 x 1-1/4" round head.....	2
10	131-351	NUT - lock 5/16" .....	2
11	C37220	TUBE - valve to upper motor port .....	1
12	C37221	TUBE - valve to lower motor port .....	1
13	C31435	TUBE - valve "out" to heat exchanger.....	1
14	C30939	MOTOR - hydraulic (repairs page 29).....	1
15	C28949	SEAL - motor to transmission .....	1
16	166-86	SCREW - 1/2" - 18 x 1-1/4" 12 pt. flange (use 80 ft lb. of torque).....	4
17	C31958	PUMP - hydraulic 1/2" shaft (repairs page 31).....	1
18	C33423	HOSE - pump inlet .....	1
19	C33180	RESERVOIR - oil .....	1
20	C37093	CAP - reservoir.....	1
21	C31295	EXCHANGER - heat .....	1
22	C31431	HOSE - formed 90° 6-3/4" x 6-3/4" .....	1
23	2 14-254	CLAMP - hose 1-1/4" .....	8
24	214-255	CLAMP - hose -1-1/2" .....	2
25	C31966	HOSE - pump to valve .....	2
26	218-5117	FITTING - 90° elbow .....	1
27	C31973	"J" NUT - 1/4" - 20 .....	4
28	C31974	"U" Clip - retainer.....	4
29	218-5154	FITTING - plug 1/2" - 20.....	1
30	C33556	HOSE - formed 90° 3-1/2" x 3-1/2" .....	1
31	192-23	LOCKWASHER - 1/2" .....	4
32	218-5107	FITTING - 90° male 7/8" - 14 .....	1
33	218-5137	FITTING - 45° male 7/8" - 14 x 5/8" tube .....	1

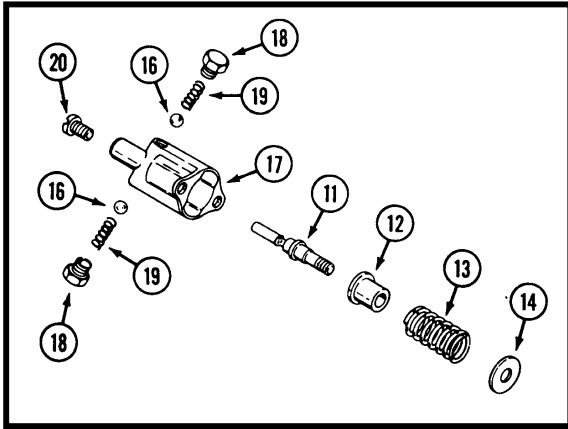
**INDEX**



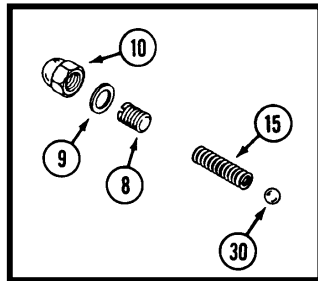
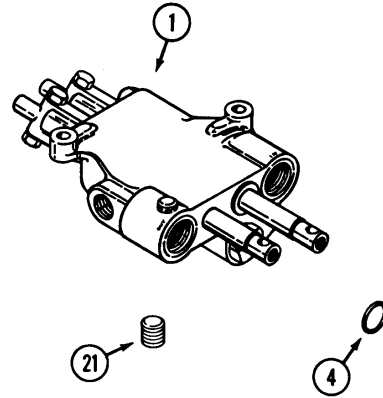
**TRAVEL SECTION DETENT GROUP**



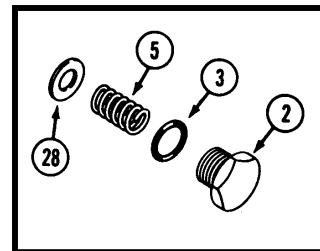
**TRAVEL SECTION RELIEF GROUP**



**LIFT SECTION DETENT GROUP**



**LIFT SECTION RELIEF GROUP**



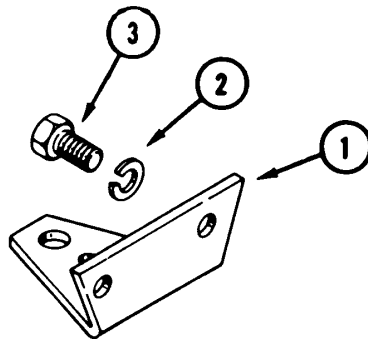
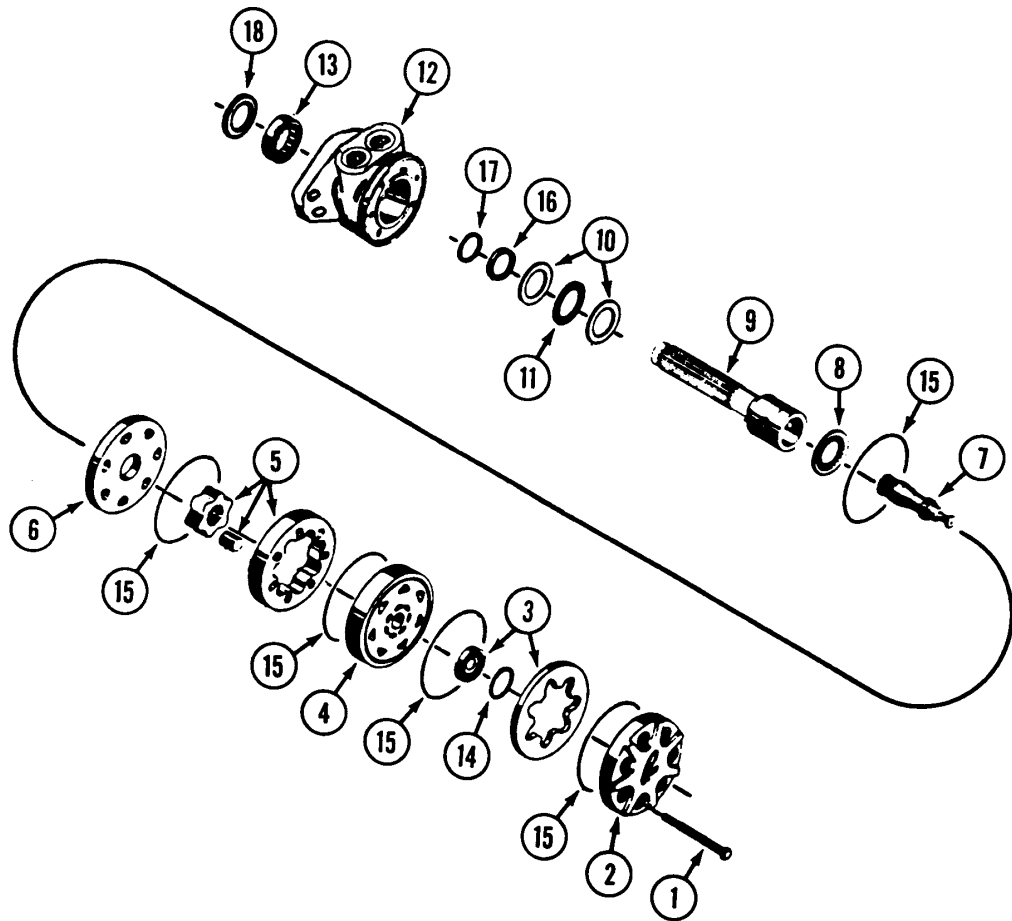
**HOLDING SECTION GROUP**

**INDEX**

**HYDRAULIC CONTROL VALVE**

REF.	PART NO.	DESCRIPTION	REQ'D
1	C33473	VALVE - control, two spool .....	1
2	C29956	CAP - end .....	2
3	C28217	"O" RING - end cap .....	1
4	C28856	SEAL -spool.....	4
5	C29951	SPRING - centering.....	2
6	211-208	BALL - steel 5/16" (7.94mm) .....	1
7	C21507	SPRING - relief.....	2
8	C17433	SCREW - relief adjust .....	1
9	C17435	GASKET - relief adjust cap .....	1
10	129-531	CAP - adjust screw.....	2
11	C26668	DETENT - spool .....	1
12	C28707	SPACER - detent .....	1
13	C28706	SPRING - detent return.....	1
14	C28705	WASHER-return .....	2
15	NSS	SPRING - relief (order C21511 relief kit, use spring only) .....	1
16	211-5	BALL - steel 3/16" (4.76 mm) .....	2
17	C17438	COVER-detent.....	1
18	C28708	SCREW - detent.....	4
19	C17444	SPRING-detent.....	4
20	169-114	SCREW - cover .....	4
21	221-841	PLUG-pipe.....	1
22	C21506	RETAINER - ball seat.....	1
23	C26665	SCREW - adjust, relief .....	1
24	C26664	GASKET - adjust cap .....	1
25	C26666	CAP - adjust screw.....	1
26	C26663	SEAT - relief ball.....	1
27	129-166	NUT - lock.....	1
28	C29950	WASHER - spring retaining.....	2
29	C29958	DETENT - spool .....	1
30	211-7	BALL - steel 1/4" (6.35 mm) .....	2
31	C17443	SCREW-detent.....	2
	C30002	KIT - seal .....	1

INDEX



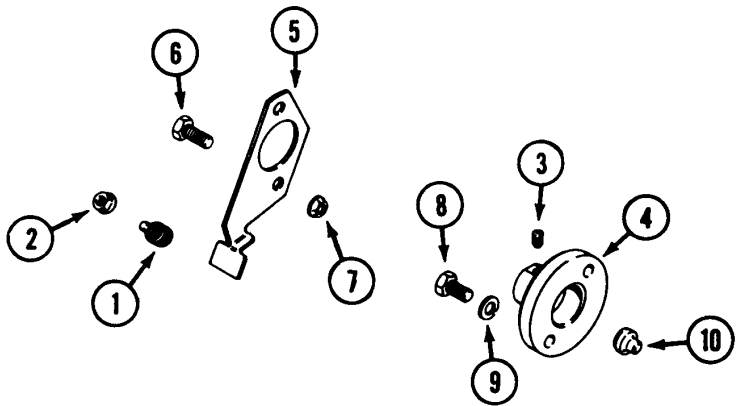
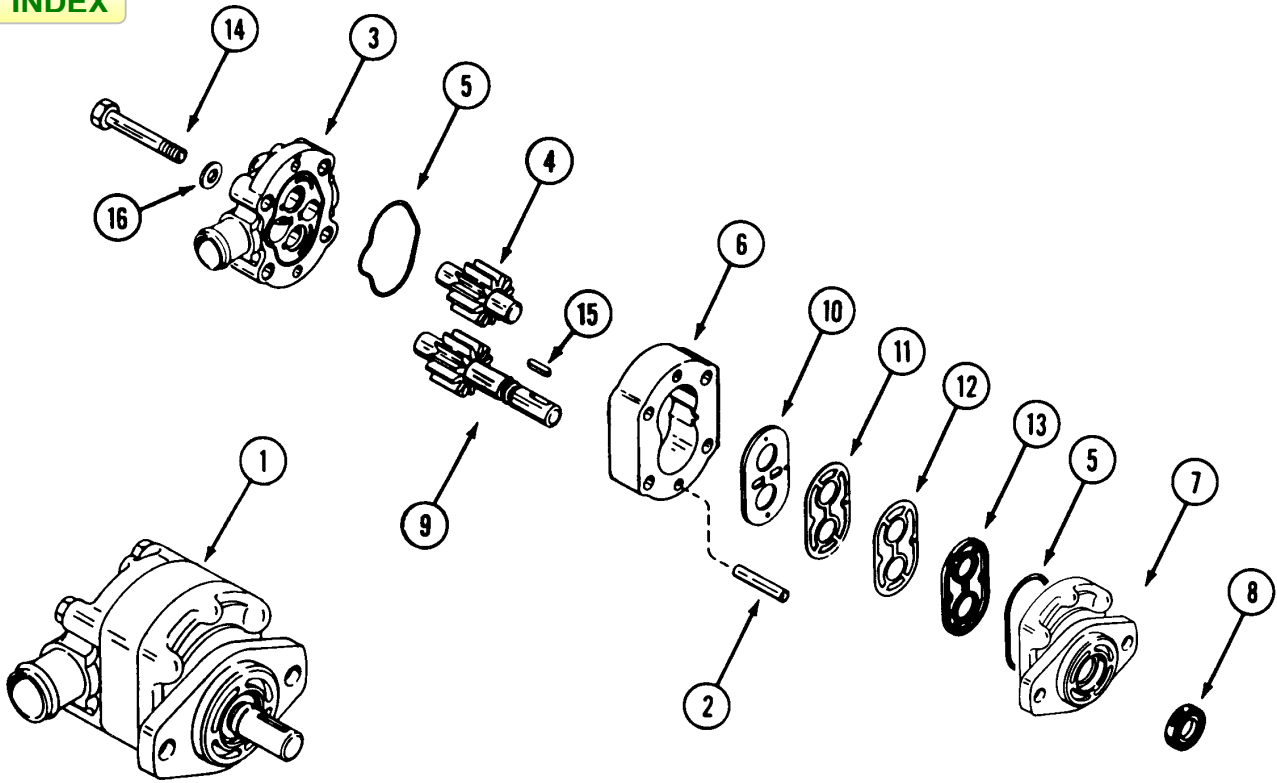
**INDEX****HYDRAULIC DRIVE MOTOR**

REF.	PART NO.	DESCRIPTION	REQ'D
	C30939	MOTOR - hydraulic .....	1
1	28-668	BOLT - 3/8" - 24 x 4-1/4" .....	7
2	C31309	COVER - end .....	1
3	C31310	COMMUTATOR AND RING SET .....	1
4	C31311	MANIFOLD .....	1
5	C31312	ROTOR ASSEMBLY .....	1
6	C31314	PLATE - wear .....	1
7	C31315	LINK - drive .....	1
8	C31317	BEARING - thrust .....	1
9	C31318	SHAFT - coupling .....	7
10	C31319	WASHER - thrust .....	2
11	C31320	BEARING - thrust .....	1
12	C31321	HOUSING - drive end .....	1
13	C31322	BEARING - outer .....	1
	C31323	KIT - seal .....	1
14	NSS	SEAL - commutator ring .....	1
15	NSS	SEAL - ring .....	5
16	NSS	SEAL - ring .....	1
17	NSS	WASHER - backup .....	1
18	NSS	SEAL - dirt (not used) .....	1

**DRAWBAR AND TOW HITCH**

1	C13360D	DRAWBAR .....	1
2	192-23	LOCKWASHER - 1/2" .....	2
3	113-424	BOLT - 1/2" x 1" N.C. hex .....	2

INDEX





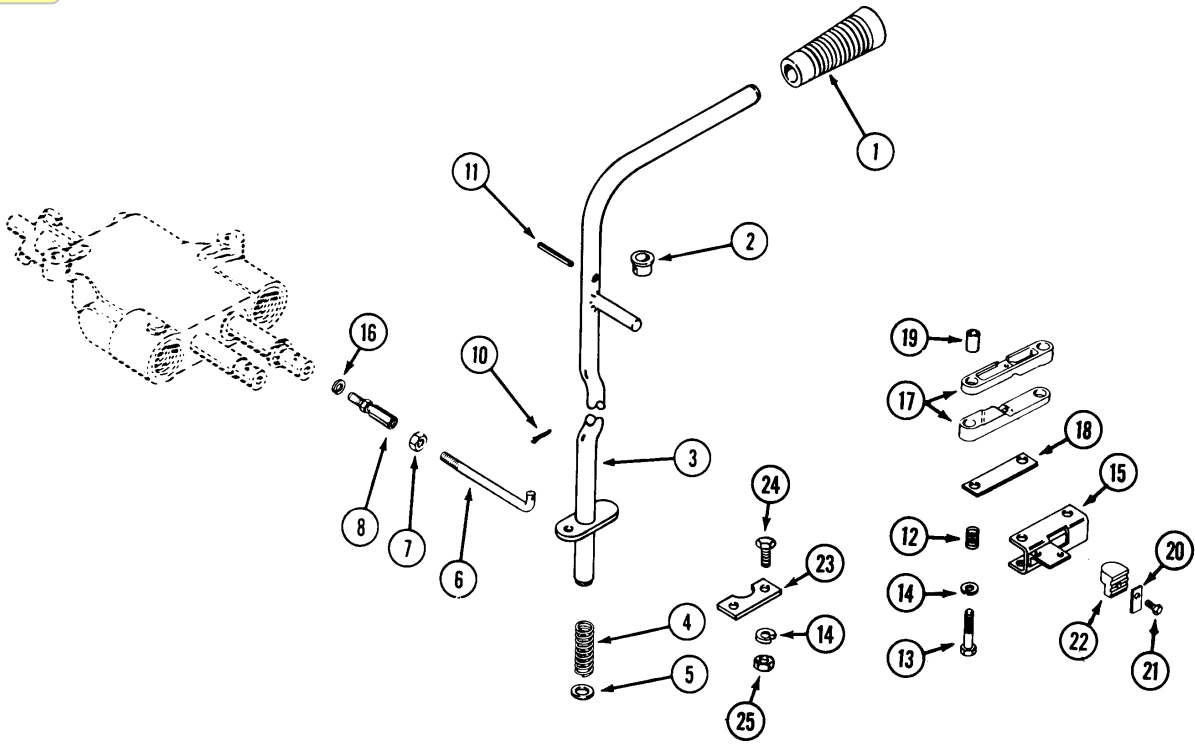
**INDEX****HYDRAULIC PUMP (PARKER-HANNIFIN)**

REF.	PART NO.	DESCRIPTION	REQ'D
1	C31958	PUMP - hydraulic 1/2" shaft .....	1
2	F53109	PIN - dowel .....	2
3	C31987	COVER - rear .....	1
4	C15731	GEAR ASSEMBLY - driven .....	1
5	C15732	"O" RING - cover .....	2
6	C15733	BODY - pump .....	1
7	C15734	COVER - front .....	1
8	C15735	SEAL - shaft .....	1
9	NSS	GEAR ASSEMBLY - drive (1/2" shaft) (use C31958) .....	1
10	C15737	PLATE - wear .....	1
11	C15738	SHIELD - heat .....	1
12	C15739	GASKET .....	1
13	C15740	SEAL .....	1
14	113-111	BOLT .....	4
15	C31988	KEY - 1/8" square x 3/4" long (1.587 mm x 19.05 mm).....	4
16	C19115	WASHER.....	4

**PUMP MOUNTING COMPONENTS**

1	32437	MOUNT - rubber .....	1
2	131-911	NUT - 5/16" - 18 flange lock .....	1
3	83-55	SCREW - set 5/16" - 18 x 5/16" socket.....	2
4	C46080	ADAPTER - drive .....	1
5	C33506	PLATE - pump torque arm .....	1
6	113-208	BOLT - 3/8" - 16 x 1-1/4" hex .....	2
7	131-1 352	NUT - 3/8" - 16 flange lock .....	2
8	113-103	BOLT - 5/16" - 18 x 1" hex.....	2
9	192-20	LOCKWASHER - 5/16" .....	2
10	C33505	PILOT - pump adapter .....	1

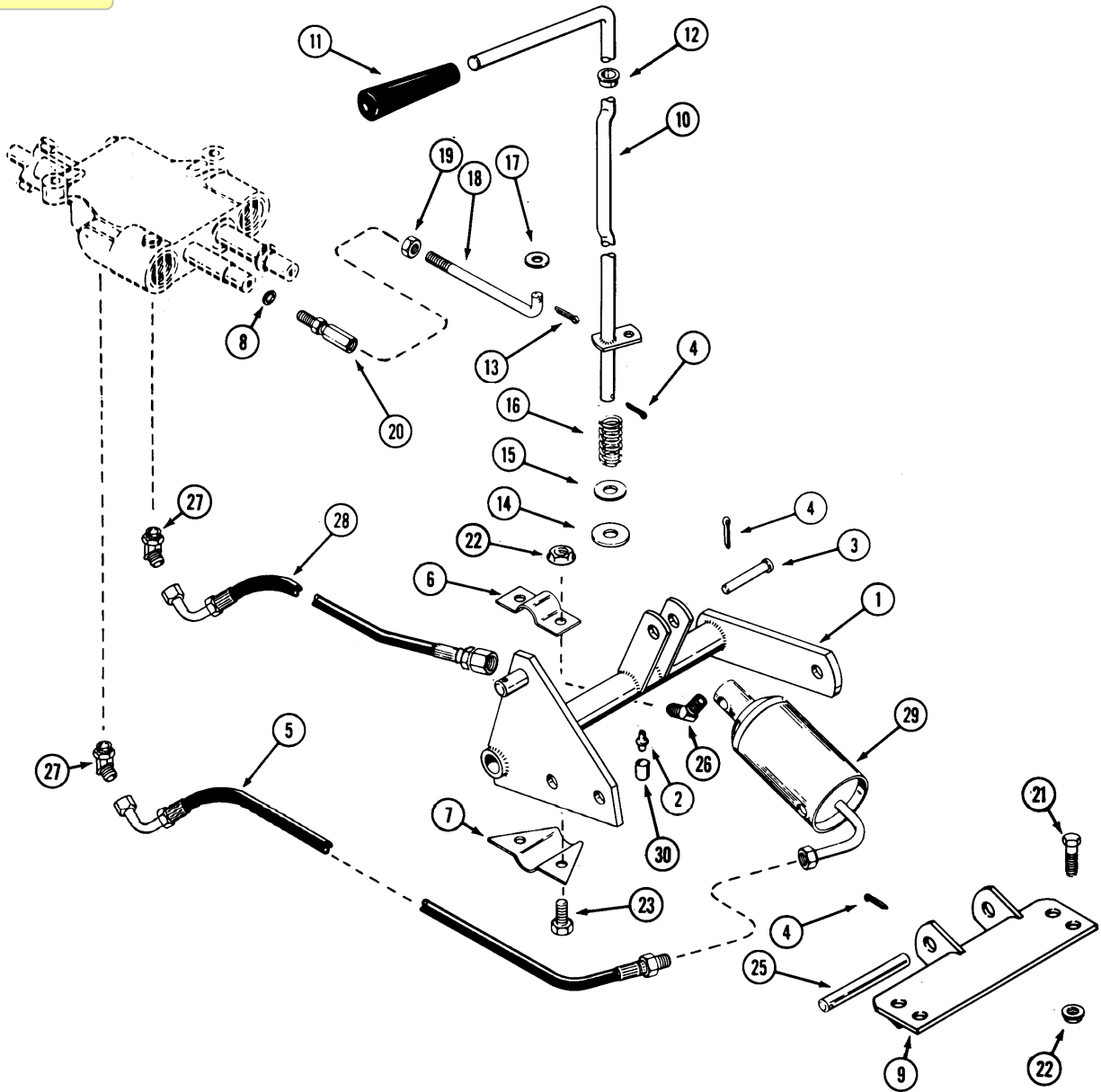
INDEX



**INDEX****SPEED CONTROL**

REF.	PART NO.	DESCRIPTION	REQ'D
1	C46481	KNOB - speed control .....	1
2	NSS	BUSHING - lever (use 353-462) .....	1
3	C46482	LEVER - speed control.....	1
4	C10482	SPRING - compression.....	1
5	C44383	WASHER - thrust .....	1
6	C31670	ROD - control .....	1
7	129-122	NUT - 5/16" N.F. hex zinc plated .....	1
8	C19025	JOINT - ball .....	1
10	132-320	PIN - cotter 3/32" x 3/4" .....	1
11	138-2072	PIN - roll 1/8" x 1-3/4" .....	1
12	C30827	SPRING - locator .....	2
13	113-14	BOLT - 1/4" - 20 x 2" .....	2
14	192-19	LOCKWASHER - 1/4" .....	2
15	C37255	CARRIER - locator .....	1
16	192-20	LOCKWASHER - 5/16" .....	1
17	C32362	LOCATOR - half .....	2
18	C37254	SUPPORT - locator .....	1
19	C29653	SPACER - tube .....	2
20	C44029	RETAINER - switch lever .....	1
21	187-1328	SCREW - #8 - 18 x 3/8" .....	1
22	C37198	CAM - switch .....	1
23	C44384	STRAP - retainer .....	1
24	113-3	BOLT - 1/4" - 20 x 3/4" .....	2
25	129-101	NUT - 1/4" - 20 .....	2

INDEX

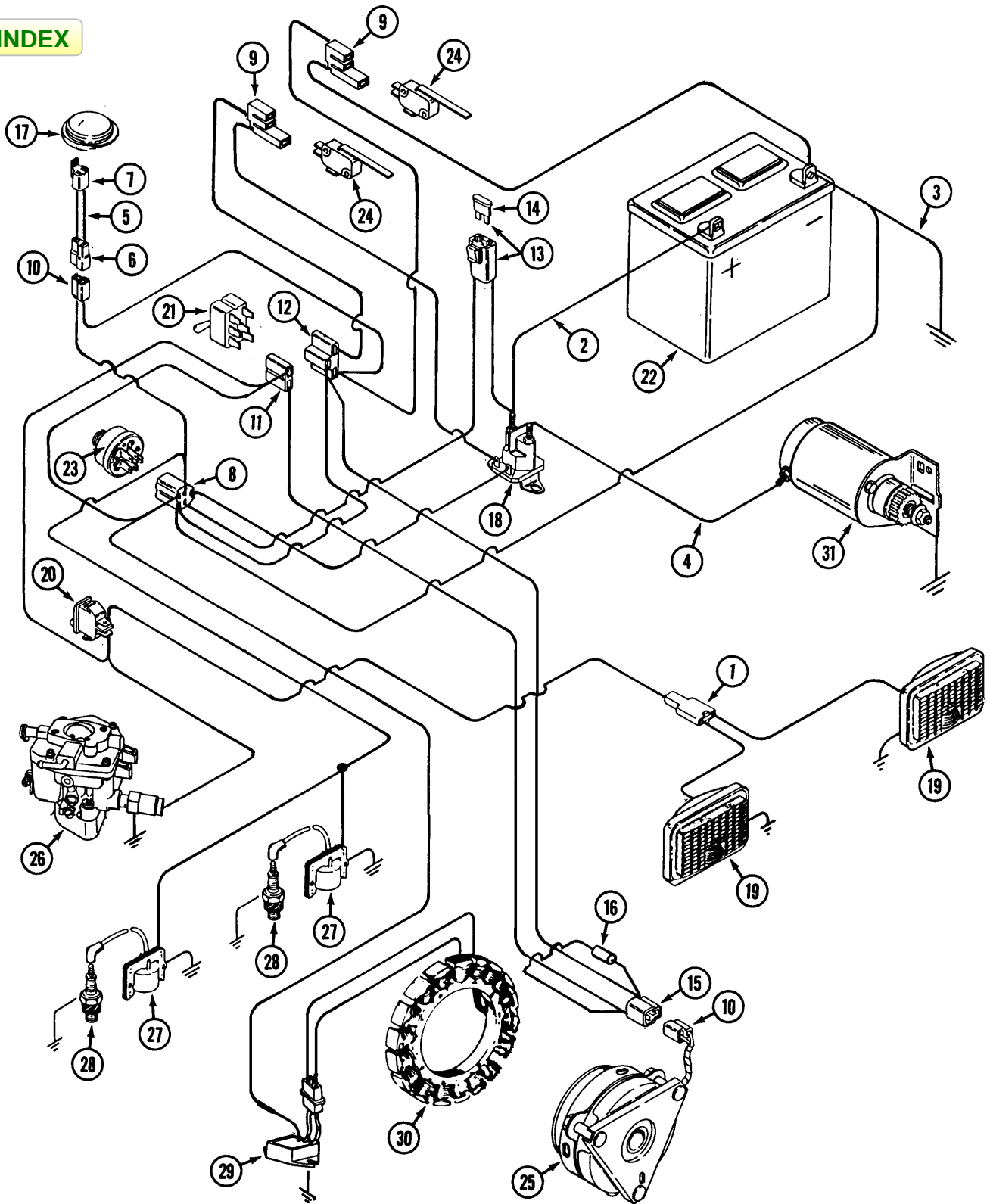


**INDEX**

**HYDRAULIC LIFT**

REF.	PART NO.	DESCRIPTION	REQ'D
1	C32259D	SHAFT ASSEMBLY - lift .....	1
2	219-17	FITTING - lubrication.....	1
3	C29693	PIN - cylinder to lever, clevis.....	1
4	132-310	PIN - cotter 1/8" x 1".....	5
5	C44743	HOSE - long .....	1
6	C17249	BRACKET - mounting, top .....	2
7	C17250	BRACKET - mounting, bottom .....	2
8	192-20	LOCKWASHER - 5/16" .....	1
9	C33136D	BRACKET - cylinder.....	1
10	C46485	LEVER - lift control.....	1
11	C46481	KNOB - control lever .....	1
12	NSS	BUSHING - lift lever (use 353-462).....	1
13	132-320	PIN - cotter 3/32" x 3/4".....	1
14	195-533	WASHER - 1/2" .....	1
15	C44383	WASHER - nylon.....	1
16	C31681	SPRING - control lever.....	1
17	195-521	WASHER - 5/16" .....	1
18	C31670	ROD - control .....	1
19	129-122	NUT - 5/16" N.F. hex.....	1
20	C19025	BALL JOINT .....	1
21	113-208	BOLT - 3/8" x 1-1/4" .....	8
22	131-938	NUT - lock 3/8" N.C. hex .....	8
23	113-208	BOLT - 3/8" - 16 x 1-1/4" .....	4
25	C26188	PIN - cylinder base.....	1
26	218-1093	FITTING - hydraulic 45° elbow.....	1
27	218-5134	FITTING - valve 450 elbow (includes 218-5004 "O" ring).....	2
28	C44742	HOSE - short.....	1
29	C26493	CYLINDER - lift .....	1
	C30054	KIT - seal .....	1
30	C13106	COVER - lubrication fitting .....	1

INDEX

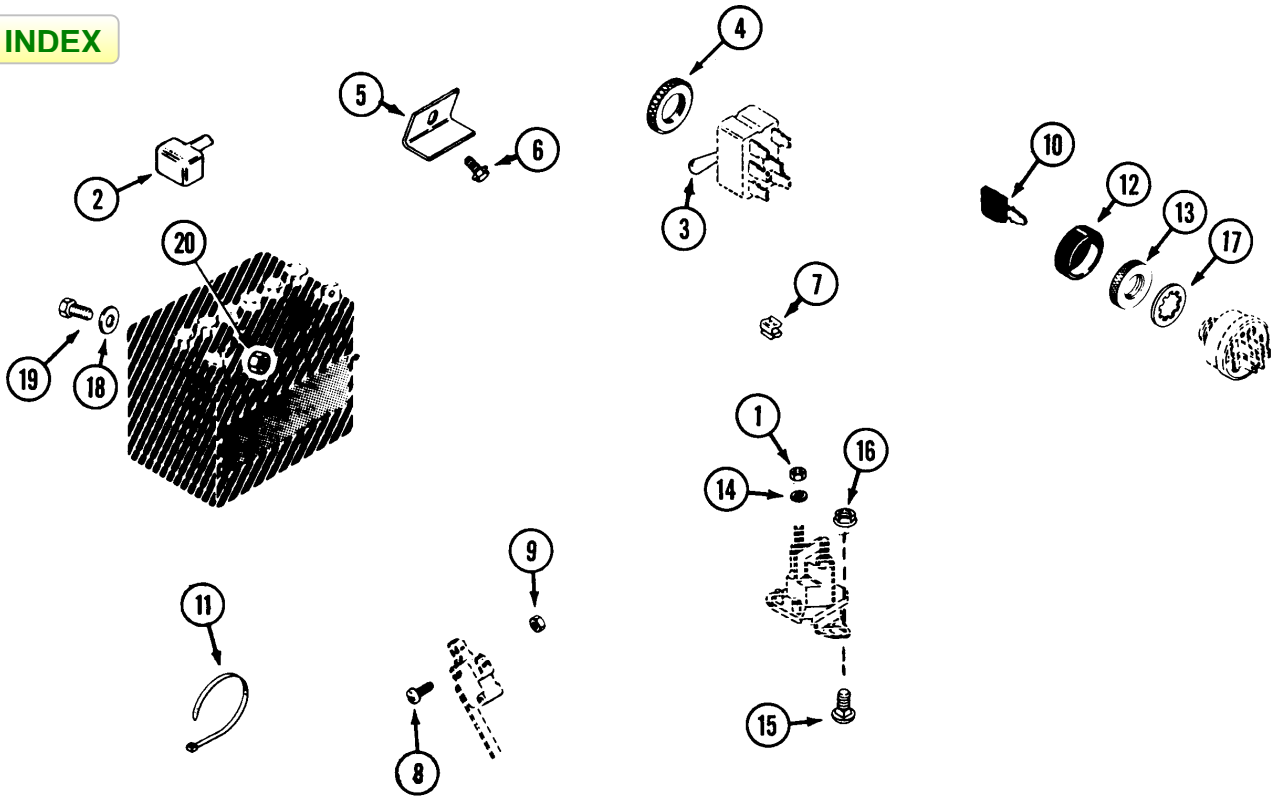


**INDEX**

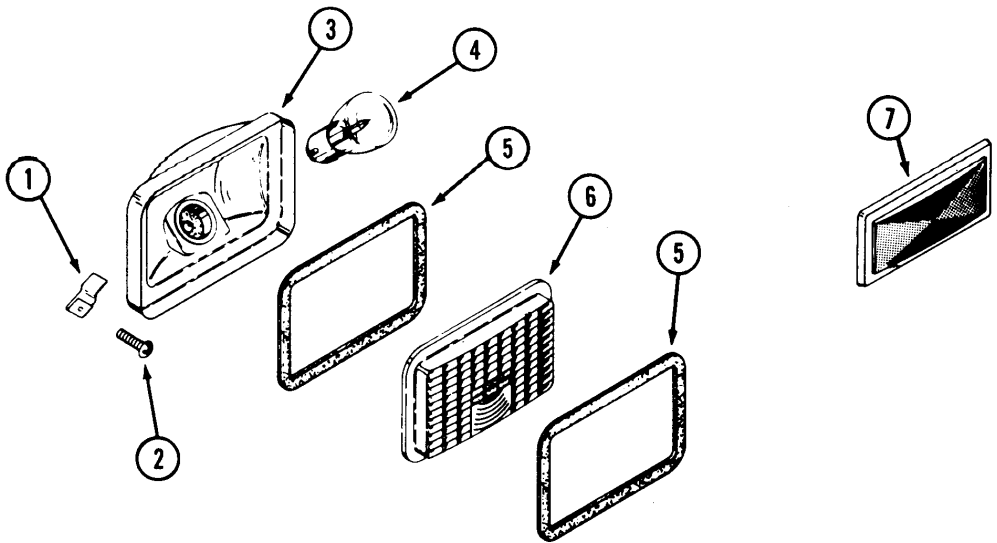
**ELECTRICAL SYSTEM**

REF.	PART NO.	DESCRIPTION	REQ'D
	C46825	HARNESS - wire, main .....	1
1	C14537	CONNECTOR - headlight .....	1
2	C33022	CABLE - battery (+) to solenoid .....	1
3	C31943	CABLE - battery (-).....	1
4	C37272	CABLE - starter .....	1
5	C46843	HARNESS - seat switch.....	1
6	C24813	CONNECTOR - wire .....	1
7	C30937	CONNECTOR - seat switch.....	1
8	C24460	CONNECTOR - ignition switch .....	1
9	C30279	CONNECTOR - switch.....	2
10	C25338	CONNECTOR - harness .....	2
11	C31951	CONNECTOR - PTO switch, two terminal.....	1
12	C31950	CONNECTOR - PTO switch, three terminal .....	1
13	C31947	KIT - fuse holder.....	1
14	C30260	FUSE - 30 amp .....	1
15	C24813	CONNECTOR - wire .....	1
16	C31986	KIT - diode.....	1
17	C46890	SWITCH - seat .....	1
18	C33024	SWITCH - solenoid .....	1
19	C32178	HEADLIGHT.....	2
20	C43044	SWITCH - light .....	1
21	C31937	SWITCH - PTO .....	1
22	C41010	BATTERY - 12 volt.....	1
23	C30267	SWITCH - ignition .....	1
24	C30275	SWITCH - inter-lock .....	2
25	C33197	CLUTCH - PTO .....	1
26	NA	CARBURETOR - (see your local B&S dealer).....	1
27	NA	ARMATURE - magneto - (see your local B&S dealer) .....	2
28	C34291	PLUG - spark .....	2
29	NA	RECTIFIER (see your local B&S dealer) .....	1
30	NA	STATOR (see your local B&S dealer).....	1
31	NA	STARTER (see your local B&S dealer) .....	1

INDEX



INDEX



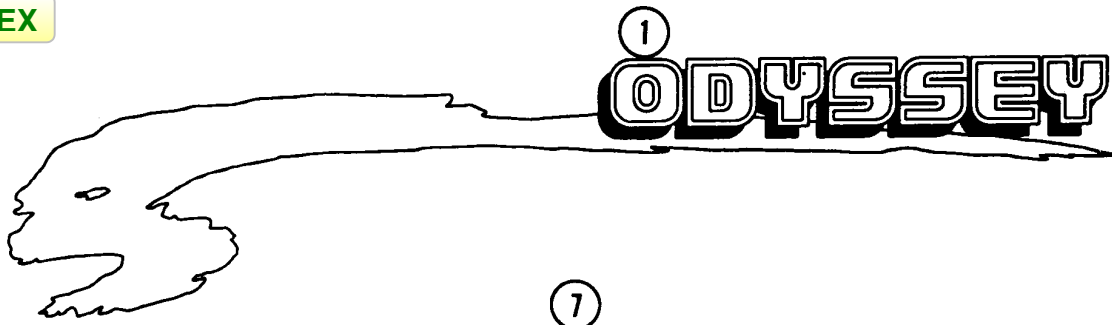


**INDEX****ELECTRICAL SYSTEM HARDWARE**

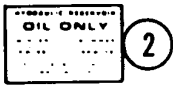
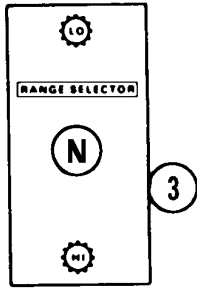
REF.	PART NO.	DESCRIPTION	REQ'D
1	129-101	NUT - 1/4" - 20 .....	2
2	C24069	COVER - battery terminal .....	1
2	C31618	COVER - starter terminal .....	1
3	C31619	CAP - PTO switch .....	1
4	C31620	NUT - knurled, PTO switch .....	1
5	C33475	RETAINER - battery .....	1
6	121-21	BOLT - 1/4" - 20 x 1/2" .....	1
7	C19521	CLIP - wire.....	3
8	C33696	SCREW - #4 - 40 x 1-1/2" .....	2
9	C33697	NUT - #4-40 .....	2
10	C32407	KEY - ignition .....	1
11	C22947	TIE - nylon.....	UAR
12	C32397	CAP - nut.....	1
13	C32396	NUT - switch 5/8" - 32 .....	1
14	192-19	LOCKWASHER - 1/4" .....	2
15	111-101	BOLT - 1/4" - 20 x 5/8" .....	2
16	131-934	NUT - 1/4" - 20 flange lock .....	2
17	C23012	LOCKWASHER.....	1
18	195-518	WASHER - 1/4" .....	4
19	113-3	BOLT - 1/4" - 20 x 3/4" .....	2
20	129-101	NUT - 1/4".....	2

**INDEX****HEADLIGHT ASSEMBLY AND REAR REFLECTOR**

1	121-639	RETAINER - headlight .....	4
2	187-1334	SCREW - No. 8 x 1/2" .....	4
	C32178	HEADLIGHT ASSEMBLY .....	2
3	NSS	RECEPTACLE - headlight (order C32178) .....	1
4	C28932	BULB - headlight .....	1
5	C14304	GASKET - headlight .....	2
6	C22573	LENS - headlight .....	1
7	C30942	REFLECTOR - red, rear fender .....	2



**14HP**  
5



7

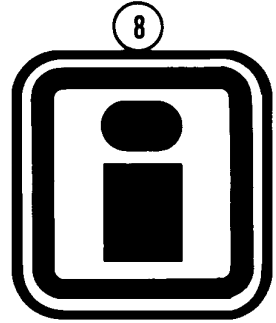
**WARNING**

READ OPERATOR'S MANUALS.  
 KNOW LOCATION & FUNCTION OF ALL CONTROLS.  
 BEFORE STARTING ENGINE, DISENGAGE PTO & PLACE TRAVEL CONTROL IN NEUTRAL.  
 USE LOW GEAR ON HILLS & RAMPS.  
 BACK UP STEEP HILLS & RAMPS.  
 DRIVE FORWARD GOING DOWN STEEP HILLS & RAMPS.  
 KEEP ALL GUARDS, SHIELDS & SAFETY SWITCHES IN PLACE & WORKING.  
 CLEAN WORK AREA OF THINGS THAT COULD BE THROWN BY THE BLADES.  
 DO NOT MOW WHEN CHILDREN OR OTHERS ARE AROUND.  
 NEVER CARRY CHILDREN.  
 LOOK DOWN & BEHIND BEFORE AND WHILE BACKING.  
 GO UP AND DOWN SLOPES, NOT ACROSS.  
 IF MACHINE STOPS GOING UPHILL, STOP BLADES AND BACK DOWN SLOWLY.  
 AVOID SUDDEN TURNS.  
 FAILURE TO OBSERVE THESE PRECAUTIONS COULD RESULT IN SERIOUS INJURY OR DEATH.

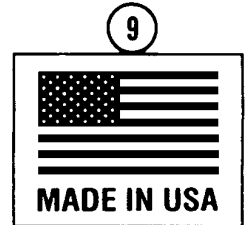
4

BRAKE/NEUTRAL - PEDAL IS ON LEFT SIDE OF TRACTOR

▶ PARKING BRAKE LOCK  
 TO ENGAGE - APPLY BRAKE AND PUSH LOCK DOWN  
 TO RELEASE - PUSH BRAKE PEDAL DOWN



6  
**INGERSOLL**

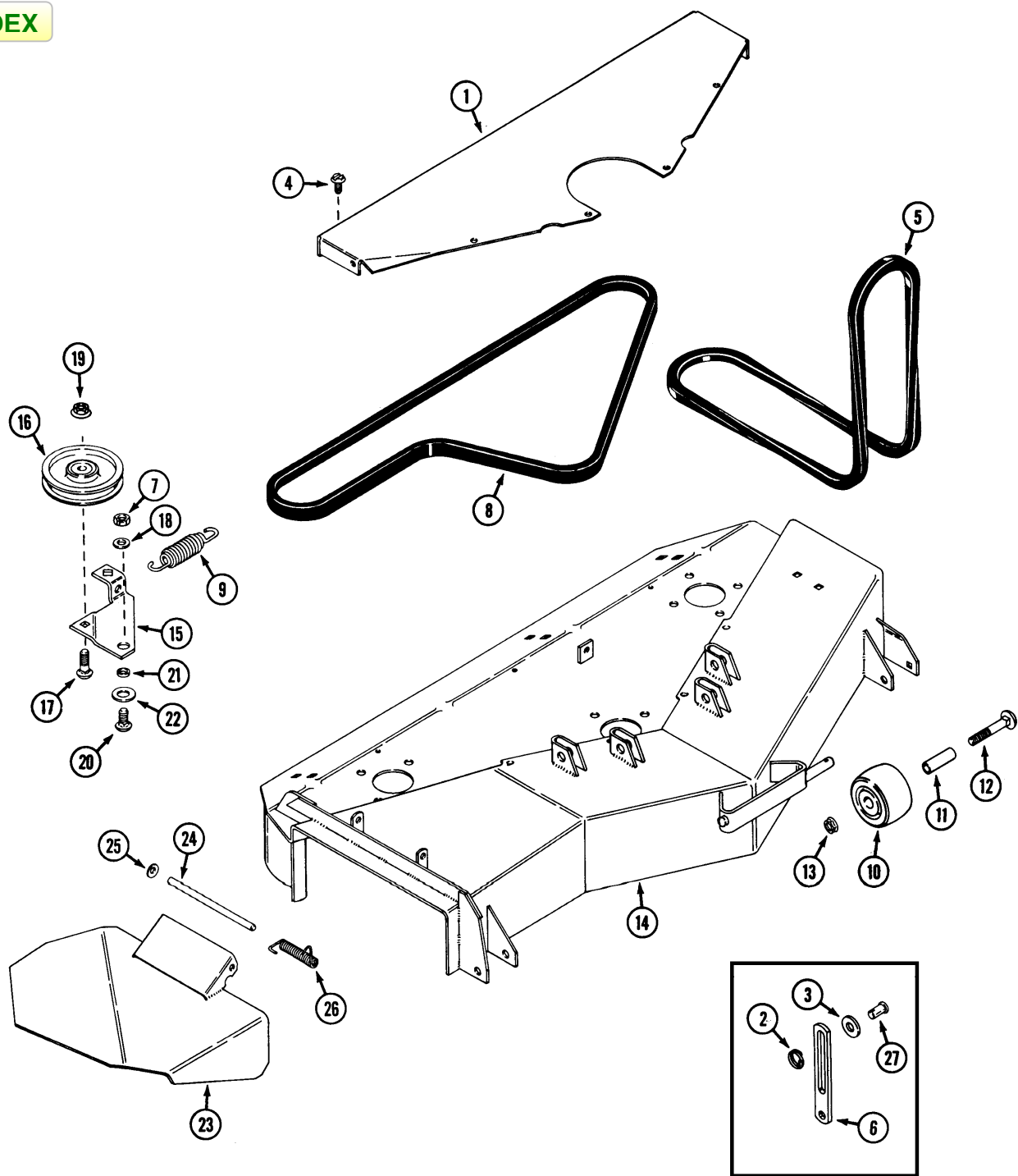


**INDEX**

**DECALS (Tractor)**

REF.	PART NO.	DESCRIPTION	REQ'D
1	C46845	DECAL - hood L.H .....	1
1	C46846	DECAL - hood R.H.....	1
2	321-4767	DECAL - hydraulic reservoir.....	1
3	C33589	DECAL - shift range .....	1
4	C46238	DECAL - brake .....	1
5	C46847	DECAL - 14 hp L.H. (shown) .....	1
5	C46848	DECAL - 14 hp R.H.....	1
6	C46849	DECAL - "Ingersoll" .....	1
7	C46326	DECAL - "Operation" .....	1
8	C30539	MEDALLION .....	1
9	C34184	DECAL - flag .....	1

INDEX

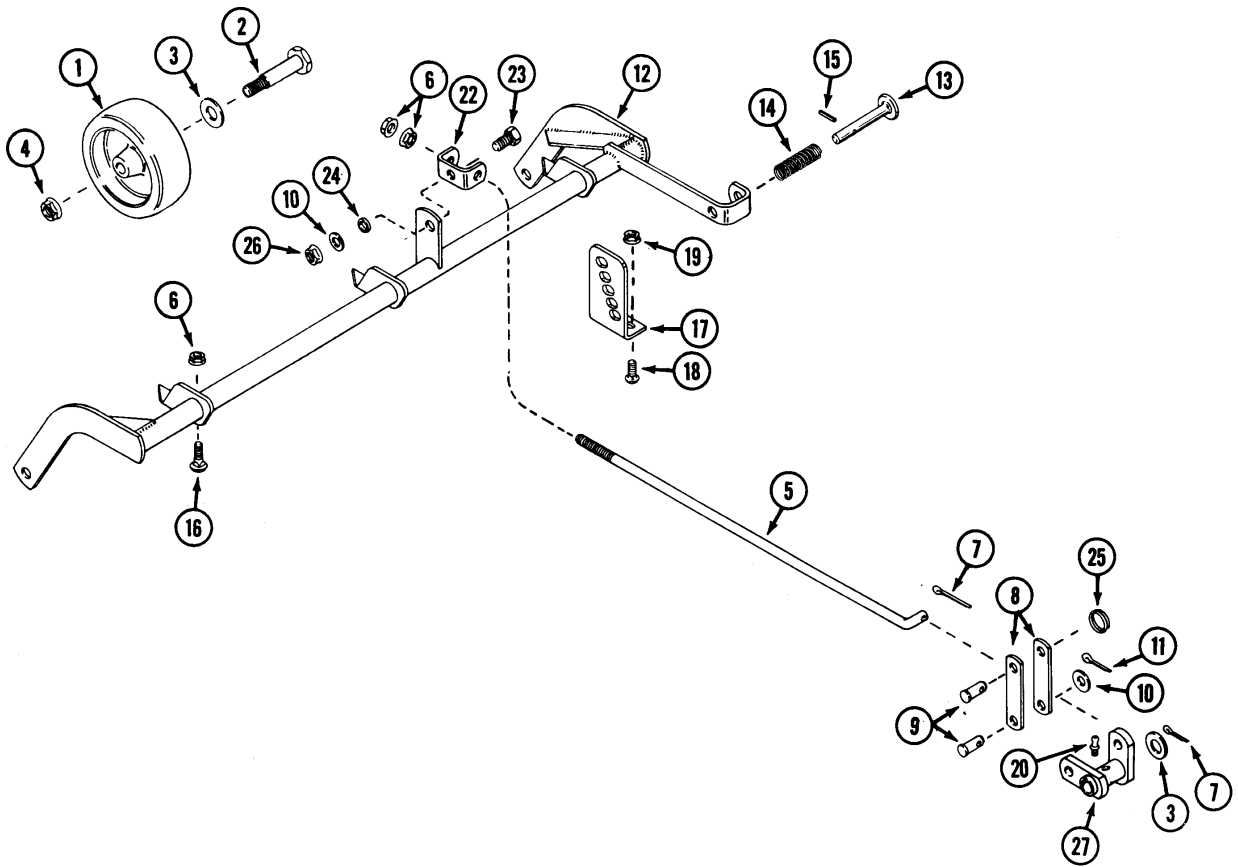


**INDEX**

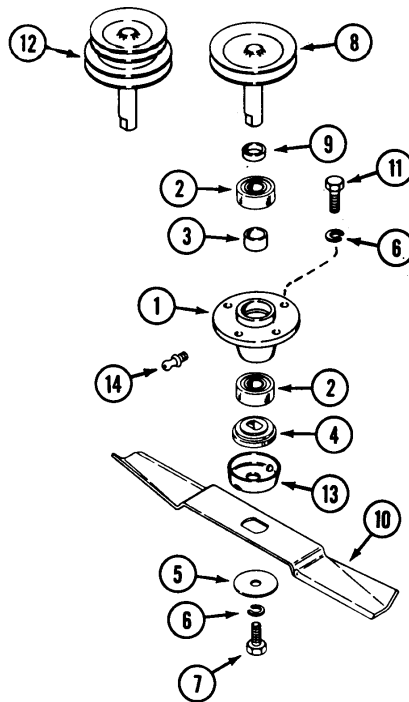
**DECK, BELTS AND BACKSIDE IDLER PULLEY**

REF.	PART NO.	DESCRIPTION	REQ'D
1	C31496D	COVER - deck belt.....	1
2	C28105	RING-retaining .....	4
3	195-533	WASHER - 1/2" .....	2
4	187-1036	SCREW - 1/4" x 1/2" self-tapping.....	3
5	C44801	BELT - drive .....	1
6	C18315D	LINK - lift.....	2
7	131-1181	NUT - 3/8"-16 lock.....	1
8	C23949	BELT - mower deck.....	1
9	C31606	SPRING - tension.....	1
10	C31500	ROLLER - anti-scalp .....	2
11	C31501	SPACER - sleeve.....	2
12	111-375	BOLT - 3/8" - 16 x 3" carriage .....	1
12	113-241	BOLT - 3/8" - 16 x 3" hex head .....	1
13	131-938	NUT - 3/8" - 16 flange lock.....	2
14	C44659D	DECK - mower .....	1
15	C31608D	PLATE - idler.....	1
16	C12251	PULLEY - backside idler .....	1
17	111-366	BOLT - 3/8" - 16 x 1-1/4" carriage.....	1
18	195-525	WASHER - 3/8" .....	2
19	131-1352	NUT - 3/8" lock.....	2
20	111-371	BOLT - 3/8" 16 x 1" carriage .....	1
21	C14768	SPACER - sleeve .....	1
22	195-105	WASHER - 1/2" .....	1
23	C32958D	DEFLECTOR - chute .....	1
24	C30766	ROD - pivot.....	1
25	C30768	NUT - push.....	2
26	C31505	SPRING - chute .....	1
27	C10821	PIN - clevis 1/2" x 1".....	4

**INDEX**



**INDEX**



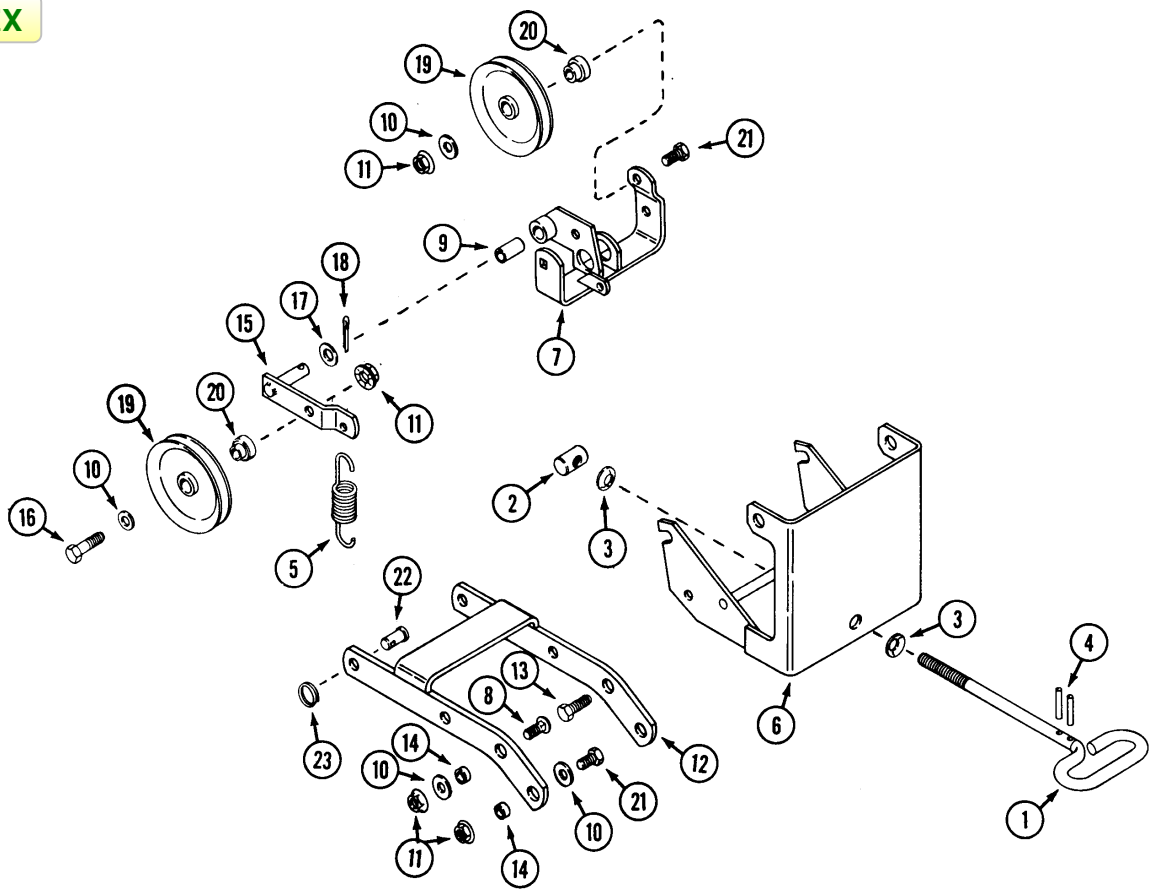
**INDEX****REAR AXLE AND LEVELING LINKAGE**

REF.	PART NO.	DESCRIPTION	REQ'D
1	C25682	WHEEL - gauge 6" .....	2
2	C31499	BOLT - shoulder .....	2
3	195-541	WASHER - .656" x 1.312" .....	4
4	131-930	NUT - 1/2" - 13 flange lock .....	2
5	C31577	ROD - level adjust .....	1
6	131-938	NUT - 3/8" - 16 flange lock .....	8
7	132-310	PIN - cotter 1/8" x 1" .....	2
8	C44655	STRAP - connector .....	2
9	141-54	PIN - clevis 3/8" x 1" .....	1
9	C10821	PIN - clevis 1/2" x 7/8" .....	2
10	195-525	WASHER - 3/8" .....	1
11	132-320	PIN - cotter 3/32" x 3/4" .....	1
12	C31547D	AXLE - mower .....	1
13	C20005	PIN - locking .....	1
14	C10482	SPRING - compression .....	1
15	138-96	PIN - roll 3/16" x 1" .....	1
16	111-340	BOLT - 3/8" - 16 x 3/4" carriage .....	UAR
17	C15935D	BRACKET - height adjust .....	1
18	111-132	BOLT - 5/16" - 18 x 3/4" carriage .....	2
19	131-911	NUT - 5/16" - 18 flange lock .....	2
20	219-403	FITTING - grease .....	1
21	195-533	WASHER - 1/2" .....	1
22	C31579D	BRACKET - channel .....	1
23	113-207	BOLT - 3/8" - 16 x 1" .....	1
24	C14768	SPACER - sleeve .....	1
25	C28105	RING - retaining .....	1
26	131-1352	NUT - 3/8" - 16 flange head .....	1
27	C44667D	BELLCRANK - leveling .....	1

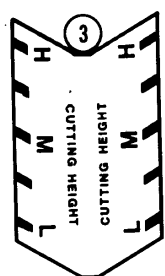
**INDEX****SPINDLES AND BLADES**

1	NSS	HOUSING - spindle (use C40722, 219-20 and (2) C16516) .....	3
2	C28971	BEARING - spindle .....	6
3	C10810	SPACER - bearing .....	3
4	C25542	ADAPTER - blade .....	3
5	C31452	WASHER - 3/8" x 2" .....	3
6	192-21	LOCKWASHER - 3/8" .....	15
7	113-209	BOLT - 3/8" - 16 x 1-1/2" (use 35 ft lb. of torque) .....	3
8	C31 566	SPINDLE - outboard .....	2
9	C29431	SPACER - spindle .....	3
10	C31571	BLADE - 15-1/2" .....	3
11	113-206	BOLT - 3/8" - 16 x 3/4" (use 15 ft lb. of torque) .....	12
12	C31559	SPINDLE - center .....	1
13	C25544	SHIELD - bearing .....	3

**INDEX**



**INDEX**



4

! DANGER

**SPINNING BLADE**  
KEEP CLEAR  
CONTACT CAN INJURE

2

**NO STEP**

1

ATTACHMENT DRIVE CLUTCH PULLEY

DECK DRIVE PULLEY

SPRING

KEY

INCREASE TENSION

DECREASE TENSION

11 SHUT OFF ENGINE REMOVE KEY AND WAIT FOR ALL MOTION TO STOP BEFORE INSTALLING OR ADJUSTING BELT

12 WIND KEY CLOCKWISE BY HAND AS FAR AS POSSIBLE

13 INSTALL BELT OVER PULLEYS AND IDLER PULLEYS AS SHOWN DOUBLE CHECK THAT THE BELT IS PROPERLY SEATED IN EACH PULLEY WITH ONLY ONE 90 DEGREE TWIST BETWEEN SUCCEEDING PULLEYS

14 ADJUST HEIGHT SELECTOR LEVER TO THE DESIRED POSITION

15 WIND KEY COUNTER CLOCKWISE UNTIL GAP BETWEEN SPRING COILS IS EQUIVALENT TO TWICE THE SPRING WIRE DIAMETER

16 AT PERIODIC INTERVALS RECHECK FOR CORRECT CLEARANCE BETWEEN COILS AND ADJUST AS REQUIRED

C31494 CA



**INDEX****C44669 MOUNTING BRACKET AND IDLER PULLEYS ASSEMBLY**

REF.	PART NO.	DESCRIPTION	REQ'D
1	C31582	SCREW - idler adjust .....	1
2	C14269	NUT - belt tension .....	1
3	C31583	WASHER - dished.....	2
4	138-2073	PIN - spiral 3/16" x 1-1/4" .....	2
5	C21942	SPRING - tension.....	1
6	C44672D	BRACKET - mounting .....	1
7	C44676D	YOKE - adjusting (includes bushing) .....	1
8	111-366	BOLT - 3/8" - 16 x 1-1/4" carriage .....	1
9	C16714	BUSHING .....	2
10	195-525	WASHER - 3/8" .....	1
11	131-1352	NUT - 3/8" - I6 flange head.....	6
12	C44683D	FRAME - tow .....	1
13	113-208	BOLT - 3/8" - 16 x 1-1/4" .....	1
14	C16573	SPACER - sleeve.....	4
15	C44685D	ARM - idler .....	1
16	113-219	BOLT - 3/8" - 16 x 2" .....	1
17	195-2067	WASHER - 1/2" .....	2
18	132-310	PIN - cotter 1/8" x 1".....	2
19	C25370	PULLEY - idler, "V" groove.....	2
20	C12264	BUSHING - flange.....	2
21	113-209	BOLT - 3/8" - 16 x 1-1/2" .....	2
22	C10821	PIN - clevis 1/2" x 1" .....	2
23	C28105	RING - retaining .....	2

**INDEX****DECALS (Mower)**

1	C31494	DECAL - mower drive belt.....	1
2	C12519	DECAL - "NO STEP".....	2
3	321-6210	DECAL - cutting height.....	1
4	C46324	DECAL - "Warning" spinning blade .....	1
4	C46323	DECAL - "Danger" spinning blade (shown).....	1