

FRONT CUT MOWER ATTACHMENTS  
FM52, FM4212, FM4218, FM5212  
FM5218, FM6218 MOWERS  
FCSB51 SNOWBLOWER  
FCUB54 UTILITY BLADE  
EDL ELECTRIC DECK LIFT  
VB4252, VB62 VAC BLOWER  
FCBC BARREL COLLECTOR  
FCMGB GRASS BOX  
Parts Catalog 8-3250

6-92-RP-500-207

### APPLICATION CHART

#### FRONT CUT MOWER MODEL

#### ATTACHMENT MODEL

5012

FM52R, FM4212, FM5212 MOWER DECK

FCSB51, SNOWBLOWER

FCUB54 UTILITY BLADE

5018

FM52R, FM4218, FM5218, FM6218  
MOWER DECK

FCSB51 SNOWBLOWER

FCUB54 UTILITY BLADE

#### VAC BLOWER MODEL

#### USE ON DECK MODEL

UB4252

FM4212, FM5212, FM4218, FM5218

UB62

FM6218

## GENERAL INFORMATION

### INDEX

There is an index at the front and rear of this catalog.

The front index is an alphabetical index of the major groups or assemblies.

The rear index is a numerical index of the part numbers and pages on which these numbers are shown.

### ILLUSTRATION

Each illustration in this catalog shows a group of parts or components. These parts and components are aligned approximately as the parts and components on your machine. Each part and component in an illustration has a reference number. These reference numbers are in a list on the page opposite of the illustration. Next to the reference number is the part number, description and required quantity of the part shown in the illustration.

UAR - "Use as required" indicates that the part quantity is variable.

NSS - "Not sold separately" indicates that the part is only available as a component of an assembly or the part must be purchased locally. If the part is an assembly component, the description will be indented under the assembly description in the parts list.

O/L - "Obtain locally"

\*\* - "Footnotes" are added to a part number when more information is needed for identification. They only relate to the part numbers indicated.

### INDENTED DESCRIPTIONS

An assembly can have many components. The components of an assembly are indicated by an indented description. The quantity for an indented part is the total needed for that complete assembly. See the example.

REF.	PART NO.	DESCRIPTION	REQ'D
	C 55159	CYLINDER ASSY - rear steering .....	1
28	C 56208	SOCKET ASSY - rear cylinder .....	1
29	C 55956	PLUG - adjusting, socket assy .....	1
30	C 55957	SEAT - socket ball .....	2
31	C 56210	SPRING - socket .....	1
32	C 56209	SEAT - socket spring .....	1
33	G 45175	CLAMP ASSY - socket assy .....	1
	16- 836	BOLT - 1/2" x 2-1/4" N.F. hex .....	1
34	132- 104	PIN - cotter, 3/16" x 3" .....	1
35	C 55889	STUD - ball, socket & cylinder .....	2
36	13- 410	BOLT - 1/4" x 5/8" N.C., hex .....	4
37	92- 4	LOCK WASHER - 1/4" SAE .....	4

### PARTS ORDERS

All orders must include the following information:

1. Correct part number.
2. Complete description of part or component.
3. Total quantity of each part or component.
4. Product model number.
5. All necessary product identification numbers.
6. Method for sending the parts.
7. Complete and correct address.

### CATALOG REVISIONS

As the product changes, new pages will be available for your catalog. A notice will be issued.

**IMPORTANT:** Put all revisions into the catalog as soon as possible.

### RIGHT HAND AND LEFT HAND IDENTIFICATION

The words right hand (RH) and left hand (LH) as used in this catalog indicate the direction while you are in the operator's seat in the normal operating position.

# TABLE OF CONTENTS

## FM52R MOWER DECK

Mower Deck and Attaching Parts .....	5
Gear Box .....	21
Decals .....	27

## FM4212 AND FM 4218 MOWER DECK

Mower Deck and Attaching Parts .....	9
Mower Drive .....	11
Gear Box .....	21
Decals .....	27

## FM5212 AND FM5218 MOWER DECK

Mower Deck and Attaching Parts .....	13
Mower Drive .....	15
Gear Box .....	21
Decals .....	27

## FM6218 MOWER DECK

Mower Deck and Attaching Parts .....	17
Mower Drive .....	19
Gear Box .....	21
Decals .....	27

## FCSB51 SNOWBLOWER

Entire Parts List .....	23
Decals .....	27

## FCUB54 UTILITY BLADE

Entire Parts List .....	25
Decals .....	27

## EDL ELECTRIC DECK LIFT KIT

Entire Parts List .....	29
-------------------------	----

## VB4252 AND VB62 VAC BLOWER

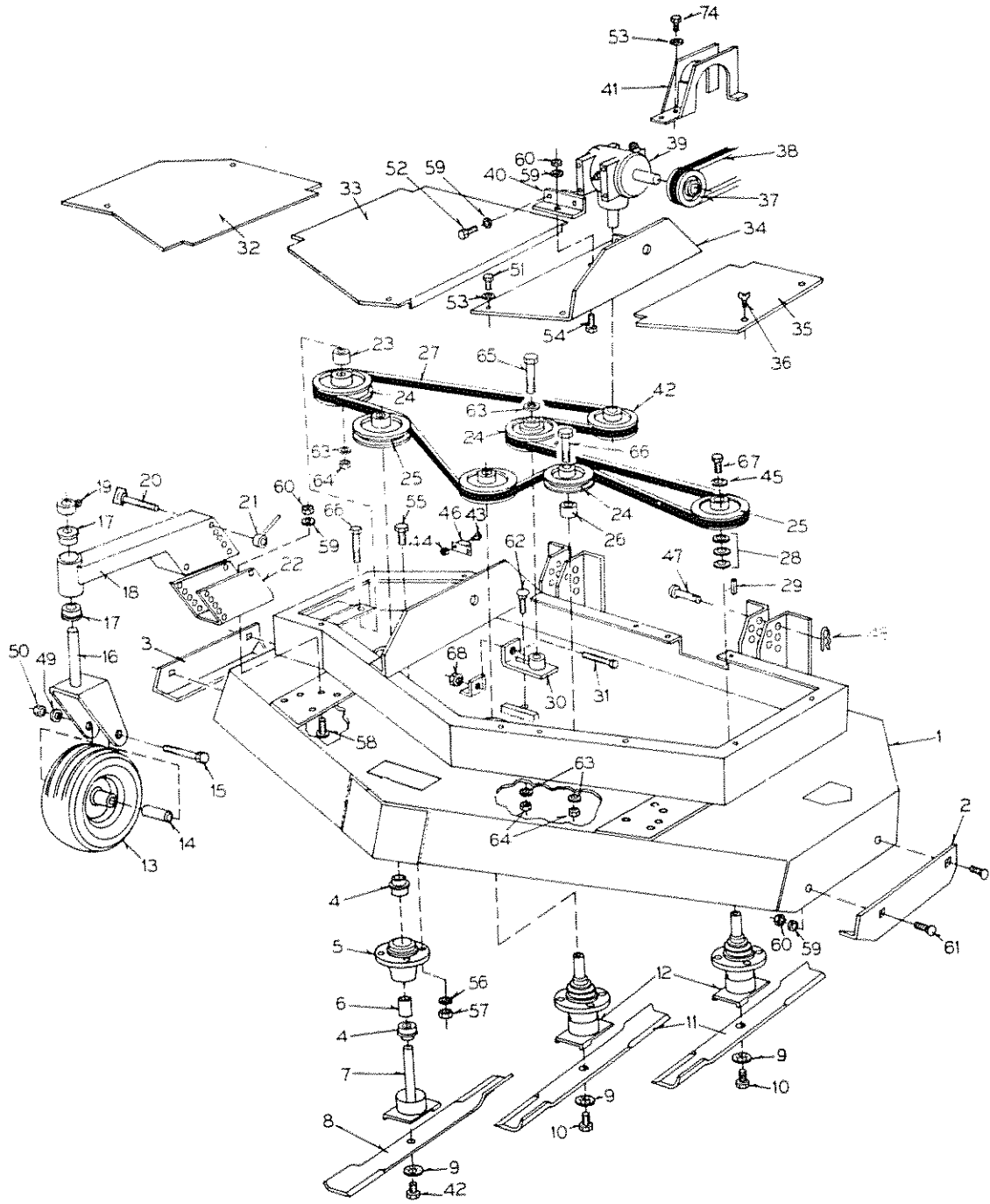
Entire Parts List .....	31
-------------------------	----

## FCBC BARREL COLLECTOR

Entire Parts List .....	33
-------------------------	----

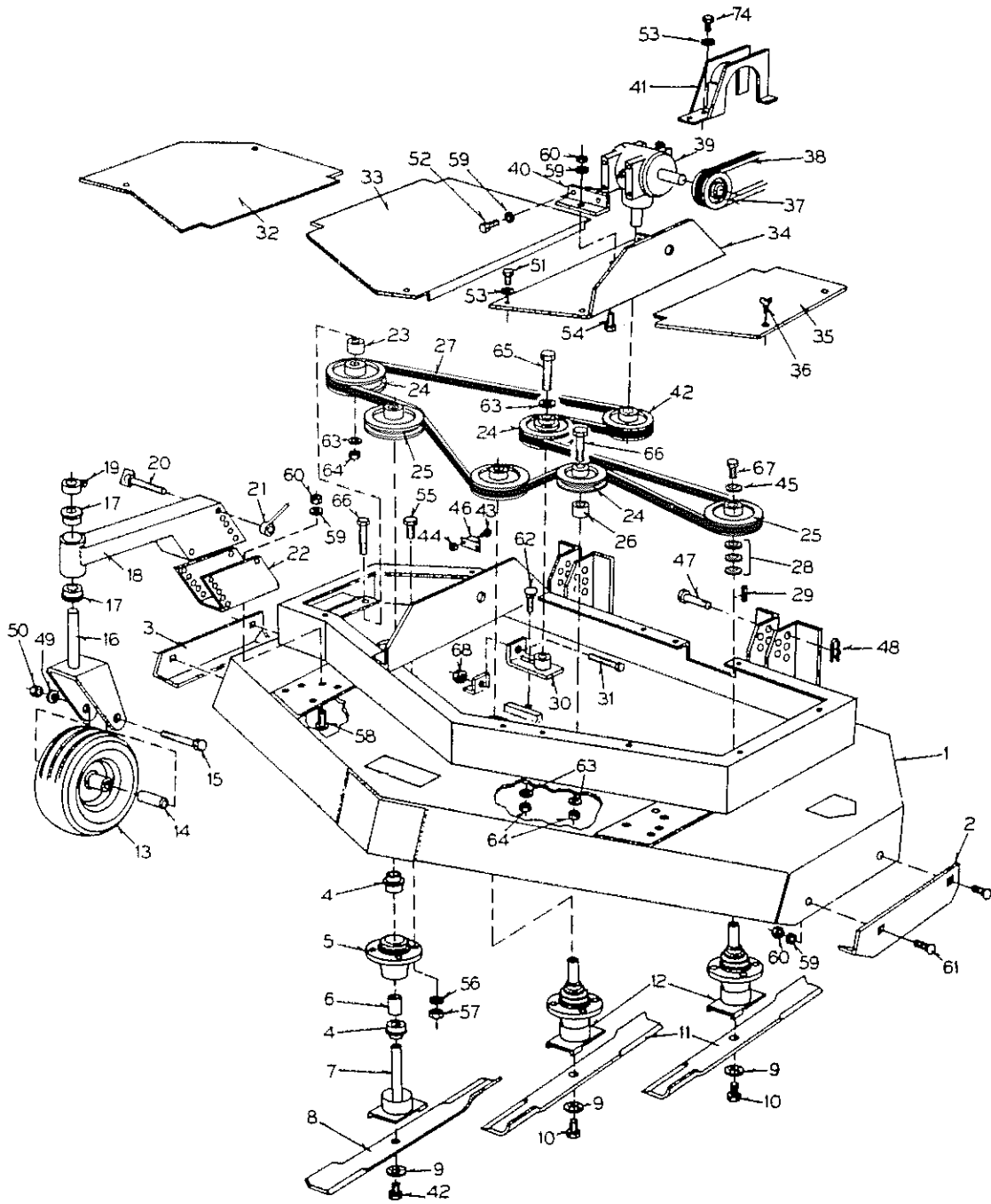
## FCMGB GRASS BOX

Entire Parts List .....	35
-------------------------	----



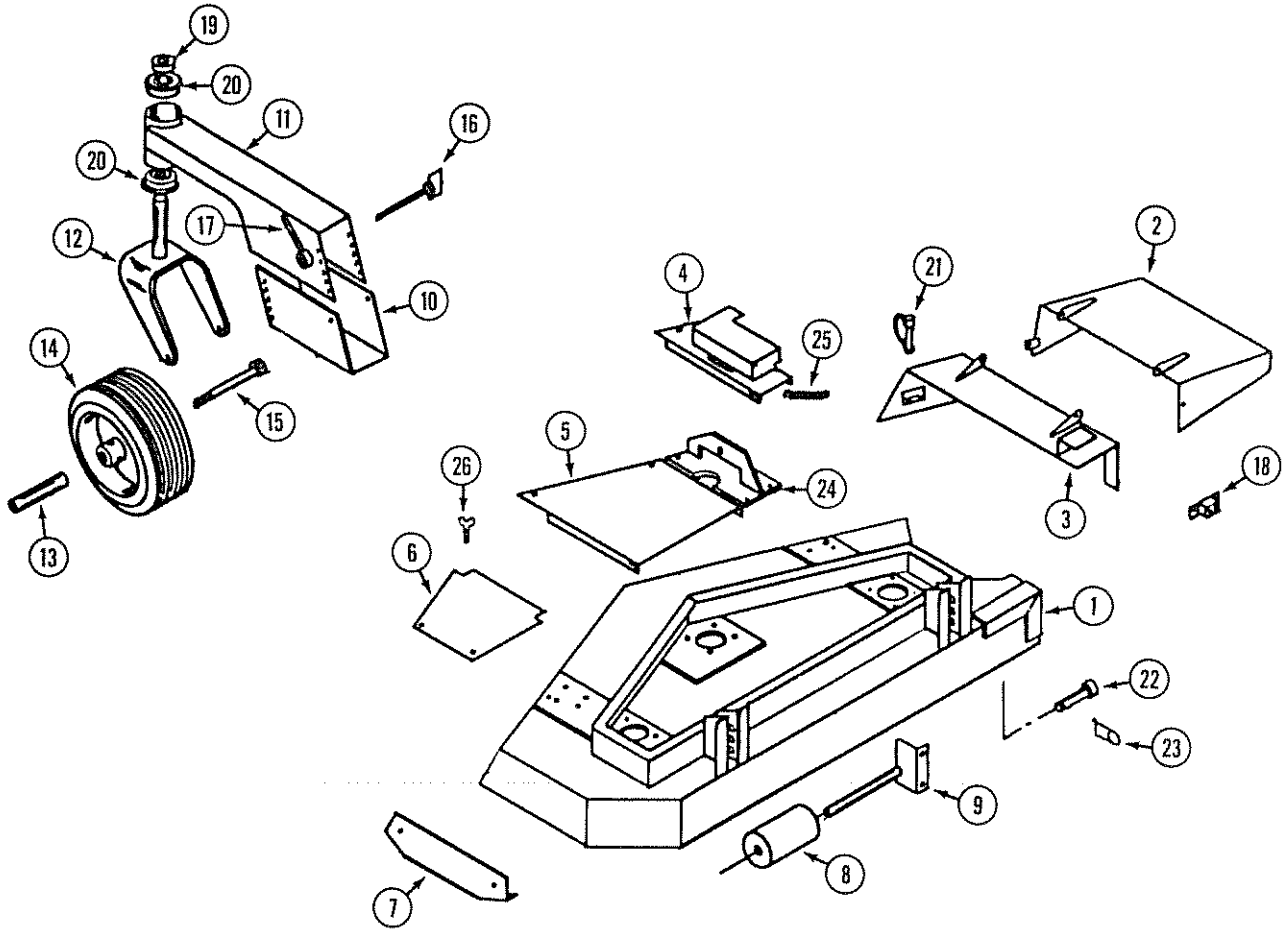
MOWER DECK AND ATTACHING PARTS

REF.	PART NO.	DESCRIPTION	REQ'D
1	C 42228	DECK - rear discharge 52''	1
2	C 37942	SHOE - skid L.H.	1
3	C 38073	SHOE - skid R.H.	1
4	C 37882	BEARING - spindle 7/8	6
5	C 37880	HOUSING - spindle	3
6	C 37881	SPACER - spindle	3
7	C 38074	SHAFT - spindle L.H. rotation	1
8	C 38075	BLADE - L.H. rotation	1
9	C 37886	WASHER - blade	3
10	C 37557	BOLT - 3/8'' - 24 x 1-1/4''	2
11	C 37930	BLADE - R.H. rotation	2
12	C 37883	SHAFT - spindle	2
13	C 37916	WHEEL - gauge	2
	C 37917	TIRE - 11 x 4.00 - 5	1
	C 37918	RIM - 5''	1
	C 37872	BEARING - wheel	2
14	C 37915	AXLE - gauge wheel	2
15	C 38056	BOLT - 1/2'' - 13 x 6-1/2''	2
16	C 37914	FORK - gauge wheel	2
17	C 37824	BEARING - 1''	4
18	C 37913	MOUNT - gauge wheel	2
19	C 37860	COLLAR - set 1''	2
20	C 37920	BOLT - wing 3/8'' - 16 x 4-1/2''	4
21	C 37921	NUT - gauge wheel handle 3/8'' - 16	4
22	C 37912	BRACKET - gauge wheel mount	2
23	C 38076	SPACER - idler pulley	1
24	C 38077	PULLEY - idler 5''	3
25	C 38078	PULLEY - spindle 4-1/2''	3
26	C 37937	SPACER - idler pulley	1
27	C 38079	BELT - deck	1
28	C 37888	WASHER - spacer	9
29	C 37771	KEY - 3/16'' x 3/16'' x 1''	5
30	C 38080	TIGHTENER - belt	1
31	C 37901	BOLT - 1/4'' - 20 x 4''	1
32	C 42230	COVER - R.H.	1
33	C 39203	COVER - center	1
34	C 39205	MOUNT - gear box	1
35	C 39200	COVER - L.H.	1



MOWER DECK AND ATTACHING PARTS

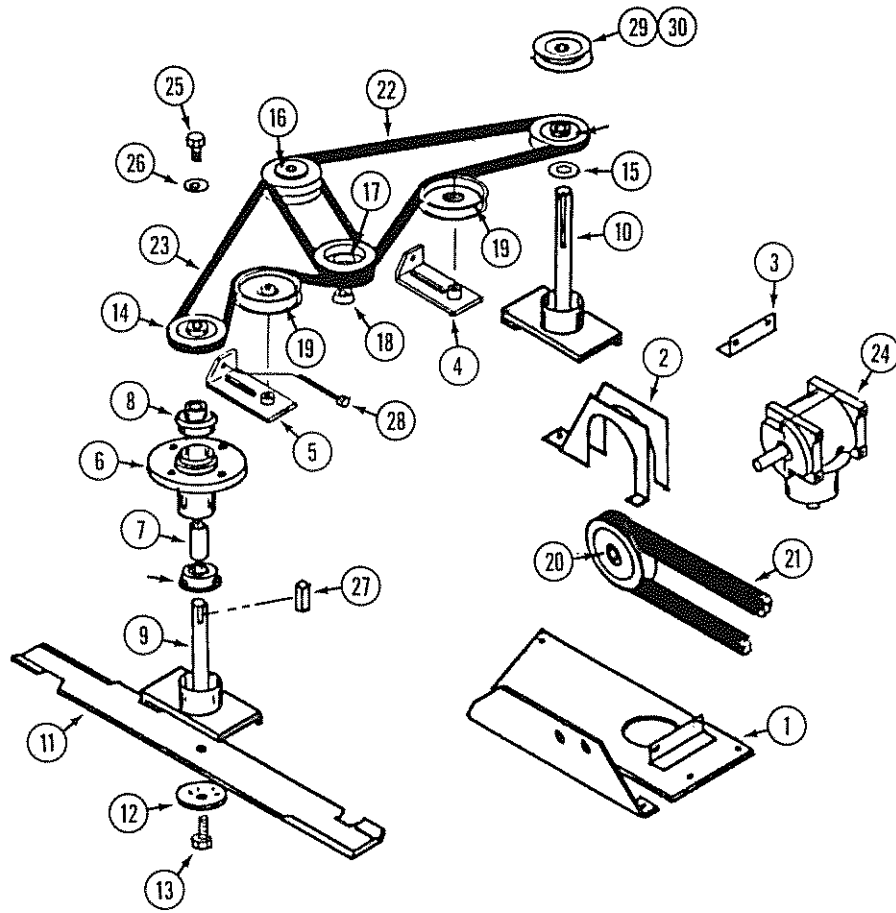
REF.	PART NO.	DESCRIPTION	REQ'D
36	C 37927	SCREW - thumb 1/4" - 20 x 1/2"	6
37	C 37892	PULLEY - gear box input	1
38	C 37894	BELT - drive	1
39	C 37898	GEAR BOX - angle drive (see page 21 for service)	1
40	C 37877	ANGLE - gear box mount	1
41	C 37875	GUARD - belt	1
42	C 38083	BOLT - 3/8" - 24 x 1-1/4" L.H.	1
43	C 37597	SCREW - # 10 - 32 x 1/2"	2
44	C 37598	NUT - lock #10 - 32	2
45	C 37900	WASHER - spindle	3
46	C 37505	BREAKER - circuit 10 amp	1
47	C 38589	PIN - clevis 1/2" x 1-1/2"	2
48	C 38096	PIN - cotter, hair	2
49	C 37590	LOCKWASHER - 1/2"	2
50	C 37593	NUT - 1/2" - 13	2
51	C 38084	BOLT - 1/4" - 20 x 3/4"	5
52	C 38085	BOLT - 5/16" - 18 x 1"	4
53	C 37757	LOCKWASHER - 1/4"	7
54	C 38086	BOLT - 5/16" - 18 x 3/4"	1
55	C 38087	BOLT - 7/16" - 14 x 1-1/4"	1
56	C 38088	LOCKWASHER - 7/16"	12
57	C 38089	NUT - 7/16" - 14	12
58	C 38090	BOLT - carriage 5/16" - 18 x 1"	6
59	C 37748	LOCKWASHER - 5/16"	10
60	C 37560	NUT - 5/16"	10
61	C 38091	BOLT - carriage 5/16" - 18 x 3/4"	4
62	C 38092	BOLT - carriage 3/8" - 16 x 1"	1
63	C 37591	LOCKWASHER - 3/8"	4
64	C 37592	NUT - 3/8" - 16	3
65	C 38093	BOLT - 3/8" - 16 x 1-1/4"	1
66	C 38094	BOLT - 3/8" - 16 x 2-1/2	2
67	C 37899	BOLT - 5/16" - 24 x 3/4"	3
68	C 37734	NUT - lock 1/4" - 20	





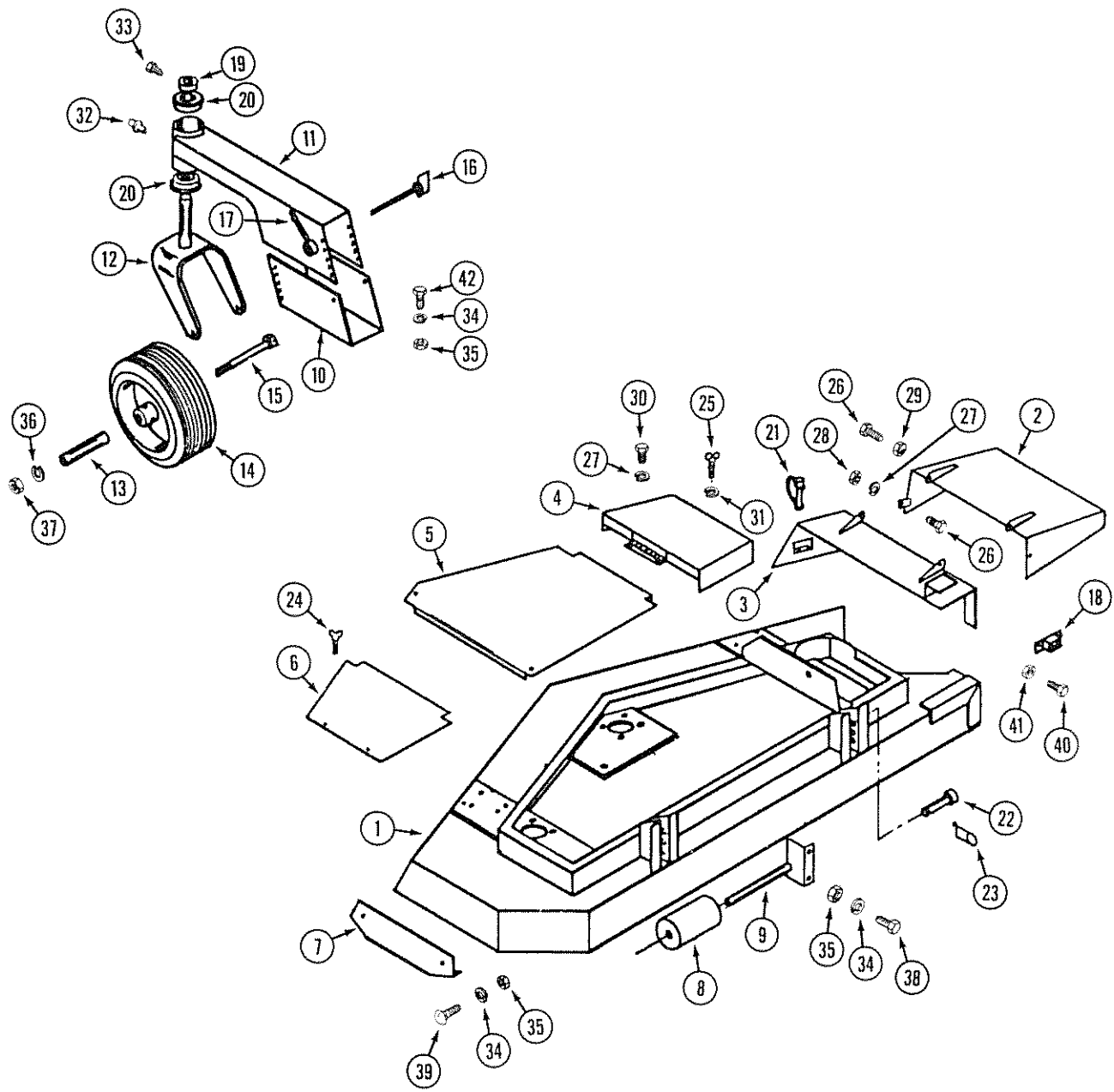
MOWER DECK AND ATTACHING PARTS

REF.	PART NO.	DESCRIPTION	REQ'D
1	C 41249	DECK - 42" . . . . .	1
2	C 39208	CHUTE - foot guard . . . . .	1
3	C 39209	MOUNT - foot guard . . . . .	1
4	C 41255	COVER - pulley . . . . .	1
5	C 41259	COVER - center . . . . .	1
6	C 38063	COVER - L.H. . . . .	1
7	C 38451	SHOE - skid L.H. . . . .	1
8	C 37910	ROLLER - anti-scalp . . . . .	1
9	C 37911	SHAFT - roller . . . . .	1
10	C 37912	BRACKET - gauge wheel mount . . . . .	2
11	C 37913	MOUNT - gauge wheel . . . . .	2
12	C 37914	FORK . . . . .	2
13	C 37915	AXLE - wheel . . . . .	2
14	C 37916	WHEEL - gauge . . . . .	2
	C 37917	TIRE - 11 x 4.00 - 5 . . . . .	1
	C 37918	RIM - 5" . . . . .	1
	C 37872	BEARING - wheel . . . . .	2
15	C 38056	BOLT - 1/2" - 13 x 6-1/2" . . . . .	2
16	C 37920	BOLT - wing . . . . .	4
17	C 37921	NUT - gauge wheel handle . . . . .	4
18	C 37505	BREAKER - circuit 10 amp . . . . .	1
19	C 37860	COLLAR - set 1" . . . . .	2
20	C 37824	BEARING - 1" . . . . .	4
21	C 37922	PIN - "fas-tatch" . . . . .	1
22	C 38095	PIN - deck . . . . .	2
23	C 37924	PIN - cotter, hair . . . . .	2
24	C 37925	MOUNT - deck . . . . .	1
25	C 37926	SPRING - . . . . .	1
26	C 37927	SCREW - thumb 1/4" - 20 x 1/2" . . . . .	4



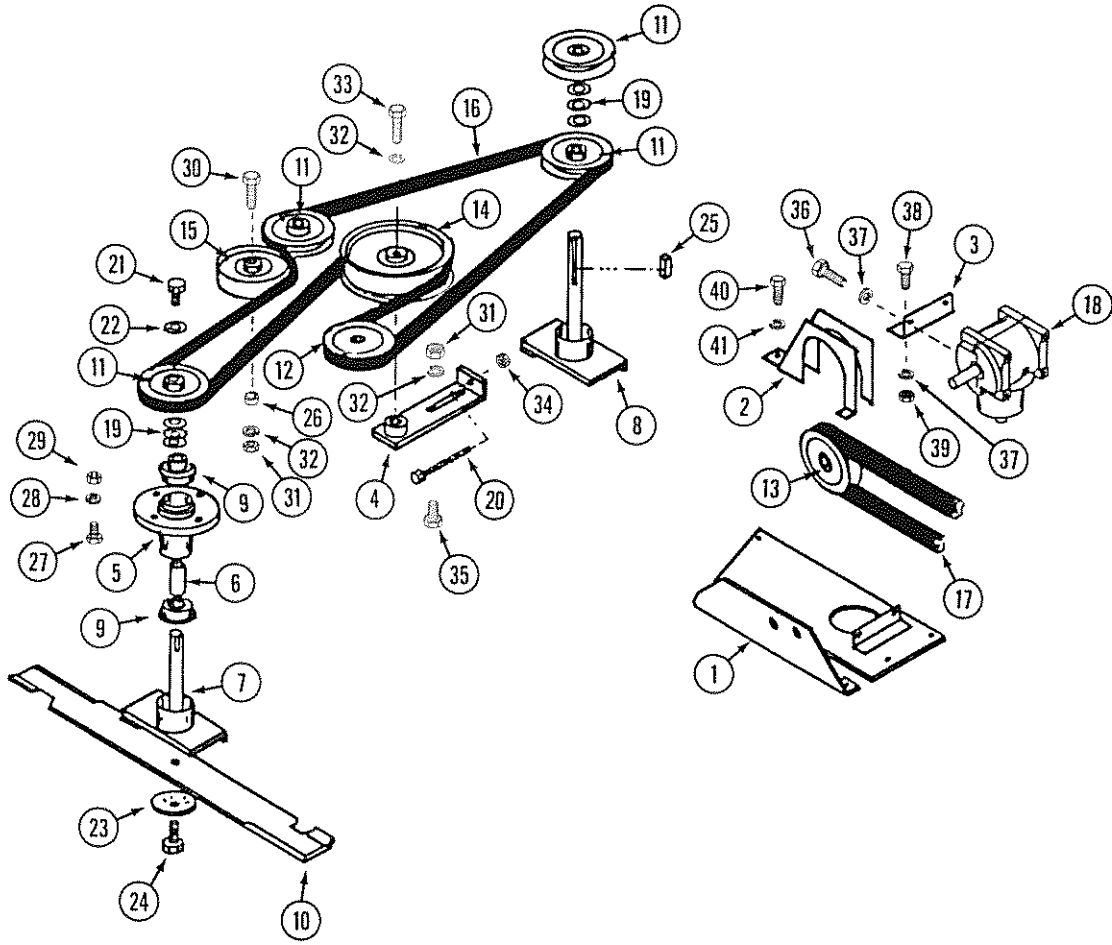
## MOWER DRIVE

REF.	PART NO.	DESCRIPTION	REQ'D
1	C 41269	MOUNT - gear box . . . . .	1
2	C 37875	GUARD - belt . . . . .	1
3	C 37877	ANGLE - gear box mount . . . . .	1
4	C 37878	TIGHTENER - belt . . . . .	1
5	C 37879	TIGHTENER - belt . . . . .	1
6	C 37880	HOUSING - spindle . . . . .	3
7	C 37881	SPACER - spindle . . . . .	3
8	C 37882	BEARING - spindle . . . . .	6
9	C 37883	SHAFT - spindle . . . . .	2
10	C 37884	SHAFT - spindle . . . . .	1
11	C 37885	BLADE - (4218) . . . . .	3
11	C 38036	BLADE - (4212) . . . . .	3
12	C 37886	WASHER - blade . . . . .	3
13	C 37557	BOLT - 3/8" - 24 x 1-1/4" . . . . .	3
14	C 37887	PULLEY - spindle . . . . .	2
15	C 37888	WASHER - spacer . . . . .	9
16	C 37889	PULLEY - spindle, double . . . . .	1
17	C 37890	PULLEY - gear box output . . . . .	1
18	C 41658	HUB - pulley . . . . .	1
19	C 37891	PULLEY - idler . . . . .	2
20	C 37892	PULLEY - gear box input . . . . .	1
21	C 37894	BELT - drive . . . . .	1
22	C 37896	BELT - deck . . . . .	1
23	C 37897	BELT - deck . . . . .	1
24	C 37898	GEAR BOX - see page 21 for repairs . . . . .	1
25	C 37899	BOLT - 5/16" - 24 x 3/4" . . . . .	3
26	C 37900	WASHER - 5/16", 10 ga. . . . .	3
27	C 37771	KEY - 3/16" x 3/16" x 1" . . . . .	6
28	C 37901	BOLT - 1/4" - 20 x 4" . . . . .	2
29	C 38037	PULLEY - spindle (4212) . . . . .	1
30	C 37887	PULLEY - spindle (4218) . . . . .	1



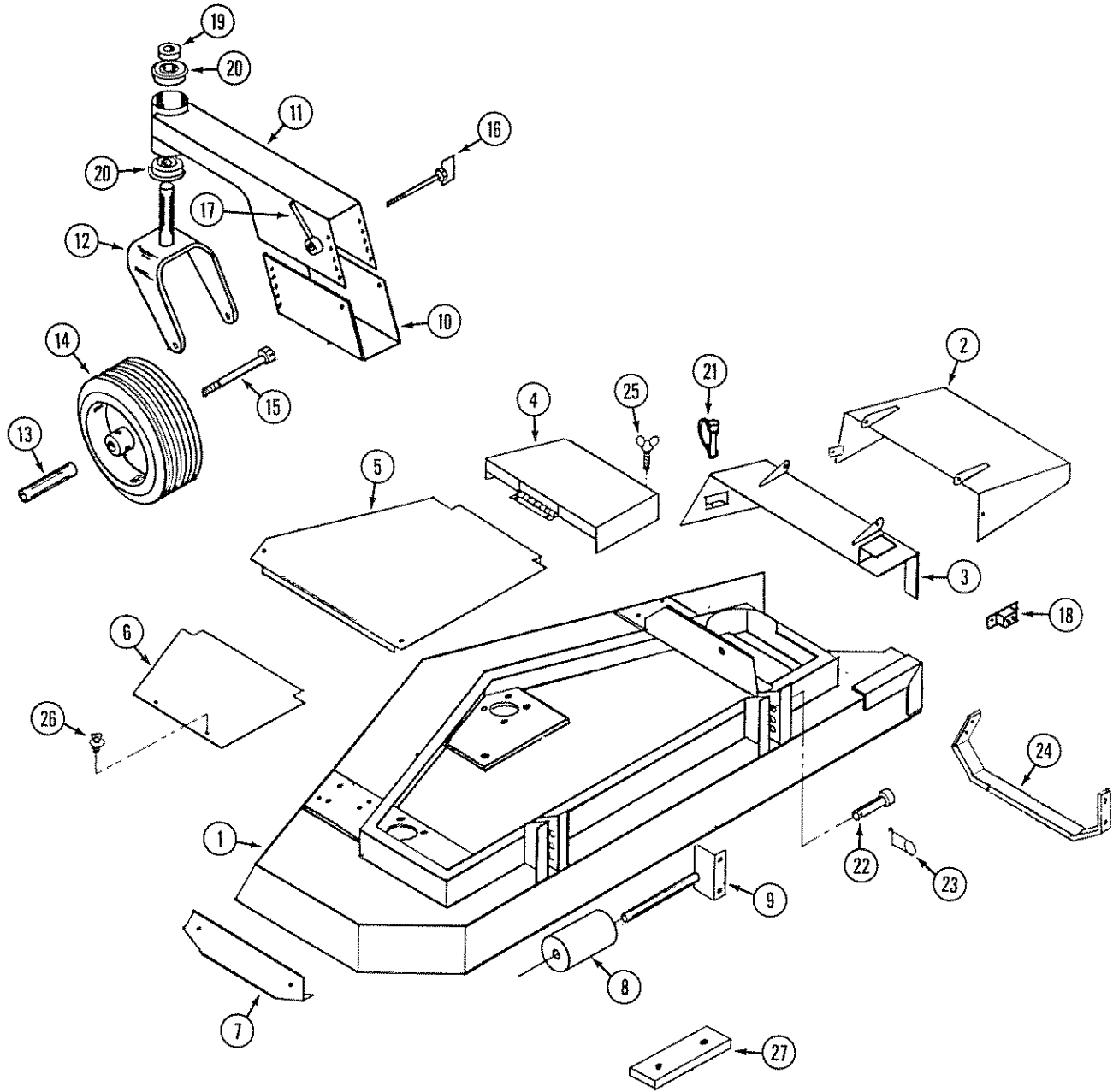
MOWER DECK AND ATTACHING PARTS

REF.	PART NO.	DESCRIPTION	REQ'D
1	C 39210	DECK - 52''	1
2	C 39208	CHUTE - foot guard	1
3	C 39209	MOUNT - foot guard	1
4	C 39204	COVER - pulley	1
5	C 39203	COVER - center	1
6	C 39200	COVER - L.H.	1
7	C 37942	SHOE - skid	1
8	C 37910	ROLLER - anti-scalp	1
9	C 37911	SHAFT - roller	1
10	C 37912	BRACKET - gauge wheel mount	2
11	C 37913	MOUNT - gauge wheel	2
12	C 37914	FORK	2
13	C 37915	AXLE - wheel	2
14	C 37916	WHEEL - gauge	2
	C 37917	TIRE - 11 x 4.00 - 5	1
	C 37918	RIM - 5''	1
	C 37872	BEARING - wheel	2
15	113- 2419	BOLT - 1/2'' - 13 x 6-1/2''	2
16	C 37920	BOLT - wing	4
17	C 37921	NUT - gauge wheel handle	4
18	C 37505	BREAKER - circuit, 10 amp	1
19	C 37860	COLLAR - set	2
20	C 37824	BEARING - 1''	4
21	C 37922	PIN - "fas-tatch"	1
22	C 29692	PIN - deck	1
23	C 29029	PIN - cotter, hair	2
24	C 37927	SCREW - thumb 1/4'' - 20 x 1/2''	4
25	C 37943	SCREW - wing 1/4'' - 20 x 1''	1
26	113- 3	BOLT - 1/4'' - 20 x 3/4''	4
27	192- 19	LOCKWASHER - 1/4''	2
28	129- 101	NUT - 1/4'' - 20	2
29	131- 71	NUT - 1/4'' - 20 lock	2
30	113- 1	BOLT - 1/4'' - 20 x 1''	2
31	195- 102	WASHER - 1/4''	1
32	C 37993	FITTING - grease	2
33	C 37756	SCREW - set 5/16'' - 18 x 1/2'' square head	2
34	192- 20	LOCKWASHER - 5/16''	6
35	129- 102	NUT - 5/16'' - 18	6
36	192- 23	LOCKWASHER - 1/2''	2
37	129- 105	NUT - 1/2'' - 13	2
38	113- 102	BOLT - 5/16'' - 18 x 3/4''	2
39	111- 202	BOLT - 5/16'' - 18 x 3/4'' carriage	2
40	182- 528	SCREW - #10 - 32 x 1/2''	2
41	C 37598	NUT - #10 - 32	2
42	111- 203	BOLT - 5/16'' - 18 x 1'' carriage	6



## MOWER DRIVE

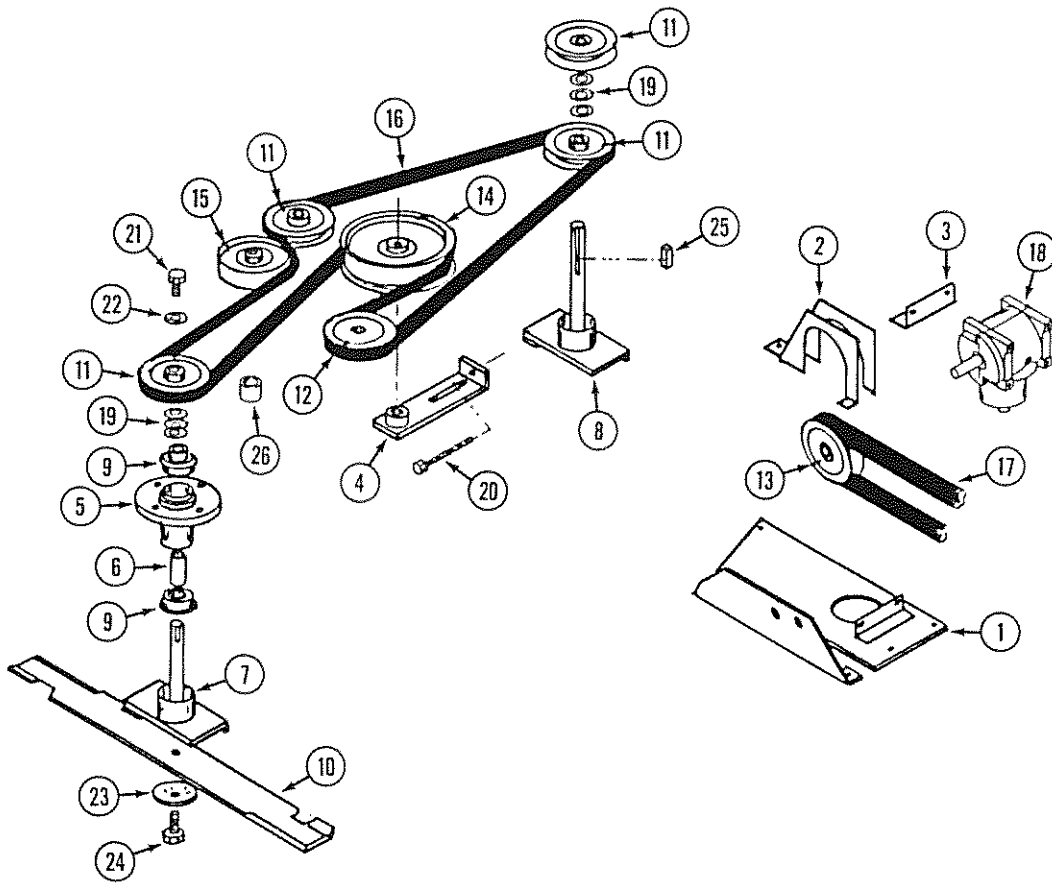
REF.	PART NO.	DESCRIPTION	REQ'D
1	C 39205	MOUNT - gear box	1
2	C 37875	GUARD - belt	1
3	C 37877	ANGLE - gear box mount	1
4	C 37929	TIGHTENER - belt	1
5	C 37880	HOUSING - spindle	3
6	C 37881	SPACER - spindle	3
7	C 37883	SHAFT - spindle	3
8	C 37884	SHAFT - spindle, long	1
9	C 37882	BEARING - spindle	3
10	C 37930	BLADE - mower (FM5218)	3
10	C 38042	BLADE - mower (FM5212)	3
11	C 37931	PULLEY - spindle	4
12	C 37932	PULLEY - gear box output	1
13	C 37892	PULLEY - gear box input	1
14	C 37933	PULLEY - idler, large	1
15	C 37934	PULLEY - idler, small	1
16	C 37935	BELT - deck	1
17	C 37894	BELT - drive	1
18	C 37898	GEAR BOX - angle drive (see page 21 for repairs)	1
19	C 37888	SPACER - washer	12
20	C 37901	BOLT - 1/4" - 20 x 4"	1
21	114- 102	BOLT - 5/16" - 24 x 3/4"	3
22	C 37900	WASHER - 5/16" - 10 ga.	3
23	C 37886	WASHER - blade	3
24	114- 201	BOLT - 3/8" - 24 x 1-1/4"	3
25	C 29581	KEY - 3/16" x 1"	6
26	C 37937	SPACER - idler pulley	1
27	113- 312	BOLT - 7/16" - 14 x 1-1/4"	12
28	192- 22	LOCKWASHER - 7/16"	12
29	129- 104	NUT - 7/16" - 14	12
30	113- 257	BOLT - 3/8" - 16 x 2-1/2"	1
31	129- 103	NUT - 3/8"	1
32	192- 21	LOCKWASHER - 3/8"	1
33	113- 208	BOLT - 3/8" - 16 x 1-1/4"	1
34	131- 71	NUT - 1/4" - 20 lock	1
35	111- 371	BOLT - 3/8" - 16 x 1" carriage	1
36	113- 103	BOLT - 5/16" - 18 x 1"	4
37	192- 20	LOCKWASHER - 5/16"	5
38	113- 102	BOLT - 5/16" - 18 x 3/4"	1
39	129- 102	NUT - 5/16" - 18	1
40	113- 1	BOLT - 1/4" - 20 x 1/2"	2
41	192- 19	LOCKWASHER - 1/4"	2





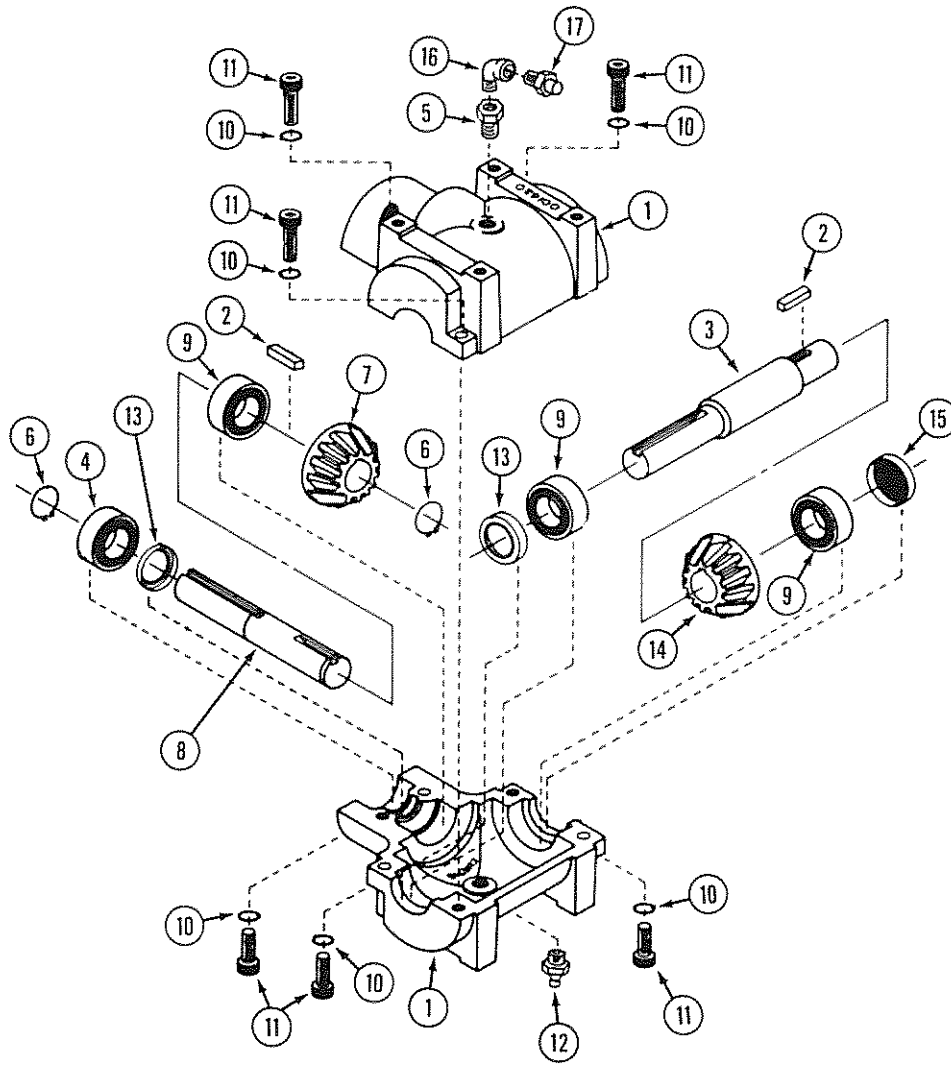
## MOWER DECK AND ATTACHING PARTS

REF.	PART NO.	DESCRIPTION	REQ'D
1	C 41368	DECK - 62" . . . . .	1
2	C 41396	CHUTE - foot guard . . . . .	1
3	C 41400	MOUNT - foot guard . . . . .	1
4	C 41392	COVER - pulley . . . . .	1
5	C 41378	COVER - center . . . . .	1
6	C 41373	COVER - L.H. . . . .	1
7	C 37965	SHOE - skid L.H. . . . .	1
8	C 37910	ROLLER - anti-skid . . . . .	1
9	C 37911	SHAFT - roller . . . . .	1
10	C 37912	BRACKET - gauge wheel mount . . . . .	2
11	C 37913	MOUNT - gauge wheel . . . . .	2
12	C 37914	FORK - gauge wheel . . . . .	2
13	C 37915	AXLE - gauge wheel . . . . .	2
14	C 37916	WHEEL - gauge . . . . .	2
	C 37917	TIRE - 11 x 4.00 - 5 . . . . .	1
	C 37918	RIM - 5" . . . . .	1
	C 37872	BEARING - wheel . . . . .	2
15	C 38056	BOLT - 1/2" - 13 x 6-1/2" . . . . .	2
16	C 37920	BOLT - wing . . . . .	4
17	C 37921	NUT - gauge wheel handle . . . . .	4
18	C 37505	BREAKER - circuit - 10 amp . . . . .	1
19	C 37860	COLLAR - set 1" . . . . .	2
20	C 37824	BEARING - 1" . . . . .	4
21	C 37922	PIN - "fas-tatch" . . . . .	1
22	C 38095	PIN - deck . . . . .	2
23	C 37924	PIN - cotter, hair . . . . .	2
24	C 37957	SHOE - skid R.H. . . . .	1
25	C 37927	SCREW - thumb 1/4" - 20 x 1/2" . . . . .	4
26	C 37943	SCREW - wing 1/4" - 20 x 1" . . . . .	1
27	C 37958	WEIGHT - tail, 13 lb. . . . .	3



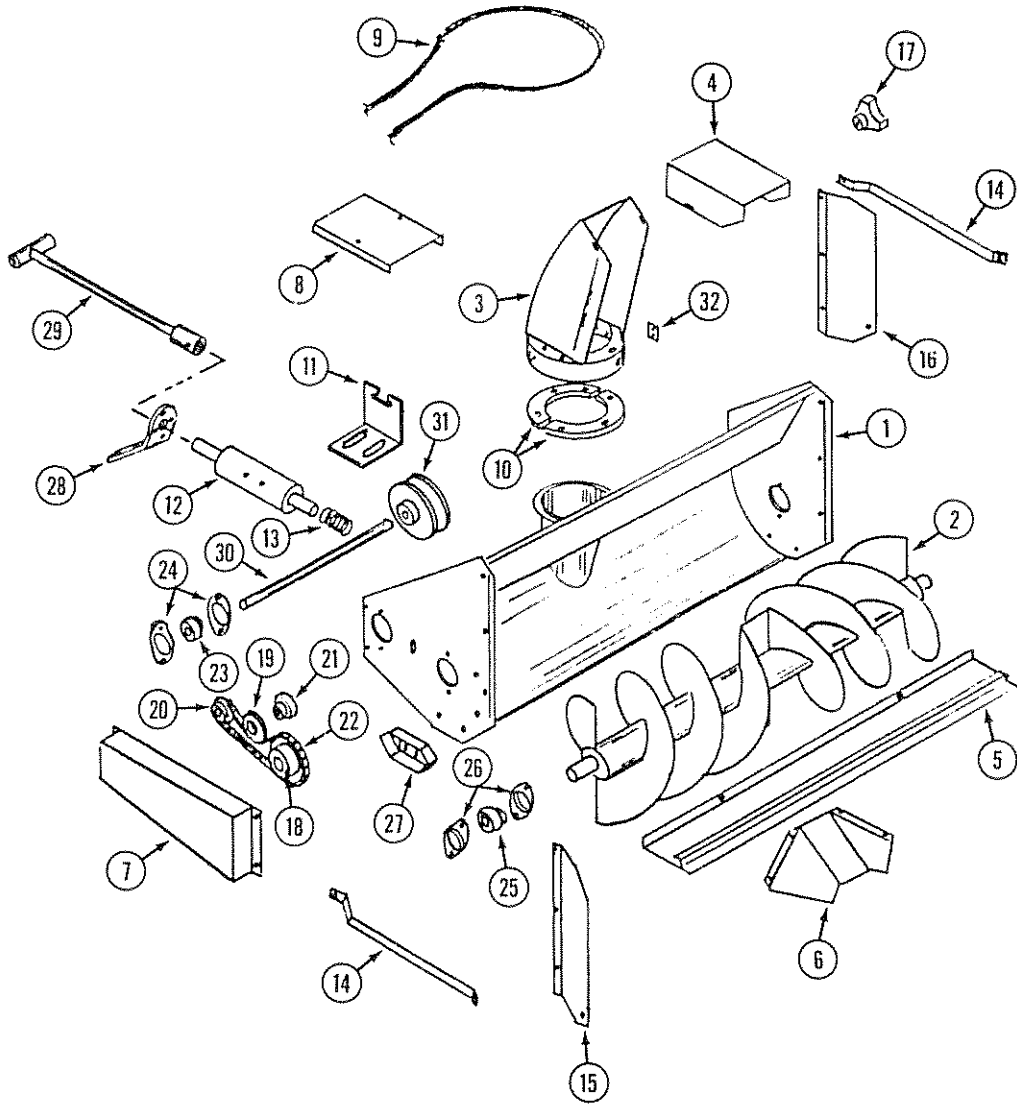
MOWER DRIVE

REF.	PART NO.	DESCRIPTION	REQ'D
1	C 41757	MOUNT - gear box . . . . .	1
2	C 37875	GUARD - belt . . . . .	1
3	C 37877	ANGLE - gear box mount . . . . .	1
4	C 37929	TIGHTENER - belt . . . . .	1
5	C 37945	HOUSING - spindle . . . . .	3
6	C 37946	SPACER - spindle . . . . .	3
7	C 37947	SHAFT - spindle, short . . . . .	2
8	C 37948	SHAFT - spindle, long . . . . .	1
9	C 37882	BEARING - spindle . . . . .	6
10	C 37949	BLADE . . . . .	3
11	C 37950	PULLEY - spindle . . . . .	4
12	C 37932	PULLEY - gear box output . . . . .	1
13	C 37892	PULLEY - gear box input . . . . .	1
14	C 37933	PULLEY - idler, large . . . . .	1
15	C 37934	PULLEY - idler, small . . . . .	1
16	C 38929	BELT - deck . . . . .	1
17	C 37894	BELT - drive . . . . .	1
18	C 37898	GEAR BOX - angle drive (see page 21 for service) . . . . .	1
19	C 37888	WASHER - spacer . . . . .	12
20	C 37901	BOLT - 1/4" - 20 x 4" . . . . .	1
21	C 37899	BOLT - 5/16" - 24 x 3/4" . . . . .	3
22	C 37900	WASHER - 5/16", 10 ga . . . . .	3
23	C 37886	WASHER - blade . . . . .	3
24	C 37557	BOLT - 3/8" - 24 x 1-1/4" . . . . .	3
25	C 37771	KEY - 3/16" x 3/16" x 1" . . . . .	6
26	C 37937	SPACER - idler pulley . . . . .	1



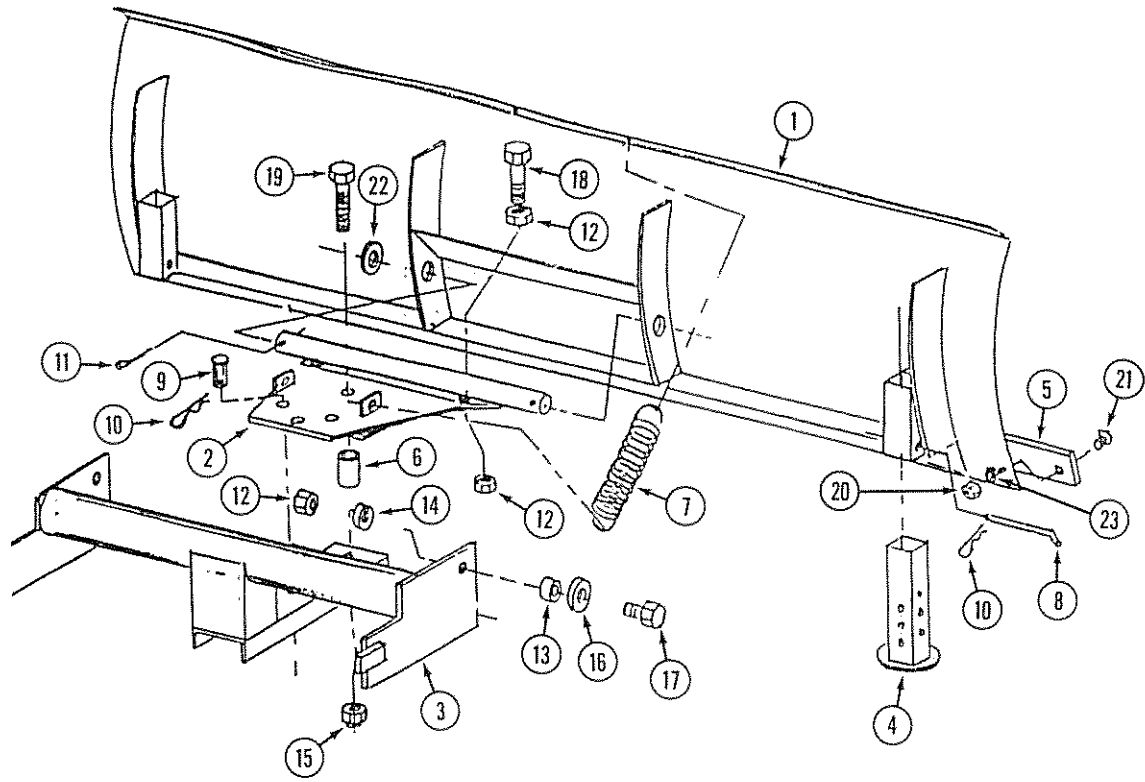
GEAR BOX

REF.	PART NO.	DESCRIPTION	REQ'D
	C 37898	GEAR BOX . . . . .	1
1	C 37959	HOUSING - half . . . . .	2
2	C 37771	KEY - 3/16" x 3/16" x 1" . . . . .	2
3	C 37960	SHAFT - input . . . . .	1
4	C 37961	BEARING - ball . . . . .	1
5	C 37962	BUSHING - pipe 1/4" x 1/8" . . . . .	1
6	C 37963	RING - retaining . . . . .	2
7	C 37964	GEAR - output shaft . . . . .	1
8	C 37965	SHAFT - output . . . . .	1
9	C 37966	BEARING - ball . . . . .	3
10	C 37967	LOCKWASHER . . . . .	6
11	C 37968	CAP SCREW - allen head . . . . .	6
12	C 37974	FITTING - grease 1/4" NPT . . . . .	1
13	C 37969	SEAL - shaft . . . . .	2
14	C 37970	GEAR - input shaft . . . . .	1
15	C 37971	PLUG - expansion . . . . .	1
16	C 37541	ELBOW - street 1/8" x 90° . . . . .	1
17	C 37973	VALVE - relief . . . . .	1
	C 41853	GREASE - synthetic, cartridge . . . . .	1



## MODEL FCSB51 SNOWBLOWER

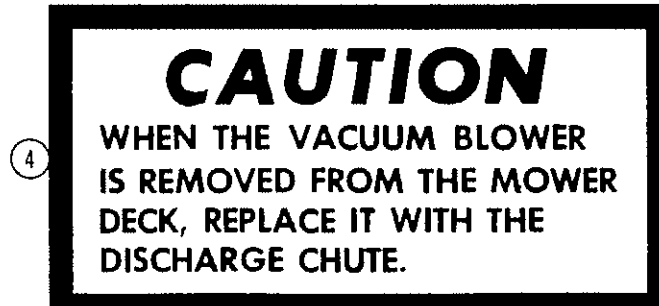
REF.	PART NO.	DESCRIPTION	REQ'D
1	C 39295	HOUSING - auger 51"	1
2	C 39296	AUGER	1
3	C 39306	CHUTE	1
4	C 39298	DEFLECTOR	1
5	C 38939	EDGE - cutting	1
6	C 38579	RETAINER	1
7	C 39299	GUARD - chain	1
8	C 39300	GUARD - belt	1
9	C 39342	CABLE - chute 1/8" x 84"	1
10	C 39307	CLAMP - chute	2
11	C 39048	RETAINER - cable	1
12	C 39309	PULLEY - cable	1
13	C 39340	SPRING	1
14	C 39045	BRACE - extender	2
15	C 39303	EXTENDER - R.H.	1
16	C 39038	EXTENDER - L.H.	1
17	C 39341	NUT - wing	2
18	C 38862	SPROCKET - auger	1
19	C 38973	SPROCKET - idler	1
20	C 38619	SPROCKET - drive	1
21	C 38638	BUSHING - sprocket	1
22	C 38644	CHAIN - drive #40	1
23	C 38961	BEARING - 3/4"	2
24	C 39024	FLANGE - bearing 3/4"	4
25	C 38816	BEARING - 1"	2
26	C 38970	FLANGE - bearing 1"	4
27	C 38891	SHOE - skid	2
28	C 39308	SUPPORT - cable pulley	1
29	C 39310	HANDLE -	1
30	C 39305	SHAFT - drive	1
31	C 37932	PULLEY - drive	1
32	C 39311	CLAMP - cable	1





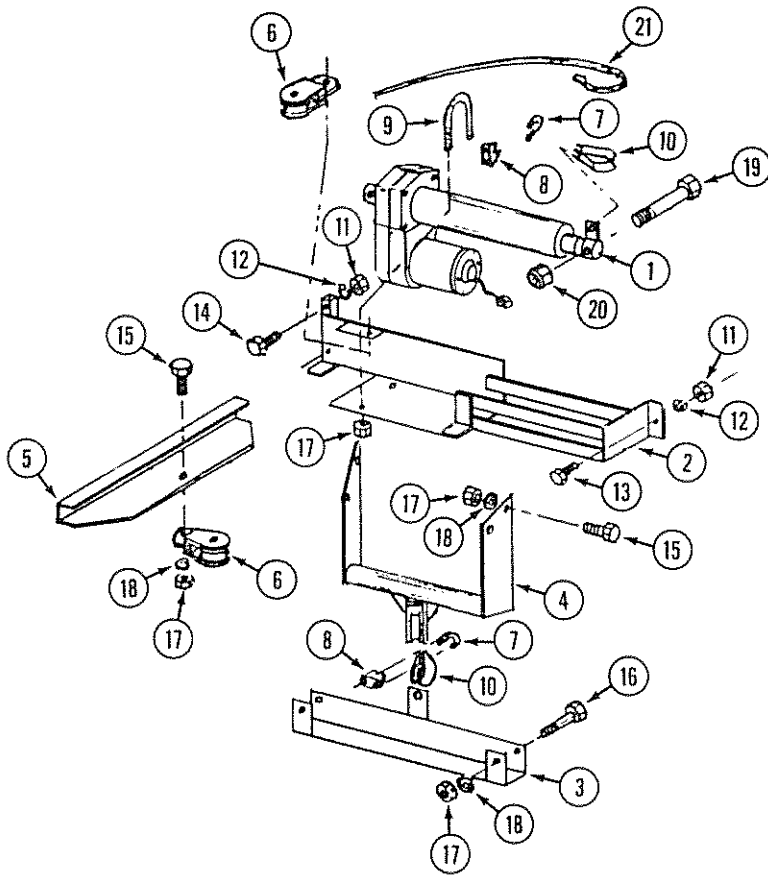
## MODEL FCUB54 UTILITY BLADE

REF.	PART NO.	DESCRIPTION	REQ'D
1	C 39312	BLADE - 54"	1
2	C 39313	MOUNT - pivot	1
3	C 38922	MOUNT - blade	1
4	C 38892	PLATE - skid	2
5	C 38943	EDGE - cutting	1
6	C 38420	BUSHING - pivot	1
7	C 37815	SPRING - trip	2
8	C 38825	PIN - skid plate	2
9	C 38689	PIN - clevis 1/2"	1
10	C 38096	PIN - hair	3
11	132- 91	PIN - cotter 3/16" x 1"	2
12	C 37593	NUT - 1/2" - 13	6
13	C 37576	BUSHING	2
14	C 37590	LOCK WASHER - 1/2"	2
15	C 39396	NUT - 1/2" lock	1
16	C 37589	WASHER - 1/2"	2
17	C 38097	BOLT - 1/2" - 13 x 1-1/2"	2
18	C 37588	BOLT - 1/2" - 13 x 2-1/4"	2
19	C 38682	BOLT - 1/2" - 13 x 3"	1
20	C 37560	NUT - 5/16" - 18	7
21	C 38090	BOLT - carriage 5/16" - 18 x 1"	7
22	C 37999	WASHER - 3/4"	2
23	C 37748	LOCK WASHER - 5/16"	7



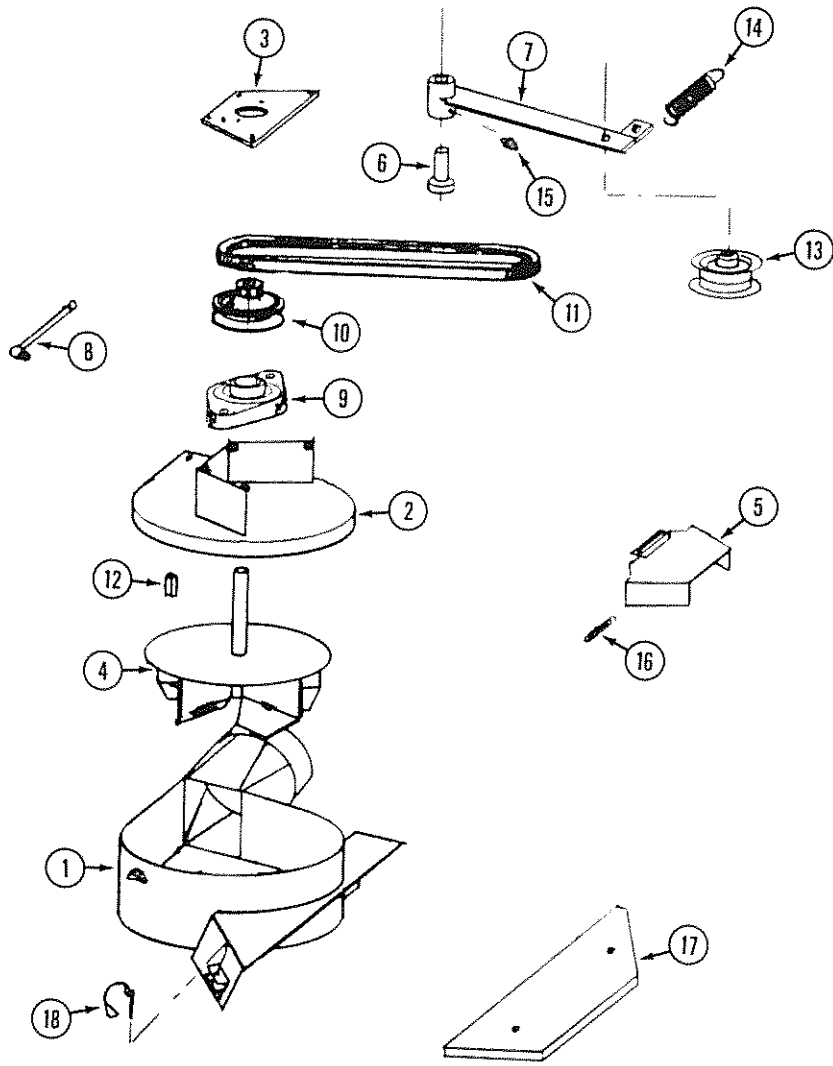
DECALS

REF.	PART NO.	DESCRIPTION	REQ'D
1	C 37491	DECAL - caution (whirling blades) (mowers) . . . . .	1
2	C 37493	DECAL - caution (grass chute) (mowers) . . . . .	1
3	C 37494	DECAL - danger (guard) (mowers and vacuum blower) . . . . .	1
4	C 37492	DECAL - caution (vacuum blower) . . . . .	1



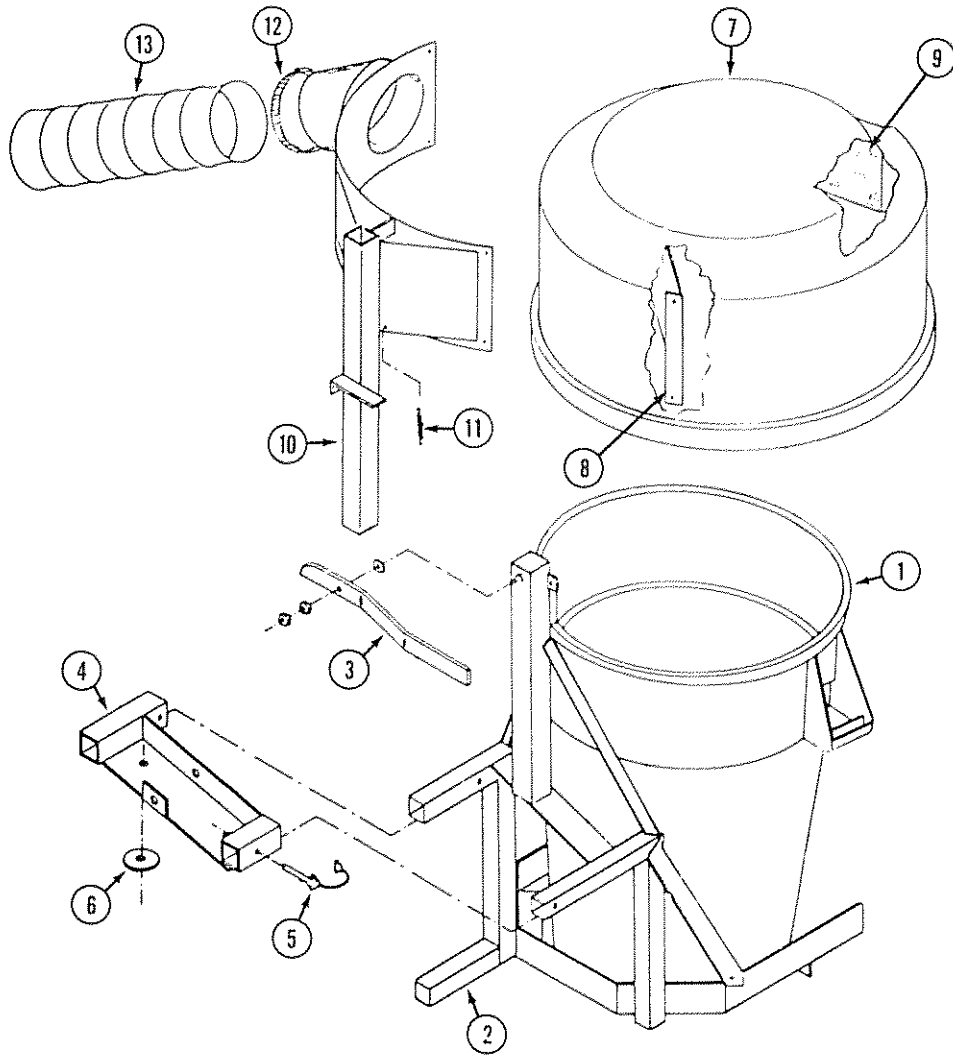
**EDL ELECTRIC DECK LIFT KIT**  
(Optional)

REF.	PART NO.	DESCRIPTION	REQ'D
1	C 37529	ACTUATOR - lift	1
2	C 39023	MOUNT - actuator	1
3	C 39034	ADAPTER - deck lift	1
4	C 39032	NOSE - cable mount	1
5	C 39314	BRACKET - side, cable mount	1
6	C 38824	PULLEY - cable	2
7	C 37616	BOLT - "U"	2
8	C 39338	CLAMP - cable	2
9	C 38096	BOLT - "U"	1
10	C 39339	THIMBLE - cable	2
11	C 37758	NUT - 1/4" - 20	3
12	C 37757	LOCK WASHER - 1/4"	3
13	C 38084	BOLT - 1/4" - 20 x 3/4"	1
14	C 37759	BOLT - 1/4" - 20 x 1"	2
15	C 38085	BOLT - 5/16" - 18 x 1"	4
16	C 37750	BOLT - 5/16" - 18 x 2"	2
17	129- 102	NUT - 5/16" - 18	6
18	C 37748	LOCK WASHER - 5/16"	6
19	C 38615	BOLT - 1/2"	1
20	C 39396	NUT - lock 1/2" - 13	1
21	C 38598	CABLE - lift 64"	1



## VAC BLOWER

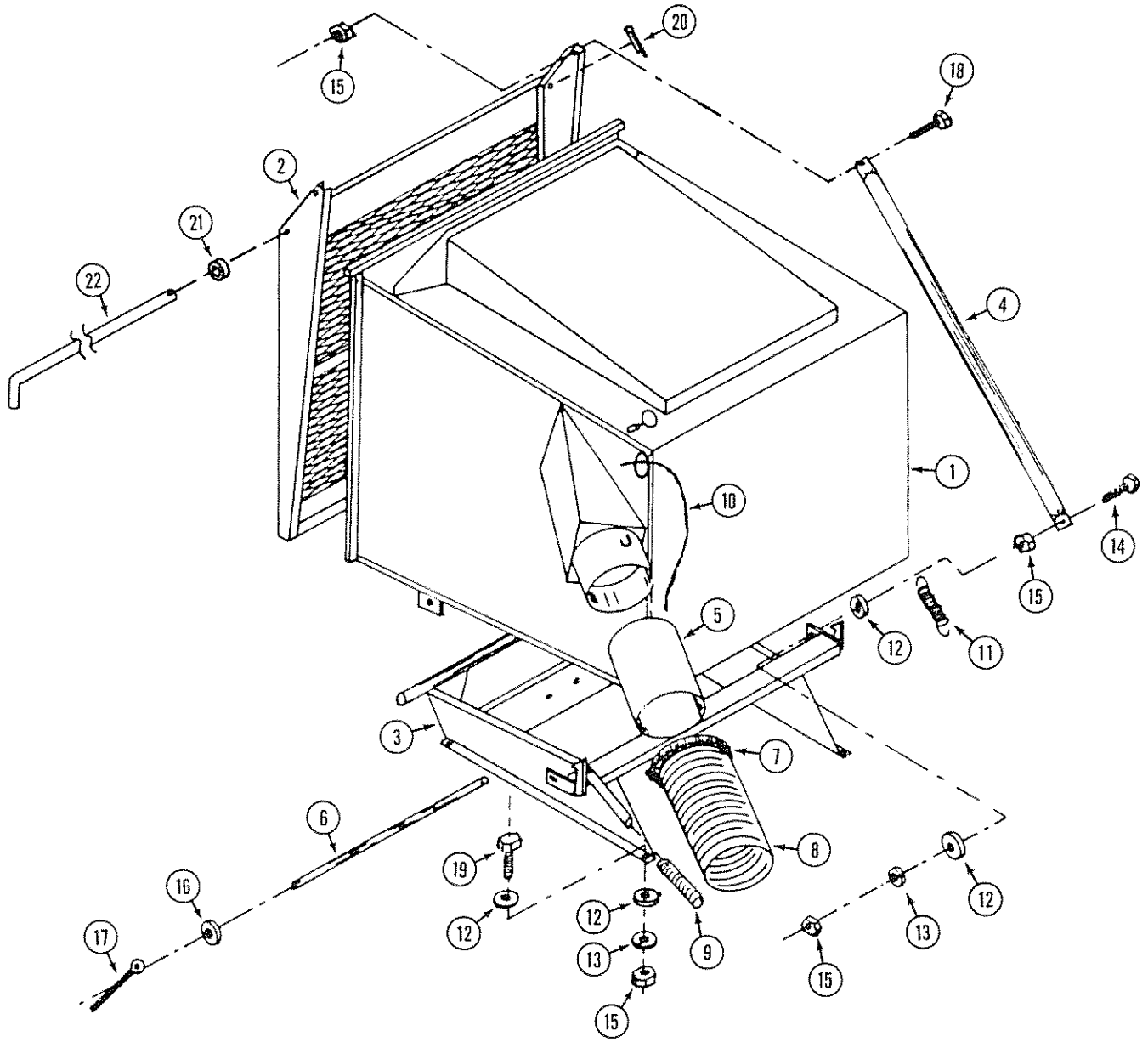
REF.	PART NO.	DESCRIPTION	REQ'D
1	C 38395	HOUSING - (for VB4252) . . . . .	1
1	C 38396	HOUSING - (for 62" deck) (for VB62) . . . . .	1
2	C 38397	CAP - blower . . . . .	1
3	C 38398	PLATE - bearing . . . . .	1
4	C 38399	BLADE - blower . . . . .	1
5	C 38400	GUARD - belt . . . . .	1
6	C 38401	BUSHING - idler arm . . . . .	1
7	C 38402	ARM - idler . . . . .	1
8	C 38403	TUBE - lubrication . . . . .	1
9	C 37773	FLANGE ASSEMBLY - bearing . . . . .	2
9	C 38404	BEARING - 3/4" . . . . .	1
10	C 38405	PULLEY - drive . . . . .	1
11	C 37995	BELT - blower drive (for 42" and 52" decks) (VB4252) . . . . .	1
11	C 38407	BELT - blower drive (for 62" deck) (for VB62) . . . . .	1
12	C 37771	KEY - 3/16" x 3/16" x 1" . . . . .	1
13	C 37706	PULLEY - idler . . . . .	1
14	C 38408	SPRING - clutch . . . . .	1
15	C 37993	FITTING - lubrication 1/4" - 28 self-tap . . . . .	1
16	C 37837	SPRING . . . . .	1
17	C 38409	WEIGHT - counter (for 42" and 52" decks) (for VB4252) . . . . .	1
18	C 37922	PIN - "fas-tatch" . . . . .	1





BARREL COLLECTOR

REF.	PART NO.	DESCRIPTION	REQ'D
1	C 38584	BARREL .....	1
2	C 38411	MOUNT - barrel .....	1
3	C 38412	HANDLE .....	1
4	C 38413	BRACKET - barrel mount .....	1
5	C 37922	PIN - "fas-tatch" .....	2
6	C 37581	WASHER - body mount .....	2
7	C 38414	LID - barrel .....	1
8	C 38415	DEFLECTOR .....	1
9	C 38416	SCREEN .....	1
10	C 38417	MOUNT - lid .....	1
11	C 38404	SPRING .....	1
12	C 38418	CLAMP - hose .....	2
13	C 38419	HOSE .....	1



## GRASS BOX

REF.	PART NO.	DESCRIPTION	REQ'D
1	C 41763	BOX - grass	1
2	C 38426	DOOR	1
3	C 41533	MOUNT - box	1
4	C 38897	LINKAGE - door L.H. (shown)	1
4	C 38898	LINKAGE - door R.H.	1
5	C 38430	TUBE	1
6	C 38431	PIN - pivot	1
7	C 38432	CLAMP - hose	2
8	C 38419	HOSE - 55"	1
9	C 37631	GRIP - handle	2
10	C 38433	ROPE	1
11	C 38434	SPRING	1
12	C 37765	WASHER - 5/16"	12
13	C 37748	LOCK WASHER - 5/16"	8
14	C 38435	BOLT - 5/16" - 18 x 1-1/4"	2
15	129- 102	NUT - 5/16" - 18	8
16	C 38436	WASHER - 7/16"	2
17	C 37594	PIN - cotter 3/16" - 1-1/4"	2
18	C 38085	BOLT - 5/16" - 18 x 1"	4
19	C 38086	BOLT - 5/16" - 18 x 3/4"	4
20	C 37629	PIN - cotter 1/8" x 1"	1
21	C 37735	WASHER - 1/4*"	2
22	C 39299	PIN - door	1

## NUMERICAL INDEX

PART NO.	PAGE NO.	REF. NO.	PART NO.	PAGE NO.	REF. NO.	PART NO.	PAGE NO.	REF. NO.
C29029	13	23	C37875	7	41	C37911	9	9
C29581	15	25	C37875	11	2	C37911	13	9
C29692	13	22	C37875	15	2	C37911	17	9
C37491	27	1	C37875	19	2	C37912	5	22
C37493	27	2	C37877	7	40	C37912	9	10
C37494	27	3	C37877	11	3	C37912	13	10
C37505	7	46	C37877	15	3	C37912	17	10
C37505	9	18	C37877	19	3	C37913	5	18
C37505	13	18	C37878	11	4	C37913	9	11
C37505	17	18	C37879	11	5	C37913	13	11
C37529	29	1	C37880	5	5	C37913	17	11
C37541	21	16	C37880	11	6	C37914	5	16
C37557	5	10	C37880	15	5	C37914	9	12
C37557	11	13	C37881	5	6	C37914	13	12
C37557	19	24	C37881	11	7	C37914	17	12
C37560	7	60	C37881	15	6	C37915	5	14
C37560	25	20	C37882	5	4	C37915	9	13
C37576	25	13	C37882	11	8	C37915	13	13
C37581	33	6	C37882	15	9	C37915	17	13
C37588	25	18	C37882	19	9	C37916	5	13
C37589	25	16	C37883	5	12	C37916	9	14
C37590	7	49	C37883	11	9	C37916	13	14
C37590	25	14	C37883	15	7	C37916	17	14
C37591	7	63	C37884	11	10	C37917	5	
C37592	7	64	C37884	15	8	C37917	9	
C37593	7	50	C37885	11	11	C37917	13	
C37593	25	12	C37886	5	9	C37917	17	
C37594	35	17	C37886	11	12	C37918	5	
C37597	7	43	C37886	15	23	C37918	9	
C37598	7	44	C37886	19	23	C37918	13	
C37598	13	41	C37887	11	14	C37918	17	
C37616	29	7	C37887	11	30	C37920	5	20
C37629	35	20	C37888	5	28	C37920	9	16
C37631	35	9	C37888	11	15	C37920	13	16
C37706	31	13	C37888	15	19	C37920	17	16
C37734	7	68	C37888	19	19	C37921	5	21
C37735	35	21	C37889	11	16	C37921	9	17
C37748	7	59	C37889	11	17	C37921	13	17
C37748	25	23	C37891	11	19	C37921	17	17
C37748	29	18	C37892	7	37	C37922	9	21
C37748	35	13	C37892	11	20	C37922	13	21
C37750	29	16	C37892	15	13	C37922	17	21
C37756	13	33	C37892	19	13	C37922	31	18
C37757	7	53	C37894	7	38	C37922	33	5
C37757	29	12	C37894	11	21	C37924	9	23
C37758	29	11	C37894	15	17	C37924	17	23
C37759	29	14	C37894	19	17	C37925	9	24
C37765	35	12	C37896	11	22	C37926	9	25
C37771	5	29	C37897	11	23	C37927	7	36
C37771	11	27	C37898	7	39	C37927	9	26
C37771	19	25	C37898	11	24	C37927	13	24
C37771	21	2	C37898	15	18	C37927	17	25
C37771	31	12	C37898	19	18	C37929	15	4
C37773	31	9	C37898	21		C37929	19	4
C37815	25	7	C37899	7	67	C37930	5	11
C37824	5	17	C37899	11	25	C37930	15	10
C37824	9	20	C37899	19	21	C37931	15	11
C37824	13	20	C37900	7	45	C37932	15	12
C37824	17	20	C37900	11	26	C37932	19	12
C37837	31	16	C37900	15	22	C37932	23	31
C37860	5	19	C37900	19	22	C37933	15	14
C37860	9	19	C37901	5	31	C37933	19	14
C37860	13	19	C37901	11	28	C37934	15	15
C37860	17	19	C37901	15	20	C37934	19	15
C37872	5		C37901	19	20	C37935	15	16
C37872	9		C37910	9	8	C37937	5	26
C37872	13		C37910	13	8	C37937	15	26
C37872	17		C37910	17	8	C37937	19	26

NUMERICAL INDEX

PART NO.	PAGE NO.	REF. NO.	PART NO.	PAGE NO.	REF. NO.	PART NO.	PAGE NO.	REF. NO.
C37941	5	35	C38096	25	10	C39045	23	14
C37942	5	2	C38096	29	9	C39048	23	11
C37942	13	7	C38097	25	17	C39200	13	6
C37943	13	25	C38395	31	1	C39203	5	33
C37943	17	26	C38396	31	1	C39203	13	5
C37945	19	5	C38397	31	2	C39204	13	4
C37946	19	6	C38398	31	3	C39205	5	34
C37947	19	7	C38399	31	4	C39205	15	1
C37948	19	8	C38400	31	5	C39208	9	2
C37949	19	10	C38401	31	6	C39208	13	2
C37950	19	11	C38402	31	7	C39209	9	3
C37957	17	24	C38403	31	8	C39209	13	3
C37958	17	27	C38404	31	9	C39210	13	1
C37959	21	1	C38404	33	11	C39295	23	1
C37960	21	3	C38405	31	10	C39296	23	2
C37961	21	4	C38407	31	11	C39298	23	4
C37962	21	5	C38408	31	14	C39299	23	7
C37963	21	6	C38409	31	17	C39299	35	22
C37964	21	7	C38411	33	2	C39300	23	8
C37965	17	7	C38412	33	3	C39303	23	15
C37965	21	8	C38413	33	4	C39305	23	30
C37966	21	9	C38414	33	7	C39306	23	3
C37967	21	10	C38415	33	8	C39307	23	10
C37968	21	11	C38416	33	9	C39308	23	26
C37969	21	13	C38417	33	10	C39309	23	12
C37970	21	14	C38418	33	12	C39310	23	29
C37971	21	15	C38419	33	13	C39311	23	32
C37973	21	17	C38419	35	8	C39312	25	1
C37974	21	12	C38420	25	6	C39313	25	2
C37993	13	32	C38426	35	2	C39314	29	5
C37993	31	15	C38430	35	5	C39338	29	8
C37995	31	11	C38431	35	6	C39339	29	10
C37999	25	22	C38432	35	7	C39340	23	13
C38036	11	11	C38433	35	10	C39341	23	17
C38037	11	29	C38434	35	11	C39342	23	9
C38042	15	10	C38435	35	14	C39396	25	15
C38056	5	15	C38436	35	16	C39396	29	20
C38056	9	15	C38451	9	7	G41249	9	1
C38056	17	15	C38579	23	6	G41255	9	4
C38063	9	6	C38584	33	1	G41259	9	5
C38073	5	3	C38589	7	47	G41269	11	1
C38074	5	7	C38598	29	21	G41368	17	1
C38075	5	8	C38615	29	19	G41373	17	6
C38076	5	23	C38619	23	20	G41378	17	5
C38077	5	24	C38638	23	21	G41392	17	4
C38078	5	25	C38644	23	22	G41396	17	2
C38079	5	27	C38682	25	19	G41400	17	3
C38080	5	30	C38689	25	9	G41533	35	3
C38083	7	42	C38816	23	25	G41658	11	18
C38084	7	51	C38824	29	6	G41757	19	1
C38084	29	13	C38825	25	8	G41763	35	1
C38085	7	52	C38862	23	18	G41853	21	
C38085	29	15	C38891	23	27	G42228	5	1
C38085	35	18	C38892	25	4	G42230	5	32
C38086	7	54	C38897	35	4	111- 202	13	39
C38086	35	19	C38898	35	4	111- 203	13	42
C38087	7	55	C38922	25	3	111- 371	15	35
C38088	7	56	C38929	19	16	113- 1	13	30
C38089	7	57	C38939	23	5	113- 1	15	40
C38090	7	58	C38943	25	5	113- 3	13	26
C38090	25	21	C38961	23	23	113- 102	13	38
C38091	7	61	C38970	23	26	113- 102	15	38
C38092	7	62	C38973	23	19	113- 103	15	36
C38093	7	65	C39023	29	2	113- 208	15	33
C38094	7	66	C39024	23	24	113- 257	15	10
C38095	9	22	C39032	29	4	113- 312	15	27
C38095	17	22	C39034	29	3	113-2419	13	15
C38096	7	48	C39038	23	16	114- 102	15	21

## NUMERICAL INDEX

PART NO. ---	PAGE NO. ---	REF. NO. ---
114 - 201	15	24
129 - 101	13	28
129 - 102	13	35
129 - 102	15	39
129 - 102	29	17
129 - 102	35	15
129 - 103	15	31
129 - 104	15	29
129 - 105	13	37
131 - 71	13	29
131 - 71	15	34
132 - 91	25	11
182 - 528	13	40
192 - 19	13	27
192 - 19	15	41
192 - 20	13	34
192 - 20	15	37
192 - 21	15	32
192 - 22	15	28
192 - 23	13	36
195 - 102	13	31