



Ingersoll

**FRONT CUT TRACTORS
MODEL 5012, 5016 AND 5018
Parts Catalog 8-3241**

[HOME](#)

[TRACTORS](#)

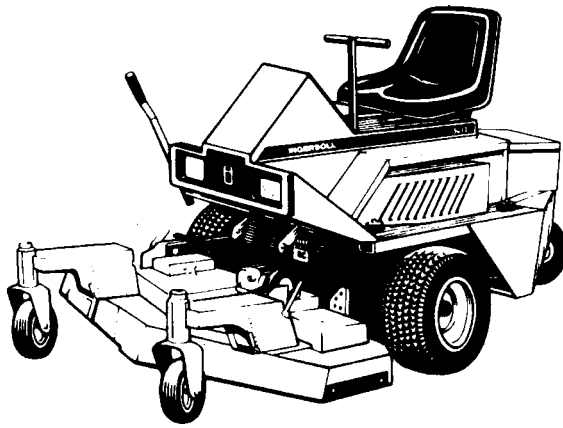
[ATTACHMENTS](#)

[INDEX](#)

[PAINT](#)

[ENGINES](#)

[GENERAL INFO](#)



INDEX

There is an index at the front of this catalog. The front index is an alphabetical index of the major groups or assemblies.

ILLUSTRATION

Each illustration in this catalog shows a group of parts or components. These parts and components are aligned approximately as the parts and components on your machine. Each part and component in an illustration has a reference number. These reference numbers are in a list on the page opposite of the illustration. Next to the reference number is the part number, description and required quantity of the part shown in the illustration.

UAR - "Use as required" indicates that the part quantity is variable.

NSS - "Not sold separately" indicates that the part is only available as component of an assembly or the part must be purchased locally. If the part is an assembly component, the description will be indented under the assembly description in the parts list.

O/L - "Obtain locally"

- "Footnotes" are added to a part number when more information is needed for identification. They only relate to the part numbers indicated. All orders must include the following information:

1. Correct part number.

PARTS ORDERS

2. Complete description of part or component.
3. Total quantity of each part or component.
4. Product model number.
5. All necessary product identification numbers.
6. Method for sending the parts.
7. Complete and correct address.

CATALOG REVISIONS

As the product changes, new pages will be available for your catalog. A notice will be issued.

IMPORTANT: Put all revisions into the catalog as soon as possible.

RIGHT HAND AND LEFT HAND IDENTIFICATION

The words right hand (RH) and left hand (LH) as used in this catalog indicate the direction while you are in the operator's seat in the normal operating position.

INDENTED DESCRIPTIONS

An assembly can have many components. The components of an assembly are indicated by an indented description. The quantity for an indented part is the total needed for that complete assembly. See the example.

| REF. | PART NO. | DESCRIPTION | REQ'D |
|------|----------|--------------------------------------|-------|
| | C 55159 | CYLINDER ASSY - rear steering | 1 |
| 28 | C 56208 | SOCKET ASSY - rear cylinder | 1 |
| 29 | C 55956 | PLUG - adjusting, socket assy | 1 |
| 30 | C 55957 | SEAT- socket, ball..... | 2 |
| 31 | C 56210 | SPRING-socket | 1 |
| 32 | C 56209 | SEAT - socket spring | 1 |
| 33 | G 45175 | CLAMP ASSY - socket assy | 1 |
| | 16- 836 | BOLT-1/2"x2-1/4" N.F. hex..... | 1 |
| 34 | 132- 104 | PIN-cotter, 3/16"x3" | 1 |
| 35 | C 55889 | STUD - ball, socket & cylinder | 2 |
| 36 | 13- 410 | BOLT-1/4"x5/8"N.C.,hex | 4 |
| 37 | 92- 4 | LOCK WASHER - 1/4"SAE | 4 |

MODEL 5012, 5016 AND 5018 FRONT CUT MOWERS**PRODUCT IDENTIFICATION NUMBERS (P.I.N.)
OR SERIAL NUMBERS (S/N)**

The P.I.N. for your front cut mower is located on a sticker placed on the inside of the base near the battery. Other components will have the P.I.N. attached individually. Example (engines, transmissions, etc.).

ENGINE IDENTIFICATION

| TRACTOR MODEL | ENGINE MODEL |
|----------------------|------------------------------------------------------------------------------|
| 5012 * | BRIGGS & STRATTON CORPORATION ENGINE MODEL 422447 SPEC. NO. 1277-01 |
| 5016 * | BRIGGS & STRATTON CORPORATION ENGINE MODEL 402447 SPEC. NO. 1225 |
| 5018 * | KOHLER COMPANY ENGINE MODEL MI8QS SPEC. NO. PS24532 |

*** IMPORTANT NOTICE:** In this catalog Briggs & Stratton and Kohler engine parts and warranty are handled by the engine manufacturer.

CONTACT YOUR LOCAL ENGINE DISTRIBUTOR

ALPHABETICAL INDEX

| | | | |
|--------------------------------------|----|--------------------------------------------------|----|
| Engine and Attaching Parts | 5 | Drive Assembly R.H. (5018) | 35 |
| Air Cleaner – 5018 (Kohler) | 7 | Drive Assembly L.H. (5018) | 37 |
| Carburetor – 5018 (Kohler) | 7 | Steering Cable Kit (5018) | 39 |
| Clutch - Electric | 21 | Lift Lever | 39 |
| Fuel System | 21 | Transmission and Drive Chains (5012, 5016) | 41 |
| Base Assembly | 23 | Cross Shaft, Transmission (5012, 5016) | 43 |
| Body | 25 | Hydraulic System (5018) | 45 |
| Seat Lid and Steering | 27 | Wiring Diagram – 5012, early 5016 and 5018 | 47 |
| Single Tail Wheel | 29 | Wiring Diagram – later 5016 and 5018 | 49 |
| Dual Tail Wheel – DW10 | 29 | Decals | 51 |
| Dual Tail Wheel – DTW10 | 31 | Deck Lift, Electric – Wench Style | 53 |
| Parking Brake | 33 | Deck Lift, Electric – Cylinder Style | 55 |
| Cross Shaft, Pump Drive (5018) | 33 | | |

NOTE: Contact your local Briggs and Stratton or Kohler dealer for engine parts.



Ingersoll

Paint & Oil

INDEX

PAINT

Power Red Gloss

16-ounce Aerosol Can..... C28484
Quart C28485

Power White

16-ounce Aerosol Can..... C28812
Quart C28845

Power Yellow (Older 600 Series)

16-ounce Aerosol Can..... C28847
Quart C28848

Power Tan (6000 Series)

16-ounce Aerosol Can..... C28853
Quart C28854

Desert Sunset (Older 400 Series)

16-ounce Aerosol Can..... C28846
Quart C28852

Black, Semi Gloss

16-ounce Aerosol Can..... C28849
Quart C28850

Black, High Heat

16-ounce Aerosol Can..... C28851

Silver

16-ounce Aerosol Can..... C30870

M & W Plum

16-ounce Aerosol Can..... 10-5688

Grazer Grey

16-ounce Aerosol Can..... C38444
Quart C38982

Odyssey Charcoal Grey

16-ounce Aerosol Can..... C47171

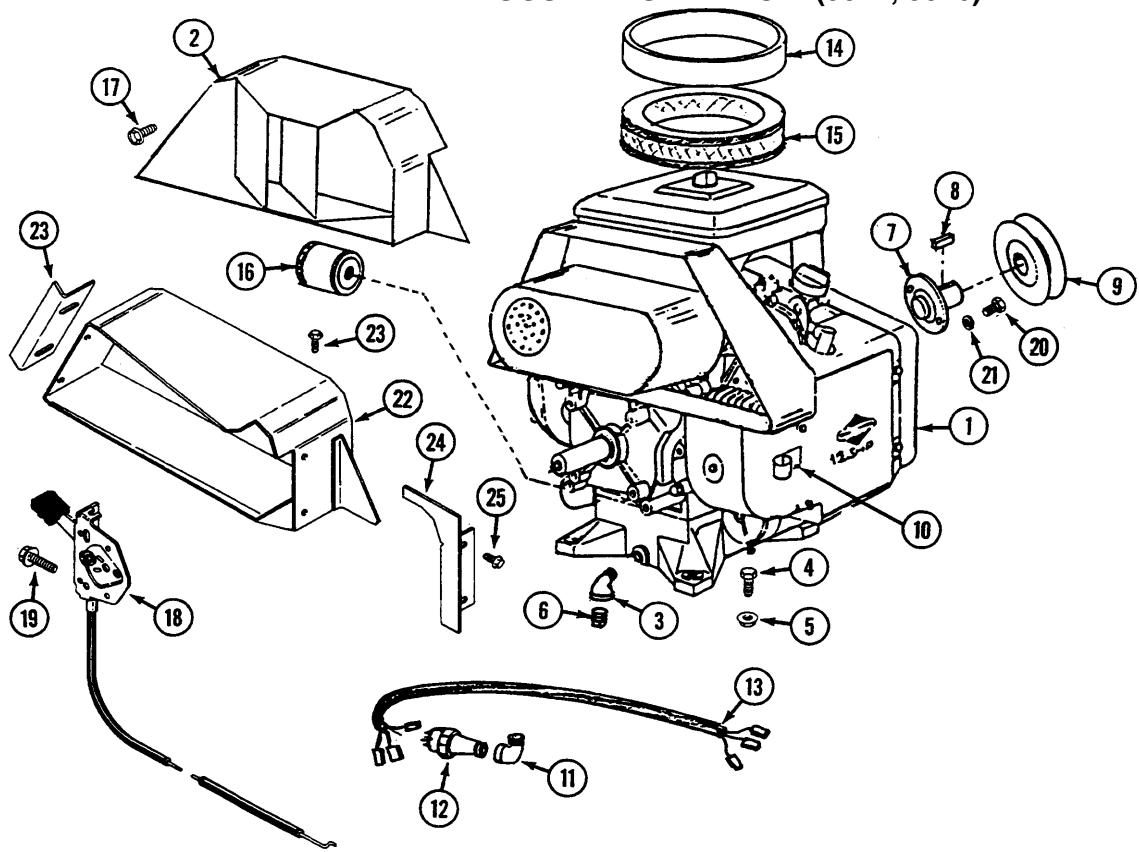
HYDRAULIC OIL

20W40, Use 32 Degrees and above.
12-Quart Case..... C32778

5W20, Use Below 32 Degrees.
12-Quart Case..... C32777

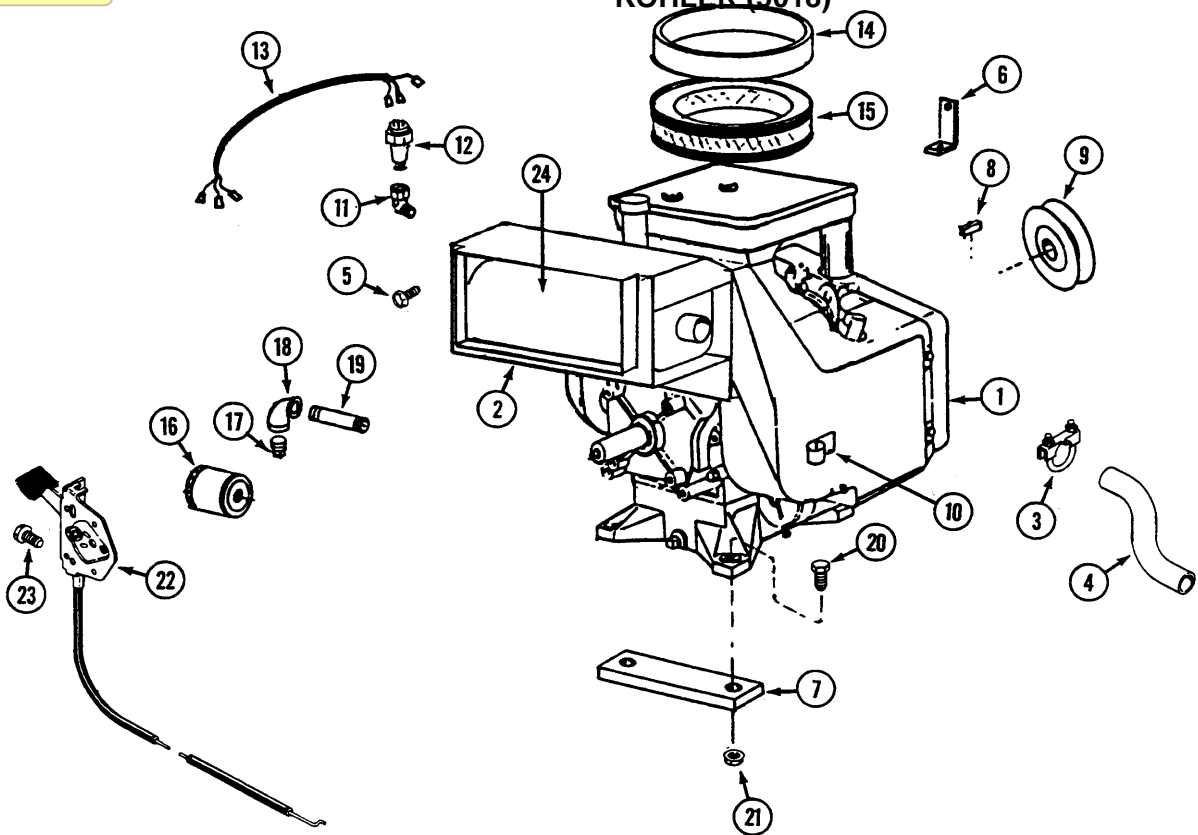
INDEX

BRIGGS AND STRATTON (5012, 5016)



INDEX

KOHLER (5018)



INDEX**MODEL 5012, 5016 AND 5018 FRONT CUT MOWERS****ENGINE AND ATTACHING PARTS (5012, 5016)****BRIGGS AND STRATTON****(See your local distributor for internal parts and warranty)**

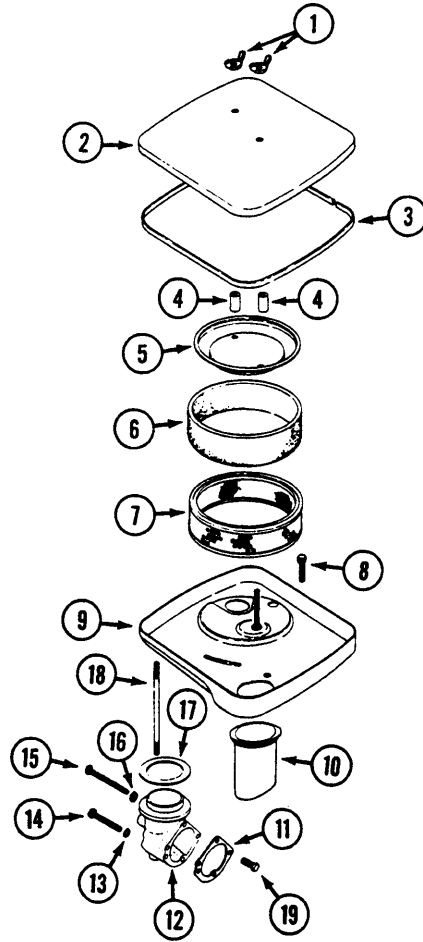
| REF. | PART NO. | DESCRIPTION | REQ'D |
|------|----------|----------------------------------------------------------------------------------------------|-------|
| 1 | C45811 | ENGINE - Briggs & Stratton, model 422447, Spec. 1289 (16 hp) (5016)..... | 1 |
| 1 | NSS | ENGINE - Briggs & Stratton, model 402447 Spec. No. 1225 (16 hp) (5016) (use C45811) | 1 |
| 1 | C41675 | ENGINE - Briggs and Stratton, model 404447, Spec. No. 1211 (12.5 hp) (5012)..... | 1 |
| 2 | C37533 | DUCT - air (use before S/N 14178235) | 1 |
| 3 | 221-1413 | ELBOW - Street 3/8"..... | 1 |
| 4 | 113-104 | BOLT - 5/16" - 18 x 1-1/4"..... | 4 |
| 5 | 131-911 | NUT - 5/16"-18..... | 4 |
| 6 | C37546 | PLUG - pipe 3/8"..... | 1 |
| 7 | C37537 | SHAFT - stub..... | 1 |
| 8 | C37538 | KEY - 1/4" x 1/4" x 1"..... | 1 |
| 9 | C37539 | PULLEY - drive (use C32199 set screw) | 1 |
| 10 | C37540 | RETAINER - starter cable..... | 2 |
| 11 | 221-411 | ELBOW - Street 1/8"..... | 1 |
| 12 | C37531 | UNIT - oil sending..... | 1 |
| 13 | C42240 | HARNESS - wire..... | 1 |
| 14 | C37543 | PRECLEANER | 1 |
| 15 | C37544 | FILTER - air | 1 |
| 16 | C37545 | FILTER - oil | 1 |
| 17 | 121-21 | BOLT - 1/4" -20 flange lock..... | 7 |
| 18 | C37819 | CABLE - choke | 1 |
| 18 | C37820 | CABLE - throttle..... | 1 |
| 19 | C39403 | SCREW - #12 x 11/2" | 4 |
| 20 | 113-207 | BOLT - 3/8" - 16 x 1"..... | 2 |
| 21 | 192-21 | LOCKWASHER - 3/8"..... | 2 |
| 22 | C45077 | DUCT - air (use S/N 14178235 and after) | 1 |
| 23 | C45078 | DEFLECTOR - air, front (use S/N 14178235 and after)..... | 1 |
| 24 | C45079 | DEFLECTOR - air, rear (use S/N 14178235 and after) | 1 |
| 25 | 187-1328 | BOLT - #8 - 18 x 3/8"..... | 4 |

INDEX**ENGINE AND ATTACHING PARTS (5018)****KOHLER**

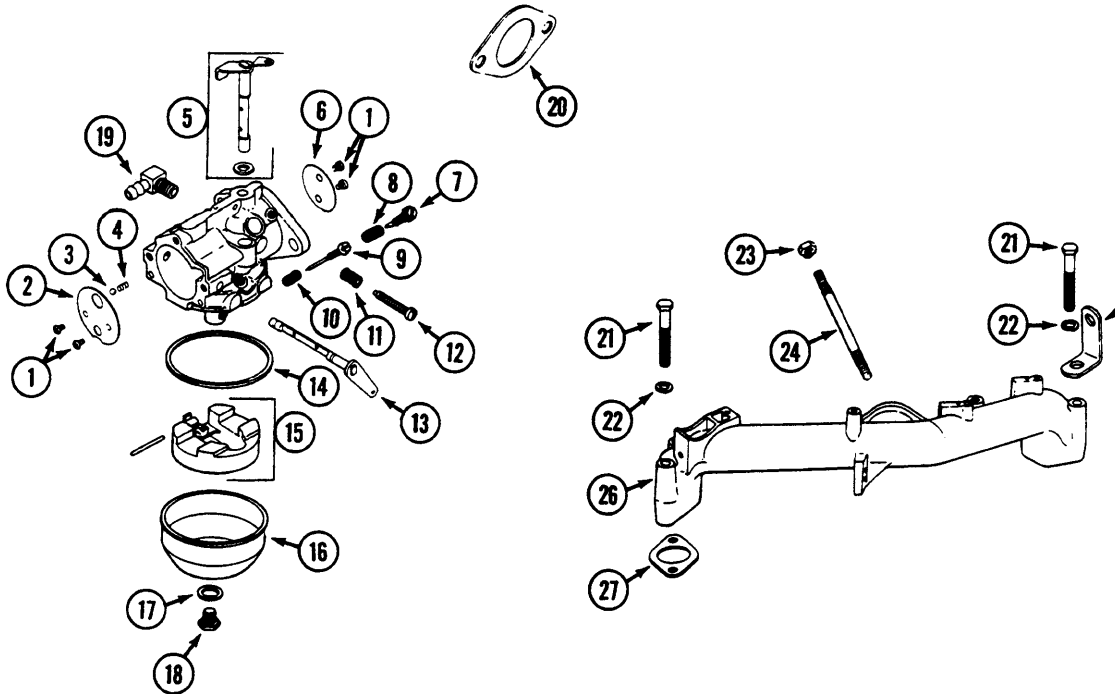
| | | | |
|----|---------|-----------------------------------------------------------------|---|
| 1 | C41676 | ENGINE - Kohler Model M18QS, Spec. No. 24532 (18 hp)..... | 1 |
| 2 | C42050 | DUCT - air | 1 |
| 3 | C42055 | CLAMP - pipe (use before S/N 14175549) | 1 |
| 3 | C45755 | CLAMP - muffler 1-1/2" (use S/N 14175549 and after)..... | 1 |
| 4 | C45684 | PIPE - rear exhaust (also use C45755 before S/N 14175549) | 1 |
| 5 | 121-21 | BOLT - 1/4" - 20 flange lock..... | 7 |
| 6 | C37536 | BRACKET - wire standoff | 4 |
| 7 | C37563 | SPACER..... | 2 |
| 8 | C37538 | KEY - 1/4" x 1/4" x 1"..... | 1 |
| 9 | C37564 | PULLEY - drive (includes 83-46 set screw) | 1 |
| 10 | C37540 | RETAINER - starter wire..... | 1 |
| 11 | C37541 | ELBOW - street 1/8" | 1 |
| 12 | C37531 | UNIT - oil sending..... | 1 |
| 13 | C42240 | HARNESS - wire..... | 1 |
| 14 | C37566 | PRECLEANER | 1 |
| 15 | C37567 | FILTER - air | 1 |
| 16 | C37568 | FILTER - oil | 1 |
| 17 | C37546 | PLUG - pipe 3/8"..... | 1 |
| 18 | 221-376 | ELBOW - pipe 3/8"..... | 1 |
| 19 | C37548 | NIPPLE - pipe 3/8" x 4"..... | 1 |
| 20 | 113-122 | BOLT- 5/16" - 18 x 1-1/2"..... | 4 |
| 21 | 131-911 | NUT - 5/16" - 18..... | 4 |
| 22 | C37819 | CABLE - choke | 1 |
| 22 | C37820 | CABLE - throttle..... | 1 |
| 23 | C39403 | SCREW - #12 x 1/2" | 4 |
| 24 | C40893 | MUFFLER - exhaust..... | 1 |

MODEL 5012, 5016 AND 5018 FRONT CUT MOWERS

AIR CLEANER (5018)



CARBURETOR AND INTAKE MANIFOLD (5018)



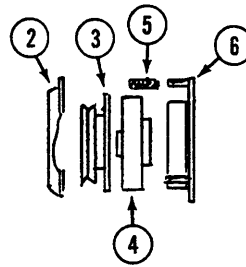
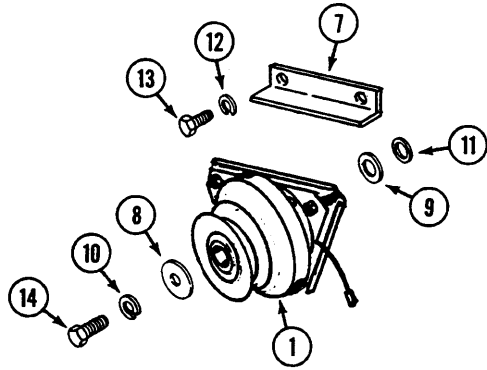
INDEX**MODEL 5012, 5016 AND 5018 FRONT CUT MOWERS****AIR CLEANER (5018)**

| REF. | PART NO. | DESCRIPTION | REQ'D |
|------|----------|-----------------------------------------------|-------|
| 1 | C26703 | NUT - wing 1/4" - 20..... | 2 |
| 2 | C43447 | COVER - air cleaner | 1 |
| 3 | C43448 | SEAL - cover..... | 1 |
| 4 | KO231032 | SEAL - element cover | 2 |
| 5 | C43449 | COVER - element | 1 |
| 6 | C37566 | PRECLEANER..... | 1 |
| 7 | C43451 | ELEMENT - air cleaner | 1 |
| 8 | C43452 | SCREW - 1/4" - 20 x 7/16" washer head | 1 |
| 9 | C43453 | BASE - air cleaner..... | 1 |
| 10 | C43454 | TUBE - air..... | 1 |
| 11 | C43455 | GASKET - elbow | 1 |
| 12 | C43591 | KIT - air intake elbow (inc. ref. 11-19)..... | 1 |
| 13 | C43456 | WASHER - #10 lock..... | 2 |
| 14 | C43457 | SCREW - #10 - 32 x 1-1/4" | 2 |
| 15 | C43458 | SCREW - #10 - 32 x 2-1/4" | 1 |
| 16 | C43459 | WASHER - #10 | 1 |
| 17 | C43460 | GASKET - air cleaner..... | 1 |
| 18 | C43461 | STUD..... | 1 |
| 19 | C43462 | SCREW | 1 |

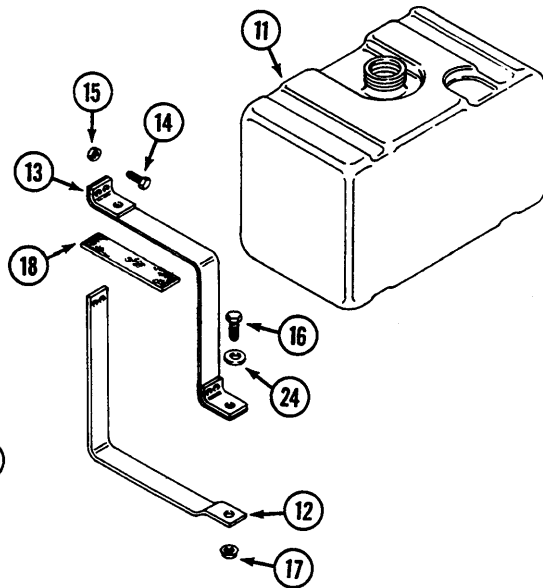
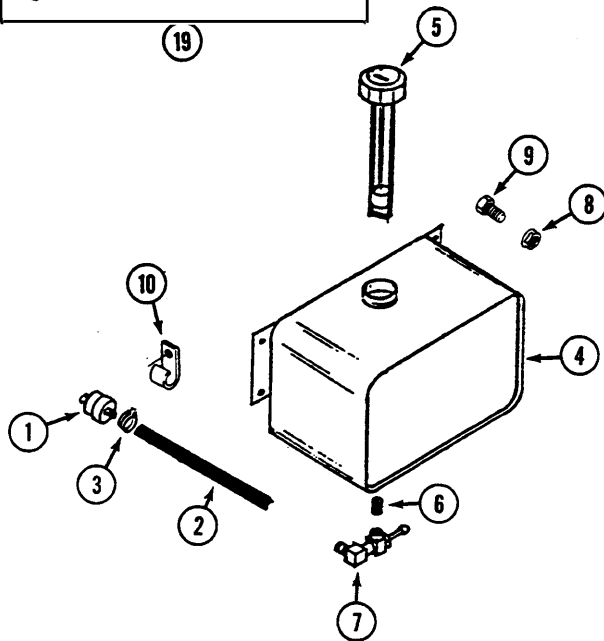
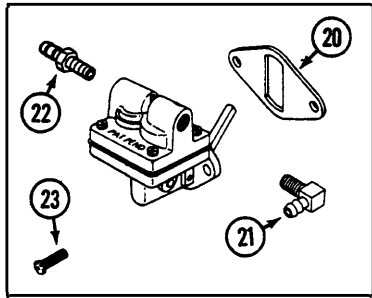
INDEX**CARBURETOR AND INTAKE MANIFOLD (5018)**

| | | | |
|----|--------|---------------------------------------|---|
| | C43485 | CARBURETOR | 1 |
| 1 | C32862 | SCREW - throttle and choke plate..... | 4 |
| 2 | C43493 | PLATE - choke | 1 |
| 3 | C32865 | BALL - choke..... | 1 |
| 4 | C32866 | SPRING - choke..... | 1 |
| 5 | C43494 | SHAFT - throttle (includes seal)..... | 1 |
| 6 | C32869 | PLATE - throttle..... | 1 |
| 7 | C32872 | NEEDLE - idle adjust | 1 |
| 8 | C32871 | SPRING - idle needle..... | 1 |
| 9 | C43491 | NEEDLE - high speed..... | 1 |
| 10 | C32871 | SPRING - main needle | 1 |
| 11 | C32873 | SPRING - throttle adjust | 1 |
| 12 | C32874 | SCREW - throttle adjust..... | 1 |
| 13 | C43496 | SHAFT - choke..... | 1 |
| 14 | C32878 | GASKET - bowl | 1 |
| 15 | C32879 | KIT - float..... | 1 |
| 16 | C32880 | BOWL - fuel..... | 1 |
| 17 | C32881 | GASKET - bowl screw | 1 |
| 18 | C32882 | SCREW - bowl | 1 |
| 19 | C10678 | CONNECTOR - 90° | 1 |
| 20 | C43487 | GASKET - carburetor | 1 |
| 21 | C43488 | SCREW - 5/16" - 18 x 2-3/4" | 4 |
| 22 | 192-20 | LOCKWASHER - 5/16" | 4 |
| 23 | C43490 | NUT - 5/16" - 18 | 2 |
| 24 | C43491 | STUD - 5/16" - 18 x 1" | 2 |
| 25 | C43592 | STRAP - lifting..... | 2 |
| 26 | C43592 | MANIFOLD - intake..... | 1 |
| 27 | C43489 | GASKET - intake manifold | 2 |
| | C32884 | KIT - carburetor repair..... | 1 |

INDEX



INDEX



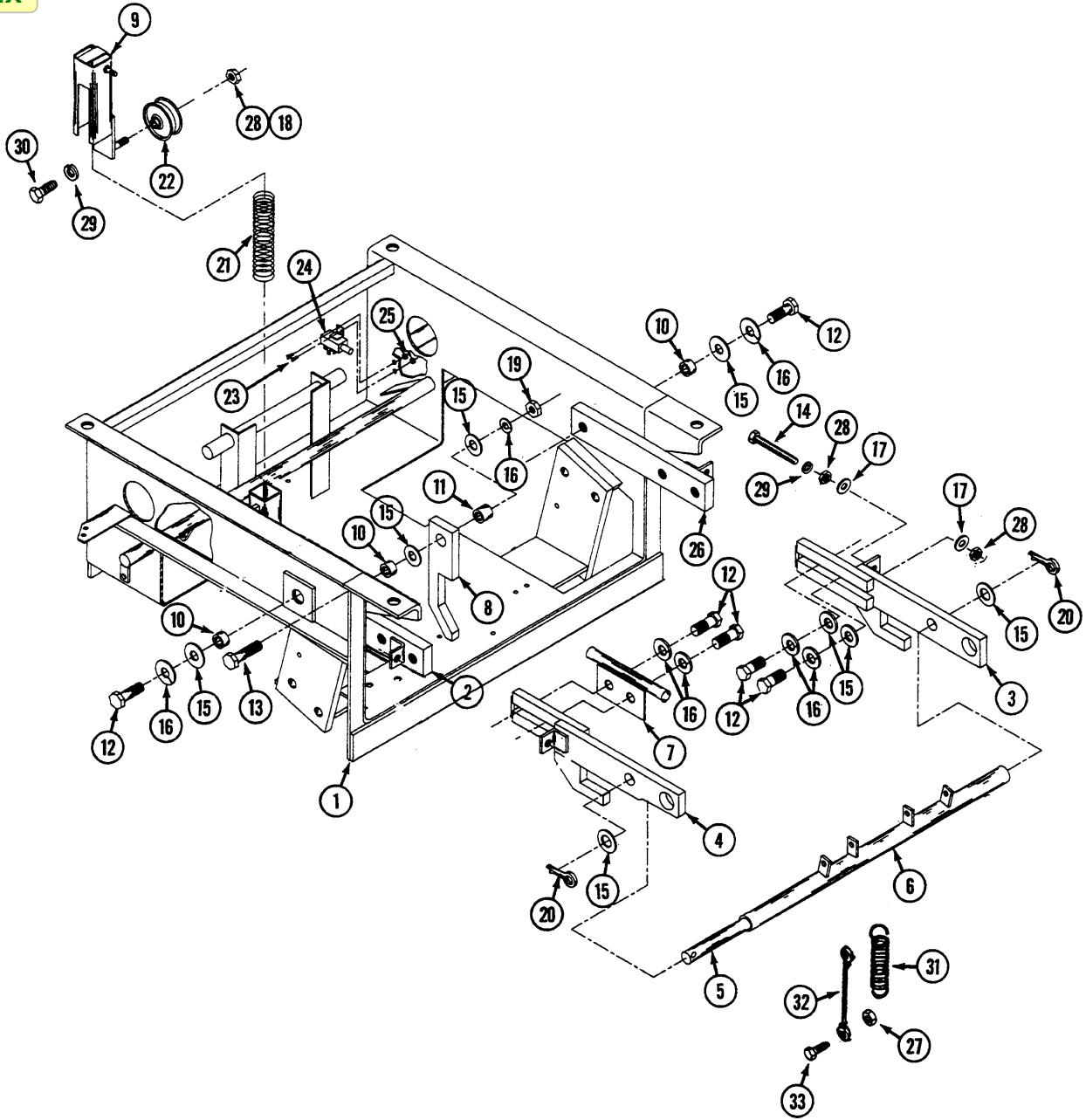
INDEX**MODEL 5012, 5016 AND 5018 FRONT CUT MOWERS****ELECTRIC CLUTCH (PTO)**

| REF. | PART NO. | DESCRIPTION | REQ'D |
|------|----------|---------------------------------------------------|-------|
| 1 | C37511 | CLUTCH ASSEMBLY | 1 |
| 2 | C37549 | BRAKE - clutch | 1 |
| 3 | C37550 | ARMATURE - clutch | 1 |
| 4 | C37551 | ROTOR - clutch | 1 |
| 5 | C37552 | KIT - spring and nut (3 each) | 1 |
| 6 | C37553 | COIL - clutch | 1 |
| 7 | C37562 | BRACKET - clutch stop | 1 |
| 8 | C31615 | WASHER - retaining | 1 |
| 9 | NSS | WASHER - 1" (5012, 5016) (use only Ref. 11) | 1 |
| 10 | 192-21 | LOCKWASHER - 3/8" | 1 |
| 11 | C31614 | WASHER - 1-1/8" | 1 |
| 12 | 192-22 | LOCKWASHER - 7/16" | 2 |
| 13 | 113-335 | BOLT - 7/16" - 14 x 3/4" | 2 |
| 14 | 114-201 | BOLT - 3/8" - 24 x 1-1/4" | 1 |

INDEX**FUEL SYSTEM**

| | | | |
|----|---------|---------------------------------------------------------------------------|---|
| 1 | C37554 | FILTER - fuel | 1 |
| 2 | C44027 | HOSE - fuel (cut to length) | 1 |
| 3 | 214-103 | CLAMP - hose | 4 |
| 4 | NSS | TANK - fuel (1-3/4" filler tube) (use C45119, C44822) metal | 1 |
| 4 | C45119 | TANK - fuel (2-1/4" filler tube) metal | 1 |
| 5 | C44290 | CAP - fuel tank (with gauge) (1-3/4" threads) | 1 |
| 5 | C44822 | CAP - fuel tank (with gauge) (2-1/4" threads) use on metal tank | 1 |
| 5 | C45334 | CAP - fuel tank (with gauge) (2-1/4" threads) (use on plastic tank) | 1 |
| 6 | C37812 | NIPPLE - pipe 1/8" | 1 |
| 7 | C37811 | VALVE - shutoff | 1 |
| 8 | 131-934 | NUT - 1/4" - 20 flange lock | 4 |
| 9 | 113-1 | BOLT - 1/4" - 20 x 1/2" | 1 |
| 9 | 113-3 | BOLT - 1/4" - 20 x 3/4" | 3 |
| 10 | C32455 | CLIP - "J" fuel line | 1 |
| 11 | C45333 | TANK - fuel (2-1/4" filler tube) (plastic) | 1 |
| 11 | NSS | TANK - fuel (1-3/4" filler tube) (plastic) (use C45333, C45334) | 1 |
| 12 | C45061 | BRACKET - fuel tank | 2 |
| 13 | C45062 | STRAP - fuel tank | 2 |
| 14 | 113-5 | BOLT - 1/4" - 20 x 1-1/2" | 2 |
| 15 | 131-71 | NUT - 1/4" - 20 lock | 2 |
| 16 | 113-103 | BOLT - 5/16" - 18 x 1" | 2 |
| 17 | 131-911 | NUT - 5/16" - 18 flange lock | 2 |
| 18 | C34189 | CUSHION | 2 |
| 19 | C43547 | PUMP - fuel | 1 |
| 20 | C43548 | GASKET - fuel pump | 1 |
| 21 | C10678 | CONNECTOR - 90° hose | 1 |
| 22 | C43549 | CONNECTOR - hose | 1 |
| 23 | C43550 | SCREW - 1/4" - 20 x 5/8" | 2 |
| 24 | 195-521 | WASHER - 5/16" | 2 |

INDEX

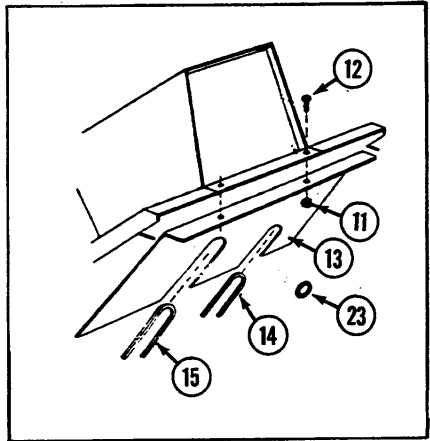
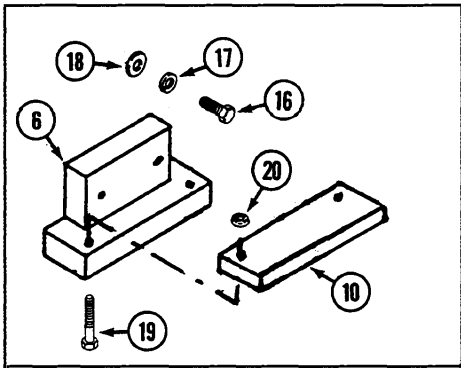
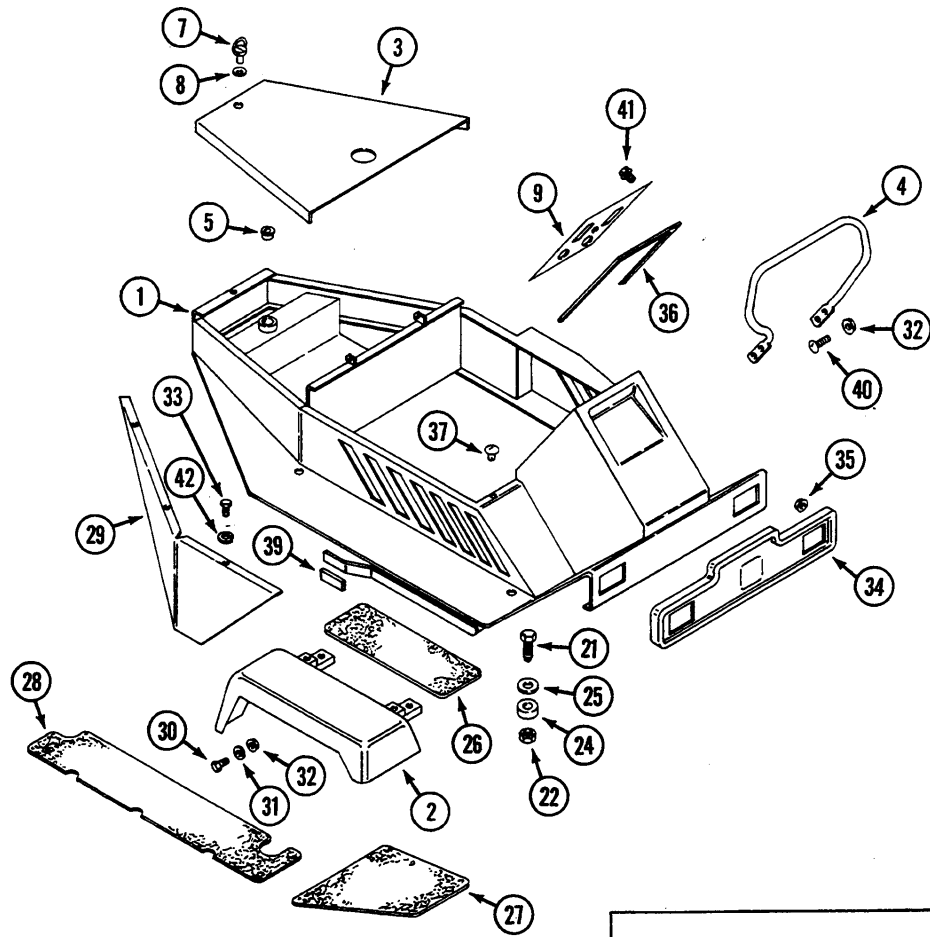


MODEL 5012, 5016 AND 5018 FRONT CUT MOWERS

BASE ASSEMBLY

| REF. | PART NO. | DESCRIPTION | REQ'D |
|------|----------|----------------------------------------------|-------|
| 1 | C42892 | BASE - 5018 shown | 1 |
| 1 | C41005 | BASE - (5012, 5016) | 1 |
| 2 | C37575 | ARM - deck lift R.H..... | 1 |
| 3 | C37574 | ARM - front L.H | 1 |
| 4 | C37573 | ARM - front R.H..... | 1 |
| 5 | C37578 | PIN - cross bar | 1 |
| 6 | C37579 | BAR - cross | 1 |
| 7 | C37577 | TUBE - wire | 1 |
| 8 | C37583 | LOCK - forward nose down..... | 2 |
| 9 | C37585 | TUBE - drive idler (5018 shown)..... | 1 |
| 9 | C37603 | TUBE - drive idler (5012, 5016) | 1 |
| 10 | C37576 | BUSHING - deck lift arm (3/8" long)..... | 3 |
| 11 | C37586 | BUSHING - pivot (1/2" long)..... | 1 |
| 12 | 113-417 | BOLT - 1/2"-13 x 1-1/4" | 6 |
| 13 | 113-441 | BOLT - 1/2" - 13 x 2-1/4" | 1 |
| 14 | 113-210 | BOLT - 3/8" - 16 x 3" | 2 |
| 15 | 195-106 | WASHER - 1/2" | 8 |
| 16 | 192-23 | LOCKWASHER - 1/2" | 7 |
| 17 | 195-104 | WASHER - 3/8" | 4 |
| 18 | 131-938 | NUT - flange lock 3/8" - 16 | 1 |
| 19 | 129-105 | NUT - 1/2"-13 | 1 |
| 20 | 132-310 | PIN - cotter 1/8" x 1" | 2 |
| 21 | C37595 | SPRING - idler tension..... | 1 |
| 22 | C15672 | PULLEY - idler 2-1/4" O.D. (5018) | 1 |
| 22 | C38864 | PULLEY - idler (5012, 5016)..... | 1 |
| 23 | C37597 | SCREW - machine #10 - 32 x 5/8" | 2 |
| 24 | C37521 | SWITCH - safety | 1 |
| 25 | 193-1000 | NUT - lock #10 - 32 | 2 |
| 26 | C38594 | ARM - deck lift L.H | 1 |
| 27 | 131-71 | NUT - lock 1/4" - 20 | 4 |
| 28 | 129-103 | NUT - 3/8" - 16 | 5 |
| 29 | 192-21 | LOCKWASHER - 3/8" | 3 |
| 30 | 113-213 | BOLT - 3/8" - 16 x 2-1/4" (5012, 5016) | 1 |
| 31 | C37815 | SPRING - lift assist | 2 |
| 32 | C37816 | CABLE - lift..... | 2 |
| 33 | 113-4 | BOLT - 1/4" - 20 x 1" | 4 |

INDEX

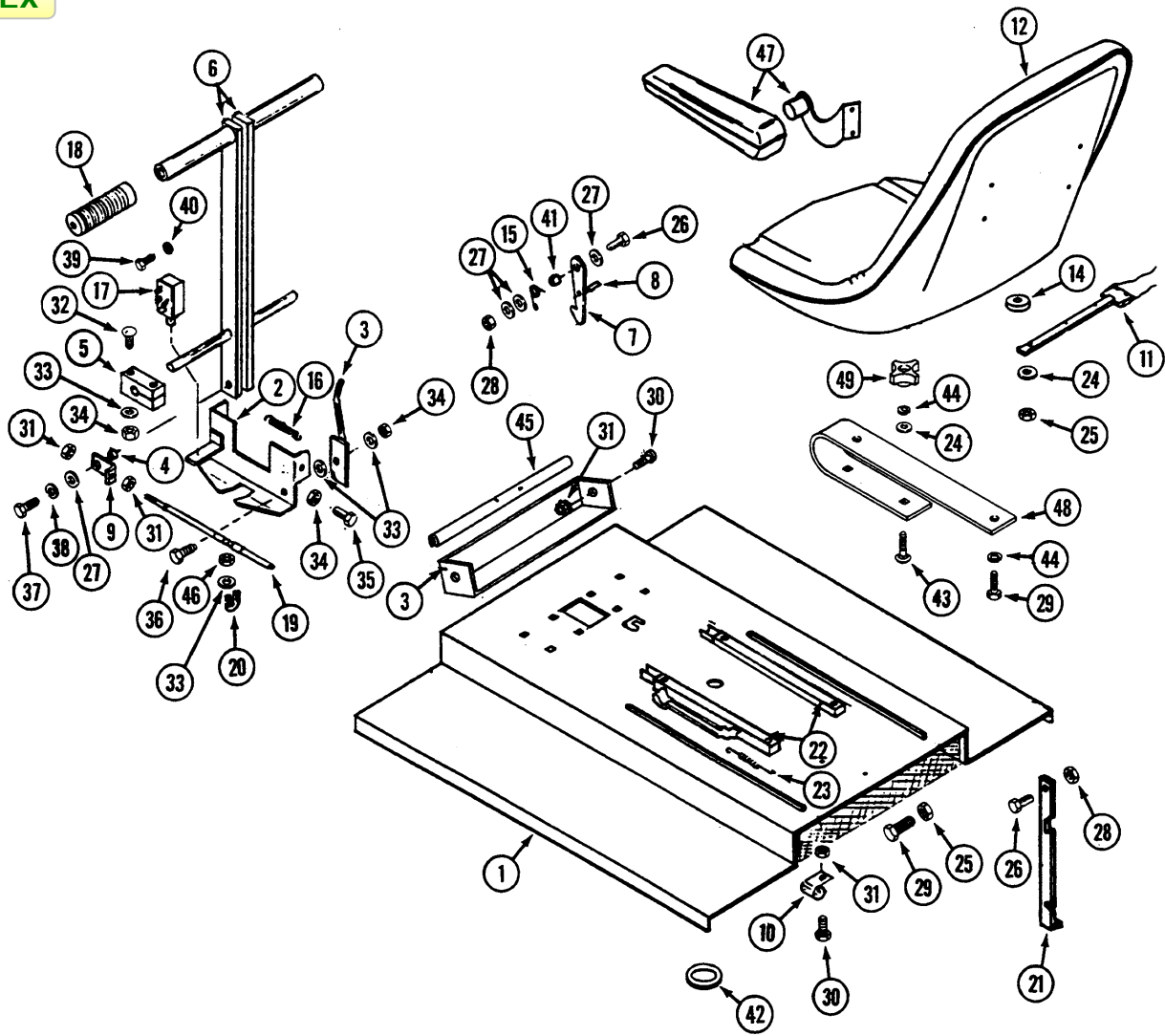


MODEL 5012, 5016 AND 5018 FRONT CUT MOWERS

BODY

| REF. | PART NO. | DESCRIPTION | REQ'D |
|------|----------|------------------------------------------------------------|-------|
| 1 | C44954 | BODY - 5012, 5016, 5018 (use S/N 14175540 and after) | 1 |
| 1 | C40992 | BODY - 5018 (shown) (use before S/N 14175540) | 1 |
| 1 | C40956 | BODY - (5012, 5016) (use before S/N 14178249) | 1 |
| 2 | C39534 | FENDER - R.H. (shown) 5018 | 1 |
| 2 | C40645 | FENDER - L.H. 5018 | 1 |
| 3 | C41163 | COVER - back | 1 |
| 4 | C44844 | BAR - handle (optional) | 1 |
| 5 | C37824 | BEARING - rear wheel fork | 2 |
| 6 | C37810 | WEIGHT - tail (optional for 5012) | 1 |
| 7 | C41944 | STUD - fastener | 1 |
| 8 | C41945 | GROMMET - fastener | 1 |
| 9 | C42053 | PANEL - dash | 1 |
| 10 | C37958 | WEIGHT - tail 13 lb. (optional for 5012) | 2 |
| 11 | C37598 | NUT-lock #10-32 | 2 |
| 12 | 182-528 | SCREW - #10 - 32 x 1/2" | 2 |
| 13 | C37828 | SHIELD - heat | 1 |
| 14 | C37829 | TRIM - 9" | 1 |
| 15 | C37830 | TRIM - 12-3/4" | 1 |
| 16 | 113-103 | BOLT-5/16" - 18x1" | 2 |
| 17 | 192-20 | LOCKWASHER - 5/16" | 2 |
| 18 | 195-103 | WASHER - 5/16" | 2 |
| 19 | 113- 259 | BOLT - 3/8" - 16 x 4-1/2" | 2 |
| 20 | 131-1352 | NUT - 3/8" - 16 flange lock | 2 |
| 21 | 113-425 | BOLT - 1/2" - 13 x 3" | 4 |
| 22 | 131-70 | NUT - 1/2" lock | 4 |
| 23 | C25165 | GROMMET | 1 |
| 24 | C37818 | MOUNT - body, rubber | 8 |
| 25 | C37581 | WASHER - mount, body | 4 |
| 26 | C39524 | PAD-fender (5018) | 2 |
| 27 | C39525 | PAD - footrest, front L.H. | 1 |
| 27 | C39526 | PAD - footrest, front R.H. (shown) | 1 |
| 28 | C40725 | PAD - footrest, rear L.H. (5018) | 1 |
| 28 | C40726 | PAD - footrest, rear R.H. (shown) (5018) | 1 |
| 28 | C39537 | PAD - footrest, rear L.H. (5012, 5016) | 1 |
| 28 | C39538 | PAD - footrest, rear R.H. (5012, 5016) | 1 |
| 29 | C42061 | SKIRT - L.H. (5018) | 1 |
| 29 | C42062 | SKIRT - R.H. (shown) (5018) | 1 |
| 29 | C41167 | SKIRT-L.H. (5016) | 1 |
| 29 | C41171 | SKIRT-R.H.(5016) | 1 |
| 29 | C41175 | SKIRT-L.H.(5012) | 1 |
| 29 | C41179 | SKIRT - R.H. (5012) | 1 |
| 30 | 113-118 | BOLT - 5/16" - 18 x 5/8" | 4 |
| 31 | 195-103 | WASHER - 5/16" | 4 |
| 32 | 131-911 | NUT - 5/16" - 18 flange lock | 8 |
| 33 | C34808 | BOLT - 1/4" - 20 x 3/4" self-tap (5012, 5016) | 8 |
| 33 | C42056 | BOLT - 5/16" - 18 x 5/8" black | 10 |
| 33 | C42057 | BOLT - 5/16" - 18 x 1-3/4" black | 4 |
| 34 | C39533 | PLATE - face | 1 |
| 35 | 131-971 | NUT - #8 - 32 flange lock | 2 |
| 36 | C44035 | TRIM - 27" (cut to length) | 1 |
| 37 | C37817 | BUMPER - nylon | 4 |
| 39 | C37631 | GRIP - handle | 1 |
| 40 | 111-132 | BOLT - 5/16" - 18 x 3/4" carriage | UAR |
| 40 | C42056 | SCREW - 5/16" - 18 x 5/8" black | UAR |
| 41 | 182-573 | SCREW - #10 - 24 x 1/2" | 4 |
| 41 | C39403 | SCREW - #12 x 1/2" | 4 |
| 42 | 192-19 | LOCKWASHER - 1/4" (5012, 5016) | 8 |
| 43 | C34117 | NUT - #10 - 24 flange lock | 2 |

INDEX



MODEL 5012, 5016 AND 5018 FRONT CUT MOWERS

SEAT LID AND STEERING

| REF. | PART NO. | DESCRIPTION | REQ'D |
|------|-----------|-----------------------------------------------------------|-------|
| 1 | C44237 ** | LID - seat | 1 |
| 1 | C38054 ** | LID - seat | 1 |
| 2 | C37840 | BRACKET - lever lock | 1 |
| 3 | C37841 | LATCH - lever lock | 1 |
| 4 | C42895 | BUSHING - (also order C42896) | 2 |
| 5 | C37842 | BEARING - block | 4 |
| 6 | C37843 * | LEVER - steering | 2 |
| 6 | C44915 ** | LEVER - steering | 2 |
| 7 | C44481 | LATCH - seat lid | 1 |
| 8 | NSS | BOLT - latch, seat lid (use C44481) | 1 |
| 9 | C42896 | BRACKET - steering cable end (also order C42895) | 4 |
| 10 | C32455 | RETAINER - harness, seat lid | 1 |
| 11 | C37520 | SWITCH - seat | 1 |
| 12 | C37847 | SEAT | 1 |
| 12 | C43201 ** | SEAT | 1 |
| 13 | C37826 | PLATE - lid filler | 1 |
| 14 | C37850 * | SPACER - seat | 4 |
| 15 | C37851 | SPRING - latch, seat lid | 1 |
| 16 | C37837 | SPRING - bracket, lever lock | 1 |
| 17 | C37521 | SWITCH - safety | 1 |
| 18 | C37631 | GRIP - handle | 2 |
| 19 | NSS | CABLE - steering (5018) (see page 37) | 2 |
| 19 | C37705 | CABLE - steering (5012, 5016) | 2 |
| 20 | C37616 | CLAMP - steering cable | UAR |
| 21 | C37852 | PROP - seat lid | 1 |
| 22 | C37848 * | KIT - seat slide rail (pair) | 1 |
| 23 | C37853 | SPRING - seat | 1 |
| 24 | 195-103 | WASHER - 5/16" | 8 |
| 25 | 131-69 | NUT - 5/16" | 4 |
| 26 | 113-4 | BOLT - 1/4" - 20 x 1" | 2 |
| 27 | 195-520 | WASHER - 1/4" | 3 |
| 28 | 131-71 | NUT - 1/4" - 20 lock | 3 |
| 29 | 113-103 | BOLT - 5/16" - 18 x 1" | 6 |
| 30 | 182-528 | SCREW - #10 - 32 x 1/2" | 3 |
| 31 | 193-1000 | NUT - #10-32 | 7 |
| 32 | 111-114 | BOLT - 1/4" - 20 x 1-1/2" carriage | 8 |
| 33 | 195-102 | WASHER - 1/4" | 10 |
| 34 | 131-71 | NUT - 1/4" - 20 lock | 11 |
| 35 | 113-3 | BOLT - 1/4" - 20 x 3/4" | 2 |
| 36 | C42359 | BOLT - 1/4" - 20 x 2" | 1 |
| 37 | 113-3 | BOLT - 1/4" - 20 x 3/4" | 2 |
| 38 | 192-19 | LOCKWASHER - 1/4" | 2 |
| 39 | 182-525 | SCREW - #10 - 32 x 3/8" | 1 |
| 40 | 192-18 | LOCKWASHER - 3/16" | 1 |
| 41 | C44498 | SPACER | 1 |
| 42 | C37787 | GROMMET - 1/2" x 1" | UAR |
| 42 | C25165 | GROMMET - 1" x 1-3/4" | UAR |
| 43 | 111-204 | BOLT - 5/16" - 18 x 1" | 4 |
| 44 | 192-20 | LOCKWASHER - 5/16" | 8 |
| 45 | C41956 | TRIM - (23-1/2" piece, cut to length) | 1 |
| 46 | 131-71 | NUT - 1/4" - 20 lock | UAR |
| 47 | NSS | KIT - arm rest (optional) (order as machinery item BDS13) | |
| | C22947 | TIE - nylon | 1 |
| 48 | C43137 ** | SPRING - seat | 2 |
| 49 | C43438 ** | KNOB - seat | 4 |

* Use before S/N:

** Use S/N and after:

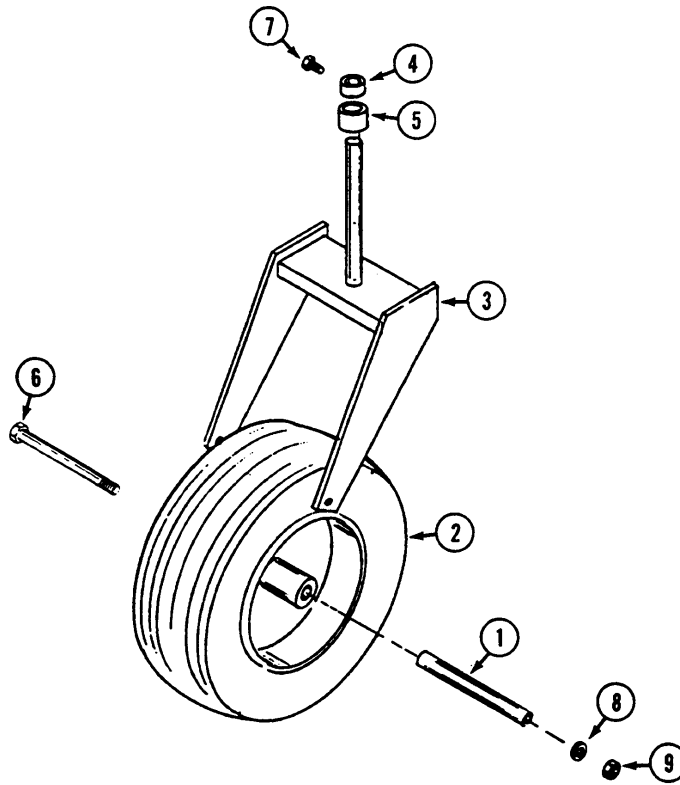
5012 - all before

5016 - 14178234

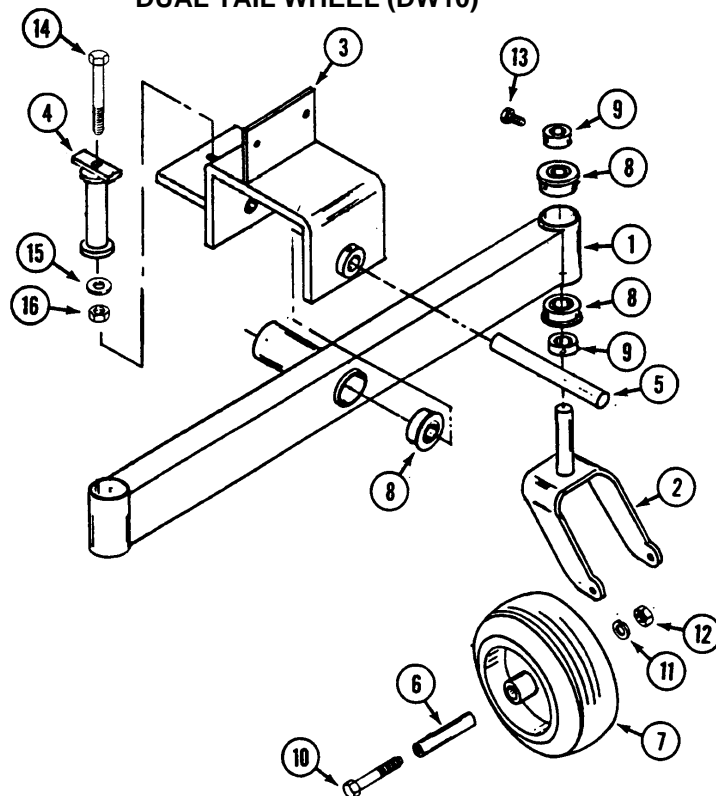
5018 - 14175495

MODEL 5012, 5016 AND 5018 FRONT CUT MOWERS

SINGLE TAIL WHEEL



DUAL TAIL WHEEL (DW10)



INDEX**MODEL 5012, 5016 AND 5018 FRONT CUT MOWERS****SINGLE TAIL WHEEL**

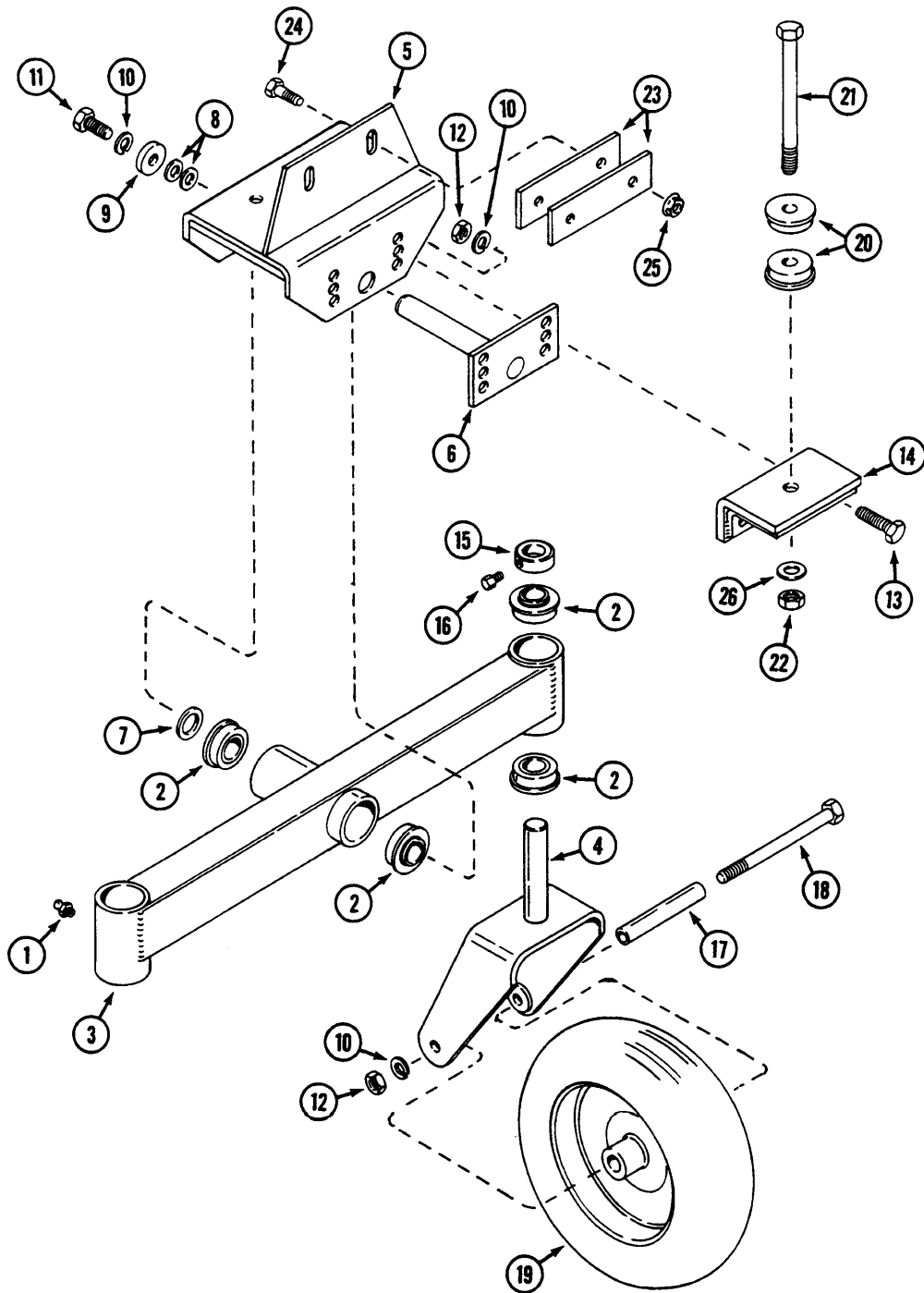
| REF. | PART NO. | DESCRIPTION | REQ'D |
|------|----------|-------------------------------------------------------------|-------|
| 1 | C38027 | AXLE - wheel (5012, 5016)..... | 1 |
| 1 | C37854 | AXLE - wheel (5018)..... | 1 |
| 2 | C38028 | WHEEL ASSEMBLY - tail (5012, 5016)..... | 1 |
| | C42624 | BEARING - wheel (5012, 5016)..... | 2 |
| | C38029 | TIRE - 15 x 6.00 - 6(5012, 5016)..... | 1 |
| | C38232 | RIM - 6" (5012, 5016) (includes bearings)..... | 1 |
| 2 | C37855 | WHEEL ASSEMBLY - tail (5018)..... | 1 |
| | C42624 | BEARING - wheel (5018)..... | 2 |
| | C37857 | TIRE - 15 x 6.50-8 (5018)..... | 1 |
| | C37858 | RIM - 8" (5018) (includes bearings)..... | 1 |
| 3 | C39015 | FORK - tail wheel (5012, 5016)..... | 1 |
| 3 | C37859 | FORK - tail wheel (5018)..... | 1 |
| 4 | C37860 | COLLAR - set 1"..... | 1 |
| 5 | C37861 | SPACER - tail wheel fork..... | 1 |
| 6 | C38055 | BOLT - 1/2" - 13 x 8-1/2" (5012, 5016)..... | 1 |
| 6 | 113-452 | BOLT - 1/2" - 13 x 9-1/2" (5018)..... | 1 |
| 7 | 85-58 | SCREW - set 5/16" - 18 x 1/2" square head..... | 1 |
| 8 | 192-23 | LOCKWASHER - 1/2"..... | 1 |
| 9 | 129-105 | NUT - 1/2" -13..... | 1 |
| | 219-92 | FITTING - grease 90° 1/4" - 28 self tap (caster pivot)..... | 1 |

INDEX**DUAL TAIL WHEEL (DW10)**

| | | | |
|----|----------|---------------------------------------------------------|-----|
| 1 | C37863 | AXLE - dual wheel..... | 1 |
| 2 | NSS | FORK - tail wheel (use C45645 and 113-448)..... | 2 |
| 3 | C37865 | BRACKET - mounting..... | 1 |
| 4 | C37866 | TUBE - block..... | 1 |
| 5 | C38230 | PIVOT - axle..... | 1 |
| 6 | C37915 | AXLE - wheel..... | 2 |
| 7 | C37869 | WHEEL ASSEMBLY..... | 2 |
| | C37872 | BEARING - wheel..... | 2 |
| | C37870 | TIRE - 13 x 5.00 - 6..... | 2 |
| | C37871 | RIM..... | 2 |
| 8 | C37824 | BEARING - 1"..... | 6 |
| 9 | C37860 | COLLAR - set 1"..... | 4 |
| 10 | 113-2419 | BOLT - 1/2" - 13 x 6-1/2"..... | 2 |
| 11 | 192-23 | LOCKWASHER - 1/2"..... | 2 |
| 12 | 129-105 | NUT - 1/2"-13..... | 2 |
| 13 | C37756 | SCREW - set 5/16" - 18 x 1/2" square head..... | 4 |
| | 219-20 | FITTING - grease 1/4" - 28 self tap (castor pivot)..... | UAR |
| 14 | C38055 | BOLT - 1/2" - 13 x 8-1/2"..... | 1 |
| 15 | 195-106 | WASHER - 1/2"..... | UAR |
| 16 | 131-70 | NUT - 1/2" - 13 lock..... | 1 |

MODEL 5012, 5016 AND 5018 FRONT CUT MOWERS

DTW10 DUAL TAIL WHEEL

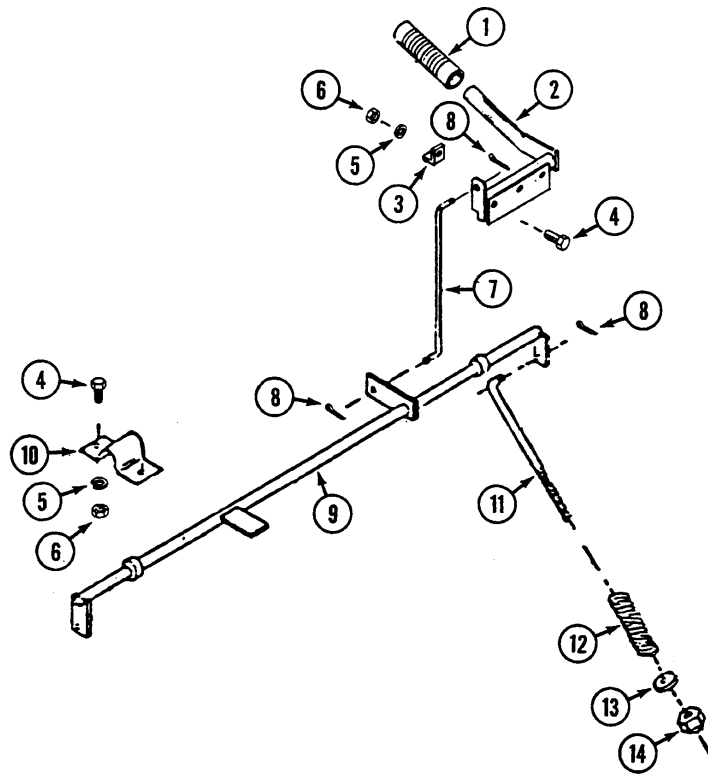


MODEL 5012, 5016 AND 5018 FRONT CUT MOWERS

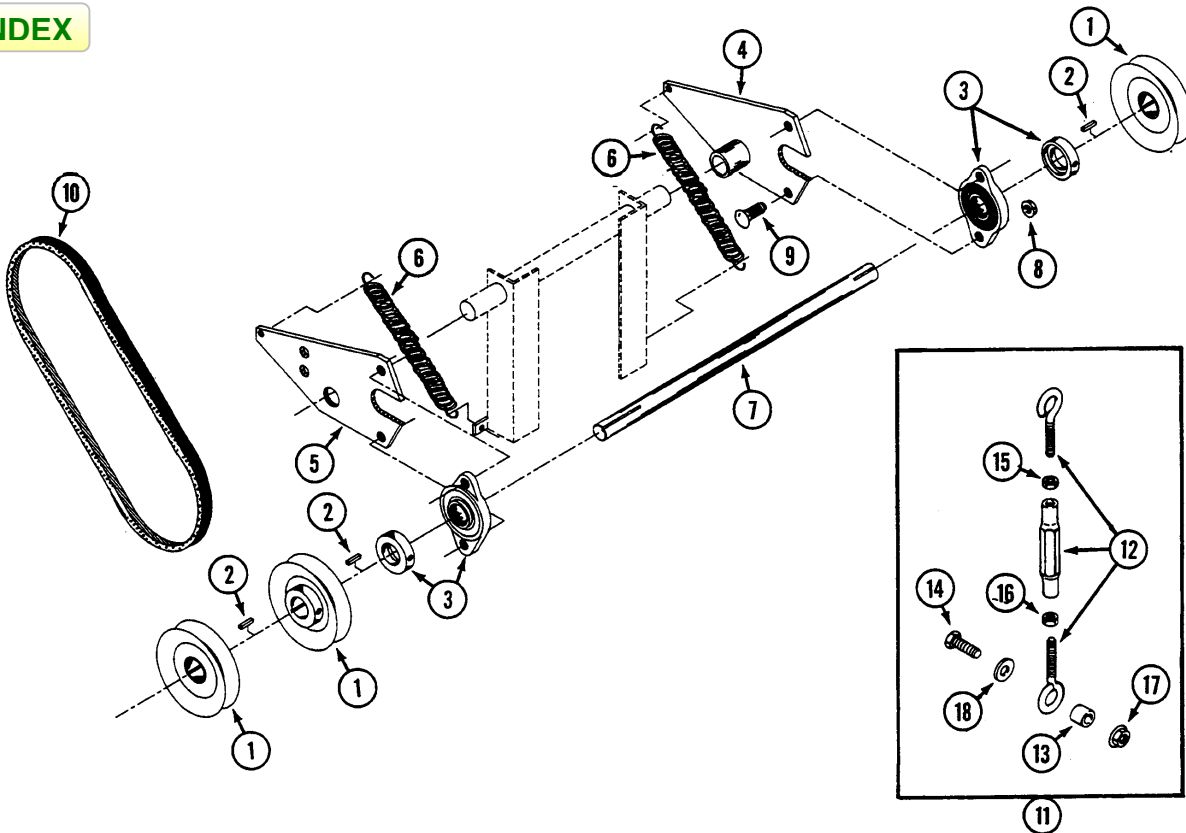
DTW10 DUAL TAIL WHEEL

| REF. | PART NO. | DESCRIPTION | REQ'D |
|------|----------|------------------------------------------------|-------|
| 1 | 219-20 | FITTING - lubrication 1/4" - 28 | 3 |
| 2 | C37824 | BEARING - ball 1" | 6 |
| 3 | C45610 | AXLE - dual wheel..... | 1 |
| 4 | C45645 | FORK - wheel..... | 2 |
| 5 | C45618 | MOUNT - axle | 1 |
| 6 | C45689 | ROD - axle pivot..... | 1 |
| 7 | C14919 | WASHER - 1" x 1-3/4"..... | UAR |
| 8 | C37004 | WASHER - 1/2" x 1" | UAR |
| 9 | C45841 | WASHER - 1/2" x 1-3/8 | 1 |
| 10 | 192-23 | LOCKWASHER - 1/2" | 5 |
| 11 | 113-417 | BOLT - 1/2" - 13 x 1-1/4" | 1 |
| 12 | 129-105 | NUT - 1/2" - 13 | 4 |
| 13 | 113-412 | BOLT- 1/2"- 13x 1-3/4" | 2 |
| 14 | C45708 | MOUNT - axle, front extension | 1 |
| 15 | C37860 | COLLAR - set 1" | 2 |
| 16 | 85-58 | SCREW - set 5/16" - 18 x 1/2" square head..... | 1 |
| 17 | C37915 | TUBE - axle..... | 2 |
| 18 | 113-448 | BOLT - 1/2" - 13 x 7" | 2 |
| 19 | C37869 | WHEEL ASSEMBLY | 2 |
| | C37872 | BEARING - wheel..... | 2 |
| | C37870 | TIRE - 13 x 5.00 - 6 | 1 |
| | C37871 | RIM | 1 |
| 20 | C45711 | BUSHING - tail wheel hub..... | 2 |
| 21 | 113-646 | BOLT - 5/8" - 11 x 7-1/2" | UAR |
| 21 | 113-2606 | BOLT - 5/8"-11 x 11" | UAR |
| 22 | 131-356 | NUT - 5/8" - 11 | 1 |
| 23 | C45746 | PLATE - stiffener | 2 |
| 24 | 113-208 | BOLT - 3/8" - 16 x 1-1/4" | 2 |
| 25 | 131-1352 | NUT - 3/8" - 16 flange lock | 2 |
| 26 | 195-541 | WASHER - 5/8" x 1-1/2 | 1 |

INDEX



INDEX



INDEX

MODEL 5012, 5016 AND 5018 FRONT CUT MOWERS

PARKING BRAKE
(also see drive assembly)

| REF. | PART NO. | DESCRIPTION | REQ'D |
|------|----------|--------------------------------------------------------------------------|-------|
| 1 | C37631 | GRIP - handle | 1 |
| 2 | C37604 | HANDLE - brake | 1 |
| 3 | C37630 | BRACKET-stop (5018)..... | 1 |
| 4 | 113-3 | BOLT - 1/4" - 20 x 3/4" | 4 |
| 5 | 192-19 | LOCKWASHER - 1/4" | 4 |
| 6 | 129-101 | NUT - 1/4" - 20 | 4 |
| 7 | C37606 | ROD - brake (5012, 5016)..... | 1 |
| 7 | C37822 | ROD - brake (5018)..... | 1 |
| 8 | 132-332 | PIN - cotter 3/32" x 1" | 2 |
| 9 | C37985 | ROD - cross, brake (5018 brake rod not replaceable) (5012, 5016) | 1 |
| 10 | C37607 | BEARING - cross rod (5012, 5016) | 2 |
| 11 | C37986 | ROD - caliper (5018 see drive assembly) (5012, 5016) | 2 |
| 12 | C37987 | SPRING - compression (5012, 5016) (5018 see drive assembly) | 2 |
| 13 | 195-102 | WASHER 1/4" | 2 |
| 14 | 131-71 | NUT - lock 1/4" - 20..... | 2 |

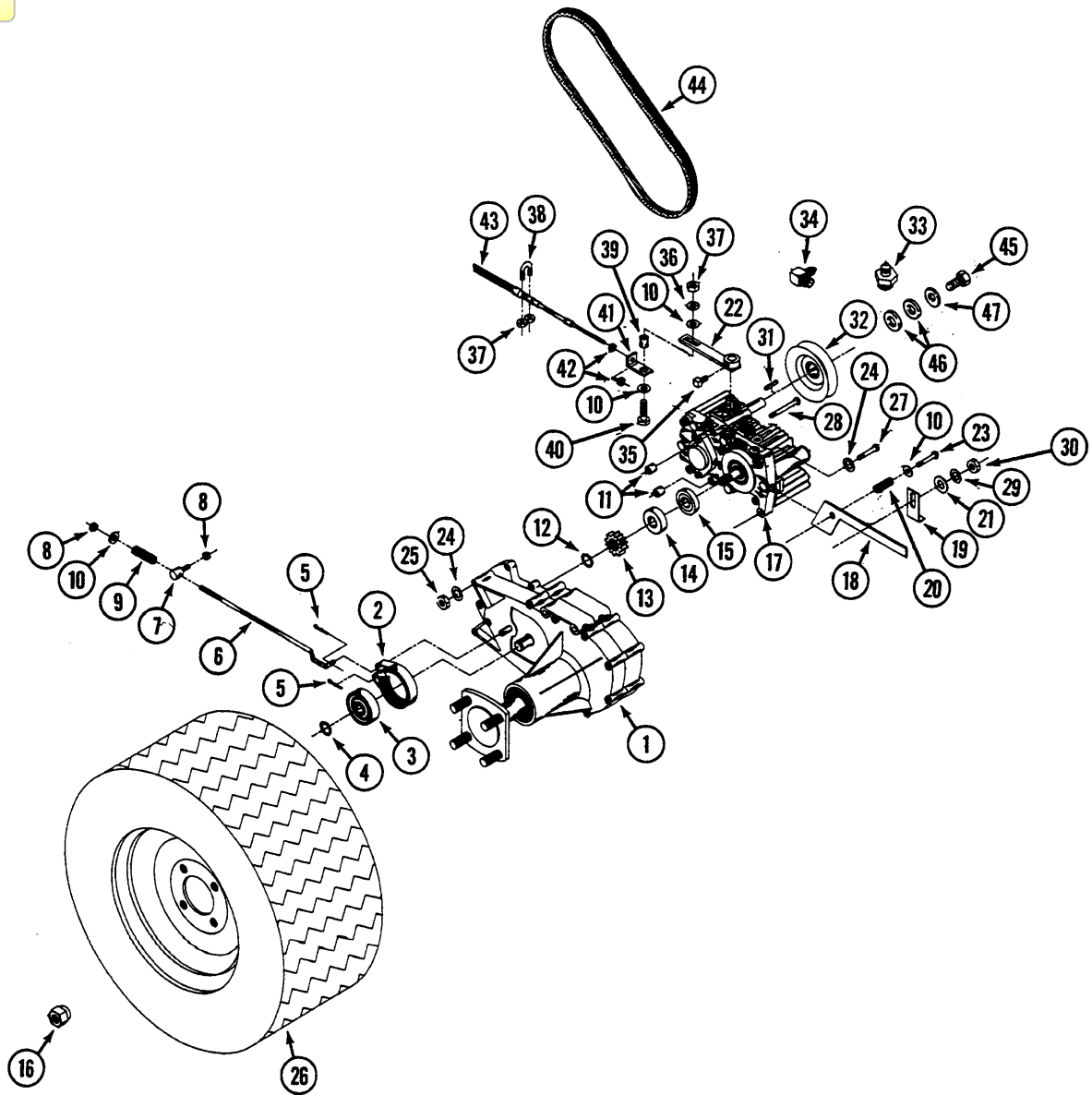
INDEX

PUMP DRIVE CROSS SHAFT
(5018)

| | | | |
|----|----------|------------------------------------------------------|---|
| 1 | C37770 | PULLEY - 4" OD x 3/4" ID (use 83-55 set screw) | 3 |
| 2 | C29581 | KEY - 3/16" x 3/16" x 1" | 3 |
| 3 | C37773 | BEARING - flanged (includes locking collar) | 2 |
| 4 | C37774 | MOUNT - bearing L.H | 1 |
| 5 | C37775 | MOUNT - bearing R.H..... | 1 |
| 6 | C37776 * | SPRING - extension..... | 2 |
| 7 | C45777 | SHAFT - cross..... | 1 |
| 8 | 131-911 | NUT - 5/16" - 18 flange lock | 4 |
| 9 | 111-203 | BOLT - 5/16" - 18 x 1" carriage | 4 |
| 10 | C24342 | BELT - drive (use PIN 14175410 and after) 36" | 1 |
| 10 | C38406 * | BELT - drive (use before PIN 14175410) 34" | 1 |
| 11 | C45420 | KIT - belt tension | 1 |
| 12 | C45123 | TURNBUCKLE | 2 |
| 13 | C45146 | SPACER | 2 |
| 14 | 113-209 | BOLT - 3/8" - 16 x 1-1/2"..... | 2 |
| 15 | 129-103 | NUT - 3/8" - 16..... | 2 |
| 16 | 129-175 | NUT - 3/8" - 16 L.H. threads | 2 |
| 17 | 131-938 | NUT - 3/8" - 16 flange lock..... | 2 |
| 18 | 195-2029 | WASHER | 2 |

* Prior to PIN 14175410 the use of C24342 belt can be recommended. It is a longer belt, permitting increased belt adjustment. Removal of two air fins on the body side is required to allow for the new belt path.

INDEX



MODEL 5012, 5016 AND 5018 FRONT CUT MOWERS

DRIVE ASSEMBLY R.H.
(5018)

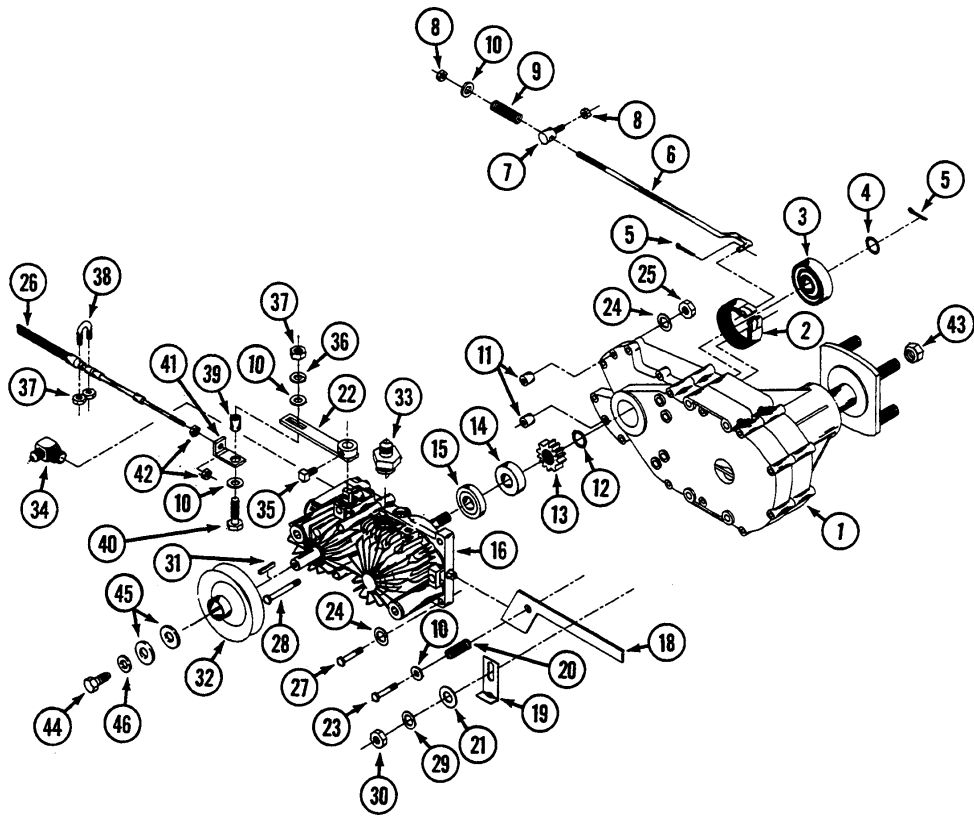
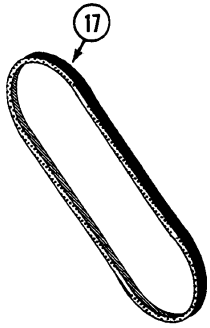
| REF. | PART NO. | DESCRIPTION | REQ'D |
|------|------------|-------------------------------------------------------------------|-------|
| 1 | C37729 | TRANSMISSION - ZT | 1 |
| 2 | C37730 | BAND - brake | 1 |
| 3 | C37731 | DRUM - brake | 1 |
| 4 | C37732 | RING - snap | 1 |
| 5 | 132-332 | PIN - cotter 1/8" x 1" | 2 |
| 6 | C37733 | ROD - brake | 1 |
| 7 | C37724 | COLLAR - brake rod | 1 |
| 8 | 131-71 | NUT - lock 1/4" - 20 | 2 |
| 9 | C37725 | SPRING | 1 |
| 10 | 195-102 | WASHER - 1/4" | 5 |
| 11 | C37736 | SPACER | 2 |
| 12 | C37737 | RING - snap | 1 |
| 13 | C37738 | GEAR | 1 |
| 14 | C37739 | BEARING | 1 |
| 15 | C37740 | SPACER | 1 |
| 16 | C37657 | NUT - lug 112" - 20 | 4 |
| 17 | C45399 | PUMP - hydro R.H. (also use C45408 before S/N 14175499) | 1 |
| 18 | C37742 | LEVER - transmission dump (use before S/N 14175495) shown | 1 |
| 19 | C37743 | BRACKET - dump lever stop | 1 |
| 20 | C37744 | SPRING - compression | 1 |
| 21 | C37745 | WASHER - 3/8" | 1 |
| 22 | NSS | ARM - transmission (see page 37) | 1 |
| 23 | C37747 | BOLT - dump valve | 1 |
| 24 | 192-21 | LOCKWASHER - 5/16" | 4 |
| 25 | 129-103 | NUT - 5/16" - 18 | 2 |
| 26 | C37763 | WHEEL ASSEMBLY | 1 |
| | C37652 | TIRE - 18 x 9.50 - 8 | 1 |
| | C37656 | RIM - wheel | 1 |
| 27 | 113-120 | BOLT - 5/16" - 18 x 1-3/4" | 2 |
| 28 | 113-134 | BOLT - 5/16" - 18 x 7-1/2" | 2 |
| 29 | C37591 | LOCKWASHER - 3/8" | 1 |
| 30 | C37592 | NUT - 3/8" - 16 | 1 |
| 31 | C37752 | KEY - 5 x 5 x 25 mm | 1 |
| 32 | NSS * | PULLEY - 4" OD x 15 mm ID (use C45272) | 1 |
| 32 | C45272 * * | PULLEY - 4" OD x 15 mm ID (also use C32199 set screw) | 1 |
| 33 | C37754 | ADAPTER | 1 |
| 34 | C37755 | ADAPTER - 90° | 1 |
| 35 | C37756 | SCREW - set 5/16" - 18 x 1/2" square head | 1 |
| 36 | C37757 | LOCKWASHER - 1/4" | 1 |
| 37 | 131-1102 | NUT - 1/4" - 20 | 3 |
| 38 | C37616 | CLAMP - cable | 1 |
| 39 | C37615 | BUSHING - cable | 1 |
| 40 | 113-4 | BOLT - 1/4" - 20 x 1" | 1 |
| 41 | C37614 | BRACKET - cable end | 1 |
| 42 | 193-1000 | NUT - lock #10 - 32 | 4 |
| 43 | NSS | CABLE - steering 58" (see page 37) | 1 |
| 44 | C37761 | BELT - pump drive | 1 |
| 45 | C45273 | BOLT - M6 - 1.0 x 12m flange | 2 |
| 46 | 195-2063 | WASHER - 5/8" x 1" | UAR |
| 46 | C25178 | WASHER - 5/8" x 1" x .020" | 2 |
| 47 | 195-520 | WASHER - 5/16" x 7/8" | 1 |
| 48 | C45166 | LEVER - transmission dump R.H. (use S/N 14175495 and after) | 1 |

NOTE: See page 39 for steering cable kit.

* use before S/N 14175513

** use S/N 14175513 and after

INDEX



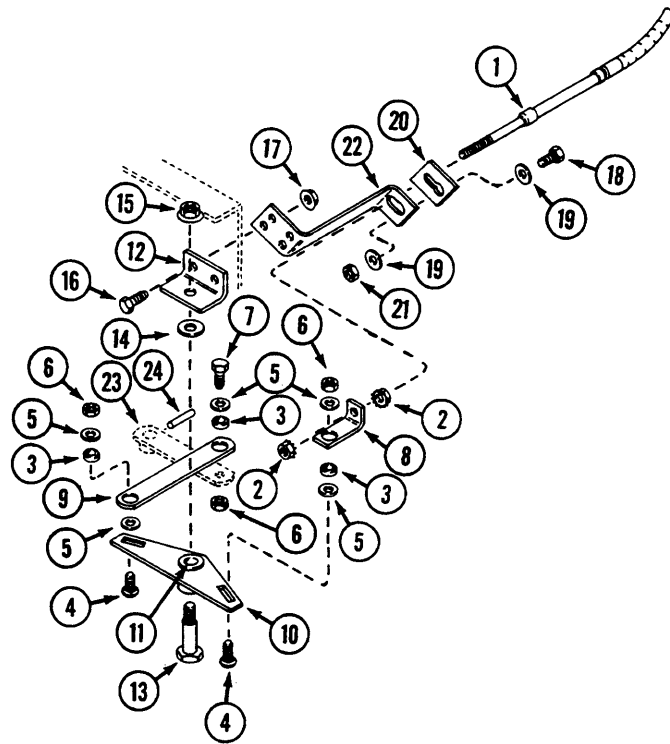
MODEL 5012, 5016 AND 5018 FRONT CUT MOWERS

DRIVE ASSEMBLY L.H.
(5018)

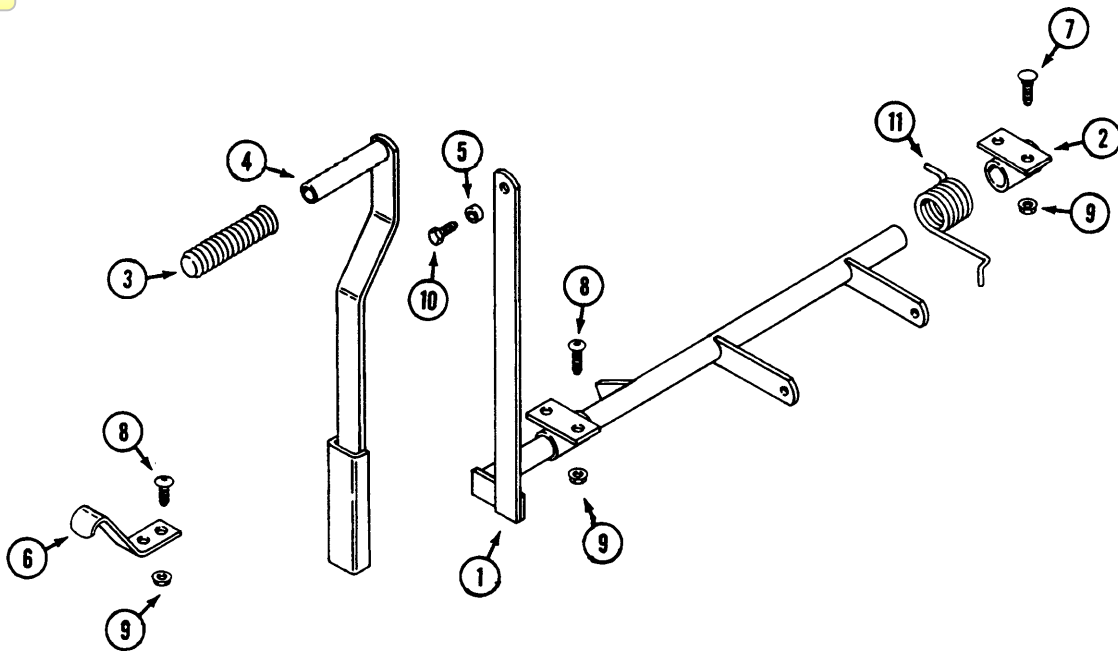
| REF. | PART NO. | DESCRIPTION | REQ'D |
|------|----------|-----------------------------------------------------------------|-------|
| 1 | C37729 | TRANSMISSION - ZT | 1 |
| 2 | C37730 | BAND - brake | 1 |
| 3 | C37731 | DRUM - brake | 1 |
| 4 | C37732 | RING - snap | 1 |
| 5 | 132-332 | PIN - cotter 1/8" x 1" | 2 |
| 6 | C37733 | ROD - brake | 1 |
| 7 | C37724 | COLLAR - rod | 1 |
| 8 | 131-71 | NUT - lock 1/4" - 20 | 2 |
| 9 | C37725 | SPRING | 1 |
| 10 | 195-102 | WASHER - 1/4" | 5 |
| 11 | C37736 | SPACER | 2 |
| 12 | C37737 | RING - snap | 1 |
| 13 | C37738 | GEAR | 1 |
| 14 | C37739 | BEARING | 1 |
| 15 | C37740 | SPACER | 1 |
| 16 | C45398 | PUMP - hydro L.H. (also use C45408 before S/N 14175499) | 1 |
| 17 | C37761 | BELT - pump drive | 1 |
| 18 | C37742 | LEVER - transmission dump (use before S/N 14175495) shown | 1 |
| 18 | C45165 | LEVER - transmission dump (use S/N 14175495 and after) | 1 |
| 19 | C37743 | BRACKET - dump lever stop | 1 |
| 20 | C37744 | SPRING - compression | 1 |
| 21 | C37765 | WASHER - 3/8" | 1 |
| 22 | NSS | ARM - transmission (see page 37) | 1 |
| 23 | C37748 | BOLT - dump lever | 1 |
| 24 | 192-21 | LOCKWASHER - 5/16" | 4 |
| 25 | 129-103 | NUT - 5/16" -18 | 2 |
| 26 | NSS | CABLE - steering 58" (see page 37) | 1 |
| 27 | 113-120 | BOLT - 5/16" - 18x 1-3/4" | 2 |
| 28 | C37751 | BOLT - 5/16" - 18 x 7-1/2" | 2 |
| 29 | C37591 | LOCKWASHER - 3/8" | 1 |
| 30 | C37592 | NUT - 3/8" - 16 | 1 |
| 31 | C37752 | KEY - 5 x 5 x 25 mm | 1 |
| 32 | NSS * | PULLEY - 4" OD x 15 mm ID (use C45272) | 1 |
| 32 | C45272 | PULLEY - 4" OD x 15 mm ID (also use C322199 set screw) | 1 |
| 33 | C37754 | FITTING - male adapter | 1 |
| 34 | C37755 | FITTING - male adaptor 90° | 1 |
| 35 | C37756 | SCREW - set 5/16" - 18 x 1/2" square head | 1 |
| 36 | C37757 | LOCKWASHER - 1/4" | 1 |
| 37 | 131-1102 | NUT - 1/4" - 20 | 3 |
| 38 | C37616 | CLAMP - cable | 1 |
| 39 | C37615 | BUSHING - cable | 1 |
| 40 | 113-4 | BOLT - 1/4" -20 x 1" | 1 |
| 41 | C37614 | BRACKET - cable end | 1 |
| 42 | 193-1000 | NUT - lock #10 - 32 | 4 |
| | C37763 | WHEEL ASSEMBLY - not shown | 1 |
| | C37652 | TIRE - 18 x 9.50-8 | 1 |
| | C37656 | RIM - wheel | 1 |
| 43 | C37657 | NUT - lug 1/2" - 20 | 4 |
| 44 | C45273 | BOLT - M6 - 1.0 x 12 mm flange | 1 |
| 45 | 195-2063 | WASHER - 5/8" x 1" | UAR |
| 46 | 195-520 | WASHER - 5/16" x 7/8" | 1 |

NOTE: See page 37 for steering cable kit.

INDEX



INDEX



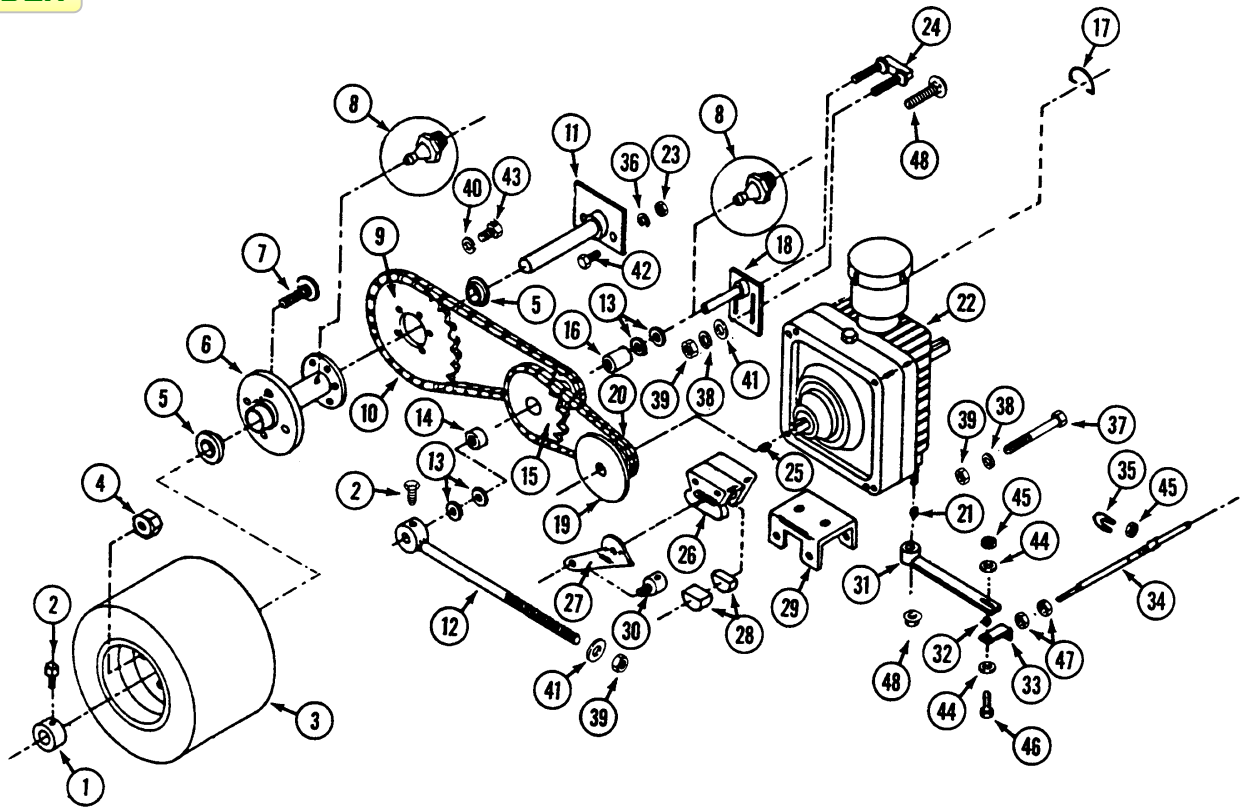
INDEX**MODEL 5012, 5016 AND 5018 FRONT CUT MOWERS****C43293 STEERING CABLE KIT
(includes cables and hardware for both sides)**

| REF. | PART NO. | DESCRIPTION | REQ'D |
|------|----------|--------------------------------------|-------|
| 1 | C42894 | CABLE - steering 46" | 2 |
| 2 | C37598 | NUT - #10-32 | 8 |
| 3 | C42895 | BUSHING - steering cable | 8 |
| 4 | 111-111 | BOLT - 1/4" - 20 x 1" carriage | 4 |
| 5 | 195-102 | WASHER - 1/4" | 10 |
| 6 | 131-71 | NUT - 1/4" - 20 | 6 |
| 7 | 113-4 | BOLT - 1/4" - 20x 1" | 2 |
| 8 | C42896 | BRACKET - steering cable end | 4 |
| 9 | C42897 | LINK - control cable..... | 2 |
| 10 | C42898 | BELLCRANK..... | 2 |
| 11 | C16714 | BUSHING | 1 |
| 12 | C42901 | BRACKET - bell crank mounting | 2 |
| 13 | C16745 | BOLT - shoulder | 2 |
| 14 | 195-533 | WASHER - 112" | 2 |
| 15 | 131-1352 | NUT - 3/8" - 16 flange lock | 2 |
| 16 | 113-103 | BOLT - 5/16" - 18 x 1" | 4 |
| 17 | 131-911 | NUT - 5/16" - 18 | 4 |
| 18 | 113-4 | BOLT - 1/4" -20 x 1" | 2 |
| 19 | 195-102 | WASHER - 1/4" | 4 |
| 20 | C42903 | PLATE - cable mounting | 2 |
| 21 | 131-71 | NUT - 1/4" - 20 lock | 2 |
| 22 | C42902 | BRACKET - cable mounting..... | 2 |
| 23 | C42904 | ARM - transmission..... | 2 |
| 24 | C34173 | PIN - spring | 2 |

INDEX**LIFT LEVER
5016 - S/N 14178249 and after
5018 - S/N 14175540 and after**

| | | | |
|----|---------|--------------------------------------------|---|
| 1 | C44942 | LEVER - lift..... | 1 |
| 2 | C44948 | PIVOT - lift..... | 1 |
| 3 | C37631 | GRIP - handle | 1 |
| 4 | C44949 | EXTENSION - lift lever, upper..... | 1 |
| 5 | C42895 | BUSHING | 1 |
| 6 | C44952 | BRACKET - lever lock down | 1 |
| 7 | 111-132 | BOLT - carriage 5/16" - 18 x 3/4" | 4 |
| 8 | C42056 | SCREW - 5/16" - 18 x 5/8" allen head | 2 |
| 8 | C44959 | SCREW - 5/16" - 18 x 3/4" | 4 |
| 9 | 131-911 | NUT - 5/16" - 18 flange lock | 8 |
| 10 | 113-1 | BOLT- 1/4" - 20x 1/2" | 1 |
| 11 | C45120 | SPRING - torsion | 1 |

INDEX

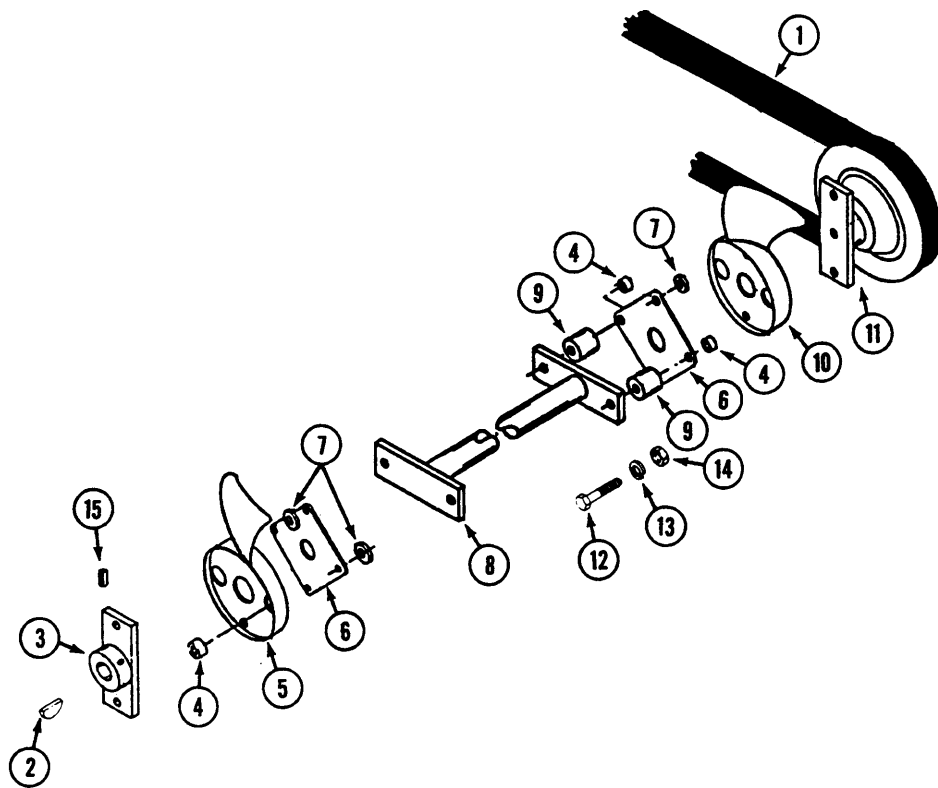


INDEX

**TRANSMISSION AND DRIVE CHAINS
(5012, 5016)**

| REF. | PART NO. | DESCRIPTION | REQ'D |
|------|----------|-----------------------------------------------------|-------|
| 1 | C37860 | COLLAR - set 1" | 2 |
| 2 | C37756 | SCREW - set 5/16" - 18 x 1/2" square head | 2 |
| 3 | C37988 | WHEEL ASSEMBLY - drive..... | 2 |
| | C37989 | TIRE - 16 x 7.50 - 8..... | 1 |
| | C37990 | RIM - wheel..... | 1 |
| 4 | C37657 | NUT - lug 1/2" - 20 | 8 |
| | C37992 | HUB ASSEMBLY (5012) | 2 |
| 5 | C37824 | BEARING - wheel..... | 2 |
| 6 | C37991 | HUB - wheel (5012)..... | 1 |
| 6 | C38993 | HUB - wheel (5016)..... | 2 |
| 7 | C37661 | BOLT - lug 1/2" - 20 x 1-1/4" | 4 |
| 8 | C37993 | FITTING - grease 1/4" - 28 self tapping..... | 1 |
| 9 | C37994 | SPROCKET - final drive | 1 |
| 10 | C37996 | CHAIN - final drive (5012)..... | 2 |
| 10 | C44081 | CHAIN - final drive, No. 40 (5016) | 2 |
| | C28983 | LINK - offset (5016) | 1 |
| | C28982 | LINK - connecting (5016)..... | 1 |
| 11 | C37997 | AXLE - drive wheel (5012)..... | 2 |
| 11 | C38859 | AXLE - drive wheel (5016)..... | 2 |
| 12 | C37998 | COLLAR - support | 2 |
| 13 | C37999 | WASHER - 3/4" 10 gage..... | 8 |
| 14 | C38000 | BEARING - idler sprocket 1/2"..... | 2 |
| 15 | C38002 | SPROCKET - idler (includes bearings)..... | 1 |
| 16 | C38003 | BEARING - idler sprocket 3/4" | 2 |
| 17 | C38004 | CLIP - transmission dump valve | 2 |
| 18 | C38005 | SHAFT - idler sprocket | 2 |
| 19 | C38006 | SPROCKET - transmission (includes brake disc)..... | 2 |
| 20 | C38007 | CHAIN - primary drive (5012) | 2 |
| 20 | C44083 | CHAIN - primary drive No. 40 (5016)..... | 2 |
| | C28982 | LINK - connecting (5016)..... | 1 |
| 21 | C37665 | KEY - 1/8" x 3/8" Woodruff..... | 2 |
| 22 | C38008 | TRANSMISSION L.H. (shown) (CW)..... | 1 |
| 22 | C38009 | TRANSMISSION - R.H. (CCW)..... | 1 |
| | C38010 | DIAPHRAGM - transmission..... | 1 |
| | C38011 | KIT - seal | 1 |
| | C38012 | KIT - reservoir, transmission | 1 |
| 23 | 129-105 | NUT-1/2"-13..... | 4 |
| 24 | C38013 | BAR - bolt | 2 |
| 25 | C37664 | KEY - woodruff 1/8" x 1/2" | 2 |
| | C37626 | BRAKE ASSEMBLY - L.H | 1 |
| | C37625 | BRAKE ASSEMBLY - R.H..... | 1 |
| 26 | C37727 | CALIPER - brake | 1 |
| 27 | C38016 | LEVER - caliper L.H..... | 1 |
| 27 | C38017 | LEVER - caliper R.H..... | 1 |
| 28 | C37627 | PAD - brake (set)..... | 1 |
| 29 | C38018 | BRACKET - caliper | 1 |
| 30 | C37724 | COLLAR - caliper rod..... | 1 |
| 31 | C37698 | ARM - transmission L.H..... | 1 |
| 31 | C37699 | ARM - transmission R.H | 1 |
| 32 | C42895 | BUSHING - cable end (5012 - also use C42896) | 2 |
| 33 | C42896 | END - steering cable (5012 - also use C42895) | 2 |
| 34 | C37705 | CABLE - steering | 2 |
| 35 | C37616 | CLAMP - steering cable..... | 2 |
| 36 | 192-23 | LOCKWASHER - 1/2 | 4 |
| 37 | 113-241 | BOLT - 3/8" - 16 x 3"..... | 8 |
| 38 | 192-21 | LOCKWASHER - 3/8 | 6 |
| 39 | 129-103 | NUT - 3/8" - 16..... | 6 |
| 40 | 192-20 | LOCKWASHER - 5/16..... | 5 |
| 41 | 195-104 | WASHER - 3/8"..... | 4 |
| 42 | 113-410 | BOLT - 1/2" - 13 x 1-1/2"..... | 4 |
| 43 | 113-103 | BOLT - 5/16" 18 x 1" | 5 |
| 44 | 195-520 | WASHER - 1/4"..... | 4 |
| 45 | 131-71 | NUT - 1/4" - 20 lock | 6 |
| 46 | 113-4 | BOLT - 1/4" - 20 x 1"..... | 2 |
| 47 | 193-1000 | NUT - #10 - 32 lock..... | 4 |
| 48 | 111-366 | BOLT - carriage 3/8" - 16 x 1-1/4"..... | 4 |
| 49 | 131-1352 | NUT - 3/8" - 16 flange lock..... | 2 |

INDEX



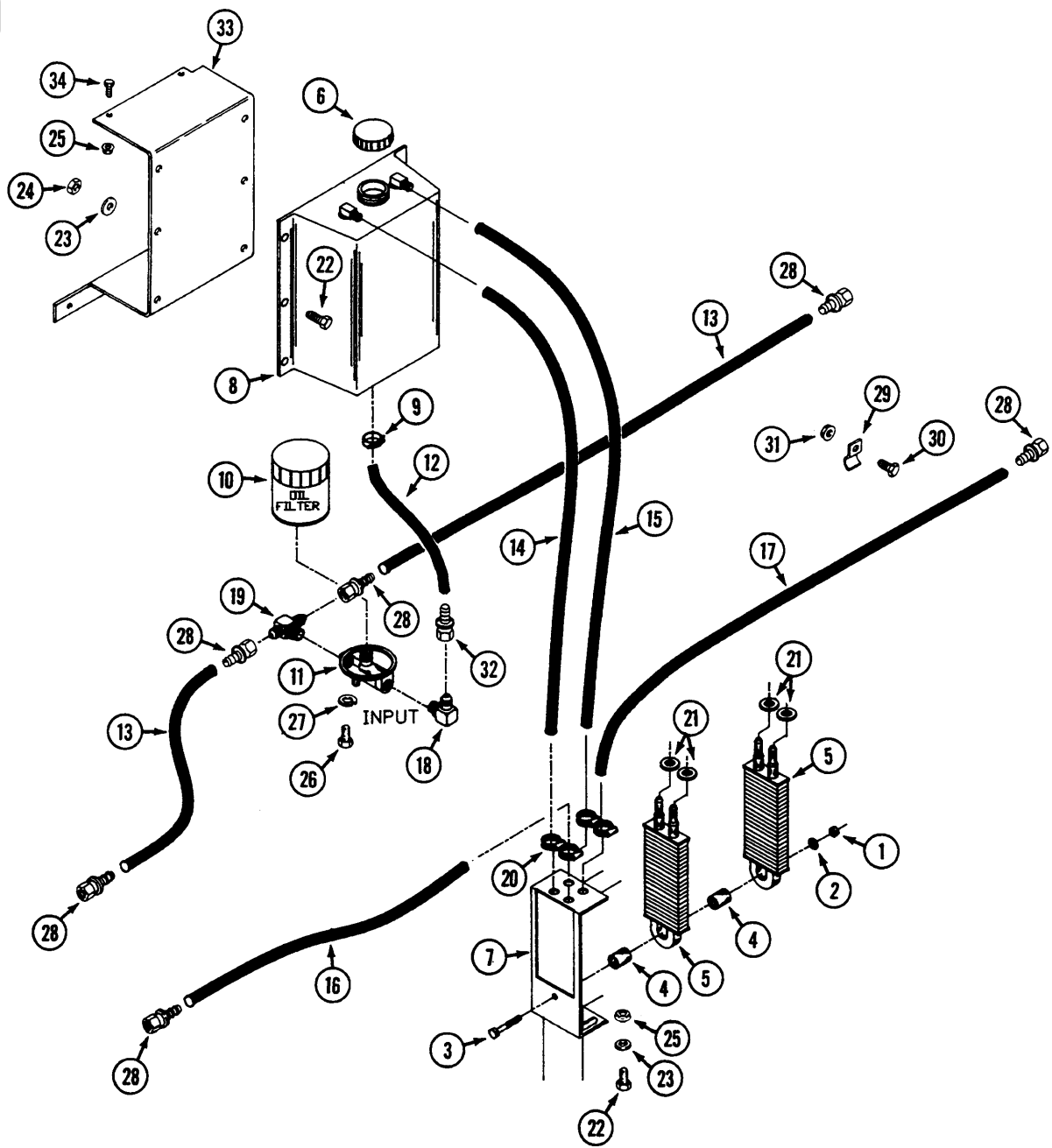
INDEX

MODEL 5012, 5016 AND 5018 FRONT CUT MOWERS

**CROSS SHAFT (TRANSMISSION)
(5012, 5016)**

| REF. | PART NO. | DESCRIPTION | REQ'D |
|------|----------|---------------------------------------------|-------|
| 1 | C37995 | BELT - transmission drive | 1 |
| 2 | C37664 | KEY - woodruff 1/8" x 1/2 | 2 |
| 3 | C37694 | HUB - drive plate | 1 |
| 4 | C37702 | SPACER - bolt | 4 |
| 5 | C38014 | FAN - CCW | 1 |
| 6 | C37700 | PLATE - drive | 2 |
| 7 | C37704 | WASHER - 1/4" 10 gage | 6 |
| 8 | C38015 | SHAFT - cross | 1 |
| 9 | C37703 | SPACER | 2 |
| 10 | C38019 | FAN - CW | 1 |
| 11 | C37695 | PULLEY - drive (includes drive plate) | 1 |
| 12 | 113-110 | BOLT - 5/16" - 18 x 2-1/4" | UAR |
| 12 | 113-104 | BOLT - 5/16" - 18 x 1-1/4" | UAR |
| 12 | 113-103 | BOLT - 5/16" - 18 x 1" | UAR |
| 13 | 192-20 | LOCKWASHER - 5/16" | 8 |
| 14 | 129-102 | NUT - 5/16" - 18 | 8 |
| 15 | 84-45 | SCREW - set 1/4" - 28 x 3/8" | 2 |

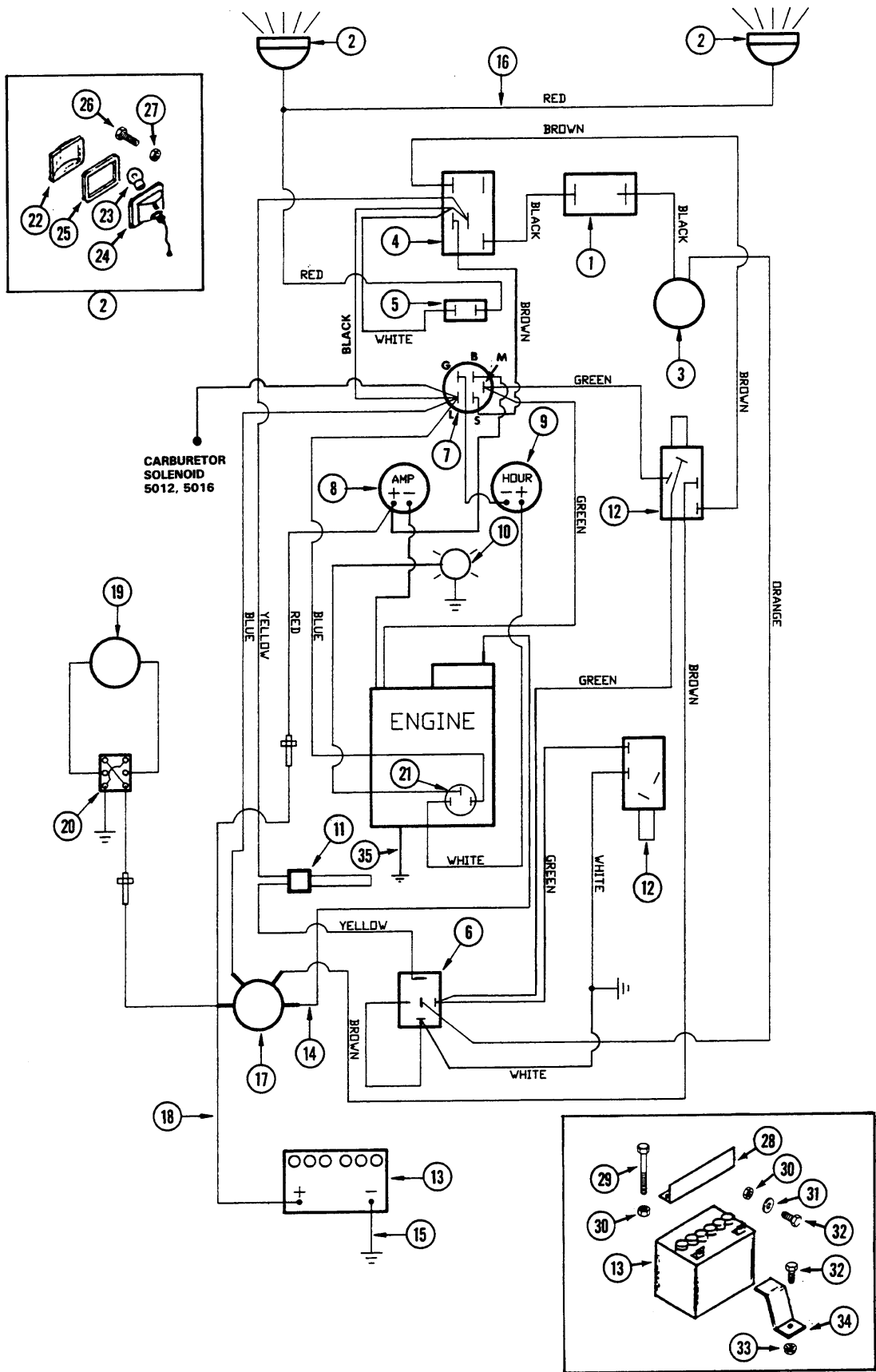
INDEX



MODEL 5012, 5016 AND 5018 FRONT CUT MOWERS

**HYDRAULIC SYSTEM
(5018)**

| REF. | PART NO. | DESCRIPTION | REQ'D |
|------|----------|-------------------------------------------------------|-------|
| 1 | 131-69 | NUT - lock 5/16" | 1 |
| 2 | 195-103 | WASHER - 5/16" | 1 |
| 3 | 113-119 | BOLT - 5/16" - 18 x 2-3/4" | 1 |
| 4 | C45495 | BUSHING - rubber | 2 |
| 5 | C37769 | COOLER - oil | 2 |
| 6 | C37639 | CAP - oil tank | 1 |
| 7 | C37772 | MOUNT - oil cooler | 1 |
| 8 | C37778 | TANK - oil | 1 |
| 9 | 214-254 | CLAMP - hose 5/8" | 2 |
| 10 | C37637 | FILTER - oil | 1 |
| 11 | C37636 | HEAD - oil filter | 1 |
| 12 | C42785 | HOSE - 518" x 11" (12" cut to length) | 1 |
| 13 | C42784 | HOSE - hydraulic 3/8" x 13" (48" cut to length) | 1 |
| 14 | C42784 | HOSE - hydraulic 3/8" x 25" (48" cut to length) | 1 |
| 15 | C42784 | HOSE - hydraulic 3/8" x 27" (48" cut to length) | 1 |
| 16 | C42784 | HOSE - hydraulic 3/8" x 38" (48" cut to length) | 1 |
| 17 | C42784 | HOSE - hydraulic 3/8" x 24" (48" cut to length) | 1 |
| 18 | C37642 | FITTING - male 900 adapter | 1 |
| 19 | C37785 | FITTING - male tee adapter | 1 |
| 20 | 214-274 | CLAMP - hose 3/8" | 4 |
| 21 | C37787 | GROMMET - 1/2" ID x 1"OD | 4 |
| 22 | 113-3 | BOLT - 1/4" - 20 x 3/4" | 6 |
| 23 | 195-102 | WASHER - 1/4" | 8 |
| 24 | 131-1102 | NUT - 1/4" - 20 lock | 4 |
| 25 | 131-934 | NUT - 1/4" - 20 flange lock | 2 |
| 26 | C41931 | BOLT - 1/4" - 20 x 3/4" self-tap | 2 |
| 27 | 192-19 | LOCKWASHER - 1/4" | 2 |
| 28 | C41986 | FITTING - 3/8" hose barb x 3/8" FM JIC | 6 |
| 29 | C32455 | CLIP - "J" | 1 |
| 30 | 113-102 | BOLT - 5/16" x 18 x 3/4" | 1 |
| 31 | 131-911 | NUT - 5/16" - 18 flange lock | 1 |
| 32 | C41978 | FITTING - 5/8" hose barb x 1/2" FM JIC | 1 |
| 33 | C37807 | MOUNT - oil tank | 1 |
| 34 | 113-3 | BOLT - 1/4" - 20 x 1/2" | 4 |



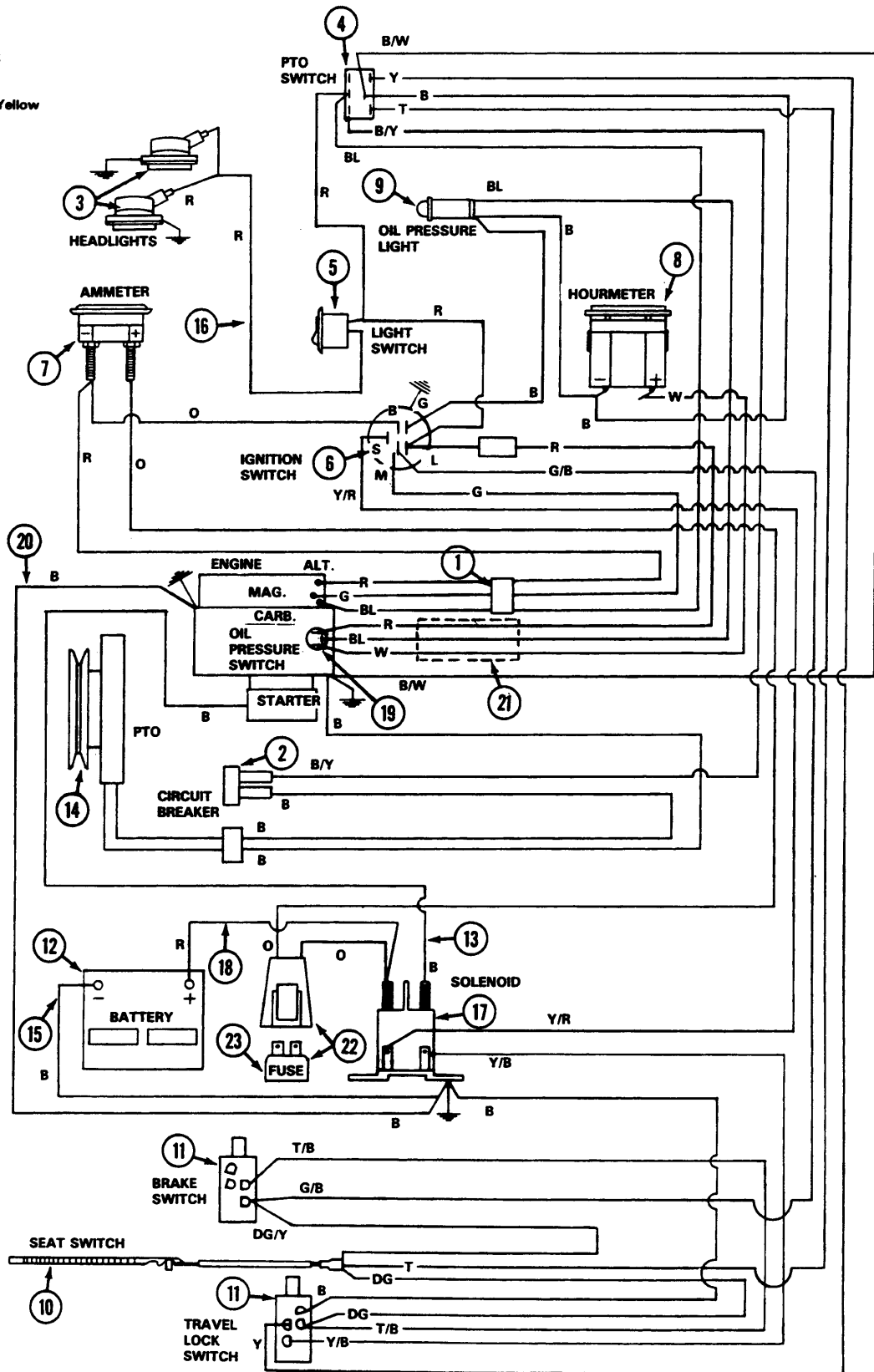
WIRING DIAGRAM
5012 - All
5016, 5018 - before S/N 14175541

AFTER THIS PIN

| REF. | PART NO. | DESCRIPTION | REQ'D |
|------|----------|-------------------------------------------------------------------------|-------|
| | C42241 | HARNESS - wire | 1 |
| 1 | C37505 | BREAKER - circuit, 10 amp | 1 |
| 2 | NSS | HEADLIGHT - (use C32178 and C44075) | 2 |
| 3 | C37511 | CLUTCH - PTO, electric | 1 |
| 4 | C31937 | SWITCH - PTO (also see nut and cap below) | 1 |
| | C44469 | NUT - 1/2" - 27 (PTO switch) | 2 |
| | C31619 | CAP - PTO switch | 1 |
| 5 | C37514 | SWITCH - headlight | 1 |
| 6 | C37515 | RELAY | 1 |
| | 113-3 | BOLT - 1/4" - 20 x 3/4" (relay mounting) | 1 |
| | 192-19 | LOCKWASHER - 1/4" (relay mounting) | 1 |
| | 121-101 | NUT - 1/4" - 20 (relay mounting) | 1 |
| 7 | C24145 | SWITCH - ignition | 1 |
| | 193-63 | WASHER - 5/8" lock (ignition switch) | 1 |
| | C32396 | NUT - 5/8" - 32 (ignition switch) | 1 |
| | C32407 | KEY - ignition (ignition switch) | 2 |
| | C32397 | CAP - nut (ignition switch) | 1 |
| 8 | C37517 | AMMETER | 1 |
| 9 | C37518 | METER - hour | 1 |
| 10 | C37519 | LIGHT - oil | 1 |
| 11 | C37520 | SWITCH - seat | 1 |
| 12 | C37521 | SWITCH - safety (enlarge mounting hole if required) | 2 |
| 13 | C41010 | BATTERY - 12 volt | 1 |
| 14 | C37523 | WIRE - starter | 2 |
| 15 | C37528 | CABLE - ground | 1 |
| 16 | C37525 | WIRE - headlight (with female terminals) early production | 1 |
| 16 | C44075 | WIRE - headlight (with 2 male spade terminals) | 1 |
| 17 | C37526 | SOLENOID - starting | 1 |
| | 113-3 | BOLT - 1/4" - 20 x 3/4" (solenoid and relay mounting) | 2 |
| | 192-19 | LOCKWASHER - 1/4" (solenoid and relay mounting) | 2 |
| | 129-101 | NUT - 1/4" - 20 (solenoid and relay mounting) | 2 |
| | 192-20 | LOCKWASHER - 5/16" (solenoid studs) | 2 |
| | 129-102 | NUT - 5/16" - 18 (solenoid studs) | 2 |
| | 192-18 | LOCKWASHER - 3/16" (solenoid studs) | 2 |
| | 129-37 | NUT - #10 - 32 (solenoid studs) | 1 |
| | 129-6 | NUT - #8 - 32 (solenoid studs) | 1 |
| 18 | C37523 | WIRE - battery positive to solenoid | 1 |
| 19 | C37529 | ACTUATOR - electric lift (model EDL) (for model BEPL see page 49) | 1 |
| 20 | C37530 | SWITCH - deck lift (model EDL) (for model BEPL see page 49) | 1 |
| 21 | C37531 | SWITCH - oil light | 1 |
| 22 | C37507 | LENS - headlight | 2 |
| 23 | C37508 | BULB - headlight | 2 |
| 24 | C37509 | RECEPTICAL - headlight | 2 |
| 25 | C37510 | GASKET - headlight | 2 |
| 26 | 113-4 | BOLT - 1/4" - 20 x 1" | 2 |
| 27 | 129-101 | NUT - 1/4" - 20 | 2 |
| 28 | C37983 | BRACKET - battery hold down | 1 |
| 29 | C38677 | BOLT - 1/4" - 20 x 7" | 2 |
| 30 | 131-71 | NUT - 1/4" - 20 lock | 4 |
| 31 | 195-102 | WASHER - 1/4" | 3 |
| 32 | 113-3 | BOLT - 1/4" - 20 x 3/4" | 3 |
| 33 | 131-934 | NUT - 1/4" - 20 flange lock | 1 |
| 34 | NSS | PROTECTOR - battery post (use C24069 rubber boot) | 1 |
| 35 | C41643 | WIRE - ground | 1 |

WIRE COLOR CODE

- DG - Dark Green
- T/B - Tan/Black
- B - Black
- Y/B - Yellow/Black
- Y - Yellow
- T - Tan
- DG/Y - Dark Green/Yellow
- O - Orange
- Y/R - Yellow/Red
- B/W - Black/White
- BL - Blue
- B/Y - Black/Yellow
- G/B - Green/Black
- R - Red
- G - Green
- W - White

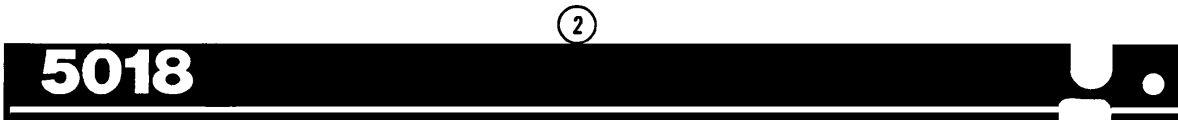


MODEL 5012, 5016 AND 5018 FRONT CUT MOWERS

**ELECTRICAL SYSTEM
5016, 5018 - S/N 14175541 AND AFTER**

BEFORE THIS PIN

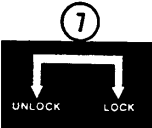
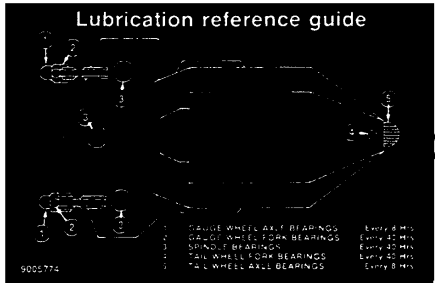
| REF. | PART NO. | DESCRIPTION | REQ'D |
|------|----------|-----------------------------------------------------|-------|
| | C45535 | HARNESS - wire, main | 1 |
| 1 | C45539 | HARNESS - wire, alternator and magneto..... | 1 |
| 2 | C37505 | BREAKER - circuit, 10 amp | 1 |
| 3 | C32178 | HEADLIGHT..... | 2 |
| | C22573 | LENS - headlight..... | 1 |
| | C37508 | BULB - headlight..... | 1 |
| | C37509 | RECEPTICAL | 1 |
| | C14304 | GASKET - headlight | 1 |
| 4 | C31937 | SWITCH - PTO (also use C31619 Cap) | 1 |
| | C44469 | NUT - 1/2" - 27 (Black) PTO switch retaining..... | 2 |
| 5 | C43044 | SWITCH - headlight | 1 |
| 6 | C30267 | SWITCH - ignition | 1 |
| | C32407 | KEY - ignition | 1 |
| | C32397 | CAP - nut, ignition switch | 1 |
| | 193-63 | LOCKWASHER - 5/8" | 1 |
| | C32396 | NUT - 5/8" - 32 ignition switch..... | 1 |
| 7 | C29413 | AMMETER | 1 |
| 8 | C42929 | METER - hour | 1 |
| 9 | C45536 | LIGHT - oil..... | 1 |
| 10 | C45537 | SWITCH - seat | 1 |
| 11 | C37521 | SWITCH - safety | 2 |
| | 182-525 | SCREW - #10 - 32 x 3/8" (safety switch mount) | 1 |
| | 192-18 | LOCKWASHER - 3/16" (safety switch mount) | 1 |
| | 193-1000 | NUT - #10 - 32 Lock (safety switch mount)..... | 2 |
| | 182-528 | SCREW - #10 - 32 x 112" (safety switch mount) | 2 |
| 12 | C41010 | BATTERY - 12 volt..... | 1 |
| 13 | C44261 | WIRE - starter | 1 |
| 14 | C37511 | CLUTCH - PTO | 1 |
| 15 | C37528 | CABLE - ground..... | 1 |
| 16 | C44075 | WIRE - headlight..... | 1 |
| 17 | C33024 | SOLENOID - start | 1 |
| | 113-3 | BOLT - 1/4" - 20 x 3/4" (solenoid mounting) | 2 |
| | 131-934 | NUT - 1/4" - 20 (solenoid mounting) | 2 |
| | 192-19 | LOCKWASHER - 1/4" (solenoid studs)..... | 2 |
| | 129-101 | NUT - 1/4" - 20 (solenoid studs)..... | 2 |
| 18 | C37523 | CABLE - battery positive to solenoid | 1 |
| 19 | C37531 | SWITCH - oil light..... | 1 |
| 20 | C41643 | WIRE - ground | 1 |
| 21 | C42240 | HARNESS - oil pressure switch | 1 |
| 22 | C31947 | KIT - fuse holder..... | 1 |
| 23 | C30260 | FUSE - 30 amp | 1 |



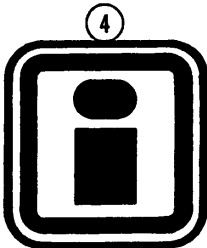
1
INGERSOLL

6 **CAUTION**
THIS MACHINE HAS AN IGNITION INTER LOCK SAFETY SYSTEM. ALL CONTROLS MUST BE IN NEUTRAL BEFORE THE ENGINE WILL START.

9 **DANGER**
ENGINES PRODUCE CARBON MONOXIDE WHICH IS AN ODORLESS DEADLY POISON. DO NOT OPERATE IN AN ENCLOSED AREA.



11 **CAUTION!** TRANSMISSION COOLER MUST BE KEPT CLEAN
▶▶▶ SEE OPERATORS MANUAL ◀◀◀



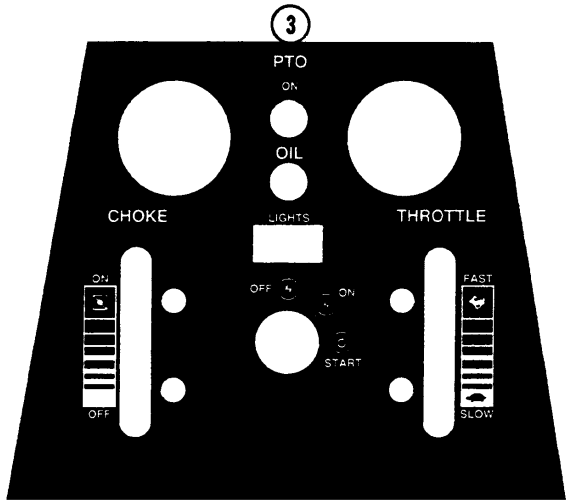
5

OPERATION OF CONTROLS

CAUTION! READ OPERATING MANUAL BEFORE OPERATING THIS MACHINE.

CONTROL THE SPEED THROUGH THE USE OF TRANSMISSION CONTROL ONLY.

| | | |
|---|---------|---|
| ↑ | FORWARD | ↓ |
| ↑ | NEUTRAL | ↓ |
| ↑ | REVERSE | ↓ |



MODEL 5012, 5016 AND 5018 FRONT CUT MOWERS

DECALS

| REF. | PART NO. | DESCRIPTION | REQ'D |
|------|----------|---------------------------------------------|-------|
| 1 | C39527 | DECAL - front side R.H. (shown) | 1 |
| 1 | C39528 | DECAL - front side L.H..... | 1 |
| 2 | C39529 | DECAL - rear side L.H. (5018) | 1 |
| 2 | C39531 | DECAL - rear side R.H. (shown) (5018) | 1 |
| 3 | C40954 | DECAL - instrument panel | 1 |
| 4 | C37464 | MEDALLION - "Ingersoll" | 1 |
| 5 | C37495 | DECAL - operation | 1 |
| 6 | C37496 | DECAL - caution interlock | 1 |
| 7 | C37502 | DECAL - unlock/lock | 1 |
| 8 | C37498 | DECAL - run/park | 1 |
| 9 | C37500 | DECAL - danger carbon monoxide | 1 |
| 10 | C38807 | DECAL - lubrication (5018) | 1 |
| 11 | C37504 | DECAL - clean cooler (5018) | 1 |
| 12 | C39532 | DECAL - rear side L.H. (5012) | 1 |
| 12 | C39530 | DECAL - rear side R.H. (shown) (5012) | 1 |
| 13 | C43404 | DECAL - rear side L.H. (5016) | 1 |
| 13 | C43405 | DECAL - rear side R.H. (5016) shown | 1 |

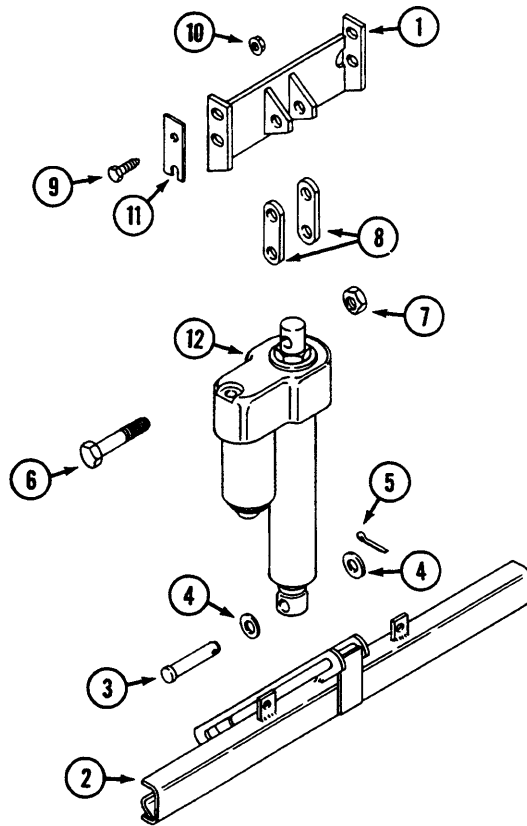
INDEX**MODEL BEPL ELECTRIC DECK LIFT****WINCH**

| REF. | PART NO. | DESCRIPTION | REQ'D |
|------|----------|-----------------------------------------|-------|
| 1 | 113-207 | BOLT - 3/8" - 16 x 1" | 6 |
| 1 | C44489 | SCREW - 3/8" - 16 x 1" socket head..... | 2 |
| 2 | 131-938 | NUT - 3/8" - 16 flange lock..... | 8 |
| 3 | C43967 | MOUNT - winch..... | 1 |
| 4 | C43958 | WINCH - deck lift..... | 1 |
| 5 | C43375 | CABLE..... | 1 |
| 6 | C43992 | PIN - cable keeper..... | 1 |
| 7 | 113-3 | BOLT - 1/4" - 20 x 3/4" | 2 |
| 8 | 131-934 | NUT - 1/4" - 20 flange lock | 5 |
| 9 | C43962 | COVER - solenoid..... | 1 |
| 10 | C43964 | GROMMET - 1" x 7/8" | 1 |
| 11 | 113-1 | BOLT - 1/4" - 20 x 1/2" | 3 |
| 12 | C43963 | MOUNT - solenoid | 1 |
| 13 | 113-219 | BOLT - 3/8" - 16 x 2" | 1 |
| 14 | 131-1352 | NUT - 3/8" - 16 lock..... | 1 |
| 15 | C43961 | SPACER..... | 1 |
| 16 | C43960 | STRAP - lift..... | 1 |
| 17 | C43412 | DECAL - "Power Lift"..... | 1 |
| 18 | 193-1000 | NUT - #10 - 32 | 2 |
| 19 | C44361 | ARM - trip | 1 |
| 20 | C44364 | MOUNT - trip arm..... | 1 |
| 21 | C44367 | PIN - pivot..... | 1 |
| 22 | 132-6 | PIN - cotter 1/16" x 5/8" | 2 |

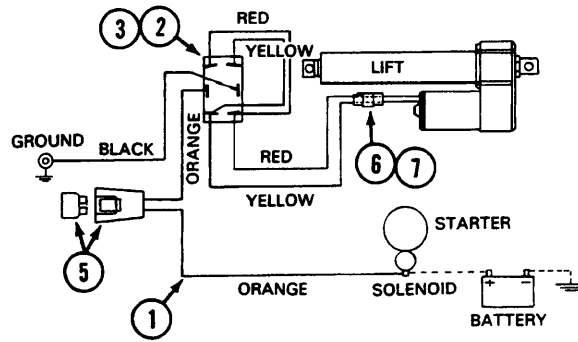
INDEX**ELECTRICAL ASSEMBLY**

| | | | |
|----|----------|----------------------------------------------------------|----|
| 1 | C33024 | SOLENOID - 12V | 4 |
| 2 | C43966 | STRAP | 4 |
| 3 | C43983 | BREAKER - 40 amp, 12V | 1 |
| 4 | 193-1000 | NUT - #10-32 | 2 |
| 5 | C43969 | HARNESS - wire | 1 |
| 6 | 129-101 | NUT - 1/4" -20 | 8 |
| 7 | 192-19 | LOCKWASHER - 1/4" | 8 |
| 8 | 113-1 | BOLT - 1/4" - 20 x 1/2" | 8 |
| 9 | 131-934 | NUT - 1/4" - 20 flange | 10 |
| 10 | 113-3 | BOLT - 1/4" - 20 x 3/4" | 2 |
| 11 | C43965 | BRACKET - switch | 2 |
| 12 | C33744 | SWITCH - limit | 2 |
| 13 | C43985 | SWITCH - lift | 1 |
| 14 | NSS | PLATE - switch identification (early production) | 1 |
| 14 | C44495 | DECAL - switch identification (current production) | 1 |
| 15 | C44471 | NUT - 15/32" - 32, switch | 1 |
| 16 | 195-529 | WASHER - 1/2" | 1 |

INDEX



INDEX



INDEX

MODEL 5012, 5016 AND 5018 FRONT CUT MOWERS

**ELECTRIC DECK LIFT
CYLINDER STYLE**

| REF. | PART NO. | DESCRIPTION | REQ'D |
|------|----------|------------------------------------|-------|
| 1 | C45697 | MOUNT - cylinder | 1 |
| 2 | C45700 | BAR - cross | 1 |
| 3 | C29804 | PIN - clevis 1/2" x 2-1/2" | 1 |
| 4 | 195-2067 | WASHER - 1/2" | 2 |
| 5 | 132-320 | PIN - cotter 3/32" x 3/4" | 1 |
| 6 | 113-426 | BOLT - 1/2" - 13 x 2-3/4" | 2 |
| 7 | 131-1182 | NUT - 1/2" - 13 lock | 2 |
| 8 | C45768 | LINK - spacer | UAR |
| 9 | 113-103 | BOLT - 5/16" - 18 x 1" | 4 |
| 10 | 131-911 | NUT - 5/16" - 18 flange lock | 4 |
| 11 | C45766 | SHIM - cylinder mount | UAR |
| 12 | C45706 | CYLINDER - lift | 1 |

INDEX

**ELECTRICAL SYSTEM (DECK LIFT)
CYLINDE STYLE**

| | | | |
|---|--------|-----------------------------------------------------|---|
| 1 | C45705 | HARNESS - wire | 1 |
| 2 | C45775 | SWITCH | 1 |
| 3 | C45780 | NUT - 15/32" - 32 with boot (switch mounting) | 1 |
| 4 | C44495 | DECAL - lift switch | 1 |
| 5 | C30261 | HOLDER - fuse | 1 |
| 5 | C30260 | FUSE - 30 amp | 1 |
| 6 | C24813 | CONNECTOR - wire harness | 1 |
| 7 | C31948 | CONNECTOR - lift actuator | 1 |