

ROTARY MOWERS  
AHRM44, AHRM48, AHRM60  
SNOWBLOWERS  
AHSB48  
Parts Catalog 8-3230

3-92-RP-500-157



APPLICATION CHART

ATTACHMENT  
AHRM 44, AHRM 48  
AHRM 60  
AHSB48

TRACTOR MODEL  
3118, 4116, 4118, 4120  
3118, 4116, 4118, 4120  
3118, 4116, 4118, 4120

**INGERSOLL**  
Ingersoll Equipment Co., Inc.

## GENERAL INFORMATION

## INDEX

There is an index at the front and rear of this catalog.

The front index is an alphabetical index of the major groups or assemblies.

The rear index is a numerical index of the part numbers and pages on which these numbers are shown.

## ILLUSTRATION

Each illustration in this catalog shows a group of parts or components. These parts and components are aligned approximately as the parts and components on your machine. Each part and component in an illustration has a reference number. These reference numbers are in a list on the page opposite of the illustration. Next to the reference number is the part number, description and required quantity of the part shown in the illustration.

UAR - "Use as required" indicates that the part quantity is variable.

NSS - "Not sold separately" indicates that the part is only available as a component of an assembly or the part must be purchased locally. If the part is an assembly component, the description will be indented under the assembly description in the parts list.

O/L - "Obtain locally"

\*\* - "Footnotes" are added to a part number when more information is needed for identification. They only relate to the part numbers indicated.

## PARTS ORDERS

All orders must include the following information:

1. Correct part number.
2. Complete description of part or component.
3. Total quantity of each part or component.
4. Product model number.
5. All necessary product identification numbers.
6. Method for sending the parts.
7. Complete and correct address.

## CATALOG REVISIONS

As the product changes, new pages will be available for your catalog. A notice will be issued.

**IMPORTANT:** Put all revisions into the catalog as soon as possible.

## RIGHT HAND AND LEFT HAND IDENTIFICATION

The words right hand (RH) and left hand (LH) as used in this catalog indicate the direction while you are in the operator's seat in the normal operating position.

## INDENTED DESCRIPTIONS

An assembly can have many components. The components of an assembly are indicated by an indented description. The quantity for an indented part is the total needed for that complete assembly. See the example.

## TABLE OF CONTENTS

## AHRM 44, AHRM 48

	Page	Grid
Deck, Covers and Lift Links . . . . .	5	A6
Mounting, Bracket and Tow Frame . . . . .	7	A8
Deck Belt and Idler Pulleys . . . . .	7	A8
Rear Axle and Leveling Linkage . . . . .	9	A10
Spindles and Blades . . . . .	9	A10
Hydraulic System . . . . .	21	B8
Hydraulic Motor . . . . .	21	B8
Decals . . . . .	27	B14

## AHRM 60

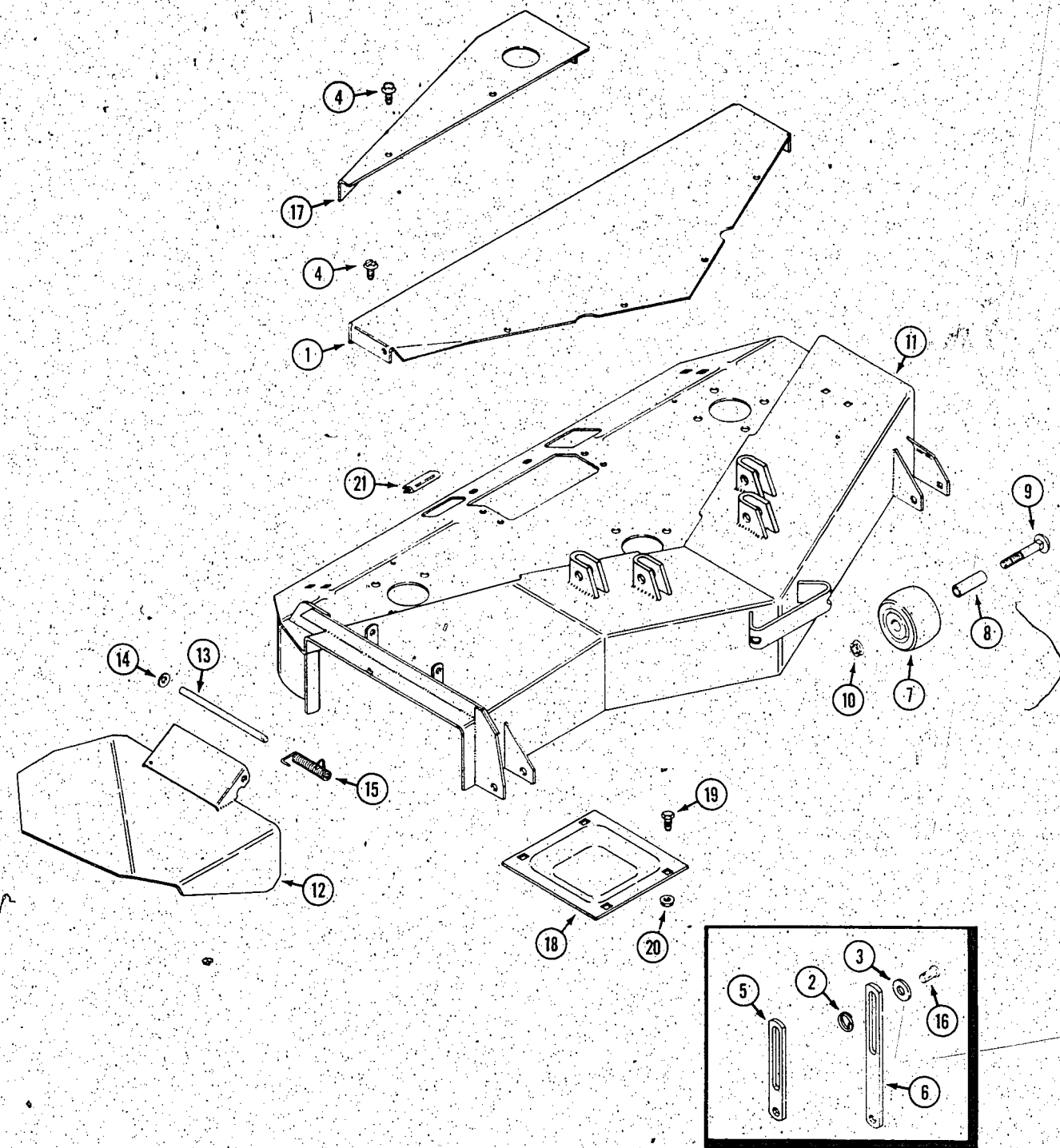
Deck, Belts and Deck Covers . . . . .	11	A12
Pulleys, Blades and Spindles . . . . .	13	A14
Axle and Mounting Brackets . . . . .	15	B2
Hydraulic System . . . . .	23	B10
Hydraulic Motor . . . . .	21	B8
Decals . . . . .	27	B14

## AHSB48

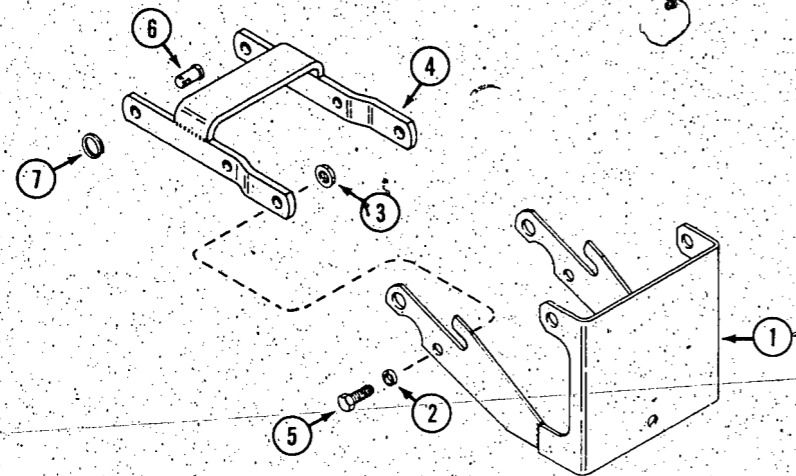
Auger Housing, Chute Control and Lift Assembly . . . . .	17	B4
Auger and Drive Shaft . . . . .	19	B6
Hydraulic System . . . . .	25	B12
Hydraulic Motor . . . . .	21	B8
Decals . . . . .	27	B14

REF.	PART NO.	DESCRIPTION	REQ'D
	C 55159	CYLINDER ASSY - rear steering . . . . .	1
28	C 56208	SOCKET ASSY - rear cylinder . . . . .	1
29	C 55956	PLUG - adjusting, socket assy . . . . .	1
30	C 55957	SEAT - socket ball . . . . .	2
31	C 56210	SPRING - socket . . . . .	1
32	C 56209	SEAT - socket spring . . . . .	1
33	G 45175	CLAMP ASSY - socket assy . . . . .	1
	16- 836	BOLT - 1/2" x 2-1/4" N.F. hex . . . . .	1
34	132- 104	PIN - cotter, 3/16" x 3" . . . . .	1
35	C 55889	STUD - ball, socket & cylinder . . . . .	2
36	13- 410	BOLT - 1/4" x 5/8" N.C., hex . . . . .	4
37	92- 4	LOCK WASHER - 1/4" SAE . . . . .	4

DECK, COVERS AND LIFT LINKS



REF.	PART NO.	DESCRIPTION	REQ'D
1	C 42164	COVER - deck belt (AHRM44)	1
1	C 37342	COVER - deck belt (AHRM48)	1
2	C 28105	RING - retaining	4
3	195- 533	WASHER - 1/2"	2
4	187- 1036	SCREW - 1/4" x 1/2" self-tapping	UAR
5	C 18315	LINK - lift (use with tractor model 3118)	2
6	C 25703	LINK - lift (use with tractor models 4116, 4118, 4120)	2
7	C 31500	ROLLER - anti-scalp	2
8	C 31501	SPACER - sleeve	2
9	111- 375	BOLT - 3/8" - 16 x 3" carriage	1
9	113- 241	BOLT - 3/8" - 16 x 3 hex head	1
10	131- 938	NUT - 3/8" - 16 flange lock	2
11	C 42165	DECK - mower (AHRM44)	1
11	C 37325	DECK - mower (AHRM48)	1
12	C 32958	DEFLECTOR - chute	1
13	C 30766	ROD - pivot	1
14	C 30768	NUT - push	2
15	C 31505	SPRING - chute	1
16	C 10821	PIN - clevis	4
17	C 42173	COVER - motor (AHRM44)	1
17	C 37341	COVER - motor (AHRM48)	1
18	C 31518	SKID - rear	1
19	113- 102	BOLT - 5/16" - 18 x 3/4"	4
20	131- 911	NUT - 5/16" - 18	4
21	C 40953	TRIM - liner	4



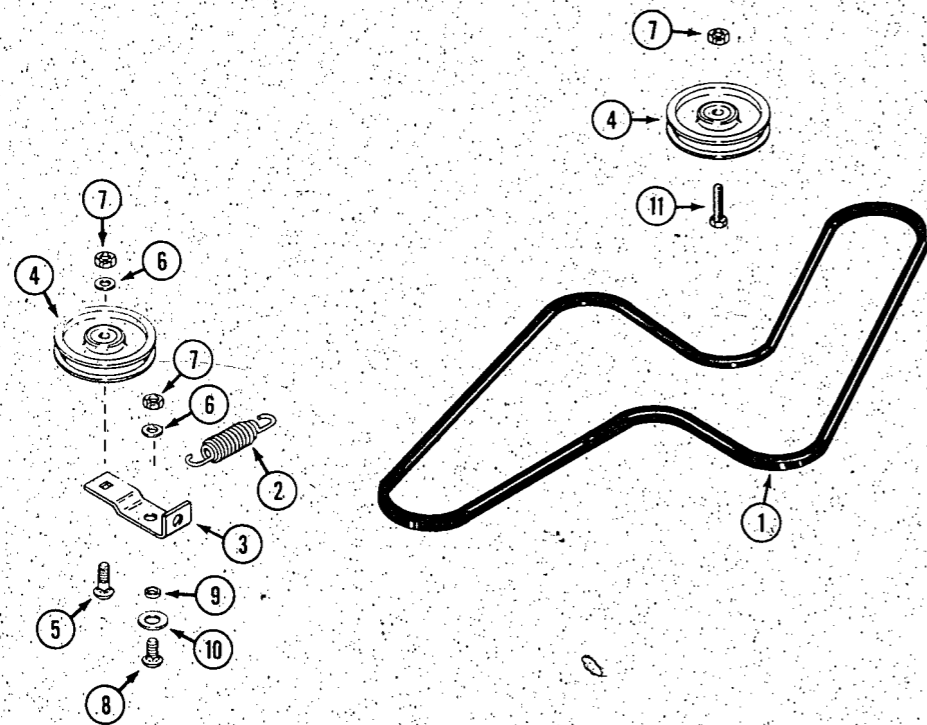
AHRM44 AND AHRM48 ROTARY MOWER

MOUNTING BRACKET AND TOW FRAME

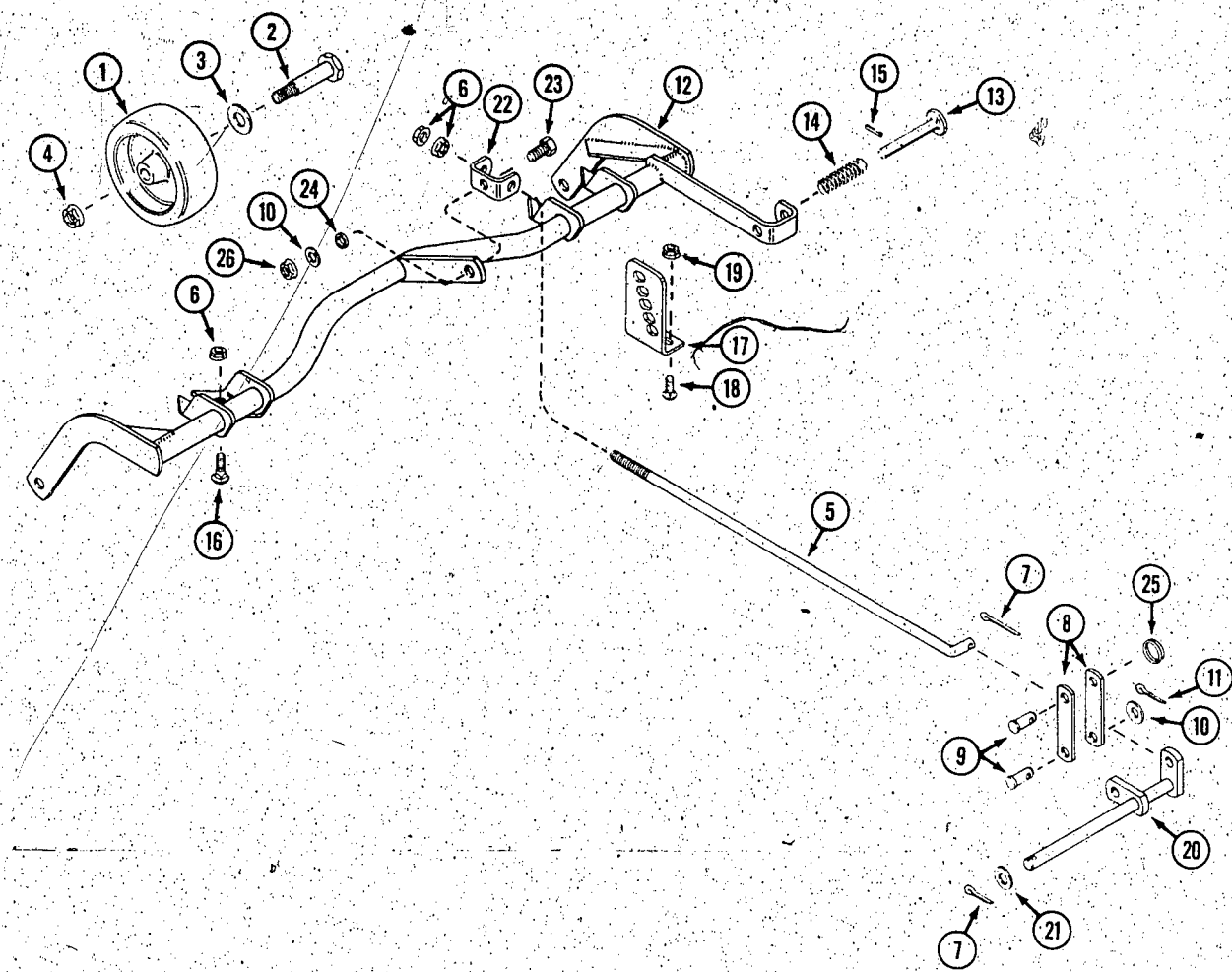
REF.	PART NO.	DESCRIPTION	REQ'D
1	C 37392	BRACKET - mounting	1
2	C 14768	SPACER - sleeve	2
3	131-1352	NUT - 3/8" - 16 flange	2
4	C 37323	FRAME - tow	1
5	113-208	BOLT - 3/8" - 16 x 1-1/4"	2
6	C 10821	PIN - clevis 1/2" x 1"	2
7	C 28105	RING - retaining	2

DECK BELT AND IDLER PULLEYS

1	C 42446	BELT - mower deck (AHRM44)	1
1	C 37062	BELT - mower deck (AHRM48)	1
2	C 14482	SPRING - tension	1
3	C 37331	ARM - idler	1
4	C 12251	PULLEY - backside idler	2
5	111-366	BOLT - 3/8" - 16 x 1-1/4" carriage	1
6	195-525	WASHER - 3/8"	2
7	131-1181	NUT - 3/8" lock	3
8	111-371	BOLT - 3/8" - 16 x 1" carriage	1
9	C 14768	SPACER - sleeve	1
10	195-105	WASHER - 1/2"	1
11	113-102	SCREW - 3/8" - 16 x 1-3/4"	1





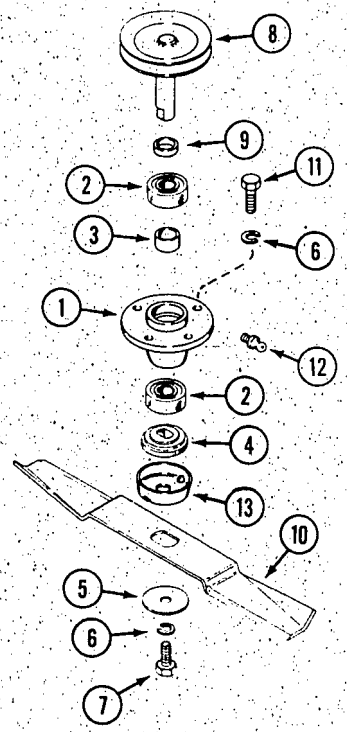


AHRM44 AND AHRM48 ROTARY MOWER

REAR AXLE AND LEVELING LINKAGE

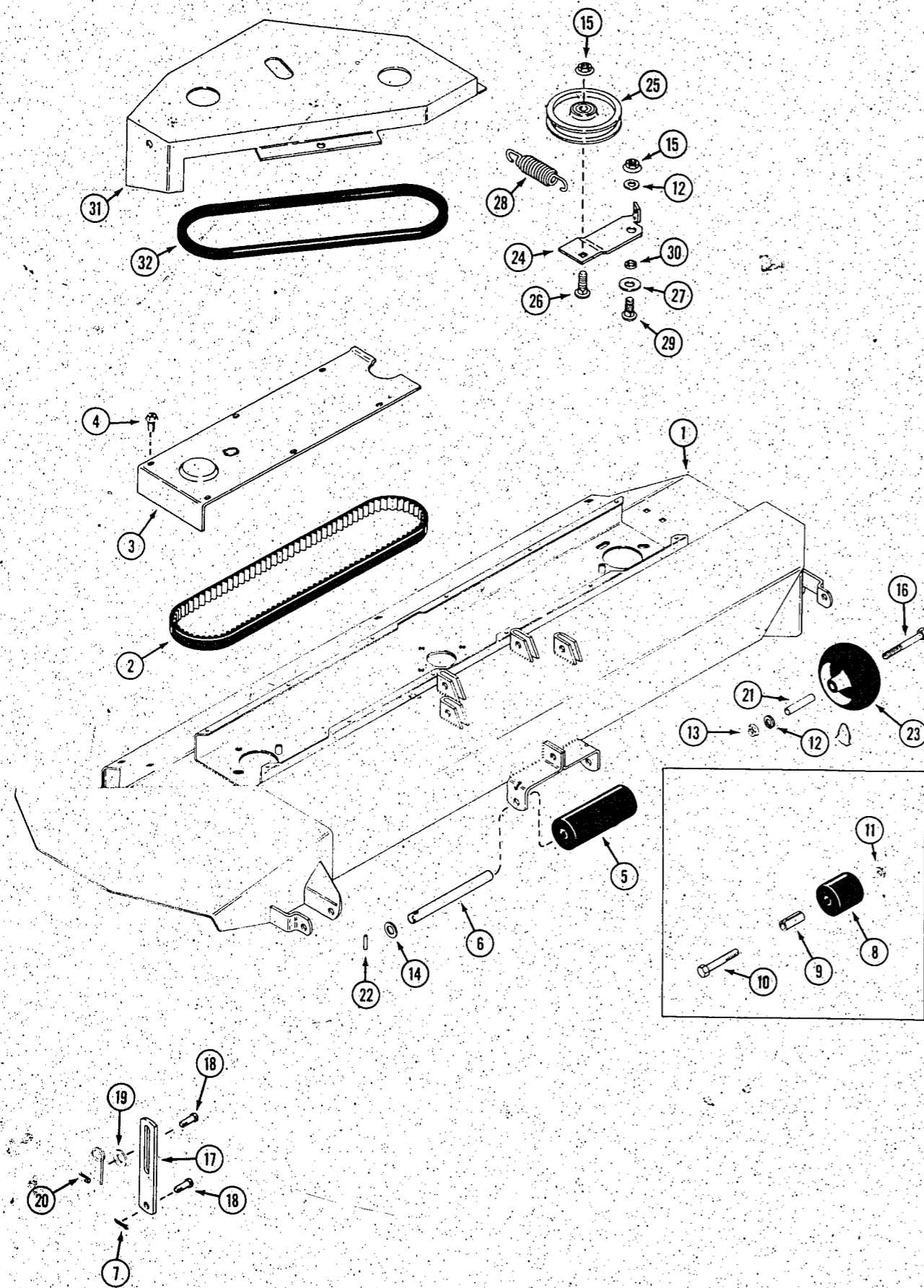
REF.	PART NO.	DESCRIPTION	REQ'D
1	C 31498	WHEEL - gauge	2
2	C 31499	BOLT - shoulder	2
3	195- 541	WASHER - .656" x 1.312"	4
4	131- 930	NUT - 1/2" - 13 flange lock	2
5	C 31577	ROD - level adjust	1
6	131- 938	NUT - 3/8" - 16 flange lock	8
7	132- 310	PIN - cotter 1/8" x 1"	2
8	C 31580	STRAP - connector (AHRM48) shown	2
8	C 42447	STRAP - connector (AHRM44)	2
9	141- 54	PIN - clevis 3/8" x 1"	1
9	195- 525	WASHER - 3/8"	1
11	132- 320	PIN - cotter 3/32" x 3/4"	1
12	C 37336	AXLE - mower (AHRM48)	1
12	C 42169	AXLE - mower (AHRM44)	1
13	C 20005	PIN - locking	1
14	C 10482	SPRING - compression	1
15	138- 96	PIN - roll 3/16" x 1"	1
16	111- 340	BOLT - 3/8" - 16 x 3/4" carriage	6
17	C 15935	BRACKET - height adjust	1
18	111- 132	BOLT - 5/16" - 18 x 3/4" carriage	2
19	131- 911	NUT - 5/16" - 18 flange lock	2
20	C 37327	BELLCRANK - leveling	1
21	195- 533	WASHER - 1/2"	1
22	C 31579	BRACKET - channel	1
23	113- 207	BOLT - 3/8" - 16 x 1"	1
24	C 16573	SPACER - sleeve	1
25	C 28105	RING - retaining	1
26	131-1352	NUT - 3/8" - 16 flange head	1

SPINDLES AND BLADES

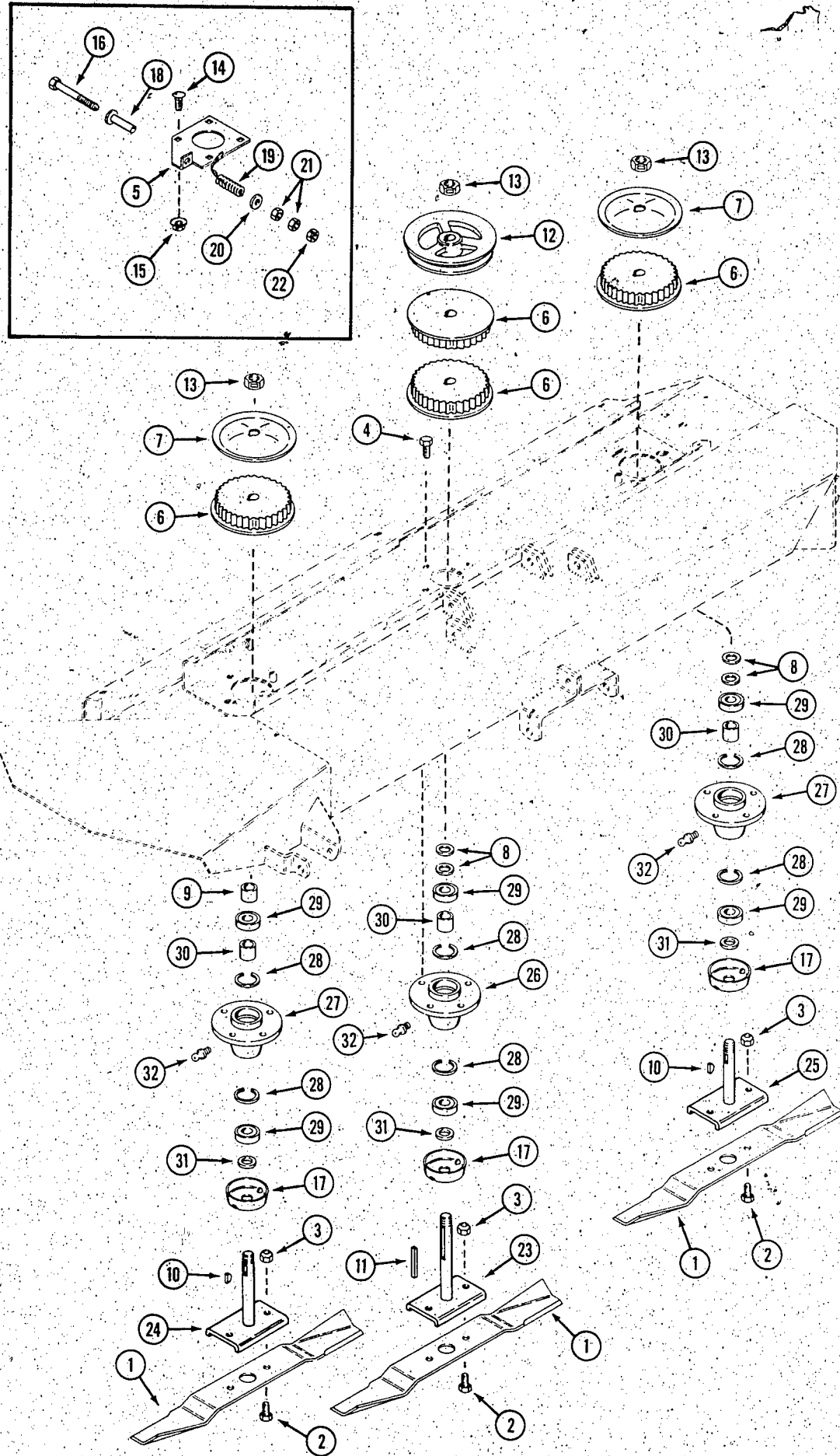


REF.	PART NO.	DESCRIPTION	REQ'D
1	C 40723	HOUSING - spindle	3
2	C 28971	BEARING - spindle	6
3	C 10810	SPACER - bearing	3
4	C 25542	ADAPTER - blade	3
5	C 31452	WASHER - 3/8" x 2"	3
6	192- 21	LOCK WASHER - 3/8"	15
7	113- 209	BOLT - 3/8" - 16 x 1-1/2" (use 35 ft lb. or torque)	3
8	C 31566	SPINDLE	2
9	C 29431	SPACER - spindle	3
10	C 31571	BLADE - 15-1/2" (AHRM44)	3
10	C 31572	BLADE - 17" (AHRM48)	3
11	113- 206	BOLT - 3/8" - 16 x 3/4" (use 15 ft lb. of torque)	12
12	219- 20	FITTING - lubrication	3
13	C 25544	SHIELD - bearing	3

DECK, BELTS AND DECK COVERS



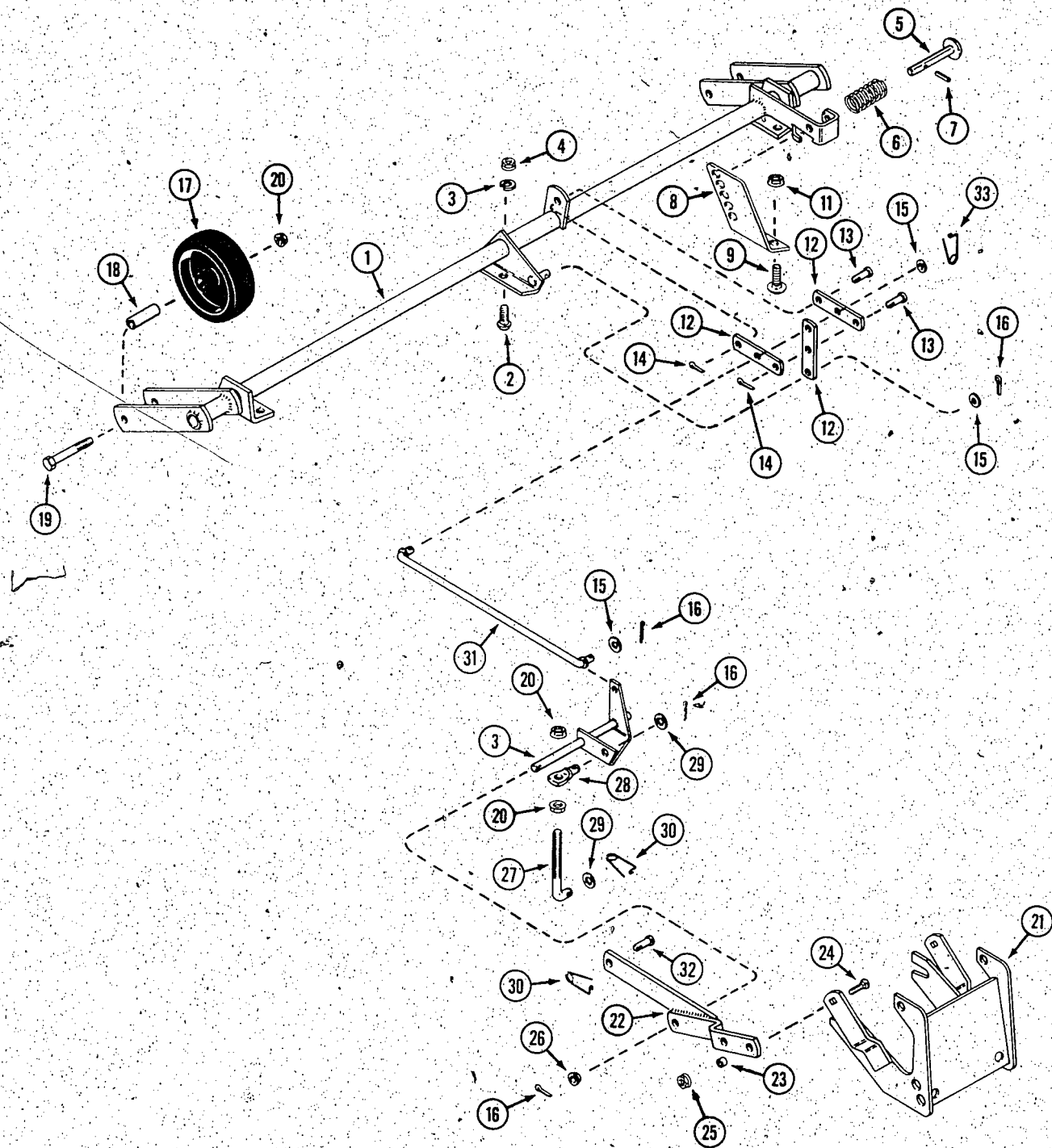
REF.	PART NO.	DESCRIPTION	REQ'D
1	C 37313	DECK - mower 60" (1520mm)	1
2	C 25687	BELT - spindle drive	2
3	C 25689	GUARD - deck belt	2
4	187- 1036	SCREW - 1/4" - 20 x 1/2" self-tapping	12
5	C 28977	ROLLER - 2-1/2" x 7" (63.5 x 177.8 mm)	1
6	C 26405	SHAFT - roller	1
7	132- 310	PIN - cotter 1/8" x 1" (3.17 x 25.4mm)	2
8	C 28976	ROLLER - 2-1/2" x 2-3/8" (63.5 x 60.32 mm) rear	2
9	C 25620	SPACER - sleeve	4
10	113- 447	BOLT - 1/2" - 13 x 3" hex	4
11	131- 930	NUT - lock 1/2" hex flange	6
12	195- 525	WASHER - 3/8"	1
13	131- 938	NUT - 3/8" - 16 flange lock	2
14	195- 541	WASHER - 5/8"	1
15	131- 1352	NUT - 3/8" - 16 lock	2
16	113- 252	BOLT - 3/8" - 16" x 3-3/4"	2
17	C 26958	LINK - mower lift 8"	2
18	C 10821	PIN - clevis	2
19	195- 533	WASHER - 1/2"	2
20	C 10898	PIN - retaining, special	2
21	C 27731	SPACER - sleeve	2
22	138- 106	PIN - roll 3/16" x 2-1/2"	1
23	C 27730	WHEEL - anti-scalp	2
24	C 37317	ARM - idler	1
25	C 12251	PULLEY - idler	1
26	111- 366	BOLT - 3/8" - 16 x 1-1/4"	1
27	195- 105	WASHER - 1/2"	1
28	C 14482	SPRING	1
29	111- 371	BOLT - 3/8" - 16 x 1"	1
30	C 14768	SPACER	1
31	C 37316	COVER - belt	1
32	C 37063	BELT - drive	1



PULLEYS, BLADES AND SPINDLES

REF.	PART NO.	DESCRIPTION	REQ'D
1	C 31393	BLADE	3
2	113- 268	BOLT - 3/8" - 16 x 7/8" hex	6
3	131- 1216	NUT - lock 3/8" hex	6
4	113- 206	BOLT - 3/8" - 16 x 3/4" hex	4
5	C 31394	BRACKET - belt adjusting, deck	2
6	C 25781	SPROCKET - spindle drive	4
7	C 25642	WASHER - belt retaining, special	2
8	C 28972	WASHER	4
9	C 25643	SPACER - spindle	1
10	126- 16	KEY - Woodruff #9 3/16" x 3/4"	2
11	C 25644	KEY - square	1
12	C 25645	PULLEY - drive	1
13	131- 1331	NUT - lock 3/4" hex	1
14	111- 371	BOLT - 3/8" - 16 x 1" carriage	8
15	131- 938	NUT - 3/8" flange lock	8
16	123- 101	BOLT - 5/16" - 18 x 4" hex	2
17	C 25543	SHIELD - bearing	3
18	C 25829	SPACER - sleeve	2
19	C 25688	SPRING - compression	2
20	195- 520	WASHER - .312" I.D. x .88" O.D.	2
21	129- 102	NUT - 5/16" hex	4
22	131- 176	NUT - lock 5/16" hex	2
23	C 25627	SPINDLE - center	1
24	C 25632	SPINDLE - R.H.	1
25	C 25635	SPINDLE - L.H.	1
26	C 40722	HOUSING - center spindle	1
27	C 40955	HOUSING - outward spindle	2
28	C 16516	RING - retaining	6
29	C 28971	BEARING - spindle	6
30	C 10810	SPACER - spindle bearing	3
31	C 25541	SPACER - spindle	3
32	219- 20	FITTING - lubrication	3

AXLE AND MOUNTING BRACKETS

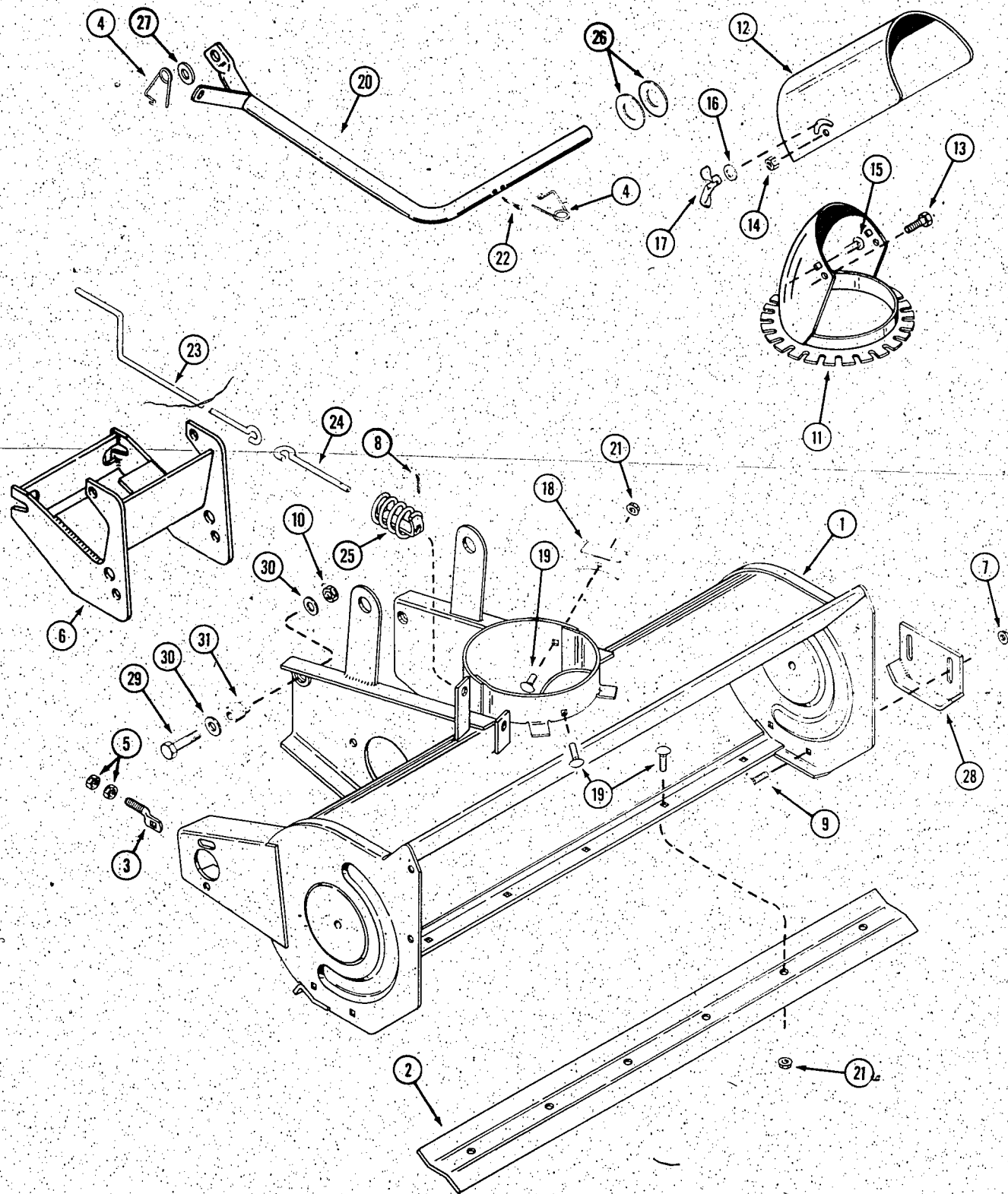


REF.	PART NO.	DESCRIPTION	REQ'D
1	C 37321	AXLE - rear	1
2	111- 371	BOLT - carriage 3/8" - 16 x 1"	6
3	C 26389	BELL CRANK	1
4	131- 938	NUT --3/8" - 16 hex flange lock	6
5	C 20005	PIN - locking	1
6	C 10482	SPRING - tension	1
7	138- 96	PIN - roll	1
8	C 15935	BRACKET - height adjust	1
9	111- 132	BOLT - carriage 5/16" - 18 x 3/4"	2
10	193- 29	LOCK WASHER - 5/16"	2
11	131- 911	NUT - 5/16" - 18 flange lock	2
12	C 26384	LINK - rock arm	3
13	141- 54	PIN - clevis 3/8"	2
14	132- 321	PIN - cotter 3/32" x 1"	2
15	195- 525	WASHER - 3/8"	2
16	132- 310	PIN - cotter 1/8" x 1"	7
17	C 25682	WHEEL - height adjust	2
18	C 25683	SPACER - sleeve	2
19	113- 447	BOLT - 1/2" - 13 x 3-1/2"	2
20	131- 930	NUT - lock 1/2" - 13 hex flange	4
21	C 31399	BRACKET - front mounting	1
22	C 26403	LINK - tow R.H. (shown)	1
22	C 26402	LINK - tow L.H.	1
23	C 16573	SPACER - sleeve	2
24	111- 366	BOLT - carriage 3/8" - 16 x 1-1/4"	2
25	131- 1352	NUT - lock 3/8" - 16 hex flange	4
26	C 24182	BUSHING - flange	2
27	C 19502	BOLT - "J"	1
28	C 26033	PIN - adjust	1
29	195- 533	WASHER - 1/2"	3
30	C 10898	PIN - safety	3
31	C 26385	LINK - leveler	1
32	C 10821	PIN - clevis	2
33	C 10883	PIN - safety	1

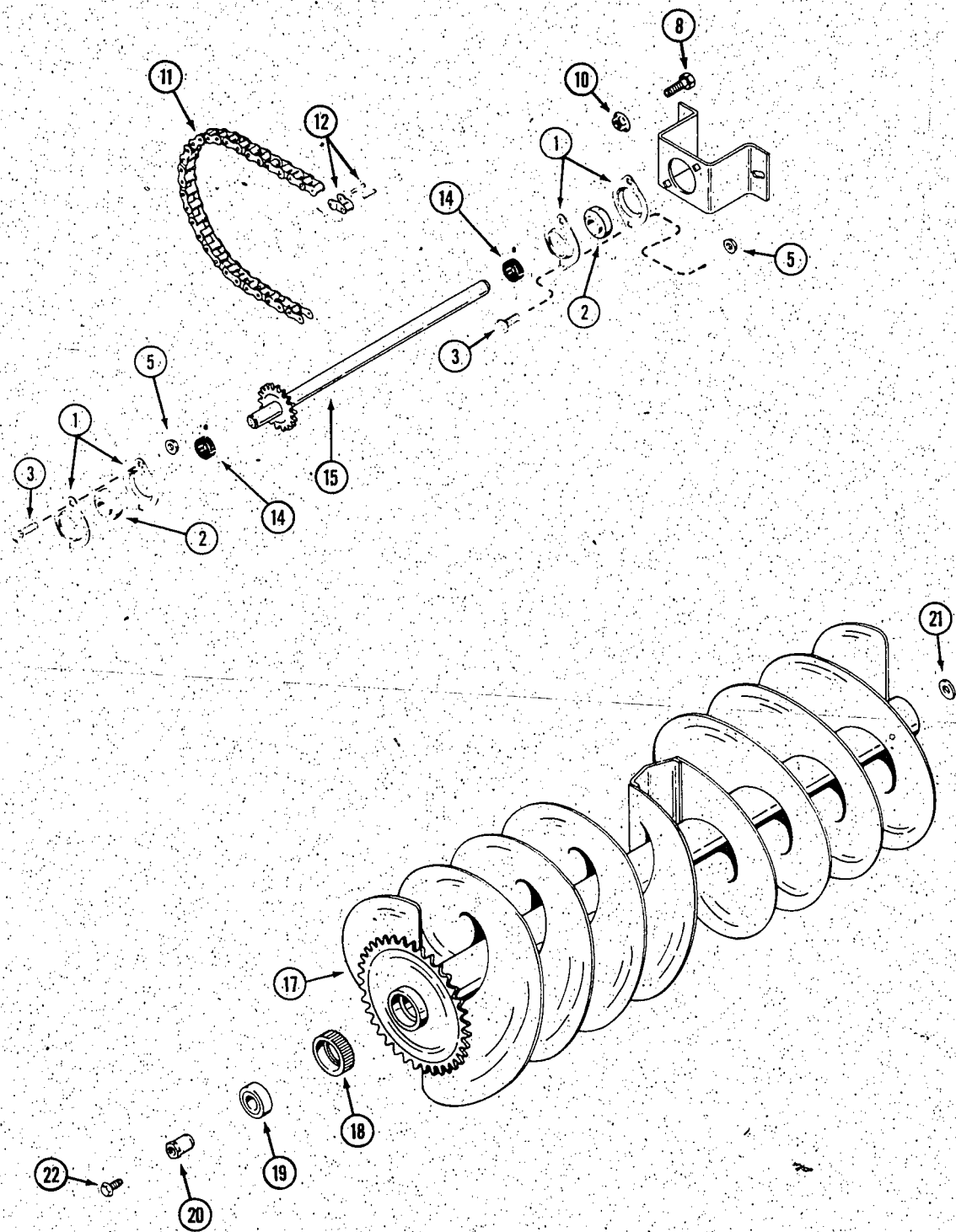


AUGER HOUSING, CHUTE CONTROL AND LIFT ASSEMBLY

REF.	PART NO.	DESCRIPTION	REQ'D
1	C 31900	HOUSING - auger 48"	1
2	C 17776	BLADE - snowblower	1
3	C 29877	SCREW - chain adjust	1
4	C 10898	PIN - safety	2
5	129- 163	NUT - 3/8" - 24 lock	2
6	C 42161	BRACKET - mounting	1
7	131- 938	NUT - 3/8" NC hex ZP	4
8	132- 300	PIN - cotter 1/8" x 7/8"	1
9	111- 340	BOLT - 3/8" - 16 x 3/4" carriage	4
10	131- 1182	NUT - lock 1/2"	2
11	C 15248	CHUTE	1
12	C 16940	DEFLECTOR	1
13	113- 1	BOLT - 1/4" x 1/2" NC hex ZP	2
14	131- 1102	NUT - lock 1/4" NC hex ZP	2
15	111- 340	BOLT - 3/8" x 3/4" NC carriage	2
16	C 28263	WASHER - dished 25/64 x 1" O.D.	2
17	C 22774	WINGNUT - deflector locking	2
18	C 15334	BRACKET - chute holddown	3
19	111- 132	BOLT - 5/16" x 3/4" NC carriage	UAR
20	C 31995	ARM - lift	1
21	131- 911	NUT - 5/16" NC hex ZP flange	UAR
22	132- 332	PIN - cotter 3/32" x 1-1/2"	1
23	C 24644	CRANK - chute	1
24	C 24643	ROD - chute control	1
25	C 24640	COIL - chute control	1
26	195- 2134	WASHER - 1-3/16" x 2-1/4" ZP	2
27	195- 541	WASHER - 21/32" x 1-5/16"	1
28	C 17775	SKID - shoe	2
29	113- 412	BOLT - 1/2" x 1-3/4" NC hex	2
30	195- 534	WASHER - 1/2"	4
31	C 25580	BUSHING - pivot	2

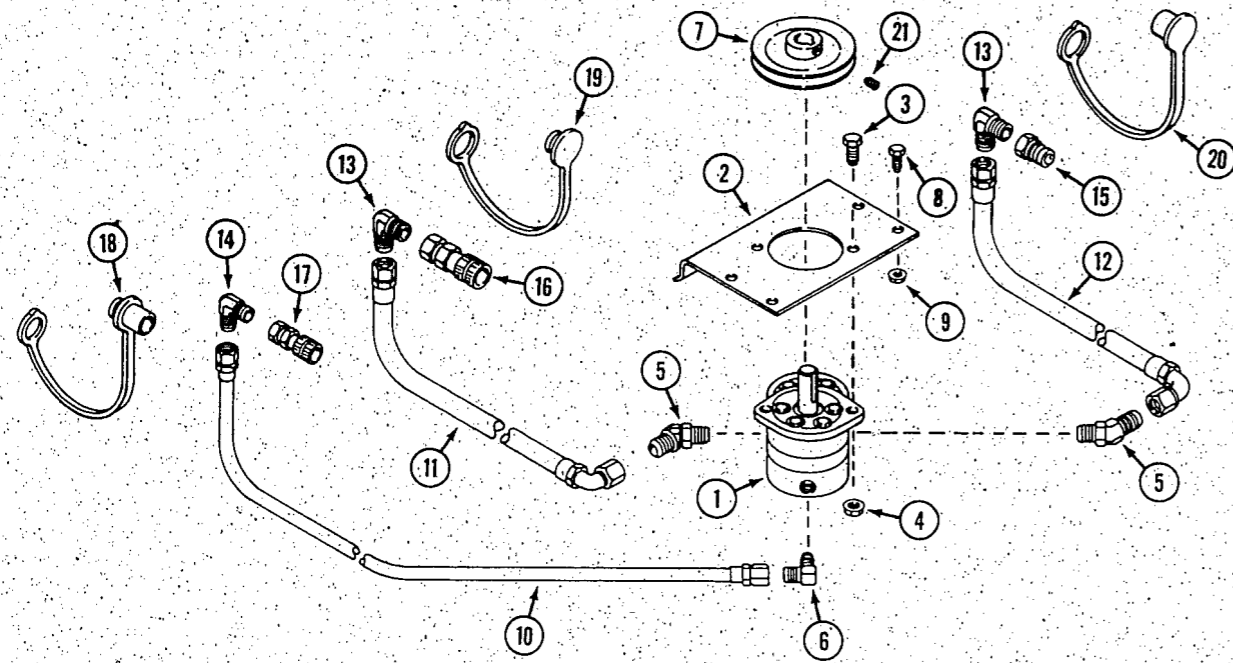


AHSB48 SNOW BLOWER  
**AUGER AND DRIVE SHAFT**



REF.	PART NO.	DESCRIPTION	REQ'D
1	C 28277	FLANGETTE	4
2	C 28817	BEARING	2
3	111- 132	BOLT - 5/16" x 3/4" NC ZP carriage	4
4	121- 226	BOLT - 3/8" x 1" NC hex (use lock sealant on threads) flange lock	2
5	131- 911	NUT - 5/16" NC hex ZP flange lock	4
6	C 28209	BRACKET - bearing	1
7	138- 81	PIN - roll 5/32" x 1-1/2"	1
8	113- 206	BOLT - 3/8" - 16 x 3/4"	4
9	195- 522	WASHER - spacer 3/8"	4
10	131- 938	NUT - 3/8" - 16 flange lock	UAR
11	C 18183	CHAIN - auger drive 75 pitches #40 roller chain,	4
	C 28982	LINK - connecting #40	1
	C 28984	LINK - roller #40	2
12	C 28983	LINK - offset #40	2
13	138- 138	PIN - roll 1/4" - 1-1/2"	1
14	NSS	COLLAR - locking (included with item 2)	2
15	C 42157	SHAFT - drive	1
16	C 31953	PULLEY - drive shaft	1
17	C 25853	AUGER - 48"	1
18	C 25840	SLEEVE - bearing	2
19	C 28971	BEARING - auger	2
20	C 25841	SHAFT - stub	2

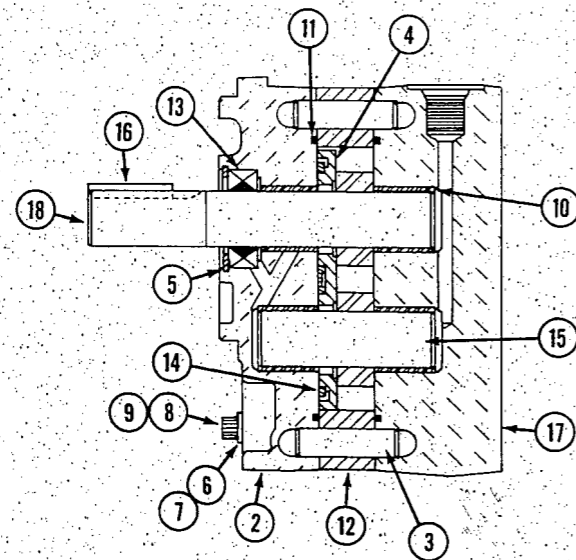
HYDRAULIC SYSTEM



REF.	PART NO.	DESCRIPTION	REQ'D
1	C 36963	MOTOR - hydraulic (repairs below)	1
2	C 37335	BRACKET - mounting (AHRM48)	1
2	C 42172	BRACKET - mounting (AHRM44)	2
3	113- 208	BOLT - 3/8" - 16 x 1"	2
4	131- 1352	NUT - 3/8" - 16 flange lock	2
5	218- 5137	FITTING - 7/8" - 14, 45° elbow	2
6	218- 5105	FITTING - 9/16" - 18, 90° elbow	1
7	C 37065	PULLEY - 4-1/2" (AHRM48) includes set screws	1
7	C 37066	PULLEY - 5" (AHRM44) includes set screws	1
8	113- 102	BOLT - 5/16" - 18 x 3/4"	4
9	131- 911	NUT - 5/16" - 18 flange lock	4
10	C 37348	HOSE - case drain	1
11	C 37349	HOSE - return (AHRM48)	1
11	C 37350	HOSE - return (AHRM44)	1
12	C 37350	HOSE - supply (AHRM48)	1
12	C 42445	HOSE - supply (AHRM44)	1
13	218- 485	FITTING - 90° elbow, 7/8" - 14	2
14	218- 483	FITTING - 90° elbow, 9/16" - 18	1
15	C 37187	COUPLING - quick, male 7/8"	1
16	C 37188	COUPLING - quick, female 7/8"	1
17	C 41044	COUPLING - quick, female 9/16"	1
18	C 33404	PLUG - dust	1
19	C 40642	PLUG - dust	1
20	C 40641	CAP - dust	1
21	83- 56	SCREW - set 5/16" - 18	2

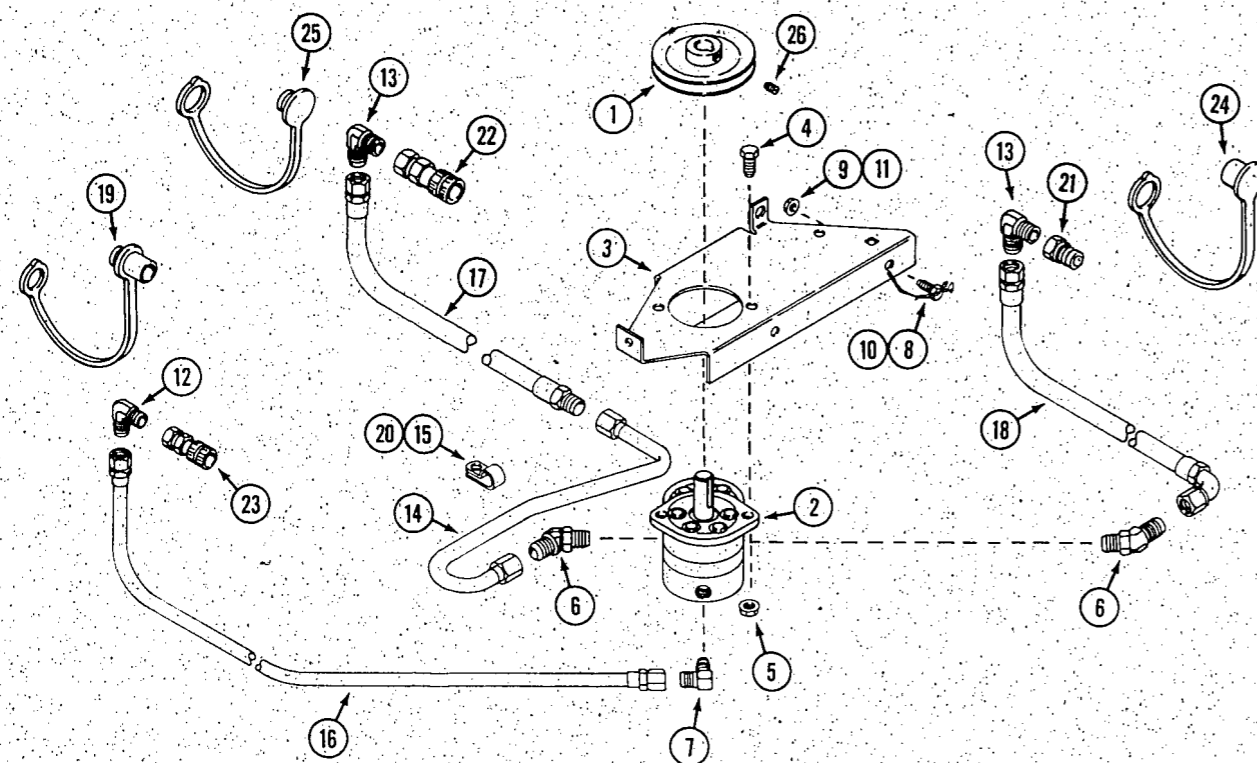
HYDRAULIC MOTOR

for AHRM44, AHRM48, AHRM60, AHSB48



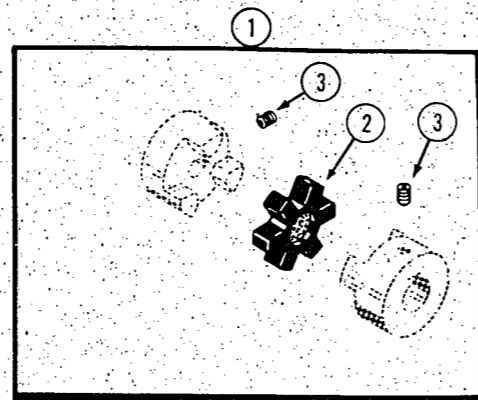
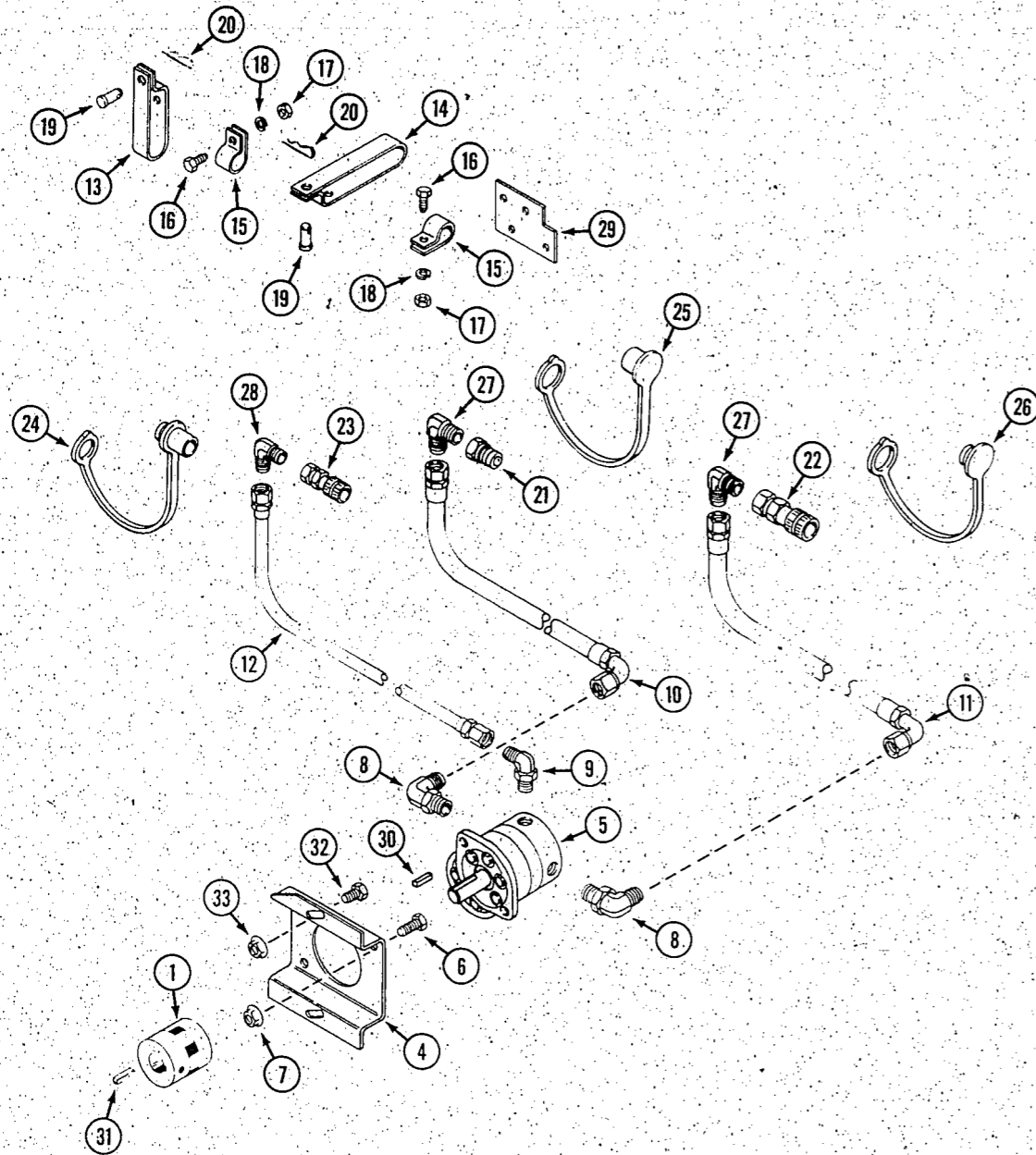
1	C 36963	MOTOR - hydraulic	1
2	C 40804	BODY - motor, drive end	1
3	C 40805	PIN - dowel	2
4	C 40806	PLATE - wear	1
5	C 40807	RING - retainer	1
6	C 40808	WASHER - 5/16"	4
7	C 40809	WASHER - 3/8"	4
8	C 40810	SCREW - socket head 5/16" - 18	4
9	C 40811	SCREW - socket head 3/8" - 16	4
10	C 40812	BEARING	4
11	C 40813	SEAL - ring	2
12	C 40814	PLATE - gear	1
13	C 40815	SEAL - oil	1
14	C 40816	SEAL - load	1
15	C 40817	SHAFT AND GEAR - driven	1
16	C 40818	KEY - square	1
17	C 40819	COVER - rear	1
18	C 40820	PLUG - small (not shown)	2
19	C 40821	CARTRIDGE - check	1
20	C 40822	PLUG - large (not shown)	1
21	C 40823	SHAFT AND GEAR - drive	1

HYDRAULIC SYSTEM



REF.	PART NO.	DESCRIPTION	REQ'D
1	C 37066	PULLEY - 5" (includes set screws)	1
2	C 36963	MOTOR - hydraulic (repairs page 21)	1
3	C 37478	SUPPORT - motor	1
4	113- 208	BOLT - 3/8" - 16 x 1-1/4"	2
5	131- 1352	NUT - 3/8" - 16	2
6	218- 5137	FITTING - 7/8" - 14, 45° elbow	2
7	218- 5105	FITTING - 9/16" - 18, 90° elbow	1
8	113- 102	BOLT - 5/16" - 18 x 3/4"	4
9	131- 911	NUT - 5/16" - 18 flange lock	4
10	113- 207	BOLT - 3/8" - 16 x 1"	2
11	131- 1181	NUT - 3/8" - 16 lock	2
12	218- 483	FITTING - 9/16" - 18, 90° elbow	1
13	218- 485	FITTING - 7/8" - 14, 90° elbow	2
14	C 37404	TUBE - hydraulic	1
15	C 33218	CLIP - retaining; tube to base	1
16	C 37394	HOSE - case drain	1
17	C 37395	HOSE - return	1
18	C 37396	HOSE - supply	1
19	C 33404	PLUG - dust	1
20	C 32213	CLIP - retaining; hose to tube	1
21	C 37187	COUPLING - quick, male 7/8"	1
22	C 37188	COUPLING - quick, female 7/8"	1
23	C 41044	COUPLING - quick, female 9/16"	1
24	C 40641	CAP - dust	1
25	C 40642	PLUG - dust	1
26	83- 56	SCREW - set 5/16" - 18	2

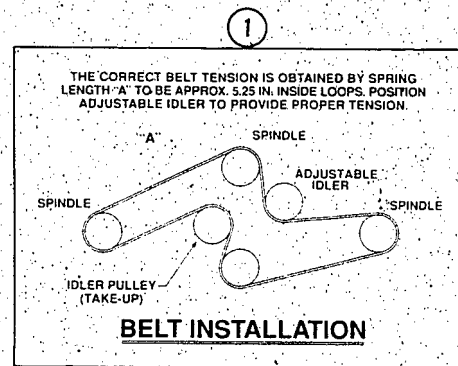
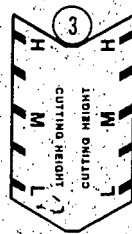
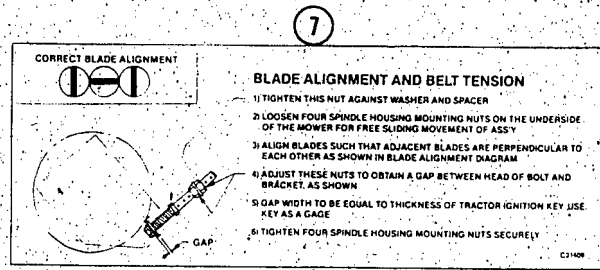
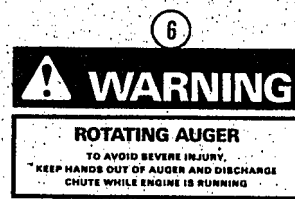
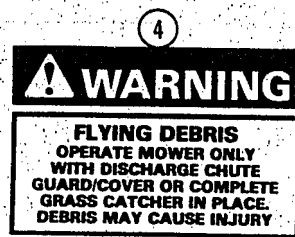




HYDRAULIC SYSTEM

REF.	PART NO.	DESCRIPTION	REQ'D
1	C 42160	COUPLING - hydraulic motor	1
2	C 33267	INSERT - coupling	1
3	178- 858	SCREW - set 5/16" - 18 x 3/8"	2
4	C 42159	MOUNT - hydraulic motor	1
5	C 36963	MOTOR - hydraulic (repairs page 21)	1
6	113- 208	BOLT - 3/8" - 16 x 1-1/4"	2
7	131- 1352	NUT - lock 3/8" - 16	2
8	218- 5107	FITTING - 90° 7/8" - 14	2
9	218- 5105	FITTING - 90° 9/16" - 18	1
10	C 42183	HOSE - supply	1
11	C 42182	HOSE - return	1
12	C 42184	HOSE - case drain	1
13	C 42180	HANGER - hose, rear	1
14	C 42181	HANGER - hose, front	1
15	C 33218	CLIP - retaining	2
16	113- 3	BOLT - 1/4" - 20 x 3/4"	2
17	129- 101	NUT - 1/4" - 20	2
18	192- 19	LOCKWASHER - 1/4"	2
19	141- 54	PIN - clevis 3/8" x 1.06"	2
20	136- 159	PIN - hair, cotter	2
21	C 37187	COUPLER - quick, male 7/8"	1
22	C 37188	COUPLER - quick, female 7/8"	1
23	C 27714	COUPLER - quick, female 9/16"	1
24	C 33404	PLUG - dust	1
25	C 40641	CAP - dust	1
26	C 40642	PLUG - dust	1
27	218- 485	FITTING - 90° 7/8" - 14	2
28	218- 483	FITTING - 90° 9/16" - 18	1
29	C 42193	SUPPORT - heat exchanger RH	1
30	C 40818	KEY - square, pump	1
31	C 29581	KEY - 3/16" square x 1", drive shaft	1
32	113- 206	BOLT - 3/8" - 16 x 3/4"	2
33	131- 938	NUT - 3/8" 16 flange lock	2

DECALS



REF.	PART NO.	DESCRIPTION	REQ'D
1	C 42109	DECAL - mower belt (AHRM48, AHRM44)	1
2	C 12519	DECAL - "NO STEP" (AHRM44, AHRM48, AHRM60)	2
3	321-6210	DECAL - cutting height (AHRM44, AHRM48, AHRM60)	1
4	C 31086	DECAL - flying debris (AHRM48, AHRM44)	1
5	C 31087	DECAL - spinning blade (AHRM44, AHRM48, AHRM60)	1
6	321-4199	DECAL - auger warning (AHSB48)	1
7	C 31409	DECAL - spindle drive belt (AHRM60)	2
8	321-6263	DECAL - "commercial" (AHRM60)	1
9	C 31989	DECAL - "Ingersoll" (AHSB48)	1

