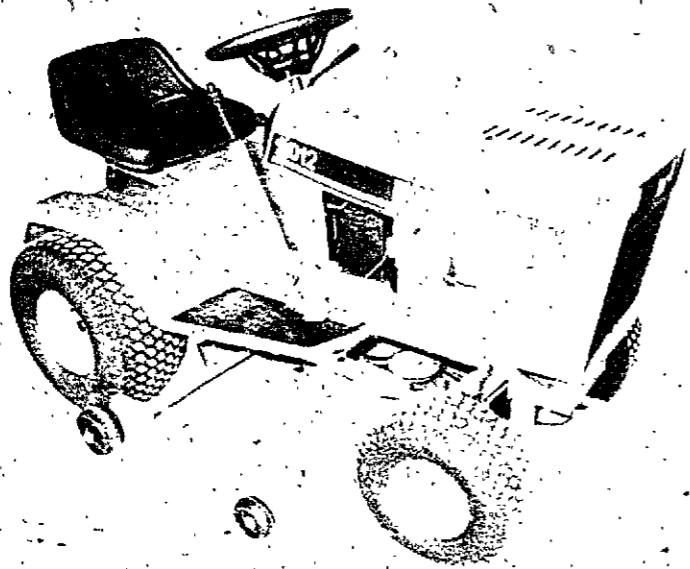


1-92-RP-500-251



ALPHABETICAL INDEX

ENGINE SECTION

	Page	Grid		Page	Grid
Air Cleaner	13	B2	Filter, Breather	15	B4
Baffles, Engine Air	15	B4	Flywheel	5	A8
Base, Engine Oil	9	A12	Fuel Filter	19	B8
Battery	45	D6	Fuel System	19	B8
Breather, Crankcase	15	B4	Gasket Kits	17	B6
Camshaft	5	A8	Governor	13	B2
Carburetor	11	A14	Magneto Armature	9	A12
Connecting Rod	5	A8	Mounts, Engine	21	B10
Counter Weight	5	A8	Muffler	15	B4
Crankshaft	5	A8	Oil Filter	9	A12
Cylinder Block	7	A10	Piston	5	A8
Cylinder Head	7	A10	Spark Plug	9	A12
Dipstick Assembly	9	A12	Starter	17	B6
Electrical System	9	A12	Tank, Fuel	19	B8
Engine Block & Attaching Parts	7	A10	Throttle linkage	19	B8
Exhaust System	15	B4	Valves	7	A10

BASIC TRACTOR SECTION

Axle, Front	31	C6	Implement Lift	37	C12
Belts & Pulleys	35	C10	Mounts, Engine	21	B10
Brakes	33	C8	PTO Clutch	23	B12
Decals	49	D10	Seat, Operator's	27	C2
Electrical System	45-47	D6-D8	Steering Wheel & Gear	29	C4
Fenders	27	C2	Transaxle	39-43	C14-D4
Frame	25	B14	Travel Control	33	C8
Grille	25	B14	Weight Box, M13	51	D12
Hitch	25	B14	Wheels, Front and Rear	31	C6
Hood	25	B14			

GENERAL INFORMATION

INDEX

There is an index at the front and rear of this catalog.

The front index is an alphabetical index of the major groups or assemblies.

The rear index is a numerical index of the part numbers and pages on which these numbers are shown.

ILLUSTRATION

Each illustration in this catalog shows a group of parts or components. These parts and components are aligned approximately as the parts and components on your machine. Each part and component in an illustration has a reference number. These reference numbers are in a list on the page opposite of the illustration. Next to the reference number is the part number, description and required quantity of the part shown in the illustration.

UAR - "Use as required" indicates that the part quantity is variable.

NSS - "Not sold separately" indicates that the part is only available as a component of an assembly or the part must be purchased locally. If the part is an assembly component, the description will be indented under the assembly description in the parts list.

O/L - "Obtain locally"

** - "Footnotes" are added to a part number when more information is needed for identification. They only relate to the part numbers indicated.

INDENTED DESCRIPTIONS

An assembly can have many components. The components of an assembly are indicated by an indented description. The quantity for an indented part is the total needed for that complete assembly. See the example.

REF.	PART NO.	DESCRIPTION	REQ'D
	C 55159	CYLINDER ASSY - rear steering	1
28	C 56208	SOCKET ASSY - rear cylinder	1
29	C 55956	PLUG - adjusting, socket assy	1
30	C 55957	SEAT - socket ball	2
31	C 56210	SPRING - socket	1
32	C 56209	SEAT - socket spring	1
33	G 45175	CLAMP ASSY - socket assy	1
	16- 836	BOLT - 1/2" x 2-1/4" N.F. hex	1
34	132- 104	PIN - cotter, 3/16" x 3"	1
35	C 55889	STUD - ball, socket & cylinder	2
36	13- 410	BOLT - 1/4" x 5/8" N.C. hex	4
37	92- 4	LOCK WASHER - 1/4" SAE	4

PARTS ORDERS

All orders must include the following information:

1. Correct part number.
2. Complete description of part or component.
3. Total quantity of each part or component.
4. Product model number.
5. All necessary product identification numbers.
6. Method for sending the parts.
7. Complete and correct address.

CATALOG REVISIONS

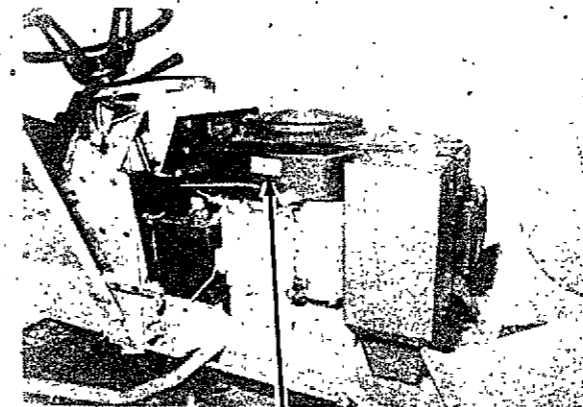
As the product changes, new pages will be available for your catalog. A notice will be issued.

IMPORTANT: Put all revisions into the catalog as soon as possible.

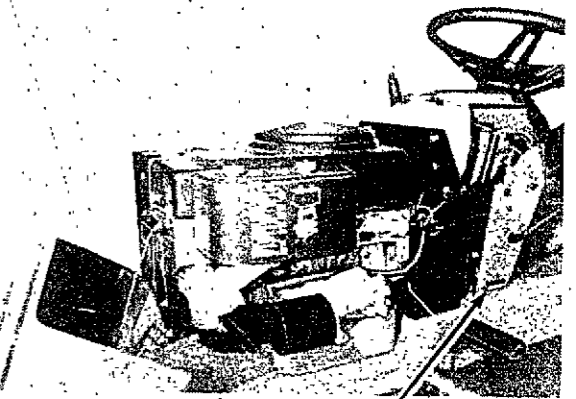
RIGHT HAND AND LEFT HAND IDENTIFICATION

The words right hand (RH) and left hand (LH) as used in this catalog indicate the direction while you are in the operator's seat in the normal operating position.

MODEL 2012 COMPACT TRACTOR PRODUCT IDENTIFICATION NUMBERS



ENGINE MODEL SERIAL AND SPECIFICATION NUMBER



TRACTOR MODEL AND SERIAL NUMBER

TRACTOR MODEL

ENGINE MODEL

2012	C37031 SPEC. 260777 - TYPE 0047
------	------------------------------------

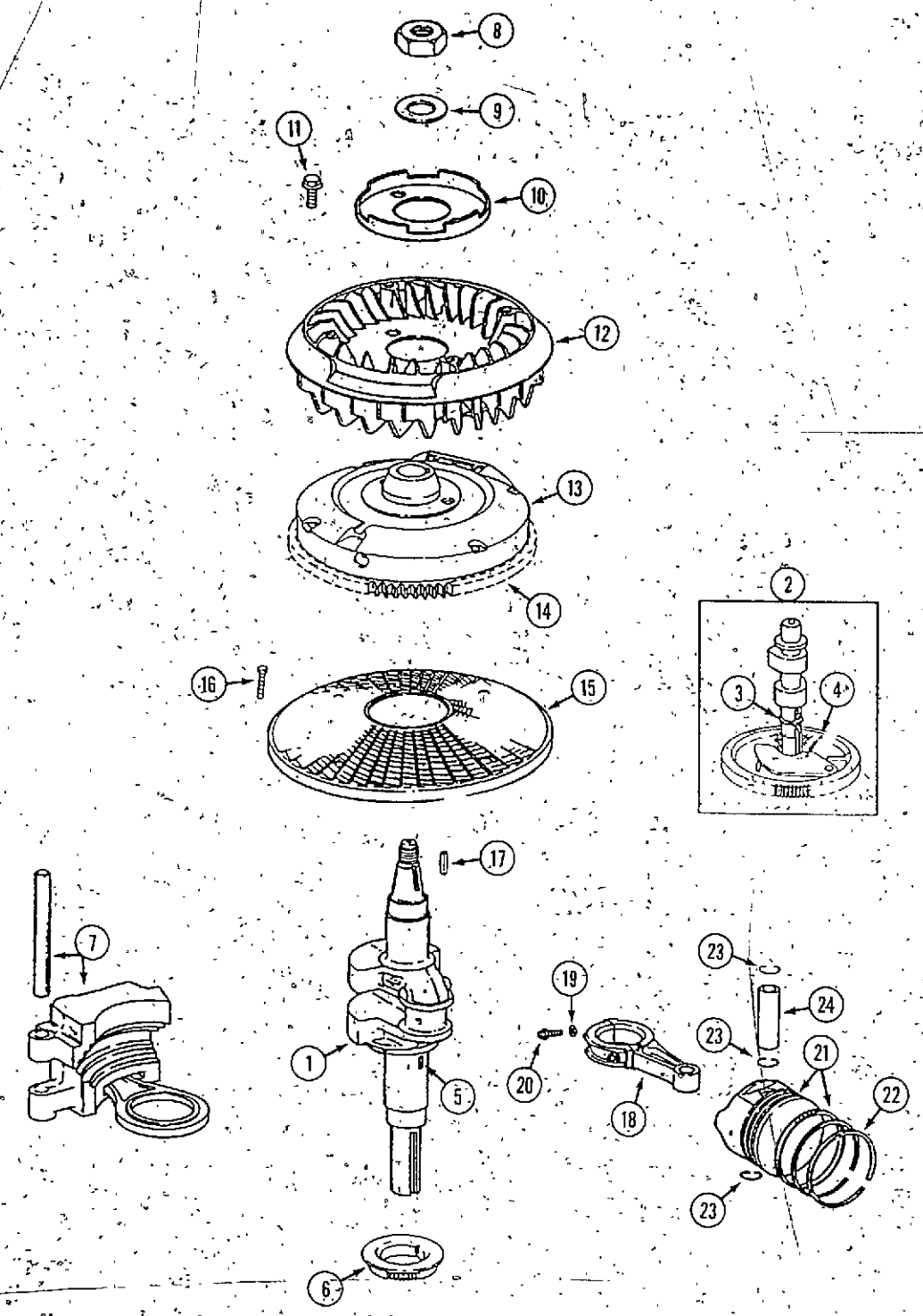
NOTE: In this catalog there are references to serial numbers. To order the correct part, use these serial numbers as a guide.

PAINT AND OIL

REF.	PART NO.	DESCRIPTION	REQ'D
1	C 28849	PAINT BLACK - semi - gloss, 12 oz spray (2 per carton)	1
2	C 28850	BLACK - semi - gloss, quart (2 per carton)	1
3	C 28851	BLACK - semi - gloss, heat resistant, 12 oz spray (2 per carton)	1
4	C 28484	POWER RED - gloss, 12 oz spray (2 per carton)	1
5	C 28485	POWER RED - gloss, quart (2 per carton)	1
6	C 30870	SILVER - gloss, 12 oz. spray (2 per carton)	1
7	C 31643	POWER RED - gloss, 1 oz touch up, (1 doz. per carton)	1
		OIL	
1	C 32776	OIL - SAE 30, SF, quart (12 per case)	1
2	C 32777	OIL - SAE 5W20, SF, quart (12 per case)	1
3	C 32778	OIL - SAE 20W40, SF, quart (12 per case)	1

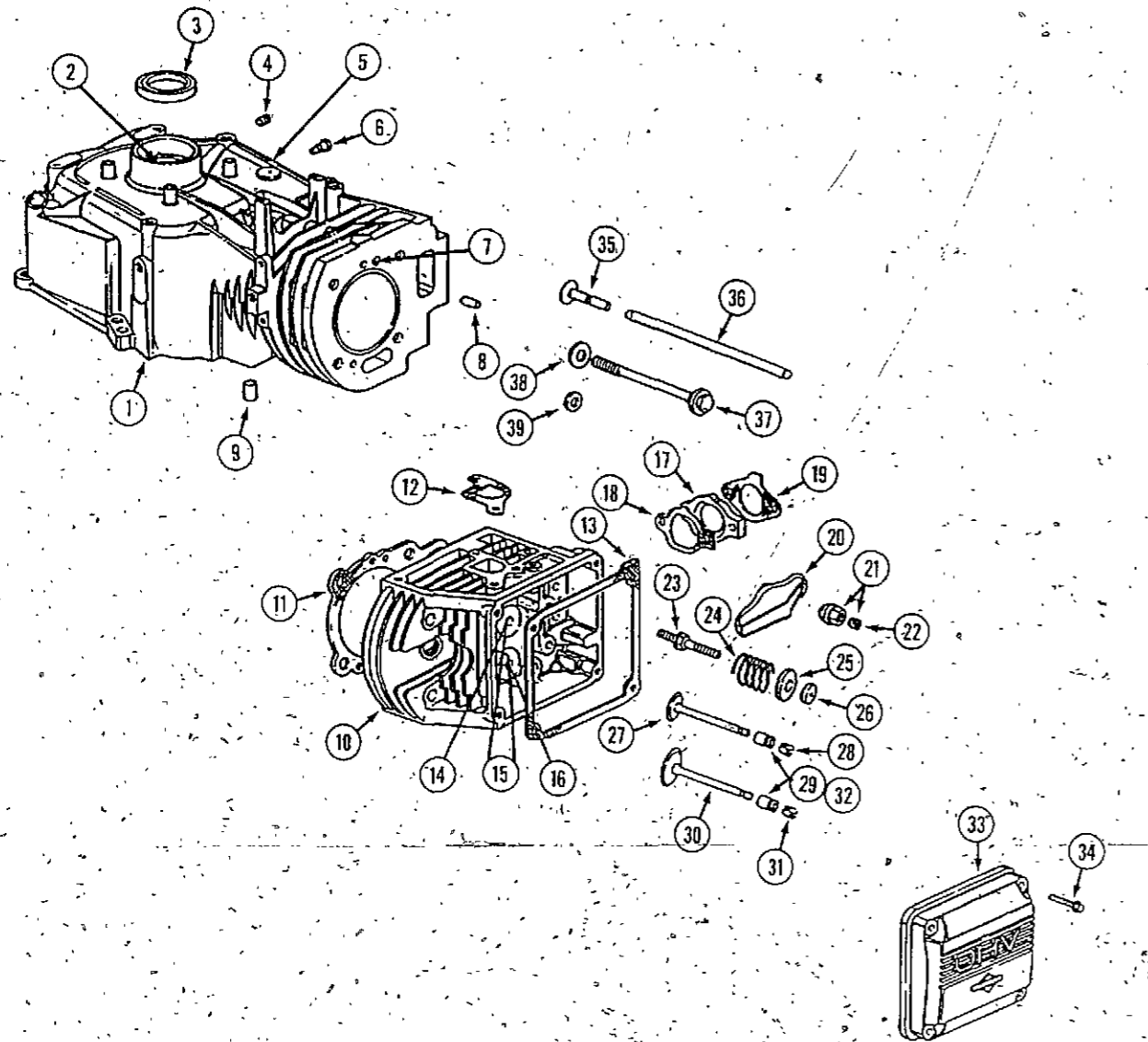
INGERSOLL
Ingersoll Equipment Co., Inc.

FLYWHEEL, CRANKSHAFT, CAMSHAFT AND PISTON

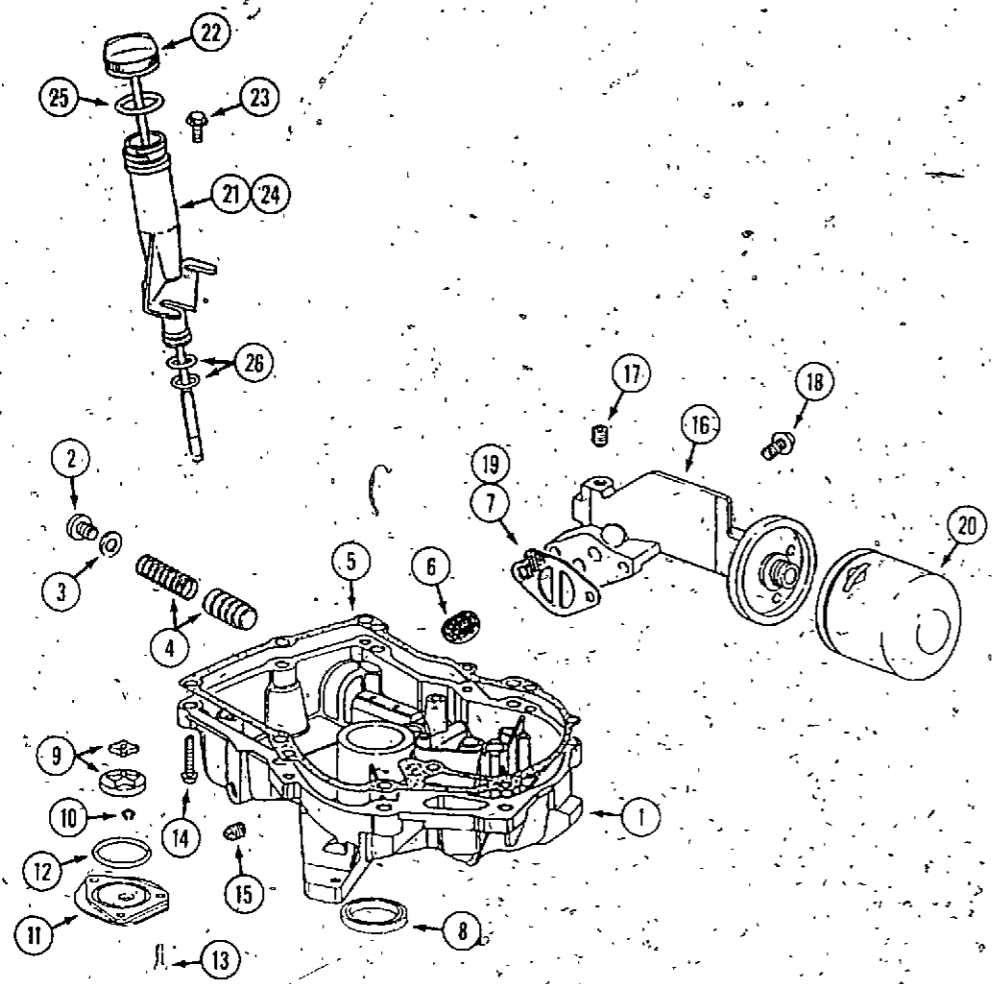


REF.	PART NO.	DESCRIPTION	REQ'D
1	C 34597	CRANKSHAFT	1
2	C 34618	CAMSHAFT AND GEAR	1
3	C 40748	RING - retaining	1
4	C 34651	SPRING - cam release	1
5	C 34598	KEY - timing gear	1
6	C 40760	GEAR - timing	1
7	C 40761	COUNTERWEIGHT ASSEMBLY	1
8	C 34671	NUT - flywheel	1
9	C 34619	WASHER - spring	1
10	C 30448	RETAINER - fan	1
11	C 34641	SCREW - fan mounting	3
12	C 40780	FAN - flywheel	1
13	C 34602	FLYWHEEL AND RING GEAR	1
14	C 40756	GEAR - ring	1
15	C 34681	SCREEN	1
16	C 34620	SCREW - screen	UAR
17	C 27236	KEY - flywheel	1
18	C 34608	ROD - connecting (standard)	1
18	C 34609	ROD - connecting .020" undersize	1
19	C 34610	WASHER - connecting rod	1
20	C 34611	SCREW - connecting rod	1
21	C 34583	PISTON ASSEMBLY - standard	1
21	C 34586	PISTON ASSEMBLY - .010" oversize	1
21	C 34587	PISTON ASSEMBLY - .020" oversize	1
21	C 34589	PISTON ASSEMBLY - .030" oversize	1
22	C 34593	RING SET - standard	1
22	C 34603	RING SET - .010" oversize	1
22	C 34604	RING SET - .020" oversize	1
22	C 34605	RING SET - .030" oversize	1
23	C 34606	LOCK - piston pin	2
24	C 34607	PIN - piston (includes ref. 21)	1

CYLINDER BLOCK, CYLINDER HEAD AND CRANKCASE



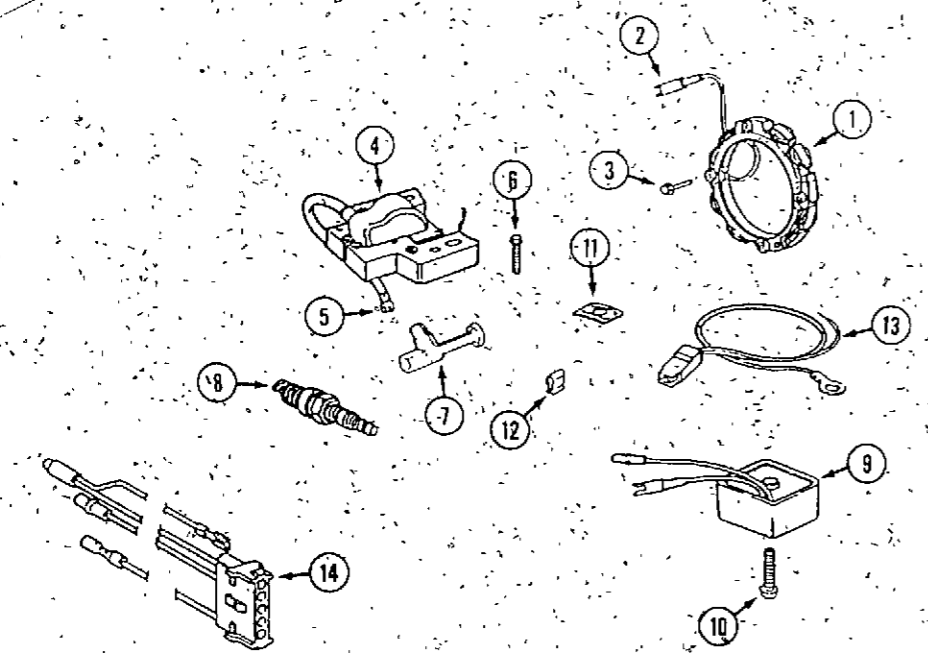
REF.	PART NO.	DESCRIPTION	REQ'D
1	C 34581	CYLINDER ASSEMBLY	1
2	C 34582	BEARING - cylinder	1
3	NSS	SEAL - oil (see gasket kit)	1
4	C 34621	PLUG - pipe	1
5	C 34640	BUSHING - governor crank	1
6	C 34596	PLUG - oil hole	1
7	C 34663	VALVE - pressure relief	1
8	C 40753	PIN - cylinder	1
9	C 40752	PIN - cylinder	1
10	C 34584	HEAD ASSEMBLY - cylinder	1
11	NSS	GASKET - cylinder head (see gasket kit)	1
12	C 40773	GASKET - exhaust (also see gasket set)	1
13	NSS	GASKET - rocker arm cover (see gasket set)	1
14	C 40769	SEAT - exhaust valve	1
15	C 40770	BUSHING - valve guide	2
16	C 40768	SEAT - intake valve	1
17	C 34629	ADAPTER - carburetor mounting	1
18	NSS	GASKET - intake (also see gasket kit)	1
19	NSS	GASKET - carburetor (also see gasket kit)	1
20	C 40788	ARM - rocker	2
21	C 34644	NUT - rocker arm	2
22	NSS	SCREW - set	1
23	C 34636	STUD - rocker arm	2
24	C 34614	SPRING - valve	2
25	C 34615	RETAINER - intake valve	1
26	C 34660	CAP - valve	2
27	C 34612	VALVE - exhaust	1
28	C 34616	RETAINER - valve rotocoil (one pair)	1
29	NSS	SEAL - valve stem (also see gasket kit)	1
30	C 34613	VALVE - intake	1
31	C 34616	RETAINER - valve rotocoil (one pair)	1
32	NSS	SEAL - valve stem (also see gasket kit)	1
33	C 40783	COVER - valve	1
34	C 34590	SCREW - valve cover	4
35	C 34617	TAPPET - valve	2
36	C 40785	PUSHROD - exhaust	1
36	C 40786	PUSHROD - intake	1
37	C 34594	SCREW - cylinder head	4
38	C 34585	WASHER - cylinder head	4
39	C 34601	WASHER AND SEAL	4



ENGINE BASE, DIPSTICK AND OIL FILTER

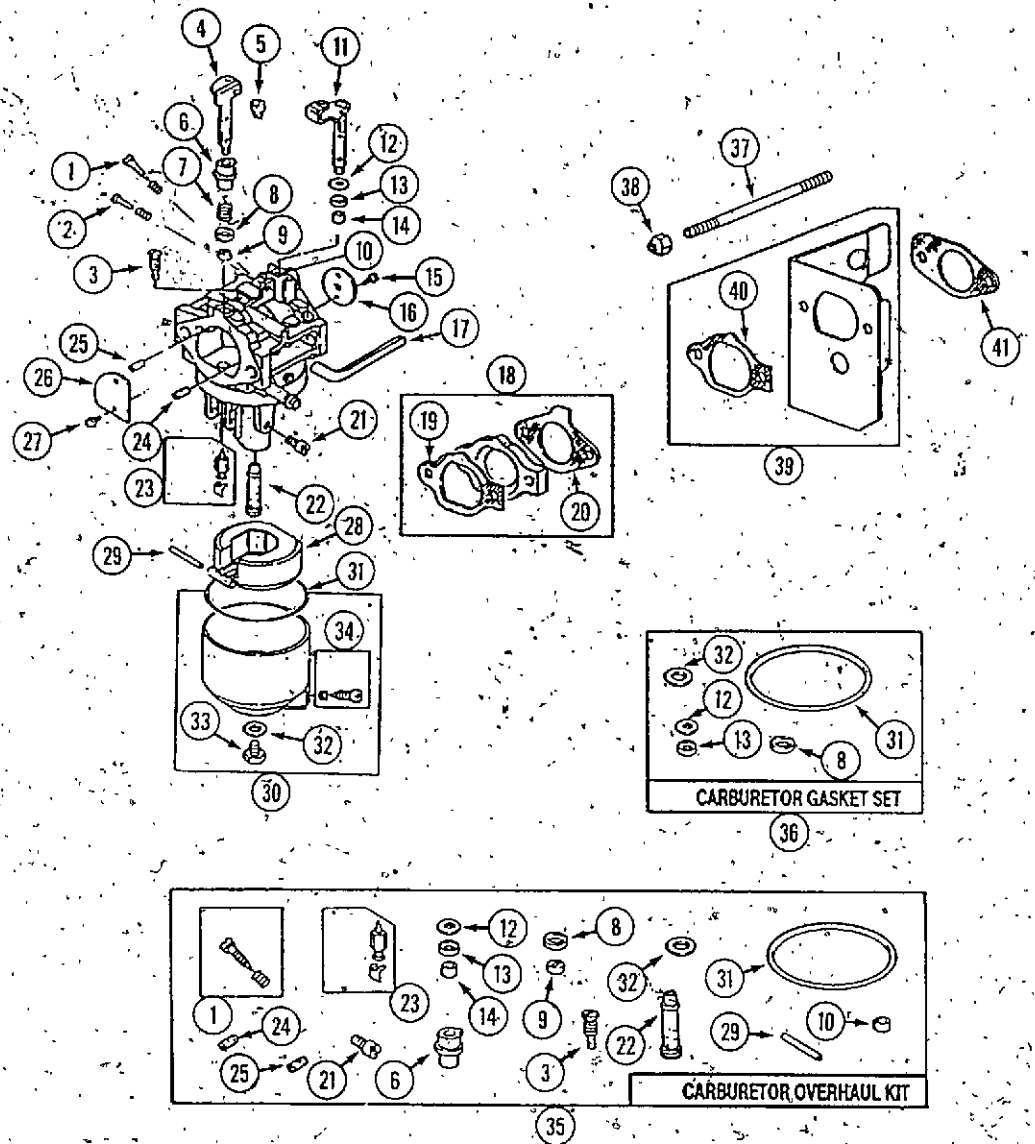
REF.	PART NO.	DESCRIPTION	REQ'D
1	C 34599	BASE - engine	1
2	C 34621	PLUG - relief	1
3	NSS	WASHER - relief plug	1
4	C 34664	VALVE - pressure relief	1
5	NSS	GASKET - base (1/64" thick) (also see gasket kit)*	1
6	C 34662	SCREEN - oil pump	1
7	NSS	GASKET - oil filter adapter (also see gasket kit)	1
8	NSS	SEAL - oil (also see gasket kit)	1
9	C 40784	OIL PUMP	1
10	C 40746	RING - retaining (governor gear)	1
11	C 40778	COVER - oil pump	1
12	NSS	"O" RING - cover (also see gasket kit)	1
13	C 40763	SCREW - oil pump cover	3
14	C 34600	SCREW - base	UAR
15	C 34595	PLUG - oil drain	1
16	C 40787	ADAPTER - oil filter	1
17	C 34623	PLUG - pipe	1
18	C 40779	SCREW - oil filter adapter	2
19	NSS	GASKET - oil filter adapter (also see gasket kit)	1
20	C 34374	FILTER - oil	1
21	C 40766	DIPSTICK AND TUBE	1
22	NSS	DIPSTICK - oil filler	1
23	C 34667	SCREW - oil fill tube	2
24	NSS	TUBE - oil filler	1
25	BR270920	SEAL - dipstick	1
26	C 34686	SEAL - filler tube	2

IGNITION AND CHARGING SYSTEM

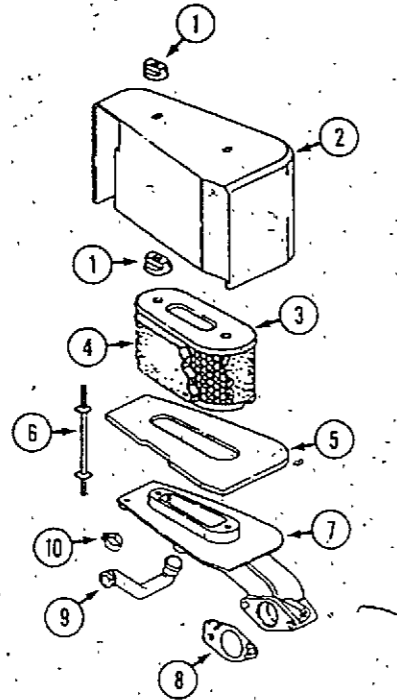


1	C 34682	STATOR - alternator	1
2	C 40772	CONNECTOR - stator	1
3	C 34683	SCREW - stator	1
4	C 34289	ARMATURE - magneto	1
5	BR221798	TERMINAL - ignition cable	1
6	C 34672	SCREW - armature	2
7	C 40750	BOOT - spark plug	1
8	C 34291	SPARK PLUG	1
9	C 34684	REGULATOR - rectifier (9 amp)	1
10	C 34687	SCREW - regulator	1
11	C 40758	CLIP - wire	UAR
12	C 40759	CLIP - wire	UAR
13	C 29796	WIRE - ground	1
14	C 40762	HARNES - wire	1

CARBURETOR



REF.	PART NO.	DESCRIPTION	REQ'D
	C 34630	CARBURETOR	1
1	NSS	VALVE - idle (see overhaul kit)	1
2	C 34626	SCREW AND SPRING - idle adjust	1
3	NSS	NOZZLE - (see overhaul kit)	1
4	C 34634	SHAFT ASSEMBLY - choke	1
5	C 40782	RETAINER - link	1
6	NSS	RETAINER - choke shaft (upper) (also see overhaul kit)	1
7	NSS	SPRING - choke shaft	1
8	NSS	SEAL - choke shaft (also see overhaul kit)	1
9	NSS	RETAINER - choke shaft (lower) (also see overhaul kit)	1
10	NSS	BUSHING - throttle shaft (upper) (see overhaul kit)	1
11	C 34632	SHAFT ASSEMBLY - throttle	1
12	NSS	SEAL - throttle shaft (also see overhaul kit)	1
13	NSS	SEAL - throttle shaft (also see overhaul kit)	1
14	NSS	BUSHING - throttle shaft (lower) (also see overhaul kit)	1
15	C 34625	SCREW - throttle valve	2
16	C 34631	VALVE - throttle	1
17	C 40781	TUBE - bowl vent	1
18	C 34629	ADAPTER - carburetor mounting	1
19	NSS	GASKET - intake	1
20	NSS	GASKET - carburetor	1
21	NSS	JET - main fuel (see overhaul kit)	1
22	NSS	NOZZLE (see overhaul kit)	1
23	NSS	VALVE - fuel inlet	1
24	NSS	NOZZLE (see overhaul kit)	1
25	NSS	NOZZLE (see overhaul kit)	1
26	C 34627	VALVE - choke	1
27	C 34624	SCREW - choke valve mounting	1
28	C 34633	FLOAT - carburetor	1
29	NSS	PIN - float hinge (also see overhaul kit)	1
30	C 40776	BOWL - carburetor	1
31	NSS	GASKET - carburetor bowl (also see gasket kit)	1
32	NSS	GASKET - sealing (also see gasket kit)	1
33	NSS	SCREW - bowl mounting	1
34	NSS	DRAIN - bowl	1
35	C 34628	KIT - carburetor overhaul	1
36	C 40777	KIT - carburetor gasket	1
37	C 34637	STUD - carburetor	2
38	C 34639	NUT - carburetor stud	2
39	C 40755	SHIELD - heat	1
40	NSS	GASKET - intake (see main gasket set)	1
41	C 40802	GASKET - carburetor mounting	1

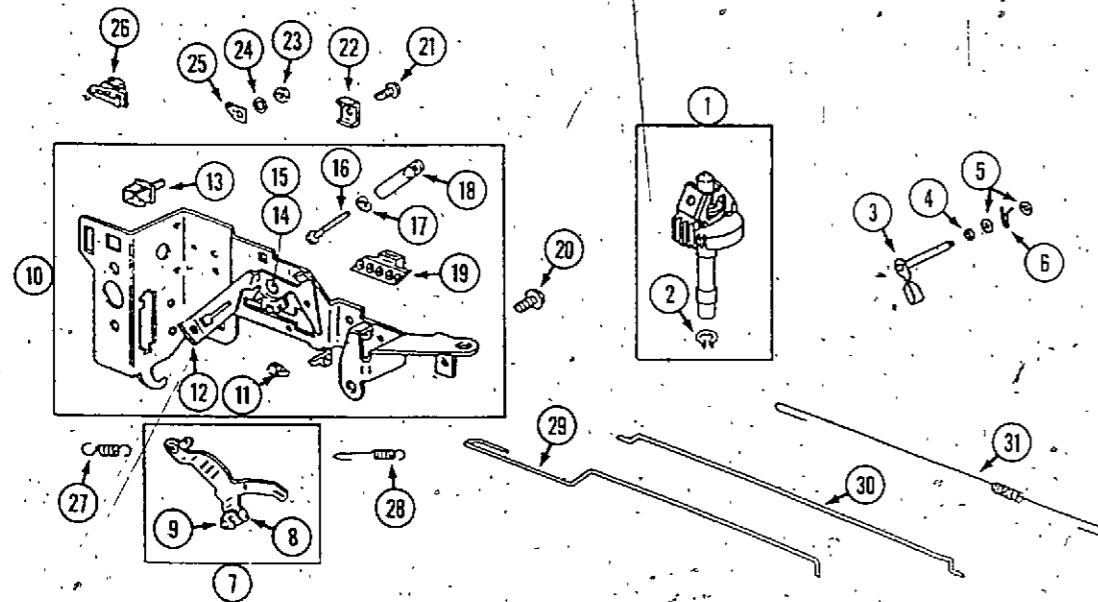


AIR CLEANER

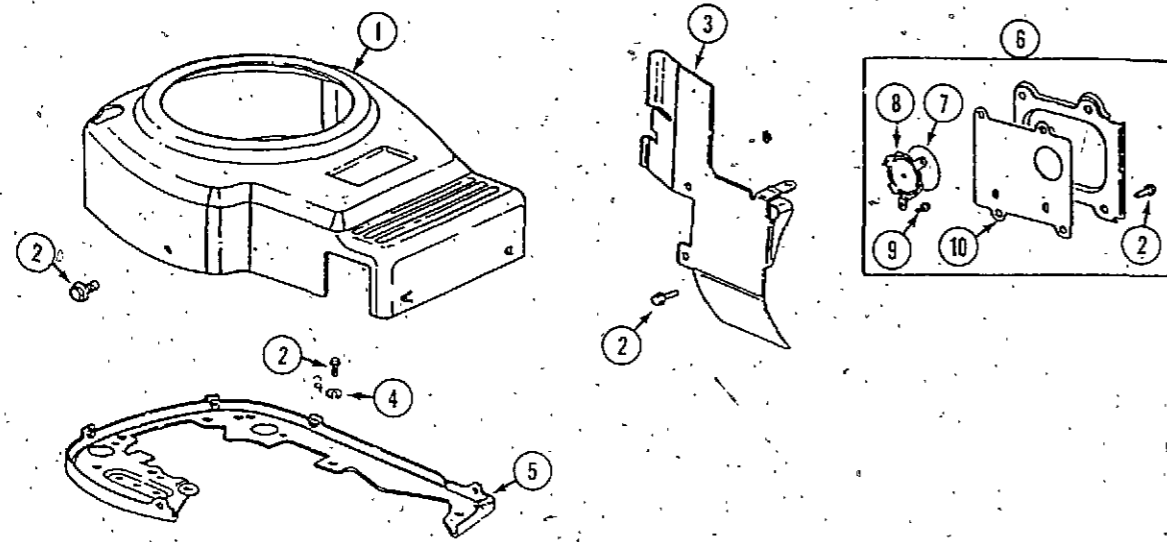
REF.	PART NO.	DESCRIPTION	REQ'D
1	C 34680	KNOB - air cleaner	4
2	C 40771	COVER - air cleaner	1
3	C 34679	CARTRIDGE - air cleaner	1
4	C 34688	PRECLEANER	1
5	C 34689	GASKET - air cleaner	1
6	C 34638	STUD - air cleaner	2
7	C 34635	MAINIFOLD - intake	1
8	C 40802	GASKET - mounting	1
9	C 34592	TUBE - breather	1
10	C 40743	CLAMP - breather	1

GOVERNOR

1	C 34653	GEAR - governor	1
2	C 40746	RING - retaining, governor gear	1
3	C 40749	CRANK - governor	1
4	C 40803	SEAL - governor crank	1
5	C 34658	WASHER - governor crank	2
6	C 40745	PIN - cotter	1
7	C 34657	LEVER - governor	1
8	C 34661	BOLT	1
9	C 40742	NUT	1
10	C 34654	BRACKET - governor control	1
11	C 40782	RETAINER - link	1
12	C 34655	LEVER - governor control bracket	1
13	C 29794	INSULATOR	1
14	C 34656	RIVET	1
15	C 34646	LEVER - speed control	1
16	C 34648	SCREW	1
17	C 40747	RING - retaining	1
18	C 34647	ADJUSTER - control rod	1
19	C 40775	GEAR - rack	1
20	C 34277	SCREW	1
21	C 40751	SCREW	1
22	BR221535	CLAMP - casing	1
23	C 34676	NUT	1
24	C 34675	LOCKWASHER	1
25	C 34685	TERMINAL - spade	1
26	NSS	SWITCH - stop	1
27	C 34649	SPRING - governor	1
28	C 34650	SPRING - idler	1
29	C 34652	LINK - choke	1
30	C 34645	LINK - governor	1
31	C 34659	SPRING - governor link	1



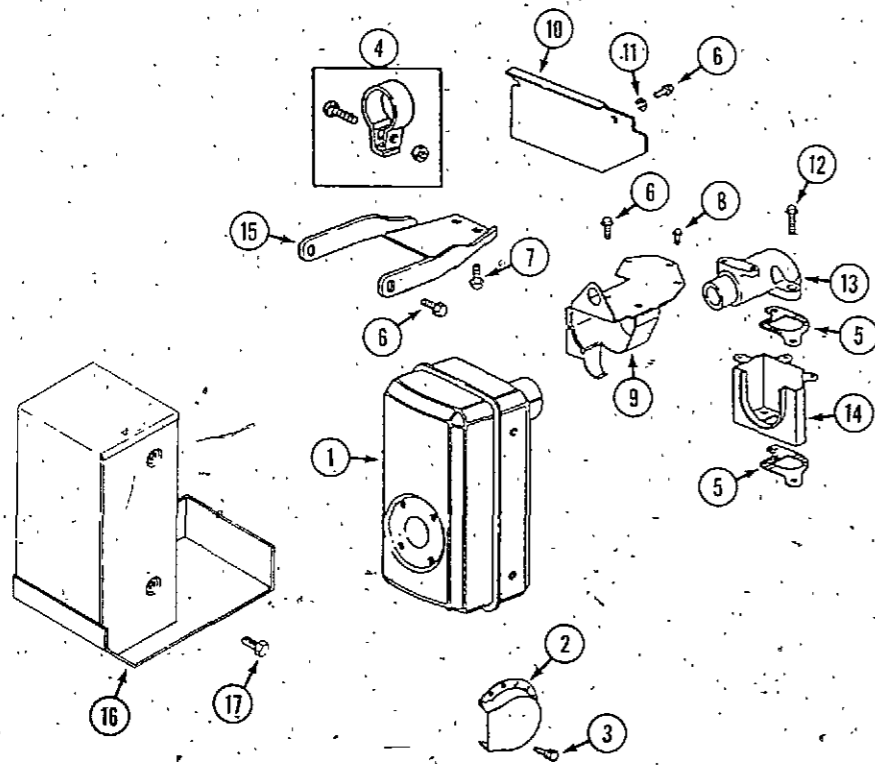
ENGINE AIR Baffles AND BREATHER



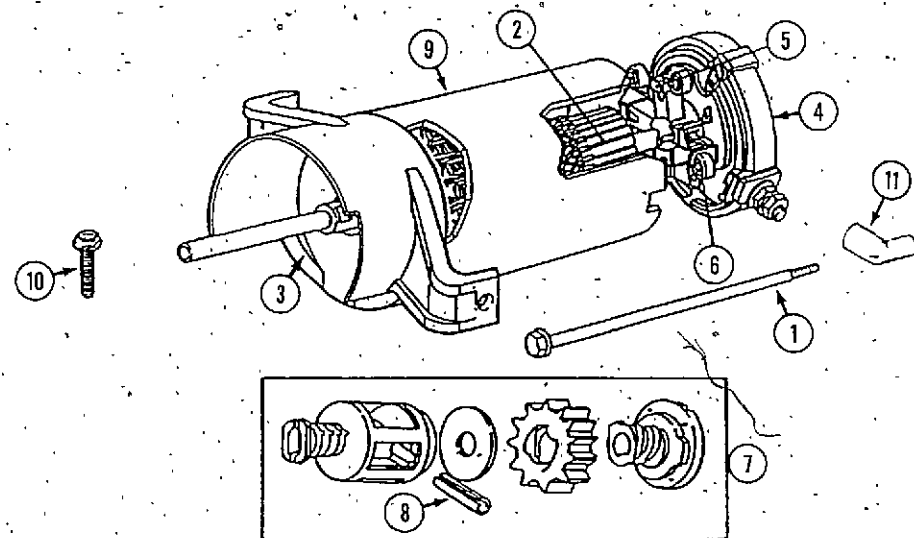
REF.	PART NO.	DESCRIPTION	REQ'D
1	C 34669	HOUSING - blower	1
2	C 34277	SCREW	1
3	C 34670	SHIELD - cylinder	UAR
4	C 34642	LOCKWASHSER	1
5	C 40741	PLATE - back	UAR
6	C 34588	BREATHER ASSEMBLY	1
7	NSS	DISC - valve	1
8	NSS	RETAINER	1
9	C 34591	SCREW	1
10	NSS	GASKET - valve cover (also see main gasket kit)	4
			1

EXHAUST SYSTEM

1	C 34668	MUFFLER - exhaust	1
2	C 27364	DEFLECTOR - exhaust	1
3	187-1041	SCREW	4
4	C 40774	CLAMP ASSEMBLY	1
5	C 40773	GASKET - exhaust	1
6	C 34277	SCREW	1
7	C 34674	SCREW	UAR
8	C 34673	SCREW	2
9	C 40765	COVER - exhaust	UAR
10	C 40754	SHIELD - heat	1
11	C 34642	LOCKWASHER	1
12	C 40744	SCREW	UAR
13	C 34678	ELBOW - exhaust	2
14	C 40764	GUARD - exhaust elbow	1
15	C 40767	BRACKET - muffler	1
16	C 37108	SHIELD - muffler	1
17	C 37200	SCREW - M6 - 1.0 x 12	1



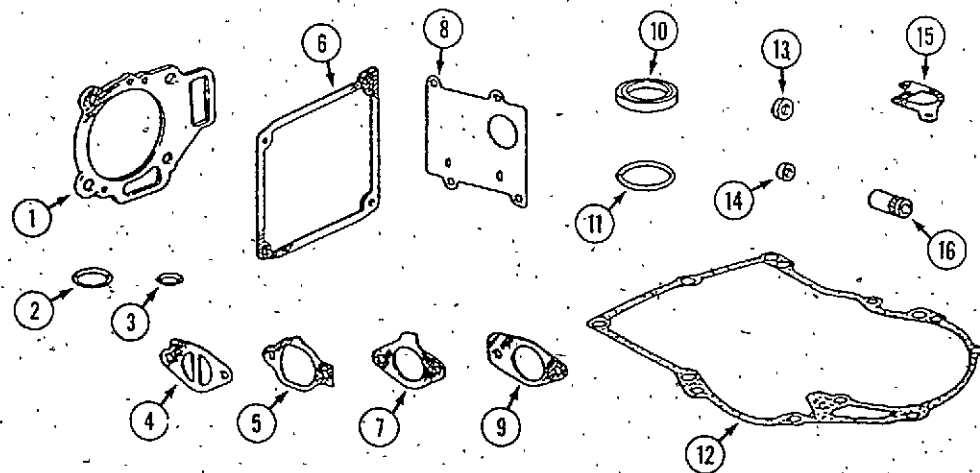
STARTER

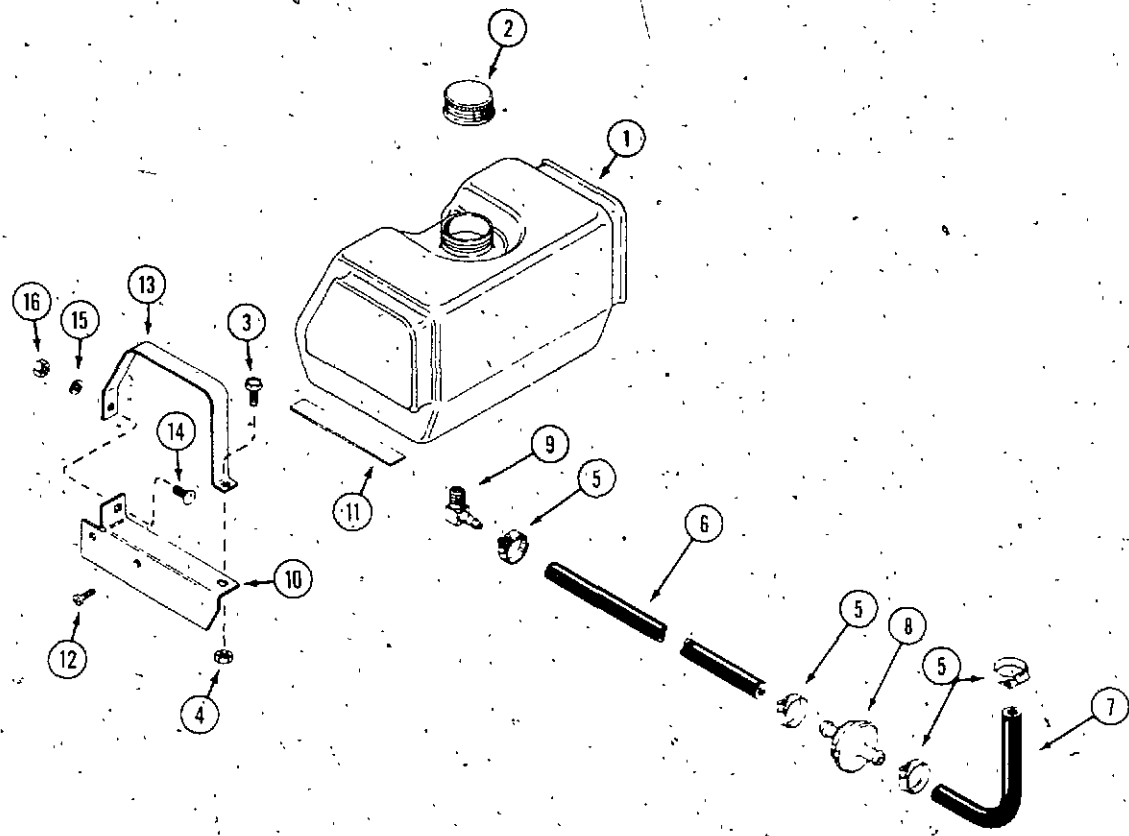


REF.	PART NO.	DESCRIPTION	REQ'D
	C 40798	STARTER ASSEMBLY	1
1	C 34285	BOLT - thru	2
2	C 40800	ARMATURE	1
3	C 40801	END CAP - drive end	1
4	C 34336	END CAP - commutator end	1
5	C 34286	BRUSH ASSEMBLY	4
6	C 34364	SPRING - brush	4
7	C 40799	DRIVE ASSEMBLY	1
8	138- 75	PIN - roll	1
9	C 34337	HOUSING - starter	1
10	C 40757	SCREW - mounting	2
11	C 31618	COVER - terminal	1

GASKET KIT

1	NSS	GASKET - cylinder head	1
2	BR270920	SEAL - oil fill cap	1
3	C 34686	SEAL - oil filler tube	2
4	NSS	GASKET - oil filter adapter	1
5	NSS	GASKET - intake	1
6	NSS	GASKET - rocker arm cover	1
7	NSS	GASKET - carburetor	1
8	NSS	GASKET - valve cover	1
9	C 40802	GASKET - carburetor mounting	1
10	NSS	SEAL - oil	2
11	NSS	"O" RING - oil pump cover	1
12	NSS	GASKET - crankcase cover (1/64" thick)	1
13	C 34601	WASHER - seal, cylinder head	4
14	C 40803	SEAL - governor crank	1
15	C 40773	GASKET - exhaust	2
16	NSS	SEAL - valve stem	2



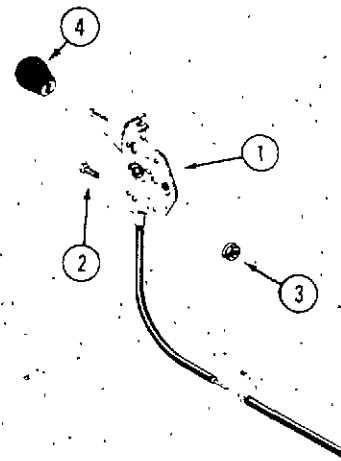


FUEL SYSTEM

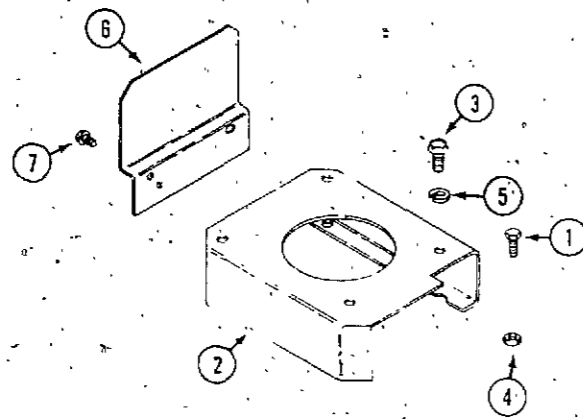
REF.	PART NO.	DESCRIPTION	REQ'D
1	C 37201	TANK - fuel	1
2	C 34160	CAP - fuel	1
3	187- 1036	SCREW - 1/4" - 20 x 1/2" flange	2
4	131- 1180	NUT - 1/4" - 20 lock	2
5	214- 252	CLAMP - hose (service)	4
6	NSS	HOSE - fuel (use C28937 cut to length)	1
7	NSS	HOSE - fuel (use C28937 cut to length)	1
8	C 28935	FILTER - fuel	1
9	C 10678	CONNECTOR - fuel line 90°	1
10	C 37303	BRACKET - fuel tank R.H. shown	1
10	C 37304	BRACKET - fuel tank L.H.	1
11	C 37308	CUSHION - fuel tank	2
12	C 31597	SCREW - 1/4" - 20 x 1/2"	4
13	C 37307	STRAP - fuel tank	2
14	111- 101	BOLT - 1/4" - 20 x 5/8" carriage	2
15	192- 19	WASHER - 1/4" lock	2
16	129- 101	NUT - 1/4" - 20	2

CHOKE AND THROTTLE

1	C 37095	CONTROL - throttle/choke	1
2	182- 559	SCREW - No. 10 - 24 x 3/4"	2
3	C 34117	NUT - No. 10 - 24 flange lock	2
4	C 35291	KNOB - control	2

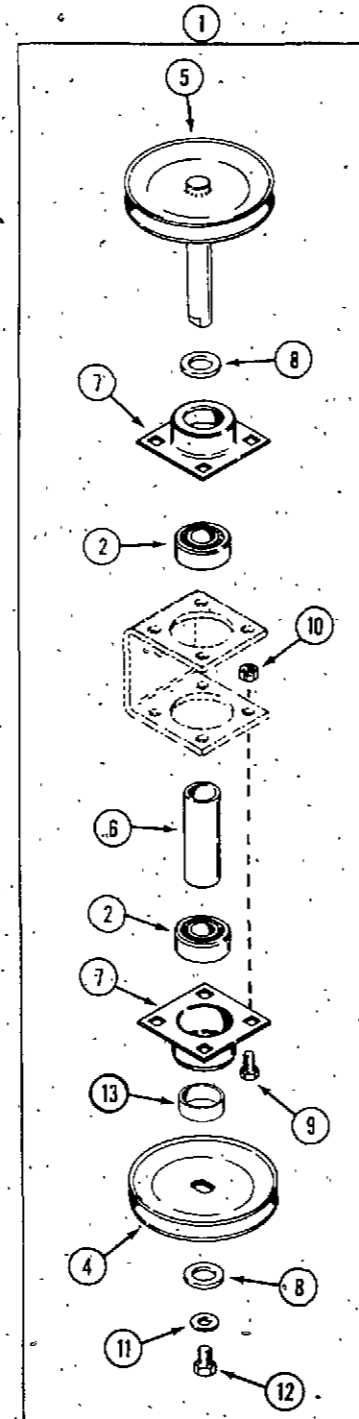
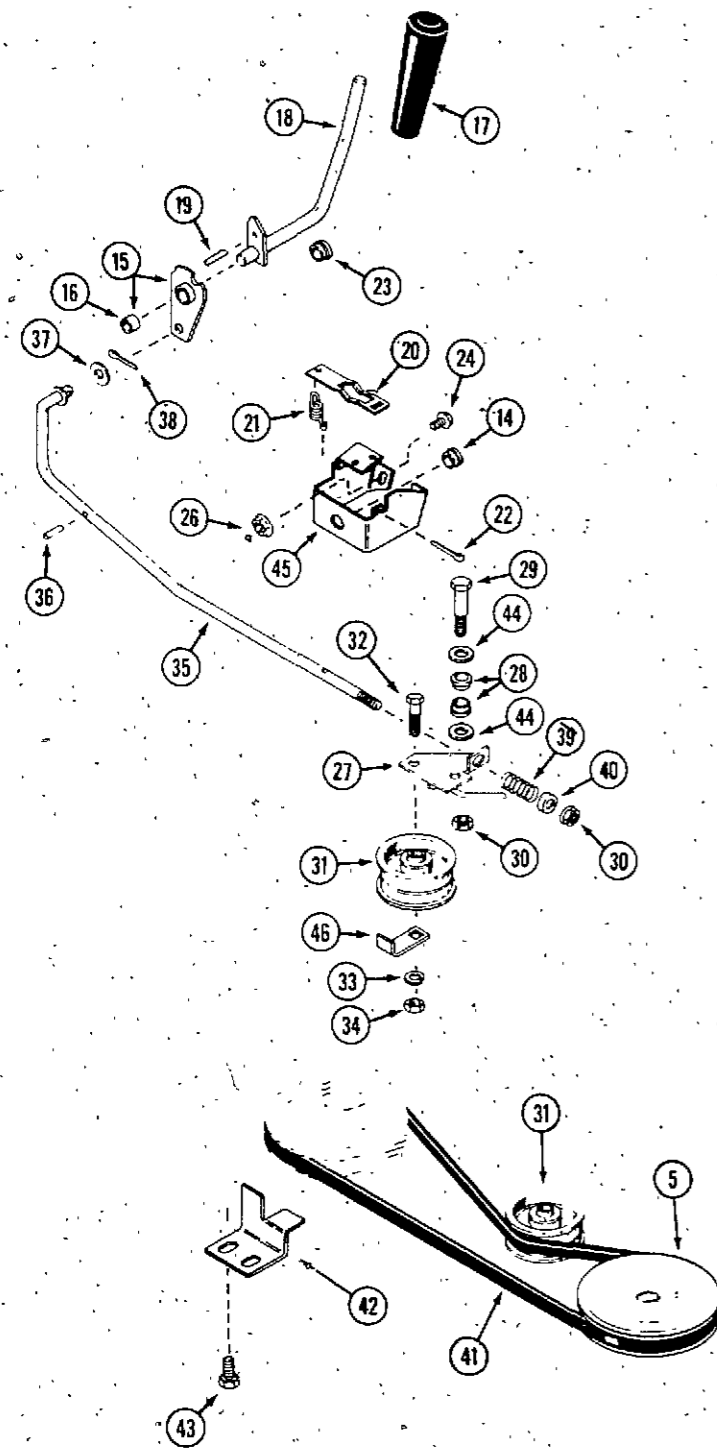


ENGINE MOUNTS



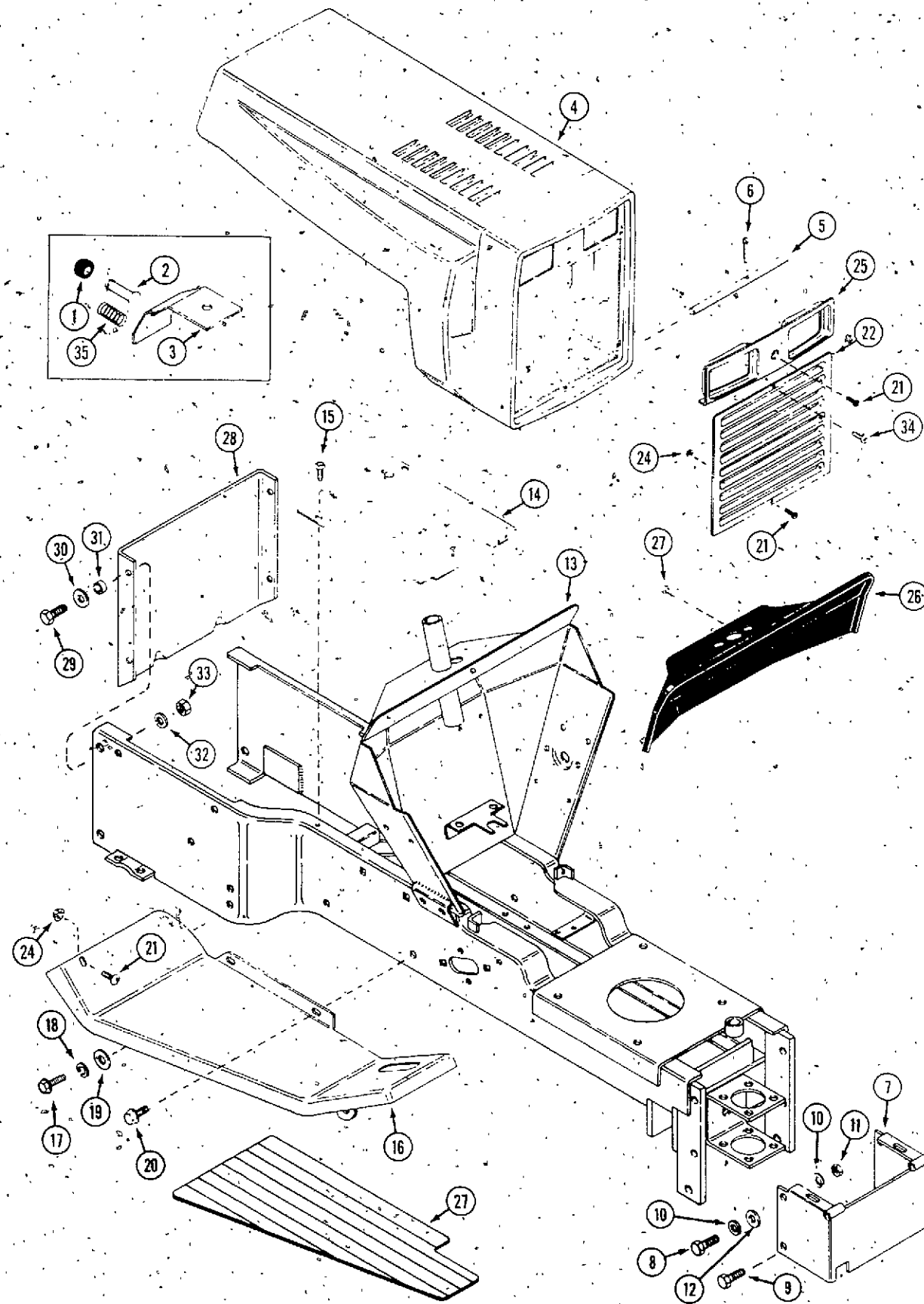
REF.	PART NO.	DESCRIPTION	REQ'D
1	113- 103	BOLT - 5/16" - 18 x 1"	4
2	C 36994	MOUNT - engine	1
3	C 33644	BOLT - 3/8" - 16 x 1-1/4" flange	4
4	131- 69	NUT - 5/16" lock	8
5	192- 21	LOCKWASHER - 3/8"	1
6	C 37107	SHIELD - battery	1
7	187-1036	SCREW - 1/4" - 20 x 1/2"	2

ATTACHMENT DRIVE POWER TAKE OFF (PTO)



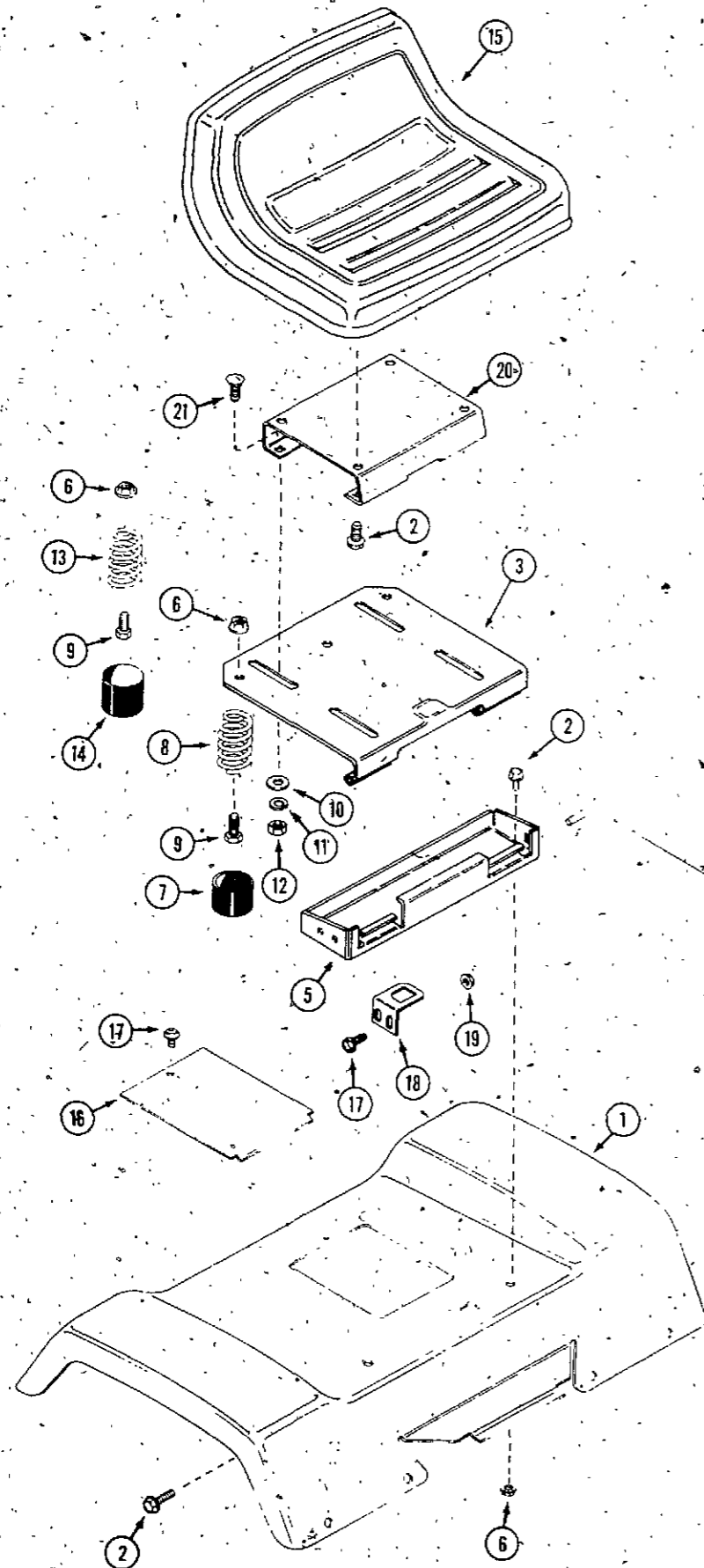
REF.	PART NO.	DESCRIPTION	REQ'D
1	NSS	P.T.O. ASSEMBLY	1
2	C 28971	BEARING	2
3	NSS	BRACKET - mounting	1
4	C 15083	PULLEY - bottom	1
5	C 37053	PULLEY - top	1
6	C 25233	SPACER - bearing	1
7	C 23818	FLANGETTE	2
8	C 12975	WASHER	2
9	113- 102	BOLT - 5/16" - 18 x 3/4"	8
10	131- 176	NUT - 5/16" - 18 lock	8
11	C 28263	WASHER - 3/8"	1
12	113- 205	BOLT - 3/8" - 18 x 5/8"	1
13	C 25643	SPACER - pulley	1
14	C 25229	BUSHING - flange	1
15	C 29326	ARM ASSEMBLY - PTO	1
16	C 17597	BUSHING - sleeve	1
17	C 28237	HANDLE - PTO lever	1
18	C 37010	LEVER - PTO	1
19	138- 2071	PIN - spirol 3/16" x 15/16"	1
20	C 29316	BAR - latch	1
21	C 29172	SPRING - extension	1
22	132- 320	PIN - cotter 3/32" x 3/4"	1
23	353- 462	BUSHING - tower	1
24	121- 106	BOLT - 5/16" - 18 x 3/4" flange	2
25	192- 20	LOCKWASHER - 5/16"	2
26	131- 911	NUT - 5/16" - 18 flange	2
27	C 30873	ARM - idler	1
28	C 17597	BUSHING - (press into hub on engine plate)	2
29	C 16745	BOLT - shoulder	1
30	131- 1352	NUT - 3/8" lock	2
31	C 15672	PULLEY - idler	1
32	113- 233	BOLT - 3/8" - 16 x 1-3/4" hex head	1
33	192- 21	LOCK WASHER - 3/8"	1
34	129- 103	NUT - 3/8" - 16	1
35	C 30769	ROD - PTO	1
36	138- 57	PIN - roll 1/8" x 3/4"	1
37	195- 525	WASHER - 3/8"	1
38	132- 332	PIN - cotter 3/32" x 1"	1
39	C 27822	SPRING - compression	1
40	C 17066	WASHER - cup	1
41	C 31215	BELT - PTO	1
42	C 26345	KEEPER - belt	1
43	C 29620	BOLT - 5/16" - 18 x 3/4"	1
44	195- 533	WASHER - 1/2"	2
45	C 37007	BRACKET - support	1
46	C 29243	GUIDE - belt	1

HOOD, FRAME AND ATTACHING PARTS



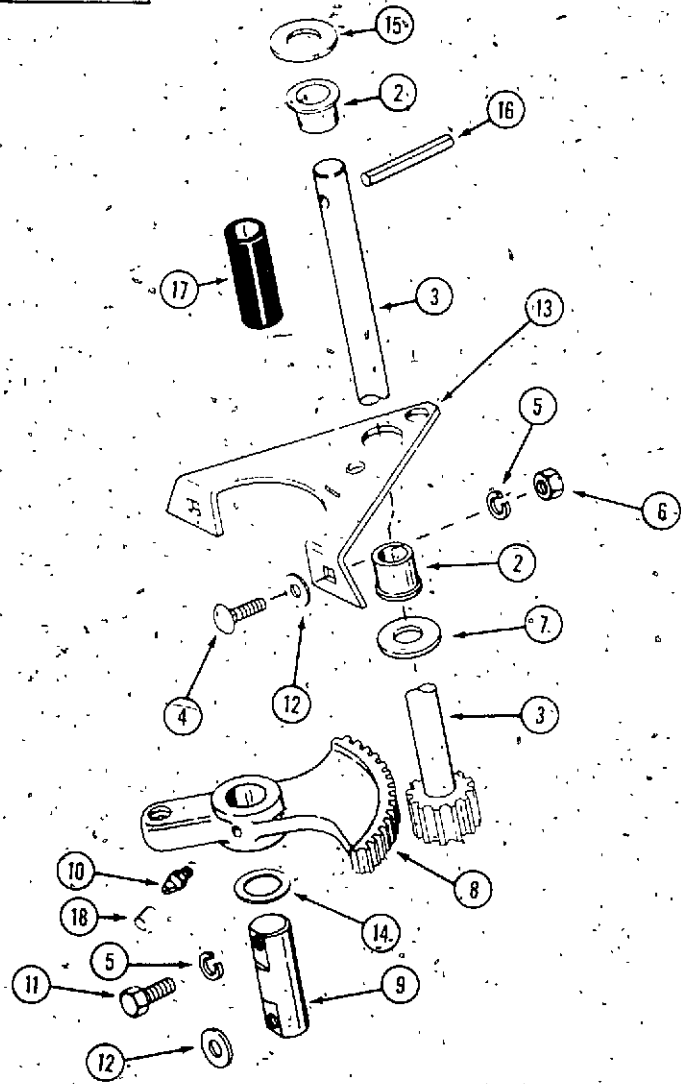
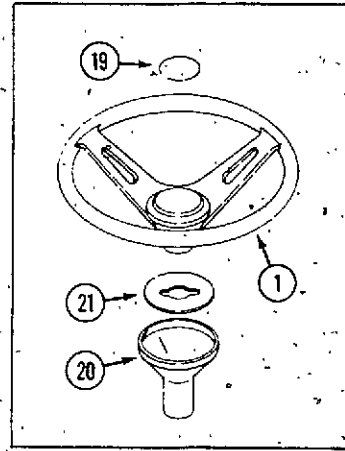
REF.	PART NO.	DESCRIPTION	REQ'D
1	C 29314	BUTTON - push, hood release	1
2	C 30126	ROD - push, hood release	1
3	C 33467	LATCH - hood	1
4	C 37041	HOOD	1
5	C 16362	ROD - hinge	1
6	132- 334	PIN - cotter 1/8" x 3/4"	1
7	C 37045	COVER - PTO	1
8	113- 205	BOLT - 3/8" - 16 x 5/8"	2
9	113- 207	BOLT - 3/8" - 16 x 1"	2
10	192- 21	LOCK WASHER - 3/8"	4
11	129- 103	NUT - 3/8" - 16	2
12	195- 522	WASHER - 3/8"	2
13	C 36971	FRAME - main	1
14	C 33081	PLATE - center	1
15	C 31597	SCREW - 1/4" - 20	2
16	C 37037	FOOT REST - R.H. (shown)	1
16	C 37038	FOOT REST - L.H.	1
17	C 29620	BOLT - 5/16" x 18 x 3/4" flange	4
18	192- 20	LOCK WASHER - 5/16"	4
19	195- 521	WASHER - 5/16"	4
20	121- 106	BOLT - 5/16" - 18 x 1/2", flange lock	UAR
20	C 29620	BOLT - 5/16" - 18 x 1" flange	UAR
21	C 31597	SCREW - 1/4" - 20 pan head, Phillips	6
22	C 31365	INSERT - grille	6
24	131- 934	NUT - 1/4" - 20 flange lock	4
25	C 31366	SHROUD - head light	1
26	C 36966	CAP - instrument panel	1
27	C 37110	PAD - footrest R.H. (shown)	1
27	C 37111	PAD - footrest L.H.	1
28	C 29199	DRAWBAR	1
29	113- 207	BOLT - 3/8" - 16 x 1"	4
30	195- 525	WASHER - 3/8" (top holes only)	2
31	C 14768	SPACER - mounting (top holes only)	2
32	192- 21	LOCK WASHER - 3/8"	4
33	129- 103	NUT - 3/8" - 16	4
34	187-1328	SCREW - #8 - 18 x 3/4"	1
35	C 30004	SPRING - latch	1

SEAT AND FENDERS

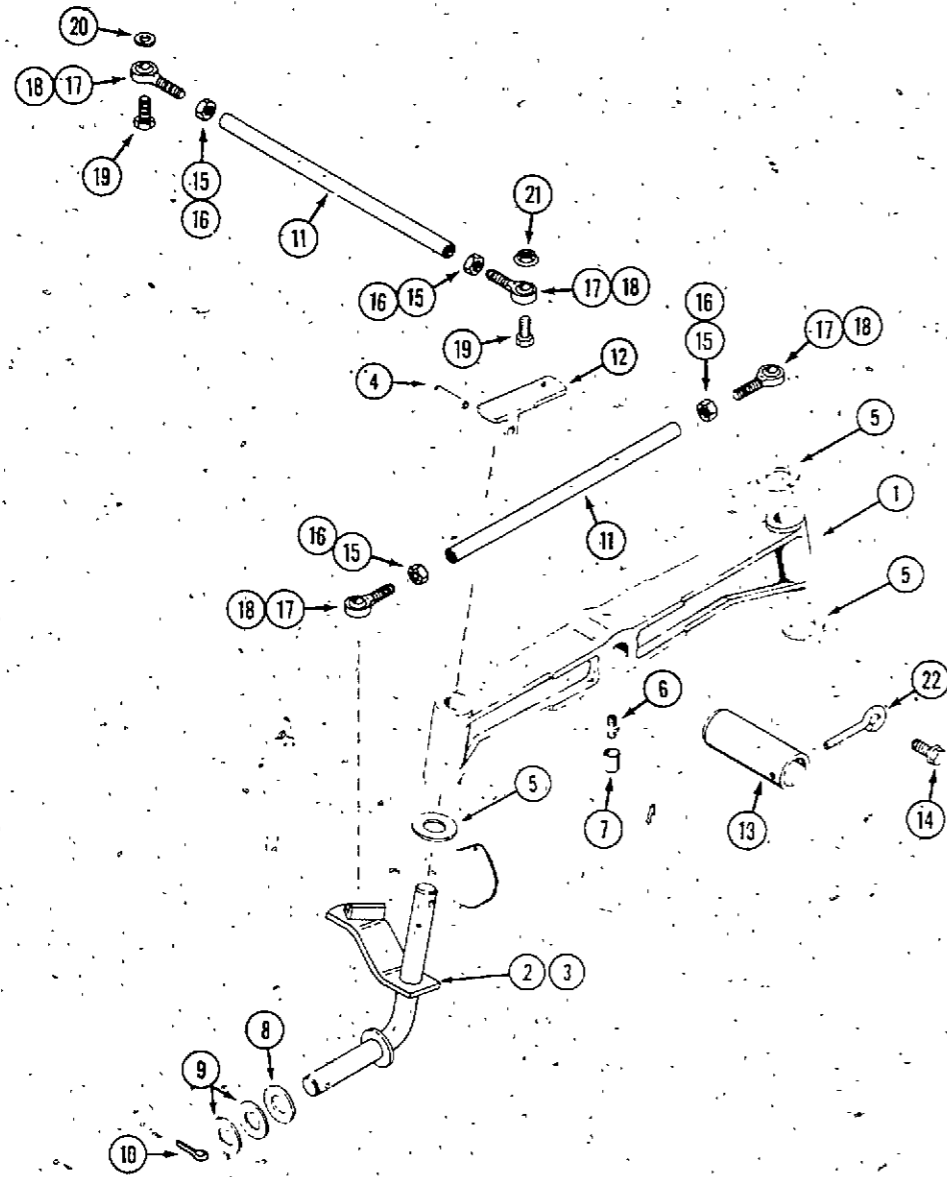


REF.	PART NO.	DESCRIPTION	REQ'D
1	C 37013	FENDERS AND SUPPORT	1
2	121- 106	BOLT - 5/16" - 18 x 1/2" flange lock	10
3	C 33474	HINGE - seat	1
4	C 16429	PIN - seat hinge	1
5	C 37017	TRAY - tool	1
6	131- 911	NUT - 5/16" - 18 flange lock	5
7	C 29305	CAP - spring	2
8	C 29306	SPRING - seat	2
9	113- 102	BOLT - 5/16" - 18 x 3/4"	3
10	195-2175	WASHER - .08" - .31" x 1.25"	4
11	192- 20	LOCKWASHER - 5/16"	4
12	129- 102	NUT - 5/16" - 18	4
13	C 31006	SPRING - actuating, seat switch	1
14	C 26526	CAP - actuating spring	1
15	C 30065	SEAT	1
16	C 30785	COVER - inspection	1
17	187- 1036	SCREW - 1/4" x 1/2" self-tap	1
18	C 37060	BRACKET - switch mount	1
19	131- 934	NUT - 1/4" - 20 flange lock	2
20	C 37463	SPACER - seat	1
21	111- 132	BOLT - 5/16" - 18 x 3/4" carriage	4

STEERING GEAR



REF.	PART NO.	DESCRIPTION	REQ'D
1	C 40653	WHEEL - steering	1
2	C 15096	BUSHING - flanged nylon	2
3	C 40656	SHAFT - steering	1
4	111- 132	BOLT - 5/16" x 3/4" NC, ZP carriage	2
5	192- 20	LOCK WASHER - 5/16" ZP	4
6	129- 102	NUT - 5/16" NC hex, ZP	2
7	195-2069	WASHER - 5/8" plain, ZP	1
8	C 37036	GEAR - steering	1
9	C 15105	PIVOT - steering gear	1
10	219- 17	FITTING - lube	1
11	113- 103	BOLT - 5/16" x 1" NC hex, ZP	2
12	195- 521	WASHER - 5/16", plain, ZP	UAR
13	C 27045	BRACKET - steering	1
14	C 14201	WASHER - shim	UAR
15	195- 541	WASHER - 5/8"	UAR
16	138-2040	PIN - roll 1/4" x 1-1/2"	1
17	C 29168	SLEEVE - steering shaft	1
18	C 13106	COVER - lube fitting	1
19	C 37197	INSERT - steering wheel (logo)	1
20	C 40654	BOOT - steering column	1
21	C 40655	INSERT - boot	1

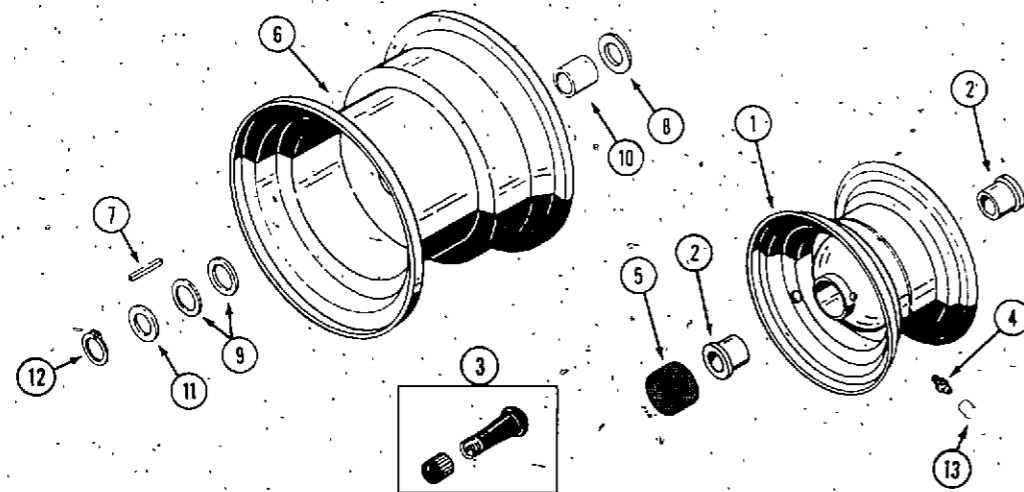


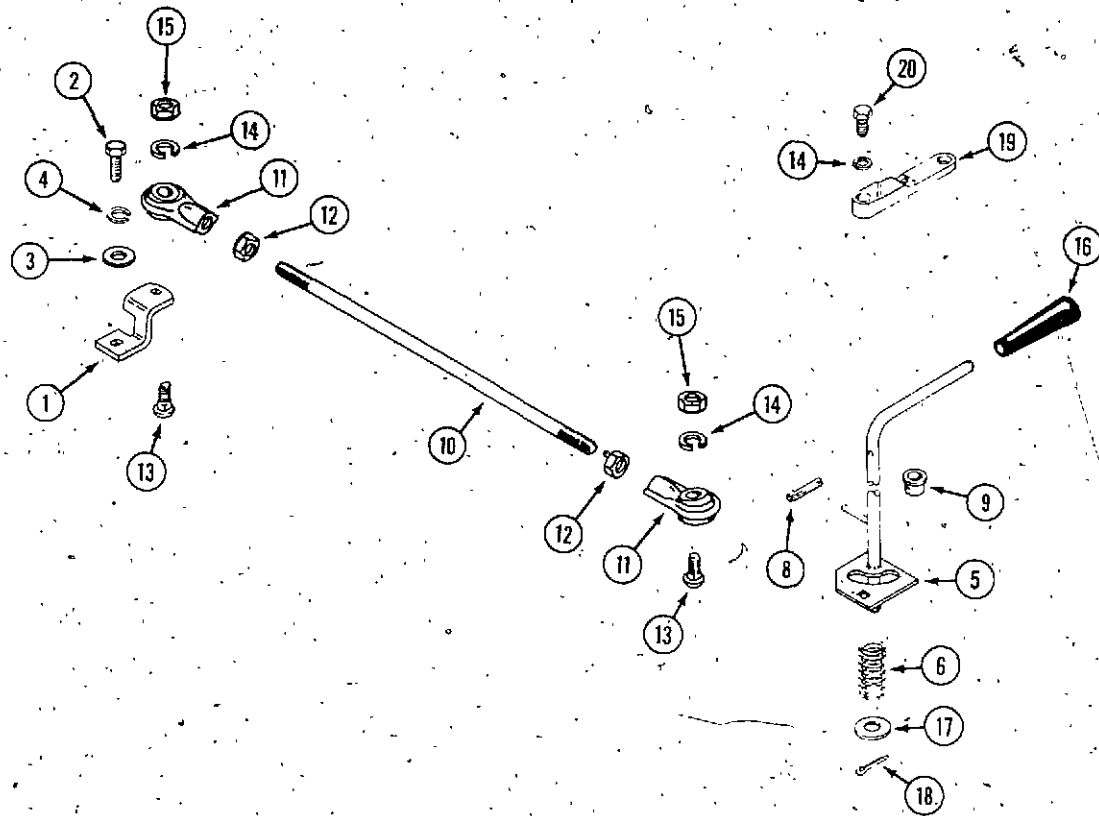
FRONT AXLE

REF.	PART NO.	DESCRIPTION	REQ'D
1	C 18812	AXLE - front	1
2	C 36988	SPINDLE - R.H. (shown)	1
3	C 36987	SPINDLE - L.H.	1
4	138- 2040	PIN - spirol 1/4" x 1-1/2"	1
5	C 11906	WASHER - thrust 13/16"	3
6	219- 17	FITTING - lube	3
7	C 13106	COVER - lube fitting	3
8	C 27597	WASHER - spindle	2
9	C 28226	WASHER - wheel spacer	4
10	132- 311	PIN - cotter 5/32" x 1-1/4"	2
11	C 36990	ROD - tie and drag link	2
12	C 37034	ARM - upper spindle	1
13	C 22568	TUBE - axle pivot	1
14	113- 1910	BOLT - 3/8" - 16 x 3/4"	1
15	129- 163	NUT - lock 3/8" - 24 hex	2
16	129- 289	NUT - lock 3/8" - 24 hex L.H. thread	2
17	C 37032	BALL JOINT - R.H. thread	2
18	C 37033	BALL JOINT - L.H. thread	2
19	113- 208	BOLT - 3/8" x 1-1/4"	4
20	13- 628	BOLT - 3/8" x 1-3/4"	1
21	192- 21	LOCKWASHER - 3/8"	1
22	C 22278	PIN - retainer	1

FRONT AND REAR WHEELS

1	C 30781	WHEEL - front (includes bearings) (for 15 x 6.00 - 6 tire)	2
2	C 24503	BEARING - bushing	2
3	C 28236	STEM - valve	2
4	219- 10	FITTING - lube	2
5	C 26021	CAP - hub	4
6	C 42074	WHEEL - rear (for 20 x 10.00 - 8 tire)	2
7	C 11796	KEY - 3/16" x 3/16" x 2"	2
8	C 27597	WASHER - 3/4"	2
9	C 28226	WASHER - spacer .03" thick	4
10	C 27047	SPACER - sleeve	2
11	C 27597	WASHER - spacer	2
12	C 27739	RING - retaining	2
13	C 13106	COVER - lube fitting	2



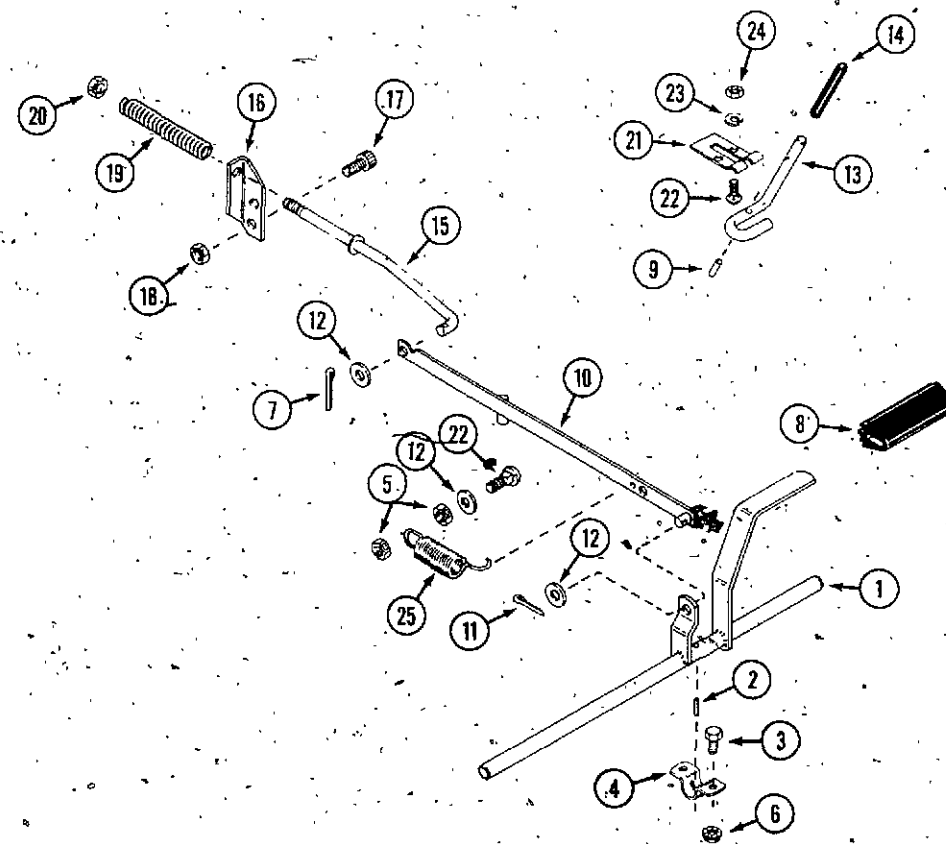


TRAVEL CONTROL

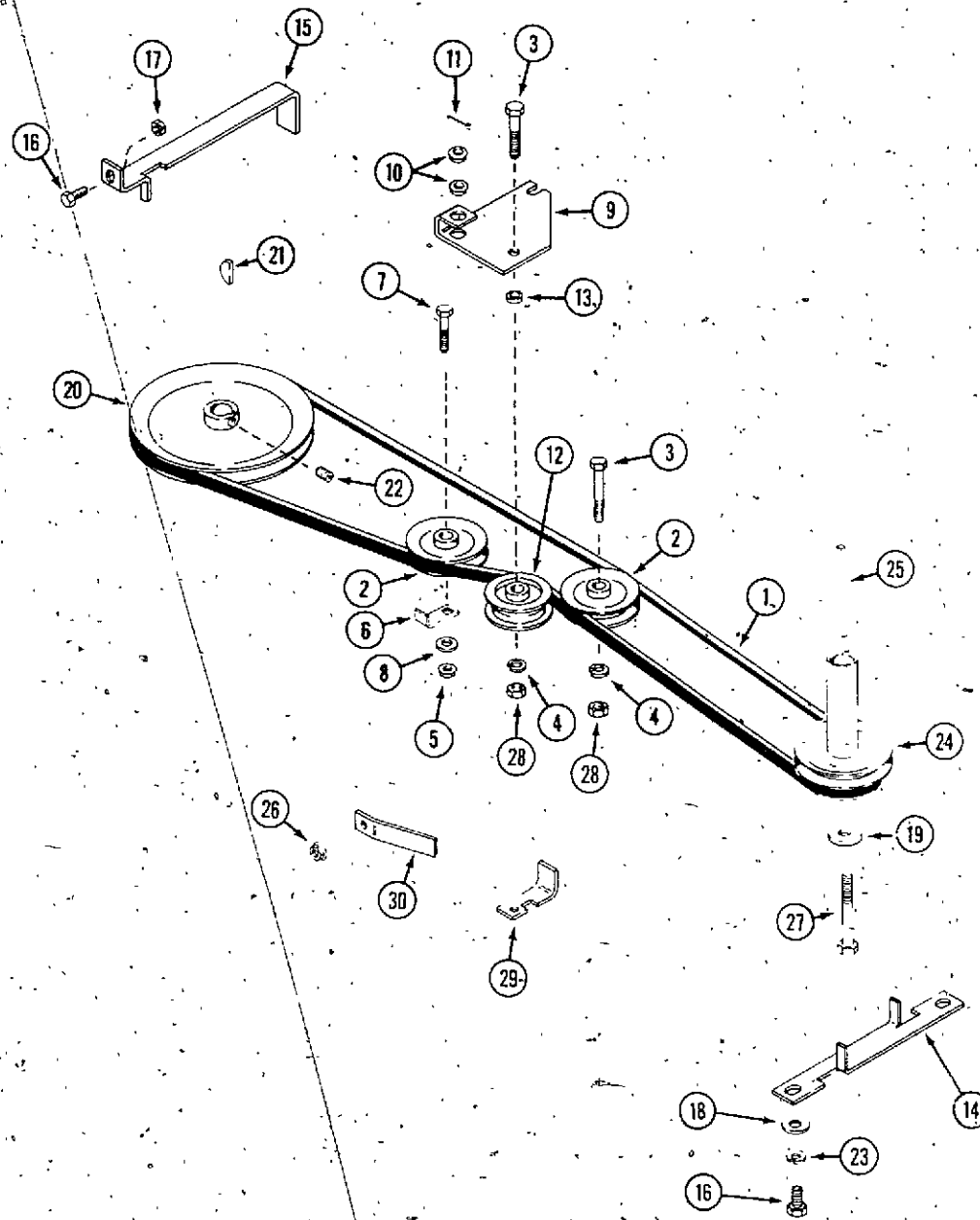
REF.	PART NO.	DESCRIPTION	REQ'D
1	C 37474	CRANK - shift	1
2	114- 2	BOLT - 1/4" - 28 x 1/2" hex	1
3	195- 518	WASHER - 1/4"	1
4	192- 19	LOCKWASHER - 1/4"	1
5	C 37100	LEVER - shift	1
6	C 10482	SPRING - compression	1
7	131- 165	NUT - 1/2" - 13 lock	1
8	138-2072	PIN - roll 1/8" x 1-3/4"	1
9	C 29636	BUSHING - flip - lock	1
10	C 27072	ROD - shift	1
11	C 26332	BALLJOINT	2
12	129- 163	NUT - 3/8" - 24	2
13	111- 366	BOLT - 3/8" - 16 x 1-1/4" carriage	2
14	192- 21	LOCKWASHER - 3/8"	2
15	129- 103	NUT - 3/8" - 16 hex	2
16	C 28237	HANDLE - shift	1
17	195- 533	WASHER - 1/2"	2
18	132- 310	Pin - cotter 1/8" x 1"	1
19	C 32362	LOCATOR - travel	1
20	113- 207	BOLT - 3/8" - 16 x 1"	2

BRAKE ASSEMBLY

1	C 37049	SHAFT - brake	1
2	138-2071	PIN - spiral 3/16" x 15/16"	1
3	113- 102	BOLT - 5/16" - 18 x 3/4"	6
4	C 15156	BRACKET - saddle	2
5	131-1180	NUT - 1/4" 20 lock	2
6	131- 911	NUT - 5/16" - 18 flange lock	4
7	132- 310	PIN - cotter 1/8" x 1"	1
8	C 24345	PAD - brake pedal	1
9	138- 51	PIN - roll 1/8" x 3/8"	1
10	C 29246	LINK - brake	1
11	132- 6	PIN - cotter 3/32" x 5/8"	1
12	195- 521	WASHER - 5/16"	3
13	C 29207	LEVER - parking brake	1
14	C 29178	HANDLE - lever	1
15	C 32989	ROD - brake	1
16	C 29188	ARM - brake	1
17	61- 612	SCREW - 3/8" - 16 x 3/4" socket head	1
18	131-1181	NUT - 3/8" - 16 lock	2
19	C 27442	SPRING - compression	1
20	131- 69	NUT - 5/16" - 18 lock	1
21	C 29177	BRACKET - retaining	1
22	111- 108	BOLT - 1/4" - 20 x 3/4" carriage	3
23	192- 19	LOCK WASHER - 1/4"	2
24	129- 101	NUT - 1/4" - 20	2
25	C 29917	SPRING - extension	1



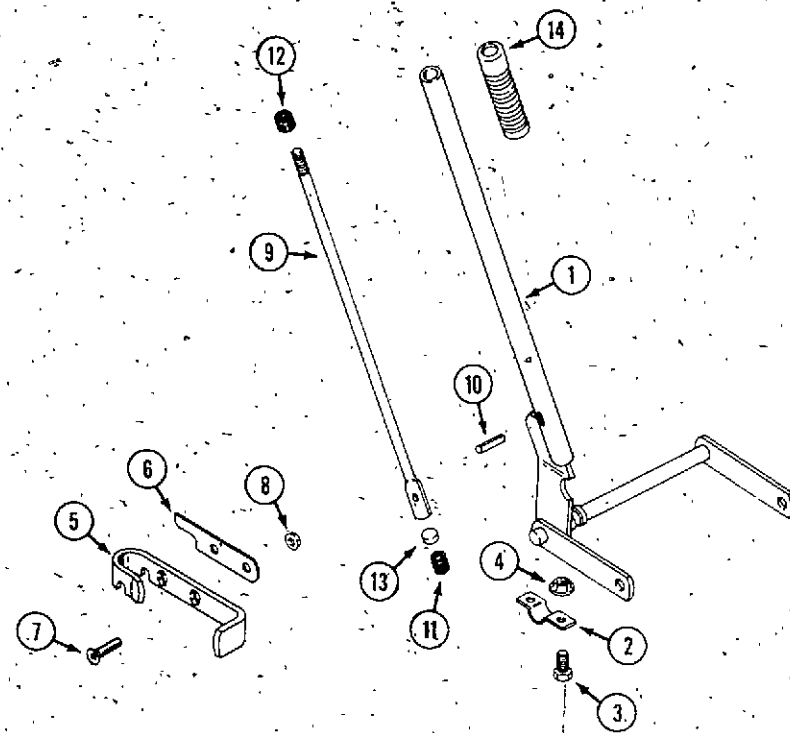
BELTS, PULLEYS AND IDLERS (DRIVE)

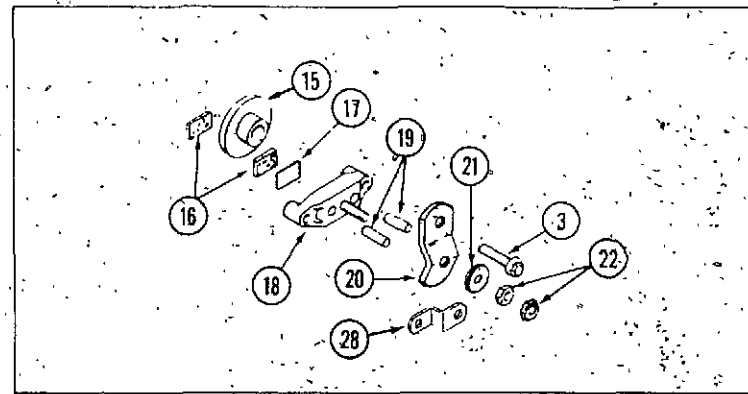
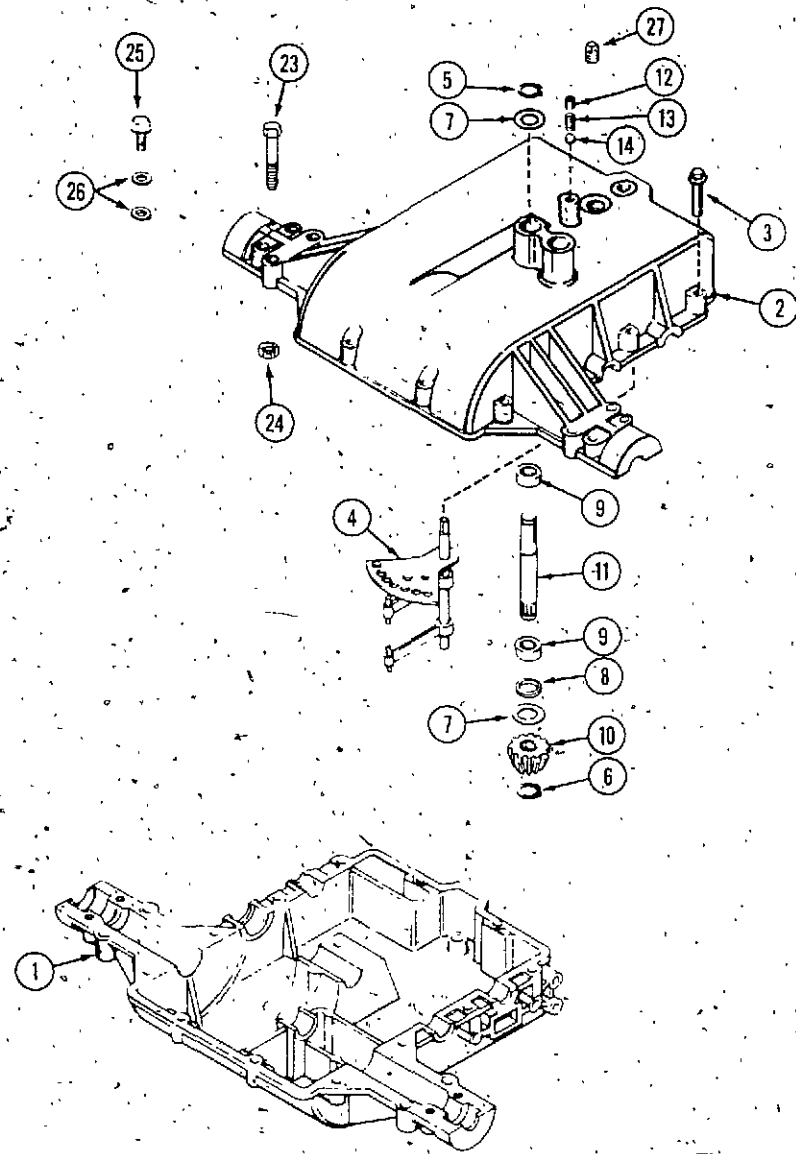


REF.	PART NO.	DESCRIPTION	REQ'D
1	C 37473	BELT - drive	1
2	C 23456	PULLEY - "V" idler	2
3	113- 233	BOLT - 3/8" - 16 x 1-3/4"	2
4	192- 21	LOCK WASHER - 3/8"	2
5	131- 938	NUT - 3/8" - 16 flange lock	1
6	C 29243	GUIDE - belt, idler	1
7	113- 233	BOLT - 3/8" - 16 x 1-3/4"	1
8	195- 525	WASHER - 3/8"	1
9	C 29236	ARM -idler	1
10	C 20053	BUSHING - flange	2
11	132- 310	PIN - cotter 1/8" x 1"	1
12	C 15672	PULLEY - backside idler	1
13	C 14768	SPACER	1
14	C 40950	GUIDE - belt, engine	1
15	C 37475	GUIDE - belt, transaxle	1
16	113- 118	BOLT - 5/16" - 18 x 5/8"	1
17	129- 102	NUT - 5/16" - 18	3
18	195- 103	WASHER - 5/16"	2
19	C 33788	WASHER	1
20	C 33672	PULLEY - transaxle	1
21	126- 16	KEY - 3/16" x 3/4" woodruff	1
22	83- 55	SETSCREW - 5/16" - 18 x 5/16"	1
23	192- 20	LOCKWASHER - 5/16"	2
24	C 33783	PULLEY - drive	1
25	C 33789	KEY - 1/4" x 5"	1
26	131- 911	NUT - 5/16" - 18 flange lock	1
27	114- 314	BOLT - 7/16" - 20 x 4"	1
28	129- 103	NUT - 3/8" - 16	2
29	C 40951	GUIDE - belt	1
30	C 40952	GUIDE - belt	1

LIFT SYSTEM.

REF.	PART NO.	DESCRIPTION	REQ'D
1	C 37024	LEVER - implement lift	1
2	C 15156	BRACKET - saddle	2
3	113- 102	BOLT - 5/16" - 18	4
4	131- 911	NUT - 5/16" - 18 flange lock	4
5	C 18811	LATCH - lift lever	1
6	C 17281	SPACER - latch	1
7	164- 41	SCREW - 5/16" - 18 x 1" flat head socket	2
8	131- 911	NUT - 5/16" - 18 flange lock	2
9	C 37030	ROD - push	1
10	138-2054	PIN - spiral 5/16" x 1-3/4"	1
11	C 10482	SPRING - compression	1
12	C 14525	BUTTON - thumb	1
13	C 37468	PLUG - lift pipe	1
14	C 39510	GRIP - lift handle	1

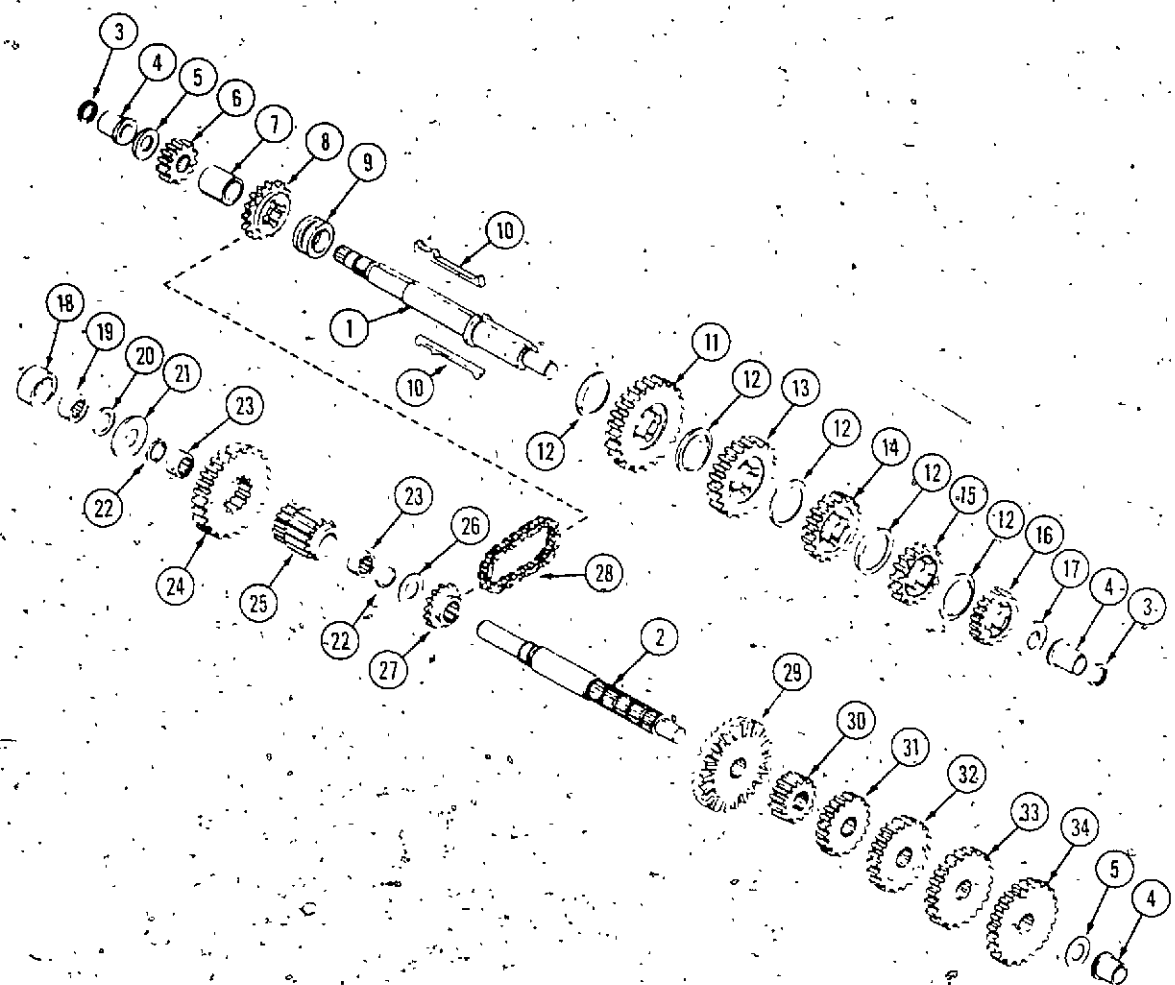




**C29241 TRANSAXLE - 5 SPEED
CASE, INPUT SHAFT AND BRAKE**

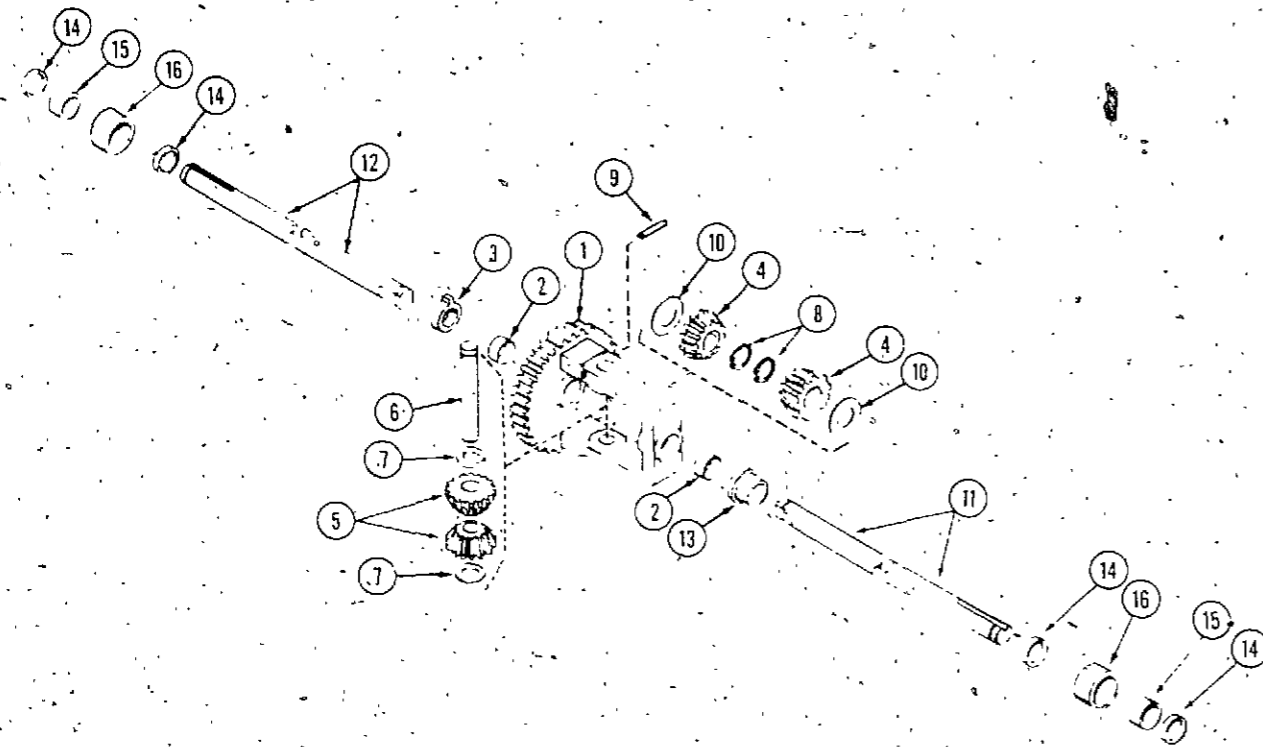
REF.	PART NO.	DESCRIPTION	REQ'D
1	C 27552	CASE - transaxle, bottom	1
2	C 27576	COVER - transaxle, top	1
3	113- 17	SCREW - 1/4" - 20 x 1-1/4" hex	19
4	C 27577	ROD AND FORK ASSEMBLY - shift	1
5	C 19347	RING - retaining	1
6	C 19352	RING - retaining	1
7	C 19345	WASHER - thrust	2
8	C 28648	"O" RING	1
9	C 28649	BEARING - needle	2
10	C 28652	GEAR - bevel pinion, input	1
11	C 28651	SHAFT - input	1
12	178- 53	SCREW - set 3/8" - 16 x 3/8"	1
13	C 28654	SPRING - retaining	1
14	C 28667	BALL - detent, steel	1
15	C 27563	DISK - brake	1
16	C 19353	PAD - brake	2
17	C 19354	PLATE - brake pad	1
18	C 19355	HOLDER - brake pad	1
19	C 28650	PIN - dowel	2
20	C 27580	LEVER - brake	1
21	C 19357	WASHER	1
22	C 19358	NUT - 5/16" - 24 lock	2
23	113- 111	BOLT - 5/16" - 18 x 2-1/2"	4
24	131- 176	NUT - 5/16" lock	4
25	C 29620	BOLT - 5/16" self-tapping (front mounting)	2
26	195- 521	WASHER - 5/16" spacer	4
27	353- 10	PLUG - hex head	1
28	C 28821	BRACKET	1

**C29241 TRANSAXLE - 5 SPEED
SHIFTER AND BRAKE SHAFT AND COUNTER SHAFT**



REF.	PART NO.	DESCRIPTION	REQ'D
1	C 29919	SHAFT - shifter and brake	1
2	C 27559	SHAFT - counter	1
3	C 27570	RING - square cut	2
4	C 28653	BUSHING - flanged	3
5	C 19345	WASHER - thrust	2
6	C 27553	GEAR - spur 15 teeth	1
7	C 27560	SPACER	1
8	C 28665	SPROCKET - 18 teeth	1
9	C 28659	COLLAR - shift	1
10	C 28666	KEY	2
11	C 27557	GEAR - spur 37 teeth	1
12	C 28664	WASHER - thrust	4
13	C 28658	GEAR - spur 30 teeth	1
14	C 28657	GEAR - spur 25 teeth	1
15	C 27555	GEAR - spur 22 teeth	1
16	C 28656	GEAR - spur 20 teeth	1
17	C 28663	WASHER - thrust	1
18	C 27564	SPACER	1
19	C 27567	BEARING - needle	1
20	C 27574	RING - square cut	1
21	C 27568	WASHER	1
22	C 27575	RING - square cut	2
23	C 27572	BEARING - needle	2
24	C 27562	GEAR - output	1
25	C 27561	PINION - output	1
26	C 27573	WASHER	1
27	C 28655	SPROCKET - 9 teeth	1
28	C 28668	CHAIN - roller No. 41 (24 links)	1
29	C 27558	GEAR - bevel 42 teeth	1
30	C 27554	GEAR - spur 12 teeth	1
31	C 28660	GEAR - spur 20 teeth	1
32	C 28661	GEAR - spur 25 teeth	1
33	C 27556	GEAR - spur 28 teeth	1
34	C 28662	GEAR - spur 30 teeth	1

C29241 TRANSAXLE - 5 SPEED DIFFERENTIAL



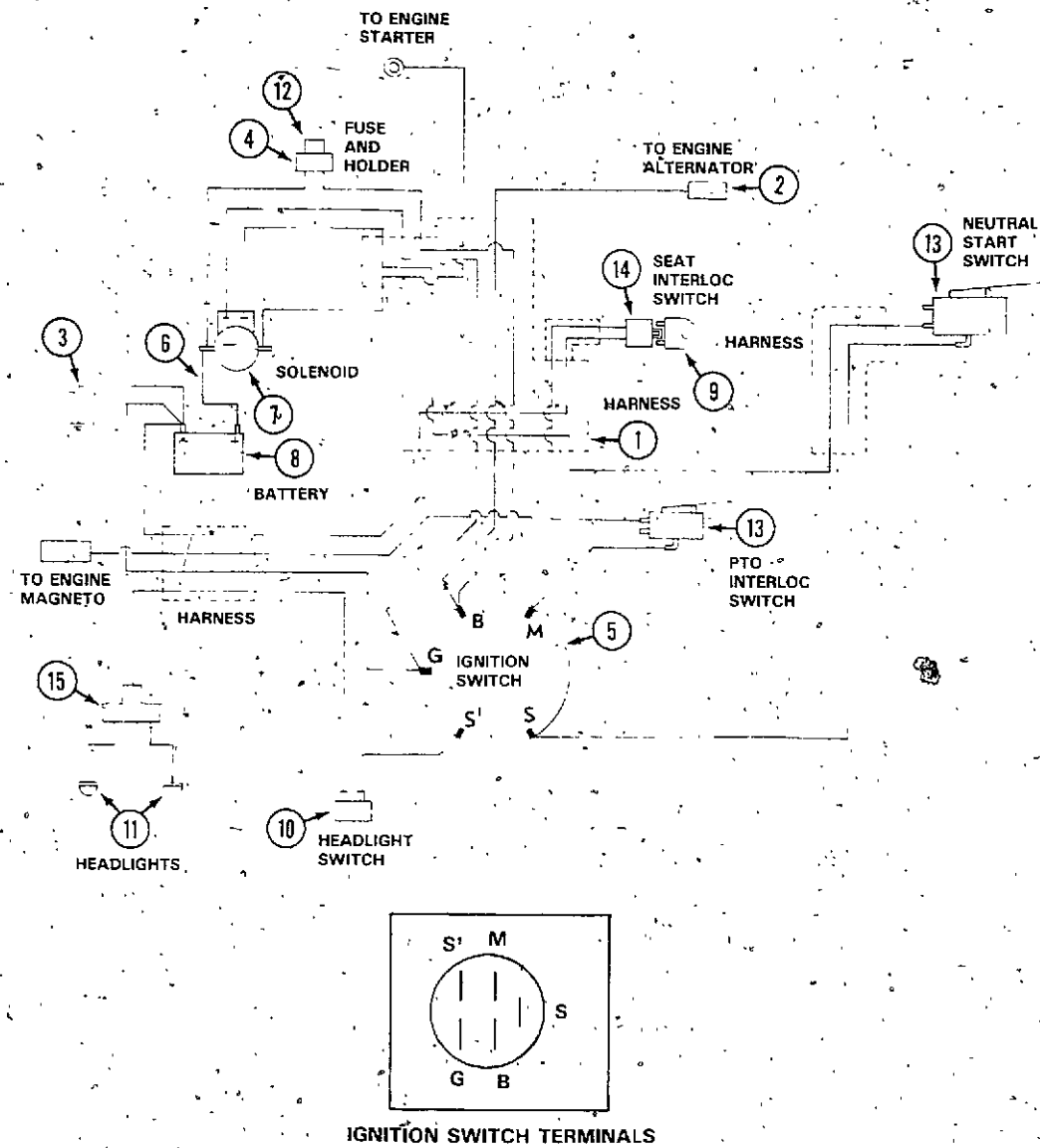
REF.	PART NO.	DESCRIPTION	REQ'D
1	C 26111	GEAR ASSEMBLY - differential	1
2	C 21576	BUSHING	2
3	C 27566	BEARING - bronze	1
4	C 19309+	GEAR - bevel (shown) for double-D axle shafts	2
4	C 30500++	GEAR - bevel (for splined axle shafts)	2
5	C 19310	PINION - bevel	2
6	C 19311	PIN - drive	1
7	C 19312	WASHER - thrust	2
8	C 11222	RING - retaining	2
9	138- 97	PIN - roll	1
10	C 11205	WASHER - thrust	2
11	C 27571+	AXLE - R.H. 14-5/8" (371 mm) shown (double-D style)	1
11	C 30501++	AXLE - R.H. 14-5/8" (371 mm) (splined style)	1
12	C 27579+	AXLE - L.H. 12-3/4" (324 mm) shown (double-D style)	1
12	C 30502++	AXLE - L.H. 12-3/4" (324 mm) splined style	1
13	C 27565	BUSHING - flanged	1
14	C 27581	SEAL - oil and dirt	2
15	NSS*	BEARING - needle (use C27569 ball bearing)	2
16	NSS*	SLEEVE - bearing (use C27569 ball bearing)	2

*Discard the needle bearing, sleeve and seals when replacing with C27569 ball bearing.

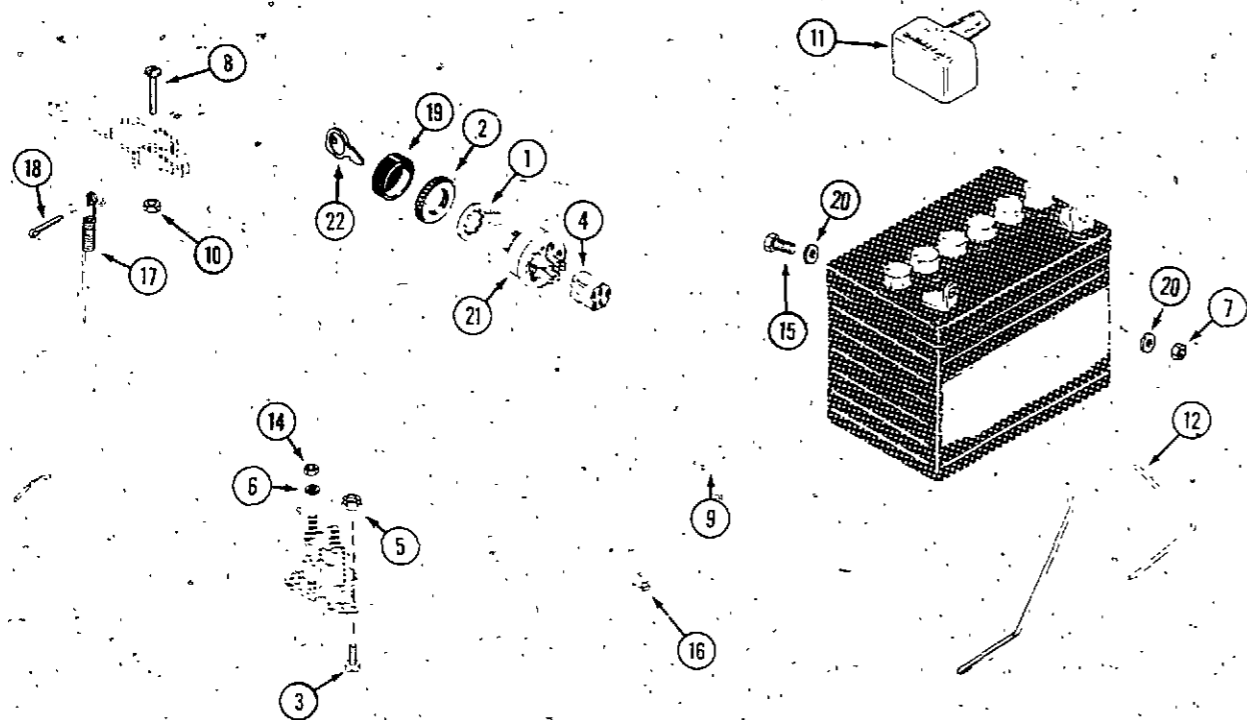
+ used in transaxle Model No. 826

++ used in transaxle Model No. 843

ELECTRICAL SYSTEM

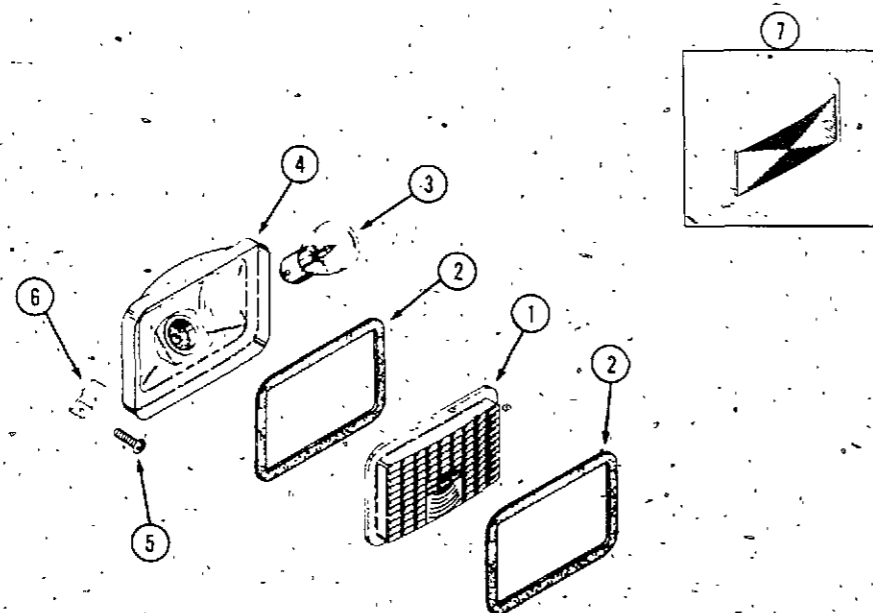


REF.	PART NO.	DESCRIPTION	REQ'D
1	C 37058	HARNESS - wire	1
2	C 25243	CONNECTOR - wire	1
3	C 37414	CABLE - battery negative to ground (black)	1
4	NSS	HOLDER - fuse (use C31947 kit)	1
5	C 30267	SWITCH - ignition (includes hardware)	1
6	C 33022	CABLE - battery positive to solenoid	1
7	C 33024	SOLENOID - start	1
8	C 41010	BATTERY - 12 volt	1
9	C 33744	SWITCH - seat	1
10	C 29322	SWITCH - headlights	1
11	C 32178	HEADLIGHT ASSEMBLY - 12 volt (see page 47 for service)	2
12	C 30260	FUSE - 30 amp (included with harness)	1
13	C 30275	SWITCH - interloc	2
14	C 30937	CONNECTOR - switch	1
15	C 14537	CONNECTOR - headlights	1



REF.	PART NO.	DESCRIPTION	REQ'D
1	C 23248	WASHER - internal tooth 5/8"	1
2	C 32396	NUT - 5/8" - 32	1
3	C 31597	SCREW - 1/4" - 20 x 1/2" black	2
4	C 24460	CONNECTOR - switch	1
5	131- 934	NUT - 1/4" - 20 flange lock	2
6	192- 19	LOCKWASHER - 1/4" - 20	2
7	129- 101	NUT - 1/4" - 20	3
8	182- 10	SCREW - No. 4 - 40 x 7/8"	4
9	C 32455	CLIP - wire "J"	1
10	C 33697	NUT - No. 4 - 40	4
11	C 24069	COVER - terminal	1
12	C 15114	CLAMP - battery hold down	1
14	129- 101	NUT - 1/4" - 20	2
15	113- 3	BOLT - 1/4" - 20 x 3/4"	2
16	C -19521	CLIP - wire, headlight	1
17	C 29169	SPRING - switch activating	1
18	132- 334	PIN - cotter 1/8" x 3/4"	2
19	C 32397	CAP - nut	1
20	195- 518	WASHER - 1/4"	4
21	C 30267	SWITCH - ignition	1
22	C 27751	KEY - ignition	1

HEADLIGHT AND REAR RELECTOR

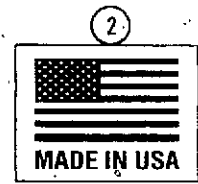
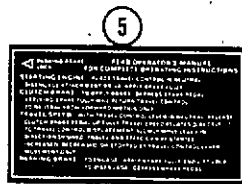
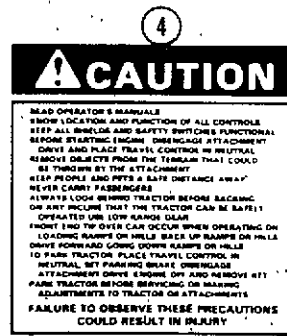
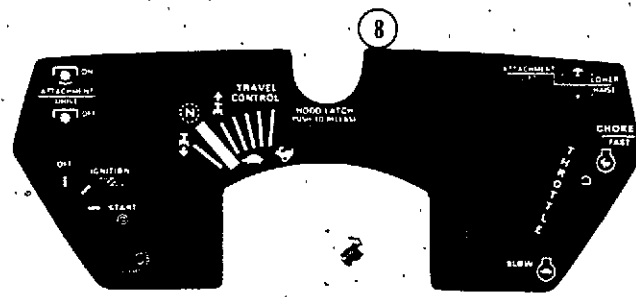


1	C 32178	HEADLIGHT ASSEMBLY	2
1	C 22573	LENS - headlight	1
2	C 14304	GASKET - headlight	1
3	C 28932	BULB - headlight	1
4	NSS	RECERTACLE - headlight (use C32178)	1
5	187- 1328	SCREW - No. 8 - 18 x 3/8"	4
6	C 29637	RETAINER - headlight	4
7	C 30942	REFLECTOR - red, rear	2

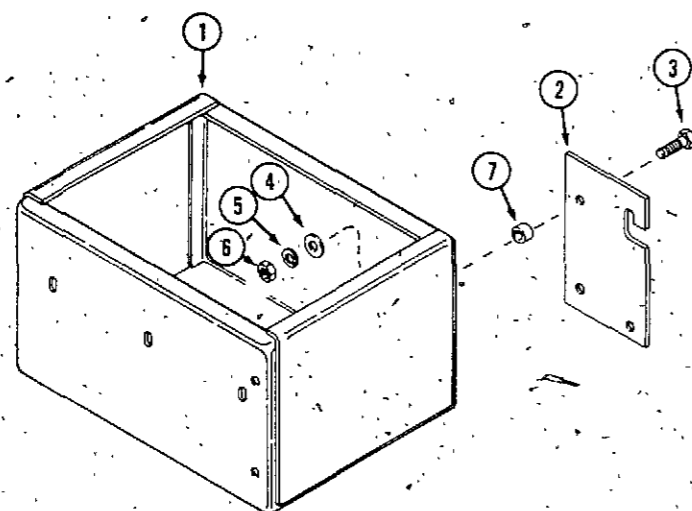
2012 ¹ INGERSOLL

DECALS

REF.	PART NO.	DESCRIPTION	REQ'D
1	C 37081	DECAL - hood - L.H. (2012)	1
1	C 37082	DECAL - hood - R.H. (2012) shown	1
2	C 34184	DECAL - flag	1
3	C 30539	MEDALLION - Ingersoll	1
4	321-6659	DECAL - "caution"	1
5	C 29201	DECAL - instruction	1
6	C 33585	DECAL - clutch, brake	1
7	C 31030	DECAL - seat back (logo)	1
8	C 36967	DECAL - instrument panel	1
9	C 37197	DECAL - steering wheel	1



M13 WEIGHT BOX



REF.	PART NO.	DESCRIPTION	REQ'D
1	C 17863	BOX - weight	1
2	C 29702	BRACKET - mounting	2
3	113- 207	BOLT - 3/8" - 16 x 1"	4
4	195- 525	WASHER - 3/8"	4
5	192- 21	LOCKWASHER - 3/8"	4
6	129- 103	NUT - 3/8" - 16	4
7	C 14768	SPACER - mounting (left side only)	2

NUMERICAL INDEX

PART NO.	PAGE NO.	REF. NO.	PART NO.	PAGE NO.	REF. NO.	PART NO.	PAGE NO.	REF. NO.
C40749	13	3	113-102	27	9	138-51	33	9
C40750	9	7	113-102	33	3	138-57	23	36
C40751	13	21	113-102	37	3	138-75	17	8
C40752	7	9	113-103	21	1	138-97	43	9
C40753	7	8	113-103	29	11	138-2040	29	16
C40754	15	10	113-111	39	23	138-2040	31	4
C40755	11	39	113-118	35	16	138-2054	37	10
C40756	5	14	113-205	23	12	138-2071	23	19
C40757	17	10	113-205	25	8	138-2071	33	2
C40758	9	11	113-207	25	9	138-2072	33	8
C40759	9	12	113-207	25	29	164-41	37	7
C40760	5	6	113-207	33	20	178-53	39	12
C40761	5	7	113-207	51	3	182-10	47	8
C40762	9	14	113-208	31	19	182-559	19	2
C40763	9	13	113-233	23	32	187-1036	19	3
C40764	15	14	113-233	35	3	187-1036	21	7
C40765	15	9	113-233	35	7	187-1036	27	17
C40766	9	21	113-1910	31	14	187-1041	15	3
C40767	15	15	114-2	33	2	187-1328	25	34
C40768	7	16	114-314	35	27	187-1328	47	5
C40769	7	14	121-106	23	24	192-19	19	15
C40770	7	15	121-106	25	20	192-19	33	4
C40771	13	2	121-106	27	2	192-19	33	23
C40772	9	2	126-16	35	21	192-19	47	6
C40773	7	12	129-101	19	16	192-20	23	25
C40773	15	5	129-101	33	24	192-20	25	18
C40773	17	15	129-101	47	7	192-20	27	11
C40774	15	4	129-101	47	14	192-20	29	5
C40775	13	19	129-102	27	12	192-20	35	23
C40776	11	30	129-102	29	6	192-21	21	5
C40777	11	36	129-102	35	17	192-21	23	33
C40778	9	11	129-103	23	34	192-21	25	10
C40779	9	18	129-103	25	11	192-21	25	32
C40780	5	12	129-103	25	33	192-21	31	20
C40781	11	17	129-103	33	15	192-21	33	14
C40782	11	5	129-103	35	28	192-21	35	4
C40782	13	11	129-103	51	6	192-21	51	5
C40783	7	33	129-163	31	15	195-103	35	18
C40784	9	9	129-163	33	12	195-518	33	3
C40785	7	36	129-289	31	16	195-518	47	20
C40786	7	36	131-69	21	4	195-521	25	19
C40787	9	16	131-69	33	20	195-521	29	12
C40788	7	20	131-165	33	7	195-521	33	12
C40798	17	7	131-176	23	10	195-521	39	26
C40799	17	7	131-176	39	24	195-522	25	12
C40800	17	2	131-911	23	26	195-525	23	37
C40801	17	3	131-911	27	6	195-525	25	30
C40802	11	41	131-911	33	6	195-525	35	8
C40802	13	8	131-911	35	26	195-525	51	4
C40802	17	9	131-911	37	4	195-533	23	44
C40803	13	4	131-911	37	8	195-533	33	17
C40803	17	14	131-934	25	24	195-541	29	15
C40950	35	14	131-934	27	19	195-2069	29	7
C40951	35	29	131-934	47	5	195-2175	27	10
C40952	35	30	131-938	35	5	214-252	19	5
C41010	45	8	131-1180	19	4	219-10	31	4
C42074	31	6	131-1180	33	5	219-17	29	10
013-628	31	20	131-1181	33	18	219-17	31	6
061-612	33	17	131-1352	23	30	321-6659	49	4
083-55	35	22	132-6	33	11	353-10	39	27
111-101	19	14	132-310	33	18	353-462	23	23
111-108	33	22	132-310	33	7			
111-132	27	21	132-310	35	11			
111-132	29	4	132-311	31	10			
111-366	33	13	132-320	23	22			
113-3	47	15	132-332	23	38			
113-17	39	3	132-334	25	6			
113-102	23	9	132-334	47	18			

INGERSOLL
Ingersoll Equipment Co., Inc.