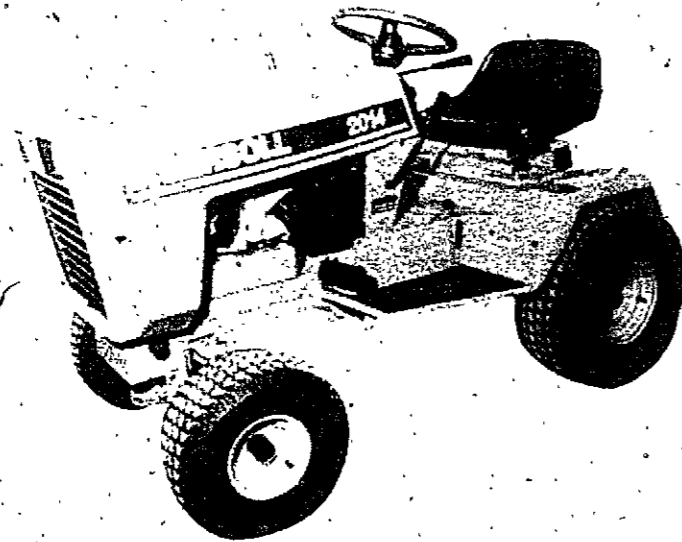


COMPACT TRACTORS
2014
Parts Catalog 8-3210

1-92-RP-500-258

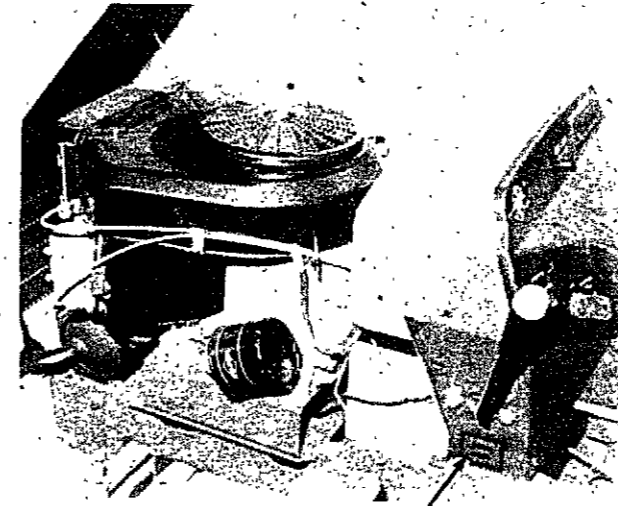


INGERSOLL
Ingersoll Equipment Co., Inc.

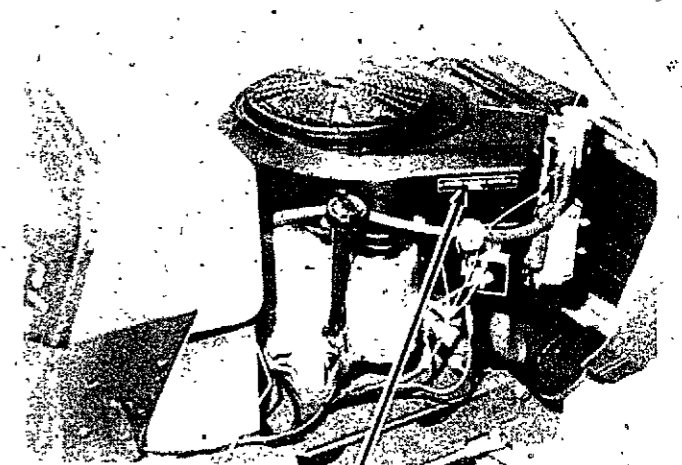
PAIN T AND OIL

**PRODUCT IDENTIFICATION NUMBERS (P.I.N.)
OR SERIAL NUMBERS (S/N)**

REF.	PART NO.	DESCRIPTION	REQ'D
PAINT			
1	C 28849	BLACK - semi - gloss, 12 oz spray (2 per carton)	1
2	C 28850	BLACK - semi - gloss, quart (2 per carton)	1
3	C 28851	BLACK - semi - gloss, heat resistant, 12 oz spray (2 per carton)	1
4	C 28484	POWER RED - gloss, 12 oz spray (2 per carton)	1
5	C 28485	POWER RED - gloss, quart (2 per carton)	1
6	C 30870	SILVER - gloss, 12 oz. spray (2 per carton)	1
7	C 31643	POWER RED - gloss, 1 oz touch up, (1 doz. per carton)	1
OIL			
1	C 32776	OIL - SAE 30, SF, quart (12 per case)	1
2	C 32777	OIL - SAE 5W20, SF, quart (12 per case)	1
3	C 32778	OIL - SAE 20W40, SF, quart (12 per case)	1



**TRACTOR MODEL
AND PIN**



**ENGINE MODEL
AND PIN**

ENGINE IDENTIFICATION

TRACTOR MODEL
2014

ENGINE MODEL
C33753
SPEC. 294777 - TYPE 0117

NOTE: In this catalog there are references to serial numbers. To order the correct part, use these serial numbers as a guide.

GENERAL INFORMATION

INDEX

There is an index at the front and rear of this catalog.

The front index is an alphabetical index of the major groups or assemblies.

The rear index is a numerical index of the part numbers and pages on which these numbers are shown:

ILLUSTRATION

Each illustration in this catalog shows a group of parts or components. These parts and components are aligned approximately as the parts and components on your machine. Each part and component in an illustration has a reference number. These reference numbers are in a list on the page opposite of the illustration. Next to the reference number is the part number, description and required quantity of the part shown in the illustration.

UAR - "Use as required" indicates that the part quantity is variable.

NSS - "Not sold separately" indicates that the part is only available as a component of an assembly or the part must be purchased locally. If the part is an assembly component, the description will be indented under the assembly description in the parts list.

O/L - "Obtain locally"

** - "Footnotes" are added to a part number when more information is needed for identification. They only relate to the part numbers indicated.

PARTS ORDERS

All orders must include the following information:

1. Correct part number.
2. Complete description of part or component.
3. Total quantity of each part or component.
4. Product model number.
5. All necessary product identification numbers.
6. Method for sending the parts.
7. Complete and correct address.

CATALOG REVISIONS

As the product changes, new pages will be available for your catalog. A notice will be issued.

IMPORTANT: Put all revisions into the catalog as soon as possible.

RIGHT HAND AND LEFT HAND IDENTIFICATION

The words right hand (RH) and left hand (LH) as used in this catalog indicate the direction while you are in the operator's seat in the normal operating position.

INDENTED DESCRIPTIONS

An assembly can have many components. The components of an assembly are indicated by an indented description. The quantity for an indented part is the total needed for that complete assembly. See the example.

ALPHABETICAL INDEX

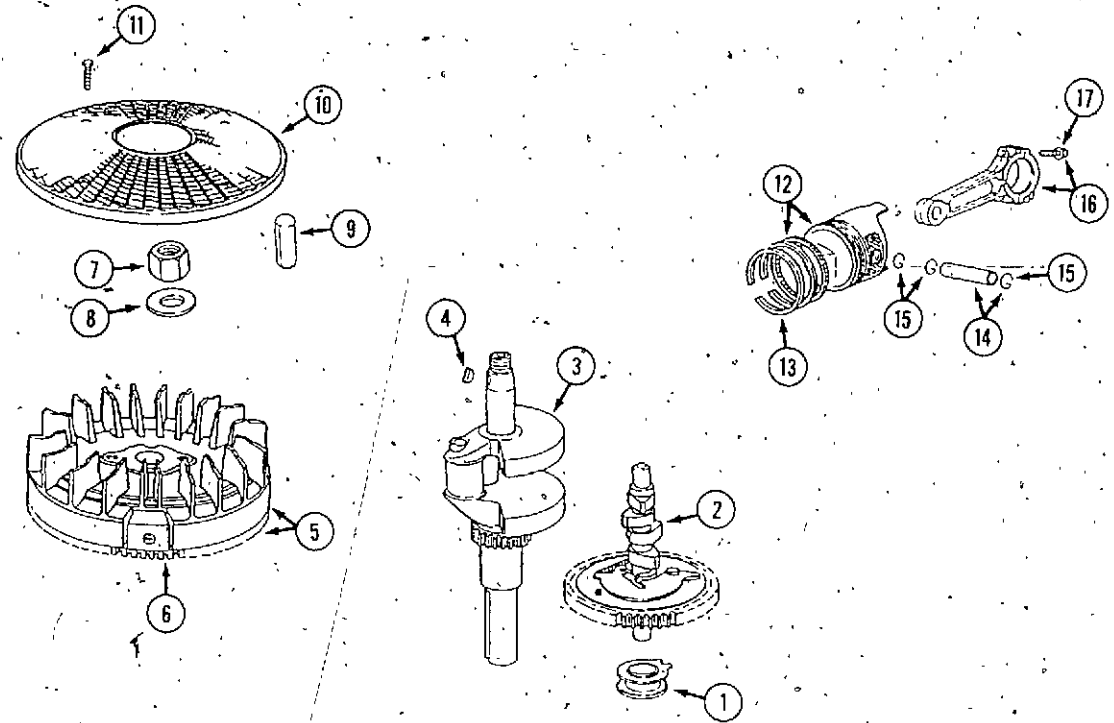
ENGINE SECTION

	Page	Grid		Page	Grid
Air Cleaner	13	B2	Fuel Filter	21	B10
Battery	45	D6	Fuel System	21	B10
Breather, Crankcase	13	B2	Gasket Kits	17	B6
Camshaft	5	A8	Governor	9	A12
Carburetor	11	A14	Magneto Armature	5	A8
Choke Linkage	21	B10	Manifold	11	A14
Connecting Rod	5	A8	Mounts, Engine	19	B8
Crankcase Cover	9	A12	Muffler	19	B8
Crankshaft	5	A8	Piston	5	A8
Cylinder Block	7	A10	Spark Plug	5	A8
Cylinder Head	7	A10	Starter	17	B6
Electrical System	5	A8	Tank, Fuel	21	B10
Engine Block & Attaching Parts	7	A10	Throttle Linkage	21	B10
Filter, Oil	9	A12	Valves	7	A10
Flywheel	5	A8			

BASIC TRACTOR SECTION

	Page	Grid		Page	Grid
Axle, Front	31	C6	Implement Lift	43	D4
Belts & Pulleys	37	C12	Mounts, Engine	19	B8
Brakes	33	C8	PTO Clutch	23	B12
Decals	49	D10	Seat, Operator's	27	C2
Electrical System	45	D6	Steering Wheel & Gear	29	C4
Fenders	27	C2	Transaxle	39-41	C14-D2
Frame	25	B14	Travel Control	35	C10
Grille	25	B14	Wheels, Front & Rear	31	C6
Hitch	25	B14	Weight Box M13	51	D12
Hood	25	B14			

REF.	PART NO.	DESCRIPTION	REQ'D
	C 55159	CYLINDER ASSY - rear steering	1
28	C 56208	SOCKET ASSY - rear cylinder	1
29	C 55956	PLUG - adjusting, socket assy	1
30	C 55957	SEAT - socket ball	2
31	C 56210	SPRING - socket	1
32	C 56209	SEAT - socket spring	1
33	G 45175	CLAMP ASSY - socket assy	1
	16- 836	BOLT - 1/2" x 2-1/4" N.F. hex	1
34	132- 104	PIN - cotter, 3/16" x 3"	1
35	C 55889	STUD - ball, socket & cylinder	2
36	13- 410	BOLT - 1/4" x 5/8" N.C., hex	4
37	92- 4	LOCK WASHER - 1/4" SAE	4

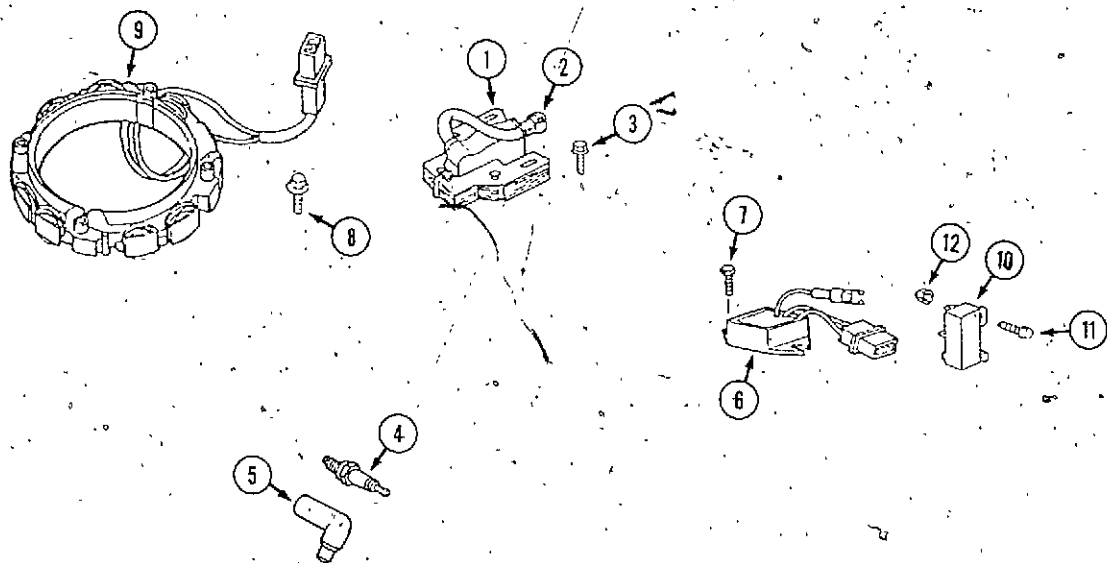


FLYWHEEL, CRANKSHAFT, CAMSHAFT AND PISTONS

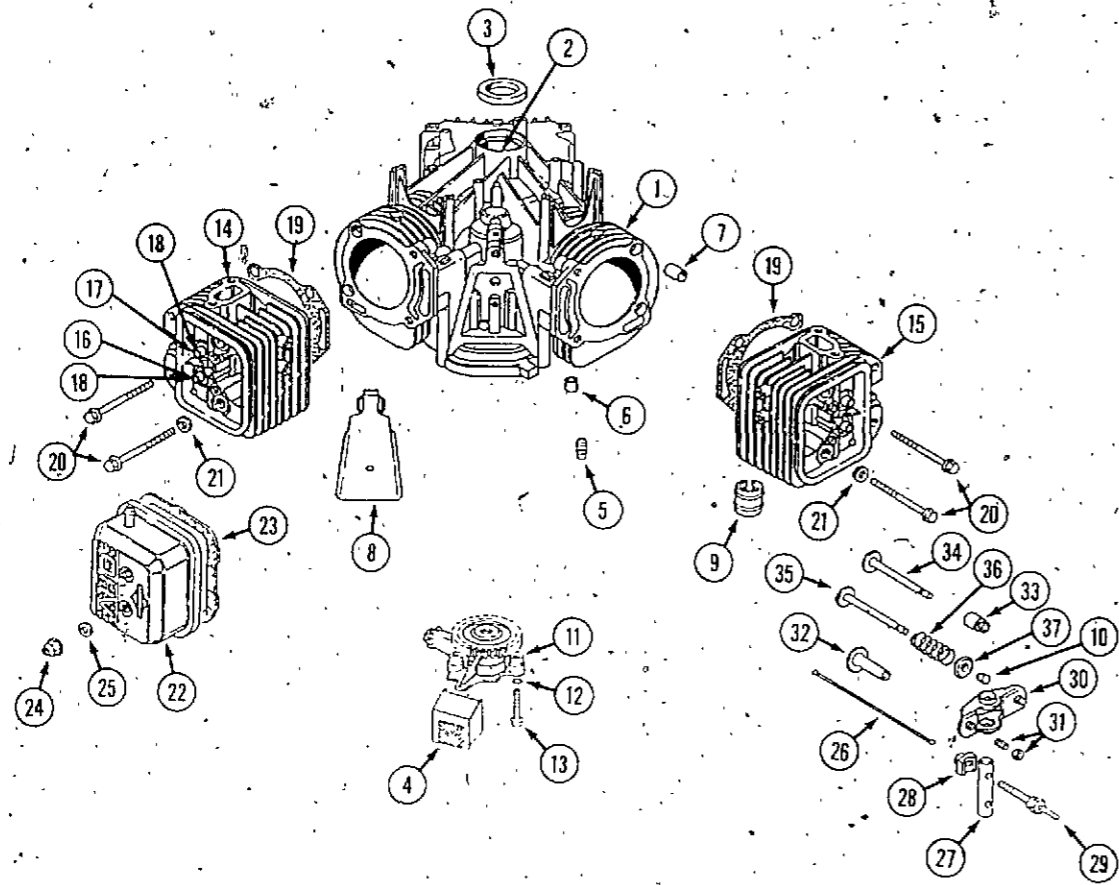
REF.	PART NO.	DESCRIPTION	REQ'D
1	C 34371	SLIDER - governor	1
2	C 34231	CAMSHAFT	1
3	C 34383	CRANKSHAFT	1
4	C 34211	KEY - flywheel	1
5	C 34210	FLYWHEEL - includes ring gear	1
6	C 34331	GEAR - ring	1
7	C 34288	NUT - flywheel	1
8	C 34237	WASHER - flywheel	1
9	C 34326	SPACER - screen	4
10	C 34287	SCREEN - flywheel	1
11	C 34238	SCREW - screen	4
12	C 34212	PISTON ASSEMBLY - standard (includes rings)	2
12	C 34213	PISTON ASSEMBLY - .010" oversize (includes rings)	2
12	C 34214	PISTON ASSEMBLY - .020" oversize (includes rings)	2
12	C 34215	PISTON ASSEMBLY - .030" oversize (includes rings)	2
13	C 34216	RING SET - piston, standard	1
13	C 34217	RING SET - piston .010" oversize	1
13	C 34218	RING SET - piston .020" oversize	1
13	C 34219	RING SET - piston .030" oversize	1
14	C 34221	PIN - piston, standard	2
15	C 34220	LOCK - piston pin	2
16	C 34222	ROD - connecting	2
17	C 34223	BOLT - connecting rod	2

IGNITION AND CHARGING SYSTEMS

1	C 34289	ARMATURE - magnets	2
2	BR221798	TERMINAL - ignition cable	1
3	C 34290	SCREW - mounting	4
4	C 34291	SPARK PLUG	2
5	C 34324	BOOT - spark plug	2
6	C 34304	REGULATOR - alternator	1
7	C 34310	SCREW - mounting	2
8	C 34290	SCREW - mounting	4
9	C 34303	STATOR - alternator	1
10	C 34306	TERMINAL - ground	1
11	C 34292	BOLT - mounting	1
12	C 34293	NUT	2

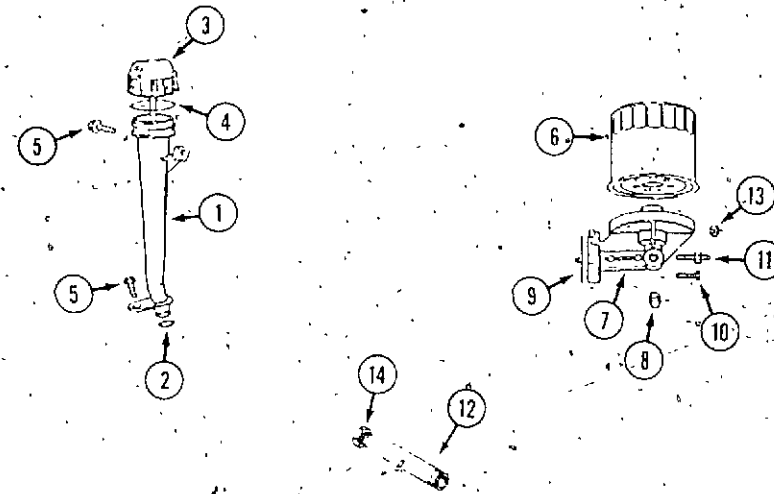


ENGINE BLOCK AND CYLINDER HEADS
(for complete engine see page 1)



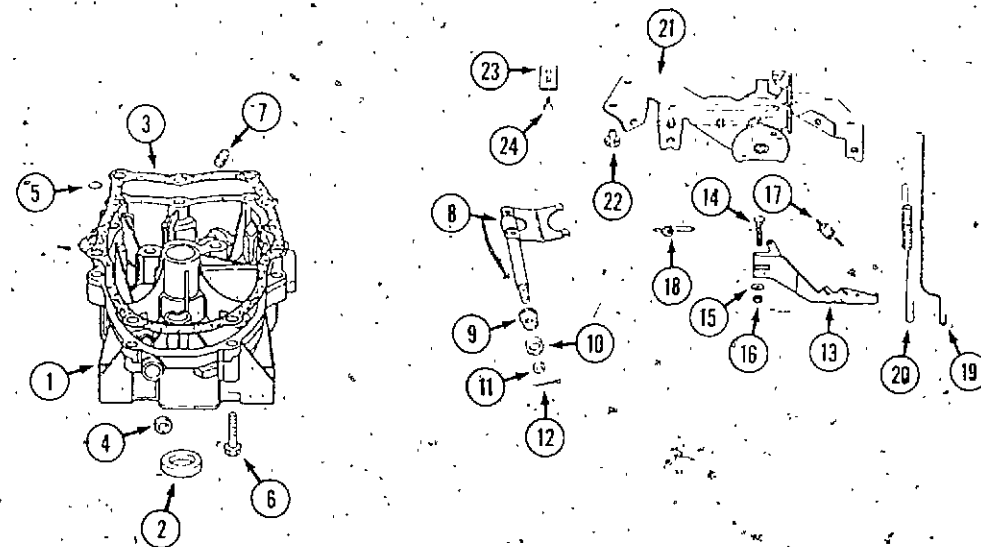
REF.	PART NO.	DESCRIPTION	REQ'D
1	C 34380	BLOCK - cylinder (also includes Ref. 5, 6, 7)	1
2	C 34191	BEARING - main	1
3	C 34192	SEAL - oil	1
4	C 34398	SCREEN - oil pick-up	1
5	C 34239	PLUG - pipe	1
6	C 34327	DOWEL - crankcase	UAR
7	C 34328	DOWEL - cylinder head	UAR
8	C 34317	BAFFLE - breather	1
9	C 34342	LINER - exhaust port	2
10	C 34229	RETAINER - valve	4
11	C 34400	PUMP - oil	1
12	C 34246	"O" RING - pump	2
13	C 34338	SCREW - pump mounting	2
14	C 34193	HEAD - cylinder R.H., No. 1	1
15	C 34194	HEAD - cylinder L.H., No. 2	1
16	C 34348	SEAT - exhaust valve	2
17	C 34347	SEAT - intake valve	2
18	C 34349	GUIDE - valve	4
19	C 34196	GASKET - head	2
20	C 34202	BOLT - head	8
21	C 34195	WASHER - head bolt	8
22	C 34368	COVER - valve No. 2 L.H.	1
23	C 34369	COVER - valve No. 1 R.H.	2
24	C 34262	GASKET - valve cover	2
25	C 34262	NUT - lock, valve cover	4
26	C 34261	WASHER	4
26	C 34372	ROD - push, intake	2
26	C 34373	ROD - push, exhaust	2
27	C 34377	SHAFT - rocker arm	2
28	C 34378	SUPPORT - rocker arm	4
29	C 34259	STUD - rocker arm	4
30	C 34376	ARM - rocker	4
31	C 34265	SCREW AND NUT - valve adjust	4
32	C 34230	TAPPET - valve	4
33	C 34346	SEAL - valve guide	4
34	C 34224	VALVE - exhaust	2
35	C 34225	VALVE - intake	2
36	C 34226	SPRING - valve	4
37	C 34228	RETAINER - valve spring	4

OIL FILTER, FILLER TUBE AND DRAIN



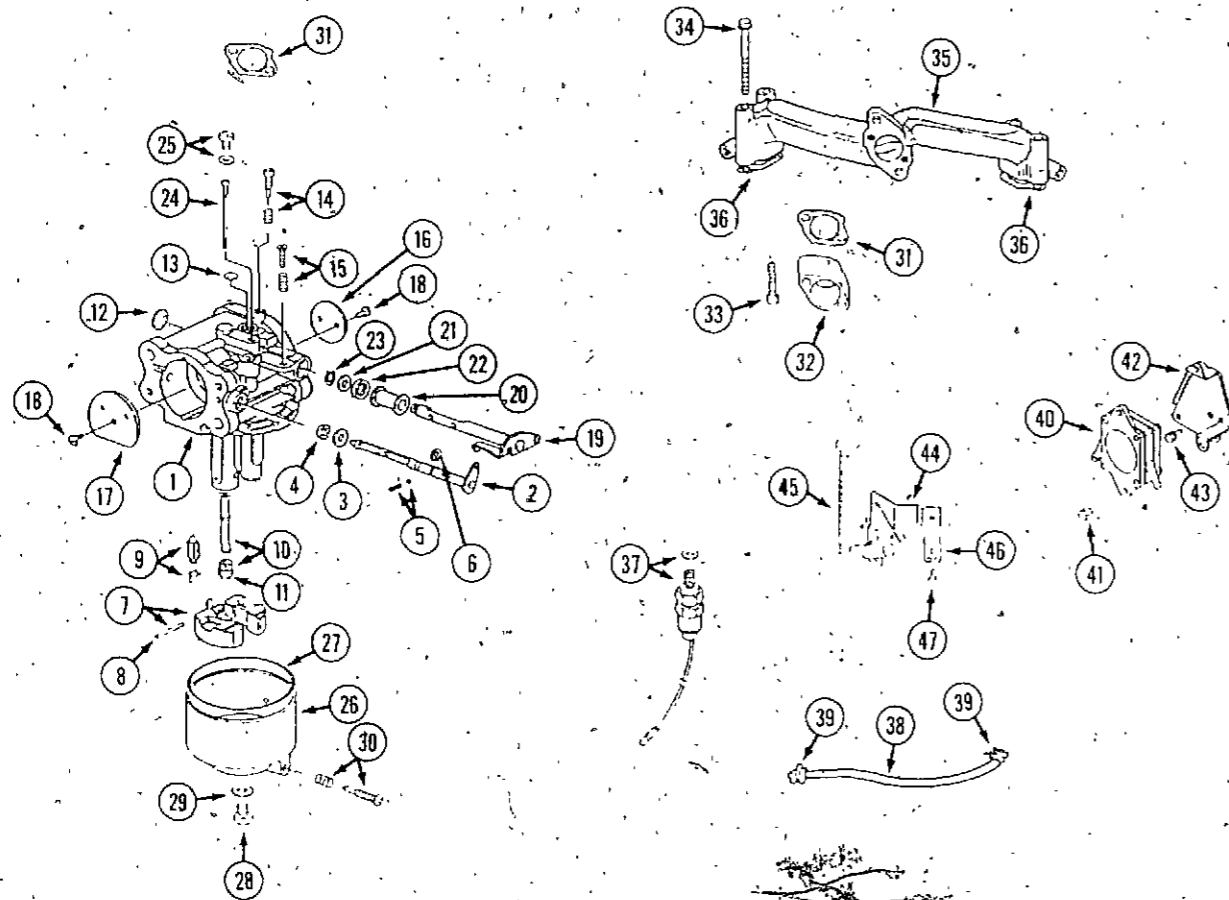
REF.	PART NO.	DESCRIPTION	REQ'D
1	C 34403	TUBE - oil filler	1
2	C 34402	SEAL - filler tube	1
3	C 34401	DIPSTICK	1
4	C 34406	"O" RING - filler tube	1
5	C 34339	SCREW	1
6	C 34374	FILTER - oil	1
7	C 34375	ADAPTER - oil filter	1
8	C 34239	PLUG - pipe	1
9	C 34361	GASKET - adapter	1
10	C 34362	SCREW - adapter	3
11	C 34260	STUD - adapter	1
12	C 37148	NIPPLE - pipe, oil drain	1
13	C 34264	LOCKWASHER	1
14	-218-5154	PLUG -oil drain	1

CRANKCASE COVER AND GOVERNOR

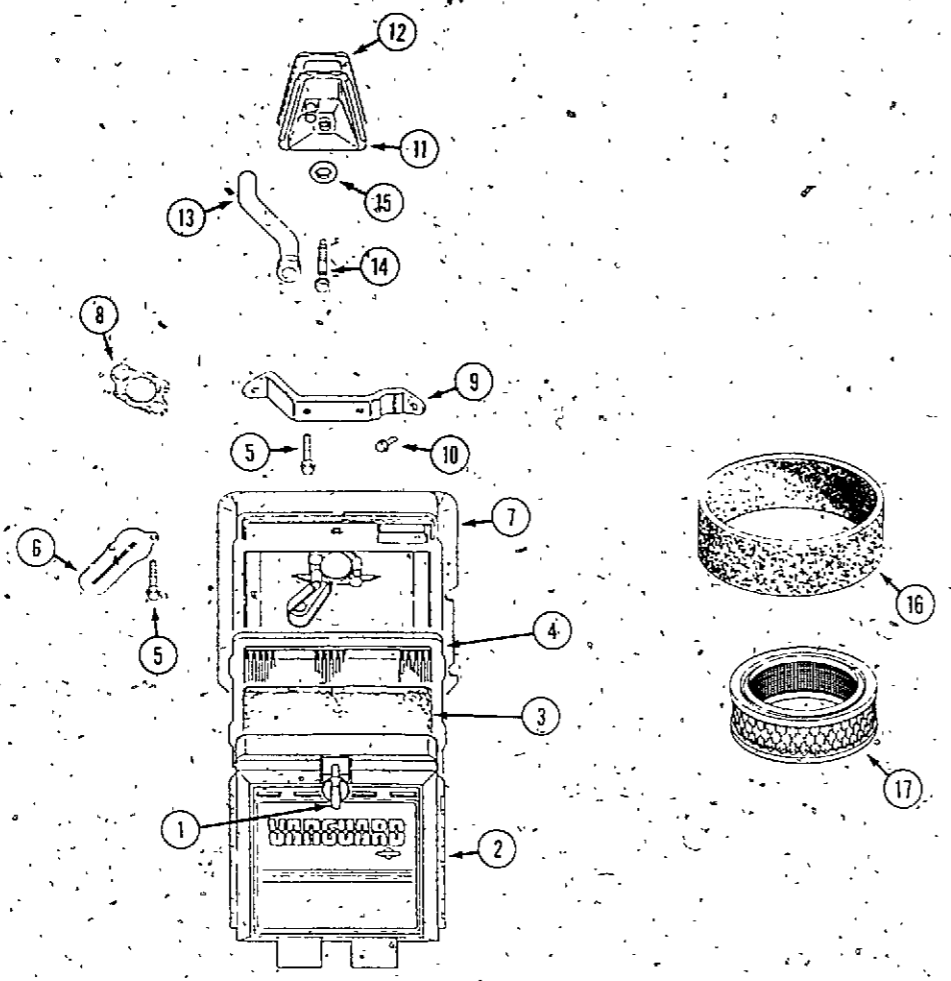


1	C 34384	COVER - crankcase	1
2	C 34208	SEAL - oil	1
3	C 34201	GASKET - crankcase cover	1
4	C 34323	WASHER - governor shaft	1
5	C 34247	"O" RING - crankcase cover	1
6	C 34209	BOLT - crankcase cover	8
7	C 34203	PLUG - pipe	1
8	C 34322	SHAFT - governor	1
9	C 34314	BUSHING - governor shaft	1
10	C 34315	BUSHING - governor shaft	1
11	C 34240	SEAL - governor shaft	1
12	C 34321	PIN - cotter	1
13	C 34270	LEVER ASSEMBLY - governor	1
14	C 34316	BOLT - lever	1
15	C 34275	WASHER - lever	1
16	C 34319	NUT - lever	1
17	C 34267	SPRING - governor	1
18	C 34397	SPRING - governed idle	1
19	C 34266	LINK - governor	1
20	C 34271	SPRING - governor link	1
21	C 34269	BRACKET - governor control	1
22	C 34281	SCREW - bracket	4
23	BR221535	CLAMP - casing	1
24	C 34292	SCREW - clamp	1

CARBURETOR, MANIFOLD AND FUEL PUMP



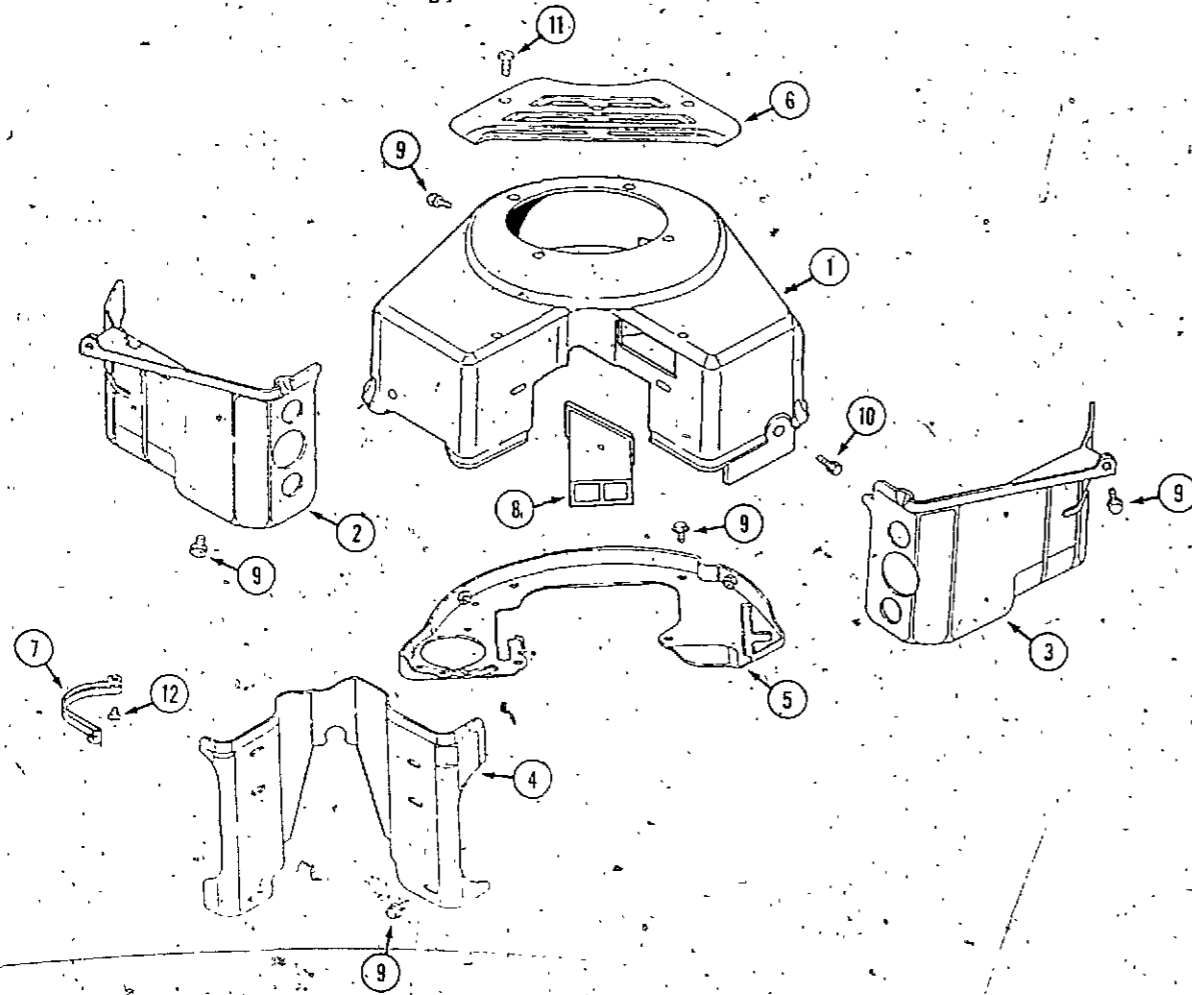
1	C 34392	CARBURETOR	1
	NSS	BODY - carburetor	1
2	C 34396	KIT - choke shaft	1
3	NSS	COLLAR - choke shaft (use overhaul kit)	1
4	NSS	SEAL - choke shaft (use overhaul or gasket kit)	1
5	NSS	BALL - locator (use overhaul kit)	1
6	NSS	RETAINER - shaft (use overhaul kit)	1
7	C 34395	FLOAT - fuel	1
8	NSS	PIN - float-hinge (use overhaul kit)	1
9	NSS	VALVE - fuel inlet (use overhaul kit)	1
10	NSS	NOZZLE - (use overhaul kit)	1
11	NSS	JET - main (use overhaul kit)	1
12	NSS	PLUG - welch (use overhaul kit)	1
13	NSS	PLUG - welch (use overhaul kit)	1
14	NSS	VALVE - idle adjust (use overhaul kit)	1
15	C 34388	SCREW AND SPRING - throttle adjust	1
16	C 34393	VALVE - throttle	1
17	C 34389	VALVE - choke	1
18	C 34387	SCREW - mounting	3
19	C 34394	KIT - throttle shaft	1
20	NSS	COLLAR - throttle (use overhaul kit)	1
21	NSS	COLLAR - throttle (use overhaul kit)	1
22	NSS	SEAL - throttle shaft (use overhaul or gasket kit)	1
23	NSS	RETAINER - throttle shaft (use overhaul kit)	1
24	NSS	NOZZLE - fuel (use overhaul kit)	1
25	C 34410	PLUG - nozzle	1
26	C 34411	BOWL ASSEMBLY	1
27	NSS	GASKET - bowl (use overhaul or gasket kit)	1
28	C 34409	SCREW - bowl mounting	1
29	NSS	GASKET - sealing (use overhaul or gasket kit)	1
30	C 34399	DRAIN - bowl	1
31	C 34385	GASKET - mounting	2
32	C 34391	SPACER - carburetor	1
33	C 34386	BOLT - mounting	2
34	C 34236	BOLT - manifold	4
35	C 34232	MANIFOLD - intake	1
36	C 34234	GASKET - manifold	2
37	C 34408	SOLENOID - fuel shut off	1
38	NSS	HOSE - fuel (use C28937 cut to length)	1
39	214- 251	CLAMP - hose	1
40	C 34300	PUMP - fuel	1
41	C 34339	SCREW - mounting	2
42	C 34404	BRACKET - fuel pump	1
43	C 34281	SCREW - bracket	2
44	C 34274	BRACKET - choke control	1
45	C 34268	LINK - choke	1
46	BR221535	CLAMP - casing	1
47	C 34292	SCREW - clamp	1
	C 34412	KIT - carburetor gaskets (includes Ref. 5, 23, 28 and 30)	1
	C 34390	KIT - carburetor overhaul	1



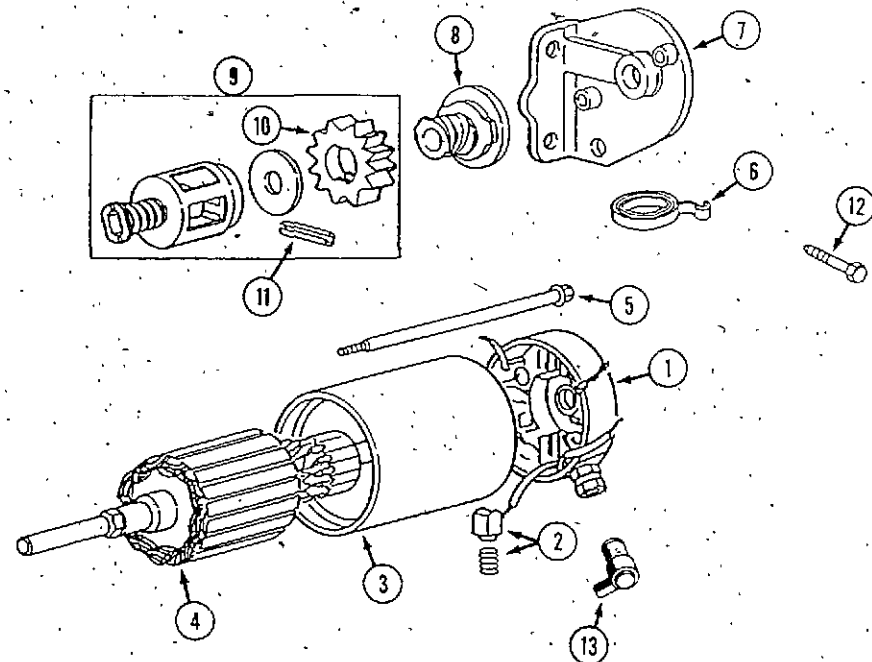
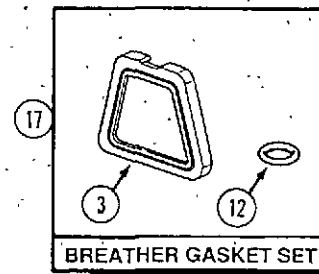
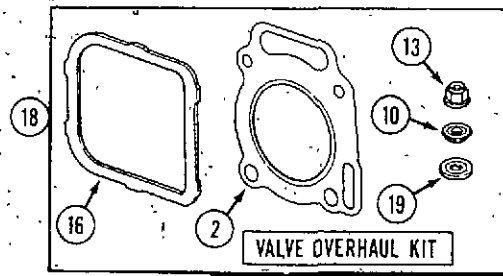
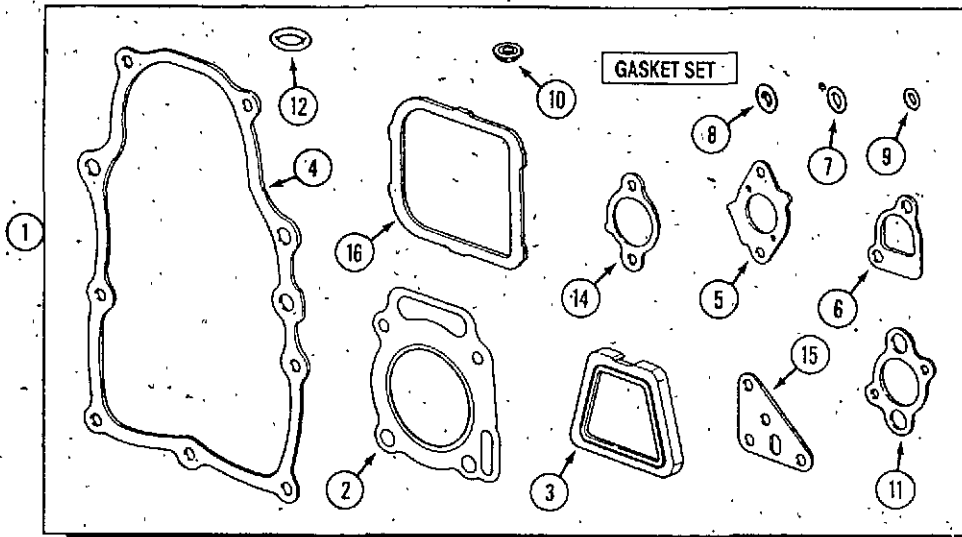
AIR CLEANER AND CRANKCASE BREATHER

REF.	PART NO.	DESCRIPTION	REQ'D
1	C 34359	SCREW - mounting	1
2	C 34358	COVER - air cleaner	1
3	C 34363	PRECLEANER - early production	1
4	C 34357	FILTER - air (early production)	1
5	C 34360	BOLT - mounting	2
6	C 34366	DEFLECTOR - breather	1
7	C 34356	BASE - air cleaner	1
8	C 34312	GASKET - air cleaner	1
9	C 34407	BRACKET - air cleaner	1
10	C 34279	SCREW - bracket	2
11	C 34381	BREATHER ASSEMBLY	1
12	C 34198	GASKET - breather	1
13	C 34200	TUBE - breather	1
14	C 34382	SCREW - mounting	1
15	C 34329	SEAL - breather screw	1
16	C 29855	PRECLEANER - late production	1
17	C 37544	FILTER - air (late production)	1

BLOWER HOUSING AND ENGINE AIR GUIDES



REF.	PART NO.	DESCRIPTION	REQ'D
1	C 34278	HOUSING - blower	1
2	C 34282	COVER - air guide (cyl. #1)	1
3	C 34283	COVER - air guide (cyl. #2)	1
4	C 34345	COVER - valley	1
5	C 34318	PLATE - back	1
6	C 34350	COVER - carburetor	1
7	C 34332	SHIELD - stater	1
8	C 34365	TUBE - air inlet	1
9	C 34279	SCREW - mounting	UAR
10	C 34281	SCREW - blower housing	UAR
11	C 34325	SCREW - carburetor cover	2
12	C 34301	SCREW - shield, starter	2



GASKET SETS

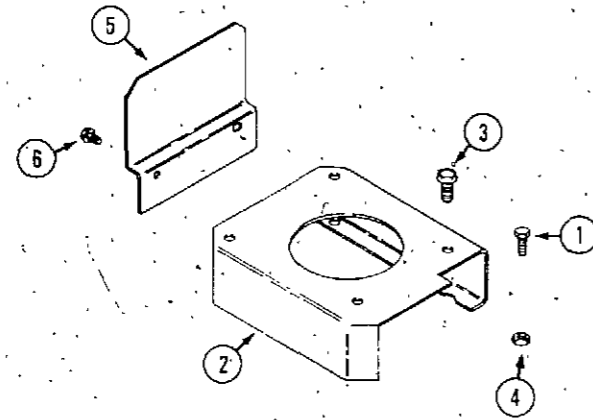
REF.	PART NO.	DESCRIPTION	REQ'D
1	C 34297	GASKET SET - complete	1
2	G 34196	GASKET - cylinder head	2
3	C 34198	GASKET - breather	1
4	C 34201	GASKET - crankcase	1
5	C 34385	GASKET - carburetor mounting	2
6	C 34234	GASKET - intake manifold	2
7	C 34246	"O" RING - oil pump	UAR
8	C 34247	"O" RING - crankcase cover	UAR
9	NSS	"O" RING - oil pick-up tube	1
10	C 34261	WASHER - valve cover	4
11	C 34312	GASKET - air cleaner	1
12	C 34329	SEAL - breather screw	1
13	C 34262	NUT - lock, valve cover	4
14	C 34351	GASKET - exhaust	2
15	C 34361	GASKET - oil filter adapter	1
16	C 34367	GASKET - valve cover	2
17	C 34249	BREATHER GASKET SET - includes Ref. 3, 12	1
18	C 34279	VALVE OVERHAUL GASKET KIT - includes Ref. 2, 10, 16, 19, 20	1
19	C 34195	WASHER - cylinder head bolt	8

STARTER

1	C 34284	STARTER - 12 volt	1
2	C 34336	CAP ASSEMBLY - commutator end	1
3	E 34286	BRUSH ASSEMBLY	4
4	C 34405	HOUSING - starter	1
5	C 34313	ARMATURE - starter	1
6	C 34285	BOLT - thru	2
7	C 34364	SPRING - brush	4
8	C 34335	CAP ASSEMBLY - drive end	1
9	C 30406	CLUTCH - drive	1
10	C 27424	KIT - retainer	1
11	C 27422	GEAR - drive	1
12	C 34353	PIN - roll	1
13	C 34263	BOLT - starter mounting	2
	C 31618	COVER - starter terminal	1

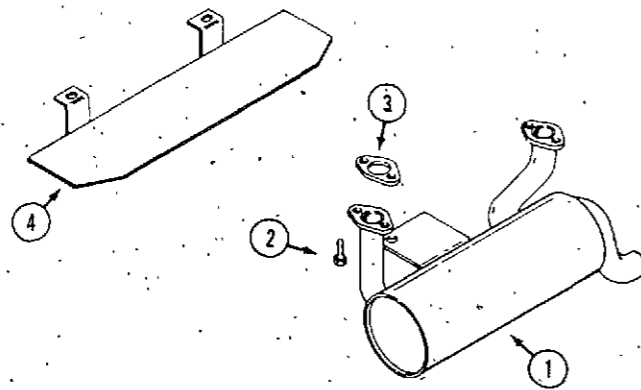
ENGINE MOUNT AND BATTERY SHIELD

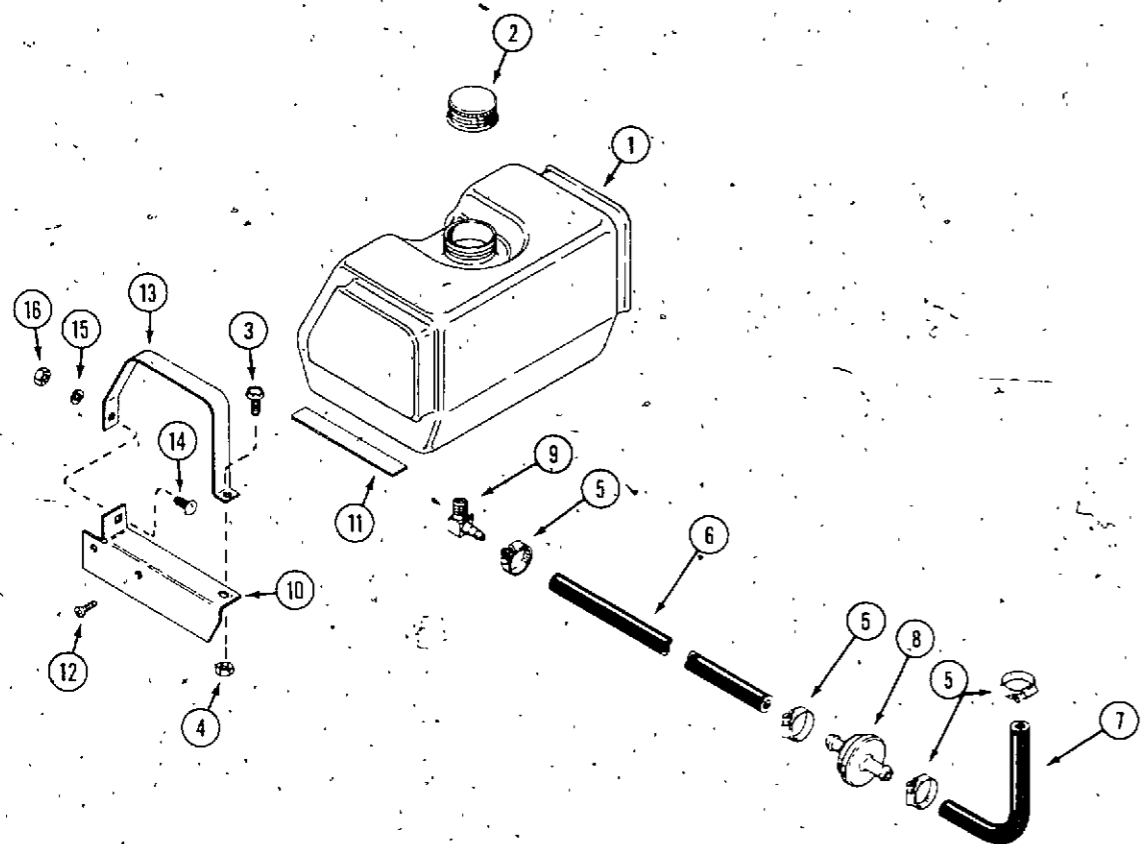
REF.	PART NO.	DESCRIPTION	REQ'D.
1	113- 103	BOLT - 5/16" - 18 x 1"	4
2	C 36995	MOUNT - engine	1
3	C 33644	BOLT - 3/8" - 16 x 1-1/4" flange	4
4	131- 69	NUT - 5/16" lock	8
5	C 37107	SHIELD - battery	1
6	187- 1036	SCREW - 1/4" - 20 x 1/2"	2



MUFFLER AND SHIELD

1	C 36955	MUFFLER - exhaust	1
2	C 34351	GASKET - exhaust	2
3	C 34320	BOLT - exhaust	4
4	C 40650	SHIELD - muffler	1



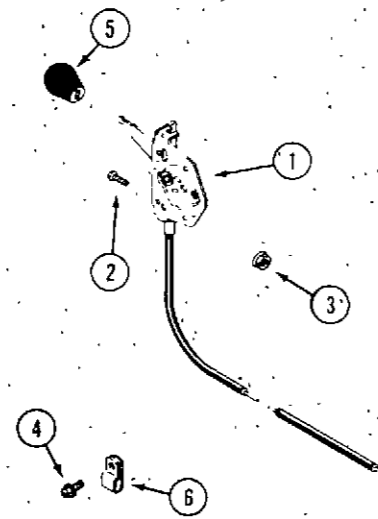


FUEL SYSTEM

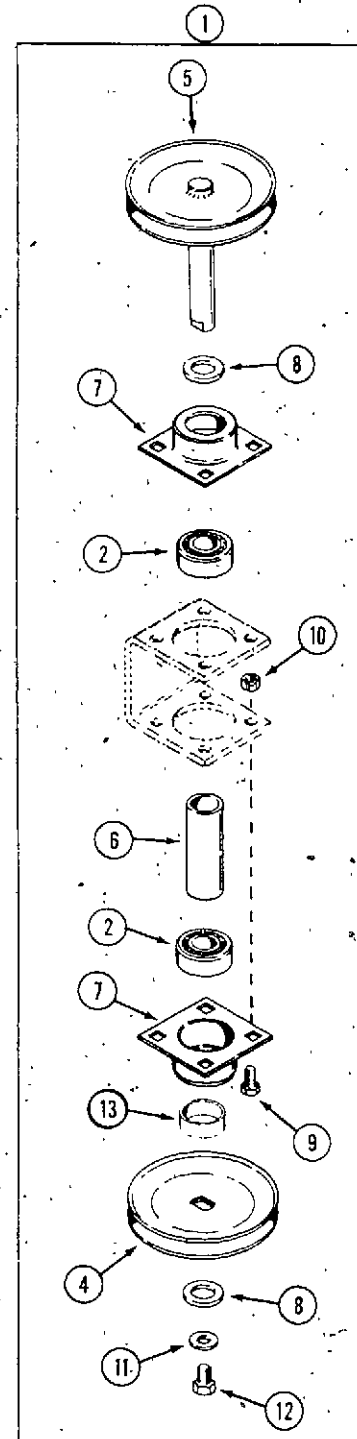
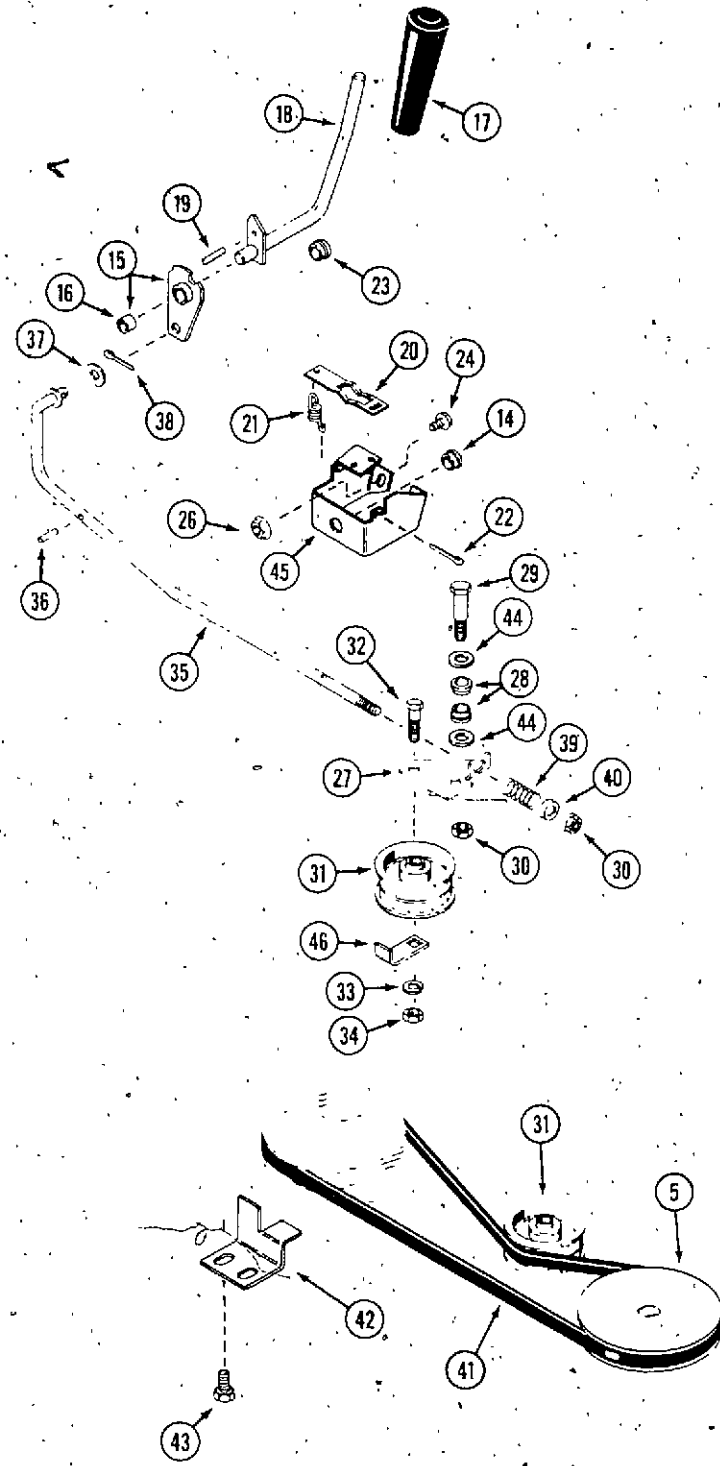
REF.	PART NO.	DESCRIPTION	REQ'D
1	C 37202	TANK - fuel	1
2	C 34160	CAP - fuel	1
3	187-1036	SCREW - 1/4" - 20 x 1/2" flange	2
4	131-1180	NUT - 1/4" - 20 lock	2
5	214-252	CLAMP - hose (service)	4
6	NSS	HOSE - fuel (use C28937 cut to length)	1
7	NSS	HOSE - fuel (use C28937 cut to length)	1
8	C 28935	FILTER - fuel	1
9	C 10678	CONNECTOR - fuel line 90°	1
10	C 37303	BRACKET - fuel tank R.H. shown	1
10	C 37304	BRACKET - fuel tank L.H.	1
11	C 37308	CUSHION - fuel tank	2
12	C 31597	SCREW - 1/4" - 20 x 1/2"	4
13	C 37307	STRAP - fuel tank	2
14	111-101	BOLT - 1/4" - 20 x 5/8" carriage	2
15	192-19	WASHER - 1/4" lock	2
16	129-101	NUT - 1/4" - 20	2

CHOKE AND THROTTLE

1	C 37096	CONTROL - throttle	1
1	C 37097	CONTROL - choke	1
2	182-559	SCREW - No. 10 - 24 x 3/4"	2
3	C 34117	NUT - No. 10 - 24 flange lock	2
4	187-1908	SCREW - self tapping	1
5	C 35291	KNOB - control	2
6	C 27233	CLAMP - cable	1

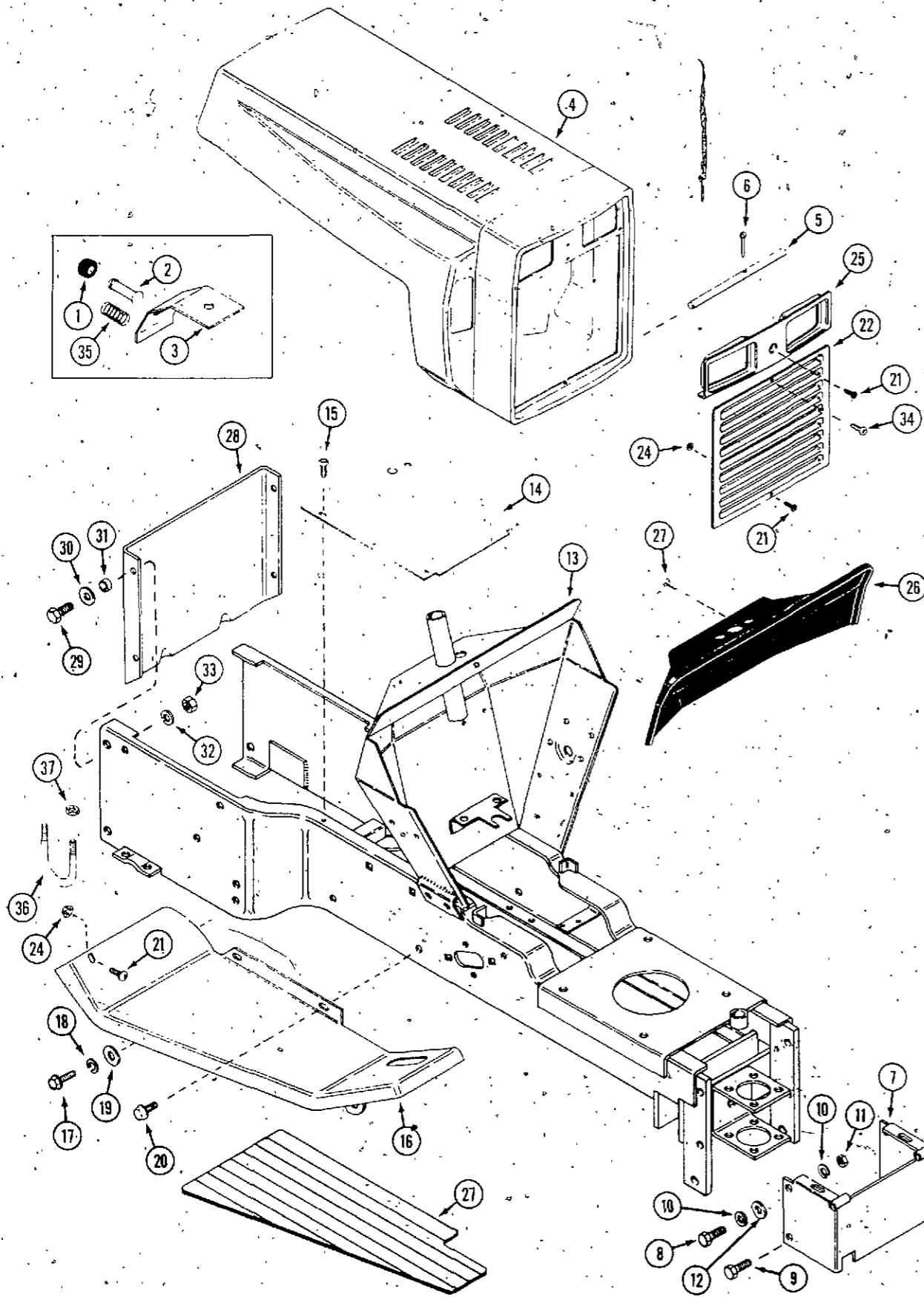


ATTACHMENT DRIVE POWER TAKE OFF (PTO)



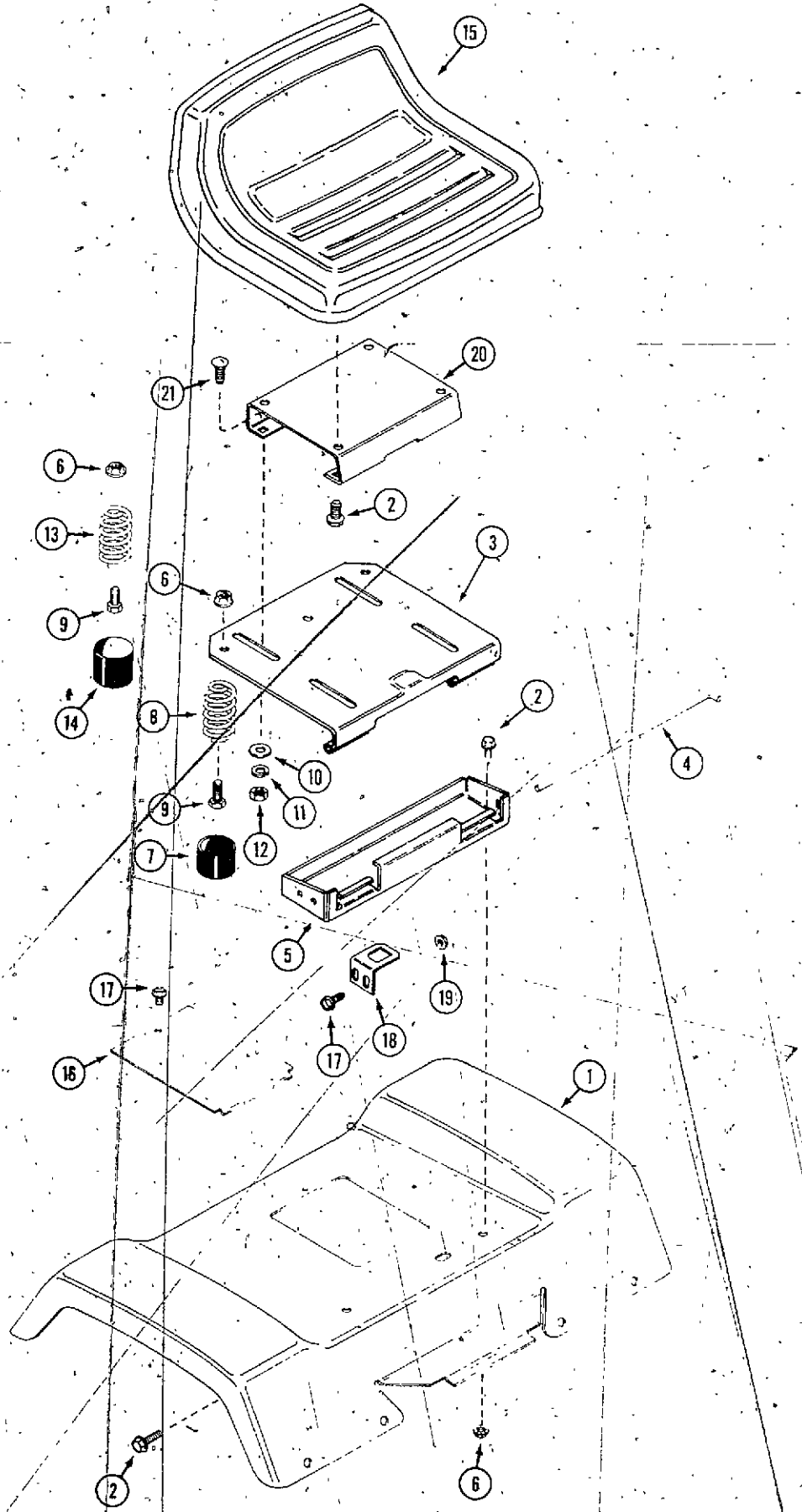
REF.	PART NO.	DESCRIPTION	REQ'D
1	NSS	P.T.O. ASSEMBLY	1
2	C 28971	BEARING	2
3	NSS	BRACKET - mounting	1
4	C 15083	PULLEY - bottom	1
5	C 37053	PULLEY - top	1
6	C 25233	SPACER - bearing	1
7	C 23818	FLANGETTE	2
8	C 12975	WASHER	2
9	113- 102	BOLT - 5/16" - 18 x 3/4"	8
10	131- 176	NUT - 5/16" - 18 lock	8
11	C 28263	WASHER - 3/8"	1
12	113- 205	BOLT - 3/8" - 18 x 5/8"	1
13	C 25643	SPACER - pulley	1
14	C 25229	BUSHING - flange	1
15	C 29326	ARM ASSEMBLY - PTO	1
16	C 17597	BUSHING - sleeve	1
17	C 28237	HANDLE - PTO lever	1
18	C 37010	LEVER - PTO	1
19	138-2071	PIN - spirol 3/16" x 15/16"	1
20	C 29316	BAR - latch	1
21	C 29172	SPRING - extension	1
22	132- 320	PIN - cotter 3/32" x 3/4"	1
23	353- 462	BUSHING - tower	1
24	121- 106	BOLT - 5/16" - 18 x 3/4" flange	2
25	192- 20	LOCKWASHER - 5/16"	2
26	131- 911	NUT - 5/16" - 18 flange	2
27	C 30873	ARM - idler	1
28	C 17597	BUSHING - (press into hub on engine plate)	2
29	C 16745	BOLT - shoulder	1
30	131-1352	NUT - 3/8" lock	2
31	C 15672	PULLEY - idler	1
32	113- 233	BOLT - 3/8" - 16 x 1-3/4" hex head	1
33	192- 21	LOCK WASHER - 3/8"	1
34	129- 103	NUT - 3/8" - 16	1
35	C 30769	ROD - PTO	1
36	138- 57	PIN - roll 1/8" x 3/4"	1
37	195- 525	WASHER - 3/8"	1
38	132- 332	PIN - cotter 3/32" x 1"	1
39	C 27822	SPRING - compression	1
40	C 17066	WASHER - cup	1
41	C 31215	BELT - PTO	1
42	C 26345	KEEPER - belt	1
43	C 29620	BOLT - 5/16" - 18 x 3/4"	1
44	195- 533	WASHER - 1/2"	2
45	C 37007	BRACKET - support	1
46	C 29243	GUIDE - belt	1

HOOD, FRAME AND ATTACHING PARTS



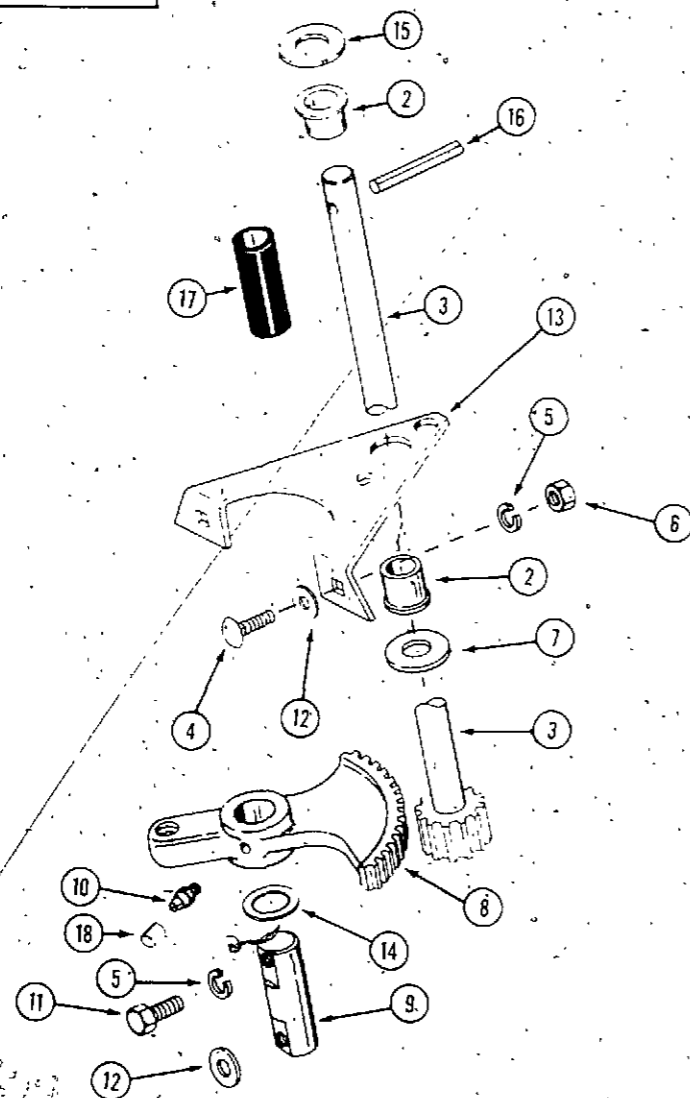
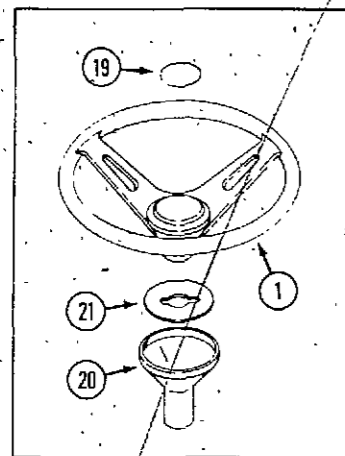
REF.	PART NO.	DESCRIPTION	REQ'D
1	C 29314	BUTTON - push, hood release	1
2	C 30126	ROD - push, hood release	1
3	C 33467	LATCH - hood	1
4	C 37041	HOOD	1
5	C 16362	ROD - hinge	1
6	132- 334	PIN - cotter 1/8" x 3/4"	1
7	C 37045	COVER - PTO	1
8	113- 205	BOLT - 3/8" - 16 x 5/8"	2
9	113- 207	BOLT - 3/8" - 16 x 1"	2
10	192- 21	LOCK WASHER - 3/8"	4
11	129- 103	NUT - 3/8" - 16	2
12	195- 522	WASHER - 3/8"	2
13	C 36972	FRAME - main	1
14	C 33770	PLATE - center	1
15	C 31597	SCREW - 1/4" - 20	2
16	C 37037	FOOT REST - R.H. (shown)	1
16	C 37038	FOOT REST - L.H.	1
17	C 29620	BOLT - 5/16" x 18 x 3/4" flange	4
18	192- 20	LOCK WASHER - 5/16"	4
19	195- 521	WASHER - 5/16"	4
20	121- 106	BOLT - 5/16" - 18 x 1/2" flange lock	UAR
20	C 29620	BOLT - 5/16" - 18 x 1" flange	UAR
21	C 31597	SCREW - 1/4" - 20 pan head, Phillips	6
22	C 31365	INSERT - grille	6
24	131- 934	NUT - 1/4" - 20 flange lock	4
25	C 31366	SHROUD - head light	1
26	C 36966	CAP - instrument panel	1
27	C 37110	PAD - footrest R.H. (shown)	1
27	C 37111	PAD - footrest L.H.	1
28	C 29199	DRAWBAR	1
29	113- 207	BOLT - 3/8" - 16 x 1"	4
30	195- 525	WASHER - 3/8" (top holes only)	2
31	C 14768	SPACER - mounting (top holes only)	2
32	192- 21	LOCK WASHER - 3/8"	4
33	129- 103	NUT - 3/8" - 16	4
34	187- 1328	SCREW - #8 - 18 x 3/4"	1
35	C 30004	SPRING - latch	1
36	C 33797	BOLT - "U"	2
37	131- 176	NUT	4

SEAT AND FENDERS

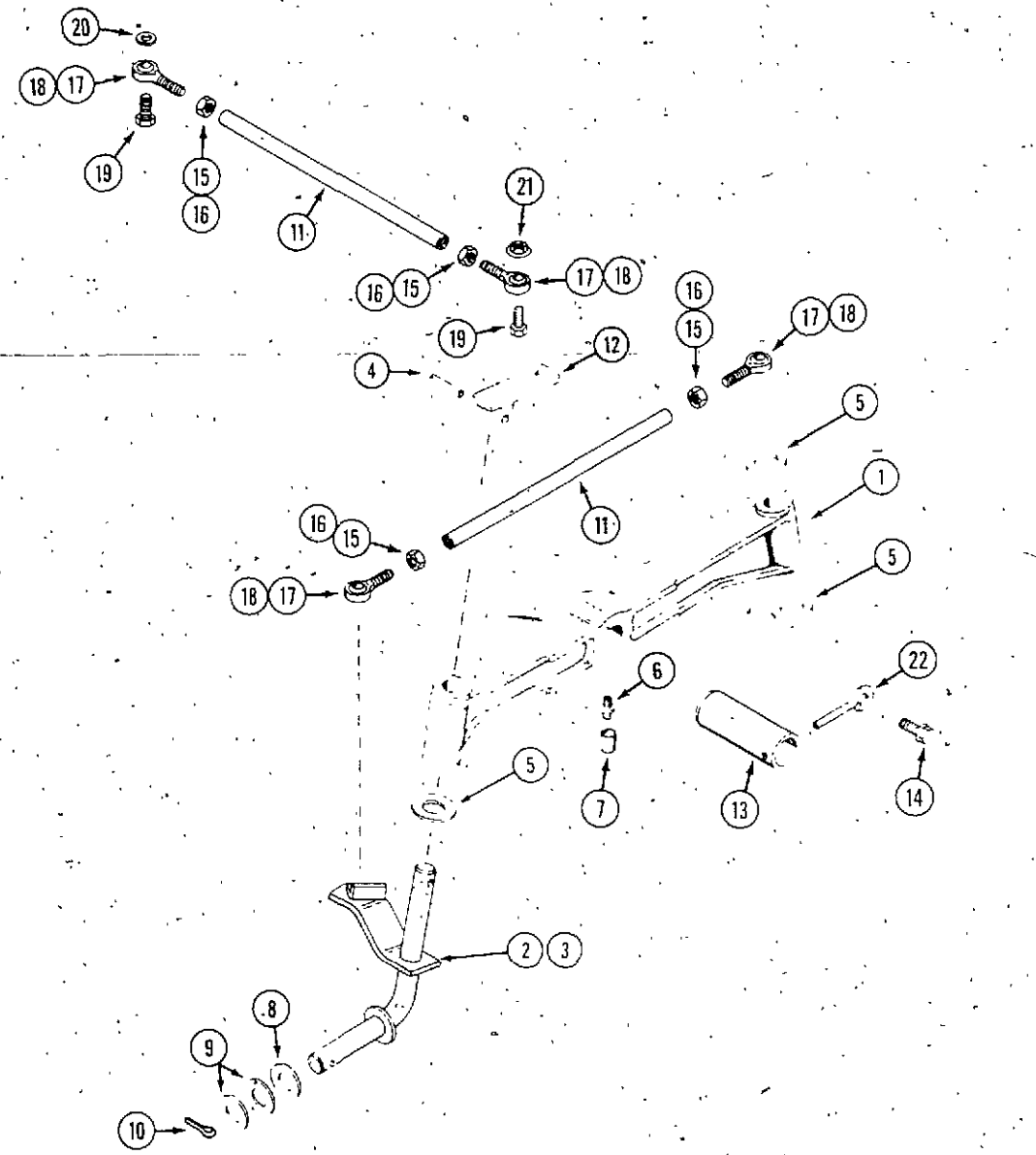


REF.	PART NO.	DESCRIPTION	REQ'D
1	C 37013	FENDERS AND SUPPORT	1
2	121- 106	BOLT - 5/16" - 18 x 1/2" flange lock	10
3	C 33474	HINGE - seat	1
4	C 16429	PIN - seat hinge	1
5	C 37017	TRAY - tool	1
6	131- 911	NUT - 5/16" - 18 flange lock	5
7	C 29305	CAP - spring	2
8	C 29306	SPRING - seat	2
9	113- 102	BOLT - 5/16" - 18 x 3/4"	3
10	195- 2175	WASHER - .08" - .31" x 1.25"	4
11	192- 20	LOCKWASHER - 5/16"	4
12	129- 102	NUT - 5/16" - 18	4
13	C 31006	SPRING - actuating, seat switch	1
14	C 26526	CAP - actuating spring	1
15	C 30065	SEAT	1
16	C 30785	COVER - inspection	1
17	187- 1036	SCREW - 1/4" x 1/2" self-tap	1
18	C 37060	BRACKET - switch mount	1
19	131- 934	NUT - 1/4" - 20 flange lock	2
20	C 37463	SPACER - seat	1
21	111- 132	BOLT - 5/16" - 18 x 3/4" carriage	4

STEERING GEAR



REF.	PART NO.	DESCRIPTION	REQ'D
1	C 40653	WHEEL - steering	1
2	C 15096	BUSHING - flanged nylon	2
3	C 40656	SHAFT - steering	1
4	111- 132	BOLT - 5/16" x 3/4" NC, ZP carriage	2
5	192- 20	LOCK WASHER - 5/16" ZP	4
6	129- 102	NUT - 5/16" NC hex, ZP	2
7	195- 2069	WASHER - 5/8" plain, ZP	1
8	C 37036	GEAR - steering	1
9	C 15105	PIVOT - steering gear	1
10	219- 17	FITTING - lube	1
11	113- 103	BOLT - 5/16" x 1" NC hex, ZP	2
12	195- 521	WASHER - 5/16", plain, ZP	UAR
13	C 27045	BRACKET - steering	1
14	C 14201	WASHER - shim	UAR
15	195- 541	WASHER - 5/8"	UAR
16	138- 2040	PIN - roll 1/4" x 1-1/2"	1
17	C 29168	SLEEVE - steering shaft	1
18	C 13106	COVER - lube fitting	1
19	C 37197	INSERT - steering wheel (logo)	1
20	C 40654	BOOT - steering column	1
21	C 40655	INSERT - boot	1

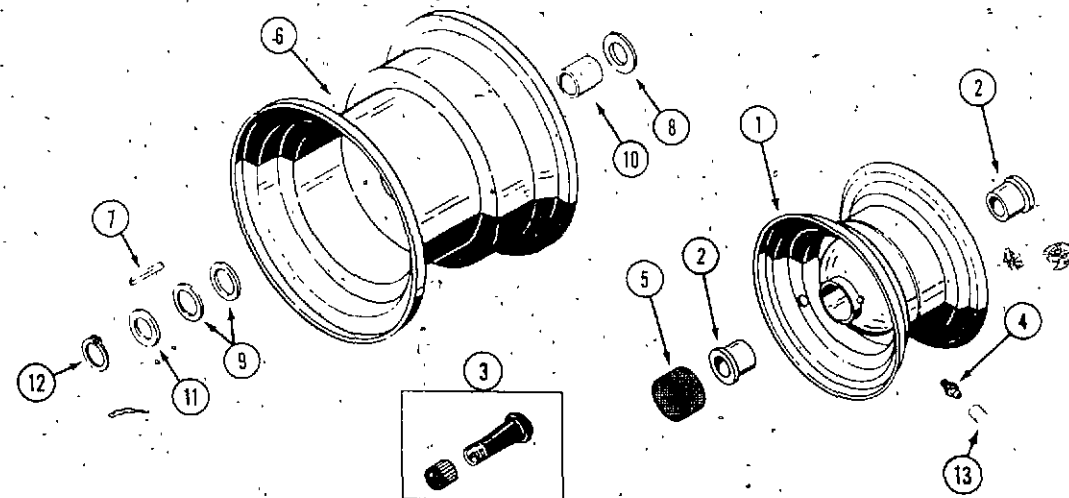


FRONT AXLE

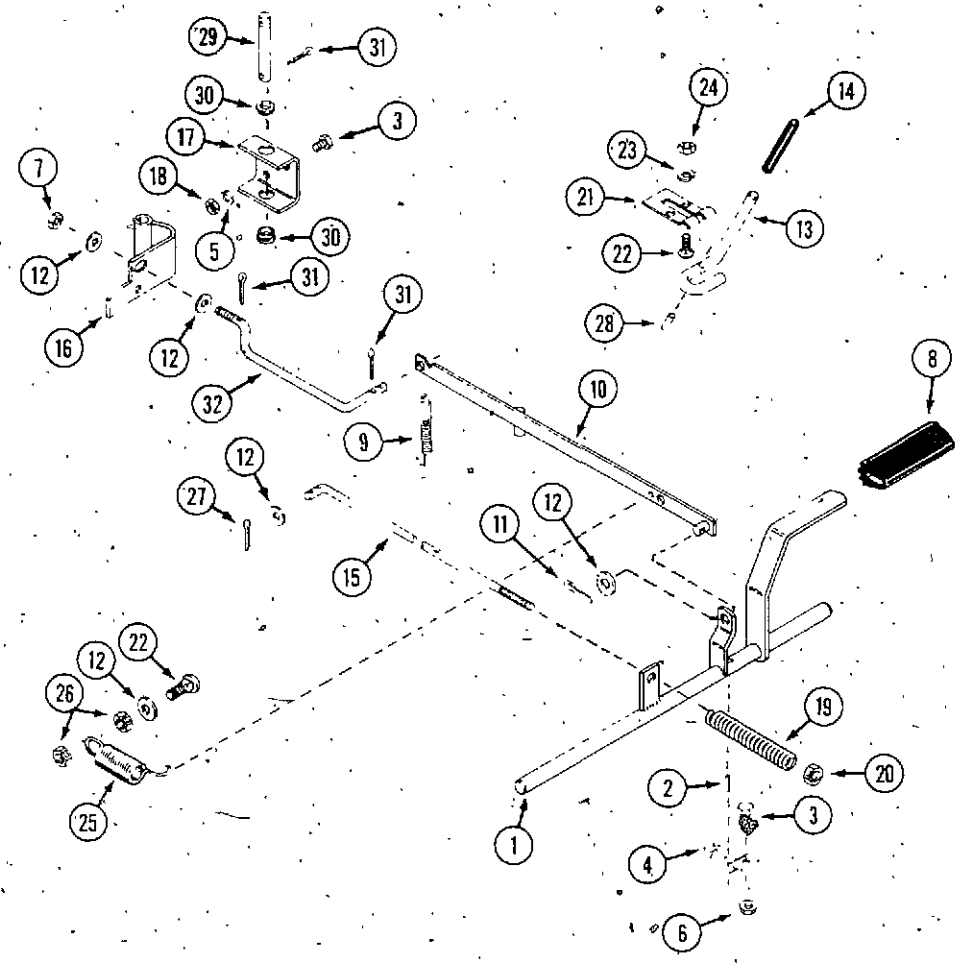
REF.	PART-NO.	DESCRIPTION	REQ'D
1	C 18812	AXLE - front	1
2	C 36988	SPINDLE - R.H. (shown)	1
3	C 36987	SPINDLE - L.H.	1
4	138- 2040	PIN - spirol 1/4" x 1-1/2"	1
5	C 11906	WASHER - thrust 13/16"	3
6	219- 17	FITTING - lube	3
7	C 13106	COVER - lube fitting	3
8	C 27597	WASHER - spindle	2
9	C 28226	WASHER - wheel spacer	4
10	132- 311	PIN - cotter 5/32" x 1-1/4"	2
11	C 36990	ROD - tie and drag link	2
12	C 37034	ARM - upper spindle	1
13	C 22568	TUBE - axle pivot	1
14	113- 1910	BOLT - 3/8" - 16 x 3/4"	1
15	129- 163	NUT - lock 3/8" - 24 hex	2
16	129- 289	NUT - lock 3/8" - 24 hex L.H. thread	2
17	C 37032	BALL JOINT - R.H. thread	2
18	C 37033	BALL JOINT - L.H. thread	2
19	113- 208	BOLT - 3/8" x 1-1/4"	4
20	192- 21	LOCKWASHER - 3/8"	1
21	131- 1352	NUT - lock 3/8" - 16 flange	3
22	C 22278	PIN - retainer	1

FRONT AND REAR WHEELS

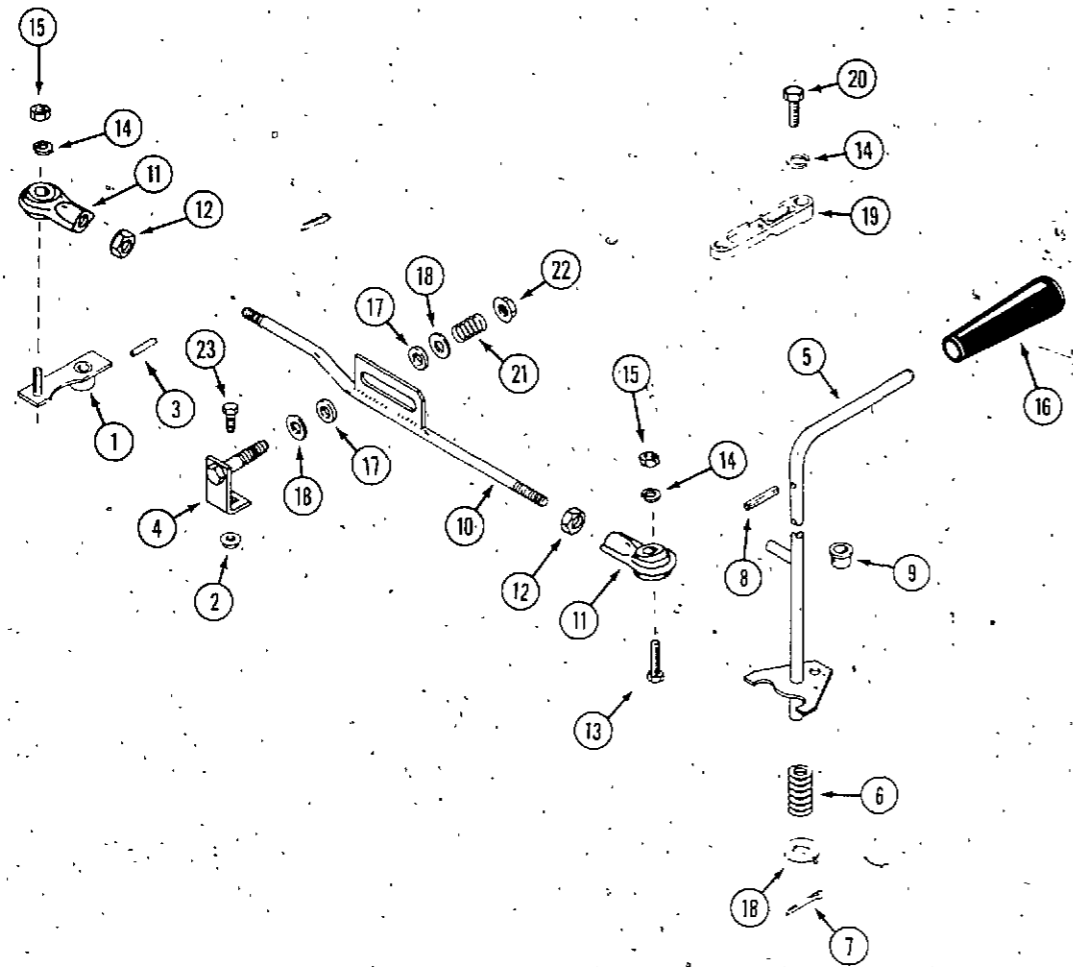
1	C 30781	WHEEL - front (includes bearings) (for 15 x 6.00 - 6 tire)	2
2	C 24503	BEARING - bushing	2
3	C 28236	STEM - valve	2
4	219- 10	FITTING - lube	2
5	C 26021	CAP - hub	4
6	C 42074	WHEEL - rear (for 20 x 10.00 - 8 tire)	2
7	C 11796	KEY - 3/16" x 3/16" x 2"	2
8	C 27597	WASHER - 3/4"	2
9	C 28226	WASHER - spacer .03" thick	4
10	C 27047	SPACER - sleeve	2
11	C 27597	WASHER - spacer	2
12	C 27739	RING - retaining	2
13	C 13106	COVER - lube fitting	2



BRAKE ASSEMBLY



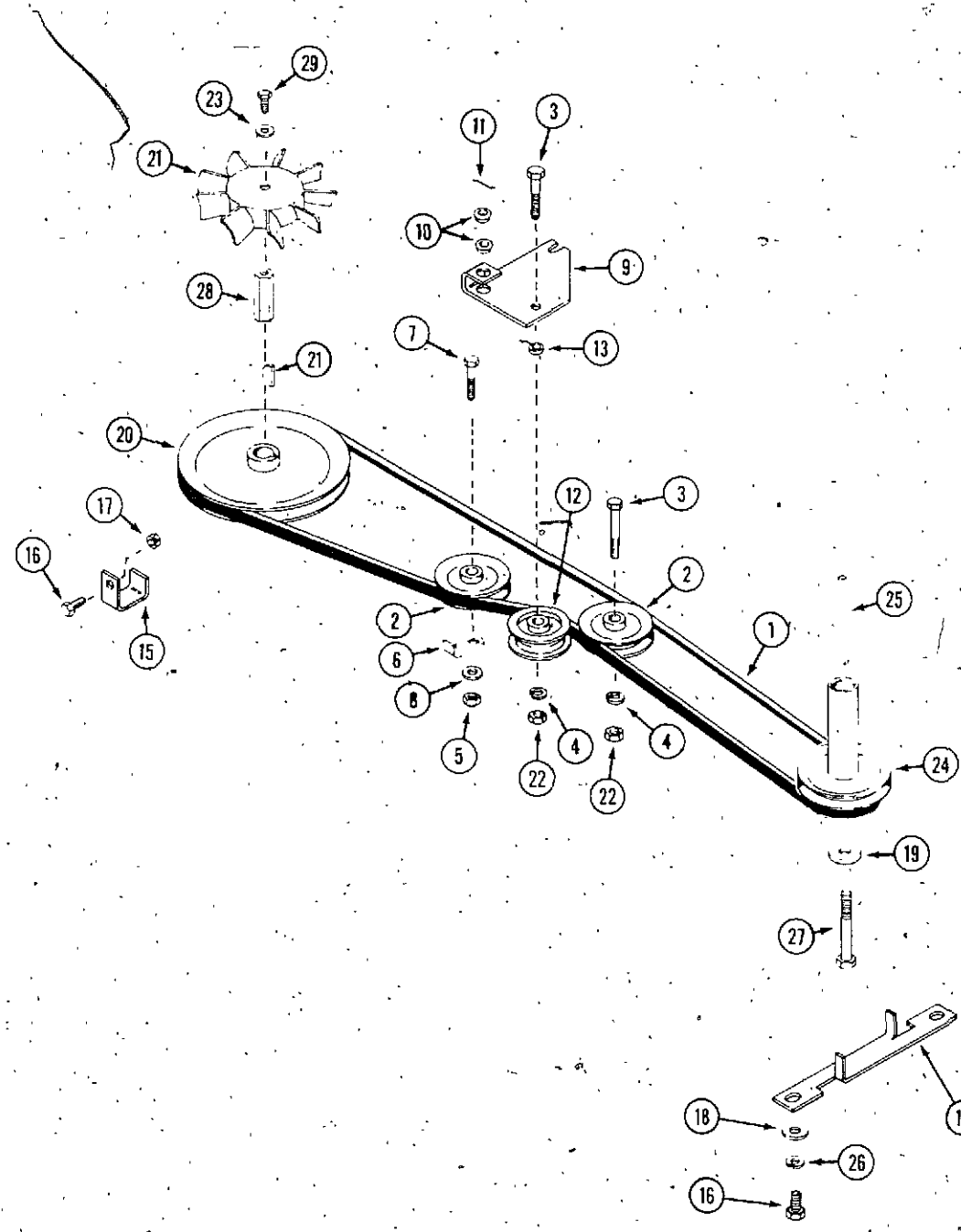
REF.	PART NO.	DESCRIPTION	REQ'D
1	C 37050	SHAFT - brake	1
2	138-2071	PIN - spiral 3/16" x 15/16"	1
3	113-102	BOLT - 5/16" - 18 x 3/4"	6
4	C 15156	BRACKET - saddle	2
5	192-20	LOCK WASHER - 5/16"	2
6	131-911	NUT - 5/16" - 18 flange lock	4
7	131-176	NUT - lock 5/16" - 18	1
8	C 24345	PAD - brake pedal	1
9	C 33771	SPRING - extension	1
10	C 29246	LINK - brake	1
11	132-6	PIN - cotter 3/32" x 5/8"	1
12	195-521	WASHER - 5/16"	3
13	C 29207	LEVER - parking brake	1
14	C 29178	HANDLE - lever	1
15	C 33808	ROD - brake	1
16	C 33777	ARM - neutral	1
17	C 33775	BRACKET - pivot	1
18	129-102	NUT - 5/16" - 18	2
19	C 27442	SPRING - compression	1
20	131-69	NUT - 5/16" - 18 lock	1
21	C 29177	BRACKET - retaining	1
22	111-108	BOLT - 1/4" - 20 x 3/4" carriage	3
23	192-19	LOCK WASHER - 1/4"	2
24	129-101	NUT - 1/4" - 20	2
25	C 29917	SPRING - extension	1
26	131-1180	NUT - 1/4" 20 lock	2
27	132-310	PIN - cotter 1/8" x 1"	2
28	138-51	PIN - roll 1/8" x 3/8"	1
29	C 33774	PIN - pivot	1
30	C 33773	BEARING - flange	2
31	132-329	PIN - cotter 1/16" x 3/4"	5
32	C 33772	ROD - neutral	1



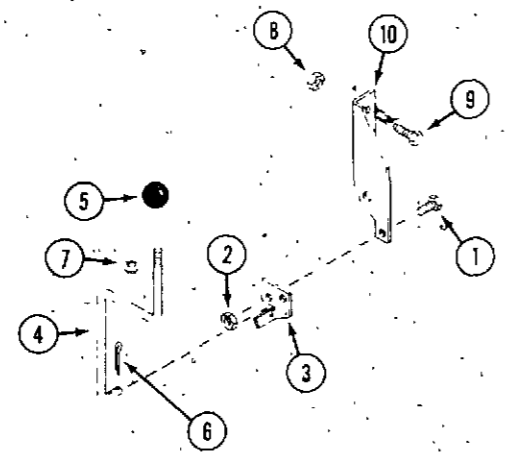
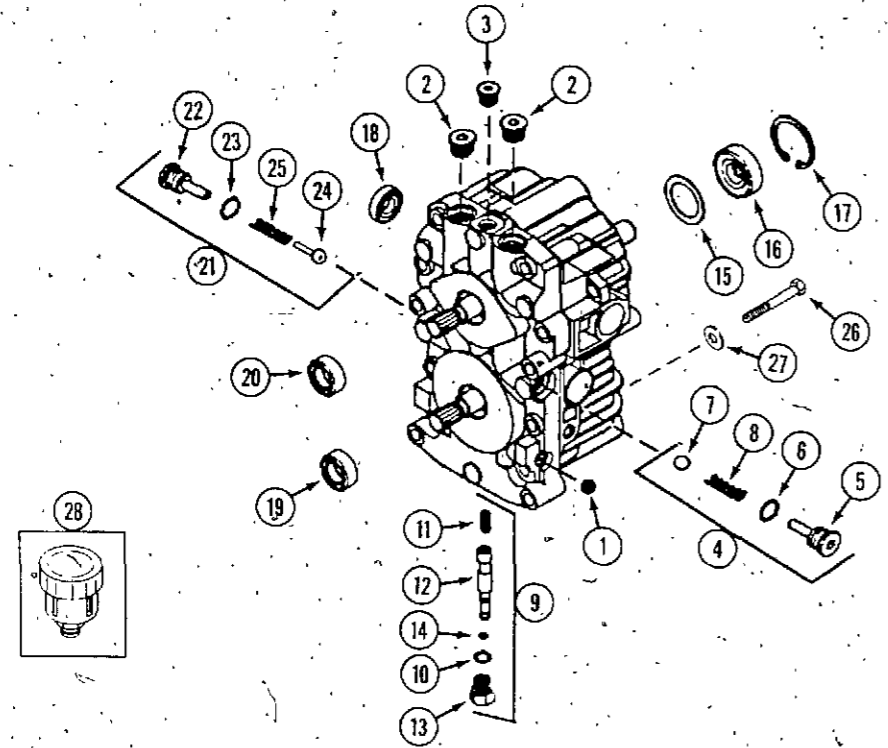
TRAVEL CONTROL

REF.	PART NO.	DESCRIPTION	REQ'D
1	C 34118	ARM - speed control	1
2	131- 911	NUT - 5/16" - 18 flange	1
3	C 34173	PIN - roll 5 mm x 26 mm	1
4	C 37447	BRACKET - friction retainer	1
5	C 37102	LEVER - speed control	1
6	C 10482	SPRING - compression	1
7	132- 310	PIN - cotter 1/8" x 1"	1
8	138- 2072	PIN - roll 1/8" x 1-3/4"	1
9	C 29636	BUSHING - flip - lock	1
10	C 37444	ROD - control	1
11	C 26332	BALL JOINT	2
12	129- 163	NUT - 3/8" - 24	2
13	113- 208	BOLT - 3/8" - 16 x 1-1/4"	1
14	192- 21	LOCK WASHER - 3/8"	4
15	129- 103	NUT - 3/8" - 16 hex	2
16	C 28237	HANDLE - shift	1
17	C 21518	WASHER - friction	1
18	195- 533	WASHER - flat	4
19	C 32362	LOCATOR - travel	1
20	113- 207	BOLT - 3/8" - 16 x 1"	2
21	C 11942	SPRING - compression	1
22	131- 930	NUT - 1/2" - 13 flange	1
23	113- 118	BOLT - 5/16" - 18 x 5/8"	1

BELTS, PULLEYS AND IDLERS (DRIVE)



REF.	PART NO.	DESCRIPTION	REQ'D
1	C 33729	BELT - drive	1
2	C 23456	PULLEY - "V" idler	2
3	113- 233	BOLT - 3/8" - 16 x 1-3/4"	2
4	192- 21	LOCK WASHER - 3/8"	2
5	131- 938	NUT - 3/8" - 16 flange lock	1
6	C 29243	GUIDE - belt, idler	1
7	113- 233	BOLT - 3/8" - 16 x 1-3/4"	1
8	195- 525	WASHER - 3/8"	1
9	C 29236	ARM - idler	1
10	C 20053	BUSHING - flange	2
11	132- 310	PIN - cotter 1/8" x 1"	1
12	C 15672	PULLEY - backside idler	1
13	C 14768	SPACER	1
14	C 40950	GUIDE - belt, engine	1
15	C 36858	GUIDE - belt, transmission	1
16	113- 118	BOLT - 5/16" - 18 x 5/8"	1
17	129- 102	NUT - 5/16" - 18	3
18	195- 103	WASHER - 5/16"	2
19	C 33788	WASHER - 7/16"	1
20	C 33794	PULLEY - transaxle	1
21	C 33795	FAN - transmission	1
22	129- 103	NUT - 3/8" - 16	2
23	C 25556	WASHER 3/8" x 1-7/8	1
24	C 33783	PULLEY - drive	1
25	C 33789	KEY - square 1/4" x 5	1
26	192- 20	LOCKWASHER - 5/16"	2
27	114- 314	BOLT - 7/16" - 20 x 4"	1
28	C 33793	SPACER - fan	1
29	113- 101	BOLT - 5/16" - 18 x 1/2"	1



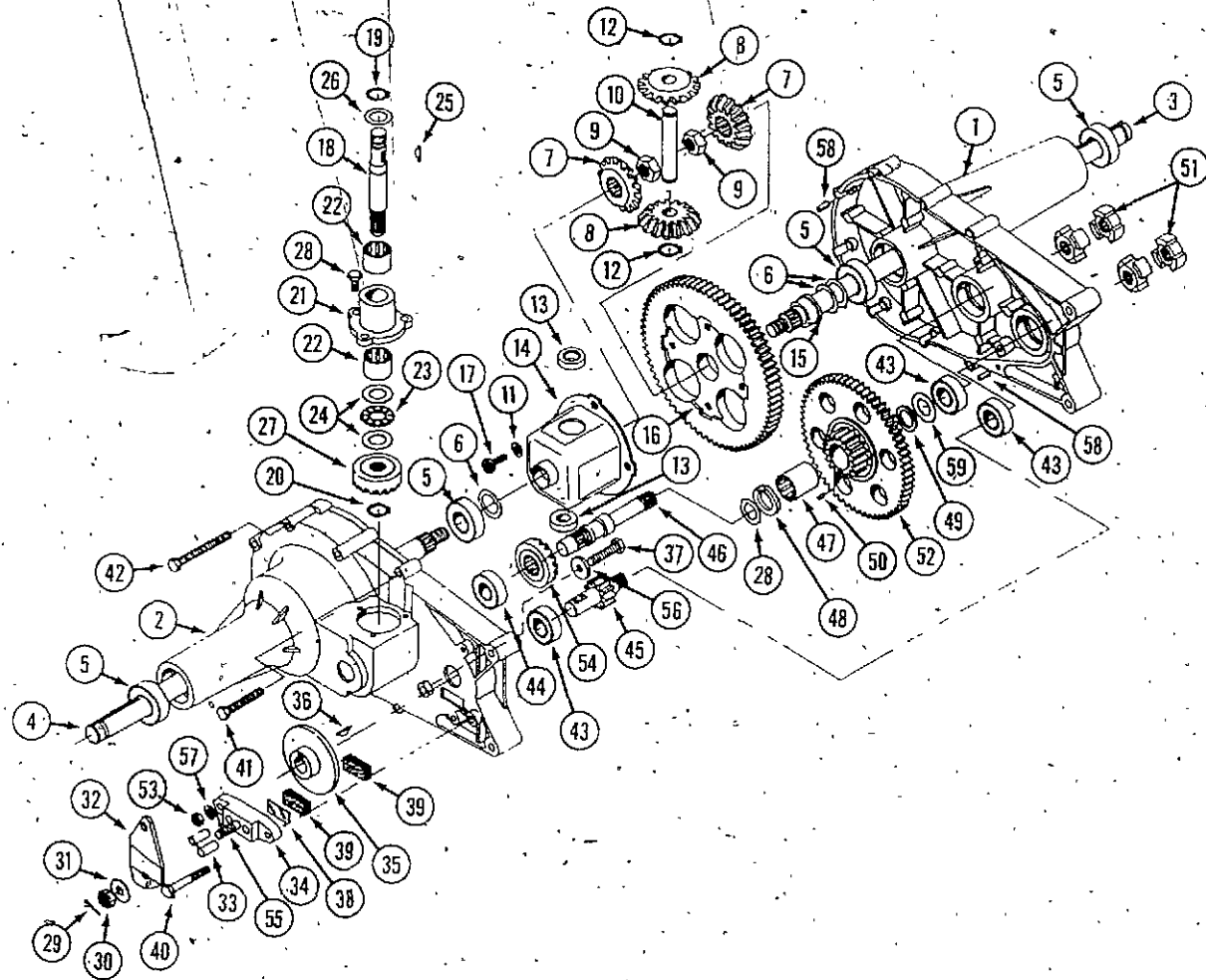
HYDROSTATIC TRANSMISSION

REF.	PART NO.	DESCRIPTION	REQ'D
	C 33727	TRANSMISSION - hydrostatic	1
1	C 34124	PLUG - pipe	1
2	C 34125	PLUG - 9/16" - 18	2
3	C 34126	PLUG - 7/16" - 20	1
4	C 34127	KIT - check valve (with check ball)	2
5	NSS	PLUG - check valve	1
6	NSS	"O" RING - .078" x .468"	1
7	NSS	BALL - check	1
8	NSS	SPRING	1
9	C 34128	KIT - by pass	1
10	NSS	"O" RING - .072 x .351	1
11	NSS	SPRING	1
12	NSS	SPOOL - by pass	1
13	NSS	PLUG - by pass	1
14	NSS	"O" RING	1
15	NSS	SPACER	1
16	NSS	SEAL - lip	1
17	NSS	RING - retaining	1
18	NSS	SEAL - lip	1
19	NSS	SEAL - lip	1
20	NSS	SEAL - lip	1
21	C 34174	KIT - check valve (with poppet)	1
22	NSS	PLUG - check valve	1
23	NSS	"O" RING - .078" x .468"	1
24	NSS	POPPET - check	1
25	NSS	SPRING	1
26	113- 178	BOLT - 5/16" - 18 x 4-1/2"	4
27	195- 521	WASHER - 5/16"	4
	C 34129	KIT - seal (includes ref. 6, 10, 14, 15, 16, 17, 18, 19 and 20)	1
28	C 33728	RESERVOIR - oil	1

TRANSMISSION FREEWHEEL CONTROL

1	113- 3	BOLT - 1/4" - 20 x 3/4"	1
2	131- 1102	NUT - lock 1/4" - 20	1
3	C 33799	BRACKET - pivot	1
4	C 33800	ROD - control	1
5	C 34716	KNOB - control	1
6	132- 329	PIN - cotter 1/16" x 3/4"	2
7	353- 454	BUSHING - flange	1
8	131- 176	NUT - lock 5/16" - 18	2
9	113- 102	BOLT - 5/16" - 18 x 3/4"	4
10	C 33798	BRACKET - transmission support	1

C33726 TRANSAXLE

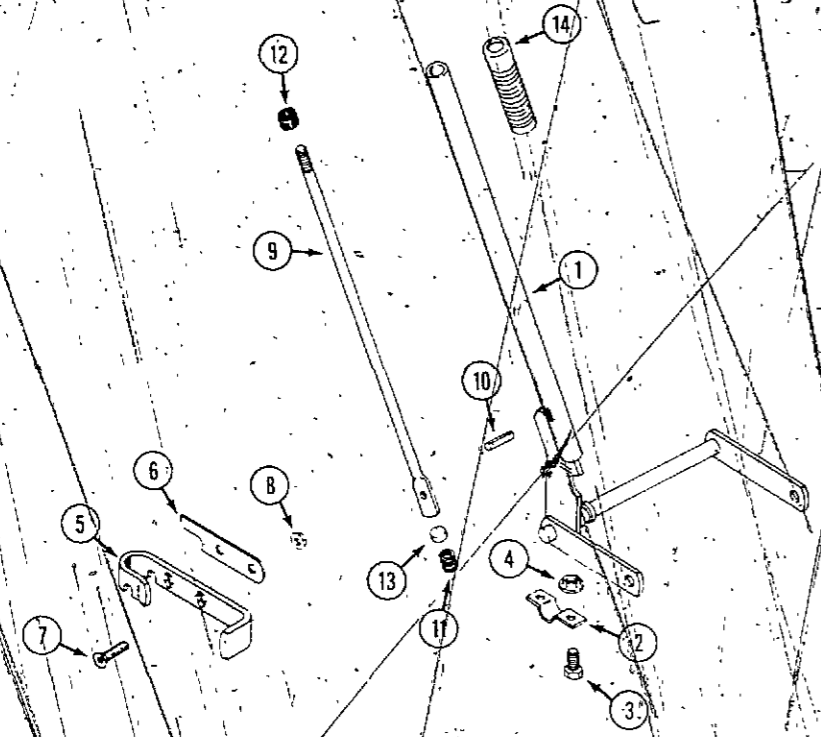


REF.	PART NO.	DESCRIPTION	REQ'D
1	C 34422	HOUSING - half L.H.	1
2	C 34423	HOUSING - half R.H.	1
3	C 34424	AXLE - L.H. 3/4" long	1
4	C 34425	AXLE - R.H. 3/4" short	1
5	C 34426	BEARING - ball	4
6	C 34427	WASHER - 3/4" x 1-1/8" x .030"	3
7	C 34428	GEAR - bevel	2
8	C 34429	GEAR - bevel	2
9	C 34430	NUT - w/patch 1/2" - 20	2
10	C 34431	SHAFT - cross	1
11	C 34480	LOCKWASHER - 1/4" heavy duty	4
12	C 34432	RING - retaining	2
13	C 34433	BEARING - thrust	2
14	C 34434	HOUSING - differential	1
15	C 34435	BEARING - flange	1
16	C 34436	GEAR - differential 72T	1
17	C 34437	BOLT - torx 1/4" - 28 x 5/8"	4
17	C 34438	INPUT ASSEMBLY	1
18	NSS	SHAFT - input (use C34438 assembly)	1
19	C 34439	RING - retaining	1
20	C 34440	RING - retaining 7/16"	1
21	NSS	HOUSING - input (use C34438 assembly)	1
22	C 34441	BEARING - needle	2
23	C 34442	BEARING - thrust	1
24	C 34443	WASHER - 5/8" x 1-1/8" x .030"	2
25	C 34444	KEY - 1/8" x 5/8"	1
26	C 34447	WASHER - .62" x 1" x .050"	1
26	C 34448	WASHER - .62" x 1.125" x .060"	1
26	C 34449	WASHER - .62" x 1" x .040"	1
27	C 34446	GEAR - input pinion 17T	1
28	C 34445	SCREW - w/patch 1/4" - 20 x 3/4"	3
29	C 34450	PIN - cotter	1
30	C 34451	NUT - castle 5/16" - 24	1
31	C 34452	WASHER - .343" x .88" x .062"	1
32	C 34453	ARM - brake actuator	1
33	C 34454	PIN - brake actuating	2
34	C 34455	YOKE - brake	1
35	C 34456	DISC - brake	1
36	C 34457	KEY - 3/16" x 5/8"	1
37	C 34458	SCREW - hex 1/4" - 20 x 1.5"	1
38	C 34459	PLATE - pad	1
39	C 34460	PAD - brake	2
40	C 34461	SCREW - hex w/patch 1/4" - 20 x 1"	1
41	C 34462	SCREW - hex self-tap 1/4" - 20 x 2"	4
42	C 34463	SCREW - hex self-tap 1/4" - 20 x 3"	6
43	C 34464	BEARING - ball	3
44	C 34465	BEARING - ball	1
45	C 34466	SHAFT - pinion	1
46	C 34467	SHAFT - drive	1
47	C 34468	BEARING - needle	1
48	C 34469	BEARING - thrust	1
49	C 34479	SEAL - grease	1
50	C 34478	PIN - dowel 3/32" x 1/4"	1
51	C 34470	COUPLING	4
52	C 34482	GEAR ASSEMBLY - reduction (includes Ref. 47, 48, 49 and 50)	1
53	C 34471	NUT - 1/4" - 20	1
54	C 34472	GEAR - drive pinion 17T	1
55	C 34473	BOLT - square head	1
56	C 34474	WASHER - .265" x 15/16" x .125"	1
57	C 34475	LOCKWASHER - 1/4"	1
58	C 34476	PIN - roll 3/16" x 1/2"	2
59	C 34477	WASHER - .62" x 1" x .030"	1

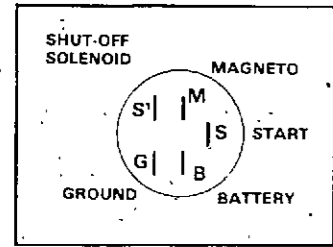
LIFT SYSTEM

REF.	PART NO.	DESCRIPTION	REQ'D
1	C 37024	LEVER - implement lift	1
2	C 15156	BRACKET - saddle	2
3	113- 102	BOLT - 5/16" - 18	4
4	131- 911	NUT - 5/16" - 18 flange lock	4
5	C 18811	LATCH - lift lever	1
6	C 17281	SPACER - latch	1
7	164- 41	SCREW - 5/16" - 18 x 1" flat head socket	2
8	131- 911	NUT - 5/16" - 18 flange lock	2
9	C 37030	ROD - push	1
10	138- 2054	PIN - spiral 5/16" x 1-3/4"	1
11	C 10482	SPRING - compression	1
12	C 14525	BUTTON - thumb	1
13	C 37468	PLUG - lift pipe	1
14	C 39510	GRIP - lift handle	1

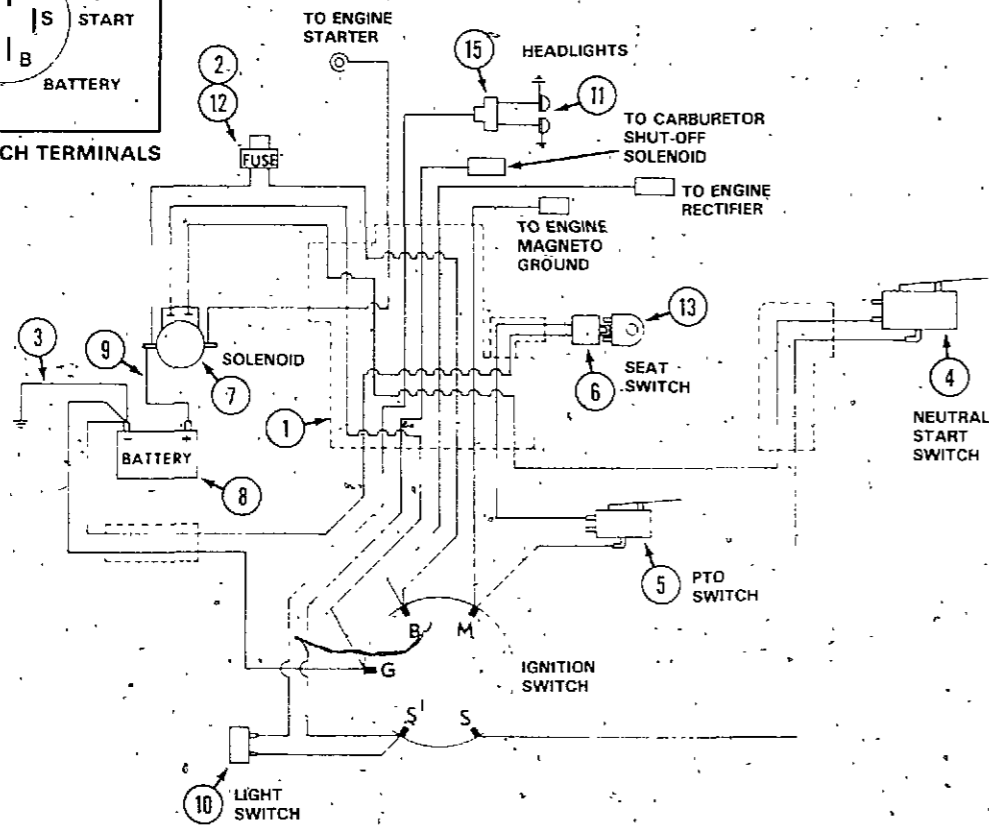
42



ELECTRICAL SYSTEM

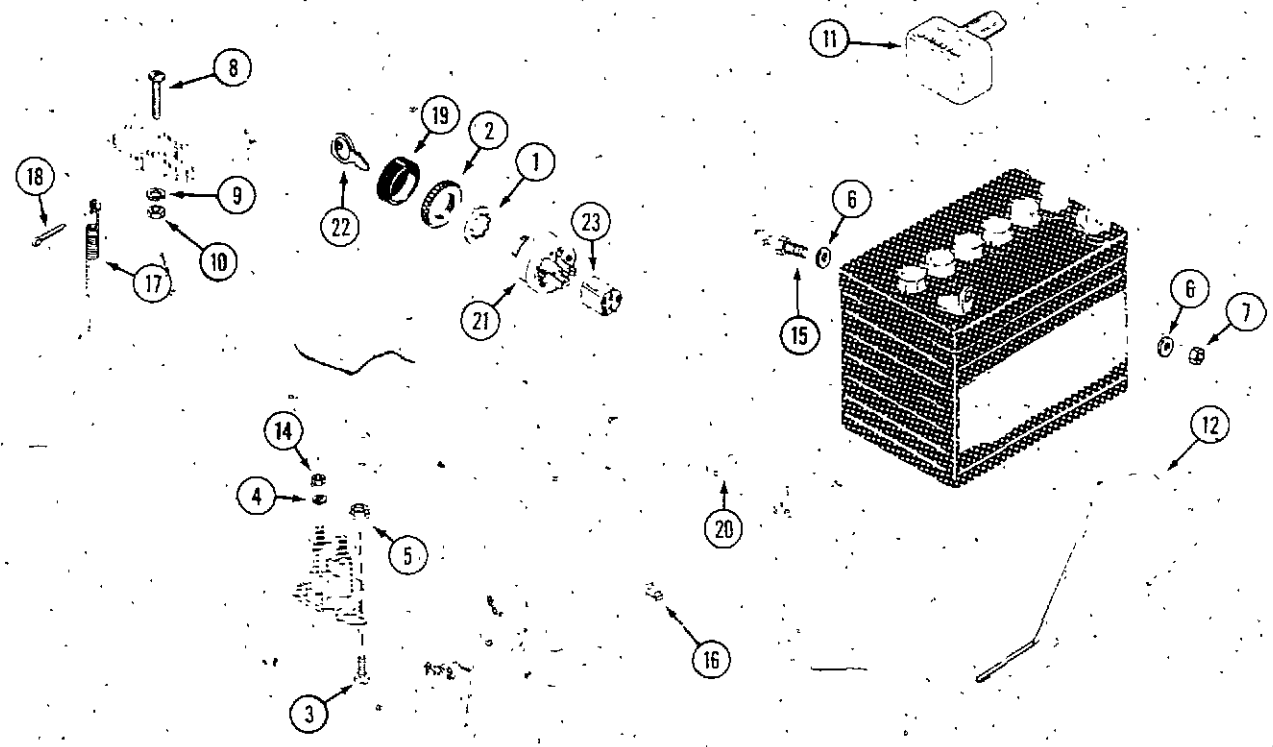


IGNITION SWITCH TERMINALS



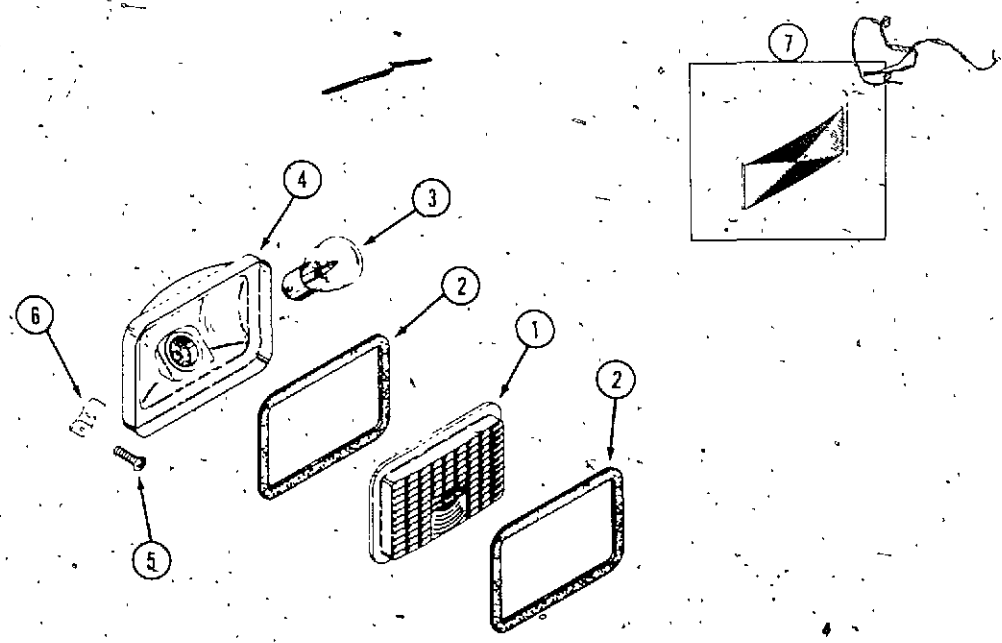
REF.	PART NO.	DESCRIPTION	REQ'D
1	C 37059	HARNES - wire	1
2	NSS	HOLDER - fuse (use C31947 kit)	2
3	C 37414	CABLE - battery negative to ground (black)	1
4	C 30275	SWITCH - neutral start	1
5	C 30275	SWITCH - interloc	2
6	C 30937	CONNECTOR - seat switch	1
7	C 33024	SOLENOID - start	1
8	C 41010	BATTERY - 12 volt	1
9	C 33022	CABLE - solenoid to battery	1
10	C 29322	SWITCH - headlights	1
11	C 32178	HEADLIGHT ASSEMBLY - 12 volt (see page 47 for service)	2
12	C 30260	FUSE - 30 amp (included with harness)	1
13	C 33744	SWITCH - inter-lock, seat	1
15	C 14537	CONNECTOR - headlights	1

ELECTRICAL SYSTEM HARDWARE



REF.	PART NO.	DESCRIPTION	REQ'D
1	C 23248	WASHER - internal tooth 5/8"	1
2	C 32396	NUT - 5/8" - 32	1
3	C 31597	SCREW - 1/4" - 20 x 1/2" black	2
4	192- 19	LOCK WASHER - 1/4"	2
5	131- 934	NUT - 1/4"	2
6	195- 518	WASHER - 1/4"	4
7	129- 101	NUT - 1/4" - 20	3
8	182- 10	SCREW - No. 4 - 40 x 7/8"	6
9	192- 13	LOCK WASHER - No. 4	6
10	129- 13	NUT - No. 4 - 40 (shown)	2
10	C 33697	NUT - No. 4 - 40 lock	4
11	C 24069	COVER - terminal	2
12	C 15114	CLAMP - battery hold down	1
14	129- 101	NUT - 1/4" - 20	4
15	113- 3	BOLT - 1/4" - 20 x 3/4"	2
16	C 19521	CLIP - wire, headlight	1
16	C 28962	CLIP - wire	UAR
17	C 29169	SPRING - switch activating	1
18	132- 334	PIN - cotter 1/8" x 3/4"	2
19	C 32397	CAP - nut	1
20	C 32455	CLIP - "J"	3
21	C 30267	SWITCH - ignition (includes hardware)	1
22	C 32407	KEY - ignition	1
23	C 24460	CONNECTOR - ignition switch	1

HEADLIGHT AND REAR REFLECTOR

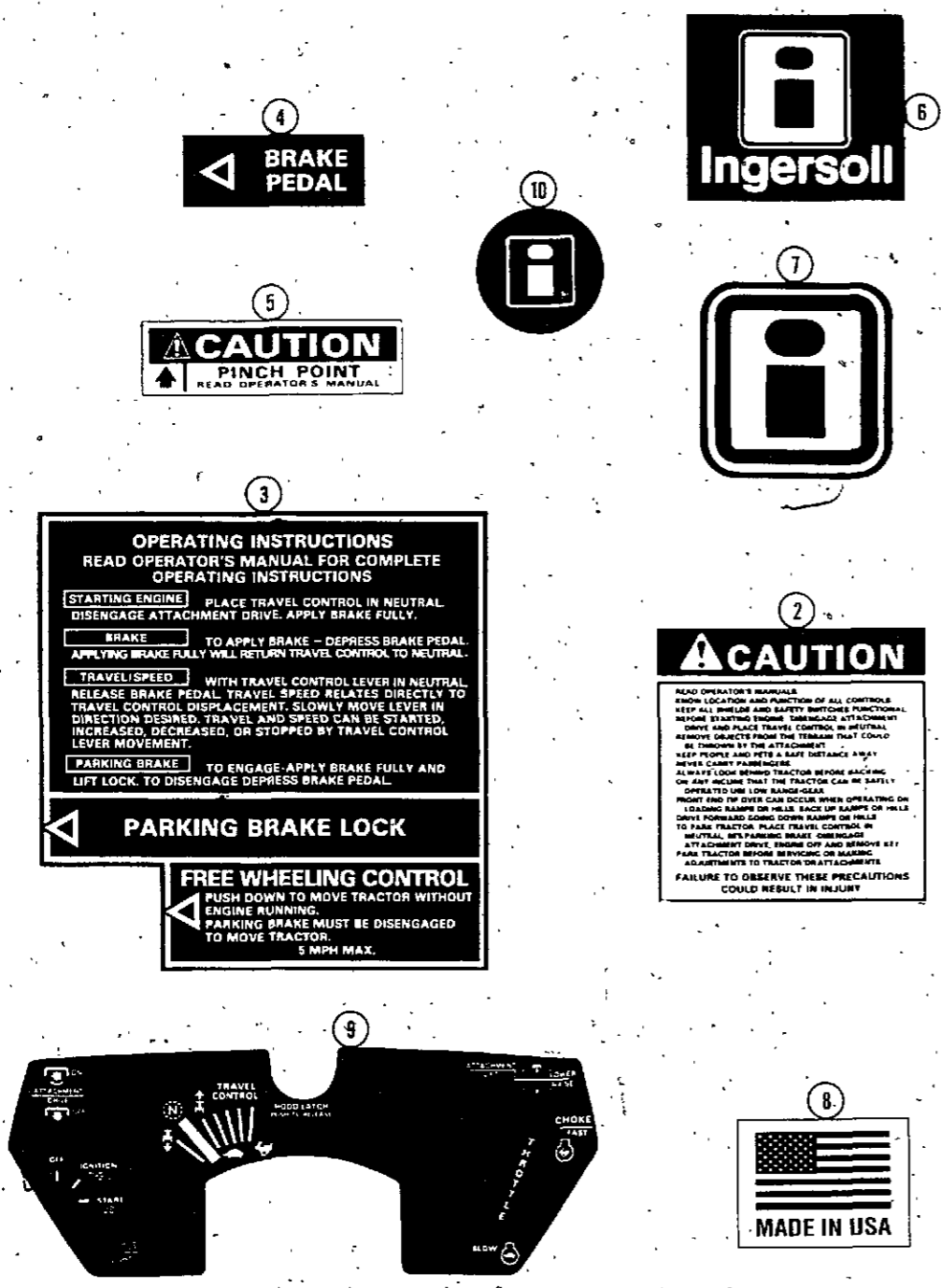


1	C 32178	HEADLIGHT ASSEMBLY	2
2	C 22573	LENS - headlight	1
3	C 14304	GASKET - headlight	2
3	C 28932	BULB - headlight	1
4	NSS	RECERTACLE - headlight (use C32178)	1
5	187- 1328	SCREW - No. 8 - 18 x 5/8"	4
6	C 29637	RETAINER - headlight	4
7	C 30942	REFLECTOR - red, rear	2

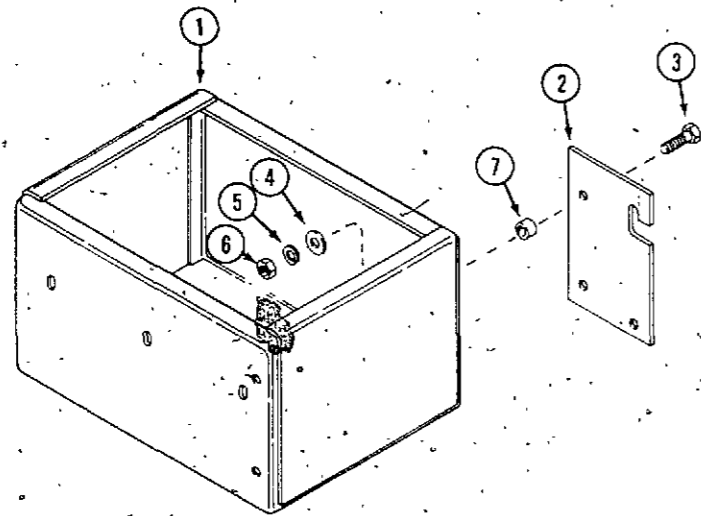
2014 INGERSOLL

DECALS

REF.	PART.NO.	DESCRIPTION	REQ'D
1	C 37083	DECAL - hood - L.H. (2014)	1
1	C 37084	DECAL - hood - R.H. shown (2014)	1
2	321-6659	DECAL - "caution"	1
3	C 33835	DECAL - instruction	1
4	C 33838	DECAL - brake	1
5	C 29478	DECAL - pinch point	2
6	C 32093	DECAL - seat back (logo)	1
7	C 30539	MEDALLION - Ingersoll	1
8	C 34184	DECAL - flag	1
9	C 36968	DECAL - panel insert	1
10	C 37197	INSERT - steering wheel (logo)	1



M13 WEIGHT BOX



REF.	PART NO.	DESCRIPTION	REQ'D
1	NSS	BOX - weight	1
2	C-29702	BRACKET - mounting	2
3	113-207	BOLT - 3/8" - 16 x 1"	4
4	195-525	WASHER - 3/8"	4
5	192-21	LOCK WASHER - 3/8"	4
6	129-103	NUT - 3/8" - 16	4
7	C-14768	SPACER - mounting (left side only)	2

NUMERICAL INDEX

PART NO.	PAGE NO.	REF. NO.	PART NO.	PAGE NO.	REF. NO.
BR221535	9	23	C27822	23	39
BR221535	11	46	C28226	31	9
BR221798	5	2	C28226	31	9
C10482	35	6	G28236	31	3
C10482	43	11	C28237	23	17
C10678	21	9	C28237	35	16
C11796	31	7	C28263	23	11
C11906	31	5	C28932	47	3
C11942	35	21	C28935	21	8
C12975	23	8	C28962	47	16
C13106	29	18	C28971	23	2
C13106	31	7	C29168	29	17
C13106	31	13	C29169	47	17
C14201	29	17	C29172	23	21
C14304	47	2	C29177	33	21
C14525	43	12	C29178	33	14
C14537	45	14	C29199	25	28
C14768	25	31	C29207	33	13
C14768	37	13	C29214	25	1
G14768	51	7	C29236	37	9
C15083	23	4	C29243	23	46
C15096	29	2	C29243	37	6
C15105	29	9	C29246	33	10
C15114	47	12	C29305	27	7
C15156	33	4	C29306	27	8
C15156	43	2	C29316	23	20
C15672	23	31	C29322	45	10
C15672	37	12	C29326	23	15
C16362	25	5	C29478	49	5
C16429	27	4	C29620	23	43
C16745	23	29	C29620	25	17
C17066	23	40	C29620	25	20
C17281	43	6	C29636	35	9
C17597	23	16	C29637	47	6
C17597	23	28	C29702	51	2
C18811	43	5	C29917	33	25
C18812	31	1	C30004	25	35
C19521	47	16	C30065	27	15
C20053	37	10	C30126	25	2
C21518	35	17	C30260	45	12
C22278	31	22	C30267	47	21
C22568	31	13	C30275	45	4
C22573	47	1	C30275	45	5
C23248	47	1	C30406	17	8
C23456	37	2	C30539	49	7
C23818	23	7	C30769	23	35
C24069	47	11	C30781	31	1
C24345	33	8	C30785	27	16
C24460	47	23	C30873	23	27
C24503	31	2	C30937	45	6
C25229	23	14	C30942	47	7
C25233	23	6	C31006	27	13
C25556	37	23	C31215	23	41
C25643	23	13	C31365	25	22
C26021	31	5	C31366	25	25
C26332	35	11	C31597	21	12
C26345	23	42	C31597	25	15
C26526	27	14	C31597	25	21
C27045	29	13	C31618	17	13
C27047	31	10	C32093	49	6
C27233	21	6	C32178	45	11
C27422	17	10	C32178	47	10
C27424	17	9	C32362	35	19
C27442	33	19	C32396	47	2
C27597	31	8	C32397	47	19
C27597	31	8	C32407	47	22
C27597	31	11	C32455	47	20
C27739	31	12	C33022	45	9

PART NO.	PAGE NO.	REF. NO.	PART NO.	PAGE NO.	REF. NO.
C33024	45	7	C33024	45	7
C33467	25	3	C33467	25	3
C33474	27	3	C33474	27	3
C33644	19	3	C33644	19	3
C33697	47	10	C33697	47	10
C33727	39	11	C33727	39	11
C33728	39	28	C33728	39	28
C33729	37	1	C33729	37	1
C33744	45	13	C33744	45	13
C33770	25	14	C33770	25	14
C33771	33	9	C33771	33	9
C33772	33	32	C33772	33	32
C33773	33	30	C33773	33	30
C33774	33	29	C33774	33	29
C33775	33	17	C33775	33	17
C33777	33	16	C33777	33	16
C33783	37	24	C33783	37	24
C33788	37	19	C33788	37	19
C33789	37	25	C33789	37	25
C33793	37	28	C33793	37	28
C33794	37	20	C33794	37	20
C33795	37	21	C33795	37	21
C33797	25	36	C33797	25	36
C33798	39	10	C33798	39	10
C33799	39	3	C33799	39	3
C33800	39	4	C33800	39	4
C33808	33	15	C33808	33	15
C33835	49	3	C33835	49	3
C33838	49	4	C33838	49	4
C34117	21	3	C34117	21	3
C34117	47	5	C34117	47	5
C34118	35	1	C34118	35	1
C34124	39	1	C34124	39	1
C34125	39	2	C34125	39	2
C34126	39	3	C34126	39	3
C34127	39	4	C34127	39	4
C34128	39	9	C34128	39	9
C34129	39	2	C34129	39	2
C34160	21	2	C34160	21	2
C34173	35	3	C34173	35	3
C34174	39	21	C34174	39	21
C34184	49	8	C34184	49	8
C34191	7	2	C34191	7	2
C34192	7	3	C34192	7	3
C34193	7	14	C34193	7	14
C34194	7	15	C34194	7	15
C34195	7	21	C34195	7	21
C34195	17	19	C34195	17	19
C34196	7	19	C34196	7	19
C34196	17	2	C34196	17	2
C34198	13	12	C34198	13	12
C34198	17	3	C34198	17	3
C34200	13	13	C34200	13	13
C34201	9	3	C34201	9	3
C34201	17	4	C34201	17	4
C34202	7	20	C34202	7	20
C34203	9	7	C34203	9	7
C34208	9	2	C34208	9	2
C34209	9	6	C34209	9	6
C34210	5	5	C34210	5	5
C34211	5	4	C34211	5	4
C34212	5	12	C34212	5	12
C34213	5	12	C34213	5	12
C34214	5	12	C34214	5	12
C34215	5	12	C34215	5	12
C34216	5	13	C34216	5	13
C34217	5	13	C34217	5	13
C34218	5	13	C34218	5	13

PART NO.	PAGE NO.	REF. NO.	PART NO.	PAGE NO.	REF. NO.
C34219	5	13	C34219	5	13
C34220	5	15	C34220	5	15
C34221	5	14	C34221	5	14
C34222	5	16	C34222	5	16
C34223	5	17	C34223	5	17
C34224	7	34	C34224	7	34
C34225	7	35	C34225	7	35
C34226	7	36	C34226	7	36
C34228	7	37	C34228	7	37
C34229	7	10	C34229	7	10
C34230	7	32	C34230	7	32
C34231	5	2	C34231	5	2
C34232	11	35	C34232	11	35
C34234	11	36	C34234	11	36
C34234	17	6	C34234	17	6
C34236	11	34	C34236	11	34
C34237	5	8	C34237	5	8
C34238	5	11	C34238	5	11
C34239	7	5	C34239	7	5
C34239	9	8	C34239	9	8
C34240	9	11	C34240	9	11
C34246	7	12	C34246	7	12
C34246	17	7	C34246	17	7
C34247	9	5	C34247	9	5
C34247	17	8	C34247	17	8
C34249	17	17	C34249	17	17
C34259	7	29	C34259	7	29
C34260	9	11	C34260	9	11
C34261	7	25	C34261	7	25
C34261	17	10	C34261	17	10
C34262	7	24	C34262	7	24
C34262	17	13	C34262	17	13
C34263	17	12	C34263	17	12
C34264	9	13	C34264	9	13
C34265	7	31	C34265	7	31
C34266	9	19	C34266	9	19
C34267	9	17	C34267	9	17
C34268	11	45	C34268	11	45
C34269	9	21	C34269	9	21
C34270	9	13	C34270	9	13
C34271	9	20	C34271	9	20
C34274	11	44	C34274	11	44
C34275	9	15	C34275	9	15
C34278	15	1	C34278	15	1
C34279	13	10	C34279	13	10
C34279	15	9	C34279	15	9
C34279	17	18	C34279	17	18
C34281	9	22	C34281	9	22
C34281	11	43	C34281	11	43
C34281	15	10	C34281	15	10
C34282	15	2	C34282	15	2
C34283	15	3	C34283	15	3
C34284	17	17	C34284	17	17
C34285	17	5	C34285	17	5
C34286	17	2	C34286	17	2
C34287	5	10	C34287	5	10
C34288	5	7	C34288	5	7
C34289	5	1	C34289	5	1
C34290	5	3	C34290	5	3
C34290	5	8	C34290	5	8
C34291	5	4	C34291	5	4
C34292	5	11	C34292	5	11
C34292	9	24	C34292	9	24
C34292	11	47	C34292	11	47
C34293	5	12	C34293	5	12
C34297	17	1	C34297	17	1
C34300	11	40	C34300	11	40
C34301	15	12	C34301	15	12

NUMERICAL INDEX

PART NO.	PAGE NO.	REF. NO.	PART NO.	PAGE NO.	REF. NO.
C34303	5	9	C34303	5	9
C34304	5	6	C34304	5	6
C34306	5	10	C34306	5	10
C34310	5	7	C34310	5	7
C34312	13	8	C34312	13	8
C34312	17	11	C34312	17	11
C34313	17	4	C34313	17	4
C34314	9	9	C34314	9	9
C34315	9	10	C34315	9	10
C34316	9	14	C34316	9	14
C34317	7	8	C34317	7	8
C34318	15	5	C34318	15	5
C34319	9	16	C34319	9	16
C34320	19	3	C34320	19	3
C34321	9	12	C34321	9	12
C34322	9	8	C34322	9	8
C34323	9	4	C34323	9	4
C34324	5	5	C34324	5	5
C34325	15	11	C34325	15	11
C34326	5	9	C34326	5	9
C34327	7	6	C34327	7	6
C34328	7	7	C34328	7	7
C34329	13	15	C34329	13	15
C34329	17	12	C34329	17	12
C34331	5	6	C34331	5	6
C34332	15	7			

NUMERICAL INDEX

PART NO.	PAGE NO.	REF. NO.	PART NO.	PAGE NO.	REF. NO.
C34459	41	38	C37414	45	3
C34460	41	39	C37444	35	10
C34461	41	40	C37447	35	4
C34462	41	41	C37463	27	20
C34463	41	42	C37468	43	13
C34464	41	43	C39510	43	14
C34465	41	44	C40650	19	4
C34466	41	45	C40653	29	1
C34467	41	46	C40654	29	20
C34468	41	47	C40655	29	21
C34469	41	48	C40656	29	3
C34470	41	51	C40950	37	14
C34471	41	53	C41010	45	8
C34472	41	54	C42074	31	6
C34473	41	55	111-101	21	14
C34474	41	56	111-108	33	22
C34475	41	57	111-132	27	21
C34476	41	58	111-132	29	4
C34477	41	59	113-3	39	1
C34478	41	50	113-3	47	15
C34479	41	49	113-101	37	29
C34480	41	11	113-102	23	9
C34482	41	52	113-102	27	9
C34716	39	5	113-102	33	3
C35291	21	5	113-107	39	9
C36858	37	15	113-102	43	3
C36955	19	1	113-103	19	1
C36966	25	26	113-103	29	11
C36968	49	9	113-118	35	23
C36972	25	13	113-118	37	16
C36987	31	3	113-178	39	26
C36988	31	2	113-205	23	12
C36990	31	11	113-205	25	8
C36995	19	2	113-207	25	9
C37007	23	45	113-207	25	29
C37010	23	18	113-207	35	20
C37013	27	1	113-207	51	3
C37017	27	5	113-208	31	19
C37024	43	11	113-208	35	13
C37030	43	9	113-233	23	32
C37032	31	17	113-233	37	3
C37033	31	18	113-233	37	7
C37034	31	12	113-1910	31	14
C37036	29	8	114-214	37	27
C37037	25	16	121-106	23	24
C37038	25	16	121-106	25	20
C37041	25	4	121-106	27	2
C37045	25	7	129-13	47	10
C37050	33	1	129-101	21	16
C37053	23	5	129-101	33	24
C37059	45	1	129-101	47	7
C37060	27	18	129-101	47	14
C37083	49	1	129-102	27	12
C37084	49	1	129-102	29	6
C37096	21	1	129-102	33	18
C37097	21	1	129-102	37	17
C37102	35	5	129-103	23	34
C37107	19	5	129-103	25	11
C37110	25	27	129-103	25	33
C37111	25	27	129-103	35	15
C37148	9	12	129-103	37	22
C37197	29	19	129-103	51	6
C37197	49	10	129-163	31	15
C37202	21	1	129-163	35	12
C37303	21	10	129-289	31	16
C37304	21	10	131-69	19	4
C37307	21	13	131-69	33	20
C37308	21	11	131-176	23	10

PART NO.	PAGE NO.	REF. NO.	PART NO.	PAGE NO.	REF. NO.
131-176	25	37	131-176	33	7
131-176	39	8	131-176	39	8
131-911	23	26	131-911	27	6
131-911	27	6	131-911	33	6
131-911	33	6	131-911	35	2
131-911	35	2	131-911	43	4
131-911	43	4	131-911	43	8
131-930	35	22	131-930	35	22
131-934	25	24	131-934	27	19
131-934	27	19	131-938	37	5
131-938	37	5	131-1102	39	2
131-1102	39	2	131-1180	21	4
131-1180	21	4	131-1180	33	26
131-1180	33	26	131-1352	23	30
131-1352	23	30	131-1352	31	21
131-1352	31	21	132-6	33	11
132-6	33	11	132-310	33	27
132-310	33	27	132-310	35	7
132-310	35	7	132-310	37	11
132-310	37	11	132-311	31	10
132-311	31	10	132-320	23	22
132-320	23	22	132-329	33	31
132-329	33	31	132-329	39	6
132-329	39	6	132-332	23	38
132-332	23	38	132-334	25	6
132-334	25	6	132-344	47	18
132-344	47	18	138-51	33	28
138-51	33	28	138-57	23	36
138-57	23	36	138-2040	29	16
138-2040	29	16	138-2040	31	4
138-2040	31	4	138-2044	43	10
138-2044	43	10	138-2071	23	19
138-2071	23	19	138-2071	33	2
138-2071	33	2	138-2072	35	8
138-2072	35	8	164-41	43	7
164-41	43	7	182-10	47	8
182-10	47	8	182-559	21	2
182-559	21	2	182-559	47	3
182-559	47	3	187-1036	19	6
187-1036	19	6	187-1036	21	3
187-1036	21	3	187-1036	27	17
187-1036	27	17	187-1328	25	34
187-1328	25	34	187-1328	47	5
187-1328	47	5	187-1908	21	4
187-1908	21	4	192-13	47	9
192-13	47	9	192-19	21	15
192-19	21	15	192-19	33	23
192-19	33	23	192-19	47	4
192-19	47	4	192-20	23	25
192-20	23	25	192-20	25	18
192-20	25	18	192-20	27	11
192-20	27	11	192-20	29	5
192-20	29	5	192-20	33	5
192-20	33	5	192-20	37	26
192-20	37	26	192-21	23	33
192-21	23	33	192-21	25	10
192-21	25	10	192-21	25	32
192-21	25	32	192-21	31	20
192-21	31	20	192-21	35	14
192-21	35	14	192-21	37	4
192-21	37	4	192-21	51	5
192-21	51	5	195-103	37	18
195-103	37	18	195-518	47	6
195-518	47	6	195-521	25	19
195-521	25	19	195-521	29	12
195-521	29	12			

PART NO.	PAGE NO.	REF. NO.	PART NO.	PAGE NO.	REF. NO.
195-521	33	12	195-521	39	27
195-521	39	27	195-522	25	12
195-522	25	12	195-525	23	37
195-525	23	37	195-525	25	30
195-525	25	30	195-525	37	8
195-525	37	8	195-525	51	4
195-525	51	4	195-533	23	44
195-533	23	44	195-533	35	18
195-533	35	18	195-541	29	15
195-541	29	15	195-2069	29	7
195-2069	29	7	195-2175	27	10
195-2175	27	10	214-251	11	39
214-251	11	39	214-252	21	5
214-252	21	5	218-5154	9	14
218-5154	9	14	219-10	31	4
219-10	31	4	219-17	29	10
219-17	29	10	219-17	31	6
219-17	31	6	321-6659	49	2
321-6659	49	2	353-454	39	7
353-454	39	7	353-462	23	23
353-462	23	23			

NUMERICAL INDEX