



PARTS CATALOG 8-3200

3118, 4116, 4118, 4120
COMPACT TRACTORS

[INDEX](#)

[PAINT](#)

[ENGINES](#)

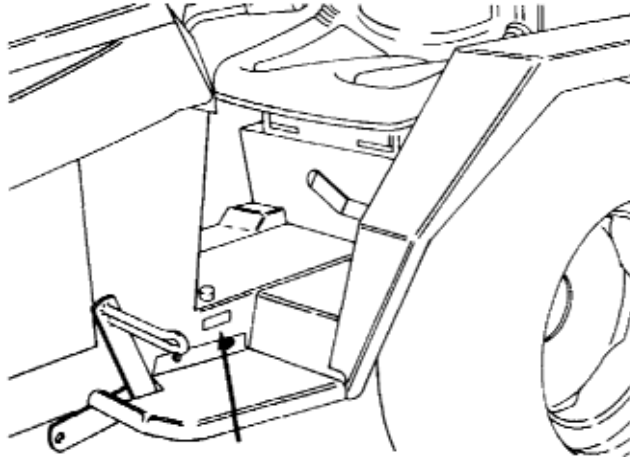
[GENERAL INFO](#)



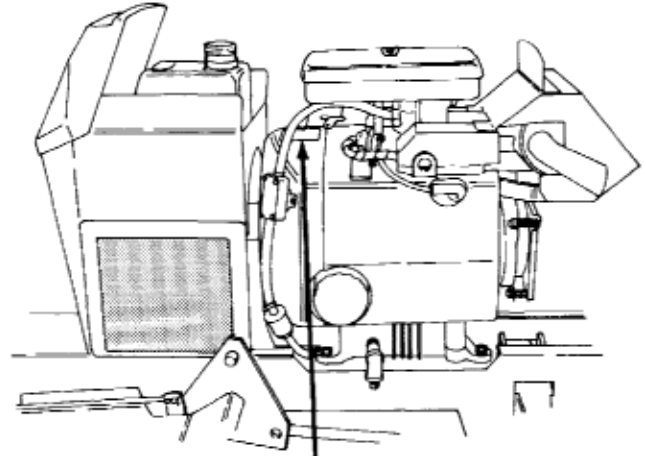
3118, 4116, 4118, 4120 COMPACT TRACTORS

INDEX

PRODUCT IDENTIFICATION NUMBERS (PIN.) OR SERIAL NUMBERS (S/N)



TRACTOR MODEL AND P.I.N.
OR SERIAL NUMBERS



ENGINE MODEL, SERIAL AND
SPECIFICATION NUMBERS

NOTE: In this catalog there are references to serial numbers.
To order the correct part use these serial numbers as a guide.

ENGINE IDENTIFICATION

TRACTOR MODEL

4116

3118, 4118

4120

ENGINE MODEL

C33235
ONAN P216G-I
SPEC. NO. 10904C, 10904D

C33236
ONAN P218G-I
SPEC. NO. 10904C, 10904D

C33237
ONAN P220G-I
SPEC. NO. 10904C, 10904D

INDEX

There is an index at the front and rear of this catalog. The front index is an alphabetical index of the major groups or assemblies.

The rear index is a numerical index of the part numbers and pages on which these numbers are shown.

ILLUSTRATION

Each illustration in this catalog shows a group of parts or components. These parts and components are aligned approximately as the parts and components on your machine. Each part and component in an illustration has a reference number. These reference numbers are in a list on the page opposite of the illustration. Next to the reference number is the part number, description and required quantity of the part shown in the illustration.

UAR - "Use as required" indicates that the part quantity is variable.

NSS - "Not sold separately" indicates that the part is only available as component of an assembly or the part must be purchased locally. If the part is an assembly component, the description will be indented under the assembly description in the parts list.

O/L - "Obtain locally"

- "Footnotes" are added to a part number when more information is needed for identification. They only relate to the part numbers indicated. All orders must include the following information:

PARTS ORDERS

1. Correct part number.
2. Complete description of part or component.
3. Total quantity of each part or component.
4. Product model number.
5. All necessary product identification numbers.
6. Method for sending the parts.
7. Complete and correct address.

CATALOG REVISIONS

As the product changes, new pages will be available for your catalog. A notice will be issued.

IMPORTANT: Put all revisions into the catalog as soon as possible.

RIGHT HAND AND LEFT HAND IDENTIFICATION

The words right hand (RH) and left hand (LH) as used in this catalog indicate the direction while you are in the operator's seat in the normal operating position.

INDENTED DESCRIPTIONS

An assembly can have many components. The components of an assembly are indicated by an indented description. The quantity for an indented part is the total needed for that complete assembly. See the example.

REF.	PART NO.	DESCRIPTION	REQ'D
	C 55159	CYLINDER ASSY - rear steering	1
28	C 56208	SOCKET ASSY - rear cylinder	1
29	C 55956	PLUG - adjusting, socket assy	1
30	C 55957	SEAT- socket, ball.....	2
31	C 56210	SPRING-socket	1
32	C 56209	SEAT - socket spring	1
33	G 45175	CLAMP ASSY - socket assy	1
	16- 836	BOLT-1/2"x2-1/4" N.F. hex.....	1
34	132- 104	PIN-cotter, 3/16"x3".....	1
35	C 55889	STUD - ball, socket & cylinder	2
36	13- 410	BOLT-1/4"x5/8"N.C.,hex	4
37	92- 4	LOCK WASHER - 1/4"SAE	4

ALPHABETICAL INDEX

ENGINE SECTION

Air Cleaner	19	Flywheel	5
Battery	59	Fuel Pump	17
Breather, Crankcase	19	Fuel System	17
Camshaft	5	Gasket Kits	9-11
Carburetor	21	Governor	15-23
Choke Linkage	21	Muffler	25
Connecting Rod	7	Shields	23-25
Crankshaft	5	Oil Pan	13
Cylinder Block	9-11	Piston	7
Cylinder Head	9-11	Rotor, Ignition	15
Electrical System	57-61	Spark Plug	61
Engine Block & Attaching Parts	9-11	Starter	57
Exhaust System	25	Tank, Fuel	17
Filter, Breather	19	Throttle Linkage	21
Filter, Fuel	17	Valves	9-11
Filter, Oil	13		

BASIC TRACTOR SECTION

Axle, Front	33	Hood	29
Axle, Rear	37	Hydraulics	39-55
Baffles & Shrouds	23,25,51	Adapter, Pump Drive	47
Brakes	35	Motor, Hydraulic Drive	43
Control, Speed	53	Pump	47
Decals	63	Valve, Control	45
Electrical Systems	57-61	Linkage, Valve, Control	53
Fenders	31	Hydraulic Lift	55
Frame	27	PTO (Hydraulic)	49
Grille	29	Instruments	59
Headlights	61		
Hitch, Tow	53		



Ingersoll

Paint & Oil

INDEX

PAINT

Power Red Gloss

16-ounce Aerosol Can..... C28484
Quart C28485

Power White

16-ounce Aerosol Can..... C28812
Quart C28845

Power Yellow (Older 600 Series)

16-ounce Aerosol Can..... C28847
Quart C28848

Power Tan (6000 Series)

16-ounce Aerosol Can..... C28853
Quart C28854

Desert Sunset (Older 400 Series)

16-ounce Aerosol Can..... C28846
Quart C28852

Black, Semi Gloss

16-ounce Aerosol Can..... C28849
Quart C28850

Black, High Heat

16-ounce Aerosol Can..... C28851

Silver

16-ounce Aerosol Can..... C30870

M & W Plum

16-ounce Aerosol Can..... 10-5688

Grazer Grey

16-ounce Aerosol Can..... C38444
Quart C38982

Odyssey Charcoal Grey

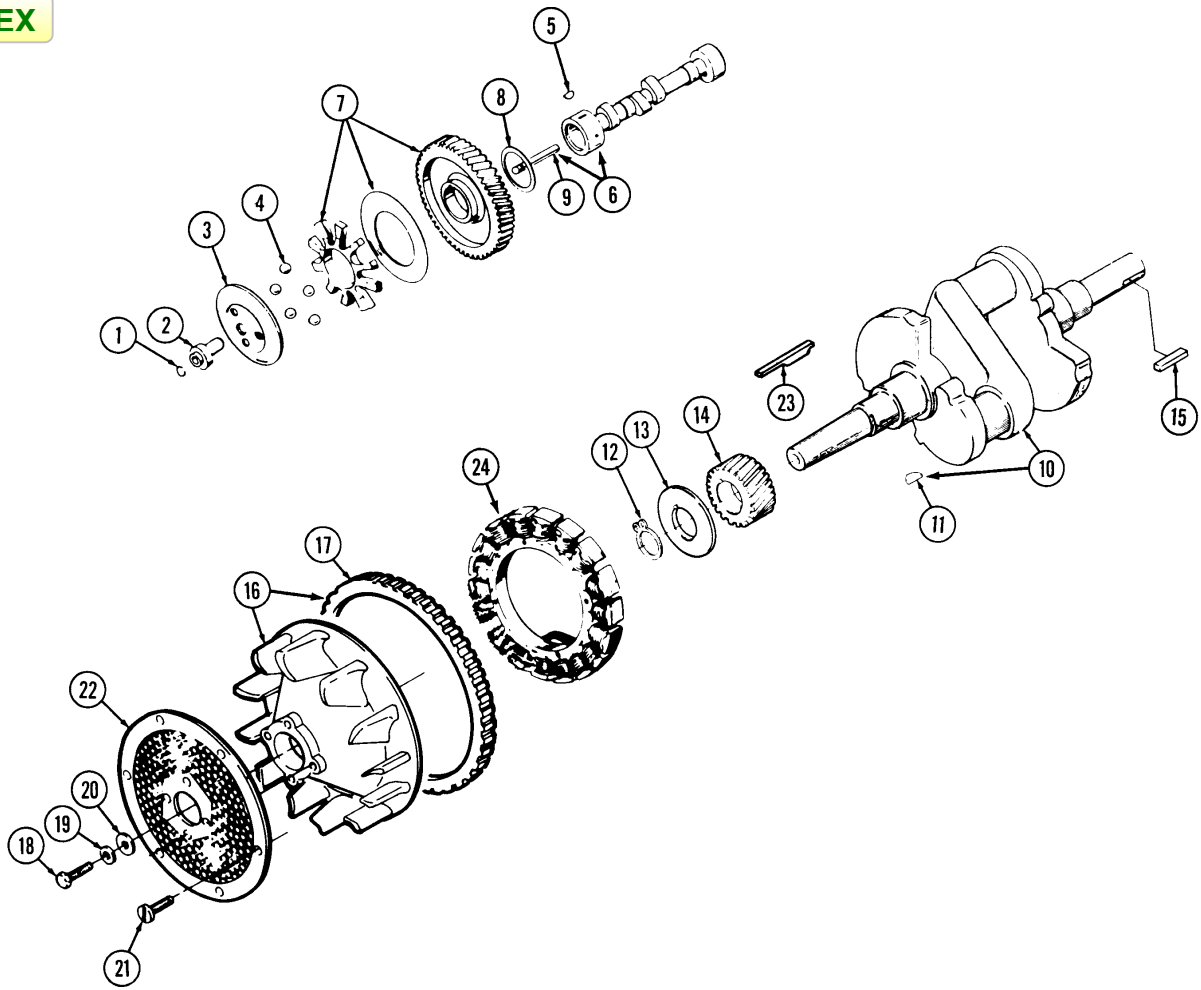
16-ounce Aerosol Can..... C47171

HYDRAULIC OIL

20W40, Use 32 Degrees and above.
12-Quart Case..... C32778

5W20, Use Below 32 Degrees.
12-Quart Case..... C32777

INDEX

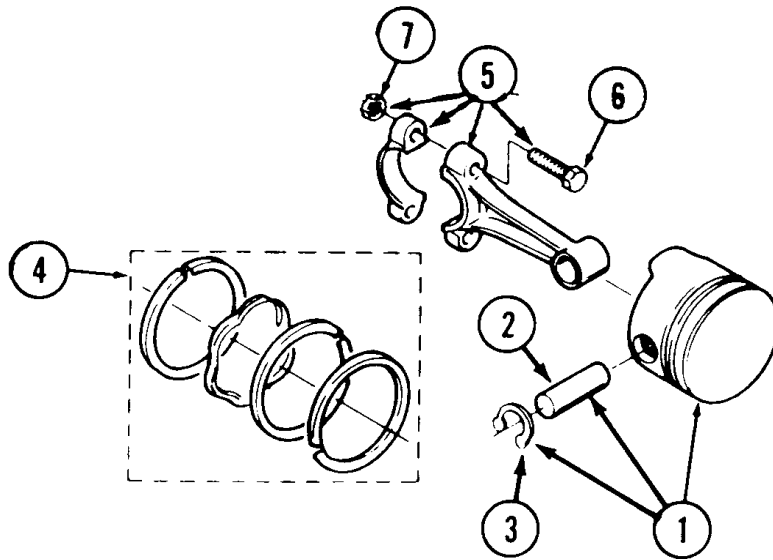
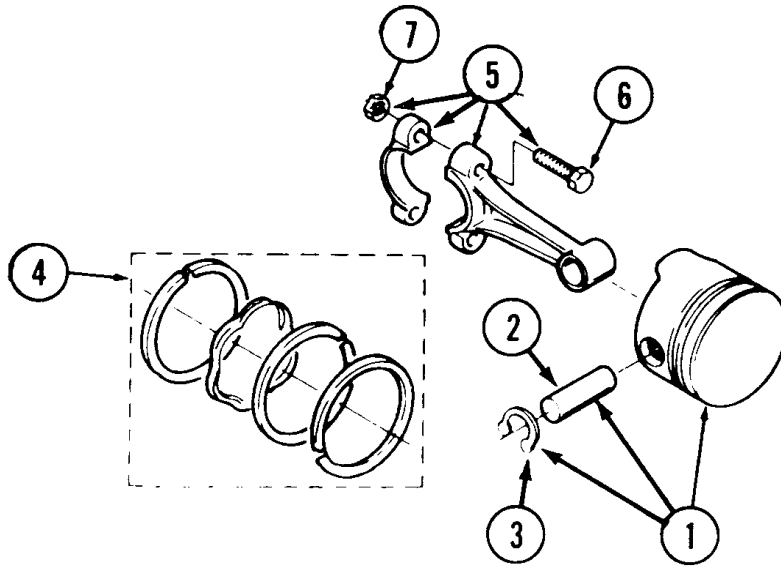


MODEL 3118, 4116, 4118, 4120 COMPACT TRACTORS

CRANKSHAFT, CAMSHAFT AND FLYWHEEL

REF.	PART NO.	DESCRIPTION	REQ'D
1	C20223	RING - retaining	1
2	C24325	HUB - governor cup	1
3	C24326	CUP - governor	1
4	211-216	BALL - governor	5
5	126-9	KEY - woodruff 1/8" x 1/2	1
6	C32468	CAMSHAFT - (includes pin) (3118, 4116, 4118)	1
6	C32469	CAMSHAFT - (includes pin) (4120)	1
7	C22261	GEAR ASSEMBLY - camshaft.....	1
8	C20229	WASHER - thrust	1
9	C20233	PIN - center	1
10	C32284	CRANKSHAFT - engine (4116)	1
10	C32285	CRANKSHAFT - engine (3118, 4118, 4120)	1
11	126-9	KEY - woodruff, crankshaft gear.....	1
12	C20218	RING - retaining	1
13	C20219	WASHER - special	1
14	C22262	GEAR - crankshaft	1
15	C31976	KEY - square, clutch	1
16	C32286	FLYWHEEL - engine.....	1
17	C20226	GEAR - ring, flywheel	1
18	C32473	BOLT - flywheel.....	1
19	C32463	WASHER - special	1
20	C20303	WASHER - special	6
21	C32464	SCREW - #10-24 x 3/8 flange lock	6
22	C32287	SCREEN - flywheel	1
23	C32288	KEY - 3/16" x 2" special, flywheel	1
24	C24956	STATOR - charging.....	1
	C32458	KIT - terminal connector.....	1

INDEX



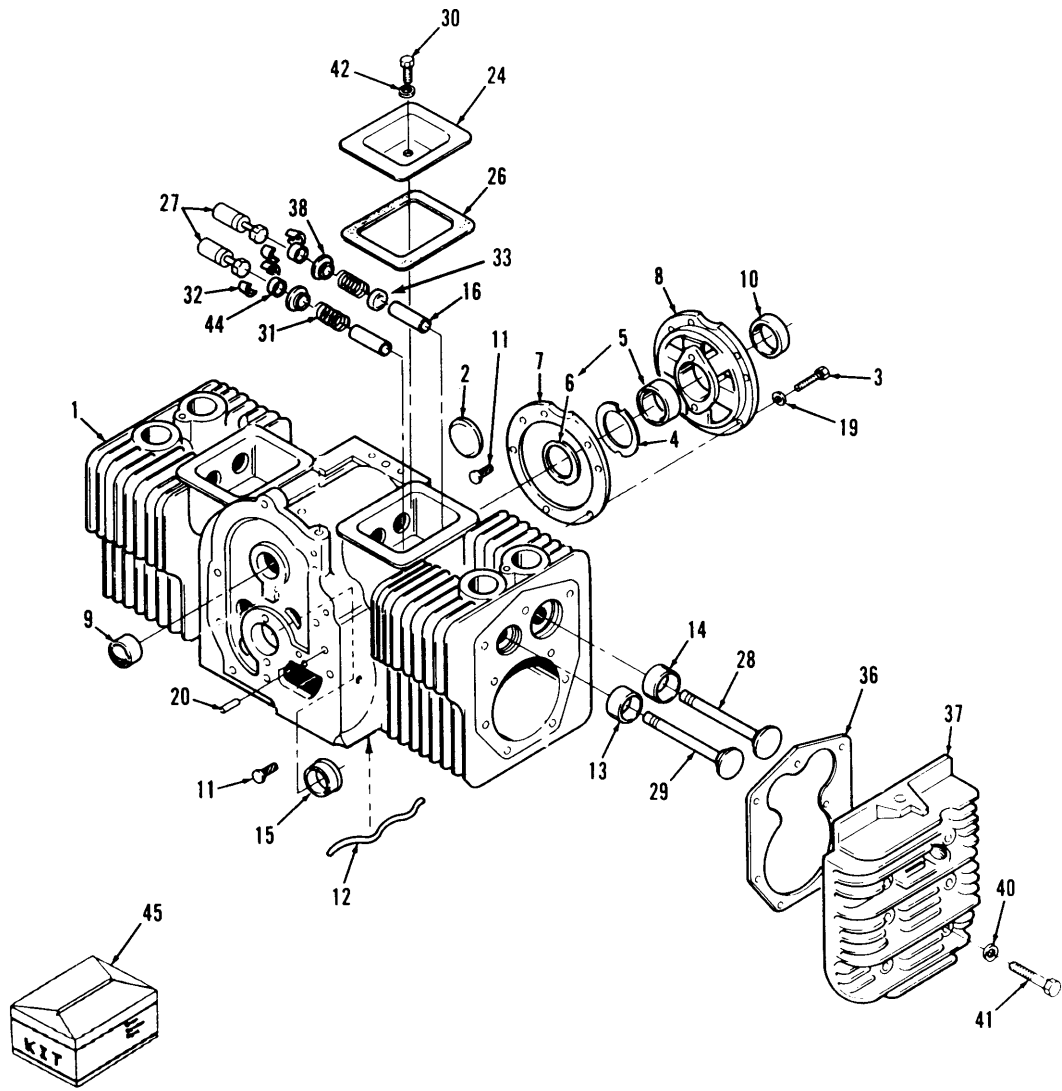
INDEX**MODEL 3118, 4116, 4118, 4120 COMPACT TRACTORS****PISTONS, RINGS AND CONNECTING RODS
for Specification Number 10904C**

REF.	PART NO.	DESCRIPTION	REQ'D
1	NSS	PISTON - standard (use C40793).....	2
1	NSS	PISTON - .010 (0.25 mm) oversize (use C40794).....	2
1	NSS	PISTON - .020 (0.51 mm) oversize (use C40795).....	2
1	NSS	PISTON - .030 (0.76 mm) oversize (use C40796).....	2
2	C29972	PIN - piston	2
3	C20241	RING - retaining	4
4	C29739	RING SET - piston (standard).....	2
4	C24938	RING SET - piston .005" (0.13mm) oversize	2
4	C24939	RING SET - piston .010" (0.25mm) oversize	2
4	C24940	RING SET - piston .020" (0.51mm) oversize	2
4	C24941	RING SET - piston .030" (0.76mm) oversize	2
4	C24942	RING SET - piston .040" (1.02mm) oversize	2
5	C29750	CONNECTING ROD - (standard) includes nut and bolt (4116).....	2
5	C29751	CONNECTING ROD - .010" (0.25mm) undersize, (4116).....	2
5	C20204	CONNECTING ROD - .020" (0.51mm) undersize, (4116).....	2
5	C20205	CONNECTING ROD - .030" (.076mm) undersize, (4116).....	2
5	C25383	CONNECTING ROD - (standard) (3118, 4118, 4120).....	2
5	C25384	CONNECTING ROD - .010" (0.25mm) undersize, (3118, 4118, 4120).....	2
5	C25385	CONNECTING ROD - .020" (0.51mm) undersize, (3118, 4118, 4120).....	2
5	C25386	CONNECTING ROD - .030" (0.76mm) undersize, (3118, 4118, 4120).....	2
6	C25774	BOLT - connecting rod 5/16" special N.F.....	2
7	C25775	NUT - lock, connecting rod 5/16" N.F	2

INDEX**PISTONS, RINGS AND CONNECTING ROD
for Specification Number 10904D**

REF.	PART NO.	DESCRIPTION	REQ'D
1	C40793	PISTON KIT - standard	2
1	C40794	PISTON KIT - .010" oversize	2
1	C40795	PISTON KIT - .020" oversize	2
1	C40796	PISTON KIT - .030" oversize	2
2	C29972	PIN - piston	2
3	C20241	RING - retaining	2
4	C40789	RING SET - standard.....	1
4	C40790	RING SET - .010" oversize.....	1
4	C40791	RING SET - .020" oversize.....	1
4	C40792	RING SET - .030" oversize.....	1
5	C29750	CONNECTING ROD - standard (4116)	2
5	C29751	CONNECTING ROD - .010" undersize (4116)	2
5	C20204	CONNECTING ROD - .020" undersize (4116)	2
5	C20205	CONNECTING ROD - .030" undersize (4116)	2
5	C25383	CONNECTING ROD - standard (3118, 4118, 4120).....	2
5	C25384	CONNECTING ROD - .010" undersize (3118, 4118, 4120)	2
5	C25385	CONNECTING ROD - .020" undersize (3118, 4118, 4120)	2
5	C25386	CONNECTING ROD - .030" undersize (3118, 4118, 4120)	2
6	C25774	BOLT - connecting rod 5/16" special N.F	2
7	C25775	NUT - lock, connecting rod 5/16" N.F	2

INDEX

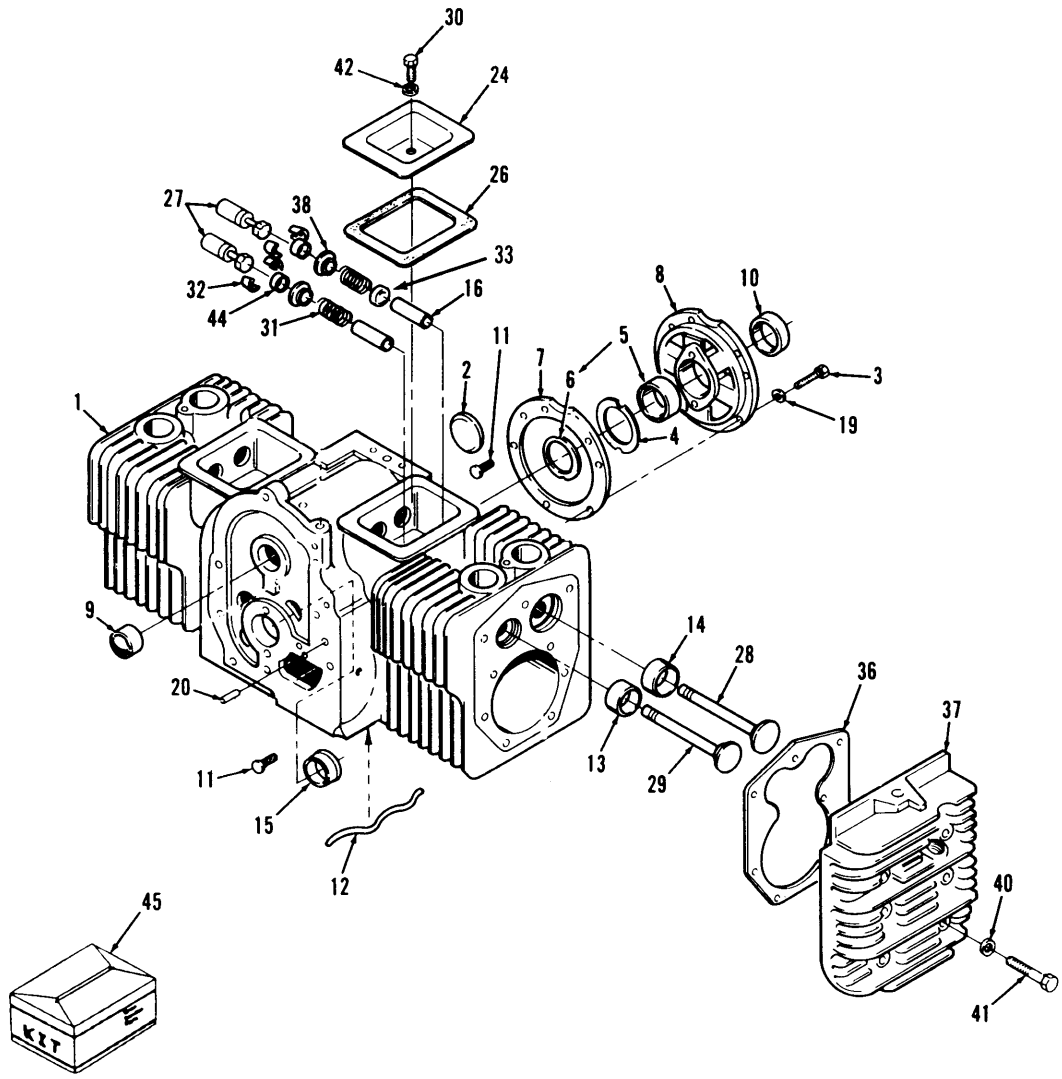


MODEL 3118, 4116, 4118, 4120 COMPACT TRACTORS

CYLINDER BLOCK

REF.	PART NO.	DESCRIPTION	REQ'D
1	C33243	BLOCK ASSEMBLY - short (4116) includes cylinder and crankcase, all bearings, crankshaft, camshaft, timing gear, connecting rods, pistons, piston rings, valves, oil pump and breather tube (does not include gasket set).....	1
1	C33244	BLOCK ASSEMBLY - short (3118, 4118, 4120) includes cylinder and crankcase, all bearings, crankshaft, camshaft, timing gear, connecting rods, pistons, piston rings, valves, oil pump and breather tube (does not include gasket set).....	1
2	41-26	PLUG - welch	1
3	113-208	BOLT - 3/8" - 16 x 1-1/4"	5
4	C20256	SHIM - end play, crankshaft (.005")	UAR
5	C22618	BEARING - crankshaft, rear (includes thrust washer) (standard).....	1
5	C22619	BEARING - crankshaft, rear .002" (0.05mm) undersize	1
5	C22620	BEARING - crankshaft, rear .010" (0.25mm) undersize	1
5	C22621	BEARING - crankshaft, rear .020" (0.51mm) undersize	1
5	C22622	BEARING - crankshaft, rear .030" (0.76mm) undersize	1
6	C20267	WASHER - thrust	2
7	C20268	GASKET - bearing plate.....	1
8	C20269	PLATE - bearing, rear	1
9	C20270	BEARING - camshaft 3/4" length (service part is 5/16" length)	2
10	C20271	SEAL - oil, crankshaft rear	1
11	C20272	PIN - drive, bearing stop	4
12	C24946	TUBE - oil	1
13	C29974	INSERT - valve seat, exhaust (standard)	2
13	C29975	INSERT - valve seat, exhaust .002" (0.05mm) oversize.....	2
13	C29976	INSERT - valve seat, exhaust .005" (0.13mm) oversize.....	2
13	C29977	INSERT - valve seat, exhaust .010" (0.25mm) oversize.....	2
13	C29978	INSERT - valve seat, exhaust .025" (0.64mm) oversize.....	2
14	C20287	INSERT - valve seat, intake (standard)	2
14	C20288	INSERT - valve seat, intake .002" (0.05mm) oversize.....	2
14	C20289	INSERT - valve seat, intake .005" (0.13mm) oversize.....	2
14	C20290	INSERT - valve seat, intake .010" (0.25mm) oversize.....	2
14	C20291	INSERT - valve seat, intake .025" (0.64mm) oversize.....	2
15	C20295	BEARING - crankshaft, front, flanged (standard)	1
15	C20296	BEARING - crankshaft, front .002" (0.05mm) undersize	1
15	C20297	BEARING - crankshaft, front .010" (0.25mm) undersize	1
15	C20298	BEARING - crankshaft, front .020" (0.51mm) undersize	1
15	C20299	BEARING - crankshaft, front .030" (0.76mm) undersize	1
16	C32274	GUIDE - valve, exhaust.....	2
16	C32275	GUIDE - valve, intake.....	2
19	192-21	LOCKWASHER - 3/8"	5
20	C23320	PIN - alignment, gear cover	2
24	C20250	COVER - valve.....	1
26	C20251	GASKET - valve cover	2
27	C20276	TAPPET - valve (standard)	4
27	C20471	TAPPET - valve .002 (0.05mm) oversize.....	4
27	C20277	TAPPET - valve .005 (0.13mm) oversize.....	4
28	C32272	VALVE - intake.....	2
29	C32273	VALVE - exhaust.....	2
30	113-132	BOLT - 1/4" -20 x 1-3/4"	2
31	C32276	SPRING - valve.....	4
32	C32277	LOCK - valve and spring.....	8

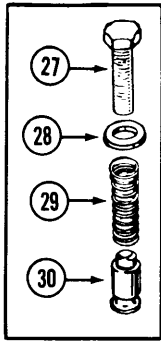
INDEX



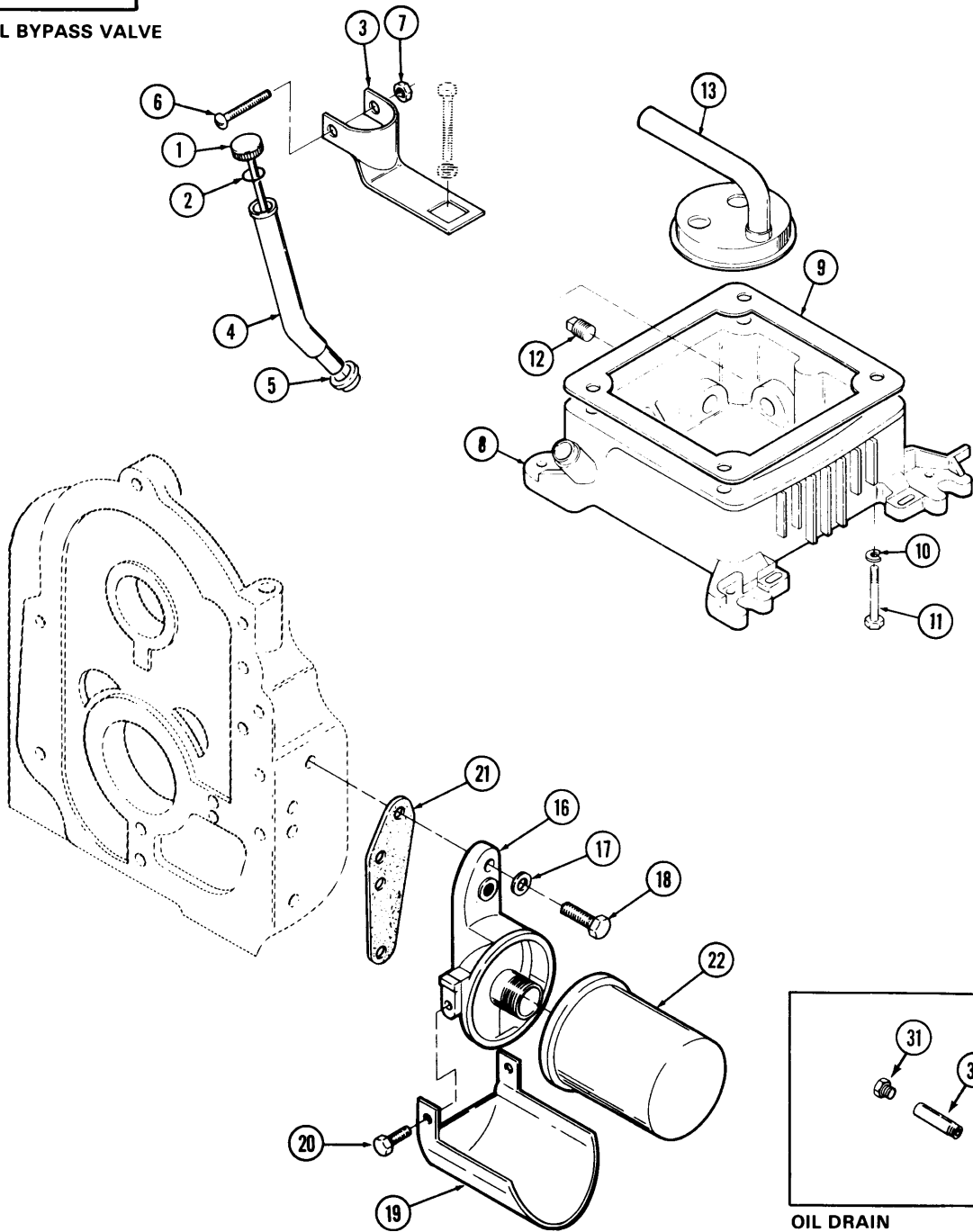
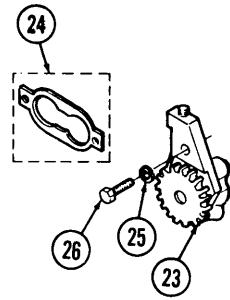
CYLINDER BLOCK

REF.	PART NO.	DESCRIPTION	REQ'D
33	C40797	SEAL - intake valve	2
36	C29979	GASKET - head	2
37	C32279	HEAD - cylinder R.H	1
37	C32280	HEAD - cylinder L.H	1
38	C32281	RETAINER - valve spring.....	4
40	C20248	WASHER - 5/16"	18
41	C32440	BOLT - head 2-3/8" long	16
42	C20247	WASHER - 1/4" copper	2
44	C32282	CAP - valve	4
45	C29981	KIT - gasket, complete engine (does not include bearings).....	1
45	C29982	KIT - gasket, (carbon removal/valve grind)	1

INDEX



OIL BYPASS VALVE



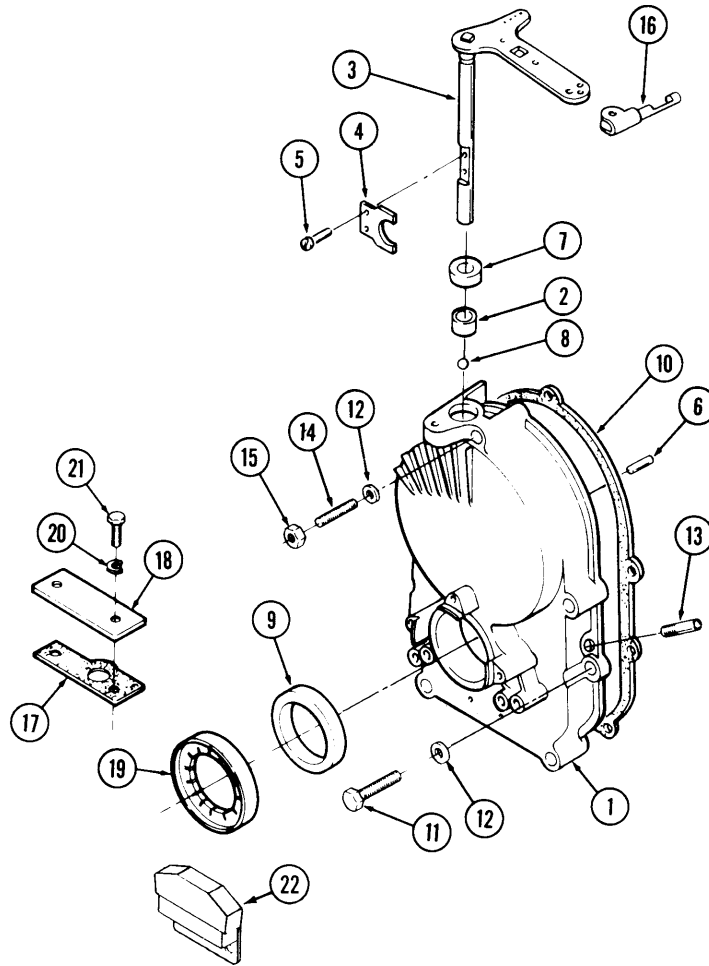
OIL DRAIN

MODEL 3118, 4116, 4118, 4120 COMPACT TRACTORS

OIL BASE, PUMP, FILTER AND FILLER TUBE

REF.	PART NO.	DESCRIPTION	REQ'D
1	C32290	DIPSTICK - oil level indicator.....	1
2	C32465	“O” - RING	1
3	C32291	BRACKET - fill tube.....	1
4	C32292	TUBE - oil fill	1
5	C32293	SEAL - tube.....	1
6	C32466	SCREW - #10 x 1-1/4” panhead	1
7	C32467	NUT - speed (type U).....	1
8	C32289	BASE - oil (includes plugs).....	1
9	C29984	GASKET - oil base	1
10	192-21	LOCKWASHER - 3/8”	4
11	113-252	BOLT - 3/8” - 16 x 3-3/4”	4
12	221-3	PLUG - oil base 3/8”.....	2
13	C23321	CUP - intake, oil pump	1
16	C20565	ADAPTER - oil filter.....	1
17	C20331	WASHER - 5/16” copper	2
18	113-103	BOLT - 5/16” - 18 x 1”.....	2
19	C25389	DRAIN - oil filter	1
20	182-525	BOLT - #10 - 32 x 3/8”	2
21	C32462	GASKET - oil filter adapter.....	1
22	C26191	FILTER - oil	1
23	C29734	PUMP - oil	1
24	C20325	KIT - gasket, oil pump	1
25	192-19	LOCKWASHER - 1/4”	2
26	113-4	BOLT - 1/4” -20 x 1”	2
27	C32474	BOLT - 3/8” - 24 x 7/8” oil bypass	1
28	C20574	WASHER - 3/8” copper	1
29	C20320	SPRING - oil bypass valve.....	1
30	C20322	VALVE - oil bypass	1
31	218-5154	PLUG - oil drain.....	1
32	C33949	NIPPLE - pipe 3.5”	1

INDEX

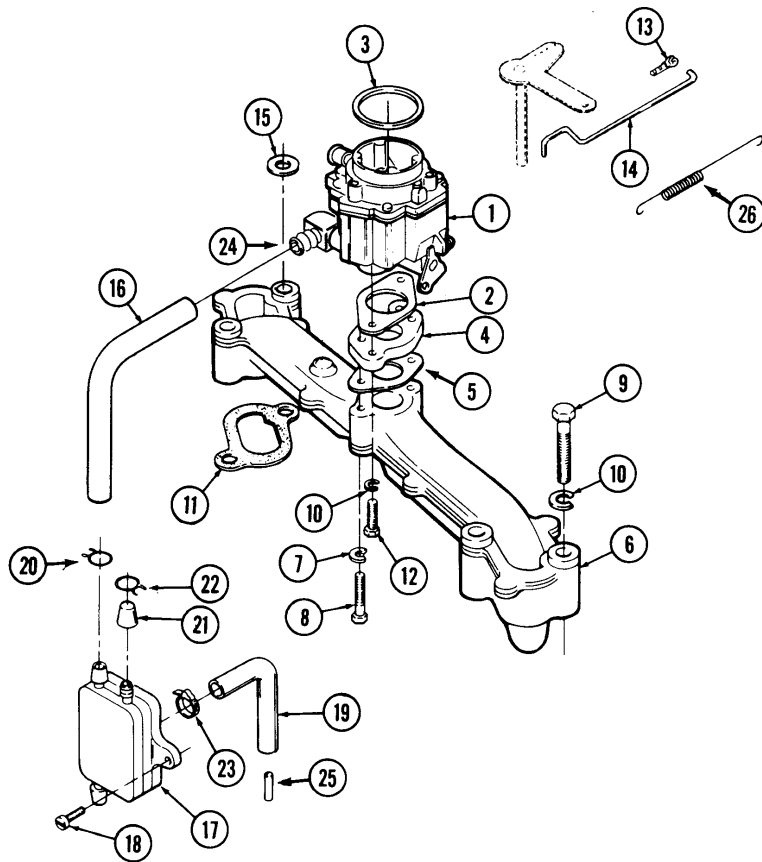


MODEL 3118, 4116, 4118, 4120 COMPACT TRACTORS

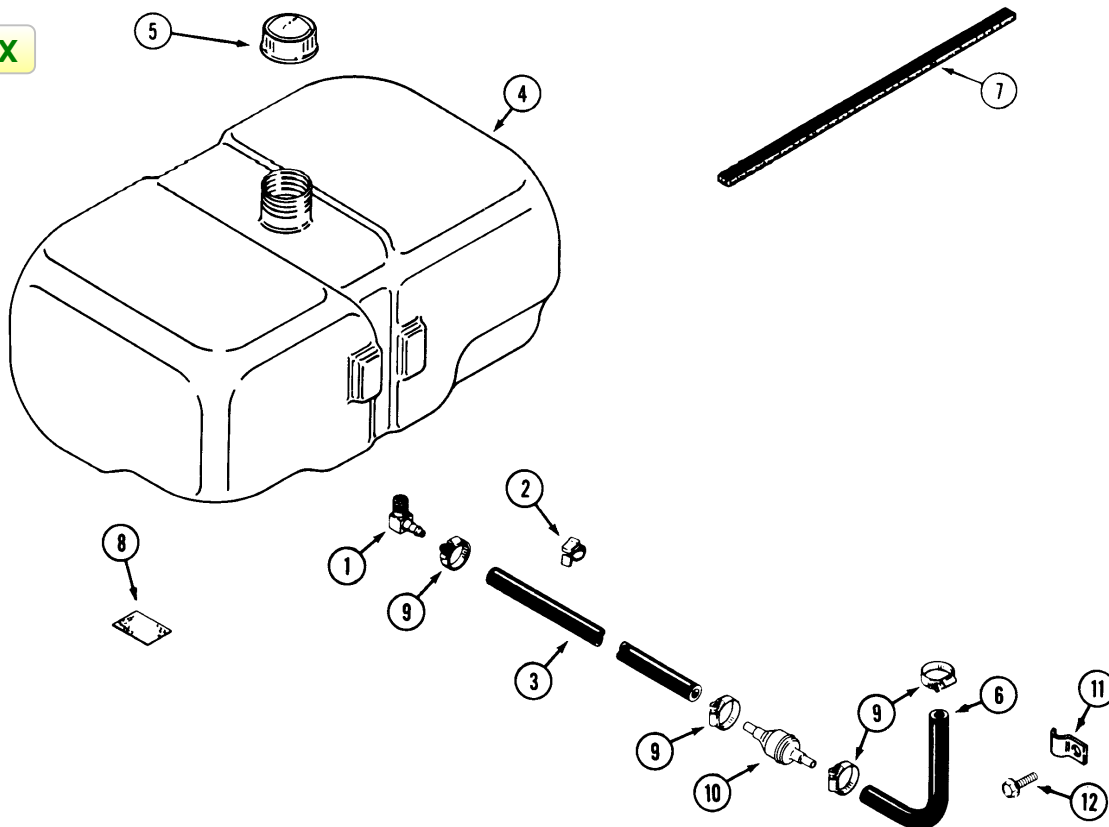
GOVERNOR GEARCASE AND IGNITION ROTOR

REF.	PART NO.	DESCRIPTION	REQ'D
1	C32457	GEARCASE ASSEMBLY - governor	1
2	C20305	BEARING - governor shaft.....	1
3	C22632	SHAFT AND ARM.....	1
4	C20307	YOKE - governor shaft.....	1
5	182-84	SCREW - #8 - 32 x 3/8"	2
6	C20309	PIN - governor cup stop	1
7	C20310	SEAL - oil, governor shaft	1
8	211-5	BALL - bearing, governor shaft.....	1
9	C20312	SEAL - oil, crankshaft	1
10	C20313	GASKET - mounting.....	1
11	113-120	BOLT - 5/16" - 18 x 1-3/4"	4
12	C20331	WASHER - 5/16" copper	5
13	C20412	TUBE - vacuum port (included in assembly).....	1
14	C29985	STUD - gear cover	1
15	131-911	NUT - 5/16"-18	1
16	C29989	CLIP - retaining	1
17	C20345	GASKET - plate.....	1
18	C32452	PLATE - plunger cover.....	1
19	C32297	ROTOR - ignition.....	1
20	192-19	LOCKWASHER - 1/4"	2
21	113-2	BOLT - 1/4" -20 x 5/8"	2
22	C32294	CONTROL - ignition	1

INDEX



INDEX



INDEX

MODEL 3118, 4116, 4118, 4120 COMPACT TRACTORS

FUEL SYSTEM (ENGINE)

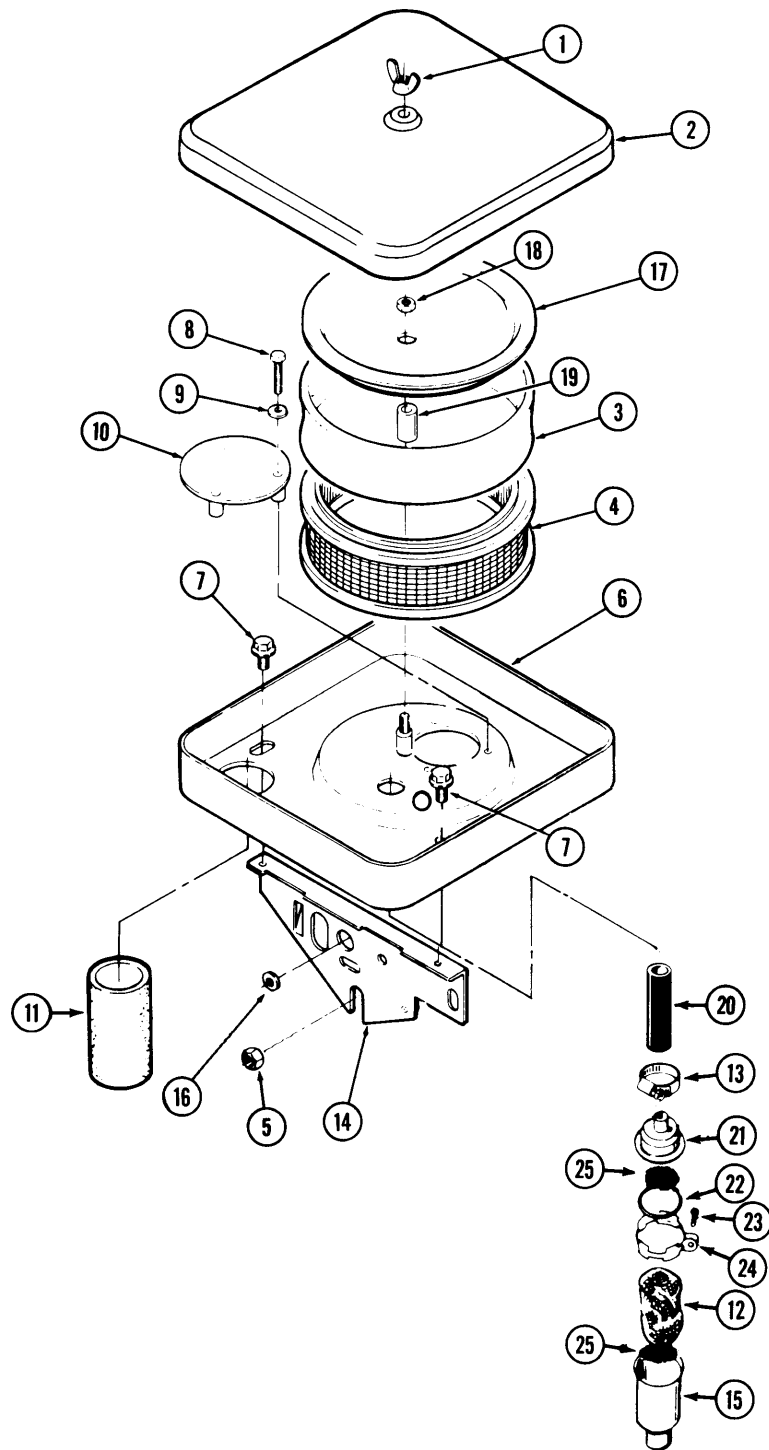
REF.	PART NO.	DESCRIPTION	REQ'D
1	C29868	CARBURETOR - fuel (3118, 4116, 4118) repairs page 21	1
1	C29869	CARBURETOR - fuel (4120) repairs page 21	1
2	C29969	GASKET - carburetor mounting.....	1
3	C29944	SEAL - "O" ring	1
4	C29952	ADAPTER - carburetor.....	1
5	C29953	GASKET - adapter	1
6	C32450	MANIFOLD - intake.....	1
7	192-19	LOCKWASHER - 1/4"	2
8	113-65	BOLT - 1/4" -20 x 1-3/8"	2
9	113-121	BOLT - 5/16" - 18 x 2"	4
10	192-20	LOCKWASHER - 5/16"	6
11	C26202	GASKET - manifold.....	2
12	113-103	BOLT - 5/16" - 18 x 1"	2
13	C20360	CLIP - retaining, control rod to carburetor.....	1
14	C29988	ROD - governor control	1
15	195-2027	WASHER - 5/16"	1
16	NSS	HOSE - fuel (use C28937 cut to length)	1
17	C29959	PUMP - fuel.....	1
18	182-559	SCREW - tapping #10 - 24 x 5/8"	2
19	NSS	HOSE - vacuum (use C28937 cut to length).....	1
20	214-103	CLAMP - hose 1/2" (wire).....	UAR
21	C20411	CAP - fuel outlet	UAR
22	NSS	CLAMP - hose 7/16" (wire) (use C32376).....	UAR
23	C32376	CLAMP - hose 1/2" (worm drive)	1
24	C10678	ELBOW - hose 900	1
25	C20412	TUBE - vacuum.....	1
26	C33406	SPRING - governor rod (optional).....	1

INDEX

FUEL SYSTEM (TRACTOR)

1	C10678	ELBOW - hose 90°	1
2	C28962	RETAINER - fuel line	1
3	NSS	HOSE - fuel line (use C28937 cut to length).....	1
4	C28940	TANK - fuel.....	1
5	C37094	CAP - fuel tank	1
6	NSS	HOSE - fuel line (use C28937 cut to length).....	1
7	C23527	LINER - tank.....	1
8	C14690	CUSHION - fuel tank.....	2
9	C32376	CLAMP - hose 1/2".....	4
10	C31978	FILTER - fuel.....	1
11	C24689	CLIP - "J" fuel line retaining.....	1
12	187-1036	SCREW - 1/4" - 20 self tap.....	1

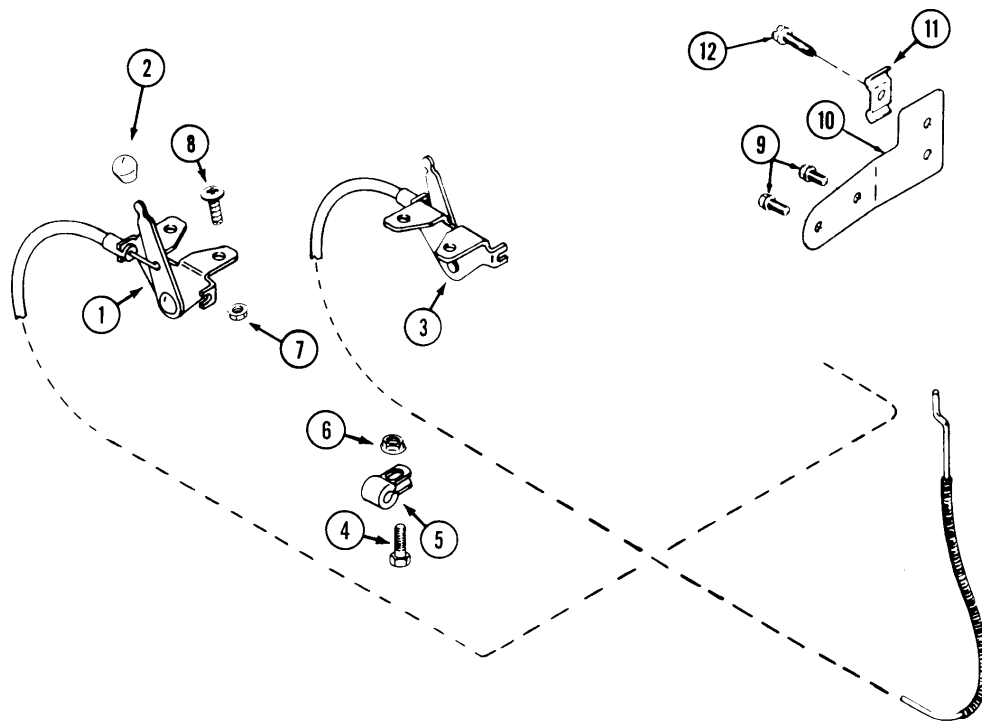
INDEX



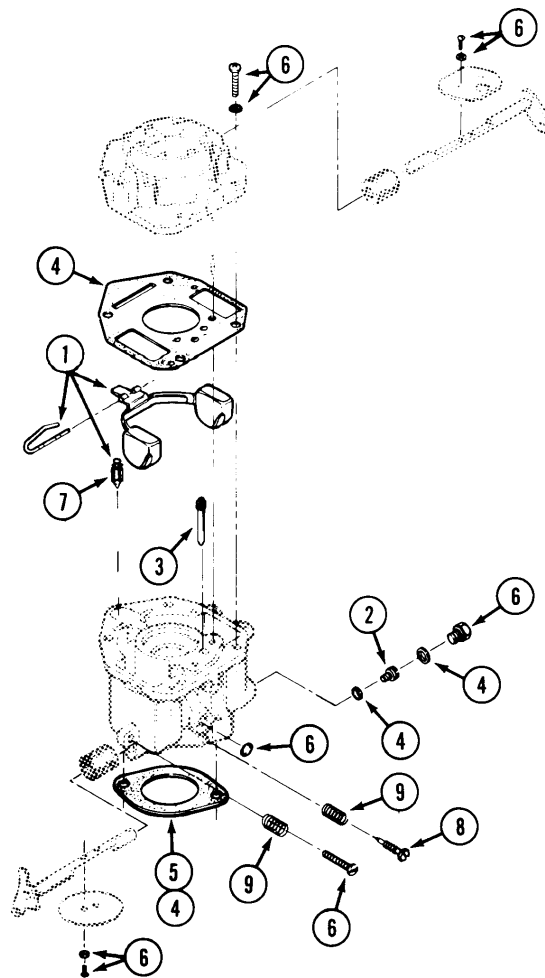
AIR CLEANER

REF.	PART NO.	DESCRIPTION	REQ'D
1	C26703	NUT - wing 1/4" - 20.....	1
2	C32302	COVER - air cleaner	1
3	C22581	PRECLEANER.....	1
4	C22424	ELEMENT - air cleaner	1
5	131-911	NUT - 5/16" - 18 flange	1
6	C32303	HOUSING - air cleaner	1
7	187-1036	BOLT - 1/4" - 20 x 3/8" tapping, washer head.....	2
8	182-152	SCREW - machine #10 - 32 x 1-1/2"	3
9	195-516	WASHER - #10	3
10	C29946	DEFLECTOR - air	1
11	C32304	TUBE - air intake.....	1
12	C29948	FILTER - breather	1
13	214-251	CLAMP - hose.....	1
14	C32305	SUPPORT - air cleaner.....	1
15	C33247	TUBE - breather	1
16	C30033	GROMMET - rubber.....	1
17	C32306	COVER - element	1
18	131-71	NUT - lock 1/4" - 20.....	1
19	C32451	SPACER - air cleaner stud.....	1
20	C33246	HOSE - breather	1
21	C20490	VALVE - breather cap	1
22	C20493	"O" RING - breather cap	1
23	C22265	SCREW - #8 x 3/4" self tap.....	1
24	C20536	CLAMP - breather cap	1
25	C20504	SCREEN - breather tube.....	2

INDEX



INDEX



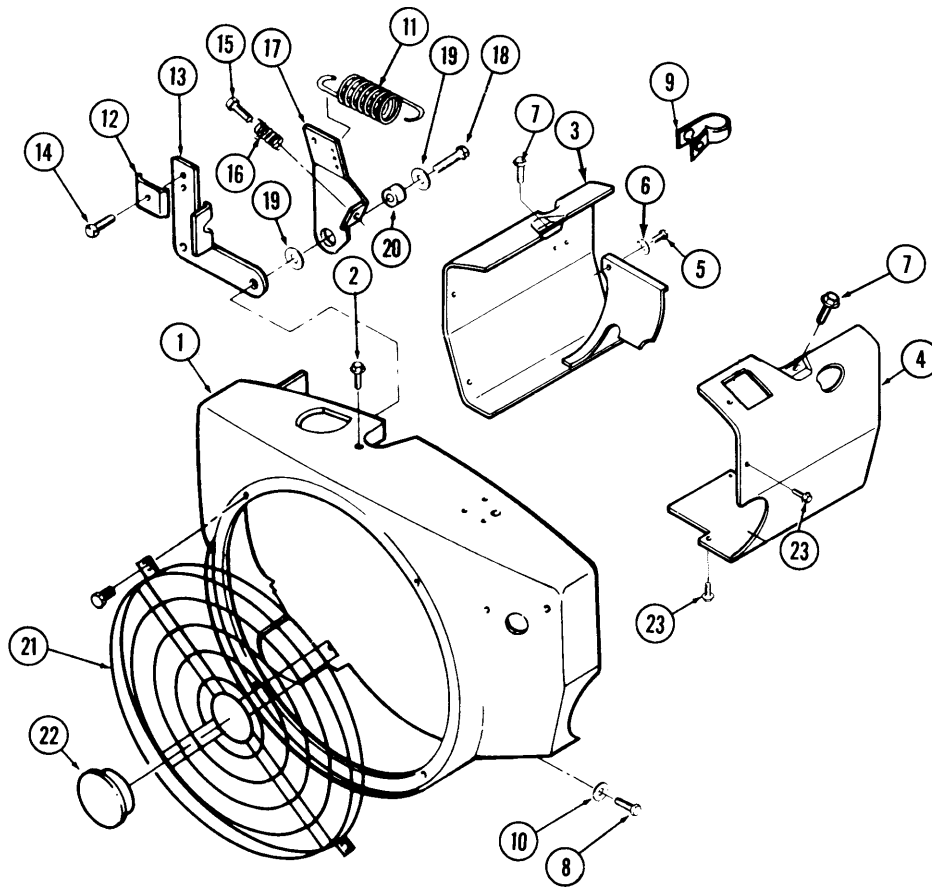
INDEX**MODEL 3118, 4116, 4118, 4120 COMPACT TRACTORS****CHOKE AND THROTTLE**

REF.	PART NO.	DESCRIPTION	REQ'D
1	C37226	CONTROL - throttle	1
2	C35291	KNOB - control	2
3	C37227	CONTROL - choke.....	1
4	113-1	BOLT - 1/4" - 20 x 1/2	1
5	C27233	CLIP - double cable.....	3
6	131-934	NUT - 1/4" - 20 flange lock	1
7	C34117	NUT - No. 10 - 24 flange lock	2
8	182-559	BOLT - No. 10 - 24 x 3/4" phillips, black	2
9	C22369	BOLT - washer head #10 - 32 x 5/16"	2
10	C29957	BRACKET - choke cable.....	1
11	C29506	CLIP - retaining, choke cable.....	1
12	187-1511	SCREW - tapping #10 - 32 x 1/2"	1
	C22947	TIE - nylon (not shown).....	1

INDEX**CARBURETOR**

REF.	PART NO.	DESCRIPTION	REQ'D
	C29868	CARBURETOR - fuel (3118, 4116, 4118)	1
	C29869	CARBURETOR - fuel (4120).....	1
1	C29965	KIT - float	1
2	C29966	JET-power (3118, 4116, 4118).....	1
2	C30015	JET - power (4120).....	1
3	C29967	JET - idle.....	1
	C29962	KIT - repair	1
4	NSS	GASKET AND SEAL PACKAGE	1
5	C29969	GASKET - mounting.....	1
6	NSS	SCREW AND PLUG PACKAGE	1
7	NSS	VALVE - inlet	1
8	NSS	VALVE - idle adjust.....	1
9	NSS	SPRING - tension	2

INDEX

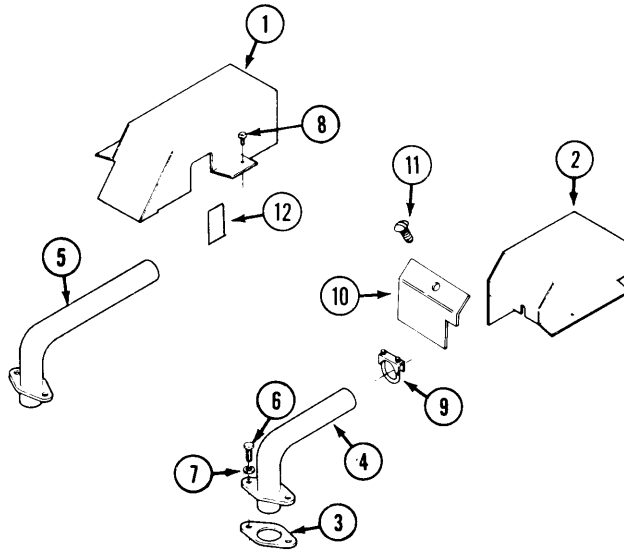


MODEL 3118, 4116, 4118, 4120 COMPACT TRACTORS

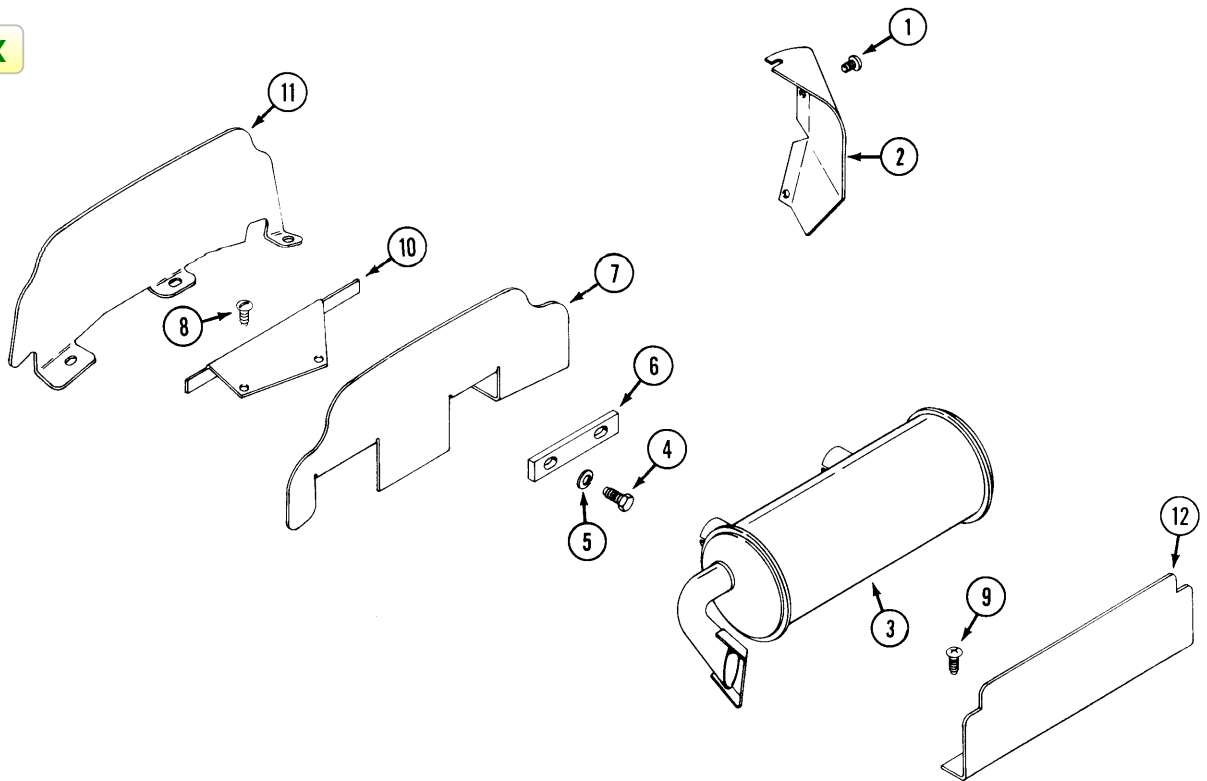
BLOWER HOUSING AND GOVERNOR

REF.	PART NO.	DESCRIPTION	REQ'D
1	C32308	HOUSING - blower.....	1
2	163-22	SCREW - tapping, washerhead 1/4" - 20 x 7/16".....	1
3	C32444	HOUSING - cylinder air L.H.....	1
4	C32445	HOUSING - cylinder air R.H.....	1
5	187-1073	SCREW - tapping, washerhead 1/4" - 20 x 5/8".....	2
6	195-102	WASHER - 1/4".....	2
7	C32446	BOLT - 5/16" - 18 x 3/4" washerhead.....	2
8	187-1073	SCREW - 1/4" - 20 x 5/8" tapping, washerhead.....	4
9	C32447	CLAMP - wire.....	1
10	195-518	WASHER - 1/4".....	4
11	C20376	SPRING - governor.....	1
12	C29506	CLAMP - cable.....	1
13	C28719	BRACKET - cable.....	1
14	187-1511	SCREW - tapping #10 - 32 x 1/2".....	1
15	182-49	SCREW - tapping #6 - 32 x 5/8".....	1
16	C20371	SPRING - idle setting.....	1
17	C32311	ARM - governor.....	1
18	121-3	BOLT - 1/4" - 20 x 1/2" washerhead.....	2
19	195-102	WASHER - 1/4".....	2
20	C20375	BUSHING - arm, governor.....	1
21	NSS	SCREEN - blower housing (not used).....	1
22	NSS	PLUG - screen (not used).....	1
23	187-1036	BOLT - 1/4" - 20 x 1/2" flange lock.....	UAR

INDEX



INDEX



MODEL 3118, 4116, 4118, 4120 COMPACT TRACTORS

INDEX

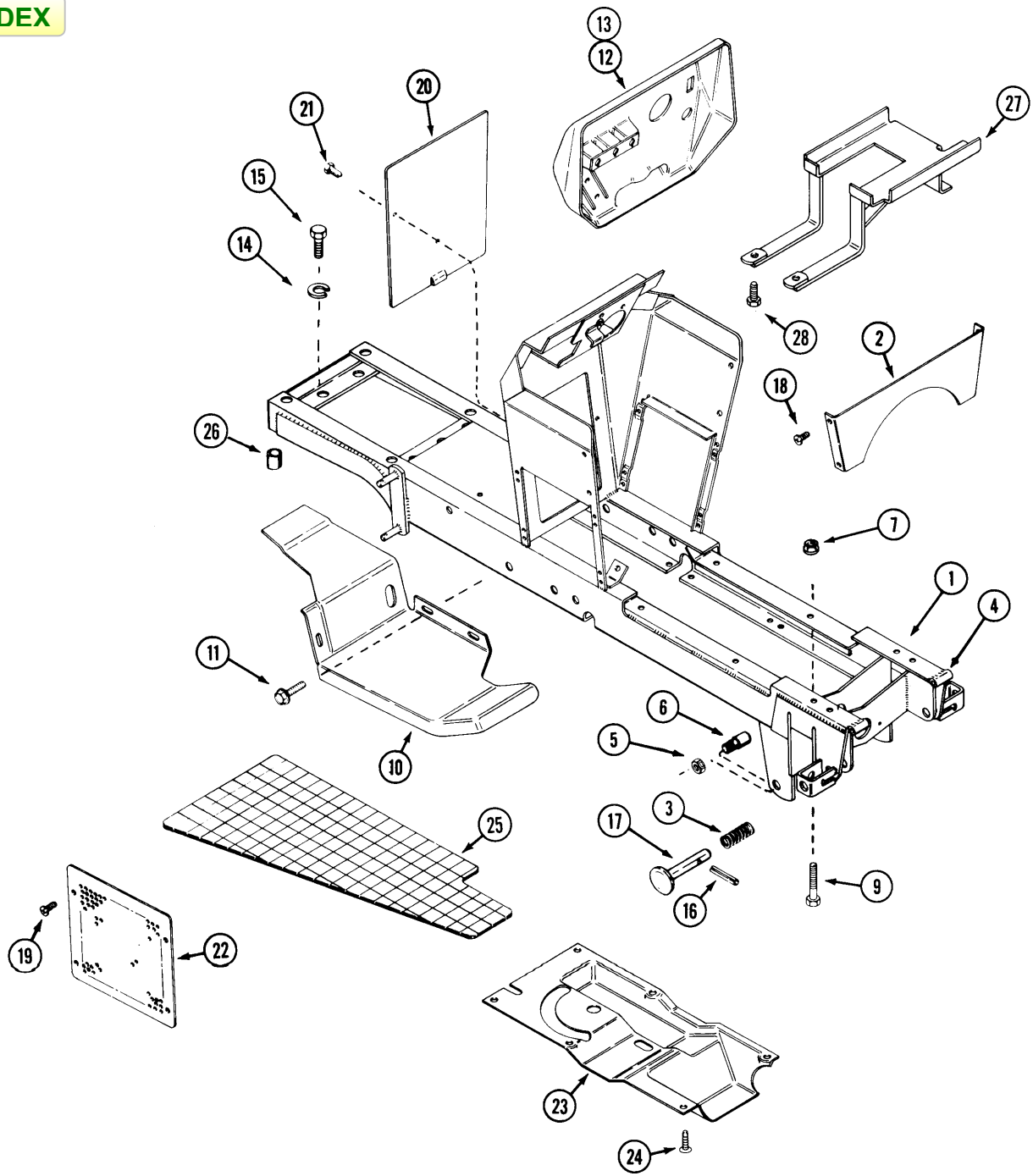
EXHAUST PIPES AND COVERS

REF.	PART NO.	DESCRIPTION	REQ'D
1	C32321	COVER - exhaust pipe L.H	1
2	C32322	COVER - exhaust pipe R.H.....	1
3	C26207	GASKET - exhaust.....	2
4	C32324	PIPE - exhaust R.H	1
5	C32325	PIPE - exhaust L.H.....	1
6	61-512	BOLT - 5/16" x 5/8" socket head.....	4
7	192-404	LOCKWASHER - 5/16"	4
8	NSS	SCREW - 1/4" - 20 x 3/8" washerhead (use C31597)	2
9	C31417	CLAMP - exhaust	2
	129-102	NUT - 5/16" - 18.....	2
10	C37277	DEFLECTOR - R.H. exhaust pipe	1
11	187-1334	SCREW	1
12	C37281	SHIELD - manifold	2

MUFFLER AND SHIELDS

1	C31597	SCREW - 1/4" - 20 x 1/2 black.....	2
2	C31415	SHIELD - head baffle extension L.H	1
3	C33425	MUFFLER - exhaust	1
4	113-208	BOLT - 3/8" - 16 x 1-1/4"	2
5	192-21	LOCKWASHER - 3/8"	2
6	C37276	SPACER - muffler	1
7	C44023	SHIELD - muffler	1
8	C31597	SCREW - 1/4" - 20 x 1/2	4
9	187-1334	SCREW	1
10	C37278	SHIELD - carburetor.....	1
11	C44024	SHIELD - battery	1
12	C37287	SHIELD - front.....	1

INDEX

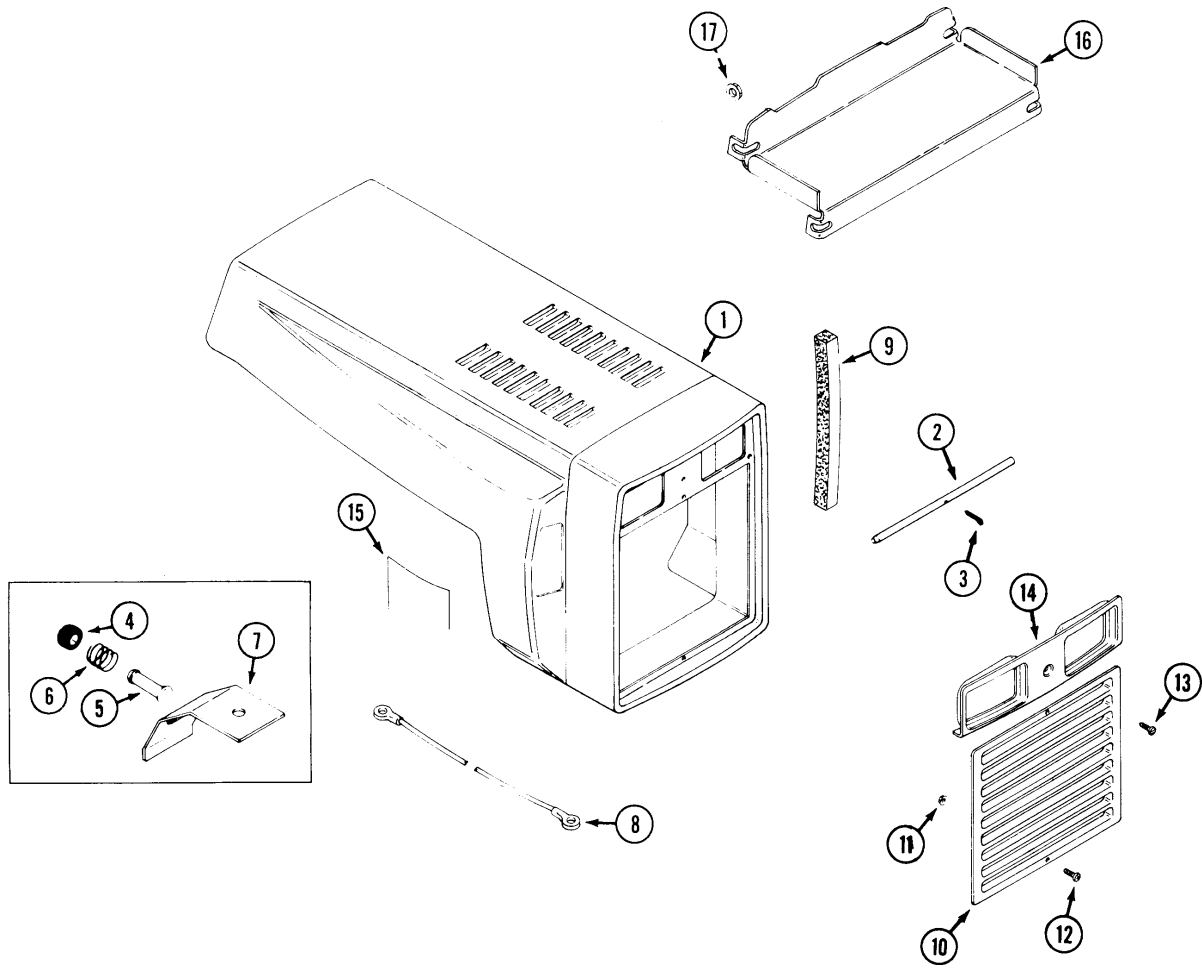


MODEL 3118, 4116, 4118, 4120 COMPACT TRACTORS

FRAME, FOOT PADS AND BELLY PAN

REF.	PART NO.	DESCRIPTION	REQ'D
1	C37211	FRAME - main (3118)	1
1	C37212	FRAME - main shown (4116, 4118, 4120).....	1
2	C31610	SHIELD - oil tank.....	1
3	C24137	SPRING - latch.....	1
4	C22023	HINGE - frame	2
5	131-1318	NUT - lock 1/2" N.F.	2
6	C27508	PIN - attachment	2
7	131-1352	NUT - lock 3/8" N.C. flange.....	4
9	113-208	BOLT - 3/8" - 16 x 1-1/4"	4
10	C37132	FOOT REST-L.H. (3118)	1
10	C37134	FOOT REST - R.H. (3118).....	1
10	C37136	FOOT REST - L.H. (4116, 4118, 4120).....	1
10	C37138	FOOT REST - R.H. (4116, 4118, 4120).....	1
11	121-106	BOLT - 5/16" x 1/2" N.C. flange lock.....	4
12	C37191	CAP - instrument panel (includes insert decal).....	1
13	C36933	INSERT - instrument panel cap	1
14	192-23	LOCKWASHER - 1/2"	4
15	113-424	BOLT - 1/2" - 1 3 x 1" transaxle mounting.....	UAR
15	166-86	BOLT - 1/2" x 1-1/4", 12 Pt. flange.....	UAR
16	138-2073	PIN - roll 3/16" x 1-1/4"	2
17	C16373	PIN - latch.....	2
18	C31597	SCREW - 1/4" - 20 x 1/2" black.....	4
19	C33576	SCREW - 1/4" - 20 x 5/16" black.....	8
20	C33548	COVER - access	1
21	C33576	SCREW - 1/4" - 20 x 5/16" black.....	3
22	C31967	SCREEN - tower side.....	2
23	C33580	PAN - belly	1
24	C31603	RETAINER - belly pan	6
25	C37140	PAD - footrest (L.H.).....	1
25	C37141	PAD - footrest (R.H.) shown.....	1
26	C14730	SPACER - rear, frame (3118).....	2
27	C42383	TRAY - battery and oil tank.....	1
28	121-21	BOLT - 1/4" - 20 x 1/2"	4

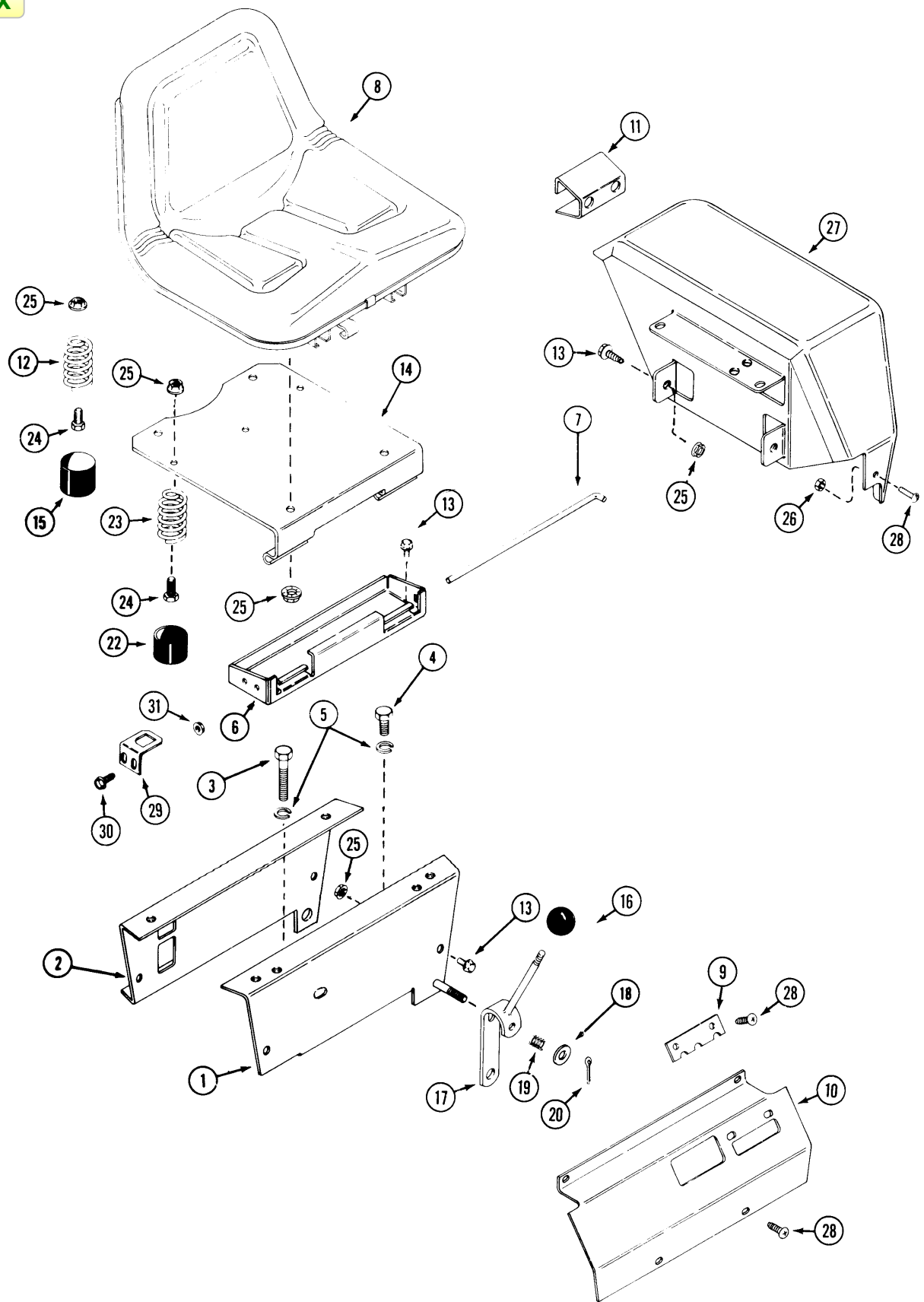
INDEX



HOOD AND GRILLE

REF.	PART NO.	DESCRIPTION	REQ'D
1	C37223	HOOD.....	1
	C37312	HINGE - hood (not shown) is welded to hood	1
2	C16362	ROD - hood hinge	1
3	132-334	PIN - cotter 1/8" x 3/4"	1
4	C29314	BUTTON - push, hood release	1
5	C30126	ROD - push, hood release	1
6	C30004	SPRING - release	1
7	C33467	LATCH - hood	1
8	C37147	LANYARD	1
9	C40721	SEAL - air (cut to length)	4
10	C45053	GRILLE.....	1
11	131-934	NUT - 1/4" - 20 flange lock	2
12	C31597	SCREW - 1/4" - 20 x 1/2" black.....	2
13	187-1328	SCREW - #8 - 18 x 3/8"	1
14	C31366	SHROUD - headlight.....	1
15	C31612	SHIELD - heat	1
16	C37225	SHIELD - heat	1
17	131-934	NUT - 1/4" - 20 flange lock	4

INDEX

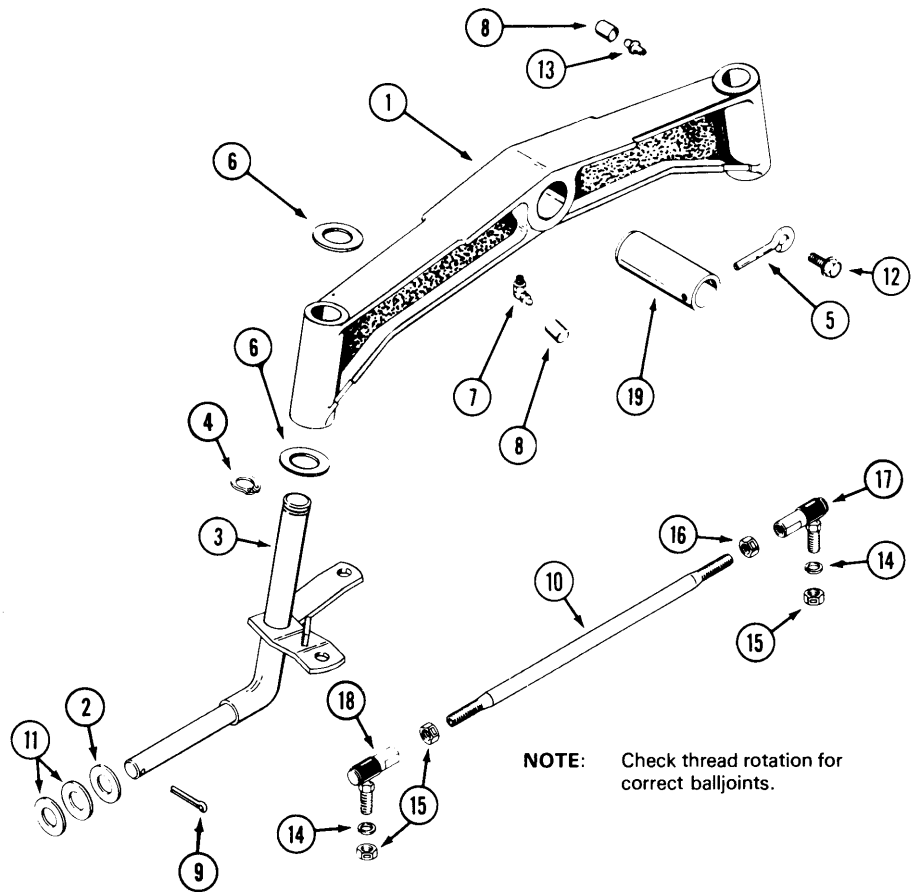


MODEL 3118, 4116, 4118, 4120 COMPACT TRACTORS

SEAT, FENDERS AND TOOL TRAY

REF.	PART NO.	DESCRIPTION	REQ'D
1	C37261	SUPPORT - seat, front shown (3118).....	1
1	C37262	SUPPORT - seat, front (4116, 4118, 4120).....	1
2	C37265	SUPPORT - seat, rear (3118).....	1
2	C37266	SUPPORT - seat, rear (4116, 4118, 4120).....	1
3	113-427	BOLT - 1/2" x 3-1/4" (3118).....	2
3	113-441	BOLT - 1/2" - 2-1/4" N.C. hex (4116, 4118, 4120).....	2
4	113-424	BOLT - 1/2" x 1" N.C. hex.....	1
4	113-118	BOLT - 5/16" x 5/8".....	1
5	192-20	LOCKWASHER - 5/16".....	1
5	192-23	LOCKWASHER - 1/2".....	4
6	C37017	TRAY - tool.....	1
7	C16429	PIN - seat hinge.....	1
8	C44982	SEAT - black.....	1
	C37848	RAIL KIT.....	1
9	C37428	PLATE - shift pattern (3118).....	1
9	C37430	PLATE - shift pattern (4116, 4118, 4120).....	1
10	C37409	COVER - shift lever (3118).....	1
10	C37411	COVER - shift lever (4116, 4118, 4120).....	1
11	C42155	PROTECTOR - tail light.....	2
12	C37462	SPRING - seat switch.....	1
13	121-106	BOLT - 5/16" x 1/2" flange lock.....	10
14	C37152	HINGE ASSEMBLY - seat.....	1
15	C26526	CAP - spring.....	1
16	C10487	KNOB - shift.....	1
17	C37244	LEVER - shift (3118).....	1
17	C37247	LEVER-shift (4116,4118,4120).....	1
18	195-525	WASHER - 7/16" x 1-1/4" O.D.....	1
19	C10482	SPRING - shift lever.....	1
20	132-310	PIN - cotter 1/8" x 1".....	1
21	131-1216	NUT - lock 3/8" N.C. hex.....	1
22	C29305	CAP - spring.....	2
23	C29306	SPRING - seat.....	2
24	113-102	BOLT - 5/16" - 18 x 3/4".....	3
25	131-911	NUT - 5/16" - 18 flange lock.....	15
26	131-934	NUT - 1/4".....	2
27	C37154	FENDER-R.H. (3118).....	1
27	C37153	FENDER - L.H. shown (3118).....	1
27	C37156	FENDER - R.H. (4116, 4118, 4120).....	1
27	C37155	FENDER - L.H. (4116, 4118, 4120).....	1
28	C31597	SCREW - 1/4" - 20 x 1/2.....	6
29	C37299	BRACKET - seat switch mounting.....	1
30	113-2	BOLT - 1/4" - 20 x 5/8".....	2
31	131-934	NUT - 1/4" - 20 flange lock.....	2

INDEX



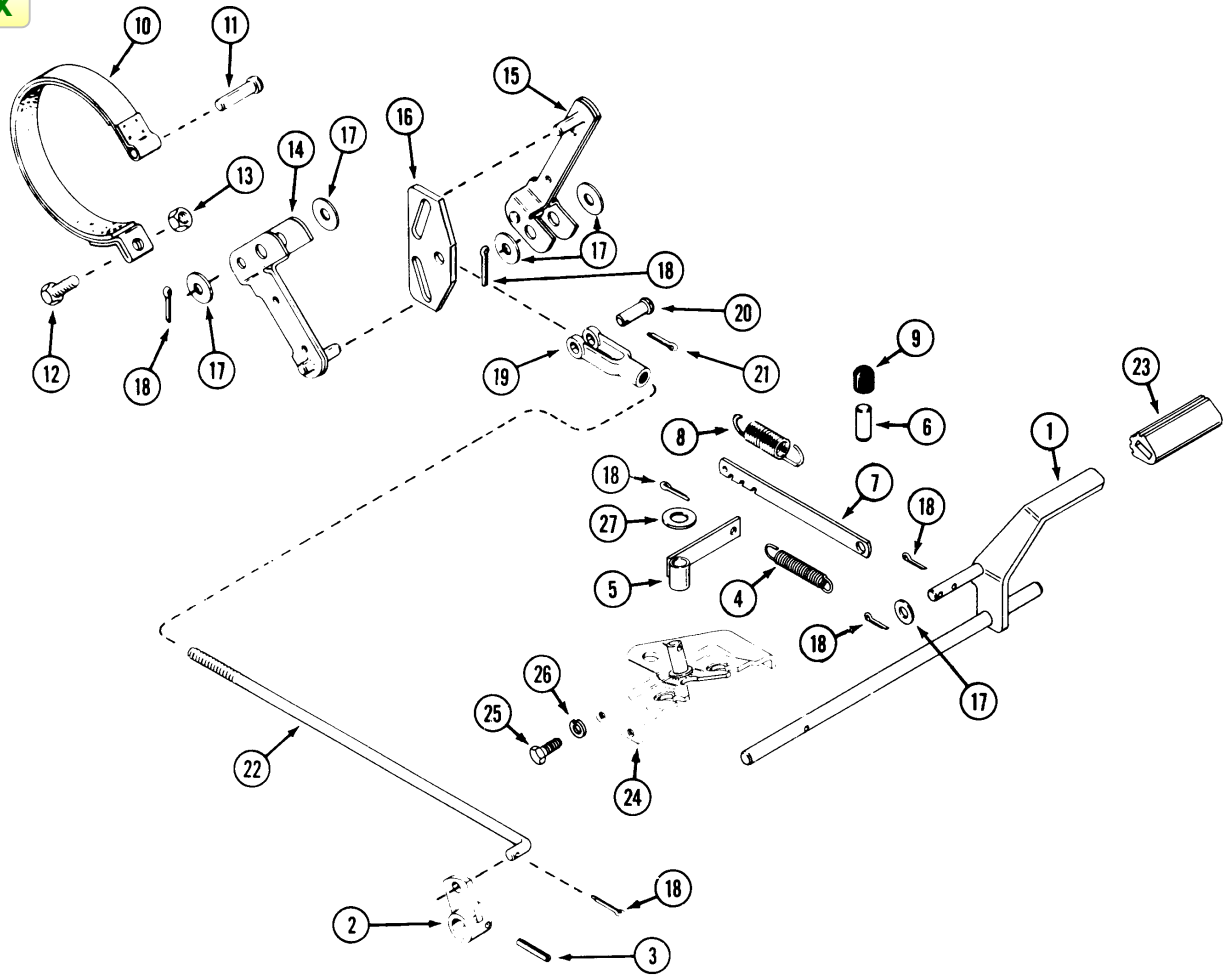
MODEL 3118, 4116, 4118, 4120 COMPACT TRACTORS

FRONT AXLE

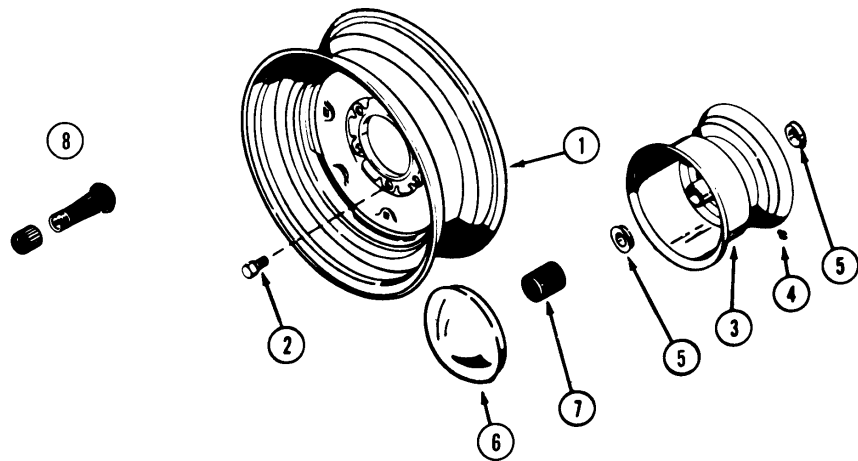
REF.	PART NO.	DESCRIPTION	REQ'D
1	C18812	AXLE - front (3118)	1
1	C40687	AXLE - front shown (4116, 4118, 4120).....	1
2	C27597	WASHER - spacer	2
3	C45088	SPINDLE - R.H. (3118) shown	1
3	C45086	SPINDLE-L.H. (3118).....	1
3	C31340 *	SPINDLE - L.H. (4116, 4118, 4120)	1
3	C33537 *	SPINDLE - R.H. (4116, 4118, 4120).....	1
3	C40690 **	SPINDLE - L.H. (4116, 4118, 4120)	1
3	C40688 **	SPINDLE - R.H. (4116, 4118, 4120).....	1
4	C27902	RING - retaining, spindle (4116, 4118, 4120)	2
4	C28232	RING - retaining, spindle (3118)	2
5	C22278	PIN - retaining, axle pivot.....	1
6	C11906	WASHER - thrust (3118).....	4
6	C13716	WASHER - thrust (4116, 4118, 4120).....	4
7	219-404	FITTING - lubrication.....	1
8	C13106	COVER - lubrication fitting	3
9	132-311	PIN - cotter 5/32" x 1-1/4".....	2
10	C25855	TIE ROD (4116, 4118, 4120)	1
10	C25856	TIE ROD (3118)	1
11	C28226	WASHER - wheel spacer	UAR
12	187-1910	BOLT - 3/8" - 16 x 3/4" N.C. hex head	1
13	219-17	FITTING - lubrication.....	2
14	192-23	LOCKWASHER - 1/2" zinc.....	2
15	129-165	NUT - 1/2" N.F. R.H. thread, lock.....	3
16	129-365	NUT - 1/2" N.F. L.H. thread, lock	1
17	C44641	BALL JOINT - 1/2" L.H. thread.....	1
18	C44640	BALL JOINT - 1/2" R.H. thread	2
19	C22568	PIN - axle pivot.....	1

* Use before PIN:
 ** Use PIN and After:
 4116 – 14171695
 4118 – 14172618
 4120 – 14173440

INDEX



INDEX



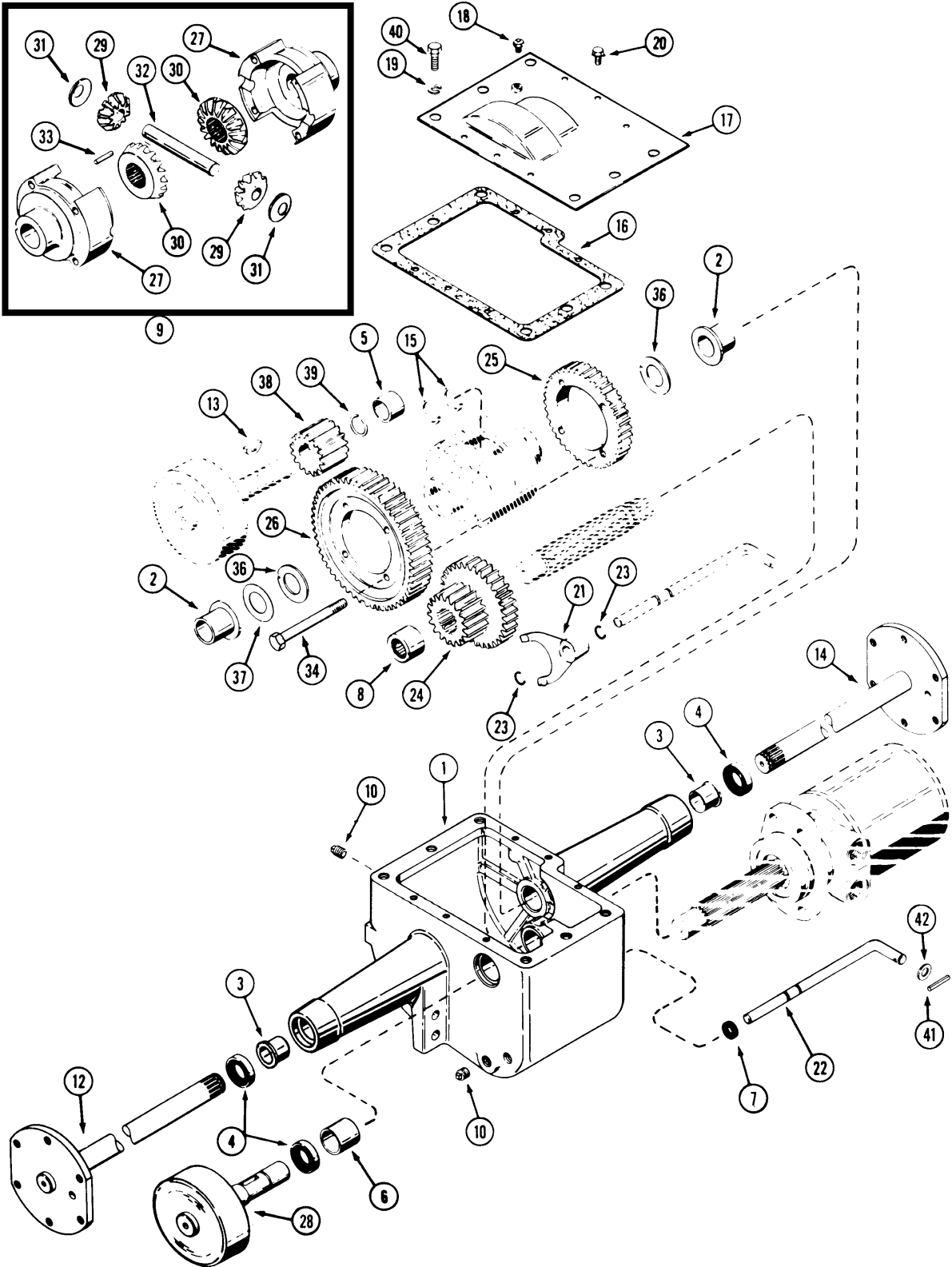
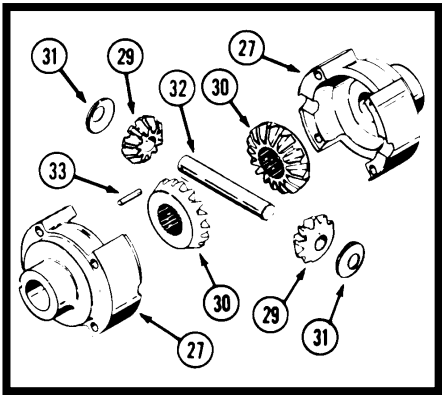
INDEX**MODEL 3118, 4116, 4118, 4120 COMPACT TRACTORS****BRAKE ASSEMBLY**

REF.	PART NO.	DESCRIPTION	REQ'D
1	C33942	PEDAL - brake actuating.....	1
2	C26381	ARM - brake pedal	1
3	138-2073	PIN - roll 3/16" x 1-1/4".....	1
4	C31660	SPRING - return.....	1
5	C33759	GUIDE - neutral return	1
6	C31604	ACTUATOR - parking brake	1
7	C31661	LEVER - brake lock.....	1
8	C21942	SPRING - brake lock.....	1
9	C31605	CAP - actuator.....	1
10	C33427	BAND - brake	1
11	C23910	PIN-clevis	1
12	113-2262	BOLT - 3/8" - 16 x 1-1/2" hex.....	1
13	129-143	NUT - 3/8" - 16 special.....	1
14	C23899	ARM - brake	1
1 5	C24761	ARM - brake (includes adjustment nut).....	1
16	C40646	GUIDE - brake actuator.....	1
17	195-533	WASHER - .531" I.D	5
18	132-310	PIN - cotter 1/8" x 1".....	6
19	C28978	CLEVIS.....	1
20	141-4	PIN - clevis	1
21	132-321	PIN - cotter	1
22	C31993	ROD - brake (4116, 4118, 4120)	1
22	C31992	ROD - brake (3118).....	1
23	C31975	PAD - brake pedal.....	1
24	C44379	BRACKET - support.....	1
25	113-206	BOLT - 3/8" - 16 x 3/4"	4
26	192-21	LOCKWASHER - 3/8"	4
27	195-2063	WASHER.....	1

INDEX**FRONT AND REAR WHEELS**

1	C30913	WHEEL - rear, 5 bolt (3118) for 23 x 8.50 - 12 tire	2
1	C30917	WHEEL - rear, 6 bolt (4116, 4118, 4120)	2
1	C30922	WHEEL - rear, 5 bolt (3118) for 23 x 10.50 - 12 tire	2
2	C27763	BOLT - rear wheel (4116, 4118, 4120)	12
2	C10314	BOLT - rear wheel (3118)	10
3	C30912	WHEEL - front (includes bearings)	2
4	219-403	FITTING - lubrication.....	2
5	C44499	BEARING - wheel	2
6	C28965	CAP - hub, front wheel (optional).....	2
7	C44478	CAP - plastic, front	2
8	C28236	STEM - valve.....	4
	C13106	COVER - lubrication fitting	2

INDEX

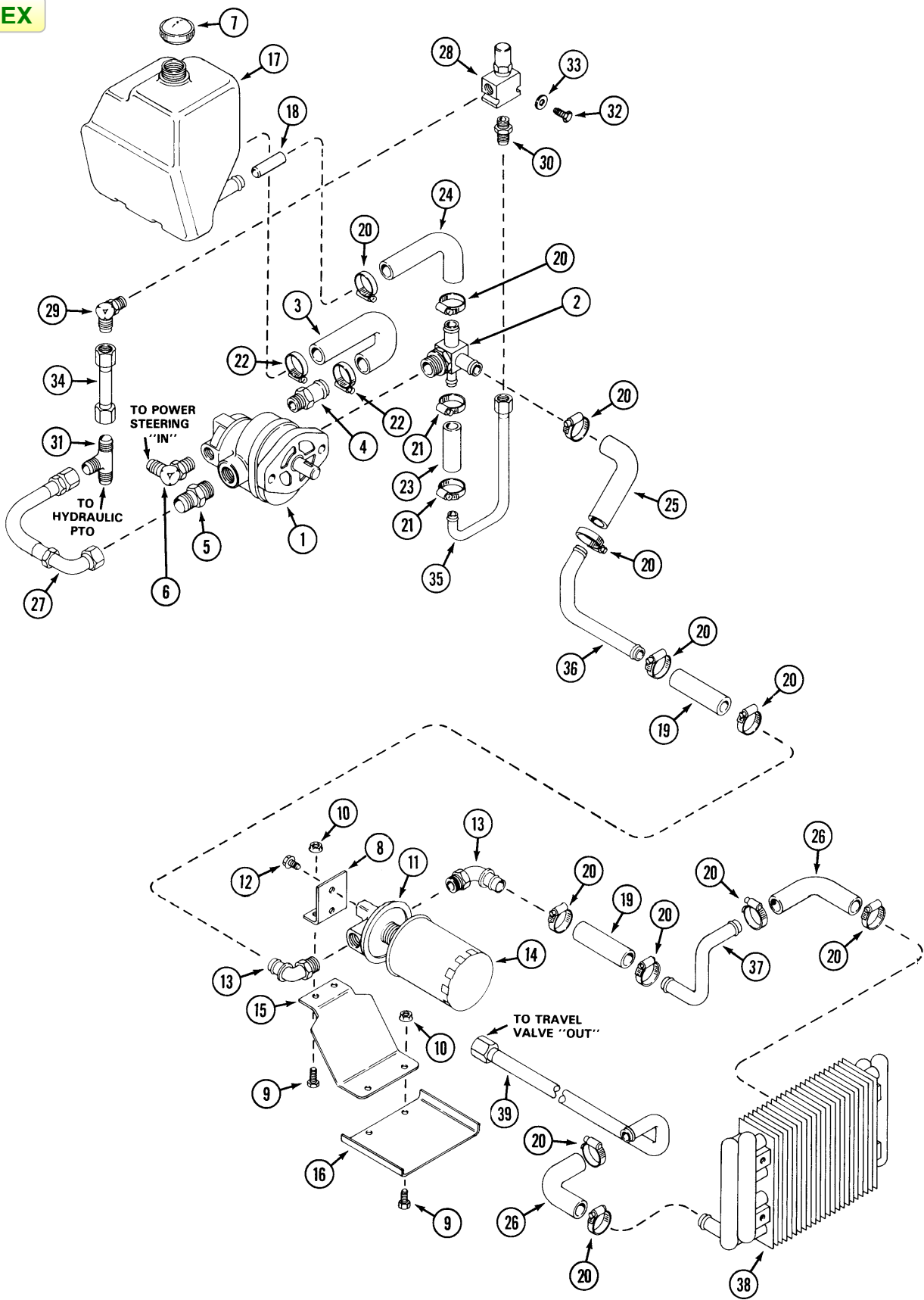


MODEL 3118, 4116, 4118, 4120 COMPACT TRACTORS

TRANSMISSION AND FINAL DRIVE

REF.	PART NO.	DESCRIPTION	REQ'D
	C47666	CASE ASSEMBLY - transmission (includes bearings & seals only)	1
1	NSS	CASE - transmission (order C47666)	1
2	C12713	BEARING - flange.....	2
3	C24804	BEARING - flange.....	2
4	C24803	SEAL - shaft.....	3
5	C13241	BEARING - sleeve	1
6	C13385	BEARING - sleeve	1
7	C13266	SEAL - shift rod.....	1
8	C28281	BEARING - roller	1
9	C36902	DIFFERENTIAL ASSEMBLY (also includes C36903, C30031, C12552).....	1
10	221-3	PLUG - filler and drain 3/8"	3
12	C16699	SHAFT - axle, short R.H. (3118)	1
12	C22638	SHAFT - axle, short R.H. shown (4116, 4118, 4120)	1
13	126-128	KEY - Woodruff, brake idler #18, 1/4" x 1-1/8".....	1
14	C16700	SHAFT - axle, long L.H. (3118).....	1
14	C22637	SHAFT - axle, long L.H. shown (4116, 4118, 4120)	1
15	C26342	RING - retainer, axle	2
16	C13196	GASKET - transmission cover	1
17	C36935	COVER - transmission	1
18	C28241	BREATHER - transmission	1
19	192-23	LOCKWASHER - 1/2"	4
20	121-21	BOLT - 1/4" x 1/2" N.C. hex lock.....	6
21	C12725	FORK - shift	1
22	C37222	ROD - gear shift	1
23	C14168	RING - retaining	2
24	C36901	GEAR - cluster input	1
25	C36903	GEAR - high 46 tooth	1
26	C12552	GEAR - low 55 tooth	1
27	NSS	DIFFERENTIAL CASE.....	1
28	C33305	BRAKE DRUM	1
29	NSS	GEAR - differential pinion.....	2
30	NSS	GEAR - differential	2
31	NSS	WASHER - pinion thrust.....	2
32	NSS	PIN - differential	1
33	NSS	PIN - differential pin lock	1
34	C30031	KIT - screw (set of four).....	1
36	C12718	WASHER - differential.....	2
37	C14223	WASHER - spacer	UAR
38	C33417	GEAR - brake idler	1
39	C14222	RING - retainer, brake idler.....	1
40	113-424	BOLT - 1/2" - 13 x 1" hex	UAR
40	166-86	BOLT - 1/2" - 13 x 1-1/4" 12 pt. flange	UAR
41	138-2073	PIN - spiral 3/16" x 1-1/4"	1

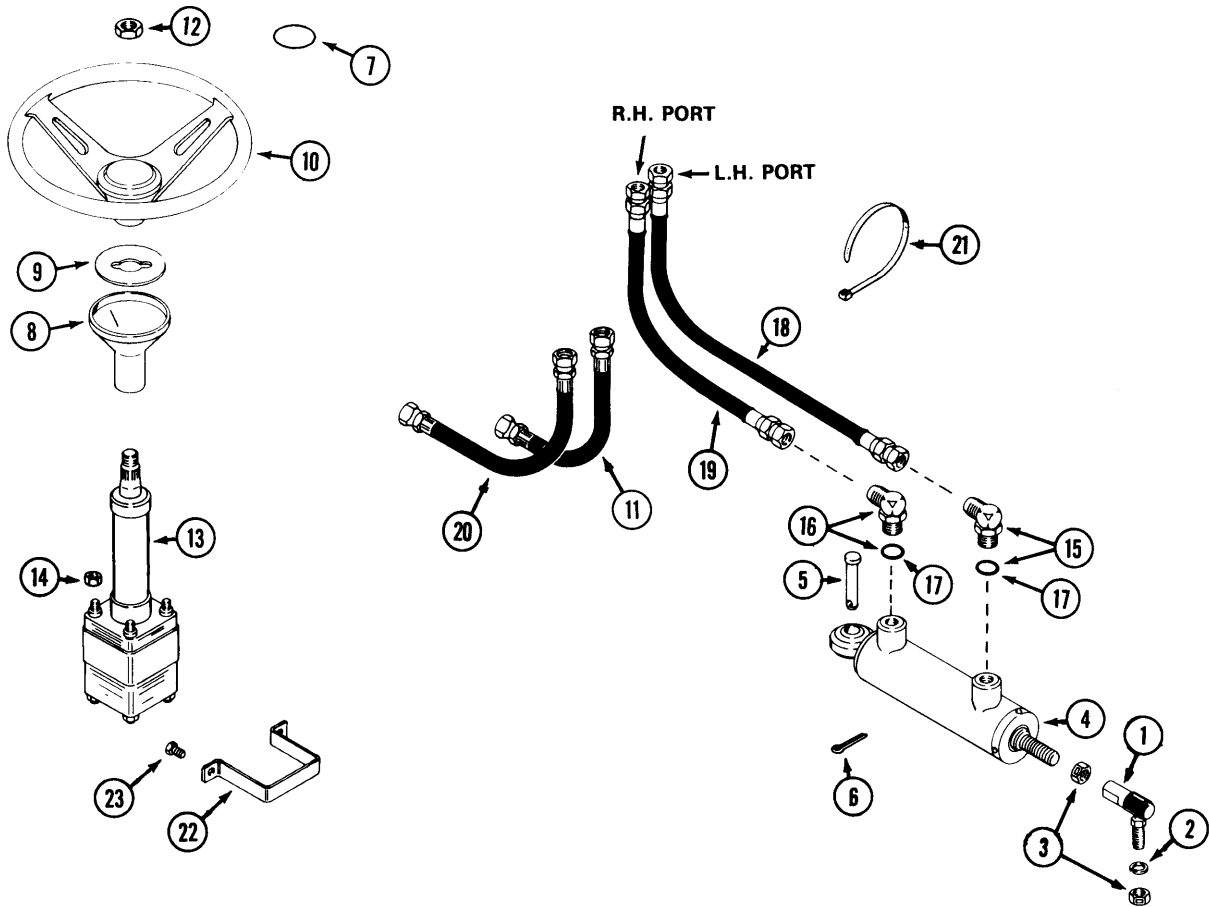
INDEX



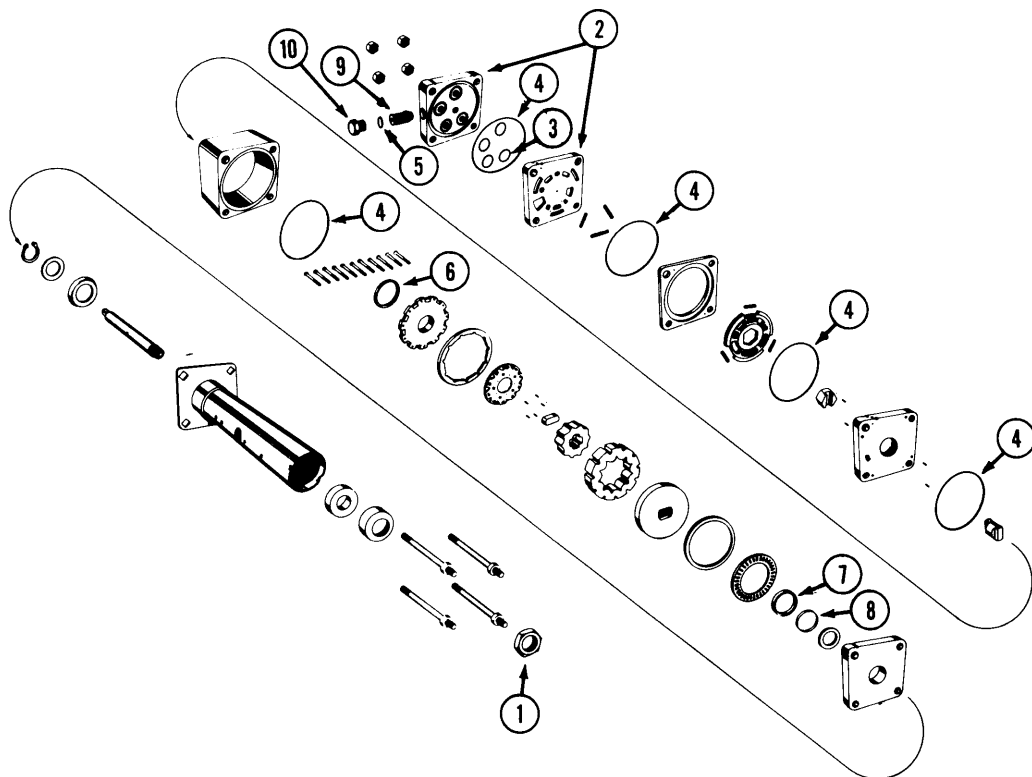
HYDRAULIC SYSTEM
OIL PUMP, RESERVOIR, FILTER AND HEAT EXCHANGER

REF.	PART NO.	DESCRIPTION	REQ'D
1	C36905	PUMP - hydraulic (repairs and mounting components page 47)	1
2	C36908	FITTING - return tee 1/2" x 3/4" 1-5/16"	1
3	C33423	HOSE - pump inlet	1
4	217-391	FITTING - 1" hose x 7/8" - 14	1
5	218-5062	FITTING - 7/8" -14 flare x 7/8" -14	1
6	218-5128	FITTING - 90° 9/16" - 18 flare x 3/4" - 16 (to power steering "in")	1
7	C37093	CAP - oil reservoir	1
8	C37146	BRACKET - oil filter	1
9	113-3	BOLT - 1/4" - 20 x 3/4"	4
10	131-934	NUT - 1/4" - 20 flange lock	4
11	C33446	HEAD - oil filter	1
12	121-21	BOLT - 1/4" - 20 x 1/2" flange lock	2
13	217-333	FITTING - 90° 3/8" x 3/4" hose	2
14	C33445	FILTER - oil	1
15	C40683	BRACKET - air deflector	1
16	C39523	DEFLECTOR - air	1
17	C37228	RESERVOIR	1
18	C33167	SLEEVE - inlet (shown)	1
18	C42540	SLEEVE - outlet	1
19	C14619	HOSE - 3/4" x 4"	2
20	214-254	CLAMP - hose 1-1/4"	14
21	C41045	CLAMP - hose SAE #6	2
22	214-14	CLAMP - hose 1-3/8"	2
23	C37229	HOSE - 1/2" x 3"	1
24	C37230	HOSE - 90°	1
25	C37231	HOSE - 90°	1
26	C33556	HOSE - 90°	2
27	C37232	HOSE - supply	1
28	C36909	VALVE - relief	1
	C36934	CARTRIDGE - relief valve	1
29	218-5117	FITTING - 90° 7/8" - 14 flare x 3/4" - 16	1
30	218-5059	FITTING - 3/4" - 16 flare x 3/4" - 16	1
31	218-595	FITTING - tee 7/8" - 14 flare	1
32	113-132	BOLT - 1/4" - 20 x 1-3/4	2
33	195-518	WASHER - 1/4"	2
34	C37239	TUBE - relief valve to tee	1
35	C37240	TUBE - relief valve to return	1
36	C45497	TUBE - oil filter "out" to return	1
37	C37242	TUBE - heat exchanger "out" to oil filter "in"	1
38	C37486	EXCHANGER - heat	1
39	C37243	TUBE - travel valve "out" to heat exchanger	1

INDEX



INDEX



**HYDRAULIC SYSTEM
POWER STEERING**

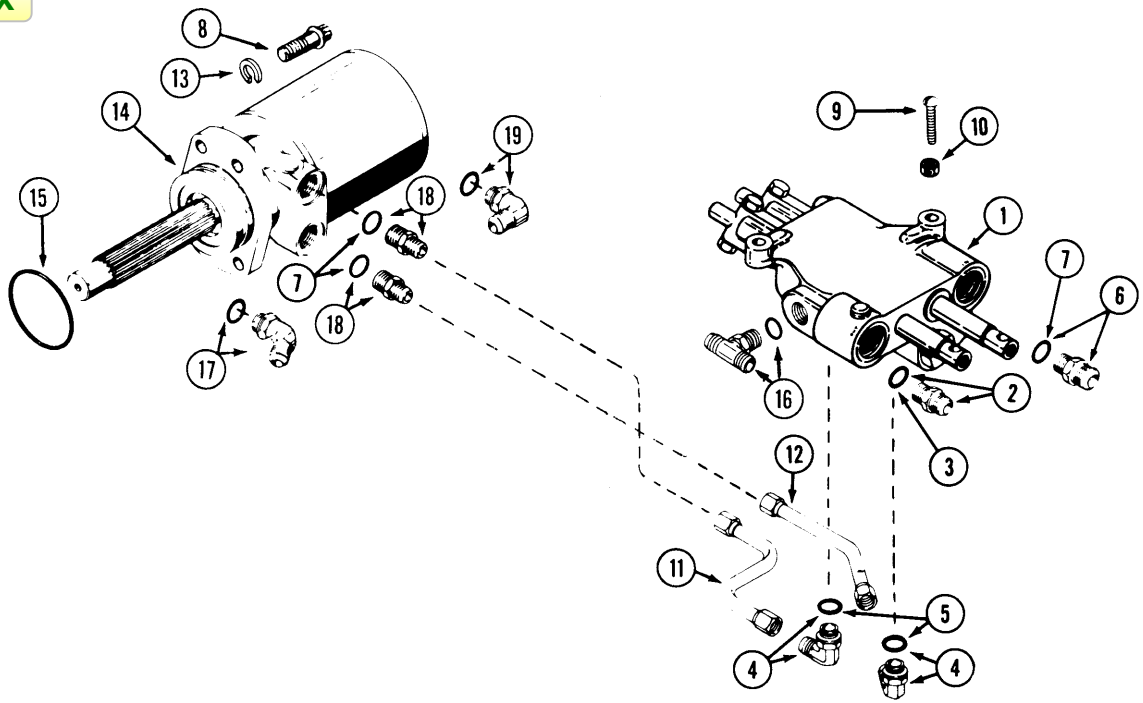
REF.	PART NO.	DESCRIPTION	REQ'D
1	C12102	BALL JOINT - 1/2" R.H. thread	1
2	192-23	LOCKWASHER - 1/2"	1
3	129-165	NUT - 1/2" N.F. lock	2
4	NSS *	CYLINDER – hydraulic (Use C44628)	1
4	C44628 **	CYLINDER – hydraulic.....	1
	C44852 **	KIT – Seal	1
5	C14717	PIN - clevis 5/8" dia	1
6	132-91	PIN - cotter 3/16" x 1"	1
8	C39504	BOOT - steering column	1
9	C39507	INSERT - boot.....	2
10	C37302	WHEEL - steering	1
	C42591	COVER – steering wheel	1
	C42592	SCREW – steering wheel cover.....	1
11	C33762	HOSE - steering pump (in) to small pump section (out)	1
12	129-127	NUT - 5/8" - 18	1
13	C33743	PUMP - steering.....	1
14	129-122	NUT - 5/16"-24	3
15	218-5105	FITTING - 90° adjustable elbow 3/8" x 9/16" - 18	1
16	218-5135	FITTING - 45° adjustable elbow 3/8" x 9/16" - 18	1
17	218-5005	"O" RING	1
18	C33560	HOSE - hydraulic 23" (3118).....	1
18	C32399	HOSE - hydraulic 25" (4116, 4118, 4120).....	1
19	C33561	HOSE - hydraulic 19" (3118).....	1
19	C33750	HOSE - hydraulic 21" (4116, 4118, 4120).....	1
20	C28275	HOSE - hydraulic 16" steering pump "out" to travel valve	1
21	C22947	TIE - nylon.....	1
22	C33545	STRAP - mounting	1
23	121-21	BOLT - 1/4" - 20 x 1/2"	2

- * Use Before PIN:
- ** Use PIN and After:
- 3118 – 14171475
- 4116 – 14171695
- 4118 – 14172656
- 4120 – 14173462

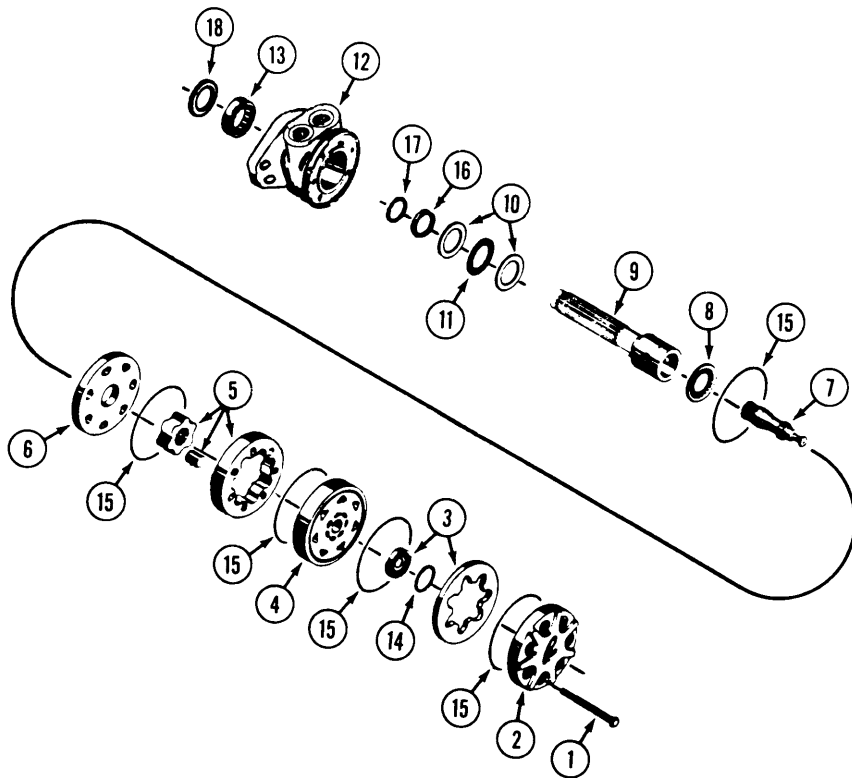
POWER STEERING PUMP

	C33743	PUMP - steering, manual	1
1	129-127	NUT - 5/8" - 18	1
2	C34485	KIT - cover and manifold.....	1
	C30281	KIT - seal.....	1
3	NSS	"O" RING	4
4	NSS	RING - seal	5
5	NSS	"O" RING	1
6	NSS	SEAL - commutator.....	1
7	NSS	SEAL - face.....	1
8	NSS	RING - back-up	1
9	C34484	VALVE - relief	1
10	C34483	PLUG - relief valve.....	1

INDEX



INDEX



INDEX

MODEL 3118, 4116, 4118, 4120 COMPACT TRACTORS

**HYDRAULIC SYSTEM
HYDRAULIC VALVE AND MOTOR**

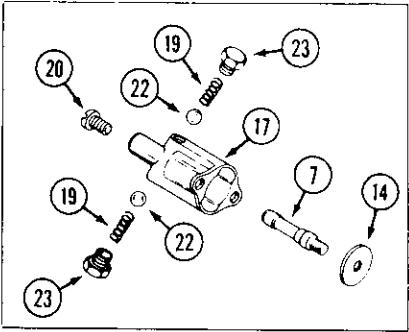
REF.	PART NO.	DESCRIPTION	REQ'D
1	C36897	VALVE - control (repairs page 45)	1
2	218-5065	FITTING - 3/4" x 7/8" "0" ring	1
3	218-5007	"0" RING	1
4	218-5107	FITTING - 90° elbow	2
5	218-5007	"0" RING	1
6	218-5062	FITTING - 5/8" x 7/8" "0" RING	1
7	218-5007	"0" RING	1
8	166- 86	SCREW - 1/2" - 13 x 1-1/4"	4
9	C27764	SCREW - 5/16" - 18 x 1-1/4"	2
10	131-351	NUT - lock 5/16"	2
11	C37220	TUBE - valve to upper motor port (3118)	1
11	C37309	TUBE - valve to upper motor port (4116, 4118, 4120) shown	1
12	C37221	TUBE - valve to lower motor port (3118)	1
12	C37310	TUBE - valve to lower motor port (4116, 4118, 4120) shown	1
13	192-23	LOCKWASHER - 1/2"	4
14	C30939	MOTOR - hydraulic (3118) repairs below	1
14	C33234	MOTOR - hydraulic (4116, 4118, 4120) repairs below	1
15	C28949	SEAL - motor to transmission	1
16	C33559	FITTING - tee 3/8" tube x 1/2" - 20	1
17	218-5137	FITTING - 45° 7/8" - 14 (3118)	1
18	218-5062	FITTING - 7/8" - 14 (4116,4118,4120)	2
19	218-5107	FITTING - 90° male 7/8" - 14 (3118)	1

INDEX

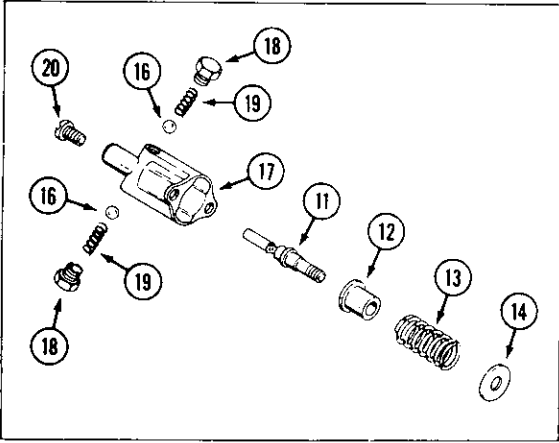
HYDRAULIC DRIVE MOTOR

REF.	PART NO.	DESCRIPTION	REQ'D
	C33234	MOTOR - hydraulic (4116, 4118, 4120)	1
	C30939	MOTOR - hydraulic (3118)	1
1	28-668	BOLT - 3/8" -24 x 4-1/4" (3118)	7
1	C31327	BOLT - 3/8" -24 x 4-5/8" (4116, 4118, 4120)	1
2	C31309	COVER - end	1
3	C31310	COMMUTATOR AND RING SET	1
4	C31311	MANIFOLD	1
5	C31312	ROTORASSEMBLY (3118)	1
5	C31313	ROTOR ASSEMBLY (4116, 4118, 4120)	1
6	C31314	PLATE - wear	1
7	C31315	LINK - drive (3118)	1
7	C31316	LINK - drive (4116, 4118, 4120)	1
8	C31317	BEARING - thrust	1
9	C31318	SHAFT - coupling	7
10	C31319	WASHER - thrust	2
11	C31320	BEARING - thrust	1
12	C31321	HOUSING - drive end	1
13	C31322	BEARING - outer	1
	C31323	KIT - seal	1
14	NSS	SEAL - commutator ring	1
15	NSS	SEAL - ring	5
16	NSS	SEAL - ring	1
17	NSS	WASHER - back-up	1
18	NSS	SEAL - dirt (not used)	1

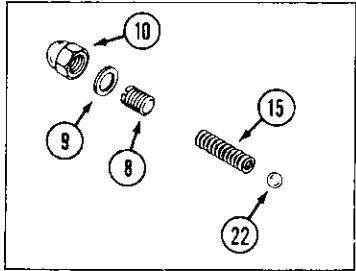
INDEX



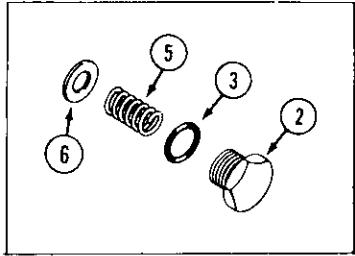
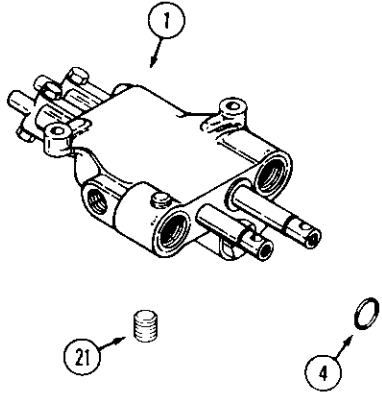
TRAVEL SECTION DETENT GROUP



LIFT SECTION DETENT GROUP



LIFT SECTION RELIEF GROUP



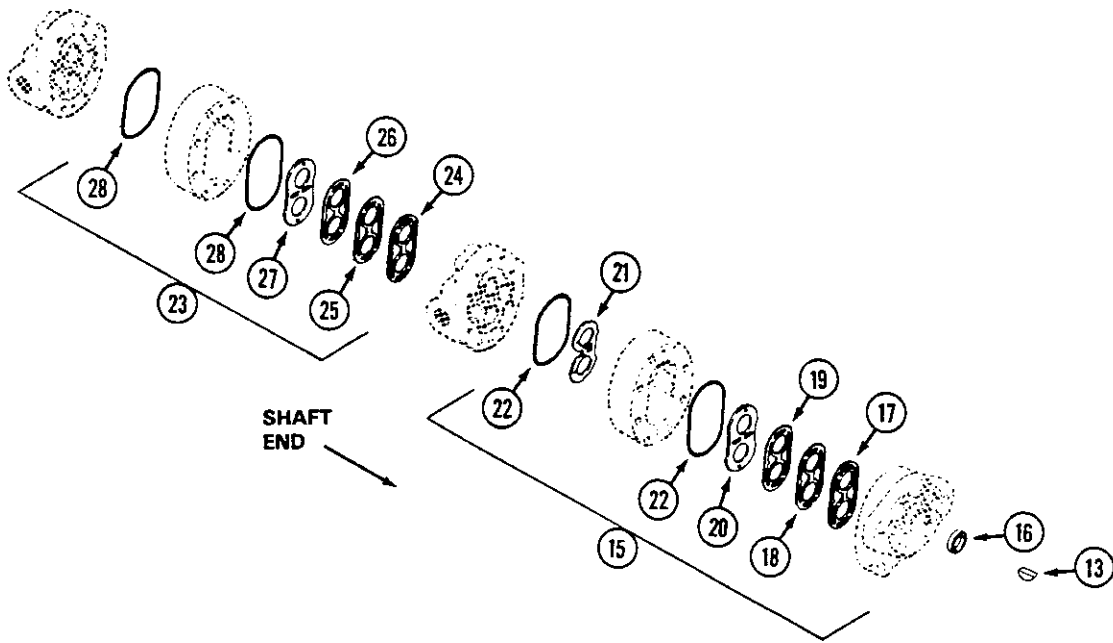
HOLDING SECTION GROUP

MODEL 3118, 4116, 4118, 4120 COMPACT TRACTORS

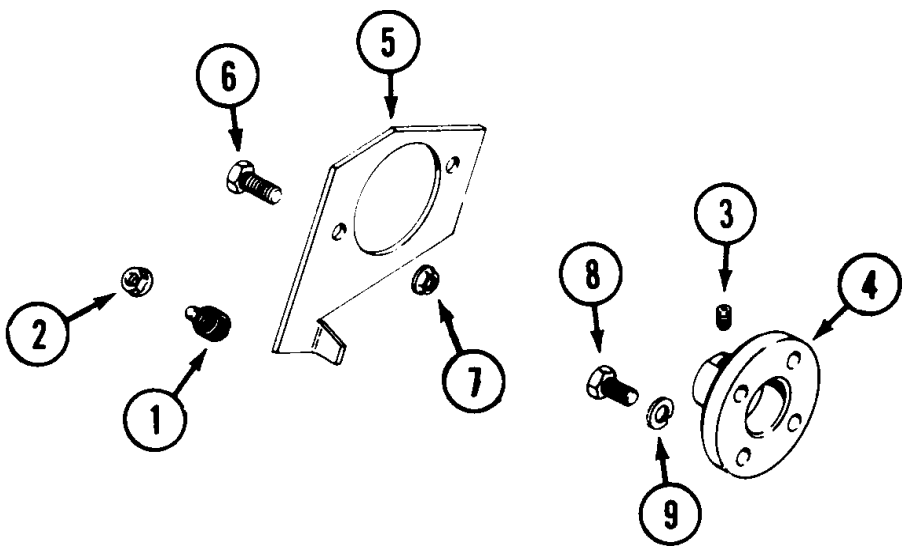
HYDRAULIC CONTROL VALVE

REF.	PART NO.	DESCRIPTION	REQ'D
1	C36897	VALVE - control, two spool	1
2	C29956	CAP - end.....	2
3	C28217	"O" RING - end cap.....	1
4	C28856	SEAL - spool	4
5	C29951	SPRING - centering	2
6	C29950	WASHER - spring retaining	2
7	C29958	DETENT - spool.....	1
8	C17433	SCREW - relief adjust	1
9	C17435	GASKET - relief adjust cap	1
10	129-531	CAP - adjust screw	2
11	C26668	DETENT - spool.....	1
12	C28707	SPACER - detent.....	1
13	C28706	SPRING - detent return.....	1
14	C28705	WASHER - return.....	2
15	NSS	SPRING - relief (use C21 511 relief kit)	1
16	211-5	BALL - steel 3/16" (4.76 mm).....	2
17	C17438	COVER - detent	1
18	C28708	SCREW - detent.....	2
19	C17444	SPRING - detent	4
20	169-114	SCREW - cover.....	4
21	221-841	PLUG - pipe	1
22	211-7	BALL - steel 1/4" (6.35 mm).....	2
23	C17443	SCREW - detent.....	2
	C30002	KIT - seal.....	1

INDEX



INDEX



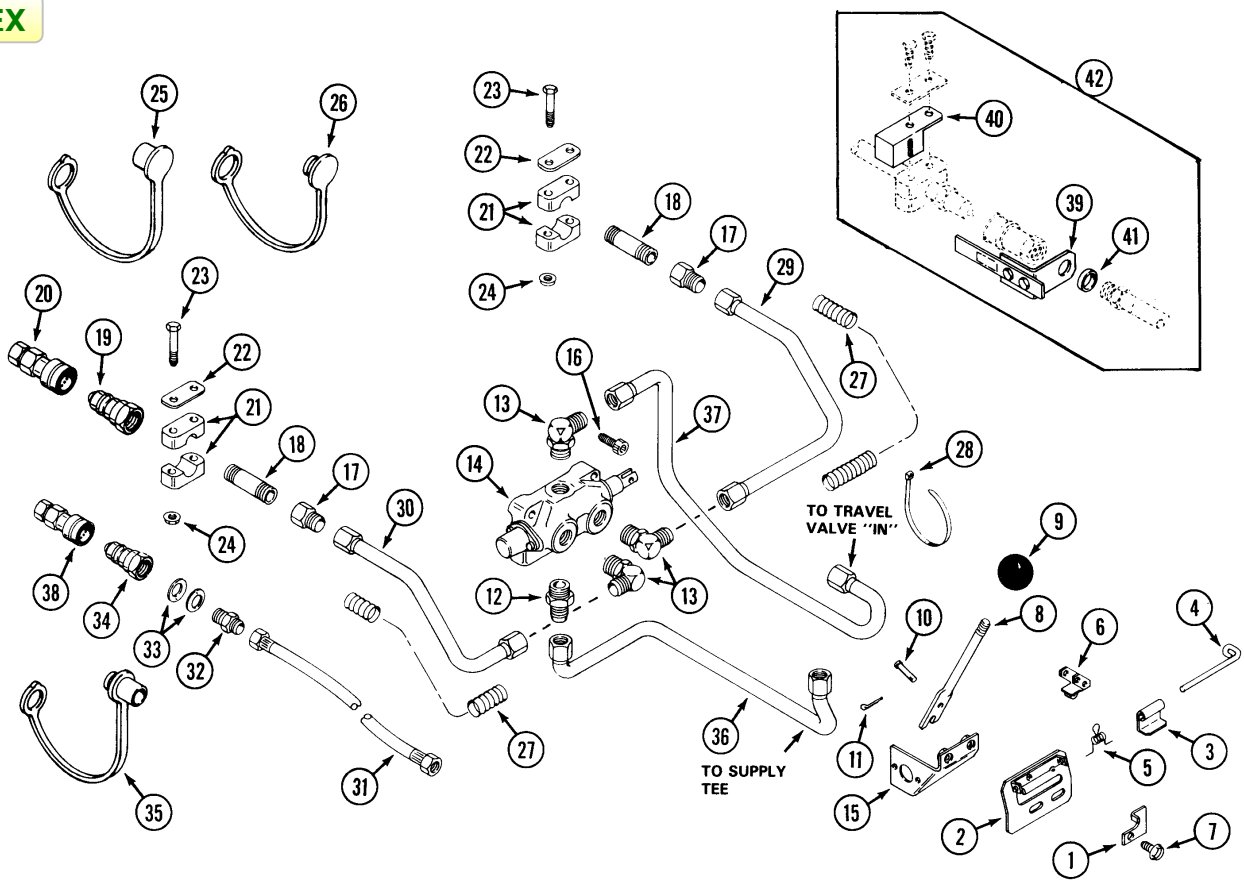
INDEX**MODEL 3118, 4116, 4118, 4120 COMPACT TRACTORS****HYDRAULIC PUMP**

REF.	PART NO.	DESCRIPTION	REQ'D
13	126-13	KEY - 3/16" x 5/8" woodruff carbon (pump shaft)	1
14	C36905	PUMP - hydraulic	1
15	C32955	KIT - seal (main pump section)	1
16	C33110	SEAL - shaft	1
17	NSS	SEAL - "V" ("V" side towards cover).....	1
18	NSS	GASKET	1
19	NSS	SHIELD-heat	1
20	NSS	PLATE - wear (bronze side towards gears).....	1
21	NSS	PLATE - thrust (bronze side towards gears)	1
22	C 33111	"O" RING	2
23	C 32956	KIT - seal (secondary pump section)	1
24	NSS	SEAL - "V" ("V" side towards body)	1
25	NSS	GASKET	1
26	NSS	SHIELD - heat.....	1
27	NSS	PLATE - wear (bronze side towards gears).....	1
28	C 15732	"O" RING	2

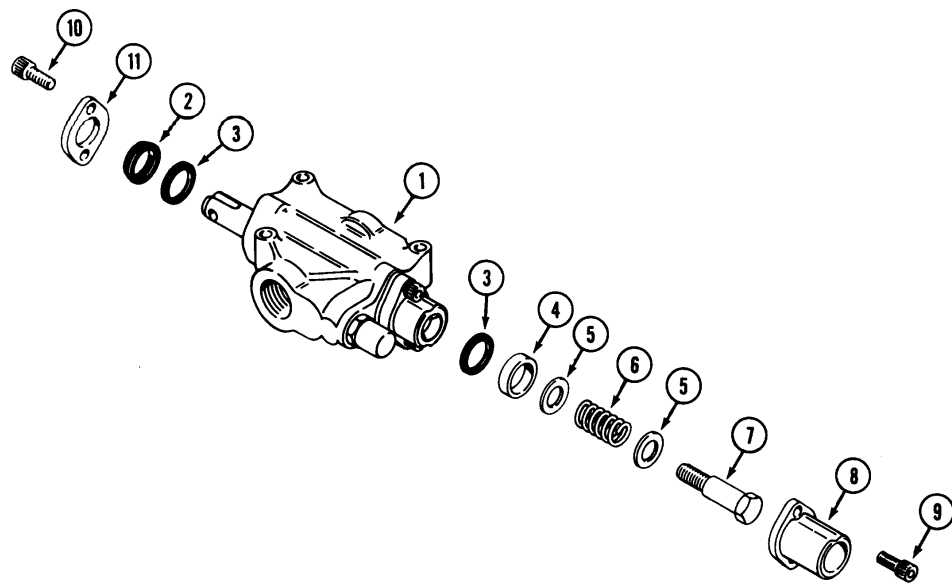
INDEX**PUMP MOUNTING COMPONENTS**

REF.	PART NO.	DESCRIPTION	REQ'D
1	C32437	MOUNT - rubber	1
2	131-911	NUT - 5/16" - 18 flange lock	2
3	83-55	SCREW - Set 5/16" - 18 x 5/16" socket (use loctite)	2
4	C33553	ADAPTER - drive	1
5	C36907	PLATE - pump torque arm	1
6	113-208	BOLT - 3/8" - 16 x 1-1/4" hex	2
7	131-1352	NUT - 3/8" - 16 flange lock	2
8	113-103	BOLT - 5/16" - 18 x 1" hex	4
9	192-20	LOCKWASHER - 5/16"	4

INDEX



INDEX



INDEX

**MODEL 3118, 4116, 4118, 4120 COMPACT TRACTORS
HYDRAULIC SYSTEM
PTO (POWER TAKE OFF)**

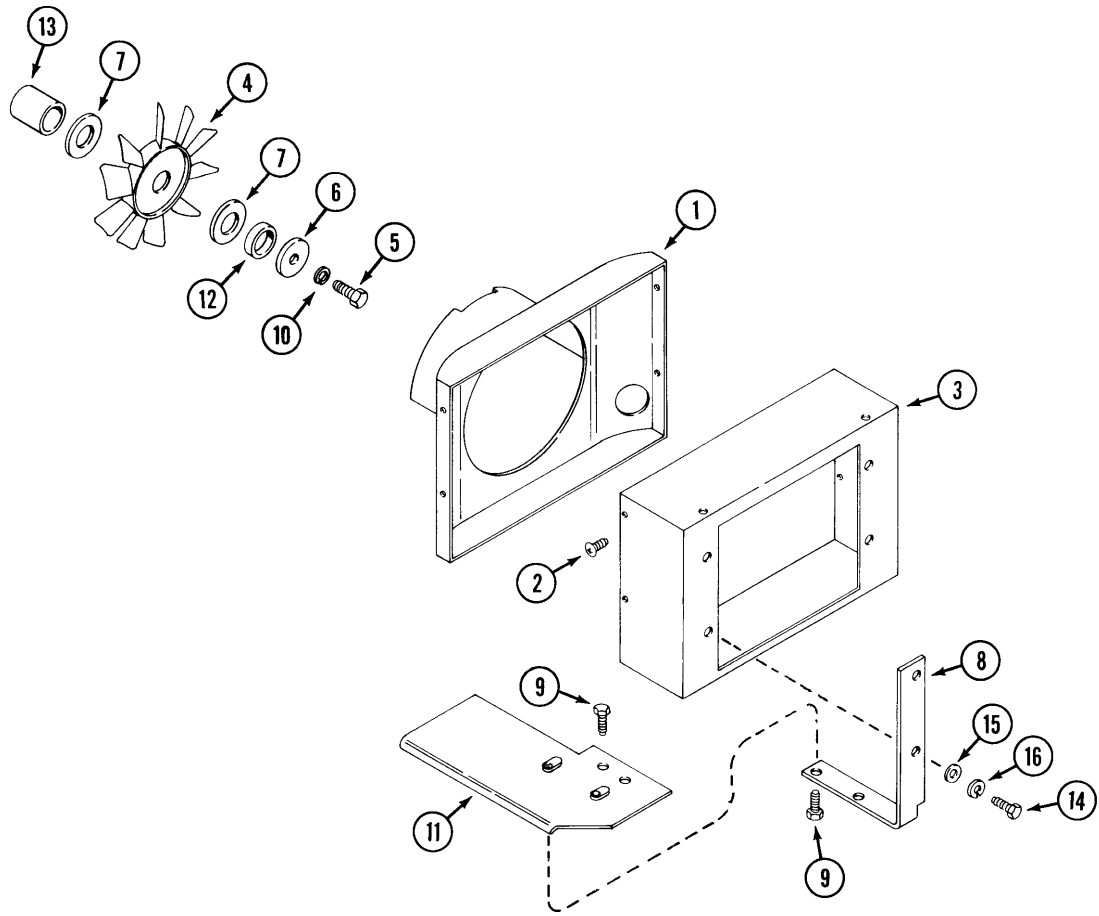
REF.	PART NO.	DESCRIPTION	REQ'D
1	C42198	LATCH - reverse lockout.....	1
2	C42078	GATE - shift.....	1
3	C42081	STOP - lever	2
4	C42082	PIN - hinge	1
5	C42083	SPRING - torsion	1
6	C37400	ACTUATOR - switch	1
7	C29620	SCREW - 5/16" - 18 x 3/4	2
8	C37406	LEVER - PTO	1
9	C10487	KNOB	1
10	C28964	PIN - clevis 3/16" x 1"	2
11	132-329	PIN - cotter 1/16" x 3/4"	2
12	218-5062	FITTING - 7/8	1
13	218-5107	FITTING - 90° 7/8"	3
14	C36910	VALVE - PTO	1
15	C37401	BRACKET - actuating	1
16	61-420	SCREW - 1/4" - 20 x 1-1/4" socket head	2
17	218-465	FITTING - 1/2" x 7/8" - 14.....	2
18	C37142	NIPPLE - pipe	2
19	C37187	COUPLING - quick, male 7/8".....	2
20	C37188	COUPLING - quick, female 7/8".....	1
21	C37144	CLAMP	4
22	C37145	COVER - clamp.....	2
23	113-14	BOLT - 1/4" - 20 x 2"	4
24	131-934	NUT - 1/4" - 20 flange lock	4
25	C40641	CAP - dust.....	1
26	C40642	PLUG - dust	1
27	C37454	CONDUIT - corrugated (cut to length)	2
28	C22947	TIE - nylon.....	4
29	C37233	TUBE - L.H.....	1
30	C37234	TUBE - R.H.....	1
31	C33750	HOSE - hydraulic 21" (3118).....	1
31	C32399	HOSE - hydraulic 25" (4116, 4118, 4120).....	1
32	218-443	FITTING - 3/8" x 1/4"	1
33	C37249	WASHER - spring	2
34	C41043	COUPLING - quick, male 9/16".....	1
35	C33404	CAP - dust.....	1
36	C37235	TUBE - supply tee to P.T.O. "in" (3118).....	1
36	C37236	TUBE - supply tee to P.T.O. "in" (4116, 4118, 4120).....	1
37	C37237	TUBE - travel valve to P.T.O. "out" (3118).....	1
37	C37238	TUBE - travel valve to P.T.O. "out" (4116, 4118, 4120).....	1
38	C41044	COUPLING - quick, female 9/16".....	1
39	C37439	KEY - coupler switch	1
	C37440	DECAL	1
	113-1	BOLT - 1/4" - 20	2
	195-518	WASHER - 1/4"	2
40	C37437	BRACKET - switch mounting	1
41	C37459	CUSHION - key.....	1
42	C42048	KIT - coupler switch.....	1

INDEX

PTO VALVE

REF.	PART NO.	DESCRIPTION	REQ'D
1	C36910	VALVE - PTO	1
2	C26706	WIPER - spool.....	1
3	C26707	RING - seal.....	2
4	C26722	SPACER.....	1
5	195-526	WASHER.....	2
6	C26724	SPRING - return	1
7	C26725	BOLT	1
8	C26726	CAP - spring	1
9	165-143	SCREW - 1/4" - 20 x 3/4	2
10	165-142	SCREW - 1/4" - 20 x 5/8	2
11	C26727	RETAINER - seal	1

INDEX

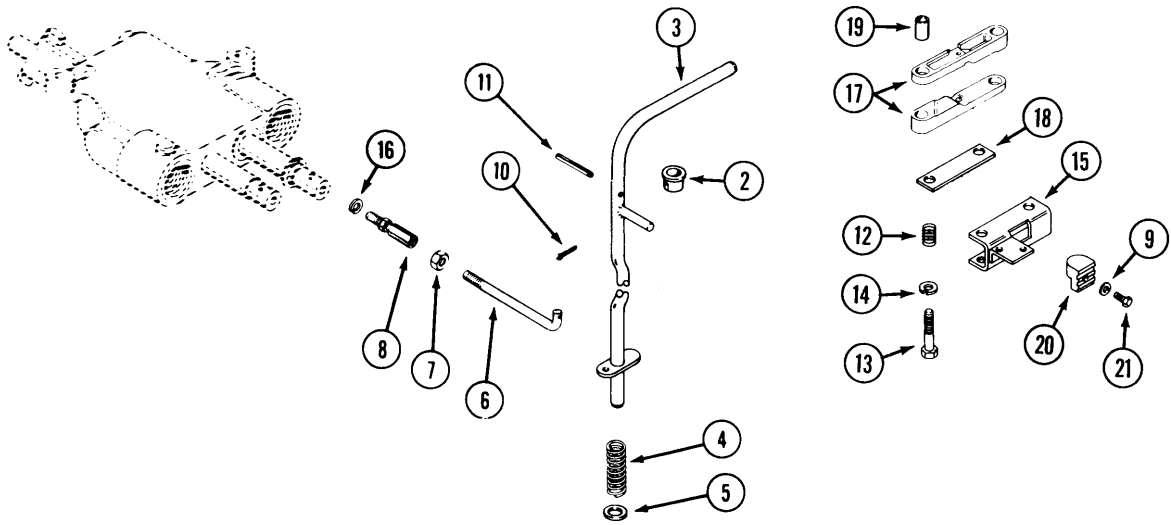


MODEL 3118, 4116, 4118, 4120 COMPACT TRACTORS

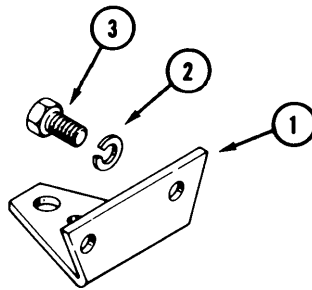
AIR DUCTS AND FAN

REF.	PART NO.	DESCRIPTION	REQ'D
1	C37487	DUCT - fan	1
2	187-1334	SCREW - #8 - 18 x 1/2"	4
3	C37490	COVER - heat exchanger	1
4	C37064	FAN - cooling	1
5	114-200	SCREW - 3/8" - 24 x 1"	1
6	C25556	WASHER - flat 3/8" x 1-7/8	2
7	195-2134	WASHER - 1-1/8"	2
8	C39492	BRACKET - mounting L.H.....	1
8	C39493	BRACKET - mounting R.H. (shown).....	1
9	113-412	BOLT - 1/4" - 20 x 3/4"	8
10	192-21	LOCKWASHER - 3/8"	1
11	C37289	SUPPORT - heat exchanger R.H. (shown).....	1
11	C37291	SUPPORT - heat exchanger L.H	1
12	C39515	SPACER - short	1
13	C39516	SPACER - long	1
14	113-120	BOLT - 5/16" - 18 x 1-3/4	4
15	195-103	WASHER - 5/16"	4
16	192-20	LOCKWASHER - 5/16"	4

INDEX



INDEX



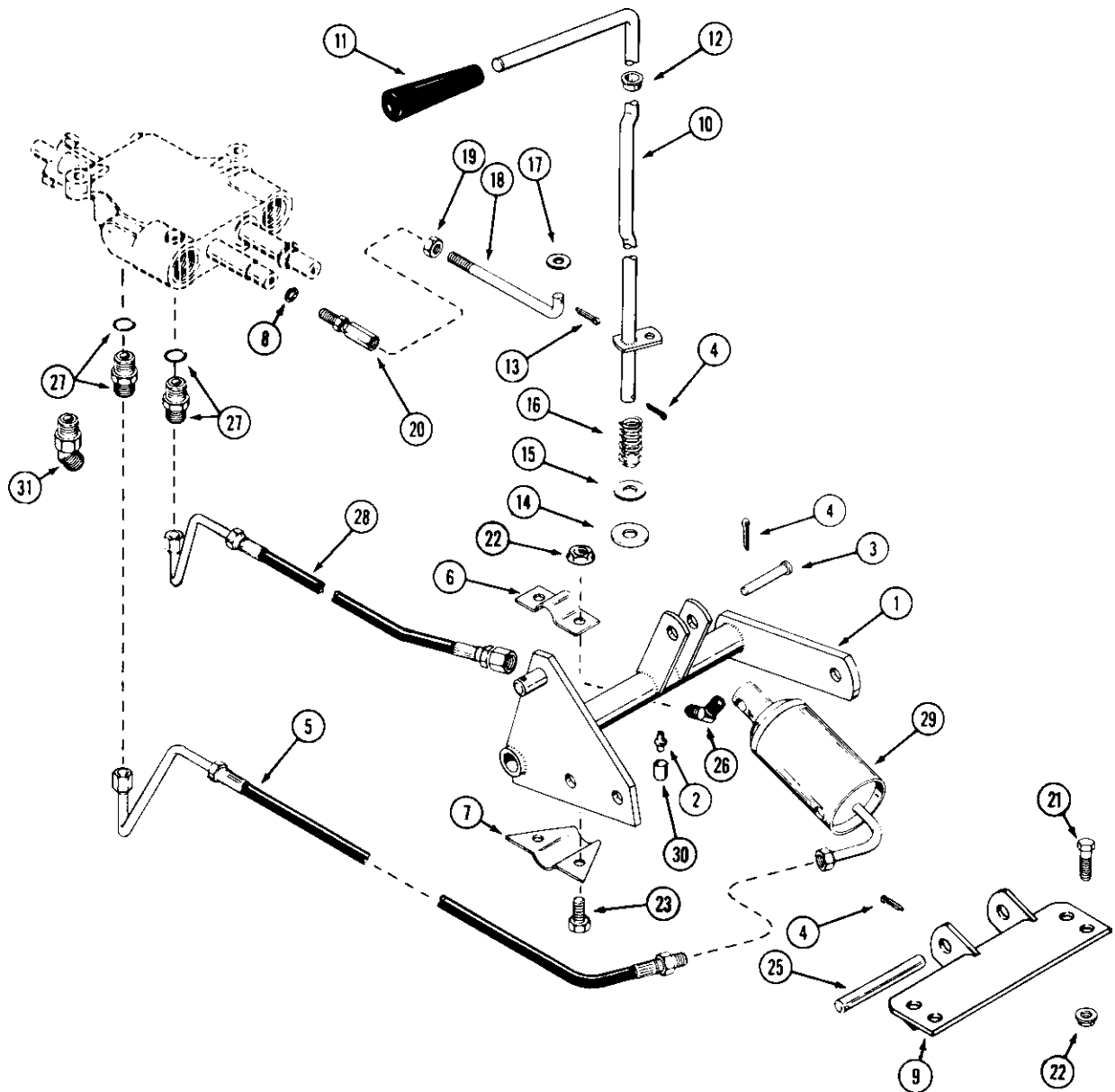
INDEX**MODEL 3118, 4116, 4118, 4120 COMPACT TRACTORS****SPEED CONTROL**

REF.	PART NO.	DESCRIPTION	REQ'D
1	C28237	KNOB - speed control	1
2	C29636	BUSHING - lever	1
3	C37250	LEVER - speed control.....	1
4	C10482	SPRING - compression.....	1
5	C21518	WASHER - nylon.....	1
6	C31670	ROD - control	1
7	129-122	NUT - 5/16" N.F. zinc plated	1
8	C19025	JOINT - ball	1
9	195-513	WASHER .219" I.D. x .50" O.D	1
10	132-320	PIN - cotter 3/32" x 3/4"	1
11	138-2072	PIN - roll 1/8" x 1-3/4"	1
12	C30827	SPRING - locator	2
13	113-14	BOLT- 1/4" 20x2"	2
14	192-19	LOCKWASHER - 1/4"	2
15	C37255	CARRIER - locator	1
16	192-20	LOCKWASHER - 5/16"	1
17	C32362	LOCATOR - half.....	2
18	C37254	SUPPORT - locator	1
19	C29653	SPACER-tube	2
20	C37198	CAM - switch	1
21	187-1328	SCREW - #8 - 18 x 3/8"	1

INDEX**DRAWBAR AND TOW HITCH**

1	C13360	DRAWBAR.....	1
2	192-23	LOCKWASHER - 1/2"	2
3	113-424	BOLT - 1/2" x 1" N.C. hex	2

INDEX



HYDRAULIC LIFT

REF.	PART NO.	DESCRIPTION	REQ'D
1	C32259	SHAFT ASSEMBLY - lift	1
2	219-17	FITTING - lubrication.....	1
3	C29693	PIN - cylinder to lever, clevis.....	1
4	132-310	PIN - cotter 1/8" x 1".....	5
5	NSS *	HOSE – long (Shown) (Use C44743 and 218-5134).....	1
5	C44743 * *	HOSE – long	1
6	C17249	BRACKET - mounting, top	2
7	C17250	BRACKET - mounting, bottom	2
8	192-20	LOCKWASHER - 5/16"	1
9	C39509	BRACKET - cylinder.....	1
10	C33956	LEVER - lift control.....	1
11	C28237	KNOB - control lever	1
12	NSS	BUSHING - lift lever (Use 353-462 for service)	1
13	132-320	PIN - cotter 3/32" x 3/4".....	1
14	195-533	WASHER - 1/2"	1
15	C44383	WASHER - nylon.....	1
16	C31681	SPRING - control lever.....	1
17	195-521	WASHER - 5/16"	1
18	C31670	ROD - control	1
19	129-122	NUT - 5/16" N.F. hex.....	1
20	C19025	BALL JOINT	1
21	113-209	BOLT - 3/8" x 1-1/2" N.C. hex	4
22	131-938	NUT - lock 3/8" N.C. hex	8
23	113-208	BOLT - 3/8" - 16 x 1-1/4"	4
25	C26188	PIN - cylinder base.....	1
26	218-1093	FITTING - hydraulic 450 elbow	1
27	218-5056 *	FITTING - valve (includes 218-5004 "O" ring)	2
28	NSS *	HOSE – short (shown) (Use C44742 and 218-5134)	1
28	C44742 * *	HOSE – short	1
29	C27590	CYLINDER - lift	1
	C30054	KIT - seal.....	1
30	C13106	COVER - lubrication fitting	1
31	318-5134 * *	fitting – 1/2" – 20 x 45°	2

* Use Before PIN:

* * Use PIN and after

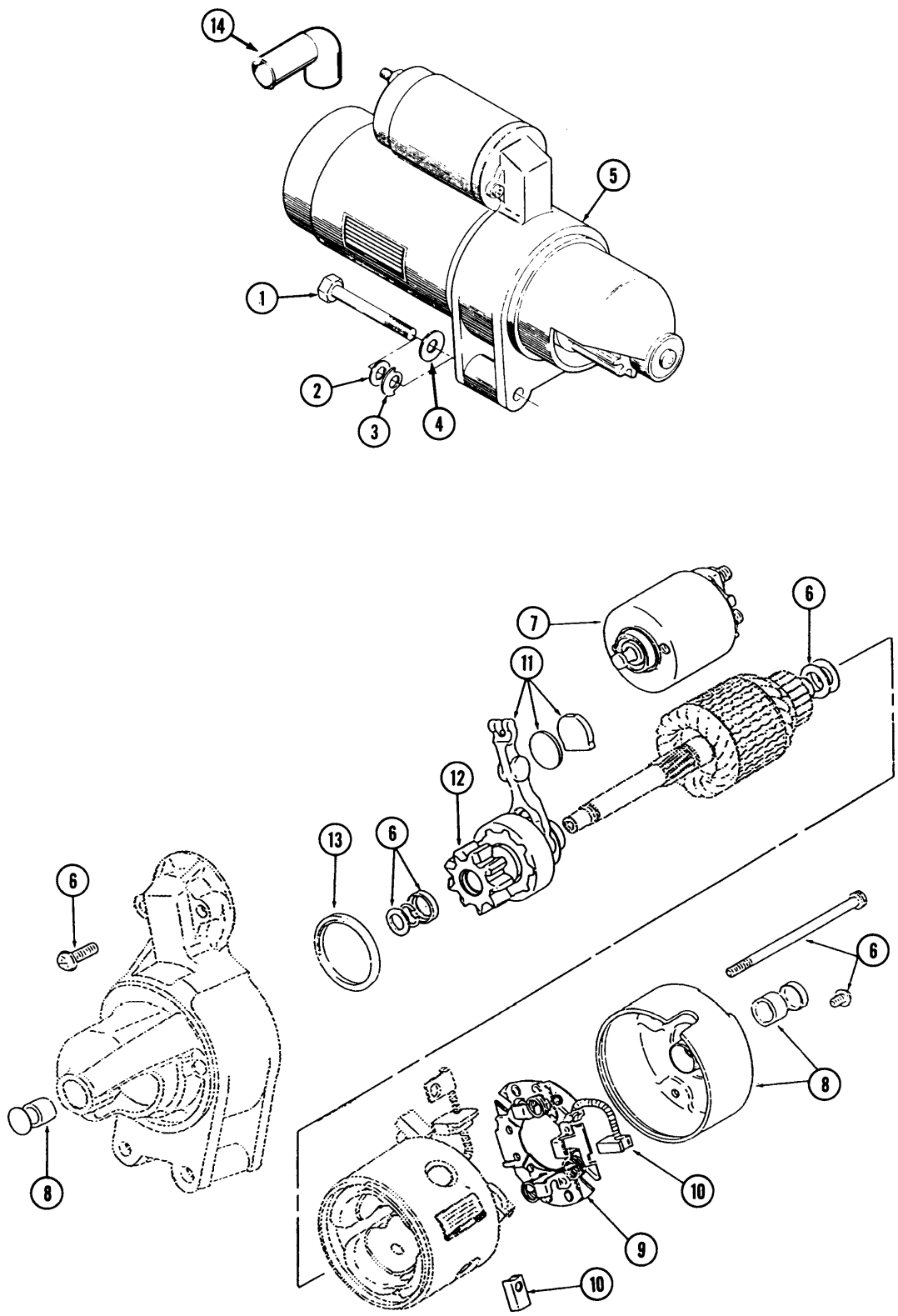
3118 – 14170482

4116 – 14171695

4118 – 14172656

4120 - 14173500

INDEX

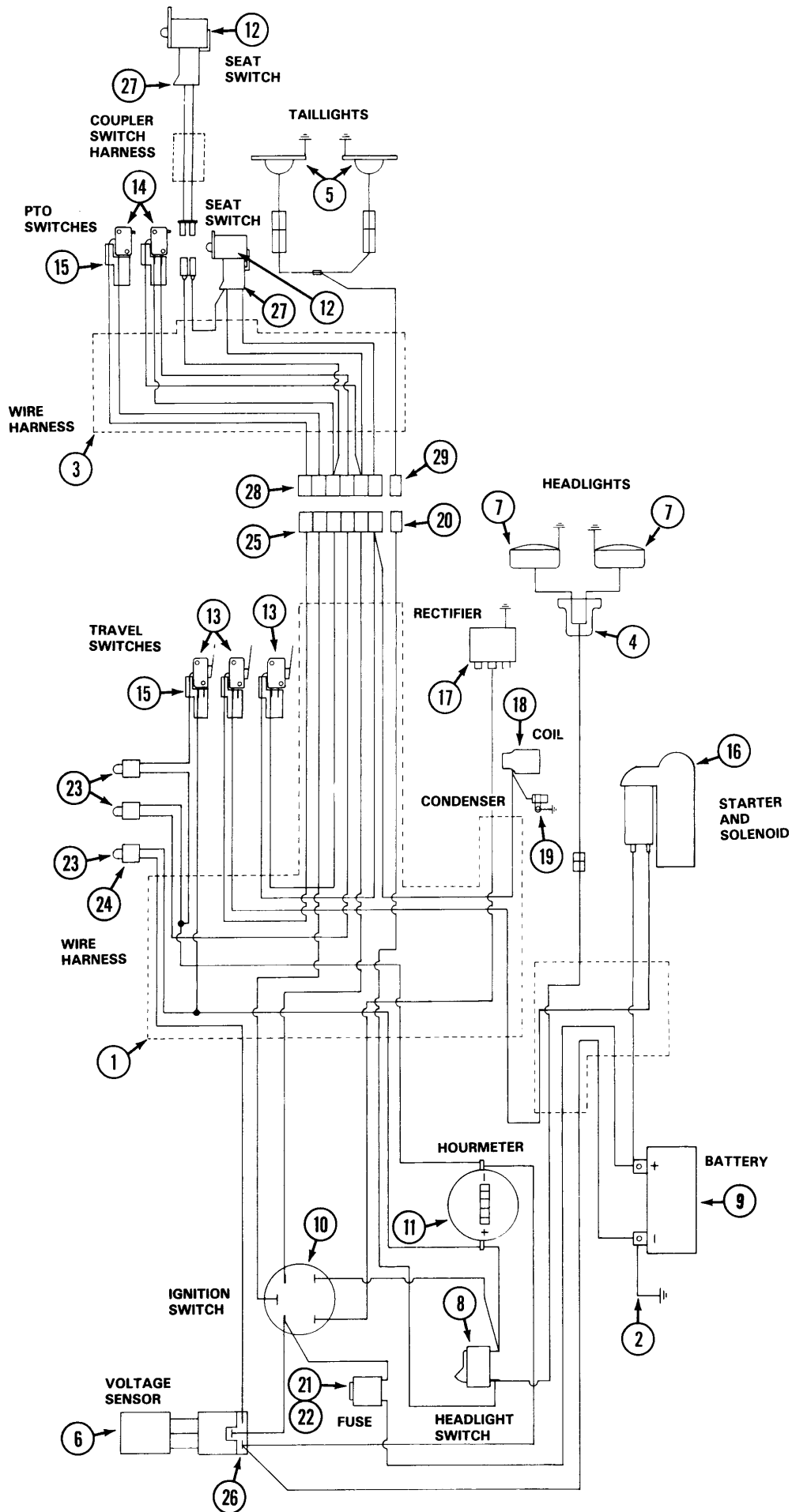


MODEL 3118, 4116, 4118, 4120 COMPACT TRACTORS

STARTER

REF.	PART NO.	DESCRIPTION	REQ'D
1	C32448	BOLT - thru 5/16" - 18 x 3-1/2".....	2
2	192-20	LOCKWASHER - 5/16"	2
3	C32449	WASHER - special (outside mounting bolt)	1
4	C20248	WASHER - 5/16" (inside mounting bolt)	1
5	C32312	STARTER ASSEMBLY	1
6	C32313	KIT - hardware	1
7	C32314	KIT - solenoid (includes plunger)	1
8	C32315	KIT - bushing (includes rear cap).....	1
9	C32316	HOLDER - brush (includes negative brush)	1
10	C32317	KIT - brush	1
11	C32318	KIT - shift lever	1
12	C32319	CLUTCH - starter (includes gear)	1
13	C32320	SEAL - dust.....	1
14	C31618	COVER - terminal	1

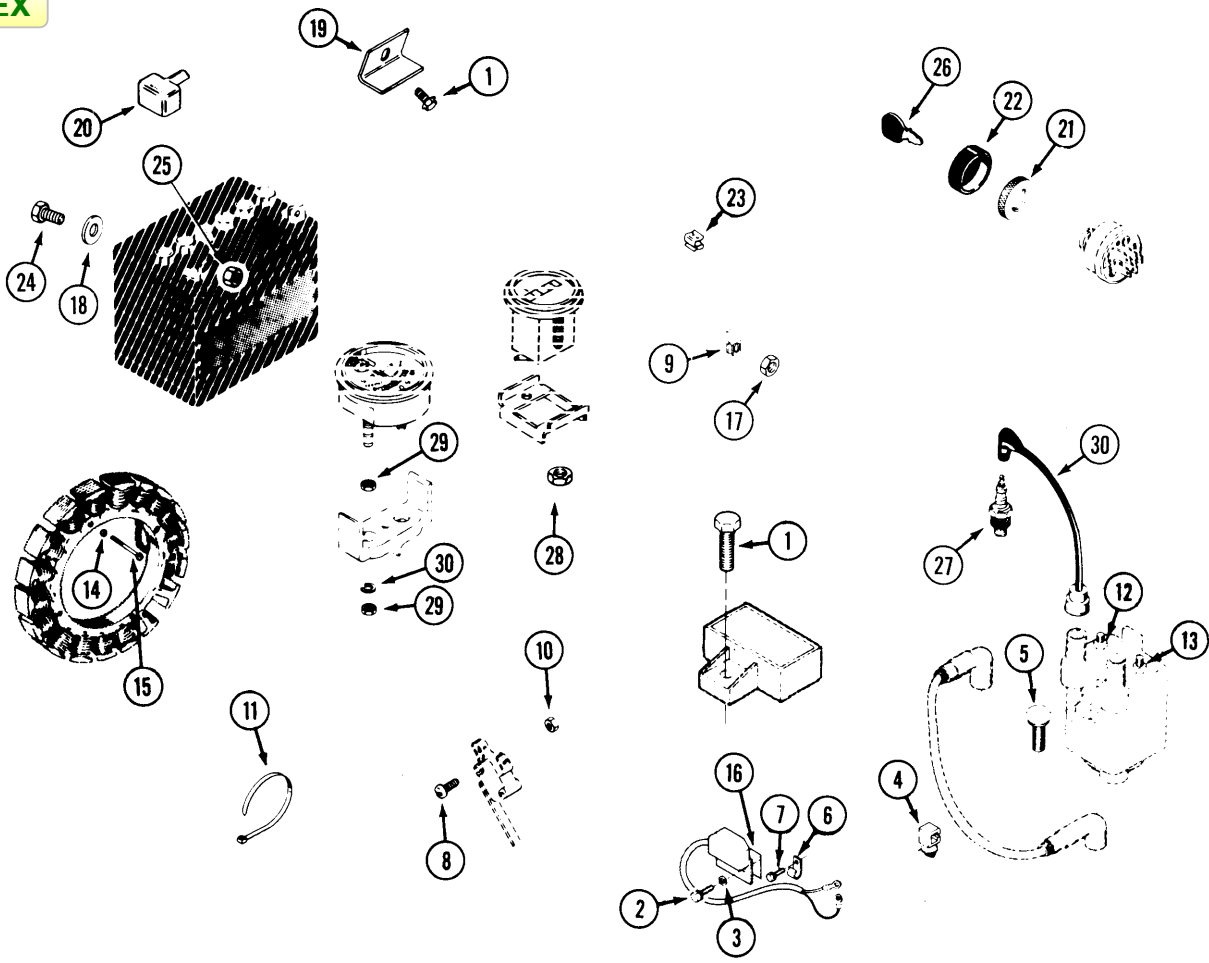
INDEX



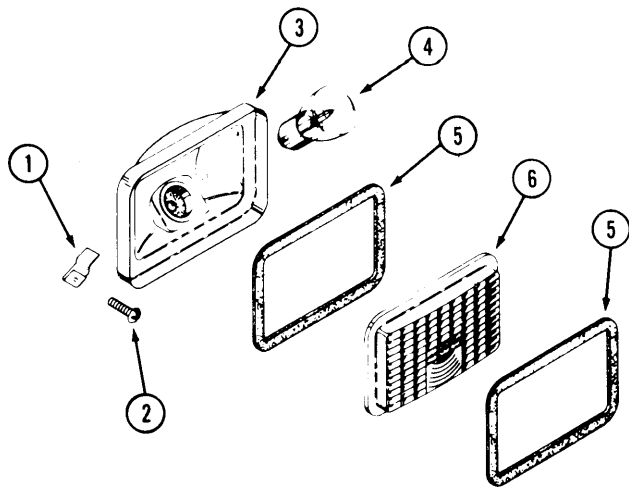
ELECTRICAL SYSTEM

REF.	PART NO.	DESCRIPTION	REQ'D
1	C36917	HARNESS - wire, main	1
2	C31943	CABLE - battery negative to ground	1
3	C37269	HARNESS - wire, seat switch, PTO and taillights.....	1
4	C14537	CONNECTOR - headlights	1
5	C37165	TAILLIGHT – rear (#194 bulb)	2
6	C31617	SENSOR - voltage	1
7	C32178	HEADLIGHT - 12 volt (page 61 for service).....	2
8	C43044	SWITCH - headlights	1
9	C41010	BATTERY - 12 volt.....	1
10	C30530	SWITCH - ignition	1
	C24460	CONNECTOR - ignition switch	1
11	C42929	HOURLMETER	1
12	C37298	SWITCH - seat (black)	2
13	C30275	SWITCH - micro (at travel lever).....	3
14	C37399	SWITCH - micro (at PTO)	2
15	C30279	CONNECTOR - micro switch.....	5
16	C32312	STARTER AND SOLENOID - 12 volt (see page 57 for service)	1
17	C32461	RECTIFIER - voltage, 12 volts.....	1
18	C32296	COIL - ignition, 12 volt.....	1
19	C32307	CONDENSER - 12 volt	1
20	C42118	CONNECTOR - single female, taillight	1
21	C31947	KIT - fuse holder.....	1
22	C30260	FUSE - 30 amp	1
23	C30262	BULB - indicator	3
24	C30263	SOCKET - bulb	3
25	C4211 7	CONNECTOR - six wire, harness, female	1
26	C25486	CONNECTOR - three wire, sensor	1
27	C37398	CONNECTOR - seat switch	2
28	C42115	CONNECTOR - six wire, seat harness, male	1
29	C42116	CONNECTOR - harness, taillight, male.....	1

INDEX



INDEX



INDEX**MODEL 3118, 4116, 4118, 4120 COMPACT TRACTORS****ELECTRICAL SYSTEM HARDWARE**

REF.	PART NO.	DESCRIPTION	REQ'D
1	121-21	BOLT - 1/4" - 20 x 1/2" flange lock.....	1
2	182-525	BOLT - #10 - 32 x 3/8"	2
3	C32460	LOCKWASHER - #10 internal tooth	2
4	C32453	CLIP - wire.....	1
5	C32456	BOLT - 1/4" - 20 x 1"	2
6	C32455	CLIP - wire.....	2
7	187-1036	SCREW - 1/4" - 20 x 1"	1
7	187-1908	SCREW - #10 - 16 x 5/8"	1
8	C37199	SCREW - #4 - 40 x 1-1/2"	2
9	C42358	CLIP - wire, taillight	2
10	C33697	NUT - #4 - 40	2
11	C22947	TIE - wire	UAR
12	C32301	NUT - M5 metric (negative terminal).....	1
13	C32300	NUT - M4 metric (positive terminal)	1
14	193-6	LOCKWASHER - #10	3
15	C32459	SCREW - #10 - 32 x 1" self lock	3
16	C32295	INSULATOR - ignition module	1
17	129-1000	NUT - #10 - 32 taillight	4
18	195-518	WASHER - 1/4"	2
19	C33475	RETAINER - battery.....	1
20	C24069	COVER - battery positive terminal	1
21	C32396	NUT - switch.....	1
22	C32397	CAP - nut.....	1
23	C19521	CLIP - wire.....	3
24	113-3	BOLT - 1/4" - 20 x 3/4"	2
25	129-101	NUT - 1/4" -20	2
26	C32407	KEY - ignition	1
27	C32454	SPARK PLUG	2
28	131-971	NUT - #8 - 36	2
29	129-27	NUT - #10 NF.....	4
30	C32298	CABLE - spark plug 9"	1
30	C32299	CABLE - spark plug 18-1/2"	1

INDEX**HEADLIGHT ASSEMBLY**

1	C29637	RETAINER - headlight	4
2	187-1328	SCREW - #8 x 3/8".....	4
	C32178	HEADLIGHT ASSEMBLY	2
3	NSS	RECEPTACLE - headlight (order C32178)	1
4	C28932	BULB - headlight.....	1
5	C14304	GASKET - headlight	2
6	C22573	LENS - headlight.....	1


① **3118** All Hydraulic Power **INGERSOLL**


⑦ **4116** All Hydraulic Power **INGERSOLL**

⑧ **4118** All Hydraulic Power **INGERSOLL**

⑫ **4120** All Hydraulic Power **INGERSOLL**

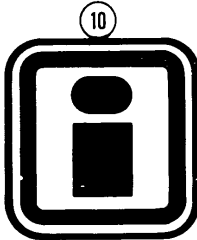
⑤
BRAKE - PEDAL IS ON LEFT SIDE OF TRACTOR
PARKING BRAKE LOCK
 TO ENGAGE: APPLY BRAKE AND PUSH LOCK DOWN
 TO RELEASE: PUSH BRAKE PEDAL DOWN


④

RANGE SELECTOR

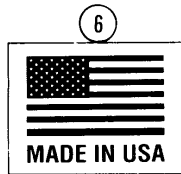
⑪

ATTACHMENT DRIVE



⑨
CAUTION
 READ OPERATOR'S MANUALS
 KNOW LOCATION AND FUNCTION OF ALL CONTROLS
 KEEP ALL SHIELDS AND SAFETY SWITCHES FUNCTIONAL
 BEFORE STARTING ENGINE. DISENGAUGE ATTACHMENT
 DRIVE AND PLACE TRAVEL CONTROL IN NEUTRAL.
 REMOVE OBJECTS FROM THE TERRAIN THAT COULD
 BE THROWN BY THE ATTACHMENT.
 NEVER CARRY PASSENGERS
 ALWAYS LOOK BEHIND TRACTOR BEFORE BACKING
 ON ANY INCLINE THAT THE TRACTOR CAN BE SAFELY
 OPERATED USE LOW RANGE GEAR
 FRONT END TIP OVER CAN OCCUR WHEN OPERATING ON
 LOADING RAMPS OR HILLS. BACK UP RAMPS OR HILLS
 DRIVE FORWARD GOING DOWN RAMPS OR HILLS
 TO PARK TRACTOR. PLACE TRAVEL CONTROL IN
 NEUTRAL, SET PARKING BRAKE, DISENGAUGE
 ATTACHMENT DRIVE, ENGINE OFF AND REMOVE KEY
 FROM TRACTOR BEFORE SERVICING OR MAKING
 ADJUSTMENTS TO TRACTOR OR ATTACHMENTS.
 FAILURE TO OBSERVE THESE PRECAUTIONS
 COULD RESULT IN INJURY



②

 F
 U
 E
 L



MODEL 3118, 4116, 4118, 4120 COMPACT TRACTORS

DECALS

REF.	PART NO.	DESCRIPTION	REQ'D
1	C36924	DECAL - "3118" hood L.H.....	1
1	C36925	DECAL - "3118" hood R.H. (shown)	1
2	C33588	DECAL - fuel gauge	1
3	C37197	DECAL - steering wheel.....	1
4	C37274	DECAL - shift range	1
5	C33590	DECAL - brake	1
6	C34184	DECAL - flag	1
7	C36926	DECAL - "4116" hood L.H.....	1
7	C36927	DECAL - "4116" hood R.H. (shown)	1
8	C36928	DECAL - "4118" hood L.H.....	1
8	C36929	DECAL - "4118" hood R.H. (shown)	1
9	321-6659	DECAL - Caution.....	1
10	C30539	MEDALLION	1
11	C37275	DECAL PTO.....	1
12	C36930	DECAL - "4120" hood L.H.....	1
12	C36931	DECAL - "4120" hood R.H	1