

5-91-RP-500-202

ALPHABETICAL INDEX

TRACTOR SECTION

	Page	Grid
Chassis And Hood	5-7	A6-A8
Customer Assembly	27	B14
Decals	25	B12
Electrical Assembly	23	B10
Engine and Control Assembly	17	B4
Final Deck Assembly	21	B8
Motion Drive Assembly	11-13	A12-A14
Mower Suspension Assembly	9	A10
Pre-Painted Deck Assembly	19	B6
Steering Assembly	15	B2
Transaxle Assembly	29	C2

ENGINE SECTION

Block, Engine	31	C4
Carburetor	35	C8
Counterweight	33	C6
Flywheel and Stator	33	C6
Governor	37	C10
Oil Filler	37	C10
Starter	39	C12

GENERAL INFORMATION

INDEX

There is an index at the front and rear of this catalog.

The front index is an alphabetical index of the major groups or assemblies.

The rear index is a numerical index of the part numbers and pages on which these numbers are shown.

ILLUSTRATION

Each illustration in this catalog shows a group of parts or components. These parts and components are aligned approximately as the parts and components on your machine. Each part and component in an illustration has a reference number. These reference numbers are in a list on the page opposite of the illustration. Next to the reference number is the part number, description and required quantity of the part shown in the illustration.

UAR - "Use as required" indicates that the part quantity is variable.

NSS - "Not sold separately" indicates that the part is only available as a component of an assembly or the part must be purchased locally. If the part is an assembly component, the description will be indented under the assembly description in the parts list.

O/L - "Obtain locally"

** - "Footnotes" are added to a part number when more information is needed for identification. They only relate to the part numbers indicated.

PARTS ORDERS

All orders must include the following information:

1. Correct part number.
2. Complete description of part or component.
3. Total quantity of each part or component.
4. Product model number.
5. All necessary product identification numbers.
6. Method for sending the parts.
7. Complete and correct address.

CATALOG REVISIONS

As the product changes, new pages will be available for your catalog. A notice will be issued.

IMPORTANT: Put all revisions into the catalog as soon as possible.

RIGHT HAND AND LEFT HAND IDENTIFICATION

The words right hand (RH) and left hand (LH) as used in this catalog indicate the direction while you are in the operator's seat in the normal operating position.

INDENTED DESCRIPTIONS

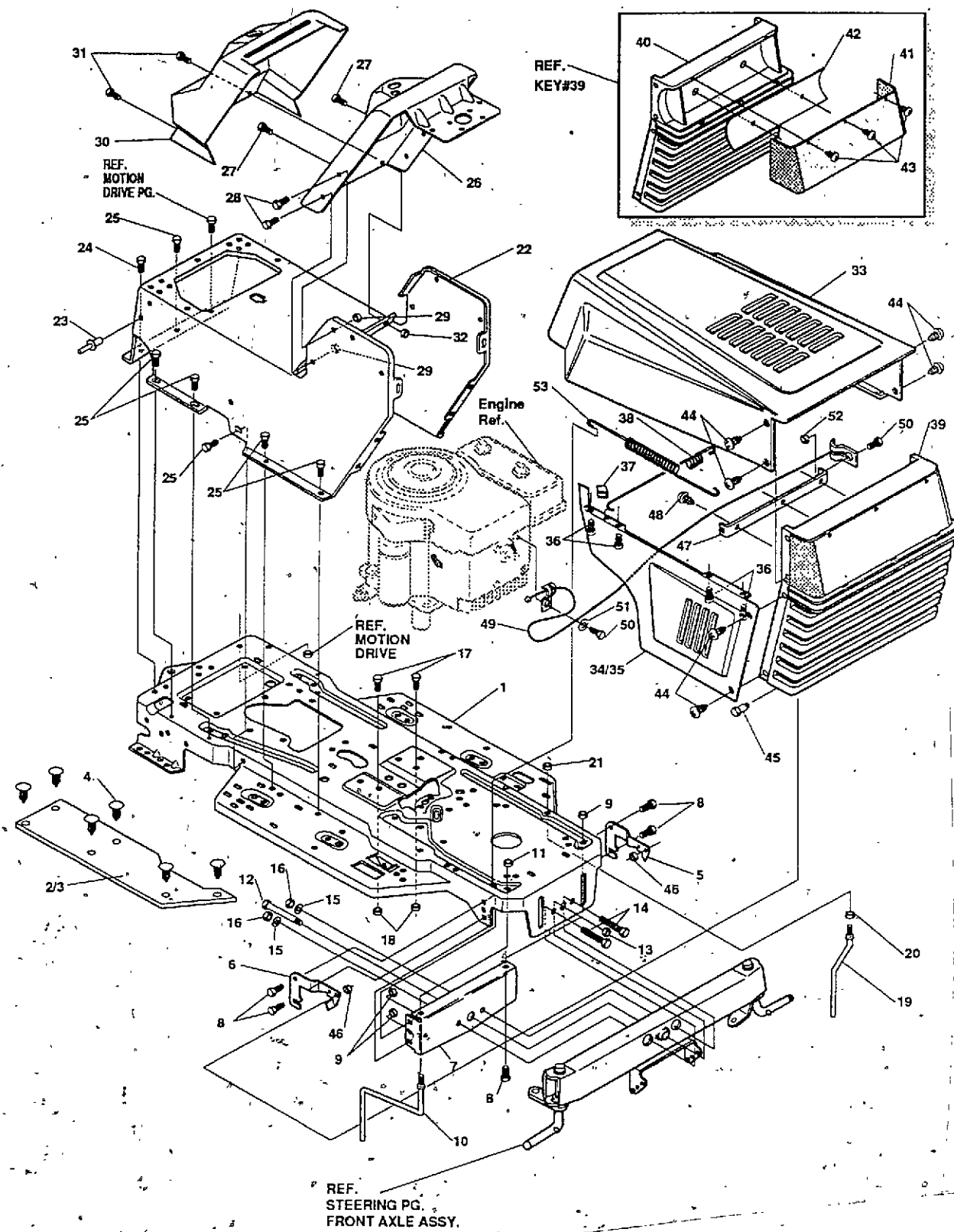
An assembly can have many components. The components of an assembly are indicated by an indented description. The quantity for an indented part is the total needed for that complete assembly. See the example.

REF.	PART NO.	DESCRIPTION	REQ'D
	C 55159	CYLINDER ASSY - rear steering	1
28	C 56208	SOCKET ASSY - rear cylinder	1
29	C 55956	PLUG - adjusting, socket assy	1
30	C 55957	SEAT - socket ball	2
31	C 56210	SPRING - socket	1
32	C 56209	SEAT - socket spring	1
33	G 45175	CLAMP ASSY - socket assy	1
	16- 836	BOLT - 1/2" x 2-1/4" N.F. hex	1
34	132- 104	PIN - cotter, 3/16" x 3"	1
35	C 55889	STUD - ball, socket & cylinder	2
36	13- 410	BOLT - 1/4" x 5/8" N.C., hex	4
37	92- 4	LOCK WASHER - 1/4" SAE	4

INGERSOLL

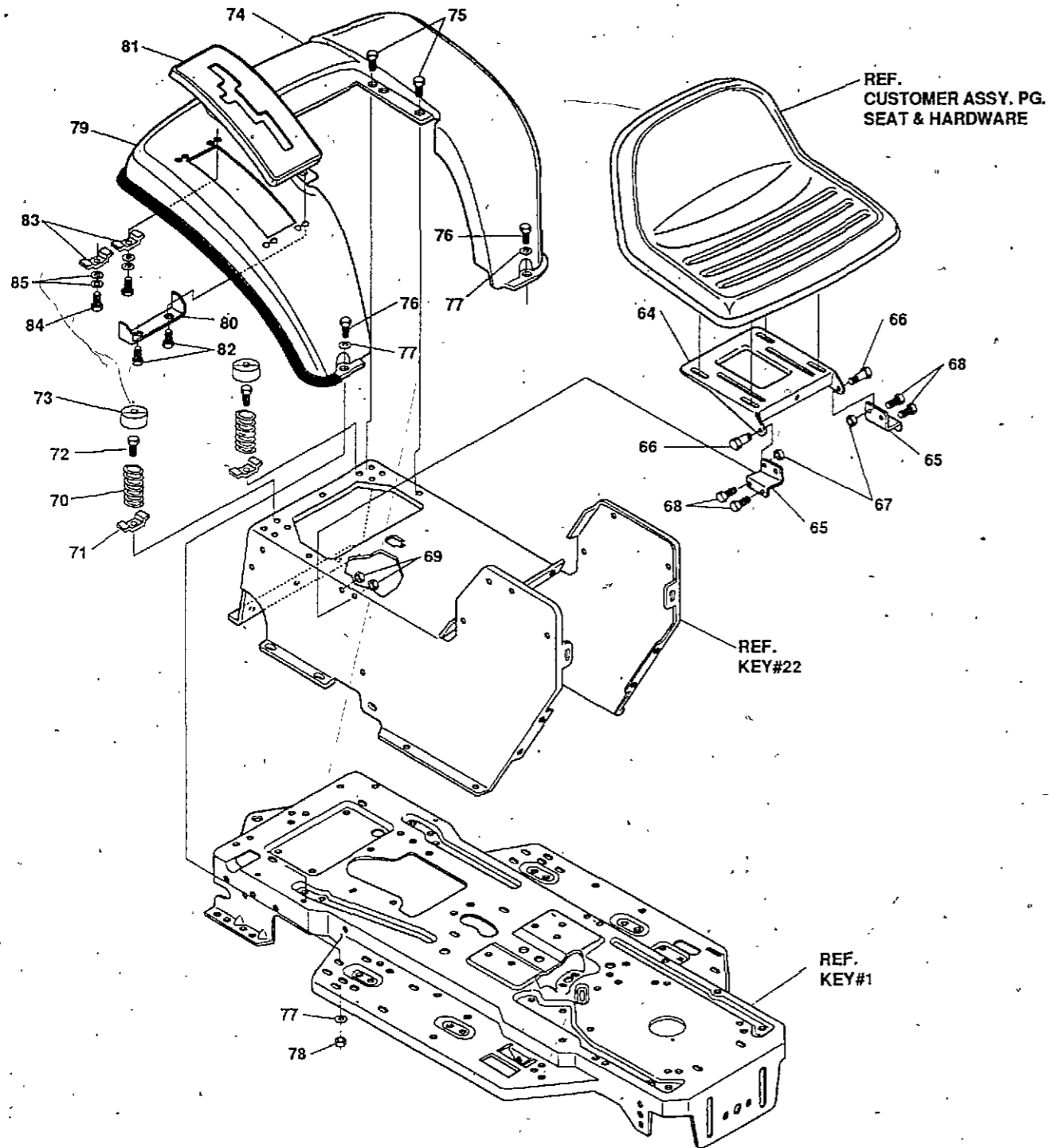
Ingersoll Equipment Co., Inc.

CHASSIS AND HOOD ASSEMBLY



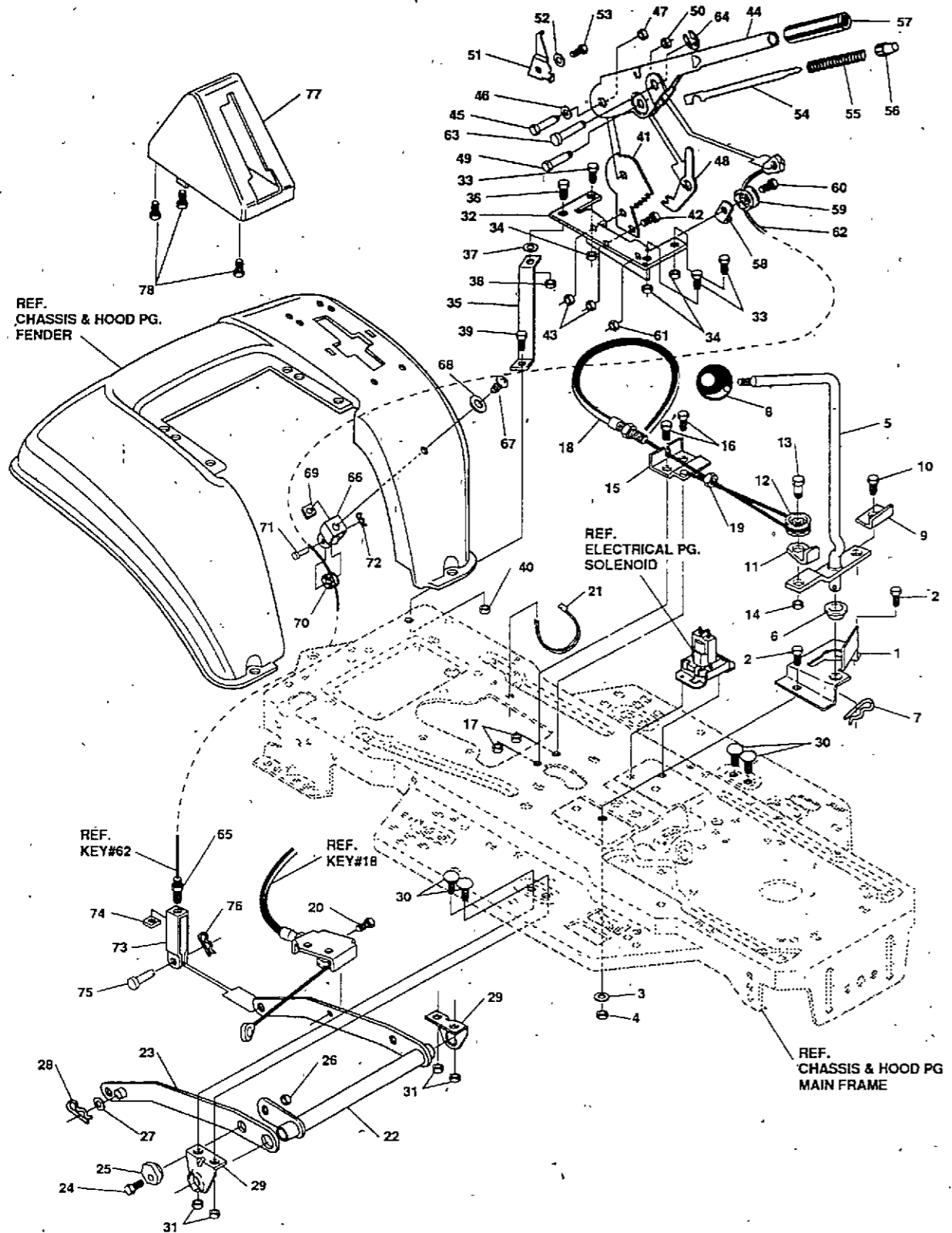
key#	part#	description	qty.
1	C35064	FRAME, MAIN	1
2	C35065	FOOTPAD,LH	1
3	C35066	FOOTPAD,RH	1
4	C35067	FASTENER, RATCHET	12
5	C35068	BRKT.GRILLE, L.H.	1
6	C35069	BRKT GRILLE R.H.	1
7	C35070	BRACKET, FRONT AXLE	1
8	C35071	SCREW, 5/16-18X.75WDFLLK	5
9	C35072	NUT, 5/16-18 HXWDFLLK	5
10	C35073	GUIDE, BELT, RIDER	1
11	C34798	NUT, 5/16-18 REGHEXCTRLK	1
12	C35374	BOLT, 625X2.180 HSSH	1
13	C35375	NUT, 1/2-13 REGHCTRLK	1
14	C35076	SCREW, 3/8-16X3.00 HHC	2
15	C34997	WASHER, 39IDX1.25DX.07 BELLVIL	2
16	C34814	NUT, 3/8-16 REGHEXCTRLK	2
17	C34817	SCREW, 5/16-18X .88 HHC	2
18	C34798	NUT, 5/16-18 REGHEXCTRLK	2
19	C35077	GUIDE,SHORT BELT RIDER	1
20	C35078	NUT, 5/16-18 HEXJAM	1
21	C35079	NUT, 3/8-16 HEXKEPS	1
22	C35080	CONSOLE	1
23	C35081	RIVET, POP .187DIAx .450LG	1
24	C34848	SCREW, 5/16-18X .50 WAHHTAP	1
25	C34794	SCREW, 1/4-20X .50 WAHHTAP	12
26	C35082	DASH	1
27	C34794	SCREW, 1/4-20X .50 WAHHTAP	2
28	C34834	SCREW, 1/4-20X .63 HHWATAP	4
29	C35083	NUT, 1/4-20 WDFLLK TOPLOCK	4
30	C35377	DASH, NO GRAPHICS SUS	1
31	C34834	SCREW, 1/4-20X .63 HHWATAP	2
32	C35083	NUT, 1/4-20 WDFLLK TOPLOCK	2
33	C35379	HOOD	1
34	C35087	PANEL,SIDE,HOOD,LH	1
35	C35088	PANEL,SIDE,HOOD,RH	1
36	C35089	SCREW, 10-16X .50 WAHHTAP	8
37	C35090	CLIP, U-TYPE, TINNEMAN	2
38	C35091	SPRING, HOOD SINGLE CYL	1
39	C35095	ASSY,GRILLE	1
40	C35096	GRILLE	1
41	C35097	LENS	1
42	C35098	DECAL, REFLECTOR,GRILL	1
43	C35380	SCREW, #6 X .50 PLASTITE	3
44	C35100	SCREW, 1/4-10X .75PHPNTAP	8
45	C35101	BOLT, .375X .500 HSSH 5/16-18	2
46	C34798	NUT, 5/16-18 REGHEXCTRLK	2
47	C35102	BRACKET GRILLE	1
48	C35100	SCREW, 1/4-10X .75PHPNTAP	3
49	C35381	LANYARD,HOOD	1
50	C35243	SCREW, 1/4-20X .62 HHC	2
51	C35568	WASHER, REGSPTLK.263X.49X.07	1
52	C34806	NUT, 1/4-20 REGHEXCTRLK	1
53	C35382	SPRING, HOOD LATCH	1

CHASSIS AND HOOD ASSEMBLY



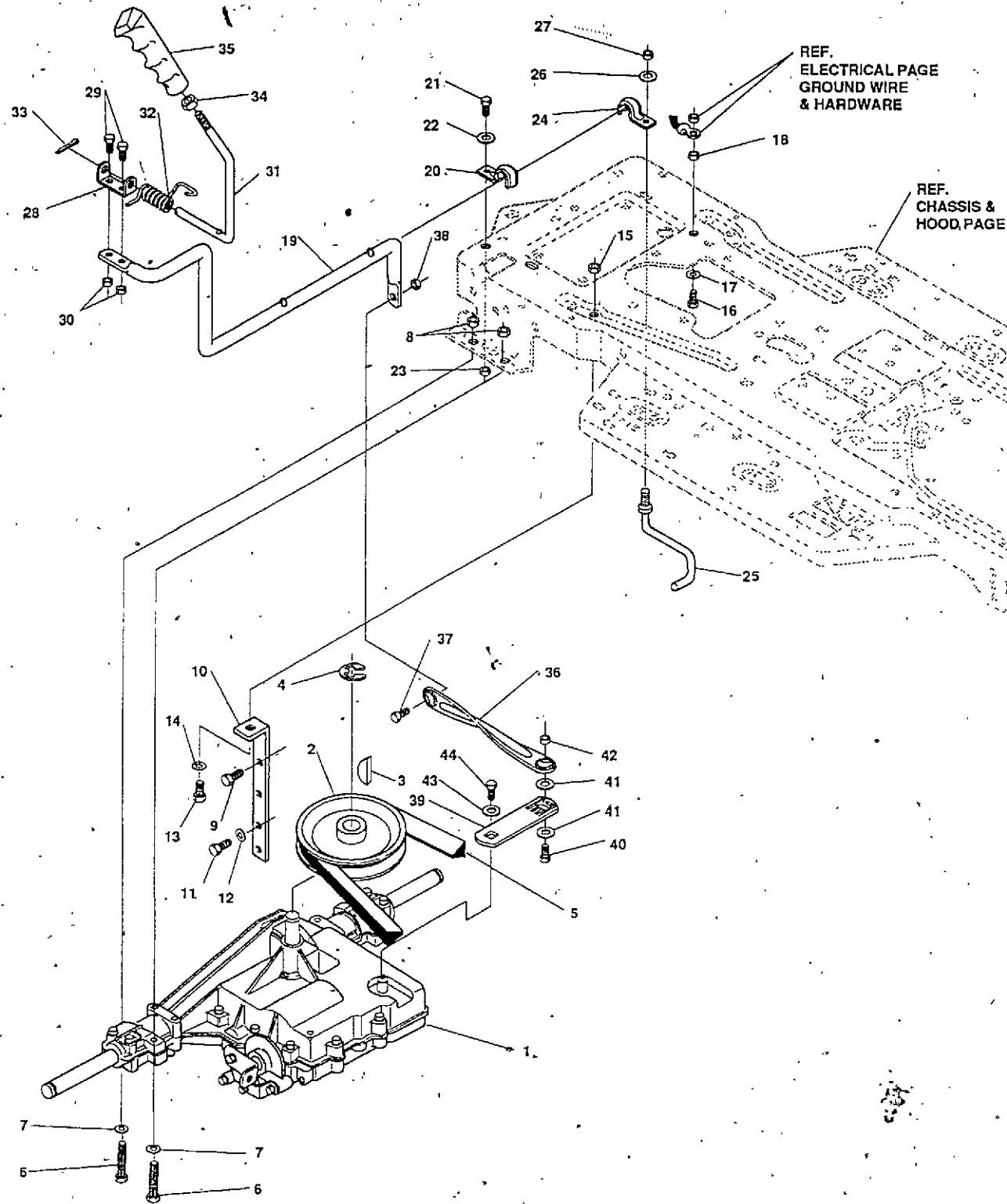
key#	part#	description	qty.
64	C35550	PLATE, SEAT	1
65	C35115	BRACKET, SEAT SUPPORT	2
66	C34818	BOLT, .437X .156 HSSH 5/16-18	2
67	C34798	NUT, 5/16-18 REGHEXCTRLK	2
68	C34796	SCREW, 5/16-18X .63 HHC	4
69	C34798	NUT, 5/16-18 REGHEXCTRLK	4
70	C35112	SPRING, SEAT 2.63LG, 1.49OD	2
71	C35113	CLAMP, SPRING 1.17"ID	2
72	C34808	SCREW, 1/4-20X .75 HXWATAP	2
73	C35114	COVER, SEAT SPRING 1.51DX1.0LG	2
74	C35551	FENDER	1
75	C34794	SCREW, 1/4-20X .50 WAHTAP	4
76	C34802	SCREW, 5/16-18X1.00 HHC	2
77	C35116	WASHER, FLAT .375X .88X.082	4
78	C34798	NUT, 5/16-18 REGHEXCTRLK	2
79	C35117	TRIM, STRIP, BLACK	77.5"
80	C35118	BRKT COVER FENDER SHIFT	1
81	C35119	COVER PLASTIC FOOTE 4360-6	1
82	C35120	SCREW, 1/4-15X.44/.53 HILOHWA	2
83	C35113	CLAMP, SPRING 1.17"ID	2
84	C35120	SCREW, 1/4-15X.44/.53 HILOHWA	2
85	C35122	WASHER, FLAT .281X .63X.065	4

MOWER SUSPENSION ASSEMBLY



key#	part#	description	qty.
1	C35123	BRACKET,CLUT-ENGAGELEVER	1
2	C35124	SCREW, 5/16-18X1.00 HHC	2
3	C34876	WASHER, FLAT .344X.69X.065	2
4	C34798	NUT, 5/16-18 REGHEXCTRLK	2
5	C35125	ASSY, CLUTCH LEVER	1
6	C35126	BEARING, FL. .503ID X.628OD	1
7	C34908	PIN, HAIR .091 DIA X1.66LG	1
8	C35053	SHIFT KNOB	1
9	C35127	BRACKET, SWITCH ENGAGE	1
10	C34800	SCREW, 5/16-18 X .75 WAHTAP	1
11	C35128	BRKT, CABLE RETAINER	1
12	C35129	PULLEY, .906X.305 NYLON	1
13	C35130	BOLT, .375X.375 HSSH 1/4-20	1
14	C34806	NUT, 1/4-20 REGHEXCTRLK	1
15	C35131	BRKT, FRAME CABLE	1
16	C35132	SCREW, 1/4-20 X .75 HHC	2
17	C34808	NUT, 1/4-20 REGHEXCTRLK	2
18	C35133	ASSY, CABLE, BLADE ENGAGE	1
19	C35134	NUT, 1/4-28 HJAM	1
20	C34800	SCREW, 5/16-18 X .75 WAHTAP	1
21	C35334	TIE, CABLE BLACK NYLON	1
22	C35388	ASSY, REAR LIFT	1
23	C35137	ASSY, LINK, RIGHT SIDE	1
24	C35124	SCREW, 5/16-18 X1.00 HHC	1
25	C35139	ADJUSTING NUT	1
26	C34798	NUT, 5/16-18 REGHEXCTRLK	1
27	C34892	WASHER, FLAT .531X1.06X.095	2
28	C34908	PIN, HAIR .091 DIA X1.66LG	2
29	C35140	BRKT, REAR, HANG, SUSP.	2
30	C34857	BOLT, 5/16-18 X .63 CARR	4
31	C34798	NUT, 5/16-18 REGHEXCTRLK	4
32	C35141	BRACKET, HGT/ADJUST SUPPORT	1
33	C35006	SCREW, 5/16-18 X .75 HHC	3
34	C34798	NUT, 5/16-18 REGHEXCTRLK	3
35	C35111	BRACE, FENDER F-5 SUS	1
36	C35124	SCREW, 5/16-18 X1.00 HHC	1
37	C34899	WASHER, FLAT .333X.37X.119	1
38	C34798	NUT, 5/16-18 REGHEXCTRLK	1
39	C35124	SCREW, 5/16-18 X1.00 HHC	1
40	C34798	NUT, 5/16-18 REGHEXCTRLK	1
41	C35143	QUADRANT, HEIGHT ADJUST	1
42	C35006	SCREW, 5/16-18 X .75 HHC	2
43	C34798	NUT, 5/16-18 REGHEXCTRLK	2
44	C35144	HANDLE, LIFT SHORT, BLK	1
45	C35145	BOLT, .500X.270 HSSH 5/16-18	1
46	C35146	WASHER, FLAT .506X.75X.024	1
47	C34960	NUT, 5/16-18 HWDFLCTRLK	1
48	C35147	PAWL, HEIGHT ADJUST	1
49	C35145	BOLT, .500X.270 HSSH 5/16-18	1
50	C34960	NUT, 5/16-18 HWDFLCTRLK	1
51	C35148	POINTER Z-PL	1
52	C35149	WASHER, EXLK.195X.41X.03	1
53	C34968	SCREW, #8-32 X .38 HHWAT	1
54	C35150	ROD, ACTUATOR-SHORT	1
55	C35151	SPRING, HEIGHT ADJUST	1
56	C35152	KNOB, HGT ADJ PUSH BUTTON	1
57	C35153	GRIP, .750 OD W/ HOLE	1
58	C35154	BRKT, CABLE RETAIN	1
59	C35129	PULLEY, .906X.305 NYLON	1
60	C35130	BOLT, .375X.375 HSSH 1/4-20	1
61	C34806	NUT, 1/4-20 REGHEXCTRLK	1
62	C34823	CABLE, LIFT 21.70 F-5 20X8-8	1
63	C35156	PIN, CLEVIS .310 DIA+.475 LG	1
64	C35157	RING, RET E .31X.24	1
65	C35158	NUT, 1/4-20 REGHEX	1
66	C35159	CLEVIS	1
67	C35160	SCREW, 5/16-18 X .56 PPHNMA BKPH	1
68	C35161	WASHER, .344ID X1.50DX.09 CU BPH	1
69	C35162	NUT, 5/16-18 SQ	1
70	C35129	PULLEY, .906X.305 NYLON	1
71	C35163	PIN, CLEVIS .38 DIA X1.00 LG	1
72	C34908	PIN, HAIR .091 DIA X1.66LG	1
73	C34825	CLEVIS, LIFT CABLE	1
74	C34824	NUT, 1/4-20 REGSQ	1
75	C34826	PIN CLEVIS .312 X .812	1
76	C35164	PIN, COTTER .090/.086X.75LG	1
77	C35165	LIFT COVER-39" F5	1
78	C35166	SCREW, #10 X .75 HHPLAST	3

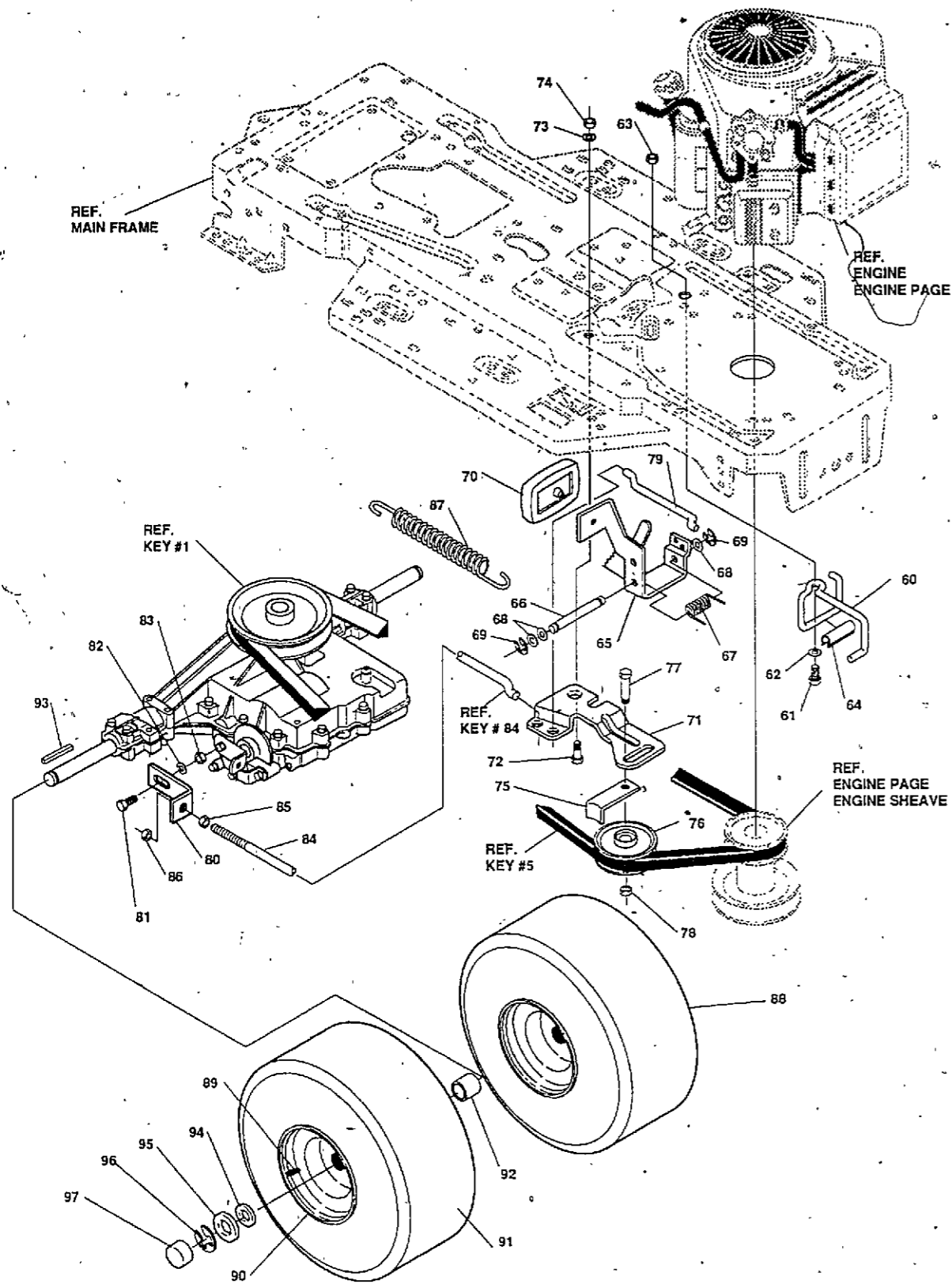
MOTION DRIVE ASSEMBLY



key#	part#	description	qty.
1	C34517*	TRANSAXLE	1
2	C35552	PULLEY	1
3	C34909	KEY, WDRF 606 .750X.187X.312	1
4	C34874	RING, RETEX .58X.04TRU5100-62	1
5	C35553	BELT	1
6	C35234	SCREW, 5/16-18X2.25 HHC	4
7	C34876	WASHER, FLAT .344X.69X.065	4
8	C34798	NUT, 5/16-18 REGHEXCTRLK	4
9	C35264	SCREW, 3/8-16X1.25 WAHTAP	1
10	C35235	MF STABILIZER BRKT P920, F4150	1
11	C34800	SCREW, 5/16-18X.75 WAHTAP	2
12	C35054	WASHER, HVSPTLK .328X.60X.09	2
13	C34802	SCREW, 5/16-18X1.00 HHC	1
14	C34876	WASHER, FLAT .344X.69X.065	1
15	C34798	NUT, 5/16-18 REGHEXCTRLK	1
16	C34796	SCREW, 5/16-18X.63 HHC	1
17	C35237	WASHER, REGINTLK.320X.61X.03	1
18	C34798	NUT, 5/16-18 REGHEXCTRLK	1
19	C35238	LEVER, SHIFT, LWR 4360 LF	1
20	C35239	CLIP-SHIFT LEVER .62 ROD	1
21	C35006	SCREW, 5/16-18X.75 HHC	1
22	C35240	WASHER, FLAT .391X1.00X.125	1
23	C34798	NUT, 5/16-18 REGHEXCTRLK	1
24	C35239	CLIP-SHIFT LEVER .62 ROD	1
25	C35241	GUIDE, BELT 5/16-18THD	1
26	C35240	WASHER, FLAT .391X1.00X.125	1
27	C34798	NUT, 5/16-18 REGHEXCTRLK	1
28	C35242	PIVOT BRKT LEVER	1
29	C35243	SCREW, 1/4-20X.62 HHC	2
30	C34806	NUT, 1/4-20 REGHEXCTRLK	2
31	C35244	LEVER, SHIFT UPPER SF 1/2-13TH	1
32	C35426	SPRING, TORS. .56X.95X.095	1
33	C34890	PIN, COTTER .125 DIA X1.00LG	1
34	C35246	NUT, 1/2-13 HEXJAM	1
35	C35247	HANDLE 1/2-13 MOLDED	1
36	C35554	LINK TIE ROD SHIFTER P930-6 LF	1
37	C35249	SCREW, 3/8-16X1.25 HHC	1
38	C34814	NUT, 3/8-16 REGHXCTRLK	1
39	C35150	BRACKET, SHIFT 5SP SF FEN HT	1
40	C35249	SCREW, 3/8-16X1.25 HHC	1
41	C34889	WASHER, FLAT .406X.81X.065	2
42	C34814	NUT, 3/8-16 REGHXCTRLK	1
43	C34886	WASHER, .750X.250 SP-TRANSAXLE	1
44	C34887	SCREW, 1/4-28X.75 NYLHHC	1

*See Transaxle Section for Service Parts

MOTION DRIVE ASSEMBLY

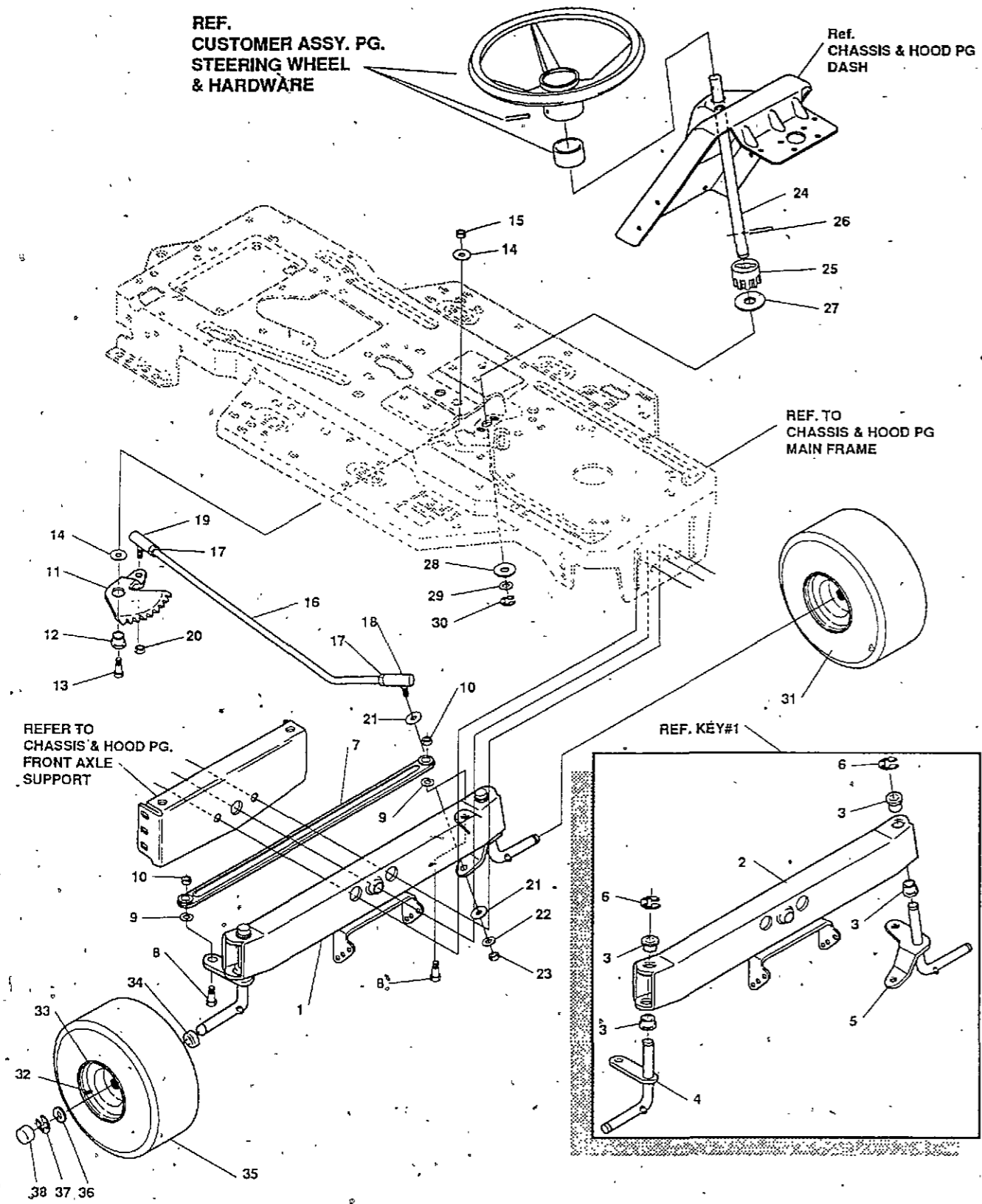


key#	part#	description	qty.
60	C35433	GUIDE-BELT/DRAGLINK	1
61	C35124	SCREW, 5/16-18X1.00 HHC	1
62	C34899	WASHER, FLAT .333X .87X.119	1
63	C34798	NUT, 5/16-18 REGHEXCTRLK	1
64	C35253	PLASTIC EXTRUSION-BELT GUIDE	1
65	C35254	PEDAL ASSY, BRAKE/CLUTCH LF	1
66	C34980	ROD, PIVOT .50 OD+4.44LG	1
67	C35255	SPRING, BRAKE PEDAL	1
68	C35192	WASHER, FLAT .504X .75X.059	3
69	C34979	RING, RET E .39X.04TRU5133-50	2
70	C35256	PAD, CLUTCH BRAKE W/PRINTING	1
71	C35257	ARM, IDLER TRACTION DR. LF	1
72	C35258	BOLT, .625X .135 HSSH 5/16-18	1
73	C34899	WASHER, FLAT .333X .87X.119	1
74	C34798	NUT, 5/16-18 REGHEXCTRLK	1
75	C34903	RETAINER, STRAP BELT	1
76	C34902	PULLEY, IDLER V4L 3.06X .62	1
77	C34905	BOLT, 3/8-16X1.50 CARR	1
78	C34814	NUT, 3/8-16 REGHXCTRLK	1
79	C35259	ROD, CLUTCH	1
80	C34993	BRACKET, BRAKE ROD	1
81	C34816	BOLT, .437X .156 HSSH 5/16-18	1
82	C34899	WASHER, FLAT .333X .87X.119	1
83	C34798	NUT, 5/16-18 REGHEXCTRLK	1
84	C35555	ROD, BRAKE LT 920 LF 22.25	1
85	C34833	NUT, 5/16-18 HEXKEPS	1
86	C34798	NUT, 5/16-18 REGHEXCTRLK	1
87	C35435	SPRING, CLUTCH .113X.750X8.75	1
88	*	TIRE & RIM, PU 20X8-8 TURF SILVER880	2
89	C34920	VALVE STEM	
90	C35556	RIM, WHEEL 20X8.00	
91	**	TIRE	
92	C35437	SPACER	2
93	C34915	KEY	2
94	C35195	WASHER, FLAT .755X1.31X.075	4
95	C34916	WASHER, FLAT .755X1.53X.07	2
96	C34917	RING, RETEX	2
97	C34918	CAP, HUB	2

* Order Individual Parts.

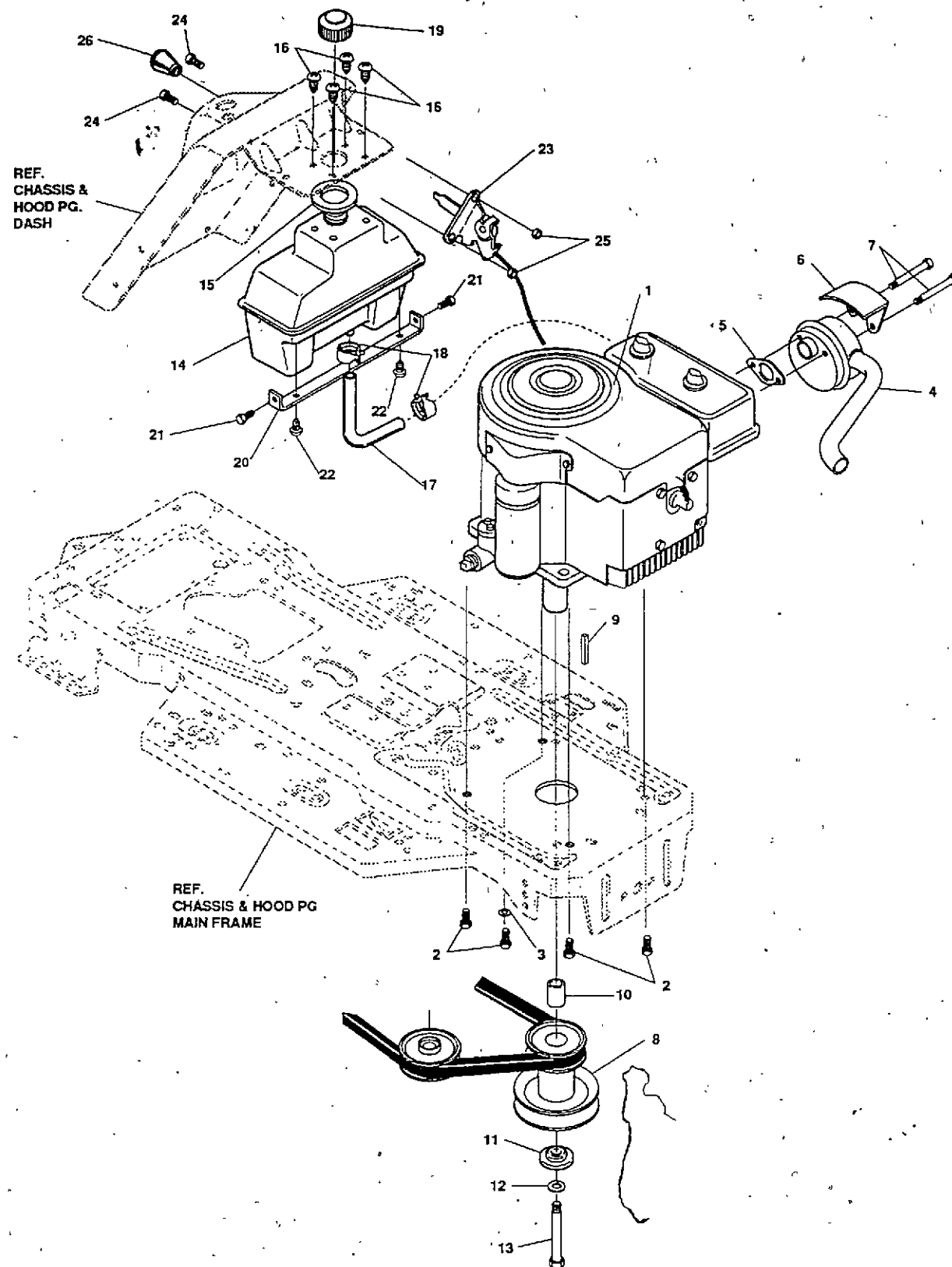
**Order Tires From Your Local Tire Dealer

STEERING ASSEMBLY



key#	part#	description	qty.
1	*	ASSY, AXLE FRONT	1
2	C35167	AXLE, FRONT	1
3	C35390	SPINDLE BEARING	4
4	C35391	SPINDLE RH	1
5	C35392	SPINDLE LH	1
6	C34917	RING, RETEX .57X.05TRU5133-75	2
7	C35172	TIE ROD ASSY 19.81LG	1
8	C35173	SCREW, 3/8-16X1.75 HHC	2
9	C34861	WASHER, REGSPTLK.393X.68X.10	2
10	C34814	NUT, 3/8-16 REGHXCTRLK	2
11	C35393	SECTOR, STEERING LF	1
12	C35394	BRNG, FL ECC.510IDX .998ODX .56	1
13	C35395	SCREW, 1/2-13X1.50 HHC	1
14	C35396	WASHER, FLAT .515X1.38X.119	2
15	C35375	NUT, 1/2-13 REGHCTRLK	1
16	C35397	STEERING LINK	1
17	C35182	NUT, 3/8-24 REGHEXJAM	2
18	C35183	BALL JOINT 3/8 THD SHORT STUD	1
19	C35398	BALL JOINT 3/8 TH'D LONG STUD	1
20	C35186	NUT, 3/8-24 WDFLHLK	1
21	C34892	WASHER, FLAT .531X1.06X.095	2
22	C34861	WASHER, REGSPTLK.393X.68X.10	1
23	C35557	NUT, 3/8-24 REGHEX	1
24	C35399	SHAFT, STEERING LF	1
25	C35400	PINION, STEERING LF	1
26	C35401	PIN, DOWEL .2500 OD+1.75	1
27	C35402	BRNG, FL .752IDX1.061ODX .24	1
28	C35403	WASHER, FORMED1.135X1.53X.12	1
29	C35207	WASHER, FLAT .765X1.25X.042	1
30	C34917	RING, RETEX .57X.05TRU5133-75	1
31	*	TIRE & RIM, PU 15X6.0X6 SILVER 880	2
32	C34920	VALVE STEM	1
33	C35193	WHEEL W/BRG. W/ZIRK	1
34	C35404	BEARING, FL1.38OD+.753ID	1
35	**	TIRE	1
36	C35195	WASHER, FLAT .755X1.31X.075	4
37	C34917	RING, RETEX .57X.05TRU5133-75	2
38	C34918	CAP, 1.500ID X 7/8LG HUB	2

* Order Individual Parts.
 **Order Tires at Your Local Tire Dealer

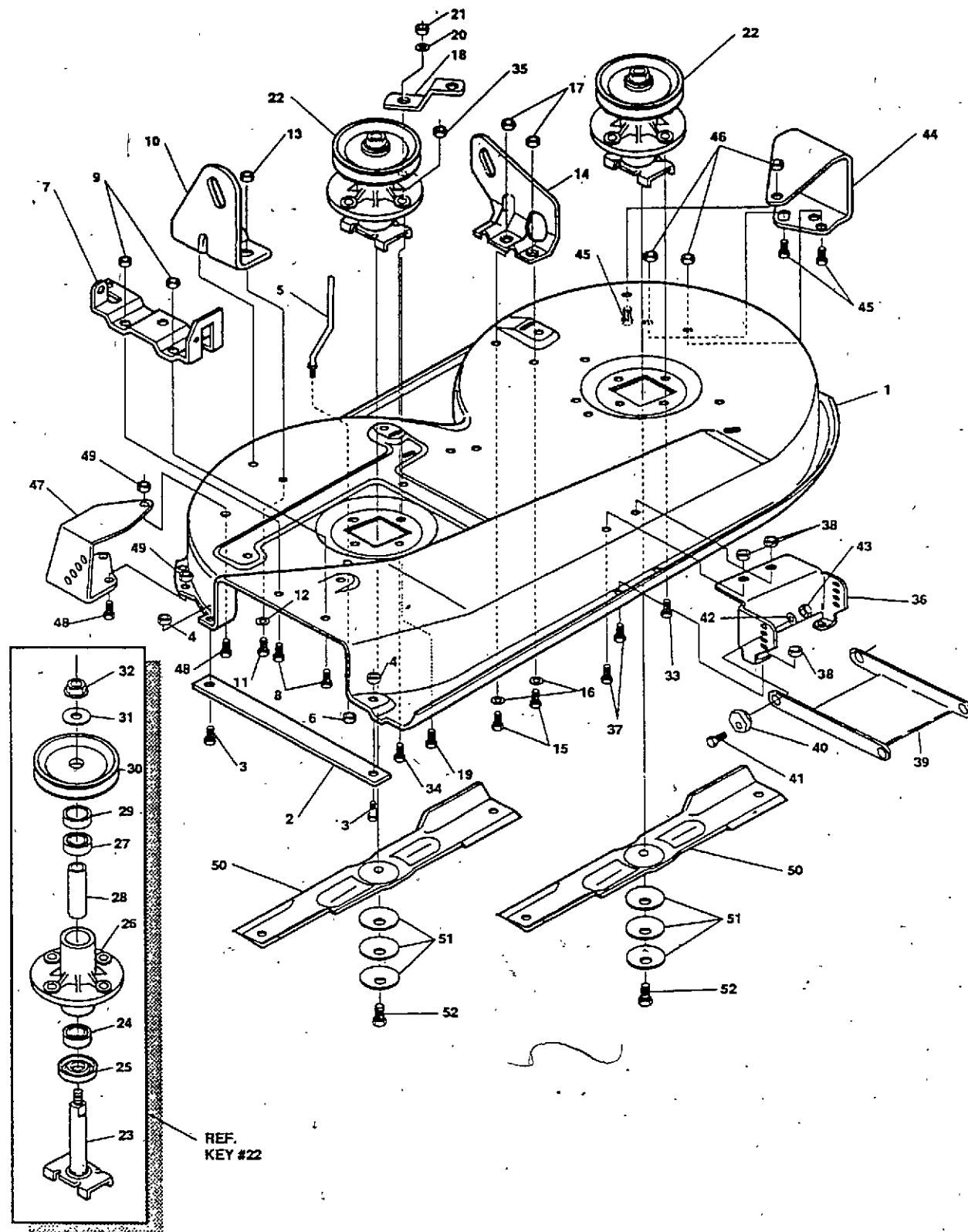


ENGINE AND CONTROL ASSEMBLY

key#	part#	description	qty.
1	C34536*	ENGINE, 12 HP B&S I/C	1
2	C35264	SCREW, 3/8-16X1.25 WAHHTAP	4
3	C35265	WASHER, EXLK .384X.69X.04	1
4	C35439	MUFFLER, 10-12 HP W/TUBE FR EXH	1
5	C35440	GASKET, MUFFLER	1
6	C35441	SHIELD, HEAT	1
7	C35442	SCREW, 5/16-18X3.50 HHC	2
8	C35443	PULLEY ASSY, 4.75OFFS 5.5DIA	1
9	C35278	KEY, SQUARE .250SQX5.00LG	1
10	C35279	SPACER, 1.01X1.484 ENGIN PULLEY	1
11	C34925	WASHER, .990IDX1.38ODX.437PILOT	1
12	C34881	WASHER, REGSPTLK.459X.78X.12	1
13	C35280	SCREW, 7/16-20X5.00 HHC	1
14	C35444	TANK, FUEL	1
15	C35445	PAD, FUEL TANK	1
16	C35100	SCREW, 1/4-10X .75PHPNTAP	4
17	C34965	GAS LINE .25ID	6
18	C34966	CLAMP, FUEL LINE	2
19	C35282	GAS CAP 1-1/2-7 THD	1
20	C35446	BRACKET, FUEL TANK	1
21	C34794	SCREW, 1/4-20X.50 WAHHTAP	2
22	C35100	SCREW, 1/4-10X.75 PHPNTAP	2
23	C35447	CONTROL, THROTTLE LF 12HP 20.5	1
24	C35289	SCREW, 10-24X .63PHPNMA	2
25	C35290	NUT, #10-24 HEXKEPS	2
26	C35291	KNOB, ROUND THROTTLE	1

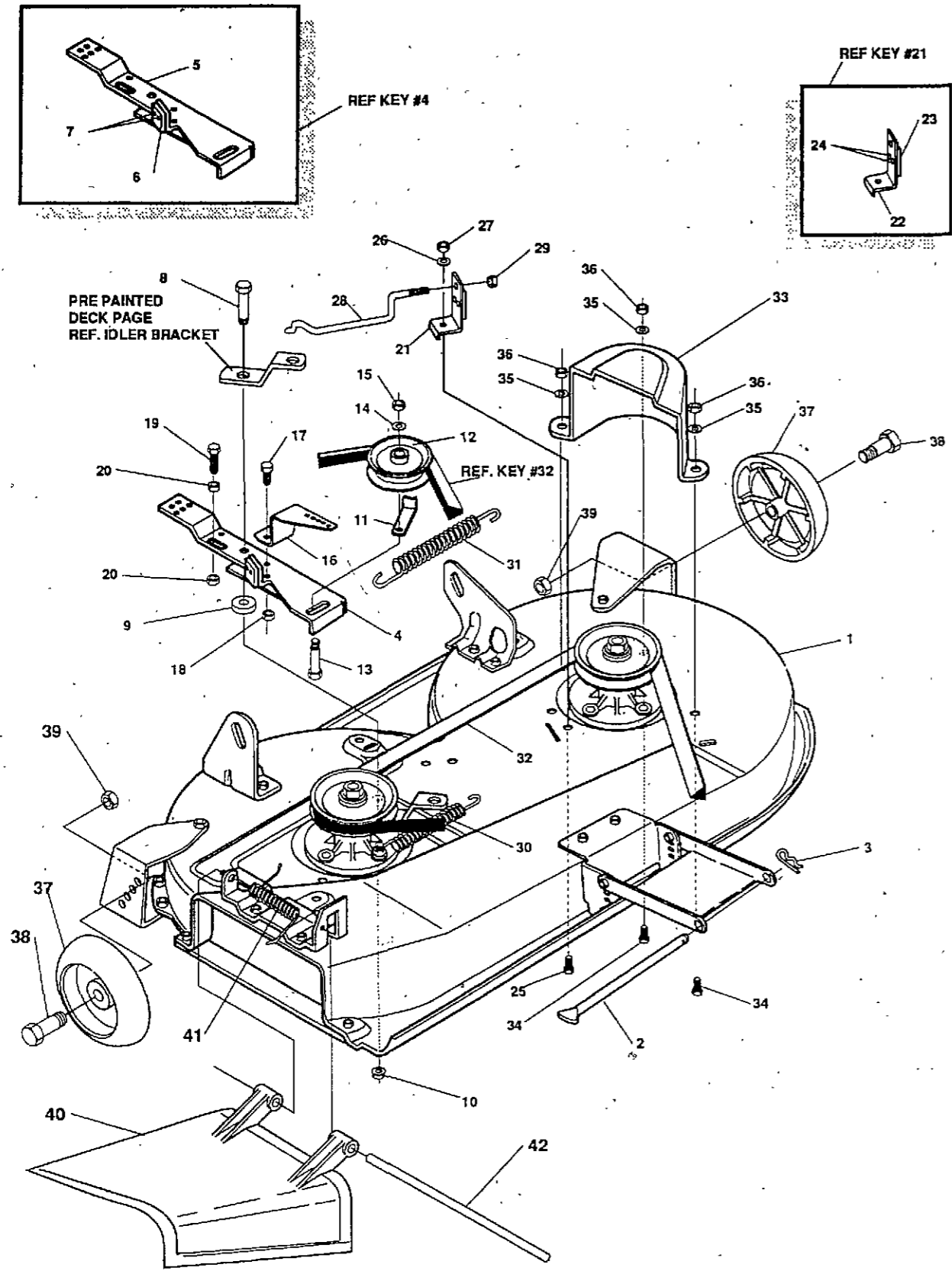
*See Engine Section for Service Parts

PRE-PAINTED DECK ASSEMBLY



key#	part#	description	qty.
1	C35558	DECK,39"SD MOWER	1
2	C35002	BAR, SKID	1
3	C34895	BOLT, 5/16-18X .75 CARR	2
4	C34798	NUT, 5/16-18 REGHEXCTRLK	2
5	C34999	GUIDE, BELT 5/16-18 THD	1
6	C34798	NUT, 5/16-18 REGHEXCTRLK	1
7	C35003	BRACKET, CHUTE	1
8	C35004	SCREW, 5/16-18X .50 HHC	2
9	C34798	NUT, 5/16-18 REGHEXCTRLK	2
10	C35297	LIFT BRACKET, REAR,RH	1
11	C35006	SCREW, 5/16-18X .75 HHC	2
12	C34876	WASHER, FLAT .344X .69X.065	2
13	C34798	NUT, 5/16-18 REGHEXCTRLK	2
14	C35298	BRACKET,DECK LIFTREAR LH	1
15	C35006	SCREW, 5/16-18X .75 HHC	2
16	C34876	WASHER, FLAT .344X .69X.065	2
17	C34798	NUT, 5/16-18 REGHEXCTRLK	2
18	C35449	BRACKET, IDLER SUPPORT	1
19	C35307	SCREW, 5/16-18X1.38 WATAP	1
20	C34876	WASHER, FLAT .344X .69X.065	1
21	C35798	NUT, 5/16-18 REGHEXCTRLK	1
22	C35300	QUILL ASSY, 36/39/40/43	2
23	C35301	SHAFT/SADDLE 36"	1
24	C34983	BRNG, BALL	1
25	C34985	DUST SHIELD	1
26	C35302	QUILL CASTING	1
27	C34983	BRNG, BALL	1
28	C35303	SPACER,3.797LGX.669IDX.88OD	1
29	C35304	SPACER, 438LGX.932ODX.672ID-	1
30	C34989	PULLEY,26/36" QUILL	1
31	C34990	SPECIAL WASHER	1
32	C34991	NUT, 7/16-20 WDFLLK	1
33	C34992	SCREW, 5/16-18X .88 WAHHTAP	6
34	C35307	SCREW, 5/16-18X1.38 WATAP	1
35	C34798	NUT, 5/16-18 REGHEXCTRLK	1
36	C35450	LIFT SUPPORT FRONT DECK	1
37	C35295	SCREW, 5/16-18X .63 HHC	4
38	C34798	NUT, 5/16-18 REGHEXCTRLK	4
39	C35309	LINK BRACKET,DECK FR	1
40	C35139	ADJUSTING NUT	2
41	C34802	SCREW, 5/16-18X1.00 HHC	2
42	C35311	WASHER, FLAT .328X1.06X.062	2
43	C34798	NUT, 5/16-18 REGHEXCTRLK	2
44	C35451	WHEEL BRKT, LH	1
45	C35295	SCREW, 5/16-18X .63 HHC	3
46	C34798	NUT, 5/16-18 REGHEXCTRLK	3
47	C35452	WHEEL BRKT, RH	1
48	C35295	SCREW, 5/16-18X .63 HHC	3
49	C34798	NUT, 5/16-18 REGHEXCTRLK	3
50	C35453	BLADE, 19.69 HI-LIFT	2
51	C34997	WASHER, .39IDX1.25DX.07 BELLVIL	6
52	C34998	SCREW, 3/8-24X1.00 NYLHHC	2

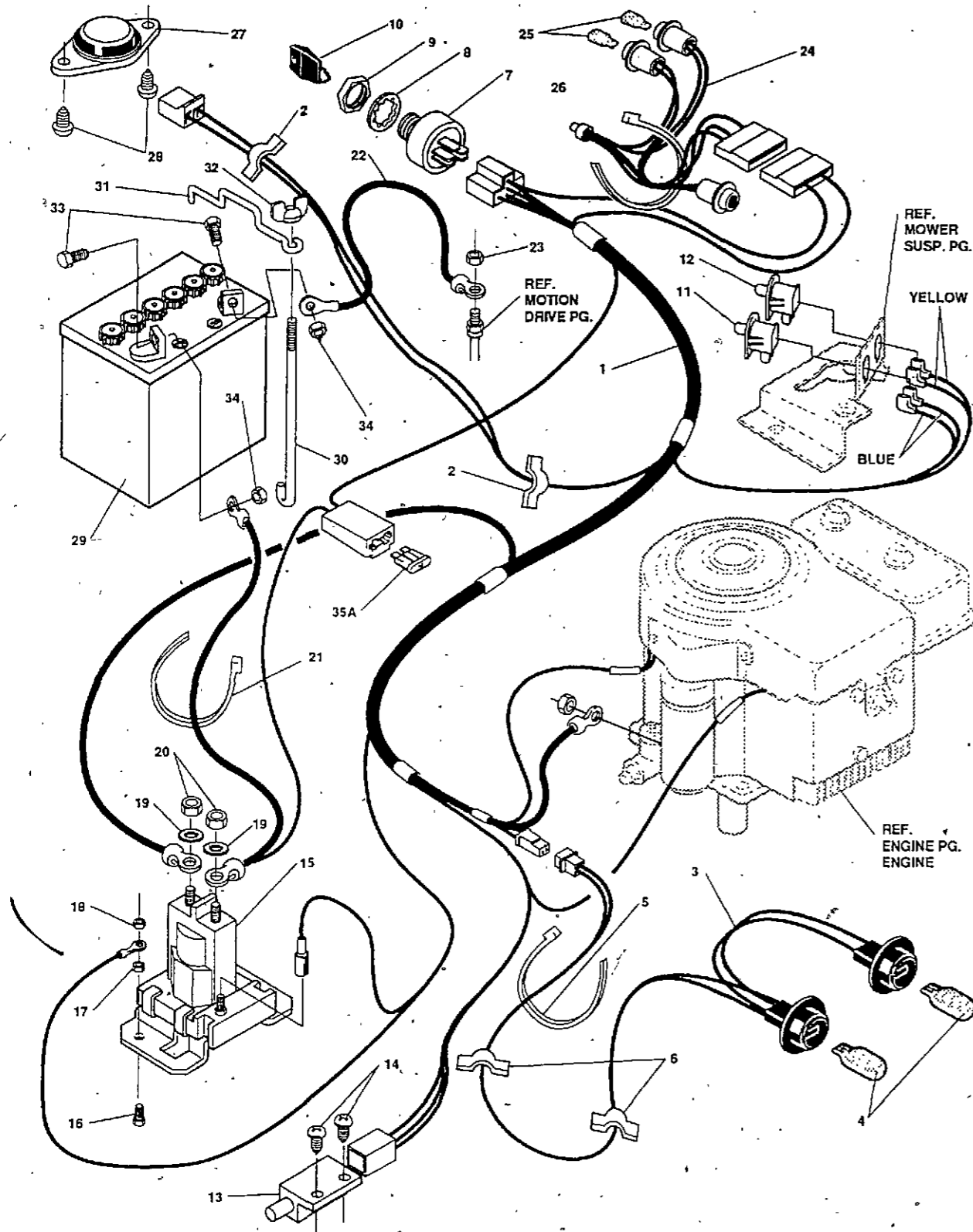
FINAL DECK ASSEMBLY



key#	part#	description	qty.
1		DECK 39SD 2-DECKWH	1
2	C35316	ROD, DECK HITCH	1
3	C34908	PIN, HAIR .091 DIA X 1.66	1
4	C35454	BRACKET, IDLER ARM/BRAKE	1
5	C35455	IDLER ARM 36,38,39,&45	1
6	C34951	BRAKE PAD - HARD	1
7	C34950	RIVET, TRSET .185 DIA X .41	2
8	C35458	BOLT, .50 X 1.88 HSSH 3/8-16	1
9	C35240	WASHER, FLAT .391 X 1.00 X .125	1
10	C35284	NUT, 3/8-16 HWDFL WHIZ NUT	1
11	C35457	BELT RETAINER 2.55 OD	1
12	C35458	PULLEY, IDLER BFF 4.00	1
13	C35327	BOLT, 3/8-16 X 2.00 CARR	1
14	C34861	WASHER, REGSPTLK.393X.68X.10	1
15	C35174	NUT, 3/8-16 REGHX	1
16	C35459	BRACKET, EXTENSION IDLER	1
17	C35006	SCREW, 5/16-18 X .75 HHC	1
18	C34798	NUT, 5/16-18 REGHEXCTRLK	1
19	C35460	SCREW, 1/4-20 X 2.00 HHC	1
20	C35024	NUT, 1/4-20 REGHEXKEPS	2
21	C35461	ASSY. BLADE BRAKE	1
22	C35462	BRAKE ARM	1
23	C34951	BRAKE PAD	1
24	C34950	RIVET, TRSET .185 DIA X .41	2
25	C34796	SCREW, 5/16-18 X .63 HHC	1
26	C34876	WASHER, FLAT .344 X .69 X .065	1
27	C34798	NUT, 5/16-18 REGHEXCTRLK	1
28	C35463	ROD, BRAKE RELEASE 14.7 39	1
29	C34806	NUT, 1/4-20 REGHEXCTRLK	1
30	C34901	SPRING .071 X .62 X 4.37	1
31	C35464	SPRING, TENSION	1
32	C35465	BELT, V 5L 77.75	1
33	C35466	GUARD, BELT LH	1
34	C34796	SCREW, 5/16-18 X .63 HHC	3
35	C34876	WASHER, FLAT .344 X .69 X .065	3
36	C34798	NUT, 5/16-18 REGHEXCTRLK	3
37	C35373	WHEEL, SD	2
38	C34828	BOLT, .500 X 1.390 HSSH 3/8-16	2
39	C34814	NUT, 3/8-16 REGHXCTRLK	2
40	C34836	CHUTE-36SD,39SD	1
41	C34839	SPRING, TORSION	1
42	C34838	PIVOT ROD, CHUTE	1

*Order Individual Parts

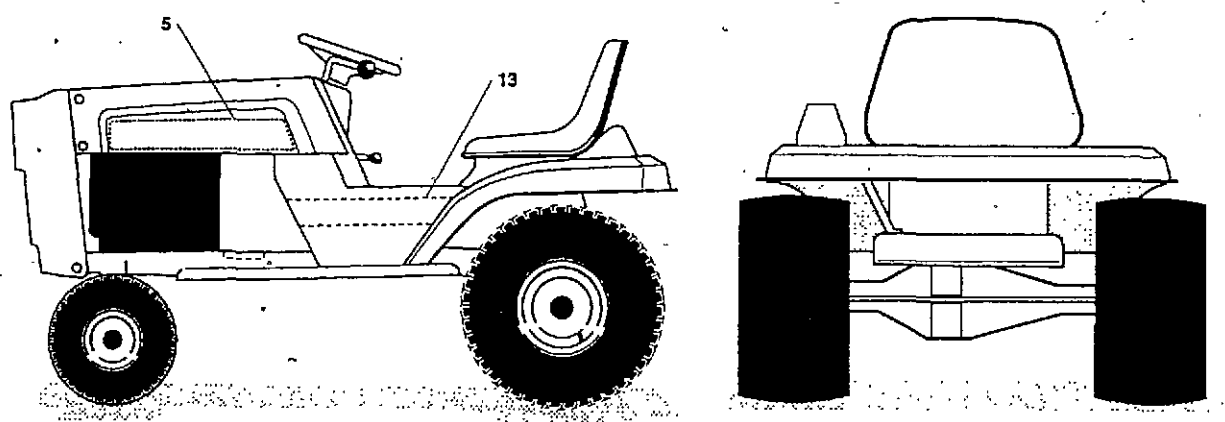
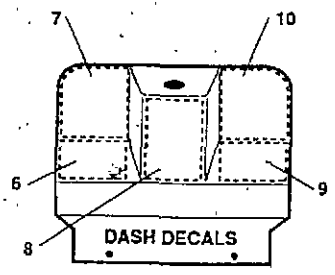
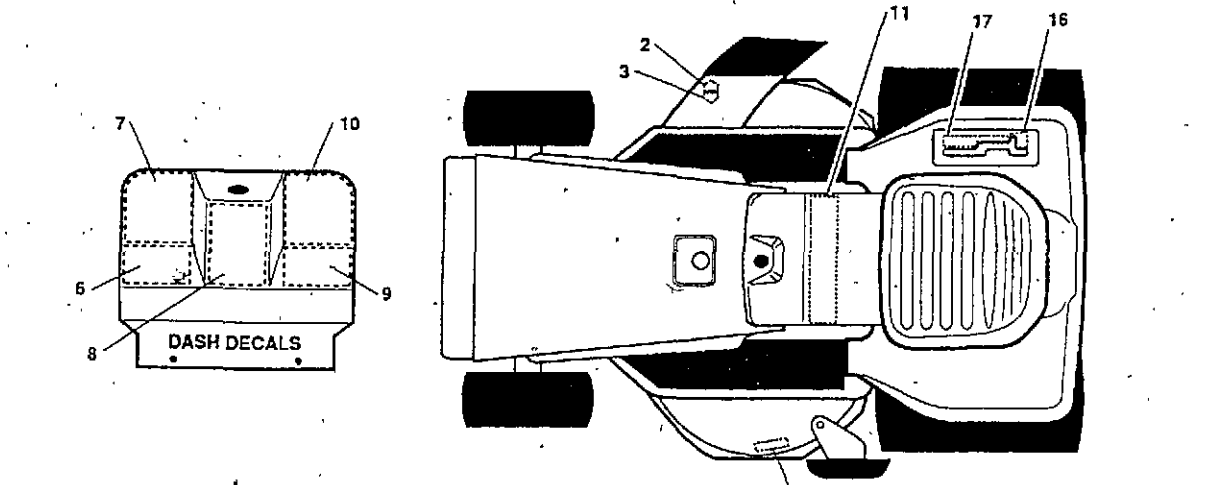
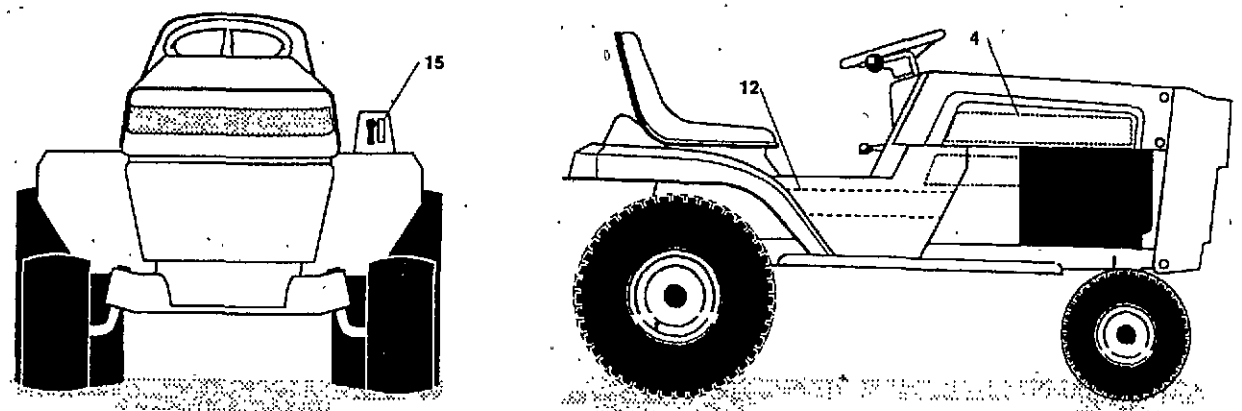
ELECTRICAL ASSEMBLY



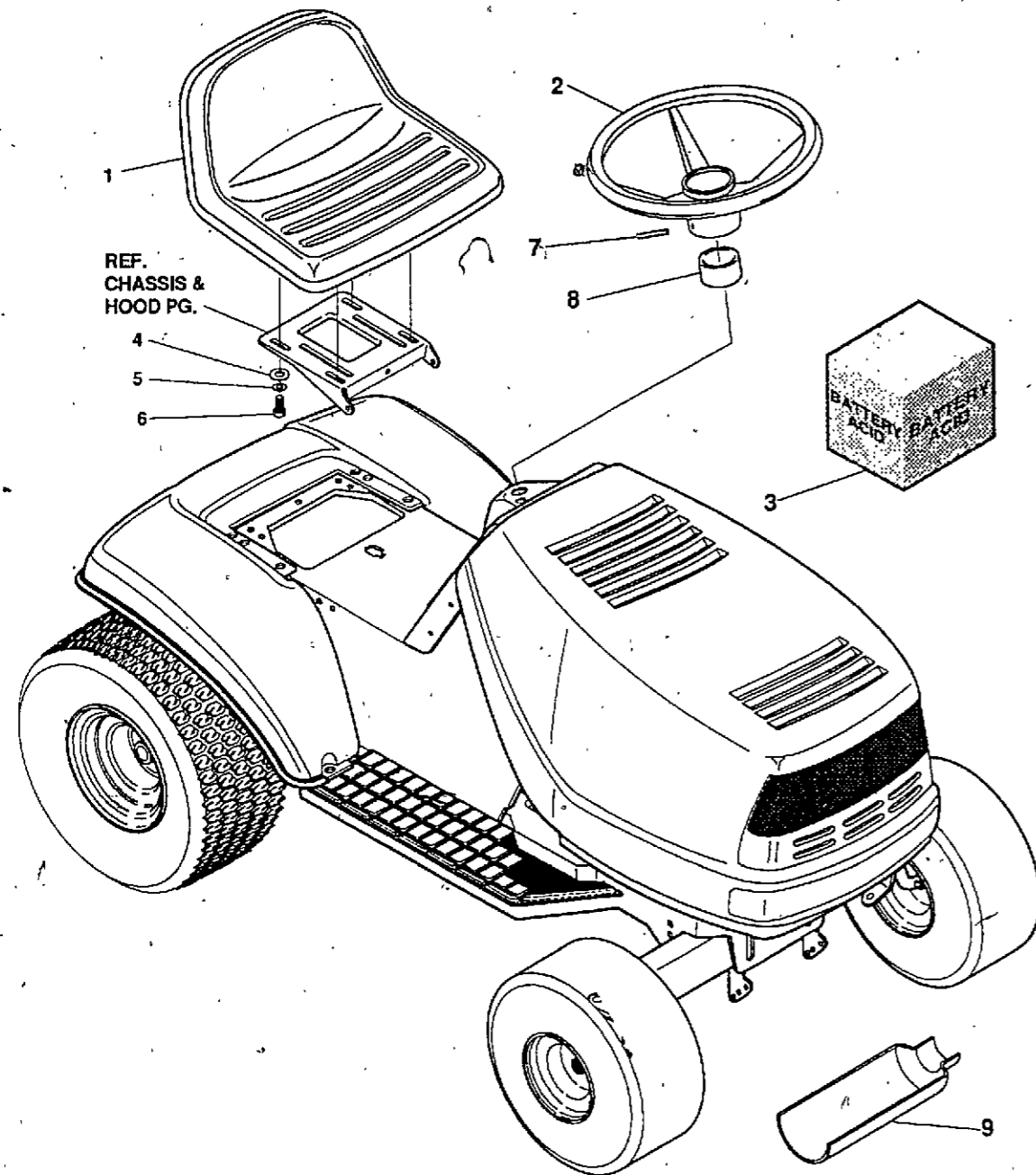
key#	part#	description	qty.
1	C35559	WIRE HARNESS	1
2	C35030	CLIP, 1.380LG .255ID PRESS WIRE	2
3	C35333	ASSY, LIGHT WIRE-1/4 TURN	1
4	C35035	BULB, HEADLAMP	2
5	C35334	TIE, CABLE BLACK NYLON 5.62	1
6	C35030	CLIP, 1.380LG .255ID PRESS WIRE	2
7	C35018	SWITCH, IGNITION & LIGHTS	1
8	C35336	WASHER, REGINTLK.640X1.1X.05	1
9	C35337	NUT, 5/8-32 HXHD IGN SWIT	1
10	C35021	KEY, IGNITION SWITCH	1
11	C35339	SWITCH,SNAPMNT NO .055/.116	1
12	C35017	SWITCH,SNAPMNT NC .055/.166	1
13	C35015	SWITCH,SCR MNT DP NC	1
14	C35016	SCREW, #12 X .50 PHPNHTAP	2
15	C35022	SOLENOID, NEW CLUM	1
16	C35023	SCREW, 1/4-20X .75 HXSEMMA	2
17	C34806	NUT, 1/4-20 REGHEXCTRLK	2
18	C35024	NUT, 1/4-20 REGHEXKEPS	1
19	C34922	WASHER, EXLK .320X.61X.03	2
20	C35640	NUT, 5/16-24 REGHEX	2
21	C35334	TIE, CABLE BLACK NYLON 5.62	1
22	C35033	WIRE, GROUND, 12.5"	1
23	C34833	NUT, 5/16-18 HEXKEPS	1
24	C35468	LIGHT HARNESS 3-IL CHG,MWR,CL	1
25	C35343	BULB, INDICATOR	2
26	C35334	TIE, CABLE BLACK NYLON 5.62	1
27	C35345	SWITCH, SEAT	1
28	C35346	SCREW, 1/4-20X .38PHPNHMA	2
29	C35469	BATTERY, YUASA 12V 7-PLATE	1
30	C35348	ROD, BATTERY	1
31	C35349	ROD, BATTERY, TOP	1
32	C35032	SMALL PLASTIC WING NUT 1/4-20	1
33	C35350	SCREW, 1/4-20X .63 HHC	2
34	C35024	NUT, 1/4-20 REGHEXKEPS	2
35A	C35036**	FUSE, 15 AMP SPADE TYPE	1
35B	C35351**	FUSE, 15 AMP CYLINDRICAL	1

**Cylindrical or Spade type fuse included in wire assembly.

DECALS



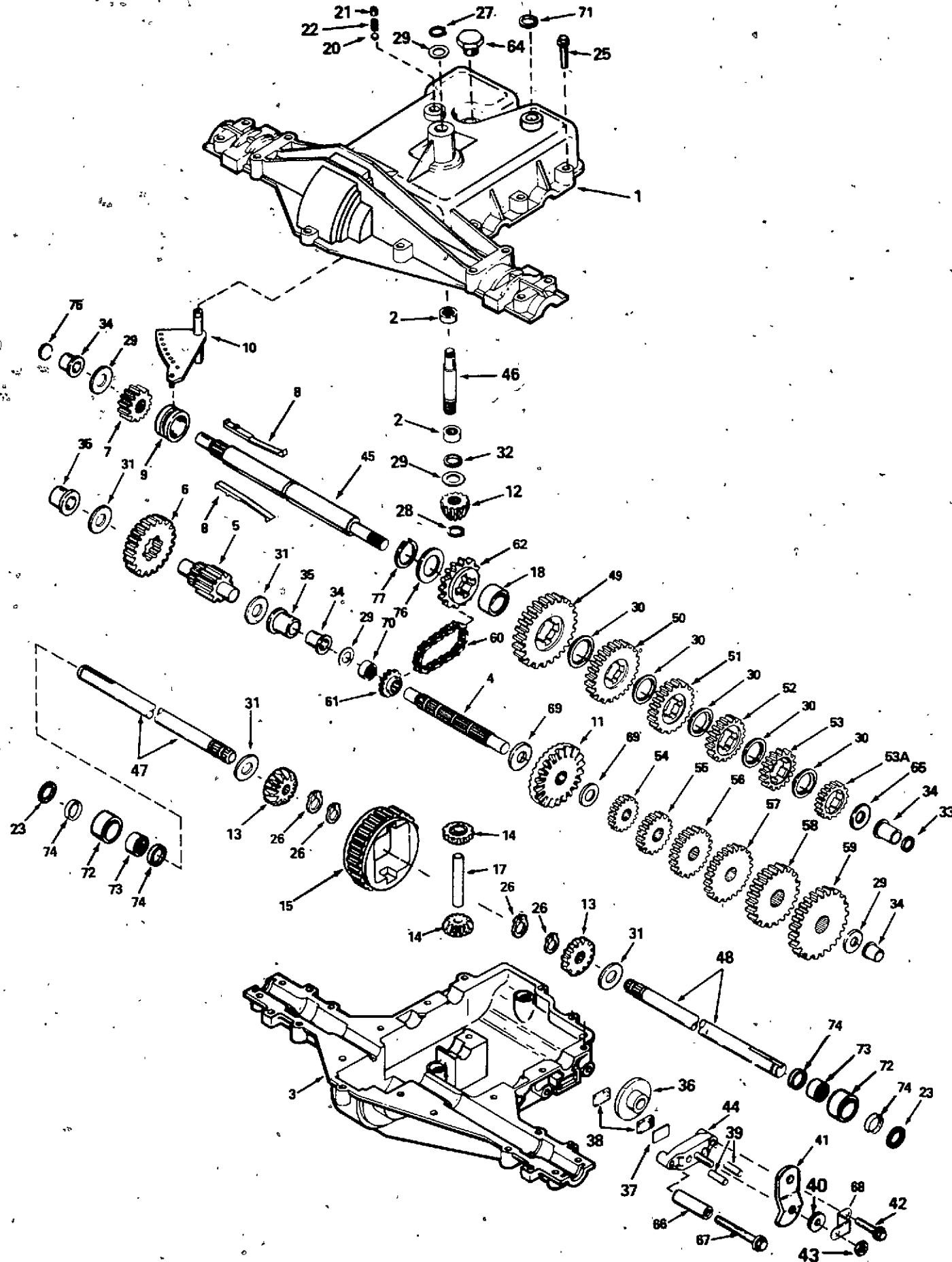
key#	part#	description	qty.
1	C35050	DECAL,NO STEP	1
2	C35049	DECAL, CUT-HAND WARNING LABEL	1
3		REFERENCE ONLY	
4	C35560	DECAL,HOOD SIDE RH	1
5	C35561	DECAL,HOOD SIDE LH	1
6	C35354	DECAL,DASH,LH	1
7	C36472	DECAL,DASH,LH,THROTTLE	1
8	C35357	DECAL,CENTER,ENGLISH INSTRUCT	1
9	C35474	DECAL,DASH,RH CHARGE/OK I.L.	1
10	C35562	DECAL, DASH,RH IGN. W/ LIGHTS	1
11	C35359	DECAL CAUTION CONSOLE TOP	1
12	C35360	DECAL,CONSOLE RH	1
13	C35361	DECAL,CONSOLE LH	1
14	C35563	DECAL, MODEL INGERSOIL	1
15	C35362	DECAL, LIFT DECK BLADE HEIGHT	1
16	C35363	DECAL SHIFT REV/NEUTRAL	1
17	C35365	DECAL SHIFTER POSITION	1



CUSTOMER ASSEMBLY

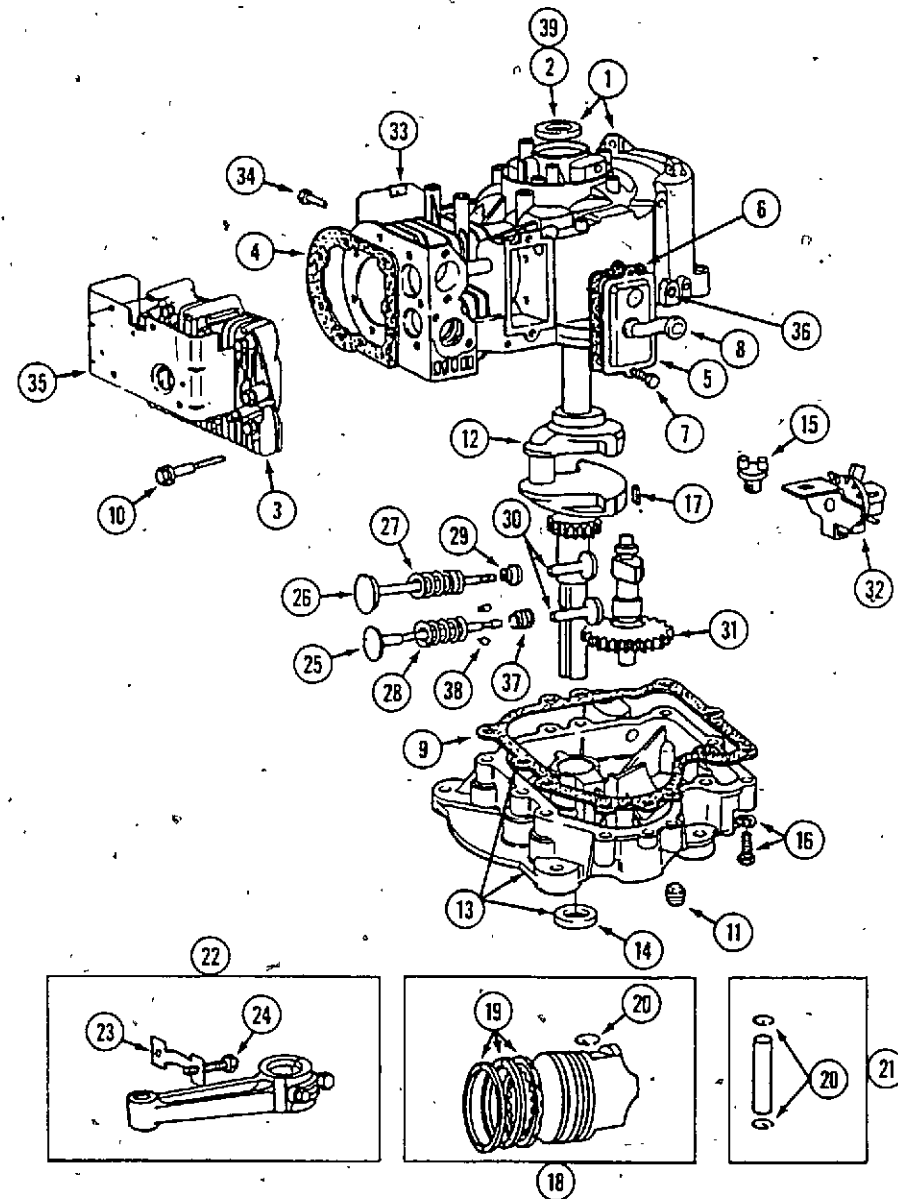
key#	part#	description	qty
1	C35567	SEAT MV350	1
2	C35564	STEERING WHEEL	1
3	NSS	BATTERY ACID PACK	1
4	C34876	WASHER, FLAT .344X.69X.065	4
5	C35054	WASHER, HVSP TLK .328X.60X.09	4
6	C34856	SCREW, 5/16-18X.75 HHC	4
7	C35368	PIN, SPRING .250 DIA X 2.00	1
8	C35566	COVER, STEERING SHAFT	1
9	C35369	TROUGH, OIL DRAIN	1

TRANSAXLE ASSEMBLY



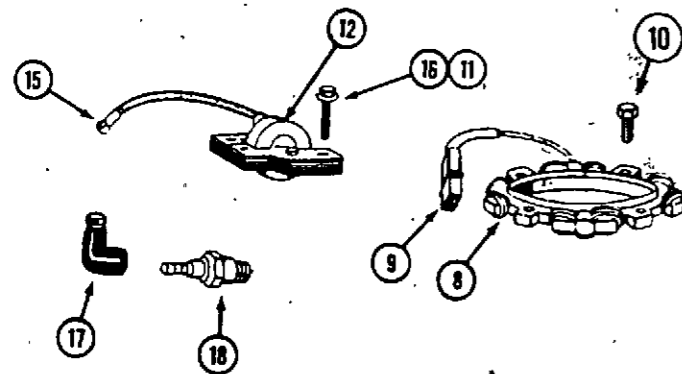
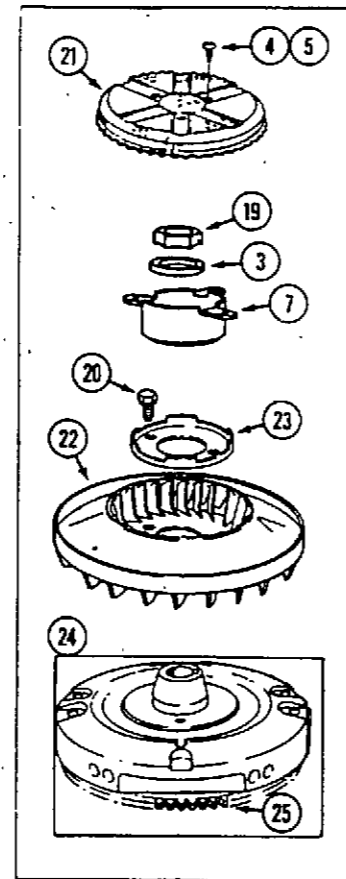
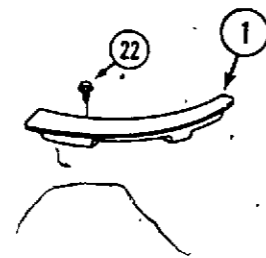
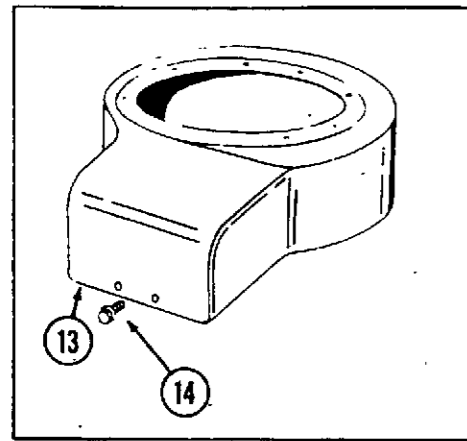
KEY	PART NO.	DESCRIPTION	
1	C34518	COVER - TRANSAXLE	1
2	C28649	BEARING - NEEDLE	2
3	C34519	CASE - TRANSAXLE	1
4	C34488	SHAFT - COUNTER	1
5	C34489	SHAFT & PINION ASSY. - OUTPUT	1
6	C27562	GEAR - OUTPUT	1
7	C27553	GEAR - SPUR 15T	1
8	C34490	KEY - SHIFTER	4
9	C34491	COLLAR - SHIFTER	1
10	C34492	ROD & FORK ASSY. - SHIFT	1
11	C34493	GEAR - BEVEL 42T	1
12	C28652	GEAR - BEVEL PINION, INPUT	1
13	C34520	GEAR - BEVEL	2
14	C34521	GEAR - BEVEL PINION	2
15	C34494	GEAR - RING	1
17	C34495	PIN - DRIVE	1
18	C34496	SPACER	1
20	C28667	BALL - STEEL 5/16" DIA.	1
21	C34148	SCREW - SET 3/8"-16 X 3/8"	1
22	C28654	SPRING	1
23	C34497	RING - SEAL	2
25	C34147	SCREW - 1/4"-20 X 1-1/4" FLANGED, TAPPING	17
26	C34156	RING - RETAINER (PKG. OF 2)	4
27	C19347	RING - RETAINER	1
28	C19352	RING - RETAINER	1
29	C19345	WASHER - THRUST	5
30	C28664	WASHER - THRUST	5
31	C11205	WASHER	4
32	C28648	"O" RING	1
33	C27570	SEAL - SQUARE CUT	1
34	C28653	BUSHING - FLANGED	4
35	C27565	BUSHING - FLANGED	2
36	C27563	DISK - BRAKE	1
37	C19354	PLATE - BRAKE PAD	1
38	C19353	PAD - BRAKE	2
39	C28650	PIN - DOWEL	2
40	C19357	WASHER - FLAT	1
41	C34498	LEVER - BRAKE	1
42	C34147	SCREW - 1/4"-20 X 1-1/4" FLANGED, TAPPING	1
43	C19358	NUT - LOCK 5/16"-24	1
44	C34144	HOLDER - BRAKE PAD	1
45	C34499	SHAFT - BRAKE	1
46	C28651	SHAFT - INPUT	1
47	C34522	AXLE - 11-5/16" LONG	1
48	C34523	AXLE - 15-7/8" LONG	1
49	C34502	GEAR - SPUR 37T	1
50	C28658	GEAR - SPUR 30T	1
51	C34503	GEAR - SPUR 27T	1
52	C28657	GEAR - SPUR 25T	1
53	C27555	GEAR - SPUR 22T	1
53A	C28656	GEAR - SPUR 20T	1
54	C34504	GEAR - SPUR 12T	1
55	C28660	GEAR - SPUR 20T	1
56	C34505	GEAR - SPUR 23T	1
57	C28661	GEAR - SPUR 25T	1
58	C27556	GEAR - SPUR 28T	1
59	C28662	GEAR - SPUR 30T	1
60	C34506	CHAIN - ROLLER NO. 41, 22 LINKS	1
61	C34507	SPROCKET - 10T	1
62	C34508	SPROCKET - 14T	1
64	C27588	PLUG - HEX. 9/16"-18	1
65	C28663	WASHER - THRUST	1
66	C34514	SPACER	1
67	C34515	SCREW - 1/4"-20 X 2-1/4" FLANGED, TAPPING	1
68	C28821	BRACKET - BRAKE LEVER	1
69	C34511	WASHER - THRUST	2
70	C34512	SPACER	1
71	C34149	SEAL - SQUARE CUT	1
72	C34524	SPACER	2
73	C34525	BEARING - NEEDLE	4
74	C27581	RING - SQUARE CUT	1
75	C34513	DISK	1
76	C34509	WASHER - THRUST	1
77	C34510	RING - RETAINING	1

ENGINE BLOCK



KEY	PART NO.	DESCRIPTION	QTY
0	C30422	GASKET SET - INCLUDES KEY NO. 4,6,9 AND CARB. HTG. GSKT.	1
1	C30843	CYLINDER BLOCK ASSEMBLY - SHORT	1
2	C25709	SEAL - OIL	1
3	C33370	HEAD - CYLINDER	1
4	C30410	GASKET - CYLINDER HEAD	1
5	BR391406	BREATHER ASSEMBLY	1
6	C27350	GASKET - VALVE COVER	1
7	187-1508	SCREW - SEMS NO. 10-24 X 1/2"	2
8	C25712	TUBE - BREATHER	1
9	C30411	GASKET - CRANKCASE COVER 1/64" THICK	1
9	C30412	GASKET - CRANKCASE COVER .005" THICK	1
9	C30413	GASKET - CRANKCASE COVER .009" THICK	1
10	BR93723	SCREW - CYLINDER HEAD 3" LONG	6
11	221-843	PLUG - OIL DRAIN	1
12	C30414	CRANKSHAFT	1
13	C30415	SUMP - OIL (ALSO INCLUDES KEY NO. 9)	1
14	C25718	SEAL - OIL	1
15	BR66768	PLUG - OIL FILLER	1
16	NSS	SCREW - SUMP MOUNTING (USE 113-120 AND 192-20)	6
17	C27236	KEY - FLYWHEEL	1
18	C29826	PISTON ASSEMBLY - STANDARD	1
18	C29827	PISTON ASSEMBLY - .010" OVERSIZE	1
18	C29828	PISTON ASSEMBLY - .020" OVERSIZE	1
18	C29829	PISTON ASSEMBLY - .030" OVERSIZE	1
19	C25725	RING SET - PISTON .010" OVERSIZE	1
19	C25726	RING SET - PISTON .020" OVERSIZE	1
19	C25727	RING SET - PISTON .030" OVERSIZE	1
19	C29830	RING SET - PISTON, STANDARD	1
20	C25728	LOCK - PISTON PIN	2
21	C25729	PIN ASSEMBLY - PISTON, STANDARD	1
21	C25730	PIN ASSEMBLY - PISTON .005" OVERSIZE	1
22	C30416	ROD ASSEMBLY - CONNECTING	1
23	C25732	LOCK - CONNECTING ROD SCREW	1
24	C25733	SCREW - CONNECTING ROD	2
25	C30417	VALVE - EXHAUST	1
26	C30418	VALVE - INTAKE	1
27	BR65906	SPRING - INTAKE VALVE	1
28	BR26828	SPRING - EXHAUST VALVE	1
29	BR221596	RETAINER - INTAKE VALVE	2
30	C30419	TAPPET - VALVE	2
31	C29833	CAMSHAFT	1
32	C25746	OIL SLINGER - GOVERNOR GEAR AND BRACKET	1
33	C30420	SHIELD - CYLINDER	1
34	NSS	SCREW - SHIELD MOUNTING (USE 163-18 AND 192-18)	1
35	C33377	COVER - CYLINDER HEAD	1
36	C33379	BUSHING - GOVERNOR CRANK (1/4" I.D.)	1
37	BR292260	ROTATOR - EXHAUST VALVE	1
38	BR93630	RETAINER - EXHAUST VALVE	2
39	C29778	BEARING - CRANKSHAFT	1

FLYWHEEL AND STATOR



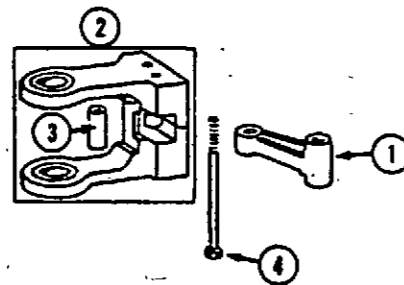
KEY	PART NO.
1	C30446
3	BR220865
4	182-84
5	193-25
7	BR222561
8	C29867
9	C29865
10	182-90
11	193-25
12	C33378
13	C30437
14	C34539
15	BR221798
16	182-549
17	BR66538
18	C24329
19	BR92284
20	NSS
21	BR222562
22	C30447
23	C30448
24	C33372
25	BR392134

DESCRIPTION	QTY
GUARD - FLYWHEEL	1
WASHER - SPRING	1
SCREW - NO. 8-32 X 3/8"	4
LOCKWASHER - NO. 8	4
CUP - SCREEN MOUNTING	1
STATOR - ALTERNATOR	1
DIODE AND CONNECTOR ASSEMBLY	1
SCREW - NO. 8-32 X 1"	4
WASHER - NO. 8	4
ARMATURE ASSEMBLY	1
HOUSING - BLOWER	1
SCREW - MOUNTING	4
TERMINAL - IGNITION CABLE	1
SCREW - NO. 8-32 X 3/4"	2
BOOT - SPARK PLUG	1
SPARK PLUG - RESISTOR	1
NUT - FLYWHEEL	1
SCREW - 3/4" LONG (USE 113-102 AND 92-5)	2
SCREEN - FLYWHEEL	1
FAN - FLYWHEEL	1
RETAINER - FAN	1
FLYWHEEL AND RING GEAR	1
RING GEAR	1

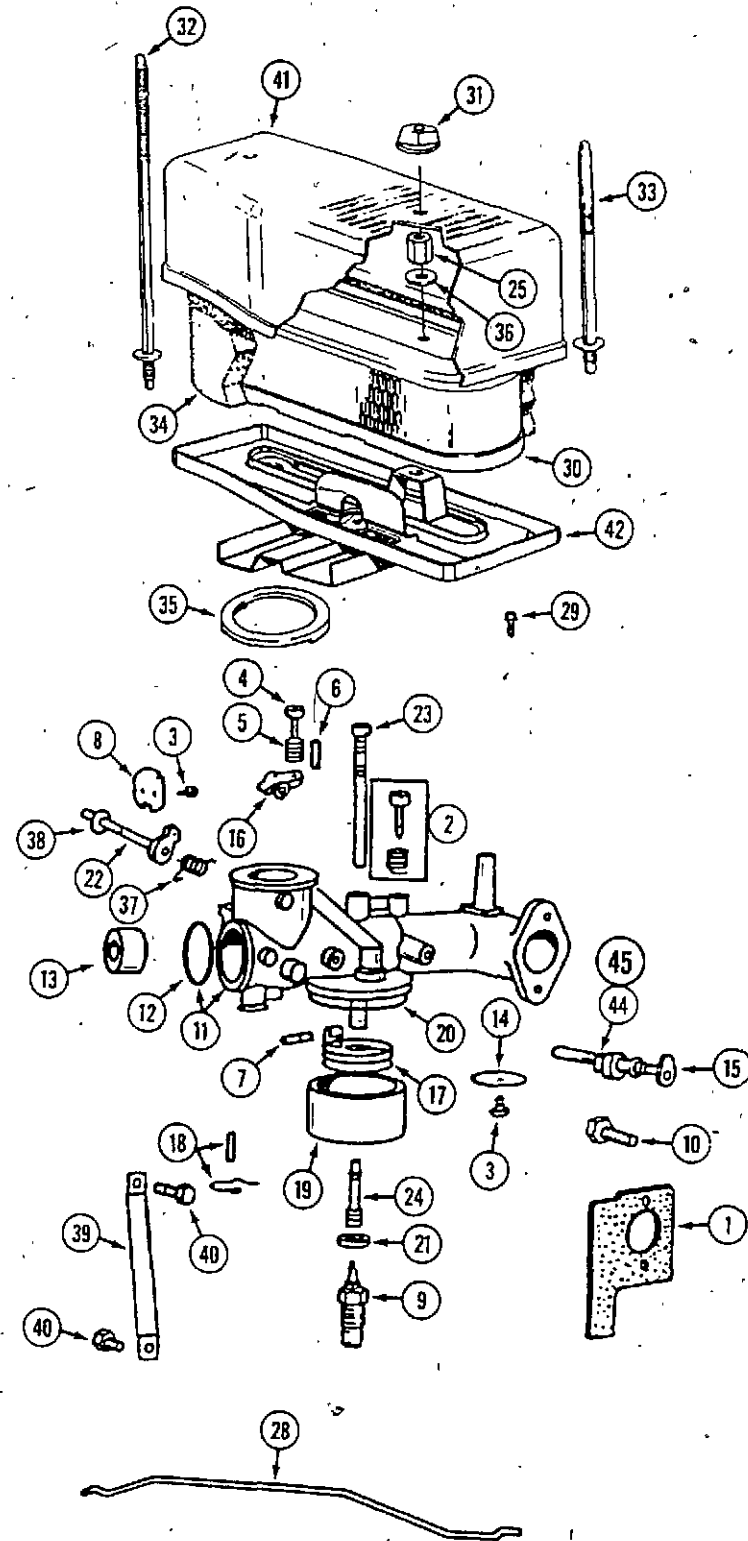
COUNTERWEIGHT

1	C29816
2	C30423
3	C29818
4	C29835

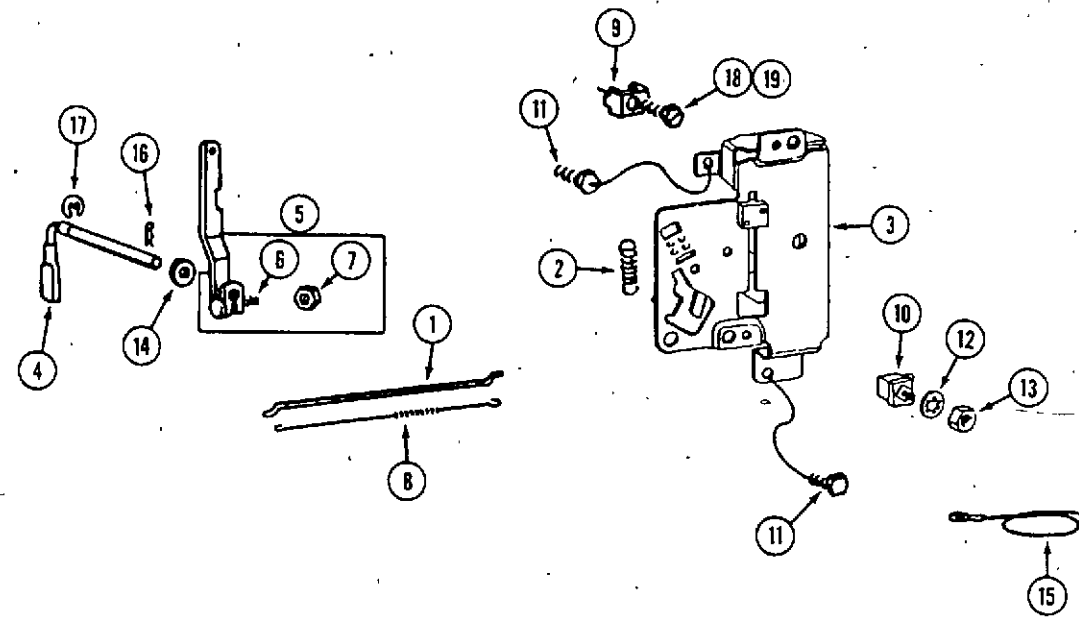
LINK - COUNTERWEIGHT	1
COUNTERWEIGHT ASSEMBLY	1
PIN - COUNTERWEIGHT	1
SCREW - COUNTERWEIGHT	1



CARBURETOR



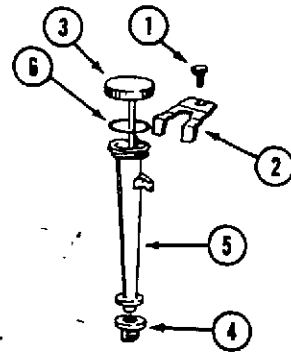
KEY	PART NO.	DESCRIPTION	QTY
0	C27255	KIT - CARB. OVERHAUL (INCLUDES 2,7,9,12,18,20,21,23,24)	1
0	C30424	CARBURETOR	1
0	C31978	FILTER - FUEL	1
1	C25738	GASKET - CARBURETOR MOUNTING	1
2	BR292681	VALVE ASSEMBLY - CARBURETOR IDLE	1
3	BR93499	SCREW - THROTTLE AND CHOKE MOUNTING	2
4	182-87	SCREW - MACHINE, NO. 8-32 X 5/8"	1
5	BR26157	SPRING - THROTTLE ADJUSTMENT	5
6	138-251	PIN - THROTTLE STOP	6
7	BR230896	PIN - FLOAT HINGE	1
8	BR222010	VALVE - CHOKE	1
9	C29779	VALVE - NEEDLE	1
10	BR93357	SCREW - CARBURETOR MOUNTING	2
11	C30425	BODY ASSEMBLY - CARBURETOR	1
12	41-24	PLUG - WELCH	1
13	C25742	VENTURI - CARBURETOR	1
14	C27240	VALVE - THROTTLE	1
15	C30426	SHAFT AND LEVER - THROTTLE	1
16	BR211712	STOP - THROTTLE	1
17	BR299707	FLOAT - CARBURETOR	1
18	C27254	VALVE - FUEL INLET	1
19	BR221995	BOWL - FLOAT	1
20	BR270511	GASKET - FLOAT BOWL	1
21	BR222014	WASHER - FLOAT BOWL	1
22	BR390684	SHAFT AND LEVER - CHOKE	1
23	BR299740	NOZZLE - CARBURETOR	1
24	C29780	SCREW - NOZZLE	1
25	C33344	NUT - AIR CLEANER	1
28	C27244	LINK - CHOKE	1
29	177-97	SCREW - SEHS	1
30	C30428	ELEMENT - AIR CLEANER	1
31	C29854	KNOB - COVER	2
32	C30429	STUD - AIR CLEANER	1
33	C30430	STUD - AIR CLEANER	1
34	C30435	PRECLEANER - ELEMENT	1
35	C25760	GASKET - AIR CLEANER	1
36	C30431	WASHER - AIR CLEANER	1
37	BR261116	SPRING - CHOKE RETURN	1
38	BR270382	WASHER - CHOKE SHAFT	1
39	C25764	BRACKET - CARBURETOR MOUNTING	1
40	187-1510	SCREW	2
41	C30432	COVER - AIR CLEANER	1
42	C30433	BASE - AIR CLEANER	1
44	C30405	SEAL - THROTTLE SHAFT	1
45	C33322	SEAL - FOAM	1

**GOVERNOR**

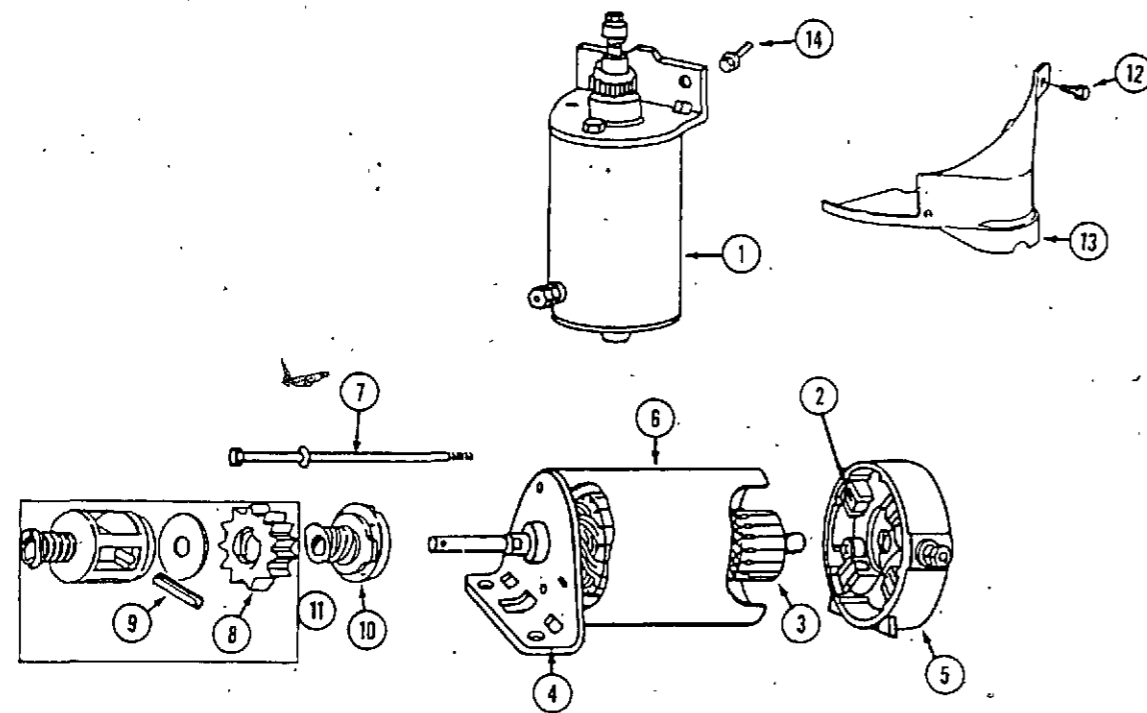
KEY	PART NO.	DESCRIPTION	QTY
1	C33374	LINK - GOVERNOR	1
2	C34538	SPRING - GOVERNOR	1
3	C33375	BRACKET - GOVERNOR	1
4	BR231058	CRANK - GOVERNOR	1
5	C33320	LEVER ASSEMBLY	1
6	11-312	BOLT - LEVER	1
7	129-7	NUT - NO. 10-24	1
8	BR260584	SPRING - GOVERNOR LINK	1
9	BR221535	CLAMP - CASING	1
10	C29794	INSULATOR ASSEMBLY	1
11	187-1510	SCREW - MOUNTING, NO. 10-32 X 3/8" SELF TAP	1
12	193-25	LOCKWASHER - "NO. 8"	2
13	129-6	NUT - NO. 8-32	2
14	BR222450	WASHER - GOVERNOR CRANK	1
15	C29796	WIRE - GROUND	1
16	136-103	PIN - COTTER HAIR PIN	1
17	C28643	RETAINER - "E" RING	1
18	163-4	SCREW - NO. 10-32 X 5/8"	1
19	192-3	WASHER	1

OIL FILLER

KEY	PART NO.	DESCRIPTION	QTY
1	187-1037	SCREW - CLAMP MOUNTING	1
2	C34540	CLAMP - OIL FILLER TUBE	1
3	C34541	DIPSTICK - OIL	1
4	BR68838	SEAL - FILLER TUBE	1
5	C34542	TUBE - OIL FILLER	1
6	BR270920	SEAL - FILLER CAP	1



STARTER



KEY	PART NO.	DESCRIPTION	QTY
1	C30438	MOTOR - STARTER, 12 VOLT	1
2	C27259	BRUSH ASSEMBLY	1
3	C30442	ARMATURE - STARTER	1
4	C30444	END CAP - DRIVE END	1
5	C27258	END CAP - COMMUTATOR END	1
6	C30445	HOUSING - STARTER	1
7	C30439	BOLT - THRU (INCLUDES WASHER)	2
8	C27422	GEAR - STARTER	1
9	138-2032	PIN - ROLL	1
10	C30406	CLUTCH - DRIVE	1
11	C30441	KIT - DRIVE RETAINER	1
12	187-1328	SCREW - NO. 8-18 X 3/8"	2
13	C30443	COVER AND SHIELD - STARTER	1
14	NSS	SCREW - MOUNTING (USE 113-102 AND 92-5)	2

