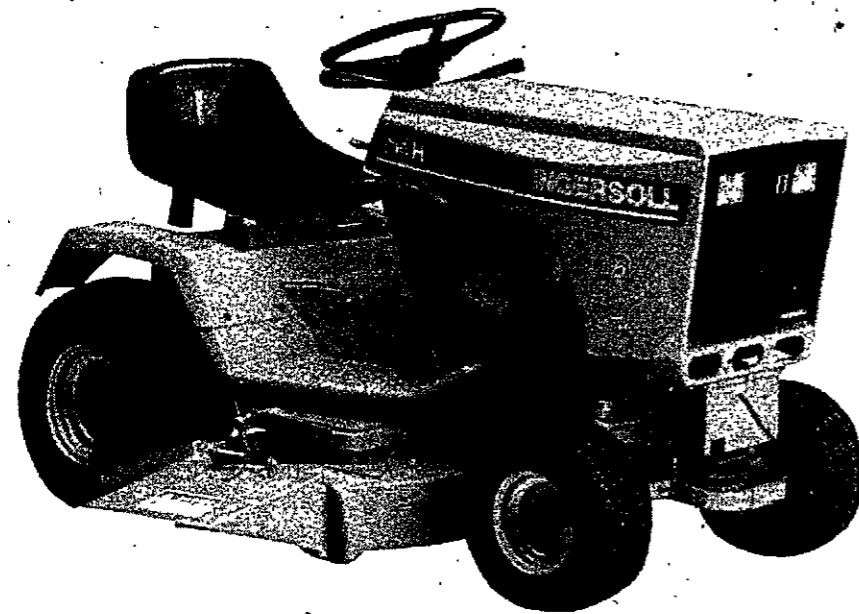


5-91-RP-500-258



ALPHABETICAL INDEX

ENGINE SECTION

	PAGE	GRID		PAGE	GRID
Air Cleaner	13	B2	Fuel Filter	21	B10
Battery	45	D6	Fuel System	21	B10
Breather, Crankcase	13	B2	Gasket Kits	17	B6
Camshaft	5	A8	Governor	9	A12
Carburetor	11	A14	Magneto Armature	5	A8
Choke Linkage	21	B10	Manifold	11	A14
Connecting Rod	5	A8	Mounts, Engine	19	B8
Crankcase	9	A12	Muffler	19	B8
Crankshaft	5	A8	Piston	5	A8
Cylinder Block	7	A10	Spark Plug	5	A8
Cylinder Head	7	A10	Starter	17	B6
Electrical System	13	B2	Tank, Fuel	21	B10
Engine Block & Attaching Parts	7	A10	Throttle Linkage	21	B10
Filter, Oil	9	A12	Valves	5	A8
Flywheel	5	A8			

BASIC TRACTOR SECTION

Axle, Front	31	C6	Implement Lift	43	D4
Belts & Pulleys	37	C12	Mounts, Engine	19	B8
Brakes	33	C8	PTO Clutch	23	B12
Decals	49	D10	Seat, Operator's	27	C2
Electrical System	45	D6	Steering Wheel & Gear	29	C4
Fenders	27	C2	Transaxle	39-41	C14-D2
Frame	25	B14	Travel Control	35	C10
Grille	25	B14	Wheels, Front & Rear	31	C6
Hitch	25	B14	Weight Box M13	51	D12
Hood	25	B14			

GENERAL INFORMATION

INDEX

There is an index at the front and rear of this catalog.

The front index is an alphabetical index of the major groups or assemblies.

The rear index is a numerical index of the part numbers and pages on which these numbers are shown.

ILLUSTRATION

Each illustration in this catalog shows a group of parts or components. These parts and components are aligned approximately as the parts and components on your machine. Each part and component in an illustration has a reference number. These reference numbers are in a list on the page opposite of the illustration. Next to the reference number is the part number, description and required quantity of the part shown in the illustration.

UAR - "Use as required" indicates that the part quantity is variable.

NSS - "Not sold separately" indicates that the part is only available as a component of an assembly or the part must be purchased locally. If the part is an assembly component, the description will be indented under the assembly description in the parts list.

O/L - "Obtain locally"

** - "Footnotes" are added to a part number when more information is needed for identification. They only relate to the part numbers indicated.

INDENTED DESCRIPTIONS

An assembly can have many components. The components of an assembly are indicated by an indented description. The quantity for an indented part is the total needed for that complete assembly. See the example.

REF.	PART NO.	DESCRIPTION	REQ'D
	C 55159	CYLINDER ASSY - rear steering	1
28	C 56208	SOCKET ASSY - rear cylinder	1
29	C 55956	PLUG - adjusting, socket assy	1
30	C 55957	SEAT - socket ball	2
31	C 56210	SPRING - socket	1
32	C 56209	SEAT - socket spring	1
33	G 45175	CLAMP ASSY - socket assy	1
	16- 836	BOLT - 1/2" x 2-1/4" N.F. hex	1
34	132- 104	PIN - cotter, 3/16" x 3"	1
35	C 55889	STUD - ball, socket & cylinder	2
36	13- 410	BOLT - 1/4" x 5/8" N.C., hex	4
37	92- 4	LOCK WASHER - 1/4" SAE	4

PARTS ORDERS

All orders must include the following information:

1. Correct part number.
2. Complete description of part or component.
3. Total quantity of each part or component.
4. Product model number.
5. All necessary product identification numbers.
6. Method for sending the parts.
7. Complete and correct address.

CATALOG REVISIONS

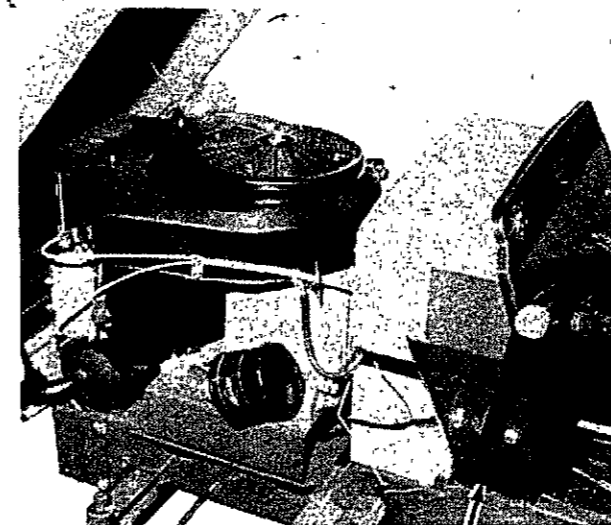
As the product changes, new pages will be available for your catalog. A notice will be issued.

IMPORTANT: Put all revisions into the catalog as soon as possible.

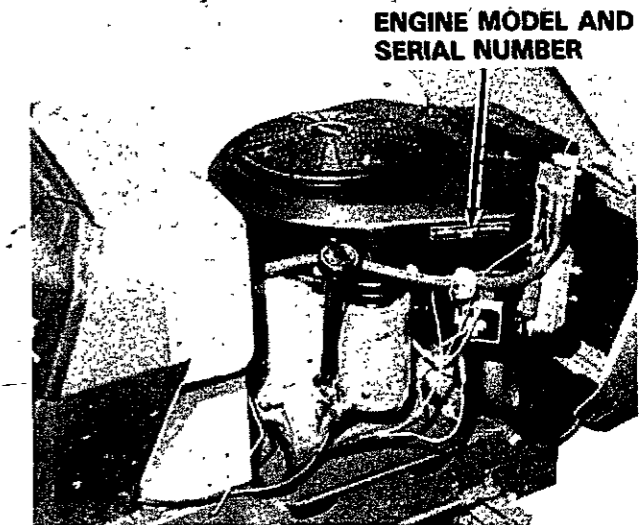
RIGHT HAND AND LEFT HAND IDENTIFICATION

The words right hand (RH) and left hand (LH) as used in this catalog indicate the direction while you are in the operator's seat in the normal operating position.

PRODUCT IDENTIFICATION NUMBERS (P.I.N.) OR SERIAL NUMBERS (S/N)



TRACTOR MODEL AND P.I.N. OR SERIAL NUMBER



ENGINE MODEL AND SERIAL NUMBER

ENGINE IDENTIFICATION

TRACTOR MODEL

114

ENGINE MODEL

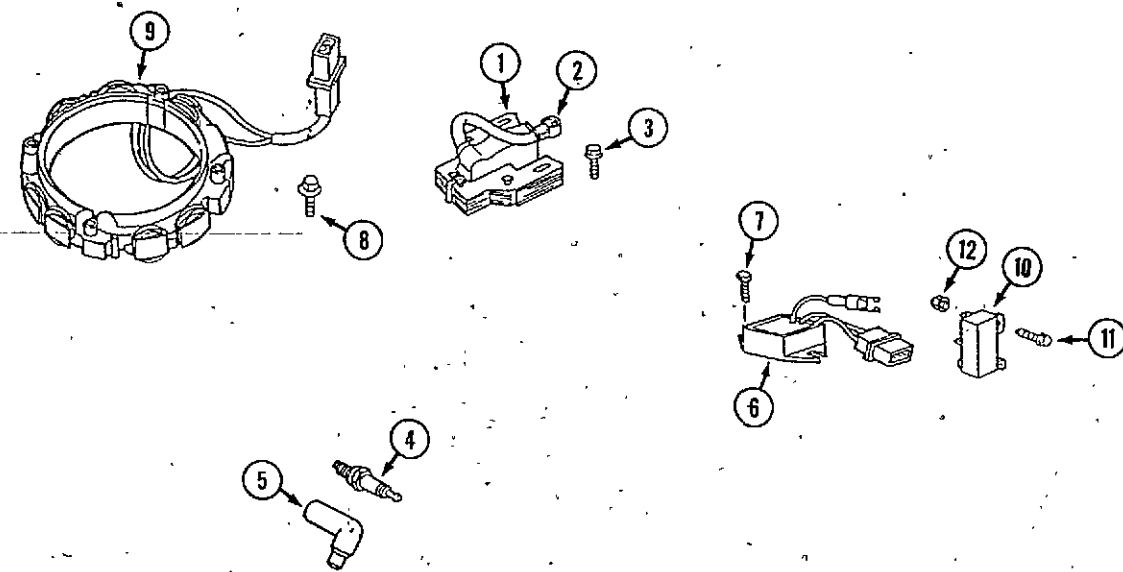
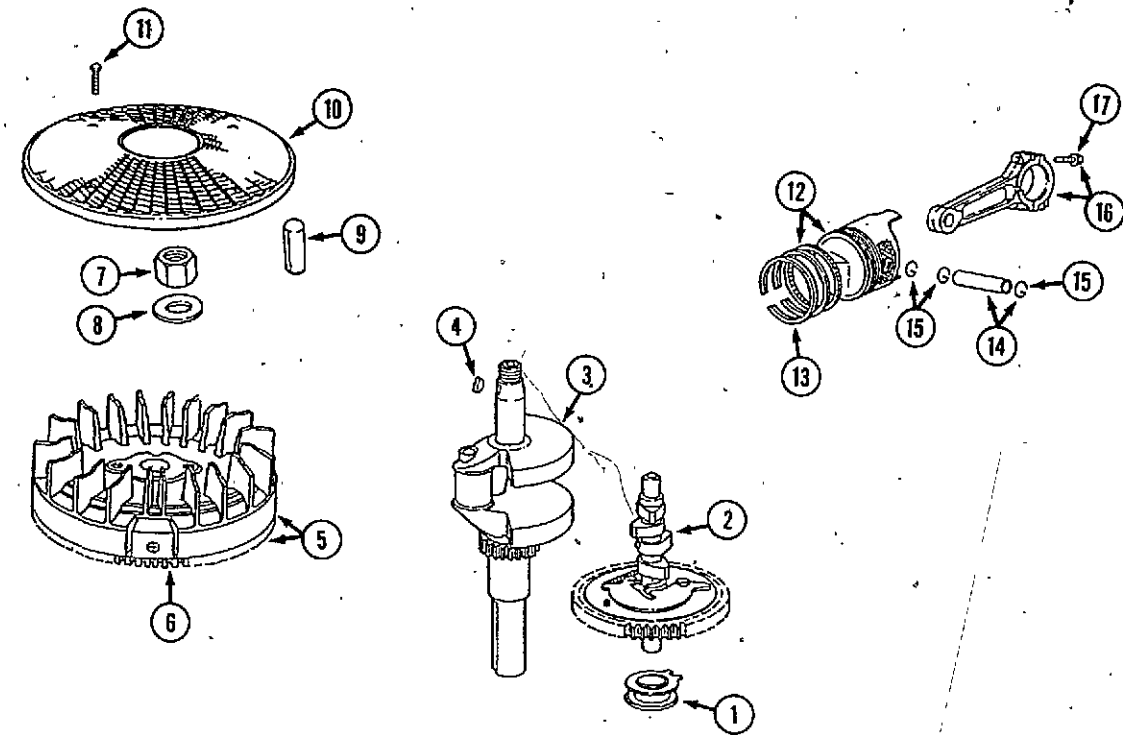
C33753
SPEC. 294777 - TYPE 0117

NOTE: In this catalog there are references to serial numbers. To order the correct part, use these serial numbers as a guide.

PAINT AND OIL

REF.	PART NO.	DESCRIPTION	REQ'D
		PAINT	
1	C 28849	BLACK - semi - gloss, 12 oz spray (2 per carton)	1
2	C 28850	BLACK - semi - gloss, quart (2 per carton)	1
3	C 28850	BLACK - semi - gloss, heat resistant, 12 oz spray (2 per carton)	1
4	C 28484	POWER RED - gloss, 12 oz spray (2 per carton)	1
5	C 28485	POWER RED - gloss, quart (2 per carton)	1
6	C 30870	SILVER - gloss, 12 oz. spray (2 per carton)	1
7	C 31643	POWER RED - gloss, 1 oz touch up, (1 doz. per carton)	1
		OIL	
1	C 32776	OIL - SAE 30, SF, quart (12 per case)	1
2	C 32777	OIL - SAE 5W20, SF, quart (12 per case)	1
3	C 32778	OIL - SAE 20W40, SF, quart (12 per case)	1

INGERSOLL
Ingersoll Equipment Co., Inc.

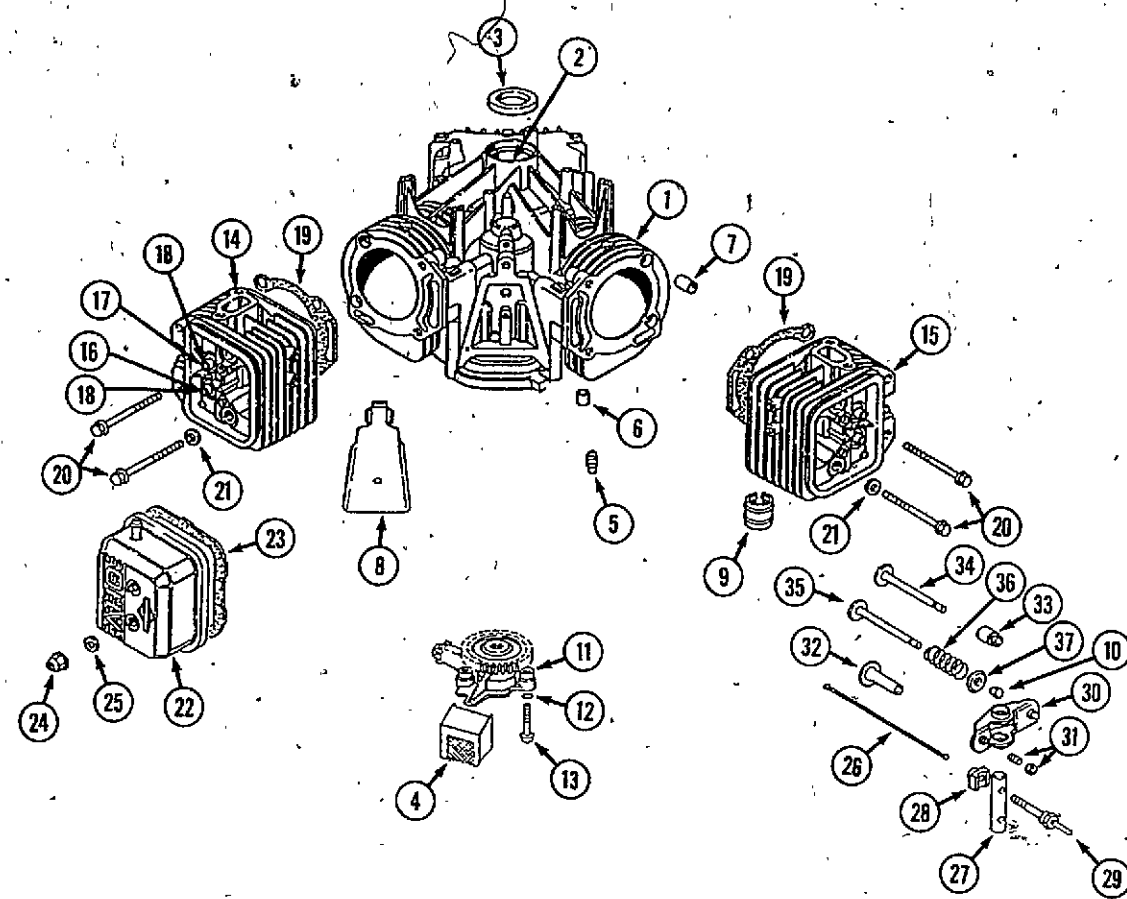


FLYWHEEL, CRANKSHAFT, CAMSHAFT AND PISTONS

REF.	PART NO.	DESCRIPTION	REQ'D
1	C 34371	SLIDER - governor	1
2	C 34231	CAMSHAFT	1
3	C 34383	CRANKSHAFT	1
4	C 34211	KEY - flywheel	1
5	C 34210	FLYWHEEL - includes ring gear	1
6	C 34331	GEAR - ring	1
7	C 34288	NUT - flywheel	1
8	C 34237	WASHER - flywheel	1
9	C 34326	SPACER - screen	4
10	C 34287	SCREEN - flywheel	1
11	C 34238	SCREW - screen	4
12	C 34212	PISTON ASSEMBLY - standard (includes rings)	2
12	C 34213	PISTON ASSEMBLY - .010" oversize (includes rings)	2
12	C 34214	PISTON ASSEMBLY - .020" oversize (includes rings)	2
12	C 34215	PISTON ASSEMBLY - .030" oversize (includes rings)	2
13	C 34216	RING SET - piston - standard	1
13	C 34217	RING SET - piston .010" oversize	1
13	C 34218	RING SET - piston .020" oversize	1
13	C 34219	RING SET - piston .030" oversize	1
14	C 34221	PIN - piston, standard	2
15	C 34220	LOCK - piston pin	2
16	C 34222	ROD - connecting	2
17	C 34223	BOLT - connecting rod	2

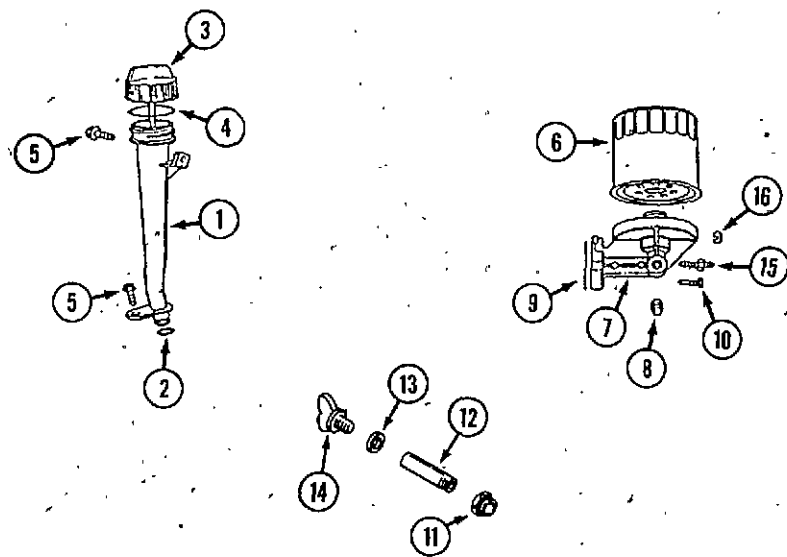
IGNITION AND CHARGING SYSTEMS

1	C 34289	ARMATURE - magnets	2
2	BR221798	TERMINAL - ignition cable	1
3	C 34290	SCREW - mounting	4
4	C 34291	SPARK PLUG	2
5	C 34324	BOOT - spark plug	2
6	C 34304	REGULATOR - alternator	1
7	C 34310	SCREW - mounting	2
8	C 34290	SCREW - mounting	4
9	C 34303	STATOR - alternator	1
10	C 34306	TERMINAL - ground	1
11	C 34292	BOLT - mounting	1
12	C 34293	NUT	1



ENGINE BLOCK AND CYLINDER HEADS

REF.	PART NO.	DESCRIPTION	REQ'D
1	C 34380	BLOCK - cylinder (also includes Ref. 5, 6, 7)	1
2	C 34191	BEARING - main	1
3	C 34192	SEAL - oil	1
4	C 34398	SCREEN - oil pick-up	1
5	C 34239	PLUG - pipe	1
6	C 34327	DOWEL - crankcase	UAR
7	C 34328	DOWEL - cylinder head	UAR
8	C 34317	BAFFLE - breather	1
9	C 34342	LINER - exhaust port	2
10	C 34229	RETAINER - valve	4
11	C 34400	PUMP - oil	1
12	C 34246	"O" RING - pump	2
13	C 34338	SCREW - pump mounting	2
14	C 34193	HEAD - cylinder R.H., No. 1	1
15	C 34194	HEAD - cylinder L.H., No. 2	1
16	C 34348	SEAT - exhaust valve	2
17	C 34347	SEAT - intake valve	2
18	C 34349	GUIDE - valve	4
19	C 34196	GASKET - head	2
20	C 34202	BOLT - head	8
21	C 34195	WASHER - head bolt	8
22	C 34368	COVER - valve No. 2 L.H.	1
22	C 34369	COVER - valve No. 1 R.H.	2
23	C 34262	GASKET - valve cover	2
24	C 34262	NUT - lock, valve cover	4
25	C 34261	WASHER	4
26	C 34372	ROD - push, intake	2
26	C 34373	ROD - push, exhaust	2
27	C 34377	SHAFT - rocker arm	2
28	C 34378	SUPPORT - rocker arm	4
29	C 34259	STUD - rocker arm	4
30	C 34376	ARM - rocker	4
31	C 34265	SCREW AND NUT - valve adjust	4
32	C 34230	TAPPET - valve	4
33	C 34346	SEAL - valve guide	4
34	C 34224	VALVE - exhaust	2
35	C 34225	VALVE - intake	2
36	C 34226	SPRING - valve	4
37	C 34228	RETAINER - valve spring	4



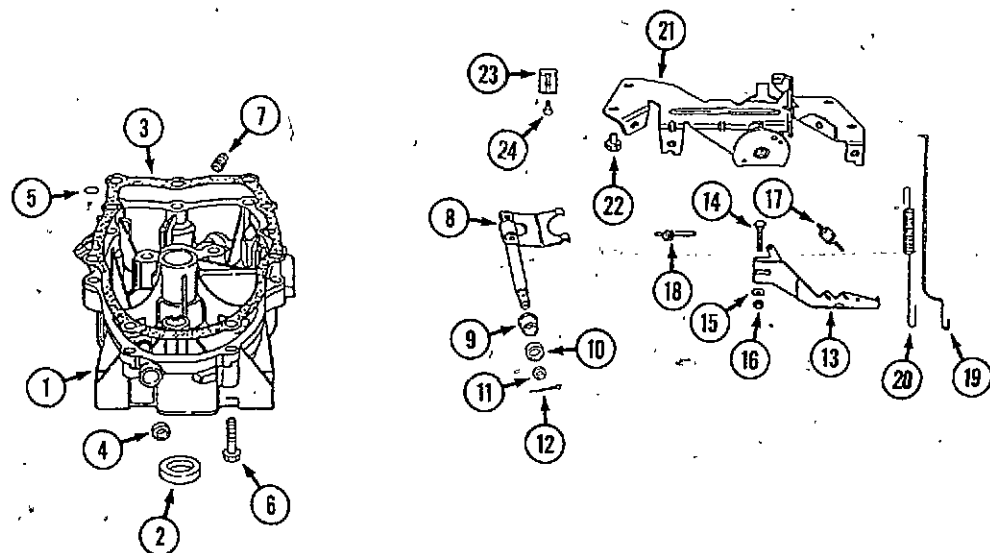
MODEL 114H COMPACT TRACTOR

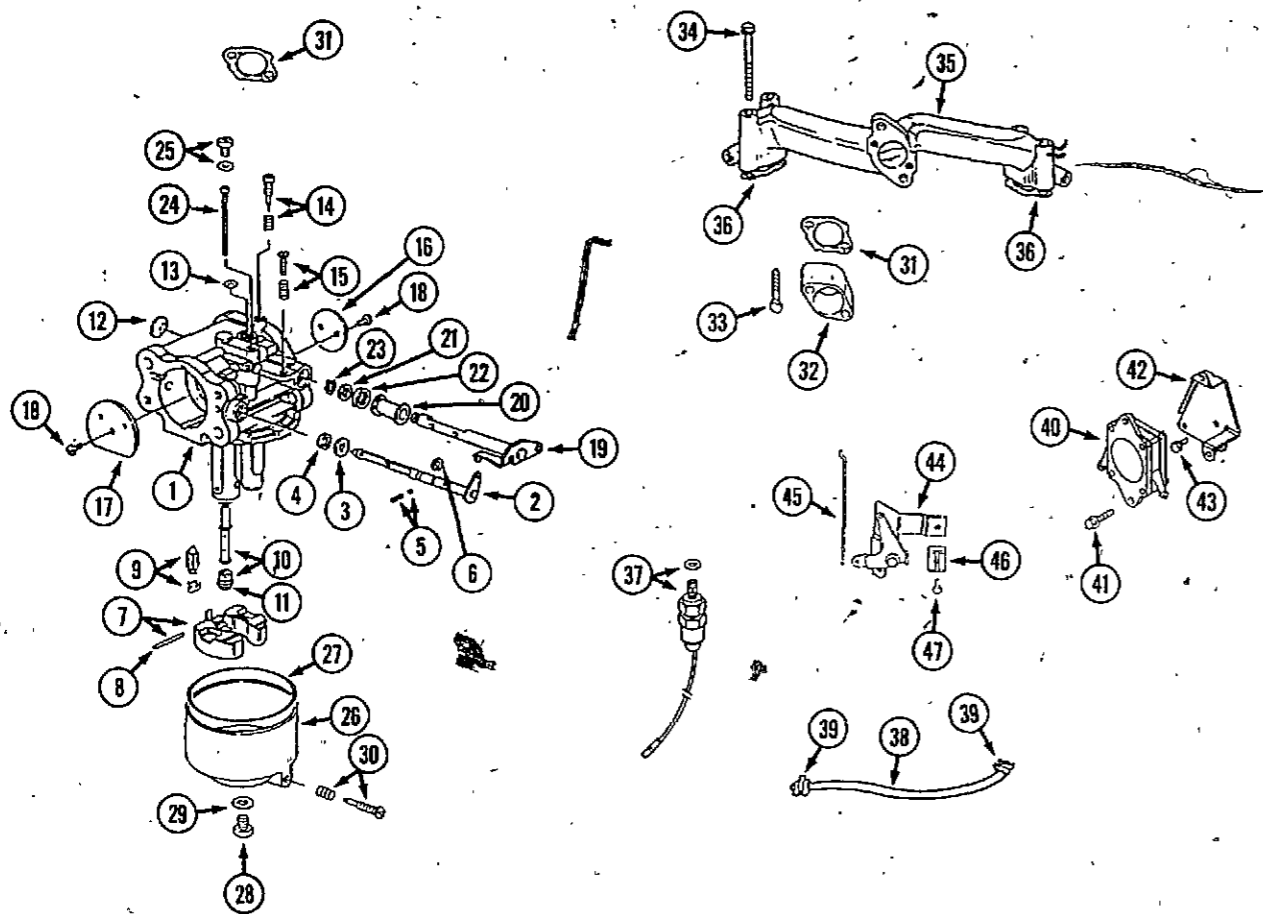
OIL FILTER, FILLER TUBE AND DRAIN

REF.	PART NO.	DESCRIPTION	REQ'D
1	C 34403	TUBE - oil filler	1
2	C 34402	SEAL - filler tube	1
3	C 34401	DIPSTICK	1
4	C 34406	"O" RING - filler tube	1
5	C 34339	SCREW	1
6	C 34374	FILTER - oil	1
7	C 34375	ADAPTER - oil filter	1
8	C 34239	PLUG - pipe	1
9	C 34361	GASKET - adapter	1
10	C 34362	SCREW - adapter	3
11	221- 86	REDUCER - pipe 3/8" to 1/4" oil drain	1
12	C 19473	NIPPLE - pipe, oil drain	1
13	C 14906	GASKET - oil drain	1
14	C 14399	PLUG -oil drain	1
15	C 34260	STUD - adapter	1
16	C 34264	LOCKWASHER	1

CRANKCASE COVER AND GOVERNOR

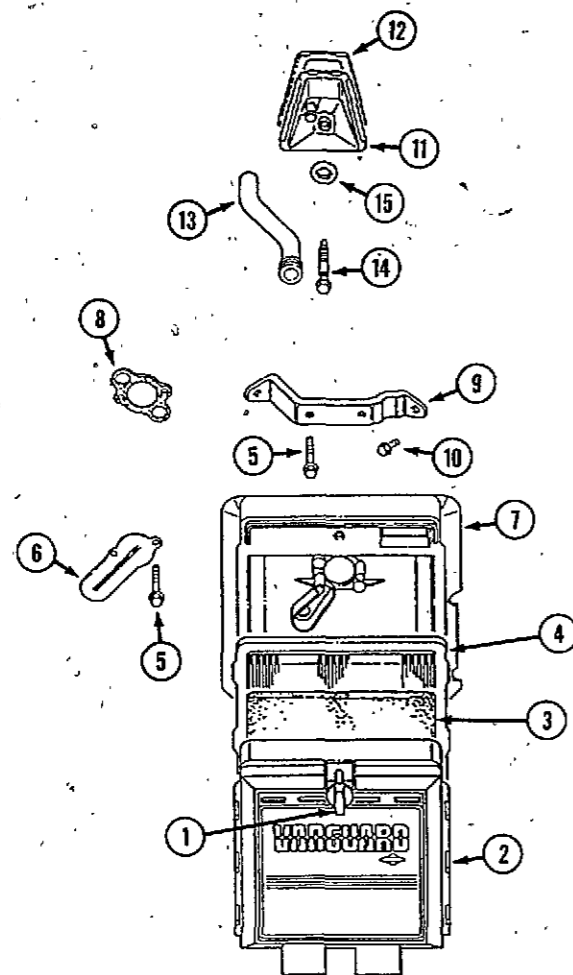
1	C 34384	COVER - crankcase	1
2	C 34208	SEAL - oil	1
3	C 34201	GASKET - crankcase cover	1
4	C 34323	WASHER - governor shaft	1
5	C 34247	"O" RING - crankcase cover	1
6	C 34209	BOLT - crankcase cover	8
7	C 34203	PLUG - pipe	1
8	C 34322	SHAFT - governor	1
9	C 34314	BUSHING - governor shaft	1
10	C 34315	BUSHING - governor shaft	1
11	C 34240	SEAL - governor shaft	1
12	C 34321	PIN - cotter	1
13	C 34270	LEVER ASSEMBLY - governor	1
14	C 34316	BOLT - lever	1
15	C 34275	WASHER - lever	1
16	C 34319	NUT - lever	1
17	C 34267	SPRING - governor	1
18	C 34397	SPRING - governed idle	1
19	C 34266	LINK - governor	1
20	C 34271	SPRING - governor link	1
21	C 34269	BRACKET - governor control	1
22	C 34281	SCREW - bracket	4
23	BR221535	CLAMP - casing	1
24	C 34292	SCREW - clamp	1





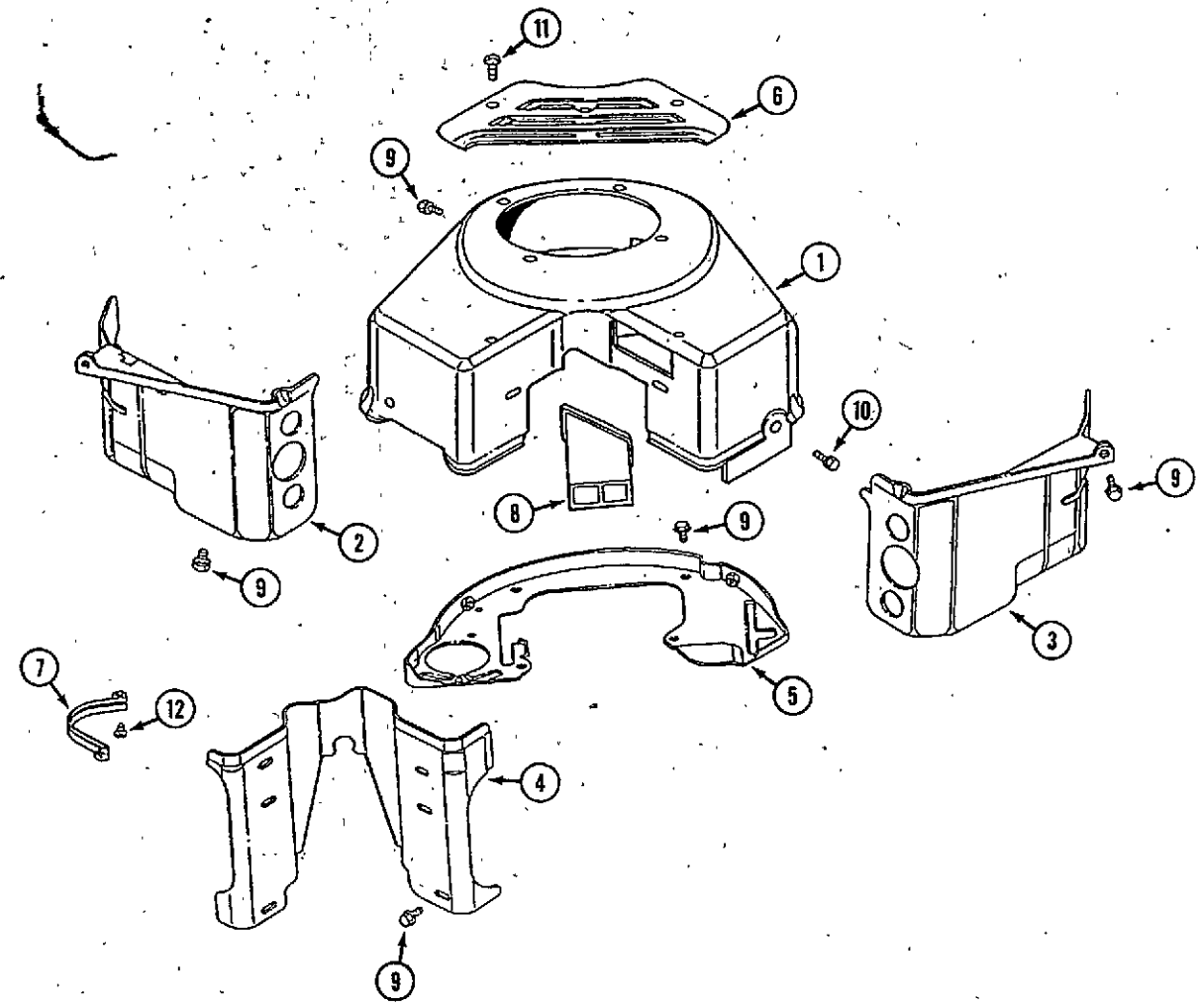
CARBURETOR, MANIFOLD AND FUEL PUMP

1	C 34392	CARBURETOR	1
2	NSS	BODY - carburetor	1
3	C 34396	KIT - choke shaft	1
4	NSS	COLLAR - choke shaft (use overhaul kit)	1
5	NSS	SEAL - choke shaft (use overhaul or gasket kit)	1
6	NSS	BALL - locator (use overhaul kit)	1
7	NSS	RETAINER - shaft (use overhaul kit)	1
8	C 34395	FLOAT - fuel	1
9	NSS	PIN - float hinge (use overhaul kit)	1
10	NSS	VALVE - fuel inlet (use overhaul kit)	1
11	NSS	NOZZLE - (use overhaul kit)	1
12	NSS	JET - main (use overhaul kit)	1
13	NSS	PLUG - welch (use overhaul kit)	1
14	NSS	PLUG - welch (use overhaul kit)	1
15	NSS	VALVE - idle adjust (use overhaul kit)	1
16	C 34388	SCREW AND SPRING - throttle adjust	1
17	C 34393	VALVE - throttle	1
18	C 34389	VALVE - choke	1
19	C 34387	SCREW - mounting	3
20	C 34394	KIT - throttle shaft	1
21	NSS	COLLAR - throttle (use overhaul kit)	1
22	NSS	COLLAR - throttle (use overhaul kit)	1
23	NSS	SEAL - throttle shaft (use overhaul or gasket kit)	1
24	NSS	RETAINER - throttle shaft (use overhaul kit)	1
25	NSS	NOZZLE - fuel (use overhaul kit)	1
26	C 34410	PLUG - nozzle	1
27	C 34411	BOWL ASSEMBLY	1
28	NSS	GASKET - bowl (use overhaul or gasket kit)	1
29	C 34409	SCREW - bowl mounting	1
30	NSS	GASKET - sealing (use overhaul or gasket kit)	1
31	C 34399	DRAIN - bowl	1
32	C 34385	GASKET - mounting	2
33	C 34391	SPACER - carburetor	1
34	C 34386	BOLT - mounting	2
35	C 34236	BOLT - manifold	4
36	C 34232	MANIFOLD - intake	1
37	C 34234	GASKET - manifold	2
38	C 34408	SOLENOID - fuel shut off	1
39	NSS	HOSE - fuel (use C28937 cut to length)	1
40	214- 251	CLAMP - hose	1
41	C 34300	PUMP - fuel	1
42	C 34339	SCREW - mounting	2
43	C 34404	BRACKET - fuel pump	1
44	C 34281	SCREW - bracket	2
45	C 34274	BRACKET - choke control	1
46	C 34268	LINK - choke	1
47	BR221535	CLAMP - casing	1
	C 34292	SCREW - clamp	1
	C 34412	KIT - carburetor gaskets (includes Ref. 5, 23, 28 and 30)	1
	C 34390	KIT - carburetor overhaul	1



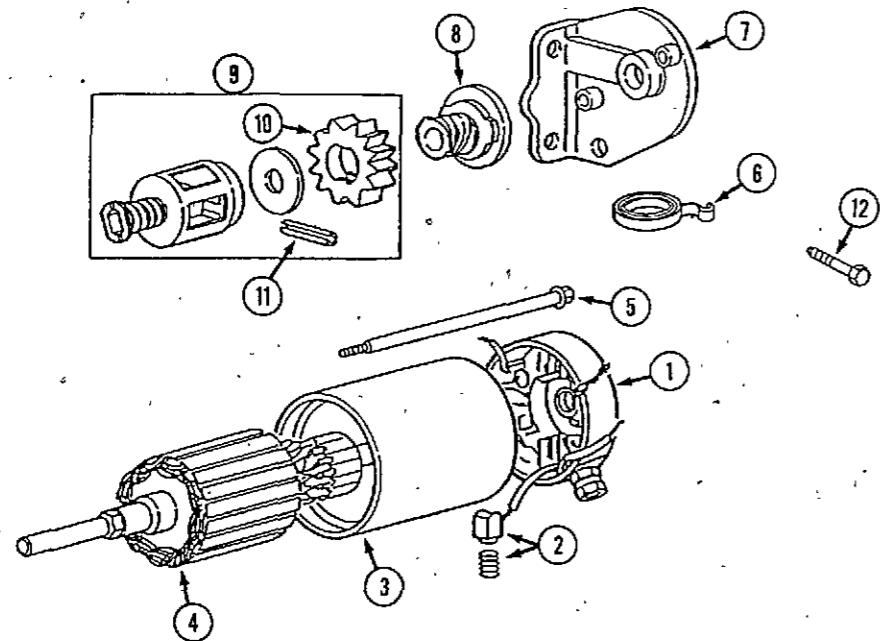
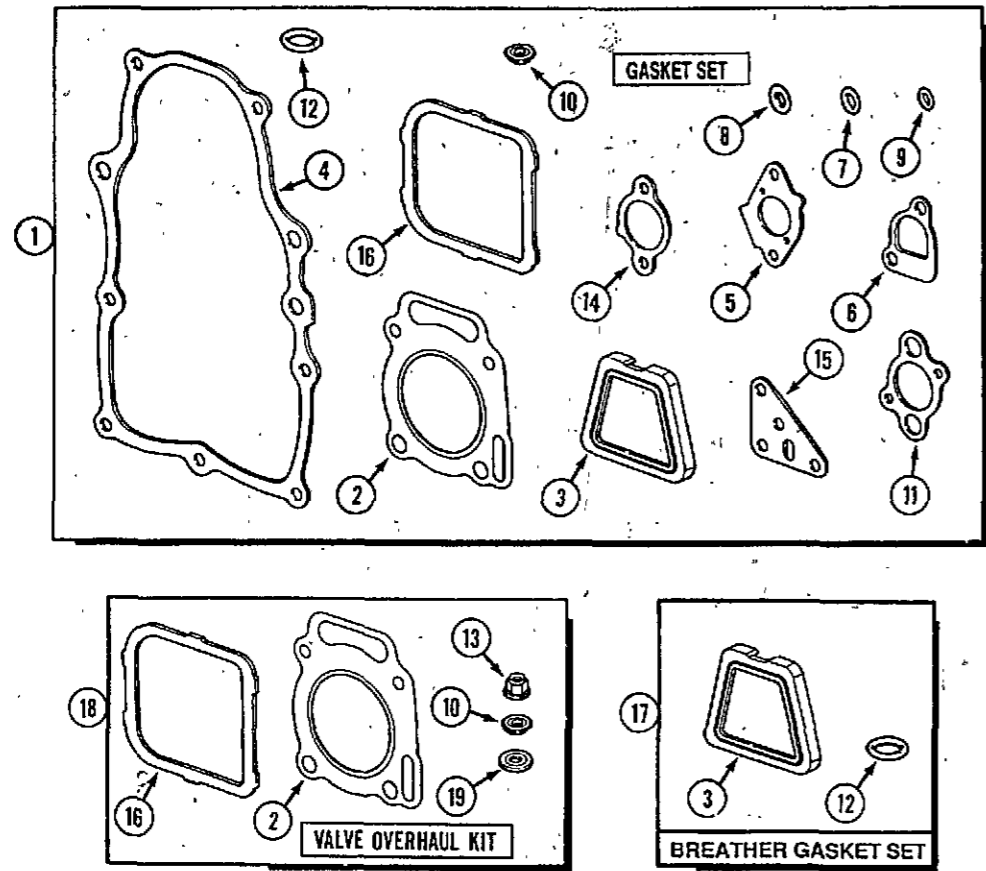
AIR CLEANER AND CRANKCASE BREATHER

REF.	PART NO.	DESCRIPTION	REQ'D
1	C 34359	SCREW - mounting	1
2	C 34358	COVER - air cleaner	1
3	C 34363	PRECLEANER	1
4	C 34357	FILTER - air	1
5	C 34360	BOLT - mounting	2
6	C 34366	DEFLECTOR - breather	1
7	C 34356	BASE - air cleaner	1
8	C 34312	GASKET - air cleaner	1
9	C 34407	BRACKET - air cleaner	1
10	C 34279	SCREW - bracket	2
11	C 34381	BREATHER ASSEMBLY	1
12	C 34198	GASKET - breather	1
13	C 34200	TUBE - breather	1
14	C 34382	SCREW - mounting	1
15	C 34329	SEAL - breather screw	1



BLOWER HOUSING AND ENGINE AIR GUIDES

REF.	PART NO.	DESCRIPTION	REQ'D
1	C 34278	HOUSING - blower	1
2	C 34282	COVER - air guide (cyl. #1)	1
3	C 34283	COVER - air guide (cyl. #2)	1
4	C 34345	COVER - valley	1
5	C 34318	PLATE - back	1
6	C 34350	COVER - carburetor	1
7	C 34332	SHIELD - stater	1
8	C 34365	TUBE - air inlet	1
9	C 34279	SCREW - mounting	UAR
10	C 34281	SCREW - blower housing	UAR
11	C 34325	SCREW - carburetor cover	2
12	C 34301	SCREW - shield, starter	2

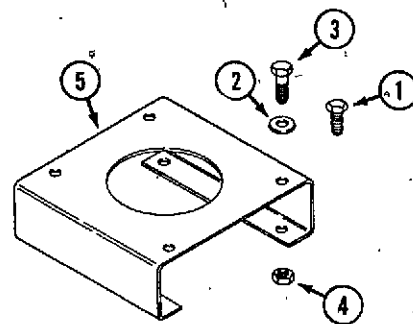


GASKET SETS

REF.	PART NO.	DESCRIPTION	REQ'D
1	C 34297	GASKET SET - complete	1
2	C 34196	GASKET - cylinder head	2
3	C 34198	GASKET - breather	1
4	C 34201	GASKET - crankcase	1
5	C 34385	GASKET - carburetor mounting	2
6	C 34234	GASKET - intake manifold	2
7	C 34246	"O" RING - oil pump	UAR
8	C 34247	"O" RING - crankcase cover	UAR
9	NSS	"O" RING - oil pick-up tube	1
10	C 34261	WASHER - valve cover	4
11	C 34312	GASKET - air cleaner	1
12	C 34329	SEAL - breather screw	1
13	C 34262	NUT - lock, valve cover	4
14	C 34351	GASKET - exhaust	2
15	C 34361	GASKET - oil filter adapter	1
16	C 34367	GASKET - valve cover	2
17	C 34249	BREATHER GASKET SET - includes Ref. 3, 12	1
18	C 34279	VALVE OVERHAUL GASKET KIT - includes Ref. 2, 10, 16, 19, 20	1
19	C 34195	WASHER - cylinder head bolt	8

STARTER

1	C 34284	STARTER - 12 volt	1
2	C 34336	CAP ASSEMBLY - commutator end	1
3	C 34286	BRUSH ASSEMBLY	4
4	C 34405	HOUSING - starter	1
5	C 34313	ARMATURE - starter	1
6	C 34285	BOLT - thru	2
7	C 34364	SPRING - brush	4
8	C 34335	CAP ASSEMBLY - drive end	1
9	C 30406	CLUTCH - drive	1
10	C 27424	KIT - retainer	1
11	C 27422	GEAR - drive	1
12	C 34353	PIN - roll	1
	C 34263	BOLT - starter mounting	2

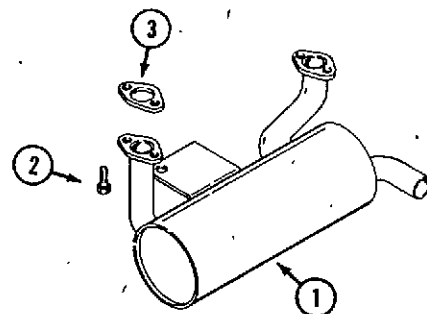


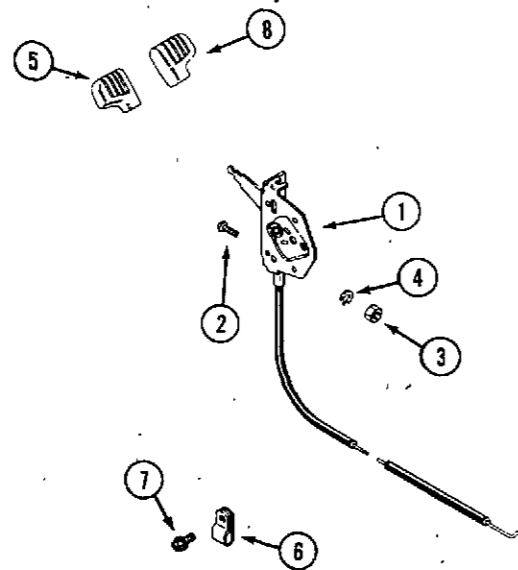
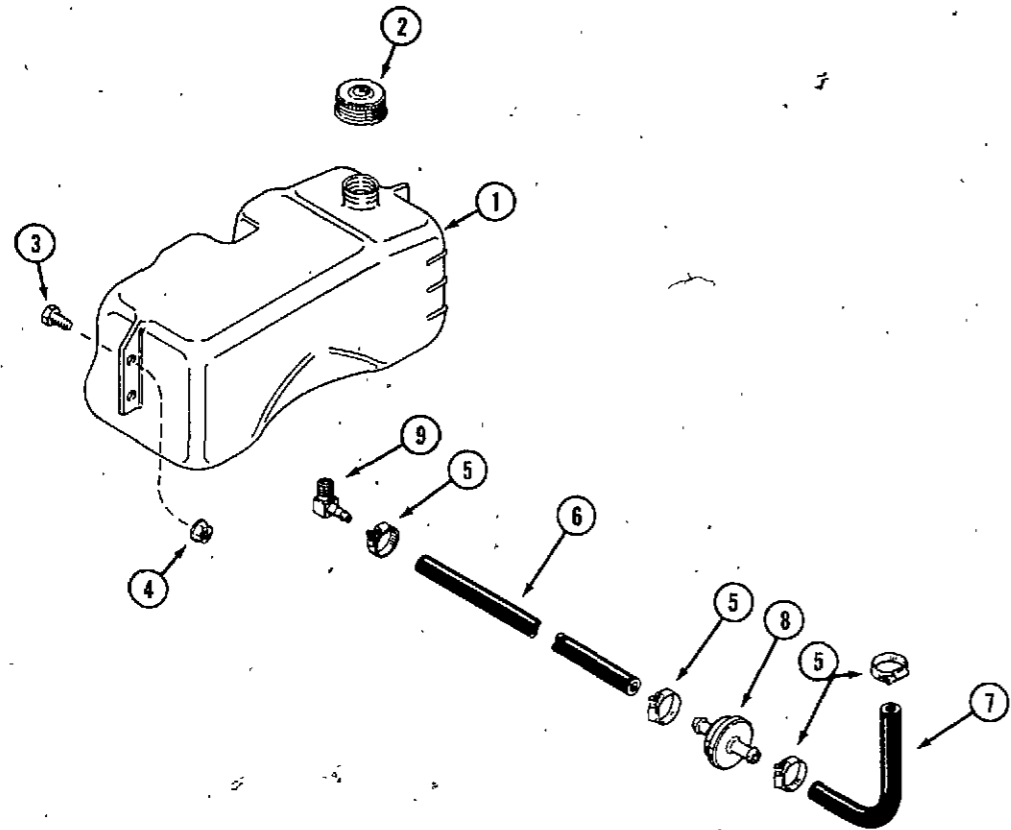
ENGINE MOUNTS

REF.	PART NO.	DESCRIPTION	REQ'D
1	113- 103	BOLT - 5/16" - 18 x 1"	4
2	195- 521	WASHER - flat 5/16" x 11/16"	4
3	113- 122	BOLT - 5/16" - 18 x 1-1/2"	4
4	131- 69	NUT - 5/16" lock	8
5	C 33809	MOUNT - engine	1

MUFFLER

1	C 33817	MUFFLER - exhaust	1
2	C 34351	GASKET - exhaust	2
3	C 34320	BOLT - exhaust	4



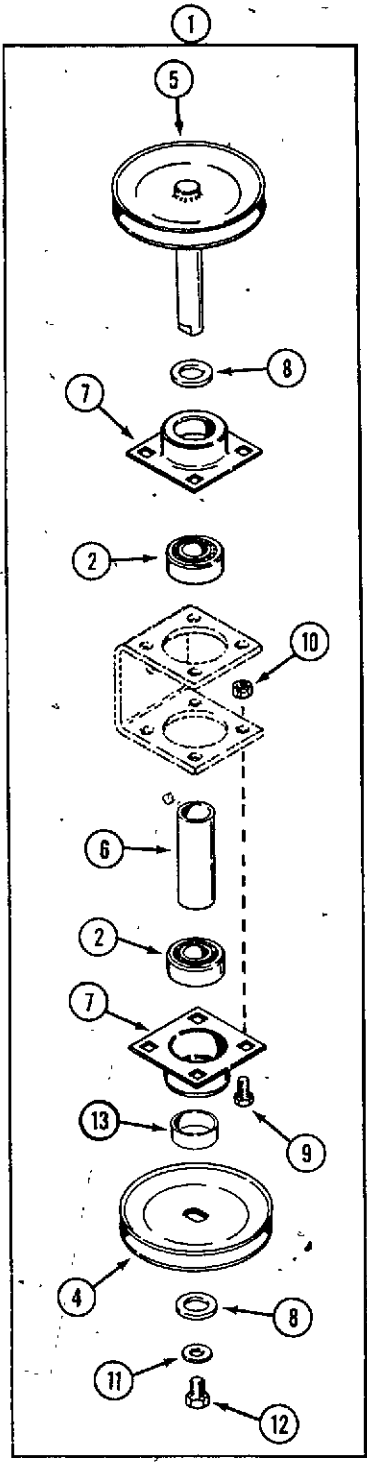
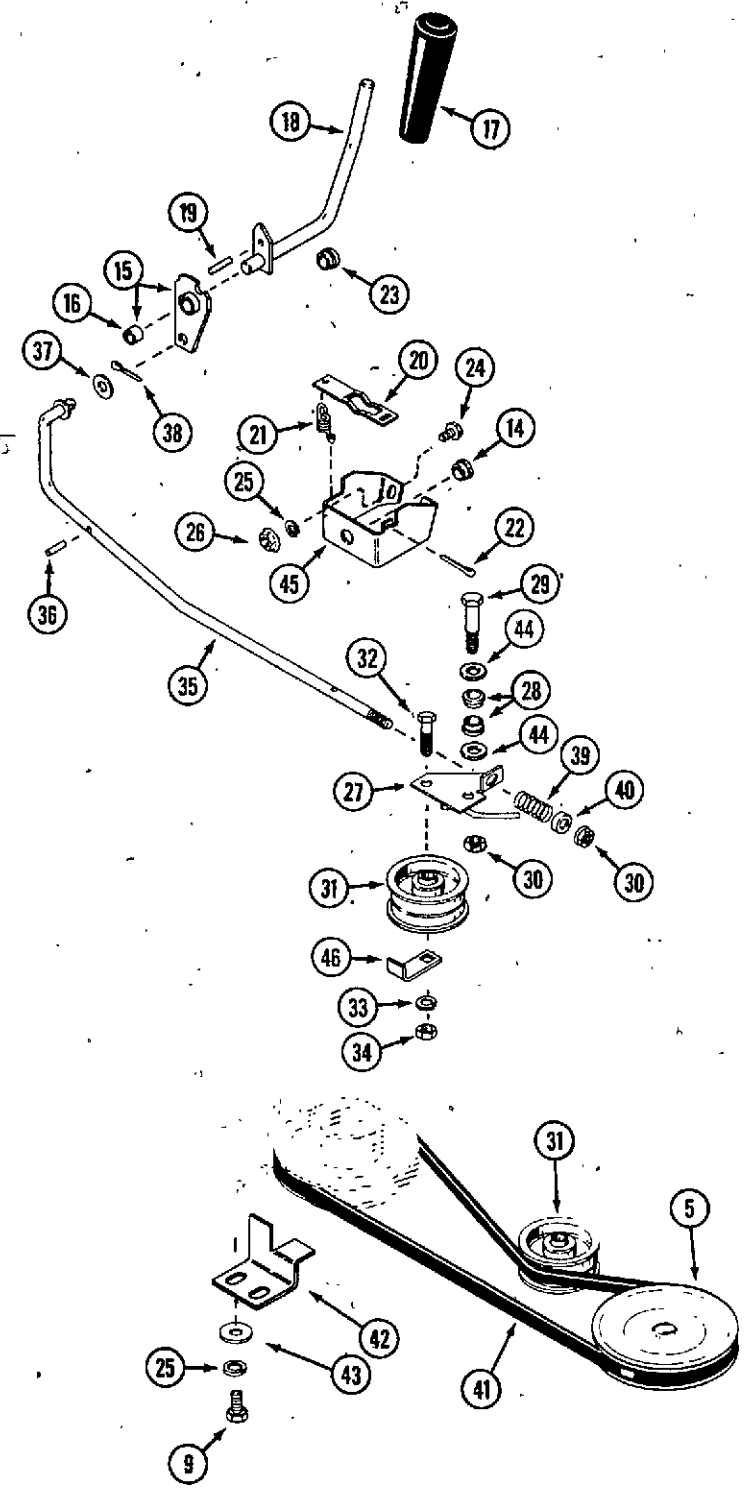


FUEL SYSTEM

REF.	PART NO.	DESCRIPTION	REQ'D
1	C 29070	TANK - fuel	1
2	C 11529	CAP - fuel	1
3	113- 102	BOLT - 5/16" - 18 x 3/4"	4
4	131- 911	NUT - 5/16" - 18 flange lock	4
5	214- 252	CLAMP - hose (service)	4
6	NSS	HOSE - fuel (use C28937 cut to length)	1
7	NSS	HOSE - fuel (use C28937 cut to length)	1
8	C 28935	FILTER - fuel	1
9	C 10678	CONNECTOR - fuel line 90°	1

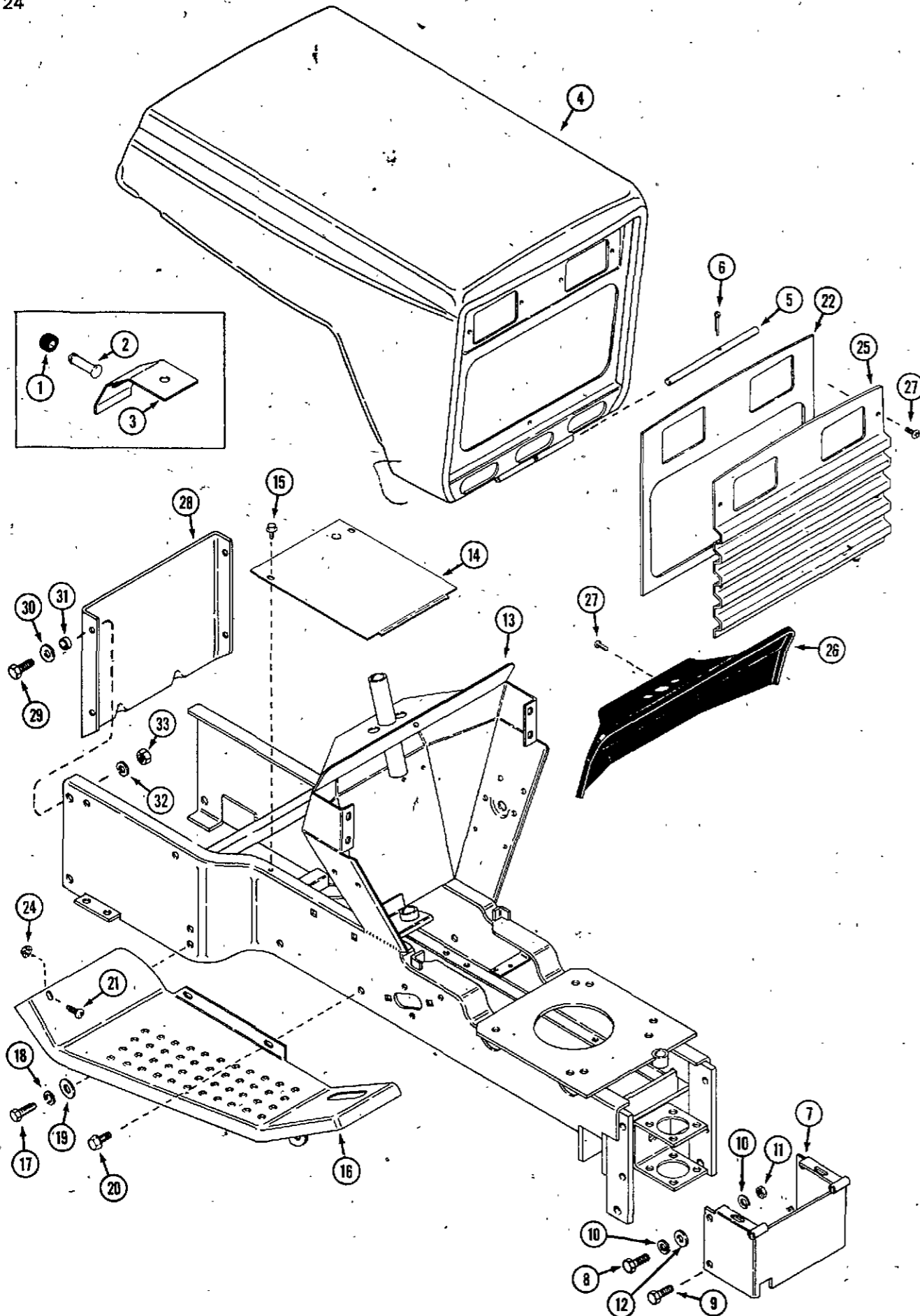
CHOKE AND THROTTLE

1	C 29186	CONTROL - throttle	1
1	C 33801	CONTROL - choke	1
2	182- 559	SCREW - No. 10 - 24 x 3/4"	2
3	129- 17	NUT - No. 10	2
4	192- 18	LOCKWASHER - 3/16"	2
5	C 30073	HANDLE - throttle	1
6	C 27233	CLAMP - cable	1
7	187-1908	SCREW - self tapping	1
8	C 30074	HANDLE - choke	1



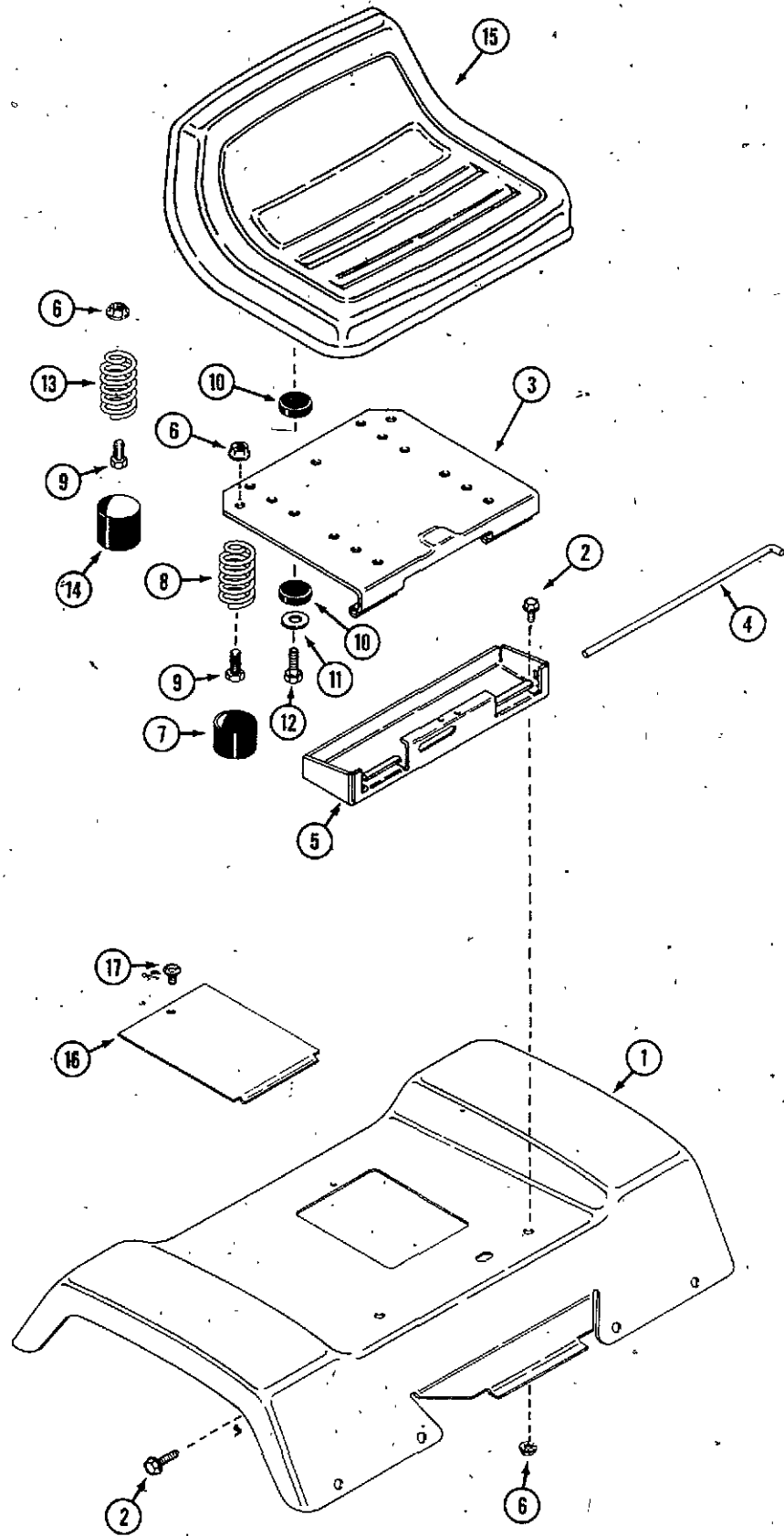
ATTACHMENT DRIVE POWER TAKE OFF (PTO)

REF.	PART NO.	DESCRIPTION	REQ'D
1	NSS	P.T.O. ASSEMBLY	1
2	C 28971	BEARING	2
3	NSS	BRACKET - mounting	1
4	C 15083	PULLEY - bottom	1
5	C 30475	PULLEY - top	1
6	C 25233	SPACER - bearing	1
7	C 23818	FLANGETTE	2
8	C 12975	WASHER	2
9	113- 102	BOLT - 5/16" - 18 x 3/4"	9
10	131- 176	NUT - 5/16" - 18 lock	8
11	C 28263	WASHER - 3/8"	1
12	113- 205	BOLT - 3/8" - 18 x 5/8"	1
13	C 30477	SPACER - pulley	1
14	C 25229	BUSHING - flange	1
15	C 29326	ARM ASSEMBLY - PTO	1
16	C 17597	BUSHING - sleeve	1
17	C 29046	HANDLE - PTO lever	1
18	C 29252	LEVER - PTO	1
19	138- 2071	PIN - spirol 3/16" x 15/16"	1
20	C 29316	BAR - latch	1
21	C 29172	SPRING - extension	1
22	132- 320	PIN - cotter 3/32" x 3/4"	1
23	C 29636	BUSHING - flip - lock	1
24	121- 106	BOLT - 5/16" - 18 x 3/4" flange	2
25	192- 20	LOCKWASHER - 5/16"	3
26	131- 911	NUT - 5/16" - 18 flange	2
27	C 30873	ARM - idler	1
28	C 17597	BUSHING - flange (press into hub on engine plate)	2
29	C 16745	BOLT - shoulder	1
30	131- 1352	NUT - 3/8" lock	2
31	C 15672	PULLEY - idler	1
32	113- 233	BOLT - 3/8" - 16 x 1-3/4" hex head	1
33	192- 21	LOCK WASHER - 3/8"	1
34	129- 103	NUT - 3/8" - 16	1
35	C 30769	ROD - PTO	1
36	138- 57	PIN - roll 1/8" x 3/4"	1
37	195- 525	WASHER - 3/8"	1
38	132- 332	PIN - cotter 3/32" x 1"	1
39	C 27822	SPRING - compression	1
40	C 17066	WASHER - cup	1
41	C 31215	BELT - PTO	1
42	C 26345	KEEPER - belt	1
43	195- 521	WASHER - 5/16"	1
44	195- 533	WASHER - 1/2"	2
45	C 31437	BRACKET - support	1
46	C 29243	GUIDE - belt	1



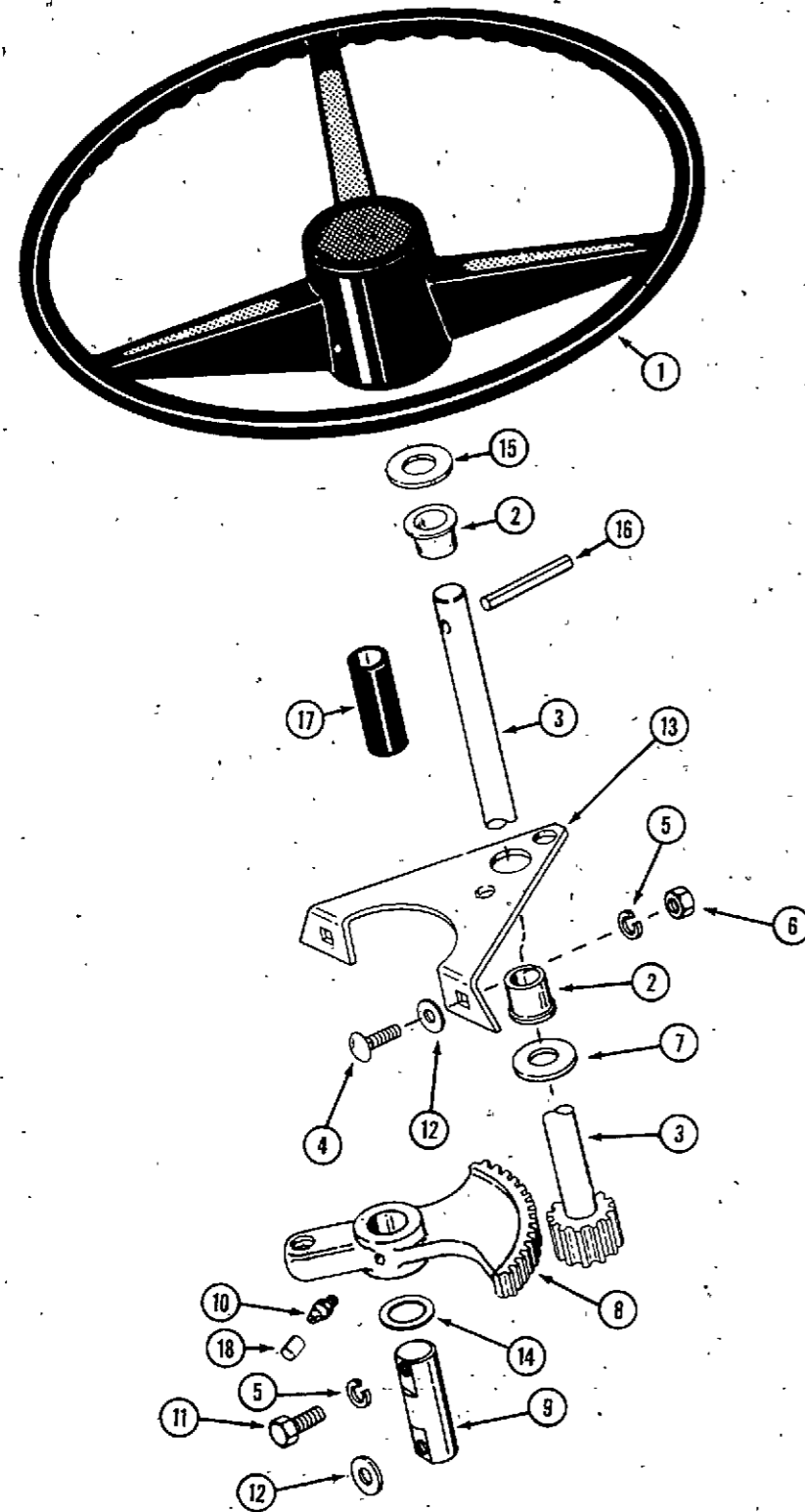
HOOD, FRAME AND ATTACHING PARTS

REF.	PART NO.	DESCRIPTION	REQ'D
1	C 29314	BUTTON - push, hood release	1
2	C 29315	ROD - push, hood release	1
3	C 33467	LATCH - hood	1
4	C 36892	HOOD	1
5	C 16362	ROD - hinge	1
6	132- 334	PIN - cotter 1/8" x 3/4"	1
7	C 29240	COVER - PTO	1
8	113- 205	BOLT - 3/8" - 16 x 5/8"	2
9	113- 207	BOLT - 3/8" - 16 x 1"	2
10	192- 21	LOCK WASHER - 3/8"	4
11	129- 103	NUT - 3/8" - 16	2
12	195- 522	WASHER - 3/8"	2
13	C 33813	FRAME - main	1
14	C 33770	PLATE - center	1
15	C 31597	SCREW - 1/4" - 20	2
16	C 29203	FOOT REST - R.H. (shown)	1
16	C 29204	FOOT REST - L.H.	1
17	113- 103	BOLT - 5/16" x 18 x 1"	4
18	192- 20	LOCK WASHER - 5/16"	4
19	195- 521	WASHER - 5/16"	4
20	121- 106	BOLT - 5/16" - 18 x 1/2" flange lock	4
21	C 31597	SCREW - 1/4" - 20 pan head, Phillips	4
22	C 34114	MASK - grille	1
24	131- 934	NUT - 1/4" - 20 flange lock	4
25	C 34017	GRILLE	1
26	C 34051	CAP - instrument panel	1
27	187- 1334	SCREW	6
28	C 29199	DRAWBAR	1
29	113- 207	BOLT - 3/8" - 16 x 1"	4
30	195- 525	WASHER - 3/8" (top holes only)	2
31	C 14768	SPACER - mounting (top holes only)	2
32	192- 21	LOCK WASHER - 3/8"	4
33	129- 103	NUT - 3/8" - 16	4



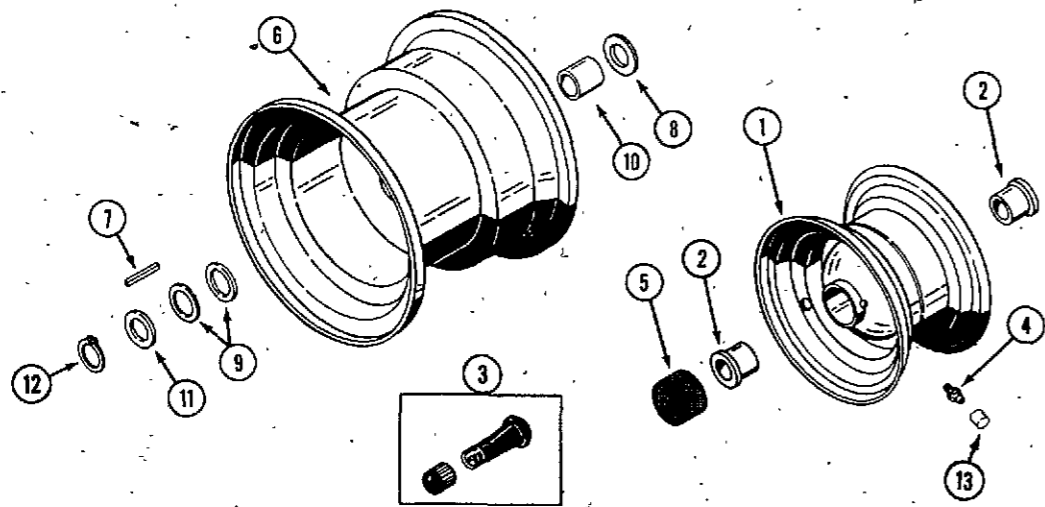
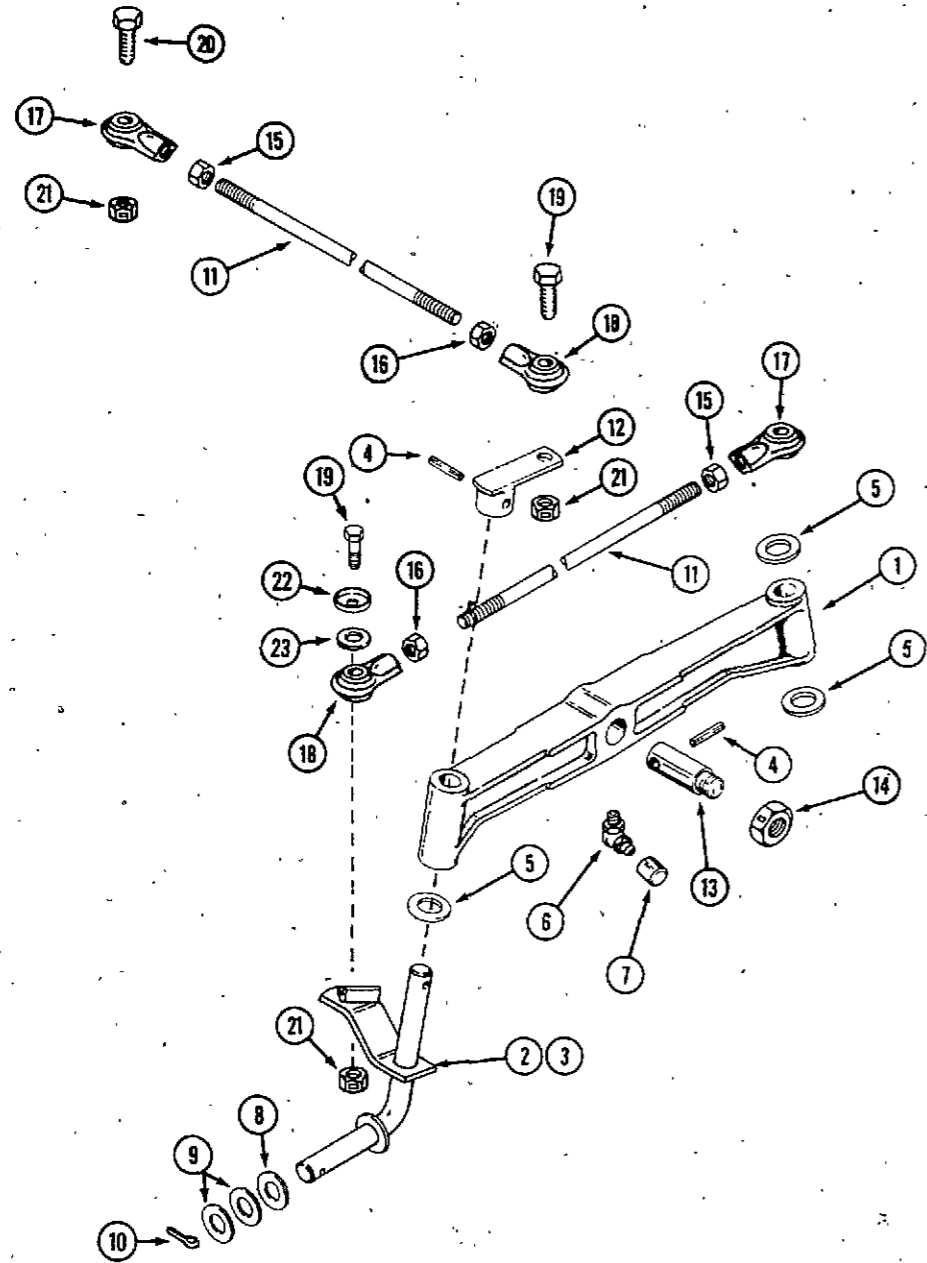
SEAT AND FENDERS

REF.	PART NO.	DESCRIPTION	REQ'D
1	C 31031	FENDERS AND SUPPORT	1
2	121- 106	BOLT - 5/16" - 18 x 1/2" flange lock	6
3	C 31005	HINGE - seat	1
4	C 16429	PIN - seat hinge	1
5	C 31004	TRAY - tool	1
6	131- 911	NUT - 5/16" - 18 flange lock	5
7	C 29305	CAP - spring	2
8	C 29306	SPRING - seat	2
9	113- 102	BOLT - 5/16" - 18 x 3/4"	3
10	C 15410	CUSHION - rubber	8
11	195-2175	WASHER - 5/16" x 1-1/4"	4
12	113- 122	BOLT - 5/16" x 18 x 1-1/2"	4
13	C 31006	SPRING - actuating, seat switch	1
14	C 26526	CAP - actuating spring	1
15	C 30064	SEAT	1
16	C 30785	COVER - inspection	1
17	187- 1036	SCREW - 1/4" x 1/2" self-tap	1



STEERING GEAR

REF.	PART NO.	DESCRIPTION	REQ'D
1	C 26325	WHEEL - steering	1
2	C 15096	BUSHING - flanged nylon	2
3	C 29181	SHAFT - steering	1
4	111- 132	BOLT - 5/16" x 3/4" NC, ZP carriage	2
5	192- 20	LOCK WASHER - 5/16" ZP	4
6	129- 102	NUT - 5/16" NC hex, ZP	2
7	195- 2069	WASHER - 5/8" plain, ZP	1
8	C 26039	GEAR - steering	1
9	C 15105	PIVOT - steering gear	1
10	219- 17	FITTING - lube	1
11	113- 103	BOLT - 5/16" x 1" NC hex, ZP	2
12	195- 521	WASHER - 5/16", plain, ZP	UAR
13	C 27045	BRACKET - steering	1
14	C 14201	WASHER - shim	UAR
15	195- 541	WASHER - 5/8"	UAR
16	138- 143	PIN - roll 1/4" x 2-1/4"	1
17	C 29168	SLEEVE - steering shaft	1
18	C 13106	COVER - lube fitting	1



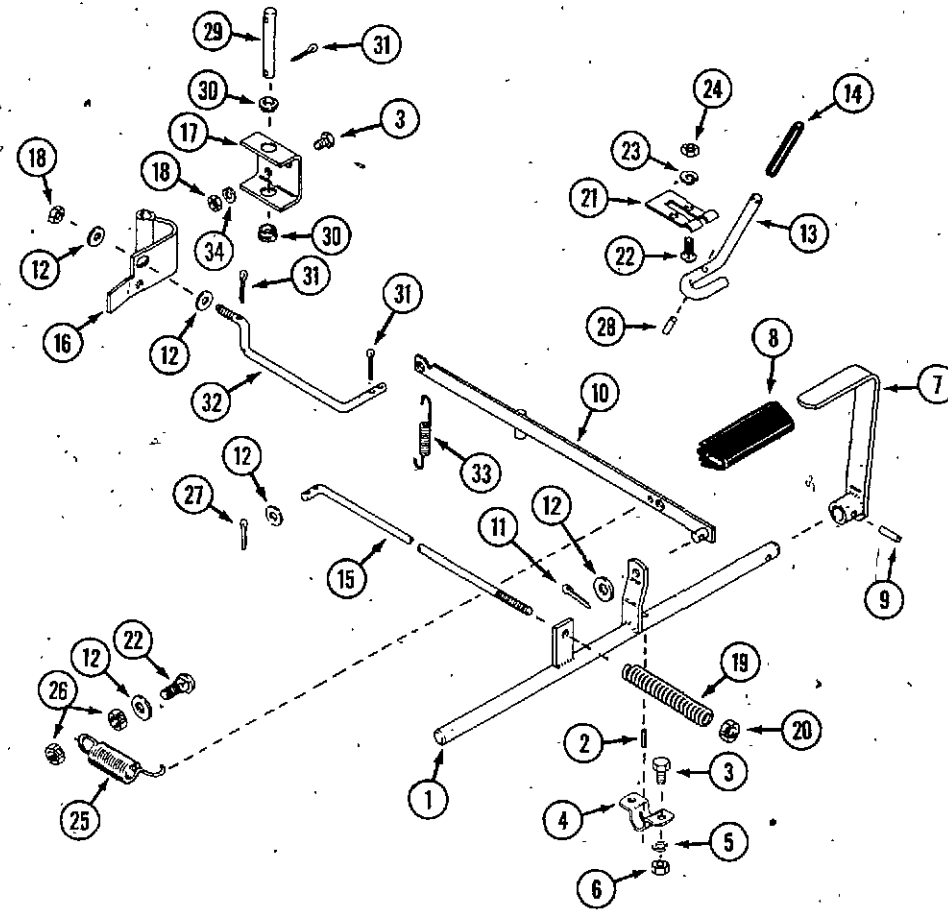
FRONT AXLE

REF.	PART NO.	DESCRIPTION	REQ'D
1	C 15066	AXLE - front	1
2	C 31336	SPINDLE - R.H. (shown)	1
3	C 31335	SPINDLE - L.H.	1
4	138- 2040	PIN - spirol 1/4" x 1-1/2"	2
5	C 11906	WASHER - thrust 13/16"	3
6	219- 404	FITTING - lube	3
7	C 13106	COVER - lube fitting	3
8	C 27597	WASHER - spindle	2
9	C 28226	WASHER - wheel spacer	4
10	132- 311	PIN - cotter 5/32" x 1-1/4"	2
11	C 26051	ROD - tie and drag link	2
12	C 26370	ARM - upper spindle	1
13	C 18626	PIN - axle pivot	1
14	131- 1331	NUT - lock 3/4" N.C. hex	1
15	129- 163	NUT - lock 3/8" -24 hex	2
16	129- 289	NUT - lock 3/8" - 24 hex L.H. thread	2
17	C 26332	BALL JOINT - R.H. thread	2
18	C 26333	BALL JOINT - L.H. thread	2
19	13- 624	BOLT - 3/8" x 1-1/2"	3
20	13- 628	BOLT - 3/8" x 1-3/4"	1
21	131- 938	NUT - lock 3/8" - 16 flange	4
22	C 17066	WASHER - cupped	2
23	C 30155	WASHER - 3/8" x 5/8"	2

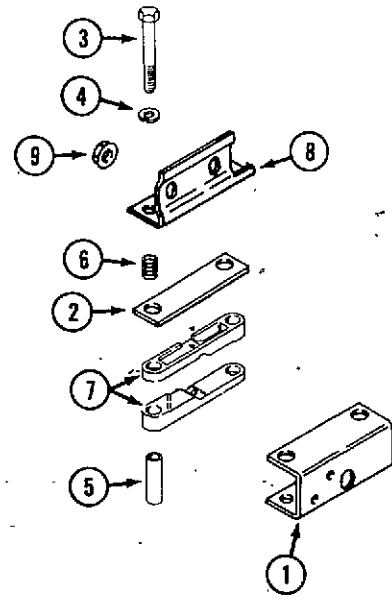
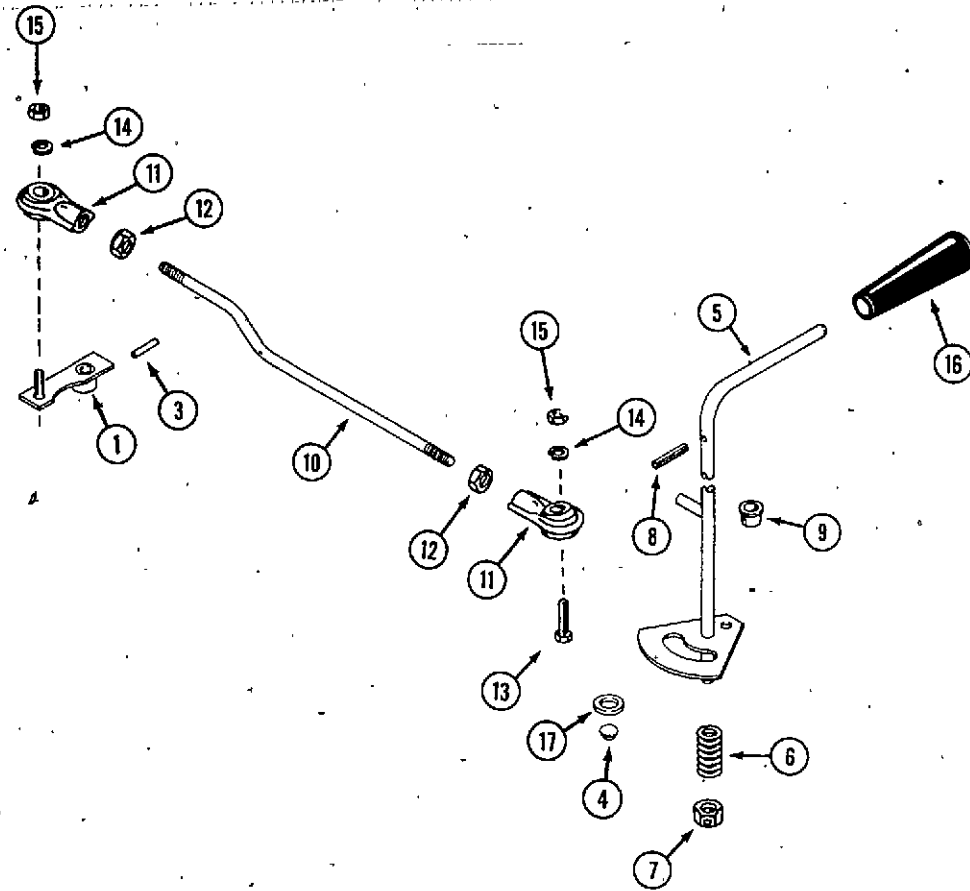
FRONT AND REAR WHEELS

1	C 30781	WHEEL - front (includes bearings)	2
2	C 24503	BEARING - bushing	2
3	C 28236	STEM - valve	2
4	219- 10	FITTING - lube	2
5	C 26526	CAP - hub	4
6	C 30780	WHEEL - rear	2
7	C 11796	KEY - 3/16" x 3/16" x 2"	2
8	195- 545	WASHER - 3/4"	2
9	C 28226	WASHER - spacer .03" thick	4
10	C 33805	SPACER - sleeve	2
11	C 28972	WASHER - spacer	2
12	C 27739	RING - retaining	2
13	C 13106	COVER - lube fitting	2

BRAKE ASSEMBLY



REF.	PART NO.	DESCRIPTION	REQ'D
1	C 33807	SHAFT - brake	1
2	138- 2071	PIN - spiral 3/16" x 15/16"	1
3	113- 102	BOLT - 5/16" - 18 x 3/4"	6
4	C 15156	BRACKET - saddle	2
5	192- 20	LOCK WASHER - 5/16"	4
6	129- 102	NUT - 5/16" - 18	4
7	C 29249	PEDAL - brake	1
8	C 24345	PAD - brake pedal	1
9	138- 2071	PIN - spiral 3/16" x 15/16"	1
10	C 29246	LINK - brake	1
11	132- 6	PIN - cotter 3/32" x 5/8"	1
12	195- 521	WASHER - 5/16"	3
13	C 29207	LEVER - parking brake	1
14	C 29178	HANDLE - lever	1
15	C 33808	ROD - brake	1
16	C 33777	ARM - neutral	1
17	C 33775	BRACKET - pivot	1
18	129- 102	NUT - 5/16" - 18	2
19	C 27442	SPRING - compression	1
20	131- 69	NUT - 5/16" - 18 lock	1
21	C 29177	BRACKET - retaining	1
22	111- 108	BOLT - 1/4" - 20 x 3/4" carriage	3
23	192- 19	LOCK WASHER - 1/4"	2
24	129- 101	NUT - 1/4" - 20	2
25	C 29917	SPRING - extension	1
26	131- 1180	NUT - 1/4" 20 lock	2
27	132- 310	PIN - cotter 1/8" x 1"	1
28	138- 51	PIN - roll 1/8" x 3/8"	1
29	C 33774	PIN - pivot	1
30	C 33773	BEARING - flange	2
31	132- 329	PIN - cotter 1/16" x 3/4"	5
32	C 33772	ROD - neutral	1
33	C 33771	SPRING - extension	1
34	192- 20	LOCK WASHER - 5/16	2



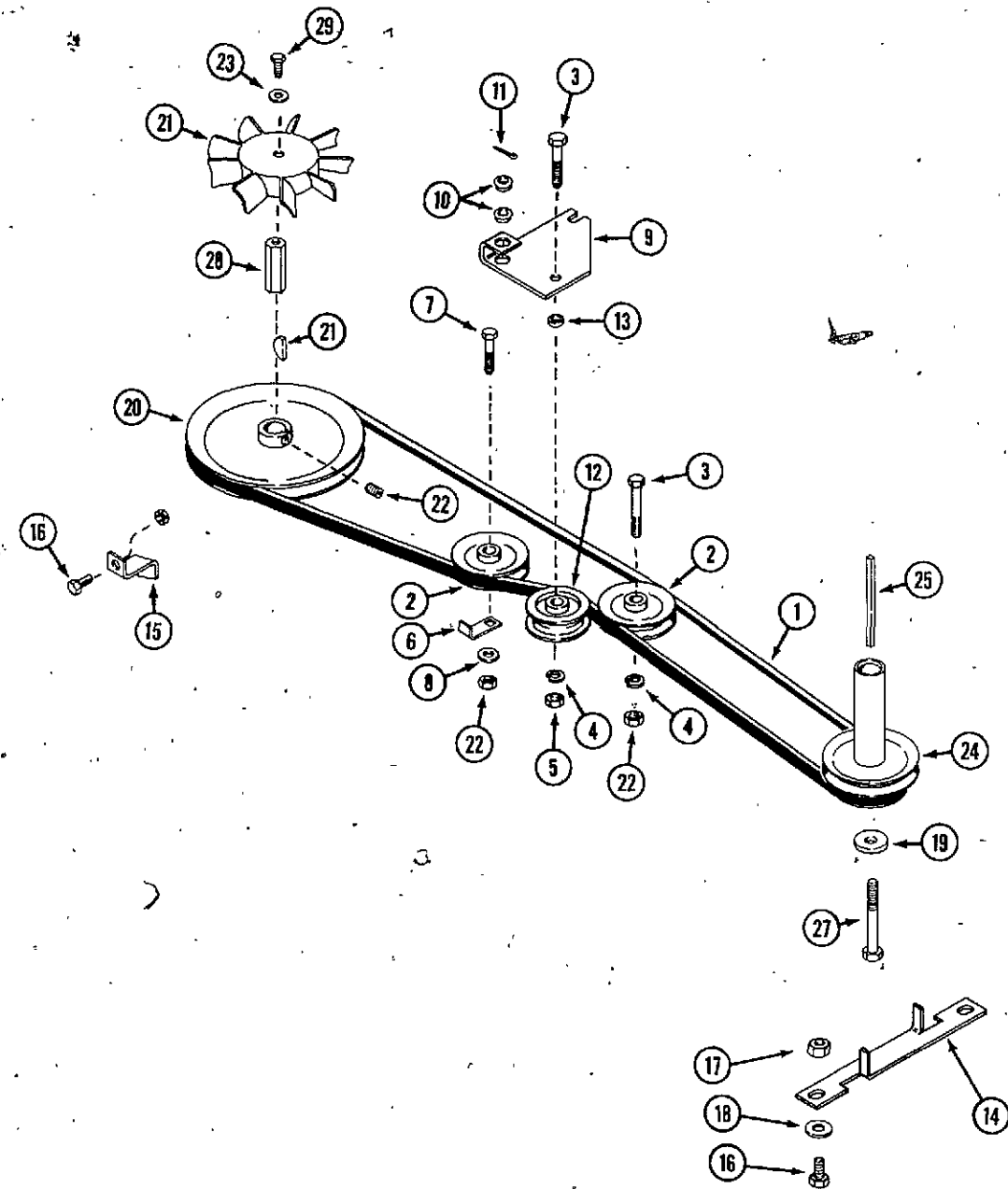
TRAVEL CONTROL

REF.	PART NO.	DESCRIPTION	REQ'D
1	C 34118	ARM - speed control	1
2	113- 101	BOLT - 5/16" - 18 x 1/2"	1
3	C 34173	PIN - roll 5 mm x 26 mm	1
4	C 33780	PILOT - friction washer	1
5	C 33804	LEVER - speed control	1
6	C 11942	SPRING - compression	1
7	131- 164	NUT - 1/2" - 13 lock	1
8	138- 2072	PIN - roll 1/8" x 1-3/4"	1
9	C 29636	BUSHING - flip - lock	1
10	C 33776	ROD - control	1
11	C 26332	BALL JOINT	2
12	129- 163	NUT - 3/8" - 24	2
13	113- 208	BOLT - 3/8" - 16 x 1-1/4"	1
14	192- 21	LOCK WASHER - 3/8"	2
15	129- 103	NUT - 3/8" - 16 hex	2
16	C 29047	HANDLE - shift	1
17	C 17551	WASHER - friction	1

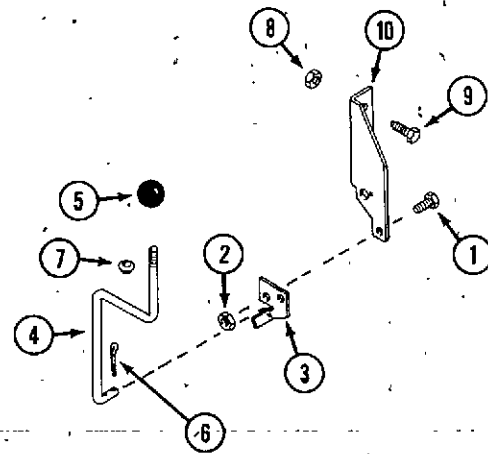
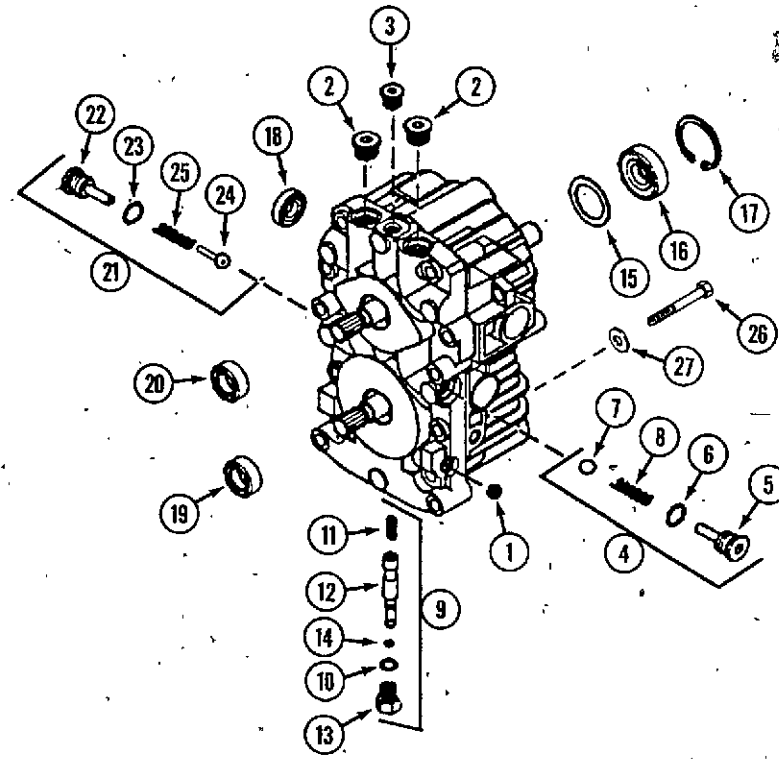
TRAVEL CONTROL LOCATOR

1	C 31678	CARRIER - locator	1
2	C 31676	SUPPORT - locator	1
3	113- 14	BOLT - 1/4" - 20 x 2"	2
4	192- 19	LOCK WASHER - 1/4"	2
5	C 29653	SPACER - tube	2
6	C 30827	SPRING - locator	2
7	C 32362	LOCATOR - travel control	2
8	C 33781	BRACKET - mounting	1
9	129- 101	NUT - 1/4" - 20	2

BELTS, PULLEYS AND IDLERS (DRIVE)



REF.	PART NO.	DESCRIPTION	REQ'D
1	C 33729	BELT - drive	1
2	C 23456	PULLEY - "V" idler	2
3	113- 233	BOLT - 3/8" - 16 x 1-3/4"	2
4	192- 21	LOCK WASHER - 3/8"	2
5	131- 938	NUT - 3/8" - 16 flange lock	1
6	C 29243	GUIDE - belt, idler	1
7	113- 233	BOLT - 3/8" - 16 x 1-3/4"	1
8	195- 525	WASHER - 3/8"	1
9	C 29236	ARM - idler	1
10	C 20053	BUSHING - flange	2
11	132- 310	PIN - cotter 1/8" x 1"	1
12	C 15672	PULLEY - backside idler	1
13	C 14768	SPACER	1
14	C 33782	GUIDE - belt, engine	1
15	C 33796	GUIDE - belt, transmission	1
16	113- 118	BOLT - 5/16" - 18 x 5/8"	3
17	129- 102	NUT - 5/16" - 18	3
18	195- 103	WASHER - 5/16"	2
19	C 33788	WASHER - 7/16"	1
20	C 33794	PULLEY - transaxle	1
21	C 33795	FAN - transmission	1
22	129- 103	NUT - 3/8" - 16	2
23	C 25556	WASHER 3/8" x 1-7/8	1
24	C 33783	PULLEY - drive	1
25	C 33789	KEY - square 1/4" x 5	1
26	178- 858	SETSCREW	2
27	114- 314	BOLT - 7/16" - 20 x 4"	1
28	C 33793	SPACER - fan	1
29	113- 101	BOLT - 5/16" - 18 x 1/2"	1



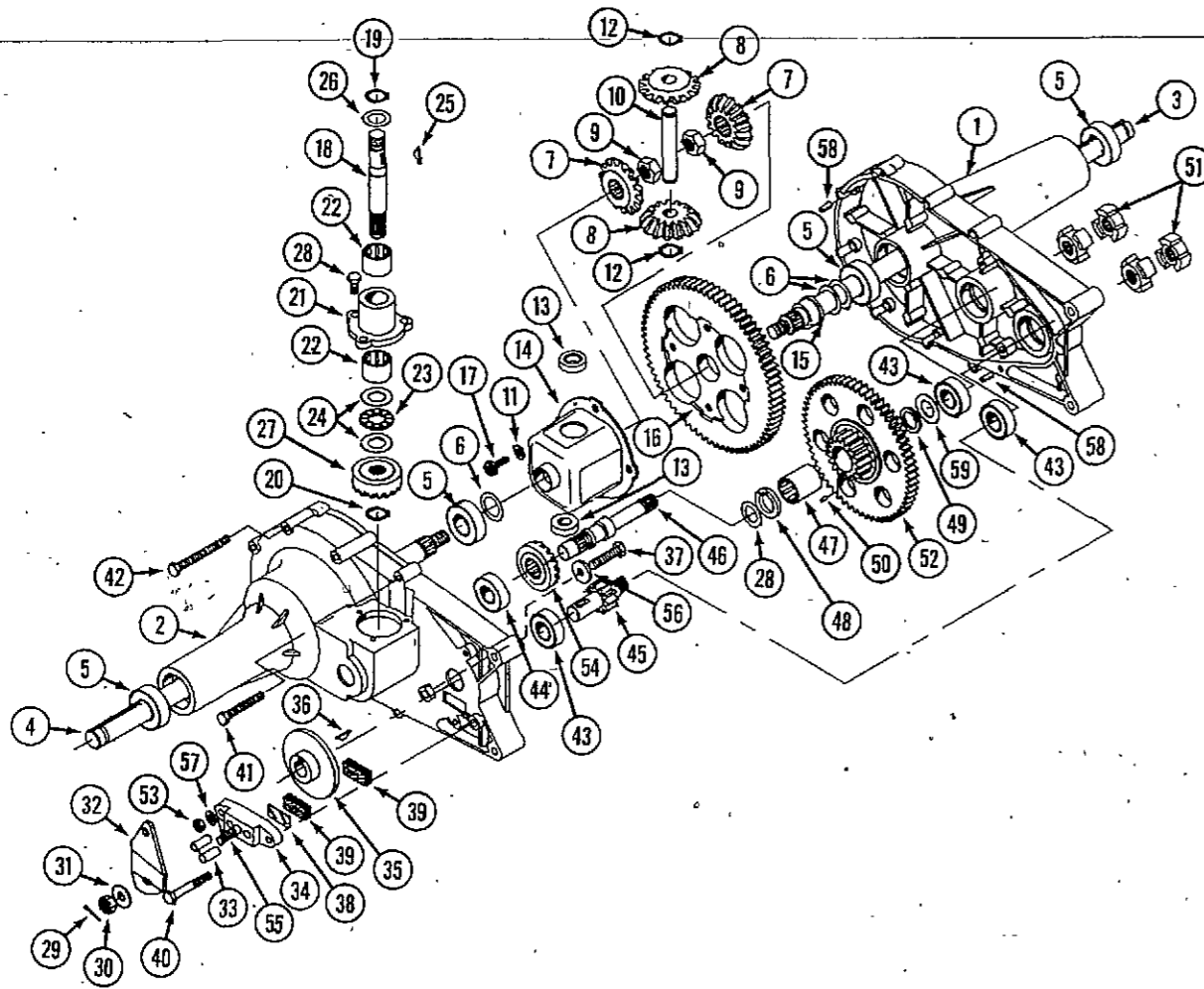
HYDROSTATIC TRANSMISSION

REF.	PART NO.	DESCRIPTION	REQ'D
		TRANSMISSION - hydrostatic	
1	C 33727	TRANSMISSION - hydrostatic	1
2	C 34124	PLUG - pipe	1
3	C 34125	PLUG - 9/16" - 18	2
4	C 34126	PLUG - 7/16" - 20	1
5	C 34127	KIT - check valve (with check ball)	2
6	NSS	PLUG - check valve	1
7	NSS	"O" RING - .078" x .468"	1
8	NSS	BALL - check	1
9	NSS	SPRING	1
10	C 34128	KIT - by pass	1
11	NSS	"O" RING - .072 x .351	1
12	NSS	SPRING	1
13	NSS	SPOOL - by pass	1
14	NSS	PLUG - by pass	1
15	NSS	"O" RING	1
16	NSS	SPACER	1
17	NSS	SEAL - lip	1
18	NSS	RING - retaining	1
19	NSS	SEAL - lip	1
20	NSS	SEAL - lip	1
21	C 34174	KIT - check valve (with poppet)	1
22	NSS	PLUG - check valve	1
23	NSS	"O" RING - .078" x .468"	1
24	NSS	"POPPET" - check	1
25	NSS	SPRING	1
26	113- 178	BOLT - 5/16" - 18 x 4-1/2"	4
27	195- 521	WASHER - 5/16"	4
	C 34129	KIT - seal (includes ref. 6, 10, 14, 15, 16, 17, 18, 19 and 20)	1
	C 33728	RESERVOIR - oil (not shown)	1

TRANSMISSION FREEWHEEL CONTROL

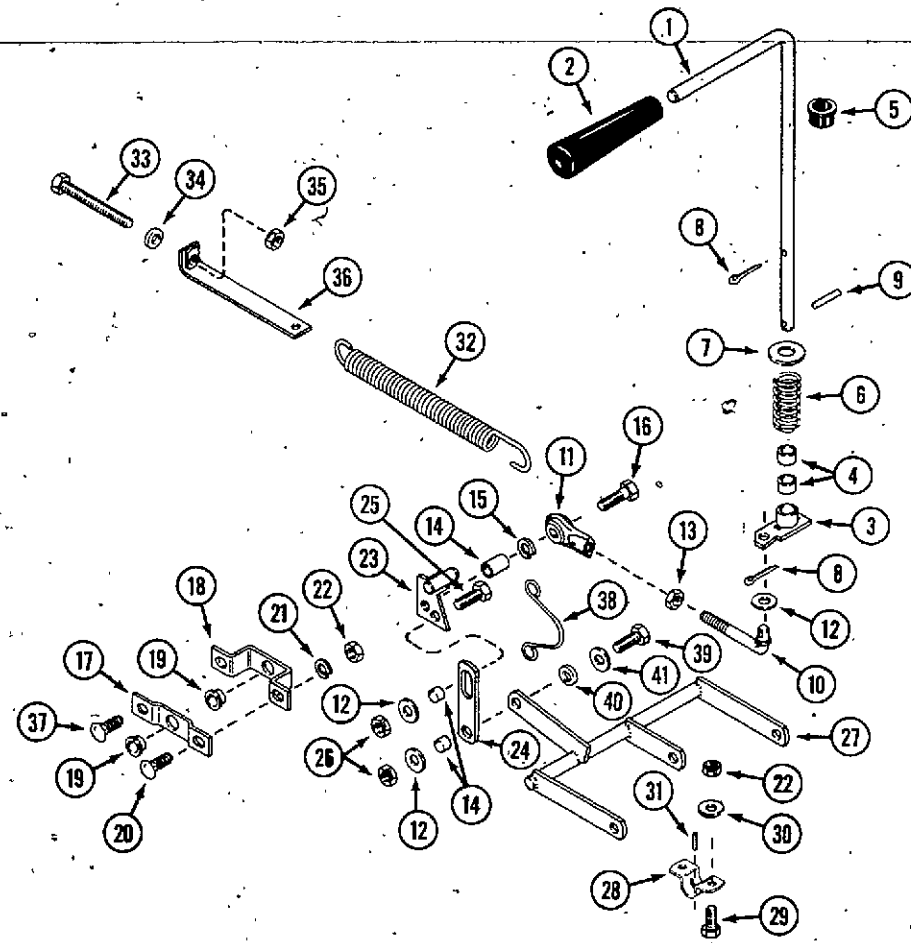
1	113- 3	BOLT - 1/4" - 20 x 3/4"	1
2	131-1102	NUT - lock 1/4" - 20	1
3	C 33799	BRACKET - pivot	1
4	C 33800	ROD - control	1
5	C 34716	KNOB - control	1
6	132- 329	PIN - cotter 1/16" x 3/4"	2
7	353- 454	BUSHING - flange	1
8	131- 176	NUT - lock 5/16" - 18	2
9	113- 102	BOLT - 5/16" - 18 x 3/4"	1
10	C 33798	BRACKET - transmission support	1

TRANSAXLE



REF.	PART NO.	DESCRIPTION	REQ'D
	C 33726	TRANSAXLE ASSEMBLY	1
1	C 34422	HOUSING - half L.H.	1
2	C 34423	HOUSING - half R.H.	1
3	C 34424	AXLE - L.H. 3/4" long	1
4	C 34425	AXLE - R.H. 3/4" short	1
5	C 34426	BEARING - ball	4
6	C 34427	WASHER - 3/4" x 1-1/8" x .030"	3
7	C 34428	GEAR - bevel	2
8	C 34429	GEAR - bevel	2
9	C 34430	NUT - w/patch 1/2" - 20	2
10	C 34431	SHAFT - cross	1
11	C 34480	LOCKWASHER - 1/4" heavy duty	4
12	C 34432	RING - retaining	2
13	C 34433	BEARING - thrust	2
14	C 34434	HOUSING - differential	1
15	C 34435	BEARING - flange	1
16	C 34436	GEAR - differential 72T	1
17	C 34437	BOLT - torx 1/4" - 28 x 5/8"	4
	C 34438	INPUT ASSEMBLY	1
18	NSS	SHAFT - input (use C34438 assembly)	1
19	C 34439	RING - retaining	1
20	C 34440	RING - retaining 7/16"	1
21	NSS	HOUSING - input (use C34438 assembly)	1
22	C 34441	BEARING - needle	2
23	C 34442	BEARING - thrust	1
24	C 34443	WASHER - 5/8" x 1-1/8" x .030"	2
25	C 34444	KEY - 1/8" x 5/8"	1
26	C 34447	WASHER - .62" x 1" x .050"	1
26	C 34448	WASHER - .62" x 1.125" x .060"	UAR
26	C 34449	WASHER - .62" x 1" x .040"	UAR
27	C 34446	GEAR - input pinion 17T	1
28	C 34445	SCREW - w/patch 1/4" - 20 x 3/4"	3
29	C 34450	PIN - cotter	1
30	C 34451	NUT - castle 5/16" - 24	1
31	C 34452	WASHER - .343" x .88" x .062"	1
32	C 34453	ARM - brake actuator	1
33	C 34454	PIN - brake actuating	2
34	C 34455	YOKE - brake	1
35	C 34456	DISC - brake	1
36	C 34457	KEY - 3/16" x 5/8"	1
37	C 34458	SCREW - hex 1/4" - 20 x 1.5"	1
38	C 34459	PLATE - pad	1
39	C 34460	PAD - brake	2
40	C 34461	SCREW - hex w/patch 1/4" - 20 x 1"	1
41	C 34462	SCREW - hex self-tap 1/4" - 20 x 2"	4
42	C 34463	SCREW - hex self-tap 1/4" - 20 x 3"	6
43	C 34464	BEARING - ball	3
44	C 34465	BEARING - ball	1
45	C 34466	SHAFT - pinion	1
46	C 34467	SHAFT - drive	1
47	C 34468	BEARING - needle	1
48	C 34469	BEARING - thrust	1
49	C 34479	SEAL - grease	1
50	C 34478	PIN - dowel 3/32" x 1/4"	1
51	C 34470	COUPLING	4
52	C 34482	GEAR ASSEMBLY - reduction (includes Ref. 47, 48, 49 and 50)	1
53	C 34471	NUT - 1/4" - 20	1
54	C 34472	GEAR - drive pinion 17T	1
55	C 34473	BOLT - square head	1
56	C 34474	WASHER - .265" x 15/16" x .125"	1
57	C 34475	LOCKWASHER - 1/4"	1
58	C 34476	PIN - roll 3/16" x 1/2"	2
59	C 34477	WASHER - .62" x 1" x .030"	1

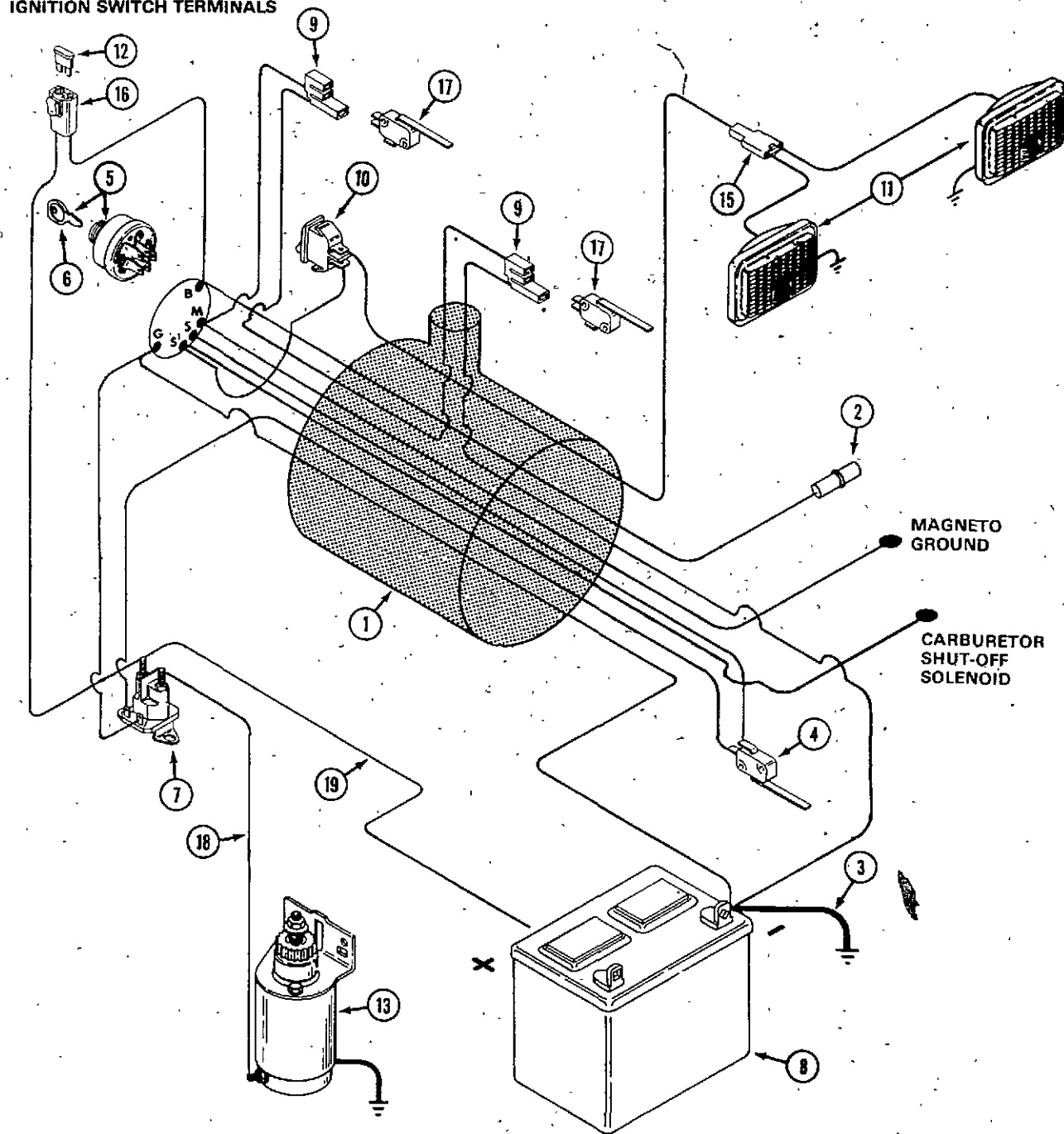
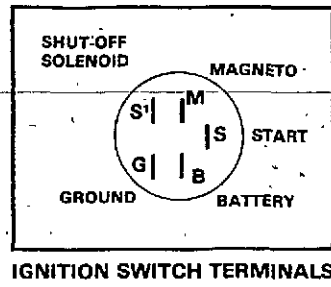
LIFT SYSTEM



REF.	PART NO.	DESCRIPTION	REQ'D
1	C 30156	LEVER - lift	1
2	C 29045	HANDLE - lift lever	1
3	C 30157	ARM - lift	1
4	C 29706	BUSHING - sleeve, lift arm and mounting bracket	UAR
5	C 29636	BUSHING - flip lock	1
6	C 15564	SPRING - compression	1
7	195- 533	WASHER - 1/2"	3
8	132- 310	PIN - cotter 1/8" x 1"	2
9	138-2071	PIN - spiral	1
10	C 29218	ROD - lift	1
11	C 26332	BALL JOINT	1
12	195- 522	WASHER - 3/8"	3
13	129- 163	NUT - 3/8" lock	1
14	C 14768	SPACER	3
15	192- 21	LOCKWASHER - 3/8"	1
16	113- 209	BOLT - 3/8" - 16 x 1-1/2"	1
17	C 29235	PLATE - bellcrank pivot	1
18	C 29234	BRACKET - bellcrank	1
19	C 24182	BUSHING - flange	2
20	111- 132	BOLT - 5/16" - 18 x 3/4" carriage	1
21	195- 103	LOCK WASHER - 5/16"	2
22	129- 102	NUT - 5/16"	6
23	C 29214	BELL CRANK	1
24	C 29176	LINK - lift	1
25	113- 207	BOLT - 3/8" - 16 x 1"	2
26	131-1181	NUT - 3/8" - 16 lock	2
27	C 30391	SHAFT - lift	1
28	C 15156	BRACKET - saddle	2
29	113- 102	BOLT - 5/16" - 18 x 3/4"	4
30	192- 20	WASHER - 5/16"	4
31	138-2071	PIN - spiral 3/16" x 15/16"	1
32	C 29189 *	SPRING - assist	1
33	123- 101 *	BOLT - 5/16" - 18 x 4	1
34	C 14906 *	WASHER - nylon	1
35	131- 176 *	NUT - 5/16" lock	1
36	C 29233 *	BAR - spring adjust	1
37	111- 256	BOLT - 5/16" - 18 x 1-1/4" carriage	1
38	C 30154	SPRING - torsion	1
39	113- 208	BOLT - 3/8" - 16 x 1-1/4"	1
40	C 30155	WASHER	1
41	195- 104	WASHER	1

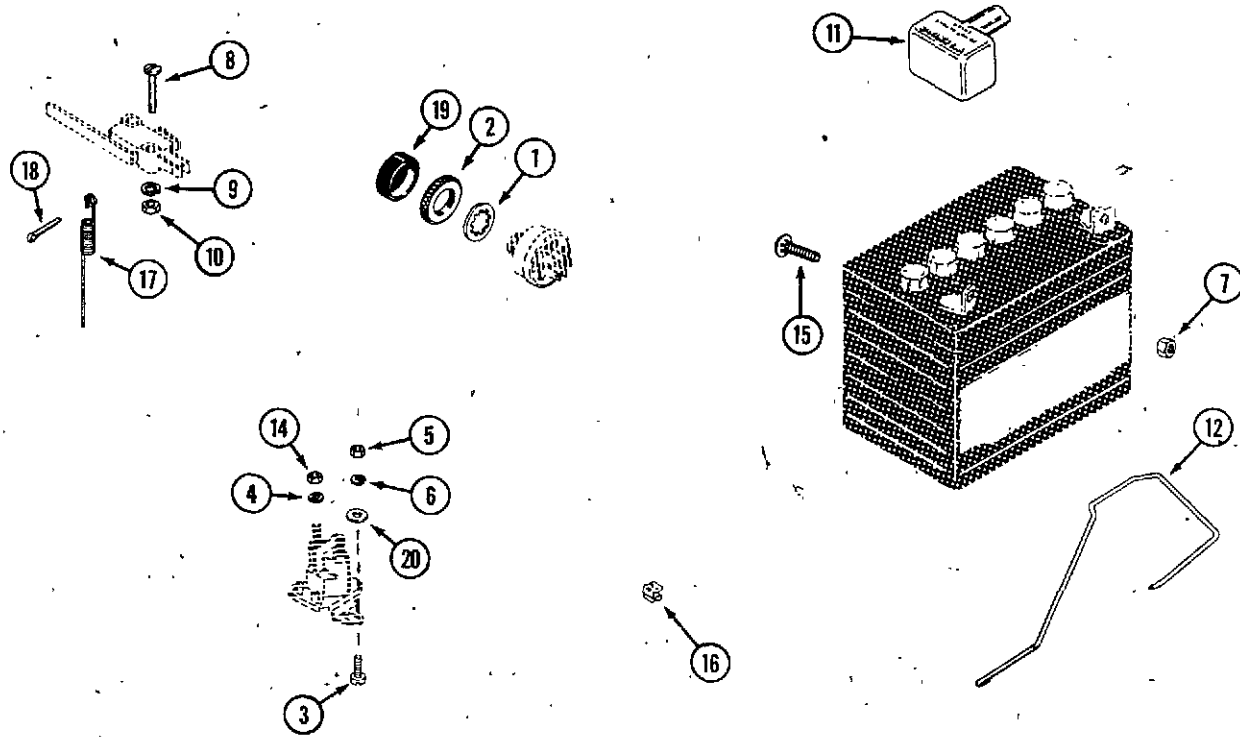
* is included with snowblower and 44" mower.

ELECTRICAL SYSTEM



REF.	PART NO.	DESCRIPTION	REQ'D
1	C 33810	HARNES - wire	1
2	C 29866	CONNECTOR - wire, rectifier	1
3	C 29256	CABLE - battery negative to ground (black)	1
4	C 26108	SWITCH - neutral start	1
5	C 30267	SWITCH - ignition (includes hardware)	1
6	C 32407	KEY - ignition	1
7	C 33024	SOLENOID - start	1
8	C 31213	BATTERY - 12 volt	1
9	C 30279	CONNECTOR - interloc switch	2
10	C 29322	SWITCH - headlights	1
11	C 22571	HEADLIGHT ASSEMBLY - 12 volt (see page 53 for service)	2
12	C 30260	FUSE - 30 amp (included with harness)	1
13	C 34284	STARTER - engine, 12 volt (see page 49 for service)	1
15	C 14537	CONNECTOR - headlights	1
16	NSS	HOLDER - fuse (use C31947 kit)	2
17	C 30275	SWITCH - interloc	2
18	C 33023	CABLE - solenoid to starter	1
19	C 33022	CABLE - solenoid to battery	1

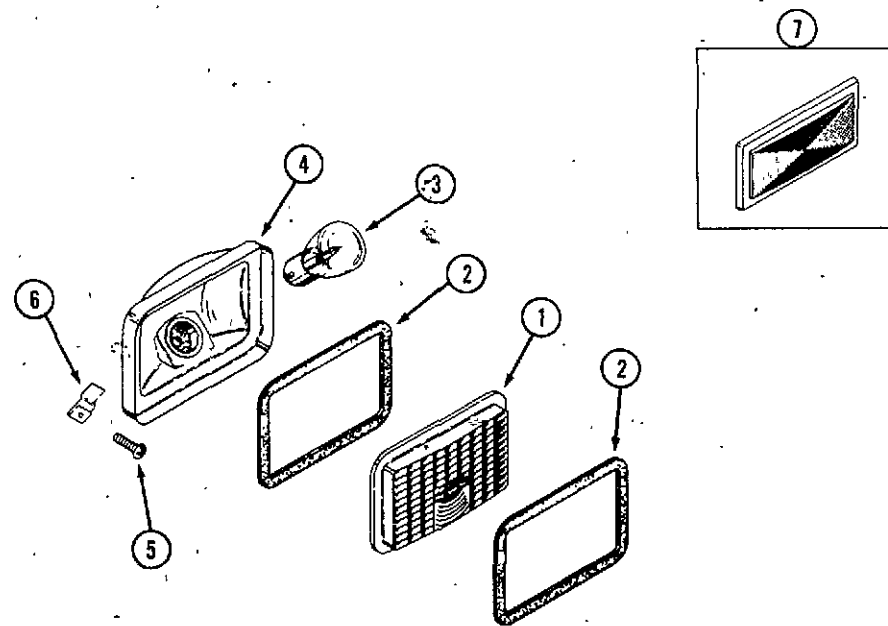
ELECTRICAL SYSTEM HARDWARE



REF.	PART NO.	DESCRIPTION	REQ'D
1	C 23248	WASHER - internal tooth 5/8"	1
2	C 32396	NUT - 5/8" - 32	1
3	182- 559	SCREW - No. 10 - 24 _o x 3/4" black	2
4	192- 19	LOCK WASHER - 1/4"	2
5	129- 17	NUT - 1/4"	2
6	192- 18	LOCK WASHER - 3/16"	2
7	129- 102	NUT - 5/16" - 18	3
8	182- 10	SCREW - No. 4 - 40 x 7/8"	6
9	192- 13	LOCK WASHER - No. 4	6
10	129- 13	NUT - No. 4 - 40 (shown)	2
10	C 33697	NUT - No. 4 - 40 lock	4
11	C 24069	COVER - terminal	2
12	C 15114	CLAMP - battery hold down	1
14	129- 101	NUT - 1/4" - 20	4
15	111- 132	BOLT - 5/16" - 18 x 3/4" carriage	2
16	C 19521	CLIP - wire, headlight	1
17	C 29169	SPRING - switch activating	1
18	132- 334	PIN - cotter 1/8" x 3/4"	2
18	C 28962	CLIP - wire	UAR
19	C 32397	CAP - nut	1
20	195- 513	WASHER - 3/16"	2

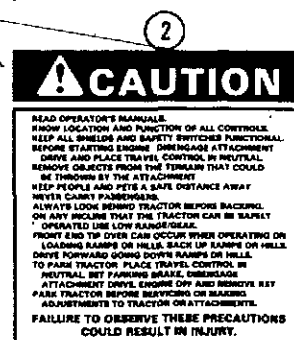
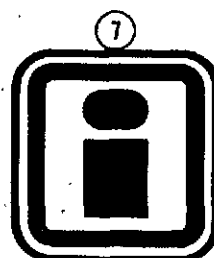
HEADLIGHT AND REAR REFLECTOR

1	C 22571	HEADLIGHT ASSEMBLY	2
2	C 22573	LENS - headlight	1
3	C 14304	GASKET - headlight	2
3	C 28932	BULB - headlight	1
4	NSS	RECEPTACLE - headlight (use C22571)	1
5	187- 1328	SCREW - No. 8 - 18 x 5/8"	4
6	C 29637	RETAINER - headlight	4
7	C 30942	REFLECTOR - red, rear	2

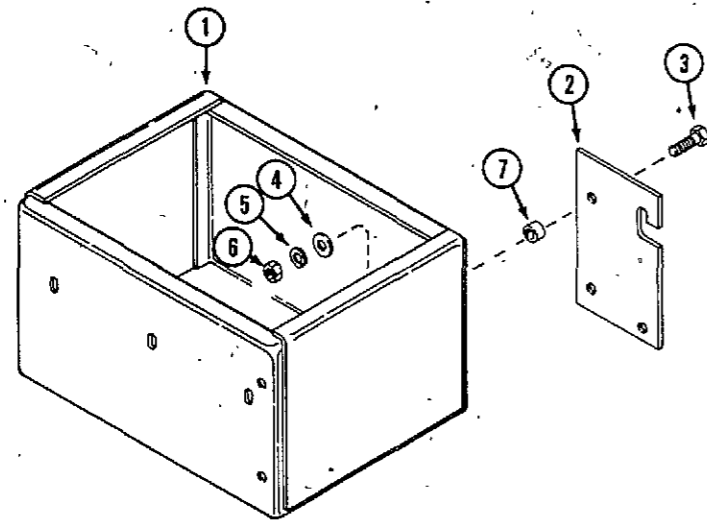


DECALS

REF.	PART NO.	DESCRIPTION	REQ'D
1	C 33836	DECAL - hood - L.H. (114H)	1
1	C 33837	DECAL - hood - R.H. shown (114H)	1
2	321-6659	DECAL - "caution"	1
3	C 33835	DECAL - instruction	1
4	C 33838	DECAL - brake	1
5	C 29478	DECAL - pinch point	2
6	C 32093	DECAL - seat back (logo)	1
7	C 30539	MEDALLION - Ingersoll	1



M13 WEIGHT BOX



REF.	PART NO.	DESCRIPTION	REQ'D
1	NSS	BOX - weight	1
2	C 29702	BRACKET - mounting	2
3	113- 207	BOLT - 3/8" - 16 x 1"	4
4	195- 525	WASHER - 3/8"	4
5	192- 21	LOCK WASHER - 3/8"	4
6	129- 103	NUT - 3/8" - 16	4
7	C 14768	SPACER - mounting (left side only)	2

NUMERICAL INDEX

PART NO.	PAGE NO.	REF. NO.	PART NO.	PAGE NO.	REF. NO.
C34409	11	29	111-132	43	20
C34410	11	26	111-132	47	15
C34411	11	27	111-256	43	37
C34412	11		113-3	39	1
C34422	41	1	113-14	35	3
C34423	41	2	113-101	35	2
C34424	41	3	113-101	37	29
C34425	41	4	113-102	21	3
C34426	41	5	113-102	23	9
C34427	41	6	113-102	27	9
C34428	41	7	113-102	33	3
C34429	41	8	113-102	39	9
C34430	41	9	113-102	43	29
C34431	41	10	113-103	19	1
C34432	41	12	113-103	25	17
C34433	41	13	113-103	29	11
C34434	41	14	113-118	37	16
C34435	41	15	113-122	19	3
C34436	41	16	113-122	27	12
C34437	41	17	113-178	39	26
C34438	41		113-205	23	12
C34439	41	19	113-205	25	8
C34440	41	20	113-207	25	9
C34441	41	22	113-207	25	29
C34442	41	23	113-207	43	25
C34443	41	24	113-207	51	3
C34444	41	25	113-208	35	13
C34445	41	28	113-208	43	39
C34446	41	27	113-209	23	32
C34447	41	26	113-209	43	16
C34448	41	26	113-233	37	3
C34449	41	26	113-233	37	7
C34450	41	29	114-314	37	27
C34451	41	30	121-106	23	24
C34452	41	31	121-106	25	20
C34453	41	32	121-106	27	2
C34454	41	33	123-101	43	33
C34455	41	34	129-13	47	10
C34456	41	35	129-17	21	3
C34457	41	36	129-17	47	5
C34458	41	37	129-101	33	24
C34459	41	38	129-101	47	14
C34460	41	39	129-102	29	6
C34461	41	40	129-102	33	6
C34462	41	41	129-102	37	17
C34463	41	42	129-102	43	22
C34464	41	43	129-102	47	7
C34465	41	44	129-103	23	34
C34466	41	45	129-103	25	11
C34467	41	46	129-103	25	33
C34468	41	47	129-103	35	15
C34469	41	48	129-103	37	22
C34470	41	51	129-103	51	6
C34471	41	53	129-163	31	15
C34472	41	54	129-163	35	12
C34473	41	55	129-163	43	13
C34474	41	56	129-289	31	16
C34475	41	57	131-69	19	4
C34476	41	58	131-69	33	20
C34477	41	59	131-164	35	7
C34478	41	50	131-176	23	10
C34479	41	49	131-176	33	18
C34480	41	11	131-176	39	8
C34482	41	52	131-176	43	35
013-624	31	19	131-911	21	4
013-628	31	20	131-911	23	26
111-108	33	22	131-911	27	6
111-132	29	4	131-934	25	24

NUMERICAL INDEX

PART NO.	PAGE NO.	REF. NO.	PART NO.	PAGE NO.	REF. NO.
131-934	35	9	195-525	23	37
131-938	31	21	195-525	25	30
131-938	37	5	195-525	37	8
131-1102	39	2	195-525	51	4
131-1180	33	26	195-533	23	44
131-1181	43	26	195-533	43	7
131-1331	31	14	195-541	29	15
131-1352	23	30	195-545	31	8
132-6	33	11	195-2069	29	7
132-310	33	27	195-2175	27	11
132-310	37	11	214-251	11	40
132-310	43	8	214-252	21	5
132-311	31	10	219-10	31	4
132-320	23	22	219-17	29	10
132-329	33	31	219-404	31	6
132-329	39	6	221-86	9	11
132-332	23	38	321-6659	49	2
132-334	25	6	353-454	39	7
132-334	47	18			
138-51	33	28			
138-57	23	36			
138-143	29	16			
138-2040	31	4			
138-2071	23	19			
138-2071	33	2			
138-2071	33	9			
138-2071	43	9			
138-2071	43	31			
138-2072	35	8			
178-858	37	26			
182-10	47	8			
182-559	21	2			
182-559	47	3			
187-1036	27	17			
187-1328	47	5			
187-1334	25	27			
187-1908	21	7			
192-13	47	9			
192-18	21	4			
192-18	47	6			
192-19	33	23			
192-19	35	4			
192-19	47	4			
192-20	23	25			
192-20	25	18			
192-20	29	5			
192-20	33	5			
192-20	43	30			
192-21	23	33			
192-21	25	10			
192-21	25	32			
192-21	35	14			
192-21	37	4			
192-21	43	15			
192-21	51	5			
195-103	37	18			
195-103	43	21			
195-104	43	41			
195-513	47	20			
195-521	19	2			
195-521	23	43			
195-521	25	19			
195-521	29	12			
195-521	33	12			
195-521	37	23			
195-521	39	27			
195-522	25	12			
195-522	43	12			