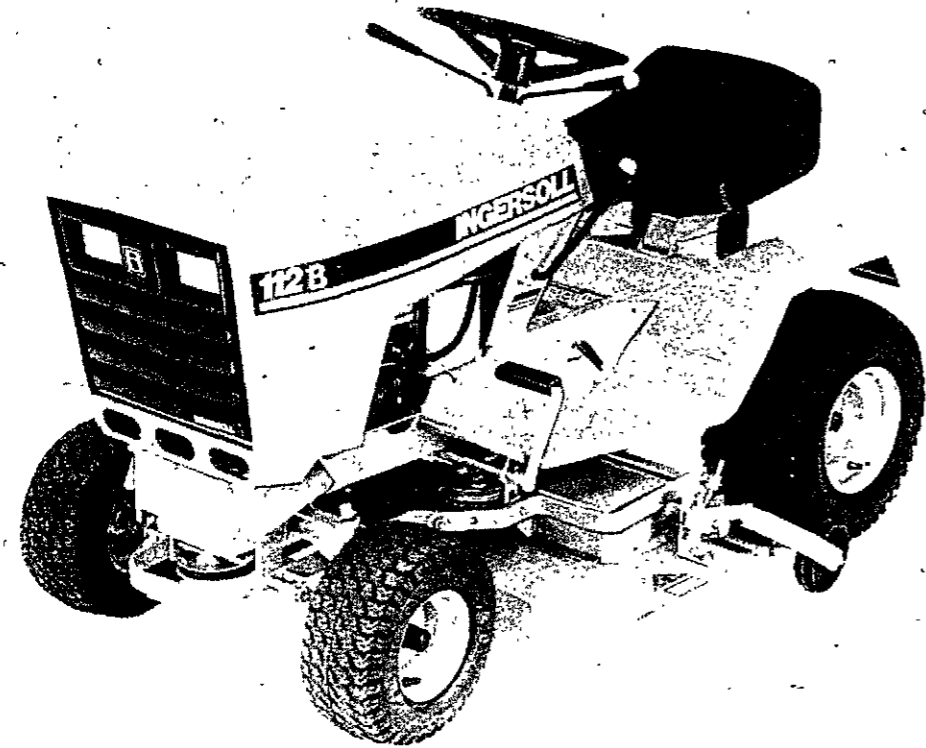


COMPACT TRACTORS
112B, 114B, 116B
Parts Catalog 8-3100

9-90-RP-300-402



INGERSOLL
Ingersoll Equipment Co., Inc.

PAINT AND OIL

PAINT

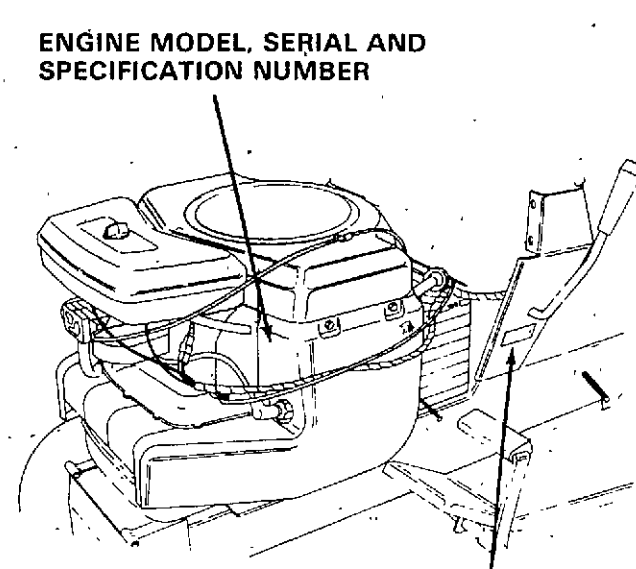
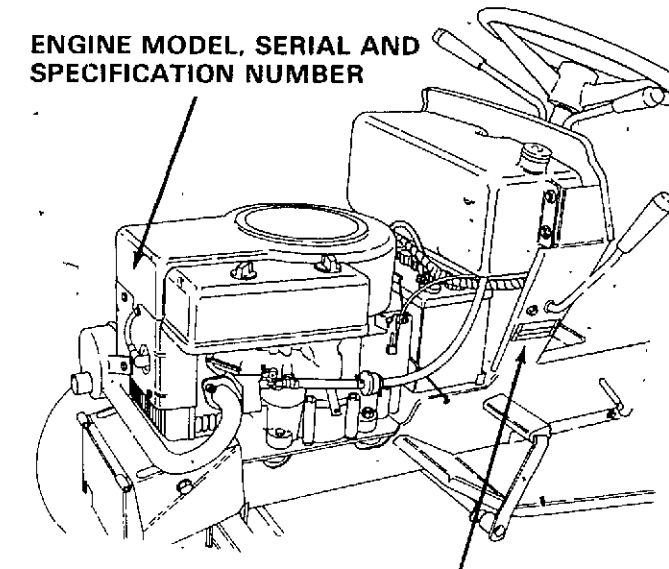
REF.	PART NO.	DESCRIPTION	REQ'D
1	C 28849	BLACK - semi - gloss, 12 oz spray (2 per carton)	1
2	C 28850	BLACK - semi - gloss, quart (2 per carton)	1
3	C 28851	BLACK - semi - gloss, heat resistant, 12 oz spray (2 per carton)	1
4	C 28484	POWER RED - gloss, 12 oz spray (2 per carton)	1
5	C 28485	POWER RED - gloss, quart (2 per carton)	1
6	C 30870	SILVER - gloss, 12 oz. spray (2 per carton)	1
7	C 31643	POWER RED - gloss, 1 oz touch up, (1 doz. per carton)	1

OIL

1	C 32777	5W20 - qt. (24 per carton)	1
2	C 32776	SAE30 - qt. (24 per carton)	1
3	C 32778	20W40 - qt. (24 per carton)	1

MODEL 112B, 114B AND 116B COMPACT TRACTORS

PRODUCT IDENTIFICATION NUMBERS (P.I.N.)



TRACTOR MODEL AND PIN

TRACTOR MODEL AND PIN

TRACTOR MODEL

ENGINE MODEL

112B	C30146 SPEC. 281707 - TYPE 0135-01
114B	C29099 SPEC. 400707 - TYPE 0119
116B	C29100 SPEC. 402707 - TYPE 0145

NOTE: In this catalog there are references to serial numbers. To order the correct part, use these serial numbers as a guide.

GENERAL INFORMATION

INDEX

There is an index at the front and rear of this catalog.

The front index is an alphabetical index of the major groups or assemblies.

The rear index is a numerical index of the part numbers and pages on which these numbers are shown.

ILLUSTRATION

Each illustration in this catalog shows a group of parts or components. These parts and components are aligned approximately as the parts and components on your machine. Each part and component in an illustration has a reference number. These reference numbers are in a list on the page opposite of the illustration. Next to the reference number is the part number, description and required quantity of the part shown in the illustration.

UAR - "Use as required" indicates that the part quantity is variable.

NSS - "Not sold separately" indicates that the part is only available as a component of an assembly or the part must be purchased locally. If the part is an assembly component, the description will be indented under the assembly description in the parts list.

O/L - "Obtain locally"

** - "Footnotes" are added to a part number when more information is needed for identification. They only relate to the part numbers indicated.

PARTS ORDERS

All orders must include the following information:

1. Correct part number.
2. Complete description of part or component.
3. Total quantity of each part or component.
4. Product model number.
5. All necessary product identification numbers.
6. Method for sending the parts.
7. Complete and correct address.

CATALOG REVISIONS

As the product changes, new pages will be available for your catalog. A notice will be issued.

IMPORTANT: Put all revisions into the catalog as soon as possible.

RIGHT HAND AND LEFT HAND IDENTIFICATION

The words right hand (RH) and left hand (LH) as used in this catalog indicate the direction while you are in the operator's seat in the normal operating position.

INDENTED DESCRIPTIONS

An assembly can have many components. The components of an assembly are indicated by an indented description. The quantity for an indented part is the total needed for that complete assembly. See the example.

MODEL 112B, 114B AND 116B COMPACT TRACTORS

ALPHABETICAL INDEX

ENGINE SECTION

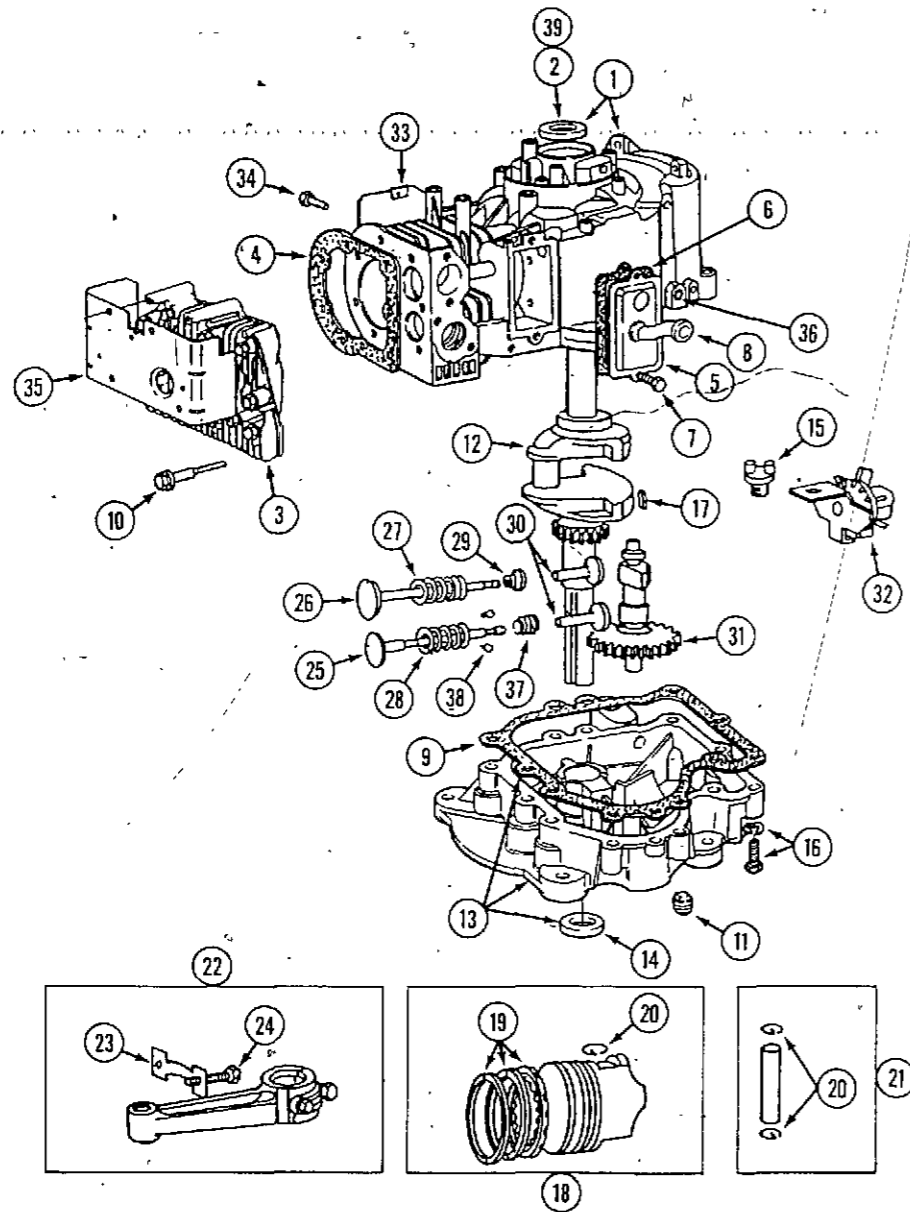
	Page	Grid		Page	Grid
Air Cleaner	13-17	B2-B6	Fuel Filter	11	A14
Battery	53,55	D14-E2	Fuel System	11	A14
Breather, Crankcase	5, 21	A8-B10	Gasket Kits	5-7	A8-A10
Camshaft	5-7	A8-A10	Governor	19	B8
Carburetor	13-15	B2-B4	Magneto Armature	9	A12
Choke Linkage (114B, 116B)	11	A14	Manifold (114B, 116B)	15	B4
Connecting Rod	5-7	A8-A10	Mounts, Engine	23	B12
Counter Weight	9	A12	Muffler	17	B6
Crankshaft	5-7	A8-A10	Oil Pan	5-7	A8-A10
Cylinder Block	5-7	A8-A10	Piston	5-7	A8-A10
Cylinder Head	5-7	A8-A10	Spark Plug	9	A12
Electrical System	9	A12	Starter	51	D12
Engine Block & Attaching Parts	5-7	A8-A10	Tank, Fuel	11	A14
Exhaust System	17	B6	Throttle Linkage	11	A14
Filter, Breather	5, 21	A8-B10	Trigger, Ignition	9	A12
Flywheel	9	A12	Valves	5-7	A8-A10

BASIC TRACTOR SECTION

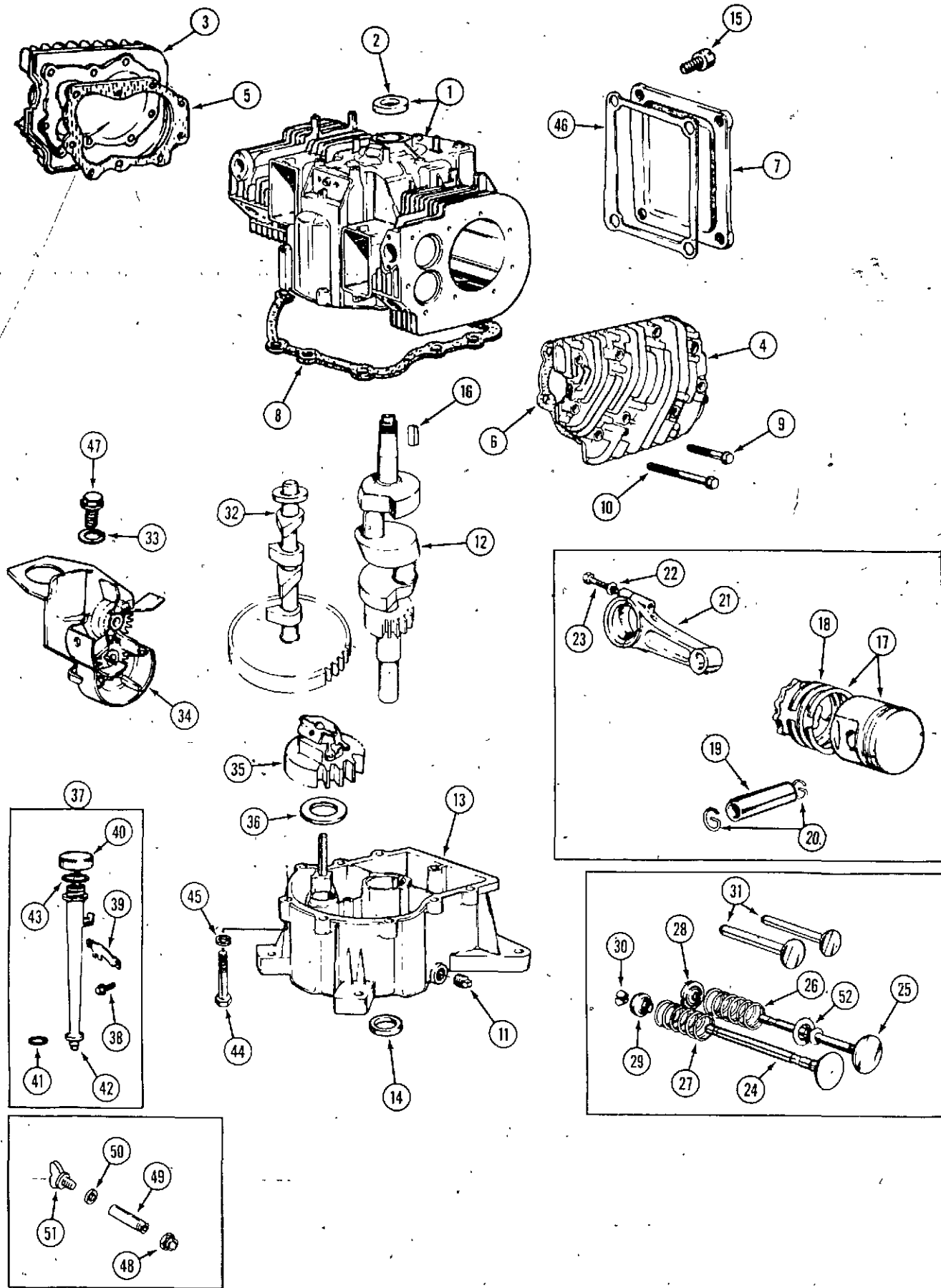
Axle, Front	35	C10	Hood	27	C2
Baffles & Shrouds	21	B10	Implement Lift	37	C12
Belts & pulleys	25,49	B14-D10	Mounts, Engine	23	B12
Brakes	39-41	C14-D2	PTO Clutch	25	B14
Decals	59	E6	Seat, Operator's	29-31	C4-C6
Electrical System	53,55	D14-E2	Steering Wheel & Gear	33	C8
Fenders	29-31	C4-C-6	Transaxle	41-45	D2-D6
Frame	27	C2	Travel Control	47	D8
Grille	27	C2	Wheels, Front & Rear	35	C10
Hitch	27	C2			

REF.	PART NO.	DESCRIPTION	REQ'D
	C 55159	CYLINDER ASSY - rear steering	1
28	C 56208	SOCKET ASSY - rear cylinder	1
29	C 55956	PLUG - adjusting, socket assy	1
30	C 55957	SEAT - socket ball	2
31	C 56210	SPRING - socket	1
32	C 56209	SEAT - socket spring	1
33	G 45175	CLAMP ASSY - socket assy	1
	16- 836	BOLT - 1/2" x 2-1/4" N.F. hex	1
34	132- 104	PIN - cotter, 3/16" x 3"	1
35	C 55889	STUD - ball, socket & cylinder	2
36	13- 410	BOLT - 1/4" x 5/8" N.C., hex	4
37	92- 4	LOCK WASHER - 1/4" SAE	4

ENGINE BLOCK ASSEMBLY (112B)

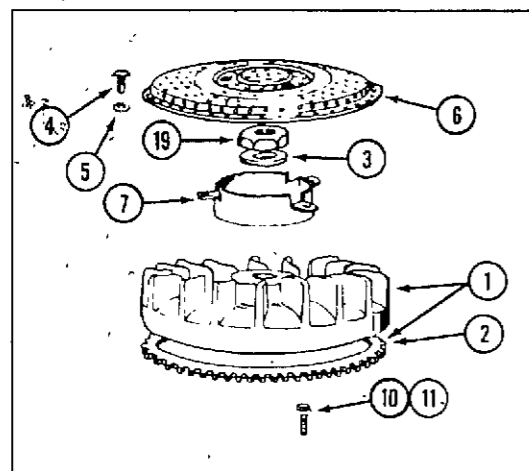


REF.	PART NO.	DESCRIPTION	REQ'D
1	C 30843	CYLINDER BLOCK ASSEMBLY - short (also includes item 39)	1
1	NSS	CYLINDER BLOCK ASSEMBLY	1
2	C 25709	SEAL - oil	1
3	C 30409	HEAD - cylinder	1
4	C 30410	GASKET - cylinder head	1
5	BR 391406	BREATHER ASSEMBLY	1
6	C 27350	GASKET - valve cover	1
7	187- 1508	SCREW - sems # 10 - 24 x 1/2"	2
8	C 25712	TUBE - breather	1
9	C 30411	GASKET - crankcase cover 1/64" thick	1
9	C 30412	GASKET - crankcase cover .005" thick	1
9	C 30413	GASKET - crankcase cover .009" thick	1
10	BR 93723	SCREW - cylinder head 3" long	6
11	221- 843	PLUG - oil drain	1
12	C 30414	CRANKSHAFT	1
13	C 30415	SUMP - oil (also includes item 9)	1
14	C 25718	SEAL - oil	1
15	BR 66768	PLUG - oil filler	1
16	NSS	SCREW - sump mounting, sems (use 113-120 and 192-20)	6
17	C 27236	KEY - flywheel	1
18	C 29826	PISTON ASSEMBLY - standard	1
18	C 29827	PISTON ASSEMBLY - .010" oversize	1
18	C 29828	PISTON ASSEMBLY - .020" oversize	1
18	C 29829	PISTON ASSEMBLY - .030" oversize	1
19	C 29830	RING SET - piston, standard	1
19	C 25725	RING SET - piston, .010" oversize	1
19	C 25726	RING SET - piston, .020" oversize	1
19	C 25727	RING SET - piston, .030" oversize	1
20	C 25728	LOCK - piston pin	2
21	C 25729	PIN ASSEMBLY - piston, standard	1
21	C 25730	PIN ASSEMBLY - piston, .005" oversize	1
22	C 30416	ROD ASSEMBLY - connecting	1
23	C 25732	LOCK - connecting rod screw	1
24	C 25733	SCREW - connecting rod	2
25	C 30417	VALVE - exhaust	1
26	C 30418	VALVE - intake	1
27	BR 65906	SPRING - intake valve	1
28	BR 26828	SPRING - exhaust valve	1
29	BR 221596	RETAINER - intake valve	2
30	C 30419	TAPPET - valve	2
31	C 29833	CAMSHAFT	1
32	C 25746	OIL SLINGER - governor gear and bracket assembly	1
33	C 30420	SHIELD - cylinder	1
34	NSS	SCREW - cylinder shield mounting (use 163-18 and 192-18)	1
35	C 30421	COVER - cylinder head	1
36	BR 231055	BUSHING - governor crank (1/4" I.D.)	1
37	BR 292260	ROTATOR - exhaust valve	1
38	BR 93630	RETAINER - exhaust valve	2
39	C 29778	BUSHING - crankshaft	1
	C 30422	GASKET SET - includes items 4, 6, 9 and carburetor mounting gasket)	1

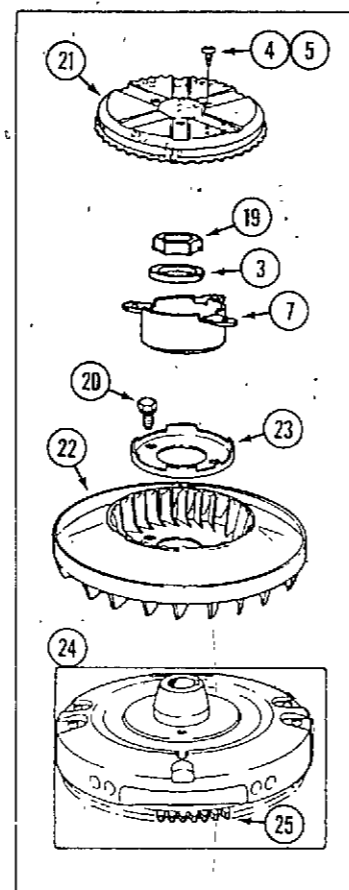
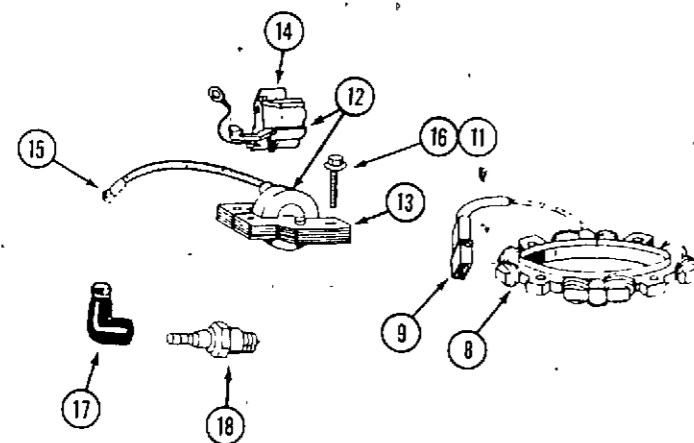


ENGINE BLOCK ASSEMBLY (114B, 116B)

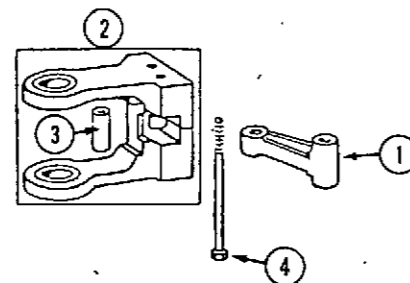
REF.	PART NO.	DESCRIPTION	REQ'D.
1	C 29929	BLOCK ASSEMBLY - short	1
2	C 25709	SEAL - oil	1
3	C 27372	HEAD - cylinder R.H.	1
4	C 27373	HEAD - cylinder L.H.	1
5	C 27374	GASKET - cylinder head R.H.	1
6	C 27308	GASKET - cylinder head L.H.	1
7	C 27347	COVER - access	1
8	C 27310	GASKET - crankcase 1/64"	1
8	C 27311	GASKET - crankcase .005"	1
8	C 27312	GASKET - crankcase .009"	1
9	C 27313	BOLT - head 1-15/16"	12
10	BR 93113	BOLT - head 2-5/16"	6
11	221- 843	PLUG - oil drain	2
12	C 27314	CRANKSHAFT	1
13	C 27315	CRANKCASE	1
14	C 25718	SEAL - oil	1
15	NSS	SCREW - cover (use 113-221 and 192-161)	4
16	C 27236	KEY - flywheel	1
17	C 27316	PISTON ASSEMBLY - standard (also includes item 20)	2
17	C 27317	PISTON ASSEMBLY - .010" oversize (also includes item 20)	2
17	C 27318	PISTON ASSEMBLY - .020" oversize (also includes item 20)	2
17	C 27319	PISTON ASSEMBLY - .030" oversize (also includes item 20)	2
18	C 27320	RING SET - piston, standard	2
18	C 27321	RING SET - piston, .010" oversize	2
18	C 27322	RING SET - piston, .020" oversize	2
18	C 27323	RING SET - piston, .030" oversize	2
19	C 25729	PIN ASSEMBLY - piston, standard	2
19	C 25730	PIN ASSEMBLY - piston, .005" oversize	2
20	C 25728	LOCK - piston pin	2
21	C 27324	ROD ASSEMBLY - connecting	2
21	C 27582	ROD ASSEMBLY - connecting .020" undersize	2
22	C 27332	WASHER - 1/4" x 5/8" x 1/32"	2
23	C 25733	BOLT - connecting rod	2
24	BR 390419	VALVE - exhaust	2
25	C 27326	VALVE - intake	2
26	BR 65906	SPRING - intake valve	2
27	BR 26828	SPRING - exhaust valve	2
28	BR 221596	RETAINER - intake valve	2
29	BR 292260	ROTOCOIL - exhaust valve	2
30	BR 93630	RETAINER - valve rotocoil (1 pair)	2
31	C 27327	TAPPET - valve	4
32	C 27328	CAMSHAFT	1
33	92- 3	LOCKWASHER - No 10 x 1/16" x 3/64"	1
34	C 27329	OIL SLINGER	1
35	C 27330	GEAR - governor	1
36	C 27331	WASHER - thrust	1
37	C 27346	DIPSTICK AND TUBE ASSEMBLY - oil check and fill	1
38	187- 1334	SCREW - No. 8 - 18 x 1/2" round head	2
39	C 27336	CLAMP - oil tube	1
40	C 27337	DIPSTICK - oil	1
41	C 27338	SEAL - oil tube	1
42	C 27339	TUBE - oil filler	1
43	C 27345	SEAL - oil fill cap	1
44	113- 120	BOLT - 5/16" - 18 x 1-3/4"	6
45	192- 20	LOCKWASHER - 5/16"	6
46	C 27342	GASKET - cover	1
47	C 25749	SCREW - No. 10 - 32 x 5/8"	1
48	221- 86	REDUCER - pipe 3/8" to 1/4" oil drain	1
49	C 19473	NIPPLE - pipe, oil drain	1
50	C 14906	GASKET - oil drain	1
51	C 14399	PLUG - oil drain	1
52	C 29860	RETAINER AND SEAL ASSEMBLY - valve (116B)	1
	C 27335	GASKET KIT - includes items 5, 6, 8, 48, valve cover gasket, intake manifold gasket and carburetor gasket	1



MODEL 114B, 116B



MODEL 112B



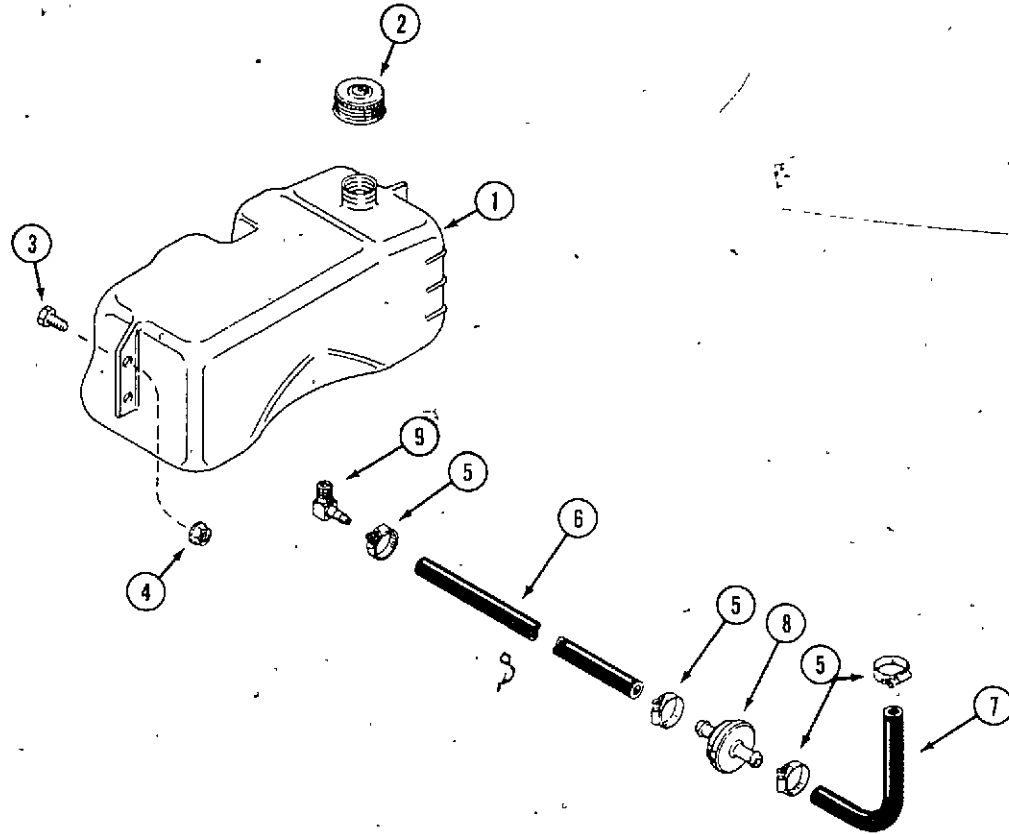
FLYWHEEL AND STATOR

REF.	PART NO.	DESCRIPTION	REQ'D
1	C 27351	FLYWHEEL AND RING GEAR ASSEMBLY - (114B, 116B)	1
2	C 27365	RING GEAR - (114B, 116B)	1
3	BR 220865	WASHER - spring (112B)	1
3	C 27352	WASHER - spring (114B, 116B)	1
4	182- 84	SCREW - No. 8 - 32 x 3/8"	4
5	193- 25	LOCK WASHER - No. 8	4
6	C 27358	SCREEN - flywheel (114B, 116B)	1
7	BR 222561	CUP - screen mounting (112B)	1
7	C 27357	CUP - screen mounting (114B, 116B)	1
8	BR 393474	STATOR - alternator	1
9	BR 393456	DIODE AND CONNECTOR ASSEMBLY	1
10	182- 90	SCREW - No. 8 - 32 x 1"	4
11	193- 25	WASHER - No. 8	4
12	C 29785	ARMATURE ASSEMBLY - (112B) shown	1
12	C 27420	ARMATURE ASSEMBLY - (114B, 116B)	1
13	C 27419	ARMATURE - (114B, 116B)	1
14	C 27269	TRIGGER - ignition	1
15	BR 221798	TERMINAL - ignition cable	1
16	182- 549	SCREW - No. 8 - 32 x 3/4"	2
17	BR 66538	BOOT - spark plug	2
18	C 24329	SPARK PLUG - (112B)	1
18	C 27334	SPARK PLUG - (114B, 116B)	2
19	BR 92284	NUT - flywheel (112B)	1
19	C 27356	NUT - flywheel (114B, 116B)	1
20	NSS	SCREW - 3/4" long (use 113-102 and 92-5)	2
21	C 30440	SCREEN - flywheel (112B)	1
22	C 30447	FAN - flywheel (112B)	1
23	C 30448	RETAINER - fan (112B)	1
24	C 30436	FLYWHEEL AND RING GEAR ASSEMBLY (112B)	1
25	BR 392134	RING GEAR (112B)	1

ENGINE COUNTERWEIGHT (112B)

1	C 29816	LINK - counterweight	1
2	C 30423	COUNTERWEIGHT ASSEMBLY	1
3	C 29818	PIN - counterweight	1
4	C 29835	SCREW - counterweight	1

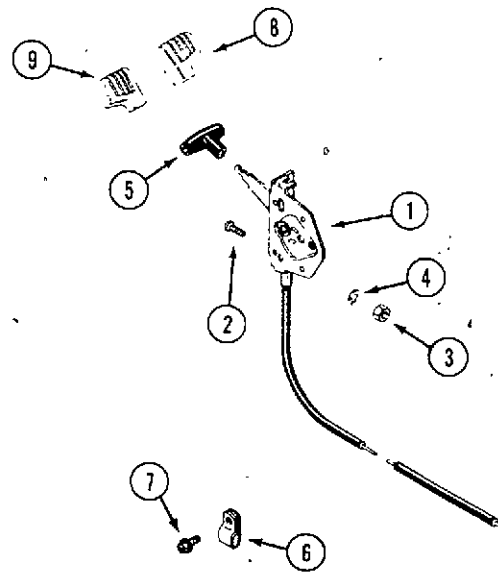
FUEL SYSTEM



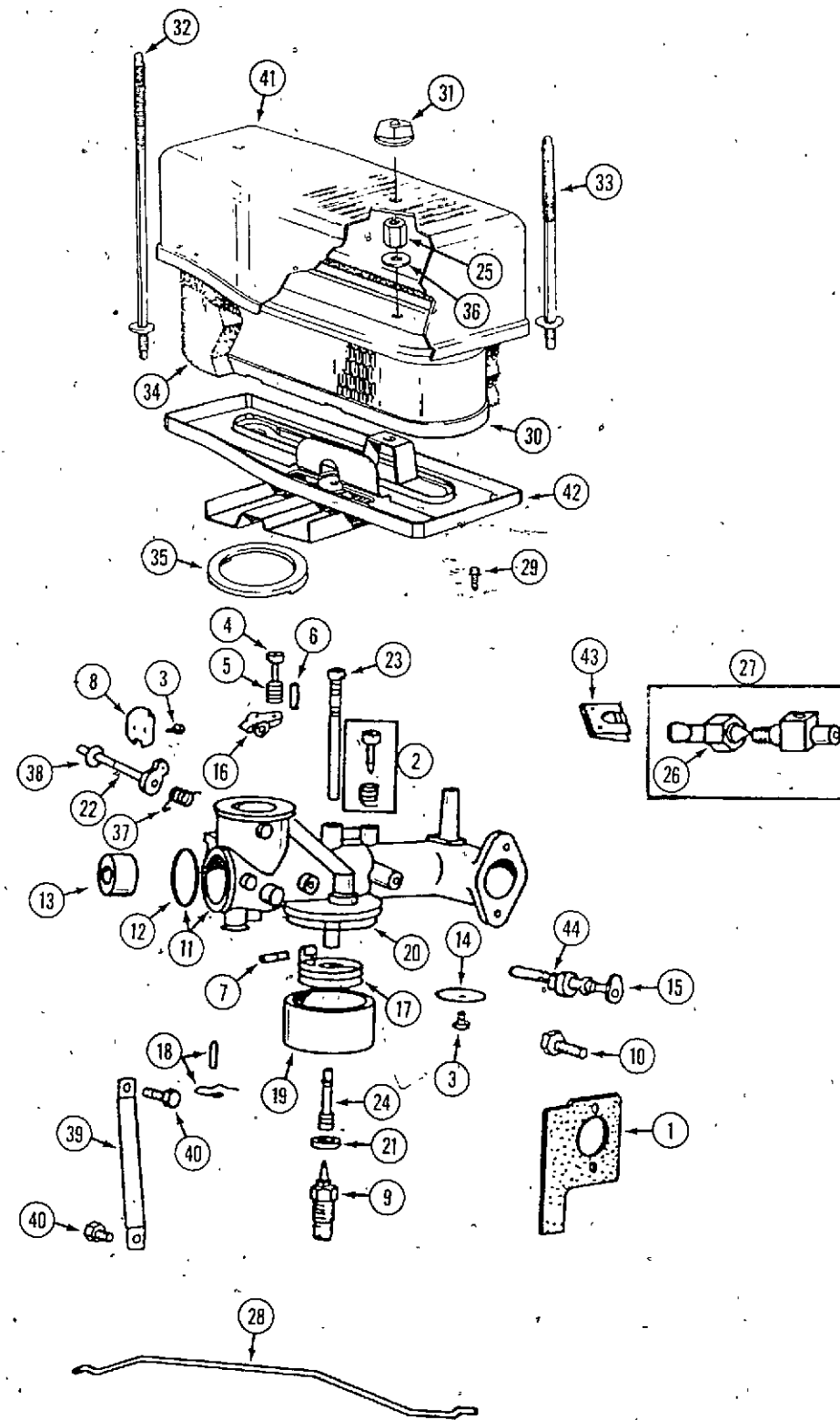
REF.	PART NO.	DESCRIPTION	REQ'D
1	C 29070	TANK fuel	1
2	C 11529	CAP - fuel	1
3	113- .102	BOLT - 5/16" - 18 x 3/4"	4
4	131- 911	NUT - 5/16" - 18 flange lock	4
5	214- 252	CLAMP - hose	4
6	NSS	HOSE - fuel 13.5" (343 mm) (use C28937 cut to length)	1
7	NSS	HOSE - fuel 4" (102 mm) (use C28937 cut to length)	1
8	C 31978	FILTER - fuel	1
9	C 10678	CONNECTOR - fuel line 90°	1
	C 28030	INSULATION - fuel line (114B, 116B)	1

CHOKE AND THROTTLE

1	C 29267	CONTROL - choke and throttle (112B)	1
1	C 29186	CONTROL - throttle (114B, 116B)	1
1	C 29187	CONTROL - choke (114B, 116B)	1
2	182- 559	SCREW - No. 10 - 24 x 3/4"	2
3	129- 17	NUT - No. 10	2
4	192- 18	LOCK WASHER - 3/16"	2
5	C 15540	HANDLE - tee (112B)	1
6	C 27233	CLAMP - cable	1
7	187- 1908	SCREW - self tapping	1
8	C 30074	HANDLE - choke (114B, 116B)	1
9	C 30073	HANDLE - throttle (114B, 116B)	1

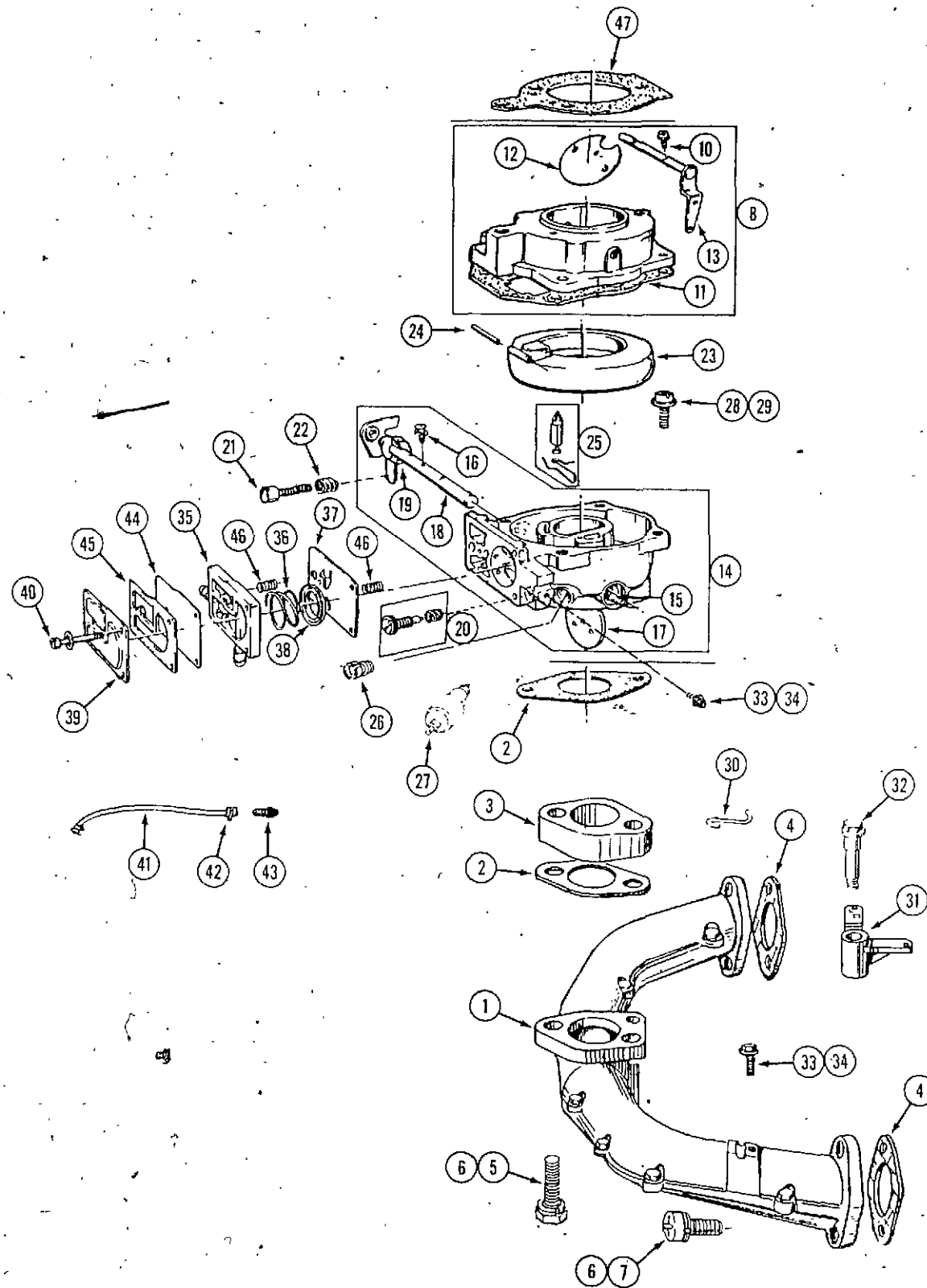


C 30424 CARBURETOR AND AIR CLEANER (112B)

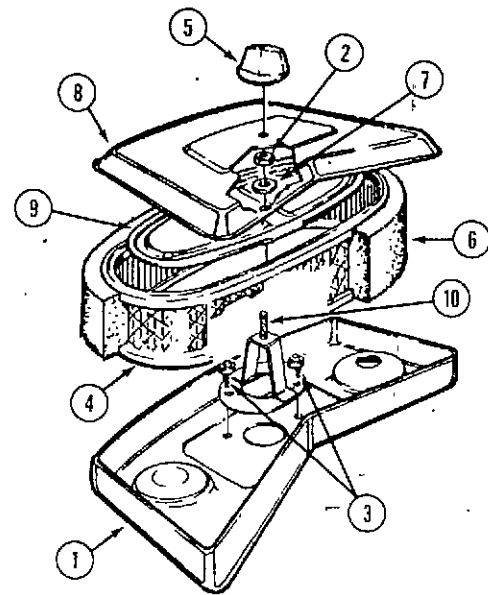


REF.	PART NO.	DESCRIPTION	REQ'D
1	C 25738	GASKET - carburetor mounting	1
2	BR 292681	VALVE ASSEMBLY - carburetor idle	1
3	BR 93499	SCREW - throttle and choke mounting, sems	2
4	182- 87	SCREW - machine fillister head No. 8-32 x 5/8"	1
5	BR 26157	SPRING - throttle adjustment	1
6	138- 251	PIN - throttle stop	1
7	BR 230896	PIN - float hinge	1
8	BR 222010	VALVE - choke	1
9	C 29779	VALVE - needle	1
10	BR 93357	SCREW - carburetor mounting	2
11	C 30425	BODY ASSEMBLY - carburetor	1
12	41- 24	PLUG - Welch	1
13	C 25742	VENTURI - carburetor	1
14	C 27240	VALVE - throttle	1
15	C 30426	SHAFT AND LEVER - throttle	1
16	BR 211712	STOP - throttle	1
17	BR 299707	FLOAT - carburetor	1
18	C 27254	VALVE - fuel inlet	1
19	BR 221995	BOWL - float	1
20	BR 270511	GASKET - float bowl	1
21	BR 222014	WASHER - float bowl	1
22	BR 390684	SHAFT AND LEVER - choke	1
23	BR 299740	NOZZLE - carburetor	1
24	C 29780	SCREW - nozzle	1
25	C 30434	NUT - air cleaner	1
26	C 27267	VALVE - fuel shut off	2
27	C 30427	CONNECTOR - fuel line	1
28	C 27244	LINK - choke	1
29	177- 97	SCREW - sems	1
30	C 30428	ELEMENT - air cleaner	1
31	C 29854	KNOB - cover, air cleaner	2
32	C 30429	STUD - air cleaner	1
33	C 30430	STUD - air cleaner	1
34	C 30435	PRECLEANER - element	1
35	C 25760	GASKET - air cleaner	1
36	C 30431	WASHER - air cleaner	1
37	BR 261116	SPRING - choke return	1
38	BR 270382	WASHER - choke shaft	1
39	C 25764	BRACKET - carburetor mounting	1
40	187- 1510	SCREW	2
41	C 30432	COVER - air cleaner	1
42	C 30433	BASE - air cleaner	1
43	C 27266	HANDLE - fuel shut-off valve	1
44	C 30405	SEAL - throttle shaft	1
	C 27255	CARBURETOR OVERHAUL KIT - (includes items 2, 7, 9, 12, 18, 20, 21, 23 and 24)	1

CARBURETOR, FUEL PUMP AND MANIFOLD (114B, 116B)



REF:	PART NO.	DESCRIPTION	REQ'D
1	C 27375	MANIFOLD - intake	1
2	C 27376	GASKET - manifold to spacer and carburetor	2
3	C 27377	SPACER - carburetor	1
4	C 27378	GASKET - manifold mounting	2
5	113- 5	BOLT - 1/4" - 20 x 1-1/2"	2
6	192- 19	LOCK WASHER - 1/4"	2
7	71- 410	SCREW - 1/4" - 20 x 7/8"	4
	C 29861	CARBURETOR ASSEMBLY (116B)	1
	C 29820	CARBURETOR ASSEMBLY (114B)	1
8	C 29821	BODY ASSEMBLY - upper (114B)	1
8	C 29862	BODY ASSEMBLY - upper (116B)	1
10	BR 93499	SCREW - valve	2
11	C 29852	GASKET - body (114B)	1
11	C 29863	GASKET - body (116B)	1
12	BR 222010	VALVE - choke	1
13	C 27387	SHAFT - choke	1
14	C 29853	BODY ASSEMBLY - lower (114B)	1
14	C 29864	BODY ASSEMBLY - lower (116B)	1
15	C 27382	BUSHING - throttle shaft	1
16	BR 93499	SCREW - valve	2
17	C 27240	VALVE - throttle (116B)	1
17	C 29822	VALVE - throttle (114B)	1
18	C 27383	SHAFT - throttle	1
19	C 27409	WASHER - throttle	1
20	BR 292681	VALVE ASSEMBLY - idle fuel	1
21	182- 87	SCREW - No. 8 - 32 x 5/8"	1
22	BR 26157	SPRING - throttle adjustment	1
23	C 27385	FLOAT - carburetor	1
24	BR 230896	PIN - float hinge	1
25	C 27254	VALVE - fuel inlet	1
26	C 29857	VALVE - needle, main fuel, nonadjustable (114B)	1
26	C 29859	VALVE - needle, main fuel, nonadjustable (116B)	1
27	C 29858	SOLENOID - carburetor shut off	1
28	163- 4	SCREW - No. 10 - 32 x 5/8"	4
29	92- 3	WASHER - No. 10	4
30	C 27392	LINK - throttle	1
31	C 27393	BELLCRANK	1
32	C 27394	BOLT - shoulder	1
33	177- 97	SCREW - No. 10 - 32 x 1/2"	2
34	195- 513	WASHER - No. 10	2
35	C 27399	BODY - pump	1
36	C 27400	SPRING - pump	1
37	C 27401	DIAPHRAGM	1
38	C 27402	CAP - spring	1
39	C 27403	COVER - fuel pump	1
40	173- 65	SCREW - No. 6 - 32 x 7/8"	3
41	NSS	HOSE - vacuum, fuel pump 9" (use C28937 cut to length)	1
42	C 32376	CLAMP - hose	2
43	C 27333	CONNECTOR - hose	1
44	C 27413	DIAPHRAGM - damping	1
45	C 27414	GASKET - pump cover	1
46	C 27415	SPRING	2
47	C 27407	GASKET - air cleaner	1
	C 27389	KIT - carburetor overhaul (includes items 11, 19, 20, 24, 25, 26 and fuel pump repair kit)	1
	C 27416	KIT - fuel pump repair (includes items 36, 37, 38, 44, 45 and 46)	1

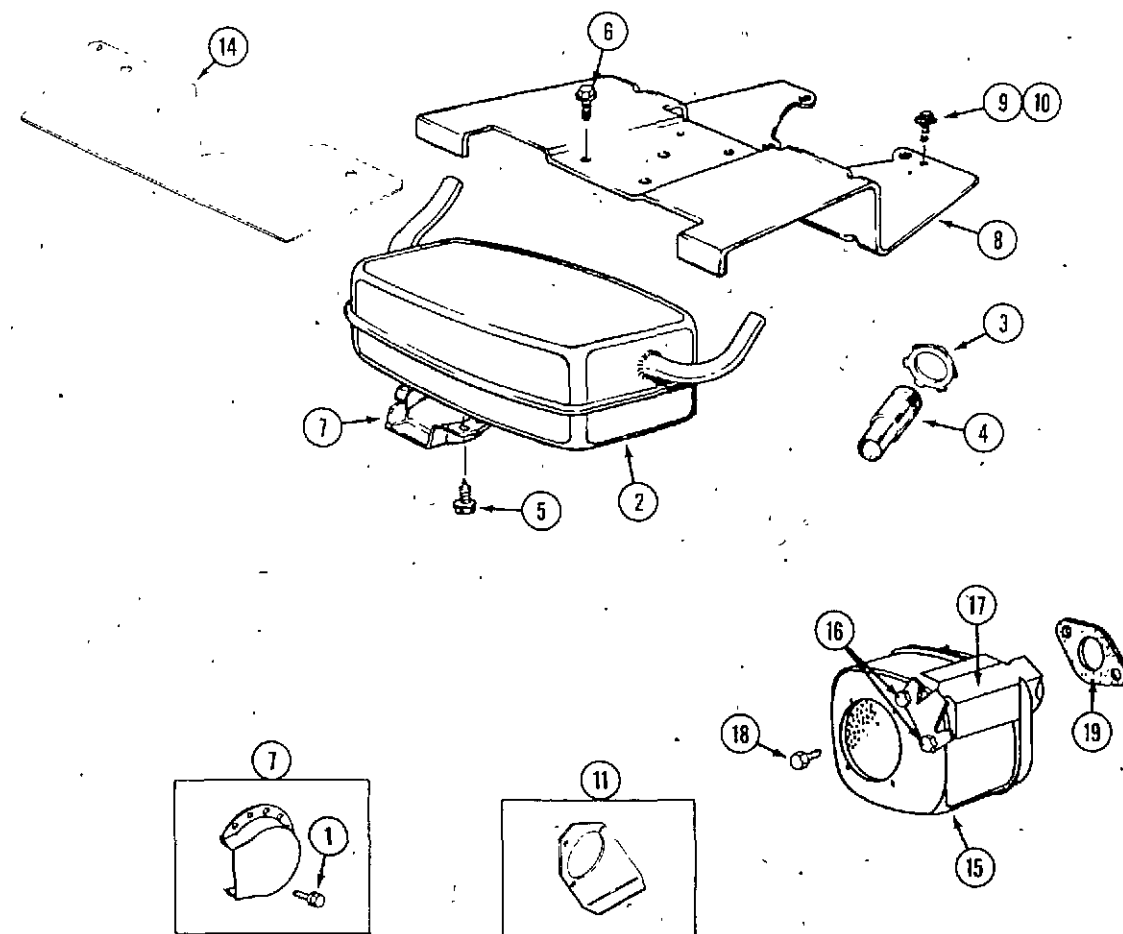


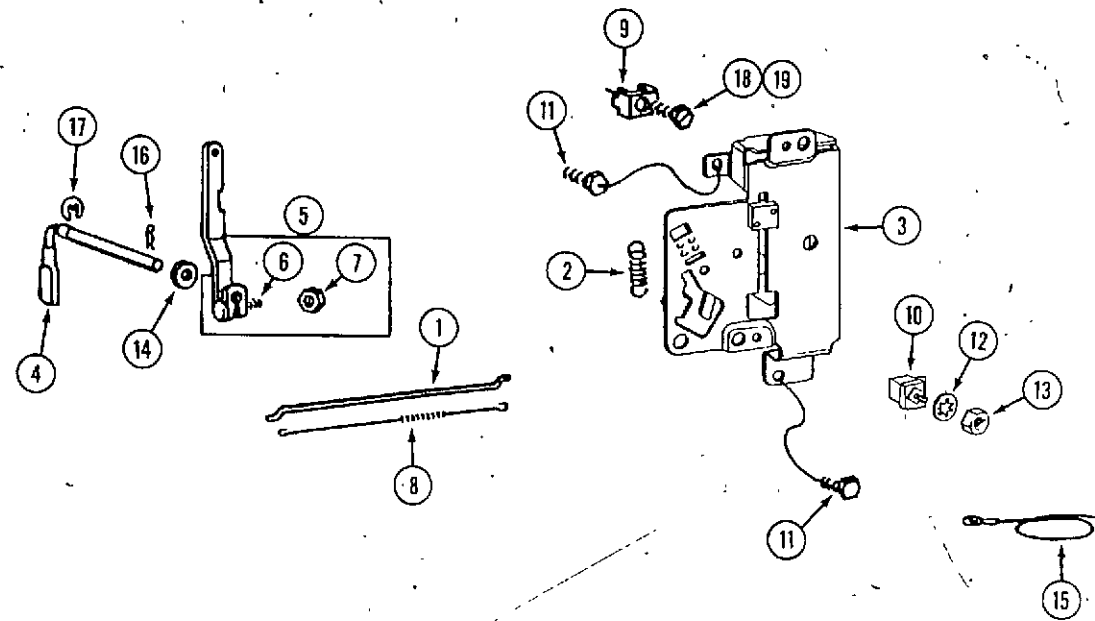
AIR CLEANER (114B, 116B)

REF.	PART NO.	DESCRIPTION	REQ'D
1	C 27390	HOUSING - air cleaner	1
2	129- 101	NUT - 1/4" hex	1
3	169- 137	SCREW - No. 10 - 24 x 5/8"	2
4	C 27404	ELEMENT - air cleaner	1
5	C 29854	KNOB - cover, air cleaner	1
6	C 29855	PRECLEANER	1
7	C 27408	WASHER - element plate	1
8	C 29856	COVER - air cleaner	1
9	C 27411	PLATE - element	1
10	C 27417	BRACKET - mounting	1

MUFFLER

1	187- 1041	SCREW - deflector No. 8 - 32 x 3/8" self tap	3
2	C 27353	MUFFLER - exhaust (114B, 116B)	1
3	C 27354	NUT - lock, muffler (114B, 116B)	2
4	C 27367	CONNECTOR - muffler (114B, 116B)	2
5	187- 1041	SCREW - No. 8 - 32 x 3/8" (114B, 116B)	4
6	113- 2	BOLT - 1/4" - 20 x 5/8" (114B, 116B)	4
7	C 27364	DEFLECTOR - exhaust	1
8	C 27366	BRACKET - muffler (114B, 116B)	1
9	22- 48	SCREW - 1/4" - 20 x 1/2" (114B, 116B)	UAR
10	192- 19	LOCK WASHER - 1/4" (114B, 116B)	UAR
11	C 29634	DEFLECTOR - exhaust (112B)	1
12	61- 512	SCREW - 5/16" - 18 x 3/4 socket head (112B)	2
13	192- 404	LOCK WASHER - 5/16" (112B)	2
14	C 30286	SHIELD - carburetor (114B, 116B)	1
15	C 31350	MUFFLER - exhaust (112B)	1
16	C 29848	BOLT - mounting (112B)	2
17	C 29849	SHIELD - muffler (112B)	1
18	NSS	SCREW - mounting (use 22-412, and 195-18) (112B)	1
19	C 26507	GASKET - exhaust (112B)	1



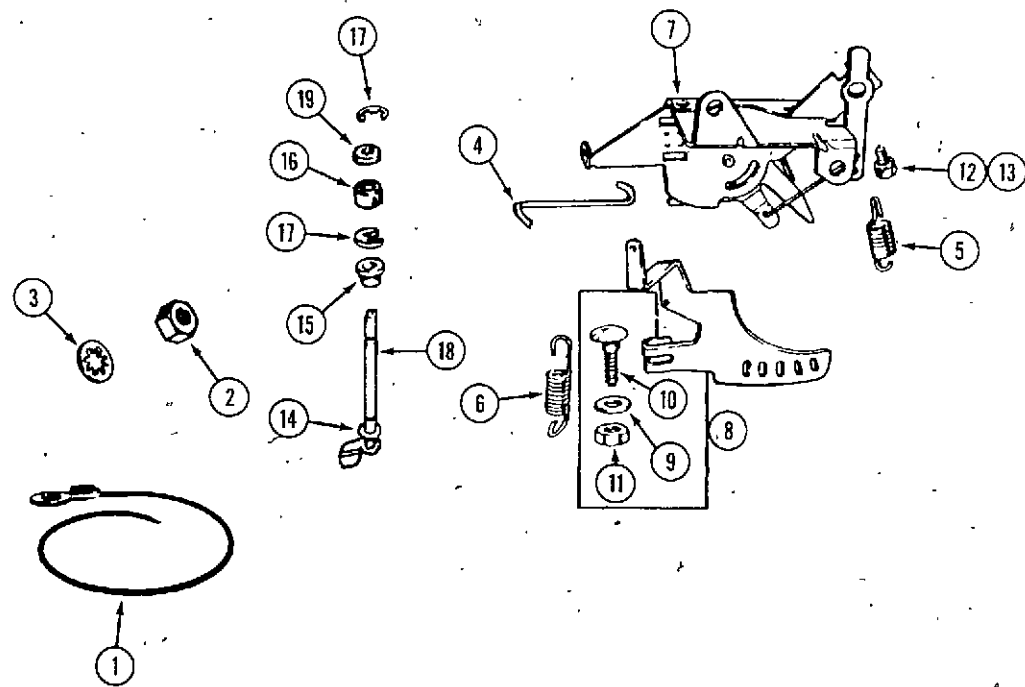


GOVERNOR (112 B)

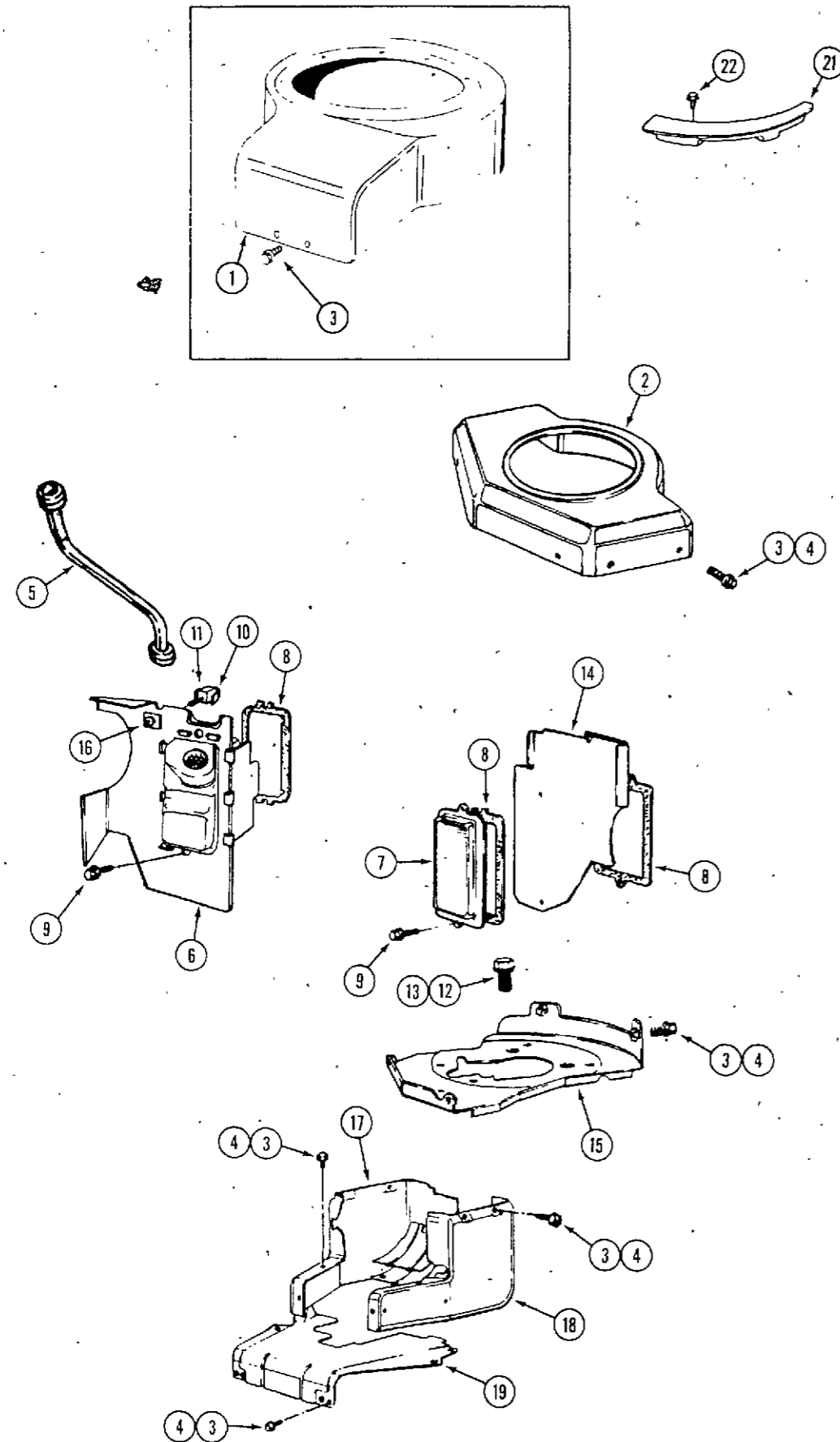
REF.	PART NO.	DESCRIPTION	REQ'D
1	C 29846	LINK - governor	1
2	BR 261129	SPRING - governor	1
3	C 30449	BRACKET - governor	1
4	BR 231058	CRANK - governor	1
5	BR 391733	LEVER ASSEMBLY	1
6	11- 312	BOLT - lever	1
7	129- 7	NUT - No. 10-24	1
8	BR 260584	SPRING - governor link	1
9	BR 221535	CLAMP - casing	1
10	C 29794	INSULATOR ASSEMBLY	1
11	187- 1510	SCREW - mounting No. 10-32 x 3/8" self tap	1
12	193- 25	LOCK WASHER - No. 8	2
13	129- 6	NUT - No. 8-32	2
14	BR 222450	WASHER - governor crank	1
15	C 29796	WIRE - ground	1
16	136- 103	PIN - cotter hair pin	1
17	C 28643	RETAINER - "E" ring	1
18	163- 4	SCREW - No. 10 - 32 x 5/8"	1
19	192- 3	WASHER	1

GOVERNOR (114B, 116B)

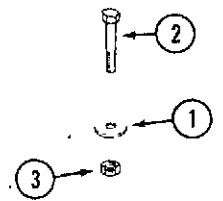
1	BR 299500	WIRE - ground	1
2	129- 6	NUT - No. 8-32	1
3	193- 25	LOCK WASHER - No. 8	1
4	C 27391	LINK - governor	1
5	C 27395	SPRING - governor	1
6	C 27396	SPRING - governor idle	1
7	C 27397	BRACKET - governor	1
8	C 27398	LEVER ASSEMBLY - governor	1
9	195- 518	WASHER - 1/4"	1
10	111- 420	BOLT - 1/4" - 20 x 1-1/4"	1
11	129- 101	NUT - 1/4" hex	1
12	22- 48	SCREW - 1/4" - 20 x 1/2"	2
13	192- 19	LOCK WASHER - 1/4"	2
14	C 27332	WASHER - governor crank, inside	1
15	C 27340	BUSHING - governor crank	1
16	C 27341	BUSHING - governor crank	1
17	C 14652	RETAINER - "E" ring	2
18	C 27343	CRANK - governor	1
19	C 27344	SEAL - foam	1



BLOWER HOUSING, ENGINE AIR BAFFLES AND BREATHER COVERS



REF.	PART NO.	DESCRIPTION	REQ'D
1	C 30437	HOUSING - blower (112B)	1
2	C 27355	HOUSING - blower (114B, 116B)	1
3	NSS	SCREW - 1/4" - 20 x 1/2" self-tap (use 22-48 and 192-19)	UAR
5	C 27309	TUBE - breather (114B, 116B)	1
6	C 27348	BREATHER ASSEMBLY - R.H. (114B, 116B)	1
7	C 27349	COVER - breather L.H. (114B, 116B)	1
8	C 27350	GASKET - valve cover (114B, 116B)	2
9	187- 1508	SCREW - No. 10 - 24 x 1/2"	4
10	C 27359	TERMINAL - (114B, 116B)	1
11	C 27360	GROMMET - insulator (114B, 116B)	1
12	113- 101	BOLT - 5/16" - 18 x 1/2"	4
13	92- 5	WASHER - 5/16"	4
14	C 27362	BAFFLE - L.H. rear, air (114B, 116B)	1
15	C 27363	PLATE - back (114B, 116B)	1
16	129- 16	NUT - No. 8-32	2
17	C 27368	BAFFLE - cylinder R.H. (114B, 116B)	1
18	C 27369	BAFFLE - cylinder L.H. (114B, 116B)	1
19	C 27270	PLATE - top (114B, 116B)	1
21	C 30446	GUARD - flywheel (112B)	1
22	187- 1041	SCREW - No. 10 - 32 x 3/8" self tap	2

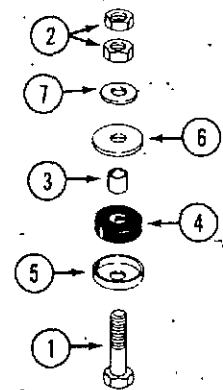


ENGINE MOUNTS
(114B, 116B)

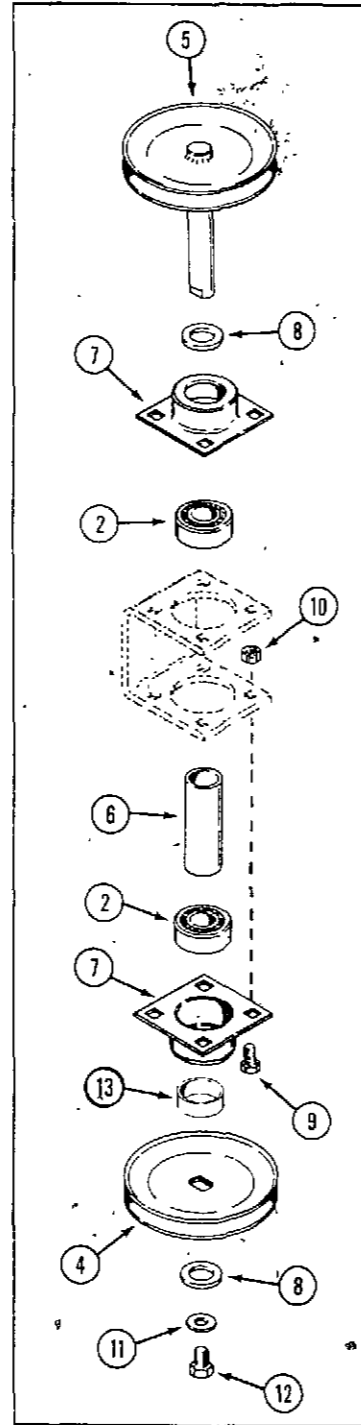
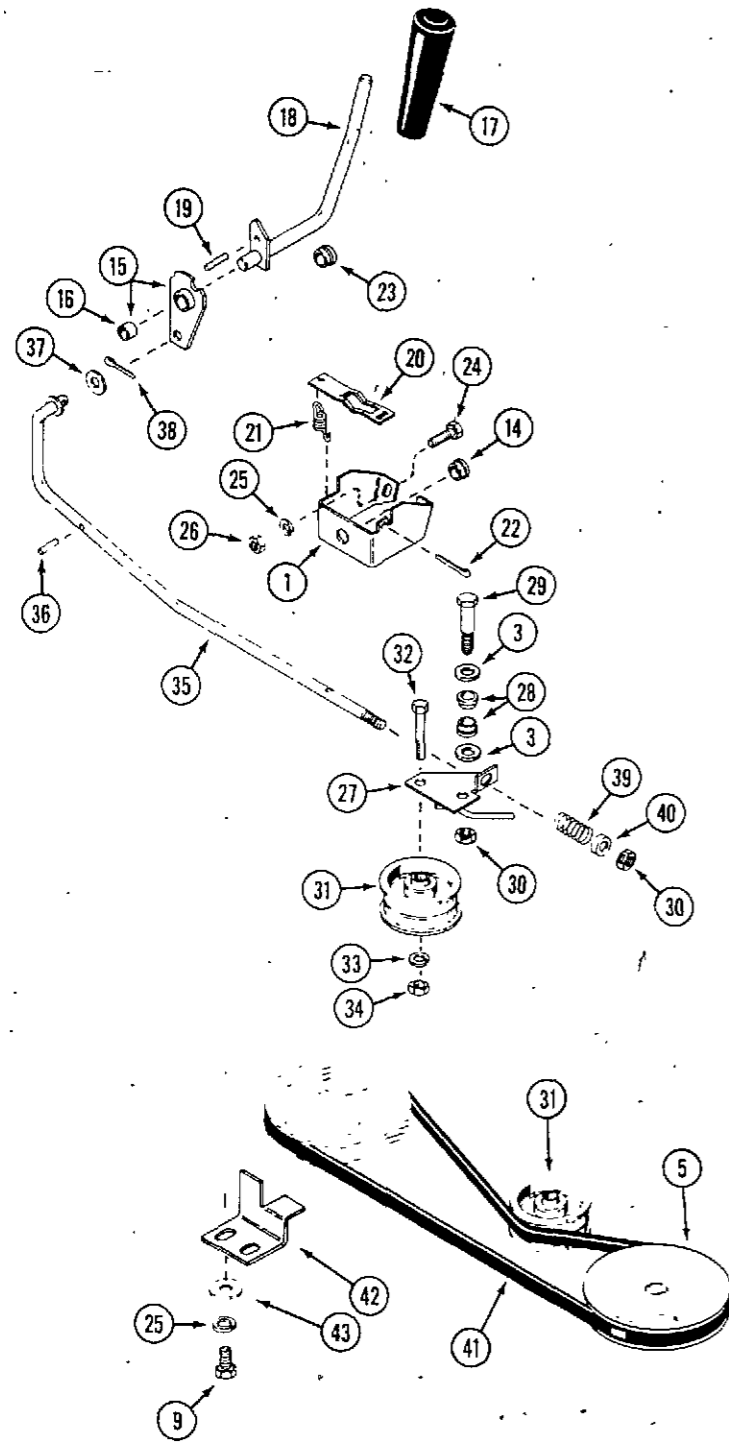
REF.	PART NO.	DESCRIPTION	REQ'D
1	195- 2175	WASHER - flat	4
2	113- 122	BOLT - 5/16" - 18 x 1-1/2"	4
3	131- 69	NUT - 5/16" lock	4

ENGINE MOUNTS
(112B)

1	113- 121	BOLT - 5/16" - 18 x 2"	4
2	129- 102	NUT - 5/16" - 18	8
3	C 30510	SPACER - sleeve	4
4	C 30508	WASHER - rubber	4
5	C 30509	CUP retaining	4
6	195- 2175	WASHER - 5/16"	4
7	195- 521	WASHER - 5/16"	4



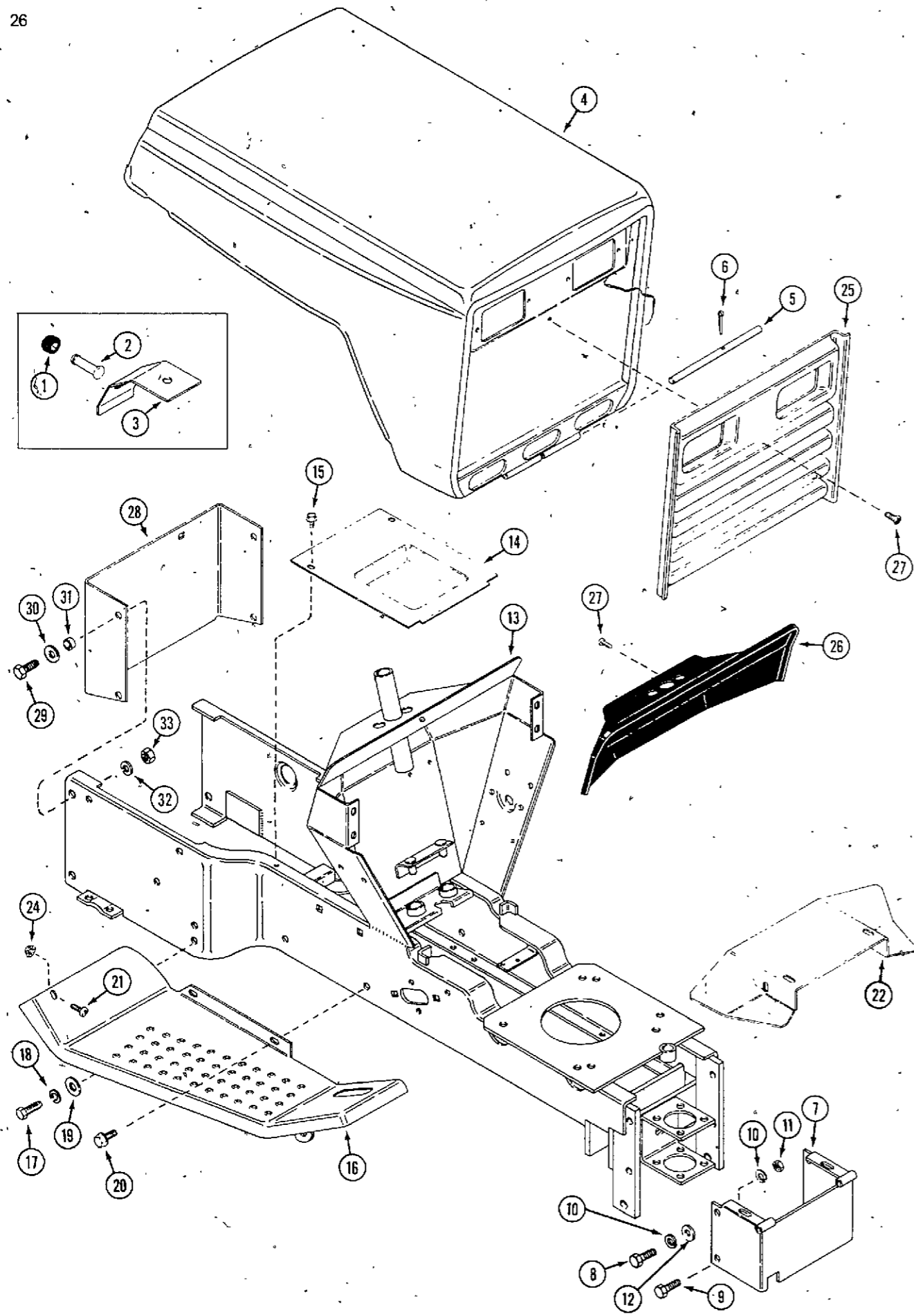
ATTACHMENT DRIVE POWER TAKE OFF (PTO)



REF.	PART NO.	DESCRIPTION	REQ'D
1	C 31009*	BRACKET - support (shown)	1
1	C 31437**	BRACKET - support	1
2	C 28971	BEARING	2
3	195- 533	WASHER - 1/2"	2
4	C 15083	PULLEY - bottom	1
5	C 30475	PULLEY - top	1
6	C 25233	SPACER - bearing	1
7	C 23818	FLANGETTE	2
8	C 12975	WASHER	3
9	113- 102	BOLT - 5/16" - 18 x 3/4"	9
10	131- 176	NUT - 5/16" - 18 lock	8
11	C 28263	WASHER - 3/8"	1
12	113- 205	BOLT - 3/8" - 18 x 5/8"	1
13	C 30477	SPACER - pulley	1
14	C 25229	BUSHING - flange	1
15	C 29326	ARM ASSEMBLY - PTO	1
16	C 17597	BUSHING - sleeve	1
17	C 29046	HANDLE - PTO lever	1
18	C 29252	LEVER - PTO	1
19	138- 2071	PIN - spirol 3/16" x 15/16"	1
20	C 29316	BAR - latch	1
21	C 29172	SPRING - extension	1
22	132- 320	PIN - cotter 3/32" x 3/4"	1
23	C 27593	BUSHING - flip - lock	1
24	113- 102	BOLT - 5/16" - 18 x 3/4"	2
25	192- 20	LOCKWASHER - 5/16"	3
26	129- 102	NUT - 5/16" - 18	2
27	C 30873	ARM - idler	1
28	C 17597	BUSHING - flange (press into hub on engine plate)	2
29	C 16745	BOLT - shoulder	1
30	131- 1181	NUT - 3/8" lock	2
31	C 23535	PULLEY - idler	1
32	113- 209	BOLT - 3/8" - 16 x 1-1/2"	1
33	192- 21	LOCK WASHER - 3/8"	1
34	129- 103	NUT - 3/8" - 16	1
35	C 30769	ROD - PTO	1
36	138- 57	PIN - roll 1/8" x 3/4"	1
37	195- 525	WASHER - 3/8"	1
38	132- 332	PIN - cotter 3/32" x 1"	1
39	C 27822	SPRING - compression	1
40	C 17066	WASHER - cup	1
41	C 31215	BELT - PTO	1
42	C 26345	KEEPER - belt	1
43	195- 521	WASHER - 5/16"	1

*Use Before PIN:
 **Use PIN and after:
 112B - 14103745
 114B - 14105564
 116B - 14116701

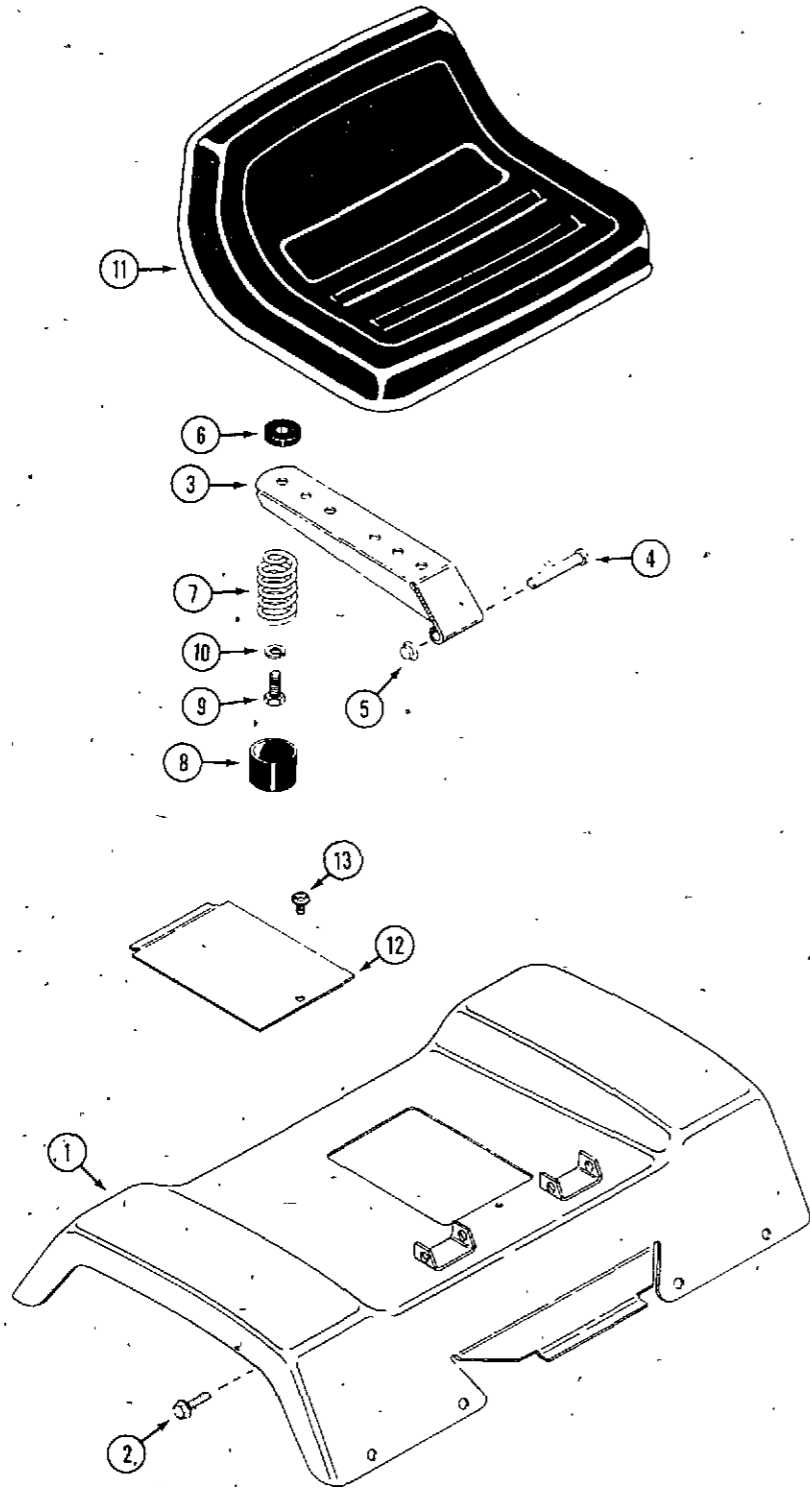
HOOD, FRAME AND ATTACHING PARTS



REF.	PART NO.	DESCRIPTION	REQ'D
1	C 29314	BUTTON - push, hood release	1
2	C 29315	ROD - push, hood release	1
3	C 29323	LATCH - hood	1
4	C 30292	HOOD	1
5	C 16362	ROD - hinge	1
6	132- 334	PIN - cotter 1/8" x 3/4"	1
7	C 29240	COVER - PTO	1
8	113- 205	BOLT - 3/8" - 16 x 5/8"	2
9	113- 207	BOLT - 3/8" - 16 x 1"	2
10	192- 21	LOCK WASHER - 3/8"	4
11	129- 103	NUT - 3/8" - 16	2
12	195- 522	WASHER - 3/8"	2
13	C 31135	FRAME - main	1
14	C 29064	TRAY - center	1
15	187- 1036	SCREW - 1/4" - 20	2
16	C 29203	FOOT REST - R.H. (shown)	1
16	C 29204	FOOT REST - L.H.	1
17	113- 103	BOLT - 5/16" - 18 x 1"	4
18	192- 20	LOCK WASHER - 5/16"	4
19	195- 521	WASHER - 5/16"	4
20	121- 106	BOLT - 5/16" - 18 x 1/2" flange lock	4
21	182- 547	SCREW - 1/4" - 20 pan head, Phillips	UAR
22	C 31192	DEFLECTOR - exhaust	1
24	131- 934	NUT - 1/4" - 20 flange lock	UAR
25	C 30289	GRILLE	1
26	C 30100	CAP - instrument panel (112B)	1
26	C 30101	CAP - instrument panel (114B, 116B)	1
27	187- 1334	SCREW	4
28	C 30689	DRAWBAR	1
29	113- 221	BOLT - 3/8" - 16 x 7/8"	4
30	195- 525	WASHER - 3/8" (top holes only)	2
31	C 14768	SPACER - mounting (top holes only)	2
32	192- 21	LOCK WASHER - 3/8"	4
33	129- 103	NUT - 3/8" - 16	4

SEAT AND FENDERS

Use before PIN:
 112B 14103745
 114B 14105556
 116B 14116701

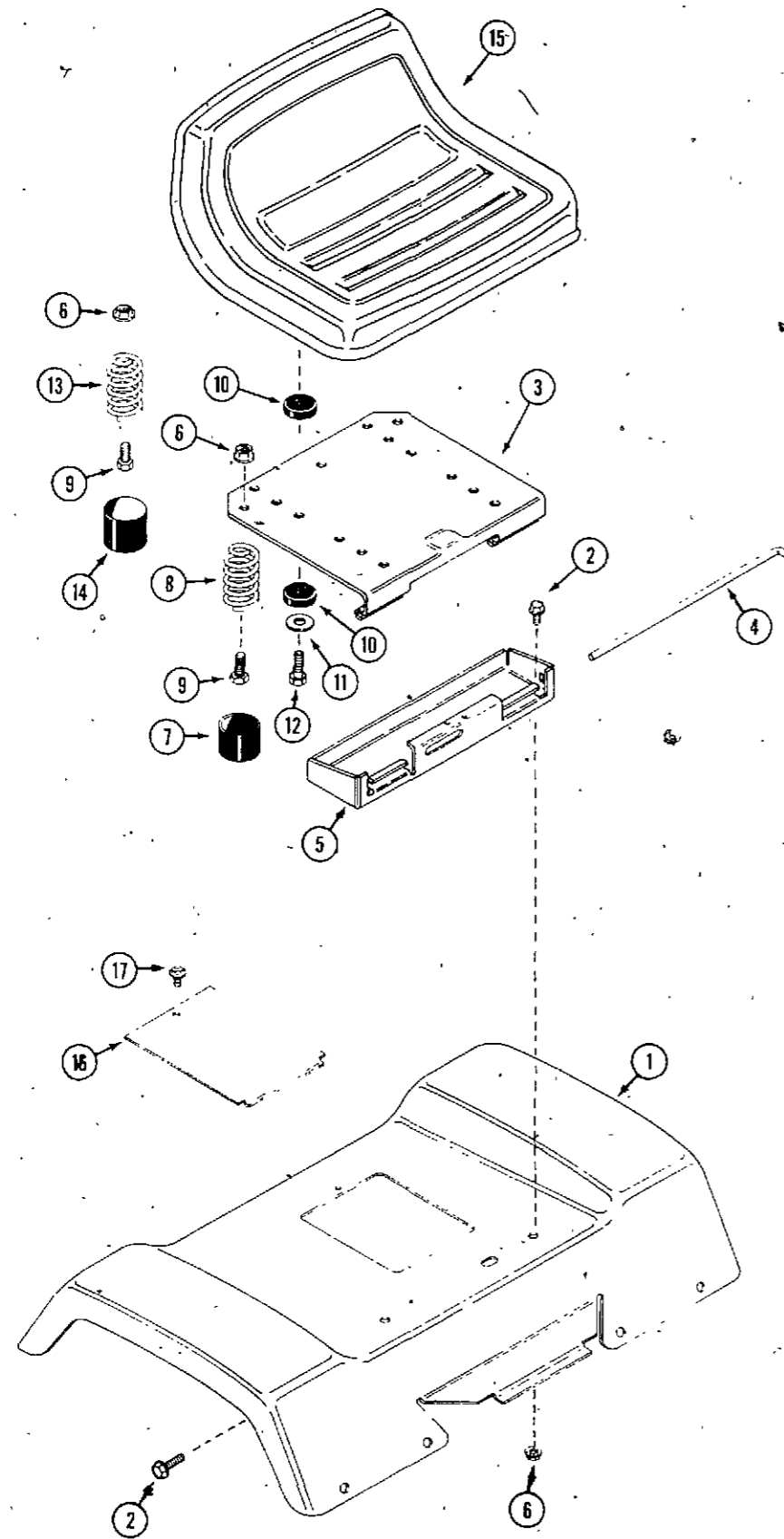


REF.	PART NO.	DESCRIPTION	REQ'D
1	NSS*	FENDERS AND SUPPORT	1
2	121- 106	BOLT - 5/16" - 18 x 1/2" flange lock	4
3	C 29197	HINGE - seat R.H. (shown)	1
3	C 29196	HINGE - seat L.H.	1
4	C 29173	PIN - hinge	2
5	C 29174	RETAINER - pin	2
6	C 15410	CUSHION - rubber	4
7	C 29192	SPRING - seat	2
8	C 29193	CAP - spring	2
9	113- 103	BOLT - seat front 5/16" - 18 x 1"	2
9	113- 104	BOLT - seat back 5/16" - 18 x 1-1/4" (shown)	2
10	192- 20	LOCK WASHER - 5/16"	4
11	C 30071	SEAT	1
12	C 30785	COVER - inspection	1
13	187- 1036	SCREW - 1/4" x 1/2" self tap	1

*Use C31031, C31005, C16429, C31004, C30785 and hardware

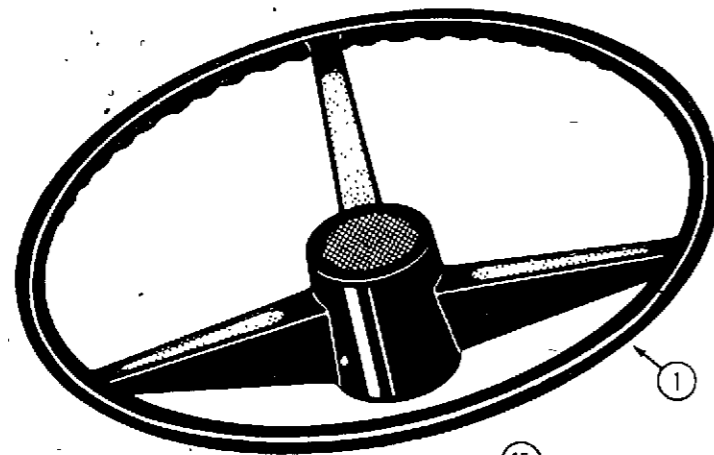
SEAT AND FENDERS

Use PIN and after:
 112B-14103745
 114B-14105556
 116B-14116701

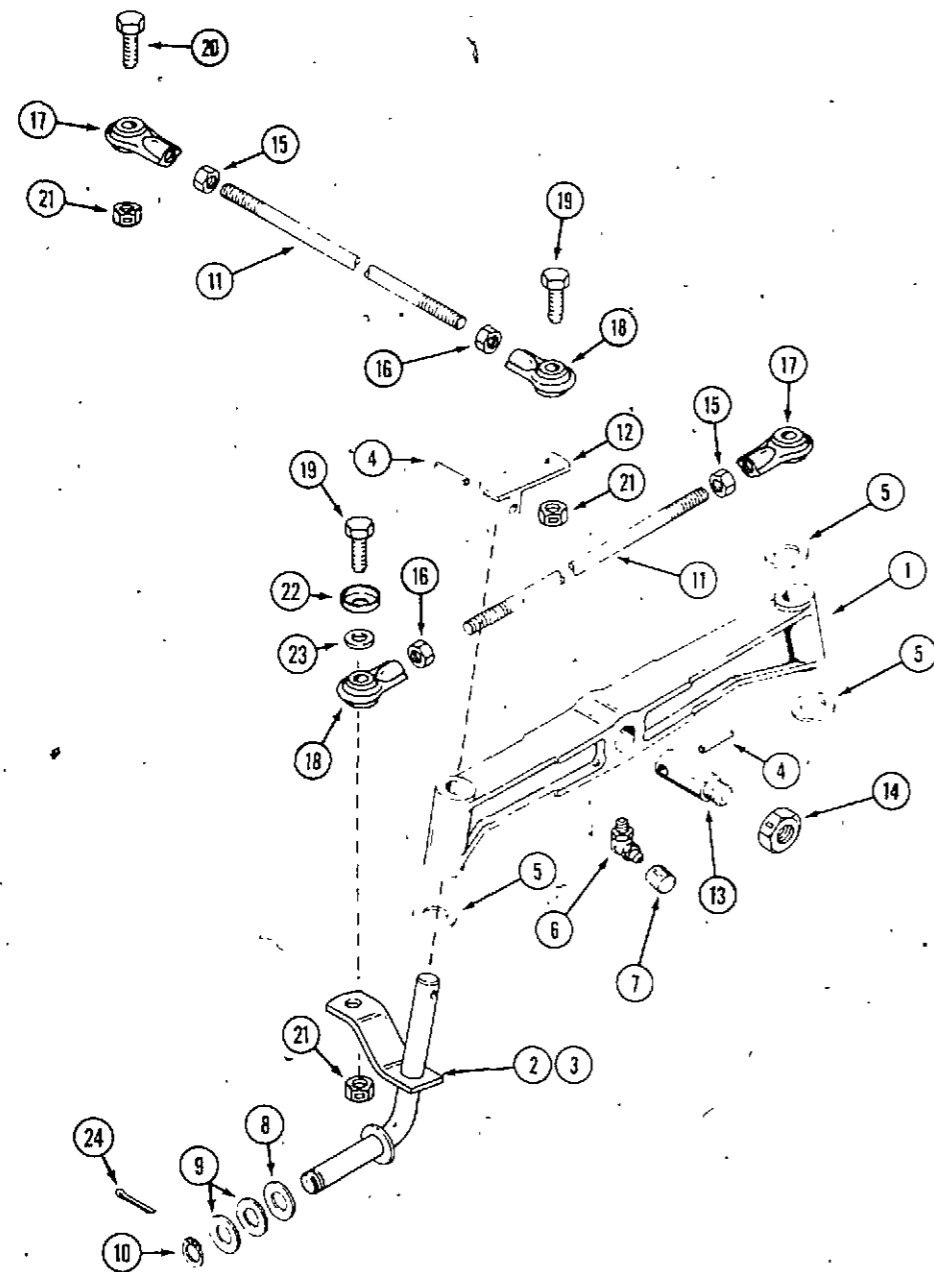


REF.	PART NO.	DESCRIPTION	REQ'D
1	C 31031	FENDERS AND SUPPORT	1
2	121- 106	BOLT - 5/16" - 18 x 1/2" flange lock	6
3	C 31005	HINGE - seat	1
4	C 16429	PIN - seat hinge	1
5	C 31004	TRAY - tool	1
6	131- 911	NUT - 5/16" - 18 flange lock	5
7	C 29305	CAP - spring	2
8	C 29306	SPRING - seat	2
9	113- 102	BOLT - 5/16" - 18 x 3/4"	3
10	C .15410	CUSHION - rubber	8
11	195- 2175	WASHER - 5/16" x 1-1/4"	4
12	113- 122	BOLT - 5/16" - 18 x 1-1/2"	4
13	C 31006	SPRING - actuating, seat switch	1
14	C 26526	CAP - actuating spring	1
15	C 30071	SEAT	1
16	C 30785	COVER - inspection	1
17	187- 1036	SCREW - 1/4" x 1/2" self-tap	1

STEERING GEAR



REF.	PART NO.	DESCRIPTION	REQ'D
1	C 26325	WHEEL - steering	1
2	C 15096	BUSHING - flanged nylon	2
3	C 29181	SHAFT - steering	1
4	111- 132	BOLT - 5/16" x 3/4" NC, ZP carriage	2
5	192- 20	LOCK WASHER - 5/16" ZP	4
6	129- 102	NUT - 5/16" NC hex, ZP	2
7	195- 2069	WASHER - 5/8" plain, ZP	1
8	C 26039	GEAR - steering	1
9	C 15105	PIVOT - steering gear	1
10	219- 17	FITTING - lube	1
11	113- 103	BOLT - 5/16" x 1" NC hex, ZP	2
12	195- 521	WASHER - 5/16", plain, ZP	UAR
13	C 27045	BRACKET - steering	1
14	C 14201	WASHER - shim	1
15	195- 541	WASHER - 5/8"	UAR
16	138- 143	PIN - roll 1/4" x 2-1/4"	1
17	C 29168	SLEEVE - steering shaft	1

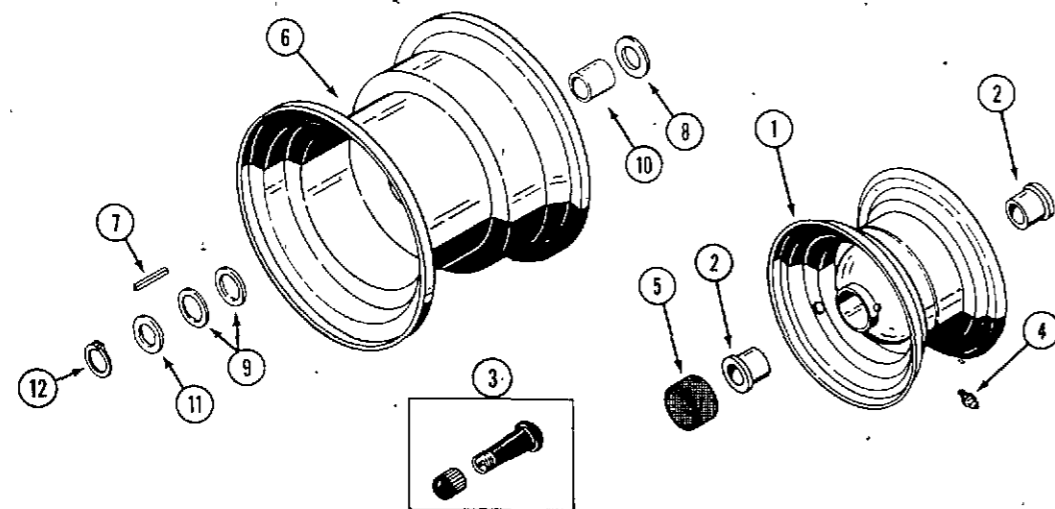


FRONT AXLE

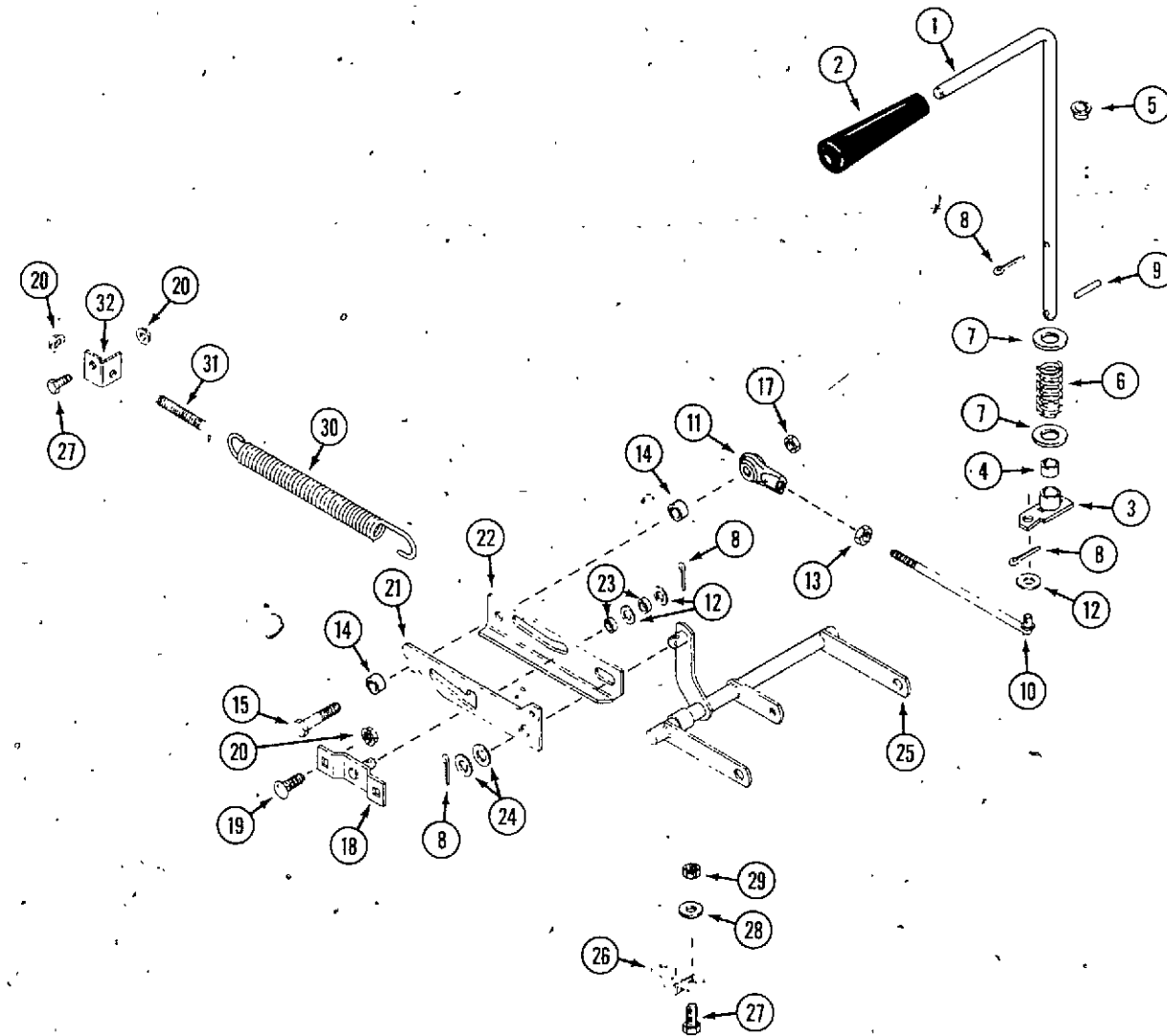
REF.	PART NO.	DESCRIPTION	REQ'D
1	C 15066	AXLE - front	1
2	NSS	SPINDLE - R.H. (shown) (use C31336 and 132-311)	1
3	NSS	SPINDLE - L.H. (use C31335 and 132-311)	1
4	138- 2040	PIN - spiro 1/4" x 1-1/2"	2
5	C 11906	WASHER - thrust 13/16"	3
6	219- 404	FITTING - lube	3
7	C 13106	COVER - lube fitting	3
8	C 27597	WASHER - spindle	2
9	C 28226	WASHER - wheel spacer	4
10	C 28232	RING - retaining	2
11	C 26051	ROD - tie and drag link	2
12	C 26370	ARM - upper spindle	1
13	C 18626	PIN - axle pivot	1
14	131- 1331	NUT - lock 3/4" N.C. hex	1
15	129- 163	NUT - lock 3/8" - 24 hex	2
16	129- 289	NUT - lock 3/8" - 24 hex L.H. thread	2
17	C 26332	BALL JOINT - R.H. thread	2
18	C 26333	BALL JOINT - L.H. thread	2
19	13- 624	BOLT - 3/8" x 1-1/2"	3
20	13- 628	BOLT - 3/8" x 1-3/4"	1
21	131- 1181	NUT - lock 3/8" - 16	4
22	C 17066	WASHER - 3/8" x 5/8" cupped	2
23	C 30155	WASHER - 3/8" x 5/8" spacer	2
24	132- 311	PIN - cotter 5/32 x 1-1/4"	2

FRONT AND REAR WHEELS

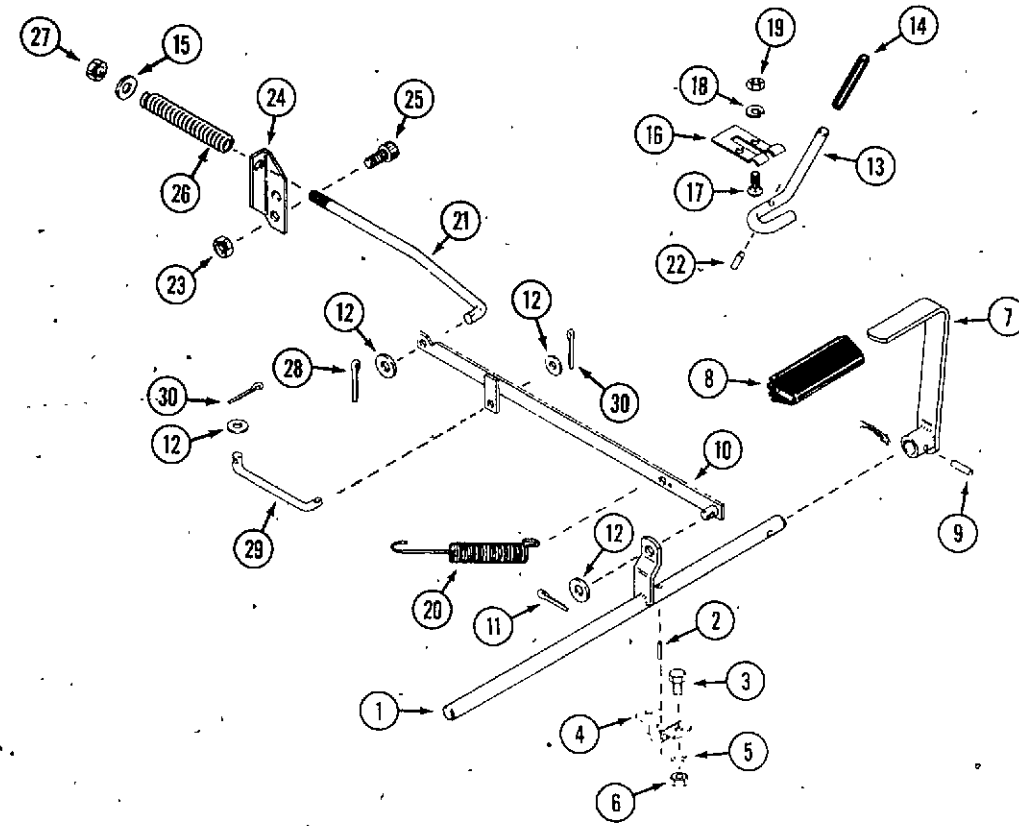
1	C 30781	WHEEL - front (includes bearings)	2
2	C 24503	BEARING - bushing	2
3	C 28236	STEM - valve	2
4	219- 10	FITTING - lube	2
5	C 26526	CAP - hub	4
6	C 30780	WHEEL - rear	2
7	C 11796	KEY - 3/16" x 3/16" x 2"	2
8	195- 545	WASHER - 3/4"	2
9	C 28226	WASHER - spacer .03" thick	4
10	C 27047	SPACER - sleeve	2
11	C 28972	WASHER - spacer	2
12	C 27739	RING - retaining	2



LIFT CONTROL



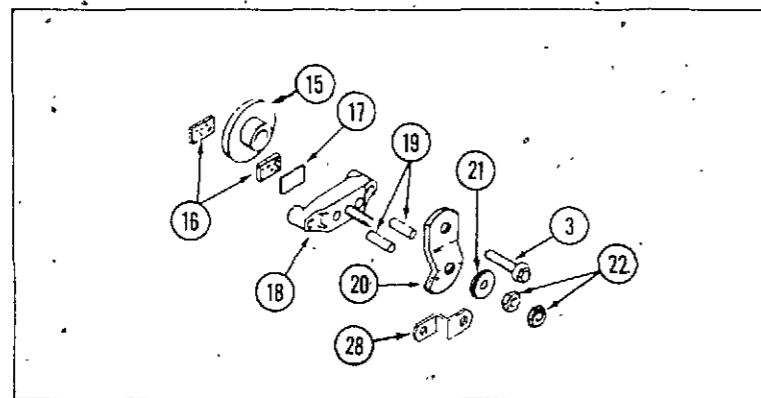
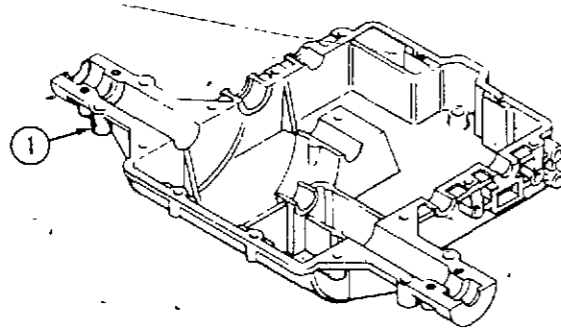
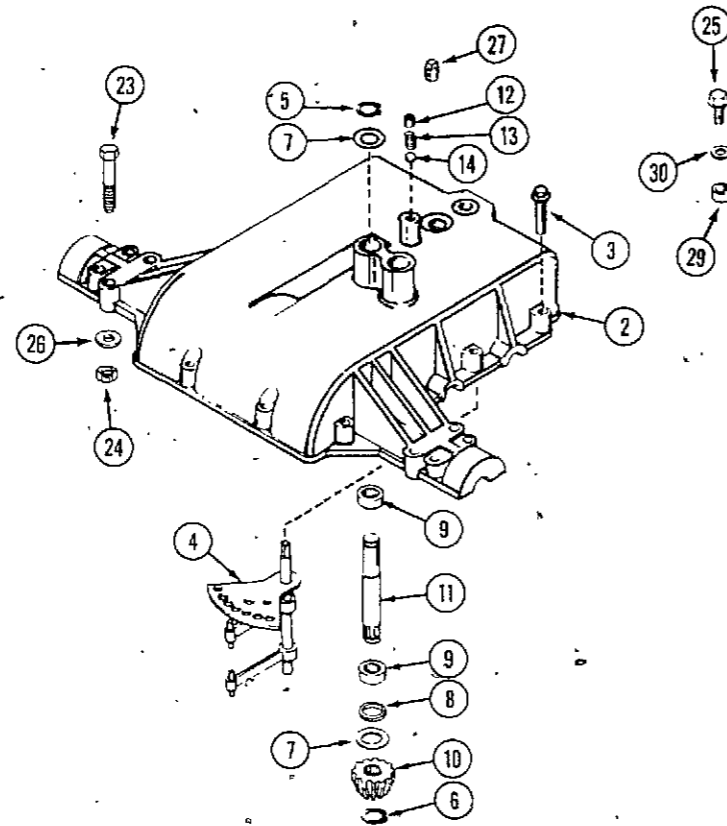
REF.	PART NO.	DESCRIPTION	REQ'D
1	C 30674	LEVER - lift	1
2	C 29045	HANDLE - lift lever	1
3	C 30157	ARM - lift	1
4	C 29706	BUSHING - sleeve	1
5	C 27593	BUSHING - flip lock	1
6	C 27822	SPRING - compression	1
7	195- 533	WASHER - 1/2"	2
8	132- 310	PIN - cotter 1/8" x 1"	4
9	138- 2071	PIN - spiral	1
10	C 30675	ROD - lift	1
11	C 26332	BALL JOINT	1
12	C 28987	WASHER 3/8"	2
13	129- 163	NUT - 3/8" - 24	1
14	C 16573	SPACER - sleeve	1
15	113- 219	BOLT - 3/8" - 16 x 2"	1
16	195- 522	WASHER - 3/8"	6
17	131- 1181	NUT - 3/8" - 16 lock	1
18	C 30676	BRACKET - anchor	1
19	111- 229	BOLT - 5/16" - 18 x 1/2" carriage	2
20	131- 911	NUT - 5/16" - 18 flange lock	2
21	C 30679	BAR - lift link	1
22	C 30680	BAR - lift latch	1
23	C 30681	SPACER - roller	2
24	C 24377	WASHER - 1/2"	2
25	C 30682	SHAFT - lift	1
26	C 15156	BRACKET - saddle	2
27	113- 102	BOLT - 5/16" - 18 x 3/4"	UAR
27	113- 103	BOLT - 5/16" - 18 x 1"	UAR
28	192- 20	WASHER - 5/16"	4
29	129- 102	NUT - 5/16" - 18 lock	4
30	C 30836	SPRING - tension	1
31	C 30684	ROD - spring adjust	1
32	C 32990	BRACKET - spring anchor	1



BRAKE LINKAGE

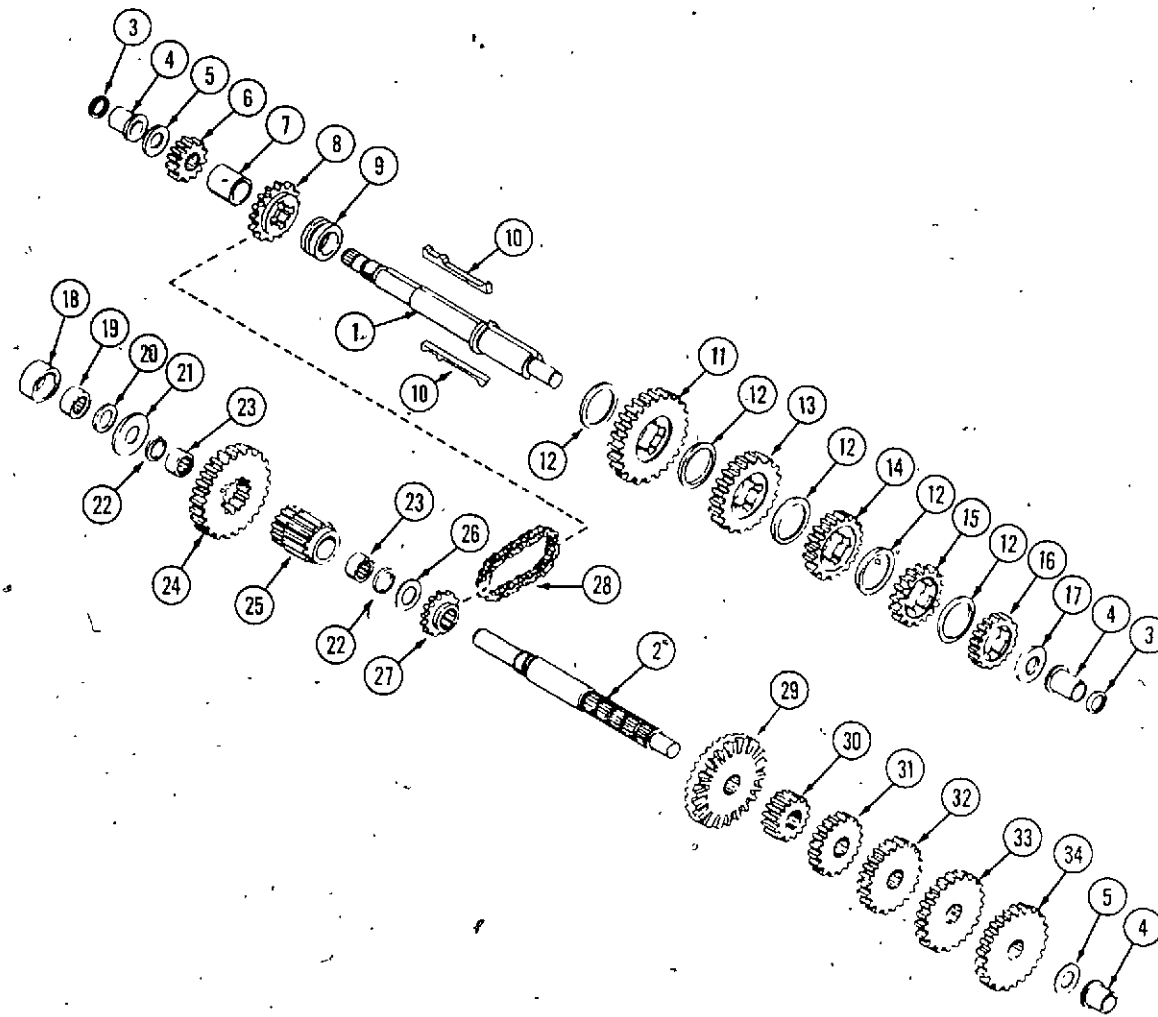
1	C	30669	SHAFT - brake	1
2	138-	92	PIN - roll 3/16" x 3/4"	1
3	113-	102	BOLT - 5/16" - 18 x 3/4"	4
4	C	15156	BRACKET - saddle	2
5	192-	20	LOCK WASHER - 5/16"	4
6	129-	102	NUT - 5/16" - 18	4
7	C	29249	PEDAL - brake	1
8	C	24345	PAD - brake pedal	1
9	138-	2071	PIN - spiral 3/16" x 15/16"	1
10	C	30671	LINK - clutch and brake	1
11	132-	6	PIN - cotter 3/32" x 5/8"	1
12	195-	521	WASHER - 1/4"	2
13	C	29207	LEVER - parking brake	1
14	C	29178	HANDLE - lever	1
15	195-	103	WASHER - 3/8"	1
16	C	29177	BRACKET - retaining	1
17	111-	108	BOLT - 1/4" - 20 x 3/4" carriage	2
18	192-	19	LOCK WASHER - 1/4"	2
19	129-	101	NUT - 1/4" - 20	2
20	C	29917	SPRING - extension	1
21	NSS		ROD - brake (use C29216)	1
22	138-	51	PIN - roll 1/8" x 3/8"	1
23	131-	1352	NUT - 3/8" - 16 lock	1
24	C	29188	ARM - brake	1
25	61-	612	SCREW - 3/8" - 16 x 3/4" socket head	1
26	C	27442	SPRING - compression	1
27	131-	69	NUT - 5/16" - 18 lock	1
28	132-	310	PIN - cotter 1/8" x 1"	1
29	C	32970	ROD - clutch link	1
30	132-	320	PIN - cotter 3/32" x 3/4"	2

**C29241 TRANSAXLE - 5 SPEED
CASE, INPUT SHAFT AND BRAKE**



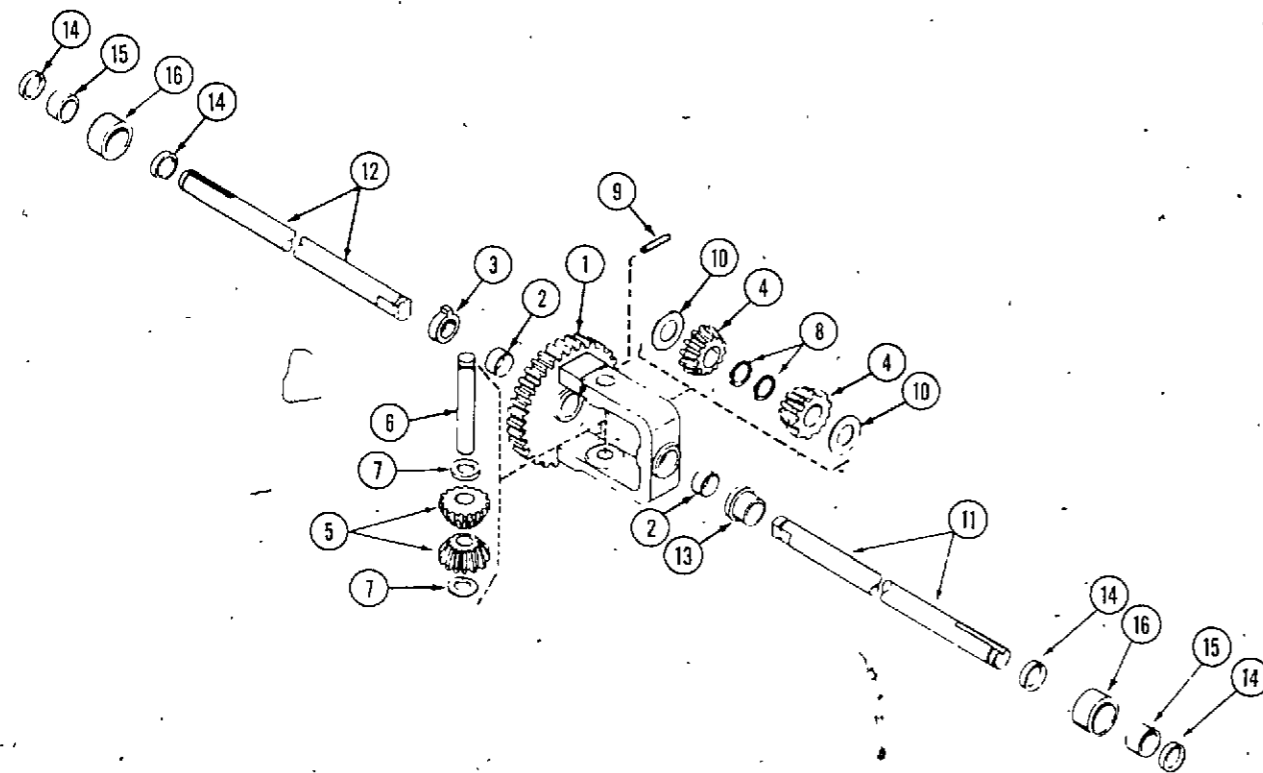
REF.	PART NO.	DESCRIPTION	REQ'D
1	C 27552	CASE - transaxle, bottom	1
2	C 27576	COVER - transaxle, top	1
3	113- 17	SCREW - 1/4" - 20 x 1-1/4" hex	19
4	C 27577	ROD AND FORK ASSEMBLY - shift	1
5	C 19347	RING - retaining	1
6	C 19352	RING - retaining	1
7	C 19345	WASHER - thrust	2
8	C 28648	"O" RING	1
9	C 28649	BEARING - needle	2
10	C 28652	GEAR - bevel pinion, input	1
11	C 28651	SHAFT - input	1
12	178- 53	SCREW - set 3/8" - 16 x 3/8"	1
13	C 28654	SPRING - retaining	1
14	C 28667	BALL - detent, steel	1
15	C 27563	DISK - brake	1
16	C 19353	PAD - brake	2
17	C 19354	PLATE - brake pad	1
18	C 19355	HOLDER - brake pad	1
19	C 28650	PIN - dowel	2
20	C 27580	LEVER - brake	1
21	C 19357	WASHER	1
22	C 19358	NUT - 5/16" - 24 lock	2
23	113- 111	BOLT - 5/16" - 18 x 2-1/2"	4
24	131- 69	NUT - 5/16" lock	4
25	C 32986	BOLT - 5/16" self - tapping (front mounting)	2
26	195- 521	WASHER - 5/16" spacer	1
27	353- 10	PLUG - hex head	1
28	C 28821	BRACKET	1
29	C 16573	SPACER	2
30	195- 2175	WASHER - 5/16"	1

**C29241 TRANSAXLE - 5 SPEED
SHIFTER AND BRAKE SHAFT AND COUNTER SHAFT**



REF.	PART NO.	DESCRIPTION	REQ'D
1	C 29919	SHAFT - shifter and brake	1
2	C 27559	SHAFT - counter	1
3	C 27570	RING - square cut	2
4	C 28653	BUSHING - flanged	3
5	C 19345	WASHER - thrust	2
6	C 27553	GEAR - spur 15 teeth	1
7	C 27560	SPACER	1
8	C 28665	SPROCKET - 18 teeth	1
9	C 28659	COLLAR - shift	1
10	C 28666	KEY	2
11	C 27557	GEAR - spur 37 teeth	1
12	C 28664	WASHER - thrust	4
13	C 28658	GEAR - spur 30 teeth	1
14	C 28657	GEAR - spur 25 teeth	1
15	C 27555	GEAR - spur 22 teeth	1
16	C 28656	GEAR - spur 20 teeth	1
17	C 28663	WASHER - thrust	1
18	C 27564	SPACER	1
19	C 27567	BEARING - needle	1
20	C 27574	RING - square cut	1
21	C 27568	WASHER	1
22	C 27575	RING - square cut	2
23	C 27572	BEARING - needle	2
24	C 27562	GEAR - output	1
25	C 27561	PINION - output	1
26	C 27573	WASHER	1
27	C 28655	SPROCKET - 9 teeth	1
28	C 28668	CHAIN - roller No. 41 (24 links)	1
29	C 27558	GEAR - bevel 42 teeth	1
30	C 27554	GEAR - spur 12 teeth	1
31	C 28660	GEAR - spur 20 teeth	1
32	C 28661	GEAR - spur 25 teeth	1
33	C 27556	GEAR - spur 28 teeth	1
34	C 28662	GEAR - spur 30 teeth	1

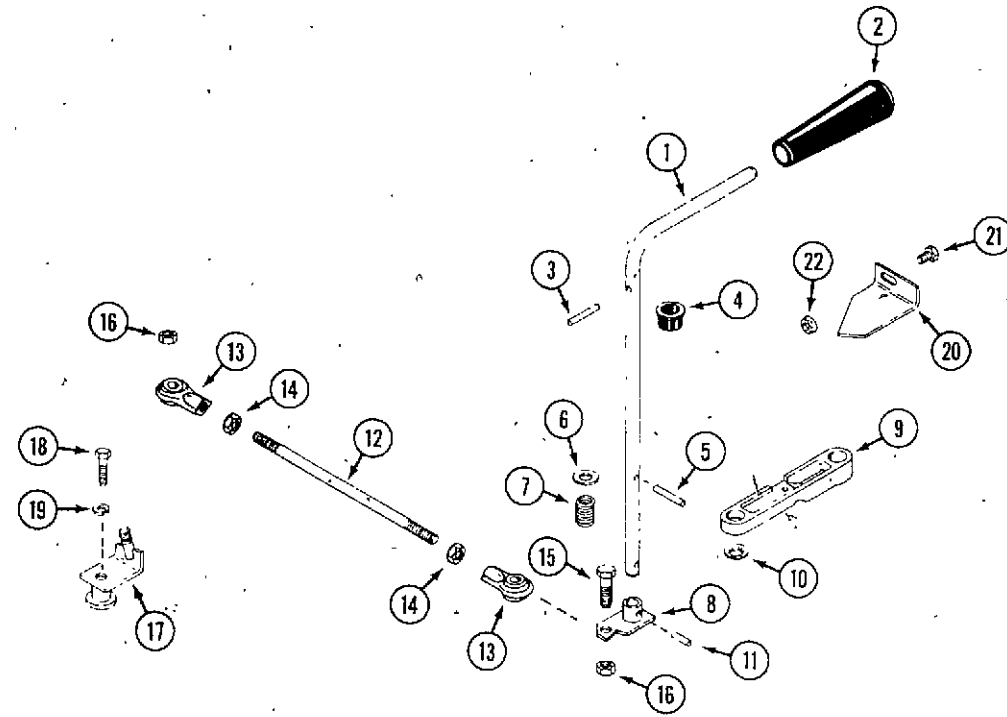
**C 29241 TRANSAXLE - 5 SPEED
DIFFERENTIAL**



REF.	PART NO.	DESCRIPTION	REQ'D
1	C 26111	GEAR ASSEMBLY - differential	1
2	C 21576	BUSHING	2
3	C 27566	BEARING - bronze	1
4	C 19309†	GEAR - bevel (shown) for double-D axle shafts	2
4	C 30500††	GEAR - bevel (for splined axle shafts)	2
5	C 19310	PINION - bevel	2
6	C 19311	PIN - drive	1
7	C 19312	WASHER - thrust	2
8	C 11222	RING - retaining	2
9	138- 97	PIN - roll 3/16" x 1-1/8"	1
10	C 11205	WASHER - thrust	2
11	C 27571†	AXLE - R.H. 14-5/8" (371 mm) shown (double-D style)	1
11	C 30501††	AXLE - R.H. 14-5/8" (371 mm) (splined style)	1
12	C 27579†	AXLE - L.H. 12-3/4" (324 mm) shown (double-D style)	1
12	C 30502††	AXLE - L.H. 12-3/4" (324mm) (splined style)	1
13	C 27565	BUSHING - flanged	1
14	C 27581	SEAL - oil and dirt	2
15	NSS*	BEARING - needle (use C27569 ball bearing)	2
16	NSS*	SLEEVE - bearing (use C27569 ball bearing)	2

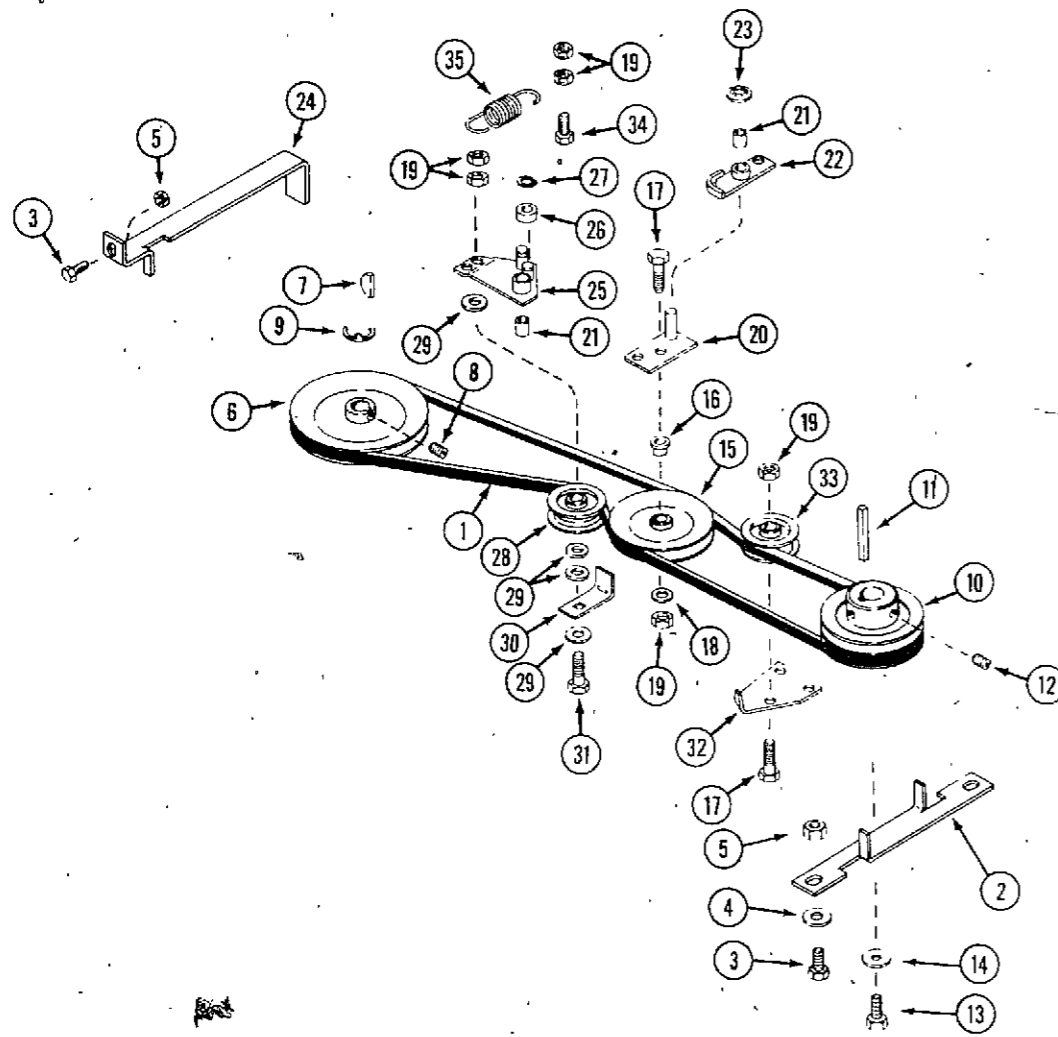
*Discard the needle bearing, sleeve and seals when replacing with C27569 ball bearing.
 †used in transaxle Model No. 826
 ††used in transaxle Model No. 843

TRAVEL CONTROL

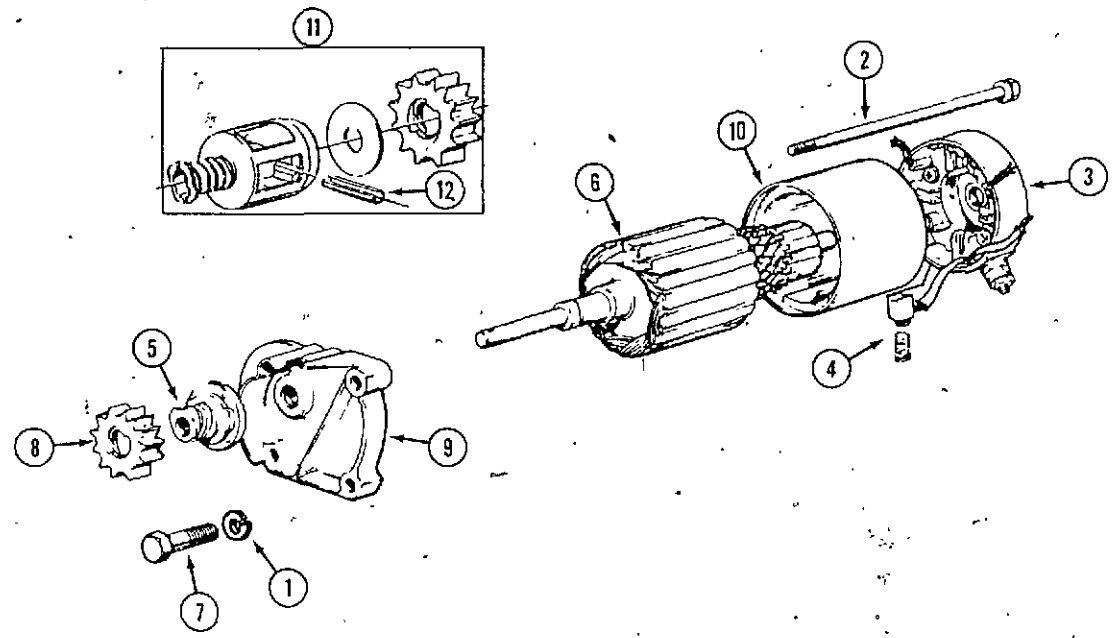


REF.	PART NO.	DESCRIPTION	REQ'D
1	C 30657	LEVER - travel	1
2	C 29047	HANDLE - control	1
3	138- 2072	PIN - roll 1/8" x 1-3/4"	1
4	C 27593	BUSHING - flip lock	1
5	138- 2055	PIN - spiral 3/16" x 1-1/2"	1
6	195- 533	WASHER	1
7	C 27822	SPRING - compression	1
8	C 30824	ARM - travel lever	1
9	C 29651	LOCATOR - neutral	1
10	C 30817	NUT - push 3/8"	2
11	138- 2071	PIN - spiral 3/16" x 15/16"	1
12	C 32987	ROD - travel	1
13	C 26332	BALL JOINT - R.H.	2
14	129- 163	NUT - 3/8" - 24	2
15	113- 208	BOLT - 3/8" - 16 x 1-1/4"	2
16	131- 1352	NUT - 3/8" - 16 lock	2
17	C 32983	CRANK - shift	1
18	114- 4	BOLT - 1/4" - 28 x 1-1/2"	1
20	C 32988	BRACKET - stop	1
21	113- 118	BOLT - 5/16" - 18 x 5/8"	1
22	131- 911	NUT - 5/16" - 18 flange lock	1

BELT, PULLEYS AND IDLERS (DRIVE)



REF.	PART NO.	DESCRIPTION	REQ'D
1	C 29699	BELT - drive	1
2	C 25113	GUIDE - belt	1
3	113- 118	BOLT - 5/16" - 18 x 5/8"	3
4	195- 103	WASHER - 5/16"	2
5	131- 176	NUT - 5/16" - 18	3
6	C 33208	PULLEY - transaxle	1
7	126- 16	KEY - 3/16" x 3/4" woodruff	1
8	83- 55	SETSCREW - 5/16" - 18 x 5/16"	1
9	C 28958	RING - retaining "E"	1
10	C 19071	PULLEY - drive	1
11	C 28315	KEY - 1/4" square x 2"	1
12	178- 858	SETSCREW - 5/16" - 18 x 3/8"	2
13	14- 712	BOLT - 7/16" - 20 x 3/4"	1
14	195- 2029	WASHER	1
15	C 25370	PULLEY	1
16	C 12264	BUSHING	1
17	113- 209	BOLT - 3/8" - 16 x 1-1/2"	2
18	195- 525	WASHER - 3/8"	1
19	131- 1352	NUT - lock 3/8" flange	6
20	C 32970	BRACKET - cam pivot	1
21	C 17203	BUSHING - sleeve	1
22	C 32978	CAM - clutch	1
23	C 30817	NUT - push 3/8"	1
24	C 30103	GUIDE - belt	2
25	C 32973	ARM - clutch	1
26	C 16573	ROLLER - cam	1
27	C 30619	RING - retaining	1
28	C 15672	PULLEY - idler, flat	1
29	195- 104	WASHER - 3/8"	4
30	C 29243	RETAINER - belt	1
31	113- 257	BOLT - 3/8" - 16 x 2-1/2"	1
32	C 32981	BRACKET - idler	1
33	C 15672	PULLEY - idler, flat	1
34	113- 207	BOLT - 3/8" - 16 x 1"	1
35	C 21942	SPRING - tension	1

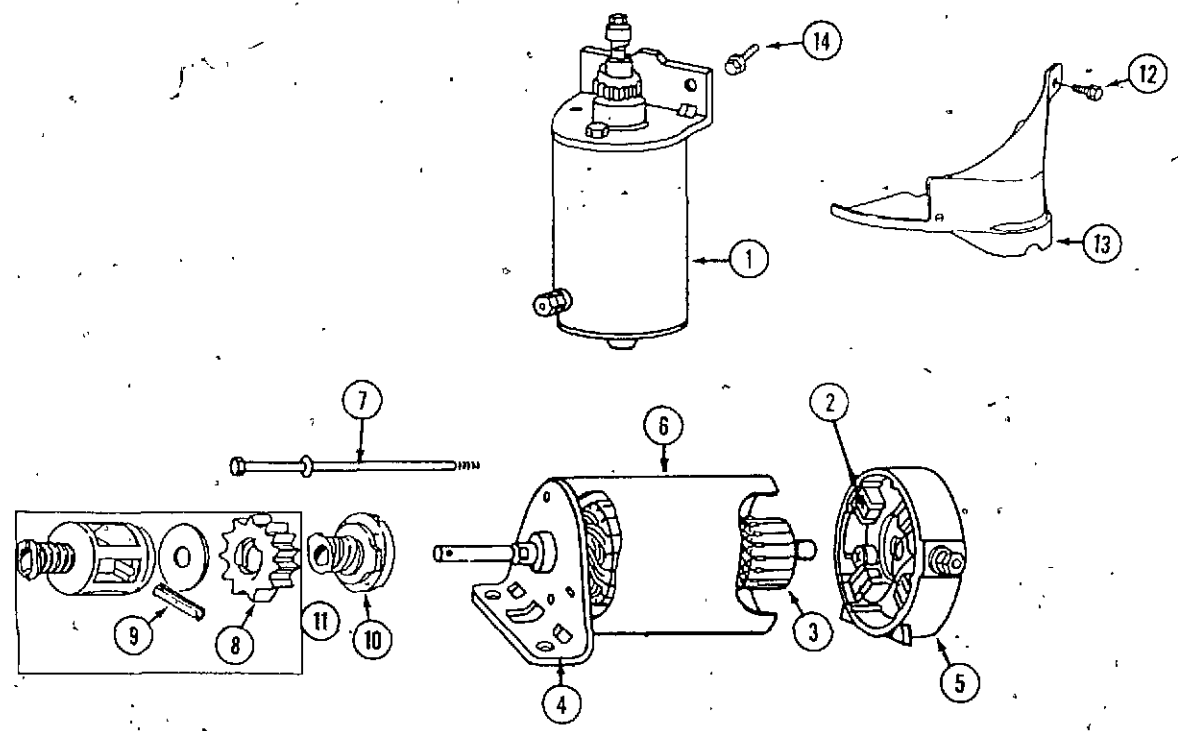


STARTER MOTOR (114B, 116B)

REF.	PART NO.	DESCRIPTION	REQ'D
	C 27418	MOTOR - starting	1
1	92- 5	LOCK WASHER - 5/16"	2
2	C 27260	BOLT - thru	2
3	C 27258	END CAP ASSEMBLY - commutator end	1
4	C 27259	BRUSH SET	2
5	C 30406	CLUTCH - drive	1
6	BR 390837	ARMATURE	1
7	113- 122	SCREW - mounting 5/16" - 18 x 1-1/2"	2
8	C 27422	GEAR - drive	1
9	C 27423	END CAP - drive end	1
10	C 27263	HOUSING - starter	1
11	C 27424	KIT - pinion spring	1
12	138- 75	PIN - roll 5/32" x 7/8"	1

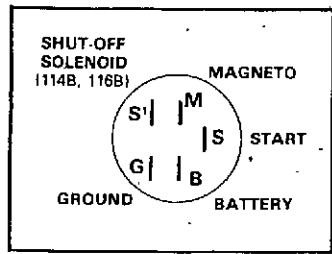
STARTER MOTOR (112B)

1	C 30438	MOTOR - starter, 12 volt	1
2	C 27259	BRUSH ASSEMBLY	1
3	C 30442	ARMATURE - starter	1
4	C 30444	END CAP - drive end	1
5	C 27258	END CAP - commutator end	1
6	C 30445	HOUSING - starter	1
7	C 30439	BOLT - thru (includes washer)	2
8	C 27422	GEAR - starter	1
9	138- 2032	PIN - roll	1
10	C 30406	CLUTCH - drive	1
11	C 30441	RETAINER KIT - drive	1
12	187- 1328	SCREW - No. 8 - 18 x 3/8"	2
13	C 30443	COVER AND SHIELD - starter	1
14	NSS	SCREW - mounting (use 113-102 and 92-5)	2

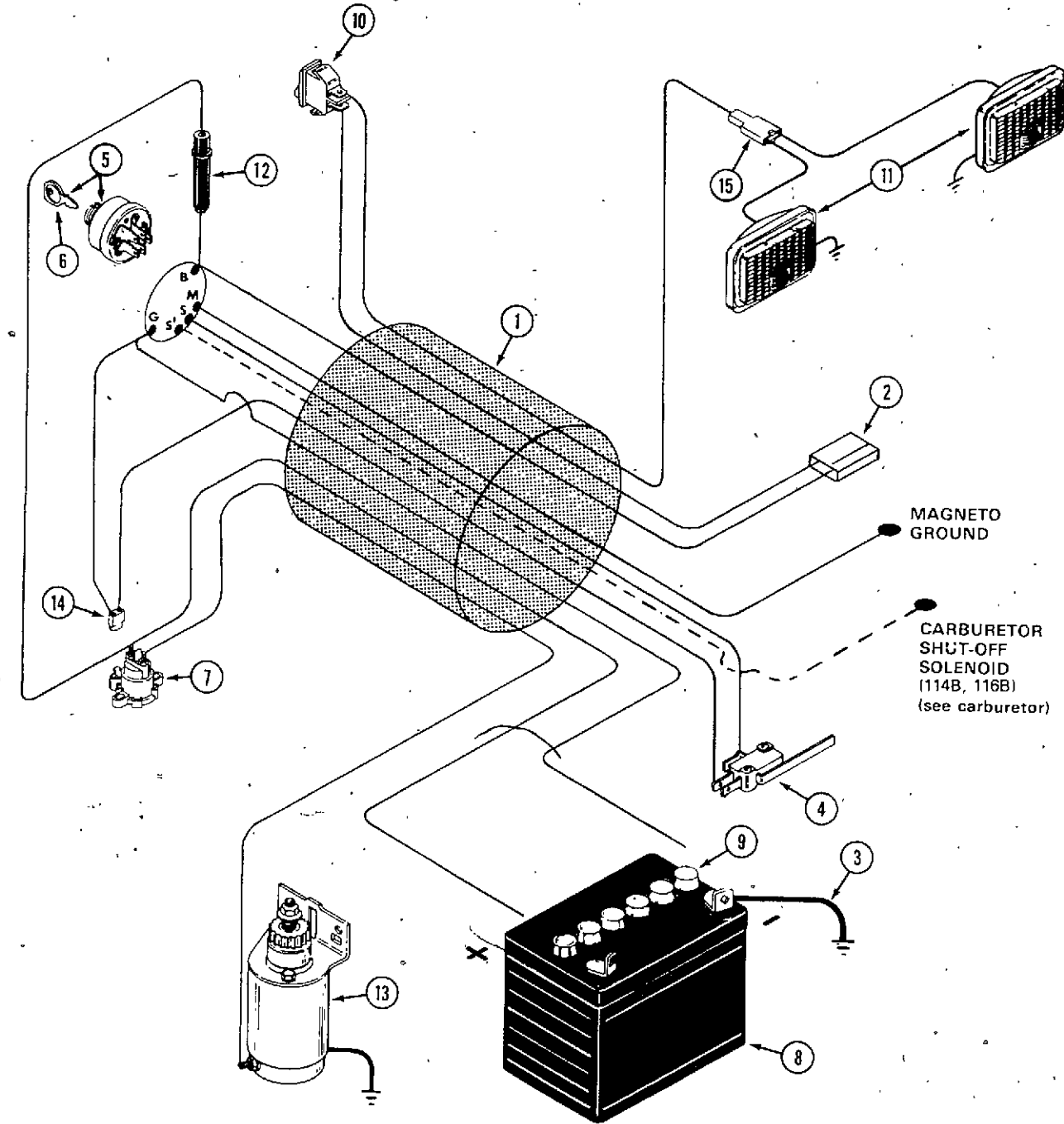


ELECTRICAL SYSTEM

Use before PIN:
 112B-14103745
 114B-14105556
 116B-14116701



IGNITION SWITCH TERMINALS

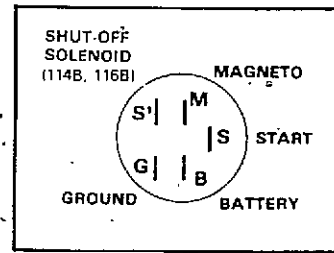


REF.	PART NO.	DESCRIPTION	REQ'D
1	NSS	HARNES - wire (112B) (use C31035)	1
1	NSS	HARNES - wire (114B, 116B) use C31036)	1
2	C 25243	CONNECTOR - wire	1
3	C 29256	CABLE - battery negative to ground (black)	1
4	C 26108	SWITCH - neutral start	1
5	C 30267	SWITCH - ignition (includes hardware)	1
6	C 32407	KEY - ignition	1
7	NSS	SOLENOID - start (use C33025 kit)	1
8	NSS	BATTERY - 12 volt (use C31213)	1
9	C 18113	CAP - battery	6
10	C 29322	SWITCH - headlights	1
11	C 32178	HEADLIGHT ASSEMBLY - 12 volt (see page 57 for service)	2
12	223- 30	FUSE - 30 amp (included with harness)	1
13	C 27418	STARTER - engine, 12 volt (see page 51 for service) (114B, 116B)	1
13	C 30438	STARTER - engine, 12 volt (see page 51 for service) (112B)	1
14	C 27549	CONNECTOR - solenoid	1
15	C 14537	CONNECTOR - headlights	1

ELECTRICAL SYSTEM

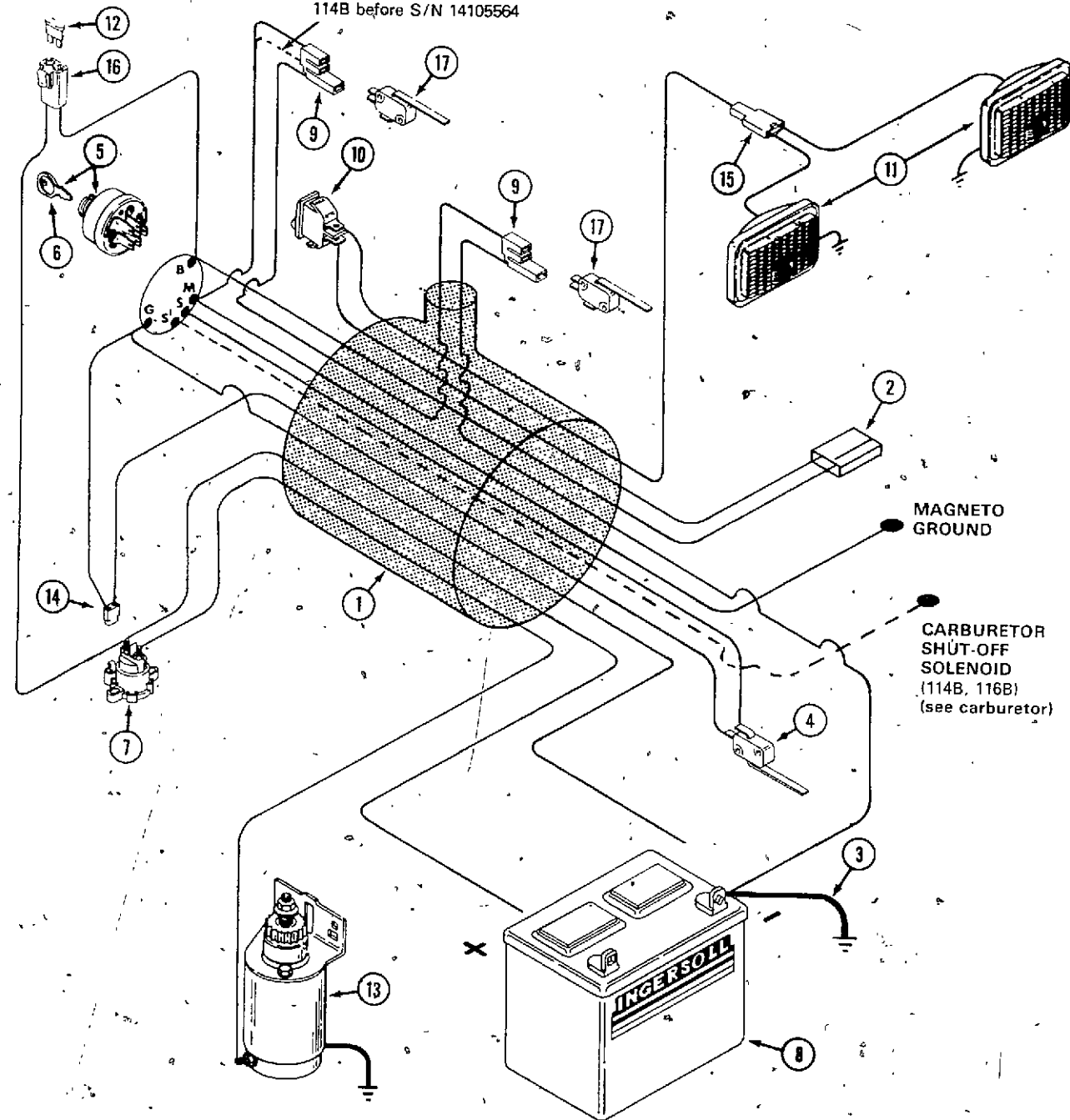
Use PIN and after:
 112B-14103745
 114B-14105556
 116B-14116701

REF.	PART NO.	DESCRIPTION	REQ'D
1	C 31442	HARNESS - wire (112B)	1
1	C 31443	HARNESS - wire (114B PIN 14105564 and after) (116B all)	1
1	C 31036	HARNESS - wire (114B before PIN 14105564)	1
2	C 25243	CONNECTOR - wire	1
3	C 29256	CABLE - battery negative to ground (black)	1
4	C 26108	SWITCH - neutral start	1
5	C 30267	SWITCH - ignition (includes hardware)	1
6	C 32407	KEY - ignition	1
7	NSS	SOLENOID - start (use C33025 kit)	1
8	C 31213	BATTERY - 12 volt	1
9	C 30279	CONNECTOR - interloc switch	2
10	C 29322	SWITCH - headlights	1
11	C 32178	HEADLIGHT ASSEMBLY - 12 volt (see page 57 for service)	2
12	C 30260	FUSE - 30 amp (included with harness)	1
13	C 27418	STARTER - engine, 12 volt (114B, 116B) (see page 51 for service)	1
13	C 30438	STARTER - engine, 12 volt (112B) (see page 51 for service)	1
14	C 27549	CONNECTOR - solenoid	1
15	C 14537	CONNECTOR - headlights	1
16	C 31947	HOLDER - fuse	1
17	C 30275	SWITCH - interloc	2



IGNITION SWITCH TERMINALS

Indicates connection on 114B before S/N 14105564



ELECTRICAL SYSTEM HARDWARE

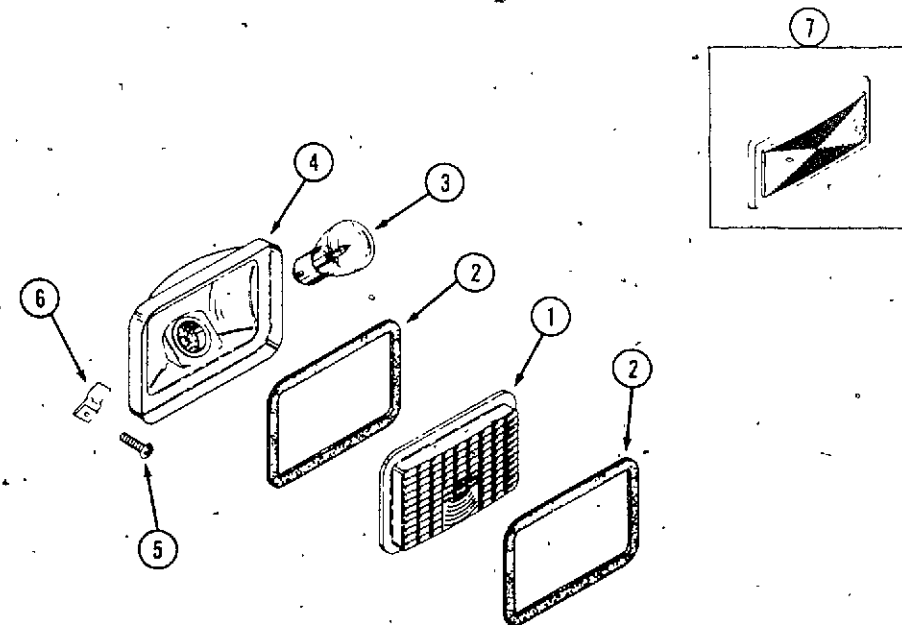
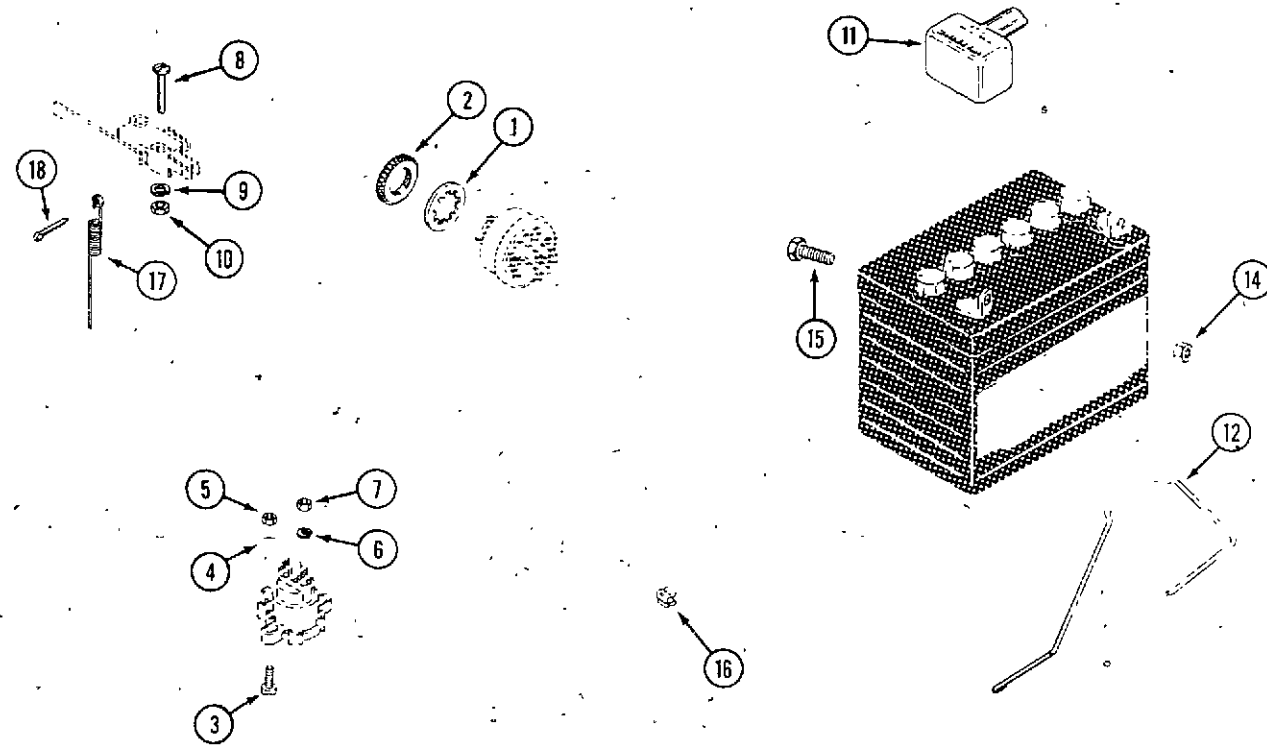
REF.	PART NO.	DESCRIPTION	REQ'D
1	C 23248	WASHER - internal tooth 5/8"	1
2	C 24659	NUT - 5/8" - 32 knurled	1
3	182- 559	SCREW - No. 10 - 24 x 3/4" black	2
4	193- 70	LOCK WASHER - No. 10 external tooth	2
5	129- 17	NUT - No. 10 - 24 hex	2
6	192- 18	LOCK WASHER - 3/16"	2
7	129- 37	NUT - No. 10-32	3
8	182- 10	SCREW - No. 4 - 40 x 7/8"	2
9	192- 13	LOCK WASHER - No. 4	2
10	129- 13	NUT - No. 4 - 40	2
11	C 24069	COVER - terminal	1
12	C 15114	CLAMP - battery hold down	1
14	129- 101	NUT - 1/4" - 20	2
15	113- 3	BOLT - 1/4" - 20 x 3/4"	2
16	C 19521	CLIP - wire	1
17	C 29169	SPRING - switch activating	1
18	132- 310	PIN - cotter 1/8" x 1"	2
	C 28962	CLIP - neutral start switch wire	2

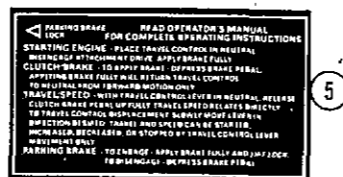
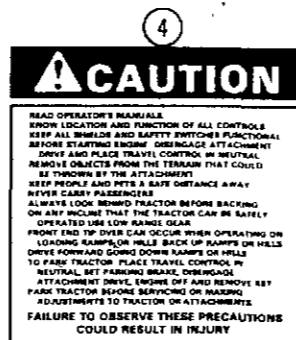
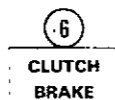
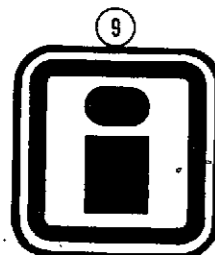
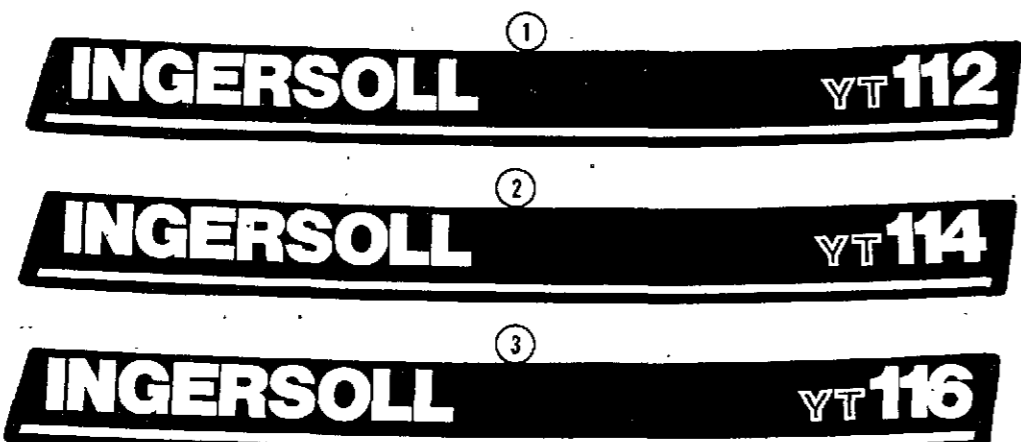
UAR

HEADLIGHT AND REAR REFLECTOR

1	C 32178	HEADLIGHT ASSEMBLY	2
2	C 22573	LENS - headlight	1
3	C 14304	GASKET - headlight	2
4	C 28932	BULB - headlight	1
5	NSS	RECEPTACLE - headlight (use C32178)	1
6	187- 1334	SCREW - No. 8 - 18 x 1/2" black	4
7	C 29637	RETAINER - headlight	4
	C 30942*	REFLECTOR - red, rear	2

*Will require 2
before PIN:
112B-14103738
114B-14105555
116B-14116700





DECALS

REF.	PART NO.	DESCRIPTION	REQ'D
1	NSS*	DECAL - hood - L.H. (112B) use C32141	1
1	NSS*	DECAL - hood - R.H. (112B) use C32157	1
2	NSS*	DECAL - hood - L.H. (114B) use C32142	1
2	NSS*	DECAL - hood - R.H. (114B) use C32158	1
3	NSS*	DECAL - hood - L.H. (116B) use C32143	1
3	NSS*	DECAL - hood - R.H. (116B) use C32159	1
4	321- 6659	DECAL - "caution"	1
5	C 29201	DECAL - instruction	1
6	C 27875	DECAL - clutch, brake	1
7	C 29478	DECAL - pinch point	2
8	NSS*	DECAL - seat back (use C32093)	1
9	C 30539	MEDALLION - Ingersoll	1

*The original decals are not available.
Use the decals shown.
Replace both sides for correct match.

NUMERICAL INDEX

PART NO.	PAGE NO.	REF. NO.	PART NO.	PAGE NO.	REF. NO.
BR 26157	13	5	C14906	7	50
BR 26157	15	22	C15066	35	1
BR 26828	5	28	C15083	25	4
BR 26828	7	27	C15096	33	2
BR 65906	5	27	C15105	33	9
BR 65906	7	26	C15114	57	12
BR 66538	9	17	C15156	37	26
BR 66768	5	15	C15156	39	4
BR 92284	9	19	C15410	29	6
BR 93113	7	10	C15410	31	10
BR 93357	13	10	C15540	11	5
BR 93499	13	3	C15672	49	28
BR 93499	15	10	C15672	49	33
BR 93499	15	16	C16362	27	5
BR 93630	5	38	C16429	31	4
BR 93630	7	30	C16573	37	14
BR 93723	5	10	C16573	41	29
BR211712	13	16	C16573	49	26
BR220865	9	3	C16745	25	29
BR221535	19	9	C17066	25	40
BR221596	5	29	C17066	35	22
BR221596	7	28	C17203	49	21
BR221798	9	15	C17597	25	16
BR221995	13	19	C17597	25	28
BR222010	13	8	C18113	53	9
BR222010	15	12	C18626	35	13
BR222014	13	21	C19071	49	10
BR222450	19	14	C19309	45	4
BR222561	9	7	C19310	45	5
BR230896	13	7	C19311	45	6
BR230896	15	24	C19312	45	7
BR231055	5	36	C19345	41	7
BR231058	19	4	C19345	43	5
BR260584	19	8	C19347	41	5
BR261116	13	37	C19352	41	6
BR261129	19	2	C19353	41	16
BR270382	13	38	C19354	41	17
BR270511	13	20	C19355	41	18
BR292260	5	37	C19357	41	21
BR292260	7	29	C19358	41	22
BR292681	13	2	C19473	7	49
BR292681	15	20	C19521	57	16
BR299500	19	1	C21576	45	2
BR299707	13	17	C21942	49	35
BR299740	13	23	C23248	57	1
BR390419	7	24	C23535	25	31
BR390684	13	22	C23818	25	7
BR390637	51	6	C24069	57	11
BR391406	5	5	C24329	9	18
BR391733	19	5	C24345	39	8
BR392134	9	25	C24377	37	24
BR393456	9	9	C24503	35	2
BR393474	9	8	C24659	57	2
C10678	11	9	C25113	49	2
C11205	45	10	C25229	25	14
C11222	45	8	C25233	25	6
C11529	11	2	C25243	53	2
C11796	35	7	C25243	55	2
C11906	35	5	C25370	49	15
C12264	49	16	C25709	5	2
C12975	25	8	C25709	7	2
C13106	35	7	C25712	5	8
C14201	33	14	C25718	5	14
C14399	7	51	C25718	7	14
C14537	53	15	C25725	5	19
C14537	55	15	C25726	5	19
C14652	19	17	C25727	5	19
C14768	27	31	C25728	5	20

PART NO.	PAGE NO.	REF. NO.	PART NO.	PAGE NO.	REF. NO.
C25728	7	20	C25728	7	20
C25729	5	21	C25729	5	21
C25729	7	19	C25729	7	19
C25730	5	21	C25730	5	21
C25730	7	19	C25730	7	19
C25732	5	23	C25732	5	23
C25733	5	24	C25733	5	24
C25733	7	23	C25733	7	23
C25738	13	1	C25738	13	1
C25745	13	13	C25745	13	13
G25746	5	32	G25746	5	32
C25749	7	47	C25749	7	47
C25760	13	35	C25760	13	35
C25764	13	39	C25764	13	39
C26039	33	8	C26039	33	8
C26051	35	11	C26051	35	11
C26108	53	4	C26108	53	4
C26108	55	4	C26108	55	4
C26111	45	1	C26111	45	1
C26325	33	1	C26325	33	1
C26332	35	17	C26332	35	17
C26332	37	11	C26332	37	11
C26332	47	13	C26332	47	13
C26333	35	18	C26333	35	18
C26345	25	42	C26345	25	42
C26370	35	12	C26370	35	12
C26507	17	19	C26507	17	19
C26526	31	14	C26526	31	14
C26526	35	5	C26526	35	5
C27045	33	13	C27045	33	13
C27047	35	10	C27047	35	10
C27233	11	6	C27233	11	6
C27236	5	17	C27236	5	17
C27236	7	16	C27236	7	16
C27240	13	14	C27240	13	14
C27240	15	17	C27240	15	17
C27244	13	28	C27244	13	28
C27254	13	18	C27254	13	18
C27254	15	25	C27254	15	25
C27255	13		C27255	13	
C27258	51	3	C27258	51	3
C27258	51	5	C27258	51	5
C27259	51	4	C27259	51	4
C27259	51	2	C27259	51	2
C27260	51	2	C27260	51	2
C27263	51	10	C27263	51	10
C27266	13	43	C27266	13	43
C27267	13	26	C27267	13	26
C27269	9	14	C27269	9	14
C27308	7	6	C27308	7	6
C27309	21	5	C27309	21	5
C27310	7	8	C27310	7	8
C27311	7	8	C27311	7	8
C27312	7	8	C27312	7	8
C27313	7	9	C27313	7	9
C27314	7	12	C27314	7	12
C27315	7	13	C27315	7	13
C27316	7	17	C27316	7	17
C27317	7	17	C27317	7	17
C27318	7	17	C27318	7	17
C27319	7	17	C27319	7	17
C27320	7	18	C27320	7	18
C27321	7	18	C27321	7	18
C27322	7	18	C27322	7	18
C27323	7	18	C27323	7	18
C27324	7	21	C27324	7	21
C27326	7	25	C27326	7	25
C27327	7	31	C27327	7	31

PART NO.	PAGE NO.	REF. NO.	PART NO.	PAGE NO.	REF. NO.
C27328	7	32	C27328	7	32
C27329	7	34	C27329	7	34
C27330	7	35	C27330	7	35
C27331	5	36	C27331	5	36
C27332	7	22	C27332	7	22
C27332	19	14	C27332	19	14
C27333	15	43	C27333	15	43
C27334	9	18	C27334	9	18
C27335	7		C27335	7	
C27336	7	39	C27336	7	39
C27337	7	40	C27337	7	40
C27338	7	41	C27338	7	41
C27339	7	42	C27339	7	42
C27340	19	15	C27340	19	15
C27341	19	16	C27341	19	16
C27342	7	46	C27342	7	46
C27343	19	18	C27343	19	18
C27344	19	19	C27344	19	19
C27345	7	43	C27345	7	43
C27346	7	37	C27346	7	37
C27347	7	7	C27347	7	7
C27348	21	6	C27348	21	6
C27349	21	7	C27349	21	7
C27350	5	6	C27350	5	6
C27350	21	8	C27350	21	8
C27351	9	1	C27351	9	1
C27352	9	3	C27352	9	3
C27353	17	2	C27353	17	2
C27354	17	3	C27354	17	3
C27355	21	2	C27355	21	2
C27355	9	19	C27355	9	19
C27357	9	7	C27357	9	7
C27358	9	6	C27358	9	6
C27359	21	10	C27359	21	10
C27360	21	11	C27360	21	11
C27362	21	14	C27362	21	14
C27363	21	15	C27363	21	15
C27364	17	7	C27364	17	7
C27365	9	2	C27365	9	2
C27366	17	8	C27366	17	8
C27367	17	4	C27367	17	4
C27368	21	17	C27368	21	17
C27369	21	18	C27369	21	18
C27370	21	19	C27370	21	19
C27372	7	3	C27372	7	3
C27373	7	4	C27373	7	4
C27374	7	5	C27374	7	5
C27375	15	1	C27375	15	1
C27376	15	2	C27376	15	2
C27377	15	3	C27377	15	3
C27378	15	4	C27378	15	4
C27382	15	15	C27382	15	15
C27383	15	18	C27383	15	18
C27385	15	23	C27385	15	23
C27387	15	13	C27387	15	13
C27389	15		C27389	15	
C27390	17	1	C27390	17	1
C27391	19	4	C27391	19	4
C27392	15	30	C27392	15	30
C27393	15	31	C27393	15	31
C27394	15	32	C27394	15	32
C27395	19	5	C27395	19	5
C27396	19	6	C27396	19	6
C27397	19	7	C27397	19	7
C27398	19	8	C27398	19	8
C27399	15	35	C27399	15	35
C27400	15	36	C27400	15	36
C27401	15	37	C27401	15	37

NUMERICAL INDEX

PART NO.	PAGE NO.	REF. NO.	PART NO.	PAGE NO.	REF. NO.
C27402	15	38	C27402	15	38
C27403	15	39	C27403	15	39
C27404	17	4	C27404	17	4
C27407	15	47	C27407	15	47
C27408	17	7	C27408	17	7
C27409	15	19	C27409	15	19
C27411	17	9	C27411	17	9
C27413	15	44	C27413	15	44
C27414	15	45	C27414	15	45
C27415	15	46	C27415	15	46
C27416	15		C27416	15	
C27417	17	10	C27417	17	10
C27418	51		C27418	51	
C27418	53	13	C27418	53	13
C27418	55	13	C27418	55	13
C27419	9	13	C27419	9	13
C27420	9	12	C27420	9	12
C27422	51	8	C27422	51	8
C27422	51	8	C27422	51	8
C27423	51	9	C27423	51	9
C27424	51	11	C27424	51	11
C27442	39	26	C27442	39	26
C27549	53	14	C27549	53	14
C27549	55	14</			

NUMERICAL INDEX

PART NO.	PAGE NO.	REF. NO.	PART NO.	PAGE NO.	REF. NO.
C29326	25	15	C30413	5	9
C29478	59	7	C30414	5	12
C29634	17	11	C30415	5	13
C29651	47	9	C30416	5	22
C29699	49	1	C30417	5	25
C29706	37	4	C30418	5	26
C29778	5	39	C30419	5	30
C29779	13	9	C30420	5	33
C29780	13	24	C30421	5	35
C29785	9	12	C30422	5	
C29794	19	10	C30423	9	2
C29796	19	15	C30425	13	11
C29816	9	1	C30426	13	15
C29818	9	3	C30427	13	27
C29820	15		C30428	13	30
C29821	15	8	C30429	13	32
C29822	15	17	C30430	13	33
C29826	5	18	C30431	13	36
C29827	5	18	C30432	13	41
C29828	5	18	C30433	13	42
C29829	5	18	C30434	13	25
C29830	5	19	C30435	13	34
C29833	5	31	C30436	9	24
C29835	9	4	C30437	21	1
C29846	19	1	C30438	51	1
C29848	17	16	C30438	53	13
C29849	17	17	C30438	55	13
C29852	15	11	C30439	51	7
C29853	15	14	C30440	9	21
C29854	13	31	C30441	51	11
C29854	17	5	C30442	51	3
C29855	17	6	C30443	51	13
C29856	17	8	C30444	51	4
C29857	15	26	C30445	51	6
C29858	15	27	C30446	21	21
C29859	15	26	C30447	9	22
C29860	7	52	C30448	9	23
C29861	15		C30449	19	3
C29862	15	8	C30475	25	5
C29863	15	11	C30477	25	13
C29864	15	14	C30500	45	4
C29917	39	20	C30501	45	11
C29919	43	1	C30502	45	12
C29929	7	1	C30508	23	4
C30071	29	11	C30509	23	5
C30071	31	15	C30510	23	3
C30073	11	9	C30539	59	9
C30074	11	8	C30619	49	27
C30100	27	26	C30657	47	1
C30101	27	26	C30669	39	1
C30103	49	24	C30671	39	10
C30155	35	23	C30674	37	1
C30157	37	3	C30675	37	10
C30260	55	12	C30676	37	18
C30267	53	5	C30679	37	21
C30267	55	5	C30680	37	22
C30275	55	17	C30681	37	23
C30279	55	9	C30682	37	25
C30286	17	14	C30684	37	31
C30289	27	25	C30689	27	28
C30292	27	4	C30769	25	35
C30405	13	44	C30780	35	6
C30406	51	5	C30781	35	1
C30406	51	10	C30785	29	12
C30409	5	3	C30785	31	16
C30410	5	4	C30817	47	10
C30411	5	9	C30817	49	23
C30412	5	9	C30824	47	8

PART NO.	PAGE NO.	REF. NO.	PART NO.	PAGE NO.	REF. NO.
C30836	37	30	C30836	37	30
C30843	5	1	C30843	5	1
C30873	25	27	C30873	25	27
C31004	31	5	C31004	31	5
C31005	31	3	C31005	31	3
C31006	31	13	C31006	31	13
C31009	25	1	C31009	25	1
C31031	31	1	C31031	31	1
C31036	55	1	C31036	55	1
C31135	27	13	C31135	27	13
C31192	27	22	C31192	27	22
C31213	55	8	C31213	55	8
C31215	25	41	C31215	25	41
C31350	17	15	C31350	17	15
C31437	25	1	C31437	25	1
C31442	55	1	C31442	55	1
C31443	55	1	C31443	55	1
C31947	55	16	C31947	55	16
C31978	11	8	C31978	11	8
C32178	53	11	C32178	53	11
C32178	55	11	C32178	55	11
C32376	15	42	C32376	15	42
C32407	53	6	C32407	53	6
C32407	55	6	C32407	55	6
C32970	39	29	C32970	39	29
C32970	49	20	C32970	49	20
C32973	49	25	C32973	49	25
C32978	49	22	C32978	49	22
C32981	49	32	C32981	49	32
C32983	47	17	C32983	47	17
C32986	41	25	C32986	41	25
C32987	47	12	C32987	47	12
C32988	47	20	C32988	47	20
C32990	37	32	C32990	37	32
C33208	49	6	C33208	49	6
011-312	19	6	011-312	19	6
013-624	35	19	013-624	35	19
013-628	35	20	013-628	35	20
014-712	49	13	014-712	49	13
022-48	17	9	022-48	17	9
022-48	19	12	022-48	19	12
041-24	13	12	041-24	13	12
061-512	17	12	061-512	17	12
061-612	39	25	061-612	39	25
071-410	15	7	071-410	15	7
083-55	49	8	083-55	49	8
092-3	7	33	092-3	7	33
092-3	15	29	092-3	15	29
092-5	21	13	092-5	21	13
092-5	51	1	092-5	51	1
111-108	39	17	111-108	39	17
111-132	33	4	111-132	33	4
111-229	37	19	111-229	37	19
111-420	19	10	111-420	19	10
113-2	17	6	113-2	17	6
113-3	57	15	113-3	57	15
113-5	15	5	113-5	15	5
113-17	41	3	113-17	41	3
113-101	21	12	113-101	21	12
113-102	11	3	113-102	11	3
113-102	25	9	113-102	25	9
113-102	25	24	113-102	25	24
113-102	31	9	113-102	31	9
113-102	37	27	113-102	37	27
113-102	39	3	113-102	39	3
113-103	27	17	113-103	27	17
113-103	29	9	113-103	29	9
113-103	33	11	113-103	33	11

PART NO.	PAGE NO.	REF. NO.	PART NO.	PAGE NO.	REF. NO.
113-103	37	27	113-103	37	27
113-104	29	9	113-104	29	9
113-111	41	23	113-111	41	23
113-118	47	21	113-118	47	21
113-118	49	3	113-118	49	3
113-120	7	44	113-120	7	44
113-121	23	1	113-121	23	1
113-122	23	2	113-122	23	2
113-122	31	12	113-122	31	12
113-122	51	7	113-122	51	7
113-205	25	12	113-205	25	12
113-205	27	8	113-205	27	8
113-207	27	9	113-207	27	9
113-207	49	34	113-207	49	34
113-208	47	15	113-208	47	15
113-209	25	32	113-209	25	32
113-209	49	17	113-209	49	17
113-219	37	15	113-219	37	15
113-221	27	29	113-221	27	29
113-257	49	31	113-257	49	31
114-4	47	18	114-4	47	18
121-106	27	20	121-106	27	20
121-106	29	2	121-106	29	2
121-106	31	2	121-106	31	2
123-311	35	24	123-311	35	24
126-16	49	7	126-16	49	7
129-6	19	13	129-6	19	13
129-6	19	2	129-6	19	2
129-7	19	7	129-7	19	7
129-13	57	10	129-13	57	10
129-16	21	16	129-16	21	16
129-17	11	3	129-17	11	3
129-17	57	5	129-17	57	5
129-37	57	7	129-37	57	7
129-101	17	2	129-101	17	2
129-101	19	11	129-101	19	11
129-101	39	19	129-101	39	19
129-101	57	14	129-101	57	14
129-102	23	2	129-102	23	2
129-102	25	26	129-102	25	26
129-102	33	6	129-102	33	6
129-102	37	29	129-102	37	29
129-102	39	6	129-102	39	6
129-103	25	34	129-103	25	34
129-103	27	11	129-103	27	11
129-103	27	33	129-103	27	33
129-163	35	15	129-163	35	15
129-163	37	13	129-163	37	13
129-163	47	14	129-163	47	14
129-289	35	16	129-289	35	16
131-69	23	3	131-69	23	3
131-69	39	27	131-69	39	27
131-69	41	24	131-69	41	24
131-176	25	10	131-176	25	10
131-176	49	5	131-176	49	5
131-911	11	4	131-911	11	4
131-911	31	6	131-911	31	6
131-911	37	20	131-911	37	20
131-911	47	22	131-911	47	22
131-934	27	24	131-934	27	24
131-1181	25	30	131-1181	25	30
131-1181	35	21	131-1181	35	21
131-1181	37	17	131-1181	37	17
131-1331	35	14	131-1331	35	14
131-1352	39	23	131-1352	39	23
131-1352	47	16	131-1352	47	16
131-1352	49	19	131-1352	49	19
132-6	39	11	132-6	39	11

PART NO.	PAGE NO.	REF. NO.	PART NO.	PAGE NO.	REF. NO.
132-310	37	8	132-310	37	8
132-310	39	28	132-310	39	28
132-310	57	18	132-310	57	18
132-320	25	22	132-320	25	22
132-320	39	30	132-320	39	30
132-332	25	38	132-332	25	38
132-334	27	6	132-334	27	6
136-103	19	16	136-103	19	16
138-51	39	22	138-51	39	22
138-57	25	36	138-57	25	36
138-75	51	12	138-75	51	12
138-92	39	2	138-92	39	2
138-97	45	9	138-97	45	9
138-143	33	16	138-143	33	16
138-251	13	6	138-251	13	6
138-2032	51	9	138-2032	51	9
138-2040	35	4			