



Ingersoll

**HYDRAULIC MOWER
AHRM4H, HRM48H
Parts Catalog 8-3091**

HOME

TRACTORS

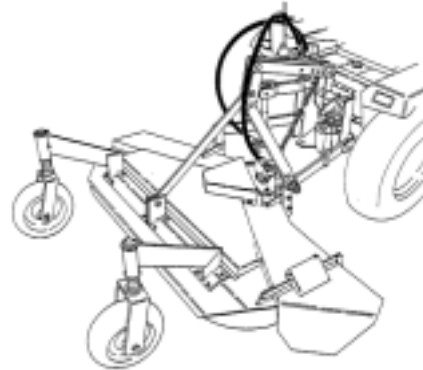
ATTACHMENTS

PAINT

GENERAL INFO

INDEX

Deck, Belt and Idler Pulley5
 Mounting Bracket7
 Rear Wheels.....7
 Hydraulic Drive9-13
 Spindles and Blades.....9
 Hydraulic Motor15
 PTO Handle Stop Bracket17
 Decals17



APPLICATION CHART

MODEL
HRM48H

TRACTOR
3014, 3016, 3018
4014, 4016, 4018, 4020
6018

AHRM4H

3118, 4118
3118D, 4118D

Also requires 3 Pt hitch and hydraulic PTO if not equipped.

INDEX

There is an index at the front of this catalog. The front index is an alphabetical index of the major groups or assemblies.

ILLUSTRATION

Each illustration in this catalog shows a group of parts or components. These parts and components are aligned approximately as the parts and components on your machine. Each part and component in an illustration has a reference number. These reference numbers are in a list on the page opposite of the illustration. Next to the reference number is the part number, description and required quantity of the part shown in the illustration.

UAR - "Use as required" indicates that the part quantity is variable.

NSS - "Not sold separately" indicates that the part is only available as component of an assembly or the part must be purchased locally. If the part is an assembly component, the description will be indented under the assembly description in the parts list.

O/L - "Obtain locally"

- "Footnotes" are added to a part number when more information is needed for identification. They only relate to the part numbers indicated. All orders must include the following information:

1. Correct part number.

PARTS ORDERS

2. Complete description of part or component.
3. Total quantity of each part or component.
4. Product model number.
5. All necessary product identification numbers.
6. Method for sending the parts.
7. Complete and correct address.

CATALOG REVISIONS

As the product changes, new pages will be available for your catalog. A notice will be issued.

IMPORTANT: Put all revisions into the catalog as soon as possible.

RIGHT HAND AND LEFT HAND IDENTIFICATION

The words right hand (RH) and left hand (LH) as used in this catalog indicate the direction while you are in the operator's seat in the normal operating position.

INDENTED DESCRIPTIONS

An assembly can have many components. The components of an assembly are indicated by an indented description. The quantity for an indented part is the total needed for that complete assembly. See the example.

REF.	PART NO.	DESCRIPTION	REQ'D
	C 55159	CYLINDER ASSY - rear steering	1
28	C 56208	SOCKET ASSY - rear cylinder	1
29	C 55956	PLUG - adjusting, socket assy	1
30	C 55957	SEAT- socket, ball.....	2
31	C 56210	SPRING-socket	1
32	C 56209	SEAT - socket spring	1
33	G 45175	CLAMP ASSY - socket assy	1
	16- 836	BOLT-1/2"x2-1/4" N.F. hex.....	1
34	132- 104	PIN-cotter, 3/16"x3"	1
35	C 55889	STUD - ball, socket & cylinder	2
36	13- 410	BOLT-1/4"x5/8"N.C.,hex	4
37	92- 4	LOCK WASHER - 1/4"SAE	4

INDEX

PAINT AND OIL

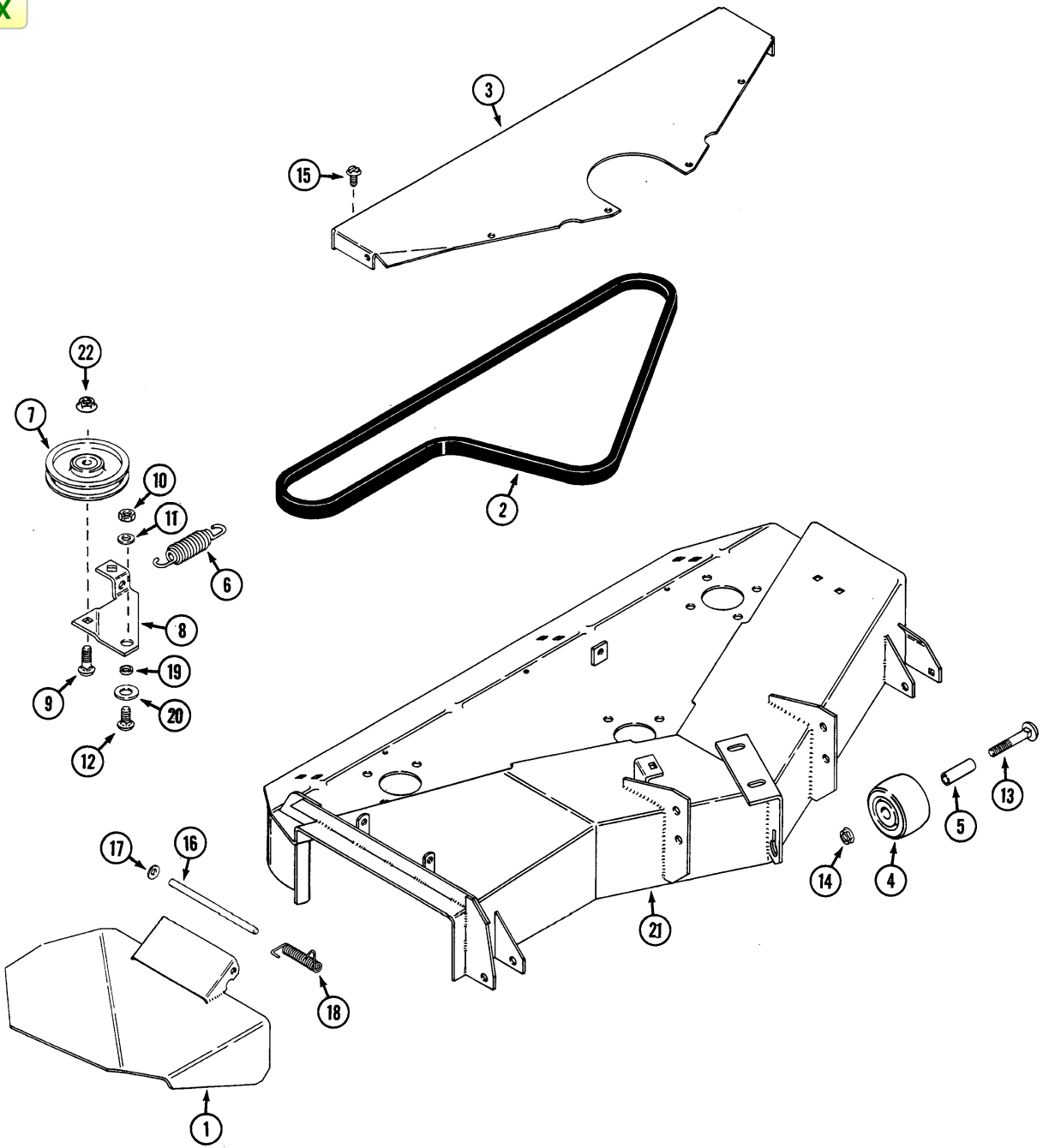
PAINT

REF.	PART NO.	DESCRIPTION	REQ'D
1	C 28849	BLACK - semi - gloss, 12 oz spray (2 per carton)	1
2	C 28850	BLACK - semi - gloss, quart (2 per carton)	1
3	C 28850	BLACK - semi - gloss, heat resistant, 12 oz spray (2 per carton)	1
4	C 28484	POWER RED - gloss, 12 oz spray (2 per carton)	1
5	C 28485	POWER RED - gloss, quart (2 per carton)	1
6	C 30870	SILVER - gloss, 12 oz. spray (2 per carton).....	1
7	C 31643	POWER RED - gloss, 1 oz touch up, (1 doz. per carton)	1

OIL

1	C 32776	OIL - SAE 30, SF, quart (12 per case)	1
2	C 32777	OIL - SAE 5W20, SF, quart (12 per case)	1
3	C 32778	OIL - SAE 20W40, SF, quart (12 per case)	1

INDEX

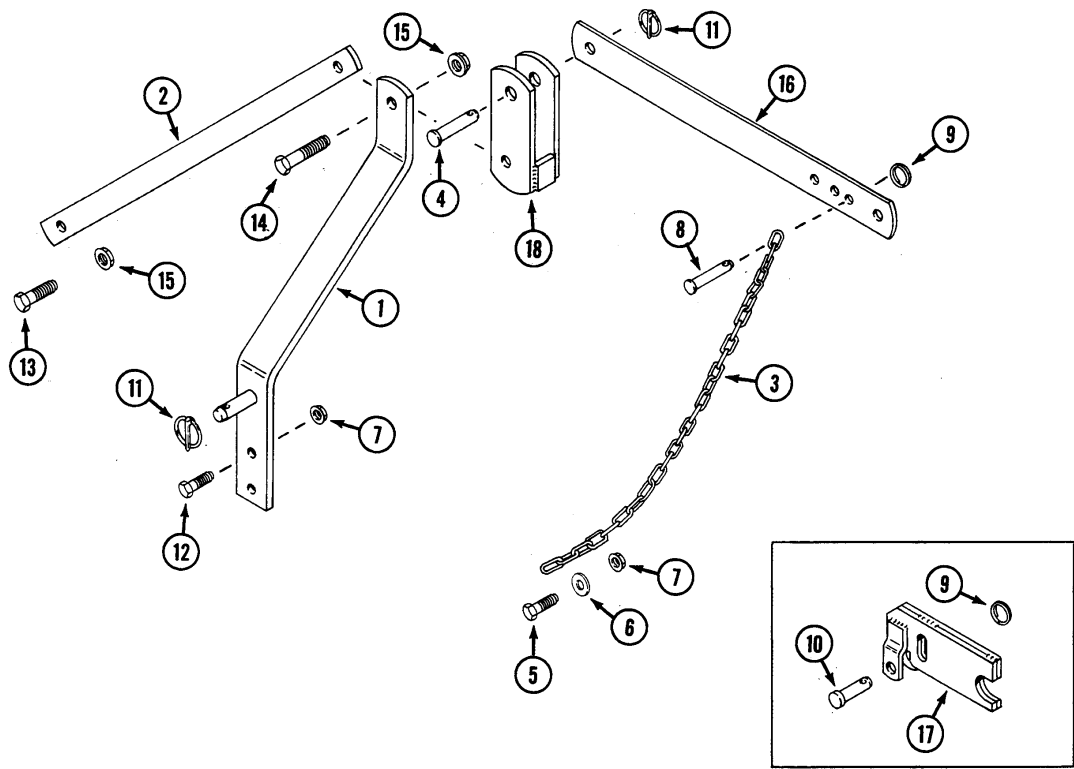


INDEX

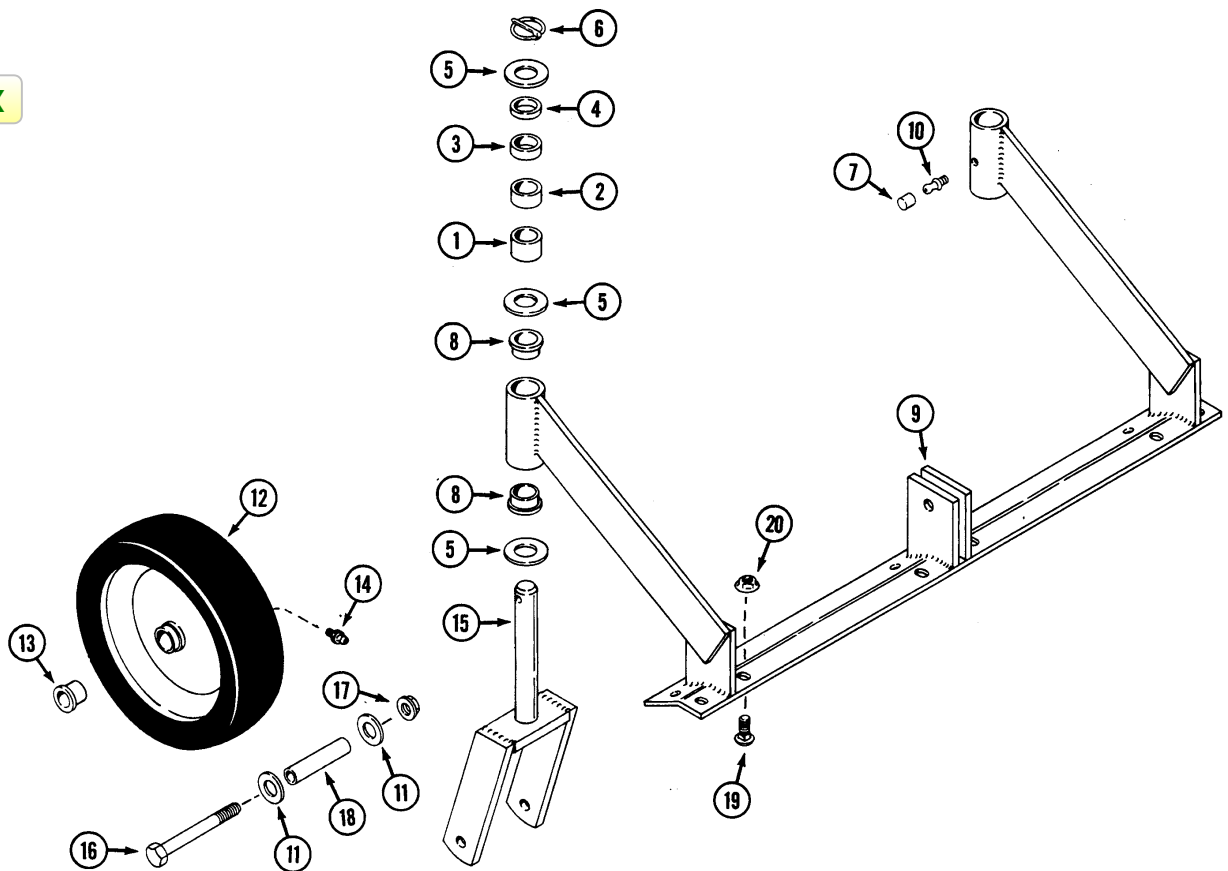
DECK, BELT AND IDLER PULLEY

REF.	PART NO.	DESCRIPTION	REQ'D
1	C31502	EXTENSION - chute	1
2	C23950	BELT - deck	1
3	C31497	COVER - deck belt.....	1
4	C31500	ROLLER - anti - scalp	2
5	C31 501	SPACER - sleeve.....	2
6	C31606	SPRING - idler	1
7	C12251	PULLEY - idler	1
8	C31608	PLATE - idler.....	1
9	111-366	BOLT - 3/8" - 16 x 1-1/4" carriage	1
10	131-1181	NUT - 3/8" - 16 lock.....	2
11	195-525	WASHER - 3/8"	2
12	111-371	BOLT - 3/8" - 16 x 1"	1
13	111-375	BOLT - 3/8" - 16 x 3" carriage	1
13	113-241	BOLT - 3/8" - 16 x 3" hex head	1
14	131-938	NUT - 3/8" - 16 flange lock	2
15	187-036	SCREW - 1/4" - 20 x 1/2" self tap	7
16	C30766	PIN - hinge	1
17	C30768	NUT - push.....	2
18	C31505	SPRING - chute	1
19	C14768	SPACER - sleeve.....	1
20	195-105	WASHER - 1/2"	1
21	C32759	DECK - mower	1

INDEX



INDEX



INDEX**MOUNTING BRACKET**

REF.	PART NO.	DESCRIPTION	REQ'D
1	C32756	STRAP - side	2
2	C32784	LINK - front to rear	1
3	C32753	CHAIN - leveling.....	1
4	C16128	PIN - clevis	2
5	113-207	BOLT-3/8"-16x1"	1
6	195-2029	WASHER - 7/16" x 1-1/4"	2
7	129-938	NUT - 3/8" - 16 flange lock	5
8	C28266	PIN - clevis 3/8" x 2.6"	1
9	C28105	RING-retaining	3
10	C29693	PIN - clevis 1/2"	2
11	C28222	PIN - retaining	4
12	113-208	BOLT - 3/8" - 16 x 1-1/4"	4
13	113-412	BOLT - 1/2" - 13 x 1-3/4"	1
14	113-426	BOLT - 1/2" x 13 x 2-3/4"	1
15	131-1182	NUT - 1/2" - 13 lock.....	2
16	C33209	BAR - upper	1
17	C33210	ARM - lift cylinder	1
18	C32785	LINK-top	1

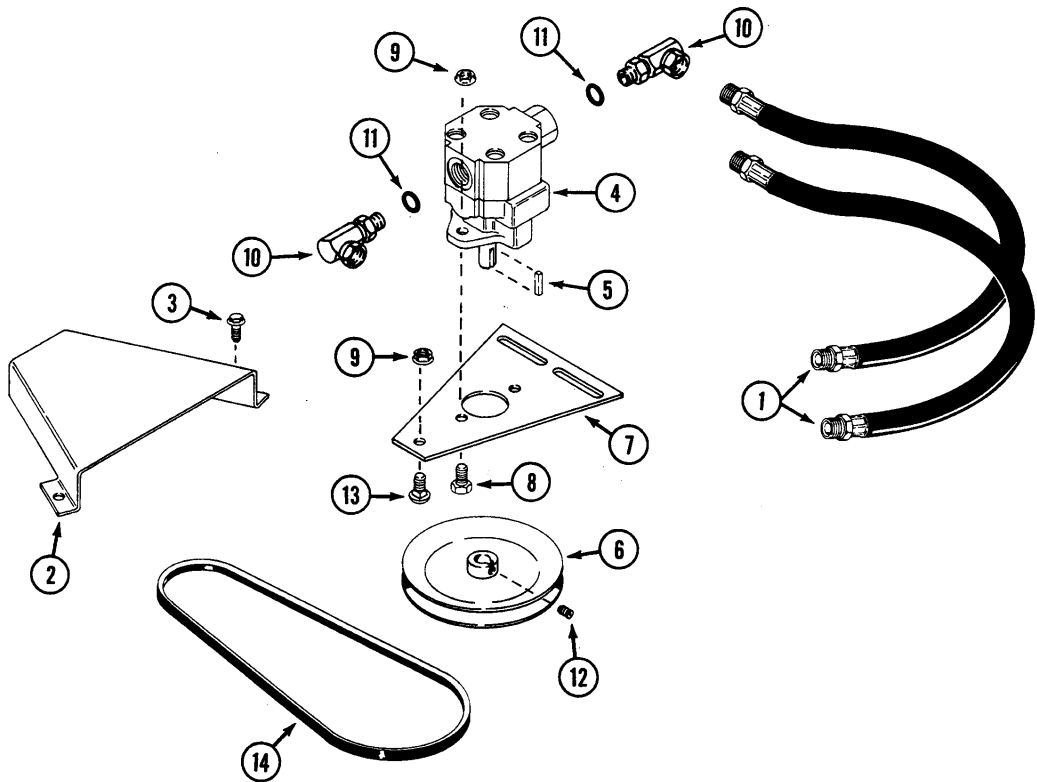
INDEX**REAR WHEELS**

1	C32788	SPACER - 1"	2
2	C32789	SPACER - 3/4"	2
3	C32790	SPACER - 1/2"	2
4	C32791	SPACER - 1/4"	2
5	195-553	WASHER - 1" x 2"	6
6	C28222	PIN - retaining	2
7	C13106	COVER - grease fitting.....	4
8	C30562	BUSHING - flange.....	4
9	C32744	BRACKET - caster mounting	1
10	219-20	FITTING - lubrication 1/4" - 28"	2
11	C12975	WASHER - spacer	4
12	C30926	WHEEL - 10"	2
13	C24503	BUSHING - shoulder.....	2
14	219-10	FITTING - lubrication.....	1
15	C32743	CASTER-wheel	2
16	113-436	BOLT - 1/2" - 13 x 5-1/2"	2
17	131-930	NUT - 1/2" - 13 flange lock	2
18	C29590	SLEEVE - spacer	2
19	111-132	BOLT - 5/16" - 18 x 3/4" carriage	12
20	131-911	NUT - 5/16" - 18 flange lock.....	12

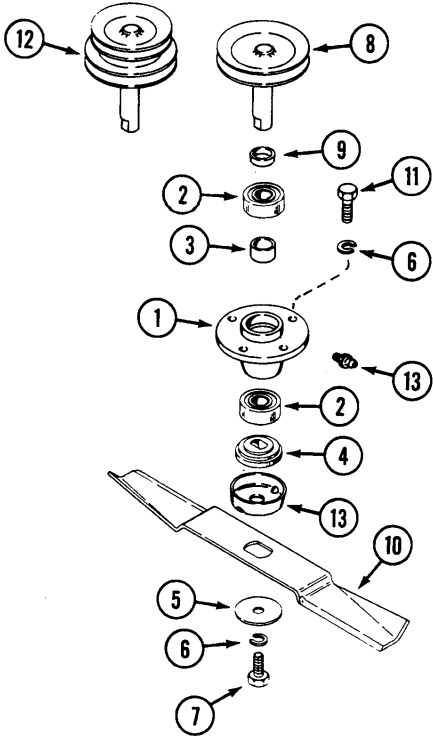
INDEX

HYDRAULIC DRIVE
(HRM48H before PIN 010406094)

AFTER THIS PIN



INDEX



INDEX**HYDRAULIC DRIVE**
(HRM48H before PIN 010406094)**AFTER THIS PIN**

REF.	PART NO.	DESCRIPTION	REQ'D
1	C28320	HOSE - hydraulic	2
2	C32536	COVER - drive belt.....	1
3	187-1036	SCREW - 1/4" - 20 x 1/2" self tap	3
4	NSS	MOTOR - hydraulic (use C46480 kit).....	1
	C30053	KIT - repair (includes carrier and seal kit)	1
	C29625	KIT - seal	1
5	C29581	KEY - motor shaft 3/16" x 3/16" x 1"	1
6	C32535	PULLEY - 7" drive	1
7	C32751	PLATE - motor mount	1
8	113-207	BOLT - 3/8" - 16 x 1"	2
9	131 -938	NUT - 3/8" flange.....	5
10	218-5201	FITTING - 7/8" O-ring x 1/2" pipe, 90°.....	2
11	218-5007	"O" RING	1
12	C32199	SCREW - set 5/16" - 18 x 5/16"	1
13	111-342	BOLT - 3/8" - 16 x 1" carriage	3
14	C31215	BELT - drive	1

INDEX**SPINDLES AND BLADES**

1	NSS *	HOUSING - spindle (use C40722, 219-20 and (2) C 16516)	3
1	C40722 **	HOUSING - spindle.....	3
2	C28971	BEARING - spindle	6
3	C10810	SPACER - bearing	3
4	C25542	ADAPTER - blade	3
5	C31452	WASHER - 3/8" x 2"	3
6	192-21	LOCKWASHER - 3/8"	15
7	113-209	BOLT - 3/8" - 16 x 1-1/2"	3
8	C31566	SPINDLE-outboard	2
9	C29431	SPACER - spindle	3
10	C31572	BLADE - 17"	3
11	113-206	BOLT - 3/8" - 16 x 3/4"	12
12	C31560	SPINDLE - center (HRM48H)	1
12	C42440	SPINDLE - center (AHRM4H).....	1
13	C25544	SHIELD - bearing	3
14	219-20 **	FITTING - lubrication 1/4" - 28	3
15	C16519 **	RING - retaining	6

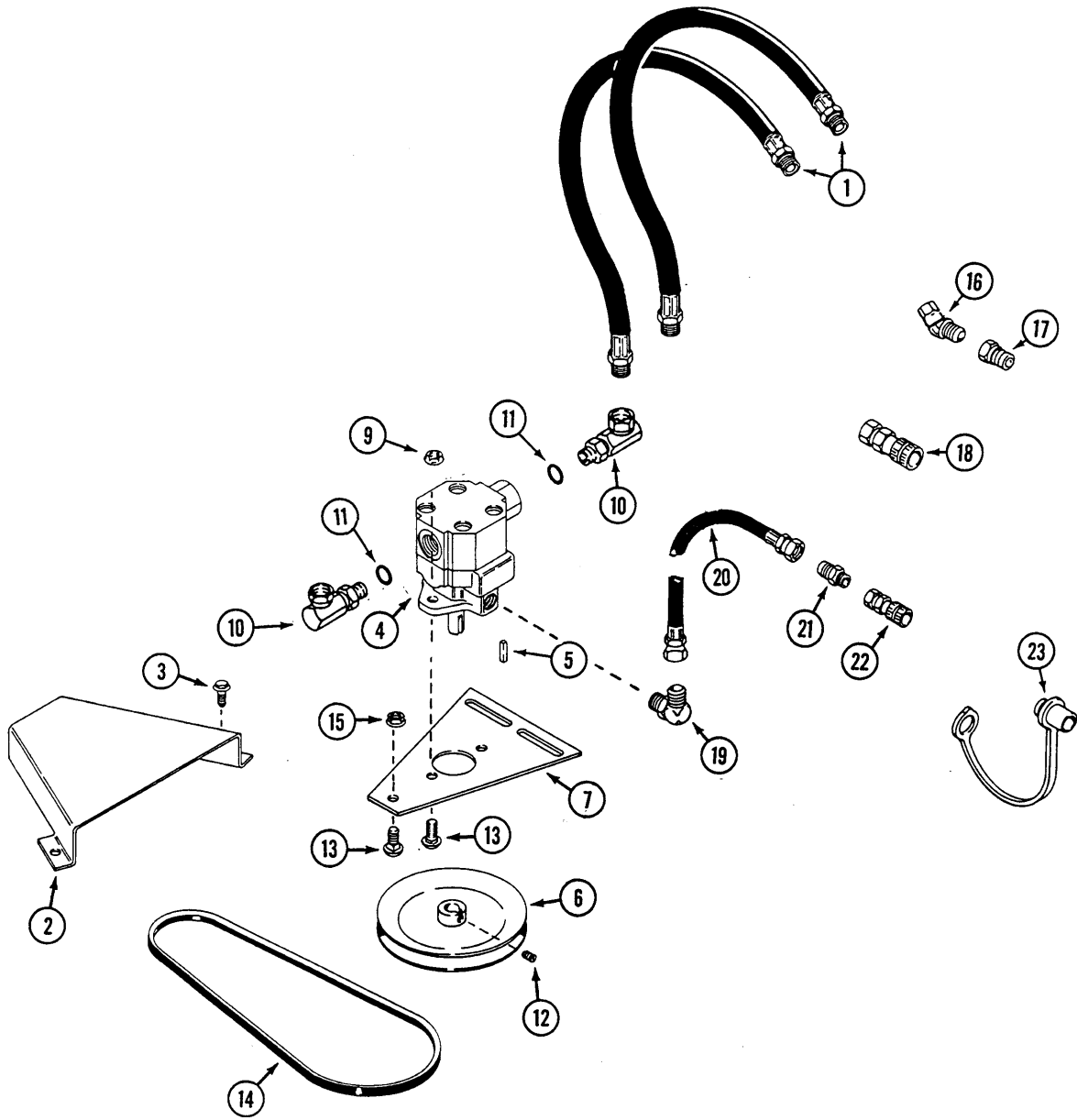
* Use before PIN 010602046

** Use PIN 010602046 and after

INDEX

HYDRAULIC DRIVE
(HRM48H - PIN 010406094 to 010601046)
(AHRM4H before PIN 010404153)

AFTER THESE PINS



HYDRAULIC DRIVE
(HRM48H - PIN 010406094 to 010601046)
(AHRM4H before PIN 010404153)

AFTER THESE PINS

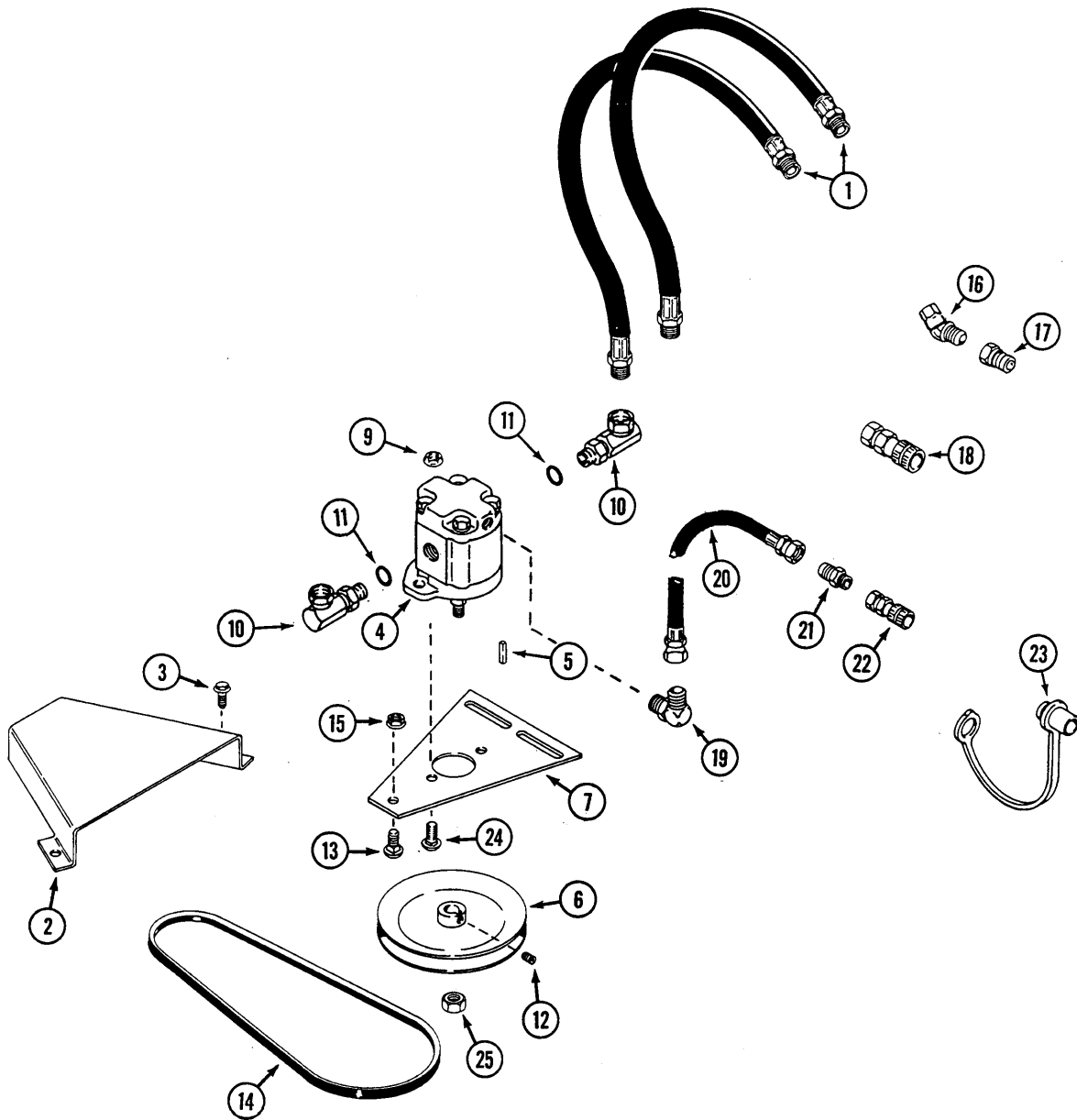
REF.	PART NO.	DESCRIPTION	REQ'D
1	C28320	HOSE - hydraulic	2
2	C42452	COVER - drive belt.....	1
3	187-1036	SCREW - 1/411 - 20 x 1/2" self tap.....	3
4	NSS *	MOTOR - hydraulic	1
	C40815	SEAL - shaft.....	1
5	C29581	KEY - motor shaft 3/16" x 3/16" x 1".....	1
6	42436	PULLEY - 6.4 drive (AHRM4H).....	1
6	C45490	PULLEY - 7" drive (HRM48H).....	1
7	C42437	PLATE - motor mount	1
8	113-207	BOLT - 3/8" - 16 x 1"	2
9	131-1352	NUT-3/8" flange.....	2
10	218-5201	FITTING - 7/8" O-ring x 1/2" pipe, 90°	2
11	218-5007	"O" RING	1
12	83-55	SCREW - set 5/16" - 18 x 5/16"	1
13	111-342	BOLT - 3/8" - 16 x 1" carriage	5
14	C31215	BELT-drive	1
15	131 -938	NUT - 3/8" - 16 flange lock.....	3
16	217-1086	FITTING - 45° elbow 1/2"	1
17	C37187	COUPLING - quick, male 1/2".....	1
18	C37188	COUPLING - quick, female 1/2".....	1
19	218-5105	FITTING - 9/16" 90° (includes 218-5005 "O" RING).....	1
20	C33560	HOSE - 1/4" x 23".....	1
21	218-443	FITTING - 1/4" X 3/8"	1
22	C41044	COUPLING - quick, female 1/4".....	1
23	C33404	CAP - dust.....	1

* HRM48H use C46213 Kit
AHRM4H use C46214 Kit

INDEX

HYDRAULIC DRIVE
(HRM48H - PIN 010601048 and after)
(AHRM4H - PIN 010404153 and after)

BEFORE THESE PINS

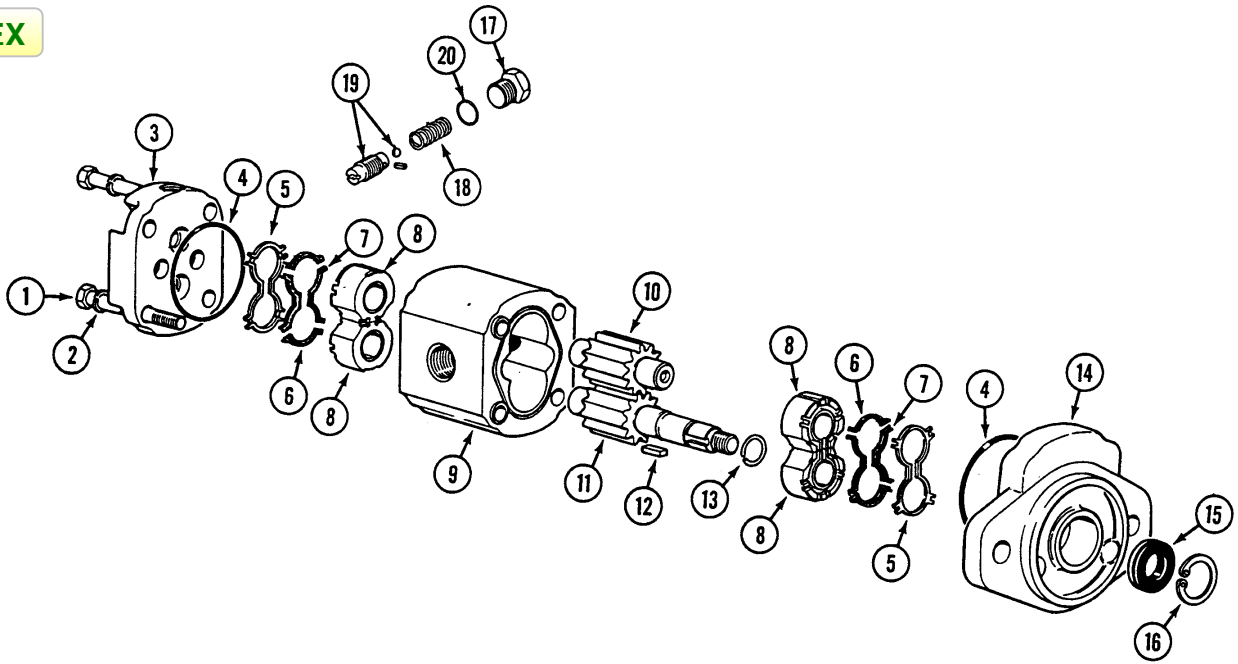


HYDRAULIC DRIVE
(HRM48H - PIN 010601048 and after)
(AHRM4H - PIN 010404153 and after)

BEFORE THESE PINS

REF.	PART NO.	DESCRIPTION	REQ'D
1	C28320	HOSE - hydraulic (HRM48H)	2
1	C42444	HOSE - 1/2" X 32" (AHRM4H)	2
2	C42452	COVER - drive belt.....	1
3	187-1036	SCREW - 1/4" - 20 x 1/2" self tap	3
4	C46235	MOTOR - hydraulic (repairs page 15)	1
5	C46237	KEY - motor shaft 3/16" x 1"	1
6	C46266	PULLEY - 7" drive (HRM48H)	1
7	C42437	PLATE - motor mount	1
8	113-207	BOLT - 3/8"-16x1"	2
9	131-1352	NUT - 3/8" flange.....	2
10	218-5201	FITTING - 7/8" O-ring x 1/2" pipe, 90°	2
11	218-5007	"O" RING	1
12	83-55	SCREW - set 5/16" - 18 x 5/16"	1
13	111-342	BOLT - 3/8" 16 x 1" carriage	3
14	C31215	BELT - drive	1
15	131-938	NUT - 3/8" - 16 flange lock	3
16	217-1086	FITTING - 45° elbow 1/2"	1
17	C37187	COUPLING - quick, male 1/2"	1
18	C37i88	COUPLING - quick, female 1/2"	1
19	218-5105	FITTING - 9/16", 90° (includes 218-5005 "O" ring)	1
20	C33560	HOSE - 1/4" x 23"	1
21	218-443	FITTING - 1/4" x 3/8"	1
22	C41044	COUPLING - quick, female 1/4"	1
23	C33404	CAP - dust	1
24	111-366	BOLT - 3/8" - 16 x 1-1/4" carriage	2
25	131-C5	NUT - 7/16" - 20 lock	1

INDEX

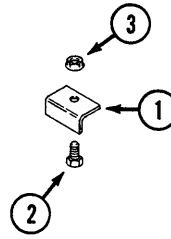
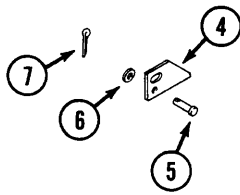


INDEX

HYDRAULIC MOTOR

REF.	PART NO.	DESCRIPTION	REQ'D
1	NSS	BOLT	4
2	NSS	LOCKWASHER.....	4
3	NSS	COVER - end	1
4	NSS	“O” RING - body (included in seal kit)	2
5	NSS	SEAL - backup (included in seal kit)	2
6	NSS	SEALS - bushings (included in seal kit)	4
7	NSS	SEALS - bushings (included in seal kit)	4
8	NSS	BUSHING	4
9	NSS	BODY	1
10	NSS	GEAR - driven	1
11	NSS	SHAFT AND GEAR - drive.....	1
12	C46237	KEY - square 3/16” x 3/4” (included in seal kit).....	1
13	NSS	RING - retaining (included in seal kit)	1
14	NSS	FLANGE - mounting.....	1
15	C43748	SEAL - oil (included in seal kit)	1
16	NSS	RING - retaining (included in seal kit)	1
17	NSS	CAP - check valve	1
18	NSS	SPRING - check valve (if required)	1
19	NSS	VALVE - check	1
20	NSS	“O” RING - cap (included in seal kit)	1
	C43747	KIT-seal	1

PTO HANDLE STOP BRACKET



DECALS



INDEX

PTO HANDLE STOP BRACKET

REF.	PART NO.	DESCRIPTION	REQ'D
1	C32327	STOP - handle (use with 3014 thru 4020 tractors)	1
2	113-3	BOLT - 1/4" - 20 x 3/4"	1
3	131-934	NUT - 1/4" - 20 flange lock	1
4	C32965	PLATE - spool stop (use with 6018 tractors)	1
5	C32966	PIN - clevis 3/16" x 7/16"	2
6	195-510	WASHER - 3/16" x 7/16"	2
7	132-320	PIN - cotter 3/32" x 1"	2

DECALS

1	C46323	DECAL - "Spinning Blade"	1
2	C12519	DECAL - "No Step"	2
3	C46324	DECAL - "Warning"	1
4	C29769	DECAL - "Caution"	1