



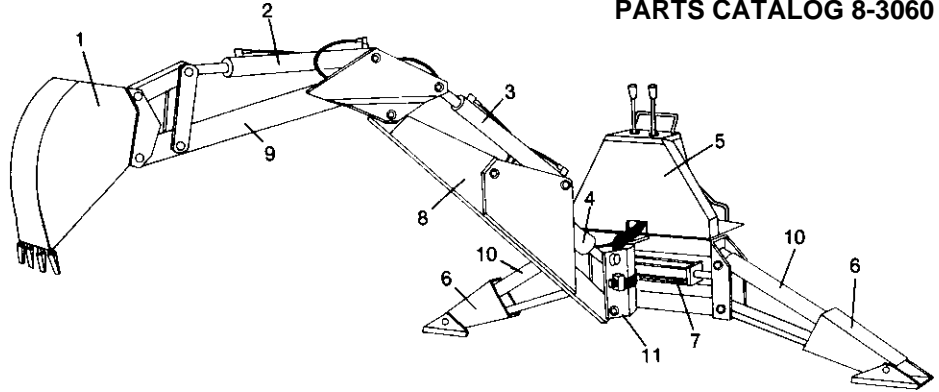
Ingersoll

HOME

TRACTORS

ATTACHMENTS

**BACKHOE
WOODS BH750WD
PARTS CATALOG 8-3060**



INDEX

BUCKETS 7

CONTROLS 9

CYLINDERS Swing and Bucket 13

CYLINDERS Boom, Dipperstick and Stabilizer..... 15

DECALS 17

DIPPERSTICK 7

FRAME - Main 5

HOSES..... 9

STABILIZER..... 5

TOOTH - bucket..... 7

VALVE ASSEMBLY 11

Backhoe Nomenclature

- | | |
|---------------------------------|-------------------------|
| 1. Bucket | 7. Swing Cylinder |
| 2. Bucket Cylinder | 8. Boom |
| 3. Dipperstick (Crowd) Cylinder | 9. Dipperstick (Crowd) |
| 4. Boom Cylinder | 10. Stabilizer Cylinder |
| 5. Console | 11. Kingpost |
| 6. Stabilizer | |

INDEX

There is an index at the front of this catalog. The front index is an alphabetical index of the major groups or assemblies.

ILLUSTRATION

Each illustration in this catalog shows a group of parts or components. These parts and components are aligned approximately as the parts and components on your machine. Each part and component in an illustration has a reference number. These reference numbers are in a list on the page opposite of the illustration. Next to the reference number is the part number, description and required quantity of the part shown in the illustration.

UAR - "Use as required" indicates that the part quantity is variable.

NSS - "Not sold separately" indicates that the part is only available as component of an assembly or the part must be purchased locally. If the part is an assembly component, the description will be indented under the assembly description in the parts list.

O/L - "Obtain locally"

- "Footnotes" are added to a part number when more information is needed for identification. They only relate to the part numbers indicated. All orders must include the following information:

1. Correct part number.

PARTS ORDERS

2. Complete description of part or component.
3. Total quantity of each part or component.
4. Product model number.
5. All necessary product identification numbers.
6. Method for sending the parts.
7. Complete and correct address.

CATALOG REVISIONS

As the product changes, new pages will be available for your catalog. A notice will be issued.

IMPORTANT: Put all revisions into the catalog as soon as possible.

RIGHT HAND AND LEFT HAND IDENTIFICATION

The words right hand (RH) and left hand (LH) as used in this catalog indicate the direction while you are in the operator's seat in the normal operating position.

INDENTED DESCRIPTIONS

An assembly can have many components. The components of an assembly are indicated by an indented description. The quantity for an indented part is the total needed for that complete assembly. See the example.

REF.	PART NO.	DESCRIPTION	REQ'D
	C 55159	CYLINDER ASSY - rear steering	1
28	C 56208	SOCKET ASSY - rear cylinder	1
29	C 55956	PLUG - adjusting, socket assy	1
30	C 55957	SEAT- socket, ball.....	2
31	C 56210	SPRING-socket	1
32	C 56209	SEAT - socket spring	1
33	G 45175	CLAMP ASSY - socket assy	1
	16- 836	BOLT-1/2"x2-1/4" N.F. hex.....	1
34	132- 104	PIN-cotter, 3/16"x3"	1
35	C 55889	STUD - ball, socket & cylinder	2
36	13- 410	BOLT-1/4"x5/8"N.C.,hex	4
37	92- 4	LOCK WASHER - 1/4"SAE	4

INDEX

PAINT AND OIL

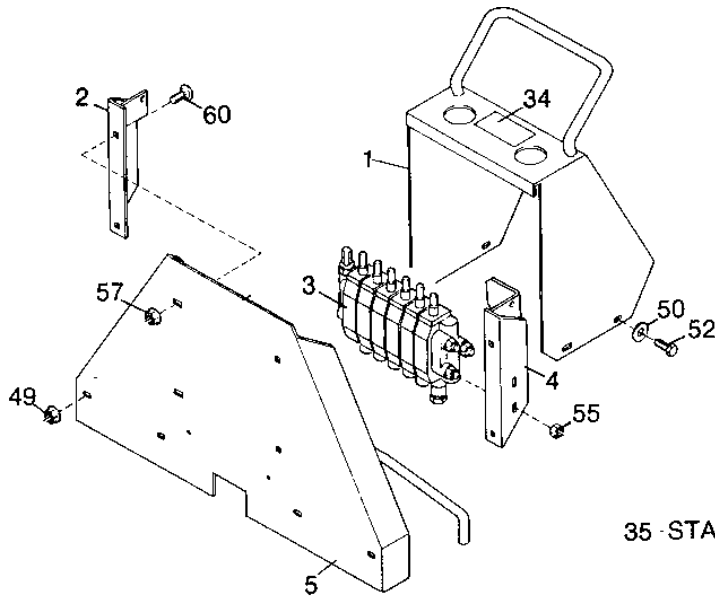
PAINT

REF.	PART NO.	DESCRIPTION	REQ'D
1	C 28849	BLACK - semi - gloss, 12 oz spray (2 per carton)	1
2	C 28850	BLACK - semi - gloss, quart (2 per carton)	1
3	C 28850	BLACK - semi - gloss, heat resistant, 12 oz spray (2 per carton)	1
4	C 28484	POWER RED - gloss, 12 oz spray (2 per carton)	1
5	C 28485	POWER RED - gloss, quart (2 per carton)	1
6	C 30870	SILVER - gloss, 12 oz. spray (2 per carton).....	1
7	C 31643	POWER RED - gloss, 1 oz touch up, (1 doz. per carton)	1

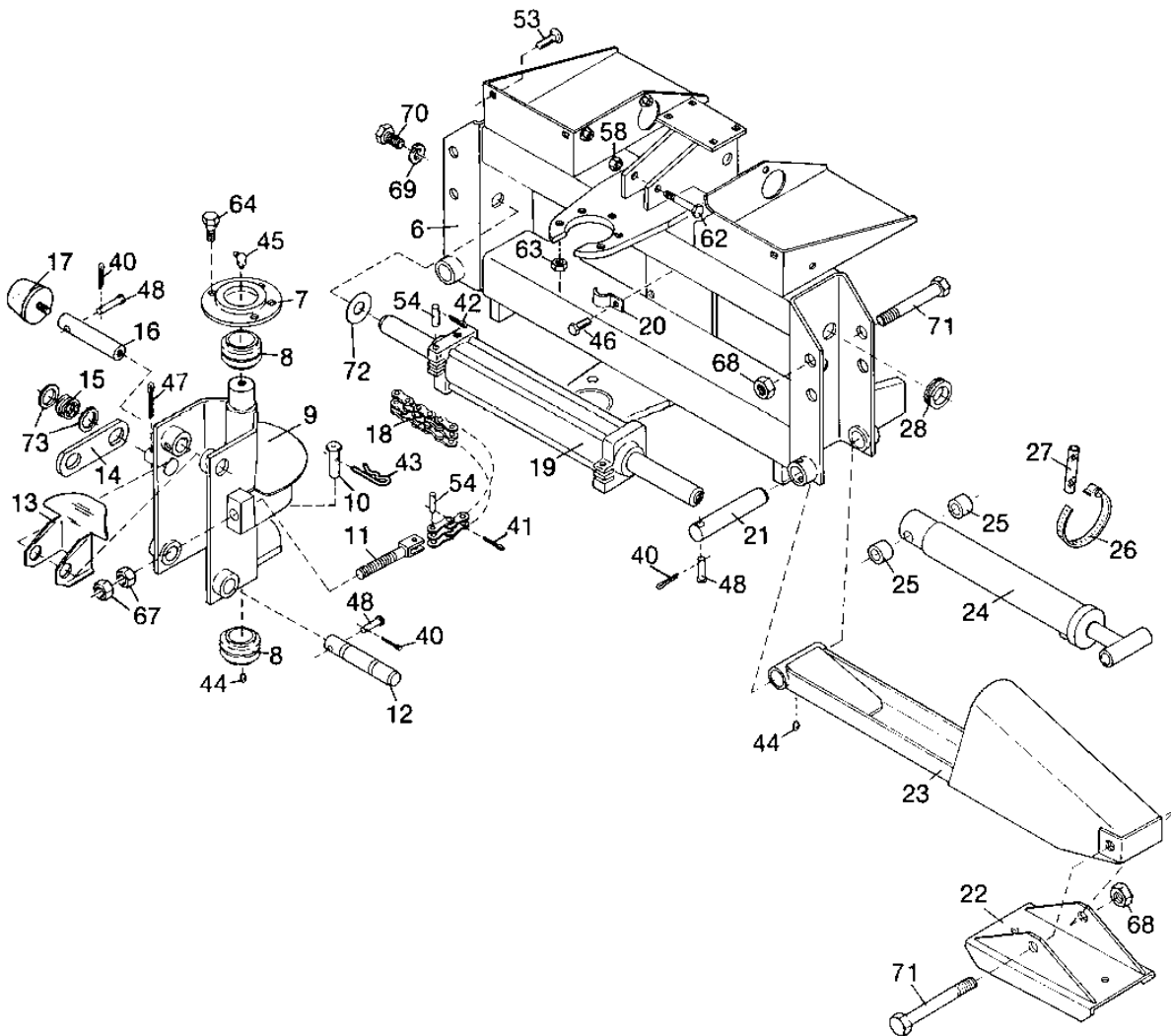
OIL

1	C 32776	OIL - SAE 30, SF, quart (12 per case)	1
2	C 32777	OIL - SAE 5W20, SF, quart (12 per case)	1
3	C 32778	OIL - SAE 20W40, SF, quart (12 per case)	1

WOODS BH750WD MAINFRAME ASSEMBLY



35 - STABILIZER DECAL (NOT SHOWN)



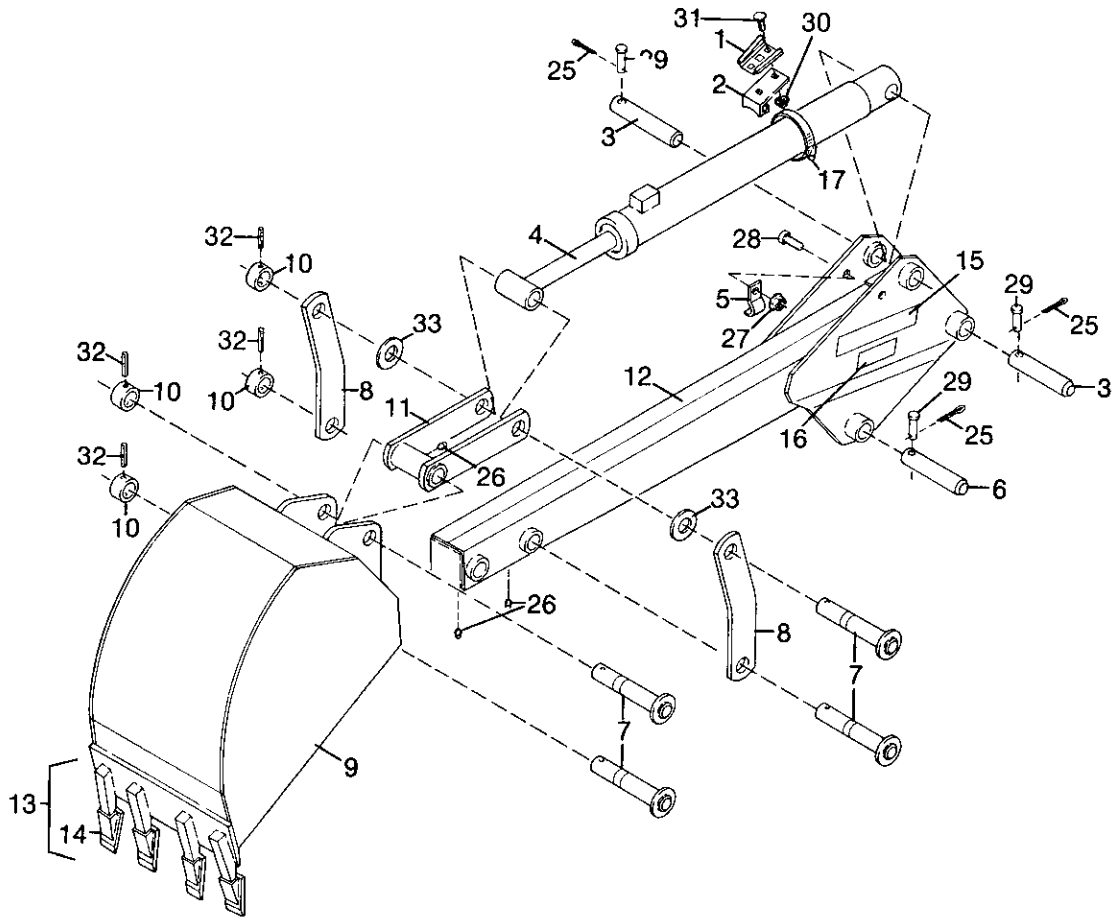
INDEX

**BH750WD BACKHOE
MAIN FRAME ASSEMBLY**

REF.	PART NO.	DESCRIPTION	REQ'D
1	C31691	COVER - console	1
2	C31714	BRACKET-valve R.H.....	1
3	C31692	VALVE - control (repairs page 11).....	1
4	C31715	BRACKET – valve LH.....	1
5	C31693	PLATE - valve mounting	1
6	C31690	FRAME - main	1
7	C31698	CAP - swing frame.....	1
8	C31806	BUSHING - ball 1-1/2" ID.....	2
9	C31694	SWING FRAME.....	1
10	C31713	PIN - swing lock.....	1
11	C31697	BOLT - chain tension.....	2
12	C31712	PIN - boom pivot.....	1
13	C31703	GUIDE - hose	1
14	C31702	PLATE - latch	1
15	C31701	SPRING - compression .072" x .62".....	1
16	C31700	PIN - pivot.....	1
17	C31699	PAD - bumper.....	2
18	C31696	CHAIN - swing.....	2
19	C31695	CYLINDER - hydraulic (repairs page 13).....	1
20	C31706	CLAMP - hose	2
21	C31704	PIN - pivot.....	2
22	C31711	PAD - stabilizer.....	2
23	C31710	STABILIZER	2
24	C31705	CYLINDER - hydraulic 2" x 14-1/2" (repairs page 15).....	2
25	C31716	BUSHING - 13/16" x 1-1/4" x 1".....	4
26	C31709	CLAMP - hose	2
27	C31708	SHIELD - hose protector.....	2
28	C31707	GROMMET.....	2
34	NSS	DECAL – control (see page 17).....	1
35	NSS	DECAL - stabilizer (see page 17)	1
40	132-6	PIN - cotter 1/16" x 5/8"	UAR
41	132-330	PIN – cotter 3/32" x 1/2".....	UAR
42	O/L	PIN – cotter 3/32" x 1-1/2"	UAR
43	O/L	PIN – cotter hairpin	UAR
44	219-10	FITTING - grease, straight, 1/4" tapered thread	UAR
45	219-57	FITTING - grease, 90°, 1/4" – 28 thread.....	UAR
46	113-3	BOLT - 1/4" – 20 x 3/4", Grade 5.....	UAR
47	O/L	PIN – cotter 1/4" x 1-1/2"	UAR
48	C31717	PIN – clevis 1/4" x 1-7/8.....	UAR
49	131-911	NUT - 5/16" flange lock.....	UAR
50	195-102	WASHER - 5/16".....	UAR
51	192-20	LOCKWASHER - 5/16".....	UAR
52	113-102	BOLT - 5/16" NC x 3/4" Grade 5.....	UAR
53	111-202	BOLT – carriage 5/16" NC x 3/4".....	UAR
54	C31718	PIN - chain.....	UAR
55	O/L	NUT - 8mm x 1.25 mm	UAR
57	131-938	NUT - 3/8" flange lock NC.....	UAR
58	131-1181	NUT – lock 3/8" NC.....	UAR
60	111-340	BOLT - carriage 3/8" NC x 3/4".....	UAR
62	113-241	BOLT - 3/8" NC x 3" Grade 5.....	UAR
63	O/L	NUT – lock 7/16" NF	UAR
64	C31813	BOLT - 7/16" NF x 1-1/4" wheel.....	UAR
67	129-107	NUT - 5/8" NC.....	UAR
68	131-1331	NUT - lock 3/4" NC	UAR
69	192-27	LOCKWASHER - 3/4"	UAR
70	O/L	BOLT - 3/4" NC x 1-1/2".....	UAR
71	O/L	BOLT - 3/4" NC x 5-1/2" Grade 5.....	UAR
72	C31719	WASHER - shim 13/16" x .010".....	UAR
73	C31720	BUSHING – 10 ga. X 1"	UAR

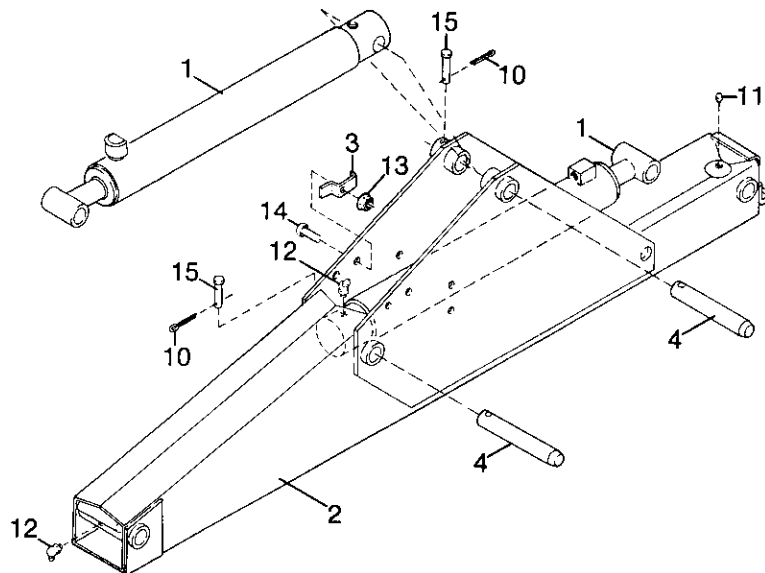
INDEX

WOOD BH750WD DIPPERSTICK AND BUCKET



BOOM ASSEMBLY

INDEX



INDEX**BH750WD BACKHOE
DIPPERSTICK AND BUCKET**

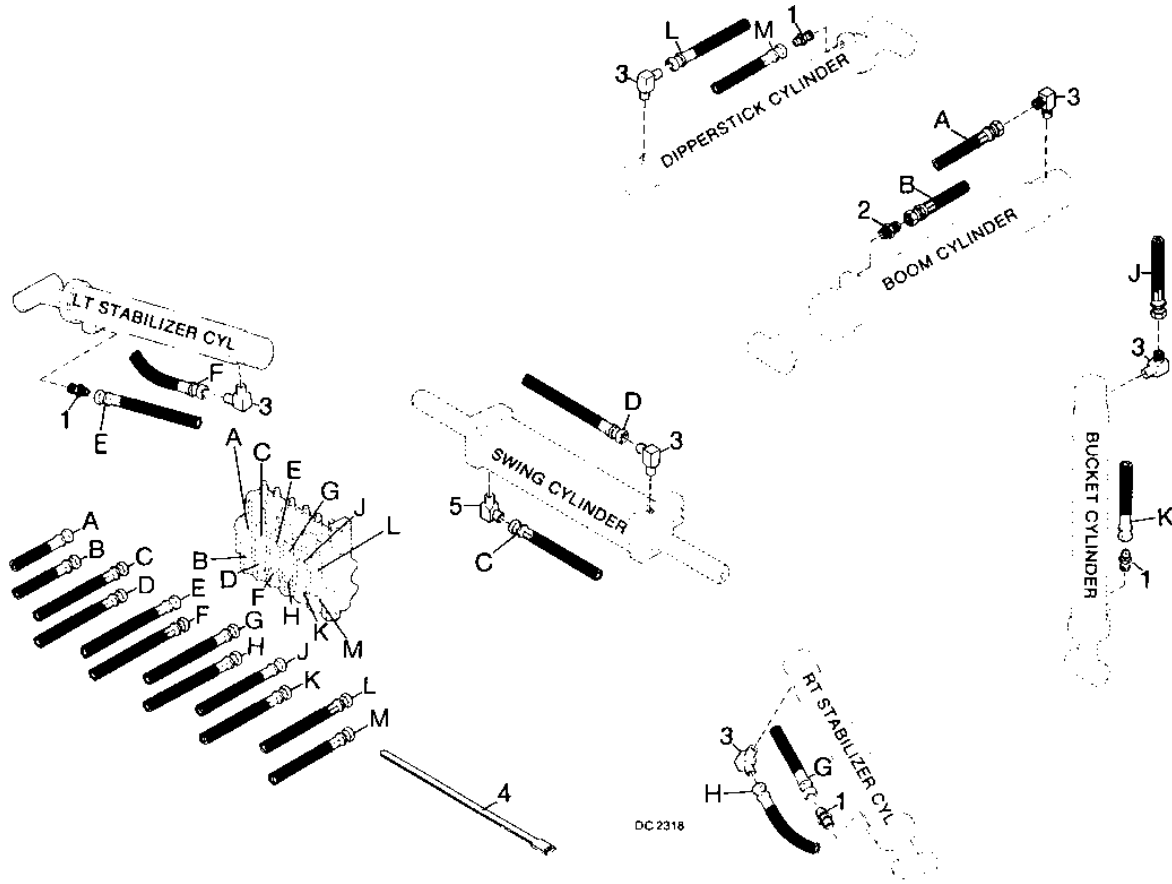
REF.	PART NO.	DESCRIPTION	REQ'D
1	C31725	SOCKET - SMV emblem.....	1
2	C31726	BRACKET - socket.....	1
3	C31727	PIN - pivot.....	2
4	C31728	CYLINDER – hydraulic 2" x 16-3/4" (repairs page 13)	1
5	C31706	CLAMP - hose.....	1
6	C31712	PIN – boom pivot.....	1
7	C31730	PIN - pivot.....	4
8	C31731	LINK - pivot	2
9	NSS	BUCKET - 12" heavy duty (order from whole goods)	1
9	NSS	BUCKET - 16" heavy duty (order from whole goods)	1
9	NSS	BUCKET - 18" heavy duty (order from whole goods)	1
10	C31735	SLEEVE - retaining	4
11	C31736	ARM - bucket	1
12	C31737	DIPPERSTICK	1
13	C31738	SHANK AND TOOTH ASSEMBLY - 2/0.....	UAR
14	C31739	TOOTH – bucket 2/0	UAR
17	C31724	CLAMP - hose.....	1
25	132-329	PIN-cotter 1/16" x 3/4.....	UAR
26	219-10	FITTING - grease 1/4" -28 tapered thread	UAR
27	131-934	NUT - 1/4" NC flange lock.....	UAR
28	113-1	BOLT - 1/4" NC x 1/2" Grade 5	UAR
29	O/L	PIN - clevis 1/4" x 1-7/8".....	UAR
30	131-911	NUT - 5/16" NC flange lock.....	UAR
31	O/L	Bolt - carriage 5/16" NC x 1/2"	UAR
32	138-2054	PIN – spirol 5/16" x 1-3/4"	UAR
33	195-2115	WASHER - 1"	UAR

INDEX**BOOM ASSEMBLY**

1	C31721	CYLINDER - hydraulic 2-1/2" x 16-3/4" (repairs page 15)	2
2	C31812	BOOM - backhoe	1
3	C31723	CLAMP - hose.....	1
4	C31704	PIN - pivot.....	2
10	132-6	PIN - cotter 1/16" x 5/8".....	UAR
11	219-10	FITTING - grease 1/4" -28 tapered thread	UAR
12	219-57	FITTING - grease 1/4" -28 tapered thread 90°	UAR
13	131-934	NUT-1/4" NC lock, flanged.....	UAR
14	113-17	BOLT - 1/4" NC x 1-1/4"	UAR
15	C31717	PIN – clevis 1/4" x 1-7/8".....	UAR

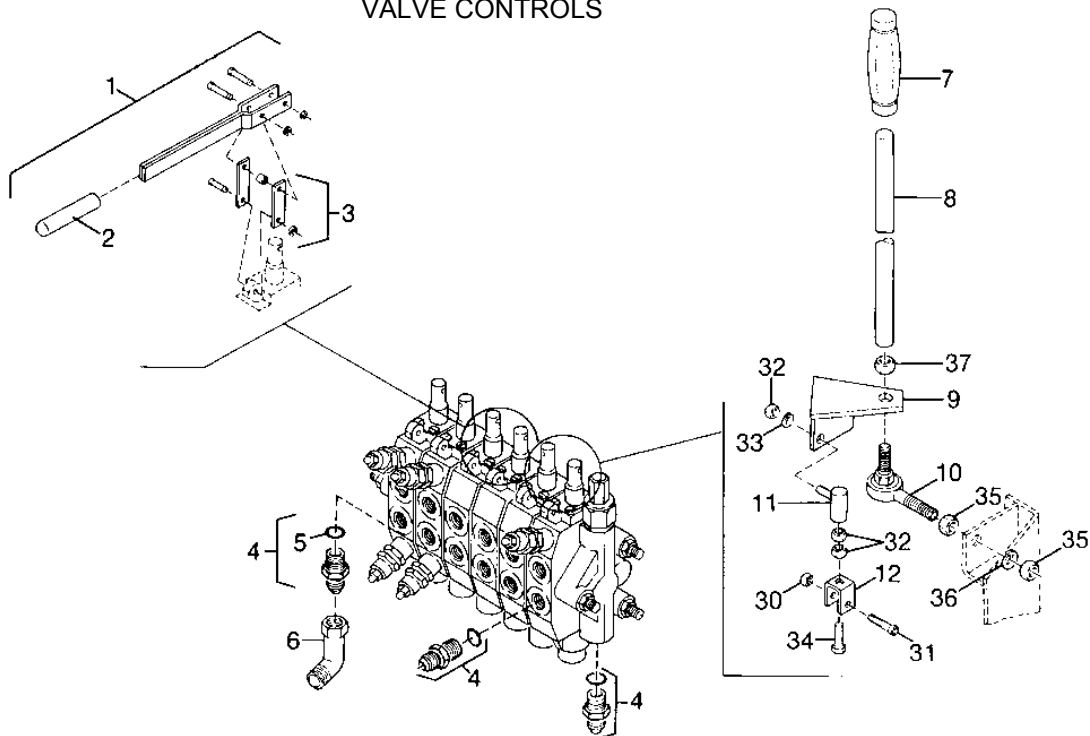
INDEX

**BH750WD
HOSES AND FITTINGS**



INDEX

VALVE CONTROLS



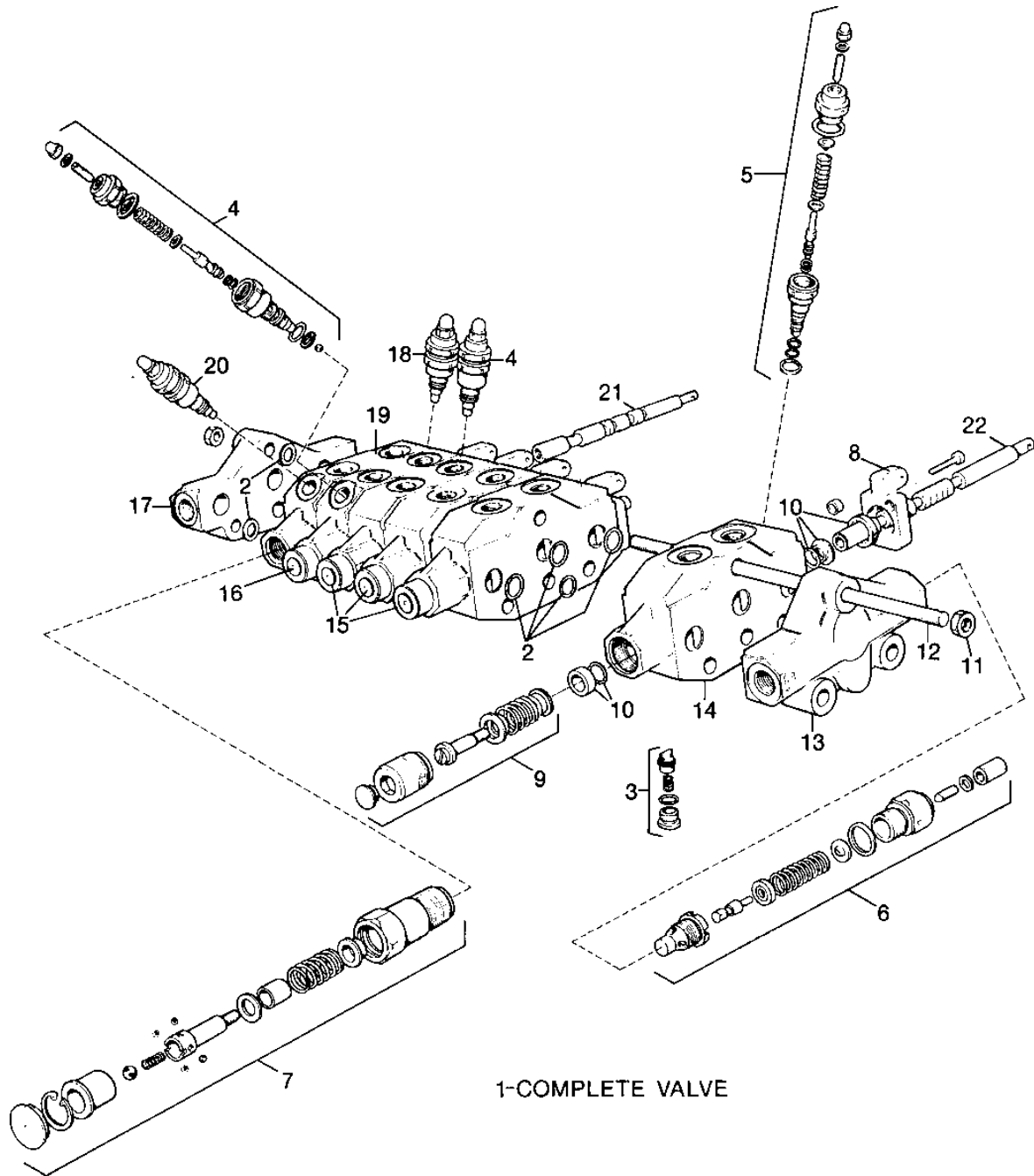
INDEX**BH750WD BACKHOE
HOSES AND FITTINGS**

REF.	PART NO.	DESCRIPTION	REQ'D
1	C31740	CONNECTOR	4
2	C31741	CONNECTOR - 9/16" x 1/4" male restrictor.....	1
3	C31742	FITTING - 9/16"-18 x 1/4 NPT 90°	6
4	C31743	TIE – hose 7".....	2
5	C31744	FITTING - 9/16" x 1/4" NPT 90° (1/16" restriction).....	1
A	C31745	HOSE – female 9/16" - 18 flare x 99".....	1
B	C31745	HOSE – female 9/16" - 18 flare x 99".....	1
C	C31746	HOSE – female 9/16" - 18 flare x 49".....	1
D	C31746	HOSE – female 9/16" - 18 flare x 49".....	1
E	C31746	HOSE – female 9/16" - 18 flare x 49".....	1
F	C31747	HOSE – female 9/16" - 18 flare x 50".....	1
G	C31746	HOSE – female 9/16" - 18 flare x 49".....	1
H	C31747	HOSE – female 9/16" - 18 flare x 50".....	1
J	C31748	HOSE – female 9/16" - 18 flare x 124".....	1
K	C31749	HOSE – female 9/16" - 18 flare x 139".....	1
L	C31745	HOSE – female 9/16" - 18 flare x 99".....	1
M	C31745	HOSE – female 9/16" - 18 flare x 99".....	1

INDEX**VALVE CONTROLS**

1	C31769	HANDLE ASSEMBLY - stabilizer.....	2
2	C31770	GRIP - handle	1
3	C31771	KIT - link	1
4	C31772	CONNECTOR - 9/16"- 18 to 0-ring	12
5	218-5005	O-Ring - 7/16" ID x 3/32" wall	UAR
6	O/L	FITTING - 9/16" -18 swivel nut elbow	1
7	C31773	GRIP - handle	2
8	C31774	HANDLE - control.....	2
9	C31775	ARM - handle	2
10	C31776	BALLJOINT – male stud	2
11	C31777	BALLJOINT	4
12	C31778	CLIP - connector	4
30	O/L	NUT – lock #8-32 NC	UAR
31	C31814	BOLT - #8 – 32 x 1" socket head	UAR
32	O/L	NUT - 1/4" NF.....	UAR
33	192-19	LOCKWASHER - 1/4".....	UAR
34	O/L	BOLT - 1/4" NF x 1-1/4" full thread Grade 5	UAR
35	129-123	NUT - 3/8" NF.....	UAR
36	192-21	LOCKWASHER - 3/8".....	UAR
37	129-163	NUT - 3/8" NF jam.....	UAR

WOODS BH750WD
VALVE ASSEMBLY



1-COMplete VALVE

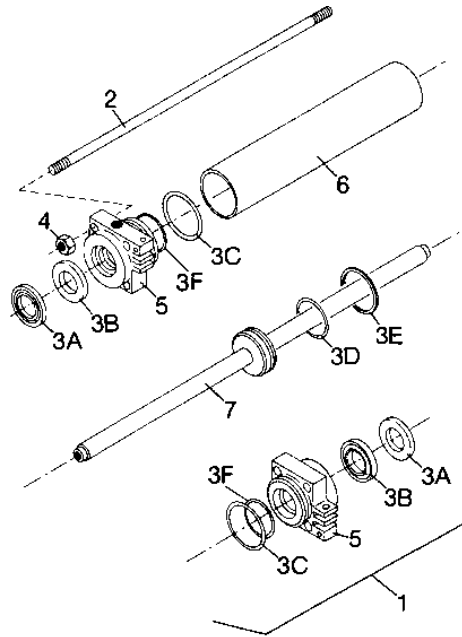
INDEX

**BH750WD BACKHOE
HYDRAULIC VALVE ASSEMBLY**

REF.	PART NO.	DESCRIPTION	REQ'D
1	C31692	VALVE - hydraulic	1
2	C31750	KIT - repair, section seal	1
3	C31751	VALVE - check	6
4	C31752	VALVE - dampening (2000 psi)	2
5	C31753	VALVE - dampening (2500 psi)	1
6	C31754	VALVE - relief	1
7	C31755	CONTROL - spool position	1
8	C31756	BRACKET - lever	6
9	C31757	CONTROL - spool position	5
10	C31758	KIT - repair, spool.....	6
11	C31759	NUT - 8mm x 1.25 mm.....	6
12	C31760	ROD – tie 8 mm x 1.25mm x 276mm.....	3
13	C31761	INLET SECTION - valve (complete)	1
14	C31762	DIPPERSTICK SECTION - valve (includes spool and reliefs)	1
15	C31763	BUCKET OR STABILIZER SECTION - valve (includes spool and reliefs).....	3
16	C31764	SWING SECTION - valve (includes spool and reliefs)	1
17	C31765	RETURN SECTION - valve.....	1
18	C31766	VALVE - dampening (3500 psi)	1
19	C31767	BOOM SECTION - valve (includes spool and reliefs)	1
20	C31768	VALVE - dampening (2500psi)	1
21	NSS	SPOOL - boom section (order complete section)	1
22	NSS	SPOOL - valve (order complete section)	1

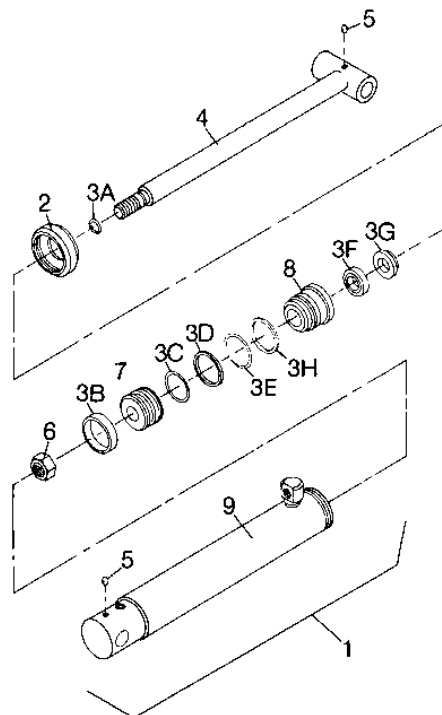
INDEX

BH750WD SWING CYLINDER



INDEX

BUCKET CYLINDER



INDEX

**BH750WD BACKHOE
SWING CYLINDER**

REF.	PART NO.	DESCRIPTION	REQ'D
1	C 31695	CYLINDER - hydraulic, swing	1
2	C31779	ROD – tie 7/16" NF x 16"	4
3	C31780	KIT - seal	1
3A	NSS	WIPER - rod	2
3B	NSS	SEAL - rod	2
3C	NSS	SEAL - gland, static	2
3D	NSS	O - RING	1
3E	NSS	SEAL - piston	1
3F	NSS	RING - backup	2
4	O/L	NUT - 7/16" NF hex	8
5	C31781	GUIDE - rod	2
6	C31782	BARREL – cylinder 2-1/2"	1
7	C31783	ROD – cylinder 2-1/2"	1

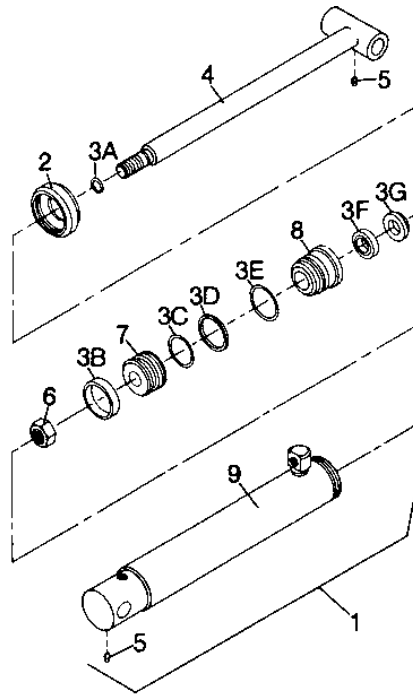
INDEX

BUCKET CYLINDER

1	C31728	CYLINDER – hydraulic 2" x 16-3/4"	1
2	C31784	COLLAR - locking	1
3	C31786	KIT - seal	1
3A	NSS	SEAL - rod, static	1
3B	NSS	RING - wear	1
3C	NSS	O - RING	1
3D	NSS	SEAL - piston	1
3E	NSS	SEAL - gland, static	1
3F	NSS	SEAL - rod	1
3G	NSS	WIPER - rod	1
4	C31787	ROD – cylinder 2"	1
5	219-10	FITTING - grease 1/4" – 28 taper thread	2
6	C31789	NUT – lock 7/8 "NC	1
7	C31790	PISTON - hydraulic cylinder	1
8	C31792	GLAND - hydraulic cylinder	1
9	NSS	BARREL - cylinder (order complete cylinder)	1

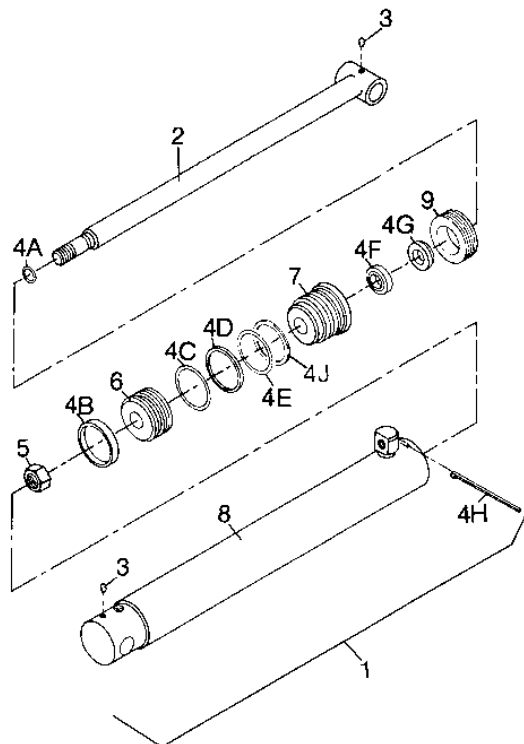
INDEX

WOODS BH750WD STABILIZER CYLINDER



INDEX

BOOM AND DIPPERSTICK CYLINDER



INDEX**BH750WD BACKHOE
STABILIZER CYLINDER**

REF.	PART NO.	DESCRIPTION	REQ'D
1	C31705	CYLINDER – hydraulic 2" x 14-1/2"	1
2	C31784	COLLAR - retaining	1
3	C31786	KIT - seal	1
3A	NSS	SEAL - rod, static	1
3B	NSS	RING - wear	1
3C	NSS	O - RING	1
3D	NSS	SEAL - piston	1
3E	NSS	SEAL - gland, static	1
3F	NSS	SEAL - rod	1
3G	NSS	WIPER - rod.....	1
4	C31794	ROD - cylinder	1
5	219-10	FITTING - grease 1/4-28 tapered thread	2
6	C31789	NUT – lock 7/8" NC	1
7	C31790	PISTON - hydraulic cylinder	1
8	C31792	GUIDE - rod.....	1
9	NSS	BARREL - cylinder (order complete cylinder)	1

INDEX**BOOM AND DIPPERSTICK CYLINDER**

1	C31721 *	CYLINDER - hydraulic 2-1/2" x 16-3/4	1
2	C31796	ROD – hydraulic cylinder 2-1/2"	1
3	219-10	FITTING - 1/4"-28 tapered thread.....	2
4	C31798	KIT - seal	1
4A	NSS	SEAL - rod, static.....	1
4B	NSS	RING - wear	1
4C	NSS	O - RING	1
4D	NSS	SEAL - piston	1
4E	NSS	SEAL - gland, static	1
4F	NSS	SEAL - rod	1
4G	NSS	WIPER - rod.....	1
4H	NSS	WIRE - lock (not used).....	1
4J	NSS	RING - wear	1
5	C31789	NUT - 7/8" NC lock	1
6	C31799	PISTON - hydraulic cylinder	1
7	C31801	GLAND - hydraulic cylinder	1
8	NSS	BARREL - cylinder (order complete cylinder).....	1
9	C31803	RETAINER – hydraulic cylinder.....	1

* service cylinders have 2 straight grease fittings.

WOODS BH750WD

4

⚠ WARNING

BEFORE OPERATING, READ MANUAL FOR ADDITIONAL INFORMATION ON SAFETY, OPERATION, SERVICE AND MAINTENANCE.

BACKHOE DIGGING FORCES CAN LIFT AND TURN TRACTOR OVER; TO AVOID SERIOUS INJURY OR DEATH: OPERATE BACKHOE ONLY FROM SEAT AND WITH ALL SAFETY SHIELDING IN PLACE. MAKE SURE STABILIZER PADS ARE ON FIRM GROUND; AVOID SOFT OR STEEP BANKS.

NEVER ALLOW RIDERS OR OPERATE BACKHOE WITH BYSTANDERS IN THE MAXIMUM SWING AREA.

A MINIMUM 25% OF TRACTOR AND EQUIPMENT WEIGHT MUST BE ON TRACTOR FRONT WHEELS WITH BACKHOE IN TRANSPORT POSITION.

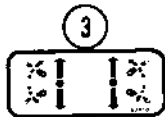
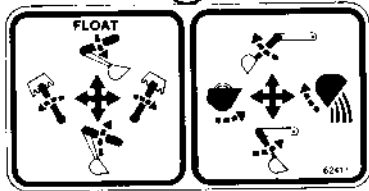
BEFORE TRANSPORTING, ATTACH SLOW MOVING VEHICLE (SMV) SIGN AND ENGAGE TRANSPORT LOCKS. BEFORE LEAVING UNATTENDED, RAISE BOOM AND INSTALL TRANSPORT LOCK, LOWER DIPPERSTICK, SHUT ENGINE OFF AND REMOVE KEY.

IF HIGH-PRESSURE OIL PENETRATES SKIN, IT MUST BE SURGICALLY REMOVED WITHIN A FEW HOURS BY A DOCTOR FAMILIAR WITH THIS FORM OF INJURY OR GANGRENE MAY RESULT.

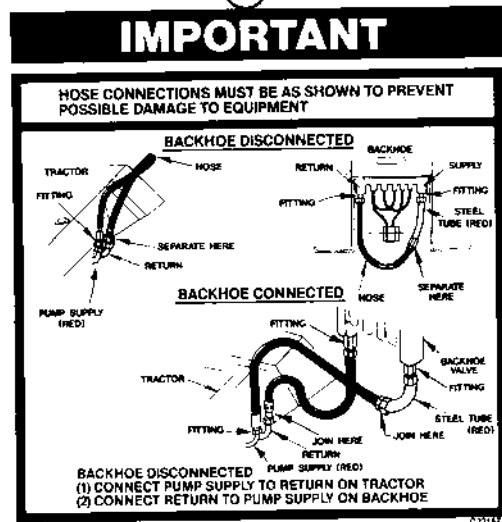
KNOW LOCATION OF AND AVOID CONTACTING ALL UNDERGROUND CABLES, PIPELINES, OVERHEAD WIRES AND OTHER HAZARDS IN DIGGING AREA.

65840

2



6



7

IMPORTANT

DO NOT OPERATE BACKHOE CIRCUITS CONCURRENT WITH THE LOADER BUCKET CIRCUITS. FAILURE TO OBSERVE THIS PROCEDURE COULD RESULT IN DAMAGE TO THE BACKHOE HYDRAULIC SYSTEM AND/OR HYDRAULIC PUMP.

C57330

5

INGERSOLL

INDEX

**BH750WD BACKHOE
DECALS**

REF.	PART NO.	DESCRIPTION	REQ'D
	C31818	DECAL SET	1
1	NSS	DECAL - transport lock	1
2	NSS	DECAL - backhoe controls.....	1
3	NSS	DECAL - stabilizer controls	1
4	NSS	DECAL - operation	1
5	C29694	DECAL - "Ingersoll"	2
6	C32167	DECAL - hose routing	1
7	C32373	DECAL - "Important" operation	1