



Ingersoll

COMPACT WHEEL LOADERS
6018 - before PIN 14190349
6018BH - before PIN 14190351
Parts Catalog 8-3052

[HOME](#)

[TRACTORS](#)

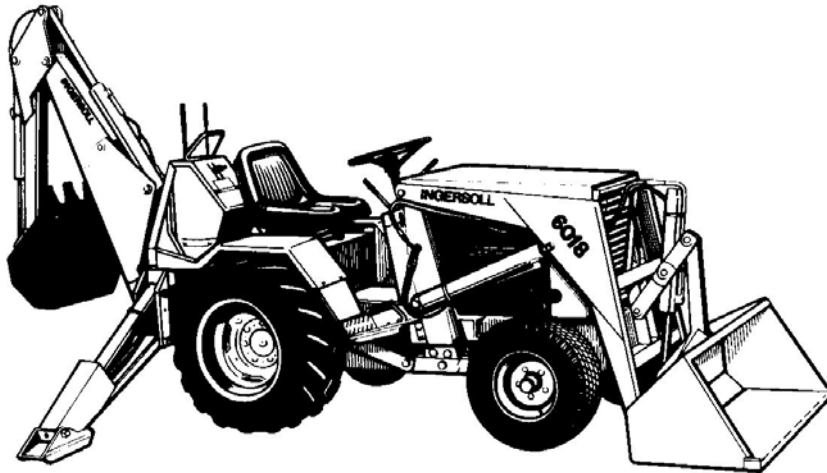
[ATTACHMENTS](#)

[INDEX](#)

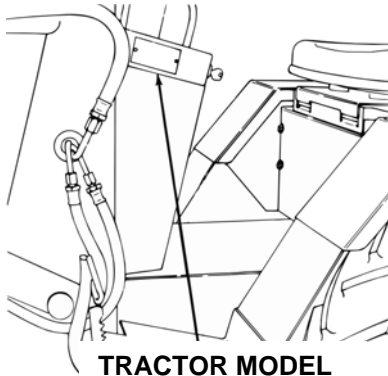
[PAINT](#)

[ENGINES](#)

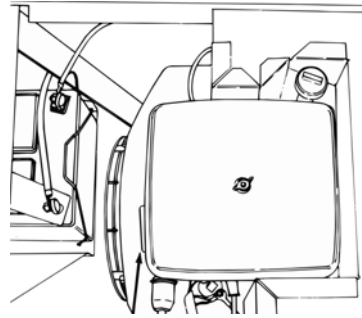
[GENERAL INFO](#)



**PRODUCT IDENTIFICATION NUMBERS (PIN)
AND SERIAL NUMBERS (S/N)**



**TRACTOR MODEL
AND PIN NUMBER**



**ONAN ENGINE MODEL, SERIAL
AND SPECIFICATION NUMBERS**

NOTE: This catalog contains references to serial or PIN numbers. Use these numbers as a guide to identify the correct part.

NOTE: Engine parts and warranty must be obtained from your local engine distributor.

TRACTOR MODEL	ENGINE MODEL
6018, 6018BH	C33238 ENGINE ONAN MODEL P218G SPEC. NO. 10742B, 10905G

INDEX

There is an index at the front of this catalog. The front index is an alphabetical index of the major groups or assemblies.

ILLUSTRATION

Each illustration in this catalog shows a group of parts or components. These parts and components are aligned approximately as the parts and components on your machine. Each part and component in an illustration has a reference number. These reference numbers are in a list on the page opposite of the illustration. Next to the reference number is the part number, description and required quantity of the part shown in the illustration.

UAR - "Use as required" indicates that the part quantity is variable.

NSS - "Not sold separately" indicates that the part is only available as component of an assembly or the part must be purchased locally. If the part is an assembly component, the description will be indented under the assembly description in the parts list.

O/L - "Obtain locally"

- "Footnotes" are added to a part number when more information is needed for identification. They only relate to the part numbers indicated. All orders must include the following information:

1. Correct part number.

PARTS ORDERS

2. Complete description of part or component.
3. Total quantity of each part or component.
4. Product model number.
5. All necessary product identification numbers.
6. Method for sending the parts.
7. Complete and correct address.

CATALOG REVISIONS

As the product changes, new pages will be available for your catalog. A notice will be issued.

IMPORTANT: Put all revisions into the catalog as soon as possible.

RIGHT HAND AND LEFT HAND IDENTIFICATION

The words right hand (RH) and left hand (LH) as used in this catalog indicate the direction while you are in the operator's seat in the normal operating position.

INDENTED DESCRIPTIONS

An assembly can have many components. The components of an assembly are indicated by an indented description. The quantity for an indented part is the total needed for that complete assembly. See the example.

REF.	PART NO.	DESCRIPTION	REQ'D
	C 55159	CYLINDER ASSY - rear steering	1
28	C 56208	SOCKET ASSY - rear cylinder	1
29	C 55956	PLUG - adjusting, socket assy	1
30	C 55957	SEAT- socket, ball.....	2
31	C 56210	SPRING-socket	1
32	C 56209	SEAT - socket spring	1
33	G 45175	CLAMP ASSY - socket assy	1
	16- 836	BOLT-1/2"x2-1/4" N.F. hex.....	1
34	132- 104	PIN-cotter, 3/16"x3"	1
35	C 55889	STUD - ball, socket & cylinder	2
36	13- 410	BOLT-1/4"x5/8"N.C.,hex	4
37	92- 4	LOCK WASHER - 1/4"SAE	4



Ingersoll

Paint & Oil

INDEX

PAINT

Power Red Gloss

16-ounce Aerosol Can..... C28484
Quart C28485

Power White

16-ounce Aerosol Can..... C28812
Quart C28845

Power Yellow (Older 600 Series)

16-ounce Aerosol Can..... C28847
Quart C28848

Power Tan (6000 Series)

16-ounce Aerosol Can..... C28853
Quart C28854

Desert Sunset (Older 400 Series)

16-ounce Aerosol Can..... C28846
Quart C28852

Black, Semi Gloss

16-ounce Aerosol Can..... C28849
Quart C28850

Black, High Heat

16-ounce Aerosol Can..... C28851

Silver

16-ounce Aerosol Can..... C30870

M & W Plum

16-ounce Aerosol Can..... 10-5688

Grazer Grey

16-ounce Aerosol Can..... C38444
Quart C38982

Odyssey Charcoal Grey

16-ounce Aerosol Can..... C47171

HYDRAULIC OIL

20W40, Use 32 Degrees and above.
12-Quart Case..... C32778

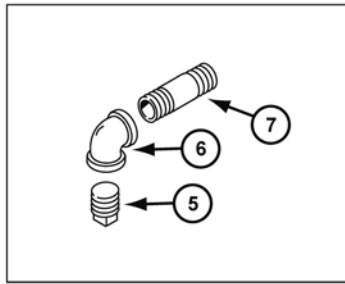
5W20, Use Below 32 Degrees.
12-Quart Case..... C32777

ALPHABETICAL INDEX

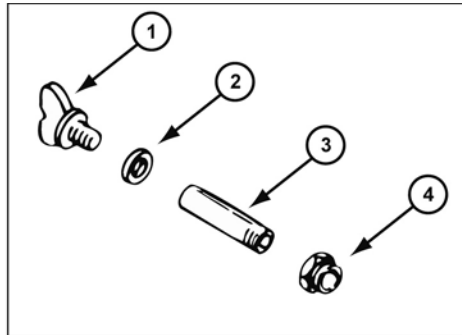
Axle, Front	19	Hydraulic System (Bucket)	37
Axle, Rear	25	Hydraulic System (Drive)	35
Backhoe Seat Assembly	17	Hydraulic System (Power Steering)	35
Backhoe Mounting Components	65	Hydraulic System (Primary)	27-31
Baffles and Shields	13	Motor - Hydraulic Drive	47
Brakes	21	Pump - Manual, Power Steering	49
Bucket and Arms	23	Pump - Main	41
Controls - Choke and Throttle	11	Valve - Control, Tractor	43
Controls - Speed, Hydraulic	53	Valve Control Linkage - Travel	53
Decals	59	Valve and Control Linkage - Bucket	45
Electrical System	55-57	Instruments, Electrical	55-57
Frame, Grille and Hood	15	Lever - Range Shift	17
Fuel System	11	Lift - Implement, Hydraulic	67
Hitch - 3PT	69	Mounts, Engine	9
Hitch Adapter - F27	67	Muffler	13
Hydraulic System	27-53	Oil Drain - Engine	9
Coupling, Pump Drive	41	Seat - Operator's	17
Cylinder - Arms	51	Steering Wheel	35
Cylinder - Bucket	51	Tool Tray	17
Filter, Oil	27-31	Transmission	25
Hydraulic PTO Lines	39	Wheels - Front and Rear	19
Hydraulic PTO Valve	39		

INDEX

ENGINE OIL DRAIN



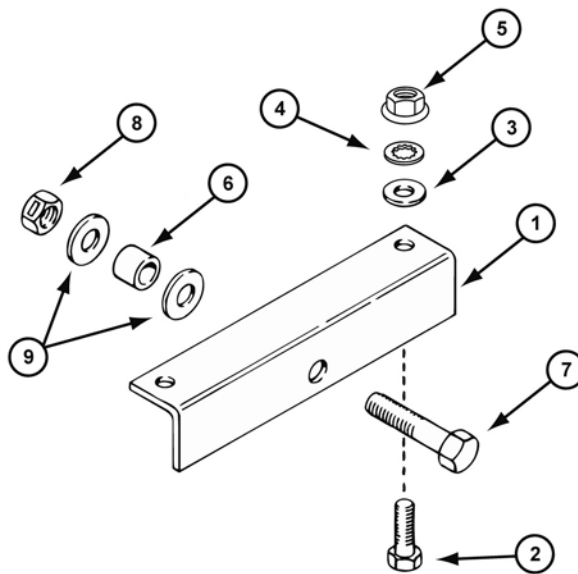
EARLY PRODUCTION



LATE PRODUCTION

INDEX

REAR ENGINE MOUNTS



INDEX

ENGINE OIL DRAIN

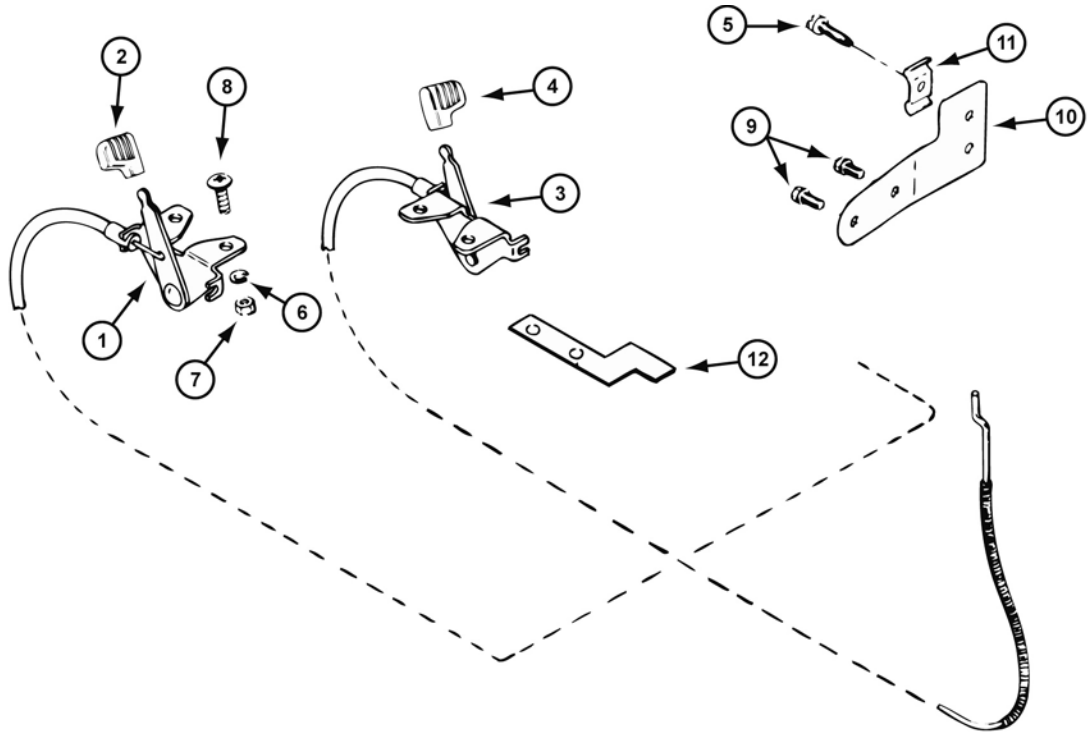
REF.	PART NO.	DESCRIPTION	REQ'D
1	C14399	PLUG - oil drain	1
2	C14906	GASKET - oil drain	2
3	C19473	NIPPLE - pipe 2.5"	1
4	221-86	REDUCER - pipe 3/8" - 14 to 1/4"	1
5	221-3	PLUG - oil	1
6	221-376	ELBOW - pipe 90° 3/8"	1
7	221-167	NIPPLE - pipe 3/8" x 3-1/2"	1

REAR ENGINE MOUNTS

1	C22949	MOUNT - engine, rear	1
2	113-219	BOLT - 3/8" - 16 x 2"	4
2	113-208	BOLT - 3/8" - 16 x 1-1/4"	4
3	195-103	WASHER - 3/8"	4
4	193-68	LOCKWASHER - 3/8"	1
5	131-1352	NUT - 3/8" - 16 flange lock	4
6	C21652	BUSHING - mount	1
7	113-441	BOLT - 1/2" - 13 x 2-1/4"	1
8	131-1182	NUT - lock 1/2" - 13	1
9	195-533	WASHER - 1/2"	2

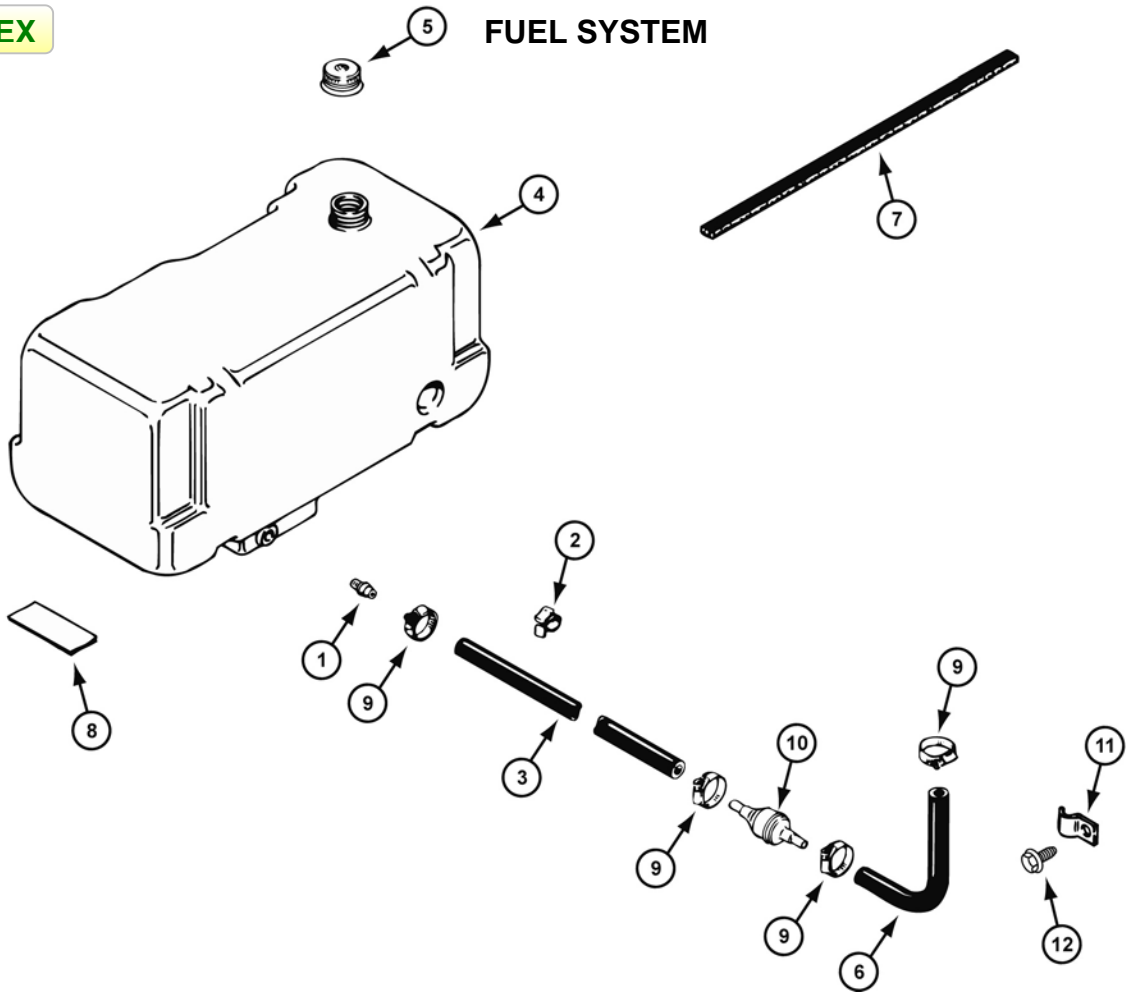
INDEX

CHOKE AND THROTTLE CONTROLS



INDEX

FUEL SYSTEM



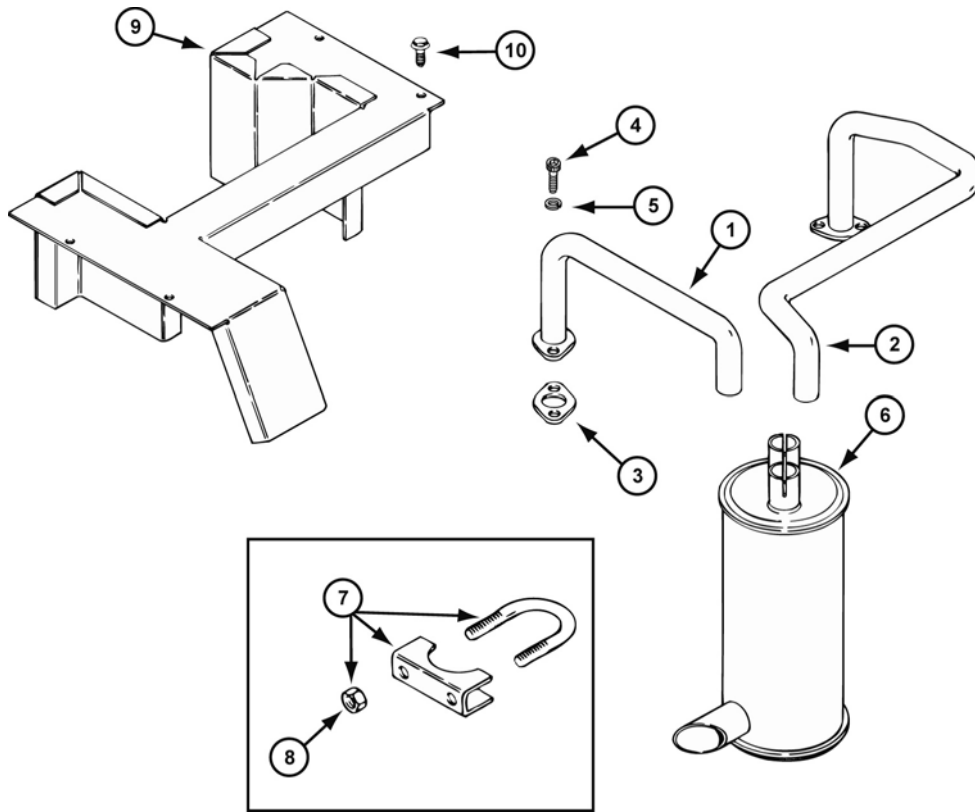
INDEX**CHOKE AND THROTTLE CONTROLS**

REF.	PART NO.	DESCRIPTION	REQ'D
1	C33407	CONTROL - throttle	1
2	C30073	HANDLE - throttle, orange	1
3	C32076	CONTROL - choke	1
4	C30074	HANDLE - choke, black	1
5	187-1511	SCREW - tapping #10 - 32 x 1/2"	2
6	192-18	LOCKWASHER - #10 (early production)	2
7	C34117	NUT - #10 - 24 flange lock	2
8	111-5	BOLT - #10 - 24 x 5/8" Phillips, black	2
9	C22369	BOLT - washer head #10 - 32 x 5/16"	2
10	C29957	BRACKET - choke cable	1
11	C29506	CLIP - retaining choke cable	1
12	C33408	PLATE - stop, choke control (early production)	1

INDEX**FUEL SYSTEM (TRACTOR)**

1	C26521	FITTING - hose 1/8" - 27 NPTF	1
2	C28962	RETAINER - fuel line	1
3	NSS	HOSE - fuel line, long (use C28937 cut to length)	1
4	C32089	TANK - fuel	1
5	C11529	CAP - fuel tank	1
6	NSS	HOSE - fuel line, short (use C28937 cut to length)	1
7	C23527	LINER - tank	2
8	C14690	CUSHION - fuel tank	4
9	C32376	CLAMP - hose 1/2"	4
10	C31978	FILTER - fuel	1
11	C24689	CLIP - "J" fuel line retaining	1
12	187-1036	SCREW - 1/4" - 20 self tap	1

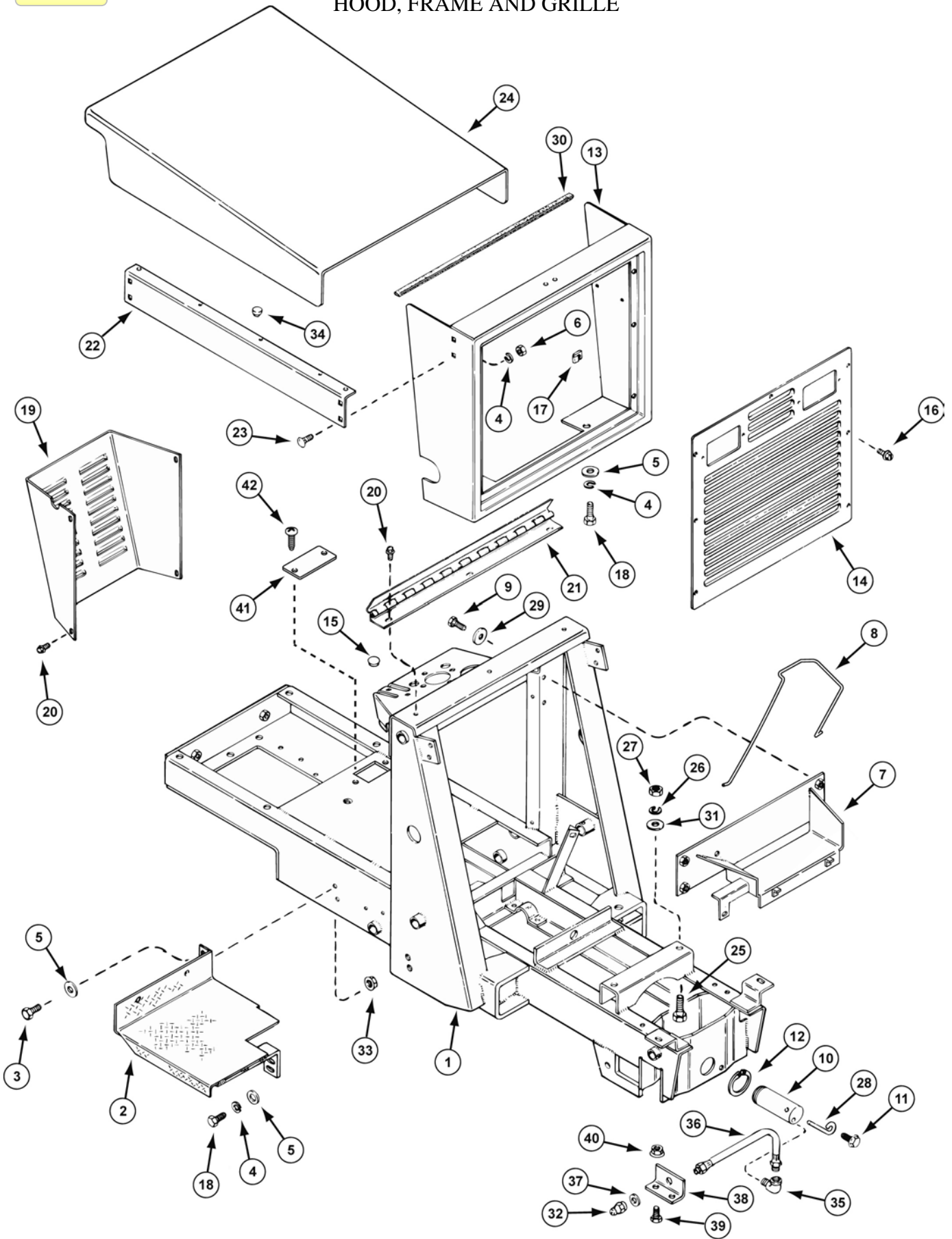
MUFFLER AND SHIELDS



INDEX**MUFFLER AND SHIELDS**

REF.	PART NO.	DESCRIPTION	REQ'D
1	C32085	PIPE - exhaust R.H.	1
2	C32086	PIPE - exhaust L.H.	1
3	C26207	GASKET - exhaust	2
4	61-512	BOLT - 5/16" - 18 x 3/4"	4
5	192-404	LOCKWASHER - 5/16"	4
6	C32131	MUFFLER - exhaust	1
7	C28294	CLAMP - muffler	2
8	129-102	NUT - 5/16" - 18	2
9	C32127	SHEILD - muffler and pipe	1
10	187-1036	SCREW - 1/4" - 20 x 1/2" self tap	4

HOOD, FRAME AND GRILLE



INDEX

HOOD, FRAME AND GRILLE

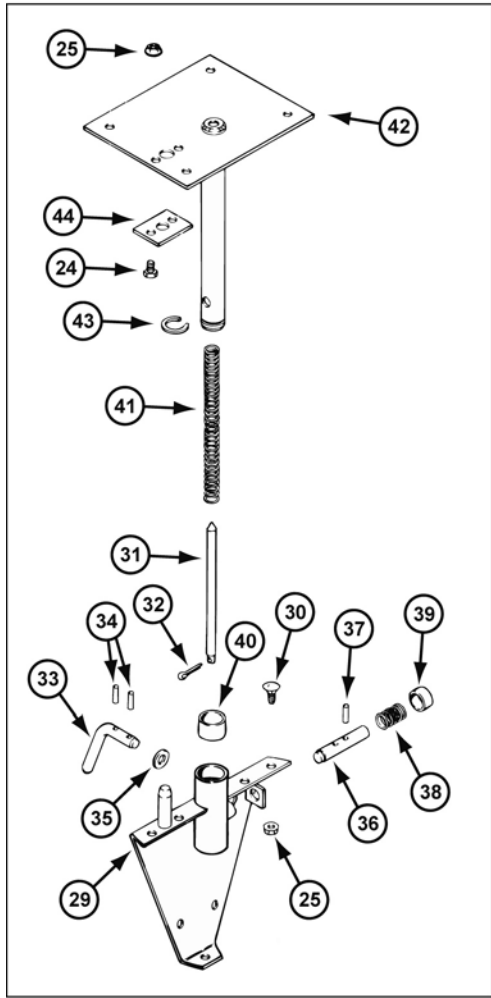
REF.	PART NO.	DESCRIPTION	REQ'D
1	C45904	FRAME - main (6018)	1
1	C45905	FRAME - main (6018BH)	1
2	C32193	PAD - foot L.H.	1
2	C32195	PAD - foot R.H.	1
3	113-206	BOLT - 3/8" x 3/4" N.C. hex	4
4	192-21	LOCKWASHER - 3/8"	18
5	195-104	WASHER - 3/8"	6
6	129-103	NUT - 3/8" N.C. hex	6
7	C32045	TRAY - battery	1
8	C16239	STRAP - battery hold down	1
9	113-102	BOLT - 5/16" x 3/4" NC hex	4
10	C45082	PIN - axle pivot	1
11	187-1910	BOLT - 3/8" NC hex	1
12	C29760	RING - retaining	1
13	C32035	GRILLE - frame	1
14	C32176	INSERT - grille	1
15	353-406	PLUG - hole (6018BH)	1
16	187-1080	BOLT - 1/4" - 20 x 1/2" NC slotted hex	9
17	C17653	NUT - 1/4" tinnerman	9
18	113-207	BOLT - 3/8" x 1" NC hex	4
19	C32044	PANEL - dash	1
20	187-1036	BOLT - 1/4" x 1/2" NC self tap	7
21	C21540	HINGE - hood (included with hood)	1
22	C32124	SUPPORT - grille	2
23	111-340	BOLT - 3/8" x 3/4" NC carriage	8
24	C32040	HOOD - includes hinge	1
25	113-208	BOLT - 3/8" - 16 x 1-1/2" (engine mounts)	4
26	192-21	LOCKWASHER - 3/8"	1
27	129-103	NUT - 3/8" - 16	4
28	C22278	PIN - retaining	1
29	195-521	WASHER - 5/16"	4
30	C32132*	STRIP - seal	1
31	195-103	WASHER - 3/8"	4
32	219-55*	FITTING - lube, 90° (6018)	1
32	219-60**	FITTING - lube, straight (shown) (6018BH)	1
33	131-938	NUT - 3/8" - 16 flange lock	4
34	C18193**	BUMPER - hood	1
35	C34178**	FITTING - 90° elbow (6018BH)	1
36	C34176**	HOSE - (6018BH)	1
37	195-104**	WASHER - (6018BH)	1
38	C34177**	BRACKET - mounting, grease fitting (6018BH)	1
39	113-102**	BOLT - 5/16" - 18 x 3/4" (6018BH)	2
40	131-911**	NUT - 5/16" - 18 flange lock (6018BH)	2
41	C45918	PLATE - cover (if equipped)	1
42	182-547	SCREW - 1/4" - 20 x 1/2"	2

* Use before PIN:

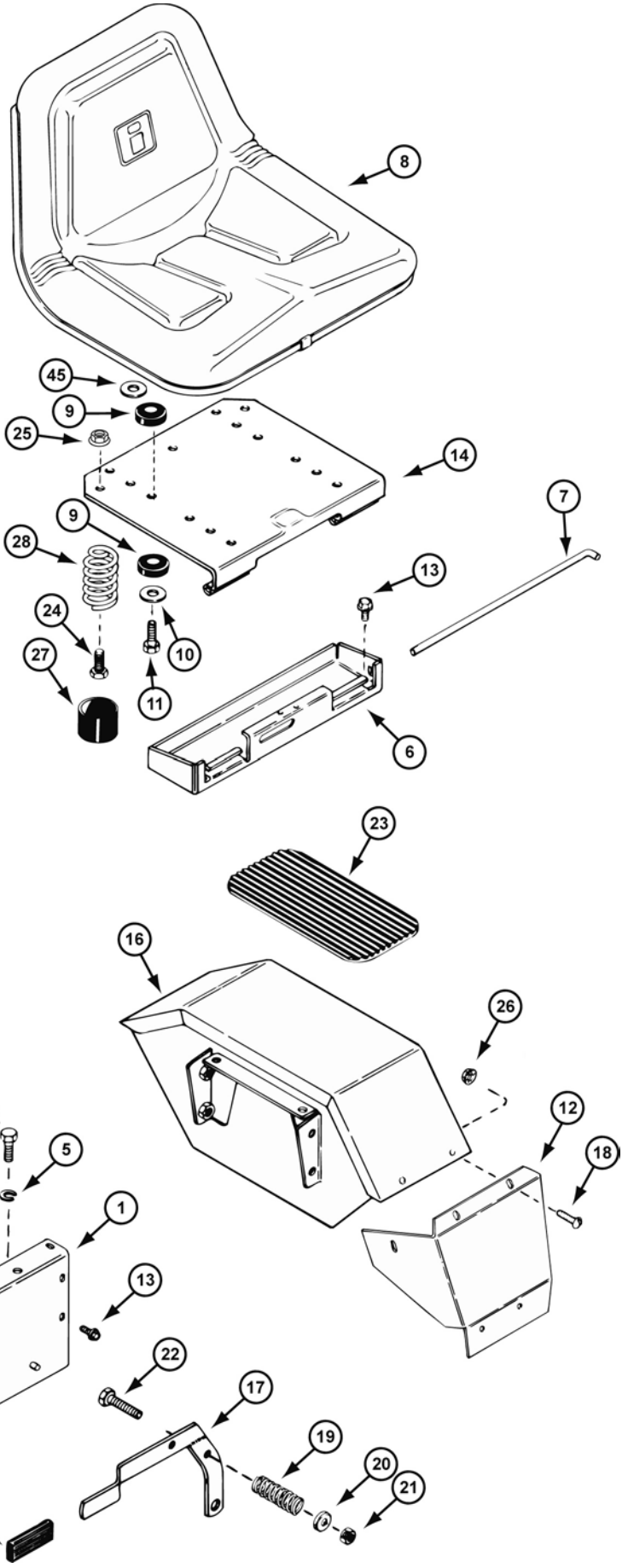
** Use PIN and after:

6018, 6018BH – 14153035

SEAT, FENDERS AND TOOL TRAY



SEAT SUPPORT 6018BH, 6018B



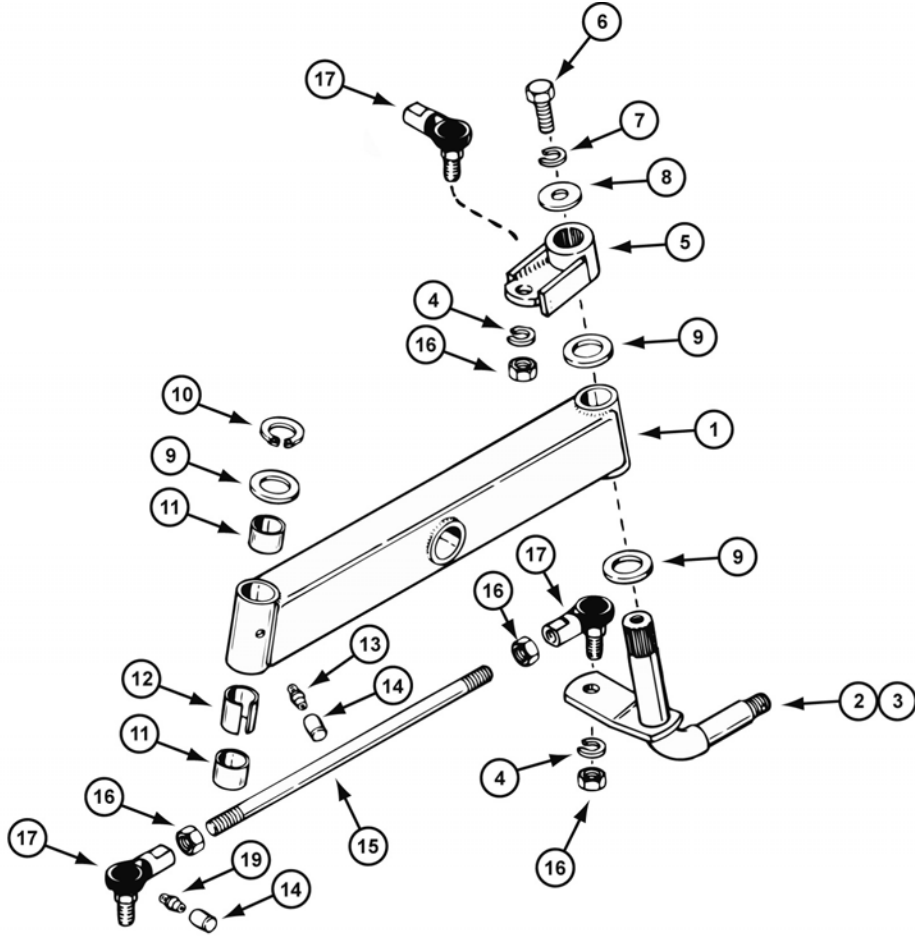
INDEX

SEAT, FENDERS AND TOOL TRAY

REF.	PART NO.	DESCRIPTION	REQ'D
1	C17488	SUPPORT - seat, front	1
2	C26698	SUPPORT - seat, rear (6018)	1
2	C33054	SUPPORT - seat, rear (6018B, 6018BH) shown	1
3	113-424	BOLT - 1/2" x 1" NC hex	4
4	C37848	KIT - seat rails	1
5	192-23	LOCKWASHER - 1/2"	4
6	C37017	TRAY - tool (6018)	1
7	C16429	PIN - seat hinge (6018)	1
8	C30066	SEAT - (6018B, 6018BH)	1
8	C30067	SEAT - (6018)	1
9	C15410	CUSHION - rubber (6018)	4
10	195-2175	WASHER - 5/16" x 1-1/4" O.D.	4
11	113-102	BOLT - 5/16" - 18 x 3/4"	4
11	113-103	BOLT - 5/16" x 1" NC hex	4
12	C32417	EXTENSION - fender L.H. (shown)	1
12	C32418	EXTENSION - fender R.H.	1
13	121-106	BOLT - 5/16" x 1/2" NC hex flange	14
14	C33474	HINGE - seat (6018)	1
15	C14728	GRIP - shift lever	1
16	C32050	FENDER - L.H. (shown) (6018, 6018BH)	1
16	C32053	FENDER - R.H. (6018, 6018BH).....	1
16	C33052	FENDER - L.H. (6018B)	1
16	C33053	FENDER - R.H. (6018B)	1
17	C17491	LEVER - shift	1
18	182-547	SCREW - 1/4" - 20 x 1/2" Phillips	10
19	C17216	SPRING - shift lever	1
20	C17066	WASHER - cupped	1
21	131-1216	NUT - lock 3/8" NC hex	1
22	113-257	BOLT - 3/8" x 2-1/2" NC hex	1
23	C26092	PAD - step, fender (6018BH, 6018B)	2
24	113-102	BOLT - 5/16" - 18 x 3/4"	4
25	131-911	NUT - 5/16" - 18 flange lock	10
26	131-934	NUT - 1/4" - 20 flange lock	10
27	C29305	CAP - spring (6018)	2
28	C29306	SPRING - seat (6018)	2
29	C32408	BRACKET - support	1
30	111-132	BOLT - 5/16" - 18 x 3/4" carriage	6
31	C32070	ROD - spring guide	1
32	132-320	PIN - cotter 3/32" x 3/4"	1
33	C32066	LEVER - latch	1
34	138-2071	PIN - spiral 3/16" x .94"	2
35	C21518	WASHER - 1/2" nylon	1
36	C32067	PIN - latch	1
37	C44068	PIN - spiral 1/4" x 1"	1
38	C24137	SPRING - compression	1
39	C32065	SPACER - sleeve	1
40	C13385	BUSHING - bearing	2
41	C32064	SPRING - compression	1
42	C32060	POST - seat	1
43	C26342	RING - retaining	1
44	C32161	PLATE - retainer	1
45	C29812	WASHER -	UAR

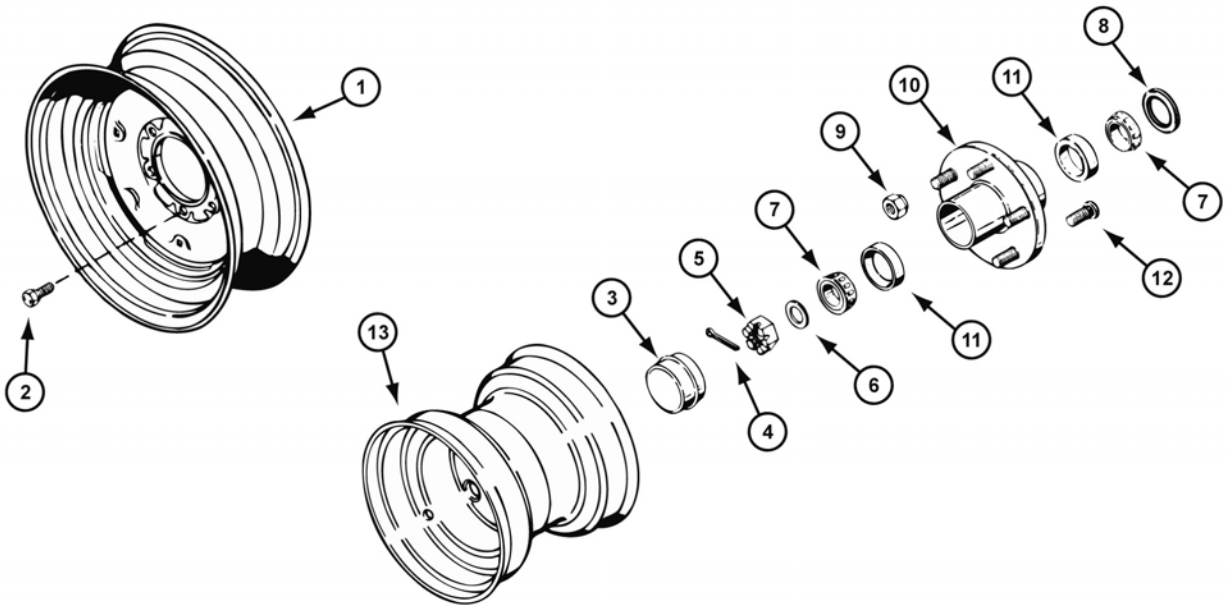
INDEX

FRONT AXLE



INDEX

FRONT AND REAR WHEELS



INDEX**FRONT AXLE**

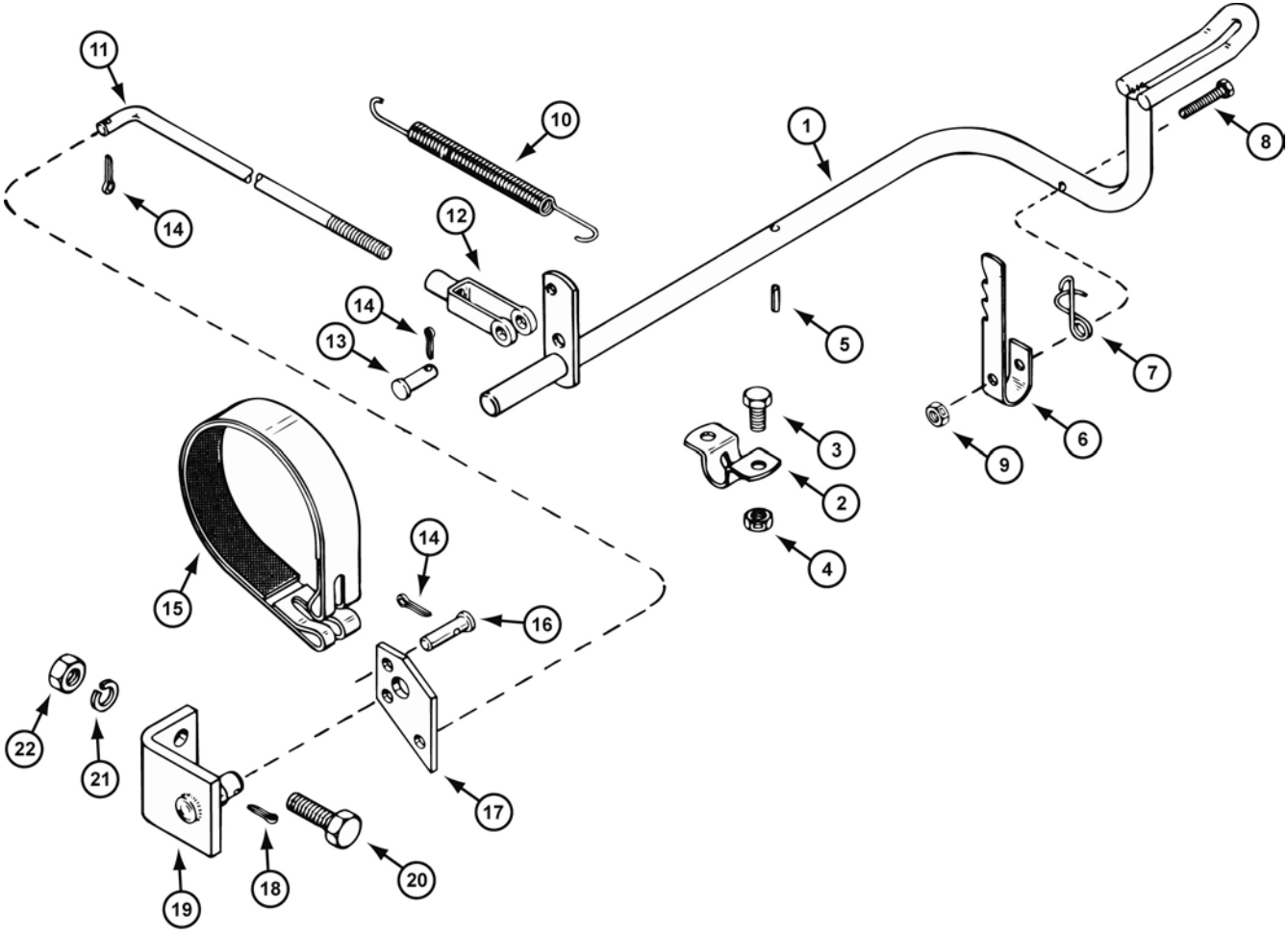
REF.	PART NO.	DESCRIPTION	REQ'D
1	C17296	AXLE - front	1
2	C33225	SPINDLE - L.H.	1
3	C33226	SPINDLE - R.H.	1
4	192-25	LOCKWASHER - 5/8"	3
5	C30163	ARM - upper, spindle	1
6	113-417	BOLT - 1/2" x 1-1/4" NC hex	1
7	192-23	LOCKWASHER - 1/2"	1
8	195-536	WASHER - 9/16"	1
9	C17684	WASHER - thrust	4
10	C28248	RING - retaining	1
11	C33419**	BUSHING - spindle 1-1/4" length	4
11	NSS*	BUSHING - spindle (use two C33419 and one C33418)	4
12	C33418**	SPACER - bushing	2
12	NSS*	SPACER - bushing (use two C33419 and one C33418)	2
13	219-17	FITTING - lubrication	2
14	C13106	COVER - lubrication fitting	2
15	C25942	TIE ROD	1
16	129-127	NUT - 5/8" N.F. hex	6
17	C25943	BALL JOINT - R.H. (includes lube fitting)	1
19	219-413	FITTING - lubrication	3

INDEX**FRONT AND REAR WHEELS**

1	C32032	WHEEL - rim, rear 10 x 15 (6018B, 6018BH)	2
1	C33464	WHEEL - rim, rear 7 x 15 silver (6018)	2
2	C27763	BOLT - rear wheel lug	12
3	C28317	CAP - dust	2
4	132-335	PIN - cotter 1/8" x 1-1/4"	2
5	25-1312	NUT - castle 3/4" NC hex	2
6	C28972	WASHER - retaining	2
	C33400	HUB AND BEARING ASSEMBLY - front wheel	2
7	C28262	BEARING - cone	2
8	C28316	SEAL - bearing	1
9	C28305	NUT - wheel	5
10	NSS	HUB ASSEMBLY - front wheel	1
11	C28988	RACE - bearing	2
12	C18300	STUD - wheel	5
	NSS	HUB - wheel	1
13	C33462	WHEEL - rim, front (8 x 7) silver (6018)	2
13	C32029	WHEEL - rim, front 10 x 6 (6018B, 6018BH)	2
13	C26902	WHEEL - rim, front 8 x 7 black (6018BH)	2

INDEX

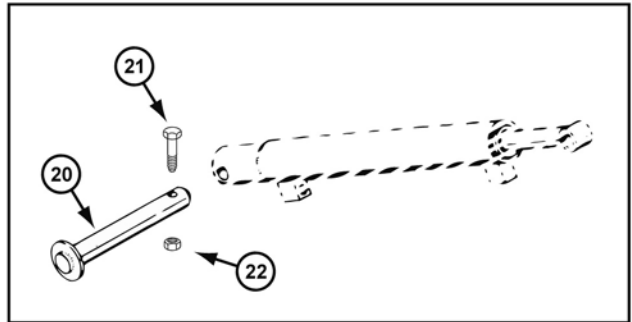
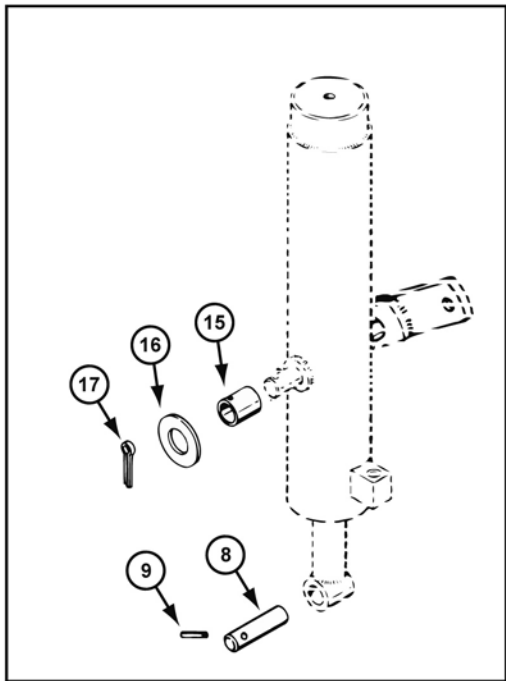
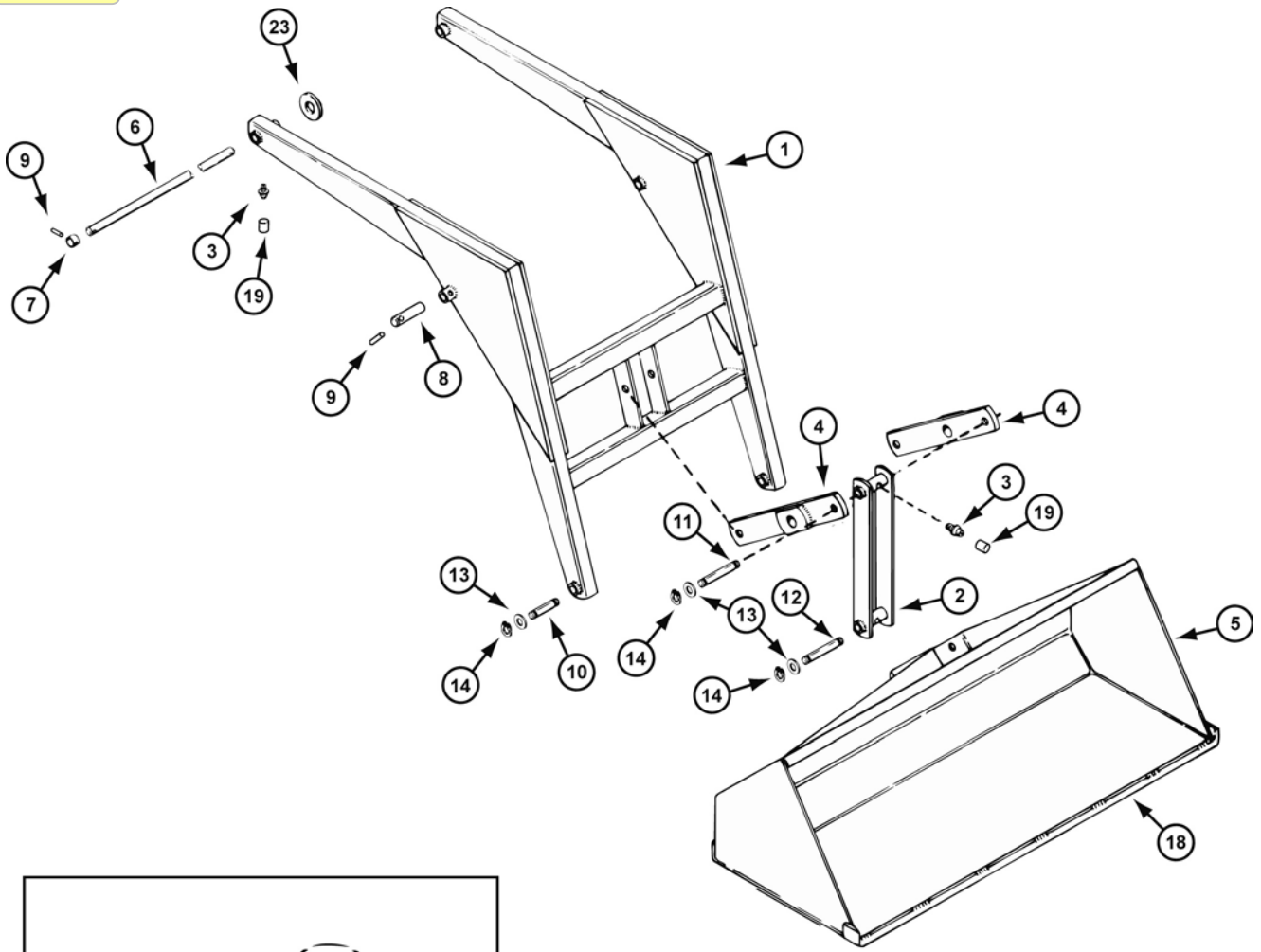
BRAKE ASSEMBLY



INDEX**BRAKE ASSEMBLY**

REF.	PART NO.	DESCRIPTION	REQ'D
1	C26683	PEDAL - brake	1
2	C18029	BRACKET - saddle	2
3	113-207	BOLT - 3/8" x 1" NC hex	4
4	131-938	NUT - lock 3/8" NC hex	4
5	138-92	PIN - roll 3/16" x 3/4"	1
6	C18105	LOCK - brake	1
7	C17541	SPRING - brake lock	1
8	113-5	BOLT - 1/4" x 1-1/2" NC hex	1
9	131-1102	NUT - lock 1/4" NC hex	1
10	C18278	SPRING - brake return	1
11	C27472	ROD - brake	1
12	213-41	CLEVIS	1
13	141-54	PIN - clevis	1
14	132-310	PIN - cotter 1/8" x 1"	4
15	C14187	BAND - brake	1
16	C13526	PIN - clevis	2
17	C18305	ARM - actuator	1
18	132-333	PIN - cotter 1/8" x 5/8"	1
19	C18306	BRACKET - pivot	1
20	113-412	BOLT - 1/2" x 1-3/4" NC hex	UAR
20	113-426	BOLT - 1/2" x 2-3/4" NC hex	UAR
21	192-23	LOCKWASHER - 1/2"	2
22	129-105	NUT - 1/2" NC hex	2

INDEX

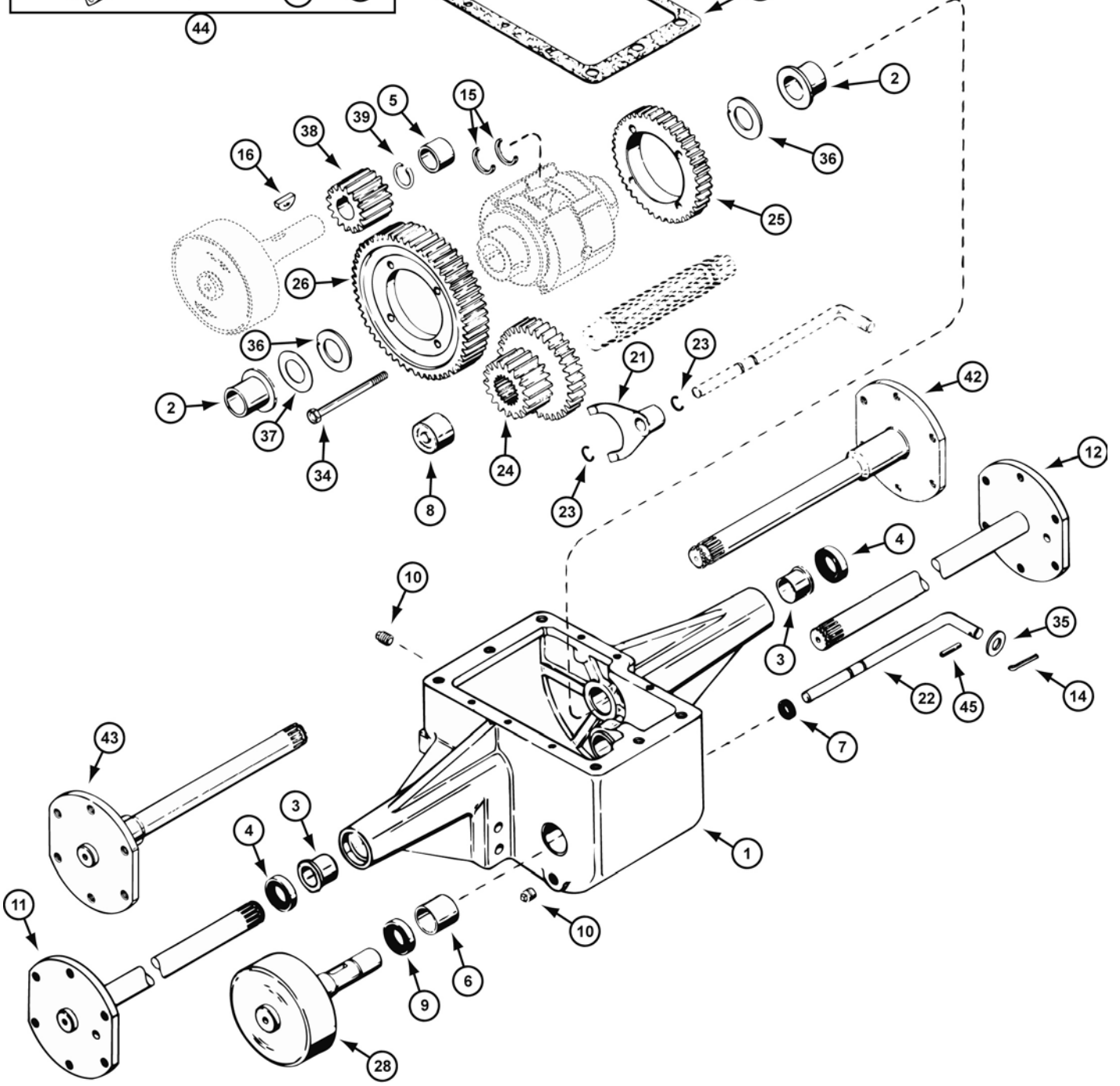
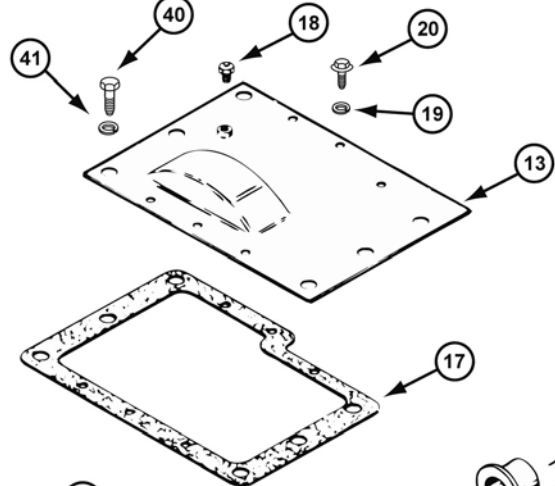
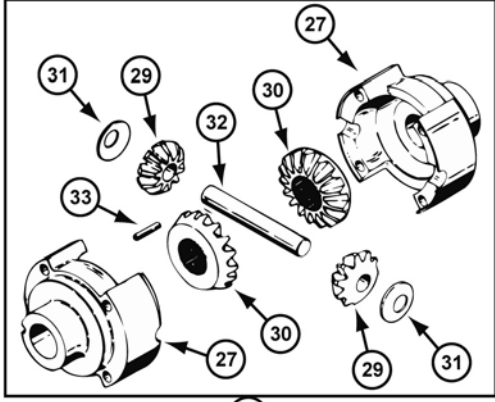


INDEX**BUCKET AND ARM ASSEMBLY**

REF.	PART NO.	DESCRIPTION	REQ'D
1	C17311	ARM ASSEMBLY - bucket lift	1
2	C17322	ARM - bucket	1
3	219-20	FITTING - lube	4
4	C18249	LINK - bucket cylinder	2
5	NSS	BUCKET - loader 44" (use C33206).....	1
5	C33206	BUCKET - loader 48"	1
6	C17337	ROD - arm assembly mounting	1
7	C17987	COLLAR	2
8	C21963	PIN - cylinder mounting	3
9	C44068	PIN - 1/4" x 1"	5
10	C17334	PIN - bucket mounting, 3-5/16"	2
11	C17335	PIN - 5"	2
12	C17336	PIN - 4-3/4"	1
13	195-545	WASHER - 13/32"	1
14	C28232	RING - retaining	1
15	C18145	BUSHING - oilite	2
16	195-533	WASHER - 1-1/16"	2
17	132-311	PIN - cotter 5/32" x 1-1/4"	2
18	C33182	EDGE - cutting 48"	1
18	C12824	EDGE - cutting 44"	1
19	C13106	COVER - lubrication fitting	4
20	C17714	PIN - cylinder mounting	2
21	113-122	BOLT - 5/16" - 18 x 1-1/2"	2
22	131-176	NUT - lock 5/16" hex	2
23	C12975	WASHER - .76" x 1.12"	1

INDEX

TRANSMISSION AND FINAL DRIVE



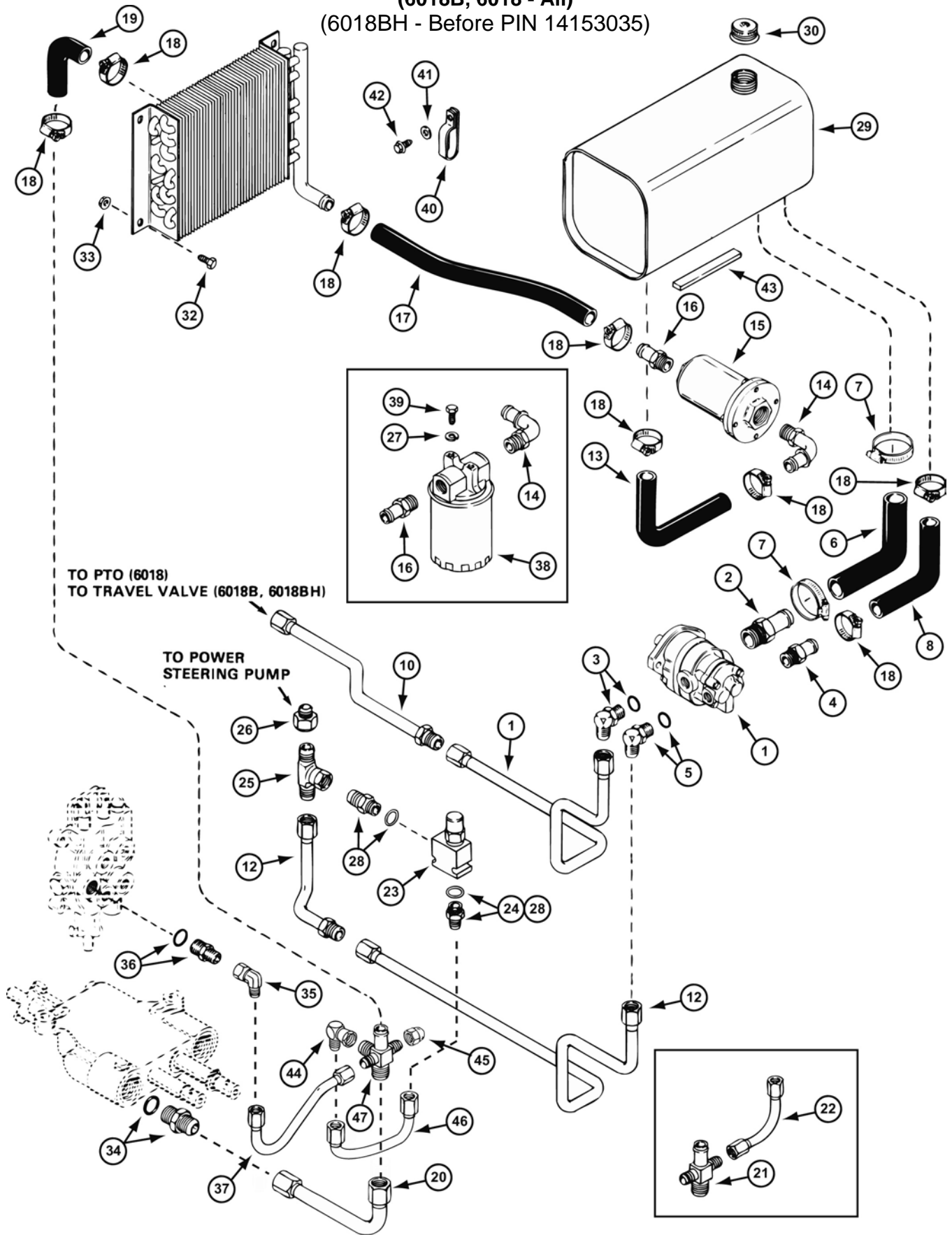
INDEX

TRANSMISSION AND FINAL DRIVE

REF.	PART NO.	DESCRIPTION	REQ'D
	C26322	CASE ASSEMBLY - (6018B, 6018BH) shown	1
	C24843	CASE ASSEMBLY - (6018)	1
1	NSS	CASE - transmission (order assembly above)	1
2	C12713	BEARING - flanged	2
3	C24804	BEARING - flanged (6018)	2
3	C26245	BEARING - flanged (6018B, 6018BH)	2
4	C26246	SEAL - axle (6018B, 6018BH)	2
4	C24803	SEAL - axle (6018)	2
5	C13241	BEARING - sleeve	1
6	C13385	BEARING - sleeve	1
7	C13266	SEAL - shift rod	1
8	C28281	BEARING - roller	1
9	C24803	SEAL - shaft	1
10	221-3	PLUG - filler and drain 3/8" square head	2
10	221-1842	PLUG - pipe 3/8" hex socket	1
11	C22638	SHAFT - axle, short R.H. (6018)	1
12	C22637	SHAFT - axle, long L.H. (6018)	1
13	C36935	COVER - transmission	1
14	132-310	PIN - cotter 1/8" x 1"	1
15	C26342	RING - retainer, axle	2
16	126-128	KEY - woodruff, brake idler	1
17	C13196	GASKET - transmission cover	1
18	C28241	BREATHER - transmission	1
19	192-19	LOCKWASHER - 1/4"	6
20	113-3	SCREW - 1/4" - 20 x 3/4"	6
21	C12725	FORK - shift	1
22	C37222	ROD - gear shift	1
23	C14168	RING - retaining	2
24	C14644	GEAR - cluster input, (18 teeth by 32 teeth) check # of teeth for correct part	1
24	C36901	GEAR - cluster input, (18 teeth by 27 teeth) check # of teeth for correct part	1
25	NSS*	GEAR - high 46 tooth	1
26	NSS*	GEAR - low 55 tooth	1
27	NSS	CASE - differential	1
28	C33305	BRAKE DRUM	1
29	NSS	GEAR - differential pinion	2
30	NSS	GEAR - differential	2
31	NSS	WASHER - pinion thrust	2
32	NSS	PIN - differential cross	1
33	NSS	PIN - differential cross lock	1
34	C30031	KIT - bolt (set of four)	4
35	195-541	WASHER	1
36	C12718	WASHER - differential	2
37	C14223	WASHER - spacer	UAR
38	C33417	GEAR - brake idler	1
39	C14222	RING - retainer, brake idler	1
40	113-417	BOLT - 1/2" x 1-1/4" NC transaxle mounting	6
40	166-85	BOLT - 1/2" - 13 x 1", 12 pt. flange	1
41	192-23	LOCKWASHER - 1/2"	6
42	C26250	SHAFT - axle, long L.H. (6018B, 6018BH)	1
43	C26249	SHAFT - axle, short R.H. (6018B, 6018BH)	1
44	C45430	DIFFERENTIAL - (also includes items 25, 26, 34)	1
45	138-2073	PIN - roll 3/16" x 1-1/4"	UAR

* Gears are not replaceable.
Order differential.

HYDRAULIC SYSTEM (PRIMARY)
(6018B, 6018 - All)
(6018BH - Before PIN 14153035)



HYDRAULIC SYSTEM (PRIMARY)
(6018B, 6018 - All)
(6018BH - Before PIN 14153035)

AFTER THIS PIN

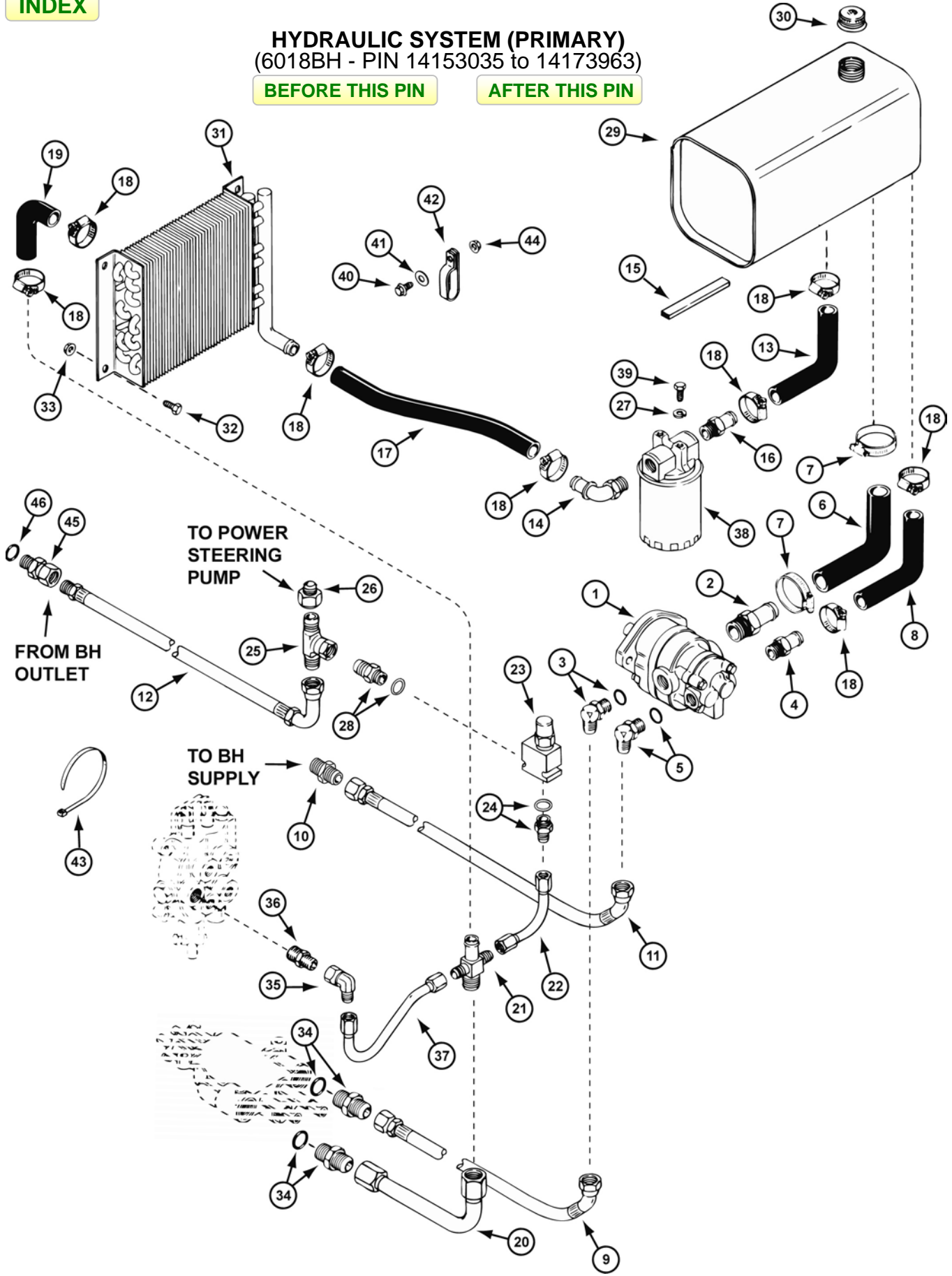
REF.	PART NO.	DESCRIPTION	REQ'D
1	C32170	PUMP - hydraulic (repairs page 41)	1
2	217-179	FITTING - 1" hose x 1-5/16" - 12 (includes 218-5010 "O" ring)	1
3	218-5107	FITTING - 5/8" O.D. x 7/8" - 14, 90° adjustable (includes 218-5007 "O" ring)	1
4	217-398	FITTING - 3/4" hose x 7/8" - 14 (includes 218-5007 "O" ring)	1
5	218-5117	FITTING - 5/8" O.D. x 3/4" - 16, 90° adjustable (includes 218-5006 "O" ring)	1
6	C32107	HOSE - 1" I.D. 90° pump inlet	1
7	214-256	CLAMP - hose	2
8	C31432	HOSE - 3/4" I.D. 90° pump inlet	1
9	C32108	TUBE - pump to PTO	1
10	C32109	TUBE - pump to travel valve	1
11	C32110	TUBE - pump to relief valve	1
12	C32111	TUBE - pump to relief valve tee (6018)	1
13	C31431	HOSE - oil filter to oil tank (cut to required length)	1
14	217-135	CONNECTOR - 90° 3/4" hose x 3/4" NPTF thread	1
15	C30152	FILTER - oil (repairs page 41)	1
16	217-155	CONNECTOR - 3/4" hose x 3/4" NPTF thread	1
17	C33046	HOSE - 3/4" I.D. x 19" (cut to required length)	1
18	214-254	CLAMP - hose 1-1/4"	8
19	C32148	HOSE - 90° heat exchanger to manifold	1
20	C32114	TUBE - travel valve to manifold	1
21	C32115	MANIFOLD - return (6018) (shown) (use before PIN 14173962)	1
21	C32115	MANIFOLD - return (6018BH) (shown)	1
21	C33047	MANIFOLD - return (6018B)	1
22	C32116	TUBE - manifold to relief valve (6018) (use before PIN 14173962)	1
22	C32116	TUBE - manifold to relief valve (6018BH, 6018B)	1
23	C32117	VALVE - relief	1
	C32152	CARTRIDGE - Relief, 1500 psi	1
24	218-5058*	FITTING - 3/8" tube x 3/4" - 16 (6018) (use before PIN 14173962)	1
24	218-5058	FITTING - 3/8" tube x 3/4" - 16 (6018BH, 6018B)	1
25	218-842	FITTING - tee swivel 5/8" tube x 7/8" - 14	1
26	C33112	FITTING - tube reducer 5/8" to 3/8" tube x 9/16" - 18	1
27	192-19	LOCKWASHER - 1/4"	3
28	C25245	FITTING - 5/8" tube x 3/4" - 14 (includes 218-5007 "O" ring)	2
29	C32346	RESERVOIR - oil	1
30	C45604	CAP - oil tank (SEE SERVICE BULLETIN 95-2)	1
31	C32047	EXCHANGER - heat	1
32	113-1	BOLT - 1/4" - 20 x 1/2"	4
33	131-934	NUT - 1/4" - 20 flange lock	4
34	218-5065	FITTING - 3/4" tube x 7/8" - 14 (includes 218-5006 "O" ring)	1
35	218-980	FITTING -90° 3/8" tube x 9/16" - 18 female swivel	1
36	218-5058	FITTING - 3/8" tube x 3/4" - 16 (includes 218-5006 "O" ring)	1
37	C32179	TUBE - bucket valve "out" to return manifold	1
38	C33038	FILTER ASSEMBLY	1
	C33039	FILTER - oil	1
39	113-3	BOLT - 1/4" - 20 x 3/4"	2
40	C32213	CLAMP - tube	1
41	195-521	WASHER - 1/4"	UAR
42	121-21	BOLT - 1/4" - 20 x 1/2" flange lock	UAR
43	C34189	CUSHION - tank	3
44	218-5232	FITTING - 90° swivel 5/8" x 7/8" -14 (6018) (use PIN 14173962 and after)	1
45	218-756	CAP - tube (6018) (use PIN 14173962 and after)	1
46	C44885	TUBE - manifold to relief valve (6018) (use PIN 14173962 and after)	1
47	C44892	MANIFOLD - return (6018) (use PIN 14173962 and after)	1

INDEX

HYDRAULIC SYSTEM (PRIMARY)
(6018BH - PIN 14153035 to 14173963)

BEFORE THIS PIN

AFTER THIS PIN



**HYDRAULIC SYSTEM (PRIMARY)
(6018BH - PIN 14153035 to 14173963)**

BEFORE THIS PIN

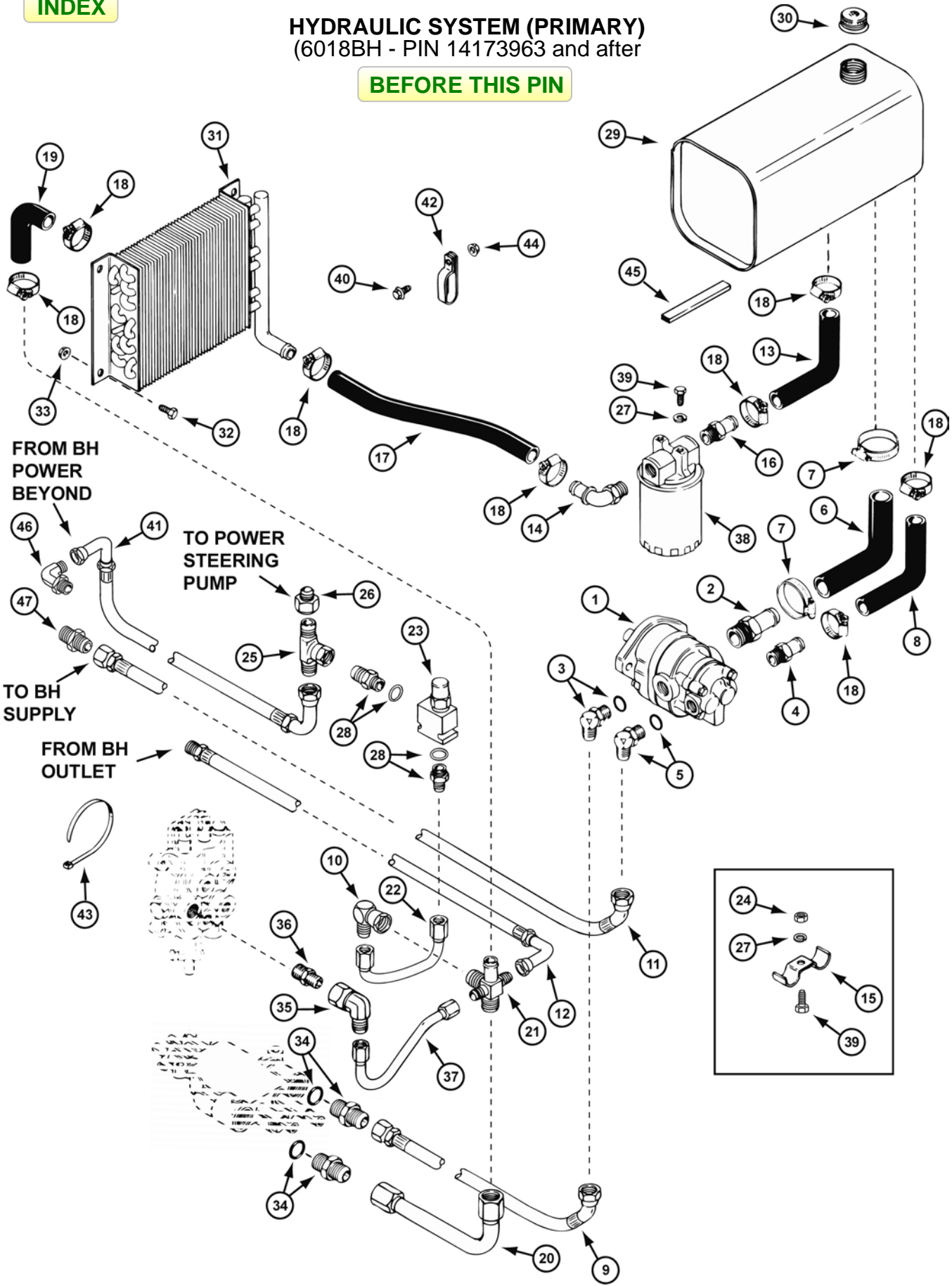
AFTER THIS PIN

REF.	PART NO.	DESCRIPTION	REQ'D
1	C32170	PUMP - hydraulic (repairs page 41)	1
2	217-179	FITTING - 1" hose x 1-5/16" - 12 (includes 218-5010 "O" ring)	1
3	218-5107	FITTING - 5/8" O.D. x 7/8" - 14, 90° adjustable (includes 218-5007 "O" ring)	2
4	217-398	FITTING - 3/4" hose x 7/8" - 14 (includes 218-5007 "O" ring)	1
5	218-5117	FITTING - 5/8" O.D. x 3/4" - 16, 90° adjustable (includes 218-5007 "O" ring)	1
6	C32107	HOSE - 1" I.D. 90° pump inlet	1
7	214-256	CLAMP - hose	2
8	C31432	HOSE - 3/4" I.D. 90° pump inlet	1
9	C34186	HOSE - pump to travel valve	1
10	218-5360	FITTING - 9/16" x 7/8" - 14 flare (use with BH750WD backhoe)	1
10	218-445	FITTING - 1/2" x 7/8" - 14 flare (use with 80A backhoe)	1
11	C34187	HOSE - pump to backhoe inlet	1
12	C34188	HOSE - backhoe outlet (use before PIN 14173863)	1
12	C42632	HOSE - backhoe outlet (use PIN 14173863 and after)	1
13	C31431	HOSE - oil filter to oil tank (cut to required length)	1
14	217-135	CONNECTOR - 90° 3/4" hose x 3/4" NPTF thread	1
15	C34189	CUSHION - tank	3
16	217-155	CONNECTOR - 3/4" hose x 3/4" NPTF thread	1
17	C33046	HOSE - 3/4" I.D. x 19" (cut to required length)	1
18	214-254	CLAMP - hose 1-1/4"	8
19	C32148	HOSE - 90° heat exchanger to manifold	1
20	C32114	TUBE - travel valve to manifold	1
21	C32115	MANIFOLD - return	1
22	C32116	TUBE - manifold to relief valve	1
23	C32117	VALVE - relief	1
	C32152	CARTRIDGE - Relief, 1500 psi	1
24	218-5058	FITTING - 3/8" tube x 3/4" - 16 (includes 218-5006 "O" ring)	1
25	218-842	FITTING - tee swivel 5/8" tube x 7/8" tube - 14	1
26	C33112	FITTING - tube reducer 5/8" to 3/8" tube x 9/16" - 18	1
27	192-19	LOCKWASHER - 1/4"	2
28	C25245	FITTING - 5/8" tube x 3/4" - 14 (includes 218-5007 "O" ring)	2
29	C32436	RESERVOIR - oil	1
30	C34175	CAP - oil tank	1
31	C32047	EXCHANGER - heat	1
32	113-1	BOLT - 1/4" - 20 x 1/2"	4
33	131-934	NUT - 1/4" - 20 flange lock	4
34	218-5065	FITTING - 3/4" tube x 7/8" - 14 (includes 218-5007 "O" ring)	1
35	218-980	FITTING - 90° 3/8" tube x 9/16" - 18 swivel	1
36	218-5058	FITTING - 3/8" tube x 3/4" - 16 (includes 218-5006 "O" ring)	1
37	C32179	TUBE - bucket valve "out" to return manifold	1
38	C33038	FILTER ASSEMBLY	1
	C33039	FILTER - oil	1
39	113-2	BOLT - 1/4" - 20 x 5/8"	2
40	121-21	BOLT - 1/4" - 20 x 1/2"	1
40	113-207	BOLT - 3/8" - 16 x 1"	1
41	195-521	WASHER	1
42	C32213	CLAMP - tube	1
43	C22947	TIE - nylon	UAR
44	131-938	NUT - 3/8" - 16 flange lock	1
45	218-5265	FITTING - 9/16" - 18 x 1/2" female swivel NPSM	1
46	218-5005	"O" RING	1

INDEX

HYDRAULIC SYSTEM (PRIMARY)
(6018BH - PIN 14173963 and after)

BEFORE THIS PIN



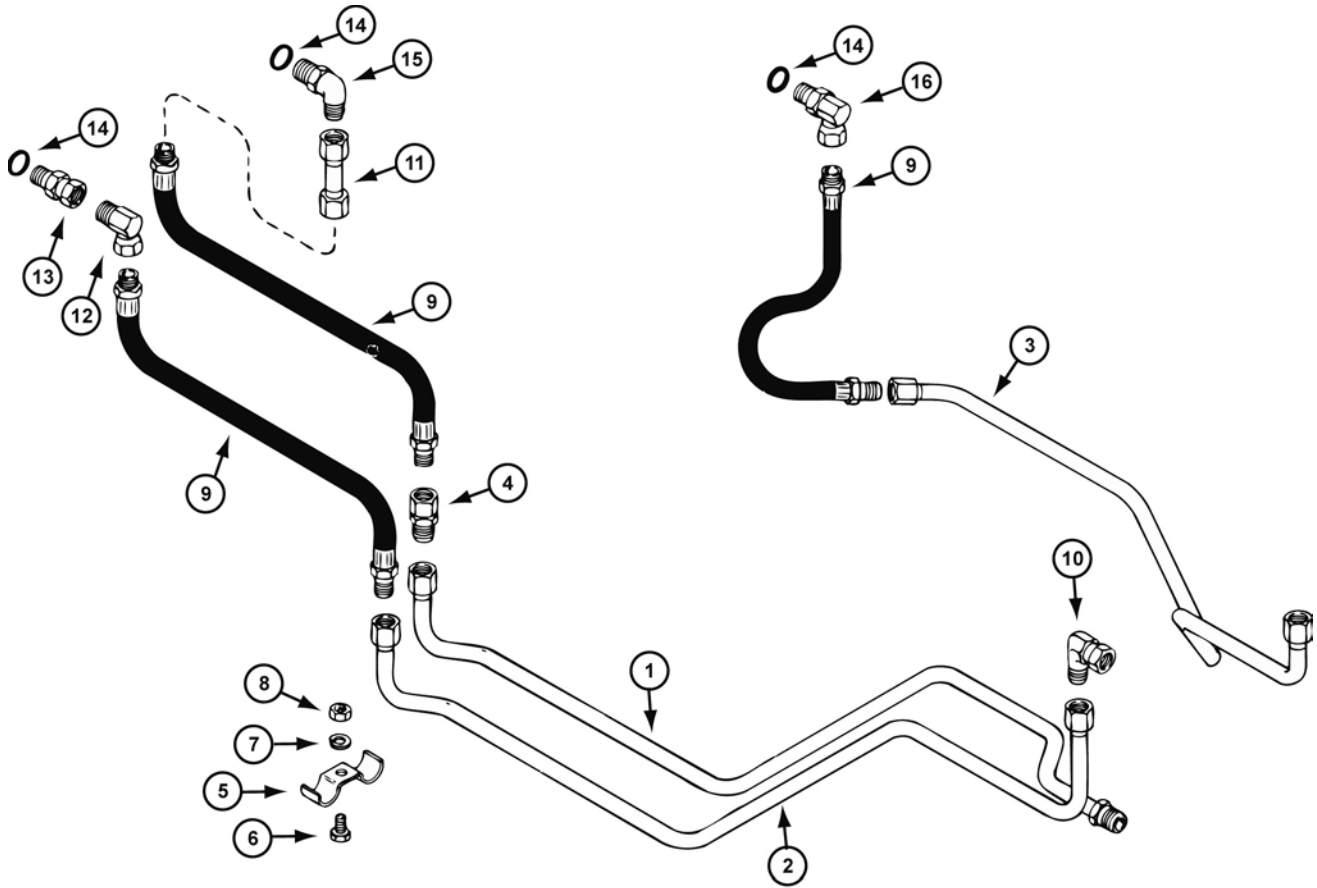
**HYDRAULIC SYSTEM (PRIMARY)
(6018BH - PIN 14173963 and after)**

BEFORE THIS PIN

REF.	PART NO.	DESCRIPTION	REQ'D
1	C32170	PUMP - hydraulic (repairs page 41)	1
2	217-179	FITTING - 1" hose x 1-5/16" - 12 (includes 218-5010 "O" ring)	1
3	218-5107	FITTING - 5/8" O.D. x 7/8" - 14, 90° adjustable (includes 218-5007 "O" ring)	2
4	217-398	FITTING - 3/4" hose x 7/8" - 14 (includes 218-5007 "O" ring)	1
5	218-5117	FITTING - 5/8" O.D. x 3/4" - 16, 90° adjustable (includes 218-5007 "O" ring)	1
6	C32107	HOSE - 1" I.D. 90° pump inlet	1
7	214-255	CLAMP - hose	2
8	C31432	HOSE - 3/4" I.D. 90° pump inlet	1
9	C34186	HOSE - pump to travel valve	1
10	218-5232	FITTING - 90° elbow 5/8" x 7/8" - 14	1
11	C34187	HOSE - pump to backhoe inlet	1
12	C44893	HOSE - backhoe outlet	1
13	C31431	HOSE - oil filter to oil tank (cut to required length)	1
14	217-135	CONNECTOR - 90° 3/4" hose x 3/4" NPTF thread	1
15	C15389	CLAMP - tube	1
16	217-155	CONNECTOR - 3/4" hose x 3/4" NPTF thread	1
17	C33046	HOSE - 3/4" I.D. x 19" (cut to required length)	1
18	214-254	CLAMP - hose 1-1/4"	8
19	C32148	HOSE - 90° heat exchanger to manifold	1
20	C32114	TUBE - travel valve to manifold	1
21	C44892	MANIFOLD - return	1
22	C44885	TUBE - manifold to relief valve	1
23	C32117	VALVE - relief	1
24	129-101	NUT - 1/4" - 20	1
25	218-842	FITTING - tee swivel 5/8" tube x 7/8" tube - 14	1
26	C33112	FITTING - tube reducer 5/8" to 3/8" tube x 9/16" - 18	1
27	192-19	LOCKWASHER - 1/4"	2
28	C25245	FITTING - 5/8" tube x 3/4" - 14 (includes 218-5007 "O" ring)	2
29	C32436	RESERVOIR - oil	1
30	C34175	CAP - oil tank	1
31	C32047	EXCHANGER - heat	1
32	113-1	BOLT - 1/4" - 20 x 1/2"	4
33	131-934	NUT - 1/4" - 20 flange lock	4
34	218-5065	FITTING - 3/4" tube x 7/8" - 14 (includes 218-5007 "O" ring)	1
35	218-980	FITTING - 90° 3/8" tube x 9/16" - 18 swivel	1
36	218-5058	FITTING - 3/8" tube x 3/4" - 16 (includes 218-5006 "O" ring)	1
37	C32179	TUBE - bucket valve "out" to return manifold	1
38	C33038	FILTER ASSEMBLY	1
	C33039	FILTER - oil	1
39	113-3	BOLT - 1/4" - 20 x 3/4"	3
40	113-207	BOLT - 3/8" - 16 x 1"	1
41	C44894	HOSE - backhoe power beyond to relief valve	1
42	C32213	CLAMP - tube	1
43	C22947	TIE - nylon	UAR
44	131-938	NUT - 3/8" - 16 flange lock	1
45	C34189	CUSHION - tank	3
46	218-5107	FITTING - 90° elbow 5/8" tube x 7/8" - 14 "O" ring (power beyond)	1
47	C45431	FITTING - 5/8" tube x 1/2" NPTF (supply)	1

INDEX

BACKHOE HYDRAULIC CONNECTING LINES (6018B)

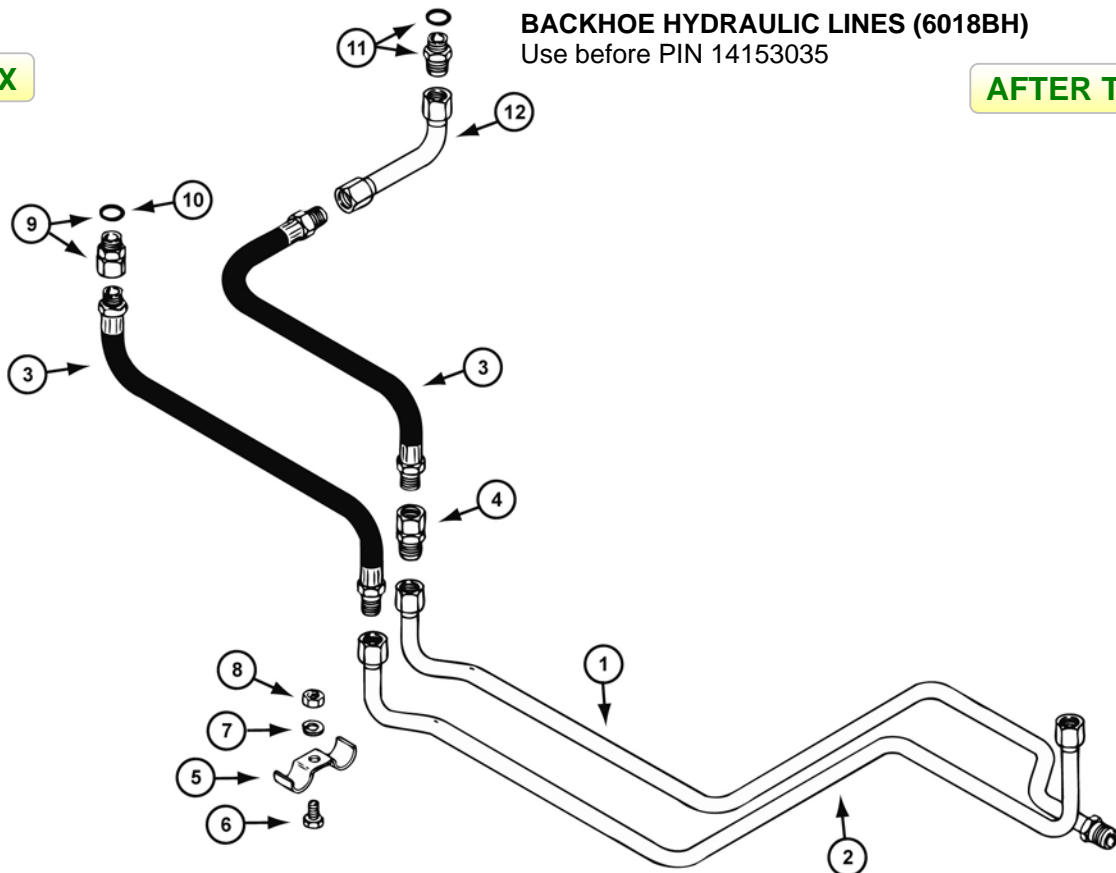


INDEX

BACKHOE HYDRAULIC LINES (6018BH)

Use before PIN 14153035

AFTER THIS PIN



INDEX**BACKHOE HYDRAULIC CONNECTING LINES (6018B)**

REF.	PART NO.	DESCRIPTION	REQ'D
1	C33043	TUBE - pump to backhoe (rear)	1
2	C33045	TUBE - backhoe (outlet) to return manifold	1
3	C33044	TUBE - backhoe (power beyond) to relief valve tee	1
4	218-465	FITTING - 7/8" - 14 x 1/2" NPTF	1
5	C15389	CLAMP - tube	2
6	113-3	BOLT - 1/4" - 20 x 3/4"	2
7	192-19	LOCKWASHER 1/4"	2
8	129-101	NUT - 1/4"	2
9	C28278	HOSE - hydraulic	3
10	218-5232	FITTING - 90° swivel elbow 5/8" x 7/8" - 14	1
11	C33058	TUBE - hydraulic	1
12	218-927	FITTING - 90° swivel 1/2" NPTF x 1/2" NPSM	1
13	218-5251	FITTING - 7/8" 14 x 1/2" NPSM swivel	1
14	218-5007	"O" RING - 7/8"	1
15	218-5107	FITTING - 90° adjustable elbow 7/8" - 14 x 7/8" - 14	1
16	218-5201	FITTING - 90° adjustable elbow 7/8" - 14 x 1/2" NPSM swivel	1

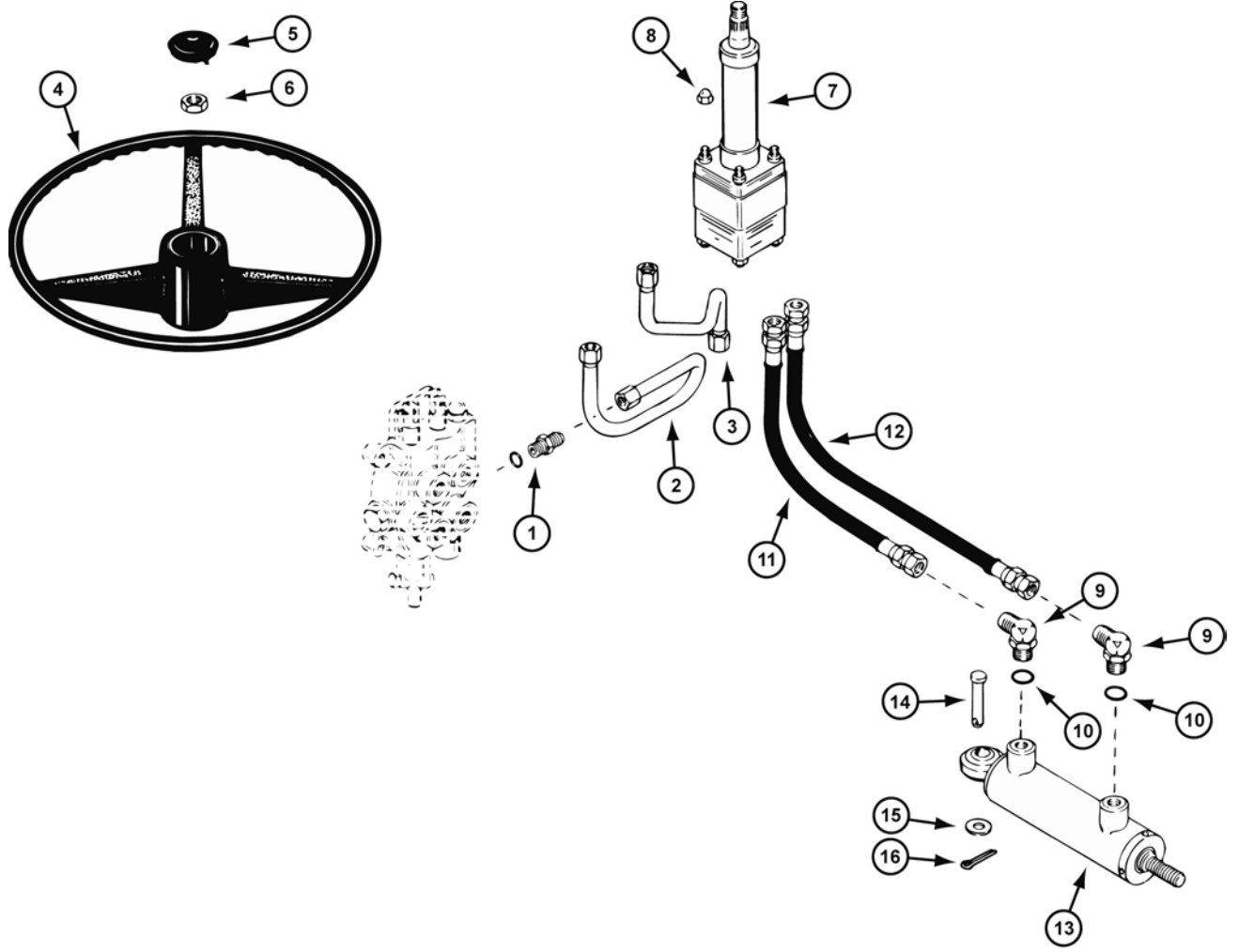
INDEX**BACKHOE HYDRAULIC LINES (6018BH)****AFTER THIS PIN**

Use before PIN 14153035

1	C32262	TUBE - pump to backhoe (rear)	1
2	C32263	TUBE - backhoe to relief valve tee	1
3	C28278	HOSE - hydraulic	2
4	218-465	FITTING - 7/8" 14 x 1/2" NPTF	1
5	C15389	CLAMP - tube	1
6	113-3	BOLT - 1/4" - 20 x 3/4"	1
7	192-19	LOCKWASHER - 1/4"	1
8	129-101	NUT - 1/4" - 20	1
9	218-5265	FITTING - 9/16" - 18 x 1/2" female swivel NPSM	1
10	218-5005	"O" RING	1
11	218-5360	FITTING - 9/16" x 7/8" - 14 flare (includes 218-5005 "O" ring)	1
12	C29655	TUBE - hydraulic, backhoe (in) 1	1

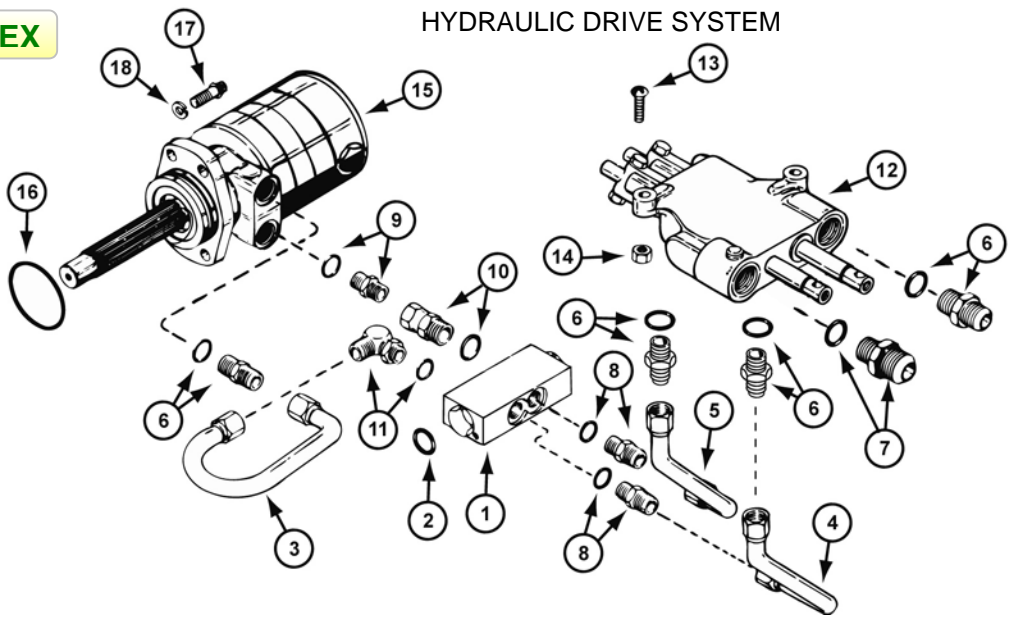
INDEX

HYDRAULIC POWER STEERING SYSTEM



INDEX

HYDRAULIC DRIVE SYSTEM



INDEX**HYDRAULIC POWER STEERING SYSTEM**

REF.	PART NO.	DESCRIPTION	REQ'D
1	218-5058	FITTING - 3/8" tube x 3/4" - 16 straight (includes "O" ring)	1
2	C32126	TUBE - steering to loader valve (in)	1
3	C32401	TUBE - steering (in) to relief valve tee	1
4	C27990	WHEEL - steering	1
5	C16945	CAP - steering wheel	1
6	129-127	NUT - 5/8" - 18	1
7	C27992	PUMP - steering, (repairs page 49)	1
8	C27991	NUT - 5/16" - 24 acorn, black	4
9	218-5105	FITTING - 90° elbow, adjustable	2
10	218-5005	"O" ring	1
11	C32399	HOSE - steering pump (L.T.) to cylinder, 25"	1
12	C32125	HOSE - steering pump (R.T.) to cylinder, 31"	1
13	C32027	CYLINDER - steering	1
	C26443	KIT - gasket	1
14	C16128	PIN - clevis 5/8"	1
15	195-541	WASHER - .656" I.D. x 1.31" O.D.	1
16	132-91	PIN - cotter 3/16" x 1"	1

INDEX**HYDRAULIC DRIVE SYSTEM**

1	C24995	VALVE - holding	1
2	C28487	"O" RING - end caps	2
3	C24994	TUBE - travel valve to motor	1
4	C25007	TUBE - travel valve to holding valve	1
5	C25008	TUBE - travel valve to holding valve	1
6	218-5062	FITTING - 5/8" tube x 7/8" - 14 (includes 218-5007 "O" ring)	4
7	218-5065	FITTING - 3/4" tube x 7/8" - 14 (includes 218-5007 "O" ring)	1
8	218-5066	FITTING - 5/8" tube x 3/4" - 16 (includes 218-5006 "O" ring)	2
9	218-5406	FITTING - 1/2" NPSM x 7/8" - 14 (includes 218-5007 "O" ring)	1
10	218-5254	FITTING - swivel 1/2" NPSM x 3/4" - 16 (includes 218-5006 "O" ring)	1
11	218-5117	FITTING - 90° adjustable 5/8" tube x 3/4" -16 (includes 218-5006 "O" ring)	1
12	C32118	VALVE - travel control (repairs page 43)	1
13	C27764	SCREW - 5/16" - 18 x 1-1/4"	2
14	131-351	NUT - 5/16" - 18 lock	2
15	NSS	MOTOR - hydraulic (6018) (repairs page 47) (use C32957) shown	1
15	NSS*	MOTOR - hydraulic (6018B, 6018BH) (repairs page 47)	1
16	C28949	SEAL - motor to case	1
17	166-85	BOLT - 1/2" - 13 x 1"	4
17	166-86	BOLT - 1/2" - 13 x 1-1/4"	4
18	192-23	LOCKWASHER - 1/2" (use with 166-86 bolt).....	4

* Before PIN 14131993:

6018BH use C32957 motor and C33164 arm

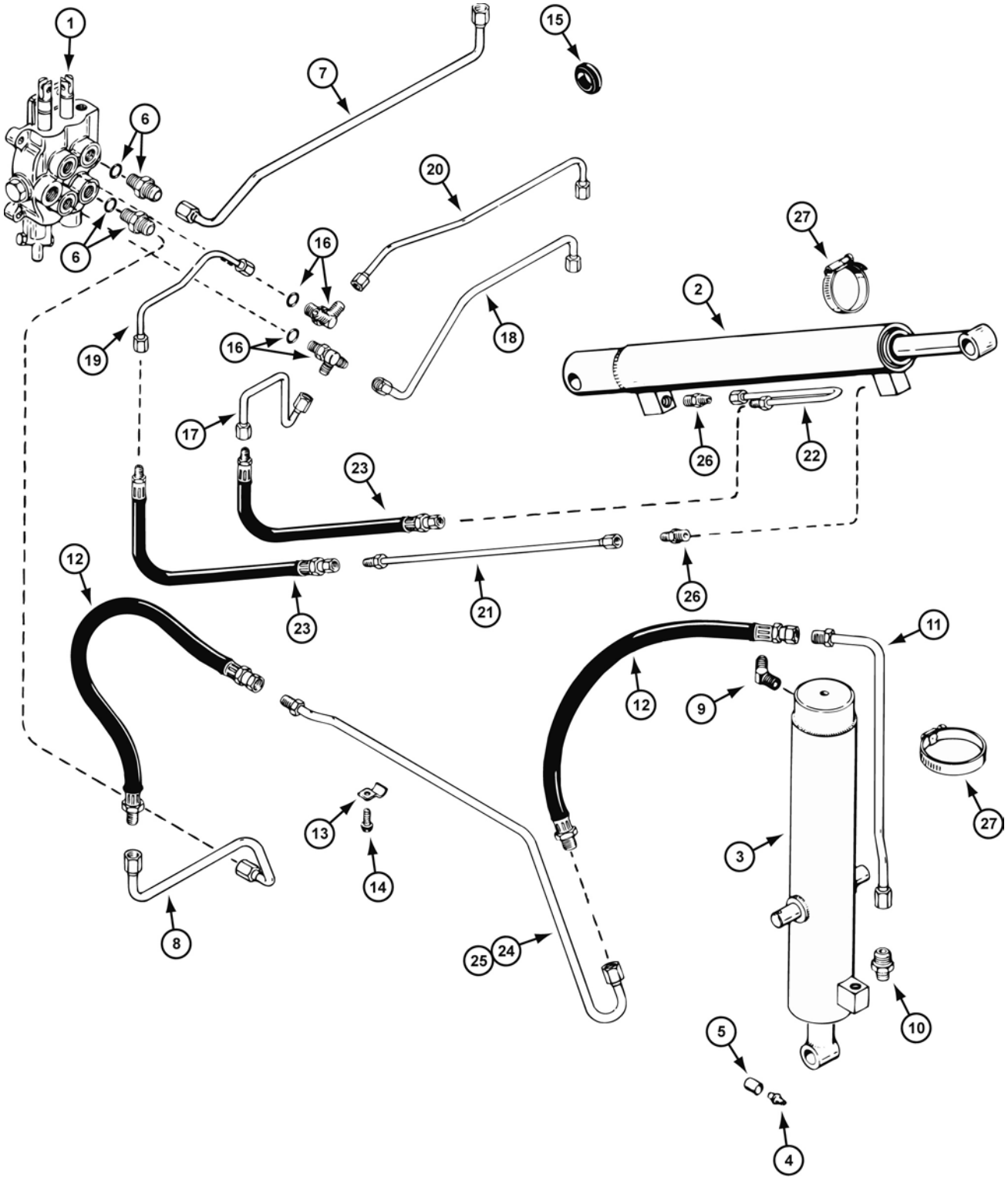
6018B use C32957 motor and C33163 arm

After PIN 14131993:

6018B and 6018BH use C32957 motor

INDEX

HYDRAULIC SYSTEM (BUCKET CONTROL)

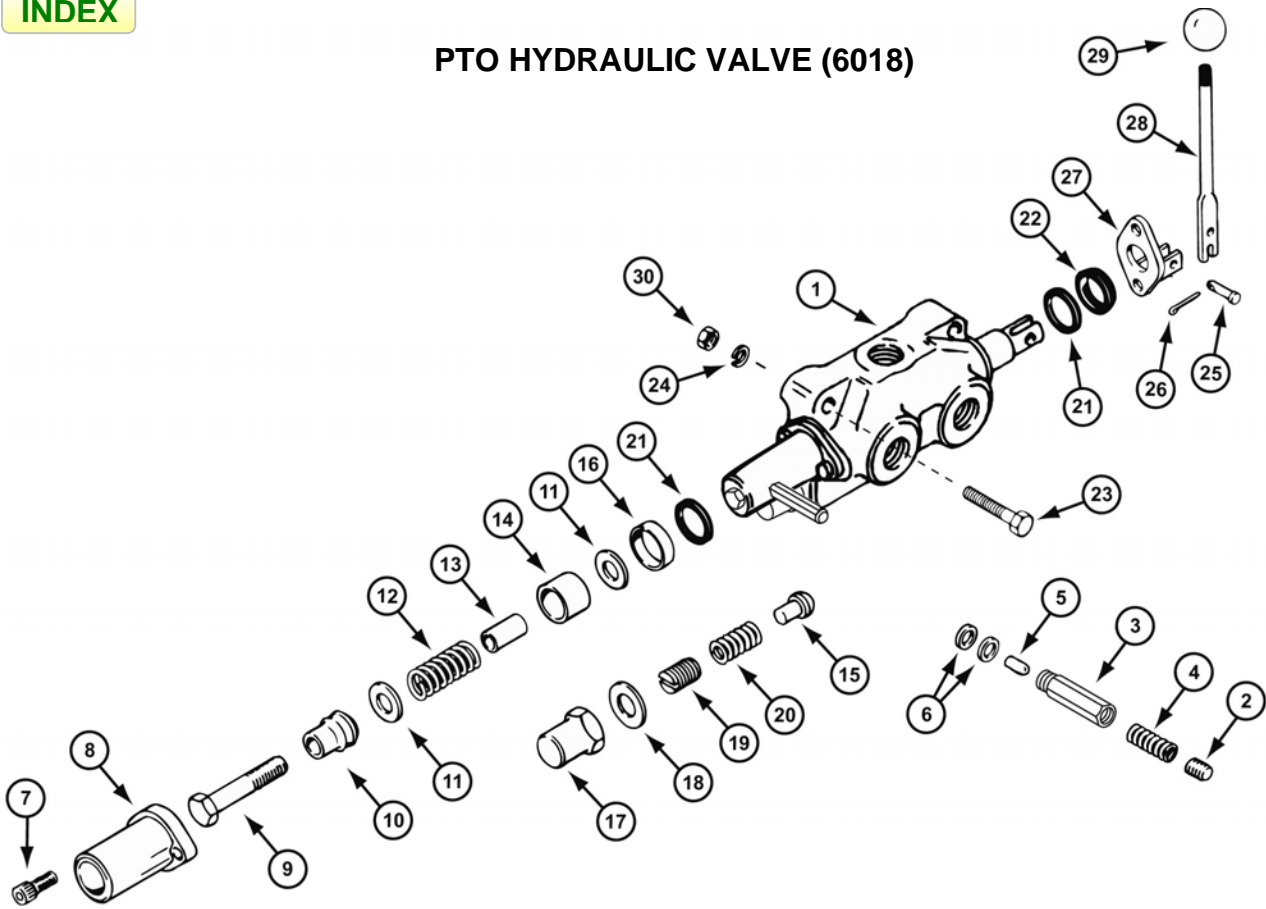


HYDRAULIC SYSTEM (BUCKET CONTROL)

REF.	PART NO.	DESCRIPTION	REQ'D
1	C18179	VALVE - bucket control (repairs page 45)	1
2	C26433	CYLINDER - lift arm (repairs page 51)	2
3	C26432	CYLINDER - bucket (repairs page 51)	1
4	219-17	FITTING - lubrication, straight	5
5	C13106	COVER - lubrication fitting	5
6	218-5057	FITTING - hydraulic (includes 218-5005 "O" ring)	2
7	C25162	TUBE - bucket valve to L.H. tower	1
8	C25161	TUBE - bucket valve to R.H. tower	1
9	218-533	FITTING - 45°	1
10	218-443	FITTING - hydraulic	1
11	C26439	TUBE - bucket cylinder	1
12	720-303	HOSE - bucket cylinder	4
13	C25164	CLIP - tube mounting	4
14	187-1036	SCREW - 1/4" - 20 x 1/2" tapping	4
15	C25165	GROMMET - tower	2
16	C25167	FITTING - special 90° (includes 218-5005 "O" ring)	2
17	C26032	TUBE - bucket valve to R.H. tower	1
18	C32121	TUBE - bucket valve to L.H. tower	1
19	C25160	TUBE - bucket valve to R.H. tower	1
20	C25158	TUBE - bucket valve to L.H. tower	1
21	C25153	TUBE - lift cylinder, rod end	1
22	C26435	TUBE - lift cylinder, piston end	2
23	720-301	HOSE - lift cylinder	4
24	C25155	TUBE - bucket cylinder R.H.	1
25	C25156	TUBE - bucket cylinder L.H.	1
26	218-1022	FITTING - hydraulic	4
27	214-262	CLAMP - 2-5/16" to 3-1/4"	3

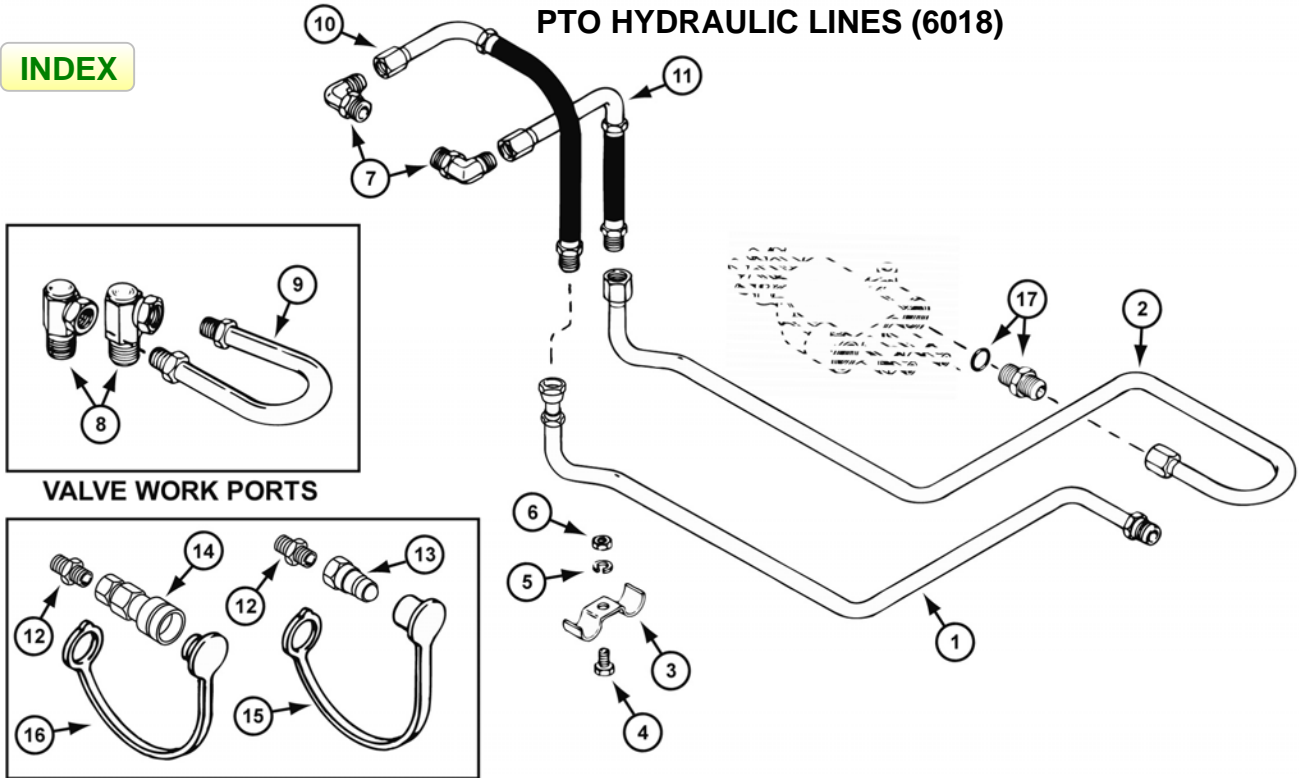
INDEX

PTO HYDRAULIC VALVE (6018)



INDEX

PTO HYDRAULIC LINES (6018)



INDEX**PTO HYDRAULIC VALVE (6018)**

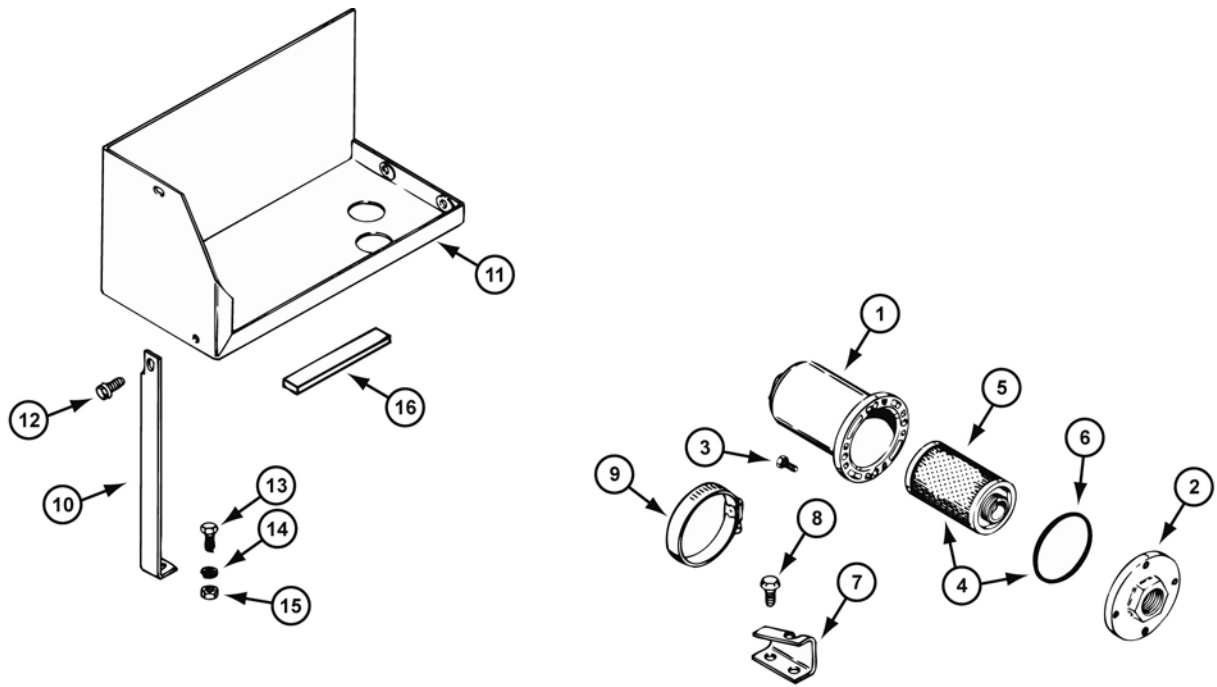
REF.	PART NO.	DESCRIPTION	REQ'D
1	C33426	VALVE - hydraulic (2100 PSI Relief)	1
2	83-56	SCREW - set 5/16" - 18	1
3	C26719	HOUSING - detent plunger	1
4	C26718	SPRING - detent plunger	1
5	C26717	PLUNGER - detent	1
6	C26716	WASHER - aluminum, seal	UAR
7	165-143	SCREW - socket head 1/4" - 20 x 3/4"	4
8	C26715	BONNET - end cap	1
9	113-110	BOLT - 5/16" - 18 x 2-1/4"	1
10	C26714	SLEEVE - detent	1
11	195-526	WASHER	1
12	C26721	SPRING - centering	1
13	C26720	SPACER - detent	1
14	C26713	SPACER - spool	1
15	C26708	POPPET - relief	1
16	C26722	SPACER - end cap	1
17	C26712	NUT - cap, relief	1
18	C26710	WASHER - aluminum, seal	1
19	C26711	SCREW - adjustment, relief	1
20	C26709	SPRING - relief	1
21	C26707	RING - quad	2
22	C26706	WIPER - spool	1
23	113-5	BOLT - 1/4" - 20 x 1-1/2"	3
24	192-19	LOCKWASHER - 1/4"	3
25	C28964	PIN - clevis 3/16"	1
26	132- 329	PIN - cotter	1
27	C32156	BRACKET - handle	1
28	C32155	HANDLE - valve	1
29	C32154	KNOB - handle	1
30	129-101	NUT - 1/4"	3

INDEX**PTO HYDRAULIC LINES (6018)**

1	C46976	HOSE - pump to PTO (rear)	1
2	C18285	TUBE - travel valve to PTO	1
3	C15389	CLAMP - tube	1
4	113-3	BOLT - 1/4" - 20 x 3/4"	1
5	192-19	LOCKWASHER - 1/4"	1
6	129-101	NUT - 1/4" - 20	1
7	218-5107	FITTING - 90° adjustable elbow (PTO inlet & outlet)	2
8	218-5201	FITTING - 90° swivel 7/8" - 14 (PTO work ports)	2
9	C22829	TUBE - hydraulic loop	1
10	C32149	HOSE - PTO valve (inlet)	1
11	C32150	HOSE - PTO valve (outlet)	1
12	C46934	FITTING - pipe nipple 1/2" (optional equipment)	2
13	C37187	NIPPLE - quick disconnect (male) (optional equipment).....	1
14	C37188	CONNECTOR - quick disconnect (female) (optional equipment)	1
15	C40641	CAP - dust (optional equipment)	1
16	C40642	PLUG - dust (optional equipment).....	1
17	218-5062	FITTING - 5/8" tube x 7/8" - 14 (optional equipment).....	1

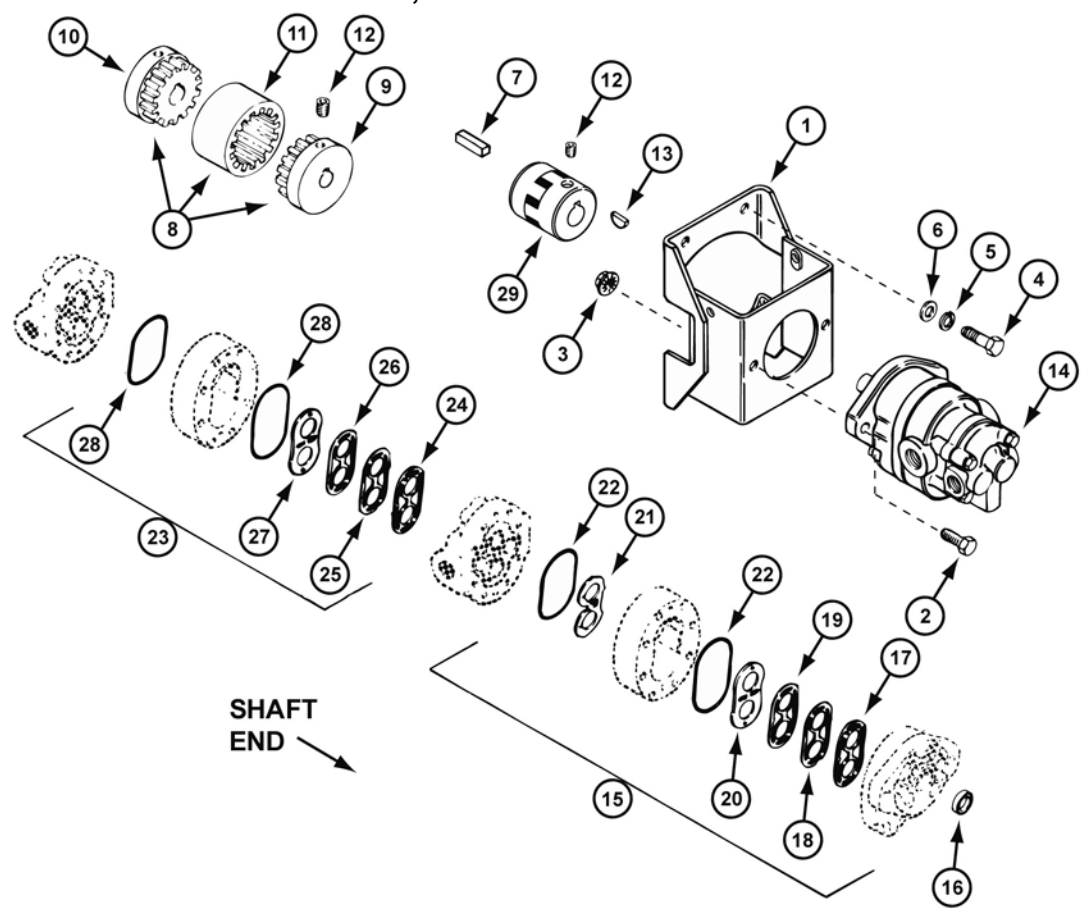
INDEX

HYDRAULIC OIL FILTER AND TANK TRAY



INDEX

HYDRAULIC PUMP, COUPLING AND MOUNT



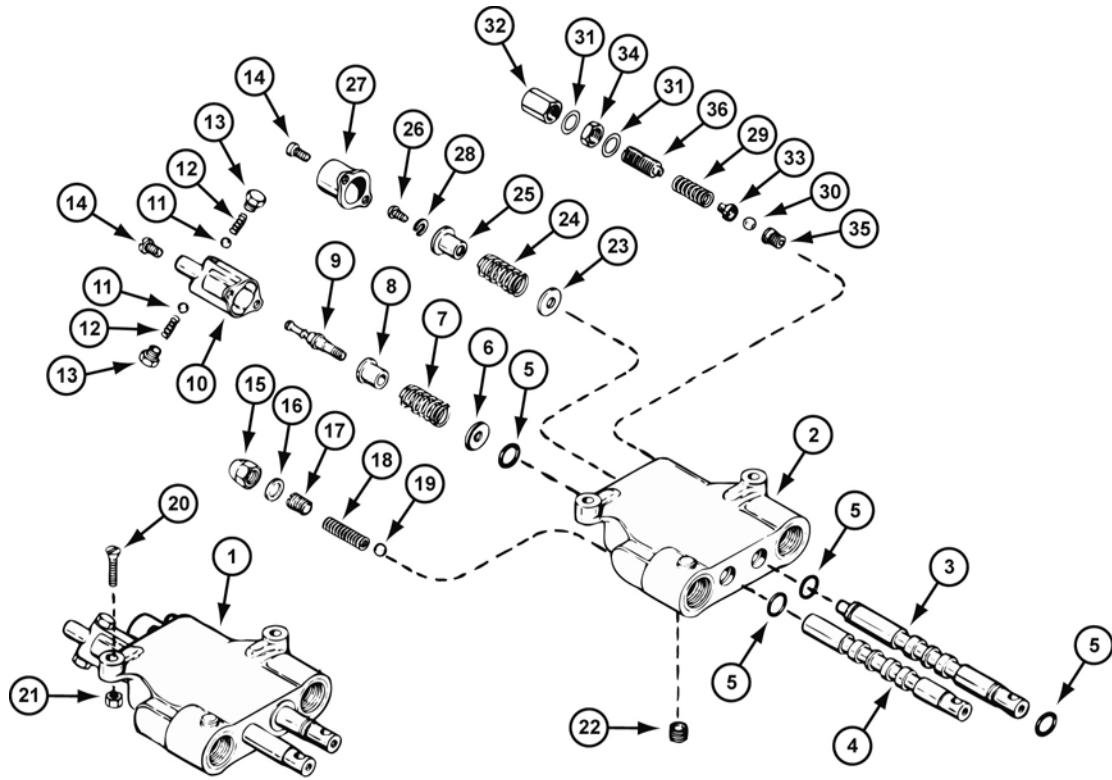
INDEX**HYDRAULIC OIL FILTER AND TANK TRAY**

REF.	PART NO.	DESCRIPTION	REQ'D
	C30152	FILTER ASSEMBLY - hydraulic oil (early production).....	1
1	C28753	HOUSING - filter	1
2	C28754	COVER - filter	1
3	113-3	BOLT - cover	4
4	C28783	KIT - filter	1
5	NSS	CARTRIDGE - filter	1
6	C28755	"O" RING	1
7	C32172	BRACKET - filter mounting	1
8	121-106	BOLT - 5/16" - 18 x 1/2" flange lock	2
9	214-262	CLAMP - hose 3-1/4" filter to bracket	1
10	C32255	BRACKET - oil tank support	1
11	C32434	TRAY - oil tank	1
12	121-21	BOLT - 1/4" - 20 x 1/2" flange lock	4
13	113-2	BOLT - 1/4" - 20 x 5/8"	1
14	192-19	LOCKWASHER - 1/4"	1
15	129-101	NUT - 1/4" - 20	1
16	C34189	CUSHION - oil reservoir	1

INDEX**HYDRAULIC PUMP, COUPLING AND MOUNT**

1	C33041	MOUNT - pump	1
2	113-208	BOLT - 3/8" - 16 x 1-1/4"	2
3	131-938	NUT - 3/8" - 16 flange lock	2
4	113-208	BOLT - 3/8" - 16 x 1" (use teflon sealant on lower bolts)	4
5	192-21	LOCKWASHER - 3/8"	4
6	195-104	WASHER - .438" x 1"	4
7	C28321	KEY - 1/4" x 1/4" x 3/4" (engine shaft)	1
8	NSS	COUPLING - pump (use C33265)	1
9	NSS	HUB - pump	1
10	NSS	HUB - engine	1
11	NSS	SLEEVE - coupling (use C33265 complete assembly).....	1
12	178-858	SCREW - set	2
13	126-13	KEY - 3/16" x 5/8" woodruff carbon (pump shaft)	1
14	C32170	PUMP - hydraulic, double	1
15	C32955	KIT - seal (main pump section)	1
16	C33110	SEAL - shaft	1
17	NSS	SEAL - "V" ("V" side towards cover)	1
18	NSS	GASKET	1
19	NSS	SHIELD - heat	1
20	NSS	PLATE - wear (bronze side towards gears)	1
21	NSS	PLATE - thrust (bronze side towards gears)	1
22	C33111	"O" RING	2
23	C32956	KIT - seal (secondary pump section)	1
24	NSS	SEAL - "V" ("V" side towards body)	1
25	NSS	GASKET	1
26	NSS	SHIELD - heat	1
27	NSS	PLATE - wear (bronze side towards gears)	1
28	C15732	"O" RING	2
	NSS	SEAL - shaft (not used).....	1
29	C33265	COUPLING - pump	1

HYDRAULIC CONTROL VALVE (TRACTOR)



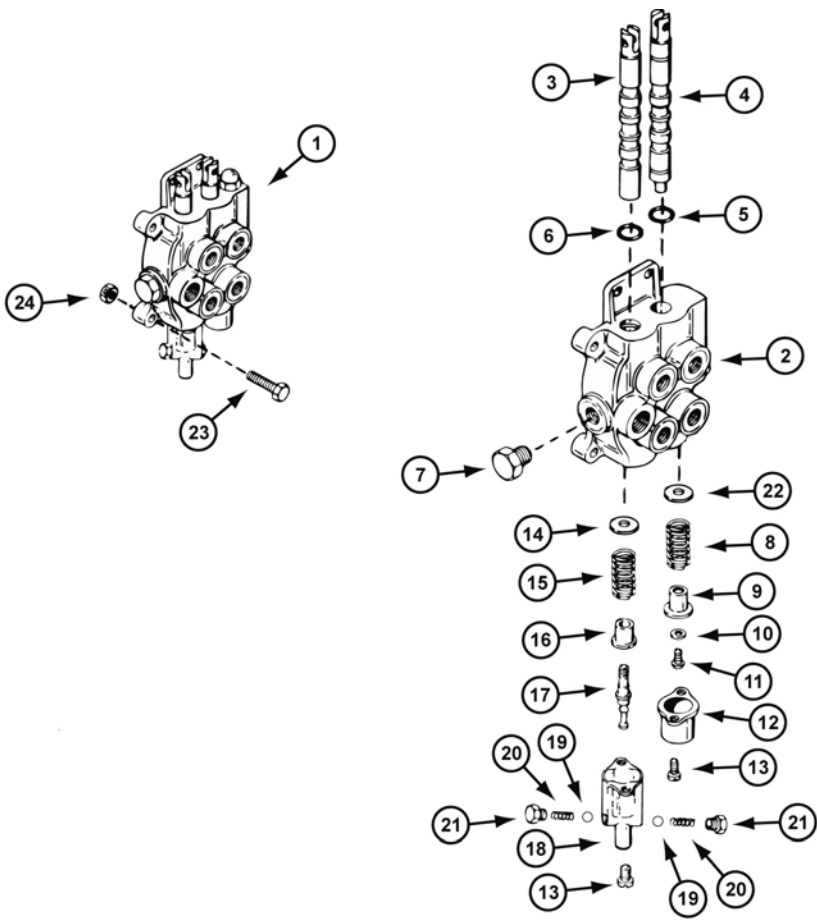
INDEX

HYDRAULIC CONTROL VALVE (TRACTOR)

REF.	PART NO.	DESCRIPTION	REQ'D
1	C 32118	VALVE - tractor control	1
2	NSS	BODY - valve (order C32118 valve)	1
3	NSS	SPOOL - valve (order C32118 valve)	1
4	NSS	SPOOL - valve (order C32118 valve)	1
5	C28856	SEAL - "O" ring, spool	4
6	C28705	WASHER	1
7	C28706	SPRING - detent	1
8	C28707	SPACER	1
9	C26668	DETENT - spool (use with 3/16" detent ball)	1
10	C17438	COVER - detent	1
11	211-5	BALL - steel 3/16"	2
12	C17444	SPRING - detent	2
13	C28708	SCREW - detent, cap	2
14	169-114	SCREW - cover	4
	C21511	KIT - relief	1
15	129-531	CAP - relief adjust	1
16	C17435	CAP - relief adjust	1
17	C17433	GASKET - relief adjust cap	1
18	NSS	SPRING - relief	1
19	211-7	BALL - steel 1/4"	1
20	C27764	SCREW - 5/16" - 18 x 1-1/4"	2
21	131-351	NUT - 5/16" - 18 lock	2
22	221-841	PLUG - pipe 1/4"	1
23	195-521	WASHER - return	1
24	C26431	SPRING - return	1
25	C26667	SPACER	1
26	193-524	SCREW - No. 10 - 32 x 1/2" socket	1
27	C18847	COVER - return	1
28	192-18	LOCKWASHER	1
29	C21507	SPRING - relief	1
30	211-208	BALL - steel 5/16"	1
31	C26664	GASKET - relief adjust, cap and nut	1
32	C26666	CAP - relief	1
33	C21506	RETAINER - ball, relief	1
34	129-166	NUT - relief adjust	1
35	C26663	SEAT - ball, relief	1
36	C26665	SCREW - relief adjust	1
	218-5154	PLUG - 1/2" - 20 (use to cap lift ports)	2

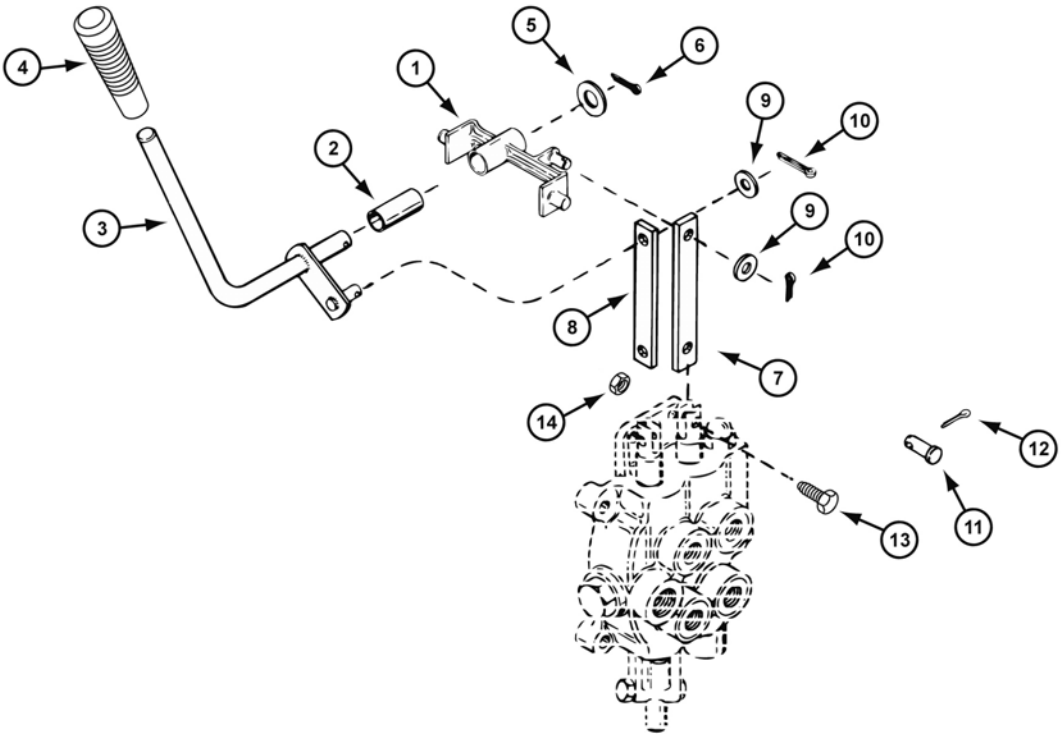
INDEX

HYDRAULIC CONTROL VALVE (BUCKET)



INDEX

BUCKET CONTROL LINKAGE



INDEX**HYDRAULIC CONTROL VALVE (BUCKET)**

REF.	PART NO.	DESCRIPTION	REQ'D
1	C18179	VALVE - bucket control	1
2	NSS	BODY - valve (order C18179 valve)	1
3	NSS	SPOOL - valve (order C18179 valve)	1
4	NSS	SPOOL - valve (order C18179 valve)	1
5	C28989	SEAL - "O" ring, spool	2
6	C28856	SEAL - "O" ring, spool	2
7	221-843	PLUG - 3/8"	1
8	C26431	SPRING - return	1
9	C13200	SPACER	1
10	195-510	WASHER	1
11	193-524	SCREW	1
12	C18847	COVER - centering	1
13	169-114	SCREW - cover	4
14	C17440	WASHER	1
15	C17441	SPRING - return	1
16	C13200	SPACER - detent	1
17	C17439	DETENT - spool	1
18	C17438	COVER - detent	1
19	211-7	BALL - steel 1/4"	2
20	C17444	SPRING - detent	2
21	C17443	SCREW - detent	2
22	195-521	WASHER - return	1
23	113-17	BOLT - valve mounting 1/4" x 1-1/4" NC hex	3
24	131-1102	NUT - lock 1/4" NC hex	3
	C18846	KIT - spring, center (includes items 22, 23, 24, 25, 26 and 27)	1
	C18851	KIT - detent (includes items 14, 15, 16, 17, 18, 19, 20 and 22)	1

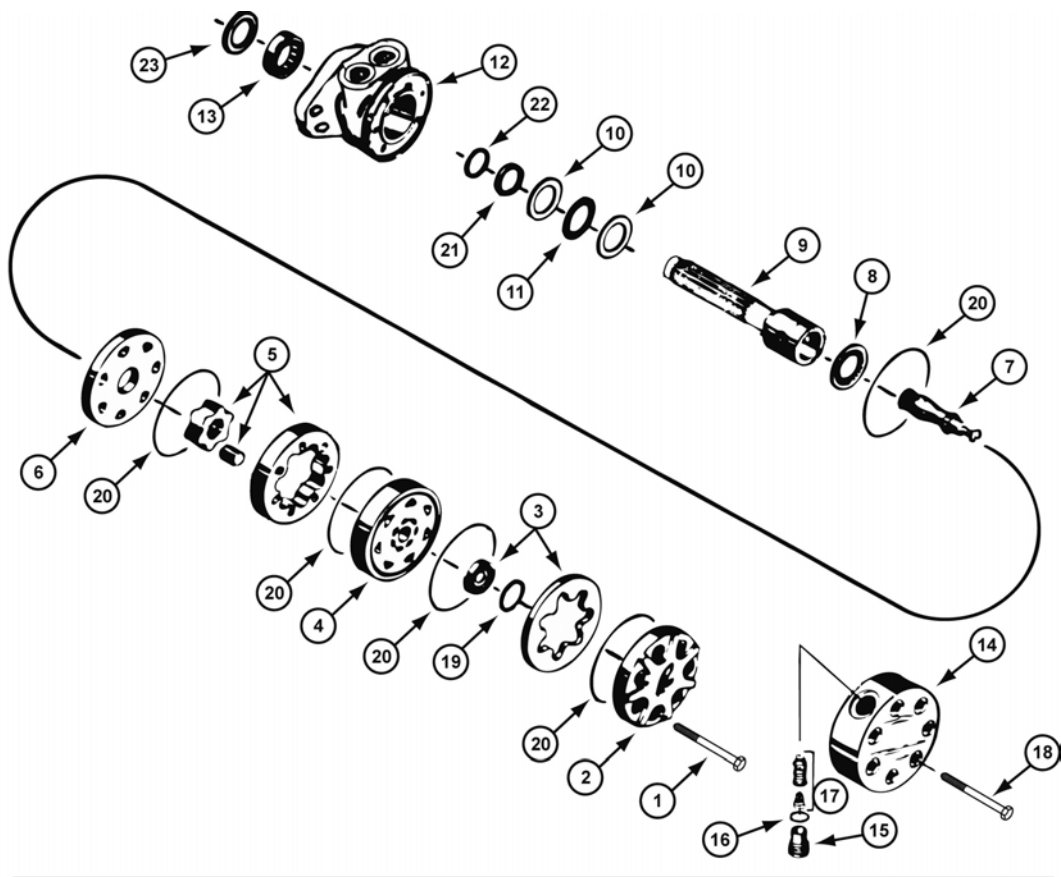
INDEX**BUCKET CONTROL LINKAGE**

1	C24445	BRACKET - pivot	1
2	C16714	BUSHING - pivot bracket	1
3	C46488	LEVER - bucket control	1
4	C46481	GRIP - lever, bucket control	1
5	195-533	WASHER - 1/2"	1
6	132-321	PIN - cotter 3/32" x 1"	1
7	C34744	LINK - valve 4"	1
8	C34745	LINK - valve 3-3/4"	1
9	195-521	WASHER - 5/16"	2
10	132-320	PIN - cotter 3/32" x 3/4"	2
11	141-2	PIN - clevis	2
12	132-329	PIN - cotter 1/16" x 3/4"	2
13	113-3	BOLT - 1/4" - 20 x 3/4"	2
14	131-1102	NUT - 1/4 - 20 lock	2

INDEX

HYDRAULIC DRIVE MOTOR (6018)

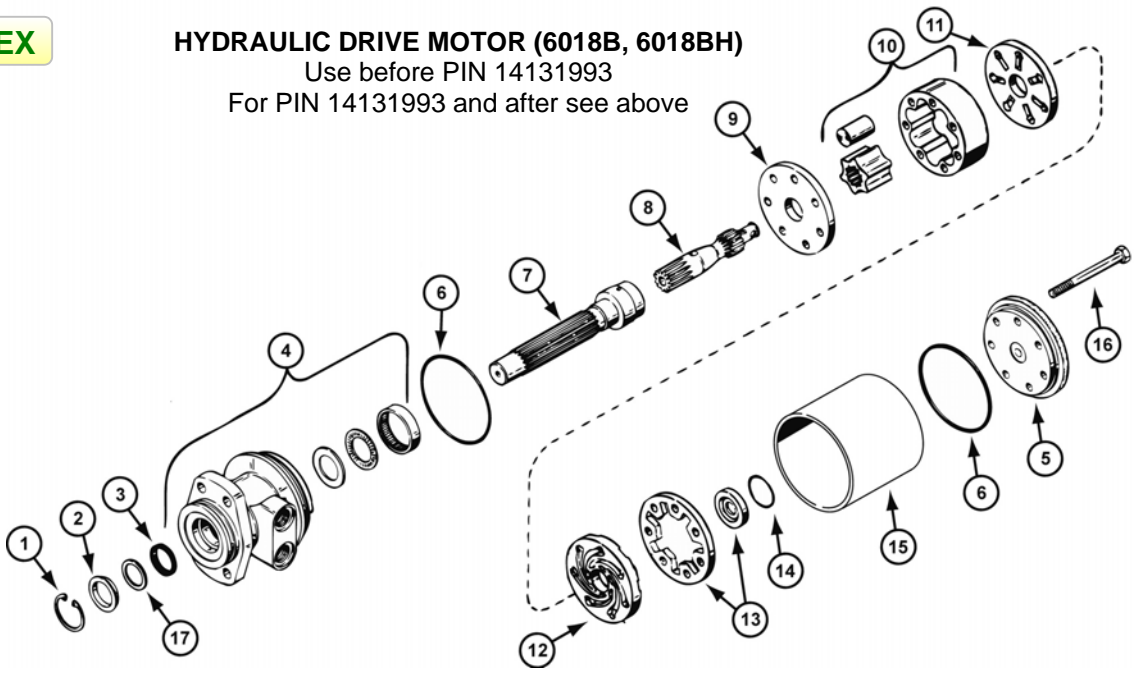
Also use PIN 14131993 and after (6018BH, 6018B)



INDEX

HYDRAULIC DRIVE MOTOR (6018B, 6018BH)

Use before PIN 14131993
For PIN 14131993 and after see above



INDEX**HYDRAULIC DRIVE MOTOR (6018)**

Also use PIN 14131993 and after (6018BH, 6018B)

REF.	PART NO.	DESCRIPTION	REQ'D
	C32957	MOTOR - hydraulic	1
1	C31327	BOLT - 3/8" - 24 x 4-5/8" (use with C31309 cover)	7
2	C31309	COVER - end (shown) (without relief)	1
3	C31310	COMMUTATOR AND RING SET	1
4	C31311	MANIFOLD	1
5	C31313	ROTOR ASSEMBLY	1
6	C31314	PLATE - wear	1
7	C31316	LINK - drive	1
8	C31317	BEARING - thrust	1
9	C31318	SHAFT - coupling	1
10	C31319	WASHER - thrust	2
11	C31320	BEARING - thrust	1
12	C31321	HOUSING - drive end	1
13	C31322	BEARING - outer	1
14	C34417	COVER - end (with relief)	1
15	C34418	PLUG AND "O" RING	2
16	C34419	"O" RING	1
17	C34420	VALVE - relief (3000 PSI)	2
18	C34421	BOLT - thru (use with C34417 end cover)	7
	C31323	KIT - seal	1
19	NSS	SEAL - commutator ring	1
20	NSS	SEAL - ring	5
21	NSS	SEAL - ring	1
22	NSS	WASHER - backup	1
23	NSS	SEAL - dirt (not used)	1

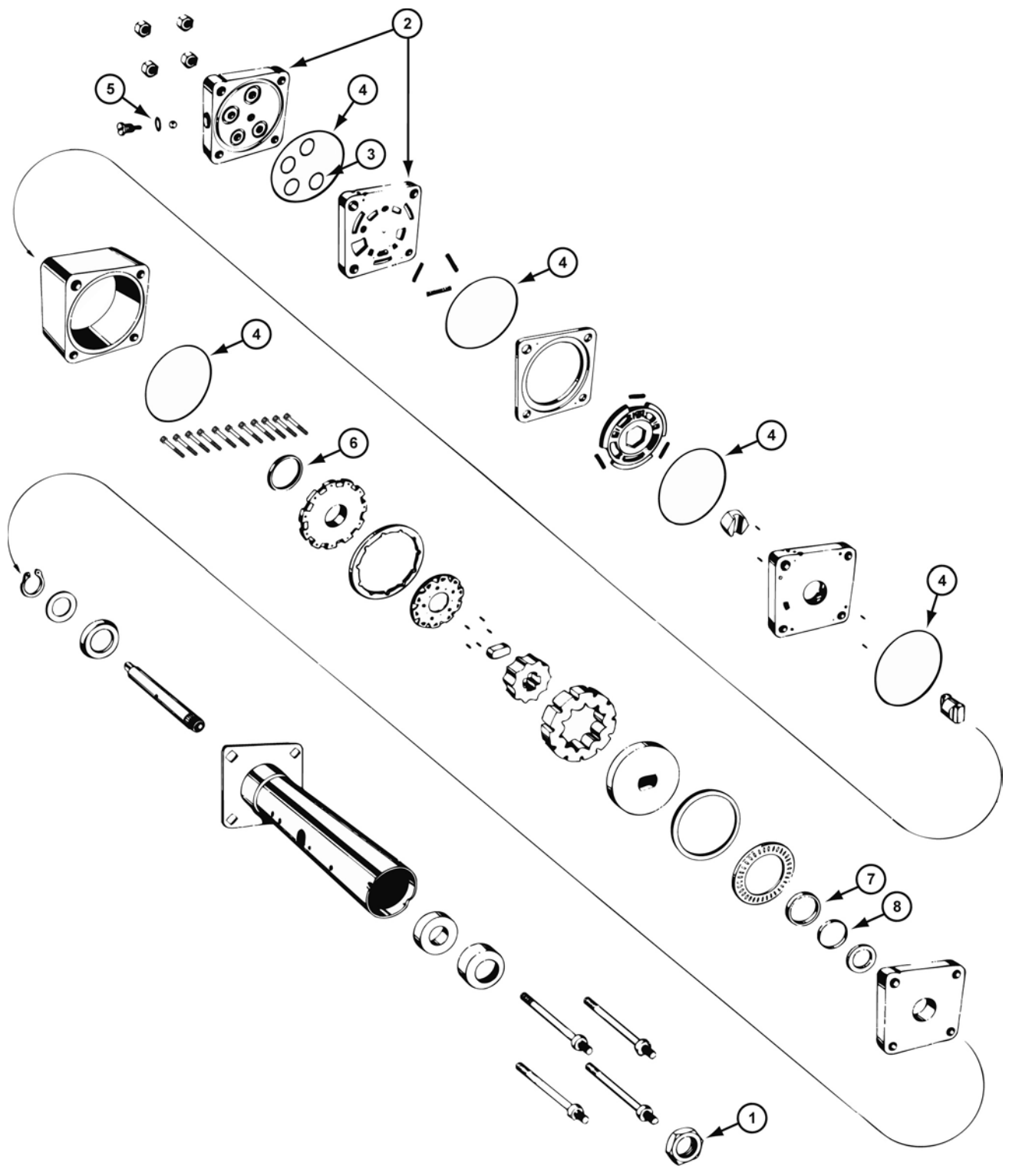
INDEX**HYDRAULIC DRIVE MOTOR (6018B, 6018BH)**

Use before PIN 14131993

For PIN 14131993 and after see above

	NSS	MOTOR - hydraulic (see page 43)	1
1	C16516	RING - retaining	1
2	C19040	SPACER - (see kit below)	1
3	C25048	SEAL - oil (see kit below)	1
4	C14827	HOUSING ASSEMBLY	1
5	C14837	END CAP	1
6	C18382	SEAL - (see kit below)	2
7	C14828	SHAFT - coupling	1
8	C14829	DRIVE LINK	1
9	C14830	PLATE - wear	1
10	C14831	ROTOR ASSEMBLY	1
11	C28703	PLATE - manifold	1
12	C28874	MANIFOLD	1
13	C28701	COMMUTATOR AND RING SET	1
14	C19041	RING - sealing (see kit below)	1
15	C14836	SLEEVE	1
16	C14838	BOLT - 3/8" x 4-3/8" NF hex	7
17	C19212	WASHER - backup, .010" (see kit below)	1
	C29732	KIT - "O" ring and seal (includes ref. 1, 2, 3, 6, 14 and 17)	1

INDEX



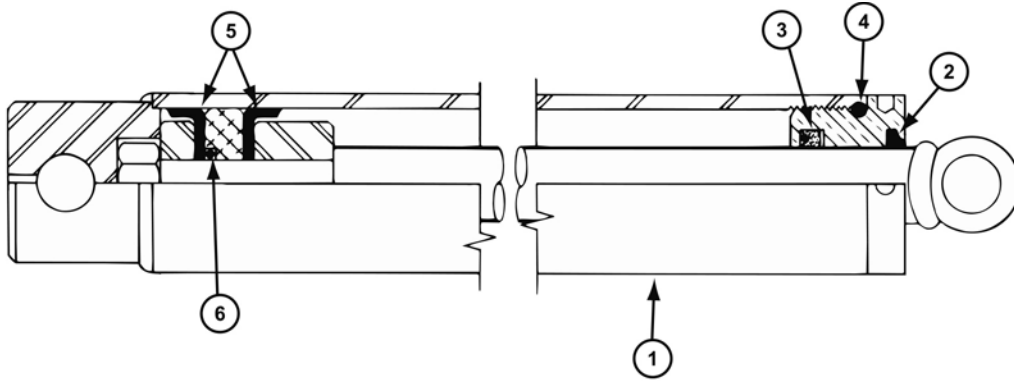
INDEX

MANUAL PUMP (POWER STEERING)

REF.	PART NO.	DESCRIPTION	REQ'D
	C27992	PUMP - steering, manual, four port	1
1	129-127	NUT - 5/8" - 18	1
2	C33002	KIT - cover and manifold	1
	C30281	KIT - seal	1
3	NSS	"O" RING	UAR
4	NSS	RING - seal	5
5	NSS	"O" RING	1
6	NSS	SEAL - commutator	1
7	NSS	SEAL - face	1
8	NSS	RING - back-up	1

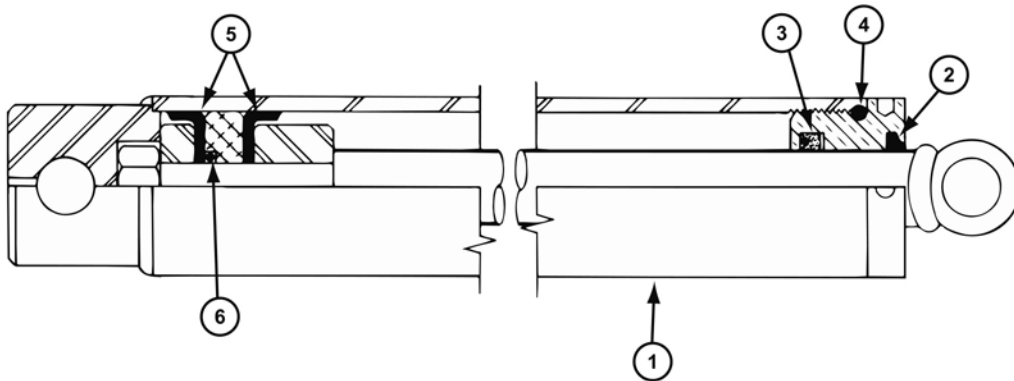
INDEX

CYLINDER - LIFT ARM



INDEX

CYLINDER - BUCKET



INDEX

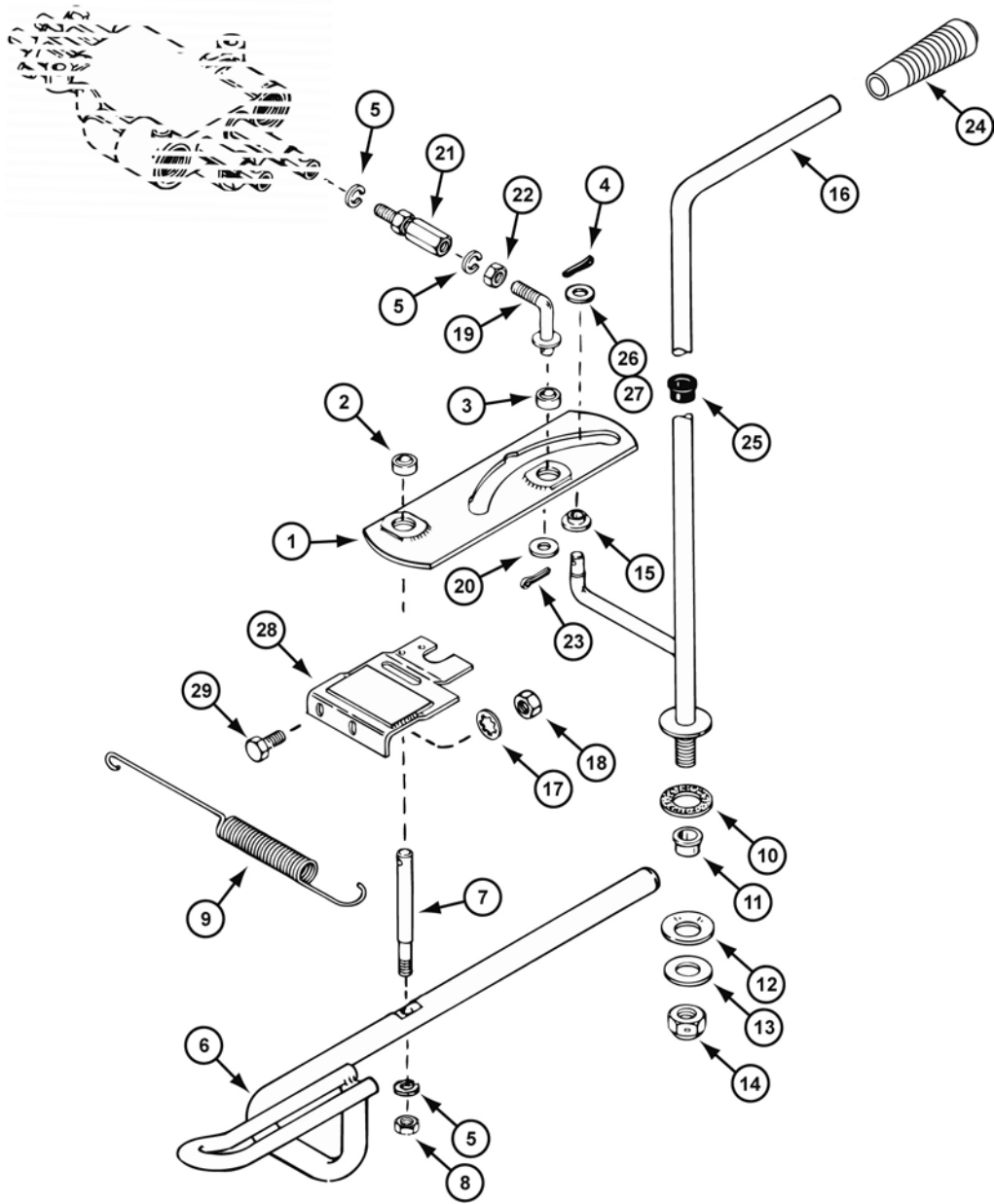
CYLINDER - LIFT ARM

REF.	PART NO. REQ'D	DESCRIPTION	
1	C26433	CYLINDER - lift arm	2
	C26445	KIT - seal	1
2	NSS	SEAL - wiper	1
3	NSS	"O" RING AND SEAL - rod	1
4	NSS	"O" RING - body	1
5	NSS	SEAL - piston	2
6	NSS	"O" RING - piston	1

CYLINDER - BUCKET

1	C26432	CYLINDER - bucket	1
	C26444	KIT - seal	1
2	NSS	SEAL - wiper	1
3	NSS	"O" RING AND SEAL - rod	1
4	NSS	"O" RING - body	1
5	NSS	SEAL - piston	2
6	NSS	"O" RING - piston	1

TRAVEL CONTROL LINKAGE



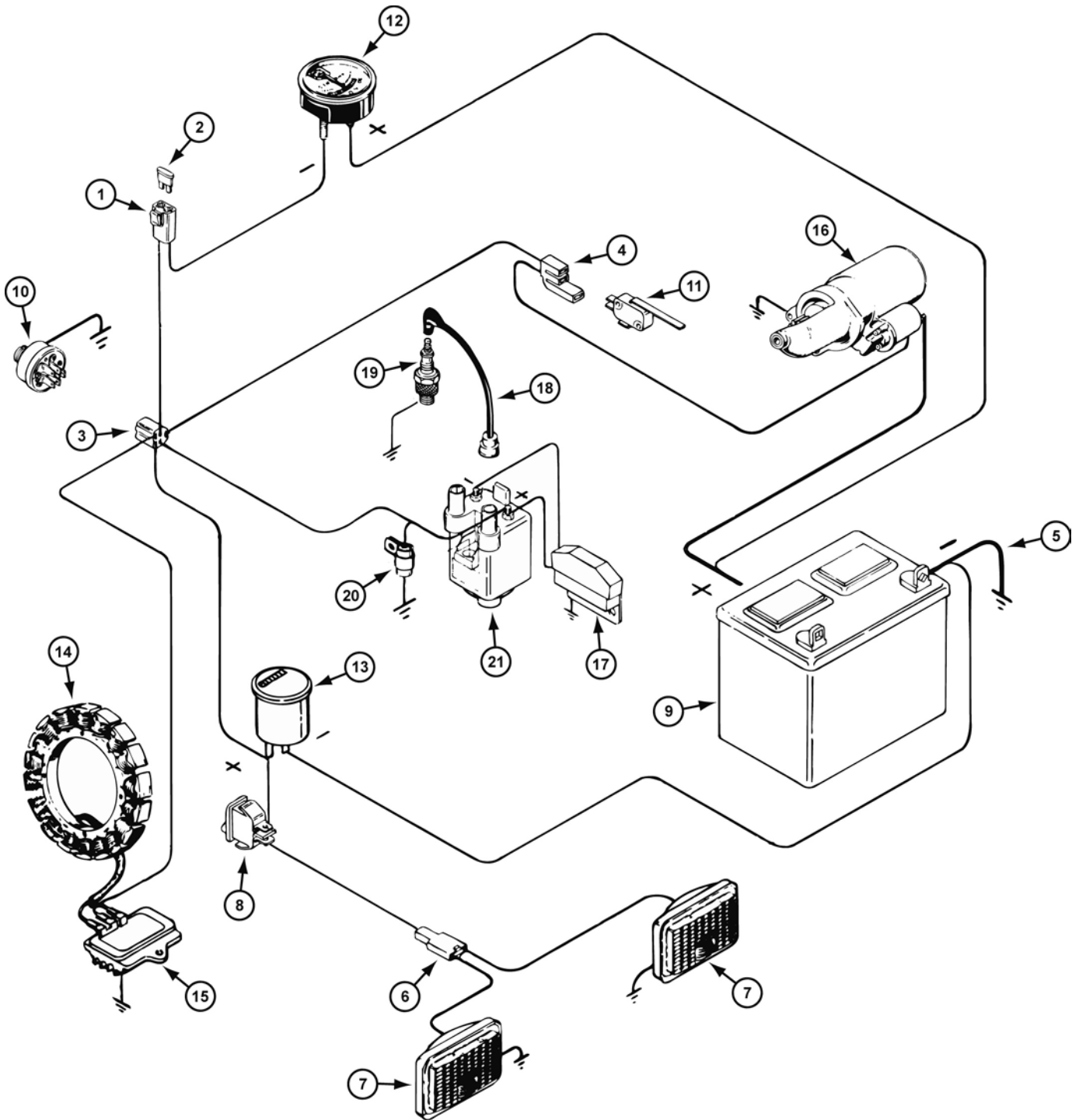
INDEX

TRAVEL CONTROL LINKAGE

REF. REQ'D	PART NO.	DESCRIPTION	
1	C29801	ARM - control	1
2	C29764	BUSHING - ball	1
3	C29800	BUSHING - ball	1
4	132-334	PIN - cotter 1/8" x 3/4"	1
5	192-20	LOCKWASHER - 5/16"	3
6	C26680	PEDAL - travel control.....	1
7	C26424	ROD - pedal control	1
8	129-102	NUT - 5/16" NC hex	1
9	C18277	SPRING - pedal return	1
10	C17551	DISC - friction	1
11	C26266	BUSHING - nylon	1
12	C18391	WASHER - spring	1
13	195-533	WASHER - 1/2"	3
14	131-165	NUT - 1/2" NC hex lock	2
15	C23514	FOLLOWER - cam	1
16	C26168	LEVER - direction control.....	1
17	193-29	LOCKWASHER - 5/16" (internal tooth).....	2
18	129-102	NUT - 5/16" - 18 N.C. hex	2
19	C29803*	ROD - valve control.....	1
20	195-521	WASHER - 5/16"	1
21	C19025*	BALLJOINT	1
22	129-122	NUT - 5/16" NF hex.....	1
23	132-333	PIN - cotter 1/8" x 5/8"	1
24	C29047	GRIP - control lever.....	1
25	353-442	BUSHING - lever	1
26	C19376	WASHER - spacer, 3/32"	UAR
28	C33315	BRACKET - valve control.....	1
29	113-102	BOLT - 5/16" x 3/4" N.C. hex	2

* Order both C29803 and C19025 if other than illustrated.

Electrical System



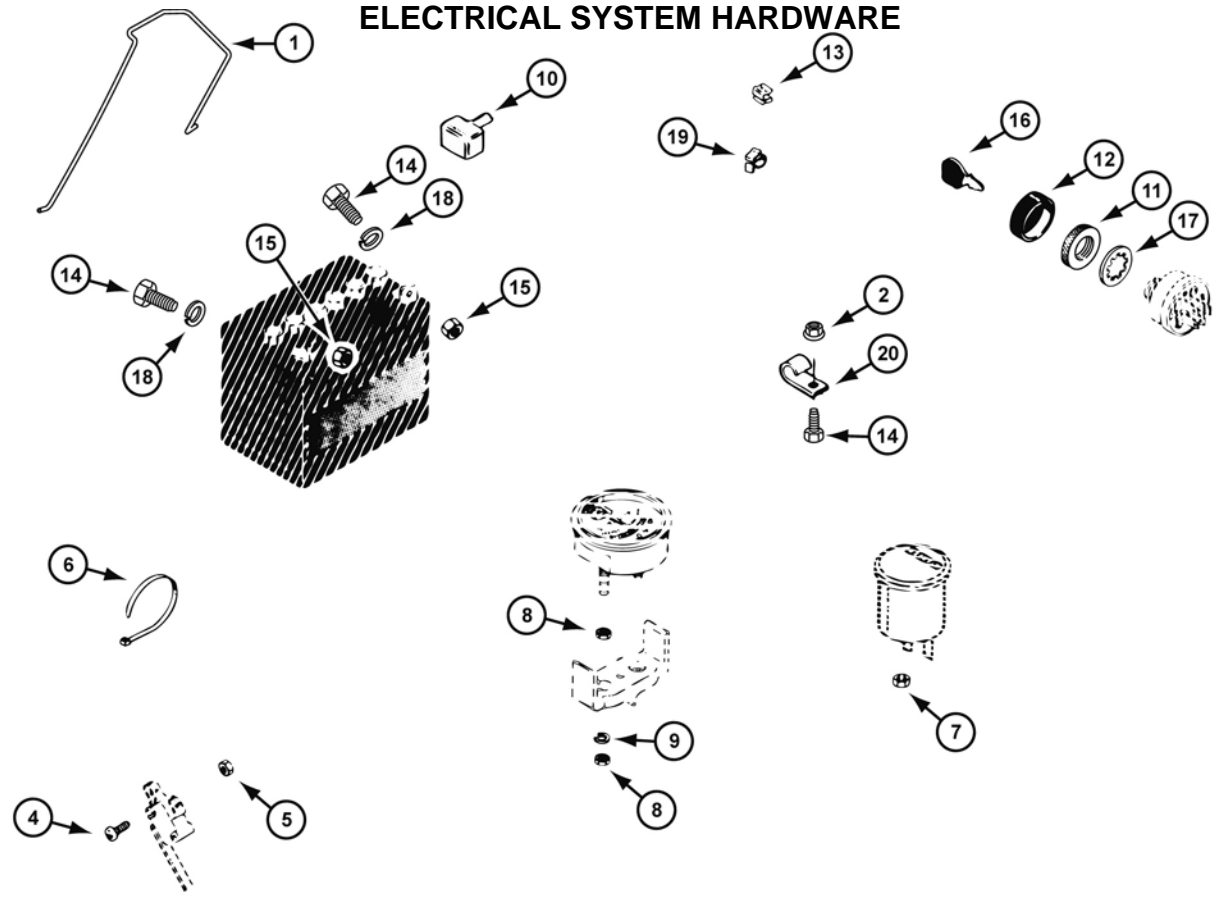
ELECTRICAL SYSTEM

REF.	PART NO.	DESCRIPTION	REQ'D
	C34746	HARNESS - wire	1
1	C31947	KIT - fuse holder	1
2	C30260	FUSE - 30 amp	1
3	C24460	CONNECTOR - ignition switch	1
4	C30279	CONNECTOR - inter-lock switch	1
5	C31943	CABLE - battery negative to ground	1
6	C14537	CONNECTOR - headlight	1
7	C32178	HEADLIGHT - 12 volt (repairs page 57)	2
8	C43044	SWITCH - headlight	1
9	C41010	BATTERY - 12 volt	1
10	C30530	SWITCH - ignition (includes key and hardware)	1
	C32407	KEY - ignition	2
11	C30275	SWITCH - inter-lock	1
12	C29413	AMMETER - 12 volt	1
13	C45917	HOURMETER - 12 volt	1
14	O/L *	STATOR - charging	1
15	O/L *	RECTIFIER - 12 volt	1
16	O/L *	STARTER AND SOLENOID	1
17	O/L *	CONTROL - ignition	1
18	C32299	CABLE - spark plug 18-1/2" (cut to length)	2
19	O/L *	SPARK PLUG - includes gasket	2
20	O/L *	CONDENSER	1
21	O/L *	COIL - ignition, 12 volt	1

* Obtain from your local Onan engine dealer.

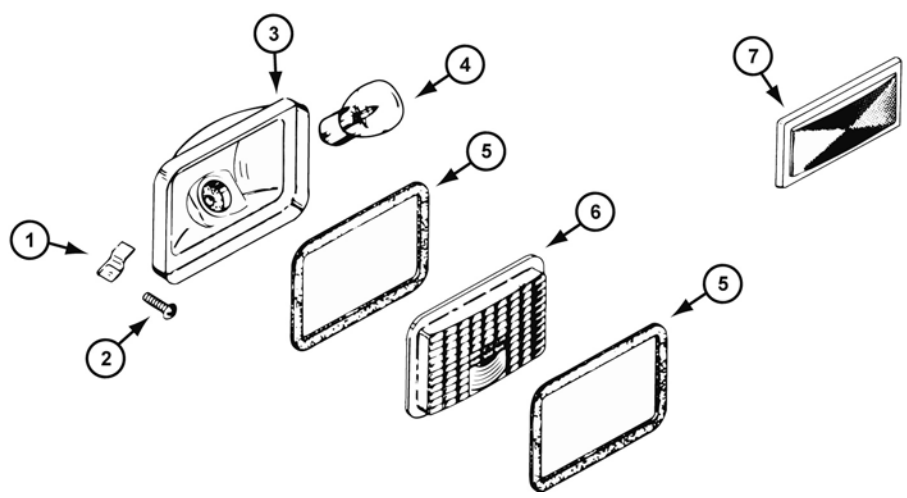
INDEX

ELECTRICAL SYSTEM HARDWARE



INDEX

HEADLIGHT ASSEMBLY

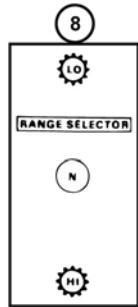
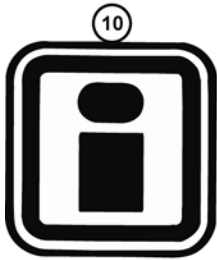
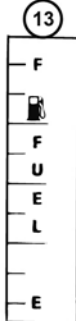
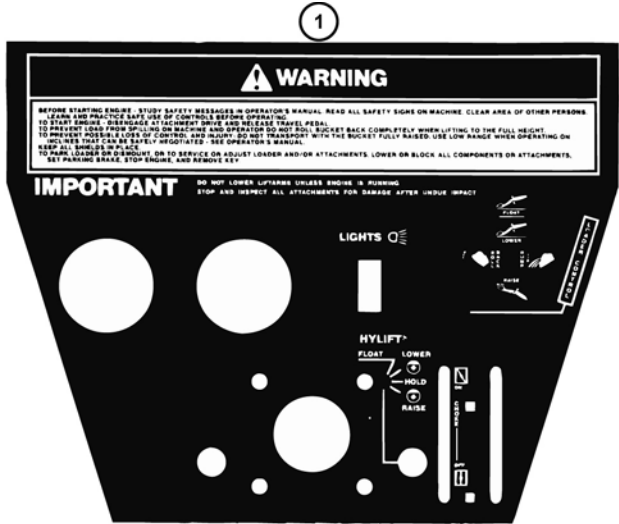


INDEX**ELECTRICAL SYSTEM HARDWARE**

REF.	PART NO.	DESCRIPTION	REQ'D
1	C16239	STRAP - battery hold down	1
2	131-934	NUT - 1/4" - 20 flange lock	2
3	192-19	LOCKWASHER - 1/4"	2
4	182-10	SCREW - #4 - 40 x 7/8"	2
5	C33697	NUT - #4 - 40	2
6	C22947	TIE - wire	UAR
7	131-971	NUT - #8 - 32 flange lock	2
8	129-27	NUT - #10 NF	4
9	192-18	LOCKWASHER - #10	2
10	C24069	COVER - battery positive terminal	1
11	C32396	NUT - switch	1
12	C32397	CAP - nut	1
13	C19521	CLIP - wire	UAR
14	113-3	BOLT - 1/4" - 20 x 3/4"	4
15	129-101	NUT - 1/4" - 20	4
16	C32407	KEY - ignition	1
17	193-63	LOCKWASHER - 5/8"	1
18	195-518	WASHER - 1/4"	4
19	C28962	CLIP - wire	1
20	C32455	CLIP - "J"	UAR

INDEX**HEADLIGHT ASSEMBLY**

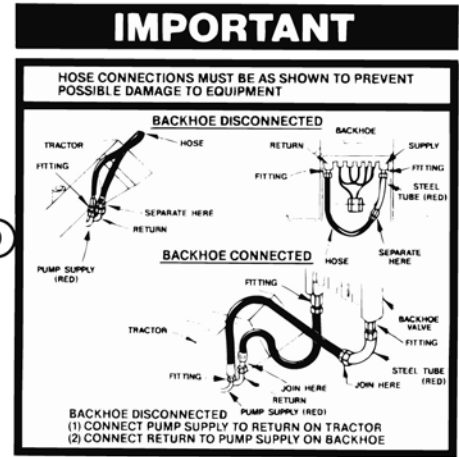
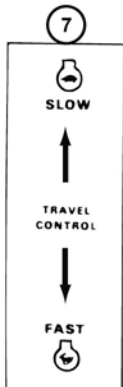
1	131-629	RETAINER - headlight	4
2	187-1334	SCREW - #8 x 1/2"	4
	C32178	HEADLIGHT ASSEMBLY	2
3	NSS	RECEPTACLE - headlight (order headlight assembly)	1
4	C28932	BULB - headlight	1
5	C14304	GASKET - headlight	2
6	C22573	LENS - headlight	1
7	C30942	REFLECTOR - red, rear fender	2



6018



INGERSOLL



IMPORTANT

DO NOT OPERATE BACKHOE CIRCUITS CONCURRENT WITH THE LOADER BUCKET CIRCUITS. FAILURE TO OBSERVE THIS PROCEDURE COULD RESULT IN DAMAGE TO THE BACKHOE HYDRAULIC SYSTEM AND/OR HYDRAULIC PUMP.

INDEX

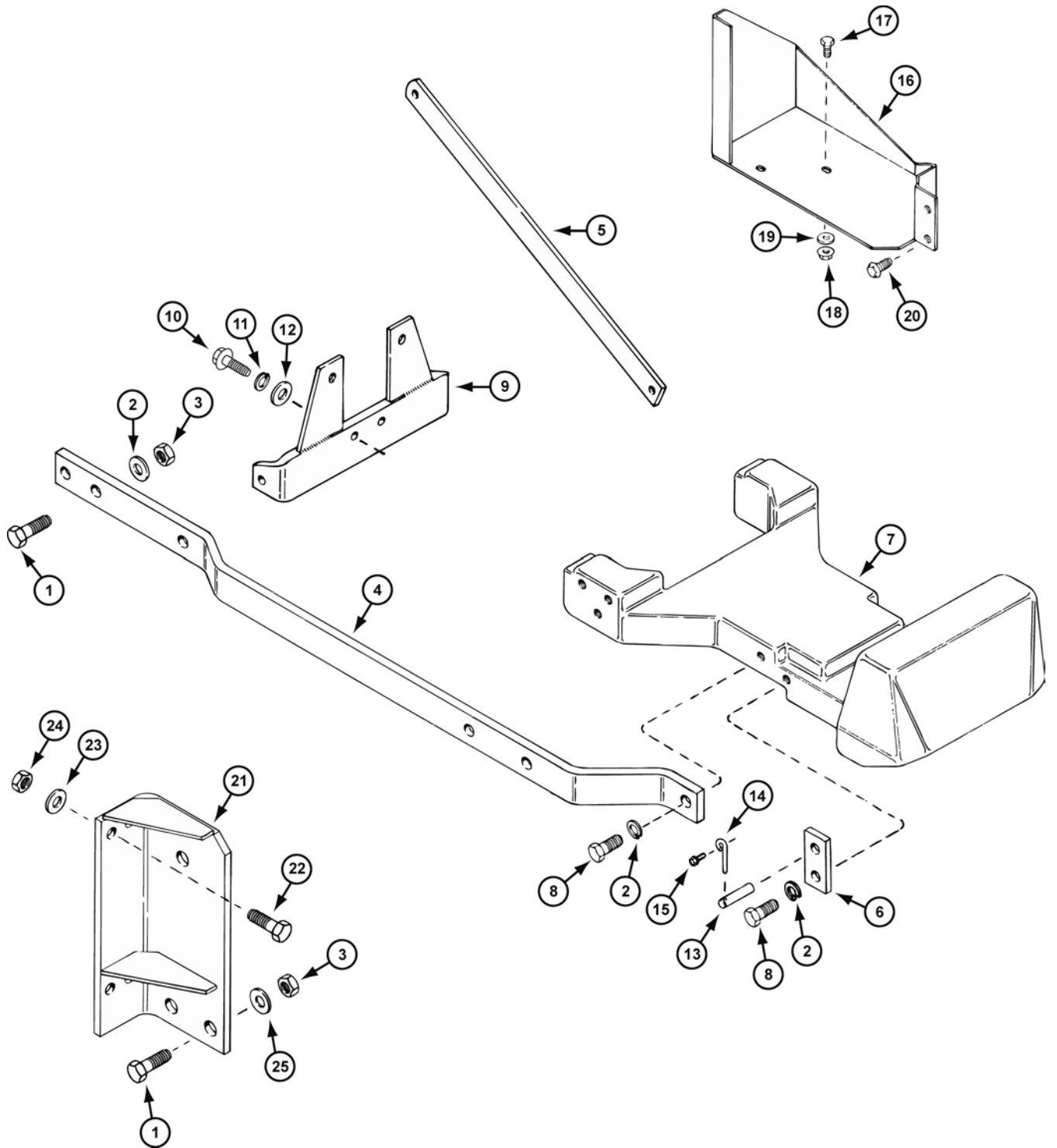
DECALS

REF.	PART NO.	DESCRIPTION	REQ'D
1	C34747	DECAL - instrument panel	1
2	C31991	DECAL - "6018" (shown)	2
2	C33056	DECAL - "6018B"	2
3	321-6659	DECAL - "Caution"	1
4	C14539	DECAL - oil, hydraulic reservoir	1
5	C29031	DECAL - gasoline	1
6	C32373	DECAL - "Important" operation (6018BH)	1
7	C34775	DECAL - travel control	1
8	C34776	DECAL - range selector	1
9	C32167*	DECAL - "Important" hose routing (6018BH) shown	2
9	C33055	DECAL - "Important" hose routing (6018B)	1
9	C34748**	DECAL - "Important" hose routing (6018BH)	1
9	C42605***	DECAL - "Important" hose routing (6018BH)	1
9	C44913****	DECAL - "Important" hose routing (6018BH)	1
10	C30539	MEDALLION - "INGERSOLL"	1
11	C34769	DECAL - "INGERSOLL" loader arms and backhoe	UAR
12	C29696	DECAL - "INGERSOLL" seat back	1
13	C34777	DECAL - fuel	1
14	C34772	DECAL - stripe (red and black) (6018BH)	4
14	C34773	DECAL - stripe (silver and black) (6018)	2
15	C34184	DECAL - flag	1
16	C34749	DECAL - ignition switch	2
17	C34750	DECAL - fuse	1
18	C32093	DECAL - "INGERSOLL" seat back	1
19	C34170	DECAL - grease	1

*Use before PIN 14153035
**Use PIN 14153035 to 14173863
*** Use PIN 14173863 to 14173963
**** Use PIN 14173963 and after

INDEX

BACKHOE MOUNTING COMPONENTS (6018B, 6018BH)

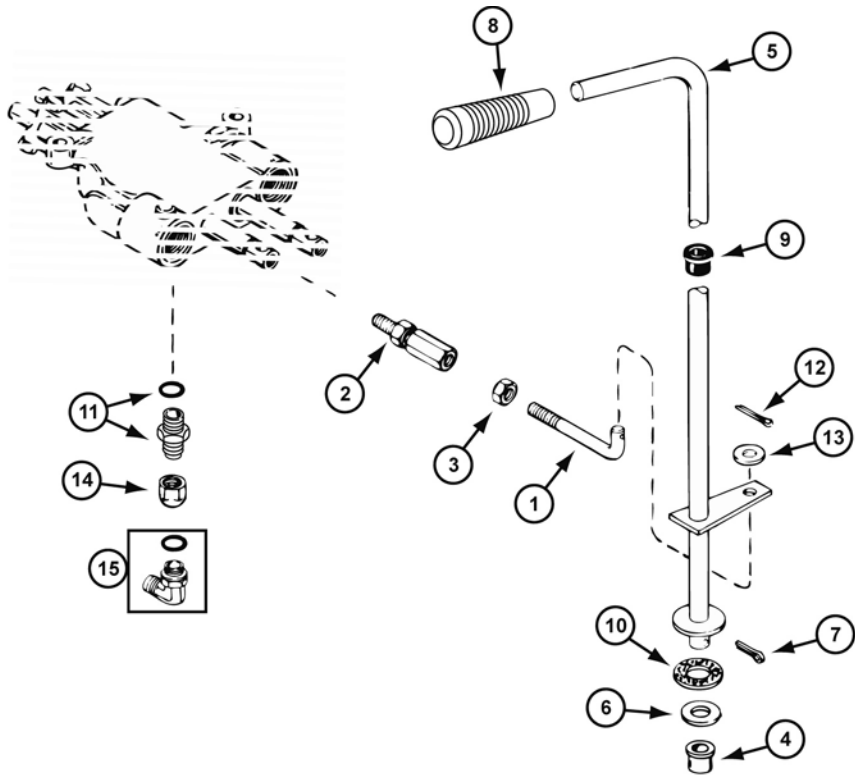


INDEX

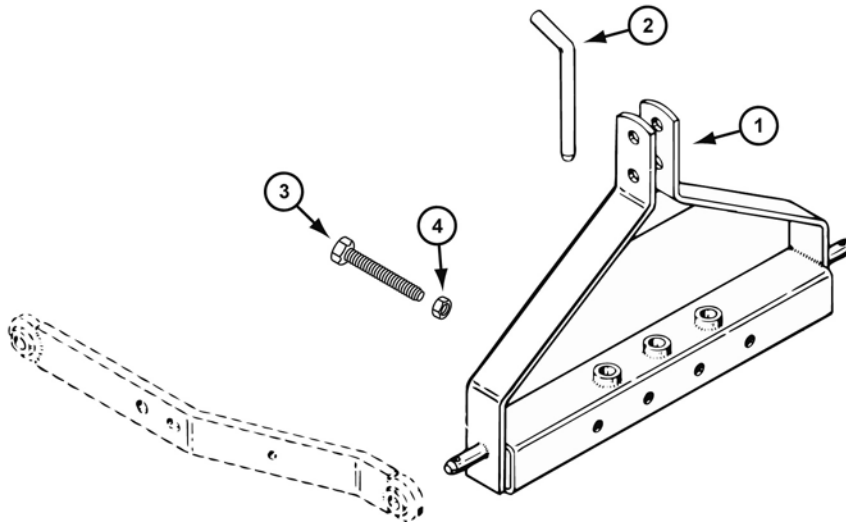
BACKHOE MOUNTING COMPONENTS (6018B, 6018BH)

REF.	PART NO.	DESCRIPTION	REQ'D
1	113-705	BOLT - 3/4" - 10 x 2-1/2"	UAR
1	113-730	BOLT - 3/4" - 10 x 2-3/4"	UAR
2	192-27	LOCKWASHER - 3/4"	20
3	C33269	NUT - 3/4" - 10 flange	UAR
3	131-C3	NUT - 3/4" - 10 oval top lock	UAR
4	C32077	ARM - lower R.H. (shown) (6018BH)	1
4	C33164	ARM - lower L.H. (6018BH)	1
4	C33060	ARM - lower L.H. (6018B)	1
4	C33163	ARM - lower L.H. (6018B)	1
5	C32079	ARM - upper (6018BH) (shown)	2
5	C33062	ARM - upper (6018B)	2
6	C32508	STRAP - weight mounting	2
7	C32080	WEIGHT - counter	1
8	113-713	BOLT - 3/4" - 10 x 1-3/4"	10
9	C32081	PLATE - rear	1
10	C33270	BOLT - 1/2" - 13 x 1-1/2" flange	4
11	192-213	LOCKWASHER - 1/2"	4
12	195-541	WASHER - 1/2"	2
13	C21963	PIN - mounting	2
14	C25965	PIN - retaining	2
15	187-1046	SCREW - 3/8" - 16 x 5/8" self tap	2
16	C33068	FOOTREST - R.H. (6018B)	1
16	C33069	FOOTREST - L.H. (6018B)	1
17	113-4	BOLT - 1/4" - 20 x 1"	4
18	131-934	NUT - 1/4" 20 flange lock	4
19	195-518	WASHER - 1/4"	4
20	121-106	BOLT - 5/16" - 18 x 1/2" flange lock	4
21	C33066	BRACKET - mounting L.H. (6018B)	1
21	C33067	BRACKET - mounting R.H. (6018B) (shown)	1
22	113-604	BOLT - 5/8" - 11 x 2"	8
23	C19312	WASHER - 5/8"	8
24	129-107	NUT - 5/8" - 11	8
25	C11906	WASHER - 3/4"	UAR

INDEX



INDEX



INDEX**HYDRAULIC LIFT CONTROL (6018)**

REF.	PART NO. REQ'D	DESCRIPTION	
1	C19384*	ROD - lift control	1
2	C19025*	BALLJOINT	1
3	129-122	NUT - 5/16" NF hex	1
4	C26266	BUSHING - nylon	1
5	C26419	LEVER - lift control	1
6	195-533	WASHER - 5/8"	1
7	132-310	PIN - cotter 1/8" x 1"	1
8	C29045	GRIP - lift lever	1
9	353-442	BUSHING - lever	1
10	C17551	DISC - friction	1
11	218-5056	FITTING - 5/16" tube x 1/2" - 20 (currant production)	2
12	132-320	PIN - cotter 3/32" x 3/4"	1
13	195-518	WASHER - 1/4"	1
14	218-753	CAP - 37° flare (tractors without 3 point hitch)	2
15	218-5104	FITTING - 90° (early production) (includes 218-5004 "O" ring)	2
	218-5154	PLUG - 1/2" - 20 "O" ring (6018B, 6018BH)	2

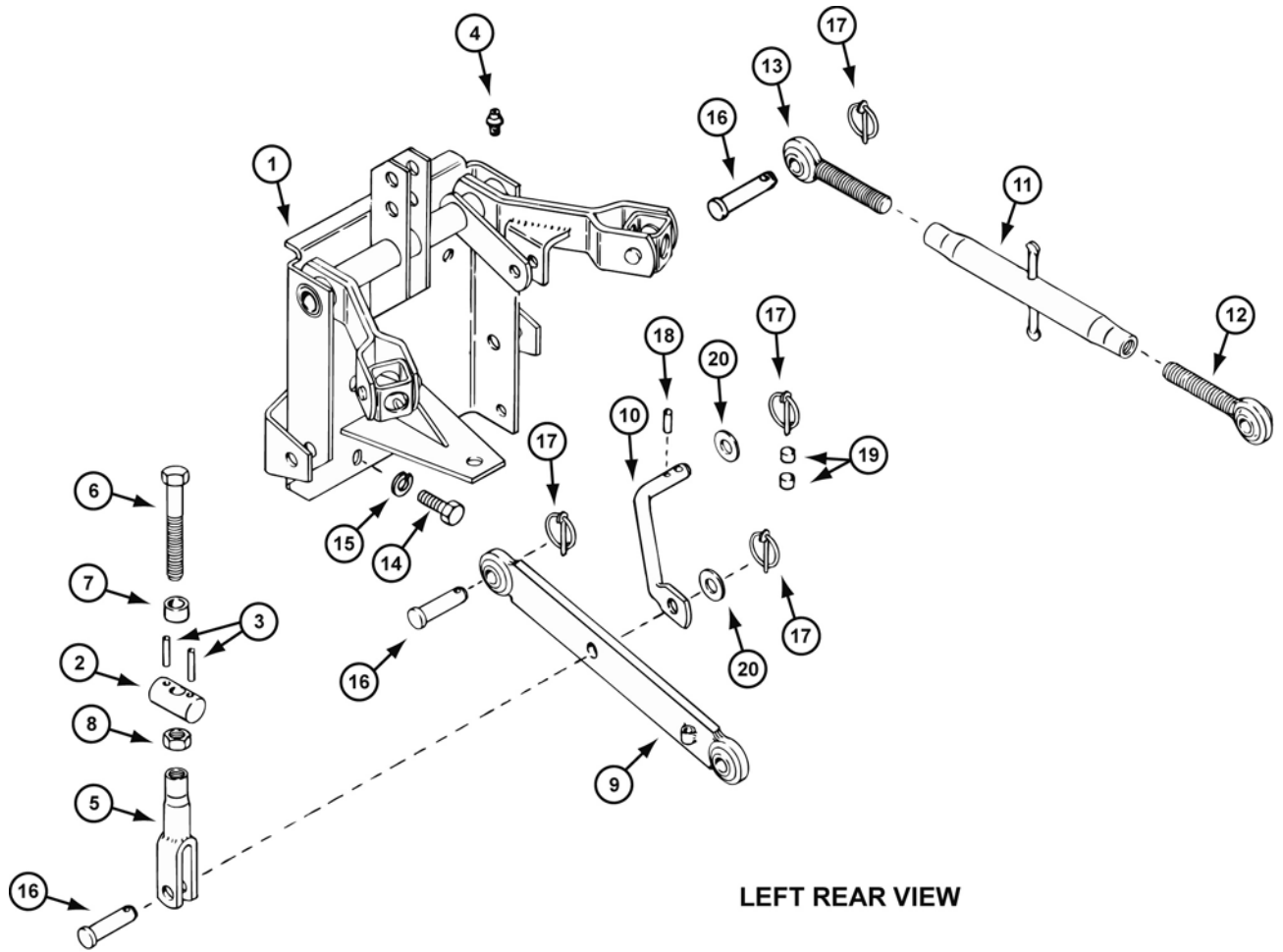
*Order both C19384 rod and C19025 balljoint if other than illustrated

INDEX**MODEL F27 HITCH ADAPTER**

1	NSS	BRACKET - hitch adapter (order as machinery item)	1
2	C14568	PIN - drawbar	1
3	22-844	BOLT - 1/2" x 2-3/4" NC hex	2
4	129-105	NUT - 1/2" - 13	2

INDEX

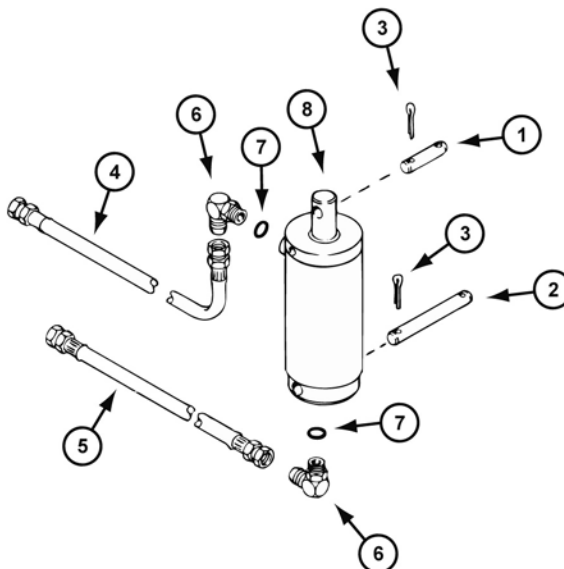
THREE POINT HITCH



INDEX

THREE POINT HITCH CYLINDER

LEFT REAR VIEW



INDEX**THREE POINT HITCH**

REF.	PART NO.	DESCRIPTION	REQ'D
1	C32215	PLATE - hitch	1
2	C32230	SWIVEL - lift link	2
3	C32231	PIN - spiral 3/16" x 1-1/2"	4
4	219-403	FITTING - grease	2
5	C32428	LINK - adjusting	2
6	C32235	BOLT - 5/8" - 11 x 5"	2
7	C32239	SPACER - bolt	2
8	129-107	NUT - 5/8" - 11	2
9	C32240	ARM - lift	2
10	C32242	ARM - stabilizer	1
11	C32249	TUBE - upper link	1
12	C32426	BALLJOINT - R.H. thread	1
13	C32427	BALLJOINT - L.H. thread	1
14	113-417	BOLT - 1/2" - 13 x 1-1/4"	2
14	113-424	BOLT - 1/2" - 13 x 1"	2
15	192-23	LOCKWASHER - 1/2"	2
16	C14717	PIN - clevis 5/8" x 2-1/2"	6
17	C28222	PIN - klick	9
18	138-2073	PIN - spiral 3/16" x 1-1/4"	1
19	C14768	SPACER - klick pin	2
20	195-541	WASHER - 5/8"	2

INDEX**THREE POINT HITCH CYLINDER**

1	C29693	PIN - cylinder rod 1/2" x 1-3/4"	1
2	C32254	PIN - cylinder foot 1/2" x 4-5/8"	1
3	132-310	PIN - cotter 1/8" x 1"	4
4	C32247	HOSE - hydraulic 1/4" x 33" (cylinder to forward valve port)	1
5	C32246	HOSE - hydraulic 1/4" x 24" (cylinder to rear valve port)	1
6	218-5104	FITTING - 90° elbow 5/16" tube x 1/2" - 20	2
7	218-5004	"O" RING	1
8	C32245	CYLINDER - lift	1
	C34533	KIT - seal	1