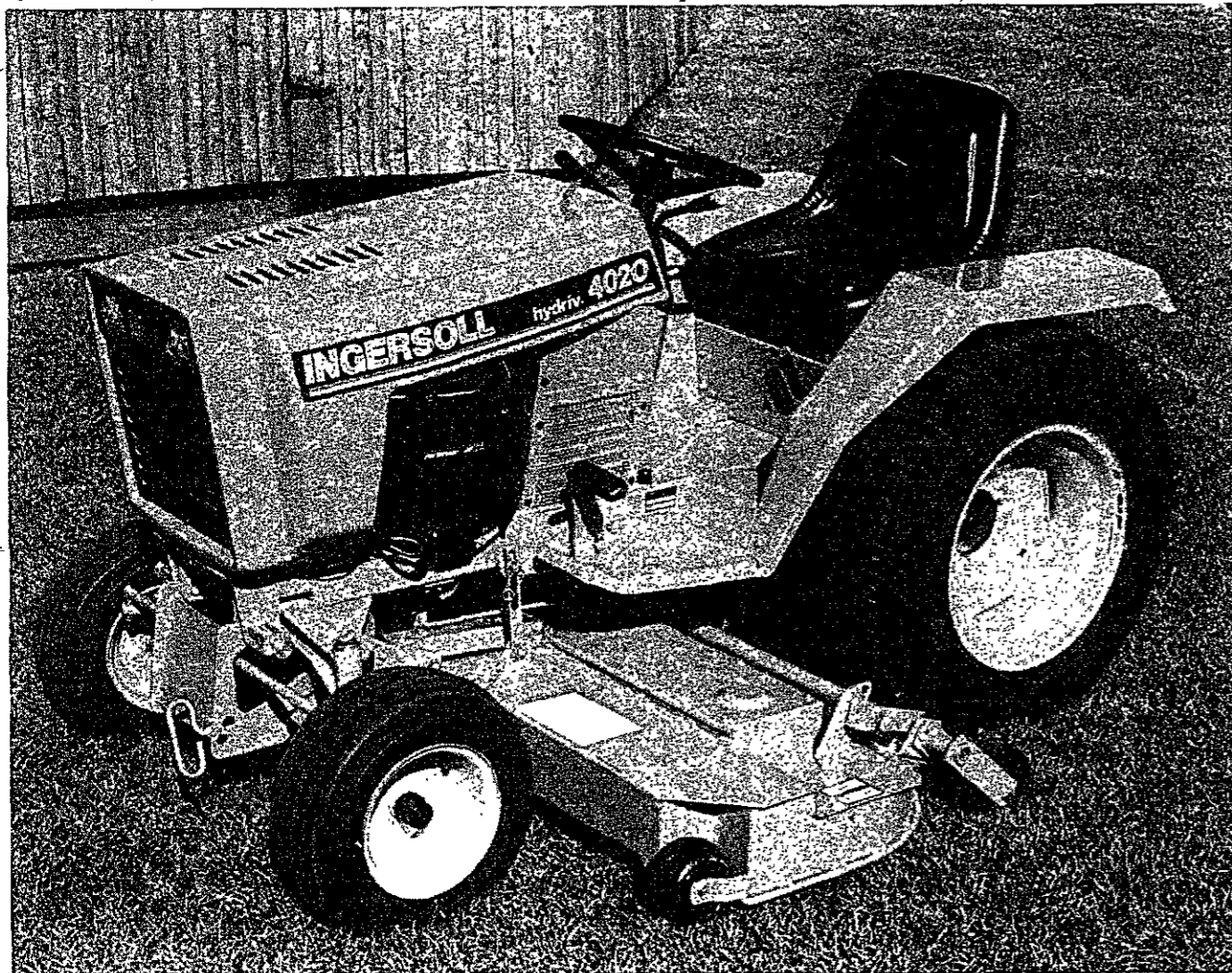


COMPACT TRACTORS
 3016 - before PIN 14147800
 4016 - before PIN 14149628
 3018, 3020, 4018, 4020 - ALL
 Parts Catalog 8-3042

NOTE: This catalog replaces
 catalog 8-3041

2-93-RP-500-341



ALPHABETICAL INDEX

ENGINE SECTION

	Page	Grid		Page	Grid
Air Cleaner	17	B6	Flywheel	5	A8
Battery	59-61	E6-E8	Fuel Pump	15	B4
Breather, Crankcase	7-9	A10-A12	Fuel System	15	B4
Camshaft	5	A8	Gasket Kits	7-9	A10-A12
Carburetor	15-19	B4-B8	Governor	13-21	B2-B10
Choke Linkage	19	B8	Muffler	23	B12
Connecting Rod	5	A8	Shields	21-23	B10-B12
Crankshaft	5	A8	Oil Pan	1-1	A14
Cylinder Block	7-9	A10-A12	Piston	5	A8
Cylinder Head	7-9	A10-A12	PTO Clutch	25	B14
Electrical System	57-63	E4-E10	Rotor, Ignition	13	B2
Engine Block & Attaching Parts	7-9	A10-A12	Spark Plug	59-61	E6-E8
Exhaust System	23	B12	Starter	57	E4
Filter, Breather	17	B6	Tank, Fuel	15	B4
Filter, Fuel	15	B4	Throttle Linkage	19	B8
			Valves	7-9	A10-A12

BASIC TRACTOR SECTION

Axle, Front	37	C12	Hydraulics	43-55	D4-E2
Axle, Rear	41	D2	Adapter, Pump Drive	51	D13
Baffles & Shrouds	21-23	B10-B12	Hoses, Lines & Fittings	43-55	D4-E2
Brakes	39	C14	Motor, Hydraulic Drive	45	D6
Control, Speed	53	D14	Pump	51	D12
Decals	65	E12	Valve, Control	47	D8
Electrical System	57-63	E4-E10	Linkage, Valve, Control	53	D14
F27 Three Point Hitch Adapter	75	F8	Hydraulic Lift	55	E2
Fenders	31-33	C6-C8	PTO (Hydraulic)	67-69	E14-F2
Frame	27	C2	Instruments	59-61	E6-E8
Grille	29	C4	K22 and K24 Sleeve Hitch	71	F4
H13 Weight Box	77	F10	L11 Counterweight Kit	75	F8
H18 Counterweight Brackets	77	F10	Mounts, Engine	27	C2
HFC34 Flow Control Valve Kit	81	F14	Mounts, Heat Exchanger	43-45	D4-D6
HFC34B Flow Control Valve Kit	83	G2	PTO Clutch (electric)	25	B14
HH34 Three Point Hitch	73	F6	Reflector, rear	63	E10
HP30, HP40 Hydraulic PTO	67	E14	Seat, Operator's	31-33	C6-C8
HP42 Hydraulic PTO	69	F2	Steering Wheel & Gear	35	C10
Hitch, tow	49	D10	Tool Tray	31-33	C6-C8
Hood	29	C4	Transmission	41	D2
			Wheels, Front & Rear	39	C14
			WW30, WW40 Wheel Weights	79	F12

GENERAL INFORMATION

INDEX

There is an index at the front and rear of this catalog.

The front index is an alphabetical index of the major groups or assemblies.

The rear index is a numerical index of the part numbers and pages on which these numbers are shown.

ILLUSTRATION

Each illustration in this catalog shows a group of parts or components. These parts and components are aligned approximately as the parts and components on your machine. Each part and component in an illustration has a reference number. These reference numbers are in a list on the page opposite of the illustration. Next to the reference number is the part number, description and required quantity of the part shown in the illustration.

UAR - "Use as required" indicates that the part quantity is variable.

NSS - "Not sold separately" indicates that the part is only available as a component of an assembly or the part must be purchased locally. If the part is an assembly component, the description will be indented under the assembly description in the parts list.

O/L - "Obtain locally"

** - "Footnotes" are added to a part number when more information is needed for identification. They only relate to the part numbers indicated.

PARTS ORDERS

All orders must include the following information:

1. Correct part number.
2. Complete description of part or component.
3. Total quantity of each part or component.
4. Product model number.
5. All necessary product identification numbers.
6. Method for sending the parts.
7. Complete and correct address.

CATALOG REVISIONS

As the product changes, new pages will be available for your catalog. A notice will be issued.

IMPORTANT: Put all revisions into the catalog as soon as possible.

RIGHT HAND AND LEFT HAND IDENTIFICATION

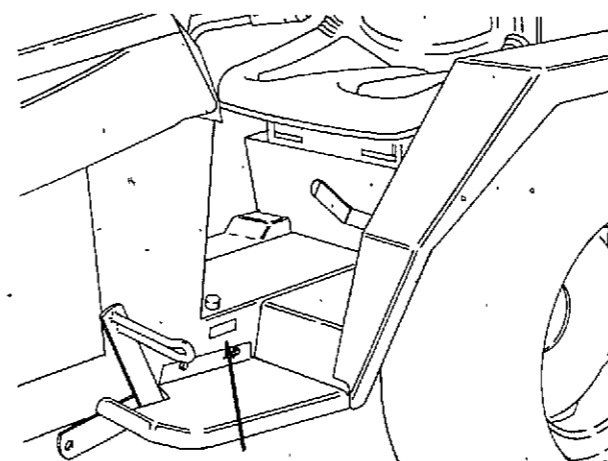
The words right hand (RH) and left hand (LH) as used in this catalog indicate the direction while you are in the operator's seat in the normal operating position.

INDENTED DESCRIPTIONS

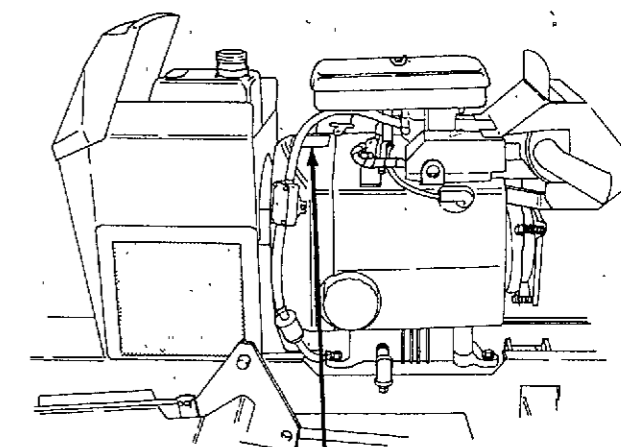
An assembly can have many components. The components of an assembly are indicated by an indented description. The quantity for an indented part is the total needed for that complete assembly. See the example.

REF.	PART NO.	DESCRIPTION	REQ'D
	C 55159	CYLINDER ASSY - rear steering	1
28	C 56208	SOCKET ASSY - rear cylinder	1
29	C 55956	PLUG - adjusting, socket assy	1
30	C 55957	SEAT - socket ball	2
31	C 56210	SPRING - socket	1
32	C 56209	SEAT - socket spring	1
33	G 45175	CLAMP ASSY - socket assy	1
	16- 836	BOLT - 1/2" x 2-1/4" N.F. hex	1
34	132- 104	PIN - cotter, 3/16" x 3"	1
35	C 55889	STUD - ball, socket & cylinder	2
36	13- 410	BOLT - 1/4" x 5/8" N.C., hex	4
37	92- 4	LOCK WASHER - 1/4" SAE	4

PRODUCT IDENTIFICATION NUMBERS



TRACTOR MODEL AND P.I.N.



ENGINE MODEL, SERIAL AND SPECIFICATION NUMBERS

NOTE: In this catalog there are references to serial numbers. To order the correct part use these serial numbers as a guide.

TRACTOR MODEL

3016, 4016

3018, 4018

3020, 4020

ENGINE MODEL

C33235
ONAN P216G-I
SPEC. NO. 10904B and 10904C

C33236
ONAN P218G-I
SPEC. NO. 10904B and 10904C

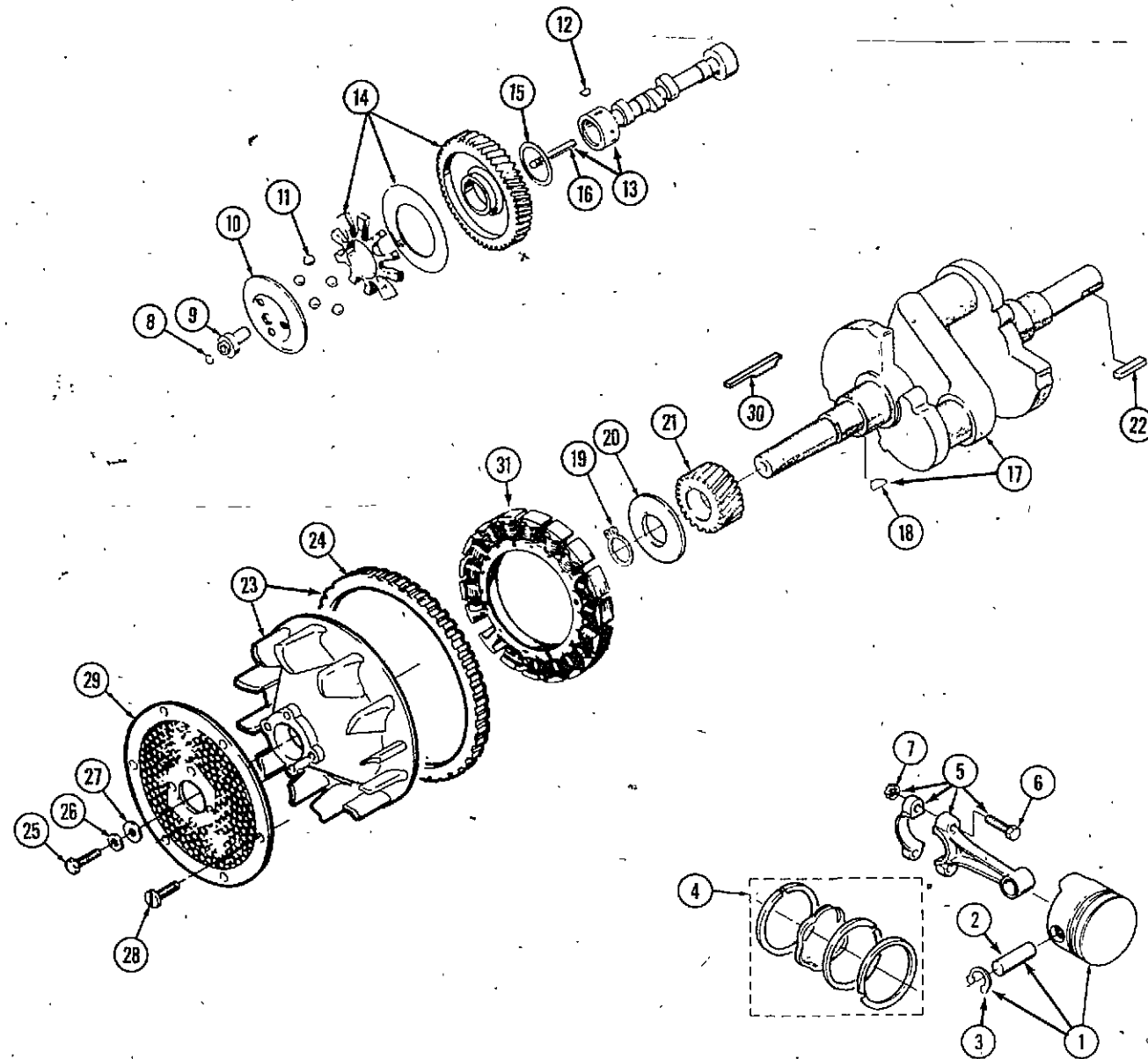
C33237
ONAN P220G-I
SPEC. NO. 10904B and 10904C

PAINT

REF.	PART NO.	DESCRIPTION	REQ'D
1	C 28849	BLACK - semi - gloss, 12 oz spray (2 per carton)	1
2	C 28850	BLACK - semi - gloss, quart (2 per carton)	1
3	C 28851	BLACK - semi - gloss, heat resistant, 12 oz spray (2 per carton)	1
4	C 28853	POWER TAN - 12 oz spray (2 per carton)	1
5	C 28854	POWER TAN - quart (2 per carton)	1

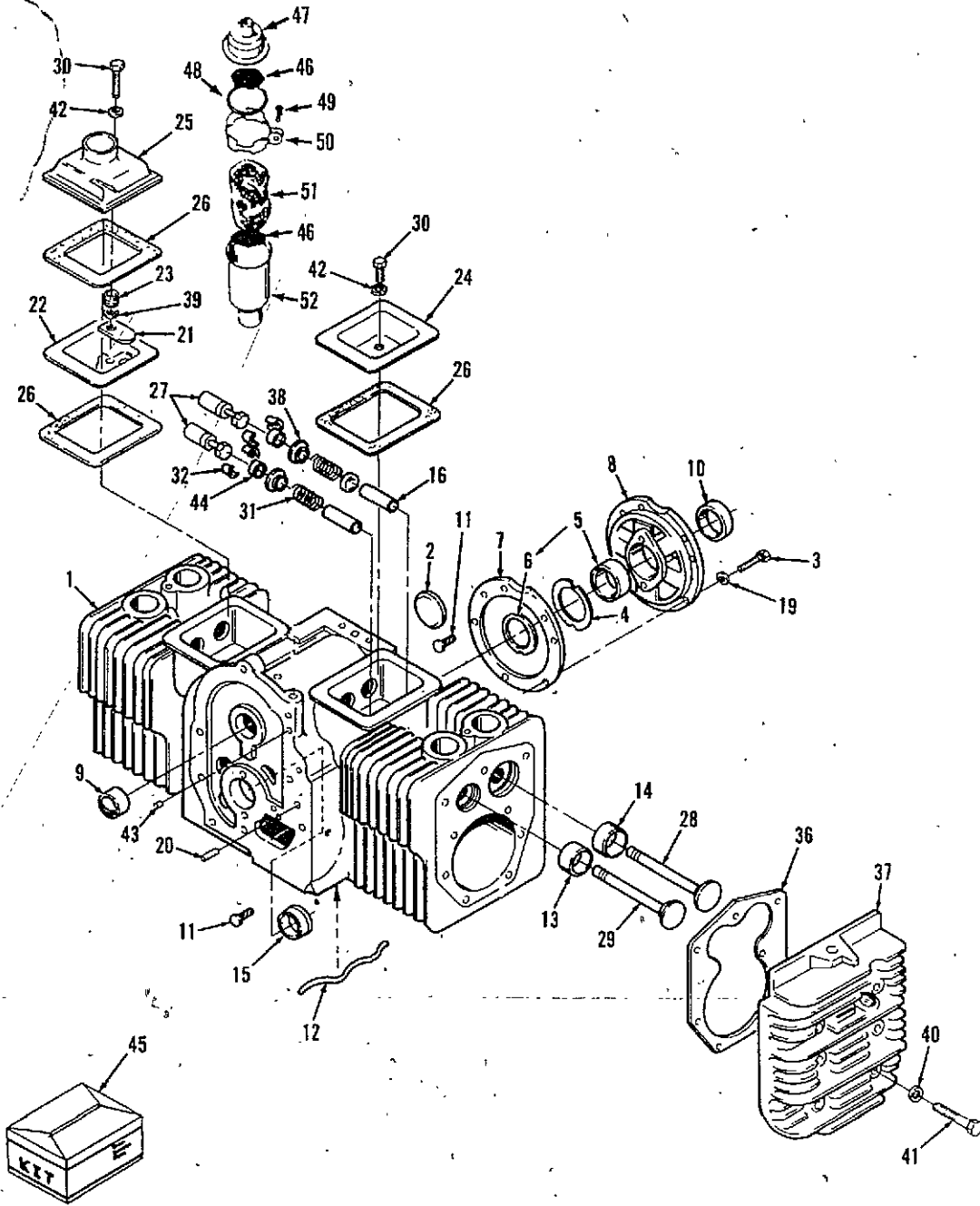
INGERSOLL
Ingersoll Equipment Co., Inc.

PISTON, CRANKSHAFT, FLYWHEEL AND CAMSHAFT



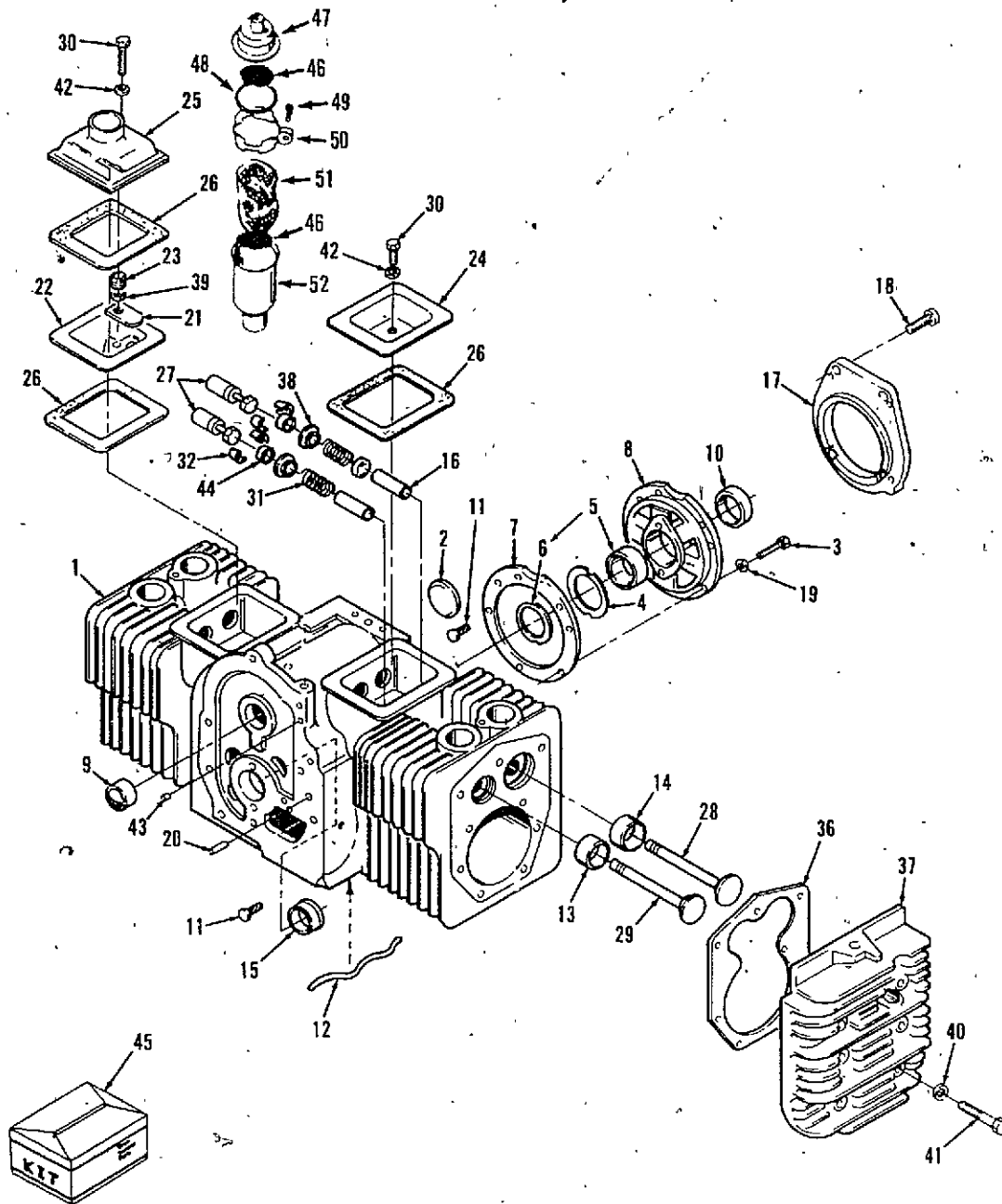
REF.	PART NO.	DESCRIPTION	REQ'D
1	C 24931	PISTON - standard (includes pin and retaining ring)	2
1	C 24932	PISTON - .005 (0.13 mm) oversize (includes pin and retaining ring)	2
1	C 24933	PISTON - .010 (0.25 mm) oversize (includes pin and retaining ring)	2
1	C 24934	PISTON - .020 (0.51 mm) oversize (includes pin and retaining ring)	2
1	C 24935	PISTON - .030 (0.76 mm) oversize (includes pin and retaining ring)	2
1	C 24936	PISTON - .040 (1.02 mm) oversize (includes pin and retaining ring)	2
2	C 29972	PIN - piston	2
3	C 20241	RING - retaining	4
4	C 29739	RING SET - piston (standard)	2
4	C 24938	RING SET - piston .005" (0.13 mm) oversize	2
4	C 24939	RING SET - piston .010" (0.25 mm) oversize	2
4	C 24940	RING SET - piston .020" (0.51 mm) oversize	2
4	C 24941	RING SET - piston .030" (0.76 mm) oversize	2
4	C 24942	RING SET - piston .040" (1.02 mm) oversize	2
5	C 29750	CONNECTING ROD - (standard) includes nut and bolt (3016, 4016)	2
5	C 29751	CONNECTING ROD - .010" (0.25 mm) undersize, includes nut & bolt (3016, 4016)	2
5	C 20204	CONNECTING ROD - .020" (0.51 mm) undersize, includes nut & bolt (3016, 4016)	2
5	C 20205	CONNECTING ROD - .030" (.076 mm) undersize, includes nut & bolt (3016, 4016)	2
5	C 25383	CONNECTING ROD - (standard) includes nut & bolt (3018, 3020, 4018, 4020)	2
5	C 25384	CONNECTING ROD - .010" (0.25 mm) undersize, includes nut & bolt (3018, 3020, 4018, 4020)	2
5	C 25385	CONNECTING ROD - .020" (0.51 mm) undersize, includes nut & bolt (3018, 3020, 4018, 4020)	2
5	C 25386	CONNECTING ROD - .030" (0.76 mm) undersize, includes nut & bolt (3018, 3020, 4018, 4020)	2
6	C 25774	BOLT - connecting rod 5/16" special N.F.	4
7	C 25775	NUT - lock, connecting rod 5/16" N.F.	4
8	C 20223	RING - retaining	1
9	C 24325	HUB - governor cup	1
10	C 24326	CUP - governor	1
11	211- 216	BALL - governor	5
12	126- 9	KEY - woodruff 1/8" x 1/2"	1
13	C 32468	CAMSHAFT - (includes pin) (3016, 3018, 4016, 4018)	1
13	C 32469	CAMSHAFT - (includes pin) (3020, 4020)	1
14	C 22261	GEAR ASSEMBLY - camshaft	1
15	C 20229	WASHER - thrust	1
16	C 20233	PIN - center	1
17	C 32284	CRANKSHAFT - engine (3016, 4016)	1
17	C 32285	CRANKSHAFT - engine (3018, 3020, 4018, 4020)	1
18	126- 9	KEY - woodruff, crankshaft gear	1
19	C 20218	RING - retaining	1
20	C 20219	WASHER - special	1
21	C 22262	GEAR - crankshaft	1
22	C 31976	KEY - square, clutch	1
23	C 32286	FLYWHEEL - engine	1
24	C 20226	GEAR - ring, flywheel	1
25	C 32473	BOLT - flywheel	1
26	C 32463	WASHER - special	1
27	C 20303	WASHER - special	1
28	C 32464	SCREW - #10-24 x 3/8" flange lock	6
29	C 32287	SCREEN - flywheel	1
30	C 32288	KEY - 3/16" x 2" special, flywheel	1
31	C 24956	STATOR - charging	1
	C 32458	KIT - terminal connector	1

CYLINDER BLOCK



REF.	PART NO.	DESCRIPTION	REQ'D
1	C 33243	BLOCK ASSEMBLY - short (3016, 4016) includes cylinder and crankcase, all bearings, crankshaft, camshaft, timing gear, connecting rods, pistons, piston rings, valves, oil pump and breather tube (does not include gasket set) . . .	1
1	C 33244	BLOCK ASSEMBLY - short (3018, 3020, 4018, 4020) includes cylinder and crankcase, all bearings, crankshaft, camshaft, timing gear, connecting rods, pistons, piston rings, valves, oil pump and breather tube (does not include gasket set) . . .	1
2	41- 26	PLUG - welch	1
3	113- 208	BOLT - 3/8" - 16 x 1-1/4"	5
4	C 20256	SHIM - end play, crankshaft (.005")	UAR
5	C 22618	BEARING - crankshaft, rear (includes thrust washer) (standard)	1
5	C 22619	BEARING - crankshaft, rear .002" (0.05 mm) undersize	1
5	C 22620	BEARING - crankshaft, rear .010" (0.25 mm) undersize	1
5	C 22621	BEARING - crankshaft, rear .020" (0.51 mm) undersize	1
5	C 22622	BEARING - crankshaft, rear .030" (0.76 mm) undersize	1
6	C 20267	WASHER - thrust	2
7	C 20268	GASKET - bearing plate	1
8	C 20269	PLATE - bearing, rear	1
9	C 20270	BEARING - camshaft 3/4" length (service part is 5/16" length)	2
10	C 20271	SEAL - oil, crankshaft rear	1
11	C 20272	PIN - drive, bearing stop	4
12	C 24946	TUBE - oil	1
13	C 29974	INSERT - valve seat, exhaust (standard)	2
13	C 29975	INSERT - valve seat, exhaust .002" (0.05 mm) oversize	2
13	C 29976	INSERT - valve seat, exhaust .005" (0.13 mm) oversize	2
13	C 29977	INSERT - valve seat, exhaust .010" (0.25 mm) oversize	2
13	C 29978	INSERT - valve seat, exhaust .025" (0.64 mm) oversize	2
14	C 20287	INSERT - valve seat, intake (standard)	2
14	C 20288	INSERT - valve seat, intake .002" (0.05 mm) oversize	2
14	C 20289	INSERT - valve seat, intake .005" (0.13 mm) oversize	2
14	C 20290	INSERT - valve seat, intake .010" (0.25 mm) oversize	2
14	C 20291	INSERT - valve seat, intake .025" (0.64 mm) oversize	2
15	C 20295	BEARING - crankshaft, front, flanged (standard)	1
15	C 20296	BEARING - crankshaft, front .002" (0.05 mm) undersize	1
15	C 20297	BEARING - crankshaft, front .010" (0.25 mm) undersize	1
15	C 20298	BEARING - crankshaft, front .020" (0.51 mm) undersize	1
15	C 20299	BEARING - crankshaft, front .030" (0.76 mm) undersize	1
16	C 32274	GUIDE - valve, exhaust	2
16	C 32275	GUIDE - valve, intake	2
19	192- 21	LOCKWASHER - 3/8"	5
20	C 23320	PIN - alignment, gear cover	2

CYLINDER BLOCK



REF.	PART NO.	DESCRIPTION	REQ'D
21	C 20244*	REED - breather	1
22	C 20245*	BAFFLE - breather	1
23	C 20243*	SPRING - breather	1
24	C 33245	COVER - valve	1
25	C 24948*	COVER - valve (with breather port)	UAR
26	C 20251	GASKET - valve cover	2
27	C 20276	TAPPET - valve (standard)	4
27	C 20471	TAPPET - valve .002 (0.05 mm) oversize	4
27	C 20277	TAPPET - valve .005 (0.13 mm) oversize	4
28	C 32272	VALVE - intake	2
29	C 32273	VALVE - exhaust	2
30	113- 132	BOLT - 1/4" - 20 x 1-3/4"	2
31	C 32276	SPRING - valve	4
32	C 32277	LOCK - valve and spring	8
33	C 32278	SEAL - intake valve	2
36	C 29979	GASKET - head	2
37	C 32279	HEAD - cylinder R.H.	1
37	C 32280	HEAD - cylinder L.H.	1
38	C 32281	RETAINER - valve spring	4
39	195- 2010	WASHER - 1/4"	1
40	C 20248	WASHER - 5/16"	18
41	C 32440	BOLT - head 2-3/8" long	16
42	C 20247	WASHER - 1/4" copper	2
43	211- 7*	PLUG - core hole	1
44	C 32282	CAP - valve	4
45	C 29981	KIT - gasket, complete engine (does not include bearings)	1
45	C 29982	KIT - gasket, (carbon removal/valve grind)	1
46	C 20504**	SCREEN - breather tube	2
47	C 20490**	VALVE - breather cap	1
48	C 20493**	"O" RING - breather cap	1
49	C 22265**	SCREW - #8 x 3/4 self tapping	1
50	C 20536**	CLAMP - breather cap	1
51	C 29948**	FILTER - breather	1
52	C 33247**	TUBE - breather	1

*use before S/N:
**use S/N and after:

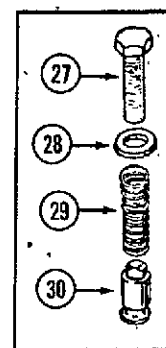
- 3016 - 14127138
- 3018 - 14132690
- 3020 - 14133215
- 4016 - 14128811
- 4018 - 14129997
- 4020 - 14131216

OIL BASE, PUMP, FILTER AND FILLER TUBE

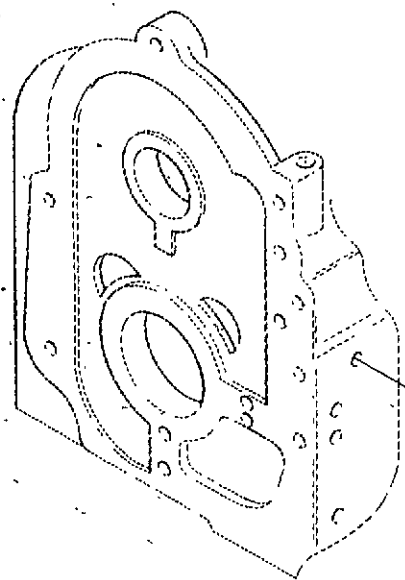
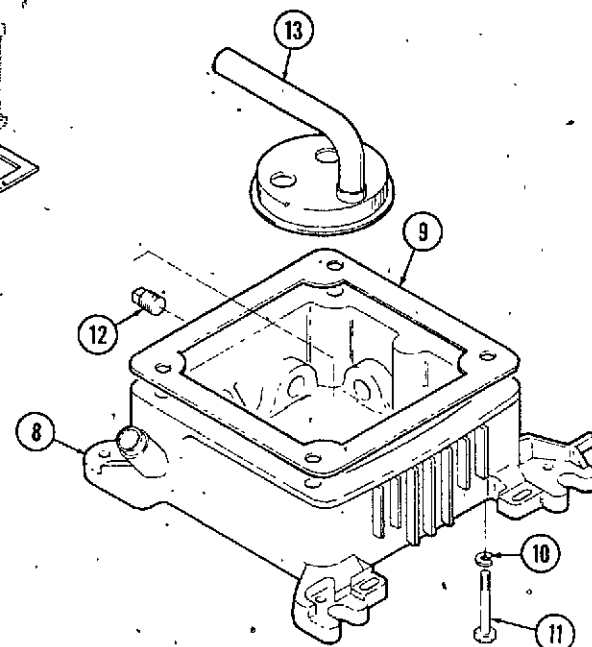
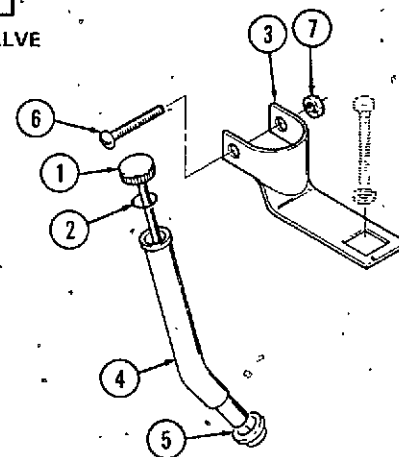
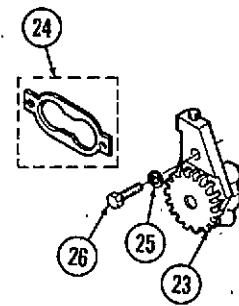
REF.	PART NO.	DESCRIPTION	REQ'D
1	C 32290	DIPSTICK - oil level indicator	1
2	C 32465	O-RING	1
3	C 32291	BRACKET - fill tube	1
4	C 32292	TUBE - oil fill	1
5	C 32293	SEAL - tube	1
6	C 32466	SCREW - #10 x 1-1/4" panhead	1
7	C 32467	NUT - speed (type U)	1
8	C 32289	BASE - oil (includes plugs)	1
9	C 29984	GASKET - oil base	1
10	192- 21	LOCKWASHER - 3/8"	4
11	113- 252	BOLT - 3/8" - 16 x 3-3/4"	4
12	221- 3	PLUG - oil base 3/8"	2
13	C 23321	CUP - intake, oil pump	1
14	221- 167	NIPPLE - pipe 3/8" x 3-1/2"	1
15	221- 376	ELBOW - pipe 3/8" x 90°	1
16	C 20565	ADAPTER - oil filter	1
17	C 20331	WASHER - 5/16" copper	2
18	113- 103	BOLT - 5/16" - 18 x 1"	2
19	C 25389	DRAIN - oil filter	1
20	182- 525	BOLT - #10 - 32 x 3/8"	2
21	C 32462	GASKET - oil filter adapter	1
22	C 26191	FILTER - oil	1
23	C 29734	PUMP - oil	1
24	C 20325	KIT - gasket, oil pump	1
25	192- 19	LOCKWASHER - 1/4"	2
26	113- 4	BOLT - 1/4" - 20 x 1"	2
27	C 32474	BOLT - 3/8" - 24 x 7/8" oil bypass	1
28	C 20574	WASHER - 3/8" copper	1
29	C 20320	SPRING - oil bypass valve	1
30	C 20322	VALVE - oil bypass	1
31	221- 86*	REDUCER - pipe 3/8" - 14 to 1/4"	1
32	C 19473*	NIPPLE - pipe 2.5"	1
32	C 33949**	NIPPLE - oil drain 3.5"	1
33	C 14906*	GASKET - oil drain	1
34	C 14399*	PLUG - oil drain	1
34	218-5154**	PLUG - 1/2" - 20	1

*use on 4020 before PIN 14176500
3016, 3018, 3020, 4016, 4018 - All

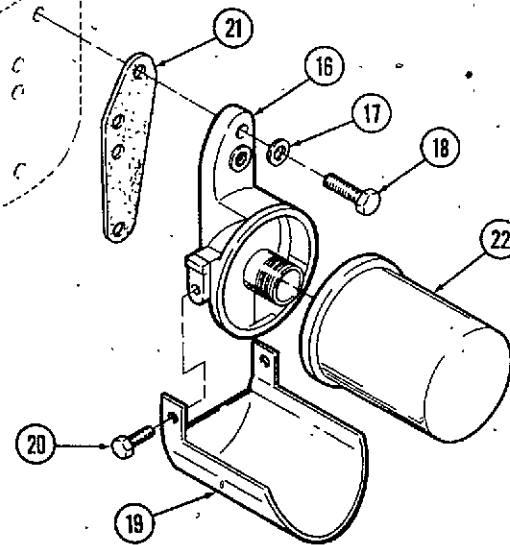
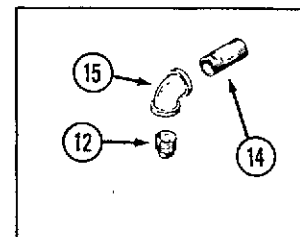
**use on 4020 PIN 14176500 and after



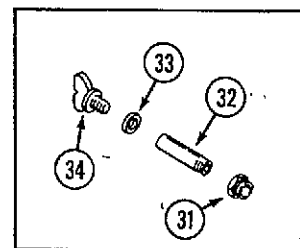
OIL BYPASS VALVE



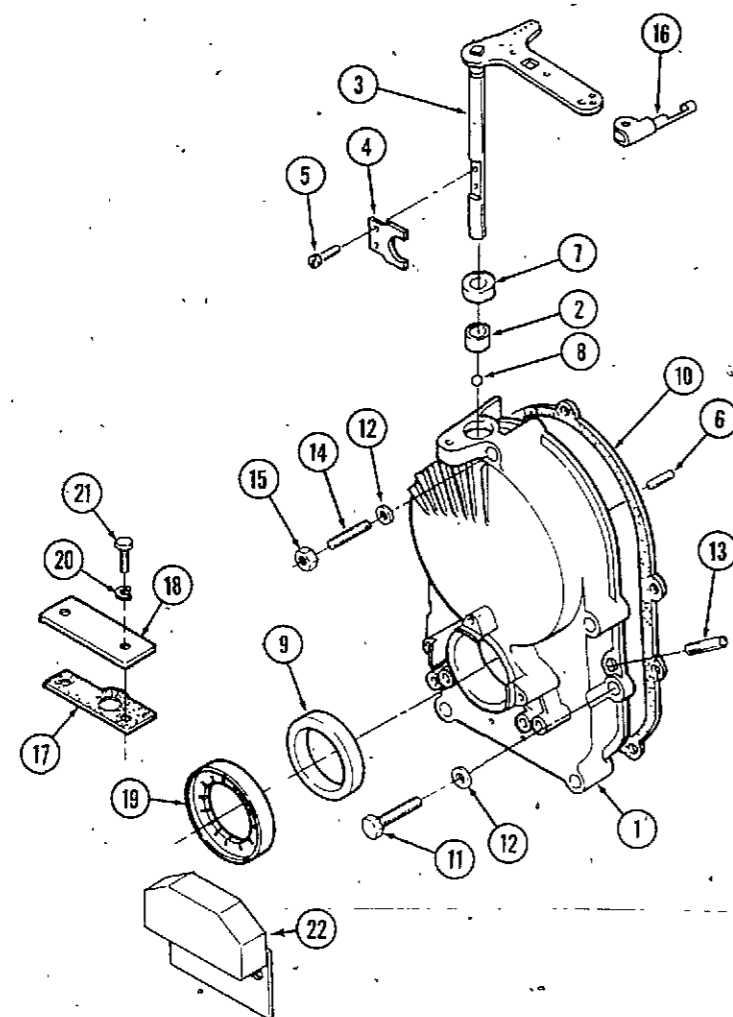
OIL DRAIN
EARLY PRODUCTION



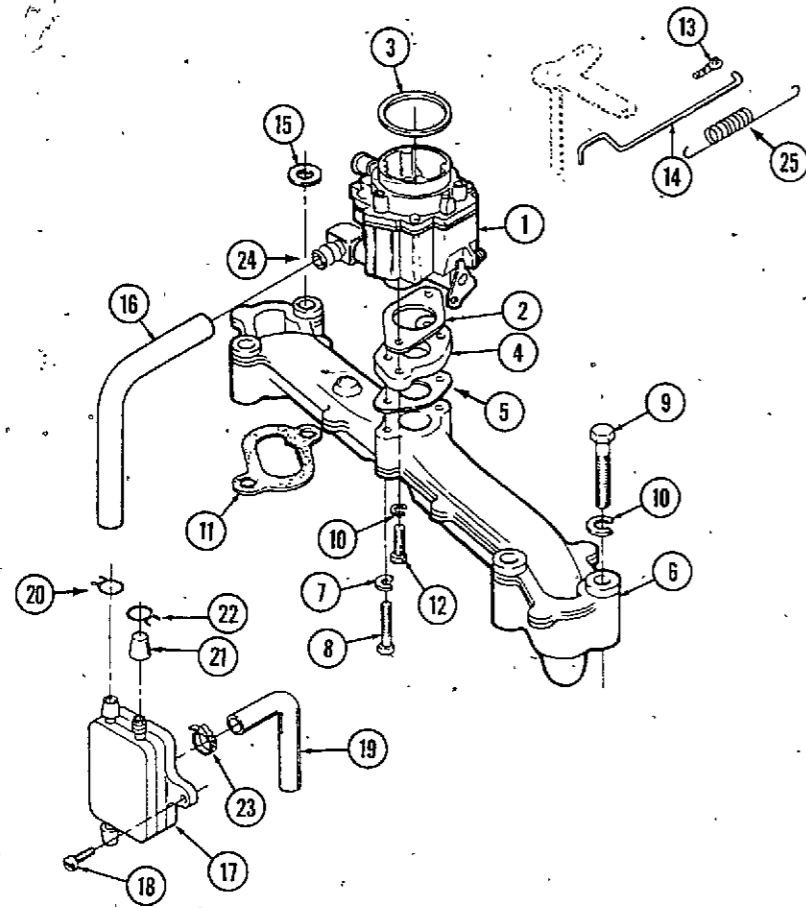
OIL DRAIN
LATE PRODUCTION



GOVERNOR GEARCASE AND IGNITION ROTOR



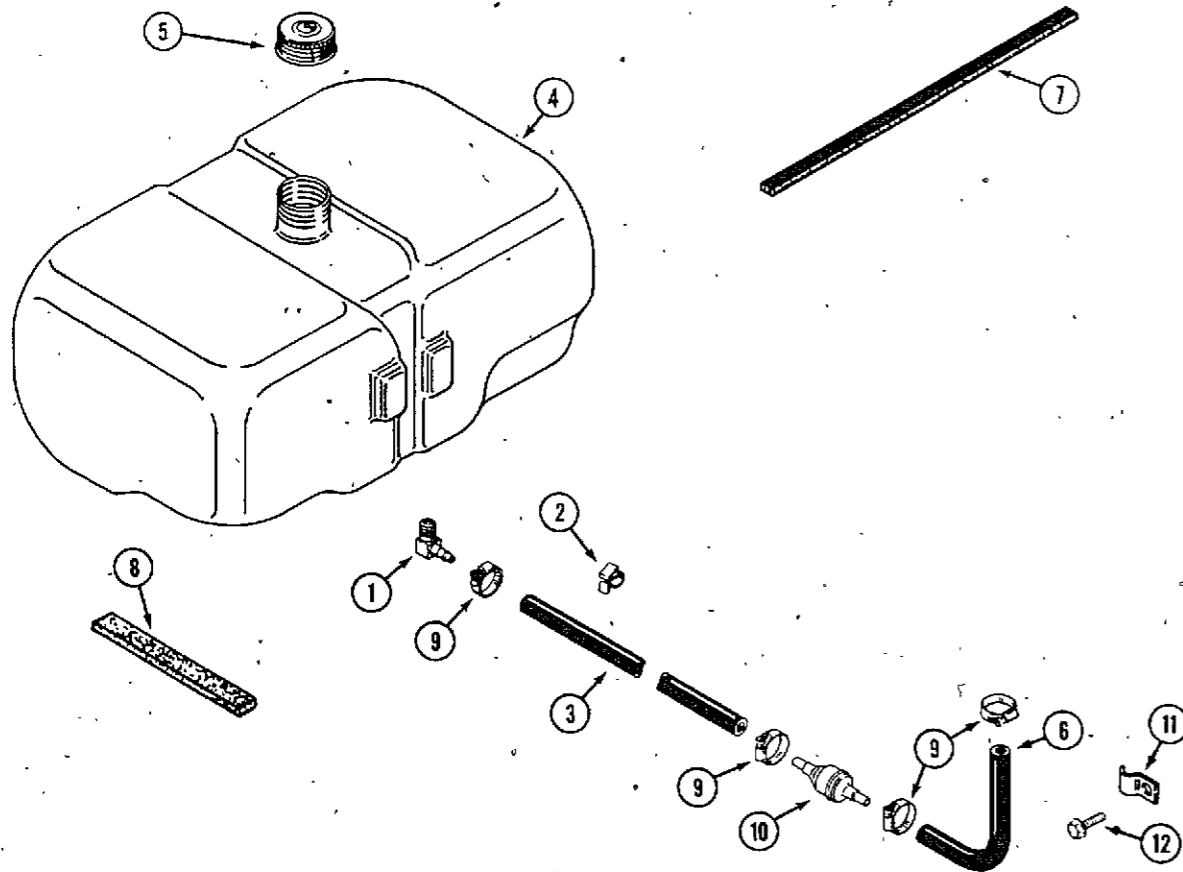
REF.	PART NO.	DESCRIPTION	REQ'D
1	C 32457	GEARCASE ASSEMBLY - governor	1
2	C 20305	BEARING - governor shaft	1
3	C 22632	SHAFT AND ARM	1
4	C 20307	YOKE - governor shaft	1
5	182- 84	SCREW - #8 - 32 x 3/8"	2
6	C 20309	PIN - governor cup stop	1
7	C 20310	SEAL - oil, governor shaft	1
8	211- 5	BALL - bearing, governor shaft	1
9	C 20312	SEAL - oil, crankshaft	1
10	C 20313	GASKET - mounting	1
11	113- 120	BOLT - 5/16" - 18 x 1-3/4"	4
12	C 20331	WASHER - 5/16" copper	5
13	C 20412	TUBE - vacuum port (included in assembly)	1
14	C 29985	STUD - gear cover	1
15	131- 911	NUT - 5/16" - 18	1
16	C 29989	CLIP - retaining	1
17	C 20345	GASKET - plate	1
18	C 32452	PLATE - plunger cover	1
19	c 32297	ROTOR - ignition	1
20	192- 19	LOCKWASHER - 1/4"	2
21	113- 2	BOLT - 1/4" - 20 x 5/8"	2
22	C 32294	CONTROL - ignition	1



FUEL SYSTEM (ENGINE)

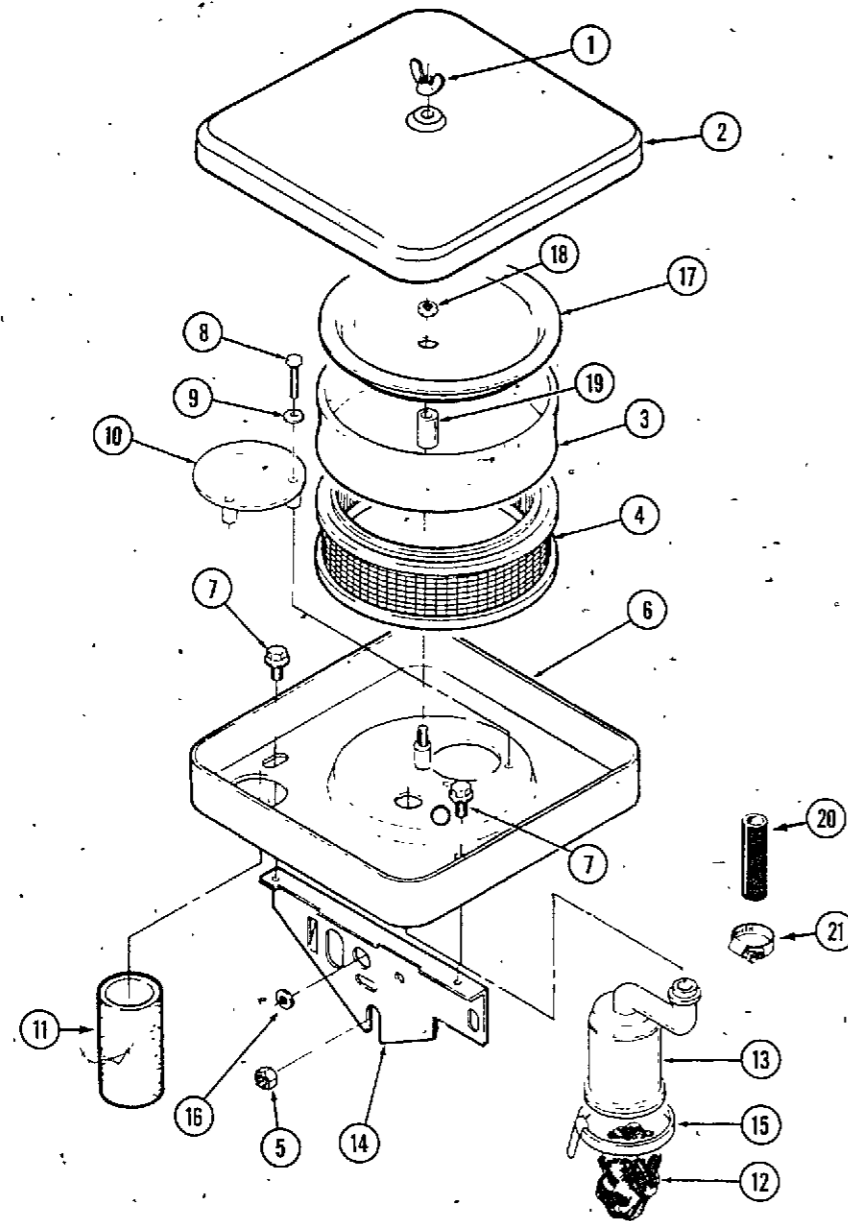
REF.	PART-NO.	DESCRIPTION	REQ'D
1	C 29868	CARBURETOR - fuel (3016, 3018, 4016, 4018) repairs page 19	1
1	C 29869	CARBURETOR - fuel (3020, 4020) repairs page 19	1
2	C 29969	GASKET - carburetor mounting	1
3	C 29944	SEAL - "O" ring	1
4	C 29952	ADAPTER - carburetor	1
5	C 29953	GASKET - adapter	1
6	C 32450	MAINIFOLD - intake	1
7	192- 19	LOCKWASHER - 1/4"	2
8	113- 65	BOLT - 1/4" - 20 x 1-3/8"	2
9	113- 121	BOLT - 5/16" - 18 x 2"	4
10	192- 20	LOCKWASHER - 5/16"	6
11	C 26202	GASKET - manifold	2
12	113- 103	BOLT - 5/16" - 18 x 1"	2
13	C 20360	CLIP - retaining, control rod to carburetor	1
14	C 29988	ROD - governor control	1
15	195-2027	WASHER - 5/16"	1
16	NSS	HOSE - fuel (use C28937 cut to length)	1
17	C 29959	PUMP - fuel	1
18	182- .559	SCREW - tapping #10 - 24 x 5/8"	2
19	NSS	HOSE - vacuum (use C28937 cut to length)	1
20	214- 103	CLAMP - hose 1/2" (wire)	UAR
21	C 20411	CAP - fuel outlet	UAR
22	NSS	CLAMP - hose 7/16" (wire) (use C32376)	UAR
23	C 32376	CLAMP - hose 1/2" (worm drive)	1
24	C 10678	ELBOW - hose 90°	1
25	C 33406	SPRING - governor rod (optional)	1

FUEL SYSTEM (TRACTOR)



1	C 10678	ELBOW - hose 90°	1
2	C 28962	RETAINER - fuel line	1
3	NSS	HOSE - fuel line 50' (1270 mm) (use C28937 cut to length)	1
4	C 28940	TANK - fuel	1
5	C 37094	CAP - fuel tank (includes insert)	1
6	NSS	HOSE - fuel line (use C28937 cut to length)	1
7	C 23527	LINER - tank	1
8	C 14690	CUSHION - fuel tank	2
9	C 32376	CLAMP - hose 1/2"	4
10	C 31978	FILTER - fuel	1
11	C 24689	CLIP - "J" fuel line retaining	1
12	187-1036	SCREW - 1/4" - 20 self tap	1

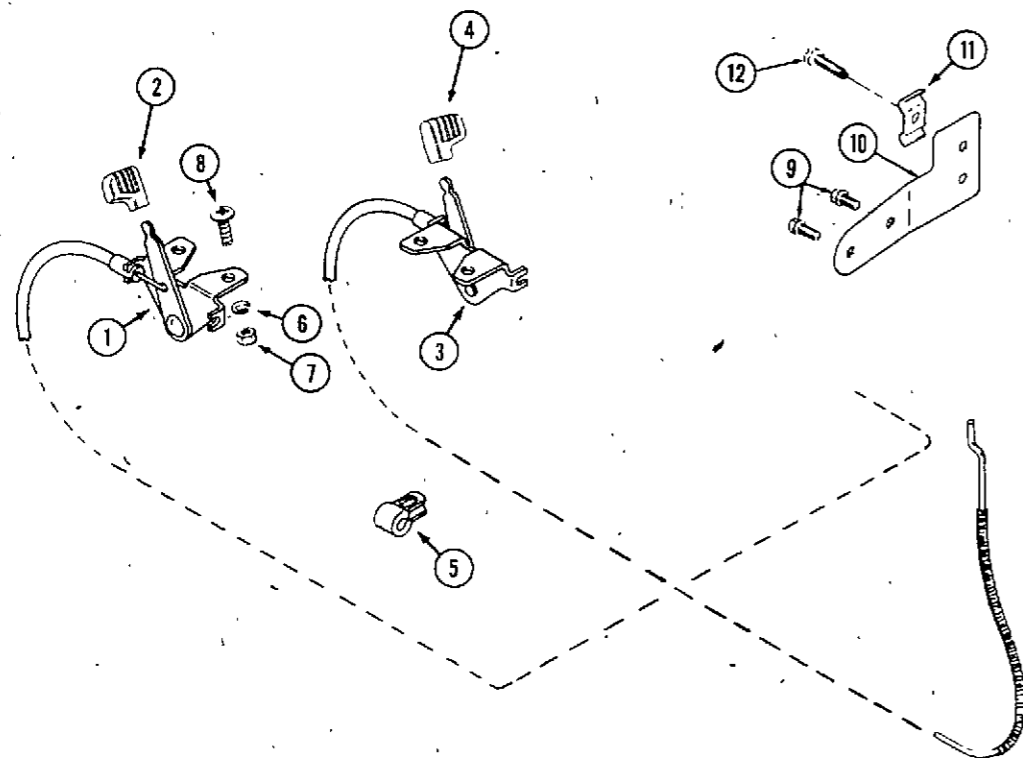
AIR CLEANER



REF.	PART NO.	DESCRIPTION	REQ'D
1	C 26703	NUT - wing 1/4" - 20	1
2	C 32302	COVER - air cleaner	1
3	C 22581	PRECLEANER	1
4	C 22424	ELEMENT - air cleaner	1
5	131- 911	NUT - 5/16" - 18 flange	1
6	C 32303	HOUSING - air cleaner	1
7	187- 1036	BOLT - 1/4" - 20 x 3/8" tapping, washer head	2
8	182- 152	SCREW - machine #10 - 32 x 1-1/2"	3
9	195- 516	WASHER - #10	3
10	C 29946	DEFLECTOR - air	1
11	C 32304	TUBE - air intake	1
12	C 29948*	FILTER - breather	1
13	C 29949*	TUBE - crankcase breather	1
14	C 32305	SUPPORT - air cleaner	1
15	NSS*	CLAMP - breather tube (use 214-258)	1
16	C 30033	GROMMET - rubber	1
17	C 32306	COVER - element	1
18	131- 71	NUT - lock 1/4" - 20	1
19	C 32451	SPACER - air cleaner stud	1
20	C 33246**	HOSE - breather	1
21	214- 251**	CLAMP - hose	1

*use before S/N:
 **use S/N and after:

- 3016 - 14127138
- 3018 - 14132690
- 3020 - 14133215
- 4016 - 14128811
- 4018 - 14129997
- 4020 - 14131216



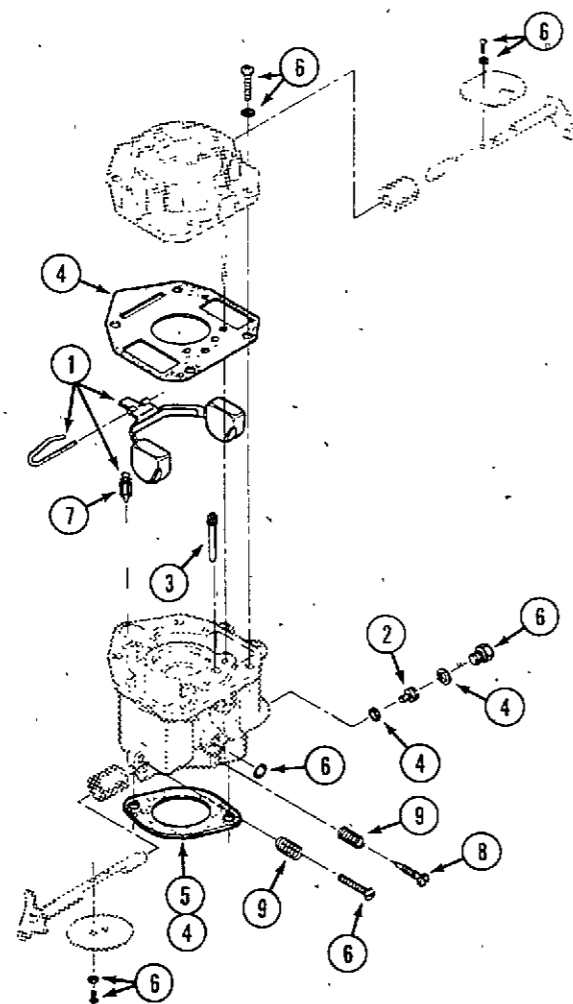
CHOKE AND THROTTLE

REF.	PART NO.	DESCRIPTION	REQ'D
1	C 33414*	CONTROL - throttle	1
1	C 37226**	CONTROL - throttle	1
2	C 30073*	HANDLE - throttle control, orange	1
2	C 35291**	HANDLE - control, black	1
3	C 31893*	CONTROL - choke	1
3	C 37227**	CONTROL - choke	1
4	C 30074*	HANDLE - choke control, black	1
4	C 35291**	HANDLE - control, black	1
5	C 31977	CLIP - cable (single cable) shown	2
5	C 33218	CLIP - cable (dual cable)	1
6	192- 18	LOCKWASHER - No. 10 (early production)	2
7	C 34117	NUT - No. 10 - 24 flange lock	2
8	182- 559	BOLT - No. 10 - 24 x 3/4" phillips, black	2
9	C 22369	BOLT - washer head #10 - 32 x 5/16"	2
10	C 29957	BRACKET - choke cable	1
11	C 29506	CLIP - retaining, choke cable	1
12	187-1511	SCREW - tapping #10 - 32 x 1/2"	1

*use on
3016, 3018, 3020, 4016, 4018 - all
4020 - before PIN 14176500

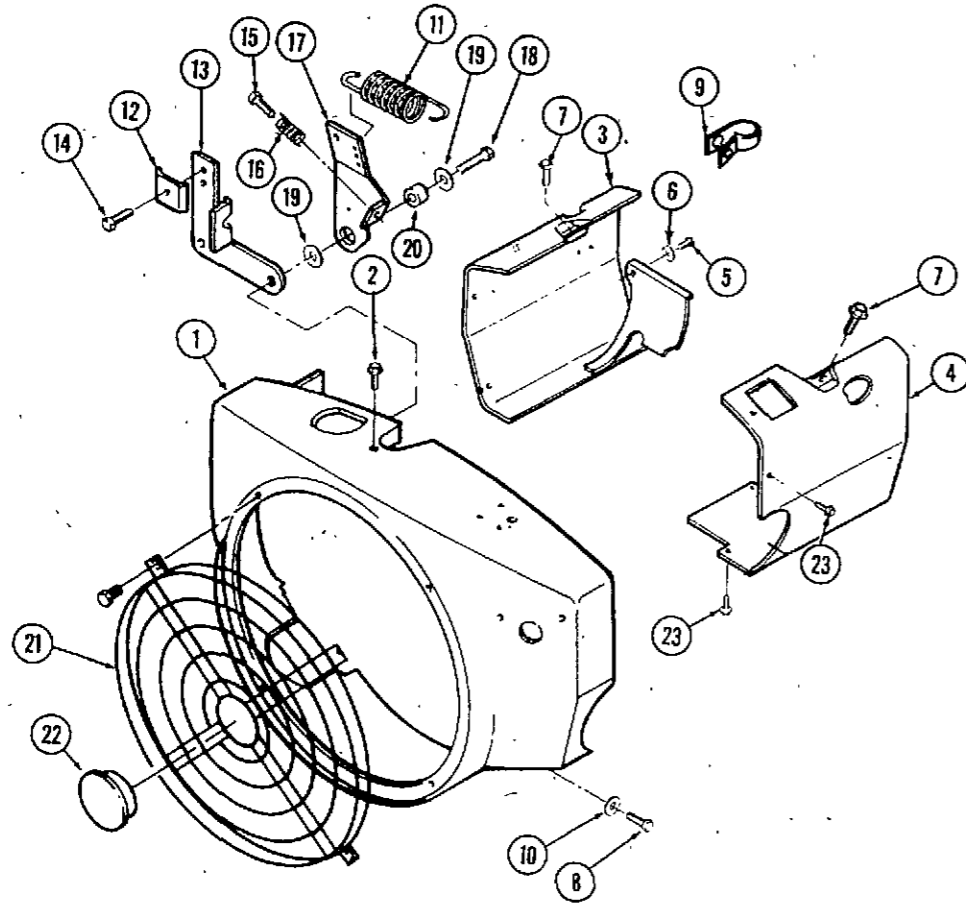
**use on
4020 - PIN 14176500 and after

CARBURETOR



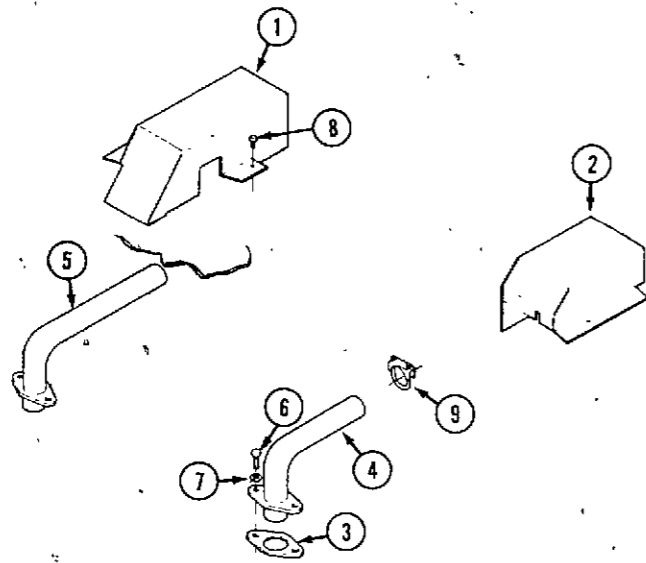
	C 29868	CARBURETOR - fuel (3016, 3018, 4016, 4018)	1
	C 29869	CARBURETOR - fuel (3020, 4020)	1
1	C 29965	KIT - float	1
2	C 29966	JET - power (3016, 3018, 4016, 4018)	1
2	C 30015	JET - power (3020, 4020)	1
3	C 29967	JET - idle	1
	C 29962	KIT - repair	1
4	NSS	GASKET AND SEAL PACKAGE	1
5	C 29969	GASKET - mounting	1
6	NSS	SCREW AND PLUG PACKAGE	1
7	NSS	VALVE - inlet	1
8	NSS	VALVE - idle adjust	1
9	NSS	SPRING - tension	2

BLOWER HOUSING AND GOVERNOR



1	C 32308	HOUSING - blower	1
2	163- 22	SCREW - tapping, washerhead 1/4" - 20 x 7/16"	1
3	C 32444	HOUSING - cylinder air L.H.	1
4	C 32445	HOUSING - cylinder air R.H.	1
5	187- 1073	SCREW - tapping, washerhead 1/4" - 20 x 5/8"	2
6	195- 102	WASHER - 1/4"	2
7	C 32446	BOLT - 5/16" - 18 x 3/4" washerhead	2
8	187- 1073	SCREW - 1/4" - 20 x 5/8" tapping, washerhead	4
9	C 32447	CLAMP - wire	1
10	195- 518	WASHER - 1/4"	4
11	C 20376	SPRING - governor	1
12	C 29506	CLAMP - cable	1
13	C 28719	BRACKET - cable	1
14	187- 1511	SCREW - tapping #10 - 32 x 1/2"	1
15	182- 49	SCREW - tapping #6 - 32 x 5/8"	1
16	C 20371	SPRING - idle setting	1
17	C 32311	ARM - governor	1
18	121- 3	BOLT - 1/4" - 20 x 1/2" washerhead	2
19	195- 102	WASHER - 1/4"	2
20	C 20375	BUSHING - arm, governor	1
21	NSS	SCREEN - blower housing (not used)	1
22	NSS	PLUG - screen (not used)	1
23	187- 1036	BOLT - 1/4" - 20 x 1/2" flange lock	UAR

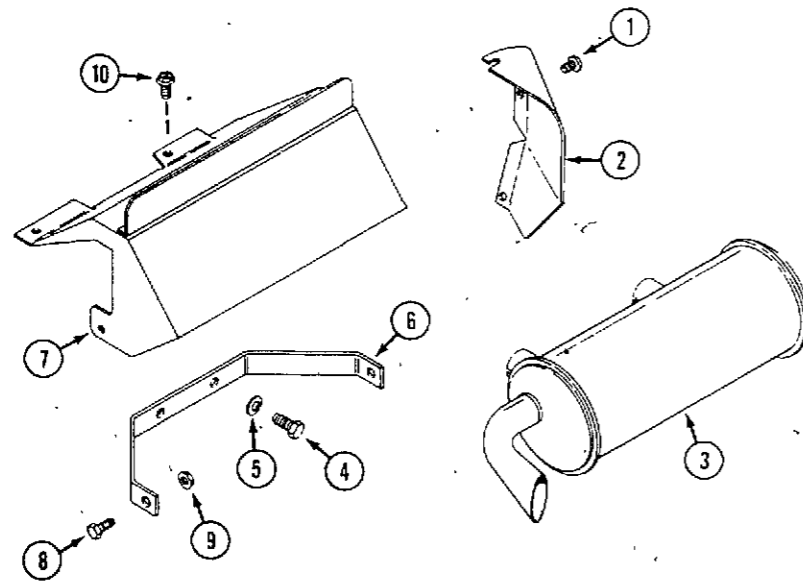
EXHAUST PIPES AND COVERS

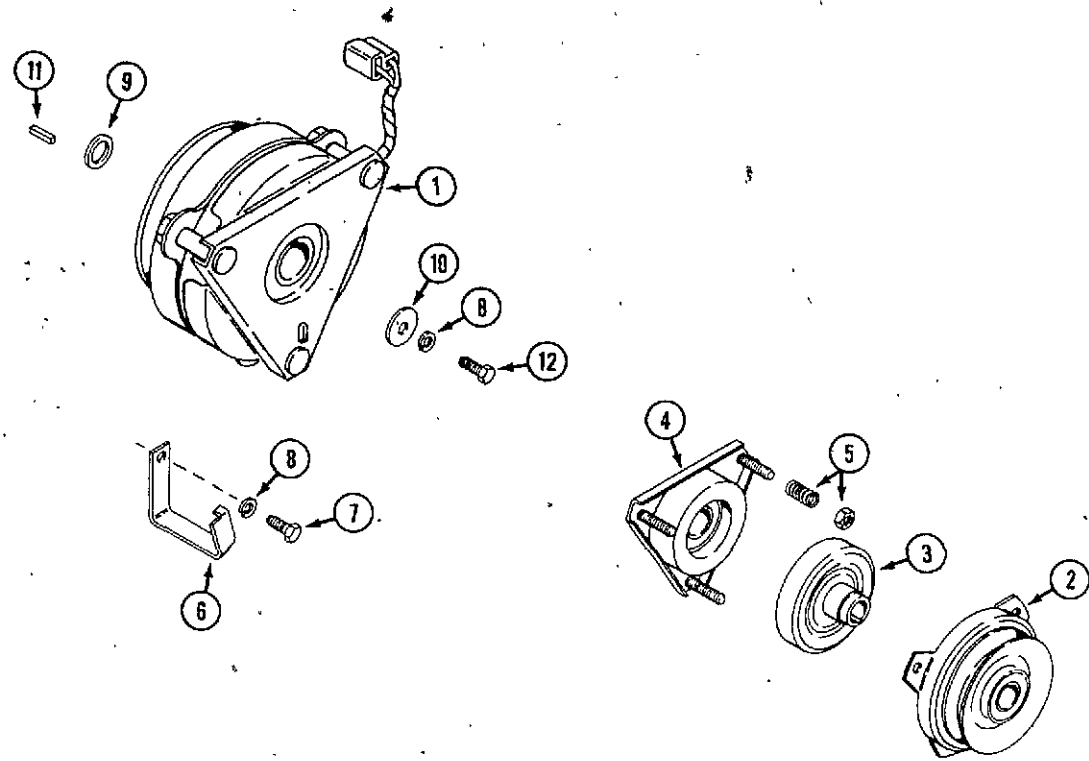


REF.	PART NO.	DESCRIPTION	REQ'D
1	C 32321	COVER - exhaust pipe L.H.	1
2	C 32322	COVER - exhaust pipe R.H.	1
3	C 26207	GASKET - exhaust	2
4	C 32324	PIPE - exhaust R.H.	1
5	C 32325	PIPE - exhaust L.H.	1
6	61- 512	BOLT - 5/16" x 5/8" socket head	4
7	192- 404	LOCKWASHER - 5/16"	4
8	NSS	SCREW - 1/4" - 20 x 3/8" washerhead (use C31597)	2
9	C 31417	CLAMP - exhaust	2
	129- 102	NUT - 5/16" - 18	2

MUFFLER AND SHIELDS

1	C 31597	SCREW - 1/4" - 20 x 1/2" black	2
2	C 31415	SHIELD - head baffle extension L.H.	1
3	C 33425	MUFFLER - exhaust	1
4	113- 208	BOLT - 3/8" - 16 x 1-1/4"	2
5	192- 21	LOCKWASHER - 3/8"	2
6	C 31420	STRAP - mounting	1
7	C 31421	SHIELD - muffler	1
8	113- 3	BOLT - 1/4" - 20 x 3/4" hex	2
9	131- 934	NUT - 1/4" - 20 flange lock	2
10	187- 1036	SCREW - 1/4" - 20 x 1/2" self-tap	4
	C 33028	KIT - exhaust deflector (optional)	1
	121- 21	BOLT - 1/4" - 20 x 1/2"	1
	131- 934	NUT - 1/4" flange lock	1





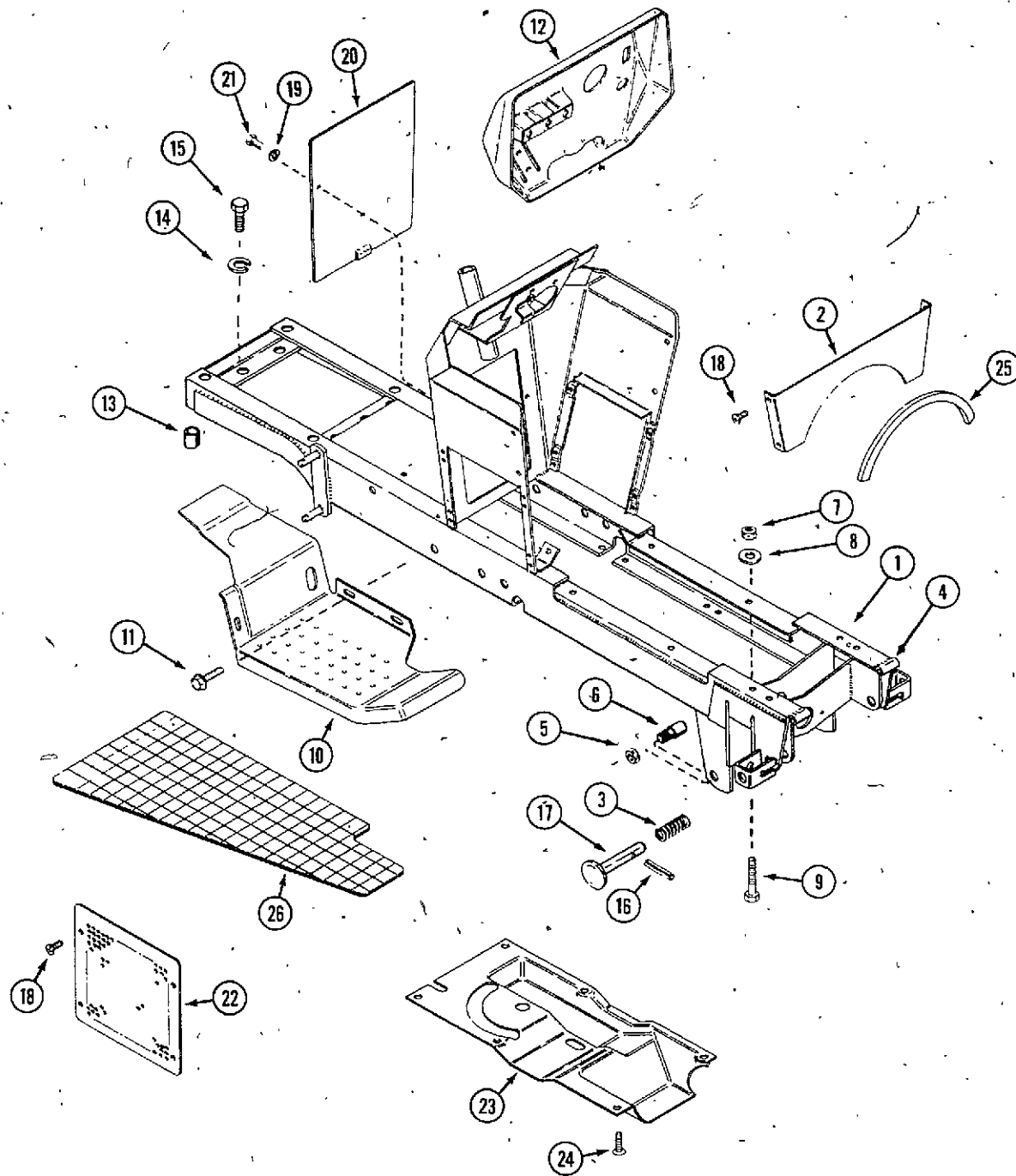
PTO ELECTRIC CLUTCH

1	NSS*	CLUTCH - PTO (use C33201 kit)	1
1	C 33198**	CLUTCH - PTO	1
2	C 32382	ARMATURE - clutch	1
3	C 32383	ROTOR - clutch	1
4	C 32384	FIELD - clutch	1
5	C 32381	KIT - spring and nut	1
6	C 33199	BRACKET - anti-rotation	1
7	113- 206	BOLT - 3/8" - 16 x 3/4" (secure with LOCK TITE)	1
8	192- 21	LOCKWASHER - 3/8"	2
9	C 29811	SPACER - clutch .100"	UAR
9	C 15557	SPACER - clutch .050"	UAR
9	C 33200	SPACER - clutch .250"	UAR
10	C 31615	WASHER - clamping	1
11	C 31976	KEY - 1/4" x 1/4" x 1-1/4"	1
12	114- 203	BOLT - 3/8" 24 x 1-1/2"	1

*use before S/N:
**use S/N and after:

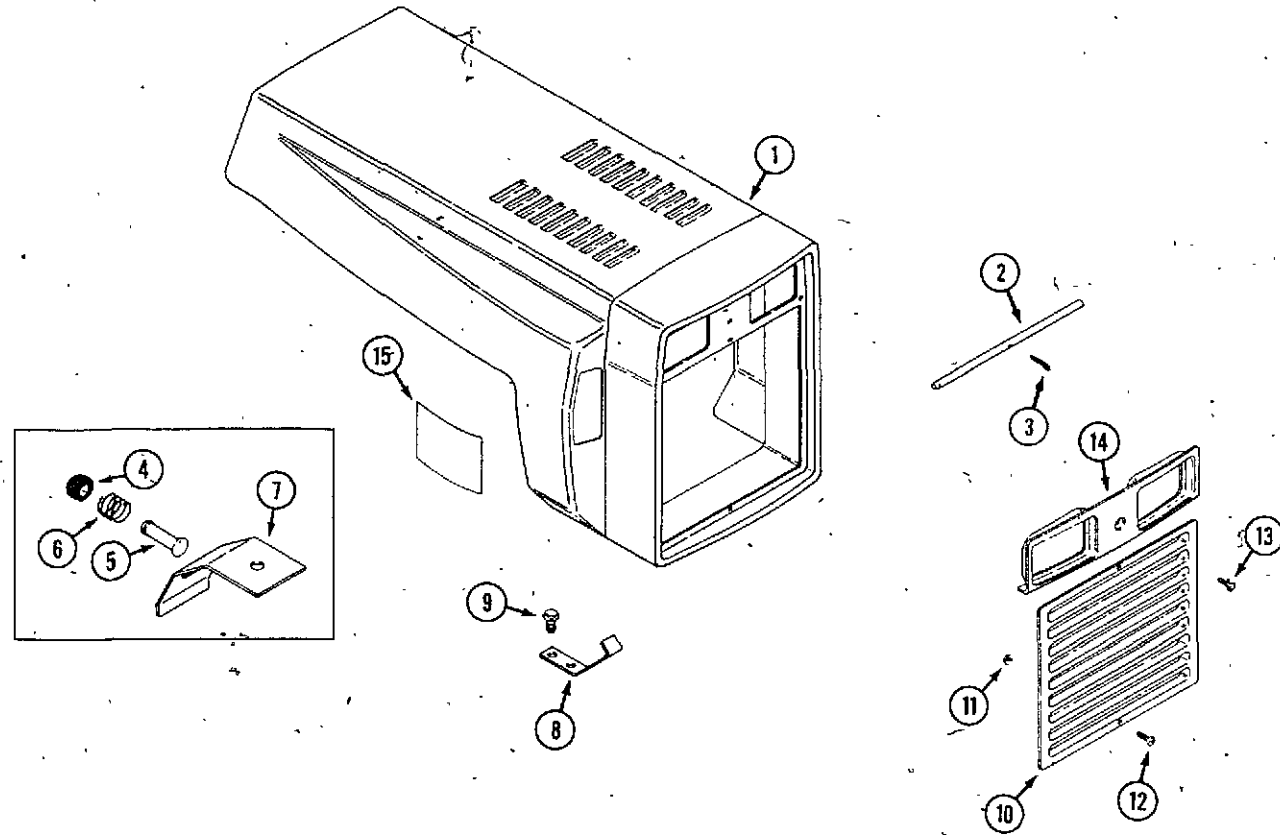
- 3016 - 14126917
- 3018 - 14132580
- 3020 - 14133202
- 4016 - 14128593
- 4018 - 14129744
- 4020 - 14130984

FRAME, FOOT PADS AND BELLY PAN



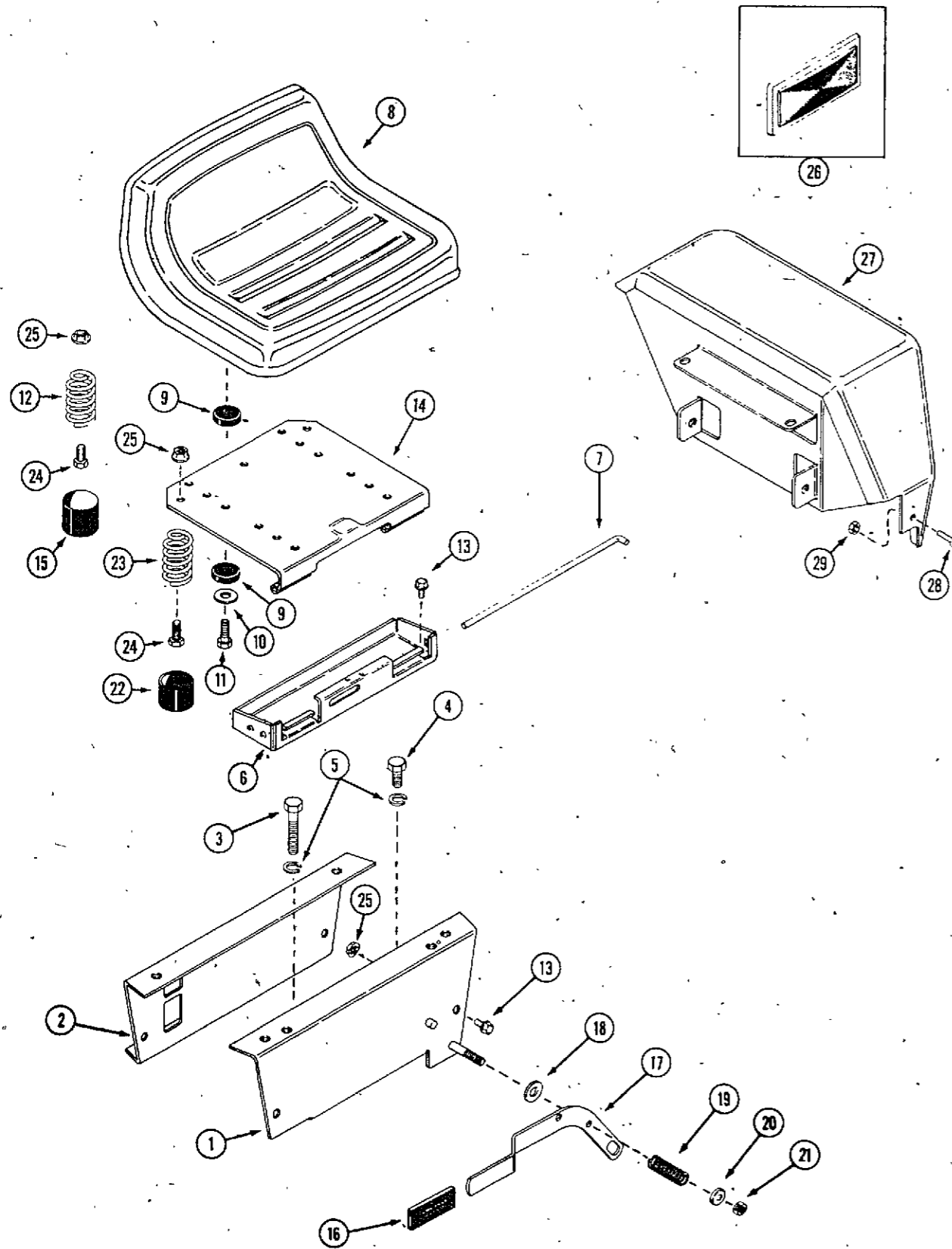
REF.	PART NO.	DESCRIPTION	REQ'D
1	C 31625	FRAME - main (3016, 3018, 3020)	1
1	C 31627	FRAME - main (4016, 4018, 4020 before PIN 14176500)	1
1	C 43222	FRAME - main (4020 PIN 14176500 and after)	1
2	C 31610	SHIELD - oil tank	1
3	C 24137	SPRING - latch	1
4	C 22023	HINGE - frame	2
5	131- 1318	NUT - lock 1/2" N.F.	2
6	C 27508	PIN - attachment	2
7	131- 1352	NUT - lock 3/8" N.C. flange	4
8	195- 525	WASHER - 3/8" x 13/16" (over engine foot pad) early production	4
9	113- 208	BOLT - 3/8" - 16 x 1-1/4"	4
10	C 30458	REST - foot L.H. (3016, 3018, 3020)	1
10	C 30460	REST - foot R.H. (3016, 3018, 3020) shown	1
10	C 30462	REST - foot L.H. (4016, 4018, 4020 before PIN 14176500)	1
10	C 30464	REST - foot R.H. (4016, 4018, 4020 before PIN 14176500)	1
10	C 37136	REST - foot L.H. (4020 PIN 14176500 and after)	1
10	C 37138	REST - foot R.H. (4020 PIN 14176500 and after)	1
11	121- 106	BOLT - 5/16" x 1/2" N.C. flange lock	4
12	C 31368	CAP - instrument panel (on 4020 use before PIN 14176500)	4
12	C 37167	CAP - instrument panel (4020 PIN 14176500 and after)	1
12	C 31368	CAP instrument panel (3016, 3018, 3020, 4016, 4018)	1
13	C 14730	SPACER - rear, frame (3016, 3018, 3020)	2
14	192- 23	LOCKWASHER - 1/2"	4
15	113- 424	BOLT - 1/2" - 13 x 1" transaxle mounting	UAR
15	166- 85	BOLT - 1/2" x 1", 12 pt. flange	UAR
16	138-2073	PIN - roll 3/16" x 1-1/4"	2
17	C 16373	PIN - latch	2
18	C 31597	BOLT - 1/4" - 20 x 1/2" black	12
19	192- 19	LOCKWASHER - 1/4"	2
20	C 31359	COVER - access	1
21	187- 1036	SCREW - 1/4" - 20 x 1/2" self tap	2
22	C 31967	SCREW - tower side	2
23	C 31369	PAN - belly	1
24	C 31603	RETAINER - belly pan	6
25	C 33472	SEAL - engine air (4020 PIN 14176500 and after)	1
26	C 37140	PAD - footrest L.H. (4020 PIN 14176500 and after)	1
26	C 37141	PAD - footrest R.H. (4020 PIN 14176500 and after)	1

HOOD AND GRILLE



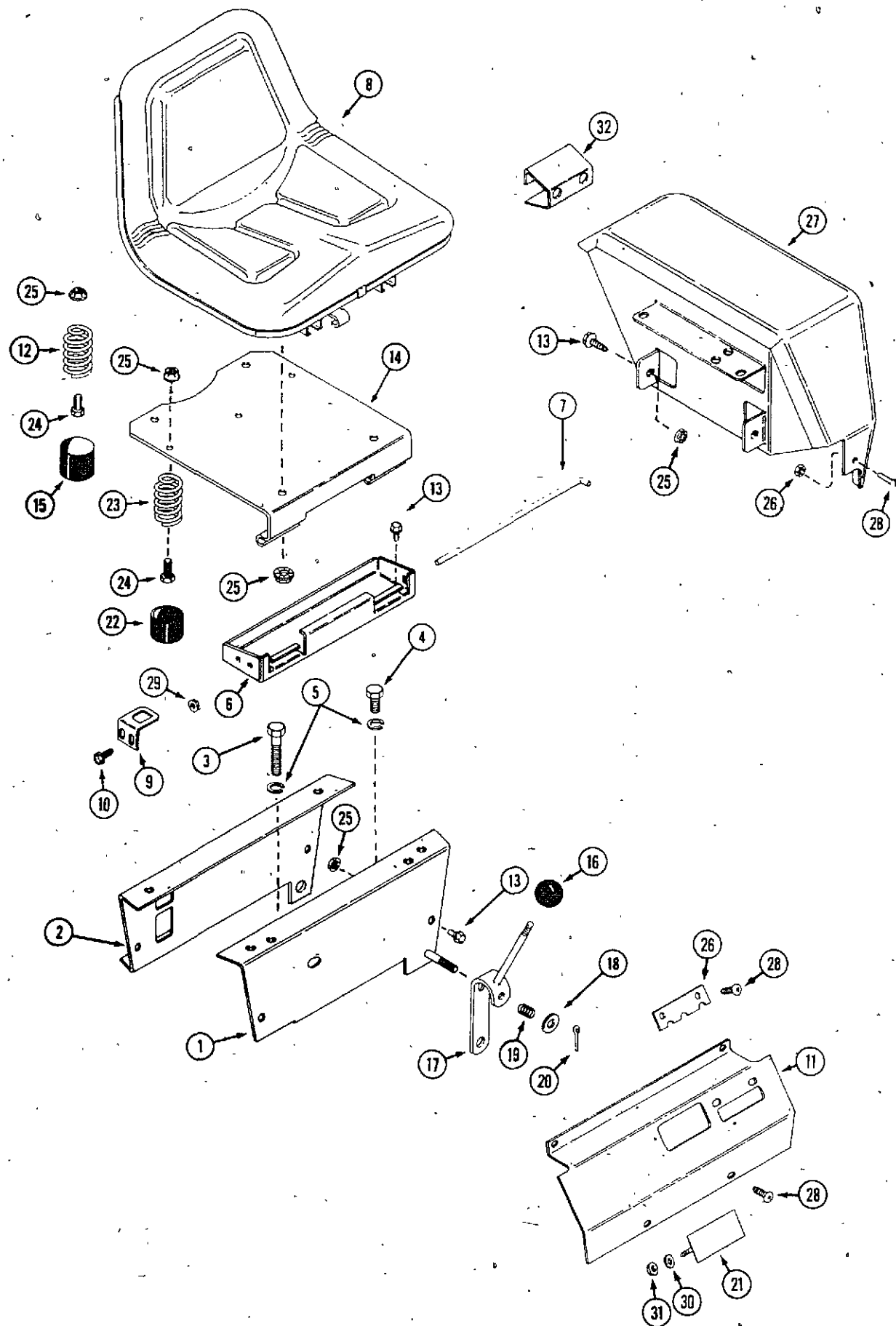
REF.	PART NO.	DESCRIPTION	REQ'D
1	C 31353	HOOD	1
	C 31357	HINGE - hood (not shown) is welded to hood	1
2	C 16362	ROD - hood hinge	1
3	132- 334	PIN - cotter 1/8" x 3/4"	1
4	C 29314	BUTTON - push, hood release	1
5	C 30126	ROD - push, hood release	1
6	C 30004	SPRING - release	1
7	C 33467	LATCH - hood	1
8	C 31611	BRACKET - hood stop	2
9	121- 106	BOLT - 5/16" - 18 x 1/2" flange lock	4
10	C 31365	GRILLE	1
11	131- 934	NUT - 1/4" - 20 flange lock	2
12	C 31597	SCREW - 1/4" - 20 x 1/2" black	2
13	187- 1328	SCREW - #8 - 18 x 3/8"	1
14	C 31366	SHROUD - headlight	1
15	C 31612	SHIELD - heat	1

SEAT, FENDERS AND TOOL TRAY
3016, 3018, 3020, 4016, 4018 - ALL
4020 - before PIN 14176500



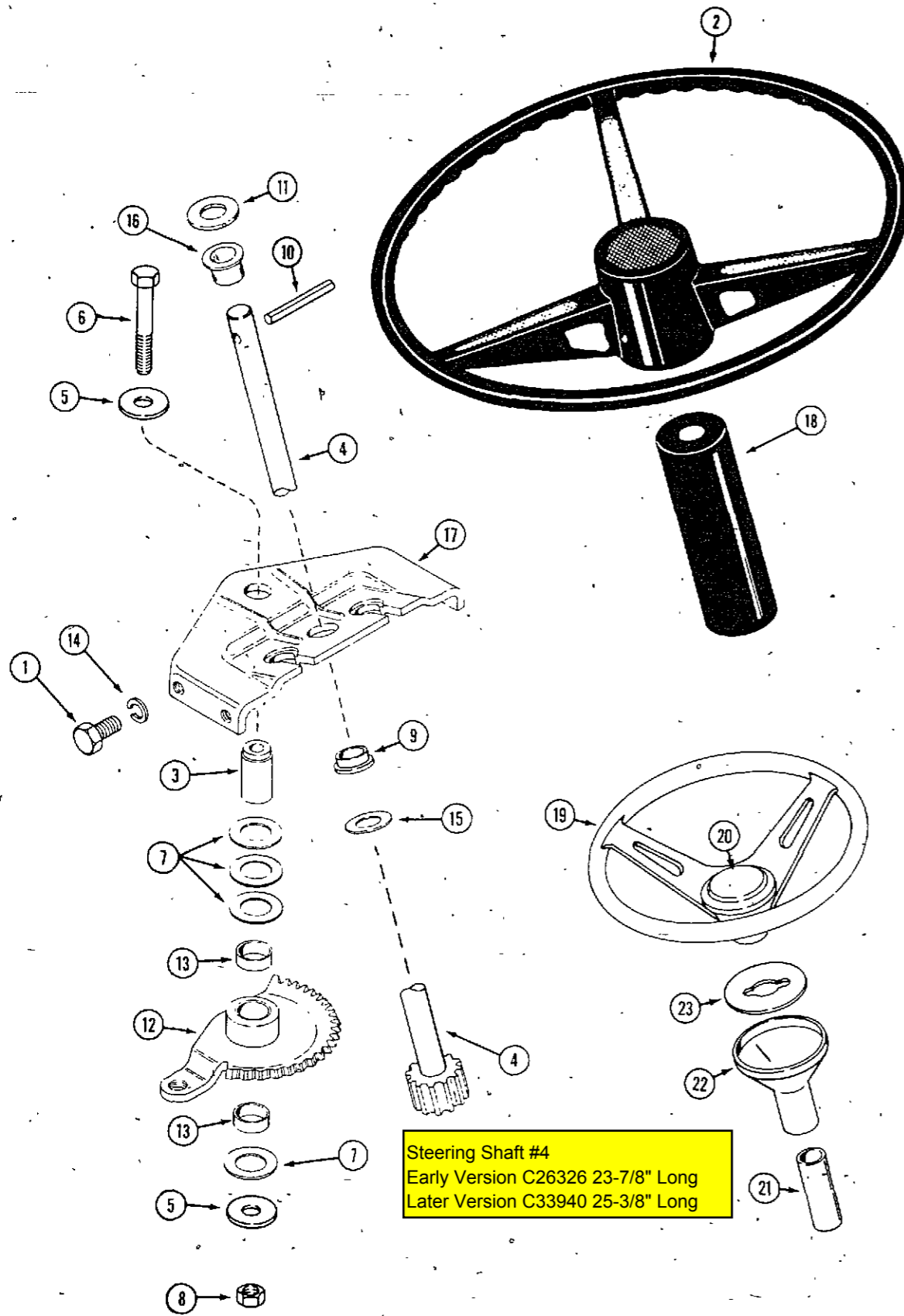
REF.	PART NO.	DESCRIPTION	REQ'D
1	C 31020	SUPPORT - seat, front shown (3016, 3018, 3020)	1
1	C 31021	SUPPORT - seat, front (4016, 4018, 4020)	1
2	C 26827	SUPPORT - seat, rear (3016, 3018, 3020)	1
2	C 27224	SUPPORT - seat, rear (4016, 4018, 4020)	1
3	113- 427	BOLT - 1/2" x 3-1/4" (3016, 3018, 3020)	2
3	113- 441	BOLT - 1/2" x 2-1/4" N.C. hex (4016, 4018, 4020)	2
4	113- 424	BOLT - 1/2" x 1" N.C. hex	1
4	113- 118	BOLT - 5/16" x 5/8"	1
5	192- 20	LOCKWASHER - 5/16"	1
5	192- 23	LOCKWASHER - 1/2"	4
6	C 31004	TRAY - tool	1
7	C 16429	PIN - seat hinge	1
8	C 30071	SEAT - shown (black) (3016, 3018, 3020) low back	1
8	C 30066	SEAT - (black) (4016, 4018, 4020)	1
8	C 30067	SEAT - (black) 3016, 3018, 3020 high back	1
9	C 15410	CUSHION - rubber	8
10	195- 2175	WASHER - 5/16" x 1-1/4" OD, zinc	4
11	113- 122	BOLT - 5/16" x 1-1/2"	4
12	C 31006	SPRING - seat switch	1
13	121- 106	BOLT - 5/16" x 1/2" flange lock	10
14	C 31005	HINGE ASSEMBLY - seat	1
15	C 26526	CAP - spring	1
16	C 14728	GRIP - shift lever	1
17	C 27594	LEVER - shift	1
18	195- 525	WASHER - 7/16" x 1-1/4" O.D.	1
19	C 17216	SPRING - shift lever	1
20	C 30489	WASHER	1
21	131- 1216	NUT - lock 3/8" N.C. hex	1
22	C 29305	CAP - spring	2
23	C 29306	SPRING - seat	2
24	113- 102	BOLT - 5/16" - 18 x 3/4"	3
25	131- 911	NUT - 5/16" - 18 flange lock	7
26	C 30942	REFLECTOR - red, rear fender	2
27	C 32386	FENDER - R.H. (3016, 3018, 3020)	1
27	C 32385	FENDER - L.H. shown (3016, 3018, 3020)	1
27	C 32388	FENDER - R.H. (4016, 4018, 4020)	1
27	C 32387	FENDER - L.H. (4016, 4018, 4020)	1
28	182- 547	SCREW - 1/4" - 20 x 1/2"	2
29	131- 934	NUT - 1/4"	2

SEAT, FENDER AND TOOL TRAY
4020 - PIN 14176500 AND AFTER



REF.	PART NO.	DESCRIPTION	REQ'D
1	C 37262	SUPPORT - seat, front	1
2	C 37266	SUPPORT - seat, rear	1
3	113- 441	BOLT - 1/2" x 2-1/4"	2
4	113- 424	BOLT - 1/2" x 1" N.C. hex	1
4	113- 118	BOLT - 5/16" x 5/8"	1
5	192- 20	LOCKWASHER - 5/16"	1
5	192- 23	LOCKWASHER - 1/2"	4
6	C 37017	TRAY - tool	1
7	C 16429	PIN - seat hinge	1
8	C 37151	SEAT - operator's	1
9	C 37060	BRACKET - switch mounting	1
10	113- 2	BOLT - 1/4" - 20 x 5/8"	2
11	C 37411	COVER - shift lever	1
12	G 37462	SPRING - seat switch	1
13	121- 106	BOLT - 5/16" x 1/2" flange lock	10
14	C 37152	HINGE ASSEMBLY - seat	1
15	C 26526	CAP - spring	1
16	C 10487	KNOB - shift lever	1
17	C 37247	LEVER - shift	1
18	195- 525	WASHER - 7/16" x 1-1/4" O.D.	1
19	C 10482	SPRING - shift lever	1
20	132- 310	PIN - cotter 1/8" x 1"	1
21	C 37460	COVER - plate	1
22	C 29305	CAP - spring	2
23	C 29306	SPRING - seat	2
24	113- 102	BOLT - 5/16" - 18 x 3/4"	3
25	131- 911	NUT - 5/16" - 18 flange lock	11
26	C 37430	PLATE - shift pattern	1
27	C 37156	FENDER - R.H.	1
27	C 37155	FENDER - L.H.	1
28	C 31597	SCREW - 1/4" - 20 x 1/2"	6
29	131- 934	NUT - 1/4"	6
30	195-2175	WASHER - flat	2
31	131- 934	NUT - 1/4" - 20 flange lock	2
32	C 42155	PROTECTOR - tail light	2

STEERING GEAR



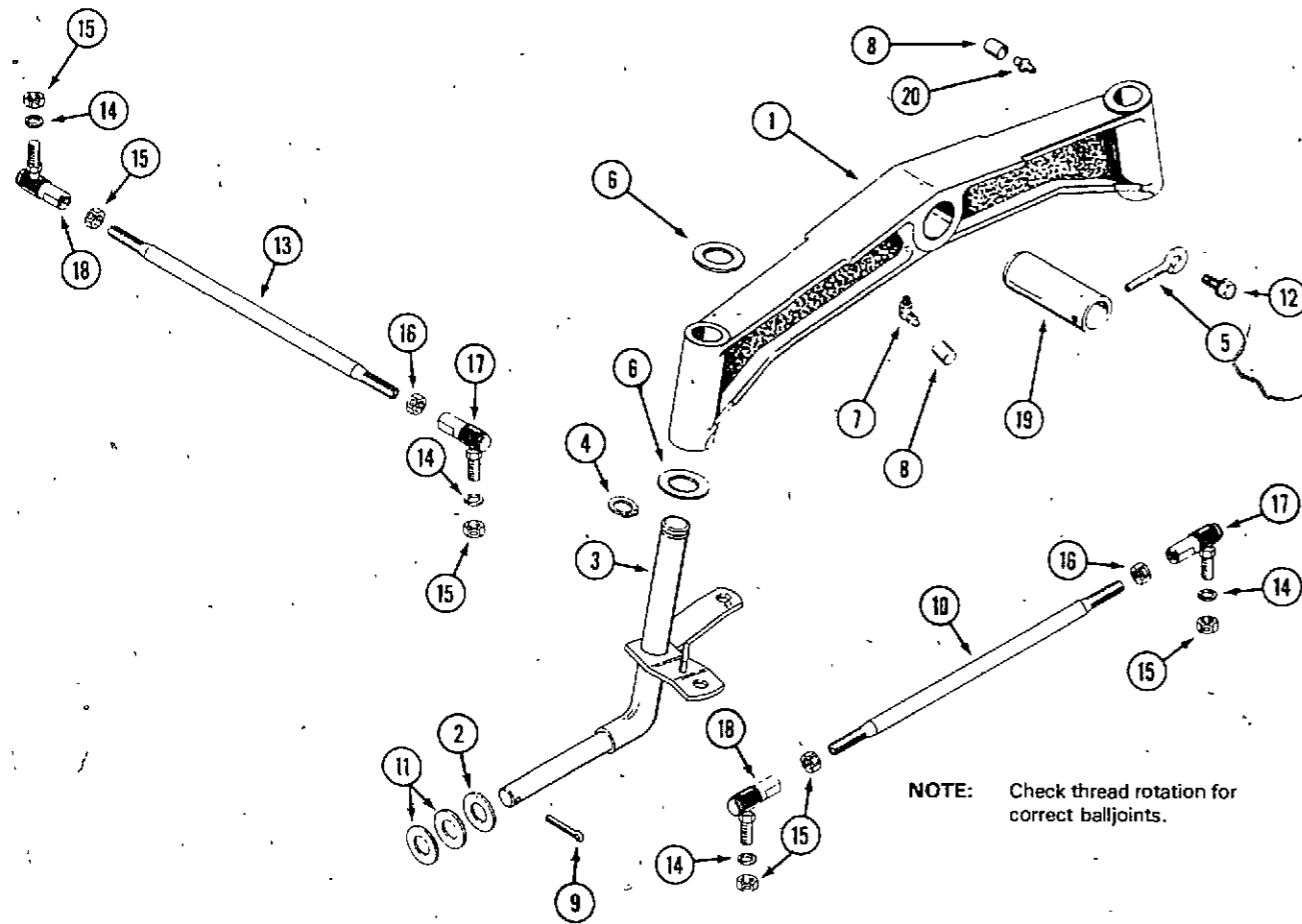
Steering Shaft #4
 Early Version C26326 23-7/8" Long
 Later Version C33940 25-3/8" Long

REF.	PART NO.	DESCRIPTION	REQ'D
1	113- 206	BOLT - 3/8" x 3/4" N.C. hex	4
2	C 26325*	WHEEL - steering	1
3	C 29044	PIN - pivot	1
4	C 26326	SHAFT - steering	1
5	C 29812	WASHER - 3/8" x 1.4"	2
6	113- 241	BOLT - 3/8" - 16 x 3"	1
7	C 14201	WASHER - shim	4
8	131- 1352	NUT - 3/8" - 16 hex lock flange	1
9	C 27501	BUSHING	1
10	138- 143	PIN - roll 1/4" x 2-1/4"	1
11	195- 541	WASHER - 5/8"	UAR
11	195- 2206	WASHER - 5/8" x 1-1/4" x .06	UAR
12	C 33309	GEAR - steering	1
13	C 33308	BUSHING - sleeve	2
14	192- 21	LOCKWASHER - 3/8"	4
15	195- 2069	WASHER - 5/8" zinc plated	1
16	C 15096	BUSHING - flanged nylon	1
17	C 30019	SUPPORT - steering gear (includes item 9)	1
18	C 30127*	TUBE - steering	1
19	C 37131**	WHEEL - steering	1
20	C 42849**	CAP - steering wheel	1
21	C 37479**	TUBE - steering	1
22	C 39504**	BOOT - steering column	1
23	C 39507**	INSERT - boot	1

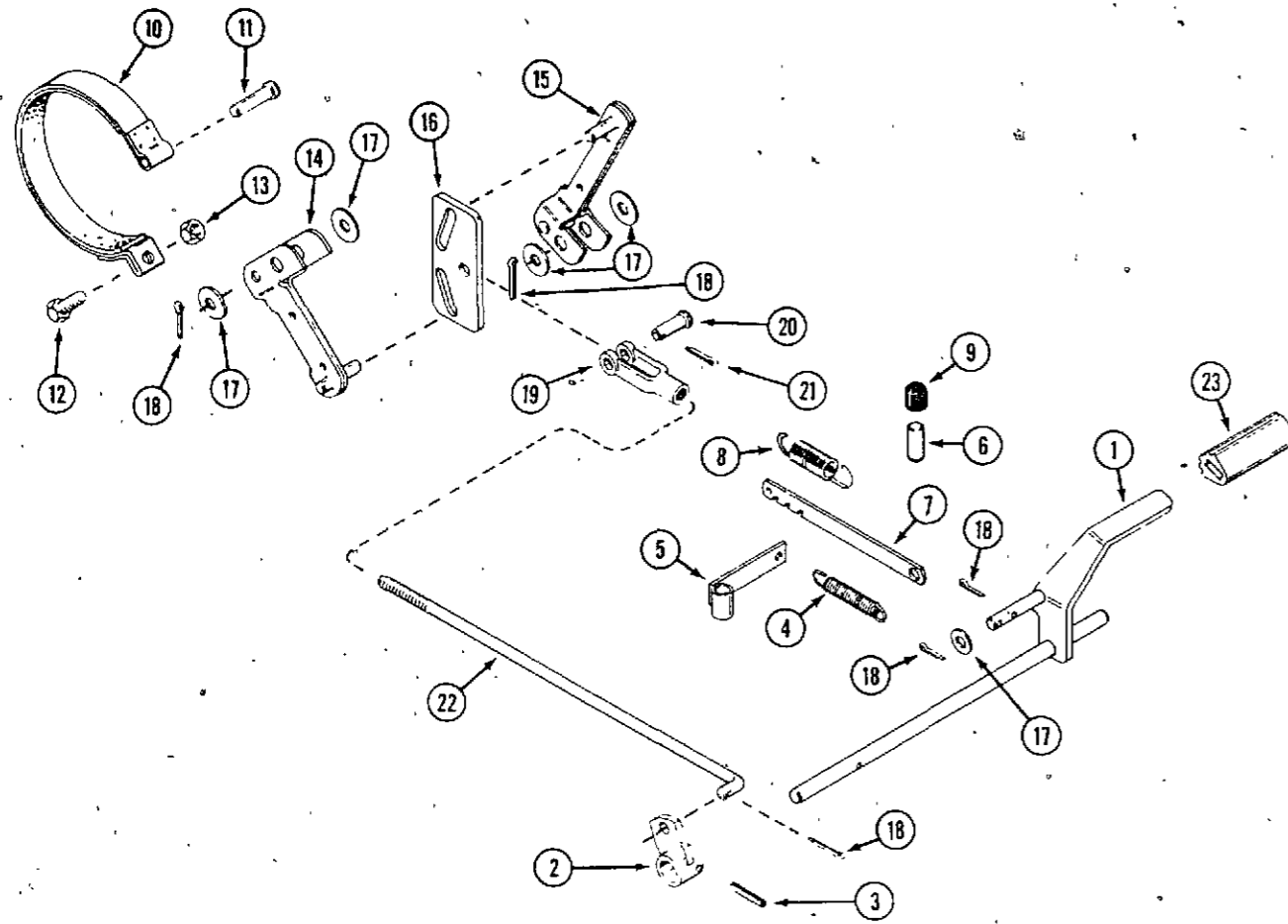
*Use on:
 3016, 3018, 3020, 4016, 4018 - ALL
 4020 - before PIN 14176500

**Use on:
 4020 - PIN 14176500 and After

FRONT AXLE



REF.	PART NO.	DESCRIPTION	REQ'D
1	C 18812	AXLE - front (3016, 3018, 3020)	1
1	C 40687	AXLE - front shown (4016, 4018, 4020)	1
2	C 27597	WASHER - spacer	2
3	C 31338	SPINDLE - R.H. (3016, 3018, 3020)	1
3	C 31341	SPINDLE - R.H. shown (4016, 4018, 4020)	1
3	C 31337	SPINDLE - L.H. (3016, 3018, 3020)	1
3	C 31340	SPINDLE - L.H. (4016, 4018, 4020)	1
4	C 27902	RING - retaining, spindle (4016, 4018, 4020)	2
4	C 28232	RING - retaining, spindle (3016, 3018, 3020)	2
5	C 22278	PIN - retaining, axle pivot	1
6	C 11906	WASHER - thrust (3016, 3018, 3020)	4
6	C 13716	WASHER - thrust (4016, 4018, 4020)	4
7	219- 404	FITTING - lubrication	3
8	C 13106	COVER - lubrication fitting	3
9	132- 311	PIN - cotter 5/32" x 1-1/4"	2
10	C 25855	TIE ROD - (4016, 4018, 4020)	1
10	C 25856	TIE ROD - (3016, 3018, 3020)	1
11	C 28226	WASHER - wheel spacer	UAR
12	187- 1910	BOLT - 3/8" - 16 x 3/4" N.C. hex head	1
13	C 25857	LINK - drag	1
14	192- 23	LOCKWASHER - 1/2" zinc	4
15	129- 165	NUT - 1/2" N.F.R.H. thread, lock	6
16	126- 365	NUT - 1/2" N.F.L.H. thread, lock	2
17	C 13605	BALLJOINT - 1/2" L.H. thread	2
18	C 12102	BALLJOINT - 1/2" R.H. thread	2
19	C 22568	PIN - axle pivot	1
20	219- 17	FITTING - lubrication	2

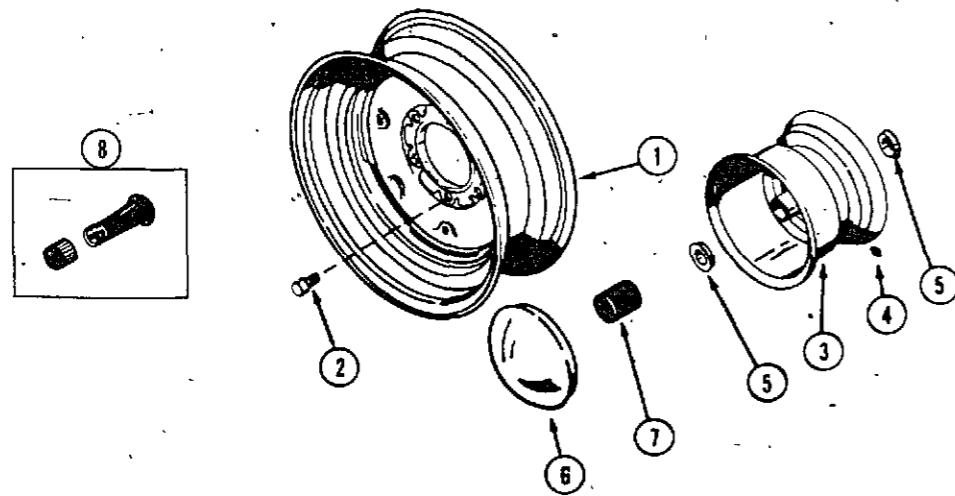


BRAKE ASSEMBLY

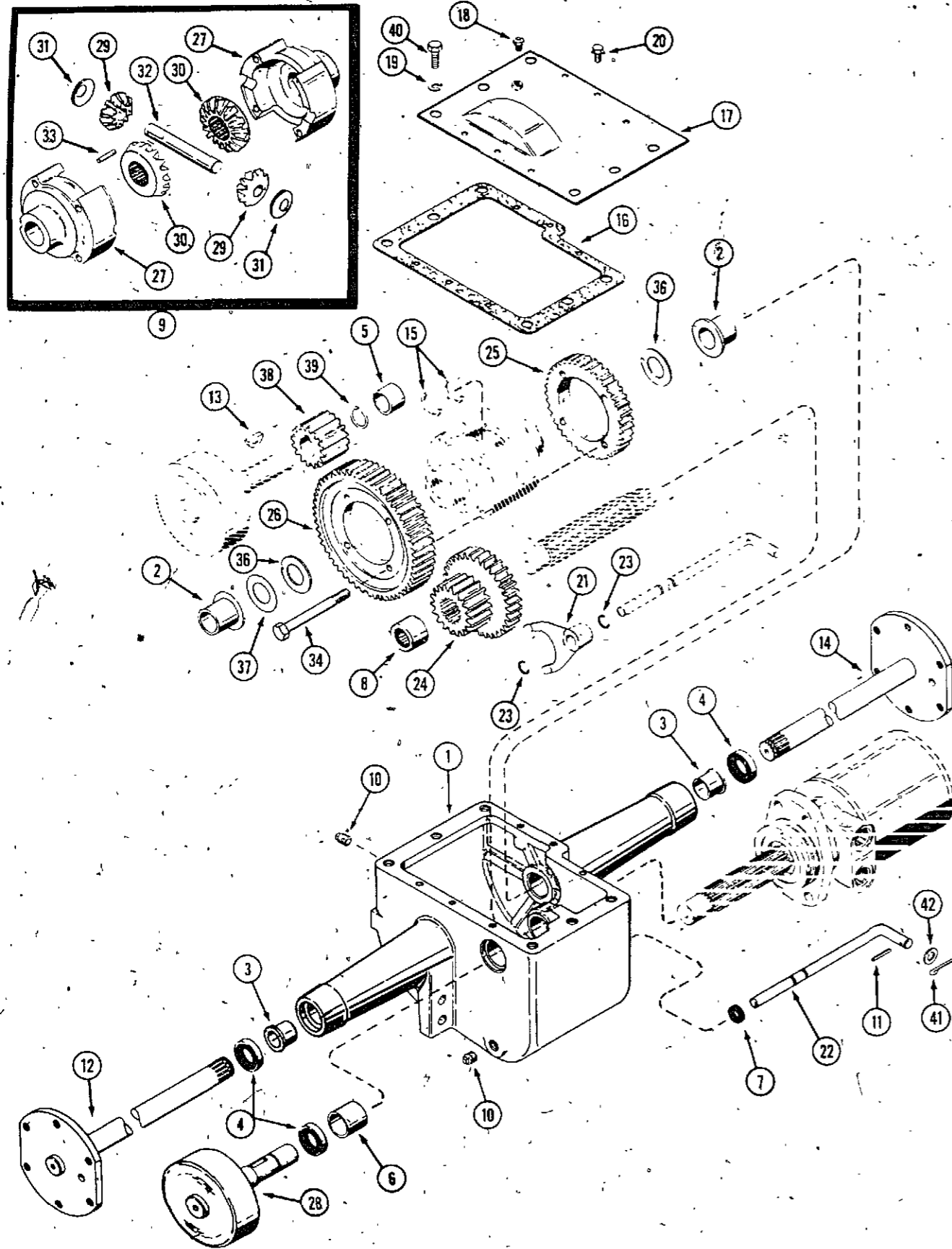
REF.	PART NO.	DESCRIPTION	REQ'D
1	C 33942	PEDAL - brake actuating	1
2	C 26381	ARM - brake pedal	1
3	138-2073	PIN - roll 3/16" x 1-1/4"	1
4	C 31660	SPRING - return	1
5	C 31662	GUIDE - neutral return	1
6	C 31604	ACTUATOR - parking brake	1
7	C 31661	LEVER - brake lock	1
8	C 21942	SPRING - brake lock	1
9	C 31605	CAP - accuator	1
10	C 33427	BAND - brake	1
11	C 23910	PIN - clevis	1
12	113-2262	BOLT - 3/8" - 16 x 1-1/2" hex	1
13	129-143	NUT - 3/8" - 16 special	1
14	C 23899	ARM - brake	1
15	C 24761	ARM - brake (includes adjustment nut)	1
16	C 40646	GUIDE - brake actuator	1
17	195-533	WASHER - .531" I.D.	5
18	132-310	PIN - cotter 1/8" x 1"	5
19	C 28978	CLEVIS	1
20	141-4	PIN - clevis	1
21	132-321	PIN - cotter	1
22	C 31993	ROD - brake (4016, 4018, 4020)	1
22	C 31992	ROD - brake (3016, 3018, 3020)	1
23	C 31975	PAD - brake pedal	1

FRONT AND REAR WHEELS

1	C 30913	WHEEL - rear, 5 bolt (3016, 3018, 3020) for 23 x 8.50 - 12 tire	2
1	C 30917	WHEEL - rear, 6 bolt (4016, 4018, 4020) shown	2
1	C 30922	WHEEL - rear, 5 bolt (3016, 3018) for 23 x 10.50 - 12 tire	2
2	C 27763	BOLT - rear wheel (4016, 4018, 4020)	12
2	C 10314	BOLT - rear wheel (3016, 3018, 3020)	10
3	C 30912	WHEEL - front (includes bearings)	2
4	219-403	FITTING - lubrication	2
5	C 12110	BEARING - wheel	2
6	C 28965	CAP - hub, front wheel (optional)	2
7	C 26021	CAP - plastic, front	2
8	C 28236	STEM - valve	4
	C 13106	COVER - lubrication fitting	2



TRANSMISSION AND FINAL DRIVE



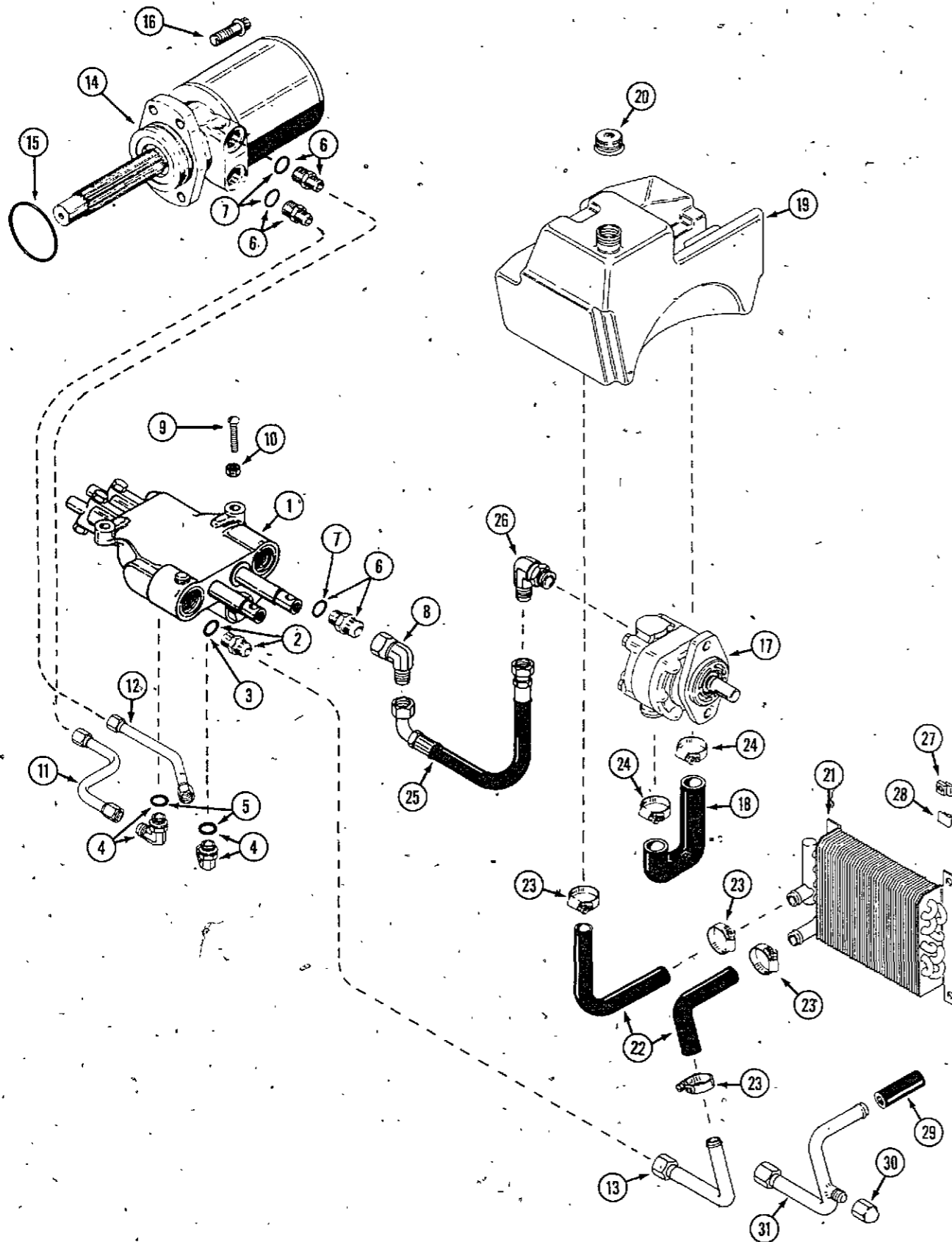
REF.	PART NO.	DESCRIPTION	REQ'D.
	C 24843	CASE ASSEMBLY - transmission	1
1	NSS	CASE - transmission (order C24843)	1
2	C 12713	BEARING - flange	2
3	C 24804	BEARING - flange	2
4	C 24803	SEAL - shaft	3
5	C 13241	BEARING - sleeve	1
6	C 13385	BEARING - sleeve	1
7	C 13266	SEAL - shift rod	1
8	C 28281	BEARING - roller	1
9	C 30029*	DIFFERENTIAL ASSEMBLY (also includes C30030, C30031, C12552)	1
9	C 36902**	DIFFERENTIAL ASSEMBLY - includes C36903, C30031, C12552	1
10	221- 3	PLUG - filler and drain 3/8"	3
10	221-1842	PLUG - pipe 3/8" hex socket	1
11	138-2073	PIN - roll 3/16" x 1-1/4" (early production)	1
12	C 16699	SHAFT - axle, short R.H. (3016, 3018, 3020)	1
12	C 22638	SHAFT - axle, short R.H. shown (4016, 4018, 4020)	1
13	126- 128	KEY - Woodruff, brake idler #18, 1/4" x 1-1/8"	1
14	C 16700	SHAFT - axle, long L.H. (3016, 3018, 3020)	1
14	C 22637	SHAFT - axle, long L.H. shown (4016, 4018, 4020)	1
15	C 26342	RING - retainer, axle	2
16	C 13196	GASKET - transmission cover	1
17	C 36935	COVER - transmission	1
18	C 28241	BREATHER - transmission	1
19	192- 23	LOCKWASHER - 1/2"	4
20	121- 21	BOLT - 1/4" x 1/2" N.C. hex lock	6
21	C 12725	FORK - shift	1
22	C 32486*	ROD - gear shift (uses Ref. 41 and 42)	1
22	C 37222**	ROD - gear shift	1
23	C 14168	RING - retaining	2
24	C 14644*	GEAR - cluster input	1
24	C 36901**	GEAR - cluster input	1
25	C 30030*	GEAR - high 41 tooth	1
25	C 36903**	GEAR - high	1
26	C 12552	GEAR - low 55 tooth	1
27	NSS	DIFFERENTIAL CASE	1
28	C 33305	BRAKE DRUM	1
29	NSS	GEAR - differential pinion	2
30	NSS	GEAR - differential	2
31	NSS	WASHER - pinion thrust	2
32	NSS	PIN - differential	1
33	NSS	PIN - differential pin lock	1
34	C 30031	KIT - screw (set of four)	1
36	C 12718	WASHER - differential	2
37	C 14223	WASHER - spacer	1
38	C 25254	GEAR - brake idler	1
39	C 14222	RING - retainer, brake idler	1
40	113- 424	BOLT - 1/2" - 13 x 1" hex	UAR
40	166- 85	BOLT - 1/2" - 13 x 1" 12 pt flange	UAR
41	132- 310	PIN - cotter 1/8" x 1"	1
42	195- 541	WASHER - .656" ID x 1.312" OD	1

*Use on:
3016, 3018, 3020, 4016, 4018 - ALL
4020 - before PIN 14176500

**Use on:
4020 - PIN 14176500 and after

HYDRAULIC SYSTEM

3016, 3018, 3020, 4016, 4018 - ALL
4020 - before PIN 14176500

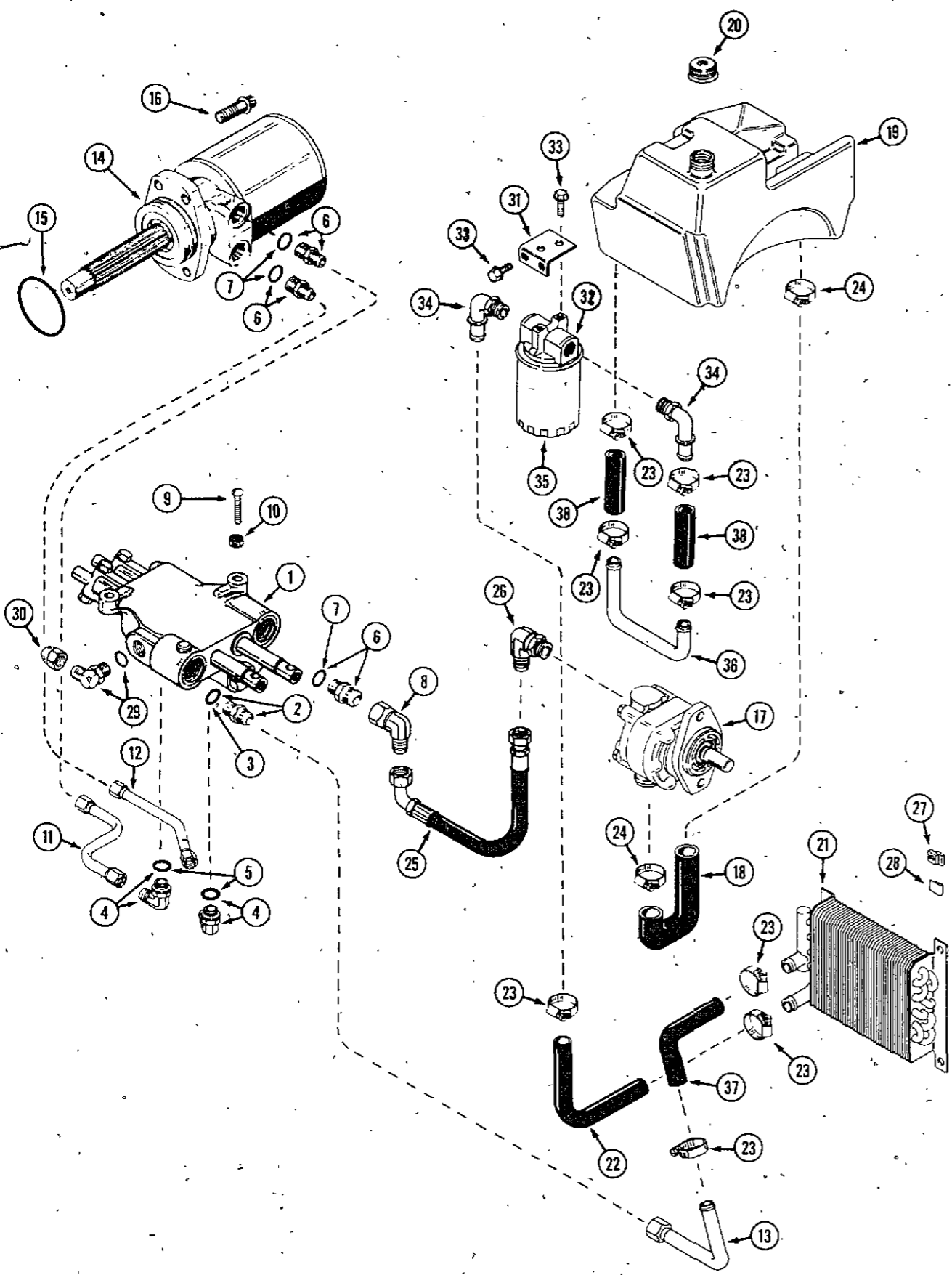


REF.	PART NO.	DESCRIPTION	REQ'D
1	C 29689	VALVE - control (repairs page 47)	1
2	218-5065	FITTING - 3/4" x 7/8" "O" ring	1
3	218-5007	"O" RING	1
4	218-5107	FITTING - 90° elbow	2
5	218-5007	"O" RING	1
6	218-5062	FITTING - 5/8" x 7/8" "O" ring	3
7	218-5007	"O" RING	1
8	218-5232	FITTING - 90° elbow	1
9	C 27764	SCREW - 5/16" - 18 x 1-1/4" round head	2
10	131- 351	NUT - lock 5/16"	2
11	C 29655	TUBE - valve to upper motor port (3016, 3018, 3020)	1
11	C 29657	TUBE - valve to upper motor port (4016, 4018, 4020)	1
12	C 29656	TUBE - valve to lower motor port (3016, 3018, 3020)	1
12	C 29658	TUBE - valve to lower motor port (4016, 4018, 4020)	1
13	C 31435*	TUBE - valve "out" to heat exchanger	1
14	C 30939	MOTOR - hydraulic (3016, 3018, 3020) (repairs page 49)	1
14	C 33234	MOTOR - hydraulic (4016, 4018, 4020) (repairs page 49)	1
15	C 28949	SEAL - motor to transmission	1
16	166- 85	SCREW - 1/2" - 18 x 1" 12 pt. flange	4
17	C 31958	PUMP - hydraulic 1/2" shaft (repairs page 51)	1
18	C 33423	HOSE - pump inlet	1
19	C 33180	RESERVOIR - oil	1
20	C 25237	CAP - reservoir	1
21	C 31295	EXCHANGER - heat	1
22	C 31431	HOSE - formed 90° 6-3/4" x 6-3/4" (cut to length)	2
23	214- 254	CLAMP - hose 1-1/4"	4
24	214- 14	CLAMP - hose 1-3/8"	2
25	C 31966	HOSE - pump to valve	1
26	218-5117	FITTING - 90° elbow	1
27	C 31973	"J" NUT - 1/4" - 20	4
28	C 31974	"U" Clip - retainer	4
29	NSS**	HOSE - hydraulic (use C29697 cut to length)	1
30	218- 754	CAP - hydraulic nut	1
31	C 33155**	TUBE - valve "out" to heat exchanger	1

*Use before PIN:
**Use PIN and after:

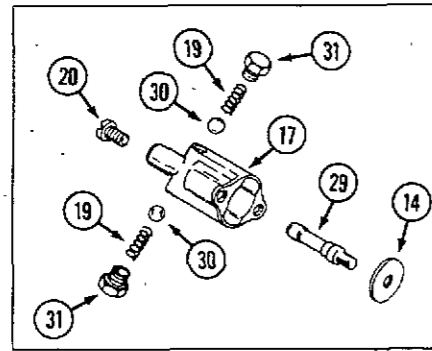
- 3016 - 14137800 to 14147800
- 3018 - 14138800
- 3020 - 14133220
- 4016 - 14139600 to 14149628
- 4018 - 14140900
- 4020 - 14141900

HYDRAULIC SYSTEM
4020 - PIN 14176500 and after

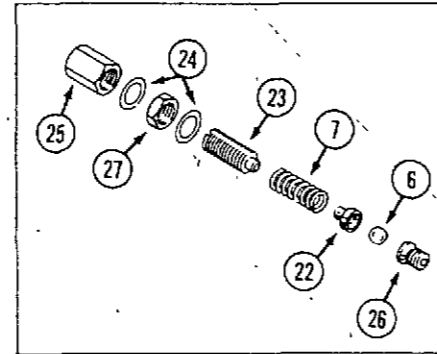


REF.	PART NO.	DESCRIPTION	REQ'D
1	C 33473	VALVE - control (repairs page 47)	1
2	218-5065	FITTING - 3/4" x 7/8" "O" ring	1
3	218-5007	"O" RING	1
4	218-5107	FITTING - 90° elbow	2
5	218-5007	"O" RING	1
6	218-5062	FITTING - 5/8" x 7/8" "O" ring	3
7	218-5007	"O" RING	1
8	218-5232	FITTING - 90° elbow	1
9	C 27764	SCREW - 5/16" - 18 x 1-1/4" round head	2
10	131- 351	NUT - lock 5/16"	2
11	C 37309	TUBE - valve to upper motor port	1
12	C 37310	TUBE - valve to lower motor port	1
13	C 31435	TUBE - valve "out" to heat exchanger	1
14	C 33234	MOTOR - hydraulic (repairs page 49)	1
15	C 28949	SEAL - motor to transmission	1
16	166- 86	SCREW - 1/2" - 18 x 1-1/4" 12 pt. flange	4
17	C 31958	PUMP - hydraulic 1/2" shaft (repairs page 51)	1
18	C 33423	HOSE - pump inlet	1
19	C 33180	RESERVOIR - oil	1
20	C 37093	CAP - reservoir	1
21	C 31295	EXCHANGER - heat	1
22	C 33555	HOSE - formed 90° 6-1/4" x 5"	1
23	214- 254	CLAMP - hose 1-1/4"	8
24	214- 14	CLAMP - hose 1-3/8"	2
25	C 31966	HOSE - pump to valve	2
26	218-5117	FITTING - 90° elbow	1
27	C 31973	"J" NUT - 1/4" - 20	4
28	C 31974	"U" Clip - retainer	4
29	C 37425	FITTING - 90° 3/8" tube x 1/2" - 20	1
30	218- 754	CAP - 3/8" tube	1
31	C 33577	BRACKET - oil filter	1
32	C 33446	HEAD - oil filter	1
33	121- 21	BOLT - 1/4" - 20 x 1/2"	1
34	217- 333	FITTING - 90° 3/8" NPTF x 3/4" hose	2
35	C 33445	FILTER - oil	1
36	C 33544	TUBE - filter to tank	1
37	C 33556	HOSE - formed 90° 3-1/2" x 3-1/2"	1
38	C 14619	HOSE - 3/4" x 4"	2
39	192- 23	LOCKWASHER - 1/2"	4

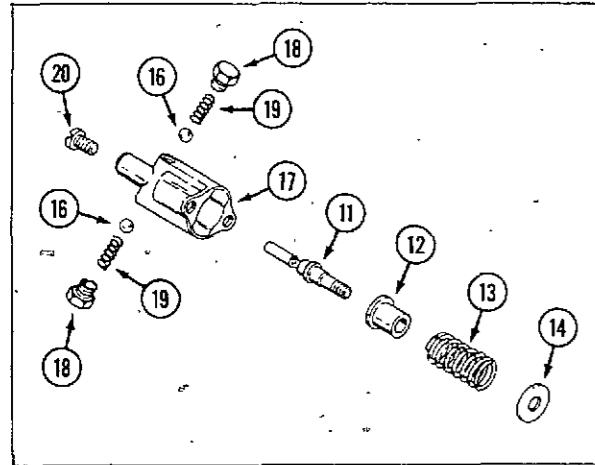
HYDRAULIC CONTROL VALVE



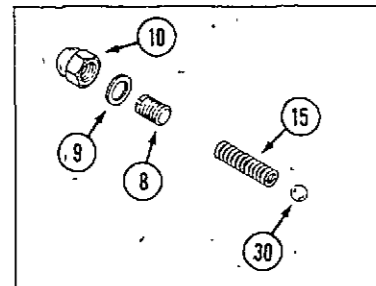
TRAVEL SECTION DETENT GROUP



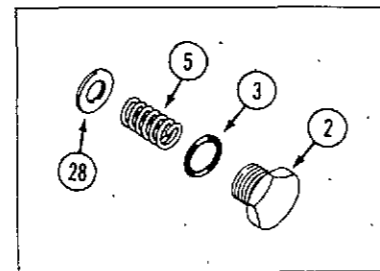
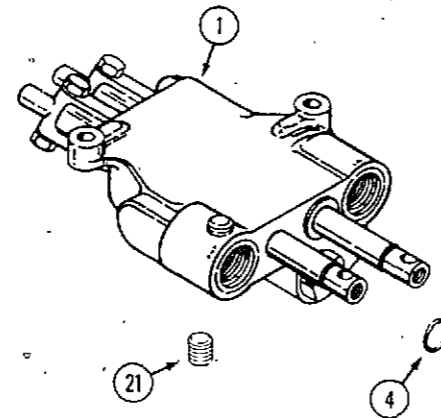
TRAVEL SECTION RELIEF GROUP



LIFT SECTION DETENT GROUP



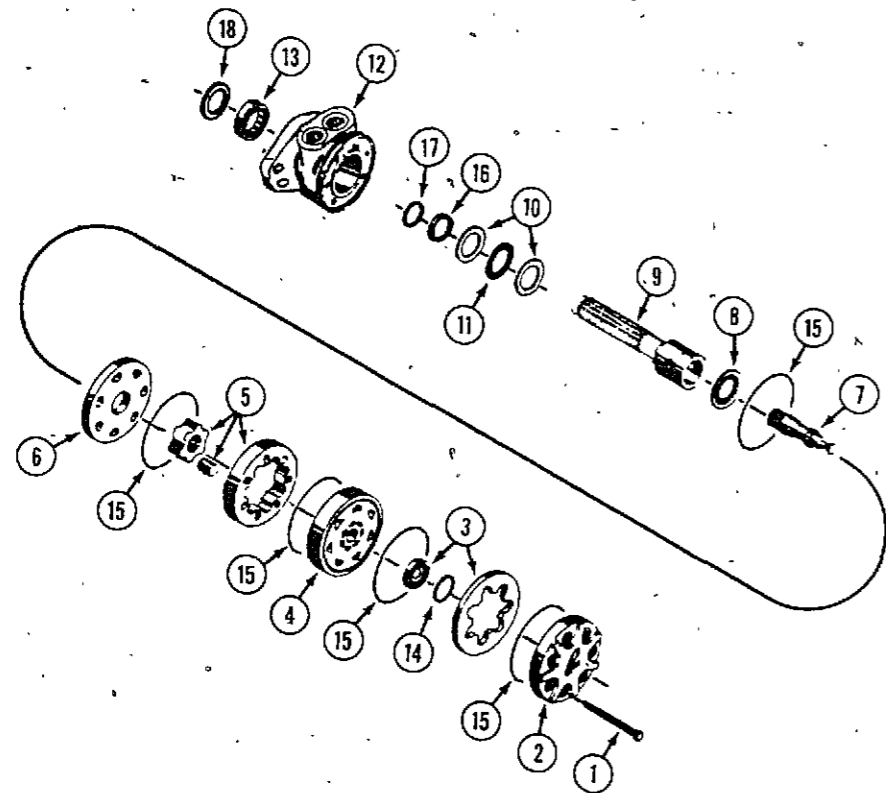
LIFT SECTION RELIEF GROUP



HOLDING SECTION GROUP

REF.	PART NO.	DESCRIPTION	REQ'D
1	C 29689	VALVE - control, two spool	1
2	C 29956	CAP - end	2
3	C 28217	"O" RING - end cap	1
4	C 28856	SEAL - spool	4
5	C 29951	SPRING - centering	2
6	211- 208	BALL - steel 5/16" (7.94 mm)	1
7	C 21507	SPRING - relief	2
8	C 17433	SCREW - relief adjust	1
9	C 17435	GASKET - relief adjust cap	1
10	129- 531	CAP - adjust screw	2
11	C 26668	DETENT - spool	1
12	C 28707	SPACER - detent	1
13	C 28706	SPRING - detent return	1
14	C 28705	WASHER - return	2
15	NSS	SPRING - relief (use C21511 relief kit)	1
16	211- 5	BALL - steel 3/16" (4.76 mm)	2
17	C 17438	COVER - detent	1
18	C 28708	SCREW - detent	2
19	C 17444	SPRING - detent	4
20	169- 114	SCREW - cover	4
21	221- 841	PLUG - pipe	1
22	C 21506	RETAINER - ball seat	1
23	C 26665	SCREW - adjust, relief	1
24	C 26664	GASKET - adjust cap	1
25	C 26666	CAP - adjust screw	1
26	C 26663	SEAT - relief ball	1
27	129- 166	NUT - lock	1
28	C 29950	WASHER - spring retaining	2
29	C 29958	DETENT - spool	1
30	211- 7	BALL - steel 1/4" (6.35 mm)	2
31	C 17443	SCREW - detent	2
	C 30002	KIT - seal	1

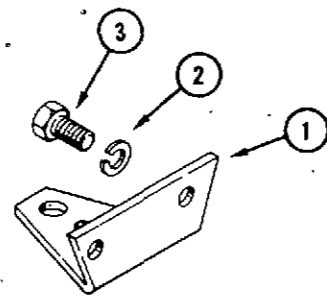
HYDRAULIC DRIVE MOTOR



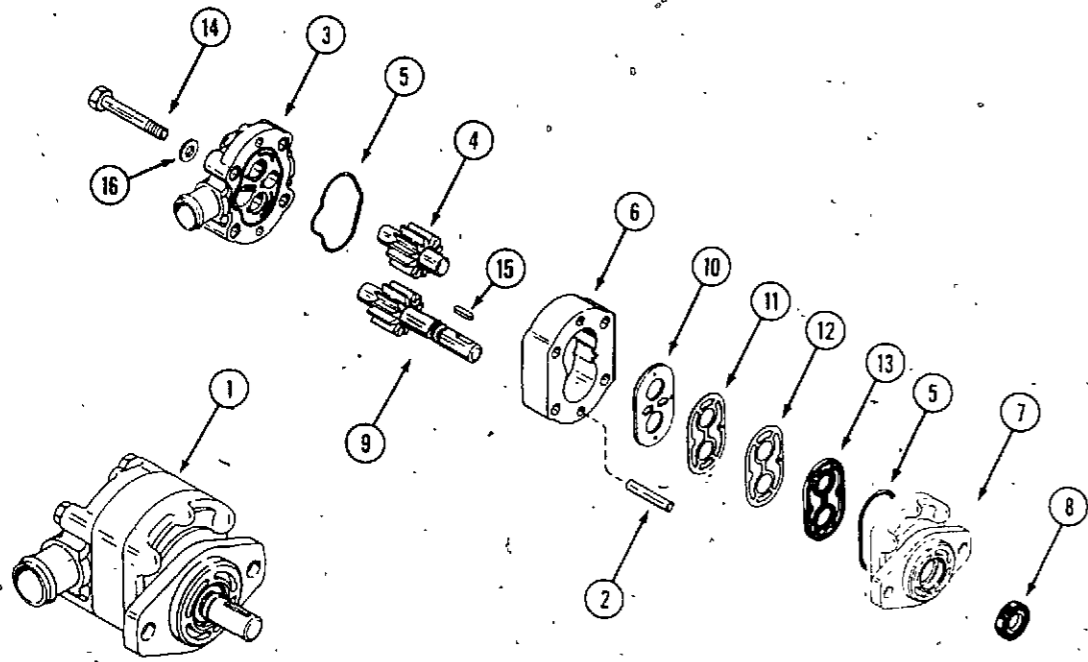
REF.	PART NO.	DESCRIPTION	REQ'D
	C 33234	MOTOR - hydraulic (4016, 4018, 4020)	1
	C 30939	MOTOR - hydraulic (3016, 3018, 3020)	1
1	28- 668	BOLT - 3/8" - 24 x 4-1/4" (3016, 3018, 3020)	7
1	C 31327	BOLT - 3/8" - 24 x 4-5/8" (4016, 4018, 4020)	7
2	C 31309	COVER - end	1
3	C 31310	COMMUTATOR AND RING SET	1
4	C 31311	MANIFOLD	1
5	C 31312	ROTOR ASSEMBLY (3016, 3018, 3020)	1
5	C 31313	ROTOR ASSEMBLY (4016, 4018, 4020)	1
6	C 31314	PLATE - wear	1
7	C 31315	LINK - drive (3016, 3018, 3020)	1
7	C 31316	LINK - drive (4016, 4018, 4020)	1
8	C 31317	BEARING - thrust	1
9	C 31318	SHAFT - coupling	7
10	C 31319	WASHER - thrust	2
11	C 31320	BEARING - thrust	1
12	C 31321	HOUSING - drive end	1
13	C 31322	BEARING - outer	1
	C 31323	KIT - seal	1
14	NSS	SEAL - commutator ring	1
15	NSS	SEAL - ring	5
16	NSS	SEAL - ring	1
17	NSS	WASHER - backup	1
18	NSS	SEAL - dirt (not used)	1

DRAWBAR AND TOW HITCH

1	C 13360	DRAWBAR	1
2	192- 23	LOCKWASHER - 1/2"	2
3	113- 424	BOLT - 1/2" x 1" N.C. hex	2



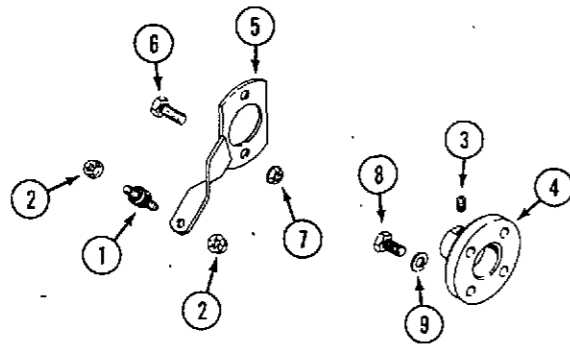
HYDRAULIC PUMP (PARKER-HANNIFIN)



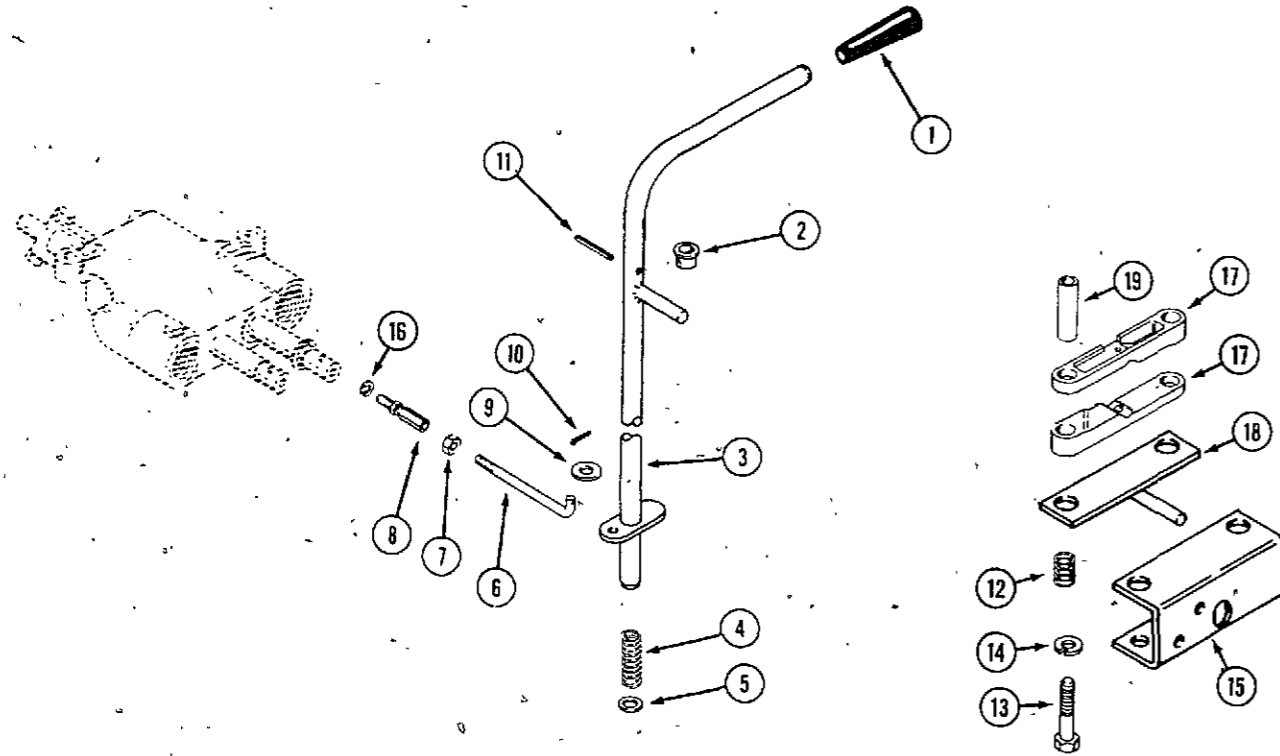
REF.	PART NO.	DESCRIPTION	REQ'D
1	C 31958	PUMP - hydraulic 1/2" shaft	1
2	F 53109	PIN - dowel	2
3	C 31987	COVER - rear	1
4	C 15731	GEAR ASSEMBLY - driven	1
5	C 15732	"O" RING - cover	2
6	C 15733	BODY - pump	1
7	C 15734	COVER - front	1
8	C 15735	SEAL - shaft	1
9	NSS	GEAR ASSEMBLY - drive (1/2" shaft) (use C31958)	1
10	C 15737	PLATE - wear	1
11	C 15738	SHIELD - heat	1
12	C 15739	GASKET	1
13	C 15740	SEAL	1
14	113- 111	BOLT	4
15	C 31988	KEY - 1/8" square x 3/4" long (1.587 mm x 19.05 mm)	1
16	C 19115	WASHER	4

PUMP MOUNTING COMPONENTS

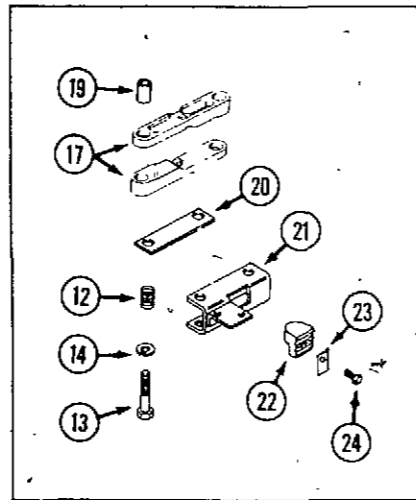
1	NSS	MOUNT - rubber (use C32437)	1
2	131- 911	NUT - 5/16" - 18 flange lock	2
3	83- 55	SCREW - set 5/16" - 18 x 5/16" socket (use loctite)	2
4	C 31964	ADAPTER - drive	1
5	NSS	PLATE - pump torque arm (use C33506)	1
6	113- 208	BOLT - 3/8" - 16 x 1-1/4" hex	2
7	131- 1352	NUT - 3/8" - 16 flange lock	2
8	113- 103	BOLT - 5/16" - 18 x 1" hex	4
9	192- 20	LOCKWASHER - 5/16"	4



SPEED CONTROL



REF.	PART NO.	DESCRIPTION	QTY.
1	C 29047	KNOB - speed control	1
2	C 29636	BUSHING - lever	1
3	C 32509+	LEVER - speed control (shown)	1
3	C 37250++	LEVER - speed control	1
4	C 10482	SPRING - compression	1
5	C 21518	WASHER - nylon	1
6	C 31670*	ROD - control	1
7	129- 122	NUT - 5/16" N.F. hex, zinc plated	1
8	C 19025*	JOINT - ball	1
9	NSS	WASHER - 5/16" (not required)	1
10	132- 320	PIN - cotter 3/32" x 3/4"	1
11	138- 2072	PIN - roll 1/8" x 1-3/4"	1
12	C 30827	SPRING - locator	2
13	113- 14	BOLT - 1/4" 20 x 2"	2
14	192- 19	LOCKWASHER - 1/4"	2
15	C 31678	CARRIER - locator	1
16	192- 20	LOCKWASHER - 5/16"	1
17	C 32362	LOCATOR - half	2
18	C 31674	ACCUATOR - switch	1
19	C 29653	SPACER - tube	2
20	C 37254	SUPPORT - locator	1
21	C 37255	CARRIER - locator	1
22	C 37198	CAM - switch	1
23	C 44029	RETAINER - switch lever	1
24	187- 1328	SCREW - #8 - 18 x 3/8"	1



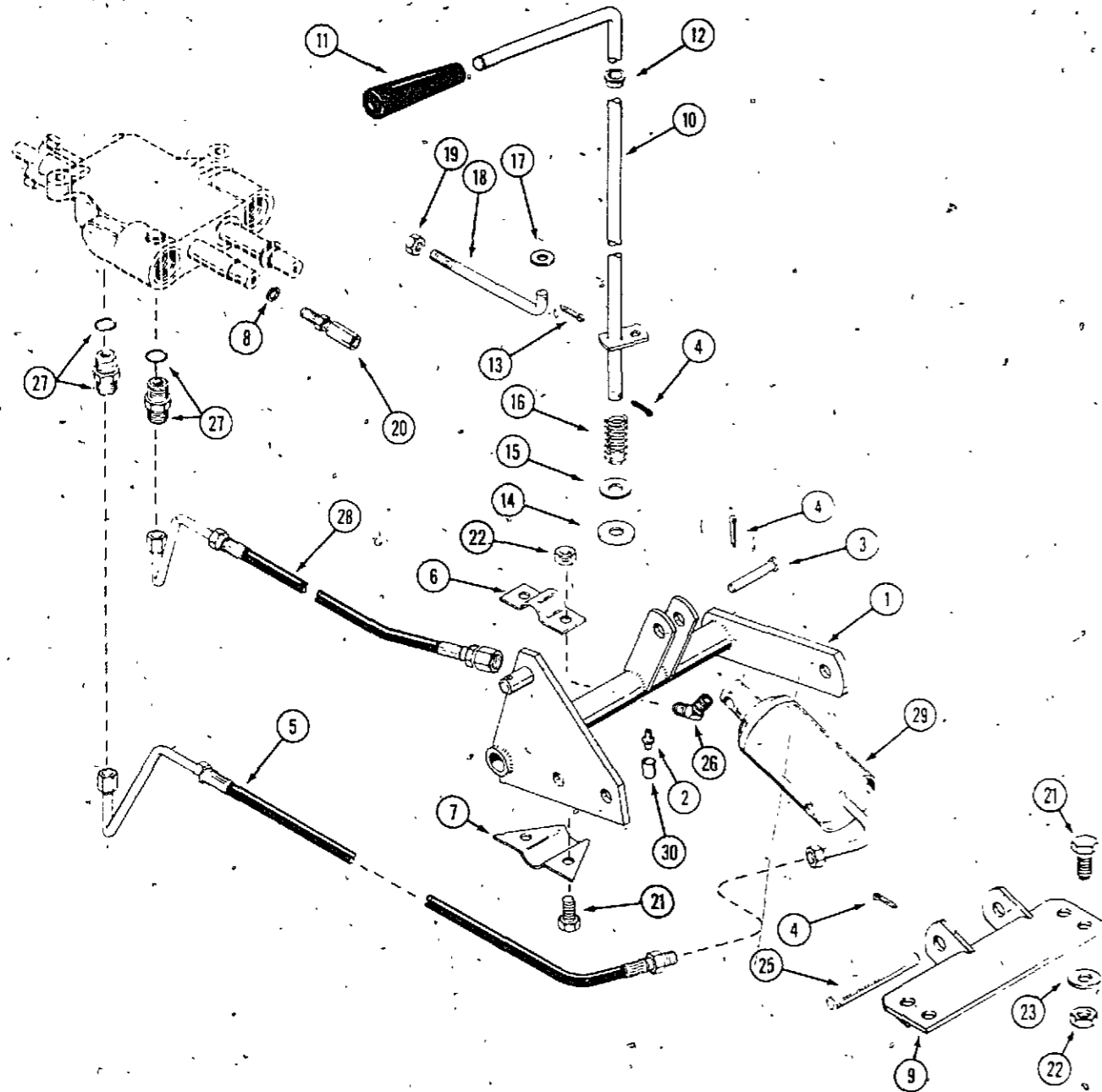
* order both C31670 rod + C19025 joint if other than illustrated or if tractor is between the following S/N:

- 3016 - 14126892 to 14126985
- 3018 - 14132566 to 14132607
- 3020 - not affected
- 4016 - 14128552 to 14128650
- 4018 - 14129714 to 14129813
- 4020 - 14130956 to 14131047

+ use on
3016, 3018, 3020, 4016, 4018 - All
4020 - before PIN 14176500

++ use on
4020 - PIN 14176500 and after

HYDRAULIC LIFT



REF.	PART NO.	DESCRIPTION	REQ'D.
1	C 32259	SHAFT ASSEMBLY - lift	1
2	219- 17	FITTING - lubrication	1
3	C 29693	PIN - cylinder to lever, clevis	1
4	132- 310	PIN - cotter 1/8" x 1"	5
5	C 17734	HOSE - long	1
6	C 17249	BRACKET - mounting, top	2
7	C 17250	BRACKET - mounting, bottom	2
8	192- 20	LOCKWASHER - 5/16"	1
9	NSS	BRACKET - cylinder (use C33138 kit)	1
10	C 33491+	LEVER - lift control shown	1
10	C 33956++	LEVER - lift control	1
11	C 29045	KNOB - control lever	1
12	C 29636	BUSHING - lift lever	1
13	132- 320	PIN - cotter 3/32" x 3/4"	1
14	195- 533	WASHER - 1/2"	1
15	C 21518	WASHER - nylon	1
16	C 31681	SPRING - control lever	1
17	195- 521	WASHER - 5/16"	1
18	C 31670*	ROD - control	1
19	129- 122	NUT - 5/16" N.F. hex	1
20	C 19025*	BALLJOINT	1
21	113- 209	BOLT - 3/8" x 1-1/2" N.C. hex	4
22	131- 938	NUT - lock 3/8" N.C. hex flange	8
23	195- 104	WASHER - 3/8" x 1-1/8" O.D.	4
25	C 26188	PIN - cylinder base	1
26	218- 1093	FITTING - hydraulic 45° elbow	1
27	218- 5056	FITTING - valve (includes 218-5004 "O" ring)	2
28	C 31682	HOSE - short	1
29	C 27590	CYLINDER - lift	1
	C 30054	KIT - seal	1
30	C 13106	COVER - lubrication fitting	1

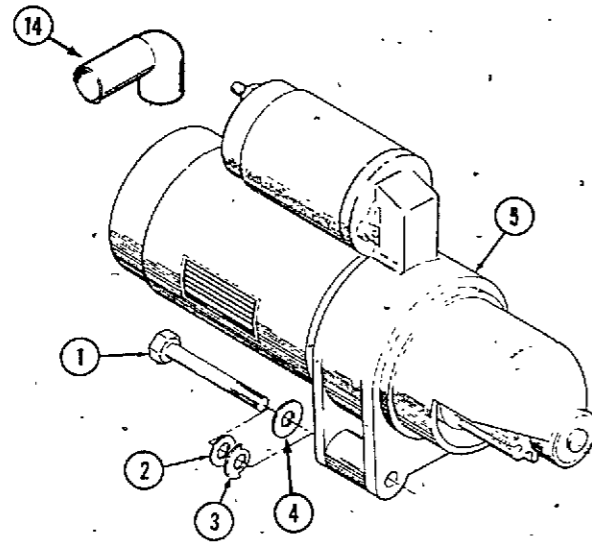
* order both C31670 rod and C19025 joint if other than illustrated or if tractor is between the following S/N:

3016 - 14126892 to 14126985
 3018 - 14132566 to 14132607
 3020 - not affected
 4016 - 14128552 to 14128650
 4018 - 14129714 to 14129813
 4020 - 14130956 to 14131047

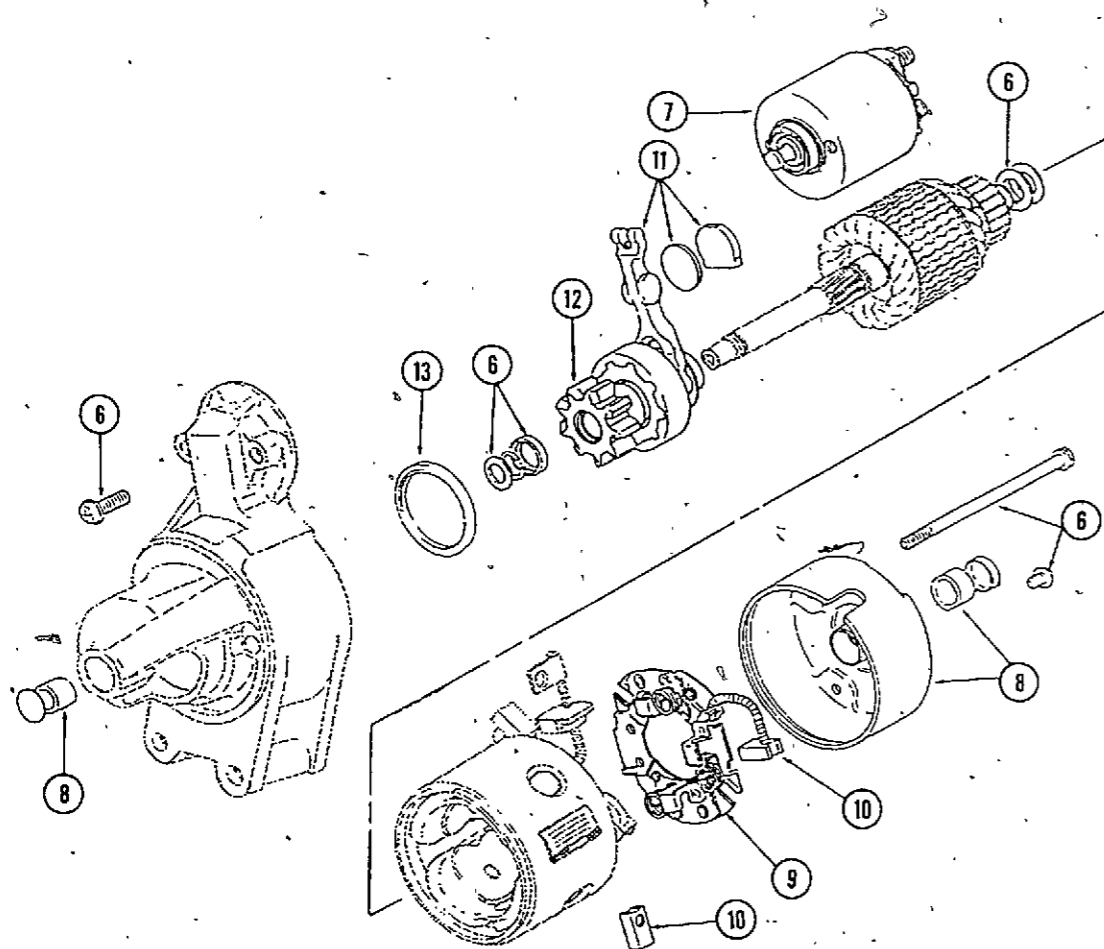
+ use on:
 3016, 3018, 3020, 4016, 4018 - All
 4020 - before PIN 14176500

++ use on:
 4020 - PIN 14176500 and after

STARTER

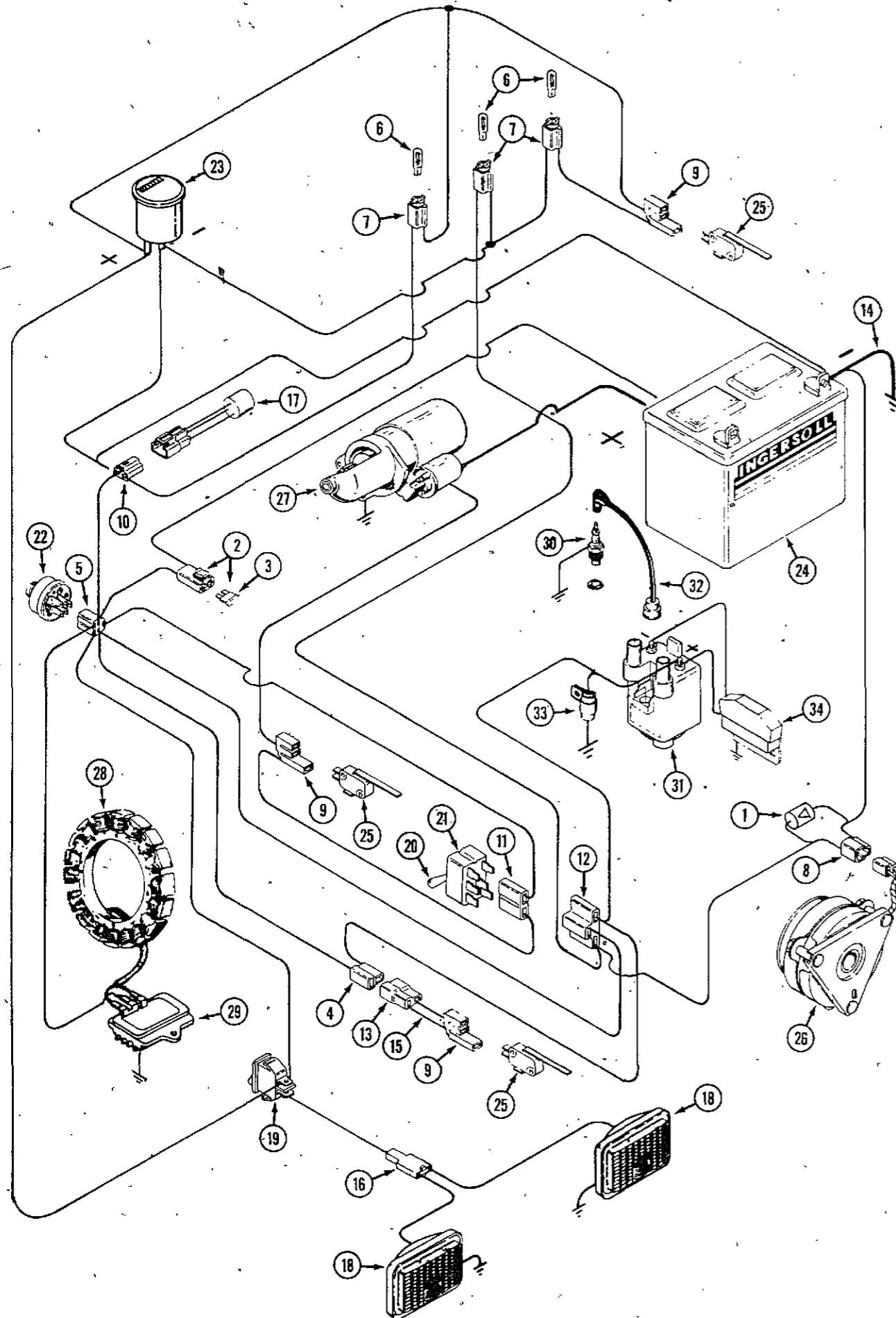


REF.	PART NO.	DESCRIPTION	REQ'D
1	C 32448	BOLT - thru 5/16" - 18 x 3-1/2"	2
2	192- 20	LOCKWASHER - 5/16"	2
3	C 32449	WASHER - special (outside mounting bolt)	1
4	C 20248	WASHER - 5/16" (inside mounting bolt)	1
5	C 32312	STARTER ASSEMBLY	1
6	C 32313	KIT - hardware	1
7	C 32314	KIT - solenoid (includes plunger)	1
8	C 32315	KIT - bushing (includes rear cap)	1
9	C 32316	HOLDER - brush (includes negative brush)	1
10	C 32317	KIT - brush	1
11	C 32318	KIT - shift lever	1
12	C 32319	CLUTCH - starter (includes gear)	1
13	C 32320	SEAL - dust	1
14	C 31618	COVER - terminal	1



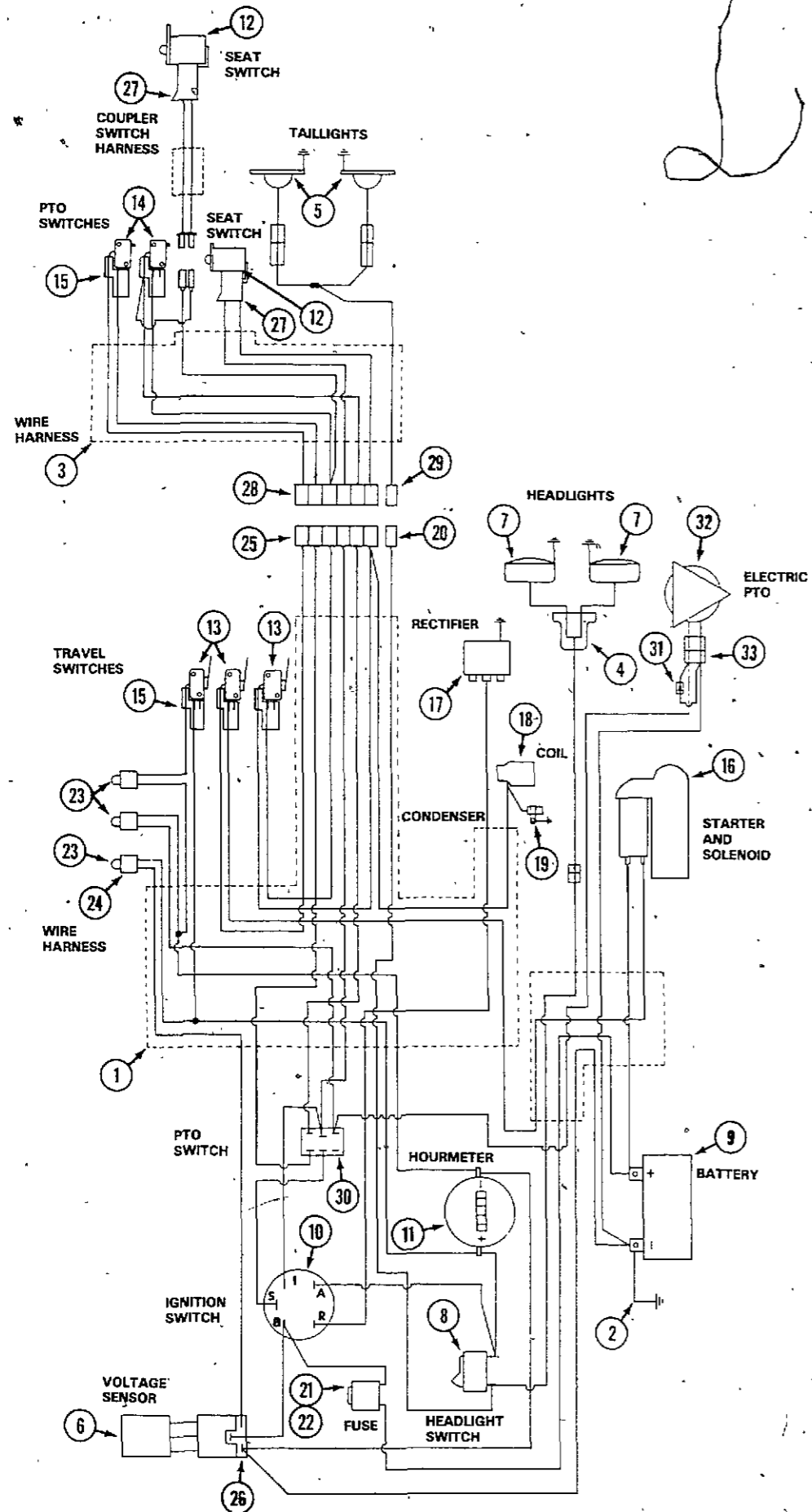
ELECTRICAL SYSTEM

3016, 3018, 3020, 4016, 4018 - All
4020 - before PIN 14176500

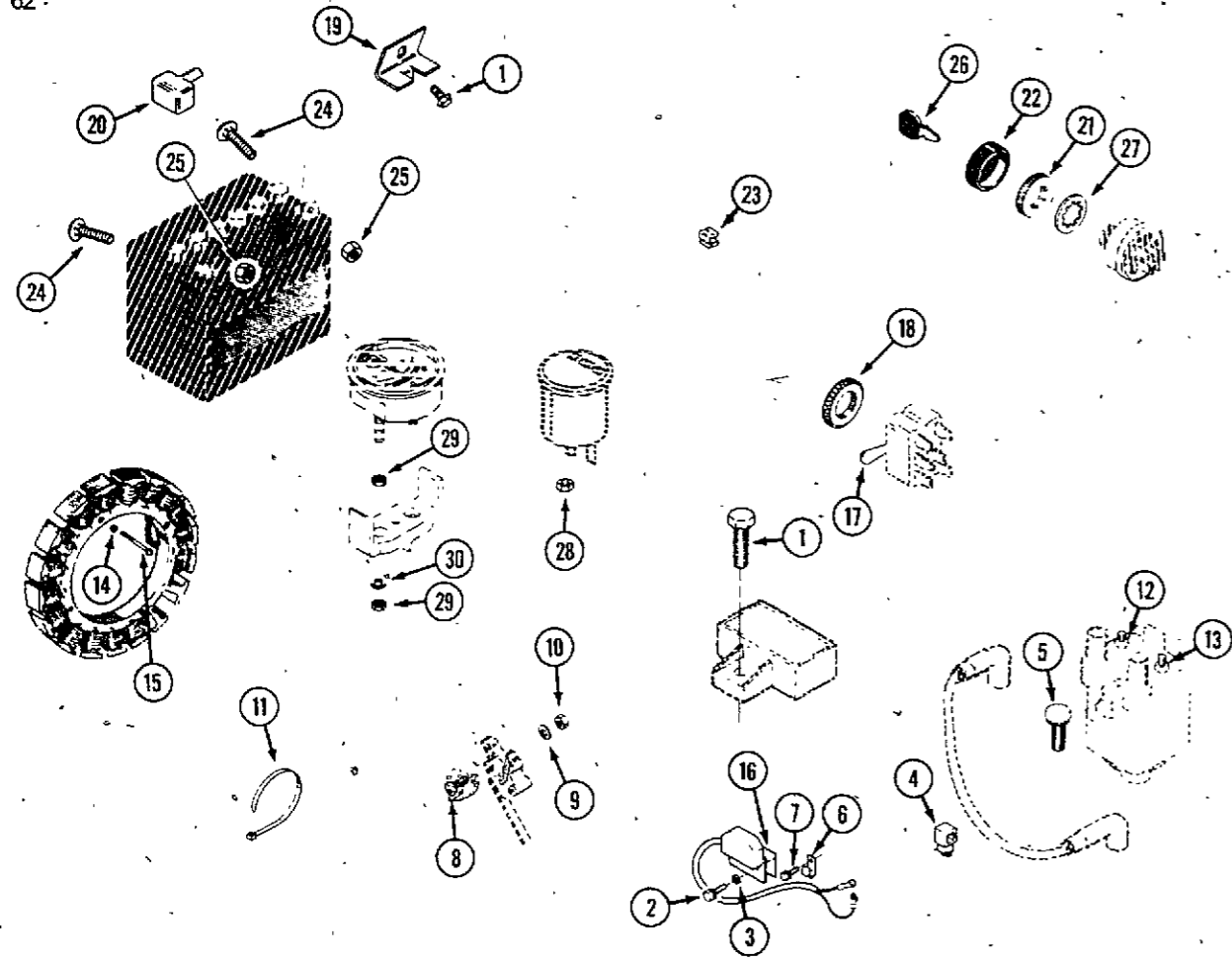


REF.	PART NO.	DESCRIPTION	REQ'D
	C 31941	HARNESS - wire	1
1	C 31986	KIT - diode, 6 amps, 15 volt	1
2	C 31947	KIT - fuse holder	1
3	C 30260	FUSE - 30 amp	1
4	C 25338	CONNECTOR - seat harness, male	1
5	C 24460	CONNECTOR - ignition switch	1
6	C 30262	BULB - indicator lights (not included with harness)	3
7	C 30263	SOCKET - bulb	3
8	C 31948	CONNECTOR - PTO	1
9	C 30279	CONNECTOR - switch	3
10	C 25486	CONNECTOR - sensor	1
11	C 31952	CONNECTOR - PTO switch, 2 terminal	1
12	C 31950	CONNECTOR - PTO switch, 3 terminal	1
13	C 24813	CONNECTOR - seat harness, female	1
14	C 31943	CABLE - battery negative to ground	1
15	C 31044	HARNESS - wire, seat switch (includes Ref. 9 and 13)	1
16	C 14537	CONNECTOR - headlights	1
17	C 31617	SENSOR - voltage (includes connector)	1
18	C 32178	HEADLIGHT - 12 volt (see page 63 for service)	2
19	C 29322	SWITCH - headlight	1
20	C 31619	CAP - PTO switch	1
21	C 31937	SWITCH - PTO	1
22	C 30530	SWITCH - ignition (includes key and mounting hardware)	1
	C 32407	KEY - ignition	2
23	C 31623	HOURMETER	1
24	C 31213	BATTERY - 12 volt, 32 amp, 230 CCA	1
25	C 30275	SWITCH - inter - lock	3
26	NSS	CLUTCH - PTO (see page 25 for repairs)	1
27	C 32312	STARTER AND SOLENOID - (see page 57 for repairs)	1
28	C 24956	STATOR - charging	1
	C 32458	KIT - terminal connector	2
29	C 32461	RECTIFIER - voltage, 12 volt	1
30	C 32454	SPARK PLUG - includes gasket	2
31	C 32296	COIL - ignition 12 volt	1
32	C 32298	CABLE - spark plug 9"	1
32	C 32299	CABLE - spark plug 18-1/2"	1
33	C 32307	CONDENSER	1
34	C 32294	CONTROL - ignition	1

ELECTRICAL SYSTEM
(4020 - PIN 14176500 and after)



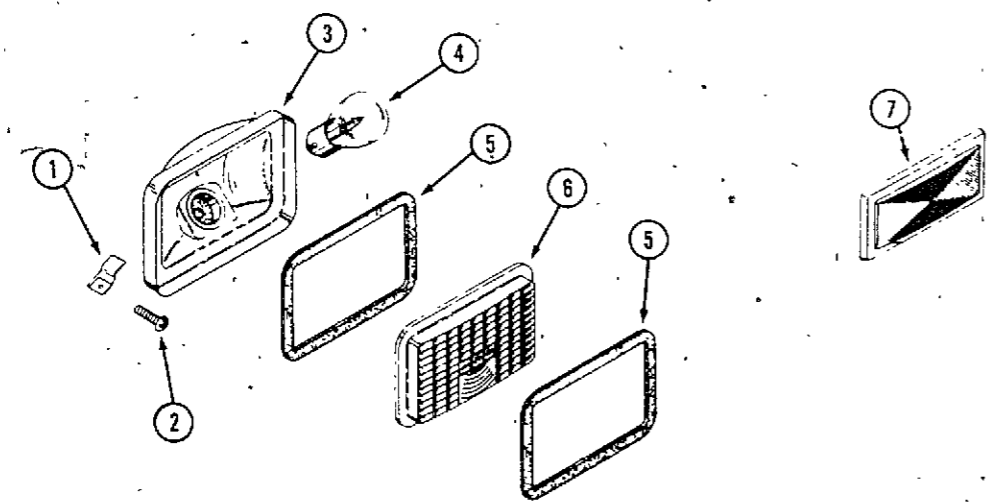
REF.	PART NO.	DESCRIPTION	REQ'D
1	C 43227	HARNES - wire, main	1
2	C 31943	CABLE - battery negative to ground	1
3	C 43228	HARNES - wire, seat switch, PTO and taillights	1
4	C 14537	CONNECTOR - headlights	1
5	C 37165	TAILLIGHT - rear	2
6	C 31617	SENSOR - voltage	1
7	C 32178	HEADLIGHT - 12 volt (page 63 for service)	2
8	C 29322	SWITCH - headlights	1
9	C 41010	BATTERY - 12 volt	1
10	C 30530	SWITCH - ignition	1
	C 24460	CONNECTOR - ignition switch	1
11	C 42929	HOURMETER	1
12	C 37298	SWITCH - seat (black)	2
13	C 30275	SWITCH - micro (at travel lever)	3
14	C 37399	SWITCH - micro (at PTO)	2
15	C 30279	CONNECTOR - micro switch	5
16	C 32312	STARTER AND SOLENOID - 12 volt (see page 57 for service)	1
17	C 32461	RECTIFIER - voltage, 12 volts	1
18	C 32296	COIL - ignition, 12 volt	1
19	C 32307	CONDENSER - 12 volt	1
20	C 42118	CONNECTOR - single female, taillight	1
21	C 31947	KIT - fuse holder	1
22	C 30260	FUSE - 30 amp	1
23	C 30262	BULB - indicator	3
24	C 30263	SOCKET - bulb	3
25	C 42117	CONNECTOR - six wire, harness, female	1
26	C 25486	CONNECTOR - three wire, sensor	1
27	C 37398	CONNECTOR - seat switch	2
28	C 42115	CONNECTOR - six wire, seat harness, male	1
29	C 42116	CONNECTOR - harness, taillight, male	1
30	C 31937	SWITCH - PTO	1
31	C 31986	KIT - diode	1
32	C 33198	CLUTCH - PTO, electric (see page 25 for repairs)	1
33	C 31948	CONNECTOR - PTO	1



ELECTRICAL SYSTEM HARDWARE

REF.	PART NO.	DESCRIPTION	REQ'D
1	121- 21	BOLT - 1/4" - 20 x 1/2" flange lock	1
2	182- 525	BOLT - #10 - 32 x 3/8"	2
3	C 32460	LOCKWASHER - #10 internal tooth	2
4	C 32453	CLIP - wire	1
5	C 32456	BOLT - 1/4" - 20 x 1"	2
6	C 32455	CLIP - wire	2
7	187- 1036	SCREW - 1/4" - 20 x 1"	1
8	182- 12	SCREW - #4 - 40 x 1-1/8"	2
9	192- 13	LOCKWASHER - #4	2
10	129- 13	NUT - #4 - 40	2
11	C 22947	TIE - wire	UAR
12	C 32301	NUT - M5 metric (negative terminal)	1
13	C 32300	NUT - M4 metric (positive terminal)	1
14	193- 6	LOCKWASHER - #10	3
15	C 32459	SCREW - #10 - 32 x 1" self lock	3
16	C 32295	INSULATOR - ignition module	1
17	C 31619	CAP - PTO switch	1
18	C 31620	NUT - knurled 1/2" - 27	1
19	C 31621	RETAINER - battery	1
20	C 24069	COVER - battery positive terminal	1
21	C 32396	NUT - switch	1
21	NSS	NUT - switch, knurled, black (use C32396 and C32397) shown	1
22	C 32397	CAP - nut	1
23	C 19521	CLIP - wire	3
24	111- 132	BOLT - 5/16" - 18 x 3/4" carriage	2
25	129- 102	NUT - 5/16" - 18	2
26	C 32407	KEY - ignition	1
27	C 23012	LOCKWASHER	1
28	129- 36	NUT - #8 - 36	2
29	129- 27	NUT - #10 NF	4
30	193- 6	LOCKWASHER - #10	2

HEADLIGHT ASSEMBLY AND REAR REFLECTOR



1	C 29637	RETAINER - head light	4
2	187- 1328	SCREW - No. 8 x 3/8"	4
	C 32178	HEADLIGHT ASSEMBLY	2
3	NSS	RECEPTACLE - headlight (order C32178)	1
4	C 28932	BULB - headlight	1
5	C 14304	GASKET - headlight	2
6	C 22573	LENS - headlight	1
7	C 30942	REFLECTOR - red, rear fender	2

DECALS (English)

REF.	PART NO.	DESCRIPTION	REQ'D
1	C 32364	DECAL - "3018" hood L.H. (shown)	1
1	C 32365	DECAL - "3018" hood R.H.	1
2	C 33588	DECAL - fuel gauge	1
3	321-4767	DECAL - hydraulic reservoir	1
4	321-1788	DECAL - shift range	1
5	C 33590	DECAL - brake	1
6	C 32004	DECAL - "3016" hood L.H. (shown)	1
6	C 32005	DECAL - "3016" hood R.H.	1
7	C 32007	DECAL - "4016" hood L.H. (shown)	1
7	C 32008	DECAL - "4016" hood R.H.	1
8	C 32009	DECAL - "4018" hood L.H. (shown)	1
8	C 32010	DECAL - "4018" hood R.H.	1
9	321-6659	DECAL - "Caution"	1
10	C 30539	MEDALLION	1
11	C 30274	LENS - display	1
12	C 32093	DECAL - seat back "Ingersoll"	1
13	C 32011	DECAL - "4020" hood L.H. (shown) (use before PIN 14176500)	1
13	C 32012	DECAL - "4020" hood R.H. (shown) (use before PIN 14176500)	1
13	C 43229	DECAL - "4020" hood L.H. (use PIN 14176500 and after)	1
13	C 43230	DECAL - "4020" hood R.H. (use PIN 14176500 and after)	1
14	C 37197	DECAL - "logo" steering wheel insert (4020 PIN 14176500 and after)	1
15	C 34184	DECAL - flag (4020 PIN 14176500 and after)	1
16	C 37274	DECAL - shift range (4020 PIN 14176500 and after)	1
17	C 37275	DECAL - PTO (4020 PIN 14176500 and after) if equipped	1
	C 32781	DECAL - "3020" hood L.H. (not shown)	1
	C 32782	DECAL - "3020" hood R.H. (not shown)	1

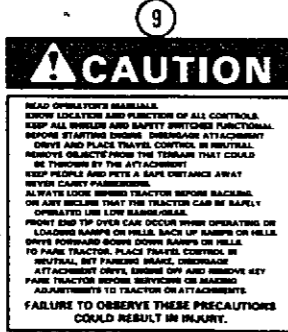
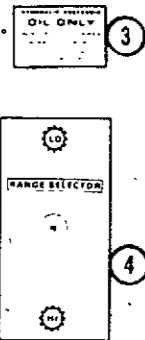
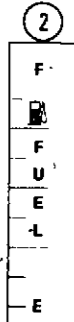
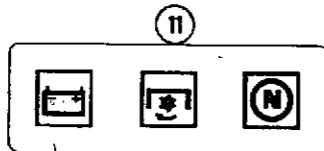
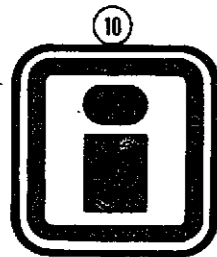
INGERSOLL ⁶ **hydriv 3016**

INGERSOLL ¹ **hydriv 3018**

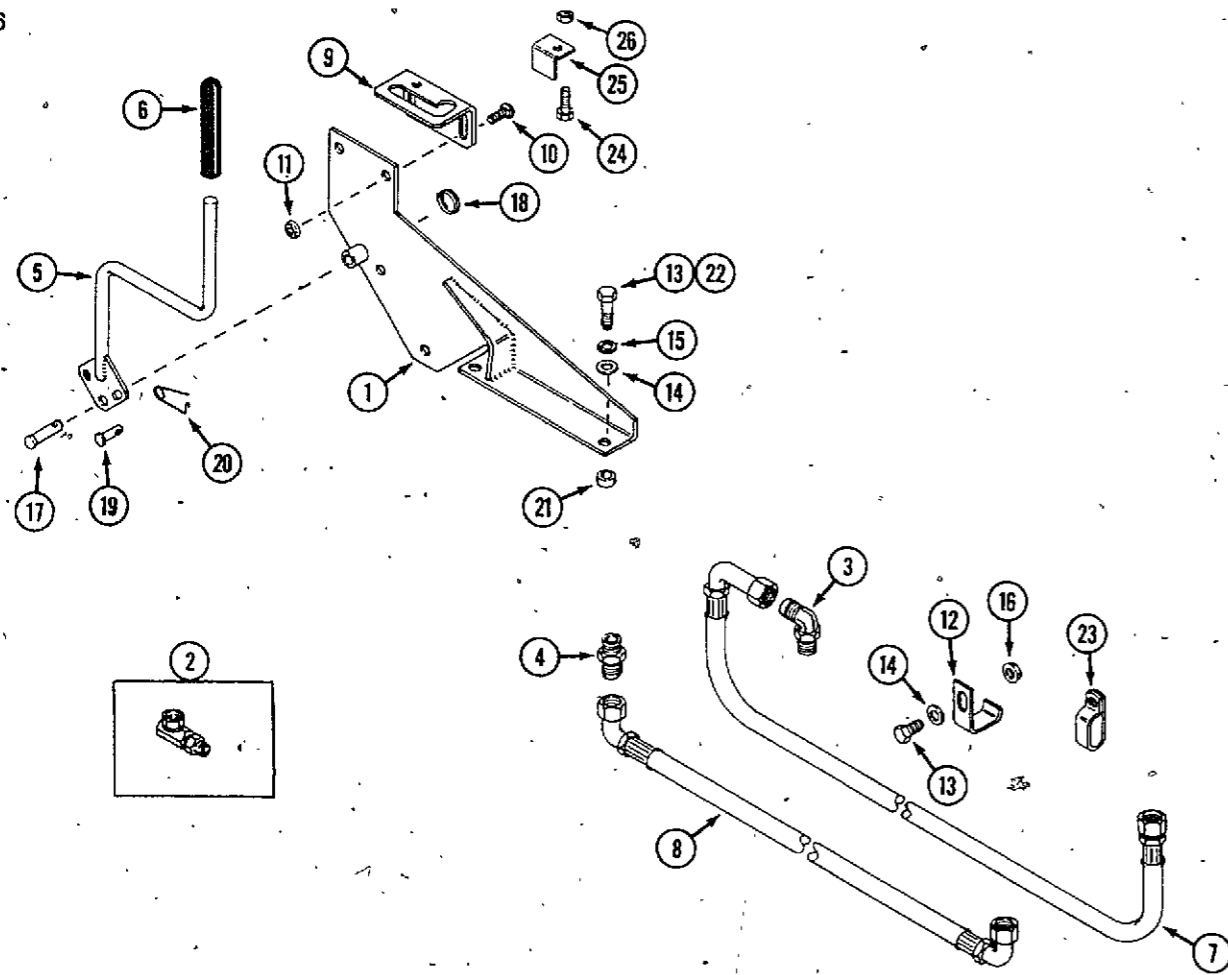
INGERSOLL ⁷ **hydriv 4016**

INGERSOLL ⁸ **hydriv 4018**

INGERSOLL ¹³ **hydriv 4020**



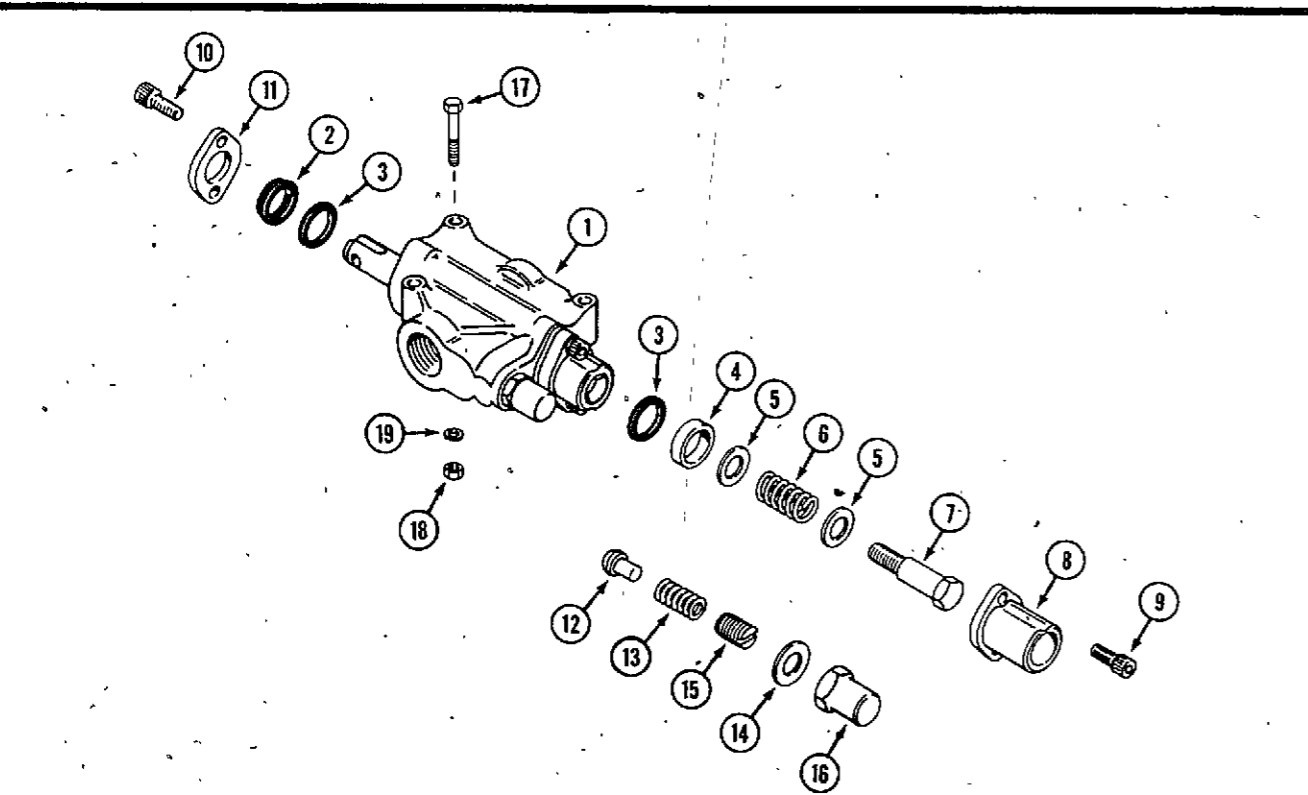
INGERSOLL ¹²



HP30, HP40 HYDRAULIC PTO
 HP30 USED ON 3016, 3018, 3020
 HP40 USED ON 4016, 4018 (4020 - before PIN 14176500)

PTO HOSES AND MOUNTING BRACKET

REF.	PART NO.	DESCRIPTION	REQ'D
1	C 32200	BRACKET - valve mounting	1
2	218- 5201	FITTING - workport, 90° elbow 7/8" - 14 x 1/2" NPSM swivel	2
3	218- 5107	FITTING - inlet port, 7/8" - 14 x 7/8" - 14 flare, 90° adjustable elbow	1
4	218- 5062	FITTING - outlet port, 7/8" - 14 x 7/8" - 14 flare, straight	1
5	C 32403	HANDLE - valve	1
6	C 26020	GRIP - handle	1
7	C 32207	HOSE - pump to PTO 65" (HP30)	1
7	C 32208	HOSE - pump to PTO 63" (HP40)	1
8	C 32209	HOSE - PTO to travel valve 32" (HP30)	1
8	C 32210	HOSE - PTO to travel valve 34" (HP40)	1
9	C 32211	BRACKET - handle guide	1
10	111- 101	BOLT - 1/4" - 20 x 5/8" carriage	2
11	131- 934	NUT - 1/4" - 20 flange lock	2
12	C 32332	CLAMP - tube (HP30)	1
13	113- 103	BOLT - 5/16" - 18 x 1"	3
14	195- 521	WASHER - 5/16"	3
15	192- 20	LOCKWASHER - 5/16"	2
16	131- 911	NUT - 5/16" - 18 flange lock	1
17	C 32214	PIN - clevis 3/8" x 1-1/2"	1
18	C 28105	RING - retaining	1
19	C 28964	PIN - clevis 3/16" x 1"	1
20	C 10883	PIN - safety	1
21	C 29106	SPACER - 3/8" I.D. x 5/8" O.D. 5/8" long (HP30)	2
22	113- 122	BOLT - 5/16" - 18 x 1-1/2" (HP30)	2
23	C 32213	CLAMP - tube (HP40)	1
24	113- 3	BOLT 1/4" - 20 x 3/4"	1
25	C 32327	BRACKET - handle stop	1
26	131- 934	NUT - 1/4" flange lock	1
	C 22947	TIE - nylon	1

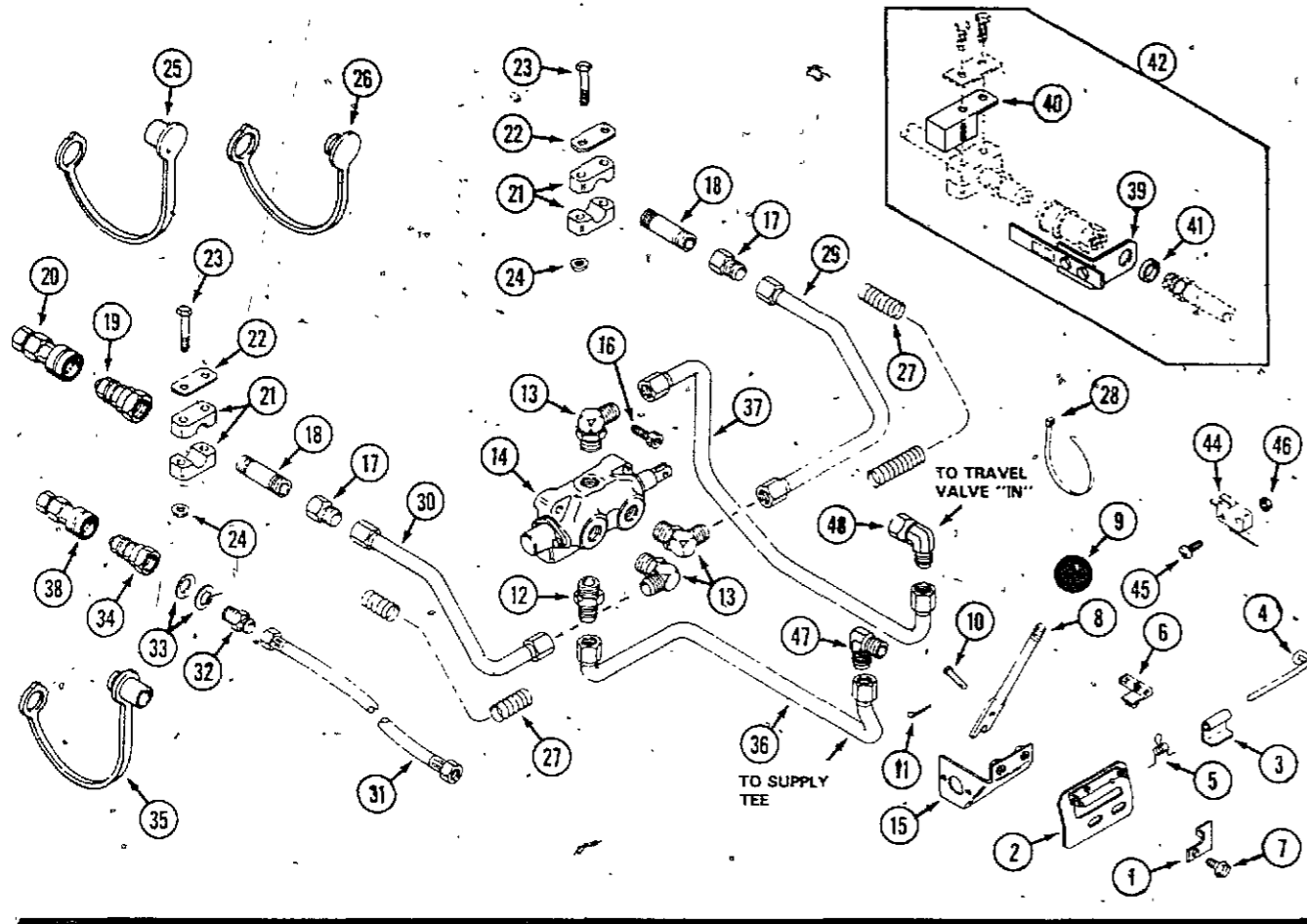


PTO VALVE

REF.	PART NO.	DESCRIPTION	REQ'D
1	C 30046	VALVE - hydraulic	1
2	C 26706	WIPER - spool	1
3	C 26707	RING - quad	2
4	C 26722	SPACER - end cap	1
5	195- 526	WASHER	2
6	C 26724	SPRING - centering	1
7	C 26725	BOLT - shoulder	1
8	C 26726	BONNET - end cap	1
9	165- 143	SCREW - 1/4" - 20 x 3/4" socket head	2
10	165- 142	SCREW - 1/4" - 20 x 5/8" socket head	2
11	C 26727	RETAINER - seal	1
12	C 26708	POPPET - relief	1
13	C 26709	SPRING - relief	1
14	C 26710	WASHER - aluminum, seal	1
15	C 26711	SCREW - adjustment, relief	1
16	C 26712	NUT - cap, relief	1
17	113- 5	BOLT - 1/4" x 1-1/2"	3
18	129- 101	NUT - 1/4"	3
19	192- 19	LOCKWASHER - 1/4"	3

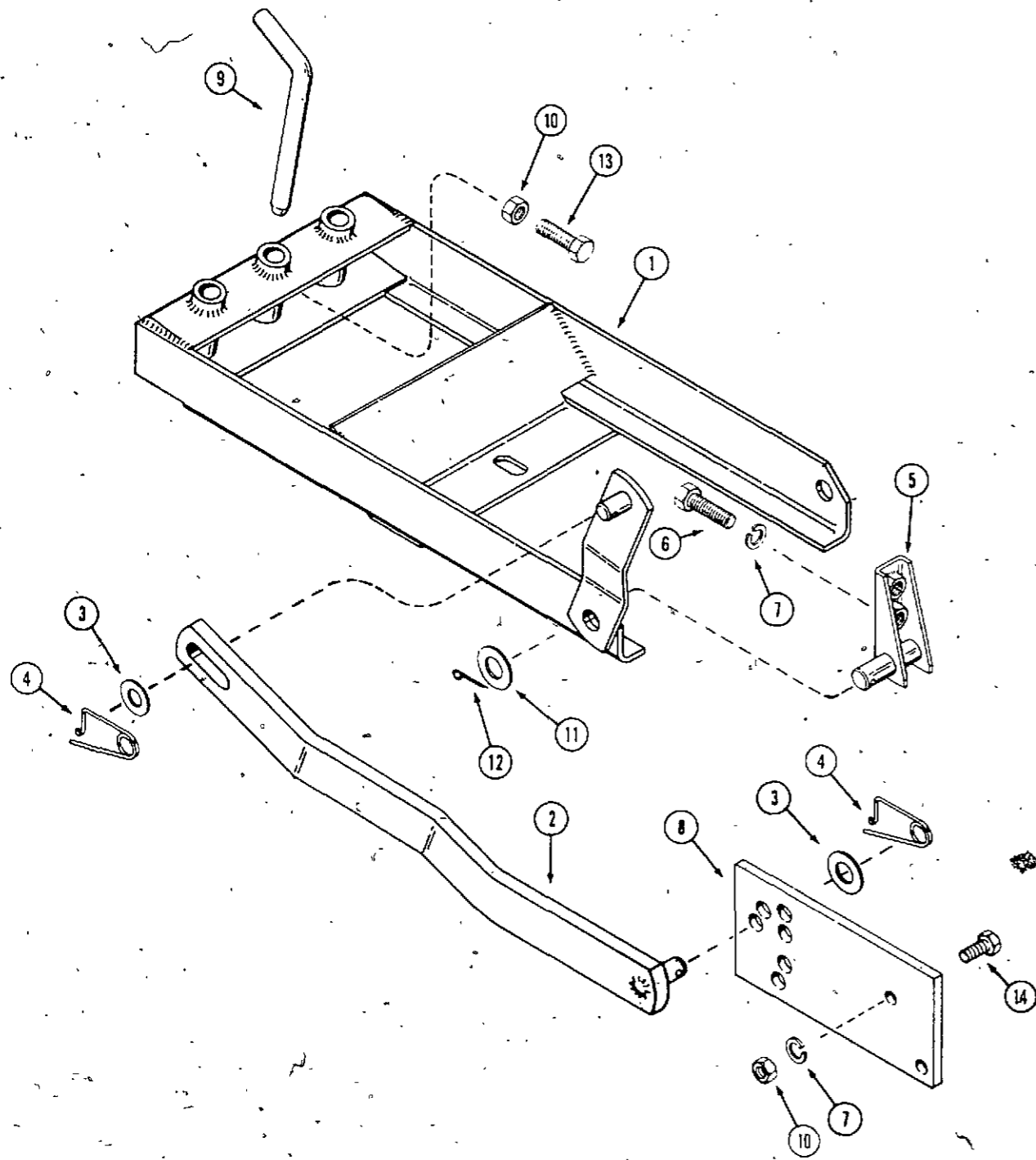
HP42 HYDRAULIC PTO

For 4020 - PIN 14176500 AND AFTER



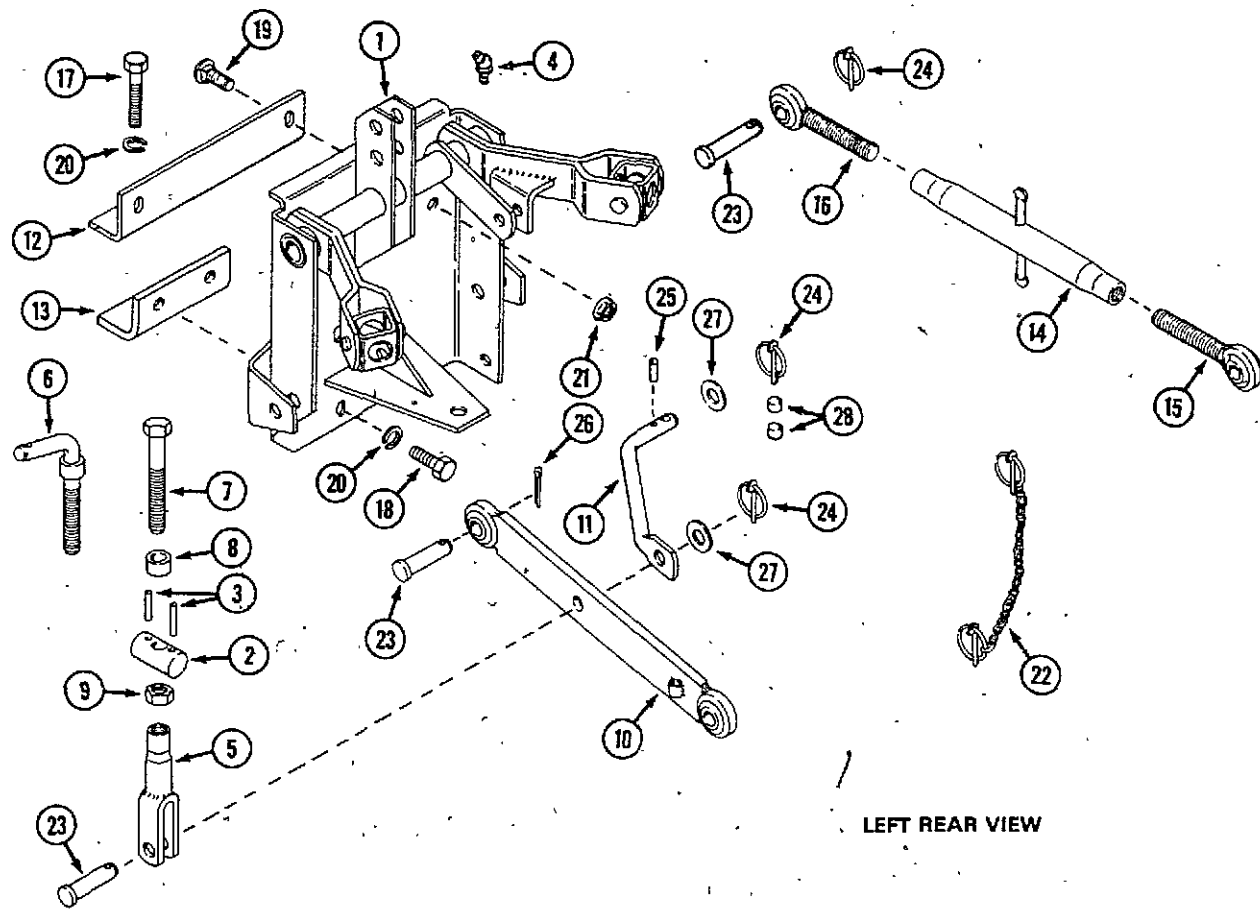
REF.	PART NO.	DESCRIPTION	REQ'D
1	C - 42198	LATCH - reverse lockout (early production)	1
2	C 42078	GATE - shift	1
3	C 42081	STOP - lever	2
4	C 42082	PIN - hinge	1
5	C 42083	SPRING - torsion	1
6	C 37400	ACTUATOR - switch	1
7	*C 29629	SCREW - 5/16" - 18 x 3/4"	2
8	C 37406	LEVER - PTO	1
9	C 10487	KNOB	1
10	C 28964	PIN - clevis 3/16" x 1"	2
11	132- 329	PIN - cotter 1/16" x 3/4"	2
12	218- 5062	FITTING - 7/8"	1
13	218- 5107	FITTING - 90° 7/8"	3
14	C 30046	VALVE - PTO (repairs page 67)	1
15	C 37401	BRACKET - actuating	1
16	61- 420	SCREW - 1/4" - 20 x 1-1/4" socket head	2
17	218- 465	FITTING - 1/2" x 7/8" - 14	2
18	C 37142	NIPPLE - pipe	2
19	C 37187	COUPLING - quick, male 7/8"	2
20	C 37188	COUPLING - quick, female 7/8"	1
21	C 37144	CLAMP	4
22	C 37145	COVER - clamp	2
23	113- 14	BOLT - 1/4" - 20 x 2"	4
24	131- 934	NUT - 1/4" - 20 flange lock	4
25	C 40641	CAP - dust	1
26	C 40642	PLUG - dust	1
27	C 37454	CONDUIT - corrugated (cut to length)	2
28	C 22947	TIE - nylon	4
29	C 37233	TUBE - L.H.	1
30	C 37234	TUBE - R.H.	1
31	C 33560	HOSE - hydraulic 23"	1
32	218- 443	FITTING - 3/8" x 1/4"	1
33	C 37249	WASHER - spring	2
34	C 41043	COUPLING - quick, male 9/16"	1
35	C 33404	CAP - dust	1
36	C 40671	TUBE - pump to P.T.O. "in"	1
37	C 40673	TUBE - travel valve to P.T.O. "out"	1
38	C 41044	COUPLING - quick, female 9/16"	1
39	C 37439	KEY - coupling switch	1
	C 37440	DECAL	1
	113- 1	BOLT - 1/4" - 20	2
	195- 518	WASHER - 1/4"	2
40	C 37437	BRACKET - switch mounting	1
41	C 37459	CUSHION - key	1
42	C 42048	KIT - coupler switch	1
44	C 37399	SWITCH - interlock	2
45	C 33696	SCREW - #4-40 x 1-1/8"	2
46	C 33697	NUT - #4 - 40	2
47	218- 475	FITTING - 90° 7/8" x 7/8" male	1
48	218- 5232	FITTING - 90° 7/8" male x 7/8" female	1
	C 37435	HARNES - wire, PTO switches	1

K22 SLEEVE HITCH (3016, 3018, 3020) and K24 SLEEVE HITCH (4016, 4018, 4020)



REF.	PART NO.	DESCRIPTION	REQ'D
1	C 22218	HITCH FRAME ASSEMBLY (K24) shown	1
1	C 23707	HITCH FRAME ASSEMBLY (K22)	1
2	C 25371	ARM - lift	1
3	195- 541	WASHER - plain 21/32"	2
4	C 10898	PIN - retaining	2
5	C 14459	BRACKET - hitch mounting R.H. (shown)	1
5	C 25789	BRACKET - hitch mounting L.H.	1
6	113-2400	BOLT - 1/2" x 1-3/8" N.C. hex, zinc	6
7	192- 23	LOCKWASHER - 1/2" zinc	6
8	C 25382	PLATE - lift lever	1
9	C 14568	PIN - drawbar	1
10	129- 105	NUT - 1/2" N.C. hex, zinc	4
11	195- 545	WASHER - plain 3/4" zinc	2
12	132- 306	PIN - cotter 3/16" x 1-3/4"	2
13	22- 844	BOLT - 1/2" x 2" N.C. hex, zinc	2
14	113- 417	BOLT - 1/2" x 1-1/4" hex	2

HH34 THREE POINT HITCH

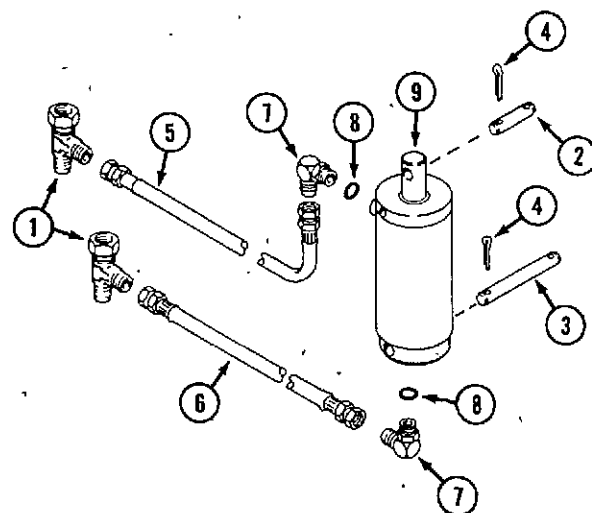


LEFT REAR VIEW

LEFT REAR VIEW

REF.	PART NO.	DESCRIPTION	REQ'D
1	C 32215	PLATE - hitch	1
2	C 32230	SWIVEL - lift link	2
3	C 32231	PIN - spiral 3/16" x 1-1/2"	4
4	219- 403	FITTING - grease	2
5	C 32428	LINK - adjusting	2
6	NSS	ROD - adjusting (use C32235 and 129-107)	1
7	C 32235	BOLT - 5/8" - 11 x 5"	1
8	C 32239	SPACER - bolt	1
9	129- 107	NUT - 5/8" - 11	2
10	C 32240	ARM - lift	2
11	C 32242	ARM - stabilizer	1
12	C 32243	BRACKET - angle	1
13	C 32244	SUPPORT - angle	1
14	C 32249	TUBE - upper link	1
15	C 32426	BALLJOINT - R.H.	1
16	C 32427	BALLJOINT - L.H.	1
17	113- 447	BOLT - 1/2" - 13 x 3-1/2" (use with 3000 series tractors)	1
17	113- 426	BOLT - 1/2" - 13 x 2-3/4" (use with 4000 series tractors)	1
18	113- 417	BOLT - 1/2" - 13 x 1-1/4"	2
19	111- 517	BOLT - 1/2" - 13 x 1" carriage	2
20	192- 23	LOCKWASHER - 1/2"	3
21	131- 930	NUT - 1/2" - 13 flange lock	2
22	NSS	PIN ASSEMBLY - klick (assemble from item 24)	1
23	C 14717	PIN - clevis 5/8" x 2-1/2"	6
24	C 28222	PIN - klick	UAR
25	138- 2073	PIN - spiral 3/16" x 1-1/4"	1
26	132- 348	PIN - cotter 1/4" x 1-1/4" (early production)	2
27	195- 541	WASHER - 5/8"	2
28	C 14768	SPACER - klick pin	2
	C 22947	TIE - nylon	2

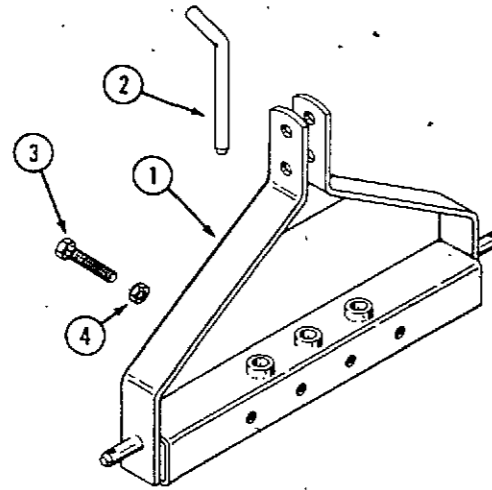
HH34 THREE POINT HITCH CYLINDER



REF.	PART NO.	DESCRIPTION	REQ'D
1	218- 5479	FITTING - tee 1/2" - 20 swivel female x 1/2" - 20 male	2
2	C - 29693	PIN - cylinder rod 1/2" x 1-3/4"	1
3	C 32254	PIN - cylinder foot 1/2" x 4-5/8"	1
4	132- 310	PIN - cotter 1/8" x 1"	4
5	C 32247	HOSE - hydraulic 1/4" x 33" (cylinder to forward valve port)	1
6	C 32246	HOSE - hydraulic 1/4" x 24 (cylinder to rear valve port)	1
7	218- 5104	FITTING - 90° elbow 5/16" tube x 1/2" - 20	2
8	218- 5004	O-Ring	1
9	C 32245	CYLINDER - lift	1

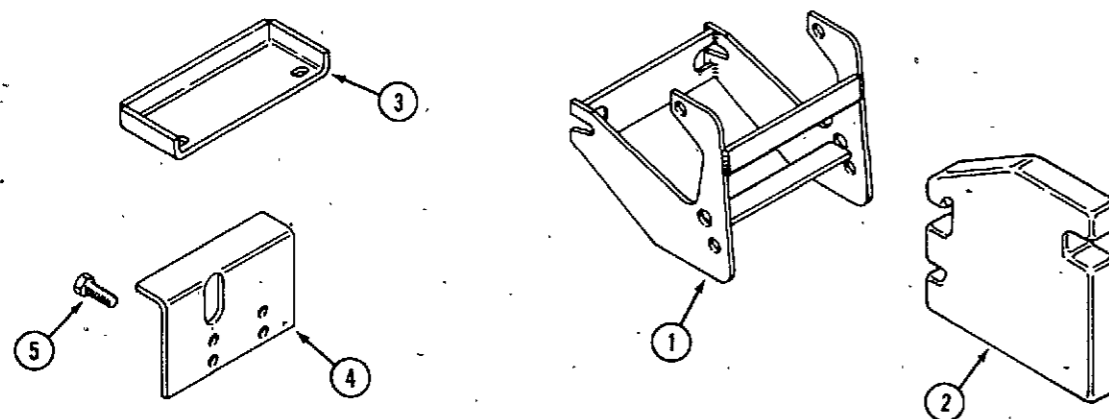
F27 HITCH ADAPTER

REF.	PART NO.	DESCRIPTION	REQ'D
1	C 14872	BRACKET - hitch adapter	1
2	C 14568	PIN - drawbar	1
3	22- 844	BOLT - 1/2" x 3" N.C. hex	2
4	129- 105	NUT - 1/2" - 13	2

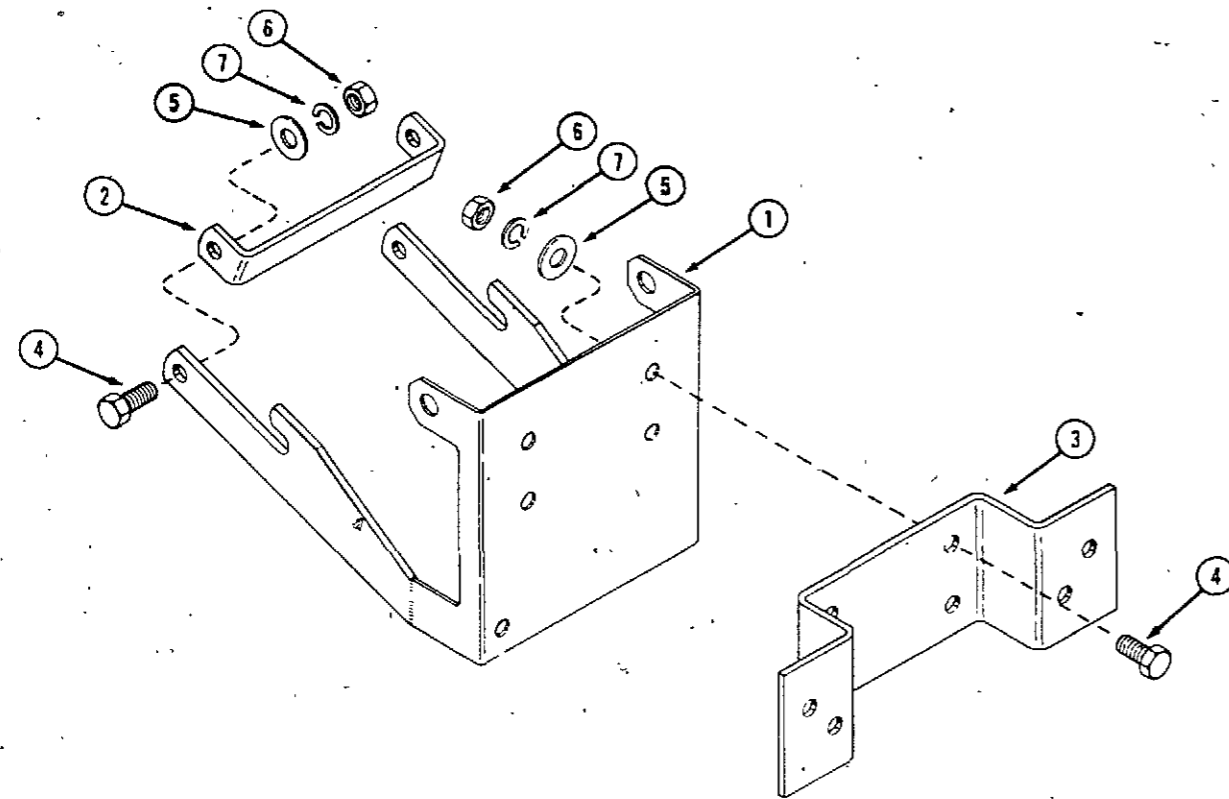


L11 WEIGHT KIT

1	C 25572	BRACKET - mounting, front	1
2	NSS	WEIGHT - 40 lb. (18 kg.)	4
3	C 25791	BRACKET - mounting, rear, upper	1
4	C 25792	BRACKET - mounting, rear, lower	1
5	113- 417	BOLT - 1/2" - 13 x 1-1/4" hex	2



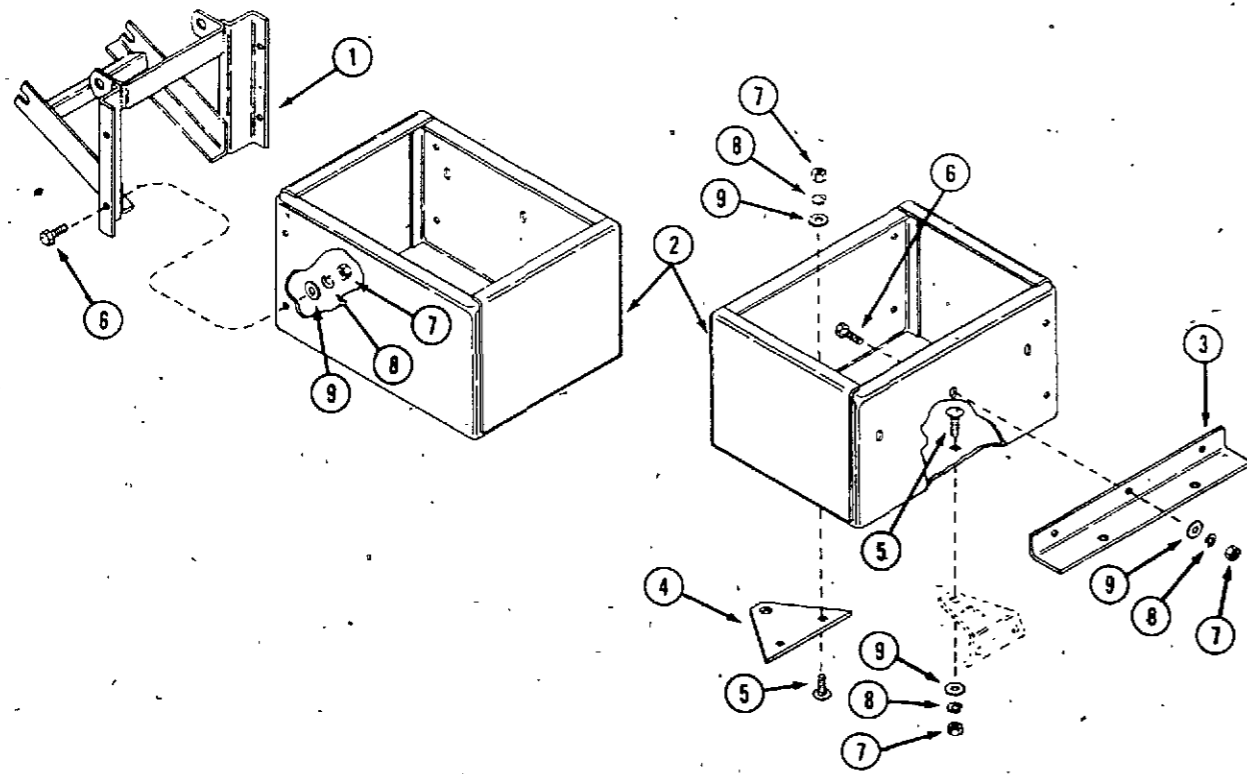
H18 FRONT END WEIGHT BRACKETS

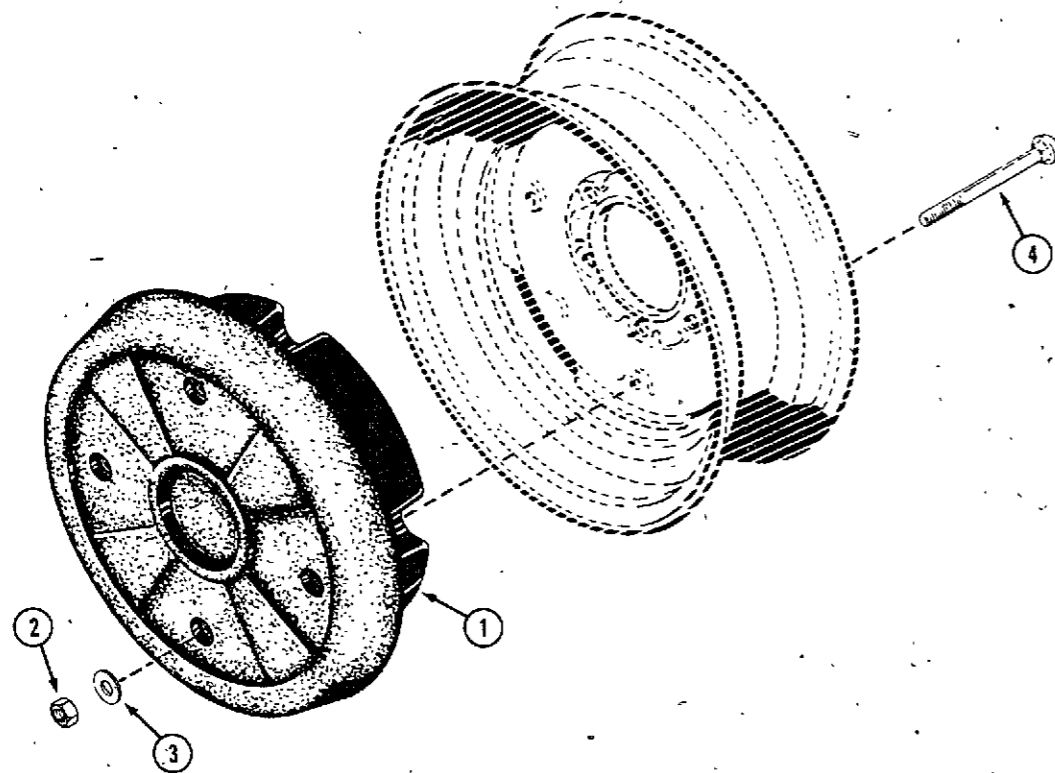


REF.	PART NO.	DESCRIPTION	REQ'D
1	C 16581	BRACKET - mounting	1
2	C 17161	BRACE - rear	1
3	C 17162	BRACKET - weight mounting	1
4	113- 417	BOLT - 1/2" x 1-1/2" N.C. hex, zinc	6
5	195- 533	WASHER - 1/2" zinc	6
6	129- 105	NUT - 1/2" N.C. hex	6
7	192- 23	LOCKWASHER - 1/2"	6

H13 WEIGHT BOX

1	C 17859	FRAME - weight box	1
2	C 17863	BOX - weight	1
3	C 17860	SUPPORT - weight box	1
4	C 17636	PLATE - hitch	1
5	111- 371	BOLT - 3/8" x 1" round head, square neck	3
6	113- 207	BOLT - 3/8" x 1" N.C. hex	4
7	129- 103	NUT - 3/8" N.C. hex	7
8	192- 21	LOCKWASHER - 3/8"	7
9	195- 525	WASHER - 3/8"	7



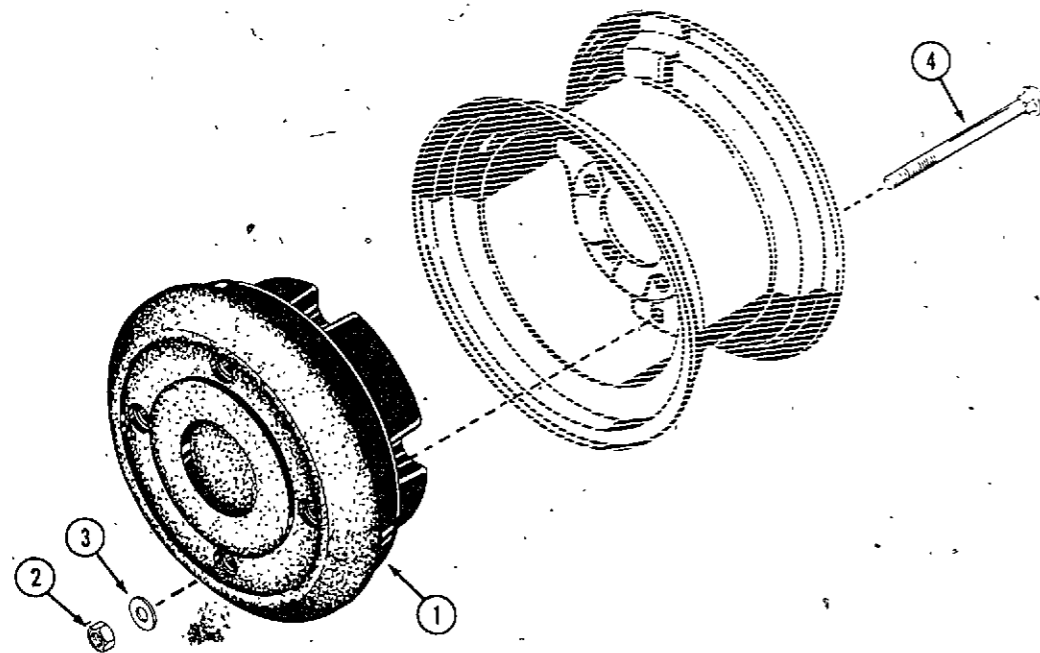


WW40 WHEEL WEIGHTS (4016, 4018, 4020)

REF.	PART NO.	DESCRIPTION	REQ'D
1	NSS	WEIGHT - wheel, 75 lb. (order as machinery item)	2
2	131- 1182	NUT - 1/2" N.C. hex	4
3	195- 533	WASHER - 1/2"	8
4	111- 525	BOLT - 1/2" x 6" round head, square neck	8

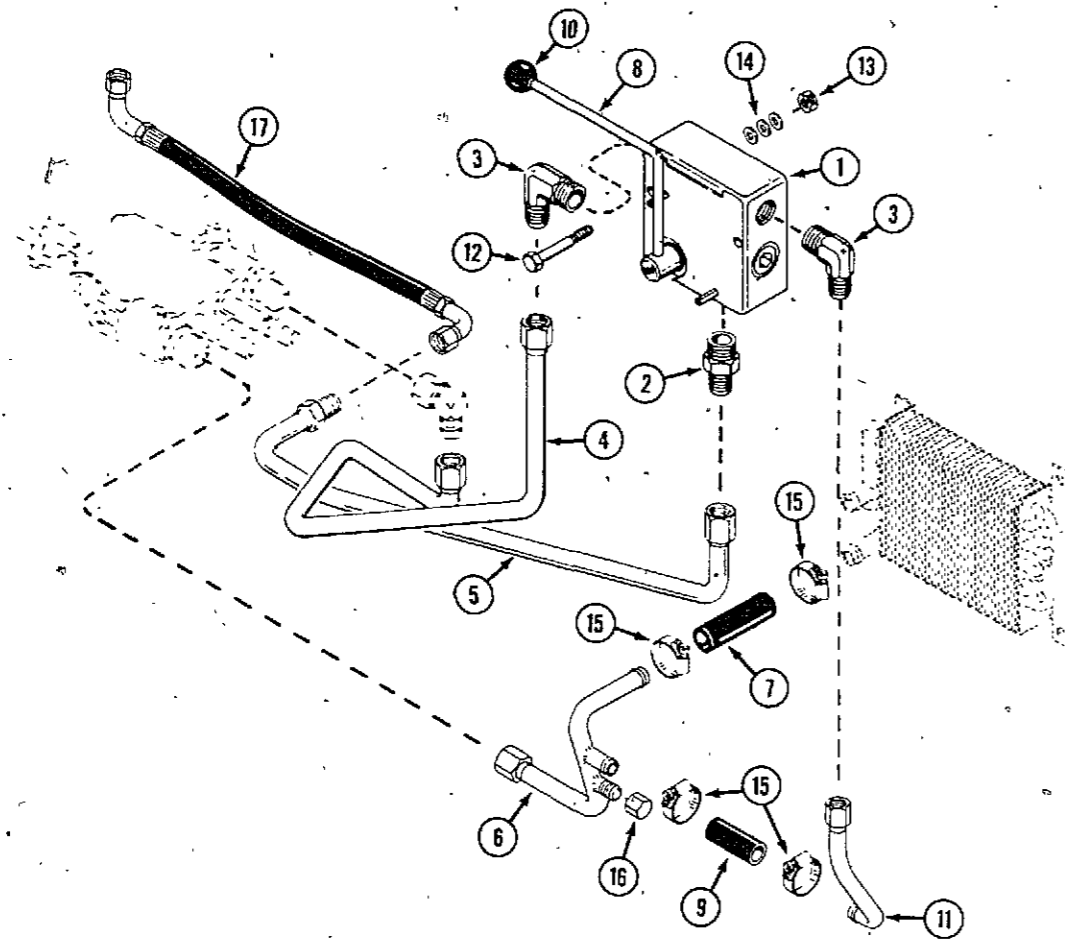
WW30 AND WW30W WHEEL WEIGHTS (3016, 3018, 3020)

1	NSS	WEIGHT - wheel 55 lb. (order as Machinery Item)	2
2	131- 1182	NUT - 1/2" N.C. lock	8
3	195- 533	WASHER - 1/2"	8
4	111- 521	BOLT - 1/2" x 7" carriage (WW30)	8
4	C 30545	BOLT - 1/2" - 13 x 8-1/2" (WW30W)	8



HFC34 FLOW CONTROL VALVE KIT

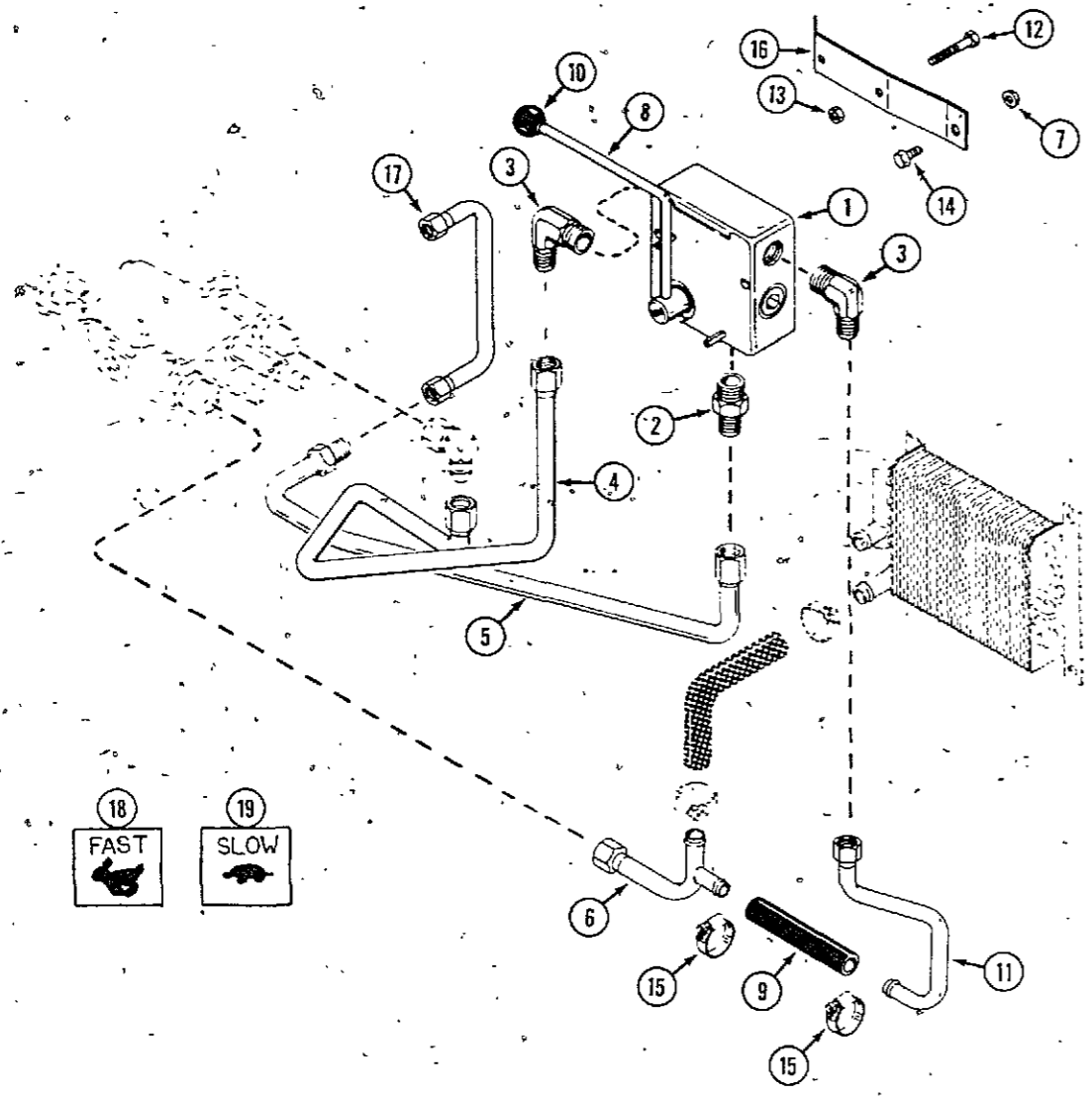
For Model 3016, 3018, 3020, 4016, 4018 (4020 BEFORE PIN 14176500)



REF.	PART NO.	DESCRIPTION	REQ'D
1	C 23618	VALVE - flow control	1
2	218- 445	FITTING - 5/8" x 7/8" - 14	1
3	218- 485	FITTING - 5/8" x 7/8" - 14 90° elbow	2
4	C 33007	TUBE - flow valve to travel valve	1
5	C 33008	TUBE - flow valve to PTO valve	1
6	C 33009	TUBE - travel valve to heat exchanger	1
7	C 29697	HOSE - rubber 3/4" I.D.	1
8	C 36848	LEVER - valve	1
9	C 36849	HOSE - rubber 5/8" I.D.	1
10	C 28251	KNOB - lever	1
11	C 33131	TUBE - flow valve to return	1
12	113- 12	BOLT - 1/4" - 20 x 2-1/2"	1
13	131-1180	NUT - 1/4" - 20 lock	1
14	195- 518	WASHER - 1/4"	3
15	214- 254	CLAMP - hose #12 5/8" to 1-1/4"	4
16	218- 754	CAP - hydraulic 9/16" - 18	1
17	C 33010	HOSE - flow valve to PTO (for 3016, 3018, 3020)	1
17	C 33011	HOSE - flow valve to PTO (for 4016, 4018) (4020 before PIN 14176500)	1
	C 18719	DECAL - speed control	1
	218-5229	FITTING - 90° swivel elbow (for 3 point hitch connections)	2

HFC34B FLOW CONTROL

Use with HP42 PTO
for 4020 - PIN 14176500 AND AFTER



REF.	PART NO.	DESCRIPTION	REQ'D
1	C 23618	VALVE - flow control	1
2	218- 445	FITTING - 5/8" tube x 7/8" - 14	1
3	218- 485	FITTING - 90° 5/8" tube x 7/8" - 14	2
4	C 42483	TUBE - flow valve to travel valve	1
5	C 42531	TUBE - flow valve to PTO valve	1
6	C 36846	TUBE - travel valve to heat exchanger	1
7	131- 934	NUT - 1/4" - 20 flange lock	2
8	C 36848	LEVER - control	1
9	C 36849	HOSE - return 5/8"	1
10	C 28251	KNOB - lever	1
11	C 36850	TUBE - flow valve to return	1
12	113- 15	BOLT - 1/4" - 20 x 2-1/4"	2
13	131-1180	NUT - lock 1/4" - 20	2
14	121- 21	BOLT - 1/4" - 20 flange lock	3
15	214- 254	CLAMP - hose	4
16	C 36853	BRACKET - mounting	1
17	C 42485	TUBE - flow valve to PTO valve	1
18	C 33220	DECAL - "fast"	1
19	C 33219	DECAL - "slow"	1
	C 33221	TRIM - panel (tower side) not shown	1
	218- 5229	FITTING - 90° swivel 5/16" tube (install to tee fittings on travel valve when 3 pt hitch is used)	2

