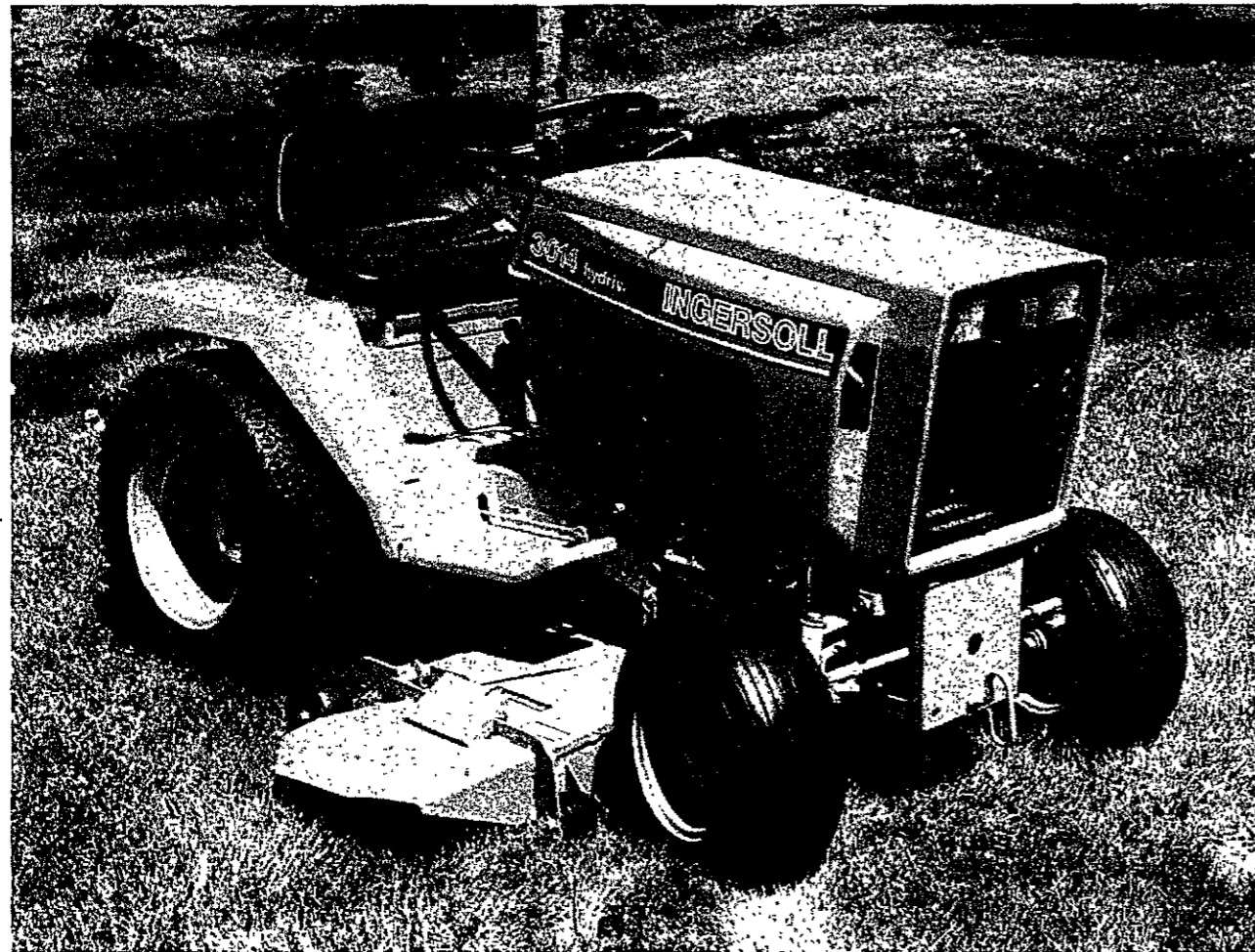


COMPACT TRACTORS
 3010, 4014 - ALL
 3012 Before PIN 14145700
 3014 Before PIN 14146700
 Parts Catalog 8-3031

8-91-RP-500-316



ALPHABETICAL INDEX

ENGINE SECTION

	Page	Grid		Page	Grid
Air Cleaner	17	B6	Flywheel	9	A12
Battery	57	E4	Fuel Pump	17	B6
Breather, Crankcase	25	B14	Fuel System	17	B6
Camshaft	7	A10	Gasket Kits	5	A8
Carburetor	19	B8	Governor	21	B10
Choke Linkage	21	B10	Muffler	23	B12
Connecting Rod	11	A11	Oil Fill Tube	9	A12
Crankshaft	9	A12	Oil Pan	5	A8
Cylinder Block	5	A8	Piston	11-13-15	A14-B2-B4
Cylinder Head	5	A8	PTO Clutch	27	C2
Electrical System	55-59	E2-E6	Shrouds	25	B14
Engine Block & Attaching Parts	5	A8	Spark Plug	57	E4
Exhaust System	23	B12	Starter	55	E2
Filter, Breather	25	B14	Tank, Fuel	17	B6
Filter, Fuel	17	B6	Throttle Linkage	21	B10
			Valves	7	A10

BASIC TRACTOR SECTION

	Page	Grid		Page	Grid
Axle, Front	37	C12	Hydraulics	43	D4
Axle, Rear	41	D2	Adapter, Pump Drive	49	D10
Baffles & Shrouds	25	B14	Hoses, Lines & Fittings	43-53	D4-D14
Brakes	39	C14	Motor, Hydraulic Drive	47	D8
Control, Speed	51	D12	Pump	49	D10
Decals	61	E8	Valve, Control	45	D6
Electrical System	55-59	E2-E6	Linkage, Valve Control	51	D12
F27 Three Point Hitch Adapter	69	F2	Hydraulic Lift	53	D14
Fenders	33	C8	PTO (Hydraulic)	63	E10
Frame	29	C4	Instruments	57	E4
Grille	31	C6	K22 and K24 Sleeve Hitch	65	E12
H13 Weight Box	71	F4	L11 Counterweight Kit	69	F2
H18 Counterweight Brackets	71	F4	Mounts, Engine	23	B12
HH34 Three Point Hitch	67	E14	Mounts, Heat Exchanger	43	D4
HP30, HP40 Hydraulic PTO	63	E10	PTO Clutch (electric)	27	C2
Hitch	47	D8	Reflector, rear	33	C8
Hood	31	C6	Seat, Operator's	33	C8
HFC 34 Flow Control	75	F8	Steering Wheel & Gear	35	C10
			Tool Box	33	C8
			Transmission	41	D2
			Wheels, Front & Rear	39	C14
			WW30, WW40 Wheel Weights	73	F6

GENERAL INFORMATION

INDEX

There is an index at the front and rear of this catalog.

The front index is an alphabetical index of the major groups or assemblies.

The rear index is a numerical index of the part numbers and pages on which these numbers are shown.

ILLUSTRATION

Each illustration in this catalog shows a group of parts or components. These parts and components are aligned approximately as the parts and components on your machine. Each part and component in an illustration has a reference number. These reference numbers are in a list on the page opposite of the illustration. Next to the reference number is the part number, description and required quantity of the part shown in the illustration.

UAR - "Use as required" indicates that the part quantity is variable.

NSS - "Not sold separately" indicates that the part is only available as a component of an assembly or the part must be purchased locally. If the part is an assembly component, the description will be indented under the assembly description in the parts list.

O/L - "Obtain locally"

** - "Footnotes" are added to a part number when more information is needed for identification. They only relate to the part numbers indicated.

PARTS ORDERS

All orders must include the following information:

1. Correct part number.
2. Complete description of part or component.
3. Total quantity of each part or component.
4. Product model number.
5. All necessary product identification numbers.
6. Method for sending the parts.
7. Complete and correct address.

CATALOG REVISIONS

As the product changes, new pages will be available for your catalog. A notice will be issued.

IMPORTANT: Put all revisions into the catalog as soon as possible.

RIGHT HAND AND LEFT HAND IDENTIFICATION

The words right hand (RH) and left hand (LH) as used in this catalog indicate the direction while you are in the operator's seat in the normal operating position.

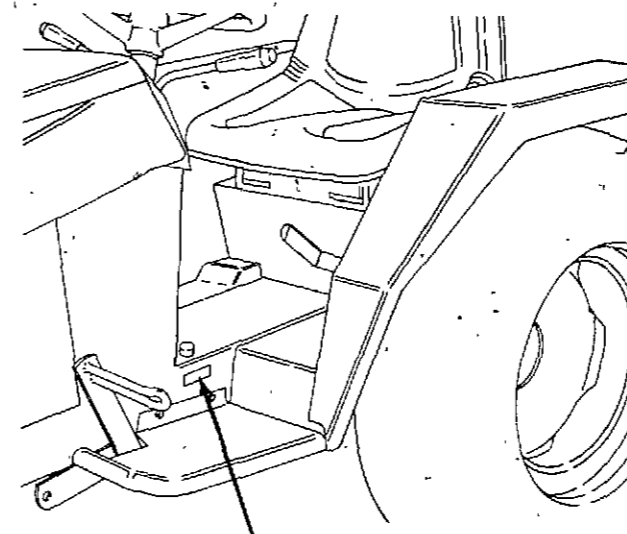
INDENTED DESCRIPTIONS

An assembly can have many components. The components of an assembly are indicated by an indented description. The quantity for an indented part is the total needed for that complete assembly. See the example.

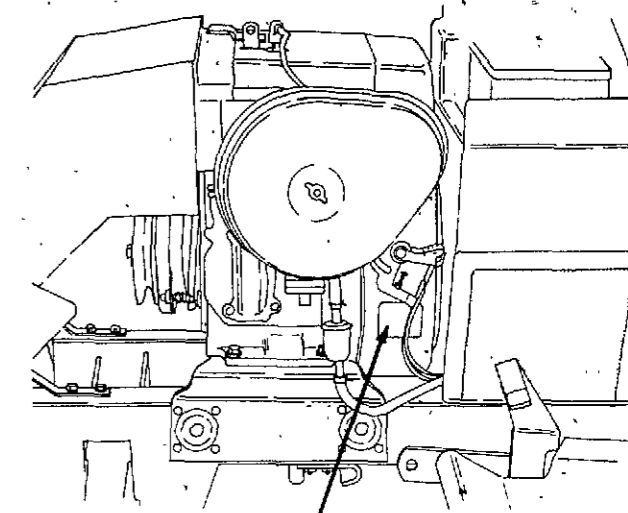
REF.	PART NO.	DESCRIPTION	REQ'D
	C 55159	CYLINDER ASSY - rear steering	1
28	C 56208	SOCKET ASSY - rear cylinder	1
29	C 55956	PLUG - adjusting, socket assy	1
30	C 55957	SEAT - socket ball	2
31	C 56210	SPRING - socket	1
32	C 56209	SEAT - socket spring	1
33	G 45175	CLAMP ASSY - socket assy	1
	16- 836	BOLT - 1/2" x 2-1/4" N.F. hex	1
34	132- 104	PIN - cotter, 3/16" x 3"	1
35	C 55889	STUD - ball, socket & cylinder	2
36	13- 410	BOLT - 1/4" x 5/8" N.C., hex	4
37	92- 4	LOCK WASHER - 1/4" SAE	4

MODEL 3010, 3012, 3014 and 4014 COMPACT TRACTORS

PRODUCT IDENTIFICATION NUMBERS



TRACTOR MODEL AND SERIAL NUMBER



ENGINE MODEL, SERIAL AND SPECIFICATION NUMBERS

TRACTOR MODEL

3010

3012

3014, 4014

ENGINE MODEL

C32265
KOHLER MODEL M10AQS
Spec. No. 461509

C33239
KOHLER MODEL M12AQS
Spec. No. 471514

C33240
KOHLER MODEL M14AQS
Spec. No. 601513

NOTE: In this catalog there are references to serial numbers. To order the correct part use these serial numbers as a guide.

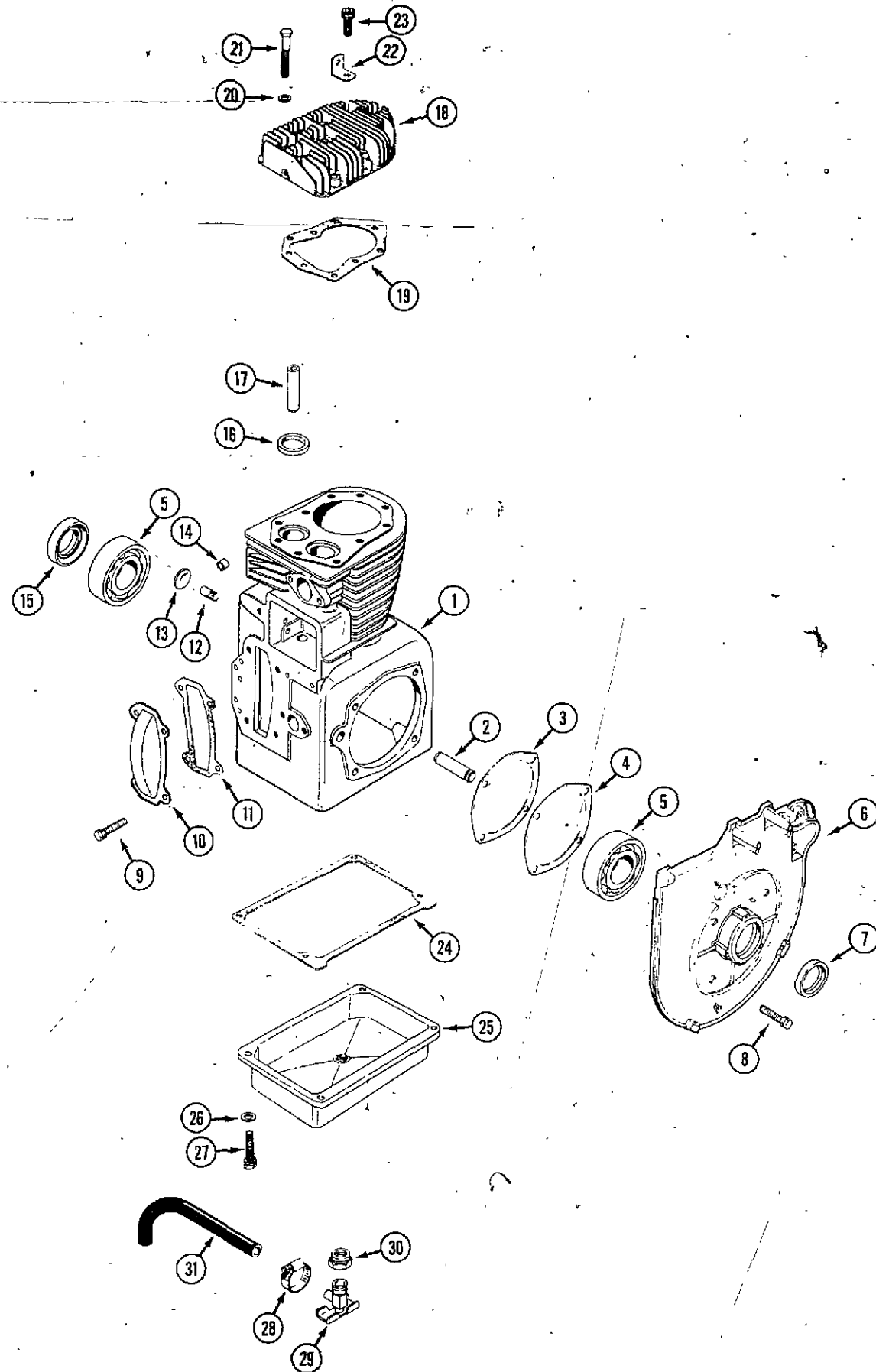
PAINT AND OIL

REF.	PART NO.	DESCRIPTION	REQ'D
		PAINT	
1	C 28849	BLACK - semi - gloss, 12 oz spray (2 per carton)	1
2	C 28850	BLACK - semi - gloss, quart (2 per carton)	1
3	C 28851	BLACK - semi - gloss, heat resistant, 12 oz spray (2 per carton)	1
4	C 28484	POWER RED - gloss, 12 oz spray (2 per carton)	1
5	C 28485	POWER RED - gloss, quart (2 per carton)	1
6	C 30870	SILVER - gloss, 12 oz. spray (2 per carton)	1
7	C 31643	POWER RED - gloss, 1 oz touch up, (1 doz. per carton)	1
		OIL	
1	C 32776	OIL - SAE 30, SF, quart (12 per case)	1
2	C 32777	OIL - SAE 5W20, SF, quart (12 per case)	1
3	C 32778	OIL - SAE 20W40, SF, quart (12 per case)	1

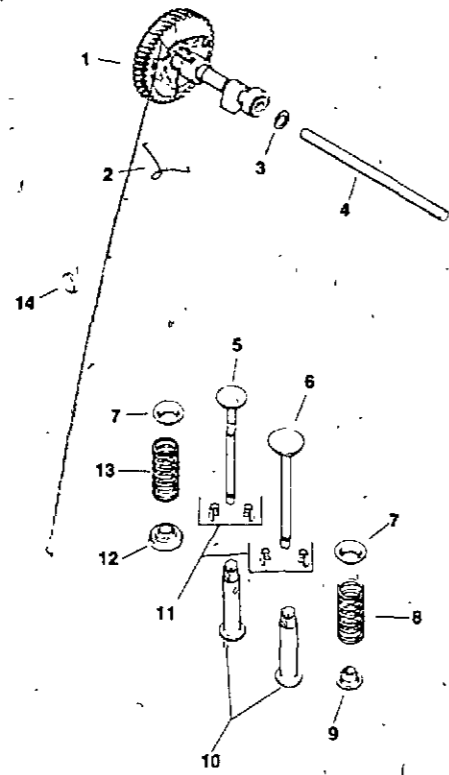
INGERSOLL
Ingersoll Equipment Co., Inc.

CYLINDER BLOCK, HEAD AND OIL PAN

NOTE: For Complete Engine See Page 1



REF.	PART NO.	DESCRIPTION	REQ'D
	C 33016	BLOCK ASSEMBLY - cylinder, short (3010) (Includes crankshaft, piston assembly, ring set, crankshaft seals, rod assembly, camshaft assembly, valves, bearings, plate and plate gasket, governor gear assembly and cross shaft) (also includes gaskets)	1
	C 33017	BLOCK ASSEMBLY - cylinder, short (3012) (Includes crankshaft, piston assembly, ring set, crankshaft seals, rod assembly, camshaft assembly and cross shaft) (also includes gaskets)	1
	C 33018	BLOCK ASSEMBLY - cylinder, short (3014, 4014) (Includes crankshaft, piston assembly, ring set, crankshaft seals, rod assembly, camshaft assembly, valves, bearings, plate and plate gasket, governor gear assembly and cross shaft) (also includes gaskets)	1
1	NSS	BLOCK - cylinder, bare	1
2	KO 236559	SHAFT - balance gear stub	2
3	C 32888	GASKET - shim	UAR
4	C 32889	GASKET - bearing plate	1
5	C 28669	BEARING - ball	2
6	C 32890	PLATE - bearing	1
7	C 32891	SEAL - front oil	1
8	113- 207	SCREW - 3/8" - 16 x 1"	4
9	NSS	SCREW - 1/4" - 20 x 1/2" (use 113-1 & 192-19)	4
10	KO 235026	COVER - camshaft	1
11	KO 235025	GASKET - camshaft cover	1
12	KO235125-S	SHAFT - governor gear	1
13	41- 18	PLUG - expansion	1
14	C 28691	BEARING - governor cross shaft	1
15	C 28678	SEAL - rear oil	1
16	KO 230170	INSERT - exhaust seat (3010, 3012)	1
16	KO 230265	INSERT - valve seat (3014, 4014)	2
17	KO235007 S	GUIDE - valve	2
18	C 32898	HEAD - cylinder (3010)	1
18	C 32899	HEAD - cylinder (3012, 3014, 4014)	1
19	C 30482	GASKET - head	1
20	KO 270889	WASHER - 3/8"	9
21	KO 270158	BOLT - head 3/8" - 16 x 1-1/2"	8
22	KO 235748	STRAP - lifting	1
23	C 32901	SCREW - socket head 3/8" - 16 x 1"	1
24	C 32953	GASKET - oil pan	1
25	C 32954	PAN - oil	1
26	195- 103	WASHER - 3/8"	4
27	113- 207	BOLT - 3/8" - 16 x 1"	4
28	C 32376	CLAMP - hose 5/8"	1
29	C 32331	VALVE - oil drain	1
30	221- 86	REDUCER - pipe 3/8" to 1/4"	1
31	C 32333	HOSE - oil drain	1
	C 32829	KIT - gasket and seal	1

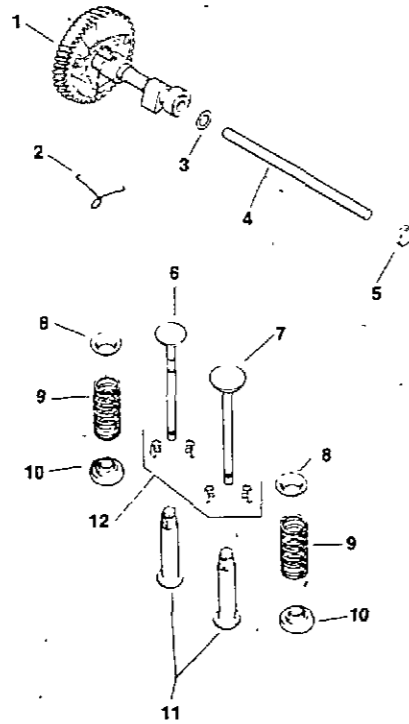


CAMSHAFT AND VALVES (3010, 3012)

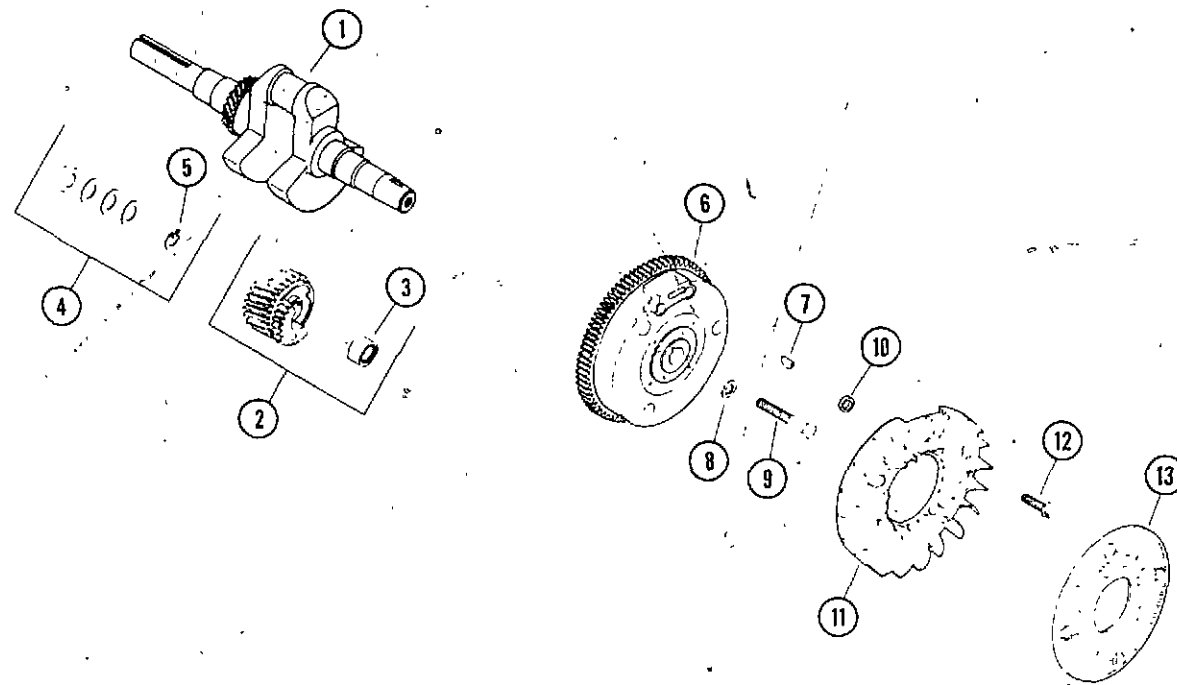
REF.	PART NO.	DESCRIPTION	REQ'D
1	C 32803	CAMSHAFT ASSEMBLY	1
2	C 28680	SPRING - actuating	1
3	KO 275066	SPACER - .005"	UAR
3	KO 275067	SPACER - .010"	UAR
4	C 30487	PIN - camshaft	1
5	KO 235838	VALVE - exhaust	1
6	KO 235008	VALVE - intake	1
7	KO 235011	RETAINER - upper spring	2
8	KO 235010	SPRING - intake valve	1
9	KO 230011	RETAINER - spring	1
10	KOD 235327	TAPPET - valve	2
11	C 24884	KIT - retainer	2
12	KO 230020	ROTATOR - valve	1
13	KO 235168	SPRING - exhaust valve	1
14	C 32849	PLUG - cup 1/2" O.D.	1

CAMSHAFT AND VALVES (3014, 4014)

1	C 32803	CAMSHAFT ASSEMBLY	1
2	C 28680	SPRING - actuating	1
3	KO 275066	SPACER - .005"	UAR
3	KO 275067	SPACER - .010"	UAR
4	C 30487	PIN - camshaft	1
5	C 32849	PLUG - cup 1/2" O.D.	1
6	KO 237672	VALVE - exhaust	1
7	KO 235582	VALVE - intake	1
8	KO 235011	RETAINER - upper spring	2
9	KO 235168	SPRING - valve	2
10	KO 230020	ROTATOR - valve	2
11	KOD 235327	TAPPET - valve	2
12	C 24884	KIT - retainer	2



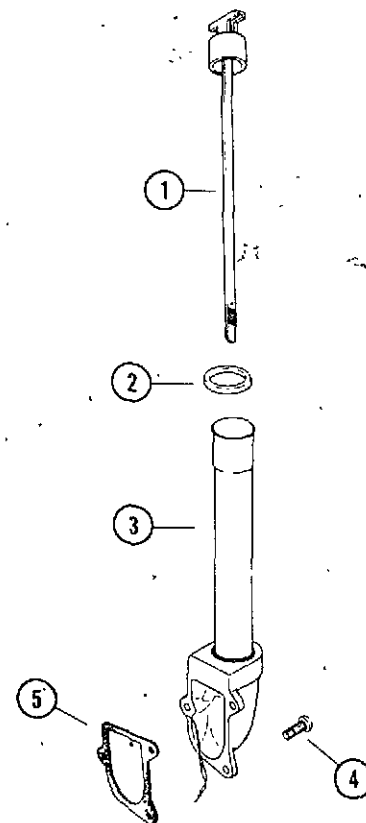
CRANKSHAFT AND FLYWHEEL



REF.	PART NO.	DESCRIPTION	REQ'D
1	C 32892	KIT - crankshaft (3010)	1
1	C 32893	KIT - crankshaft (2012)	1
1	C 32894	KIT - crankshaft (3014, 4014)	1
2	KOA 236507	GEAR ASSEMBLY - ballance	2
3	C 32896	BEARING - needle	2
4	C 22754	KIT - spacer	1
5	C 32897	RETAINER	2
6	C 32914	FLYWHEEL	1
7	126- 22	KEY - woodruff 3/16" x 1"	1
8	C 32917	WASHER - 13/32" x 1-3/8"	1
9	28- 620	BOLT - 3/8" - 24 x 1-1/8"	1
10	C 32919	SPACER	4
11	C 32920	FAN - blower	1
12	121- 21	SCREW - 1/4" - 20 x 1/2"	4
13	C 32921	SCREEN - grass	1

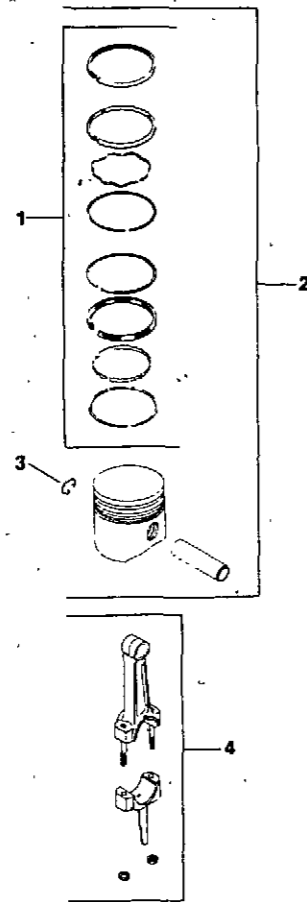
OIL FILL TUBE

1	C 32902	DIPSTICK - oil	1
2	C 32903	"O" RING	1
3	C 32904	TUBE - oil fill adapter	1
4	182- 552	SCREW - #10 - 24 x 1/2"	3
5	KO 237064	GASKET - oil fill tube	1



RINGS, PISTON AND CONNECTING ROD

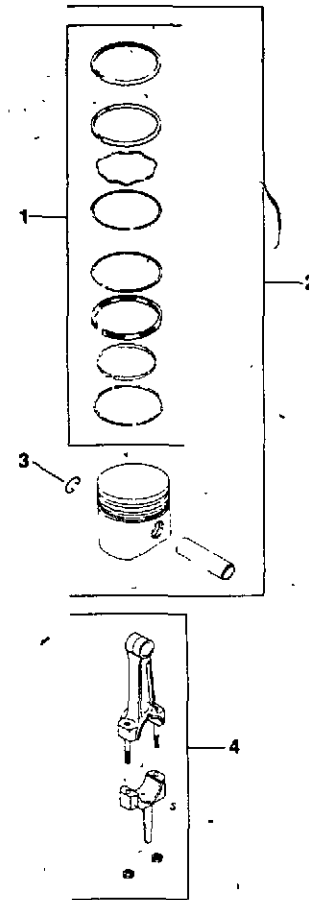
For Model 3010



REF.	PART NO.	DESCRIPTION	REQ'D
1	KO 235287	RING SET - standard	1
1	KO 235288	RING SET - .010" (0.25 mm) oversize	1
1	KO 235289	RING SET - .020" (0.51 mm) oversize	1
1	KO 235290	RING SET - .030" (0.76 mm) oversize	1
2	C 29516	PISTON ASSEMBLY - includes rings (standard)	1
2	C 29517	PISTON ASSEMBLY - includes rings .003" (0.08 mm) oversize	1
2	C 29518	PISTON ASSEMBLY - includes rings .010" (0.25 mm) oversize	1
2	C 29519	PISTON ASSEMBLY - includes rings .020" (0.51 mm) oversize	1
2	C 29520	PISTON ASSEMBLY - includes rings .030" (0.76 mm) oversize	1
3	KO 235004	RETAINER - piston pin	2
4	C 30484	CONNECTING ROD ASSEMBLY - standard	1
4	C 18101	CONNECTING ROD ASSEMBLY - .010" (0.25 mm) undersize	1

RINGS, PISTON AND CONNECTING ROD
For Model 3012

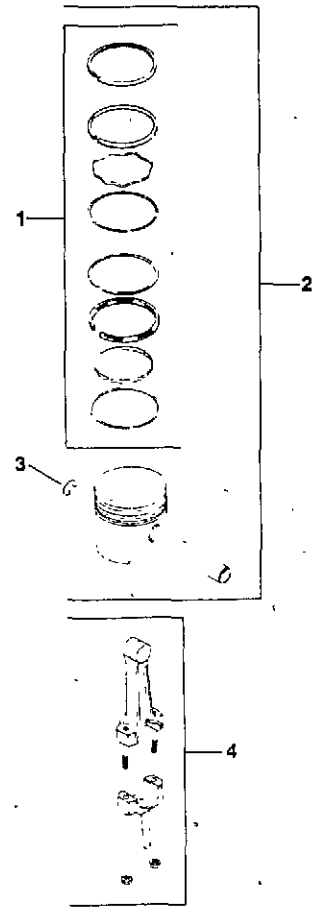
(Use Before Engine Serial Number 1730100013)



REF.	PART NO.	DESCRIPTION	REQ'D
1	KO 235889	RING SET - standard	1
1	KO 235890	RING SET - .010" (0.25 mm) oversize	1
1	KO 235891	RING SET - .020" (0.51 mm) oversize	1
1	KO 235892	RING SET - .030" (0.76 mm) oversize	1
2	C 29521	PISTON ASSEMBLY - includes rings (standard)	1
2	C 29522	PISTON ASSEMBLY - includes rings .003" (0.08 mm) oversize	1
2	C 29523	PISTON ASSEMBLY - includes rings .010" (0.25 mm) oversize	1
2	C 29524	PISTON ASSEMBLY - includes rings .020" (0.51 mm) oversize	1
2	C 29525	PISTON ASSEMBLY - includes rings .030" (0.76 mm) oversize	1
3	KO 235004	RETAINER - piston pin	2
4	C 30483	CONNECTING ROD ASSEMBLY - standard	1
4	C 23135	CONNECTING ROD ASSEMBLY - .010" (0.25 mm) undersize	1

(Use After Engine Serial Number 1729900003)

1	C 32817	RING SET - standard	1
1	C 32818	RING SET - .010" (0.25 mm) oversize	1
1	C 32819	RING SET - .020" (0.51 mm) oversize	1
1	C 32820	RING SET - .030" (0.76 mm) oversize	1
2	C 32834	PISTON ASSEMBLY - includes rings (standard)	1
2	C 32835	PISTON ASSEMBLY - includes rings .003" (0.08 mm) oversize	1
2	C 32836	PISTON ASSEMBLY - includes rings .010" (0.25 mm) oversize	1
2	C 32837	PISTON ASSEMBLY - includes rings .020" (0.51 mm) oversize	1
2	C 32838	PISTON ASSEMBLY - includes rings .030" (0.76 mm) oversize	1
3	KO 235004	RETAINER - piston pin	2
4	C 32800	CONNECTING ROD ASSEMBLY - standard	1
4	C 32801	CONNECTING ROD ASSEMBLY - .010" (0.25 mm) undersize	1



RINGS, PISTON AND CONNECTING ROD

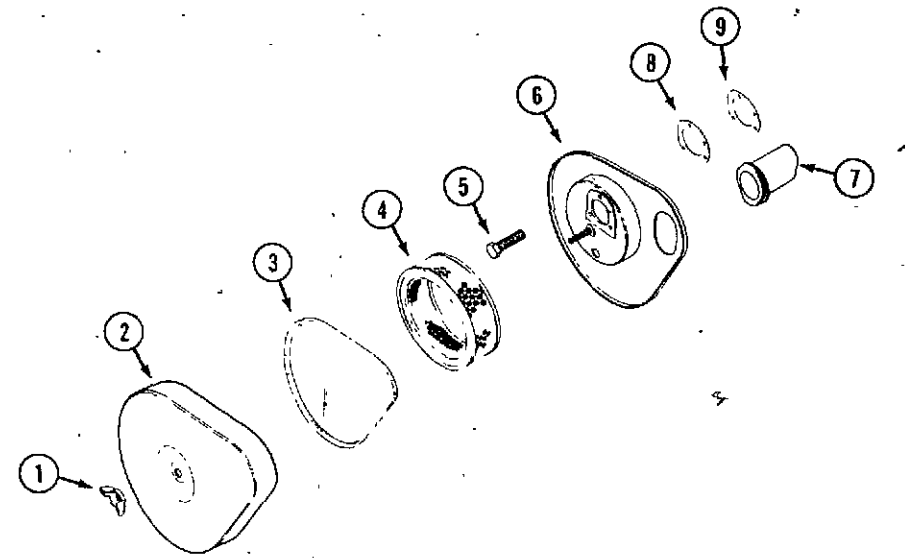
(For Model 3014 and 4014)

(Use Before Engine Serial Number 1822205133)

REF.	PART NO.	DESCRIPTION	REQ'D
1	C 32844	RING SET - standard	1
1	C 32845	RING SET - .010" (0.25 mm) oversize	1
1	C 32846	RING SET - .020" (0.51 mm) oversize	1
1	C 32847	RING SET - .030" (0.76 mm) oversize	1
2	C 29526	PISTON ASSEMBLY - includes rings (standard)	1
2	C 29527	PISTON ASSEMBLY - includes rings .003" (0.08") oversize	1
2	C 29528	PISTON ASSEMBLY - includes rings .010" (0.25 mm) oversize	1
2	C 29529	PISTON ASSEMBLY - includes rings .020" (0.51 mm) oversize	1
2	C 29530	PISTON ASSEMBLY - includes rings .030" (0.76 mm) oversize	1
3	KO 235004	RETAINER - piston pin	2
4	C 30483	CONNECTING ROD ASSEMBLY - standard	1
4	C 23135	CONNECTING ROD ASSEMBLY - .010" (0.25 mm) oversize	1

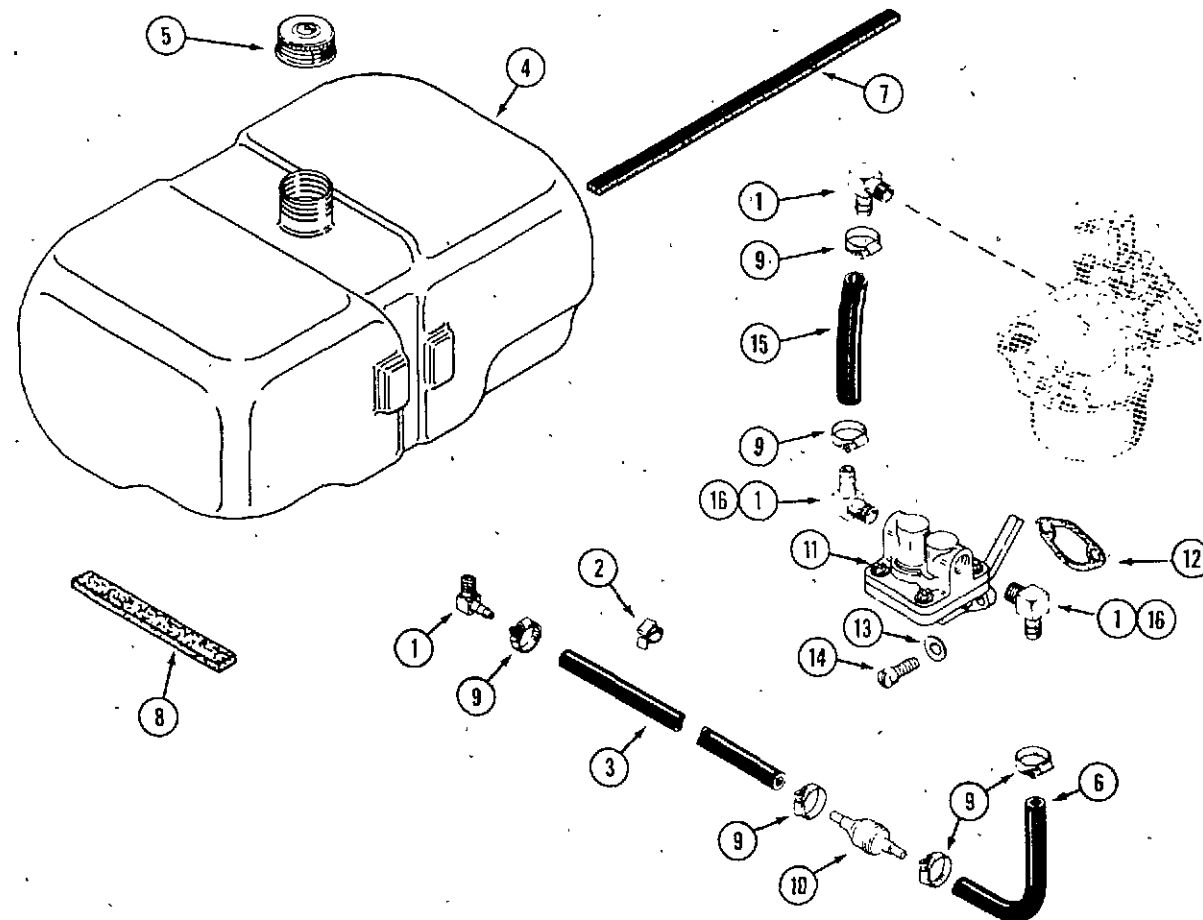
(Use After Engine Serial Number 1822205123)

1	C 32821	RING SET - standard	1
1	C 32822	RING SET - .010" (0.25 mm) oversize	1
1	C 32823	RING SET - .020" (0.51 mm) oversize	1
1	C 32824	RING SET - .030" (0.76 mm) oversize	1
2	C 32839	PISTON ASSEMBLY - includes rings (standard)	1
2	C 32840	PISTON ASSEMBLY - includes rings .003" (0.08 mm) oversize	1
2	C 32841	PISTON ASSEMBLY - includes rings .010" (0.25 mm) oversize	1
2	C 32842	PISTON ASSEMBLY - includes rings .020" (0.51 mm) oversize	1
2	C 32843	PISTON ASSEMBLY - includes rings .030" (0.76 mm) oversize	1
3	KO 235004	RETAINER - piston pin	2
4	C 32800	CONNECTING ROD ASSEMBLY - standard	1
4	C 32801	CONNECTING ROD ASSEMBLY - .010" (0.25 mm) undersize	1



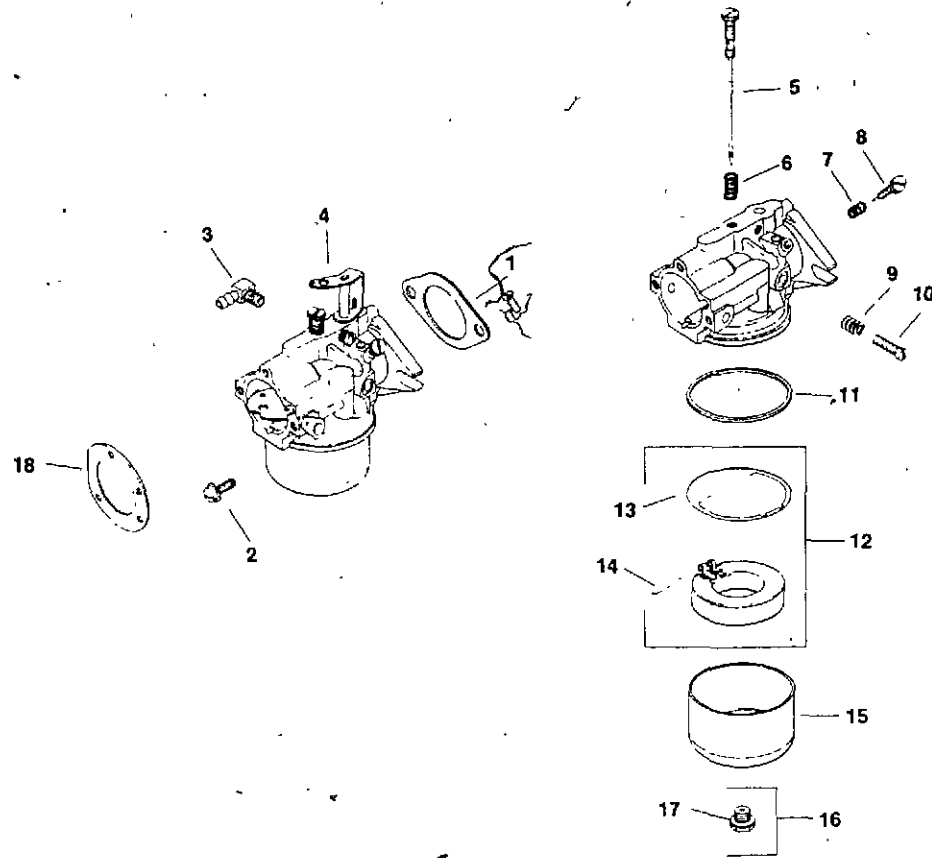
AIR CLEANER

REF.	PART NO.	DESCRIPTION	REQ'D
1	C 26703	NUT - wing 1/4" - 20	1
2	C 32812	COVER - air cleaner	1
3	C 32805	SEAL - cover	1
4	C 32813	ELEMENT - air cleaner	1
5	C 32814	SCREW - #10 - 32 x 15/16"	3
6	C 32815	BASE - air cleaner	1
7	C 32827	TUBE - air	1
8	C 32799	GASKET - air horn	2
9	C 32825	SPACER	1



FUEL SYSTEM

REF.	PART NO.	DESCRIPTION	REQ'D
1	C 10678	ELBOW - hose 90°	1
2	C 28962	RETAINER - fuel line	1
3	NSS	HOSE - fuel line (use C28937 cut to length)	1
4	C 28940	TANK - fuel	1
5	C 11529	CAP - fuel tank (includes insert)	1
6	NSS	HOSE - fuel line (use C28937 cut to length)	1
7	C 23527	LINER - tank	1
8	C 14690	CUSHION - fuel tank	2
9	C 32376	CLAMP - hose 1/2"	4
10	C 31978	FILTER - fuel	1
11	C 24851	PUMP - fuel (includes gasket & washers)	1
12	C 24887	GASKET - fuel pump	1
13	195- 518	WASHER - 1/4"	2
14	C 32923	SCREW - sems 1/4" - 20 x 3/4"	2
15	NSS	HOSE - fuel line (use C28937 cut to length)	1
16	C 34413	FITTING - 90°, fuel pump ("O" ring style)	2



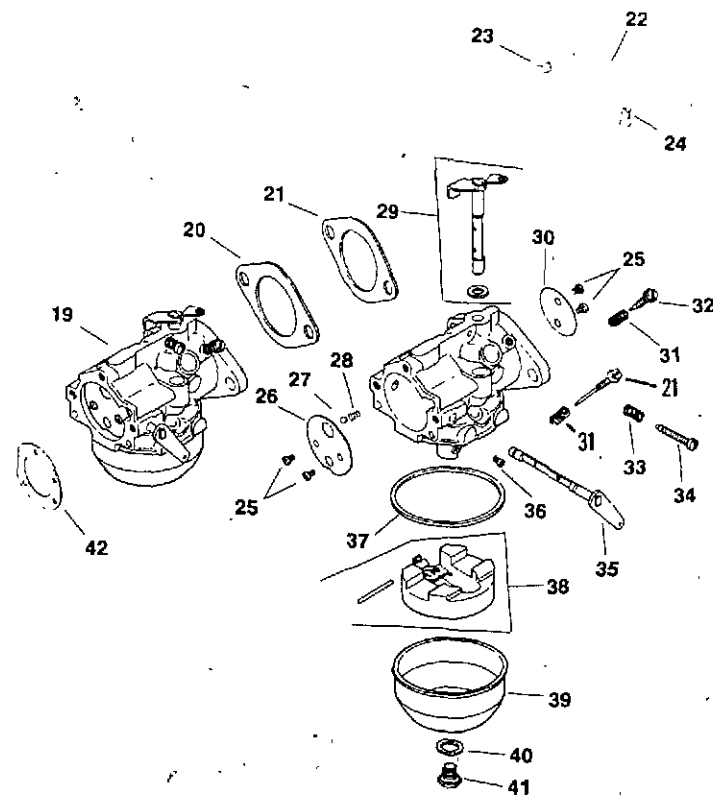
KOHLER CARBURETOR
With Adjustable Main Fuel Jet

REF.	PART NO.	DESCRIPTION	REQ'D
1	C 23860	GASKET - carburetor mounting	1
2	NSS	SCREW - 5/16" - 18 x 1" (use 113-103 and 192-20)	2
3	C 10678	CONNECTOR - hose, 90°	1
4	NSS	CARBURETOR ASSEMBLY - 3010, 3012 (use C33215)	1
4	NSS	CARBURETOR ASSEMBLY - 3014, 4014 (use C33216)	1
5	C 28879	NEEDLE - main fuel adjust (3010, 3012)	1
5	C 24652	NEEDLE - main fuel adjust (3014, 4014)	1
6	KO 200383	SPRING - main fuel	1
7	A 72098	SPRING - idle fuel	1
8	C 28880	NEEDLE - idle fuel adjust (3010, 3012)	1
8	KO 275231	NEEDLE - idle fuel adjust (3014, 4014)	1
9	C 32853	SPRING - idle speed	1
10	C 32938	SCREW - idle speed adjust	1
11	NSS	GASKET - bowl (use C27278 kit)	1
12	C 27276	KIT - float	1
13	C 27277	GASKET - bowl baffle	1
14	C 28676	PIN - float	1
15	KO 235448	BOWL - fuel	1
16	C 26422	SCREW AND GASKET - bowl retaining	1
17	NSS	GASKET - bowl retaining screw	1
18	C 32799	GASKET - air cleaner	1
	C 27278	KIT - carburetor repair	1
	C 32856	KIT - choke and throttle repair	1

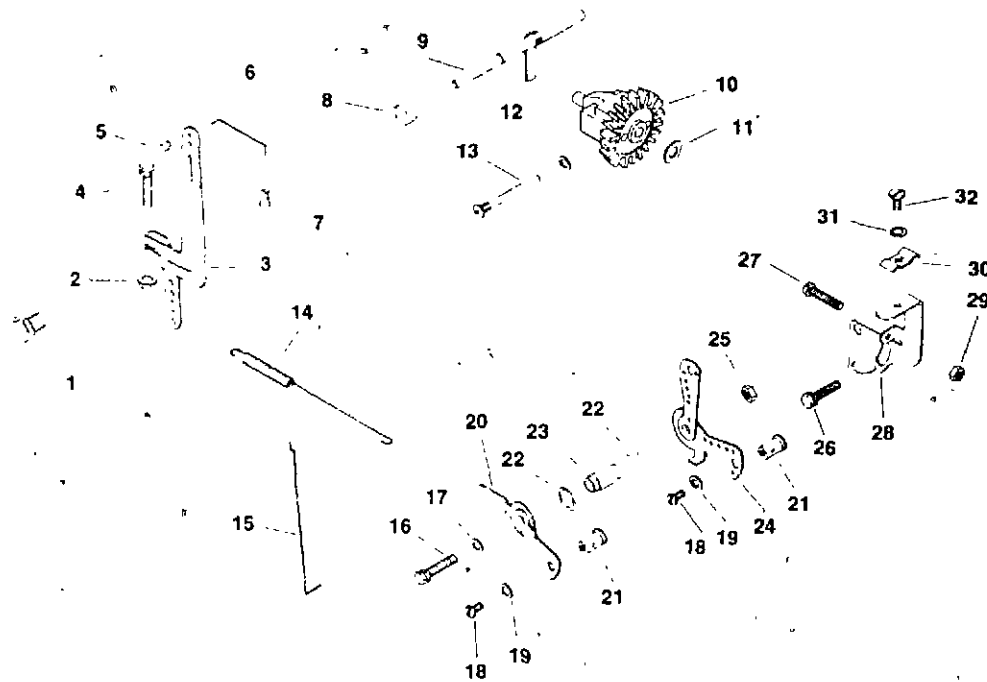
WALBRO CARBURETOR

With Fixed and Adjustable Main Fuel Jet

19	NSS	CARBURETOR ASSEMBLY - 3010, 3012 (use C33215)	1
19	NSS	CARBURETOR ASSEMBLY - 3014, 4014 (use C33216)	1
20	C 23860	GASKET - carburetor mounting	1
21	C 33310	NEEDLE - main fuel adjust	1
22	C 32859	LINKAGE - carburetor	1
23	C 32927	BUSHING - retaining (natural)	1
24	C 32925	BUSHING - retaining (yellow or black)	1
25	C 32862	SCREW - throttle and choke plate	4
26	C 32863	PLATE - choke (3010, 3012)	1
26	C 32864	PLATE - choke (3014, 4014)	1
27	C 32865	BALL - choke friction	1
28	C 32866	SPRING - choke friction	1
29	C 32867	SHAFT - throttle (includes lever and seal) 3010, 3012	1
29	C 32868	SHAFT - throttle (includes lever and seal) 3014, 4014	1
30	C 32869	PLATE - throttle (3010, 3012)	1
30	C 32870	PLATE - throttle (3014, 4014)	1
31	C 32871	SPRING - idle fuel	1
32	C 32872	NEEDLE - idle fuel adjust	1
33	C 32873	SPRING - idle speed	1
34	C 32874	SCREW - idle speed adjust	1
35	C 32875	LEVER - choke	1
36	C 32876	JET - main fuel, fixed (3010, 3012)	1
36	C 32877	JET - main fuel, fixed (3014, 4014)	1
37	C 32878	GASKET - bowl	1
38	C 32879	KIT - float	1
39	C 32880	BOWL - fuel	1
40	C 32881	GASKET - bowl retaining screw	1
41	C 32882	SCREW - bowl retaining	1
42	C 32799	GASKET - air cleaner	1
	C 34416	KIT - carburetor repair	1

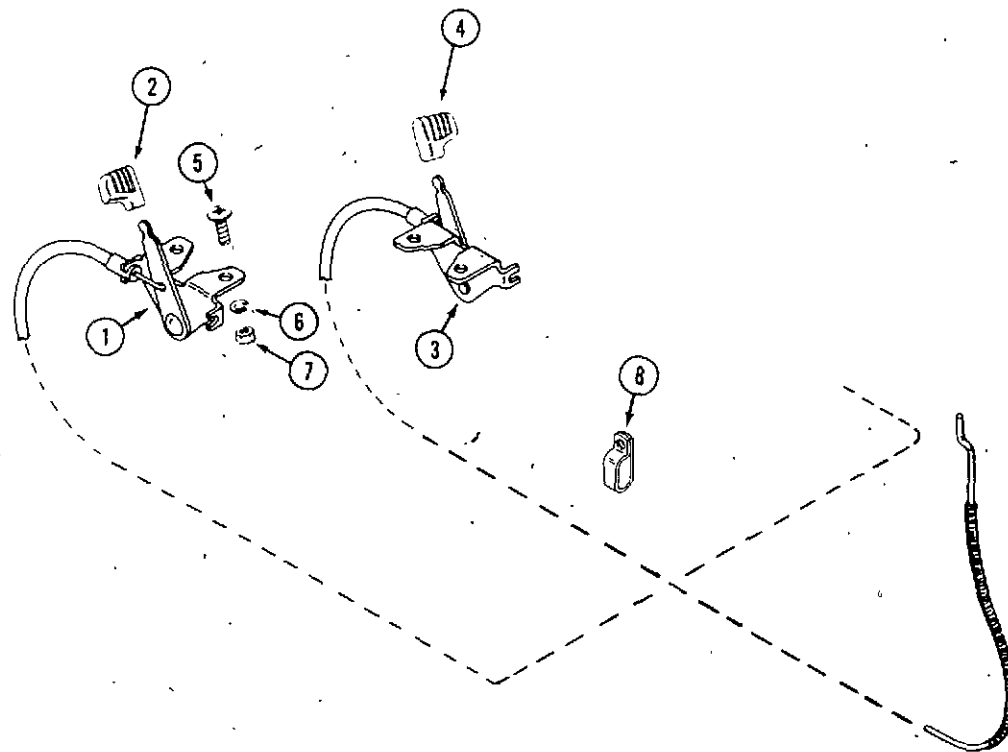


GOVERNOR AND CHOKE LEVER

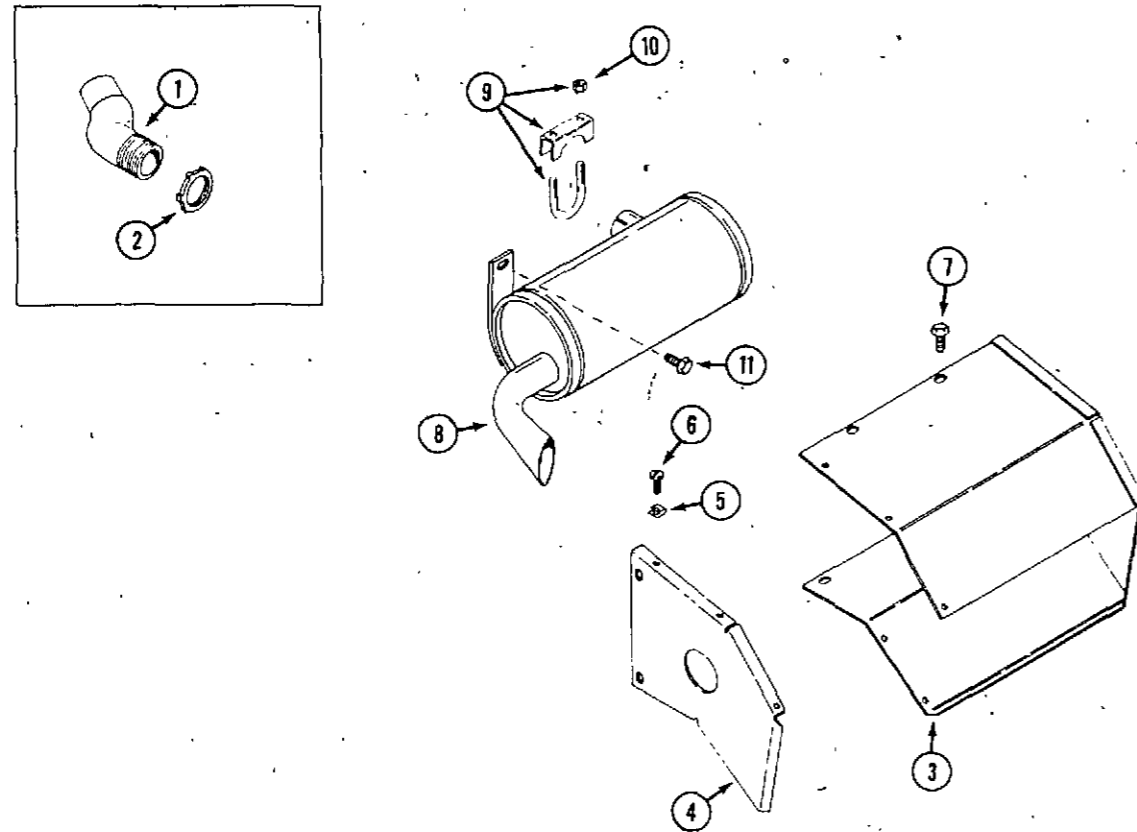


REF.	PART NO.	DESCRIPTION	REQ'D
1	KO 235476	BUSHING - governor	1
2	C 32850	PALNUT - 1/4" - 20	1
3	C 32924	LEVER - governor	1
4	113- 17	SCREW - 1/4" - 20 x 1-1/4"	1
5	C 32925	BUSHING - retaining (black)	1
6	C 32926	LINKAGE - governor	1
7	C 32927	BUSHING - retaining (natural)	1
8	C 28878	SPACER	1
9	C 23126	KIT - governor shaft	1
10	C 27274	KIT - governor gear	1
11	KO 237022	WASHER - thrust	1
12	C 32929	WASHER - 1/4"	1
13	C 28690	PIN - governor stop	1
14	C 32930	SPRING - governor	1
15	C 32931	LINKAGE - choke	1
16	113- 17	SCREW - 1/4" - 20 x 1-1/4"	1
17	195- 518	WASHER - 1/4"	1
18	NSS	SCREW #8 - 32 x 1/4" slotted panhead (use C32935 kit)	1
19	NSS	WASHER - 1/4" (use C32935 kit)	2
20	C 32934	LEVER - choke	1
21	C 32935	KIT - clamp (includes ref. 18, 19)	1
22	KO 275690	WASHER - wave	2
23	C 32936	SPACER	1
24	C 32937	LEVER - throttle	1
25	129- 101	NUT - hex 1/4" - 20	1
26	121- 21	SCREW - 1/4" - 20 x 1/2"	1
27	C 32938	SCREW	1
28	C 32939	BRACKET - control	1
29	C 32940	NUT - hex #8 - 32	1
30	C 32941	CLAMP - swivel	1
31	C 32942	WASHER	1
32	182- 559	SCREW - hex washer head #10 - 24 x 3/4"	1

CHOKE AND THROTTLE



1	C 33413	CONTROL - throttle	1
2	C 30073	HANDLE - throttle control, orange	1
3	C 31891	CONTROL - choke	1
4	C 30074	HANDLE - choke control, black	1
5	182- 559	BOLT - No. 10 - 24 x 3/4" Phillips, black	2
6	192- 18	LOCKWASHER - No. 10	2
7	129- 17	NUT - No. 10 - 24	2
8	C 33218	CLIP - cable	1

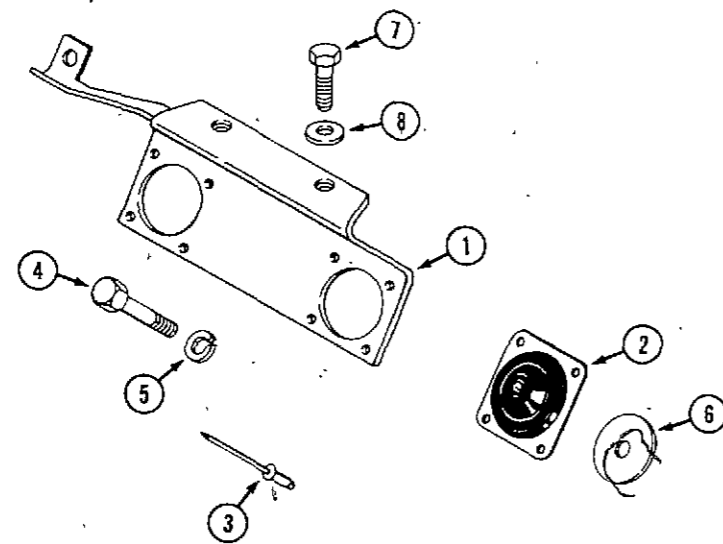


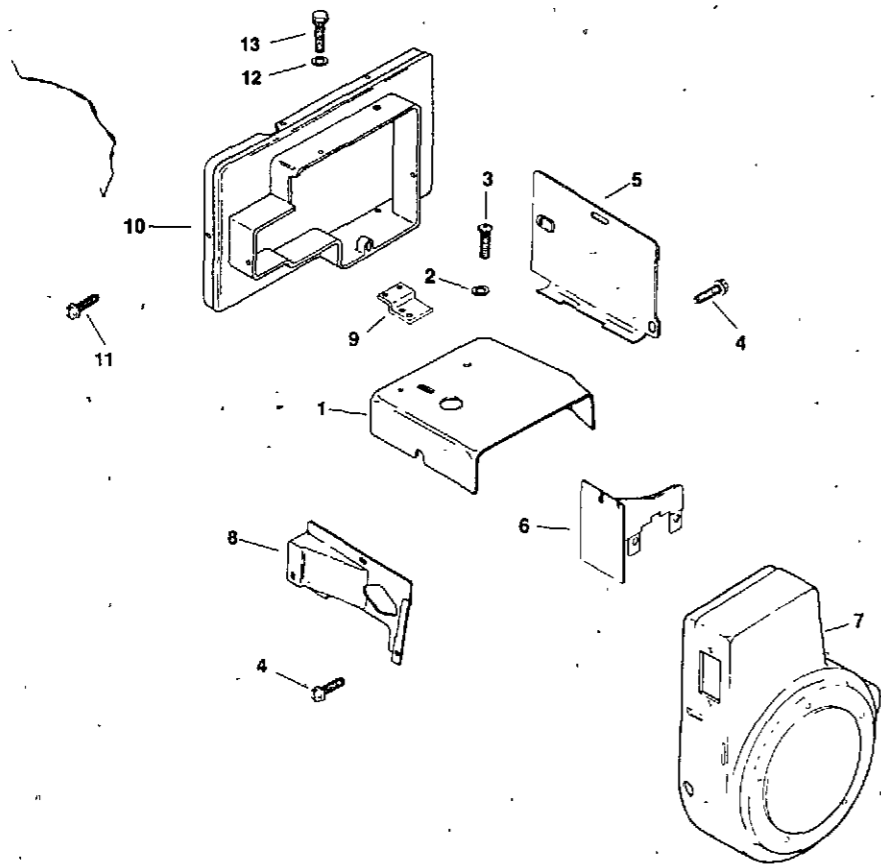
EXHAUST SYSTEM

REF.	PART NO.	DESCRIPTION	REQ'D
1	C 32915	ELBOW - exhaust	1
2	C 32916	NUT - lock	1
3	C 31360	SHIELD - muffler	1
4	C 31364	SHIELD - R.H.	1
5	C 31568	NUT - tinnerman #8 - 32	6
6	187- 1334	SCREW - #8 - 18 x 1/2"	6
7	121- 21	BOLT - 1/4" - 20 x 1/2" flange lock	8
8	NSS	MUFFLER - exhaust (use C33424)	1
9	C 31412	CLAMP - muffler	1
10	129- 102	NUT - 5/16" - 18	2
11	121- 106	BOLT - 5/16" - 18 x 1/2" flange lock	1
	C 33028	KIT - exhaust deflector (optional)	1
	121- 21	BOLT - 1/4" - 20 x 1/2"	1
	131- 934	NUT - 1/4" flange lock	1

ENGINE MOUNTS

1	C 31956	PLATE - engine mount R.H. (shown)	1
1	C 31666	PLATE - engine mount L.H.	1
2	C 32268	MOUNT - engine	4
3	NSS	RIVET - 3/16" x 7/16" (use 151-539)	16
4	113- 219	BOLT - 3/8" - 16 x 2"	4
5	192- 21	LOCKWASHER - 3/8"	4
6	C 25556	WASHER - shubbing	4
7	113- 208	BOLT - 3/8" - 16 x 1-1/4"	4
8	195- 525	WASHER - 3/8"	4



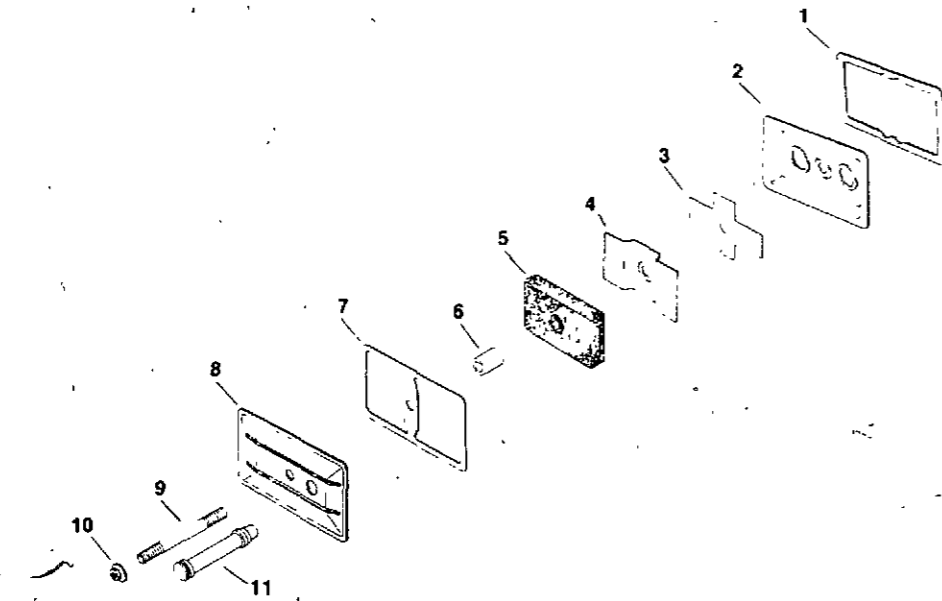


BAFFLES AND SHROUDS

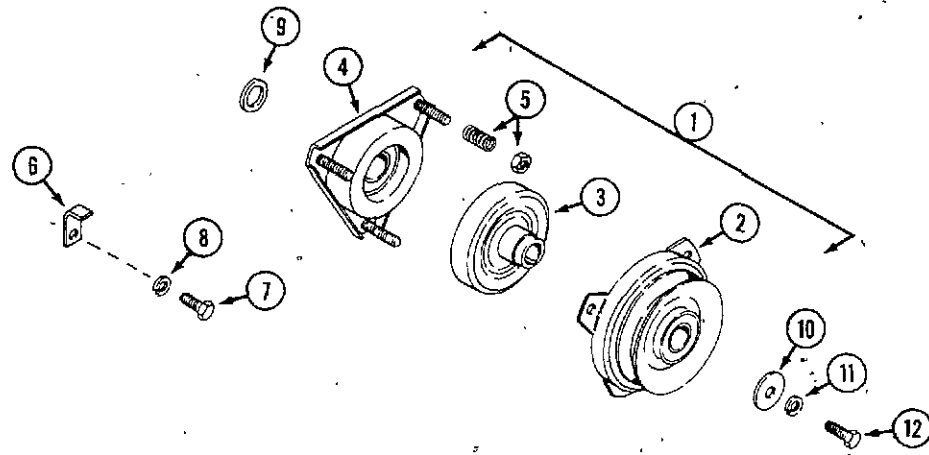
REF.	PART NO.	DESCRIPTION	REQ'D
1	C 32810	BAFFLE - head (3010) shown	1
1	C 32809	BAFFLE - head (3012, 3014, 4014)	1
2	195- 518	WASHER - 1/4"	1
3	71- 410	SCREW - 1/4" - 20 x 5/8"	1
4	121- 21	SCREW - 1/4" - 20 x 1/2"	8
5	C 32811	BAFFLE - cylinder	1
6	C 32808	BAFFLE - inner	1
7	C 32804	HOUSING - blower	1
8	C 32807	BAFFLE - side air	1
9	C 32826	BRACKET - air duct	1
10	C 32830	KIT - air duct	1
11	182- 525	SCREW - #10 - 32 x 7/16"	3
12	195- 102	WASHER - 5/16"	1
13	113- 104	SCREW - 5/16" - 18 x 1-1/4"	1

BREATHER AND VENT

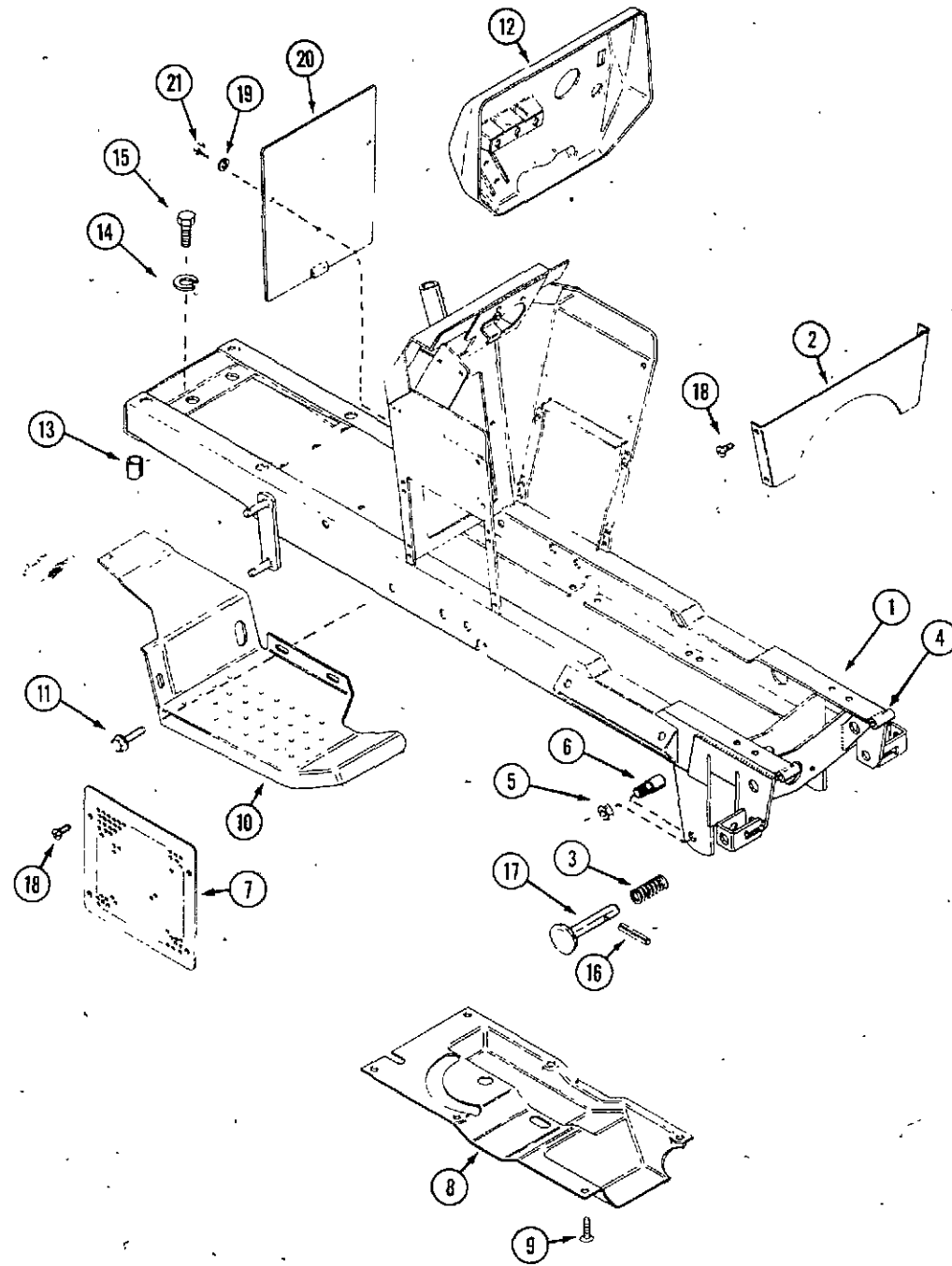
1	KO 235048	GASKET - breather plate	1
2	KO 235631	PLATE - breather	1
3	KO 235047	REED - beather	1
4	C 32798	BAFFLE - breather	1
5	C 32806	FILTER - breather	1
6	KO 231032	SEAL - breather	1
7	KO 275144	GASKET - valve cover	1
8	C 32816	COVER - valve	1
9	KO 275220	STUD - 1/4" - 20 x 3-1/4"	1
10	C 32850	PALNUT - 1/4" - 20	1
11	C 32828	HOSE - breather	1



PTO ELECTRIC CLUTCH



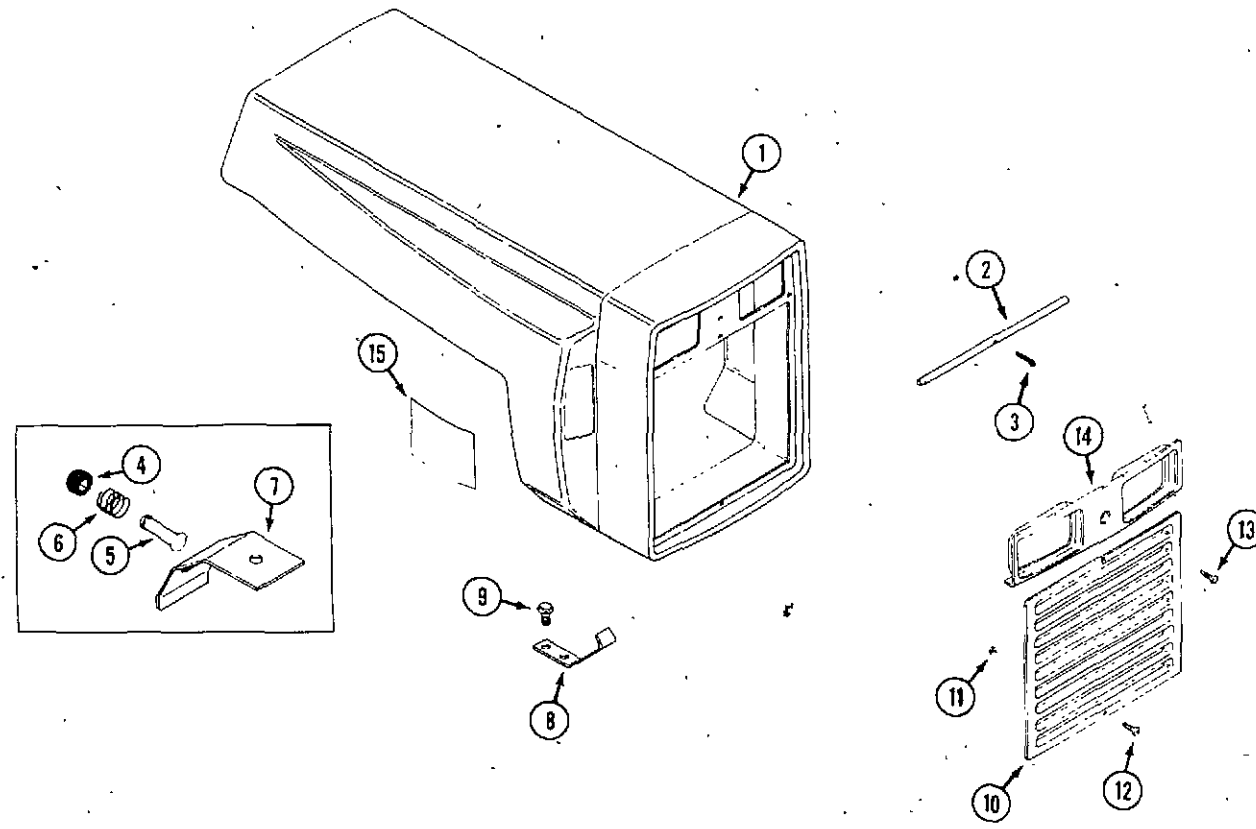
REF.	PART NO.	DESCRIPTION	REQ'D
1	C 33197	CLUTCH - PTO	1
2	C 32378	AMATURE - clutch	1
3	C 32379	ROTOR - clutch	1
4	C 32380	FIELD - clutch	1
5	C 32381	KIT - spring and nut	1
6	C 31297	BRACKET - anti-rotation	1
7	113- 206	BOLT - 3/8" - 16 x 3/4" (secure with LOCK TITE)	1
8	192- 21	LOCKWASHER - 3/8"	2
9	C 31614	SPACER - clutch	1
10	C 31615	WASHER - clamping	1
11	192- 22	LOCKWASHER - 7/16"	1
12	14- 724	BOLT - 7/16" - 20 x 1-1/2" (use 50 ft. lbs. torque)	1



FRAME, FOOT PADS AND BELLY PAN

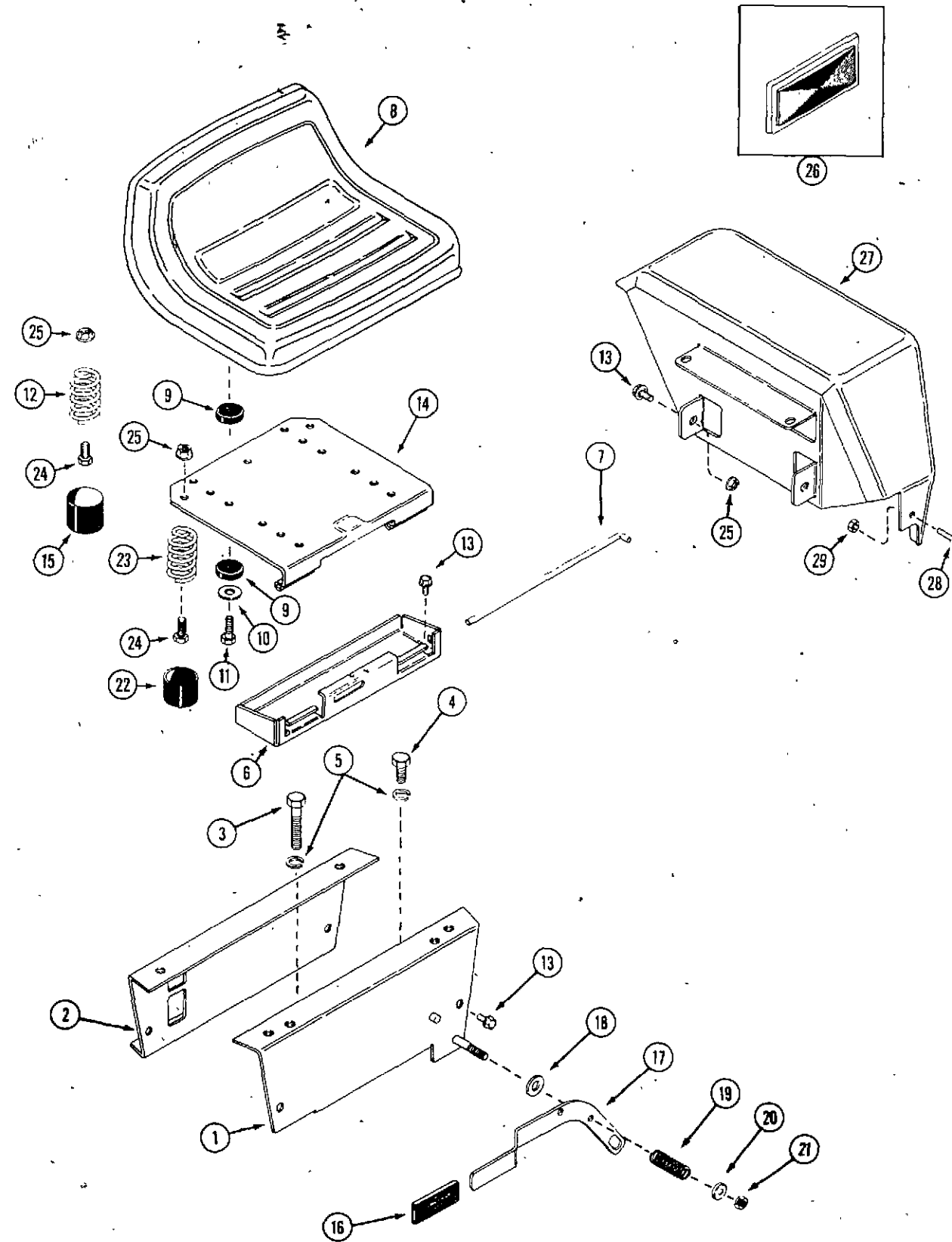
REF.	PART NO.	DESCRIPTION	REQ'D
1	C 31624	FRAME - main (3010, 3012, 3014)	1
1	C 31626	FRAME - main (4014)	1
2	C 31610	SHIELD - oil tank	1
3	C 24137	SPRING - latch	1
4	C 22023	HINGE - frame	2
5	131- 1318	NUT - lock 1/2" N.F.	2
6	C 27508	PIN - attachment	2
7	C 31967	SCREEN - tower side	2
8	C 31369	PAN - belly	1
9	C 31603	RETAINER - belly pan	6
10	C 30458	PAD - foot L.H. (3010, 3012, 3014)	1
10	C 30460	PAD - foot R.H. (3010, 3012, 3014) shown	1
10	C 30462	PAD - foot L.H. (4014)	1
10	C 30464	PAD - foot R.H. (4014)	1
11	121- 106	BOLT - 5/16" x 1/2" N.C. flange lock	4
12	C 31368	CAP - instrument panel	4
13	C 14730	SPACER - rear, frame (3010, 3012, 3014)	2
14	192- 23	LOCKWASHER - 1/2"	4
15	113- 424	BOLT - 1/2" - 13 x 1" transaxle mounting	UAR
15	166- 85	BOLT - 1/2" x 1", 12 pt. flange	UAR
16	138- 2073	PIN - roll 3/16" x 1-1/4"	2
17	C 16373	PIN - latch	2
18	C 31597	BOLT - 1/4" - 20 x 1/2" black	12
19	192- 19	LOCKWASHER - 1/4"	2
20	C 31359	COVER - access	1
21	187- 1036	SCREW - 1/4" - 20 x 1/2" self tap	2

HOOD AND GRILLE



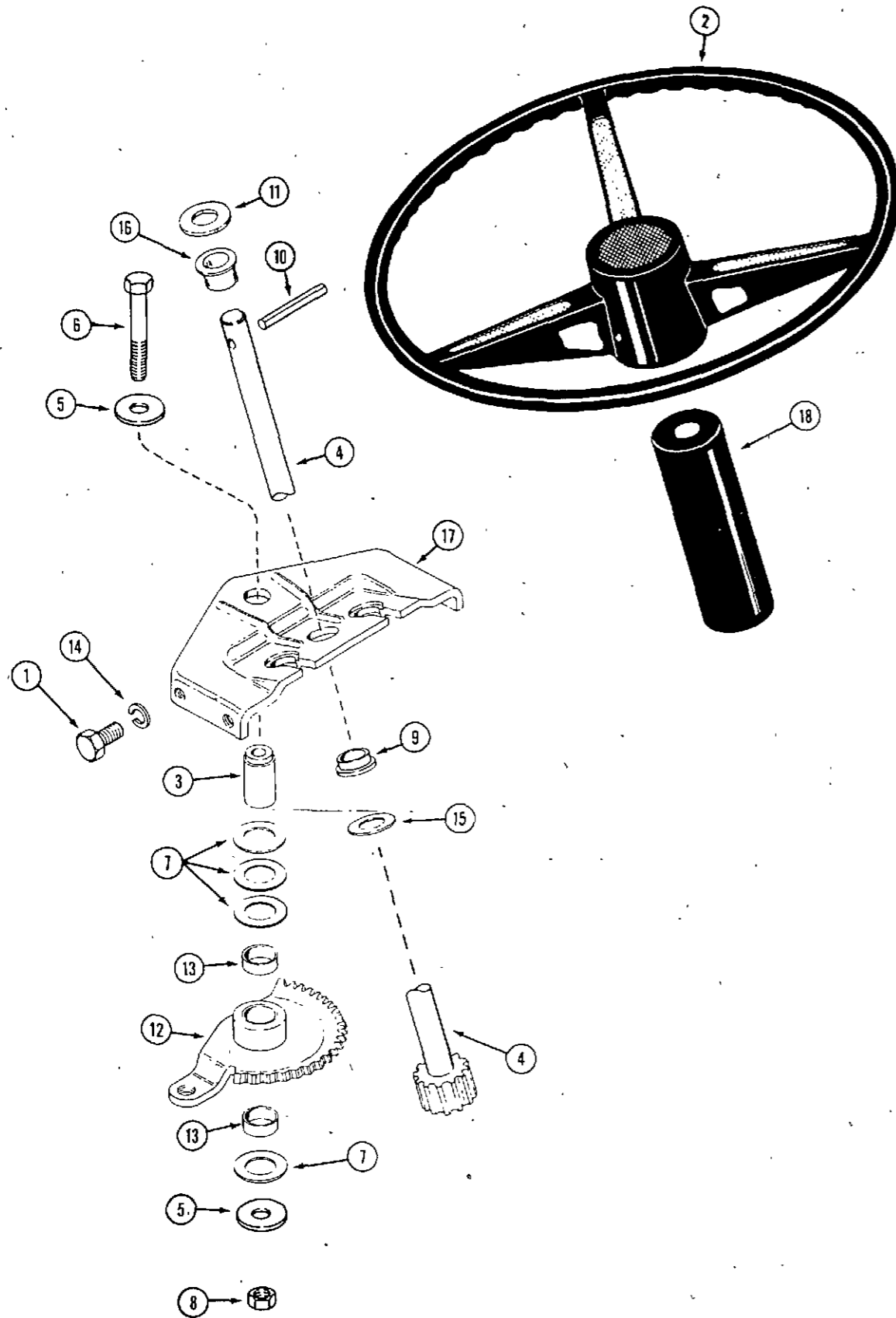
REF.	PART NO.	DESCRIPTION	REQ'D
1	C 31352	HOOD	1
	C 31357	HINGE - hood (not shown) is welded to hood	1
2	C 16362	ROD - hood hinge	1
3	132- 334	PIN - cotter 1/8" x 3/4"	1
4	C 29314	BUTTON - push, hood release	1
5	C 30126	ROD - push, hood release	1
6	C 30004	SPRING - release	1
7	C 33467	LATCH - hood	1
8	C 31611	BRACKET - hood stop	2
9	121- 106	BOLT - 5/16" - 18 x 1/2" flange lock	4
10	C 31365	GRILLE	1
11	131- 934	NUT - 1/4" - 20 flange lock	2
12	C 31597	SCREW - 1/4" - 20 x 1/2" black	2
13	187- 1328	SCREW - #8 - 18 x 3/8"	1
14	C 31366	SHROUD - headlight	1
15	C 31612	SHIELD - heat	1

SEAT, FENDERS AND TOOL TRAY

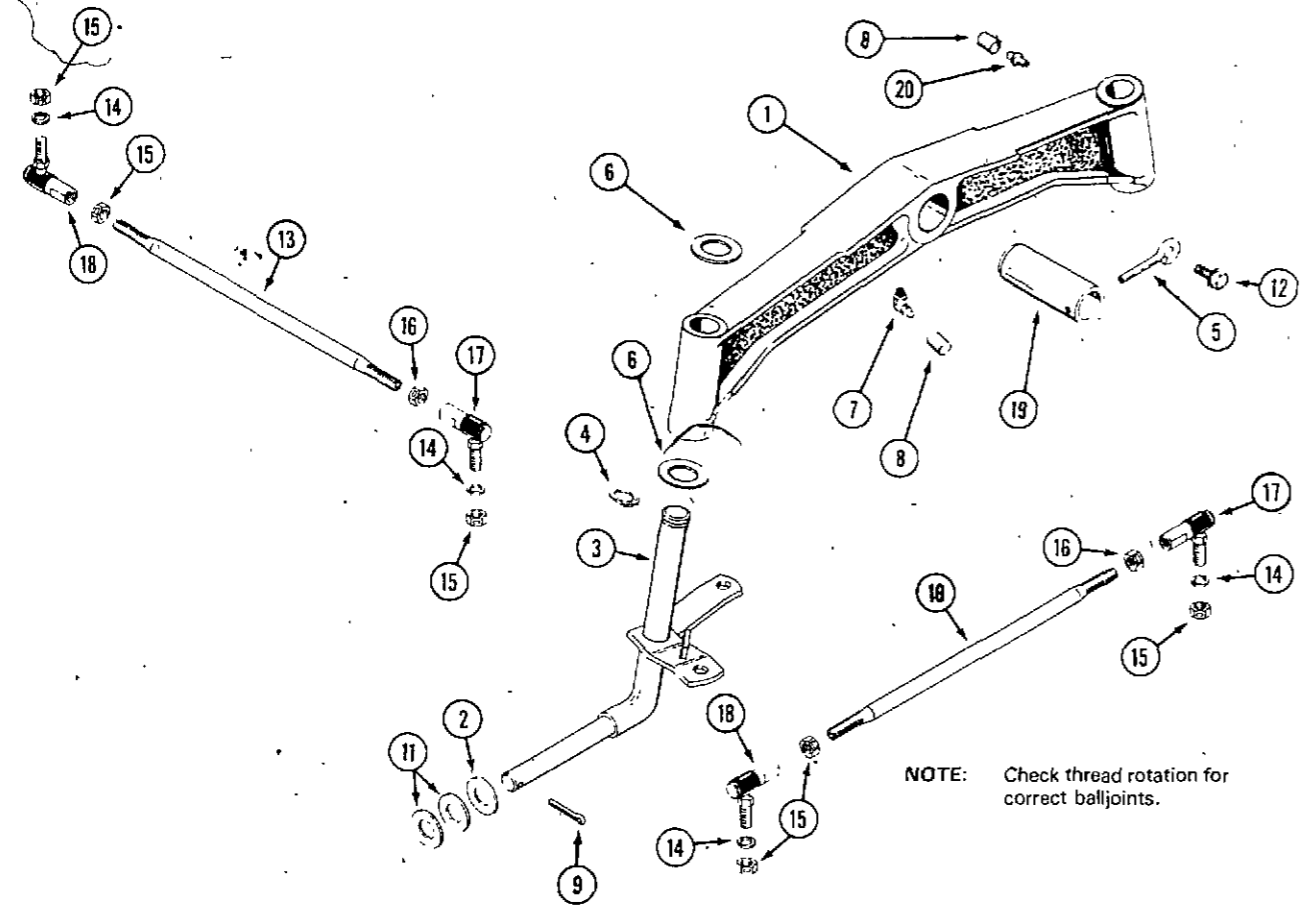


REF.	PART NO.	DESCRIPTION	REQ'D
1	C 31020	SUPPORT - seat, front shown (3010, 3012, 3014)	1
1	C 31021	SUPPORT - seat, front (4014)	1
2	C 26827	SUPPORT - seat, rear (3010, 3012, 3014)	1
2	C 27224	SUPPORT - seat, rear (4014)	1
3	113- 427	BOLT - 1/2" x 3-1/4" (3010, 3012, 3014)	2
3	113- 441	BOLT - 1/2" x 2-1/4" N.C. hex (4014)	2
4	113- 424	BOLT - 1/2" x 1" N.C. hex	1
4	113- 118	BOLT - 5/16" x 5/8"	1
5	192- 20	LOCKWASHER - 5/16"	1
5	192- 23	LOCKWASHER - 1/2"	4
6	C 31004	TRAY - tool	1
7	C 16429	PIN - seat hinge	1
8	C 30071	SEAT - shown (black) (3010, 3012, 3014)	1
8	C 30066	SEAT - (black) (4014)	1
9	C 15410	CUSHION - rubber	8
10	195- 2175	WASHER - 5/16" x 1-1/4" OD, zinc	4
11	113- 122	BOLT - 5/16" x 1-1/2"	4
12	C 31006	SPRING - seat switch	1
13	121- 106	BOLT - 5/16" x 1/2" flange lock	10
14	C 31005	HINGE ASSEMBLY - seat	1
15	C 26526	CAP - spring	1
16	C 14728	GRIP - shift lever	1
17	C 27594	LEVER - shift	1
18	195- 525	WASHER - 7/16" x 1-1/4" O.D.	1
19	C 17216	SPRING - shift lever	1
20	C 30489	WASHER	1
21	131- 1216	NUT - lock 3/8" N.C. hex	1
22	C 29305	CAP - spring	2
23	C 29306	SPRING - seat	2
24	113- 102	BOLT - 5/16" - 18 x 3/4"	3
25	131- 911	NUT - 5/16" - 18 flange lock	7
26	C 30942	REFLECTOR - red, rear fender	2
27	C 32386	FENDER - R.H. (3010, 3012, 3014)	1
27	C 32385	FENDER - L.H. shown (3010, 3012, 3014)	1
27	C 32388	FENDER - R.H. (4014)	1
27	C 32387	FENDER - L.H. (4014)	1
28	182- 547	SCREW - 1/4" - 20 x 1/2"	2
29	131- 934	NUT - 1/4"	2

STEERING GEAR



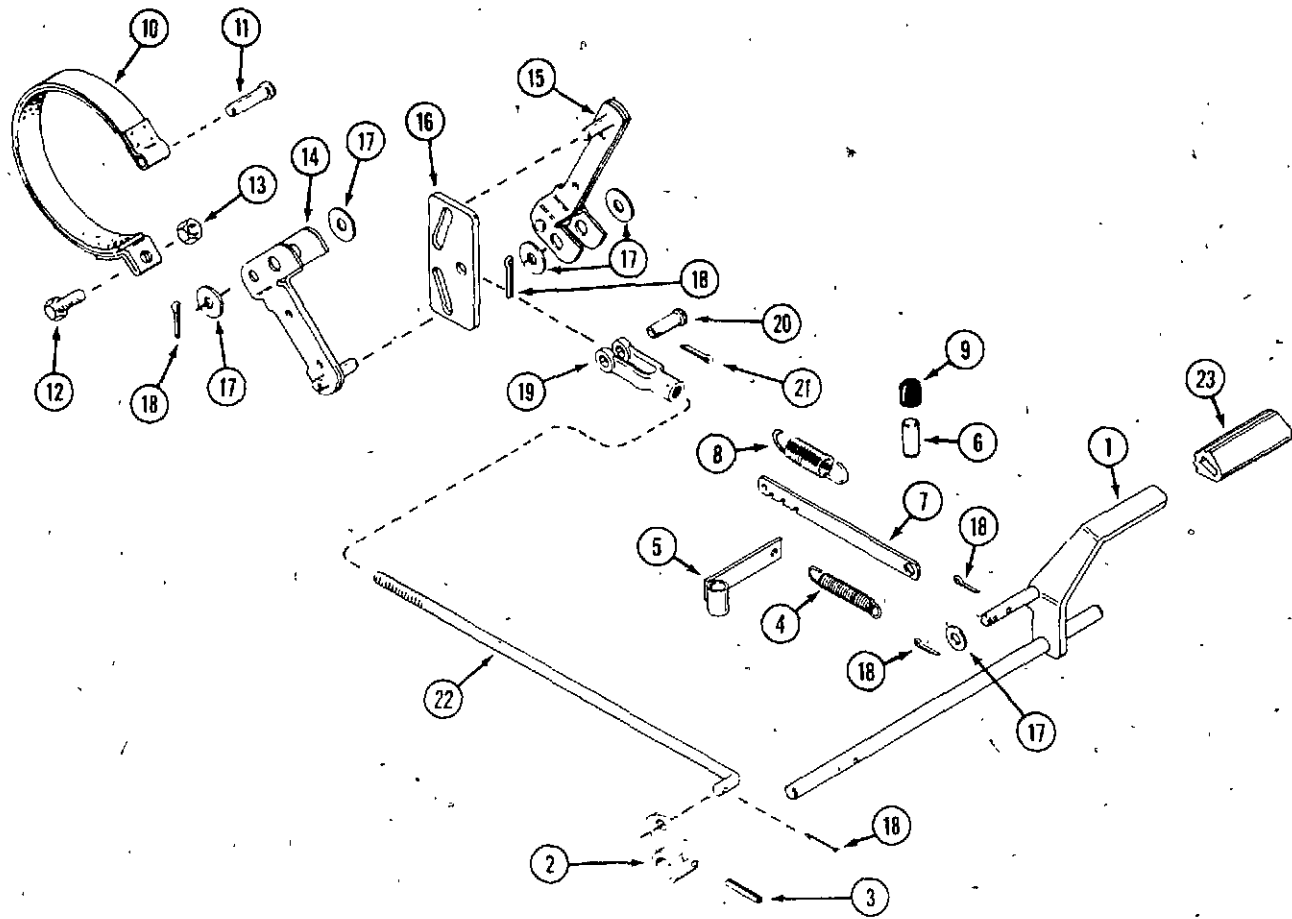
REF.	PART NO.	DESCRIPTION	REQ'D
1	113- 206	BOLT - 3/8" x 3/4" N.C. hex	4
2	C 26325	WHEEL - steering	1
3	C 29044	PIN - pivot	1
4	C 26326	SHAFT - steering	1
5	C 29812	WASHER - 3/8" x 1.4"	2
6	113- 241	BOLT - 3/8" - 16 x 3"	1
7	C 14201	WASHER - shim	4
8	131- 1352	NUT - 3/8" - 16 hex lock, flange	1
9	C 27501	BUSHING	1
10	138- 143	PIN - roll 1/4" x 2-1/4"	1
11	195 541	WASHER - 5/8"	UAR
11	195- 2206	WASHER - 5/8" x 1-1/4" x .06"	UAR
12	C 33309	GEAR - steering	1
13	C 33308	BUSHING - sleeve	2
14	192- 21	LOCKWASHER - 3/8"	4
15	195- 2069	WASHER - 5/8" zinc plated	2
16	C 15096	BUSHING - flanged nylon	1
17	C 30019	SUPPORT - steering gear (includes item 9)	1
18	C 30127	TUBE - steering	1



FRONT AXLE

REF.	PART NO.	DESCRIPTION	REQ'D
1	C 18812	AXLE - front (3010, 3012, 3014)	1
1	C 18813	AXLE - front shown (4014)	1
2	C 27597	WASHER - spacer	2
3	C 31338	SPINDLE - R.H. (3010, 3012, 3014)	1
3	C 31341	SPINDLE - R.H. shown (4014)	1
3	C 31337	SPINDLE - L.H. (3010, 3012, 3014)	1
3	C 31340	SPINDLE - L.H. (4014)	1
4	C 27902	RING - retaining, spindle (4014)	2
4	C 28232	RING - retaining, spindle (3010, 3012, 3014)	2
5	C 22278	PIN - retaining, axle pivot	1
6	C 11906	WASHER - thrust (3010, 3012, 3014)	4
6	C 13716	WASHER - thrust (4014)	4
7	219- 404	FITTING - lubrication	3
8	C 13106	COVER - lubrication fitting	3
9	132- 311	PIN - cotter 5/32" x 1-1/4"	2
10	C 25855	TIE ROD - (4014)	1
10	C 25856	TIE ROD - (3010, 3012, 3014)	1
11	C 28226	WASHER - wheel spacer	UAR
12	187- 1910	BOLT - 3/8" - 16 x 3/4" N.C. hex head	1
13	C 25857	LINK - drag	1
14	192- 23	LOCKWASHER - 1/2" zinc	4
15	129- 165*	NUT - 1/2" N.F. R.H. thread, lock	6
16	129- 365*	NUT - 1/2" N.F. L.H. thread, lock	2
17	C 13605*	BALL JOINT - 1/2" L.H. thread	2
18	C 12102*	BALL JOINT - 1/2" R.H. thread	2
19	C 22568	PIN - axle pivot	1
20	219- 17	FITTING - lubrication	2

*Check thread rotation to order the correct part.

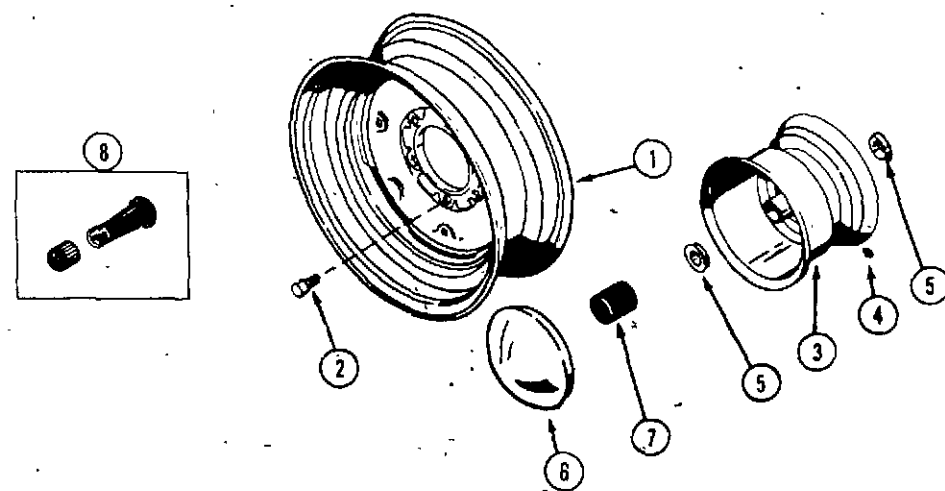


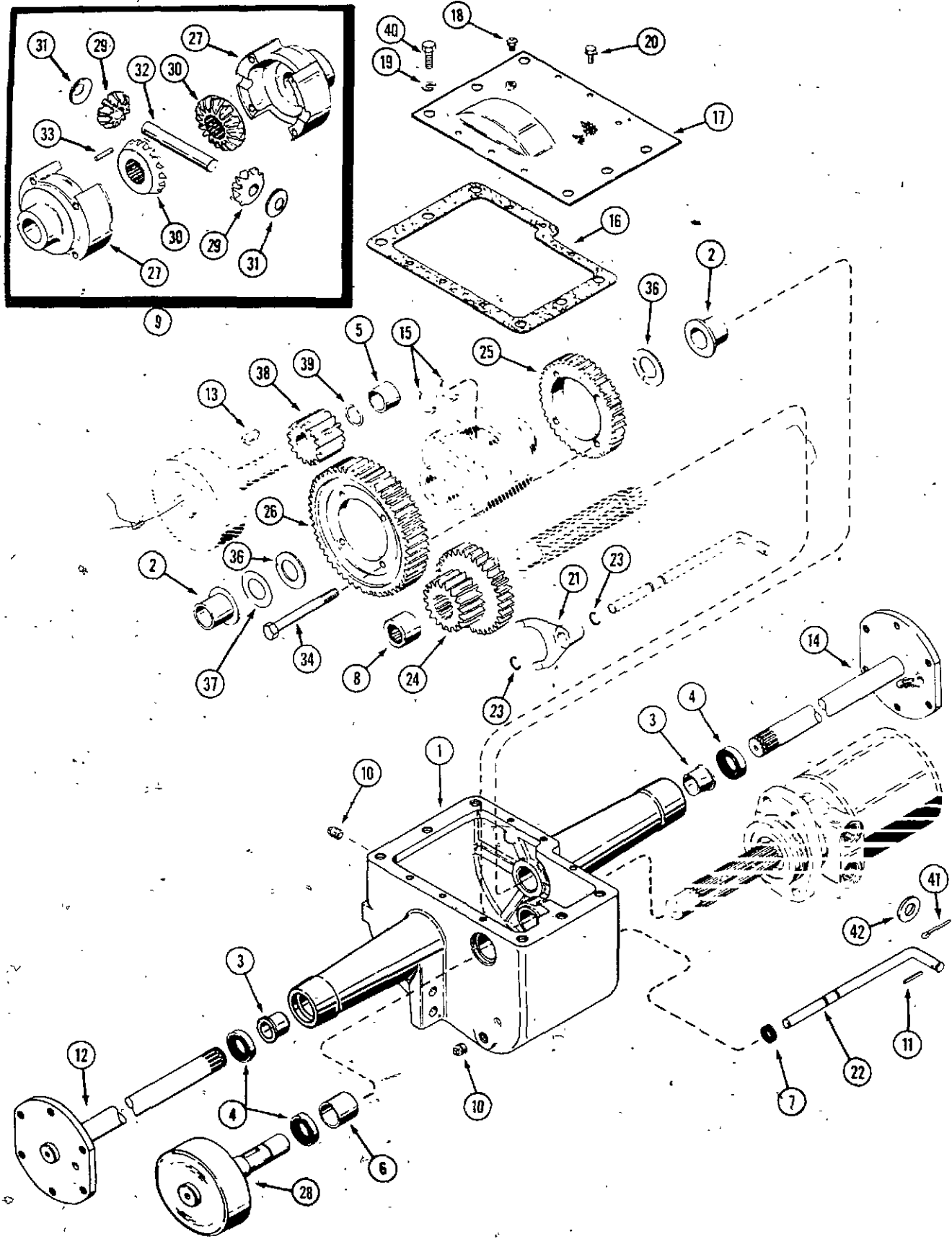
BRAKE ASSEMBLY

REF.	PART NO.	DESCRIPTION	REQ'D
1	C 31657	PEDAL - brake actuating	1
2	C 26381	ARM - brake pedal	1
3	138- 2073	PIN - roll 3/16" x 1-1/4"	1
4	C 31660	SPRING - return	1
5	C 31662	GUIDE - neutral return	1
6	C 31604	ACCUATOR - parking brake	1
7	C 31661	LEVER - brake lock	1
8	C 21942	SPRING - brake lock	1
9	C 31605	CAP - accuator	1
10	C 33427	BAND - brake	1
11	C 23910	PIN - clevis	1
12	113- 2262	BOLT - 3/8" - 16 x 1-1/2" hex	1
13	129- 143	NUT - 3/8" - 16 special	1
14	C 23899	ARM - brake	1
15	C 24761	ARM - brake (includes adjustment nut)	1
16	C 31994	GUIDE - brake actuator	1
17	195- 533	WASHER - .531" I.D.	5
18	132- 310	PIN - cotter 1/8" x 1"	5
19	C 28978	CLEVIS	1
20	141- 4	PIN - clevis	1
21	132- 321	PIN - cotter	1
22	C 31993	ROD - brake (4014)	1
22	C 31992	ROD - brake (3010, 3012, 3014)	1
23	C 31975	PAD - brake pedal	1

FRONT AND REAR WHEELS

1	C 30913	WHEEL - rear, 5 bolt (3010, 3012, 3014) for 23 x 8.50 - 12 tire	2
1	C 30917	WHEEL - rear, 6 bolt (4014) shown	2
1	C 30922	WHEEL - rear, 5 bolt (3010, 3012, 3014) for 23 x 10.50 - 12 tire	2
2	C 27763	BOLT - rear wheel (4014)	12
2	C 10314	BOLT - rear wheel (3010, 3012, 3014)	10
3	C 30912	WHEEL - front (includes bearings)	2
4	219- 403	FITTING - lubrication	2
5	C 12110	BEARING - wheel	2
6	C 28965	CAP - hub, front wheel (optional)	2
7	C 26021	CAP - plastic, front	2
8	C 28236	STEM - valve	4
	C 13106	COVER - lubrication fitting	2

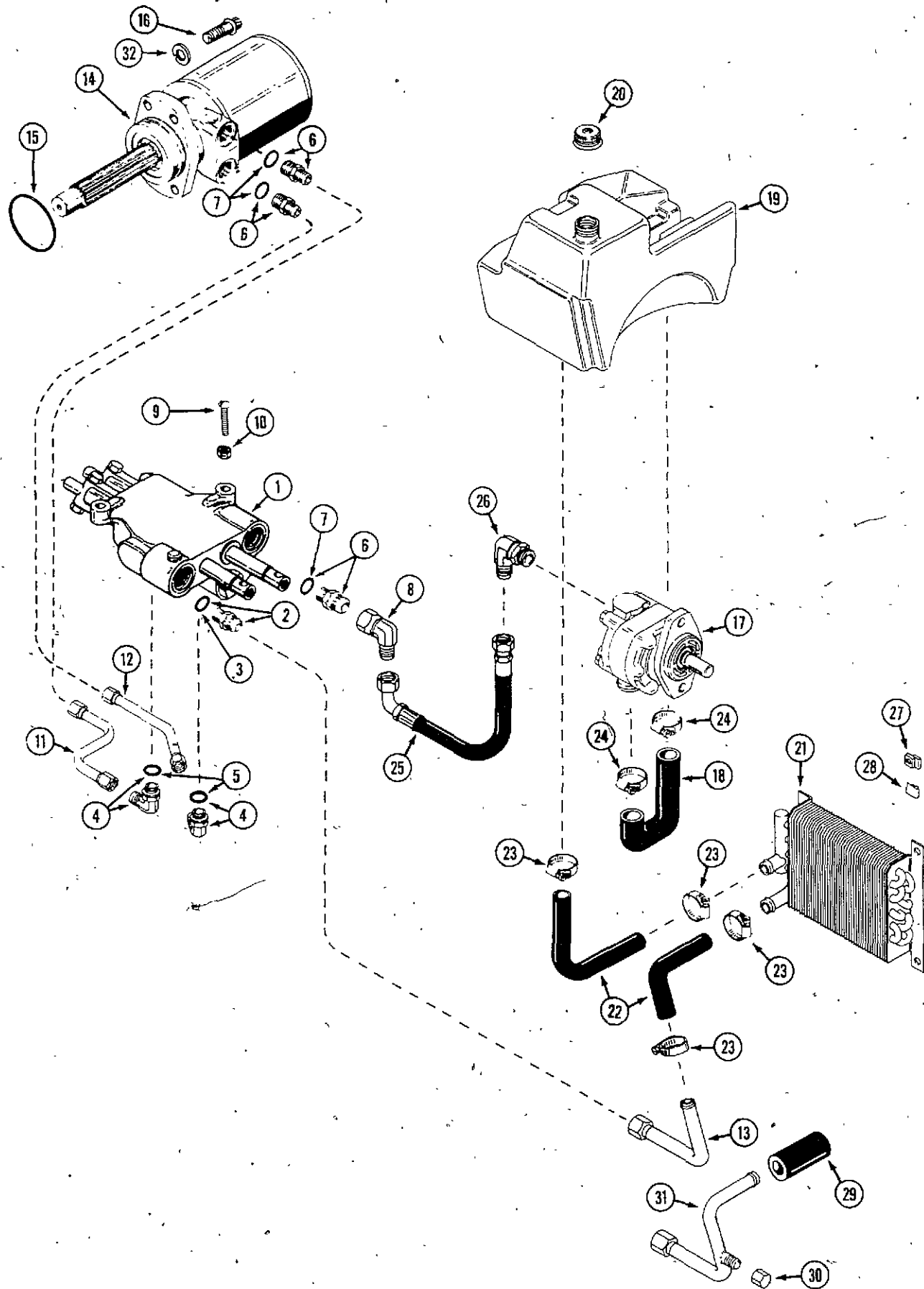




TRANSMISSION AND FINAL DRIVE

REF.	PART NO.	DESCRIPTION	REQ'D
1	C 24843	CASE ASSEMBLY - transmission	1
	NSS	CASE - transmission (order C24843)	1
2	C 12713	BEARING - flange	2
3	C 24804	BEARING - flange	2
4	C 24803	SEAL - shaft	3
5	C 13241	BEARING - sleeve	1
6	C 13385	BEARING - sleeve	1
7	C 13266	SEAL - shift rod	1
8	C 28281	BEARING - roller	1
9	C 30029	DIFFERENTIAL ASSEMBLY (also includes C30030, C30031, C12552)	1
10	221- 3	PLUG - filler and drain 3/8" (square head)	3
10	221- 1842	PLUG - pipe 3/8" hex socket	1
11	138- 2073	PIN - roll 3/16" x 1-1/4" (early production)	1
12	C 16699	SHAFT - axle, short R.H. (3010, 3012, 3014)	1
12	C 22638	SHAFT - axle, short R.H. shown (4014)	1
13	126- 128	KEY - Woodruff, brake idler #18, 1/4" x 1-1/8"	1
14	C 16700	SHAFT - axle, long L.H. (3010, 3012, 3014)	1
14	C 22637	SHAFT - axle, long L.H. shown (4014)	1
15	C 26342	RING - retainer, axle	2
16	C 13196	GASKET - transmission cover	1
17	C 13197	COVER - transmission	1
18	C 28241	BREATHER - transmission	1
19	192- 23	LOCKWASHER - 1/2"	4
20	121- 21	BOLT - 1/4" x 1/2" N.C hex lock	6
21	C 12725	FORK - shift	1
22	C 32486	ROD - gear shift (uses Ref. 41 and 42)	1
23	C 14168	RING - retaining	2
24	C 14644	GEAR - cluster input	1
25	C 30030	GEAR - high 41 tooth	1
26	C 12552	GEAR - low 55 tooth	1
27	NSS	DIFFERENTIAL CASE	1
28	C 33305	BRAKE DRUM	1
29	NSS	GEAR - differential pinion	2
30	NSS	GEAR - differential	2
31	NSS	WASHER - pinion thrust	2
32	NSS	PIN - differential	1
33	NSS	PIN - differential pin lock	1
34	C 30031	KIT - screw (set of four)	1
36	C 12718	WASHER - differential	2
37	C 14223	WASHER - spacer	UAR
38	C 33417	GEAR - brake idler	1
39	C 14222	RING - retainer, brake idler	1
40	113- 424	BOLT - 1/2" - 13 x 1" hex	UAR
40	166- 85	BOLT - 1/2" - 13 x 1" 12 pt flange	UAR
41	132- 310	PIN - cotter 1/8" x 1-1/8"	1
42	195- 541	WASHER - .656" ID x 1.312 OD	1

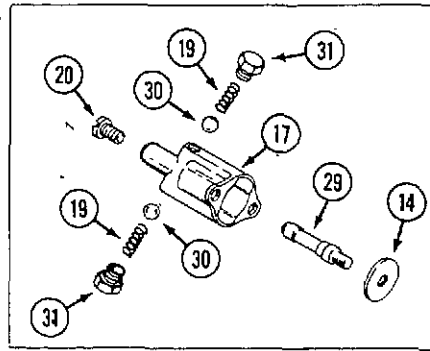
HYDRAULIC SYSTEM



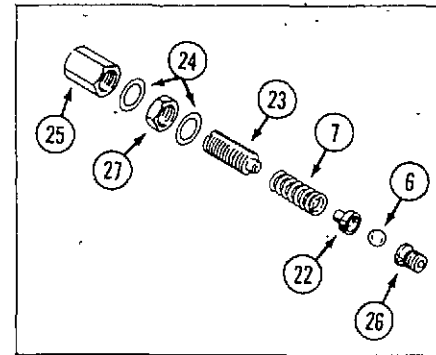
REF.	PART NO.	DESCRIPTION	REQ'D
1	NSS	VALVE - control (repairs page 45) (use C33473, 218-5154) ...	1
2	218- 5065	FITTING - 3/4" x 7/8 "O" ring	1
3	218- 5007	"O" RING	1
4	218- 5107	FITTING - 90° elbow	2
5	218- 5007	"O" RING	1
6	218- 5062	FITTING - 5/8" x 7/8 "O" ring	3
7	218- 5007	"O" RING	1
8	218- 5232	FITTING - 90° elbow	1
9	C 27764	SCREW - 5/16" - 18 x 1-1/4" round head	2
10	131- 351	NUT - lock 5/16"	2
11	C 29655	TUBE - valve to upper motor port (3010, 3012, 3014)	1
11	C 29657	TUBE - valve to upper motor port (4014)	1
12	C 29656	TUBE - valve to lower motor port (3010, 3012, 3014)	1
12	C 29658	TUBE - valve to lower motor port (4014)	1
13	C 31435 *	TUBE - valve "out" to heat exchanger	1
14	C 30939	MOTOR - hydraulic (3010, 3012, 3014) (repairs page 47)	1
14	C 33234	MOTOR - hydraulic (4014) (repairs page 47)	1
15	C 28949	SEAL - motor to transmission	1
16	NSS	SCREW - 1/2" - 18 x 1" 12 pt. flange (use 166-86 and 192-23)	4
16	166- 86	BOLT - 1/2" - 18 x 1-1/4" 12 pt. flange (use 80 ft. lb. of torque)	4
17	C 31958	PUMP - hydraulic 1/2" shaft (repairs page 49)	1
18	C 33423	HOSE - pump inlet	1
19	C 33180	RESERVOIR - oil	1
20	C 25237	CAP - reservoir	1
21	C 31295	EXCHANGER - heat (shown) 3014, 4014)	1
21	C 31972	EXCHANGER - heat (3010, 3012)	1
22	C 31431	HOSE - formed 90° 6-3/4" x 6-3/4" (cut to length)	2
23	214- 254	CLAMP - hose 1-1/4"	4
24	214- 14	CLAMP - hose 1-3/8"	2
25	C 31966	HOSE - pump to valve	1
26	218- 5117	FITTING - 90° elbow	1
27	C 31973	"J" NUT - 1/4" - 20	4
28	C 31974	"U" Clip - retainer	4
29	NSS**	HOSE - hydraulic (use C29697 cut to length)	1
30	218- 754	NUT = cap, hydraulic	1
31	C 33115 **	TUBE - valve "out" to heat exchanger	1
32	192- 23	LOCK WASHER - 1/2"	4

* early production
 ** late production

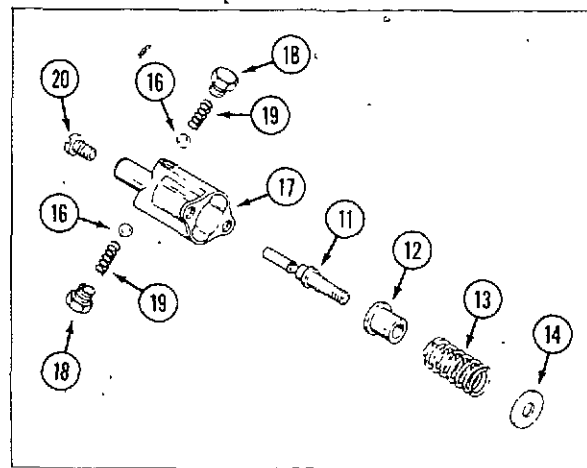
HYDRAULIC CONTROL VALVE



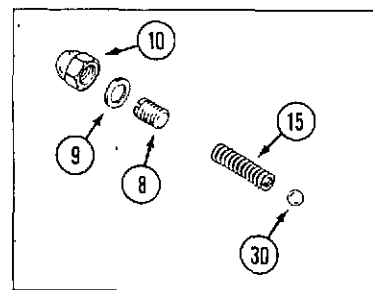
TRAVEL SECTION DETENT GROUP



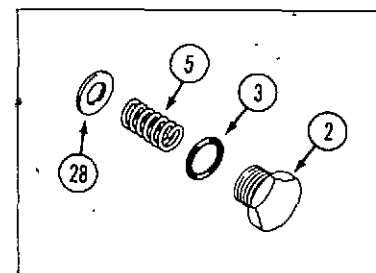
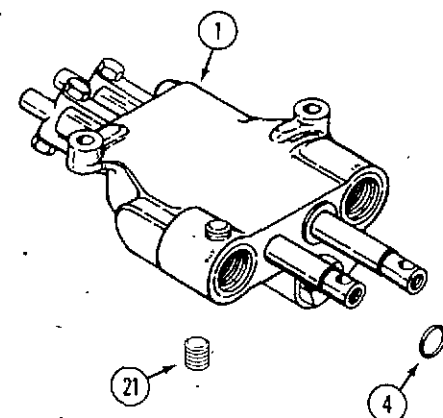
TRAVEL SECTION RELIEF GROUP



LIFT SECTION DETENT GROUP



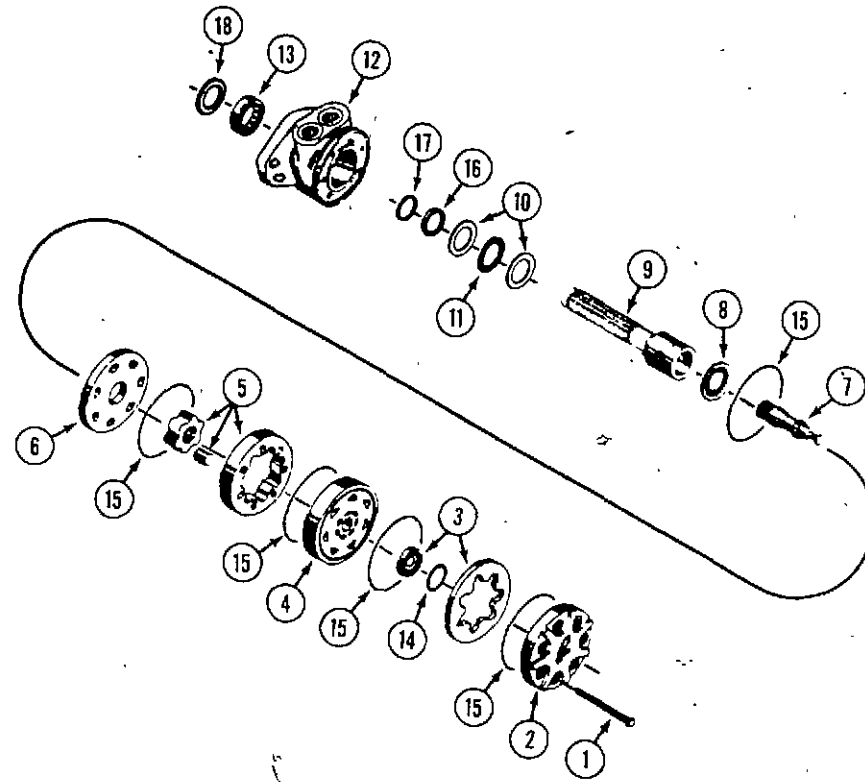
LIFT SECTION RELIEF GROUP



HOLDING SECTION GROUP

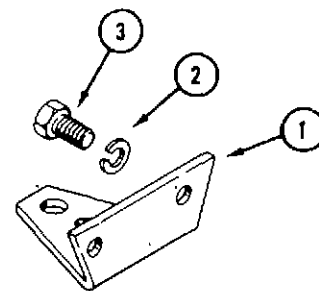
REF.	PART NO.	DESCRIPTION	REQ'D
1	NSS	VALVE - control, two spool (use C33473, 228-5154)	1
2	C 29956	CAP - end	2
3	C 28217	"O" RING - end cap	1
4	C 28856	SEAL - spool	4
5	C 29951	SPRING - centering	2
6	211- 208	BALL - steel 5/16" (7.94 mm)	1
7	C 21507	SPRING - relief	2
8	C 17433	SCREW - relief adjust	1
9	C 17435	GASKET - relief adjust cap	1
10	129- 531	CAP - adjust screw	2
11	C 26668	DETENT - spool	1
12	C 28707	SPACER - detent	1
13	C 28706	SPRING - detent return	1
14	C 28705	WASHER - return	2
15	NSS	SPRING - relief (use the spring from C21511 kit)	1
16	211- 5	BALL - steel 3/16" (4.76 mm)	2
17	C 17438	COVER - detent	1
18	C 28708	SCREW - detent	2
19	C 17444	SPRING - detent	4
20	169- 114	SCREW - cover	4
21	221- 841	PLUG - pipe 1/4" NPT	1
22	C 21506	RETAINER - ball seat	1
23	C 26665	SCREW - adjust, relief	1
24	C 26664	GASKET - adjust cap	1
25	C 26666	CAP - adjust screw	1
26	C 26663	SEAT - relief ball	1
27	129- 166	NUT - lock	1
28	C 29950	WASHER - spring retaining	2
29	C 29958	DETENT - spool	1
30	211- 7	BALL - steel 1/4" (6.35 mm)	2
31	C 17443	SCREW - dentent	2
	C 30002	KIT - seal	1

HYDRAULIC DRIVE MOTOR



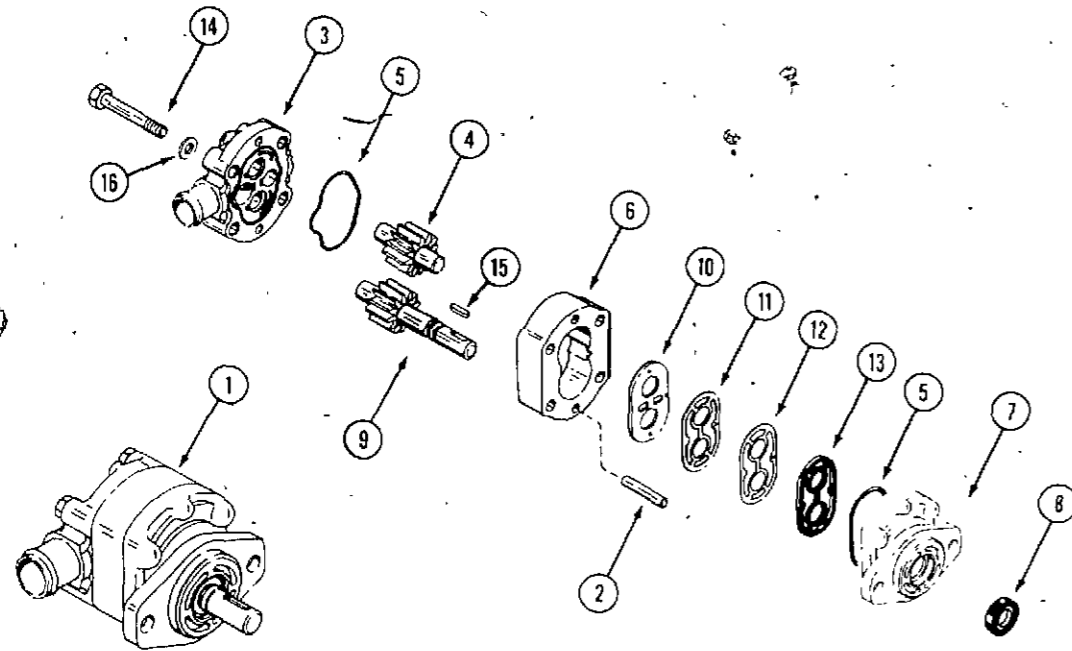
REF.	PART NO.	DESCRIPTION	REQ'D
	C 33234	MOTOR - hydraulic (4014)	1
	C 30939	MOTOR - hydraulic (3010, 3012, 3014)	1
1	28- 668	BOLT - 3/8" - 24 x 4-1/4" (3010, 3012, 3014)	7
1	C 31327	BOLT - 3/8" - 24 x 4-5/8" (4014)	7
2	C 31309	COVER - end	1
3	C 31310	COMMUTATOR AND RING SET	1
4	C 31311	MANIFOLD	1
5	C 31312	ROTOR ASSEMBLY (3010, 3012, 3014)	1
5	C 31313	ROTOR ASSEMBLY (4014)	1
6	C 31314	PLATE - wear	1
7	C 31315	LINK - drive (3010, 3012, 3014)	1
7	C 31316	LINK - drive (4014)	1
8	C 31317	BEARING - thrust	1
9	C 31318	SHAFT - coupling	7
10	C 31319	WASHER - thrust	2
11	C 31320	BEARING - thrust	1
12	C 31321	HOUSING - drive end	1
13	C 31322	BEARING - outer	1
	C 31323	KIT - seal	1
14	NSS	SEAL - commutator ring	1
15	NSS	SEAL - ring	5
16	NSS	SEAL - ring	1
17	NSS	WASHER - backup	1
18	NSS	SEAL - dirt (not used)	1

DRAWBAR AND TOW HITCH



1	C 13360	DRAWBAR	1
2	192- 23	LOCKWASHER - 1/2"	2
3	113- 424	BOLT - 1/2" x 1" N.C. hex	2

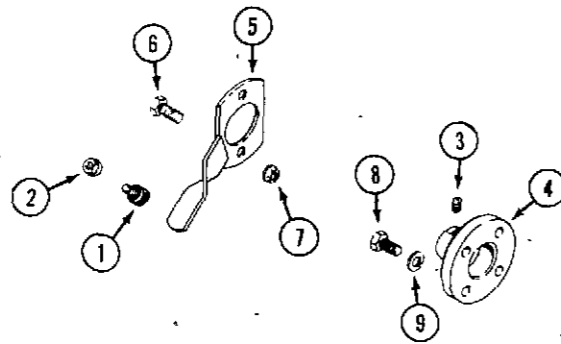
HYDRAULIC PUMP (PARKER-HANNIFIN)

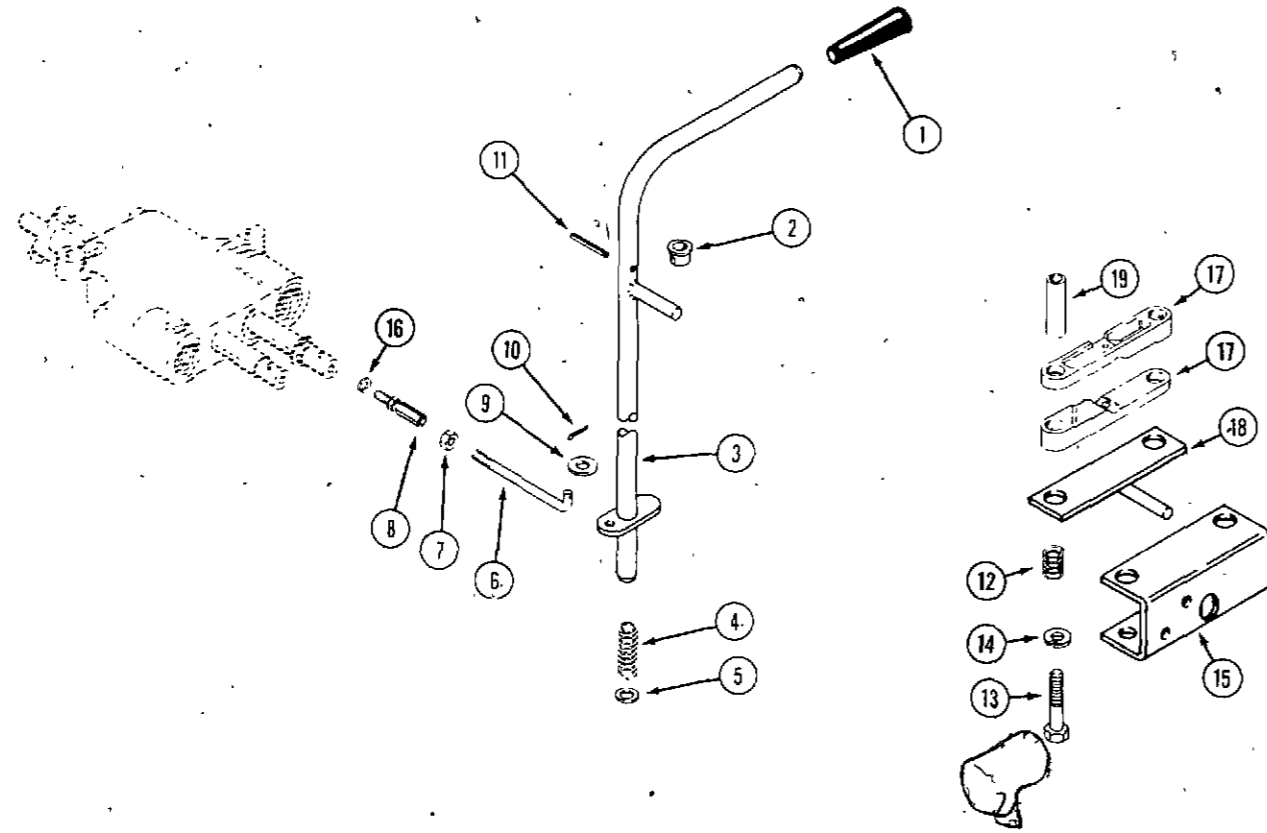


REF.	PART NO.	DESCRIPTION	REQ'D
1	C 31958	PUMP - hydraulic 1/2" shaft	1
2	F 53109	PIN - dowel	2
3	C 31987	COVER - rear	1
4	C 15731	GEAR ASSEMBLY - driven	1
5	C 15732	"O" RING - cover	2
6	C 15733	BODY - pump	1
7	C 15734	COVER - front	1
8	C 15735	SEAL - shaft	1
9	NSS	GEAR ASSEMBLY - drive (1/2" shaft) (use C31958)	1
10	C 15737	PLATE - wear	1
11	C 15738	SHIELD - heat	1
12	C 15739	GASKET	1
13	C 15740	SEAL	1
14	113- 111	BOLT	4
15	C 31988	KEY - 1/8" square x 3/4" long (1.587 mm x 19.05 mm)	1
16	C 19115	WASHER	4

PUMP MOUNTING COMPONENTS

1	NSS	MOUNT - rubber (use C32437)	1
2	131- 176	NUT - 5/16" - 18 flange lock	1
3	C 32199	SCREW - set 5/16" - 18 x 5/16" socket (use loctite)	2
4	C 31962	ADAPTER - drive	1
5	NSS	PLATE - pump torque arm (use C33506)	1
6	113- 208	BOLT - 3/8" - 16 x 1-1/4" hex	2
7	131- 1352	NUT - 3/8" - 16 flange lock	2
8	113- 103	BOLT - 5/16" - 18 x 1" hex	4
9	192- 20	LOCKWASHER - 5/16"	4



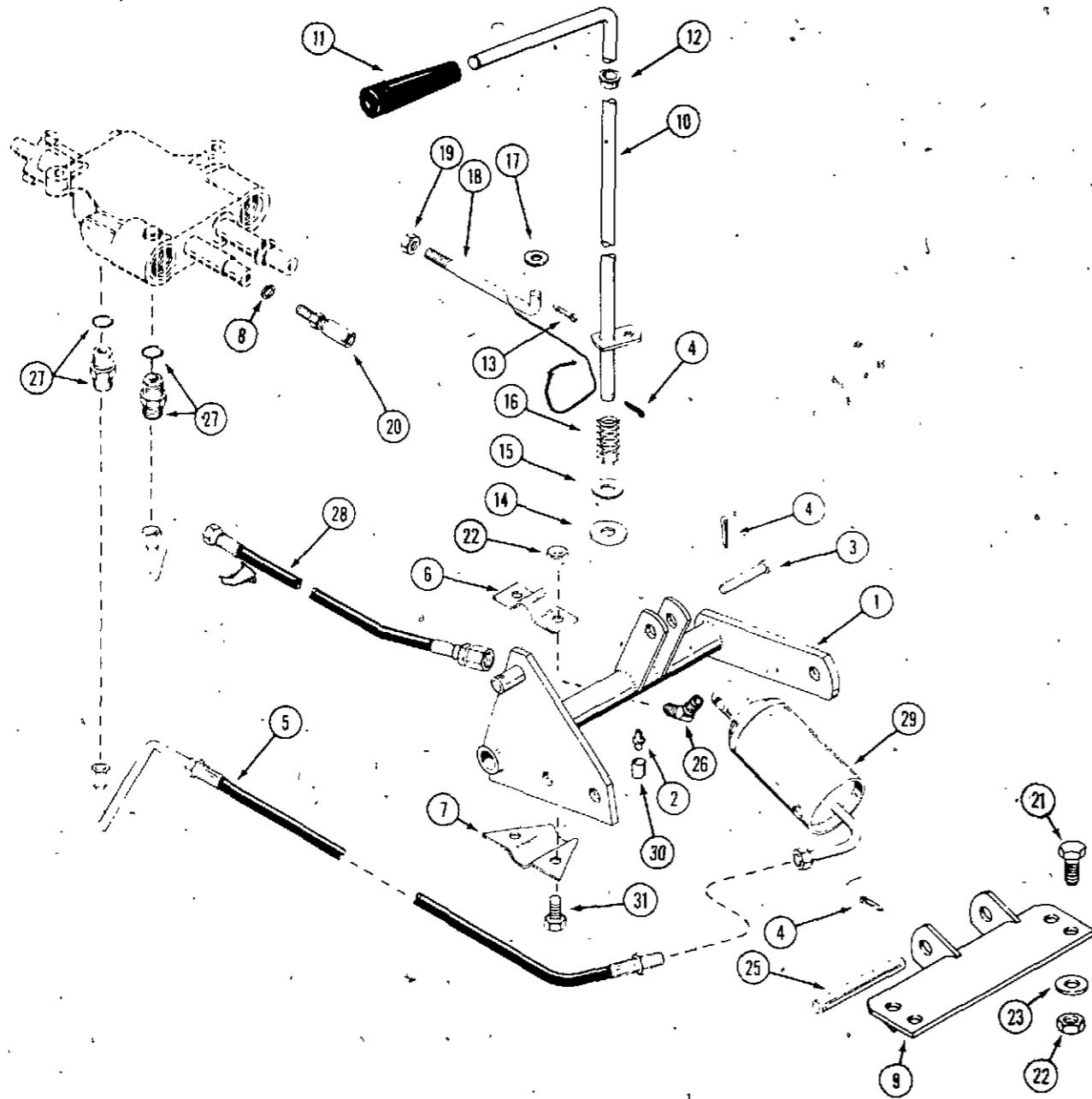


SPEED CONTROL

REF.	PART NO.	DESCRIPTION	QTY.
1	C 29047	KNOB - speed control	1
2	C 27593	BUSHING - lever	1
3	C 32509	LEVER - speed control	1
4	C 10482	SPRING - compression	1
5	C 21518	WASHER - nylon	1
6	C 31670 *	ROD - control	1
7	129- 122	NUT - 5/16" N.F. hex, zinc plated	1
8	C 19025 *	JOINT - ball	1
9	NSS	WASHER - 5/16" (not required)	1
10	132- 320	PIN - cotter 3/32" x 3/4"	1
11	138- 2072	PIN - roll 1/8" x 1-3/4"	1
12	C 30827	SPRING - locator	2
13	113- 14	BOLT - 1/4" 20 x 2"	2
14	192- 19	LOCKWASHER - 1/4"	2
15	C 31678	CARRIER - locator	1
16	192- 20	LOCKWASHER - 5/16"	1
17	C 32362	LOCATOR - half	2
18	C 31674	ACTUATOR - switch	1
19	C 29653	SPACER - tube	2

* Order both C31670 rod and C19025 ball joint if other than illustrated or if between S/N:
 3010 - not affected
 3012 - 14125039 to 14125111
 3014 - 14125948 to 14126002
 4014 - 14127632 to 14127654

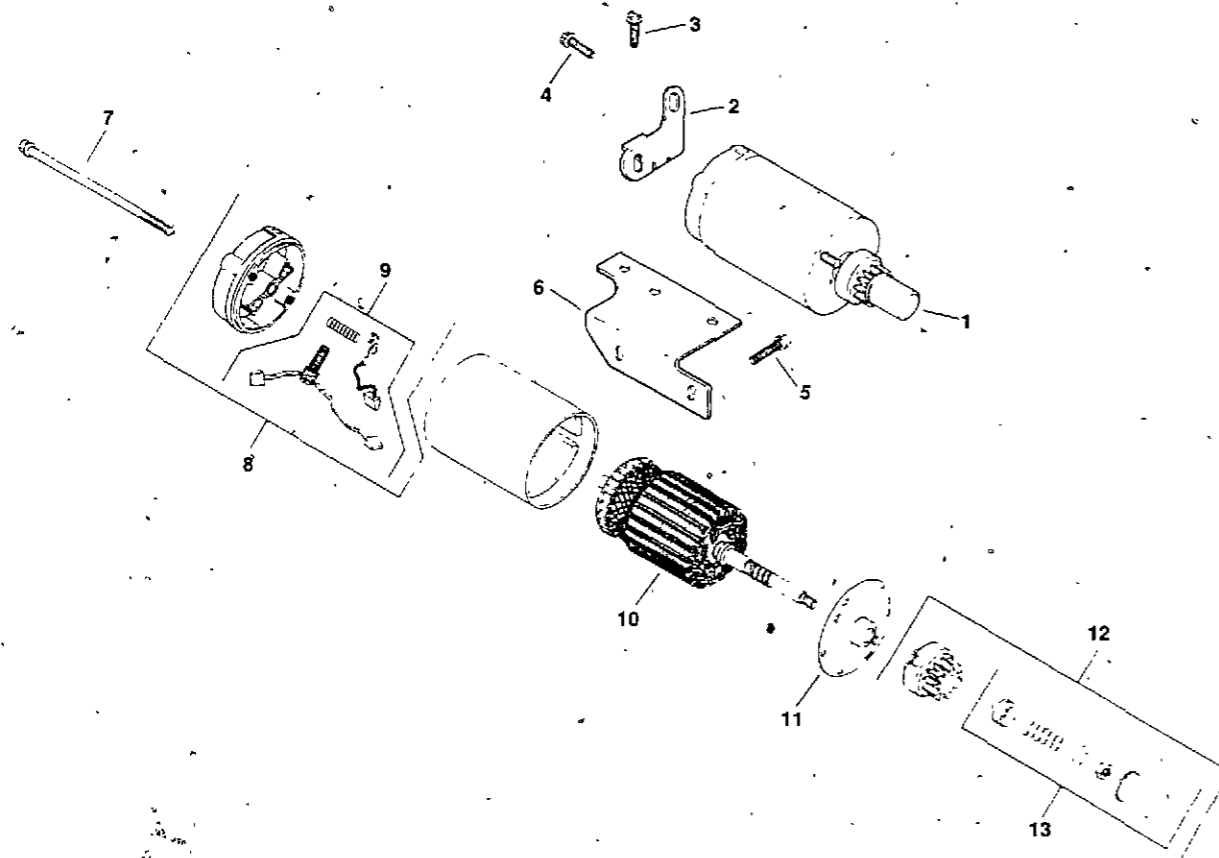
HYDRAULIC LIFT



REF.	PART NO.	DESCRIPTION	REQ'D
1	C 32259	SHAFT ASSEMBLY - lift	1
2	219- 17	FITTING - lubrication	1
3	C 29693	PIN - cylinder to lever, clevis	1
4	132- 310	PIN - cotter 1/8" x 1"	5
5	C 17734	HOSE - long	1
6	C 17249	BRACKET - mounting, top	2
7	C 17250	BRACKET - mounting, bottom	2
8	192- 20	LOCKWASHER - 5/16"	1
9	NSS	BRACKET - cylinder (use C33138 kit)	1
10	C 31680	LEVER - lift control	1
11	C 29045	KNOB - control lever	1
12	C 27593	BUSHING - lift lever	1
13	132- 320	PIN - cotter 3/32" x 3/4"	1
14	195- 533	WASHER - 1/2"	1
15	C 21518	WASHER - nylon	1
16	C 31681	SPRING - control lever	1
17	195- 521	WASHER - 5/16"	1
18	C 31670*	ROD - control	1
19	129- 122	NUT - 5/16" N.F. hex	1
20	C 19025*	BALLJOINT	1
21	113- 209	BOLT - 3/8" x 1-1/2" N.C. hex	8
22	131- 938	NUT - lock 3/8" N.C. hex. flange	8
23	195- 104	WASHER - 3/8" x 1-1/8" O.D.	4
25	C 26188	PIN - cylinder base	1
26	218- 1093	FITTING - hydraulic 45° elbow	1
27	218- 5056	FITTING - valve (includes 218-5004 "O" ring)	2
28	C 31682	HOSE - short	1
29	C 27590	CYLINDER - lift	1
	C 30054	KIT - seal	1
30	C 13106	COVER - lubrication fitting	1
31	113- 208	BOLT - 3/8" x 1-1/4"	4

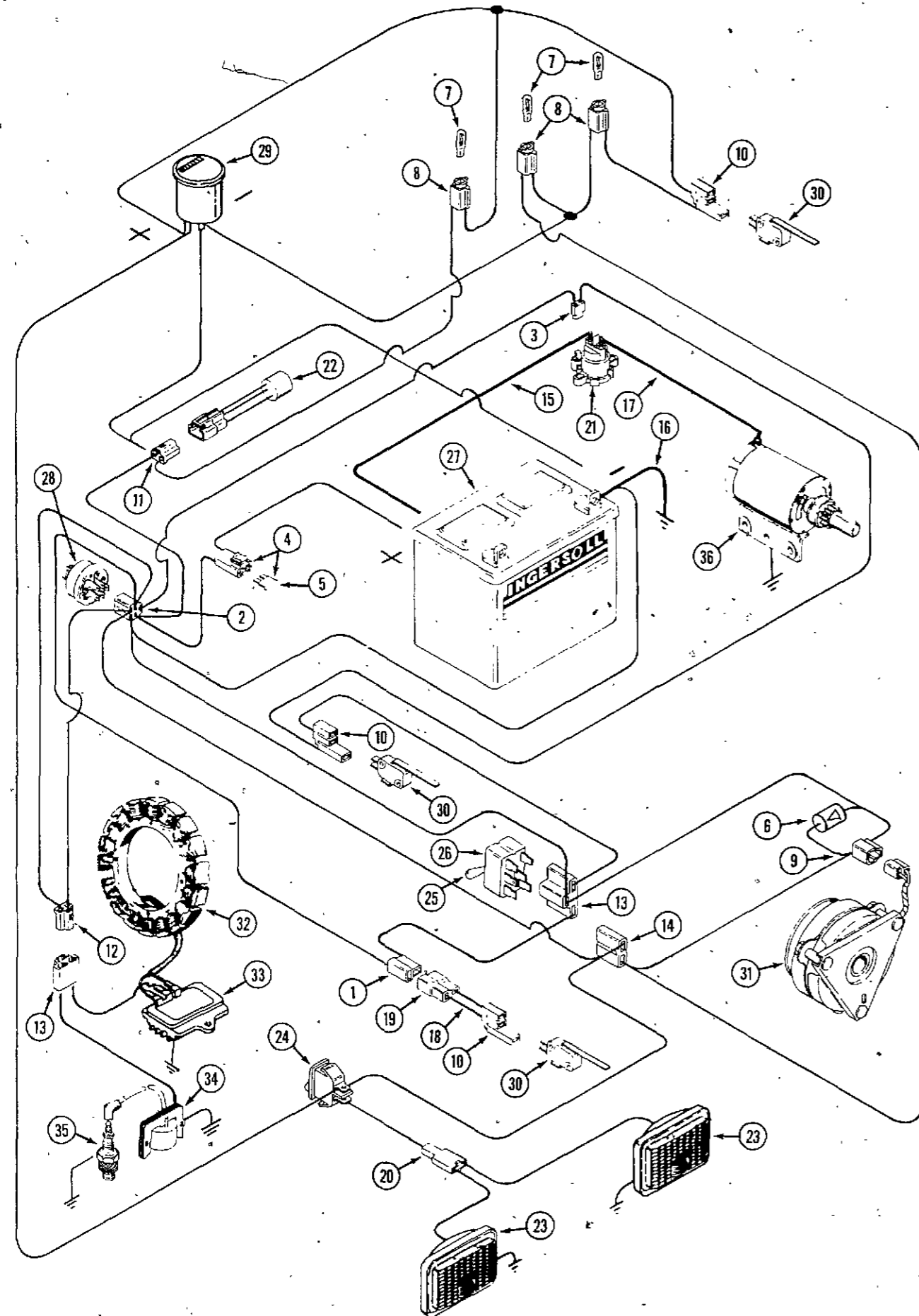
* Order both C31670 rod and C19025 ball joint if other than illustrated or if between S/N:
 3010 - not affected
 3012 - 14125039 to 14125111
 3014 - 14125948 to 14126002
 4014 - 14127632 to 14127654

STARTER



REF.	PART NO.	DESCRIPTION	REQ'D
1	C 32905	STARTER - includes Ref. 7 thru 13	1
2	C 32906	BRACE - tail	1
3	121- 21	SCREW - washer head 1/4" - 20 x 1/2"	1
4	121- 21	SCREW - washer head 1/4" - 20 x 1/2"	1
5	113- 207	SCREW - 3/8" - 16 x 1"	2
6	C 32907	BRACKET - mounting	1
7	C 32908	BOLT - thru 1/4" - 20 x 5-1/16"	2
8	C 32909	CAP - commutator end assembly	1
9	C 32910	KIT - brush	1
10	C 24890	ARMATURE	1
11	C 32911	CAP - drive end	1
12	C 32912	KIT - drive	1
13	C 32913	KIT - drive parts	1

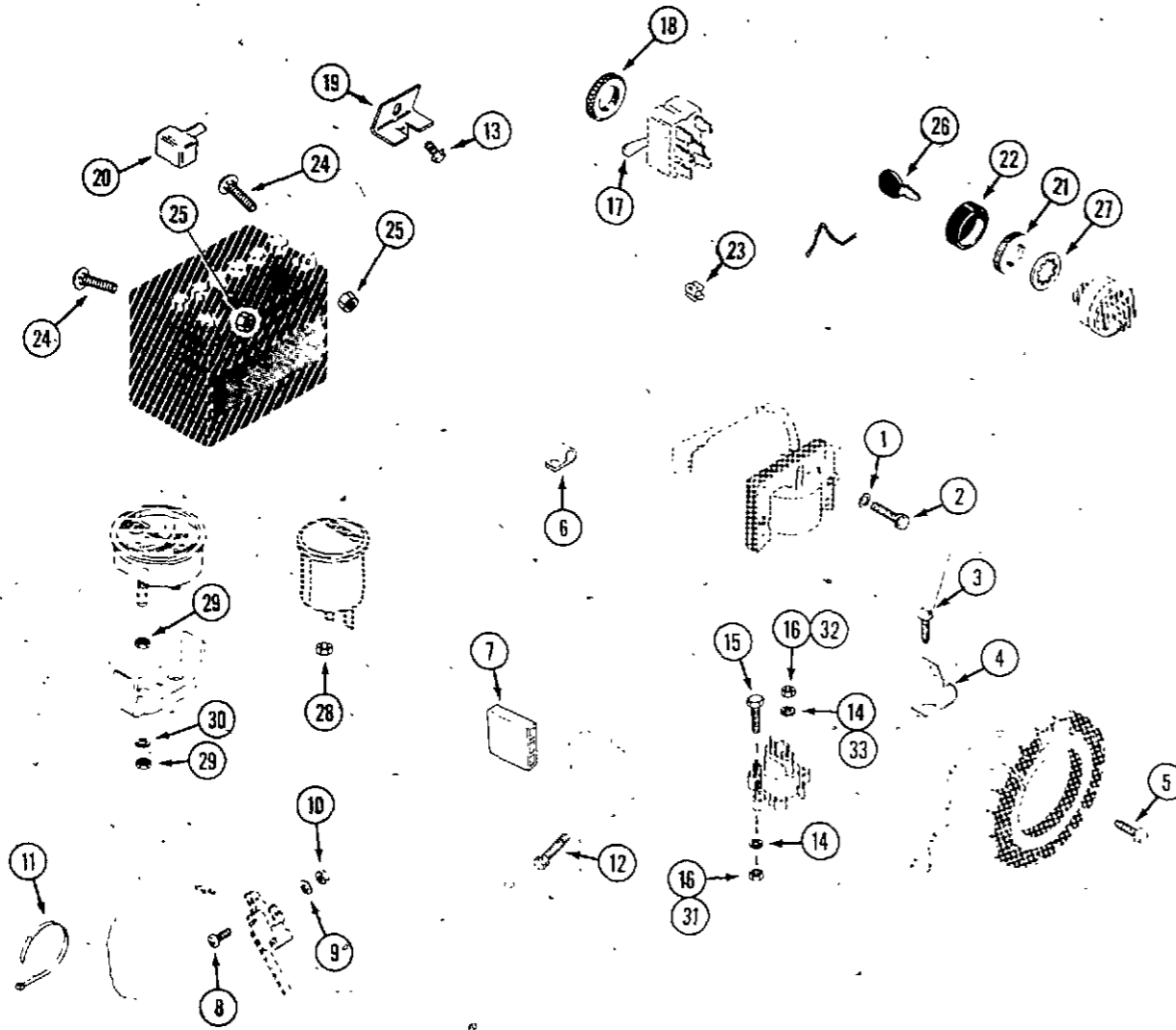
ELECTRICAL SYSTEM



REF.	PART NO.	DESCRIPTION	REQ'D
	C 31940	HARNESS - wire	1
	C 33021 **	HARNESS - wire	1
1	C 25338	CONNECTOR - seat harness, male	1
2	C 24460	CONNECTOR - ignition switch	1
3	C 27549	CONNECTOR - solenoid	1
4	C 31947	KIT - fuse holder	1
5	C 30260	FUSE - 30 amp	1
6	C 31986	KIT - diode, 6 amp, 15 volt	1
7	C 30262	BULB - indicator light (not included with harness)	3
8	C 30263	SOCKET - bulb	3
9	C 31948	CONNECTOR - PTO male	1
10	C 30279	CONNECTOR - switch	3
11	C 25486	CONNECTOR - sensor	1
12	C 31949	CONNECTOR - engine	1
13	C 31950	CONNECTOR - 3 terminal	1
14	C 31951	CONNECTOR - PTO switch, 2 terminal	1
15	C 31942 *	CABLE - battery positive to solenoid	1
15	C 33022 **	CABLE - battery positive to solenoid	1
16	C 24809	CABLE - battery negative to ground	1
17	C 33023 **	CABLE - solenoid to starter	1
17	C 31944 *	CABLE - solenoid to starter	1
18	C 31945	HARNESS - seat switch (includes ref. 10 and 19)	1
19	C 24813	CONNECTOR - seat harness, female	1
20	C 14537	CONNECTOR - headlights	1
21	NSS*	SOLENOID - start, 12 volt (use C33025 kit)	1
21	C 33024 **	SOLENOID	1
22	C 31617	SENSOR - voltage (includes connector)	1
23	C 32178	HEADLIGHT - 12 volt (see page 59 for repairs)	2
24	C 29322	SWITCH - headlight	1
25	C 31619	CAP - PTO switch	1
26	C 31937	SWITCH - PTO	1
27	C 31213	BATTERY - 12 volt, 32 amps, 230 CCA	1
28	C 30267	SWITCH - ignition (includes key and hardware)	1
	C 32407	KEY - ignition	2
29	C 31623	HOURMETER	1
30	C 30275	SWITCH - inter - lock	3
31	C 32375	CLUTCH - PTO (see page 27 for repairs)	1
32	C 28692	STATOR - charging	1
	C 31950	CONNECTOR - stator, three contact, stacked	1
33	C 32948	RECTIFIER - voltage, 12 volts	1
	C 32949	CONNECTOR - rectifier, three contact, straight	1
34	C 32944	MODULE - ignition	1
35	C 29738	SPARK PLUG - includes gasket	1
36	C 32905	STARTER - 12 volt (see page 55 for repairs)	1

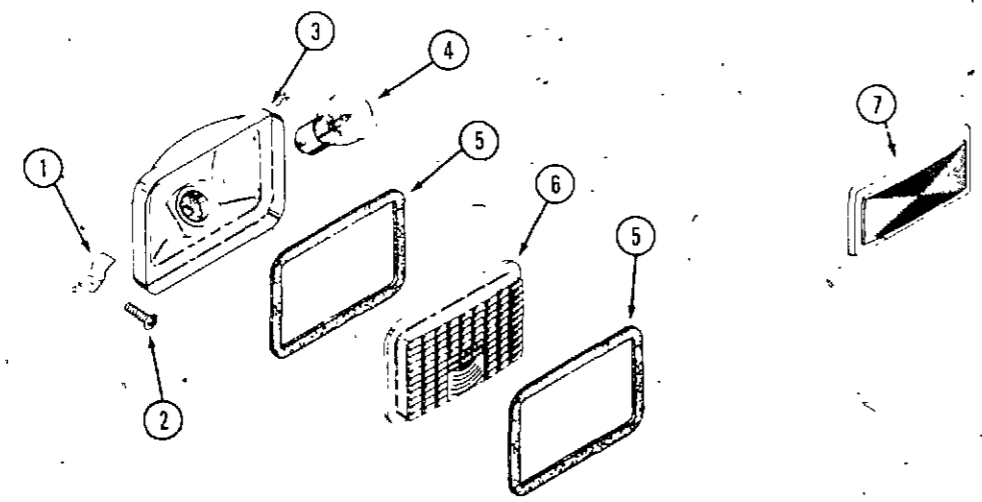
* Use before S/N:
 ** Use S/N and after:

- 3010 - all require C33025 kit
- 3012 - 14125175
- 3014 - 14126060
- 4014 - all require C33025 kit



ELECTRICAL SYSTEM HARDWARE

REF.	PART NO.	DESCRIPTION	REQ'D
1	C 32945	WASHER - #10	2
2	C 32946	SCREW - sems #10 - 24 x 7/8"	2
3	163-	SCREW - #8 - 32 x 3/8" washer head	1
4	C 28717	CLIP - wire	1
5	C 32947	SCREW - #10 - 24 x 3/4"	4
6	C 31977	CLIP - hi-tension lead	1
7	C 32949	CONNECTOR - female, 3 contact straight	1
8	182-	SCREW - #4 - 40 x 7/8"	2
9	129-	NUT - #4 - 40	2
10	192-	LOCKWASHER - #4	2
11	C 22947	TIE - nylon	UAR
12	187-	SCREW - 1/4" - 20 x 5/8"	2
13	121-	BOLT - 1/4" - 20 x 1/2" flange lock	1
14	193-	LOCKWASHER - #10 external tooth	2
14	192-	LOCKWASHER - #10	2
15	182-	SCREW - #10 - 32 x 3/4" screw	2
15	182-	SCREW - #10 - 24 x 3/4" black	2
16	129-	NUT - #10 - 32	4
17	C 31619	CAP - PTO switch	1
18	C 31620	NUT - knurled 1/2" - 27	1
19	C 31621	RETAINER - battery	1
20	C 24069	COVER - terminal	1
21	C 32396	NUT - switch 5/8" - 32	1
22	C 32397	CAP - nut	1
23	C 19521	CLIP - wire	3
24	111-	BOLT - 5/16" - 18 x 3/4" carriage	2
25	129-	NUT - 5/16" - 18	2
26	C 32407	KEY - ignition	1
27	C 23012	LOCK WASHER	1
28	129-	NUT - #8 - 36	2
29	129-	NUT - #10	4
30	193-	LOCK WASHER - #10	2
31	129-	NUT - #10 - 24	2
32	129-	NUT - 1/4" - 20	2
33	192-	LOCKWASHER - 1/4"	2



HEADLIGHT ASSEMBLY AND REAR RELECTOR

REF.	PART NO.	DESCRIPTION	REQ'D
1	C 29637	RETAINER - head light	4
2	187-	SCREW - No. 8 x 3/8"	4
	C 32178	HEADLIGHT ASSEMBLY	2
3	NSS	RECEPTACLE - headlight (order C32178)	1
4	C 28932	BULB - headlight	1
5	C 14304	GASKET - headlight	2
6	C 22573	LENS - headlight	1
7	C 30942	REFLECTOR - red, rear fender	2

INGERSOLL ⁶ **hydriv. 3010**

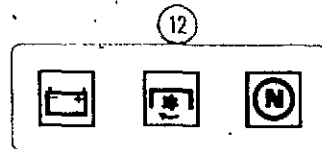
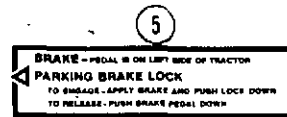
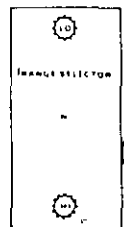
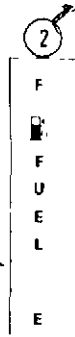
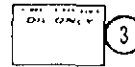
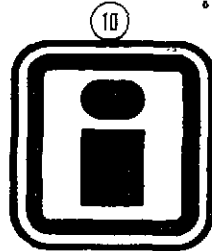
INGERSOLL ⁷ **hydriv. 3012**

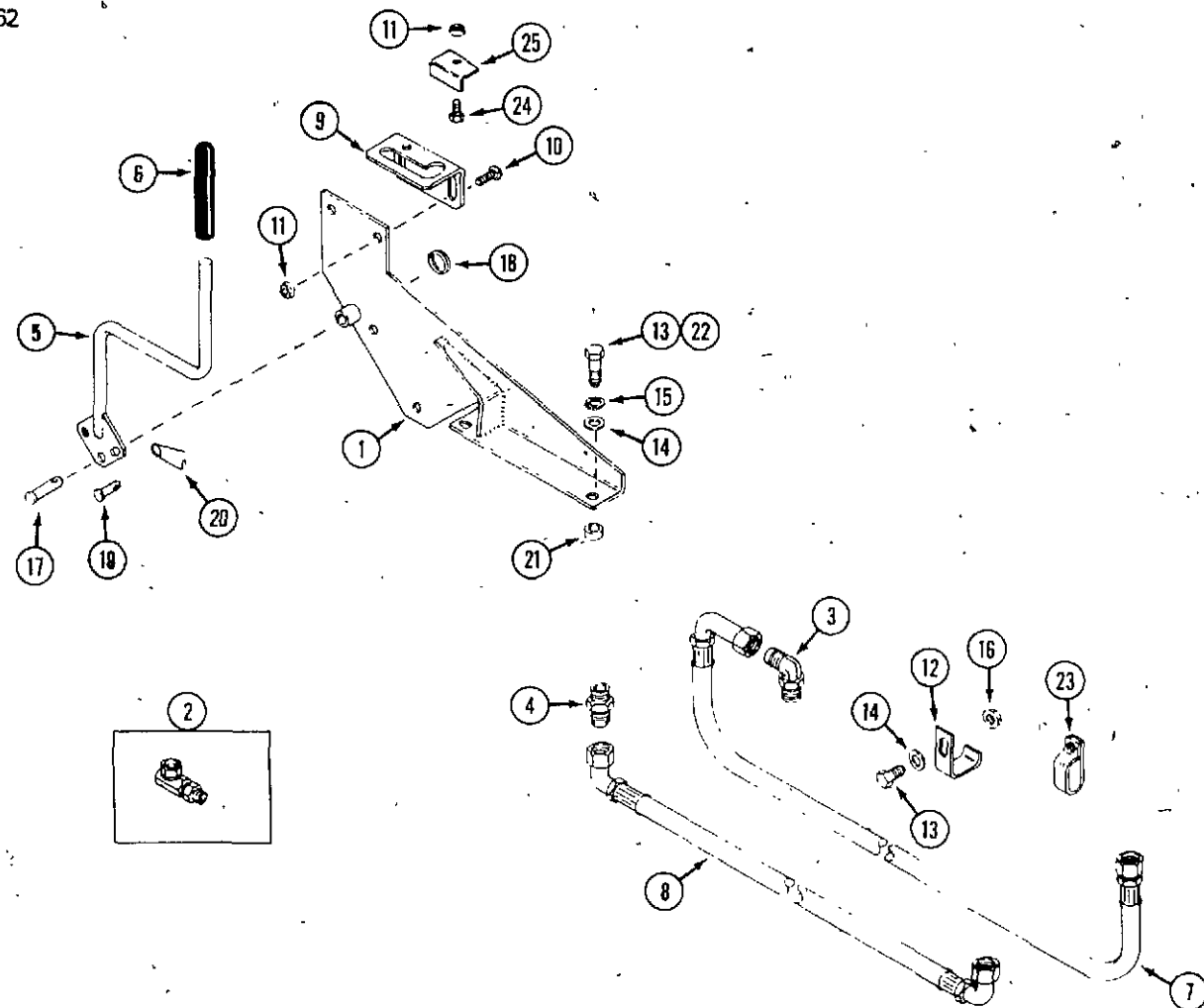
INGERSOLL ⁸ **hydriv. 3014**

INGERSOLL ⁹ **hydriv. 4014**

DECALS

REF.	PART NO.	DESCRIPTION	REQ'D
1	C 32093	DECAL - "Ingersoll"	1
2	C 26699	DECAL - fuel tank gauge	1
3	321- 4767	DECAL - hydraulic reservoir	1
4	321- 1788	DECAL - shift range	1
5	C 27871	DECAL - brake	1
6	C 31997	DECAL - hood L.H. (shown) (3010)	1
6	C 32001	DECAL - hood R.H. (3010)	1
7	C 31998	DECAL - hood L.H. (shown) (3012)	1
7	C 32002	DECAL - hood R.H. (3012)	1
8	C 31999	DECAL - hood L.H. (shown) (3014)	1
8	C 32003	DECAL - hood R.H. (3014)	1
9	C 32000	DECAL - hood L.H. (shown) (4014)	1
9	C 32006	DECAL - hood R.H. (4014)	1
10	C 30539	MEDALLION - logo	1
11	321- 6659	DECAL - "Caution"	1
12	C 30274	LENS - display	1

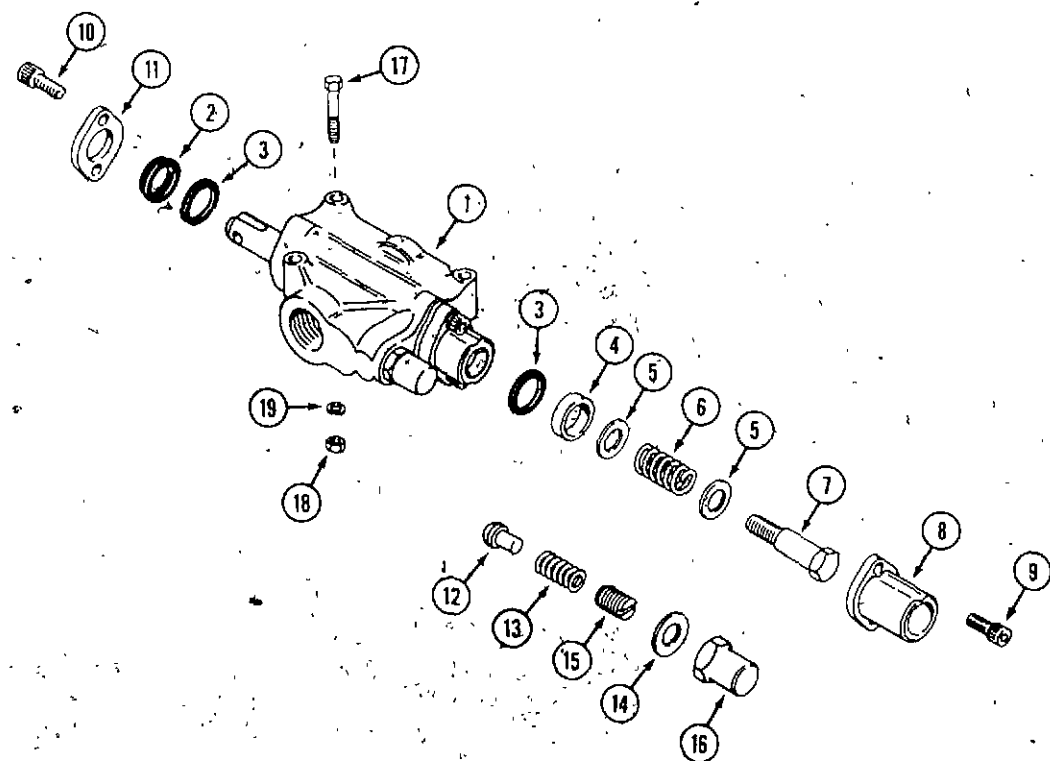




HP30 (3010, 3012, 3014), HP40 (4014), HYDRAULIC PTO

PTO HOSES AND MOUNTING BRACKET

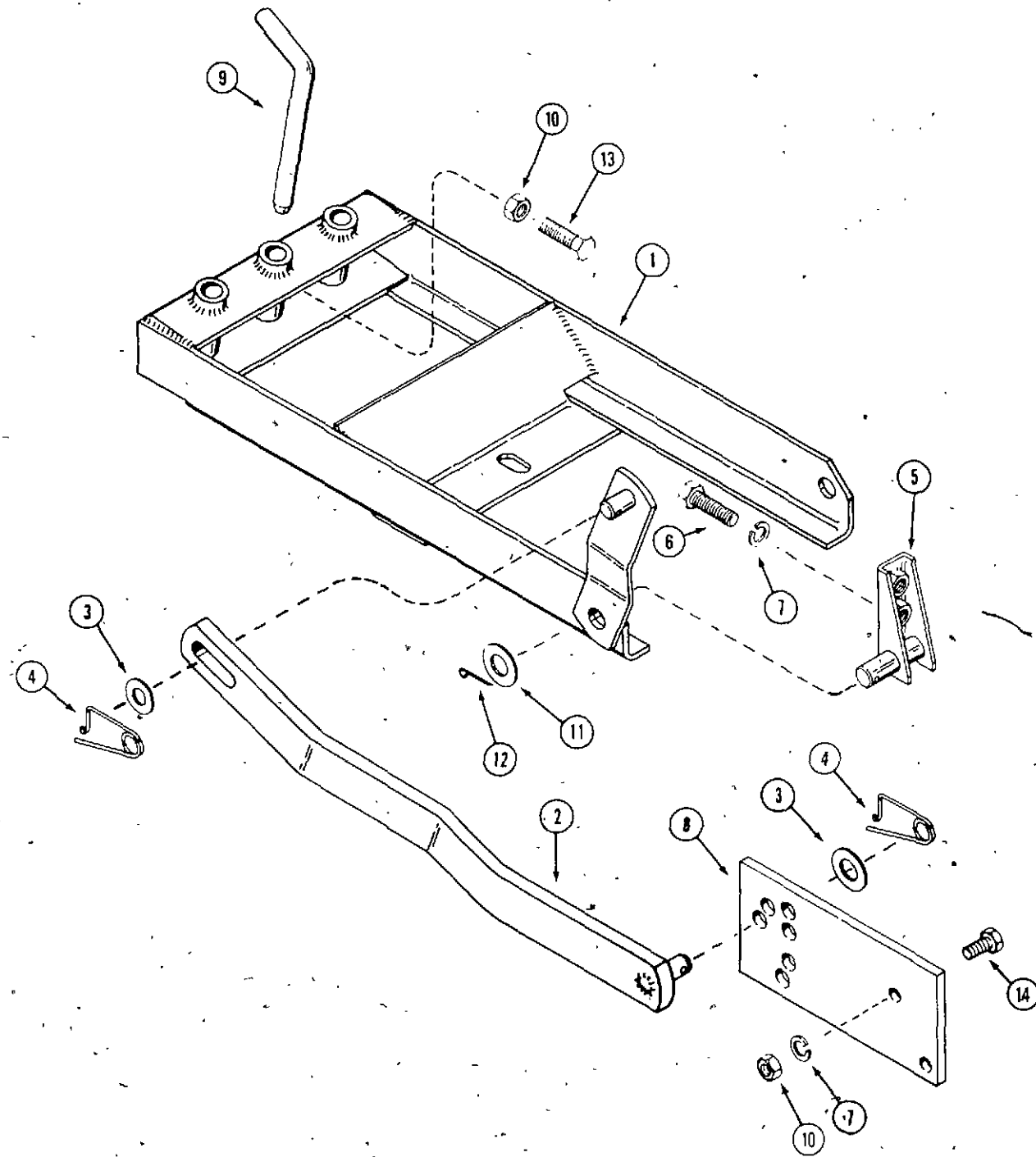
REF.	PART NO.	DESCRIPTION	REQ'D
1	C 32200	BRACKET - valve mounting	1
2	218- 5201	FITTING - workport, 90° elbow 7/8" - 14 x 1/2" NPSM swivel	2
3	218- 5107	FITTING - inlet port, 7/8" - 14 x 7/8" - 14 flare, 90° adjustable elbow	1
4	218- 5062	FITTING - outlet port 5/8" x 7/8" - 14 flare, straight	1
5	C 32403	HANDLE - valve	1
6	C 26020	GRIP - handle	1
7	C 32207	HOSE - pump to PTO 65" (HP30)	1
7	C 32208	HOSE - pump to PTO 63" (HP40)	1
8	C 32209	HOSE - PTO to travel valve 32" (HP30)	1
8	C 32210	HOSE - PTO to travel valve 34" (HP40)	1
9	C 32211	BRACKET - handle guide	1
10	111- 101	BOLT - 1/4" - 20 x 5/8" carriage	2
11	131- 934	NUT - 1/4" - 20 flange lock	3
12	C 32332	CLAMP - tube (HP30)	1
13	113- 103	BOLT - 5/16" - 18 x 1"	3
14	195- 521	WASHER - 5/16"	3
15	192- 20	LOCKWASHER - 5/16"	2
16	131- 911	NUT - 5/16" - 18 flange lock	1
17	C 32214	PIN - clevis 3/8" x 1-1/2"	1
18	C 28105	RING - retaining	1
19	C 28964	PIN - clevis 3/16" x 1"	1
20	C 10883	PIN - safety	1
21	C 29106	SPACER - 3/8" I.D. x 5/8" O.D. x 5/8" long (HP30)	2
22	113- 122	BOLT - 5/16" - 18 x 1-1/2" (HP30)	2
23	C 32213	CLAMP - tube (HP40)	1
	C 22947	TIE - nylon	1
24	113- 3	BOLT - 1/4" - 20 x 3/4"	1
25	C 32327	BRACKET - handle stop	1



VALVE

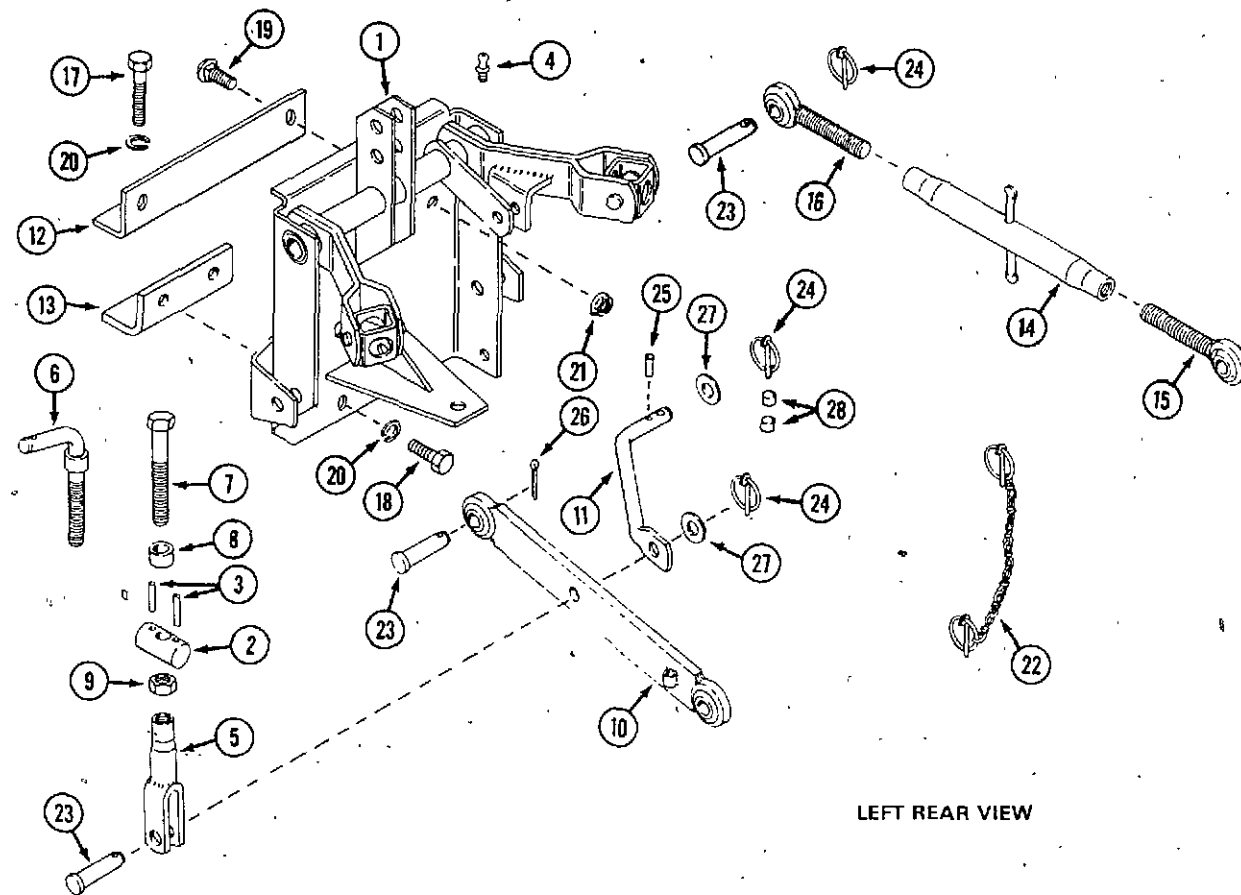
REF.	PART NO.	DESCRIPTION	REQ'D
1	C 30046	VALVE - hydraulic	1
2	C 26706	WIPER - spool	1
3	C 26707	RING - quad	2
4	C 26722	SPACER - end cap	1
5	195- 526	WASHER	2
6	C 26724	SPRING - centering	1
7	C 26725	BOLT - shoulder	1
8	C 26726	BONNET - end cap	1
9	165- 143	SCREW - 1/4" - 20 x 3/4" socket head	2
10	165- 143	SCREW - 1/4" - 20 x 3/4" socket head	2
11	C 26727	RETAINER - seal	1
12	C 26708	POPPET - relief	1
13	C 26709	SPRING - relief	1
14	C 26710	WASHER - aluminum, seal	1
15	C 26711	SCREW - adjustment, relief	1
16	C 26712	NUT - cap, relief	1
17	113- 5	BOLT - 1/4" x 1-1/2"	3
18	129- 101	NUT - 1/4"	3
19	192- 19	LOCKWASHER - 1/4"	3

K22 SLEEVE HITCH (3010, 3012, 3014) and K24 SLEEVE HITCH (4014)



REF.	PART NO.	DESCRIPTION	REQ'D
1	C 22218	HITCH FRAME ASSEMBLY (K24) shown	1
1	C 23707	HITCH FRAME ASSEMBLY (K22)	1
2	C 25371	ARM - lift	1
3	195- 541	WASHER - plain 21/32"	2
4	C 10898	PIN - retaining	2
5	C 14459	BRACKET - hitch mounting R.H. (shown)	1
5	C 25789	BRACKET - hitch mounting L.H.	1
6	113- 2400	BOLT - 1/2" x 1-3/8" N.C. hex, zinc	6
7	192- 23	LOCKWASHER - 1/2" zinc	6
8	C 25382	PLATE - lift lever	1
9	C 14568	PIN - drawbar	1
10	129- 105	NUT - 1/2" N.C. hex, zinc	4
11	195- 545	WASHER - plain 3/4" zinc	2
12	132- 306	PIN - cotter 3/16" x 1-3/4"	2
13	113- 476	BOLT - 1/2" x 2-3/4" N.C. hex, zinc	2
14	113- 417	BOLT - 1/2" x 1-1/4" hex	2

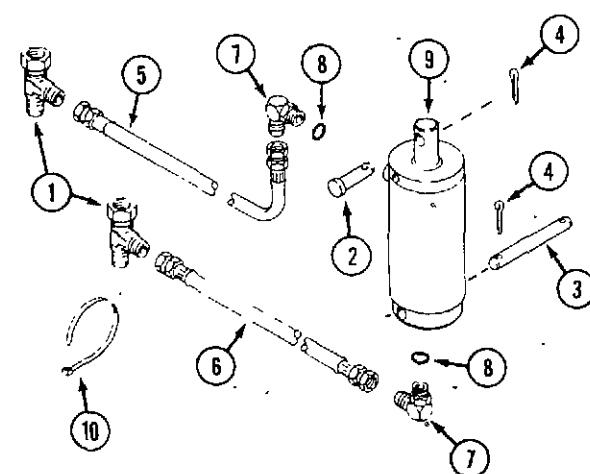
HH34 THREE POINT HITCH



LEFT REAR VIEW

REF.	PART NO.	DESCRIPTION	REQ'D
1	C 32215	PLATE - hitch	1
2	C 32230	SWIVEL - lift link	2
3	C 32231	PIN - spirol 3/16" x 1-1/2"	4
4	219 403	FITTING - grease	2
5	C 32428	LINK - adjusting	2
6	NSS	ROD - adjusting (use C32235 and 129-107)	1
7	C 32235	BOLT - 5/8" - 11 x 5"	1
8	C 32239	SPACER - bolt	1
9	129- 107	NUT - 5/8" - 11	1
10	C 32240	ARM - lift	2
11	C 32242	ARM - stabilizer	1
12	C 32243	BRACKET - angle	1
13	C 32244	SUPPORT - angle	1
14	C 32249	TUBE - upper link	1
15	C 32426	BALLJOINT - R.H. thread	1
16	C 32427	BALLJOINT - L.H. thread	1
17	113- 447	BOLT - 1/2" - 13 x 3-1/2" (use with 3000 series tractors)	1
17	113- 426	BOLT - 1/2" - 13 x 2-3/4" (use with 4000 series tractors)	1
18	113- 417	BOLT - 1/2" - 13 x 1-1/4"	2
19	111- 517	BOLT - 1/2" - 13 x 1" carriage	2
20	192- 23	LOCKWASHER - 1/2"	3
21	131- 930	NUT - 1/2" - 13 flange lock	2
22	NSS	PIN ASSEMBLY - klick (assemble from ref. 24)	1
23	C 14717	PIN - clevis 5/8" x 2-1/2"	6
24	C 28222	PIN - klick	6
25	138- 2073	PIN - spiral 3/16" x 1-1/4"	1
26	132- 348	PIN - cotter 1/4" x 1-1/4"	2
27	195- 541	WASHER - 5/8"	2
28	C 14768	SPACER - klick pin	2

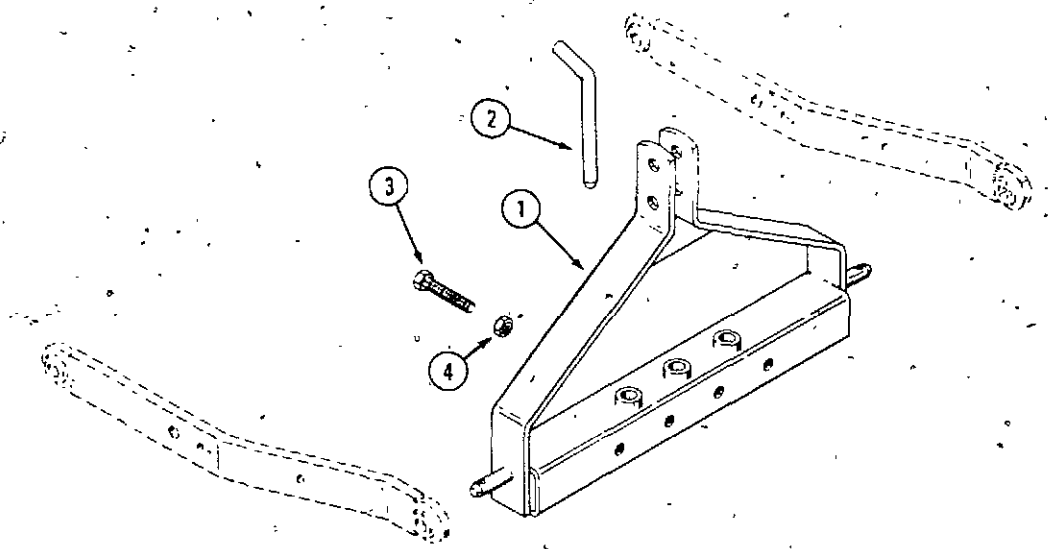
LEFT REAR VIEW



HH34 THREE POINT HITCH CYLINDER

REF.	PART NO.	DESCRIPTION	REQ'D
1	218- 5479	FITTING - tee 1/2" - 20 swivel female x 1/2" - 20 male	2
2	C 29693	PIN - cylinder rod 1/2" x 1 3/4"	1
3	C 32254	PIN - cylinder foot 1/2" x 4-5/8"	1
4	132- 310	PIN - cotter 1/8" x 1"	4
5	C 32247	HOSE - hydraulic 1/4" x 33" (cylinder to forward valve port)	1
6	C 32246	HOSE - hydraulic 1/4" x 24 (cylinder to rear valve port)	1
7	218- 5104	FITTING - 90° elbow 5/16" tube x 1/2" - 20	2
8	218- 5004	O-Ring	1
9	C 32245	CYLINDER - lift	1
10	C 22947	TIE - nylon	2

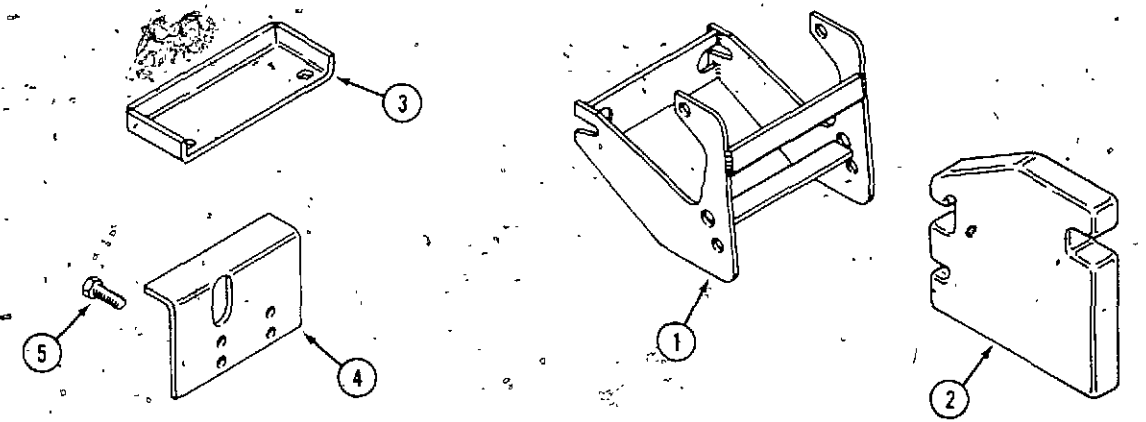
F27 HITCH ADAPTER



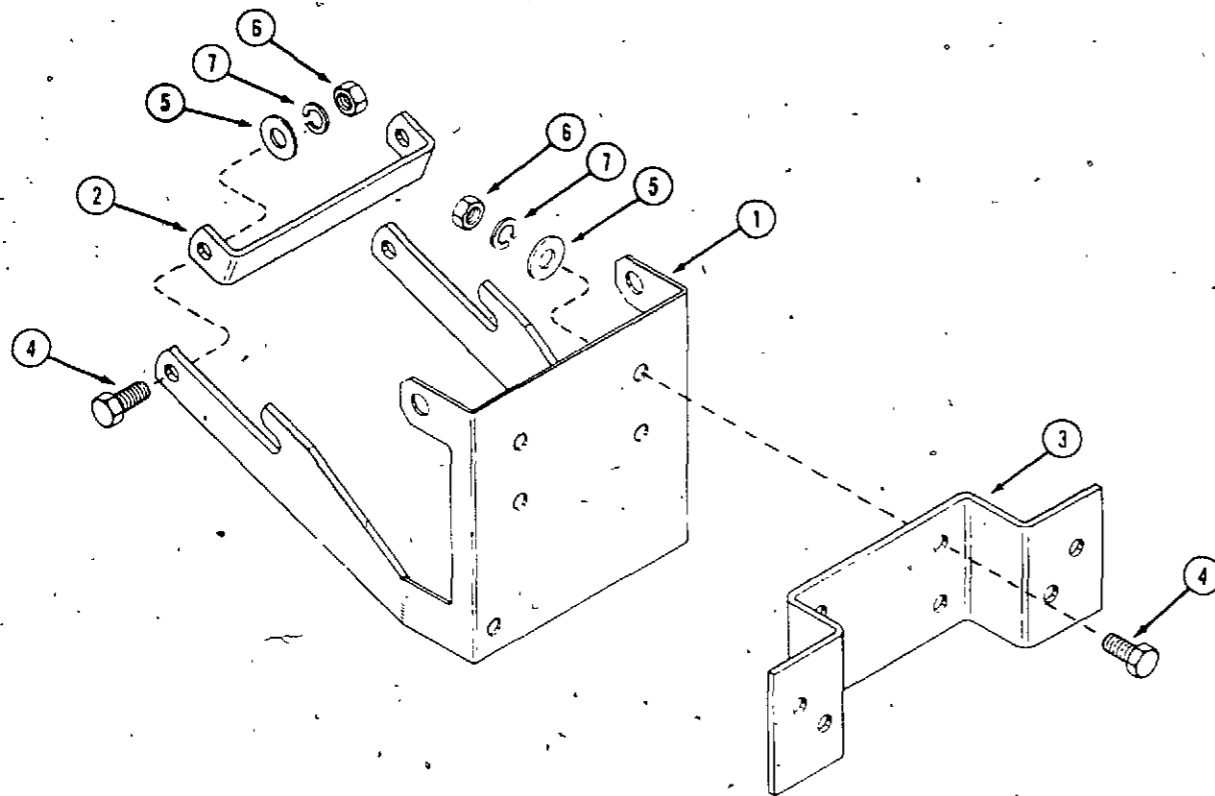
REF.	PART NO.	DESCRIPTION	REQ'D
1	NSS	BRACKET - hitch adapter (order as machinery item)	1
2	C 14568	PIN - drawbar	1
3	113- 476	BOLT - 1/2" x 2-3/4" N.C. hex	2
4	129- 105	NUT - 1/2" - 13	2

L11 WEIGHT KIT

1	C 25572	BRACKET - mounting, front	1
2	NSS	WEIGHT - 40 lb. (18 kg.)	4
3	C 25791	BRACKET - mounting, rear, upper	1
4	C 25792	BRACKET - mounting, rear, lower	1
5	113- 417	BOLT - 1/2" - 13 x 1-1/4" hex	2



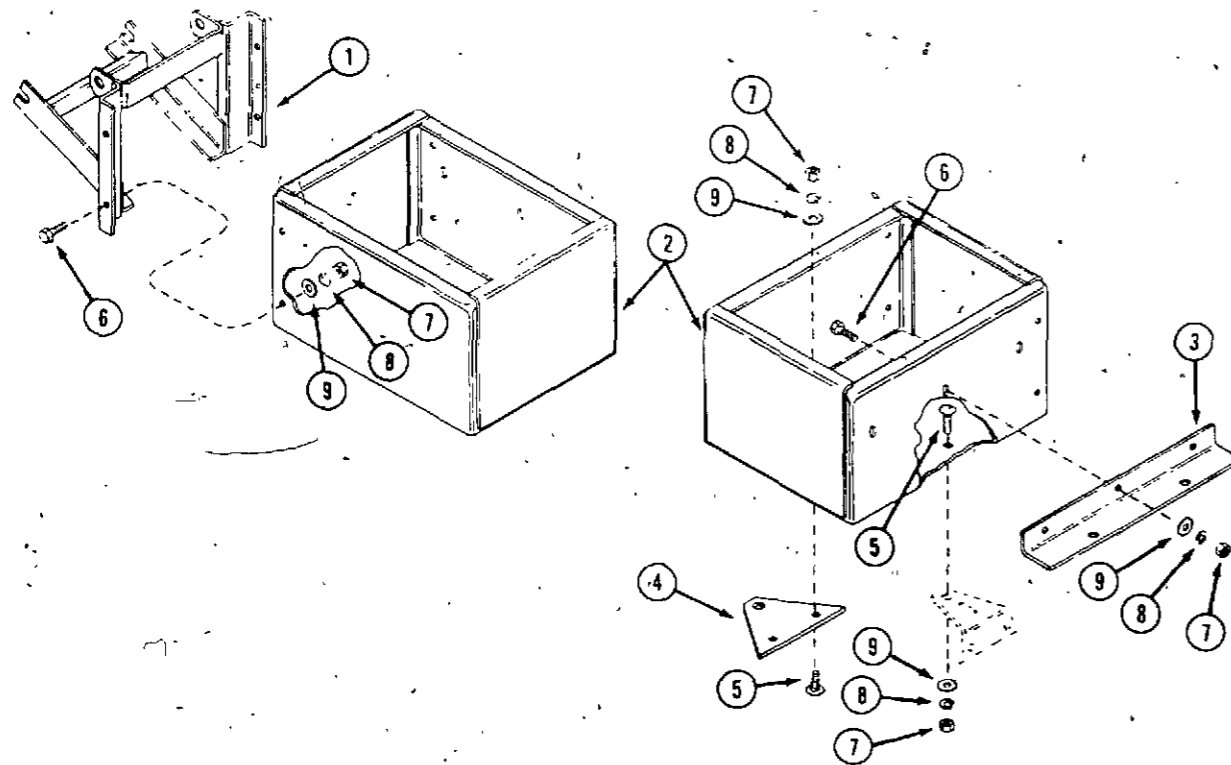
H18 FRONT END WEIGHT BRACKETS



REF.	PART NO.	DESCRIPTION	REQ'D
1	C 16581	BRACKET - mounting	1
2	C 17161	BRACE - rear	1
3	C 17162	BRACKET - weight mounting	1
4	113- 417	BOLT - 1/2" x 1-1/2" N.C. hex, zinc	6
5	195- 533	WASHER - 1/2" zinc	6
6	129- 105	NUT - 1/2" N.C. hex	6
7	192- 23	LOCKWASHER - 1/2"	6

H13 WEIGHT BOX

REF.	PART NO.	DESCRIPTION	REQ'D
1	C 17859	FRAME - weight box	1
2	C 17863	BOX - weight	1
3	C 17860	SUPPORT - weight box	1
4	C 17636	PLATE - hitch	1
5	111- 371	BOLT - 3/8" x 1" round head, square neck	3
6	113- 207	BOLT - 3/8" x 1" N.C. hex	4
7	129- 103	NUT - 3/8" N.C. hex	7
8	192- 21	LOCKWASHER - 3/8"	7
9	195- 525	WASHER - 3/8"	7

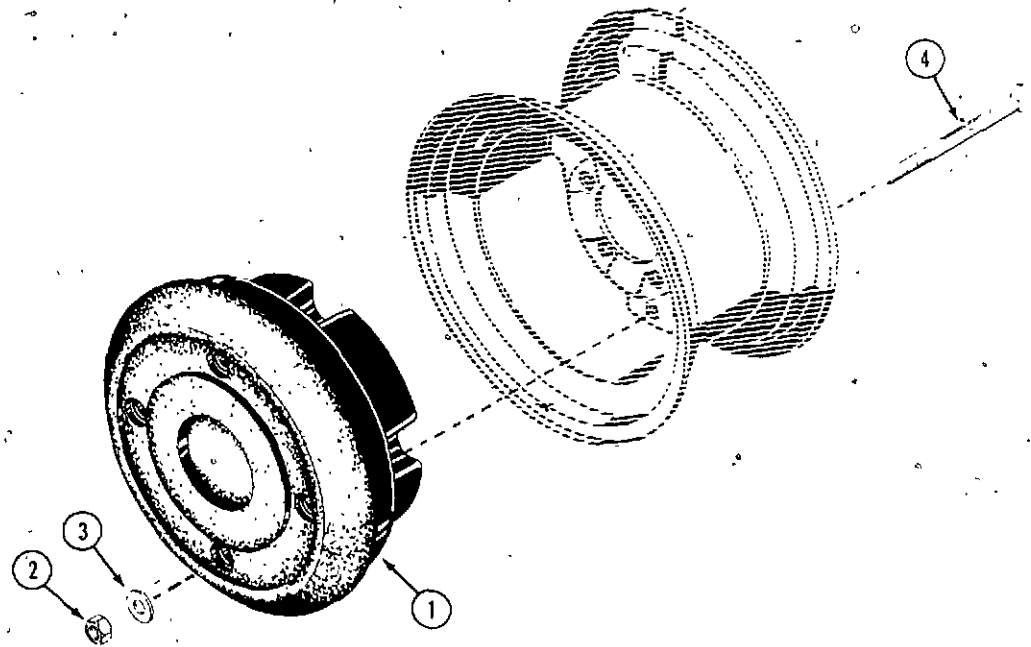
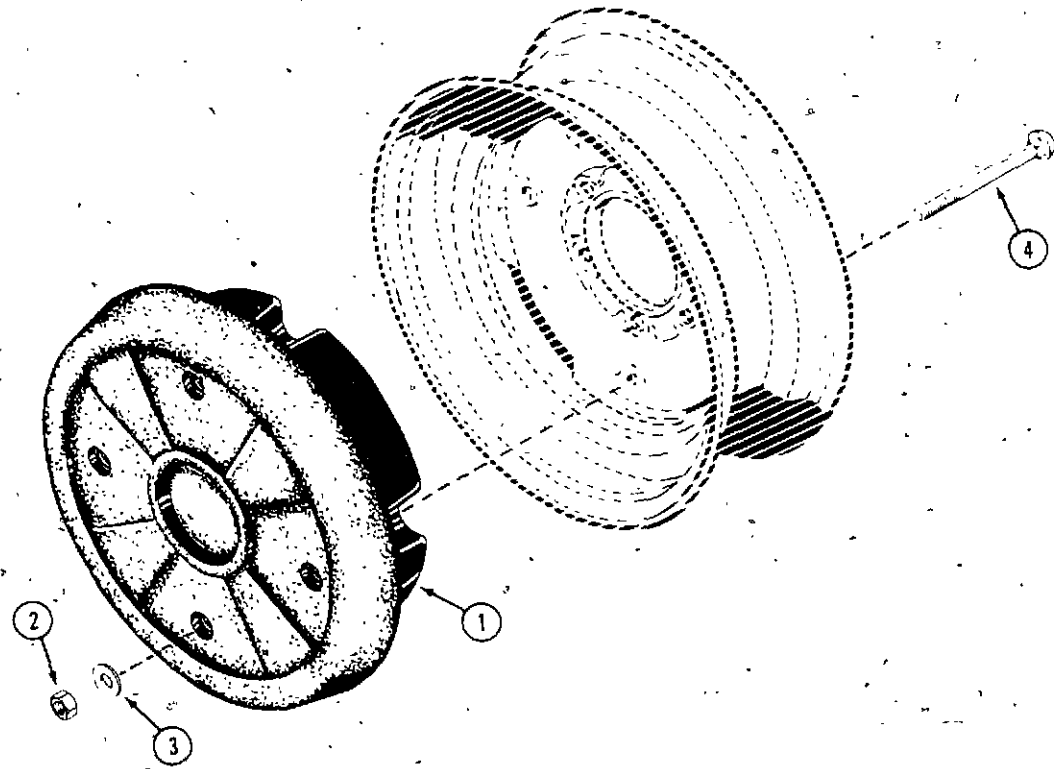


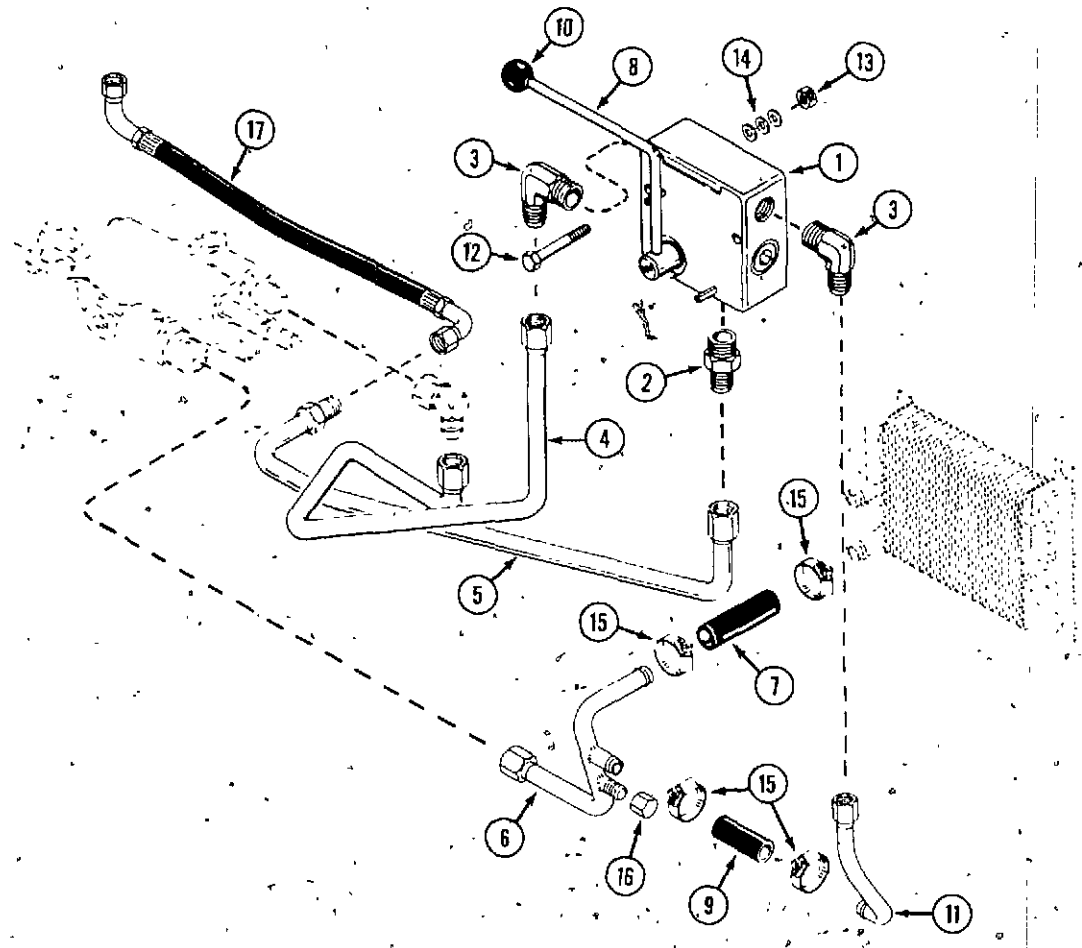
WW40 WHEEL WEIGHTS (4014)

REF.	PART NO.	DESCRIPTION	REQ'D
1	NSS	WEIGHT - wheel, 75 lb. (order as machinery item)	2
2	131- 1182	NUT - 1/2" N.C. hex	4
3	195- 533	WASHER - 1/2"	8
4	111- 525	BOLT - 1/2" x 6" round head, square neck	8

WW30 AND WW30W WHEEL WEIGHTS (3010, 3012, 3014)

REF.	PART NO.	DESCRIPTION	REQ'D
1	NSS	WEIGHT - wheel 55 lb. (order as Machinery Item)	2
2	131- 1182	NUT - 1/2" N.C. lock	8
3	195- 533	WASHER - 1/2"	8
4	111- 521	BOLT - 1/2" x 7" carriage (WW30)	8
4	C 30545	BOLT - 1/2" - 13 x 8-1/2" (WW30W)	8





HFC34 FLOW CONTROL VALVE KIT

1	C 23618	VALVE - flow control	1
2	218- 445	FITTING - 5/18" x 7/8" - 14	1
3	218- 485	FITTING - 5/8" x 7/8" - 14 90° elbow	2
4	C 33007	TUBE - flow valve to travel valve	1
5	C 33008	TUBE - flow valve to PTO valve	1
6	C 33009	TUBE - travel valve to heat exchanger	1
7	C 29697	HOSE - rubber 3/4" I.D. (cut to length)	1
8	C 36848	LEVER - valve	1
9	C 36849	HOSE - rubber 5/8" I.D.	1
10	C 28251	KNOB - lever	1
11	C 33131	TUBE - flow valve to return	1
12	113- 12	BOLT - 1/4" - 20 x 2-1/2	1
13	131- 1180	NUT - 1/4" - 20 lock	1
14	195- 518	WASHER - 1/4"	3
15	214- 254	CLAMP - hose #12 5/8" to 1-1/4"	4
16	218- 754	CAP - hydraulic 9/16" - 18	1
17	C 33011	HOSE - flow valve to PTO (for 4014)	1
	C 33010	HOSE - flow valve to PTO (for 3010, 3012, 3014)	1
	C 18719	DECAL - speed control	1
	218- 5229	FITTING - 90° swivel elbow (for 3 point hitch connections)	2

NUMERICAL INDEX

PART NO.	PAGE NO.	REF. NO.	PART NO.	PAGE NO.	REF. NO.
165-143	63	10	195-541	67	27
166-85	29	15	195-545	65	11
166-85	41	40	195-2069	35	15
166-86	43	16	195-2175	33	10
169-114	45	20	195-2206	35	11
182-10	59	8	211-5	45	16
182-147	59	15	211-7	45	30
182-525	25	11	211-208	45	6
182-547	33	28	214-14	43	24
182-552	9	4	214-254	43	23
182-559	21	32	214-254	75	15
182-559	21	5	218-445	75	2
182-559	59	15	218-485	75	3
187-1036	29	21	218-754	43	30
187-1073	59	12	218-754	75	16
187-1328	31	13	218-1093	53	26
187-1328	59	2	218-5004	67	8
187-1334	23	6	218-5007	43	3
187-1910	37	12	218-5007	43	5
192-13	59	10	218-5007	43	7
192-18	21	6	218-5056	53	27
192-18	59	14	218-5062	43	6
192-19	29	19	218-5062	63	4
192-19	51	14	218-5065	43	2
192-19	59	33	218-5104	67	7
192-19	63	19	218-5107	43	4
192-20	33	5	218-5107	63	3
192-20	49	9	218-5117	43	26
192-20	51	16	218-5201	63	2
192-20	53	8	218-5229	75	8
192-20	63	15	218-5232	43	8
192-21	23	5	218-5479	67	1
192-21	27	8	219-17	37	20
192-21	35	14	219-17	53	2
192-21	71	8	219-403	39	4
192-22	27	11	219-403	67	4
192-23	29	14	219-404	37	7
192-23	33	5	221-3	41	10
192-23	37	14	221-86	5	30
192-23	41	19	221-841	45	21
192-23	43	32	221-1842	41	10
192-23	47	2	321-1788	61	4
192-23	65	7	321-4767	61	3
192-23	67	20	321-6659	61	11
192-23	71	7			
193-70	59	14			
193-99	59	30			
195-102	25	12			
195-103	5	26			
195-104	53	23			
195-518	17	13			
195-518	21	17			
195-518	25	2			
195-518	75	14			
195-521	53	17			
195-521	63	14			
195-525	23	8			
195-525	33	18			
195-525	71	9			
195-526	63	5			
195-533	39	17			
195-533	53	14			
195-533	71	5			
195-533	73	3			
195-533	73	3			
195-541	35	11			
195-541	41	42			
195-541	65	3			

INGERSOLL

Ingersoll Equipment Co., Inc.