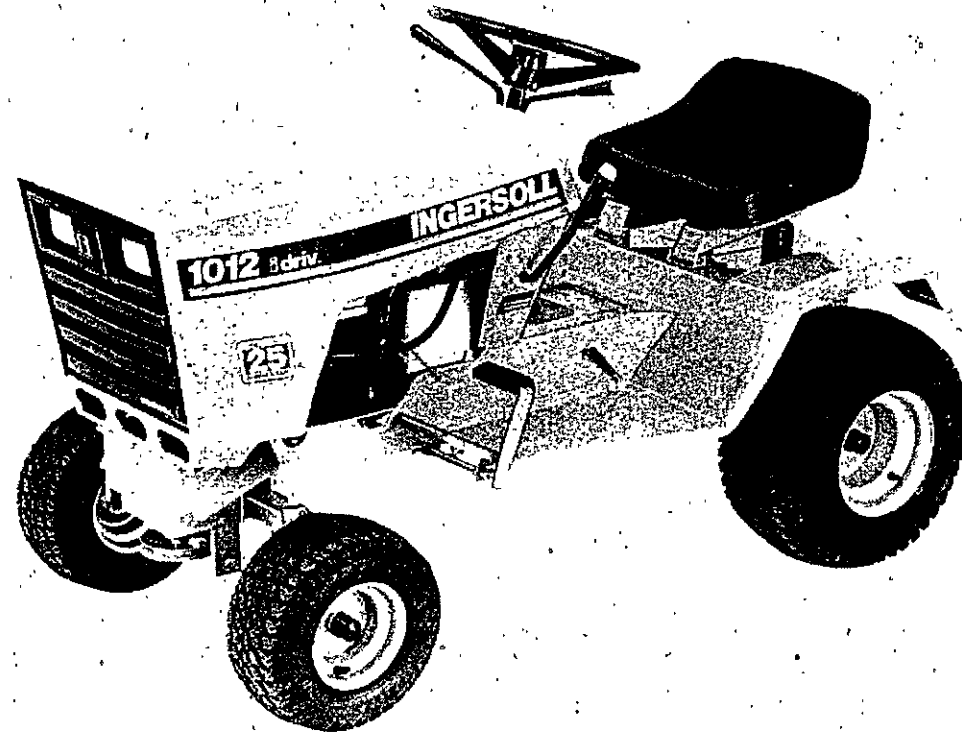


COMPACT TRACTORS
1012, 1014, 1016
Parts Catalog 8-3021

MODEL 1012, 1014 AND 1016 COMPACT TRACTORS

6-88-RP-400-385

NOTE: This Catalog replaces
 Parts Catalog 8-3020



ALPHABETICAL INDEX

ENGINE SECTION

| | PAGE | GRID | | PAGE | GRID |
|--------------------------------------|--------|---------|-----------------------------|------|-------|
| Air Cleaner | 13-17 | A14-B4 | Fuel Filter | 11 | A12 |
| Battery | 55 | D14 | Fuel System | 11 | A12 |
| Breather, Crankcase | 5, 21 | A6, B8 | Gasket Kits | 5-7 | A6-A8 |
| Camshaft | 5-7 | A6, B8 | Governor | 19 | B6 |
| Carburetor | 13, 15 | A14, B2 | Magneto Armature | 9 | A10 |
| Choke Linkage (1014, 1016) | 11 | A12 | Manifold (1014, 1016) | 15 | B2 |
| Connecting Rod | 5-7 | A6-A8 | Mounts, Engine | 23 | B10 |
| Counter Weight | 9 | A10 | Muffler | 17 | B4 |
| Crankshaft | 5-7 | A6-A8 | Oil pan | 5-7 | A6-A8 |
| Cylinder Block | 5-7 | A6-A8 | Piston | 5-7 | A6-A8 |
| Cylinder Head | 5-7 | A6-A8 | Spark Plug | 9 | A10 |
| Electrical System | 9 | A10 | Starter | 53 | D12 |
| Engine Block & Attaching Parts | 5-7 | A6-A8 | Tank, Fuel | 11 | A12 |
| Exhaust System | 17 | B4 | Throttle Linkage | 11 | A12 |
| Filter, Breather | 5, 21 | A6, B8 | Trigger, Ignition | 9 | A10 |
| Flywheel | 9 | A10 | Valves | 5-7 | A6-A8 |

BASIC TRACTOR SECTION

| | PAGE | GRID | | PAGE | GRID |
|--------------------------|--------|---------|-----------------------------|-------|--------|
| Axle, Front | 35 | C8 | Hood | 27 | B14 |
| Baffles & Shrouds | 21 | B8 | Implement Lift | 37 | C10 |
| Belts & Pulleys | 25, 47 | B12, D6 | Mounts, Engine | 23 | B10 |
| Brakes | 39-41 | C12-C14 | PTO Clutch | 25 | B12 |
| Decals | 63 | E8 | Seat, Operator's | 29-31 | C2-C4 |
| Electrical System | 55-59 | D14-E4 | Steering Wheel & Gear | 31 | C4 |
| Fenders | 29-31 | C2-C4 | Tool Tray | 27 | B14 |
| Frame | 27 | B14 | Traction Drive | 49-53 | D8-D12 |
| Gear Case Assembly | 41-43 | C14-D2 | Transaxle | 41-43 | C14-D2 |
| Grille | 27 | B14 | Travel Control | 45 | D4 |
| Hitch | 27 | B14 | Wheels, Front & Rear | 35 | C8 |

PAINT AND OIL

PAINT

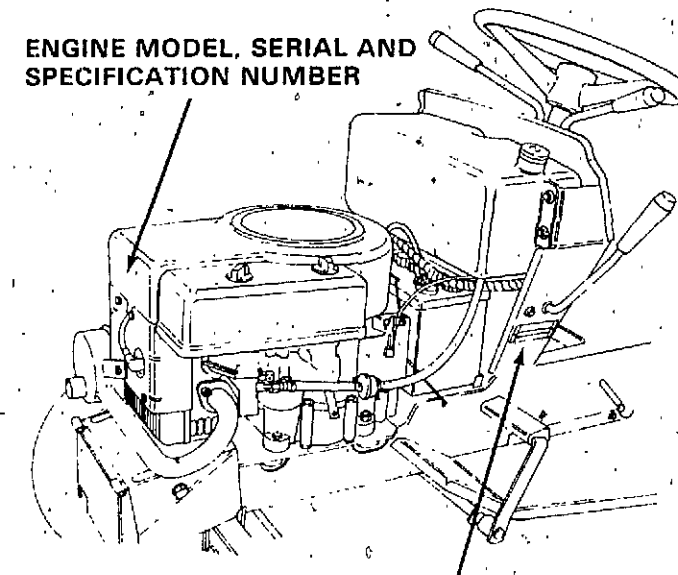
| REF. | PART NO. | DESCRIPTION | REQ'D |
|------|----------|--|-------|
| 1 | C 28849 | BLACK - semi - gloss, 12 oz spray (2 per carton) | 1 |
| 2 | C 28850 | BLACK - semi - gloss, quart (2 per carton) | 1 |
| 3 | C 28851 | BLACK - semi - gloss, heat resistant, 12 oz spray (2 per carton) | 1 |
| 4 | C 28484 | POWER RED - gloss, 12 oz spray (2 per carton) | 1 |
| 5 | C 28485 | POWER RED - gloss, quart (2 per carton) | 1 |
| 6 | C 30870 | SILVER - gloss, 12 oz. spray (2 per carton) | 1 |
| 7 | C 31643 | POWER RED - gloss, 1 oz touch up, (1 doz. per carton) | 1 |

OIL

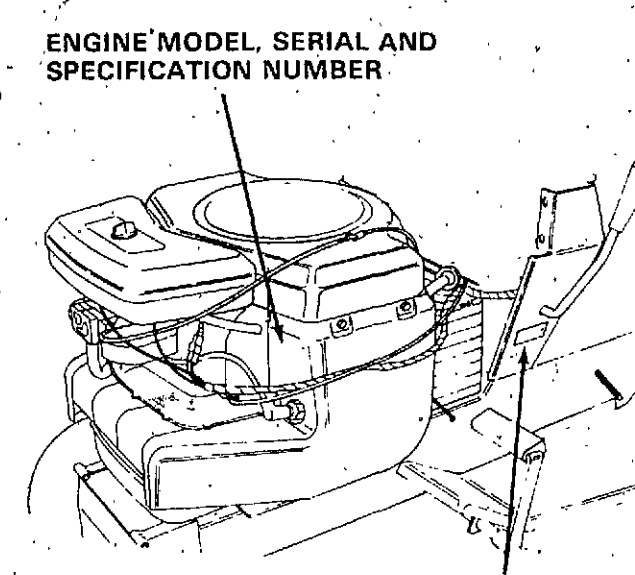
| | | | |
|---|---------|-----------------------------------|---|
| 1 | C 29805 | 5W20 - qt. (24 per carton) | 1 |
| 2 | C 29807 | SAE30 - qt. (24 per carton) | 1 |
| 3 | C 29809 | 20W40 - qt. (24 per carton) | 1 |

MODEL 1012, 1014 AND 1016 COMPACT TRACTORS

PRODUCT IDENTIFICATION NUMBERS (P.I.N.)



TRACTOR MODEL AND SERIAL NUMBER (S/N)

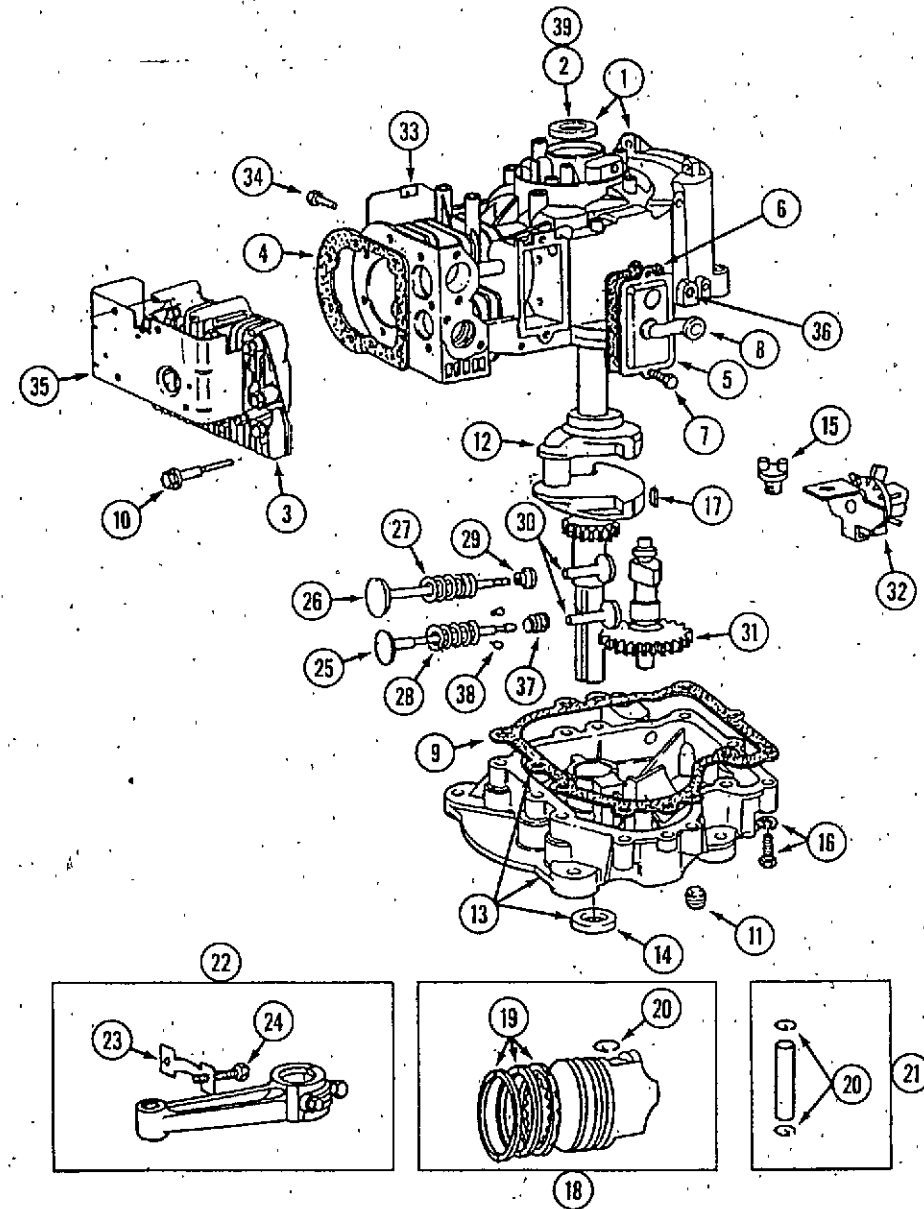


TRACTOR MODEL AND SERIAL NUMBER (S/N)

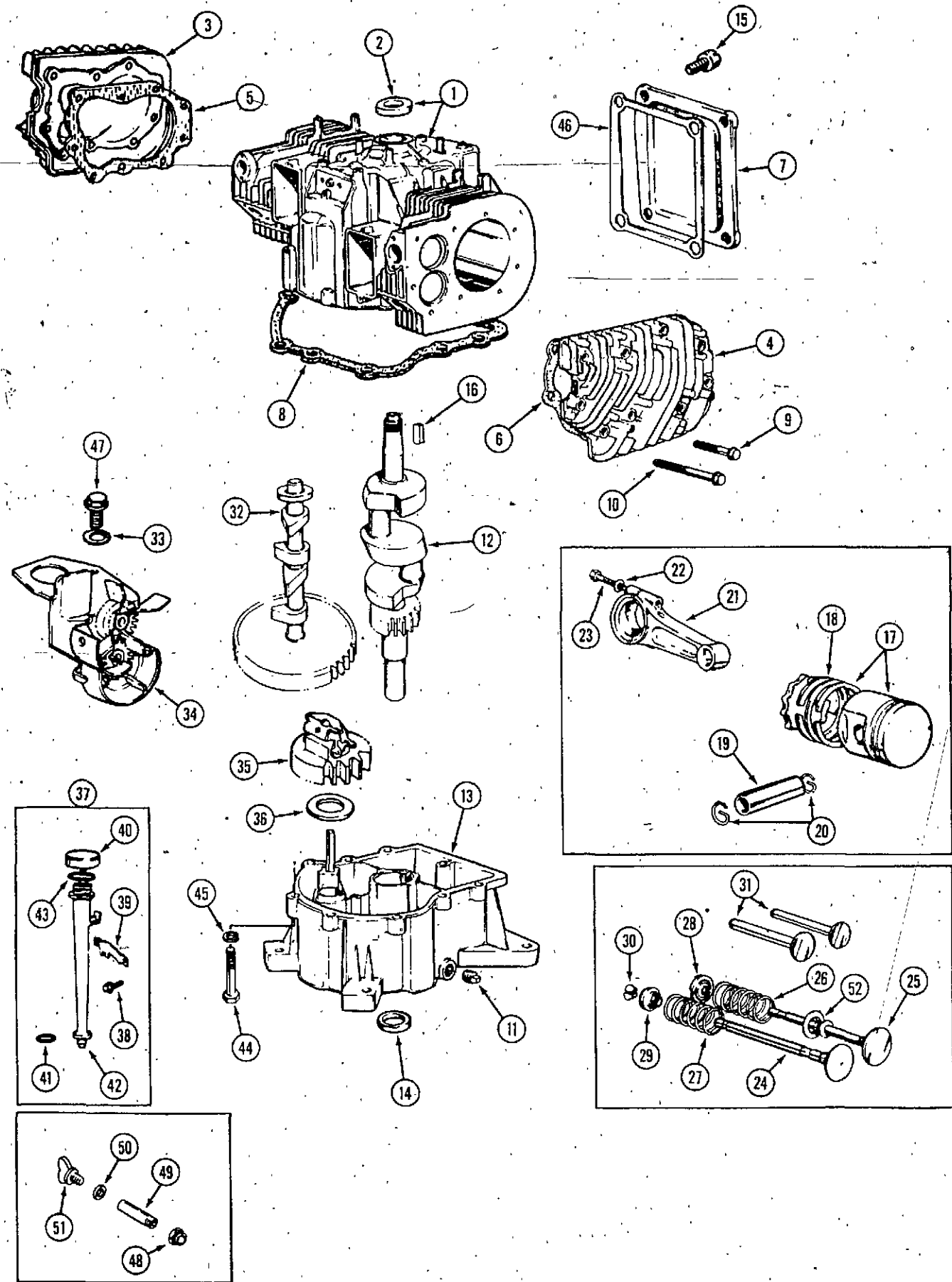
| TRACTOR MODEL | ENGINE MODEL |
|---------------|---------------------------------------|
| 1012 | C30146 SPEC. 281707 - TYPE 0135-01 |
| 1014 | C29099 SPEC. 400707 - TYPE 0119 |
| 1016 | C29100 SPEC. 402707 - TYPE 0145 |

NOTE: In this catalog there are references to serial numbers. To order the correct part, use these serial numbers as a guide.

ENGINE BLOCK ASSEMBLY (1012)



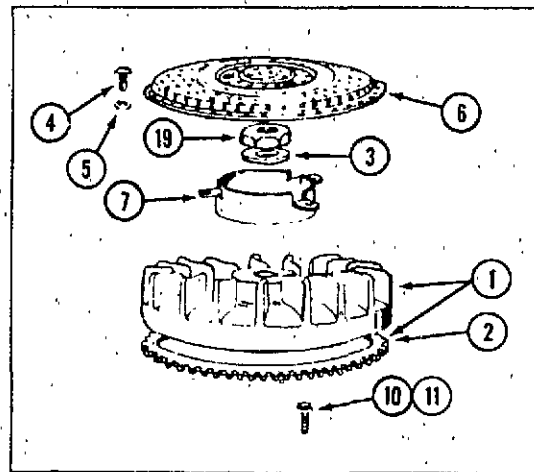
| REF. | PART NO. | DESCRIPTION | REQ'D |
|------|-----------|---|-------|
| 1 | C 30843 | CYLINDER BLOCK ASSEMBLY - short (also includes item 39) | 1 |
| 1 | NSS | CYLINDER BLOCK ASSEMBLY | 1 |
| 2 | C 25709 | SEAL - oil | 1 |
| 3 | C 30409 | HEAD - cylinder | 1 |
| 4 | C 30410 | GASKET - cylinder head | 1 |
| 5 | BR 391406 | BREATHER ASSEMBLY | 1 |
| 6 | C 27350 | GASKET - valve cover | 1 |
| 7 | 187- 1508 | SCREW - sems | 2 |
| 8 | C 25712 | TUBE - breather | 1 |
| 9 | C 30411 | GASKET - crankcase cover 1/64" thick | 1 |
| 9 | C 30412 | GASKET - crankcase cover .005" thick | 1 |
| 9 | C 30413 | GASKET - crankcase cover .009" thick | 1 |
| 10 | BR 93723 | SCREW - cylinder head 3" long | 6 |
| 11 | 221- 843 | PLUG - oil drain | 1 |
| 12 | C 30414 | CRANKSHAFT | 1 |
| 13 | C 30415 | SUMP - oil (also includes item 9) | 1 |
| 14 | C 25718 | SEAL - oil | 1 |
| 15 | BR 66768 | PLUG - oil filler | 1 |
| 16 | NSS | SCREW - sump mounting, sems (use 113-120 and 192-20) | 6 |
| 17 | C 27236 | KEY - flywheel | 1 |
| 18 | C 29826 | PISTON ASSEMBLY - standard | 1 |
| 18 | C 29827 | PISTON ASSEMBLY - .010" oversize | 1 |
| 18 | C 29828 | PISTON ASSEMBLY - .020" oversize | 1 |
| 18 | C 29829 | PISTON ASSEMBLY - .030" oversize | 1 |
| 19 | C 29830 | RING SET - piston, standard | 1 |
| 19 | C 25725 | RING SET - piston, .010" oversize | 1 |
| 19 | C 25726 | RING SET - piston, .020" oversize | 1 |
| 19 | C 25727 | RING SET - piston, .030" oversize | 1 |
| 20 | C 25728 | LOCK - piston pin | 2 |
| 21 | C 25729 | PIN ASSEMBLY - piston, standard | 1 |
| 21 | C 25730 | PIN ASSEMBLY - piston, .005" oversize | 1 |
| 22 | C 30416 | ROD ASSEMBLY - connecting | 1 |
| 23 | C 25732 | LOCK - connecting rod screw | 1 |
| 24 | C 25733 | SCREW - connecting rod | 2 |
| 25 | C 30417 | VALVE - exhaust | 1 |
| 26 | C 30418 | VALVE - intake | 1 |
| 27 | BR 65906 | SPRING - intake valve | 1 |
| 28 | BR 26828 | SPRING - exhaust valve | 1 |
| 29 | BR 221596 | RETAINER - intake valve | 2 |
| 30 | C 30419 | TAPPET - valve | 2 |
| 31 | C 29833 | CAMSHAFT | 1 |
| 32 | C 25746 | OIL SLINGER - governor gear and bracket assembly | 1 |
| 33 | C 30420 | SHIELD - cylinder | 1 |
| 34 | NSS | SCREW - cylinder shield mounting (use 163-18 and 192-18) | 1 |
| 35 | C 30421 | COVER - cylinder head | 1 |
| 36 | BR 231055 | BUSHING - governor crank (1/4" I.D.) | 1 |
| 37 | BR 292260 | ROTATOR - exhaust valve | 1 |
| 38 | BR 93630 | RETAINER - exhaust valve | 2 |
| 39 | C 29778 | BUSHING - crankshaft | 1 |
| | C 30422 | GASKET SET - includes items 4, 6, 9 and carburetor mounting gasket) | 1 |



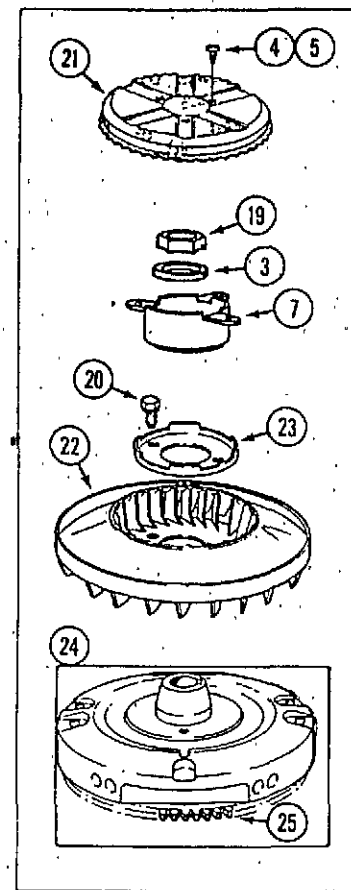
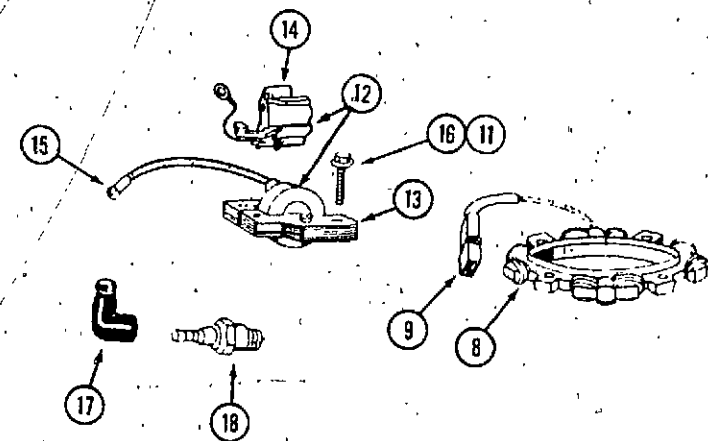
MODEL 1012, 1014 AND 1016 COMPACT TRACTORS

ENGINE BLOCK ASSEMBLY (1014, 1016)

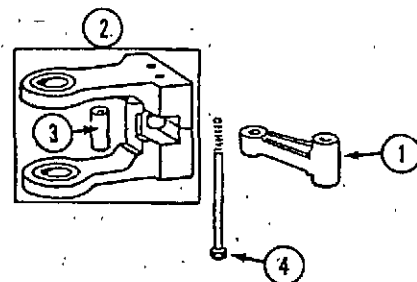
| REF. | PART NO. | DESCRIPTION | REQ'D |
|------|-----------|---|-------|
| 1 | C 29929 | BLOCK ASSEMBLY - short | 1 |
| 2 | C 25709 | SEAL - oil | 1 |
| 3 | C 27372 | HEAD - cylinder R.H. | 1 |
| 4 | C 27373 | HEAD - cylinder L.H. | 1 |
| 5 | C 27374 | GASKET - cylinder head R.H. | 1 |
| 6 | C 27308 | GASKET - cylinder head L.H. | 1 |
| 7 | C 27347 | COVER - access | 1 |
| 8 | C 27310 | GASKET - crankcase 1/64" | 1 |
| 8 | C 27311 | GASKET - crankcase .005" | 1 |
| 8 | C 27312 | GASKET - crankcase .009" | 1 |
| 9 | C 27313 | BOLT - head 1-15/16" | 12 |
| 10 | BR 93113 | BOLT - head 2-5/16" | 6 |
| 11 | 221- 843 | PLUG - oil drain | 2 |
| 12 | C 27314 | CRANKSHAFT | 1 |
| 13 | C 27315 | CRANKCASE | 1 |
| 14 | C 25718 | SEAL - oil | 1 |
| 15 | NSS | SCREW - cover (use 113-221 and 192-161) | 4 |
| 16 | C 27236 | KEY - flywheel | 1 |
| 17 | C 27316 | PISTON ASSEMBLY - standard (also includes item 20) | 2 |
| 17 | C 27317 | PISTON ASSEMBLY - .010" oversize (also includes item 20) | 2 |
| 17 | C 27318 | PISTON ASSEMBLY - .020" oversize (also includes item 20) | 2 |
| 17 | C 27319 | PISTON ASSEMBLY - .030" oversize (also includes item 20) | 2 |
| 18 | C 27320 | RING SET - piston, standard | 2 |
| 18 | C 27321 | RING SET - piston, .010" oversize | 2 |
| 18 | C 27322 | RING SET - piston, .020" oversize | 2 |
| 18 | C 27323 | RING SET - piston, .030" oversize | 2 |
| 19 | C 25729 | PIN ASSEMBLY - piston, standard | 2 |
| 19 | C 25730 | PIN ASSEMBLY - piston, .005" oversize | 2 |
| 20 | C 25728 | LOCK - piston pin | 2 |
| 21 | C 27324 | ROD ASSEMBLY - connecting | 2 |
| 21 | C 27582 | ROD ASSEMBLY - connecting, .020" undersize | 2 |
| 22 | C 27332 | WASHER - 1/4" x 5/8" x 1/32" | 2 |
| 23 | C 25733 | BOLT - connecting rod | 2 |
| 24 | BR 390419 | VALVE - exhaust | 2 |
| 25 | C 27326 | VALVE - intake | 2 |
| 26 | BR 65906 | SPRING - intake valve | 2 |
| 27 | BR 26828 | SPRING - exhaust valve | 2 |
| 28 | BR 221596 | RETAINER - intake valve | 2 |
| 29 | BR 292260 | ROTOCOIL - exhaust valve | 2 |
| 30 | BR 93630 | RETAINER - valve rotocoil (1 pair) | 2 |
| 31 | C 27327 | TAPPET - valve | 4 |
| 32 | C 27328 | CAMSHAFT | 1 |
| 33 | 92- 3 | LOCKWASHER - No. 10 x 1/16" x 3/64" | 1 |
| 34 | C 27329 | OIL SLINGER | 1 |
| 35 | C 27330 | GEAR - governor | 1 |
| 36 | C 27331 | WASHER - thrust | 1 |
| 37 | C 27346 | DIPSTICK AND TUBE ASSEMBLY - oil check and fill | 1 |
| 38 | 187- 1047 | SCREW - No. 8 - 18 x 1/2" round head | 2 |
| 39 | C 27336 | CLAMP - oil tube | 1 |
| 40 | C 27337 | DIPSTICK - oil | 1 |
| 41 | C 27338 | SEAL - oil tube | 1 |
| 42 | C 27339 | TUBE - oil filler | 1 |
| 43 | C 27345 | SEAL - oil fill cap | 1 |
| 44 | 113- 120 | BOLT - 5/16" - 18 x 1-3/4" | 6 |
| 45 | 192- 20 | LOCKWASHER - 5/16" | 6 |
| 46 | C 27342 | GASKET - cover | 1 |
| 47 | C 25749 | SCREW - No. 10 - 32 x 5/8" | 1 |
| 48 | 221- 86 | REDUCER - pipe 3/8" to 1/4" oil drain | 1 |
| 49 | C 18814 | NIPPLE - pipe, oil drain | 1 |
| 50 | C 14906 | GASKET - oil drain | 1 |
| 51 | C 14399 | PLUG - oil drain | 1 |
| 52 | C 29860 | RETAINER AND SEAL ASSEMBLY - valve (1016) | 1 |
| | C 27335 | GASKET KIT - includes items 5, 6, 8, 48, valve cover gasket, intake manifold gasket and carburetor gasket | 1 |



MODEL 1014, 1016



MODEL 1012

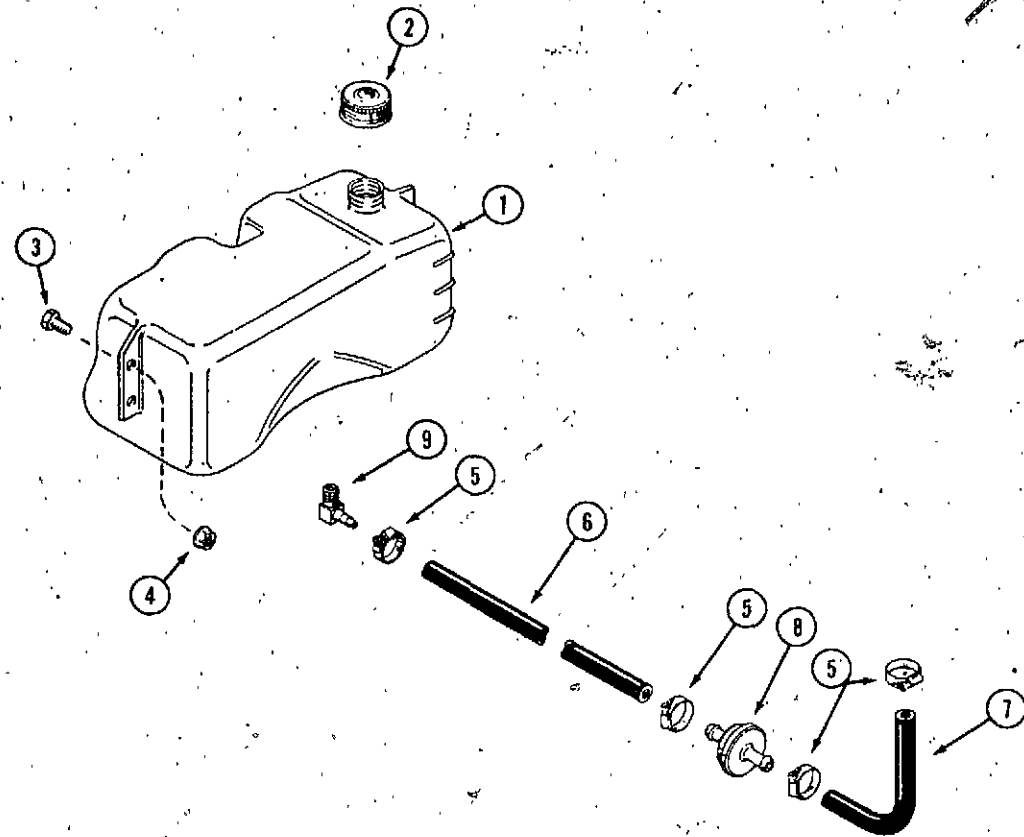


FLYWHEEL AND STATOR

| REF. | PART NO. | DESCRIPTION | REQ'D |
|------|-----------|--|-------|
| 1 | C 27351 | FLYWHEEL AND RING GEAR ASSEMBLY - (1014, 1016) | 1 |
| 2 | C 27365 | RING GEAR - (1014, 1016) | 1 |
| 3 | BR 220865 | WASHER - spring (1012) | 1 |
| 3 | BR 27352 | WASHER - spring (1014, 1016) | 1 |
| 4 | 182- 84 | SCREW - No. 8 - 32 x 3/8" | 4 |
| 5 | 193- 25 | LOCK WASHER - No. 8 | 4 |
| 6 | C 27358 | SCREEN - flywheel (1014, 1016) | 1 |
| 7 | BR 222561 | CUP - screen mounting (1012) | 1 |
| 7 | C 27357 | CUP - screen mounting (1014, 1016) | 1 |
| 8 | BR 393474 | STATOR - alternator | 1 |
| 9 | BR 393456 | DIODE AND CONNECTOR ASSEMBLY | 1 |
| 10 | 182- 90 | SCREW - No. 8 - 32 x 1" | 4 |
| 11 | 193- 25 | WASHER - No. 8 | 4 |
| 12 | C 29785 | ARMATURE ASSEMBLY - (1012) shown | 1 |
| 12 | C 27420 | ARMATURE ASSEMBLY - (1014, 1016) | 1 |
| 13 | C 27419 | ARMATURE - (1014, 1016) | 1 |
| 14 | C 27269 | TRIGGER - ignition | 1 |
| 15 | BR 221798 | TERMINAL - ignition cable | UAR |
| 16 | 182- 549 | SCREW - No. 8 - 32 x 3/4" | 2 |
| 17 | BR 66538 | BOOT - spark plug | UAR |
| 18 | C 24329 | SPARK PLUG - (1012) | 1 |
| 18 | C 27334 | SPARK PLUG - (1014, 1016) | 2 |
| 19 | BR 92284 | NUT - flywheel (1012) | 1 |
| 19 | C 27356 | NUT - flywheel (1014, 1016) | 1 |
| 20 | NSS | SCREW - 3/4" long (use 113-102 and 92-5) | 2 |
| 21 | C 30440 | SCREEN - flywheel (1012) | 1 |
| 22 | C 30447 | FAN - flywheel (1012) | 1 |
| 23 | C 30448 | RETAINER - fan (1012) | 1 |
| 24 | C 30436 | FLYWHEEL AND RING GEAR ASSEMBLY (1012) | 1 |
| 25 | BR 392134 | RING GEAR (1012) | 1 |

ENGINE COUNTERWEIGHT (1012)

| | | | |
|---|---------|------------------------|---|
| 1 | C 29816 | LINK - counterweight | 1 |
| 2 | C 30423 | COUNTERWEIGHT ASSEMBLY | 1 |
| 3 | C 29818 | PIN - counterweight | 1 |
| 4 | C 29835 | SCREW - counterweight | 1 |

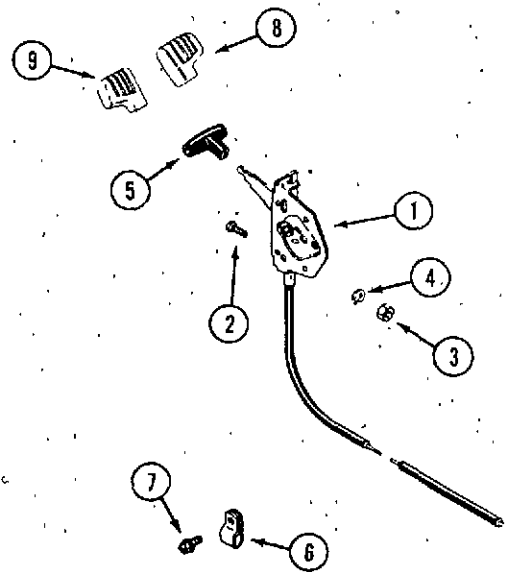


FUEL SYSTEM

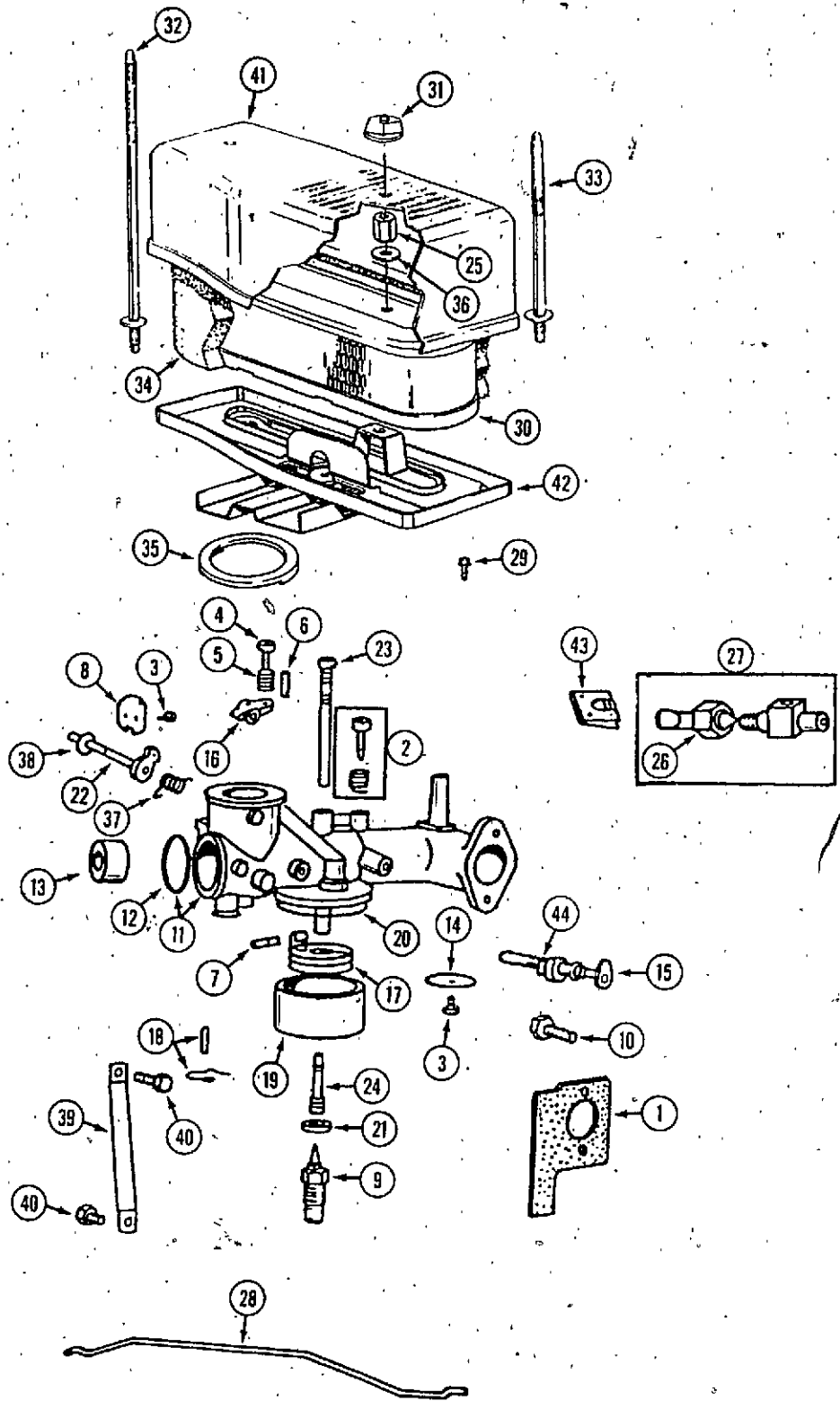
| REF. | PART NO. | DESCRIPTION | REQ'D |
|------|----------|---|-------|
| 1 | C 29070 | TANK - fuel | 1 |
| 2 | C 11529 | CAP - fuel | 1 |
| 3 | 113- 102 | BOLT - 5/16" - 18 x 3/4" | 4 |
| 4 | 131- 911 | NUT - 5/16" - 18 flange lock | 4 |
| 5 | 214- 252 | CLAMP - hose | 4 |
| 6 | NSS | HOSE - fuel 13.5" (343 mm) (use C28937 cut to length) | 1 |
| 7 | NSS | HOSE - fuel 4" (102 mm) (use C28937 cut to length) | 1 |
| 8 | C 28935 | FILTER - fuel | 1 |
| 9 | C 10678 | CONNECTOR - fuel line 90° | 1 |
| | C 28030 | INSULATION - full line (1014, 1016) | 1 |

CHOKE AND THROTTLE

| | | | |
|---|-----------|-------------------------------------|---|
| 1 | C 29267 | CONTROL - choke and throttle (1012) | 1 |
| 1 | C 29186 | CONTROL - throttle (1014, 1016) | 1 |
| 1 | C 29187 | CONTROL - choke (1014, 1016) | 1 |
| 2 | 182- 559 | SCREW - No. 10 - 24 x 3/4" | 2 |
| 3 | 129- 17 | NUT - No. 10 | 2 |
| 4 | 192- 18 | LOCK WASHER - 3/16" | 2 |
| 5 | C 15540 | HANDLE - tee (1012) | 1 |
| 6 | C 27233 | CLAMP - cable | 1 |
| 7 | 187- 1908 | SCREW - self tapping | 1 |
| 8 | C 30074 | HANDLE - choke (1014, 1016) | 1 |
| 9 | C 30073 | HANDLE - throttle (1014, 1016) | 1 |

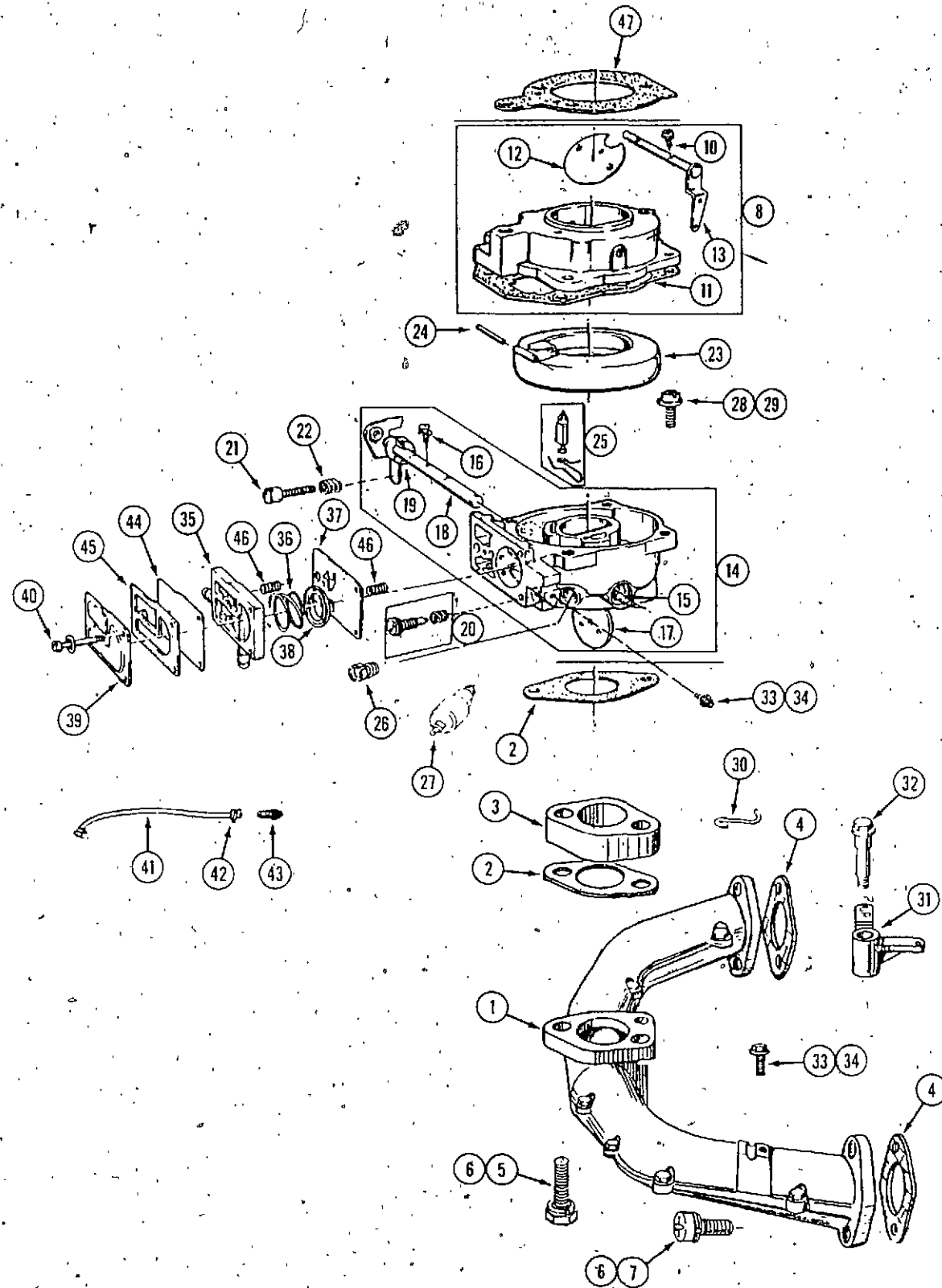


MODEL 1012, 1014 AND 1016 COMPACT TRACTORS
C 30424 CARBURETOR AND AIR CLEANER (1012)

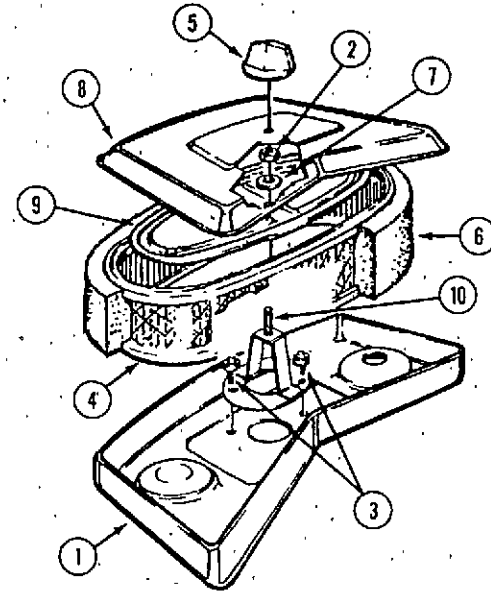


| REF. | PART NO. | DESCRIPTION | REQ'D |
|------|-----------|---|-------|
| 1 | C 25738 | GASKET - carburetor mounting | 1 |
| 2 | BR 292681 | VALVE ASSEMBLY - carburetor idle | 1 |
| 3 | BR 93499 | SCREW - throttle and choke mounting, sems | 2 |
| 4 | 182- 87 | SCREW - machine fillister head No. 8-32 x 5/8" | 1 |
| 5 | BR 26157 | SPRING - throttle adjustment | 1 |
| 6 | 138- 251 | PIN - throttle stop | 1 |
| 7 | BR 230896 | PIN - float hinge | 1 |
| 8 | BR 222010 | VALVE - choke | 1 |
| 9 | C 29779 | VALVE - needle | 1 |
| 10 | BR 93357 | SCREW - carburetor mounting | 2 |
| 11 | C 30425 | BODY ASSEMBLY - carburetor | 1 |
| 12 | 41- 24 | PLUG - welch | 1 |
| 13 | C 25742 | VENTURI - carburetor | 1 |
| 14 | C 27240 | VALVE - throttle | 1 |
| 15 | C 30426 | SHAFT AND LEVER - throttle | 1 |
| 16 | BR 211712 | STOP - throttle | 1 |
| 17 | BR 299707 | FLOAT - carburetor | 1 |
| 18 | C 27254 | VALVE - fuel inlet | 1 |
| 19 | BR 221995 | BOWL - float | 1 |
| 20 | BR 270511 | GASKET - float bowl | 1 |
| 21 | BR 222014 | WASHER - float bowl | 1 |
| 22 | BR 390684 | SHAFT AND LEVER - choke | 1 |
| 23 | BR 299740 | NOZZLE - carburetor | 1 |
| 24 | C 29780 | SCREW - nozzle | 1 |
| 25 | C 30434 | NUT - air cleaner | 1 |
| 26 | C 27267 | VALVE - fuel shut off | 2 |
| 27 | C 30427 | CONNECTOR - fuel line | 1 |
| 28 | C 27244 | LINK - choke | 1 |
| 29 | 177- 97 | SCREW - sems | 1 |
| 30 | C 30428 | ELEMENT - air cleaner | 1 |
| 31 | C 29854 | KNOB - cover, air cleaner | 2 |
| 32 | C 30429 | STUD - air cleaner | 1 |
| 33 | C 30430 | STUD - air cleaner | 1 |
| 34 | C 30435 | PRECLEANER - element | 1 |
| 35 | C 25760 | GASKET - air cleaner | 1 |
| 36 | C 30431 | WASHER - air cleaner | 1 |
| 37 | BR 261116 | SPRING - choke return | 1 |
| 38 | BR 270382 | WASHER - choke shaft | 1 |
| 39 | C 25764 | BRACKET - carburetor mounting | 1 |
| 40 | 187- 1510 | SCREW | 2 |
| 41 | C 30432 | COVER - air cleaner | 1 |
| 42 | C 30433 | BASE - air cleaner | 1 |
| 43 | C 27266 | HANDLE - fuel shut-off valve | 1 |
| 44 | C 30405 | SEAL - throttle shaft | 1 |
| | C 27255 | CARBURETOR OVERHAUL KIT - (includes items 2, 7, 9, 12, 18, 20, 21, 23 and 24) | 1 |

CARBURETOR, FUEL PUMP AND MANIFOLD (1014, 1016)



| REF. | PART NO. | DESCRIPTION | REQ'D |
|------|-----------|--|-------|
| 1 | C 27375 | MANIFOLD - intake | 1 |
| 2 | C 27376 | GASKET - manifold to spacer and carburetor | 2 |
| 3 | C 27377 | SPACER - carburetor | 1 |
| 4 | C 27378 | GASKET - manifold mounting | 2 |
| 5 | 113- 5 | BOLT - 1/4" - 20 x 1-1/2" | 2 |
| 6 | 192- 19 | LOCK WASHER - 1/4" | 2 |
| 7 | 71- 410 | SCREW - 1/4" - 20 x 7/8" | 4 |
| | C 29861 | CARBURETOR ASSEMBLY - (1016) | 1 |
| | C 29820 | CARBURETOR ASSEMBLY - (1014) | 1 |
| 8 | C 29821 | BODY ASSEMBLY - upper (1014) | 1 |
| 8 | C 29862 | BODY ASSEMBLY - upper (1016) | 1 |
| 10 | BR 93499 | SCREW - valve | 2 |
| 11 | C 29852 | GASKET - body (1014) | 1 |
| 11 | C 29863 | GASKET - body (1016) | 1 |
| 12 | BR 222010 | VALVE - choke | 1 |
| 13 | C 27387 | SHAFT - choke | 1 |
| 14 | C 29853 | BODY ASSEMBLY - lower (1014) | 1 |
| 14 | C 29864 | BODY ASSEMBLY - lower (1016) | 1 |
| 15 | C 27382 | BUSHING - throttle shaft | 1 |
| 16 | BR 93499 | SCREW - valve | 2 |
| 17 | C 27240 | VALVE - throttle (1016) | 1 |
| 17 | C 29822 | VALVE - throttle (1014) | 1 |
| 18 | C 27383 | SHAFT - throttle | 1 |
| 19 | C 27409 | WASHER - throttle | 1 |
| 20 | BR 292681 | VALVE ASSEMBLY - idle fuel | 1 |
| 21 | 182- 87 | SCREW - No. 8 - 32 x 5/8" | 1 |
| 22 | BR 26157 | SPRING - throttle adjustment | 1 |
| 23 | C 27385 | FLOAT - carburetor | 1 |
| 24 | BR 230896 | PIN - float hinge | 1 |
| 25 | C 27254 | VALVE - fuel inlet | 1 |
| 26 | C 29857 | VALVE - needle, main fuel, nonadjustable (1014) | 1 |
| 26 | C 29859 | VALVE - needle, main fuel, nonadjustable (1016) | 1 |
| 27 | C 29858 | SOLENOID - carburetor shut off | 1 |
| 28 | 163- 4 | SCREW - No. 10 - 32 x 5/8" | 4 |
| 29 | 92- 3 | WASHER - No. 10 | 4 |
| 30 | C 27392 | LINK - throttle | 1 |
| 31 | C 27393 | BELLCRANK | 1 |
| 32 | C 27394 | BOLT - shoulder | 1 |
| 33 | 177- 97 | SCREW - No. 10 - 32 x 1/2" | 2 |
| 34 | 195- 513 | WASHER - No. 10 | 2 |
| 35 | C 27399 | BODY - pump | 1 |
| 36 | C 27400 | SPRING - pump | 1 |
| 37 | C 27401 | DIAPHRAGM | 1 |
| 38 | C 27402 | CAP - spring | 1 |
| 39 | C 27403 | COVER - fuel pump | 1 |
| 40 | 173- 65 | SCREW - No. 6 - 32 x 7/8" | 3 |
| 41 | NSS | HOSE - vacuum; fuel pump 9" (use C28937 cut to length) | 1 |
| 42 | 214- 251 | CLAMP - hose | 2 |
| 43 | C 27333 | CONNECTOR - fuel pump hose | 1 |
| 44 | C 27413 | DIAPHRAGM - damping | 1 |
| 45 | C 27414 | GASKET - pump cover | 1 |
| 46 | C 27415 | SPRING | 2 |
| 47 | C 27407 | GASKET - air cleaner | 1 |
| | C 27389 | KIT - carburetor overhaul (includes items 11, 19, 20, 24, 25, 26 and fuel pump repair kit) | 1 |
| | C 27416 | KIT - fuel pump repair (includes items 36, 37, 38, 44, 45 and 46) | 1 |

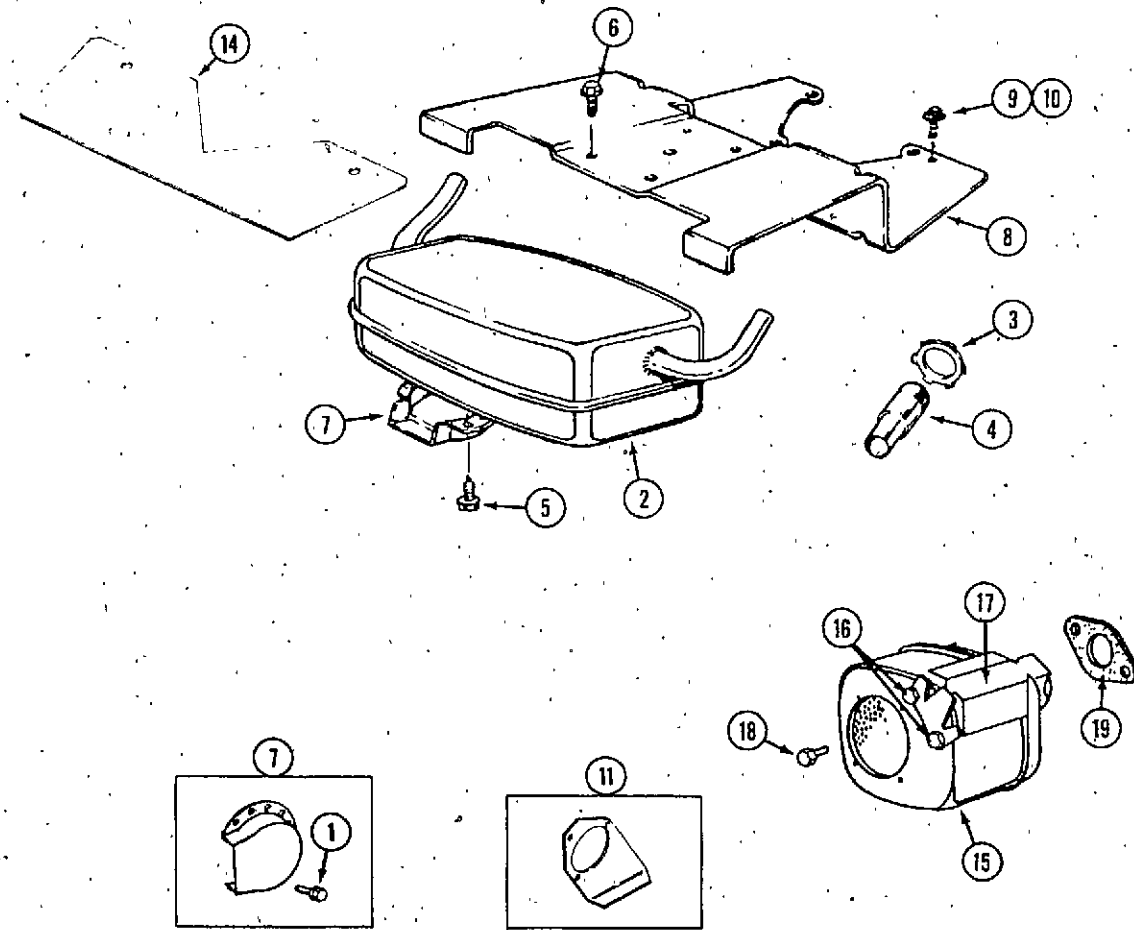


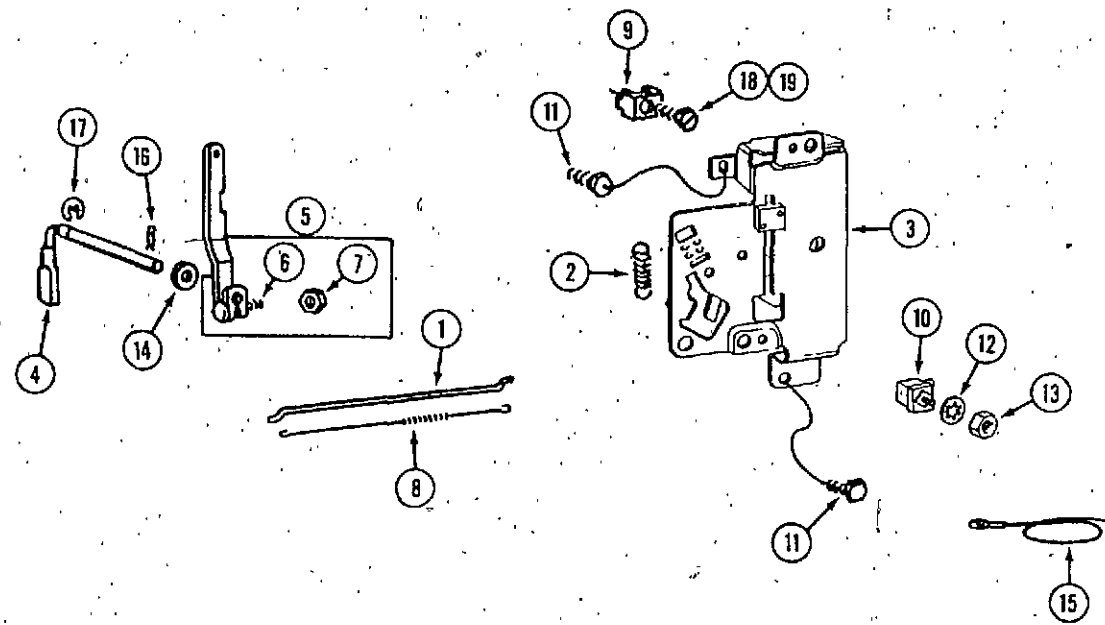
AIR CLEANER (1014, 1016)

| REF. | PART NO. | DESCRIPTION | REQ'D |
|------|----------|----------------------------|-------|
| 1 | C 27390 | HOUSING - air cleaner | 1 |
| 2 | 129- 101 | NUT - 1/4" hex | 1 |
| 3 | 169- 137 | SCREW - No. 10 - 24 x 5/8" | 2 |
| 4 | C 27404 | ELEMENT - air cleaner | 1 |
| 5 | C 29854 | KNOB - cover, air cleaner | 1 |
| 6 | C 29855 | PRECLEANER | 1 |
| 7 | C 27408 | WASHER - element plate | 1 |
| 8 | C 29856 | COVER - air cleaner | 1 |
| 9 | C 27411 | PLATE - element | 1 |
| 10 | C 27417 | BRACKET - mounting | 1 |

MUFFLER

| REF. | PART NO. | DESCRIPTION | REQ'D |
|------|-----------|--|-------|
| 1 | 187- 1041 | SCREW - deflector | 3 |
| 2 | C 27353 | MUFFLER - exhaust (1014, 1016) | 1 |
| 3 | C 27354 | NUT - lock, muffler (1014, 1016) | 2 |
| 4 | C 27367 | CONNECTOR - muffler (1014, 1016) | 2 |
| 5 | 187- 1041 | SCREW - No. 8 - 32 x 3/8" (1014, 1016) | 4 |
| 6 | 113- 2 | BOLT - 1/4" - 20 x 5/8" (1014, 1016) | 4 |
| 7 | C 27364 | DEFLECTOR - exhaust | 1 |
| 8 | C 27366 | BRACKET - muffler (1014, 1016) | 1 |
| 9 | 22- 48 | SCREW - 1/4" - 20 x 1/2" (1014, 1016) | UAR |
| 10 | 192- 19 | LOCK WASHER - 1/4" (1014, 1016) | UAR |
| 11 | C 29634 | DEFLECTOR - exhaust (1012) | 1 |
| 12 | 61- 512 | SCREW - 5/16" - 18 x 3/4 socket head (1012) | 2 |
| 13 | 192- 404 | LOCK WASHER - 5/16" (1012) | 2 |
| 14 | C 30286 | SHIELD - carburetor (1014, 1016) | 1 |
| 15 | C 31350 | MUFFLER - exhaust (1012) | 1 |
| 16 | C 29848 | BOLT - mounting (1012) | 2 |
| 17 | C 29849 | SHIELD - muffler (1012) | 1 |
| 18 | NSS | SCREW - mounting (use 22-412, and 195-18) (1012) | 1 |
| 19 | C 26507 | GASKET - exhaust (1012) | 1 |



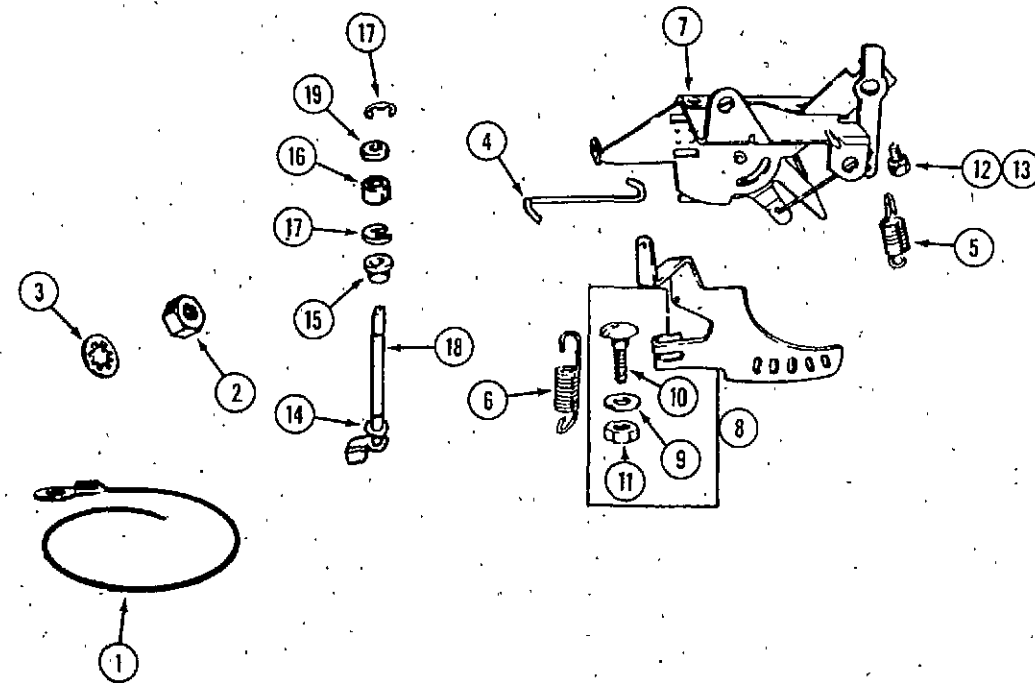


GOVERNOR (1012)

| REF. | PART NO. | DESCRIPTION | REQ'D |
|------|-----------|-------------------------|-------|
| 1 | C 29846 | LINK - governor | 1 |
| 2 | BR 261129 | SPRING - governor | 1 |
| 3 | C 30449 | BRACKET - governor | 1 |
| 4 | BR 231058 | CRANK - governor | 1 |
| 5 | BR 391733 | LEVER ASSEMBLY | 1 |
| 6 | 11- 312 | BOLT - lever | 1 |
| 7 | 129- 7 | NUT - No. 10-24 | 1 |
| 8 | BR 260584 | SPRING - governor link | 1 |
| 9 | BR 221535 | CLAMP - casing | 1 |
| 10 | C 29794 | INSULATOR ASSEMBLY | 1 |
| 11 | 187- 1510 | SCREW - mounting | 1 |
| 12 | 193- 25 | LOCK WASHER | 2 |
| 13 | 129- 6 | NUT - No. 8-32 | 2 |
| 14 | BR 222450 | WASHER - governor crank | 1 |
| 15 | C 29796 | WIRE - ground | 1 |
| 16 | 136- 103 | PIN - cotter hair pin | 1 |
| 17 | C 28643 | RETAINER - "E" ring | 1 |
| 18 | 163- 4 | SCREW | 1 |
| 19 | 192- 3 | WASHER | 1 |

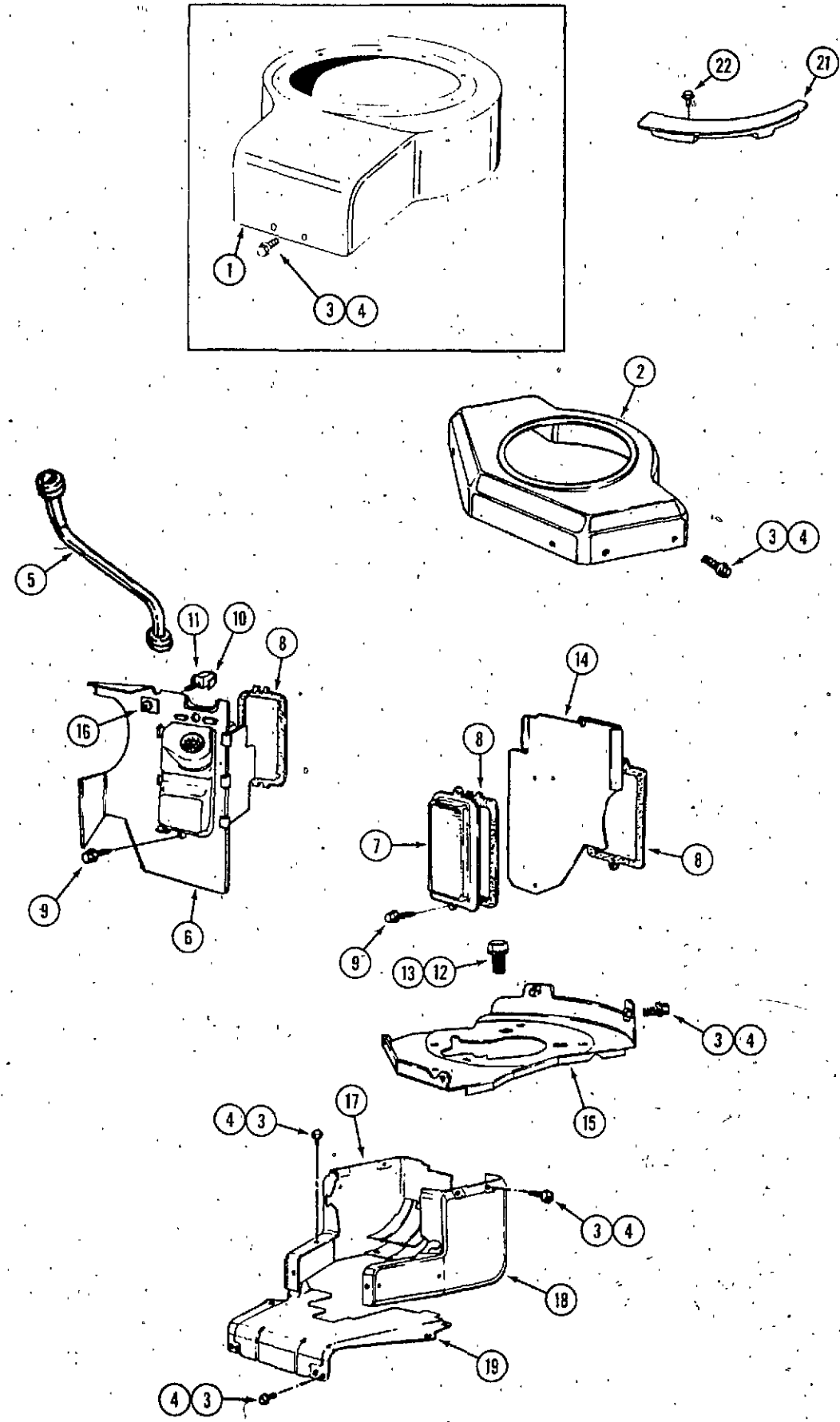
GOVERNOR (1014, 1016)

| | | | |
|----|-----------|---------------------------------|---|
| 1 | BR 299500 | WIRE - ground | 1 |
| 2 | 129- 6 | NUT - No. 8-32 | 1 |
| 3 | 193- 25 | LOCK WASHER - No. 8 | 1 |
| 4 | C 27391 | LINK - governor | 1 |
| 5 | C 27395 | SPRING - governor | 1 |
| 6 | C 27396 | SPRING - governor idle | 1 |
| 7 | C 27397 | BRACKET - governor | 1 |
| 8 | C 27398 | LEVER ASSEMBLY - governor | 1 |
| 9 | 195- 518 | WASHER - 1/4" | 1 |
| 10 | 111- 420 | BOLT - 1/4" - 20 x 1-1/4" | 1 |
| 11 | 129- 101 | NUT - 1/4" hex | 1 |
| 12 | 22- 48 | SCREW - 1/4" - 20 x 1/2" | 2 |
| 13 | 192- 19 | LOCK WASHER - 1/4" | 2 |
| 14 | C 27332 | WASHER - governor crank, inside | 1 |
| 15 | C 27340 | BUSHING - governor crank | 1 |
| 16 | C 27341 | BUSHING - governor crank | 1 |
| 17 | C 14652 | RETAINER - "E" ring | 2 |
| 18 | C 27343 | CRANK - governor | 1 |
| 19 | C 27344 | SEAL - foam | 1 |



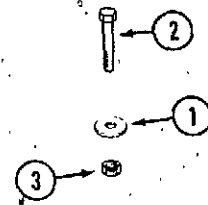
BLOWER HOUSING, ENGINE AIR BAFFLES AND BREATHER COVERS

| REF. | PART NO. | DESCRIPTION | REQ'D |
|------|-----------|--|-------|
| 1 | C 30437 | HOUSING - blower (1012) | 1 |
| 2 | C 27355 | HOUSING - blower (1014, 1016) | 1 |
| 3 | NSS | SCREW - 1/4" - 20 x 1/2" self-tap (use 22-48 and 192-19) | UAR |
| 5 | C 27309 | TUBE - breather (1014, 1016) | 1 |
| 6 | C 27348 | BREATHER ASSEMBLY - R.H. (1014, 1016) | 1 |
| 7 | C 27349 | COVER - breather L.H. (1014, 1016) | 1 |
| 8 | C 27350 | GASKET - valve cover (1014, 1016) | 2 |
| 9 | 187- 1508 | SCREW - No. 10 - 24 x 1/2" | 4 |
| 10 | C 27359 | TERMINAL - (1014, 1016) | 1 |
| 11 | C 27360 | GROMMET - insulator (1014, 1016) | 1 |
| 12 | 113- 101 | BOLT - 5/16" - 18 x 1/2" | 4 |
| 13 | 92- 5 | WASHER - 5/16" | 4 |
| 14 | C 27362 | BAFFLE - L.H. rear, air (1014, 1016) | 1 |
| 15 | C 27363 | PLATE - back (1014, 1016) | 1 |
| 16 | 129- 16 | NUT - No. 8-32 | 2 |
| 17 | C 27368 | BLAFFLE - cylinder R.H. (1014, 1016) | 1 |
| 18 | C 27369 | BAFFLE - cylinder L.H. (1014, 1016) | 1 |
| 19 | C 27370 | PLATE - top (1014, 1016) | 1 |
| 21 | C 30446 | GUARD - flywheel (1012) | 1 |
| 22 | 187- 1041 | SCREW | 2 |



ENGINE MOUNTS
(1014, 1016)

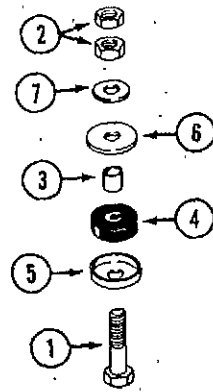
| REF. | PART NO. | DESCRIPTION | REQ'D |
|------|-----------|--------------------------------|-------|
| 1 | 195- 2175 | WASHER - flat..... | 4 |
| 2 | 113- 122 | BOLT - 5/16" - 18x 1-1/2"..... | 4 |
| 3 | 131- 69 | NUT - 5/16" lock..... | 4 |

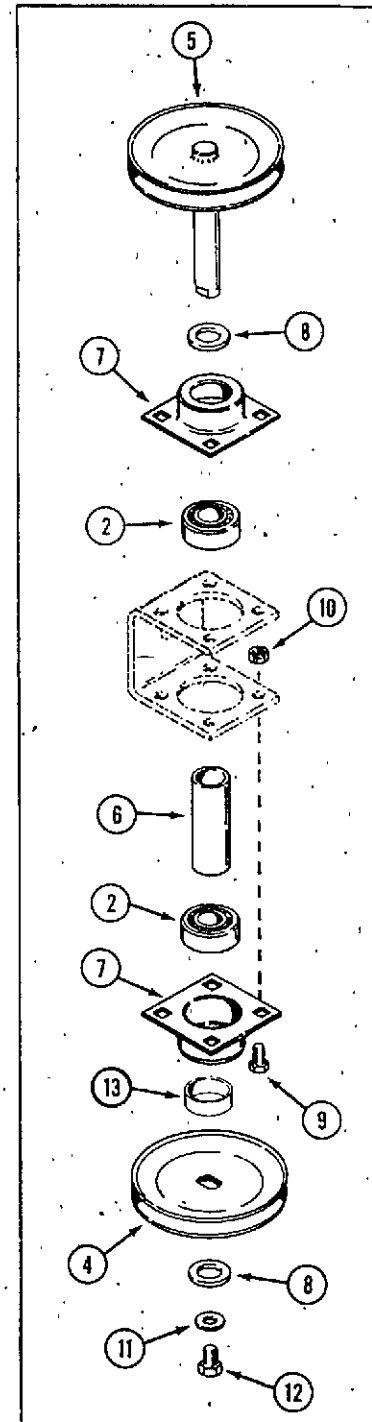
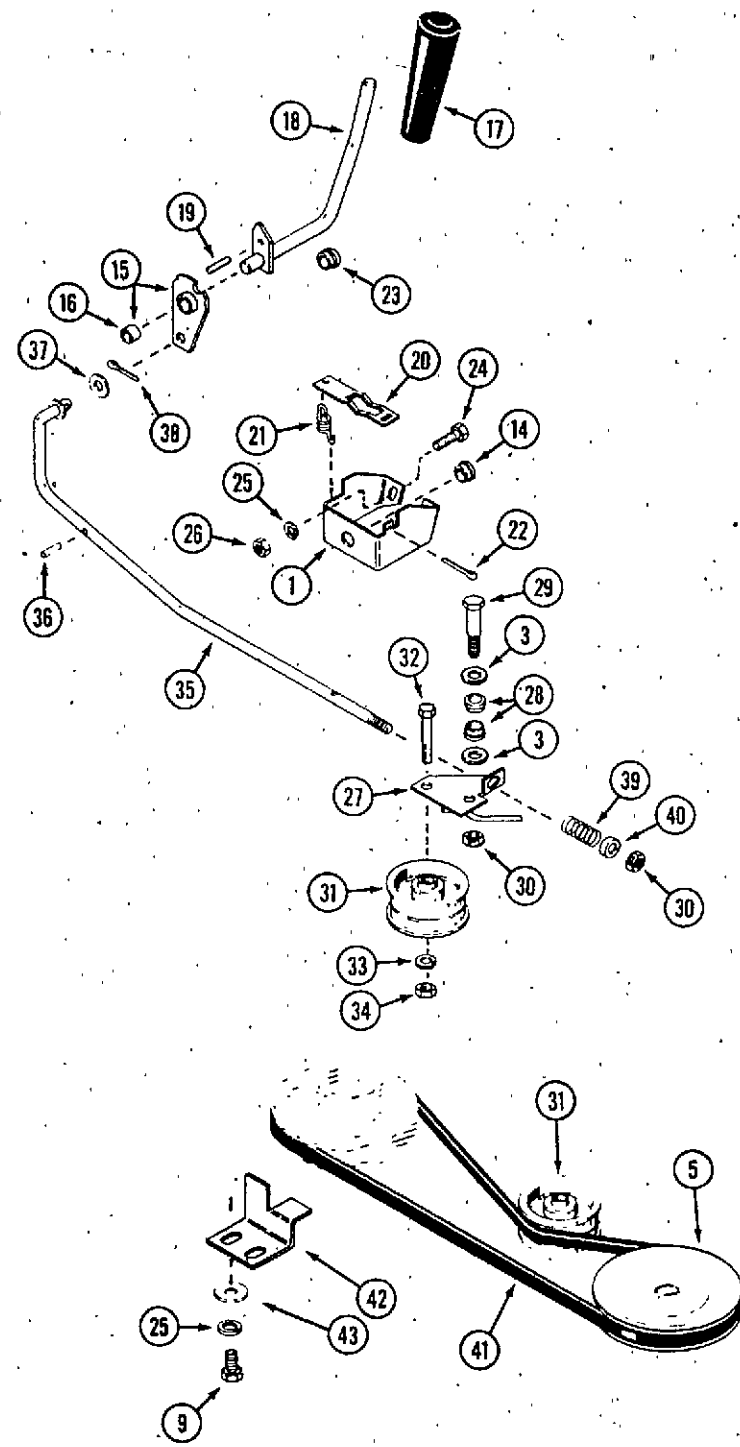


ENGINE MOUNT KIT*
(1012)

| | | | |
|---|-----------|------------------------------|---|
| 1 | 113- 121 | BOLT - 5/16" - 18 x 2" | 4 |
| 2 | 129- 102 | NUT - 5/16" - 18 | 8 |
| 3 | C 30510 | SPACER - sleeve | 4 |
| 4 | C 30508 | WASHER - rubber | 4 |
| 5 | C 30509 | CUP retaining | 4 |
| 6 | 195- 2175 | WASHER - 5/16" | 4 |
| 7 | 195- 521 | WASHER - 5/16" | 4 |

*Order C30507 to get 4 complete mounts

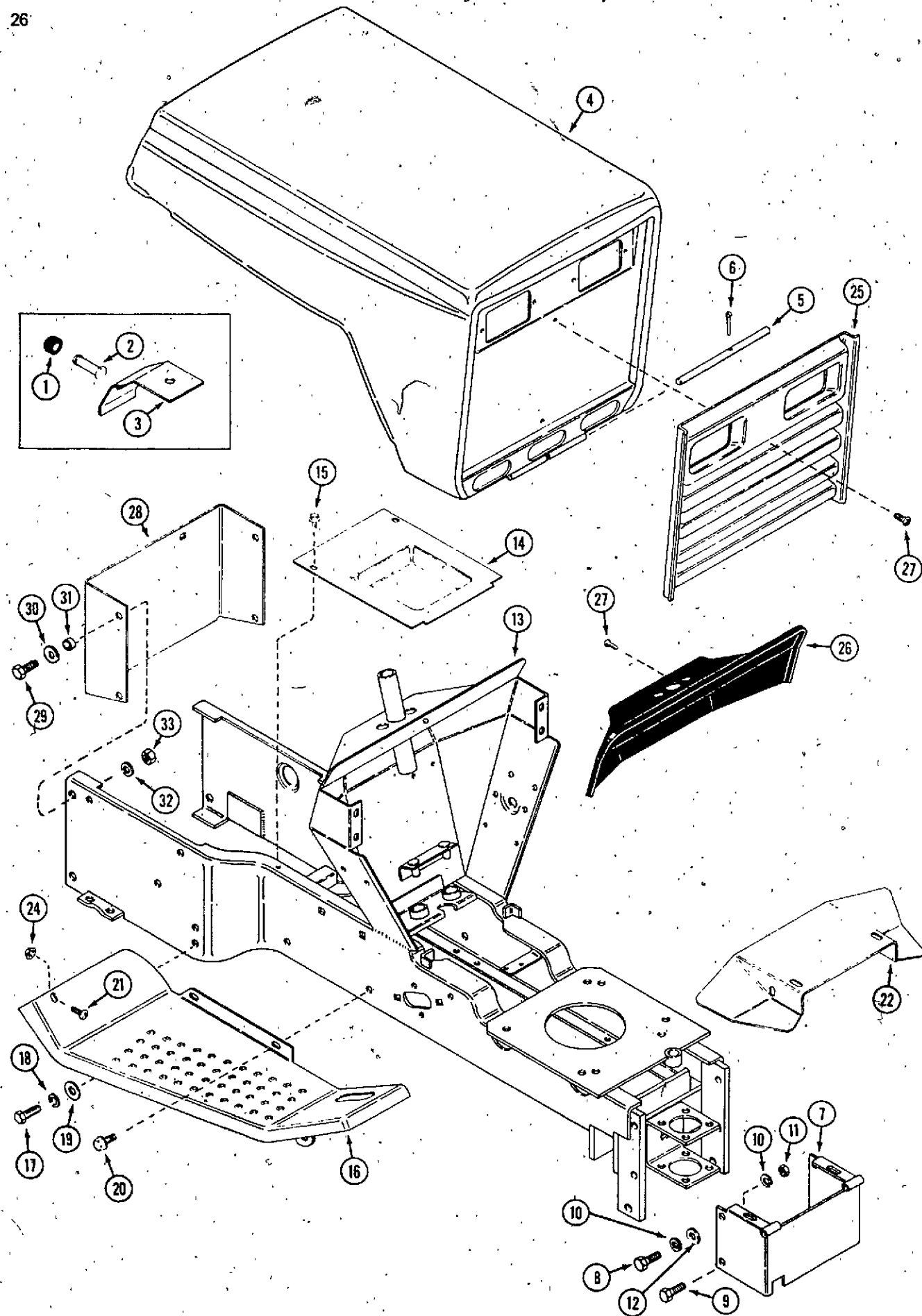




MODEL 1012, 1014 AND 1016 COMPACT TRACTORS
ATTACHMENT DRIVE POWER TAKE OFF (PTO)

| REF. | PART NO. | DESCRIPTION | REQ'D |
|------|-----------|---|-------|
| 1 | C 31009* | BRACKET - support (shown) | 1 |
| 1 | C 31437** | BRACKET - support | 1 |
| 2 | C 28971 | BEARING | 2 |
| 3 | 195- 533 | WASHER - 1/2" | 2 |
| 4 | C 15083 | PULLEY - bottom | 1 |
| 5 | C 30475 | PULLEY - top | 1 |
| 6 | C 25233 | SPACER - bearing | 1 |
| 7 | C 23818 | FLANGETTE | 2 |
| 8 | C 12975 | WASHER | 3 |
| 9 | 113- 102 | BOLT - 5/16" - 18 x 3/4" | 9 |
| 10 | 131- 176 | NUT - 5/16" - 18 lock | 8 |
| 11 | C 28263 | WASHER - 3/8" | 1 |
| 12 | 113- 205 | BOLT - 3/8" - 18 x 5/8" | 1 |
| 13 | C 30477 | SPACER - pulley | 1 |
| 14 | C 25229 | BUSHING - flange | 1 |
| 15 | C 29326 | ARM ASSEMBLY - PTO | 1 |
| 16 | C 17597 | BUSHING - sleeve | 1 |
| 17 | C 29046 | HANDLE - PTO lever | 1 |
| 18 | C 29252 | LEVER - PTO | 1 |
| 19 | 138- 2071 | PIN - spirol 3/16" x 15/16" | 1 |
| 20 | C 29316 | BAR - latch | 1 |
| 21 | C 29172 | SPRING - extension | 1 |
| 22 | 132- 320 | PIN - cotter 3/32" x 3/4" | 1 |
| 23 | C 27593 | BUSHING - flip - lock | 1 |
| 24 | 111- 102 | BOLT - 5/16" - 18 x 3/4" | 2 |
| 25 | 192- 20 | LOCKWASHER - 5/16" | 3 |
| 26 | 129- 102 | NUT - 5/16" - 18 | 2 |
| 27 | C 30873 | ARM - idler | 1 |
| 28 | C 17597 | BUSHING - flange (press into hub on engine plate) | 2 |
| 29 | C 16745 | BOLT - shoulder | 1 |
| 30 | 131- 1181 | NUT - 3/8" lock | 2 |
| 31 | C 23535 | PULLEY - idler | 1 |
| 32 | 113- 209 | BOLT - 3/8" - 16 x 1-1/2" | 1 |
| 33 | 192- 21 | LOCK WASHER - 3/8" | 1 |
| 34 | 129- 103 | NUT - 3/8" - 16 | 1 |
| 35 | C 30769 | ROD - PTO | 1 |
| 36 | 138- 57 | PIN - roll 1/8" x 3/4" | 1 |
| 37 | 195- 525 | WASHER - 3/8" | 1 |
| 38 | 132- 332 | PIN - cotter 3/32" x 1" | 1 |
| 39 | C 27822 | SPRING - compression | 1 |
| 40 | C 17066 | WASHER - cup | 1 |
| 41 | C 31215 | BELT - PTO | 1 |
| 42 | C 26345 | KEEPER - belt | 1 |
| 43 | 195- 521 | WASHER - 5/16" | 1 |

*Use Before S/N:
**Use S/N and after:
1012 - 14103745
1014 - 14105564
1016 - 14116701

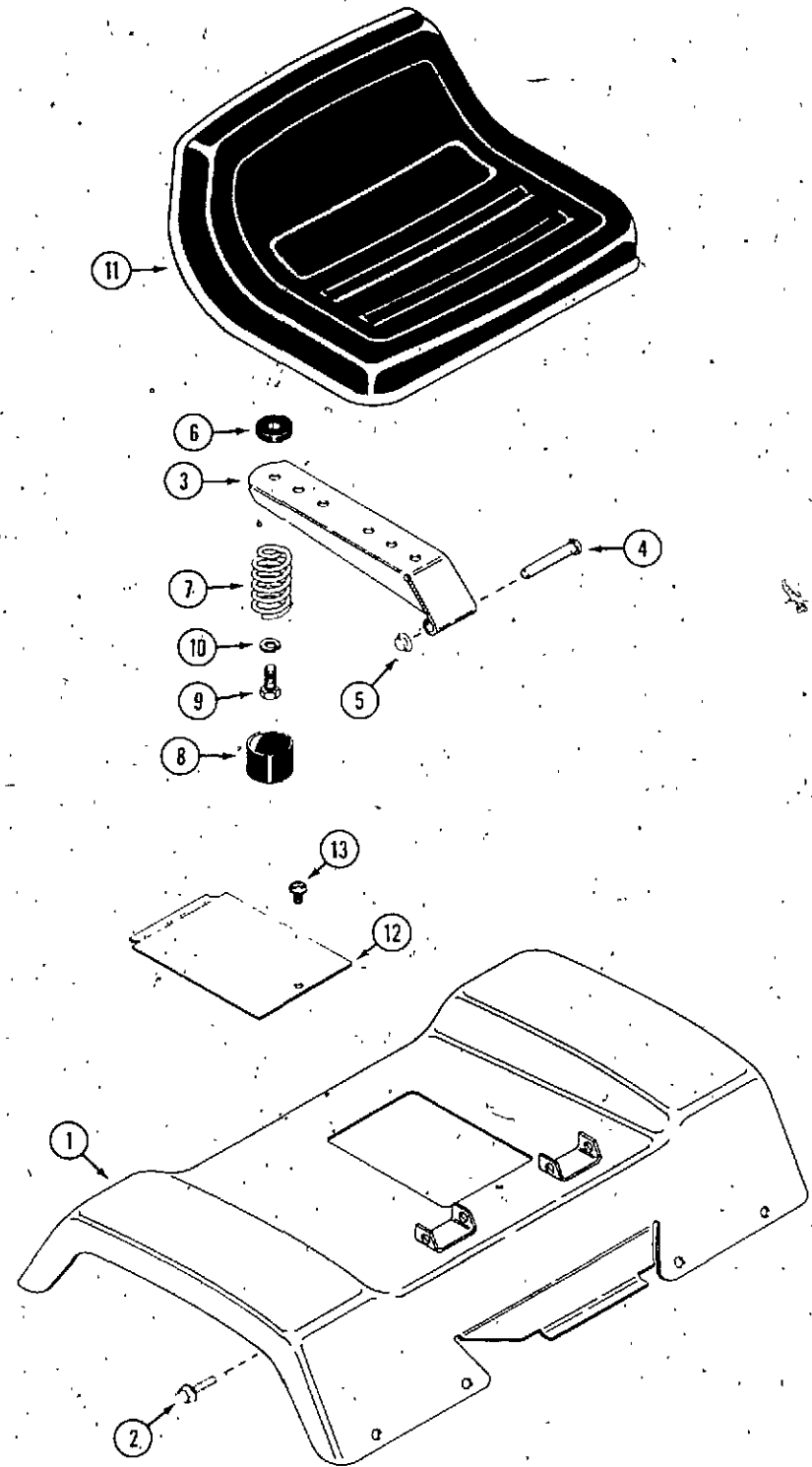


HOOD, FRAME AND ATTACHING PARTS

| REF. | PART NO. | DESCRIPTION | REQ'D |
|------|-----------|--------------------------------------|-------|
| 1 | C 29314 | BUTTON - push, hood release | 1 |
| 2 | C 29315 | ROD - push, hood release | 1 |
| 3 | C 29323 | LATCH - hood | 1 |
| 4 | G 30292 | HOOD | 1 |
| 5 | C 16362 | ROD - hinge | 1 |
| 6 | 132- 334 | PIN - cotter 1/8" x 3/4" | 1 |
| 7 | C 29240 | COVER - PTO | 1 |
| 8 | 113- 205 | BOLT - 3/8" - 16 x 5/8" | 2 |
| 9 | 113- 207 | BOLT - 3/8" - 16 x 1" | 2 |
| 10 | 192- 21 | LOCK WASHER - 3/8" | 4 |
| 11 | 129- 103 | NUT - 3/8" - 16 | 2 |
| 12 | 195- 522 | WASHER - 3/8" | 2 |
| 13 | C 31135 | FRAME - main | 1 |
| 14 | C 29064 | TRAY - center | 1 |
| 15 | 187- 1036 | SCREW - 1/4" - 20 | 2 |
| 16 | C 29203 | FOOT REST - R.H. (shown) | 1 |
| 16 | C 29204 | FOOT REST - L.H. | 1 |
| 17 | 113- 103 | BOLT - 5/16" - 18 x 1" | 4 |
| 18 | 192- 20 | LOCK WASHER - 5/16" | 4 |
| 19 | 195- 521 | WASHER - 5/16" | 4 |
| 20 | 121- 106 | BOLT - 5/16" - 18 x 1/2" flange lock | 4 |
| 21 | 182- 547 | SCREW - 1/4" - 20 pan head, Phillips | UAR |
| 22 | C 31192 | DEFLECTOR - exhaust | 1 |
| 24 | 131- 934 | NUT - 1/4" - 20 flange lock | UAR |
| 25 | C 30289 | GRILLE | 1 |
| 26 | C 30100 | CAP - instrument panel (1012) | 1 |
| 26 | C 30101 | CAP - instrument panel (1014, 1016) | 1 |
| 27 | 187- 1334 | SCREW | 4 |
| 28 | C 30689 | DRAWBAR | 1 |
| 29 | 113- 221 | BOLT - 3/8" - 16 x 7/8" | 4 |
| 30 | 195- 525 | WASHER - 3/8" (top holes only) | 2 |
| 31 | C 14768 | SPACER - mounting (top holes only) | 2 |
| 32 | 192- 21 | LOCK WASHER - 3/8" | 4 |
| 33 | 129- 103 | NUT - 3/8" - 16 | 4 |

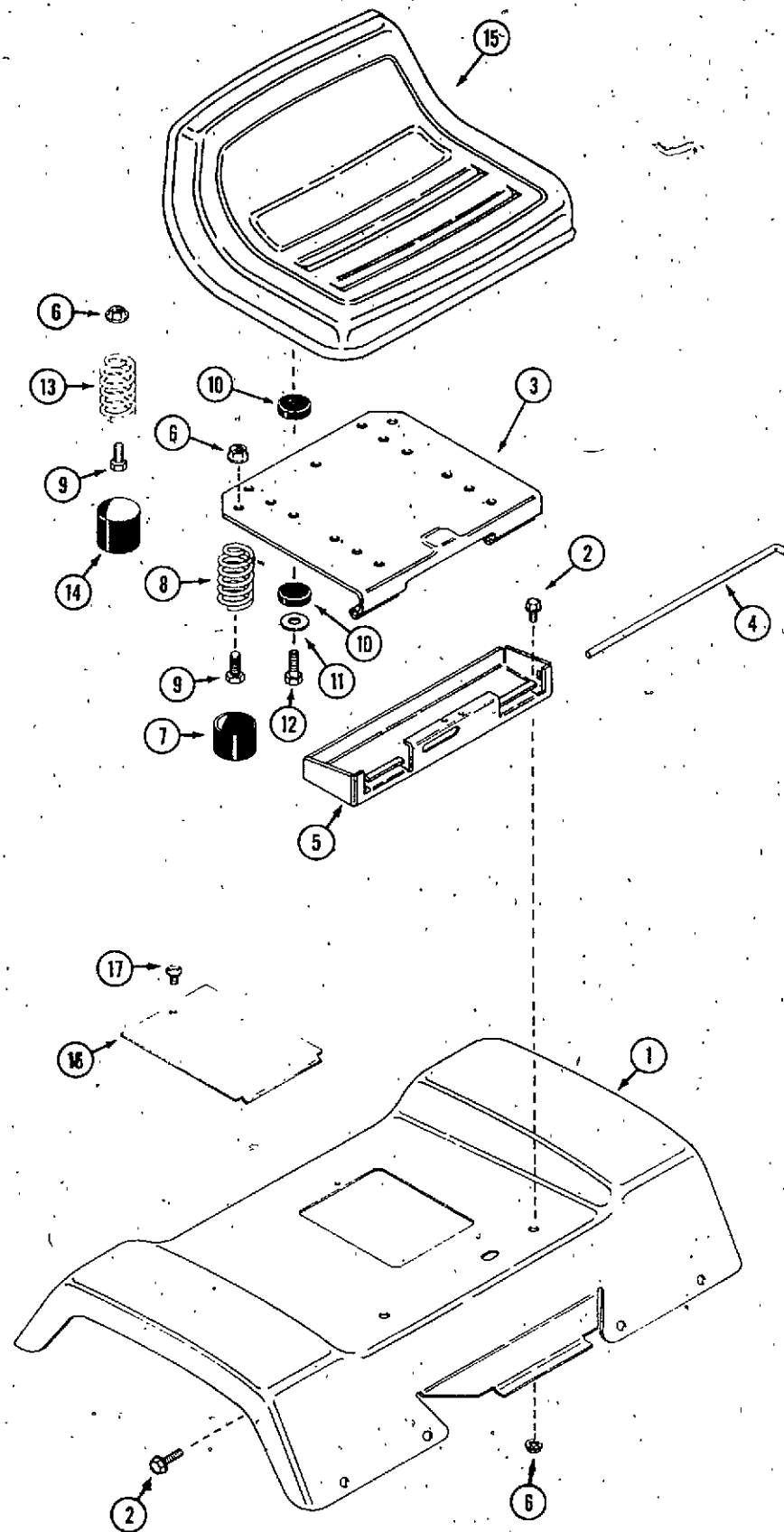
SEAT AND FENDERS

Use before PIN:
1012-14103745
1014-14105556



| REF. | PART. NO. | DESCRIPTION | REQ'D |
|------|-----------|--|-------|
| 1 | NSS* | FENDERS AND SUPPORT | 1 |
| 2 | 121- 106 | BOLT - 5/16" - 18 x 1/2" flange lock | 4 |
| 3 | C 29197 | HINGE - seat R.H. (shown) | 1 |
| 3 | C 29196 | HINGE - seat L.H. | 1 |
| 4 | C 29173 | PIN - hinge | 2 |
| 5 | C 29174 | RETAINER - pin | 2 |
| 6 | C 15410 | CUSHION - rubber | 4 |
| 7 | C 29192 | SPRING - seat | 2 |
| 8 | C 29193 | CAP - spring | 2 |
| 9 | 113- 103 | BOLT - seat front 5/16" - 18 x 1" | 2 |
| 9 | 113- 104 | BOLT - seat back 5/16" - 18 x 1-1/4" (shown) | 2 |
| 10 | 192- 20 | LOCK WASHER - 5/16" | 4 |
| 11 | C 30071 | SEAT | 1 |
| 12 | C 30785 | COVER - inspection | 1 |
| 13 | 187- 1036 | SCREW - 1/4" x 1/2" self tap | 1 |

*Use C31031, C31005, C16429, C31004, C30785 and hardware

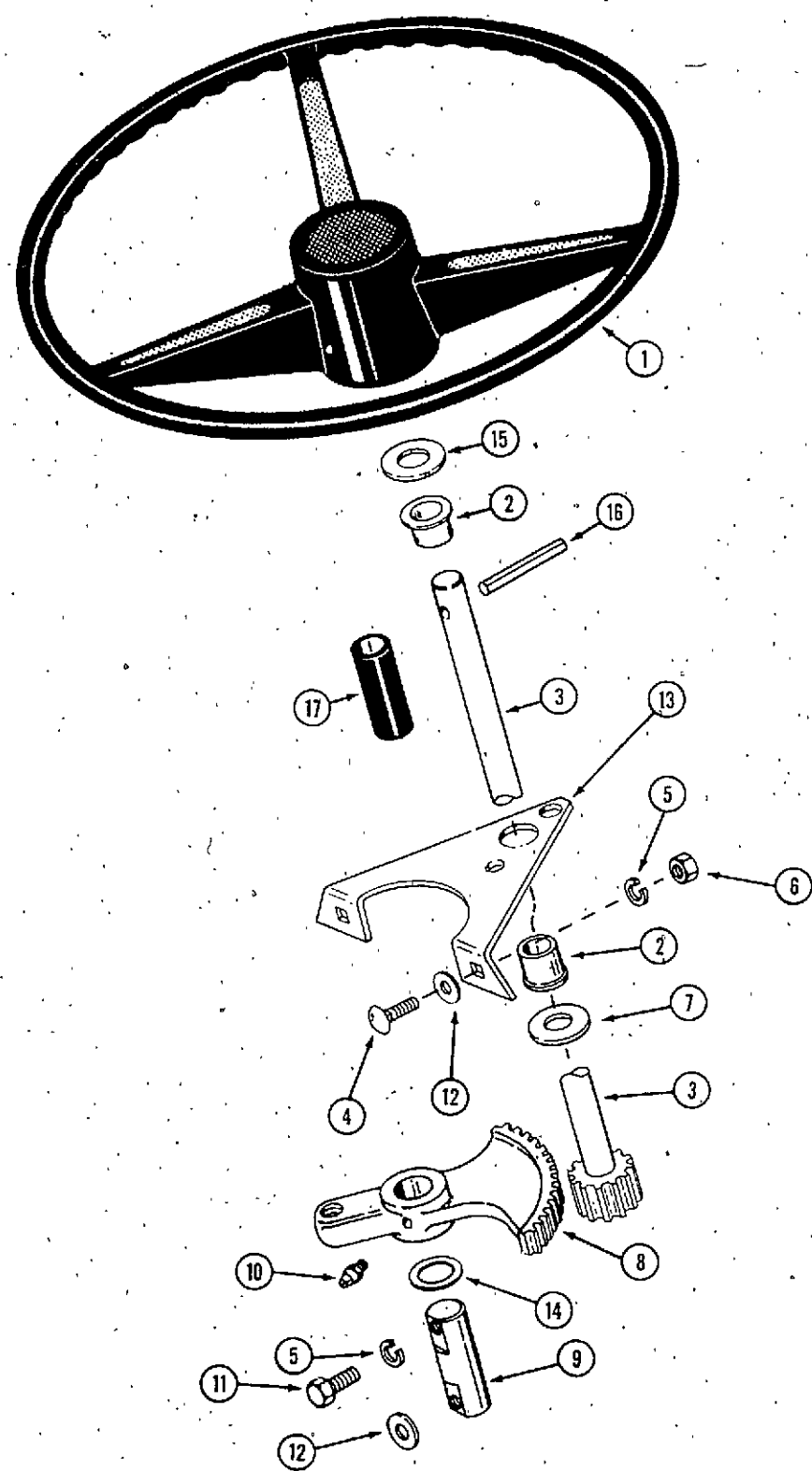


MODEL 1012, 1014 AND 1016 COMPACT TRACTORS

SEAT AND FENDERS

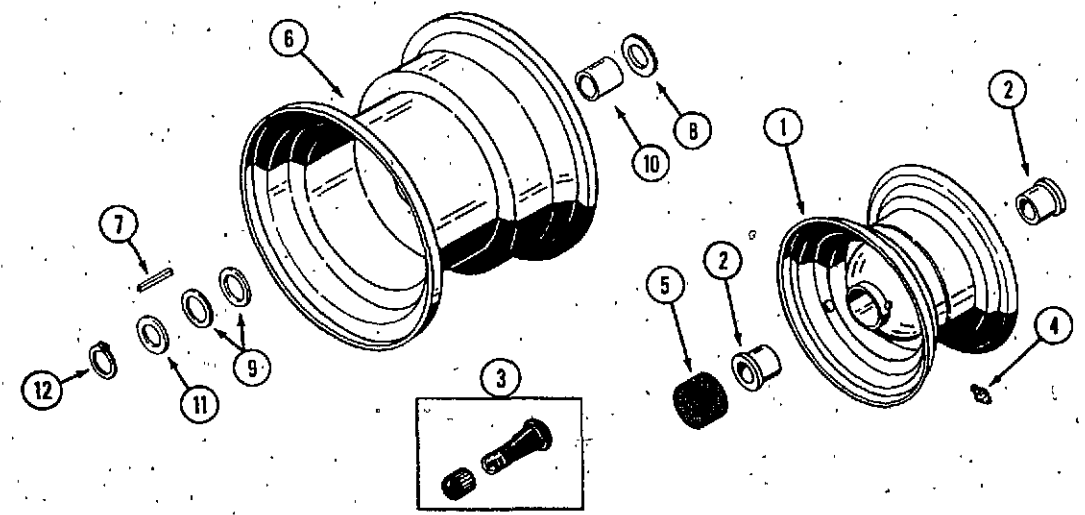
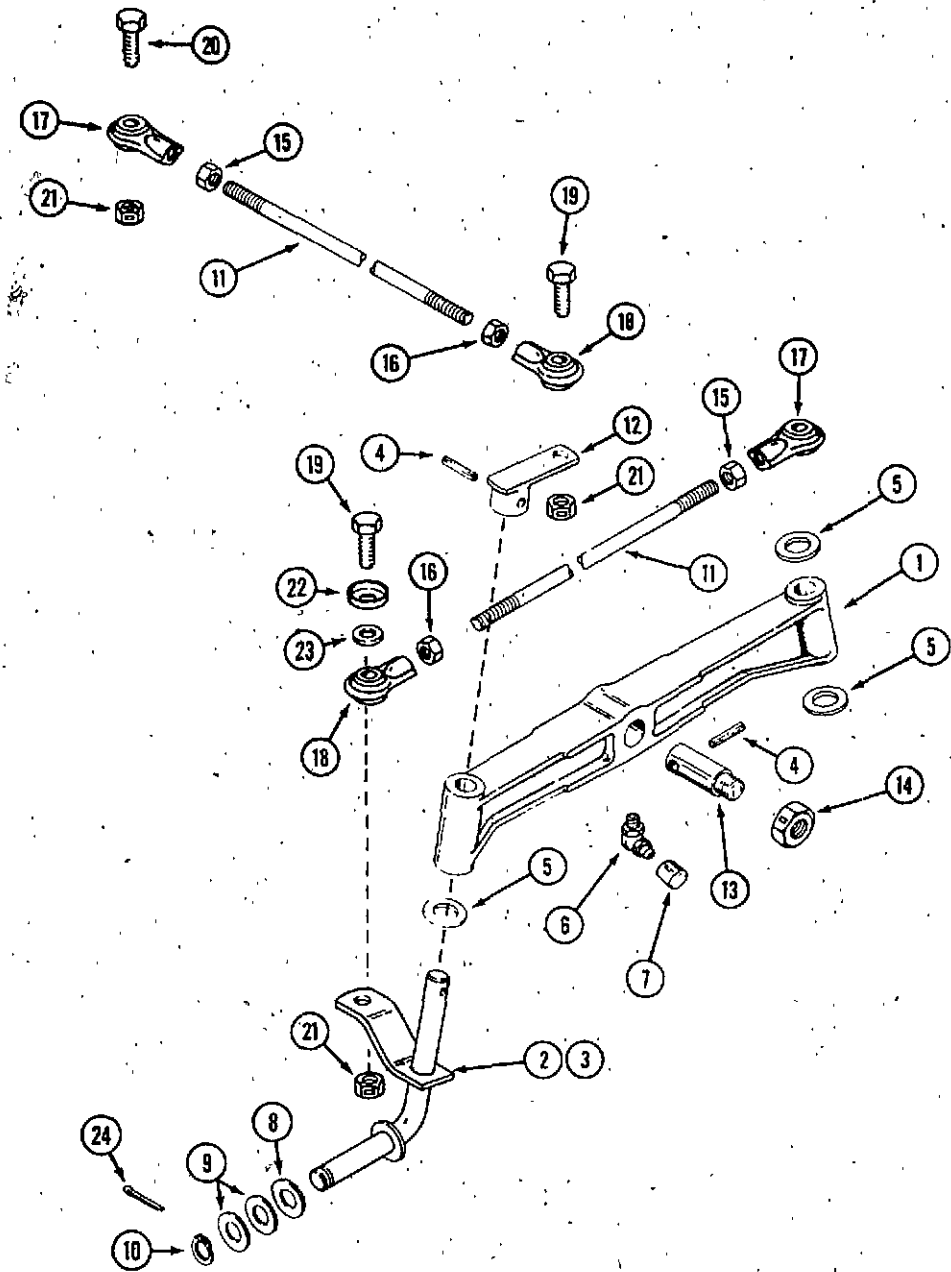
Use PIN and after:
 1012-14103745
 1014-14105556
 1016-14116701

| REF. | PART NO. | DESCRIPTION | REQ'D |
|------|-----------|--|-------|
| 1 | C 31031 | FENDERS AND SUPPORT | 1 |
| 2 | 121- 106 | BOLT - 5/16" - 18 x 1/2" flange lock | 6 |
| 3 | C 31005 | HINGE - seat | 1 |
| 4 | C 16429 | PIN - seat hinge | 1 |
| 5 | C 31004 | TRAY - tool | 1 |
| 6 | 131- 911 | NUT - 5/16" - 18 flange lock | 5 |
| 7 | C 29305 | CAP - spring | 2 |
| 8 | C 29306 | SPRING - seat | 2 |
| 9 | 113- 102 | BOLT - 5/16" - 18 x 3/4" | 3 |
| 10 | C 15410 | CUSHION - rubber | 8 |
| 11 | 195- 2175 | WASHER - 5/16" x 1-1/4" | 4 |
| 12 | 113- 122 | BOLT - 5/16" - 18 x 1-1/2" | 4 |
| 13 | C 31006 | SPRING - actuating, seat switch | 1 |
| 14 | C 26526 | CAP - actuating spring | 1 |
| 15 | C 30071 | SEAT | 1 |
| 16 | C 30785 | COVER - inspection | 1 |
| 17 | 187- 1036 | SCREW - 1/4" x 1/2" self-tap | 1 |



STEERING GEAR

| REF. | PART NO. | DESCRIPTION | REQ'D |
|------|-----------|-------------------------------------|-------|
| 1 | C 26325 | WHEEL - steering | 1 |
| 2 | C 15096 | BUSHING - flanged nylon | 2 |
| 3 | C 29181 | SHAFT - steering | 1 |
| 4 | 111- 202 | BOLT - 5/16" x 3/4" NC, ZP carriage | 2 |
| 5 | 192- 20 | LOCK WASHER - 5/16" ZP | 4 |
| 6 | 129- 102 | NUT - 5/16" NC hex, ZP | 2 |
| 7 | 195- 2069 | WASHER - 5/8" plain, ZP | 1 |
| 8 | C 26039 | GEAR - steering | 1 |
| 9 | C 15105 | PIVOT - steering gear | 1 |
| 10 | 219- 17 | FITTING - lube | 1 |
| 11 | 113- 103 | BOLT - 5/16" x 1" NC hex, ZP | 2 |
| 12 | 195- 521 | WASHER - 5/16", plain, ZP | UAR |
| 13 | C 27045 | BRACKET - steering | 1 |
| 14 | C 14201 | WASHER - shim | 1 |
| 15 | 195- 541 | WASHER - 5/8" | UAR |
| 16 | 138- 143 | PIN - roll 1/4" x 2-1/4" | 1 |
| 17 | C 29168 | SLEEVE - steering shaft | 1 |



FRONT AXLE

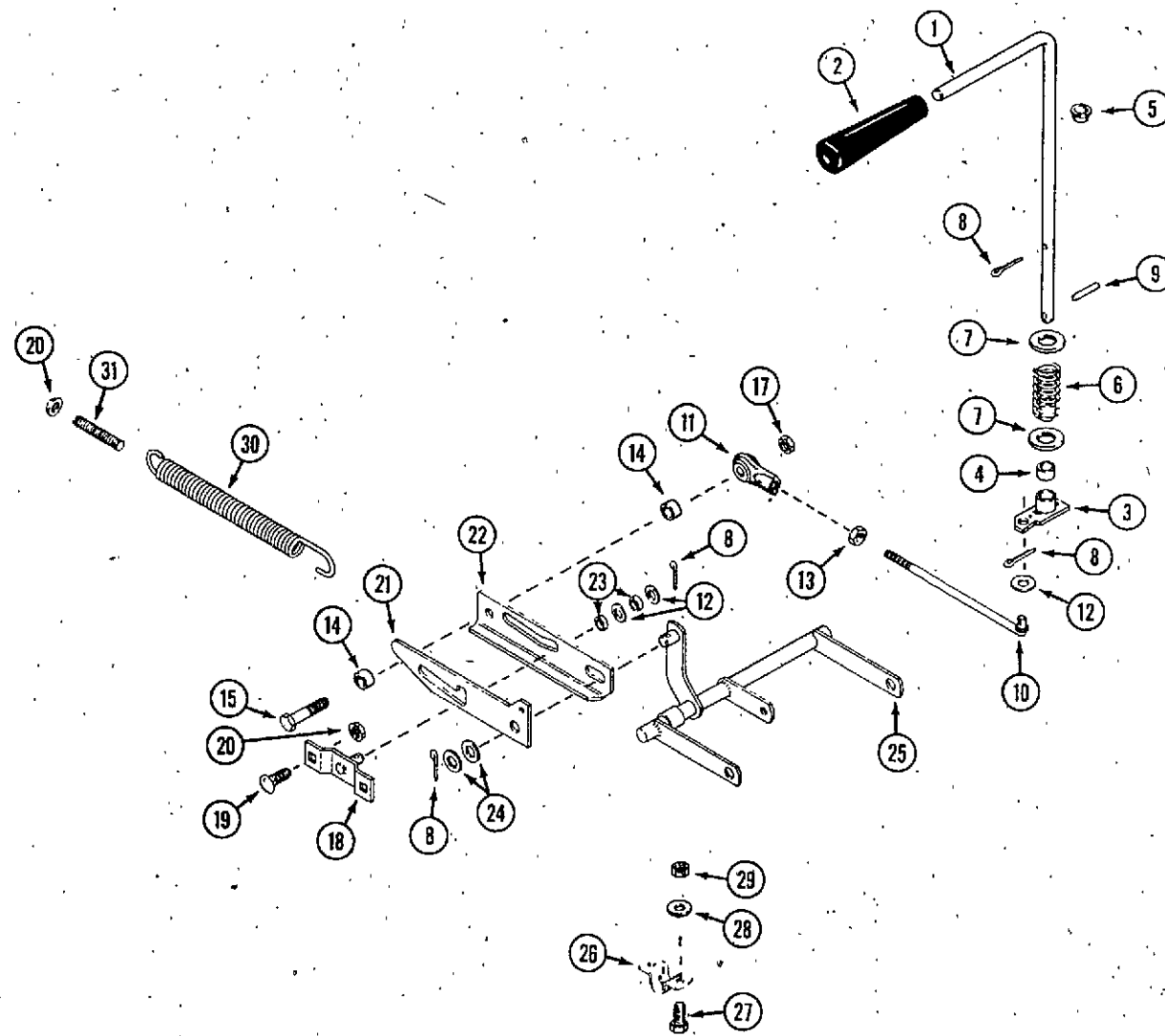
| REF. | PART NO. | DESCRIPTION | REQ'D |
|------|-----------|--------------------------------------|-------|
| 1 | C 15066 | AXLE - front | 1 |
| 2 | C 26371 | SPINDLE - R.H. (shown) | 1 |
| 3 | C 26034 | SPINDLE - L.H. | 1 |
| 4 | 138- 2040 | PIN - spirol 1/4" x 1-1/2" | 2 |
| 5 | C 11906 | WASHER - thrust 13/16" | 3 |
| 6 | 219- 404 | FITTING - lube | 3 |
| 7 | C 13106 | COVER - lube fitting | 3 |
| 8 | C 27597 | WASHER - spindle | 2 |
| 9 | C 28226 | WASHER - wheel spacer | 4 |
| 10 | C 28232 | RING - retaining | 2 |
| 11 | C 26051 | ROD - tie and drag link | 2 |
| 12 | C 26370 | ARM - upper spindle | 1 |
| 13 | C 18626 | PIN - axle pivot | 1 |
| 14 | 131- 1331 | NUT - lock 3/4" N.C. hex | 1 |
| 15 | 129- 163 | NUT - lock 3/8" - 24 hex | 2 |
| 16 | 129- 289 | NUT - lock 3/8" - 24 hex L.H. thread | 2 |
| 17 | C 26332 | BALL JOINT - R.H. thread | 2 |
| 18 | C 26333 | BALL JOINT - L.H. thread | 2 |
| 19 | 13- 624 | BOLT - 3/8" x 1-1/2" | 3 |
| 20 | 13- 628 | BOLT - 3/8" x 1-3/4" | 1 |
| 21 | 131- 1181 | NUT - lock 3/8" - 16 | 4 |
| 22 | C 17066 | WASHER - 3/8" x 5/8" cupped | 2 |
| 23 | C 30155 | WASHER - 3/8" x 5/8" spacer | 2 |
| 24 | 132- 311 | PIN - cotter 5/32" x 1-1/4" | 2 |

FRONT AND REAR WHEELS

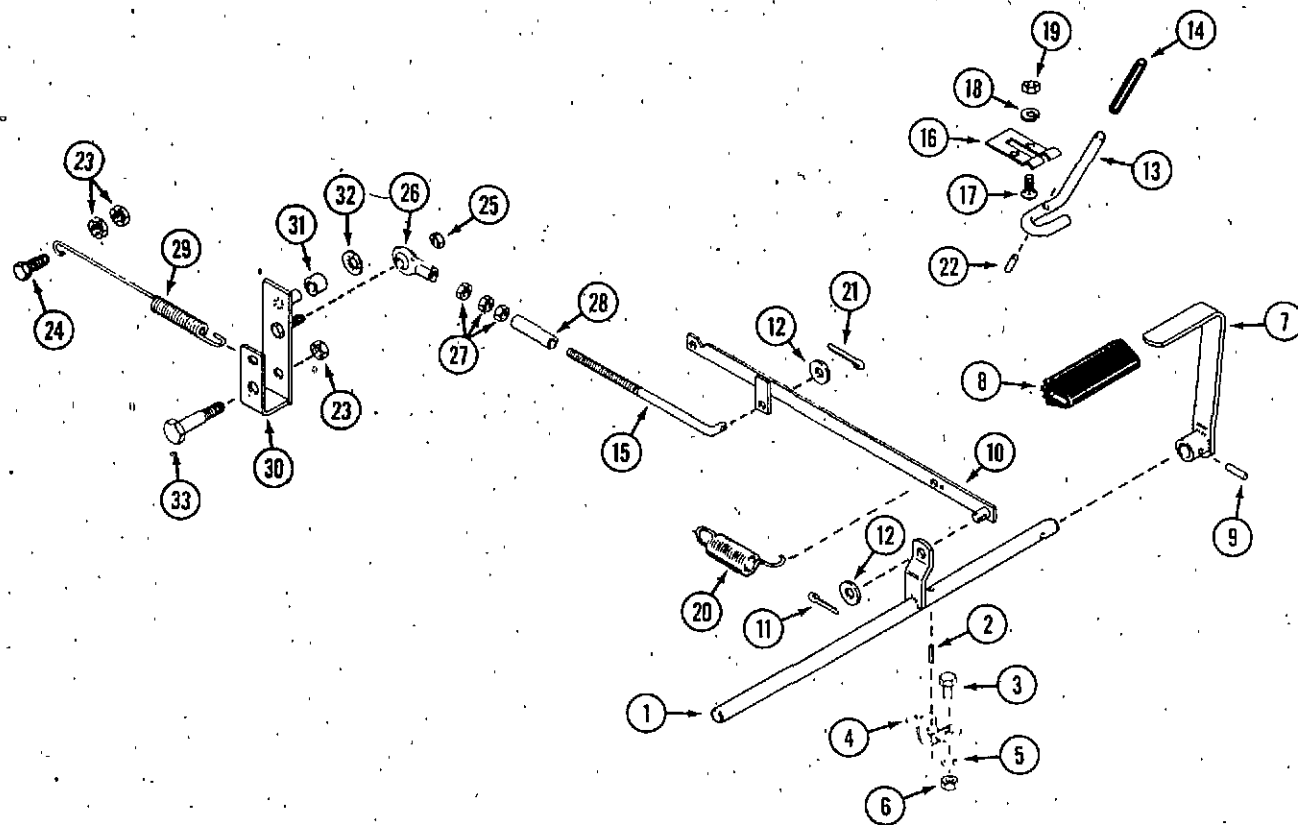
| | | | |
|----|----------|-----------------------------------|---|
| 1 | C 30781 | WHEEL - front (includes bearings) | 2 |
| 2 | C 24503 | BEARING - bushing | 2 |
| 3 | C 10442 | STEM - valve | 2 |
| 4 | 219- 10 | FITTING - lube | 2 |
| 5 | C 26526 | CAP - hub | 4 |
| 6 | C 30780 | WHEEL - rear | 2 |
| 7 | C 11796 | KEY - 3/16" x 3/16" x 2" | 2 |
| 8 | 195- 545 | WASHER - 3/4" | 2 |
| 9 | C 28226 | WASHER - spacer .03" thick | 4 |
| 10 | C 30555 | SPACER - sleeve | 2 |
| 11 | C 28972 | WASHER - spacer | 2 |
| 12 | C 27739 | RING - retaining | 2 |

LIFT CONTROL

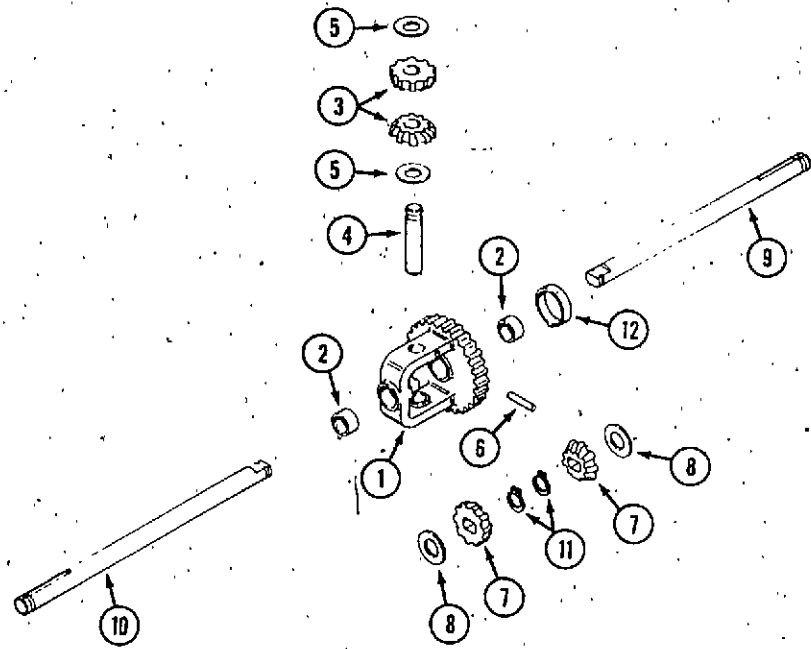
| REF. | PART NO. | DESCRIPTION | REQ'D |
|------|-----------|-----------------------------------|-------|
| 1 | C 30674 | LEVER - lift | 1 |
| 2 | C 29045 | HANDLE - lift lever | 1 |
| 3 | C 30157 | ARM - lift | 1 |
| 4 | C 29706 | BUSHING - sleeve | 1 |
| 5 | C 27593 | BUSHING - flip lock | 1 |
| 6 | C 27822 | SPRING - compression | 1 |
| 7 | 195- 533 | WASHER - 1/2" | 2 |
| 8 | 132- 310 | PIN - cotter 1/8" x 1" | 4 |
| 9 | 138- 2071 | PIN - spiral | 1 |
| 10 | C 30675 | ROD - lift | 1 |
| 11 | C 26332 | BALL JOINT | 1 |
| 12 | C 25556 | WASHER 3/8" | 2 |
| 13 | 129- 163 | NUT - 3/8" - 24 | 1 |
| 14 | C 16573 | SPACER - sleeve | 1 |
| 15 | 113- 219 | BOLT - 3/8" - 16 x 2" | 1 |
| 16 | 195- 522 | WASHER - 3/8" | 6 |
| 17 | 131- 1181 | NUT - 3/8" - 16 lock | 1 |
| 18 | C 30676 | BRACKET - anchor | 1 |
| 19 | 111- 229 | BOLT - 5/16" - 18 x 1/2" carriage | 2 |
| 20 | 131- 911 | NUT - 5/16" - 18 flange lock | 2 |
| 21 | C 30679 | BAR - lift link | 1 |
| 22 | C 30680 | BAR - lift latch | 1 |
| 23 | C 30681 | SPACER - roller | 2 |
| 24 | C 24377 | WASHER - 1/2" | 2 |
| 25 | C 30682 | SHAFT - lift | 1 |
| 26 | C 15156 | BRACKET - saddle | 2 |
| 27 | 113- 102 | BOLT - 5/16" - 18 x 3/4" | 4 |
| 28 | 192- 20 | WASHER - 5/16" | 4 |
| 29 | 129- 102 | NUT - 5/16" - 18 lock | 4 |
| 30 | C 30836 | SPRING - tension | 1 |
| 31 | C 30684 | ROD - spring adjust | 1 |



BRAKE LINKAGE



| | | | | |
|----|------|-------|----------------------------------|---|
| 1 | C | 30669 | SHAFT - brake | 1 |
| 2 | 138- | 92 | PIN - roll 3/16" x 3/4" | 1 |
| 3 | 113- | 102 | BOLT - 5/16" - 18 x 3/4" | 4 |
| 4 | C | 15156 | BRACKET - saddle | 2 |
| 5 | 192- | 20 | LOCK WASHER - 5/16" | 4 |
| 6 | 129- | 102 | NUT - 5/16" - 18 | 4 |
| 7 | C | 29249 | PEDAL - brake | 1 |
| 8 | C | 24345 | PAD - brake pedal | 1 |
| 9 | 138- | 2071 | PIN - spiral 3/16" x 15/16" | 1 |
| 10 | C | 30671 | LINK - clutch and brake | 1 |
| 11 | 132- | 6 | PIN - cotter 3/32" x 5/8" | 1 |
| 12 | 195- | 521 | WASHER - 1/4" | 2 |
| 13 | C | 29207 | LEVER - parking brake | 1 |
| 14 | C | 29178 | HANDLE - lever | 1 |
| 15 | C | 30652 | ROD - brake | 1 |
| 16 | C | 29177 | BRACKET - retaining | 1 |
| 17 | 111- | 108 | BOLT - 1/4" - 20 x 3/4" carriage | 2 |
| 18 | 192- | 19 | LOCK WASHER - 1/4" | 2 |
| 19 | 129- | 101 | NUT - 1/4" - 20 | 2 |
| 20 | C | 29917 | SPRING - extension | 1 |
| 21 | 132- | 329 | PIN - cotter 1/16" x 3/4" | 1 |
| 22 | 138- | 51 | PIN - roll 1/8" x 3/8" | 1 |
| 23 | 131- | 1181 | NUT - 3/8" - 16 lock | 3 |
| 24 | 113- | 207 | BOLT - 3/8" - 16 x 1" | 1 |
| 25 | 131- | 1102 | NUT - 1/4" - 20 lock | 1 |
| 26 | C | 30615 | BALL JOINT - R.H. thread | 1 |
| 27 | 129- | 121 | NUT - 1/4" - 28 | 3 |
| 28 | C | 25538 | SPACER - sleeve | 1 |
| 29 | C | 30596 | SPRING - extension | 1 |
| 30 | C | 30616 | ARM - rocker | 1 |
| 31 | C | 16573 | ROLLER - neutral | 1 |
| 32 | C | 30817 | NUT - push 3/8" | 1 |
| 33 | C | 16745 | BOLT - shoulder | 1 |

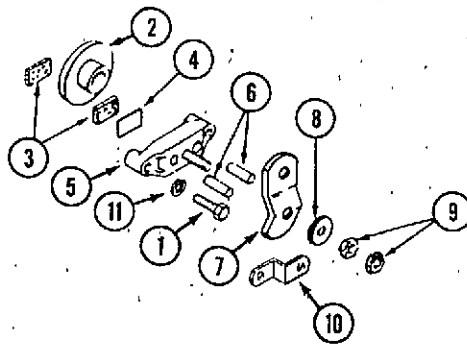


**C30887 GEAR CASE ASSEMBLY
DIFFERENTIAL ASSEMBLY**

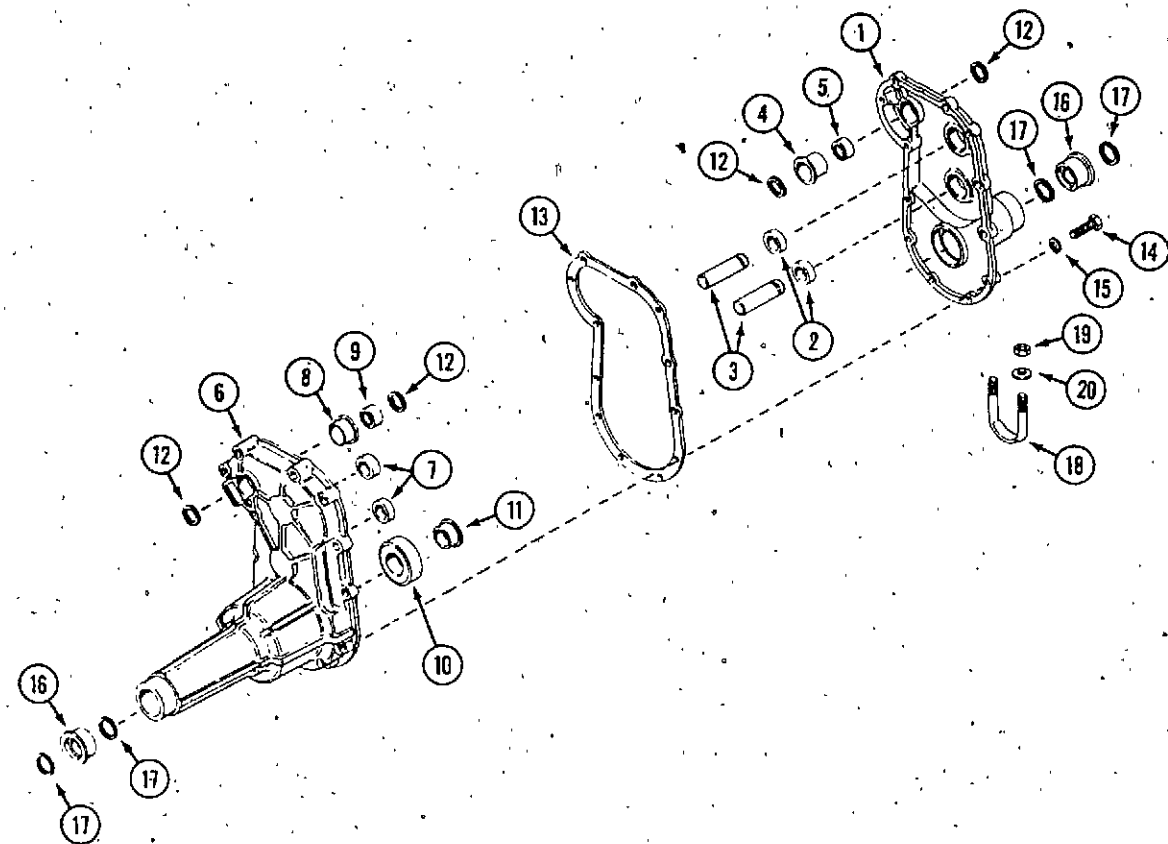
| REF. | PART NO. | DESCRIPTION | REQ'D |
|------|----------|--|-------|
| | C 30589 | DIFFERENTIAL ASSEMBLY | 1 |
| 1 | C 26111 | HOUSING AND GEAR - differential | 1 |
| 2 | C 21576 | BUSHING - sleeve | 2 |
| 3 | C 19310 | GEAR - bevel | 2 |
| 4 | C 19311 | PIN - drive | 11 |
| 5 | C 19312 | WASHER - shim | 2 |
| 6 | 138- 97 | PIN - roll | 1 |
| 7 | C 19309 | GEAR - bevel | 2 |
| 8 | C 11205 | WASHER - shim | 2 |
| 9 | C 30592 | SHAFT - axle L.H. | 1 |
| 10 | C 30593 | SHAFT - axle R.H. | 1 |
| 11 | C 28232 | RING - retaining | 2 |
| 12 | C 27566 | BUSHING - sleeve (install in L.H. housing) | 1 |

BRAKE

| | | | |
|----|-----------|---------------------------|---|
| 1 | 113- 17 | BOLT - 1/4" - 20 x 1-1/4" | 2 |
| 2 | C 27563 | DISK - brake | 1 |
| 3 | C 19353 | PAD - brake | 2 |
| 4 | C 19354 | PLATE - brake pad | 1 |
| 5 | C 19355 | HOLDER - brake pad | 1 |
| 6 | C 28650 | PIN - dowel | 2 |
| 7 | C 30595 | LEVER - brake | 1 |
| 8 | 195- 103 | WASHER - 5/16" | 1 |
| 9 | 131- 1169 | NUT - 5/16" - 24 lock | 2 |
| 10 | C 28821 | BRACKET - support | 1 |
| 11 | 192- 19 | LOCK WASHER - 1/4" | 2 |

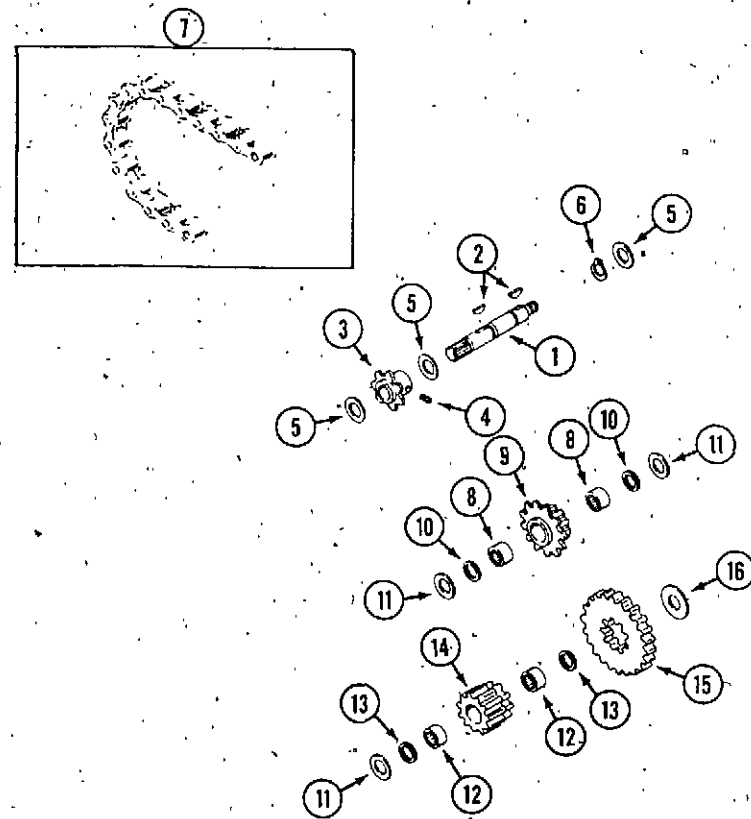


**C30887 GEAR CASE ASSEMBLY
HOUSING ASSEMBLIES**



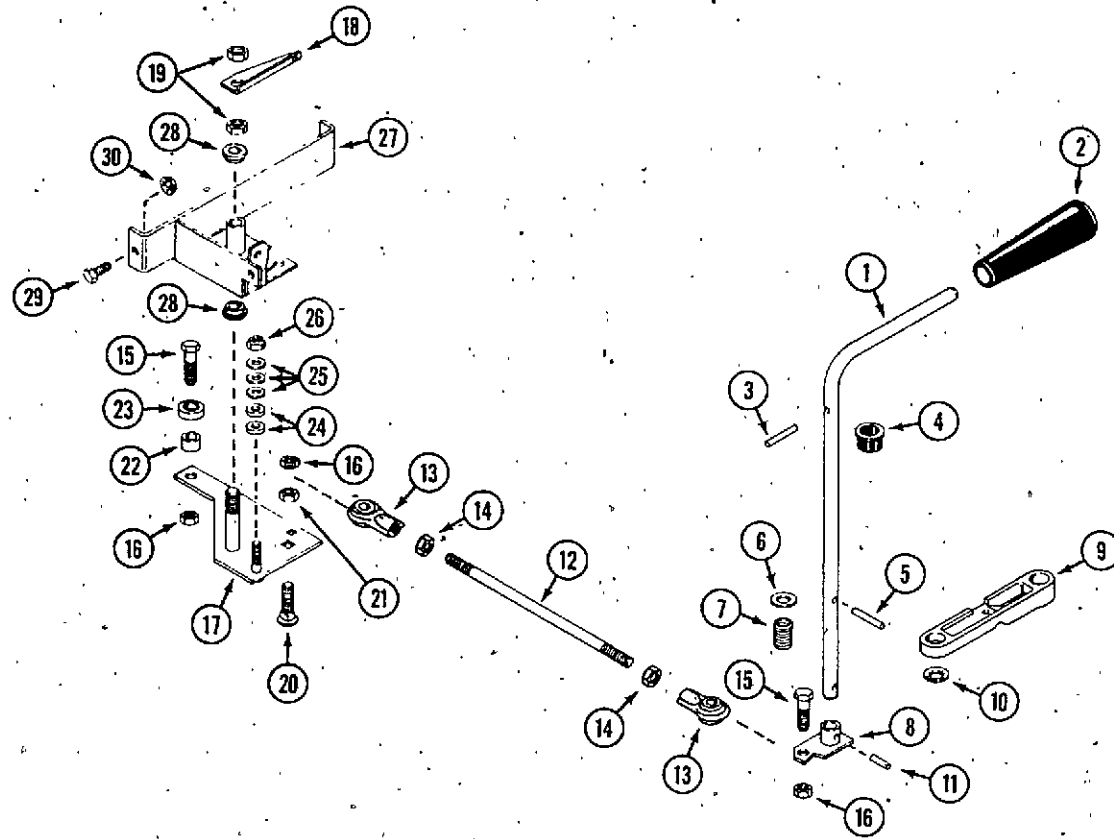
| REF. | PART NO. | DESCRIPTION | REQ'D |
|------|----------|--|-------|
| | C 30888 | HOUSING ASSEMBLY - L.H. | 1 |
| 1 | NSS | HOUSING - L.H. | 1 |
| 2 | C 30564 | BUSHING - sleeve | 2 |
| 3 | C 30588 | SHAFT - pinion hub | 2 |
| 4 | C 30566 | BUSHING - flange | 1 |
| 5 | C 30567 | BEARING - needle 5/8" | 1 |
| | C 30889 | HOUSING ASSEMBLY - R.H. | 1 |
| 6 | NSS | HOUSING - R.H. | 1 |
| 7 | C 30564 | BUSHING - sleeve | 2 |
| 8 | C 30566 | BUSHING - flange | 1 |
| 9 | C 30567 | BEARING - needle | 1 |
| 10 | C 30930 | BUSHING - hub | 1 |
| 11 | C 27565 | BUSHING - flange | 1 |
| 12 | C 27570 | SEAL - bearing | 4 |
| 13 | C 30570 | GASKET - gear case | 1 |
| 14 | 113- 17 | BOLT - 1/4" - 20 x 1-1/4" | 8 |
| 15 | 192- 19 | LOCK WASHER - 1/4" | 8 |
| 16 | C 30561 | BEARING ASSEMBLY - axle | 2 |
| 17 | C 27581 | SEAL - bearing 3/4" | 4 |
| 18 | C 30654 | "U" BOLT - axle mount (not included with assembly) | 2 |
| 19 | 131- 69 | NUT - 5/16" - 18 lock | 4 |
| 20 | 195- 521 | WASHER - 5/16" | 4 |

INPUT SHAFT AND PINION GEARS

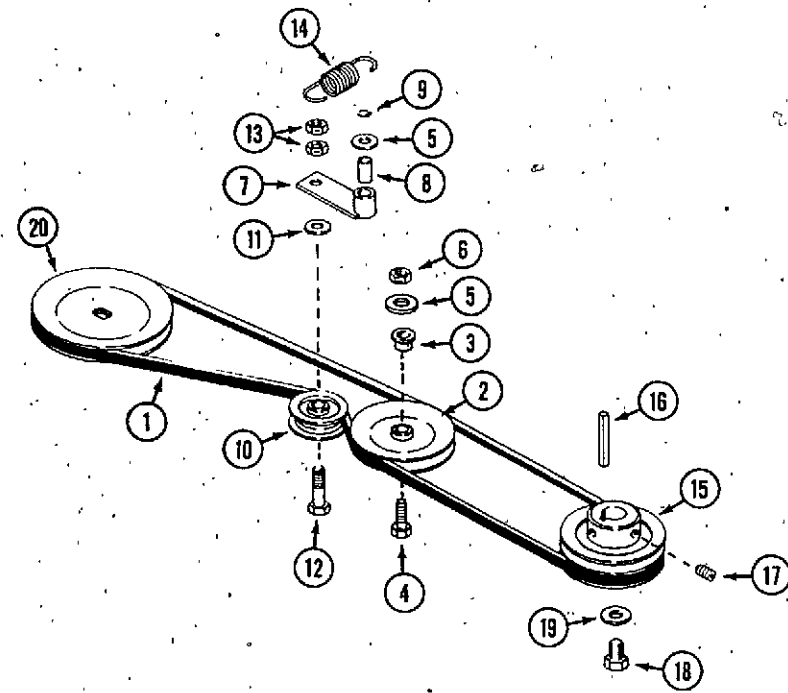


| | | | |
|----|----------|--|---|
| 1 | C 30575 | SHAFT - input | 1 |
| 2 | 126- 113 | KEY - woodruff 5/8" x 3/16" | 2 |
| 3 | C 30576 | SPROCKET - #40 (9 teeth) | 1 |
| 4 | C 31924 | SCREW - set, No. 10 - 32 x 5/16" | 1 |
| 5 | C 19345 | WASHER - shim 5/8" | 3 |
| 6 | C 30577 | RING - retaining | 1 |
| 7 | C 30584 | CHAIN - endless, #40, 22 pitches (used internal) | 1 |
| | C 30580 | SPROCKET AND GEAR ASSEMBLY - pinion | 1 |
| 8 | C 30567 | BEARING - needle 5/8" | 2 |
| 9 | NSS | SPROCKET AND GEAR - pinion | 1 |
| 10 | C 27570 | SEAL - bearing 5/8" | 2 |
| 11 | C 19312 | WASHER - shim | 2 |
| | C 30585 | GEAR ASSEMBLY - pinion | 1 |
| 12 | C 30567 | BEARING - needle 5/8" | 2 |
| 13 | C 27570 | SEAL - bearing 5/8" | 2 |
| 14 | NSS | GEAR - pinion | 1 |
| 15 | C 27562 | GEAR | 1 |
| 16 | C 30587 | WASHER - shim | 1 |

TRAVEL CONTROL

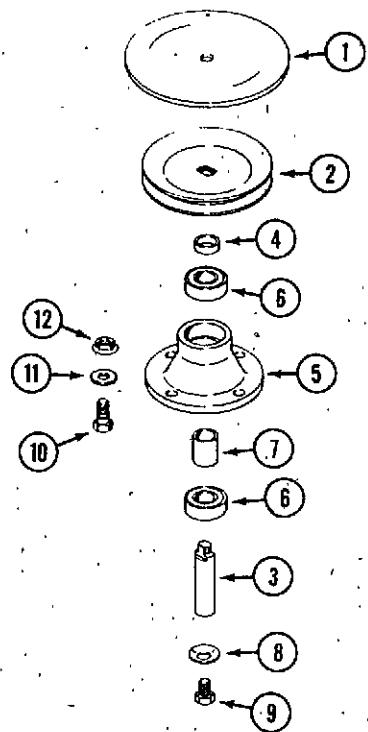


| REF. | PART NO. | DESCRIPTION | REQ'D |
|------|-----------|---------------------------------|-------|
| 1 | C 30657 | LEVER - travel | 1 |
| 2 | C 29047 | HANDLE - control | 1 |
| 3 | 138- 2072 | PIN - roll 1/8" x 1-3/4" | 1 |
| 4 | C 29636 | BUSHING - flip lock | 1 |
| 5 | 138- 2055 | PIN - spiral 3/16" x 1-1/2" | 1 |
| 6 | 195- 533 | WASHER | 1 |
| 7 | C 27822 | SPRING - compression | 1 |
| 8 | C 30824 | ARM - travel lever | 1 |
| 9 | C 29651 | LOCATOR - neutral | 1 |
| 10 | C 30817 | NUT - push 3/8" | 2 |
| 11 | 138- 2071 | PIN - spiral 3/16" x 15/16" | 1 |
| 12 | C 30660 | ROD - travel | 1 |
| 13 | C 26332 | BALL JOINT - R.H. | 2 |
| 14 | 129- 163 | NUT - 3/8" - 24 | 2 |
| 15 | 113- 208 | BOLT - 3/8" - 16 x 1-1/4" | 2 |
| 16 | 131- 1181 | NUT - 3/8" - 16 lock | 3 |
| 17 | C 30664 | ARM - travel control | 1 |
| 18 | C 30825 | ARM - cable actuator | 1 |
| 19 | 131- 1308 | NUT - 1/2" - 13 lock | 2 |
| 20 | 111- 330 | BOLT - 3/8" 16 x 1-3/4 carriage | 1 |
| 21 | 129- 103 | NUT - 3/8" - 16 | 1 |
| 22 | C 16573 | SPACER - sleeve | 1 |
| 23 | C 30668 | BEARING - ball 3/8" | 1 |
| 24 | C 31052 | WASHER - nylon 5/16" | 2 |
| 25 | 195- 521 | WASHER - 5/16" | 2 |
| 26 | 131- 69 | NUT - 5/16" - 18 lock | 1 |
| 27 | C 30892 | BRACKET - pivot | 1 |
| 28 | C 24182 | BUSHING - flange | 2 |
| 29 | 113- 102 | BOLT - 5/16" - 18 x 3/4" | 3 |
| 30 | 131- 911 | NUT - 5/16" - 18 flange lock | 3 |



BELTS, PULLEYS AND IDLERS (DRIVE)

| REF. | PART NO. | DESCRIPTION | REQ'D |
|------|-----------|----------------------------|-------|
| 1 | C 30876 | BELT - drive, transmission | 1 |
| 2 | C 25370 | PULLEY - "V" idler | 1 |
| 3 | C 12264 | BUSHING - shoulder | 1 |
| 4 | 113- 209 | BOLT - 3/8" - 16 x 1-1/2" | 1 |
| 5 | 195- 525 | WASHER - 3/8" | 2 |
| 6 | 131- 1181 | NUT - 3/8" - 16 lock | 1 |
| 7 | C 30673 | ARM - idler | 1 |
| 8 | C 14978 | BUSHING - sleeve | 1 |
| 9 | C 30619 | RING - retaining 3/8" | 1 |
| 10 | C 23535 | PULLEY - flat idler | 1 |
| 11 | C 29812 | WASHER - spacer | 1 |
| 12 | 113- 213 | BOLT - 3/8" - 16 x 2-1/4" | 1 |
| 13 | 131- 1181 | NUT - 3/8" - 16 lock | 2 |
| 14 | C 21942 | SPRING - tension | 1 |
| 15 | C 30556 | PULLEY - drive | 1 |
| 16 | C 28315 | KEY - 1/4" square x 2" | 1 |
| 17 | 178- 858 | SCREW - set | 1 |
| 18 | 14- 712 | BOLT - 7/16" - 20 x 3/4" | 1 |
| 19 | 195- 2029 | WASHER - 7/16" | 1 |
| 20 | C 15083 | PULLEY - transmission | 1 |



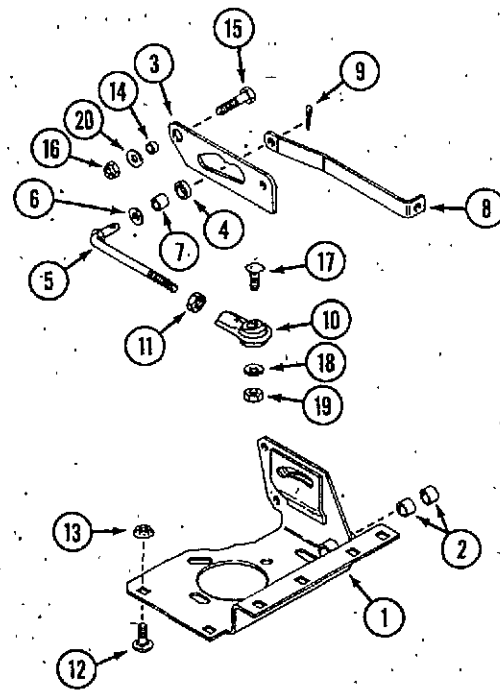
MODEL 1012, 1014 AND 1016 COMPACT TRACTORS

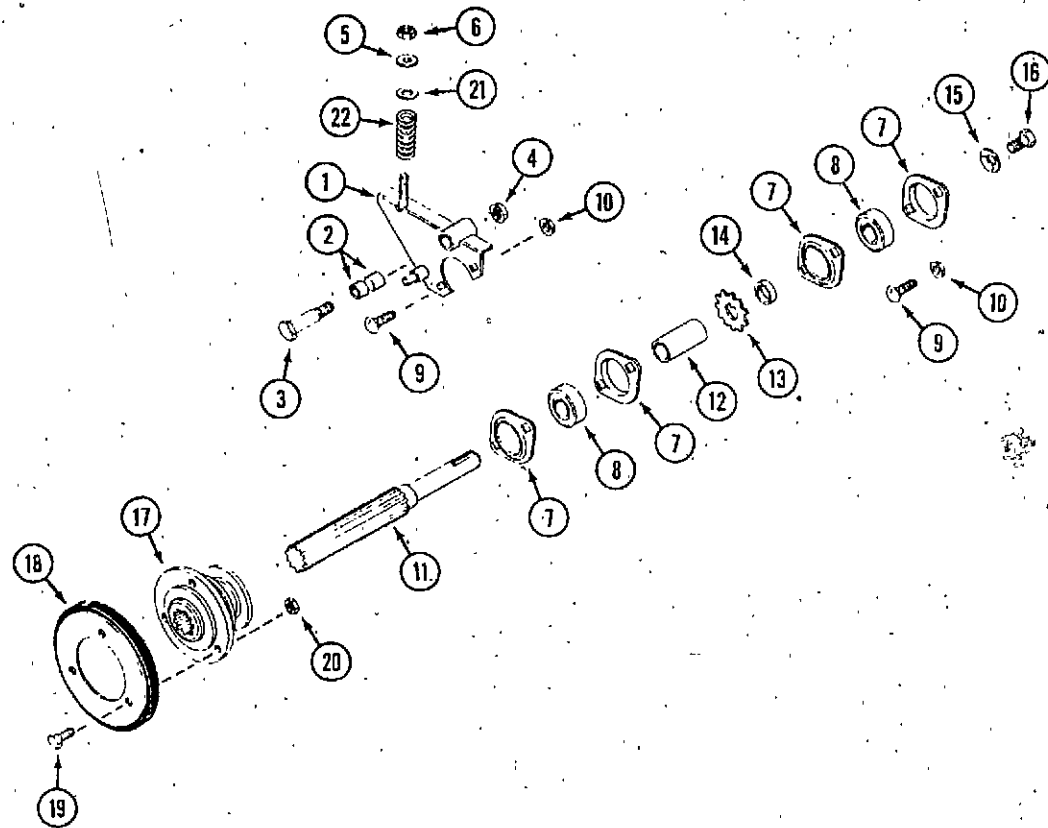
SPINDLE AND DRIVE DISC

| REF. | PART NO. | DESCRIPTION | REQ'D |
|------|----------|-----------------------------|-------|
| 1 | C 30610 | DISC - drive | 1 |
| 2 | C 15083 | PULLEY - drive | 1 |
| 3 | C 30606 | SPINDLE - drive | 1 |
| 4 | C 30609 | SPACER - pulley | 1 |
| 5 | C 30729 | HOUSING - spindle | 1 |
| 6 | C 28971 | BEARING - spindle | 2 |
| 7 | C 29453 | SPACER - bearing | 1 |
| 8 | C 28263 | WASHER - dished | 1 |
| 9 | 113- 205 | BOLT - 3/8" - 16 x 5/8" | 1 |
| 10 | 113- 208 | BOLT - 3/8" - 16 x 1" | 4 |
| 11 | 195- 104 | WASHER - 3/8" | 3 |
| 12 | 131- 938 | NUT - 3/8" - 16 flange lock | 4 |

NEUTRAL CAM AND MOUNTING PLATE

| REF. | PART NO. | DESCRIPTION | REQ'D |
|------|----------|-----------------------------------|-------|
| 1 | C 30598 | PLATE - mounting, spindle housing | 1 |
| 2 | C 17597 | BUSHING - sleeve | 2 |
| 3 | C 30611 | PLATE - cam, neutral | 1 |
| 4 | C 30612 | ROLLER - cam | 1 |
| 5 | C 30613 | ROD - return, neutral | 1 |
| 6 | 195- 518 | WASHER - 1/4" | 1 |
| 7 | C 30614 | ROLLER - rod | 1 |
| 8 | C 30835 | LINK - return, neutral | 1 |
| 9 | 132- 329 | PIN - cotter 1/16" x 3/4" | 1 |
| 10 | C 30615 | BALL JOINT - 1/4" | 1 |
| 11 | 129- 121 | NUT - 1/4" x 28 | 1 |
| 12 | 111- 132 | BOLT - 5/16" - 18 x 3/4" carriage | 6 |
| 13 | 131- 911 | NUT - 5/16" - 18 flange lock | 6 |
| 14 | C 31051 | BUSHING - sleeve | 1 |
| 15 | 113- 121 | BOLT - 5/16" - 18 x 2" | 2 |
| 16 | 131- 69 | NUT - 5/16" - 18 lock | 2 |
| 17 | 111- 111 | BOLT - 1/4" - 20 x 1" carriage | 1 |
| 18 | 192- 19 | LOCK WASHER - 1/4" | 1 |
| 19 | 129- 101 | NUT - 1/4" - 20 | 1 |
| 20 | 195- 520 | WASHER - 5/16" | 1 |





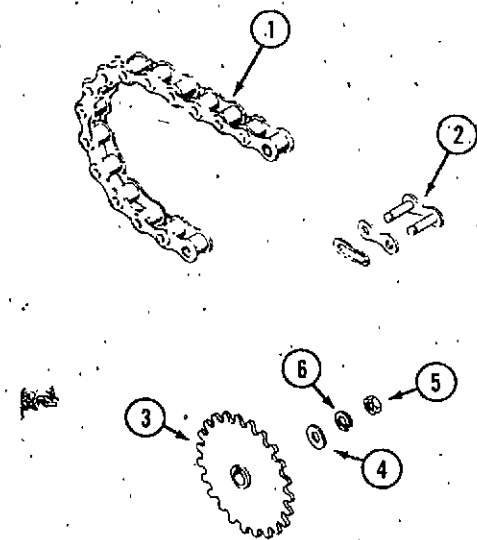
MODEL 1012, 1014 AND 1016 COMPACT TRACTORS

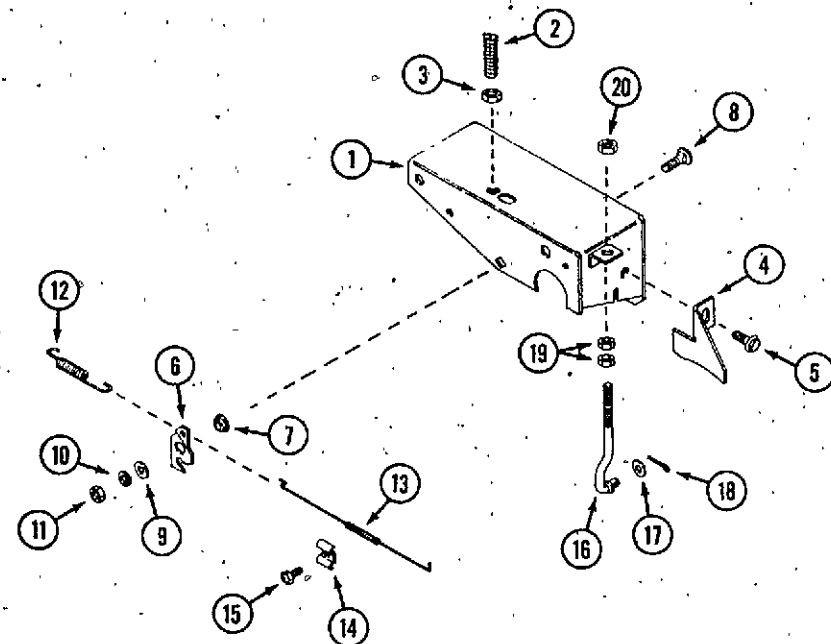
INPUT SHAFT

| REF. | PART NO. | DESCRIPTION | REQ'D |
|------|----------|-----------------------------------|-------|
| 1 | C 31235 | ARM - input shaft | 1 |
| 2 | C 17597 | BUSHING - sleeve | 1 |
| 3 | C 16745 | BOLT - shoulder | 1 |
| 4 | 131- 938 | NUT - 3/8" - 16 flange lock | 1 |
| 5 | 195- 103 | WASHER - 5/16" | 1 |
| 6 | 131- 69 | NUT - 5/16" - 18 lock | 1 |
| 7 | C 30629 | FLANGETTE - bearing | 4 |
| 8 | C 30788 | BEARING - input shaft | 2 |
| 9 | 111- 217 | BOLT - 5/16" - 18 x 5/8" carriage | 4 |
| 10 | 131- 911 | NUT - 5/16" - 18 flange lock | 4 |
| 11 | C 30642 | SHAFT - input | 1 |
| 12 | C 30647 | SPACER - sleeve | 1 |
| 13 | C 30787 | SPROCKET - chain | 1 |
| 14 | C 30648 | SPACER - sleeve | 1 |
| 15 | C 28263 | WASHER - dished | 1 |
| 16 | 113- 205 | BOLT - 3/8" - 16 x 5/8" | 1 |
| 17 | C 30644 | HUB - mounting | 1 |
| 18 | C 30840 | WHEEL - drive | 1 |
| 19 | 113- 102 | BOLT - 5/16" - 18 x 3/4" | 3 |
| 20 | 131- 176 | NUT - 5/16" lock | 3 |
| 21 | C 31052 | WASHER - nylon | 1 |
| 22 | C 31407 | SPRING - compression | 1 |

DRIVE CHAIN AND SPROCKET

| | | | |
|---|----------|---------------------------------|---|
| 1 | C 31244 | CHAIN - drive #35 (70 pitches) | 1 |
| 2 | C 28645 | LINK - connector #35 | 1 |
| 3 | C 30579 | SPROCKET - drive #35 (48 teeth) | 1 |
| 4 | C 30649 | WASHER - 3/8" | 1 |
| 5 | 129- 163 | NUT - 3/8" - 16 lock | 1 |
| 6 | 192- 21 | LOCKWASHER - 3/8" | 1 |

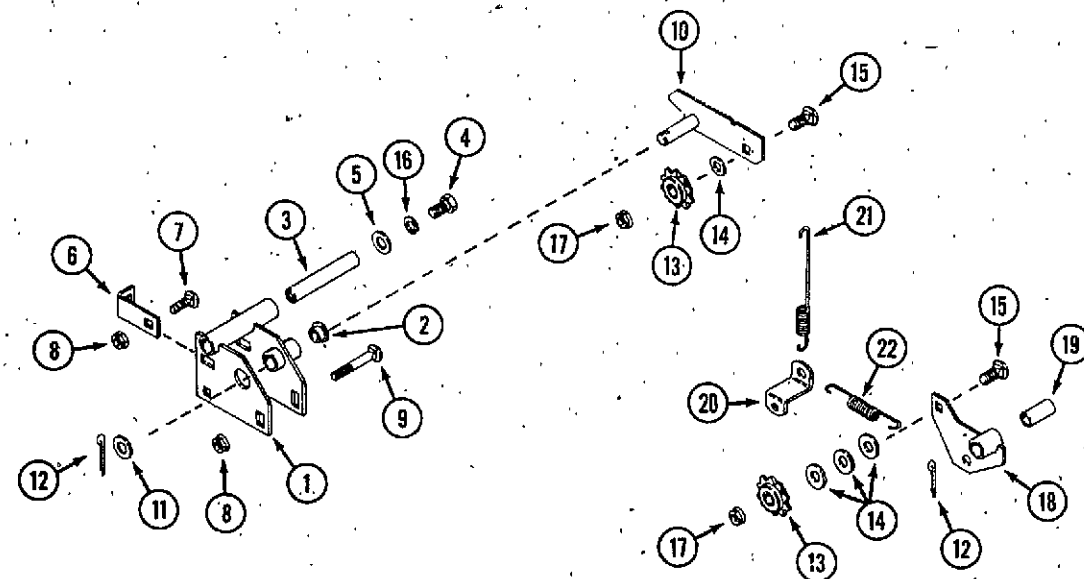




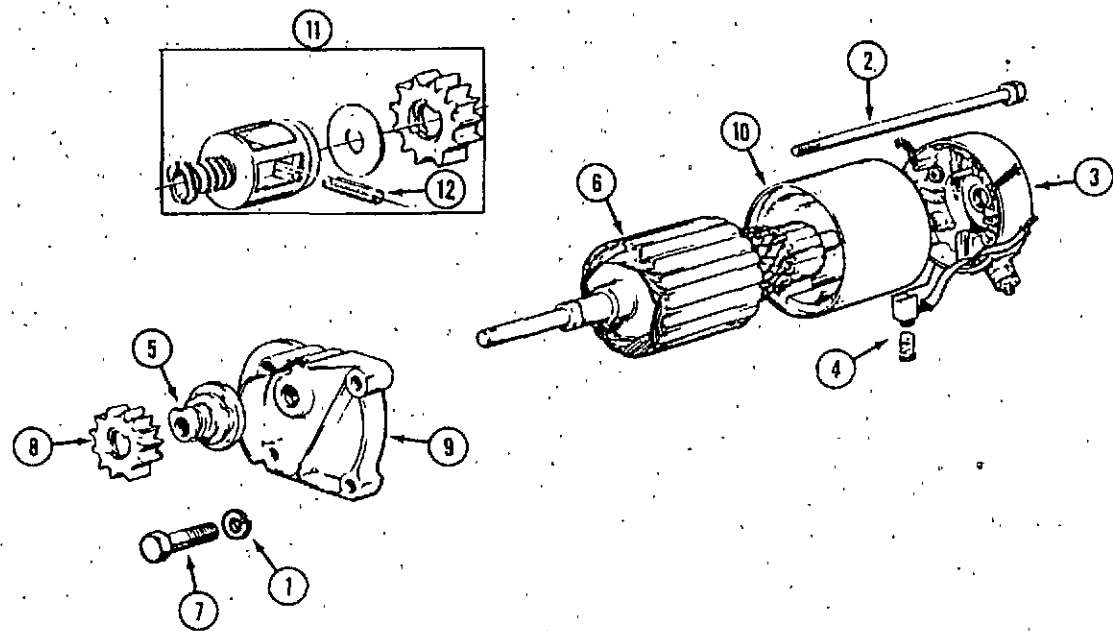
TRACTION ARM HOUSING AND HOLDING LATCH

| REF. | PART NO. | DESCRIPTION | REQ'D |
|------|-----------|---|-------|
| 1 | C 31232 | HOUSING - traction arm | 1 |
| 2 | 83- 520 | SCREW - set 5/16" - 18 x 1-1/4" | 1 |
| 3 | 129- 102 | NUT - 5/16" - 18 | 1 |
| 4 | C 31234 | CAM - clutch | 1 |
| 5 | 121- 106 | BOLT - 5/16" - 18 x 1/2" flange lock | 1 |
| 6 | C 30813 | LATCH - holding | 1 |
| 7 | C 30792 | BUSHING - shoulder | 1 |
| 8 | 111- 108 | BOLT - 1/4" - 20 x 3/4" carriage | 1 |
| 9 | 195- 518 | WASHER - 1/4" | 1 |
| 10 | 192- 19 | LOCK WASHER - 1/4" | 1 |
| 11 | 129- 101 | NUT - 1/4" - 20 | 1 |
| 12 | C 30812 | SPRING - return | 1 |
| 13 | C 30811 | WIRE - control | 1 |
| 14 | C 29506 | CLIP - cable | 1 |
| 15 | 187- 1511 | SCREW - No. 10 - 32 x 1/2" self-tapping | 1 |
| 16 | C 30651 | LINK - clutch | 1 |
| 17 | 195- 520 | WASHER - 5/16" | 1 |
| 18 | 132- 321 | PIN - cotter 3/32" x 1" | 1 |
| 19 | 129- 102 | NUT - 5/16" - 18 | 2 |
| 20 | 131- 176 | NUT - 5/16" - 18 lock | 1 |

TRACTION ARM PIVOT AND CHAIN IDLERS



| | | | |
|----|-----------|-------------------------------------|---|
| 1 | C 30636 | PIVOT - traction arm | 1 |
| 2 | C 24182 | BUSHING - flange | 2 |
| 3 | C 30639 | SHAFT - pivot | 1 |
| 4 | 113- 206 | BOLT - 3/8" - 16 x 3/4" | 2 |
| 5 | 195- 2029 | WASHER - 3/8 | 2 |
| 6 | C 30641 | BRACKET - mounting, rear | 1 |
| 7 | 111- 132 | BOLT - 5/16" - 18 x 3/4" carriage | 2 |
| 8 | 131- 911 | NUT - 5/16" - 18 flange lock | 1 |
| 9 | C 30640 | BOLT - 5/16" - 18 x 2-1/2" carriage | 2 |
| 10 | C 31238 | ARM - idler, upper | 1 |
| 11 | 195- 105 | WASHER | 1 |
| 12 | 132- 310 | PIN - cotter 1/8" x 1" | 2 |
| 13 | C 30830 | SPROCKET - idler | 2 |
| 14 | 195- 522 | WASHER - 3/8" | 4 |
| 15 | 111- 371 | BOLT - 3/8" - 16 x 1" carriage | 2 |
| 16 | 192- 21 | LOCK WASHER - 3/8" | 1 |
| 17 | 131- 938 | NUT - 3/8" - 16 flange lock | 1 |
| 18 | C 31241 | ARM - idler, lower | 1 |
| 19 | C 30197 | BUSHING - sleeve | 1 |
| 20 | C 31246 | BRACKET - spring mounting | 1 |
| 21 | C 31240 | SPRING - tension | 1 |
| 22 | C 31243 | SPRING - tension | 1 |

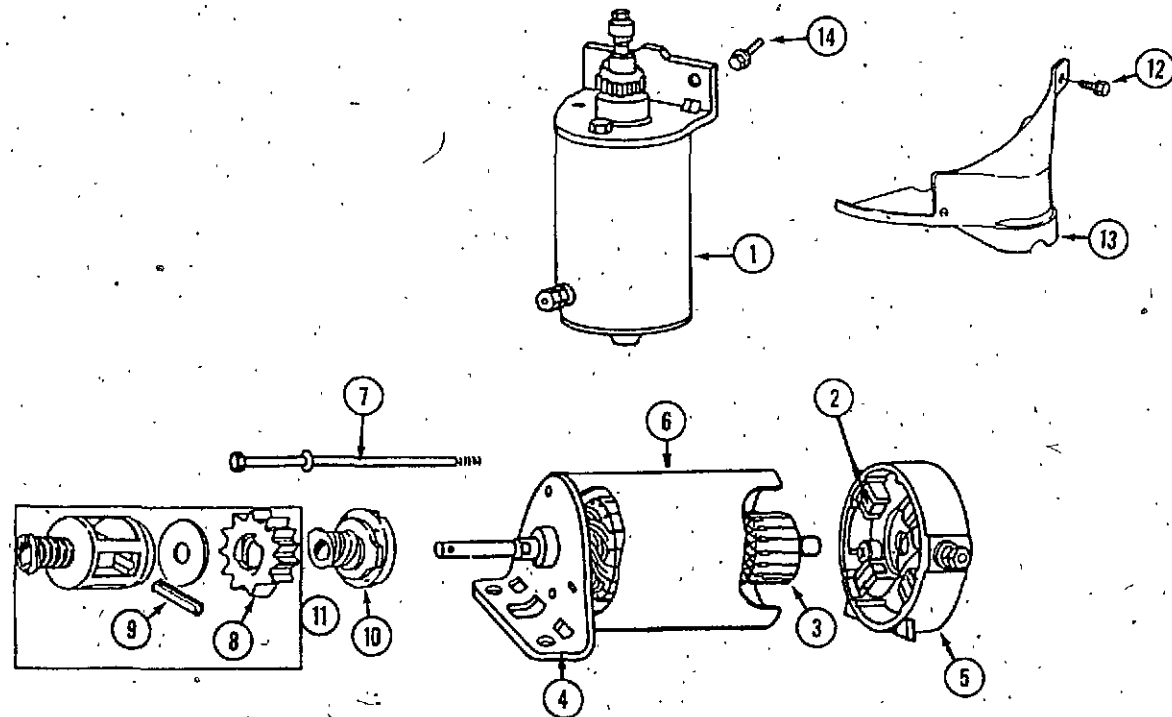


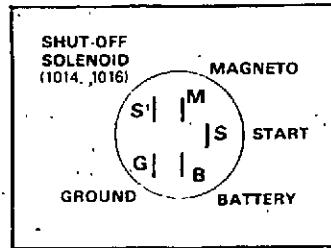
STARTER MOTOR (1014, 1016)

| REF. | PART NO. | DESCRIPTION | REQ'D |
|------|-----------|--------------------------------------|-------|
| 1 | C 27418 | MOTOR - starting | 1 |
| | 92- 5 | LOCK WASHER - 5/16" | 2 |
| 2 | C 27260 | BOLT - thru | 2 |
| 3 | C 27258 | END CAP ASSEMBLY - commutator end | 1 |
| 4 | C 27259 | BRUSH SET | 2 |
| 5 | C 30406 | CLUTCH - drive | 1 |
| 6 | BR 390837 | ARMATURE | 1 |
| 7 | 113- 122 | SCREW - mounting 5/16" - 18 x 1-1/2" | 2 |
| 8 | C 27422 | GEAR - drive | 1 |
| 9 | C 27423 | END CAP - drive end | 1 |
| 10 | C 27263 | HOUSING - starter | 1 |
| 11 | C 27424 | KIT - pinion spring | 1 |
| 12 | 138- 75 | PIN - roll 5/32" x 7/8" | 1 |

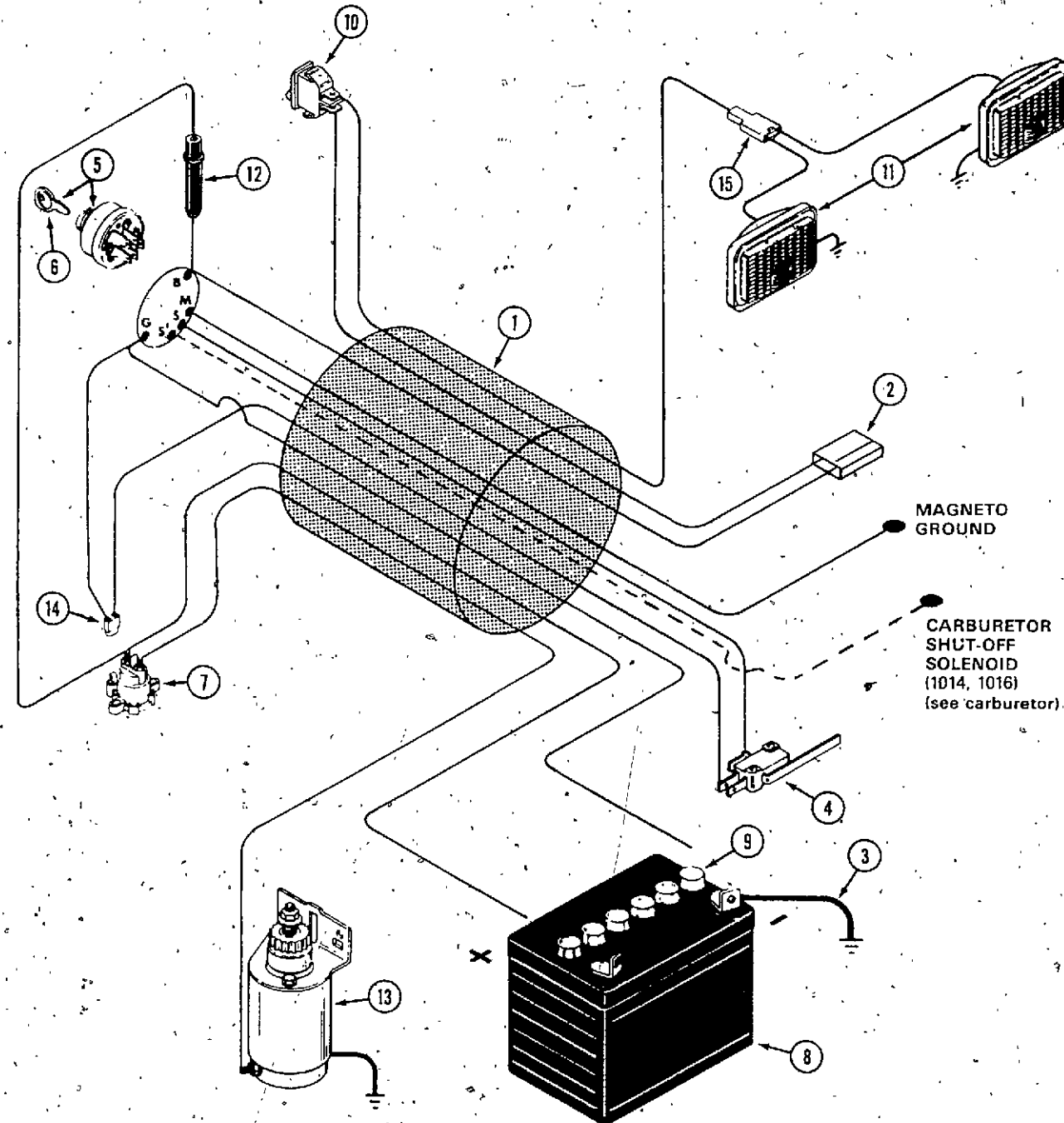
STARTER MOTOR (1012)

| | | | |
|----|-----------|---|---|
| 1 | C 30438 | MOTOR - starter, 12 volt | 1 |
| 2 | C 27259 | BRUSH ASSEMBLY | 1 |
| 3 | C 30442 | ARMATURE - starter | 1 |
| 4 | C 30444 | END CAP - drive end | 1 |
| 5 | C 27258 | END CAP - commutator end | 1 |
| 6 | C 30445 | HOUSING - starter | 1 |
| 7 | C 30439 | BOLT - thru (includes washer) | 2 |
| 8 | C 27422 | GEAR - starter | 1 |
| 9 | 138- 2032 | PIN - roll | 1 |
| 10 | C 30406 | CLUTCH - drive | 1 |
| 11 | C 30441 | RETAINER KIT - drive | 1 |
| 12 | 187- 1328 | SCREW | 2 |
| 13 | C 30443 | COVER AND SHIELD - starter | 1 |
| 14 | NSS | SCREW - mounting (use 113-102 and 92-5) | 2 |





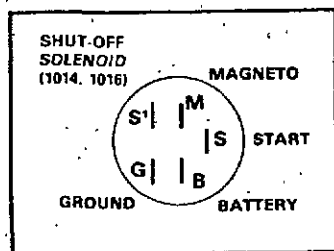
IGNITION SWITCH TERMINALS



ELECTRICAL SYSTEM

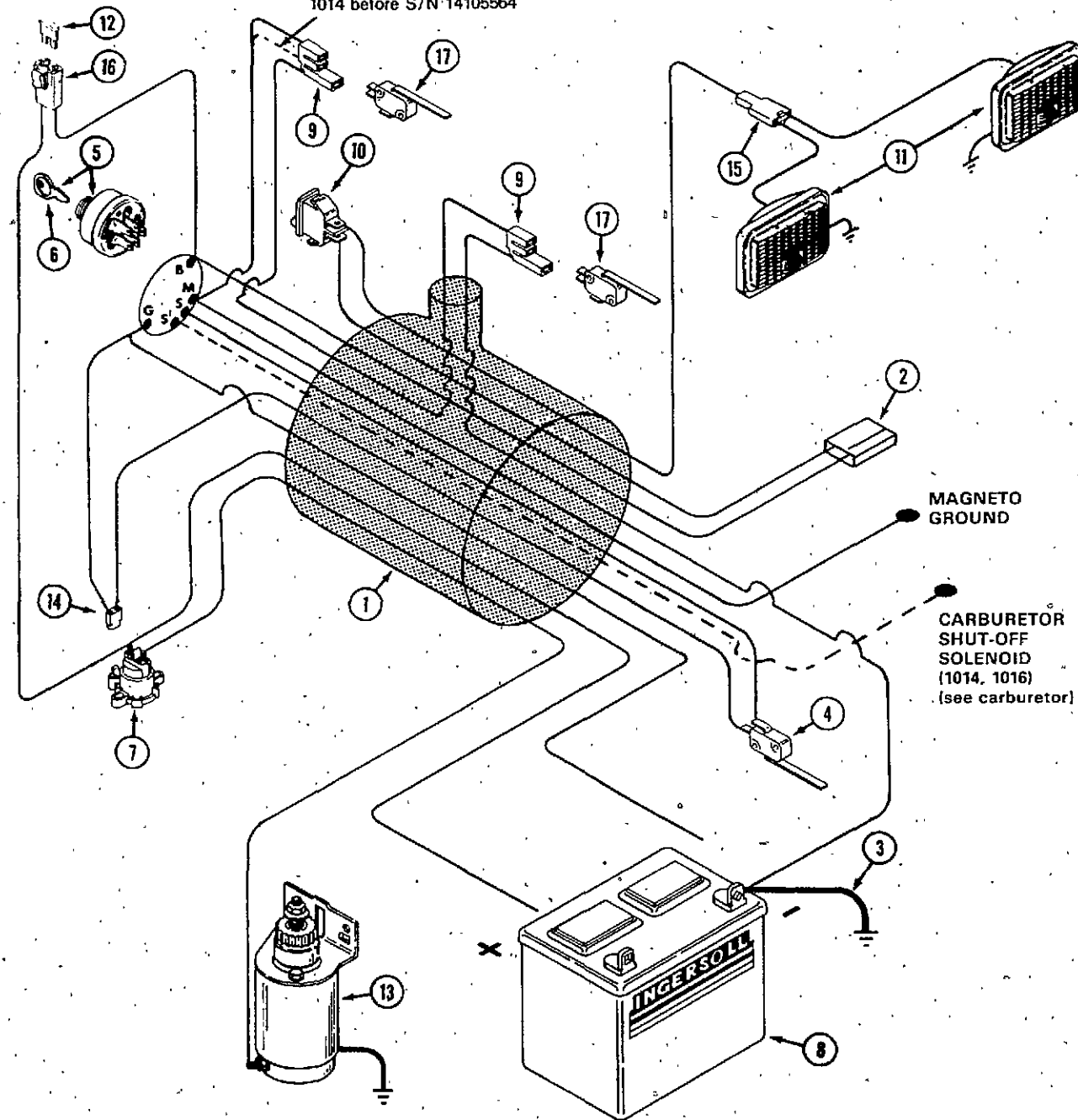
Use before PIN:
 1012-14103745
 1014-14105556
 1016-14116701

| REF. | PART NO. | DESCRIPTION | REQ'D |
|------|----------|--|-------|
| 1 | NSS | HARNESS - wire (1012) (use C31035) | 1 |
| 1 | NSS | HARNESS - wire (1014, 1016) (use C31036) | 1 |
| 2 | C 25243 | CONNECTOR - wire | 1 |
| 3 | C 29256 | CABLE - battery negative to ground (black) | 1 |
| 4 | C 26108 | SWITCH - neutral start | 1 |
| 5 | C 30267 | SWITCH - ignition (includes hardware) | 1 |
| 6 | C 27751 | KEY - ignition | 1 |
| 7 | C 27523 | SOLENOID - start | 1 |
| 8 | NSS | BATTERY - 12 volt (use C31213) | 1 |
| 9 | C 18113 | CAP - battery | 6 |
| 10 | C 29322 | SWITCH - headlights | 1 |
| 11 | C 22571 | HEADLIGHT ASSEMBLY - 12 volt (see page 61 for service) | 2 |
| 12 | 223- 30 | FUSE - 30 amp (included with harness) | 1 |
| 13 | C 27418 | STARTER - engine, 12 volt (see page 55 for service) (1014, 1016) | 1 |
| 13 | C 30438 | STARTER - engine, 1/2 volt (see page 55 for service) (1012) | 1 |
| 14 | C 27549 | CONNECTOR - solenoid | 1 |
| 15 | C 14537 | CONNECTOR - headlights | 1 |



IGNITION SWITCH TERMINALS

Indicates connection on 1014 before S/N 14105564

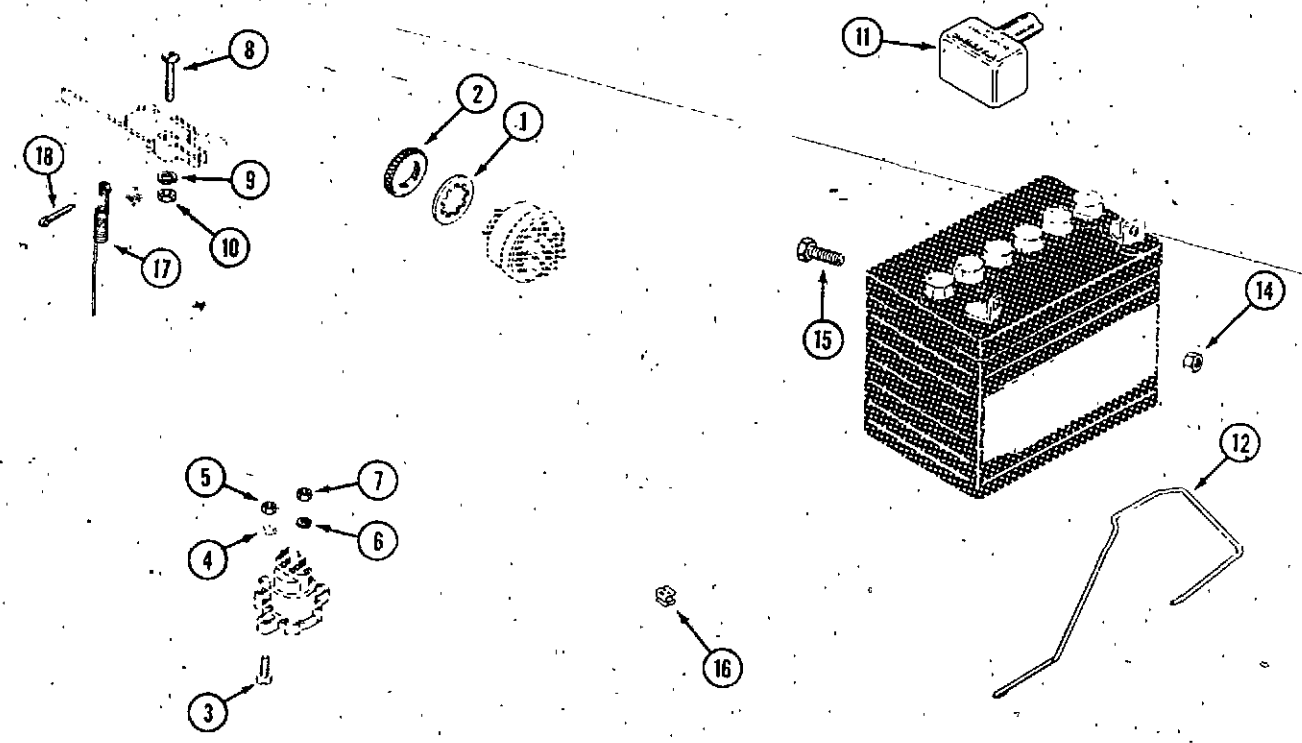


ELECTRICAL SYSTEM

Use PIN and after:
1012-14103745
1014-14105556
1016-14116701

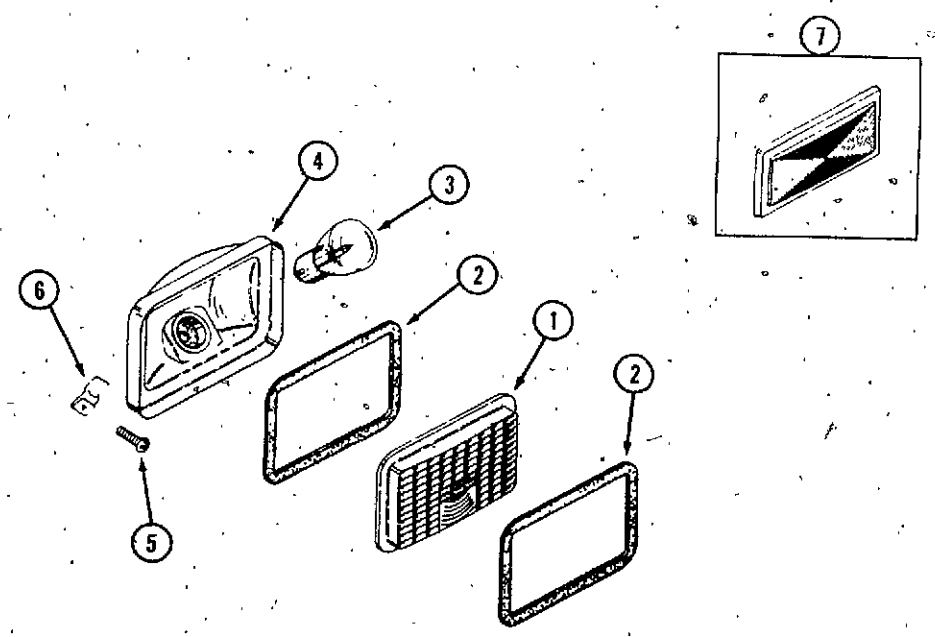
| REF. | PART NO. | DESCRIPTION | REQ'D |
|------|----------|--|-------|
| 1 | C 31442 | HARNES - wire (1012) | 1 |
| 1 | C 31443 | HARNES - wire (1014 S/N 14105564 and after) (1016 all) | 1 |
| 1 | C 31036 | HARNES - wire (1014, 1016) | 1 |
| 2 | C 25243 | CONNECTOR - wire | 1 |
| 3 | C 29256 | CABLE - battery negative to ground (black) | 1 |
| 4 | C 26108 | SWITCH - neutral start | 1 |
| 5 | C 30267 | SWITCH - ignition (includes hardware) | 1 |
| 6 | C 27751 | KEY - ignition | 1 |
| 7 | C 27523 | SOLENOID - start | 1 |
| 8 | C 31213 | BATTERY - 12 volt | 1 |
| 9 | C 30279 | CONNECTOR - interloc switch | 2 |
| 10 | C 29322 | SWITCH - headlights | 1 |
| 11 | C 22571 | HEADLIGHT ASSEMBLY - 12 volt (see page 61 for service) | 2 |
| 12 | C 30260 | FUSE - 30 amp (included with harness) | 1 |
| 13 | C 27418 | STARTER - engine, 12 volt (1014, 1016) (see page 55 for service) | 1 |
| 13 | C 30438 | STARTER - engine, 12 volt (1012) (see page 55 for service) | 1 |
| 14 | C 27549 | CONNECTOR - solenoid | 1 |
| 15 | C 14537 | CONNECTOR - headlights | 1 |
| 16 | C 30261 | HOLDER - fuse | 1 |
| 17 | C 30275 | SWITCH - interloc | 2 |

ELECTRICAL SYSTEM HARDWARE



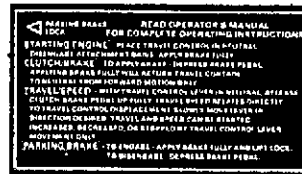
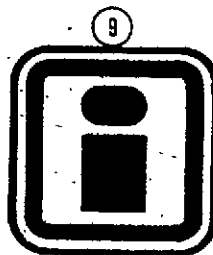
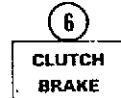
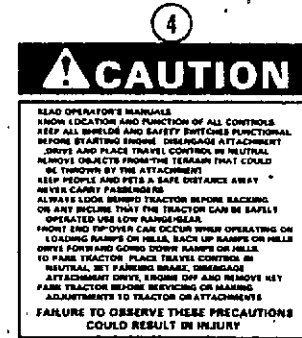
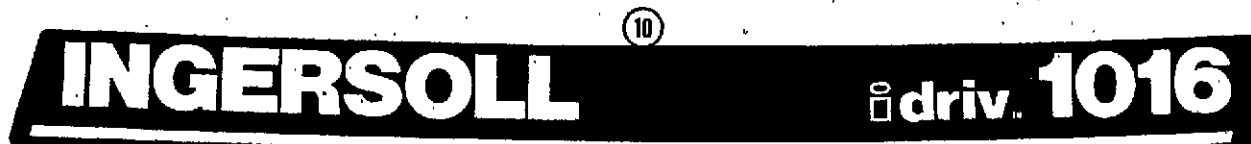
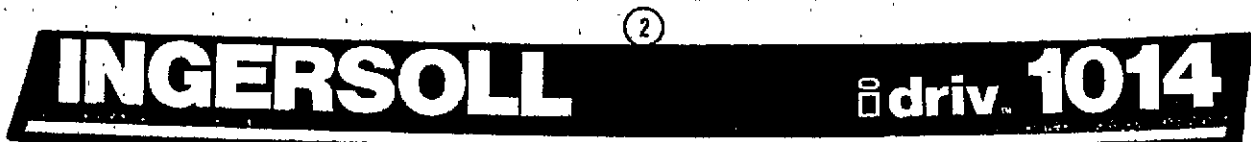
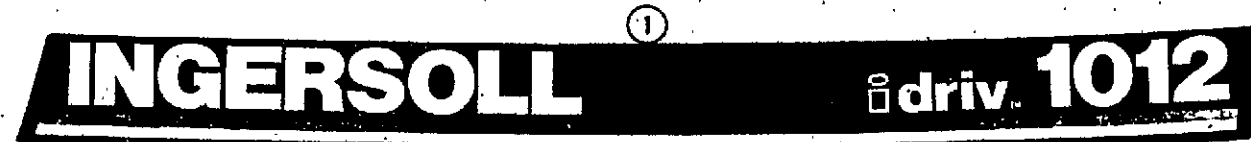
| REF. | PART NO. | DESCRIPTION | REQ'D |
|------|----------|-------------------------------------|-------|
| 1 | C 23248 | WASHER - internal tooth 5/8" | 1 |
| 2 | C 24659 | NUT - 5/8" - 32 knurled | 1 |
| 3 | 182- 559 | SCREW - No. 10 - 24 x 3/4" black | 2 |
| 4 | 193- 70 | LOCK WASHER - No. 10 external tooth | 2 |
| 5 | 129- 17 | NUT - No. 10 - 24 hex | 2 |
| 6 | 192- 18 | LOCK WASHER - 3/16" | 2 |
| 7 | 129- 37 | NUT - No. 10-32 | 3 |
| 8 | 182- 10 | SCREW - No. 4 - 40 x 7/8" | 6 |
| 9 | 192- 13 | LOCK WASHER - No. 4 | 6 |
| 10 | 129- 13 | NUT - No. 4 x 40 | 6 |
| 11 | C 24069 | COVER - terminal | 1 |
| 12 | C 15114 | CLAMP - battery hold down | 1 |
| 14 | 129- 101 | NUT - 1/4" - 20 | 2 |
| 15 | 113- 3 | BOLT - 1/4" - 20 x 3/4" | 2 |
| 16 | C 19521 | CLIP - wire | 1 |
| 17 | C 29169 | SPRING - switch activating | 1 |
| 18 | 132- 310 | PIN - cotter 1/8" x 1" | 2 |
| | C 28962 | CLIP - neutral start switch wire | 2 |
| | | | UAR |

HEADLIGHT AND REAR REFLECTOR



| | | | |
|----------------|-----------|-------------------------------------|---|
| | C 22571 | HEADLIGHT ASSEMBLY | 2 |
| 1 | C 22573 | LENS - headlight | 1 |
| 2 | C 14304 | GASKET - headlight | 2 |
| 3 | C 28932 | BULB - headlight | 1 |
| 4 | NSS | RECEPTACLE - headlight (use C22571) | 1 |
| 5 ^k | 187- 1334 | SCREW - No. 8 - 18 x 1/2" black | 4 |
| 6 | C 29637 | RETAINER - headlight | 4 |
| 7 | C 30942* | REFLECTOR - red, rear | 2 |

*Will require 2
before S/N:
1012-14103738
1014-14105555
1016-14116700



DECALS

| REF. | PART NO. | DESCRIPTION | REQ'D |
|------|-----------|--|-------|
| 1 | C 30704* | DECAL - hood - L.H. (1012) | 1 |
| 1 | C 30705* | DECAL - hood - R.H. (1012) shown | 1 |
| 1 | C 31037** | DECAL - hood - L.H. (1012) | 1 |
| 1 | C 31038** | DECAL - hood - R.H. (1012) | 1 |
| 2 | C 30706* | DECAL - hood - L.H. (1014) | 1 |
| 2 | C 30707* | DECAL - hood - R.H. (1014) shown | 1 |
| 2 | C 31039** | DECAL - hood - L.H. (1014) | 1 |
| 2 | C 31040** | DECAL - hood - R.H. (1014) | 1 |
| 3 | NSS | DECAL - hood - L.H. (25th anniversary) | 1 |
| 3 | NSS | DECAL - hood - R.H. (25th anniversary) | 1 |
| 4 | 321- 6659 | DECAL - "caution" | 1 |
| 5 | C 30857 | DECAL - instruction | 1 |
| 6 | C 27875 | DECAL - clutch, brake | 1 |
| 7 | C 29478 | DECAL - pinch point | 2 |
| 8 | C 31030 | DECAL - seat back (logo) | 1 |
| 9 | C 30539 | MEDALLION - Ingersoll | 1 |
| 10 | C 31041** | DECAL - hood L.H. (1016) | 1 |
| 10 | C 31042** | DECAL - hood R.H. (1016) shown | 1 |

*Use before S/N:
1012-14103738
1014-14105555

**Use S/N and after:
1012-14103738
1014-14105555
1016-all

NUMERICAL INDEX

| PART NO. | PAGE NO. | REF. NO. | PART NO. | PAGE NO. | REF. NO. |
|----------|----------|----------|----------|----------|----------|
| 187-1510 | 13 | 40 | 214-251 | 15 | 42 |
| 187-1510 | 19 | 11 | 214-252 | 11 | 5 |
| 187-1511 | 53 | 15 | 219-10 | 35 | 4 |
| 187-1908 | 11 | 7 | 219-17 | 33 | 10 |
| 192-3 | 19 | 19 | 219-404 | 35 | 6 |
| 192-13 | 61 | 9 | 221-86 | 7 | 48 |
| 192-18 | 11 | 4 | 221-843 | 5 | 11 |
| 192-18 | 61 | 6 | 221-843 | 7 | 11 |
| 192-19 | 15 | 6 | 223-30 | 57 | 12 |
| 192-19 | 17 | 10 | 321-6659 | 63 | 4 |
| 192-19 | 19 | 13 | | | |
| 192-19 | 39 | 18 | | | |
| 192-19 | 41 | 11 | | | |
| 192-19 | 43 | 15 | | | |
| 192-19 | 49 | 18 | | | |
| 192-19 | 53 | 10 | | | |
| 192-20 | 7 | 45 | | | |
| 192-20 | 25 | 25 | | | |
| 192-20 | 27 | 18 | | | |
| 192-20 | 29 | 10 | | | |
| 192-20 | 33 | 5 | | | |
| 192-20 | 37 | 28 | | | |
| 192-20 | 39 | 5 | | | |
| 192-21 | 25 | 33 | | | |
| 192-21 | 27 | 10 | | | |
| 192-21 | 27 | 32 | | | |
| 192-21 | 51 | 6 | | | |
| 192-21 | 53 | 16 | | | |
| 192-404 | 17 | 13 | | | |
| 193-25 | 9 | 5 | | | |
| 193-25 | 9 | 11 | | | |
| 193-25 | 19 | 12 | | | |
| 193-25 | 19 | 3 | | | |
| 193-70 | 61 | 4 | | | |
| 195-103 | 41 | 8 | | | |
| 195-103 | 51 | 5 | | | |
| 195-104 | 49 | 11 | | | |
| 195-105 | 53 | 11 | | | |
| 195-513 | 15 | 34 | | | |
| 195-518 | 19 | 9 | | | |
| 195-518 | 49 | 6 | | | |
| 195-518 | 53 | 9 | | | |
| 195-520 | 49 | 20 | | | |
| 195-520 | 53 | 17 | | | |
| 195-521 | 23 | 7 | | | |
| 195-521 | 25 | 43 | | | |
| 195-521 | 27 | 19 | | | |
| 195-521 | 33 | 12 | | | |
| 195-521 | 39 | 12 | | | |
| 195-521 | 43 | 20 | | | |
| 195-521 | 45 | 25 | | | |
| 195-522 | 27 | 12 | | | |
| 195-522 | 37 | 16 | | | |
| 195-522 | 53 | 14 | | | |
| 195-525 | 25 | 37 | | | |
| 195-525 | 27 | 30 | | | |
| 195-525 | 47 | 5 | | | |
| 195-533 | 25 | 3 | | | |
| 195-533 | 37 | 7 | | | |
| 195-533 | 45 | 6 | | | |
| 195-541 | 33 | 15 | | | |
| 195-545 | 35 | 8 | | | |
| 195-2029 | 47 | 19 | | | |
| 195-2029 | 53 | 5 | | | |
| 195-2069 | 33 | 7 | | | |
| 195-2175 | 23 | 1 | | | |
| 195-2175 | 23 | 6 | | | |
| 195-2175 | 31 | 11 | | | |

INGERSOLL
Ingersoll Equipment Co., Inc.