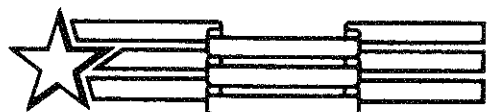


Ingersoll

COMPACT TRACTORS
226 P.I.N. 14048500 AND AFTER
446 P.I.N. 14041700 AND AFTER
448 P.I.N. 14044240 AND AFTER
Parts Catalog No. 8-2753

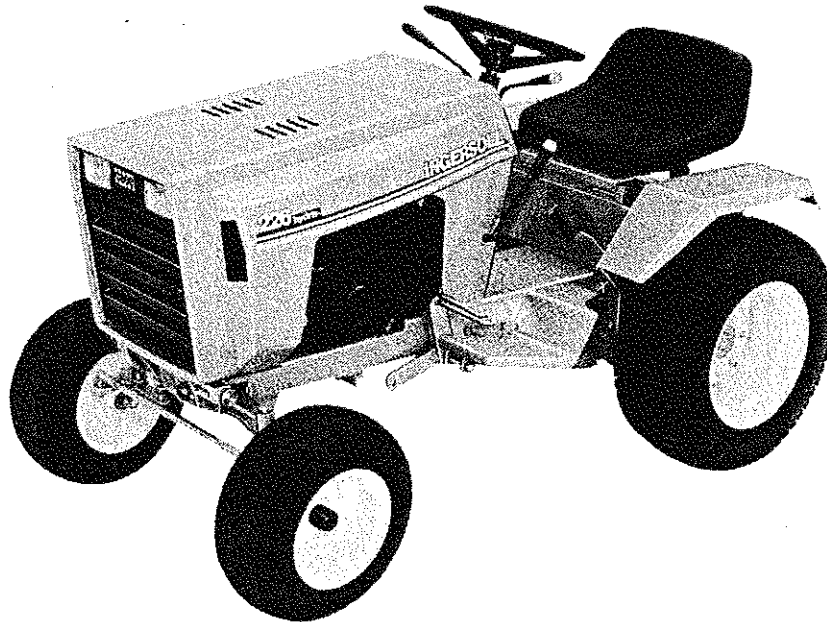


QUALITY IN THE AMERICAN TRADITION

Ingersoll Tractor Company

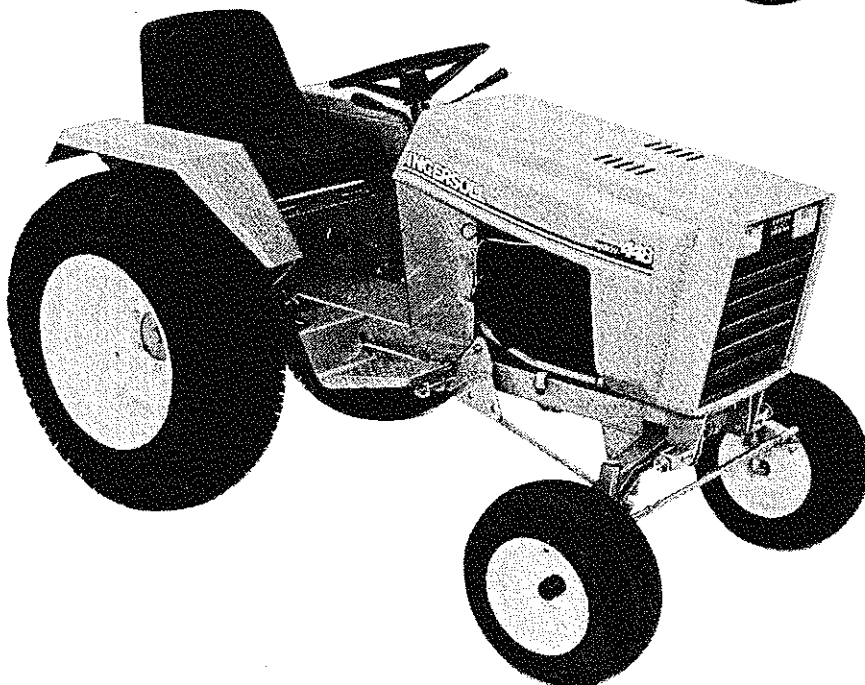
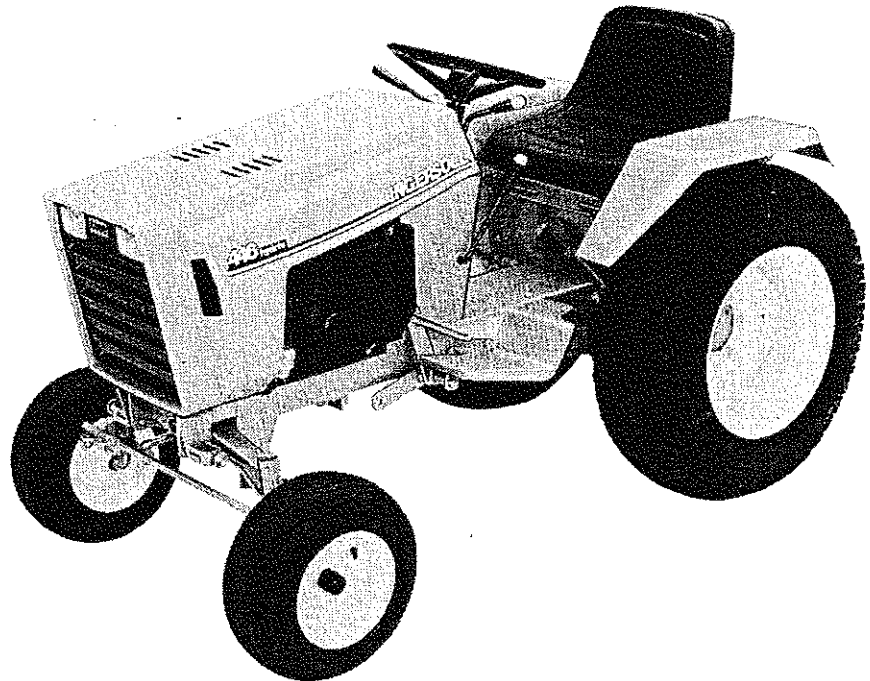
COMPACT TRACTORS
226 P.I.N. 14048500 AND AFTER
446 P.I.N. 14041700 AND AFTER
448 P.I.N. 14044240 AND AFTER
Parts Catalog No. 8-2753

NOTE: This catalog replaces
catalog 8-2752

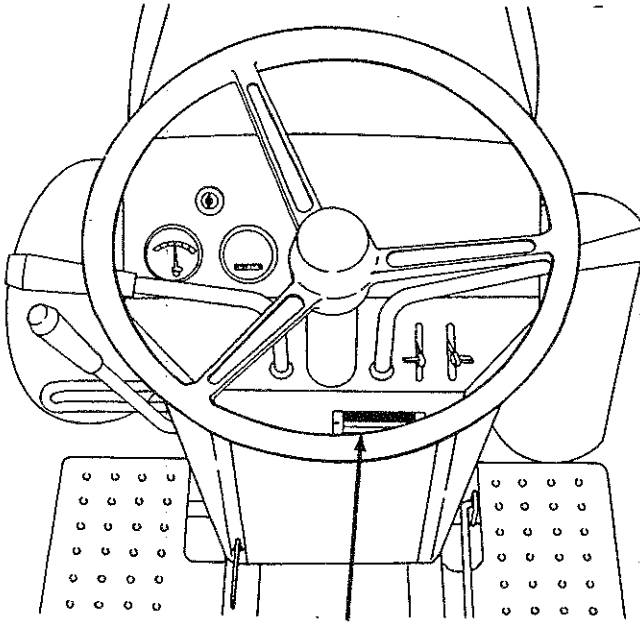


PAINT

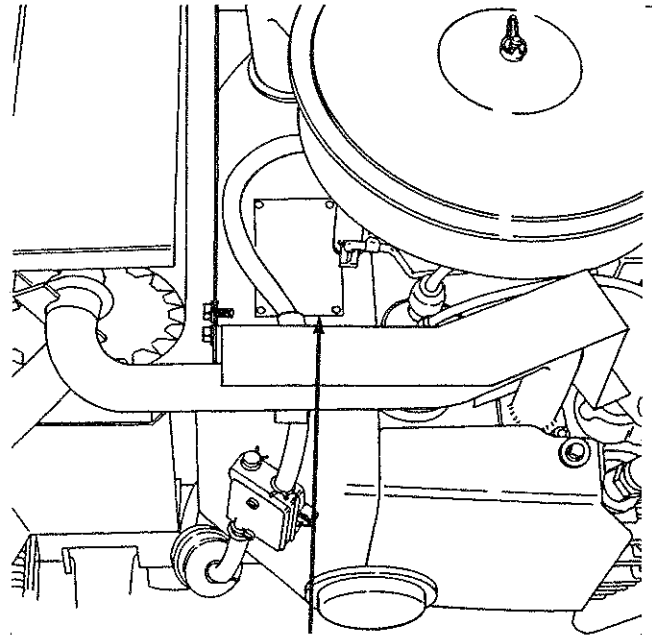
REF.	PART NO.	DESCRIPTION	REQ'D
1	C 28849	BLACK - semi - gloss, 12 oz spray (2 per carton)	1
2	C 28850	BLACK - semi - gloss, quart (2 per carton)	1
3	C 28851	BLACK - semi - gloss, heat resistant, 12 oz spray (2 per carton)	1
4	C 28484	POWER RED - gloss, 12 oz spray (2 per carton)	1
5	C 28485	POWER RED - gloss, quart (2 per carton)	1
6	C 30870	SILVER - gloss, 12 oz. spray (2 per carton)	1



PRODUCT IDENTIFICATION NUMBERS



TRACTOR MODEL AND P.I.N.



ENGINE MODEL, SERIAL AND SPECIFICATION NUMBERS

NOTE: In this catalog there are references to serial numbers. To order the correct part use these serial numbers as a guide.

***No Longer Available
Use C40929 Short Block**

TRACTOR MODEL

ENGINE MODEL

226 before S/N 14071775 446 before S/N 14074175	NSS* ONAN B43M-GA016 SPEC. NO. 3622A
448 before S/N 14075830	NSS* ONAN B48M-GA018 SPEC. NO. 3631A
226 S/N 14071775 and after 446 S/N 14074175 and after	C29286 ONAN B43M-GA016 SPEC. NO. 4183C
448 S/N 14075830 and after	C29287 ONAN B48M-GA018 SPEC. NO. 4184A

GENERAL INFORMATION

INDEX

There is an index at the front and rear of this catalog.

The front index is an alphabetical index of the major groups or assemblies.

The rear index is a numerical index of the part numbers and pages on which these numbers are shown.

ILLUSTRATION

Each illustration in this catalog shows a group of parts or components. These parts and components are aligned approximately as the parts and components on your machine. Each part and component in an illustration has a reference number. These reference numbers are in a list on the page opposite of the illustration. Next to the reference number is the part number, description and required quantity of the part shown in the illustration.

UAR - "Use as required" indicates that the part quantity is variable.

NSS - "Not sold separately" indicates that the part is only available as a component of an assembly or the part must be purchased locally. If the part is an assembly component, the description will be indented under the assembly description in the parts list.

O/L - "Obtain locally"

** - "Footnotes" are added to a part number when more information is needed for identification. They only relate to the part numbers indicated.

PARTS ORDERS

All orders must include the following information:

1. Correct part number.
2. Complete description of part or component.
3. Total quantity of each part or component.
4. Product model number.
5. All necessary product identification numbers.
6. Method for sending the parts.
7. Complete and correct address.

CATALOG REVISIONS

As the product changes, new pages will be available for your catalog. A notice will be issued.

IMPORTANT: Put all revisions into the catalog as soon as possible.

RIGHT HAND AND LEFT HAND IDENTIFICATION

The words right hand (RH) and left hand (LH) as used in this catalog indicate the direction while you are in the operator's seat in the normal operating position.

INDENTED DESCRIPTIONS

An assembly can have many components. The components of an assembly are indicated by an indented description. The quantity for an indented part is the total needed for that complete assembly. See the example.

REF.	PART NO.	DESCRIPTION	REQ'D
	C 55159	CYLINDER ASSY - rear steering	1
28	C 56208	SOCKET ASSY - rear cylinder	1
29	C 55956	PLUG - adjusting, socket assy	1
30	C 55957	SEAT - socket ball	2
31	C 56210	SPRING - socket	1
32	C 56209	SEAT - socket spring	1
33	G 45175	CLAMP ASSY - socket assy	1
	16- 836	BOLT - 1/2" x 2-1/4" N.F. hex	1
34	132- 104	PIN - cotter, 3/16" x 3"	1
35	C 55889	STUD - ball, socket & cylinder	2
36	13- 410	BOLT - 1/4" x 5/8" N.C., hex	4
37	92- 4	LOCK WASHER - 1/4" SAE	4

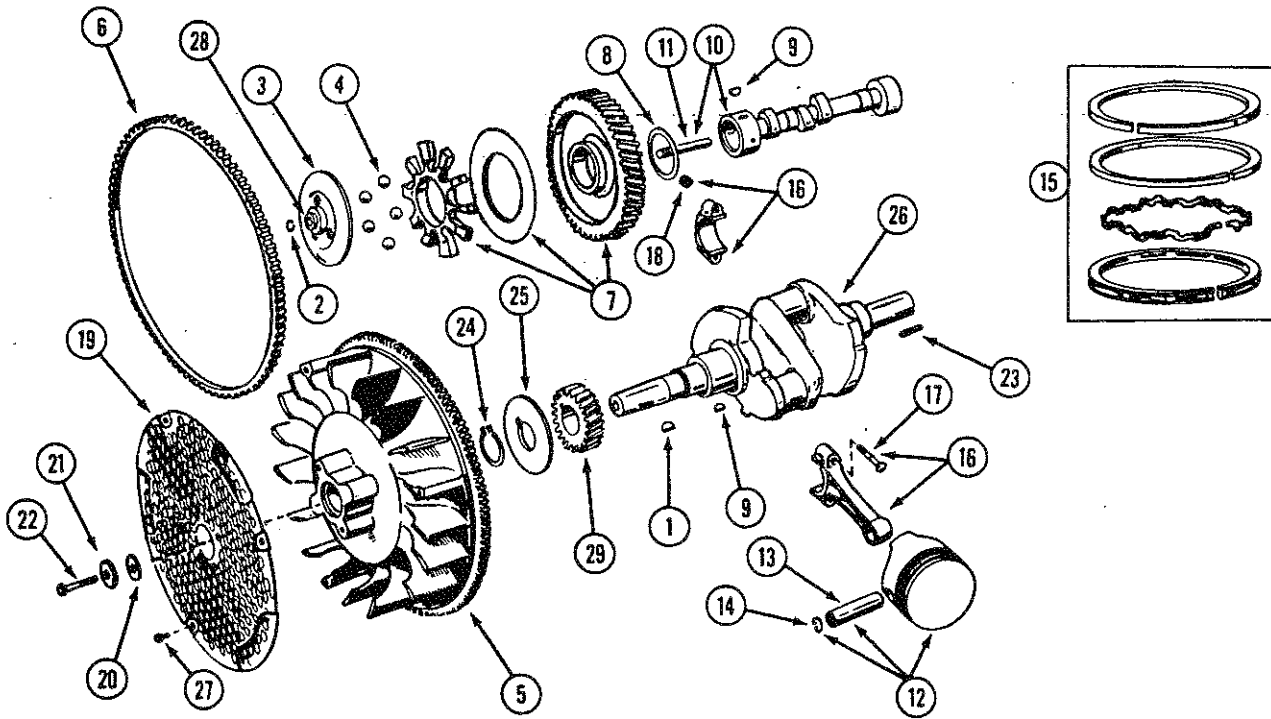
ALPHABETICAL INDEX

ENGINE SECTION

Air Filter	17-23	Exhaust System	31
Baffles and Shields	27-29	Fan	35
Battery	69-75	Flywheel, Engine	5-11
Camshaft	5-11	Fuel System	17-25
Carburetor	17-23	Governor	27
Choke and Throttle	25	Housing, Blower	27
Clutch, PTO	35	Oil Pump	15
Crankshaft	5-11	Oil Sump	15
Electrical System	67-77	Pistons and Connecting Rods	5-11
Engine Block	7-12	Starter Motor	67

BASIC TRACTOR SECTION

Axle, Front	43	Instruments	69-75
Axle, Rear	63	J17 Hydraulic PTO	99-101
Baffles and Heat Shields	27-29	J26 Three Point Hitch	87-89
Brakes	47	K8 Wheel Weights	93
Clutch Assembly, PTO	33-35	K10 Wheel Weights	93
Control, Speed	55	K18 Counterweight Brackets	95
Decals	79-85	K22 Sleeve Hitch	91
Electrical System	67-77	K24 Sieve Hitch	91
Fenders	41	L7 Holding Valve	105
Frame	37-39	L11 Weight Kit	101
Grille	37-39	L17 Hydraulic PTO Kit	99-101
Hitch	59	L19, M19, N19 Flow Control Kit	103
Hood	37-39	L29 PTO	107
Hydraulic System	49-61	Lift, Implement, Hydraulic	65
Coupling, Pump Drive	57	M9 Holding Valve	105
Heat Exchanger	49-51	N9 Holding Valve	105
Hoses, Lines and Fittings	49-51	M17, N17 Hydraulic PTO	97
Motor, Hydraulic Drive	53	PTO Linkage	33
Pump	57	Seat, Operator's	41
Reservoir	49-51	Steering Wheel and Gear	45
Valve, Hydraulic	59-61	Tool Box	41
F27 Three Point Hitch Adapter	89	Transmission	63
H13 Weight Box	95	Wheels, Front and Rear	47

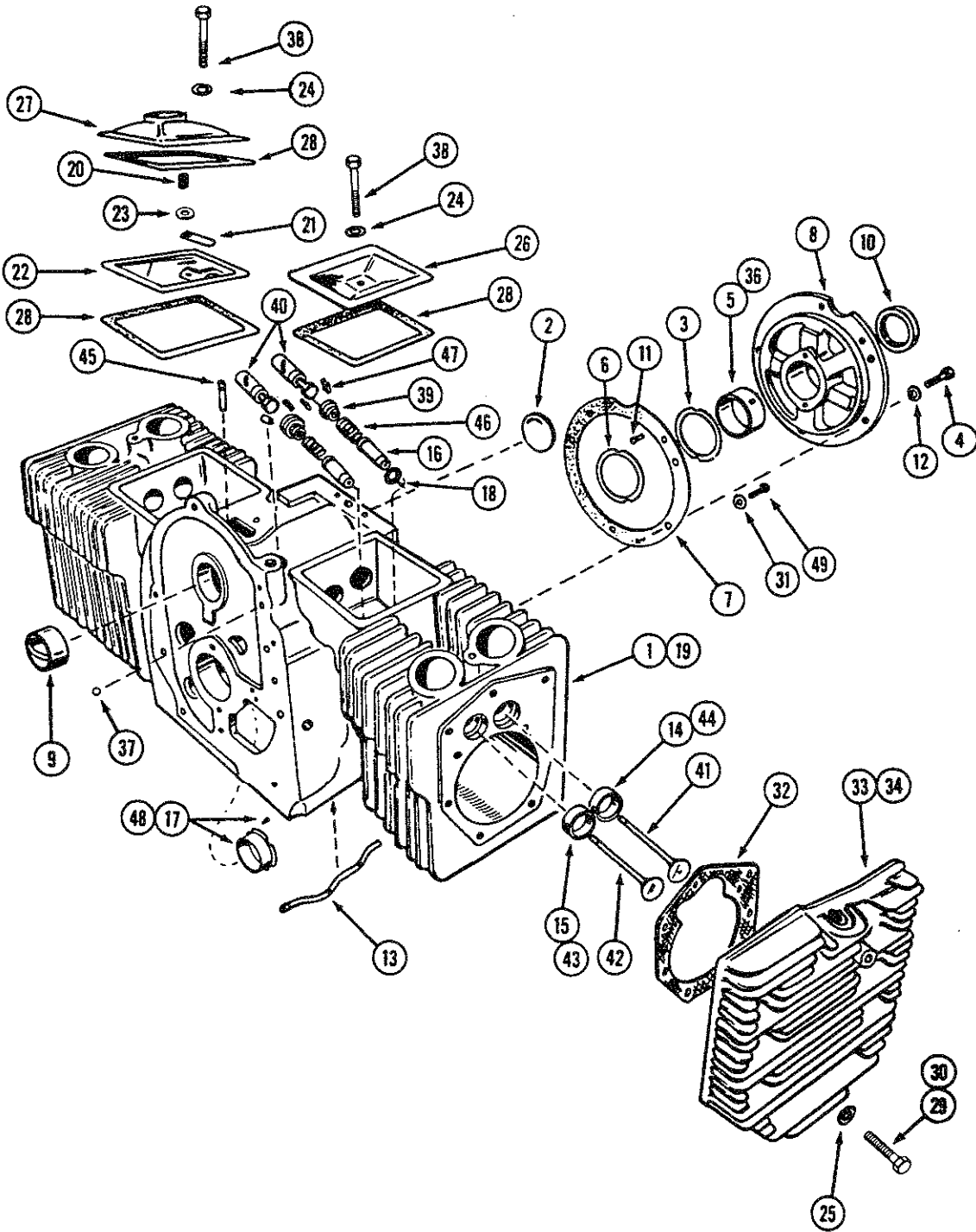


MODEL 226, 446 AND 448 COMPACT TRACTORS

(ORIGINAL) PISTON, CRANKSHAFT, FLYWHEEL AND CAMSHAFT

Also See Service Short Block

REF.	PART NO.	DESCRIPTION	REQ'D
1	126- 13	KEY - woodruff 3/16" x 5/8" flywheel mounting	1
2	C 20223	RING - camshaft center pin	1
3	C 24326	CUP - governor	1
4	211- 216	BALL - governor 9/16"	5
5	C 24943	FLYWHEEL - engine (includes ring gear and magnet ring)	5
6	C 20226	GEAR - ring, flywheel	1
7	C 22261	GEAR ASSEMBLY - camshaft (includes items 30 and 31)	1
8	C 20229	WASHER - thrust, camshaft gear	1
9	126- 9	KEY - woodruff 1/8" x 1/2" (0.13 x 12.7 mm)	2
10	C 32469	CAMSHAFT - (includes C20233 pin)	1
11	C 20233	PIN - camshaft center	1
12	C 24931	PISTON AND PIN - standard (includes item 14)	2
12	C 24932	PISTON AND PIN - .005" (0.13 mm) oversize (includes item 14)	2
12	C 24933	PISTON AND PIN - .010" (0.25 mm) oversize (includes item 14)	2
12	C 24934	PISTON AND PIN - .020" (0.51 mm) oversize (includes item 14)	2
12	C 24935	PISTON AND PIN - .030" (0.76 mm) oversize (includes item 14)	2
13	C 29972	PIN - piston	2
14	C 20241	RETAINER - piston pin	4
15	C 29739	RING SET - piston (standard)	2
15	C 24938	RING SET - piston .005" (0.13 mm) oversize	2
15	C 24939	RING SET - piston .010" (0.25 mm) oversize	2
15	C 24940	RING SET - piston .020" (0.51 mm) oversize	2
15	C 24941	RING SET - piston .030" (0.76 mm) oversize	2
16	C 29750	CONNECTING ROD ASSEMBLY - (standard) includes item 17 and 18 (226, 446)	2
16	C 29751	CONNECTING ROD ASSEMBLY - .010" (0.25 mm) undersize (226, 446)	2
16	C 20204	CONNECTING ROD ASSEMBLY - .020" (0.51 mm) undersize (226, 446)	2
16	C 20205	CONNECTING ROD ASSEMBLY - .030" (0.76 mm) undersize (226, 446)	2
16	C 25383	CONNECTING ROD ASSEMBLY - (standard) 448	2
16	C 25384	CONNECTING ROD ASSEMBLY - .010" (0.25 mm) undersize (448)	2
16	C 25385	CONNECTING ROD ASSEMBLY - .020" (0.51 mm) undersize (448)	2
16	C 25386	CONNECTING ROD ASSEMBLY - .030" (0.76 mm) undersize (448)	2
17	C 25774	BOLT - connecting rod 5/16" special N.F.	4
18	C 25775	NUT - lock, connecting rod 5/16" N.F.	4
19	C 20215	SCREEN - flywheel	1
20	C 20303	WASHER - 7/16" flywheel mounting	1
21	C 32463	LOCK WASHER - 7/16"	1
22	113- 321	BOLT - 7/16" x 4" N.C. hex, flywheel mounting	1
23	C 28315	KEY - SQUARE 1/4" x 2" (6.35 x 50.8 mm), rear crankshaft	1
24	C 20218	RETAINER - crankshaft gear	1
25	C 20219	WASHER - retaining, crankshaft gear	1
26	C 22500	CRANKSHAFT - engine (226, 446)	1
26	C 32470	CRANKSHAFT - engine (448)	1
27	182- 547	SCREW - locking 1/4" x 1/2" N.C. hex	3
28	C 24325	HUB - governor cup	2
29	C 22262	GEAR - crankshaft	1

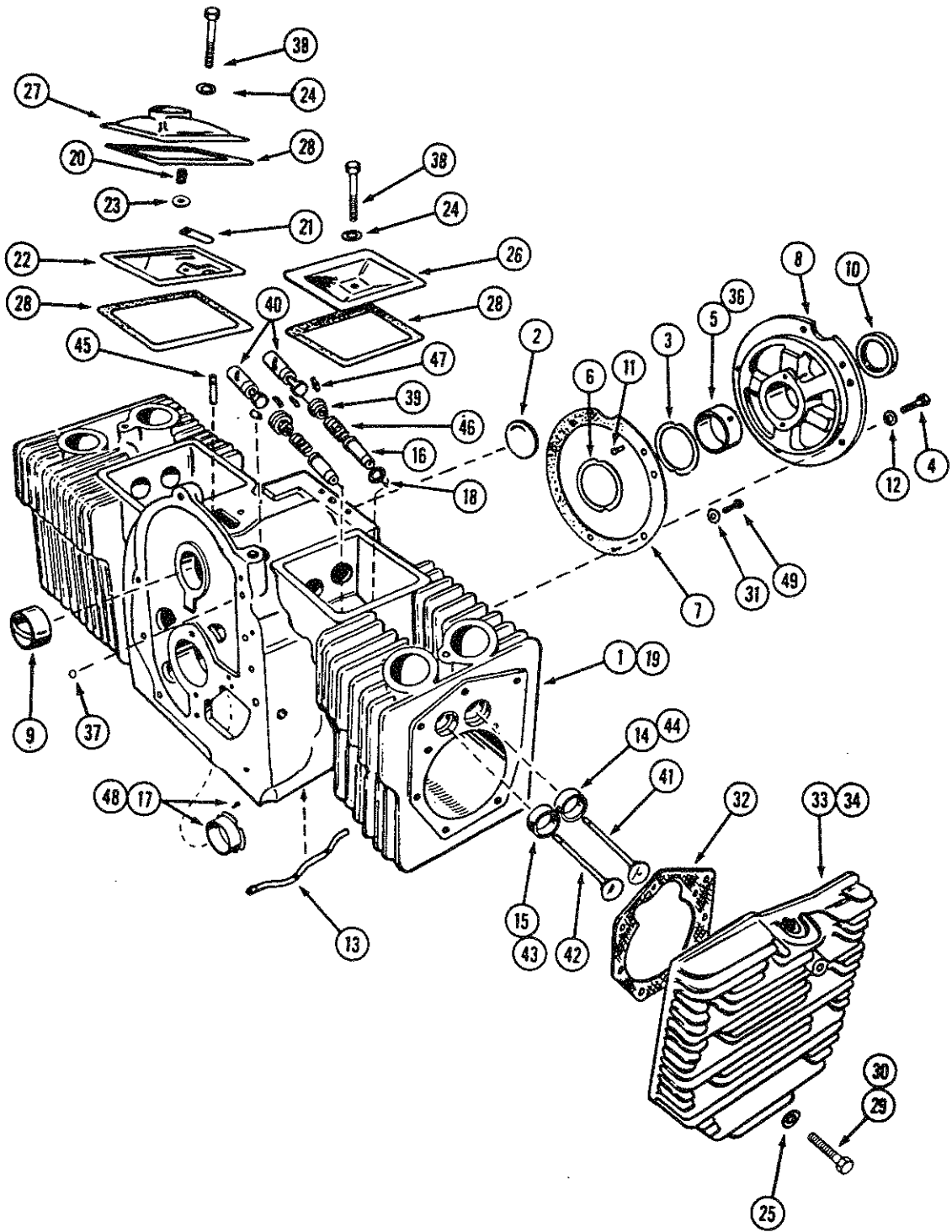


(ORIGINAL) ENGINE BLOCK AND ATTACHING PARTS

(To order complete engine see page 1)
(also see service short block)

REF.	PART. NO.	DESCRIPTION	REQ'D
1	NSS	BLOCK ASSEMBLY - cylinder, standard bore (see ref. 19)	1
2	41- 26	PLUG - camshaft, expansion	1
3	C 20256	SHIM - rear bearing plate .005" (0.13 mm)	UAR
4	113- 208	BOLT - 3/8" x 1-1/4" N.C. hex	5
5	C 22618	BEARING - crankshaft, rear (standard)	1
6	C 20267	WASHER - thrust, crankshaft bearing	2
7	C 20268	GASKET - bearing plate	1
8	C 20269	PLATE - bearing (does not include bearings)	1
9	C 20270	BEARING - camshaft 3/4" (service part is 5/16")	2
10	C 20271	SEAL - bearing plate	1
11	C 20272	PIN - main bearing stop	4
12	192- 21	LOCK WASHER - 3/8" bearing plate	5
13	C 24946	TUBE - oil, crankcase	1
14	C 20287	INSERT - valve seat, intake	2
15	C 29974	INSERT - valve seat, exhaust	2
16	C 20292	GUIDE - valve	4
17	C 20295	BEARING - crankshaft front (standard)	1
18	C 20302	GASKET - valve guide, intake	2
19	NSS *	BLOCK ASSEMBLY - short (226 and 446) (includes: cylinder and crankcase, all bearings, crankshaft, camshaft, timing gear, governor gear case, connecting rods, pistons, piston rings, valves, oil pump and breather tube	1
19	NSS *	BLOCK ASSEMBLY - short (448) (includes: cylinder and crankcase, all bearings, crankshaft, camshaft, timing gear, governor gear case, connecting rods, pistons, piston rings, valves, oil pump and breather tube)	1
20	C 20243	SPRING - breather valve	1
21	C 20244	VALVE - breather	1
22	C 20245	BAFFLE - breather	1
23	O/L	WASHER - 1/4"	1
24	C 20247	WASHER - 1/4" copper	2
25	C 20248	WASHER - 5/16"	18
26	C 20250	COVER - valve	1
27	C 24948	COVER - valve (with breather port)	1
28	C 20251	GASKET - valve cover	3
29	26- 532	BOLT - head, 5/16" - 18 x 2"	6
30	26- 526	BOLT - head, 5/16" - 18 x 1-5/8"	12
31	C 20574	WASHER - copper 3/8"	2
32	C 29979	GASKET - cylinder head	2
33	C 24949	HEAD - L.H. No. 2	1
34	C 24950	HEAD - R.H. No. 1	1
36	C 22619	BEARING - crankshaft, rear .002" (0.05 mm) undersize	1
36	C 22620	BEARING - crankshaft, rear, .010" (0.25 mm) undersize	1
36	C 22621	BEARING - crankshaft, rear .020" (0.51 mm) undersize	1
37	211- 7	PLUG - core hole	1
38	113- 132	BOLT - valve cover 1/4" x 1-3/4" hex	2
39	C 20517	ROTATOR - valve spring	4
40	C 20276	TAPPET - valve (standard)	4

*See service short block use C33403



MODEL 226, 446 AND 448 COMPACT TRACTORS

(ORIGINAL) ENGINE BLOCK AND ATTACHING PARTS

(also see service short block)

REF.	PART NO.	DESCRIPTION	REQ'D
40	C 20471	TAPPET - valve .002" (0.05 mm) oversize	4
40	C 20277	TAPPET - valve - .005" (0.13 mm) oversize	4
41	C 29754	VALVE - intake	2
42	C 29755	VALVE - exhaust	2
43	C 29975	INSERT - valve seat, exhaust .002" (0.05 mm) oversize	2
43	C 29976	INSERT - valve seat, exhaust .005" (0.13 mm) oversize	2
43	C 29977	INSERT - valve seat, exhaust .010" (0.25 mm) oversize	2
43	C 29978	INSERT - valve seat, exhaust .025" (0.64 mm) oversize	2
44	C 20288	INSERT - valve seat, intake .002" (0.05 mm) oversize	2
44	C 20289	INSERT - valve seat, intake .005" (0.13 mm) oversize	2
44	C 20290	INSERT - valve seat, intake .010" (0.25 mm) oversize	2
44	C 20291	INSERT - valve seat, intake .025" (0.64 mm) oversize	2
45	C 20412*	TUBE - fuel pump vacuum	1
45	C 29980**	PLUG - breather hole	1
46	C 20293	SPRING - valve	4
47	C 20294	LOCK - valve and spring	8
48	C 20296	BEARING - crankshaft, front .002" (0.05 mm) undersize	1
48	C 20297	BEARING - crankshaft, front .010" (0.25 mm) undersize	1
48	C 20298	BEARING - crankshaft, front .020" (0.51 mm) undersize	1
48	C 20299	BEARING - crankshaft, front .030" (0.76 mm) undersize	1
49	113- 204	BOLT - 3/8" x 1/2" N.C. hex	2
	C 29982	KIT - gasket, carbon removal (includes: valve cover gaskets, cylinder head gaskets, and intake manifold gaskets)	1
	C 29981	KIT - gasket, complete engine (only includes gaskets)	1

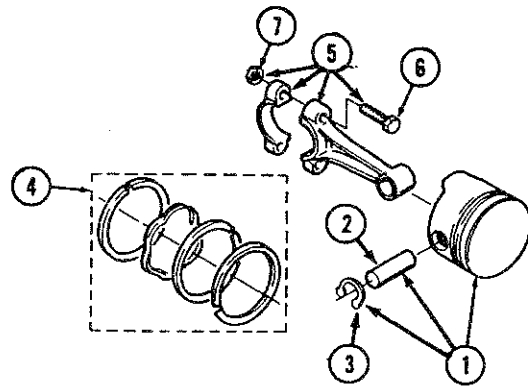
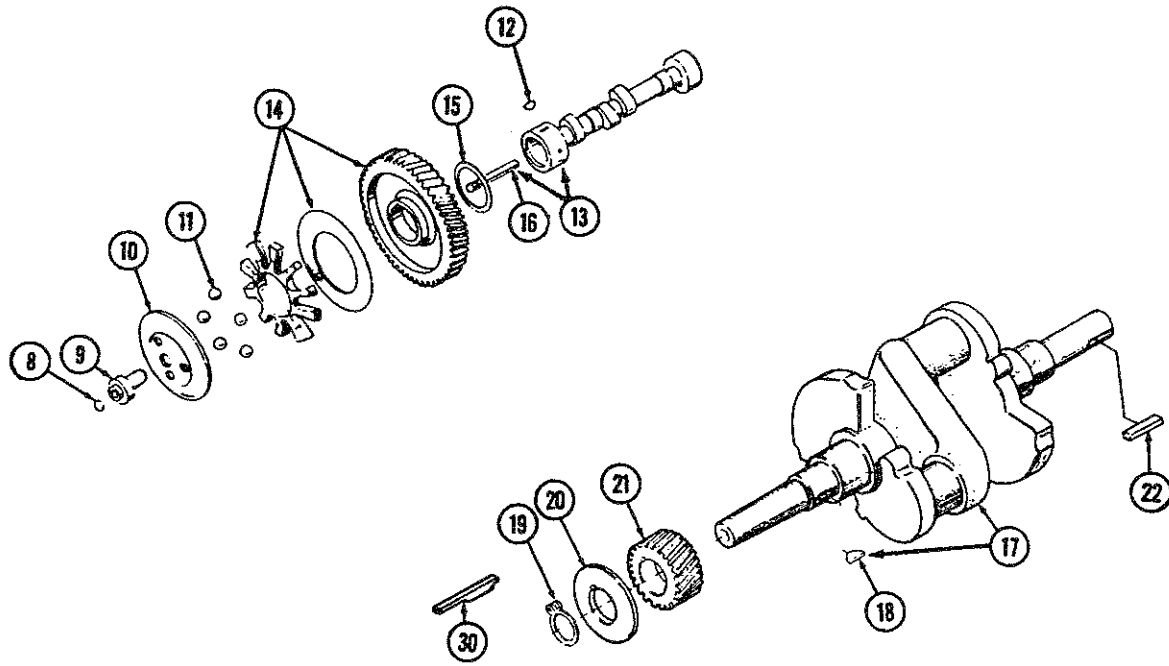
*Use before S/N:

**Use S/N and after:

226-14071775

446-14074175

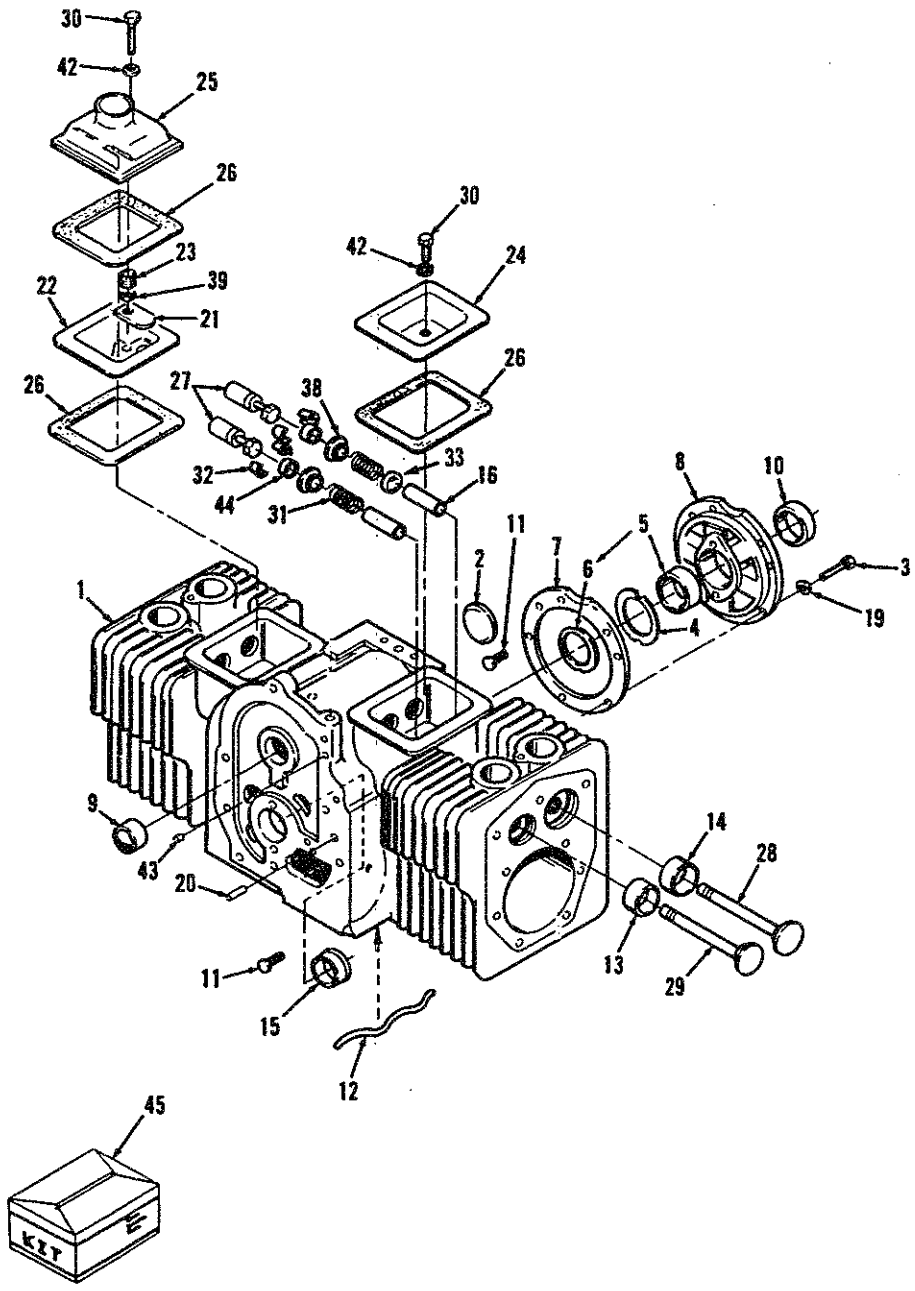
448-14075830



SERVICE SHORT BLOCK
ONAN #1110-3424-16

PISTON, CRANKSHAFT, FLYWHEEL AND CAMSHAFT

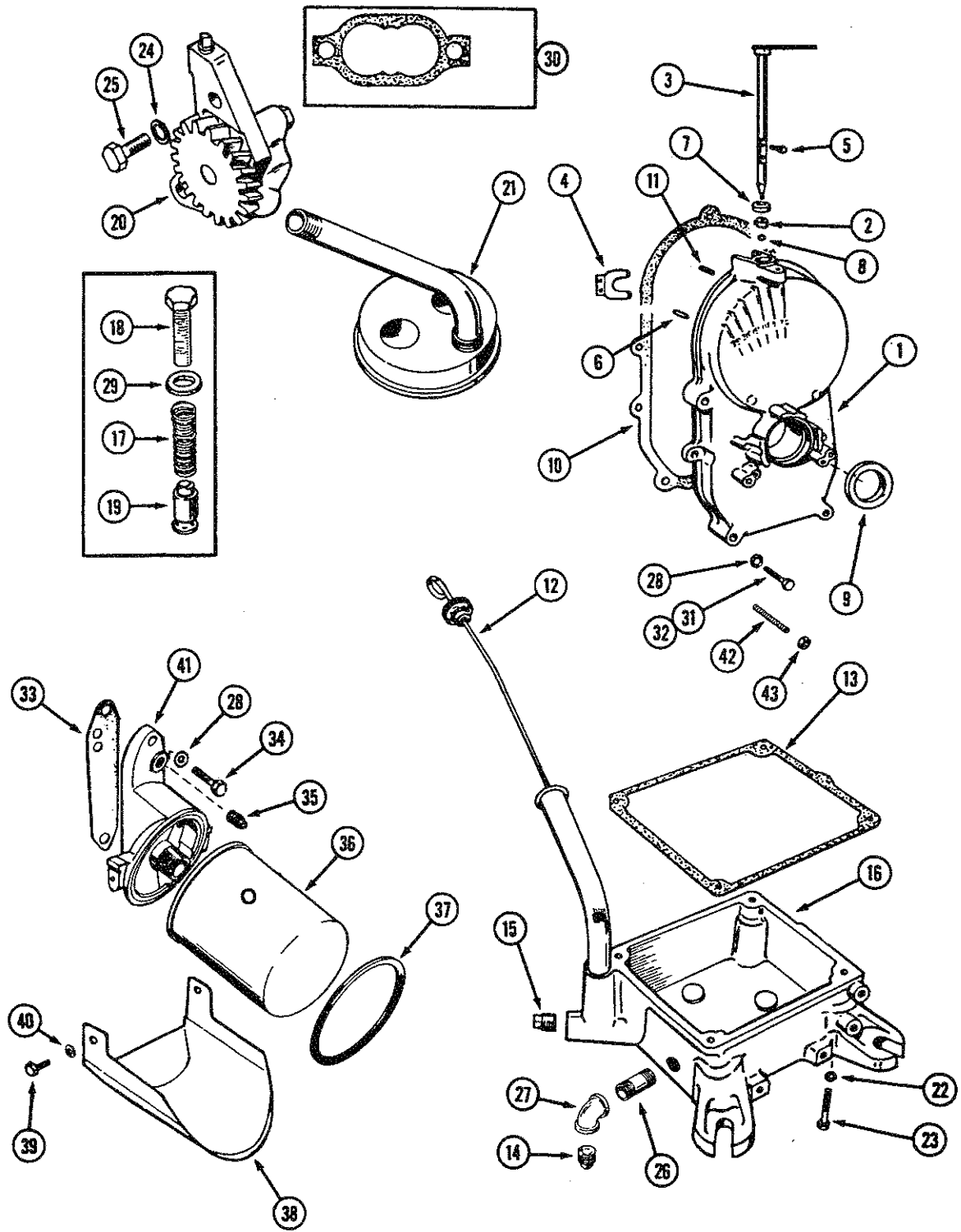
REF.	PART NO.	DESCRIPTION	REQ'D
1	C 24931	PISTON - standard (includes pin and retaining ring)	2
1	C 24932	PISTON - .005'' (0.13 mm) oversize (includes pin and retaining ring)	2
1	C 24933	PISTON - .010'' (0.25 mm) oversize (includes pin and retaining ring)	2
1	C 24934	PISTON - .020'' (0.51 mm) oversize (includes pin and retaining ring)	2
1	C 24935	PISTON - .030'' (.076 mm) oversize (includes pin and retaining ring)	2
2	C 29972	PIN - piston	2
3	C 20241	RING - retaining	4
4	C 29739	RING SET - piston (standard)	2
4	C 24938	RING SET - piston .005'' (0.13 mm) oversize	2
4	C 24939	RING SET - piston .010'' (0.25 mm) oversize	2
4	C 24940	RING SET - piston .020'' (0.51 mm) oversize	2
4	C 24941	RING SET - piston .030'' (0.76 mm) oversize	2
5	C 25383	CONNECTING ROD - (standard) includes nut & bolt	2
5	C 25384	CONNECTING ROD - .010'' (0.25 mm) undersize, includes nut & bolt	2
5	C 25385	CONNECTING ROD - .020'' (0.51 mm) undersize, includes nut & bolt	2
5	C 25386	CONNECTING ROD - .030'' (0.76 mm) undersize, includes nut & bolt	2
6	C 25774	BOLT - connecting rod 5/16'' special N.F.	4
7	C 25775	NUT - lock, connecting rod 5/16'' N.F.	4
8	C 20223	RING - retaining	1
9	C 24325	HUB - governor cup	1
10	C 24326	CUP - governor	1
11	211- 216	BALL - governor	5
12	126- 9	KEY - woodruff 1/8'' x 1/2''	1
13	C 32468	CAMSHAFT - (includes pin)	1
14	C 22261	GEAR ASSEMBLY - camshaft	1
15	C 20229	WASHER - thrust	1
16	C 20233	PIN - center	1
17	C 32470	CRANKSHAFT - engine	1
18	126- 9	KEY - woodruff, crankshaft gear	1
19	C 20218	RING - retaining	1
20	C 20219	WASHER - special	1
21	C 22262	GEAR - crankshaft	1
22	C 28321	KEY - clutch 1/4'' square by 3/4''	1
30	C 32288	KEY - 1/4'' x 2'' special, flywheel	1



MODEL 226, 446 AND 448 COMPACT TRACTORS

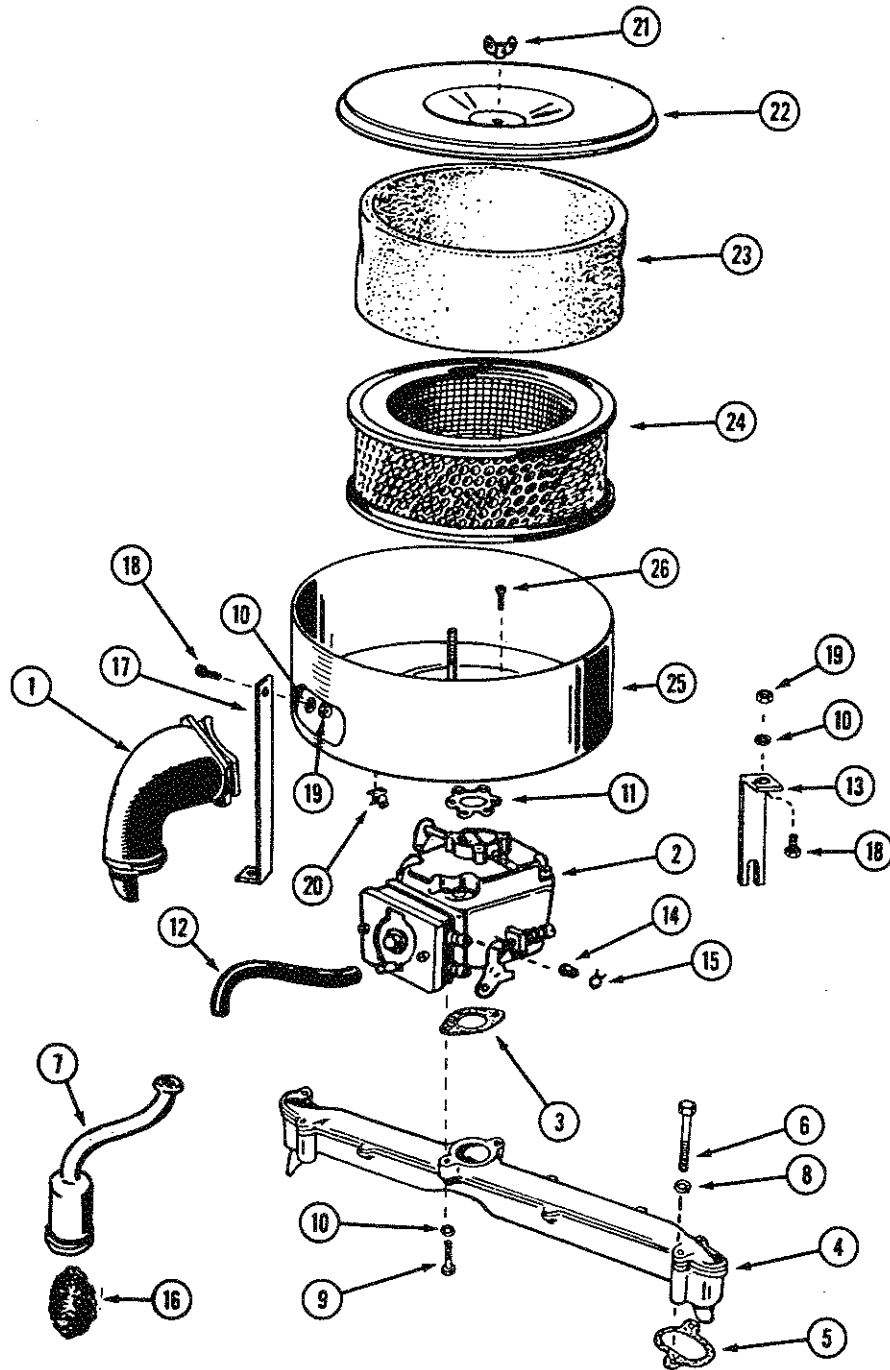
SERVICE SHORT BLOCK
ONAN #110-3424-16
CYLINDER BLOCK

REF.	PART NO.	DESCRIPTION	REQ'D
1	NSS	BLOCK ASSEMBLY - short, includes cylinder and crankcase, all bearings, bearing plate, crankshaft, camshaft, timing gear, connecting rods, pistons, piston rings, valves, oil pump, gear case and breather tube (does not include gasket set) (use C40929)	1
2	41- 26	PLUG - welch	1
3	113- 208	BOLT - 3/8" - 16 x 1-1/4"	5
4	C 20256	SHIM - end play, crankshaft (.005")	UAR 1
5	C 22618	BEARING - crankshaft, rear (includes thrust washer) (standard)	1
5	C 22619	BEARING - crankshaft, rear .002" (0.05 mm) undersize	1
5	C 22620	BEARING - crankshaft, rear .010" (0.25 mm) undersize	1
5	C 22621	BEARING - crankshaft, rear .020" (0.51 mm) undersize	1
5	C 22622	BEARING - crankshaft, rear .030" (0.76 mm) undersize	1
6	C 20267	WASHER - thrust	2
7	C 20268	GASKET - bearing plate	1
8	C 20269	PLATE - bearing rear	1
9	C 20270	BEARING - camshaft 3/4" length (service part is 5/16" length)	2
10	C 20271	SEAL - oil, crankshaft rear	1
11	C 20272	PIN - drive, bearing stop	4
12	C 24946	TUBE - oil	1
13	C 29974	INSERT - valve seat, exhaust (standard)	2
13	C 29975	INSERT - valve seat, exhaust .002" (0.05 mm) oversize	2
13	C 29976	INSERT - valve seat, exhaust .005" (0.13 mm) oversize	2
13	C 29977	INSERT - valve seat, exhaust .010" (0.25 mm) oversize	2
13	C 29978	INSERT - valve seat, exhaust .025" (0.64 mm) oversize	2
14	C 20287	INSERT - valve seat, intake (standard)	2
14	C 20288	INSERT - valve seat, intake .002" (0.05 mm) oversize	2
14	C 20289	INSERT - valve seat, intake .005" (0.13 mm) oversize	2
14	C 20290	INSERT - valve seat, intake .010" (0.25 mm) oversize	2
14	C 20291	INSERT - valve seat, intake .025" (0.64 mm) oversize	2
15	C 20295	BEARING - crankshaft, front, flanged (standard)	1
15	C 20296	BEARING - crankshaft, front .002" (0.05 mm) undersize	1
15	C 20297	BEARING - crankshaft, front .010" (0.25 mm) undersize	1
15	C 20298	BEARING - crankshaft, front .020" (0.51 mm) undersize	1
15	C 20299	BEARING - crankshaft, front .030" (0.76 mm) undersize	1
16	C 32274	GUIDE - valve, exhaust	2
16	C 32275	GUIDE - valve, intake	2
19	192- 21	LOCK WASHER - 3/8"	5
20	C 23320	PIN - alignment, gear cover	2
21	C 20244	REED - breather	1
22	C 20245	BAFFLE - breather	1
23	C 20243	SPRING - breather	1
24	C 20250	COVER - valve	1
25	C 24948	COVER - valve (with breather port)	1
26	C 20251	GASKET - valve cover	2
27	C 20276	TAPPET - valve (standard)	4
27	C 20471	TAPPET - valve .002 (0.05 mm) oversize	4
27	C 20277	TAPPET - valve .005 (0.13 mm) oversize	4
28	C 32272	VALVE - intake	2
29	C 32273	VALVE - exhaust	2
30	113- 132	BOLT - 1/4" - 20 x 1-3/4"	2
31	C 32276	SPRING - valve	4
32	C 32277	LOCK - valve and spring	8
33	C 40797	SEAL - intake valve	2
38	C 32281	RETAINER - valve spring	4
39	195- 2010	WASHER - 1/4"	1
42	C 20247	WASHER - 1/4" copper	2
43	211- 7	PLUG - core hole	1
44	C 32282	CAP - valve	4
45	C 29981	KIT - gasket, complete engine (does not include bearings)	1
45	C 29982	KIT - gasket, (carbon removal/valve grind)	1



OIL SUMP, OIL PUMP AND GEAR COVER

REF.	PART NO.	DESCRIPTION	REQ'D
1	C 29983	COVER ASSEMBLY - gear	1
2	C 20305	BEARING - governor shaft	1
3	C 22632	SHAFT AND ARM ASSEMBLY - governor	1
4	C 20307	YOKE - governor shaft	1
5	182- 84	SCREW - yoke retaining	2
6	C 20309	PIN - governor, cup stop	1
7	C 20310	SEAL - oil, governor shaft	1
8	211- 5	BALL - governor shaft bearing	1
9	C 20312	SEAL - gear cover	1
10	C 20313	GASKET - gear cover	1
11	C 23320	PIN - gear cover 5/16" x 1-1/8"	2
12	C 24958	DIPSTICK - oil level indicator	1
13	C 29984	GASKET - oil pan	1
14	NSS	PLUG - oil sump 1/2" square head (use 221-844)	1
15	221- 844	PLUG - oil sump, 1/2" socket head	1
16	C 22633	SUMP - oil	1
17	C 20320	SPRING - oil bypass	1
18	114- 200	BOLT - oil bypass 3/8" x 1" N.C. hex	1
19	C 20322	VALVE - oil bypass	1
20	C 29734	PUMP - oil	1
21	C 23321	INTAKE - oil pump (includes cup, screen and pipe)	1
22	192- 21	LOCK WASHER - 3/8"	4
23	113- 257	BOLT - 3/8" x 2-1/2" N.C. hex	4
24	192- 19	LOCK WASHER - 1/4"	2
25	113- 4	BOLT - 1/4" x 1" N.C. hex	2
26	221- 1190	NIPPLE - oil drain	1
27	221-1377	ELBOW - oil drain	1
28	C 20331	WASHER - 5/16" copper	7
29	C 20574	WASHER - 3/8" copper	1
30	C 20325	KIT - gasket, oil pump	1
31	113- 120	BOLT - 5/16" x 1-3/4"	4
32	26- 544	BOLT - 5/16" x 2-3/4"	1
33	C 32462	GASKET - oil filter adapter	1
34	113- 103	SCREW - 5/16" - 18 x 1"	2
35	221- 1849	PLUG - pipe	1
36	C 26191	FILTER - oil	1
37	C 20577	SEAL - oil filter	1
38	C 25389	DRAIN - oil filter	1
39	182- 525	SCREW - No. 10-32 x 3/8"	2
40	192- 18	LOCK WASHER - No. 10	2
41	C 20565	ADAPTER - oil filter	1
42	C 29985	STUD - gear cover	1
43	131- 911	NUT - 5/16" - 18	1



MODEL 226, 446 AND 448 COMPACT TRACTORS

CARBURETOR, AIR FILTER AND MANIFOLD

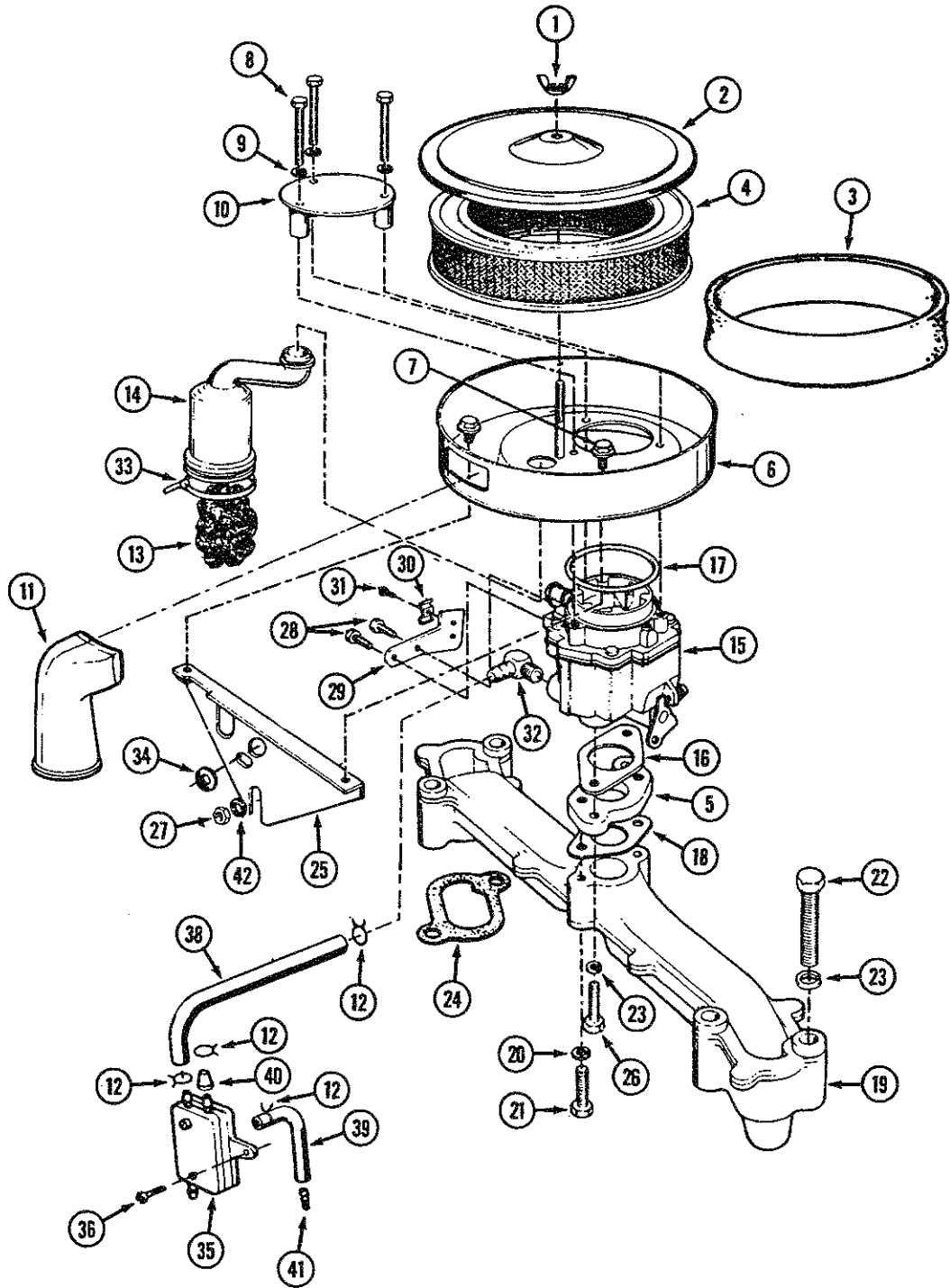
Use before S/N:

226-14071775

446-14074175

448-14075830

REF.	PART NO.	DESCRIPTION	REQ'D
1	C 20387	TUBE - air intake	1
2	C 27507	CARBURETOR AND FUEL PUMP ASSEMBLY - (repairs page 21)	1
3	C 29953	GASKET - carburetor mounting	1
4	C 40897	MANIFOLD - engine intake	1
5	C 26202	GASKET - intake manifold	2
6	113- 121	BOLT - manifold 5/16" x 2"	4
7	C 24927	HOSE - breather	1
8	192- 20	LOCK WASHER - 5/16"	4
9	113- 65	BOLT - 1/4" x 1-3/4" N.C. hex	2
10	192- 19	LOCK WASHER - 1/4"	3
11	C 20396	GASKET - air cleaner mounting	1
12	C 23300	HOSE - fuel pump	1
13	C 24929	BRACKET - support	1
14	C 20411	CAP - fuel pump	1
15	C 32376	CLAMP - hose 7/16"	1
16	C 29948	FILTER - breather	1
17	C 20393	SUPPORT - air cleaner	1
18	113- 1	BOLT - 1/4" x 1/2" N.C. hex	1
19	129- 101	NUT - 1/4" N.C. hex	1
20	C 20407	RETAINER - choke cable	2
21	C 26703	NUT - wing 1/4"	1
22	C 20399	COVER - air cleaner	1
23	C 20405	PRECLEANER	1
24	C 20398	ELEMENT - air cleaner	1
25	C 20397	HOUSING - air cleaner	1
26	182- 525	SCREW - No. 10 x 3/8" round head	2
	C 22947	TIE - breather tube	1



CARBURETOR, AIR FILTER, MANIFOLD AND FUEL PUMP

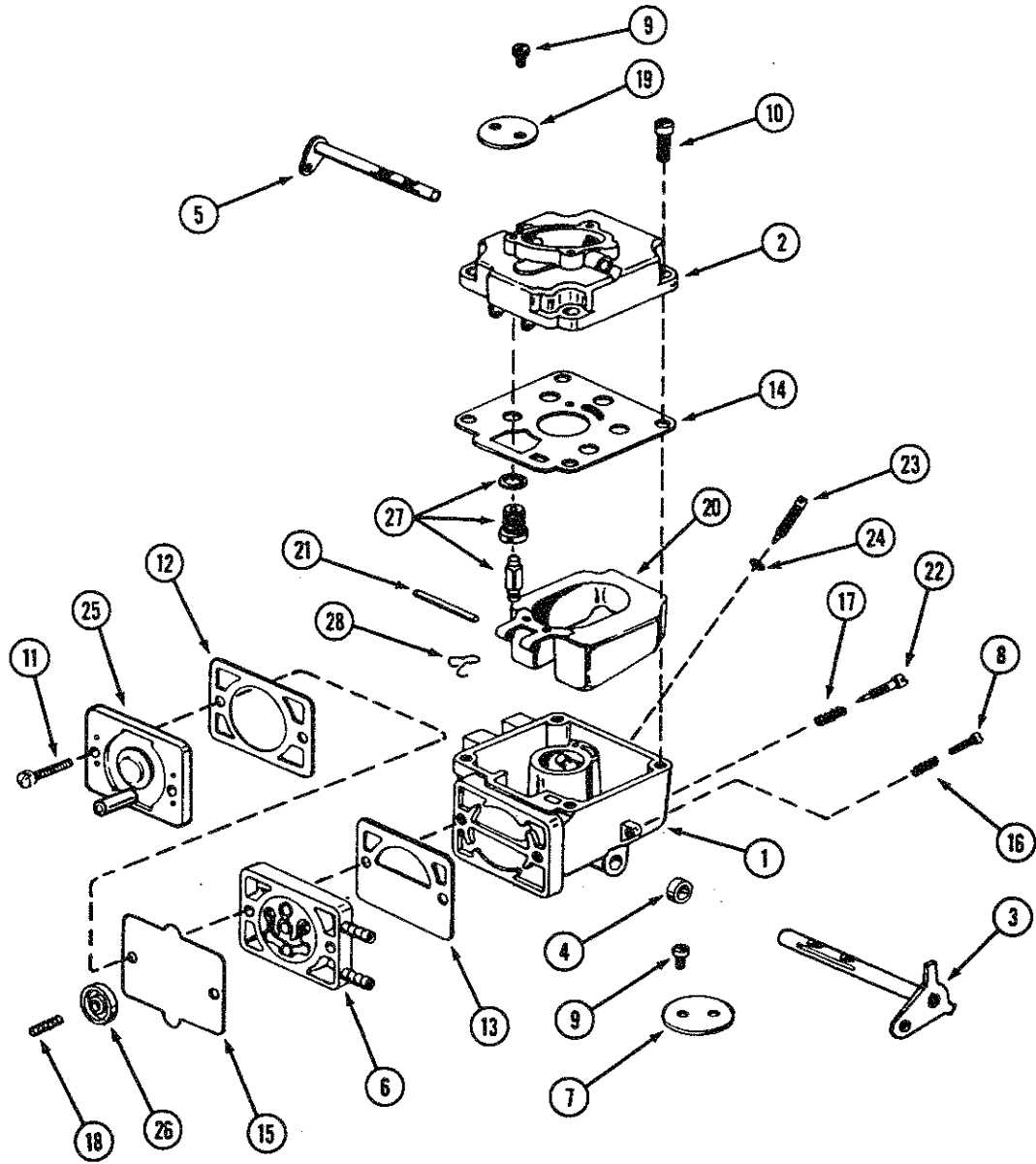
Use S/N and after:

226-14071775

446-14074175

448-14075830

REF.	PART NO.	DESCRIPTION	REQ'D
1	C 26703	NUT - wing	1
2	C 29943	COVER - air cleaner	1
3	C 22581	PRECLEANER	1
4	C 22424	ELEMENT - air cleaner	1
5	NSS	ADAPTER - carburetor (use new manifold C40896)	1
6	C 29945	HOUSING - air cleaner	1
7	187- 1036	SCREW - tapping 1/4" - 20 x 1/2"	2
8	182- 152	SCREW - No. 10 - 32 x 1-1/2"	3
9	195- 516	WASHER	3
10	C 29946	DEFLECTOR - air	1
11	C 29947	TUBE - air intake	1
12	214- 252	CLAMP - 1/2"	1
13	C 29948	FILTER - breather tube	1
14	C 29949	TUBE - crankcase breather	1
15	C 29868	CARBURETOR - fuel (226, 446) (repairs page 23)	1
15	C 29869	CARBURETOR - fuel (448) (repairs page 23)	1
16	C 29969	GASKET - carburetor mounting	2
17	C 29944	SEAL - "O" ring	1
18	C 29953	GASKET - adapter to manifold	1
19	C 40896	MANIFOLD - intake	1
20	192- 19	LOCK WASHER - 1/4"	2
21	113- 65	BOLT - 1/4" - 20 x 1-3/8"	2
22	113- 121	BOLT - 5/16" - 18 x 2"	4
23	92- 5	LOCK WASHER - 5/16"	6
24	C 26202	GASKET - manifold	2
25	C 29955	SUPPORT - air cleaner	1
26	113- 103	BOLT - 5/16" - 18 x 1"	2
27	131- 911	NUT - 5/16" - 18	1
28	C 22369	SCREW - No. 10 - 32 x 5/16"	2
29	C 29957	BRACKET - choke cable	1
30	C 29506	CLIP - choke cable	1
31	187- 1511	SCREW - No. 10 - 32 x 1/2"	1
32	C 10678	ELBOW - hose 90°	1
33	C 22947	TIE	1
34	C 30033	GROMMET - rubber	1
35	C 29959	PUMP - fuel	1
36	182- 559	SCREW - tapping, No. 10 x 3/4"	2
38	C 28937	HOSE - fuel 16" (cut to length)	1
39	C 28937	HOSE - vacuum (cut to length)	1
40	C 20411	CAP - fuel outlet	1
41	C 20412	TUBE - vacuum port	1
42	195- 102	WASHER	1



C27507 CARBURETOR AND FUEL PUMP ASSEMBLY

Use before S/N:

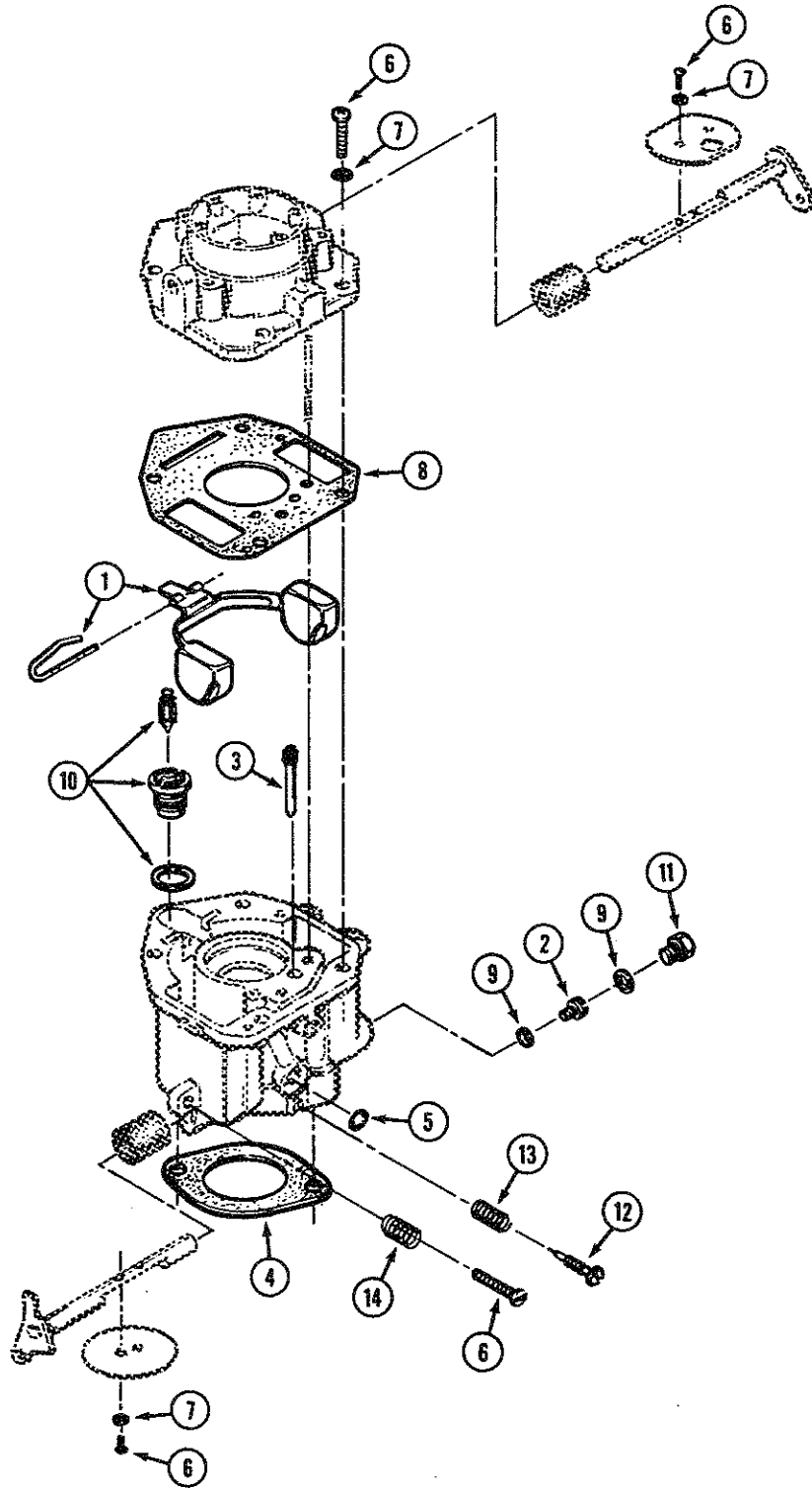
226-14071775

446-14074175

448-14075830

REF.	PART NO.	DESCRIPTION	REQ'D
1	NSS	BODY ASSEMBLY - carburetor (order C27507 carburetor)	1
2	NSS	SLEEVE ASSEMBLY - carburetor (order C27507 carburetor)	1
3	NSS	SHAFT - throttle (See kit below)	1
4	NSS	PACKING - shaft (See kit below)	1
5	C 20427	SHAFT - choke	1
6	NSS	VALVE - plate assembly (See kit below)	1
7	C 20429	PLATE - throttle	1
8	C 20430	SCREW - throttle stop	1
9	C 20431	SCREW - plate mounting (See kit below)	4
10	C 20432	SCREW - bowl cover mounting	4
11	O/L	SCREW - pump cover	2
12	NSS	GASKET - cover to valve plate (See kit below)	1
13	NSS	GASKET - pump cover (See kit below)	1
14	NSS	GASKET - sleeve assembly (See kit below)	1
15	NSS	DIAPHRAGM - fuel pump (See kit below)	1
16	C 20438	SPRING - screw, throttle stop	1
17	C 20439	SPRING - idle needle (See kit below)	1
18	NSS	SPRING - diaphragm, fuel pump (See kit below)	1
19	C 20441	PLATE - choke	1
20	C 27506	FLOAT ASSEMBLY - carburetor	1
21	C 20443	PIN - float (See kit below)	1
22	C 20444	NEEDLE - idle adjust (See kit below)	1
23	C 20445	NEEDLE ASSEMBLY - power	1
24	C 20446	"O" RING - needle assembly (See kit below)	1
25	C 20447	COVER - fuel pump	1
26	NSS	PLATE - spring, fuel pump (See kit below)	2
27	C 20449	INLET - needle and seat assembly	1
28	C 20450	RETAINER - float pin	1
	C 24665	KIT - gasket (includes items 4, 12, 13, 14, 15 and 24)	1
	C 24666	KIT - repair (includes items 3, 6, 9, 17, 18, 21, 22, 26, 27 and gasket kit)	1

NOTE: Use C43676 Pump Cover Kit to convert carburetor for use of remote fuel pump.



CARBURETOR

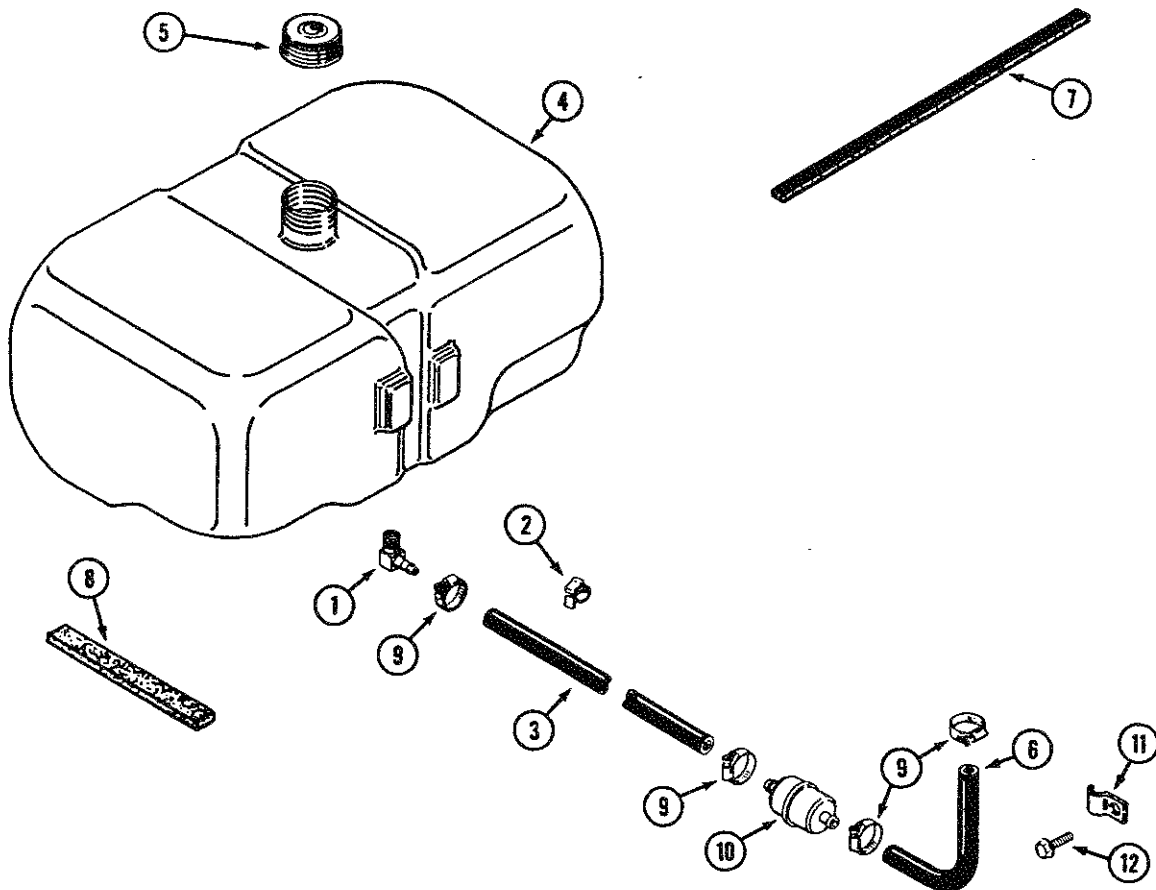
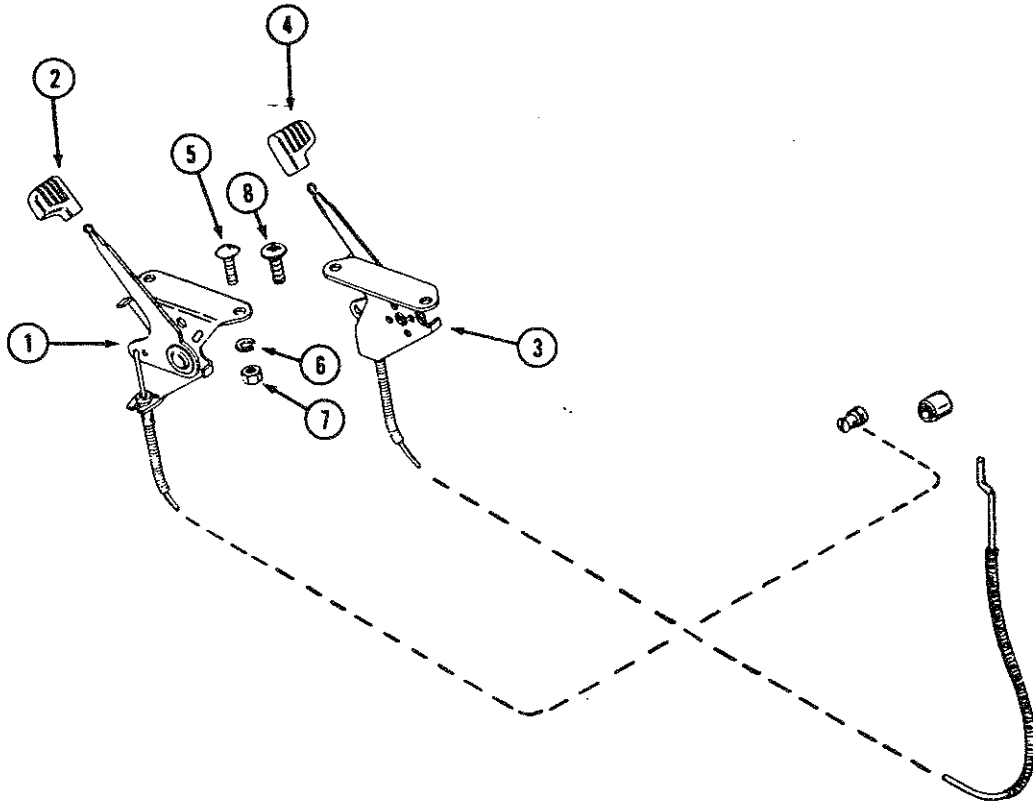
Use S/N and after:
226-14071775
446-14074175

REF.	PART NO.	DESCRIPTION	REQ'D
	C 29868	CARBURETOR - fuel (includes mounting gasket)	1
1	C 29965	FLOAT - fuel	1
2	C 29966	JET - power	1
3	C 29967	JET - idle	1
	C 29962	KIT - repair	1
4	C 29969	GASKET - mounting	2
5	NSS	PLUG - body	1
6	NSS	SCREW - retaining	UAR
7	NSS	LOCK WASHER	UAR
8	NSS	GASKET - body	1
9	NSS	GASKET - sealing	2
10	NSS	VALVE AND SEAT - inlet	1
11	NSS	SCREW - power jet	1
12	NSS	VALVE - idle adjust	1
13	NSS	SPRING - idle adjust	1
14	NSS	SPRING - compression	1

CARBURETOR

Use S/N and after:
448-14075830

	C 29869	CARBURETOR - fuel	1
1	C 29965	FLOAT - fuel (for carburetors marked 146-0414)	1
2	C 29966	JET - power (for carburetors marked 146-0414)	1
3	C 29967	JET - idle (for carburetors marked 146-0414)	1
	C 30018	KIT - repair (for carburetors marked 146-0384)	1
	C 29962	KIT - repair (for carburetors marked 146-0414)	1
4	C 29969	GASKET - mounting	2
5	NSS	PLUG - body	1
6	NSS	SCREW - retaining	UAR
7	NSS	LOCK WASHER	UAR
8	NSS	GASKET - body	1
9	NSS	GASKET - sealing	2
10	NSS	VALVE AND SEAT - inlet	1
11	NSS	SCREW - power jet	1
12	NSS	VALVE - idle adjust	1
13	NSS	SPRING - idle adjust	1
14	NSS	SPRING - compression	1



MODEL 226, 446 AND 448 COMPACT TRACTORS

CHOKE AND THROTTLE

REF.	PART NO.	DESCRIPTION	REQ'D
1	C 33411*	CONTROL - throttle	1
1	C 33412**	CONTROL - throttle	1
2	NSS	HANDLE - throttle control, orange (use C35291)	1
3	C 25604*	CONTROL - choke	1
3	C 30077**	CONTROL - choke	1
4	C 30074	HANDLE - choke control, black	1
5	111- 5	BOLT - No. 10 - 24 x 1/2" N.C. round head, square neck	2
6	192- 18	LOCK WASHER - No. 10	2
7	129- 17	NUT - No. 10 - 24	2
8	182- 559	BOLT - No. 10 - 24 x 3/4" phillips, black	2

*Use before S/N:

**Use S/N and after:

226-14094020

446-14096200

448-14097625

FUEL SYSTEM

REF.	PART NO.	DESCRIPTION	REQ'D
1	C 10657*	ELBOW ASSEMBLY - fuel tank, filter	1
1	C 10678**	ELBOW - hose 90° (shown)	1
2	C 28962	RETAINER - fuel line (optional)	2
3	C 28937	HOSE - fuel line 50" (1270 mm) cut to length	1
4	NSS *	TANK - fuel (use C44818, C44819, C31978 and (2) C32376)	1
4	NSS **	TANK - fuel (use C44818, C44819)	1
5	C 11529	CAP - fuel tank (includes insert)	1
6	C 28937**	HOSE - fuel line 4" (100 mm) cut to length	1
7	C 23527	LINER - tank	1
8	C 14690	CUSHION - fuel tank	2
9	C 32376	CLAMP - hose - 1/2"	4
10	C 29296**	FILTER - fuel	1
11	C 24689**	CLIP - "J" fuel line retaining	1
12	187- 1036	SCREW - 1/4" - 20 self tap	1
	C 28030	INSULATION - fuel line	1

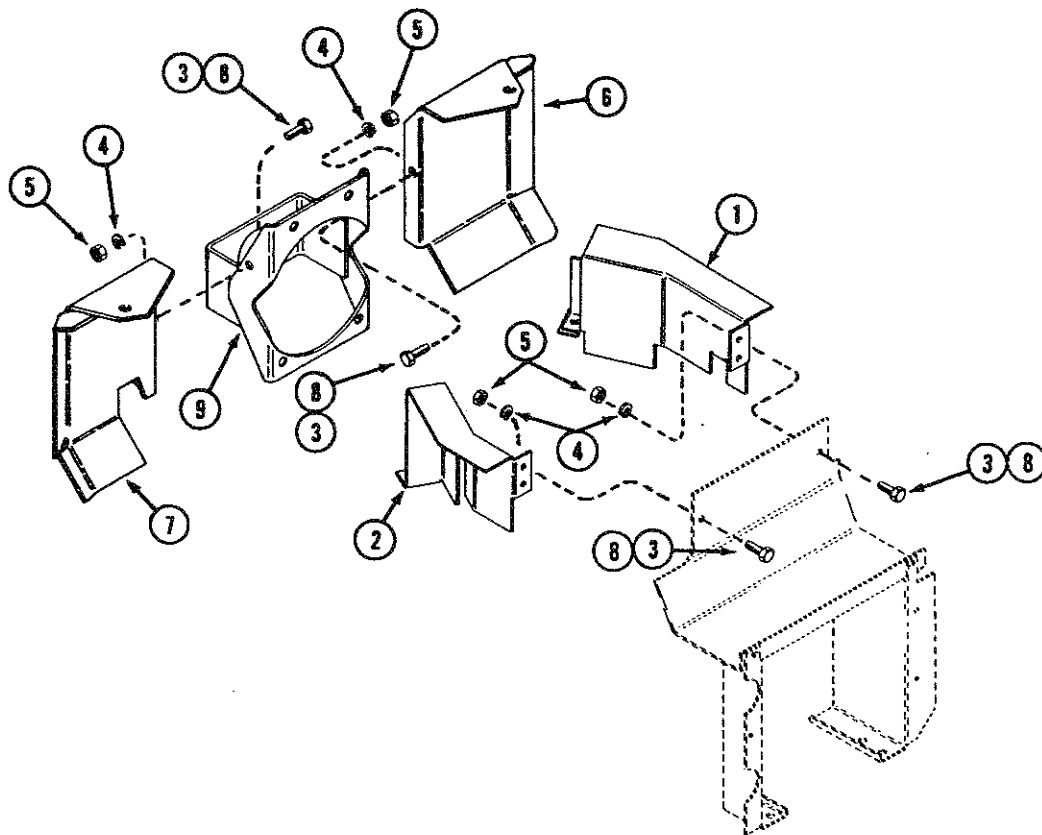
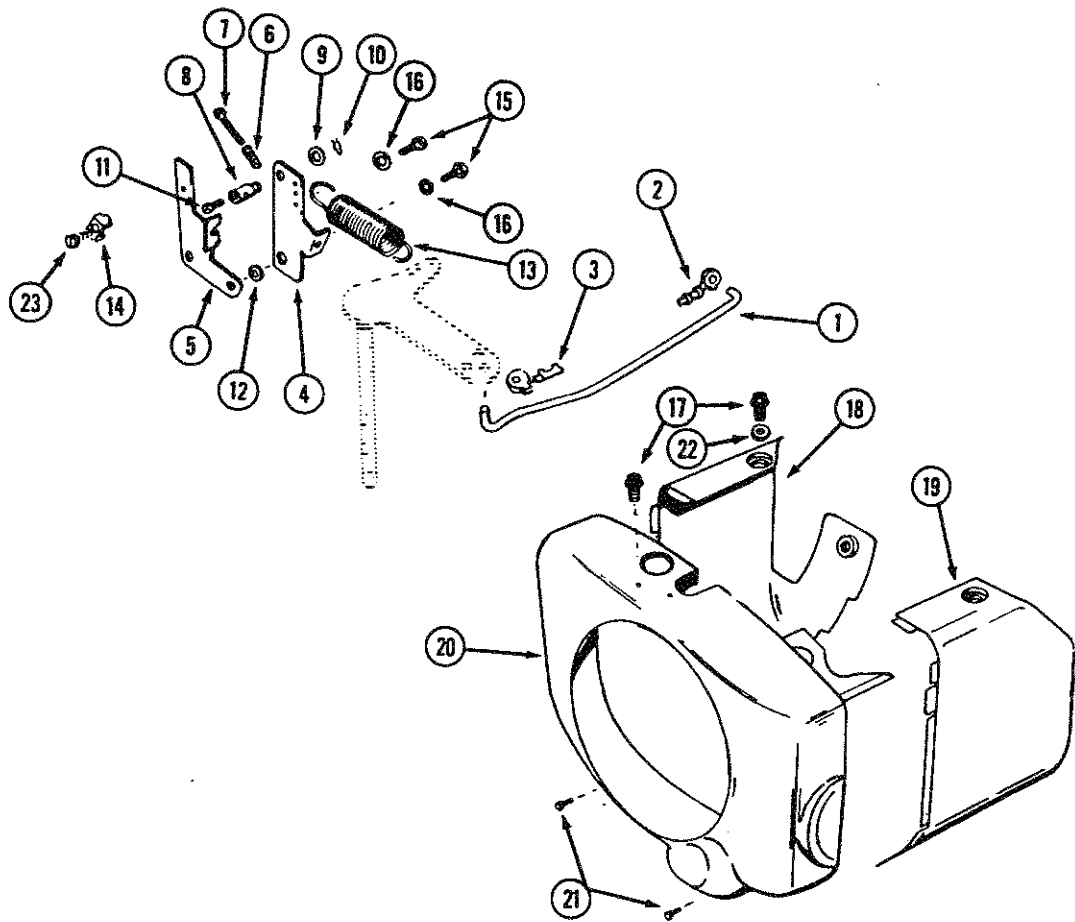
*Use before S/N:

**Use S/N and after:

226-14071852

446-14074273

448-14075966



GOVERNOR AND BLOWER HOUSING

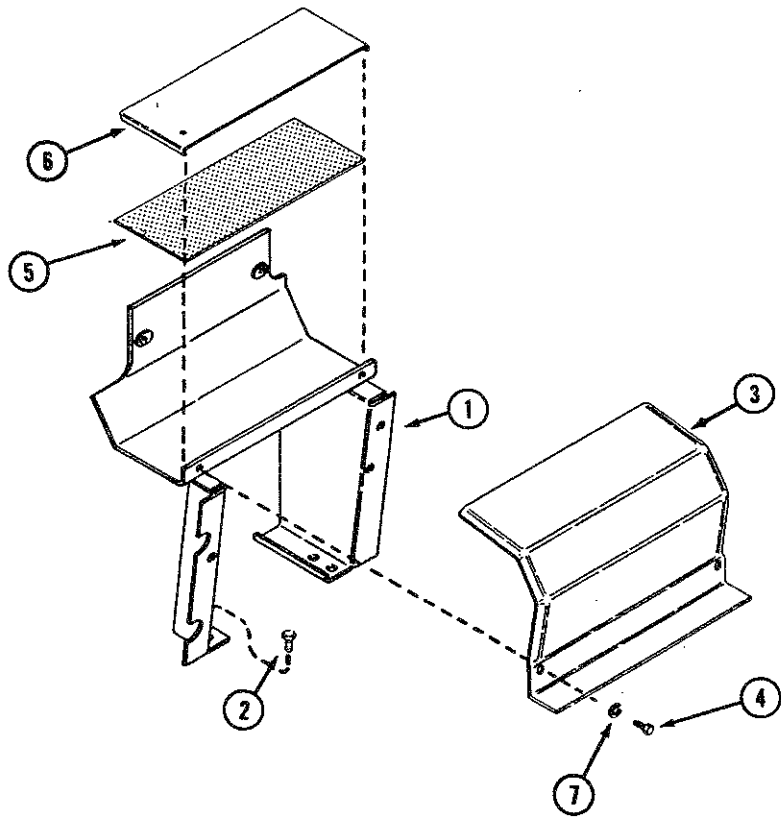
REF.	PART NO.	DESCRIPTION	REQ'D
1	C 20359*	ROD - governor control	1
1	C 29988**	ROD - governor control	1
2	C 20360	RETAINER - governor control rod, carburetor end	1
3	C 20361*	RETAINER - governor control rod, governor end	1
3	C 29989**	RETAINER - governor control rod, governor end	1
4	C 20369	ARM - governor control	1
5	C 28719	BRACKET - governor mounting	1
6	C 20371	SPRING - throttle lever adjust	1
7	O/L	SCREW - No. 6 x 7/8" round head machine	1
8	C 20372	CLAMP - swivel, throttle	1
9	O/L	WASHER - swivel clamp mounting	2
10	O/L	PIN - cotter, swivel clamp mounting	1
11	169- 133	SCREW - No. 8 x 3/8"	1
12	C 20375	BUSHING - governor control	1
13	C 20376	SPRING - governor	1
14	C 29506	RETAINER - throttle cable	1
15	121- 3	BOLT - 1/4" - 20 x 1/2"	2
17	187- 1073	BOLT - 1/4" - 20 x 5/8"	4
18	C 24951	BAFFLE - cylinder air, R.H.	1
19	C 24952	BAFFLE - cylinder air, L.H. (shown) use before S/N: 226-14071775, 446-14074175	1
19	C 25778	BAFFLE - cylinder air, L.H. (448 all) use S/N and after: 226-14071775, 446-14074175	1
20	NSS	HOUSING - blower	1
21	163- 22	BOLT - 1/4" x 7/16" N.C. hex	1
22	195- 102	WASHER	4
23	187- 1511	SCREW - self tap	1

*Use before S/N:
 **Use S/N and after:
 226-14071775
 446-14074175
 448-14075830

HEAT SHIELDS AND ENGINE BAFFLES

1	C 25489*	SHIELD - exhaust pipe L.H.	1
1	C 29298**	SHEILD - exhaust pipe L.H.	1
2	C 29302**	SHIELD - exhaust pipe R.H.	1
2	C 25490*	SHIELD - exhaust pipe R.H.	1
3	113- 1	BOLT - 1/4" - 20 x 1/2" hex	2
4	192- 19	LOCK WASHER - 1/4"	4
5	129- 101	NUT - 1/4" - 20 hex	4
6	C 28033	BAFFLE - cylinder L.H.	1
7	C 28034	BAFFLE - cylinder R.H.	1
8	187- 1036	SCREW - self-tapping	2
9	C 26255	SUPPORT - pump mounting	1

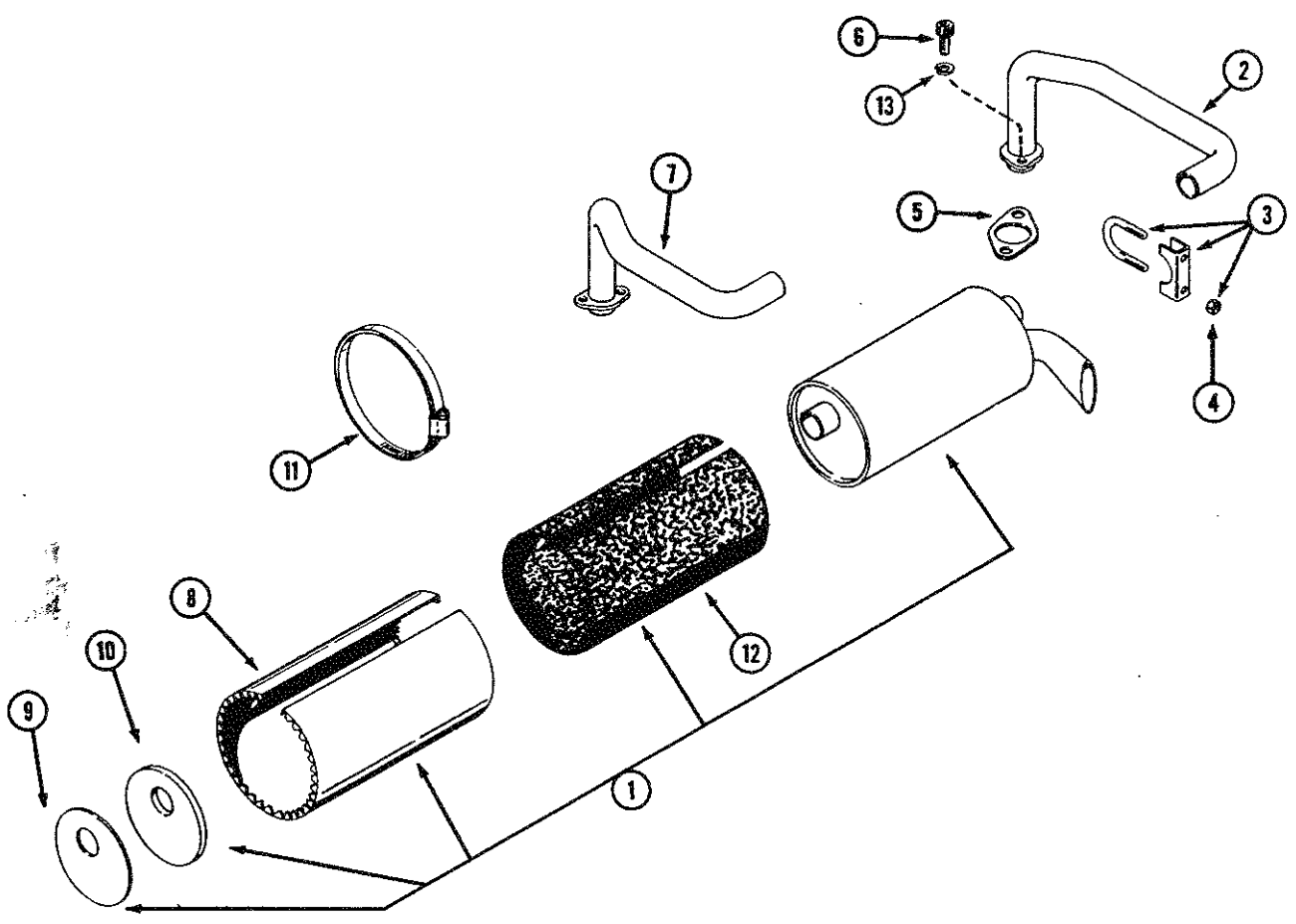
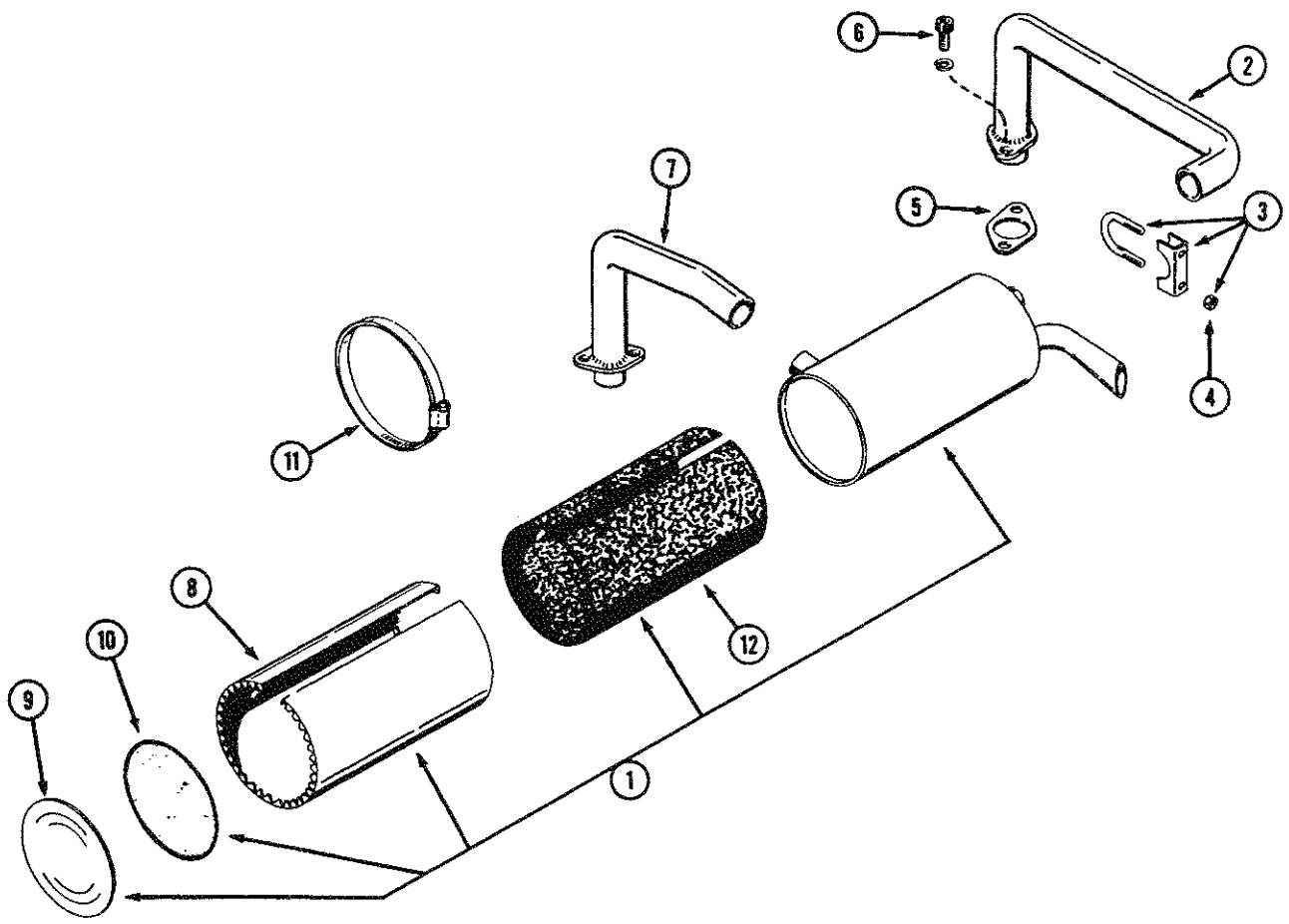
*Use before S/N:
 **Use S/N and after:
 226-14071775
 446-14074175
 448-14075830



HEAT EXCHANGER SUPPORT AND MUFFLER SHIELDS

REF.	PART NO.	DESCRIPTION	REQ'D
1	NLA	SUPPORT - heat exchanger (226, 446)	1
1	C 29283	SUPPORT - heat exchanger (448)	1
1	C 29284**	SUPPORT - heat exchanger (226, 446)	1
2	113- 118	BOLT - 5/16" x 5/8"	4
3	C 26098	SHIELD - heat, muffler (226, 446) shown	1
3	C 26455	SHIELD - heat, muffler (448)	1
4	113- 1	BOLT - 1/4" - 20 x 1/2" hex	2
4	187- 1036	BOLT 1/4" - 20 x 1/2" self - tap	2
5	C 23558	PAD - insulation	1
6	C 29698**	RETAINER - insulation	1
6	C 23559*	RETAINER - insulation	1
7	192- 19	LOCK WASHER - 1/4"	2

*Use before S/N:
 **Use S/N and after:
 226-14071775
 446-14074175
 448-14075830



EXHAUST SYSTEM

Use before S/N:
 226-14071775
 446-14074175
 448-14075830

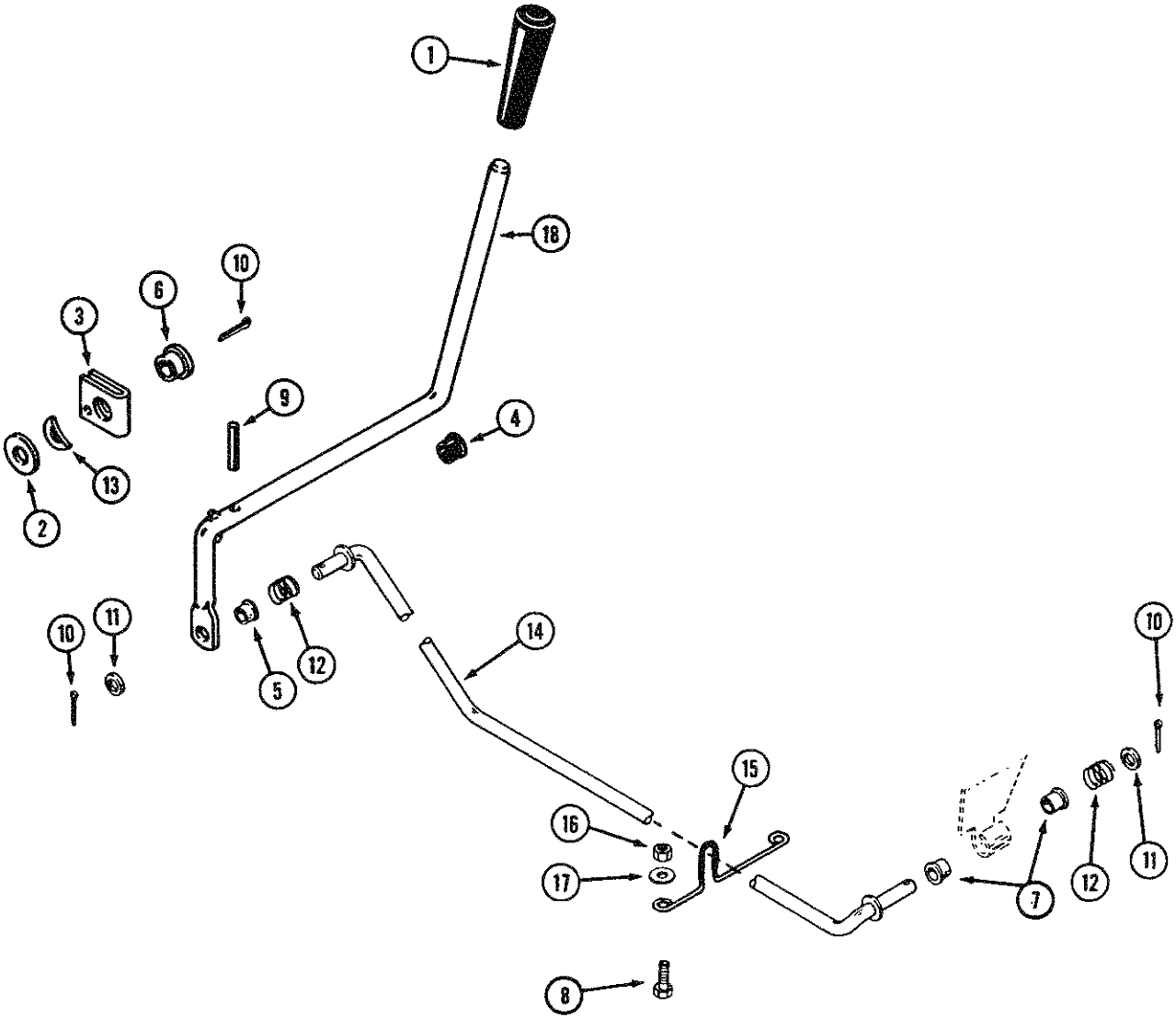
REF.	PART NO.	DESCRIPTION	REQ'D
1	C 24703*	MUFFLER ASSEMBLY - exhaust (includes items 8, 9, 10 and 12)	1
1	C 26974**	MUFFLER ASSEMBLY - exhaust (includes items 8, 9, 10 and 12)	1
2	C 26971**	PIPE - engine exhaust L.H.	1
2	C 25071*	PIPE - engine exhaust L.H.	1
3	C 28968*	CLAMP ASSEMBLY - muffler 1-1/4"	2
3	C 28294*	CLAMP ASSEMBLY - muffler 1-1/8"	2
4	129- 102	NUT - 5/16" N.C. hex	2
5	C 26207	GASKET - exhaust	2
6	61- 512	BOLT - 5/16" x 5/8" socket head	4
7	C 25073*	PIPE - engine exhaust R.H.	1
7	C 26969**	PIPE - engine exhaust R.H.	1
8	C 24296*	WRAPPER - muffler	1
8	C 26968**	WRAPPER - muffler	1
9	C 23581*	COVER - muffler end	1
9	C 22889**	COVER - muffler end	1
10	C 23580*	INSULATION -muffler end	1
10	C 29290**	INSULATION - muffler	1
11	214- 272	CLAMP - wrapper mounting	3
12	C 23686*	INSULATION - muffler	1
12	C 26058**	INSULATION - muffler	1
13	192- 404	LOCK WASHER - 5/16"	4

*Use before S/N:
 **Use S/N and after:
 226-14048500
 446-14041750
 448-14044287

EXHAUST SYSTEM

Use S/N and after:
 226-14071775
 446-14074175
 448-14075830

1	C 29288	MUFFLER ASSEMBLY - exhaust (includes items 8, 9, 10 and 12)	1
2	C 29292	PIPE - engine exhaust L.H.	1
3	C 28294	CLAMP ASSEMBLY - muffler 1-1/8"	2
4	129- 102	NUT - 5/16" N.C. hex	2
5	C 26207	GASKET - exhaust	2
6	61- 512	BOLT - 5/16" x 5/8" socket head	4
7	C 29294	PIPE - engine exhaust R.H.	1
8	C 26062	WRAPPER - muffler	1
9	C 29291	COVER - muffler end	1
10	C 29290	INSULATION - muffler	1
11	214- 272	CLAMP - wrapper mounting	3
12	C 26058	INSULATION - muffler	1
13	192- 404	LOCK WASHER - 5/16"	4



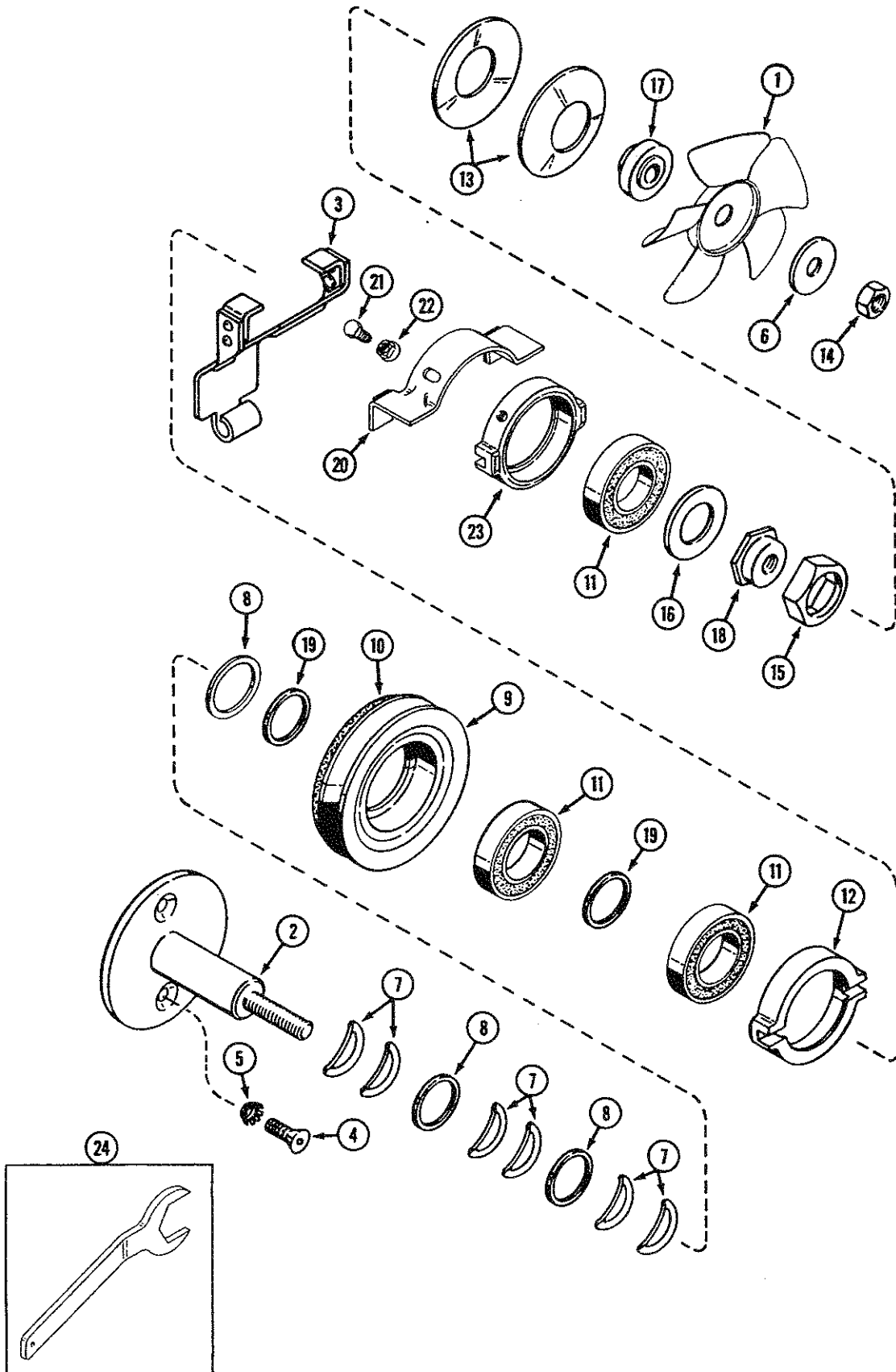
MODEL 226, 446 AND 448 COMPACT TRACTORS

PTO CLUTCH LINKAGE

REF.	PART NO.	DESCRIPTION	REQ'D
1	NSS	KNOB - lever, PTO (use C28237)	1
2	195- 533	WASHER - 1/2"	1
3	C 26264	BRACKET - support, PTO lever	1
4	353- 462	BUSHING - lever, control tower	1
5	C 20093	BUSHING - special	1
6	C 26266	BUSHING - flange, nylon	1
7	C 20053	BUSHING - nylon	2
8	113- 207	BOLT - 3/8" x 1" N.C. hex	2
9	138- 63	PIN - roll 1/8" x 1-1/4"	1
10	132- 310	PIN - cotter 1/8" x 1"	2
10	132- 320	PIN - cotter 3/32" x 3/4"	2
11	C 14906	WASHER - nylon 3/8" (early production)	2
12	C 19867	SPRING - clutch rod (early production)	2
13	C 28288	WASHER - spring	1
14	C 27734*	ROD - clutch	1
15	C 19767	GUIDE - clutch rod	1
16	131- 178	NUT - lock 3/8" N.C. hex	2
17	195- 104	WASHER - 3/8"	2
18	C 29409	LEVER - PTO engaging	1

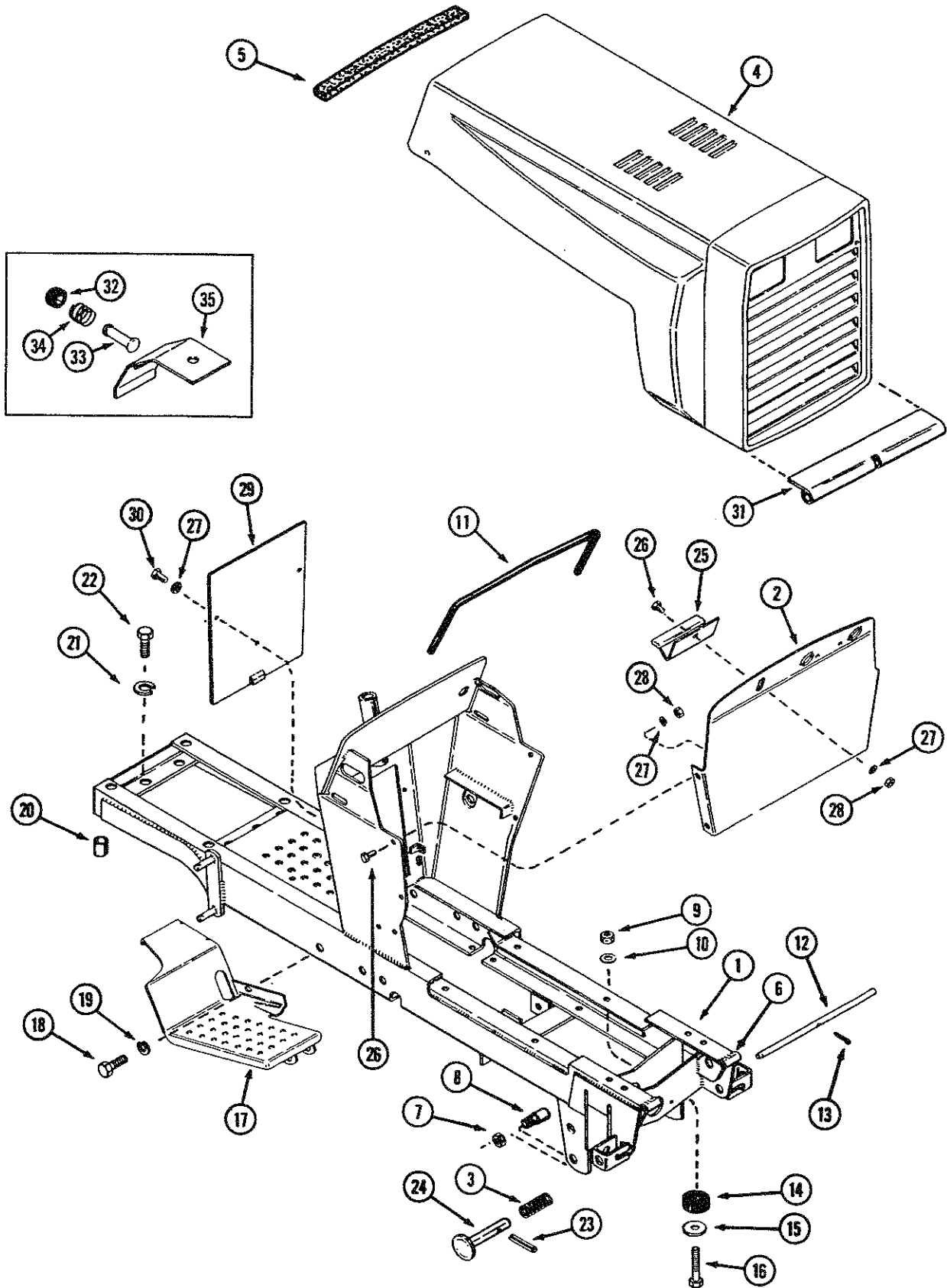
*when replacing early style clutch rod:

1. discard nylon washers and springs
2. also required (2) 132-320 cotter pins



CLUTCH ASSEMBLY (PTO)

REF.	PART NO.	DESCRIPTION	REQ'D
	C 31026	CLUTCH AND FAN ASSEMBLY	1
1	C 16616	FAN - cooling	1
2	C 24741	HUB - clutch	1
3	C 26166	ARM - engaging	1
4	164- 40	SCREW - 5/16" - 18 x 3/4" flat head socket	2
5	193- 76	LOCK WASHER - 5/16" special external tooth	2
6	C 28677	WASHER - fan 17/32"	1
7	C 15515	WASHER - spring	6
8	C 15557	WASHER - spacer .050"	3
9	C 31045	KIT - pulley and disc assembly (includes item 19)	1
10	C 23740	KIT - friction disc	1
11	C 29735	BEARING - ball	3
12	C 32169	CAM - clutch	1
13	C 16786	SPRING - clutch load	2
14	129- 125	NUT - 1/2" N.F.	1
15	C 23627	GUIDE - adjusting nut	1
16	C 23624	WASHER - spacer	1
17	C 23630	SPACER - hub	1
18	C 23625	NUT - adjust	1
19	C 29811	SPACER - washer .100"	2
20	C 31018	CLEVIS - PTO brake	1
21	113- 3	BOLT - 1/4" - 20 x 3/4"	2
22	131- 934	NUT - 1/4" - 20 flange lock	2
23	C 32168	CAM - clutch	1
24	C 29772	WRENCH - clutch adjust	1

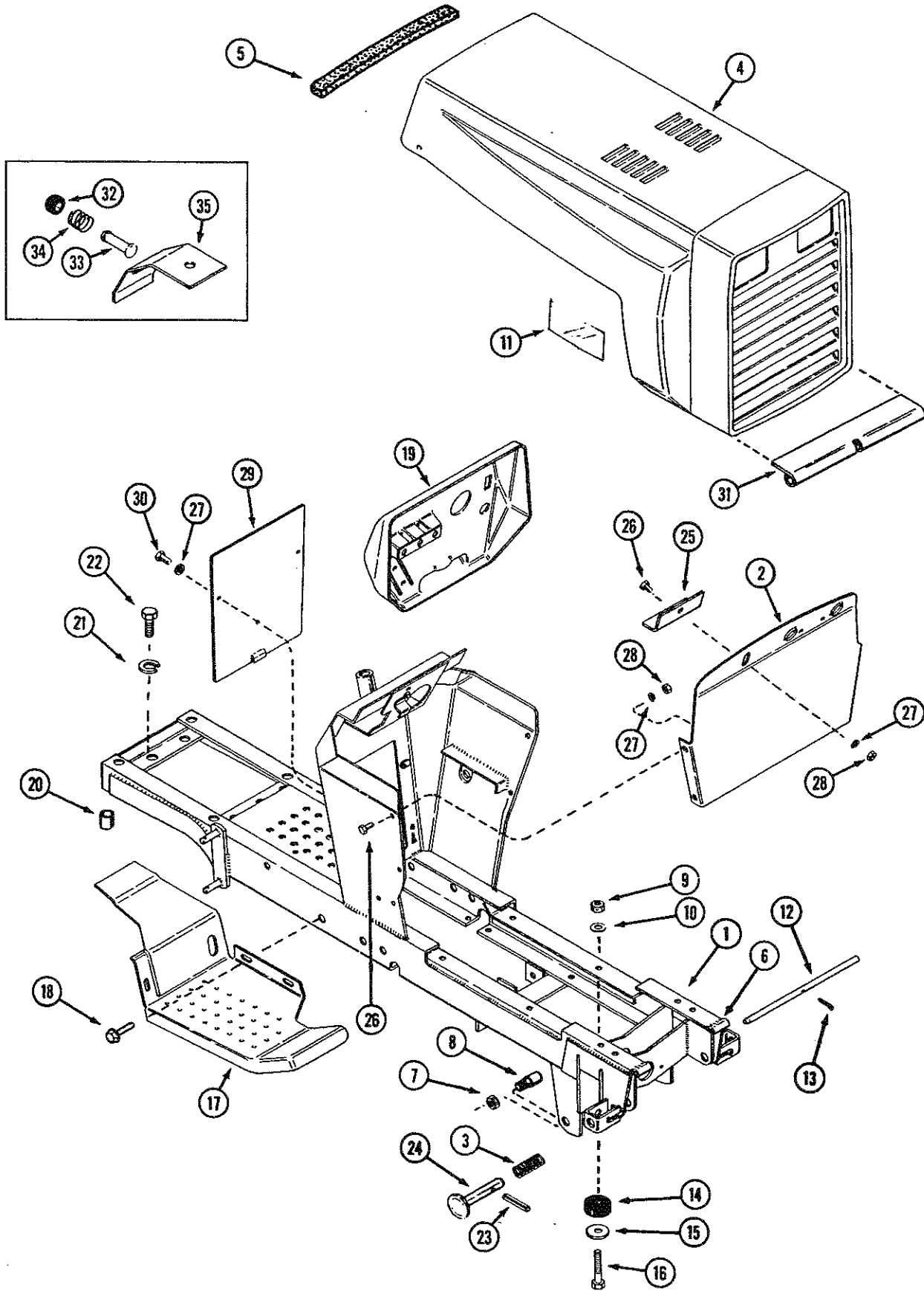


HOOD, FRAME AND GRILLE

Use before S/N:
 226-14094020
 446-14096200
 448-14097625

REF.	PART NO.	DESCRIPTION	REQ'D
1	C 29716**	FRAME - main (226)	1
1	C 29719**	FRAME - main (446, 448) shown	1
1	C 27153*	FRAME - main (226)	1
1	C 26941*	FRAME - main (446, 448)	1
2	C 24821*	SHIELD - heat	1
2	C 30143*	SHIELD - heat	1
3	C 24137*	SPRING - latch	2
4	C 30116**	HOOD AND GRILLE ASSEMBLY - (includes item 31) 226, 446 (shown)	1
4	C 30117**	HOOD AND GRILLE ASSEMBLY - (includes item 31) 448	1
4	C 26816*	HOOD AND GRILLE ASSEMBLY - (includes item 31) 226 446 (shown)	1
4	C 26817*	HOOD AND GRILLE ASSEMBLY - (includes item 31) 448	1
5	C 23527	LINER - hood	1
6	C 22023	HINGE - frame	2
7	131- 1318	NUT - lock 1/2" N.F.	2
8	C 27508	PIN - attachment	2
9	131- 1181	NUT - lock 3/8" N.C.	4
10	195- 525	WASHER - plain 3/8" x 13/16" O.D. (over engine foot pad)	4
11	C 18153	LINER - instrument panel	1
12	C 16362	ROD - hood hinge	1
13	132- 334	PIN - cotter 1/8" x 3/4"	1
14	C 15410	CUSHION - washer	4
15	195- 2029	WASHER - plain 3/8" x 1-1/4" O.D. (under cushion)	1
16	113- 219	BOLT - 3/8" x 2" N.C. hex	4
17	C 25317	PAD - foot L.H.	1
17	C 25318	PAD - foot R.H. (shown)	1
18	113- 113	BOLT - 5/16" x 7/8" N.C. hex	4
19	192- 20	LOCK WASHER - 5/16"	4
20	C 14729	SPACER - rear, frame (446, 448)	2
20	C 14730	SPACER - rear, frame (226)	2
21	192- 23	LOCK WASHER - 1/2"	4
22	113- 424	BOLT - 1/2" N.C. hex, transaxle mounting	UAR
22	166- 86	BOLT - 1/2" x 1-1/4" flange	UAR
23	138- 2073	PIN - roll 3/16" x 1-1/4"	2
24	C 16373	PIN - latch	2
25	C 29308**	RETAINER - battery hold down	1
25	C 24820*	RETAINER - battery hold down	1
26	182- 547	BOLT - 1/4" - 20 x 1/2"	5
27	192- 19	LOCK WASHER - 1/4"	7
28	129- 101	NUT - 1/4" - 20 hex	5
29	C 26506	COVER - access	1
30	187- 1036	SCREW - 1/4" - 20 x 1/2" self tap	2
31	C 16361	HINGE - hood	1
32	C 29314**	BUTTON - push, hood release	1
33	C 29315**	ROD - push, hood release	1
34	C 30004**	SPRING - release	1
35	C 33467**	LATCH - hood	1

*Use before S/N:
 **Use S/N and after:
 226-14071775
 446-14074175
 448-14075830

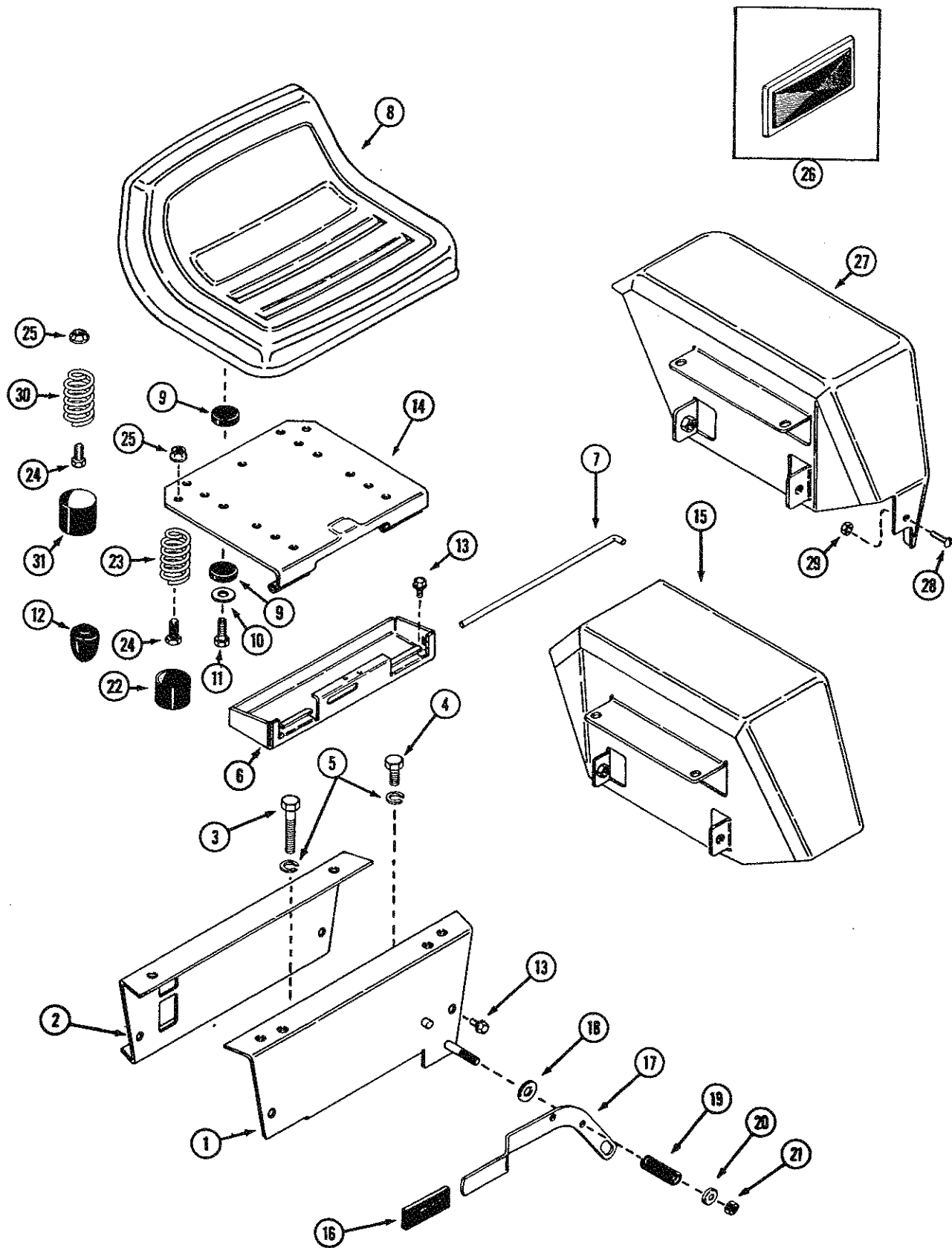


HOOD, FRAME AND GRILLE

Use S/N and after:
226-14094020
446-14096200
448-14097625

REF.	PART NO.	DESCRIPTION	REQ'D
1	C 30523*	FRAME - main (226)	1
1	C 30526*	FRAME - main (446, 448)	1
2	C 30143	SHIELD - heat	1
3	C 24137	SPRING - latch	2
4	C 30116	HOOD AND GRILLE ASSEMBLY - (includes item 31) 226, 446 (shown)	1
4	C 30117	HOOD AND GRILLE ASSEMBLY - (includes item 31) 448	1
5	C 23527	LINER - hood	1
6	C 22023	HINGE - frame	2
7	131- 1318	NUT - lock 1/2" N.F.	2
8	C 27508	PIN - attachment	2
9	131- 1181	NUT - lock 3/8" N.C.	4
10	195- 525	WASHER - plain 3/8" x 13/16" O.D. (over engine foot pad)	4
11	C 31279	SHIELD - heat	UAR
12	C 16362	ROD - hood hinge	1
13	132- 334	PIN - cotter 1/8" x 3/4"	1
14	C 15410	CUSHION - washer	4
15	195- 2029	WASHER - plain 3/8" x 1-1/4" O.D. (under cushion)	3
16	113- 219	BOLT - 3/8" x 2-1/4" N.C. hex	4
17	C 30458	PAD - foot L.H. (226)	1
17	C 30460	PAD - foot R.H. (shown) (226)	1
17	C 30462	PAD - foot L.H. (446, 448)	1
17	C 30464	PAD - foot R.H. (446, 448)	1
18	121- 106	BOLT - 5/16" x 1/2" N.C. hex	4
19	C 30134	CAP - instrument panel	4
20	C 14729	SPACER - rear, frame (446, 448)	2
20	C 14730	SPACER - rear, frame (226)	2
21	192- 23	LOCK WASHER - 1/2"	4
22	113- 424	BOLT - 1/2" N.C. hex, transaxle mounting	UAR
22	166- 86	BOLT - 1/2" x 1-1/4" flange	UAR
23	138- 2073	PIN - roll 3/16" x 1-1/4"	2
24	C 16373	PIN - latch	2
25	C 30142	RETAINER - battery hold down	1
26	182- 547	BOLT - 1/4" - 20 x 1/2"	5
27	192- 19	LOCK WASHER - 1/4"	7
28	129- 101	NUT - 1/4" - 20 hex	5
29	C 26506	COVER - access	1
30	187- 1036	SCREW - 1/4" - 20 x 1/2" self tap	2
31	C 16361	HINGE - hood	1
32	C 29314	BUTTON - push, hood release	1
33	C 30126	ROD - push, hood release	1
34	C 30004	SPRING - release	1
35	C 33467	LATCH - hood	1

*Also requires C30530
before S/N:
226 - 14110139
446 - 14112151
448 - 14113556



SEAT, FENDERS AND TOOL TRAY

REF.	PART NO.	DESCRIPTION	REQ'D
1	C 31020	SUPPORT - seat, front (226) shown	1
1	C 31021	SUPPORT - seat, front (446, 448)	1
2	C 37265	SUPPORT - seat, rear (226) shown	1
2	C 37266	SUPPORT - seat, rear (446, 448)	1
3	113- 427	BOLT - 1/2" x 3-1/4" (226)	2
3	113- 441	BOLT - 1/2" x 2-1/4" N.C. hex (446, 448)	2
4	113- 424	BOLT - 1/2" x 1" N.C. hex	1
4	113- 118	BOLT - 5/16" x 5/8"	1
5	192- 20	LOCK WASHER - 5/16"	1
5	192- 23	LOCK WASHER - 1/2"	4
6	C 31004	TRAY - tool	1
7	C 16429	PIN - seat hinge	1
8	C 30071	SEAT - (226) shown (black)	1
8	C 30066	SEAT - (446, 448) (black)	1
9	C 15410	CUSHION - rubber	8
10	195- 2175	WASHER - 5/16" x 1-1/4" OD, zinc	4
11	113- 122	BOLT - 5/16" x 1-1/2"	4
12	C 14534*	BUMPER - seat	2
13	121- 106	BOLT - 5/16" x 1/2" flange lock	10
14	NSS *	HINGE ASSEMBLY - seat (use C33474 and (2) C29305, 113-102, 131-911)	1
14	C 33474*	HINGE ASSEMBLY - seat	1
15	C 26829+	FENDER - R.H. (226)	1
15	C 26831+	FENDER - L.H. (226) shown	1
15	C 26835+	FENDER - L.H. (446, 448)	1
15	C 26833+	FENDER - R.H. (446, 448)	1
16	C 14728	GRIP - shift lever	1
17	C 27594	LEVER - shift	1
18	195- 525	WASHER - 7/16" x 1-1/4" O.D.	1
19	C 17216	SPRING - shift lever	1
20	C 30489	WASHER	1
21	131- 1181	NUT - lock 3/8" N.C. hex	1
22	C 29305**	CAP - spring	2
23	C 29306**	SPRING - seat	2
24	113- 102**	BOLT - 5/16" - 18 x 3/4"	2
25	131- 911**	NUT - 5/16" - 18 flange lock	2
26	NSS	REFLECTOR - red, rear fender (use C30942)	2
27	C 30467++	FENDER - R.H. (226)	1
27	C 30466++	FENDER - L.H. (226) shown	1
27	C 30471++	FENDER - R.H. (446, 448)	1
27	C 30470++	FENDER - L.H. (446, 448)	1
28	182- 547	SCREW - 1/4" - 20 x 1/2"	2
29	131- 934	NUT - 1/4"	2
30	C 31006	SPRING - seat switch	1
31	C 26526	CAP - spring	1

*Use before S/N:

**Use S/N and after:

226 - 14071775

446 - 14074175

448 - 14075830

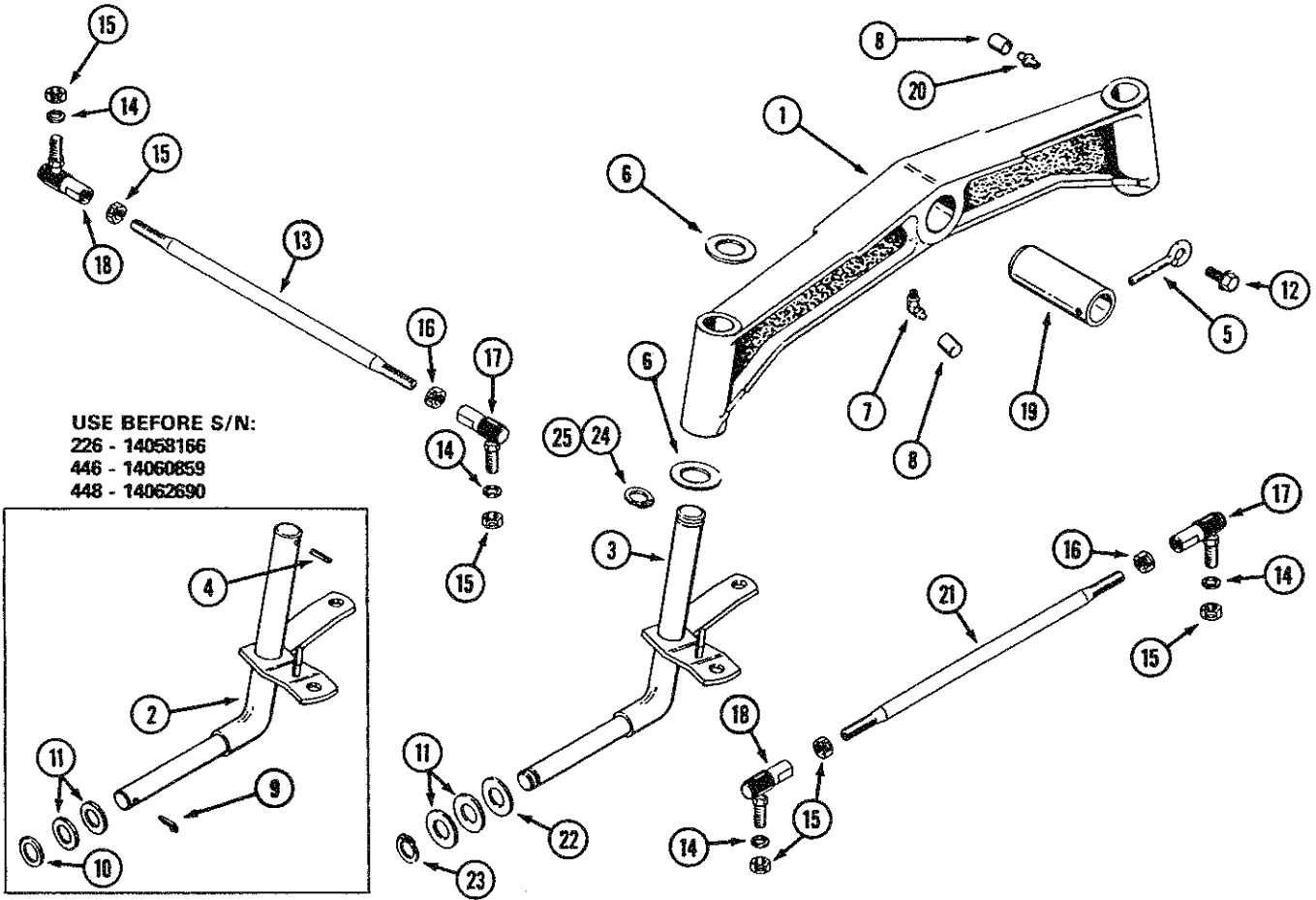
+Use before S/N:

++Use S/N and after:

226 - 14094020

446 - 14096200

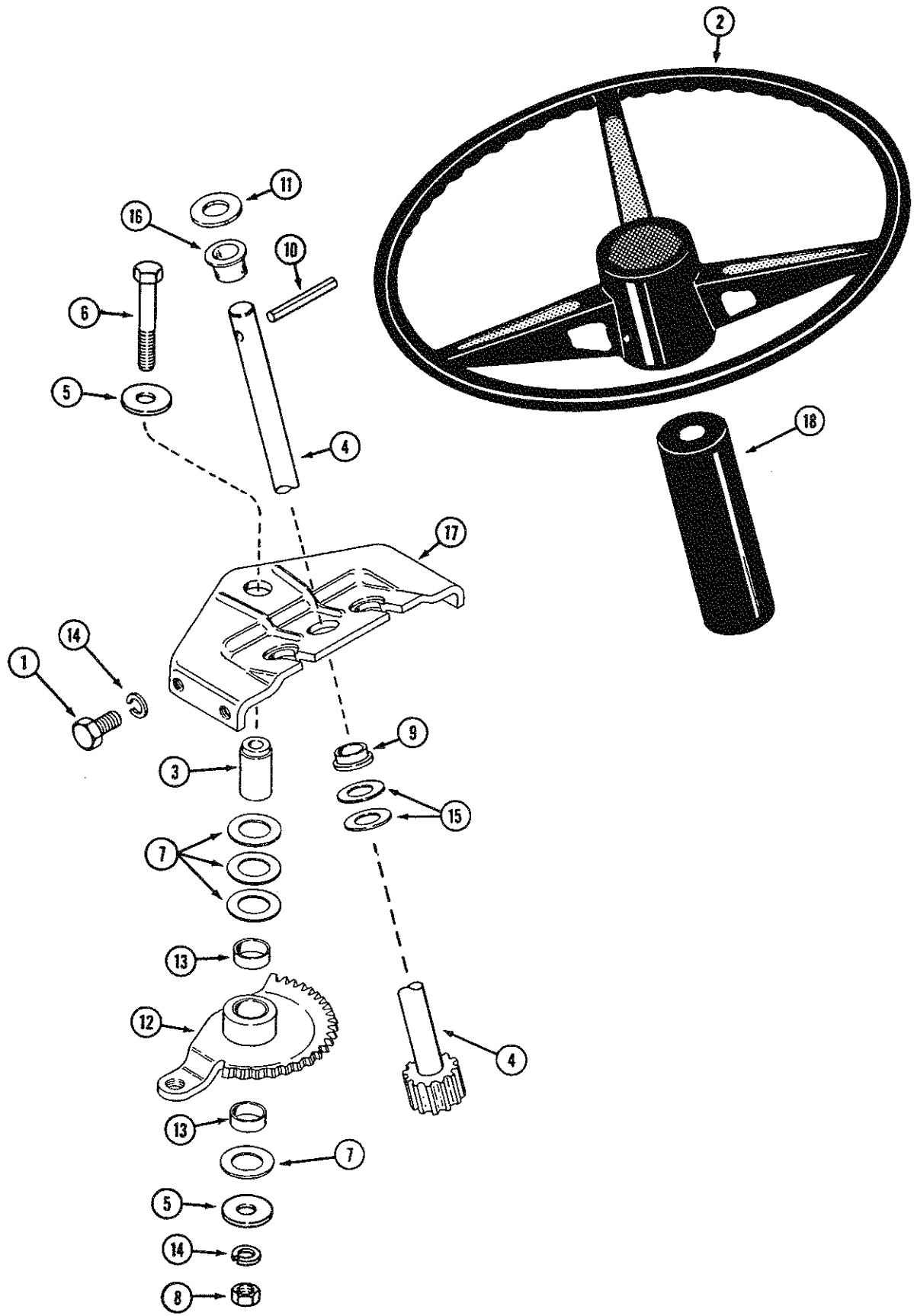
448 - 14097625



USE BEFORE S/N:
226 - 14058166
446 - 14060859
448 - 14062690

FRONT AXLE

REF.	PART NO.	DESCRIPTION	REQ'D
1	C 18812	AXLE - front (226)	1
1	C 40687	AXLE - front (446, 448) shown	1
2	NSS	SPINDLE - R.H. (226) (use C45087, C27902)	1
2	NSS	SPINDLE - R.H. (446, 448) shown (use C31341, 132-311, C27902)	1
2	NSS	SPINDLE - L.H. (226) (use C45086, C27902)	1
2	NSS	SPINDLE - L.H. (446, 448) (use C31340, 132-311, C27902)	1
3	NSS	SPINDLE - R.H. (226) (use C45087, 132-311)	1
3	NSS	SPINDLE - R.H. (446, 448) shown (use C31341, 132-311)	1
3	NSS	SPINDLE - L.H. (226) (use C45086, 132-311)	1
3	NSS	SPINDLE - L.H. (446, 448) (use C31340, 132-311)	1
4	138- 99	PIN - roll	2
5	C 22278	PIN - retaining, axle pivot	1
6	C 11906	WASHER - thrust (226)	4
6	C 13716	WASHER - thrust (446, 448) shown	4
7	219- 404	FITTING - lubrication	3
8	C 13106	COVER - lubrication fitting	3
9	132- 311	PIN - cotter 5/32" x 1-1/4"	2
10	C 12975	WASHER - wheel spindle	2
11	C 28226	WASHER - wheel spacer	UAR
12	187- 1910	BOLT - 3/8" N.C. hex head	1
13	C 44806	LINK - drag	1
14	192- 23	LOCK WASHER - 1/2" zinc	3
15	129- 165	NUT - 1/2" N.F. R.H. thread, lock	6
16	129- 365	NUT - 1/2" N.F. L.H. thread, lock	2
17	C 44641	BALL JOINT - 1/2" L.H. thread	2
18	C 44640	BALL JOINT - 1/2" R.H. thread	2
19	C 22568	PIN - axle pivot	1
20	219- 17	FITTING - lubrication	2
21	C 25855	TIE ROD - (446, 448 shown)	1
21	C 25856	TIE ROD - (226)	1
22	195- 545	WASHER - spacer	2
23	C 28232	RING - retaining, wheel	2
24	C 27902	RING - retaining, spindle (446, 448)	2
25	C 28232	RING - retaining, spindle (226)	2



STEERING GEAR

REF.	PART NO.	DESCRIPTION	REQ'D
1	113- 206	BOLT - 3/8" x 3/4" N.C. hex	4
2	C 26325	WHEEL - steering	1
3	NSS *	PIN - pivot (use C29044)	1
3	C 29044**	PIN - pivot	1
4	C 26326	SHAFT - steering	1
5	C 29812	WASHER - 3/8" x 1.4"	2
6	113- 241	BOLT - 3/8" - 16 x 3" hex	1
7	C 14201	WASHER - shim	4
8	129- 103	NUT - 3/8" - 16 hex	1
9	C 27501*	BUSHING - (not used on all models)	1
10	138- 143	PIN - roll 1/4" x 2-1/4"	1
11	195- 541	WASHER - 5/8"	UAR
12	C 33309	GEAR - steering	1
13	C 33308	BUSHING - sleeve	2
14	192- 21	LOCK WASHER - 3/8"	5
15	195- 2069	WASHER - 5/8" zinc plated	UAR
16	C 15096	BUSHING - flanged nylon	1
17	C 44378**	SUPPORT - steering gear (includes item 9)	1
17	NSS *	SUPPORT - steering (use C29812, C44378 and C29044)	1
18	C 24098+	TUBE - steering	1
18	C 30127++	TUBE - steering	1

*Use before S/N:

**Use S/N and after:

226 - 14071872

446 - 14074315

448 - 14075995

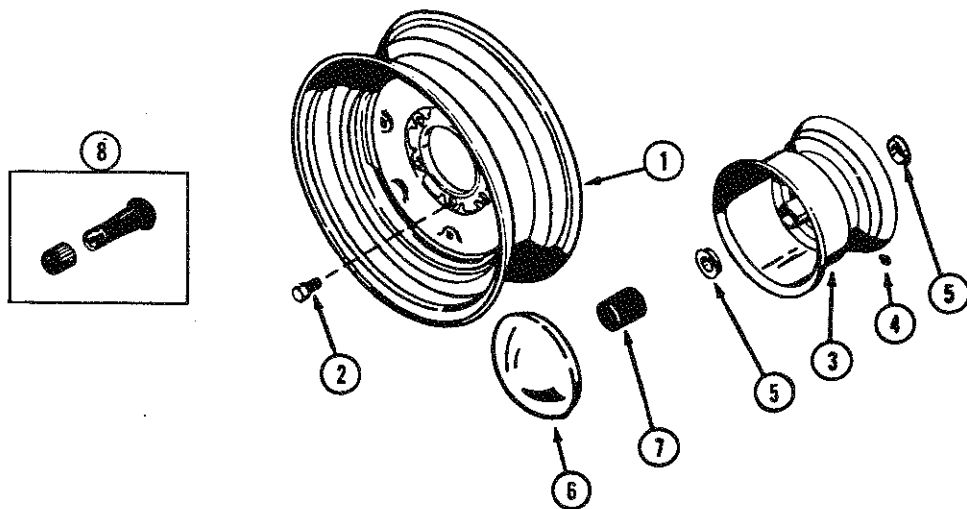
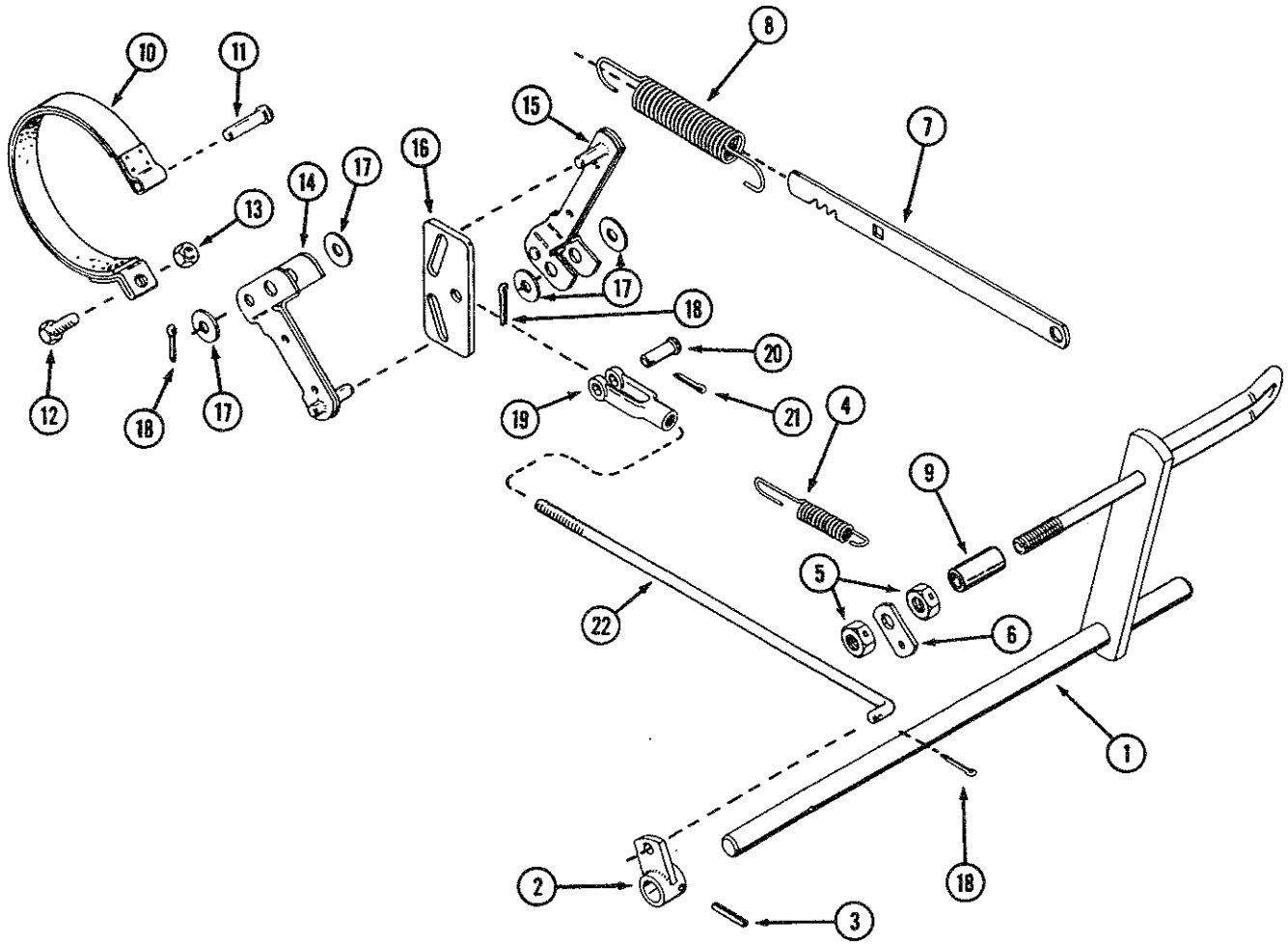
+ Use before S/N:

++ Use S/N and after:

226 - 14094020

446 - 14096200

448 - 14097625

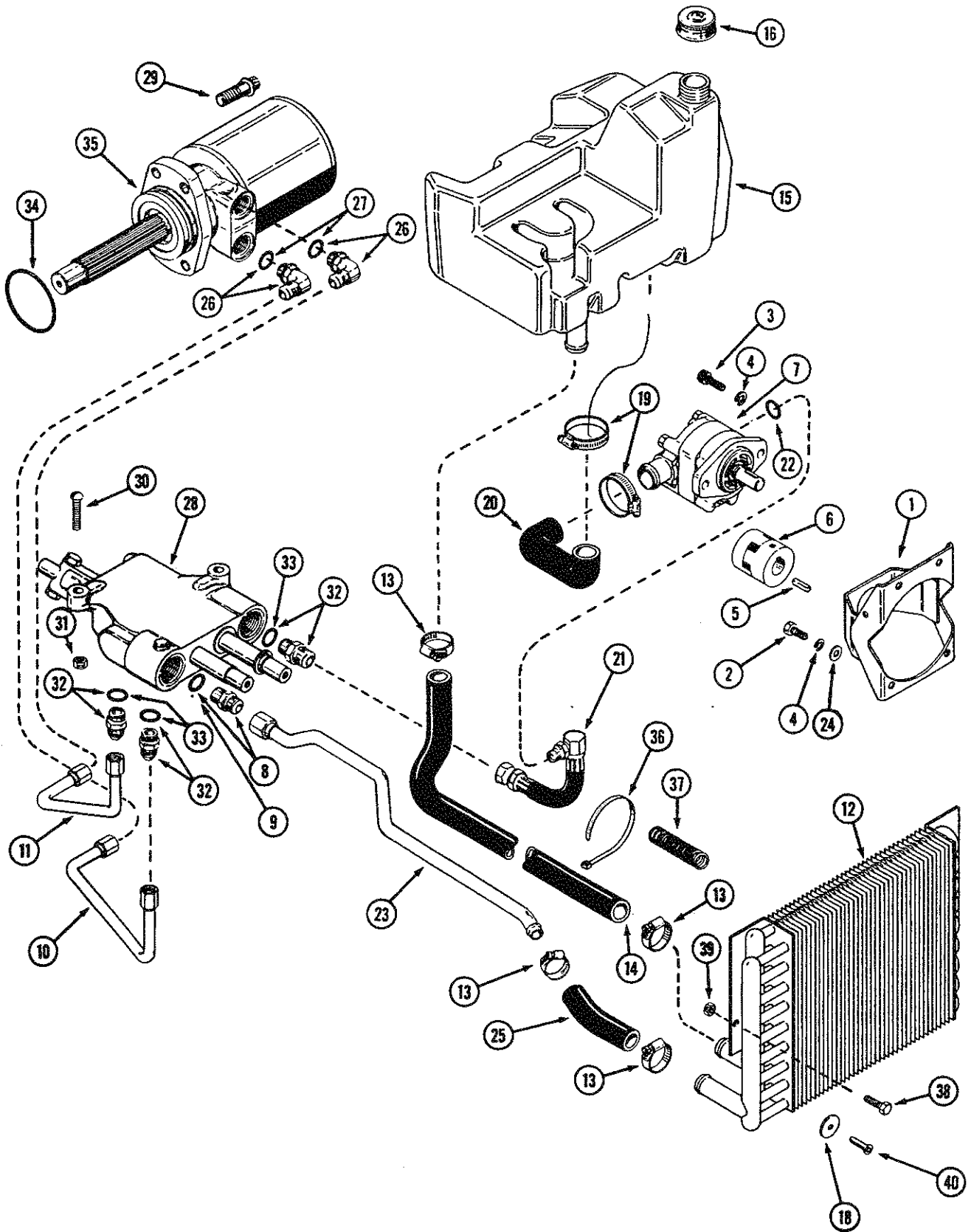


BRAKE ASSEMBLY

REF.	PART NO.	DESCRIPTION	REQ'D
1	C 22316	PEDAL - brake actuating	1
2	C 26381	ARM - brake pedal	1
3	138- 2073	PIN - roll 3/16" x 1-1/4"	1
4	C 25022	SPRING - return	1
5	131- 1308	NUT - lock, special 1/2"-13	2
6	C 16164	TAB - lift	1
7	C 18147	LEVER - brake lock	1
8	C 27755	SPRING - brake lock	1
9	C 21857	SPACER - brake pedal	1
10	C 33427	BAND - brake	1
11	C 23910	PIN - clevis	1
12	113- 2262	BOLT - 3/8" - 16 x 1-1/2" hex	1
13	129- 143	NUT - 3/8" - 16 special	1
14	C 23899	ARM - brake	1
15	C 24761	ARM - brake (includes adjustment nut)	1
16	C 40646	GUIDE - brake actuator	1
17	195- 533	WASHER - .531" I.D.	4
18	132- 310	PIN - cotter 1/8" x 1"	3
19	C 28978	CLEVIS	1
20	141- 54	PIN - clevis	1
21	132- 321	PIN - cotter	1
22	C 31993	ROD - brake (446, 448)	1
22	C 31992	ROD - brake (226)	1

FRONT AND REAR WHEELS

1	C 30913	WHEEL - rear, 5 bolt (226) for 23 x 8.50 - 12 tire	2
1	C 30917	WHEEL - rear, 6 bolt (446, 448) shown	2
1	C 30922	WHEEL - rear, 5 bolt (226) for 23 x 10.50 - 12 tire	2
2	C 27763	BOLT - rear wheel (446, 448)	12
2	C 10314	BOLT - rear wheel (226)	10
3	C 30912	WHEEL - front (includes bearings)	2
4	219- 403	FITTING - lubrication	2
5	C 44499	BEARING - wheel	2
6	C 28965	CAP - hub, front wheel (optional)	2
7	C 44478	CAP - plastic, front	2
8	O/L	STEM - valve	4
	C 13106	COVER - lubrication fitting	2



HYDRAULIC SYSTEM

Use before S/N:

226 - 14093640

446 - 14074315

448 - 14075995

REF.	PART NO.	DESCRIPTION	REQ'D
1	C 26255	SUPPORT - pump mounting	1
2	113- 206	BOLT - 3/8" x 3/4" N.C hex, support mounting	4
3	62- 616	SCREW - 3/8" - 24 x 1" N.F. thread	2
4	192- 21	LOCK WASHER - 3/8" zinc	6
5	C 28321	KEY - square 1/4" x 3/4" (engine shaft)	1
6	C 18916	COUPLING - pump 1/2" shaft (repairs page 57)	
7	C 26278	PUMP - hydraulic 1/2" shaft (repairs page 57)	1
8	218- 5065	FITTING - hydraulic 3/4" x 7/8" "O" ring	1
9	218- 5007	"O" RING	1
10	C 16794	TUBE - valve to lower motor port (226)	1
10	C 25333	TUBE - valve to lower motor port (446, 448)	1
11	C 16793	TUBE - valve to upper motor port (226)	1
11	C 25334	TUBE - valve to upper motor port (446, 448)	1
12	C 25784	EXCHANGER - heat (226, 446)	1
12	C 26456	EXCHANGER - heat (448) shown	1
13	214- 254	CLAMP - hose	4
14	C 29697	HOSE - rubber, tank to heat exchanger	1
15	NSS *	RESERVOIR - hydraulic oil (use C33176 kit)	1
15	NSS **	RESERVOIR - hydraulic shown (use C33177 kit)	1
16	C 45604	CAP - reservoir (includes insert)	1
18	C 25556	WASHER - .390" x 1.88" (226, 446)	2
19	214- 14	CLAMP - hose	2
20	C 33423*	HOSE - rubber, tank to pump	1
20	C 29309*	HOSE - rubber, tank to pump (shown)	1
21	C 18797	HOSE - hydraulic, pump to valve	1
22	218- 5006	"O" RING - 1/2"	1
23	C 26182	TUBE - valve to heat exchanger	1
24	195- 104	WASHER - 3/8"	4
25	NSS	HOSE - rubber (use C29697) cut to length 7" (180mm)	1
26	218- 5107	FITTING - motor port 90 degree elbow, "O" Ring	2
27	218- 5007	"O" RING - 5/8"	2
28	C 27217	VALVE - hydraulic control, two spool (repairs page 59)	1
29	166- 86	SCREW - 1/2" x 1-1/4" N.C. flanged 12 point	4
30	182- 246	SCREW - 5/16" x 1-1/4" N.C. flat head machine	2
31	131- 351	NUT - lock 5/16" N.C. hex	2
32	218- 5062	FITTING - hydraulic valve 5/8" x 7/8" "O" Ring	3
33	218- 5007	"O" RING	3
34	C 28949	SEAL - motor to transmission	1
35	C 14655	MOTOR - hydraulic (repairs page 53) (446, 448)	1
35	C 16697	MOTOR - hydraulic (repairs page 53) (226)	1
36	C 22947	TIE - hose clamp	2
37	C 26900	SPRING - compression (448)	1
38	113- 1	BOLT - 1/4" - 20 x 1/2" (448)	2
39	131- 1180	NUT - 1/4" - 20 lock (448)	2
40	187- 1252	SCREW - 1/4" Phillips (226, 446)	2

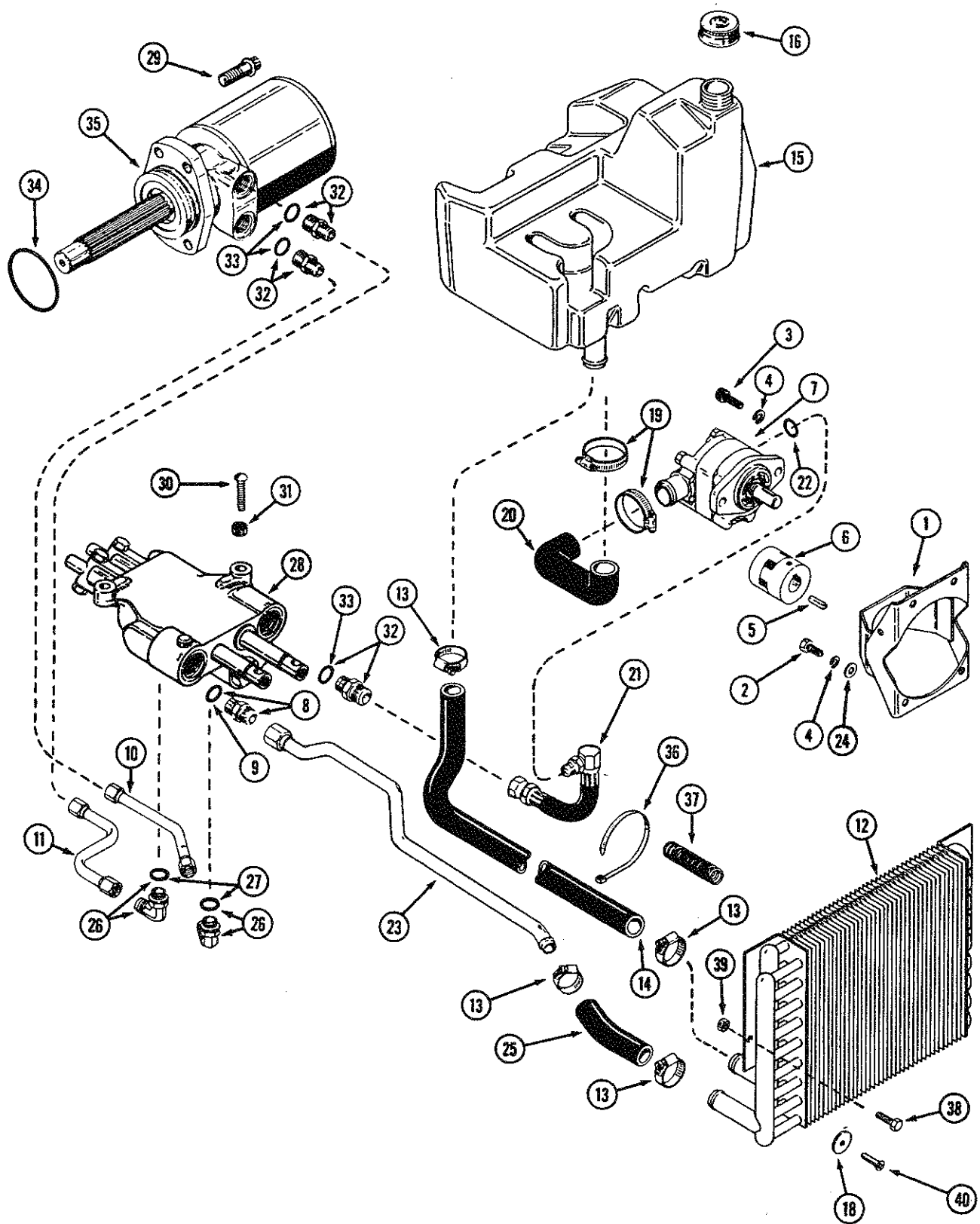
*Use before S/N:

**Use S/N and after:

226 - 14071775

446 - 14074175

448 - 14075830



HYDRAULIC SYSTEM

Use S/N and after:

226 - 14093640

446 - 14074315

448 - 14075995

REF.	PART NO.	DESCRIPTION	REQ'D
1	C 26255	SUPPORT - pump mounting	1
2	113- 206	BOLT - 3/8" x 3/4" N.C. hex, support mounting	4
3	62- 616	SCREW - 3/8" - 24 x 1" N.F. thread	2
4	192- 21	LOCK WASHER - 3/8" zinc	6
5	C 28321	KEY - square 1/4" x 3/4" (6.35 x 19.5 mm) (engine shaft)	1
6	C 18916	COUPLING - pump, 1/2" shaft (repairs page 57)	
7	C 26278	PUMP - hydraulic 1/2" shaft (repairs page 57)	1
8	218- 5065	FITTING - hydraulic 3/4" x 7/8" "O" Ring	1
9	218- 5007	"O" RING	1
10	C 29656	TUBE - valve to lower motor port (226)	1
10	C 29658	TUBE - valve to lower motor port (446, 448) (shown)	1
11	C 29655	TUBE - valve to upper motor port (226)	1
11	C 29657	TUBE - valve to upper motor port (446, 448) (shown)	1
12	C 25784	EXCHANGER - heat (226, 446)	1
12	C 26456	EXCHANGER - heat (448) shown	1
13	214- 254	CLAMP - hose	4
14	C 29697	HOSE - rubber, tank to heat exchanger	1
15	NSS	RESERVOIR - hydraulic (use C33177 kit)	1
16	C 45604	CAP - reservoir (includes insert)	1
18	C 25556	WASHER - .390" x 1.88" (226, 446)	2
19	214- 14	CLAMP - hose	2
20	C 29309	HOSE - rubber, tank to pump	1
21	C 18797	HOSE - hydraulic, pump to valve	1
22	218- 5006	"O" RING - 1/2"	1
23	C 26182	TUBE - valve to heat exchanger	1
24	195- 104	WASHER - 3/8"	4
25	NSS	HOSE - rubber (use C29697) cut to length 7" (180mm)	1
26	218- 5107	FITTING - motor port 90 degree elbow, "O" Ring	2
27	218- 5007	"O" RING - 5/8"	2
28	NSS	VALVE - hydraulic control, (repairs page 61) (Use C33473, 218-5154)	1
29	166- 86*	SCREW - 1/2" x 1-1/4" N.C. flanged 12 point	4
29	166- 85**	SCREW - 1/2" x 1" flanged 12 point	4
30	C 27764	SCREW - 5/16" x 1-1/4" N.C.	2
31	131- 351	NUT - lock 5/16" N.C. hex	2
32	218- 5062	FITTING - hydraulic valve 5/8" x 7/8" "O" Ring	3
33	218- 5007	"O" RING	3
34	C 28949	SEAL - motor transmission	1
35	C 14655*	MOTOR - hydraulic (repairs page 53) (446, 448)	1
35	C 16697*	MOTOR - hydraulic (repairs page 53) (226)	1
35	C 33234**	MOTOR - hydraulic (repairs page 53) (446, 448)	1
35	C 30939**	MOTOR - hydraulic (repairs page 53) (226)	1
36	C 22947	TIE - hose clamp	2
37	C 26900	SPRING - compression (448)	1
38	113- 1	BOLT - 1/4" - 20 x 1/2" (448)	2
39	131- 1180	NUT - 1/4" - 20 lock (448)	2
40	187- 1252	SCREW - 1/4" Philips (226, 446)	2

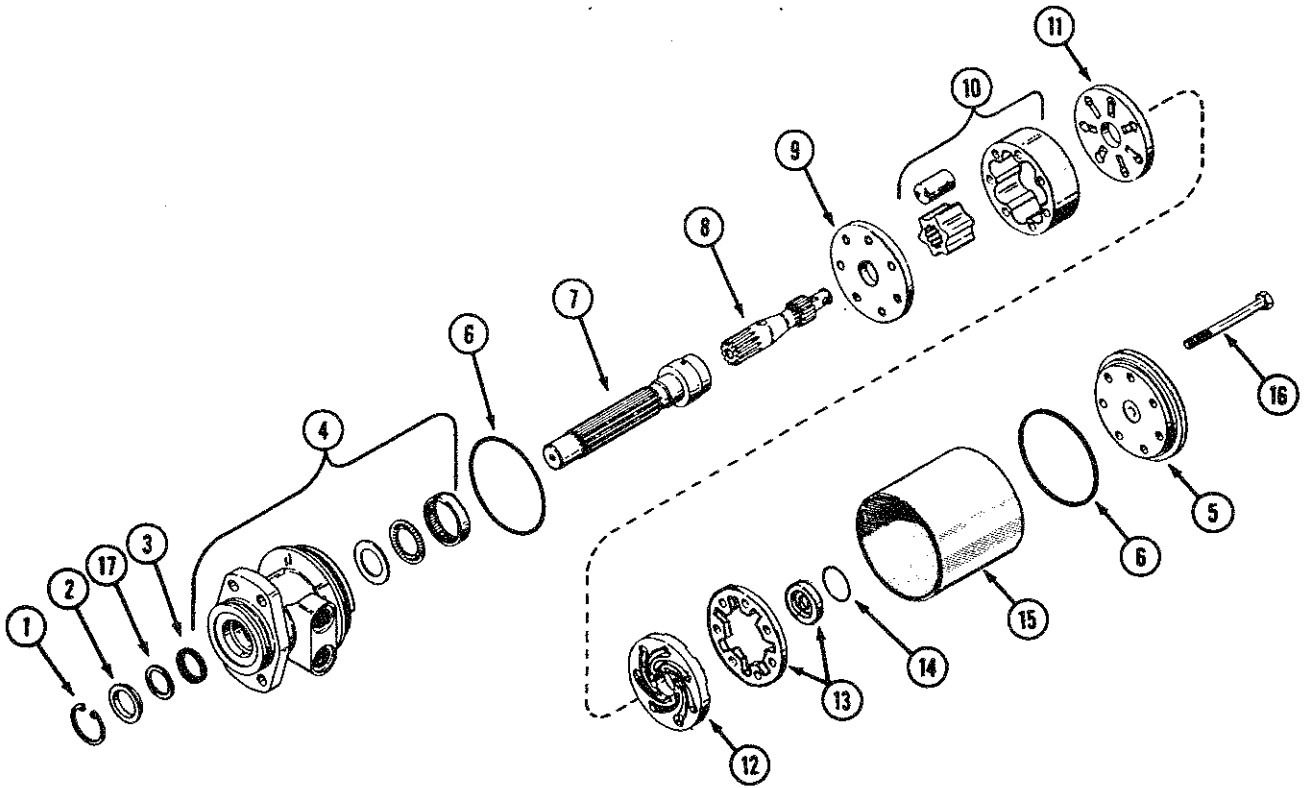
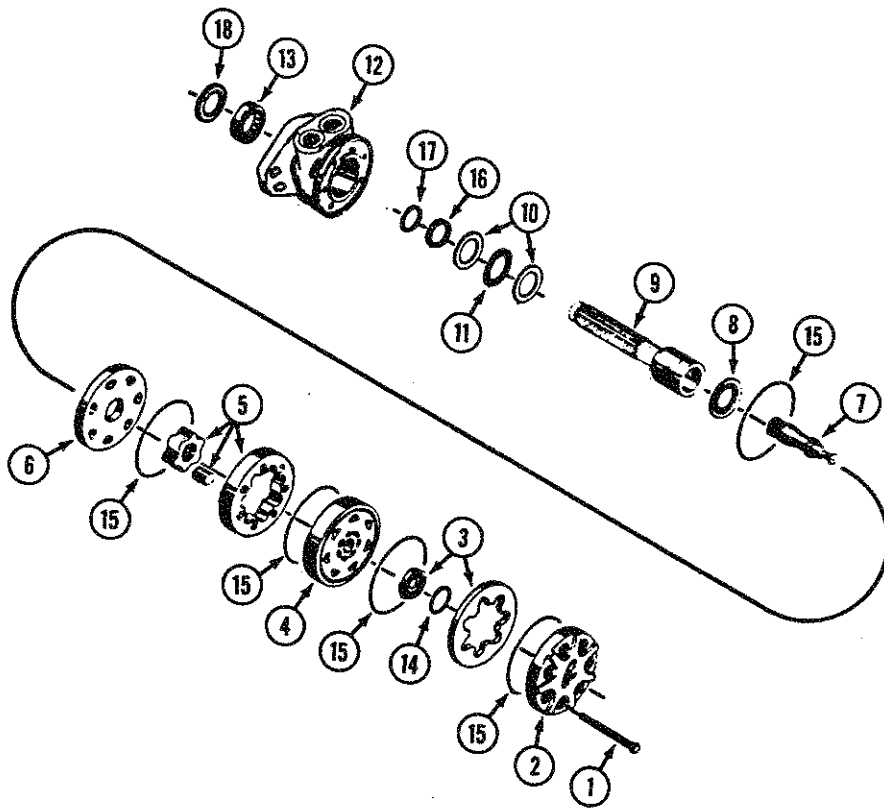
*Use before S/N:

**Use S/N and after:

226 - 14110325

446 - 14112435

448 - 14113810



HYDRAULIC DRIVE MOTOR

Use S/N and after:

226 - 14110325

446 - 14112435

448 - 14113810

REF.	PART NO.	DESCRIPTION	REQ'D
	C 33234	MOTOR - hydraulic (446, 448)	1
	C 30939	MOTOR - hydraulic (226)	1
1	28- 668	BOLT - 3/8" - 24 x 4-1/4" (226)	7
1	O/L	BOLT - 3/8" - 24 x 4-5/8" (446, 448)	7
2	C 31309	COVER - end	1
3	C 31310	COMMUTATOR AND RING SET	1
4	C 31311	MANIFOLD	1
5	C 31312	ROTOR ASSEMBLY - (226)	1
5	C 31313	ROTOR ASSEMBLY - (446, 448)	1
6	C 31314	PLATE - wear	1
7	C 31315	LINK - drive (226)	1
7	C 31316	LINK - drive (446, 448)	1
8	C 31317	BEARING - thrust	1
9	C 31318	SHAFT - coupling	1
10	C 31319	WASHER - thrust	2
11	C 31320	BEARING - thrust	1
12	C 31321	HOUSING - drive end	1
13	C 31322	BEARING - outer	1
	C 31323	KIT - seal	1
14	NSS	SEAL - commutator ring	1
15	NSS	SEAL - ring	5
16	NSS	SEAL - ring	1
17	NSS	WASHER - backup	1
18	NSS	SEAL - dirt (not used)	1

HYDRAULIC DRIVE MOTOR

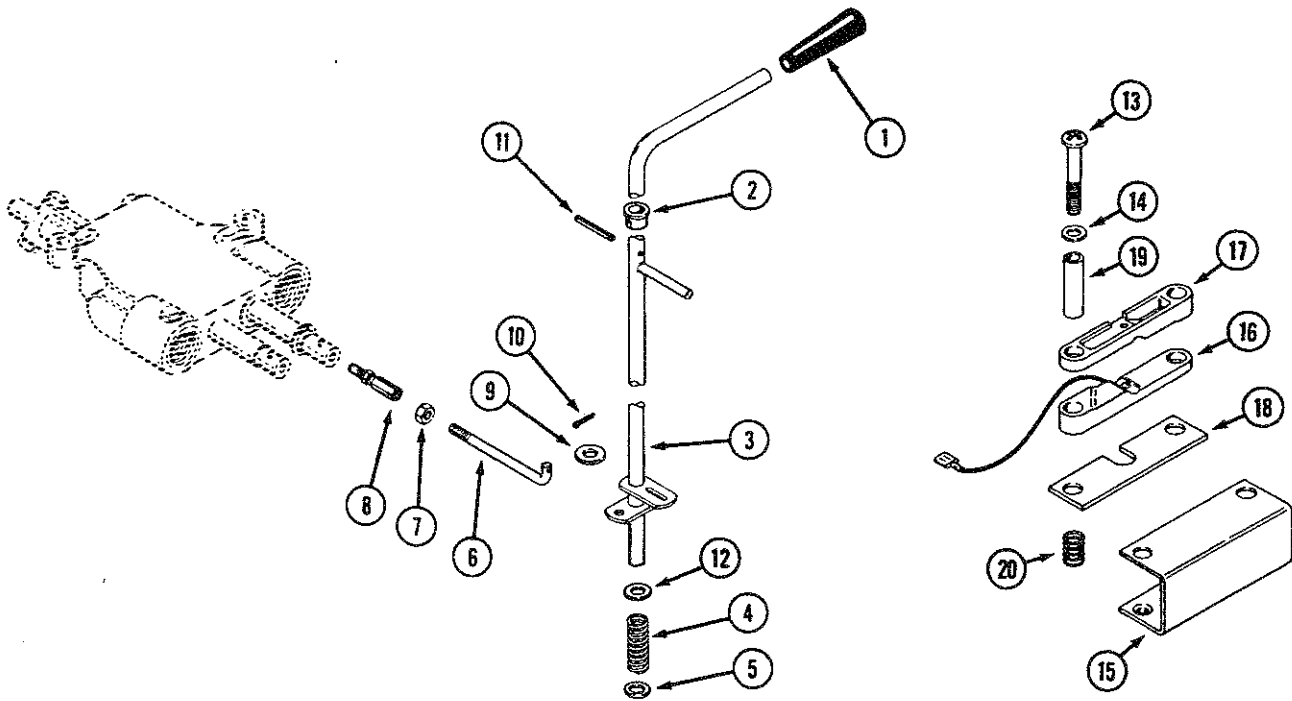
Use before S/N:

226 - 14110325

446 - 14112435

448 - 14113810

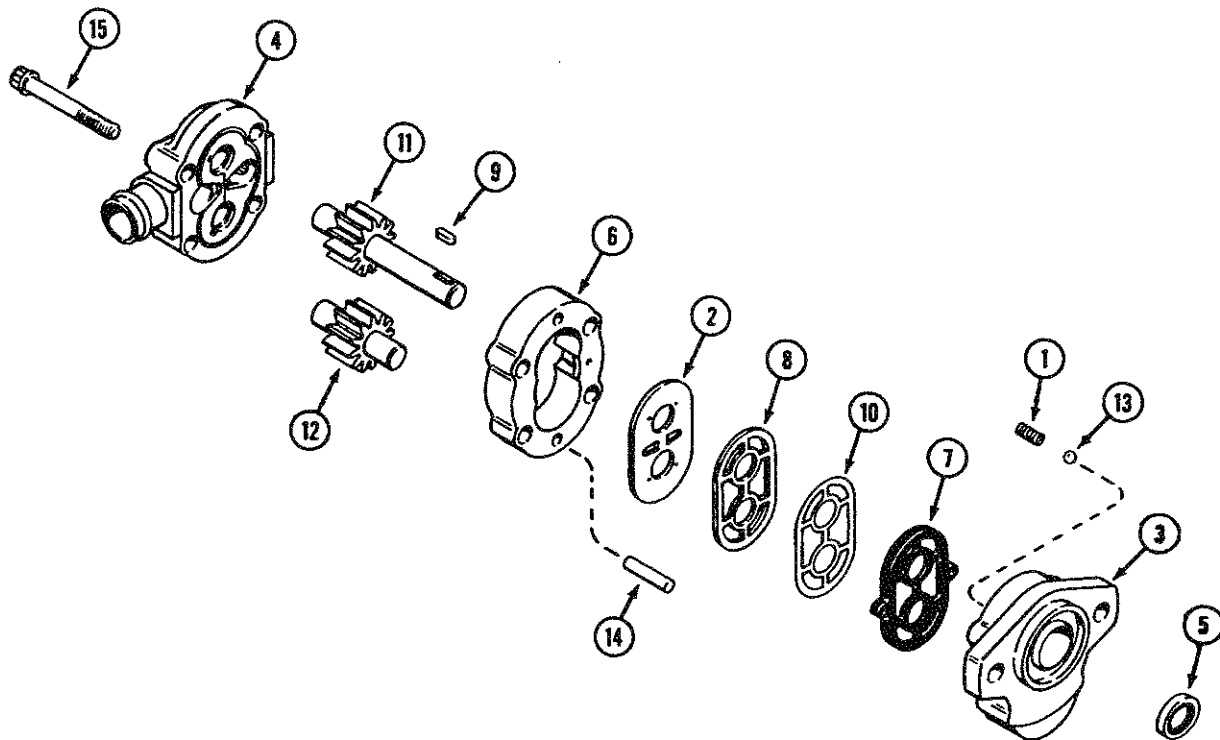
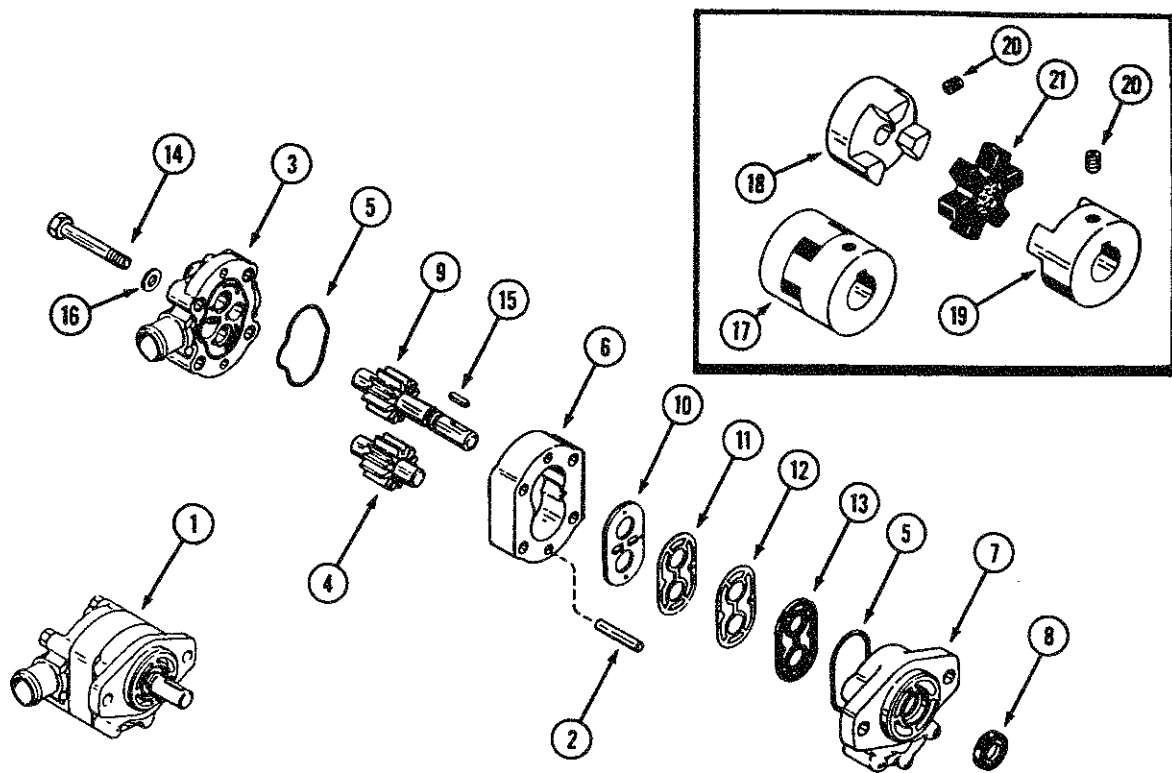
	C 16697	MOTOR - hydraulic (226)	1
	C 14655	MOTOR - hydraulic (446, 448)	1
1	C 16516	RING - retaining	1
2	C 19040	SPACER - (see kit below)	1
3	C 25048	SEAL - oil (see kit below)	1
4	C 14827	HOUSING ASSEMBLY	1
5	C 14837	END CAP	1
6	C 18382	SEAL - (see kit below)	2
7	NSS	SHAFT - coupling (order complete motor)	1
8	NSS	DRIVE LINK - 446, 448 (order complete motor)	1
8	NSS	DRIVE LINK - 226 (order complete motor)	1
9	C 14830	PLATE - wear	1
10	NSS	ROTOR ASSEMBLY - 446, 448 (order complete motor)	1
10	C 18110	ROTOR ASSEMBLY - 226	1
11	C 28703	PLATE - manifold	1
12	C 28874	MANIFOLD	1
13	NSS	COMMUTATOR AND RING SET (order complete motor)	1
14	C 19041	RING - sealing (see kit below)	1
15	C 14836	SLEEVE - 446, 448	1
15	C 14836	SLEEVE - 446, 448	1
15	C 18092	SLEEVE - 226	1
16	28- 662	BOLT - 3/8" x 3-7/8" N.F. hex (226)	1
16	C 14838	BOLT - 3/8" x 4-3/8" N.F. hex (446, 448)	7
17	C 19212	WASHER - .010" (0.25mm) (see kit below)	1
	C 29732	KIT - "O" ring and seal (includes items 2, 3, 6, 11, 12, 14 and 17)	1



SPEED CONTROL

REF.	PART NO.	DESCRIPTION	REQ'D
1	C 29047	KNOB - speed control	1
2	C 27593	BUSHING - lever	1
3	C 29407*	LEVER - speed control (shown)	1
3	C 30128**	LEVER - speed control	1
4	C 29645	SPRING - compression	1
5	C 21518	WASHER - nylon	1
6	C 18742	ROD - control	1
7	129- 122	NUT - 5/16" N.F. hex, zinc plated	1
8	C 19025	JOINT - ball	1
9	195- 521	WASHER - 5/16"	1
10	132- 320	PIN - cotter 3/32" x 3/4"	1
11	138- 2072	PIN - roll 1/8" x 1-3/4"	1
12	195- 533	WASHER	1
	C 29646*	LOCATOR ASSEMBLY - neutral start	1
	C 30130**	LOCATOR ASSEMBLY - neutral start	1
13	C 29647	SCREW - 1/4" - 20 black	2
14	C 29648	WASHER - nylon	2
15	NSS *	CARRIER - locator (use C31678, 131-1180)	1
15	NSS **	CARRIER - locator (use C31678, 131-1180)	1
16	C 29650	SWITCH - neutral start	1
17	C 29651*	LOCATOR - half	1
17	C 30450**	LOCATOR - light switch	1
18	C 29652	SUPPORT - locator	1
19	C 29653	SPACER - tube	2
20	C 30827	SPRING - locator	2

*Use before S/N:
 **Use S/N and after:
 226 - 14094020
 446 - 14096200
 448 - 14097625

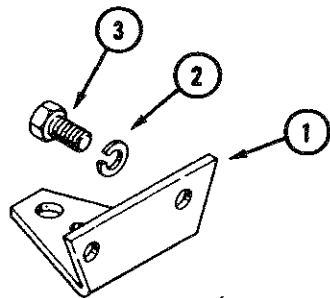
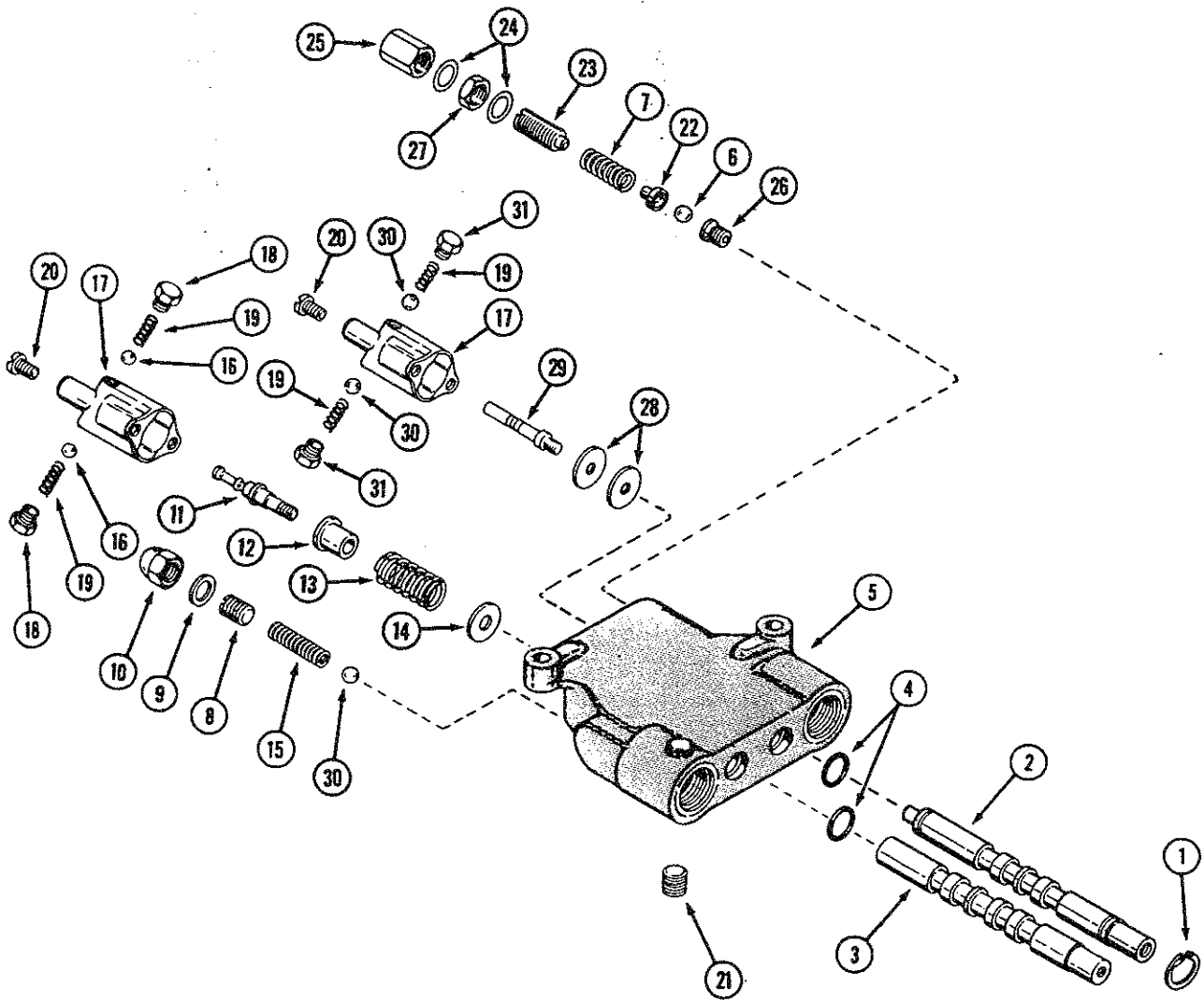


HYDRAULIC PUMP AND COUPLING (PARKER-HANNIFIN)

REF.	PART NO.	DESCRIPTION	REQ'D
1	C 26278	PUMP - hydraulic 1/2" shaft	1
2	F 53109	PIN - dowel	2
3	C 24861	COVER - rear	1
4	C 15731	GEAR ASSEMBLY - driven	1
5	C 15732	"O" RING - cover	2
6	C 15733	BODY - pump	1
7	C 15734	COVER - front	1
8	C 15735	SEAL - shaft	1
9	NSS	GEAR ASSEMBLY - drive (1/2" shaft) (use C26278)	1
10	C 15737	PLATE - wear	1
11	C 15738	SHIELD - heat	1
12	C 15739	GASKET	1
13	C 15740	SEAL	1
14	113- 111	BOLT	4
15	C 19207	KEY - 1/8" square x 3/4" long (1.587 mm x 19.05 mm)	1
16	C 19115	WASHER	4
17	C 18916	COUPLING - pump	1
18	NSS	HUB - (order item 17)	1
19	NSS	HUG - (order item 17)	1
20	C 32199	SCREW - set 5/16" x 5/16" NC socket head	2
21	C 15036	SPIDER	1

HYDRAULIC PUMP (CESSNA)

REF.	PART NO.	DESCRIPTION	REQ'D
	NSS	PUMP - hyd. (use C26278)	1
1	C 28709	SPRING	2
2	C 28718	DIAPHRAGM - wear plate	1
3	NSS	COVER - front (use C26278)	1
4	NSS	COVER - rear (use C26278)	1
5	C 28711	SEAL - shaft	1
6	NSS	BODY - pump (use C26278)	1
7	C 28712	SEAL - diaphragm	1
8	C 28714	GASKET - back up	1
9	C 28215	KEY - 3/16" square x .609" (4.76 mm x 15.47 mm)	1
10	C 28713	GASKET - back up	1
11	NSS	GEAR - drive (use C26278)	1
12	NSS	GEAR - driven (use C26278)	1
13	211- 306	BALL - steel 7/32"	2
14	C 28715	PIN - dowel 1/4" x 1-1/4" (6.35 mm x 31.75 mm)	2
15	166- 32	BOLT - 5/16" - 18 x 2-1/2" 12 point flange	4



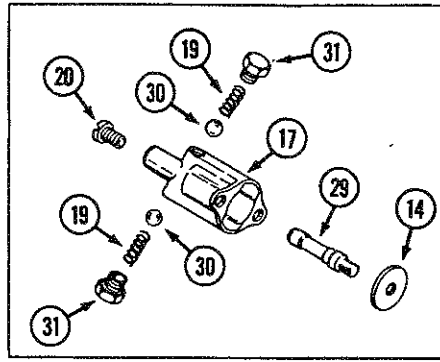
HYDRAULIC CONTROL VALVE

Use before S/N:
 226 - 14093640
 446 - 14074315
 448 - 14075995

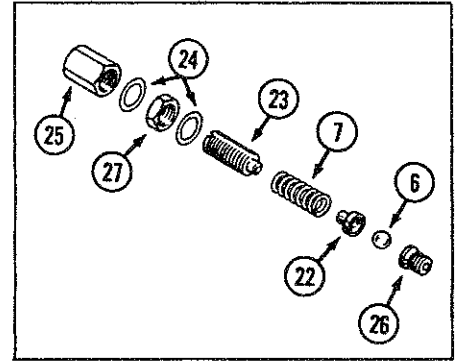
REF.	PART NO.	DESCRIPTION	REQ'D
	C 27217	VALVE - control, two spool	1
1	C 28699	RING - retaining	2
2	NSS	SPOOL - motor (order C27217)	1
3	NSS	SPOOL - lift (order C27217)	1
4	C 28856	SEAL - spool	4
5	NSS	BODY - valve (order C27217)	1
6	211- 208	BALL - steel 5/16"	1
7	C 21507	SPRING - relief	2
8	C 17433	SCREW - relief adjust	1
9	C 17435	GASKET - relief adjust cap	1
10	129- 531	CAP - adjust screw	2
11	C 26668	DETENT - spool	1
12	C 28707	SPACER - detent	1
13	C 28706	SPRING - detent return	1
14	C 28705	WASHER - return	1
15	NSS	SPRING - relief (use C21511 relief kit)	1
16	211- 5	BALL - steel 3/16" (4.763 mm)	3
17	C 17438	COVER - detent	1
18	C 28708	SCREW - detent	2
19	C 17444	SPRING - detent	2
20	169- 114	SCREW - cover	4
21	221- 841	PLUG - pipe	1
22	C 21506	RETAINER - ball seat	1
23	C 26665	SCREW - adjust, relief	1
24	C 26664	GASKET - adjust cap	1
25	C 26666	CAP - adjust screw	1
26	C 26663	SEAT - relief ball	1
27	C 34555	NUT - lock	1
28	195- 521	WASHER	2
29	C 27219	DETENT - spool	1
30	211- 7	BALL - steel 1/4" (6.35 mm)	2
31	C 17443	SCREW - detent	2
	C 21511	KIT - relief (includes items 8, 9, 10, 15 and 30)	1

DRAWBAR AND TOW HITCH

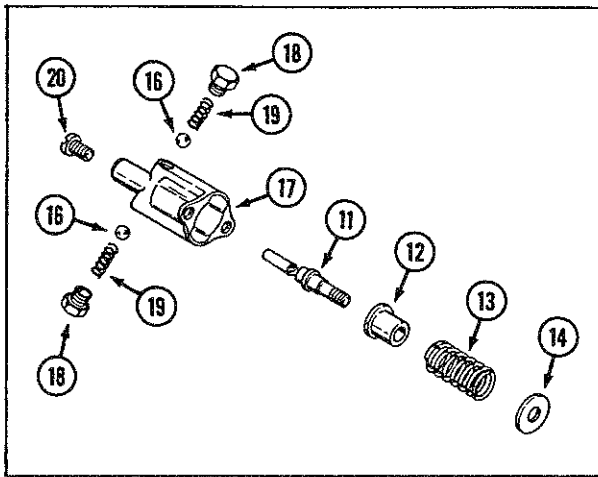
1	C 13360	DRAWBAR	1
2	192- 23	LOCK WASHER - 1/2"	2
3	113- 424	BOLT - 1/2" x 1" N.C. hex	2



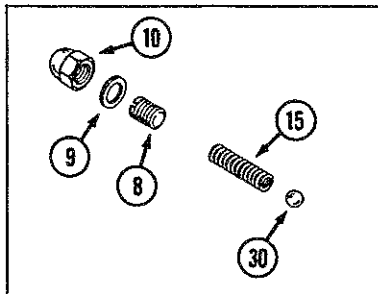
TRAVEL SECTION DETENT GROUP



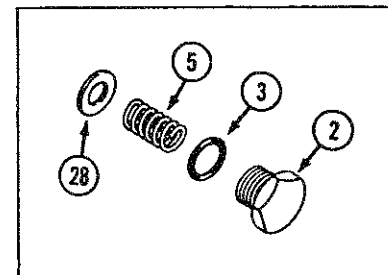
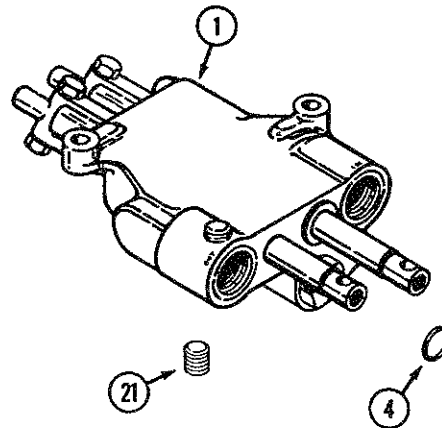
TRAVEL SECTION RELIEF GROUP



LIFT SECTION DETENT GROUP



LIFT SECTION RELIEF GROUP



HOLDING SECTION GROUP

HYDRAULIC CONTROL VALVE

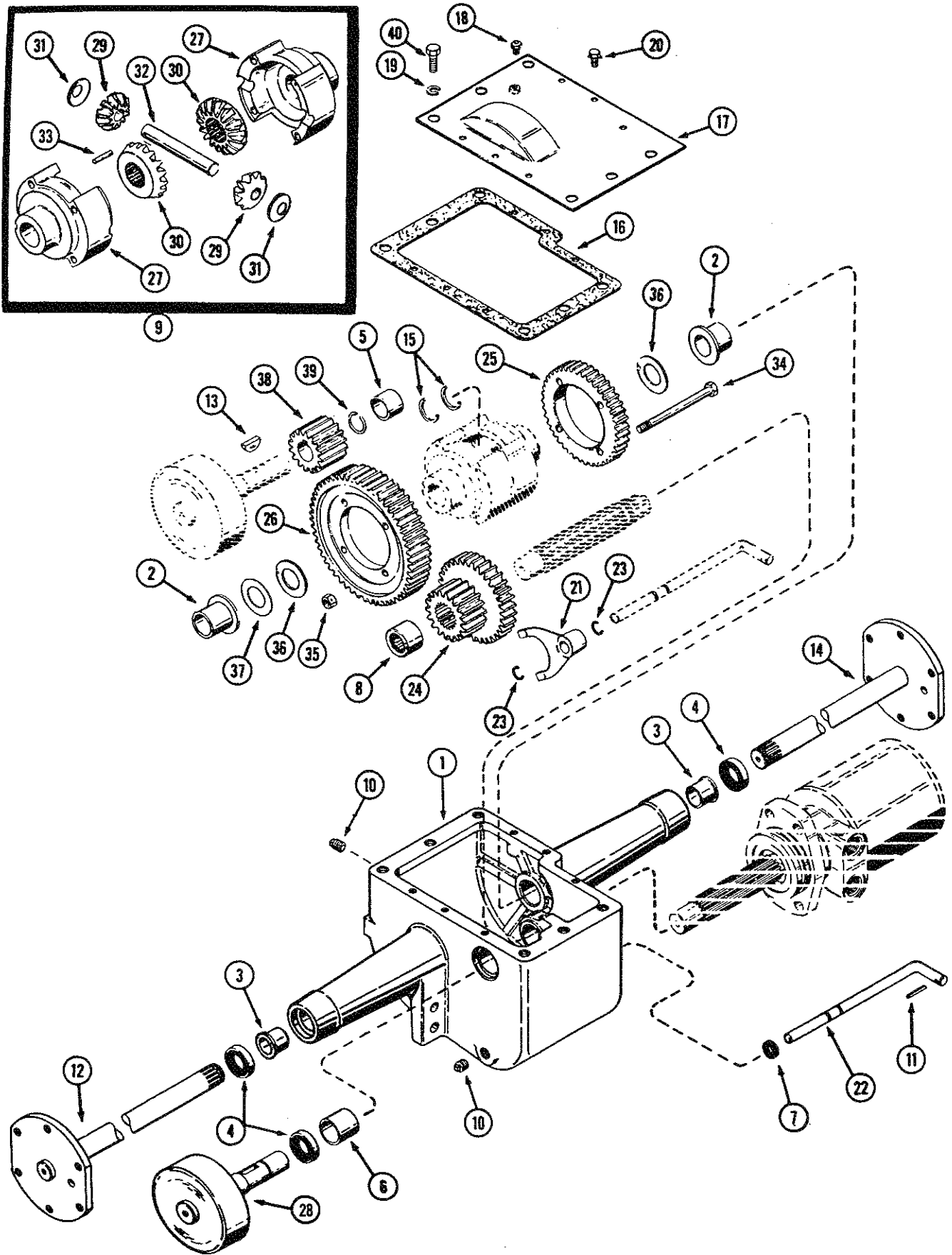
Use S/N and after:

226 - 14093640

446 - 14074315

448 - 14075995

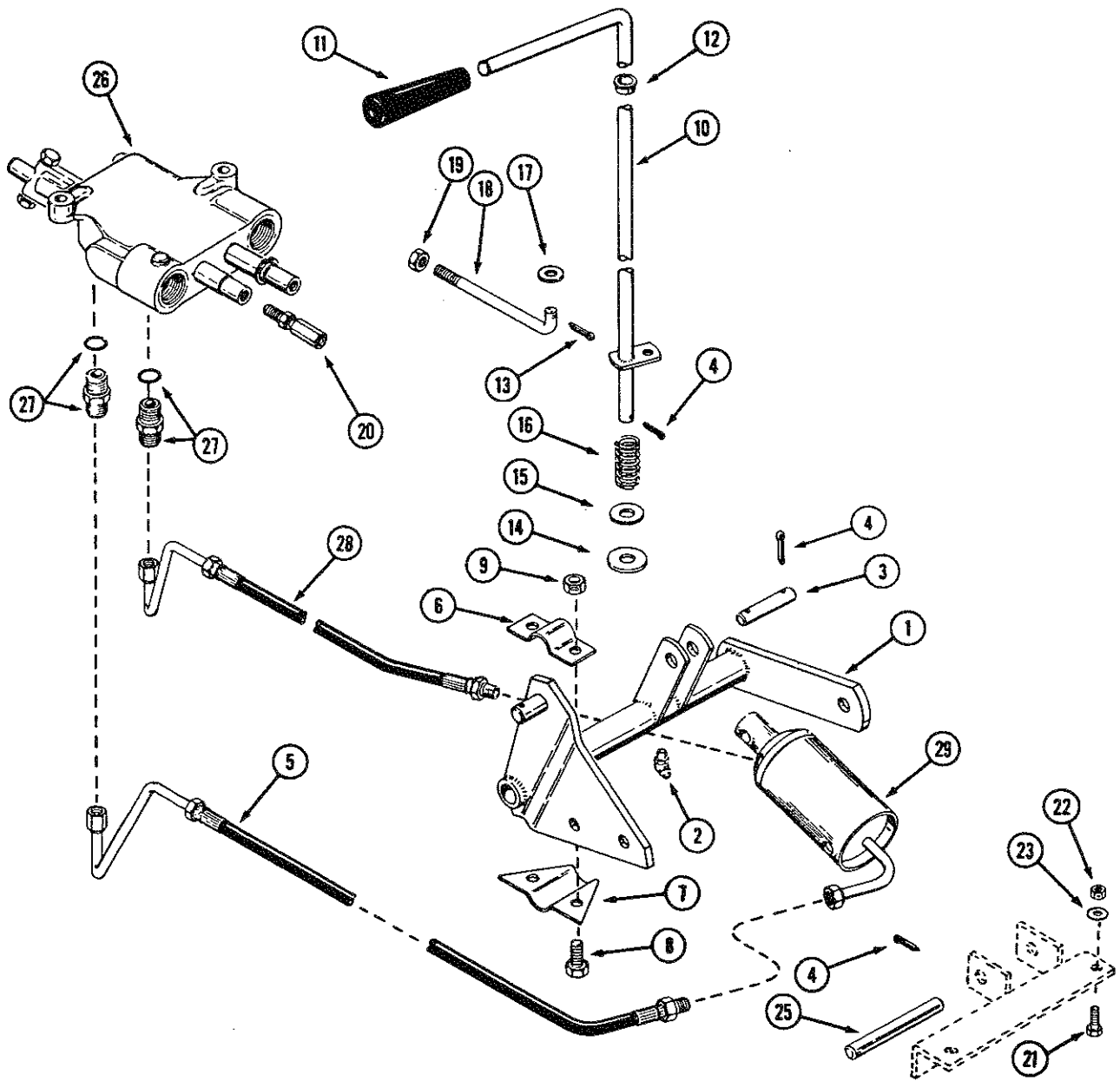
REF.	PART NO.	DESCRIPTION	REQ'D
1	NSS	VALVE - control, two spool (use C33473, 218-5154)	1
2	C 29956	CAP - end	2
3	C 28217	"O" RING - end cap	1
4	C 28856	SEAL - spool	4
5	C 29951	SPRING - centering	2
6	211- 208	BALL - steel 5/16"	1
7	C 21507	SPRING - relief	2
8	C 17433	SCREW - relief adjust	1
9	C 17435	GASKET - relief adjust cap	1
10	129- 531	CAP - adjust screw	2
11	C 26668	DETENT - spool	1
12	C 28707	SPACER - detent	1
13	C 28706	SPRING - detent return	1
14	C 28705	WASHER - return	2
15	NSS	SPRING - relief (use C21511 relief kit)	1
16	211- 5	BALL - steel 3/16"	2
17	C 17438	COVER - detent	1
18	C 28708	SCREW - detent	2
19	C 17444	SPRING - detent	4
20	169- 114	SCREW - cover	4
21	221- 841	PLUG - pipe	1
22	C 21506	RETAINER - ball seat	1
23	C 26665	SCREW - adjust relief	1
24	C 26664	GASKET - adjust cap	1
25	C 26666	CAP - adjust screw	1
26	C 26663	SEAT - relief ball	1
27	C 34555	NUT - lock	1
28	C 29950	WASHER - spring retaining	2
29	C 29958	DETENT - spool	1
30	211- 7	BALL - steel 1/4"	2
31	C 17443	SCREW - detent	2
	C 30002	KIT - seal	1
32	C 30481	PLUG - spool (use to replace rear plug only, to limit over travel of spool)	1



TRANSMISSION AND FINAL DRIVE

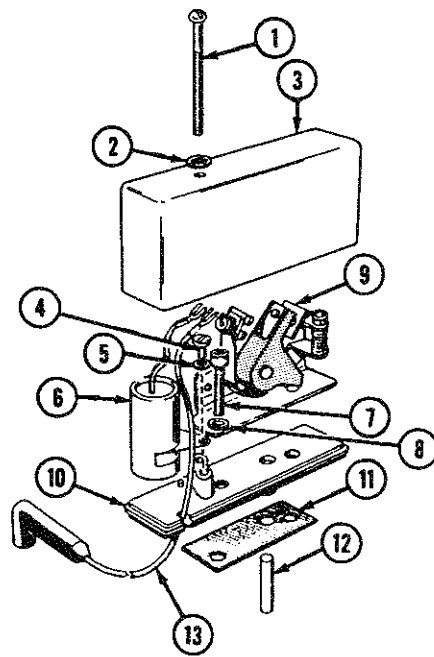
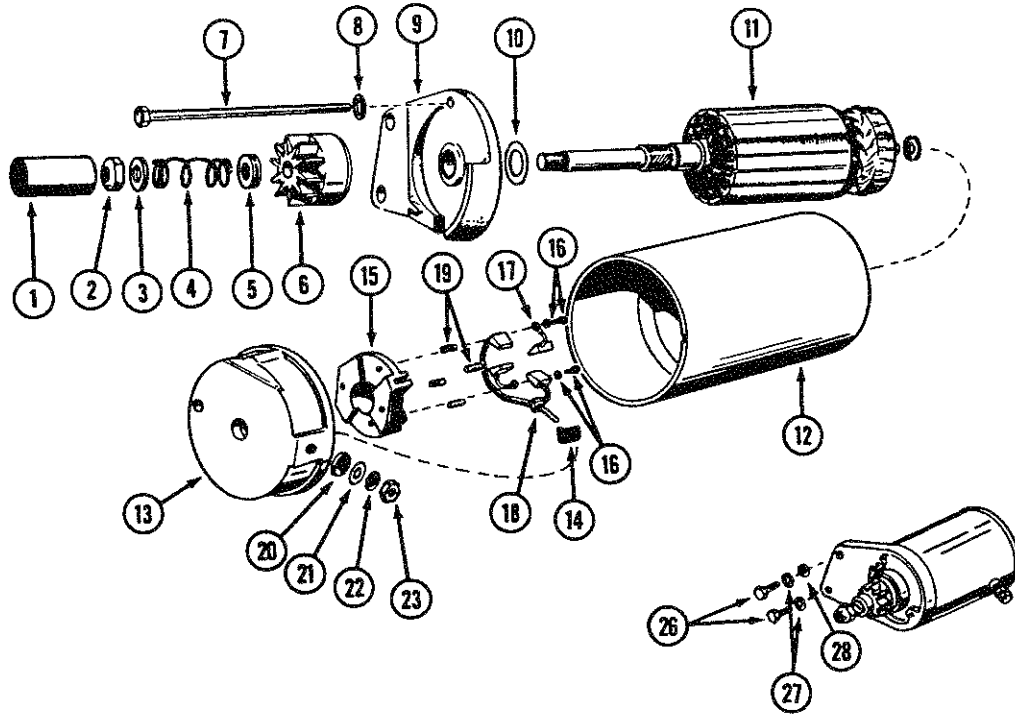
REF.	PART NO.	DESCRIPTION	REQ'D
	C 24843	CASE ASSEMBLY - transmission	1
1	NSS	CASE - transmission (order C24843 assembly)	1
2	C 12713	BEARING - flange	2
3	C 24804	BEARING - flange	2
4	C 24803	SEAL - shaft	3
5	C 13241	BEARING - sleeve	1
6	C 13385	BEARING - sleeve	1
7	C 13266	SEAL - shift rod	1
8	C 28281	BEARING - roller	1
9	C 30029	DIFFERENTIAL ASSEMBLY (also includes gears)	1
10	221- 3	PLUG - filler and drain 3/8"	3
11	138- 2073	PIN - roll 3/16" x 1-1/4"	1
12	C 16699	SHAFT - axle, short R.H. (226)	1
12	C 22638	SHAFT - axle, short R.H. (446, 448) shown	1
13	126- 128	KEY - Woodruff, brake idler	1
14	C 16700	SHAFT - axle, long L.H. (226)	1
14	C 22637	SHAFT - axle, long L.H. (446, 448) shown	1
15	C 26342	RING - retainer, axle	2
16	C 13196	GASKET - transmission cover	1
17	C 36935	COVER - transmission	1
18	C 28241	BREATHER - transmission	1
19	192- 23	LOCK WASHER - 1/2"	4
20	121- 21	BOLT - 1/4" x 1/2" N.C. hex lock	6
21	C 12725	FORK - shift	1
22	C 37222	ROD - gear shift	1
23	C 14168	RING - retaining	2
24	C 14644	GEAR - cluster input	1
25	NSS *	GEAR - high 41 tooth (shown) use C30030 and C30031	1
25	C 30030**	GEAR - high 41 tooth	1
26	C 12552	GEAR - low 55 tooth	1
27	NSS	DIFFERENTIAL CASE	1
28	C 33305	BRAKE DRUM	1
29	NSS	GEAR - differential pinion	2
30	NSS	GEAR - differential	2
31	NSS	WASHER - pinion thrust	2
32	NSS	PIN - differential	1
33	NSS	PIN - differential pin lock	1
34	28- 680	SCREW - 3/8" x 5" N.F. hex cap (shown)	4
34	C 30031**	KIT - screw (set of four)	1
35	131- 1133	NUT - lock 3/8" N.F. hex	4
36	C 12718	WASHER - differential	2
37	C 14223	WASHER - spacer	UAR
38	C 33417	GEAR - brake idler	1
39	C 14222	RING - retainer, brake idler	1
40	113- 424	BOLT - 1/2" - 13 x 1" hex	UAR
40	166- 86	BOLT - 1/2" - 13 x 1-1/4" flange	UAR

*Use before S/N:
 **Use S/N and after:
 226 - 14093844
 446 - 14095849
 448 - 14097305



HYDRAULIC LIFT

REF.	PART NO.	DESCRIPTION	REQ'D
1	C 19661	SHAFT ASSEMBLY - lift	1
2	219- 404	FITTING - lubrication	1
3	C 18251	PIN - cylinder to lever	1
4	132- 310	PIN - cotter 1/8" x 1"	5
5	C 17734	HOSE - long	1
6	C 17249	BRACKET - mounting, top	2
7	C 17250	BRACKET - mounting, bottom	2
8	113- 207	BOLT - 3/8" x 1" N.C. hex	4
9	131- 1181	NUT - 3/8" N.C. hex	4
10	C 29408	LEVER - lift control	1
11	C 28237	KNOB - control lever	1
12	C 27593	BUSHING - lift lever	1
13	132- 320	PIN - cotter 3/32" x 3/4"	1
14	195- 533	WASHER - 1/2"	1
15	C 21518	WASHER - nylon	1
16	C 27822	SPRING - control lever	1
17	195- 521	WASHER 5/16"	1
18	C 18742	ROD - control	1
19	129- 122	NUT - 5/16" N.F. hex	1
20	C 19025	BALL JOINT	1
21	113- 207	BOLT - 3/8" x 1" N.C. hex	2
22	131- 1181	NUT - lock 3/8" N.C. hex	2
23	195- 104	WASHER - 3/8" x 1-1/8" O.D.	2
25	C 26188	PIN - cylinder base	1
26	C 27217	VALVE - hydraulic, two spool	1
27	218- 5056	FITTING - valve (includes 218-5004 "O" ring)	2
28	NSS	HOSE - short (use C31682 and 218-1093)	1
29	NSS	CYLINDER - lift (use C26493 cylinder and C30049 pin)	1
	C 30054	KIT - seal	1
	C 13106	COVER - lubrication fitting	1

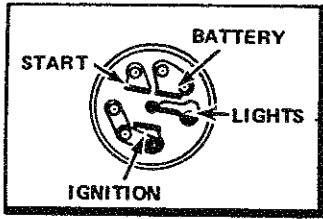


C29733 STARTER MOTOR

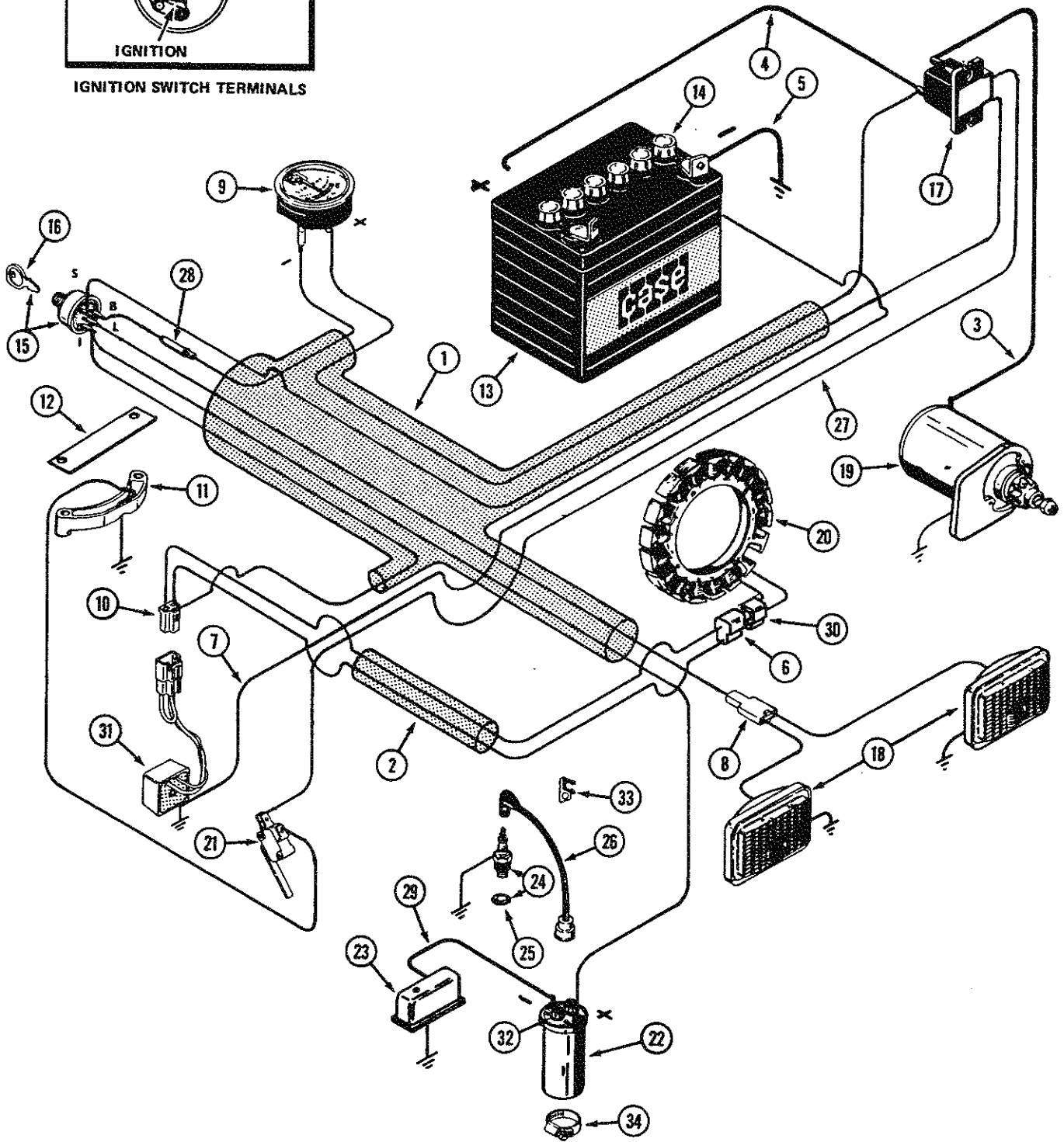
REF.	PART NO.	DESCRIPTION	REQ'D
	C 26508	KIT - dust cover	1
1	NSS	COVER - dust	1
2	NSS	NUT - stop	1
3	NSS	WASHER - stop nut	1
4	NSS	SPRING - tension	1
5	NSS	SPACER - dust cover	1
6	C 20274	DRIVE ASSEMBLY	1
7	C 20278	BOLT - through	2
8	192- 19	LOCK WASHER - through bolt	2
9	C 20333	CAP ASSEMBLY - drive end	1
10	C 20334	WASHER - thrust, armature	1
11	C 20335	ARMATURE - starter motor	1
12	NSS	HOUSING - starter, order C29733 starter	1
13	C 20336	CAP ASSEMBLY - commutator	1
14	NSS	BUSHING - insulating	1
15	NSS	HOLDER - brush	1
16	NSS	SCREW AND LOCK WASHER - brush mounting	2
	C 20337	KIT - brush and spring	1
17	NSS	BRUSH - ground	2
18	NSS	STUD AND BRUSH ASSEMBLY	2
19	NSS	SPRING - brush	4
20	NSS	WASHER - insulating	1
21	NSS	WASHER - stud mounting	1
22	NSS	LOCK WASHER - stud mounting	1
23	NSS	NUT - stud mounting	1
24	193- 57	LOCK WASHER - external tooth 1/4"	1
25	129- 101	NUT - 1/4" - 20	1
26	113- 103	BOLT - 5/16" x 1" N.C.	2
27	192- 20	LOCK WASHER - 5/16"	2
28	195- 102	WASHER - 5/16"	2

BREAKER CONTACT ASSEMBLY

	C 29990	BREAKER CONTACT ASSEMBLY	1
1	182- 520	SCREW - No. 10 - 24 x 1-1/2"	1
2	195- 513	WASHER - No. 10	1
3	C 23854	COVER - breaker box (includes items 1 and 2)	1
4	187- 1511	SCREW - No. 8 - 32 x 5/16" self tapping	1
5	O/L	LOCK WASHER - No. 8	1
6	C 29991	CONDENSER - ignition	1
7	165- 143	SCREW - 1/4" 20 x 3/4"	2
8	O/L	LOCK WASHER - 1/4"	2
9	C 29736	CONTACTS - breaker	1
10	C 25100	BASE - breaker box	1
11	C 20345	GASKET - breaker box	1
12	C 20347	PLUNGER - breaker box	1
13	C 29992	LEAD - breaker to coil negative	1



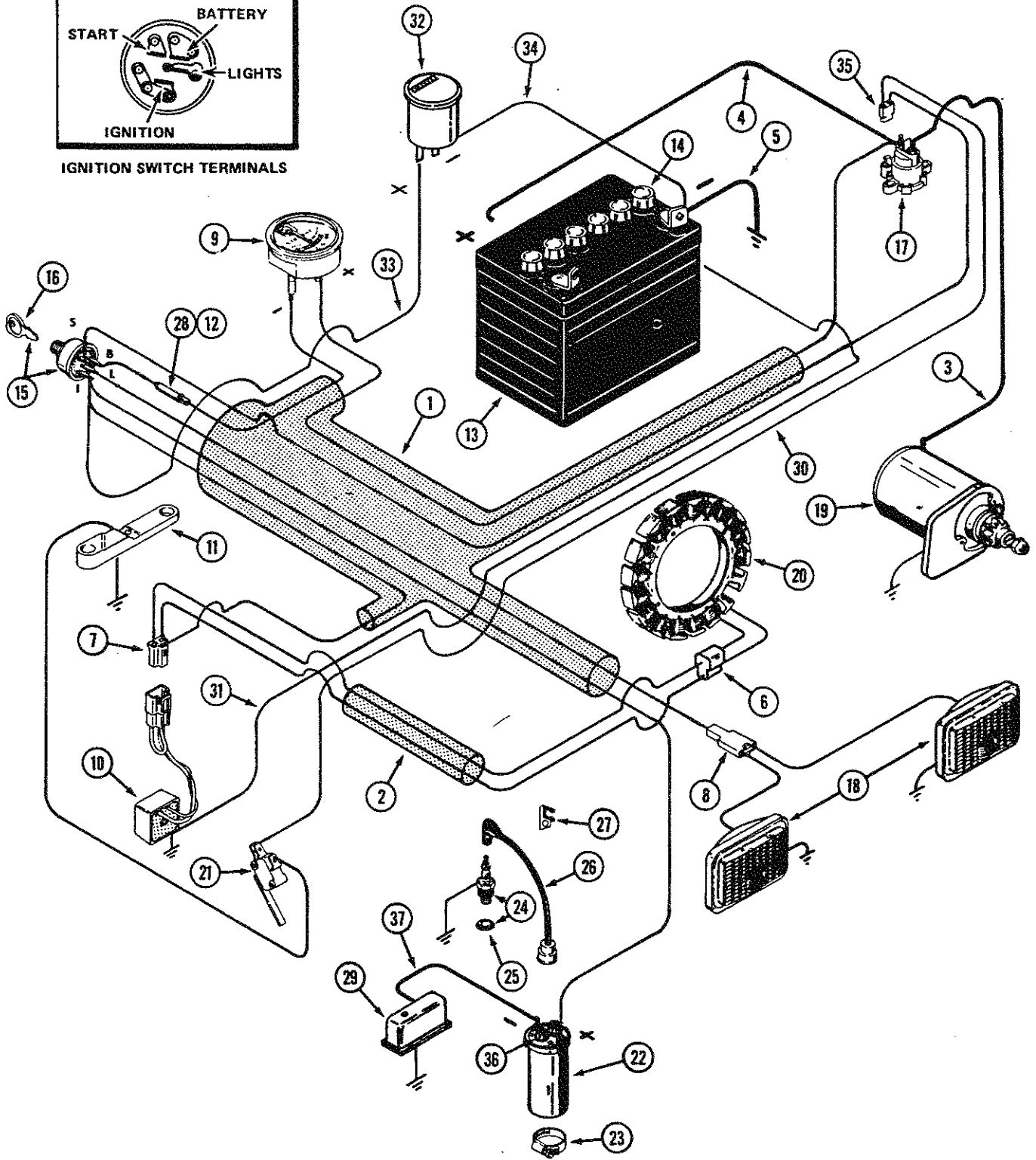
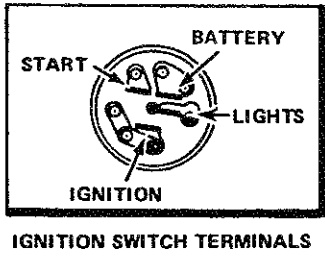
IGNITION SWITCH TERMINALS



ELECTRICAL SYSTEM

Use before S/N:
 226 - 14057822
 446 - 14060238
 448 - 14062271

REF.	PART NO.	DESCRIPTION	REQ'D
1	C 25564	HARNESS - wire	1
2	C 24815	HARNESS - wire	1
3	C 24809	CABLE - solenoid to starter (black)	1
4	C 14565	CABLE - solenoid to battery positive (red)	1
5	C 24814	CABLE - battery negative to ground (black)	1
6	C 24813	CONNECTOR - stator	1
7	C 26670	WIRE - rectifier to battery negative	1
8	C 14537	CONNECTOR - lights	1
9	C 29413	AMMETER - 30 amperes, 12v	1
10	C 25486	CONNECTOR - rectifier	1
11	C 28003	SWITCH - neutral start (includes wire)	1
12	C 21989	INSULATOR - locator	1
13	NSS	BATTERY - 12v (use C31213)	1
14	NSS	CAP - battery	6
15	C 30268	SWITCH ASSEMBLY - ignition	1
16	C 32407	KEY - ignition	1
17	NSS	SOLENOID - start, 12v (use C33025 kit)	1
18	C 32178	HEADLIGHT ASSEMBLY - 12v (repairs page 77)	2
19	C 29733	STARTER - (repairs page 67)	1
20	C 24956	STATOR	1
21	C 26108	SWITCH - neutral start PTO	1
22	C 29752	COIL - ignition, 12v (includes caps)	1
23	C 29990	BREAKER CONTACT ASSEMBLY - ignition (repairs page 67)	1
24	C 25845	SPARK PLUG - (includes gasket)	2
25	NSS	GASKET - spark plug	1
26	C 32299	WIRE - spark plug	2
27	C 25563	WIRE - solenoid to switch	1
28	223- 30	FUSE - 30 amperes (included in harness)	1
28	NSS	HOLDER - fuse, 30 amperes (use C31947)	1
29	C 29992	WIRE - breaker contacts to coil negative	1
30	C 25338	CONNECTOR - stator	1
31	C 31249	RECTIFIER - voltage 12v	1
32	C 25227	CAP - coil (included with coil)	1
33	C 20344	RETAINER - cable	1
34	214- 258	CLAMP - coil mounting	1



ELECTRICAL SYSTEM

Use S/N:

226 - 14057822 to 14094020

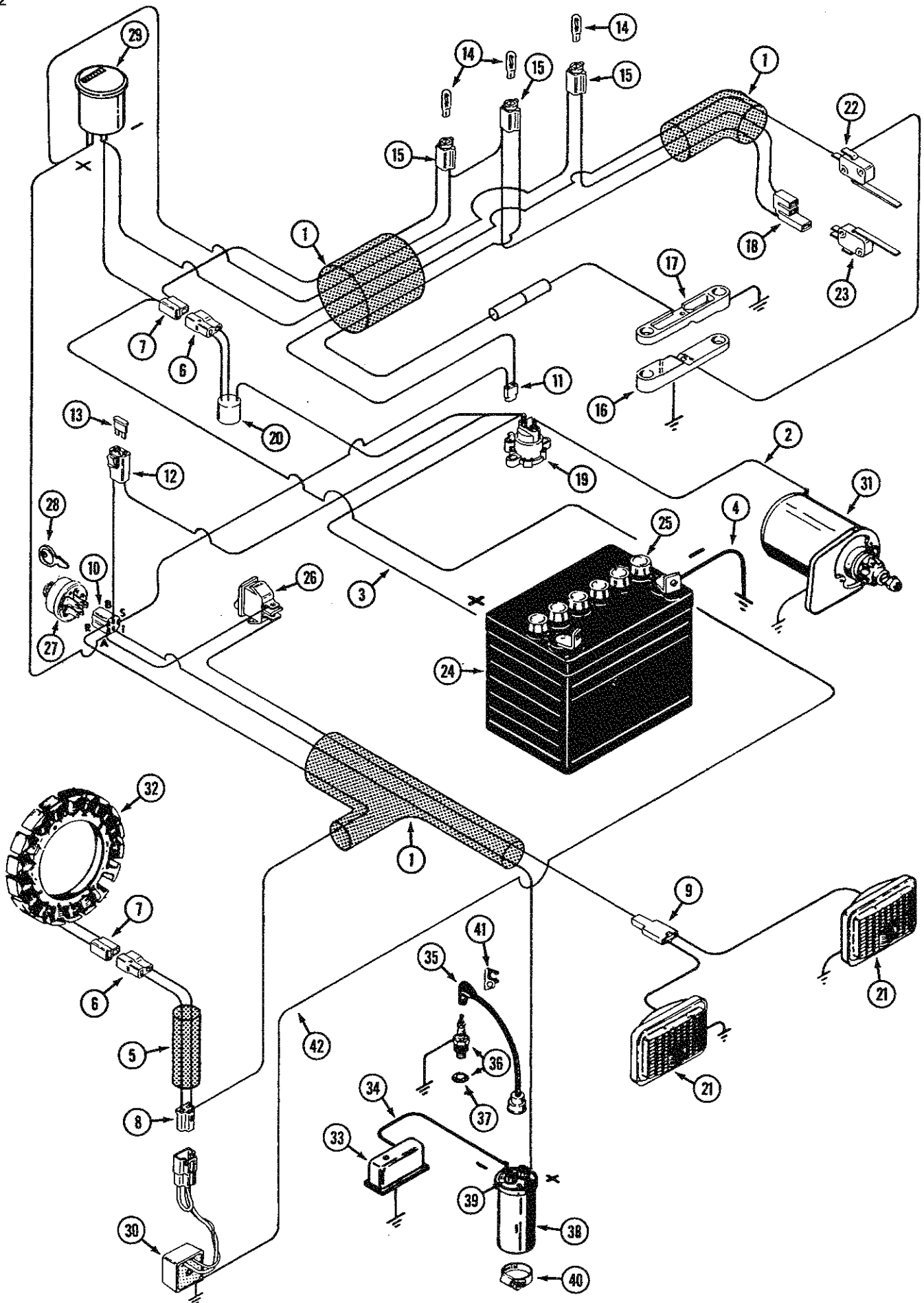
446 - 14060238 to 14096200

448 - 14062271 to 14097625

REF.	PART NO.	DESCRIPTION	REQ'D
1	C 27527	HARNESS - wire	1
2	C 24815	HARNESS - wire	1
3	C 29410	CABLE - solenoid to starter (black)	1
4	C 14565	CABLE - solenoid to battery positive (red)	1
5	C 24814	CABLE - battery negative to ground (black)	1
6	C 24813	CONNECTOR - wire harness	1
6	C 25338	CONNECTOR - stator	1
7	C 25486	CONNECTOR - rectifier	1
8	C 14537	CONNECTOR - lights	1
9	C 29413	AMMETER - 30 amperes, 12v	1
10	C 31249	RECTIFIER - voltage, 12v	1
11	C 28003+	SWITCH - neutral start (includes wire)	1
11	C 29646++	LOCATOR ASSEMBLY - neutral start (see page 55)	1
12	NSS	HOLDER - fuse, 30 amp (use C31947)	1
13	NSS	BATTERY - 12v (use C41010)	1
14	NSS	CAP - battery	6
15	C 30268	SWITCH - ignition (includes key and mounting hardware)	1
16	C 32407	KEY - ignition	1
17	NSS	SOLENOID - start, 12v (use C33025)	1
18	C 32178	HEADLAMP ASSEMBLY - 12v (repairs page 77)	2
19	C 29733	STARTER - bendix drive (repairs page 67)	1
20	C 24956	STATOR	1
21	C 26108	SWITCH - neutral start PTO	1
22	C 29752	COIL - ignition, 12v	1
23	214- 258	CLAMP - coil mounting	1
24	C 25845	SPARK PLUG - (includes gasket)	2
25	NSS	GASKET - spark plug	1
26	C 32299	WIRE - spark plug	2
27	C 20344	RETAINER - cable	1
28	223- 30	FUSE - 30 amperes (included in harness)	1
29	C 29990	BREAKER CONTACT ASSEMBLY - ignition (repairs page 67)	1
30	C 27530	WIRE - solenoid to neutral start	1
31	C 26670	WIRE - ground, rectifier to battery negative	1
32	C 28304*	HOURMETER	1
32	C 42929**	HOURMETER - shown	1
33	C 29411	WIRE - hourmeter to ignition switch	1
34	C 29412	WIRE - hourmeter to battery negative (-)	1
35	C 27549	CONNECTOR - solenoid	1
36	C 25227	CAP - coil (included with coil)	2
37	C 29992	WIRE - breaker contacts to coil negative (-)	1

+ Use before S/N:
 ++ Use S/N and after:
 226 - 14071842
 446 - 14074256
 448 - 14075932

* Use before S/N:
 ** Use S/N and after:
 226 - 14071775
 446 - 14074175
 448 - 14075830



ELECTRICAL SYSTEM

Use S/N to S/N:

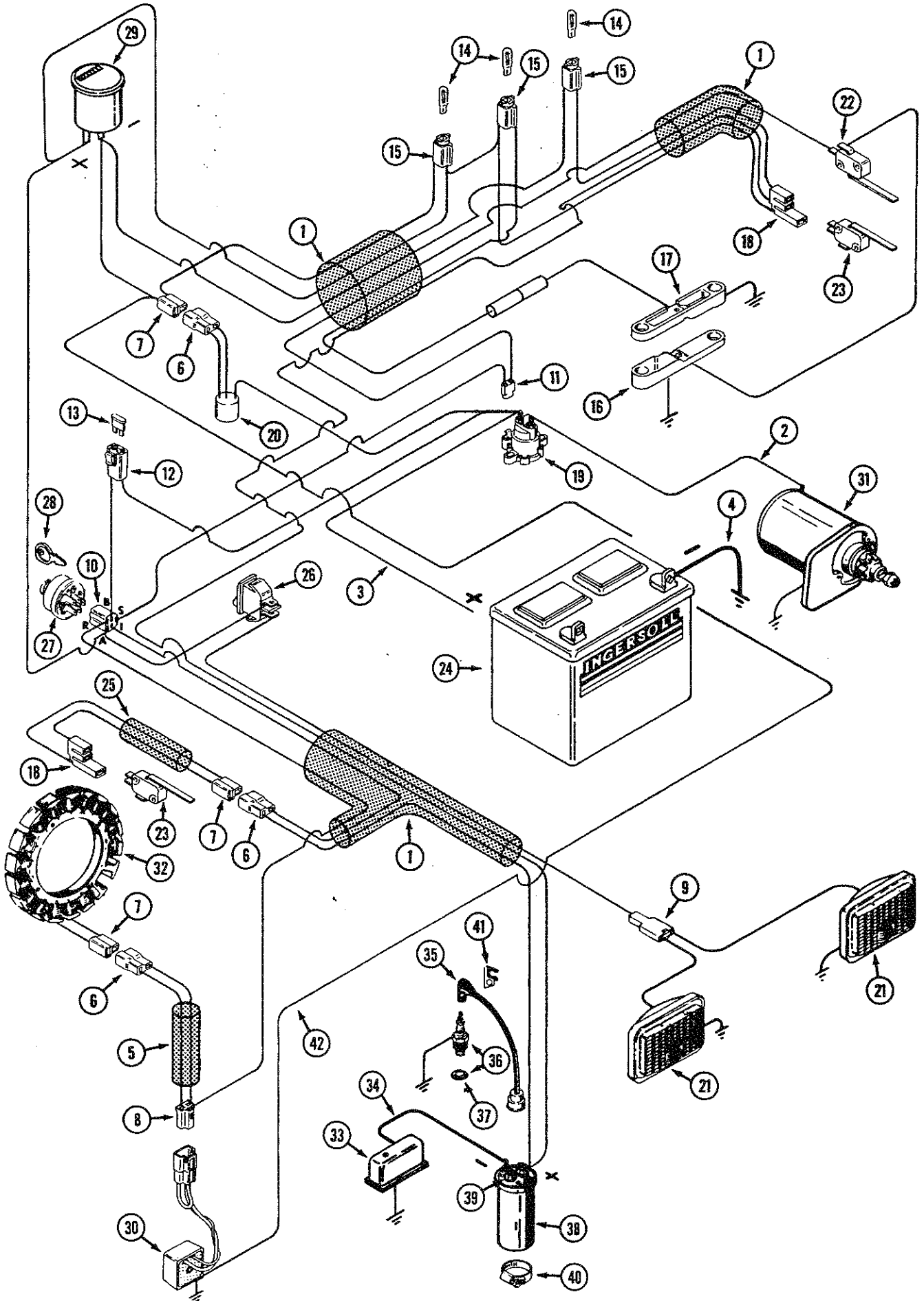
226 - 14094020 to 14110325

446 - 14096200 to 14112435

448 - 14097625 to 14113810

REF.	PART NO.	DESCRIPTION	REQ'D
1	C 30264	HARNESS - wire	1
2	C 29410	CABLE - solenoid to starter	1
3	C 14565	CABLE - solenoid to battery positive	1
4	C 24814	CABLE - battery negative to ground	1
5	C 24815	HARNESS - wire	1
6	C 24813	CONNECTOR - wire	2
7	C 25338	CONNECTOR - wire	2
8	C 25486	CONNECTOR - rectifier	1
9	C 14537	CONNECTOR - lights	1
10	C 24460	CONNECTOR - switch	1
11	C 27549	CONNECTOR - solenoid	1
12	C 31947	KIT - holder and fuse	1
13	C 30260	FUSE - 30 AMP	1
14	C 30262	BULB - light	3
15	C 30263	SOCKET - bulb	3
16	C 29650	LOCATOR HALF - neutral start (see page 55)	1
17	C 30450	SWITCH - neutral light (see page 55)	1
18	C 30279	CONNECTOR - switch	1
19	NSS	SOLENOID - start, 12v (use C33025)	1
20	C 30265	SENSOR - voltage	1
21	C 32178	HEADLAMP ASSEMBLY - 12v (repairs page 77)	2
22	C 26108	SWITCH - neutral start	1
23	C 30275	SWITCH - PTO light	1
24	NSS	BATTERY - 12 v (use C41010)	1
25	NSS	CAP - battery	6
26	C 43044	SWITCH - head lamp	1
27	C 30480*	SWITCH ASSEMBLY - ignition (includes key and mounting hardware)	1
27	C 30530**	SWITCH ASSEMBLY - ignition (includes key and mounting hardware)	1
28	C 32407	KEY - ignition	1
29	C 42929	HOURMETER	1
30	C 31249	RECTIFIER - voltage 12v	1
31	C 29733	STARTER - bendix drive (repairs page 67)	1
32	C 24956	STATOR	1
33	C 29990	BREAKER CONTACT ASSEMBLY - ignition (repairs page 67)	1
34	C 29992	WIRE - breaker contacts to coil (-)	1
35	C 32299	WIRE - spark plug	2
36	C 25845	SPARK PLUG - includes gasket	2
37	NSS	GASKET - spark plug	1
38	C 29752	COIL - ignition, 12v	1
39	C 25227	CAP - coil	2
40	214- 258	CLAMP - coil mounting	1
41	C 20344	RETAINER - cable	1
42	C 26670	WIRE - Solenoid lower mounting bolt to battery (-)	1

*Use before S/N:
 **Use S/N and after:
 226 - 14110139
 446 - 14112151
 448 - 14113556



ELECTRICAL SYSTEM

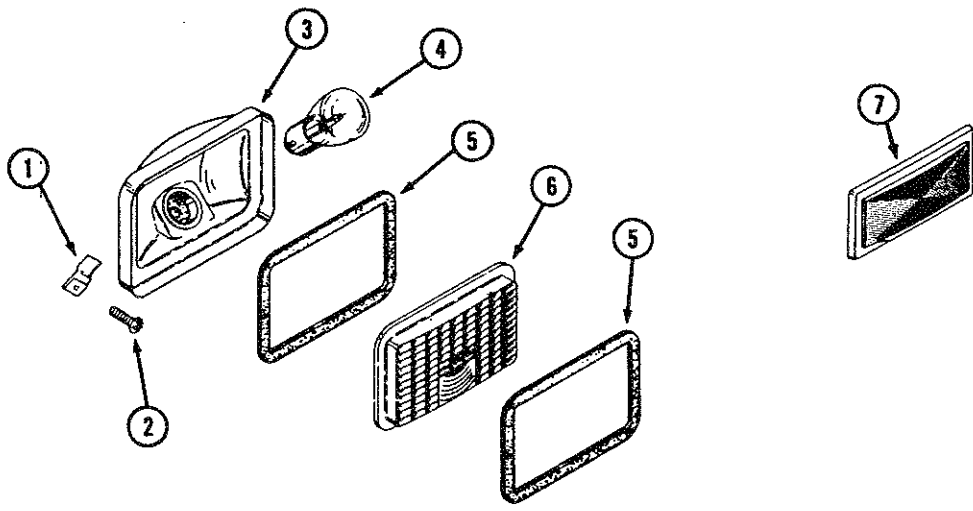
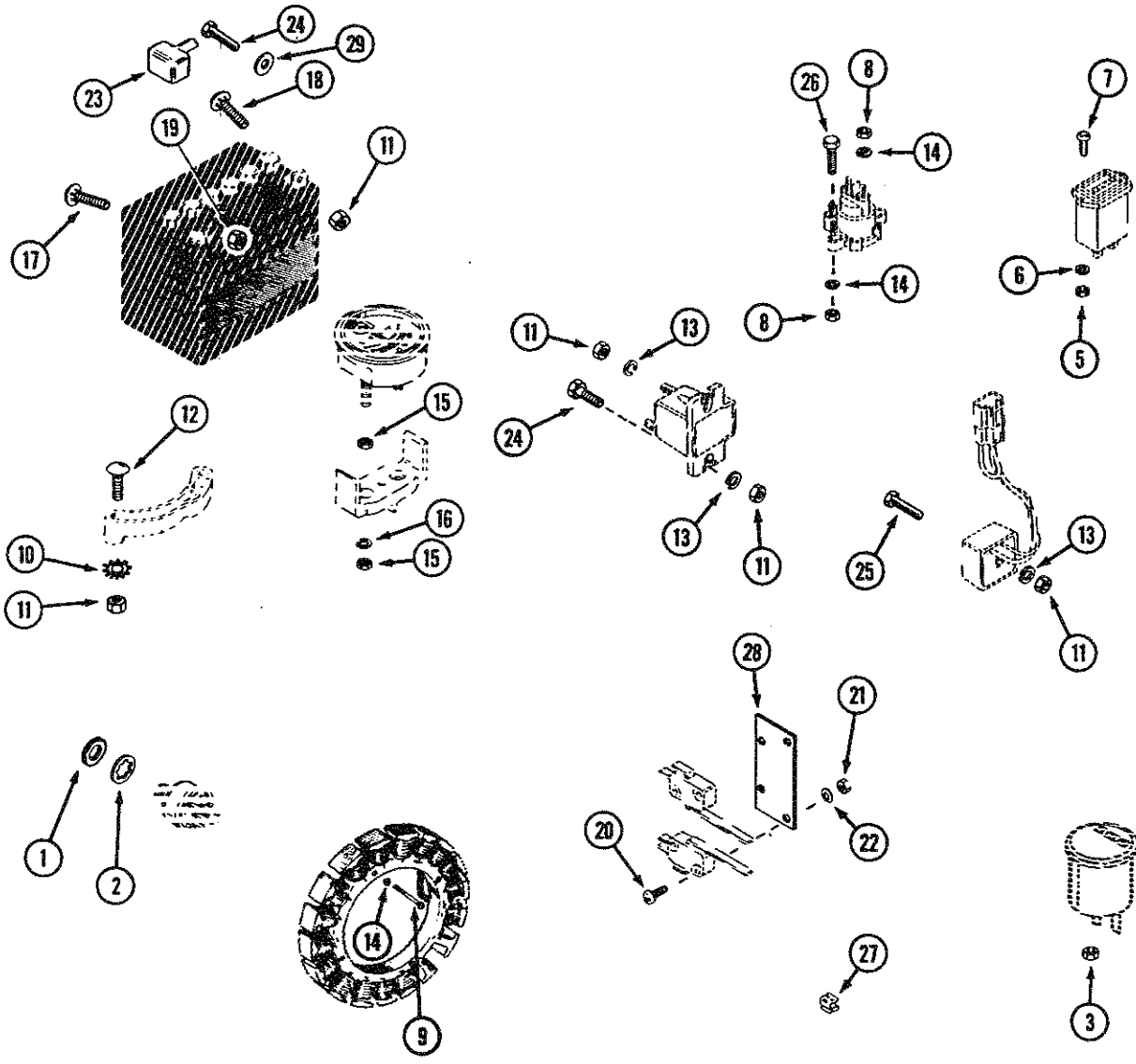
Use S/N and after:

226 - 14110325

446 - 14112435

448 - 14113810

REF.	PART NO.	DESCRIPTION	REQ'D
1	C 31029	HARNESS - wire	1
2	C 29410	CABLE - solenoid to starter	1
3	C 14565	CABLE - solenoid to battery positive	1
4	C 24814	CABLE - battery negative to ground	1
5	C 24815	HARNESS - wire	1
6	C 24813	CONNECTOR - wire	2
7	C 25338	CONNECTOR - wire	2
8	C 25486	CONNECTOR - rectifier	1
9	C 14537	CONNECTOR - lights	1
10	C 24460	CONNECTOR - switch	1
11	C 27549	CONNECTOR - solenoid	1
12	C 31947	KIT - body and fuse	1
13	C 30260	FUSE - 30 AMP	1
14	C 30262	BULB - light	3
15	C 30263	SOCKET - bulb	3
16	C 29650	LOCATOR HALF - neutral start (see page 55)	1
17	C 30450	SWITCH - neutral light (see page 55)	1
18	C 30279	CONNECTOR - switch	1
19	NSS	SOLENOID - start, 12v (use C33025)	1
20	C 30265	SENSOR - voltage	1
21	C 32178	HEADLAMP ASSEMBLY - 12v (repairs page 77)	2
22	C 26108	SWITCH - neutral start	1
23	C 30275	SWITCH - interloc	1
24	C 41010	BATTERY - 12v	1
25	C 31044	HARNESS - seat interloc switch	1
26	C 43044	SWITCH - head lamp	1
27	C 30530	SWITCH ASSEMBLY - ignition (includes key and mounting hardware)	1
28	C 32407	KEY - ignition	1
29	C 42929	HOURLY METER	1
30	C 31249	RECTIFIER - voltage 12v	1
31	C 29733	STARTER - bendix drive (repairs page 67)	1
32	C 24956	STATOR	1
33	C 29990	BREAKER CONTACT ASSEMBLY - ignition (repairs page 67)	1
34	C 29992	WIRE - breaker contacts to coil (-)	1
35	C 32299	WIRE - spark plug	2
36	C 25845	SPARK PLUG - includes gasket	2
37	NSS	GASKET - spark plug	1
38	C 29752	COIL - ignition, 12v (uses #12-32 nut on terminals)	1
39	C 25227	CAP - coil	2
40	214- 258	CLAMP - coil mounting	1
41	C 20344	RETAINER - cable	1
42	C 26670	WIRE - Solenoid lower mounting bolt to battery (-)	1



MODEL 226, 446 AND 448 COMPACT TRACTORS

ELECTRICAL SYSTEM HARDWARE

REF.	PART NO.	DESCRIPTION	REQ'D
1	NSS	NUT - switch mounting 5/8" (use C32396 and C32397)	1
1	C 23330	NUT - switch mounting 9/16"	1
2	C 23012	LOCK WASHER - internal tooth	1
3	129- 36	NUT - #8-36	2
5	129- 15	NUT - #6-32 hex	2
6	O/L	LOCK WASHER - #6	2
7	182- 571	SCREW - #6-32 x 1/2" pan head, black	2
8	129- 37	NUT - #10-32 hex	4
9	O/L	SCREW - No. 10 x 1-3/8"	3
10	193- 57	LOCK WASHER - 1/4" external tooth	4
11	129- 101	NUT - 1/4" - 20 hex	2
12	111- 139	BOLT - 1/4" - 20 x 1" round head, square neck	2
13	192- 19	LOCK WASHER - 1/4"	4
14	192- 18	LOCK WASHER - No. 10	3
15	129- 27	NUT - No. 10 N.F. hex	4
16	192- 18	LOCK WASHER - No. 10	2
17	111- 202	BOLT - 5/16" x 3/4" N.C. round head, square neck	1
18	111- 108	BOLT - 1/4" x 3/4" N.C. round head, square neck	1
19	129- 102	NUT - 5/16" N.C. hex	1
20	182- 10	SCREW - No. 4-40 N.C. 7/8"	UAR
21	C 33697	NUT - No. 4-40 hex	UAR
22	192- 13	LOCK WASHER - No. 4	UAR
23	C 24069	COVER - terminal	1
24	113- 3	BOLT - 1/4" - 20 x 3/4" hex	2
25	113- 17	BOLT - 1/4" - 20 x 1-1/4" hex	1
26	182- 147	BOLT - #10-32 x 3/4"	2
27	C 19521	CLIP - wire holder, headlight	2
28	C 30276*	PLATE - switch mounting	1
29	195- 518	WASHER - 1/4"	4

*Use S/N:

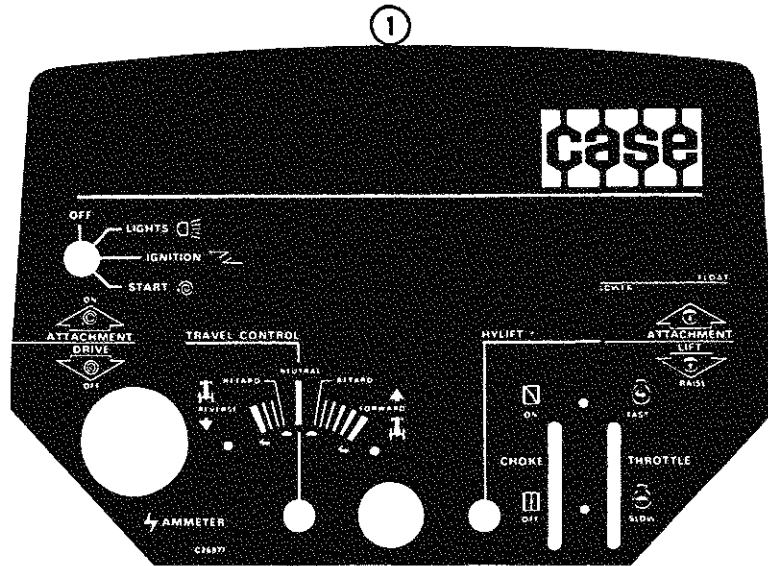
226 - 14094020 to 14094129

446 - 14096200 to 14096325

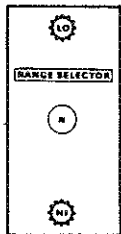
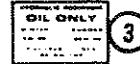
448 - 14097625 to 14097742

HEADLIGHT ASSEMBLY AND REAR REFLECTOR

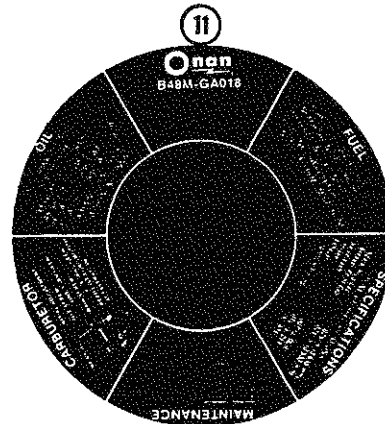
1	131- 629	NUT - speed type "U"	4
2	187- 1334	SCREW - No. 8 x 1/2" self-tapping, round head Phillips	4
	C 32178	HEADLIGHT ASSEMBLY	2
3	NSS	RECEPTACLE - headlight (order C32178)	1
4	C 28932	BULB - headlight	1
5	C 14304	GASKET - headlight	2
6	C 22573	LENS - headlight	1
7	C 30942	REFLECTOR - red, rear fender	2



6
BRAKE—PEDAL IS ON LEFT SIDE OF TRACTOR
PARKING BRAKE LOCK
 TO ENGAGE—APPLY BRAKE AND PUSH LOCK DOWN
 TO RELEASE—PUSH BRAKE PEDAL DOWN



9
CAUTION
 READ OPERATOR'S MANUAL.
 KNOW LOCATION AND FUNCTION OF ALL CONTROLS.
 KEEP ALL SHIELDS AND SAFETY SWITCHES FUNCTIONAL.
 BEFORE STARTING ENGINE, DISCONNECT ATTACHMENT
 BATTERY AND PLACE TRAVEL CONTROL IN NEUTRAL.
 REMOVE OBJECTS FROM THE TURNING PATH THAT COULD
 BE THROWN BY THE ATTACHMENT.
 KEEP PEOPLE AND PETS A SAFE DISTANCE AWAY.
 NEVER CARRY PASSENGERS.
 ALWAYS LOCK WHEELS BEFORE BACKING.
 ON ANY INCLINE THAT THE TRACTOR CAN BE SAFELY
 OPERATED USE LOW GEAR/GEARS.
 FRONT END TIP OVERS CAN OCCUR UNDER OPERATIONS ON
 LOADING RAMPS OR BELLS, BACK UP RAMPS OR BELLS.
 DRIVE FORWARD SLOWLY DOWN RAMPS OR BELLS.
 TO PARK TRACTOR: PLACE TRAVEL CONTROL IN
 NEUTRAL, SET PARKING BRAKE, DISCONNECT
 ATTACHMENT DOWN, REMOVE KEY AND REMOVE KEY.
 PARK TRACTOR BEFORE SERVICING OR MAINTENANCE.
 ADJUSTMENTS TO TRACTOR OR ATTACHMENTS.
 FAILURE TO OBSERVE THESE PRECAUTIONS
 COULD RESULT IN INJURY.



226

8
hydriiv[®]

446

7
hydriiv[®]

448

4
hydriiv[®]

MODEL 226, 446 AND 448 COMPACT TRACTORS

DECALS

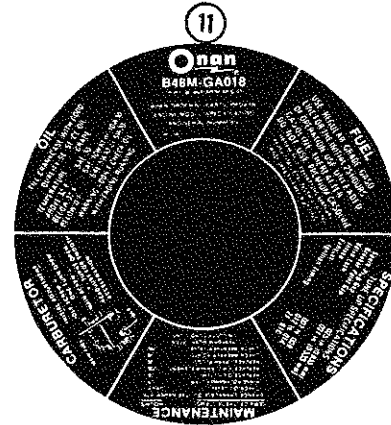
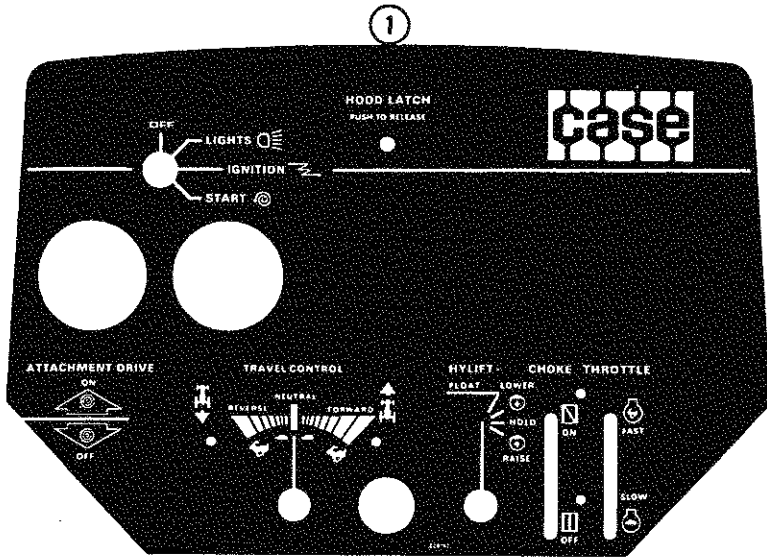
Use Before S/N:

226 - 14058070

446 - 14060735

448 - 14062610

REF.	PART NO.	DESCRIPTION	REQ'D
1	C 26877	DECAL - instrument panel	1
2	C 26699	DECAL - fuel gauge	1
3	321- 4767	DECAL - hydraulic reservoir	1
4	C 27179	DECAL - hood (448) L.H.	1
4	C 27183	DECAL - hood R.H. (448) shown	1
5	C 33589	DECAL - shift range	1
6	NSS	DECAL - clutch brake (use C33590)	1
7	C 27178	DECAL - hood (446) L.H.	1
7	C 27182	DECAL - hood R.H. (446) shown	1
8	C 27176	DECAL - hood L.H. (226) shown	1
8	C 27181	DECAL - hood (226) R.H.	1
9	321- 6659	DECAL - "caution"	1
10	NSS	MEDALLION - "Case" (use C30539)	1
11	C 26656	DECAL - air cleaner (226, 446)	1
11	NSS	DECAL - air cleaner (448) shown	1



226 hydriv ¹³

446 hydriv ¹⁴

448 hydriv ¹⁵

226 hydriv ⁶

446 hydriv ⁷

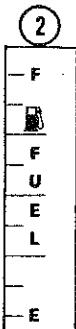
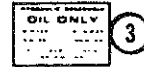
448 hydriv ⁸

⁵
BRAKE - PEDIAL IS ON LEFT SIDE OF TRACTOR
PARKING BRAKE LOCK
 TO ENGAGE - APPLY BRAKE AND PUSH LOCK DOWN
 TO RELEASE - PUSH BRAKE PEDAL DOWN

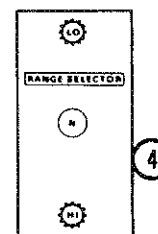
¹²
INGERSOLL



¹⁶
INGERSOLL



⁹
CAUTION
 READ OPERATOR'S MANUALS.
 KNOW LOCATION AND FUNCTION OF ALL CONTROLS.
 KEEP ALL SHIELDS AND SAFETY SWITCHES FUNCTIONAL.
 BEFORE STARTING ENGINE, DISENGAGE ATTACHMENT DRIVE AND PLACE TRAVEL CONTROL IN NEUTRAL.
 REMOVE OBJECTS FROM THE TERRAIN THAT COULD BE THROWN BY THE ATTACHMENT.
 KEEP PEOPLE AND PETS A SAFE DISTANCE AWAY.
 NEVER CARRY PASSENGERS.
 ALWAYS LOOK BEHIND TRACTOR BEFORE BACKING.
 ON ANY SLOPE THAT THE TRACTOR CAN BE SAFELY OPERATED USE LOW RANGE/GEAR.
 FRONT END TIP OVERS CAN OCCUR WHEN OPERATING ON LOADING RAMPS OR HILLS, BACK UP RAMPS OR HILLS. DRIVE FORWARD DOWN RAMPS OR HILLS.
 TO PARK TRACTOR: PLACE TRAVEL CONTROL IN NEUTRAL, SET PARKING BRAKE, DISENGAGE ATTACHMENT DRIVE, SHUT OFF AND REMOVE KEY.
 PARK TRACTOR BEFORE SERVICING OR MAKING ADJUSTMENTS TO TRACTOR OR ATTACHMENTS.
 FAILURE TO OBSERVE THESE PRECAUTIONS COULD RESULT IN INJURY.



DECALS

Use S/N:

226 - 14058070 to 14094020

446 - 14060735 to 14096200

448 - 14062610 to 14097625

(English)

REF.	PART NO.	DESCRIPTION	REQ'D
1	C 29740**	DECAL - instrument panel (shown)	1
1	C 27944*	DECAL - instrument panel	1
2	C 26699	DECAL - fuel gauge	1
3	321- 4767	DECAL - hydraulic reservoir	1
4	C 33589	DECAL - shift range	1
5	NSS	DECAL - brake (use C33590)	1
6	C 27917	DECAL - "226" hood L.H. (shown)	1
6	C 27922	DECAL - "226" hood R.H.	1
7	C 27919	DECAL - "446" hood L.H. (shown)	1
7	C 27923	DECAL - "446" hood R.H.	1
8	C 27920	DECAL - "448" hood L.H. (shown)	1
8	C 27924	DECAL - "448" hood R.H.	1
9	321- 6659	DECAL - "Caution"	1
10	NSS	MEDALLION - "Case" (use C30539)	1
11	C 26656*	DECAL - air cleaner (226, 446)	1
11	NSS *	DECAL - air cleaner (448) shown	1
12	C 27962	DECAL - "Ingersoll" stripe L.H. (shown)	1
12	C 27963	DECAL - "Ingersoll" stripe R.H.	1
13	C 27956*	DECAL - seat back "226 hydriv"	1
14	C 27958*	DECAL - seat back "446 hydriv"	1
15	C 27959*	DECAL - seat back "448 hydriv"	1
16	C 29202**	DECAL - seat back "Ingersoll"	1

*Use before S/N:

**Use S/N and after:

226 - 14071775

446 - 14074175

448 - 14075830

①
INGERSOLL

⑥
226 hydriv

⑦
446 hydriv

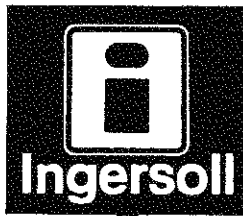
⑧
448 hydriv

⑤
BRAKE - PEDAL IS ON LEFT SIDE OF TRACTOR
PARKING BRAKE LOCK
TO ENGAGE - APPLY BRAKE AND PUSH LOCK DOWN
TO RELEASE - PUSH BRAKE PEDAL DOWN

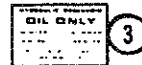
⑫
INGERSOLL



⑩



⑬

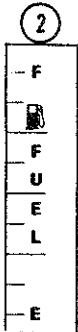


③



⑰

GASOLINE ONLY

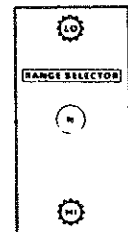


②

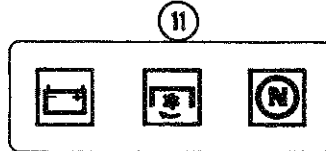
⑨

CAUTION

READ OPERATOR'S MANUALS.
KNOW LOCATION AND FUNCTION OF ALL CONTROLS.
KEEP ALL SHIELDS AND SAFETY DEVICES FUNCTIONAL.
BEFORE STARTING ENGINE, DISengage ATTACHMENT DRIVE AND PLACE TRAVEL CONTROL IN NEUTRAL.
REMOVE OBJECTS FROM THE TRAILER THAT COULD BE THROWN BY THE ATTACHMENT.
NEVER CARRY PASSENGERS.
ALWAYS LOOK BEHIND TRACTOR BEFORE BACKING, OR ANY INCLINE THAT THE TRACTOR CAN BE SAFELY OPERATED USE LOW RANGE/GEAR.
RIGHT END TIP OVER CAN OCCUR WHEN OPERATING ON LOADING RAMPS OR HILLS. BACK UP RAMP OR HILLS. DRIVE FORWARD DOWN RAMP OR HILLS.
TO PARK TRACTOR: PLACE TRAVEL CONTROL IN NEUTRAL BY PARKING BRAKE, DISengage ATTACHMENT DRIVE, SHUT OFF AND REMOVE KEY.
PARK TRACTOR BEFORE SERVICING OR MAKING ADJUSTMENTS TO TRACTOR OR ATTACHMENTS.
FAILURE TO OBSERVE THESE PRECAUTIONS COULD RESULT IN INJURY.



④



⑪

DECALS

Use S/N to S/N:

226 - 14094020 to 14110325

446 - 14096200 to 14112435

448 - 14097625 to 14113810

REF.	PART NO.	DESCRIPTION	REQ'D
1	C 31050	DECAL - "Ingersoll"	1
2	C 26699	DECAL - fuel gauge	1
3	321- 4767	DECAL - hydraulic reservoir	1
4	C 33589	DECAL - shift range	1
5	NSS	DECAL - brake (use C33590)	1
6	C 27917	DECAL - "226" hood L.H. (shown)	1
6	C 27922	DECAL - "226" hood R.H.	1
7	C 27919	DECAL - "446" hood L.H. (shown)	1
7	C 27923	DECAL - "446" hood R.H.	1
8	C 27920	DECAL - "448" hood L.H. (shown)	1
8	C 27924	DECAL - "448" hood R.H.	1
9	321- 6659	DECAL - "Caution"	1
10	NSS	MEDALLION - "Case" (use C30539)	1
11	C 30274	LENS - display	1
12	C 27962	DECAL - "Ingersoll" stripe L.H. (shown)	1
12	C 27963	DECAL - "Ingersoll" stripe R.H.	1
13	C 32093	DECAL - seat back	1

⑥

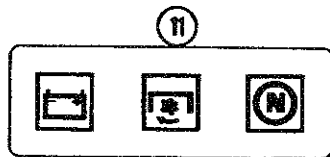
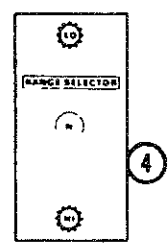
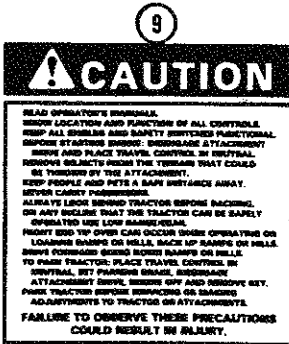
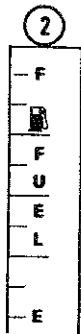
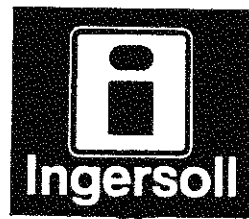
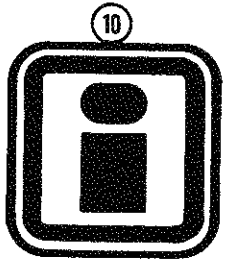
226 *hydriiv.* **INGERSOLL**

⑦

446 *hydriiv.* **INGERSOLL**

⑧

448 *hydriiv.* **INGERSOLL**



DECALS

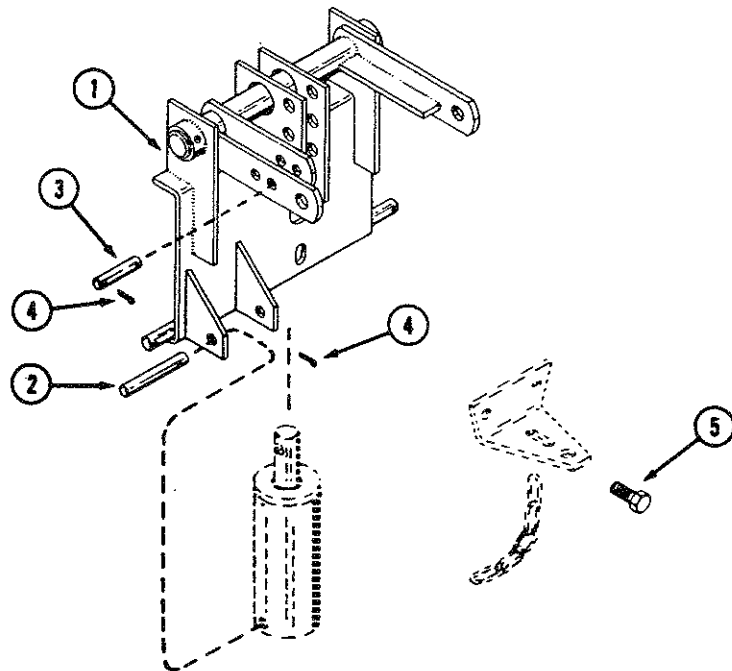
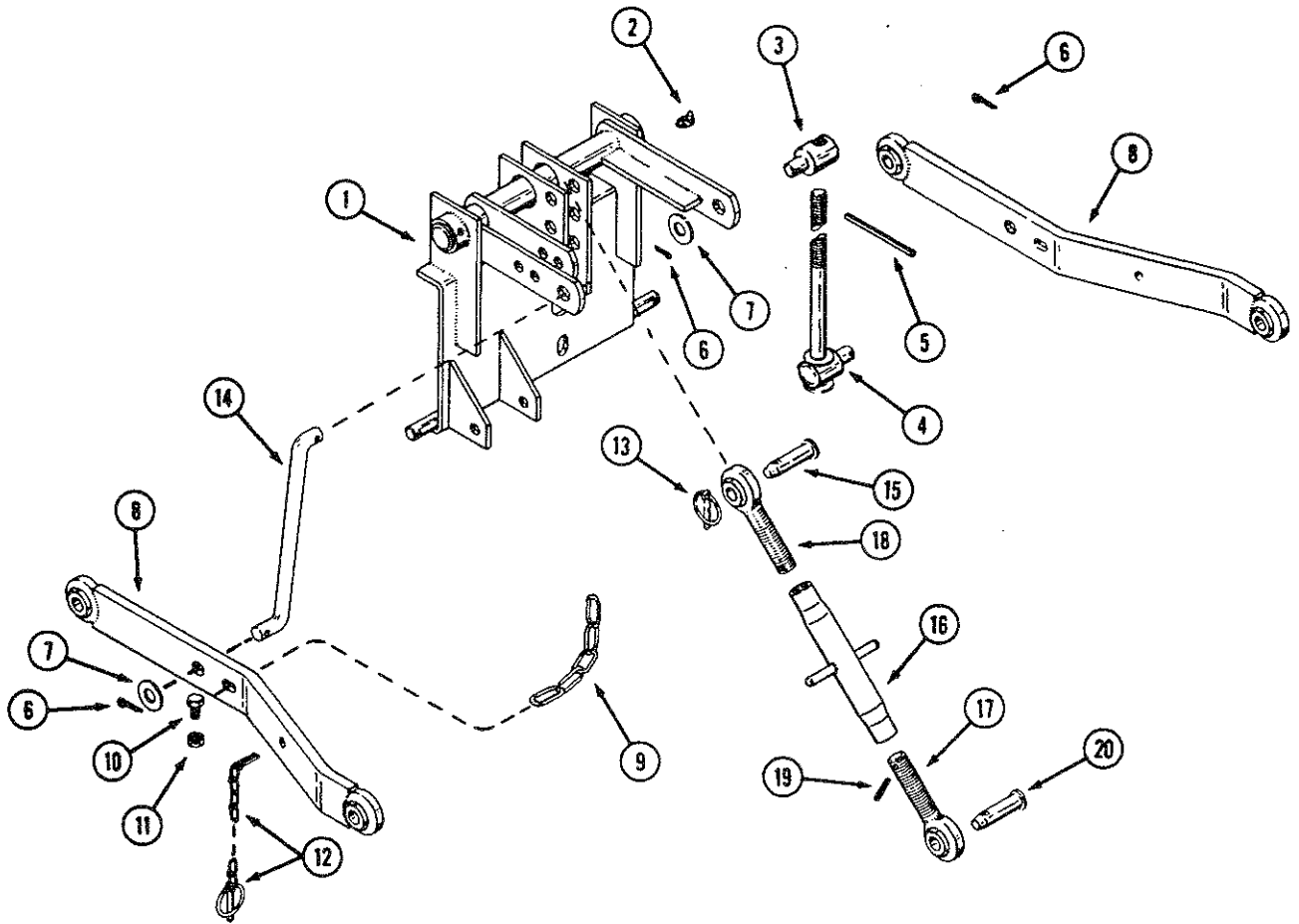
Use S/N and after:

226 - 14110325

446 - 14112435

448 - 14113810

REF.	PART NO.	DESCRIPTION	REQ'D
1	C 31050	DECAL - "Ingersoll"	1
2	C 26699	DECAL - fuel gauge	1
3	321- 4767	DECAL - hydraulic reservoir	1
4	C 33589	DECAL - shift range	1
5	NSS	DECAL - brake (use C33590)	1
6	C 30960	DECAL - "226" hood L.H. (shown)	1
6	C 30961	DECAL - "226" hood R.H. (shown)	1
7	C 30964	DECAL - "446" hood L.H. (shown)	1
7	C 30965	DECAL - "446" hood R.H.	1
8	C 30966	DECAL - "448" hood L.H. (shown)	1
8	C 30967	DECAL - "448" hood R.H.	1
9	321- 6659	DECAL - "Caution"	1
10	C 30539	MEDALLION "1"	1
11	C 30274	LENS - display	1
12	C 32093	DECAL - seat back	1



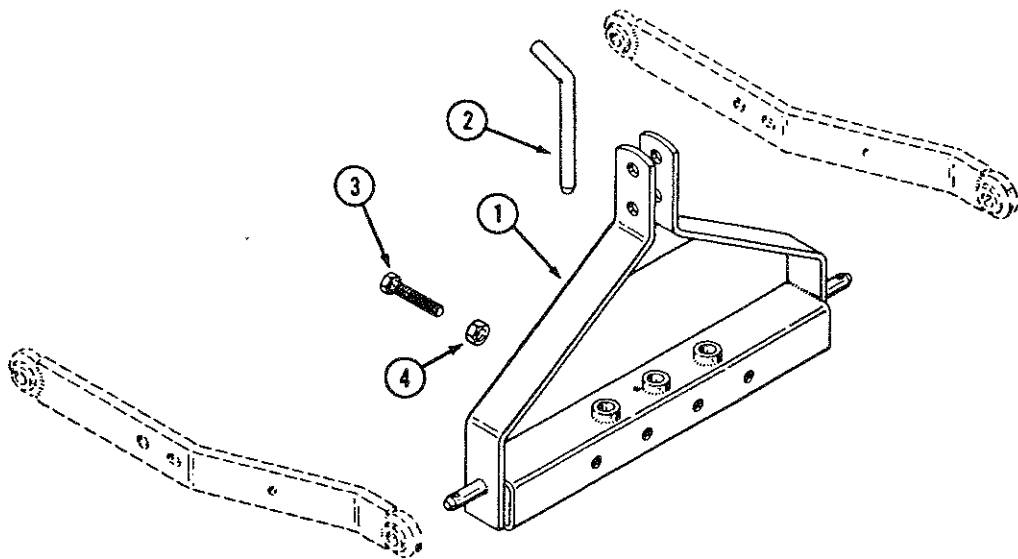
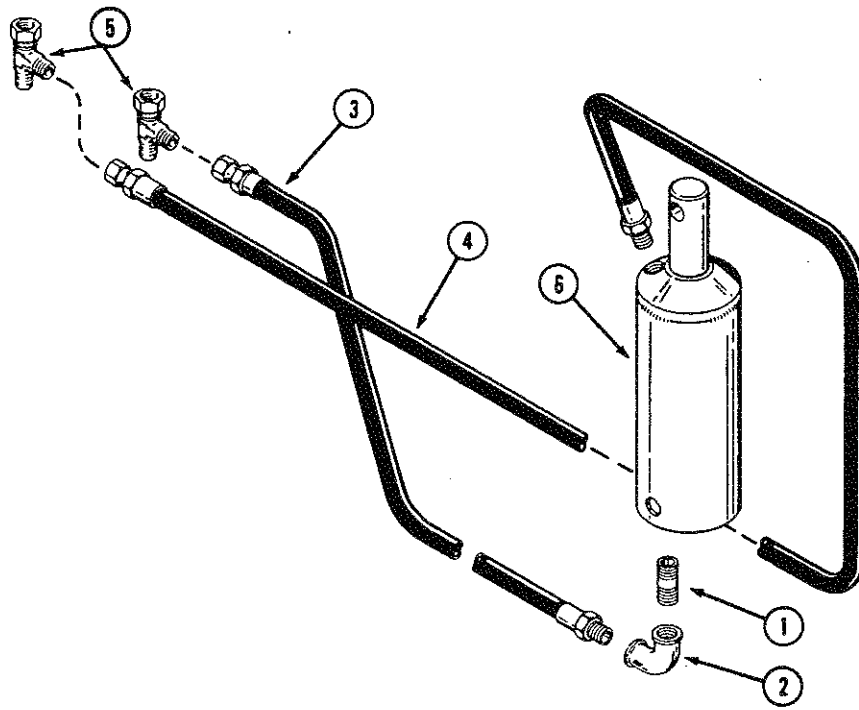
MODEL 226, 446 AND 448 COMPACT TRACTORS

J26 THREE POINT HITCH FRAME, LIFT RODS AND ARMS

REF.	PART NO.	DESCRIPTION	REQ'D
1	C 19740	HITCH PLATE ASSEMBLY	1
2	219- 405	FITTING - lubrication	2
	C 24447	ROD ASSEMBLY - R.H. lift	1
3	C 14722	NUT - lift rod	1
4	C 14724	ROD ASSEMBLY - R.H. lift	1
5	138- 308	PIN - roll 1/4" x 3"	1
6	132- 91	PIN - cotter 3/16" x 1"	6
7	195- 541	WASHER - plain 5/8"	4
8	C 14715	ARM - lift	2
9	C 14991	CHAIN - 19 links	1
10	113- 118	BOLT - 5/16" x 5/8" N.C. hex, zinc	2
11	131- 176	NUT - lock 5/16" N.C. hex	2
12	C 28985	PIN - retaining	2
13	C 28222	PIN - retaining	3
14	C 14725	ROD - lift L.H.	1
15	C 14717	PIN - clevis	1
	C 14712	LINK ASSEMBLY	1
16	C 14703	CENTER TUBE ASSEMBLY	1
17	C 14709	BALL END ASSEMBLY - R.H. thread	1
18	C 32427	BALL END ASSEMBLY - L.H. thread	1
19	138- 59	PIN - roll 1/8" x 7/8"	2
20	C 14717	PIN - clevis 5/8" x 3"	1

J26 THREE POINT HITCH CYLINDER AND DRAWBAR MOUNTING

1	C 19740	HITCH PLATE ASSEMBLY	1
2	C 26188	PIN - lower cylinder mounting	1
3	C 14976	PIN - upper cylinder mounting	1
4	132- 310	PIN - cotter 1/8" x 1"	3
5	113- 417	BOLT - 1/2" x 1-1/4" N.C., hex, zinc	2



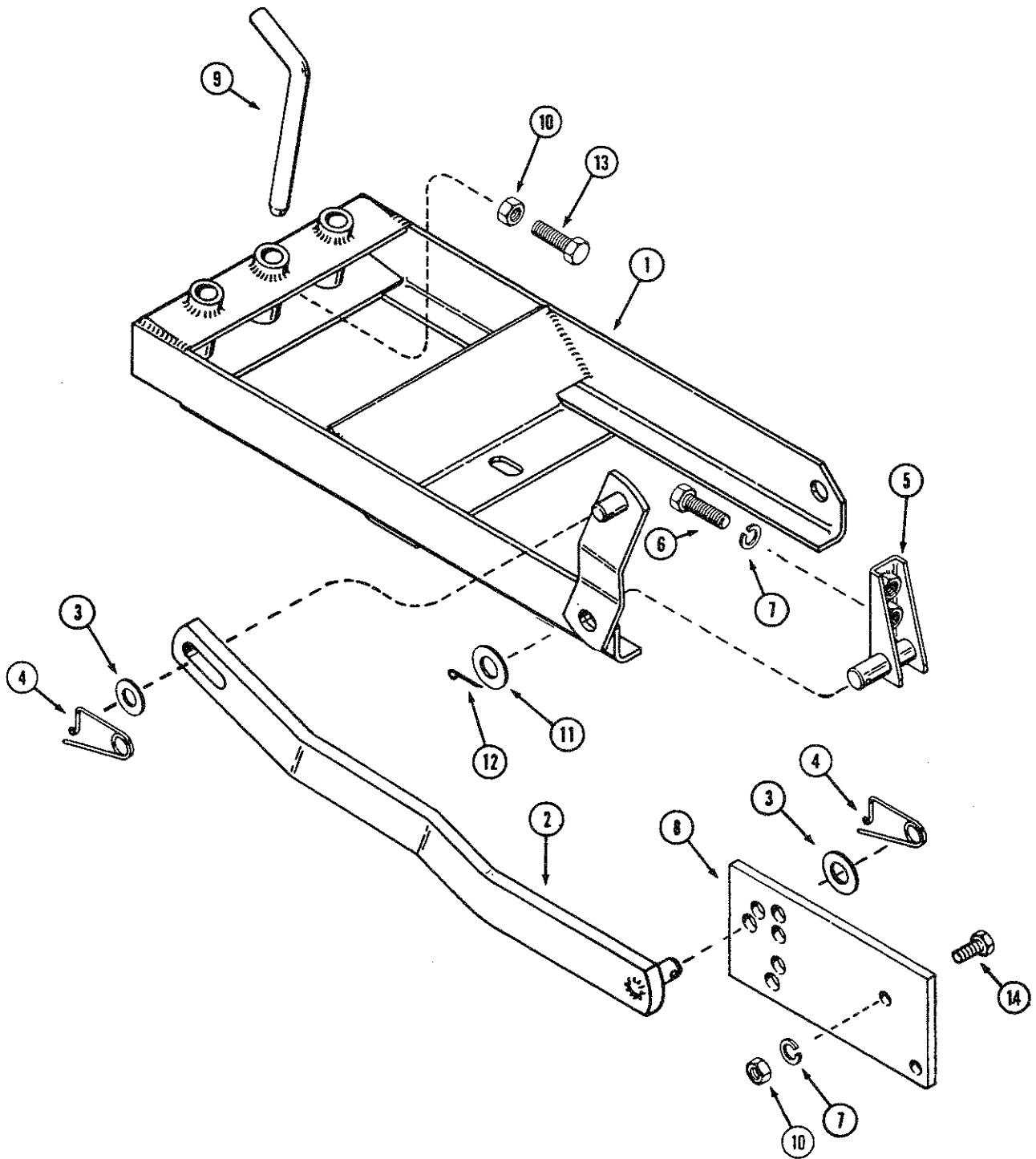
MODEL 226, 446 AND 448 COMPACT TRACTORS

J26 THREE POINT HITCH HYDRAULIC CONNECTIONS AND COMPONENTS

REF.	PART NO.	DESCRIPTION	REQ'D
1	221- 1139	NIPPLE - 1/4" x 3"	1
2	221- 1375	ELBOW - 90 degrees	1
3	C 25369	HOSE - hydraulic, short	1
4	C 25368	HOSE - hydraulic, long	1
5	218- 5479	FITTING - "T", swivel (includes 218-5004 "O" ring)	2
6	NSS	CYLINDER ASSEMBLY (use C26494 and C30049)	1
	C 30054	KIT - seal	1

F27 HITCH ADAPTER

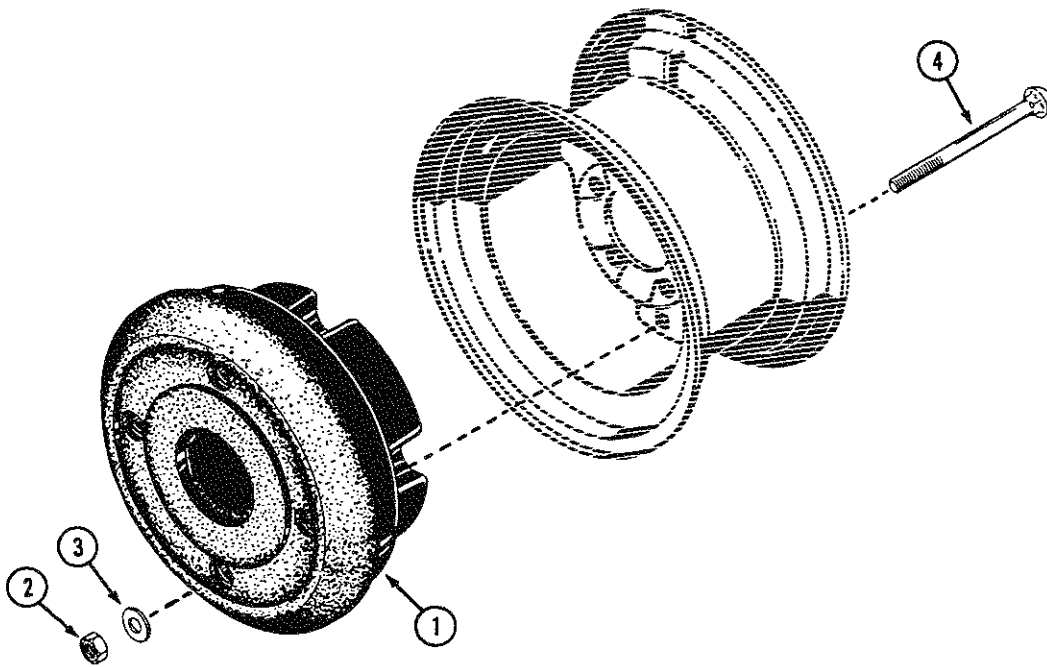
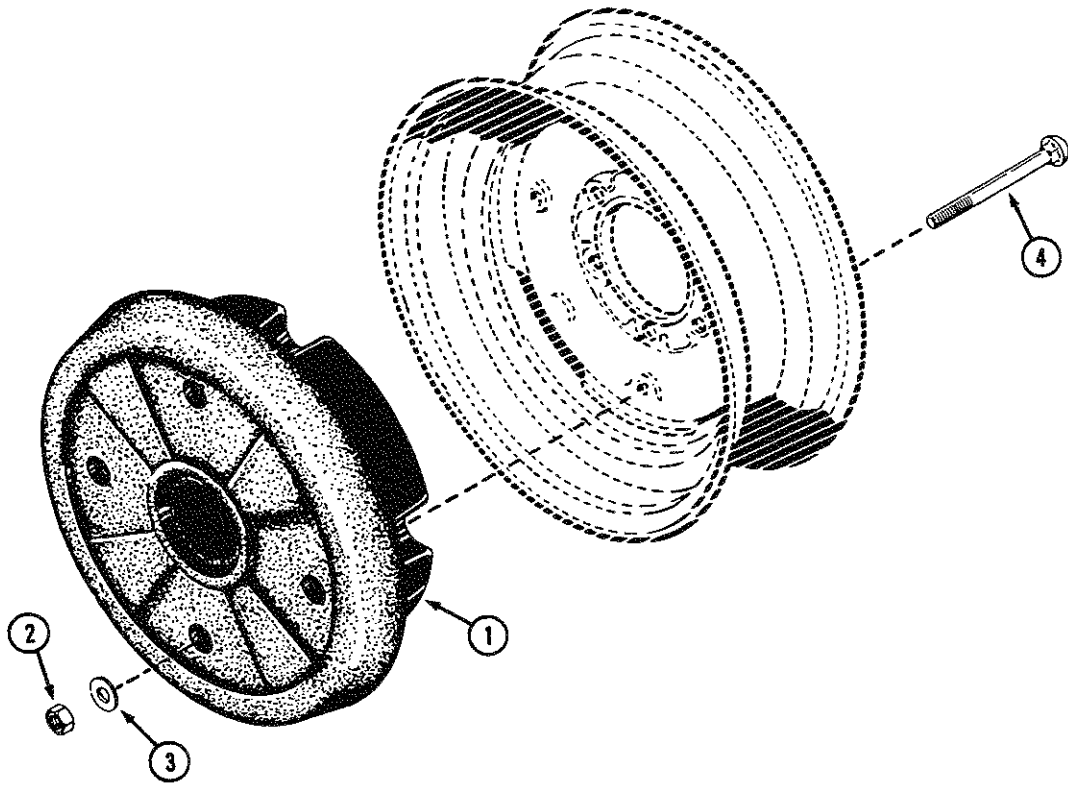
1	NSS	BRACKET - hitch adapter (order as machinery item)	1
2	C 14568	PIN - drawbar	1
3	22- 844	BOLT - 1/2" x 3" N.C. hex	2
4	129- 105	NUT - 1/2" - 13	2



MODEL 226, 446 AND 448 COMPACT TRACTORS

K22 SLEEVE HITCH (226) and K24 SLEEVE HITCH (446, 448)

REF.	PART NO.	DESCRIPTION	REQ'D
1	NSS	FRAME ASSEMBLY (K24) shown (order as machinery item)	1
1	NSS	FRAME ASSEMBLY (K22) (order as machinery item)	1
2	C 25371	ARM - lift	1
3	195- 541	WASHER - plain 21/32"	2
4	C 10898	PIN - retaining	2
5	C 14459	BRACKET - hitch mounting R.H.	1
5	C 25789	BRACKET - hitch mounting L.H.	1
6	113- 2400	BOLT - 1/2" N.C. hex, zinc 1-3/8"	6
7	192- 23	LOCK WASHER - 1/2" zinc	6
8	C 25382	PLATE - lift lever	1
9	C 14568	PIN - drawbar	1
10	129- 105	NUT - 1/2" N.C. hex, zinc	4
11	195- 545	WASHER - plain 3/4" Zinc	2
12	132- 306	PIN - cotter 3/16" x 1-3/4"	2
13	22- 844	BOLT - 1/2" x N.C. hex, zinc 2-3/4"	2
14	113- 417	BOLT - 1/2" x 1-1/4" hex	2

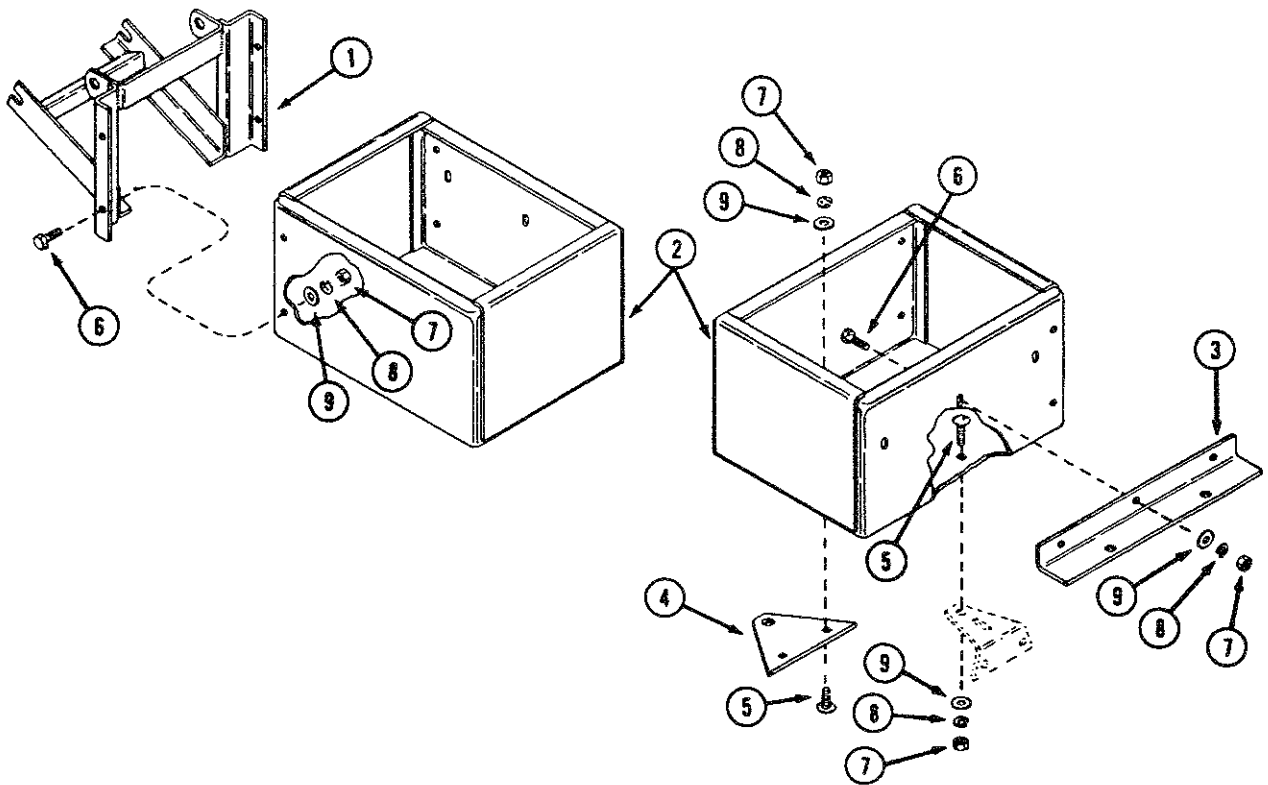
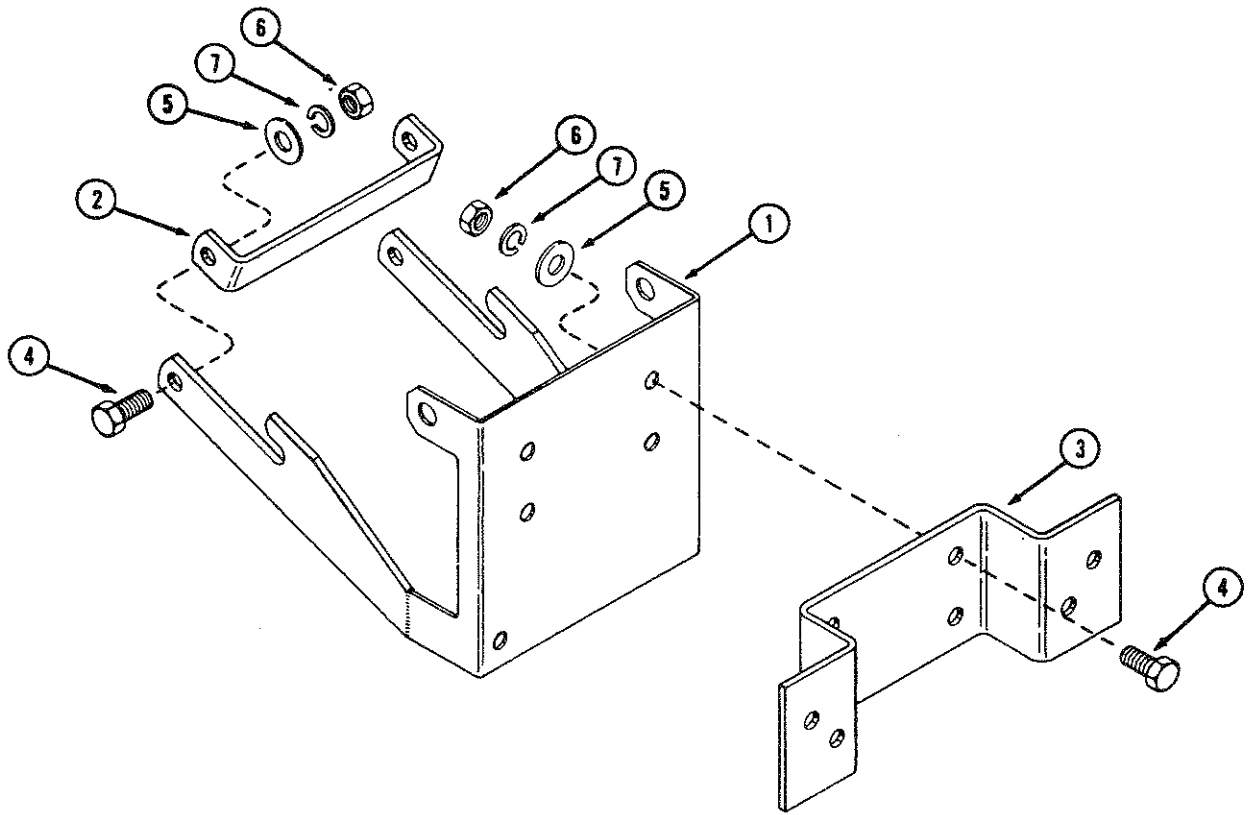


K10 WHEEL WEIGHTS (446, 448)

REF.	PART NO.	DESCRIPTION	REQ'D
1	NSS	WEIGHT - wheel, 75 lb. (order as machinery item)	2
2	131- 1182	NUT - 1/2" N.C. hex	4
3	195- 533	WASHER - 1/2"	8
4	111- 525	BOLT - 1/2" x 6" round head, square neck	8

K8 WHEEL WEIGHTS (226)

REF.	PART NO.	DESCRIPTION	REQ'D
1	NSS	WEIGHT - wheel 55 lb. (order as machinery item)	2
2	131- 1182	NUT - 1/2" N.C. lock	8
3	195- 533	WASHER - 1/2"	8
4	111- 521	BOLT - 1/2" x 7" carriage	8
4	C 30545	BOLT - 1/2" - 13 x 8-1/2"	8

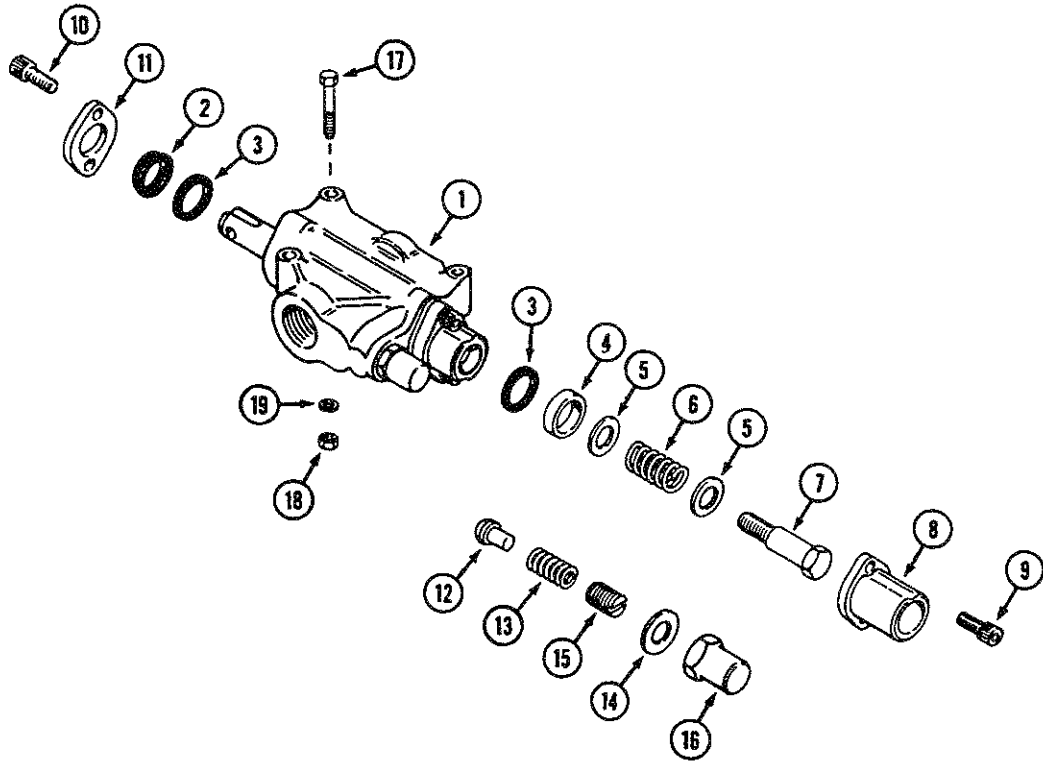
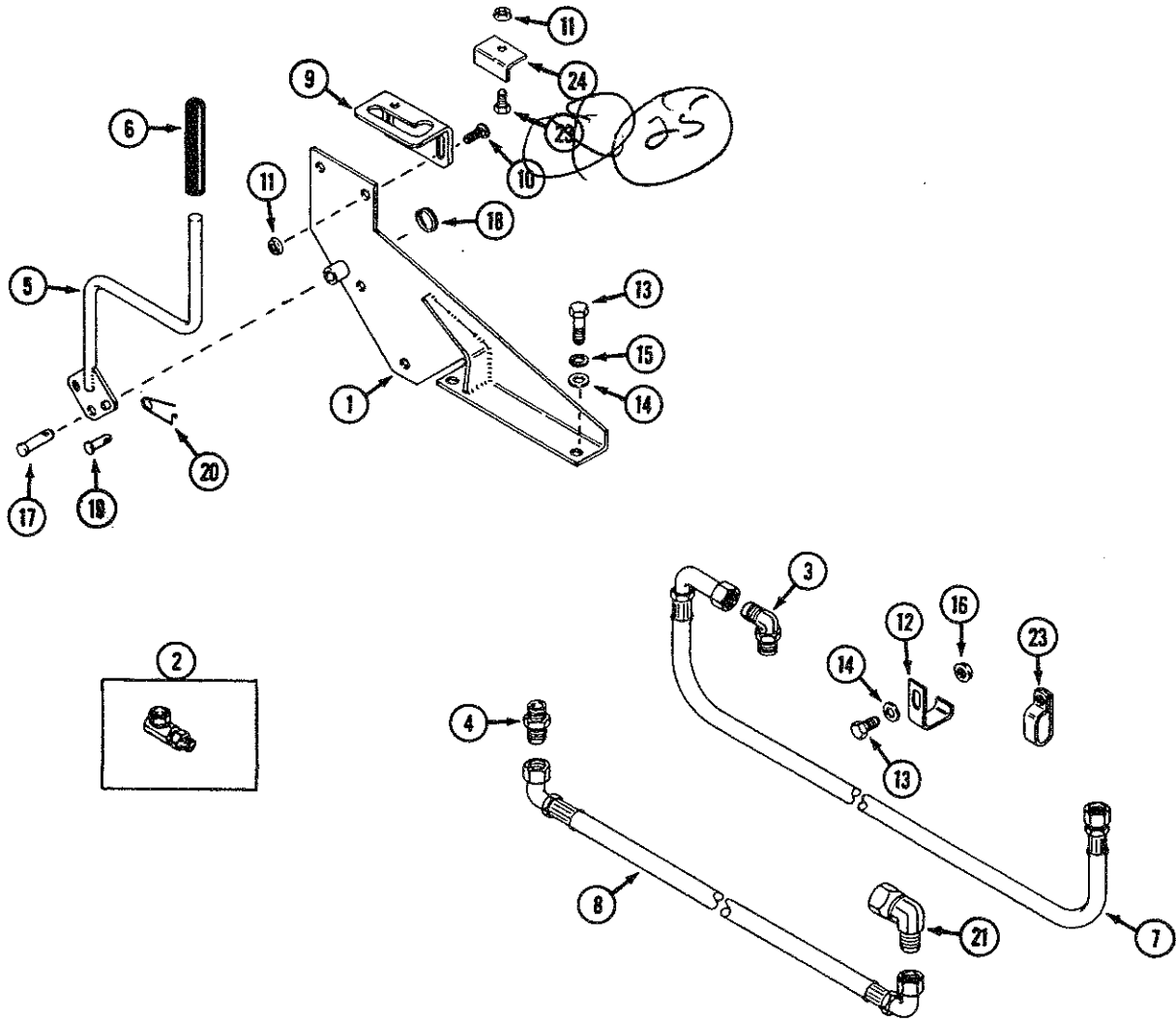


K18 FRONT END WEIGHT BRACKETS

REF.	PART NO.	DESCRIPTION	REQ'D
1	C 16581	BRACKET - mounting.....	1
2	C 17161	BRACE - rear	1
3	C 17162	BRACKET - weight mounting	1
4	113- 417	BOLT - 1/2" x 1-1/2" N.C. hex, zinc	6
5	195- 533	WASHER - 1/2" zinc	6
6	129- 105	NUT - 1/2" N.C. hex, zinc	6
7	192- 23	LOCK WASHER - 1/2".....	6

H13 WEIGHT BOX

REF.	PART NO.	DESCRIPTION	REQ'D
1	C 17859	FRAME - weight box.....	1
2	NSS	BOX - weight	1
3	C 17860	SUPPORT - weight box	1
4	C 17636	PLATE - hitch.....	1
5	111- 371	BOLT - 3/8" x 1" round head, square neck	3
6	113- 207	BOLT - 3/8" x 1" N.C. hex.....	4
7	129- 103	NUT - 3/8" N.C. hex.....	7
8	192- 21	LOCK WASHER - 3/8".....	7
9	195- 525	WASHER - 3/8"	7



MODEL 226, 446 AND 448 COMPACT TRACTORS

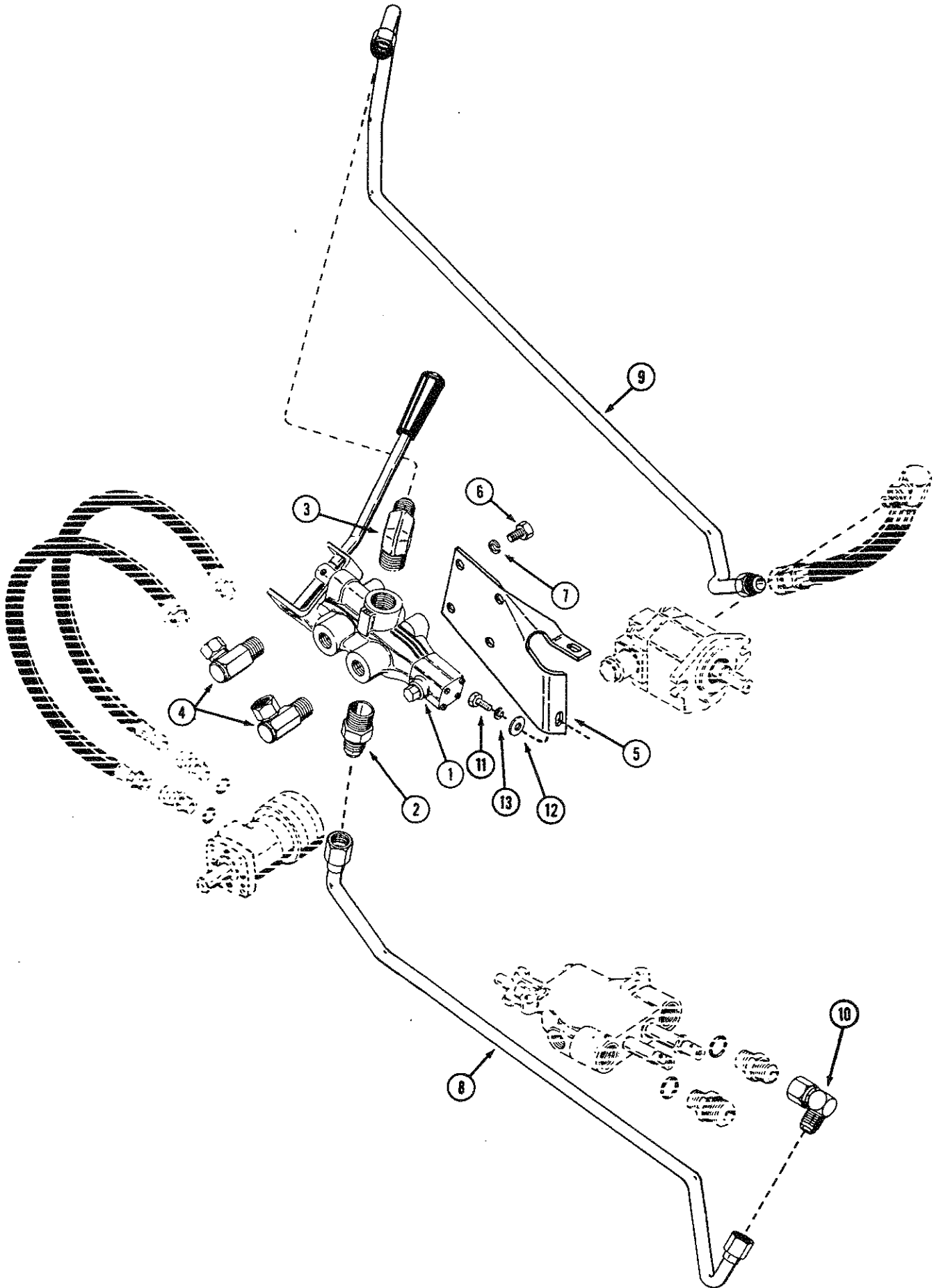
M17, N17 HYDRAULIC PTO
 (M17 for 226) (N17 for 446, 448)

PTO HOSES AND MOUNTING BRACKET

REF.	PART NO.	DESCRIPTION	REQ'D
1	C 32200	BRACKET - valve mounting	1
2	218- 5201	FITTING - workport, 90° elbow 7/8" - 14 x 1/2" NPSM swivel	2
3	218- 5107	FITTING - inlet port, 7/8" - 14 x 7/8" - 14 flare, 90° adjustable elbow	1
4	218- 5062	FITTING - outlet port, 7/8" - 14 x 7/8" - 14 flare, straight	1
5	C 32403	HANDLE - valve	1
6	C 26020	GRIP - handle	1
7	C 32423	HOSE - pump to PTO 56" (M17) 226	1
7	C 32424	HOSE - pump to 54" (N17) 446, 448	1
8	C 32209	HOSE - PTO to travel valve 32" (M17) 226	1
8	C 32210	HOSE - PTO to travel valve 34" (N17) 446, 448	1
9	C 32211	BRACKET - handle guide	1
10	111- 101	BOLT - 1/4" - 20 x 5/8" carriage	2
11	131- 934	NUT - 1/4" - 20 flange lock	2
12	C 32332	CLAMP - tube (M17) 226	1
13	113- 103	BOLT - 5/16" - 18 x 1"	3
14	195- 521	WASHER - 5/16"	3
15	192- 20	LOCK WASHER - 5/16"	2
16	131- 911	NUT - 5/16" - 18 flange lock	1
17	C 32214	PIN - clevis 3/8" x 1-1/2"	1
18	C 28105	RING - retaining	1
19	C 28964	PIN - clevis 3/16" x 1"	1
20	C 10883	PIN - safety	1
21	218- 5232	FITTING - hydraulic 90° swivel	1
23	C 32213	CLAMP - tube	1
	C 22947	TIE - nylon	1
24	C 32327	BRACKET - handle stop	1
25	113- 3	BOLT - 1/4" - 20 x 3/4"	1

PTO VALVE

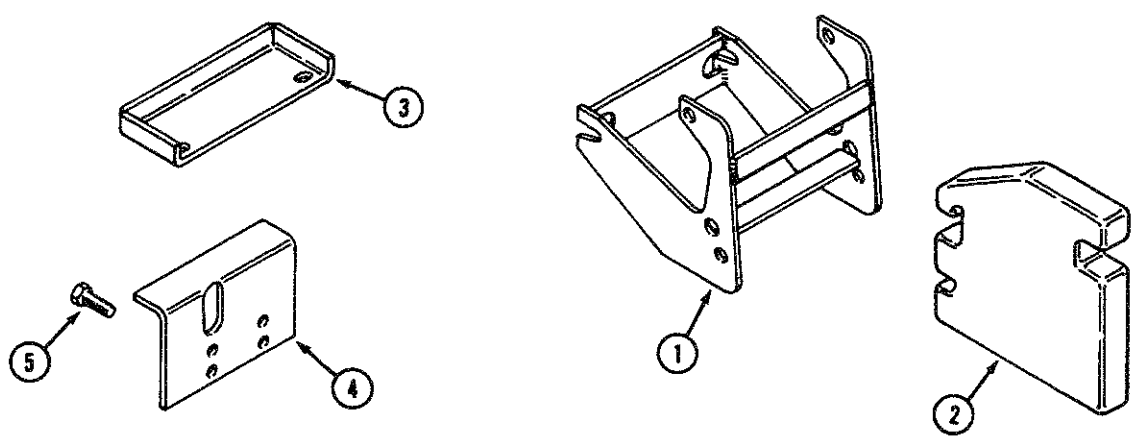
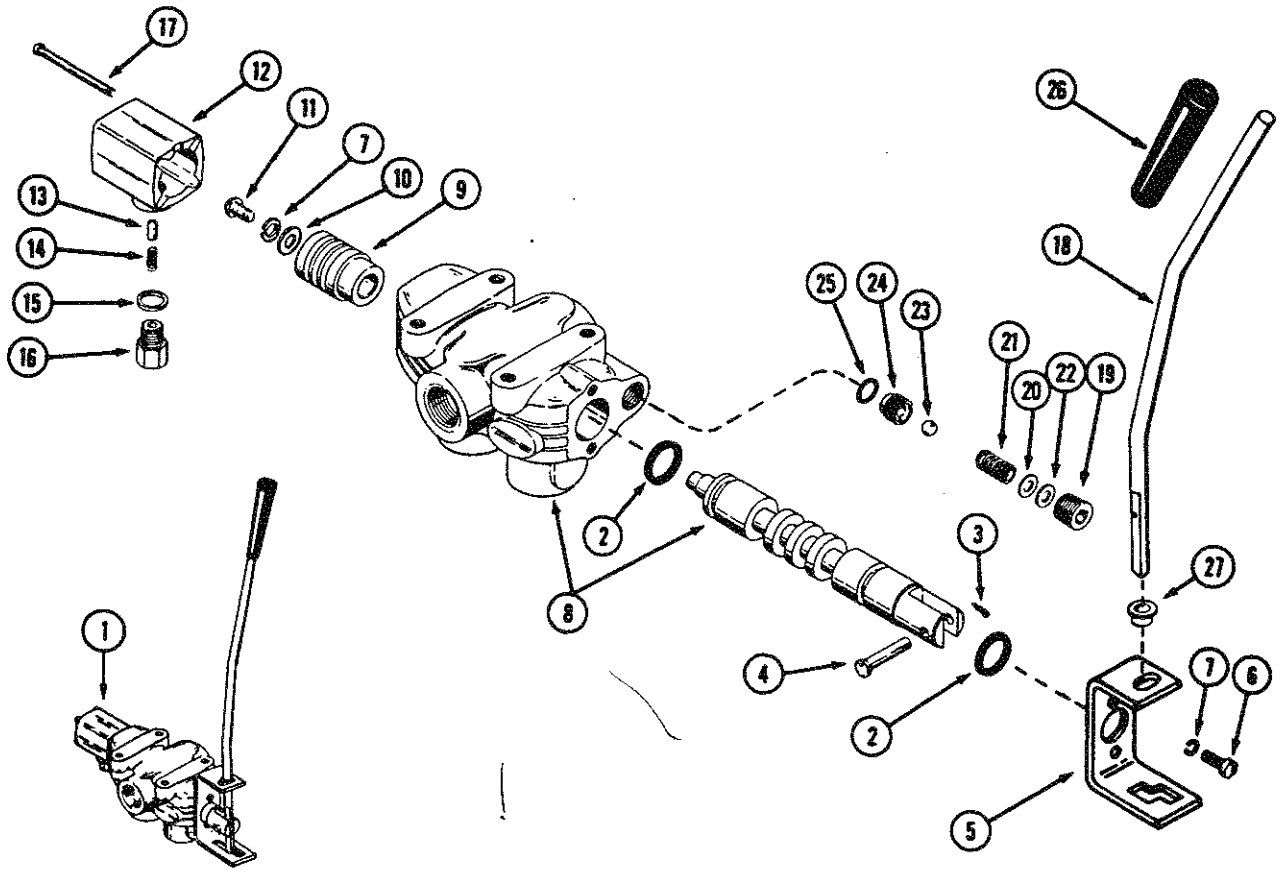
1	C 30046	VALVE - hydraulic	1
2	C 26706	WIPER - spool	1
3	C 26707	RING - quad	2
4	C 26722	SPACER - end cap	1
5	195- 526	WASHER	2
6	C 26724	SPRING - centering	1
7	C 26725	BOLT - shoulder	1
8	C 26726	BONNET - end cap	1
9	165- 143	SCREW - 1/4" - 20 x 3/4" socket head	2
10	165- 142	SCREW - 1/4" - 20 x 5/8" socket head	2
11	C 26727	RETAINER - seal	1
12	C 26708	POPPET - relief	1
13	C 26709	SPRING - relief	1
14	C 26710	WASHER - aluminum, seal	1
15	C 26711	SCREW - adjustment, relief	1
16	C 26712	NUT - cap, relief	1
17	113- 5	BOLT - 1/4" x 1-1/2"	3
18	129- 101	NUT - 1/4"	3
19	192- 19	LOCK WASHER - 1/4"	3



MODEL 226, 446 AND 448 COMPACT TRACTORS

J17 - L17 HYDRAULIC PTO KIT

REF.	PART NO.	DESCRIPTION	REQ'D
1	C 30044	VALVE - PTO control	1
2	218- 457	FITTING - straight 3/4" NPT x 5/8" tube	1
3	218- 494	FITTING - elbow 90 degrees, 3/4" NPT x 5/8" tube	1
4	218- 927	FITTING - elbow 90 degrees, 1/2" NPT x 1/2" female swivel	2
5	C 23337	BRACKET - valve mounting	1
6	113- 206	BOLT - 3/8" x 3/4" N.C. hex	4
7	192- 21	LOCK WASHER - 3/8"	4
8	C 25343	TUBE - PTO valve to travel control valve (L17) 446, 448	1
8	C 23888	TUBE - PTO valve to travel control valve (J17) 226	1
9	C 25344	TUBE - pump to PTO valve (L17) 446, 448	1
9	C 23962	TUBE - pump to PTO valve (J17) 226	1
10	218- 5232	FITTING - 90 degree swivel elbow flare 3/4" NPT x 5/8" tube	1
11	113- 103	BOLT - 5/16" x 1" N.C. hex	2
12	195- 521	WASHER - 5/16"	2
13	192- 20	LOCK WASHER - 5/16"	2

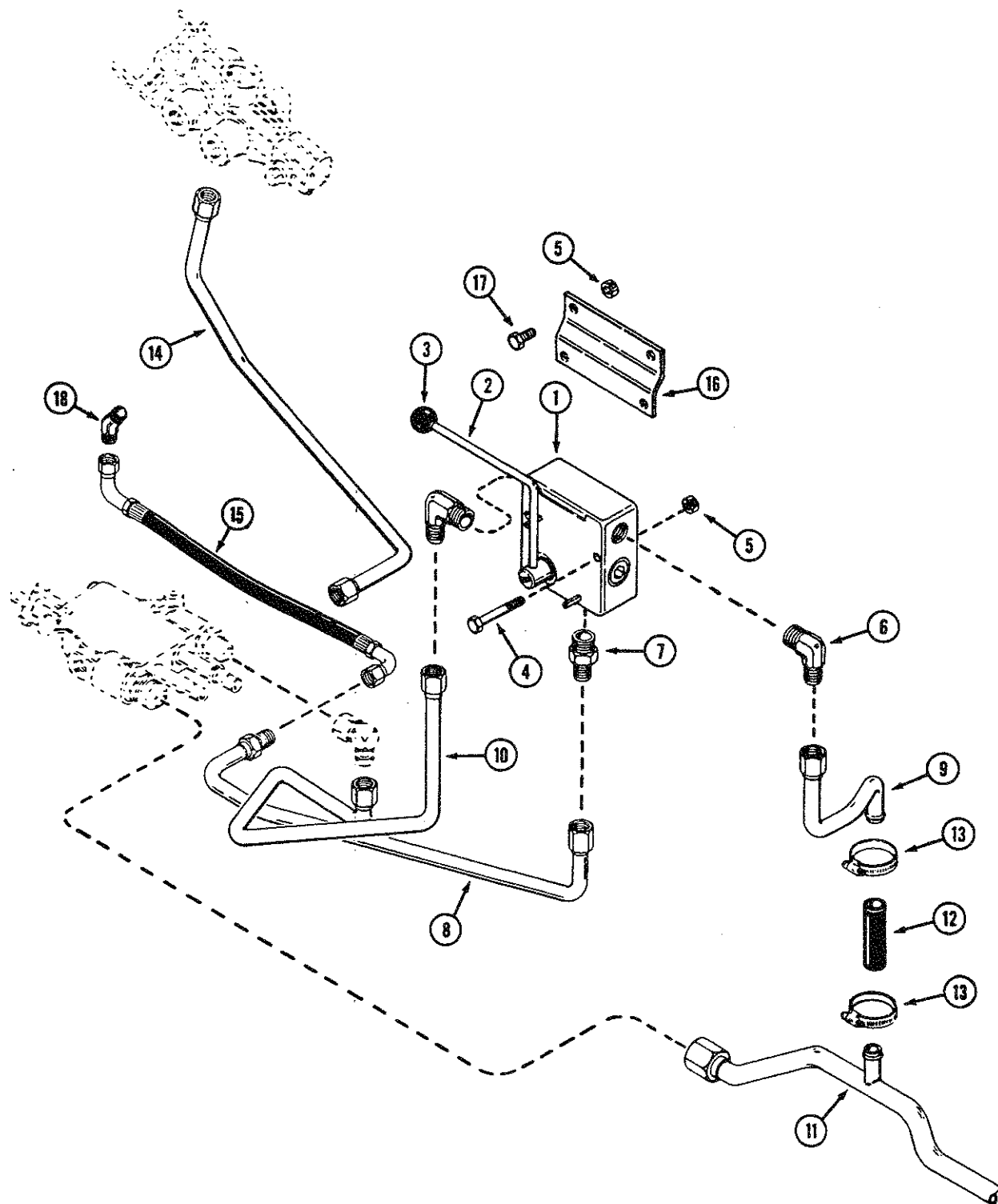


J17 - L17 HYDRAULIC PTO VALVE

REF.	PART NO.	DESCRIPTION	REQ'D
1	C 30044	VALVE - control	1
2	C 11891	SEAL - "U" cup	2
3	132- 6	PIN - cotter 1/16" x 5/8"	1
4	C 28875	PIN - handle	1
5	C 19422	BRACKET - handle	1
6	NSS	SCREW - 1/4" x 5/8" N.C. special head (use 165-143)	2
7	192- 19	LOCK WASHER - 1/4"	3
8	NSS	BODY AND SPOOL ASSEMBLY - (use C30044 valve)	1
9	C 11895	ADAPTER - spool	1
10	95- 4	WASHER - plain 1/4"	1
11	75- 48	SCREW - 1/4" x 1/2" round head	1
12	C 11893	COVER - detent	1
13	C 11901	PIN - detent	1
14	C 11892	SPRING - detent	1
15	C 11886	WASHER - detent spring	1
16	C 11887	CAP - detent	1
17	169- 88	SCREW - cover No. 8 - 32 x 2-1/4" fillister head	4
18	C 19423	LEVER - valve	1
19	221- 842	PLUG - relief 3/8" pipe thread	1
20	C 28700	SHIM - .010" (0.25 mm) thick	UAR
21	C 28716	SPRING - relief	1
22	C 28698	SHIM - .020" thick (0.51 mm)	UAR
23	211- 11	BALL - relief 3/8" (9.53 mm)	1
24	C 18417	SEAT - relief	1
25	C 28696	"O" RING - relief seat	1
26	C 28237	KNOB - handle	1
27	C 26266	BUSHING - nylon	1

L11 WEIGHT KIT

1	C 25572	BRACKET - mounting, front	1
2	NSS	WEIGHT - 40 lb. (18 kg.) (order as machinery item)	4
3	C 25791	BRACKET - mounting, rear, upper	1
4	C 25792	BRACKET - mounting, rear, lower	1
5	113- 417	BOLT - 1/2" - 13 x 1-1/4" hex	2



18

14

15

3

17

2

5

1

16

5

4

7

6

9

13

10

8

12

13

11

FLOW CONTROL VALVE KIT

L19 (226)*

M19 (446, 448)*

N19 (226, 446, 448)**

REF.	PART NO.	DESCRIPTION	REQ'D
1	C 23618	VALVE - flow control	1
	C 28217	"O" RING - shaft 3/4" I.D. x 15/16" O.D. x 3/32"	2
	C 28710	RING - snap	2
2	C 36848	LEVER - valve	1
3	C 28251	KNOB - lever	1
4	113- 12	BOLT - 1/4" x 2-1/2" N.C. hex	2
5	131- 1180	NUT - lock 1/4" N.C. hex	4
6	218- 485	FITTING - elbow 90 degree 1/2" pipe thread	2
7	C 45431	FITTING - straight 1/2" pipe thread	1
8	C 25390	TUBE - flow control valve to tube (L19, M19)	1
8	C 33008	TUBE - flow valve to PTO, front half (N19)	1
9	C 23407	TUBE - bypass port to return line	1
10	C 23600	TUBE - flow valve to tractor valve (L19, M19)	1
10	C 33007	TUBE - flow valve to tractor valve (N19)	1
11	C 26181	TUBE - heat exchanger	1
12	C 18721	HOSE - return	1
13	214- 254	CLAMP - hose	2
14	C 23879	TUBE - PTO valve to tube (L19, M19) (226)	1
14	C 25392	TUBE - PTO valve to tube (M19) (446, 448)	1
15	C 33010	HOSE - flow valve to PTO, rear (226) (N19)	1
15	C 33011	HOSE - flow valve to PTO, rear (446, 448) (N19)	1
16	C 25391	PLATE - adapter	2
17	113- 2	BOLT - 1/4" - 20 x 5/8"	2
18	218- 545	FITTING - 45° elbow 5/8" tube x 3/4" NPTF (use to replace outlet in PTO valve) (N19)	1
	C 18719	DECAL - valve, "slow/fast"	1
	218- 5229	FITTING - 90° swivel 5/16" x 1/2" - 20 (N19) for hose clearance at T fitting	2

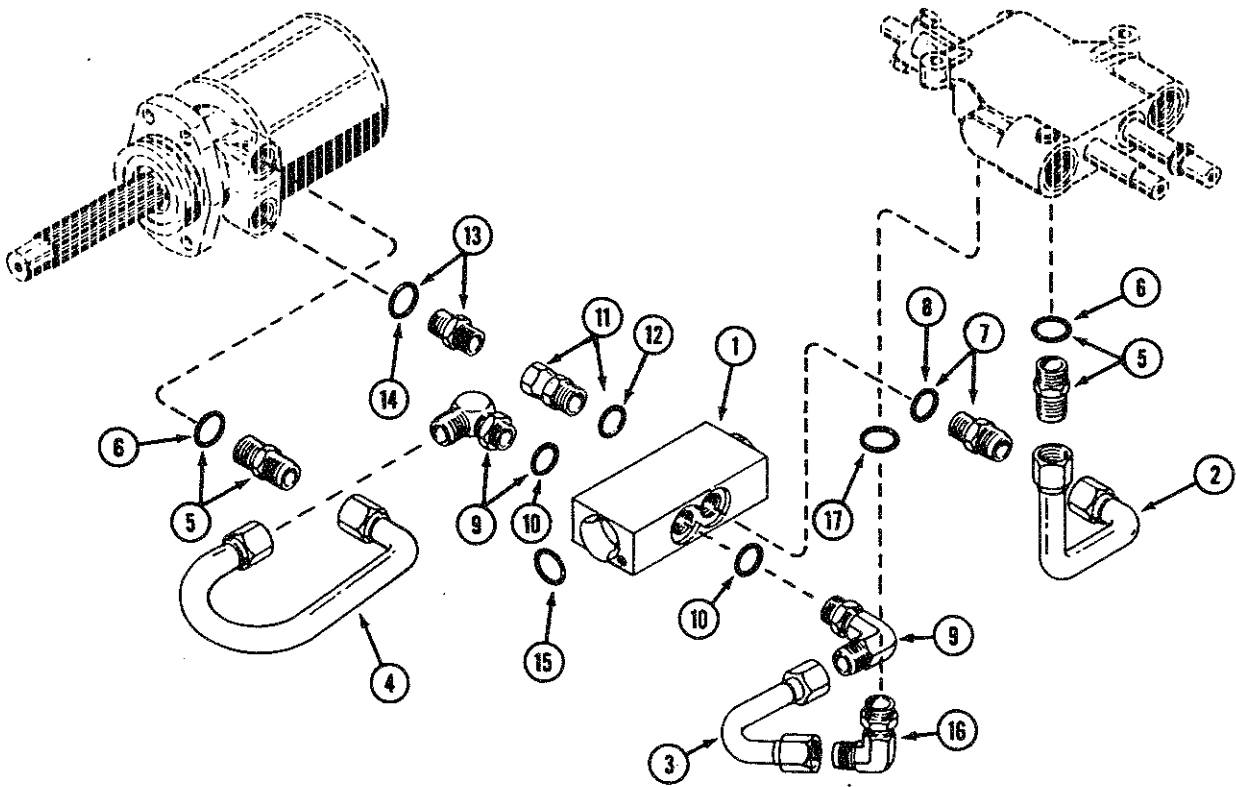
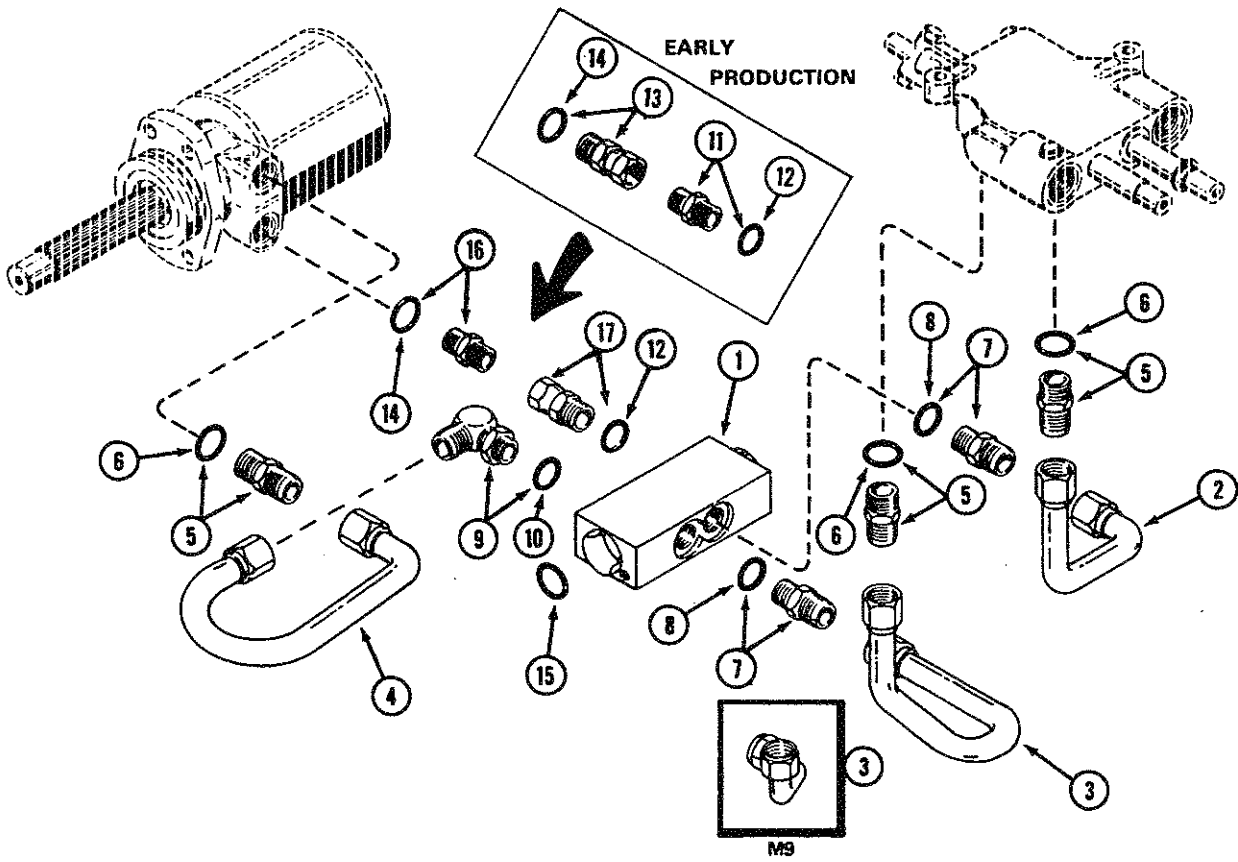
*Use before S/N:

**Use S/N and after:

226 - 14093640

446 - 14074315

448 - 14075995

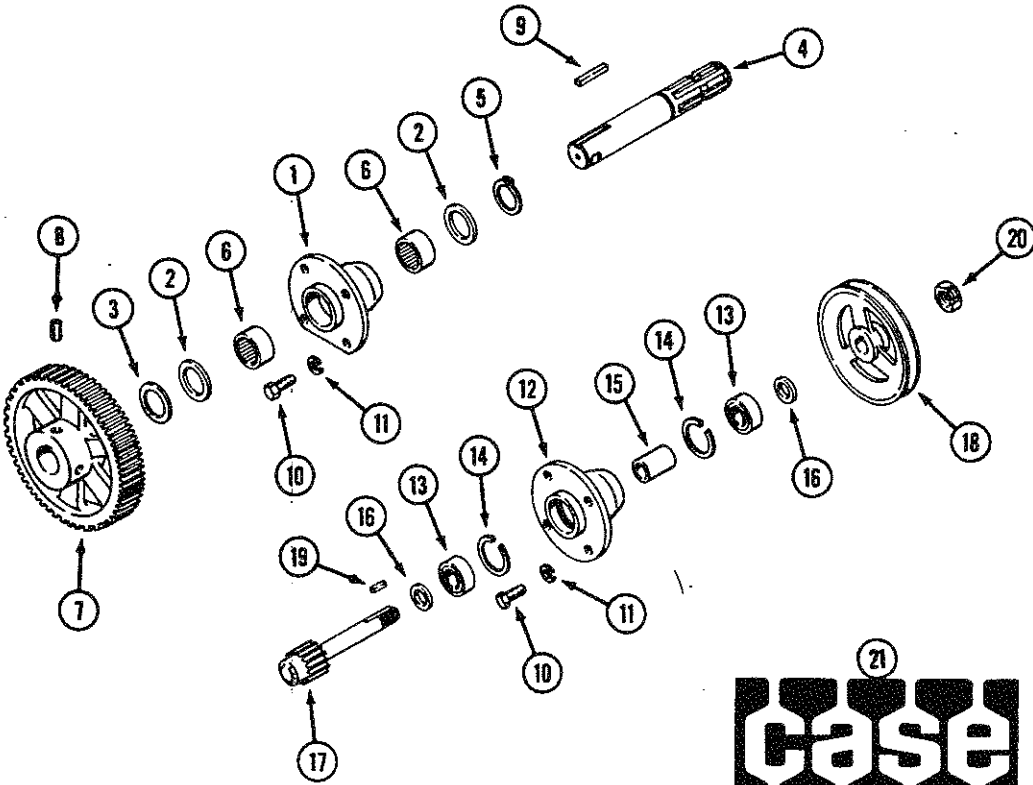
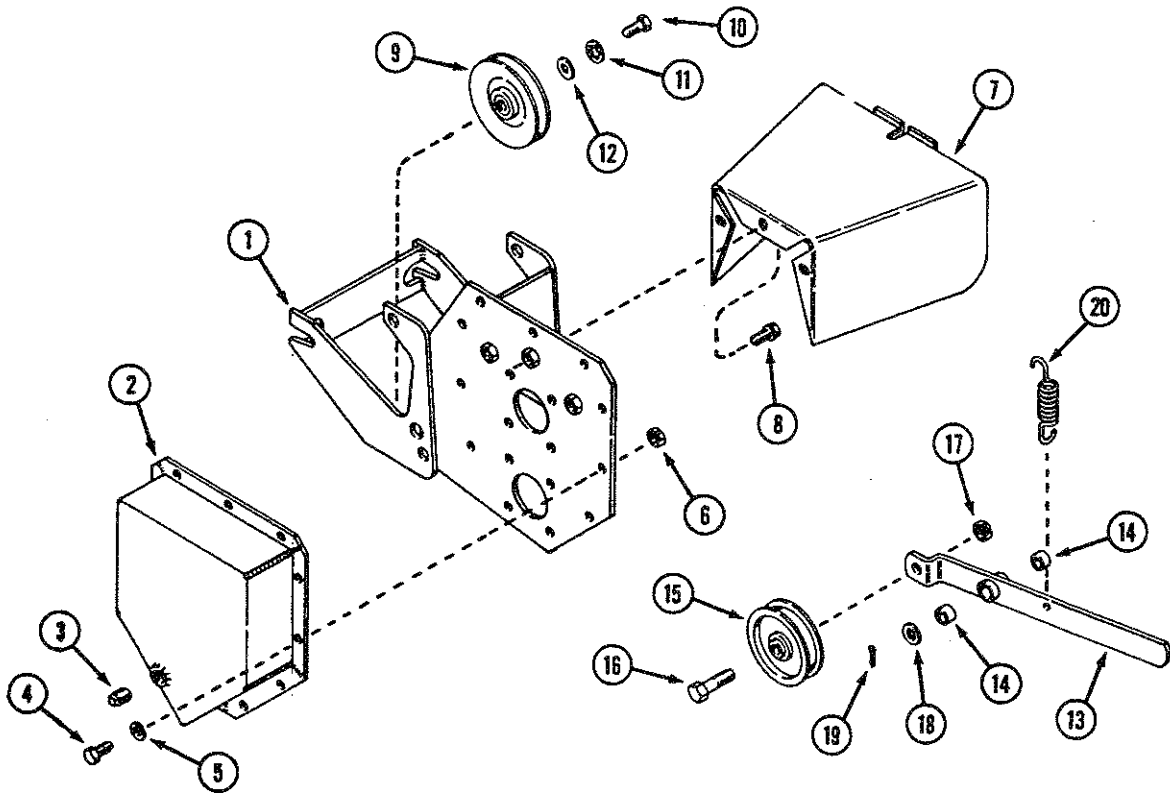



**L7 HOLDING VALVE (226)
M9 HOLDING VALVE (446, 448)**

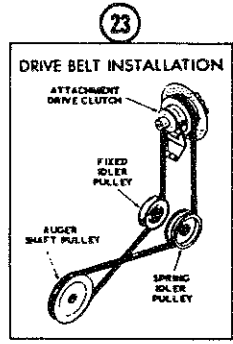
REF.	PART NO.	DESCRIPTION	REQ'D
1	C 24995	VALVE - holding (includes item 15)	1
2	C 24990	TUBE - valve to valve (L-7)	1
2	C 25341	TUBE - valve to valve (M9)	1
3	NSS	TUBE - valve to valve (M9) (use C27806, 218-5107, 218-5117)	1
3	C 24991	TUBE - valve to valve (L-7)	1
4	C 24994	TUBE - valve to motor	1
5	218- 5062	CONNECTOR - straight, male	3
6	218- 5007	"O" RING	1
7	218- 5066	CONNECTOR - straight, male	2
8	218- 5006	"O" RING	1
9	218- 5117	ELBOW - adjustable	1
10	218- 5006	"O" RING	1
11	NSS	CONNECTOR - straight, male (Use 218-5406, 218-5254)	1
12	218-5006	"O" RING	1
13	218- 5251	CONNECTOR - straight, male/female swivel	1
14	218- 5007	"O" RING	1
15	C 28487	"O" RING - end caps	2
16	218- 5406	CONNECTOR - straight male	1
17	218- 5254	CONNECTOR - straight, male/female swivel	1

N9 HOLDING VALVE (446, 448)

REF.	PART NO.	DESCRIPTION	REQ'D
1	C 24995	VALVE - holding (includes item 15)	1
2	C 25341	TUBE - valve to valve	1
3	C 27806	TUBE - valve to valve	1
4	C 24994	TUBE - valve to motor	1
5	218- 5062	CONNECTOR - straight, male	2
6	218- 5007	"O" RING	1
7	218- 5066	CONNECTOR - straight, male	1
8	218- 5006	"O" RING	1
9	218- 5117	ELBOW - adjustable	2
10	218- 5006	"O" RING	1
11	218- 5254	CONNECTOR - straight, male/female, swivel	1
12	218- 5006	"O" RING	1
13	218- 5406	CONNECTOR - straight, male	1
14	218- 5007	"O" RING	1
15	C 28487	"O" RING - end caps	2
16	218- 5107	ELBOW - adjustable	1
17	218- 5007	"O" RING	1



22  **WARNING**
ROTATING MACHINE PARTS
STAY CLEAR, KEEP
SHIELDS INSTALLED TO HELP
PROTECT FROM CLOTHING
ENTANGLEMENT AND INJURY.



L29 PTO MOUNTING FRAME, SHIELD, IDLERS AND GEAR COVER

REF.	PART NO.	DESCRIPTION	REQ'D
1	NLA	FRAME - mounting	1
2	C 25815	COVER - gear	1
3	221- 4	PLUG - oil	1
4	113- 3	BOLT - 1/4" - 20 x 3/4" hex	9
5	195- 521	WASHER - 5/16"	9
6	131- 1180	NUT - 1/4" - 20 hex	9
7	C 25817	SHIELD - PTO	1
8	121- 106	BOLT - 5/16" - 18 x 1/2", special	3
9	C 25370	PULLEY - "V" groove	1
10	113- 206	BOLT - 3/8" - 16 x 3/4"	1
11	193- 68	LOCK WASHER - special	1
12	195- 103	WASHER - 3/8"	1
13	C 25822	ARM - idler	1
14	C 28308	BUSHING - sleeve	2
15	C 26090	PULLEY - flat idler	1
16	113- 412	BOLT - 1/2" - 13 x 1-3/4" hex	1
17	131- 165	NUT - 1/2" lock, hex	1
18	195- 541	WASHER - 5/8"	1
19	132- 318	PIN - cotter 5/32" x 1"	1
20	C 16870	SPRING - tension	1

L29 SPINDLES, DECALS AND BELT

REF.	PART NO.	DESCRIPTION	REQ'D
1	NLA	HOUSING - PTO shaft	1
2	C 25807	WASHER - thrust	2
3	195- 2131	WASHER - spacer	1
4	C 25808	SHAFT - spline	1
5	C 28258	RING - retainer	1
6	C 25828	BEARING - roller	2
7	NLA	GEAR - driven	1
8	83- 68	SET SCREW - 3/8"	2
9	NLA	KEY - 5/16" x 2"	1
10	113- 206	BOLT - 3/8" - 16 x 3/4" hex	8
11	192- 21	LOCK WASHER - 3/8"	8
12	NSS	HOUSING - spindle (use C40722, 219-20)	1
13	C 28971	BEARING	2
14	C 16516	RING - retaining	2
15	C 10810	SPACER - bearing	1
16	C 25541	WASHER - spacer	2
17	C 25810	SPINDLE - input	1
18	C 25813	PULLEY - spindle	1
19	C 28289	KEY - 3/16" square x 7/8"	1
20	131- 1331	NUT - 3/4" - 16 lock, hex	1
21	321- 6379	DECAL - "Case" (early production)	1
22	C 28354	DECAL - "Warning"	1
23	C 17462	DECAL - drive belt	1
	C 23539	BELT - drive (446, 448)	1
	C 23538	BELT - drive (226)	1

NUMERICAL INDEX

PART NO.	PAGE NO.	REF. NO.	PART NO.	PAGE NO.	REF. NO.	PART NO.	PAGE NO.	REF. NO.
C10314	47	2	C14906	33	11	C18797	49	21
C10657	25	1	C14976	87	3	C18797	51	21
C10678	19	32	C14991	87	9	C18812	43	1
C10678	25	1	C15036	57	21	C18916	49	6
C10810	107	15	C15096	45	16	C18916	51	6
C10883	97	20	C15410	37	14	C18916	57	17
C10898	91	4	C15410	39	14	C19025	55	8
C11529	25	5	C15410	41	9	C19025	65	20
C11886	101	15	C15515	35	7	C19040	53	2
C11887	101	16	C15557	35	8	C19041	53	14
C11891	101	2	C15731	57	4	C19115	57	16
C11892	101	14	C15732	57	5	C19207	57	15
C11893	101	12	C15733	57	6	C19212	53	17
C11895	101	9	C15734	57	7	C19422	101	5
C11901	101	13	C15735	57	8	C19423	101	18
C11906	43	6	C15737	57	10	C19521	77	27
C12106	65		C15738	57	11	C19661	65	1
C12552	63	26	C15739	57	12	C19740	87	1
C12713	63	2	C15740	57	13	C19740	87	1
C12718	63	36	C16164	47	6	C19767	33	15
C12725	63	21	C16361	37	31	C19867	33	12
C12975	43	10	C16361	39	31	C20053	33	7
C13106	43	8	C16362	37	12	C20093	33	5
C13106	47		C16362	39	12	C20204	5	16
C13196	63	16	C16373	37	24	C20205	5	16
C13241	63	5	C16373	39	24	C20215	5	19
C13266	63	7	C16429	41	7	C20218	5	24
C13360	59	1	C16516	53	1	C20218	11	19
C13385	63	6	C16516	107	14	C20219	5	25
C13716	43	6	C16581	95	1	C20219	11	20
C14168	63	23	C16616	35	1	C20223	5	2
C14207	45	7	C16697	49	35	C20223	11	8
C14222	63	39	C16697	51	35	C20226	5	6
C14223	63	37	C16697	53		C20229	5	8
C14304	77		C16699	63	12	C20229	11	15
C14459	91	5	C16700	63	14	C20233	5	11
C14534	41	12	C16786	35	13	C20233	11	16
C14537	69	8	C16793	49	11	C20241	5	14
C14537	71	8	C16794	49	10	C20241	11	3
C14537	73	9	C16870	107	20	C20243	7	20
C14537	75	9	C17161	95	2	C20243	13	23
C14565	69	4	C17162	95	3	C20244	7	21
C14565	71	4	C17216	41	19	C20244	13	21
C14565	73	3	C17249	65	6	C20245	7	22
C14565	75	3	C17433	59	8	C20245	13	22
C14568	89	2	C17433	61	8	C20247	7	24
C14568	91	2	C17435	59	9	C20247	13	42
C14644	63	24	C17435	61	9	C20248	7	25
C14655	49	35	C17438	59	17	C20250	7	26
C14655	51	35	C17438	59	17	C20250	13	24
C14655	53		C17443	59	31	C20251	7	28
C14690	25	8	C17443	61	31	C20251	13	26
C14703	87	16	C17444	59	19	C20256	7	3
C14709	87	17	C17444	61	19	C20256	13	4
C14712	87		C17462	107	23	C20267	7	6
C14715	87	8	C17520	65	7	C20267	13	6
C14717	87	15	C17636	95	4	C20268	7	7
C14717	87	20	C17734	65	5	C20268	13	7
C14722	87	3	C17859	95	1	C20269	7	8
C14724	87	4	C17860	95	3	C20269	13	8
C14725	87	14	C18092	53	15	C20270	7	9
C14728	41	16	C18110	53	10	C20270	13	9
C14729	37	20	C18147	47	7	C20271	7	10
C14729	39	20	C18153	37	11	C20271	13	10
C14730	37	20	C18251	65	3	C20272	7	11
C14730	39	20	C18382	53	6	C20272	13	11
C14827	53	4	C18417	101	24	C20274	67	6
C14830	53	9	C18719	103		C20276	7	40
C14836	53	15	C18721	103	12	C20276	13	27
C14837	53	5	C18742	55	6	C20277	9	40
C14838	53	16	C18742	65	18	C20277	13	27

NUMERICAL INDEX

PART NO.	PAGE NO.	REF. NO.	PART NO.	PAGE NO.	REF. NO.	PART NO.	PAGE NO.	REF. NO.
C202278	67	7	C20432	21	10	C23527	39	5
C202287	7	14	C20438	21	16	C23538	107	
C202287	13	14	C20439	21	17	C23539	107	
C202288	9	44	C20441	21	19	C23558	29	5
C202288	13	14	C20443	21	21	C23559	29	6
C202289	9	44	C20444	21	22	C23580	31	10
C202289	13	14	C20445	21	23	C23581	31	9
C202290	9	44	C20446	21	24	C23600	103	10
C202290	13	14	C20449	21	27	C23618	103	1
C202291	9	44	C20450	21	28	C23624	35	16
C202291	13	14	C20471	9	40	C23625	35	18
C202292	7	16	C20471	13	27	C23627	35	15
C202293	9	46	C20477	21	25	C23630	35	17
C202294	9	47	C20517	7	39	C23686	31	12
C202295	7	17	C20565	15	41	C23740	35	10
C202295	13	15	C20574	7	31	C23854	67	3
C202296	9	48	C20574	15	29	C23879	103	14
C202296	13	15	C20577	15	37	C23888	99	8
C202297	9	48	C21506	59	22	C23899	47	14
C202297	13	15	C21506	61	22	C23910	47	11
C202298	9	48	C21507	59	7	C23962	99	9
C202298	13	15	C21507	61	7	C24069	77	23
C202299	9	48	C21511	59		C24098	45	18
C202299	13	15	C21518	55	5	C24137	37	3
C20302	7	18	C21518	65	15	C24137	39	3
C20303	5	20	C21857	47	9	C24296	31	8
C20305	15	2	C21956	75	32	C24325	5	28
C20307	15	4	C21989	69	12	C24325	11	9
C20309	15	6	C22023	37	6	C24326	5	3
C20310	15	7	C22023	39	6	C24326	11	10
C20312	15	9	C22261	5	7	C24447	87	
C20313	15	10	C22261	11	14	C24460	73	10
C20320	15	17	C22262	5	29	C24460	75	10
C20322	15	19	C22262	11	21	C24665	21	
C20325	15	30	C22278	43	5	C24666	21	
C20331	15	28	C22369	19	28	C24689	25	11
C20333	67	9	C22424	19	4	C24703	31	1
C20334	67	10	C22500	5	26	C24741	35	2
C20335	67	11	C22568	43	19	C24761	47	15
C20336	67	13	C22573	77	6	C24803	63	4
C20337	67		C22581	19	3	C24804	63	3
C20344	69	33	C22618	7	5	C24809	69	3
C20344	71	27	C22618	13	5	C24813	69	6
C20344	73	41	C22619	7	36	C24813	71	6
C20344	75	41	C22619	13	5	C24813	73	6
C20345	67	11	C22620	7	36	C24813	75	6
C20347	67	12	C22620	13	5	C24814	69	5
C20359	27	1	C22621	7	36	C24814	71	5
C20360	27	2	C22621	13	5	C24814	73	4
C20361	27	3	C22622	13	5	C24814	75	4
C20369	27	4	C22632	15	3	C24815	69	2
C20371	27	6	C22633	15	16	C24815	71	2
C20372	27	8	C22637	63	14	C24815	73	5
C20375	27	12	C22638	63	12	C24815	75	5
C20376	27	13	C22889	31	9	C24820	37	25
C20387	17	1	C22947	17		C24821	37	2
C20393	17	17	C22947	19	33	C24843	63	
C20396	17	11	C22947	49	36	C24861	57	3
C20397	17	25	C22947	51	36	C24927	17	7
C20398	17	24	C22947	97		C24929	17	13
C20399	17	22	C23012	77	2	C24931	5	12
C20405	17	23	C23300	17	12	C24931	11	1
C20407	17	20	C23316	47	1	C24932	5	12
C20411	17	14	C23320	13	20	C24932	11	1
C20411	19	40	C23320	15	11	C24933	5	12
C20412	9	45	C23321	15	21	C24933	11	1
C20412	19	41	C23330	77	1	C24934	5	12
C20427	21	5	C23337	99	5	C24934	11	1
C20429	21	7	C23407	103	9	C24935	5	12
C20430	21	8	C23527	25	7	C24935	11	1
C20431	21	9	C23527	37	5	C24938	5	15

NUMERICAL INDEX

PART NO.	PAGE NO.	REF. NO.	PART NO.	PAGE NO.	REF. NO.	PART NO.	PAGE NO.	REF. NO.
C24938	11	4	C25556	49	18	C26656	79	11
C24939	5	15	C25556	51	18	C26656	81	11
C24939	11	4	C255563	69	27	C26663	59	26
C24940	5	15	C25564	69	1	C26663	61	26
C24940	11	4	C25572	101	1	C26664	59	24
C24941	5	15	C25604	25	3	C26664	61	24
C24941	11	4	C25774	5	17	C26665	59	23
C24943	5	5	C25774	11	6	C26665	61	23
C24946	7	13	C25775	5	18	C26666	59	25
C24946	13	12	C25775	11	7	C26666	61	25
C24948	7	27	C25778	27	19	C26668	59	11
C24948	13	25	C25784	49	12	C26668	61	11
C24949	7	33	C25784	51	12	C26670	69	7
C24950	7	34	C25789	91	5	C26670	71	31
C24951	27	18	C25791	101	3	C26670	73	42
C24952	27	19	C25792	101	4	C26670	75	42
C24956	69	20	C25807	107	2	C26699	79	2
C24956	71	20	C25808	107	2	C26699	81	2
C24956	73	32	C25810	107	17	C26699	83	2
C24958	15	12	C25813	107	18	C26699	85	2
C24990	105	2	C25815	107	2	C26703	17	21
C24991	105	3	C25817	107	7	C26703	19	1
C24994	105	4	C25822	107	13	C26706	97	2
C24994	105	4	C25828	107	6	C26707	97	3
C24995	105	1	C25845	69	24	C26708	97	12
C24995	105	1	C25845	71	24	C26709	97	13
C25022	47	4	C25845	73	36	C26710	97	14
C25048	53	3	C25845	75	36	C26711	97	15
C25071	31	2	C25855	43	21	C26712	97	16
C25073	31	7	C25856	43	21	C26722	97	4
C25100	67	10	C26020	97	6	C26724	97	6
C25227	69	32	C26058	31	12	C26725	97	7
C25227	71	36	C26058	31	12	C26726	97	8
C25227	73	39	C26062	31	8	C26727	97	11
C25227	75	39	C26090	107	15	C26816	37	4
C25317	37	17	C26098	29	3	C26817	37	4
C25318	37	17	C26108	69	21	C26829	41	15
C25333	49	10	C26108	71	21	C26831	41	15
C25334	49	11	C26108	73	22	C26833	41	15
C25338	69	30	C26108	75	22	C26835	41	15
C25338	71	6	C26166	35	3	C26877	79	1
C25338	73	7	C26181	103	11	C26900	49	37
C25338	75	7	C26182	49	23	C26900	51	37
C25341	105	2	C26182	51	23	C26941	37	1
C25341	105	2	C26188	65	25	C26968	31	8
C25343	99	8	C26188	87	2	C26969	31	7
C25344	99	9	C26191	15	36	C26971	31	2
C25368	89	4	C26202	17	5	C26974	31	1
C25369	89	3	C26202	19	24	C27153	37	1
C25370	107	9	C26207	31	5	C27176	79	8
C25371	91	2	C26207	31	5	C27178	79	7
C25382	91	8	C26255	27	9	C27179	79	4
C25383	5	16	C26255	49	1	C27181	79	8
C25383	11	5	C26255	51	1	C27182	79	7
C25384	11	5	C26264	33	3	C27183	79	4
C25384	11	5	C26266	33	6	C27217	49	28
C25385	11	5	C26266	101	27	C27217	59	28
C25385	11	5	C26278	49	7	C27217	65	26
C25386	11	5	C26278	51	7	C27219	59	29
C25386	11	5	C26278	57	1	C27501	45	9
C25389	15	38	C26325	45	2	C27506	21	20
C25390	103	8	C26326	45	4	C27507	17	2
C25391	103	16	C26342	63	15	C27508	37	8
C25392	103	14	C26381	47	2	C27509	39	8
C25486	69	10	C26455	29	3	C27527	71	1
C25486	71	7	C26456	49	12	C27530	71	30
C25486	73	8	C26456	51	12	C27549	71	35
C25486	75	8	C26506	37	29	C27549	73	11
C25489	27	1	C26506	39	29	C27549	75	11
C25490	27	2	C26508	67		C27593	55	2
C25541	107	16	C26526	41	31	C27593	65	12

NUMERICAL INDEX

PART NO.	PAGE NO.	REF. NO.	PART NO.	PAGE NO.	REF. NO.	PART NO.	PAGE NO.	REF. NO.
C27594	41	17	C28707	61	12	C29650	75	16
C27734	33	14	C28708	59	18	C29651	55	17
C27755	47	8	C28708	61	18	C29652	55	18
C27763	47	2	C28709	57	1	C29653	55	19
C27764	51	30	C28710	103		C29655	51	11
C27806	105	3	C28711	57	5	C29656	51	10
C27822	65	16	C28712	57	7	C29657	51	11
C27902	43	24	C28713	57	10	C29658	51	10
C27917	81	6	C28714	57	8	C29697	49	14
C27917	83	6	C28715	57	14	C29697	51	14
C27919	81	7	C28716	101	21	C29698	29	6
C27919	83	7	C28718	57	2	C29716	37	1
C27920	83	8	C28719	27	5	C29719	37	1
C27920	83	8	C28856	59	4	C29732	53	
C27922	81	6	C28856	61	4	C29733	69	19
C27922	83	6	C28874	53	12	C29733	71	19
C27923	81	7	C28875	101	4	C29733	73	31
C27923	83	7	C288932	77	4	C29733	75	31
C27924	81	8	C288937	19	38	C29734	15	20
C27924	83	8	C288937	19	39	C29735	35	11
C27944	81	1	C288937	25	3	C29736	67	9
C27956	81	13	C288937	25	6	C29739	5	15
C27958	81	14	C288949	49	34	C29739	11	4
C27959	81	15	C288949	51	34	C29740	81	1
C27962	81	12	C288962	25	2	C29750	5	16
C27962	83	12	C288964	97	19	C29751	5	16
C27963	81	12	C288965	47	6	C29752	69	22
C27963	83	12	C288968	31	3	C29752	71	22
C28003	69	11	C288971	107	13	C29752	73	38
C28003	71	11	C288978	47	19	C29752	75	38
C28030	25		C288985	87	12	C29754	9	41
C28033	27	6	C290044	45	3	C29755	9	42
C28034	27	7	C290047	55	1	C29772	35	24
C28105	97	18	C29202	81	16	C29811	35	19
C28215	57	9	C29283	29	1	C29812	45	5
C28217	61	3	C29284	29	1	C29868	19	15
C28217	103		C29288	31	1	C29868	23	
C28222	87	13	C29290	31	10	C29869	19	15
C28226	43	11	C29290	31	10	C29869	23	
C28232	43	23	C29291	31	9	C29943	19	2
C28232	43	25	C29292	31	2	C29944	19	17
C28237	65	11	C29294	31	7	C29945	19	6
C28237	101	26	C29296	25	10	C29946	19	10
C28241	63	18	C29298	27	1	C29947	19	11
C28251	103	3	C29302	27	2	C29948	17	16
C28258	107	5	C29305	41	22	C29948	19	13
C28281	63	8	C29306	41	23	C29949	19	14
C28288	33	13	C29308	37	25	C29950	61	28
C28289	107	19	C29309	49	20	C29951	61	5
C28294	31	3	C29309	51	20	C29953	17	3
C28294	31	3	C29314	37	32	C29953	19	18
C28304	71	32	C29314	39	32	C29955	19	25
C28308	107	14	C29315	37	33	C29956	61	2
C28315	5	23	C29407	55	3	C29957	19	29
C28321	11	22	C29408	65	10	C29958	61	29
C28321	49	5	C29409	33	18	C29959	19	35
C28321	51	5	C29410	71	3	C29962	23	
C28354	107	22	C29410	75	2	C29962	23	
C28487	105	15	C29411	71	33	C29965	23	1
C28487	105	15	C29412	71	34	C29965	23	1
C28677	35	6	C29413	69	9	C29966	23	2
C28696	101	25	C29413	71	9	C29966	23	2
C28698	101	22	C29506	19	30	C29967	23	3
C28699	59	1	C29506	27	14	C29967	23	3
C28700	101	20	C29645	55	4	C29969	19	16
C28703	53	11	C29646	55		C29969	23	4
C28705	59	14	C29646	71	11	C29969	23	4
C28705	61	14	C29647	55	13	C29972	5	13
C28706	59	13	C29648	55	14	C29972	11	2
C28706	61	13	C29650	55	16	C29974	7	15
C28707	59	12	C29650	73	16	C29974	13	13

NUMERICAL INDEX

PART NO.	PAGE NO.	REF. NO.	PART NO.	PAGE NO.	REF. NO.	PART NO.	PAGE NO.	REF. NO.
C299975	9	43	C30275	73	23	C319993	47	22
C299975	13	13	C30275	75	23	C320093	83	13
C299976	9	43	C30276	77	28	C320093	85	12
C299976	13	13	C30279	73	18	C32168	35	23
C299977	9	43	C30279	75	18	C32169	35	12
C299977	13	13	C30450	55	17	C32178	69	18
C299978	9	43	C30450	73	17	C32178	71	18
C299978	13	13	C30450	75	17	C32178	73	21
C299979	7	32	C30458	39	17	C32178	75	21
C299980	9	45	C30460	39	17	C32178	77	
C299981	9		C30462	39	17	C32199	57	20
C299981	13	45	C30464	39	17	C32200	97	1
C299982	9		C30466	41	27	C32209	97	8
C299982	13	45	C30467	41	27	C32210	97	8
C299983	15	1	C30470	41	27	C32211	97	9
C299984	15	13	C30471	41	27	C32213	97	23
C299985	15	42	C30480	73	27	C32214	97	17
C299988	27	1	C30489	41	20	C32272	13	28
C299989	27	3	C30523	39	1	C32273	13	29
C299990	67		C30526	39	1	C32274	13	16
C299990	69	23	C30530	73	27	C32275	13	16
C299990	71	29	C30530	75	27	C32276	13	31
C299990	73	33	C30539	85	10	C32277	13	32
C299990	75	33	C30545	93	4	C32281	13	38
C299991	67	6	C30827	55	20	C32282	13	44
C299992	67	13	C30912	47	3	C32288	11	30
C299992	69	29	C30913	47	1	C32299	69	26
C299992	71	37	C30917	47	1	C32299	71	26
C299992	73	34	C30922	47	1	C32299	73	35
C299992	75	34	C30939	51	35	C32299	75	35
C300002	61		C30939	53		C32327	97	24
C300004	37	34	C30942	77	7	C32332	97	12
C300004	39	34	C30960	85	6	C32376	17	15
C300018	23		C30961	85	6	C32376	25	9
C300029	63	9	C30964	85	7	C32403	97	5
C300030	63	25	C30965	85	7	C32407	69	16
C300031	63	34	C30966	85	8	C32407	71	16
C300033	19	34	C30967	85	8	C32407	73	28
C300044	99	1	C31004	41	6	C32407	75	28
C300044	101	1	C31006	41	30	C32423	97	7
C300046	97	1	C31018	35	20	C32424	97	7
C300054	65		C31020	41	1	C32427	87	18
C300054	89		C31021	41	1	C32462	15	33
C300066	41	8	C31026	35		C32463	5	21
C300071	41	8	C31029	75	1	C32468	11	13
C300074	25	4	C31044	75	25	C32469	5	10
C300077	25	3	C31045	35	9	C32470	5	26
C300116	37	4	C31050	83	1	C32470	11	17
C300116	39	4	C31050	85	1	C33007	103	10
C300117	37	4	C31249	69	31	C33008	103	8
C300117	39	4	C31249	71	10	C33010	103	15
C300126	39	33	C31249	75	30	C33011	103	15
C300127	45	18	C31279	39	11	C33234	51	35
C300128	55	3	C31309	53	22	C33234	53	
C300130	55		C31310	53	3	C33305	63	28
C300134	39	19	C31311	53	3	C33308	45	13
C300142	39	25	C31312	53	3	C33309	45	12
C300143	37	2	C31313	53	5	C33411	25	1
C300143	39	2	C31314	53	5	C33412	25	1
C300260	73	13	C31315	53	6	C33417	63	38
C300260	75	13	C31316	53	7	C33423	49	20
C300262	73	14	C31317	53	8	C33427	47	10
C300262	75	14	C31318	53	9	C33467	37	35
C300263	73	15	C31319	53	10	C33467	39	35
C300263	75	15	C31320	53	11	C33474	41	14
C300265	73	20	C31321	53	12	C33589	79	5
C300265	75	20	C31322	53	13	C33589	81	4
C300268	69	15	C31323	53		C33589	83	4
C300268	71	15	C31947	73	12	C33589	85	4
C300274	83	11	C31947	75	12	C33697	77	21
C300274	85	11	C31992	47	22	C34555	59	27

NUMERICAL INDEX

PART NO.	PAGE NO.	REF. NO.	PART NO.	PAGE NO.	REF. NO.	PART NO.	PAGE NO.	REF. NO.	
C34555	61	27	113-	103	19	129-	102	31	4
C36848	103	2	113-	103	67	129-	102	31	4
C36935	63	17	113-	103	97	129-	102	77	19
C37222	63	22	113-	103	99	129-	103	45	8
C37265	41	2	113-	111	57	129-	103	95	7
C37266	41	2	113-	113	37	129-	105	89	4
C40646	47	16	113-	118	29	129-	105	91	10
C40687	43	1	113-	118	41	129-	105	95	6
C40797	13	33	113-	118	87	129-	122	55	7
C40896	19	19	113-	120	15	129-	122	65	19
C40897	17	4	113-	121	17	129-	125	35	14
C41010	75	24	113-	121	19	129-	143	47	13
C42929	71	32	113-	122	41	129-	165	43	15
C42929	73	30	113-	132	7	129-	365	43	16
C42929	75	29	113-	132	13	129-	531	59	10
C43044	73	26	113-	204	9	129-	531	61	10
C43044	75	26	113-	206	45	131-	165	107	17
C44378	45	17	113-	206	49	131-	176	87	11
C44478	47	7	113-	206	51	131-	178	33	16
C44499	47	5	113-	206	99	131-	351	49	31
C44640	43	18	113-	206	107	131-	351	51	31
C44641	43	17	113-	206	107	131-	629	77	1
C44806	43	13	113-	207	33	131-	911	19	27
C45431	103	7	113-	207	65	131-	911	41	25
C45604	49	16	113-	207	65	131-	911	97	16
C45604	51	16	113-	207	95	131-	934	35	22
F53109	57	2	113-	208	7	131-	934	41	29
022-	844		113-	208	13	131-	934	97	11
022-	844		113-	219	37	131-	1133	63	35
026-	526	7	113-	219	39	131-	1180	49	39
026-	532	7	113-	241	45	131-	1180	51	39
026-	544	15	113-	257	15	131-	1180	103	5
028-	662	53	113-	321	5	131-	1180	107	6
028-	668	53	113-	412	107	131-	1181	37	9
028-	680	63	113-	417	87	131-	1181	39	9
041-	26	7	113-	417	91	131-	1181	41	21
041-	26	13	113-	417	95	131-	1181	65	9
061-	512	31	113-	417	101	131-	1181	65	22
061-	512	31	113-	424	37	131-	1182	93	2
062-	616	49	113-	424	39	131-	1308	47	5
062-	616	51	113-	424	41	131-	1318	37	7
075-	48	101	113-	424	59	131-	1318	39	7
083-	68	107	113-	424	63	131-	1331	107	20
092-	5	19	113-	427	41	132-	6	101	3
095-	4	101	113-	441	41	132-	91	87	6
111-	5	25	113-	911	15	132-	306	91	12
111-	101	97	113-	2262	47	132-	310	33	10
111-	108	77	113-	2400	91	132-	310	47	18
111-	139	77	114-	200	15	132-	310	65	4
111-	202	77	121-	3	27	132-	310	87	4
111-	371	95	121-	21	63	132-	311	43	9
111-	521	93	121-	106	39	132-	318	107	19
111-	525	93	121-	106	41	132-	320	33	10
113-	1	17	121-	106	107	132-	320	55	10
113-	1	27	126-	9	5	132-	320	65	13
113-	1	29	126-	9	11	132-	321	47	21
113-	1	49	126-	9	11	132-	334	37	13
113-	1	51	126-	13	5	132-	334	39	13
113-	2	103	126-	128	63	138-	59	87	19
113-	3	35	129-	15	77	138-	63	33	9
113-	3	77	129-	17	25	138-	99	43	4
113-	3	97	129-	27	77	138-	143	45	10
113-	3	107	129-	36	77	138-	308	87	5
113-	4	15	129-	37	77	138-	2072	55	11
113-	5	97	129-	101	17	138-	2073	37	23
113-	12	103	129-	101	27	138-	2073	39	23
113-	17	77	129-	101	37	138-	2073	47	3
113-	65	17	129-	101	39	138-	2073	63	11
113-	65	19	129-	101	67	141-	54	47	20
113-	102	41	129-	101	77	163-	22	27	21
113-	103	15	129-	101	97	164-	40	35	4

NUMERICAL INDEX

PART NO.	PAGE NO.	REF. NO.	PART NO.	PAGE NO.	REF. NO.	PART NO.	PAGE NO.	REF. NO.
165-	142	97	192-	21	95	214-	14	51
165-	143	67	192-	21	99	214-	252	19
165-	143	7	192-	21	107	214-	254	12
166-	32	97	192-	23	37	214-	254	49
166-	85	57	192-	23	39	214-	254	51
166-	86	51	192-	23	41	214-	258	103
166-	86	37	192-	23	5	214-	258	69
166-	86	39	192-	23	43	214-	258	71
166-	86	49	192-	23	59	214-	258	73
166-	86	51	192-	23	63	214-	258	75
166-	86	63	192-	23	91	214-	272	31
169-	88	101	192-	23	95	214-	272	31
169-	114	59	192-	404	31	218-	457	99
169-	114	61	192-	404	31	218-	485	103
169-	133	27	193-	57	67	218-	494	99
182-	10	77	193-	57	77	218-	545	103
182-	84	15	193-	68	77	218-	927	99
182-	147	77	193-	76	35	218-	5006	49
182-	152	19	195-	102	19	218-	5006	51
182-	246	49	195-	102	27	218-	5006	51
182-	520	67	195-	102	67	218-	5006	105
182-	525	15	195-	103	107	218-	5006	105
182-	525	17	195-	104	33	218-	5006	105
182-	547	5	195-	104	49	218-	5006	105
182-	547	37	195-	104	51	218-	5006	105
182-	547	39	195-	104	55	218-	5006	105
182-	547	41	195-	513	67	218-	5007	49
182-	559	19	195-	516	19	218-	5007	49
182-	559	25	195-	518	77	218-	5007	51
182-	571	77	195-	521	55	218-	5007	51
187-	1036	19	195-	521	59	218-	5007	51
187-	1036	25	195-	521	65	218-	5007	105
187-	1036	27	195-	521	97	218-	5007	105
187-	1036	29	195-	521	99	218-	5007	105
187-	1036	37	195-	521	107	218-	5007	105
187-	1036	39	195-	525	37	218-	5007	105
187-	1073	27	195-	525	39	218-	5056	65
187-	1252	49	195-	525	41	218-	5062	49
187-	1252	51	195-	525	95	218-	5062	51
187-	1334	77	195-	526	97	218-	5062	97
187-	1511	19	195-	533	33	218-	5062	105
187-	1511	27	195-	533	47	218-	5062	105
187-	1511	67	195-	533	55	218-	5065	49
187-	1910	43	195-	533	65	218-	5065	51
192-	13	77	195-	533	93	218-	5066	105
192-	18	15	195-	533	95	218-	5066	105
192-	18	25	195-	541	45	218-	5107	49
192-	18	77	195-	541	87	218-	5107	51
192-	19	77	195-	541	91	218-	5107	97
192-	19	15	195-	541	107	218-	5117	105
192-	19	17	195-	545	43	218-	5117	105
192-	19	19	195-	545	91	218-	5201	105
192-	19	27	195-	2010	13	218-	5229	97
192-	19	29	195-	2029	37	218-	5232	103
192-	19	37	195-	2029	39	218-	5232	97
192-	19	39	195-	2069	45	218-	5232	99
192-	19	67	195-	2131	107	218-	5251	105
192-	19	77	195-	2175	41	218-	5254	105
192-	19	97	211-	5	15	218-	5254	105
192-	19	101	211-	5	59	218-	5406	105
192-	20	17	211-	5	61	218-	5406	105
192-	20	37	211-	7	7	218-	5479	89
192-	20	41	211-	7	13	219-	17	43
192-	20	67	211-	7	59	219-	403	47
192-	20	97	211-	7	61	219-	404	43
192-	20	99	211-	11	101	219-	404	65
192-	21	7	211-	208	59	221-	405	87
192-	21	13	211-	208	61	221-	3	63
192-	21	15	211-	216	5	221-	4	107
192-	21	45	211-	216	11	221-	841	59
192-	21	49	211-	306	57	221-	841	61
192-	21	51	214-	14	49	221-	842	101

NUMERICAL INDEX

PART NO.	PAGE NO.	REF. NO.	PART NO.	PAGE NO.	REF. NO.
221- 844	15	15			
221-1139	89	1			
221-1190	15	26			
221-1375	89	2			
221-1377	15	27			
221-1849	15	35			
223- 30	69	28			
223- 30	71	28			
321-4767	79	3			
321-4767	81	3			
321-4767	83	3			
321-4767	85	3			
321-6379	107	21			
321-6659	79	9			
321-6659	81	9			
321-6659	83	9			
321-6659	85	9			
353- 426	33	4			

