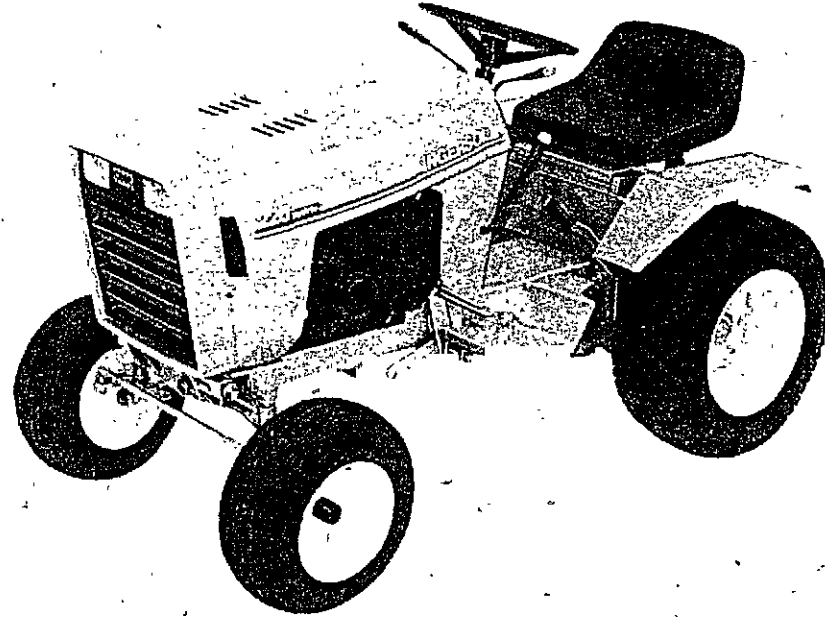


COMPACT TRACTORS
 226 P.I.N. 14048500 AND AFTER
 446 P.I.N. 14041700 AND AFTER
 448 P.I.N. 14044240 AND AFTER
 Parts Catalog No. 8-2752

NOTE: This catalog replaces
 catalog 8-2751

8-90-RP-500-445



ALPHABETICAL INDEX

ENGINE SECTION

	Page	Grid		Page	Grid
Air Filter	17-23	B6-B12	Exhaust System	31	C6
Baffles and Shields	27-29	C2-C4	Fan	35	C10
Battery	69-75	F2-F8	Flywheel, Engine	5-11	A8-A14
Camshaft	5-11	A8-A14	Fuel System	17-25	B6-B14
Carburetor	17-23	B6-B12	Governor	27	C2
Choke and Throttle	25	B14	Housing, Blower	27	C2
Clutch, PTO	35	C10	Oil Pump	15	B4
Crankshaft	5-11	A8-A14	Oil Sump	15	B4
Electrical System	67-77	E14-F10	Piston and Connecting Rods	5-11	A8-A14
Engine Block	7-13	A10-B2	Starter Motor	67	E14

BASIC TRACTOR SECTION

	Page	Grid		Page	Grid
Axle, Front	43	D4	Instruments	69-75	F2-F8
Axle, Rear	63	E10	J17 Hydraulic PTO	99-101	A4-A6
Baffles and Heat Shields	27-29	C2-C4	J26 Three Point Hitch	87-89	G6-G8
Brakes	47	D8	K8 Wheel Weights	93	G12
Clutch Assembly, PTO	33-35	C8-C10	K10 Wheel Weights	93	G12
Control, Speed	55	E2	K18 Counterweight Brackets	95	G14
Decals	79-85	F12-G4	K22 Sleeve Hitch	91	G10
Electrical System	67-77	E14-F10	K24 Sleeve Hitch	91	G10
Fenders	41	D2	L7 Holding Valve	105	A10
Frame	37-39	C12-C14	L11 Weight Kit	101	A6
Grille	37-39	C12-C14	L17 Hydraulic PTO Kit	99-101	A4-A6
Hitch	59	E6	L19, M19, N19 Flow Control Kit	103	A8
Hood	37-39	C12-C14	L29 PTO	107	A12
Hydraulic System	49-61	D10-E8	Lift, Implement, Hydraulic	65	E12
Coupling, Pump Drive	57	E4	M9 Holding Valve	105	A10
Heat Exchanger	49-51	D10-D12	N9 Holding Valve	105	A10
Hoses, Lines and Fittings	49-51	D10-D12	M17, N17 Hydraulic PTO	97	A2
Motor, Hydraulic Drive	53	D14	PTO Linkage	33	C8
Pump	57	E4	Seat, Operator's	41	D2
Reservoir	49-51	D10-D12	Steering Wheel and Gear	45	D6
Valve, Hydraulic	59-61	E6-E8	Tool Box	41	D2
F27 Three Point Hitch Adapter	89	G8	Transmission	63	E10
H13 Weight Box	95	G14	Wheels, Front and Rear	47	D8

INDEX

There is an index at the front and rear of this catalog.

The front index is an alphabetical index of the major groups or assemblies.

The rear index is a numerical index of the part numbers and pages on which these numbers are shown.

ILLUSTRATION

Each illustration in this catalog shows a group of parts or components. These parts and components are aligned approximately as the parts and components on your machine. Each part and component in an illustration has a reference number. These reference numbers are in a list on the page opposite of the illustration. Next to the reference number is the part number, description and required quantity of the part shown in the illustration.

UAR - "Use as required" indicates that the part quantity is variable.

NSS - "Not sold separately" indicates that the part is only available as a component of an assembly or the part must be purchased locally. If the part is an assembly component, the description will be indented under the assembly description in the parts list.

O/L - "Obtain locally"

** - "Footnotes" are added to a part number when more information is needed for identification. They only relate to the part numbers indicated.

PARTS ORDERS

All orders must include the following information:

1. Correct part number.
2. Complete description of part or component.
3. Total quantity of each part or component.
4. Product model number.
5. All necessary product identification numbers.
6. Method for sending the parts.
7. Complete and correct address.

CATALOG REVISIONS

As the product changes, new pages will be available for your catalog. A notice will be issued.

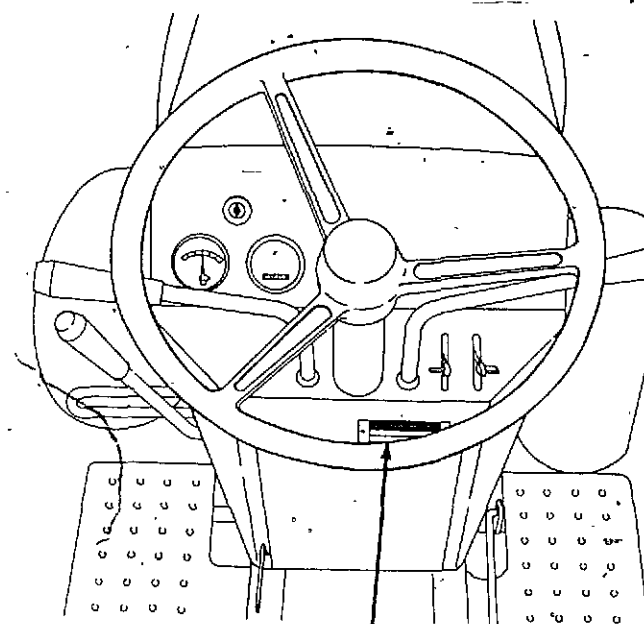
IMPORTANT: Put all revisions into the catalog as soon as possible.

RIGHT HAND AND LEFT HAND IDENTIFICATION

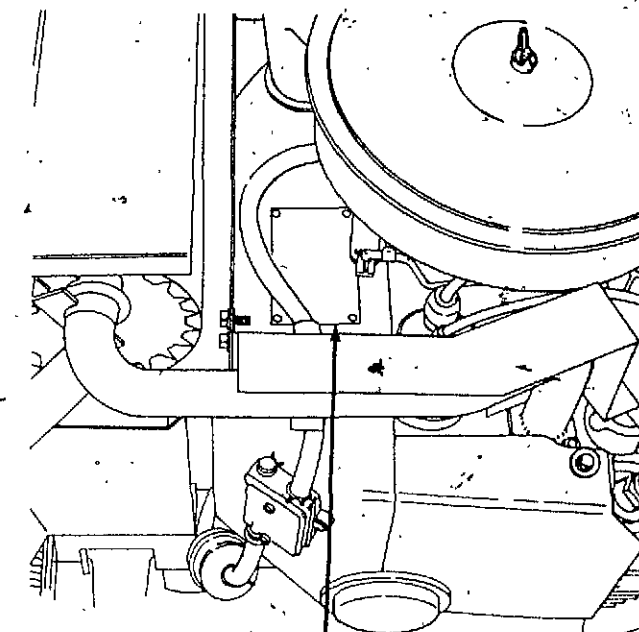
The words right hand (RH) and left hand (LH) as used in this catalog indicate the direction while you are in the operator's seat in the normal operating position.

INDENTED DESCRIPTIONS

An assembly can have many components. The components of an assembly are indicated by an indented description. The quantity for an indented part is the total needed for that complete assembly. See the example.



TRACTOR MODEL AND P.I.N.



ENGINE MODEL, SERIAL AND SPECIFICATION NUMBERS

NOTE: In this catalog there are references to serial numbers. To order the correct part use these serial numbers as a guide.

*No Longer Available
Use C33403 Short Block

REF.	PART NO.	DESCRIPTION	REQ'D
	C 55159	CYLINDER ASSY - rear steering	1
28	C 56208	SOCKET ASSY - rear cylinder	1
29	C 55956	PLUG - adjusting, socket assy	1
30	C 55957	SEAT - socket ball	2
31	C 56210	SPRING - socket	1
32	C 56209	SEAT - socket spring	1
33	G 45175	CLAMP ASSY - socket assy	1
	16- 836	BOLT - 1/2" x 2-1/4" N.F. hex	1
34	132- 104	PIN - cotter, 3/16" x 3"	1
35	C 55889	STUD - ball, socket & cylinder	2
36	13- 410	BOLT - 1/4" x 5/8" N.C., hex	4
37	92- 4	LOCK WASHER - 1/4" SAE	4

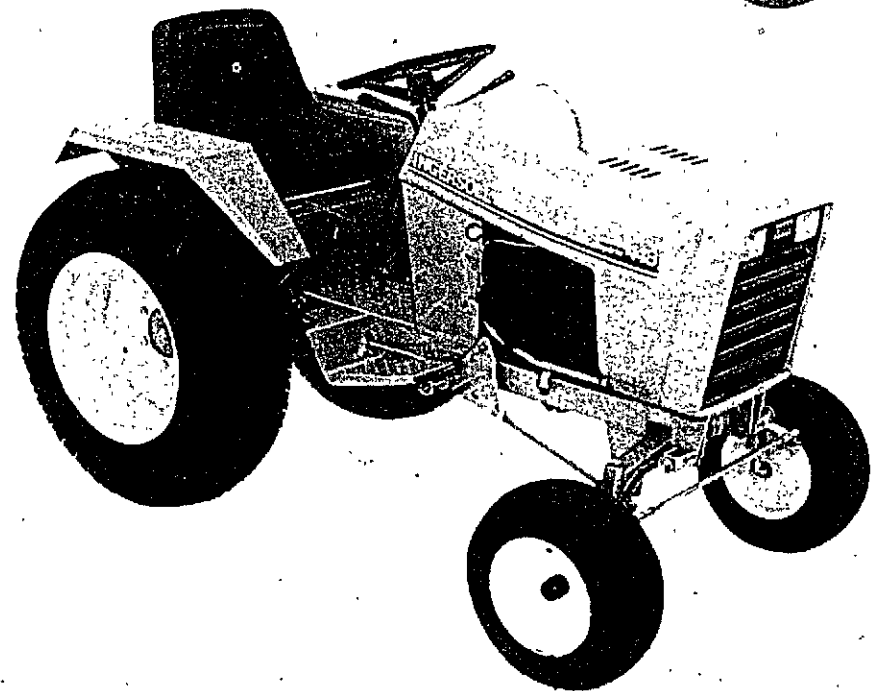
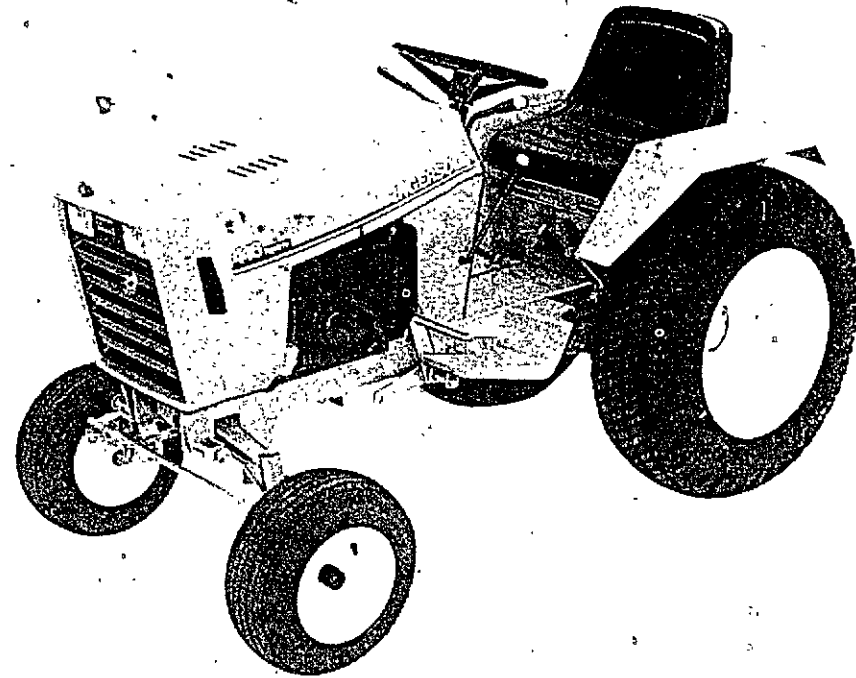
TRACTOR MODEL

ENGINE MODEL

226 before S/N 14071775 446 before S/N 14074175	NSS* ONAN B43M-GA016 SPEC. NO. 3622A
448 before S/N 14075830	NSS* ONAN B48M-GA018 SPEC. NO. 3631A
226 S/N 14071775 and after 446 S/N 14074175 and after	C29286 ONAN B43M-GA016 SPEC. NO. 4183C
448 S/N 14075830 and after	C29287 ONAN B48M-GA018 SPEC. NO. 4184A

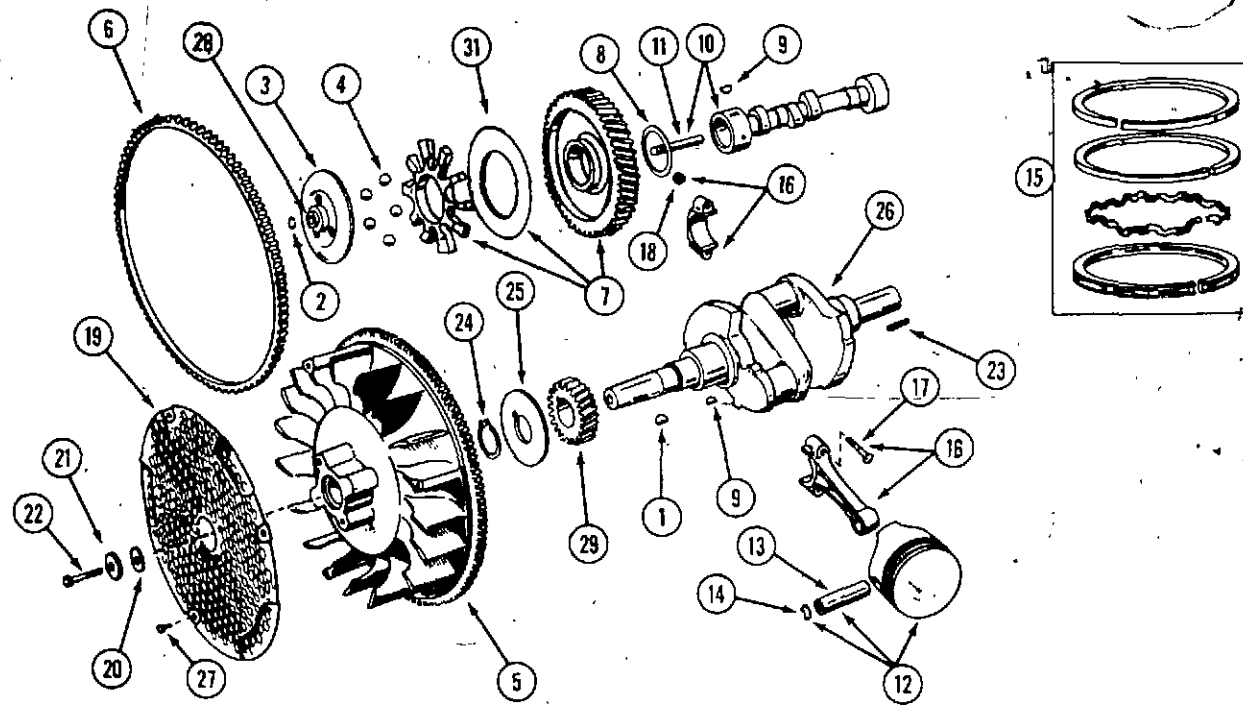
PAINT

REF.	PART NO.	DESCRIPTION	REQ'D
1	C 28849	BLACK - semi - gloss, 12 oz spray (2 per carton)	1
2	C 28850	BLACK - semi - gloss, quart (2 per carton)	1
3	C 28851	BLACK - semi - gloss, heat resistant, 12 oz spray (2 per carton)	1
4	C 28484	POWER RED - gloss, 12 oz spray (2 per carton)	1
5	C 28485	POWER RED - gloss, quart (2 per carton)	1
6	C 30870	SILVER - gloss, 12 oz. spray (2 per carton)	1
7	C 31643	POWER RED - gloss, 1 oz touch up, (1 doz. per carton)	1



INGERSOLL
Ingersoll Equipment Co., Inc.

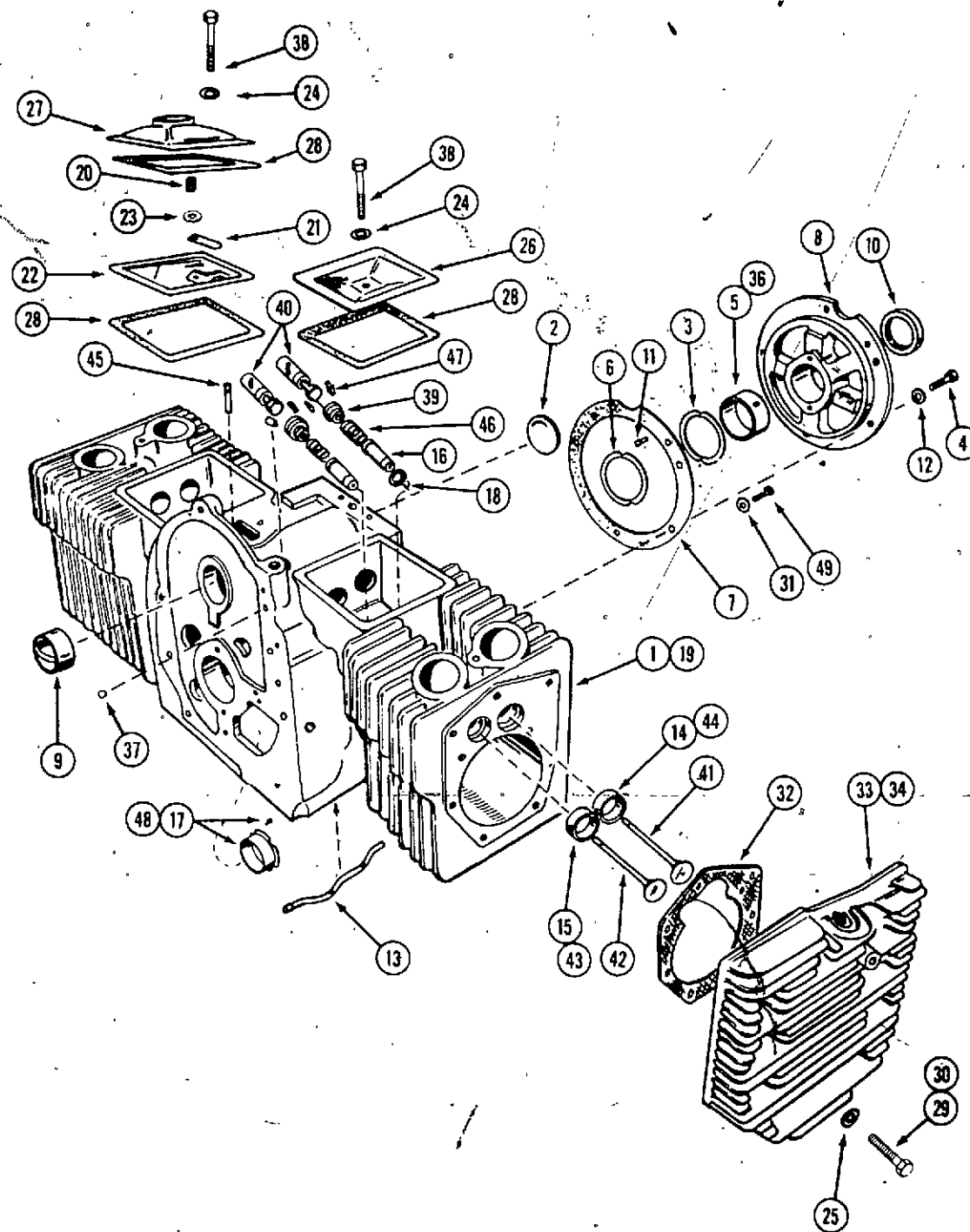
(ORIGINAL) PISTON, CRANKSHAFT, FLYWHEEL AND CAMSHAFT
Also See Service Short Block



REF.	PART NO.	DESCRIPTION	REQ'D
1	126- 13	KEY - woodruff 3/16" x 5/8" (4.76 x 19.05 mm) flywheel mounting	1
2	C 20223	RING - camshaft center pin	1
3	24326	CUP - governor	1
4	211- 216	BALL - governor 9/16"	5
5	C 24943	FLYWHEEL - engine (includes ring gear and magnet ring)	5
6	C 20226	GEAR - ring, flywheel	1
7	C 22261	GEAR ASSEMBLY - camshaft (includes items 30 and 31)	1
8	C 20229	WASHER - thrust, camshaft gear	1
9	126- 9	KEY - woodruff 1/8" x 1/2" (0.13 x 12.7 mm)	2
10	C 23304	CAMSHAFT - (includes C20233 pin)	1
11	C 20233	PIN - camshaft center	1
12	C 24931	PISTON AND PIN - standard (includes item 14)	2
12	C 24932	PISTON AND PIN - .005" (0.13 mm) oversize (includes item 14)	2
12	C 24933	PISTON AND PIN - .010" (0.25 mm) oversize (includes item 14)	2
12	C 24934	PISTON AND PIN - .020" (0.51 mm) oversize (includes item 14)	2
12	C 24935	PISTON AND PIN - .030" (0.76 mm) oversize (includes item 14)	2
13	C 29972	PIN - piston	2
14	C 20241	RETAINER - piston pin	4
15	C 29739	RING SET - piston (standard)	2
15	C 24938	RING SET - piston .005" (0.13 mm) oversize	2
15	C 24939	RING SET - piston .010" (0.25 mm) oversize	2
15	C 24940	RING SET - piston .020" (0.51 mm) oversize	2
15	C 24941	RING SET - piston .030" (0.76 mm) oversize	2
16	C 29750	CONNECTING ROD ASSEMBLY - (standard) includes item 17 and 18 (226, 446)	2
16	C 29751	CONNECTING ROD ASSEMBLY - .010" (0.25 mm) undersize (226, 446)	2
16	C 20204	CONNECTING ROD ASSEMBLY - .020" (0.51 mm) undersize (226, 446)	2
16	C 20205	CONNECTING ROD ASSEMBLY - .030" (0.76 mm) undersize (226, 446)	2
16	C 25383	CONNECTING ROD ASSEMBLY - (standard) 448	2
16	C 25384	CONNECTING ROD ASSEMBLY - .010" (0.25 mm) undersize (448)	2
16	C 25385	CONNECTING ROD ASSEMBLY - .020" (0.51 mm) undersize (448)	2
16	C 25386	CONNECTING ROD ASSEMBLY - .030" (0.76 mm) undersize (448)	2
17	C 25774	BOLT - connecting rod 5/16" special N.F.	4
18	C 25775	NUT - lock, connecting rod 5/16" N.F.	4
19	C 20215	SCREEN - flywheel	1
20	C 20303	WASHER - 7/16" flywheel mounting	1
21	C 32463	LOCK WASHER - 7/16"	1
22	113- 321	BOLT - 7/16" x 4" N.C. hex, flywheel mounting	1
23	C 28315	KEY - SQUARE 1/4" x 2" (6.35 x 50.8 mm), rear crankshaft	1
24	C 20218	RETAINER - crankshaft gear	1
25	C 20219	WASHER - retaining, crankshaft gear	1
26	C 22500	CRANKSHAFT - engine (226, 446)	1
26	C 32420	CRANKSHAFT - engine (448)	1
27	182- 547	SCREW - locking 1/4" x 1/2" N.C. hex	3
28	C 24325	HUB - governor cup	2
29	C 22262	GEAR - crankshaft	1
31	C 22264	PLATE - governor ball	1

(ORIGINAL) ENGINE BLOCK AND ATTACHING PARTS

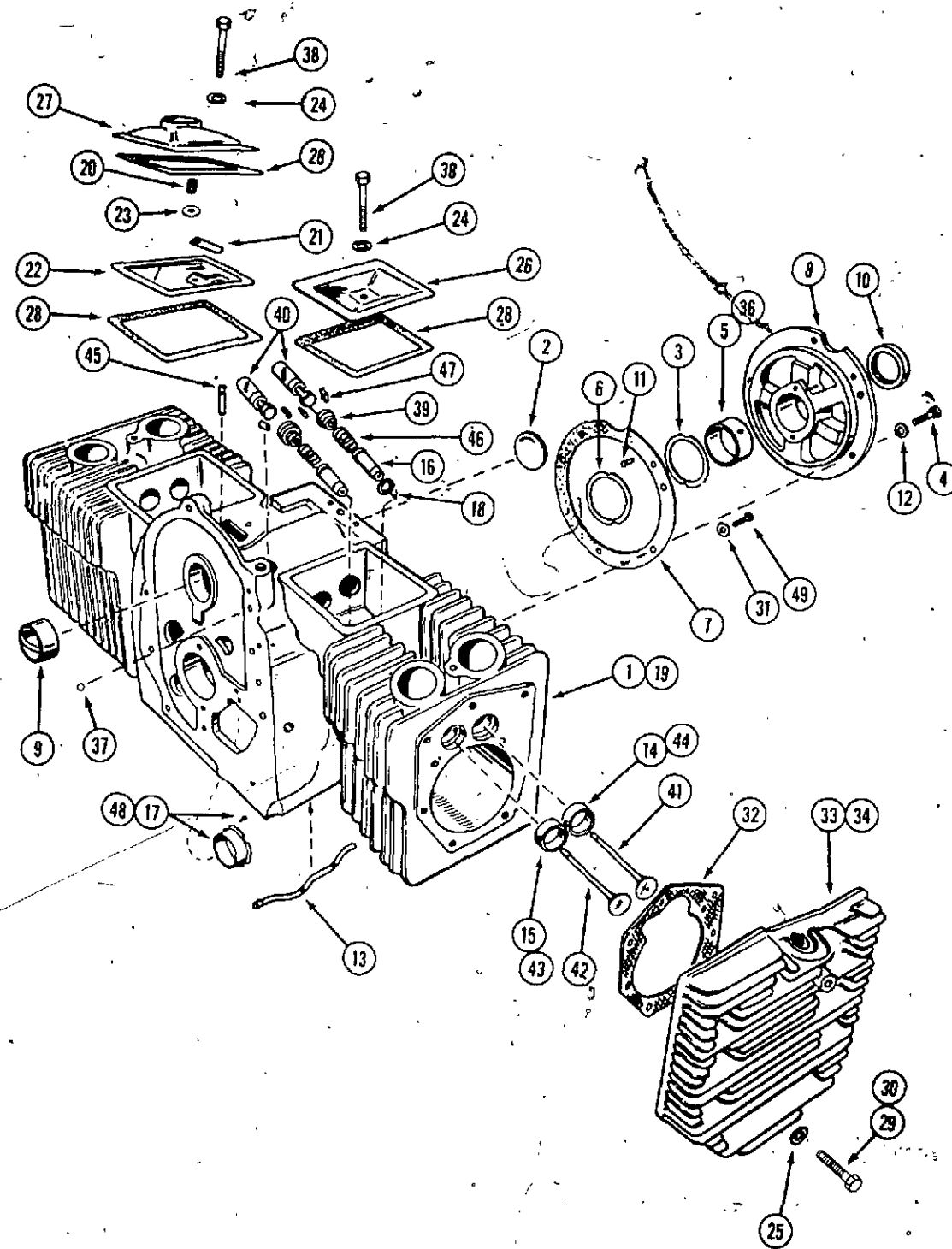
(To order complete engine see page 1)
(also see service short block)



REF.	PART. NO.	DESCRIPTION	REQ'D
1	NSS	BLOCK ASSEMBLY - cylinder, standard bore (see ref. 19)	1
2	41- 26	PLUG - camshaft, expansion	1
3	C 20256	SHIM - rear bearing plate .005" (0.13 mm)	UAR
4	113- 208	BOLT - 3/8" x 1-1/4" N.C. hex	5
5	C 22618	BEARING - crankshaft, rear (standard)	1
6	C 20267	WASHER - thrust, crankshaft bearing	2
7	C 20268	GASKET - bearing plate	1
8	C 20269	PLATE - bearing (does not include bearings)	1
9	C 20270	BEARING - camshaft 3/4" (service part is 5/16")	2
10	C 20271	SEAL - bearing plate	1
11	C 20272	PIN - main bearing stop	4
12	192- 21	LOCK WASHER - 3/8" bearing plate	5
13	C 24946	TUBE - oil, crankcase	1
14	C 20287	INSERT - valve seat, intake	2
15	C 29974	INSERT - valve seat, exhaust	2
16	C 20292	GUIDE - valve	4
17	C 20295	BEARING - crankshaft front (standard)	1
18	C 20302	GASKET - valve guide, intake	2
19	NSS *	BLOCK ASSEMBLY - short (226 and 446) (includes: cylinder and crankcase, all bearings, crankshaft, camshaft, timing gear, governor gear case, connecting rods, pistons, piston rings, valves, oil pump and breather tube)	1
19	NSS *	BLOCK ASSEMBLY - short (448) (includes: cylinder and crankcase, all bearings, crankshaft, camshaft, timing gear, governor gear case, connecting rods, pistons, piston rings, valves, oil pump and breather tube)	1
20	C 20243	SPRING - breather valve	1
21	C 20244	VALVE - breather	1
22	C 20245	BAFFLE - breather	1
23	195- 2010	WASHER - 1/4"	1
24	C 20247	WASHER - 1/4" copper	2
25	C 20248	WASHER - 5/16"	18
26	C 20250	COVER - valve	1
27	C 24948	COVER - valve (with breather port)	1
28	C 20251	GASKET - valve cover	3
29	26- 532	BOLT - head, 5/16" - 18 x 2"	6
30	26- 526	BOLT - head, 5/16" - 18 x 1-5/8"	12
31	C 20574	WASHER - copper 3/8"	2
32	C 29979	GASKET - cylinder head	2
33	C 24949	HEAD - L.H. No. 2	1
34	C 24950	HEAD - R.H. No. 1	1
36	C 22619	BEARING - crankshaft, rear .002" (0.05 mm) undersize	1
36	C 22620	BEARING - crankshaft, rear .010" (0.25 mm) undersize	1
36	C 22621	BEARING - crankshaft, rear .020" (0.51 mm) undersize	1
37	211- 7	PLUG - core hole	1
38	113- 132	BOLT - valve cover 1/4" x 1-3/4" hex	2
39	C 20517	ROTATOR - valve spring	4
40	C 20276	TAPPET - valve (standard)	4

*See service short block use C33403

(ORIGINAL) ENGINE BLOCK AND ATTACHING PARTS
(also see service short block)

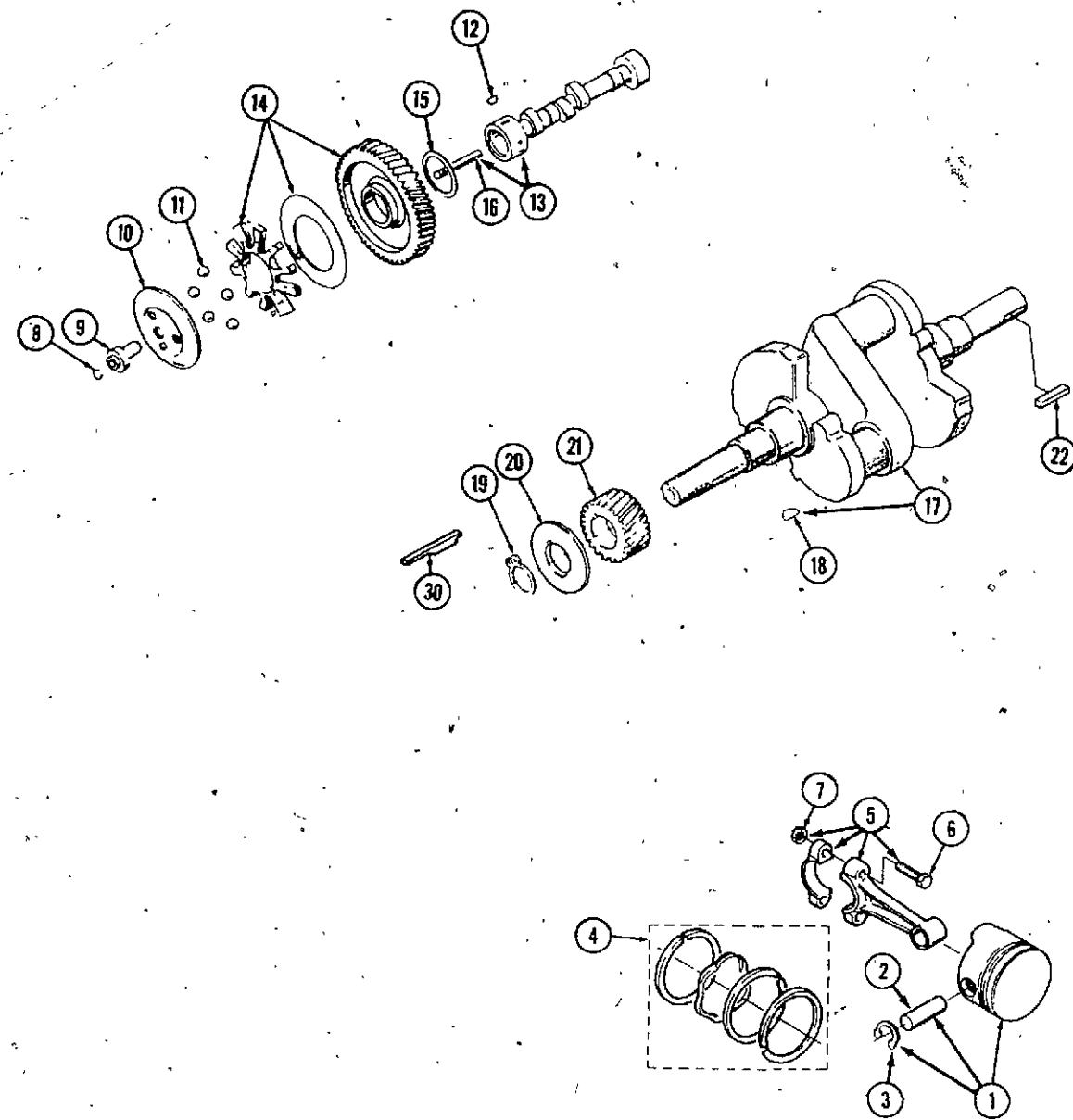


REF.	PART NO.	DESCRIPTION	REQ'D
40	C 20471	TAPPET - valve .002" (0.05 mm) oversize	4
40	C 20277	TAPPET - valve - .005" (0.13 mm) oversize	4
41	C 29754	VALVE - intake	2
42	C 29755	VALVE - exhaust	2
43	C 29975	INSERT - valve seat, exhaust .002" (0.05 mm) oversize	2
43	C 29976	INSERT - valve seat, exhaust .005" (0.13 mm) oversize	2
43	C 29977	INSERT - valve seat, exhaust .010" (0.25 mm) oversize	2
43	C 29978	INSERT - valve seat, exhaust .025" (0.64 mm) oversize	2
44	C 20288	INSERT - valve seat, intake .002" (0.05 mm) oversize	2
44	C 20289	INSERT - valve seat, intake .005" (0.13 mm) oversize	2
44	C 20290	INSERT - valve seat, intake .010" (0.25 mm) oversize	2
44	C 20291	INSERT - valve seat, intake .025" (0.64 mm) oversize	2
45	C 20412*	TUBE - fuel pump vacuum	1
45	C 29980*	PLUG - breather hole	1
46	C 20293	SPRING - valve	4
47	C 20294	LOCK - valve and spring	8
48	C 20296	BEARING - crankshaft, front .002" (0.05 mm) undersize	1
48	C 20297	BEARING - crankshaft, front .010" (0.25 mm) undersize	1
48	C 20298	BEARING - crankshaft, front .020" (0.51 mm) undersize	1
48	C 20299	BEARING - crankshaft, front .030" (0.76 mm) undersize	1
49	113- 204	BOLT - 3/8" x 1/2" N.C. hex	2
	C 29982	KIT - gasket, carbon removal (includes: valve cover gaskets, cylinder head gaskets, and intake manifold gaskets)	1
	C 29981	KIT - gasket, complete engine (only includes gaskets)	1

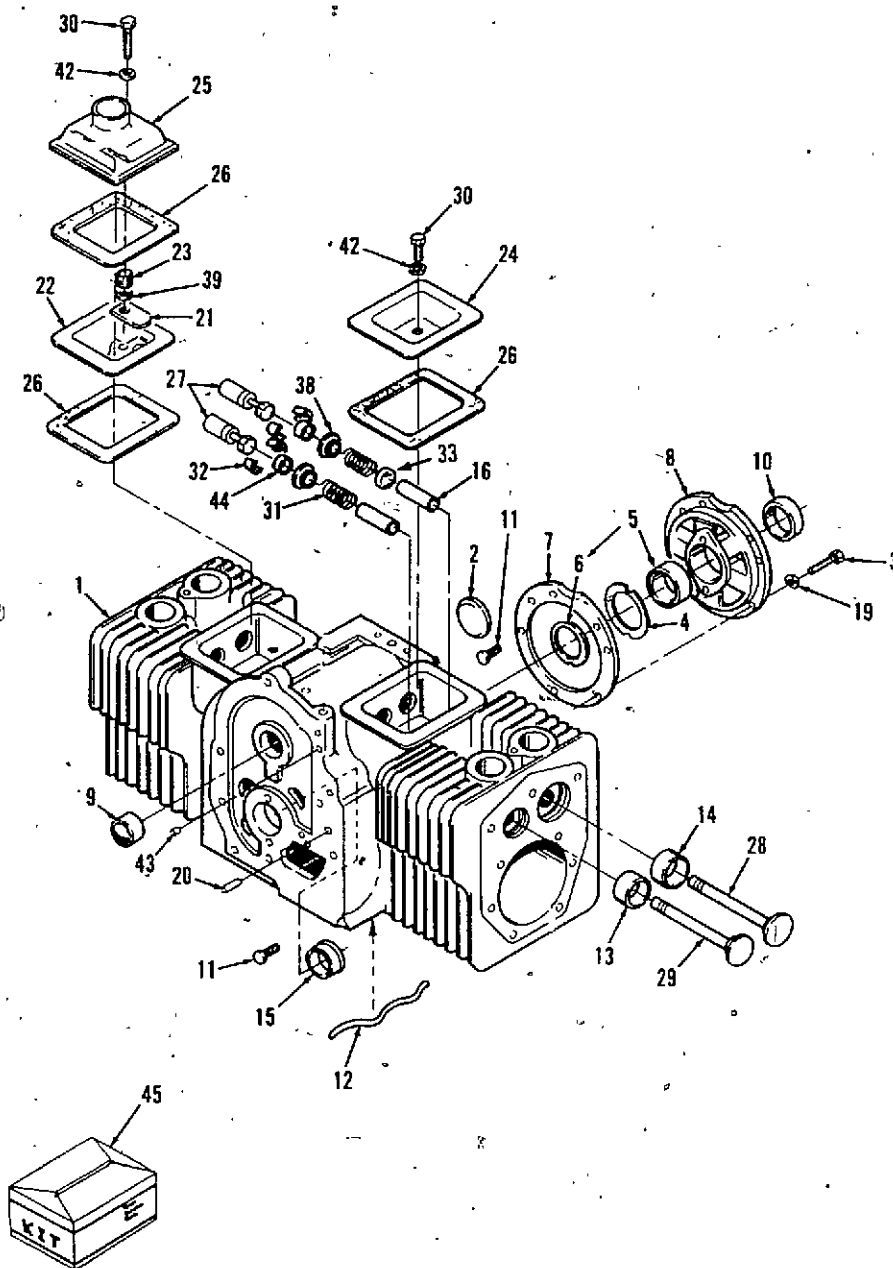
*Use before S/N:
 **Use S/N and after:
 226-14071775
 446-14074175
 448-14075830

SERVICE SHORT BLOCK
ONAN #110-3424-16

PISTON, CRANKSHAFT, FLYWHEEL AND CAMSHAFT



REF.	PART NO.	DESCRIPTION	REQ'D
1	C 24931	PISTON - standard (includes pin and retaining ring)	2
1	C 24932	PISTON - .005" (0.13 mm) oversize (includes pin and retaining ring)	2
1	C 24933	PISTON - .010" (0.25 mm) oversize (includes pin and retaining ring)	2
1	C 24934	PISTON - .020" (0.51 mm) oversize (includes pin and retaining ring)	2
1	C 24935	PISTON - .030" (0.76 mm) oversize (includes pin and retaining ring)	2
2	C 29972	PIN - piston	2
3	C 20241	RING - retaining	4
4	C 29739	RING SET - piston (standard)	2
4	C 24938	RING SET - piston .005" (0.13 mm) oversize	2
4	C 24939	RING SET - piston .010" (0.25 mm) oversize	2
4	C 24940	RING SET - piston .020" (0.51 mm) oversize	2
4	C 24941	RING SET - piston .030" (0.76 mm) oversize	2
5	C 25383	CONNECTING ROD - (standard) includes nut & bolt	2
5	C 25384	CONNECTING ROD - .010" (0.25 mm) undersize, includes nut & bolt	2
5	C 25385	CONNECTING ROD - .020" (0.51 mm) undersize, includes nut & bolt	2
5	C 25386	CONNECTING ROD - .030" (0.76 mm) undersize, includes nut & bolt	2
6	C 25774	BOLT - connecting rod 5/16" special N.F.	4
7	C 25775	NUT - lock, connecting rod 5/16" N.F.	4
8	C 20223	RING - retaining	1
9	C 24325	HUB - governor cup	1
10	C 24326	CUP - governor	1
11	211- 216	BALL - governor	5
12	126- 9	KEY - woodruff 1/8" x 1/2"	1
13	C 32468	CAMSHAFT - (includes pin)	1
14	C 22261	GEAR ASSEMBLY - camshaft	1
15	C 20229	WASHER - thrust	1
16	C 20233	PIN - center	1
17	C 32470	CRANKSHAFT - engine	1
18	126- 9	KEY - woodruff, crankshaft gear	1
19	C 20218	RING - retaining	1
20	C 20219	WASHER - special	1
21	C 22262	GEAR - crankshaft	1
22	C 28321	KEY - clutch 1/4" square by 3/4"	1
30	C 32288	KEY - 1/4" x 2" special, flywheel	1

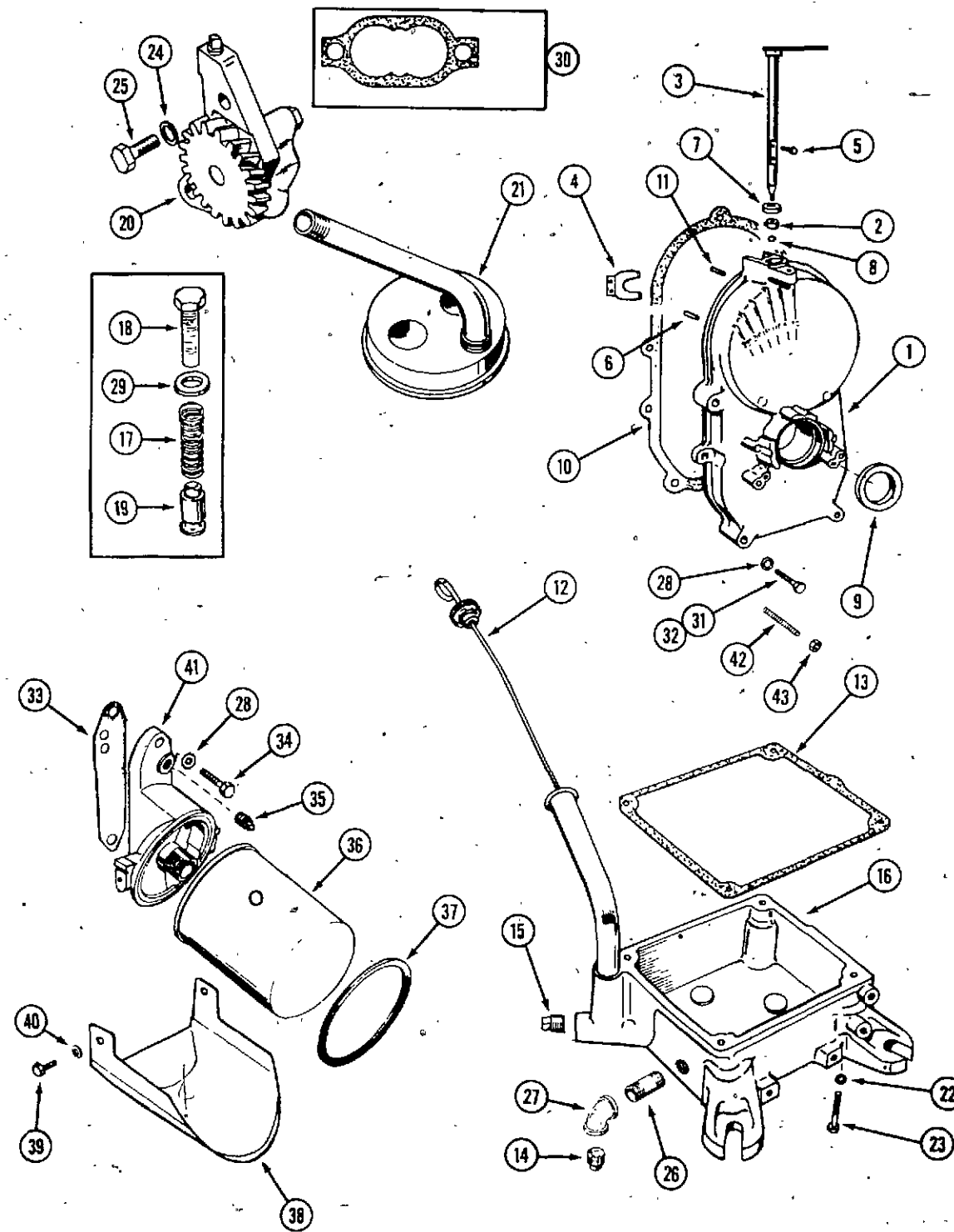


MODEL 226, 446 AND 448 COMPACT TRACTORS

SERVICE SHORT BLOCK
ONAN #110-3424-16
CYLINDER BLOCK

REF.	PART NO.	DESCRIPTION	REQ'D
1	C 33403	BLOCK ASSEMBLY - short, includes cylinder and crankcase, all bearings, bearing plate, crankshaft, camshaft, timing gear, connecting rods, pistons, piston rings, valves, oil pump, gear case and breather tube (does not include gasket set)	1
2	41- 26	PLUG - Welch	1
3	113- 208	BOLT - 3/8" - 16 x 1-1/4"	5
4	C 20256	SHIM - end play, crankshaft (.005")	UAR
5	C 22618	BEARING - crankshaft, rear (includes thrust washer) (standard)	1
5	C 22619	BEARING - crankshaft, rear .002" (0.05 mm) undersize	1
5	C 22620	BEARING - crankshaft, rear .010" (0.25 mm) undersize	1
5	C 22621	BEARING - crankshaft, rear .020" (0.51 mm) undersize	1
5	C 22622	BEARING - crankshaft, rear .030" (0.76 mm) undersize	1
6	C 20267	WASHER - thrust	2
7	C 20268	GASKET - bearing plate	1
8	C 20269	PLATE - bearing rear	1
9	C 20270	BEARING - camshaft 3/4" length (service part is 5/16" length)	2
10	C 20271	SEAL - oil, crankshaft rear	1
11	C 20272	PIN - drive, bearing stop	4
12	C 24946	TUBE - oil	1
13	C 29974	INSERT - valve seat, exhaust (standard)	2
13	C 29975	INSERT - valve seat, exhaust .002" (0.05 mm) oversize	2
13	C 29976	INSERT - valve seat, exhaust .005" (0.13 mm) oversize	2
13	C 29977	INSERT - valve seat, exhaust .010" (0.25 mm) oversize	2
13	C 29978	INSERT - valve seat, exhaust .025" (0.64 mm) oversize	2
14	C 20287	INSERT - valve seat, intake (standard)	2
14	C 20288	INSERT - valve seat, intake .002" (0.05 mm) oversize	2
14	C 20289	INSERT - valve seat, intake .005" (0.13 mm) oversize	2
14	C 20290	INSERT - valve seat, intake .010" (0.25 mm) oversize	2
14	C 20291	INSERT - valve seat, intake .025" (0.64 mm) oversize	2
15	C 20295	BEARING - crankshaft, front, flanged (standard)	1
15	C 20296	BEARING - crankshaft, front .002" (0.05 mm) undersize	1
15	C 20297	BEARING - crankshaft, front .010" (0.25 mm) undersize	1
15	C 20298	BEARING - crankshaft, front .020" (0.51 mm) undersize	1
15	C 20299	BEARING - crankshaft, front .030" (0.76 mm) undersize	1
16	C 32274	GUIDE - valve, exhaust	2
16	C 32275	GUIDE - valve, intake	2
19	192- 21	LOCK WASHER - 3/8"	5
20	C 23320	PIN - alignment, gear cover	2
21	C 20244	REED - breather	1
22	C 20245	BAFFLE - breather	1
23	C 20243	SPRING - breather	1
24	C 20250	COVER - valve	1
25	C 24948	COVER - valve (with breather port)	1
26	C 20251	GASKET - valve cover	2
27	C 20276	TAPPET - valve (standard)	4
27	C 20471	TAPPET - valve .002 (0.05 mm) oversize	4
27	C 20277	TAPPET - valve .005 (0.13 mm) oversize	4
28	C 32272	VALVE - intake	2
29	C 32273	VALVE - exhaust	2
30	113- 132	BOLT - 1/4" - 20 x 1-3/4"	2
31	C 32276	SPRING - valve	4
32	C 32277	LOCK - valve and spring	8
33	C 32278	SEAL - intake valve	2
38	C 32281	RETAINER - valve spring	4
39	195- 2010	WASHER - 1/4"	1
42	C 20247	WASHER - 1/4" copper	2
43	211- 7	PLUG - core hole	1
44	C 32282	CAP - valve	4
45	C 29981	KIT - gasket, complete engine (does not include bearings)	1
45	C 29982	KIT - gasket, (carbon removal/valve grind)	1

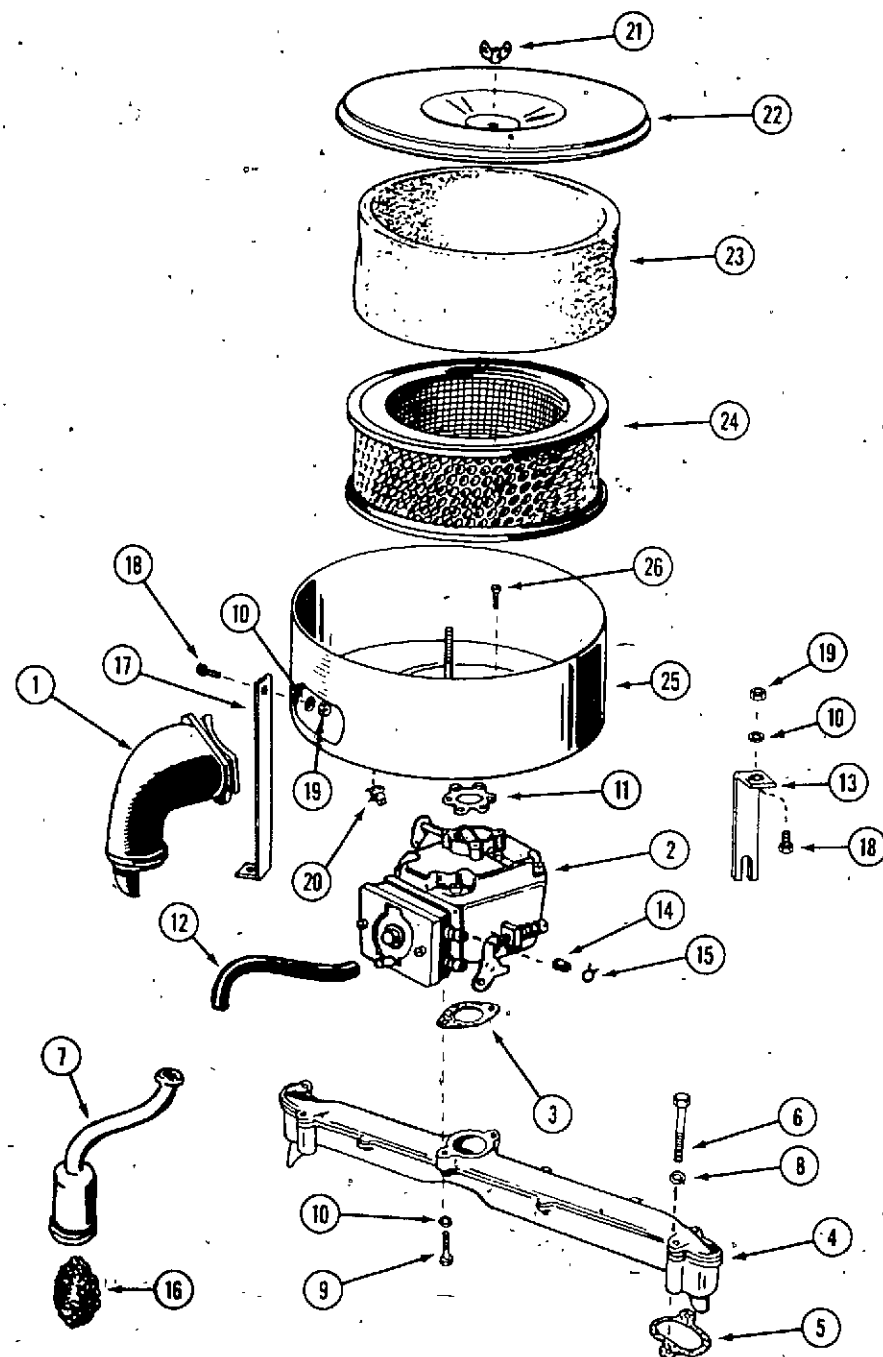
OIL SUMP, OIL PUMP AND GEAR COVER



REF.	PART NO.	DESCRIPTION	REQ'D
1	C 29983	COVER ASSEMBLY - gear	1
2	C 20305	BEARING - governor shaft	1
3	C 22632	SHAFT AND ARM ASSEMBLY - governor	1
4	C 20307	YOKE - governor shaft	1
5	182- 84	SCREW - yoke retaining	2
6	C 20309	PIN - governor, cup stop	1
7	C 20310	SEAL - oil, governor shaft	1
8	211- 5	BALL - governor shaft bearing	1
9	C 20312	SEAL - gear cover	1
10	C 20313	GASKET - gear cover	1
11	C 23320	PIN - gear cover 5/16" x 1-1/8"	2
12	C 24958	DIPSTICK - oil level indicator	1
13	C 29984	GASKET - oil pan	1
14	NSS	PLUG - oil sump 1/2" square head (use 221-844)	1
15	211- 844	PLUG - oil sump, 1/2" socket head	1
16	C 22633	SUMP - oil	1
17	C 20320	SPRING - oil bypass	1
18	114- 200	BOLT - oil bypass 3/8" x 1" N.C. hex	1
19	C 20322	VALVE - oil bypass	1
20	C 29734	PUMP - oil	1
21	C 23321	INTAKE - oil pump (includes cup, screen and pipe)	1
22	192- 21	LOCK WASHER - 3/8"	4
23	113- 257	BOLT - 3/8" x 2-1/2" N.C. hex	4
24	192- 19	LOCK WASHER - 1/4"	2
25	113- 4	BOLT - 1/4" x 1" N.C. hex	2
26	221- 1190	NIPPLE - oil drain	1
27	221-1377	ELBOW - oil drain	1
28	C 20331	WASHER - 5/16" copper	7
29	C 20574	WASHER - 3/8" copper	1
30	C 20325	KIT - gasket, oil pump	1
31	113- 120	BOLT - 5/16" x 1-3/4"	4
32	26- 544	BOLT - 5/16" x 2-3/4"	1
33	C 32462	GASKET - oil filter adapter	1
34	113- 103	SCREW - 5/16" - 18 x 1"	2
35	221- 1849	PLUG - pipe	1
36	C 26191	FILTER - oil	1
37	NSS	SEAL - oil filter (no longer available)	1
38	C 25389	DRAIN - oil filter	1
39	182- 525	SCREW - No. 10-32 x 3/8"	2
40	192- 18	LOCK WASHER - No. 10	2
41	C 20565	ADAPTER - oil filter	1
42	C 29985	STUD - gear cover	1
43	131- 911	NUT - 5/16" - 18	1

CARBURETOR, AIR FILTER AND MANIFOLD

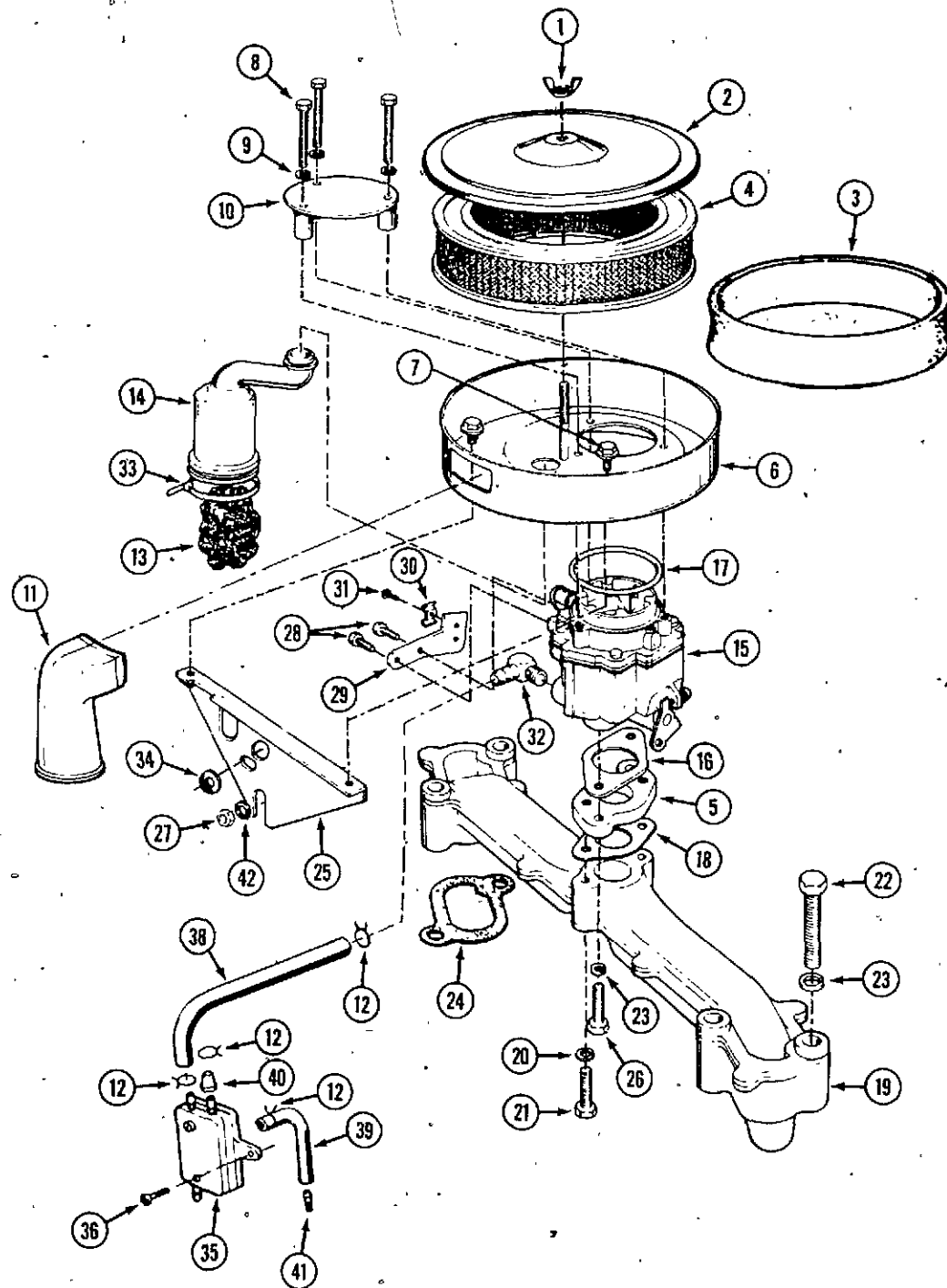
Use before S/N:
 226-14071775
 446-14074175
 448-14075830



REF.	PART NO.	DESCRIPTION	REQ'D
1	C 20387	TUBE - air intake	1
2	C 27507	CARBURETOR AND FUEL PUMP ASSEMBLY - (repairs page 21)	1
3	C 29953	GASKET - carburetor mounting	1
4	C 28720	MANIFOLD - engine intake	1
5	C 26202	GASKET - intake manifold	2
6	113- 121	BOLT - manifold 5/16" x 2"	4
7	C - 24927	HOSE - breather	1
8	192- 20	LOCK WASHER - 5/16"	4
9	113- 65	BOLT - 1/4" x 1-3/4" N.C. hex	2
10	192- 19	LOCK WASHER - 1/4"	3
11	C 20396	GASKET - air cleaner mounting	1
12	C 23300	HOSE - fuel pump	1
13	C 24929	BRACKET - support	1
14	C 20411	CAP - fuel pump	1
15	C 32376	CLAMP - hose 7/16"	1
16	C 29948	FILTER - breather	1
17	C 20393	SUPPORT - air cleaner	1
18	113- 1	BOLT - 1/4" x 1/2" N.C. hex	1
19	129- 101	NUT - 1/4" N.C. hex	1
20	C 20407	RETAINER - choke cable	2
21	C 26703	NUT - wing 1/4"	1
22	C 20399	COVER - air cleaner	1
23	C 20405	PRECLEANER	1
24	C 20398	ELEMENT - air cleaner	1
25	C 20397	HOUSING - air cleaner	1
26	182- 525	SCREW - No. 10 x 3/8" round head	2
	C 22947	TIE - breather tube	1

CARBURETOR, AIR FILTER, MANIFOLD AND FUEL PUMP

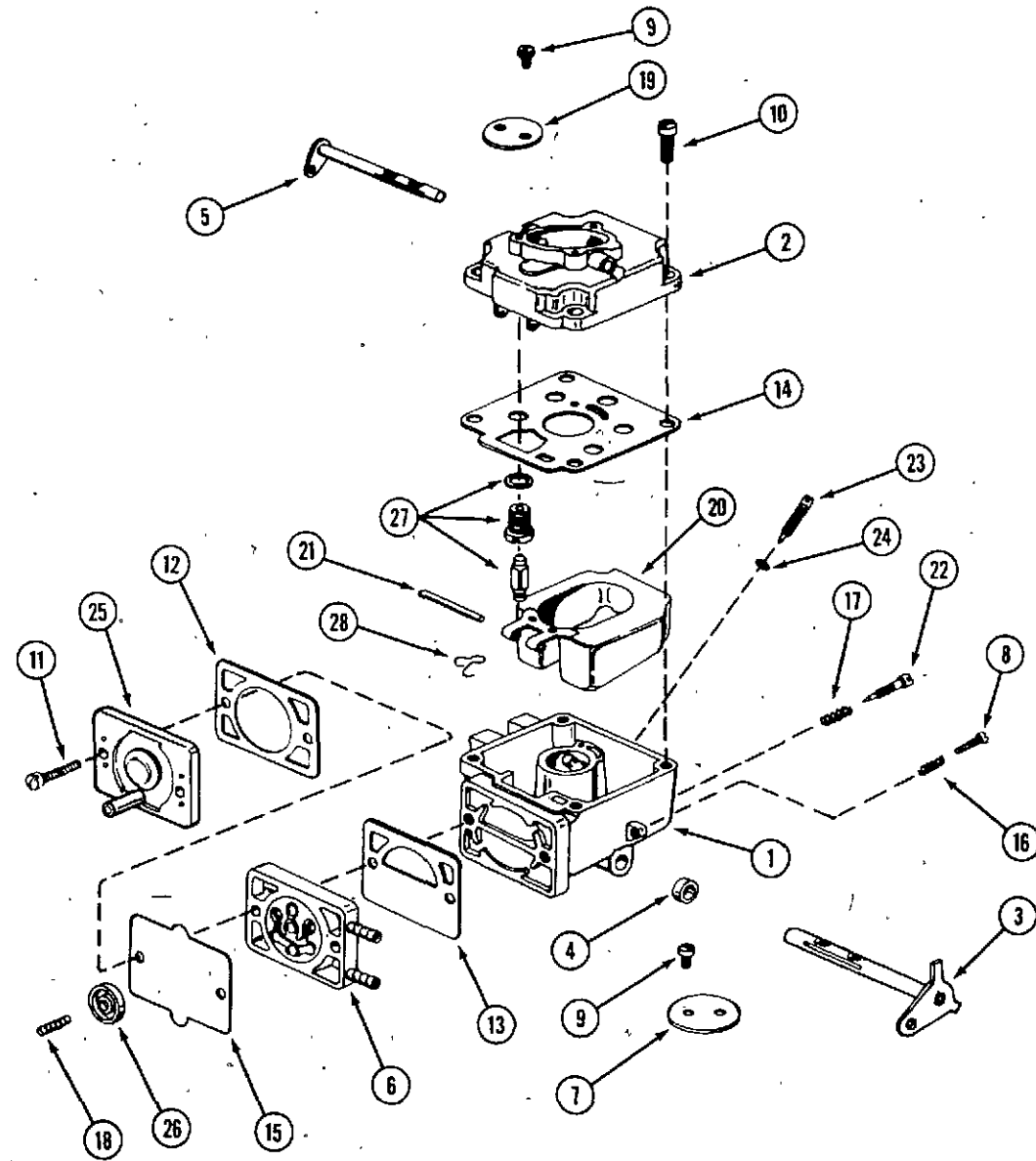
Use S/N and after:
 226-14071775
 446-14074175
 448-14075830



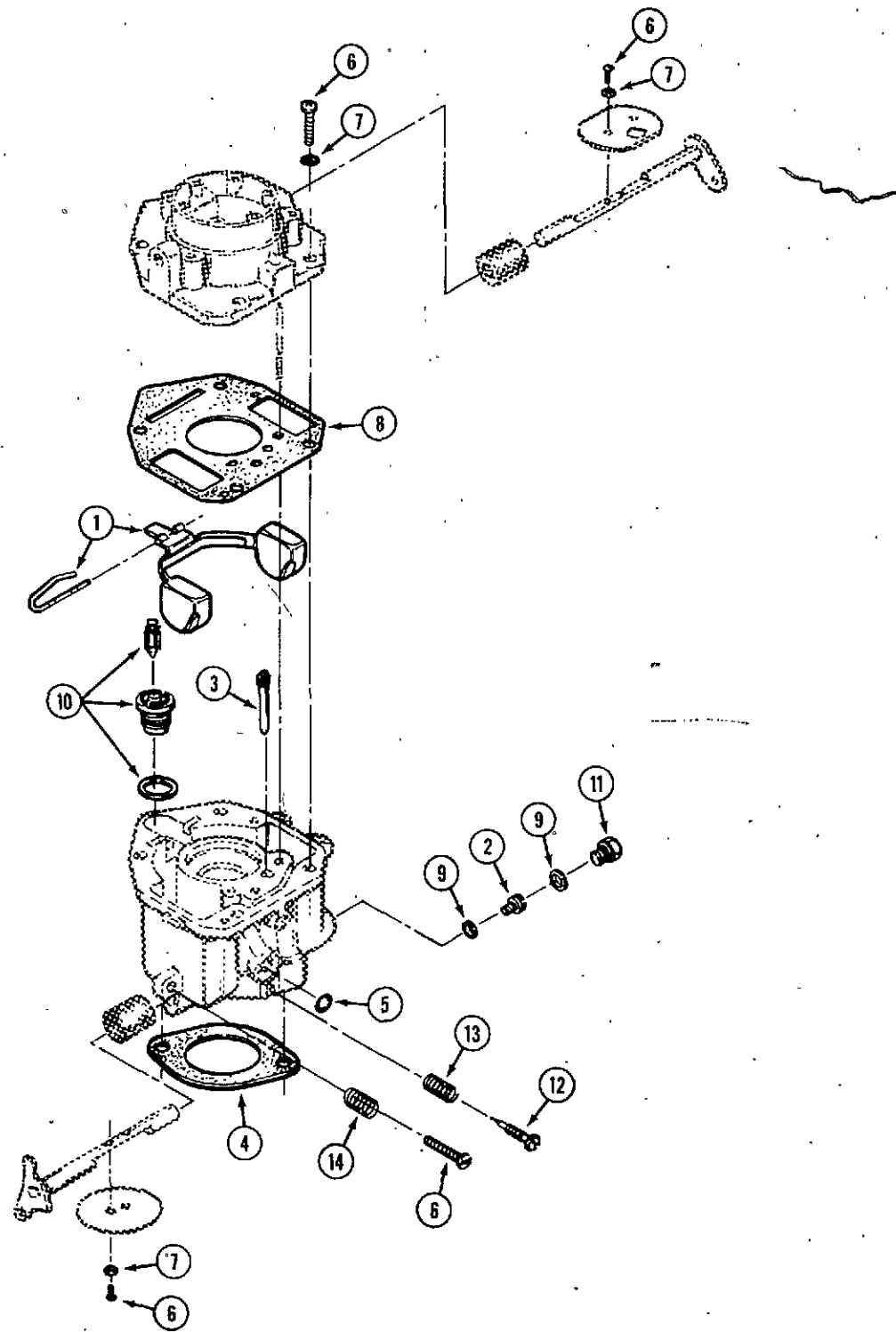
REF.	PART NO.	DESCRIPTION	REQ'D
1	C 26703	NUT - wing	1
2	C 29943	COVER - air cleaner	1
3	C 22581	PRECLEANER	1
4	C 22424	ELEMENT - air cleaner	1
5	C 29952	ADAPTER - carburetor	1
6	C 29945	HOUSING - air cleaner	1
7	187- 1036	SCREW - tapping 1/4" - 20 x 1/2"	2
8	182- 152	SCREW - No. 10 - 32 x 1-1/2"	3
9	195- 516	WASHER	3
10	C 29946	DEFLECTOR - air	1
11	C 29947	TUBE - air intake	1
12	214- 252	CLAMP - 1/2"	1
13	C 29948	FILTER - breather tube	1
14	C 29949	TUBE - crankcase breather	1
15	C 29868	CARBURETOR - fuel (226, 446) (repairs page 23)	1
15	C 29869	CARBURETOR - fuel (448) (repairs page 23)	1
16	C 29969	GASKET - carburetor mounting	2
17	C 29944	SEAL - "O" ring	1
18	C 29953	GASKET - adapter to manifold	1
19	C 28720	MANIFOLD - intake	1
20	192- 19	LOCK WASHER - 1/4"	2
21	113- 65	BOLT - 1/4" - 20 x 1-3/8"	2
22	113- 121	BOLT - 5/16" - 18 x 2"	4
23	92- 5	LOCK WASHER - 5/16"	6
24	C 26202	GASKET - manifold	2
25	C 29955	SUPPORT - air cleaner	1
26	113- 103	BOLT - 5/16" - 18 x 1"	2
27	131- 911	NUT - 5/16" - 18	1
28	C 22369	SCREW - No. 10 - 32 x 5/16"	2
29	C 29957	BRACKET - choke cable	1
30	C 29506	CLIP - choke cable	1
31	187- 1511	SCREW - No. 10 - 32 x 1/2"	1
32	C 10678	ELBOW - hose 90°	1
33	C 22947	TIE	1
34	C 30033	GROMMET - rubber	1
35	C 29959	PUMP - fuel	1
36	182- 559	SCREW - tapping, No. 10 x 3/4"	2
38	C 28937	HOSE - fuel 16" (cut to length)	1
39	C 28937	HOSE - vacuum (cut to length)	1
40	C 20411	CAP - fuel outlet	1
41	C 20412	TUBE - vacuum port	1
42	195- 102	WASHER	1

C27507 CARBURETOR AND FUEL PUMP ASSEMBLY

Use before S/N:
226-14071775
446-14074175
448-14075830



REF.	PART NO.	DESCRIPTION	REQ'D
1	NSS	BODY ASSEMBLY - carburetor (order C27507 carburetor)	1
2	NSS	SLEEVE ASSEMBLY - carburetor (order C27507 carburetor)	1
3	C 20425	SHAFT - throttle (See kit below)	1
4	NSS	PACKING - shaft (See kit below)	1
5	C 20427	SHAFT - choke	1
6	C 20428	VALVE - plate assembly (See kit below)	1
7	C 20429	PLATE - throttle	1
8	C 20430	SCREW - throttle stop	1
9	C 20431	SCREW - plate mounting (See kit below)	4
10	C 20432	SCREW - bowl cover mounting	4
11	C 20433	SCREW - pump cover	2
12	NSS	GASKET - cover to valve plate (See kit below)	1
13	NSS	GASKET - pump cover (See kit below)	1
14	NSS	GASKET - sleeve assembly (See kit below)	1
15	C 20437	DIAPHRAGM - fuel pump (See kit below)	1
16	C 20438	SPRING - screw, throttle stop	1
17	C 20439	SPRING - idle needle (See kit below)	1
18	C 20440	SPRING - diaphragm, fuel pump (See kit below)	1
19	C 20441	PLATE - choke	1
20	C 27506	FLOAT ASSEMBLY - carburetor	1
21	C 20443	PIN - float (See kit below)	1
22	C 20444	NEEDLE - idle adjust (See kit below)	1
23	C 20445	NEEDLE ASSEMBLY - power	1
24	C 20446	"O" RING - needle assembly (See kit below)	1
25	C 20447	COVER - fuel pump	1
26	C 20448	PLATE - spring, fuel pump (See kit below)	2
27	C 20449	INLET - needle and seat assembly	1
28	C 20450	RETAINER - float pin	1
	C 24665	KIT - gasket (includes items 4, 12, 13, 14, 15 and 24)	1
	C 24666	KIT - repair (includes items 3, 6, 9, 17, 18, 21, 22, 26, 27 and gasket kit)	1



CARBURETOR

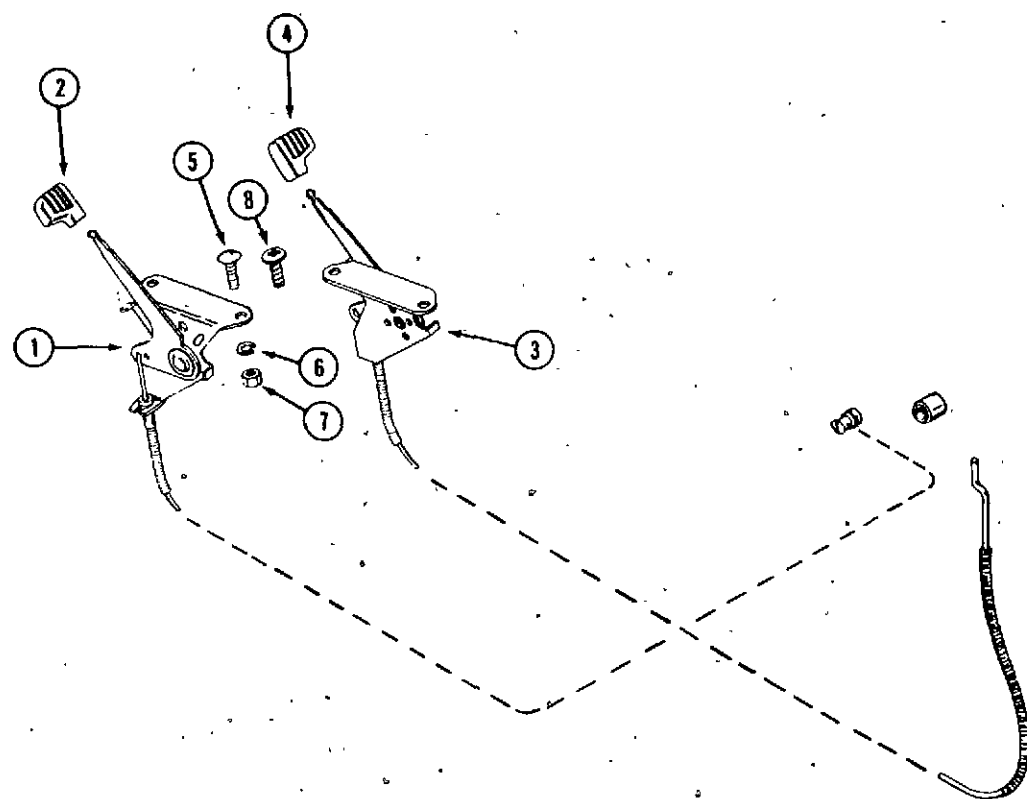
Use S/N and after:
226-14071775
446-14074175

REF.	PART NO.	DESCRIPTION	REQ'D
	C 29868	CARBURETOR - fuel (includes mounting gasket)	1
1	C 29965	FLOAT - fuel	1
2	C 29966	JET - power	1
3	C 29967	JET - idle	1
	C 29962	KIT - repair	1
4	C 29969	GASKET - mounting	2
5	NSS	PLUG - body	1
6	NSS	SCREW - retaining	UAR
7	NSS	LOCK WASHER	UAR
8	NSS	GASKET - body	1
9	NSS	GASKET - sealing	2
10	NSS	VALVE AND SEAT - inlet	1
11	NSS	SCREW - power jet	1
12	NSS	VALVE - idle adjust	1
13	NSS	SPRING - idle adjust	1
14	NSS	SPRING - compression	1

CARBURETOR

Use S/N and after:
448-14075830

	C 29869	CARBURETOR - fuel	1
1	C 29965	FLOAT - fuel (for carburetors marked 146-0414)	1
2	C 29966	JET - power (for carburetors marked 146-0414)	1
3	C 29967	JET - idle (for carburetors marked 146-0414)	1
	C 30018	KIT - repair (for carburetors marked 146-0384)	1
	C 29962	KIT - repair (for carburetors marked 146-0414)	1
4	C 29969	GASKET - mounting	2
5	NSS	PLUG - body	1
6	NSS	SCREW - retaining	UAR
7	NSS	LOCK WASHER	UAR
8	NSS	GASKET - body	1
9	NSS	GASKET - sealing	2
10	NSS	VALVE AND SEAT - inlet	1
11	NSS	SCREW - power jet	1
12	NSS	VALVE - idle adjust	1
13	NSS	SPRING - idle adjust	1
14	NSS	SPRING - compression	1



CHOKE AND THROTTLE

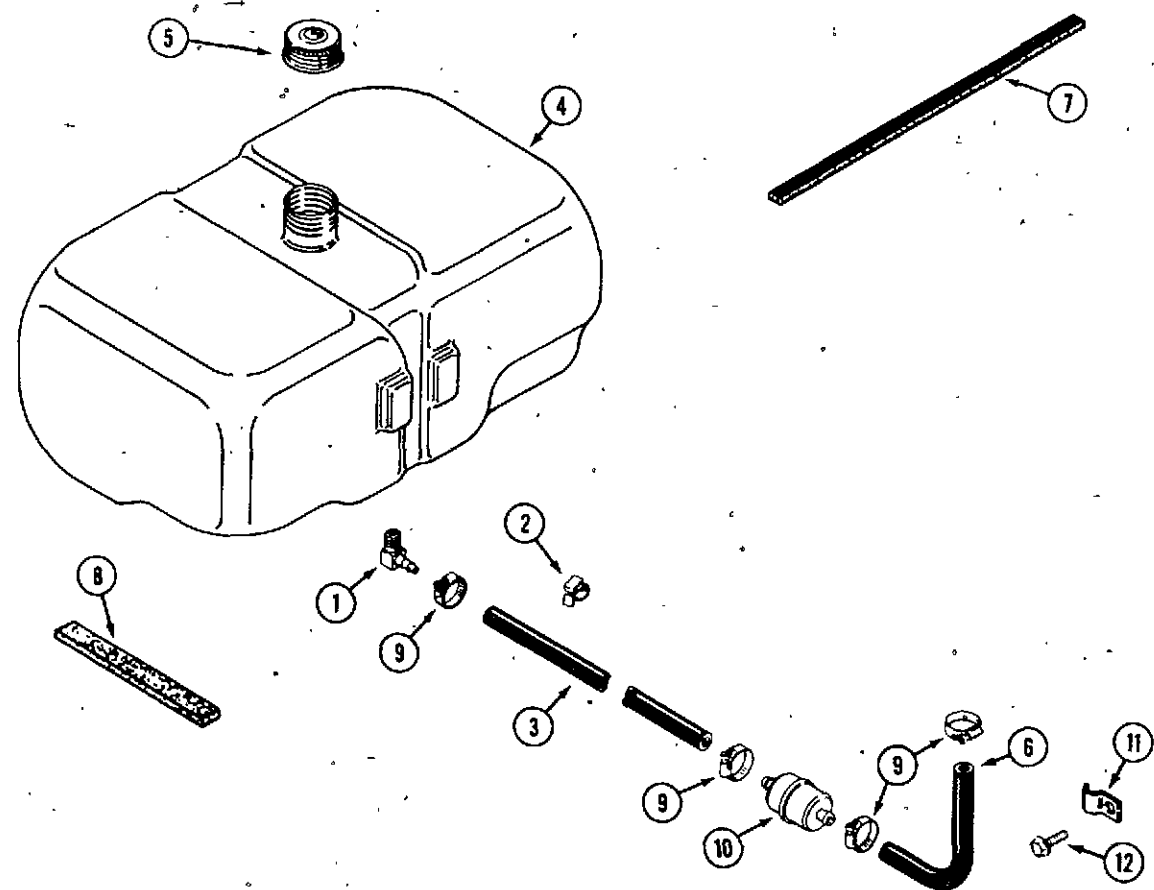
REF.	PART NO.	DESCRIPTION	REQ'D
1	C 33411*	CONTROL - throttle	1
1	C 33412**	CONTROL - throttle	1
2	C 30073	HANDLE - throttle control, orange	1
3	C 25604*	CONTROL - choke	1
3	C 30077**	CONTROL - choke	1
4	C 30074	HANDLE - choke control, black	1
5	111- 5	BOLT - No. 10 - 24 x 1/2" N.C. round head, square neck	2
6	192- 18	LOCK WASHER - No. 10	2
7	129- 17	NUT - No. 10 - 24	2
8	182- 559	BOLT - No. 10 - 24 x 3/4" phillips, black	2

*Use before S/N:
 **Use S/N and after:
 226-14094020
 446-14096200
 448-14097625

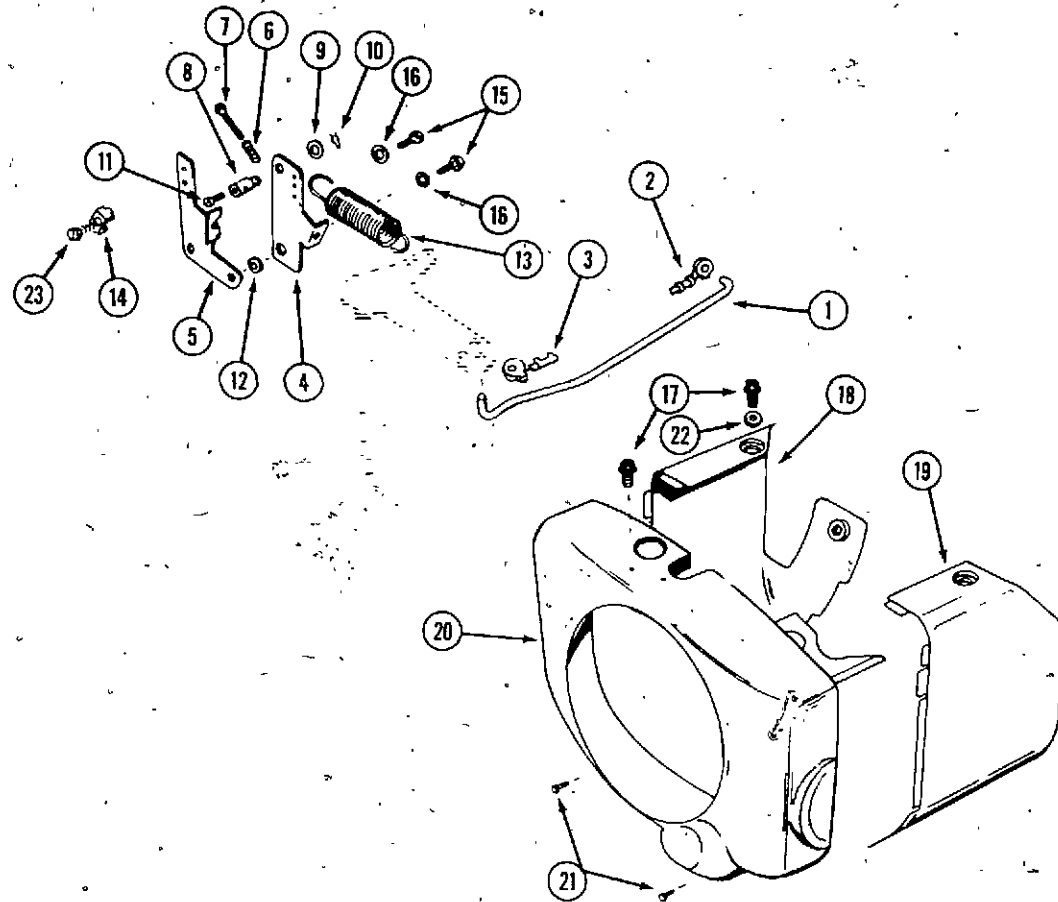
FUEL SYSTEM

REF.	PART NO.	DESCRIPTION	REQ'D
1	C 10657*	ELBOW ASSEMBLY - fuel tank, filter	1
1	C 10678**	ELBOW - hose 90° (shown)	1
2	C 28962	RETAINER - fuel line (optional)	2
3	C 28937	HOSE - fuel line 50" (1270 mm) cut to length	1
4	NSS *	TANK - fuel (use C28940, C31978 and (2) C32376)	1
4	C 28940*	TANK - fuel	1
5	C 11529	CAP - fuel tank (includes insert)	1
6	C 28937**	HOSE - fuel line 4" (100 mm) cut to length	1
7	C 23527	LINER - tank	1
8	C 14690	CUSHION - fuel tank	2
9	C 32376	CLAMP - hose - 1/2"	4
10	C 29296**	FILTER - fuel	1
11	C 24689**	CLIP - "J" fuel line retaining	1
12	187- 1036	SCREW - 1/4" - 20 self tap	1
	C 28030	INSULATION - fuel line	1

*Use before S/N:
 **Use S/N and after:
 226-14071852
 446-14074273
 448-14075966



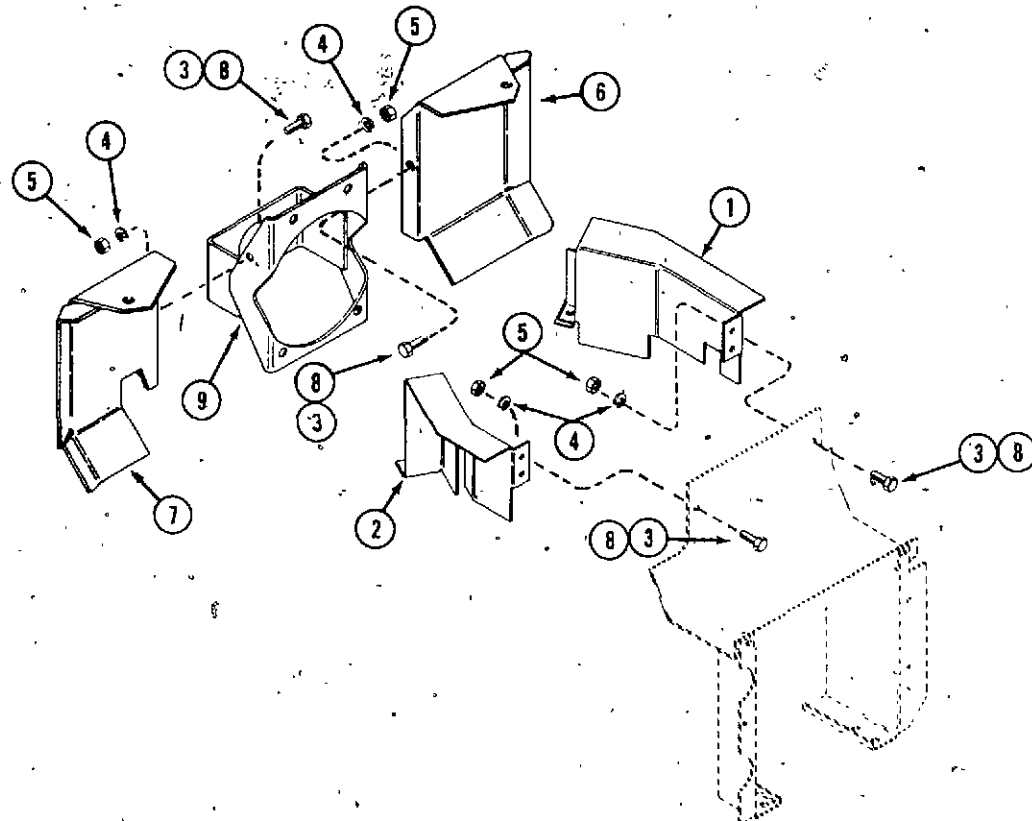
GOVERNOR AND BLOWER HOUSING



REF.	PART NO.	DESCRIPTION	REQ'D.
1	C 20359*	ROD - governor control	1
1	C 29988**	ROD - governor control	1
2	C 20360	RETAINER - governor control rod, carburetor end	1
3	C 20361*	RETAINER - governor control rod, governor end	1
3	C 29989**	RETAINER - governor control rod, governor end	1
4	C 20369	ARM - governor control	1
5	C 28719	BRACKET - governor mounting	1
6	C 20371	SPRING - throttle lever adjust	1
7	182- 49	SCREW - No. 6 x 7/8" round head machine	1
8	C 20372	CLAMP - swivel, throttle	1
9	195- 14	WASHER - swivel-clamp mounting	2
10	136- 2	PIN - cotter, swivel clamp mounting	1
11	169- 133	SCREW - No. 8 x 3/8"	1
12	C 20375	BUSHING - governor control	1
13	C 20376	SPRING - governor	1
14	C 29506	RETAINER - throttle cable	1
15	121- 3	BOLT - 1/4" - 20 x 1/2"	2
17	187- 1073	BOLT - 1/4" - 20 x 5/8"	4
18	C 24951	BAFFLE - cylinder air, R.H.	1
19	C 24952	BAFFLE - cylinder air, L.H. (shown) use before S/N: 226-14071775, 446-14074175	1
19	C 25778	BAFFLE - cylinder air, L.H. (448 all) use S/N and after: 226-14071775, 446-14074175	1
20	C 25779	HOUSING - blower (448) use before S/N 14075830	1
20	C 30542**	HOUSING - blower	1
20	C 24953	HOUSING - blower (shown) use before S/N: 226-14071775, 446-14074175	1
21	163- 22	BOLT - 1/4" x 7/16" N.C. hex	1
22	195- 102	WASHER	4
23	187- 1511	SCREW - self tap	1

*Use before S/N:
 **Use S/N and after:
 226-14071775
 446-14074175
 448-14075830

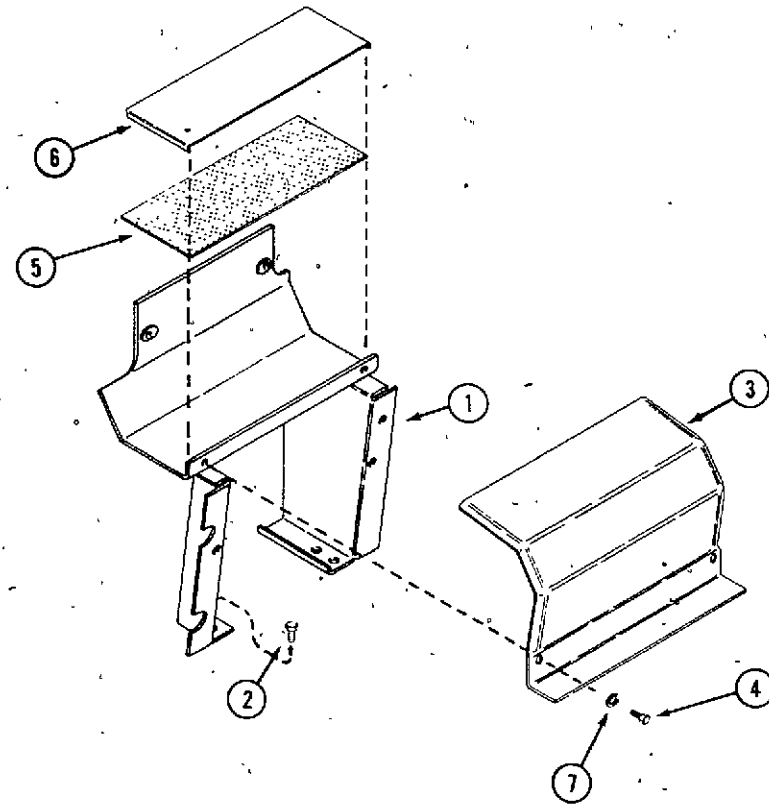
HEAT SHIELDS AND ENGINE Baffles



1	C 25489*	SHIELD - exhaust pipe L.H.	1
1	C 29298**	SHIELD - exhaust pipe L.H.	1
2	C 29302**	SHIELD - exhaust pipe R.H.	1
2	C 25490*	SHIELD - exhaust pipe R.H.	1
3	113- 1	BOLT - 1/4" - 20 x 1/2" hex	2
4	192- 19	LOCK WASHER - 1/4"	4
5	129- 101	NUT - 1/4" - 20 hex	4
6	C 28033	BAFFLE - cylinder L.H.	1
7	C 28034	BAFFLE - cylinder R.H.	1
8	187- 1036	SCREW - self-tapping	2
9	C 26255	SUPPORT - pump mounting	1

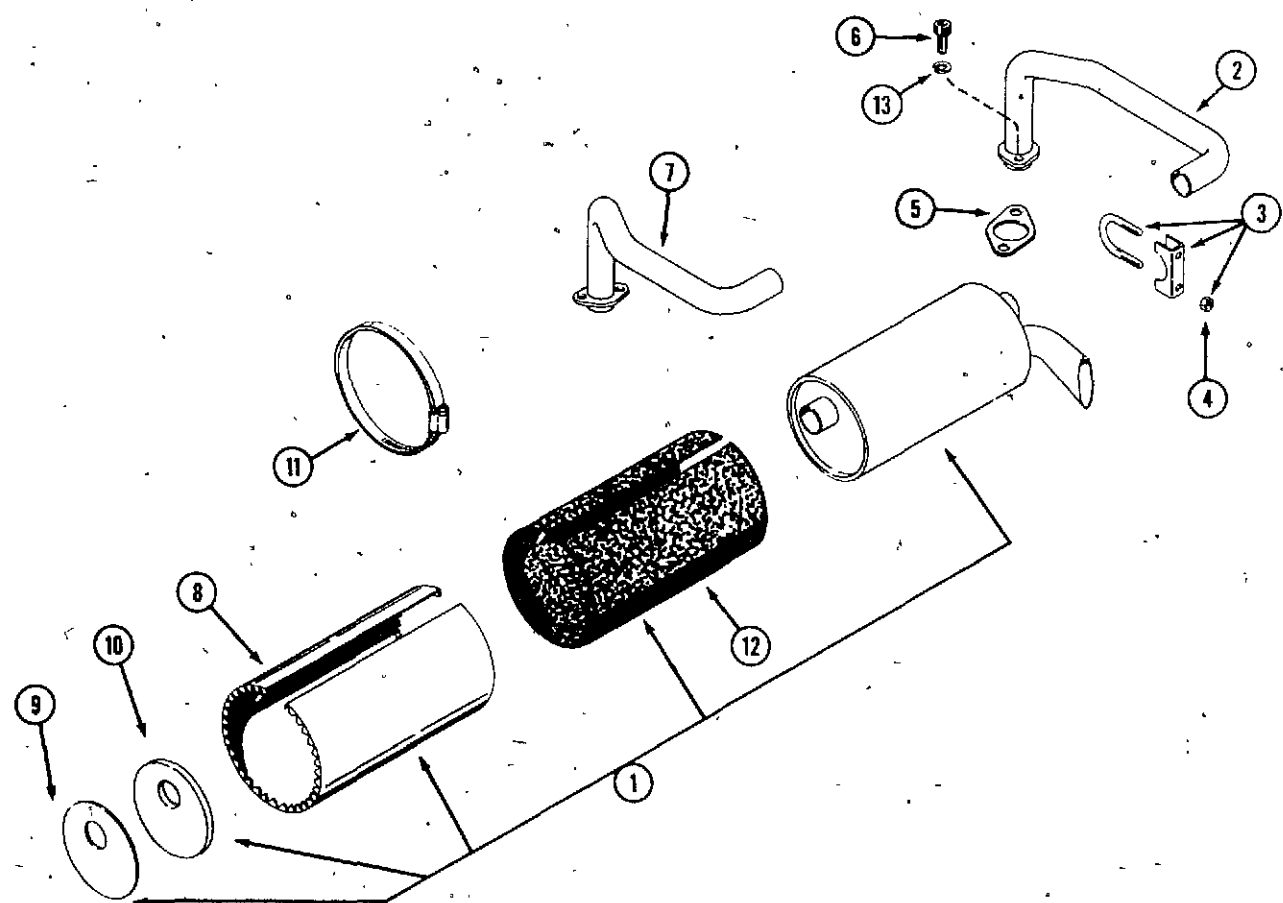
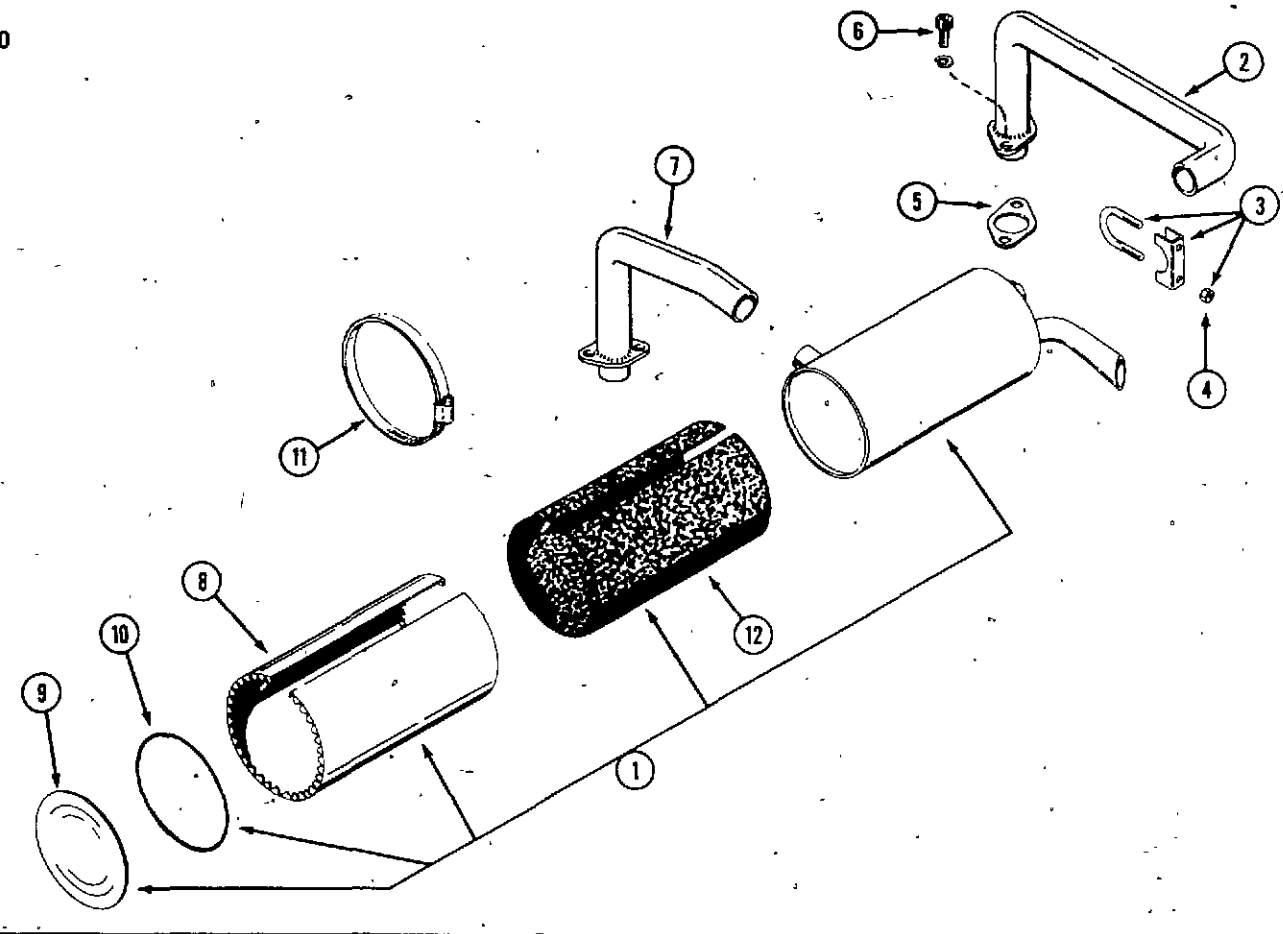
*Use before S/N:
 **Use S/N and after:
 226-14071775
 446-14074175
 448-14075830

HEAT EXCHANGER SUPPORT AND MUFFLER SHIELDS



REF.	PART NO.	DESCRIPTION	REQ'D
1	C 23482*	SUPPORT - heat exchanger (226, 446)	1
1	C 29283	SUPPORT - heat exchanger (448)	1
1	C 29284*	SUPPORT - heat exchanger (226, 446)	1
2	113- 118	BOLT - 5/16" x 5/8"	4
3	C 26098	SHIELD - heat, muffler (226, 446) shown	1
3	C 26455	SHIELD - heat, muffler (448)	1
4	113- 1	BOLT - 1/4" - 20 x 1/2" hex	2
4	187- 1036	BOLT 1/4" - 20 x 1/2" self - tap	2
5	C 23558	PAD - insulation	1
6	C 29698**	RETAINER - insulation	1
6	C 23559*	RETAINER - insulation	1
7	192- 19	LOCK WASHER - 1/4"	2

*Use before S/N:
 **Use S/N and after:
 226-14071775
 446-14074175
 448-14075830



EXHAUST SYSTEM

Use before S/N:
 226-14071775
 446-14074175
 448-14075830

REF.	PART NO.	DESCRIPTION	REQ'D
1	C 24703*	MUFFLER ASSEMBLY - exhaust (includes items 8, 9, 10 and 12)	1
1	C 26974**	MUFFLER ASSEMBLY - exhaust (includes items 8, 9, 10 and 12)	1
2	C 26971**	PIPE - engine exhaust L.H.	1
2	C 25071*	PIPE - engine exhaust L.H.	1
3	C 28968*	CLAMP ASSEMBLY - muffer 1-1/4"	2
3	C 28294*	CLAMP ASSEMBLY - muffer 1-1/8"	2
4	129- 102	NUT - 5/16" N.C. hex.	2
5	C 26207	GASKET - exhaust	2
6	61- 512	BOLT - 5/16" x 5/8" socket head	4
7	C 25073*	PIPE - engine exhaust R.H.	1
7	C 26969**	PIPE - engine exhaust R.H.	1
8	C 24296*	WRAPPER - muffer	1
8	C 26968**	WRAPPER - muffer	1
9	C 23581*	COVER - muffer end	1
9	C 22889**	COVER - muffer end	1
10	C 23580*	INSULATION -muffer end	1
10	C 29290**	INSULATION - muffer	1
11	214- 272	CLAMP - wrapper mounting	3
12	C 23686*	INSULATION - muffer	1
12	C 26058**	INSULATION - muffer	1
13	192- 404	LOCK WASHER - 5/16"	4

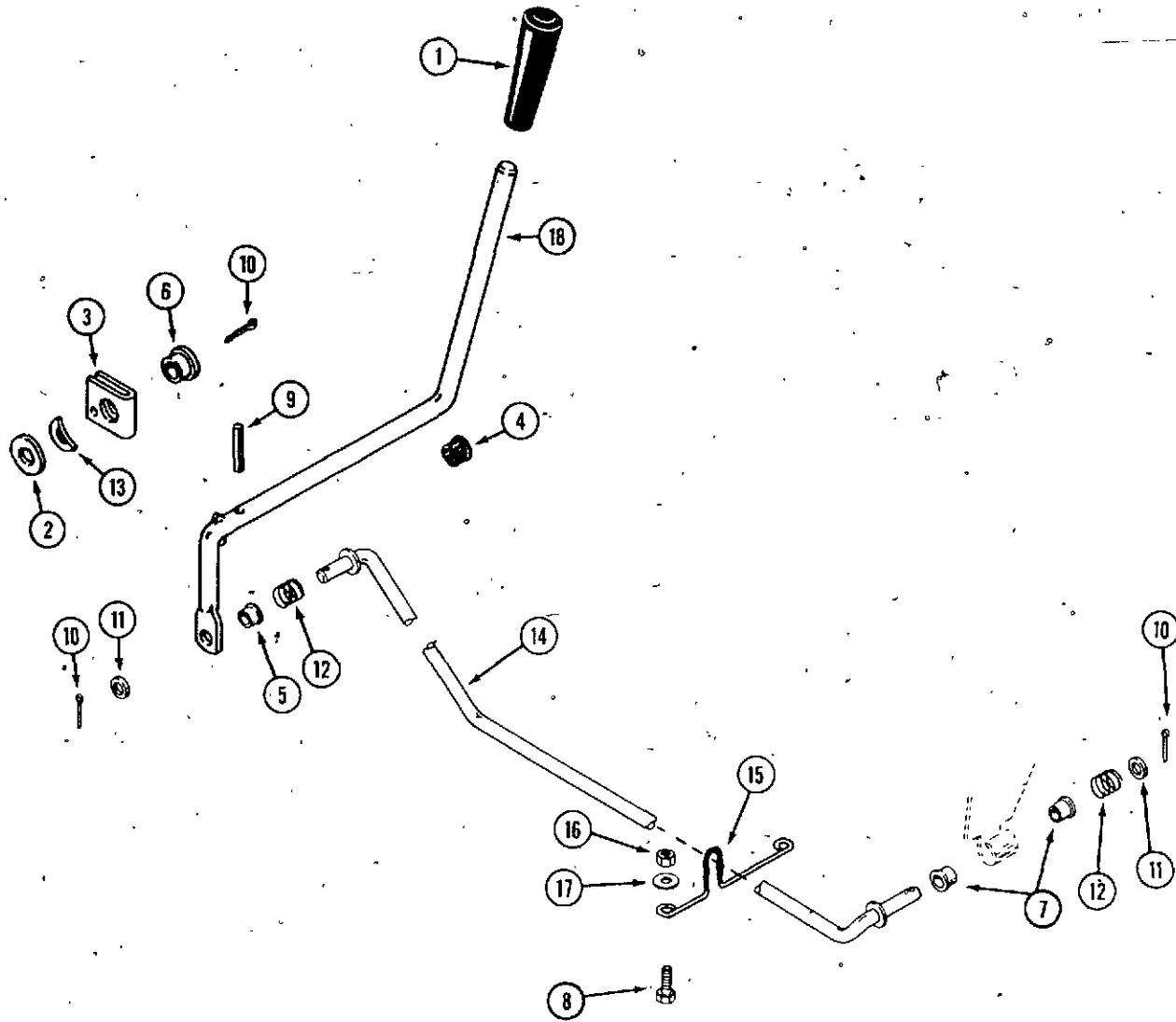
*Use before S/N:
 **Use S/N and after:
 226-14048500
 446-14041750
 448-14044287

EXHAUST SYSTEM

Use S/N and after:
 226-14071775
 446-14074175
 448-14075830

1	C 29288	MUFFLER ASSEMBLY - exhaust (includes items 8, 9, 10 and 12)	1
2	C 29292	PIPE - engine exhaust L.H.	1
3	C 28294	CLAMP ASSEMBLY - muffer 1-1/8"	2
4	129- 102	NUT - 5/16" N.C. hex.	2
5	C 26207	GASKET - exhaust	2
6	61- 512	BOLT - 5/16" x 5/8" socket head	4
7	C 29294	PIPE - engine exhaust R.H.	1
8	C 26062	WRAPPER - muffer	1
9	C 29291	COVER - muffer end	1
10	C 29290	INSULATION - muffer	1
11	214- 272	CLAMP - wrapper mounting	3
12	C 26058	INSULATION - muffer	1
13	192- 404	LOCK WASHER - 5/16"	4

PTO CLUTCH LINKAGE

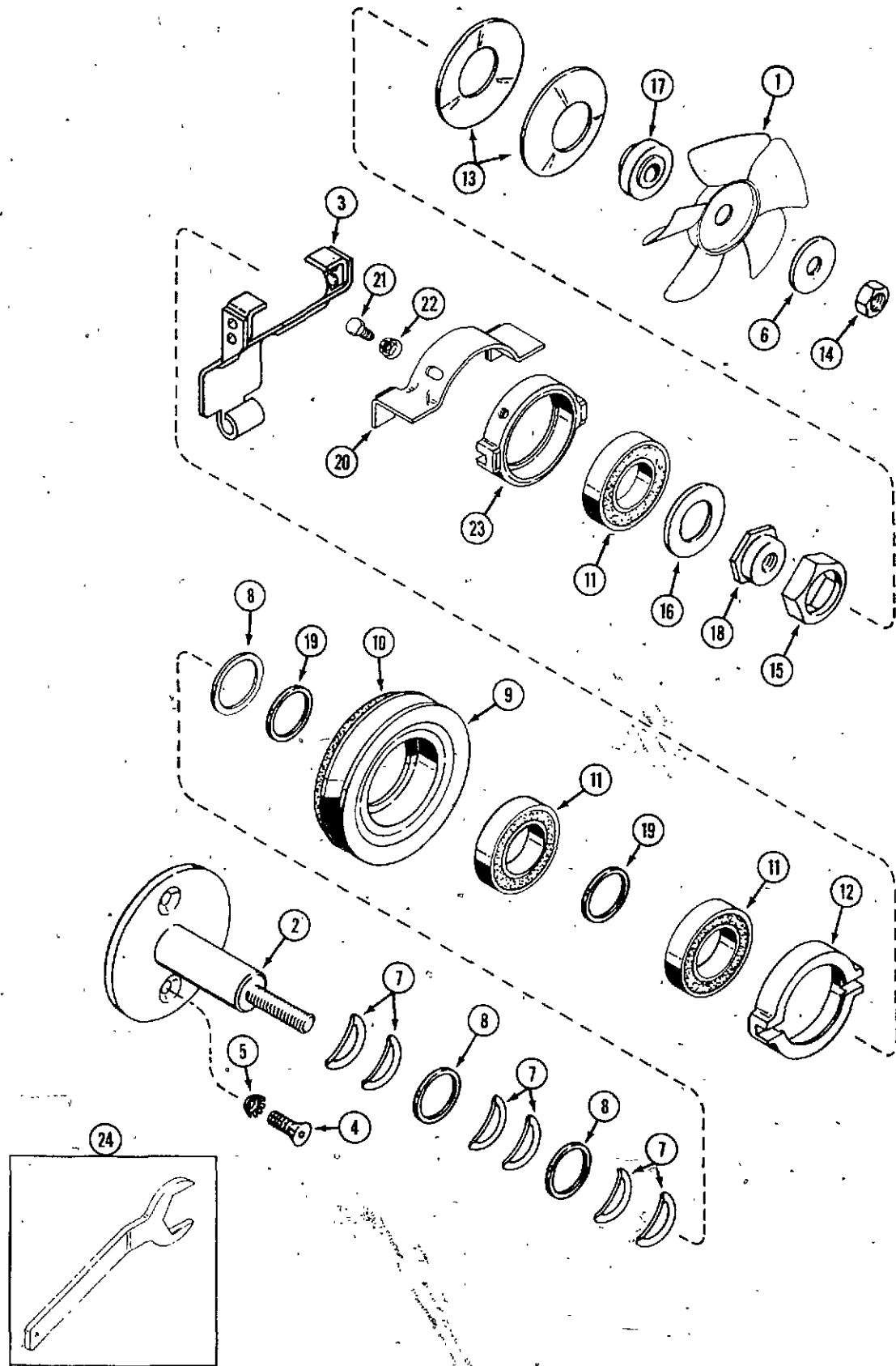


REF.	PART NO.	DESCRIPTION	REQ'D
1	C 29046	KNOB - lever, PTO	1
2	195- 533	WASHER - 1/2"	1
3	C 26264	BRACKET - support, PTO lever	1
4	353- 462	BUSHING - lever, control tower	1
5	C 20093	BUSHING - special	1
6	C 26266	BUSHING - flange, nylon	1
7	C 20053	BUSHING - nylon	2
8	113- 207	BOLT - 3/8" x 1" N.C. hex	2
9	138- 63	PIN - roll 1/8" x 1-1/4"	1
10	132- 310	PIN - cotter 1/8" x 1"	2
10	132- 320	PIN - cotter 3/32" x 3/4"	2
11	C 14906	WASHER - nylon 3/8" (early production)	2
12	C 19867	SPRING - clutch rod (early production)	2
13	C 28288	WASHER - spring	1
14	C 27734*	ROD - clutch	1
15	C 19767	GUIDE - clutch rod	1
16	131- 178	NUT - lock 3/8" N.C. hex	2
17	195- 104	WASHER - 3/8"	2
18	C 29409	LEVER - PTO engaging	1

*when replacing early style clutch rod:
 1. discard nylon washers and springs
 2. also required (2) 132-320 cotter pins

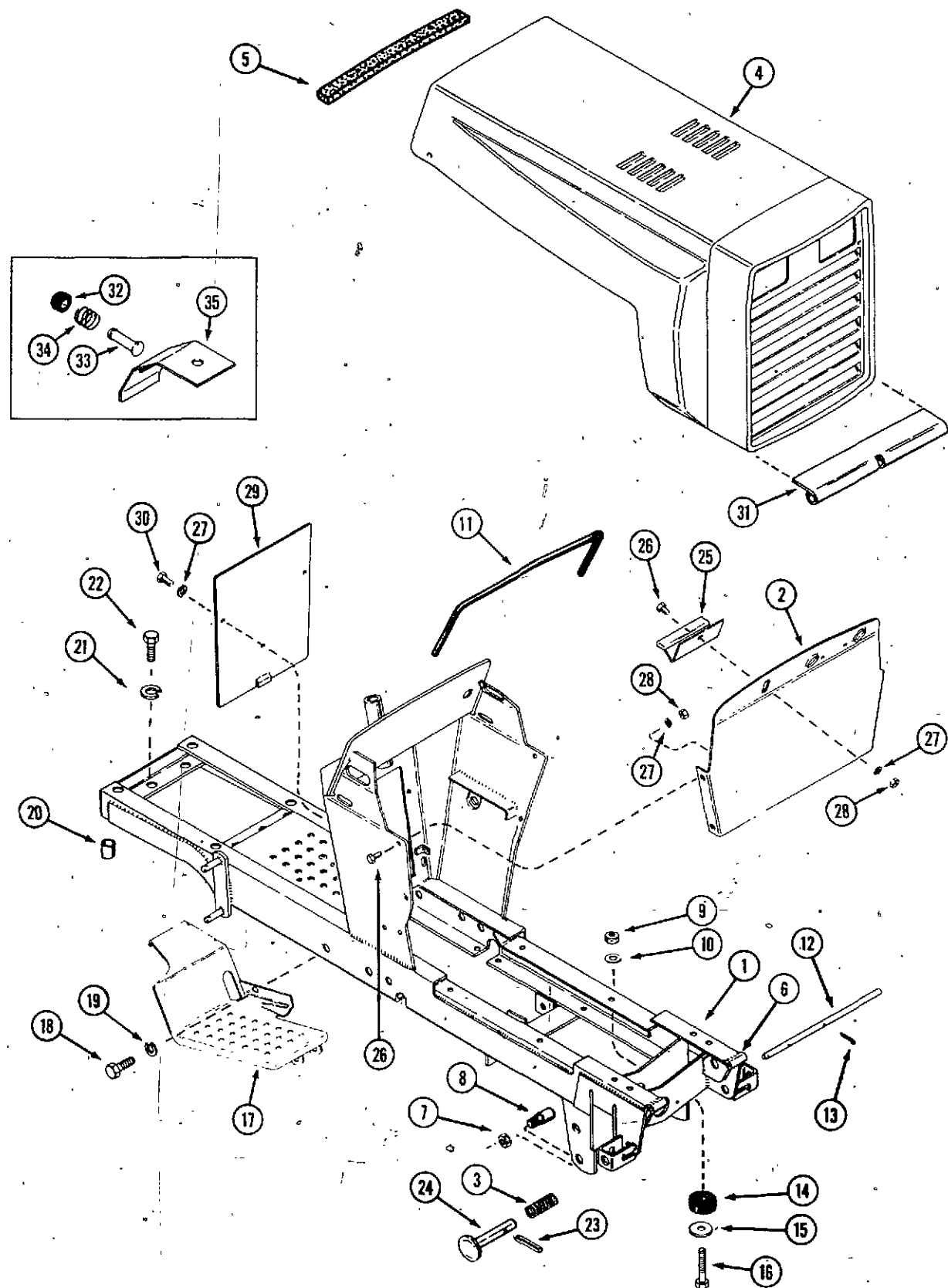
CLUTCH ASSEMBLY (PTO)

REF.	PART NO.	DESCRIPTION	REQ'D
	C 31026	CLUTCH AND FAN ASSEMBLY	1
1	C 16616	FAN - cooling	1
2	C 24741	HUB - clutch	1
3	C 26166	ARM - engaging	1
4	164- 40	SCREW - 5/16" - 18 x 3/4" flat head socket	2
5	193- 76	LOCK WASHER - 5/16" special external tooth	2
6	C 28677	WASHER - fan 17/32"	1
7	C 15515	WASHER - spring	6
8	C 15557	WASHER - spacer .050"	3
9	C 31045	KIT - pulley and disc assembly (includes item 19)	1
10	C 23740	KIT - friction disc	1
11	C 29735	BEARING - ball	3
12	C 32169	CAM - clutch	1
13	C 16786	SPRING - clutch load	2
14	129- 125	NUT - 1/2" N.F.	1
15	C 23627	GUIDE - adjusting nut	1
16	C 23624	WASHER - spacer	1
17	C 23630	SPACER - hub	1
18	C 23625	NUT - adjust	1
19	C 29811	SPACER - washer .100"	2
20	C 31018	CLEVIS - PTO brake	1
21	113- 3	BOLT - 1/4" - 20 x 3/4"	2
22	131- 934	NUT - 1/4" - 20 flange lock	2
23	C 32168	CAM - clutch	1
24	C 29772	WRENCH - clutch adjust	1



HOOD, FRAME AND GRILLE

Use before S/N:
226-14094020
446-14096200
448-14097625

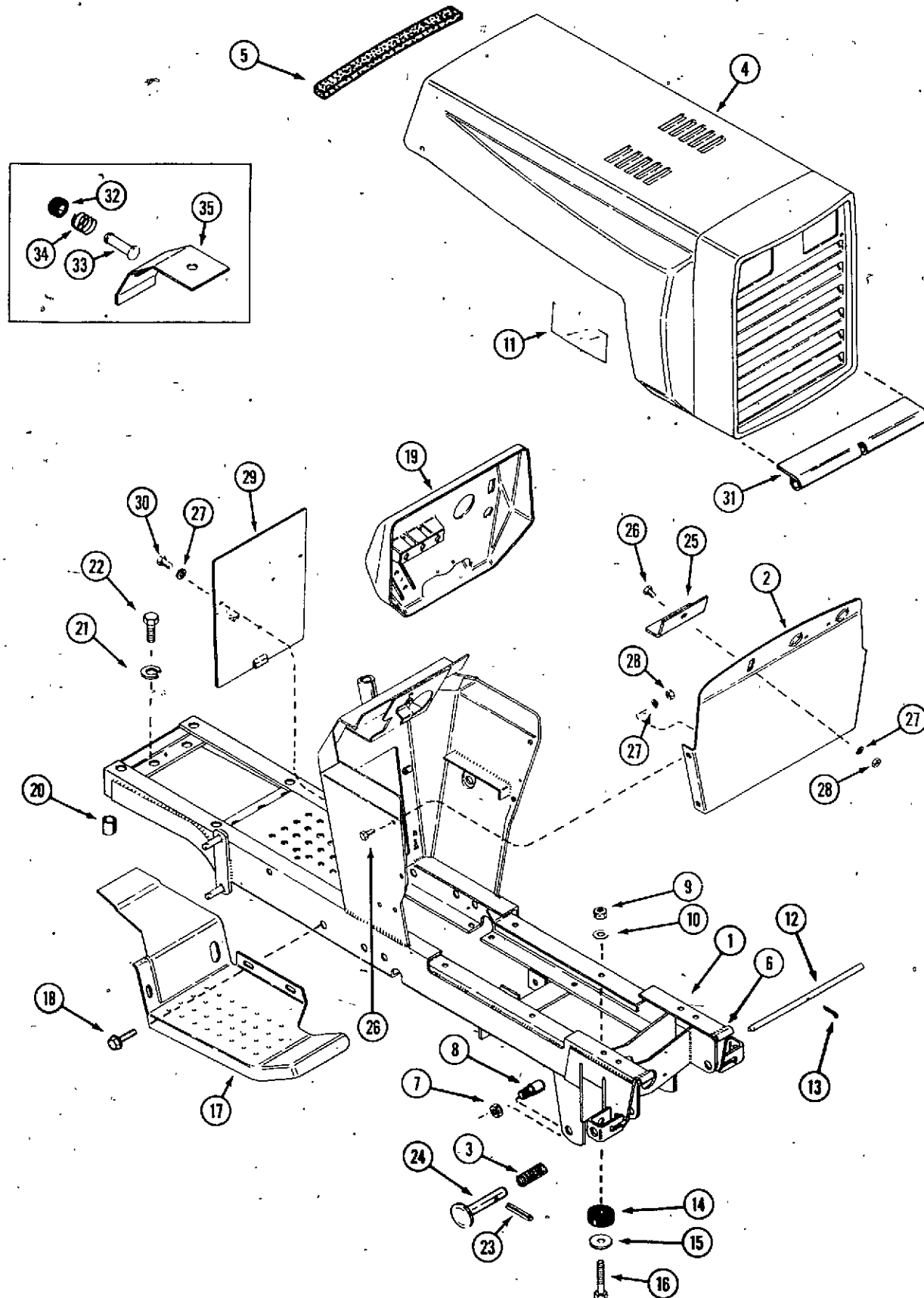


REF.	PART NO.	DESCRIPTION	REQ'D
1	C 29716**	FRAME - main (226)	1
1	C 29719*	FRAME - main (446, 448) shown	1
1	C 27153*	FRAME - main (226)	1
1	C 26941*	FRAME - main (446, 448)	1
2	C 24821*	SHIELD - heat	1
2	C 30143*	SHIELD - heat	1
3	C 24137*	SPRING - latch	2
4	C 30116**	HOOD AND GRILLE ASSEMBLY - (includes item 31) 226, 446 (shown)	1
4	C 30117**	HOOD AND GRILLE ASSEMBLY - (includes item 31) 448	1
4	C 26816*	HOOD AND GRILLE ASSEMBLY - (includes item 31) 226 446 (shown)	1
4	C 26817	HOOD AND GRILLE ASSEMBLY - (includes item 31) 448	1
5	C 23527	LINER - hood	1
6	C 22023	HINGE - frame	2
7	131- 1318	NUT - lock 1/2" N.F.	2
8	C 27508	PIN - attachment	2
9	131- 1181	NUT - lock 3/8" N.C.	4
10	195- 525	WASHER - plain 3/8" x 13/16" O.D. (over engine foot pad)	4
11	C 18153	LINER - instrument panel	1
12	C 16362	ROD - hood hinge	1
13	132- 334	PIN - cotter 1/8" x 3/4"	1
14	C 15410	CUSHION - washer	4
15	195- 2029	WASHER - plain 3/8" x 1-1/4" O.D. (under cushion)	4
16	113- 219	BOLT - 3/8" x 2" N.C. hex	4
17	C 25317	PAD - foot L.H.	1
17	C 25318	PAD - foot R.H. (shown)	1
18	113- 113	BOLT - 5/16" x 7/8" N.C. hex	4
19	192- 20	LOCK WASHER - 5/16"	4
20	C 14729	SPACER - rear, frame (446, 448)	2
20	C 14730	SPACER - rear, frame (226)	2
21	192- 23	LOCK WASHER - 1/2"	4
22	113- 424	BOLT - 1/2" N.C. hex, transaxle mounting	UAR
22	166- 86	BOLT - 1/2" x 1-1/4" flange	UAR
23	138- 2073	PIN - roll 3/16" x 1-1/4"	2
24	C 16373	PIN - latch	2
25	C 29308**	RETAINER - battery hold down	1
25	C 24820*	RETAINER - battery hold down	1
26	182- 547	BOLT - 1/4" - 20 x 1/2"	5
27	192- 19	LOCK WASHER - 1/4"	7
28	129- 101	NUT - 1/4" - 20 hex	5
29	C 26506	COVER - access	1
30	187- 1036	SCREW - 1/4" - 20 x 1/2" self tap	2
31	C 16361	HINGE - hood	1
32	C 29314**	BUTTON - push, hood release	1
33	C 29315**	ROD - push, hood release	1
34	C 30004**	SPRING - release	1
35	C 29323**	LATCH - hood	1

*Use before S/N:
**Use S/N and after:
226-14071775
446-14074175
448-14075830

HOOD, FRAME AND GRILLE

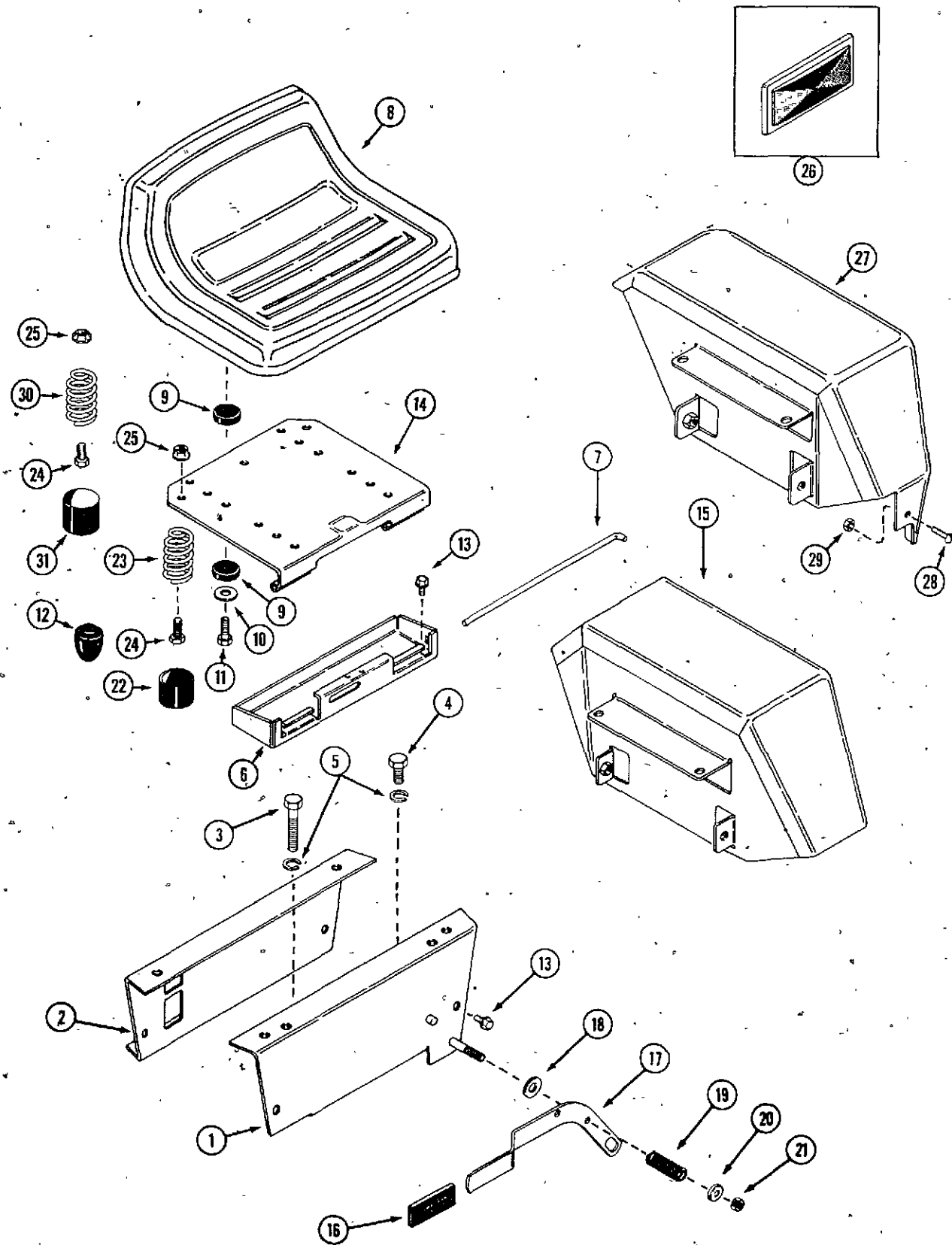
Use S/N and after:
 226-14094020
 446-14096200
 448-14097625



REF.	PART NO.	DESCRIPTION	REQ'D
1	C 30523*	FRAME - main (226)	1
1	C 30526*	FRAME - main (446, 448)	1
2	C 30143	SHIELD - heat	1
3	C 24137	SPRING - latch	2
4	C 30116	HOOD AND GRILLE ASSEMBLY - (includes item 31) 226, 446 (shown)	1
4	C 30117	HOOD AND GRILLE ASSEMBLY - (includes item 31) 448	1
5	C 23527	LINER - hood	1
6	C 22023	HINGE - frame	2
7	131- 1318	NUT - lock 1/2" N.F.	2
8	C 27508	PIN - attachment	2
9	131- 1181	NUT - lock 3/8" N.C.	4
10	195- 525	WASHER - plain 3/8" x 13/16" O.D. (over engine foot pad)	4
11	C 31279	SHIELD - heat	UAR
12	C 16362	ROD - hood hinge	1
13	132- 334	PIN - cotter 1/8" x 3/4"	1
14	C 15410	CUSHION - washer	4
15	195- 2029	WASHER - plain 3/8" x 1-1/4" O.D. (under cushion)	3
16	113- 219	BOLT - 3/8" x 2-1/4" N.C. hex	4
17	C 30458	PAD - foot L.H. (226)	1
17	C 30460	PAD - foot R.H. (shown) (226)	1
17	C 30462	PAD - foot L.H. (446, 448)	1
17	C 30464	PAD - foot R.H. (446, 448)	1
18	121- 106	BOLT - 5/16" x 1/2" N.C. hex	4
19	C 30134	CAP - instrument panel	1
20	C 14729	SPACER - rear, frame (446, 448)	2
20	C 14730	SPACER - rear, frame (226)	2
21	192- 23	LOCK WASHER - 1/2"	4
22	113- 424	BOLT - 1/2" N.C. hex, transaxle mounting	UAR
22	166- 86	BOLT - 1/2" x 1-1/4" flange	UAR
23	138- 2073	PIN - roll 3/16" x 1-1/4"	2
24	C 16373	PIN - latch	2
25	C 30142	RETAINER - battery hold down	1
26	182- 547	BOLT - 1/4" - 20 x 1/2"	5
27	192- 19	LOCK WASHER - 1/4"	7
28	129- 101	NUT - 1/4" - 20 hex	5
29	C 26506	COVER - access	1
30	187- 1036	SCREW - 1/4" - 20 x 1/2" self tap	2
31	C 16361	HINGE - hood	1
32	C 29314	BUTTON - push, hood release	1
33	C 30126	ROD - push, hood release	1
34	C 30004	SPRING - release	1
35	C 29323	LATCH - hood	1

*Also requires C30530
 before S/N:
 226 - 14110139
 446 - 14112151
 448 - 14113556

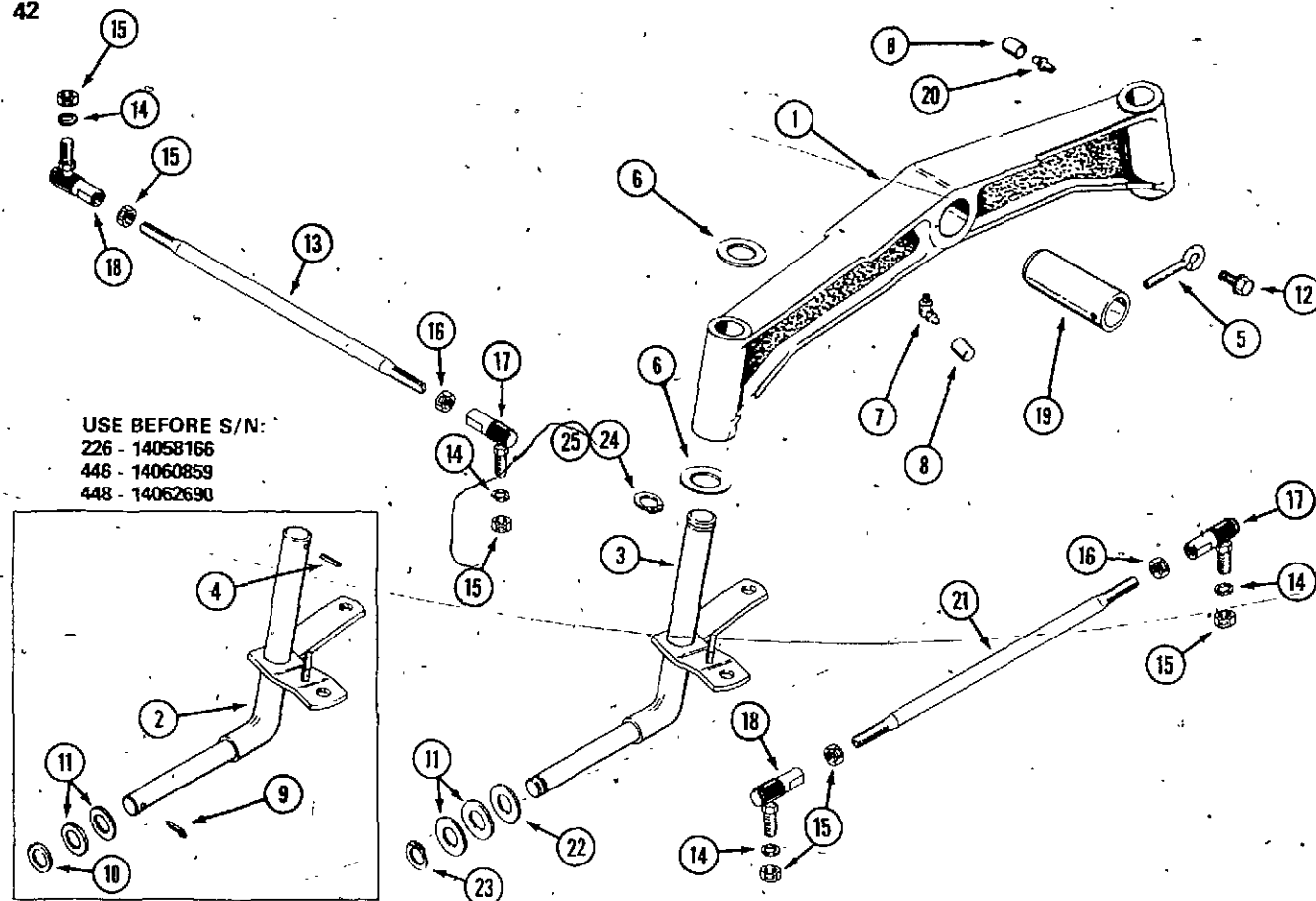
SEAT, FENDERS AND TOOL TRAY



REF.	PART NO.	DESCRIPTION	REQ'D
1	C 31020	SUPPORT - seat, front (226) shown	1
1	C 31021	SUPPORT - seat, front (446, 448)	1
2	C 26827	SUPPORT - seat, rear (226) shown	1
2	C 27224	SUPPORT - seat, rear (446, 448)	1
3	113- 427	BOLT - 1/2" x 3-1/4" (226)	2
3	113- 441	BOLT - 1/2" x 2-1/4" N.C. hex (446, 448)	2
4	113- 424	BOLT - 1/2" x 1" N.C. hex	1
4	113- 118	BOLT - 5/16" x 5/8"	1
5	192- 20	LOCK WASHER - 5/16"	1
5	192- 23	LOCK WASHER - 1/2"	4
6	C 31004	TRAY - tool	1
7	C 16429	PIN - seat hinge	1
8	C 30071	SEAT - (226) shown (black)	1
8	C 30066	SEAT - (446, 448) (black)	1
9	C 15410	CUSHION - rubber	8
10	195- 2175	WASHER - 5/16" x 1-1/4" OD, zinc	4
11	113- 122	BOLT - 5/16" x 1-1/2"	4
12	C 14534*	BUMPER - seat	2
13	121- 106	BOLT - 5/16" x 1/2" flange lock	10
14	NSS *	HINGE ASSEMBLY - seat (use C31005 and (2) C29305, 113-102, 131-911)	1
14	C 31005**	HINGE ASSEMBLY - seat	1
15	C 26829+	FENDER - R.H. (226)	1
15	C 26831+	FENDER - L.H. (226) shown	1
15	C 26835+	FENDER - L.H. (446, 448)	1
15	C 26833+	FENDER - R.H. (446, 448)	1
16	C 14728	GRIP - shift lever	1
17	C 27594	LEVER - shift	1
18	195- 525	WASHER - 7/16" x 1-1/4" O.D.	1
19	C 17216	SPRING - shift lever	1
20	C 30489	WASHER	1
21	131- 1181	NUT - lock 3/8" N.C. hex	1
22	C 29305**	CAP - spring	2
23	C 29306**	SPRING - seat	2
24	113- 102**	BOLT - 5/16" - 18 x 3/4"	2
25	131- 911**	NUT - 5/16" - 18 flange lock	2
26	NSS	REFLECTOR - red, rear fender (use C30942)	2
27	C 30467++	FENDER - R.H. (226)	1
27	C 30466++	FENDER - L.H. (226) shown	1
27	C 30471++	FENDER - R.H. (446, 448)	1
27	C 30470++	FENDER - L.H. (446, 448)	1
28	182- 547	SCREW - 1/4" - 20 x 1/2"	2
29	131- 934	NUT - 1/4"	2
30	C 31006	SPRING - seat switch	1
31	C 26526	CAP - spring	1

*Use before S/N:
 **Use S/N and after:
 226 - 14071775
 446 - 14074175
 448 - 14075830

+Use before S/N:
 ++Use S/N and after:
 226 - 14094020
 446 - 14096200
 448 - 14097625

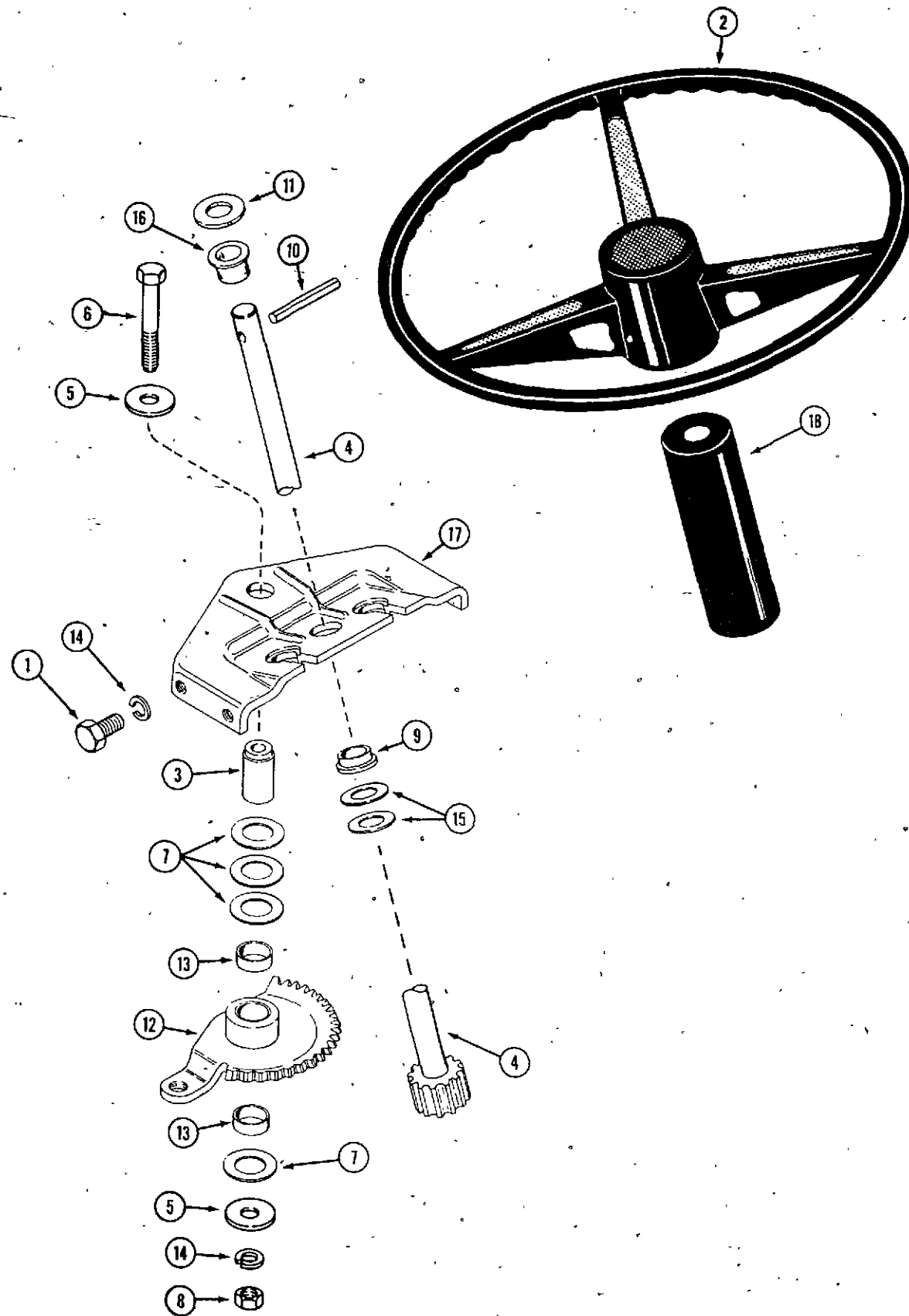


USE BEFORE S/N:
 226 - 14058166
 446 - 14060859
 448 - 14062690

FRONT AXLE

REF.	PART NO.	DESCRIPTION	REQ'D
1	C 18812	AXLE - front (226)	1
1	C 18813	AXLE - front (446, 448) shown	1
2	NSS	SPINDLE - R.H. (226) (use C31338, C27902)	1
2	NSS	SPINDLE - R.H. (446, 448) shown (use C31341, 132-311, C27902)	1
2	NSS	SPINDLE - L.H. (226) (use C31337, C27902)	1
2	NSS	SPINDLE - L.H. (446, 448) (use C31340, 132-311, C27902)	1
3	NSS	SPINDLE - R.H. (226) (use C31338, 132-311)	1
3	NSS	SPINDLE - R.H. (446, 448) shown (use C31341, 132-311)	1
3	NSS	SPINDLE - L.H. (226) (use C31337, 132-311)	1
3	NSS	SPINDLE - L.H. (446, 448) (use C31340, 132-311)	1
4	138- 99	PIN - roll	2
5	C 22278	PIN - retaining, axle pivot	1
6	C 11906	WASHER - thrust (226)	4
6	C 13716	WASHER - thrust (446, 448) shown	4
7	219- 404	FITTING - lubrication	3
8	C 13106	COVER - lubrication fitting	3
9	132- 311	PIN - cotter 5/32" x 1-1/4"	2
10	C 12975	WASHER - wheel spindle	2
11	C 28226	WASHER - wheel spacer	UAR
12	187- 1910	BOLT - 3/8" N.C. hex head	1
13	C 25857	LINK - drag	1
14	192- 23	LOCK WASHER - 1/2" zinc	3
15	129- 165	NUT - 1/2" N.F. R.H. thread, lock	6
16	129- 365	NUT - 1/2" N.F. L.H. thread, lock	2
17	C 13605	BALL JOINT - 1/2" L.H. thread	2
18	C 12102	BALL JOINT - 1/2" R.H. thread	2
19	C 22568	PIN - axle pivot	1
20	219- 17	FITTING - lubrication	2
21	C 25855	TIE ROD - (446, 448 shown)	1
21	C 25856	TIE ROD - (226)	1
22	C 27597	WASHER - spacer	2
23	C 28232	RING - retaining, wheel	2
24	C 27902	RING - retaining, spindle (446, 448)	2
25	C 28232	RING - retaining, spindle (226)	2

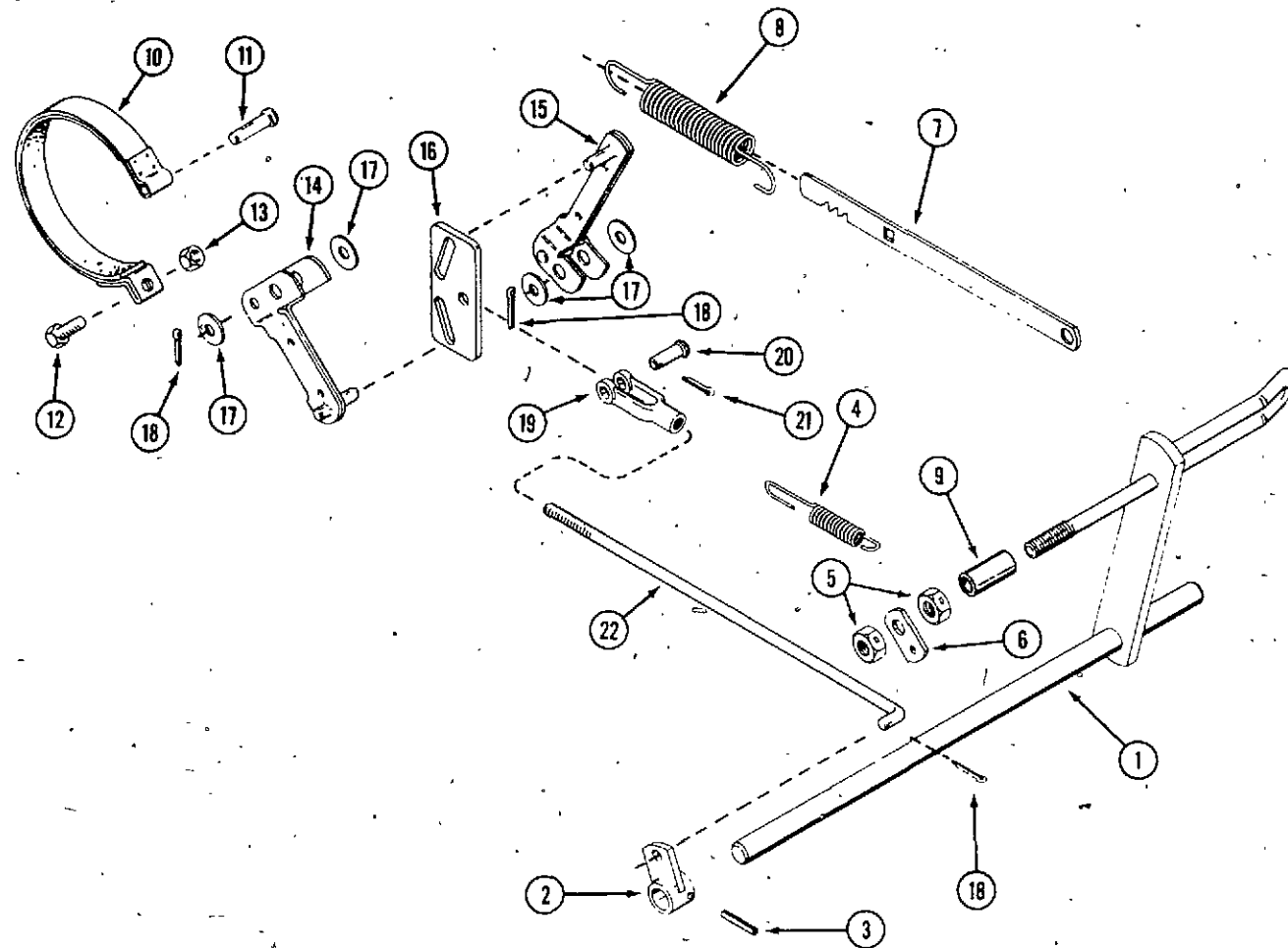
STEERING GEAR



REF.	PART NO.	DESCRIPTION	REQ'D
1	113- 206	BOLT - 3/8" x 3/4" N.C. hex	4
2	C 26325	WHEEL - steering	1
3	NSS *	PIN - pivot (use C29044)	1
3	C 29044**	PIN - pivot	1
4	C 26326	SHAFT - steering	1
5	C 29812	WASHER - 3/8" x 1.4"	2
6	113- 241	BOLT - 3/8" - 16 x 3" hex	1
7	C 14201	WASHER - shim	4
8	129- 103	NUT - 3/8" - 16 hex	1
9	C 27501**	BUSHING - (not used on all models)	1
10	138- 143	PIN - roll 1/4" x 2-1/4"	1
11	195- 541	WASHER - 5/8"	UAR
12	C 33309	GEAR - steering	1
13	C 33308	BUSHING - sleeve	2
14	192- 21	LOCK WASHER - 3/8"	5
15	195- 2069	WASHER - 5/8" zinc plated	UAR
16	C 15096	BUSHING - flanged nylon	1
17	C 30019**	SUPPORT - steering gear (includes item 9)	1
17	NSS *	SUPPORT - steering (use C29812, C30019 and C29044)	1
18	C 24098+	TUBE - steering	1
18	C 30127++	TUBE - steering	1

*Use before S/N:
 **Use S/N and after:
 226 - 14071872
 446 - 14074315
 448 - 14075995

+ Use before S/N:
 ++Use S/N and after:
 226 - 14094020
 446 - 14096200
 448 - 14097625

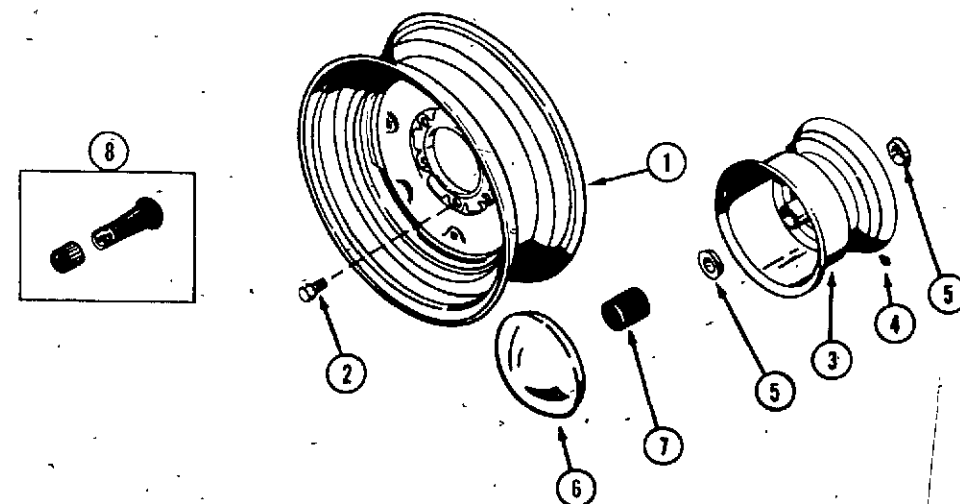


BRAKE ASSEMBLY

REF.	PART NO.	DESCRIPTION	REQ'D
1	C 22316	PEDAL - brake actuating	1
2	C 26381	ARM - brake pedal	1
3	138- 2073	PIN - roll 3/16" x 1-1/4"	1
4	C 25022	SPRING - return	1
5	131- 1308	NUT - lock, special 1/2"-13	2
6	C 16164	TAB - lift	1
7	C 18147	LEVER - brake lock	1
8	C 27755	SPRING - brake lock	1
9	C 21857	SPACER - brake pedal	1
10	C 33276	BAND - brake	1
11	C 23910	PIN - clevis	1
12	113- 2262	BOLT - 3/8" - 16 x 1-1/2" hex	1
13	129- 143	NUT - 3/8" - 16 special	1
14	C 23899	ARM - brake	1
15	C 24761	ARM - brake (includes adjustment nut)	1
16	C 31994	GUIDE - brake actuator	1
17	195- 533	WASHER - .531" I.D.	4
18	132- 310	PIN - cotter 1/8" x 1"	3
19	C 28978	CLEVIS	1
20	141- 54	PIN - clevis	1
21	132- 321	PIN - cotter	1
22	C 31993	ROD - brake (446, 448)	1
22	C 31992	ROD - brake (226)	1

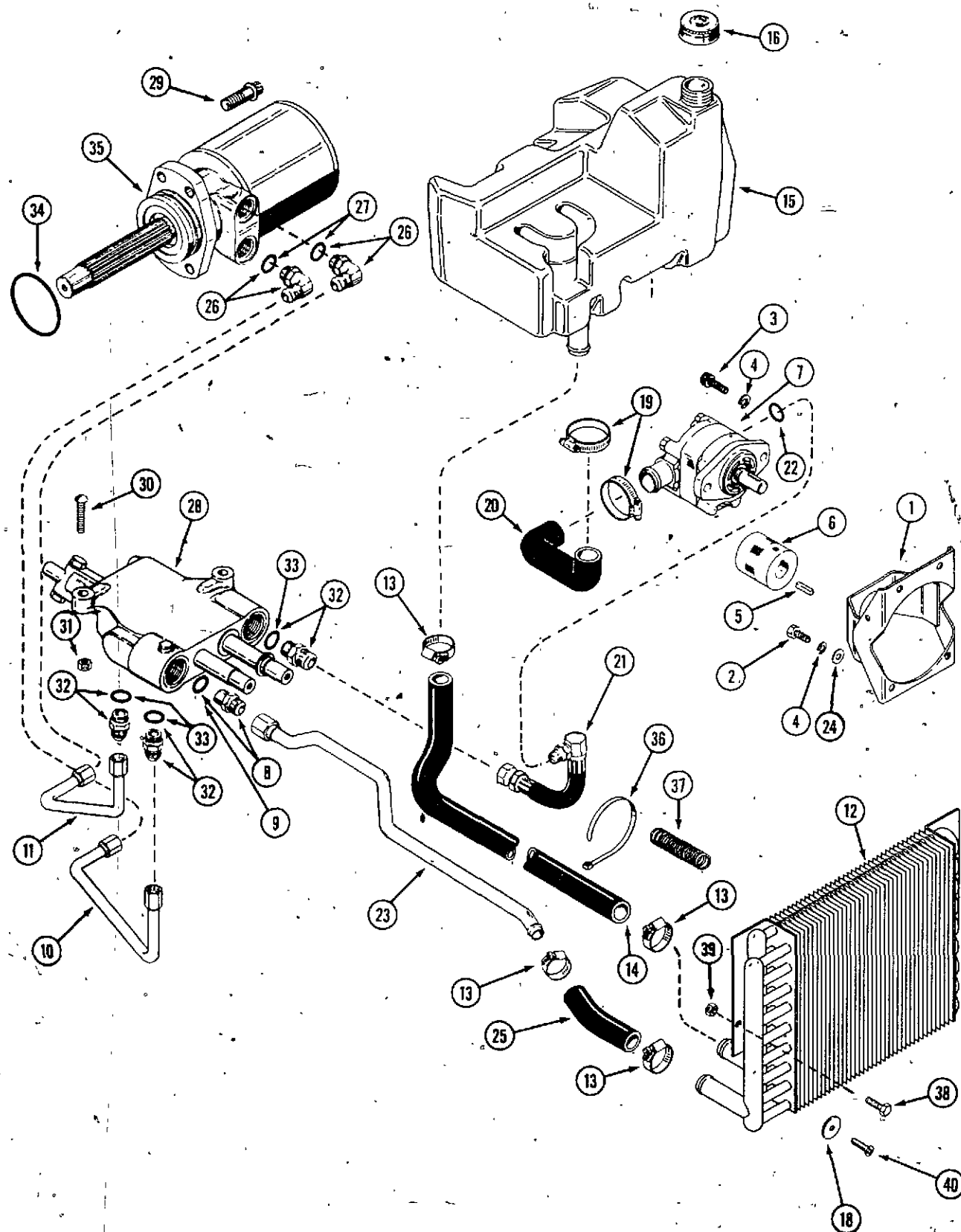
FRONT AND REAR WHEELS

1	C 30913	WHEEL - rear, 5 bolt (226) for 23 x 8.50 - 12 tire	2
1	C 30917	WHEEL - rear, 6 bolt (446, 448) shown	2
1	C 30922	WHEEL - rear, 5 bolt (226) for 23 x 10.50 - 12 tire	2
2	C 27763	BOLT - rear wheel (446, 448)	12
2	C 10314	BOLT - rear wheel (226)	10
3	C 30912	WHEEL - front (includes bearings)	2
4	219- 403	FITTING - lubrication	2
5	C 12110	BEARING - wheel	2
6	C 28965	CAP - hub, front wheel (optional)	2
7	C 26021	CAP - plastic, front	2
8	C 28236	STEM - valve	4
	C 13106	COVER - lubrication fitting	2



HYDRAULIC SYSTEM

Use before S/N:
 226 - 14093640
 446 - 14074315
 448 - 14075995

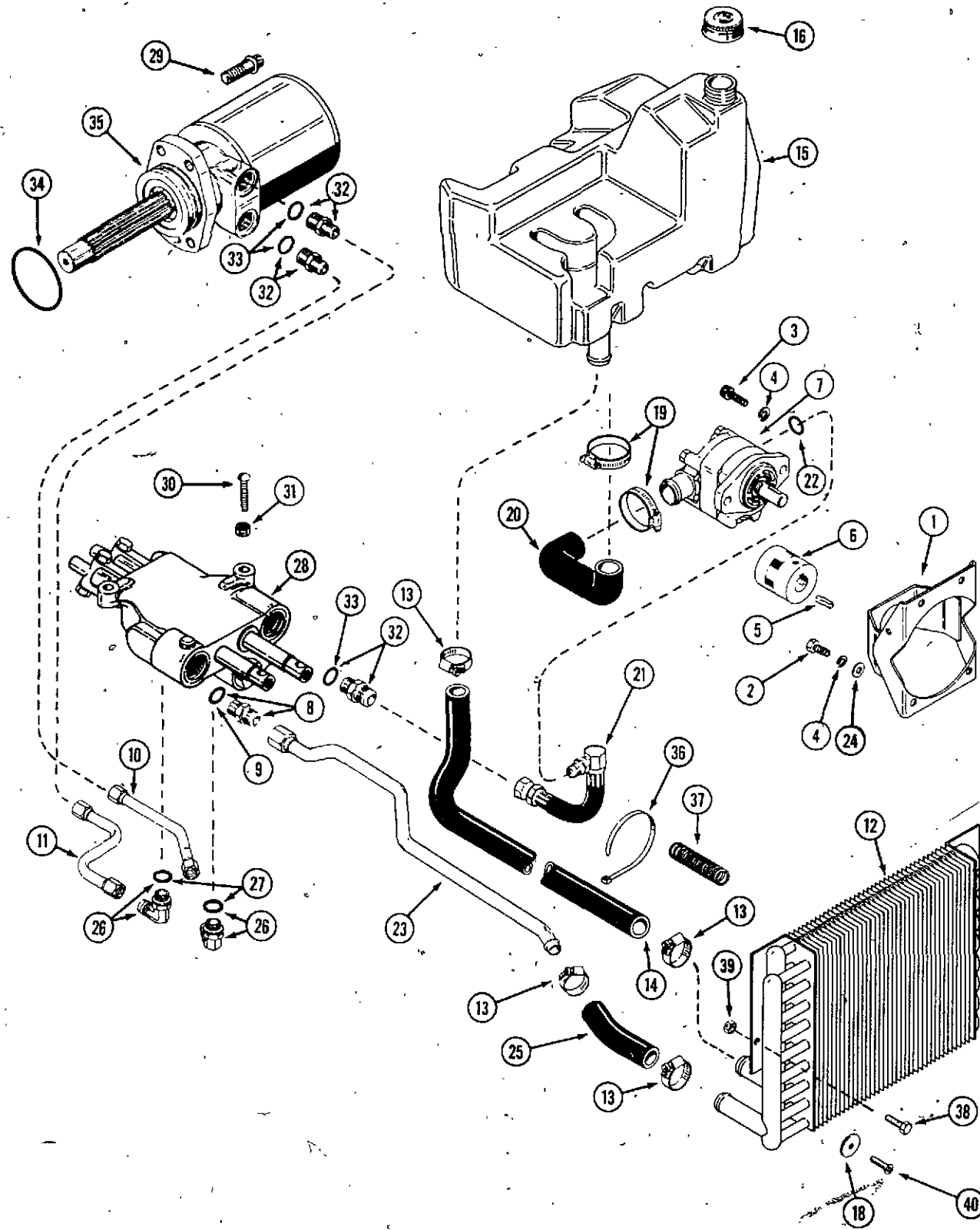


REF.	PART NO.	DESCRIPTION	REQ'D
1	C 26255	SUPPORT - pump mounting	1
2	113- 206	BOLT - 3/8" x 3/4" N.C hex, support mounting	4
3	62- 616	SCREW - 3/8" - 24 x 1" N.F. thread	2
4	192- 21	LOCK WASHER - 3/8" zinc	6
5	C 28321	KEY - square 1/4" x 3/4" (6.35 x 19.5 mm) (engine shaft)	1
6	C 18916	COUPLING - pump 1/2" shaft (repairs page 57)	1
7	C 26278	PUMP - hydraulic 1/2" shaft (repairs page 57)	1
8	218- 5065	FITTING - hydraulic 3/4" x 7/8" "O" ring	1
9	218- 5007	"O" RING	1
10	C 16794	TUBE - valve to lower motor port (226)	1
10	C 25333	TUBE - valve to lower motor port (446, 448)	1
11	C 16793	TUBE - valve to upper motor port (226)	1
11	C 25334	TUBE - valve to upper motor port (446, 448)	1
12	C 25784	EXCHANGER - heat (226, 446)	1
12	C 26456	EXCHANGER - heat (448) shown	1
13	214- 254	CLAMP - hose	4
14	C 29697	HOSE - rubber, tank to heat exchanger	1
15	NSS *	RESERVOIR - hydraulic oil (use C33176 kit)	1
15	NSS **	RESERVOIR - hydraulic shown (use C33177 kit)	1
16	C 25237	CAP - reservoir (includes insert)	1
18	C 28987	WASHER - .390" x 1.88" (226, 446)	2
19	214- 14	CLAMP - hose	2
20	C 24827*	HOSE - rubber, tank to pump	1
20	C 29309**	HOSE - rubber, tank to pump (shown)	1
21	C 18797	HOSE - hydraulic, pump to valve	1
22	218- 5006	"O" RING - 1/2"	1
23	C 26182	TUBE - valve to heat exchanger	1
24	195- 104	WASHER - 3/8"	4
25	NSS	HOSE - rubber (use C22902) cut to length 7" (180mm)	1
26	218- 5107	FITTING - motor port 90 degree elbow, "O" Ring	2
27	218- 5007	"O" RING - 5/8"	2
28	C 27217	VALVE - hydraulic control, two spool (repairs page 59)	1
29	166- 86	SCREW - 1/2" x 1-1/4" N.C. flanged 12 point)	4
30	182- 246	SCREW - 5/16" x 1-1/4" N.C. flat head machine	2
31	131- 351	NUT - lock 5/16" N.C. hex	2
32	218- 5062	FITTING - hydraulic valve 5/8" x 7/8" "O" Ring	3
33	218- 5007	"O" RING	3
34	C 28949	SEAL - motor to transmission	1
35	C 14655	MOTOR - hydraulic (repairs page 53) (446, 448)	1
35	C 16697	MOTOR - hydraulic (repairs page 53) (226)	1
36	C 22947	TIE - hose clamp	2
37	C 26900	SPRING - compression (448)	1
38	113- 1	BOLT - 1/4" - 20 x 1/2" (448)	2
39	131- 1180	NUT - 1/4" - 20 lock (448)	2
40	187- 1252	SCREW - 1/4" Phillips (226, 446)	2

*Use before S/N:
 **Use S/N and after:
 226 - 14071775
 446 - 14074175
 448 - 14075830

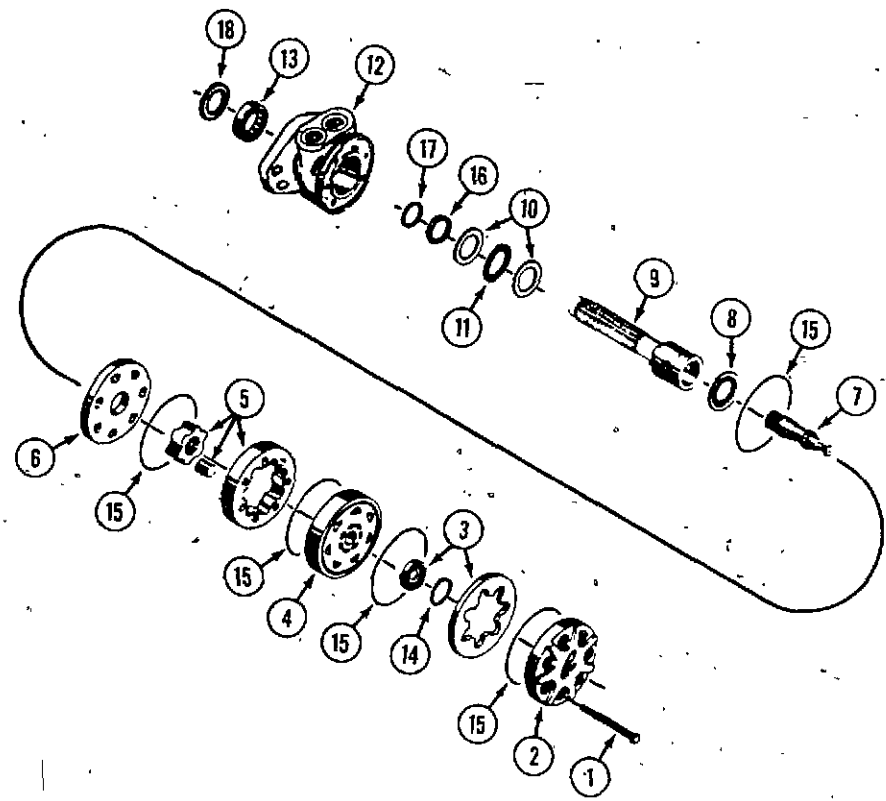
HYDRAULIC SYSTEM

Use S/N and after:
 226 - 14093640
 446 - 14074315
 448 - 14075995



REF.	PART NO.	DESCRIPTION	REQ'D
1	C 26255	SUPPORT - pump mounting	1
2	113- 206	BOLT - 3/8" x 3/4" N.C. hex, support mounting	4
3	62- 616	SCREW - 3/8" - 24 x 1" N.F. thread	2
4	192- 21	LOCK WASHER - 3/8" zinc	6
5	C 28321	KEY - square 1/4" x 3/4" (6.35 x 19.5 mm) (engine shaft)	1
6	C 18916	COUPLING - pump, 1/2" shaft (repairs page 57)	1
7	C 26278	PUMP - hydraulic 1/2" shaft (repairs page 57)	1
8	218- 5065	FITTING - hydraulic 3/4" x 7/8" "O" Ring	1
9	218- 5007	"O" RING	1
10	C 29656	TUBE - valve to lower motor port (226)	1
10	C 29658	TUBE - valve to lower motor port (446, 448) (shown)	1
11	C 29655	TUBE - valve to upper motor port (226)	1
11	C 29657	TUBE - valve to upper motor port (446, 448) (shown)	1
12	C 25784	EXCHANGER - heat (226, 446)	1
12	C 26456	EXCHANGER - heat (448) shown	1
13	214- 254	CLAMP - hose	4
14	C 29697	HOSE - rubber, tank to heat exchanger	1
15	NSS	RESERVOIR - hydraulic (use C33177 kit)	1
16	C 25237	CAP - reservoir (includes insert)	1
18	G 28987	WASHER - .390" x 1.88" (226, 446)	2
19	214- 14	CLAMP - hose	2
20	C 29309	HOSE - rubber, tank to pump	1
21	C 18797	HOSE - hydraulic, pump to valve	1
22	218- 5006	"O" RING - 1/2"	1
23	C 26182	TUBE - valve to heat exchanger	1
24	195- 104	WASHER - 3/8"	4
25	NSS	HOSE - rubber (use C29697) cut to length 7" (180mm)	1
26	218- 5107	FITTING - motor port 90 degree elbow, "O" Ring	2
27	218- 5007	"O" RING - 5/8"	2
28	C 29689	VALVE - hydraulic control, two spool (repairs page 61)	1
29	166- 86*	SCREW - 1/2" x 1-1/4" N.C. flanged 12 point	4
29	166- 85*	SCREW - 1/2" x 1" flanged 12 point	4
30	C 27764	SCREW - 5/16" x 1-1/4" N.C.	2
31	131- 351	NUT - lock 5/16" N.C. hex	2
32	218- 5062	FITTING - hydraulic valve 5/8" x 7/8" "O" Ring	3
33	218- 5007	"O" RING	3
34	C 28949	SEAL - motor transmission	1
35	C 14655*	MOTOR - hydraulic (repairs page 53) (446, 448)	1
35	C 16697*	MOTOR - hydraulic (repairs page 53) (226)	1
35	C 33234*	MOTOR - hydraulic (repairs page 53) (446, 448)	1
35	C 30939**	MOTOR - hydraulic (repairs page 53) (226)	1
36	C 22947	TIE - hose clamp	2
37	C 26900	SPRING - compression (448)	1
38	113- 1	BOLT - 1/4" - 20 x 1/2" (448)	2
39	131- 1180	NUT - 1/4" - 20 lock (448)	2
40	187- 1252	SCREW - 1/4" Philips (226, 446)	2

*Use before S/N:
 **Use S/N and after:
 226 - 14110325
 446 - 14112435
 448 - 14113810



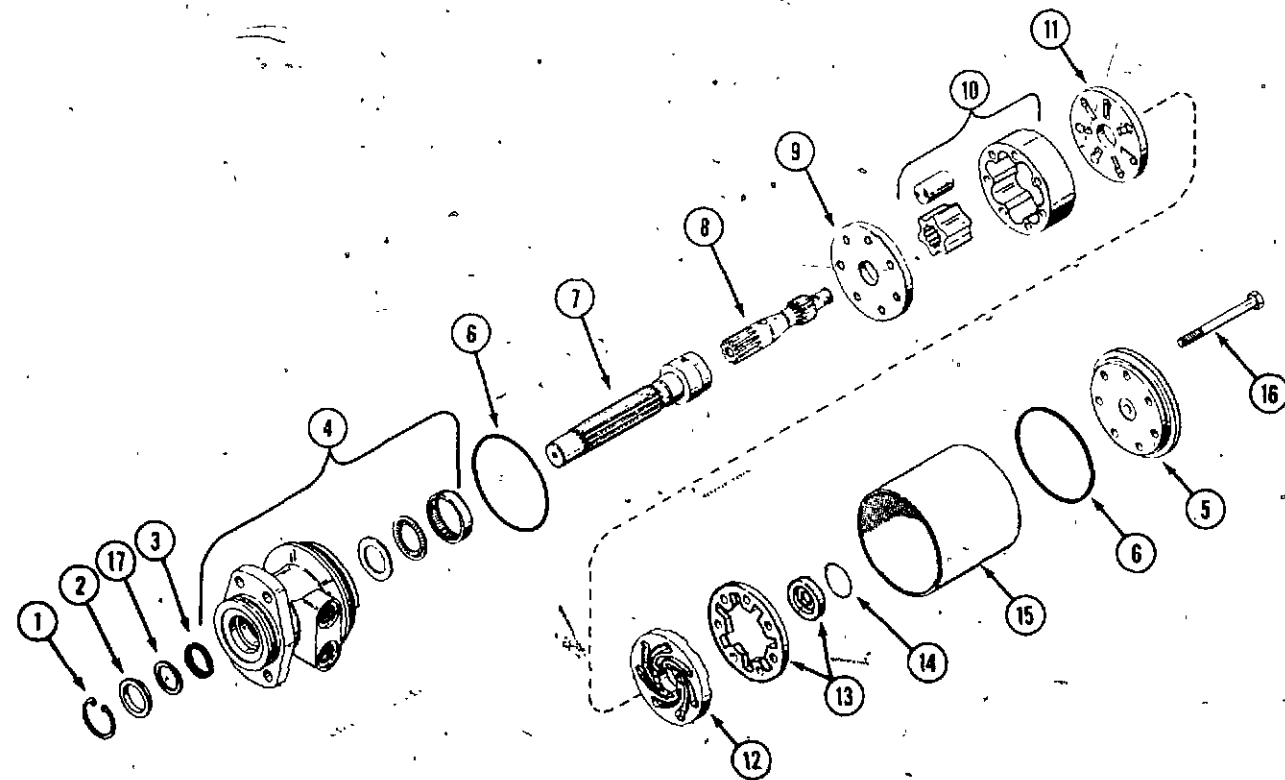
HYDRAULIC DRIVE MOTOR

Use S/N and after:
 226 - 14110325
 446 - 14112435
 448 - 14113810

REF.	PART NO.	DESCRIPTION	REQ'D
	C 33234	MOTOR - hydraulic (446, 448)	1
	C 30939	MOTOR - hydraulic (226)	1
1	28- 668	BOLT - 3/8" - 24 x 4-1/4" (226)	7
1	C 31327	BOLT - 3/8" - 24 x 4-5/8" (446, 448)	7
2	C 31309	COVER - end	1
3	C 31310	COMMUTATOR AND RING SET	1
4	C 31311	MANIFOLD	1
5	C 31312	ROTOR ASSEMBLY - (226)	1
5	C 31313	ROTOR ASSEMBLY - (446, 448)	1
6	C 31314	PLATE - wear	1
7	C 31315	LINK - drive (226)	1
7	C 31316	LINK - drive (446, 448)	1
8	C 31317	BEARING - thrust	1
9	C 31318	SHAFT - coupling	1
10	C 31319	WASHER - thrust	2
11	C 31320	BEARING - thrust	1
12	C 31321	HOUSING - drive end	1
13	C 31322	BEARING - outer	1
	C 31323	KIT - seal	1
14	NSS	SEAL - commutator ring	1
15	NSS	SEAL - ring	5
16	NSS	SEAL - ring	1
17	NSS	WASHER - backup	1
18	NSS	SEAL - dirt (not used)	1

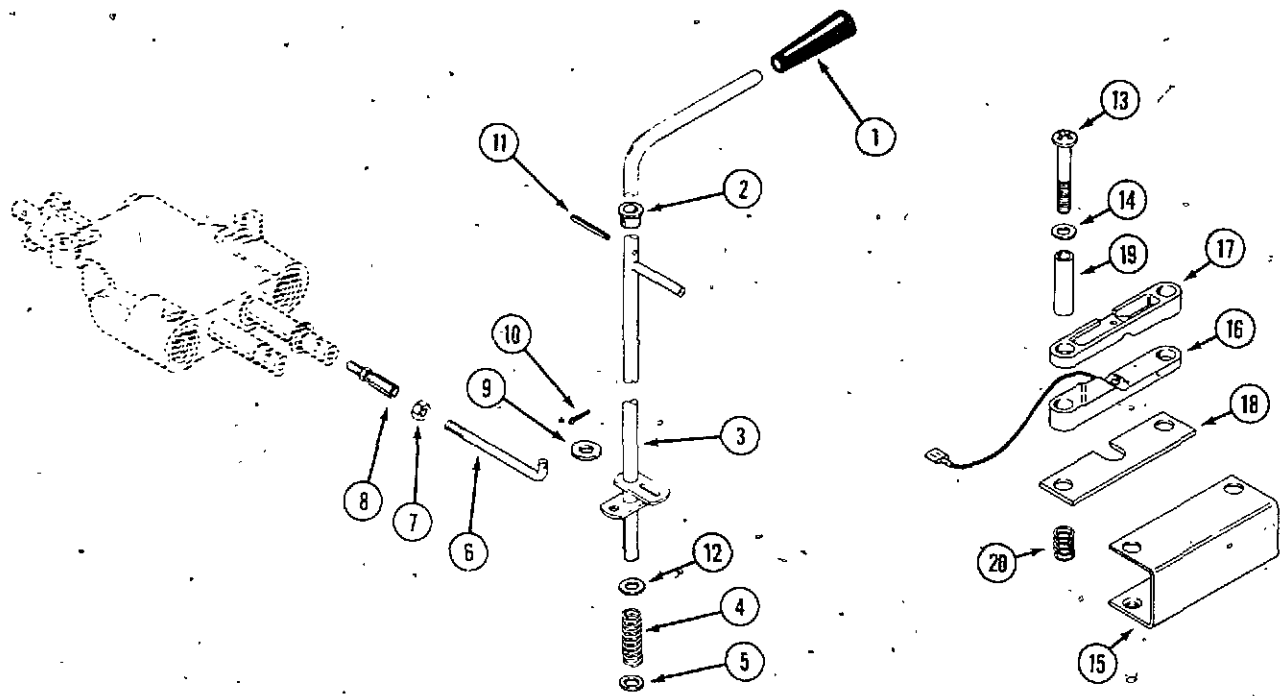
HYDRAULIC DRIVE MOTOR

Use before S/N:
 226 - 14110325
 446 - 14112435
 448 - 14113810



	C 16697	MOTOR - hydraulic (226)	1
	C 14655	MOTOR - hydraulic (446, 448)	1
1	C 16516	RING - retaining	1
2	C 19040	SPACER - (see kit below)	1
3	C 25048	SEAL - oil (see kit below)	1
4	C 14827	HOUSING ASSEMBLY	1
5	C 14837	END CAP	1
6	C 18382	SEAL - (see kit below)	2
7	C 14828	SHAFT - coupling	1
8	C 14829	DRIVE LINK - 446, 448	1
8	C 28704	DRIVE LINK - 226	1
9	C 14830	PLATE - wear	1
10	C 14831	ROTOR ASSEMBLY - 446, 448	1
10	C 18110	ROTOR ASSEMBLY - 226	1
11	C 28703	PLATE - manifold	1
12	C 28874	MANIFOLD	1
13	C 28701	COMMUTATOR AND RING SET	1
14	C 19041	RING - sealing (see kit below)	1
15	C 14836	SLEEVE - 446, 448	1
15	C 18092	SLEEVE - 226	1
16	28- 662	BOLT - 3/8" x 3-7/8" N.F. hex (226)	1
16	C 14838	BOLT - 3/8" x 4-3/8" N.F. hex (446, 448)	7
17	C 19212	WASHER - .010" (0.25mm) (see kit below)	1
	C 29732	KIT - "O" ring and seal (includes items 2, 3, 6, 11, 12, 14 and 17)	1

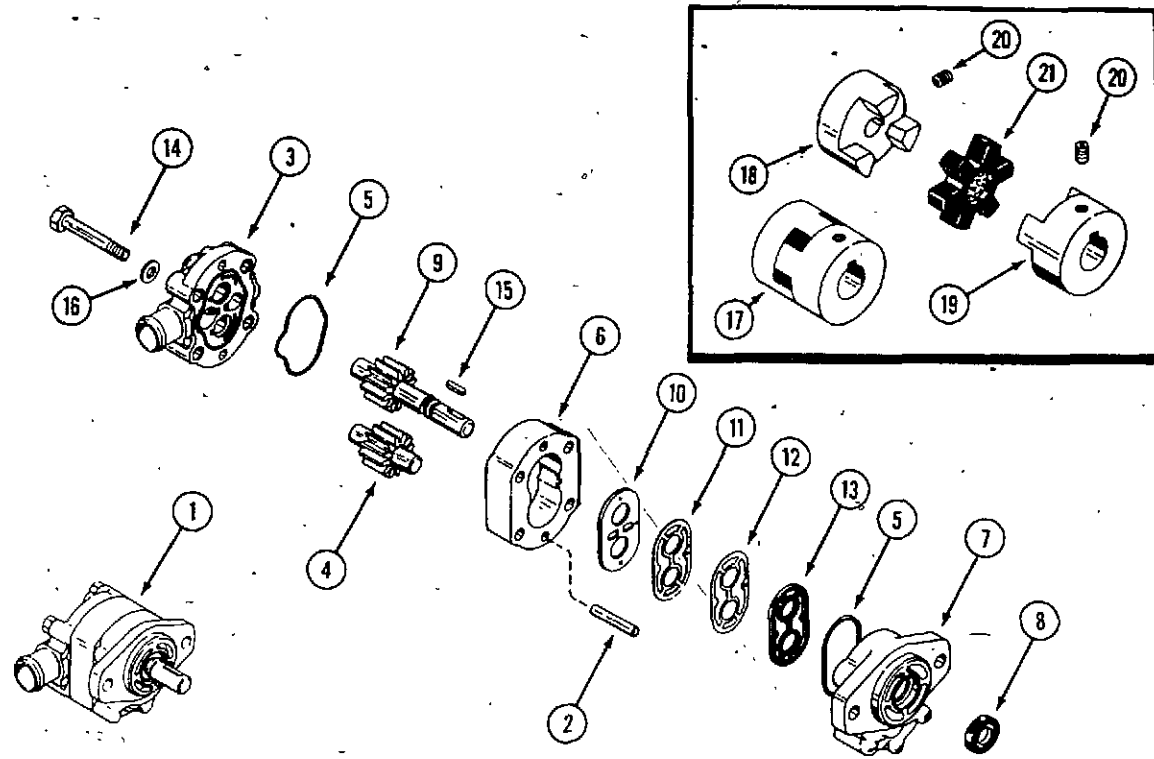
SPEED CONTROL



REF.	PART NO.	DESCRIPTION	REQ'D
1	C 29047	KNOB - speed control	1
1	C 27593	BUSHING - lever	1
3	C 29407*	LEVER - speed control (shown)	1
3	C 30128**	LEVER - speed control	1
4	C 29645	SPRING - compression	1
5	C 21518	WASHER - nylon	1
6	C 18742	ROD - control	1
7	129- 122	NUT - 5/16" N.F. hex, zinc plated	1
8	C 19025	JOINT - ball	1
9	195- 521	WASHER - 5/16"	1
10	132- 320	PIN - cotter 3/32" x 3/4"	1
11	138- 2072	PIN - roll 1/8" x 1-3/4"	1
12	195- 533	WASHER	1
	C 29646*	LOCATOR ASSEMBLY - neutral start	1
	C 30130**	LOCATOR ASSEMBLY - neutral start	1
13	C 29647	SCREW - 1/4" - 20 black	2
14	C 29648	WASHER - nylon	2
15	C 29649*	CARRIER - locator	1
15	C 30133**	CARRIER - locator	1
16	C 29650	SWITCH - neutral start	1
17	C 29651*	LOCATOR - half	1
17	C 30450**	LOCATOR - light switch	1
18	C 29652	SUPPORT - locator	1
19	C 29653	SPACER - tube	2
20	C 30827	SPRING - locator	2

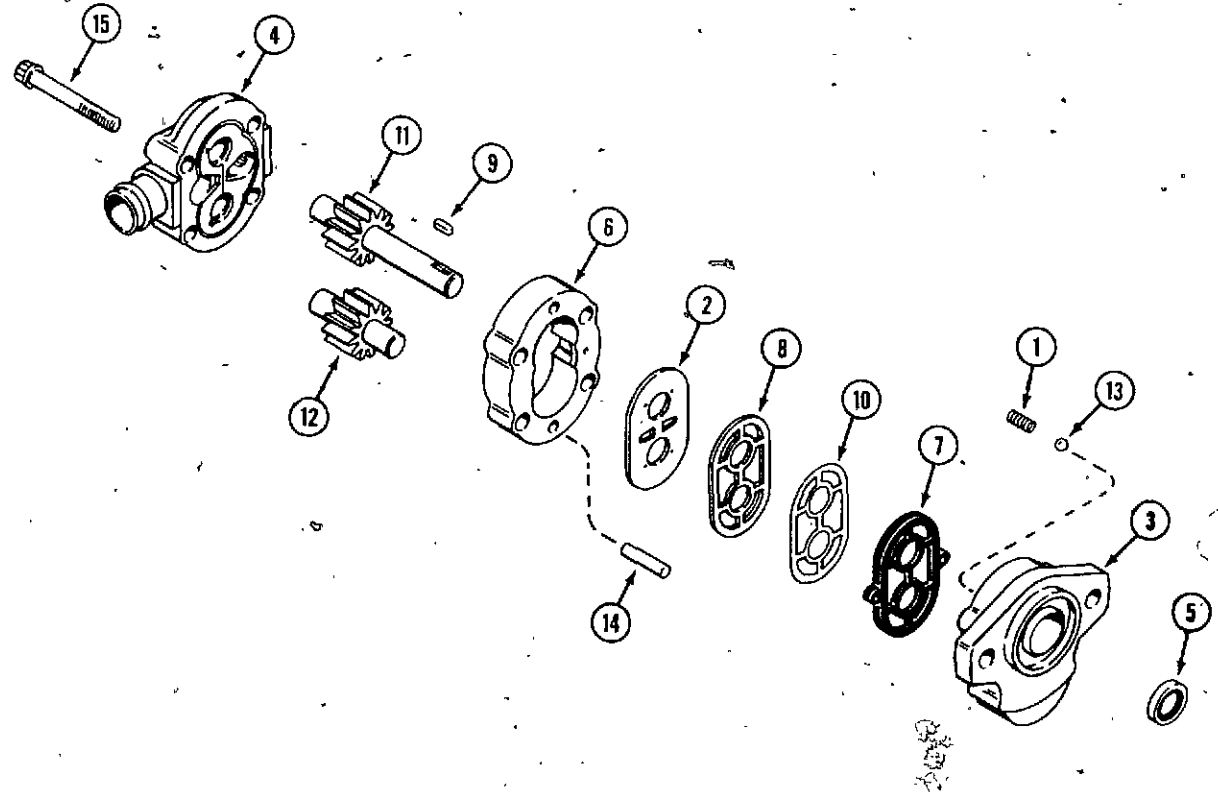
*Use before S/N:
 **Use S/N and after:
 226 - 14094020
 446 - 14096200
 448 - 14097625

HYDRAULIC PUMP AND COUPLING (PARKER-HANNIFIN)



REF.	PART NO.	DESCRIPTION	REQ'D
1	C 26278	PUMP - hydraulic 1/2" shaft	1
2	F 53109	PIN - dowel	2
3	C 24861	COVER - rear	1
4	C 15731	GEAR ASSEMBLY - driven	1
5	C 15732	"O" RING - cover	2
6	C 15733	BODY - pump	1
7	C 15734	COVER - front	1
8	C 15735	SEAL - shaft	1
9	NSS	GEAR ASSEMBLY - drive (1/2" shaft) (use C26278)	1
10	C 15737	PLATE - wear	1
11	C 15738	SHIELD - heat	1
12	C 15739	GASKET	1
13	C 15740	SEAL	1
14	113- 111	BOLT	4
15	C 19207	KEY - 1/8" square x 3/4" long (1.587 mm x 19.05 mm)	1
16	C 19115	WASHER	4
17	C 18916	COUPLING - pump	1
18	NSS	HUB - (order item 17)	1
19	NSS	HUG - (order item 17)	1
20	C 32199	SCREW - set 5/16" x 5/16" NC socket head	2
21	C 15036	SPIDER	1

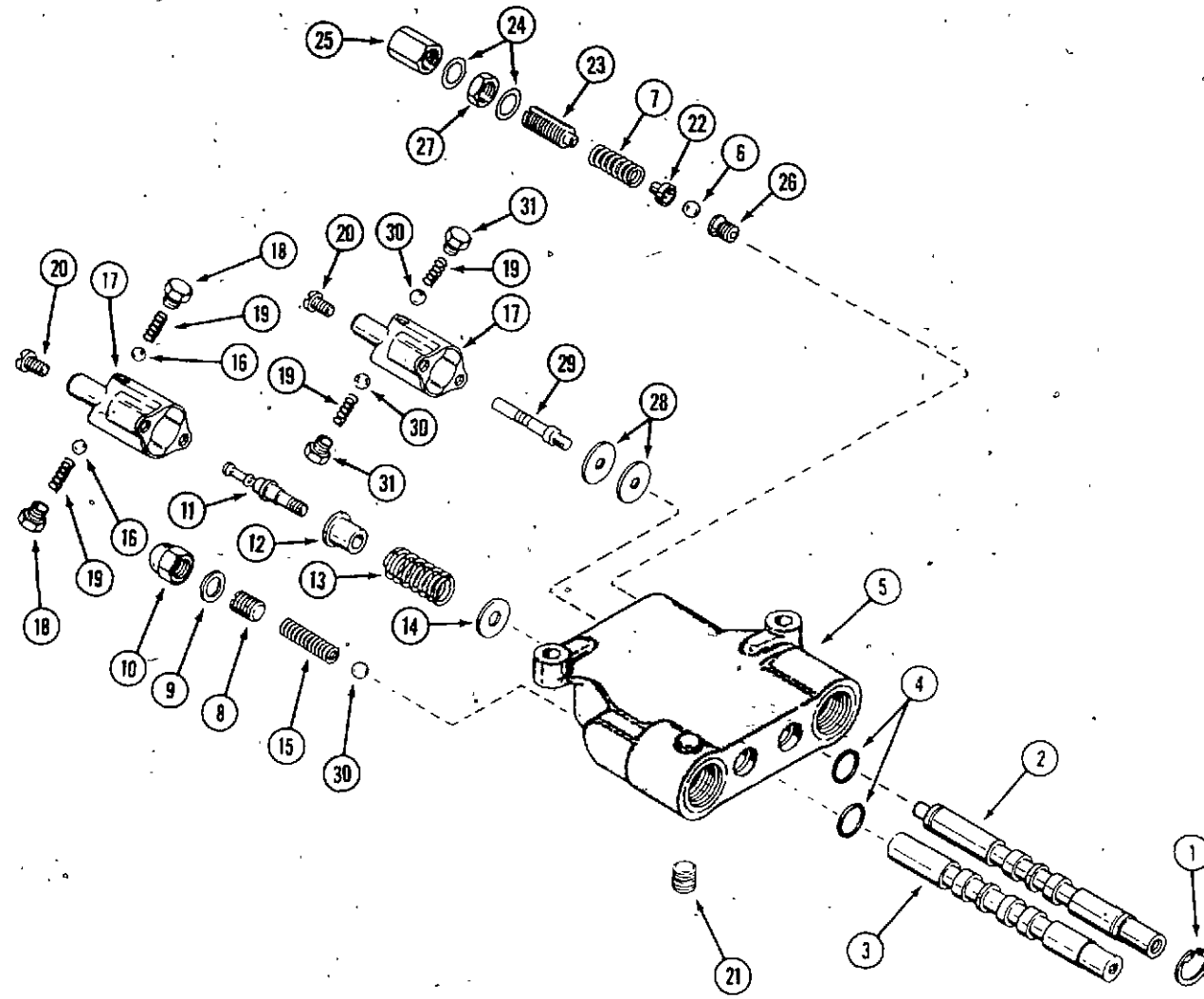
HYDRAULIC PUMP (CESSNA)



REF.	PART NO.	DESCRIPTION	REQ'D
	NSS	PUMP - hyd. (use C26278)	1
1	C 28709	SPRING	2
2	C 28718	DIAPHRAGM - wear plate	1
3	NSS	COVER - front (use C26278)	1
4	NSS	COVER - rear (use C26278)	1
5	C 28711	SEAL - shaft	1
6	NSS	BODY - pump (use C26278)	1
7	C 28712	SEAL - diaphragm	1
8	C 28714	GASKET - back up	1
9	C 28215	KEY - 3/16" square x .609" (4.76 mm x 15.47 mm)	1
10	C 28713	GASKET - back up	1
11	NSS	GEAR - drive (use C26278)	1
12	NSS	GEAR - driven (use C26278)	1
13	211- 306	BALL - steel 7/32" (5.55 mm)	2
14	C 28715	PIN - dowel 1/4" x 1-1/4" (6.35 mm x 31.75 mm)	2
15	166- 32	BOLT - 5/16" - 18 x 2-1/2" 12 point flange	4

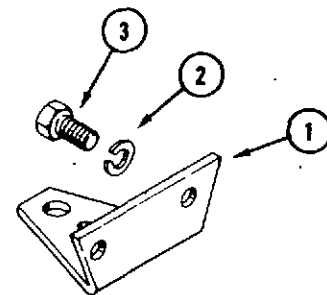
HYDRAULIC CONTROL VALVE

Use before S/N:
 226 - 14093640
 446 - 14074315
 448 - 14075995



REF.	PART NO.	DESCRIPTION	REQ'D
	C 27217	VALVE - control, two spool	1
1	C 28699	RING - retaining	2
2	NSS	SPOOL - motor (order C27217)	1
3	NSS	SPOOL - lift (order C27217)	1
4	C 28856	SEAL - spool	4
5	NSS	BODY - valve (order C27217)	1
6	211- 208	BALL - steel 5/16" (7.94 mm)	1
7	C 21507	SPRING - relief	2
8	C 17433	SCREW - relief adjust	1
9	C 17435	GASKET - relief adjust cap	1
10	129- 531	CAP - adjust screw	2
11	C 26668	DETENT - spool	1
12	C 28707	SPACER - detent	1
13	C 28706	SPRING - detent return	1
14	C 28705	WASHER - return	1
15	NSS	SPRING - relief (use C21511 relief kit)	1
16	211- 5	BALL - steel 3/16" (4.763 mm)	3
17	C 17438	COVER - detent	1
18	C 28708	SCREW - detent	2
19	C 17444	SPRING - detent	2
20	169- 114	SCREW - cover	4
21	221- 841	PLUG - pipe	1
22	C 21506	RETAINER - ball seat	1
23	C 26665	SCREW - adjust, relief	1
24	C 26664	GASKET - adjust cap	1
25	C 26666	CAP - adjust screw	1
26	C 26663	SEAT - relief ball	1
27	129- 166	NUT - lock	1
28	195- 521	WASHER	2
29	C 27219	DETENT - spool	1
30	211- 7	BALL - steel 1/4" (6.35 mm)	2
31	C 17443	SCREW - detent	2
	C 21511	KIT - relief (includes items 8, 9, 10, 15 and 30)	1

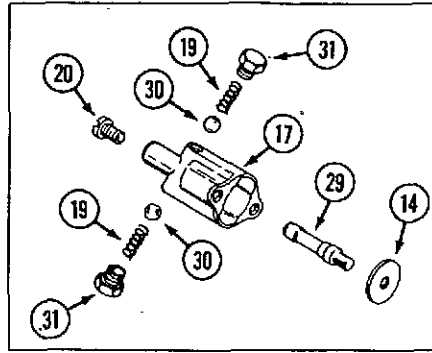
DRAWBAR AND TOW HITCH



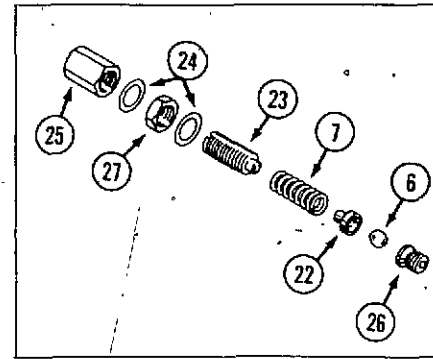
1	C 13360	DRAWBAR	1
2	192- 23	LOCK WASHER - 1/2"	2
3	113- 424	BOLT - 1/2" x 1" N.C. hex	2

HYDRAULIC CONTROL VALVE

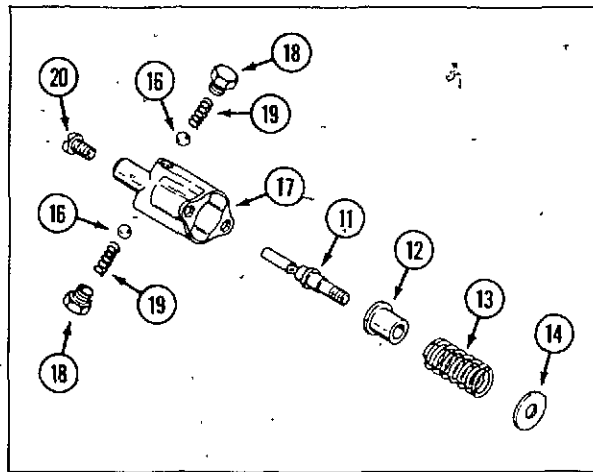
Use S/N and after:
 226 - 14093640
 446 - 14074315
 448 - 14075995



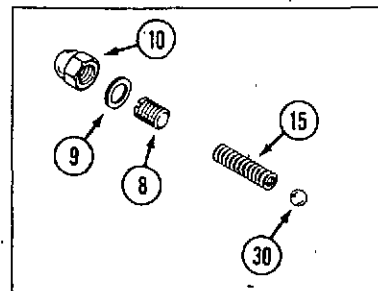
TRAVEL SECTION DETENT GROUP



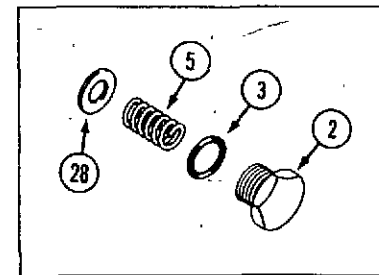
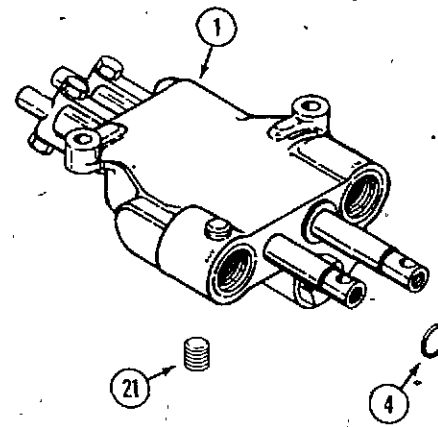
TRAVEL SECTION RELIEF GROUP



LIFT SECTION DETENT GROUP



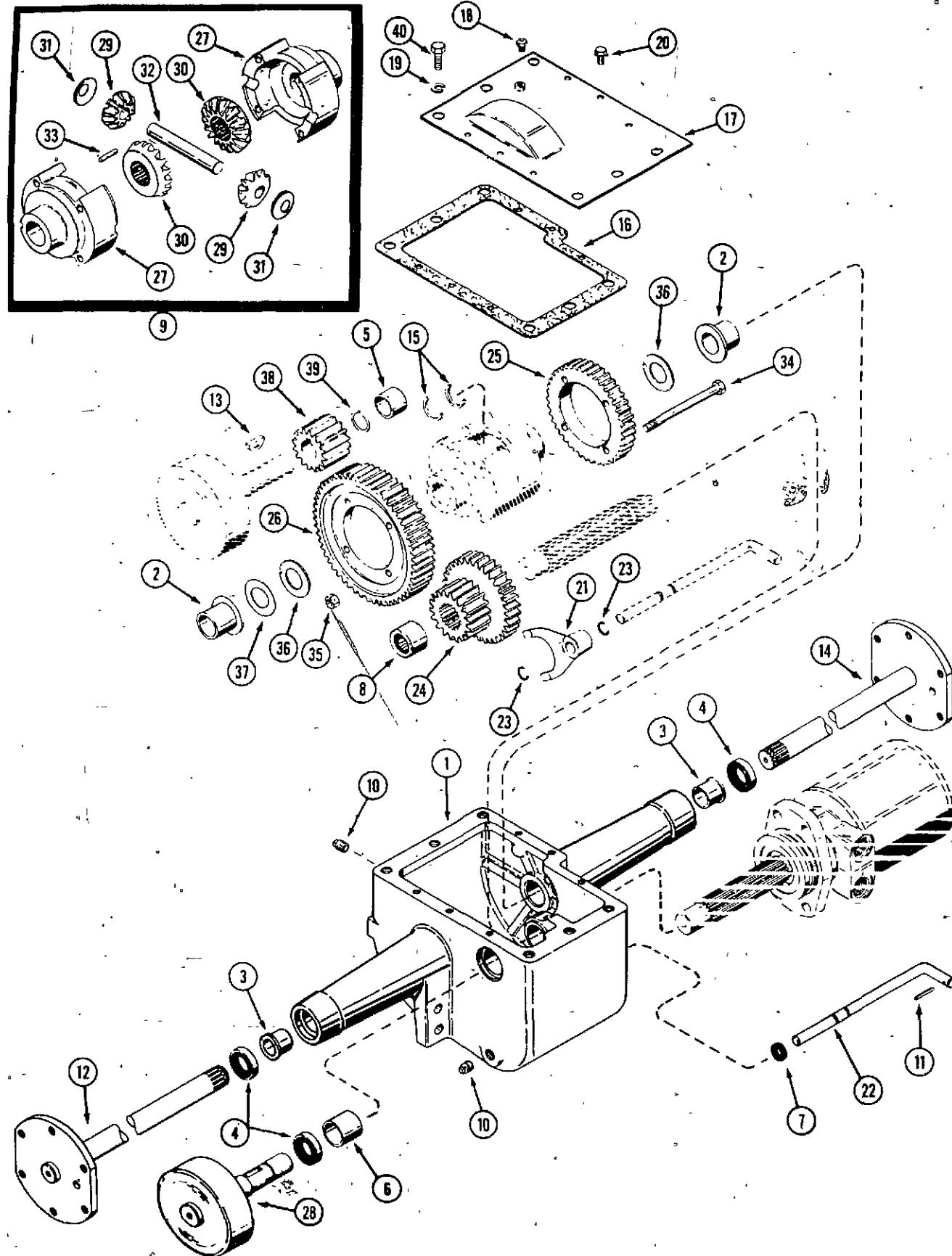
LIFT SECTION RELIEF GROUP



HOLDING SECTION GROUP

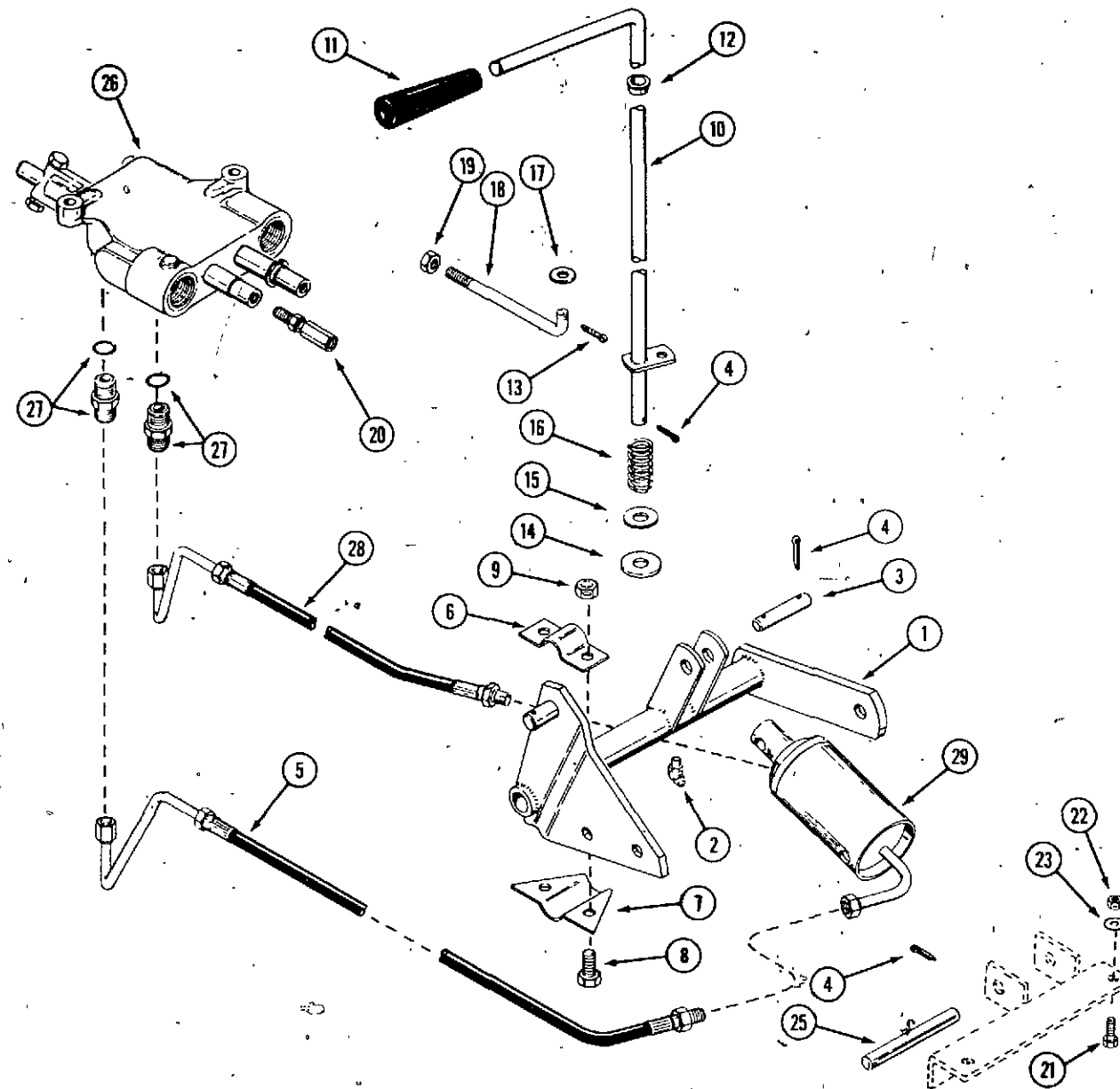
REF.	PART NO.	DESCRIPTION	REQ'D
1	C 29689	VALVE - control, two-spool	1
2	C 29956	CAP - end	2
3	C 28217	"O" RING - end cap	1
4	C 28856	SEAL - spool	4
5	C 29951	SPRING - centering	2
6	211- 208	BALL - steel 5/16" (7.94 mm)	1
7	C 21507	SPRING - relief	2
8	C 17433	SCREW - relief adjust	1
9	C 17435	GASKET - relief adjust cap	1
10	129- 531	CAP - adjust screw	2
11	C 26668	DETENT - spool	1
12	C 28707	SPACER - detent	1
13	C 28706	SPRING - detent return	1
14	C 28705	WASHER - return	2
15	NSS	SPRING - relief (use C21511 relief kit)	1
16	211- 5	BALL - steel 3/16" (4.76 mm)	2
17	C 17438	COVER - detent	1
18	C 28708	SCREW - detent	2
19	C 17444	SPRING - detent	4
20	169- 114	SCREW - cover	4
21	221- 841	PLUG - pipe	1
22	C 21506	RETAINER - ball seat	1
23	C 26665	SCREW - adjust relief	1
24	C 26664	GASKET - adjust cap	1
25	C 26666	CAP - adjust screw	1
26	C 26663	SEAT - relief ball	1
27	129- 166	NUT - lock	1
28	C 29950	WASHER - spring retaining	2
29	C 29958	DETENT - spool	1
30	211- 7	BALL - steel 1/4" (6.35 mm)	2
31	C 17443	SCREW - detent	2
	C 30002	KIT - seal	1

TRANSMISSION AND FINAL DRIVE



REF.	PART NO.	DESCRIPTION	REQ'D
	C 24843	CASE ASSEMBLY - transmission	1
1	NSS	CASE - transmission (order C24843 assembly)	1
2	C 12713	BEARING - flange	2
3	C 24804	BEARING - flange	2
4	C 24803	SEAL - shaft	3
5	C 13241	BEARING - sleeve	1
6	C 13385	BEARING - sleeve	1
7	C 13266	SEAL - shift rod	1
8	C 28281	BEARING - roller	1
9	C 30029	DIFFERENTIAL ASSEMBLY (also includes C30030, C30031, C12552)	1
10	221- 3	PLUG - filler and drain 3/8"	3
11	138- 2073	PIN - roll 3/16" x 1-1/4"	1
12	C 16699	SHAFT - axle, short R.H. (226)	1
12	C 22638	SHAFT - axle, short R.H. (446, 448) shown	1
13	126- 128	KEY - Woodruff, brake idler	1
14	C 16700	SHAFT - axle, long L.H. (226)	1
14	C 22637	SHAFT - axle, long L.H. (446, 448) shown	1
15	C 26342	RING - retainer, axle	2
16	C 13196	GASKET - transmission cover	1
17	C 13197	COVER - transmission	1
18	C 28241	BREATHER - transmission	1
19	192- 23	LOCK WASHER - 1/2"	4
20	121- 21	BOLT - 1/4" x 1/2" N.C. hex lock	6
21	C 12725	FORK - shift	1
22	C 32486	ROD - gear shift	1
23	C 14168	RING - retaining	2
24	C 14644	GEAR - cluster input	1
25	NSS *	GEAR - high 41 tooth (shown) use C30030 and C30031	1
25	C 30030**	GEAR - high 41 tooth	1
26	C 12552	GEAR - low 55 tooth	1
27	NSS	DIFFERENTIAL CASE	1
28	C 33305	BRAKE DRUM	1
29	NSS	GEAR - differential pinion	2
30	NSS	GEAR - differential	2
31	NSS	WASHER - pinion thrust	2
32	NSS	PIN - differential	1
33	NSS	PIN - differential pin lock	1
34	28- 608	SCREW - 3/8" x 5" N.F. hex cap (shown)	4
34	C 30031**	KIT - screw (set of four)	1
35	131- 1133	NUT - lock 3/8" N.F. hex	4
36	C 12718	WASHER - differential	2
37	C 14223	WASHER - spacer	UAR
38	C 25254	GEAR - brake idler	1
39	C 14222	RING - retainer, brake idler	1
40	113- 424	BOLT - 1/2" - 13 x 1" hex	UAR
40	166- 86	BOLT - 1/2" - 13 x 1-1/4" flange	UAR

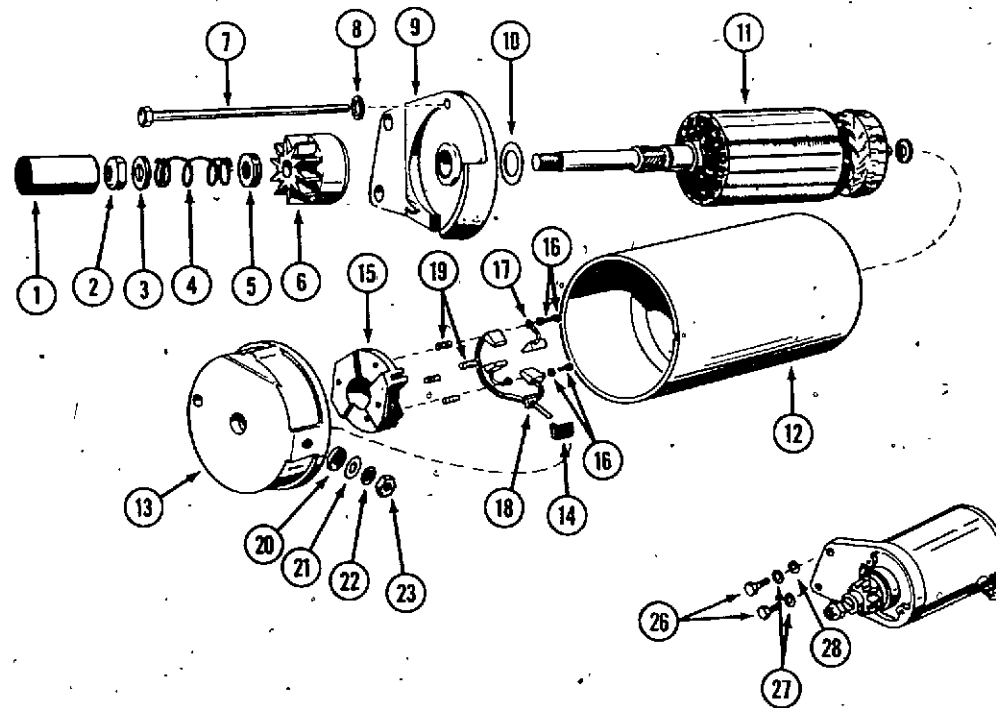
*Use before S/N:
 **Use S/N and after:
 226 - 14093844
 446 - 14095849
 448 - 14097305



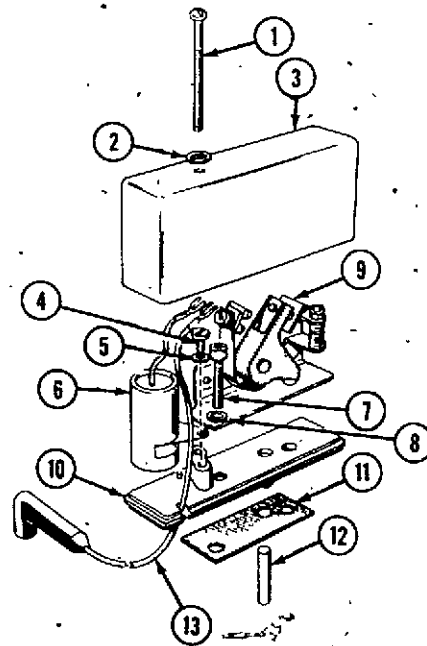
HYDRAULIC LIFT

REF.	PART NO.	DESCRIPTION	REQ'D
1	C 19661	SHAFT ASSEMBLY - lift	1
2	219- 404	FITTING - lubrication	1
3	C 18251	PIN - cylinder to lever	1
4	132- 310	PIN - cotter 1/8" x 1"	5
5	C 17734	HOSE - long	1
6	C 17249	BRACKET - mounting, top	2
7	C 17250	BRACKET - mounting, bottom	2
8	113- 207	BOLT - 3/8" x 1" N.C. hex	4
9	131- 1181	NUT - 3/8" N.C. hex	4
10	C 29408	LEVER - lift control	1
11	C 29045	KNOB - control lever	1
12	C 27593	BUSHING - lift lever	1
13	132- 320	PIN - cotter 3/32" x 3/4"	1
14	195- 533	WASHER - 1/2"	1
15	C 21518	WASHER - nylon	1
16	C 27822	SPRING - control lever	1
17	195- 521	WASHER 5/16"	1
18	C 18742	ROD - control	1
19	129- 122	NUT - 5/16" N.F. hex	1
20	C 19025	BALL JOINT	1
21	113- 207	BOLT - 3/8" x 1" N.C. hex	2
22	131- 1181	NUT - lock 3/8" N.C. hex	2
23	195- 104	WASHER - 3/8" x 1-1/8" O.D.	2
25	C 26188	PIN - cylinder base	1
26	C 27217	VALVE - hydraulic, two spool	1
27	218- 5056	FITTING - valve (includes 218-5004 "O" ring)	2
28	NSS	HOSE - short (use C31682 and 218-1093)	1
29	NSS	CYLINDER - lift (use C27590 cylinder and C30049 pin)	1
	C 30054	KIT - seal	1
	C 13106	COVER - lubrication fitting	1

C29733 STARTER MOTOR



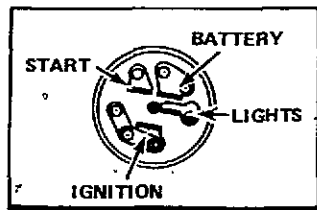
REF.	PART NO.	DESCRIPTION	REQ'D
	C 26508	KIT - dust cover	1
1	NSS	COVER - dust	1
2	NSS	NUT - stop	1
3	NSS	WASHER - stop nut	1
4	NSS	SPRING - tension	1
5	NSS	SPACER - dust cover	1
6	C 20274	DRIVE ASSEMBLY	1
7	C 20278	BOLT - through	2
8	192- 19	LOCK WASHER - through bolt	2
9	C 20333	CAP ASSEMBLY - drive end	1
10	C 20334	WASHER - thrust, armature	1
11	C 20335	ARMATURE - starter motor	1
12	NSS	HOUSING - starter, order C29733 starter	1
13	C 20336	CAP ASSEMBLY - commutator	1
14	NSS	BUSHING - insulating	1
15	NSS	HOLDER - brush	1
16	NSS	SCREW AND LOCK WASHER - brush mounting	2
	C 20337	KIT - brush and spring	1
17	NSS	BRUSH - ground	2
18	NSS	STUD AND BRUSH ASSEMBLY	2
19	NSS	SPRING - brush	4
20	NSS	WASHER - insulating	1
21	NSS	WASHER - stud mounting	1
22	NSS	LOCK WASHER - stud mounting	1
23	NSS	NUT - stud mounting	1
24	193- 57	LOCK WASHER - external tooth 1/4"	1
25	129- 101	NUT - 1/4" - 20	1
26	113- 103	BOLT - 5/16" x 1" N.C.	2
27	192- 20	LOCK WASHER - 5/16"	2
28	195- 102	WASHER - 5/16"	2



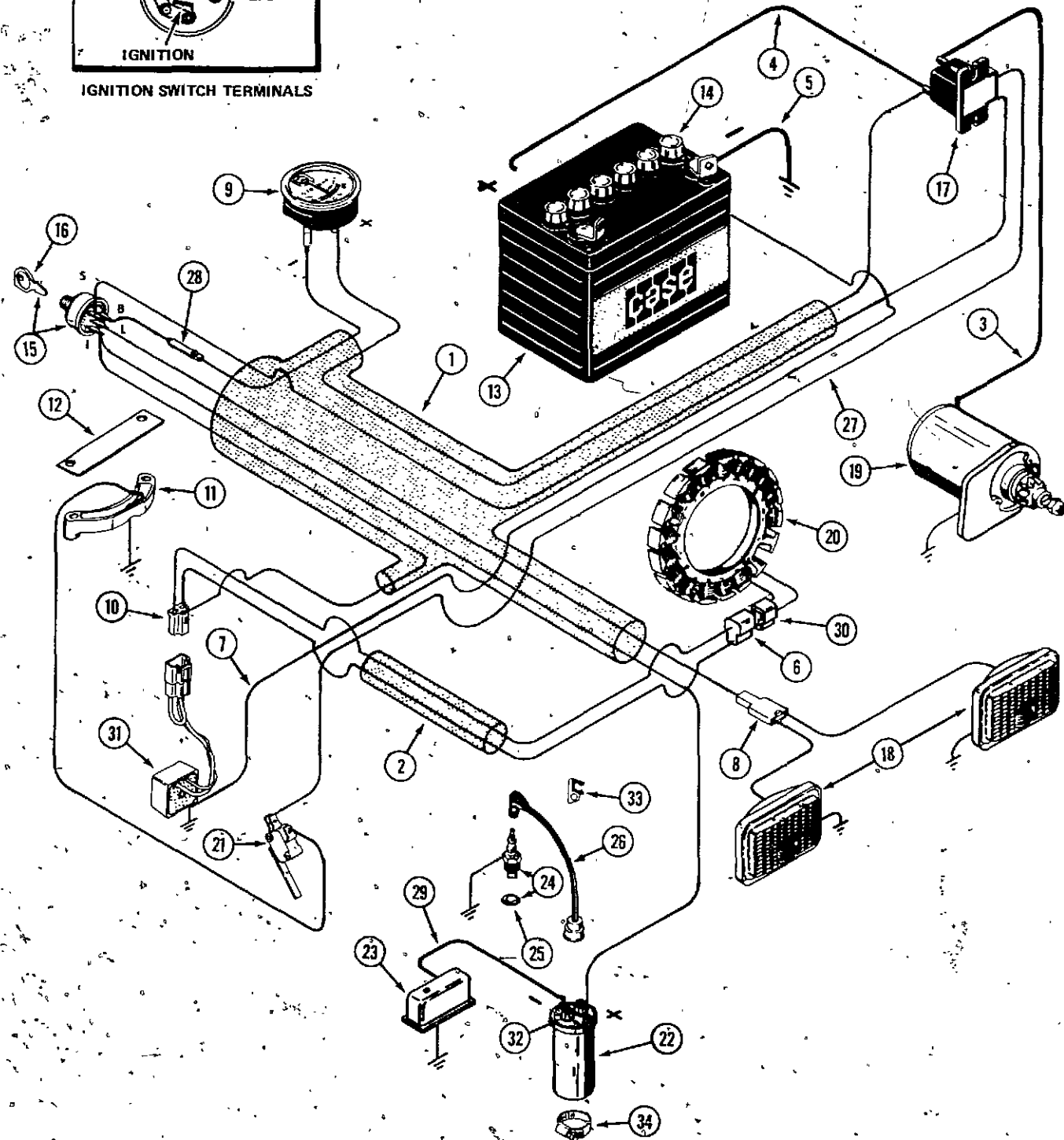
REF.	PART NO.	DESCRIPTION	REQ'D
	C 29990	BREAKER CONTACT ASSEMBLY	1
1	182- 520	SCREW - No. 10 - 24 x 1-1/2"	1
2	195- 513	WASHER - No. 10	1
3	C 23854	COVER - breaker box (includes items 1 and 2)	1
4	182- 545	SCREW - No. 8 - 32 x 5/16", self tapping	1
5	192- 16	LOCK WASHER - No. 8	1
6	C 29991	CONDENSER - ignition	1
7	165- 143	SCREW - 1/4" - 20 x 3/4"	2
8	192- 402	LOCK WASHER - 1/4"	2
9	C 29736	CONTACTS - breaker	1
10	C 25100	BASE - breaker box	1
11	C 20345	GASKET - breaker box	1
12	C 20347	PLUNGER - breaker box	1
13	C 29992	LEAD - breaker to coil negative	1

ELECTRICAL SYSTEM

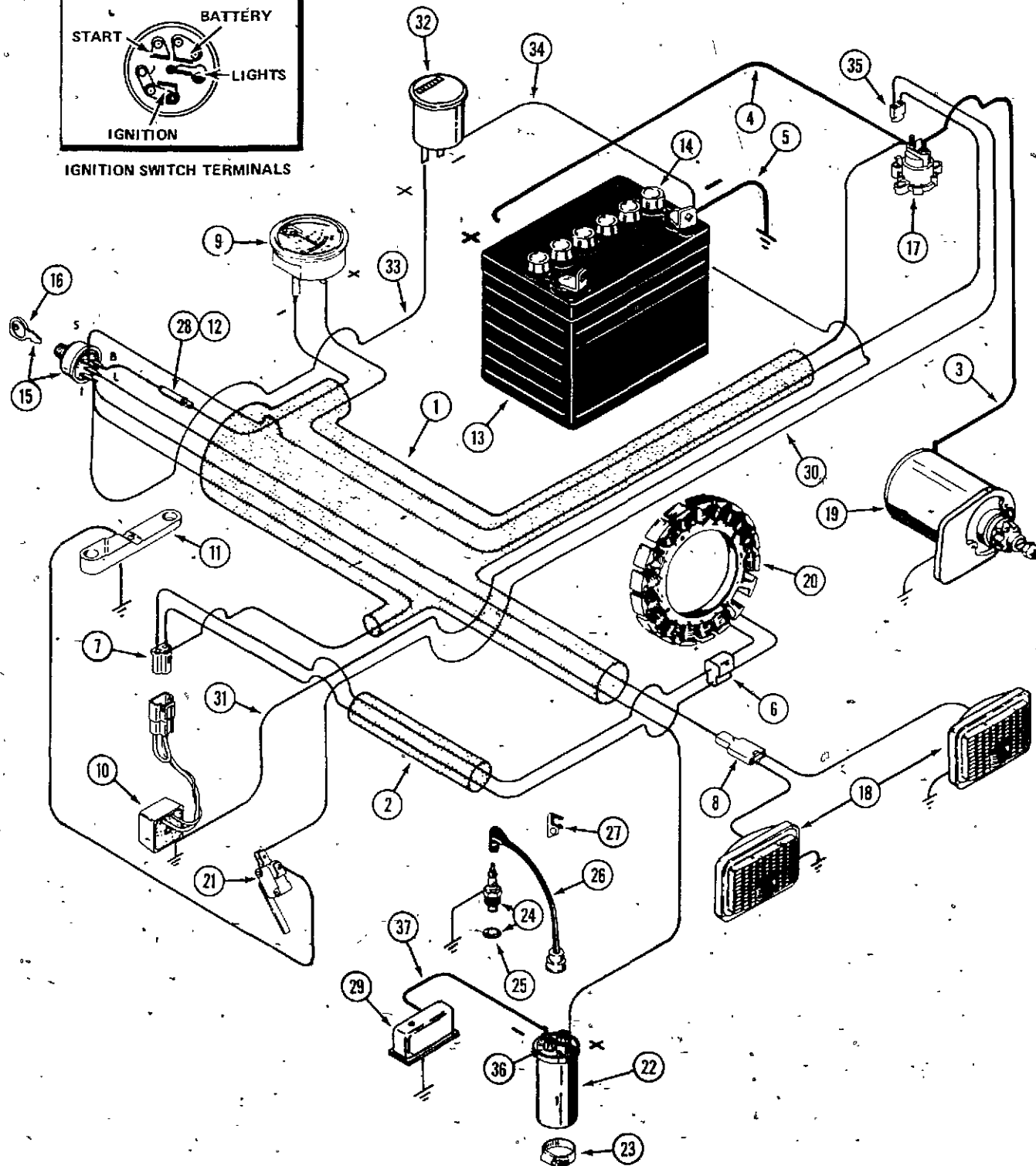
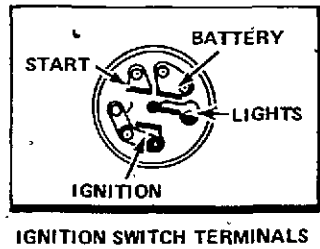
Use before S/N:
 226 - 14057822
 446 - 14060238
 448 - 14062271



IGNITION SWITCH TERMINALS



REF.	PART NO.	DESCRIPTION	REQ'D
1	C 25564	HARNES - wire	1
2	C 24815	HARNES - wire	1
3	C 24809	CABLE - solenoid to starter (black)	1
4	C 14565	CABLE - solenoid to battery positive (red)	1
5	C 24814	CABLE - battery negative to ground (black)	1
6	C 24813	CONNECTOR - stator	1
7	C 26670	WIRE - rectifier to battery negative	1
8	C 14537	CONNECTOR - lights	1
9	C 29413	AMMETER - 30 amperes, 12v	1
10	C 25486	CONNECTOR - rectifier	1
11	C 28003	SWITCH - neutral start (includes wire)	1
12	C 21989	INSULATOR - locator	1
13	NSS	BATTERY - 12v (use C31213)	1
14	C 18113	CAP - battery	6
15	C 30268	SWITCH ASSEMBLY - ignition	1
16	C 32407	KEY - ignition	1
17	NSS	SOLENOID - start, 12v (use C33025 kit)	1
18	C 32178	HEADLIGHT ASSEMBLY - 12v (repairs page 77)	2
19	C 29733	STARTER - (repairs page 67)	1
20	C 24956	STATOR	1
21	C 26108	SWITCH - neutral start PTO	1
22	C 29752	COIL - ignition, 12v (includes caps)	1
23	C 29990	BREAKER CONTACT ASSEMBLY - ignition (repairs page 67)	1
24	C 25845	SPARK PLUG - (includes gasket)	2
25	C 28673	GASKET - spark plug	1
26	C 32299	WIRE - spark plug	2
27	C 25563	WIRE - solenoid to switch	1
28	223- 30	FUSE - 30 amperes (included in harness)	1
28	NSS	HOLDER - fuse, 30 amperes (use C31947)	1
29	C 29992	WIRE - breaker contacts to coil negative	1
30	C 25338	CONNECTOR - stator	1
31	C 31249	RECTIFIER - voltage 12v	1
32	C 25227	CAP - coil (included with coil)	1
33	C 20344	RETAINER - cable	1
34	214- 258	CLAMP - coil mounting	1



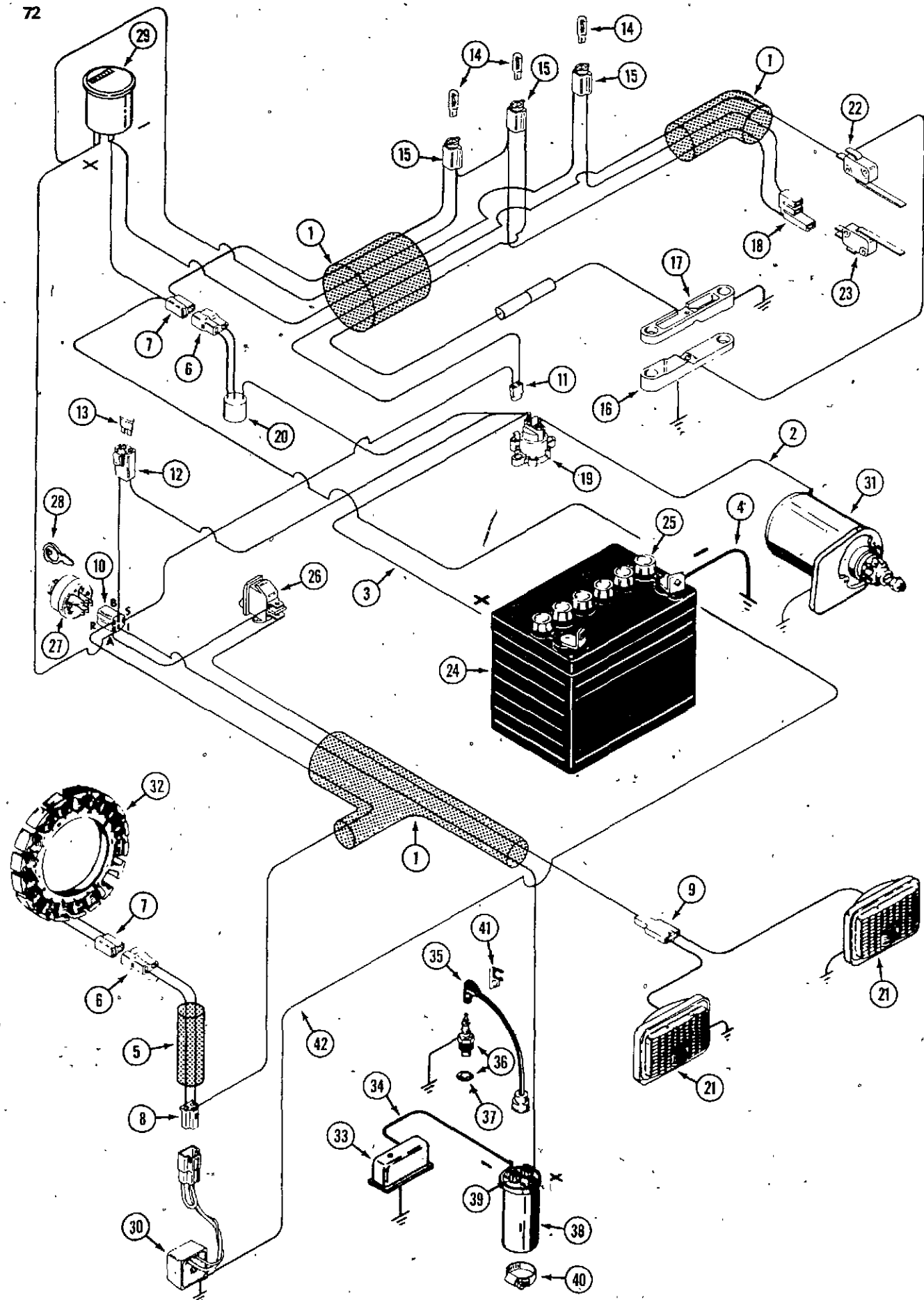
ELECTRICAL SYSTEM

Use S/N:
 226 - 14057822 to 14094020
 446 - 14060238 to 14096200
 448 - 14062271 to 14097625

REF.	PART NO.	DESCRIPTION	REQ'D
1	C 27527	HARNESS - wire	1
2	C 24815	HARNESS - wire	1
3	C 29410	CABLE - solenoid to starter (black)	1
4	C 14565	CABLE - solenoid to battery positive (red)	1
5	C 24814	CABLE - battery negative to ground (black)	1
6	C 24813	CONNECTOR - wire harness	1
6	C 25338	CONNECTOR - stator	1
7	C 25486	CONNECTOR - rectifier	1
8	C 14537	CONNECTOR - lights	1
9	C 29413	AMMETER - 30 amperes, 12v	1
10	C 31249	RECTIFIER - voltage, 12v	1
11	C 28003+	SWITCH - neutral start (includes wire)	1
11	C 29646++	LOCATOR ASSEMBLY - neutral start (see page 55)	1
12	NSS	HOLDER - fuse, 30 amp (use C31947)	1
13	NSS	BATTERY - 12v (use C31213)	1
14	C 18113	CAP - battery (screw type)	6
14	C 29074	CAP - battery (push type)	6
15	C 30268	SWITCH - ignition (includes key and mounting hardware)	1
16	C 32407	KEY - ignition	1
17	NSS	SOLENOID - start, 12v (use C33025)	1
18	C 32178	HEADLAMP ASSEMBLY - 12v (repairs page 77)	2
19	C 29733	STARTER - bendix drive (repairs page 67)	1
20	C 24956	STATOR	1
21	C 26108	SWITCH - neutral start PTO	1
22	C 29752	COIL - ignition, 12v	1
23	214- 258	CLAMP - coil mounting	1
24	G 25845	SPARK PLUG - (includes gasket)	2
25	C 28673	GASKET - spark plug	1
26	C 32299	WIRE - spark plug	2
27	C 20344	RETAINER - cable	1
28	223- 30	FUSE - 30 amperes (included in harness)	1
29	C 29990	BREAKER CONTACT ASSEMBLY - ignition (repairs page 67)	1
30	C 27530	WIRE - solenoid to neutral start	1
31	C 26670	WIRE - ground, rectifier to battery negative	1
32	C 28304*	HOURMETER	1
32	C 31623**	HOURMETER - shown	1
33	C 29411	WIRE - hourmeter to ignition switch	1
34	C 29412	WIRE - hourmeter to battery negative (-)	1
35	C 27549	CONNECTOR - solenoid	1
36	C 25227	CAP - coil (included with coil)	2
37	C 29992	WIRE - breaker contacts to coil negative. (-)	1

+ Use before S/N:
 ++ Use S/N and after:
 226 - 14071842
 446 - 14074256
 448 - 14075932

* Use before S/N:
 ** Use S/N and after:
 226 - 14071775
 446 - 14074175
 448 - 14075830



ELECTRICAL SYSTEM

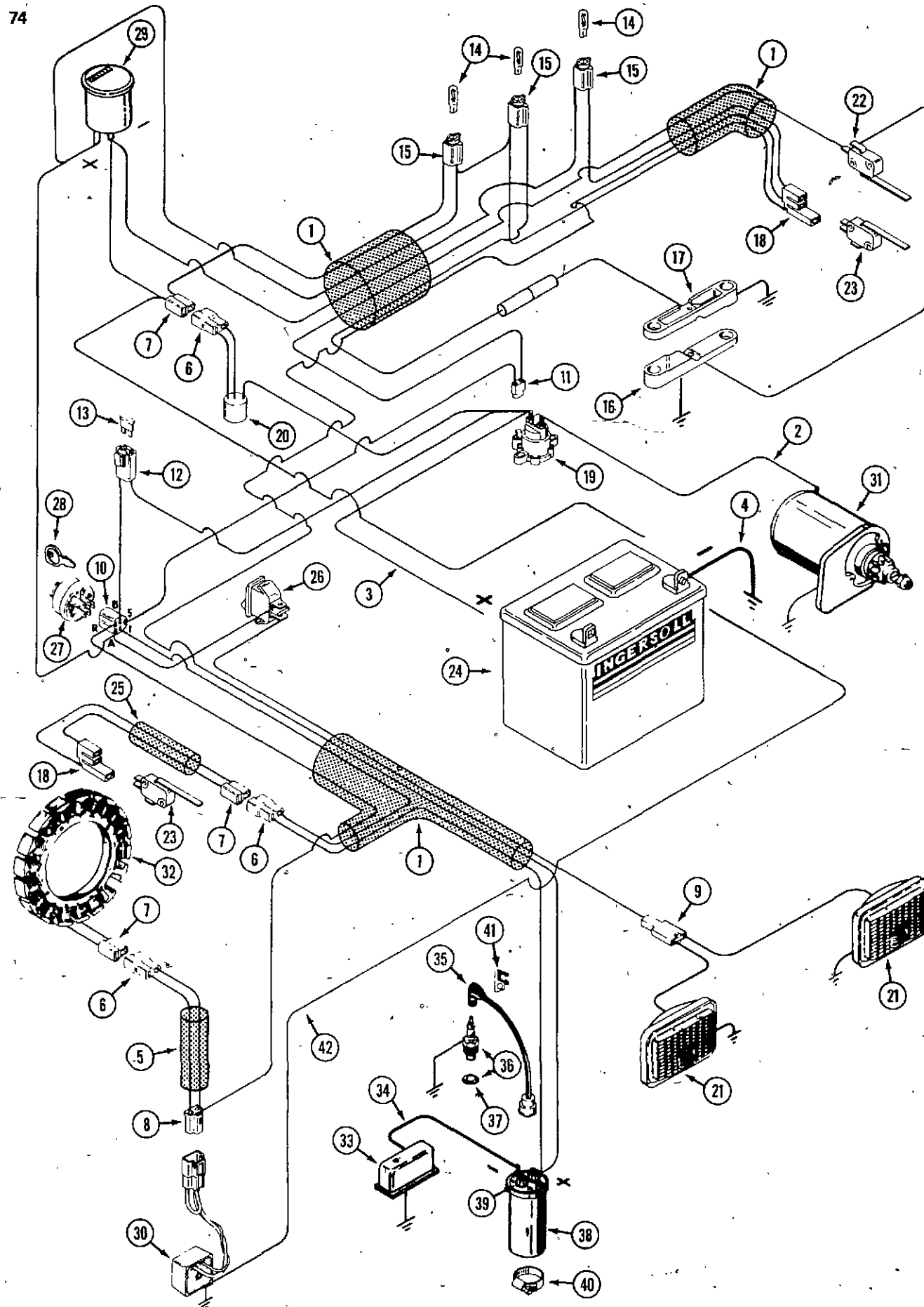
Use S/N to S/N:
 226 - 14094020 to 14110325
 446 - 14096200 to 14112435
 448 - 14097625 to 14113810

REF.	PART NO.	DESCRIPTION	REQ'D
1	C 30264	HARNESS - wire	1
2	C 29410	CABLE - solenoid to starter	1
3	C 14565	CABLE - solenoid to battery positive	1
4	C 24814	CABLE - battery negative to ground	1
5	C 24815	HARNESS - wire	1
6	C 24813	CONNECTOR - wire	2
7	C 25338	CONNECTOR - wire	2
8	C 25486	CONNECTOR - rectifier	1
9	C 14537	CONNECTOR - lights	1
10	C 24460	CONNECTOR - switch	1
11	C 27549	CONNECTOR - solenoid	1
12	C 31947	KIT - holder and fuse	1
13	C 30260	FUSE - 30 AMP	1
14	C 30262	BULB - light	3
15	C 30263	SOCKET - bulb	3
16	C 29650	LOCATOR HALF - neutral start (see page 55)	1
17	C 30450	SWITCH - neutral light (see page 55)	1
18	C 30279	CONNECTOR - switch	1
19	NSS	SOLENOID - start, 12v (use C33025)	1
20	C 30265	SENSOR - voltage	1
21	C 32178	HEADLAMP ASSEMBLY - 12v (repairs page 77)	2
22	C 26108	SWITCH - neutral start	1
23	C 30275	SWITCH - PTO light	1
24	NSS	BATTERY - 12 v (use C31213)	1
25	C 29074	CAP - battery	6
26	C 29322	SWITCH - head lamp	1
27	C 30480*	SWITCH ASSEMBLY - ignition (includes key and mounting hardware)	1
27	C 30530*	SWITCH ASSEMBLY - ignition (includes key and mounting hardware)	1
28	C 32407	KEY - ignition	1
29	C 31623	HOURMETER	1
30	C 31249	RECTIFIER - voltage 12v	1
31	C 29733	STARTER - bendix drive (repairs page 67)	1
32	C 24956	STATOR	1
33	C 29990	BREAKER CONTACT ASSEMBLY - ignition (repairs page 67)	1
34	C 29992	WIRE - breaker contacts to coil (-)	1
35	C 32299	WIRE - spark plug	2
36	C 25845	SPARK PLUG - includes gasket	2
37	C 28673	GASKET - spark plug	1
38	C 29752	COIL - ignition, 12v	1
39	C 25227	CAP - coil	2
40	214- 258	CLAMP - coil mounting	1
41	C 20344	RETAINER - cable	1
42	C 26670	WIRE - Solenoid lower mounting bolt to battery (-)	1

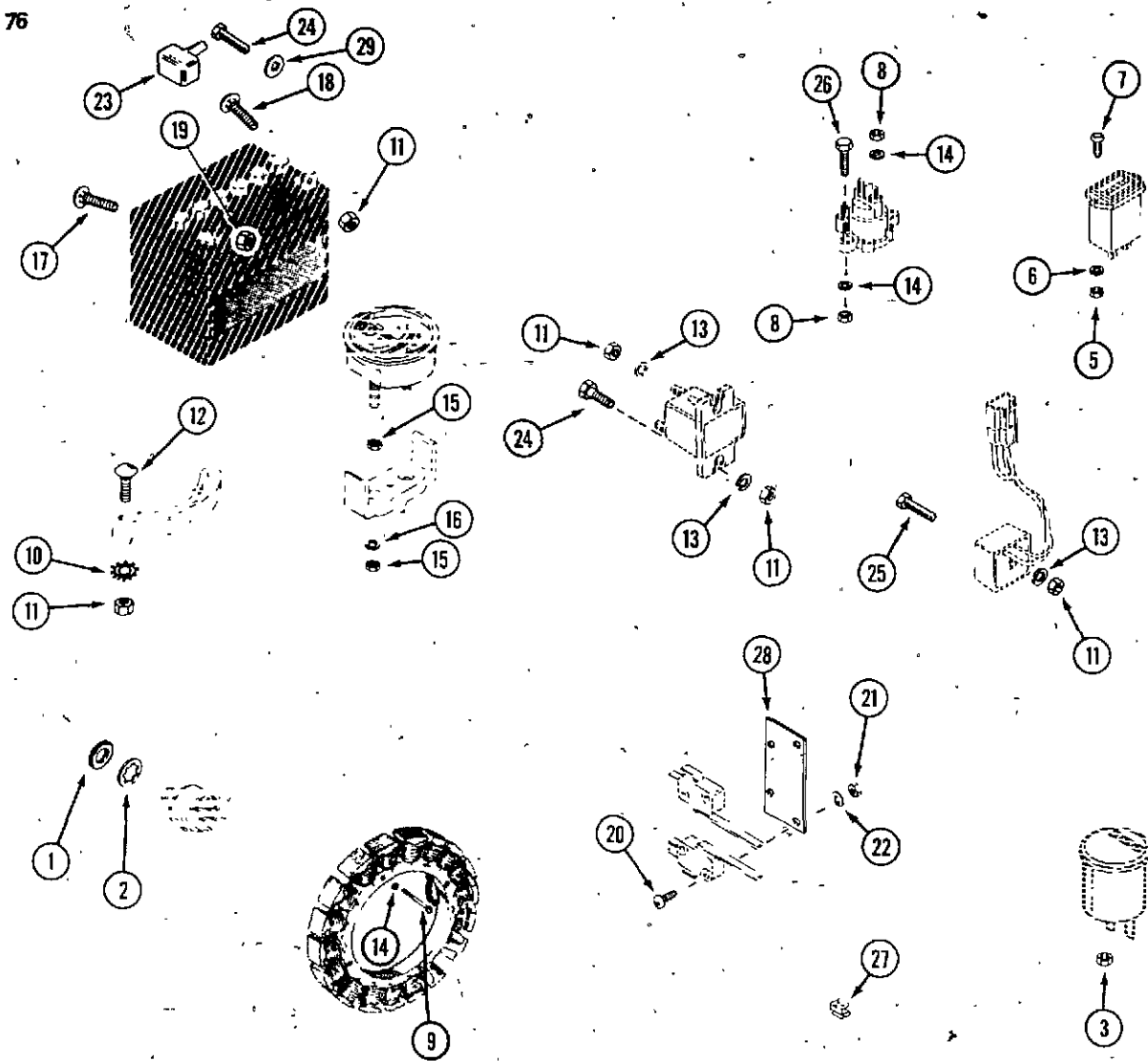
*Use before S/N:
 **Use S/N and after:
 226 - 14110139
 446 - 14112151
 448 - 14113556

ELECTRICAL SYSTEM

Use S/N and after:
 226 - 14110325
 446 - 14112435
 448 - 14113810



REF.	PART NO.	DESCRIPTION	REQ'D
1	C 31029	HARNESS - wire	1
2	C 29410	CABLE - solenoid to starter	1
3	C 14565	CABLE - solenoid to battery positive	1
4	C 24814	CABLE - battery negative to ground	1
5	C 24815	HARNESS - wire	1
6	C 24813	CONNECTOR - wire	2
7	C 25338	CONNECTOR - wire	2
8	C 25486	CONNECTOR - rectifier	1
9	C 14537	CONNECTOR - lights	1
10	C 24460	CONNECTOR - switch	1
11	C 27549	CONNECTOR - solenoid	1
12	C 31947	KIT - body and fuse	1
13	C 30260	FUSE - 30 AMP	1
14	C 30262	BULB - light	3
15	C 30263	SOCKET - bulb	3
16	C 29650	LOCATOR HALF - neutral start (see page 55)	1
17	C 30450	SWITCH - neutral light (see page 55)	1
18	C 30279	CONNECTOR - switch	1
19	NSS	SOLENOID - start, 12v (use C33025)	1
20	C 30265	SENSOR - voltage	1
21	C 32178	HEADLAMP ASSEMBLY - 12v (repairs page 77)	2
22	C 26108	SWITCH - neutral start	1
23	C 30275	SWITCH - interloc	1
24	C 31213	BATTERY - 12v	1
25	C 31044	HARNESS - seat interloc switch	1
26	C 29322	SWITCH - head lamp	1
27	C 30530	SWITCH ASSEMBLY - ignition (includes key and mounting hardware)	1
28	C 32407	KEY - ignition	1
29	C 31623	HOURMETER	1
30	C 31249	RECTIFIER - voltage 12v	1
31	C 29733	STARTER - bendix drive (repairs page 67)	1
32	C 24956	STATOR	1
33	C 29990	BREAKER CONTACT ASSEMBLY - ignition (repairs page 67)	1
34	C 29992	WIRE - breaker contacts to coil (-)	1
35	C 32299	WIRE - spark plug	2
36	C 25845	SPARK PLUG - includes gasket	2
37	C 28673	GASKET - spark plug	1
38	C 29752	COIL - ignition, 12v (uses #12-32 nut on terminals)	1
39	C 25227	CAP - coil	2
40	214- 258	CLAMP - coil mounting	1
41	C 20344	RETAINER - cable	1
42	C 26670	WIRE - Solenoid lower mounting bolt to battery (-)	1

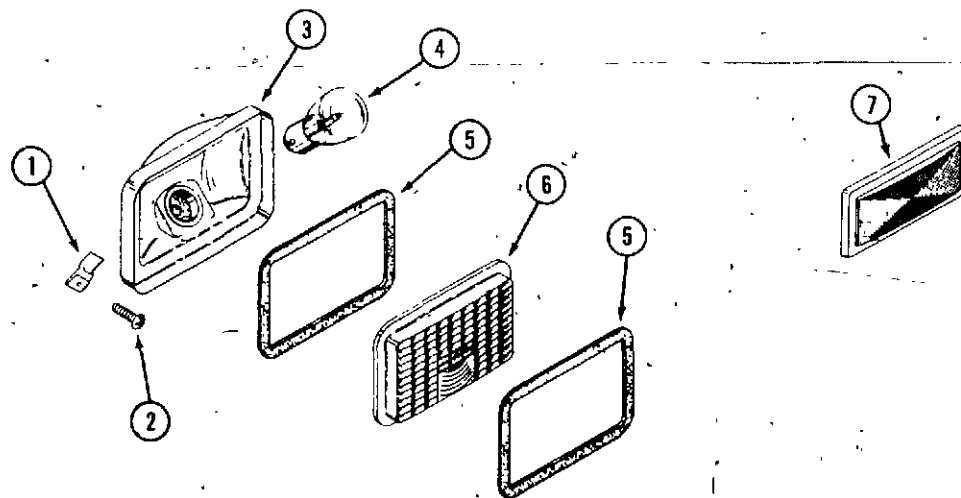


ELECTRICAL SYSTEM HARDWARE

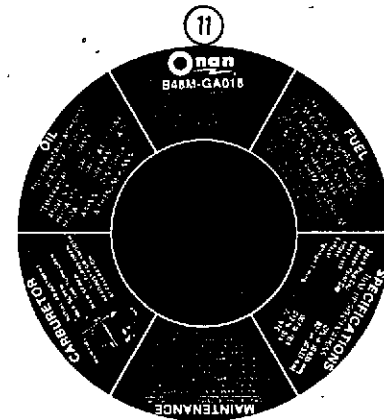
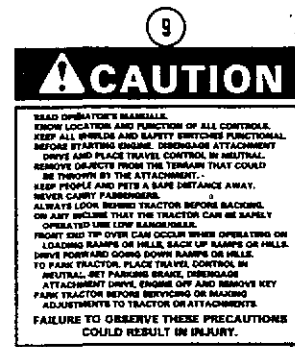
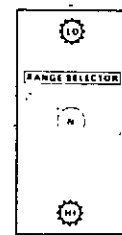
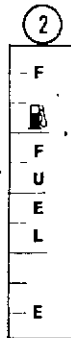
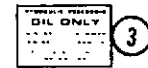
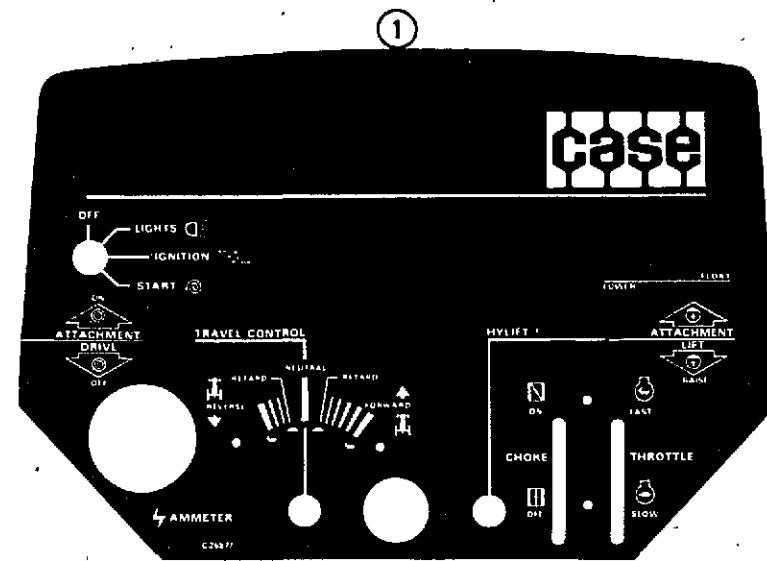
REF.	PART NO.	DESCRIPTION	REQ'D
1	NSS	NUT - switch mounting 5/8" (use C32396 and C32397)	1
1	C 23330	NUT - switch mounting 9/16"	1
2	C 23012	LOCK WASHER - internal tooth	1
3	129- 36	NUT - #8-36	2
5	129- 15	NUT - #6-32 hex	2
6	192- 15	LOCK WASHER - #6	2
7	182- 571	SCREW - #6-32 x 1/2" pan head, black	2
8	129- 37	NUT - #10-32 hex	4
9	173- 210	SCREW - No. 10 x 1-3/8"	3
10	193- 57	LOCK WASHER - 1/4" external tooth	4
11	129- 101	NUT - 1/4" - 20 hex	2
12	111- 139	BOLT - 1/4" - 20 x 1" round head, square neck	2
13	192- 19	LOCK WASHER - 1/4"	4
14	192- 18	LOCK WASHER - No. 10	3
15	129- 27	NUT - No. 10 N.F.-hex	4
16	193- 99	LOCK WASHER - No. 10	2
17	111- 202	BOLT - 5/16" x 3/4" N.C. round head, square neck	1
18	111- 108	BOLT - 1/4" x 3/4" N.C. round head, square neck	1
19	129- 102	NUT - 5/16" N.C. hex	1
20	182- 10	SCREW - No. 4-40 N.C. 7/8"	UAR
21	129- 13	NUT - No. 4-40 hex	UAR
22	192- 13	LOCK WASHER - No. 4	UAR
23	C 24069	COVER - terminal	1
24	113- 3	BOLT - 1/4" - 20 x 3/4" hex	2
25	113- 17	BOLT - 1/4" - 20 x 1-1/4" hex	1
26	182- 147	BOLT - #10-32 x 3/4"	2
27	C 19521	CLIP - wire holder, headlight	2
28	C 30276*	PLATE - switch mounting	1
29	195- 518	WASHER - 1/4"	4

*Use S/N:
 226 - 14094020 to 14094129
 446 - 14096200 to 14096325
 448 - 14097625 to 14097742

HEADLIGHT ASSEMBLY AND REAR REFLECTOR



1	131- 629	NUT - speed type "U"	4
2	187- 1334	SCREW - No. 8 x 1/2" self-tapping, round head Phillips	4
	C 32178	HEADLIGHT ASSEMBLY	2
3	NSS	RECEPTACLE - headlight (order C32178)	1
4	C 28932	BULB - headlight	1
5	C 14304	GASKET - headlight	2
6	C 22573	LENS - headlight	1
7	C 30942	REFLECTOR - red, rear fender	2



226

hydriv

446

hydriv

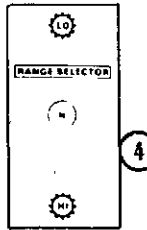
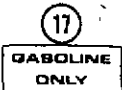
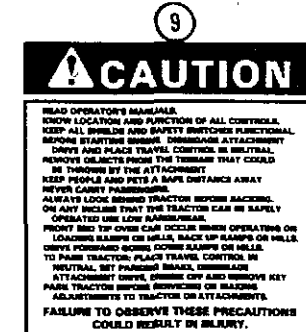
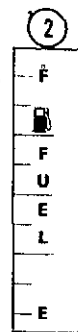
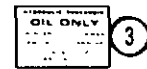
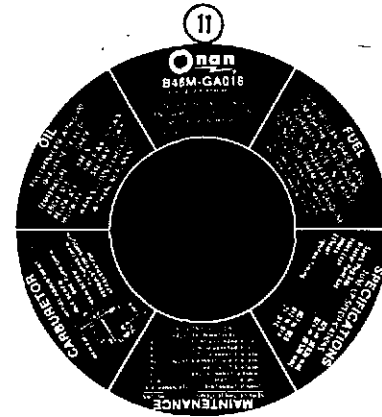
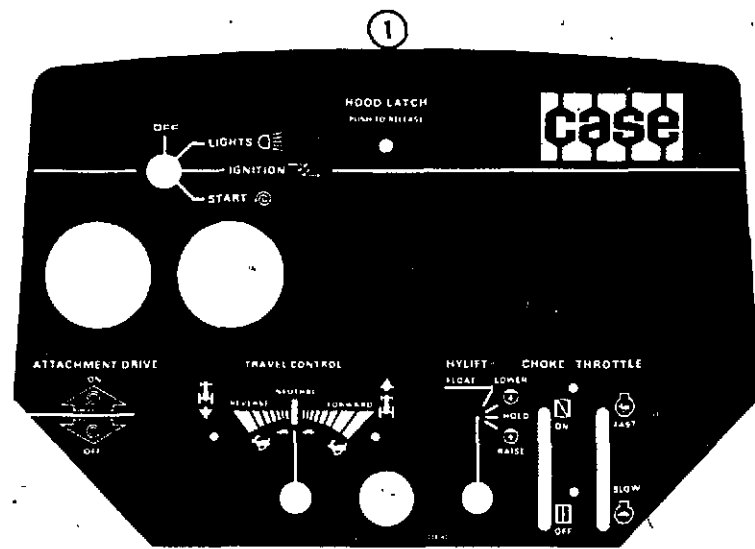
448

hydriv

DECALS

Use Before S/N:
226 - 14058070
446 - 14060735
448 - 14062610

REF.	PART NO.	DESCRIPTION	REQ'D
1	C 26877	DECAL - instrument panel	1
2	C 26699	DECAL - fuel gauge	1
3	321- 4767	DECAL - hydraulic reservoir	1
4	C 27179	DECAL - hood (448) L.H.	1
4	C 27183	DECAL - hood R.H. (448) shown	1
5	321- 1788	DECAL - shift range	1
6	C 26946	DECAL - clutch brake	1
7	C 27178	DECAL - hood (446) L.H.	1
7	C 27182	DECAL - hood R.H. (446) shown	1
8	C 27176	DECAL - hood L.H. (226) shown	1
8	C 27181	DECAL - hood (226) R.H.	1
9	321- 6659	DECAL - "caution"	1
10	NSS	MEDALLION - "Case" (use C30539)	1
11	C 26656	DECAL - air cleaner (226, 446)	1
11	C 26657	DECAL - air cleaner (448) shown	1



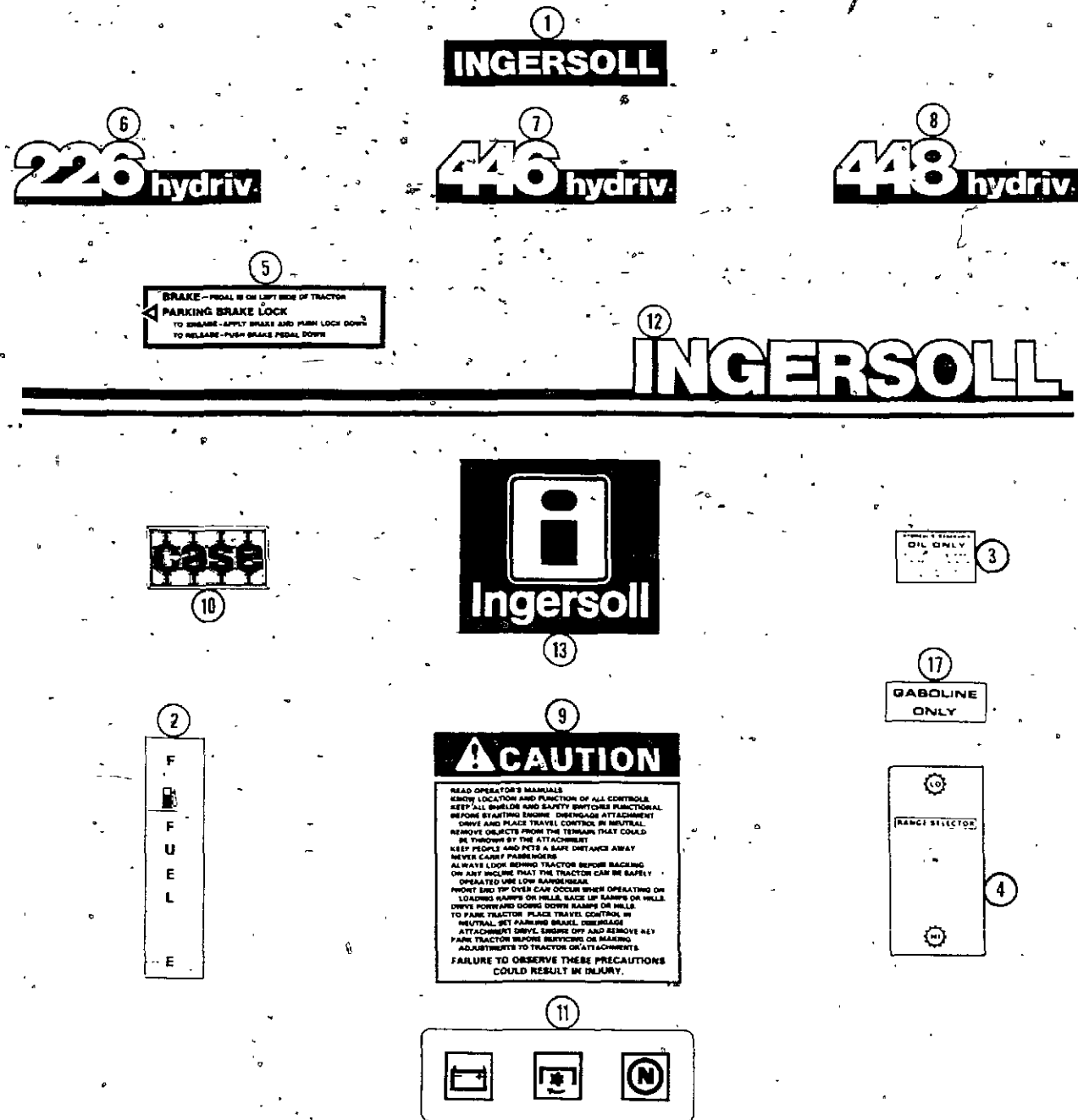
DECALS

Use S/N:

- 226 - 14058070 to 14094020
- 446 - 14060735 to 14096200
- 448 - 14062610 to 14097625

REF.	PART NO.	DESCRIPTION	REQ'D
1	C 29740**	DECAL - instrument panel (shown)	1
1	C 27944*	DECAL - instrument panel	1
2	C 26699	DECAL - fuel gauge	1
3	321- 4767	DECAL - hydraulic reservoir	1
4	321- 1788	DECAL - shift range	1
5	C 27871	DECAL - brake	1
6	C 27917	DECAL - "226" hood L.H. (shown)	1
6	C 27922	DECAL - "226" hood R.H.	1
7	C 27919	DECAL - "446" hood L.H. (shown)	1
7	C 27923	DECAL - "446" hood R.H.	1
8	C 27920	DECAL - "448" hood L.H. (shown)	1
8	C 27924	DECAL - "448" hood R.H.	1
9	321- 6659	DECAL - "Caution"	1
10	NSS	MEDALLION - "Case" (use C30539)	1
11	C 26656*	DECAL - air cleaner (226, 446)	1
11	C 26657*	DECAL - air cleaner (448) shown	1
12	C 27962	DECAL - "Ingersoll" stripe L.H. (shown)	1
12	C 27963	DECAL - "Ingersoll" stripe R.H.	1
13	C 27956*	DECAL - seat back "226 hydriv"	1
14	C 27958*	DECAL - seat back "446 hydriv"	1
15	C 27959*	DECAL - seat back "448 hydriv"	1
16	C 29202**	DECAL - seat back "Ingersoll"	1

*Use before S/N:
 **Use S/N and after:
 226 - 14071775
 446 - 14074175
 448 - 14075830



DECALS (English)

Use S/N to S/N:
 226 - 14094020 to 14110325
 446 - 14096200 to 14112435
 448 - 14097625 to 14113810

REF.	PART NO.	DESCRIPTION	REQ'D
1	C 31050	DECAL - "Ingersoll"	1
2	C 26699	DECAL - fuel gauge	1
3	321- 4767	DECAL - hydraulic reservoir	1
4	321- 1788	DECAL - shift range	1
5	C 27871	DECAL - brake	1
6	C 27917	DECAL - "226" hood L.H. (shown)	1
6	C 27922	DECAL - "226" hood R.H.	1
7	C 27919	DECAL - "446" hood L.H. (shown)	1
7	C 27923	DECAL - "446" hood R.H.	1
8	C 27920	DECAL - "448" hood L.H. (shown)	1
8	C 27924	DECAL - "448" hood R.H.	1
9	321- 6659	DECAL - "Cautiõn"	1
10	NSS	MEDALLION - "Case" (use C30539)	1
1.1	C 30274	LENS - display	1
12	C 27962	DECAL - "Ingersoll" stripe L.H. (shown)	1
12	C 27963	DECAL - "Ingersoll" stripe R.H.	1
13	C 32093	DECAL - seat back	1

226 *hydriv* **INGERSOLL**

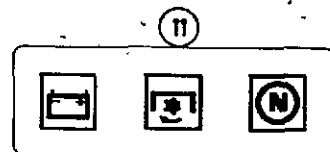
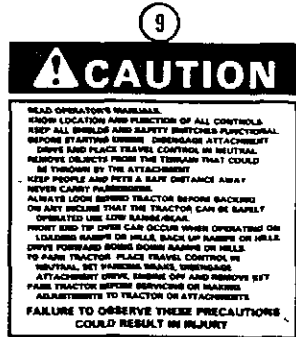
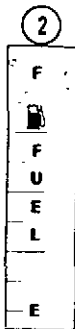
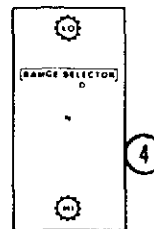
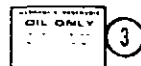
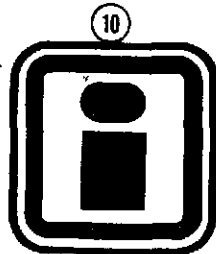
446 *hydriv* **INGERSOLL**

448 *hydriv* **INGERSOLL**

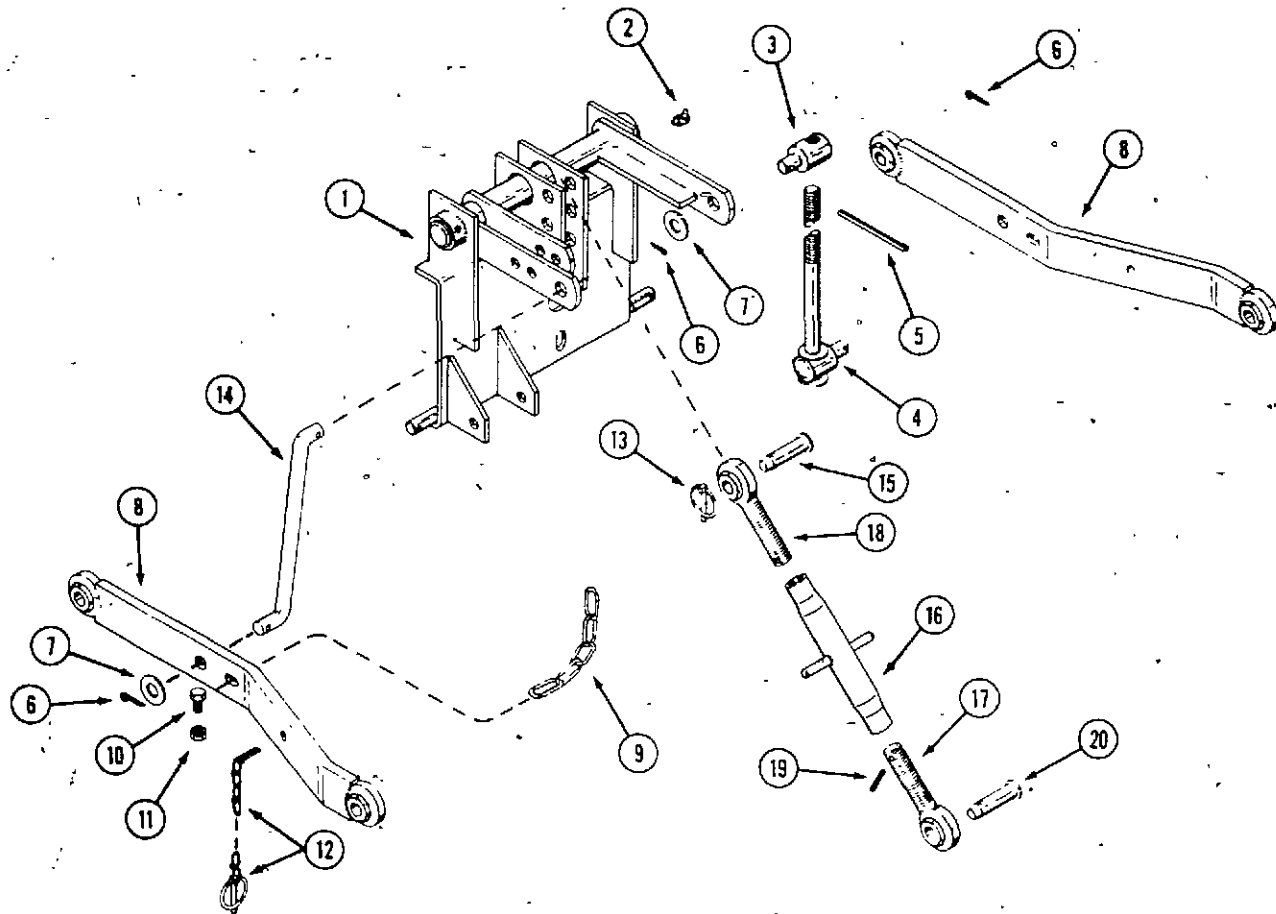
DECALS

Use S/N and after:
226 - 14110325
446 - 14112435
448 - 14113810

REF.	PART NO.	DESCRIPTION	REQ'D
1	C 31050	DECAL - "Ingersoll"	1
2	C 26699	DECAL - fuel gauge	1
3	321- 4767	DECAL - hydraulic reservoir	1
4	321- 1788	DECAL - shift range	1
5	C 27871	DECAL - brake	1
6	C 30960	DECAL - "226" hood L.H. (shown)	1
6	C 30961	DECAL - "226" hood R.H. (shown)	1
7	C 30964	DECAL - "446" hood L.H. (shown)	1
7	C 30965	DECAL - "446" hood R.H.	1
8	C 30966	DECAL - "448" hood L.H. (shown)	1
8	C 30967	DECAL - "448" hood R.H.	1
9	321- 6659	DECAL - "Caution"	1
10	C 30539	MEDALLION - "I"	1
11	C 30274	LENS - display	1
12	C 32093	DECAL - seat-back	1

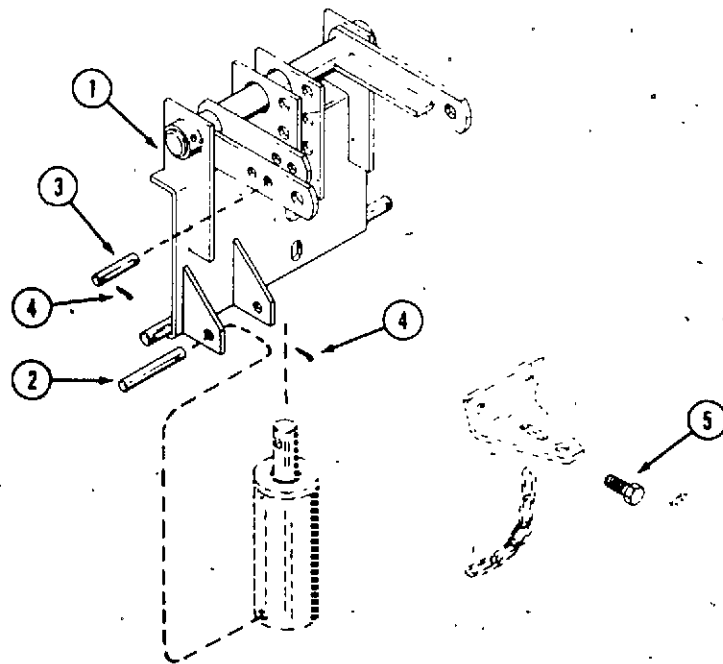


J26 THREE POINT HITCH FRAME, LIFT RODS AND ARMS



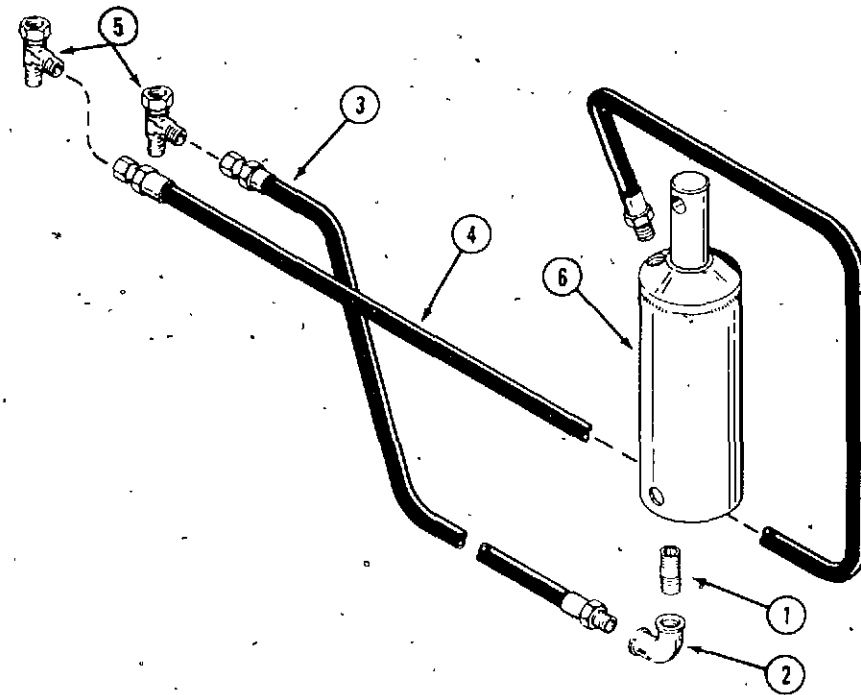
REF.	PART NO.	DESCRIPTION	REQ'D
1	C 19740	HITCH PLATE ASSEMBLY	1
2	219- 405	FITTING - lubrication	2
	C 24447	ROD ASSEMBLY - R.H. lift	1
3	C 14722	NUT - lift rod	1
4	C 14724	ROD ASSEMBLY - R.H. lift	1
5	138- 308	PIN - roll 1/4" x 3"	1
6	132- 91	PIN - cotter 3/16" x 1"	6
7	195- 541	WASHER - plain 5/8"	4
8	C 14715	ARM - lift	2
9	C 14991	CHAIN - 19 links	1
10	113- 118	BOLT - 5/16" x 5/8" N.C. hex, zinc	2
11	131- 176	NUT - lock 5/16" N.C. hex	2
12	C 28985	PIN - retaining	2
13	C 28222	PIN - retaining	3
14	C 14725	ROD - lift L.H.	1
15	C 14717	PIN - clevis	1
	C 14712	LINK ASSEMBLY	1
16	C 14703	CENTER TUBE ASSEMBLY	1
17	C 14709	BALL END ASSEMBLY - R.H. thread	1
18	C 32427	BALL END ASSEMBLY - L.H. thread	1
19	138- 59	PIN - roll 1/8" x 7/8"	2
20	C 16128	PIN - clevis 5/8" x 3"	1

J26 THREE POINT HITCH CYLINDER AND DRAWBAR MOUNTING



1	C 19740	HITCH PLATE ASSEMBLY	1
2	C 26188	PIN - lower cylinder mounting	1
3	C 14976	PIN - upper cylinder mounting	1
4	132- 310	PIN - cotter 1/8" x 1"	3
5	113- 417	BOLT - 1/2" x 1-1/4" N.C., hex, zinc	2

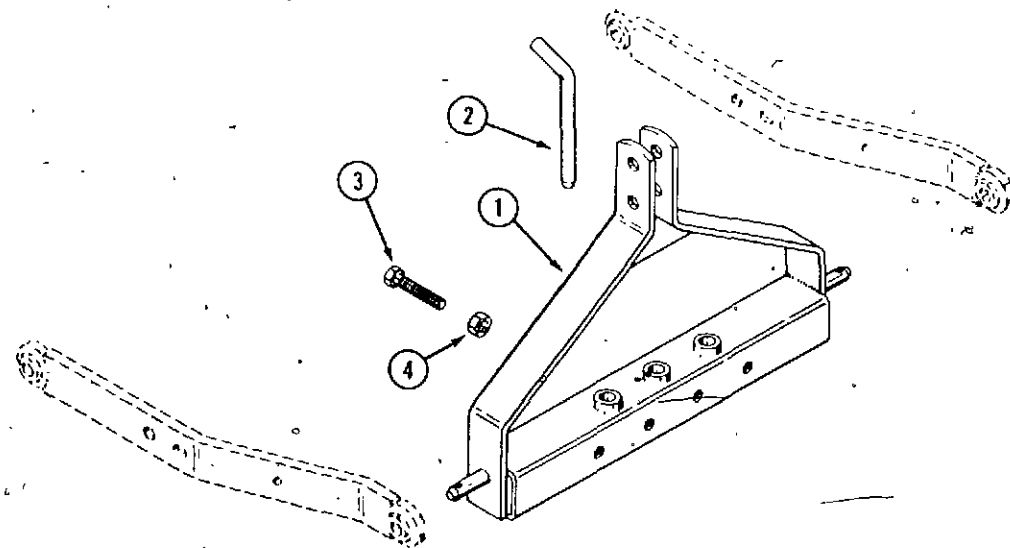
J26 THREE POINT HITCH HYDRAULIC CONNECTIONS AND COMPONENTS



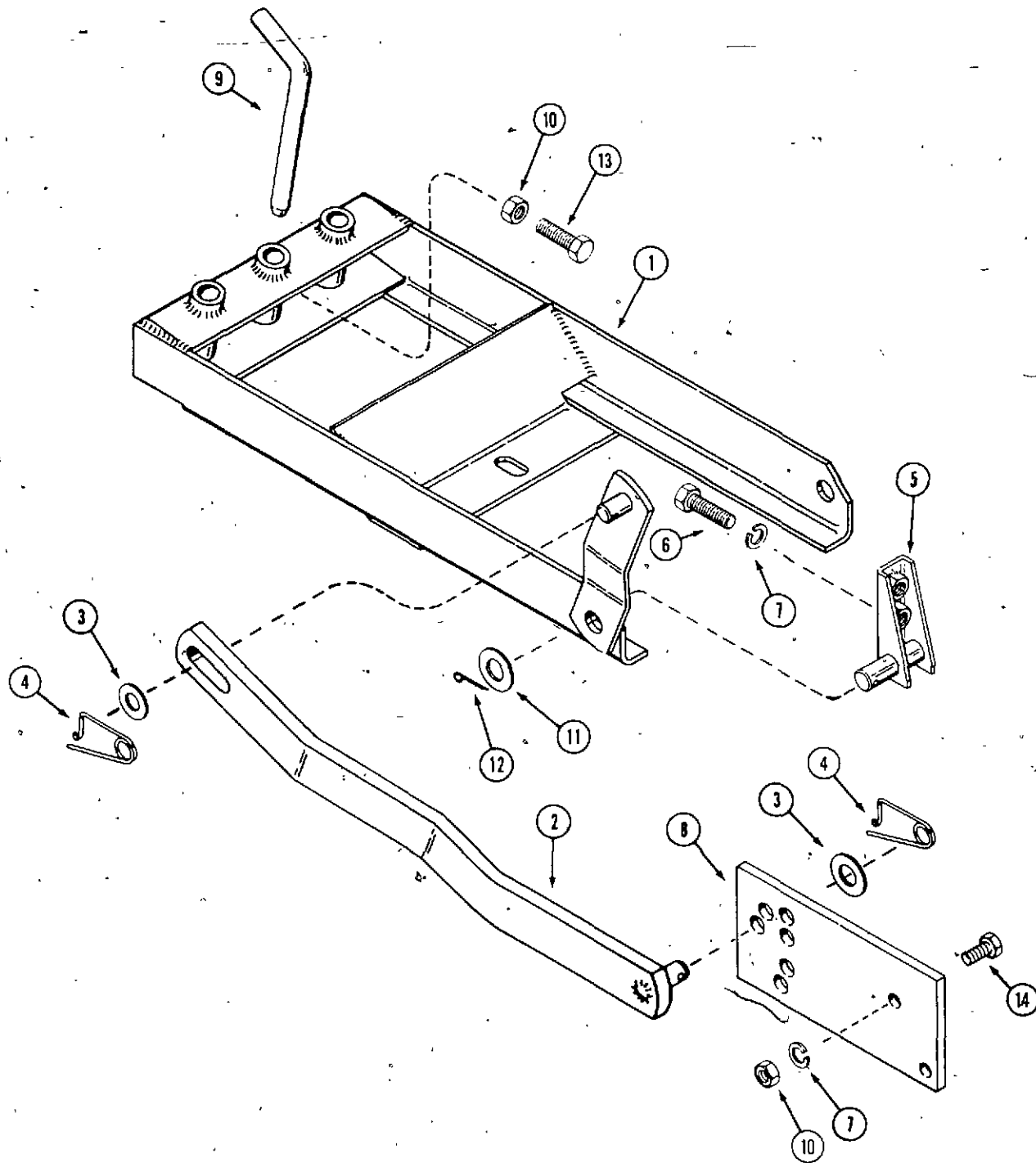
REF.	PART NO.	DESCRIPTION	REQ'D
1	221- 1139	NIPPLE - 1/4" x 3"	1
2	221- 1375	ELBOW - 90 degrees	1
3	C 25369	HOSE - hydraulic, short	1
4	C 25368	HOSE - hydraulic, long	1
5	218- 5479	FITTING - "T", swivel (includes 218-5004 "O" ring)	2
6	NSS	CYLINDER ASSEMBLY (use C26494 and C30049)	1
	C 30054	KIT - seal	1

F27 HITCH ADAPTER

1	NSS	BRACKET - hitch adapter (order as machinery item)	1
2	C 14568	PIN - drawbar	1
3	22- 844	BOLT - 1/2" x 3" N.C. hex	2
4	129- 105	NUT - 1/2" - 13	2



K22 SLEEVE HITCH (226) and K24 SLEEVE HITCH (446, 448)



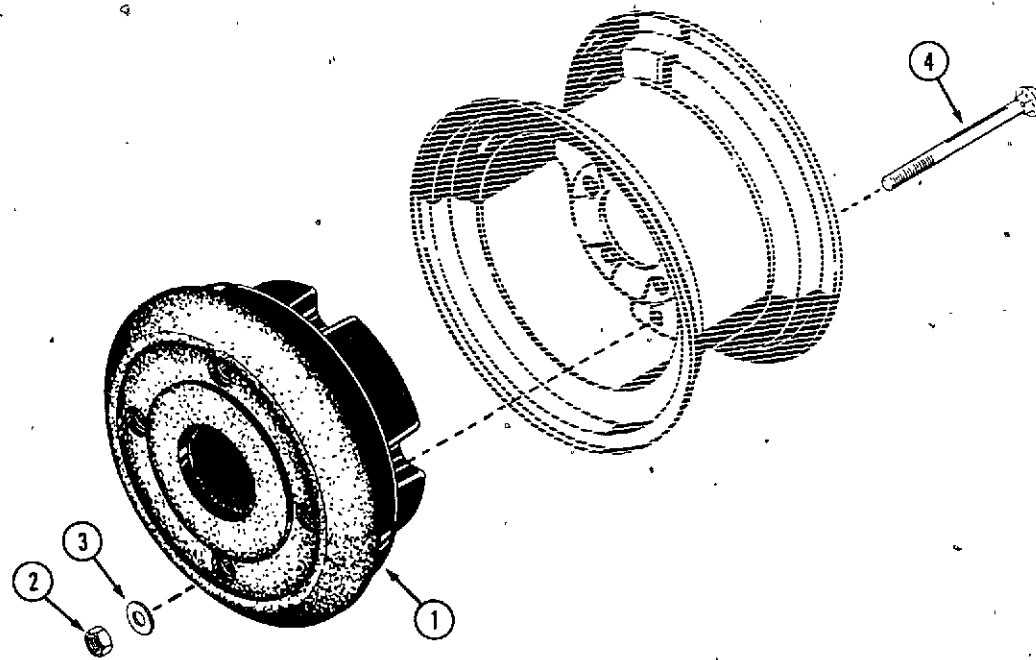
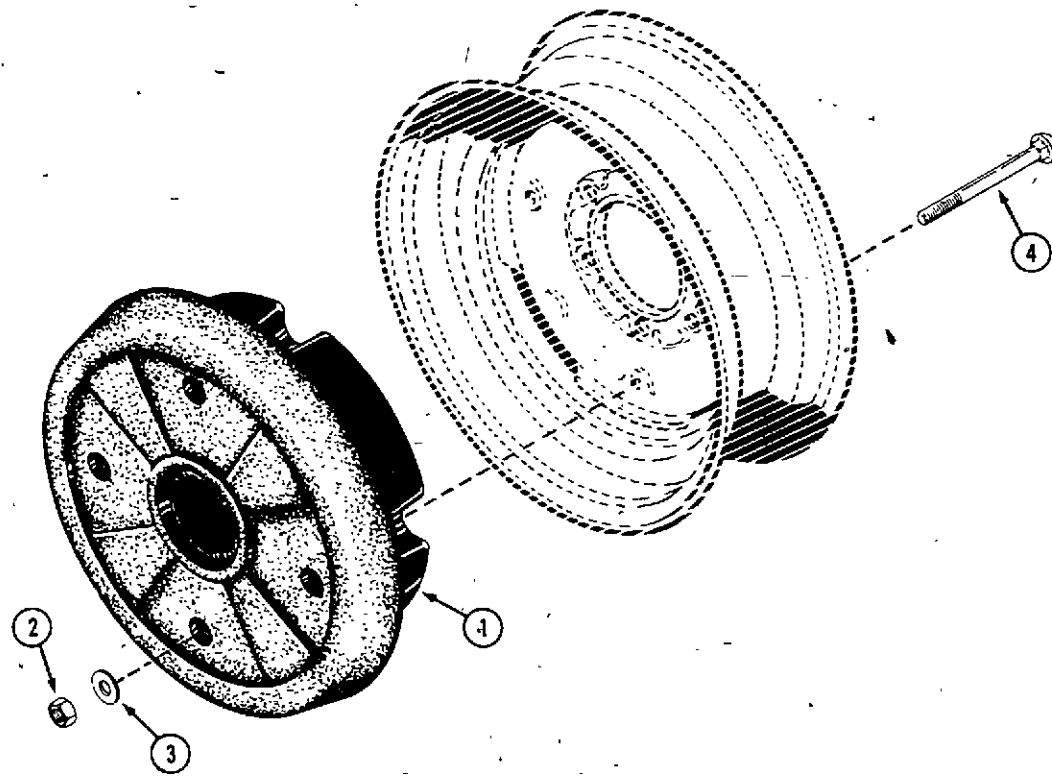
REF.	PART NO.	DESCRIPTION	REQ'D
1	NSS	FRAME ASSEMBLY (K24) shown (order as machinery item)	1
1	NSS	FRAME ASSEMBLY (K22) (order as machinery item)	1
2	C 25371	ARM - lift	1
3	195- 541	WASHER - plain 21/32"	2
4	C 10898	PIN - retaining	2
5	C 14459	BRACKET - hitch mounting R.H.	1
5	C 25789	BRACKET - hitch mounting L.H.	1
6	113- 2400	BOLT - 1/2" N.C. hex, zinc 1-3/8"	6
7	192- 23	LOCK WASHER - 1/2" zinc	6
8	C 25382	PLATE - lift lever	1
9	C 14568	PIN - drawbar	1
10	129- 105	NUT - 1/2" N.C. hex, zinc	4
11	192- 545	WASHER - plain 3/4" Zinc	2
12	132- 306	PIN - cotter 3/16" x 1-3/4"	2
13	22- 844	BOLT - 1/2" x N.C. hex, zinc 2-3/4"	2
14	113- 417	BOLT - 1/2" x 1-1/4" hex	2

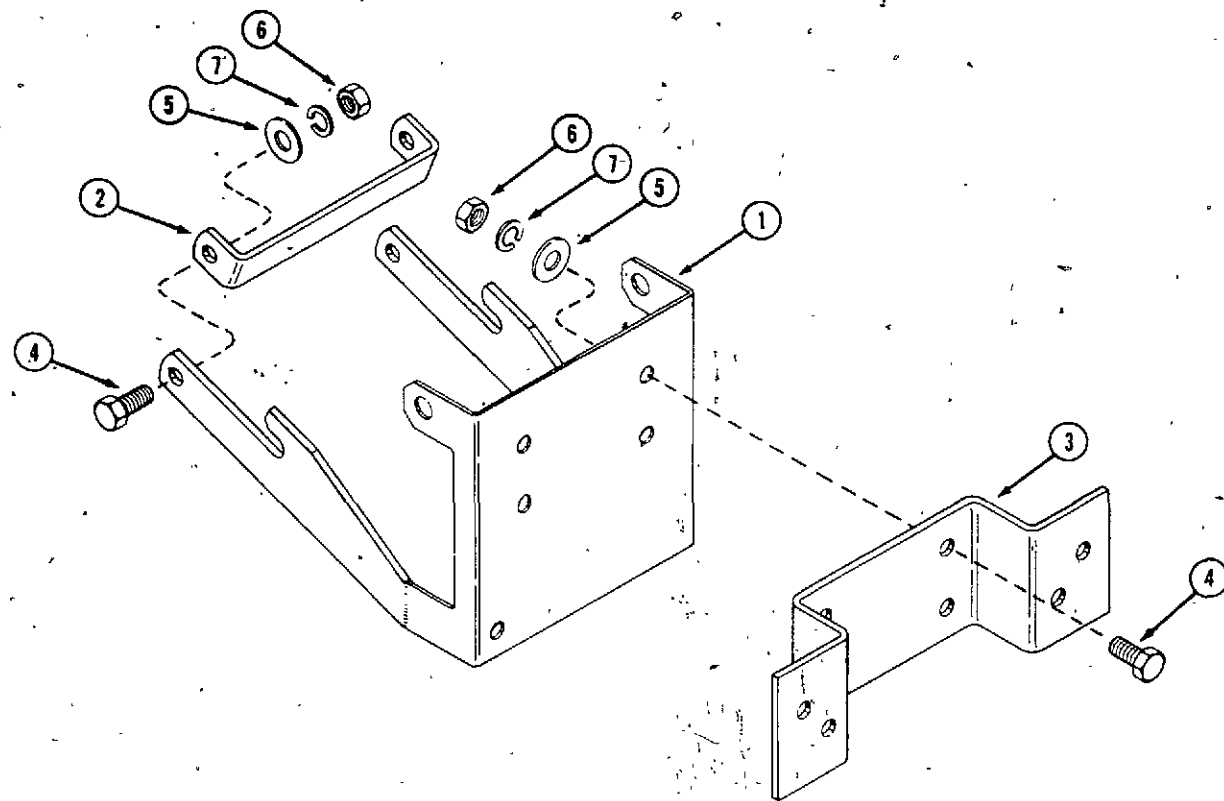
K10 WHEEL WEIGHTS (446, 448)

REF.	PART NO.	DESCRIPTION	REQ'D
1	NSS	WEIGHT - wheel, 75 lb. (order as machinery item)	2
2	131- 1182	NUT - 1/2" N.C. hex	4
3	195- 533	WASHER - 1/2"	8
4	111- 525	BOLT - 1/2" x 6" round head, square neck	8

K8 WHEEL WEIGHTS (226)

REF.	PART NO.	DESCRIPTION	REQ'D
1	NSS	WEIGHT - wheel 55 lb. (order as machinery item)	2
2	131- 1182	NUT - 1/2" N.C. lock	8
3	195- 533	WASHER - 1/2"	8
4	111- 521	BOLT - 1/2" x 7" carriage	8
4	C 30545	BOLT - 1/2" - 13 x 8-1/2"	8



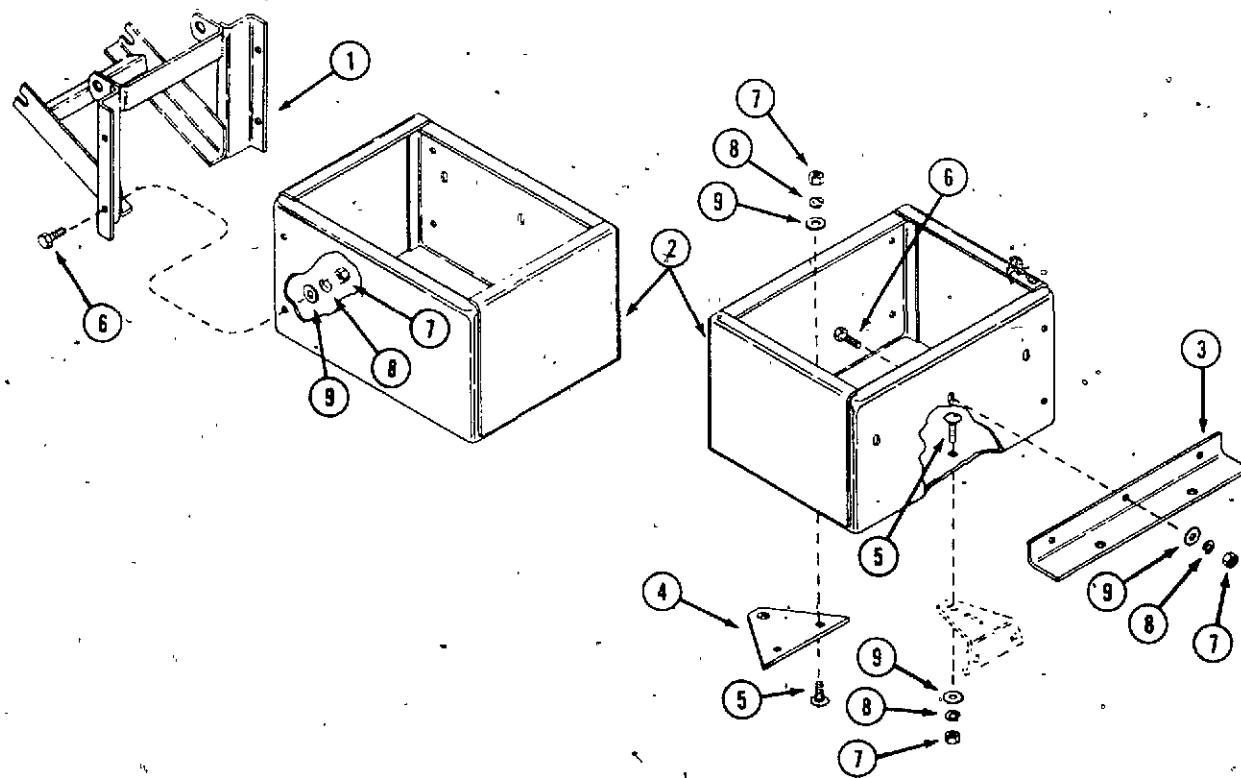


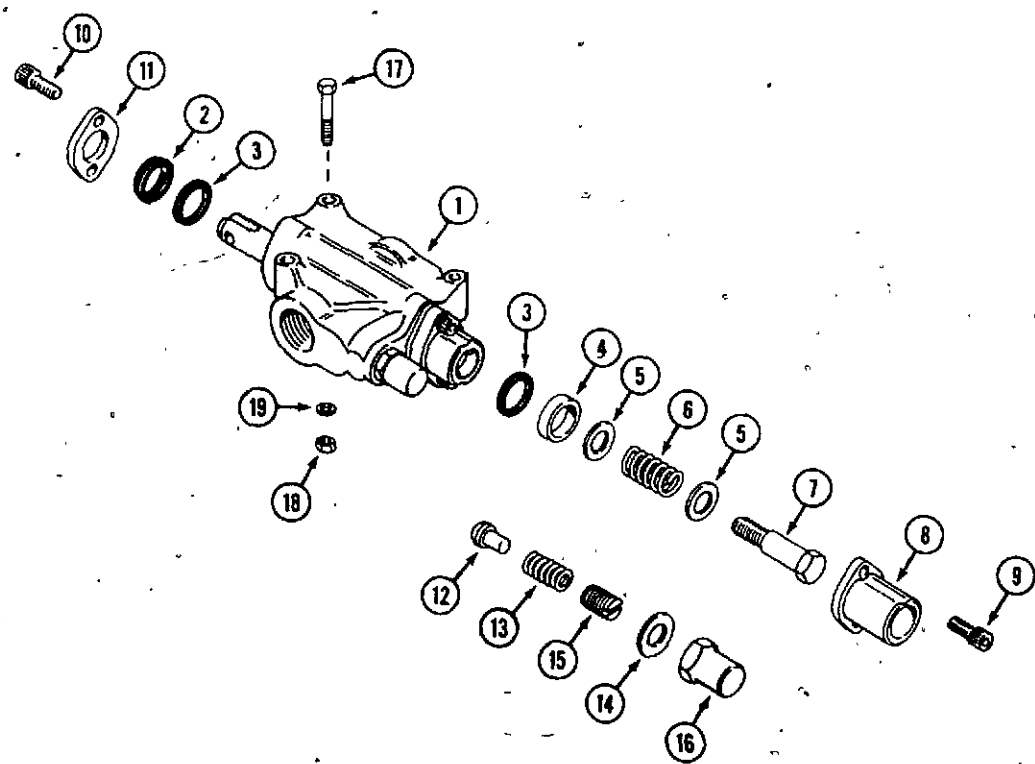
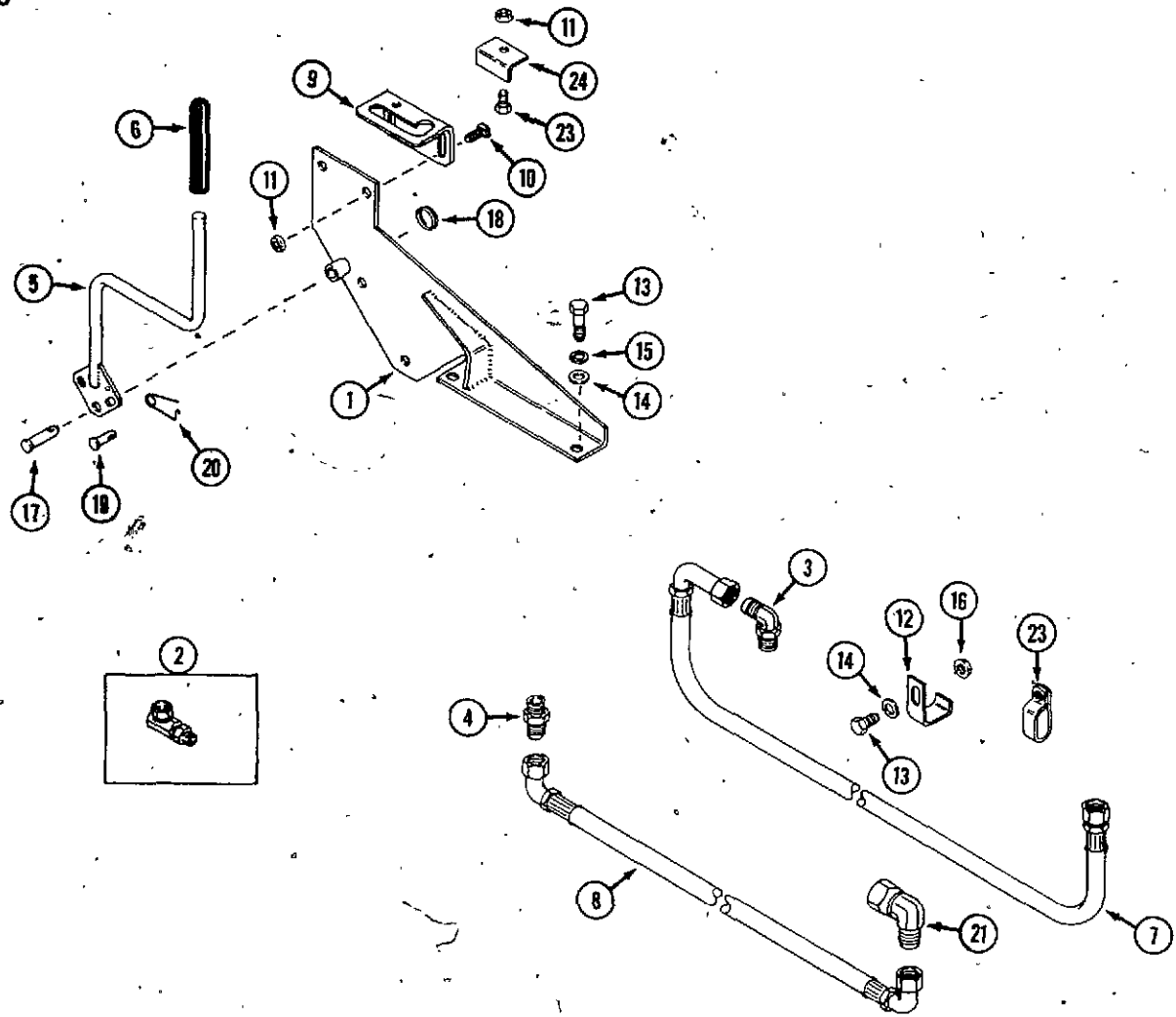
K18 FRONT END WEIGHT BRACKETS

REF.	PART NO.	DESCRIPTION	REQ'D
1	C 16581	BRACKET - mounting	1
2	C 17161	BRACE - rear	1
3	C 17162	BRACKET - weight mounting	1
4	113- 417	BOLT - 1/2" x 1-1/2" N.C. hex, zinc	6
5	195- 533	WASHER - 1/2" zinc	6
6	129- 105	NUT - 1/2" N.C. hex, zinc	6
7	192- 23	LOCK WASHER - 1/2"	6

H13 WEIGHT BOX

REF.	PART NO.	DESCRIPTION	REQ'D
1	C 17859	FRAME - weight box	1
2	C 17863	BOX - weight	1
3	C 17860	SUPPORT - weight box	1
4	C 17636	PLATE - hitch	1
5	111- 371	BOLT - 3/8" x 1" round head, square neck	3
6	113- 207	BOLT - 3/8" x 1" N.C. hex	4
7	129- 103	NUT - 3/8" N.C. hex	7
8	192- 21	LOCK WASHER - 3/8"	7
9	195- 525	WASHER - 3/8"	7





M17, N17 HYDRAULIC PTO
(M17 for 226) (N17 for 446, 448)

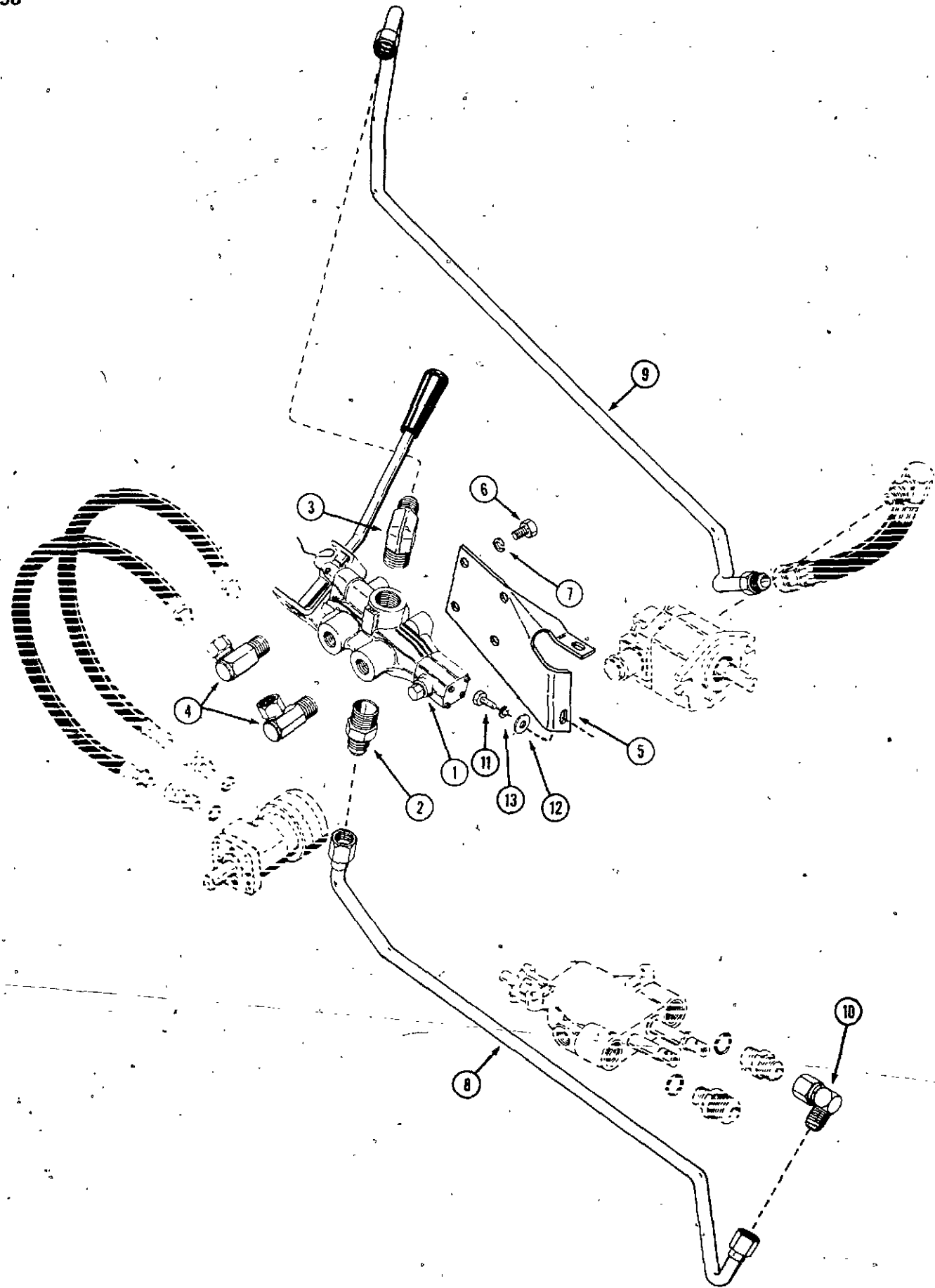
PTO HOSES AND MOUNTING BRACKET

REF.	PART NO.	DESCRIPTION	REQ'D
1	C 32200	BRACKET - valve mounting	1
2	218- 5201	FITTING - workport, 90° elbow 7/8" - 14 x 1/2" NPSM swivel	2
3	218- 5107	FITTING - inlet port, 7/8" - 14 x 7/8" - 14 flare, 90° adjustable elbow	1
4	218- 5062	FITTING - outlet port, 7/8" - 14 x 7/8" - 14 flare, straight	1
5	C 32403	HANDLE - valve	1
6	C 26020	GRIP - handle	1
7	C 32423	HOSE - pump to PTO 56" (M17) 226	1
7	C 32424	HOSE - pump to 54" (N17) 446, 448	1
8	C 32209	HOSE - PTO to travel valve 32" (M17) 226	1
8	C 32210	HOSE - PTO to travel valve 34" (N17) 446, 448	1
9	C 32211	BRACKET - handle guide	1
10	111- 101	BOLT - 1/4" - 20 x 5/8" carriage	2
11	131- 934	NUT - 1/4" - 20 flange lock	2
12	C 32332	CLAMP - tube (M17) 226	1
13	113- 103	BOLT - 5/16" - 18 x 1"	3
14	195- 521	WASHER - 5/16"	3
15	192- 20	LOCK WASHER - 5/16"	2
16	131- 911	NUT - 5/16" - 18 flange lock	1
17	C 32214	PIN - clevis 3/8" x 1-1/2"	1
18	C 28105	RING - retaining	1
19	C 28964	PIN - clevis 3/16" x 1"	1
20	C 10883	PIN - safety	1
21	218- 5232	FITTING - hydraulic 90° swivel	1
23	C 32213	CLAMP - tube	1
	C 22947	TIE - nylon	1

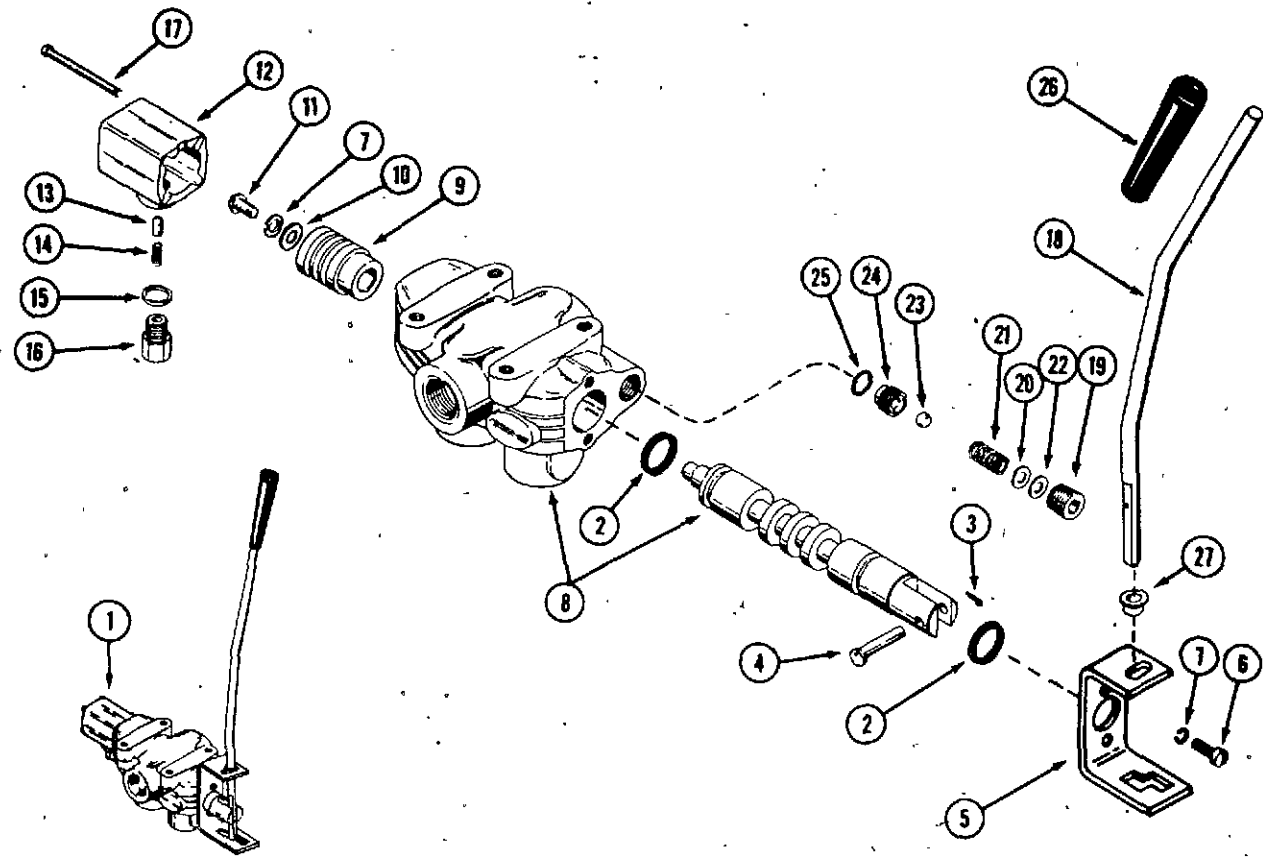
PTO VALVE

1	C 30046	VALVE - hydraulic	1
2	C 26706	WIPER - spool	1
3	C 26707	RING - quad	2
4	C 26722	SPACER - end cap	1
5	195- 526	WASHER	2
6	C 26724	SPRING - centering	1
7	C 26725	BOLT - shoulder	1
8	C 26726	BONNET - end cap	1
9	165- 143	SCREW - 1/4" - 20 x 3/4" socket head	2
10	165- 142	SCREW - 1/4" - 20 x 5/8" socket head	2
11	C 26727	RETAINER - seal	1
12	C 26708	POPPET - relief	1
13	C 26709	SPRING - relief	1
14	C 26710	WASHER - aluminum, seal	1
15	C 26711	SCREW - adjustment, relief	1
16	C 26712	NUT - cap, relief	1
17	113- 5	BOLT - 1/4" x 1-1/2"	3
18	129- 101	NUT - 1/4"	3
19	192- 19	LOCK WASHER - 1/4"	3

J17 - L17 HYDRAULIC PTO KIT



REF.	PART NO.	DESCRIPTION	REQ'D
1	C 30044	VALVE - PTO control	1
2	218- 457	FITTING - straight 3/4" NPT x 5/8" tube	1
3	218- 494	FITTING - elbow 90 degrees, 3/4" NPT x 5/8" tube	1
4	218- 927	FITTING - elbow 90 degrees, 1/2" NPT x 1/2" female swivel	2
5	C 23337	BRACKET - valve mounting	1
6	113- 206	BOLT - 3/8" x 3/4" N.C. hex	4
7	192- 21	LOCK WASHER - 3/8"	4
8	C 25343	TUBE - PTO valve to travel control valve (L17) 446, 448	1
8	C 23888	TUBE - PTO valve to travel control valve (J17) 226	1
9	C 25344	TUBE - pump to PTO valve (L17) 446, 448	1
9	C 23962	TUBE - pump to PTO valve (J17) 226	1
10	218- 5232	FITTING - 90 degree swivel elbow flare 3/4" NPT x 5/8" tube	1
11	113- 103	BOLT - 5/16" x 1" N.C. hex	2
12	195- 521	WASHER - 5/16"	2
13	192- 20	LOCK WASHER - 5/16"	2

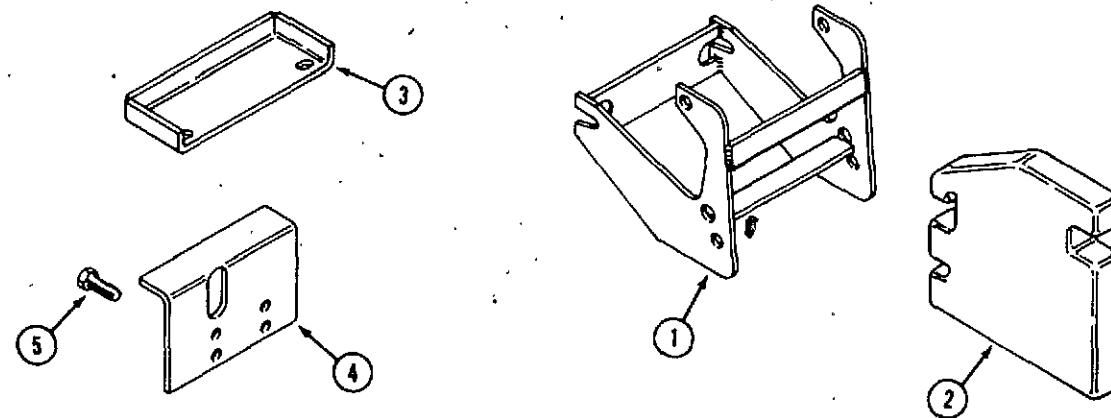


J17 - L17 HYDRAULIC PTO VALVE

REF.	PART NO.	DESCRIPTION	REQ'D
1	C 30044	VALVE - control	1
2	C 11891	SEAL - "U" cup	2
3	132- 5	PIN - cotter 1/16" x 1/2"	1
4	C 28875	PIN - handle	1
5	C 19422	BRACKET - handle	1
6	NSS	SCREW - 1/4" x 5/8" N.C. special head (use 165-143)	2
7	192- 19	LOCK WASHER - 1/4"	3
8	NSS	BODY AND SPOOL ASSEMBLY - (use C30044 valve)	1
9	C 11895	ADAPTER - spool	1
10	95- 4	WASHER - plain 1/4"	1
1.1	75- 48	SCREW - 1/4" x 1/2" round head	1
12	C 11893	COVER - detent	1
13	C 11901	PIN - detent	1
14	C 11892	SPRING - detent	1
15	C 11886	WASHER - detent spring	1
16	C 11887	CAP - detent	1
17	169- 88	SCREW - cover No. 8 - 32 x 2-1/4" fillister head	4
18	C 19423	LEVER - valve	1
19	221- 842	PLUG - relief 3/8" pipe thread	1
20	C 28700	SHIM - .010" (0.25 mm) thick	UAR
21	C 28716	SPRING - relief	1
22	C 28698	SHIM - .020" thick (0.51 mm)	UAR
23	211- 11	BALL - relief 3/8" (9.53 mm)	1
24	C 18417	SEAT - relief	1
25	C 28696	"O" RING - relief seat	1
26	C 29045	KNOB - handle	1
27	C 26266	BUSHING - nylon	1

L11 WEIGHT KIT

1	C 25572	BRACKET - mounting, front	1
2	NSS	WEIGHT - 40 lb. (18 kg.) (order as machinery item)	4
3	C 25791	BRACKET - mounting, rear, upper	1
4	C 25792	BRACKET - mounting, rear, lower	1
5	113- 417	BOLT - 1/2" - 13 x 1-1/4" hex	2

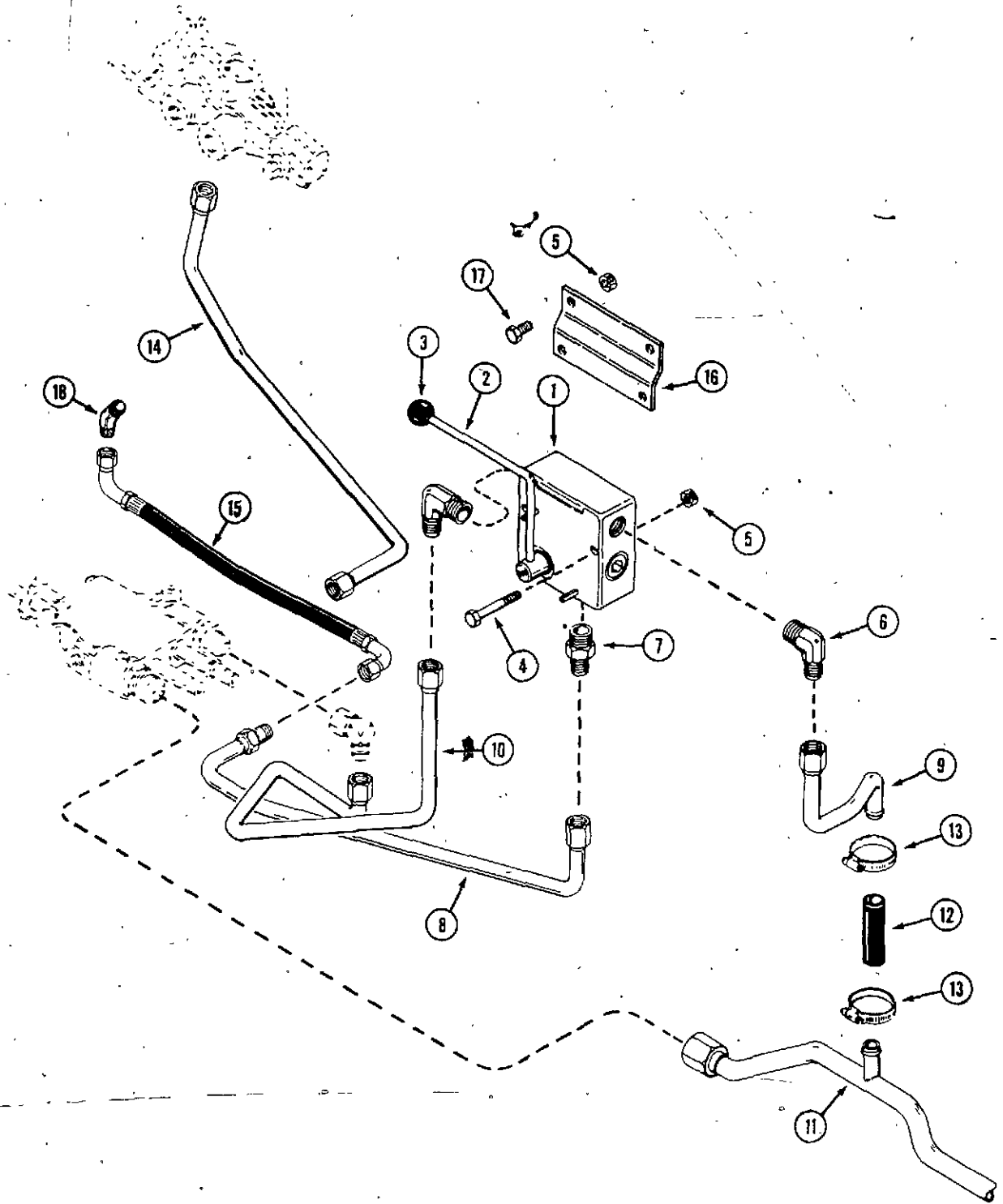


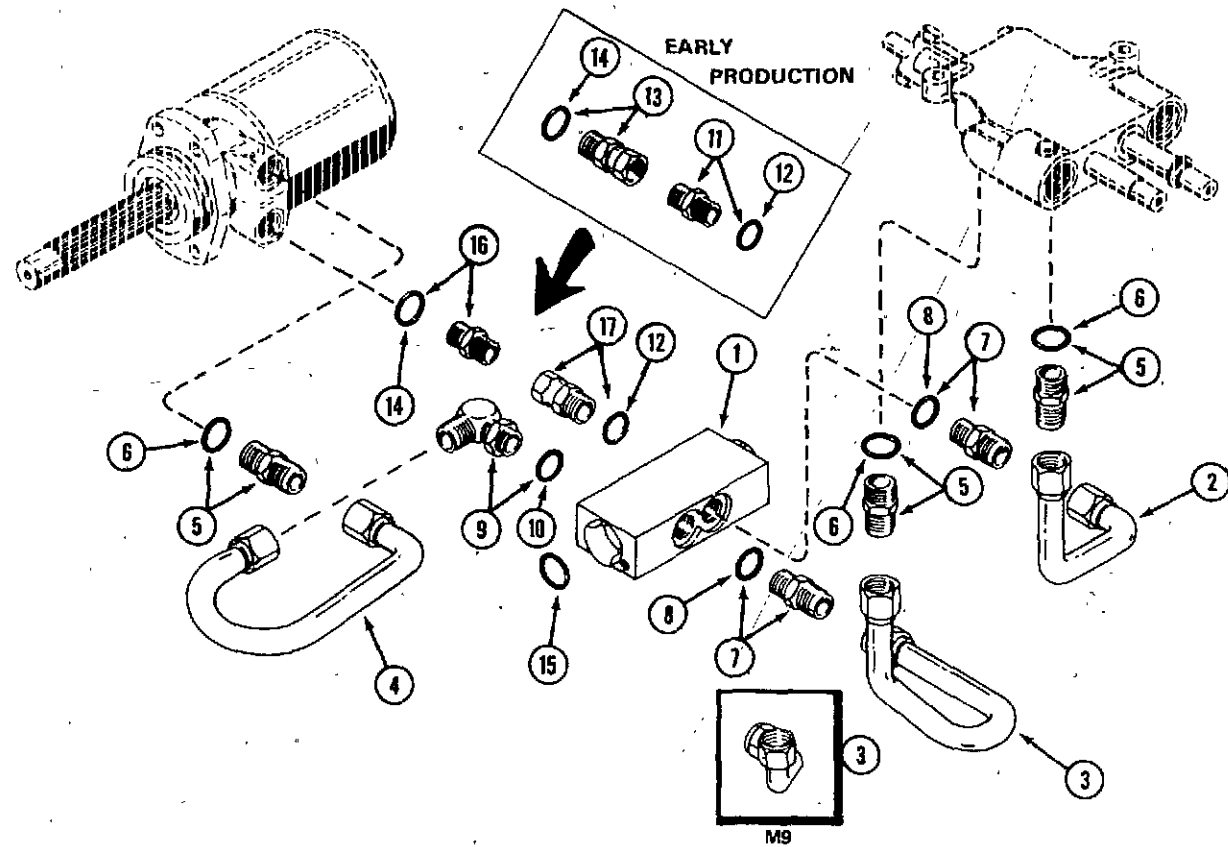
FLOW CONTROL VALVE KIT

L19 (226)*
 M19 (446, 448)*
 N19 (226, 446, 448)**

REF.	PART NO.	DESCRIPTION	REQ'D
1	C 23618	VALVE - flow control	1
	C 28217	"O" RING - shaft 3/4" I.D. x 15/16" O.D. x 3/32"	2
	C 28710	RING - snap	2
2	C 18720	LEVER - valve	1
3	C 28251	KNOB - lever	1
4	113- 12	BOLT - 1/4" x 2-1/2" N.C. hex	2
5	131- 1180	NUT - lock 1/4" N.C. hex	4
6	218- 485	FITTING - elbow 90 degree 1/2" pipe thread	2
7	218- 445	FITTING - straight 1/2" pipe thread	1
8	C 25390	TUBE - flow control valve to tube (L19, M19)	1
8	C 33008	TUBE - flow valve to PTO, front half (N19)	1
9	C 23407	TUBE - bypass port to return line	1
10	C 23600	TUBE - flow valve to tractor valve (L19, M19)	1
10	C 33007	TUBE - flow valve to tractor valve (N19)	1
11	C 26181	TUBE - heat exchanger	1
12	C 18721	HOSE - return	1
13	214- 254	CLAMP - hose	2
14	C 23879	TUBE - PTO valve to tube (L19, M19) (226)	1
14	C 25392	TUBE - PTO valve to tube (M19) (446, 448)	1
15	C 33010	HOSE - flow valve to PTO, rear (226) (N19)	1
15	C 33011	HOSE - flow valve to PTO, rear (446, 448) (N19)	1
16	C 25391	PLATE - adapter	2
17	113- 2	BOLT - 1/4" - 20 x 5/8"	2
18	218- 545	FITTING - 45° elbow 5/8" tube x 3/4" NPTF (use to replace outlet in PTO valve) (N19)	1
	C 18719	DECAL - valve, "slow/fast"	1
	218- 5229	FITTING - 90° swivel 5/16" x 1/2" - 20 (N19) for hose clearance at T fitting	2

*Use before S/N:
 226 - 14093640
 446 - 14074315
 448 - 14075995



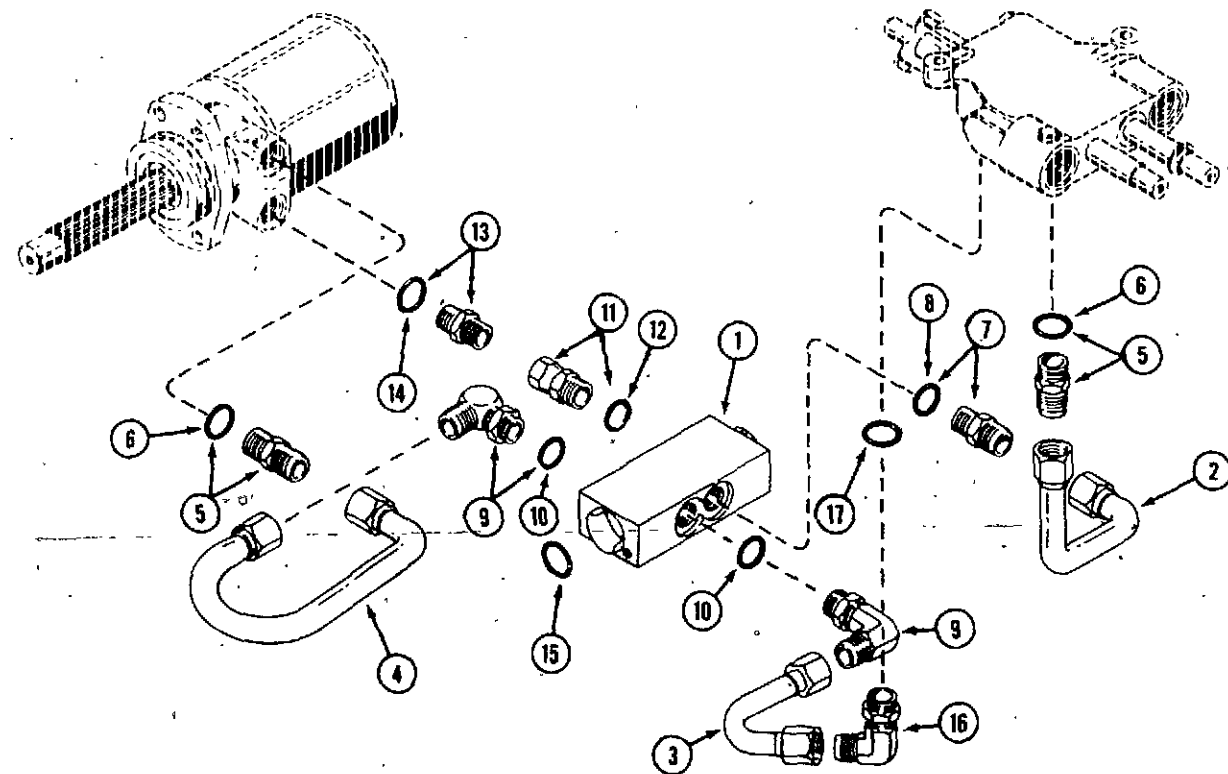


**L7 HOLDING VALVE (226)
M9 HOLDING VALVE (446, 448)**

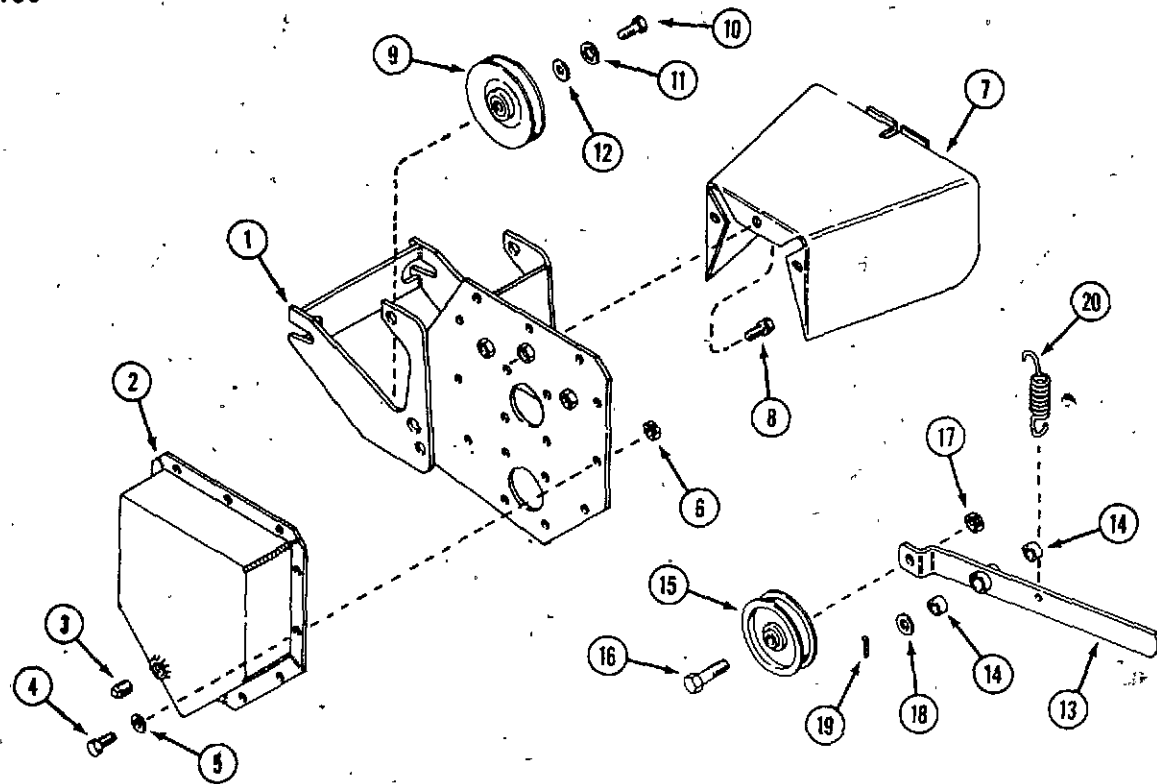
REF.	PART NO.	DESCRIPTION	REQ'D
1	C 24995	VALVE - holding (includes item 15)	1
2	C 24990	TUBE - valve to valve (L-7)	1
2	C 25341	TUBE - valve to valve (M9)	1
3	NSS	TUBE - valve to valve (M9) (use C27806, 218-5107, 218-5117)	1
3	C 24991	TUBE - valve to valve (L-7)	1
4	C 24994	TUBE - valve to motor	1
5	218- 5062	CONNECTOR - straight, male	3
6	218- 5007	"O" RING	1
7	218- 5066	CONNECTOR - straight, male	2
8	218- 5006	"O" RING	1
9	218- 5117	ELBOW - adjustable	1
10	218- 5006	"O" RING	1
11	NSS	CONNECTOR - straight, male (Use 218-5406, 218-5254)	1
12	218-5006	"O" RING	1
13	218- 5251	CONNECTOR - straight, male/female swivel	1
14	218- 5007	"O" RING	1
15	C 28487	"O" RING - end caps	2
16	218- 5406	CONNECTOR - straight male	1
17	218- 5254	CONNECTOR - straight, male/female swivel	1

N9 HOLDING VALVE (446, 448)

REF.	PART NO.	DESCRIPTION	REQ'D
1	C 24995	VALVE - holding (includes item 15)	1
2	C 25341	TUBE - valve to valve	1
3	C 27806	TUBE - valve to valve	1
4	C 24994	TUBE - valve to motor	1
5	218- 5062	CONNECTOR - straight, male	2
6	218- 5007	"O" RING	1
7	218- 5066	CONNECTOR - straight, male	1
8	218- 5006	"O" RING	1
9	218- 5117	ELBOW - adjustable	2
10	218- 5006	"O" RING	1
11	218- 5254	CONNECTOR - straight, male/female, swivel	1
12	218- 5006	"O" RING	1
13	218- 5406	CONNECTOR - straight, male	1
14	218- 5007	"O" RING	1
15	C 28487	"O" RING - end caps	2
16	218- 5107	ELBOW - adjustable	1
17	218- 5007	"O" RING	1

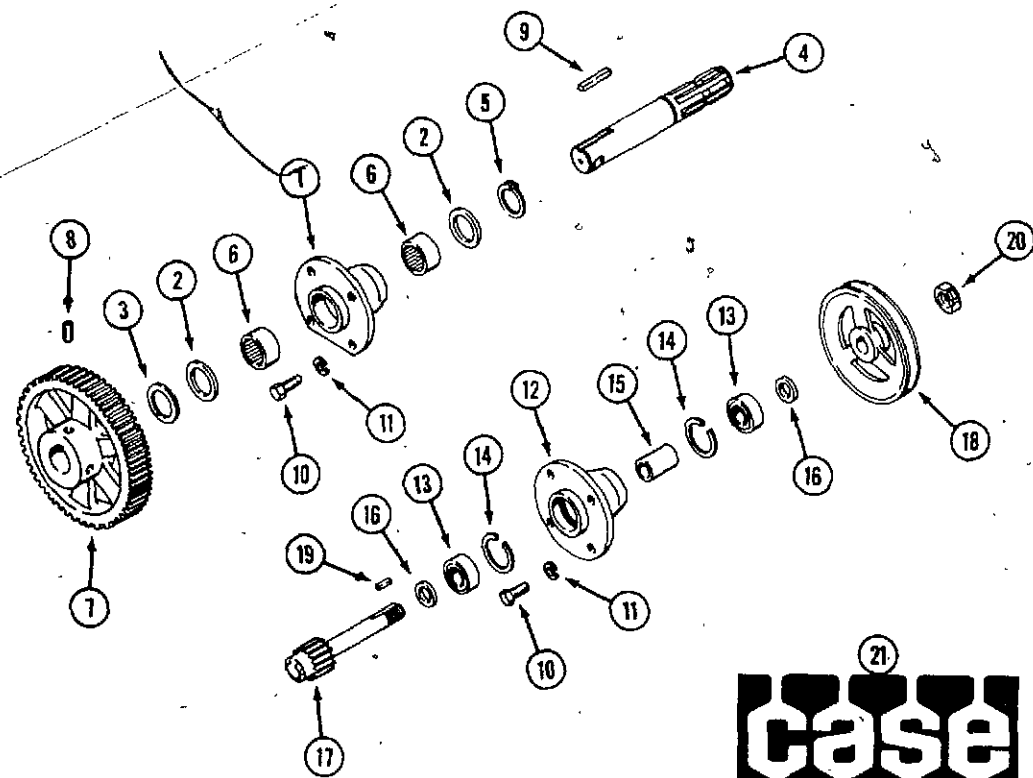


L29 PTO MOUNTING FRAME, SHIELD, IDLERS AND GEAR COVER

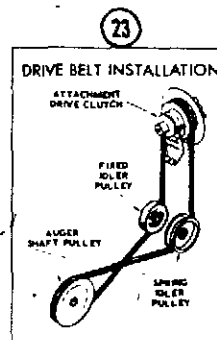


REF.	PART NO.	DESCRIPTION	REQ'D
1	C 25800	FRAME - mounting	1
2	C 25815	COVER - gear	1
3	221- 4	PLUG - oil	1
4	113- 3	BOLT - 1/4" - 20 x 3/4" hex	9
5	195- 521	WASHER - 5/16"	9
6	131- 1180	NUT - 1/4" - 20 hex	9
7	C 25817	SHIELD - PTO	1
8	121- 106	BOLT - 5/16" - 18 x 1/2", special	3
9	C 25370	PULLEY - "V" groove	1
10	113- 206	BOLT - 3/8" - 16 x 3/4"	1
11	193- 68	LOCK WASHER - special	1
12	195- 103	WASHER - 3/8"	1
13	C 25822	ARM - idler	1
14	C 28308	BUSHING - sleeve	2
15	C 26090	PULLEY - flat idler	1
16	113- 412	BOLT - 1/2" - 13 x 1-3/4" hex	1
17	131- 165	NUT - 1/2" lock, hex	1
18	195- 541	WASHER - 5/8"	1
19	132- 318	PIN - cotter 5/32" x 1"	1
20	C 16870	SPRING - tension	1

L29 SPINDLES, DECALS AND BELT



REF.	PART NO.	DESCRIPTION	REQ'D
1	C 25806	HOUSING - PTO shaft	1
2	C 25807	WASHER - thrust	2
3	195- 2131	WASHER - spacer	1
4	C 25808	SHAFT - spline	1
5	C 28258	RING - retainer	1
6	C 25828	BEARING - roller	2
7	C 25814	GEAR - driven	1
8	83- 68	SET SCREW - 3/8"	2
9	C 28260	KEY - 5/16" x 2"	1
10	113- 206	BOLT - 3/8" - 16 x 3/4" hex	8
11	192- 21	LOCK WASHER - 3/8"	8
12	C 17666	HOUSING - spindle	1
13	C 28971	BEARING	2
14	C 16516	RING - retaining	2
15	C 10810	SPACER - bearing	1
16	C 25541	WASHER - spacer	2
17	C 25810	SPINDLE - input	1
18	C 25813	PULLEY - spindle	1
19	C 28289	KEY - 3/16" square x 7/8"	1
20	131- 1331	NUT - 3/4" - 16 lock, hex	1
21	321- 6379	DECAL - "Case" (early production)	1
22	C 28354	DECAL - "Warning"	1
23	C 17462	DECAL - drive belt	1
	C 23539	BELT - drive (446, 448)	1
	C 23538	BELT - drive (226)	1



NUMERICAL INDEX

Table with 9 columns: PART NO., PAGE NO., REF. NO. for three consecutive entries. Lists part numbers and their corresponding page and reference numbers.

NUMERICAL INDEX

Table with 9 columns: PART NO., PAGE NO., REF. NO. for three consecutive entries. Lists part numbers and their corresponding page and reference numbers, continuing from the previous page.

