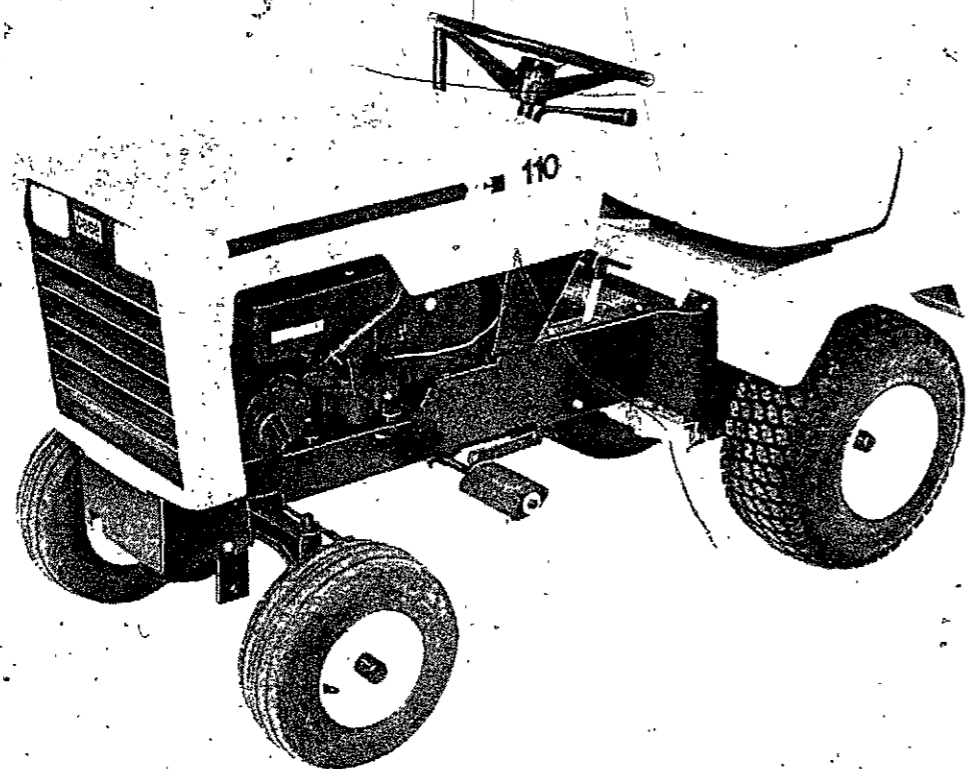
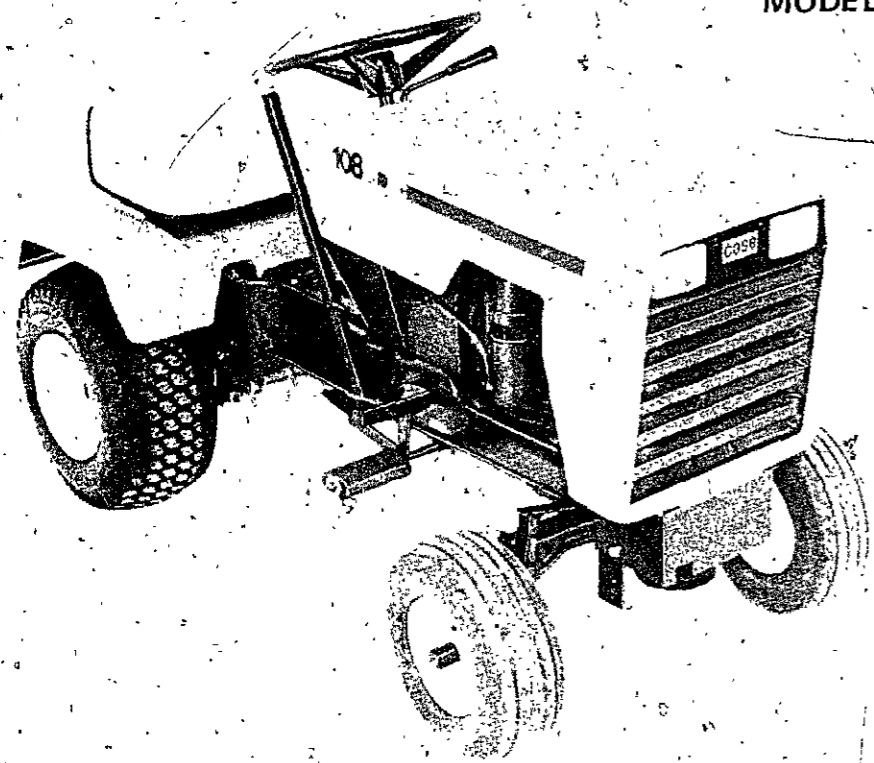


COMPACT TRACTORS  
 MODEL 108 S/N 14031940 AND AFTER  
 MODEL 110 S/N 14032840 AND AFTER  
 MODEL 116 S/N 14047500 AND AFTER  
 Parts Catalog 8-2700

2-84-RP-1500



INGERSOLL EQUIPMENT CO., INC.

Technical Publications  
 119 S. First Street  
 Winneconne, WI 54986

ALPHABETICAL INDEX

ENGINE SECTION

|                                      | PAGE   | GRID      |                         | PAGE | GRID   |
|--------------------------------------|--------|-----------|-------------------------|------|--------|
| Air Cleaner .....                    | 15-21  | B2-B8     | Fuel Strainer .....     | 13   | A14    |
| Battery .....                        | 51     | D10       | Fuel System .....       | 13   | A14    |
| Breather, Crankcase .....            | 5-7-25 | A6-A8-B12 | Gasket Kits .....       | 5-9  | A6-A10 |
| Camshaft .....                       | 5-9    | A6-A10    | Governor .....          | 23   | B10    |
| Carburetor .....                     | 15-19  | B2-B6     | Manifold (116) .....    | 19   | B6     |
| Choke Linkage (116) .....            | 13     | A14       | Mounts, Engine .....    | 27   | B14    |
| Connecting Rod .....                 | 5-9    | A6-A10    | Muffler .....           | 21   | B8     |
| Counter Weight .....                 | 11     | A12       | Oil Pan .....           | 5-9  | A6-A10 |
| Crankshaft .....                     | 5-9    | A6-A10    | Piston .....            | 5-9  | A6-A10 |
| Cylinder Block .....                 | 5-9    | A6-A10    | Spark Plug .....        | 11   | A12    |
| Cylinder Head .....                  | 5-9    | A6-A10    | Starter .....           | 49   | D8     |
| Electrical System .....              | 11     | A12       | Tank, Fuel .....        | 13   | A14    |
| Engine Block & Attaching Parts ..... | 5-9    | A6-A10    | Throttle Linkage .....  | 13   | A14    |
| Exhaust System .....                 | 21     | B8        | Trigger, Ignition ..... | 11   | A12    |
| Filter, Breather .....               | 5-7-25 | A6-A8-B12 | Valves .....            | 5-9  | A6-A10 |
| Flywheel .....                       | 11     | A12       |                         |      |        |

BASIC TRACTOR SECTION

|                         | PAGE  | GRID    |                             | PAGE  | GRID  |
|-------------------------|-------|---------|-----------------------------|-------|-------|
| Axle, Front .....       | 37    | C10     | Implement Lift .....        | 47    | D6    |
| Baffles & Shrouds ..... | 25    | B12     | Model G14 Weight Box .....  | 31    | C4    |
| Belts & Pulleys .....   | 29-41 | C2-C14  | Mounts, Engine .....        | 27    | B14   |
| Brakes .....            | 39-43 | C12-D2  | PTO Clutch .....            | 28    | C2    |
| Decals .....            | 55    | D14     | Seat, Operator's .....      | 33    | C6    |
| Electrical System ..... | 51-53 | D10-D12 | Steering Wheel & Gear ..... | 35    | C8    |
| Fenders .....           | 33    | C6      | Tool Tray .....             | 31    | C4    |
| Frame .....             | 31    | C4      | Transaxle .....             | 43-45 | D2-D4 |
| Grille .....            | 31    | C4      | Travel Control .....        | 39    | C12   |
| Hitch .....             | 23    | B10     | Wheels, Front & Rear .....  | 37    | C10   |
| Hood .....              | 31    | C4      |                             |       |       |

**INDEX**

There is an index at the front and rear of this catalog.

The front index is an alphabetical index of the major groups or assemblies.

The rear index is a numerical index of the part numbers and pages on which these numbers are shown.

**ILLUSTRATION**

Each illustration in this catalog shows a group of parts or components. These parts and components are aligned approximately as the parts and components on your machine. Each part and component in an illustration has a reference number. These reference numbers are in a list on the page opposite of the illustration. Next to the reference number is the part number, description and required quantity of the part shown in the illustration.

**ABBREVIATIONS**

UAR - "Use as required" indicates that the part quantity is variable.

NSS - "Not sold separately" indicates that the part is only available as a component of an assembly or the part must be purchased locally. If the part is an assembly component, the description will be indented under the assembly description in the parts list.

**INDENTED DESCRIPTIONS**

An assembly can have many components. The components of an assembly are indicated by an indented description. The quantity for an indented part is the total needed for that complete assembly. See the example.

| REF. | PART NO. | DESCRIPTION                    | REQ. |
|------|----------|--------------------------------|------|
|      | A 55159  | CYLINDER ASSY - rear steering  | 1    |
| 28   | A 56208  | SOCKET ASSY - rear cylinder    | 1    |
| 29   | A 55956  | PLUG - adjusting, socket assy  | 1    |
| 30   | A 55957  | SEAT - socket ball             | 2    |
| 31   | A 56210  | SPRING - socket                | 1    |
| 32   | A 56209  | SEAT - socket spring           | 1    |
| 33   | G 45175  | CLAMP ASSY - socket assy       | 1    |
|      | 16- 836  | BOLT - 1/2" x 2-1/4" N.F. hex. | 1    |
| 34   | 132- 104 | PIN - cotter, 3/16" x 3"       | 1    |
| 35   | A 55889  | STUD - ball, socket & cylinder | 2    |
| 36   | 13- 410  | BOLT - 1/4" x 5/8" N.C., hex.  | 4    |
| 37   | 92- 4    | LOCKWASHER - 1/4" SAE          | 4    |

**PARTS ORDERS**

All orders must include the following information:

1. Correct part number.
2. Complete description of part or component.
3. Total quantity of each part or component.
4. Product model number.
5. All necessary product identification numbers.
6. Method for sending the parts.
7. Complete and correct address.

**CATALOG REVISIONS**

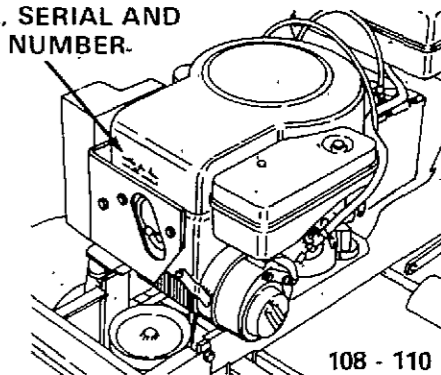
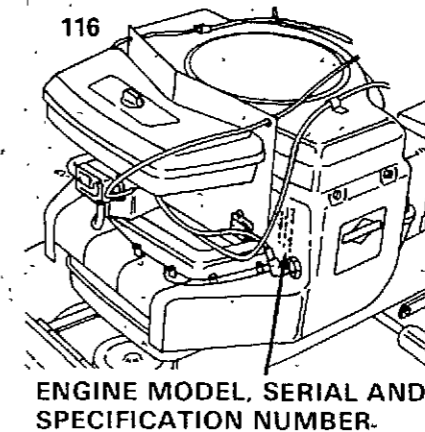
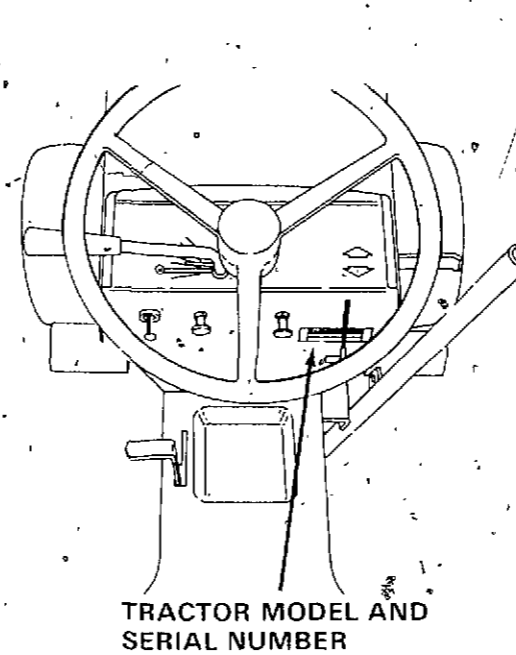
As the product changes, we will send you new pages in your catalog.

**IMPORTANT:** Put all revisions into the catalog as possible.

**RIGHT HAND AND LEFT HAND IDENTIFICATION**

The words right hand (RH) and left hand (LH) as used in this catalog indicate the direction while you are in the operator's seat in the normal operating position.

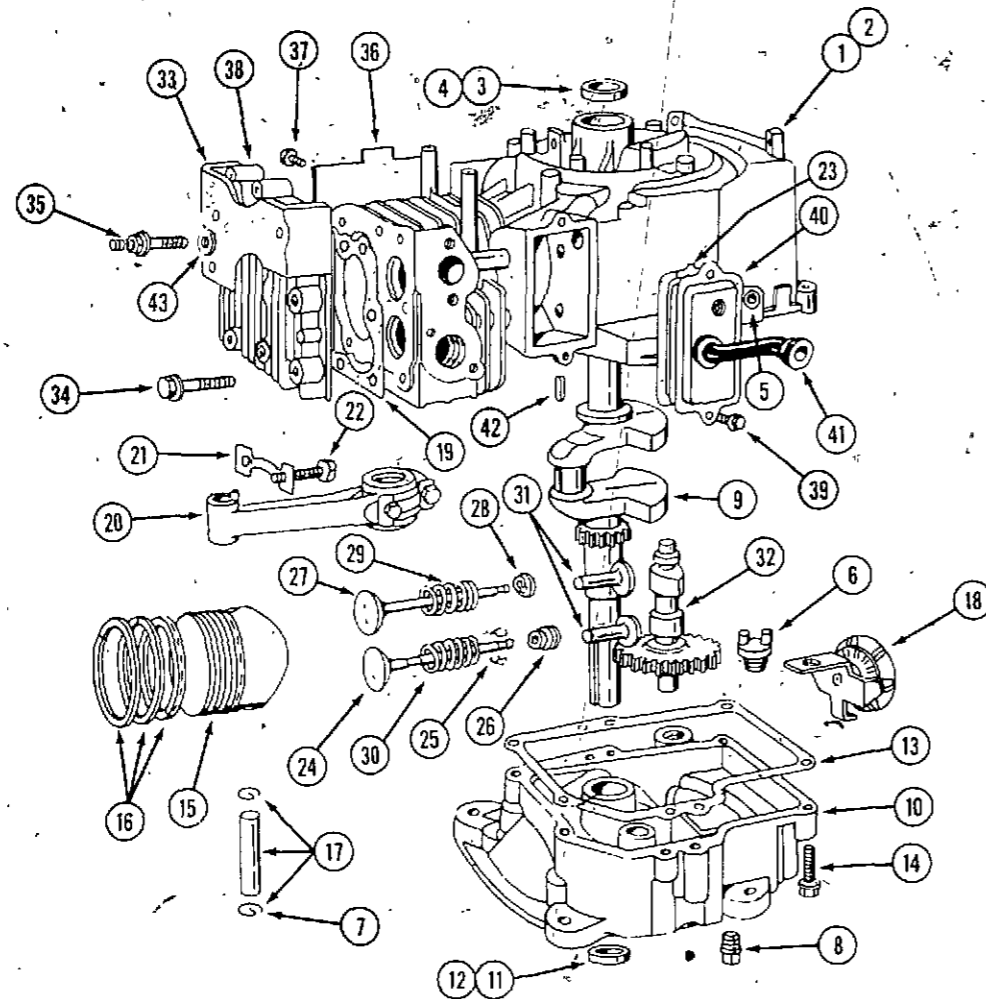
**PRODUCT IDENTIFICATION NUMBERS**



| TRACTOR MODEL | ENGINE MODEL                          |
|---------------|---------------------------------------|
| 108           | C26661<br>SPEC. 190707 - TYPE 5820-01 |
| 110           | C26662<br>SPEC. 220707 - TYPE 0631-01 |
| 116           | C26986<br>SPEC. 402707 - TYPE 0132-06 |

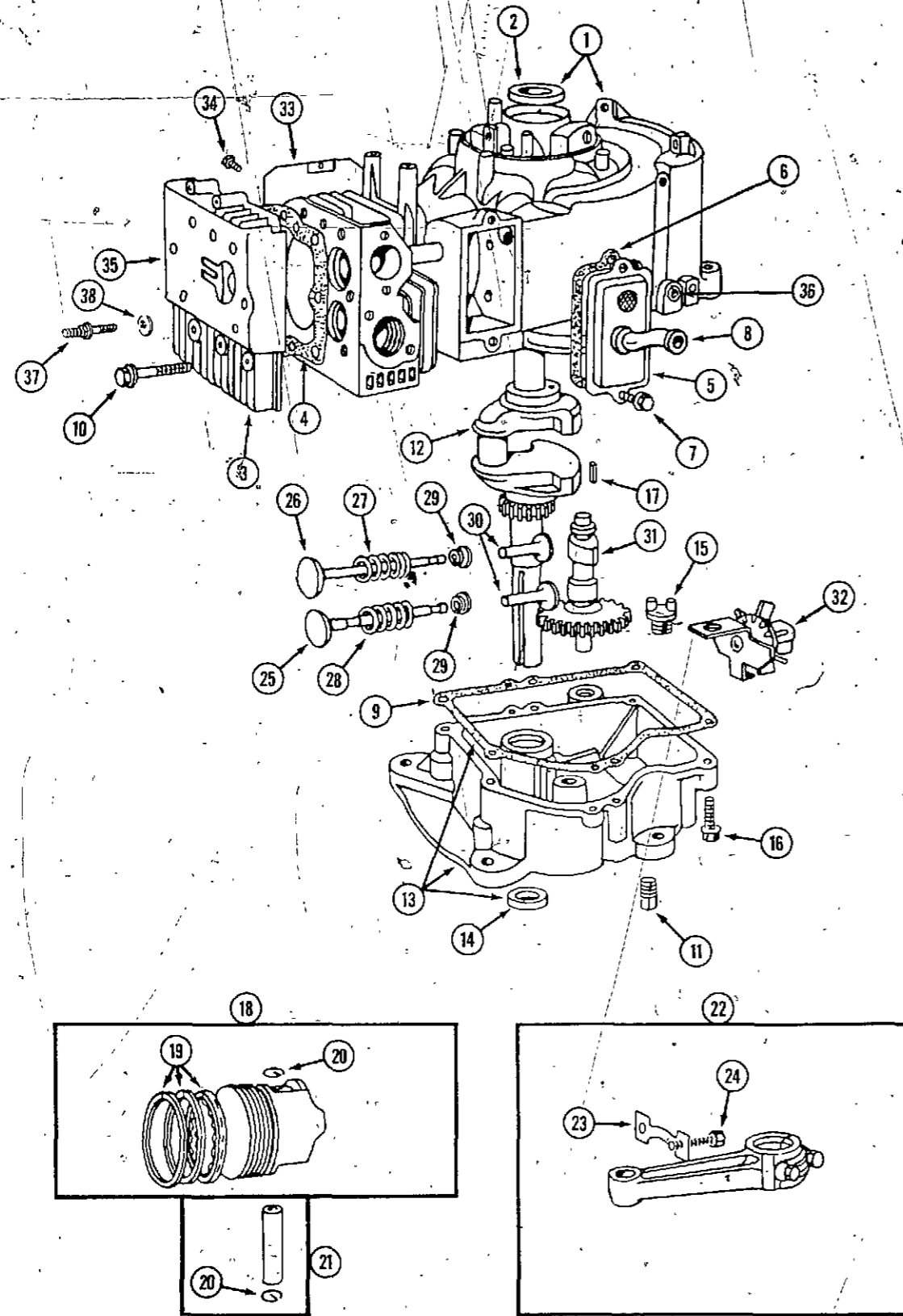
**NOTE:** In this catalog there are references to serial numbers. To order the correct part, use these serial numbers as a guide.

ENGINE BLOCK ASSEMBLY (108)

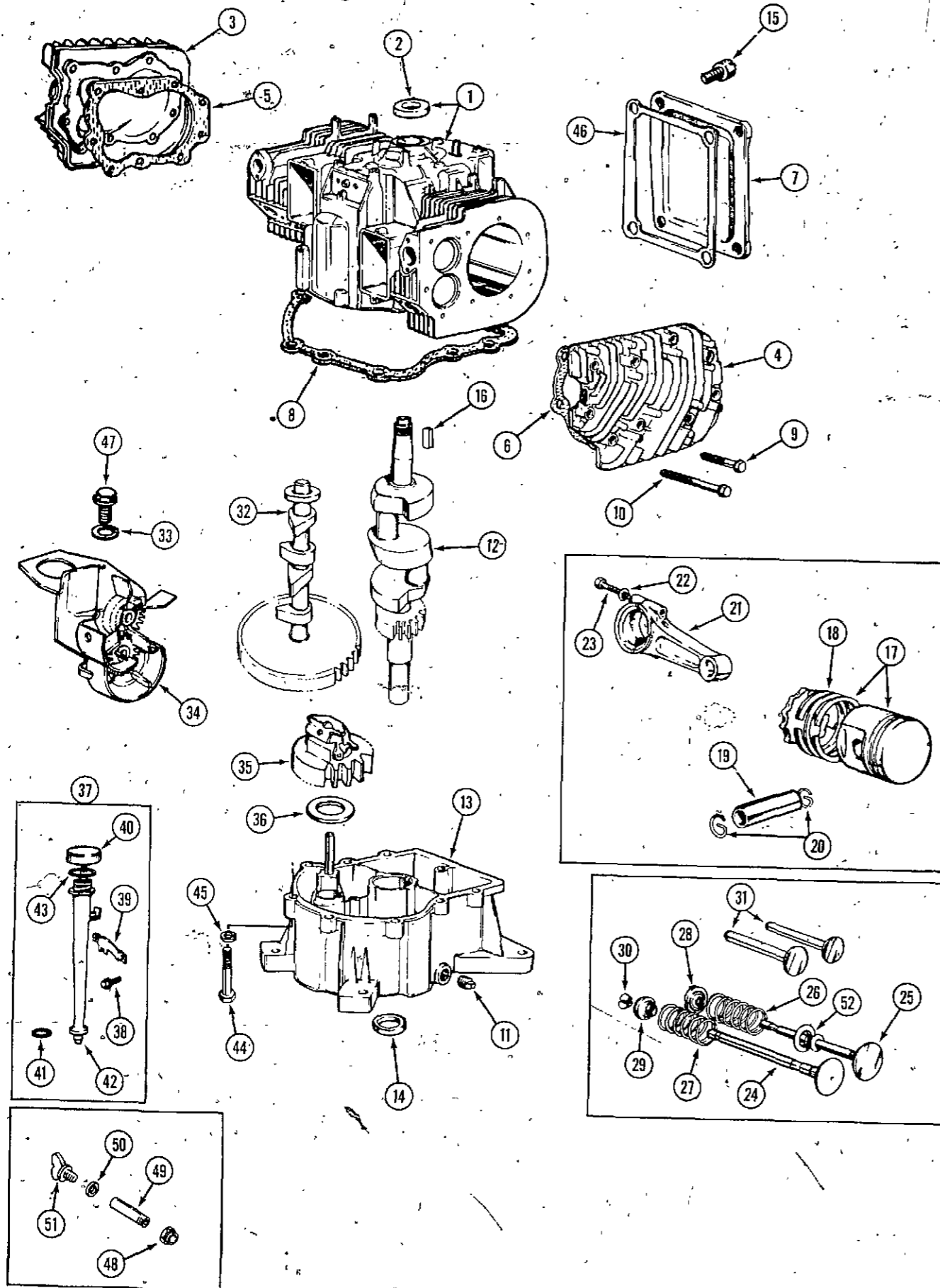


| REF. | PART NO.  | DESCRIPTION   | REQ. D. |
|------|-----------|---|---------|
| 1    | BR 390640 | BLOCK ASSEMBLY - short  | 1       |
| 2    | NSS       | BLOCK - cylinder, stripped  | 1       |
| 3    | BR 295962 | BUSHING - cylinder  | 1       |
| 4    | BR 294606 | SEAL - oil  | 1       |
| 5    | BR 231055 | BUSHING - governor shaft  | 1       |
| 6    | BR 66768  | PLUG - oil filler   | 1       |
| 7    | BR 68546  | LOCK - piston pin   | 1       |
| 8    | 221- 843  | PLUG - oil drain  | 1       |
| 9    | BR 261038 | CRANKSHAFT  | 1       |
| 10   | BR 392548 | OIL PAN ASSEMBLY  | 1       |
| 11   | BR 295963 | BUSHING - oil pan   | 1       |
| 12   | C 25709   | SEAL - oil  | 1       |
| 13   | BR 27750  | GASKET - oil pan 1/64"  | 1       |
| 13   | BR 27876  | GASKET - oil pan .005"  | 1       |
| 13   | BR 27877  | GASKET - oil pan .009"  | 1       |
| 14   | NSS       | SCREW - oil pan mtg. (use 113-120 and 192-20)                         | 4       |
| 15   | BR 391673 | PISTON ASSEMBLY - standard  | 1       |
| 15   | BR 391674 | PISTON ASSEMBLY - .010 oversize (includes rings)                      | 1       |
| 15   | BR 391675 | PISTON ASSEMBLY - .020 oversize (includes rings)                      | 1       |
| 15   | BR 391676 | PISTON ASSEMBLY - .030 oversize (includes rings)                      | 1       |
| 16   | BR 391669 | RING SET - standard   | 1       |
| 16   | BR 391670 | RING SET - .010 oversize  | 1       |
| 16   | BR 391671 | RING SET - .020 oversize  | 1       |
| 16   | BR 391672 | RING SET - .030 oversize  | 1       |
| 17   | BR 295840 | PIN ASSEMBLY - piston, standard (includes locks)                      | 1       |
| 17   | BR 295841 | PIN ASSEMBLY - piston, .005 oversize (includes locks)                 | 1       |
| 18   | BR 392718 | BRACKET ASSEMBLY - governor gear & oil slinger                        | 1       |
| 19   | BR 270430 | GASKET - cylinder head  | 1       |
| 20   | BR 390402 | CONNECTING ROD ASSEMBLY   | 1       |
| 21   | BR 222114 | LOCK - connecting rod bolt  | 1       |
| 22   | BR 92659  | BOLT - connecting rod   | 2       |
| 23   | BR 27803  | GASKET - valve cover  | 1       |
| 24   | BR 390419 | VALVE - exhaust   | 1       |
| 25   | BR 93630  | LOCK - exhaust  | 2       |
| 26   | BR 292260 | ROTATOR - exhaust valve   | 1       |
| 27   | BR 261055 | VALVE - intake  | 1       |
| 28   | BR 221596 | KEEPER - intake valve   | 1       |
| 29   | BR 65906  | SPRING - intake valve   | 1       |
| 30   | BR 26828  | SPRING - exhaust valve  | 1       |
| 31   | BR 260933 | TAPPET - valve  | 2       |
| 32   | BR 211689 | CAMSHAFT  | 1       |
| 33   | BR 222636 | BAFFLE - cylinder head  | 1       |
| 34   | BR 93723  | BOLT - cylinder head, 3"  | 3       |
| 35   | BR 93211  | STUD - cylinder head, 2-21/32"  | 3       |
| 36   | BR 222830 | BAFFLE - cylinder   | 1       |
| 37   | NSS       | SCREW - baffle mtg. (use 163-18 and 192-18)                           | 1       |
| 38   | BR 212286 | HEAD - cylinder   | 1       |
| 39   | 187- 1508 | SCREW - sems  | 2       |
| 40   | BR 391406 | BREATHER - crankcase  | 1       |
| 41   | BR 280005 | TUBE - breather   | 1       |
| 42   | C 27236   | KEY - flywheel  | 1       |
| 43   | BR 22963  | WASHER  | 3       |
|      | BR 299577 | GASKET SET - includes items 13, 19, 23 and carburetor mounting gasket | 1       |

ENGINE BLOCK ASSEMBLY (110)

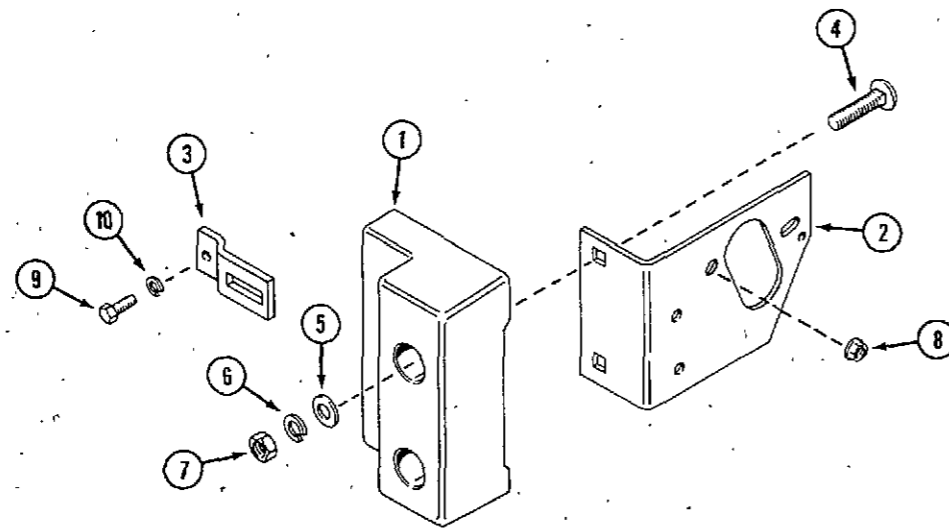
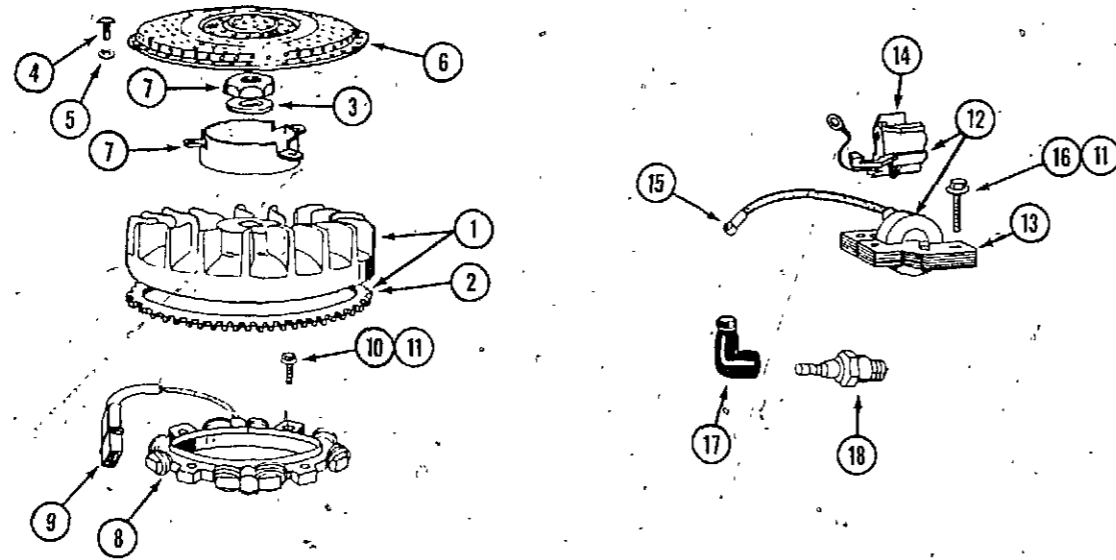


| REF. | PART NO.  | DESCRIPTION  | REQ'D. |
|------|-----------|--|--------|
| 1    | C 25827   | CYLINDER BLOCK ASSEMBLY - short                                    | 1      |
| 1    | NSS       | CYLINDER BLOCK ASSEMBLY  | 1      |
| 2    | C 25709   | SEAL - oil   | 1      |
| 3    | C 25710   | HEAD - cylinder  | 1      |
| 4    | C 25711   | GASKET - cylinder head   | 1      |
| 5    | BR 391406 | BREATHER ASSEMBLY  | 1      |
| 6    | BR 27803  | GASKET - valve cover   | 1      |
| 7    | 187- 1508 | SCREW - sems   | 2      |
| 8    | C 25712   | TUBE - breather  | 1      |
| 9    | C 25713   | GASKET - crankcase cover 1/64" thick                               | 1      |
| 9    | C 25714   | GASKET - crankcase cover .005" thick                               | 1      |
| 9    | C 25715   | GASKET - crankcase cover .009" thick                               | 1      |
| 10   | BR 93723  | SCREW - cylinder head 3" long                                      | 6      |
| 11   | 221- 843  | PLUG - oil drain   | 1      |
| 12   | C 25716   | CRANKSHAFT   | 1      |
| 13   | C 25717   | SUMP - oil (also includes item 9)                                  | 1      |
| 14   | C 25718   | SEAL - oil   | 1      |
| 15   | BR 66768  | PLUG - oil filler  | 1      |
| 16   | NSS       | SCREW - sump mounting, sems (use 113-120 and 1192-20)              | 6      |
| 17   | C 27236   | KEY - flywheel   | 1      |
| 18   | C 25720   | PISTON ASSEMBLY - standard   | 1      |
| 18   | C 25721   | PISTON ASSEMBLY - .010" oversize                                   | 1      |
| 18   | C 25722   | PISTON ASSEMBLY - .020" oversize                                   | 1      |
| 18   | C 25723   | PISTON ASSEMBLY - .030" oversize                                   | 1      |
| 19   | C 25724   | RING SET - piston, standard  | 1      |
| 19   | C 25725   | RING SET - piston, .010" oversize                                  | 1      |
| 19   | C 25726   | RING SET - piston, .020" oversize                                  | 1      |
| 19   | C 25727   | RING SET - piston, .030" oversize                                  | 1      |
| 20   | C 25728   | LOCK - piston pin  | 2      |
| 21   | C 25729   | PIN ASSEMBLY - piston, standard                                    | 1      |
| 21   | C 25730   | PIN ASSEMBLY - piston, .005" oversize                              | 1      |
| 22   | C 25731   | ROD ASSEMBLY - connecting  | 1      |
| 23   | C 25732   | LOCK - connecting rod screw  | 1      |
| 24   | C 25733   | SCREW - connecting rod   | 2      |
| 25   | C 25734   | VALVE - exhaust  | 1      |
| 26   | C 25735   | VALVE - intake   | 1      |
| 27   | BR 65906  | SPRING - intake valve  | 1      |
| 28   | BR 26828  | SPRING - exhaust valve   | 1      |
| 29   | BR 221596 | RETAINER - valve   | 2      |
| 30   | C 25736   | TAPPET - valve   | 2      |
| 31   | C 25737   | CAMSHAFT   | 1      |
| 32   | C 25746   | OIL SLINGER - governor gear and bracket assembly                   | 1      |
| 33   | C 25751   | SHIELD - cylinder  | 1      |
| 34   | NSS       | SCREW - cylinder shield mounting (use 163-18 and 192-18)           | 1      |
| 35   | C 25752   | COVER - cylinder head  | 1      |
| 36   | BR 231055 | BUSHING - governor crank (1/4" I.D.)                               | 1      |
| 37   | C 27238   | STUD - cylinder head   | 3      |
| 38   | BR 22963  | WASHER   | 3      |
|      | C 25757   | GASKET SET - includes items 4, 6, 9 and carburetor mounting gasket | 1      |



ENGINE BLOCK ASSEMBLY (116)

| REF. | PART NO.  | DESCRIPTION   | REQ'D. |
|------|-----------|---|--------|
| 1    | C 27371   | CYLINDER ASSEMBLY   | 1      |
| 2    | C 25709   | SEAL - oil  | 1      |
| 3    | C 27372   | HEAD - cylinder R.H.  | 1      |
| 4    | C 27373   | HEAD - cylinder L.H.  | 1      |
| 5    | C 27374   | GASKET - cylinder head R.H.   | 1      |
| 6    | C 27308   | GASKET - cylinder head L.H.   | 1      |
| 7    | C 27347   | COVER - access  | 1      |
| 8    | C 27310   | GASKET - crankcase 1/64"  | 1      |
| 8    | C 27311   | GASKET - crankcase .005"  | 1      |
| 8    | C 27312   | GASKET - crankcase .009"  | 1      |
| 9    | C 27313   | BOLT - head 1-15/16"  | 1      |
| 10   | BR 93113  | BOLT - head 2-5/16"   | 12     |
| 11   | 221-843   | PLUG - oil drain  | 6      |
| 12   | C 27314   | CRANKSHAFT  | 2      |
| 13   | C 27315   | CRANKCASE   | 1      |
| 14   | C 25718   | SEAL - oil  | 1      |
| 15   | NSS       | SCREW - cover (use 113-221 and 192-161)   | 4      |
| 16   | C 27236   | KEY - flywheel  | 1      |
| 17   | C 27316   | PISTON ASSEMBLY - standard (also includes item 20)  | 2      |
| 17   | C 27317   | PISTON ASSEMBLY - .010 oversize (also includes item 20)   | 2      |
| 17   | C 27318   | PISTON ASSEMBLY - .020 oversize (also includes item 20)   | 2      |
| 17   | C 27319   | PISTON ASSEMBLY - .030 oversize (also includes item 20)   | 2      |
| 18   | C 27320   | RING SET - piston, standard   | 2      |
| 18   | C 27321   | RING SET - piston, .010 oversize  | 2      |
| 18   | C 27322   | RING SET - piston, .020 oversize  | 2      |
| 18   | C 27323   | RING SET - piston, .030 oversize  | 2      |
| 19   | C 25729   | PIN ASSEMBLY - piston, standard   | 2      |
| 19   | C 25730   | PIN ASSEMBLY - piston, .005" oversize   | 2      |
| 20   | C 25728   | LOCK - piston pin   | 2      |
| 21   | C 27324   | ROD ASSEMBLY - connecting   | 2      |
| 21   | C 27582   | ROD ASSEMBLY - connecting .020 undersize  | 2      |
| 22   | C 27325   | WASHER - 1/4" x 5/8" x 1/32"  | 2      |
| 23   | C 25733   | BOLT - connecting rod   | 2      |
| 24   | BR 390419 | VALVE - exhaust   | 2      |
| 25   | C 27326   | VALVE - intake  | 2      |
| 26   | BR 65906  | SPRING - intake valve   | 2      |
| 27   | BR 26828  | SPRING - exhaust valve  | 2      |
| 28   | BR 221596 | RETAINER - intake valve   | 2      |
| 29   | BR 292260 | ROTOCOIL - exhaust valve  | 2      |
| 30   | BR 93630  | RETAINER - valve rotocoil (1 pair)  | 2      |
| 31   | C 27327   | TAPPET - valve  | 4      |
| 32   | C 27328   | CAMSHAFT  | 1      |
| 33   | 192-18    | LOCKWASHER - No. 10 x 1/16" x 3/64"   | 1      |
| 34   | C 27329   | OIL SLINGER   | 1      |
| 35   | C 27330   | GEAR - governor   | 1      |
| 36   | C 27331   | WASHER - thrust   | 1      |
| 37   | C 27346   | DIPSTICK AND TUBE ASSEMBLY - oil check and fill   | 1      |
| 38   | 187-1047  | SCREW - No. 8 - 18 x 1/2" round head  | 2      |
| 39   | C 27336   | CLAMP - oil tube  | 1      |
| 40   | C 27337   | DIPSTICK - oil  | 1      |
| 41   | C 27338   | SEAL - oil tube   | 1      |
| 42   | C 27339   | TUBE - oil filler   | 1      |
| 43   | C 27345   | SEAL - oil fill cap   | 1      |
| 44   | 113-120   | BOLT - 5/16" - 18 x 1-3/4"  | 6      |
| 45   | 192-20    | LOCK WASHER - 5/16"   | 6      |
| 46   | C 27342   | GASKET - cover  | 1      |
| 47   | C 25749   | SCREW - No. 10 - 32 x 5/8"  | 1      |
| 48   | 221-86    | REDUCER - pipe 3/8" to 1/4" oil drain   | 1      |
| 49   | C 19473   | NIPPLE - pipe, oil drain  | 1      |
| 50   | C 14906   | GASKET - oil drain  | 1      |
| 51   | C 14399   | PLUG - oil drain  | 1      |
| 52   | C 27583   | RETAINER AND SEAL ASSEMBLY - valve  | 1      |
|      | C 27335   | GASKET KIT - includes items 5, 6, 8, 48, valve cover gasket, intake manifold gasket and carburetor gasket | 1      |

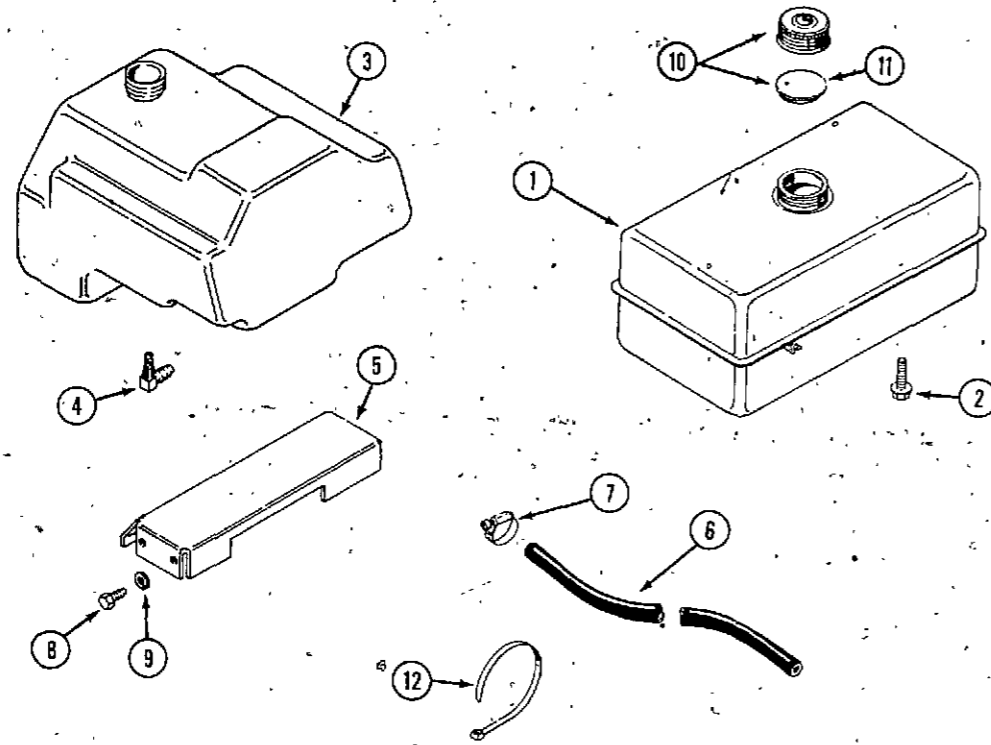


**FLYWHEEL AND STATOR**

| REF. | PART NO.  | DESCRIPTION                           | REQ'D. |
|------|-----------|---------------------------------------|--------|
| 1    | BR 391983 | FLYWHEEL AND RING GEAR ASSEMBLY - 108 | 1      |
| 1    | C 25719   | FLYWHEEL AND RING GEAR ASSEMBLY - 110 | 1      |
| 1    | C 27351   | FLYWHEEL AND RING GEAR ASSEMBLY - 116 | 1      |
| 2    | BR 392134 | RING GEAR - 108 and 110               | 1      |
| 2    | C 27365   | RING GEAR - 116                       | 1      |
| 3    | BR 220865 | WASHER - spring (108 and 110)         | 1      |
| 3    | C 27352   | WASHER - spring (116)                 | 1      |
| 4    | 182- 84   | SCREW - No. 8 - 32 x 3/8"             | 3      |
| 5    | 193- 25   | LOCK WASHER - No. 8                   | 3      |
| 6    | BR 222562 | SCREEN - flywheel (108 and 110)       | 1      |
| 6    | C 27358   | SCREEN - flywheel (116)               | 1      |
| 7    | BR 222561 | CUP - screen mounting (108 and 110)   | 1      |
| 7    | C 27357   | CUP - screen mounting (116)           | 1      |
| 8    | BR 393474 | STATOR - alternator                   | 1      |
| 9    | BR 393456 | DIODE AND CONNECTOR ASSEMBLY          | 1      |
| 10   | 182- 90   | SCREW - No. 8 - 32 x 1"               | 4      |
| 11   | 195- 10   | WASHER - No. 8                        | 4      |
| 12   | C 27253   | ARMATURE ASSEMBLY - (108 and 110)     | 1      |
| 12   | C 27420   | ARMATURE ASSEMBLY - (116)             | 1      |
| 13   | C 27270   | ARMATURE - (108 and 110)              | 1      |
| 13   | C 27419   | ARMATURE - (116)                      | 1      |
| 14   | C 27269   | TRIGGER - ignition                    | 1      |
| 15   | BR 221798 | TERMINAL - ignition cable             | UAR    |
| 16   | 182- 549  | SCREW - No. 8 - 32 x 3/4"             | 2      |
| 17   | BR 66538  | BOOT - spark plug                     | UAR    |
| 18   | C 24329   | SPARK PLUG - (108 and 110) resistor   | 1      |
| 18   | C 27334   | SPARK PLUG - (116) resistor           | 2      |

**ENGINE COUNTERWEIGHT (108 - 110)**

| REF. | PART NO. | DESCRIPTION                    | REQ'D. |
|------|----------|--------------------------------|--------|
| 1    | C 26197  | COUNTERWEIGHT - engine         | 1      |
| 2    | C 26198  | BRACKET - weight mount         | 1      |
| 3    | C 26199  | BRACKET - weight mount         | 1      |
| 4    | 111- 539 | BOLT - 1/2" - 13 x 2" carriage | 3      |
| 5    | 195- 533 | WASHER - 1/2"                  | 3      |
| 6    | 192- 23  | LOCK WASHER 1/2"               | 3      |
| 7    | 129- 105 | NUT - 1/2" - 13 hex            | 3      |
| 8    | 131- 911 | NUT - 5/16" - 18 flange lock   | 3      |
| 9    | 113- 102 | BOLT - 5/16" - 18 x 3/4"       | 1      |
| 10   | 192- 20  | LOCK WASHER - 5/16"            | 1      |



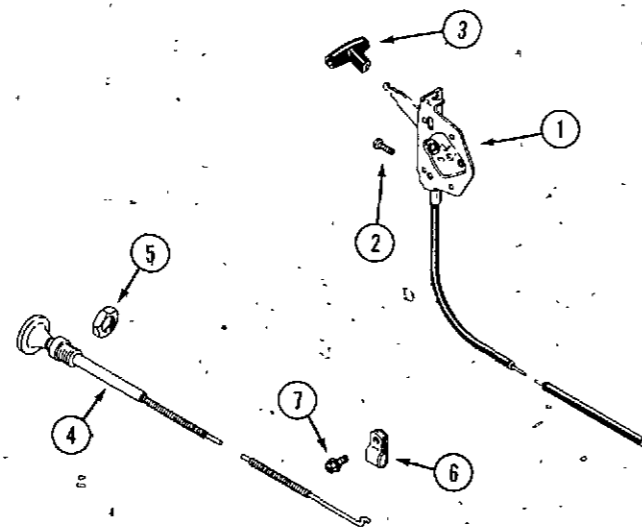
**FUEL SYSTEM**

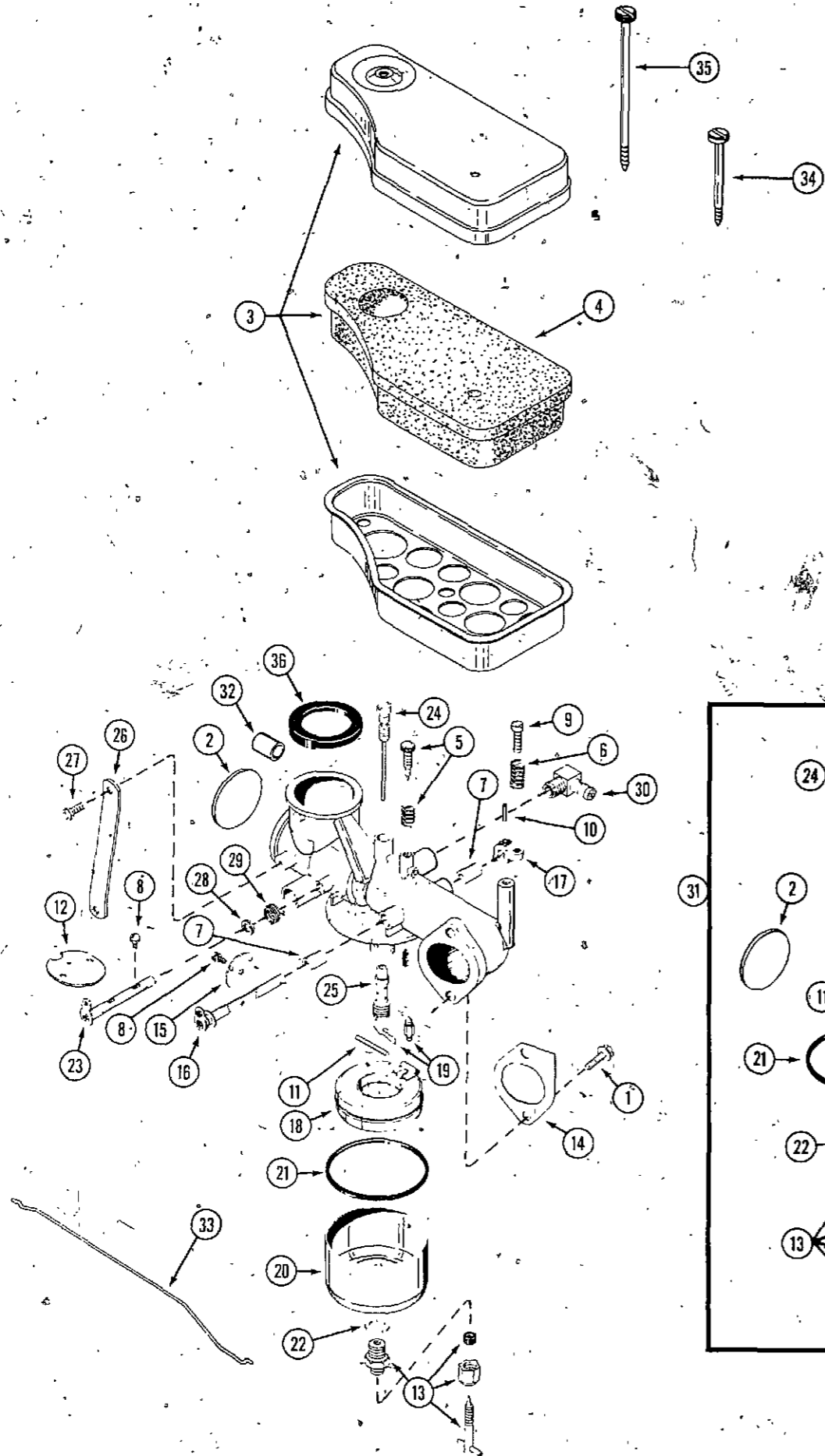
| REF. | PART NO.  | DESCRIPTION                           | REQ'D |
|------|-----------|---------------------------------------|-------|
| 1    | C 27079   | TANK - fuel (108 - 110)               | 1     |
| 2    | 187- 1036 | SCREW - 1/4" - 20 x 1/2" hex self tap | 2     |
| 3    | C 27060   | TANK - fuel (116)                     | 1     |
| 4    | C 10657   | FITTING - elbow, filter (116)         | 1     |
| 5    | C 27061   | BRACKET - tank mounting (116)         | 1     |
| 6    | NSS*      | FUEL LINE - 18" (460 mm) 108-110      | 1     |
| 6    | NSS*      | FUEL LINE - 40-1/2" (1030 mm) 116     | 1     |
| 7    | 214- 251  | CLAMP - hose                          | 2     |
| 8    | 113- 1    | BOLT - 1/4" - 20 x 1/2" hex           | 4     |
| 9    | 192- 19   | LOCK WASHER - 1/4"                    | 4     |
| 10   | C 11529   | CAP - fuel tank                       | 1     |
| 11   | C 11545   | INSERT - fuel cap                     | 1     |
| 12   | A 169433  | TIE - fuel line (116)                 | 1     |

\* Use A21561 bulk 25 ft. roll.  
Cut to length.

**CHOKE AND THROTTLE**

| REF. | PART NO.  | DESCRIPTION                                   | REQ'D |
|------|-----------|---|-------|
| 1    | C 25765   | CONTROL - choke and throttle (108 - 110)      | 1     |
| 1    | C 27063   | CONTROL - throttle (116)                      | 1     |
| 2    | 187- 1334 | SCREW - No. 8 - 18 x 1/2" self tapping, black | 2     |
| 3    | C 15540   | HANDLE - "T"                                  | 1     |
| 4    | C 27064   | CONTROL - choke (116)                         | 1     |
| 5    | 129- 163  | NUT - retaining (116)                         | 1     |
| 6    | C 27233   | CLAMP - cable                                 | 1     |
| 7    | 187- 1908 | SCREW - No. 10 - 16 x 5/8" hex                | 1     |



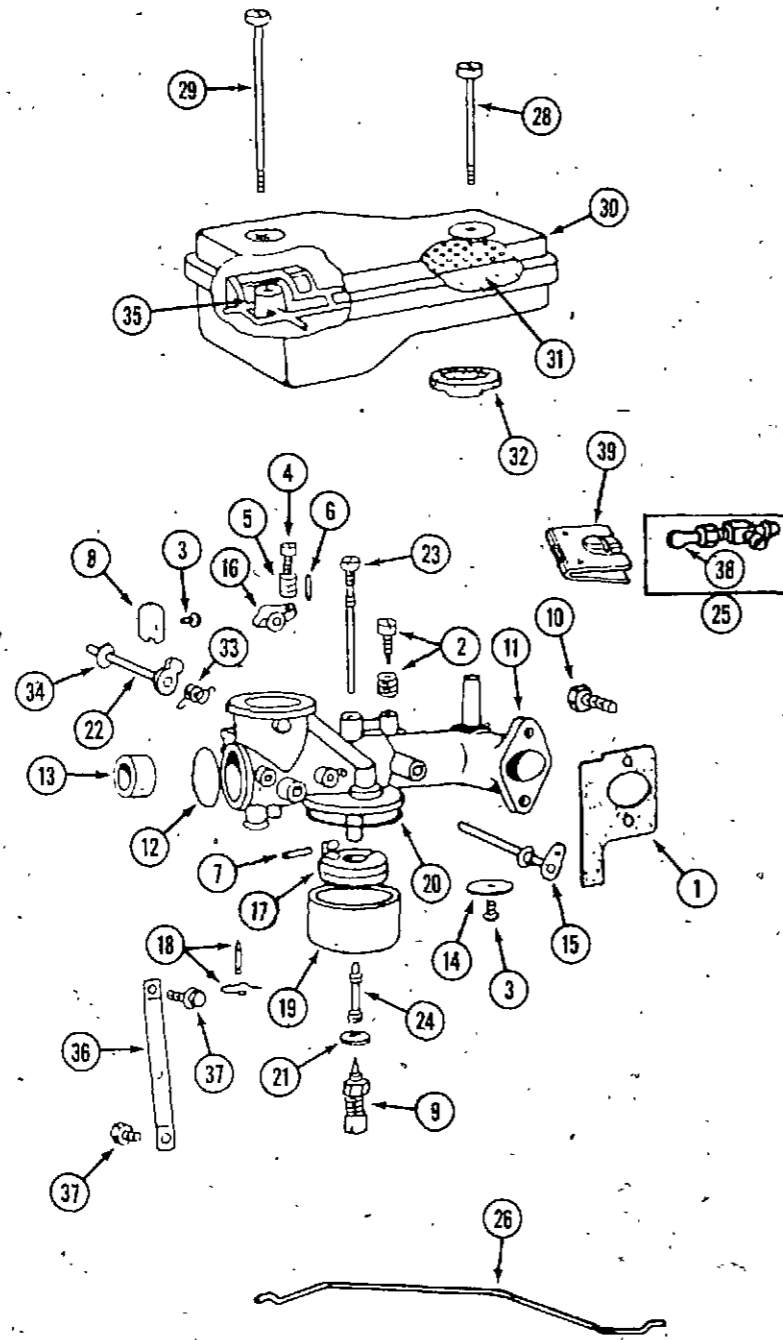


**BR 390811 CARBURETOR (108)**

| REF. | PART NO.  | DESCRIPTION                         | REQ'D |
|------|-----------|-------------------------------------|-------|
| 1    | BR 93357  | SCREW - carburetor mtg              | 2     |
| 2    | 41- 24    | PLUG - welch                        | 1     |
| 3    | BR 391399 | CLEANER ASSEMBLY - air              | 1     |
| 4    | BR 270528 | ELEMENT - air cleaner               | 1     |
|      | C 26358   | CUP - air cleaner                   | 1     |
| 5    | BR 292681 | VALVE ASSEMBLY - carburetor idle    | 1     |
| 6    | BR 26157  | SPRING - throttle adjust            | 1     |
| 7    | NSS       | BUSHING - throttle shaft            | 2     |
| 8    | BR 93499  | SCREW - throttle and choke mounting | 3     |
| 9    | 182- 87   | SCREW - #8 x 5/8" machine           | 1     |
| 10   | 138- 251  | PIN - throttle stop                 | 1     |
| 11   | BR 230896 | PIN - float hinge                   | 1     |
| 12   | BR 222010 | VALVE - choke                       | 1     |
| 13   | BR 391233 | VALVE ASSEMBLY - needle             | 1     |
| 14   | BR 270824 | GASKET - carburetor mounting        | 1     |
| 15   | BR 221986 | VALVE - throttle                    | 1     |
| 16   | BR 391512 | SHAFT AND LEVER - throttle          | 1     |
| 17   | BR 211712 | STOP - throttle                     | 1     |
| 18   | BR 299707 | FLOAT - carburetor                  | 1     |
| 19   | C 27254   | VALVE - fuel inlet assembly         | 1     |
| 20   | BR 221995 | BOWL - float                        | 1     |
| 21   | BR 270511 | GASKET - float bowl                 | 1     |
| 22   | BR 222014 | WASHER - float bowl                 | 1     |
| 23   | BR 390684 | SHAFT AND LEVER - choke             | 1     |
| 24   | BR 299740 | NOZZLE - carburetor                 | 1     |
| 25   | BR 230932 | SCREW - nozzle                      | 1     |
| 26   | BR 222027 | BRACKET - carburetor                | 1     |
| 27   | 187- 1510 | SCREW - bracket mounting            | 2     |
| 28   | BR 270382 | WASHER - choke shaft                | 1     |
| 29   | BR 261116 | SPRING - choke return               | 1     |
| 30   | C 10678   | CONNECTOR - fuel pipe               | 1     |
| 31   | C 27255   | KIT - carburetor overhaul           | 1     |
| 32   | BR 211682 | VENTURI                             | 1     |
| 33   | C 27243   | LINK - choke                        | 1     |
| 34   | BR 93622  | SCREW - air cleaner                 | 1     |
| 35   | BR 93323  | SCREW - air cleaner                 | 1     |
| 36   | BR 270539 | GASKET - air cleaner                | 1     |

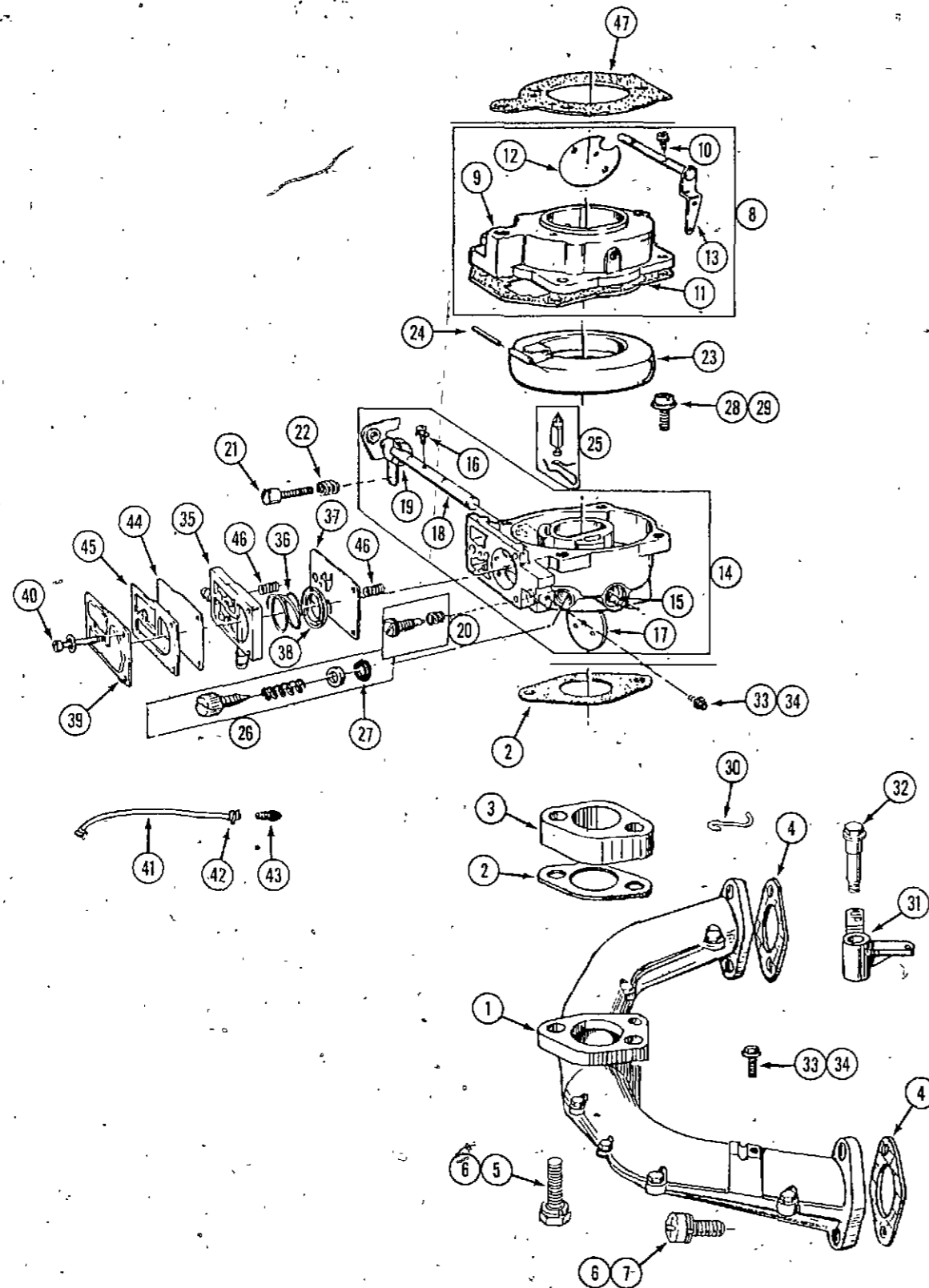


**C25740 CARBURETOR (110)**



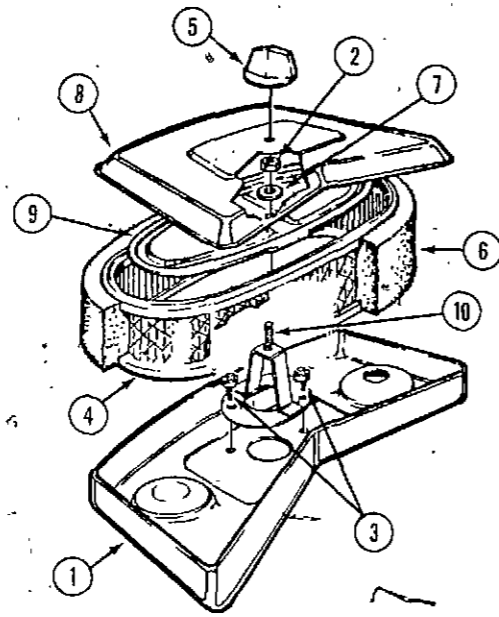
| REF. | PART NO.  | DESCRIPTION  | REQ'D |
|------|-----------|--|-------|
| 1    | C 25738   | GASKET - carburetor mounting   | 1     |
| 2    | BR 292681 | VALVE ASSEMBLY - carburetor idle   | 1     |
| 3    | BR 93499  | SCREW - throttle and choke valve mounting, sems                                | 2     |
| 4    | 182- 87   | SCREW - machine fillister head 8-32 x 5/8"                                     | 1     |
| 5    | BR 26157  | SPRING - throttle adjustment   | 1     |
| 6    | 138- 251  | PIN - throttle stop  | 1     |
| 7    | BR 230896 | PIN - float hinge  | 1     |
| 8    | BR 222010 | VALVE - choke  | 1     |
| 9    | BR 391233 | VALVE - needle   | 1     |
| 10   | BR 93357  | SCREW - carburetor mounting  | 2     |
| 11   | NSS       | BODY ASSEMBLY - carburetor (use C25740 carburetor)                             | 1     |
| 12   | 41- 24    | PLUG - welch   | 1     |
| 13   | C 25742   | VENTURI - carburetor   | 1     |
| 14   | C 27240   | VALVE - throttle   | 1     |
| 15   | BR 391512 | SHAFT & LEVER - throttle   | 1     |
| 16   | BR 211712 | STOP - throttle  | 1     |
| 17   | BR 299707 | FLOAT - carburetor   | 1     |
| 18   | BR 299096 | VALVE - fuel inlet   | 1     |
| 19   | BR 221995 | BOWL - float   | 1     |
| 20   | BR 270511 | GASKET - float bowl  | 1     |
| 21   | BR 222014 | WASHER - float bowl  | 1     |
| 22   | BR 390684 | SHAFT & LEVER - choke  | 1     |
| 23   | BR 299740 | NOZZLE - carburetor  | 1     |
| 24   | BR 230932 | SCREW - nozzle   | 1     |
| 25   | C 27268   | CONNECTOR - fuel line  | 1     |
| 26   | C 27244   | LINK - choke   | 1     |
| 28   | BR 93622  | SCREW - air cleaner  | 1     |
| 29   | BR 93323  | SCREW - air cleaner  | 1     |
| 30   | C 25759   | CLEANER ASSEMBLY - air   | 1     |
| 31   | C 25758   | ELEMENT - air cleaner  | 1     |
|      | C 26358   | CUP - air cleaner  | 1     |
| 32   | C 25760   | GASKET - air cleaner   | 1     |
| 33   | BR 261116 | SPRING - choke return  | 1     |
| 34   | BR 270382 | WASHER - choke shaft   | 1     |
| 35   | C 25762   | SUPPORT - air cleaner element  | 1     |
| 36   | C 25764   | BRACKET - carburetor   | 1     |
| 37   | 187- 1510 | SCREW  | 2     |
| 38   | C 27267   | VALVE - fuel shut off  | 1     |
| 39   | C 27266   | HANDLE - fuel shut off valve   | 1     |
|      | BR 299852 | CARBURETOR OVERHAUL KIT - (includes items 2, 7, 9, 12, 18, 20, 21, 23, and 24) | 1     |

CARBURETOR, FUEL PUMP AND MANIFOLD (116)



| REF. | PART NO.  | DESCRIPTION  | REQ'D |
|------|-----------|--|-------|
| 1    | C 27375   | MANIFOLD - intake  | 1     |
| 2    | C 27376   | GASKET - manifold to spacer and carburetor   | 2     |
| 3    | C 27377   | SPACER - carburetor  | 1     |
| 4    | C 27378   | GASKET - manifold mounting   | 2     |
| 5    | 113- 5    | BOLT - 1/4" - 20 x 1-1/2"  | 2     |
| 6    | 192- 19   | LOCK WASHER - 1/4"   | 2     |
| 7    | 182- 205  | SCREW - 1/4" - 20 x 7/8"   | 4     |
|      | C 27379   | CARBURETOR ASSEMBLY  | 1     |
| 8    | C 27380   | BODY ASSEMBLY - upper  | 1     |
| 9    | C 27381   | BODY - upper carburetor  | 1     |
| 10   | BR 93499  | SCREW - valve  | 2     |
| 11   | C 27384   | GASKET - body  | 1     |
| 12   | BR 222010 | VALVE - choke  | 1     |
| 13   | C 27387   | SHAFT - choke  | 1     |
| 14   | C 27386   | BODY ASSEMBLY - lower  | 1     |
| 15   | C 27382   | BUSHING - throttle shaft   | 1     |
| 16   | BR 93499  | SCREW - valve  | 2     |
| 17   | C 27240   | VALVE - throttle   | 1     |
| 18   | C 27383   | SHAFT - throttle   | 1     |
| 19   | C 27409   | WASHER - throttle  | 1     |
| 20   | BR 292681 | VALVE ASSEMBLY - idle fuel   | 1     |
| 21   | 182- 87   | SCREW - No. 8 - 32 x 5/8"  | 1     |
| 22   | BR 26157  | SPRING - throttle adjustment   | 1     |
| 23   | C 27385   | FLOAT - carburetor   | 1     |
| 24   | BR 230896 | PIN - float hinge  | 1     |
| 25   | BR 299096 | VALVE - fuel inlet   | 1     |
| 26   | C 27412   | VALVE ASSEMBLY - needle  | 1     |
| 27   | C 27388   | PACKING - needle valve   | 1     |
| 28   | 163- 4    | SCREW - No. 10 - 32 x 5/8"   | 4     |
| 29   | 192- 18   | WASHER - No. 10  | 4     |
| 30   | C 27392   | LINK - throttle  | 1     |
| 31   | C 27393   | BELLCRANK  | 1     |
| 32   | C 27394   | BOLT - shoulder  | 1     |
| 33   | 177- 97   | SCREW - No. 10 - 32 x 1/2"   | 2     |
| 34   | 195- 513  | WASHER - No. 10  | 2     |
| 35   | C 27399   | BODY - pump  | 1     |
| 36   | C 27400   | SPRING - pump  | 1     |
| 37   | C 27401   | DIAPHRAGM  | 1     |
| 38   | C 27402   | CAP - spring   | 1     |
| 39   | C 27403   | COVER - fuel pump  | 1     |
| 40   | 182- 49   | SCREW - No. 6 - 32 x 7/8"  | 3     |
| 41   | NSS*      | HOSE - vacuum, fuel pump 9'  | 1     |
| 42   | 214- 251  | CLAMP - hose   | 2     |
| 43   | C 27333   | CONNECTOR - fuel pump hose   | 1     |
| 44   | C 27413   | DIAPHRAGM - damping  | 1     |
| 45   | C 27414   | GASKET - pump cover  | 1     |
| 46   | C 27415   | SPRING   | 2     |
| 47   | C 27407   | GASKET - air cleaner   | 1     |
|      | C 27389   | KIT - carburetor overhaul (includes items 11, 19, 20, 24, 25, 26, 27 and fuel pump repair kit) | 1     |
|      | C 27416   | KIT - fuel pump repair (includes items 36, 37, 38, 44, 45 and 46)                              | 1     |

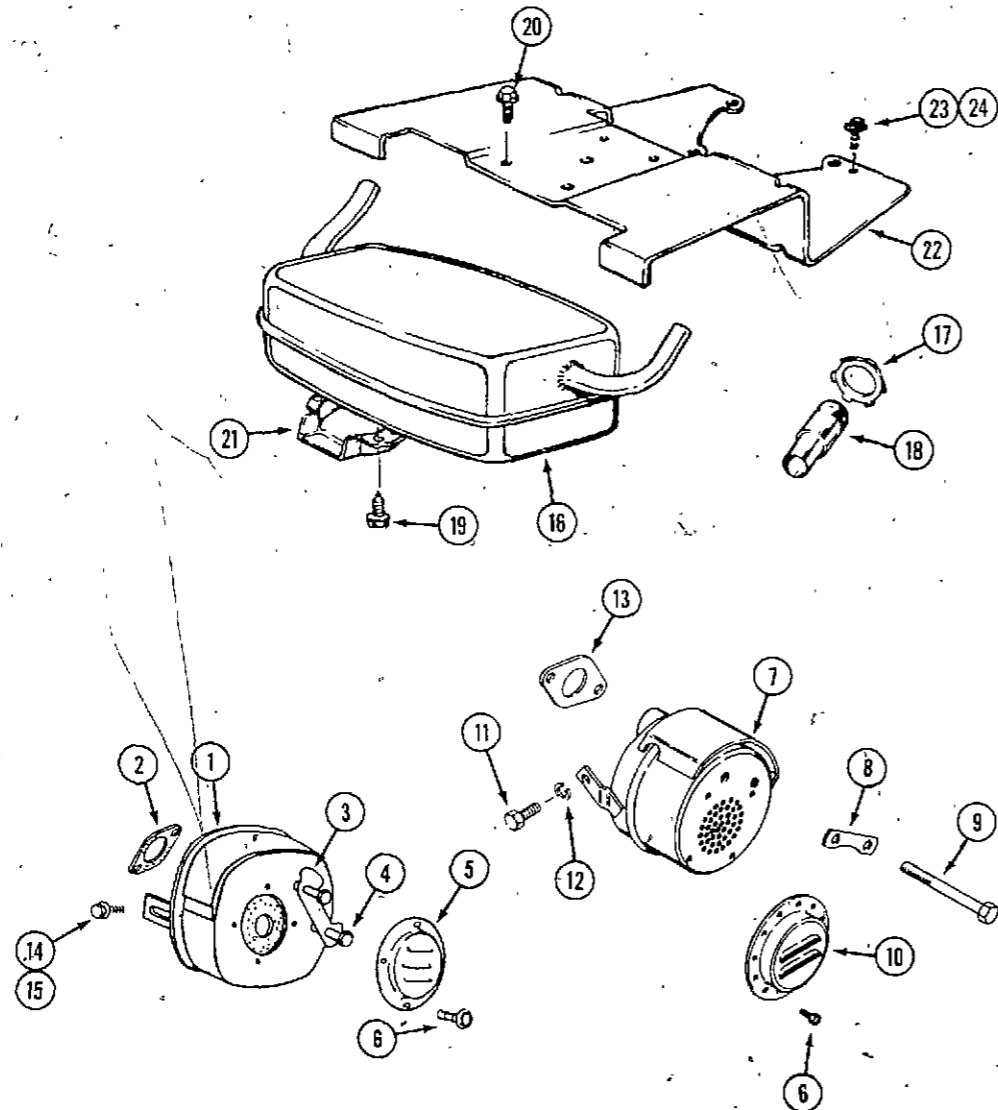
\* Use A21581 bulk 25 ft.  
Cut to length.



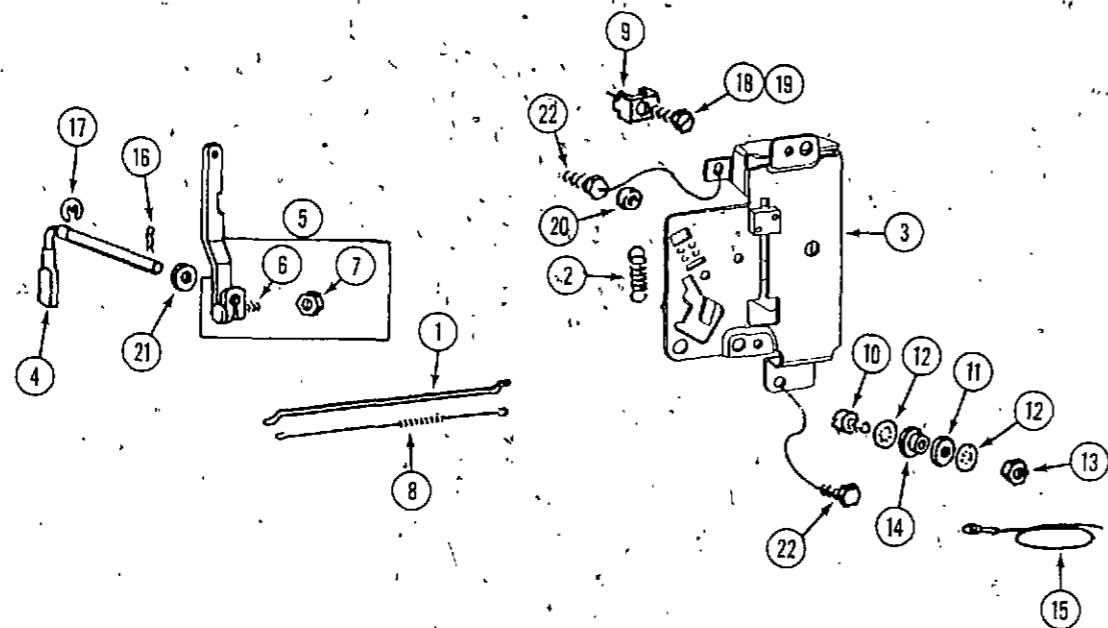
**AIR CLEANER (116)**

| REF. | PART NO. | DESCRIPTION                | REQ'D |
|------|----------|----------------------------|-------|
| 1    | C 27390  | HOUSING - air cleaner      | 1     |
| 2    | 129- 101 | NUT - 1/4" hex             | 1     |
| 3    | 169- 137 | SCREW - No. 10 - 24 x 5/8" | 2     |
| 4    | C 27404  | ELEMENT - air cleaner      | 1     |
| 5    | C 27405  | KNOB - cover; air cleaner  | 1     |
| 6    | C 27406  | PRECLEANER                 | 1     |
| 7    | C 27408  | WASHER - element plate     | 1     |
| 8    | C 27410  | COVER - air cleaner        | 1     |
| 9    | C 27411  | PLATE - element            | 1     |
| 10   | C 27417  | BRACKET - mounting         | 1     |

**MUFFLER**

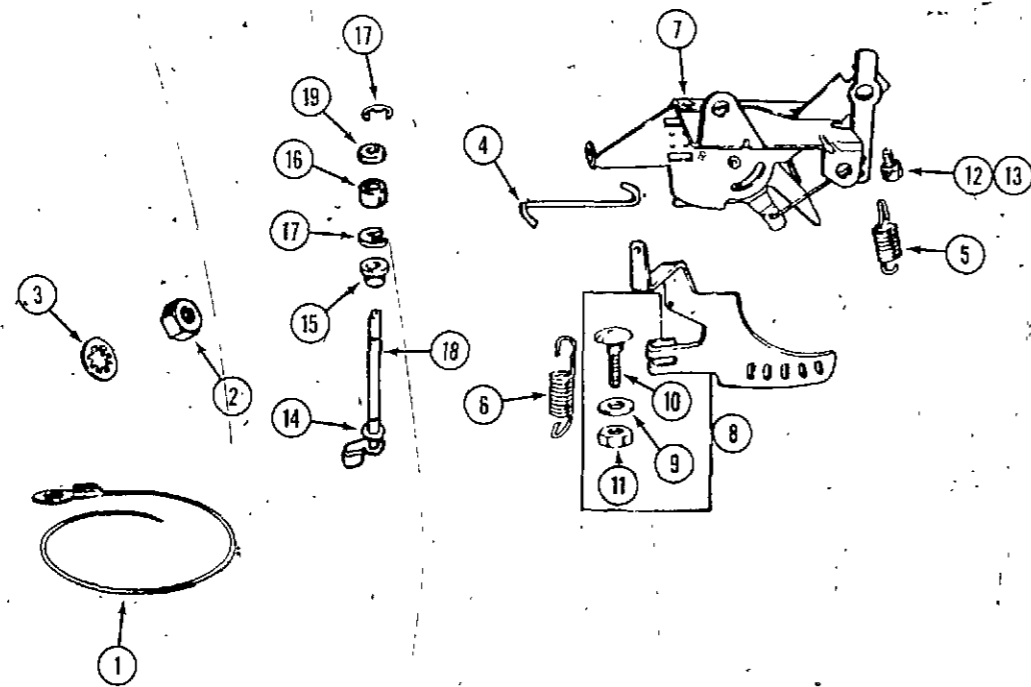


| REF. | PART NO.  | DESCRIPTION                   | REQ'D. |
|------|-----------|-------------------------------|--------|
| 1    | BR 391313 | MUFFLER - exhaust (108)       | 1      |
| 2    | C 24340   | GASKET - exhaust (108)        | 1      |
| 3    | BR 222263 | LOCK - bolt (108)             | 1      |
| 4    | C 27237   | BOLT - muffler (108)          | 2      |
| 5    | C 27239   | DEFLECTOR - exhaust (108)     | 1      |
| 6    | 187- 1041 | SCREW - special               | 8      |
| 7    | C 25469   | MUFFLER - exhaust (110)       | 1      |
| 8    | C 25701   | LOCK - bolt (110)             | 1      |
| 9    | 113- 138  | BOLT - (110)                  | 2      |
| 10   | C 25500   | DEFLECTOR - exhaust (110)     | 1      |
| 11   | 113- 1    | BOLT - 1/4" - 20 x 1/2" (110) | 1      |
| 12   | 192- 19   | LOCK WASHER - 1/4" (110)      | 1      |
| 13   | C 26507   | GASKET - exhaust (110)        | 1      |
| 14   | 22- 412   | BOLT - (108)                  | 1      |
| 15   | 195- 18   | LOCK WASHER - (108)           | 1      |
| 16   | C 27353   | MUFFLER - exhaust (116)       | 1      |
| 17   | C 27354   | NUT - lock, muffler           | 2      |
| 18   | C 27367   | CONNECTOR - muffler (116)     | 2      |
| 19   | 187- 1041 | SCREW - No. 8 - 32 x 3/8"     | 4      |
| 20   | 113- 2    | BOLT - 1/4" - 20 x 5/8"       | 4      |
| 21   | C 27364   | DEFLECTOR - exhaust (116)     | 1      |
| 22   | C 27366   | BRACKET - muffler (116)       | 1      |
| 23   | 22- 48    | SCREW - 1/4" - 20 x 1/2"      | UAR    |
| 24   | 192- 19   | LOCK WASHER - 1/4"            | UAR    |



GOVERNOR (108, 110)

| REF. | PART NO.  | DESCRIPTION                  | REQ'D. |
|------|-----------|------------------------------|--------|
| 1    | C 27242   | LINK - governor (108)        | 1      |
| 1    | C 25744   | LINK - governor (110)        | 1      |
| 2    | BR 261306 | SPRING - governor (108)      | 1      |
| 2    | BR 261129 | SPRING - governor (110)      | 1      |
| 3    | C 27257   | BRACKET - governor           | 1      |
| 4    | BR 231058 | CRANK - governor             | 1      |
| 5    | BR 391733 | LEVER ASSEMBLY               | 1      |
| 6    | 111- 2    | BOLT - lever                 | 1      |
| 7    | 129- 17   | NUT - No. 10 - 24            | 1      |
| 8    | C 27241   | SPRING - governor link (108) | 1      |
| 8    | C 25747   | SPRING - governor link (110) | 1      |
| 9    | BR 221535 | CLAMP - casing               | 1      |
| 10   | 182- 87   | SCREW - terminal             | 1      |
| 11   | BR 66068  | WASHER - insulating          | 1      |
| 12   | 193- 25   | LOCK WASHER                  | 2      |
| 13   | 129- 16   | NUT - No. 8 - 32             | 2      |
| 14   | BR 66554  | COLLAR - insulating          | 1      |
| 15   | BR 299500 | WIRE - ground                | 1      |
| 16   | 136- 103  | PIN - cotter hair pin        | 1      |
| 17   | A 27795   | RETAINER - "E" ring          | 1      |
| 18   | 163 4     | SCREW                        | 1      |
| 19   | 192- 18   | WASHER                       | 1      |
| 20   | C 25763   | SPACER - mounting (110)      | 1      |
| 21   | BR 222450 | WASHER - governor crank      | 1      |
| 22   | 187 1510  | SCREW - mounting             | 1      |

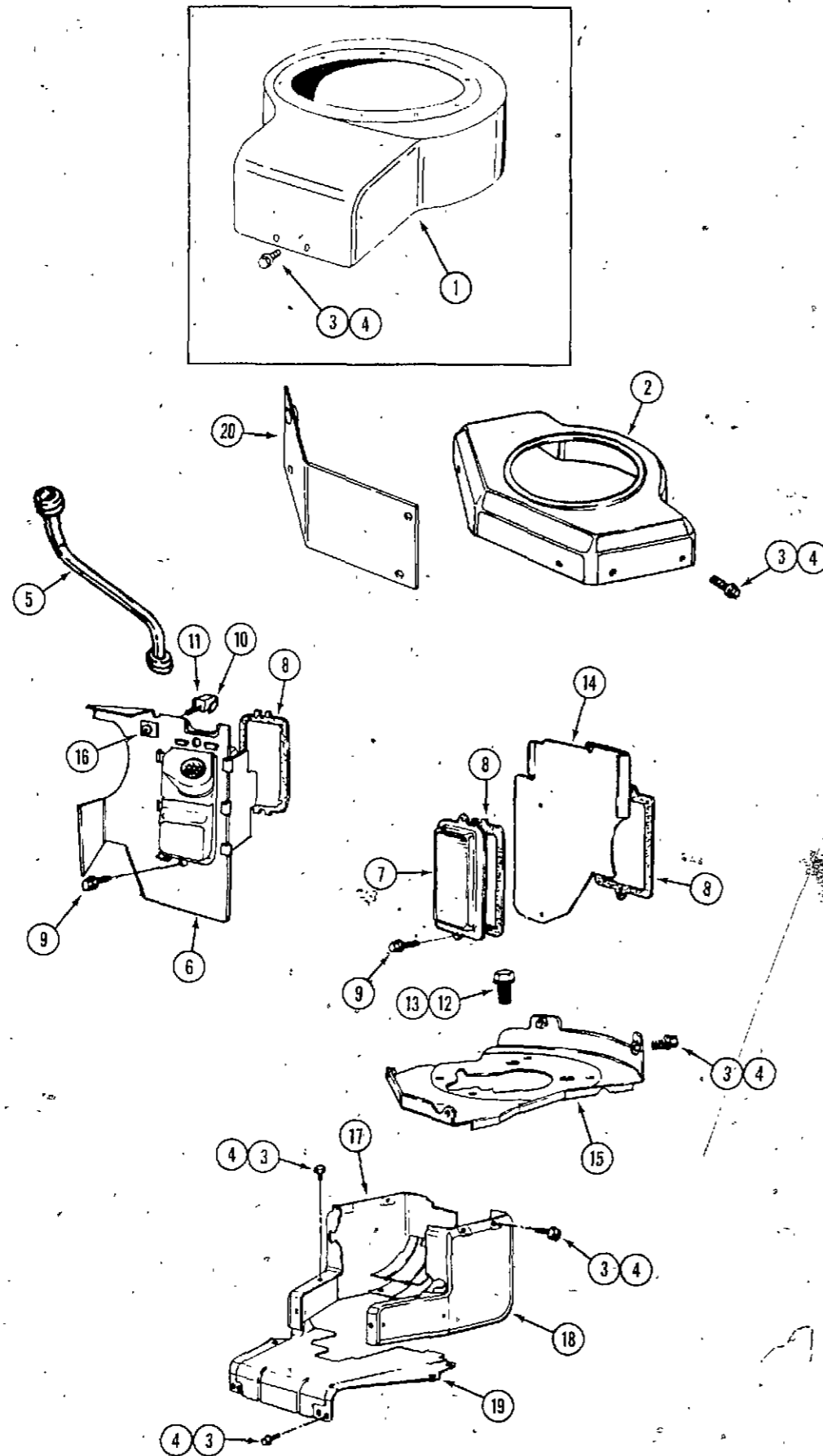


GOVERNOR (116)

| REF. | PART NO.  | DESCRIPTION                     | REQ'D. |
|------|-----------|---------------------------------|--------|
| 1    | BR 299500 | WIRE - ground                   | 1      |
| 2    | 129- 16   | NUT - No. 8 - 32                | 1      |
| 3    | 193- 25   | LOCK WASHER - No. 8             | 1      |
| 4    | C 27391   | LINK - governor                 | 1      |
| 5    | C 27395   | SPRING - governor               | 1      |
| 6    | C 27396   | SPRING - governor idle          | 1      |
| 7    | C 27397   | BRACKET - governor              | 1      |
| 8    | C 27398   | LEVER ASSEMBLY - governor       | 1      |
| 9    | 195- 518  | WASHER - 1/4"                   | 1      |
| 10   | 111- 404  | BOLT - 1/4" - 20 x 1-1/4"       | 1      |
| 11   | 129- 101  | NUT - 1/4" hex                  | 1      |
| 12   | 22- 48    | SCREW - 1/4" - 20 x 1/2"        | 2      |
| 13   | 192- 19   | LOCKWASHER - 1/4"               | 2      |
| 14   | C 27332   | WASHER - governor crank, inside | 1      |
| 15   | C 27340   | BUSHING - governor crank        | 1      |
| 16   | C 27341   | BUSHING - governor crank        | 1      |
| 17   | C 14652   | RETAINER - "E" ring             | 2      |
| 18   | C 27343   | CRANK - governor                | 1      |
| 19   | C 27344   | SEAL - foam                     | 1      |

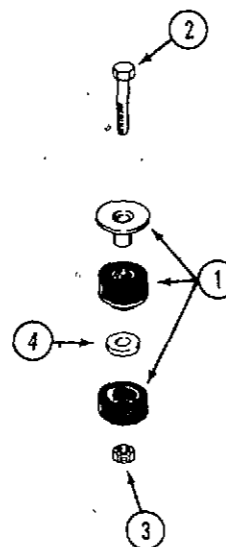
**BLOWER HOUSING, ENGINE AIR BAFFLES AND BREATHER COVERS**

| REF. | PART NO.  | DESCRIPTION                    | REQ'D. |
|------|-----------|--------------------------------|--------|
| 1    | BR 391379 | HOUSING - blower (108)         | 1      |
| 1    | C 27273   | HOUSING - blower (110)         | 1      |
| 2    | C 27355   | HOUSING - blower (116)         | 1      |
| 3    | 22- 48    | SCREW - 1/4" - 20 x 1/2"       | UAR    |
| 4    | 192- 19   | LOCK WASHER - 1/4"             | UAR    |
| 5    | C 27309   | TUBE - breather (116)          | 1      |
| 6    | C 27348   | BREATHER ASSEMBLY - R.H. (116) | 1      |
| 7    | C 27349   | COVER - breather L.H. (116)    | 1      |
| 8    | C 27350   | GASKET - valve cover (116)     | 2      |
| 9    | 187- 1508 | SCREW - No. 10 - 24 x 1/2"     | 4      |
| 10   | C 27359   | TERMINAL                       | 1      |
| 11   | C 27360   | GROMMET - insulator            | 1      |
| 12   | 113- 101  | BOLT - 5/16" - 18 x 1/2"       | 4      |
| 13   | 192- 20   | WASHER - 5/16"                 | 4      |
| 14   | C 27362   | BAFFLE - L.H. rear, air        | 1      |
| 15   | C 27363   | PLATE - back                   | 1      |
| 16   | 129- 16   | NUT - No. 8 - 32               | 2      |
| 17   | C 27368   | BAFFLE - cylinder R.H.         | 1      |
| 18   | C 27369   | BAFFLE - cylinder L.H.         | 1      |
| 19   | C 27370   | PLATE - top                    | 1      |
| 20   | C 27059   | BAFFLE - engine, front         | 1      |



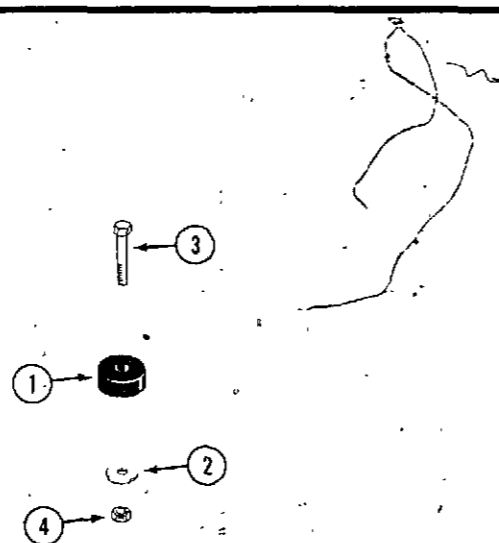
ENGINE MOUNTS (108 - 110)

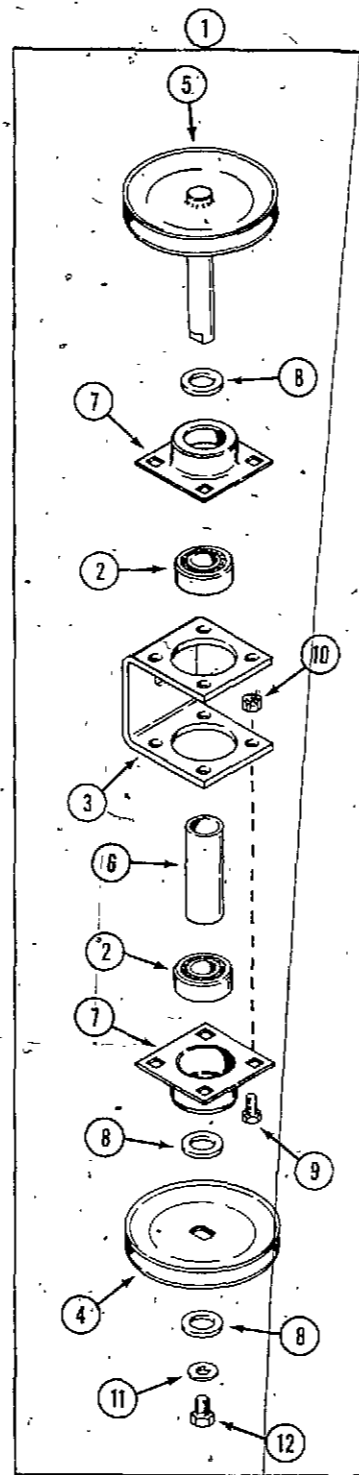
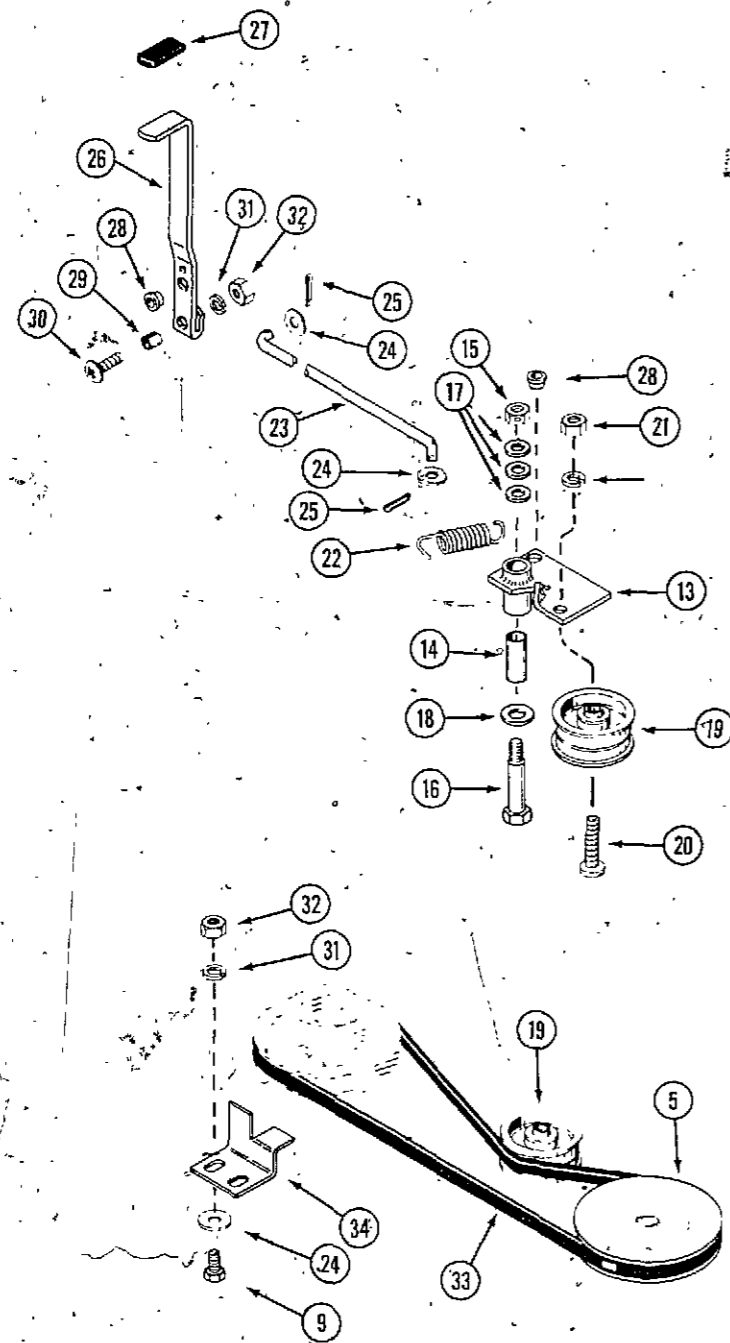
| REF. | PART NO. | DESCRIPTION                          | REQ'D. |
|------|----------|--------------------------------------|--------|
| 1    | C 25468  | MOUNT - engine .....                 | 4      |
| 2    | 113- 110 | BOLT - 5/16" - 18 x 2-1/4" hex ..... | 4      |
| 3    | 131- 176 | NUT - 5/16" lock .....               | 4      |
| 4    | 195- 525 | WASHER - spacer .....                | 4      |



ENGINE MOUNTS (116)

| REF. | PART NO.  | DESCRIPTION                      | REQ'D. |
|------|-----------|----------------------------------|--------|
| 1    | D 59705   | WASHER - rubber .....            | 4      |
| 2    | 195- 2175 | WASHER - flat .....              | 4      |
| 3    | 113- 120  | BOLT - 5/16" - 18 x 1-3/4" ..... | 4      |
| 4    | 131- 176  | NUT - 5/16" lock .....           | 4      |

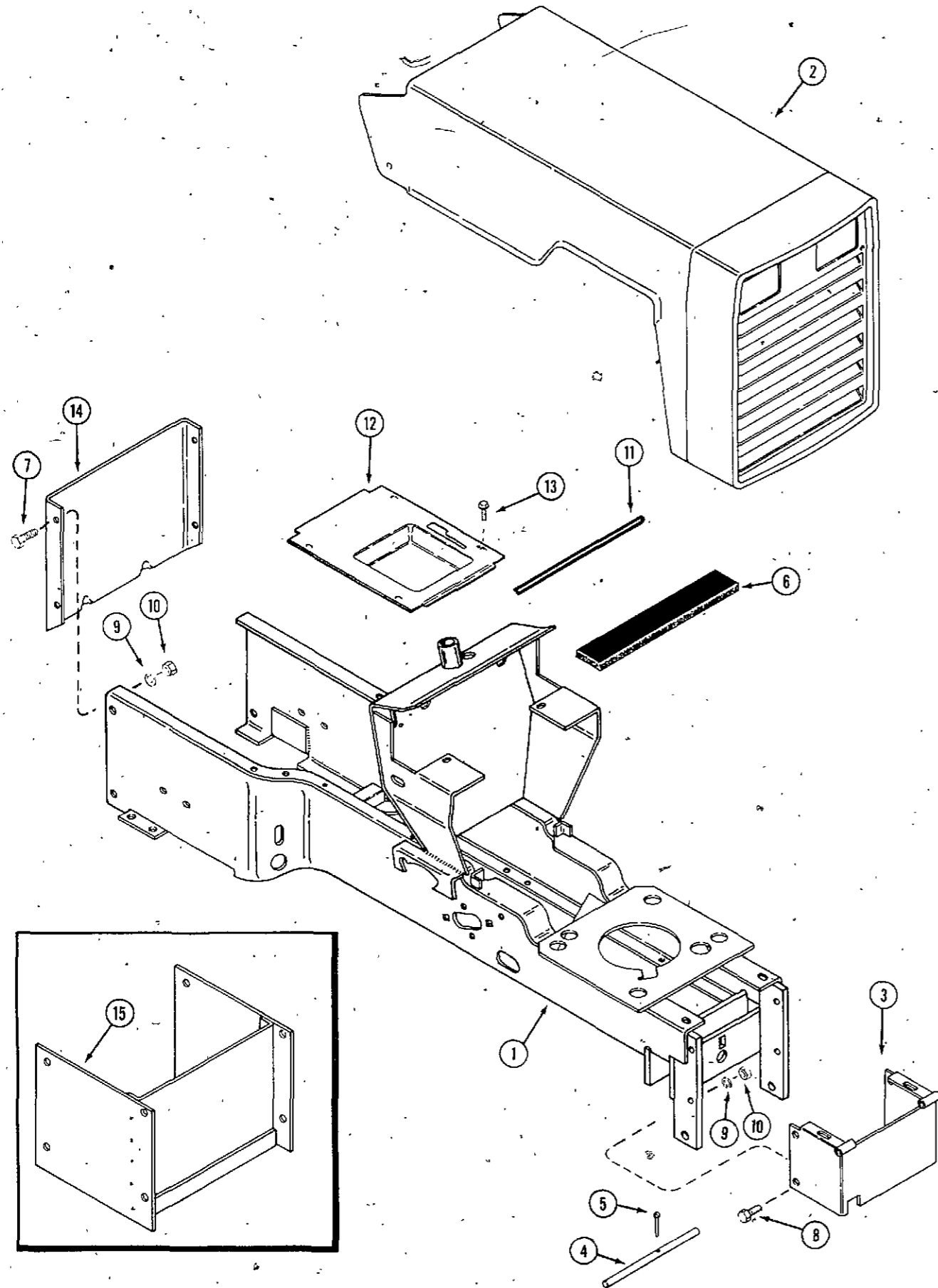




ATTACHMENT DRIVE POWER TAKE OFF (PTO) ASSEMBLY

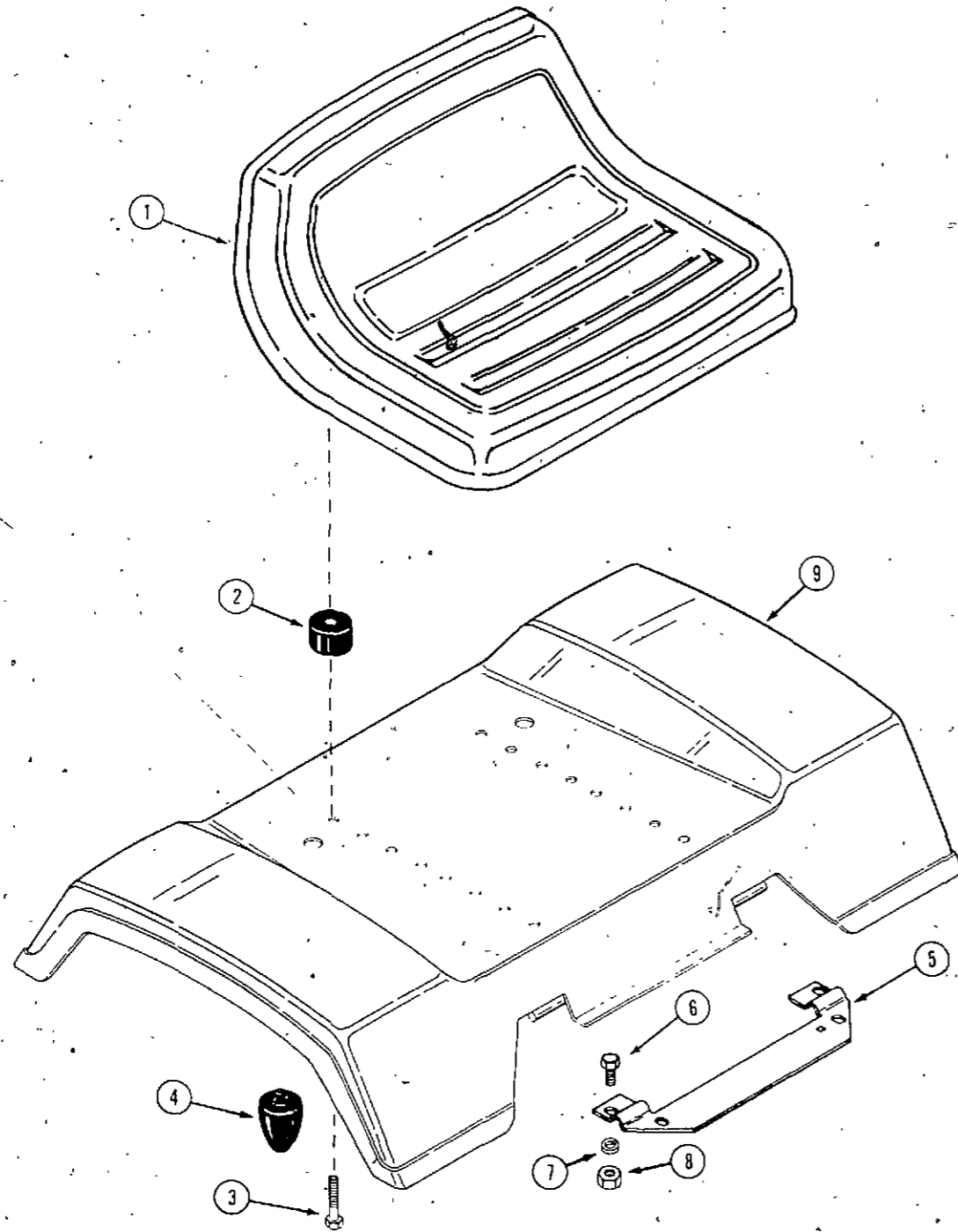
| REF. | PART NO.  | DESCRIPTION                         | REQ'D. |
|------|-----------|-------------------------------------|--------|
| 1    | C 25231   | P.T.O. ASSEMBLY                     | 1      |
| 2    | A 70280   | BEARING                             | 2      |
| 3    | C 25232   | BRACKET - mounting                  | 1      |
| 4    | C 15083   | PULLEY - bottom                     | 1      |
| 5    | C 25234   | PULLEY - top                        | 1      |
| 6    | E 25233   | SPACER - bearing                    | 1      |
| 7    | C 23818   | FLANGETTE                           | 2      |
| 8    | C 12975   | WASHER                              | 3      |
| 9    | 113- 102  | BOLT - 5/16" - 18 x 3/4"            | 8      |
| 10   | 131- 176  | NUT - 5/16" - 18 lock               | 8      |
| 11   | D 33544   | WASHER                              | 1      |
| 12   | 113- 205  | BOLT - 3/8" - 16 x 5/8" hex         | 1      |
| 13   | C 23757   | ARM - idler                         | 1      |
| 14   | C 16714   | BUSHING - bearing                   | 1      |
| 15   | 131- 1181 | NUT - 3/8" - 16 hex, lock           | 1      |
| 16   | C 16745   | BOLT - shoulder                     | 1      |
| 17   | 195- 522  | WASHER - .375" x .734"              | 3      |
| 18   | 195- 533  | WASHER - .531" x 1.062"             | 1      |
| 19   | C 23535   | PULLEY - idler                      | 1      |
| 20   | 182- 581  | SCREW - 3/8" - 16 x 1-3/4" pan head | 1      |
| 21   | 129- 103  | NUT - 3/8" hex                      | 1      |
| 22   | C 21942   | SPRING - tension                    | 1      |
| 23   | C 23758   | ROD - P.T.O.                        | 1      |
| 24   | 195- 521  | WASHER - 5/16"                      | 2      |
| 25   | 132- 46   | PIN - cotter 1/8" x 3/4"            | 2      |
| 26   | C 26496   | LEVER - P.T.O.                      | 1      |
| 27   | C 26497   | GRIP - lever                        | 1      |
| 28   | C 20475   | BUSHING - nylon                     | 2      |
| 29   | C 15527   | SPACER                              | 1      |
| 30   | 175- 415  | SCREW - 5/16" - 18 x 1"             | 1      |
| 31   | 192- 20   | LOCK WASHER - 5/16"                 | 1      |
| 32   | 129- 102  | NUT - 5/16" - 18 hex                | 1      |
| 33   | C 19171   | BELT - P.T.O.                       | 1      |
| 34   | C 26345   | KEEPER - belt                       | 1      |

FRAME, HOOD AND GRILLE



| REF. | PART NO.  | DESCRIPTION   | REQ'D. |
|------|-----------|---|--------|
| 1    | C 27033   | FRAME - main (108 - 110) shown                        | 1      |
| 1    | C 27034   | FRAME - main (116)                                    | 1      |
| 2    | C 27048   | HOOD AND GRILLE - (108 - 110) shown                   | 1      |
| 2    | C 27049   | HOOD AND GRILLE - (116)                               | 1      |
| 3    | C 27055   | COVER - PTO   | 1      |
| 4    | C 16362   | ROD - hood hinge                                      | 1      |
| 5    | 132- 46   | PIN - cotter 1/8" x 3/4"                              | 1      |
| 6    | C 27058   | LINER -hood   | 1      |
| 7    | 113- 206  | BOLT - 3/8" x 3/4" NC hex                             | 4      |
| 8    | 113- 207  | BOLT - 3/8" x 1" NC hex                               | 4      |
| 9    | 192- 21   | LOCK WASHER - 3/8"                                    | 8      |
| 10   | 129- 103  | NUT - 3/8" NC hex                                     | 8      |
| 11   | C 18153   | LINER - dash panel                                    | 1      |
| 12   | C 19112   | TRAY - center   | 1      |
| 13   | 187- 1036 | SCREW - 1/4" x 1/2" self tapping                      | 4      |
| 14   | C 15116   | DRAWBAR   | 1      |
| 15   | NSS       | WEIGHT BOX - (optional, order as G 14 machinery item) | 1      |

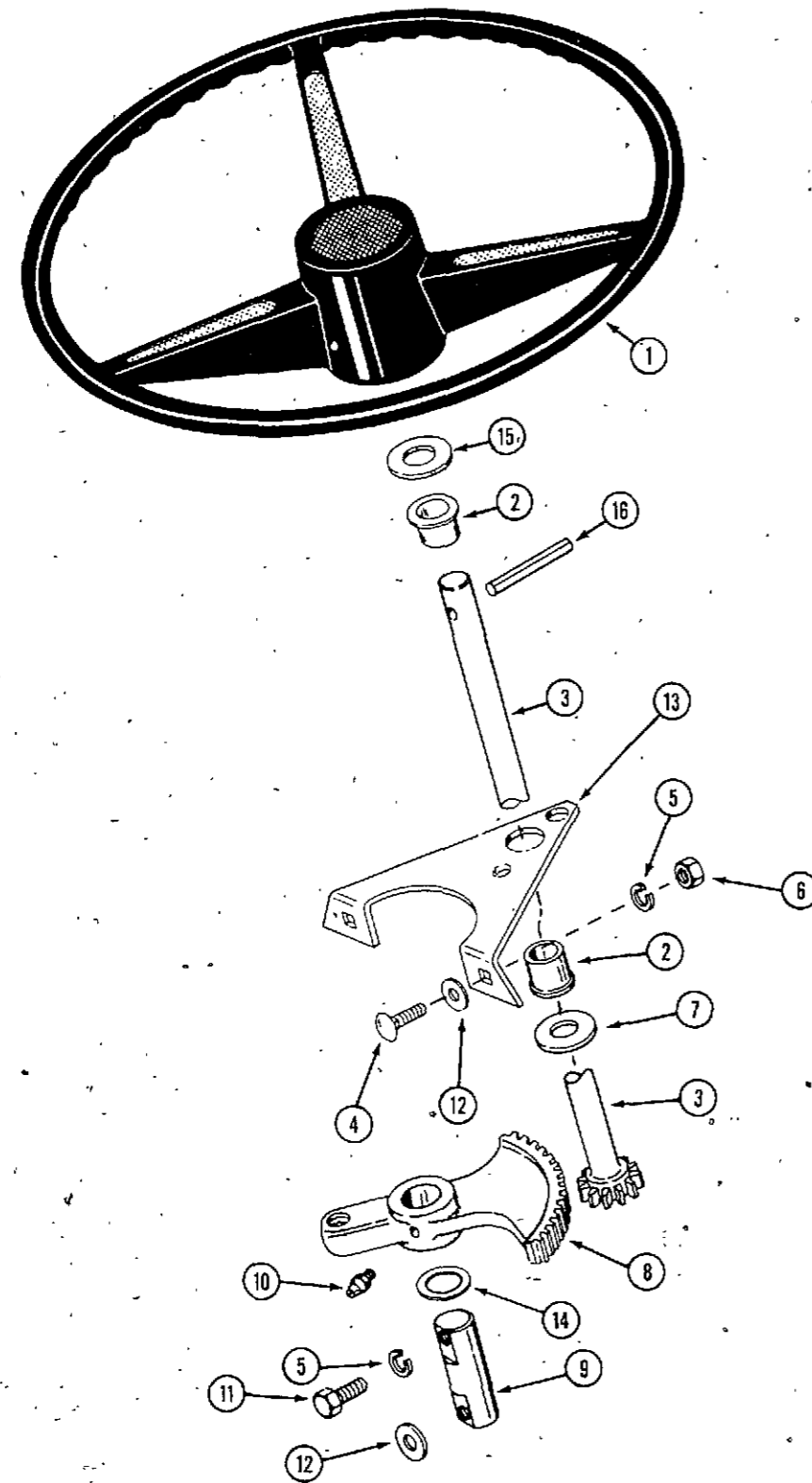




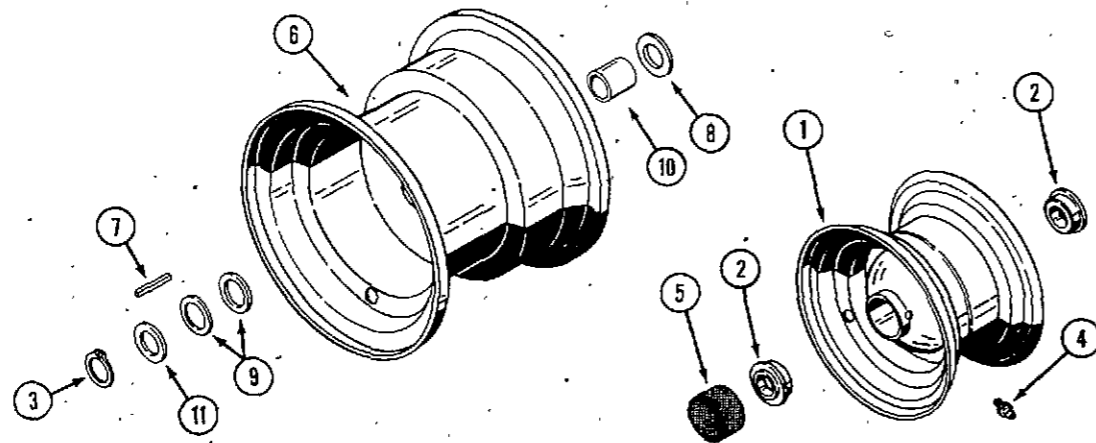
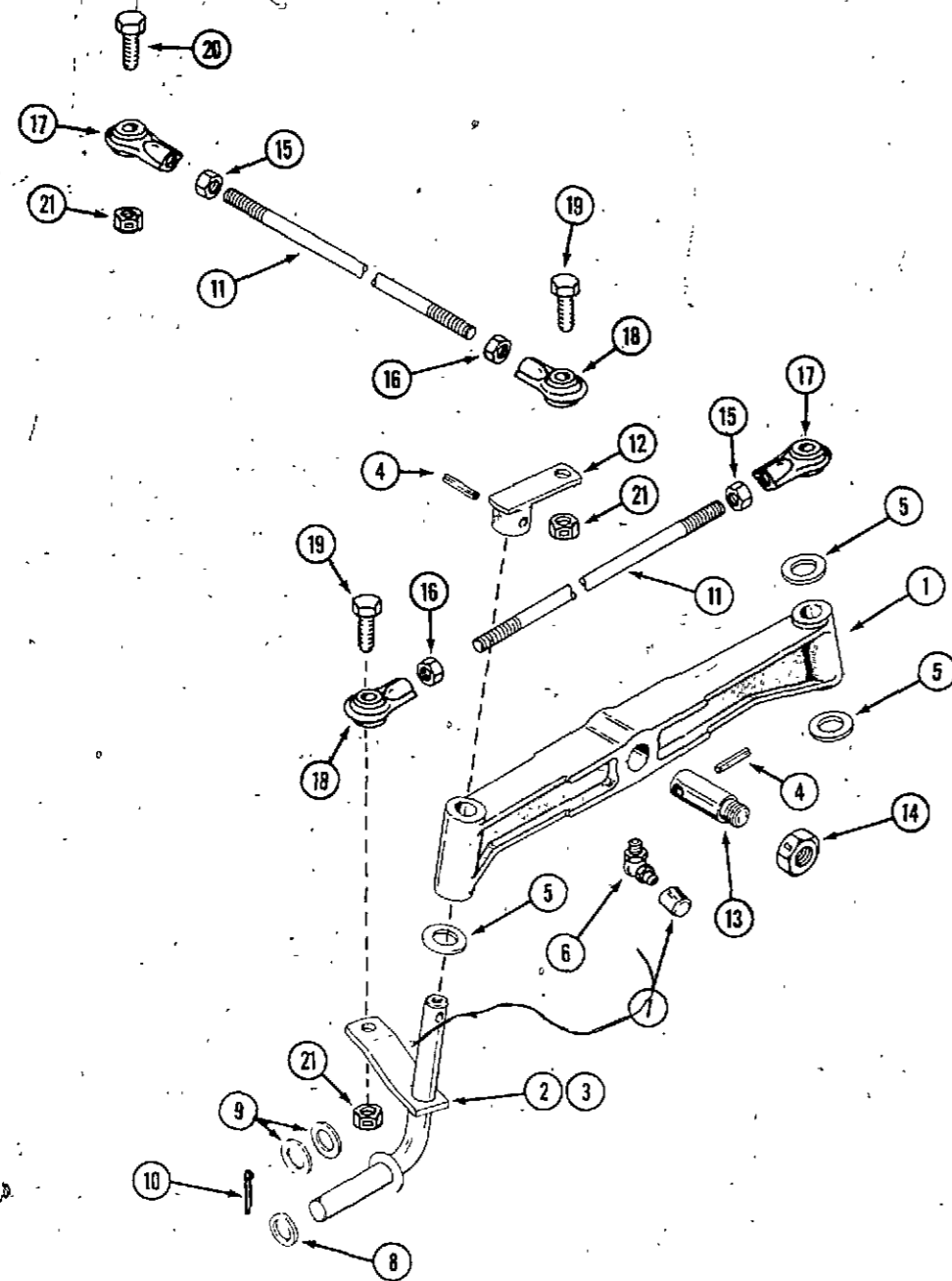
**SEAT AND FENDERS**

| REF. | PART NO. | DESCRIPTION                        | REQ'D |
|------|----------|------------------------------------|-------|
| 1    | C 26979  | SEAT ASSEMBLY .....                | 1     |
| 2    | C 15610  | MOUNT - seat, rubber .....         | 4     |
| 3    | 113- 122 | BOLT - 5/16" x 1-1/2" NC hex ..... | 4     |
| 4    | C 14534  | BUMPER - seat, rubber .....        | 2     |
| 5    | C 19118  | BRACKET - hinge .....              | 1     |
| 6    | 113- 102 | BOLT - 5/16" x 3/4" NC hex .....   | 4     |
| 7    | 192- 20  | LOCK WASHER - 5/16" .....          | 4     |
| 8    | 129- 102 | NUT - 5/16" NC hex .....           | 2     |
| 9    | C 18702  | FENDER AND SUPPORT .....           | 1     |

STEERING GEAR



| REF. | PART NO.  | DESCRIPTION                         | REQ'D |
|------|-----------|-------------------------------------|-------|
| 1    | C 26325   | WHEEL - steering                    | 1     |
| 2    | C 15096   | BUSHING - flanged nylon             | 2     |
| 3    | C 26633   | SHAFT - steering                    | 1     |
| 4    | 111- 202  | BOLT - 5/16" x 3/4" NC, ZP carriage | 2     |
| 5    | 192- 20   | LOCK WASHER - 5/16" ZP              | 4     |
| 6    | 129- 102  | NUT - 5/16" NC hex, ZP              | 2     |
| 7    | 195- 2069 | WASHER - 5/8" plain, ZP             | 1     |
| 8    | C 26039   | GEAR - steering                     | 1     |
| 9    | C 15105   | PIVOT - steering gear               | 1     |
| 10   | 219- 17   | FITTING - lube                      | 1     |
| 11   | 113- 103  | BOLT - 5/16" x 1" NC hex, ZP        | 2     |
| 12   | 195- 521  | WASHER - 5/16", plain, ZP           | UAR   |
| 13   | C 27045   | BRACKET - steering                  | 1     |
| 14   | C 14201   | WASHER - shim                       | 1     |
| 15   | 195- 541  | WASHER - 5/8"                       | UAR   |
| 16   | 138- 143  | PIN - roll 1/4" x 2-1/4"            | 1     |

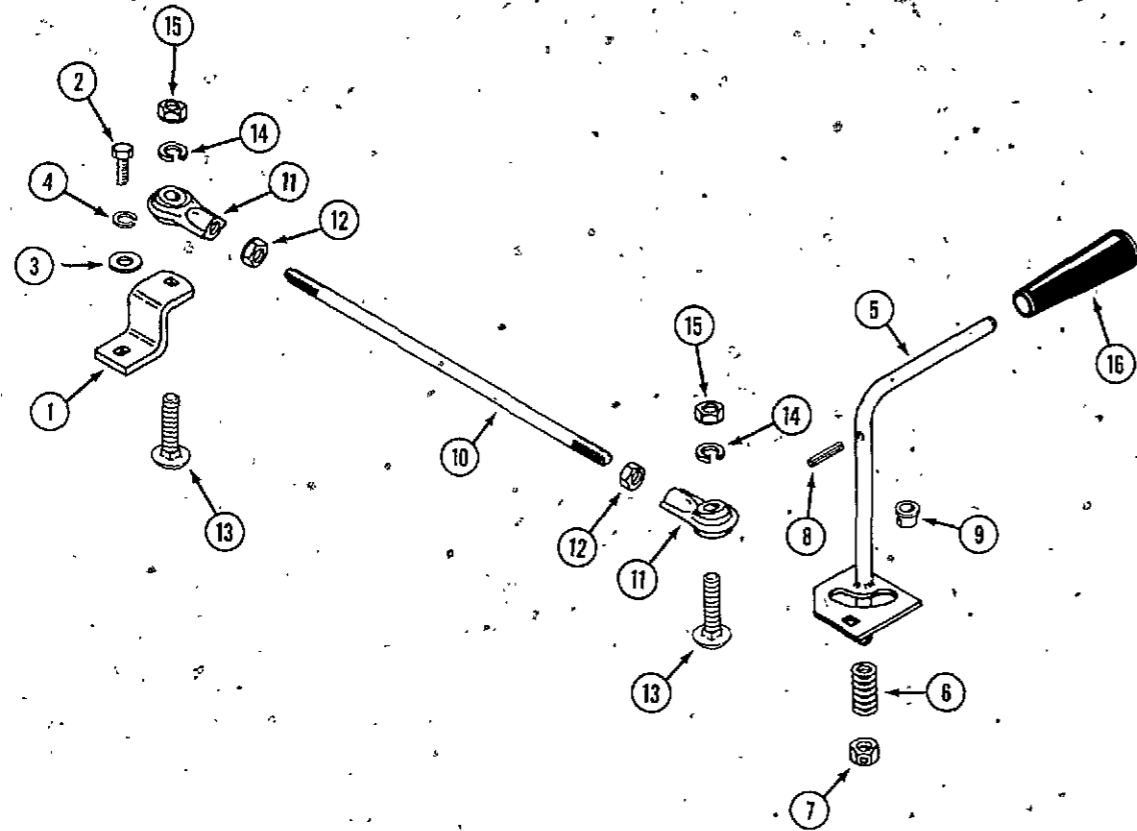


FRONT AXLE

| REF. | PART NO.  | DESCRIPTION                          | REQ'D. |
|------|-----------|--------------------------------------|--------|
| 1    | C 15066   | AXLE - front                         | 1      |
| 2    | C 26371   | SPINDLE - R.H. (shown)               | 1      |
| 3    | C 26034   | SPINDLE - L.H.                       | 1      |
| 4    | 138- 2040 | PIN - spirol 1/4" x 1-1/2"           | 2      |
| 5    | C 11906   | WASHER - thrust 13/16"               | 3      |
| 6    | 219- 404  | FITTING - lube                       | 3      |
| 7    | C 13106   | COVER - lube fitting                 | 3      |
| 8    | C 12975   | WASHER - spindle                     | 2      |
| 9    | A 30881   | WASHER - wheel spacer                | UAR    |
| 10   | 132- 311  | PIN - cotter 5/32" x 1-1/4"          | 2      |
| 11   | C 26051   | ROD - tie and drag link              | 2      |
| 12   | C 26370   | ARM - upper spindle                  | 1      |
| 13   | C 18626   | PIN - axle pivot                     | 1      |
| 14   | 131- 1331 | NUT - lock 3/4" N.C. hex             | 1      |
| 15   | 129- 163  | NUT - lock 3/8" - 24 hex             | 2      |
| 16   | 129- 289  | NUT - lock 3/8" - 24 hex L.H. thread | 2      |
| 17   | C 26332   | BALL JOINT - R.H. thread             | 2      |
| 18   | C 26333   | BALL JOINT - L.H. thread             | 2      |
| 19   | 113- 209  | BOLT - 3/8" x 1-1/2"                 | 3      |
| 20   | 113- 233  | BOLT - 3/8" x 1-3/4"                 | 1      |
| 21   | 131- 1181 | NUT - lock 3/8" - 16                 | 4      |

FRONT AND REAR WHEELS

| REF. | PART NO. | DESCRIPTION                       | REQ'D. |
|------|----------|-----------------------------------|--------|
| 1    | C 24429  | WHEEL - front (includes bearings) | 2      |
| 2    | C 12110  | BEARING - sealed                  | 2      |
| 3    | T 25683  | RING - snap                       | 2      |
| 4    | 219- 10  | FITTING - lube                    | 2      |
| 5    | C 26526  | CAP - hub                         | 4      |
| 6    | C 24431  | WHEEL - rear                      | 2      |
| 7    | C 11796  | KEY - 3/16" x 3/16" x 2"          | 2      |
| 8    | 195- 545 | WASHER - 3/4"                     | 2      |
| 9    | A 30881  | WASHER - spacer .03 thick         | 4      |
| 10   | C 27047  | SPACER - sleeve                   | 2      |
| 11   | A 70282  | WASHER - spacer                   | 2      |

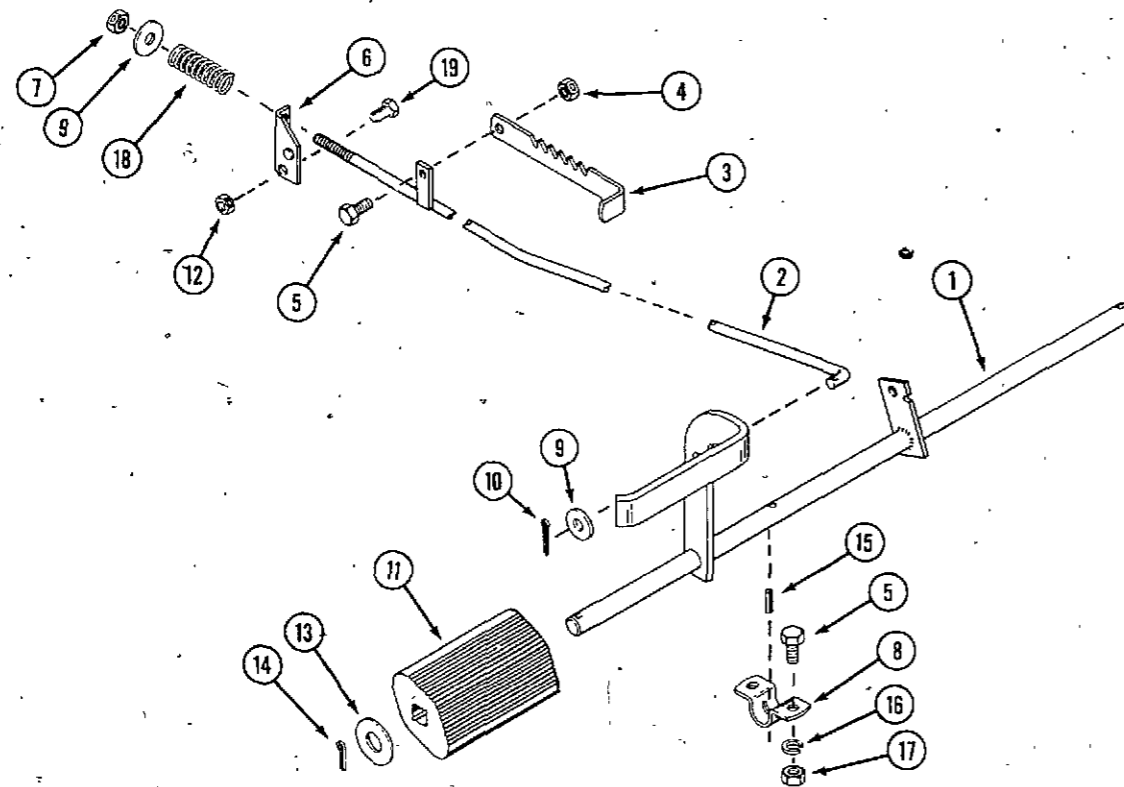


TRAVEL CONTROL

| REF. | PART NO.  | DESCRIPTION                        | REQ'D. |
|------|-----------|------------------------------------|--------|
| 1    | C 27069   | CRANK - shift                      | 1      |
| 2    | 114- 2    | BOLT - 1/4" - 28 x 1/2" hex        | 1      |
| 3    | 195- 518  | WASHER - 1/4"                      | 1      |
| 4    | 192- 19   | LOCK WASHER - 1/4"                 | 1      |
| 5    | C 27070   | LEVER - shift                      | 1      |
| 6    | C 11942   | SPRING - compression               | 1      |
| 7    | 131- 165  | NUT - 1/2" - 13 lock               | 1      |
| 8    | 138- 2072 | PIN - roll 1/8" x 1-3/4"           | 1      |
| 9    | 353- 462  | BUSHING - nylon                    | 1      |
| 10   | C 27072   | ROD - shift                        | 1      |
| 11   | C 26332   | BALL JOINT                         | 2      |
| 12   | 129- 163  | NUT - 3/8" - 24                    | 2      |
| 13   | 111- 366  | BOLT - 3/8" - 16 x 1-1/4" carriage | 2      |
| 14   | 192- 21   | LOCK WASHER - 3/8"                 | 2      |
| 15   | 129- 103  | NUT - 3/8" - 16 hex                | 2      |
| 16   | A 37247   | HANDLE - shift                     | 1      |

BRAKE ASSEMBLY

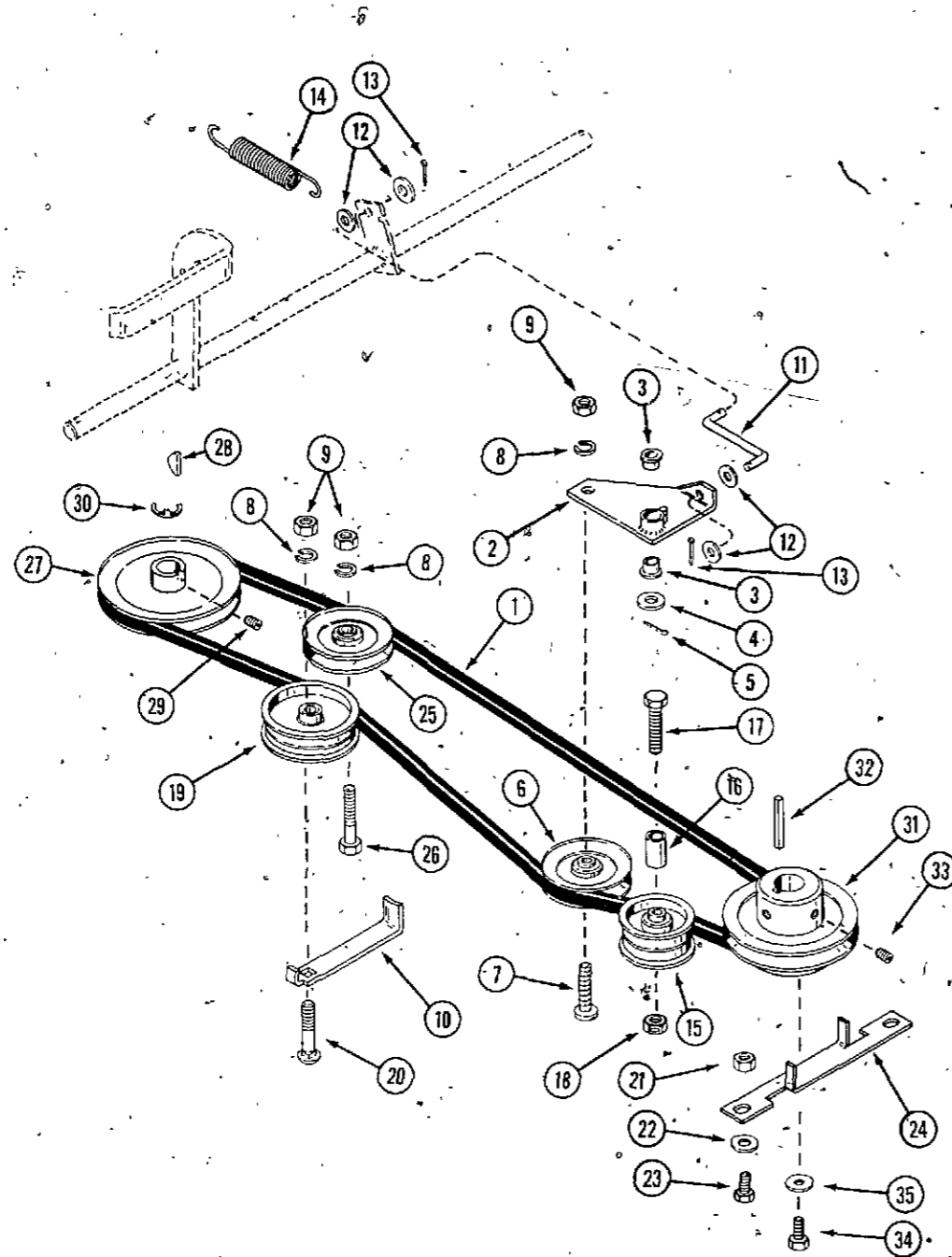
| REF. | PART NO.   | DESCRIPTION   | REQ'D. |
|------|------------|---|--------|
| 1    | C 26043    | PEDAL ASSEMBLY - brake  | 1      |
| 2    | NSS*       | ROD - brake 1/4" thread (use C27441, C27442, 195 - 521 and 131 - 176) | 1      |
| 2    | C 27441**  | ROD - brake 5/16" thread  | 1      |
| 3    | C 18695    | LATCH - parking brake   | 1      |
| 4    | 131- 176   | NUT - 5/16" N.C. hex lock   | 1      |
| 5    | 113- 102   | BOLT - 5/16" x 3/4" N.C.  | 5      |
| 6    | C 27218    | ARM - brake   | 1      |
| 7    | 131- 1102* | NUT - 1/4" lock   | 1      |
| 7    | 131- 176** | NUT - 5/16" lock  | 1      |
| 8    | C 15156    | BRACKET - saddle  | 2      |
| 9    | 195- 513*  | WASHER - 1/4"   | 2      |
| 9    | 195- 521** | WASHER - 5/16"  | 2      |
| 10   | 132- 6     | PIN - cotter 1/16" x 5/8"   | 2      |
| 11   | C 15498    | PAD foot rest   | 2      |
| 12   | 131- 1181  | NUT - 3/8" - 16 lock  | 1      |
| 13   | 195- 541   | WASHER - 5/8"   | UAR    |
| 14   | 132- 310   | PIN - cotter 1/8" x 1"  | 2      |
| 15   | 138- 92    | PIN - roll  | 1      |
| 16   | 192- 20    | LOCK WASHER - 5/16"   | 4      |
| 17   | 129- 102   | NUT - 5/16" N.C. hex  | 4      |
| 18   | C 24565*   | SPRING - brake return   | 1      |
| 18   | L 32763**  | SPRING - brake return   | 1      |
| 19   | 61- 612    | BOLT - 3/8" - 16 x 3/4"   | 1      |



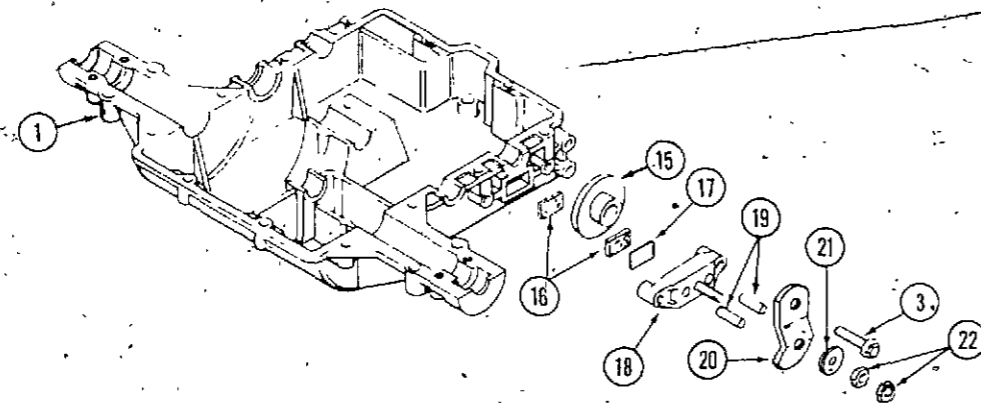
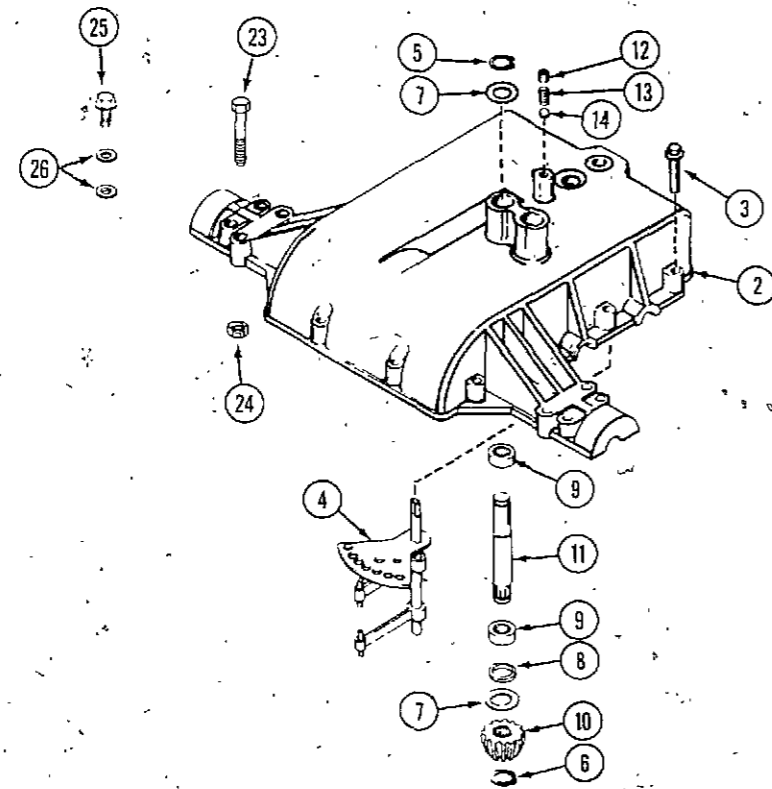
\* used before S/N:  
 108 - 14031974  
 110 - 14032990  
 116 - 14047827

\*\* used S/N and after:  
 108 - 14031974  
 110 - 14032990  
 116 - 14047827

**BELT, PULLEYS AND IDLERS - DRIVE**

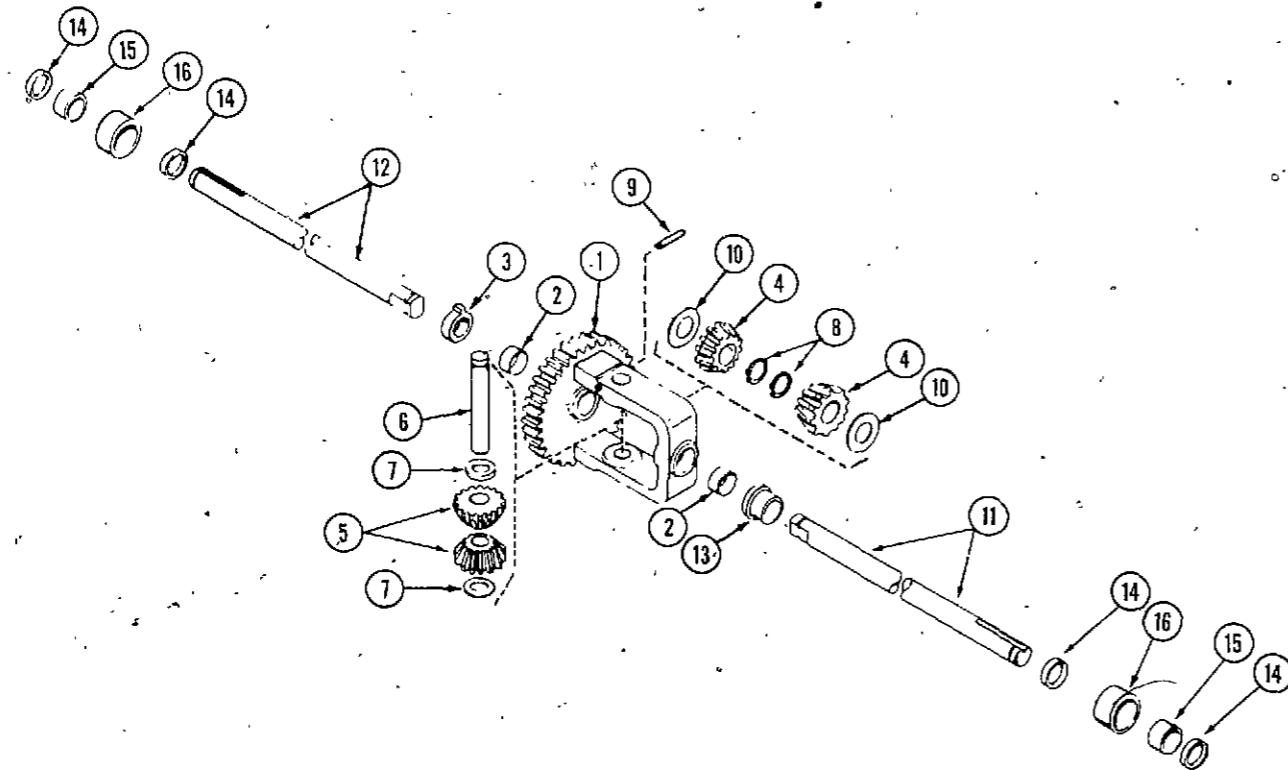
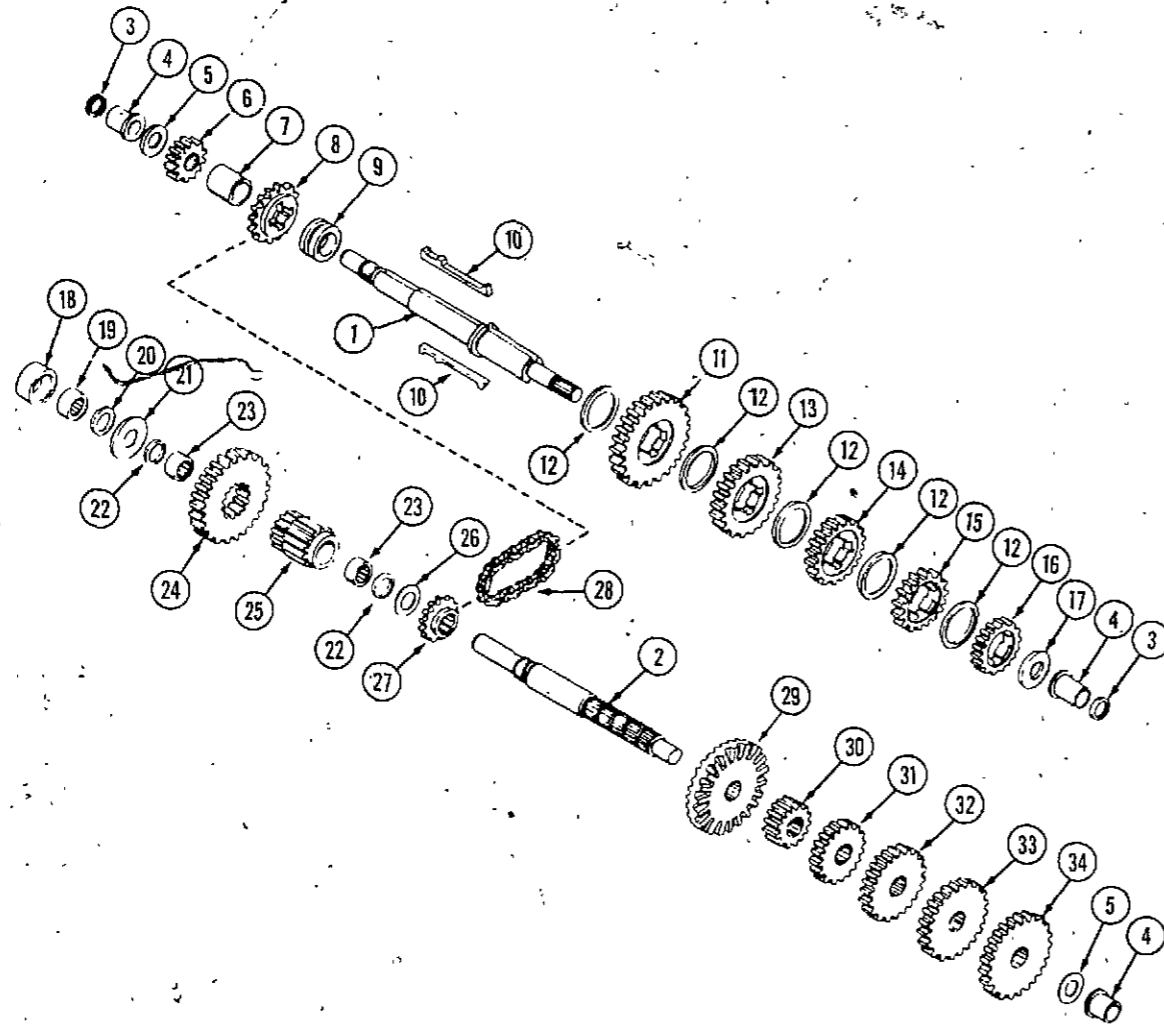


| REF. | PART NO. | DESCRIPTION                       | REQ'D. |
|------|----------|-----------------------------------|--------|
| 1    | C 27067  | BELT - traction drive             | 1      |
| 2    | C 25250  | BRACKET - clutch idler            | 2      |
| 3    | C 20053  | BUSHING - nylon                   | 1      |
| 4    | 195-104  | WASHER - 3/8"                     | 1      |
| 5    | 132-310  | PIN - cotter 1/8" x 1"            | 1      |
| 6    | C 23456  | PULLEY - clutch idler "V"         | 1      |
| 7    | 182-581  | SCREW - 3/8" - 16 x 1-3/4"        | 1      |
| 8    | 192-21   | LOCK WASHER - 3/8"                | 3      |
| 9    | 129-103  | NUT - 3/8" - 16 hex               | 3      |
| 10   | C 21631  | KEEPER - belt                     | 1      |
| 11   | C 25253  | ROD - clutch                      | 1      |
| 12   | 195-518  | WASHER - 1/4"                     | 4      |
| 13   | 132-330  | PIN - cotter 3/32" x 1/2"         | 2      |
| 14   | R 15380  | SPRING - return, clutch and brake | 1      |
| 15   | C 23535  | PULLEY - idler, front             | 1      |
| 16   | C 17622  | SPACER - pulley                   | 1      |
| 17   | 113-257  | BOLT - 3/8" x 2-1/2" N.C.         | 1      |
| 18   | 131-1181 | NUT - 3/8" N.C. lock              | 1      |
| 19   | C 18966  | PULLEY - idler, rear adjust       | 1      |
| 20   | 111-330  | BOLT - 3/8" x 1-3/4" carriage     | 1      |
| 21   | 129-102  | NUT - 5/16" N.C. hex              | 2      |
| 22   | 195-103  | WASHER - 5/16"                    | 2      |
| 23   | 113-118  | BOLT - 5/16" - 18 x 5/8"          | 2      |
| 24   | C 25113  | GUIDE - belt                      | 1      |
| 25   | C 17213  | PULLEY - "V" idler                | 1      |
| 26   | 113-233  | BOLT - 3/8" - 16 x 1-3/4"         | 1      |
| 27   | C 27068  | PULLEY - transaxle                | 1      |
| 28   | 126-16   | KEY - 3/16" x 3/4" woodruff       | 1      |
| 29   | 83-55    | SET SCREW - 5/16" - 18 x 5/16"    | 1      |
| 30   | A 27785  | RING - snap                       | 1      |
| 31   | C 19071  | PULLEY - drive                    | 1      |
| 32   | T 25070  | KEY - 1/4" x 1/4" x 2"            | 1      |
| 33   | 178-858  | SET SCREW - 5/16" - 18 x 3/8"     | 2      |
| 34   | 114-308  | BOLT - 7/16" - 20 x 3/4"          | 1      |
| 35   | 195-529  | WASHER - 7/16"                    | 1      |



**C26987 TRANSAXLE - 5 SPEED  
CASE, INPUT SHAFT AND BRAKE**

| REF. | PART NO.  | DESCRIPTION                                  | REQ'D. |
|------|-----------|--|--------|
| 1    | C 27552   | CASE - transaxle, bottom                     | 1      |
| 2    | C 27576   | COVER - transaxle, top                       | 1      |
| 3    | 113- 17   | SCREW - 1/4" - 20 x 1-1/4" hex               | 19     |
| 4    | C 27577   | ROD AND FORK ASSEMBLY - shift                | 1      |
| 5    | C 19347   | RING - retaining                             | 1      |
| 6    | G 46176   | RING - retaining                             | 1      |
| 7    | C 19345   | WASHER - thrust                              | 2      |
| 8    | 35012     | "O" RING                                     | 1      |
| 9    | A 30586   | BEARING - needle                             | 2      |
| 10   | H 296277  | GEAR - bevel pinion, input                   | 1      |
| 11   | H 296269  | SHAFT - input                                | 1      |
| 12   | .178- 53  | SCREW - set 3/8" - 16 x 3/8"                 | 1      |
| 13   | H 296301  | SPRING - retaining                           | 1      |
| 14   | H 754440  | BALL - detent, steel                         | 1      |
| 15   | C 27563   | DISK - brake                                 | 1      |
| 16   | C 19353   | PAD - brake                                  | 2      |
| 17   | C 19354   | PLATE - brake pad                            | 1      |
| 18   | C 19355   | HOLDER - brake pad                           | 1      |
| 19   | F 53650   | PIN - dowel                                  | 2      |
| 20   | C 27580   | LEVEL - brake                                | 1      |
| 21   | C 19357   | WASHER                                       | 1      |
| 22   | C 19358   | NUT - 5/16" - 24 lock                        | 2      |
| 23   | 113- 111  | BOLT - 5/16" - 18 x 2-1/2"                   | 4      |
| 24   | 131- 176  | NUT - 5/16" lock                             | 4      |
| 25   | 187- 1070 | BOLT - 5/16" self - tapping (front mounting) | 2      |
| 26   | 195- 521  | WASHER - 5/16" spacer                        | 4      |
|      | C 27588   | PLUG - hex head                              | 1      |



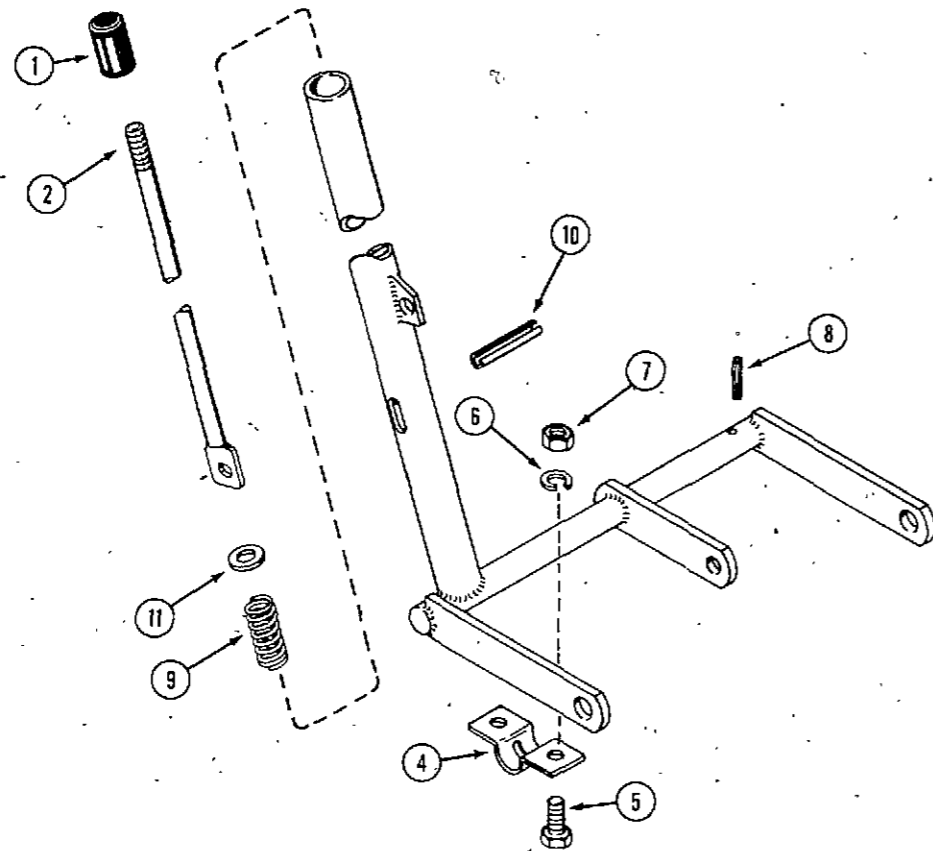
**C26987 TRANSAXLE - 5 SPEED  
SHIFTER AND BRAKE SHAFT AND COUNTER SHAFT**

| REF. | PART NO. | DESCRIPTION                      | REQ'D. |
|------|----------|----------------------------------|--------|
| 1    | C 27578  | SHAFT - shifter and brake        | 1      |
| 2    | C 27559  | SHAFT - counter                  | 1      |
| 3    | C 27570  | RING - square cut                | 2      |
| 4    | H 296293 | BUSHING - flanged                | 3      |
| 5    | C 19345  | WASHER - thrust                  | 2      |
| 6    | C 27553  | GEAR - spur 15 teeth             | 1      |
| 7    | C 27560  | SPACER                           | 1      |
| 8    | H 379123 | SPROCKET - 18 teeth              | 1      |
| 9    | H 372862 | COLLAR - shift                   | 1      |
| 10   | H 392938 | KEY                              | 2      |
| 11   | C 27557  | GEAR - spur 35 teeth             | 1      |
| 12   | H 372946 | WASHER - thrust                  | 4      |
| 13   | H 372847 | GEAR - spur 30 teeth             | 1      |
| 14   | H 372839 | GEAR - spur 25 teeth             | 1      |
| 15   | C 27555  | GEAR - spur 22 teeth             | 1      |
| 16   | H 372821 | GEAR - spur 20 teeth             | 1      |
| 17   | H 372920 | WASHER - thrust                  | 1      |
| 18   | C 27564  | SPACER                           | 1      |
| 19   | C 27567  | BEARING - needle                 | 1      |
| 20   | C 27574  | RING - square cut                | 1      |
| 21   | C 27568  | WASHER                           | 1      |
| 22   | C 27575  | RING - square cut                | 2      |
| 23   | C 27572  | BEARING - needle                 | 2      |
| 24   | C 27562  | GEAR - output                    | 1      |
| 25   | C 27561  | PINION - output                  | 1      |
| 26   | C 27573  | WASHER                           | 1      |
| 27   | H 369131 | SPROCKET - 9 teeth               | 1      |
| 28   | H 758276 | CHAIN - roller No. 41 (24 links) | 1      |
| 29   | C 27558  | GEAR - bevel 42 teeth            | 1      |
| 30   | C 27554  | GEAR - spur 12 teeth             | 1      |
| 31   | H 372870 | GEAR - spur 20 teeth             | 1      |
| 32   | H 372888 | GEAR - spur 25 teeth             | 1      |
| 33   | C 27556  | GEAR - spur 28 teeth             | 1      |
| 34   | H 372896 | GEAR - spur 30 teeth             | 1      |

**DIFFERENTIAL**

| REF. | PART NO. | DESCRIPTION                                | REQ'D. |
|------|----------|--|--------|
| 1    | C 26111  | GEAR ASSEMBLY - differential               | 1      |
| 2    | C 21576  | BUSHING                                    | 2      |
| 3    | C 27566  | BEARING - bronze                           | 1      |
| 4    | C 19309  | GEAR - bevel                               | 2      |
| 5    | C 19310  | PINION - bevel                             | 2      |
| 6    | C 19311  | PIN - drive                                | 1      |
| 7    | C 19312  | WASHER - thrust                            | 2      |
| 8    | C 11222  | RING - retaining                           | 2      |
| 9    | 138- 97  | PIN - roll                                 | 1      |
| 10   | C 11205  | WASHER - thrust                            | 2      |
| 11   | C 27571  | AXLE - R.H. 14-5/8" (371 mm)               | 1      |
| 12   | C 27579  | AXLE - L.H. 12-3/4" (324 mm)               | 1      |
| 13   | C 27565  | BUSHING - flanged                          | 1      |
| 14   | C 27581  | SEAL - oil and dirt                        | 2      |
| 15   | NSS*     | BEARING - needle (use C27569 ball bearing) | 2      |
| 16   | NSS*     | SLEEVE - bearing (use C27569 ball bearing) | 2      |

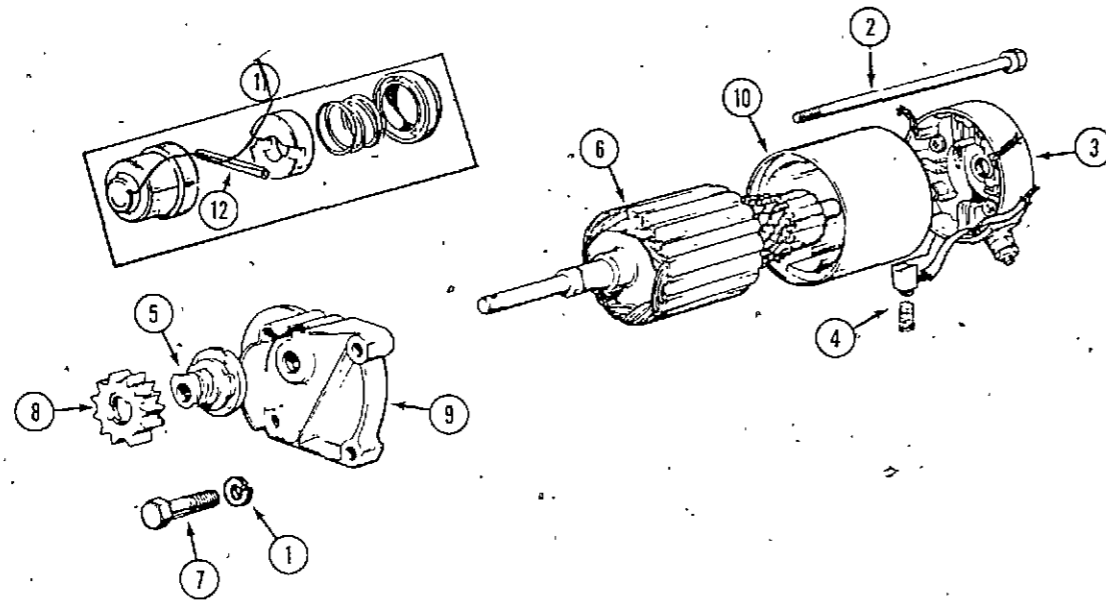
\*Discard the needle bearing, sleeve and seals when replacing with C27569 ball bearing.



**IMPLEMENT LIFT**

| REF. | PART NO.  | DESCRIPTION                    | REQ'D. |
|------|-----------|--------------------------------|--------|
| 1    | C 27073   | LEVER - implement lift         | 1      |
| 2    | C 19172   | ROD - push                     | 1      |
| 3    | C 14525   | BUTTON - thumb                 | 1      |
| 4    | C 15156   | BRACKET - saddle               | 2      |
| 5    | 113- 102  | BOLT - 5/16" x 3/4" NC hex, ZP | 4      |
| 6    | 192- 20   | LOCK WASHER - 5/16" ZP         | 4      |
| 7    | 129- 102  | NUT - 5/16" NC hex, ZP         | 4      |
| 8    | 138- 92   | PIN - roll 3/16" x 3/4"        | 1      |
| 9    | C 15564   | SPRING                         | 1      |
| 10   | 138- 2054 | PIN spirol 5/16" x 1-3/4"      | 1      |
| 11   | 195- 521  | WASHER - 5/16" plain           | 1      |



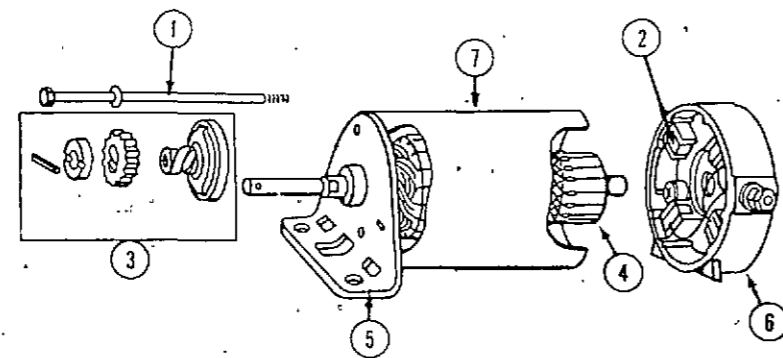


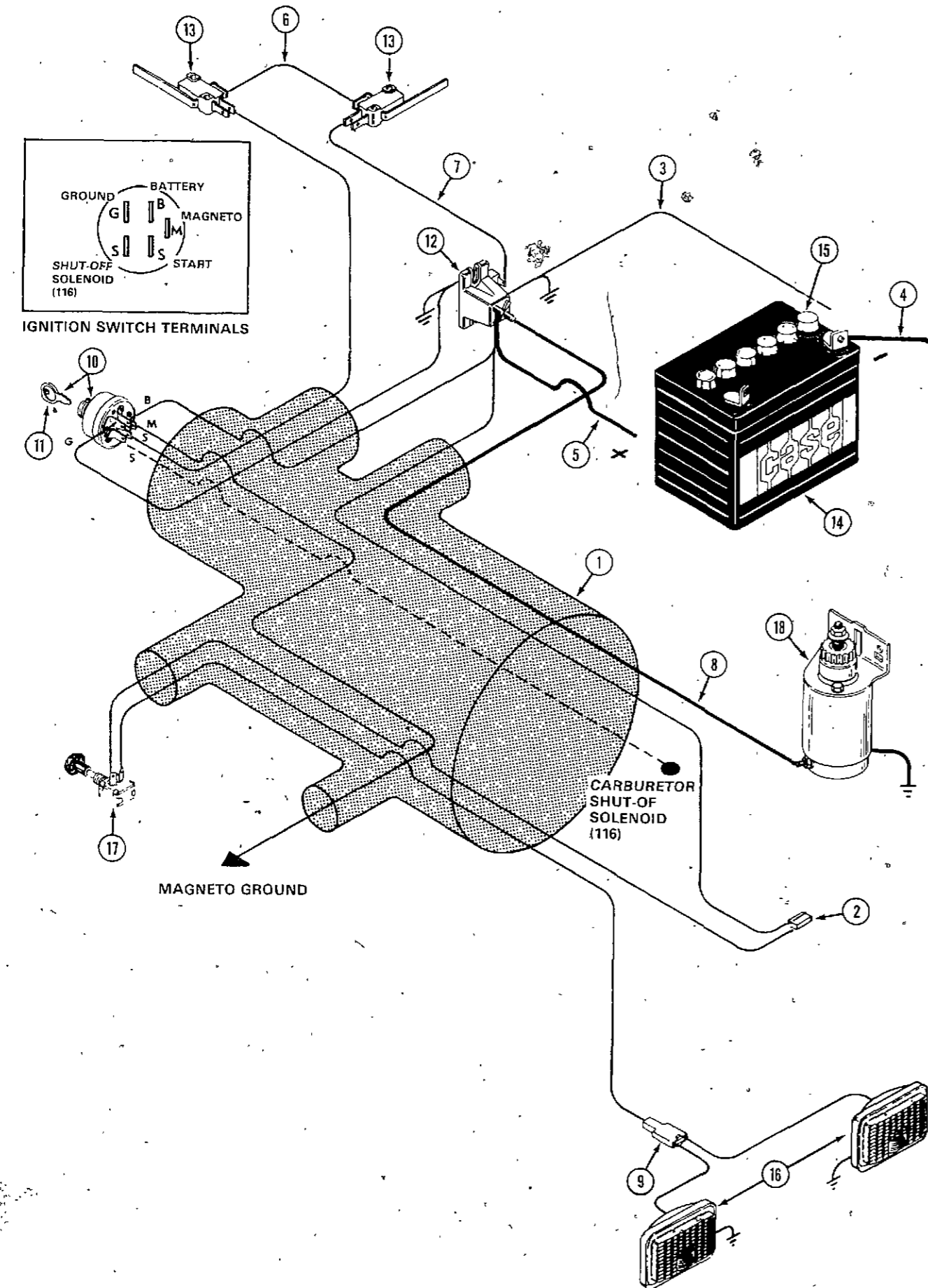
**STARTER MOTOR (116)**

| REF. | PART NO.  | DESCRIPTION                          | REQ'D |
|------|-----------|--------------------------------------|-------|
|      | C 27418   | MOTOR - starting                     | 1     |
| 1    | 192- 20   | LOCK WASHER - 5/16"                  | 2     |
| 2    | C 27260   | BOLT - thru                          | 2     |
| 3    | C 27258   | END CAP ASSEMBLY - commutator end    | 1     |
| 4    | C 27259   | BRUSH SET                            | 2     |
| 5    | C 27421   | CLUTCH - drive                       | 1     |
| 6    | BR 390837 | ARMATURE                             | 1     |
| 7    | 113- 122  | SCREW - mounting 5/16" - 18 x 1-1/2" | 2     |
| 8    | C 27422   | GEAR - drive                         | 1     |
| 9    | C 27423   | END CAP - drive end                  | 1     |
| 10   | C 27263   | HOUSING - starter                    | 1     |
| 11   | C 27424   | KIT - pinion spring                  | 1     |
| 12   | 138- 75   | PIN - roll 5/32" x 7/8"              | 1     |

**STARTER MOTOR (108 - 110)**

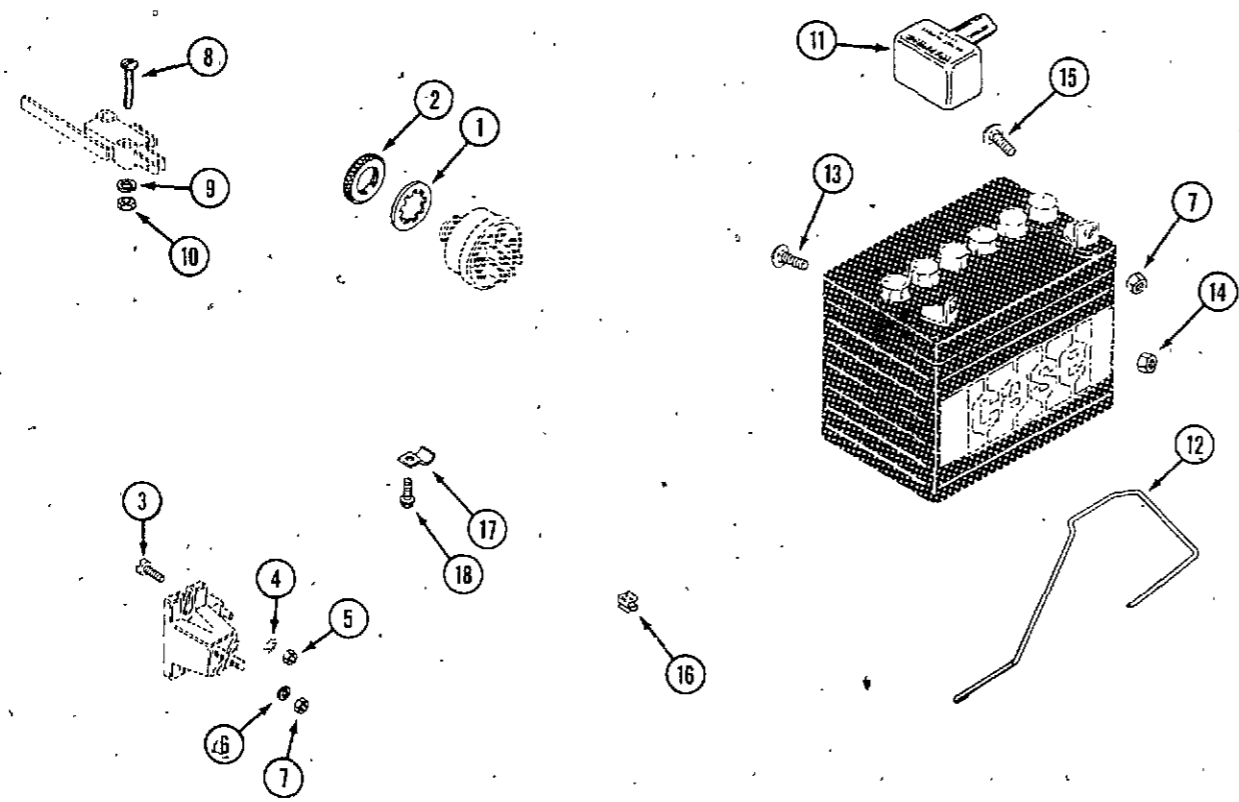
| REF. | PART NO.  | DESCRIPTION                   | REQ'D |
|------|-----------|-------------------------------|-------|
|      | C 27264   | MOTOR - starter, 12 volt      | 1     |
| 1    | C 27260   | BOLT - thru (includes washer) | 2     |
| 2    | C 27259   | BRUSH ASSEMBLY                | 1     |
| 3    | BR 391461 | DRIVE ASSEMBLY - starter      | 1     |
| 4    | BR 390837 | ARMATURE - starter            | 1     |
| 5    | C 27262   | END CAP - drive end           | 1     |
| 6    | C 27258   | END CAP - commutator end      | 1     |
| 7    | C 27263   | HOUSING - starter             | 1     |





ELECTRICAL SYSTEM

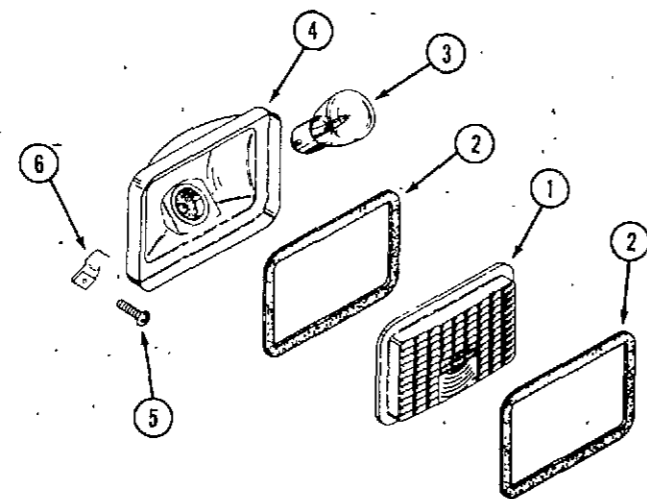
| REF. | PART NO. | DESCRIPTION   | REQ'D. |
|------|----------|---|--------|
| 1    | C 27162  | HARNESS - wire (108 - 110)  | 1      |
| 1    | C 27163  | HARNESS - wire (116)  | 1      |
| 2    | C 25243  | CONNECTOR - wire  | 1      |
| 3    | C 25559  | WIRE - battery negative to solenoid to ground                             | 1      |
| 4    | C 24816  | CABLE - battery negative to ground (black)                                | 1      |
| 5    | C 14565  | CABLE - battery positive to solenoid (red)                                | 1      |
| 6    | C 24856  | WIRE - switch to switch   | 1      |
| 7    | C 25558  | WIRE - switch to solenoid   | 1      |
| 8    | C 24816  | CABLE - solenoid to starter (116) is not included in wire harness (black) | 1      |
| 9    | C 14537  | CONNECTOR - lights  | 1      |
| 10   | C 24145  | SWITCH - ignition (108 - 110) includes key and lock washer only           | 1      |
| 10   | C 27121  | SWITCH - ignition (116) includes key and lock washer only                 | 1      |
| 11   | A 24509  | KEY - ignition  | 1      |
| 12   | C 26525  | SOLENOID - start  | 1      |
| 13   | C 26108  | SWITCH - neutral start  | 2      |
| 14   | C 18197  | BATTERY - 12 volt   | 1      |
| 15   | C 18113  | CAP - battery   | 6      |
| 16   | C 22571  | HEADLIGHT ASSEMBLY - 12 volt (repairs page 53)                            | 2      |
| 17   | C 19222  | SWITCH - headlights   | 1      |
| 18   | C 27418  | STARTER - engine, 12 volt (116) repairs page 49                           | 1      |
| 18   | C 27264  | STARTER - engine, 12 volt (108 - 110) repairs page 49                     | 1      |



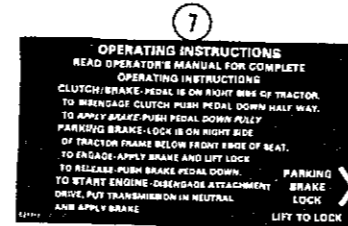
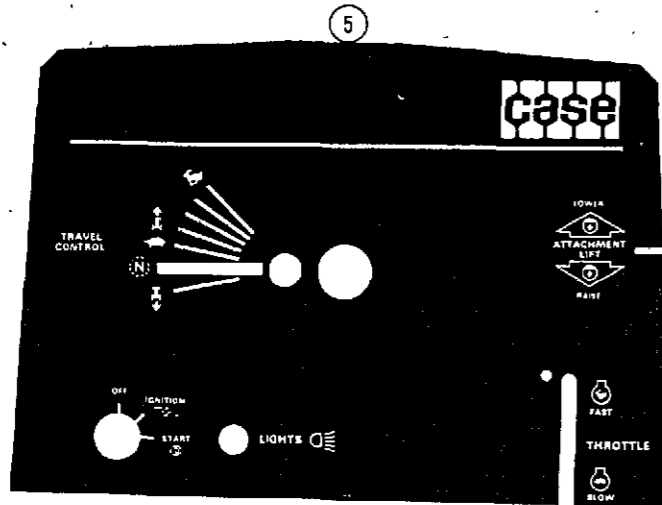
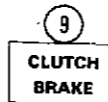
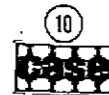
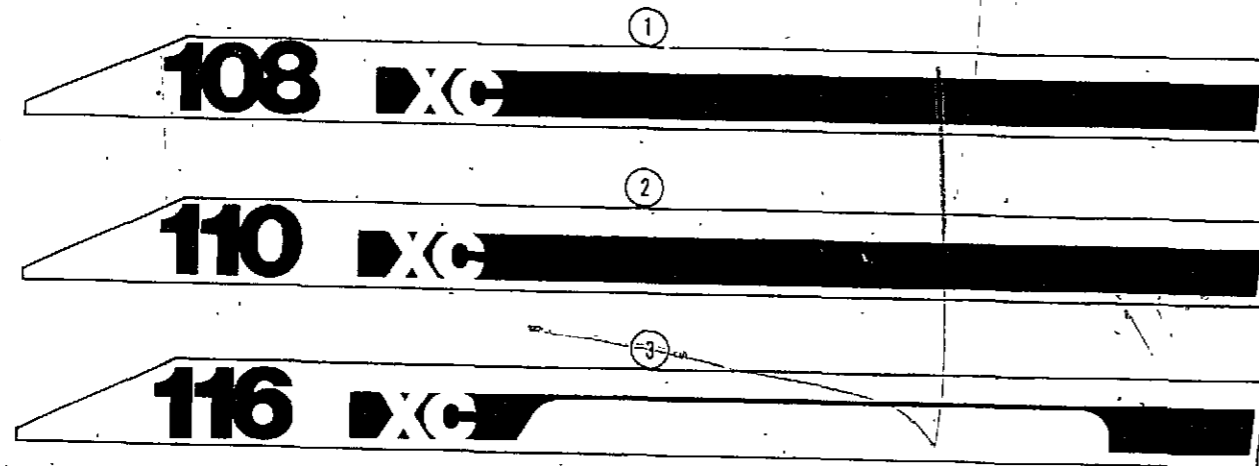
**ELECTRICAL SYSTEM HARDWARE**

| REF. | PART NO.  | DESCRIPTION                         | REQ'D. |
|------|-----------|-------------------------------------|--------|
| 1    | C 23248   | WASHER - internal tooth 5/8"        | 1      |
| 2    | C 24655   | NUT - 5/8" - 32 knurled             | 1      |
| 3    | 182- 559  | SCREW - No. 10 - 24 x 3/4" black    | 2      |
| 4    | 193- 70   | LOCK WASHER - No. 10 external tooth | 2      |
| 5    | 129- 17   | NUT - No. 10 - 24 hex               | 2      |
| 6    | 192- 19   | LOCK WASHER - 1/4"                  | 2      |
| 7    | 129- 101  | NUT - 1/4" - 20 hex                 | 3      |
| 8    | 182- 10   | SCREW - No. 4 - 40 x 7/8"           | 4      |
| 9    | 192- 13   | LOCK WASHER - No. 4                 | 4      |
| 10   | 129- 13   | NUT - No. 4 - 40                    | 4      |
| 11   | C 24069   | COVER - terminal                    | 1      |
| 12   | C 15114   | CLAMP - battery hold down           | 1      |
| 13   | 111- 202  | BOLT - 5/16" - 18 x 3/4" carriage   | 1      |
| 14   | 129- 102  | NUT - 5/16" - 18 hex                | 1      |
| 15   | 111- 108  | BOLT - 1/4" - 20 x 3/4" carriage    | 1      |
| 16   | C 19521   | CLIP - wire                         | 3      |
| 17   | C 25164   | CLIP - half, wire (116)             | 1      |
| 18   | 187- 1908 | SCREW - No. 10 - 16 x 5/8" (116)    | 1      |

**HEADLIGHT**



| REF. | PART NO.  | DESCRIPTION                         | REQ'D. |
|------|-----------|-------------------------------------|--------|
| 1    | C 22571   | HEADLIGHT ASSEMBLY                  | 2      |
| 2    | C 22573   | LENS - headlight                    | 1      |
| 3    | C 14304   | GASKET - headlight                  | 2      |
| 4    | A 41264   | BULB - headlight                    | 1      |
| 5    | NSS       | RECEPTACLE - headlight (use C22571) | 1      |
| 6    | 187- 1334 | SCREW - No. 8 - 18 x 1/2" black     | 4      |
| 6    | 131- 629  | NUT - speed                         | 4      |



DECALS (ENGLISH)

| REF. | PART NO.  | DESCRIPTION                   | REQ'D |
|------|-----------|-------------------------------|-------|
| 1    | C 27167   | DECAL - hood L.H. (108)       | 1     |
| 1    | C 27170   | DECAL - hood R.H. (108) shown | 1     |
| 2    | C 27168   | DECAL - hood L.H. (110)       | 1     |
| 2    | C 27171   | DECAL - hood R.H. (110) shown | 1     |
| 3    | C 27169   | DECAL - hood L.H. (116)       | 1     |
| 3    | C 27172   | DECAL - hood R.H. (116) shown | 1     |
| 4    | 321- 6659 | DECAL - "caution"             | 1     |
| 5    | C 27209   | DECAL - instrument panel      | 1     |
| 6    | C 27210   | DECAL - choke                 | 1     |
| 7    | C 27211   | DECAL - instruction           | 1     |
| 8    | C 26930   | DECAL - P.T.O.                | 1     |
| 9    | C 26932   | DECAL - clutch, brake         | 1     |
| 10   | 321- 5040 | MEDALLION - "Case"            | 1     |

DECALS (FRENCH)

|   |         |                       |   |
|---|---------|-----------------------|---|
| 8 | C 26933 | DECAL - P.T.O.        | 1 |
| 9 | C 26935 | DECAL - clutch, brake | 1 |





## NUMERICAL INDEX

| PART NO. | PAGE NO. | REF. NO. | PART NO. | PAGE NO. | REF. NO. | PART NO. | PAGE NO. | REF. NO. |
|----------|----------|----------|----------|----------|----------|----------|----------|----------|
| 163-     | 4        | 23       | 18       | 192-     | 21       | 41       | 8        |          |
| 169-     | 137      | 21       | 3        | 192-     | 23       | 11       | 6        |          |
| 175-     | 415      | 29       | 30       | 193-     | 25       | 11       | 5        |          |
| 177-     | 97       | 19       | 33       | 193-     | 25       | 23       | 3        |          |
| 178-     | 53       | 43       | 12       | 193-     | 25       | 23       | 12       |          |
| 178-     | 858      | 41       | 33       | 193-     | 70       | 53       | 4        |          |
| 182-     | 10       | 53       | 8        | 195-     | 10       | 11       | 11       |          |
| 182-     | 49       | 19       | 40       | 195-     | 18       | 21       | 15       |          |
| 182-     | 84       | 11       | 4        | 195-     | 103      | 41       | 22       |          |
| 182-     | 87       | 15       | 9        | 195-     | 104      | 41       | 4        |          |
| 182-     | 87       | 17       | 4        | 195-     | 513      | 19       | 34       |          |
| 182-     | 87       | 19       | 21       | 195-     | 513      | 39       | 9        |          |
| 182-     | 87       | 23       | 10       | 195-     | 518      | 23       | 9        |          |
| 182-     | 90       | 11       | 10       | 195-     | 518      | 39       | 3        |          |
| 182-     | 205      | 19       | 7        | 195-     | 518      | 41       | 12       |          |
| 182-     | 549      | 11       | 16       | 195-     | 521      | 29       | 24       |          |
| 182-     | 559      | 53       | 3        | 195-     | 521      | 35       | 12       |          |
| 182-     | 581      | 29       | 20       | 195-     | 521      | 39       | 9        |          |
| 182-     | 581      | 41       | 7        | 195-     | 521      | 43       | 26       |          |
| 187-     | 1036     | 13       | 2        | 195-     | 521      | 47       | 11       |          |
| 187-     | 1036     | 31       | 13       | 195-     | 522      | 29       | 17       |          |
| 187-     | 1041     | 21       | 6        | 195-     | 525      | 27       | 4        |          |
| 187-     | 1041     | 21       | 19       | 195-     | 529      | 41       | 35       |          |
| 187-     | 1047     | 9        | 38       | 195-     | 533      | 11       | 5        |          |
| 187-     | 1070     | 43       | 25       | 195-     | 533      | 29       | 18       |          |
| 187-     | 1334     | 13       | 2        | 195-     | 541      | 35       | 15       |          |
| 187-     | 1334     | 53       | 5        | 195-     | 541      | 39       | 13       |          |
| 187-     | 1508     | 5        | 39       | 195-     | 545      | 37       | 8        |          |
| 187-     | 1508     | 7        | 7        | 195-     | 2069     | 35       | 7        |          |
| 187-     | 1508     | 25       | 9        | 195-     | 2175     | 27       | 2        |          |
| 187-     | 1510     | 15       | 27       | 214-     | 251      | 13       | 7        |          |
| 187-     | 1510     | 17       | 37       | 214-     | 251      | 19       | 42       |          |
| 187-     | 1510     | 23       | 22       | 219-     | 10       | 37       | 4        |          |
| 187-     | 1908     | 13       | 7        | 219-     | 17       | 35       | 10       |          |
| 187-     | 1908     | 53       | 18       | 219-     | 404      | 37       | 6        |          |
| 192-     | 13       | 53       | 9        | 221-     | 86       | 9        | 48       |          |
| 192-     | 18       | 9        | 33       | 221-     | 843      | 5        | 8        |          |
| 192-     | 18       | 19       | 29       | 221-     | 843      | 7        | 11       |          |
| 192-     | 18       | 23       | 19       | 221-     | 843      | 9        | 11       |          |
| 192-     | 19       | 13       | 9        | 321-     | 5040     | 55       | 10       |          |
| 192-     | 19       | 19       | 6        | 321-     | 6659     | 55       | 4        |          |
| 192-     | 19       | 21       | 12       | 353-     | 462      | 39       | 9        |          |
| 192-     | 19       | 21       | 24       |          |          |          |          |          |
| 192-     | 19       | 23       | 13       |          |          |          |          |          |
| 192-     | 19       | 25       | 4        |          |          |          |          |          |
| 192-     | 19       | 39       | 4        |          |          |          |          |          |
| 192-     | 19       | 53       | 6        |          |          |          |          |          |
| 192-     | 20       | 9        | 45       |          |          |          |          |          |
| 192-     | 20       | 11       | 10       |          |          |          |          |          |
| 192-     | 20       | 25       | 13       |          |          |          |          |          |
| 192-     | 20       | 29       | 31       |          |          |          |          |          |
| 192-     | 20       | 33       | 7        |          |          |          |          |          |
| 192-     | 20       | 35       | 5        |          |          |          |          |          |
| 192-     | 20       | 39       | 16       |          |          |          |          |          |
| 192-     | 20       | 47       | 6        |          |          |          |          |          |
| 192-     | 20       | 49       | 1        |          |          |          |          |          |
| 192-     | 21       | 31       | 9        |          |          |          |          |          |
| 192-     | 21       | 39       | 14       |          |          |          |          |          |

**INGERSOLL**  
Ingersoll Equipment Co., Inc.