

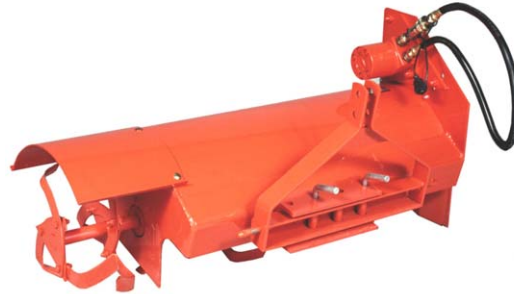


Ingersoll

HOME

ATTACHMENTS

HT32, L75
AHT41, HT41, J74, K74, L74
Parts Catalog 8-1642



HYDRAULIC TILLER HT32

ALPHABETICAL INDEX

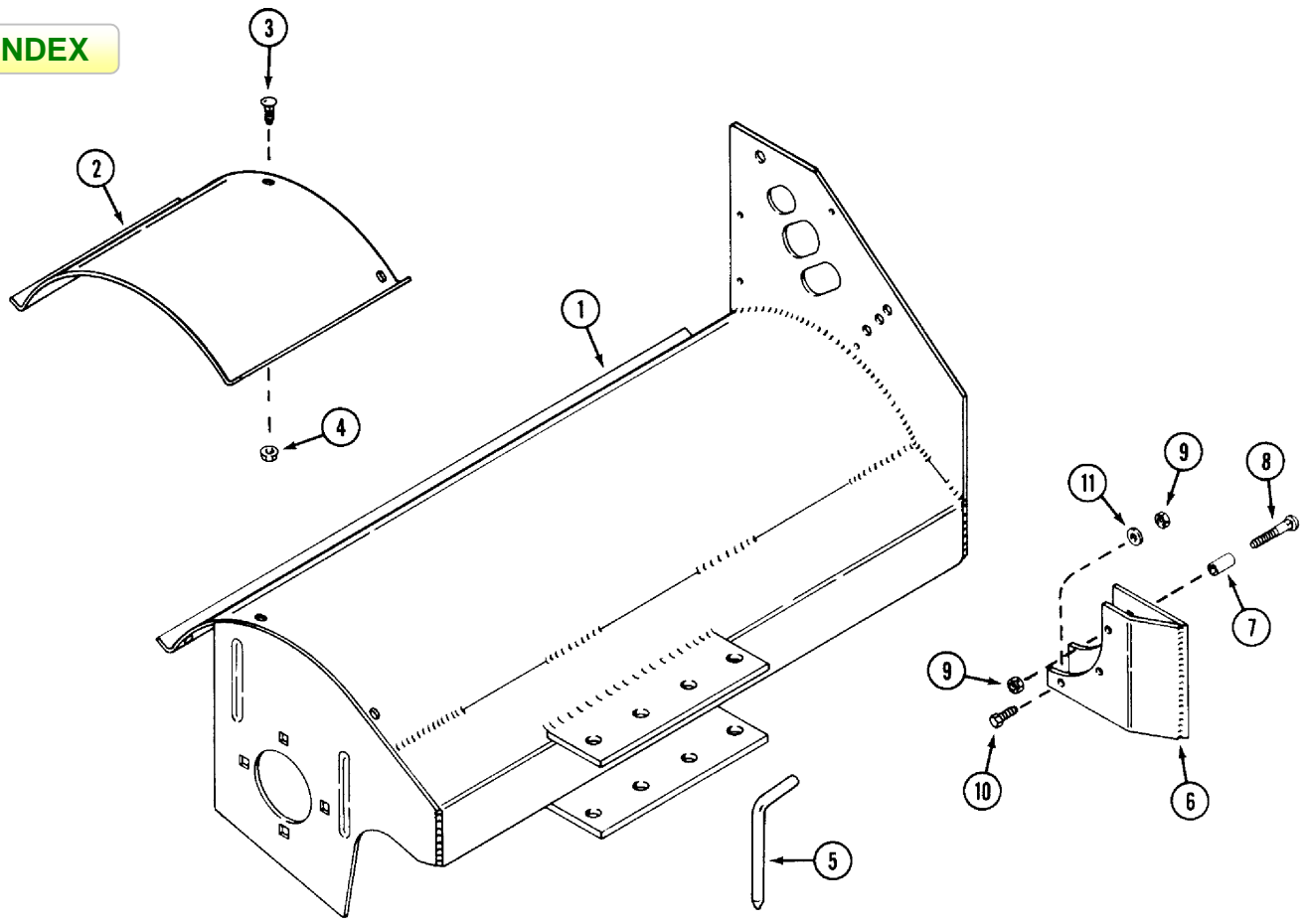
Bearings.....	5
Chain.....	7
Couplers.....	7
Decals.....	9
Extension Shield.....	5
Frame.....	5
Motor.....	7
Shaft, Tine.....	5
Tines.....	5

**ROTARY TILLER
TRACTOR APPLICATION CHART**

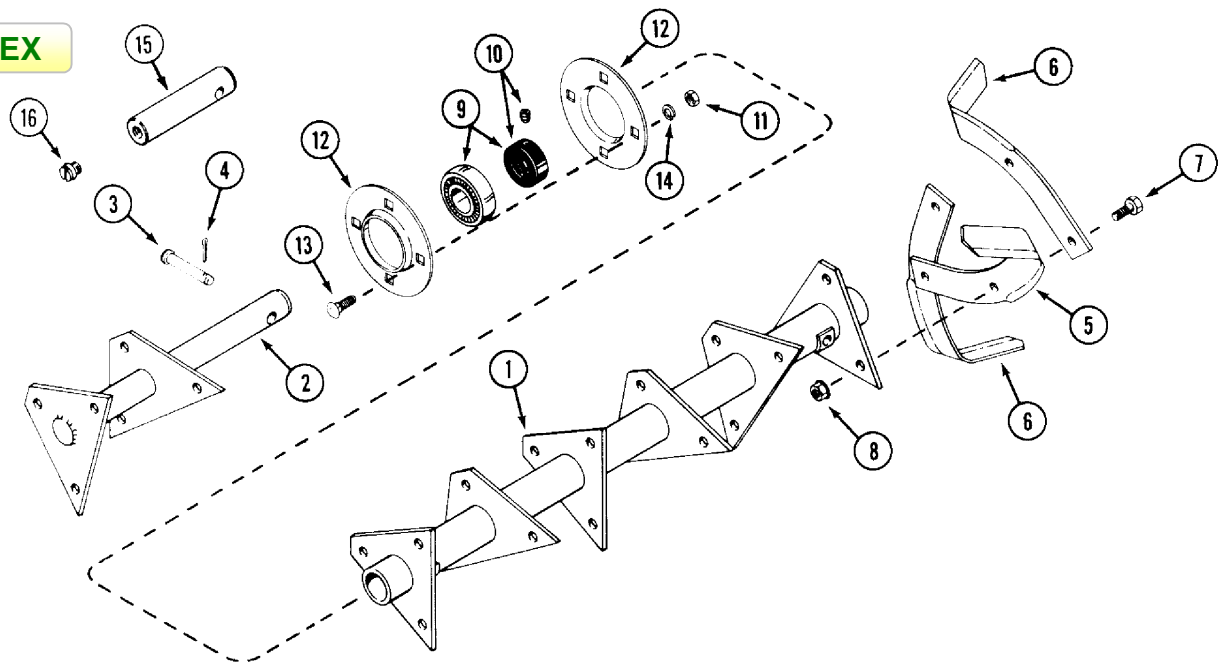
ROTARY TILLER	TRACTOR
HT32, L75	220*, 222*, 3010, 3012
HT41, J74, K74, L74	224, 444, 446, 448, 3014, 3016,3018, 3020, 4014, 4016, 4018, 4020, 644, 646,648,6018
AHT41	3118, 4116, 4118, 4120

* Requires Hydraulic Lift

INDEX



INDEX



J74, K74, 174, 175, HT32 AND HT41 ROTARY TILLER

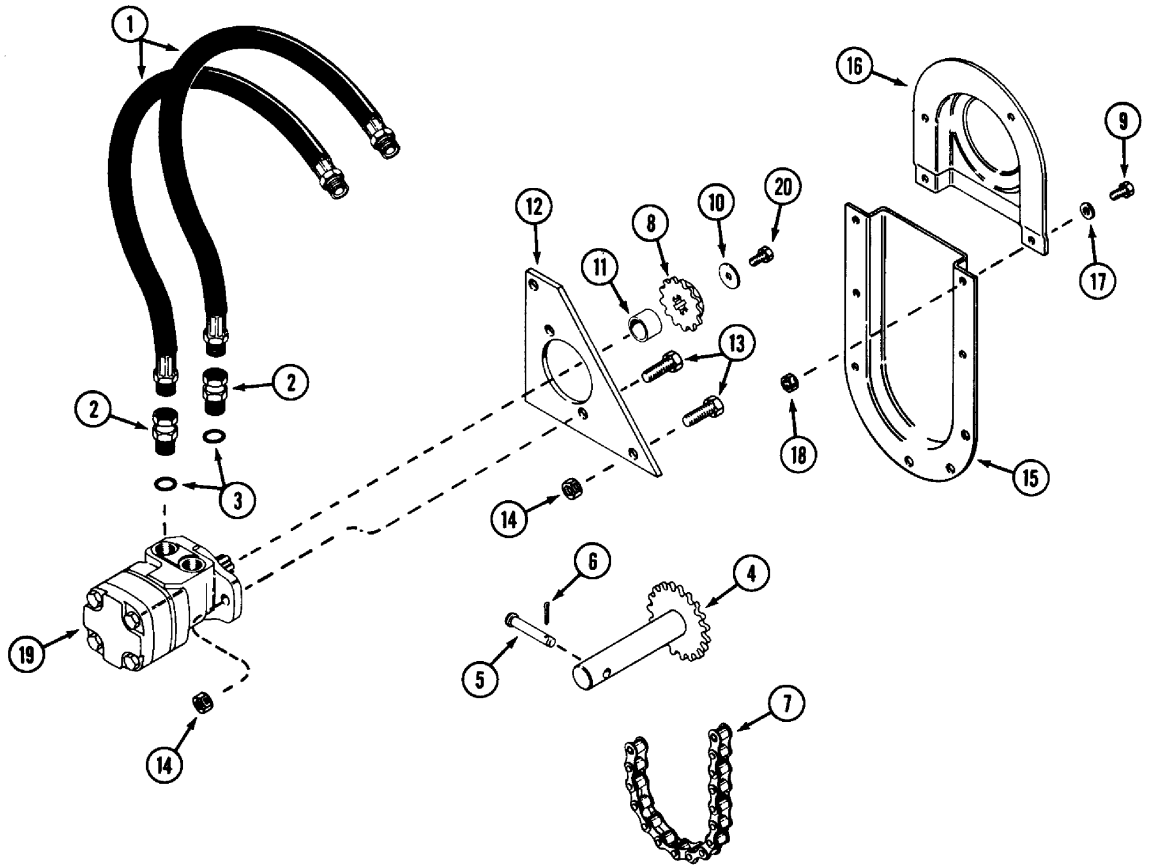
FRAME

REF.	PART NO.	DESCRIPTION	REQ'D
1	C26290	FRAME - tiller shield.....	1
2	C26299	EXTENSION - tiller shield (J74, K74, L74, HT41, AHT41).....	1
3	111-132	BOLT - 5/16" - 18 x 3/4" carriage	3
4	131-911	NUT - lock 5/16" - 18	3
5	C14568	PIN - mounting	2
6	C26296	PLATE - chisel	1
7	C26317	SPACER-plate	1
8	111-208	BOLT - 5/16" - 18 x 2-1/4" carriage	2
9	131-176	NUT - 5/16" - 18 lock.....	3
10	113-103	BOLT - 5/16" - 18 x 1"	1
11	195-103	WASHER-5/16"	1

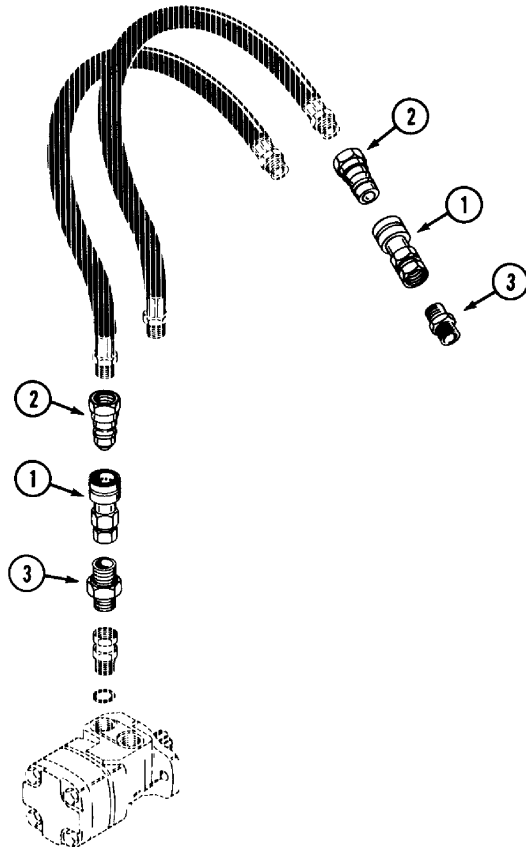
SHAFT, TINES AND BEARINGS

1	C26300	SHAFT - tine	1
2	C26305	EXTENSION - tine shaft (J74, K74, L74, HT41, AHT41).....	1
3	C26309	PIN - clevis.....	1
4	132-310	PIN-cotter.....	1
5	C13833	TINE-R.H.....	12
6	C13834	TINE-LH.....	12
7	113-208	BOLT - 3/8" - 16 x 1-1/4"	24
8	131-1352	NUT - lock 3/8" flange	24
9	C29019	BEARING AND LOCKING COLLAR.....	2
10	C28642	COLLAR - locking (includes set screw).....	1
11	129-103	NUT-3/8"	8
12	C26349	FLANGETTE.....	4
13	111-371	BOLT - 3/8" -16 x 1" carriage	8
14	192-21	LOCK WASHER - 3/8"	8
15	C26343	SHAFT - stub (L75, SS74, HT32)	1
16	353-550	PLUG - 1/2" - 13 plastic (L75, SS74, HT32).....	1

INDEX



INDEX



J74, K74, L74, L75, HT32 AND HT41 ROTARY TILLER

TILLER DRIVE

REF.	PART NO.	DESCRIPTION	REQ'D
1	C42077	HOSE – 1/2" 1.D. x 42"	UAR
2	218-5251	FITTING - union 7/8" "O" ring x 1/2" NPT	2
3	218-5007	"O" RING	1
4	C26303	SHAFT - input.....	1
5	C26309	PIN - clevis	1
6	132-310	PIN-cotter 1/8" x 1".....	1
7	C26321	CHAIN - drive, No. 50, 56 pitch.....	1
8	C26310	SPROCKET - drive (13T) optional (for hard soil)	1
8	C26312	SPROCKET - drive (15T) standard (for average soil).....	1
9	113-3	BOLT - 1/4" -20 x 3/4"	7
10	C26344	WASHER - 5/16" 1.0. 1-1/4" 0.0. 7 Ga.....	1
11	C26311	SPACER - sprocket	1
12	C26314	MOUNT-motor	1
13	113-410	BOLT-1/2"-13x1-1/2"hex.....	4
14	131-1182	NUT-lock 1/2" -13	4
15	C26315	COVER - chain, lower.....	1
16	C26316	COVER - chain, upper	1
17	195-518	WASHER - 1/4"	7
18	131-1180	NUT - lock 1/4".....	7
19	C37012	MOTOR – hydraulic, AHT41	1
19	C27903 *	MOTOR – "White", hydraulic drive, use on all except AHT41	1
	C26341	KIT - seal, hydraulic motor (For "White" motor).....	1
19	C46279	MOTOR – "Parker/Ross" hydraulic drive	1
	C43746	SEAL – Shaft (for "Parker/Ross" motors)	
20	26-412	BOLT- 1/4" - 20x 1"	1
20	113-103	BOLT - 5/16" - 18 x 1".....	1

* on L74 before S/N AR13850 and on L75 before S/N AS12881 reduce spacer (11) length by .20" if required for sprocket mounting bolt clearance. Check thread size in shaft.

**HYDRAULIC "QUICK" COUPLERS
(OPTIONAL EXCEPT FOR AHT41)**

1	C37188	COUPLER - body, female	2
2	C37187	COUPLER - nose piece, male	2
3	217-1072	FITTING - 1/2" - 14 NPSF (Not used on AHT41)	2
3	217-1086	FITTING – 1/2" NPTF 45 ⁰ (Used on AHT41)	2

DECALS



REF.	PART NO.	DESCRIPTION	REQ'D
1	321-6380	DECAL -tread, white	5
2	321-6379	DECAL -"Case"	1
3	C31087	DECAL -Spinning Blade.....	1
4	C26893	DECAL -trade mark (hytill) (J74)	1
5	C31989	DECAL -"Ingersoll"	1
6	C31328	DECAL -stripe (cut to length)	1
	NSS	DECAL -"Hytill" 41" (not shown)	1
	NSS	DECAL -"Hytill" 32" (not shown)	1