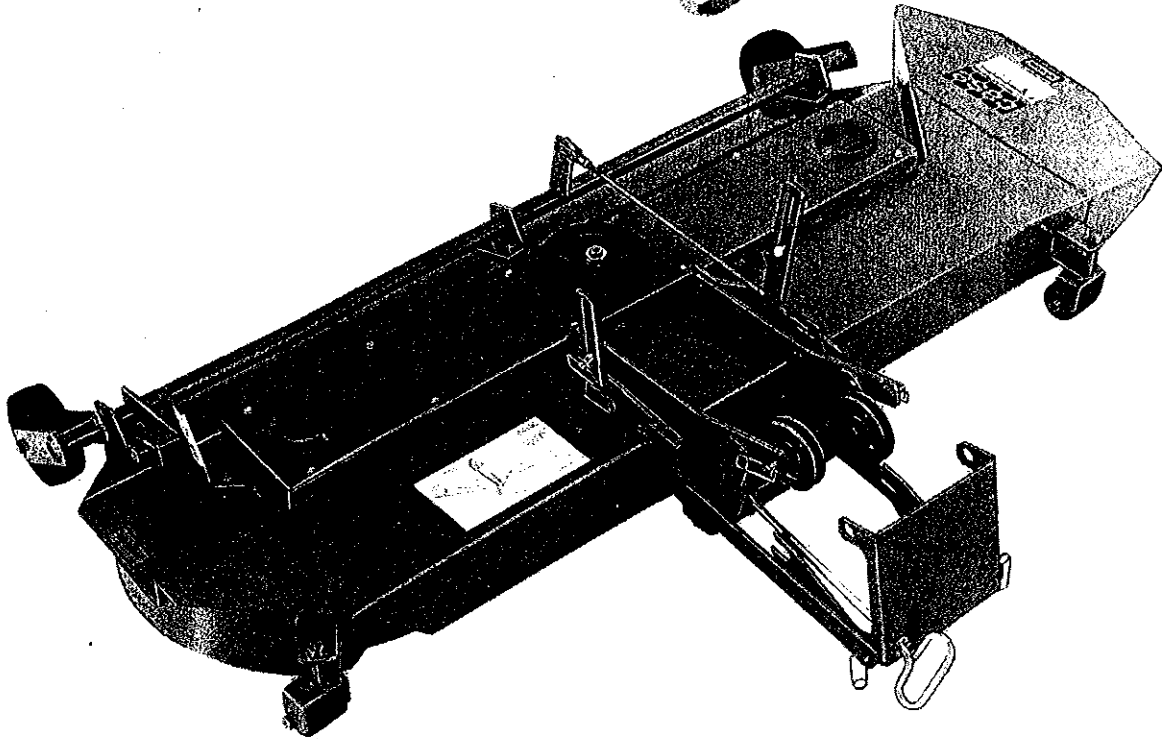
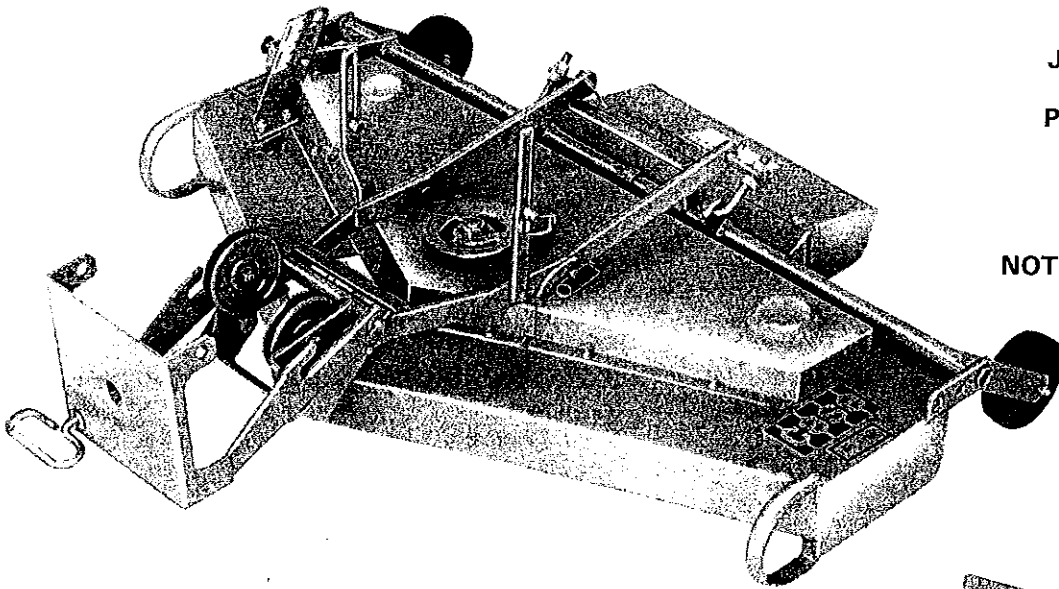


ROTARY MOWERS
J45, K45, L45 AND M45
J48, K48, L48, M48
Parts Catalog No. 8-1301

9-84-RP-1500-027

NOTE: This catalog replaces
 catalog 8-1300.



APPLICATION CHART

MOWER	TRACTOR MODEL										
	210	220	222	224	226	444	446	448	644	646	648
J45, K45, L45, M45	X	X	X	X	X	X	X	X	X	X	X
J48, K48, L48, M48							(1)	(1)			

(1) use on tractors
 446 P.I.N. 9770165 and after
 448 P.I.N. 9774000 and after

INGERSOLL
 Ingersoll Equipment Co., Inc.

Technical Publications
 119 South First Street
 Winneconne, WI 54986-9576

GENERAL INFORMATION

INDEX

There is an index at the front and rear of this catalog.

The front index is an alphabetical index of the major groups or assemblies.

The rear index is a numerical index of the part numbers and pages on which these numbers are shown.

ILLUSTRATION

Each illustration in this catalog shows a group of parts or components. These parts and components are aligned approximately as the parts and components on your machine. Each part and component in an illustration has a reference number. These reference numbers are in a list on the page opposite of the illustration. Next to the reference number is the part number, description and required quantity of the part shown in the illustration.

ABBREVIATIONS

UAR - "Use as required" indicates that the part quantity is variable.

NSS - "Not sold separately" indicates that the part is only available as a component of an assembly or the part must be purchased locally. If the part is an assembly component, the description will be indented under the assembly description in the parts list.

INDENTED DESCRIPTIONS

An assembly can have many components. The components of an assembly are indicated by an indented description. The quantity for an indented part is the total needed for that complete assembly. See the example.

PARTS ORDERS

All orders must include the following information:

1. Correct part number.
2. Complete description of part or component.
3. Total quantity of each part or component.
4. Product model number.
5. All necessary product identification numbers.
6. Method for sending the parts.
7. Complete and correct address.

CATALOG REVISIONS

As the product changes, we will send you new pages for your catalog.

IMPORTANT: Put all revisions into the catalog as soon as possible.

RIGHT HAND AND LEFT HAND IDENTIFICATION

The words right hand (RH) and left hand (LH) as used in this catalog indicate the direction while you are in the operator's seat in the normal operating position.

REF.	PART NO	DESCRIPTION	REQ'D
	A 55159	CYLINDER ASSY - rear steering	1
28	A 56208	SOCKET ASSY - rear cylinder	1
29	A 55956	PLUG - adjusting, socket assy	1
30	A 55957	SEAT - socket ball	2
31	A 56210	SPRING - socket	1
32	A 56209	SEAT - socket spring	1
33	G 45175	CLAMP ASSY - socket assy	1
	16- 836	BOLT - 1/2" x 2-1/4" N.F. hex	1
34	132- 104	PIN - cotter, 3/16" x 3"	1
35	A 55889	STUD - ball, socket & cylinder	2
36	13- 410	BOLT - 1/4" x 5/8" N.C., hex	4
37	92- 4	LOCKWASHER - 1/4" SAE	4

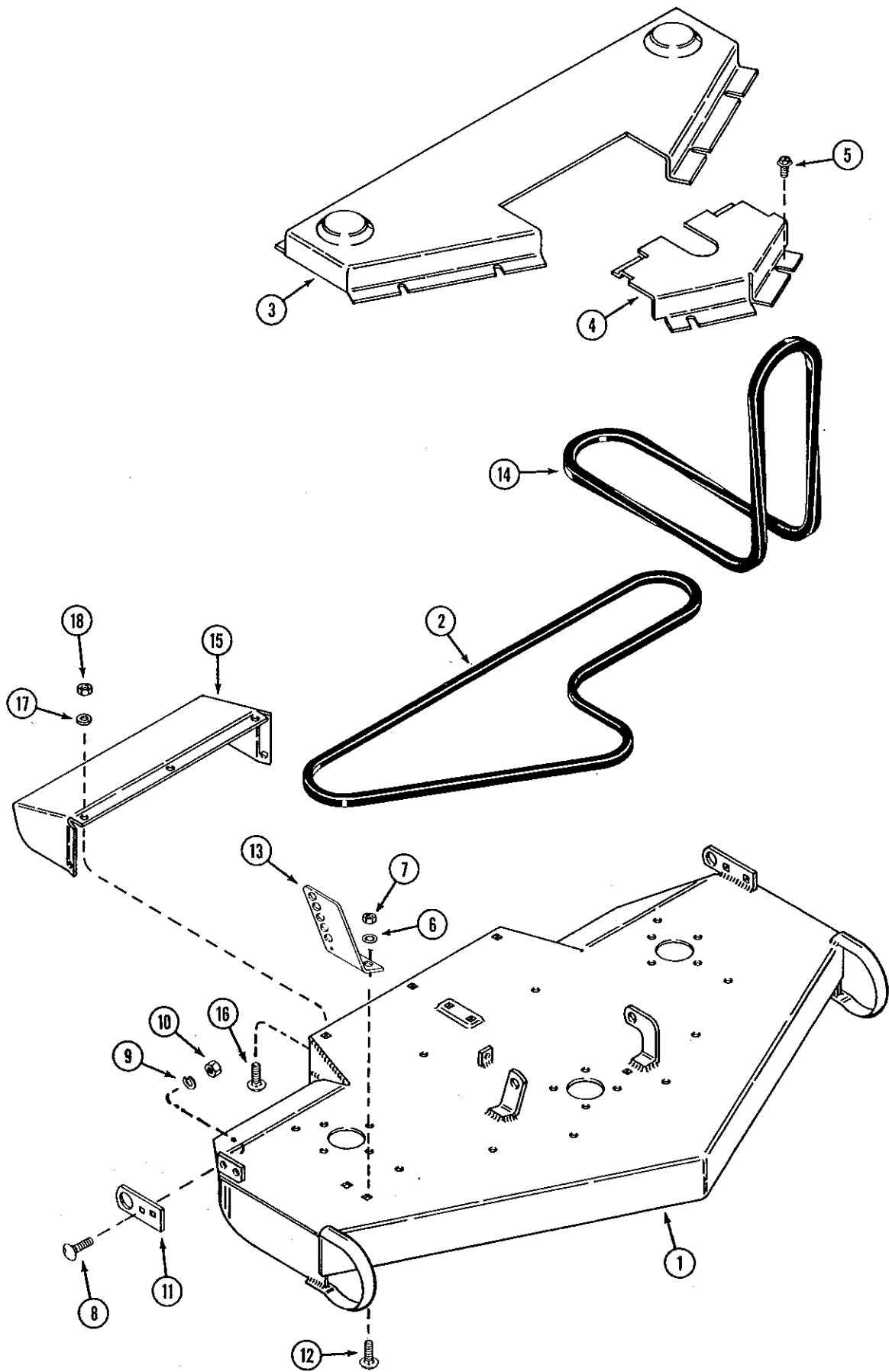
ALPHABETICAL INDEX

Model J45, K45, L45 and M45 Rotary Mower

	Page
Axles	9
Bearings, Spindle	7
Belts	5
Blades	7
Chassis	5
Decals	19
Guards and Covers	5
Housing, Spindle	7
Lift Links	9
Pulleys, Deck	7
Pulleys, Idler	9
Spindles	7
Wheels	9

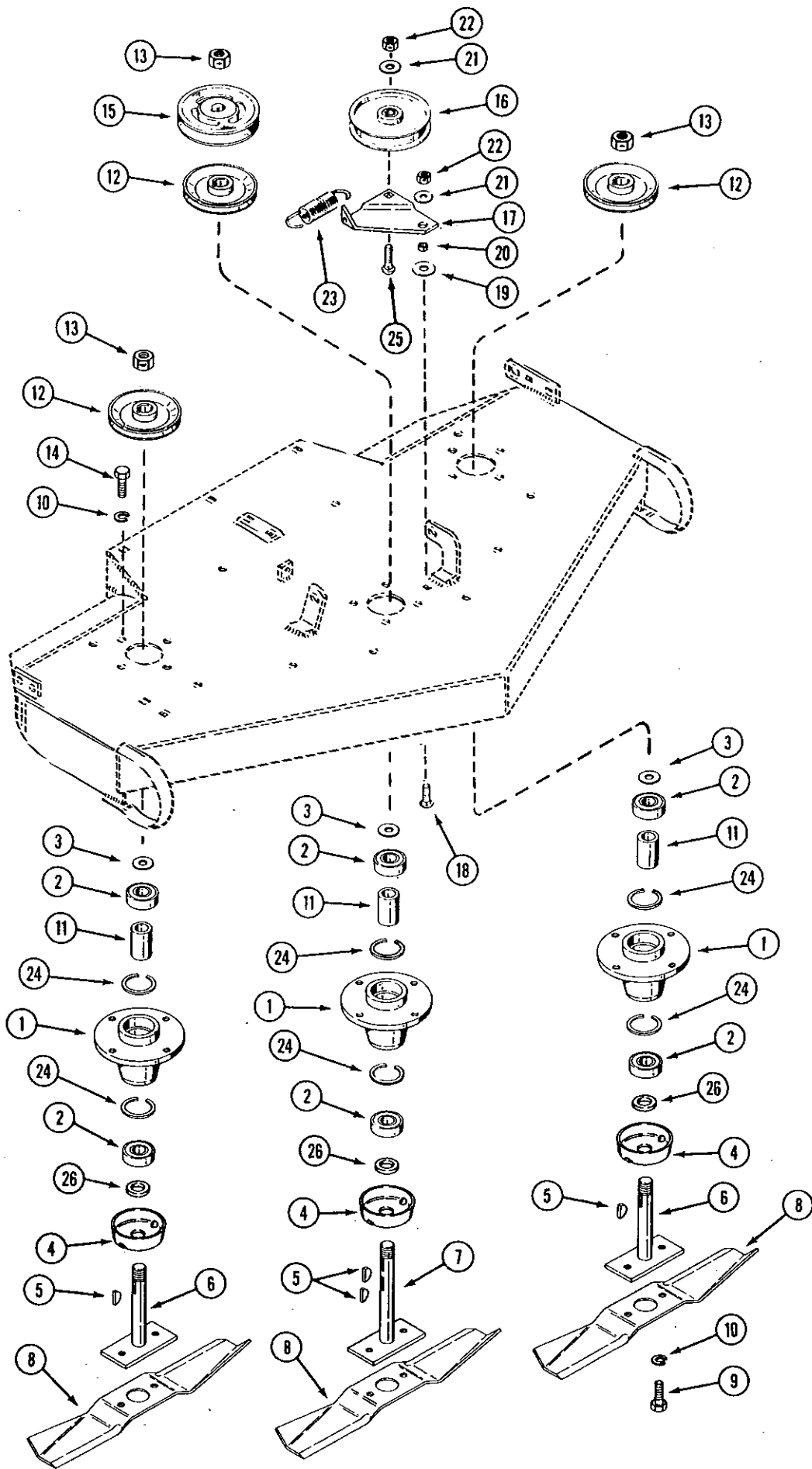
Model J48, K48, L48 and M48 Rotary Mower

Axles	15 - 17
Bearings, Spindle	13
Belts	11
Blades	13
Chassis	11
Decals	19
Guards and Covers	11
Housing, Spindle	13
Lift Links	15 - 17
Pulleys, Deck	13
Pulleys, Idler	15 - 17
Rollers, Rubber	11
Spindles	13
Wheels	15 - 17



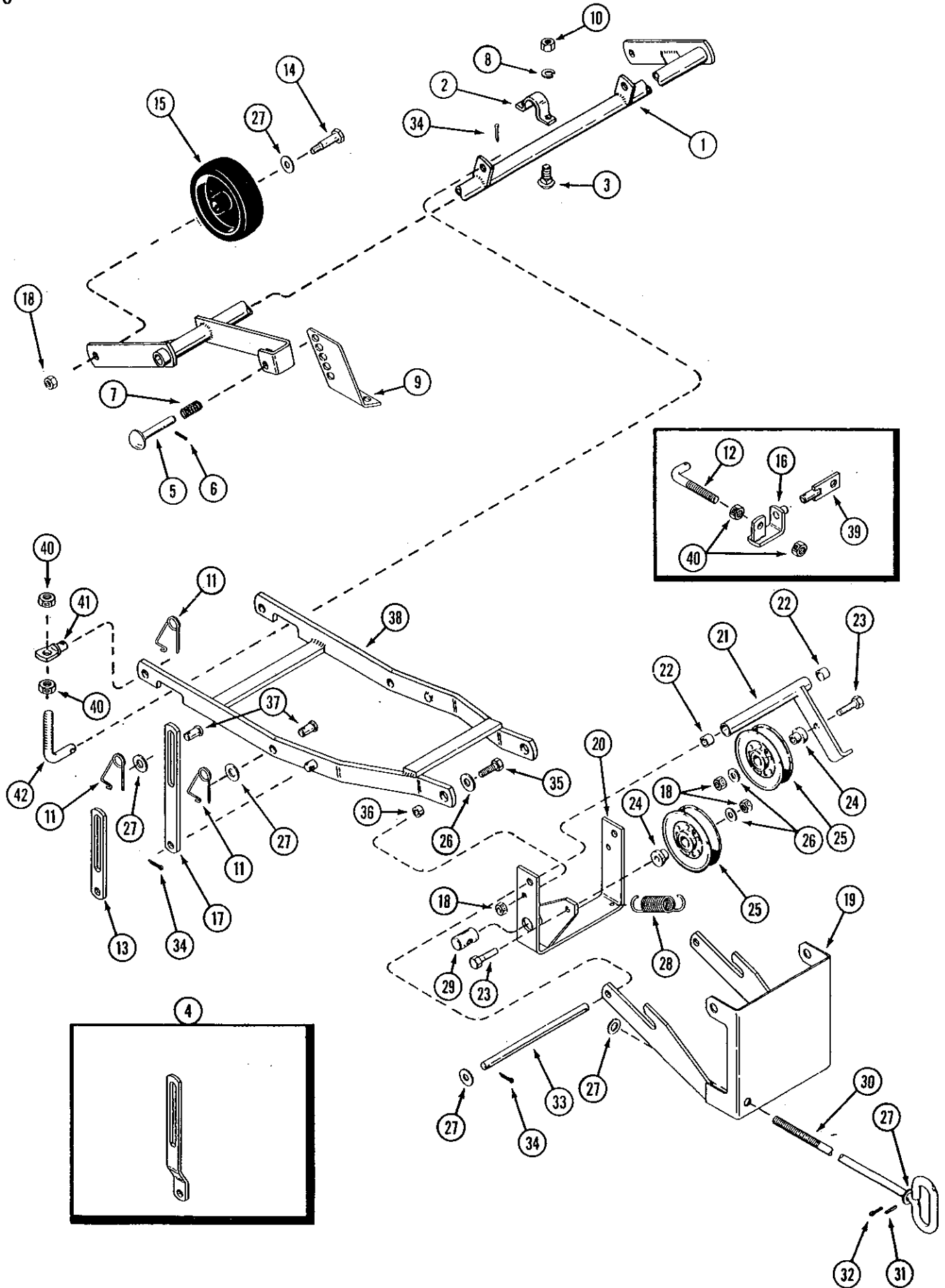
CHASSIS, BELTS AND CHASSIS COVERS

REF.	PART NO.	DESCRIPTION	REQ'D
1	C 25394	CHASSIS - mower	1
2	C 22707	BELT - mower chassis	1
3	C 25406	GUARD - chassis belt	1
4	C 25407	COVER - chassis, small	1
5	187- 1036	SCREW - 1/4" x 1/2" NC hex, self-tapping	12
6	193- 29	LOCK WASHER - 5/16" internal tooth	2
7	129- 102	NUT - 5/16" NC hex	2
8	111- 371	BOLT - 3/8" x 1" NC round head, square neck	2
9	192- 21	LOCK WASHER - 3/8"	2
10	129- 103	NUT - 3/8" NC hex	2
11	C 15560	BRACKET - axle pivot	1
12	111- 132	BOLT - 5/16" x 3/4" round head, square neck	2
13	C 25408	BRACKET - height adjust	1
14	C 23358	BELT - drive (use with 210, 220, 222, 224 and 226 tractors)	1
14	C 23359	BELT - drive (use with 444, 446 and 448 tractors)	1
14	C 23808	BELT - drive (use with 646, 648 tractor)	1
14	C 23810	BELT - drive (use with 644 P.I.N. 9698343 and after)	1
14	C 23807	BELT - drive (use with 644 before P.I.N. 9698343)	1
15	C 25409	DEFLECTOR	1
16	111- 101	BOLT - 1/4" - 20 x 5/8"	5
17	192- 19	LOCK WASHER - 1/4"	5
18	129- 101	NUT - 1/4" - 20	5
	C 25402	SKID - rear	1



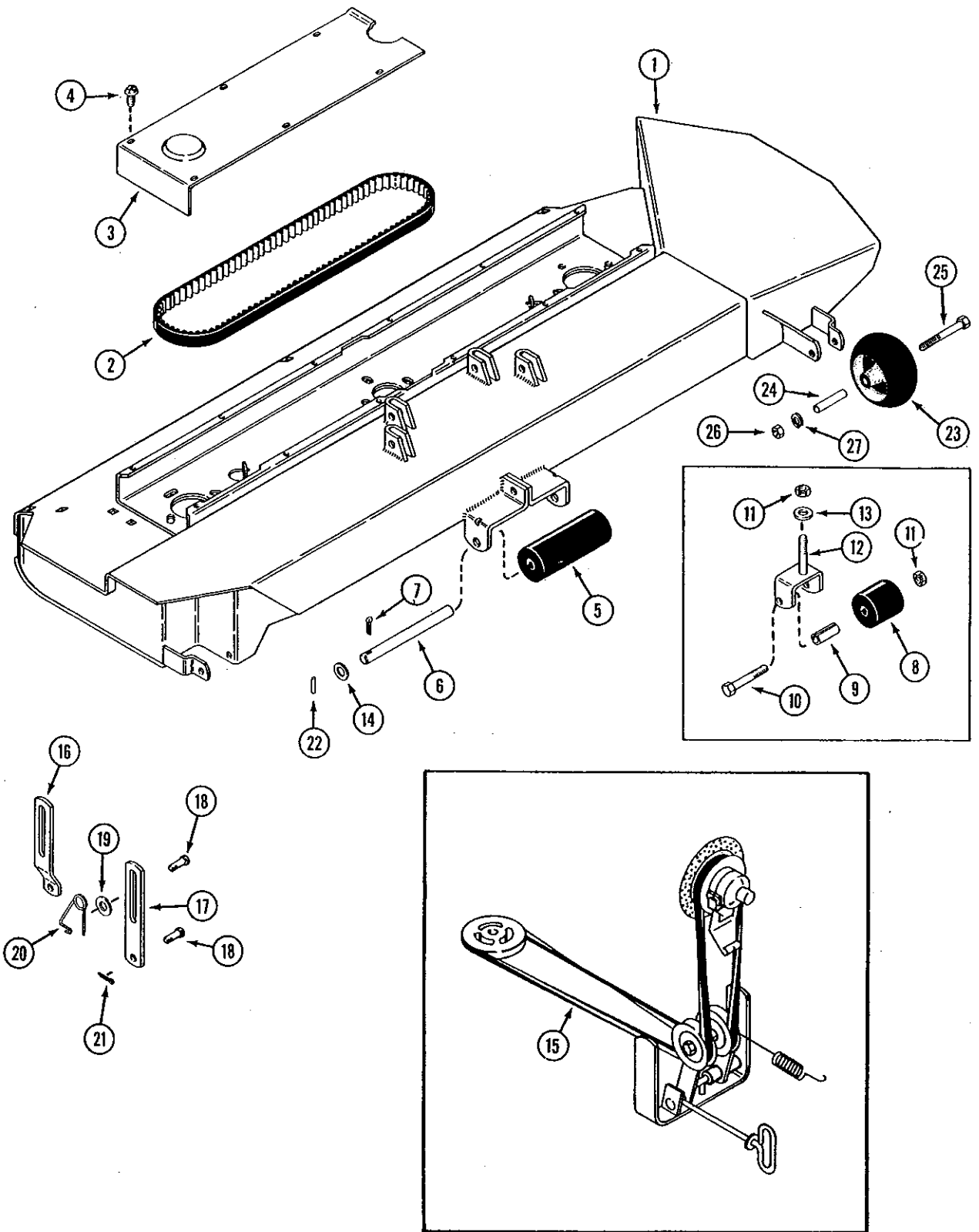
PULLEYS, BLADES AND SPINDLES

REF.	PART NO.	DESCRIPTION	REQ'D
1	C 17666	HOUSING - mower spindle (also use [2] C16516 S/N CC11119 and after) .	3
2	A 70280	BEARING - spindle	6
3	A 70282	WASHER - bearing seal	3
4	C 25543	SHIELD - bearing	3
5	126- 19	KEY - spindle, #11 Woodruff	4
6	C 15763	SPINDLE - outboard	2
7	C 15604	SPINDLE - center	1
8	C 24442	BLADE - 15-1/2"	3
9	113- 206	BOLT - 3/8" x 3/4" NC hex (grade 5)	6
10	192- 21	LOCK WASHER - 3/8"	18
11	C 10810	SPACER - bearing	3
12	C 21581	PULLEY - spindle	3
13	131- 1331	NUT - jam lock 3/4" NF hex	3
14	113- 206	BOLT - 3/8" x 3/4" NC hex	12
15	C 15615	PULLEY - drive	1
16	C 12251	PULLEY - deck idler	1
17	C 25080	BRACKET - idler	1
18	111- 371	BOLT - 3/8" x 1" carriage, short neck	1
19	195- 105	WASHER - 1/2" ZP	1
20	C 14768	SPACER - idler bracket	1
21	195- 525	WASHER - 3/8" ZP	2
22	131- 1181	NUT - lock 3/8" NC hex	2
23	C 14482	SPRING - idler	1
24	C 16516	RING - retainer	6
25	111- 366	BOLT - 3/8" x 1-1/4" carriage, short neck	1
26	C 25541	SPACER - spindle	3



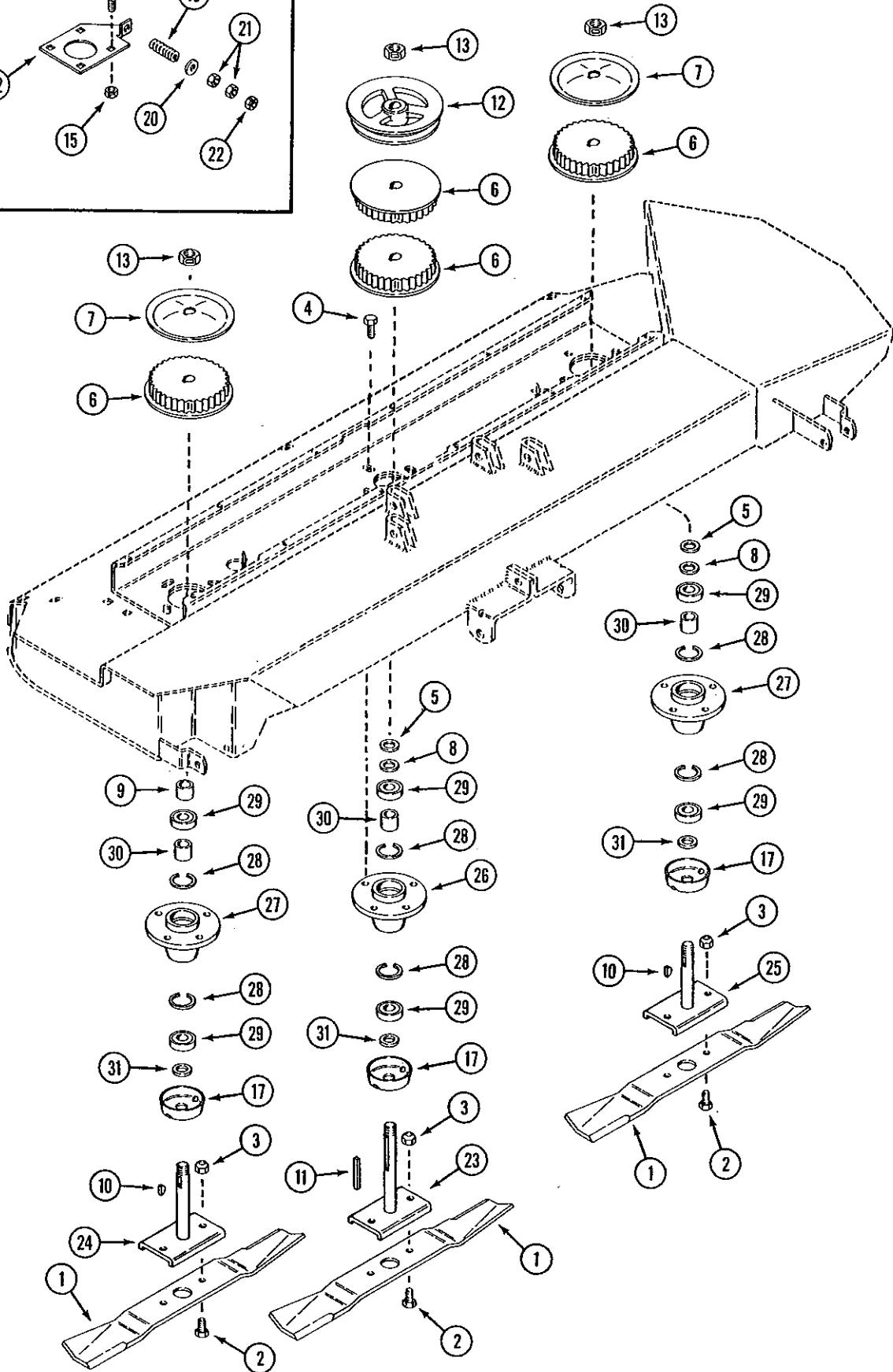
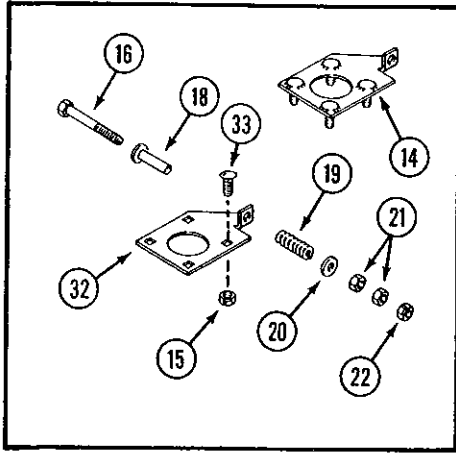
AXLE AND MOUNTING BRACKETS

REF.	PART NO.	DESCRIPTION	REQ'D
1	C 26048	AXLE - rear (K45, L45, M45)	1
1	C 24708	AXLE - rear (J45)	1
2	C 14932	BRACKET - axle mounting	1
3	111- 101	BOLT - 1/4" - 20 x 5/8" carriage, short neck	2
4	C 19652	LINK - lift (R.H. 446 only) comes with tractor, 9-1/2" (240 mm)	1
4	C 25702	LINK - lift (R.H. 446, 448) comes with tractor, 8-3/4" (220 mm)	1
4	C 27225	LINK - lift, short offset R.H. (226)	1
5	C 20005	PIN - retaining	1
6	138- 96	PIN - roll 3/16" x 1"	1
7	C 10482	SPRING	1
8	192- 19	LOCK WASHER - 3/8"	2
9	C 25408	BRACKET - height adjust	1
10	129- 101	NUT - 1/4" - 20	2
11	C 10898	PIN - retaining, special	6
12	C 17686	BOLT - "J" (J45)	2
13	C 18315	LINK - lift, short (use on Model 210, 220, 222, 224, 644, 646 and 648)	2
13	C 18315	LINK - lift, short L.H. (226)	1
14	C 16745	BOLT - shoulder	2
15	C 26736	WHEEL - gauge 5"	2
16	C 19412	LINK - adjusting (needed for tractors before 1980) (J45)	1
17	C 18338	LINK - lift, long (use on Model 444, 446 and 448), 9-1/2" (240 mm)	2
17	C 25703	LINK - lift, long (use on 444, 446 and 448), 8-3/4" (220 mm)	1
18	131- 1181	NUT - lock 3/8" hex	9
	C 25418	FRAME ASSEMBLY - mower mounting (J45)	1
	C 26107	FRAME ASSEMBLY - mower mounting (K45, L45, M45)	1
19	C 17648	BRACKET - front mounting	1
20	C 16569	BRACKET - idler pulleys	1
21	C 16575	BRACKET AND BUSHING ASSEMBLY	1
22	C 17597	BUSHING - bracket	2
23	113- 209	BOLT - 3/8" x 1-1/2"	2
24	C 12264	BUSHING - idler pulley	2
25	C 25370	PULLEY - idler	2
26	195- 525	WASHER - 3/8"	4
27	195- 533	WASHER - 1/2"	8
28	C 21942	SPRING - tension	1
29	C 14269	NUT - belt tension	1
30	C 26890	SCREW - belt tension	1
31	138- 2073	PIN - roll 3/16" x 1"	1
32	132- 318	PIN - cotter 5/32" x 1"	1
33	C 16574	ROD - pivot	1
34	132- 310	PIN - cotter 1/8" x 1"	6
35	113- 208	BOLT - 3/8" x 1-1/4" hex	2
36	C 16573	SPACER	2
37	C 10821	PIN - clevis 1/2" x 7/8"	4
38	C 16824	FRAME - rear mounting (J45)	1
38	C 26050	FRAME - rear mounting (K45, L45, M45)	1
39	C 17048	LINK - adjusting (J45)	2
40	131- 1182	NUT - lock 1/2" NC hex	4
41	C 26033	LINK - adjusting (K45, L45, M45)	2
42	C 26044	BOLT - "J" (K45, L45, M45)	2



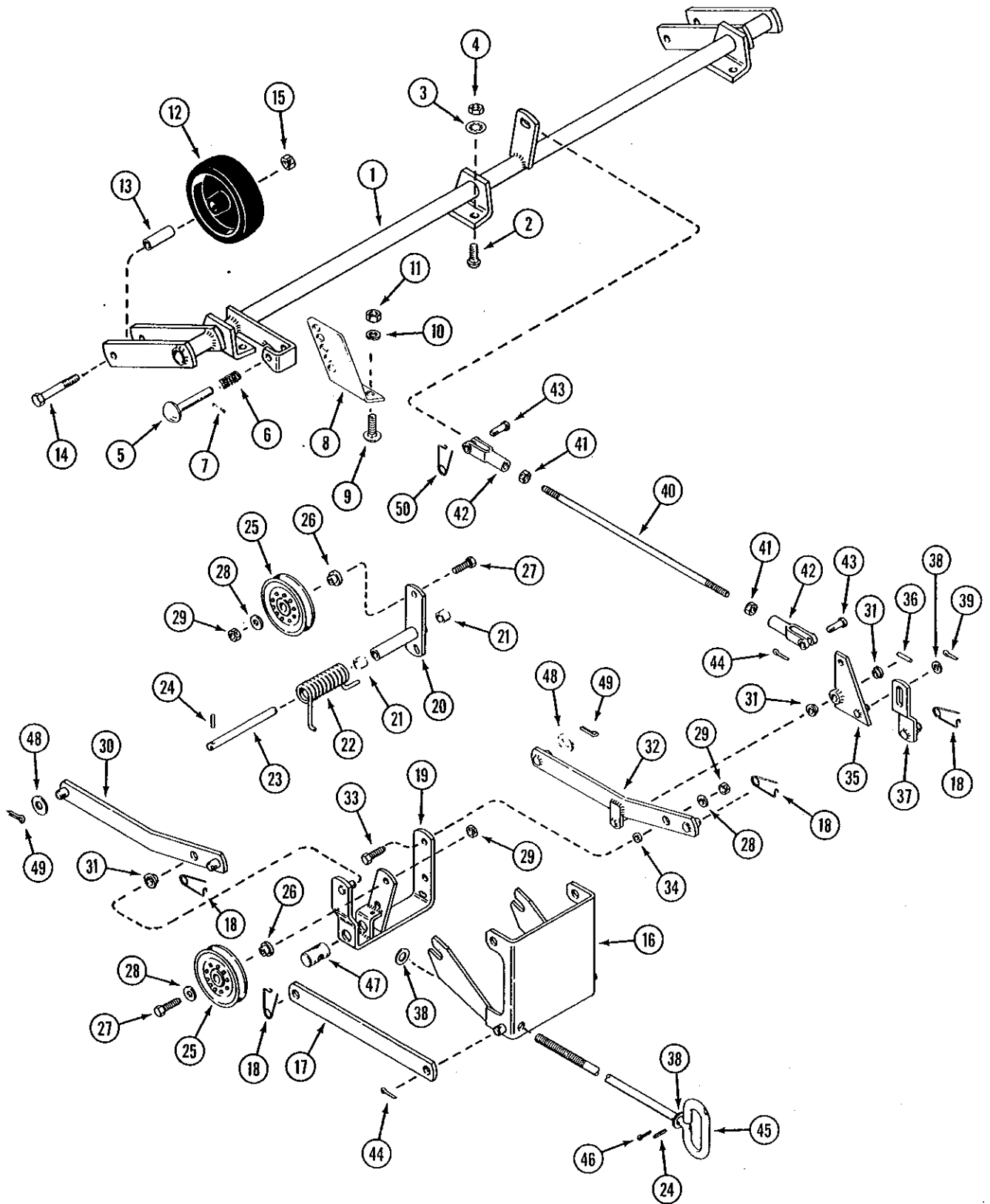
CHASSIS, BELTS AND CHASSIS COVERS

REF.	PART NO.	DESCRIPTION	REQ'D
1	NSS	CHASSIS - mower 60" (1520 mm) (K48, L48) (use C27727 and items 23, 24, 25, 26 and 27)	1
1	C 25611	CHASSIS - mower 60" (1520 mm) (J48)	1
1	C 27727	CHASSIS - mower 60" (1520 mm) (M48)	1
2	C 25687	BELT - spindle drive	2
3	C 25689	GUARD - chassis belt	2
4	187- 1036	SCREW - 1/4" - 20 x 1/2" self-tapping	12
5	A 70524	ROLLER - 2-1/2" x 7" (63.5 x 177.8 mm)	1
6	C 25684	SHAFT - roller (J48)	1
6	C 26405	SHAFT - roller (K48, L48, M48) shown	1
7	132- 310	PIN - cotter 1/8" x 1" (3.17 x 25.4 mm) (J48)	2
8	A 70514	ROLLER - 2-1/2" x 2-3/8" (63.5 x 60.32 mm)	4
9	C 25620	SPACER - sleeve (J48, K48, L48)	4
10	113- 427	BOLT - 1/2" - 13 x 3-1/4" hex	4
11	131- 1182	NUT - lock 1/2" hex	6
12	C 25685	CASTER - roller (J48, K48, L48)	2
13	195- 533	WASHER - 1/2"	2
14	195- 541	WASHER - 5/8" (K48, L48, M48)	1
15	C 26653	BELT - "V" mower drive	1
16	C 25690	LINK - mower lift R.H. (J48)	1
17	C 25691	LINK - mower lift L.H. (J48)	1
17	C 26958	LINK - mower lift (K48, L48, M48)	2
18	C 10821	PIN - clevis (quantity 4 on K48, L48, M48)	2
19	195- 533	WASHER - 1/2"	2
20	C 10898	PIN - retaining, special	2
21	132- 310	PIN - cotter	2
22	138- 106	PIN - roll 3/16" x 2-1/2" (K48)	1
23	C 27730	WHEEL - anti-scalp	2
24	C 27731	SPACER - sleeve	2
25	113- 252	BOLT - 3/8" - 16" x 3-3/4"	2
26	129- 103	NUT - 3/8" - 16	2
27	192- 21	LOCK WASHER - 3/8"	2



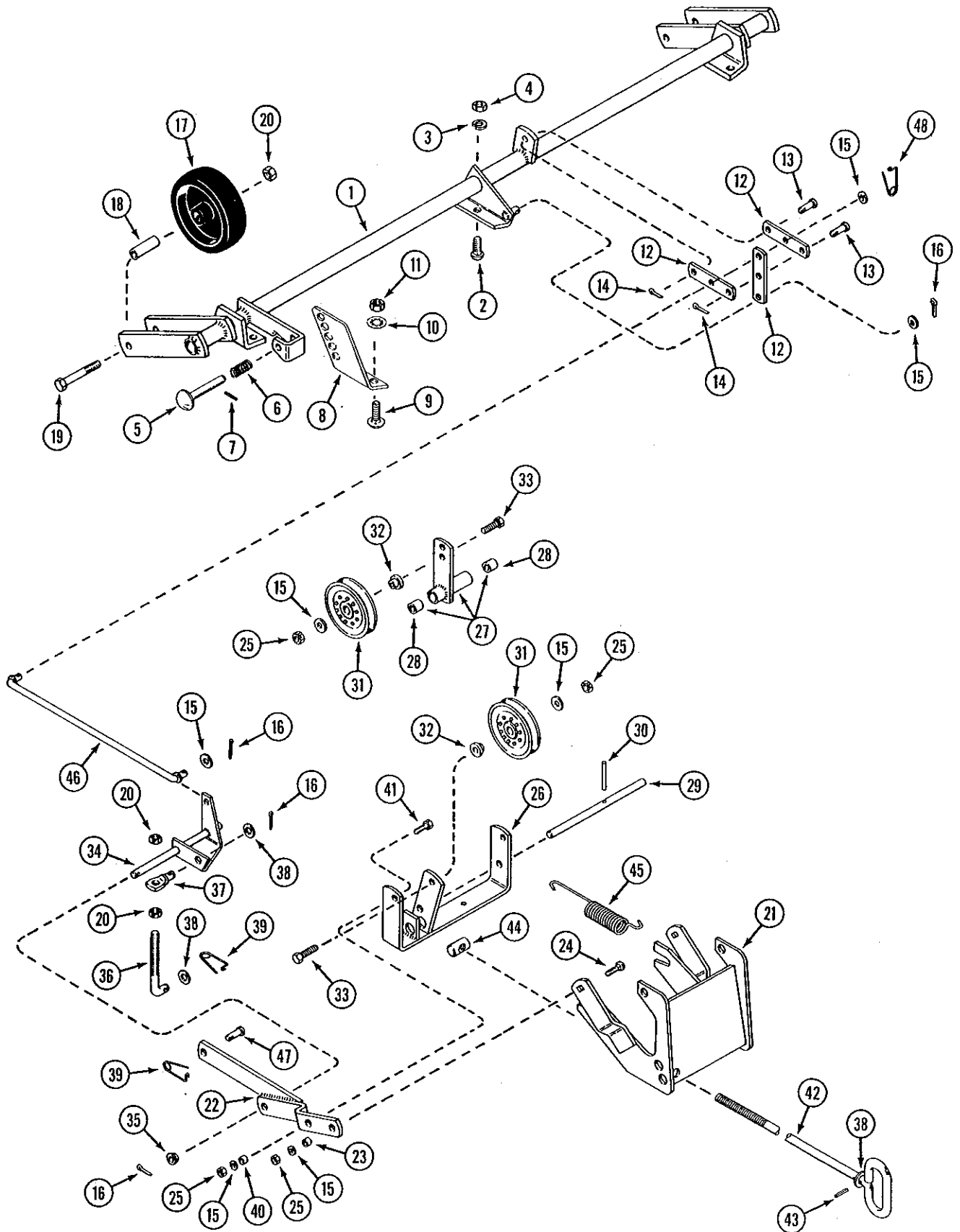
PULLEYS, BLADES AND SPINDLES

REF.	PART NO.	DESCRIPTION	REQ'D
1	C 25637	BLADE	3
2	113- 268	BOLT - 3/8" - 16 x 7/8" hex	6
3	131- 1216	NUT - lock 3/8" hex	6
4	113- 206	BOLT - 3/8" - 16 x 3/4" hex	4
5	A 30881	WASHER	2
6	C 25781	SPROCKET - spindle drive	4
7	C 25642	WASHER - belt retaining, special	2
8	A 70282	WASHER	2
9	C 25643	SPACER - spindle	1
10	126- 16	KEY - Woodruff #9 3/16" x 3/4"	2
11	C 25644	KEY - square	1
12	C 25645	PULLEY - drive	1
13	131- 1331	NUT - lock 3/4" hex	3
14	NSS	BRACKET - belt adjusting, chassis (use C25639 and [4] 111-371)	2
15	131- 1216	NUT - lock 3/8"	8
16	123- 101	BOLT - 5/16" - 18 x 4" hex	2
17	C 25543	SHIELD - bearing	3
18	C 25829	SPACER - sleeve	2
19	C 25688	SPRING - compression	2
20	195- 520	WASHER - .312" I.D. x .88" O.D.	2
21	129- 102	NUT - 5/16" hex	4
22	131- 176	NUT - lock 5/16" hex	2
23	C 25627	SPINDLE - center	1
24	C 25632	SPINDLE - R.H.	1
25	C 25635	SPINDLE - L.H.	1
26	C 17666	HOUSING - center, spindle	1
27	C 25631	HOUSING - outward, spindle	2
28	C 16516	RING - retaining	6
29	A 70280	BEARING - spindle	6
30	C 10810	SPACER - spindle bearing	3
31	C 25541	SPACER - spindle	3
32	C 25639	BRACKET - belt adjusting, deck	2
33	111- 371	BOLT - 3/8" - 16 x 1" carriage	8



AXLE AND MOUNTING BRACKETS

REF.	PART NO.	DESCRIPTION	REQ'D
1	C 25646	AXLE - rear	1
2	111- 371	BOLT - carriage 3/8" - 16 x 1"	6
3	192- 21	LOCK WASHER - 3/8"	6
4	129- 103	NUT - 3/8" - 16 hex	6
5	C 20005	PIN - locking	1
6	C 10482	SPRING	1
7	138- 96	PIN - roll	1
8	C 15935	BRACKET - height adjusting	1
9	111- 202	BOLT - carriage 5/16" - 18 x 3/4"	2
10	193- 29	LOCK WASHER - 5/16"	2
11	129- 102	NUT - 5/16" - 18	2
12	C 25682	WHEEL - height adjusting	2
13	C 25683	SPACER - sleeve	2
14	113- 447	BOLT - 1/2" - 13 x 3-1/2" hex	2
15	131- 1182	NUT - lock 1/2" - 13 hex	2
16	C 25654	BRACKET - front mounting	1
17	C 25657	LINK - stabilizer	2
18	C 10898	PIN - retaining, special	8
19	C 25659	BRACKET - idler pulleys	1
20	C 25663	ARM AND BEARING ASSEMBLY	1
21	C 17597	BEARING - sleeve	2
22	C 25667	SPRING - torsion	1
23	C 25668	SHAFT - pivot	1
24	138- 319	PIN - roll 3/16" x 1"	1
25	C 25370	PULLEY - idler	2
26	C 12264	BUSHING - shoulder	2
27	113- 209	BOLT - 3/8" - 16 x 1-1/2" hex	2
28	195- 525	WASHER - 3/8"	3
29	131- 933	NUT - lock 3/8" - 16 hex	3
30	C 25669	LINK AND BUSHING ASSEMBLY - suspension R.H.	1
31	C 24182	BUSHING - flange	1
32	C 25672	LINK - suspension L.H.	1
33	113- 208	BOLT - 3/8" - 16 x 1-1/4" hex	1
34	C 16573	SPACER	1
35	C 25675	BELL CRANK AND BUSHING ASSEMBLY - (includes item 31)	1
36	138- 2002	PIN - spiral	1
37	C 25679	LINK - adjusting	1
38	195- 533	WASHER - 1/2"	3
39	132- 310	PIN - cotter 1/8" x 1"	1
40	C 25681	ROD - leveler	1
41	129- 163	NUT - lock 3/8" - 24	2
42	213- 4	CLEVIS - 3/8"	2
43	141- 54	PIN - clevis 3/8"	2
44	132- 321	PIN - cotter	2
45	C 16562	SCREW - idler adjusting	1
46	132- 318	PIN - cotter	1
47	C 14269	NUT - adjusting, special	1
48	195- 541	WASHER - 5/8"	2
49	132- 311	PIN - cotter 5/32" x 1-1/4"	2
50	C 10883	PIN - safety	1

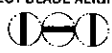


AXLE AND MOUNTING BRACKETS

REF.	PART NO.	DESCRIPTION	REQ'D
1	C 26413	AXLE - rear	1
2	111- 371	BOLT - carriage 3/8" - 16 x 1"	6
3	192- 21	LOCK WASHER - 3/8"	6
4	129- 103	NUT - 3/8" - 16 hex	6
5	C 20005	PIN - locking	1
6	C 10482	SPRING - tension	1
7	138- 96	PIN - roll	1
8	C 15935	BRACKET - height adjust	1
9	111- 202	BOLT - carriage 5/16" - 18 x 3/4"	2
10	193- 29	LOCK WASHER - 5/16"	2
11	129- 102	NUT - 5/16" - 18 hex	2
12	C 26384	LINK - rock arm	3
13	141- 4	PIN - clevis 3/8"	2
14	132- 321	PIN - cotter 3/32" x 1"	2
15	195- 525	WASHER - 3/8"	9
16	132- 310	PIN - cotter 1/8" x 1"	7
17	C 25682	WHEEL - height adjust	2
18	C 25683	SPACER - sleeve	2
19	113- 447	BOLT - 1/2" - 13 x 3-1/2"	2
20	131- 1182	NUT - lock 1/2" - 13 hex	4
	C 26408	CARRIAGE ASSEMBLY	1
21	C 26407	BRACKET - front mounting	1
22	C 26403	LINK - tow R.H. (shown)	1
22	C 26402	LINK - tow L.H.	1
23	C 16573	SPACER - sleeve	2
24	111- 366	BOLT - carriage 3/8" - 16 x 1-1/4"	2
25	131- 1181	NUT - lock 3/8" - 16 hex	4
26	C 26398	BRACKET - idler pulleys	1
27	C 26394	ARM - idler pulley	1
28	C 17597	BEARING - sleeve	2
29	C 26390	SHAFT - pivot, pulley arm	1
30	138- 106	PIN - roll 3/16" x 2-1/2"	1
31	C 25370	PULLEY - idler	2
32	C 12264	BUSHING - pulley	2
33	113- 209	BOLT - 3/8" - 16 x 1-1/2" hex	2
34	C 26389	BELL CRANK	1
35	C 12127	BUSHING - nylon, flange	2
36	C 19502	BOLT - "J"	1
37	C 26033	PIN - adjust	1
38	195- 533	WASHER - 1/2"	3
39	C 10898	PIN - safety	3
40	C 16573	SPACER - sleeve	2
41	113- 208	BOLT - 3/8" - 16 x 1-1/4" hex	2
42	C 26890	SCREW - idler adjust	1
43	138- 92	PIN - roll 3/16" x 3/4"	2
44	C 14269	NUT - adjust, special	1
45	C 26386	SPRING - tension	1
46	C 26385	LINK - leveler	1
47	C 10821	PIN - clevis	2
48	C 10883	PIN - safety	1

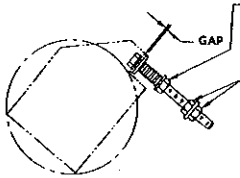
8

CORRECT BLADE ALIGNMENT



BLADE ALIGNMENT AND BELT TENSION

- 1) TIGHTEN THIS NUT AGAINST WASHER AND SPACER.
- 2) LOOSEN FOUR SPINDLE HOUSING MOUNTING NUTS ON THE UNDERSIDE OF THE MOWER FOR FREE SLIDING MOVEMENT OF ASS'Y.
- 3) ALIGN BLADES SUCH THAT ADJACENT BLADES ARE PERPENDICULAR TO EACH OTHER AS SHOWN IN BLADE ALIGNMENT DIAGRAM.
- 4) ADJUST THESE NUTS TO OBTAIN A GAP BETWEEN HEAD OF BOLT AND BRACKET, AS SHOWN.
- 5) GAP WIDTH TO BE EQUAL TO THICKNESS OF TRACTOR IGNITION KEY. USE KEY AS A GAGE.
- 6) TIGHTEN FOUR SPINDLE HOUSING MOUNTING NUTS SECURELY.



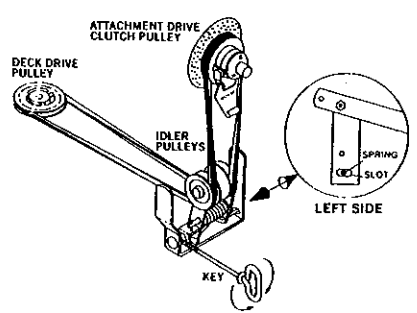
2

NO STEP

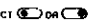

9

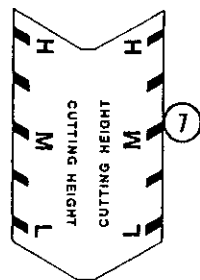
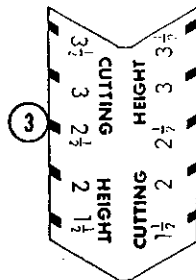
COMMERCIAL

6

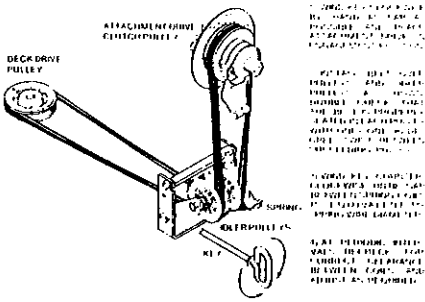


- 1) MANUALLY TURN KEY COMPLETELY CLOCKWISE, ENGAGE ATTACHMENT DRIVE.
- 2) INSTALL BELT OVER PULLEYS AS SHOWN, ONLY ONE 90 DEGREE TWIST OF THE BELT MUST BE BETWEEN EACH PULLEY.
- 3) TURN KEY COUNTERCLOCKWISE UNTIL SPRING END IS CENTERED IN SLOT.
- 4) CHECK THE SPRING ONLY FOR CORRECT POSITION, ADJUST AS REQUIRED.

INCORRECT  OR 

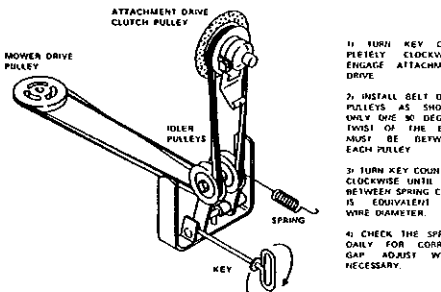


1



- 1) MANUALLY TURN KEY COMPLETELY CLOCKWISE, ENGAGE ATTACHMENT DRIVE.
- 2) INSTALL BELT OVER PULLEYS AS SHOWN, ONLY ONE 90 DEGREE TWIST OF THE BELT MUST BE BETWEEN EACH PULLEY.
- 3) TURN KEY COUNTERCLOCKWISE UNTIL SPRING END IS CENTERED IN SLOT.
- 4) CHECK THE SPRING ONLY FOR CORRECT POSITION, ADJUST AS REQUIRED.

12



- 1) TURN KEY COMPLETELY CLOCKWISE, ENGAGE ATTACHMENT DRIVE.
- 2) INSTALL BELT OVER PULLEYS AS SHOWN, ONLY ONE 90 DEGREE TWIST OF THE BELT MUST BE BETWEEN EACH PULLEY.
- 3) TURN KEY COUNTERCLOCKWISE UNTIL GAP BETWEEN SPRING COILS IS EQUIVALENT TO WIRE DIAMETER.
- 4) CHECK THE SPRING ONLY FOR CORRECT GAP, ADJUST WHEN NECESSARY.

11

WARNING

FLYING DEBRIS
OPERATE MOWER ONLY WITH DISCHARGE CHUTE GUARD OR COMPLETE GRASS CATCHER IN PLACE. DEBRIS MAY CAUSE INJURY.

10

CASE

5

DANGER

SPINNING BLADE
KEEP CLEAR
CONTACT CAN INJURE

4

case

DECALS (English)

REF.	PART NO.	DESCRIPTION	REQ'D
1	C 21960	DECAL - drive belt (J45, K45, L45, M45)	1
2	C 12519	DECAL - "No Step"	2
4	NSS	DECAL - "Case" (use 321-6379)	1
5	321- 4381	DECAL - spinning blade	1
6	321- 6235	DECAL - drive belt (J48)	1
7	321- 6210	DECAL - cutting height	1
8	321- 6236	DECAL - spindle drive belt (J48, K48, L48, M48)	2
9	321- 6263	DECAL - "Commercial" (J48, K48, L48, M48)	1
10	321- 6379	DECAL - "Case" (early production)	1
11	321- 6668	DECAL - "Flying Debris" (J45, K45, L45, M45)	1
12	C 26423	DECAL - drive belt (K48, L48, M48)	1

DECALS (French and English)

1	321- 4730	DECAL - drive belt (J45, K45, L45, M45)	1
2	321- 4726	DECAL - "No Step"	2
3	321- 4698	DECAL - cutting height (J45, K45, L45, M45)	1
5	321- 4763	DECAL - spinning blade	1
6	321- 6326	DECAL - drive belt (J48)	1
8	321- 6327	DECAL - spindle drive belt (J48, K48, L48, M48)	2
11	321- 6642	DECAL - "Flying Debris" (J45, K45, L45, M45)	1
12	C 26436	DECAL - drive belt (K48, L48, M48)	1