

GENERAL INFORMATION

Indexes

This parts Catalog is arranged for easy identification of Genuine CASE Service Parts. An alphabetical index is provided at the front of this Catalog to locate the major groups or assemblies. A numerical index at the rear of the Catalog gives the part numbers and the pages on which they are described.

Illustrations

All parts are illustrated in "Exploded Views" which show the individual parts in their normal relationship to each other. Reference numbers are used in the illustrations. These numbers correspond to those in the "Reference Number" column and are followed by the part number, description and quantity required.

Orders

Orders should plainly specify correct part number, full description, quantity required, machine model and engine model, machine and engine serial numbers, method of shipment and shipping address.

Changes

When changes to the machine make it necessary, revised pages for this book will be issued. The revised pages will be issued with the same page number as those they replace and the "issue" number and date will be advanced.

It is imperative that revised Parts Book pages be inserted into their respective Parts Books as soon as received. Failure to do so will lead to confusion and defeat the purpose of the book.

Indented Description

Indented parts in the descriptive list are a part of the preceding assembly or sub-assembly.

The quantity shown in the "Number Required" column is the number of parts used on a machine except where parts are indented in descriptive list. In this case the quantity shown is the number required for the preceding assembly or sub-assembly.

REF.	PART NO.	DESCRIPTION	REQ'D
	A 55159	CYLINDER ASSY - rear steering	1
28	A 56208	SOCKET ASSY - rear cylinder	1
29	A 55956	PLUG - adjusting, socket assy	1
30	A 55957	SEAT - socket ball	2
31	A 56210	SPRING - socket	1
32	A 56209	SEAT - socket spring	1
33	G 45175	CLAMP ASSY - socket assy	1
	16- 836	BOLT - 1/2" x 2-1/4" N.F. hex.	1
34	132- 104	PIN - cotter, 3/16" x 3"	1
35	A 55889	STUD - ball, socket & cylinder	2
36	13- 410	BOLT - 1/4" x 5/8" N.C., hex.	4
37	92- 4	LOCKWASHER - 1/4" SAE	4

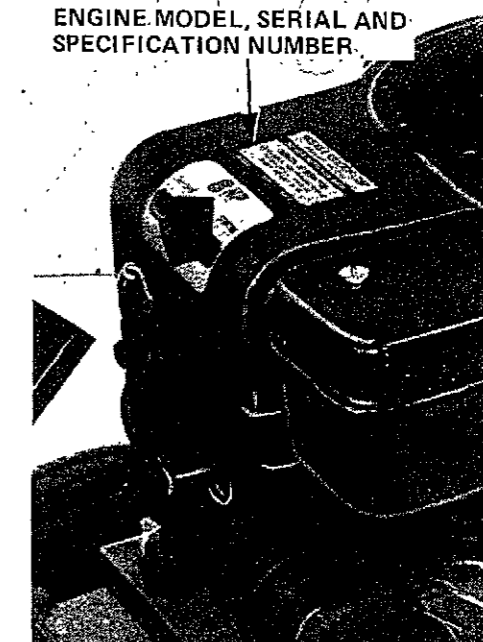
Terms "Right Hand" and "Left Hand"

The terms "Right Hand" and "Left Hand" whenever used in this catalog refer to the machine as viewed when standing behind the machine and facing the direction of travel.

CASE MODEL 108, 110 and 118 COMPACT TRACTORS



ENGINE MODEL, SERIAL AND SPECIFICATION NUMBER.



TRACTOR MODEL AND SERIAL NUMBER.

TRACTOR MODEL DESIGNATIONS

ENGINE MODEL DESIGNATIONS

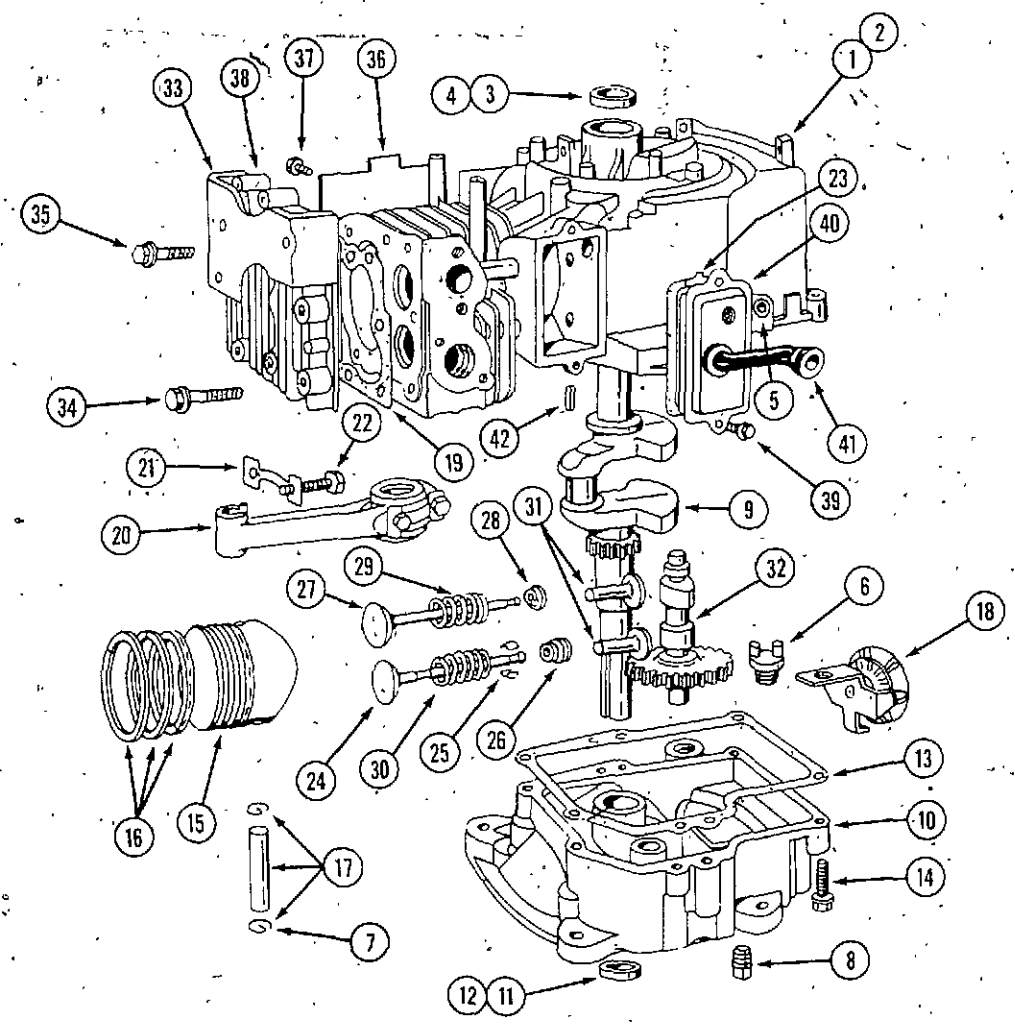
108 and 118 TRACTOR	C20123* (used prior to S/N 9747274) SPEC. NO. 190707 - TYPE 5135-01
	C26661 (used S/N 9747274 and after) SPEC. 190707 - TYPE 5820-01
110 TRACTOR	C26662 ENGINE SPEC. 220707 - TYPE 0631-01

*Service with C26661 engine and C25078 harness

SERIAL NUMBERS

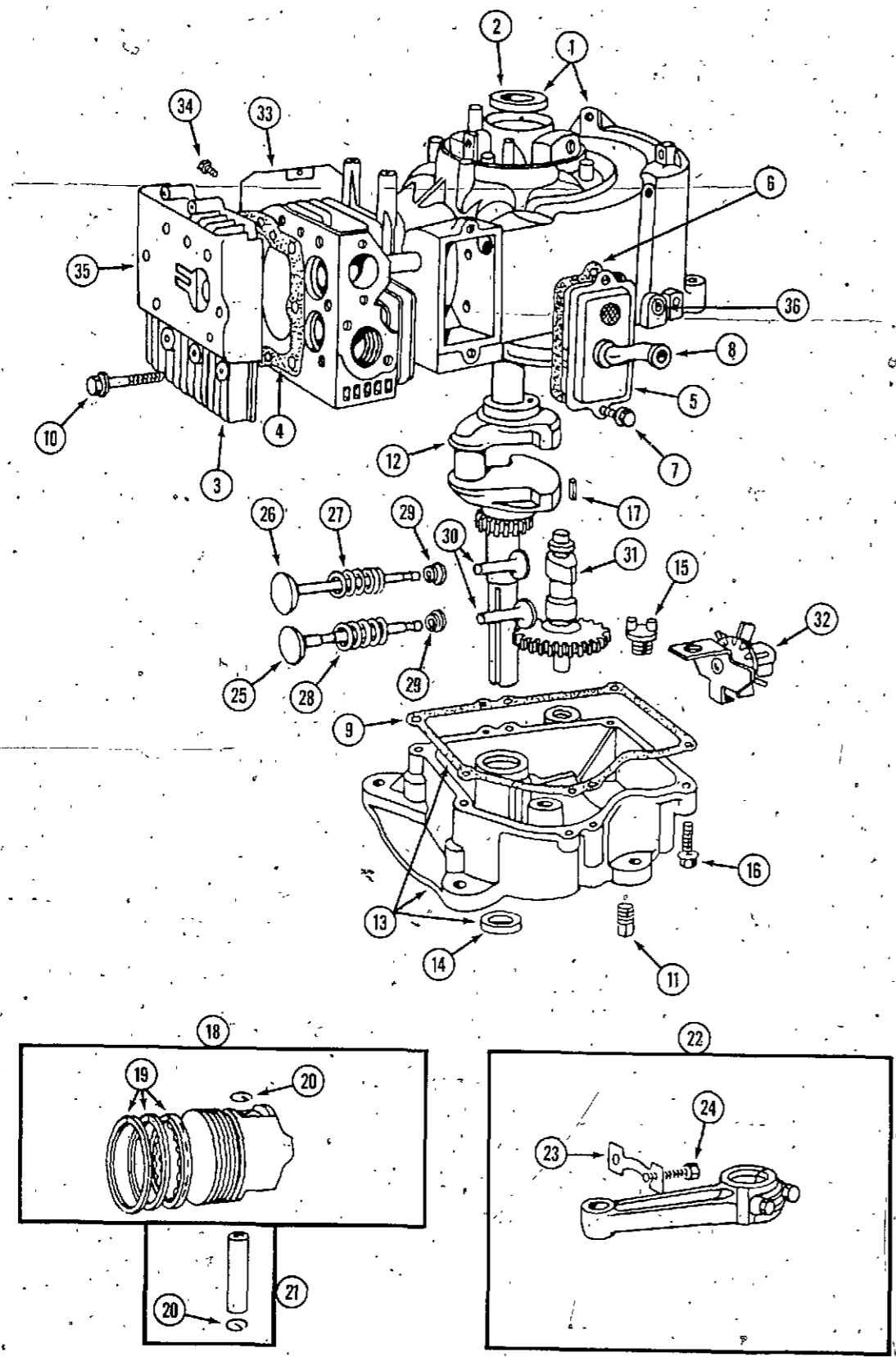
When using this catalog, notice the reference to serial numbers of various components noted here and listed in the "description" copy. By referring to correct serial numbers, proper parts identification will be assured.

ENGINE-BLOCK ASSEMBLY (108, 118)



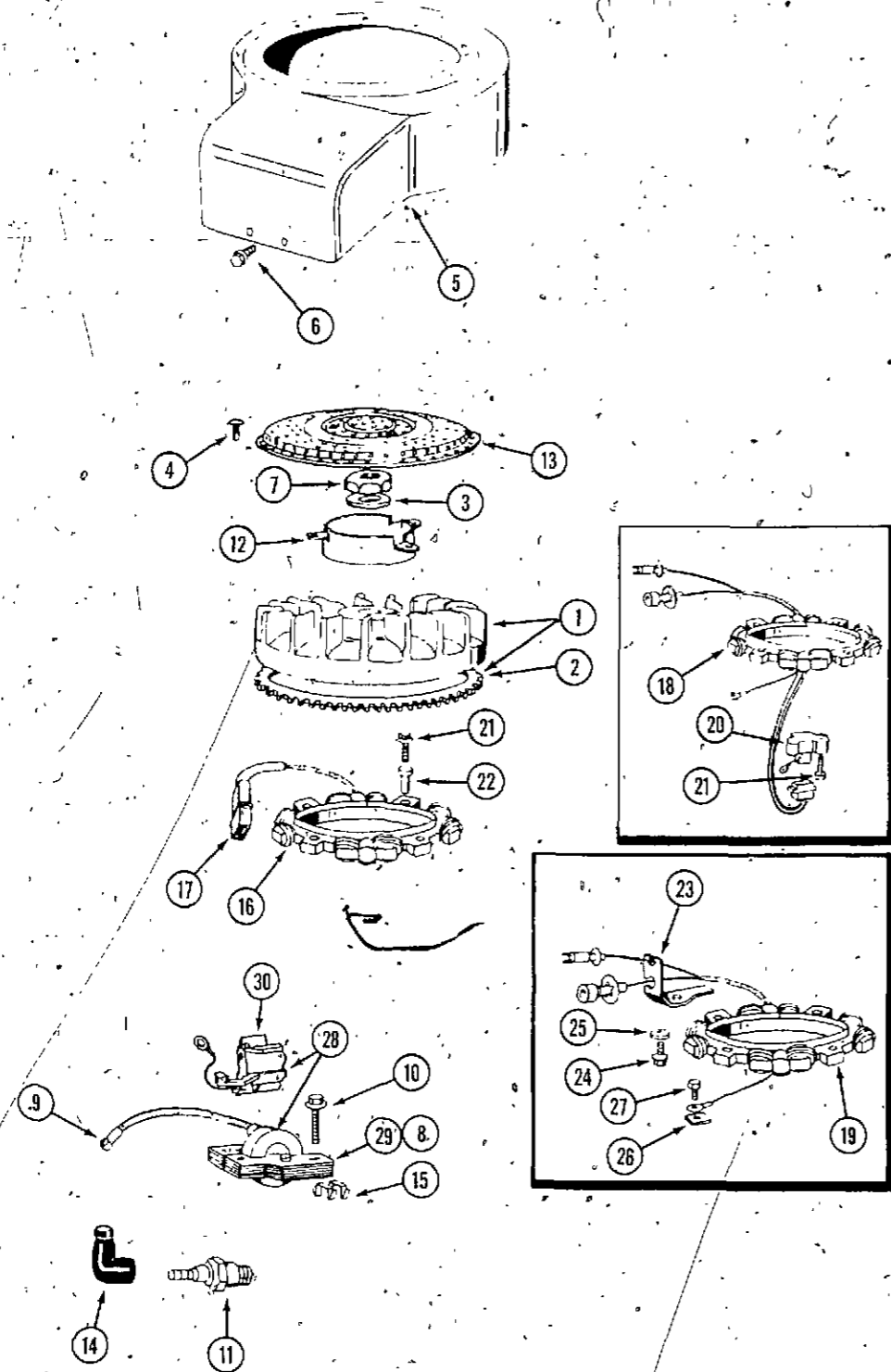
REF.	PART NO.	DESCRIPTION	REQ.D.
1	BR 390640	BLOCK ASSEMBLY - short	1
2	NSS	BLOCK - cylinder, stripped	1
3	BR 295962	BUSHING - cylinder	1
4	BR 294606	SEAL - oil	1
5	BR 230927	BUSHING - governor shaft (used prior to code 75110911)	1
5	BR 231055	BUSHING - governor shaft (used code 75110911 and after)	1
6	BR 66768	PLUG - oil filler	1
7	BR 68546	LOCK - piston pin	1
8	221- 1013	PLUG - oil drain	1
9	BR 261038	CRANKSHAFT	1
10	BR 392548	OIL PAN ASSEMBLY	1
11	BR 295963	BUSHING - oil pan	1
12	C 25709	SEAL - oil	1
13	BR 27750	GASKET - oil pan 1/64" (BR27876 - .005") (BR27877 - .009")	1
14	NSS	SCREW - oil pan mtg. (use 113-120 and 192-20)	4
15	BR 391673	PISTON ASSEMBLY - standard	1
15	BR 391674	PISTON ASSEMBLY - .010 oversize (includes rings)	1
15	BR 391675	PISTON ASSEMBLY - .020 oversize (includes rings)	1
15	BR 391676	PISTON ASSEMBLY - .030 oversize (includes rings)	1
16	BR 391669	RING SET - standard	1
16	BR 391670	RING SET - .010 oversize	1
16	BR 391671	RING SET - .020 oversize	1
16	BR 391672	RING SET - .030 oversize	1
17	BR 295840	PIN ASSEMBLY - piston, standard (includes locks)	1
17	BR 295841	PIN ASSEMBLY - piston, .005 oversize (includes locks)	1
18	BR 298614	BRACKET ASSEMBLY - governor gear & oil slinger (used prior to code 75111011)	1
18	BR 392718	BRACKET ASSEMBLY - governor gear & oil slinger (used code 75111011 and after)	1
19	BR 270430	GASKET - cylinder head	1
20	BR 390402	CONNECTING ROD ASSEMBLY	1
21	BR 222114	LOCK - connecting rod bolt	1
22	BR 92659	BOLT - connecting rod	2
23	BR 27803	GASKET - valve cover	1
24	BR 390419	VALVE - exhaust	1
25	BR 93630	LOCK - exhaust valve	2
26	BR 292260	ROTATOR - exhaust valve	1
27	BR 261055	VALVE - intake	1
28	BR 221596	KEEPER - intake valve	1
29	BR 65906	SPRING - intake valve	1
30	BR 26828	SPRING - exhaust valve	1
31	BR 260933	TAPPET - valve	2
32	BR 211689	CAMSHAFT	1
33	BR 222351	BAFFLE - cylinder head (used on engine type 5135-01)	1
33	BR 222636	BAFFLE - cylinder head (used on engine type 5820-01)	1
34	BR 93776	STUD - cylinder head (req's. BR22963 washer)	3
34	BR 93723	BOLT - cylinder head, 3"	3
35	BR 93211	BOLT - cylinder head, 2-21/32"	4
36	BR 222830	BAFFLE - cylinder	1
37	NSS	SCREW - baffle mtg. (use 163-18 and 192-18)	1
38	BR 211778	HEAD - cylinder (use on engine type 5135-01)	1
38	BR 212286	HEAD - cylinder (use on engine type 5820-01)	1
39	187- 1508	SCREW - serns	2
40	BR 391406	BREATHER - crankcase	1
41	BR 280005	TUBE - breather	1
42	C 27236	KEY - flywheel	1
	BR 299577	GASKET SET - includes items 13, 19, 23 and carburetor gasket	1

ENGINE BLOCK ASSEMBLY (110)

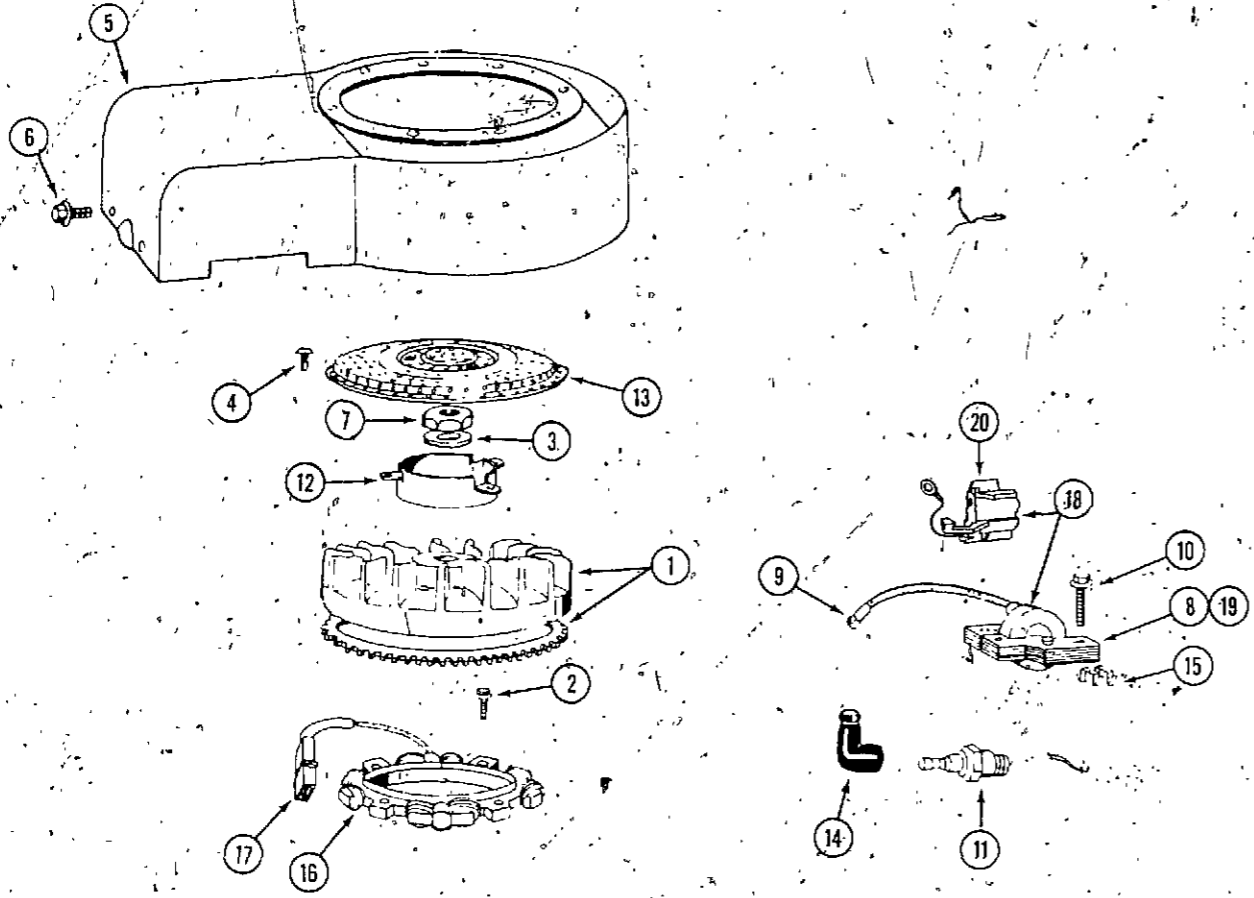


REF.	PART NO.	DESCRIPTION	REQ'D.
1	C 25827	CYLINDER BLOCK ASSEMBLY - short	1
1	NSS	CYLINDER BLOCK ASSEMBLY	1
2	C 25709	SEAL - oil	1
3	C 25710	HEAD - cylinder	1
4	C 25711	GASKET - cylinder head	1
5	BR 391406	BREATHER ASSEMBLY	1
6	BR 27803	GASKET - valve cover	1
7	187- 1508	SCREW - sems	2
8	C 25712	TUBE - breather	1
9	C 25713	GASKET - crankcase cover 1/64" thick	1
9	C 25714	GASKET - crankcase cover .005" thick	1
9	C 25715	GASKET - crankcase cover .009" thick	1
10	BR 93723	SCREW - cylinder head 3" long	9
10	C 27238	STUD - cylinder head (req's. BR22963 washer)	3
11	221- 13	PLUG - oil drain	1
12	C 25716	CRANKSHAFT	1
13	C 25717	SUMP - oil (also includes item 9)	1
14	C 25718	SEAL - oil	1
15	BR 66768	PLUG - oil filler	1
16	NSS	SCREW - sump mounting; sems (use 113-120 and 192-20)	6
17	BR 61760	KEY - flywheel (use before S/N 14017203)	1
17	C 27236	KEY - flywheel (use S/N 14017203 and after)	1
18	C 25720	PISTON ASSEMBLY - standard	1
18	C 25721	PISTON ASSEMBLY - .010" oversize	1
18	C 25722	PISTON ASSEMBLY - .020" oversize	1
18	C 25723	PISTON ASSEMBLY - .030" oversize	1
19	C 25724	RING SET - piston, standard	1
19	C 25725	RING SET - piston, .010" oversize	1
19	C 25726	RING SET - piston, .020" oversize	1
19	C 25727	RING SET - piston, .030" oversize	1
20	C 25728	LOCK - piston pin	2
21	C 25729	PIN ASSEMBLY - piston, standard	1
21	C 25730	PIN ASSEMBLY - piston, .005" oversize	1
22	C 25731	ROD ASSEMBLY - connecting	1
23	C 25732	LOCK - connecting rod	1
24	C 25733	SCREW - connecting rod	2
25	C 25734	VALVE - exhaust	1
26	C 25735	VALVE - intake	1
27	BR 65906	SPRING - intake valve	1
28	BR 26828	SPRING - exhaust valve	1
29	BR 221596	RETAINER - valve	2
30	C 25736	TAPPET - valve	2
31	C 25737	CAMSHAFT	1
32	C 25746	OIL SLINGER - governor gear and bracket assembly	1
33	C 25751	SHIELD - cylinder	1
34	NSS	SCREW - cylinder shield mounting (use 163-18 and 192-18)	1
35	C 25752	COVER - cylinder head	1
36	BR 231055	BUSHING - governor crank (1/4" I.D.)	1
	C 25757	GASKET SET - includes items 4, 6, 9 and carburetor mounting gasket	1

FLYWHEEL AND STATOR (108, 118)



REF.	PART NO.	DESCRIPTION	REQ'D.
1	BR 391983	FLYWHEEL ASSEMBLY	1
2	BR 392134	RING GEAR	1
3	BR 220865	WASHER - spring	1
4	NSS	SCREW - special (use 182-84 and 193-25)	4
5	BR 391379	HOUSING - blower	1
6	NSS	SCREW - blower housing (use 22-48 and 92-4)	4
7	BR 92284	NUT - flywheel	1
8	BR 298968	ARMATURE (use before S/N 14016311)	1
9	BR 221798	TERMINAL - igniting cable	1
10	NSS	SCREW - special, armature (use 182-549 and 195-10)	2
11	C 24329	SPARK PLUG	1
12	BR 222561	CUP - screen mounting	1
13	BR 222562	SCREEN - flywheel	1
14	BR 66538	BOOT - spark plug	1
15	BR 221907	CLIP - wire	2
16	BR 393474	STATOR - alternator (use S/N 9747274 and after)	1
17	BR 393456	DIODE ASSEMBLY - (use S/N 9747274 and after)	1
18	NSS	STATOR - alternator (early production) - see Ref. 19	1
19	NSS	STATOR - alternator (early production) (use BR393474 stator and C25078 harness before S/N 9747274)	1
20	BR 390892	RECTIFIER - alternator (early production)	1
21	NSS	SCREW - (use 182-90 and 195-10)	4
22	BR 230976	BUSHING - stator	4
23	BR 222211	BRACKET - fuse holder (early production)	1
24	BR 93536	SCREW - bracket mounting (early production)	1
25	BR 220680	WASHER - bracket mounting (early production)	1
26	C 26357	RETAINER - wire (early production)	1
27	187- 1041	SCREW - retainer (early production)	1
28	C 27253	ARMATURE ASSEMBLY - (use S/N 14016311 and after)	1
29	C 27270	ARMATURE - (use S/N 14016311 and after)	1
30	C 27269	TRIGGER - coil (use S/N 14016311 and after)	1

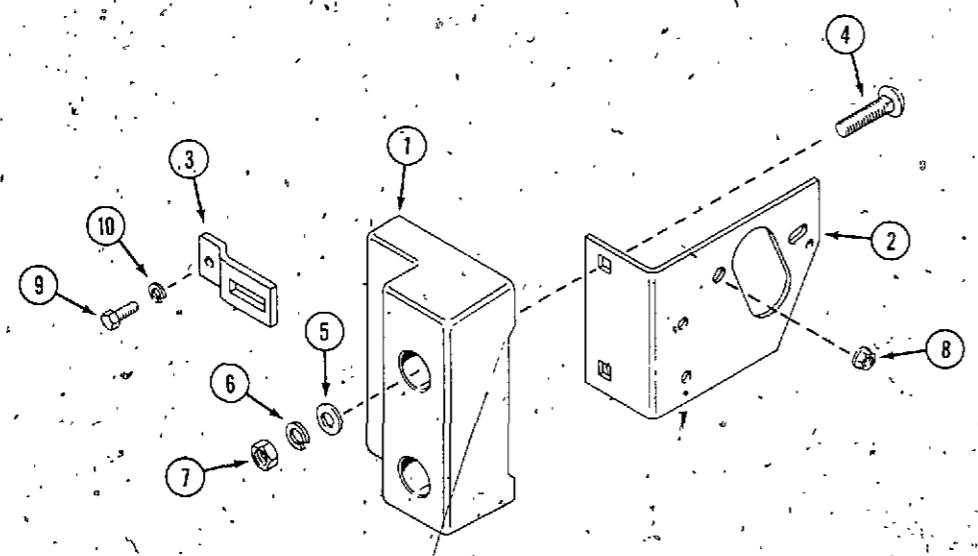


FLYWHEEL AND STATOR (110)

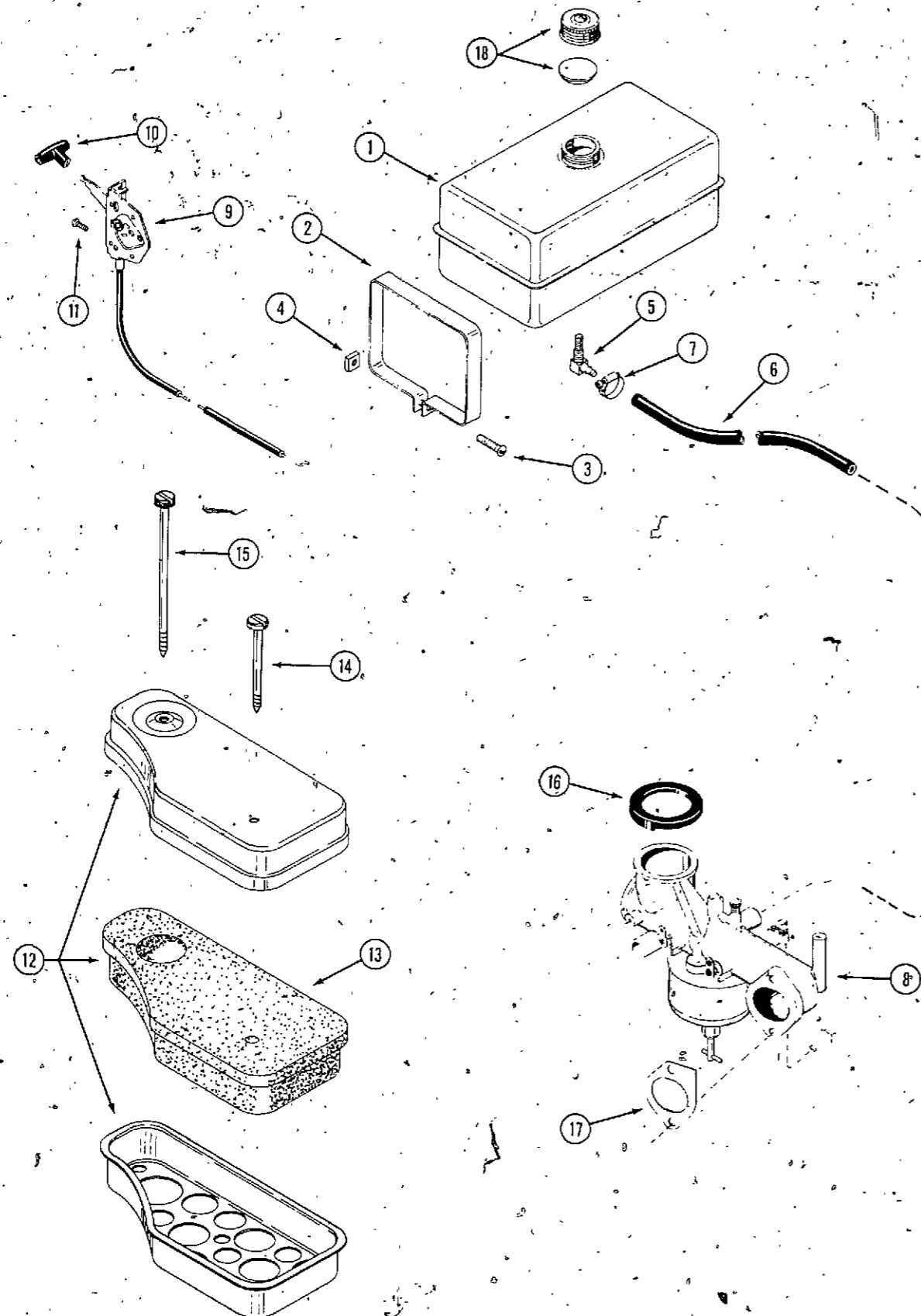
REF.	PART NO.	DESCRIPTION	REQ'D.
1	C 25719	FLYWHEEL ASSEMBLY	1
2	NSS	SCREW - retainer, stator (use 182-90 and 195-10)	4
3	BR 220865	WASHER - spring	1
4	NSS	SCREW - special (use 182-84 and 193-25)	4
5	C 25750	HOUSING - blower (use before S/N 14017203)	1
5	C 27273	HOUSING - blower (use S/N 14017203 and after)	1
6	NSS	SCREW - blower housing (22-48 and 92-4)	4
7	BR 92284	NUT - flywheel	1
8	BR 298968	ARMATURE (use before S/N 14017203)	1
9	BR 221798	TERMINAL - ignition cable	1
10	NSS	SCREW - special, armature (182-549 and 195-10)	2
11	C 24329	SPARK PLUG	1
12	BR 222561	CUP - screen mounting	1
13	BR 222562	SCREEN - flywheel	1
14	BR 66538	BOOT - spark plug	1
15	BR 221907	CLIP - wire	2
16	BR 393474	STATOR - alternator	1
17	BR 393456	DIODE AND CONNECTOR	1
18	C 27253	ARMATURE ASSEMBLY (use S/N 14017203 and after)	1
19	C 27270	ARMATURE (use S/N 14017203 and after)	1
20	C 27269	TRIGGER (use S/N 14017203 and after)	1

ENGINE COUNTERWEIGHT

1	C 26197	COUNTERWEIGHT - engine	1
2	C 26198	BRACKET - weight mount	1
3	C 26199	BRACKET - weight mount	1
4	111- 534	BOLT - 1/2" - 13 x 2" carriage	3
5	195- 533	WASHER - 1/2"	3
6	192- 23	LOCK WASHER - 1/2"	3
7	129- 105	NUT - 1/2" - 13 hex	3
8	131- 911	NUT - 5/16" - 18 flange lock	3
9	113- 102	BOLT - 5/16" - 18 x 3/4" hex	1
10	192- 20	LOCK WASHER - 5/16"	1

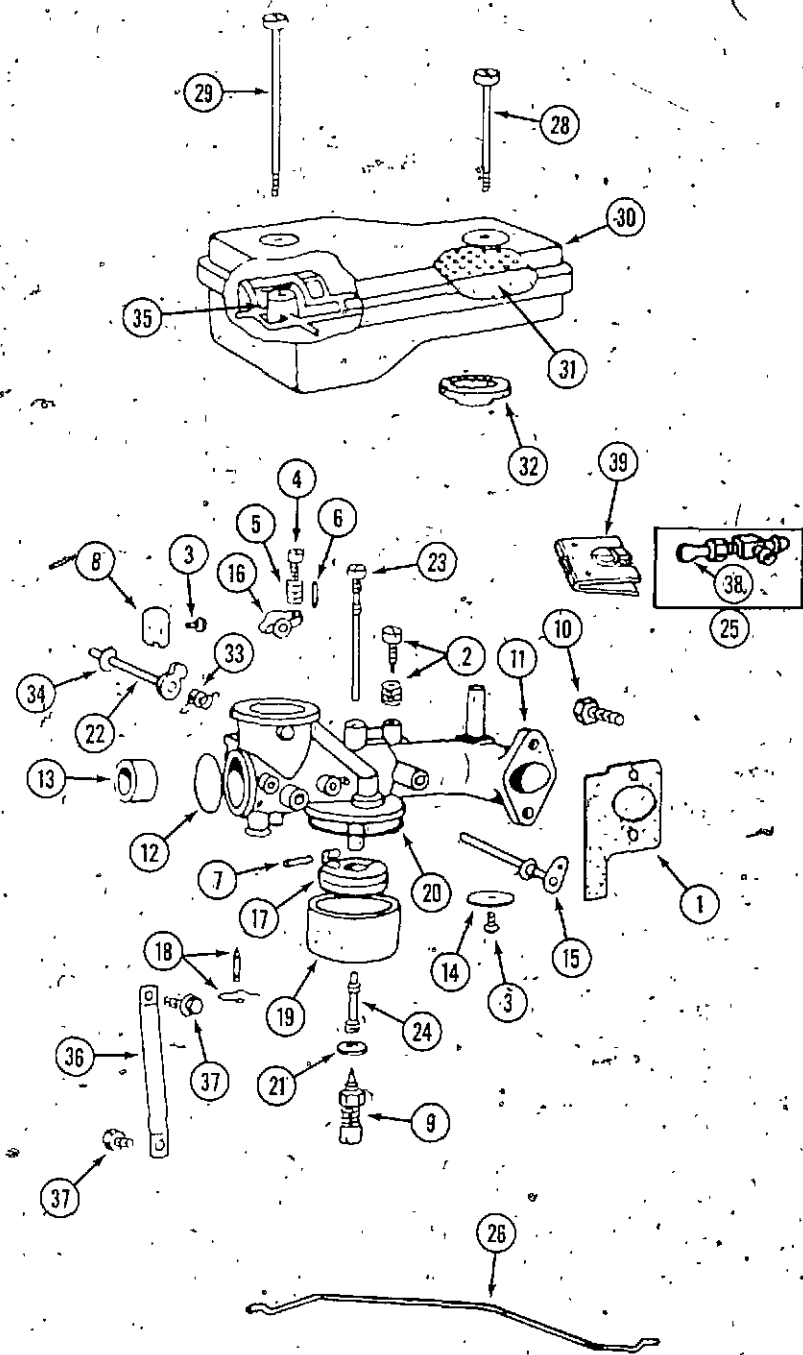


FUEL SYSTEM

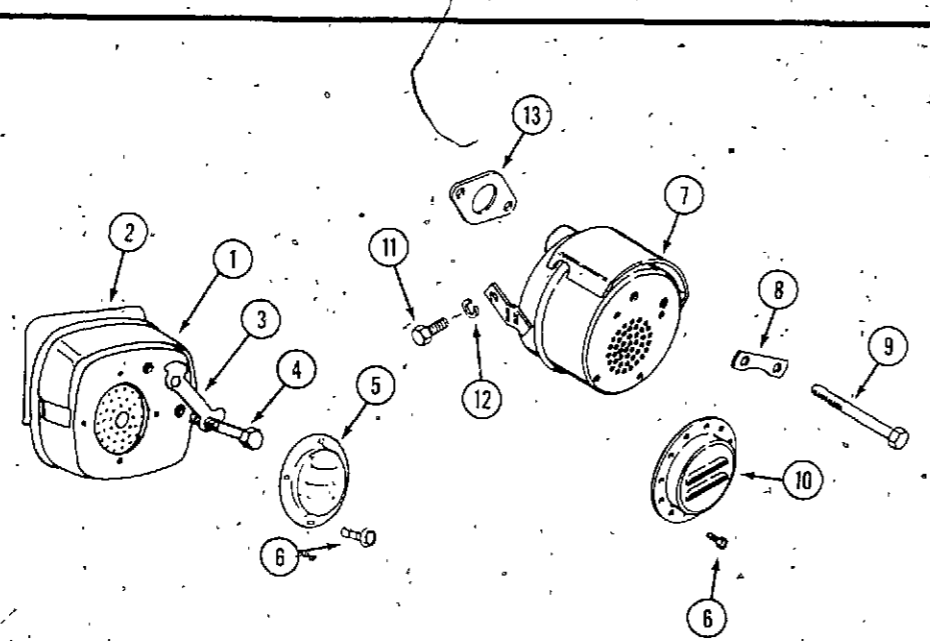
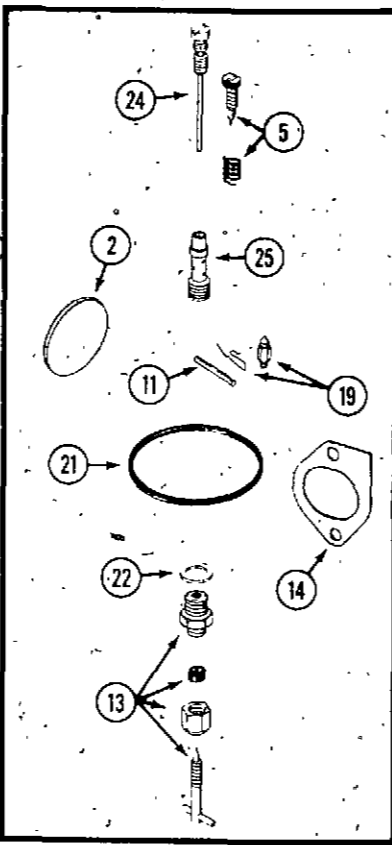
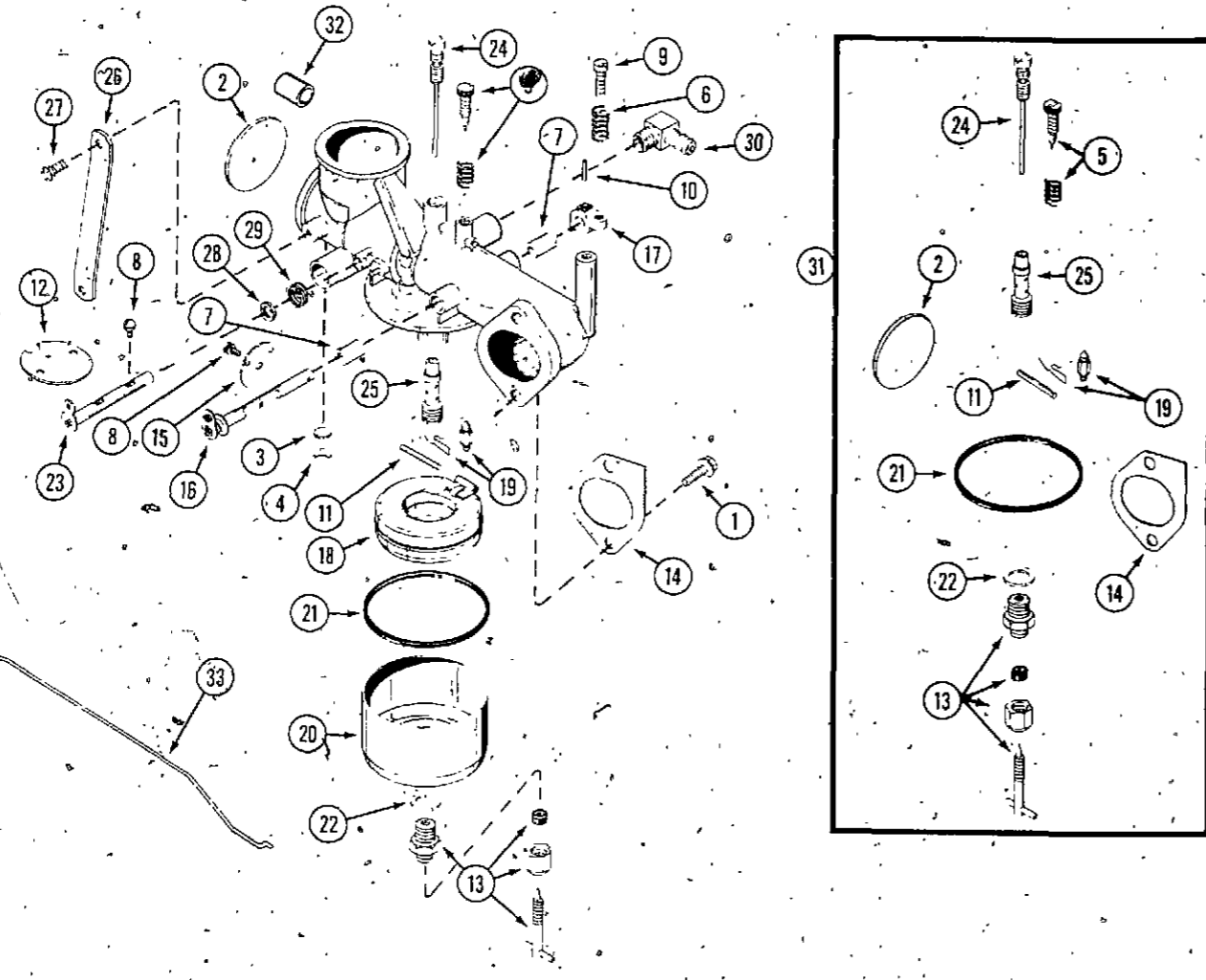


REF.	PART NO.	DESCRIPTION	REQ'D.
1	C 15519	TANK - fuel	1
2	C 15174	STRAP - tank	2
3	182- 209	SCREW - round head mach. 1/4" x 1-1/4"	2
4	129- 504	NUT - 1/4" sq.	2
5	C 10657	ELBOW	1
6	H 336040	FUEL LINE - 18"	1
7	214- 251	CLAMP - hose	2
8	BR 390811	CARBURETOR - 108, 118 (repairs page 17)	1
8	C 25740	CARBURETOR - 110 (repairs page 15)	1
9	C 25765	CONTROL - choke and throttle	1
10	C 15540	HANDLE - T	1
11	187- 1334	SCREW - self tapping Phillips-head	2
12	BR 391399	CLEANER ASSEMBLY - air (108, 118)	1
13	BR 270528	ELEMENT - air cleaner (108, 118)	1
	BR 280111	SUPPORT - element (108, 118)	1
	C 26358	CUP - air cleaner	1
14	BR 93622	SCREW - air cleaner	1
15	BR 93323	SCREW - air cleaner	1
16	BR 270539	GASKET - air cleaner	1
17	BR 270824	GASKET - carburetor mounting	1
18	C 11529	CAP - fuel (Includes insert)	1
19	C 11545	INSERT - fuel cap	1

C25740 CARBURETOR (110)



REF.	PART NO.	DESCRIPTION	REQ'D.
1	C 25738	GASKET - carburetor mounting	1
2	BR 292681	VALVE ASSEMBLY - carburetor idle	1
3	BR 93499	SCREW - throttle and choke valve mounting, sems.	2
4	182- 87	SCREW - machine fillister head 8-32 x 5/8"	1
5	BR 26157	SPRING - throttle adjustment	1
6	138- 251	PIN - throttle stop	1
7	BR 230896	PIN - float hinge	1
8	BR 222010	VALVE - choke	1
9	BR 391233	VALVE - needle	1
10	BR .93357	SCREW - carburetor mounting	2
11	NSS	BODY ASSEMBLY - carburetor (use C25740 carburetor)	1
12	41- 24	PLUG - welch	1
13	G 25742	VENTURI - carburetor	1
14	C 25743	VALVE - throttle (use before S/N 14017203)	1
14	C 27240	VALVE - throttle (use S/N 14017203 and after)	1
15	BR 391512	SHAFT & LEVER - throttle	1
16	BR 211712	STOP - throttle	1
17	BR 299707	FLOAT - carburetor	1
18	BR 299096	VALVE - fuel inlet	1
19	BR 221995	BOWL - float	1
20	BR 270511	GASKET - float bowl	1
21	BR 222014	WASHER - float bowl	1
22	BR 390684	SHAFT & LEVER - choke	1
23	BR 299740	NOZZLE - carburetor	1
24	BR 230932	SCREW - nozzle	1
25	C 27268	CONNECTOR - fuel line	1
26	C 25745	LINK - choke (use before S/N 14017203)	1
26	C 27244	LINK - choke (use S/N 14017203 and after)	1
28	BR 93622	SCREW - air cleaner	1
29	BR 93323	SCREW - air cleaner	1
30	C 25759	CLEANER ASSEMBLY - air	1
31	C 25758	ELEMENT - air cleaner	1
	C 26358	CUP - air cleaner	1
32	C 25760	GASKET - air cleaner	1
33	BR 261116	SPRING - choke return	1
34	BR 270382	WASHER - choke shaft	1
35	C 25762	SUPPORT - air cleaner element	1
36	C 25764	BRACKET - carburetor	1
37	187- 1510	SCREW	2
38	C 27267	VALVE - fuel shut off	1
39	C 27266	HANDLE - fuel shut off valve	1
	BR 299852	CARBURETOR OVERHAUL KIT - (includes items 2, 7, 9, 12, 18, 20, 21, 23 and 24)	1

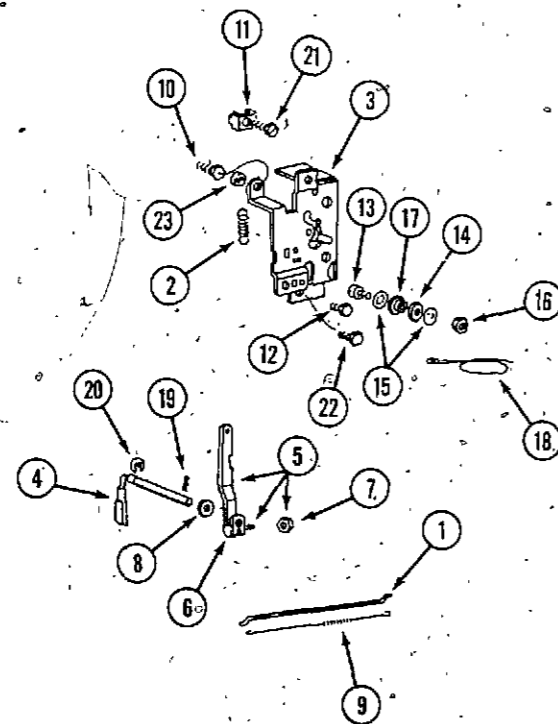
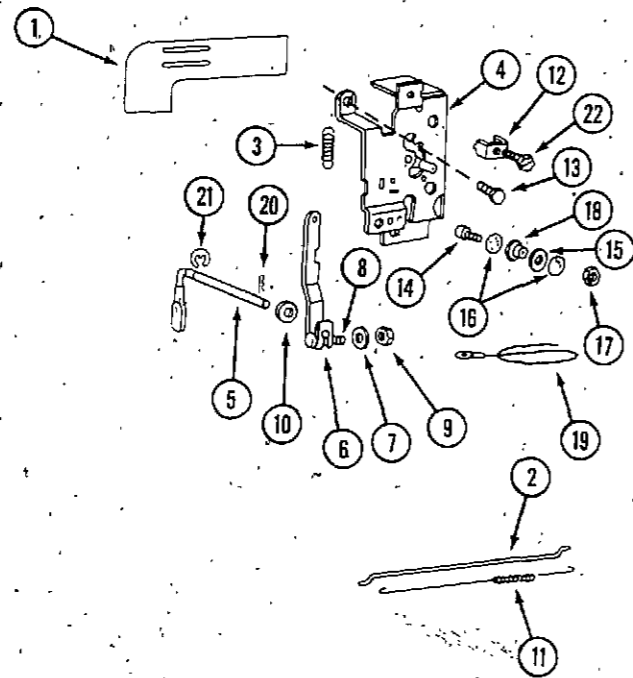


BR 390811 CARBURETOR (108, 118)

REF.	PART NO.	DESCRIPTION	REQ'D.
1	BR 93357	SCREW - carburetor mtg.	2
2	41- 24	PLUG - welch	1
3	BR 27590	FILTER - carburetor drain (early production)	1
4	BR 211954	RETAINER - carburetor drain filter (early production)	1
5	BR 292681	VALVE ASSEMBLY - carburetor idle	1
6	BR 26157	SPRING - throttle adj.	1
7	NSS	BUSHING - throttle shaft	2
8	BR 93499	SCREW - throttle and choke mtg.	3
9	182- 87	SCREW - #8 x 5/8" mach.	1
10	138- 251	PIN - throttle stop	1
11	BR 230896	PIN - float hinge	1
12	BR 222010	VALVE - choke	1
13	BR 391233	VALVE ASSEMBLY - needle	1
14	BR 270824	GASKET - carburetor mtg.	1
15	BR 221986	VALVE - throttle	1
16	BR 391512	SHAFT AND LEVER - throttle	1
17	BR 211712	STOP - throttle	1
18	BR 299707	FLOAT - carburetor	1
19	BR 299096	VALVE - fuel inlet assembly (use before S/N 14016311)	1
19	C 27254	VALVE - fuel inlet assembly (use S/N 14016311 and after)	1
20	BR 221995	BOWL - float	1
21	BR 270511	GASKET - float bowl	1
22	BR 222014	WASHER - float bowl	1
23	BR 390684	SHAFT AND LEVER - choke	1
24	BR 299740	NOZZLE - carburetor	1
25	BR 230932	SCREW - nozzle	1
26	BR 222027	BRACKET - carburetor	1
27	187- 1510	SCREW - bracket mtg.	2
28	BR 270382	WASHER - choke shaft	1
29	BR 261116	SPRING - choke return	1
30	C 10678	CONNECTOR - fuel pipe	1
31	BR 299852	KIT - carburetor overhaul (use before S/N 14016311)	1
31	C 27255	KIT - carburetor overhaul (use S/N 14016311 and after)	1
32	BR 211682	VENTURI	1
33	C 27243	LINK - choke (use S/N 14016311 and after)	1
33	BR 261117	LINK - choke (use before S/N 14016311)	1

MUFFLER

1	BR 391313	MUFFLER - exhaust (108)	1
2	BR 221885	SHIELD - heat (108)	1
3	BR 222263	LOCK - bolt (108)	1
4	BR 93704	BOLT - muffler (108)	2
5	C 27239	DEFLECTOR - exhaust (108)	1
6	187- 1041	SCREW - special	8
7	C 25469	MUFFLER - exhaust (110)	1
8	C 25701	LOCK - bolt (110)	1
9	113- 138	BOLT - (110)	2
10	C 25500	DEFLECTOR - exhaust (110)	1
11	113- 1	BOLT - 1/4" - 20 x 1/2" (110)	1
12	192- 19	LOCK WASHER - 1/4" (110)	1
13	C 26507	GASKET - exhaust (110) use S/N 14017124 and after	1

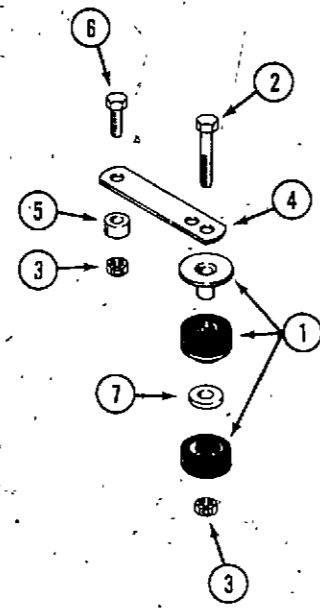


GOVERNOR (108, 118)

REF.	PART NO.	DESCRIPTION	REQ'D.
1	BR 221760	GUIDE - air	1
2	C 27242	LINK - governor (use S/N 14016311 and after)	1
2	BR 260971	LINK - governor (use before S/N 14016311)	1
3	BR 261306	SPRING - governor (use motor code 75111011 and after)	1
3	BR 261129	SPRING - governor (use before motor code 75111011)	1
4	BR 390662	PLATE - governor control (use before S/N 14016311)	1
4	C 27257	PLATE - governor control (use S/N 14016311 and after)	1
5	BR 230759	SHAFT - governor lever (use before motor code 75111011)	1
5	BR 231058	SHAFT - governor lever (use motor code 75111011 and after)	1
6	BR 298303	LEVER ASSEMBLY - governor (use before motor code 75111011)	1
6	BR 391733	LEVER ASSEMBLY - governor (use motor code 75111011 and after)	1
7	BR 220680	WASHER - No. 10	1
8	111- 2	BOLT - No. 10 round head	1
9	129- 17	NUT - No. 10 NC hex	1
10	BR 221559	WASHER - governor lever (use before motor code 75111011)	1
10	BR 222450	WASHER - governor lever (use motor code 75111011 and after)	1
11	BR 260584	SPRING - governor link (use before S/N 14016311)	1
11	C 27241	SPRING - governor link (use S/N 14016311 and after)	1
12	BR 221535	CLAMP	1
13	187- 1510	SCREW - hex	1
14	182- 87	SCREW - Phillips	1
15	BR 66068	WASHER - insulating	1
16	193- 25	WASHER - lock	2
17	129- 16	NUT - No. 8 - 32	2
18	BR 66554	COLLAR - insulating	1
19	BR 299500	WIRE - ground	1
20	136- 103	PIN - hair	1
21	A 27795	RETAINER	1
22	NSS	SCREW - special (use 163-4 and 92-3)	1

GOVERNOR (110)

1	C 25744	LINK - governor	1
2	BR 261129	SPRING - governor	1
3	BR 390662	PLATE - governor control (use before S/N 14017203)	1
3	C 27257	PLATE - governor control (use S/N 14017203 and after)	1
4	BR 231058	CRANK - governor 1/4" diameter	1
5	BR 391733	LEVER ASSEMBLY - governor	1
6	111- 2	BOLT - governor lever	1
7	129- 17	NUT - hex 10-24	1
8	BR 222450	WASHER - governor crank	1
9	C 25747	SPRING - governor link	1
10	163- 4	SCREW - control bracket mounting	1
11	BR 221535	CLAMP - casing	1
12	187- 1041	SCREW - sem	1
13	182- 87	SCREW - terminal	1
14	BR 66068	WASHER - insulating	1
15	193- 25	WASHER - lock, shakeproof	2
16	129- 16	NUT - hex 8-32	2
17	BR 66554	COLLAR - insulating	1
18	BR 299500	WIRE - ground	1
19	136- 103	PIN - retaining	1
20	A 27795	RETAINER - E-ring	1
21	163- 4	SCREW - sems	1
22	187- 1510	SCREW	1
23	C 25763	SPACER - control bracket mounting	1



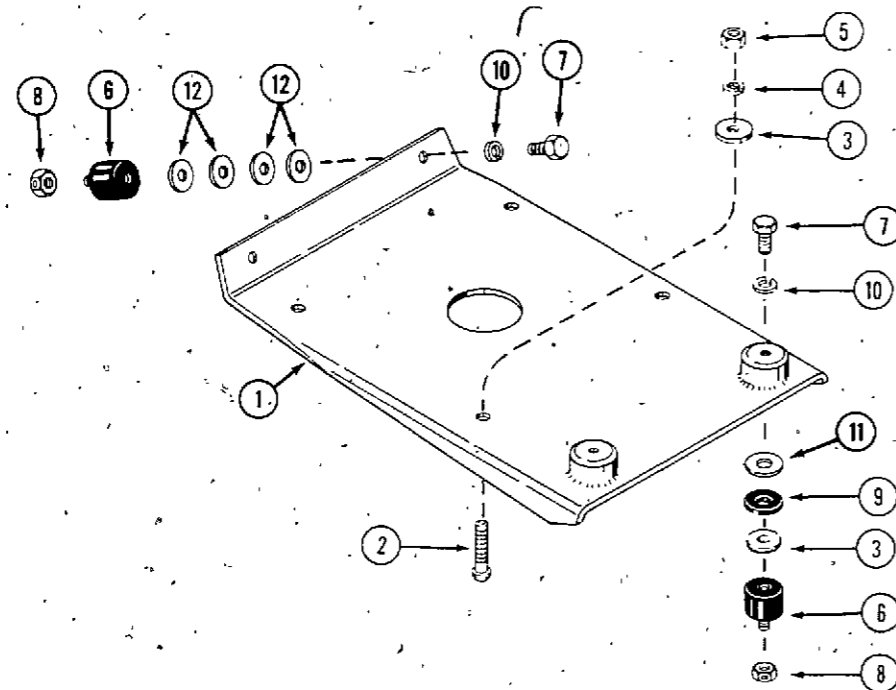
ENGINE MOUNTS

108 - use S/N 9777057 and after
110 - All

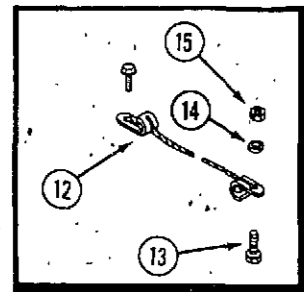
REF.	PART NO.	DESCRIPTION	REQ'D.
1	C 25468	MOUNT - engine	4
2	113- 110	BOLT - 5/16" - 18 x 2-1/4" hex.	4
3	131- 176	NUT - 5/16" lock	6
4	C 25471	STRAP - stabilizer, engine	4
5	C 25472	SPACER - engine strap	2
6	113- 103	BOLT - 5/16" - 18 x 1"	2
7	195- 525	WASHER - spacer	4

ENGINE MOUNTING PLATE (108, 118)

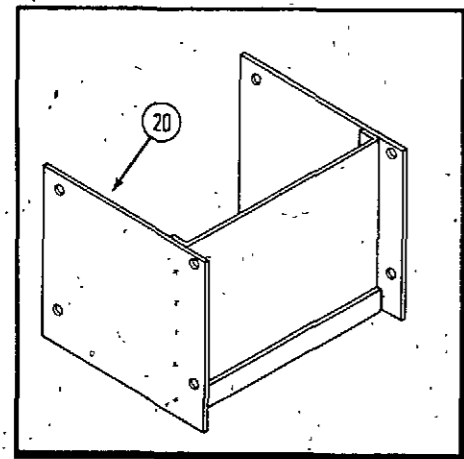
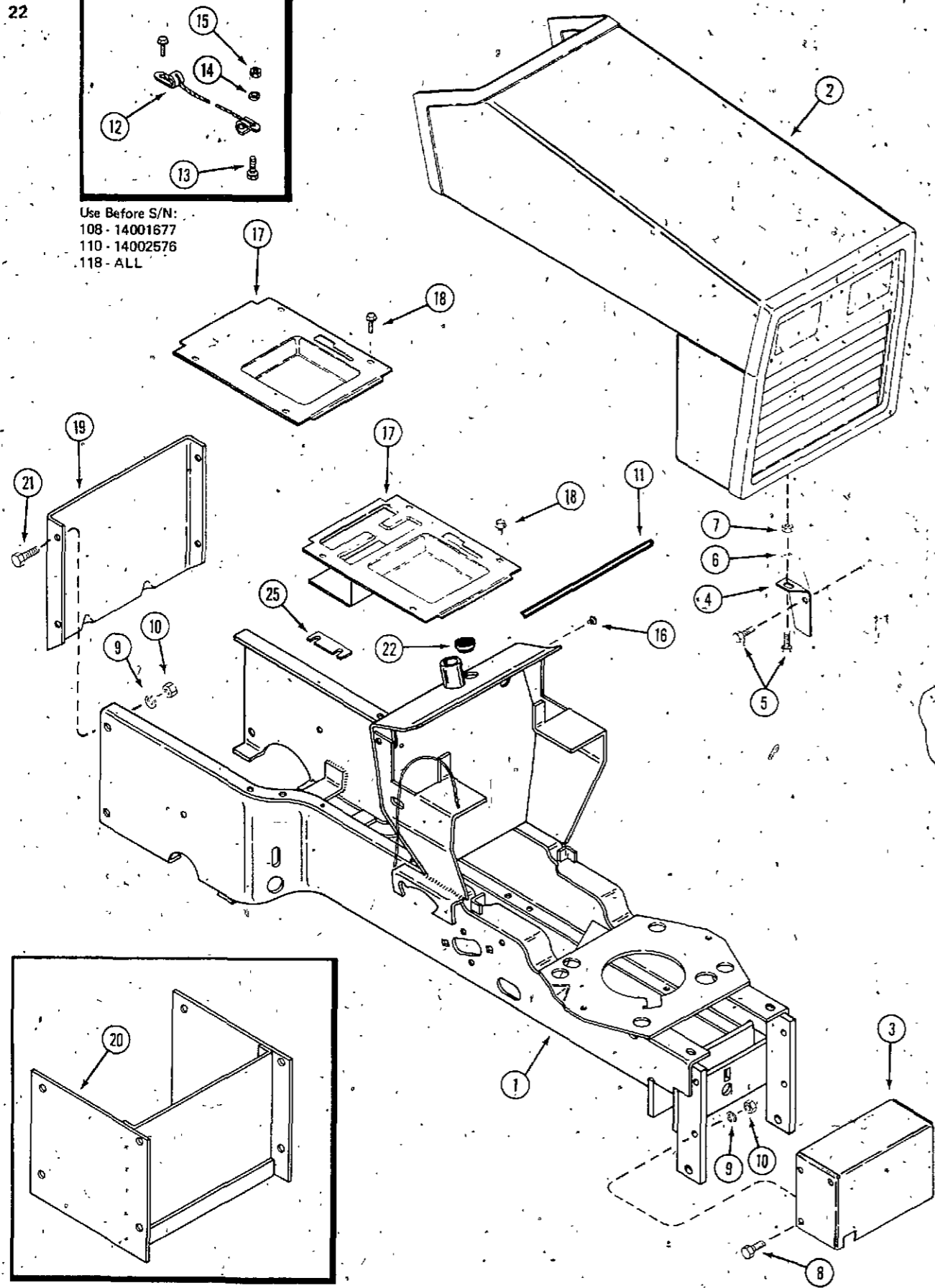
108 - use before S/N 9777057
118 - all



REF.	PART NO.	DESCRIPTION	REQ'D.
1	C 19012	PLATE - engine mntg.	1
2	164- 543	SCREW - cap-hex socket head 5/16" x 1-1/2" NC	4
3	C 16752	WASHER - flat 5/16"	2
4	192- 20	LOCKWASHER - 5/16"	4
5	129- 102	NUT - 5/16" NC hex.	4
6	C 19073	MOUNT - flex bolt	4
7	113- 3	BOLT - 1/4" x 3/4" NC hex	4
8	131- 1180	LOCKNUT - 1/4" NC hex	4
9	C 21517	WASHER - damper, rubber	2
10	192- 19	LOCKWASHER - 1/4"	4
11	195- 520	WASHER - 5/16"	2
12	195- 102	WASHER - 5/16"	8



Use Before S/N:
108 - 14001677
110 - 14002576
118 - ALL



HOOD, FRAME AND GRILLE

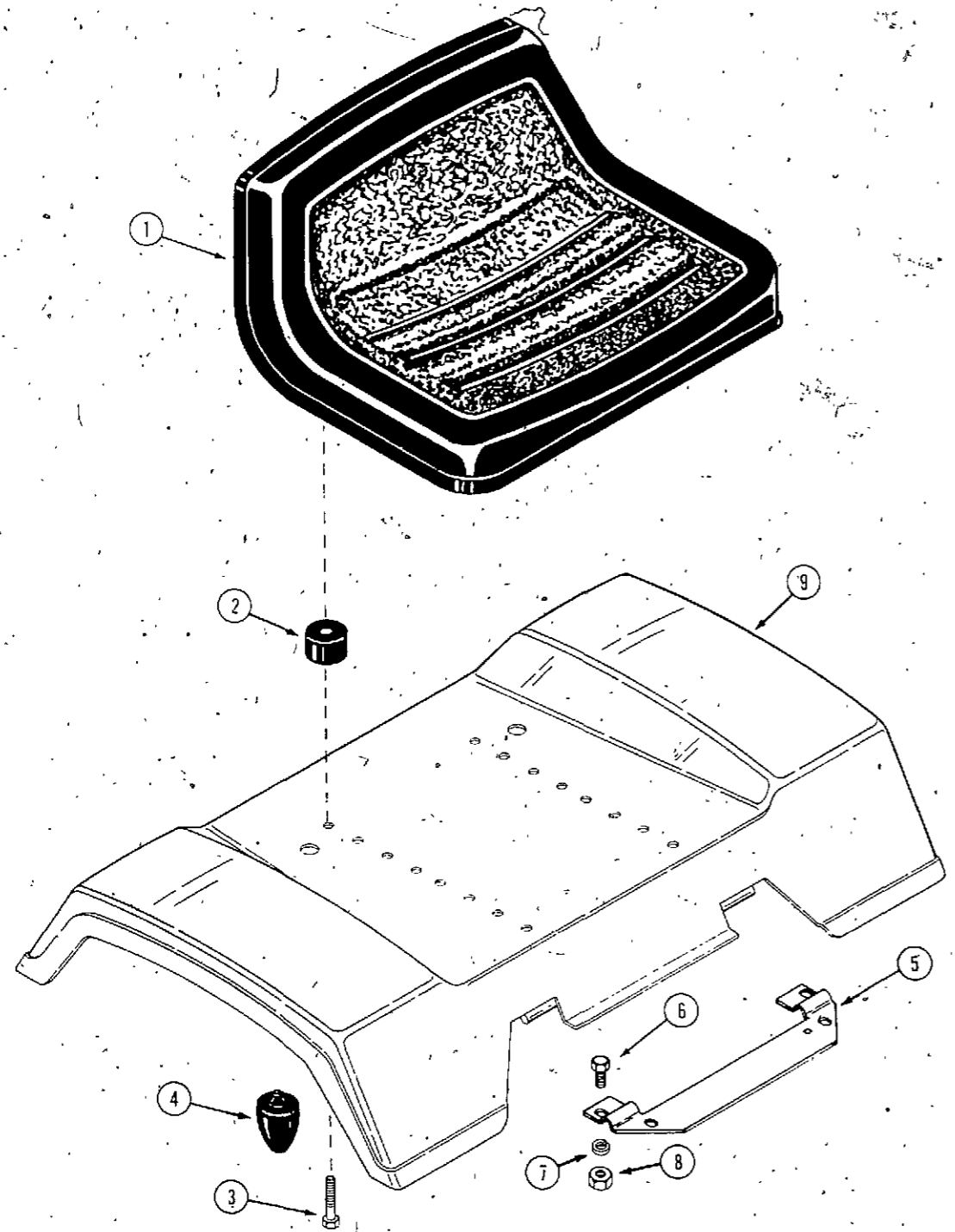
REF.	PART NO.	DESCRIPTION	REQ'D.
1	C 18479	FRAME - main, 118	1
1	C 25590	KIT - frame, main, 108 (used S/N 9684071 and after) also use C25259 kit before S/N 9760351	1
1	C 19020	FRAME - main, 108 (used prior to S/N 9684071)	1
1	C 25465	FRAME - main, 110 (shown)	1
2	C 26193*	HOOD AND GRILLE	1
3	C 18664	COVER - PTO	1
4	C 26268	HINGE - hood, L.H.	1
4	C 26267	HINGE - hood, R.H.	1
5	113- 103	BOLT - 5/16" x 1" NC hex	4
6	192- 20	LOCKWASHER - 5/16"	2
7	129- 102	NUT - 5/16" NC hex	2
8	113- 207	BOLT - 3/8 x 1" NC hex	4
9	192- 21	LOCKWASHER - 3/8"	8
10	129- 103	NUT - 3/8" NC hex	6
11	NSS	LINER - dash panel (use C18153)	1
12	C 19069	LANYARD - hood	1
13	113- 4	BOLT - 1/4 x 1" NC hex	1
14	192- 19	LOCKWASHER - 1/4"	1
15	129- 101	NUT - 1/4" NC hex	1
16	C 17038	BUMPER - rubber, hood	2
17	C 19117	TRAY - center, 108	1
17	C 19112	TRAY - center, 118	1
18	187- 1036	SCREW - 1/4 x 1/2" self tapping	4
19	C 15116	DRAWBAR	1
20	NSS	WEIGHT BOX (optional, order as G14 machinery item)	1
21	113- 206	BOLT - 3/8 x 3/4" NC hex	4
22	353- 406	PLUG - hole	1
23	182- 516	SCREW - No. 10 - 24 x 1/2" pan head, black	1
24	131- 67	NUT - No. 10 - 24, lock, hex	1
25	C 27220	SHIM - rear axle ("U" bolt side)	1

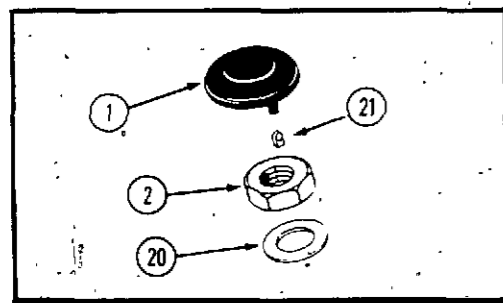
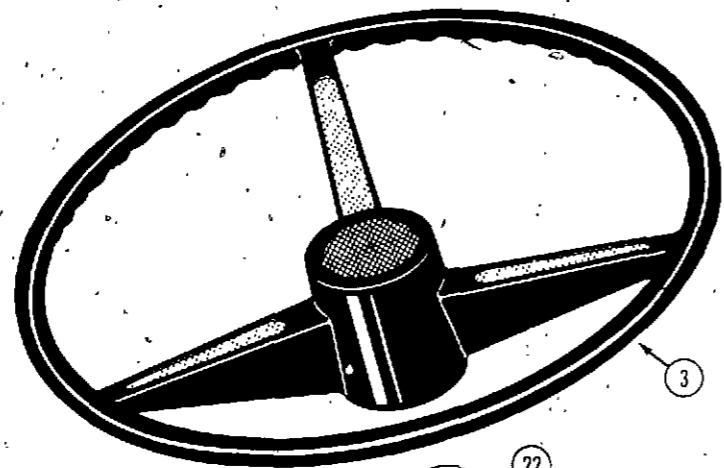
UAR

*Also Use C26267 and C26268
Before S/N:
108 - 14001677,
110 - 14002576
118 - ALL

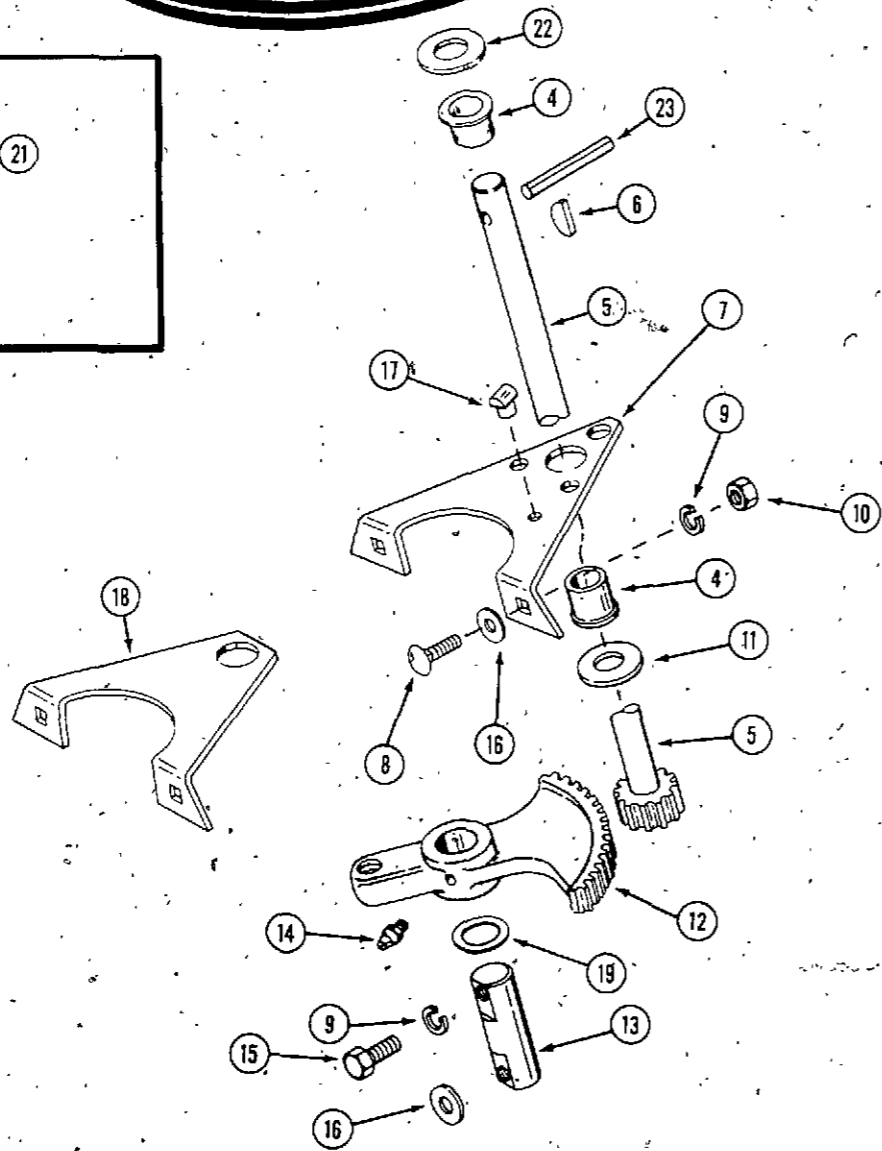
SEAT AND FENDERS

REF.	PART NO.	DESCRIPTION	REQ'D.
1	C 26214	SEAT ASSEMBLY	1
2	C 15610	MOUNT - seat, rubber	4
3	113- 122	BOLT - 5/16" x 1-1/2" NC hex	4
4	C 14534	BUMPER - seat, rubber	2
5	C 19118	BRACKET - hinge	1
6	113- 102	BOLT - 5/16" x 3/4" NC hex	4
7	192- 20	LOCKWASHER - 5/16"	4
8	129- 102	NUT - 5/16" NC hex	2
9	C 18702	FENDER AND SUPPORT	1





Use before S/N:
 108 - 14001842
 110 - 14002788
 118 - all

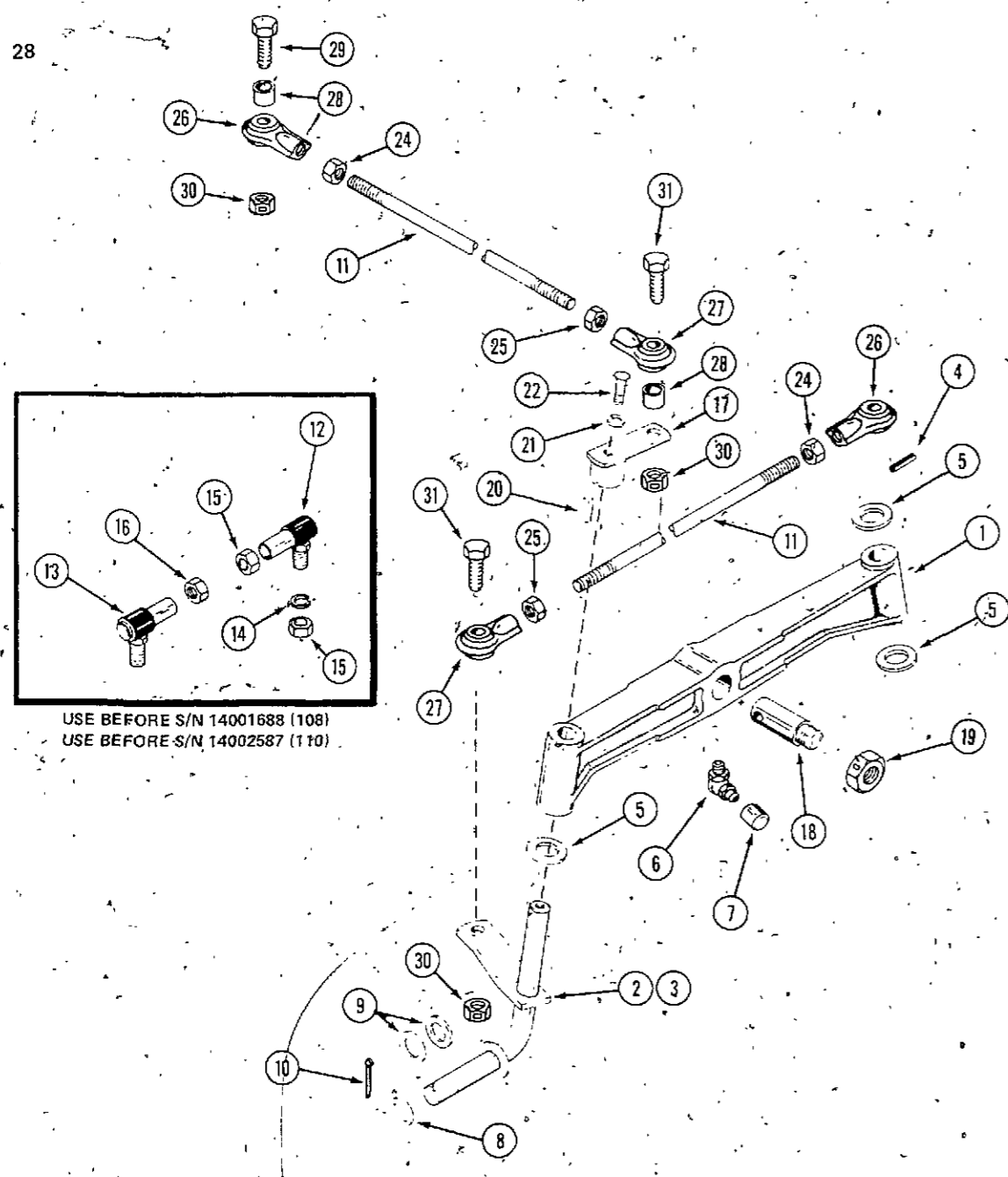


STEERING GEAR

REF.	PART NO.	DESCRIPTION	REQ'D.
1	C 16945	CAP - steering	1
2	131- 1113	NUT - jam 5/8" NC hex	1
3	C 18015*	WHEEL - steering	1
3	C 26325*	WHEEL - steering, shown	1
4	C 15096	BUSHING - flanged nylon	2
5	C 15097*	SHAFT - steering	1
5	C 26328*	SHAFT - steering, shown	1
6	126- 16	KEY - Woodruff 3/16" x 3/4"	1
7	C 16245	BRACKET - steering, 118	1
8	111- 202	BOLT - 5/16" x 3/4" NC, round head square neck ZP	2
9	192- 20	LOCKWASHER - 5/16" ZP	4
10	129- 102	NUT - 5/16" NC hex, ZP	2
11	195- 2069	WASHER - 5/8" plain, ZP	1
12	C 15104	GEAR - steering (use before S/N 14001688 (108), 14002587 (110), all 118)	1
12	C 26039	GEAR - steering (use S/N 14001688 (108), 14002587 (110) and after)	1
13	C 15105	PIVOT - steering gear	1
14	219- 17	FITTING - lube	1
15	113- 103	BOLT - 5/16" x 1" NC hex, ZP	2
16	195- 521	WASHER - 5/16", plain, ZP	UAR
17	C 19641	BUTTON - friction (118)	1
18	C 17106	BRACKET - steering, 108	1
19	C 14201	WASHER - shim	1
20	C 12975	WASHER - 5/8"	2
21	C 18017	CLIP - tinnerman	2
22	195- 541	WASHER - 5/8"	UAR
23	138- 143	PIN - roll 1/4" x 2-1/4"	1

*Use before S/N:
 108 - 14001842
 110 - 14002788
 118 - all

**Use S/N and after:
 108 - 14001842
 110 - 14002788



USE BEFORE S/N 14001688 (108)
USE BEFORE S/N 14002587 (110)

CASE MODEL 108, 110 AND 118 COMPACT TRACTORS

FRONT AXLE

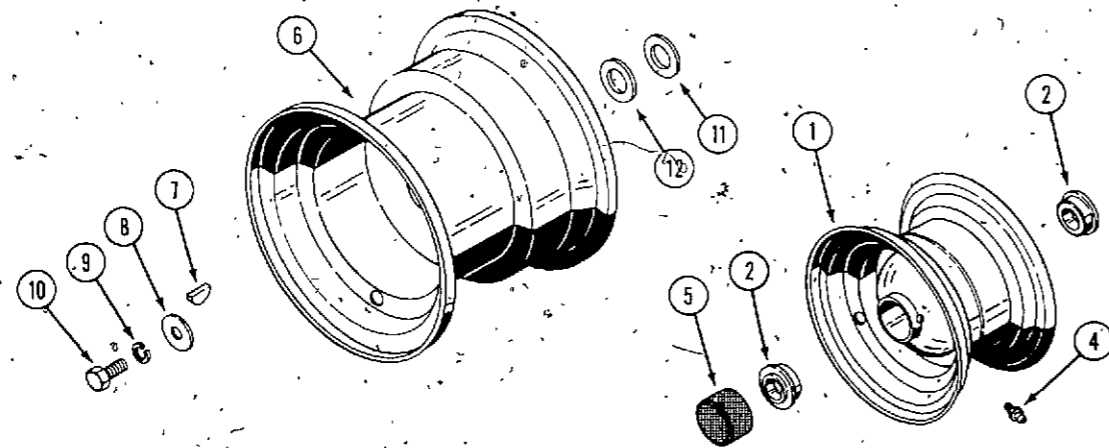
Use before S/N 14001834 (108) - S/N 14002784 (110) - All (118)

REF.	PART NO.	DESCRIPTION	REQ'D.
1	C 15066	AXLE - front	1
2	C 16946**	SPINDLE - right hand	1
2	C 26035*	SPINDLE - R.H.	1
3	C 26034*	SPINDLE - L.H.	1
3	C 16724**	SPINDLE - left hand	1
4	138- 2040	PIN - spiral L.H. spindle 3/16" x 1-1/4"	1
5	C 11906	WASHER - thrust 13/16"	3
6	219- 404	FITTING - lube	3
7	C 13106	COVER - lube fitting	3
8	C 12975	WASHER - spindle	2
9	A 30881	WASHER - wheel spacer	UAR
10	132- 311	PIN - cotter 5/32" x 1-1/4"	2
11	C 15067**	ROD - tie and drag link	2
11	C 26051*	ROD - tie and drag	2
12	C 15113**	BALL JOINT - R.H. thread	2
13	C 15068**	BALL JOINT - L.H. thread	2
14	192- 23	LOCKWASHER - 1/2" ZP	4
15	129- 165	NUT - 1/2" NF hex	5
16	129- 376	NUT - 1/2" NC hex, L.H. thread	2
17	C 16948**	ARM - upper spindle	1
17	C 26037*	ARM - upper spindle	1
18	C 18626	PIN - axle pivot	1
19	131- 1331	NUT - jam 3/4" NC hex	1
20	T 33565	KEY - 1/4" x 1/4" x 1"	1
21	192- 20	LOCKWASHER - 5/16"	1
22	113- 103	BOLT - 5/16" x 1" NC hex	1
23	138- 2040	PIN - roll 1/4" x 1-1/2"	1
24	129- 163	NUT - lock 3/8" - 24 hex	2
25	129- 289	NUT - lock 3/8" - 24 L.H. thread	2
26	C 26332*	BALL JOINT - R.H. thread	2
27	C 26333*	BALL JOINT - L.H. thread	2
28	C 14768	SPACER - steering gear & arm	2
29	113- 233	BOLT - 3/8" x 1-3/4"	1
30	131- 1181	NUT - lock 3/8" - 16	4
31	113- 209	BOLT - 3/8" x 1-1/2"	3

*use S/N 14001688 (108) - S/N 14002587 (110) and after

**use before S/N 14001688 (108) - S/N 14002587 (110)

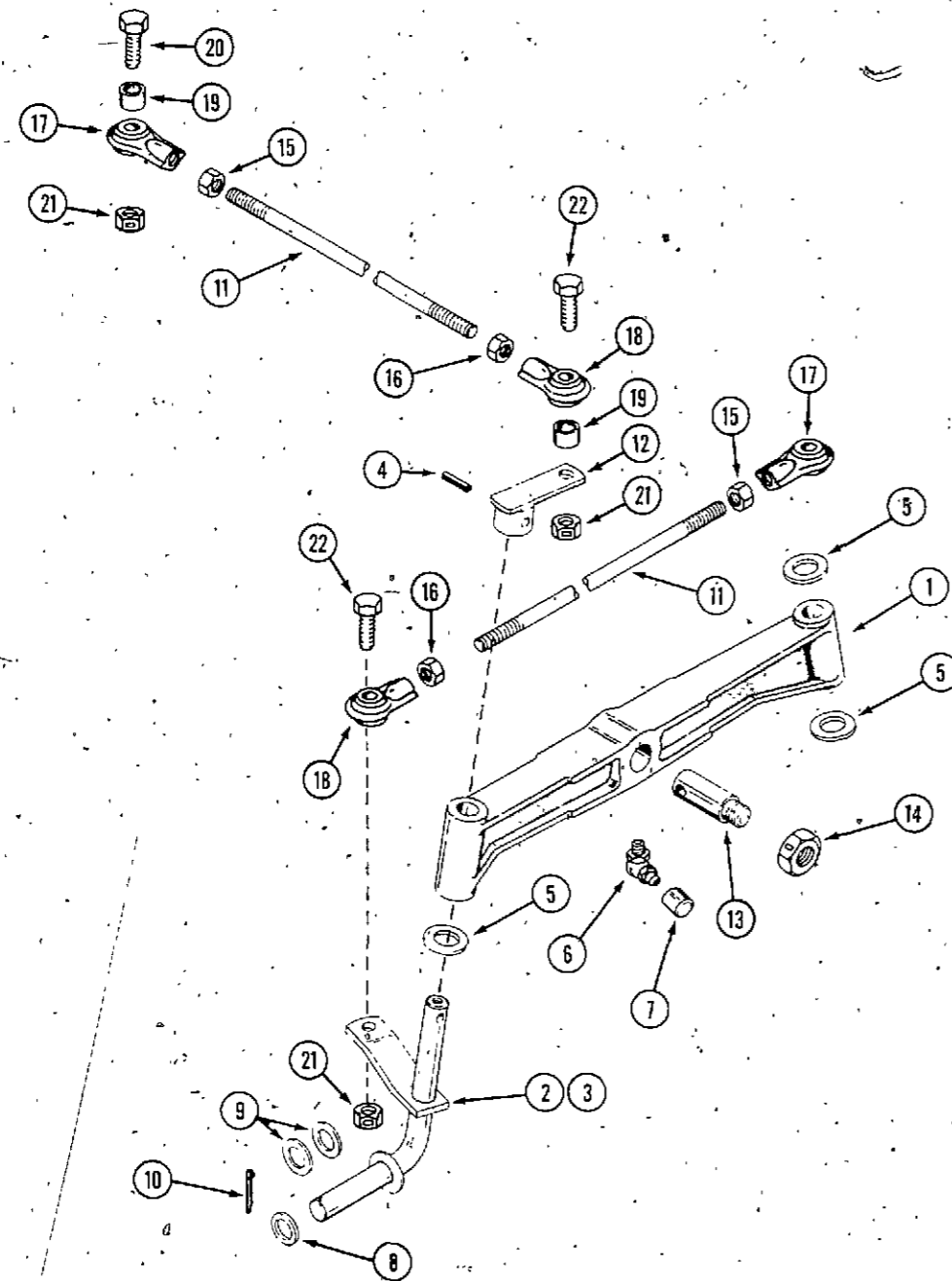
FRONT AND REAR WHEELS



1	C 24429	WHEEL - front (including bearings)	2
2	C 12110	BEARING - sealed	2
4	219- 10	FITTING - lube	2
5	C 26021	CAP - hub	2
6	C 24431	WHEEL - rear, 108	2
6	C 15093	WHEEL - rear, 118	2
7	126- 19	KEY - Woodruff, 108	2
7	126- 21	KEY - Woodruff, 1/4 x 7/8", 118	2
8	195- 2021	WASHER - 11/32 x 1-1/4", 108	2
8	195- 2175	WASHER - 3/8", 118	2
9	192- 20	LOCKWASHER - 5/16" ZP, 108	2
9	192- 21	LOCKWASHER, 3/8", 118	2
10	113- 103	BOLT - 5/16" x 1" NC hex, ZP, 108	2
10	113- 207	BOLT - 3/8 x 1" NC hex, 118	2
11	195- 545	WASHER - 3/4"	2
11	C 13716	WASHER - 1" 10 gauge, 118	2
12	A 30881	WASHER, spacer	UAR
12	C 10292	WASHER - 1" 18 gauge, 118	2

FRONT AXLE

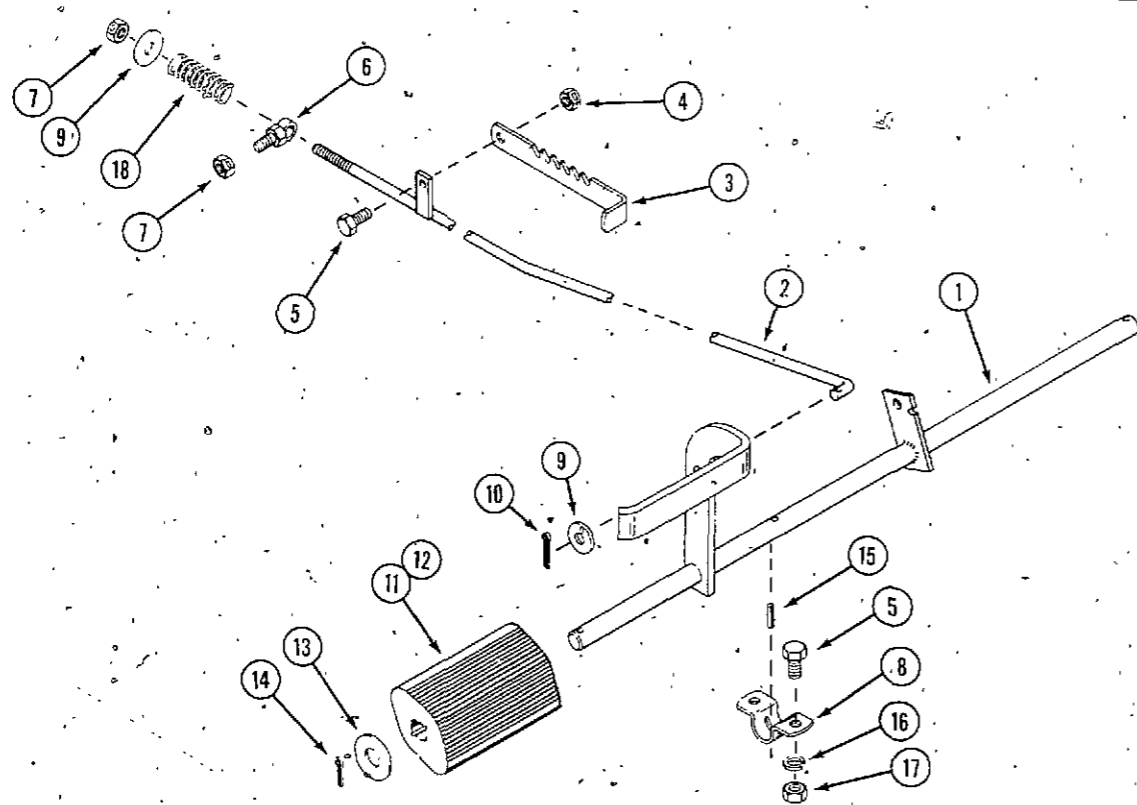
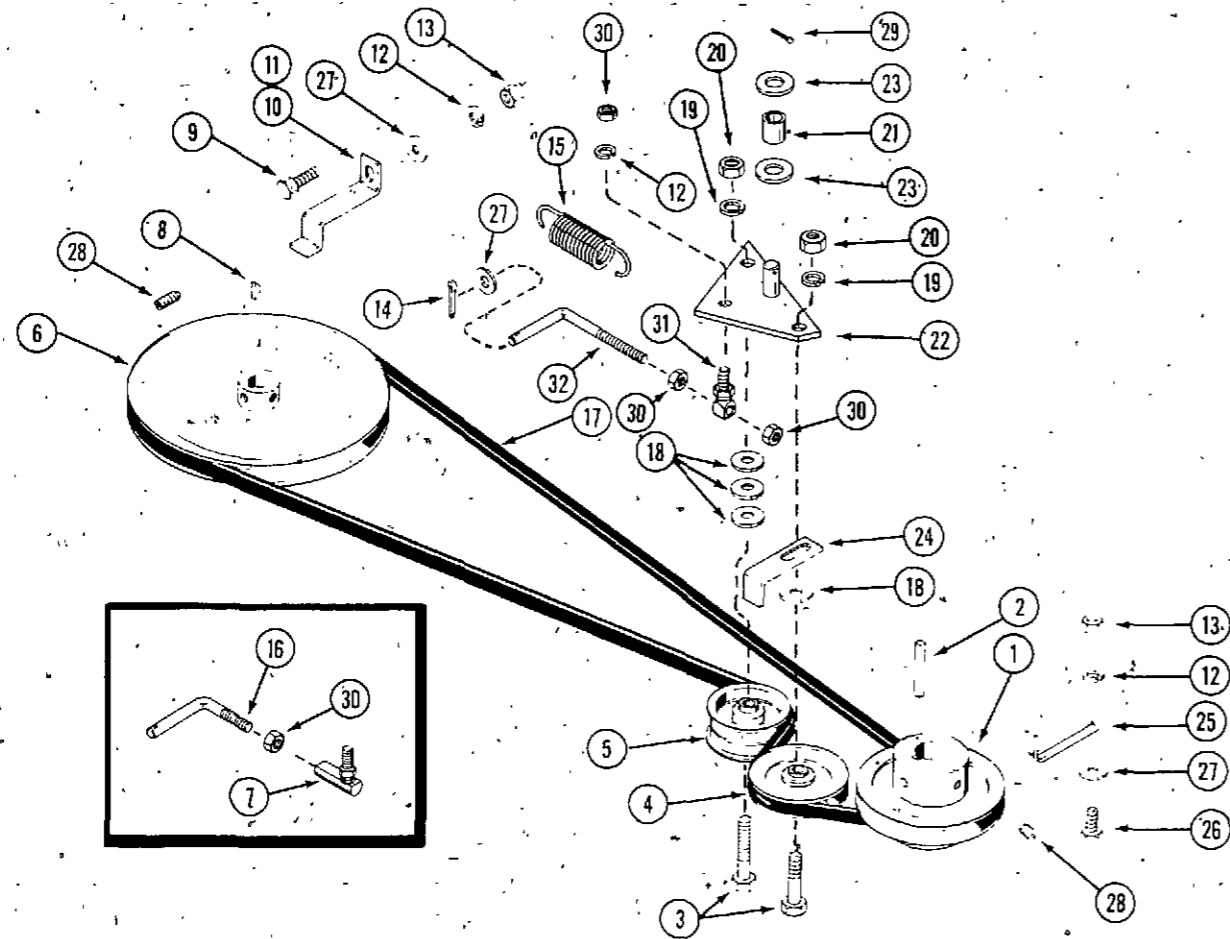
Use S/N 14001834 (108) - S/N 14002784 (110) and after



REF.	PART NO.	DESCRIPTION	REQ'D.
1	C 15066	AXLE - front	1
2	C 26371	SPINDLE - R.H. (shown)	1
3	C 26034	SPINDLE - L.H.	1
4	138- 2033	PIN - spirol 1/4" x 1-3/8"	2
5	C 11906	WASHER - thrust 13/16"	3
6	219- 404	FITTING - lube	3
7	C 13106	COVER - lube fitting	3
8	C 12975	WASHER - spindle	2
9	A 30881	WASHER - wheel spacer	UAR
10	132- 311	PIN - cotter 5/32" x 1-1/4"	2
11	C 26051	ROD - tie and drag link	2
12	C 26370	ARM - upper spindle	1
13	C 18626	PIN - axle pivot	1
14	131- 1331	NUT - lock 3/4" N.C. hex	1
15	129- 163	NUT - lock 3/8" - 24 hex	2
16	129- 289	NUT - lock 3/8" - 24 hex L.H. thread	2
17	C 26332	BALL JOINT - R.H. thread	2
18	C 26333	BALL JOINT - L.H. thread	2
19	C 14768	SPACER - steering gear and arm	2
20	113- 233	BOLT - 3/8" x 1-3/4"	1
21	131- 1181	NUT - lock 3/8" - 16	4
22	113- 209	BOLT - 3/8" x 1-1/2"	3

**BELTS, PULLEYS AND IDLERS - 108
USED PRIOR TO S/N 9684071**

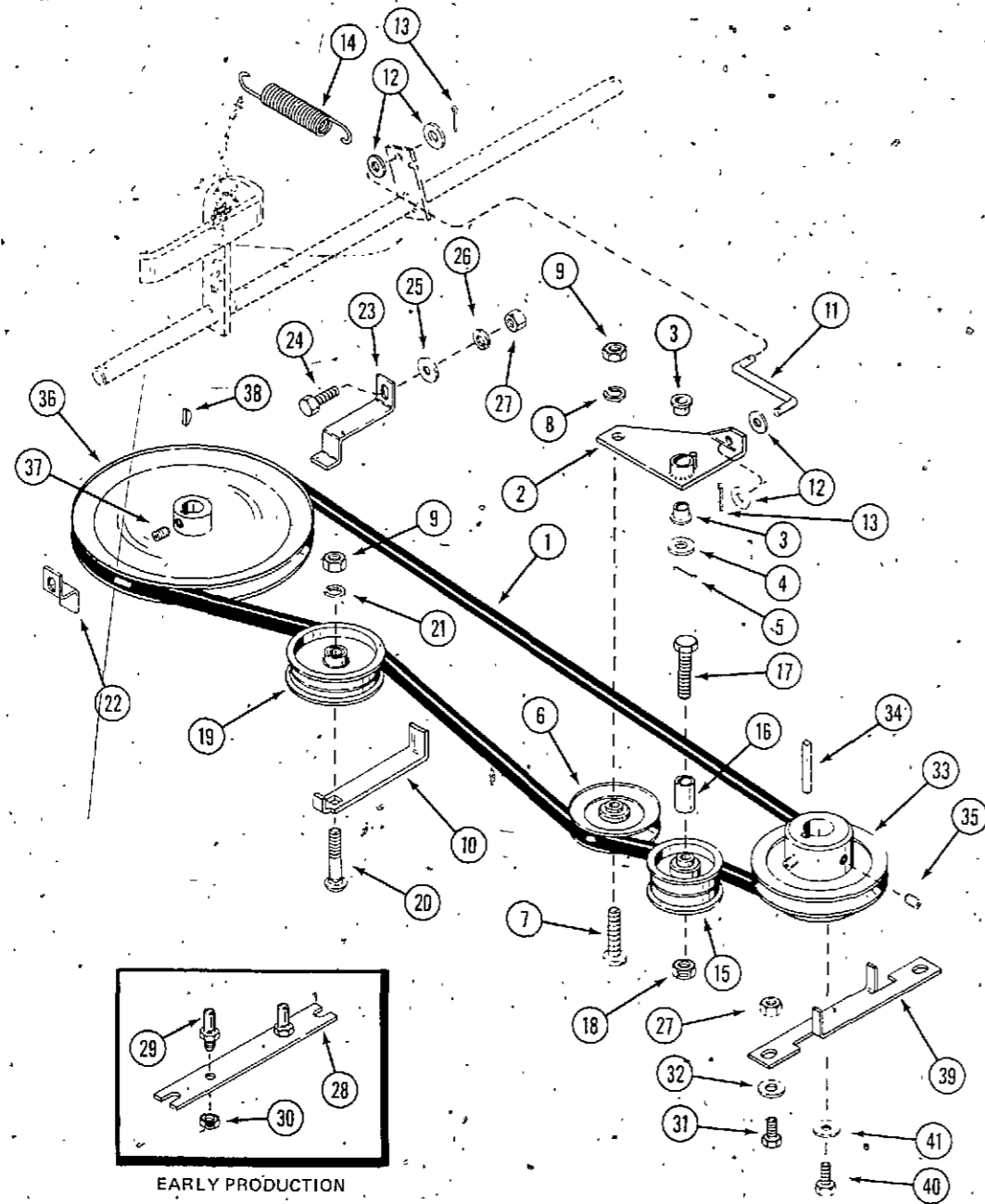
30



REF.	PART NO.	DESCRIPTION	REQ'D.
1	C 19071	PULLEY - engine	1
2	T 25070	KEY	1
3	118- 233	BOLT - 3/8" x 1-3/4" NC hex ZP	2
4	C 17213	PULLEY - idler	1
5	C 23535	PULLEY - idler	1
6	C 19066	PULLEY - transaxle	1
7	NSS	BALL JOINT - (order items 30, 31 and 32 prior to S/N 9683332)	1
8	126- 13	KEY - Woodruff 3/16" x 5/8"	1
9	113- 103	BOLT - 5/16" x 1" NC hex ZP (attaches rear keepers)	2
10	C 19035	KEEPER - belt L.H. rear	1
11	C 19034	KEEPER - belt R.H. rear	1
12	192- 20	LOCKWASHER - 5/16" ZP	5
13	129- 102	NUT - 5/16" NC hex ZP	5
14	132- 46	PIN - cotter 1/8" x 3/4"	1
15	C 15677	SPRING - clutch	1
16	NSS	ROD - clutch (order items 30, 31 and 32 prior to S/N 9683332)	1
17	C 18634	BELT - traction drive	1
18	195- 525	WASHER - 3/8" plain ZP	4
19	192- 21	LOCKWASHER - 3/8" ZP	2
20	129- 103	NUT - 3/8" NC hex ZP	2
21	A 27801	SLEEVE - bearing	1
22	C 20028	PIVOT PLATE - idler pulley	1
23	195- 533	WASHER - 1/2"	2
24	C 17164	KEEPER - belt idler pulley	1
25	C 19033	KEEPER - belt engine pulley	2
26	113- 102	BOLT - 5/16" x 3/4" NC hex ZP (attaches front keepers)	2
27	195- 521	WASHER - 5/16" plain ZP	UAR
28	178- 858	SETSCREW - 5/16" x 3/8"	4
29	132- 310	PIN - cotter 1/8 x 1"	1
30	129- 122	NUT - 5/16" NF hex	2
31	C 21559	BALL JOINT - use S/N 9683332 and after	1
32	C 21560	ROD - clutch (use S/N 9683332 and after)	1

BRAKE ASSEMBLY - 108, 110

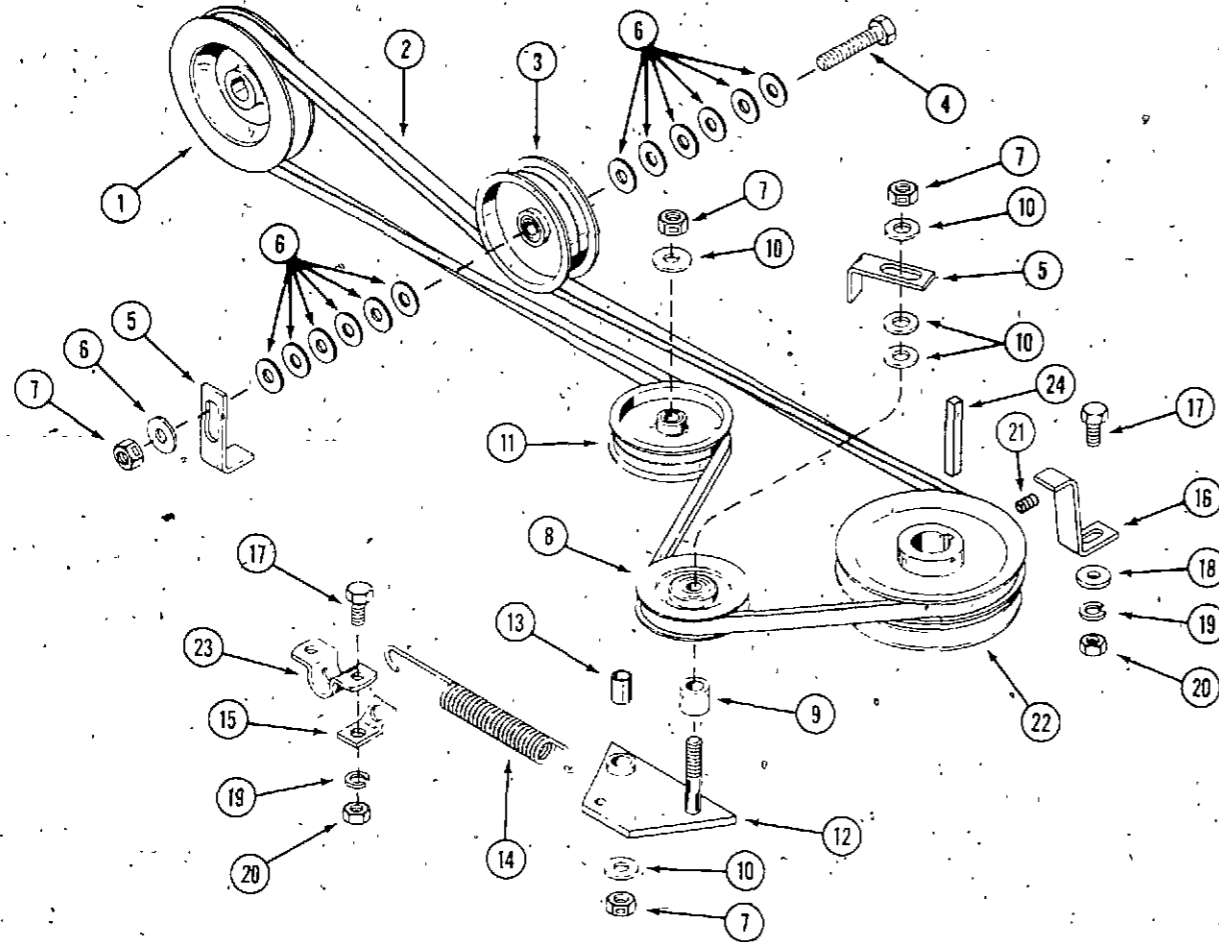
C 25249	PEDAL ASSEMBLY - brake (used S/N 9684071 to 9777527 (108), 9778175 (110)) (also use C25259 kit before S/N 9760351)	1	
1	C 18681	PEDAL ASSEMBLY - brake (used prior to S/N 9684071)	1
1	C 26043	PEDAL - brake (use S/N 9777527 (108), 9778175 (110) and after)	1
2	C 26041	ROD - brake (use S/N 9777527 (108), 9778175 (110) and after)	1
2	C 19866	ROD - brake (use before S/N 9777527 (108), 9778175 (110))	1
3	C 18695	LATCH - brake	1
4	131- 176	LOCKNUT - 5/16" NC hex ZP	1
5	113- 102	BOLT - 5/16" x 3/4" NC hex ZP	5
6	C 19103	BOLT - eye (on brake actuating arm on transaxle)	1
7	131- 176	NUT - 5/16" lock NC hex ZP	2
8	C 15156	BRACKET - saddle	2
9	195- 521	WASHER - 5/16" plain ZP	2
10	132- 26	PIN - cotter 3/32" x 3/4"	1
11	C 15498	PAD - footrest R.H. short	1
12	C 15499	PAD - footrest L.H. long	1
13	195- 541	WASHER - 5/8" plain	UAR
14	132- 310	PIN - cotter 1/8" x 1"	2
15	138- 92	PIN - roll 3/16" x 3/4"	1
16	192- 20	LOCKWASHER - 5/16" ZP	4
17	129- 102	NUT - 5/16" NC hex ZP	4
18	L 32763	SPRING - brake return	1



**BELTS, PULLEYS AND IDLERS — 108, 110
USED S/N 9684071 AND AFTER**

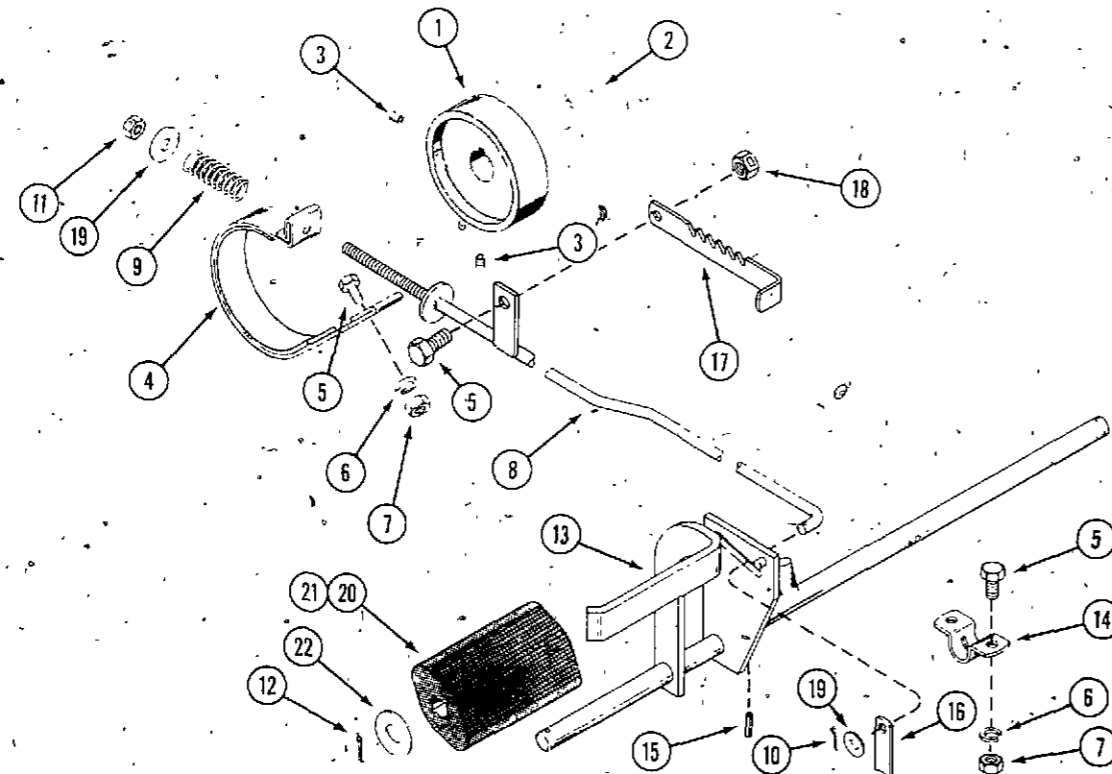
REF. NO	PART NO.	DESCRIPTION	REQ'D
1	C 18634	BELT - traction drive	1
2	C 25250	BRACKET - clutch idler (use C25259 kit before S/N 9760351)	1
3	C 20053	BUSHING - nylon	2
4	195- 104	WASHER - 3/8"	1
5	132- 310	PIN - cotter 1/8 x 1"	1
6	C 17213	PULLEY - clutch idler (used before S/N 9760351)	1
6	C 23456	PULLEY - clutch idler (used S/N 9760351 and after)	1
7	182- 581	BOLT - 3/8 x 1-3/4" NC hex	1
8	192- 21	LOCKWASHER - 3/8"	1
9	129- 103	NUT - 3/8" NC hex	2
10	C 21631	KEEPER - belt (used before S/N 9760351)	2
11	C 21632	ROD - clutch (used before S/N 9760351)	1
11	C 25253	ROD - clutch (used S/N 9760351 and after) shown	1
12	195- 518	WASHER - 1/4"	4
13	132- 330	PIN - cotter 3/32 x 1/2"	2
14	R 15380	SPRING - return, clutch & brake	1
15	C 23535	PULLEY - idler	1
16	C 17622	SPACER - pulley	1
17	113- 257	BOLT - 3/8 x 2-1/2" NC hex	1
18	131- 1181	NUT - lock 3/8" NC hex	1
19	C 18966	PULLEY - idler, rear adjust	1
20	111- 330	BOLT - 3/8 x 1-3/4" round head sq. neck	1
21	192- 21	LOCKWASHER - 3/8"	1
22	C 19034	KEEPER - belt, rear R.H.	1
23	C 19035	KEEPER - belt, rear L.H.	1
24	113- 103	BOLT - 5/16 x 1" NC hex	2
25	195- 521	WASHER - 5/16"	2
26	192- 20	LOCKWASHER - 5/16"	2
27	129- 102	NUT - 5/16" NC hex	4
28	NSS	SUPPORT - guide, belt (use C25113)	1
29	NSS	GUIDE - belt (use C25113)	2
30	131- 176	NUT - lock 5/16"	2
31	113- 118	BOLT - 5/16 x 5/8" NC hex	2
32	195- 103	WASHER - 5/16"	2
33	C 19071	PULLEY - engine	1
34	T 25070	KEY - 1/4 x 2" square	1
35	178- 858	SETSCREW - 5/16 x 3/8" NC	2
36	C 19066	PULLEY - transaxle	1
37	83- 46	SETSCREW - 1/4 x 3/8" NC	1
38	126- 13	KEY - woodruff 3/16 x 5/8"	1
39	C 25113	GUIDE - belt	1
40	114- 308	BOLT - 7/16 x 3/4" NF hex, engine crankshaft	1
41	195- 529	WASHER - 7/16"	1
	C 25259	KIT - traction drive (includes items 2, 3, 6, 11, C21627 arm and C21625 base)	1

BELTS, PULLEYS AND IDLERS - 118



REF.	PART NO.	DESCRIPTION	REQ'D.
1	C 15511	PULLEY - transmission	1
2	C 18468	BELT - drive	1
3	C 16739	PULLEY - idler, flat	1
4	113- 219	BOLT - 3/8" x 2" NC hex	1
5	C 17164	KEEPER - belt	2
6	195- 104	WASHER - 3/8"	13
7	131- 1181	LOCKNUT - 3/8" NC hex	4
8	C 17213	PULLEY - idler	1
9	C 17204	BUSHING - idler pulley	1
10	195- 525	WASHER - 3/8"	5
11	C 13012	PULLEY - idler, flat	1
12	C 17207	ARM - clutch idler	1
13	C 17203	BEARING - sleeve	1
14	C 15178	SPRING - idler	1
15	C 15545	BRACKET - spring, idler	1
16	C 17866	KEEPER - belt	1
17	113- 102	BOLT - 5/16" x 3/4" NC hex	1
18	C 16752	WASHER - 5/16"	1
19	192- 20	LOCKWASHER - 5/16"	1
20	129- 102	NUT - 5/16" NC hex	1
21	178- 858	SETSCREW - 5/16" x 3/8" NC socket head	2
22	C 19072	PULLEY - engine, drive & PTO	1
23	C 15156	BRACKET - saddle	1
24	T 25070	KEY - 1/4" square x 2" long	1

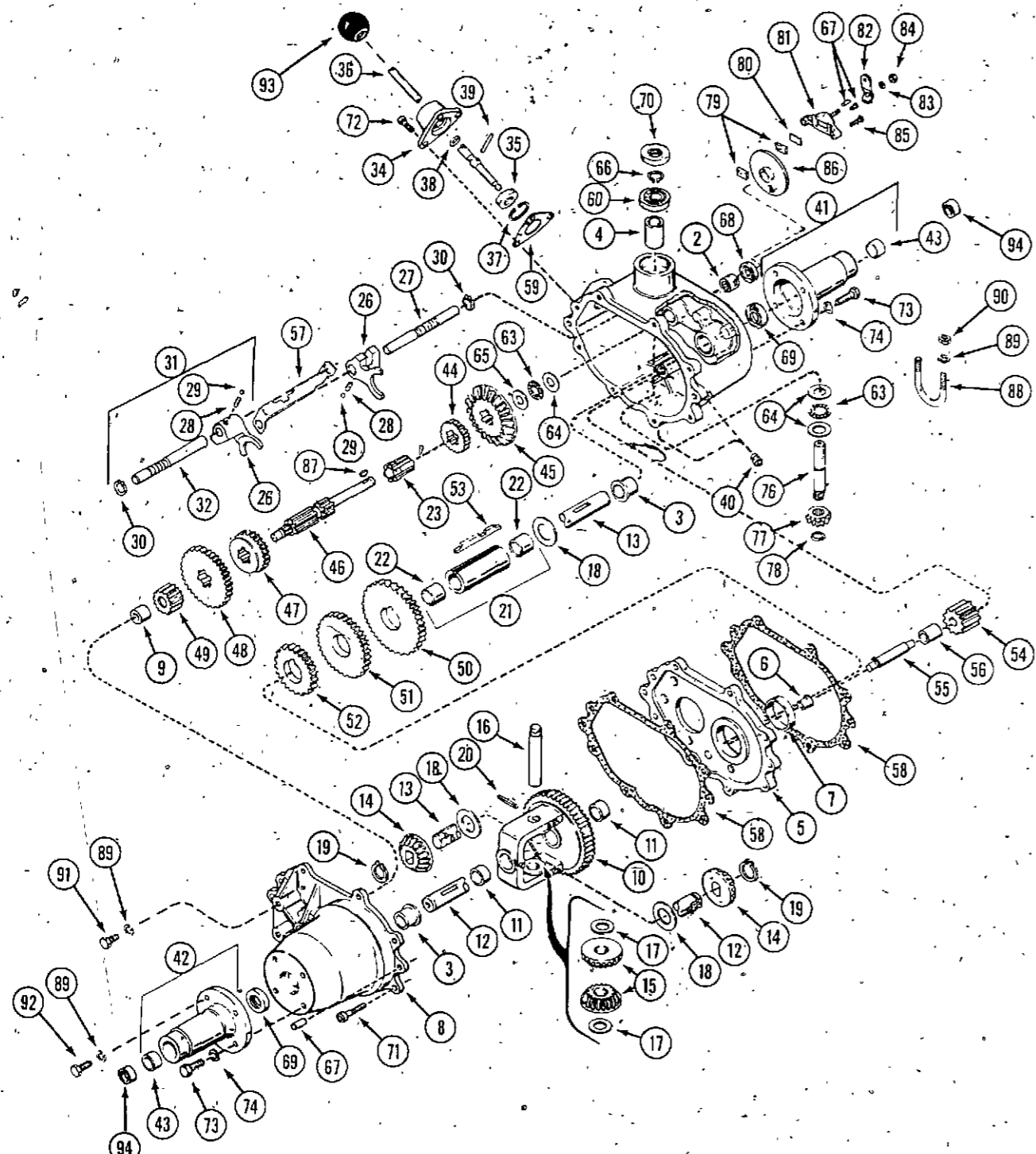
BRAKE ASSEMBLY - 118



1	C 15106	DRUM - brake	1
2	126- 16	KEY - Woodruff #9	1
3	178- 858	SETSCREW - 5/16" x 3/8" NC hex socket	2
4	C 15127	BAND - brake assembly	1
5	113- 102	BOLT - 5/16" x 3/4" NC hex	6
6	192- 20	LOCKWASHER - 5/16"	5
7	129- 102	NUT - 5/16" NC hex	5
8	C 19107	ROD - brake	1
9	L 32763	SPRING - brake return	1
10	132- 26	PIN - cotter 3/32" x 3/4"	1
11	131- 176	LOCKNUT - 5/16" NC hex	1
12	132- 310	PIN - cotter 1/8" x 1"	2
13	C 17211	PEDAL ASSEMBLY - brake	1
14	C 15156	BRACKET - saddle	2
15	138- 92	PIN - roll	1
16	C 17410	LOCK - clutch and brake	1
17	C 18695	LATCH - brake	1
18	131- 176	LOCKNUT - 5/16" NC hex	1
19	195- 521	WASHER - 5/16"	2
20	C 15498	PAD - footrest R.H. short	1
21	C 15499	PAD - footrest L.H. long	1
22	195- 541	WASHER - 5/8"	1

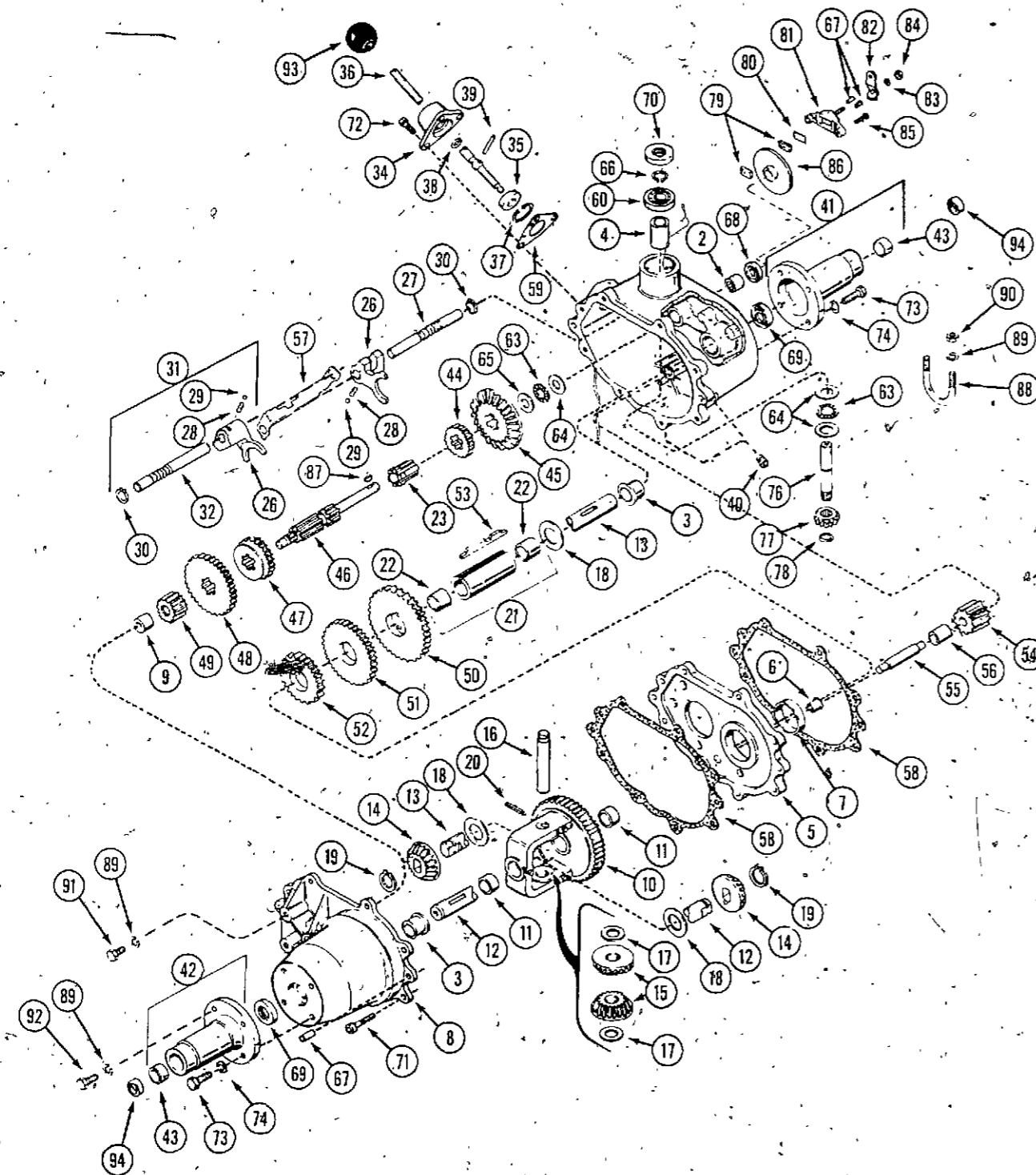
UAR

C19168 TRANSMISSION AND FINAL DRIVE - 108, 110



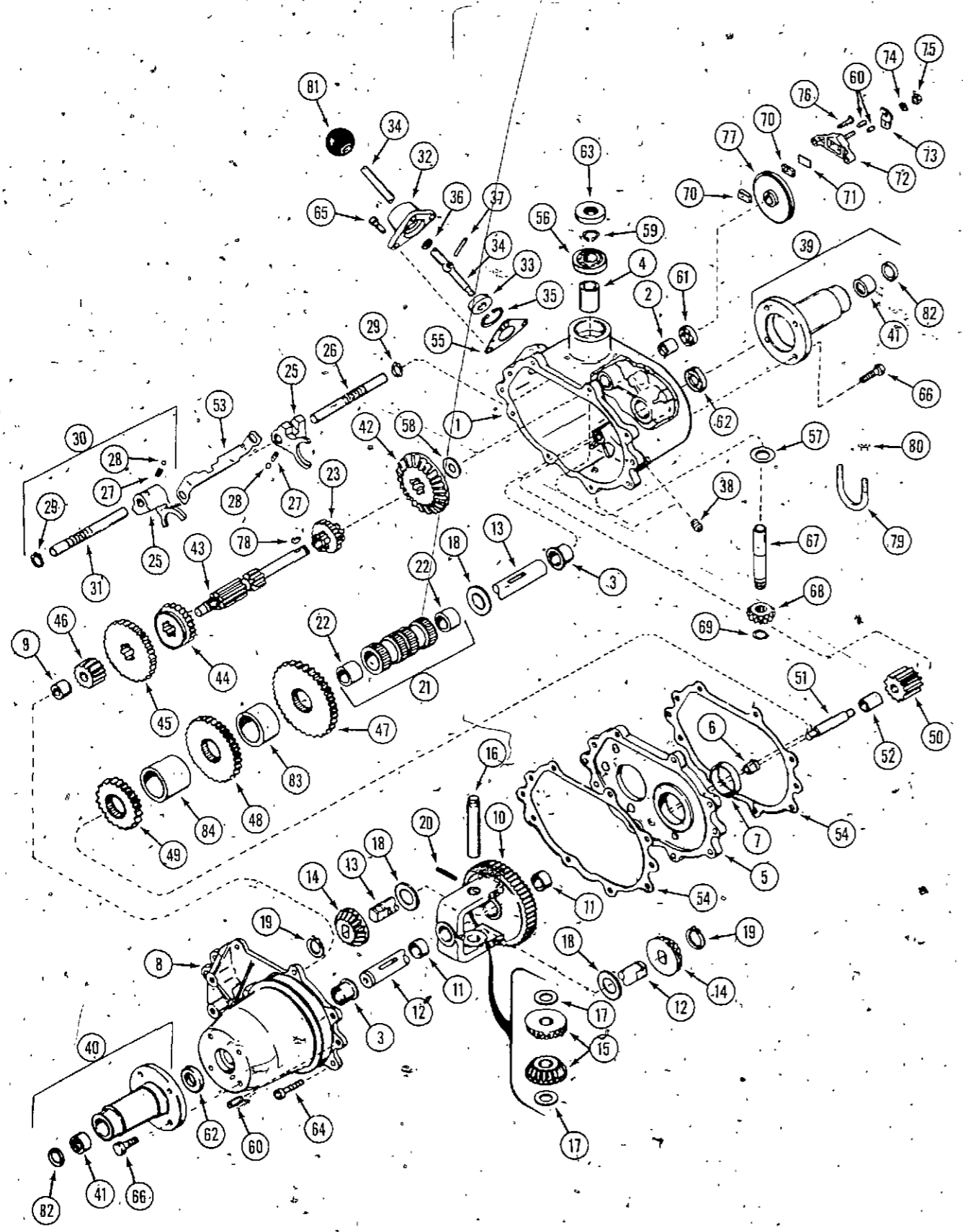
REF.	PART NO.	DESCRIPTION	REQ'D.
1	C 19297	CASE ASSEMBLY - transaxle	1
2	A 30586	BEARING - needle	1
3	C 19299	BEARING - bronze	2
4	C 19301	BEARING - bronze	1
5	C 19302	PLATE ASSEMBLY - center	1
6	C 19300	BEARING - bronze	1
7	C 19303	BEARING - bronze	1
8	C 19304	COVER ASSEMBLY - transaxle (includes #3 & 9)	1
9	C 19305	BEARING - needle	1
10	C 19306	GEAR ASSEMBLY - differential	1
11	C 21576	BEARING - bronze	2
12	C 19308	AXLE - left hand, short	1
13	C 19307	AXLE - right hand, long	1
14	C 19309	GEAR - bevel	2
15	C 19310	PINION - bevel	2
16	C 19311	PIN - drive	1
17	C 19312	WASHER - thrust	1
18	C 11205	WASHER - thrust	3
19	A 27521	RING - snap	2
20	138-97	PIN - roll	1
21	C 19315	SLEEVE ASSEMBLY - countershaft	1
22	C 19316	BEARING - bronze	1
23	C 19317	SHAFT - idler	1
26	C 11167	FORK - shift	1
27	C 19319	ROD - shift	1
28	C 11166	SPRING	1
29	211-5	BALL - steel	1
30	A 11538	RING - snap	1
31	C 19320	ROD ASSEMBLY - shift (2nd & 3rd)	1
	C 11167	FORK - shift	1
	C 11166	SPRING	1
	211-5	BALL - steel	1
	A 11538	RING - snap	1
32	C 19321	ROD - shift	1
34	C 15780	HOUSING - shift lever	1
35	C 11163	KEEPER - shift lever	1
36	C 18675	LEVER - shift	1
37	A 32181	RING - snap	1
38	35012	RING - quad	1
39	C 19324	PIN - drive	1
40	211-11	PLUG - 1/8" pipe	1
41	C 19327	HOUSING ASSEMBLY - axle (also includes C24595 seal)	1
	C 19328	BEARING - needle	1
42	C 19326	HOUSING ASSEMBLY - axle (also includes C24595 seal)	1
43	C 19328	BEARING - needle	1
44	C 11191	GEAR - (16 teeth)	1
45	C 19329	GEAR - bevel (33 teeth)	1
46	C 19330	SHAFT - shifter & brake	1
47	C 19331	GEAR - shifting (2nd & 3rd)	1
48	C 19332	GEAR - shifting (1st & reverse)	1
49	C 19333	GEAR - spur, (12 teeth)	1
50	C 19334	GEAR - countershaft drive (39 teeth)	1
51	C 19335	GEAR - countershaft (34 teeth)	1

C19168 TRANSMISSION AND FINAL DRIVE - 108, 110



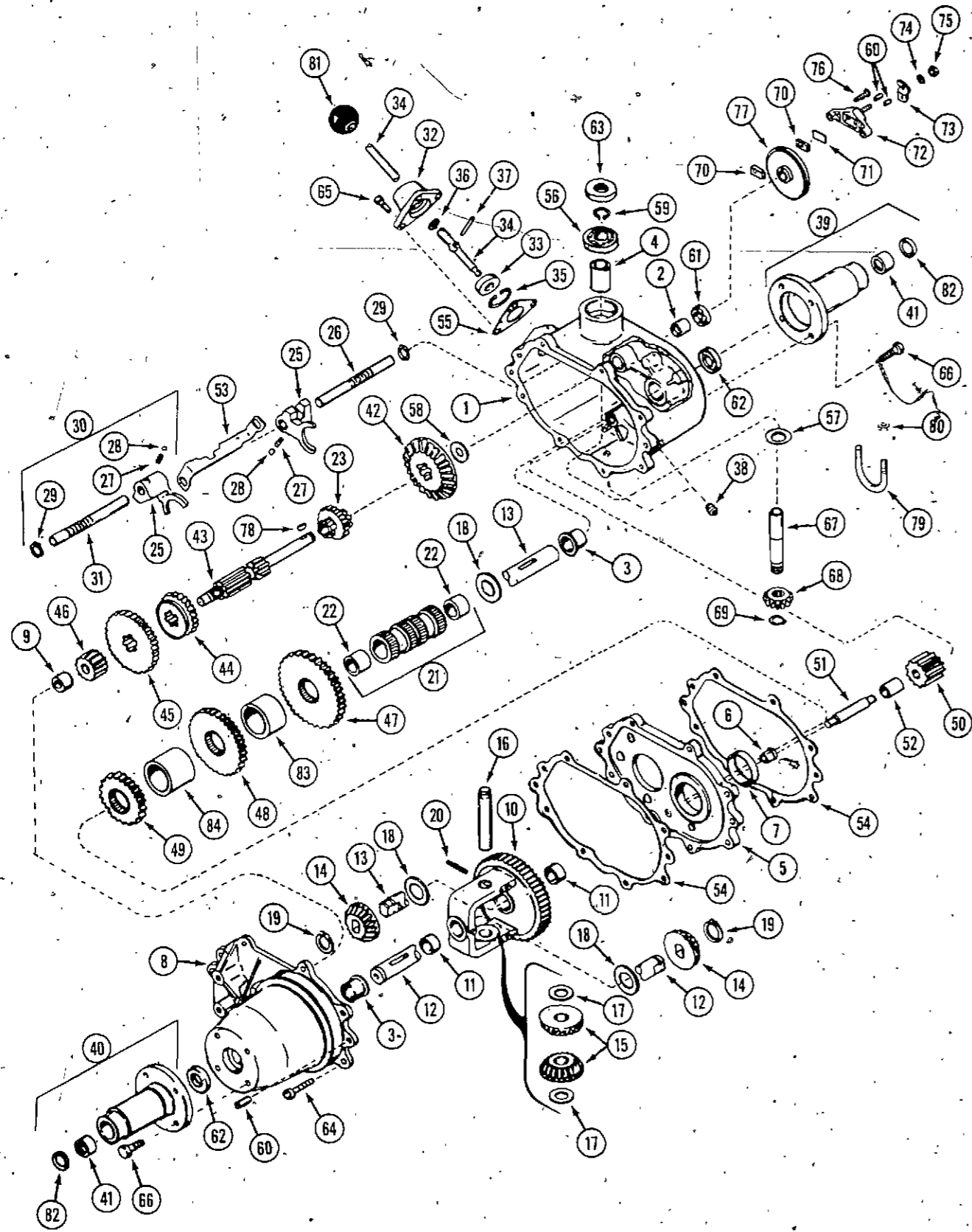
REF.	PART NO.	DESCRIPTION	REQ'D.
52	C 19336	GEAR - countershaft (25 teeth)	1
53	C 19337	KEY - countershaft	1
54	C 19338	IDLER - reverse	1
55	C 19339	SHAFT - reverse idler	1
56	C 19340	SPACER - reverse idler	1
57	C 19341	STOP - shifter	1
58	C 19342	GASKET - case & cover	2
59	C 15794	GASKET - shift lever housing	1
60	C 19343	BEARING - ball	1
63	C 19344	BEARING - thrust	2
64	C 19345	WASHER - thrust	3
65	C 19346	WASHER - thrust	1
66	C 19347	RING - snap	1
67	F 53650	PIN - dowel	2
68	C 19348	SEAL - oil	1
69	G 10450	SEAL - oil	2
70	C 19349	SEAL - oil	1
71	83- 420	SCREW - socket head cap, 1/4" x 1-1/4"	10
72	83- 412	SCREW - socket head cap 1/4" x 3/4"	3
73	113- 104	SCREW - hex. head 5/16" x 1"	8
74	92- 5	LOCKWASHER - 5/16"	8
76	C 19350	SHAFT - input	1
77	C 19351	PINION - input	1
78	G 46176	RING - retaining	1
79	C 19353	PAD - brake	2
80	C 19354	PLATE - brake pad	1
81	C 19355	HOLDER - brake pad	1
82	C 19356	LEVER - brake	1
83	C 19357	WASHER - flat	1
84	C 19358	LOCKNUT	1
85	113- 17	SCREW - hex head cap 1/4" x 1-1/4"	2
86	C 19359	DISK - brake	1
87	126- 13	KEY - Woodruff #61	1
88	C 15134	BOLT - "U" 5/16"	1
89	192- 20	LOCKWASHER - 5/16" (early production)	6
90	131- 911	NUT - 5/16" NC hex, lock	2
91	113- 103	BOLT - 5/16" x 1" NC hex	2
92	113- 104	BOLT - 5/16" x 1-1/4" NC hex	2
93	C 15618	KNOB - shift	1
94	C 24595	SEAL - outer (used on some models)	2

C26110 TRANSMISSION AND FINAL DRIVE - 108, 110



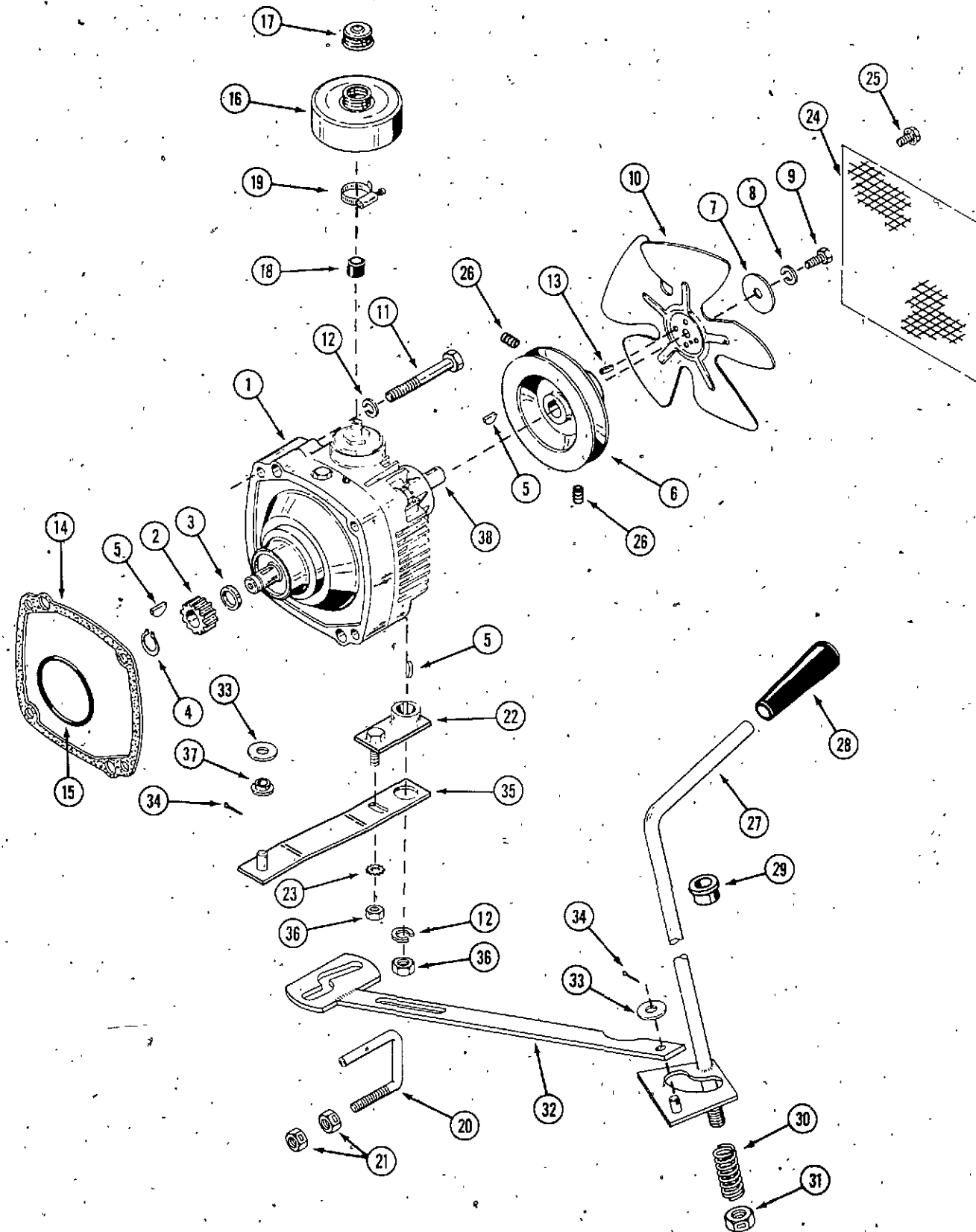
REF.	PART NO.	DESCRIPTION	REQ'D.
1	C 19297	CASE ASSEMBLY - transaxle	1
2	A 30586	BEARING - needle	1
3	C 19299	BEARING - bronze	2
4	C 19301	BEARING - bronze	1
5	C 19302	PLATE ASSEMBLY - center	1
6	C 19300	BEARING - bronze	1
7	C 19303	BEARING - bronze	1
8	C 19304	COVER ASSEMBLY - transaxle (includes #3 & 9)	1
9	C 19305	BEARING - needle	1
10	C 26111	GEAR ASSEMBLY - differential	1
11	C 21576	BEARING - bronze	2
12	C 19308	AXLE - left hand, short	1
13	C 19307	AXLE - right hand, long	1
14	C 19309	GEAR - bevel	2
15	C 19310	PINION - bevel	2
16	C 19311	PIN - drive	1
17	C 19312	WASHER - thrust	1
18	C 11205	WASHER - thrust	3
19	A 27521	RING - snap	2
20	138-97	PIN - roll	1
21	C 26112	SLEEVE ASSEMBLY - countershaft	1
22	C 19316	BEARING - bronze	1
23	C 26113	SHAFT - idler	1
25	C 11167	FORK - shift	1
26	C 19319	ROD - shift	1
27	C 11166	SPRING	1
28	211-5	BALL - steel	1
29	A 11538	RING - snap	1
30	C 19320	ROD ASSEMBLY - shift (2nd & 3rd)	1
	C 11167	FORK - shift	1
	C 11166	SPRING	1
	211-5	BALL - steel	1
	A 11538	RING - snap	1
31	C 19321	ROD - shift	1
32	C 15780	HOUSING - shift lever	1
33	C 11163	KEEPER - shift lever	1
34	C 18675	LEVER - shift	1
35	A 32181	RING - snap	1
36	35012	RING - quad	1
37	C 19324	PIN - drive	1
38	211-11	PLUG - 1/8" pipe	1
39	C 19327	HOUSING ASSEMBLY - axle (also includes C24595 seal)	1
	C 19328	BEARING - needle	1
40	C 19326	HOUSING ASSEMBLY - axle (also includes C24595 seal)	1
41	C 19328	BEARING - needle	1
42	C 26114	GEAR - bevel (42 teeth)	1
43	C 19330	SHAFT - shifter & brake	1
44	C 19331	GEAR - shifting (2nd & 3rd)	1
45	C 19332	GEAR - shifting (1st & reverse)	1
46	C 26115	GEAR - spur (11 teeth)	1
47	C 26116	GEAR - countershaft drive (39 teeth)	1
48	C 26117	GEAR - countershaft (34 teeth)	1

C26110 TRANSMISSION AND FINAL DRIVE - 108, 110



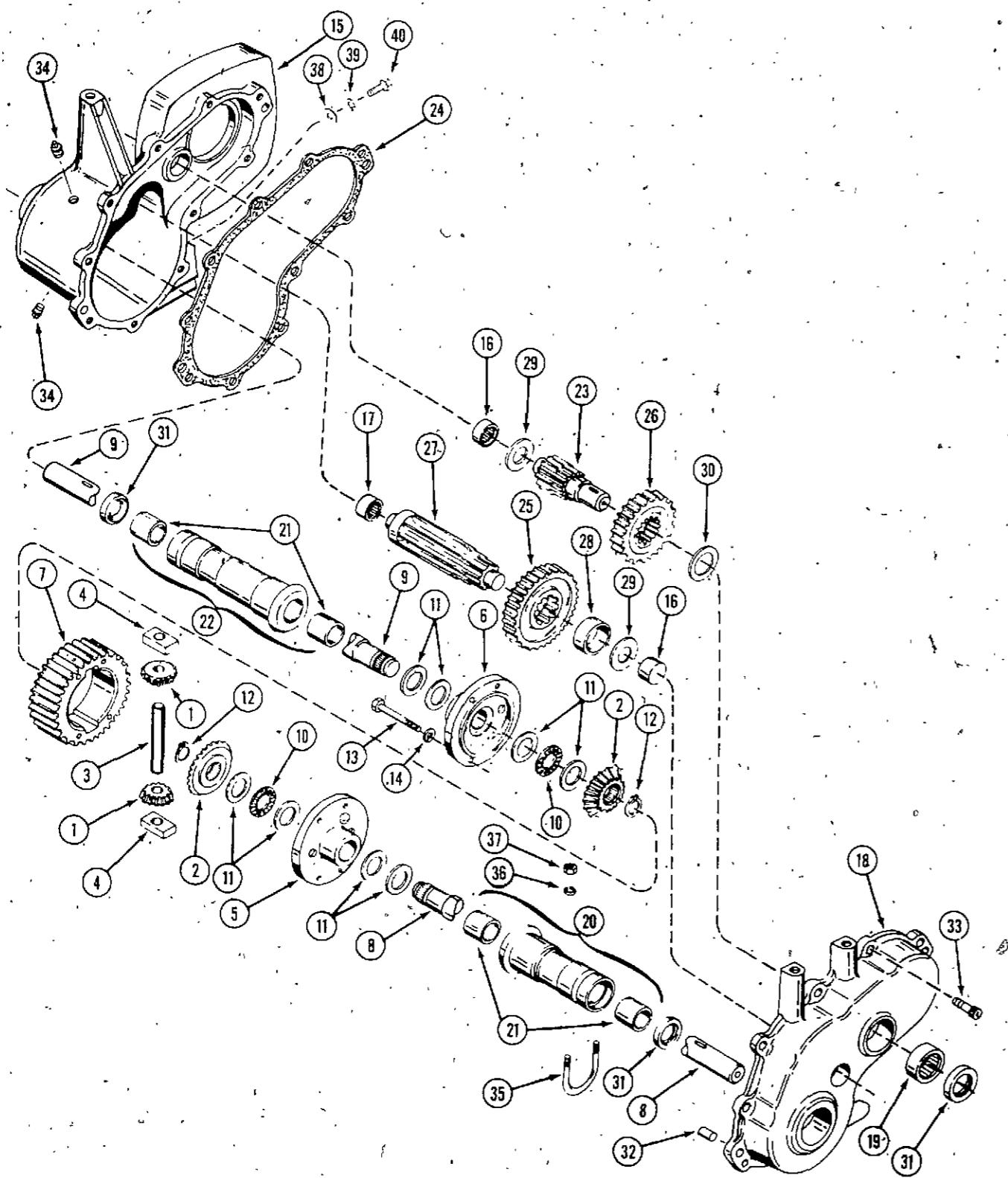
REF.	PART NO.	DESCRIPTION	REQ'D.
49	C 26118	GEAR - countershaft (25 teeth)	1
50	C 19338	IDLER - reverse	1
51	C 19339	SHAFT - reverse idler	1
52	C 19340	SPACER - reverse idler	1
53	C 19341	STOP - shifter	1
54	C 19342	GASKET - case & cover	2
55	C 15794	GASKET - shift lever housing	1
56	C 19343	BEARING - ball	1
57	C 19345	WASHER - thrust	3
58	C 19312	WASHER - thrust	1
59	C 19347	RING - snap	1
60	F 53650	PIN - dowel	2
61	C 19348	SEAL - oil	1
62	G 10450	SEAL - oil	2
63	C 19349	SEAL - oil	1
64	83- 420	SCREW - socket head cap, 1/4" x 1-1/4"	10
65	83- 412	SCREW - socket head cap 1/4" x 3/4"	3
66	113- 104	SCREW - hex. head 5/16" x 1"	8
67	C 26121	SHAFT - input	1
68	C 26122	PINION - input	1
69	G 46176	RING - retaining	1
70	C 19353	PAD - brake	2
71	C 19354	PLATE - brake pad	1
72	C 19355	HOLDER - brake pad	1
73	C 26123	LEVER - brake	1
74	C 19357	WASHER - flat	1
75	C 19358	LOCKNUT	1
76	113- 17	SCREW - hex head cap 1/4" x 1-1/4"	2
77	C 19359	DISK - brake	1
78	126- 13	KEY - Woodruff #61	1
79	C 15134	BOLT - "U" 5/16"	1
80	131- 911	NUT - 5/16" NC hex, lock	2
81	C 15618	KNOB - shift	1
82	C 24595	SEAL - outer (used on some models)	2
83	C 26119	SPACER - gear	1
84	C 26120	SPACER - gear	1

HYDRAULIC TRANSMISSION AND CONTROLS - 118



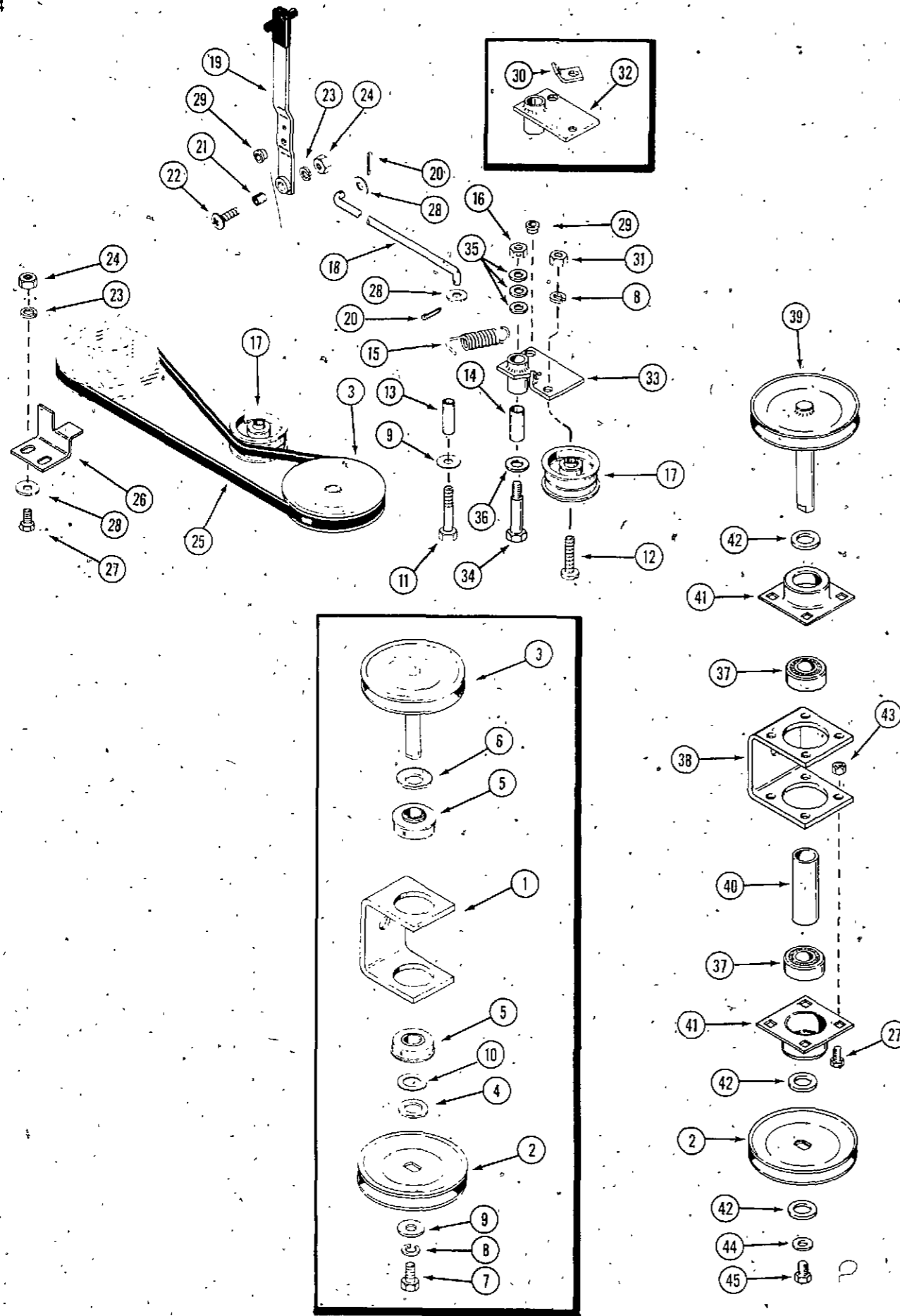
REF.	PART NO.	DESCRIPTION	REQ'D.
1	C 18207	TRANSMISSION - hydraulic (includes items 2, 3; 4 and 5)	1
2	C 15546	GEAR - drive	1
3	C 15584	SPACER	1
4	C 15585	RING - retaining	1
5	126- 109	KEY - Woodruff #3	3
6	C 15511	PULLEY - transmission	1
7	195- 2012	WASHER - 1/4"	1
8	192- 19	LOCKWASHER - 1/4"	1
9	113- 2	BOLT - 1/4" x 5/8" NC hex.	1
10	C 15155	FAN - transmission	1
11	113- 241	BOLT - 3/8" x 3" NC hex	4
12	192- 21	LOCKWASHER - 3/8"	5
13	138- 51	PIN - roll 1/8" x 3/8"	1
14	C 15534	GASKET - transmission	1
15	A 62549	SEAL - "O" ring, transmission	1
16	C 18209	TANK - surge	1
17	C 15549	CAP - tank	1
18	C 18210	SEAL - oil tank	1
19	214- 252	CLAMP - hose 3/4"	2
20	C 17231	GUIDE - neutral	1
21	131- 1181	LOCKNUT - 3/8" NC hex	2
22	C 18837	HUB - travel control	1
23	193- 53	LOCKWASHER - 3/8" external tooth	1
24	C 15597	SCREEN	1
25	C 14900	SCREW - #10 x 3/8" NC hex self-tapping.	4
26	178- 858	SETSCREW - 5/16" x 3/8" NC	2
27	C 19624	LEVER - speed control	1
28	A 37247	KNOB - speed control	1
29	C 12093	BUSHING - flip lock	1
30	C 11942	SPRING - control lever	1
31	131- 165	LOCKNUT - 1/2" NC hex	1
32	C 17234	LEVER - cam control	1
33	195- 521	WASHER - 5/16"	3
34	132- 26	PIN - cotter 3/32" x 3/4"	2
35	C 18839	LEVER - transmission control	1
36	129- 103	NUT - 3/8" NC hex	2
37	C 23514	BUSHING - cam	1
38	C 18233	KIT - input shaft and bearing	1

C15516 DIFFERENTIAL AND FINAL DRIVE - 118



REF.	PART NO.	DESCRIPTION	REQ'D.
1	C 15788	PINION - bevel	2
2	C 15808	GEAR - bevel	2
3	C 11173	PIN - drive	1
4	C 11174	BLOCK - drive	2
5	C 15812	CARRIER - differential	1
6	C 15811	CARRIER - differential	1
7	C 11172	GEAR - ring	1
8	C 15786	AXLE - L.H.	1
9	C 15787	AXLE - R.H.	1
10	F 19633	BEARING - thrust	2
11	C 11178	WASHER - thrust	8
12	C 11222	RING - retaining	1
13	113- 15	BOLT - 1/4" x 2-1/4" NC hex	4
14	92- 4	LOCKWASHER - 1/4"	4
15	C 15813	HOUSING - differential	1
16	C 16005	BEARING - needle	2
17	C 16006	BEARING - needle	1
18	C 15814	COVER - differential housing	1
	C 16005	BEARING - needle (see Ref. 16)	1
19	C 16007	BEARING - needle	1
20	C 15803	HOUSING AND BUSHING ASSEMBLY - L.H.	1
21	C 15807	BUSHING	2
22	C 15804	HOUSING AND BUSHING ASSEMBLY - R.H.	1
	C 15807	BUSHING - (see Ref. 21)	2
23	C 15815	SHAFT - brake	1
24	C 15816	GASKET - housing to cover	1
25	C 11193	GEAR - output	1
26	C 11187	GEAR - idler	1
27	C 15802	SHAFT - output	1
28	C 15801	SPACER	1
29	C 11205	WASHER	1
30	C 16009	WASHER	1
31	C 11195	SEAL - oil	2
32	F 53650	PIN - dowel	2
33	187- 996	SCREW - 1/4" x 1" NC hex head, self-tapping	10
34	221- 1013	PLUG - oil filler and drain	2
35	C 15134	BOLT - "U" 5/16"	2
36	192- 20	LOCKWASHER - 5/16" ZP	4
37	129- 102	NUT - 5/16" NC hex, ZP	4
38	195- 104	WASHER - 3/8" flat	2
39	192- 21	LOCKWASHER - 3/8"	2
40	113- 206	BOLT - 3/8" x 3/4" NC hex	2

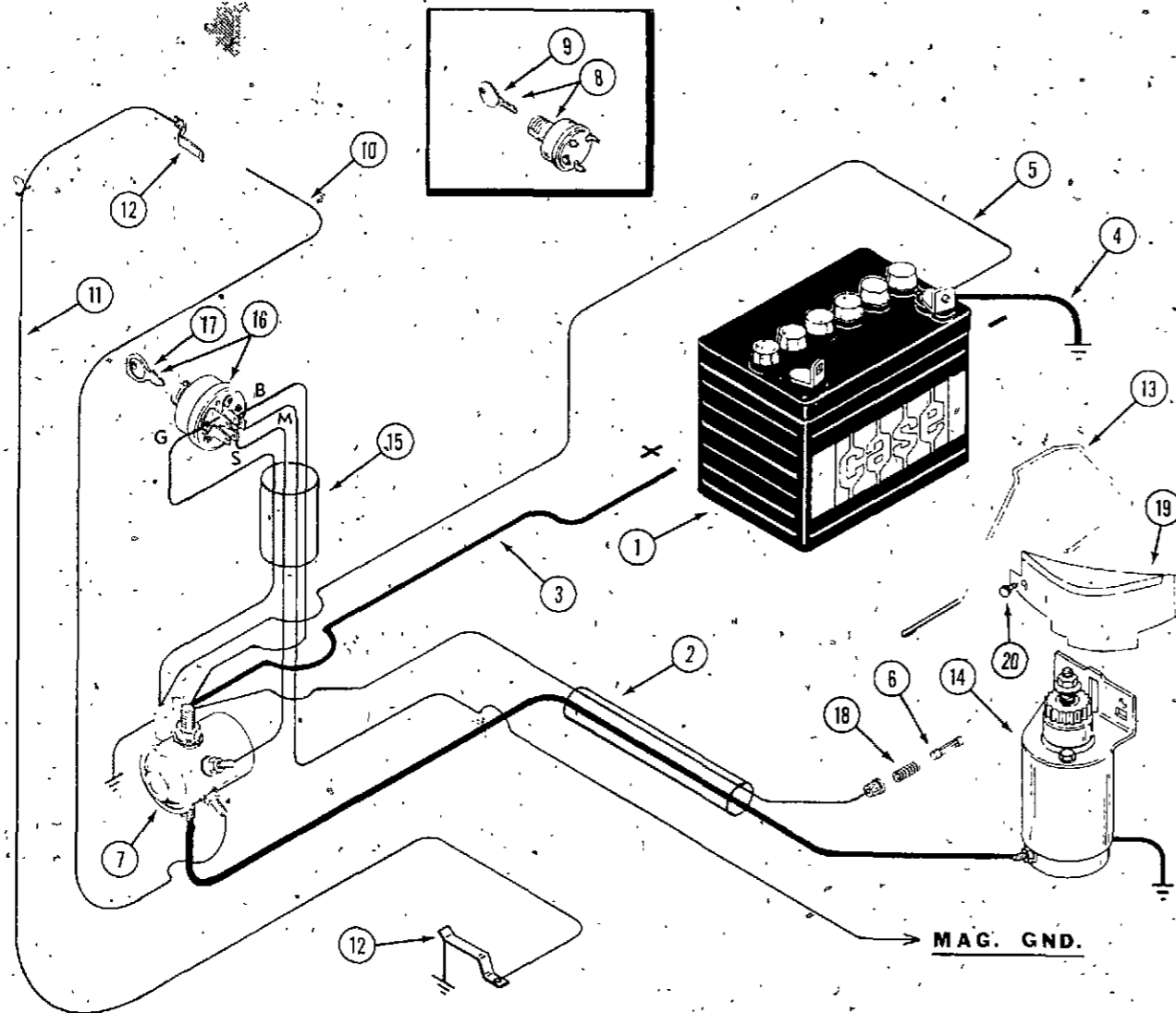
ATTACHMENT DRIVE
POWER TAKE OFF (PTO) ASSEMBLY



USED PRIOR TO S/N 9760351

REF.	PART NO.	DESCRIPTION	REQ'D.
1	C 18621	BRACKET - PTO	1
2	C 15083	PULLEY - PTO bottom	1
3	C 20185	PULLEY ASSEMBLY - PTO top	1
4	A 70282	WASHER - plain	1
5	C 18915	BEARING - PTO	1
6	C 15272	WASHER - bell	2
7	113- 206	BOLT - 3/8" x 3/4" NC hex, ZP	1
8	192- 21	LOCKWASHER - 3/8" ZP	3
9	195- 104	WASHER - 3/8" plain, ZP	3
10	A 30881	WASHER - spacer	1
11	113- 213	BOLT - 3/8" x 2-1/4" NC hex (early production)	1
12	182- 581	SCREW - pan head 3/8" x 1-3/4" NC	1
13	C 17108	SLEEVE - inner	1
14	C 16714	BUSHING - bearing (early production)	1
15	C 21942	SPRING - PTO (order C24024 kit prior to S/N 9719523)	1
16	131- 1181	NUT - lock 3/8" NC hex	1
17	C 23535	PULLEY - idler	1
18	C 23758	ROD - PTO (order C24024 kit prior to S/N 9719523)	1
19	C 19015	LEVER - engaging	1
20	132- 46	PIN - cotter 1/8" x 3/4"	1
21	C 15527	SPACER	1
22	175- 415	SCREW - 5/16" x 1" truss head, ZP	1
23	192- 20	LOCKWASHER - 5/16" ZP	2
24	129- 102	NUT - 5/16" NC hex, ZP	2
25	C 19171	BELT - PTO	1
26	C 26345	KEEPER - belt, PTO	1
27	113- 102	BOLT - 5/16" x 3/4" NC hex	10
28	195- 521	WASHER - 5/16"	3
29	C 20475	BUSHING - nylon	2
30	NSS	BRACKET - spring attaching (order C24024 kit)	1
31	129- 103	NUT - 3/8" NC hex	1
32	NSS	ARM - idler (order C24024 kit)	1
33	C 23757	ARM - idler (use S/N 9719523 and after)	1
34	C 16745	BOLT - shoulder (late production)	1
35	195- 522	WASHER - .375 x .734 (late production)	3
36	195- 533	WASHER - .531 x 1.062 (late production)	1
37	A 70280	BEARING	2
38	C 25232	BRACKET - mounting	1
39	C 25234	PULLEY - top	1
40	C 25233	SPACER - bearing	1
41	C 23818	FLANGETTE	2
42	C 12975	WASHER	3
43	131- 176	NUT - lock 5/16"	8
44	D 33544	WASHER	1
45	113- 205	BOLT - 3/8" - 16 x 5/8"	1
	C 24024	KIT - clutch spring (includes items 15, 18 and 33)	1
	C 26022	KIT - PTO (includes items 27, 37, 38, 39, 40, 41, 42, 43, 44, 45)	1

ELECTRICAL SYSTEM - 108
USED PRIOR TO S/N 9747008



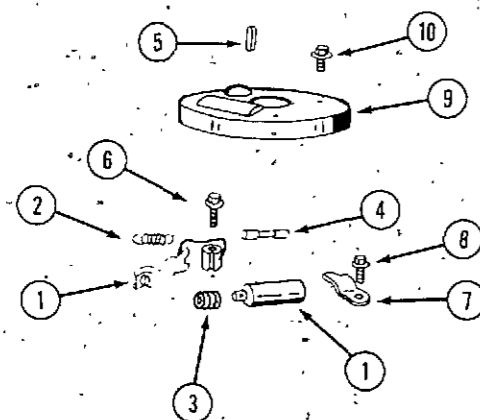
REF.	PART NO.	DESCRIPTION	REQ'D.
1	C 18197	BATTERY -12 volt	1
2	C 21634	HARNESS - wire	1
3	C 14565	CABLE - battery positive (red 10-1/2")	1
4	C 14566	CABLE - battery negative (black 12")	1
5	C 24859	WIRE - battery negative to solenoid case	1
6	223-34	FUSE - 7.5 amp. (used prior to S/N 9684071)	1
6	BR 391507	DIODE - (late production)	1
7	C 14553	SOLENOID - start	1
8	C 18816	SWITCH - ignition, includes key (use prior to S/N 9719438)	1
9	C 17763	KEY - ignition (use prior to S/N 9719438)	1
10	C 18203	WIRE - solenoid to PTO safety switch	1
11	C 18185	WIRE - PTO safety switch to clutch switch	1
12	C 18182	SWITCH - strip, PTO & clutch	2
13	C 15114	CLAMP - battery hold down	1
14	BR 392749	STARTER - engine, 12 volt	1
15	C 18677	HARNESS - wire	1
16	C 24145	SWITCH - ignition, includes key and lockwasher only (use S/N 9719438 and after)	1
17	A 24509	KEY - ignition (use S/N 9719438 and after)	1
18	BR 261269	SPRING - diode (late production)	1
19	BR 390233	SHIELD - starter	1
20	187-1328	SCREW - shield	1

BREAKER CONTACTS

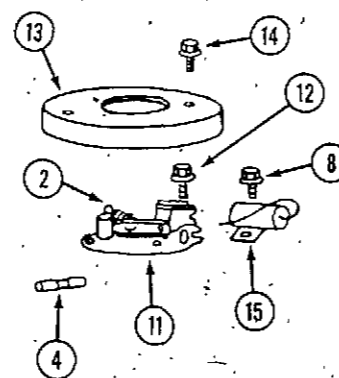
(use before S/N 14017203 on 110)
(use before S/N 14016311 on 108, 118)

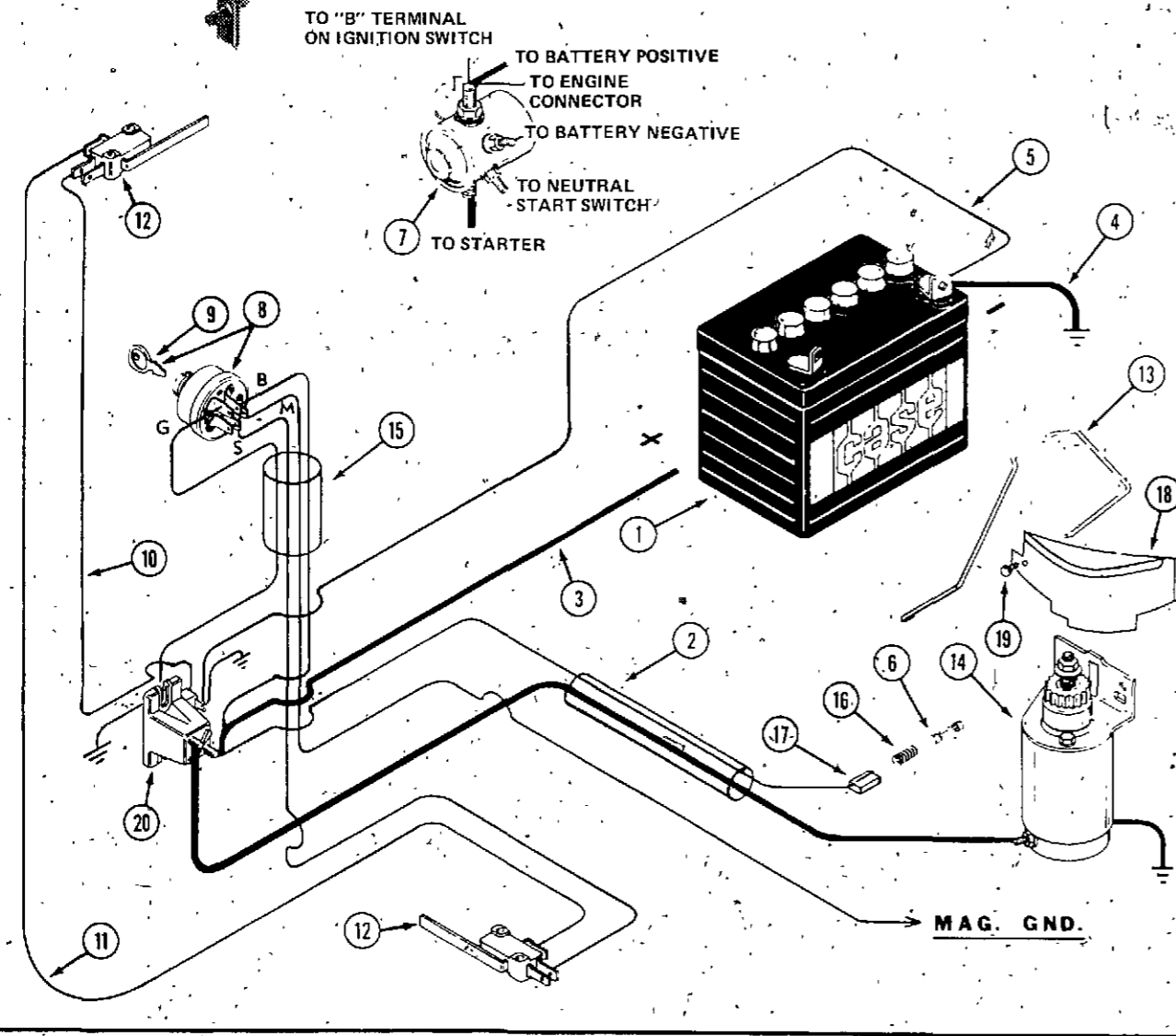
BR 299061	KIT - ignition (108, 118)	1
1 BR 294628	KIT - points and condenser	1
2 BR 26018	SPRING - breaker arm	1
3 BR 260374	SPRING - connector, condenser	1
4 BR 65704	PLUNGER - breaker point	1
5 BR 61760	KEY - flywheel, zinc	1
6 NSS	SCREW - breaker arm mtg. (use 182-549 and 195-10)	1
7 BR 220477	CLAMP - condenser mtg.	1
8 NSS	SCREW - condenser mtg. (163-7 and 193-25)	1
9 BR 222117	COVER - breaker point	1
10 187-1041	SCREW - sems, cover	2
11 C 25753	BREAKER CONTACTS ASSEMBLY	1
12 C 25761	SCREW - breaker adjusting	1
13 C 25755	COVER - breaker points	1
14 187-1041	SCREW - special	2
15 C 25754	CONDENSER	1

BREAKER CONTACTS FOR MODEL 108, 118



BREAKER CONTACTS FOR MODEL 110



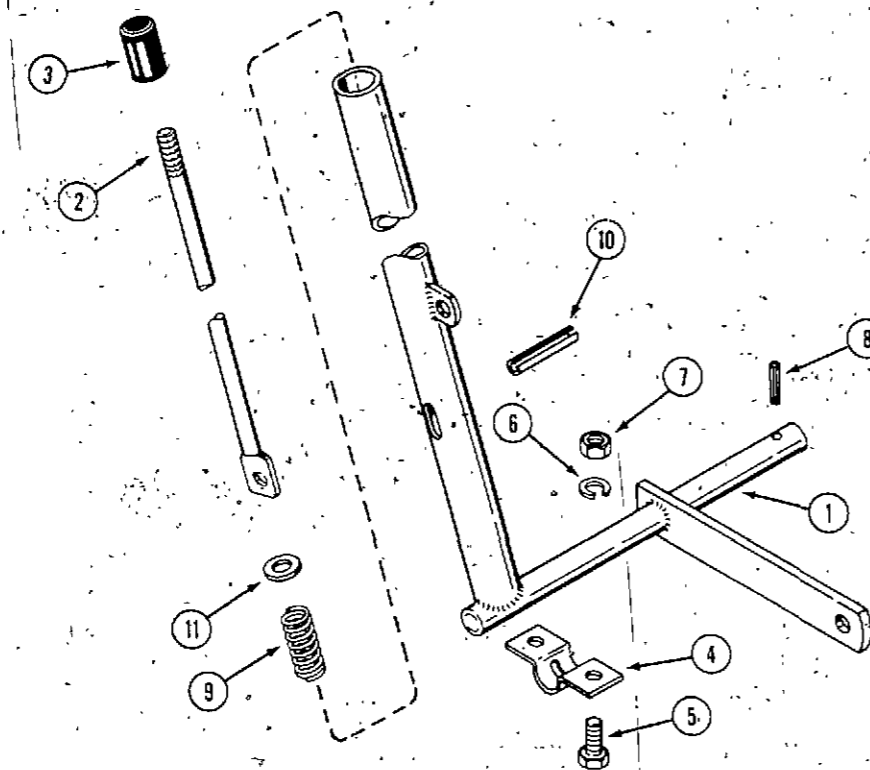


ELECTRICAL SYSTEM - 108, 110

USED S/N 9747008 AND AFTER

REF.	PART NO.	DESCRIPTION	REQ'D.
1	C 18197	BATTERY - 12 volt	1
2	C 25078	HARNESS - wire (used S/N 9747274 and after)	1
2	C 21634	HARNESS - wire (used prior to S/N 9747274)	1
3	C 14565	CABLE - battery positive (red 10-1/2")	1
4	C 24814	CABLE - battery negative (black 12")	1
5	C 24859	WIRE - battery negative to solenoid (use before S/N 9777038 (108), 9777974 (110))	1
5	C 25559	WIRE - battery negative to solenoid (use S/N 9777038 (108), 9777974 (110) and after)	1
6	BR 391507	DIODE - (used prior to S/N 9747274)*	1
7	C 14553	SOLENOID - start (use before S/N 9777034 (108), 9777974 (110))	1
8	C 24145	SWITCH - ignition (includes key and lockwasher only)	1
9	A 24509	KEY - ignition	1
10	C 24857	WIRE - solenoid to PTO switch (use before S/N 9777038 (108), 9777974 (110))	1
10	C 25558	WIRE - solenoid to PTO switch (use S/N 9777038 (108), 9777974 (110) and after)	1
11	C 24856	WIRE - switch to switch	1
12	C 24800	SWITCH - neutral start	2
13	C 15114	CLAMP - battery hold down	1
14	BR 392749	STARTER - engine, 12 volt (use before S/N 14016311)	1
14	C 27264	STARTER - engine, 12 volt (use S/N 14016311 and after)	1
15	C 24858	HARNESS - wire	1
16	BR 261269	SPRING - diode (used prior to S/N 9747274)	1
17	C 25243	CONNECTOR - wire	1
18	C 27256	SHIELD - starter (use S/N 14016311 and after)	1
18	BR 390233	SHIELD - starter (use before S/N 14016311)	1
19	187- 1328	SCREW - shield	2
20	C 26525	SOLENOID - start (use S/N 9777038 (108), 9777974 (110) and after)	1

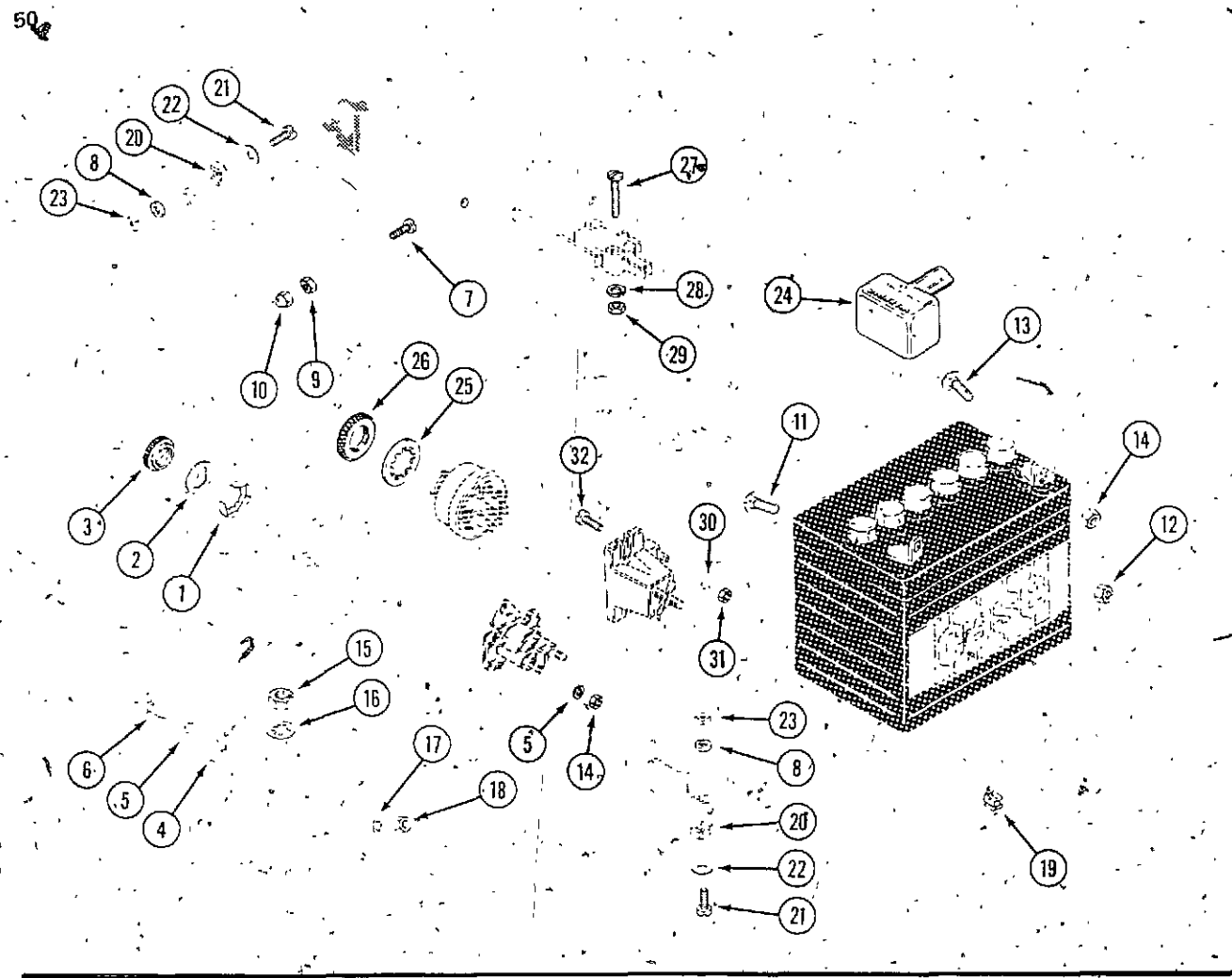
* See Page 9 and 11 for S/N 9747274 and after.



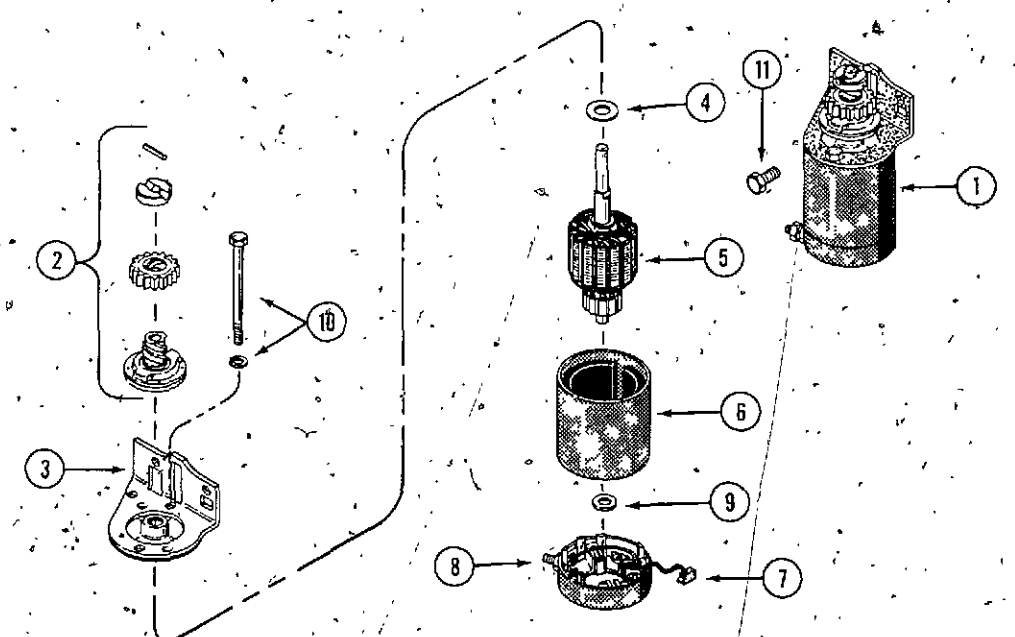
IMPLEMENT LIFT

1	C 19044	LEVER - implement lift	1
2	C 19172	ROD - push	1
3	C 14525	BUTTON - thumb	1
4	C 15156	BRACKET - saddle	1
5	113- 102	BOLT - 5/16" x 3/4" NC hex, ZP	2
6	192- 20	LOCKWASHER - 5/16" ZP	4
7	129- 102	NUT - 5/16" NC hex, ZP	4
8	138- 92	PIN - roll 3/16" x 3/4"	4
9	C 15564	SPRING	1
10	138- 2054	PIN - spiral 5/16" x 1-3/4"	1
11	195- 521	WASHER - 5/16" plain	1

ELECTRICAL SYSTEM HARDWARE - 108, 110

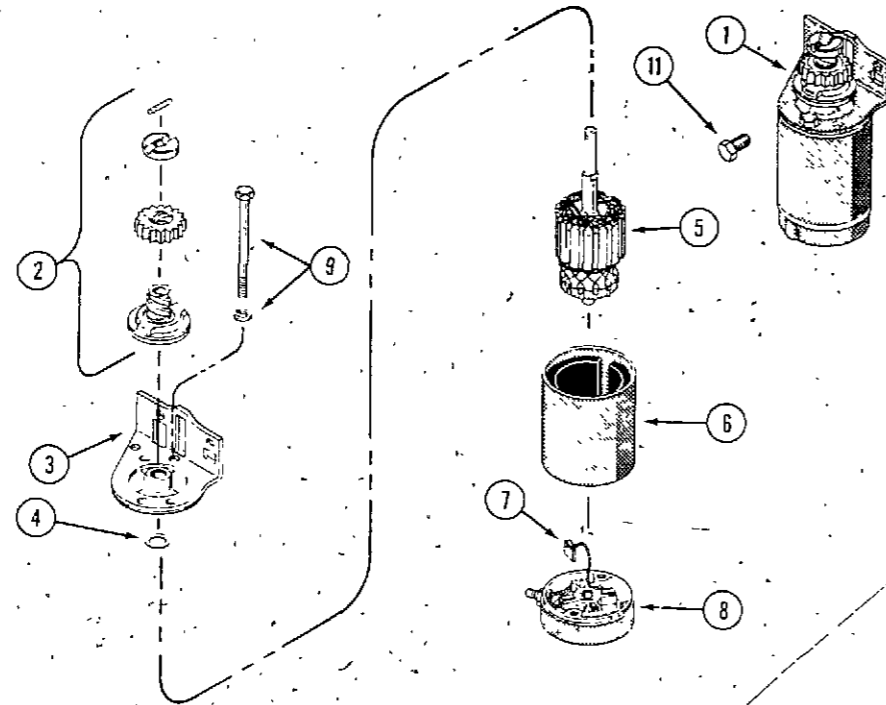


REF.	PART NO.	DESCRIPTION	REQ'D.
1	C 14060	NUT - back up (use prior to S/N 9719438)	1
2	C 17426	WASHER - ignition switch (use prior to S/N 9719438)	1
3	C 17921	NUT - escutcheon (use prior to S/N 9719438)	1
4	C 10836	NUT - speed	2
5	192- 19	LOCKWASHER - 1/4"	2
6	187- 1908	SCREW - #10 x 1/2" self tapping hex.	2
7	C 18204	SCREW - #10 x 1/4" binder hd., nylon (used prior to S/N 9747008)	1
8	195- 513	WASHER - #10 (used prior to S/N 9747008)	2
9	C 15704	NUT - #10 N C hex., nylon (used prior to S/N 9747008)	1
10	129- 642	NUT - #10 acorn (used prior to S/N 9747008)	1
11	111- 202	BOLT - 5/16 x 3/4" rd. hd. sq. neck.	1
12	129- 102	NUT - 5/16" NC hex	1
13	111- 108	BOLT - 1/4 x 3/4" rd. hd. sq. neck	1
14	129- 101	NUT - 1/4" NC hex	1
15	129- 162	NUT - 5/16" NF hex.	2
16	193- 29	LOCKWASHER - 5/16"	2
17	193- 99	LOCKWASHER - 3/16"	2
18	129- 37	NUT - #10 hex (package of 100)	2
19	C 19521	CLIP - wire holder	3
20	C 19246	HOLDER - strip switch (used prior to S/N 9747008)	2
21	182- 523	SCREW - #10 x 7/8" pan head (used prior to S/N 9747008)	2
22	C 19254	WASHER - 13/64" nylon (used prior to S/N 9747008)	2
23	129- 77	NUT - #10 square (used prior to S/N 9747008)	2
24	C 24069	COVER - terminal	1
25	C 23248	LOCKWASHER - internal tooth 5/8" (use S/N 9719438 and after)	1
26	C 24659	NUT - 5/8" - 32 knurled (use S/N 9719438 and after)	1
27	182- 10	SCREW - #4 - 40 x 7/8"	4
28	129- 13	NUT - #4 - 40.	4
29	192- 13	LOCKWASHER - #4	4
30	193- 70	LOCKWASHER - #10 external tooth	2
31	129- 17	NUT - #10.	2
32	182- 559	SCREW - #10 - 24 x 3/4"	2



STARTER MOTOR - BRIGGS

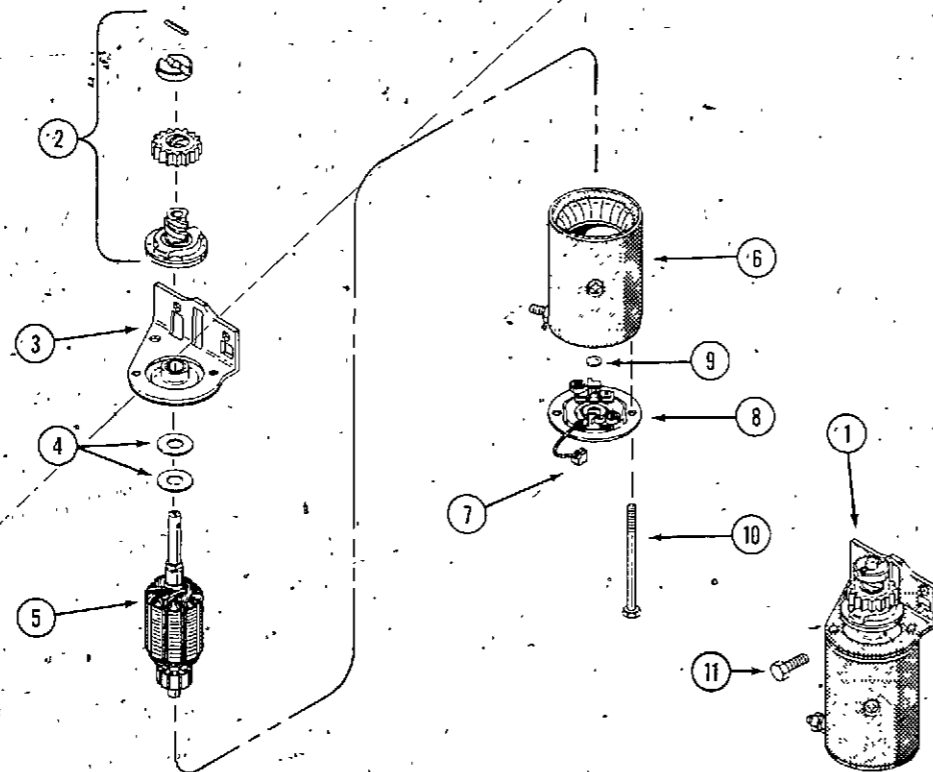
REF.	PART NO.	DESCRIPTION	REQ'D.
1	NSS	MOTOR - starting 12V, Briggs	1
2	BR 391461	DRIVE ASSEMBLY - starter	1
3	BR 392061	END CAP ASSEMBLY - starter (includes items 4 & 9)	1
4	NSS	WASHER - thrust (see item 3 or 8)	1
5	BR 390837	ARMATURE - starter, Briggs	1
6	BR 392744	HOUSING - starter, Briggs	1
7	BR 391705	BRUSH ASSEMBLY - starter	1
8	BR 390846	END CAP ASSEMBLY - com. end (includes Brush Set)	1
9	NSS	SPACER - (see item 3 or 8)	1
10	BR 391706	BOLT ASSEMBLY - thru (includes washer)	2
11	NSS	BOLT - motor mounting (use 113-102 and 192-5)	2



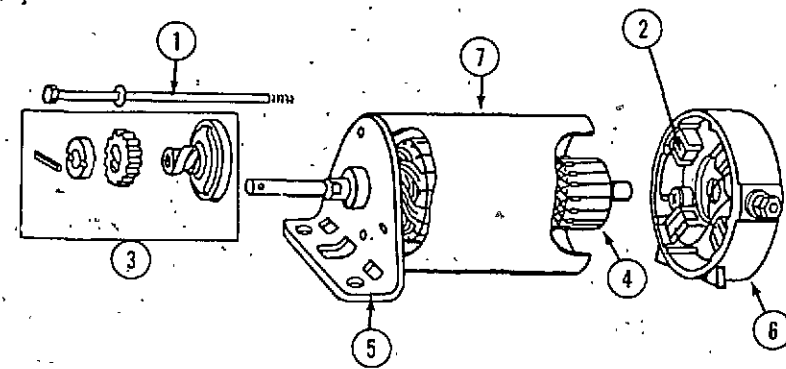
REF.	PART NO.	DESCRIPTION	REQ'D
1	NSS	MOTOR - starting 12V, Bosch Model 01965	1
2	BR 391461	DRIVE ASSEMBLY - starter	1
3	BR 390444	END CAP ASSEMBLY - drive end, Bosch	1
4	NSS	WASHER - thrust, (retain old washer for service)	1
5	BR 391607	ARMATURE - starter, Bosch	1
6	BR 390447	HOUSING - starter, Bosch	1
7	BR 390449	BRUSH ASSEMBLY - Bosch	1
8	BR 390448	END CAP ASSEMBLY - com. end, Bosch	1
9	BR 390450	BOLT - thru - Bosch (includes washer)	2
10	NSS	BOLT - motor mounting (use 113-102 and 92-5)	2

STARTER MOTOR - MITSUBISHI

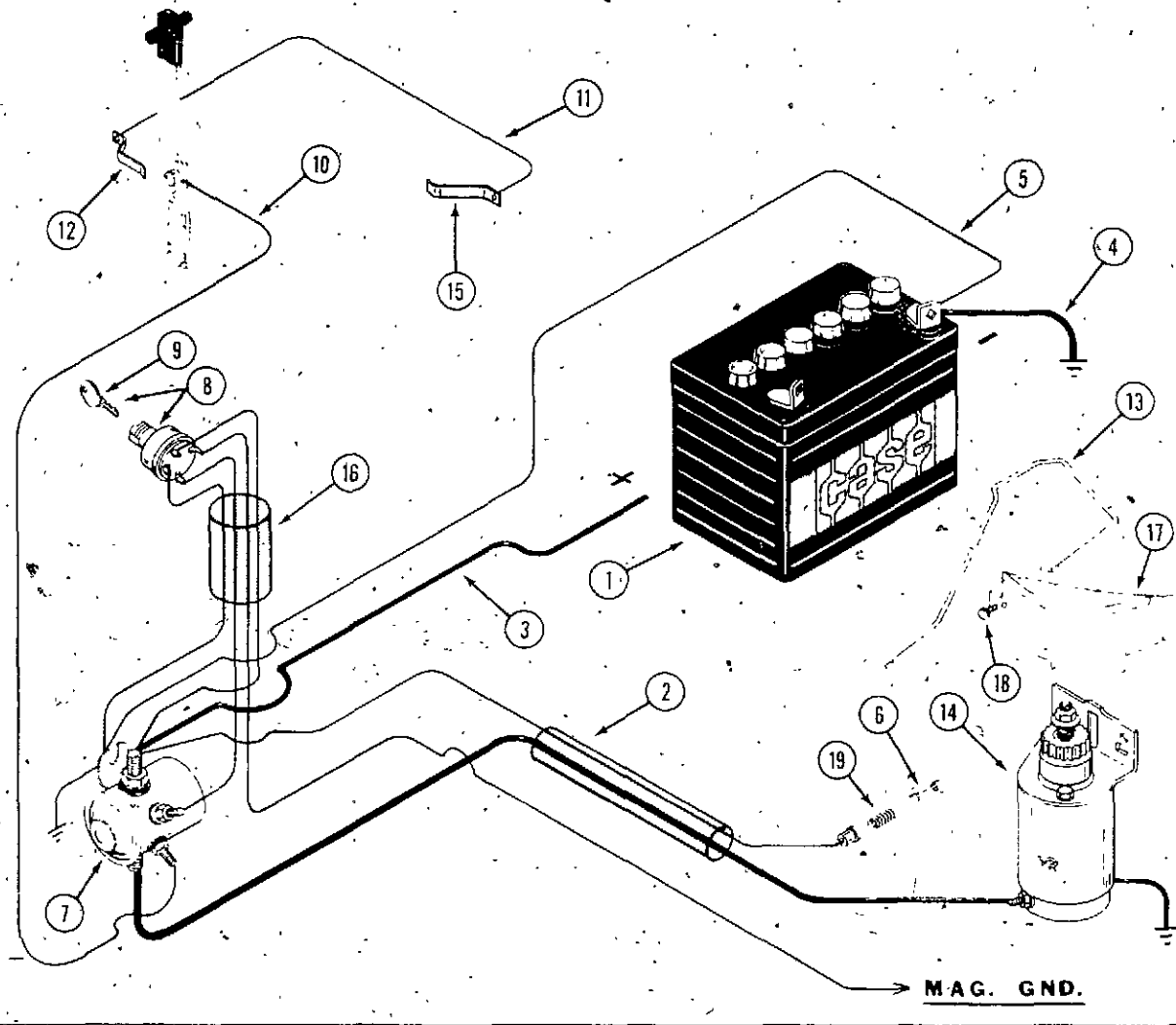
1	NSS	MOTOR - starting 12V, Mitsubishi Model M001T02271	1
2	BR 391461	DRIVE ASSEMBLY - starter	1
3	BR 391585	END CAP ASSEMBLY - drive end, mitsubishi	1
4	NSS	WASHER - thru† (retain old washers for service)	2
5	BR 391584	ARMATURE - starter, mitsubishi	1
6	BR 390452	HOUSING - starter, mitsubishi	1
7	BR 390990	BRUSH ASSEMBLY - mitsubishi	1
8	BR 390455	END CAP ASSEMBLY - com. end (includes brush set)	1
9	NSS	SPACER - starter (retain old spacer for service)	1
10	BR 93771	BOLT - thru, mitsubishi	2
11	NSS	BOLT - motor mounting (use 113-102 and 92-5)	2



STARTER MOTOR
 (use after S/N 14016311 on 108, 118)
 (use after S/N 14017203 on 110)



REF.	PART NO.	DESCRIPTION	REQ'D.
	C 27264	MOTOR - starter, 12 volt	1
1	C 27260	BOLT - thru (includes washer)	2
2	C 27259	BRUSH ASSEMBLY	1
3	BR 391461	DRIVE ASSEMBLY - starter	1
4	BR 390837	ARMATURE - starter	1
5	C 27262	END CAP - drive end	1
6	C 27258	END CAP - commutator end	1
7	C 27263	HOUSING - starter	1

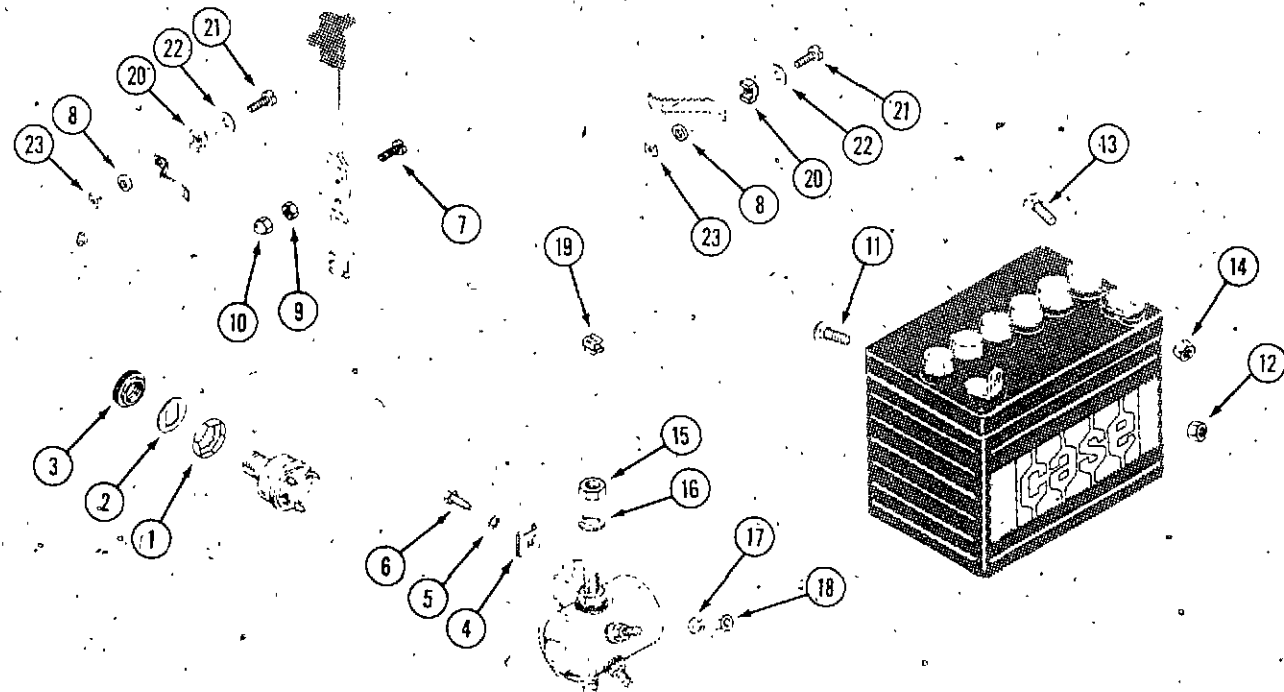


ELECTRICAL SYSTEM - 118

REF.	PART NO.	DESCRIPTION	REQ'D.
1	C 18197	BATTERY - 12 volt	1
2	C 18677	HARNES - wire	1
3	C 14565	CABLE - battery positive (red 10-1/2")	1
4	C 14566	CABLE - battery negative (black 12")	1
5	C 24859	WIRE - battery negative to solenoid case	1
6	223- 34	FUSE - 7.5 amp. (used prior to S/N 9684071)	1
6	BR 391507	DIODE - (use S/N 9684071 and after)	1
7	C 14553	SOLENOID - start	1
8	C 18816	SWITCH - ignition, includes key	1
9	C 17763	KEY - ignition	1
10	C 18203	WIRE - solenoid to PTO safety switch	1
11	C 19055	WIRE - PTO safety switch to clutch switch	1
12	C 18182	SWITCH - strip PTO & clutch	2
13	C 15114	CLAMP - battery hold down	1
14	BR 392749	STARTER - engine, 12 volt	1
15	C 19453	SWITCH - strip	1
16	C 21634	HARNES - wire	1
17	BR 390233	SHIELD - starter	1
18	187- 1328	SCREW - shield	1
19	BR 261269	SPRING - diode (use S/N 9684071 and after)	1

ELECTRICAL SYSTEM HARDWARE - 118

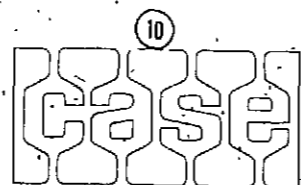
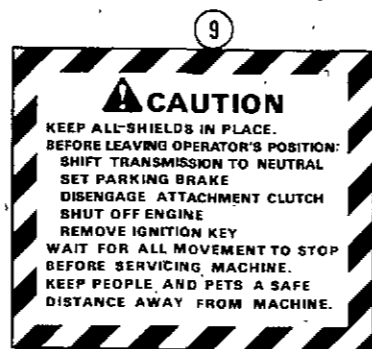
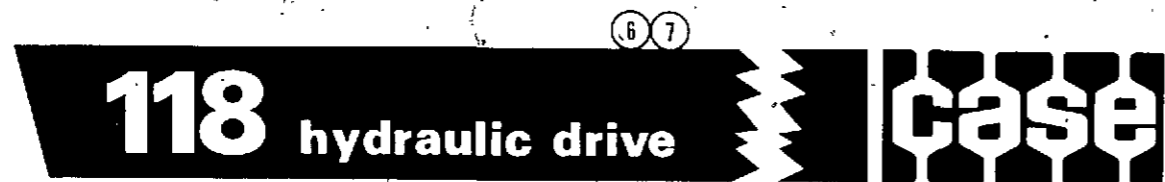
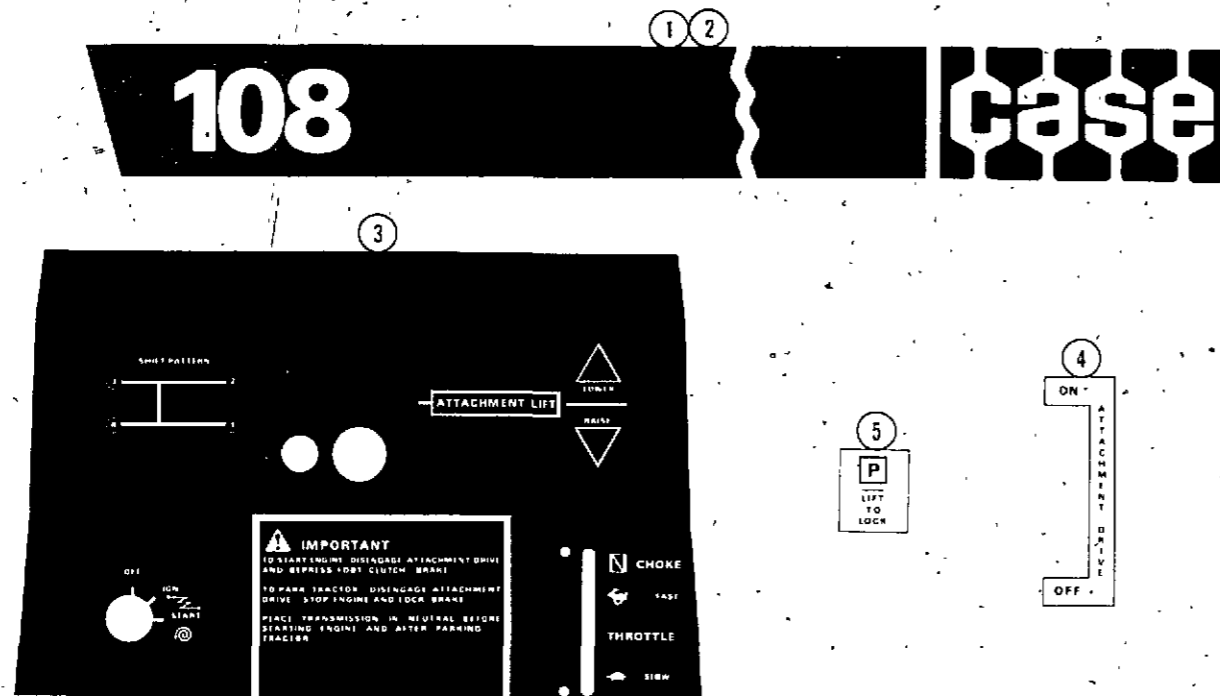
REF.	PART NO.	DESCRIPTION	REQ'D.
1	C 14060	NUT - back up	1
2	C 17426	WASHER - ignition switch	1
3	C 17921	NUT - escutcheon	1
4	C 10836	NUT - speed	2
5	193- 70	LOCKWASHER - #10 external tooth	2
6	187- 484	SCREW - #10 x 1/2" self-tapping hex	2
7	C 18204	SCREW - #10 x 1/4" binder hd. nylon	1
8	195- 513	WASHER - #10	2
9	C 15704	NUT - #10 NC hex, nylon	1
10	129- 642	NUT - #10 acorn	1
11	111- 202	BOLT - 5/16" x 3/4" round head, square neck	1
12	129- 102	NUT - 5/16" NC hex	1
13	111- 108	BOLT - 1/4" x 3/4" round head, square neck	1
14	129- 101	NUT - 1/4" NC hex	1
15	129- 122	NUT - 5/16" NF hex	2
16	192- 20	LOCKWASHER - 5/16"	2
17	192- 18	LOCKWASHER - 3/16"	2
18	129- 37	NUT - #10 hex (package of 100)	2
19	C 19521	CLIP - wire holder	3
20	C 19246	HOLDER - strip switch	2
21	182- 523	SCREW - #10 x 7/8" pan head	2
22	C 19254	WASHER - 13/64" nylon	2
23	129- 77	NUT - #10 square	2

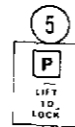
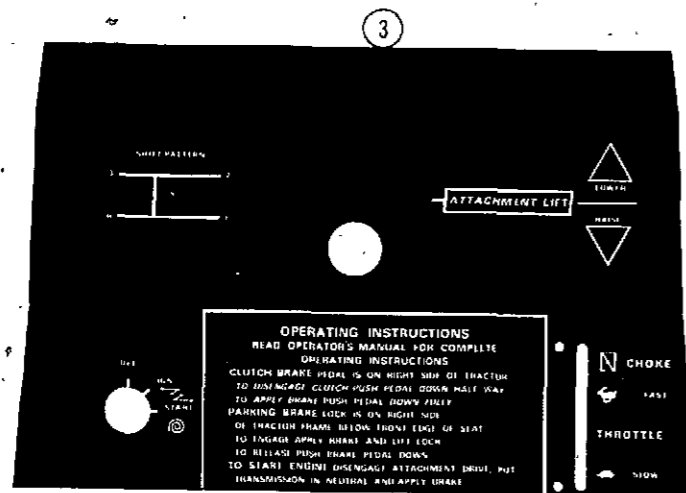
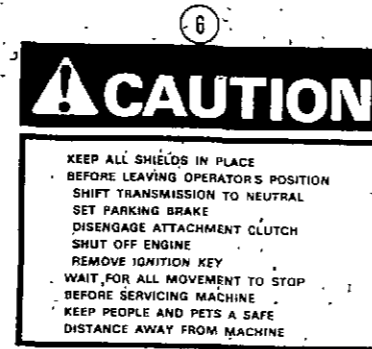
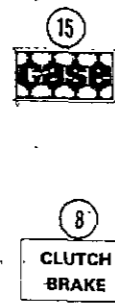
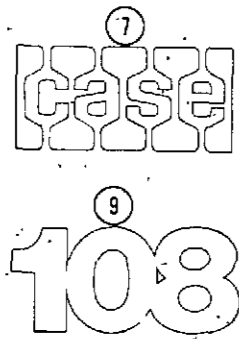
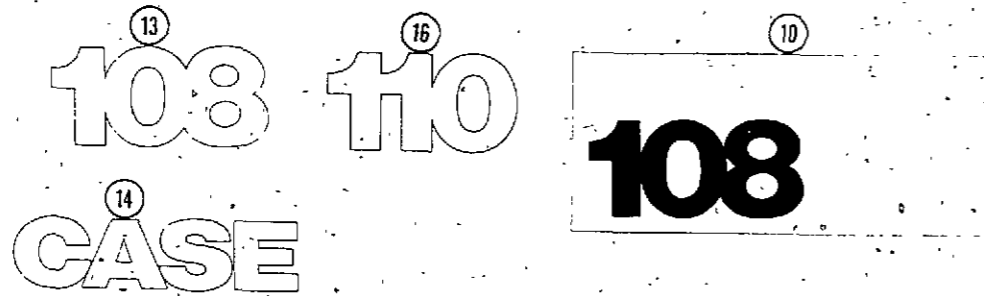
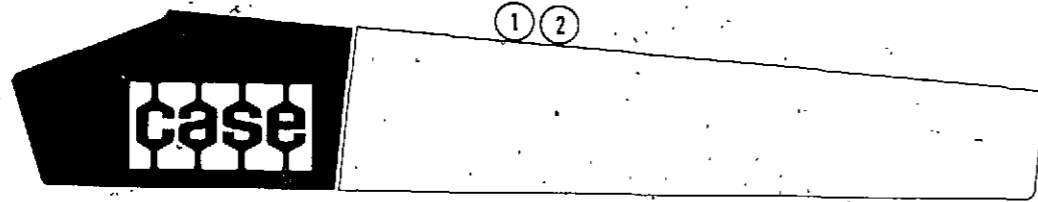
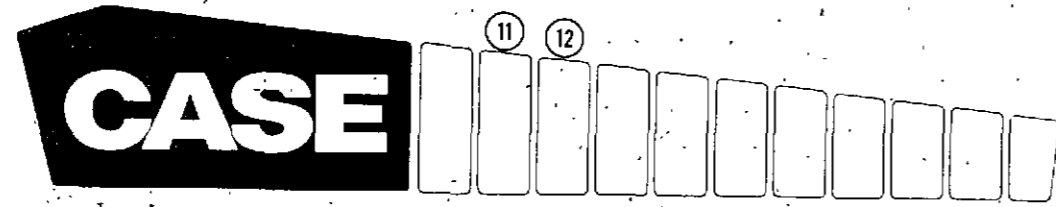


DECALS

Used prior to S/N 9719645

REF.	PART NO.	DESCRIPTION	REQ'D.
1	321- 2472	DECAL (R.H.), 108	1
2	321- 2473	DECAL (L.H.), 108	1
3	321- 2476	DECAL - instrument panel, 108	1
4	C 18186	DECAL - PTO	1
5	NSS	DECAL - brake lock (use 321-6228)	1
6	321- 2474	DECAL - (R.H.), 118	1
7	321- 2475	DECAL - (L.H.), 118	1
8	321- 2477	DECAL - instrument panel, 118	1
9	321- 3256	DECAL - "Caution"	1
10	321- 1423	DECAL - "Case" (used S/N 9684071 and after)	1





DECALS - 108, 110 (English)

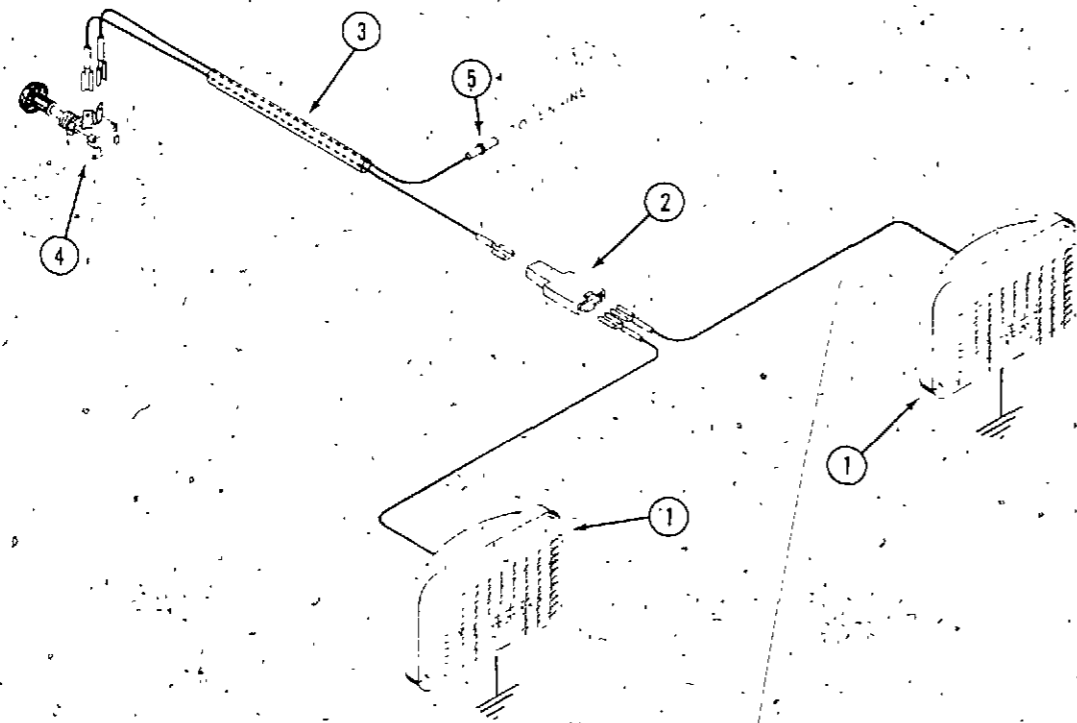
Used S/N 9719645 and after

REF.	PART NO.	DESCRIPTION	REQ'D
1	321- 4160	DECAL - hood R.H. (shown) (used prior to S/N 9747215)	1
2	321- 4159	DECAL - hood L.H. (used prior to S/N 9747215)	1
3	C 26252	DECAL - instrument panel	1
4	C 18186	DECAL - PTO	1
5	C 27211	DECAL - brake lock	1
6	321- 3256	DECAL - "CAUTION"	1
7	321- 2574	DECAL - fender "CASE" (used prior to S/N 9747215)	1
8	321- 3909	DECAL - clutch, brake	1
9	321- 4148	DECAL - fender, "108" (used prior to S/N 9747215)	1
10	321- 4154	DECAL - hood, top (used prior to S/N 9747215)	1
11	321- 5098	DECAL - hood R.H. (shown) (used S/N 9747215 and after)	1
12	321- 5099	DECAL - hood L.H. (used S/N 9747215 and after)	1
13	321- 5096	DECAL - "108" hood top (used S/N 9747215 and after)	1
14	321- 5097	DECAL - "Case" seat back. (used S/N 9747215 and after)	1
15	321- 5040	MEDALLION - "Case" (used S/N 9747215 and after)	1
16	321- 6011	DECAL - "110" hood top	1
17	C 26216	DECAL - "XC"	2

DECALS - 108, 110 (English and French)

Use S/N 9719645 and after

3	321- 4758	DECAL - instrument panel	1
4	321- 4756	DECAL - PTO	1
5	C 26934	DECAL - brake lock	1
6	321- 4733	DECAL - "Caution"	1
8	321- 6324	DECAL - clutch/brake	1

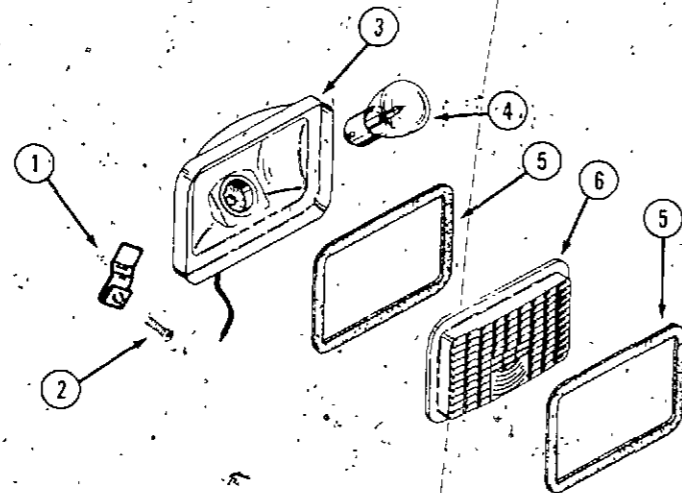


HEAD LAMP KIT (OPTIONAL)

REF.	PART NO.	DESCRIPTION	REQ'D.
	NSS	KIT - head lamp (order as J6 machinery item)	1
1	C 22571	HEAD LAMP	2
2	C 14537	CONNECTOR - head lamp	1
3	C 25076	HARNESS - wire	1
4	C 19222	SWITCH - headlight	1
5	C 26142	CONNECTOR - terminal	1
	321- 2484	DECAL - lights (English)	1
	321- 4754	DECAL - lights (French)	1

HEAD LAMP

1	131- 629	NUT - speed	4
2	187- 1334	SGREW - #8 x 1/2" round head, Phillips, self-tapping	4
	C 22571	HEAD LAMP ASSEMBLY	2
3	NSS	RECEPTACLE - head lamp (order C14302)	1
4	C 14305	BULB - head lamp	1
5	C 14304	GASKET - head lamp	2
6	C 22573	LENS - head lamp	1



NUMERICAL INDEX

PART NO.	PAGE NO.	REF. NO.	PART NO.	PAGE NO.	REF. NO.	PART NO.	PAGE NO.	REF. NO.
	35012	37	38	BR	93536	9	24	
	35012	39B	36	BR	93622	13	14	
A	11538	37		BR	93622	15	28	
A	11538	37	30	BR	93630	5	25	
A	11538	39B		BR	93704	17	4	
A	11538	39B	29	BR	93723	5	34	
A	24509	47	17	BR	93723	7	10	
A	24509	49	9	BR	93771	53	10	
A	27521	37	19	BR	93776	5	34	
A	27521	39B	19	BR	211682	17	32	
A	27795	19	20	BR	211689	5	32	
A	27795	19	21	BR	211712	15	16	
A	27801	31	21	BR	211712	17	17	
A	30586	37	2	BR	211778	5	38	
A	30586	39B	2	BR	211954	17	4	
A	30881	29	9	BR	212286	5	38	
A	30881	29	12	BR	220477	47	7	
A	30881	45	10	BR	220680	9	25	
A	30881	29B	9	BR	220680	19	7	
A	32181	37	37	BR	220865	9	3	
A	32181	39B	35	BR	220865	11	3	
A	37247	41	28	BR	221535	19	11	
A	62549	41	15	BR	221535	19	12	
A	70280	45	37	BR	221559	19	10	
A	70282	45	4	BR	221596	5	28	
BR	26018	47	2	BR	221596	7	29	
BR	26157	15	5	BR	221760	19	1	
BR	26157	17	6	BR	221798	9	9	
BR	26828	5	30	BR	221798	11	9	
BR	26828	7	28	BR	221885	17	2	
BR	27590	17	3	BR	221907	9	15	
BR	27750	5	13	BR	221907	11	15	
BR	27803	5	23	BR	221986	17	15	
BR	27803	7	6	BR	221995	15	19	
BR	61760	7	17	BR	221995	17	20	
BR	61760	47	5	BR	222010	15	8	
BR	65704	47	4	BR	222010	17	12	
BR	65906	5	29	BR	222014	15	21	
BR	65906	7	27	BR	222014	17	22	
BR	66068	19	14	BR	222027	17	26	
BR	66068	19	15	BR	222114	5	21	
BR	66538	9	14	BR	222117	47	9	
BR	66538	11	14	BR	222211	9	23	
BR	66554	19	17	BR	222263	17	3	
BR	66554	19	18	BR	222351	5	33	
BR	66768	5	6	BR	222450	19	8	
BR	66768	7	15	BR	222450	19	10	
BR	68546	5	7	BR	222561	9	12	
BR	92284	9	7	BR	222561	11	12	
BR	92284	11	7	BR	222562	9	13	
BR	92659	5	22	BR	222562	11	13	
BR	93211	5	35	BR	222636	5	33	
BR	93323	13	15	BR	222830	5	36	
BR	93323	15	29	BR	230759	19	5	
BR	93357	15	10	BR	230896	15	7	
BR	93357	17	1	BR	230896	17	11	
BR	93499	15	3	BR	230927	5	5	
BR	93499	17	8	BR	230932	15	24	

NUMERICAL INDEX

PART NO.	PAGE NO.	REF. NO.	PART NO.	PAGE NO.	REF. NO.	PART NO.	PAGE NO.	REF. NO.			
BR	390233	49	18	BR	392744	51	6	C	14553	47	7
BR	390233	55	17	BR	392749	47	14	C	14553	49	7
BR	390402	5	20	BR	392749	49	14	C	14553	55	7
BR	390444	53	3	BR	392749	55	14	C	14565	47	3
BR	390419	5	24	BR	393456	9	17	C	14565	49	3
BR	390447	53	6	BR	393456	11	17	C	14565	55	3
BR	390448	53	8	BR	393474	9	16	C	14566	47	4
BR	390449	53	7	BR	393474	11	16	C	14566	55	4
BR	390450	53	9	C	10292	29	12	C	14768	29	28
BR	390452	53	6	C	10657	13	5	C	14768	29B	19
BR	390455	53	8	C	10678	17	30	C	14900	41	25
BR	390640	5	1	C	10836	51	4	C	15066	29	1
BR	390662	19	3	C	10836	55	4	C	15066	29B	1
BR	390662	19	4	C	11163	37	35	C	15067	29	11
BR	390684	15	22	C	11163	39B	33	C	15068	29	13
BR	390684	17	23	C	11166	37		C	15083	45	2
BR	390811	13	8	C	11166	37	28	C	15093	29	6
BR	390837	51	5	C	11166	39B		C	15096	27	4
BR	390837	53B	4	C	11166	39B	27	C	15097	27	5
BR	390846	51	8	C	11167	37		C	15104	27	12
BR	390892	9	20	C	11167	37	26	C	15105	27	13
BR	390990	53	7	C	11167	39B		C	15106	35	1
BR	391233	15	9	C	11167	39B	25	C	15106	29	12
BR	391233	17	13	C	11172	43	7	C	15113	47	13
BR	391313	17	1	C	11173	43	3	C	15114	49	13
BR	391379	9	5	C	11174	43	4	C	15114	55	13
BR	391399	13	12	C	11178	43	11	C	15116	23	19
BR	391406	5	40	C	11187	43	26	C	15127	35	4
BR	391406	7	5	C	11191	37	44	C	15134	39	88
BR	391461	51	2	C	11193	43	25	C	15134	43	35
BR	391461	53	2	C	11195	43	31	C	15134	39D	79
BR	391461	53	2	C	11205	37	18	C	15155	41	10
BR	391461	53B	3	C	11205	43	29	C	15156	31	8
BR	391507	47	6	C	11205	39B	18	C	15156	35	14
BR	391507	49	6	C	11222	43	12	C	15156	35	23
BR	391507	55	6	C	11529	13	18	C	15156	49	4
BR	391512	15	15	C	11545	13	19	C	15174	13	2
BR	391512	17	16	C	11906	29	5	C	15178	35	14
BR	391584	53	5	C	11906	29B	5	C	15272	45	6
BR	391585	53	3	C	11942	41	30	C	15498	31	11
BR	391607	53	5	C	12093	41	29	C	15498	35	20
BR	391669	5	16	C	12110	29	2	C	15499	31	12
BR	391670	5	16	C	12975	27	20	C	15499	35	21
BR	391671	5	16	C	12975	29	8	C	15511	35	1
BR	391672	5	16	C	12975	45	42	C	15511	41	6
BR	391673	5	15	C	12975	29B	8	C	15519	13	1
BR	391674	5	15	C	13012	35	11	C	15527	45	21
BR	391675	5	15	C	13106	29	7	C	15534	41	14
BR	391676	5	15	C	13106	29B	7	C	15540	13	10
BR	391705	51	7	C	13716	29	11	C	15545	35	15
BR	391706	51	10	C	14060	51	1	C	15546	41	2
BR	391733	19	5	C	14060	55	1	C	15549	41	17
BR	391733	19	6	C	14201	27	19	C	15564	49	9
BR	391983	9	1	C	14304	61	5	C	15584	41	3
BR	392061	51	3	C	14305	61	4	C	15585	41	4
BR	392134	9	2	C	14525	49	3	C	15597	41	24
BR	392548	5	10	C	14534	25	4	C	15610	25	2
BR	392718	5	18	C	14537	61	2	C	15618	39	93

NUMERICAL INDEX

PART NO.	PAGE NO.	REF. NO.	PART NO.	PAGE NO.	REF. NO.	PART NO.	PAGE NO.	REF. NO.
192-	21	33	8	219-	404	29	6	
192-	21	33	21	219-	404	29B	6	
192-	21	41	12	221-	13	7	11	
192-	21	43	39	221-	1013	5	8	
192-	21	45	8	221-	1013	43	34	
192-	23	11	6	223-	34	47	6	
192-	23	29	14	223-	34	55	6	
193-	25	19	15	321-	1423	57	10	
193-	25	19	16	321-	2472	57	1	
193-	29	51	16	321-	2473	57	2	
193-	53	41	23	321-	2474	57	6	
193-	70	51	30	321-	2475	57	7	
193-	70	55	5	321-	2476	57	3	
193-	99	51	17	321-	2477	57	8	
195-	102	21	12	321-	2484	61		
195-	103	33	32	321-	2574	59	7	
195-	104	33	4	321-	3256	57	9	
195-	104	35	6	321-	3256	59	6	
195-	104	43	38	321-	3909	59	8	
195-	104	45	9	321-	4148	59	9	
195-	513	51	8	321-	4154	59	10	
195-	513	55	8	321-	4159	59	2	
195-	518	33	12	321-	4160	59	1	
195-	520	21	11	321-	4733	59	6	
195-	521	27	16	321-	4754	61		
195-	521	31	9	321-	4756	59	4	
195-	521	31	27	321-	4758	59	3	
195-	521	33	25	321-	5040	59	15	
195-	521	35	19	321-	5096	59	13	
195-	521	41	33	321-	5097	59	14	
195-	521	45	28	321-	5098	59	11	
195-	521	49	11	321-	5099	59	12	
195-	522	45	35	321-	6011	59	16	
195-	525	21	7	321-	6324	59	8	
195-	525	31	18	353-	406	23	22	
195-	525	35	10					
195-	529	33	41					
195-	533	11	5					
195-	533	31	23					
195-	533	45	36					
195-	541	27	22					
195-	541	31	13					
195-	541	35	22					
195-	545	29	11					
195-	2012	41	7					
195-	2021	29	8					
195-	2069	27	11					
195-	2175	29	8					
211-	5	37						
211-	5	37	29					
211-	5	39B						
211-	5	39B	28					
211-	11	37	40					
211-	11	39B	38					
214-	251	13	7					
214-	252	41	19					
219-	10	29	4					
219-	17	27	14					

INGERSOLL
Ingersoll Equipment Co., Inc.