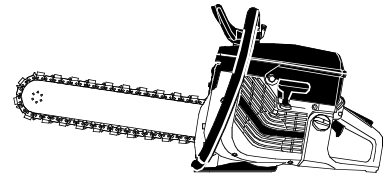


PARTNER



IPL, K950 CHAIN, 2005-05, 544 10 26-01

K950 CHAIN

Reservdelar

Spare parts

Ersatzteile

Pieces de rechange

Piezas de repuesto

Ricambi

***Peças
sobresselente***

544 10 26-01

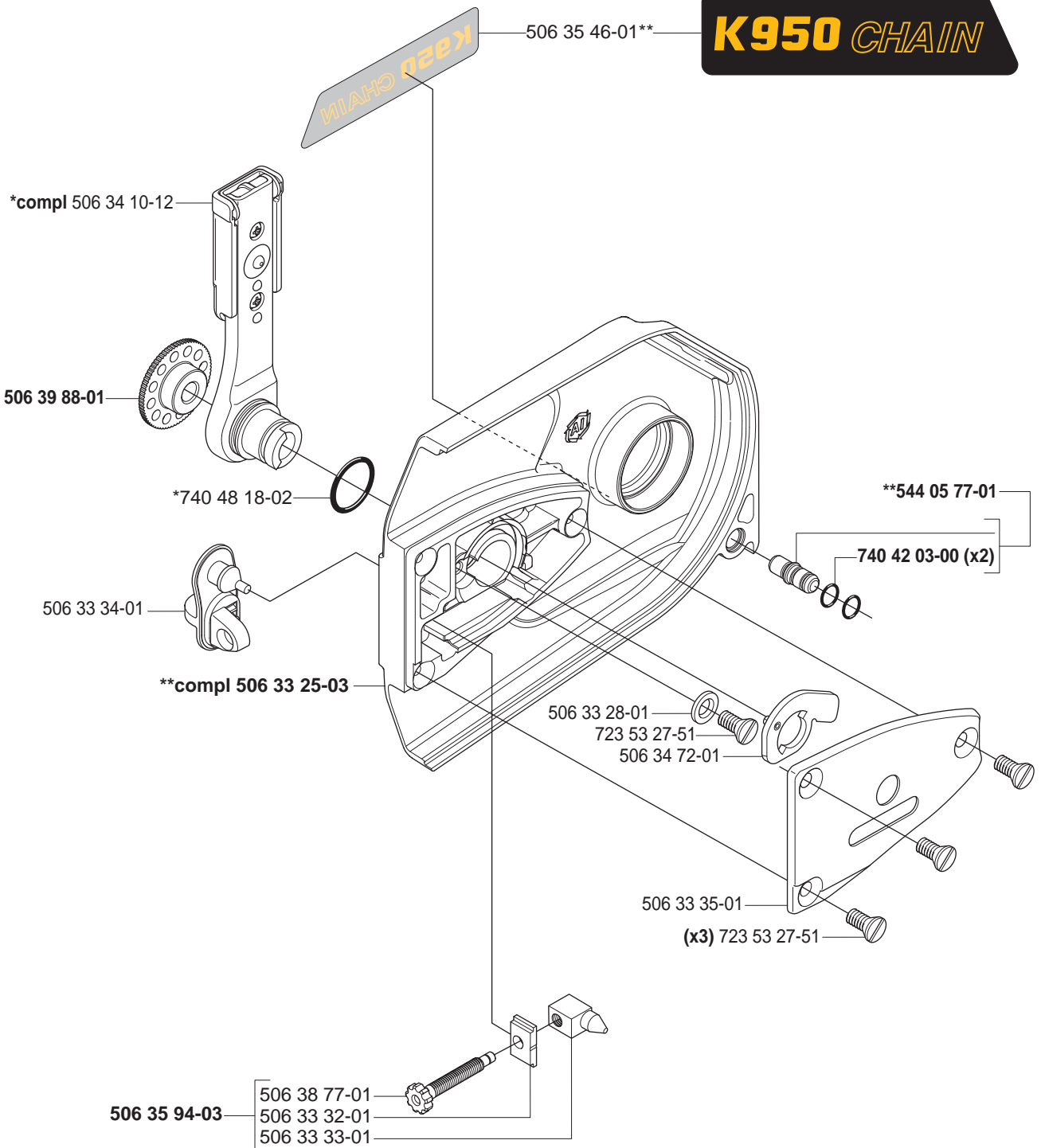
PARTNER[®]

No.	Pos.	Description	No.	Pos.	Description
501 22 03-01	M	PLUG	503 57 76-02	F	HOSE
501 22 04-01	M	BALL	503 57 86-01	M	BALL
501 22 05-01	M	SPRING	503 57 87-01	M	SCREW
501 22 12-01	M	FUEL PUMP DIAPHRAGM	503 57 89-01	F	HOLDER
501 22 13-01	M	GASKET, PUMP SIDE	503 66 56-01	E	VALVE
501 22 15-01	M	SCREW	503 67 80-01	L	SLEEVE
501 22 20-01	M	LEVER	503 90 17-01	J	IGNITION MODULE
501 22 21-01	M	SHAFT	503 97 83-01	E	MUFFLER
501 22 25-01	M	SPRING	503 98 82-01	M	SCREEN
501 48 52-01	M	SCREW	505 27 75-16	J	INSULATING CAP
501 48 54-02	J	SPARK PLUG CONN. KIT	505 31 65-50	M	INLET NEEDLE
501 63 48-01	J	SPRING	506 09 56-02	G	CLAMP
501 67 32-03	J	PAWL	506 09 56-04	G	CLAMP
501 69 17-02	N	COMB.TOOL	506 13 35-01	L	BRACKET
501 76 83-05	F	HOSE	506 15 55-06	E	CYLINDER CPL.
501 76 83-31	F	HOSE	506 15 82-01	E	GASKET
501 81 99-01	J	SCREW	506 16 91-01	E	CONDUCTOR
501 82 18-01	M	RETAINING RING	506 22 16-12	K	CYLINDER COVER
501 83 98-01	J	SHORTING LEAD	506 22 17-01	K	COVER
502 21 58-01	N	ALLEN KEY	506 22 18-11	K	BASE
502 41 22-01	G	CLIP	506 22 19-01	L	PIPE
503 12 79-02	H	STARTER HANDLE	506 22 22-02	H	AIR CONDUCTOR
503 14 51-01	B	CLUTCH SPRING	506 22 27-01	F	THROTTLE TRIGGER
503 20 00-01	G	SCREW	506 22 28-01	F	THROTTLE LOCK
503 20 00-03	B	SCREW	506 22 29-01	F	SPRING
503 20 02-16	EFKL	SCREW	506 22 31-01	L	ROD
503 20 02-55	L	SCREW	506 22 39-01	L	FLANGE
503 20 02-70	B	SCREW	506 22 94-01	K	JET
503 20 07-30	K	SCREW	506 23 12-01	L	GUIDE
503 20 19-75	E	SCREW	506 23 18-01	K	AIR FILTER
503 20 25-20	J	SCREW	506 23 19-01	K	FILTER
503 20 34-42	K	SCREW	506 23 20-11	L	CHOKE CONTROL
503 20 59-20	H	SCREW	506 23 23-01	F	SPRING
503 21 05-22	FG	SCREW	506 23 24-01	C	GASKET
503 21 05-25	G	SCREW	506 23 59-03	H	STARTAR DEVICE CPL
503 21 27-10	G	SCREW	506 23 61-01	F	TANK VENT.
503 21 28-06	J	SCREW	506 23 75-01	F	SPRING
503 21 28-10	H	SCREW	506 24 39-01	K	DECAL
503 21 49-25	G	SCREW	506 25 14-01	H	WASHER
503 21 67-22	H	SCREW	506 25 30-01	H	SPRING
503 22 10-11	J	NUT	506 25 59-32	F	TANK CAP
503 22 21-02	C	LOCK NUT	506 25 64-02	M	INSERT
503 23 00-42	J	WASHER	506 25 81-02	H	STARTER PULLEY
503 23 01-01	J	WASHER	506 25 84-01	M	GASKET
503 23 04-02	E	WASHER	506 25 85-01	M	DIAPHRAGM
503 23 51-08	J	SPARK PLUG RCJ7Y	506 25 88-01	M	GASKET SET
503 25 00-02	CD	BALL BEARING	506 25 89-01	H	RETURN SPRING
503 25 53-01	B	NEEDLE BEARING	506 26 31-01	H	SLEEVE
503 25 61-01	DE	NEEDLE BEARING	506 26 41-01	F	FILTER
503 26 02-05	C	SEALING RING	506 26 41-11	F	FILTER
503 26 30-21	G	O-RING	506 27 11-01	F	PENDULUM
503 28 04-02	LM	CARBURETOR	506 27 14-01	M	SCREW
503 28 90-24	E	PISTON RING	506 27 23-01	H	DECAL
503 40 06-07	L	HOSE	506 27 24-01	K	DECAL
503 45 46-01	F	CONNECTION	506 27 25-01	L	PROTECTOR
503 46 02-02	E	PISTON CPL 56 MM	506 27 27-01	J	FLYWHEEL
503 46 85-01	F	ANTIVIBE ELEMENT	506 27 31-01	C	BUFFER
503 53 36-01	M	COVER	506 27 63-01	M	REPAIR KIT
503 53 39-01	M	NIPPLE	506 27 84-32	K	DECAL
503 56 00-02	L	CLAMP	506 27 84-51	K	DECAL

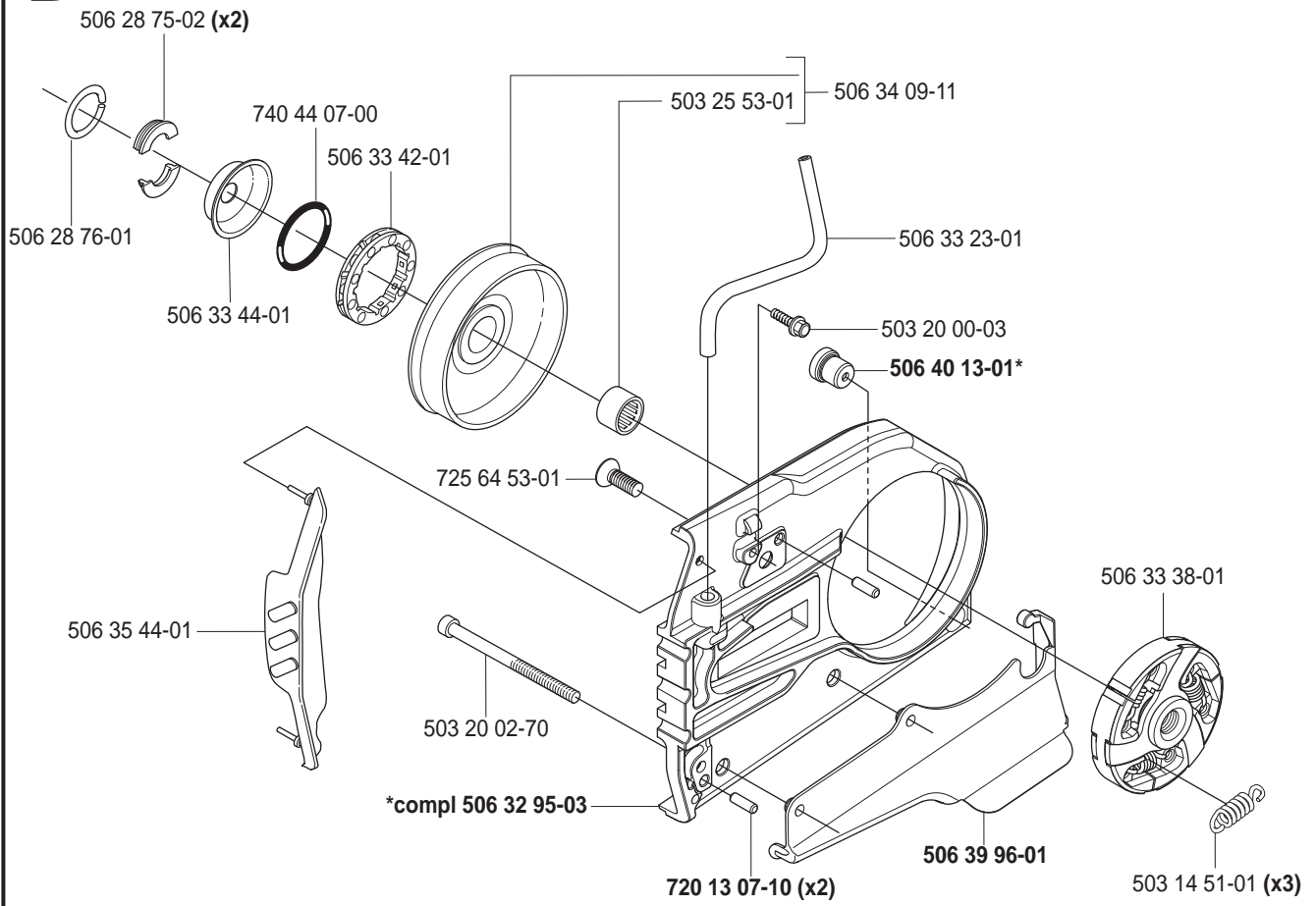
No.	Pos.	Description	No.	Pos.	Description
506 27 84-53	K	DECAL	725 53 40-55	C	SCREW
506 28 39-30	K	SEALING	725 53 72-55	E	SCREW
506 28 53-01	G	SPRING	725 54 50-01	C	SCREW
506 28 63-01	M	SPRING	725 64 53-01	B	SCREW
506 28 68-01	M	COVER	737 44 13-00	E	CLIP
506 28 74-01	L	INTAKE	740 42 03-00	A	O-RING
506 28 75-02	B	RETAINING RING	740 43 13-00	H	O-RING
506 28 76-01	B	RETAINING RING	740 44 07-00	B	O-RING
506 28 95-01	F	NIPPLE	740 48 18-02	A	O-RING
506 29 05-03	N	GASKET SET	740 48 20-03	K	O-RING
506 29 09-01	M	THROTTLE SHAFT(KIT)			
506 29 10-01	M	SEALING, KIT			
506 29 11-01	M	CHOKE SHAFT (KIT)			
506 29 13-01	M	JET (KIT)			
506 29 21-01	F	GASKET			
506 29 57-01	G	NIPPLE			
506 29 88-01	G	SCREEN			
506 31 86-01	J	STOP SWITCH			
506 32 21-01	K	DECAL			
506 32 76-01	C	BOLT CPL			
506 32 89-51	G	WET CUTTING KIT			
506 32 95-03	B	BRACKET			
506 32 96-01	G	HANDLE			
506 33 23-01	B	PIPE			
506 33 24-01	G	PROTECTOR			
506 33 25-03	A	CLUTCH COVER			
506 33 28-01	A	WASHER			
506 33 29-01	C	RING			
506 33 32-01	A	PLATE			
506 33 33-01	A	PAWL			
506 33 34-01	A	COVER			
506 33 35-01	A	COVER			
506 33 38-01	B	CLUTCH CPL			
506 33 42-01	B	RIM SPROCKET			
506 33 44-01	B	SUPPORTING CUP			
506 33 45-01	G	PLATE			
506 33 46-01	G	SPLASH GUARD			
506 33 47-02	C	CRANKCASE			
506 33 56-15	H	STARTER ROPE			
506 33 72-01	H	STARTER DEVICE			
506 33 91-71	D	CRANKSHAFT CPL			
506 34 04-01	G	PROTECTOR			
506 34 09-11	B	WHEEL CPL			
506 34 10-12	A	LEVER CPL.			
506 34 62-14	P	BAR			
506 34 72-01	A	ARM			
506 35 25-01	G	HOSE			
506 35 26-11	F	TANK UNIT			
506 35 44-01	B	PROTECTOR			
506 35 46-01	A	DECAL			
506 35 94-03	A	SCREW			
506 38 77-01	A	SCREW			
506 38 78-34	J	CABLE			
506 39 88-01	A	NUT			
506 39 96-01	B	SHIELD			
506 40 13-01	B	BUSHING			
544 05 77-01	A	GUIDE PIN			
720 12 40-20	F	PIN			
720 13 07-10	BC	PIN			
723 53 27-51	A	SCREW			

A

K950 CHAIN

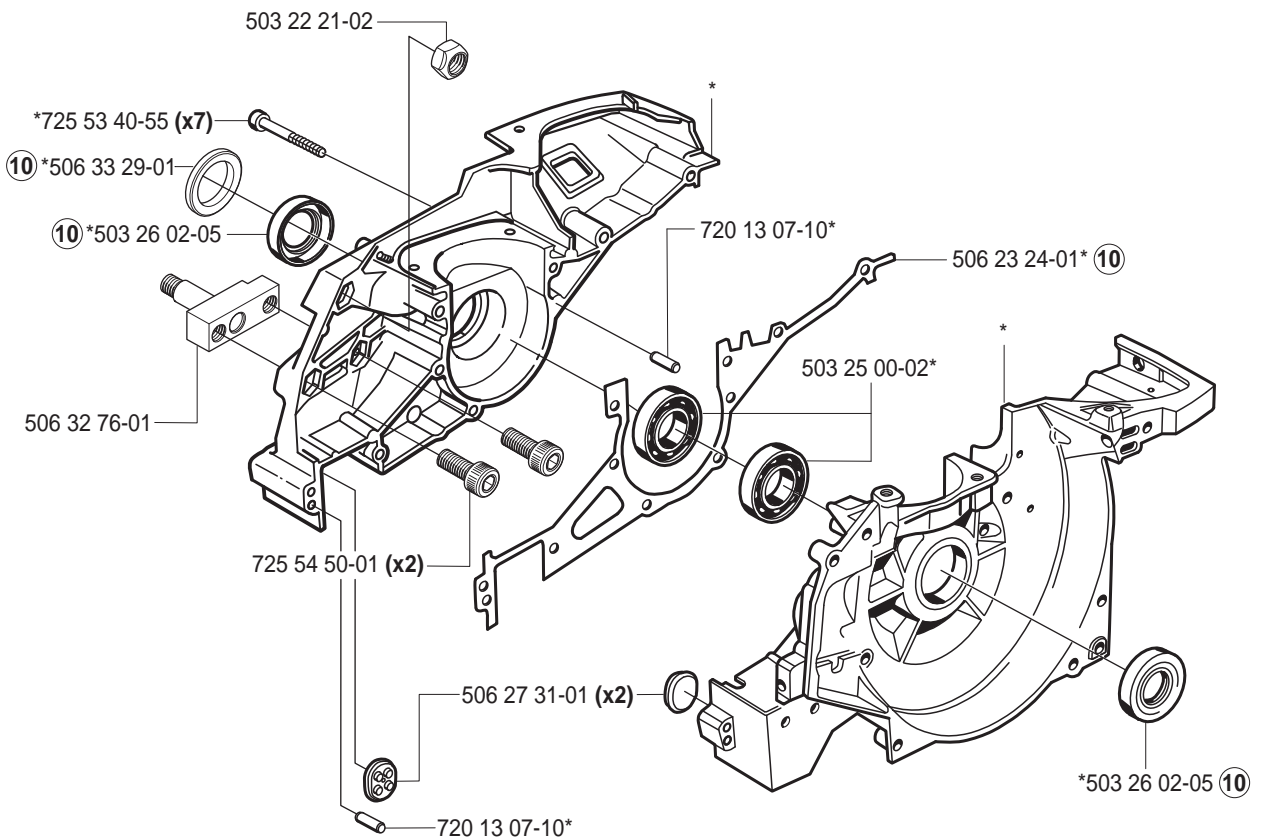


B

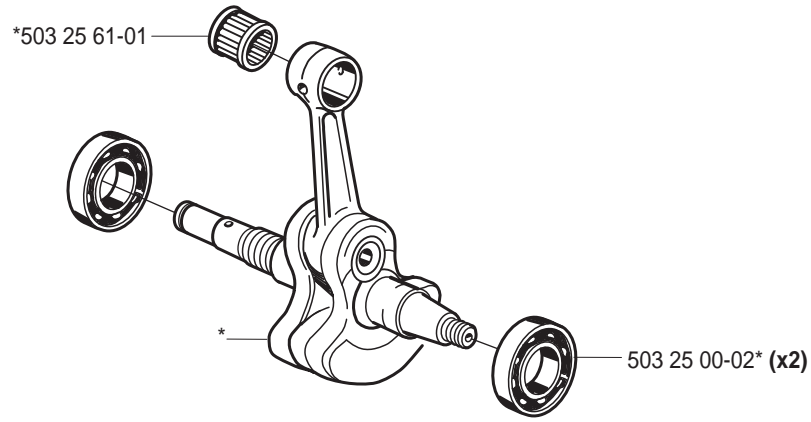


C

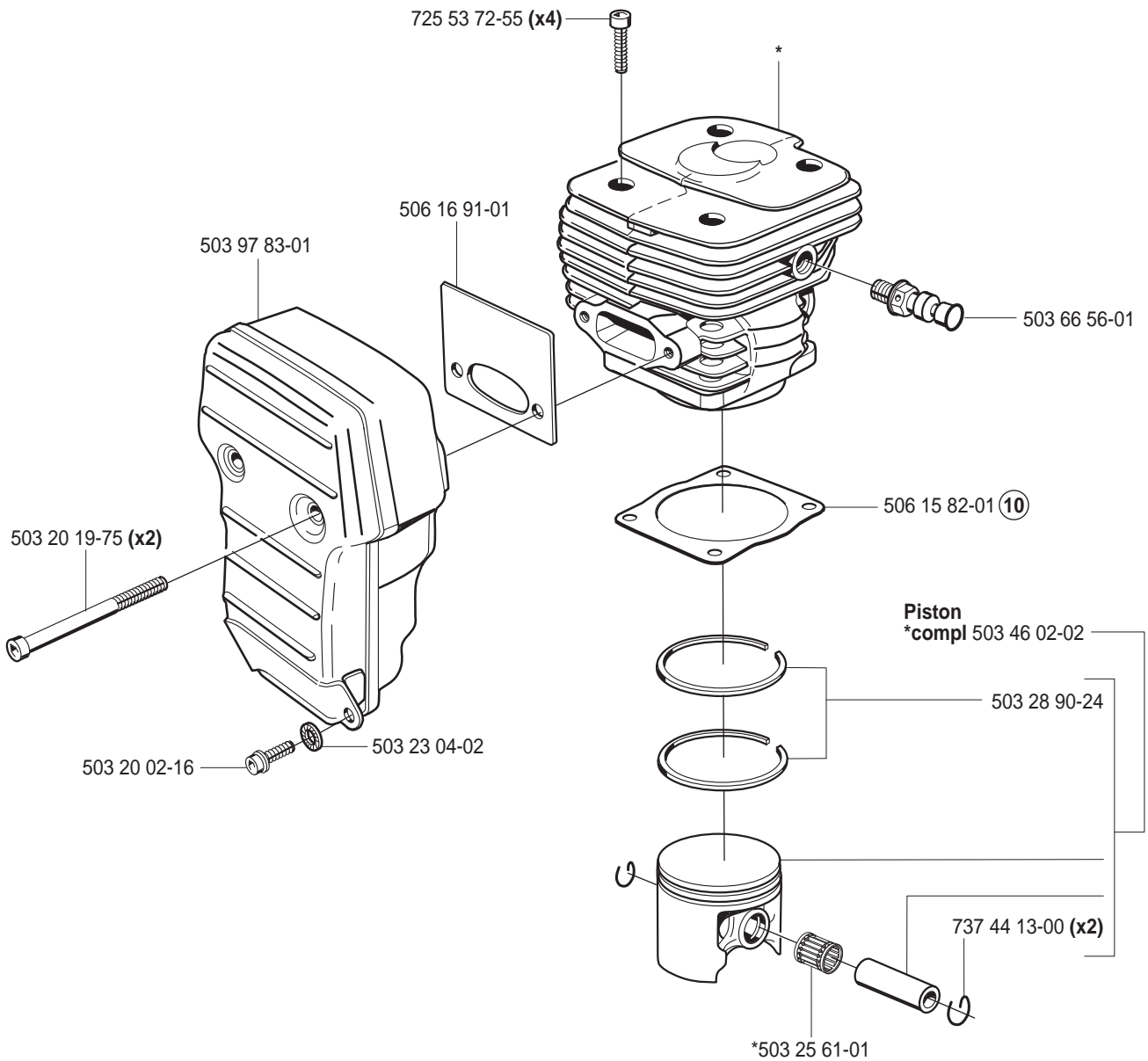
Crankcase
*compl 506 33 47-02



D *compl 506 33 91-71

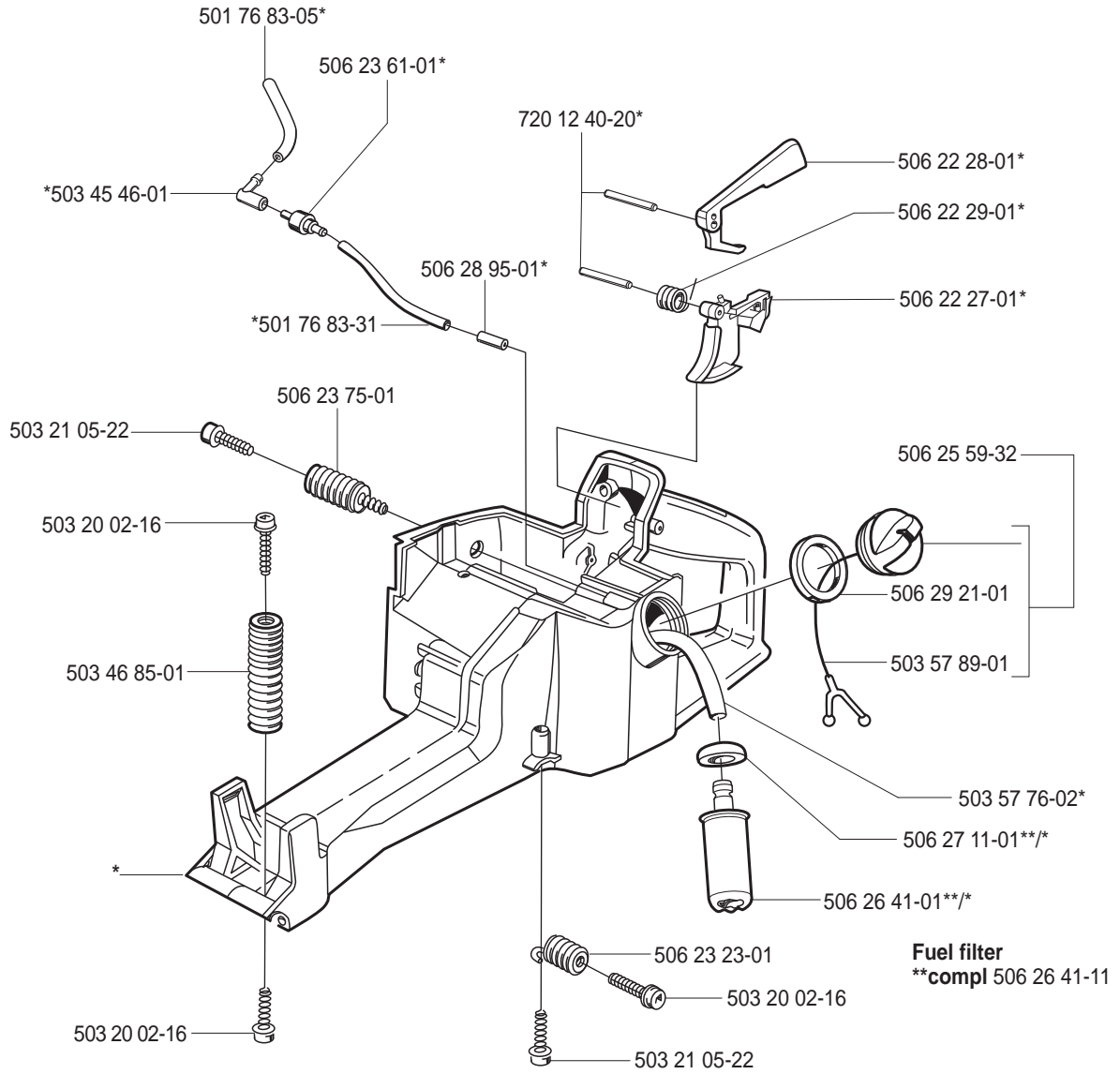


E Cylinder and piston
*compl 506 15 55-06

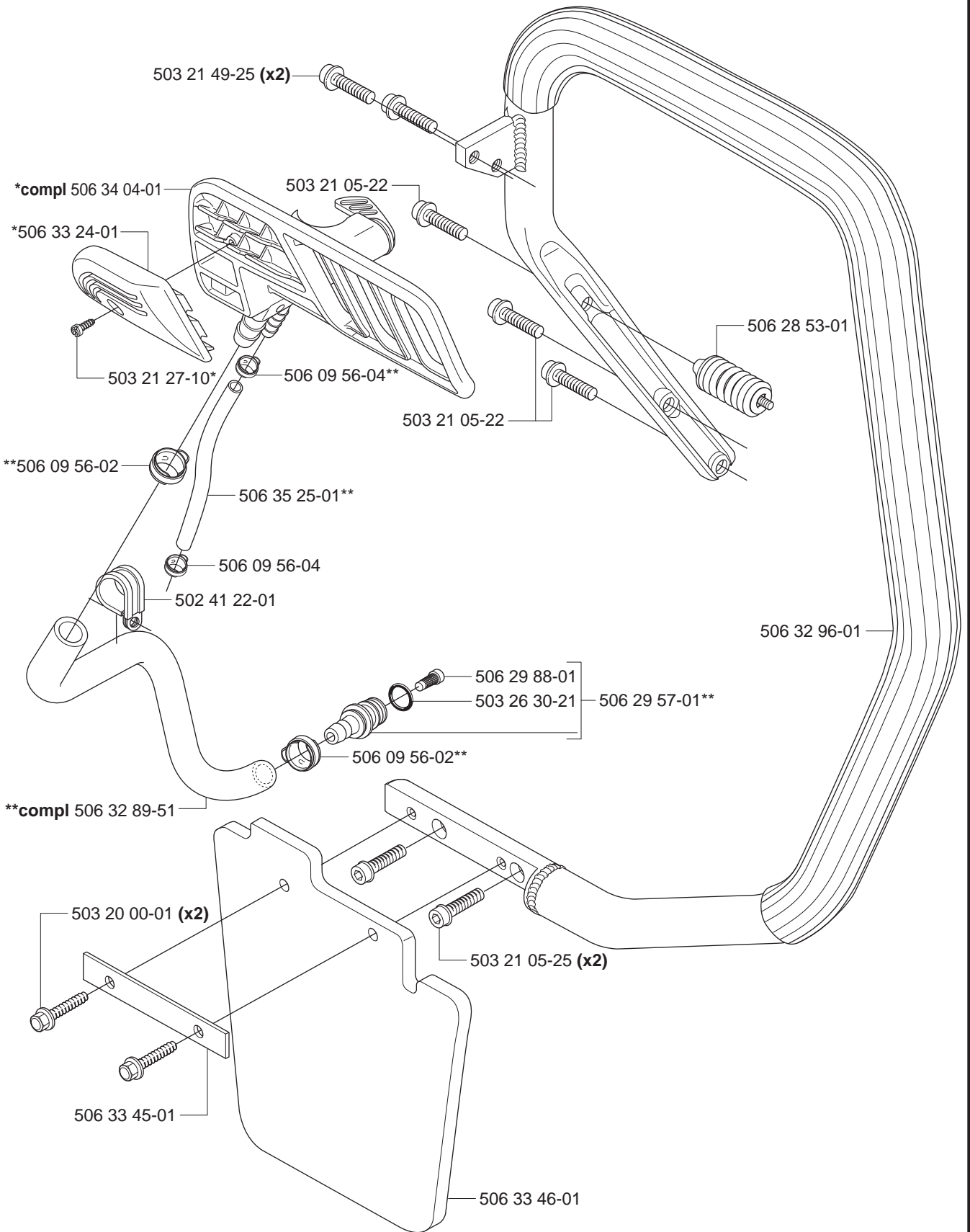


F

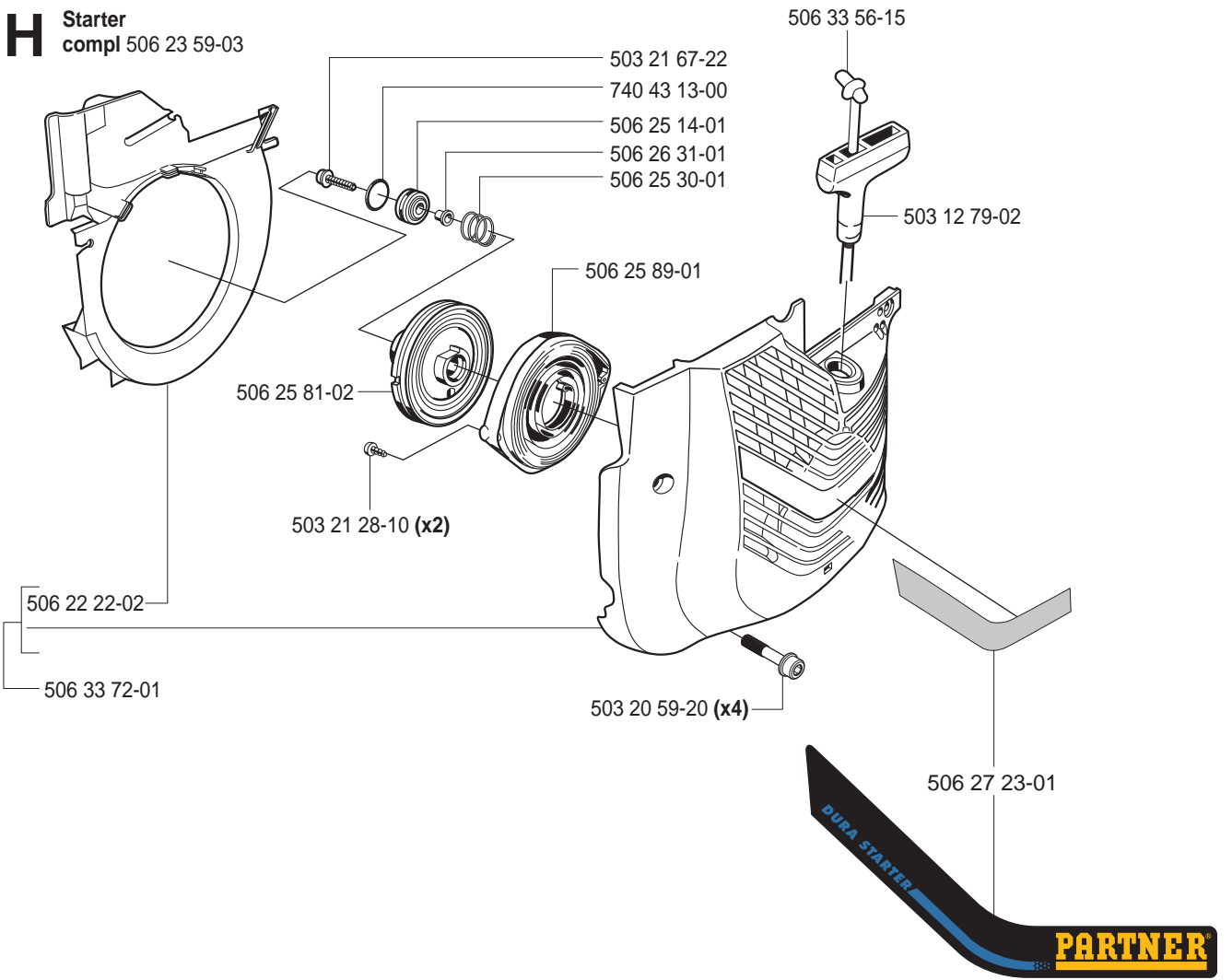
Tank unit
*compl 506 35 26-11



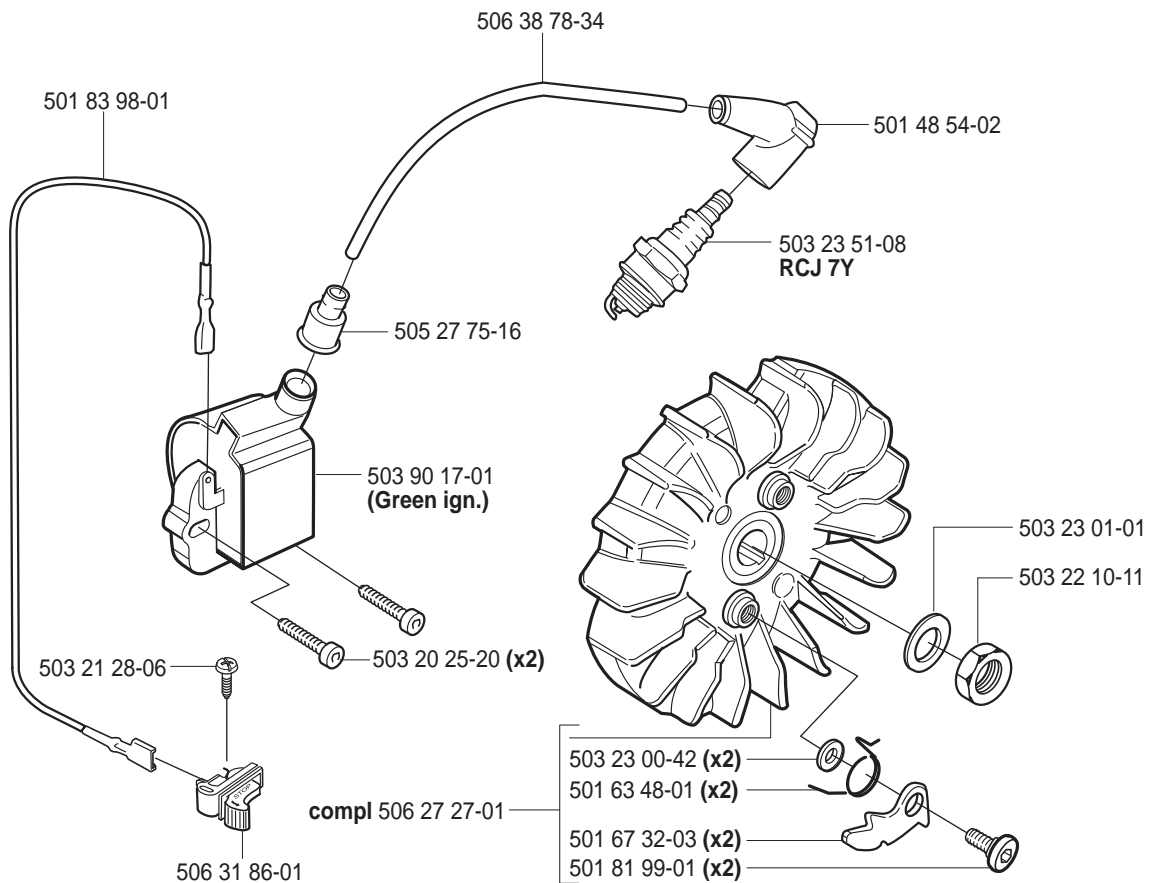
G



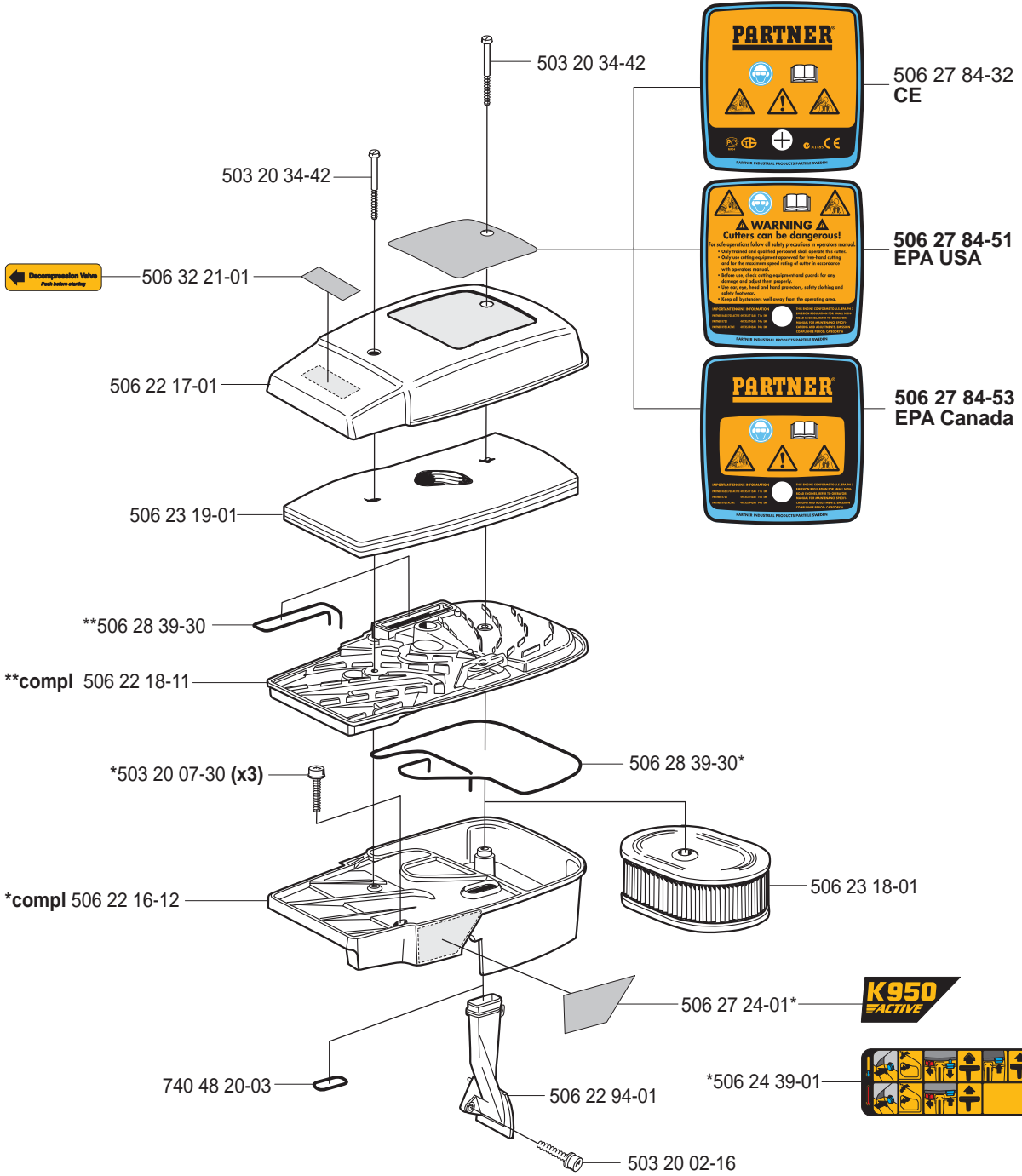
H Starter
compl 506 23 59-03



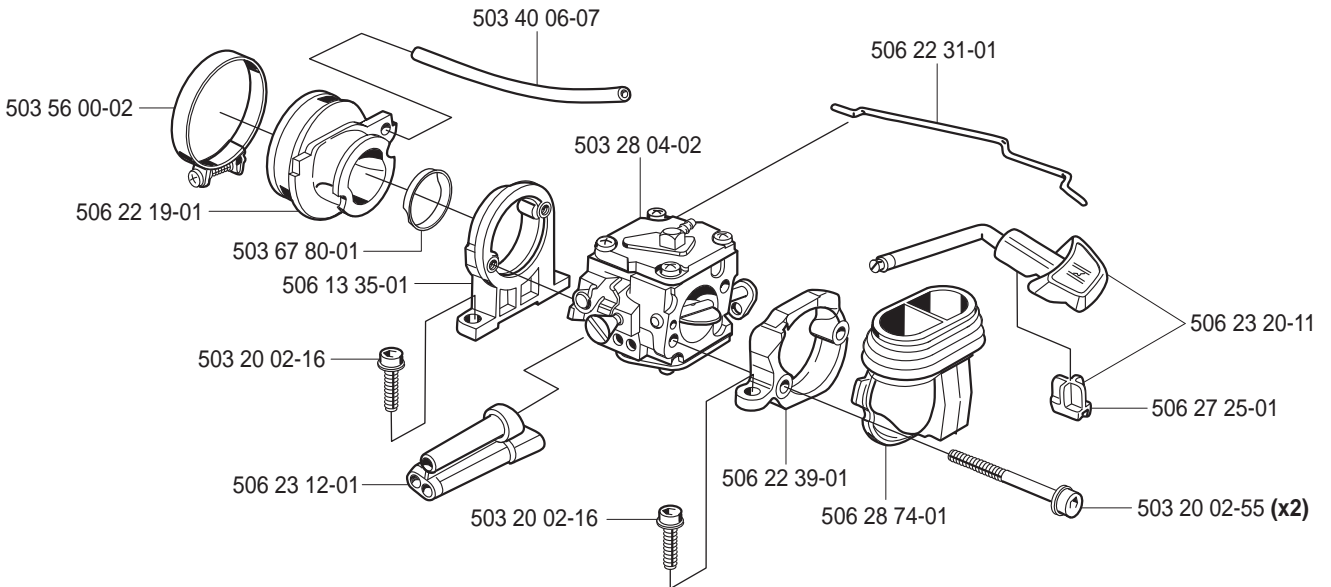
J



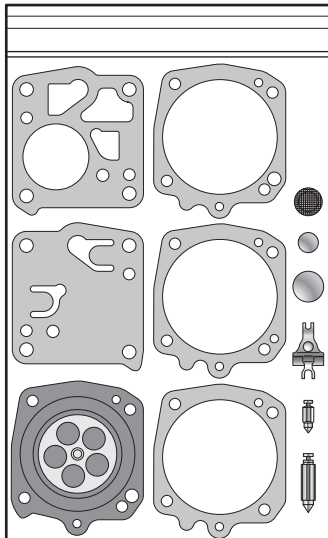
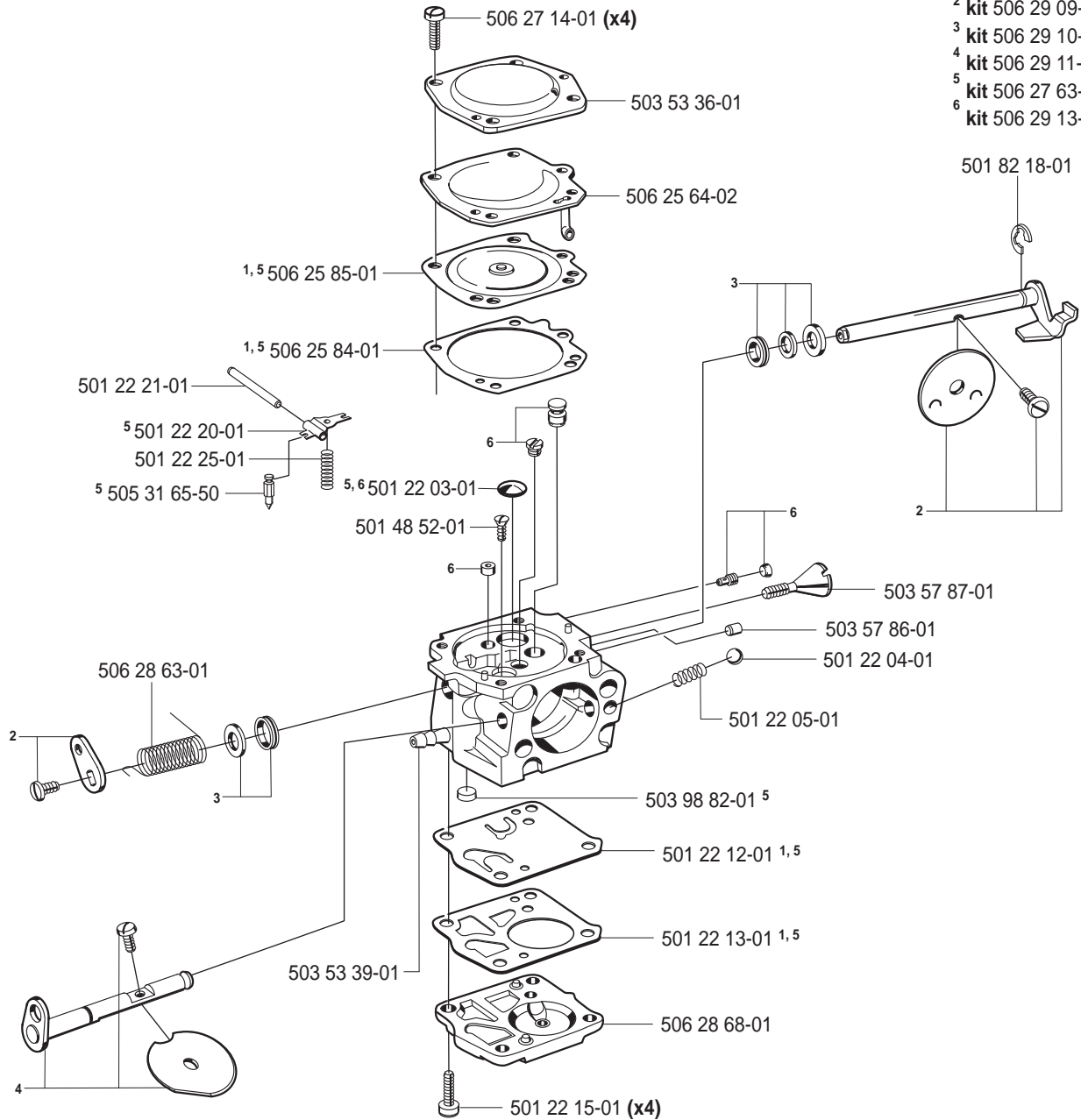
K



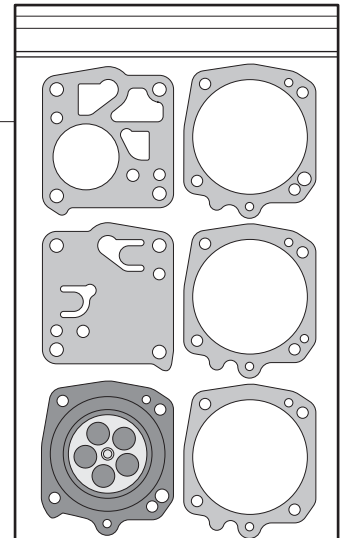
L



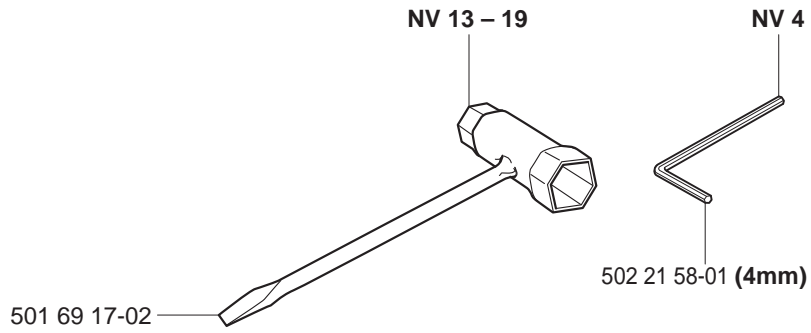
- ¹ kit 506 25 88-01
- ² kit 506 29 09-01
- ³ kit 506 29 10-01
- ⁴ kit 506 29 11-01
- ⁵ kit 506 27 63-01
- ⁶ kit 506 29 13-01



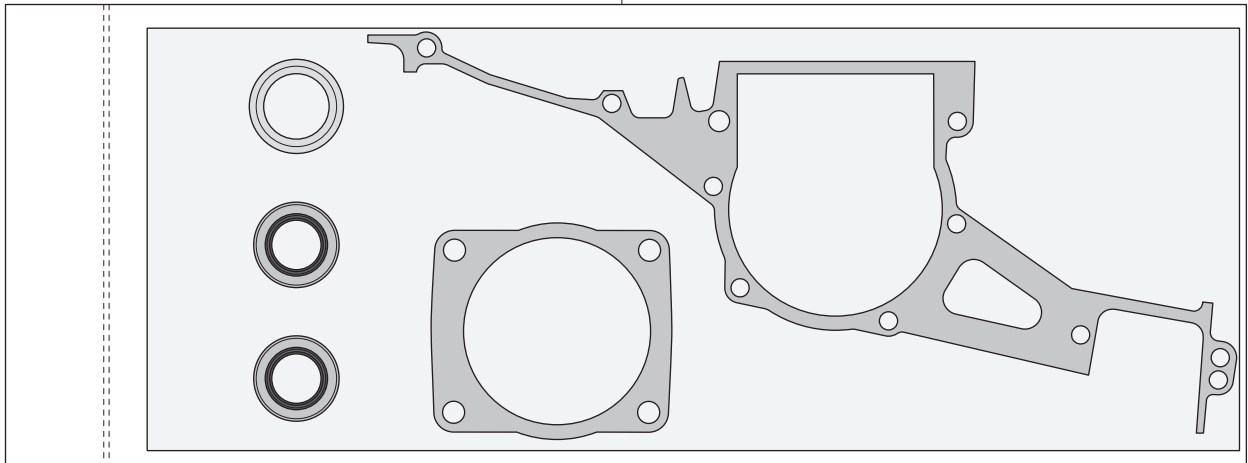
¹ 506 25 88-01
Diaphragm and gasket set DG-10-HS



N Accessories
Zubehöre
Accessoires
Acessorios
Tillbehör



506 29 05-03 (10)
Set of gaskets
Dichtungssatz
Jeu de joints
Juego de juntas
Packningssats



P

