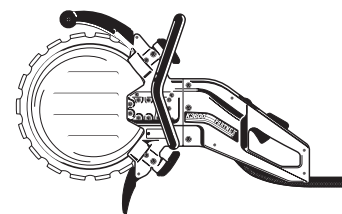


PARTNER



IPL, K 3600, 2001-05, 106 25 76-64

K 3600

Reservdelar

Spare parts

Ersatzteile

Pieces de rechange

Piezas de repuesto

Ricambi

Peças

sobresselente

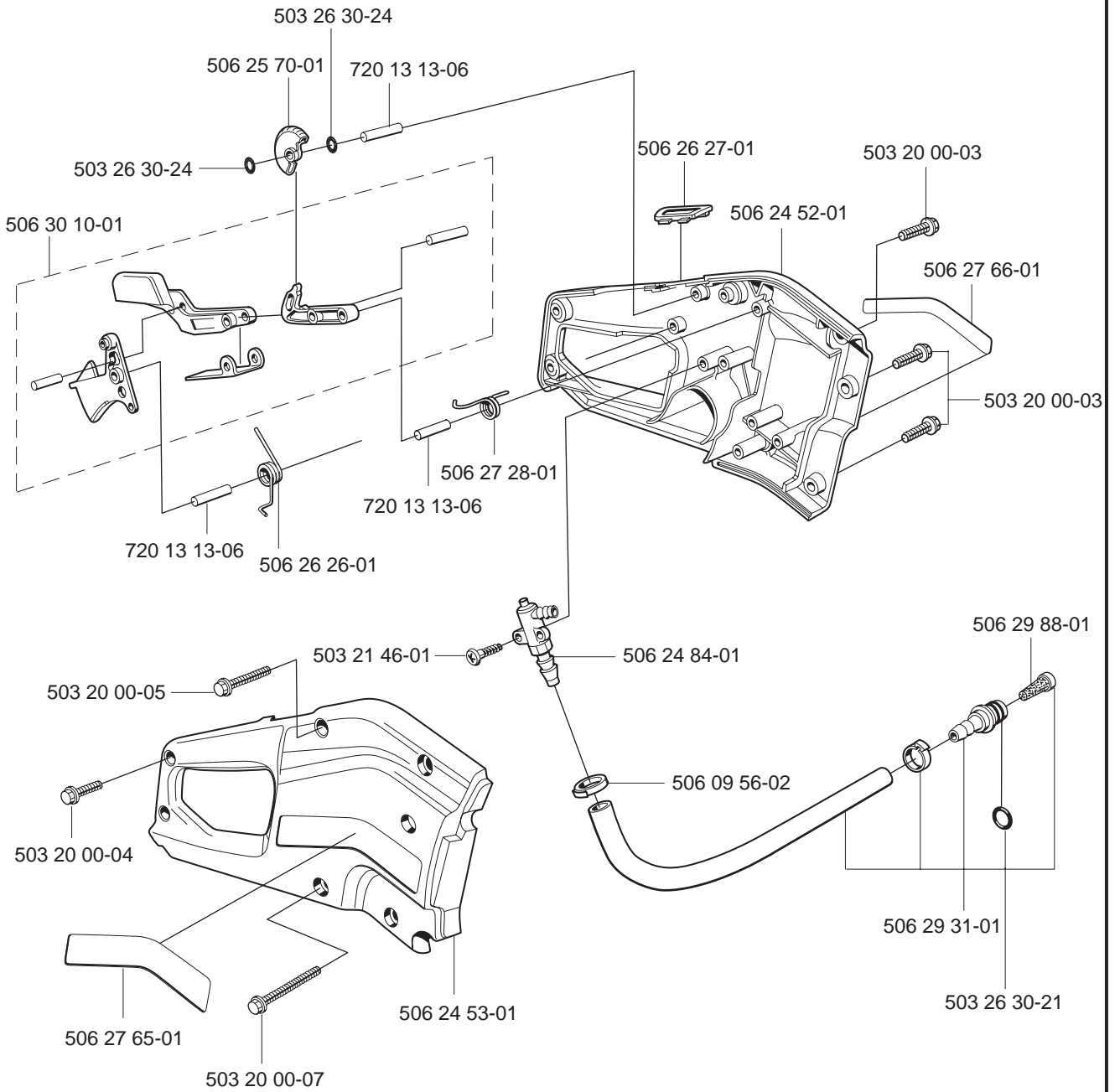
106 25 76-64

PARTNER[®]

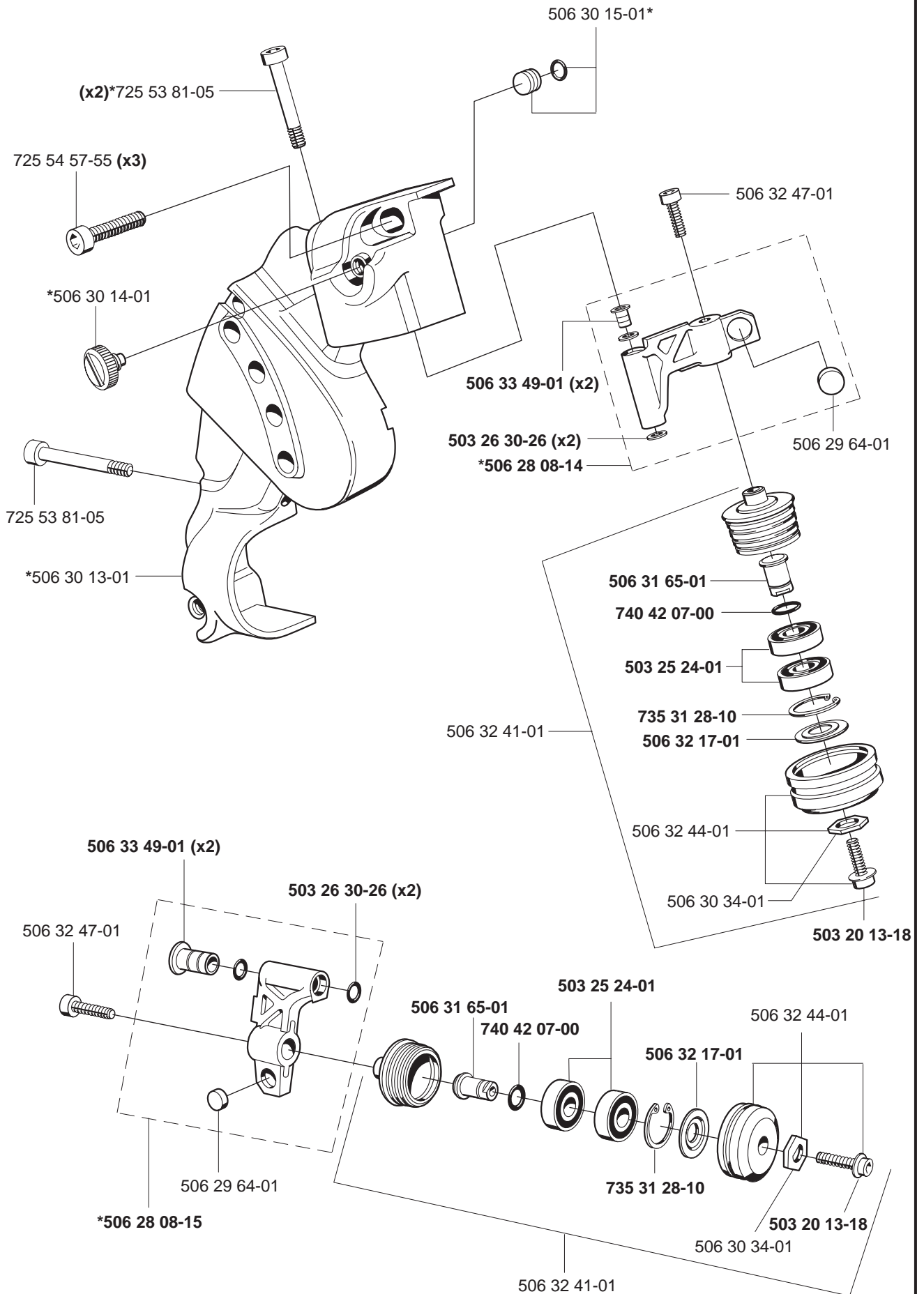
No.	Pos.	Description	No.	Pos.	Description
501 69 17-01	H	Comb tool	506 27 65-01	A	Decal, right
503 20 00-03	A	Screw m6sf 5x12	506 27 66-01	A	Decal, left
503 20 00-04	A	Screw M6SF 5x16	506 28 08-14	B	Holder, upper
503 20 00-05	A	Screw M6SF 5x25	506 28 08-15	B	Holder, lower
503 20 00-07	A	Screw M6SF 5x40	506 28 51-02	B	Support roller cover, cpl
503 20 02-20	D, E	Screw	506 28 78-01	E	Rod
503 20 02-30	D	Screw	506 28 99-01	C	Bellow
503 20 13-18	BC	Screw	506 29 23-01	G	Spring
503 21 46-01	AG	Screw	506 29 31-01	A	Water hose, cpl
503 23 00-64	G	Washer	506 29 40-01	C	Stop screw
503 24 07-01	D	Pin	506 29 41-01	C	Stop screw
503 25 24-01	BC	Ball bearing	506 29 59-01	G	Warning decal
503 26 30-21	A	O-ring	506 29 64-01	B	Plug
503 26 30-22	G	O-ring	506 29 88-01	A	Screen
503 26 30-24	A	O-ring	506 29 96-01	H	Tool kit
503 26 30-25	G	O-ring	506 30 06-11	C	Chassis cpl
503 26 30-26	B	O-ring	506 30 07-01	C	Handle, upper
503 26 30-28	E	O-ring	506 30 07-02	C	Handle, lower
506 09 56-02	A	Clamp	506 30 09-01	C	Locking device
506 09 75-07	G	Hose	506 30 10-01	A	Trigger, kit
506 10 55-01	G	Spring	506 30 11-14	E	Seal, cpl
506 10 95-02	G	Hose	506 30 12-01	D	Cover motor, cpl
506 10 96-21	G	Coupler 3/8 (fem) FF, BSP	506 30 13-01	B	Support roller cover
506 10 98-21	G	Coupler 3/8 (male) FF, BSP	506 30 14-01	B	Adjusting screw
506 11 03-01	E	O-ring	506 30 15-01	B	Plug with O-ring
506 11 05-01	E	Bearing	506 30 34-01	B,C	Hex washer
506 13 95-02	F	Washer	506 31 22-01	F	Flange washer
506 17 83-01	F	Drive disc	506 31 45-01	CG	Pipe
506 19 87-03	D,E	Hydr. motor, compl	506 31 65-01	BC	Bushing
506 20 31-01	E	Lever	506 31 67-01	C	Engagement roller, cpl
506 20 38-01	E	Spring	506 31 91-01	G	Stabilizer blade
506 21 59-01	E	Valve spindle	506 32 00-01	D	Shaft
506 21 60-01	E	Sleeve	506 32 01-01	G	Pin
506 21 80-01	D	Valve	506 32 08-02	F	Drive wheel, cpl
506 21 81-01	D	Spring	506 32 17-01	BC	Sealing
506 21 82-01	E	Piston	506 32 23-01	H	Sleeve
506 21 83-01	E	Spring	506 32 41-01	B	Support roller, cpl
506 21 85-01	D	Valve seat	506 32 43-01	C	Engagement roller
506 23 35-01	E	Housing	506 32 44-01	B	Support roller
506 24 52-01	A	Handle, left	506 32 47-01	B	Screw, 6 x 22
506 24 53-01	A	Handle, right	506 33 49-01	B	Pipe spacer
506 24 58-01	C	Bellow	506 34 27-01	E	Shaft
506 24 59-02	C	Sleeve	720 13 13-06	A	Pin, 5x28
506 24 61-01	C	Bushing	725 53 27-55	G	Screw, MC6 5x12
506 24 69-01	G	Blade guard, cpl	725 53 76-55	F	Screw, 6x35
506 24 72-01	G	Screw	725 53 79-05	C	Screw, 6x45
506 24 84-01	A	Valve, water, cpl	725 53 80-05	G	Screw, 6x50
506 24 90-01	G	Handle, cpl	725 53 81-05	B	Screw, 6x55
506 24 95-01	G	Spring	725 54 57-55	B	Screw,, 8x40
506 24 97-01	G	Locking handle	725 54 69-05	G	Screw, 8x90
506 25 60-01	C	Spring	732 25 12-01	E	Nut, M4
506 25 65-02	F	Drive disc support	735 31 08-20	E	E-ring 4
506 25 68-01	C	Splash guard	735 31 14-00	E	Seeger clip
506 25 70-01	A	Control, water	735 31 28-10	BC	Retaining ring
506 25 75-01	C	Spring	735 31 31-10	E	Retaining ring
506 26 22-01	G	Roller	735 88 06-00	E	Woodruff key
506 26 26-01	A	Spring	738 22 01-25	E	Ball bearing 6201-C3
506 26 27-01	A	Window	740 38 27-01	G	Washer, 1/4
506 27 28-01	A	Spring	740 38 34-01	G	Washer, 3/8
506 27 34-01	E	Sealing	740 42 03-00	D	O-ring

No.	Pos.	Description	No.	Pos.	Description
740 42 07-00	BC	O-ring			
740 43 02-00	E	O-ring			
740 43 03-00	G	O-ring			
740 43 11-00	D	O-ring			

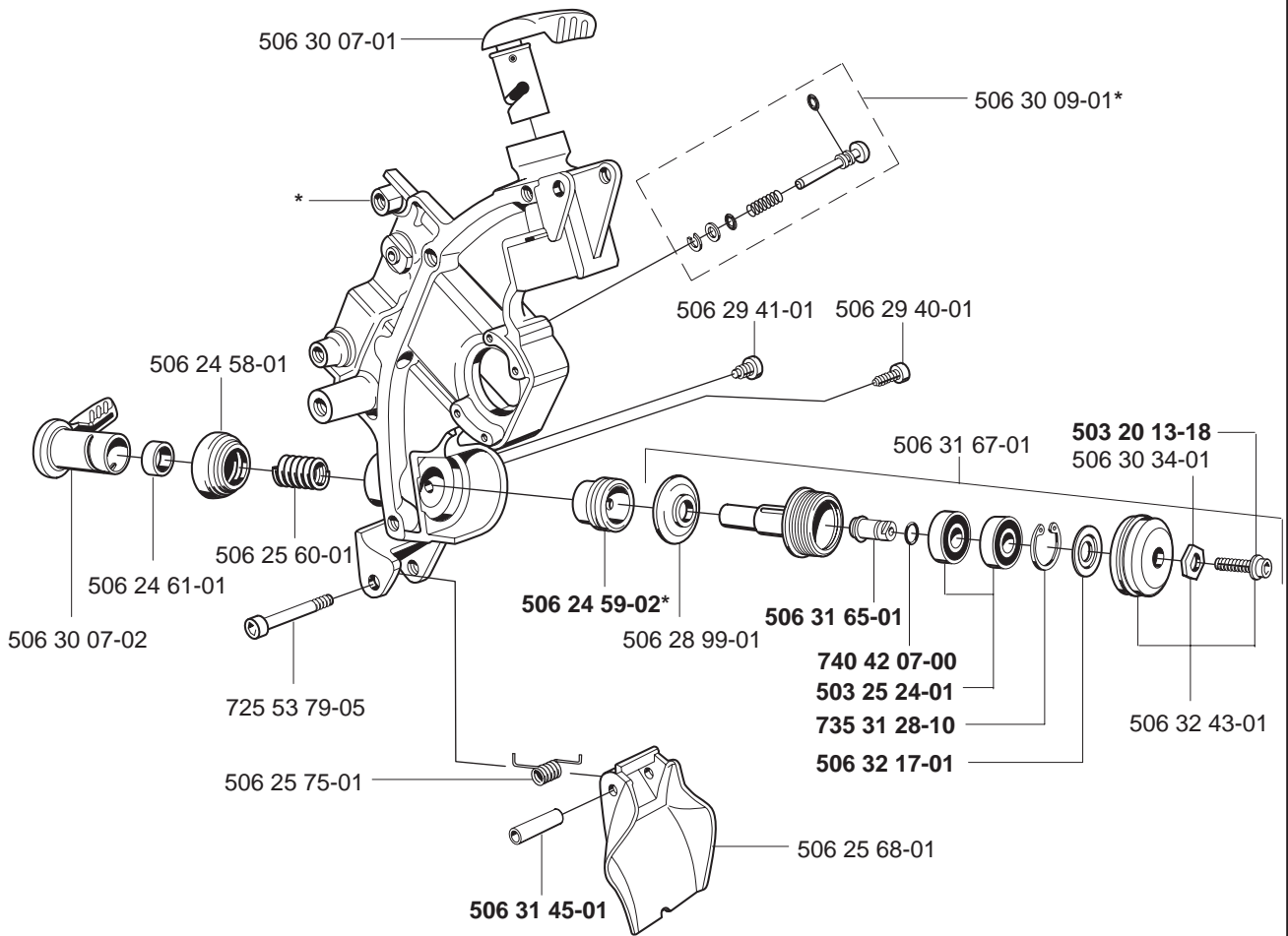
A



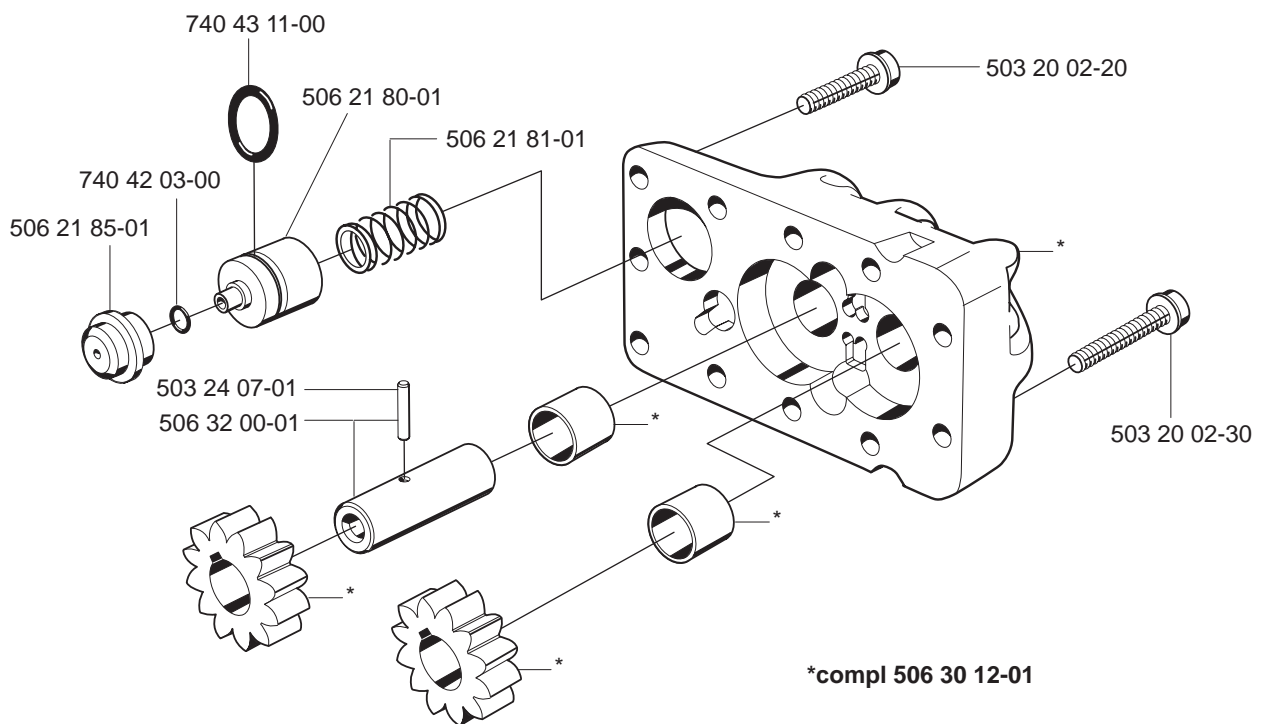
B *compl 506 28 51-02



C *compl 506 30 06-11



D Hydr. motor compl 506 19 87-03

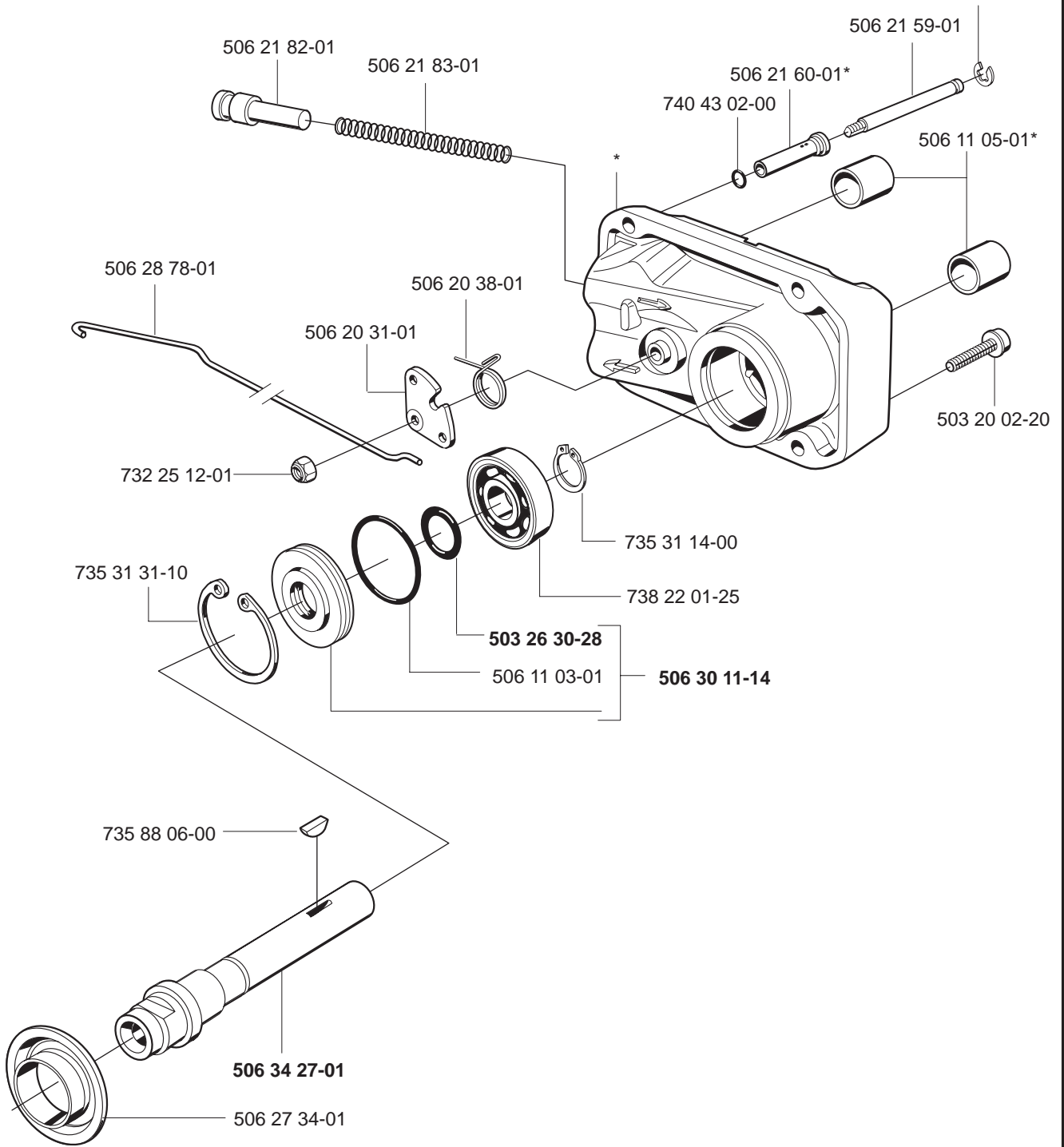


E

Hydr. motor compl 506 19 87-03

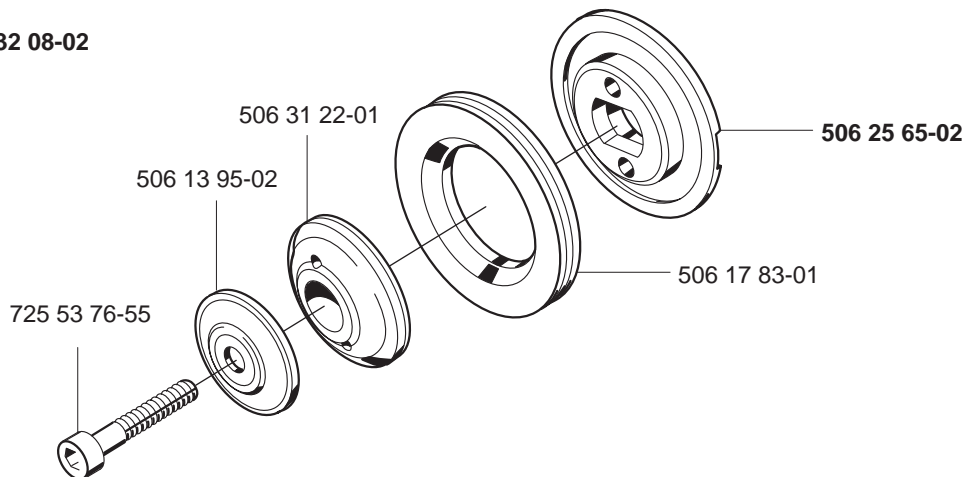
*compl 506 23 35-01

735 31 08-20

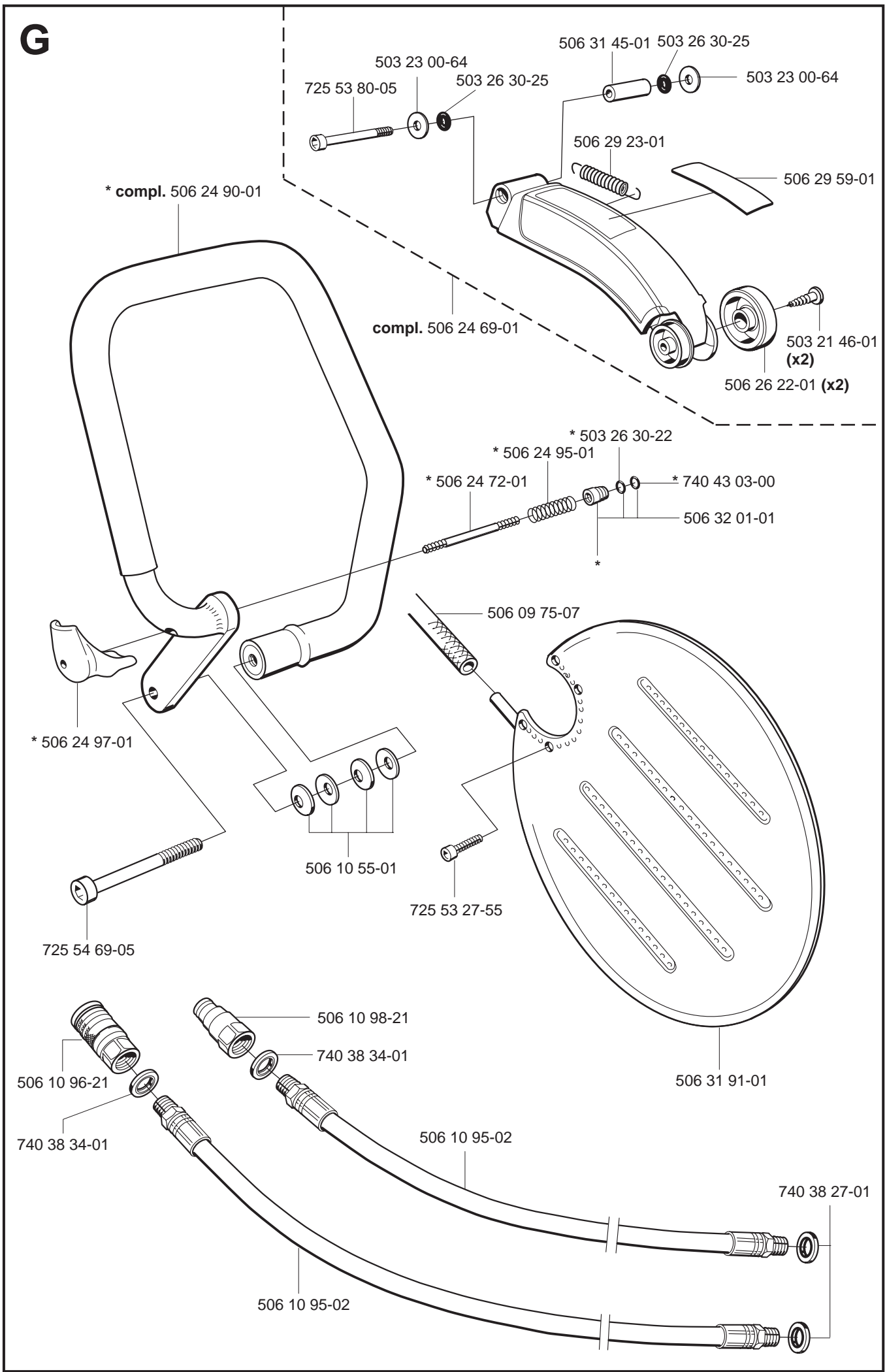


F

*compl 506 32 08-02



G



H

Tool kit 506 29 96-01

